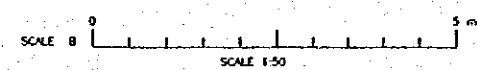
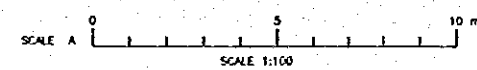


KEY PLAN
SCALE A

MARK	QTY	AD 1	1	AL 1	4	AL 2	2	AL 3	1
SHAPE									
TYPE		DOUBLE SWING		LOUVRE		LOUVRE		LOUVRE & EXHAUST-FAN	
MATERIAL	FINISH	FRAME	ALU	ANO	ALU	ANO	ALU	ANO	ALU
		PANEL	PLYWOOD 6 MM THICK	PRG	ALU	ANO	ALU	ANO	ALU
GLASS									
HARDWARE		METAL FITTINGS COMPLETE SET		METAL FITTINGS COMPLETE SET		METAL FITTINGS COMPLETE SET		METAL FITTINGS COMPLETE SET	
POSITION		POWER ROOM & ELECTRICAL ROOM		POWER ROOM & ELECTRICAL ROOM		POWER ROOM & ELECTRICAL ROOM		POWER ROOM	
MARK	QTY	AL 4	1	AD 2	1				
SHAPE									
TYPE		LOUVRE & FIX		DOUBLE SWING					
MATERIAL	FINISH	FRAME	ALU	ANO	ALU	ANO			
		PANEL	ALU	ANO	PLYWOOD 6 MM THICK	PRG			
GLASS									
HARDWARE		METAL FITTINGS COMPLETE SET		METAL FITTINGS COMPLETE SET					
POSITION		ELECTRICAL ROOM		POWER ROOM & ELECTRICAL ROOM					

DOOR & WINDOW SCHEDULE
SCALE B



LEGEND :

AD : ALUMINUM DOOR
AW : ALUMINUM WINDOW
AL : ALUMINUM LOUVRE
ADW : ALUMINUM DOOR WINDOW

MATERIAL :

ALU : ALUMINUM
ANO : ANODIZED
PRG : POLYUR, CLEAR SEMI-GLOSS

DOORS & WINDOWS SYMBOL

REFERENCE NO.

NO.	DATE	REVISIONS	ORIGINATED	DESIGNED	APPROVED

THE REPUBLIC OF INDONESIA
MINISTRY OF PUBLIC WORKS
DIRECTORATE GENERAL OF WATER RESOURCES DEVELOPMENT AND DIRECTORATE GENERAL OF HUMAN SETTLEMENT

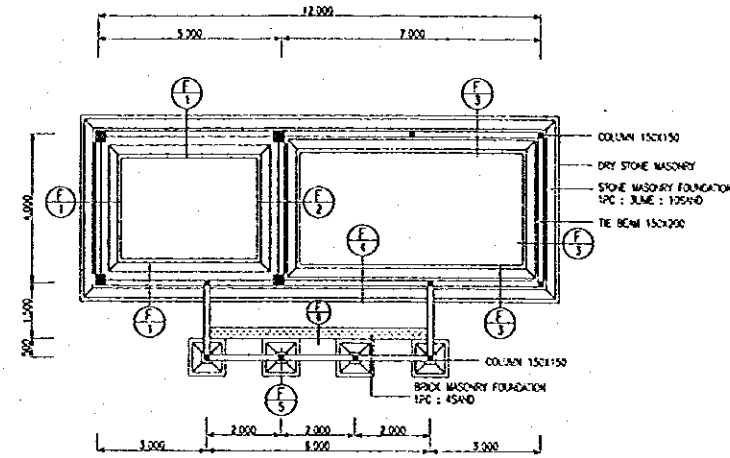
PROVINCE: CENTRAL JAWA
PROJECT NAME: FLOOD CONTROL URBAN DRAINAGE AND WATER RESOURCES DEVELOPMENT IN SEMARANG IN THE REPUBLIC OF INDONESIA
DISTRICT: SEMARANG CITY
DRAWING NO. J4-322/WP-P2-SM-08-30
SHEET NO. 198
DATE: CONTRACT NO.

JRATUNSELUNA FLOOD CONTROL PROJECT
COMPONENT: WEST FLOODWAY / GARANG RIVER IMPROVEMENT
SIMONGAN WEIR MANAGEMENT COMPLEX
ELECTRICAL BUILDING
KEY PLAN, DOOR, WINDOW SCHEDULE

JAPAN INTERNATIONAL COOPERATION AGENCY
CIJIBENINGRONG COLLOID. 2F-402/0001-0001
PACIFIC CONSULTANTS INTERNATIONAL, INC.
PACIFIC CONSULTANTS INTERNATIONAL, INC.

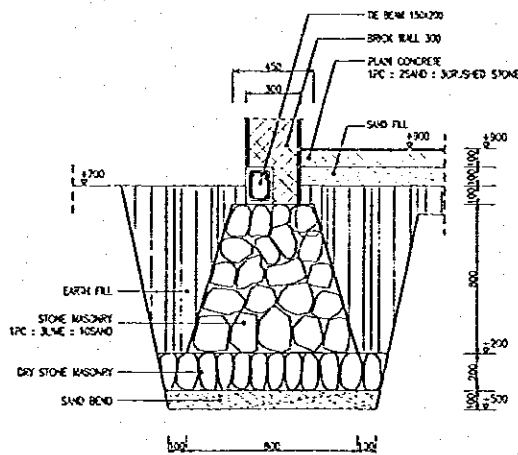
DESIGNED: [Signature]
CHECKED: [Signature]
APPROVED: [Signature]

CHIEF OF PLANNING AND DESIGN
PROJECT MANAGER

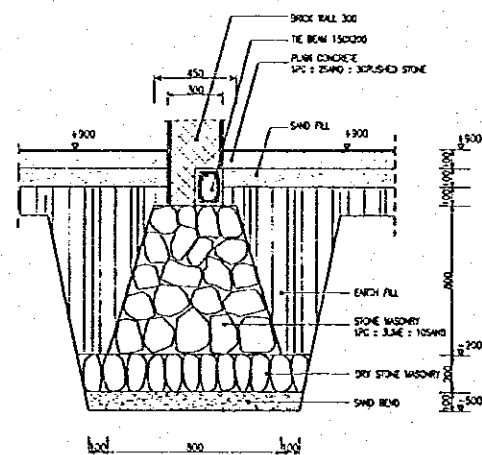


FOUNDATION PLAN
SCALE A C4/300

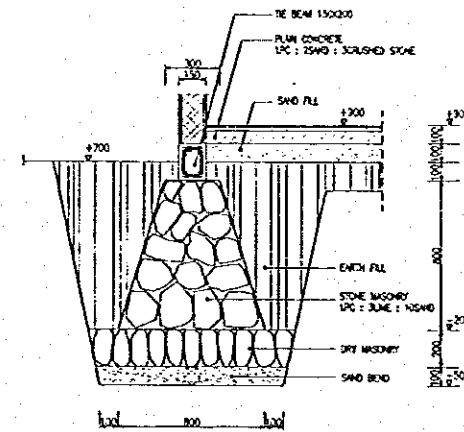
DETAIL F1



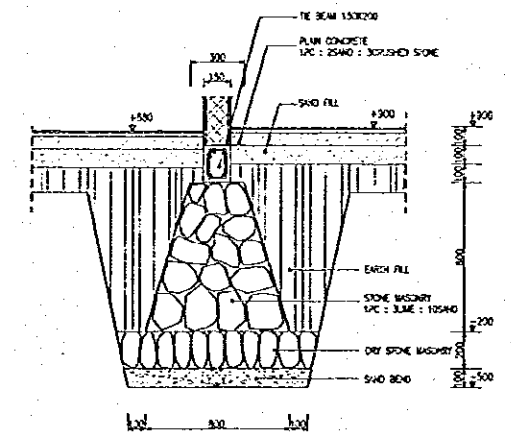
DETAIL F2



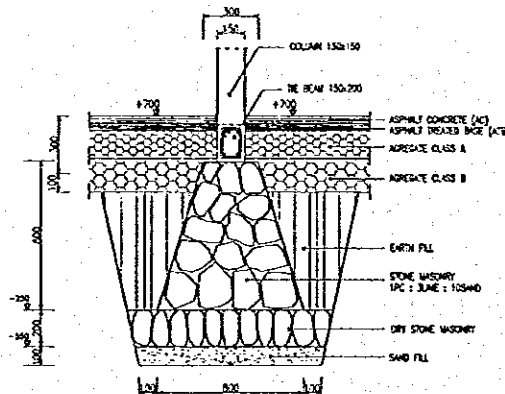
DETAIL F3



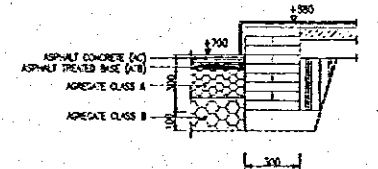
DETAIL F4



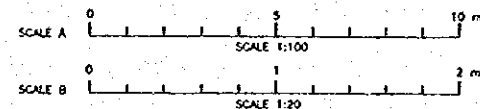
DETAIL F5



DETAIL F6

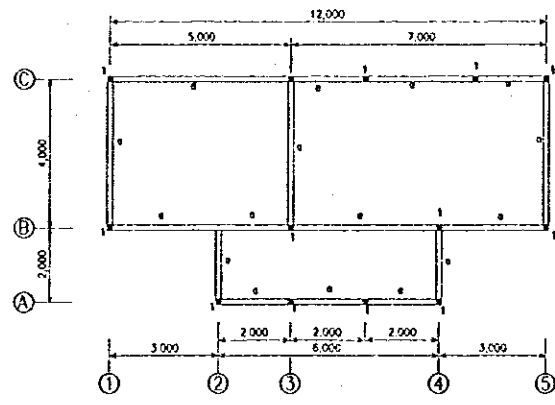


FOUNDATION SCHEDULE
SCALE B C4/300

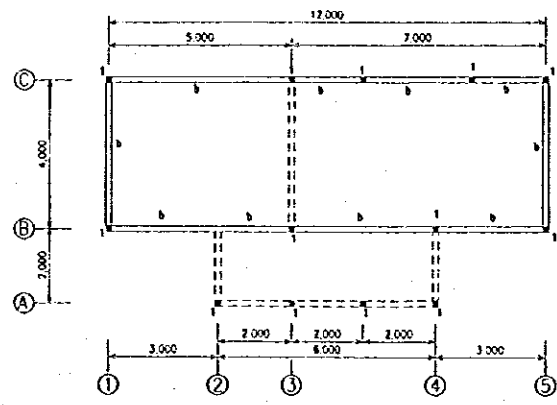


NO.	DATE	REVISIONS	ORIGINATED	DESIGNED	APPROVED

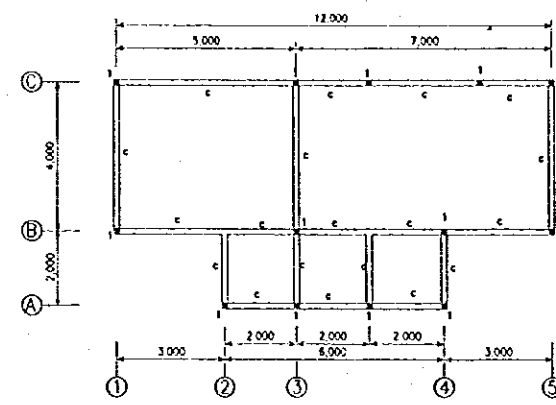
THE REPUBLIC OF INDONESIA MINISTRY OF PUBLIC WORKS DIRECTORATE GENERAL OF WATER RESOURCES DEVELOPMENT AND DIRECTORATE GENERAL OF HUMAN SETTLEMENT		PROVINCE CENTRAL JAVA
IRATUNSELUNA FLOOD CONTROL PROJECT COMPONENT : WEST FLOODWAY/GARANG RIVER IMPROVEMENT SIMONGAN WEIR MANAGEMENT COMPLEX ELECTRICAL BUILDING FOUNDATION PLAN & DETAIL		PROJECT NAME FLOOD CONTROL, LEAKY BRIDGE AND WATER RESOURCES DEVELOPMENT OF SEMARANG OF THE REPUBLIC OF INDONESIA
JIAPA INTERNATIONAL COOPERATION AGENCY CTE ENGINEERING CO. LTD IN ASSOCIATION WITH PACIFIC CONSULTANTS INTERNATIONAL INC PARIS INTERNATIONAL INC.		DISTRICT SEMARANG CITY DRAWING NO. C4-300/90-P2-SM-BF-3 SHEET NO. 199
DESIGNED <i>[Signature]</i>	CHECKED <i>[Signature]</i>	RATE CONTRACT NO.
APPROVED CHIEF OF PLANNING AND DESIGN PROJECT MANAGER		



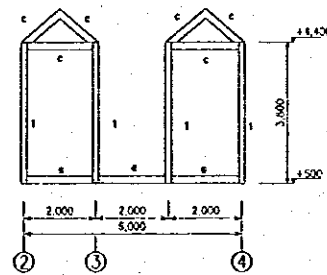
COLUMN & TIE BEAM PLAN +600
SCALE A



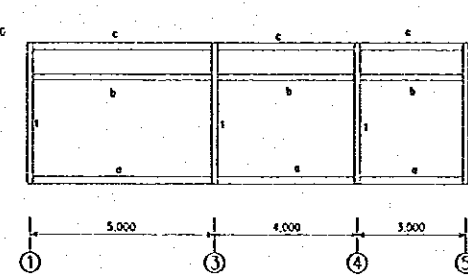
COLUMN & TIE BEAM PLAN +3,400
SCALE A



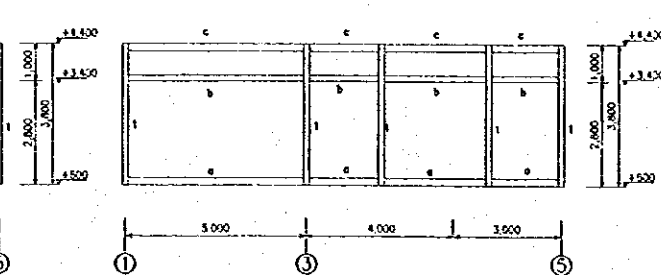
COLUMN & TIE BEAM PLAN +4,400
SCALE A



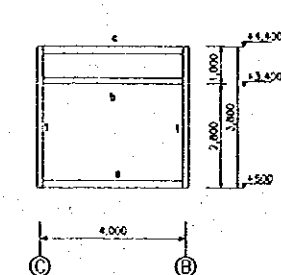
FRAMING LINE A
SCALE A



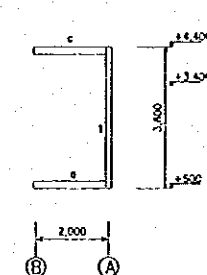
FRAMING LINE B
SCALE A



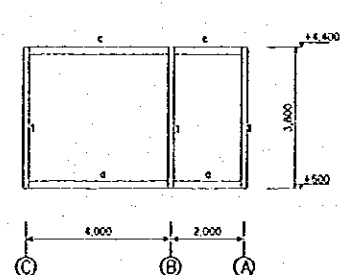
FRAMING LINE C
SCALE A



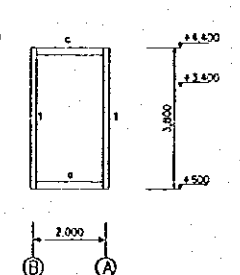
FRAMING LINE 1&5
SCALE A



FRAMING LINE 2
SCALE A



FRAMING LINE 3
SCALE A



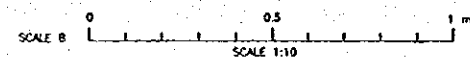
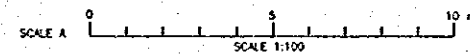
FRAMING LINE 4
SCALE A

SECTION OF BEAM REINFORCEMENT						
ARRANGEMENT	BEAM TYPE (A)		BEAM TYPE (B)		BEAM TYPE (C)	
	MD SPAN	EDGE	MD SPAN	EDGE	MD SPAN	EDGE
TOP	2#12	2#12	2#12	2#12	2#12	2#12
MIDDLE	—	—	—	—	—	—
BOTTOM	2#12	2#12	2#12	2#12	2#12	2#12
STIRRLP	#5-200	#5-150	#5-200	#5-150	#5-200	#5-150

SECTION BEAM REINFORCEMENT
SCALE B

TYPICAL COLUMN REINFORCEMENT	
ARRANGEMENT	COLUMN TYPE 1
STIRRLP	#5-150

SECTION OF COLUMN REINFORCEMENT
SCALE B



NO.	DATE	REVISIONS	ORIGINATED	DESIGNED	APPROVED	APPROVED

THE REPUBLIC OF INDONESIA
MINISTRY OF PUBLIC WORKS
DIRECTORATE GENERAL OF WATER RESOURCES DEVELOPMENT
AND DIRECTORATE GENERAL OF HUMAN SETTLEMENT

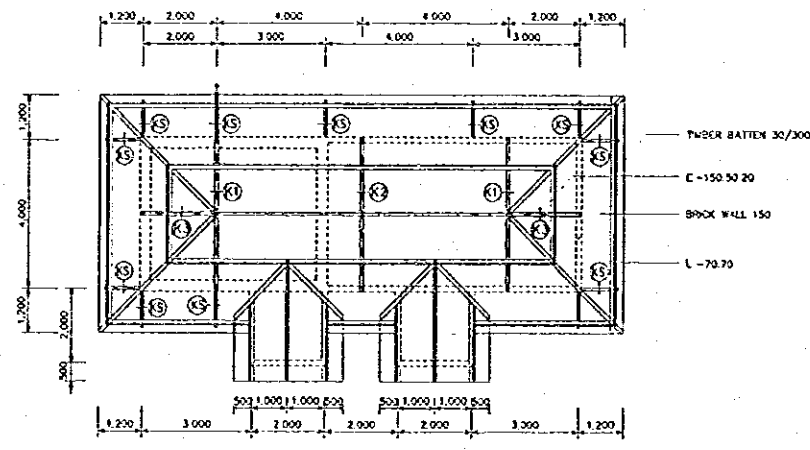
IRATUNSELUNA FLOOD CONTROL PROJECT
COMPONENT : WEST FLOODWAY/GARANG RIVER IMPROVEMENT
SIMONGAN WEIR MANAGEMENT COMPLEX
ELECTRICAL BUILDING
COLUMN, TIE BEAM & FRAMING ELEVATION

JAPAN INTERNATIONAL COOPERATION AGENCY
JICA ENGINEERING CO. LTD. IN ASSOCIATION WITH
PACIFIC CONSULTANTS INTERNATIONAL AND
PACIFIC INTERNATIONAL, INC.

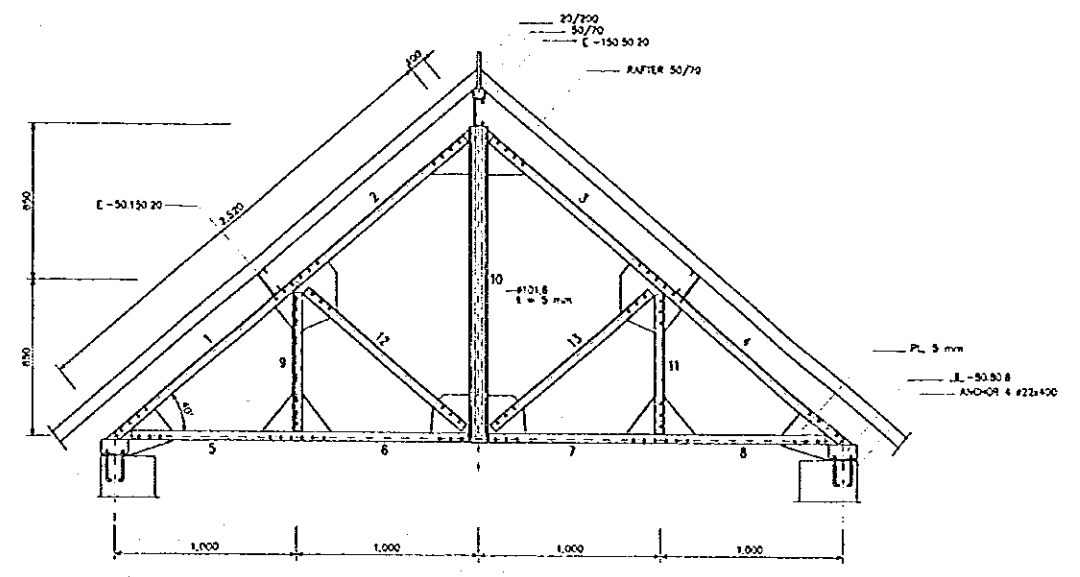
DESIGNED: [Signature]
CHECKED: [Signature]
DATE: [Date]
CONTRACT NO. [Number]

PROVIDENCE: CENTRAL JAVA
PROJECT NAME: FLOOD CONTROL, URBAN DRAINAGE AND WATER RESOURCES DEVELOPMENT IN SEMARANG IN THE REPUBLIC OF INDONESIA
DISTRICT: SEMARANG CITY
BRANCO: NOCA-301/WE-P2-SM-BK-32
SHEET NO. 208

CHIEF OF PLANNING AND DESIGN
PROJECT MANAGER



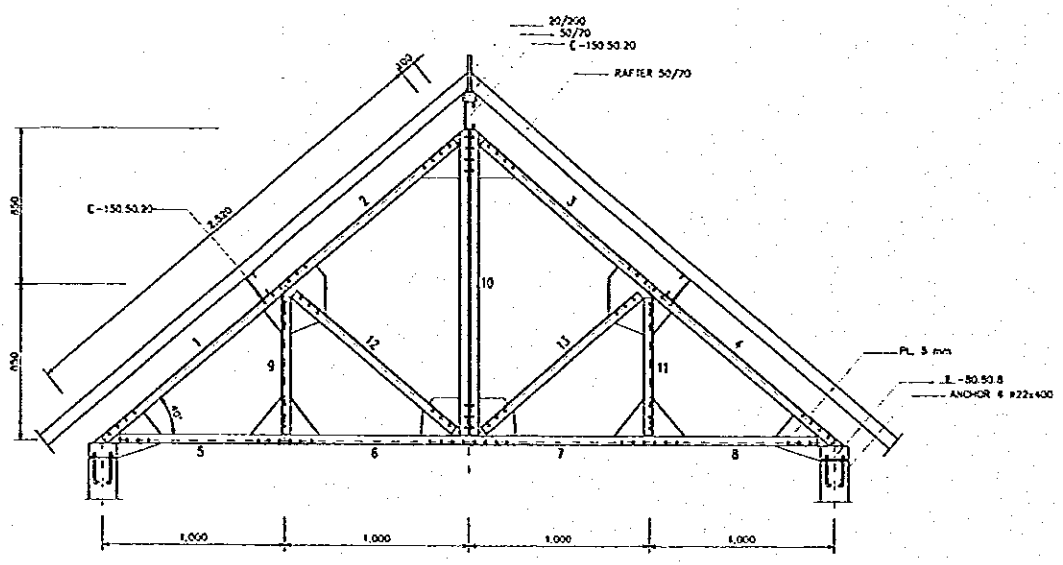
ROOF PLAN
SCALE A [C4]302



TYPE K1
SCALE B [C4]302

MEMBER LIST K1 - 1 Pcs

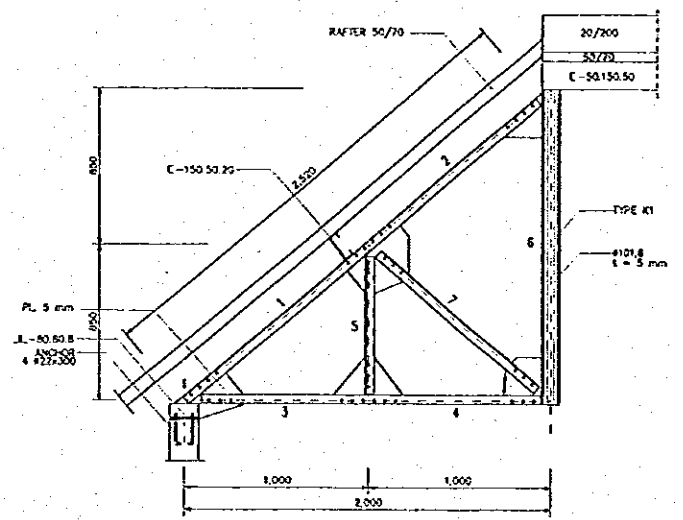
LIST NUMBER	PROFILE	TOTAL	BOLT			NOTE
			# mm	a mm	b mm	
1-4	T-50.50.5	4-3	14	40	80	
2-3	T-50.50.5	3-4	14	40	80	
5-8	L-50.50.5	4-3	14	40	80	
6-7	L-50.50.5	3-4	14	40	80	
9-11	L-50.50.5	3-3	14	40	80	
10	PPE #101.8	-	-	-	-	
12-13	T-50.50.5	3-3	14	40	80	



TYPE K2
SCALE B [C4]302

MEMBER LIST K2 - 1 Pcs

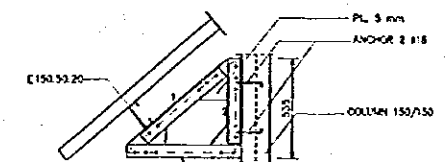
LIST NUMBER	PROFILE	TOTAL	BOLT			NOTE
			# mm	a mm	b mm	
1-4	T-50.50.5	4-3	14	40	80	
2-3	T-50.50.5	3-4	14	40	80	
5-8	L-50.50.5	4-3	14	40	80	
6-7	L-50.50.5	3-4	14	40	80	
9-11	L-50.50.5	3-3	14	40	80	
10	PPE #101.8	-	-	-	-	
12-13	T-50.50.5	3-3	14	40	80	



TYPE K3
SCALE B [C4]302

MEMBER LIST K3 - 2 Pcs

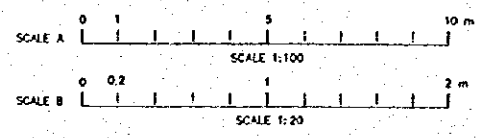
LIST NUMBER	PROFILE	TOTAL	BOLT			NOTE
			# mm	a mm	b mm	
1	T-50.50.5	4-3	14	40	80	
2	T-50.50.5	3-4	14	40	80	
3	L-50.50.5	4-3	14	40	80	
4	L-50.50.5	3-4	14	40	80	
5	L-50.50.5	3-3	14	40	80	
6	PPE #101.8	-	-	-	-	
7	T-50.50.5	3-3	14	40	80	



TYPE KS
SCALE B [C4]302

MEMBER LIST TYPE KS - 12 Pcs

LIST NUMBER	PROFILE	TOTAL	BOLT			NOTE
			# mm	a mm	b mm	
1	C-70.70.7	2-3	14	40	80	
2	L-70.70.7	3-2	14	40	80	
3	L-70.70.7	3-2	14	40	80	



NO.	DATE	REVISIONS	ORIGINATED	DESIGNED	APPROVED

THE REPUBLIC OF INDONESIA
 MINISTRY OF PUBLIC WORKS
 DIRECTORATE GENERAL OF WATER RESOURCES DEVELOPMENT
 AND DIRECTORATE GENERAL OF HUMAN SETTLEMENT

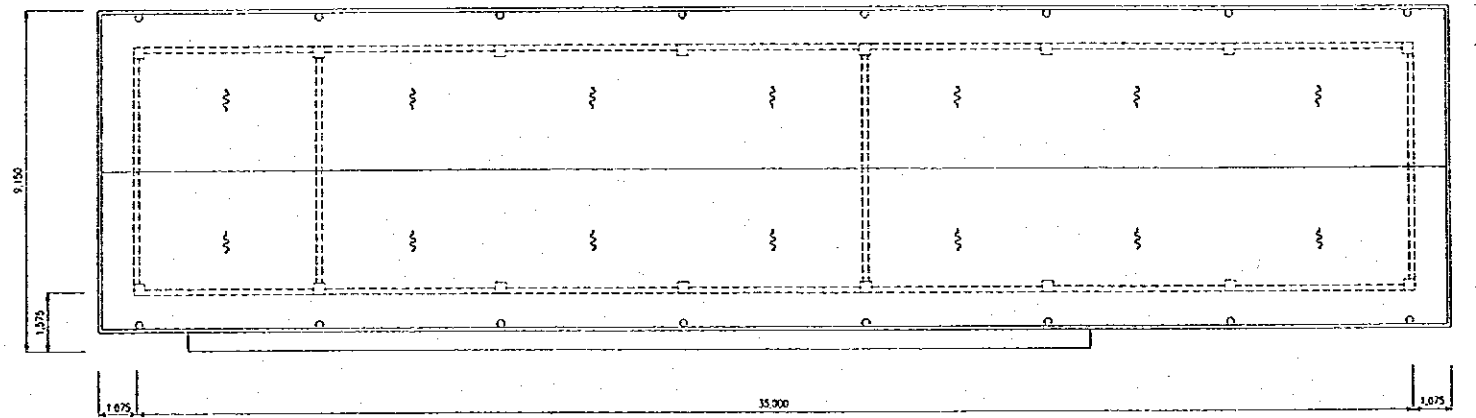
PROVINCE: CENTRAL JAVA
 PROJECT NAME: FLOOD CONTROL, LEAKAGE DRAINAGE AND WATER SERVICES DEVELOPMENT IN SEMARANG OF THE REPUBLIC OF INDONESIA
 DISTRICT: SEMARANG CITY
 DRAWING NO: C4-302 (M-P2-9A-B)-3
 SHEET NO: 201
 DATE: []
 CONTRACT NO: []

IRATUNSELUNA FLOOD CONTROL PROJECT
 COMPONENT: WEST FLOODWAY/GARANG RIVER IMPROVEMENT
 SIMONGAN WEIR MANAGEMENT COMPLEX
 ELECTRICAL BUILDING
 ROOF STRUCTURE & TYPICAL TRUSS

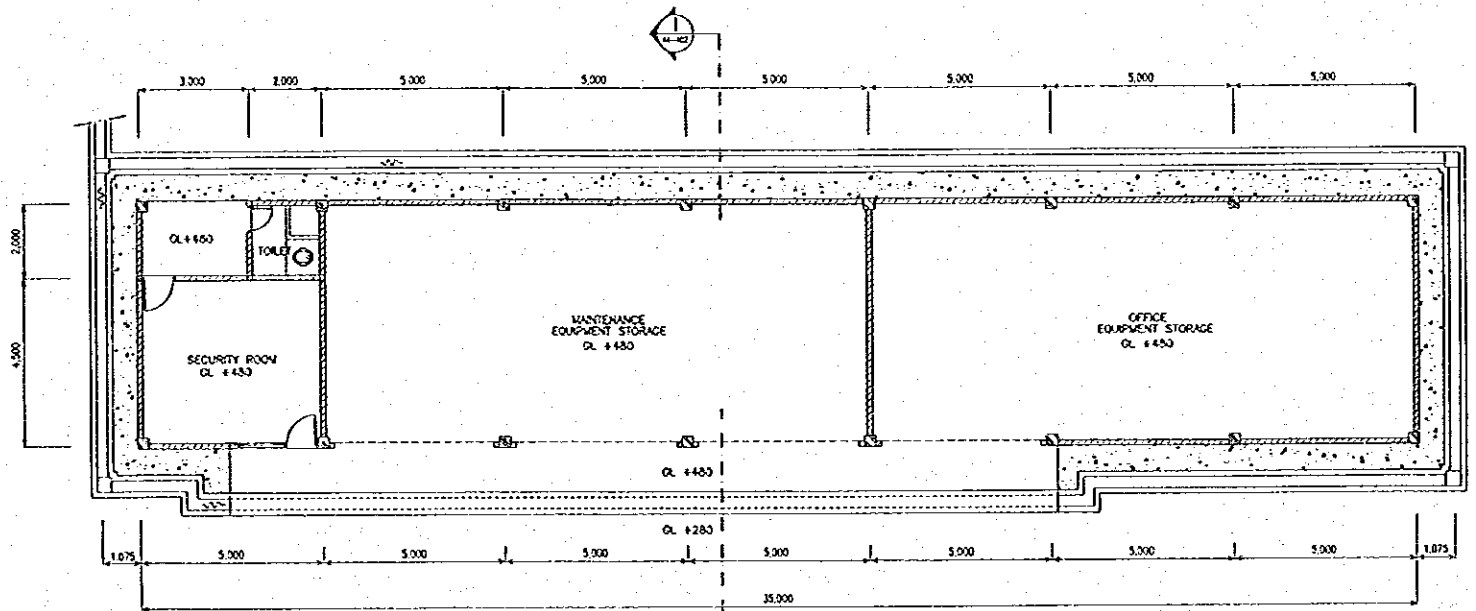
JAPAN INTERNATIONAL COOPERATION AGENCY
 LTD. ENGINEERING CONSULTANTS AND ARCHITECTS
 PACIFIC CONSULTANTS INTERNATIONAL INC.
 PARTNER INTERNATIONAL INC.

DESIGNED: [Signature]
 CHECKED: [Signature]

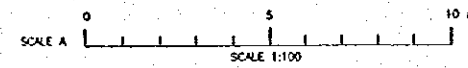
CHIEF OF PLANNING AND DESIGN
 PROJECT MANAGER



ROOF PLAN
SCALE: A

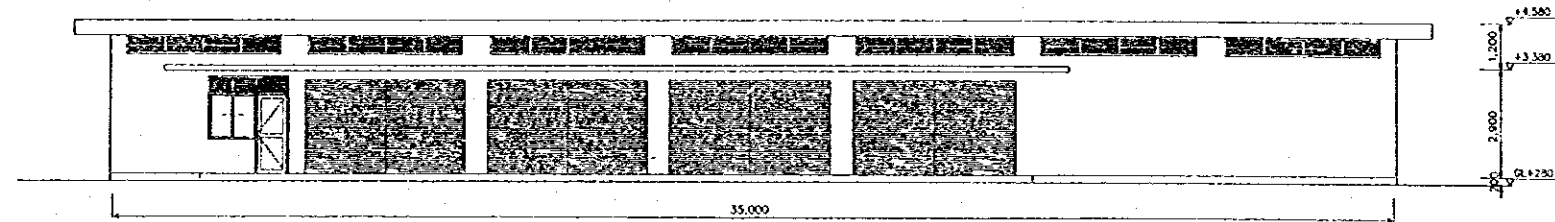


FLOOR PLAN
SCALE: A

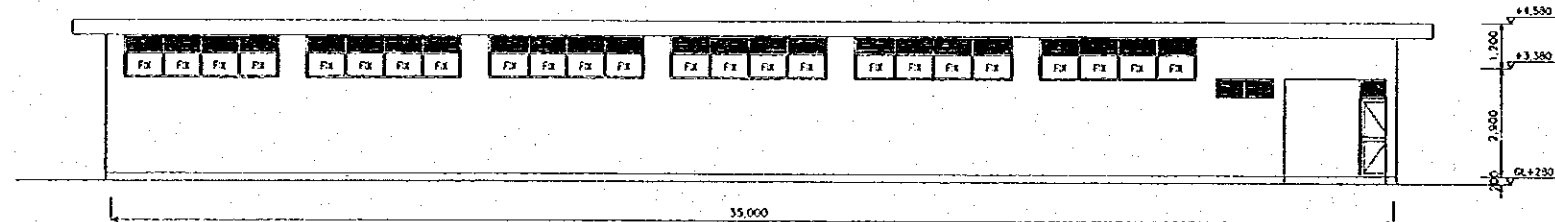


NO.	DATE	REVISORS	ORIGINATED	DESIGNED	APPROVED

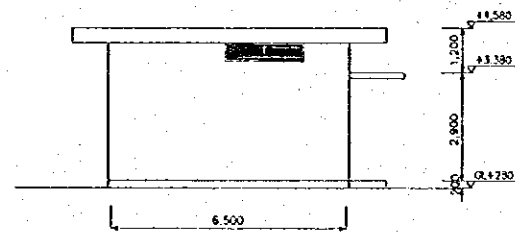
THE REPUBLIC OF INDONESIA MINISTRY OF PUBLIC WORKS DIRECTORATE GENERAL OF WATER RESOURCES DEVELOPMENT AND DIRECTORATE GENERAL OF HUMAN SETTLEMENT		PROVINCE CENTRAL JAVA
BRATUNSELUNA FLOOD CONTROL PROJECT COMPONENT : WEST FLOODWAY / GARANO RIVER IMPROVEMENT SIMONGAN WEIR MANAGEMENT COMPLEX STORAGE HOUSE II FLOOR PLAN, ROOF PLAN		PROJECT NAME FLOOD CONTROL, URBAN DRAINAGE AND WATER RESOURCES DEVELOPMENT IN SEMARANG IN THE REPUBLIC OF INDONESIA
LAPA INTERNATIONAL COOPERATION AGENCY CITI BUILDING COLLECTIVE IN URBAN-TPN WPT PACIFIC CONSULTANTS INTERNATIONAL, INC. JAWA BARU, INDONESIA		DISTRICT SEMARANG CITY
DESIGNED CHECKED		DRAWING NO. M-400/09/P2-SM-BI-3 SHEET NO. 2/2
CHIEF OF PLANNING AND DESIGN PROJECT MANAGER		DATE CONTRACT NO.



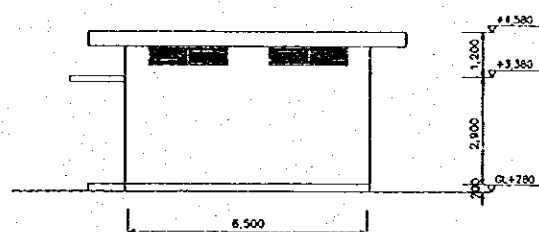
EAST ELEVATION
SCALE A



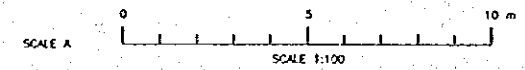
WEST ELEVATION
SCALE A



SOUTH ELEVATION
SCALE A



NORTH ELEVATION
SCALE A

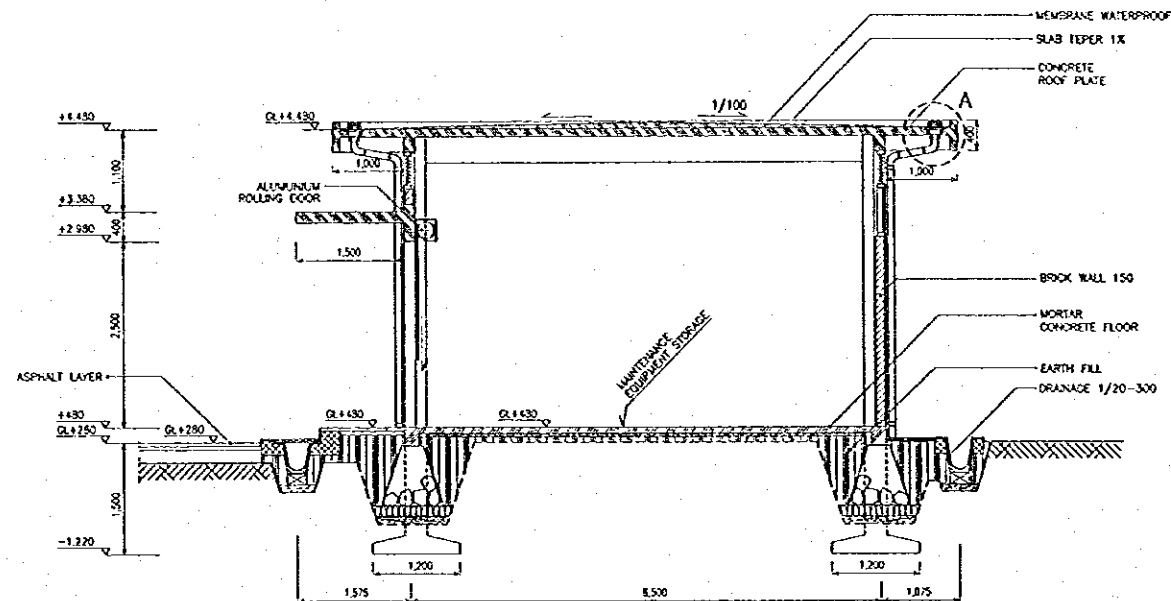


NO.	DATE	REVISIONS	ORIGINATED	DESIGNED	APPROVED

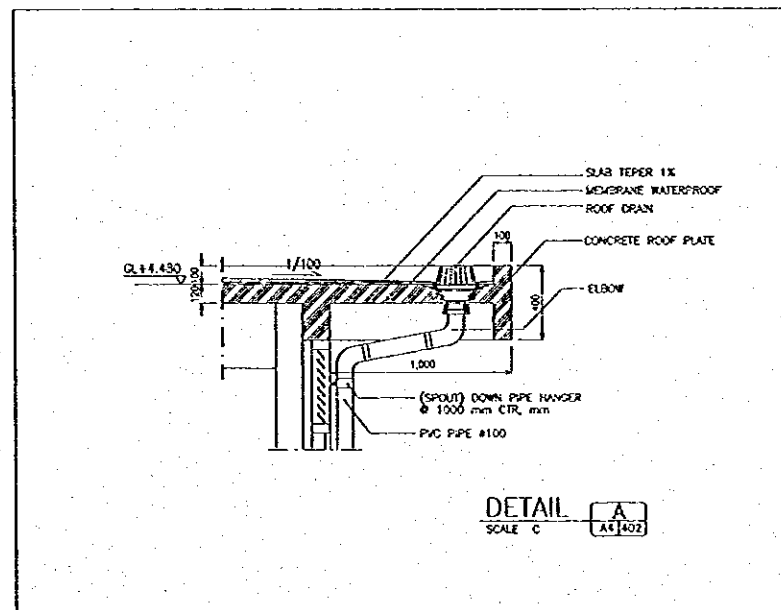
	THE REPUBLIC OF INDONESIA MINISTRY OF PUBLIC WORKS DIRECTORATE GENERAL OF WATER RESOURCES DEVELOPMENT AND DIRECTORATE GENERAL OF HUMAN SETTLEMENT		PROVINCE CENTRAL JAWA
	JATUNSELUNA FLOOD CONTROL PROJECT COMPONENT : WEST FLOODWAY / GARANG RIVER IMPROVEMENT SIMONGAN WEIR MANAGEMENT COMPLEX STORAGE HOUSE II ELEVATION		PROJECT NAME FLOOD CONTROL, URBAN DRAINAGE AND WATER RESOURCES DEVELOPMENT IN SEMARANG IN THE REPUBLIC OF INDONESIA
	SARAH INTERNATIONAL CO., LTD. PT. SARAH INTERNATIONAL PACIFIC CROSS STREET INTERNATIONAL 1408 PASADENA, CALIFORNIA, U.S.A.		DISTRICT SEMARANG CITY
	DESIGNED CHECKED	DATE CONTRACT NO.	SHEET NO. 293

NO. DATE REVISIONS ORIGINATED DESIGNED APPROVED APPROVED

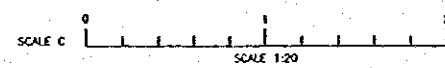
DESIGNED CHECKED DATE CONTRACT NO. SHEET NO. 293



SECTION I - I
SCALE B

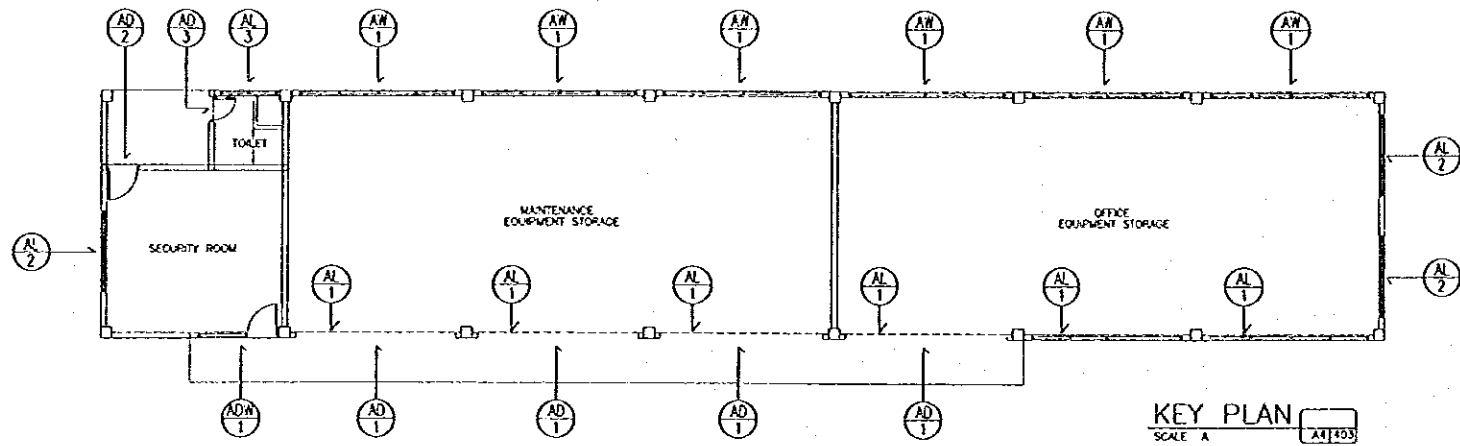


DETAIL A
SCALE C



NO.	DATE	REVISIONS	ORIGINATED	DESIGNED	APPROVED

THE REPUBLIC OF INDONESIA MINISTRY OF PUBLIC WORKS DIRECTORATE GENERAL OF WATER RESOURCES DEVELOPMENT AND DIRECTORATE GENERAL OF HUMAN SETTLEMENT		PROVINCE CENTRAL JAWA
BRATUNSELUNA FLOOD CONTROL PROJECT COMPONENT: WEST FLOODWAY / GARANG RIVER IMPROVEMENT SIMONGAN WEIR MANAGEMENT COMPLEX STORAGE HOUSE II SECTION & DETAIL		PROJECT NAME FLOOD CONTROL, URBAN DRAINAGE AND WATER RESOURCES DEVELOPMENT IN SEMARANG IN THE REPUBLIC OF INDONESIA DISTRICT SEMARANG CITY DRAWING NO. A4-A02/00-P2-SM-BI-35 SHEET NO. 104
JAPAN INTERNATIONAL COOPERATION AGENCY CITY ENGINEERING COLLEGE / YAMAGUCHI UNIV. PACIFIC CONSULTANTS INTERNATIONAL AND JAPAN INTERNATIONAL INC.	DESIGNED CHECKED CHIEF OF PLANNING AND DESIGN PROJECT MANAGER	DATE CONTRACT NO.



MARK		QTY	AD 1	4	AD 2	1	AD 3	1	AL 1	1
SHAPE										
TYPE			ROLLING DOOR		SINGLE SWING		SINGLE SWING		SINGLE SWING & DOUBLE SLIDING	
MATERIAL	FINISH	FRAME	ALU	-	ALU	ANO	ALU	ANO	ALU	ANO
		PANEL	ALU	-	PLYWOOD 6 MM THICK	-	PLYWOOD 6 MM THICK	-	PLYWOOD 6 MM THICK & GLASS	FRG
GLASS			-		-		-		CLEAR 5 MM THICK	
HARDWARE			METAL FITTINGS COMPLETE SET		METAL FITTINGS COMPLETE SET		METAL FITTINGS COMPLETE SET		METAL FITTINGS COMPLETE SET	
POSITION			MAINTENANCE & OFFICE EQUIPMENT STORAGE		SECURITY ROOM		TOILET		SECURITY ROOM	
MARK		QTY	AL 1	7	AW 1	6	AL 2	3	AL 3	1
SHAPE										
TYPE			LOUVRE		FIX & LOUVRE		LOUVRE		LOUVRE	
MATERIAL	FINISH	FRAME	ALU	ANO	ALU	ANO	ALU	ANO	ALU	ANO
		PANEL	ALU	ANO	GLASS	-	ALU	ANO	ALU	ANO
GLASS			-		CLEAR 5 MM THICK		-		-	
HARDWARE			METAL FITTINGS COMPLETE SET		METAL FITTINGS COMPLETE SET		METAL FITTINGS COMPLETE SET		METAL FITTINGS COMPLETE SET	
POSITION			SECURITY ROOM, MAINTENANCE & OFFICE EQUIPMENT STORAGE		MAINTENANCE & OFFICE EQUIPMENT STORAGE		SECURITY ROOM, MAINTENANCE & OFFICE EQUIPMENT STORAGE		TOILET	

LEGEND :

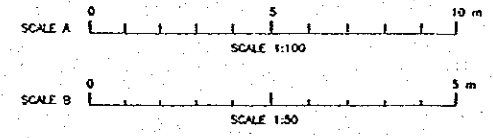
AD : ALUMINUM DOOR
 AW : ALUMINUM WINDOW
 AL : ALUMINUM LOUVRE
 ADW : ALUMINUM DOOR WINDOW

MATERIAL :

ALU : ALUMINUM
 ANO : ANODIZED
 FRG : POLYUREA, CLEAR SEMI-GLOSS

DOORS & WINDOWS SYMBOL
 REFERENCE NO.

DOOR & WINDOW SCHEDULE
 SCALE B



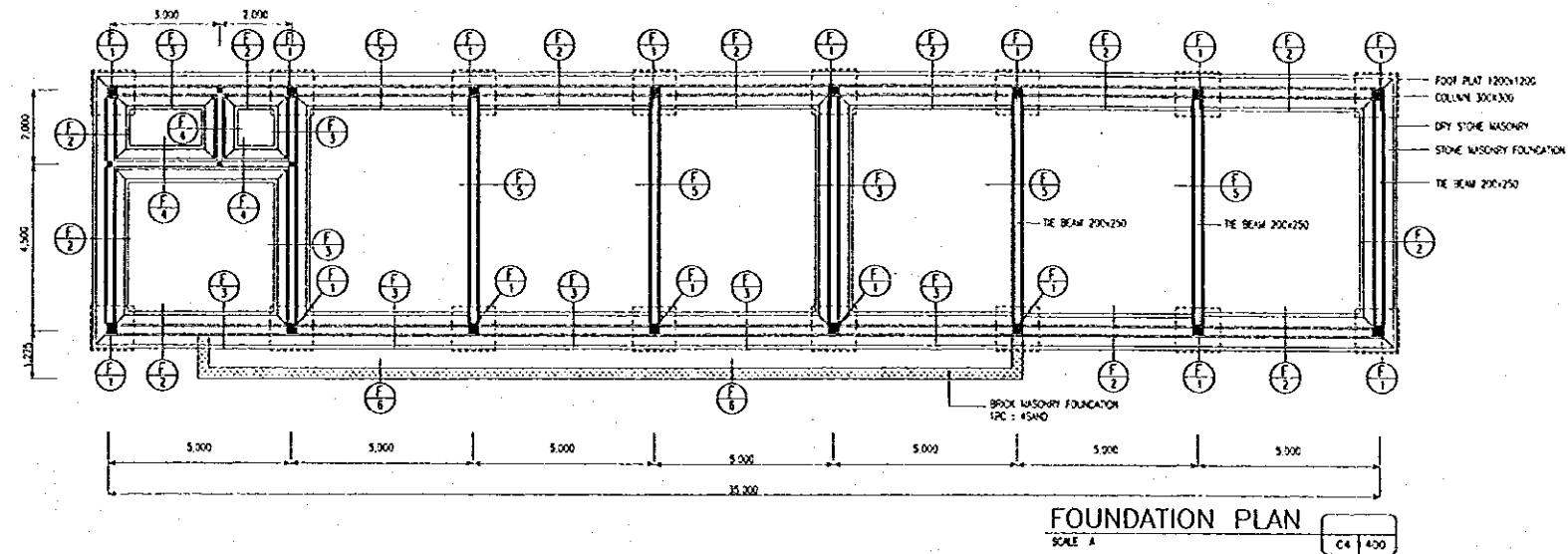
NO.	DATE	REVISIONS	ORIGINATED	DESIGNED	APPROVED

THE REPUBLIC OF INDONESIA
 MINISTRY OF PUBLIC WORKS
 DIRECTORATE GENERAL OF WATER RESOURCES DEVELOPMENT AND DIRECTORATE GENERAL OF HUMAN SETTLEMENT

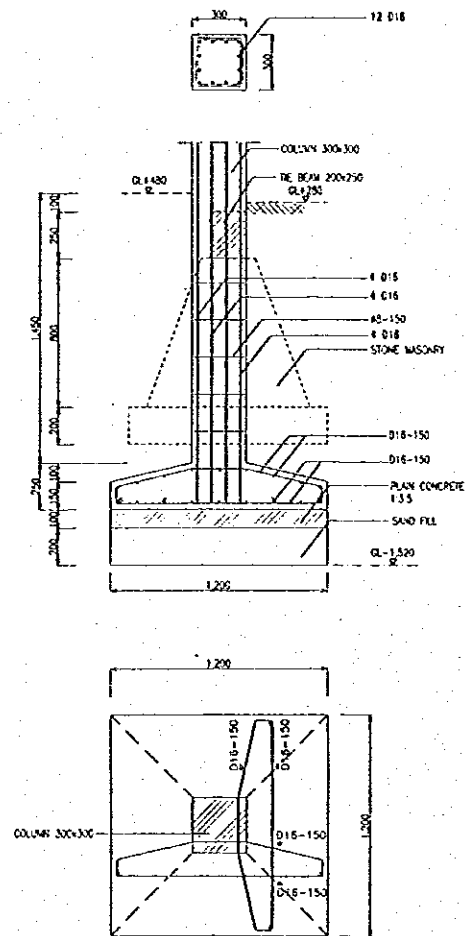
PROVINCE: CENTRAL JAVA
 PROJECT NAME: FLOOD CONTROL, URBAN DRAINAGE AND WATER RESOURCES DEVELOPMENT IN SEMARANG IN THE REPUBLIC OF INDONESIA
 DISTRICT: SEMARANG CITY
 DRAWING NO. 44-403/WS-P2-SH-B-37
 SHEET NO. 105
 DATE: _____ CONTRACT NO. _____

JRATUNSELUNA FLOOD CONTROL PROJECT
 COMPONENT: WEST FLOODWAY / GARANG RIVER IMPROVEMENT
 SIMONGAN WEIR MANAGEMENT COMPLEX
 STORAGE HOUSE II
 KEY PLAN, DOOR, WINDOW SCHEDULE

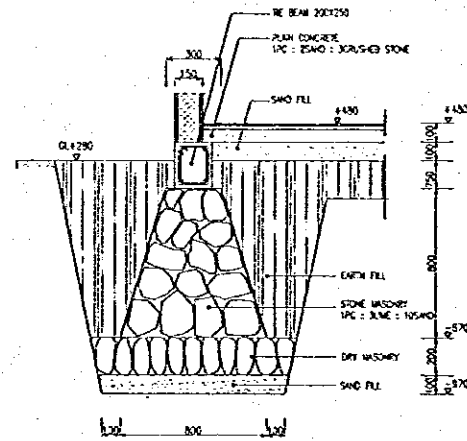
DESIGNED: [Signature]
 CHECKED: [Signature]
 CHIEF OF PLANNING AND DESIGN
 PROJECT MANAGER



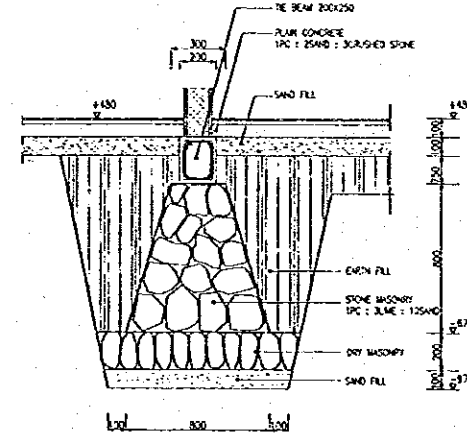
DETAIL F1



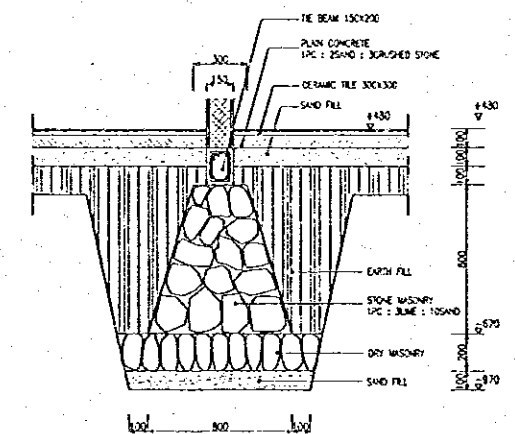
DETAIL F2



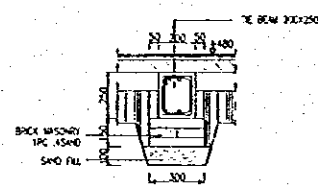
DETAIL F3



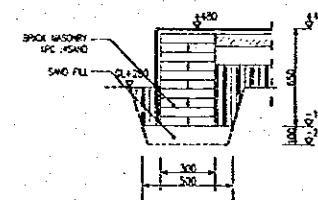
DETAIL F4



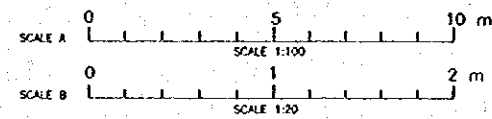
DETAIL F5



DETAIL F6

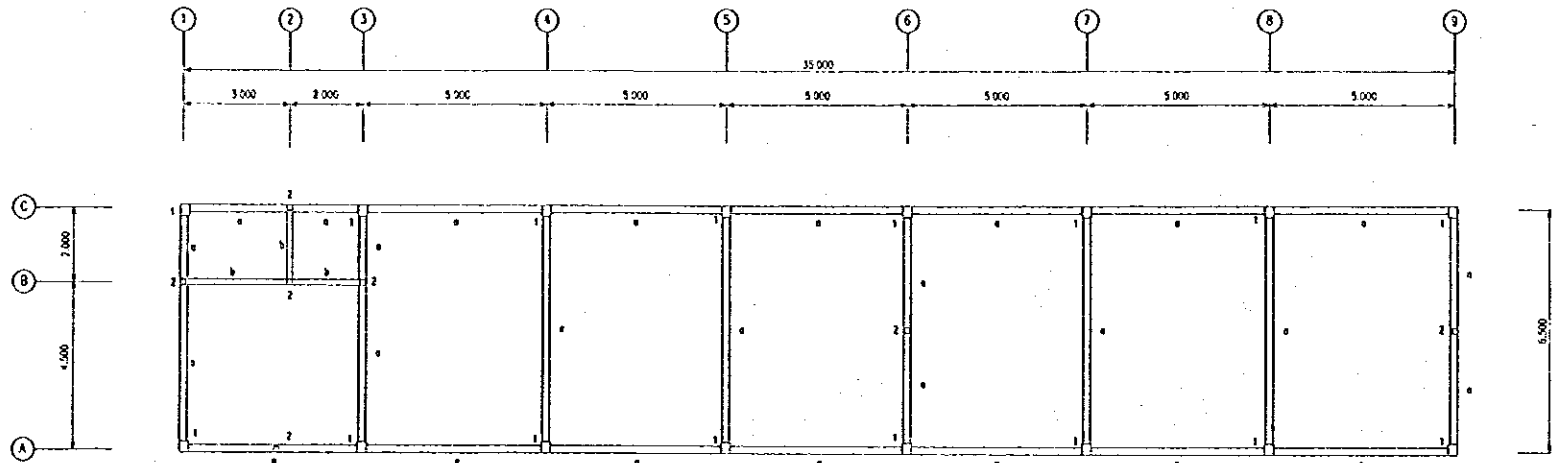


FOUNDATION SCHEDULE SCALE B C4 430

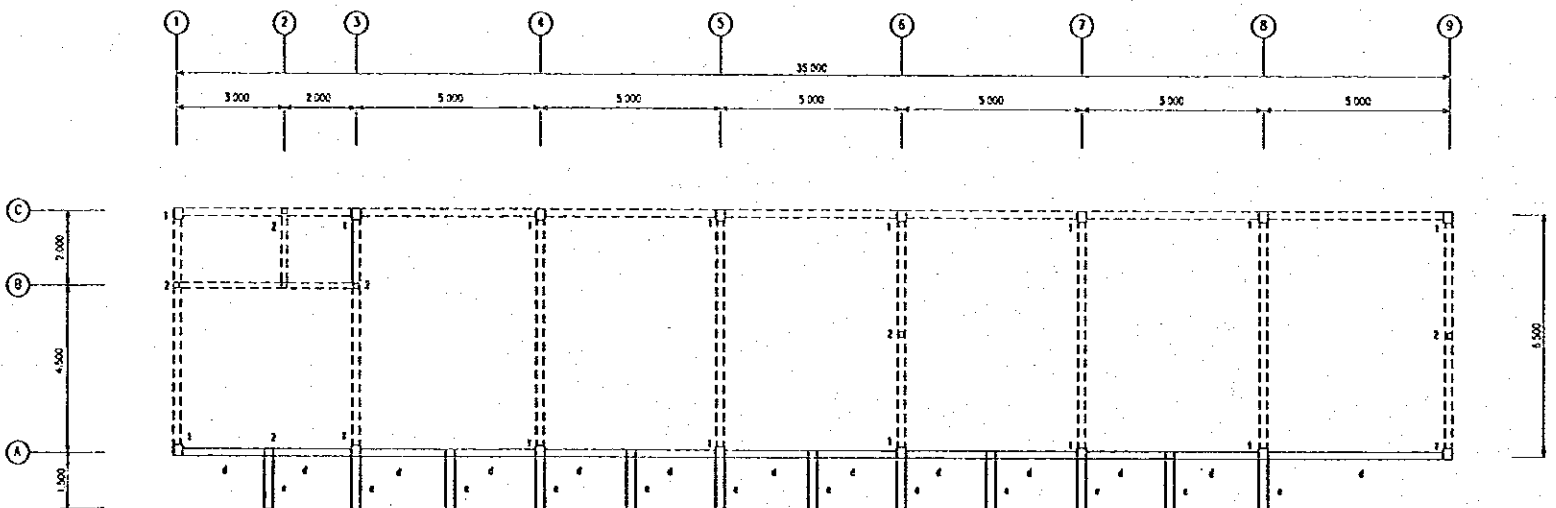


NO.	DATE	REVISIONS	ORIGINATED	DESIGNED	APPROVED

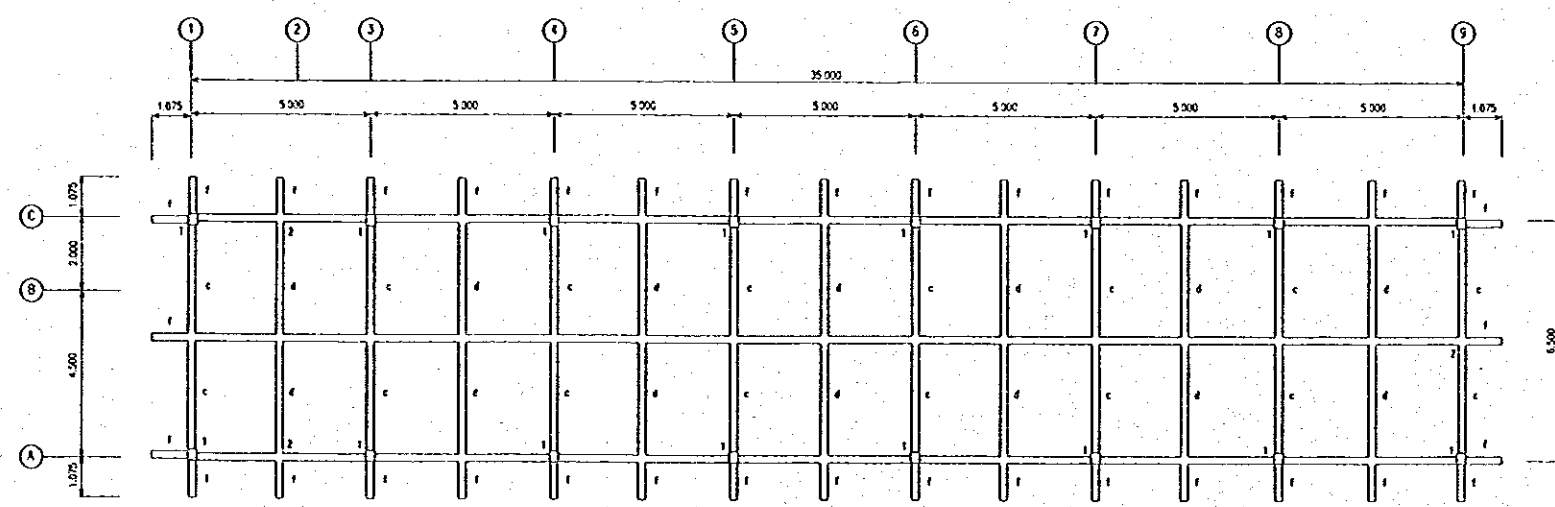
THE REPUBLIC OF INDONESIA MINISTRY OF PUBLIC WORKS DIRECTORATE GENERAL OF WATER RESOURCES DEVELOPMENT AND DIRECTORATE GENERAL OF HUMAN SETTLEMENT		PROVINCE CENTRAL JAWA
JATUNGSELUNA FLOOD CONTROL PROJECT COMPONENT : WEST FLOODWAY/CARANG RIVER ENVIRONMENT SIMONGAN WEIR MANAGEMENT COMPLEX STORAGE HOUSE II FOUNDATION PLAN & DETAIL		PROJECT NAME FLOOD CONTROL, LEAKY DRAINAGE AND WATER RESOURCES DEVELOPMENT IN SEMARANG IN THE REPUBLIC OF INDONESIA
JAPAN INTERNATIONAL COOPERATION AGENCY CTE ENGINEERING CO. LTD. IN ASSOCIATION WITH PACIFIC CONSULTANTS INTERNATIONAL AND PAKCO INTERNATIONAL INC.		DISTRICT SEMARANG CITY
DESIGNED CHECKED CHIEF OF PLANNING AND DESIGN PROJECT MANAGER		DRAWING NO C4-M00-90-P2-S4-B-30 SHEET NO. 206 DATE CONTRACT NO.



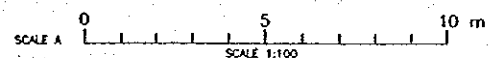
COLUMN TIE BEAM PLAN +3.80
SCALE A



COLUMN TIE BEAM PLAN +3.280
SCALE A

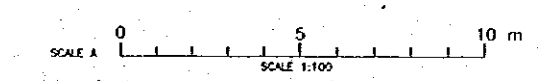
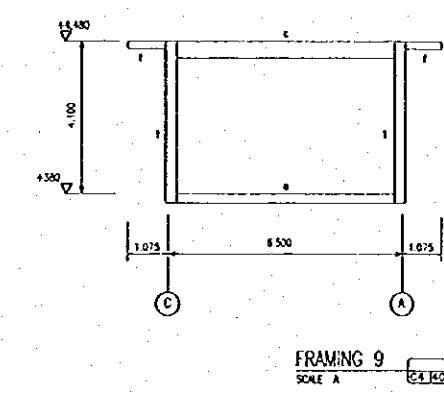
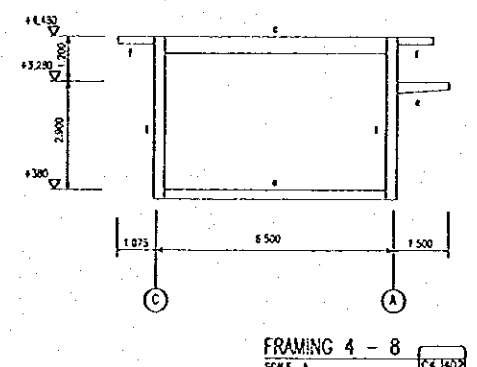
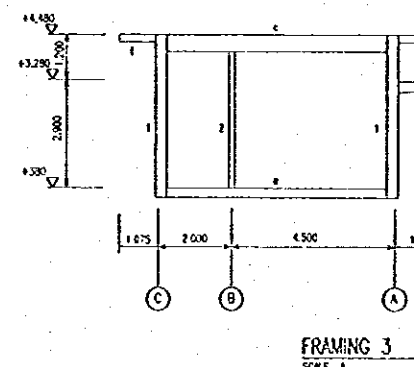
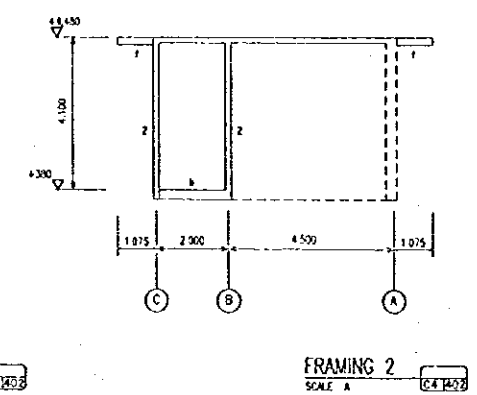
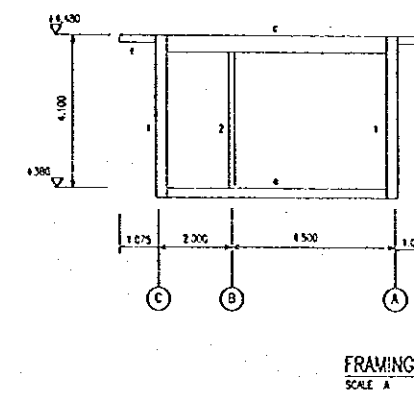
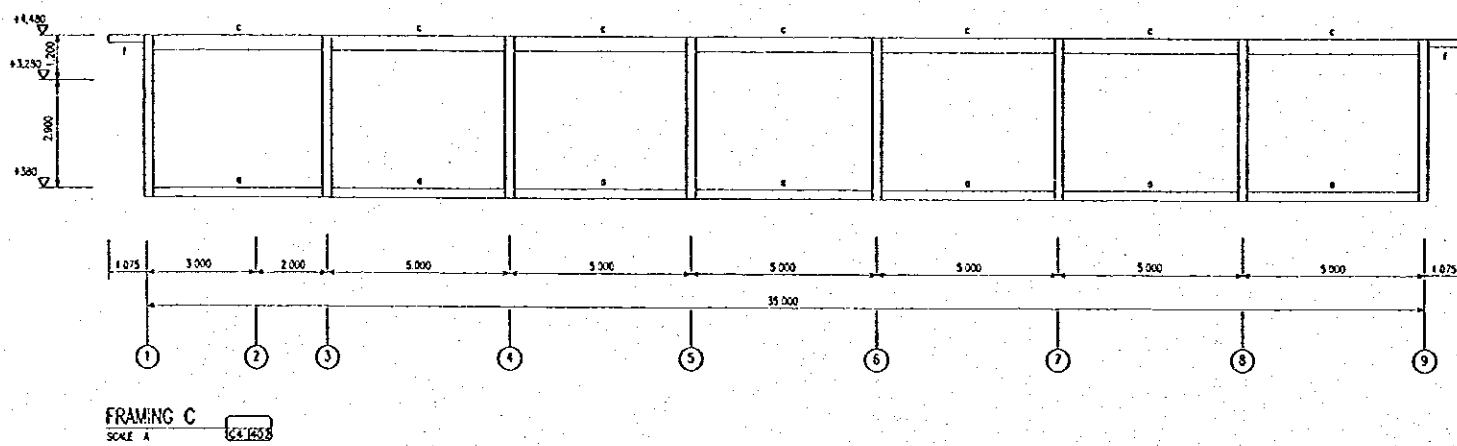
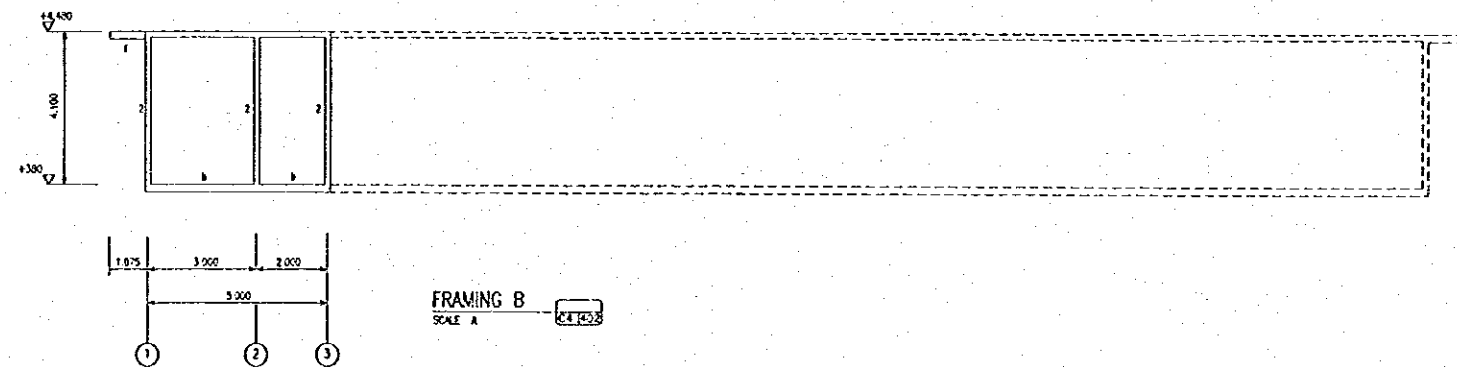
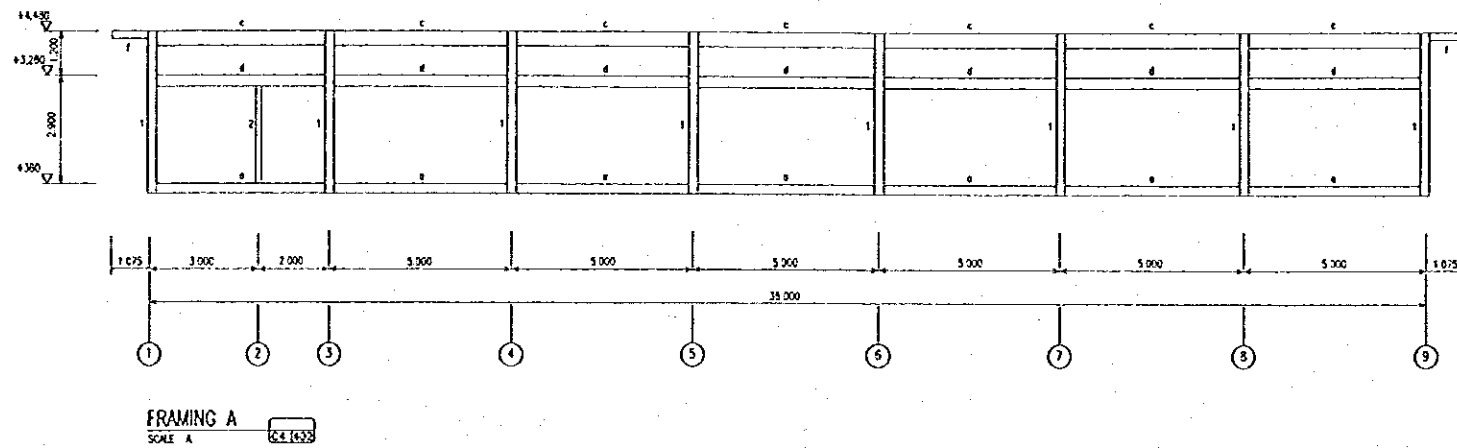


COLUMN TIE BEAM PLAN +4.480
SCALE A



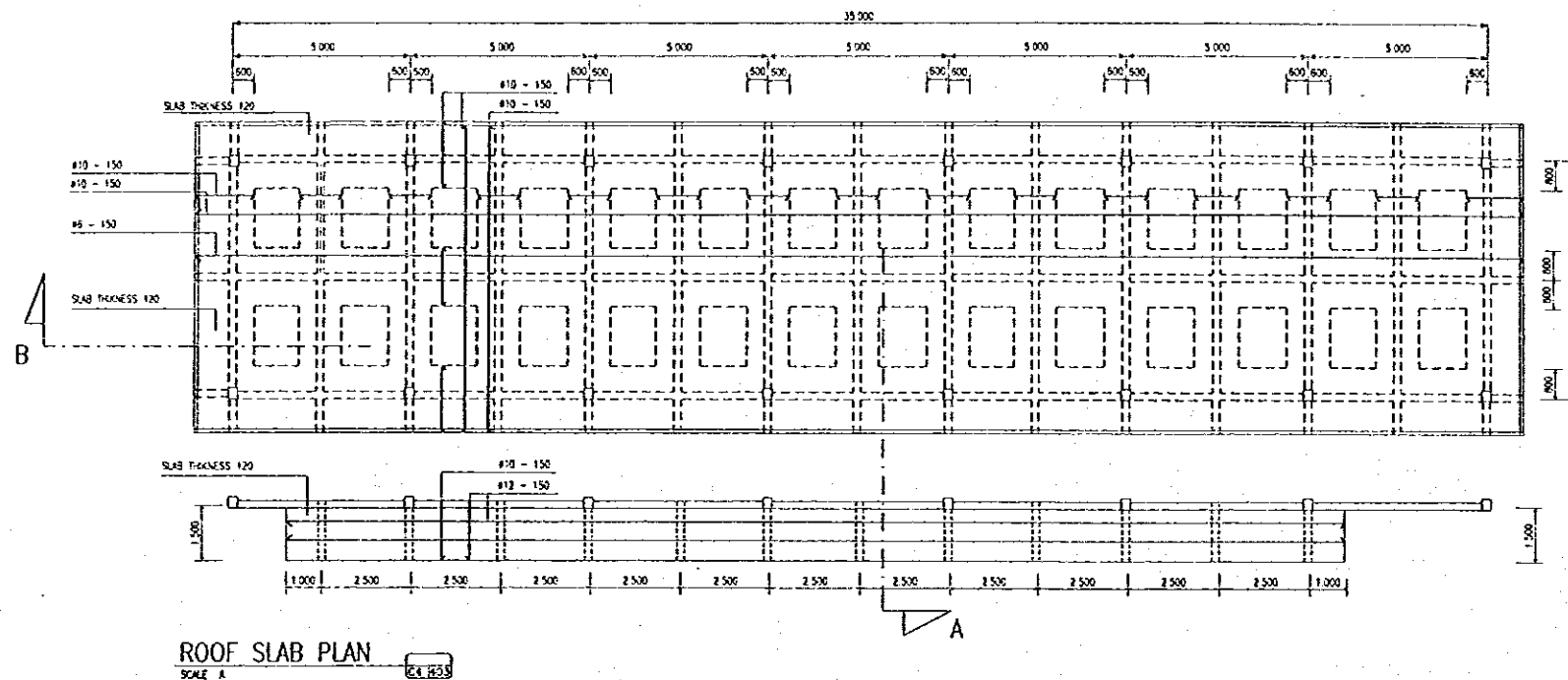
NO	DATE	REVISIONS	ORIGINATED	DESIGNED	APPROVED

	THE REPUBLIC OF INDONESIA MINISTRY OF PUBLIC WORKS DIRECTORATE GENERAL OF WATER RESOURCES DEVELOPMENT AND DIRECTORATE GENERAL OF HUMAN SETTLEMENT	PROVINCE CENTRAL JAVA
	JATUNGSILUMA FLOOD CONTROL PROJECT COMPONENT : WEST FLOODWAY/CARANG RIVER IMPROVEMENT SIMONGAN WEIR MANAGEMENT COMPLEX STORAGE HOUSE II COLUMN TIE BEAM PLAN	PROJECT NAME FLOOD CONTROL, WEIR ENHANCEMENT AND WATER RESOURCE DEVELOPMENT IN SEMARANG IN THE REPUBLIC OF INDONESIA
	INDIAN INTERNATIONAL COOPERATION AGENCY CIE ENGINEERING CO. LTD. IN ASSOCIATION WITH PANGSIP CONSULTANTS INTERNATIONAL AND PANCO INTERNATIONAL INC.	DISTRICT SEMARANG CITY
	DESIGNED CHECKED CHIEF OF PLANNING AND DESIGN PROJECT MANAGER	DRAWING NO. 401/190-P2-04-BI-35 SHEET NO. 207 DATE CONTRACT NO.

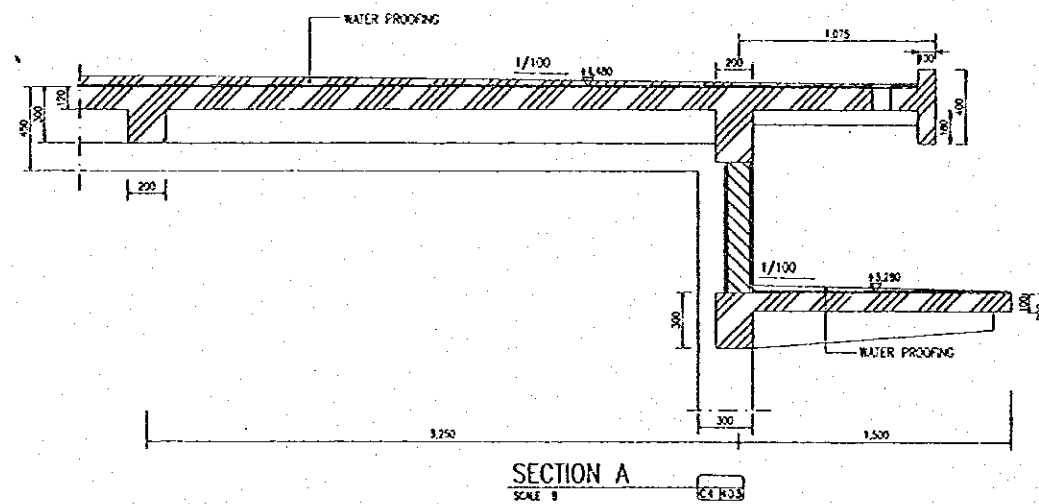


NO.	DATE	REVISIONS	ORIGINATED	DESIGNED	APPROVED

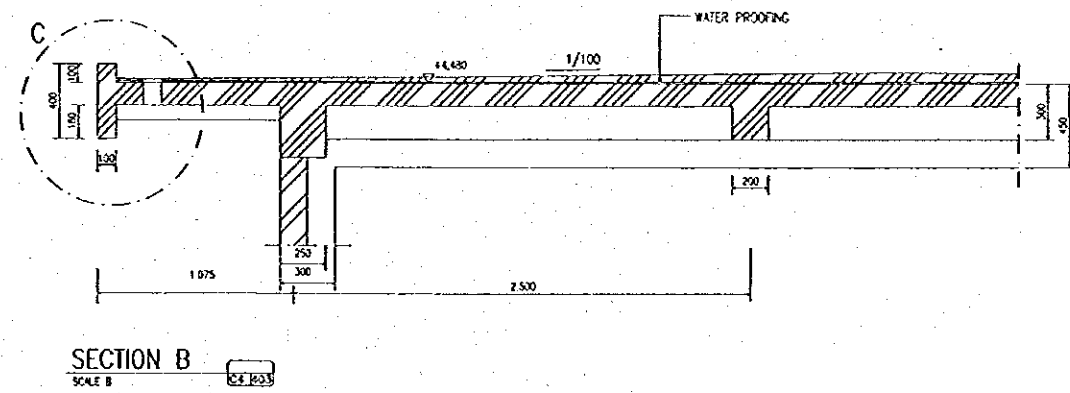
THE REPUBLIC OF INDONESIA MINISTRY OF PUBLIC WORKS DIRECTORATE GENERAL OF WATER RESOURCES DEVELOPMENT AND DIRECTORATE GENERAL OF HUMAN SETTLEMENT		PROVINCE CENTRAL JAVA
JATUNGSILUMA FLOOD CONTROL PROJECT COMPONENT : WEST FLOODWAY/GARANG RIVER IMPROVEMENT SIMONGAN WEIR MANAGEMENT COMPLEX STORAGE HOUSE II FRAMING ELEVATION		PROJECT NAME FLOOD CONTROL, URBAN DRAINAGE AND WATER RESOURCES DEVELOPMENT IN SEMARANG OF THE REPUBLIC OF INDONESIA
JAWA INTERNATIONAL COOPERATION AGENCY CIVIL ENGINEERING CO. LTD. IN ASSOCIATION WITH PACIFIC CONSULTANTS INTERNATIONAL AND PASCO INTERNATIONAL, INC.		DISTRICT SEMARANG CITY DRAWING NO. C4-402.191-P2-SM-B-4 SHEET NO. 308
DESIGNED CHECKED CHIEF OF PLANNING AND DESIGN PROJECT MANAGER	DATE 	CONTRACT NO.



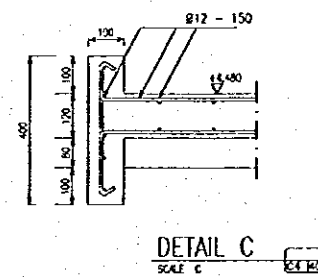
ROOF SLAB PLAN
SCALE A



SECTION A
SCALE B



SECTION B
SCALE B

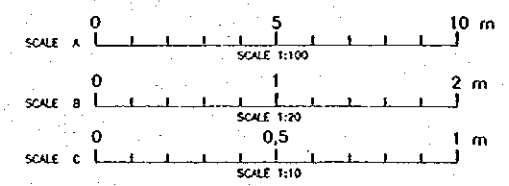


DETAIL C
SCALE C

ARRANGEMENT	TYPICAL SECTION OF BEAM AND THE BEAM REINFORCEMENT						
	BEAM TYPE a	BEAM TYPE b	BEAM TYPE c	BEAM TYPE d	BEAM TYPE e	BEAM TYPE f	BEAM TYPE g
TOP	2 Ø12	2 Ø16	3 Ø16	6 Ø16	3 Ø16	2 Ø12	4 Ø16
MIDDLE	-	-	2 Ø12	2 Ø12	-	-	-
BOTTOM	2 Ø12	2 Ø16	4 Ø16	4 Ø16	3 Ø16	2 Ø12	3 Ø16
STRIP	#6 - 150	#6 - 150	#6 - 150	#6 - 150	#6 - 150	#6 - 75	#6 - 75

TYPICAL SECTION OF BEAM AND THE BEAM REINFORCEMENT
SCALE C

ARRANGEMENT	TYPICAL SECTION OF COLUMN REINFORCEMENT	
	COLUMN TYPE 1	COLUMN TYPE 2
STRIP	#6 - 150	#6 - 150



THE REPUBLIC OF INDONESIA
MINISTRY OF PUBLIC WORKS
DIRECTORATE GENERAL OF WATER RESOURCES DEVELOPMENT
AND DIRECTORATE GENERAL OF HUMAN SETTLEMENT

PROVINCE: CENTRAL JAVA
PROJECT NAME: FLOOD CONTROL, URBAN DRAINAGE AND WATER RESOURCES DEVELOPMENT OF SEMARANG IN THE REPUBLIC OF INDONESIA
DISTRICT: SEMARANG CITY
DRAWING NO: HCA-403 MB-P2-SM-SK
SHEET NO. 209

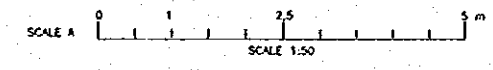
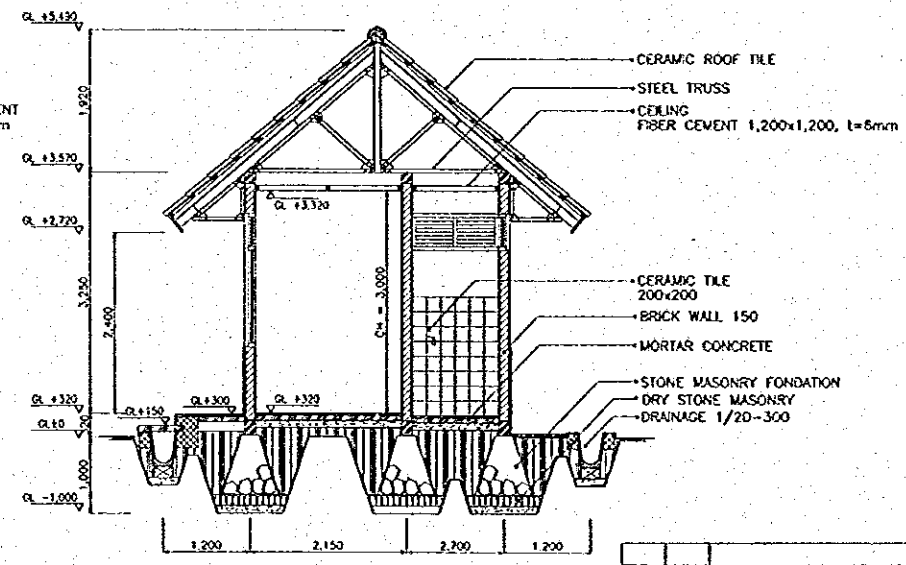
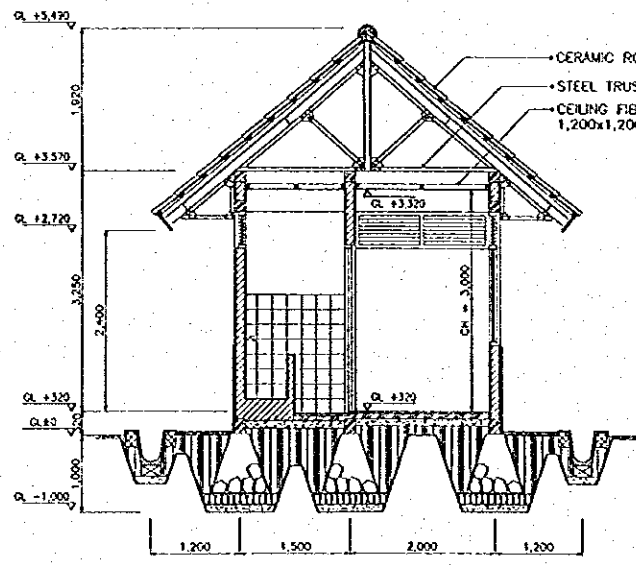
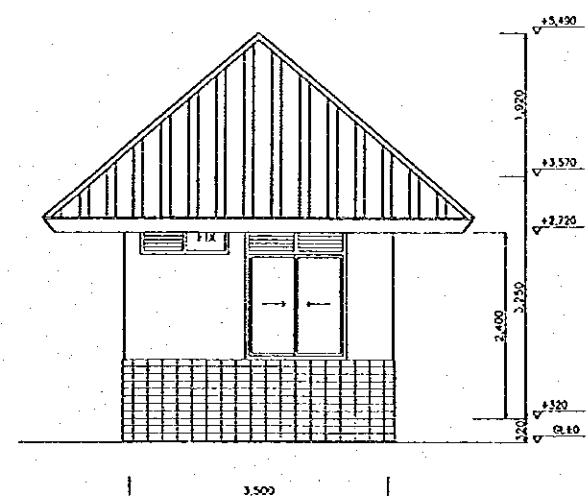
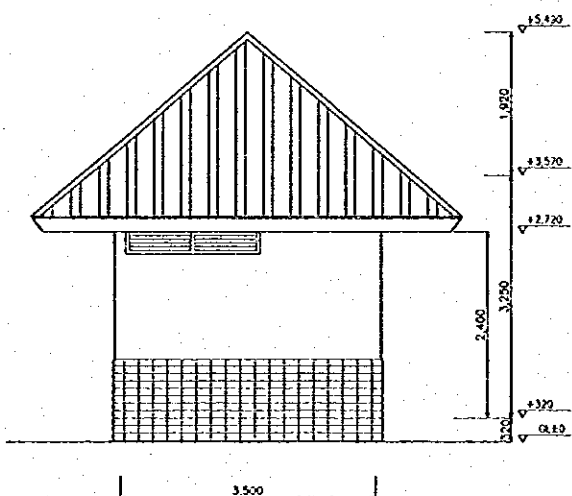
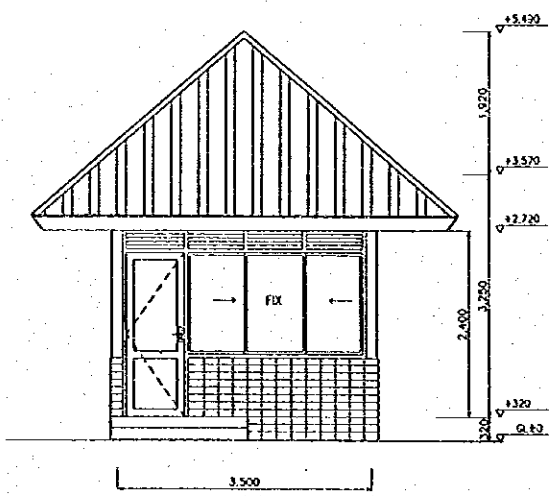
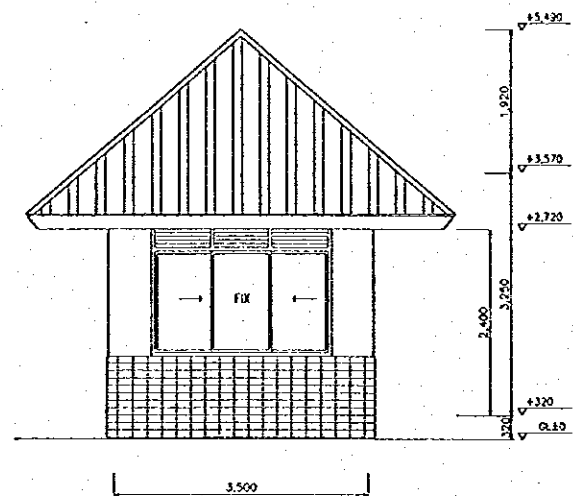
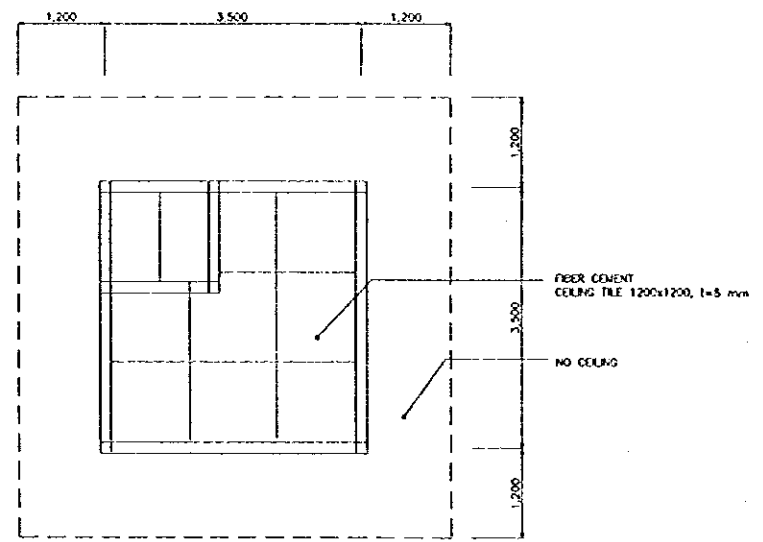
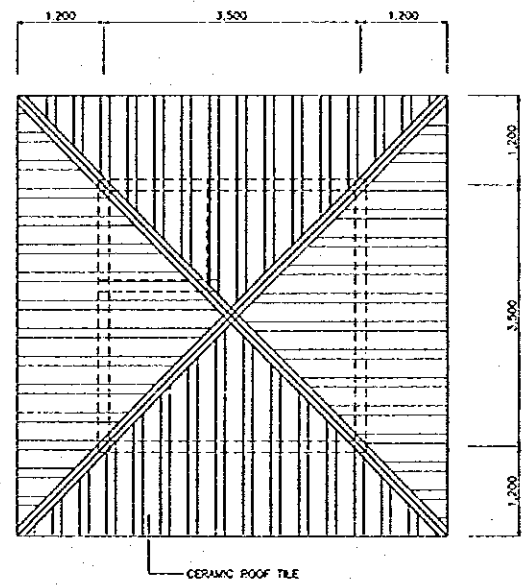
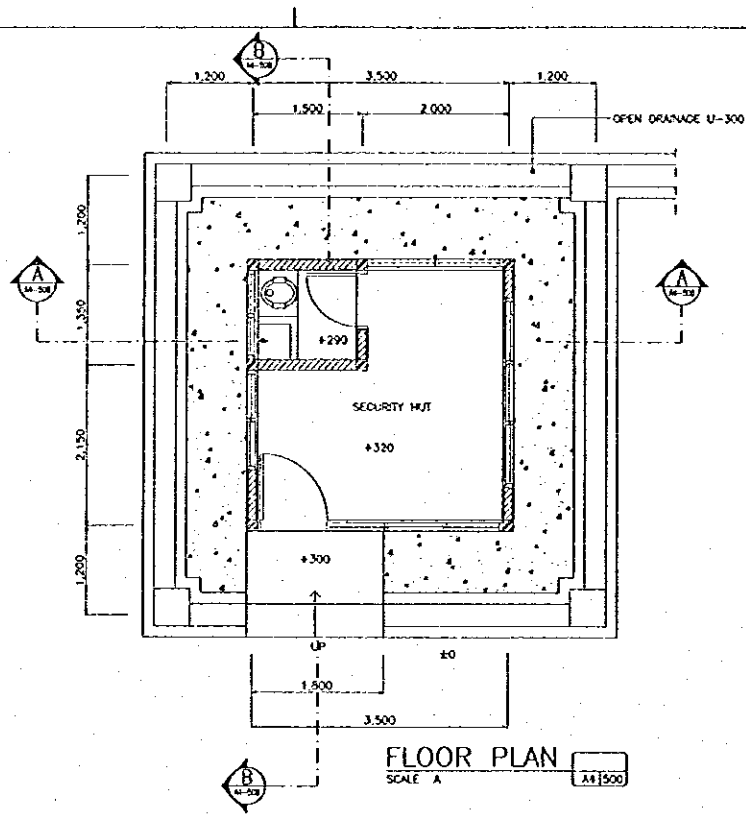
JRATUNSELUNA FLOOD CONTROL PROJECT
COMPONENT: WEST FLOODWAY/GARANG RIVER IMPROVEMENT
SIMONGAN WEIR MANAGEMENT COMPLEX
STORAGE HOUSE II
CONCRETE SLAB PLAN & DETAIL

JAPAN INTERNATIONAL COOPERATION AGENCY
CIJ ENGINEERING CO., LTD. IN ASSOCIATION WITH
PACIFIC CONSULTANTS INTERNATIONAL AND
PACIFIC INTERNATIONAL INC.

DESIGNED: [Signature]
CHECKED: [Signature]
DATE: [Date]
CONTRACT NO. [Number]

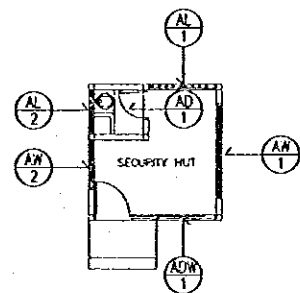
CHIEF OF PLANNING AND DESIGN
PROJECT MANAGER

NO.	DATE	REVISIONS	ORIGINATED	DESIGNED	APPROVED



NO.	DATE	REVISIONS	ORIGINATED	DESIGNED	APPROVED

THE REPUBLIC OF INDONESIA MINISTRY OF PUBLIC WORKS DIRECTORATE GENERAL OF WATER RESOURCES DEVELOPMENT AND DIRECTORATE GENERAL OF HUMAN SETTLEMENT		PROVINCE CENTRAL JAVA
IRATUNSELUNA FLOOD CONTROL PROJECT COMPONENT - WEST FLOODWAY/AGARANO RIVER IMPROVEMENT SIMONGAN WEIR MANAGEMENT COMPLEX GUARD HOUSE		PROJECT NAME FLOOD CONTROL, URBAN DRAINAGE AND WATER RESOURCES DEVELOPMENT IN SEMARANG IN THE REPUBLIC OF INDONESIA
JAPAN INTERNATIONAL COOPERATION AGENCY CTE ENGINEERING CO., LTD. IN ASSOCIATION WITH PACIFIC CONSULTANTS INTERNATIONAL AND PARCO INTERNATIONAL INC.		EXTRACT SEMARANG CITY
FLOOR PLAN, ROOF PLAN, CEILING PLAN, ELEVATION & SECTION		DRAWING NO. M-500-WB-P2-SM-B-42 SHEET NO. 211
DESIGNED CHECKED	DATE	CONTRACT NO.
CHIEF OF PLANNING AND DESIGN PROJECT MANAGER		

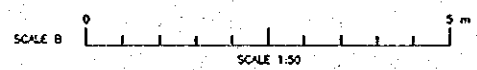
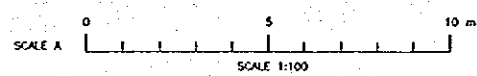


KEY PLAN
SCALE A

MARK	QTY	ADM 1	1	ADM 2	1	AW 1	2	AW 1	2
SHAPE									
TYPE		SINGLE SWING, SLIDING & FIX		SINGLE SWING		SLIDING & LOUVRE		SLIDING & LOUVRE	
MATERIAL	FRAME	ALU	AWO	ALU	AWO	ALU	AWO	ALU	AWO
FINISH	PANEL	PLYWOOD 6 MM THICK & GLASS		PLYWOOD 6 MM THICK		GLASS		GLASS	
GLASS		CLEAR GLASS 5 MM THICK		-		CLEAR GLASS 5 MM THICK		CLEAR GLASS 5 MM THICK	
HARDWARE		METAL FITTINGS COMPLETE SET		METAL FITTINGS COMPLETE SET		METAL FITTINGS COMPLETE SET		METAL FITTINGS COMPLETE SET	
POSITION		SECURITY ROOM		TOILET		SECURITY ROOM		SECURITY ROOM	

MARK	QTY	AL 1	1	AL 2	1
SHAPE					
TYPE		LOUVRE		LOUVRE & FIX	
MATERIAL	FRAME	ALU	AWO	ALU	AWO
FINISH	PANEL	-	-	GLASS	-
GLASS		-		CLEAR GLASS 5 MM THICK	
HARDWARE		METAL FITTINGS COMPLETE SET		METAL FITTINGS COMPLETE SET	
POSITION		SECURITY ROOM		TOILET	

DOOR & WINDOW SCHEDULE
SCALE B



LEGEND :
 AD : ALUMINUM DOOR
 AW : ALUMINUM WINDOW
 AL : ALUMINUM LOUVRE
 ADM : ALUMINUM DOOR WINDOW

MATERIAL :
 ALU : ALUMINUM
 AWO : ANODIZED
 PRG : POLYUR, CLEAR SEMI-GLOSS

DOORS & WINDOWS SYMBOL

REFERENCE NO.

NO.	DATE	REVISIONS	ORIGINATED	DESIGNED	APPROVED

THE REPUBLIC OF INDONESIA
 MINISTRY OF PUBLIC WORKS
 DIRECTORATE GENERAL OF WATER RESOURCES DEVELOPMENT AND DIRECTORATE GENERAL OF HUMAN SETTLEMENT

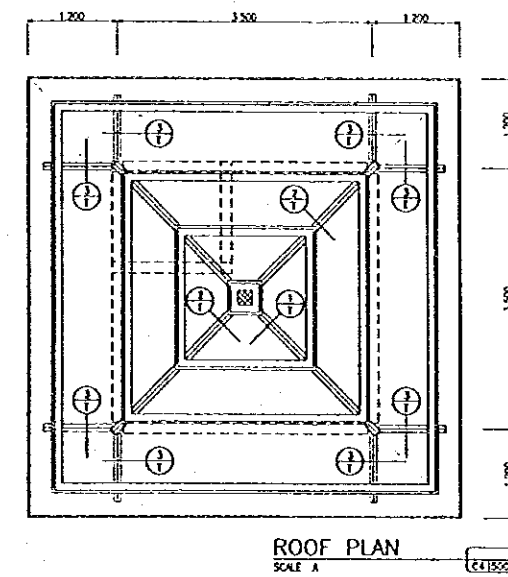
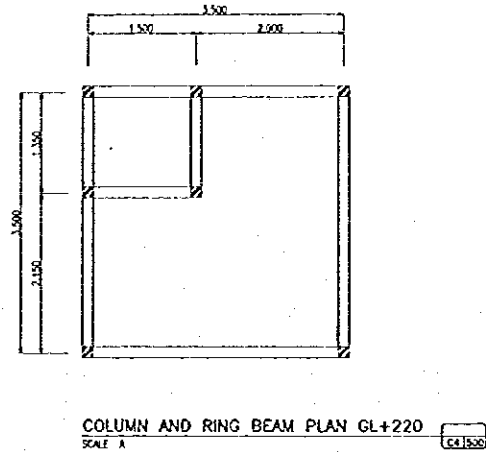
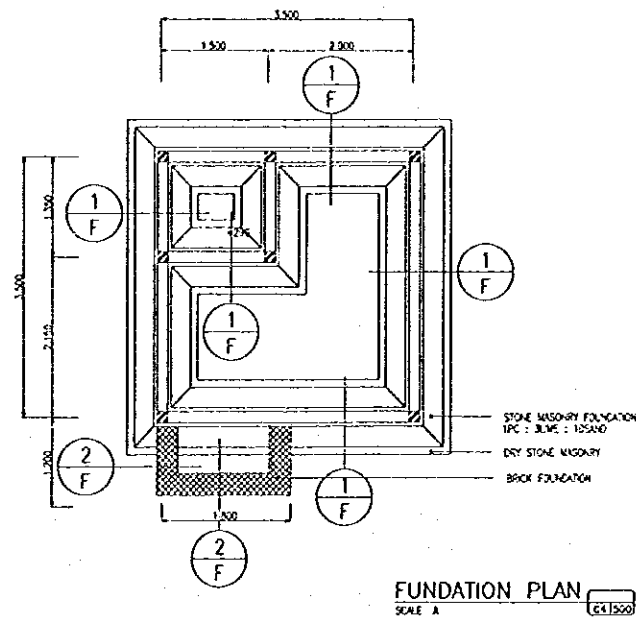
PROVINCE: CENTRAL JAWA
 PROJECT NAME: FLOOD CONTROL, URBAN DRAINAGE AND WATER RESOURCES DEVELOPMENT IN SEMARANG IN THE REPUBLIC OF INDONESIA
 DISTRICT: SEMARANG CITY
 DRAWING NO. A4-50116-P2-SM-B-43
 SHEET NO. 111
 DATE: CONTRACT NO.:

JRATUNSELINA FLOOD CONTROL PROJECT
 COMPONENT: WEST FLOODWAY GARANG RIVER IMPROVEMENT
 SIMONGAN WEIR GUARD HOUSE
 KEY PLAN, DOOR WINDOW SCHEDULE

JAWA INTERNATIONAL COOPERATION AGENCY
 CTA ENGINEERING CO. LTD. 8F WINDSOR VILL
 PACIFIC COMMUNITY CENTER INTERNATIONAL AVE
 PAKOEN, JAKARTA, INDONESIA

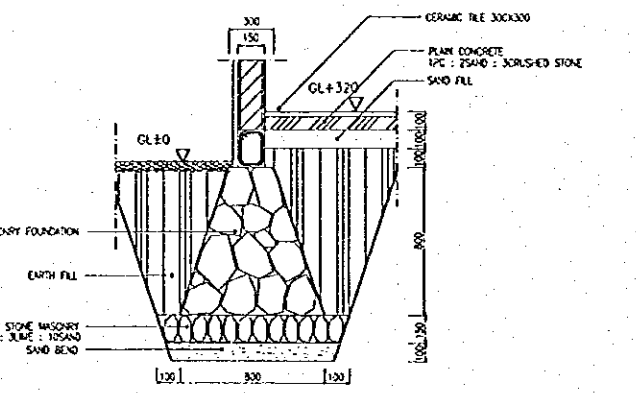
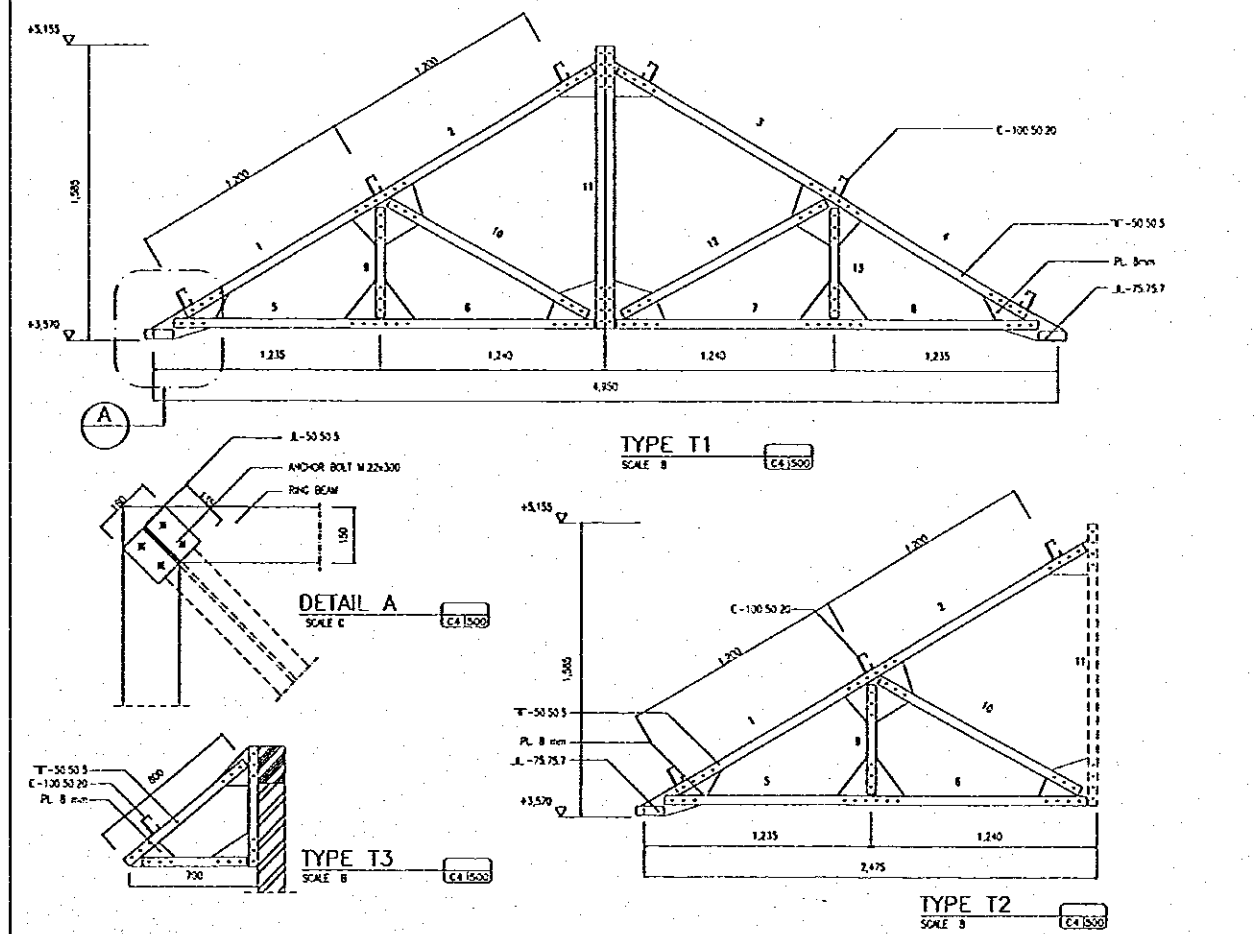
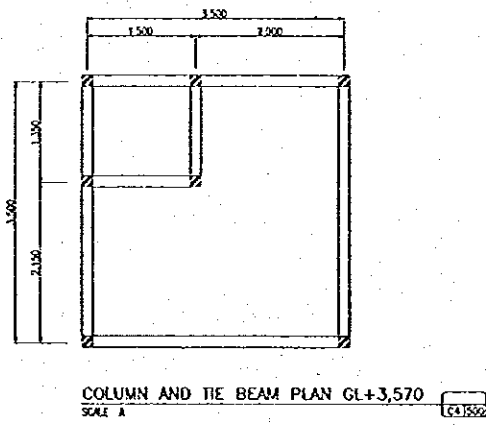
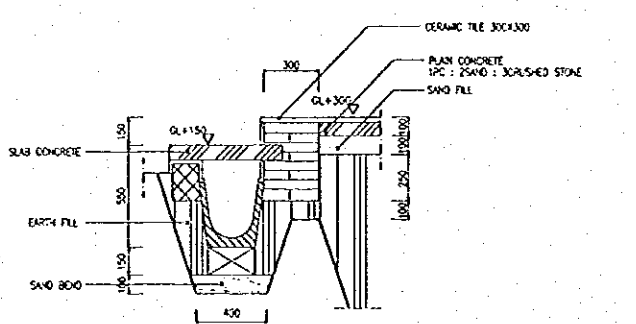
DESIGNED: [Signature]
 CHECKED: [Signature]

CHIEF OF PLANNING AND DESIGN
 PROJECT MANAGER



MEMBER LIST K1 & K2

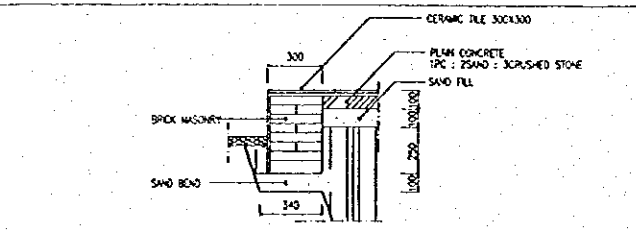
LIST NUMBER	PROFILE	TOTAL	BOLT			NOTE
			# mm	g mm	g mm	
1-4	T-50 50.5	4-3	#14	40	50	
2-3	T-50 50.5	3-4	#14	40	50	
3-5	L-50 50.5	4-3	#14	40	50	
6-7	L-50 50.5	3-4	#14	40	50	
8-13	T-50 50.5	3-3	#14	40	50	
10-12	T-50 50.5	3-3	#14	40	50	
11	T-50 50.5	3-3	#14	40	50	



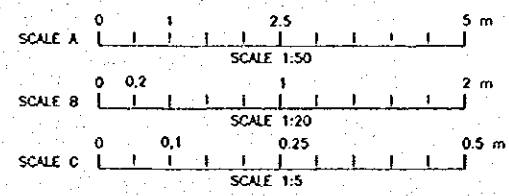
TYPICAL COLUMN AND BEAM

	BEAM TYPE	COLUMN TYPE
ARRANGEMENT	2 D12	2 D12
STRONG.P	M8 - 150	M8 - 150

TYPICAL SECTION OF COLUMN AND BEAM REINFORCEMENT SCALE C



FUNDATION SCHEDULE SCALE B



NO	DATE	REVISIONS	ORIGINATED	APPROVED

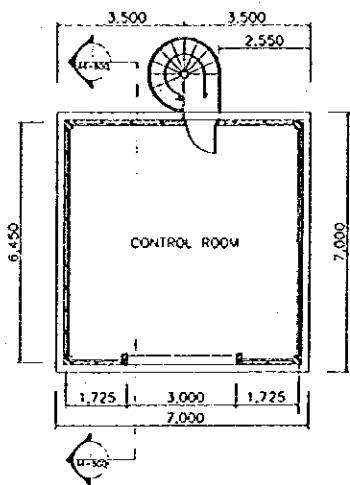
THE REPUBLIC OF INDONESIA
 MINISTRY OF PUBLIC WORKS
 DIRECTORATE GENERAL OF WATER RESOURCES DEVELOPMENT
 AND DIRECTORATE GENERAL OF HUMAN SETTLEMENT

IRATUNSELUNA FLOOD CONTROL PROJECT
 COMPONENT : WEST FLOODWAY/CARANG RIVER IMPROVEMENT
 SIMONGAN WEIR MANAGEMENT COMPLEX
 GUARD HOUSE
 FOUNDATION, COLUMN, TIE BEAM, ROOF PLAN & DETAIL.

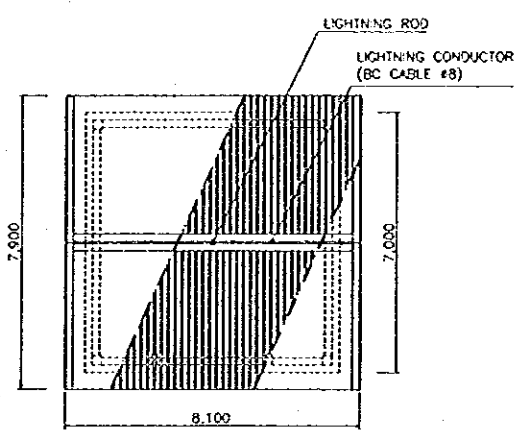
JAPAN INTERNATIONAL COOPERATION AGENCY
 CIVIL ENGINEERING DIVISION
 PACIFIC COMPLIANCE INTERNATIONAL
 YAKYO SEIKEN GAKKAIGAI, INC.

DESIGNED: [Signature]
 CHECKED: [Signature]
 CHIEF OF PLANNING AND DESIGN
 PROJECT MANAGER

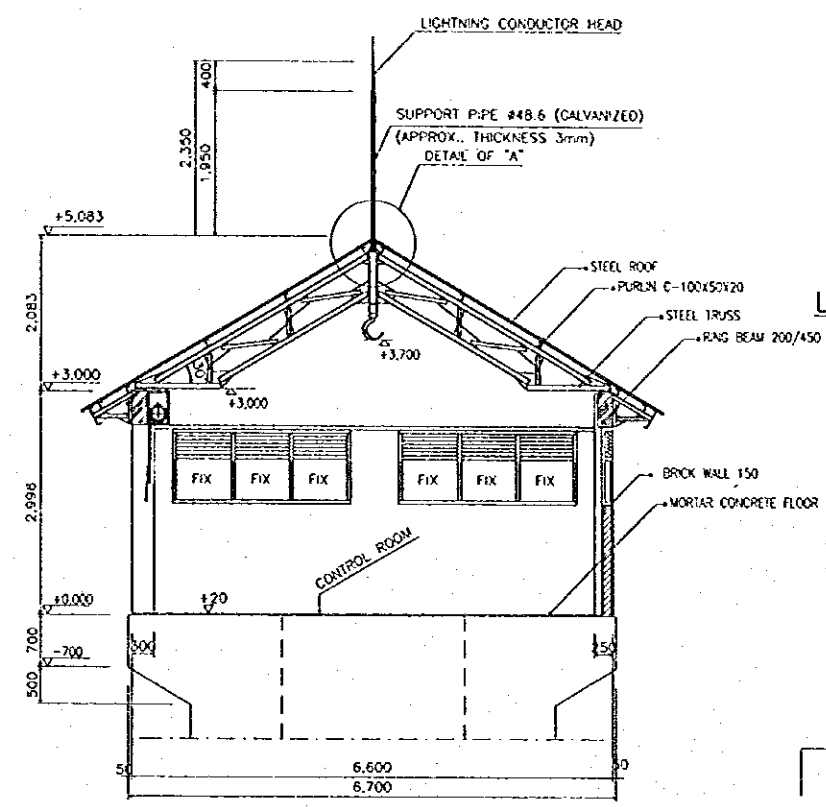
PROVINCE: CENTRAL JAYA
 PROJECT NAME: FLOOD CONTROL, WEIR, DRAINAGE AND WATER RESOURCES DEVELOPMENT IN SEMARANG IN THE REPUBLIC OF INDONESIA
 DISTRICT: SEMARANG CITY
 DRAWING NO: 4-500 WE-P2-54-BL-4
 SHEET NO: 212
 DATE: []
 CONTRACT NO.:



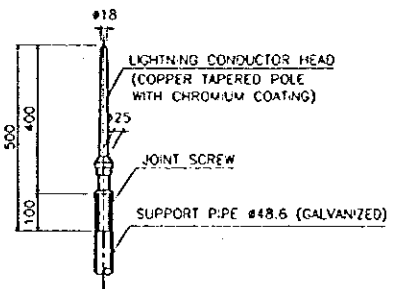
FLOOR PLAN
SCALE B
44.1600



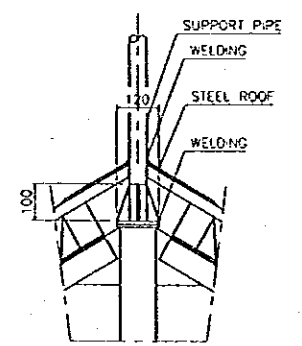
ROOF PLAN
SCALE B
44.1600



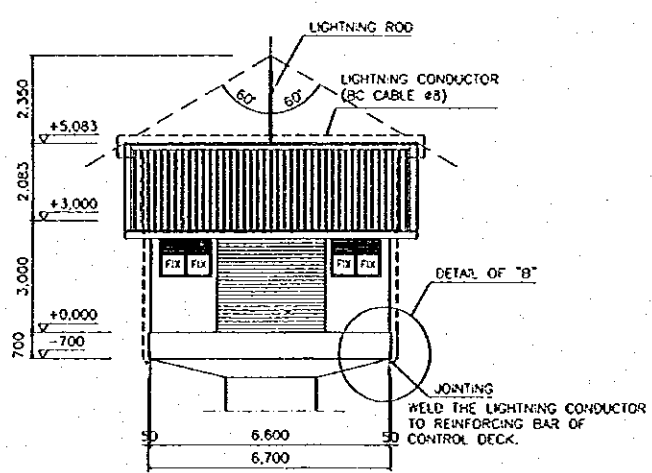
SECTION I-I
SCALE C
44.1600



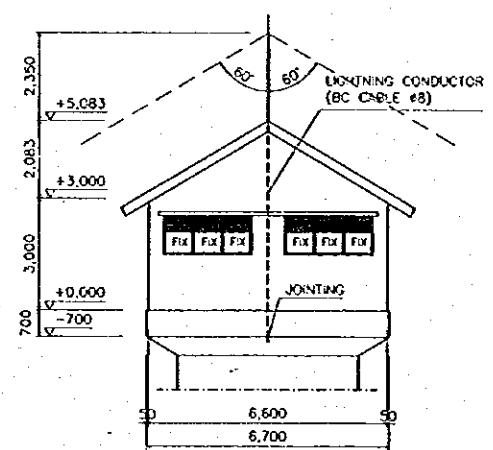
LIGHTNING CONDUCTOR HEAD
SCALE D



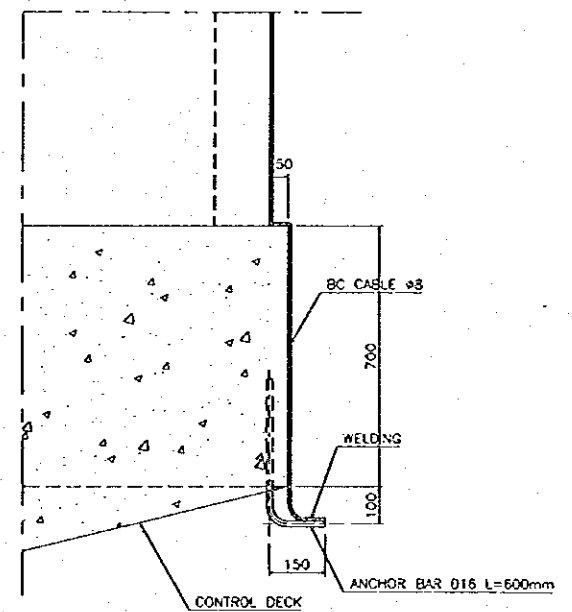
DETAIL OF "A"
SCALE D



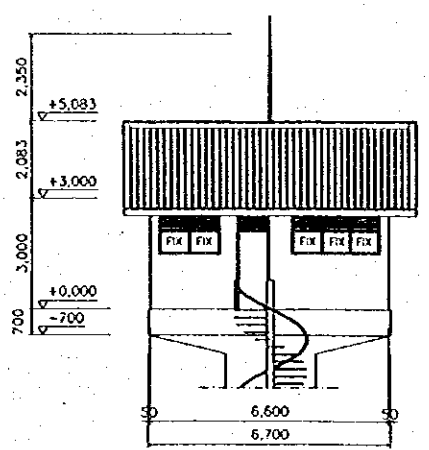
SOUTH ELEVATION
SCALE B
44.1600



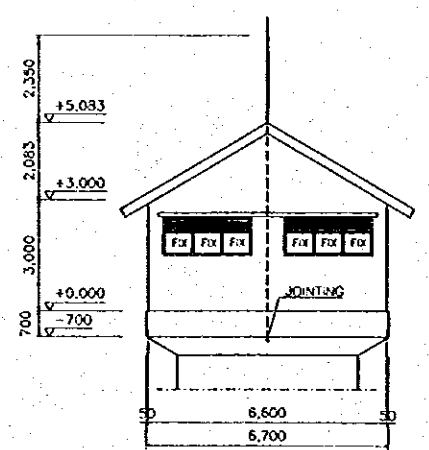
EAST ELEVATION
SCALE B
44.1600



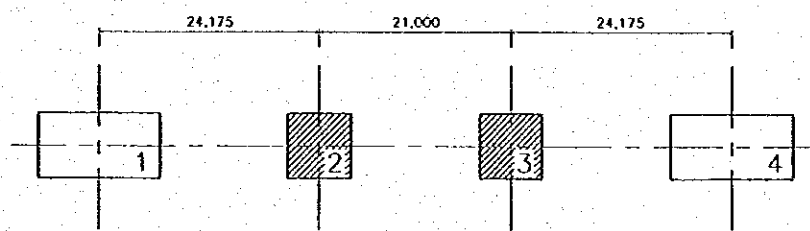
DETAIL OF "B"
SCALE D



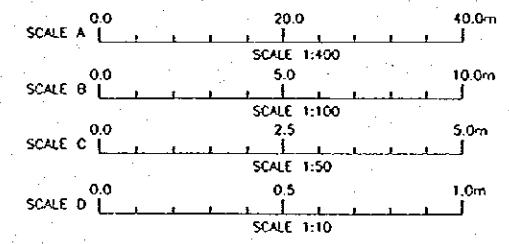
NORTH ELEVATION
SCALE B
44.1600



WEST ELEVATION
SCALE B
44.1600



GATE PIER KEY PLAN
SCALE A
44.1600



NO.	DATE	REVISIONS	ORIGINATED	DISKING	APPROVED

THE REPUBLIC OF INDONESIA
MINISTRY OF PUBLIC WORKS
DIRECTORATE GENERAL OF WATER RESOURCES DEVELOPMENT AND DIRECTORATE GENERAL OF HUMAN SETTLEMENT

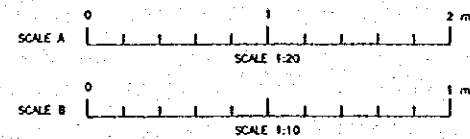
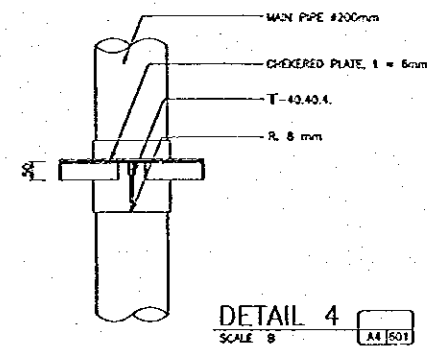
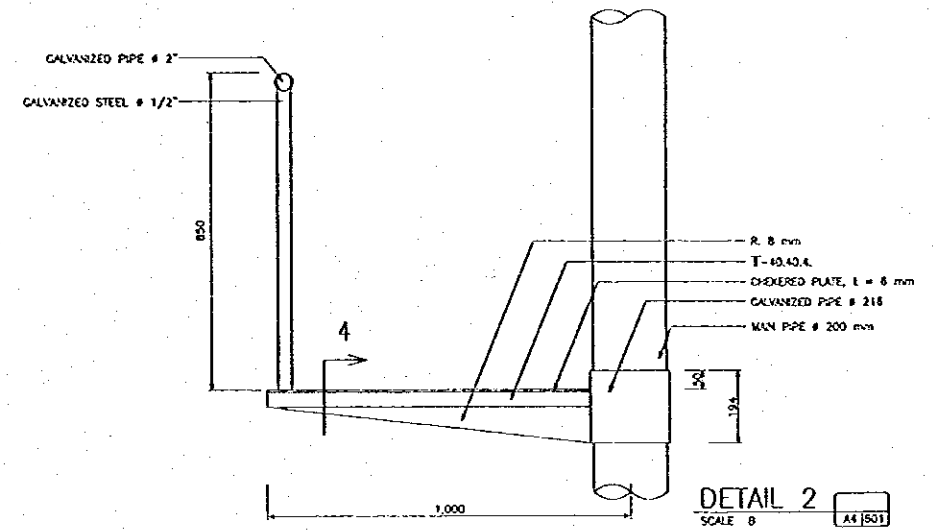
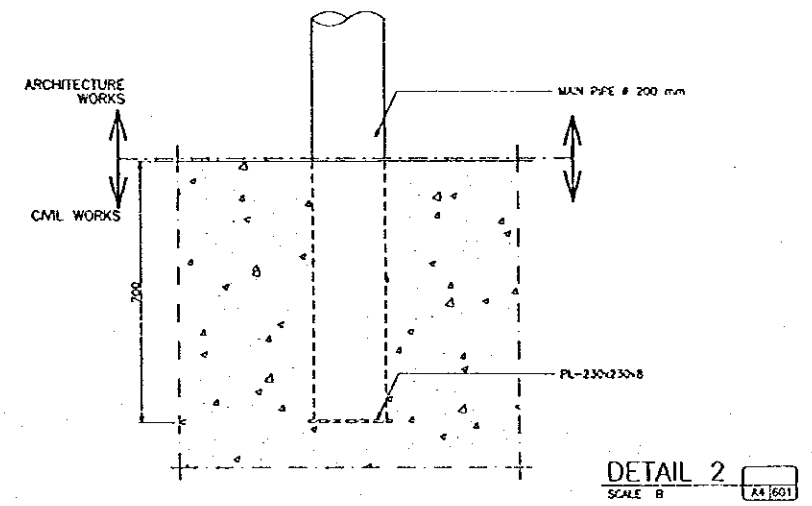
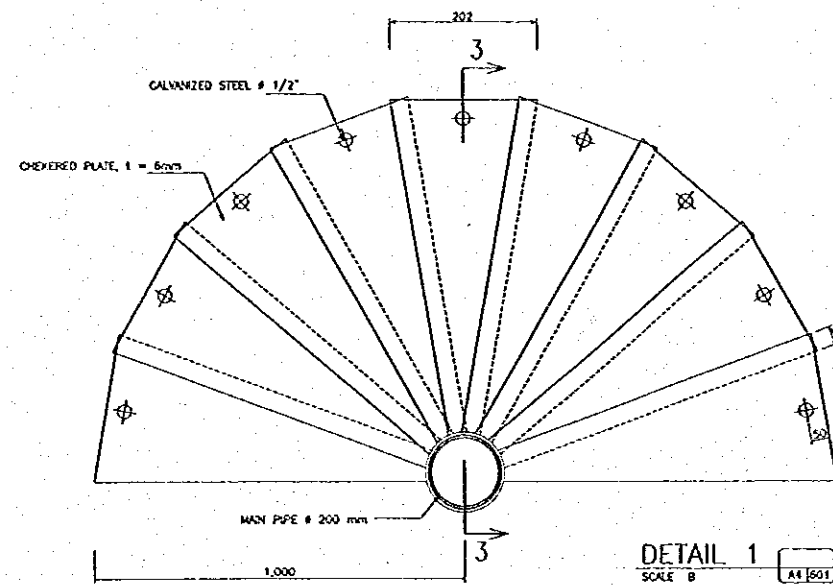
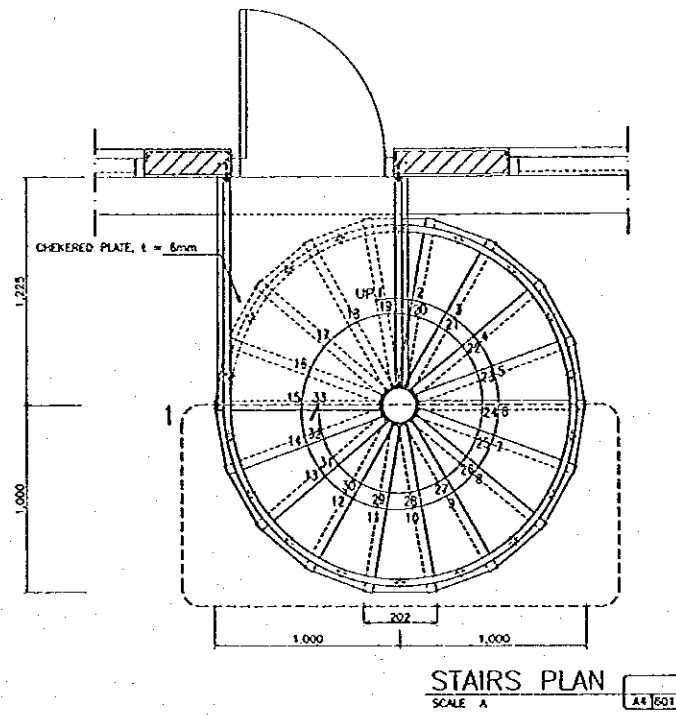
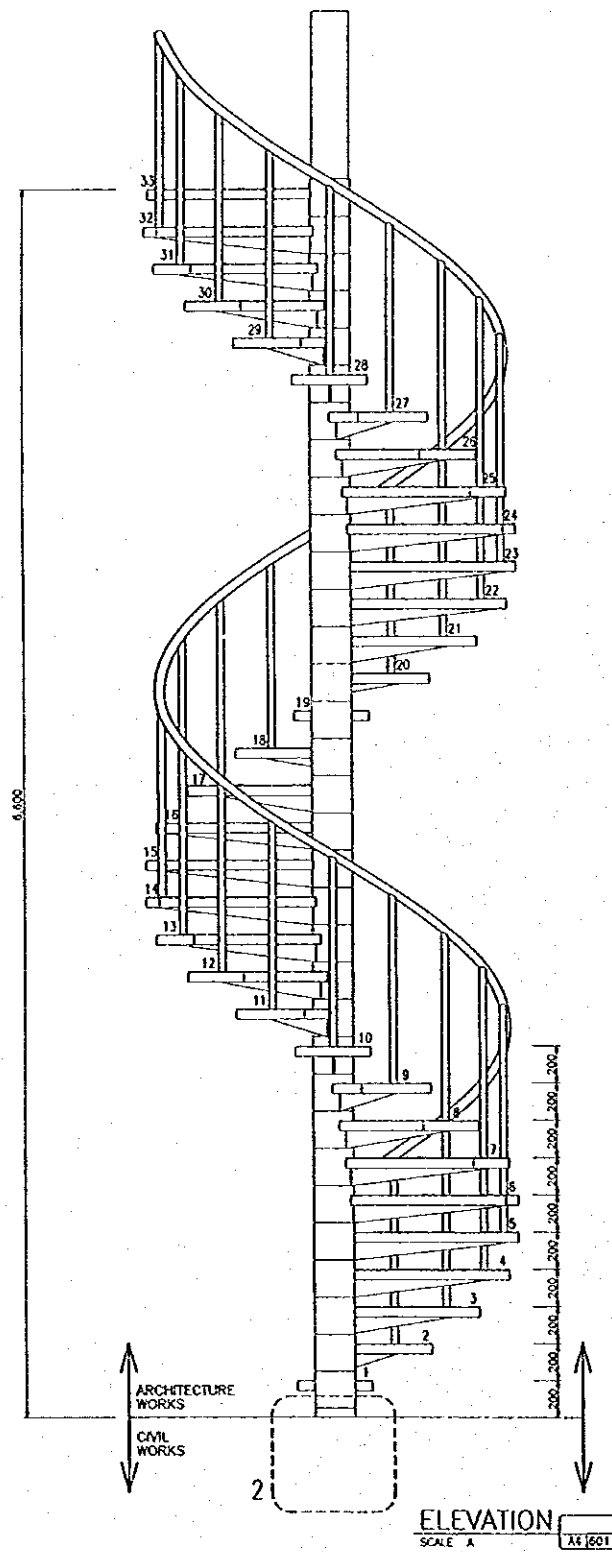
PROVINCE: CENTRAL JAVA
PROJECT NAME: FLOOD CONTROL, URBAN DRAINAGE AND WATER RESOURCES DEVELOPMENT IN SEMARANG IN THE REPUBLIC OF INDONESIA
DISTRICT: SEMARANG CITY
DRAWING NO.: PFD-P2-SM-B1-45
SHEET NO.: 113
DATE: / /
CONTRACT NO.: / /

IRATUNSELUNA FLOOD CONTROL PROJECT
COMPONENT: WEST FLOODWAY / GARANG RIVER IMPROVEMENT
SIMONGAN WEIR MANAGEMENT COMPLEX
GATE CONTROL HOUSE I (2 & 3)
FLOOR PLAN, ROOF PLAN, ELEVATION & SECTION

DATAN INTERNATIONAL COOPERATION AGENCY
CIJ ENGGINGRANG 02, LTD. IN ASSOCIATION WITH
PACIFIC CONSULTANTS INTERNATIONAL AND
PACIFIC INTERNATIONAL INC.

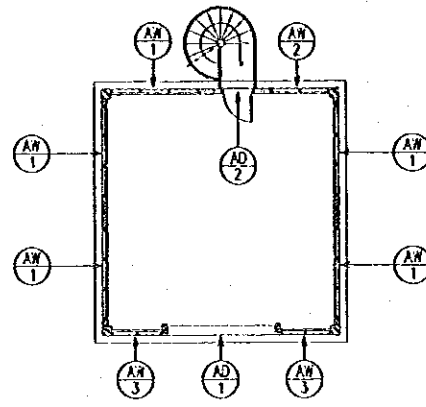
DESIGNED: *[Signature]*
CHECKED: *[Signature]*

CHIEF OF PLANNING AND DESIGN
PROJECT MANAGER



NO.	DATE	REVISIONS	ORGANIZED	DESIGNED	APPROVED

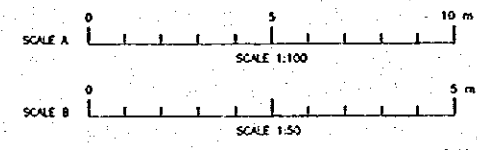
THE REPUBLIC OF INDONESIA MINISTRY OF PUBLIC WORKS DIRECTORATE GENERAL OF WATER RESOURCES DEVELOPMENT AND DIRECTORATE GENERAL OF HUMAN SETTLEMENT		PROVINCE CENTRAL JAVA
IRATUNSELUNA FLOOD CONTROL PROJECT COMPONENT : WEST FLOODWAY GARANG RIVER IMPROVEMENT SIMONGAN WEIR MANAGEMENT COMPLEX GATE CONTROL HOUSE 1 (2 & 3) STAIRS DETAIL		PROJECT NAME FLOOD CONTROL, URBAN DRAINAGE AND WATER RESOURCES DEVELOPMENT IN SEMARANG IN THE REPUBLIC OF INDONESIA
DESIGNED CHECKED DATE		DISTRICT SEMARANG CITY
DRAWING NO. AA-801/19-P2-04R-06 SHEET NO. 114		CONTRACT NO.
APPROVED PROJECT MANAGER		DATE



KEY PLAN
SCALE A
A4/602

MARK	QTY	AD 1	1	AD 2	1	AM 1	1	AM 2	1	AM 3	2
SHAPE											
TYPE: ROLLING DOOR											
MATERIAL: ALU											
FINISH: ANO											
FRAME: ALU											
PANEL: -											
GLASS: -											
HARDWARE: METAL FITTINGS COMPLETE SET											
POSITION: GATE PIER											
SHAPE											
TYPE: LOUVRE & FIX											
MATERIAL: ALU											
FINISH: ANO											
FRAME: ALU											
PANEL: -											
GLASS: CLEAR 5 mm THICK											
HARDWARE: METAL FITTINGS COMPLETE SET											
POSITION: GATE PIER											

DOOR & WINDOW SCHEDULE
SCALE B
A4/602



LEGEND :

- AD : ALUMINIUM DOOR
- AM : ALUMINIUM WINDOW
- AL : ALUMINIUM LOUVRE
- ADW : ALUMINIUM DOOR WINDOW

MATERIAL :

- ALU : ALUMINIUM
- ANO : ANODIZED
- PRG : POLYUR , CLEAR SENGLOSS

DOORS & WINDOWS SYMBOL

REFERENCE NO

NO	DATE	REVISIONS	ORIGINATED	DESIGNED	APPROVED	APPROVED

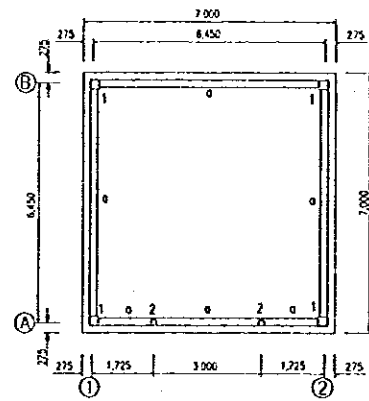
THE REPUBLIC OF INDONESIA
MINISTRY OF PUBLIC WORKS
DIRECTORATE GENERAL OF WATER RESOURCES DEVELOPMENT AND DIRECTORATE GENERAL OF HUMAN SETTLEMENT

IRATUNSELINA FLOOD CONTROL PROJECT
COMPONENT : URBAN DRAINAGE SYSTEM IMPROVEMENT
SIMONGAN WEIR MANAGEMENT COMPLEX
GATE CONTROL HOUSE 1 (2 & 3)
KEY PLAN, DOOR WINDOWS SCHEDULE

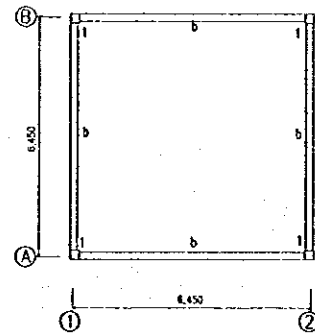
JAPAN INTERNATIONAL COOPERATION AGENCY
CIJIBENINGING CO. LTD. IN ASSOCIATION WITH
PACIFIC CONSULTANTS INTERNATIONAL AND
PARISI INTERNATIONAL INC.

DESIGNED: [Signature]
CHECKED: [Signature]
CHIEF OF PLANNING AND DESIGN
PROJECT MANAGER

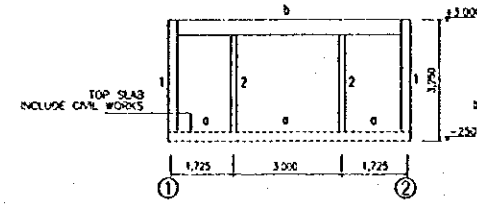
PROVINCE: CENTRAL JAVA
PROJECT NAME: FLOOD CONTROL, URBAN DRAINAGE AND WATER RESOURCES DEVELOPMENT IN SEMARANG IN THE REPUBLIC OF INDONESIA
DISTRICT: SEMARANG CITY
DRAWING NO. A4-902.00-P2-04-B-47
SHEET NO. 215
DATE: [Blank]
CONTRACT NO. [Blank]



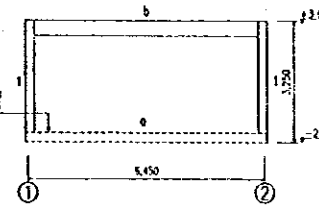
COLUMN & TIE BEAM PLAN -250
SCALE A C4 | 600



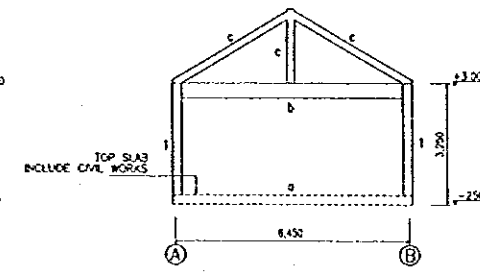
COLUMN & RING BEAM PLAN +3,000
SCALE A C4 | 600



FRAMING LINE A
SCALE A C4 | 600



FRAMING LINE B
SCALE A C4 | 600



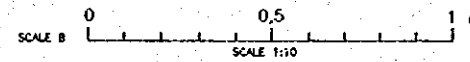
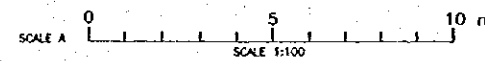
FRAMING LINE 1&2
SCALE A C4 | 600

SECTION OF BEAM REINFORCEMENT				
ARRANGEMENT	BEAM TYPE a		BEAM TYPE b	
	NO	SIZE	NO	SIZE
TOP	2	D18	3	D18
MIDDLE	—	—	2	D18
BOTTOM	2	D18	4	D18
STIRUP	#5-150	#5-150	#5-150	#5-150

SECTION BEAM REINFORCEMENT
SCALE B C4 | 600

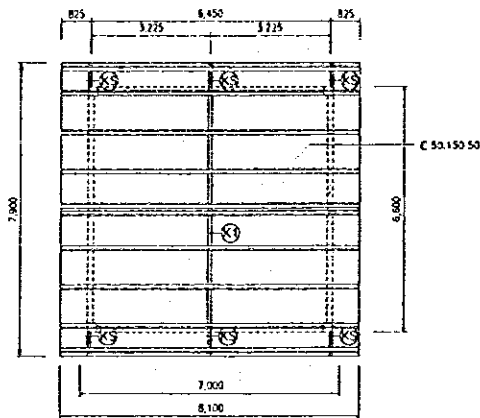
TYPICAL COLUMN REINFORCEMENT		
ARRANGEMENT	COLUMN TYPE	
	1	2
ARRANGEMENT	4 D18	4 D12
STIRUP	#5-100	#5-150

SECTION OF COLUMN REINFORCEMENT
SCALE B C4 | 600

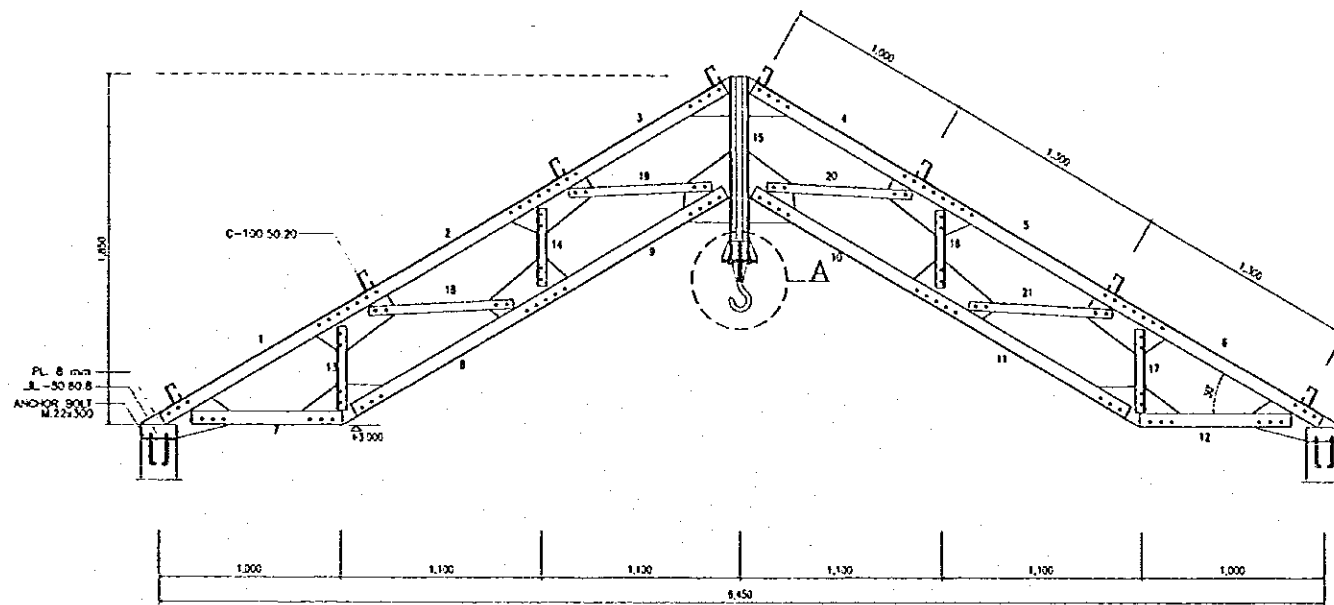


NO.	DATE	REVISIONS	ORIGINATED	DESIGNED	APPROVED

<p>THE REPUBLIC OF INDONESIA MINISTRY OF PUBLIC WORKS DIRECTORATE GENERAL OF WATER RESOURCES DEVELOPMENT AND DIRECTORATE GENERAL OF HUMAN SETTLEMENT</p>	<p>PROVINCE CENTRAL JAVA</p>
	<p>PROJECT NAME FLOOD CONTROL, URBAN DRAINAGE AND WATER RESOURCES DEVELOPMENT IN SEMARANG OF THE REPUBLIC OF INDONESIA</p>
	<p>DISTRICT SEMARANG CITY</p>
	<p>DRAWING NO C4-600/00-P2-SAR-30-42 SHEET NO. 216</p>
<p>DATE</p>	CONTRACT NO.
<p>DESIGNED CHECKED</p>	<p>DESIGNED CHECKED</p>
<p>CHIEF OF PLANNING AND DESIGN PROJECT MANAGER</p>	<p>CHIEF OF PLANNING AND DESIGN PROJECT MANAGER</p>



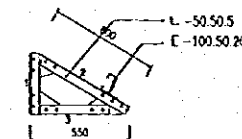
ROOF PLAN
SCALE A [C4] 601



TYPE K1
SCALE B [C4] 601

MEMBER LIST K1 - 1 Pcs

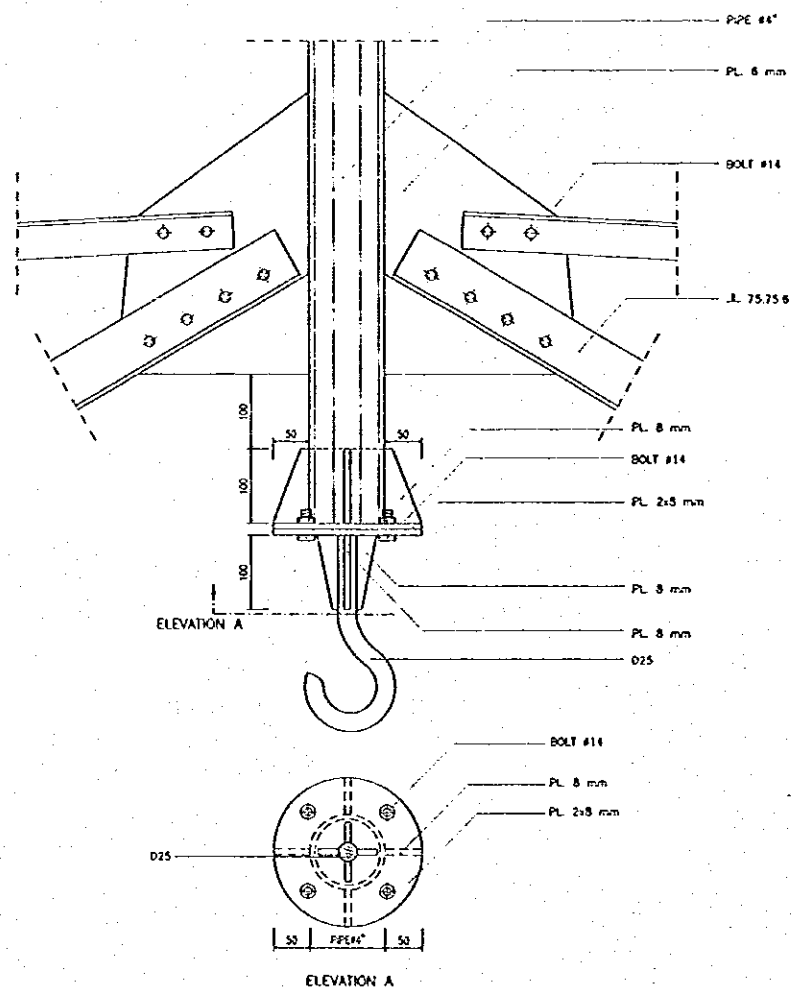
LIST NUMBER	PROFILE	TOTAL	BOLT		DISTANCE		NOTE
			#	mm	a mm	b mm	
1-5	T-75.75.8	4-3	14	40	80		
2-5	T-75.75.8	3-3	14	40	80		
3-4	T-75.75.8	3-1	14	40	80		
7-12	L-75.75.8	4-4	14	40	80		
8-11	L-75.75.8	4-3	14	40	80		
9-10	L-75.75.8	3-4	14	40	80		
13-17	T-50.50.5	3-3	14	40	80		
14-18	T-50.50.5	3-3	14	40	80		
15	PPE #4	-	-	-	-		
19-21	T-50.50.5	3-3	14	40	80		
17-20	T-50.50.5	3-3	14	40	80		



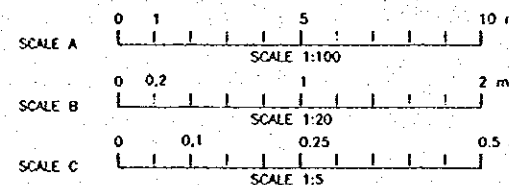
TYPE KS
SCALE B [C4] 601

MEMBER LIST KS - 6 Pcs

LIST NUMBER	PROFILE	TOTAL	BOLT		DISTANCE		NOTE
			#	mm	a mm	b mm	
1	L-50.50.5	2-2	14	40	80		
2	L-50.50.5	2-2	14	40	80		
3	L-50.50.5	2-2	14	40	80		



DETAIL A
SCALE C [C4] 601



THE REPUBLIC OF INDONESIA
MINISTRY OF PUBLIC WORKS
DIRECTORATE GENERAL OF WATER RESOURCES DEVELOPMENT
AND DIRECTORATE GENERAL OF HUMAN SETTLEMENT

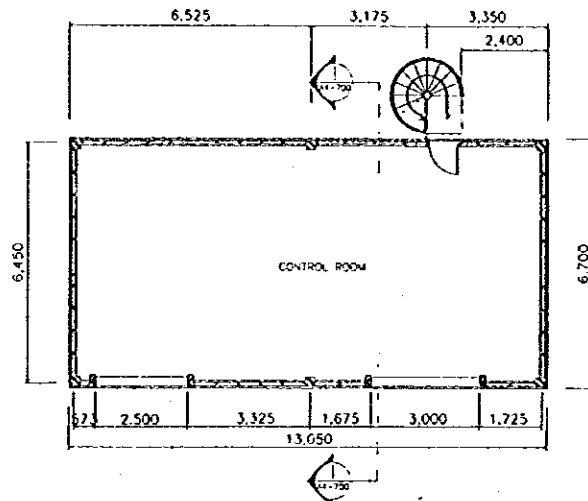
IRATUNSELUNA FLOOD CONTROL PROJECT
COMPONENT : WEST FLOODWAY/GARANG RIVER IMPROVEMENT
SIMONGAN WEIR MANAGEMENT COMPLEX
GATE CONTROL HOUSE 1 (2&3)
ROOF PLAN & DETAIL

JAPAN INTERNATIONAL COOPERATION AGENCY
CTS ENGINEERING CO. LTD. & ASSOCIATES WITH
PACIFIC CONSULTANTS INTERNATIONAL INC.
PACIFIC INTERNATIONAL, INC.

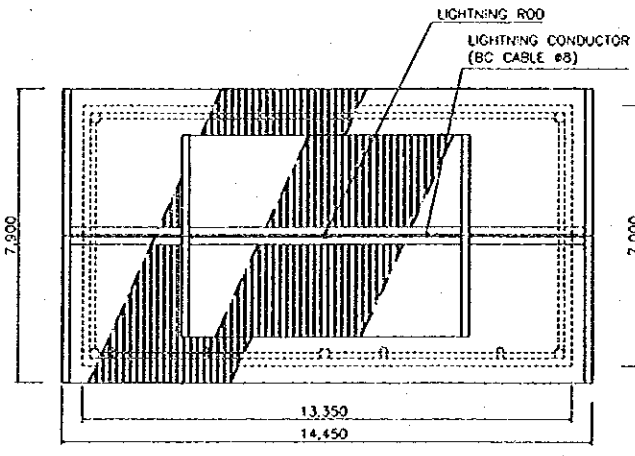
DESIGNED: [Signature]
CHECKED: [Signature]
DATE: [Date]
CONTRACT NO: [Number]

PROVINCE: CENTRAL JAVA
PROJECT NAME: FLOOD CONTROL LEASER DRAINAGE AND WATER RESOURCES DEVELOPMENT IN SEMARANG IN THE REPUBLIC OF INDONESIA
DISTRICT: SEMARANG CITY
DRAWING NO: C4-601-02-240-01-00
SHEET NO: 217
DATE: [Date]
CONTRACT NO: [Number]

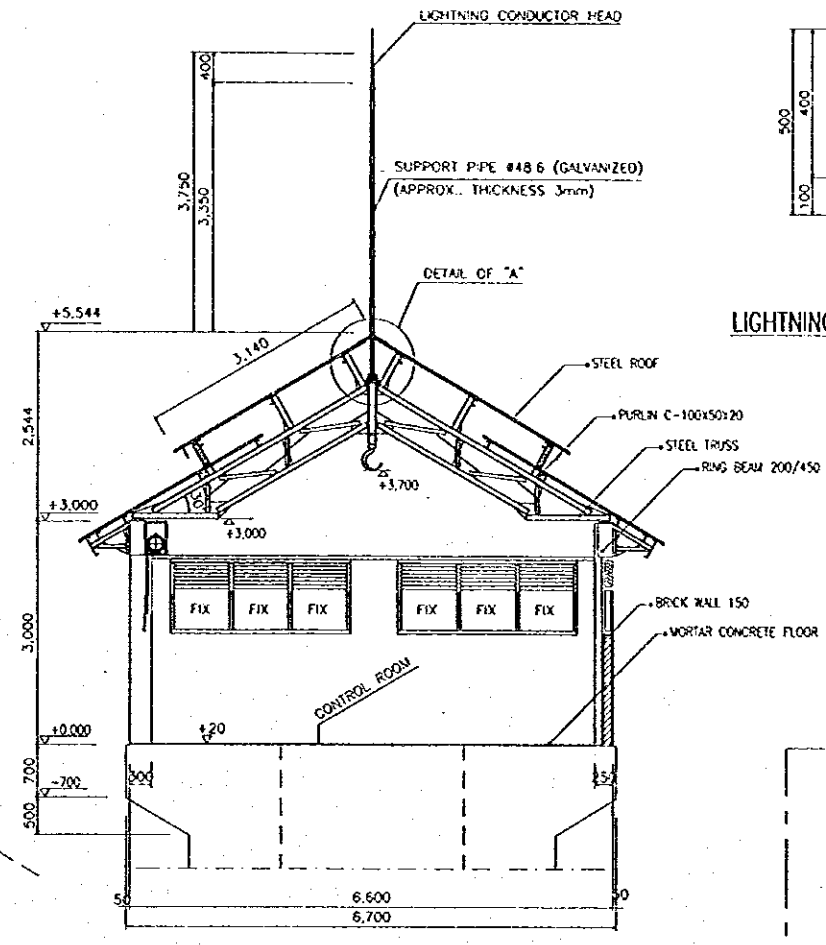
NO. DATE REVISIONS ORIGINATED DESIGNED APPROVED APPROVED
CHIEF OF PLANNING AND DESIGN
PROJECT MANAGER



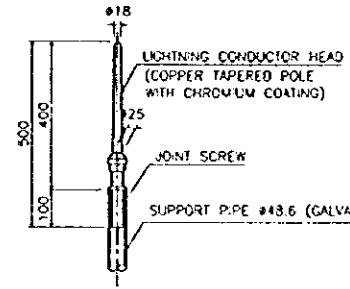
FLOOR PLAN
SCALE B (A4120)



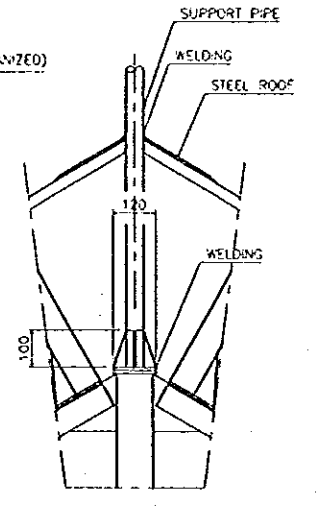
ROOF PLAN
SCALE B (A4120)



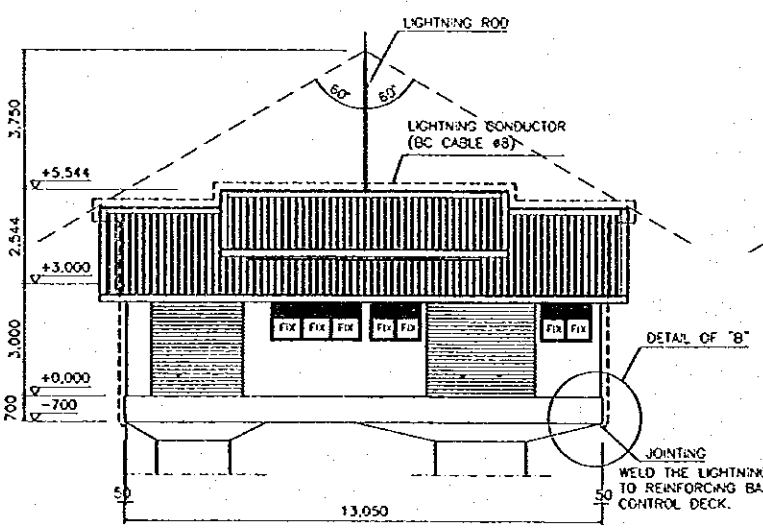
SECTION I-I
SCALE C (A4120)



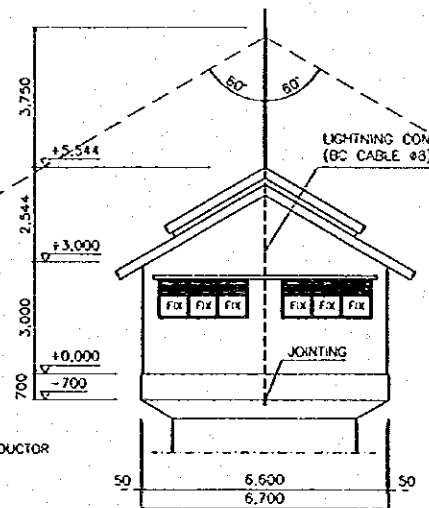
LIGHTNING CONDUCTOR HEAD
SCALE D



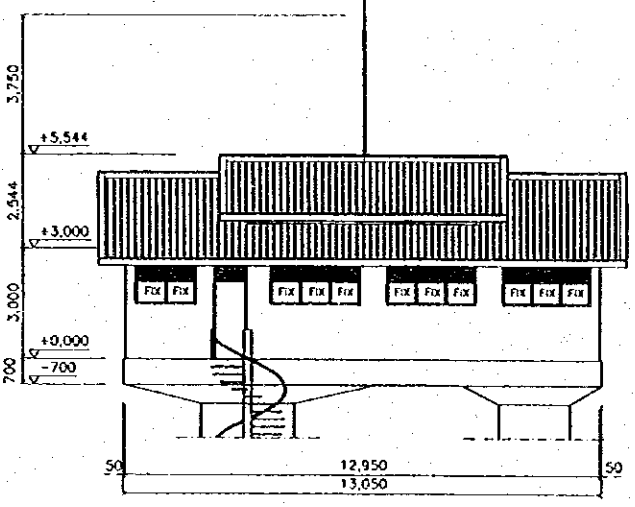
DETAIL OF "A"
SCALE D



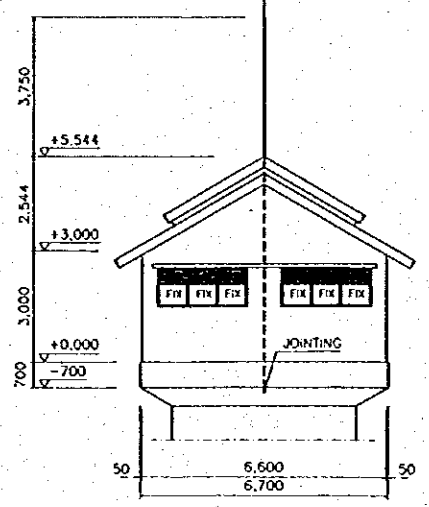
SOUTH ELEVATION
SCALE B (A4120)



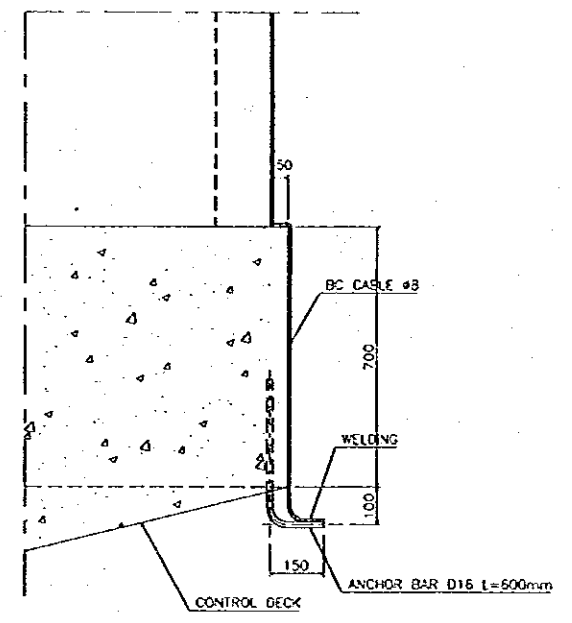
EAST ELEVATION
SCALE B (A4120)



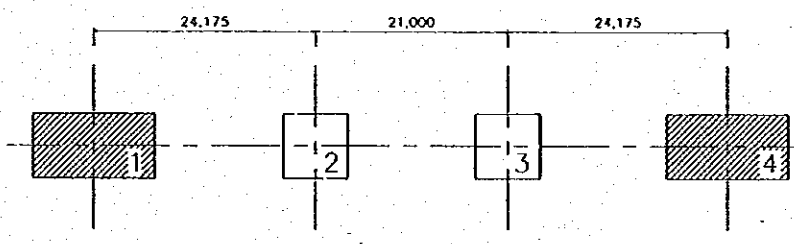
NORTH ELEVATION
SCALE B (A4120)



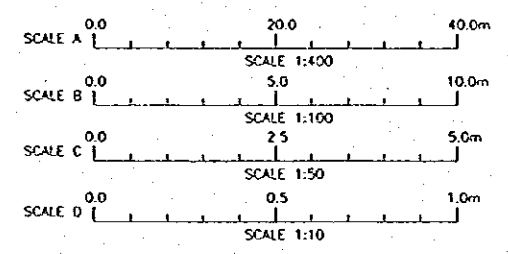
WEST ELEVATION
SCALE B (A4120)



DETAIL OF "B"
SCALE D



GATE PIER KEY PLAN
SCALE A (A4120)



NO.	DATE	REVISIONS	ORIGINATED	DESIGNED	APPROVED

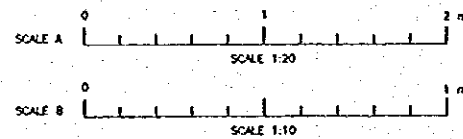
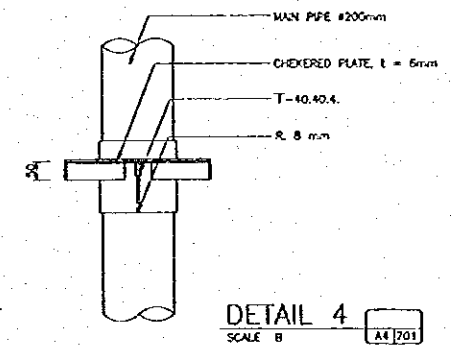
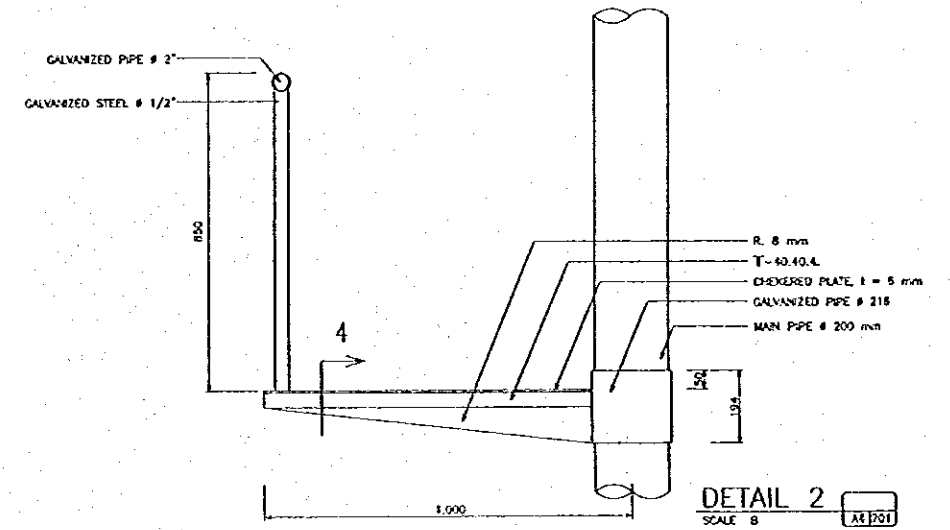
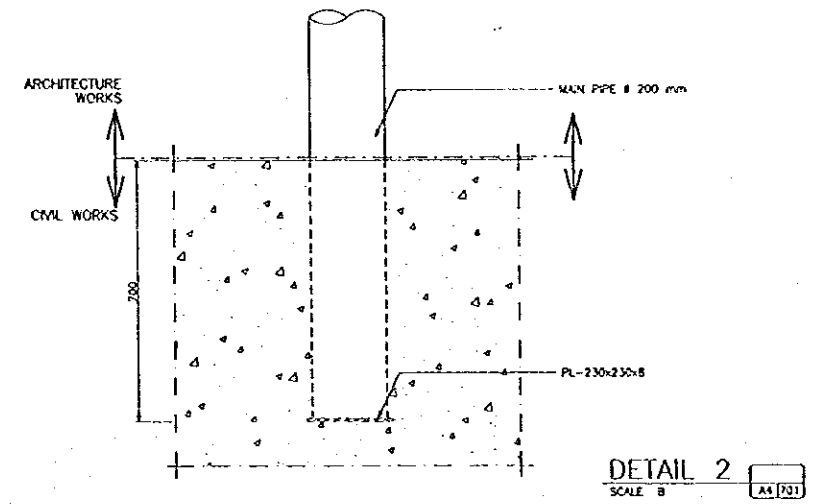
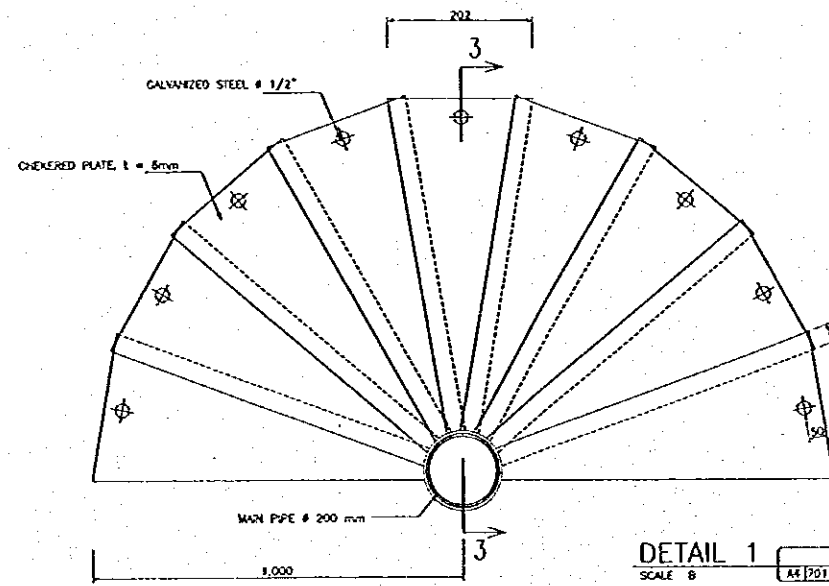
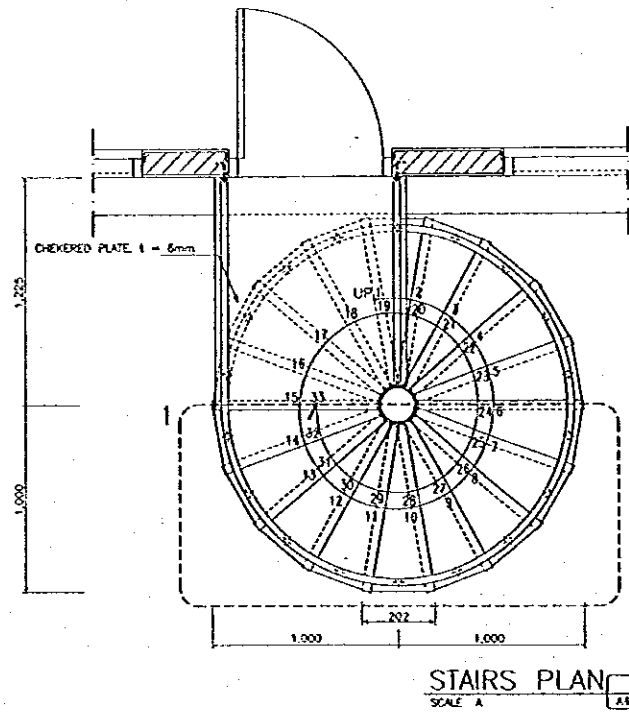
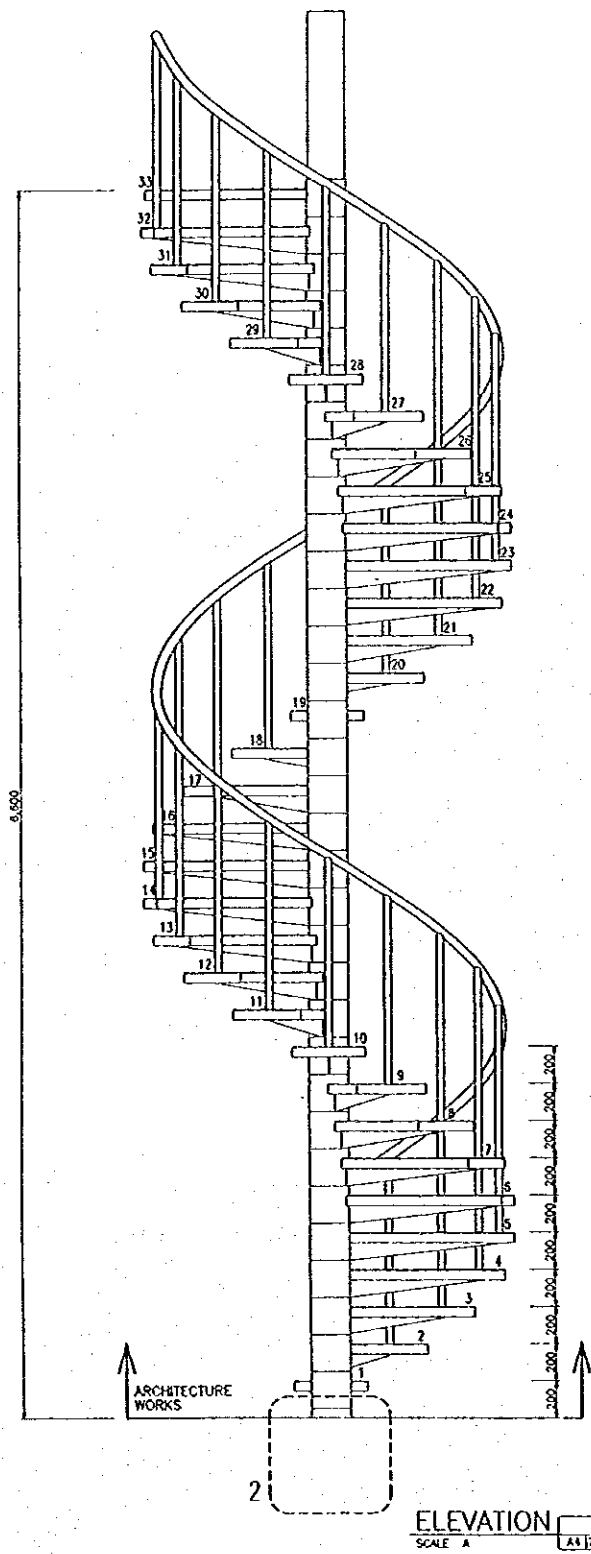
THE REPUBLIC OF INDONESIA
 MINISTRY OF PUBLIC WORKS
 DIRECTORATE GENERAL OF WATER RESOURCES DEVELOPMENT
 AND DIRECTORATE GENERAL OF HUMAN SETTLEMENT

PROVINCE: CENTRAL JAWA
 PROJECT NAME: FLOOD CONTROL, URBAN DRAINAGE AND WATER RESOURCES DEVELOPMENT IN SEMARANG IN THE REPUBLIC OF INDONESIA
 DISTRICT: SEMARANG CITY
 DRAWING NO. W9-P2-SM-S1-09
 SHEET NO. 218
 DATE: _____ CONTRACT NO. _____

FRATUNSELUNA FLOOD CONTROL PROJECT
 COMPONENT: WEST FLOODWAY / GARANG RIVER IMPROVEMENT
 SIMONGAN WEIR MANAGEMENT COMPLEX
 GATE CONTROL HOUSE 1 (1 & 4)

DESIGNED: *[Signature]*
 CHECKED: *[Signature]*

COPIES OF PLANNING AND DESIGN
 PROJECT MANAGER



NO.	DATE	REVISIONS	ORIGINATED	DESIGNED	APPROVED	APPROVED

THE REPUBLIC OF INDONESIA
 MINISTRY OF PUBLIC WORKS
 DIRECTORATE GENERAL OF WATER RESOURCES DEVELOPMENT AND DIRECTORATE GENERAL OF HUMAN SETTLEMENT

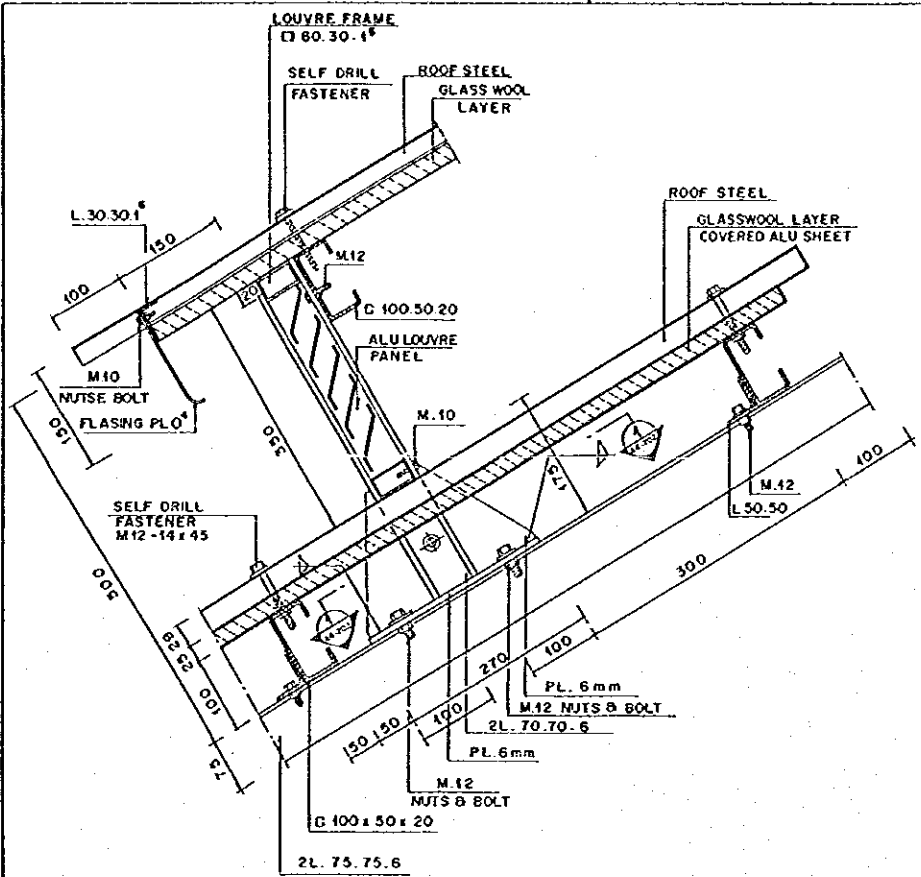
IRATUNSELLA FLOOD CONTROL PROJECT
 COMPONENT : WEST FLOODWAY/GARANG RIVER IMPROVEMENT
 SIMONGAN WEIR MANAGEMENT COMPLEX
 GATE CONTROL HOUSE I (184)
 STAIRS DETAIL

JAPAN INTERNATIONAL COOPERATION AGENCY
 CTE ENGINEERING CO., LTD. IN ASSOCIATION WITH
 PACIFIC CONSULTANTS INTERNATIONAL, INC.
 AND
 PAKO INTERNATIONAL, INC.

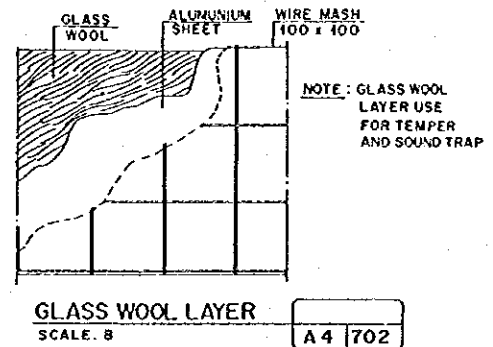
DESIGNED: [Signature]
 CHECKED: [Signature]

CIVIL OF PLANNING AND DESIGN
 PROJECT MANAGER

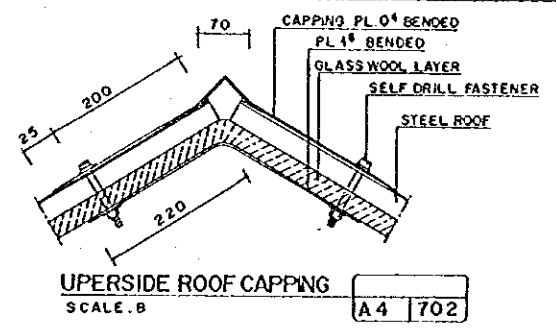
PROVINCE: CENTRAL JAWA
 PROJECT NAME: FLOOD CONTROL, URBAN DRAINAGE AND WATER RESOURCES DEVELOPMENT IN SEMARANG IN THE REPUBLIC OF INDONESIA
 DISTRICT: SEMARANG CITY
 DRAWING NO. M-701/WG-P2-SM-91-54
 SHEET NO. 119
 DATE: [Blank]
 CONTRACT NO.: [Blank]



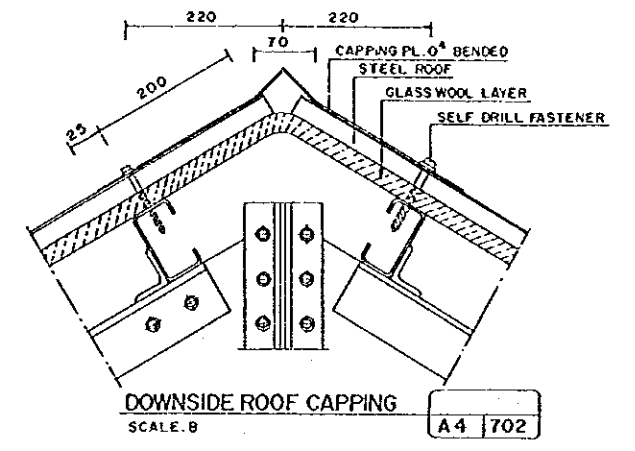
DETAIL SECTION
SCALE. B **A 4 | 702**



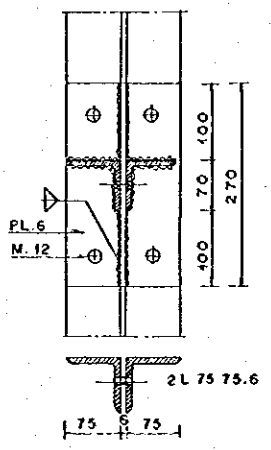
GLASS WOOL LAYER
SCALE. B **A 4 | 702**



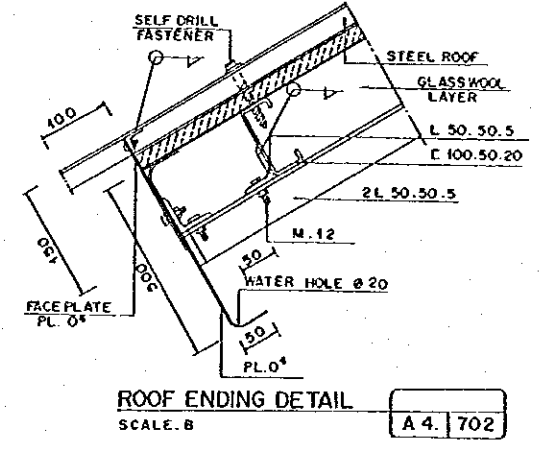
UPERSIDE ROOF CAPPING
SCALE. B **A 4 | 702**



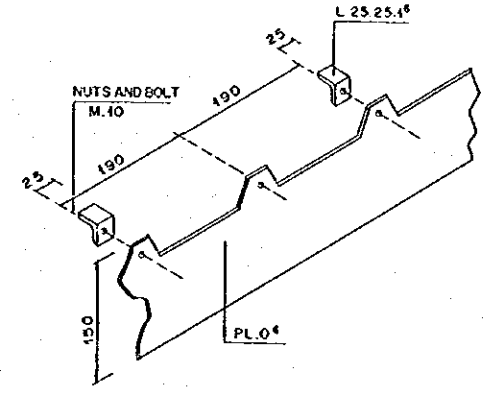
DOWNSIDE ROOF CAPPING
SCALE. B **A 4 | 702**



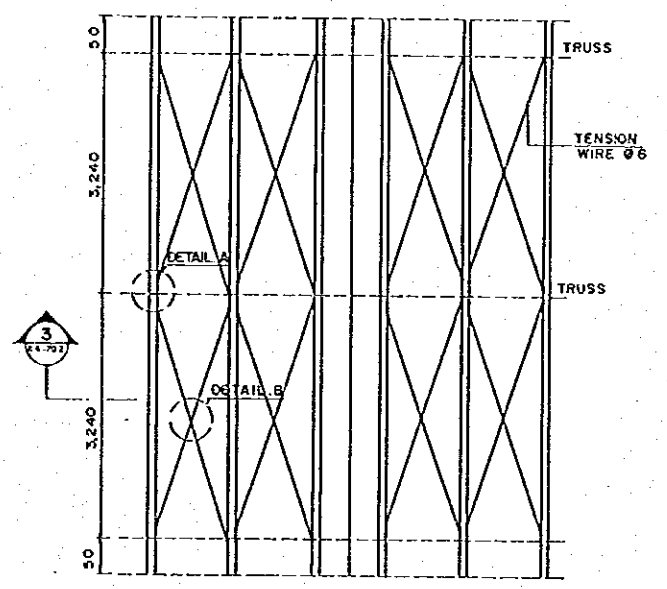
SECTION 4
SCALE. B **A 4 | 702**



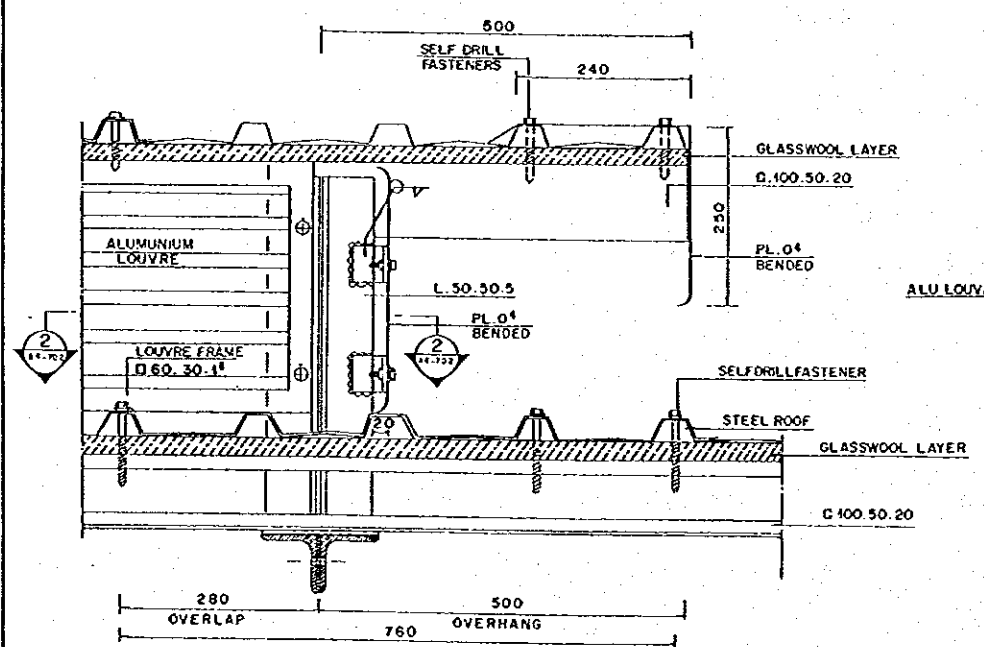
ROOF ENDING DETAIL
SCALE. B **A 4 | 702**



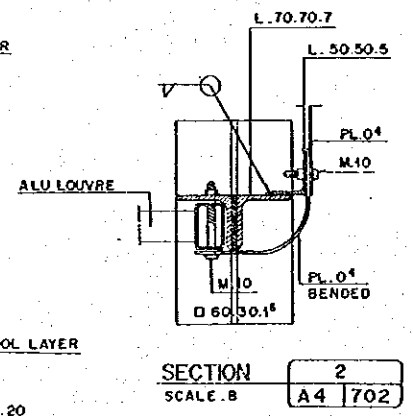
FACE PLATE ISOMETRIC
SCALE. B **A 4 | 702**



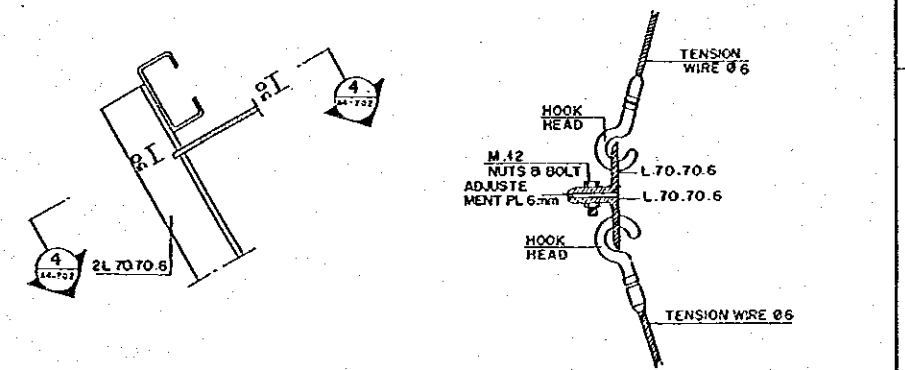
PLAN
SCALE. A **A 4 | 702**



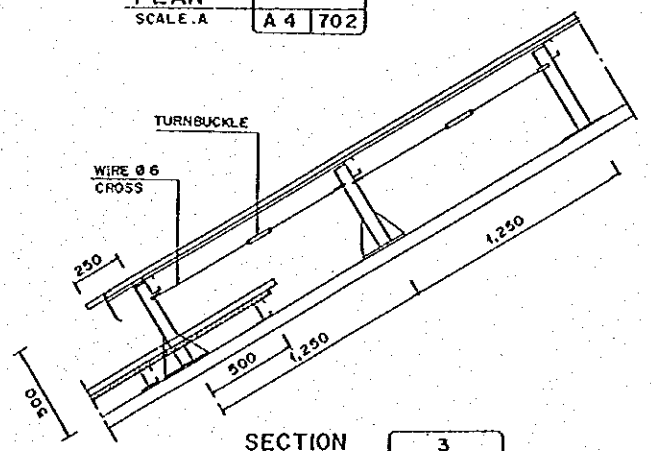
LONGITUDINAL DETAIL SECTION
SCALE B **A 4 | 702**



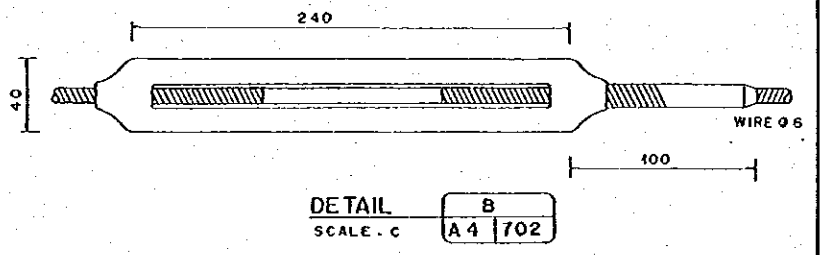
SECTION 2
SCALE. B **A 4 | 702**



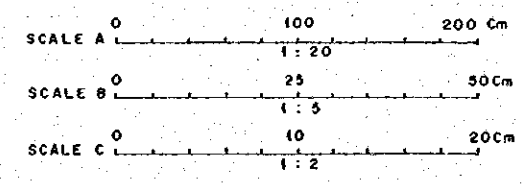
CONNECTION DETAIL
SCALE. B **A 4 | 702**



SECTION 3
SCALE. A **A 4 | 702**

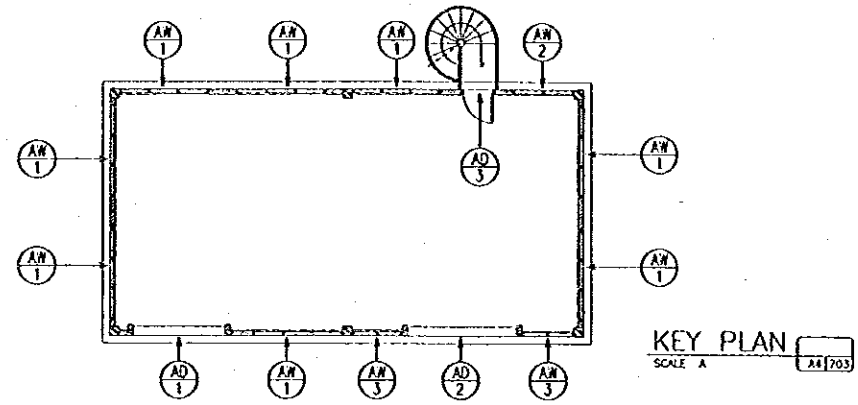


DETAIL B
SCALE. C **A 4 | 702**



NO.	DATE	REVISIONS	CREATED	DESIGNED	APPROVED

THE REPUBLIC OF INDONESIA MINISTRY OF PUBLIC WORKS DIRECTORATE GENERAL OF WATER RESOURCES DEVELOPMENT AND DIRECTORATE GENERAL OF HUMAN SETTLEMENT		PROVINCE: CENTRAL JAVA PROJECT NAME: FLOOD CONTROL, SOAKING AND WATER RESOURCES DEVELOPMENT IN SEMARANG IN THE REPUBLIC OF INDONESIA DISTRICT: SEMARANG CITY DRAWING NO: A4-702 SHEET NO: 320
IRATUNSELUNA FLOOD CONTROL PROJECT COMPONENT: WEST FLOODWAY/GARANG RIVER IMPROVEMENT SIMONGAN WEIR MANAGEMENT COMPLEX GATE CONTROL HOUSE (I & II) MISCELLANEOUS DETAIL		DESIGNED: [Signature] CHECKED: [Signature] DATE: [Date] CONTRACT NO:
CHIEF OF PLANNING AND DESIGN PROJECT MANAGER		



MARK	QTY	AD 1	1	AD 2	1	AD 3	1
SHAPE							
TYPE		ROLLING DOOR		ROLLING DOOR		FIX	
MATERIAL	FINISH	FRAME	ALU	ALU	ALU	ALU	ANO
		PANEL	ALU	ALU	ALU	ANO	ANO
GLASS							
HARDWARE		METAL FITTINGS COMPLETE SET		METAL FITTINGS COMPLETE SET		METAL FITTINGS COMPLETE SET	
POSITION		GATE PIER		GATE PIER		GATE PIER	

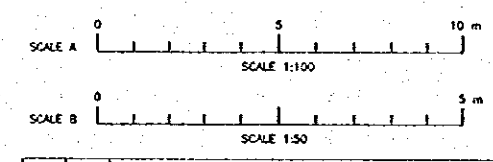
MARK	QTY	AW 1	8	AW 2	1	AW 3	2
SHAPE							
TYPE		LOUVRE & FIX		LOUVRE & FIX		LOUVRE & FIX	
MATERIAL	FINISH	FRAME	ALU	ALU	ALU	ALU	ANO
		PANEL	GLASS	GLASS	GLASS	ANO	ANO
GLASS		CLEAR 5 mm THICK		CLEAR 5 mm THICK		CLEAR 5 mm THICK	
HARDWARE		METAL FITTINGS COMPLETE SET		METAL FITTINGS COMPLETE SET		METAL FITTINGS COMPLETE SET	
POSITION		GATE PIER		GATE PIER		GATE PIER	

LEGEND :
 AD : ALUMINIUM DOOR
 AW : ALUMINIUM WINDOW
 AL : ALUMINIUM LOUVRE
 ADW : ALUMINIUM DOOR WINDOW

MATERIAL :
 ALU : ALUMINIUM
 ANO : ANODIZED
 PRG : POLYUR . CLEAR SEMI-GLOSS

DOORS & WINDOWS SYMBOL
 REFERENCE NO.

DOOR & WINDOW SCHEDULE
 SCALE B



NO.	DATE	REVISIONS	ORIGINATED	DESIGNED	APPROVED

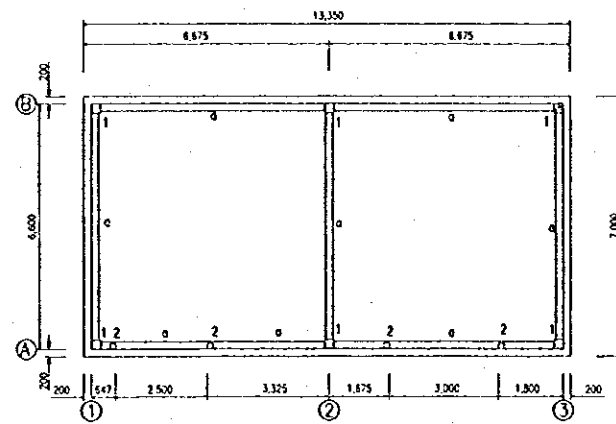
THE REPUBLIC OF INDONESIA
 MINISTRY OF PUBLIC WORKS
 DIRECTORATE GENERAL OF WATER RESOURCES DEVELOPMENT AND DIRECTORATE GENERAL OF HUMAN SETTLEMENT

JRATUNSELUNA FLOOD CONTROL PROJECT
 COMPONENT : WEST FLOODWAY/GARANG RIVER IMPROVEMENT
 SIMONGAN WEIR MANAGEMENT COMPLEX
 GATE CONTROL HOUSE 1 (1 & 4)
 KEY PLAN, DOOR WINDOWS SCHEDULE

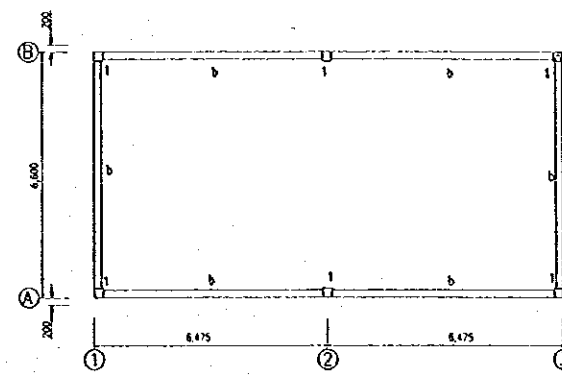
DESIGNED: [Signature]
 CHECKED: [Signature]

CITY OF PLANNING AND DESIGN
 PROJECT MANAGER

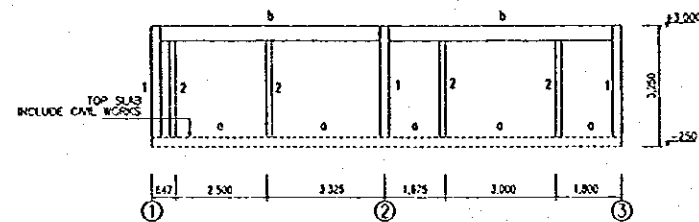
PROVINCE: CENTRAL JAVA
 DISTRICT: SEMARANG CITY
 SHEET NO: 211
 CONTRACT NO:



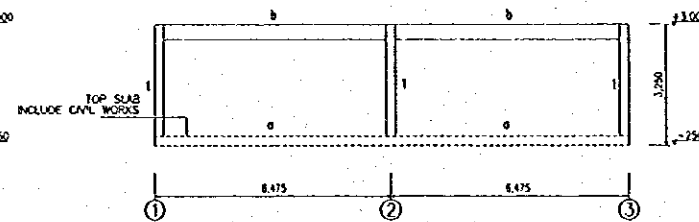
COLUMN & TIE BEAM PLAN -250
SCALE A



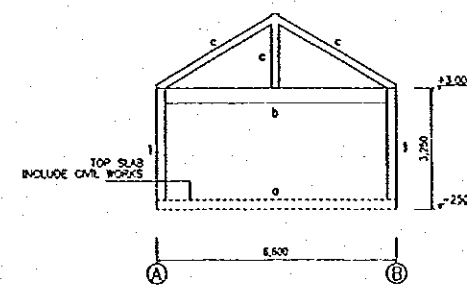
COLUMN & RING BEAM PLAN +3,000
SCALE A



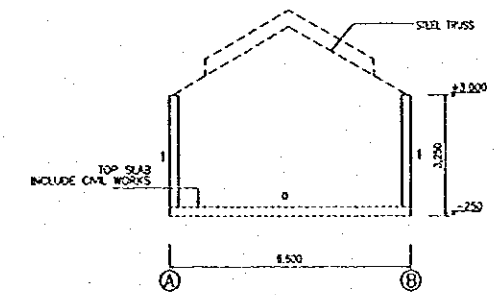
FRAMING LINE A
SCALE A



FRAMING LINE B
SCALE A



FRAMING LINE 1&3
SCALE A



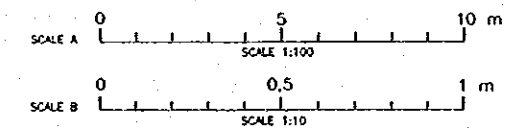
FRAMING LINE 2
SCALE A

SECTION OF BEAM REINFORCEMENT			
	BEAM TYPE a	BEAM TYPE b	BEAM TYPE c
ARRANGEMENT	2 D16	3 D16	2 D12
TOP	2 D16	3 D16	2 D12
MIDDLE	---	2 D16	---
BOTTOM	2 D16	4 D16	2 D12
STIRRUP	#8-150	#8-150	#8-150

SECTION BEAM REINFORCEMENT
SCALE B

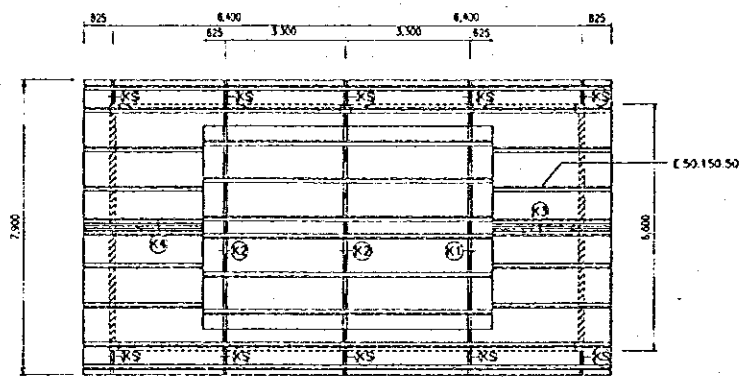
TYPICAL COLUMN REINFORCEMENT		
	COLUMN TYPE 1	COLUMN TYPE 2
ARRANGEMENT	4 D16	4 D12
STIRRUP	#8-100	#8-150

SECTION OF COLUMN REINFORCEMENT
SCALE B

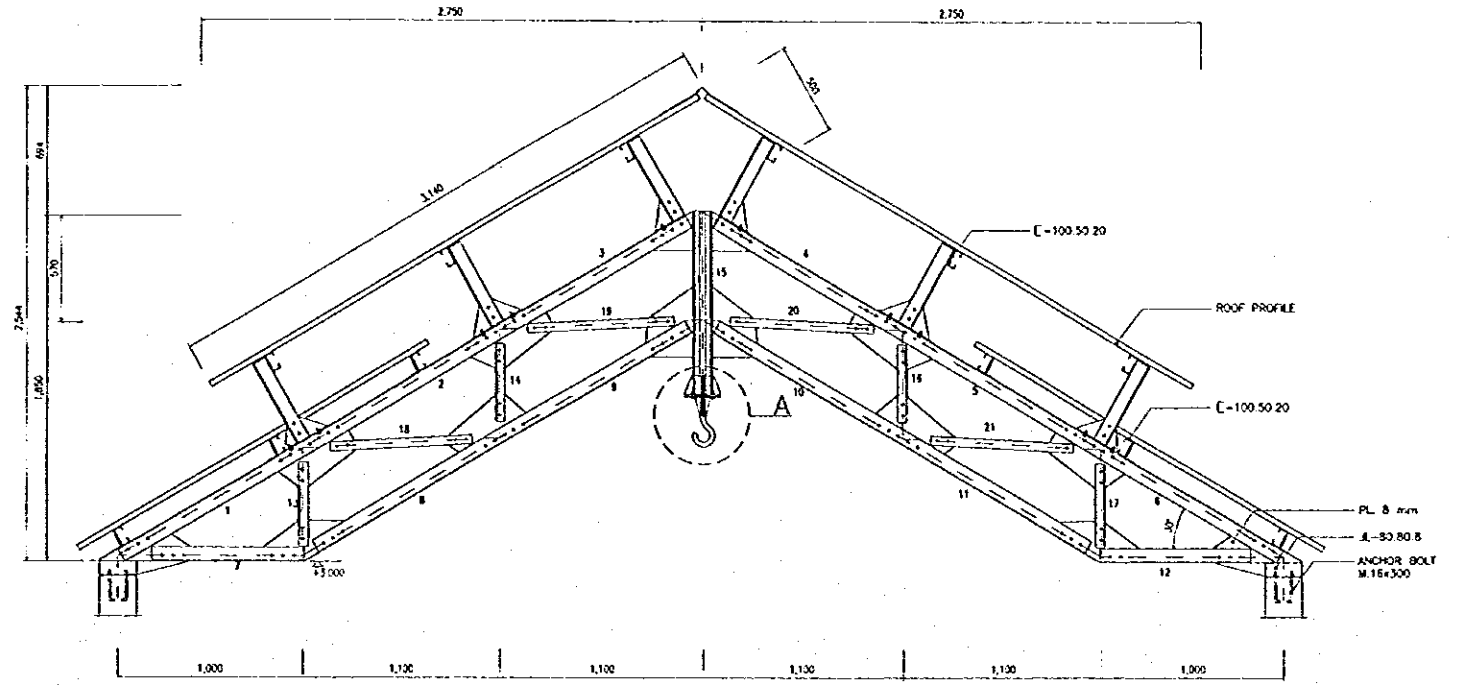


NO	DATE	REVISIONS	ORIGINATED	DESIGNED	APPROVED

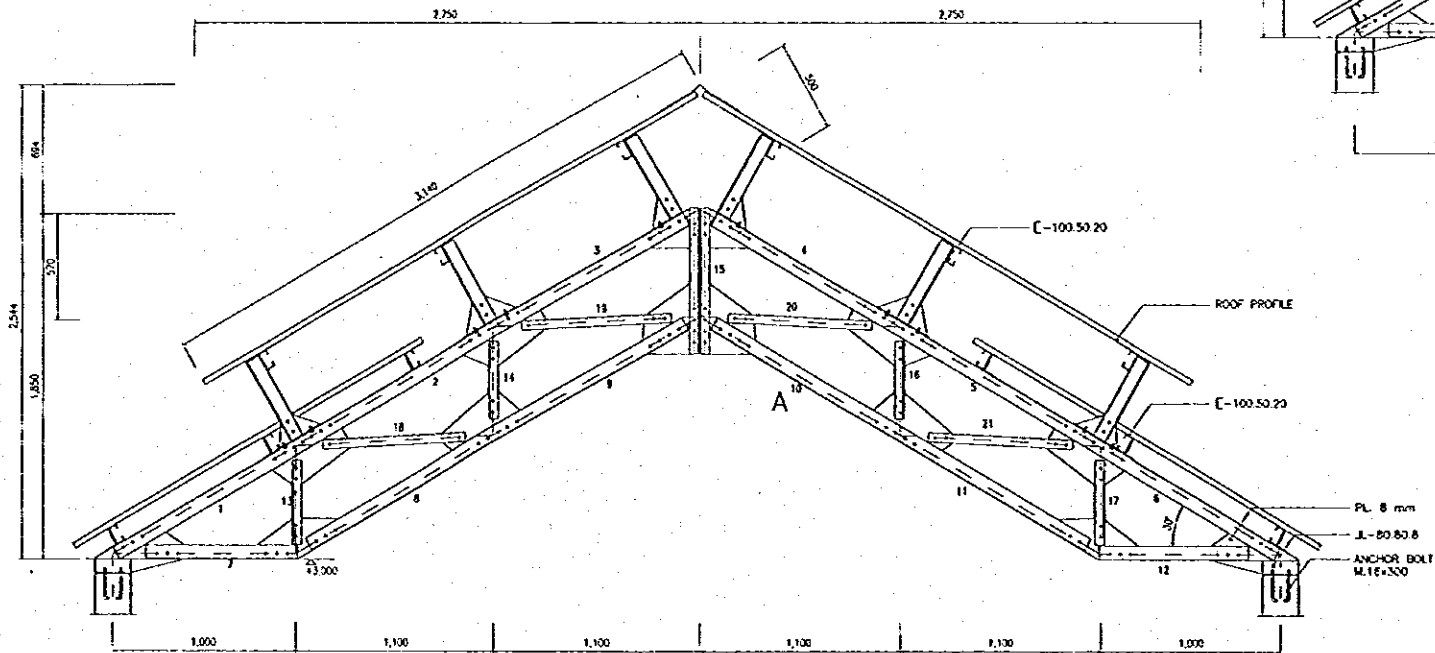
	THE REPUBLIC OF INDONESIA MINISTRY OF PUBLIC WORKS DIRECTORATE GENERAL OF WATER RESOURCES DEVELOPMENT AND DIRECTORATE GENERAL OF HUMAN SETTLEMENT		PROVINCE CENTRAL JAVA
	IRATUNSELUWA FLOOD CONTROL PROJECT COMPONENT : WEST FLOODWAY/GARANG RIVER IMPROVEMENT SIMONGAN WEIR MANAGEMENT COMPLEX GATE CONTROL HOUSE 1 (1 & 4) COLUMN, TIE BEAM & FRAMING ELEVATION		PROJECT NAME FLOOD CONTROL, WEIR, DRAINAGE AND WATER RESOURCES DEVELOPMENT IN SEMARANG IN THE REPUBLIC OF INDONESIA
	DESIGNED: [Signature] CHECKED: [Signature] CHIEF OF PLANNING AND DESIGN PROJECT MANAGER		DISTRICT SEMARANG CITY
	DATE: [Date] CONTRACT NO.		DRAWING NO: CA-700-WP-P2-SM-04 SHEET NO: 222



ROOF PLAN
SCALE A C4/701



TYPE K1
SCALE B C4/701



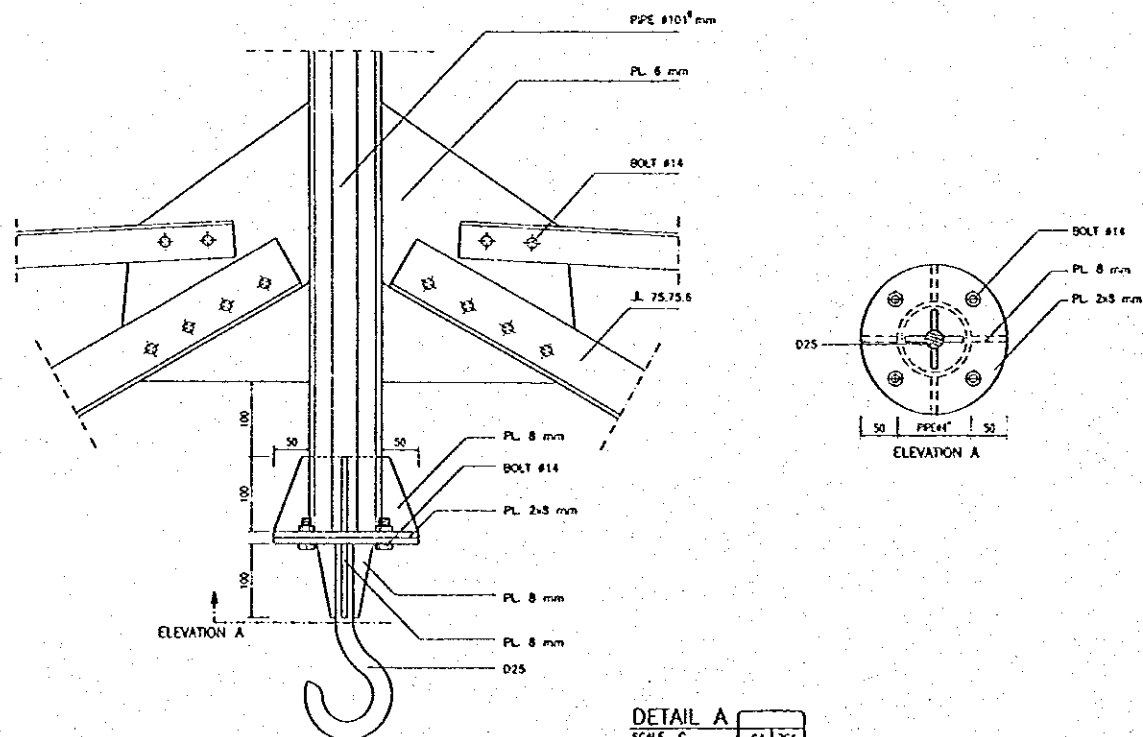
TYPE K2
SCALE B C4/701

MEMBER LIST K1 - 1 Pcs

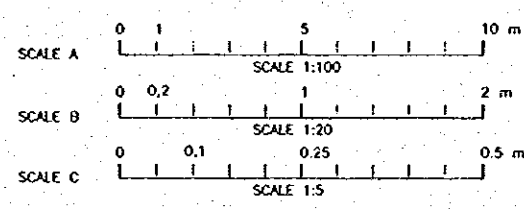
LIST NUMBER	PROFILE	TOTAL	BOLT			NOTE
			# mm	g mm	h mm	
1-5	T -75.75.8	4-4	14	40	60	
2-5	T -75.75.8	3-3	14	40	60	
3-4	T -75.75.8	2-2	14	40	60	
7-12	JL -75.75.8	2-2	14	40	60	
8-11	JL -75.75.8	2-2	14	40	60	
9-10	JL -75.75.8	2-2	14	40	60	
12-17	T -50.50.5	2-2	14	40	60	
14-16	T -50.50.5	2-2	14	40	60	
15	PPE #101	-	-	-	-	
18-21	T -50.50.5	2-2	14	40	60	
19-20	T -50.50.5	2-2	14	40	60	

MEMBER LIST K2 - 2 Pcs

LIST NUMBER	PROFILE	TOTAL	BOLT			NOTE
			# mm	g mm	h mm	
1-5	T -75.75.8	4-4	14	40	60	
2-5	T -75.75.8	3-3	14	40	60	
3-4	T -75.75.8	2-2	14	40	60	
7-12	JL -75.75.8	2-2	14	40	60	
8-11	JL -75.75.8	2-2	14	40	60	
9-10	JL -75.75.8	2-2	14	40	60	
12-17	T -50.50.5	2-2	14	40	60	
14-16	T -50.50.5	2-2	14	40	60	
15	T -50.50.5	3-4	14	40	60	
18-21	T -50.50.5	2-2	14	40	60	
19-20	T -50.50.5	2-2	14	40	60	

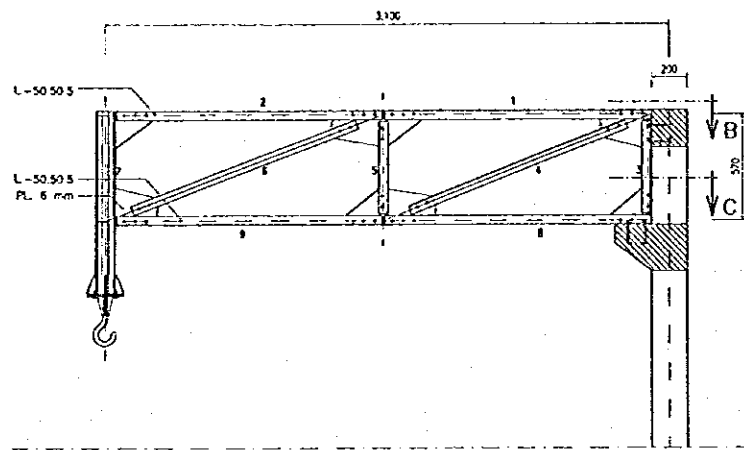


DETAIL A
SCALE C C4/701



NO.	DATE	REVISIONS	ORIGINATED	DESIGNED	APPROVED

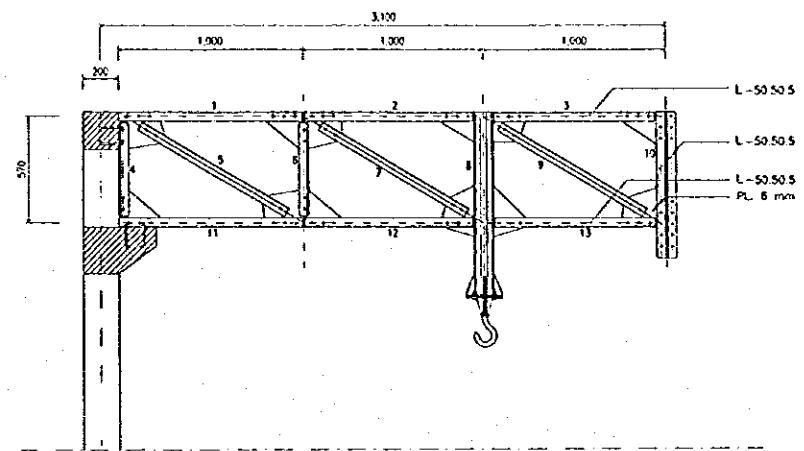
THE REPUBLIC OF INDONESIA MINISTRY OF PUBLIC WORKS DIRECTORATE GENERAL OF WATER RESOURCES DEVELOPMENT AND DIRECTORATE GENERAL OF HUMAN SETTLEMENT		PROVINCE CENTRAL JAWA
BRATUNSELINA FLOOD CONTROL PROJECT COMPONENT : WEST FLOODWAY YAGARAN RIVER IMPROVEMENT SIMONGAN WEIR MANAGEMENT COMPLEX GATE CONTROL HOUSE II (1&4) ROOF PLAN & DETAIL		PROJECT NAME FLOOD CONTROL, WEIR MANAGEMENT AND WATER RESOURCES DEVELOPMENT IN BRATUNSELINA IN THE REPUBLIC OF INDONESIA
DESIGNED CHECKED APPROVED		DISTRICT SEMARANG CITY
DATE		DRAWING NO. C4-701/10-P2-04/Rev.01
PROJECT MANAGER		SHEET NO. 213
CHIEF OF PLANNING AND DESIGN		CONTRACT NO.



TYPE K3
SCALE A C4 | 702

MEMBER LIST K3 - 1 Pcs

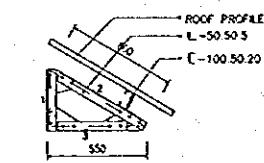
LIST NUMBER	PROFILE	BOLT		DISTANCE		NOTE
		TOTAL	# mm	a mm	b mm	
1=2	T -50 50.5	3-3	14	40	60	
3=5	T -50 50.5	2-2	14	40	60	
4=5	T -50 50.5	2-2	14	40	60	
7	MEMBER #1, MEMBER 15					
8=9	L -50 50.5	3-3	14	40	60	



TYPE K4
SCALE A C4 | 702

MEMBER LIST K4 - 1 Pcs

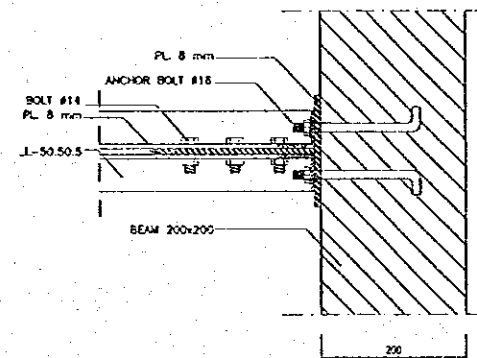
LIST NUMBER	PROFILE	BOLT		DISTANCE		NOTE
		TOTAL	# mm	a mm	b mm	
1=2=3	T -50 50.5	3-3	14	40	60	
4=5	T -50 50.5	2-2	14	40	60	
5=7=9	T -50 50.5	2-2	14	40	60	
6	PPE #101					
10	MEMBER #2, MEMBER 15					
11=12=13	L -50 50.5	3-3	14	40	60	



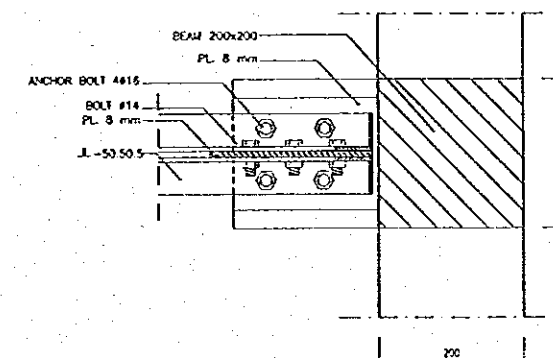
TYPE KS
SCALE A C4 | 702

MEMBER LIST KS - 10 Pcs

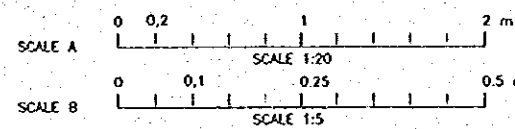
LIST NUMBER	PROFILE	BOLT		DISTANCE		NOTE
		TOTAL	# mm	a mm	b mm	
1	T -50 50.5	2-2	14	40	50	
2	T -50 50.5	2-2	14	40	50	
3	L -50 50.5	2-2	14	40	50	



DETAIL SECTION B
SCALE B C4 | 702

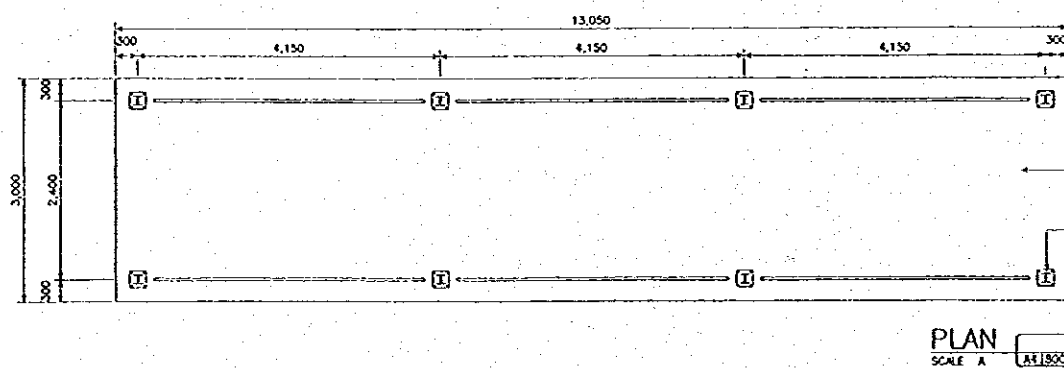
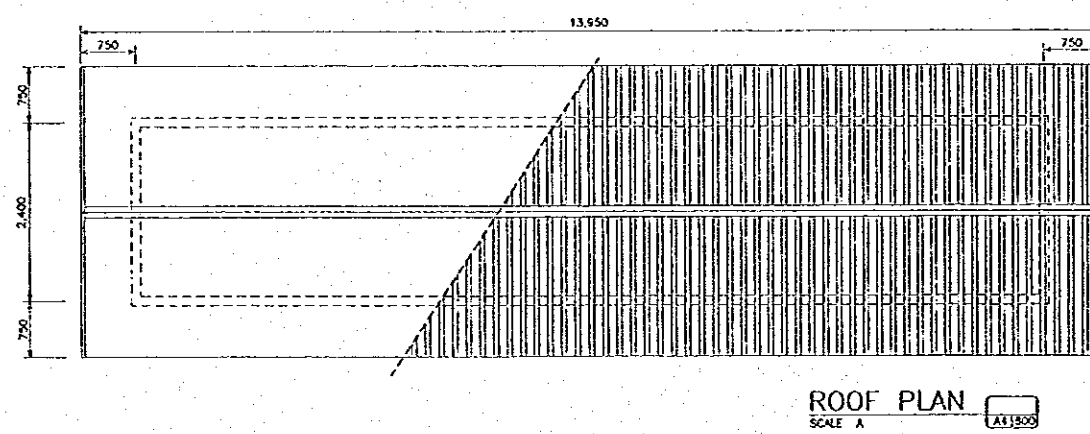
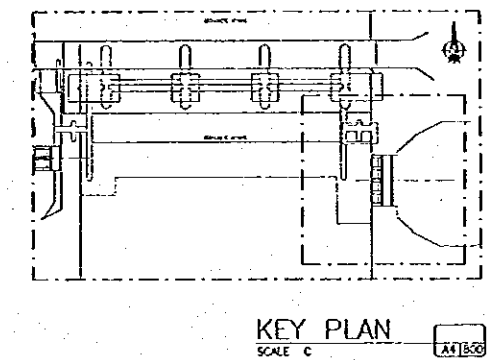
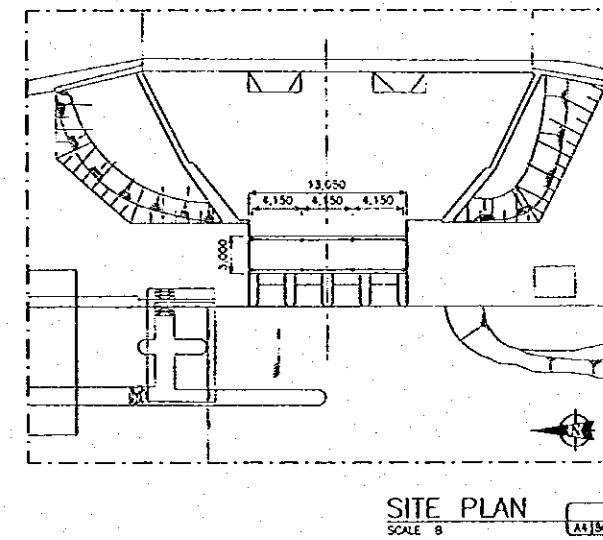
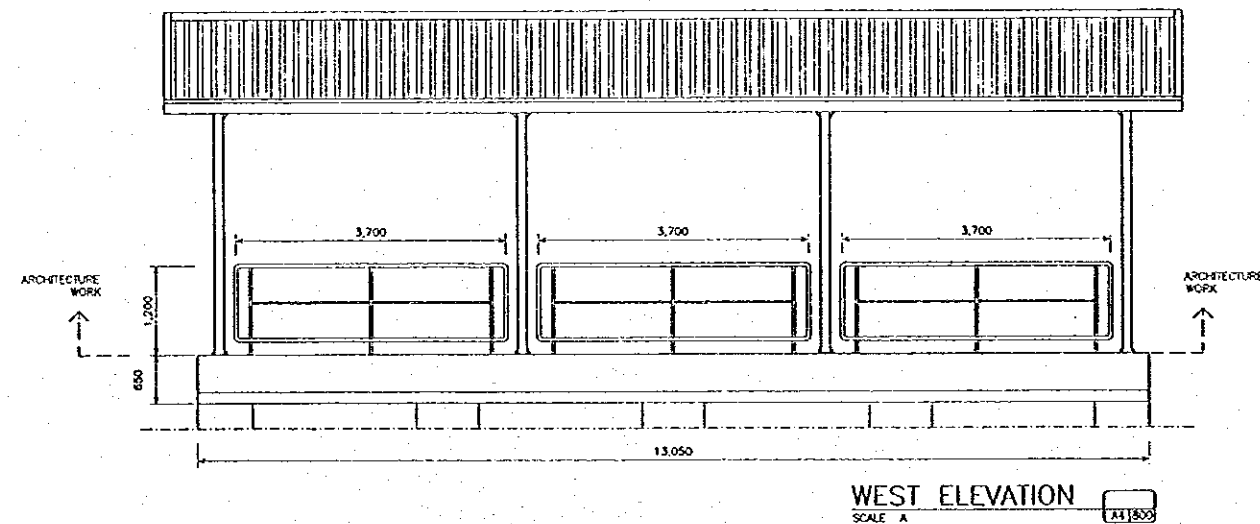
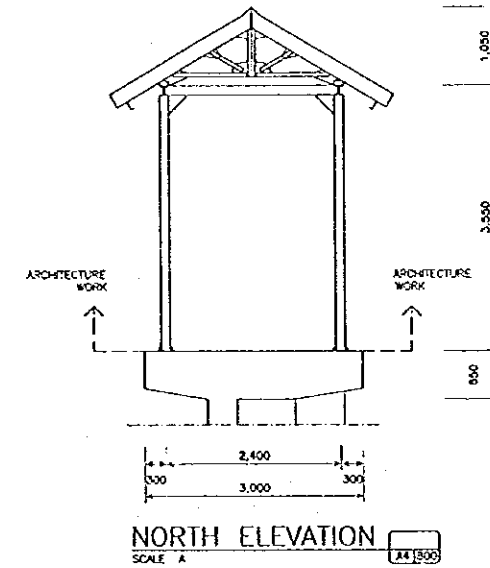
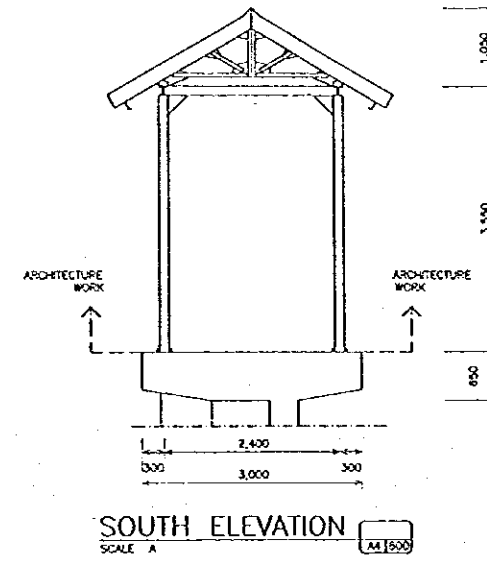
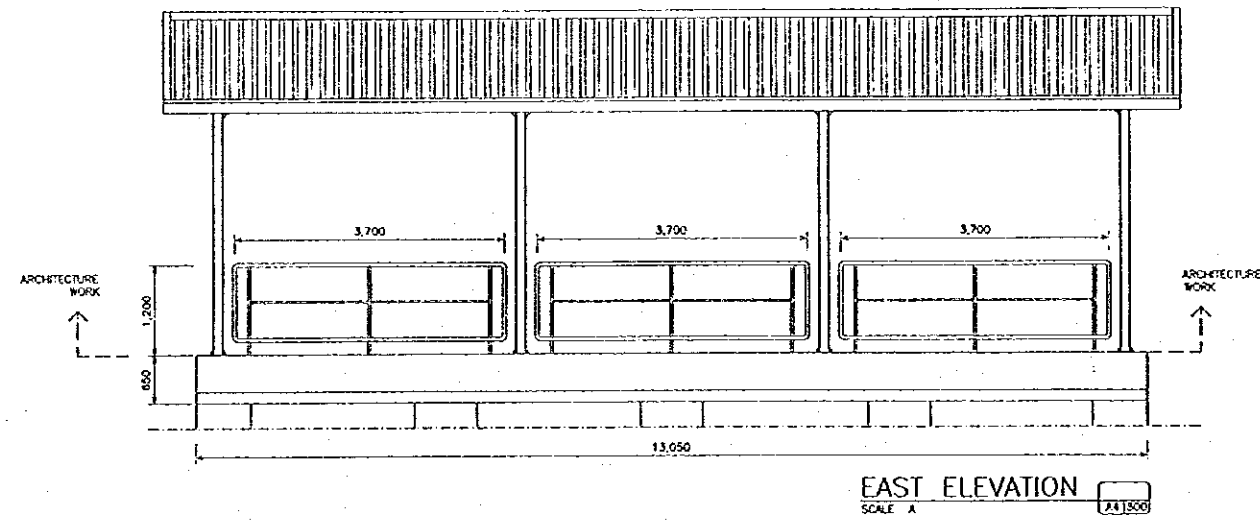


DETAIL SECTION C
SCALE B C4 | 702

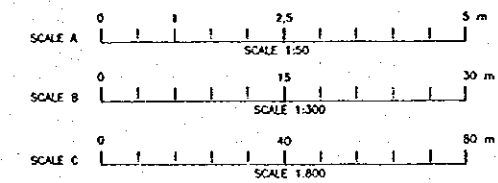


NO.	DATE	REVISIONS	ORIGINATED	DESIGNED	APPROVED

THE REPUBLIC OF INDONESIA MINISTRY OF PUBLIC WORKS DIRECTORATE GENERAL OF WATER RESOURCES DEVELOPMENT AND DIRECTORATE GENERAL OF HUMAN SETTLEMENT		PROVINCE CENTRAL JAWA
IRATUNSELUNA FLOOD CONTROL PROJECT COMPONENT: WEST FLOODWAYARANG RIVER IMPROVEMENT SIMONGAN WEIR MANAGEMENT COMPLEX GATE CONTROL HOUSE I (1 & 4) ROOF DETAIL		PROJECT NAME FLOOD CONTROL, BEAM SALADIG AND WATER RESOURCE DEVELOPMENT OF SOERABAYA IN THE REPUBLIC OF INDONESIA
JAPAN INTERNATIONAL COOPERATION AGENCY CTI ENGINEERING CO., LTD. (PROJECT MANAGER) PACIFIC CONSULTANTS INTERNATIONAL PAKO INTERNATIONAL, INC.		DISTRICT SEMARANG CITY
DESIGNED CHECKED		DRAWING NO. C4-702-00-PE-SM-R4-00 SHEET NO. 114
APPROVED CHIEF OF PLANNING AND DESIGN PROJECT MANAGER		DATE CONTRACT NO.



CONCRETE BASE
COLUMN I-125.125



NO.	DATE	REVISIONS	ORIGINATED	DESIGNED	APPROVED

THE REPUBLIC OF INDONESIA MINISTRY OF PUBLIC WORKS DIRECTORATE GENERAL OF WATER RESOURCES DEVELOPMENT AND DIRECTORATE GENERAL OF HUMAN SETTLEMENT	PROVINCE	CENTRAL JAWA
	DISTRICT	SEMARANG CITY
	SHEET NO.	215
	CONTRACT NO.	
JRATUNSELUNA FLOOD CONTROL PROJECT COMPONENT: WEST FLOODWAY GARANO RIVER IMPROVEMENT SIMONGAN WEIR MANAGEMENT COMPLEX INTAKE GATE SHED ON RIGHT BANK SITE PLAN, PLAN, ELEVATION, ROOF PLAN		
JAPAN INTERNATIONAL COOPERATION AGENCY CITY ENGINEERING COLLEGE IN COOPERATION WITH PACIFIC CONSULTANTS INTERNATIONAL AND JAPAN INTERNATIONAL P.C.	DESIGNED CHECKED CHIEF OF PLANNING AND DESIGN PROJECT MANAGER	APPROVED PROJECT MANAGER