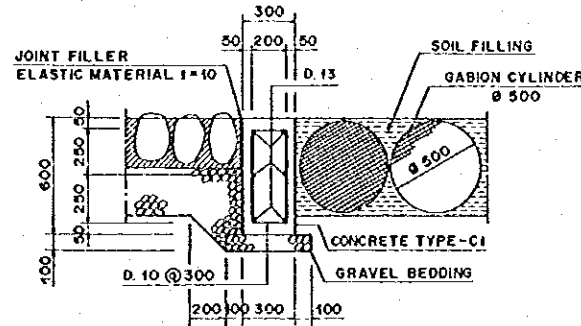
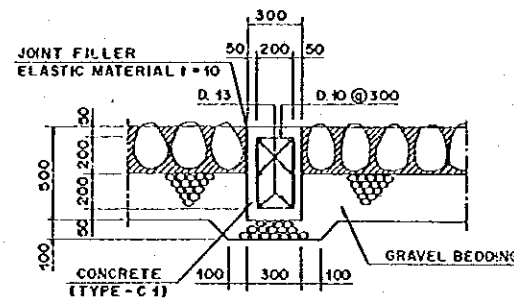


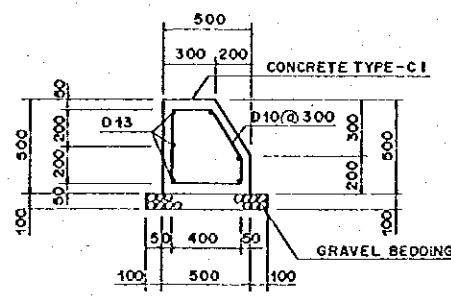
PARTITION WALL (H)
SCALE D



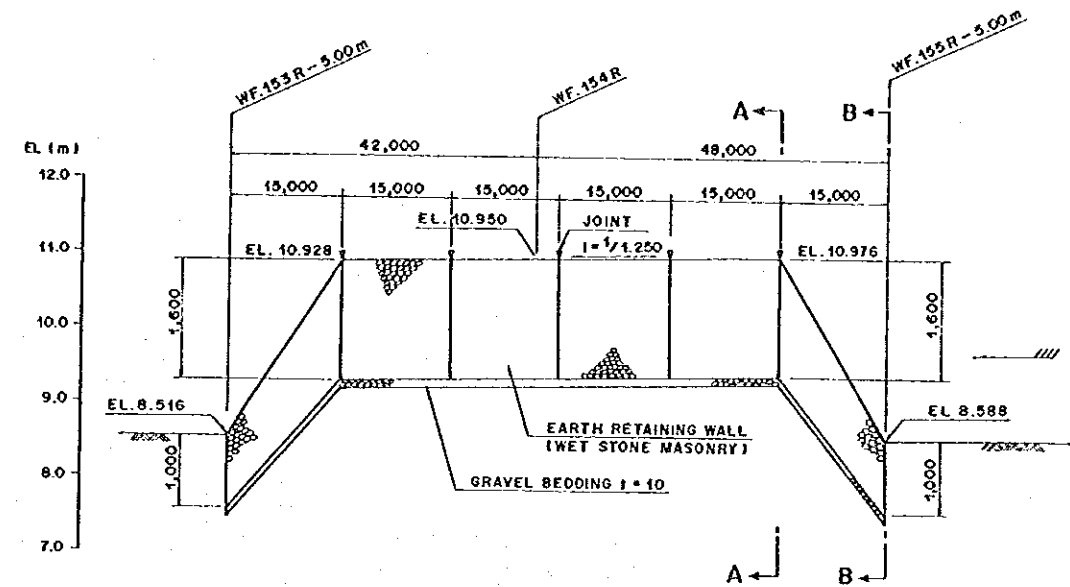
END WALL
SCALE D



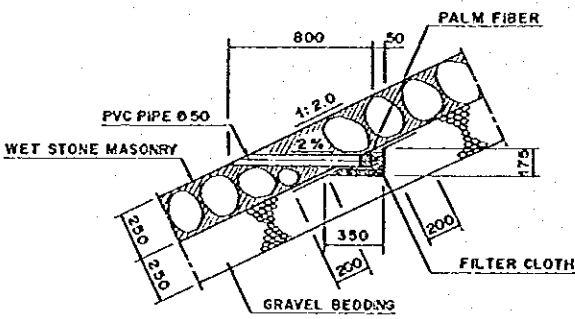
PARTITION WALL (V)
SCALE D



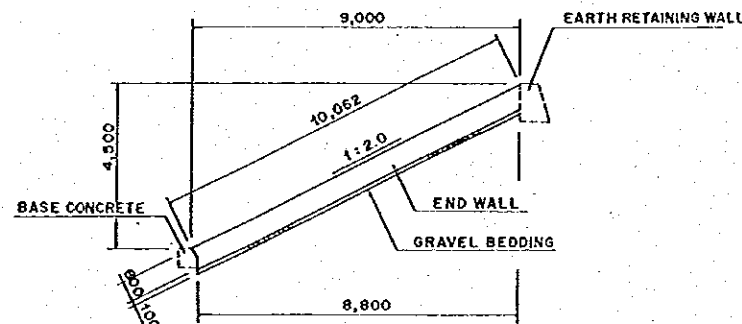
BASE CONCRETE
SCALE D



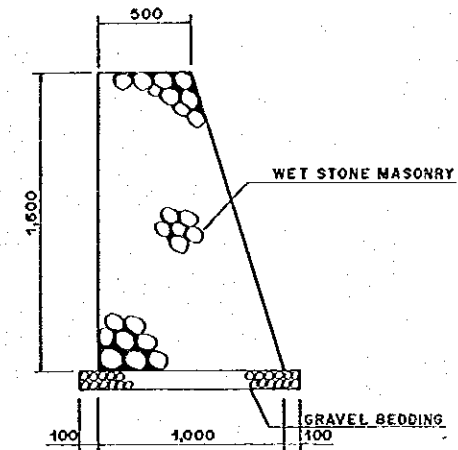
LONGITUDINAL PROFILE OF EARTH RETAINING WALL
SCALE H=A, V=C



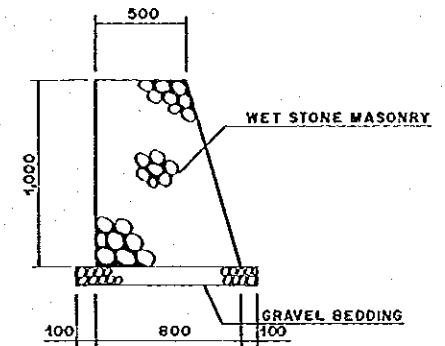
DETAIL OF WEEP HOLE
SCALE D



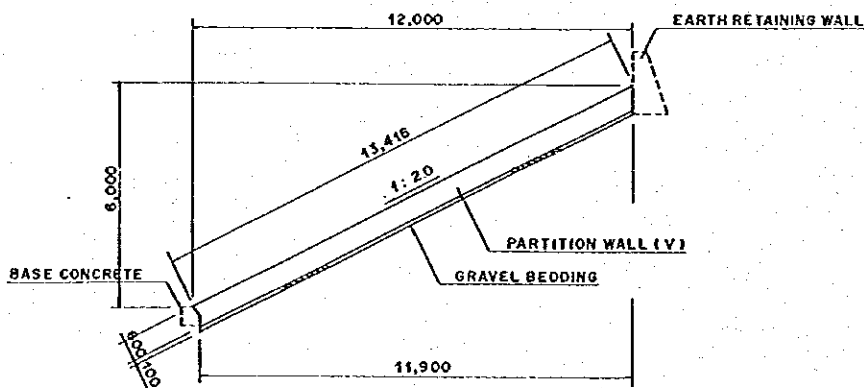
PROFILE OF END WALL
SCALE B



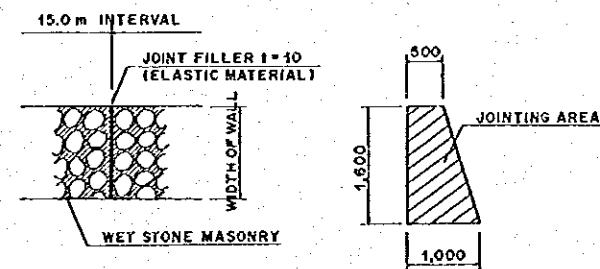
SECTION A-A
SCALE D



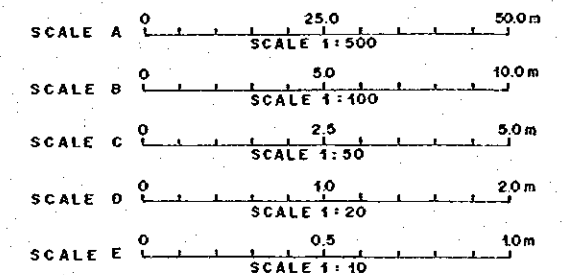
SECTION B-B
SCALE D



PROFILE OF PARTITION WALL (V)
SCALE B



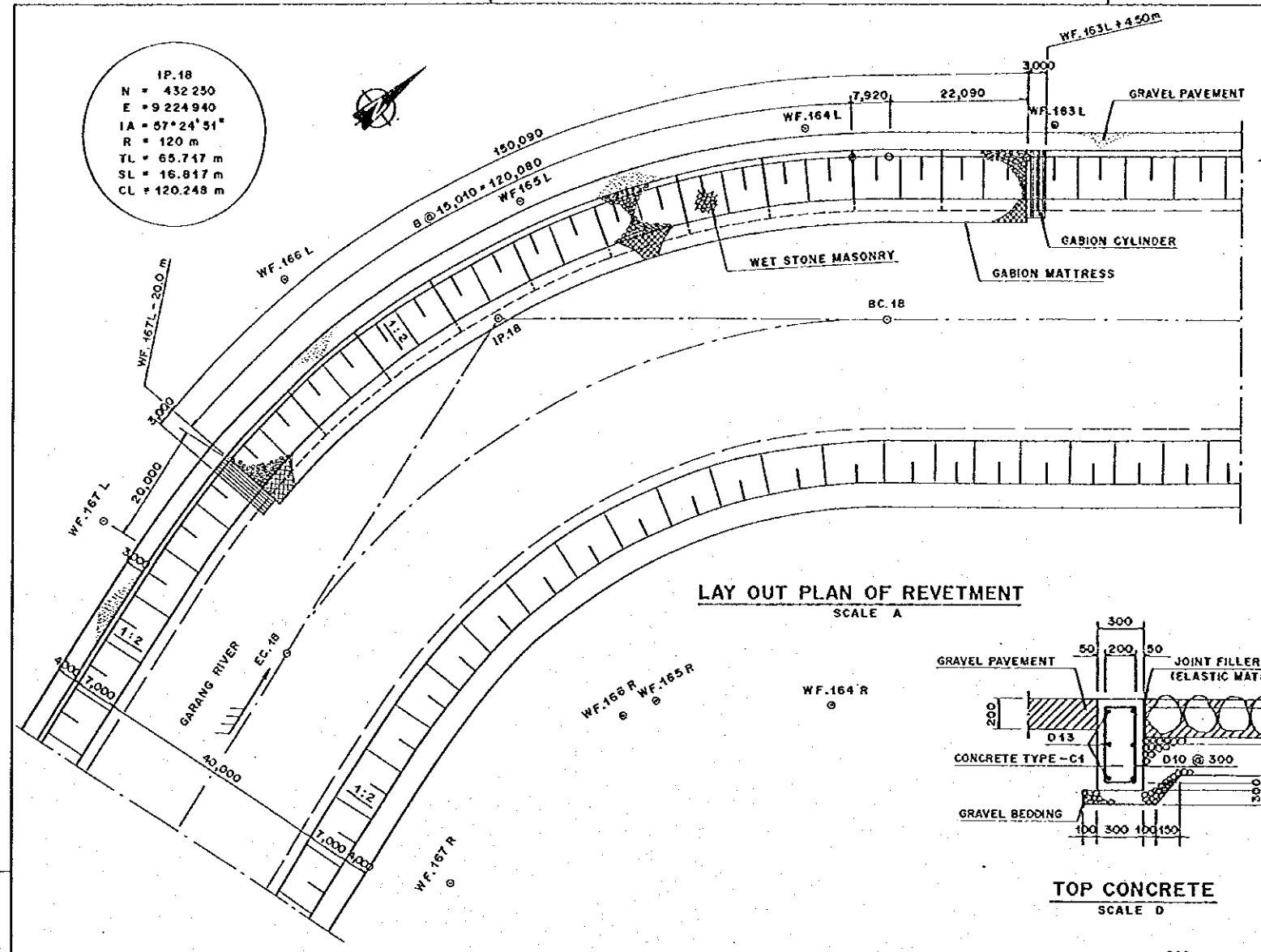
DETAIL OF JOINTING
SCALE C



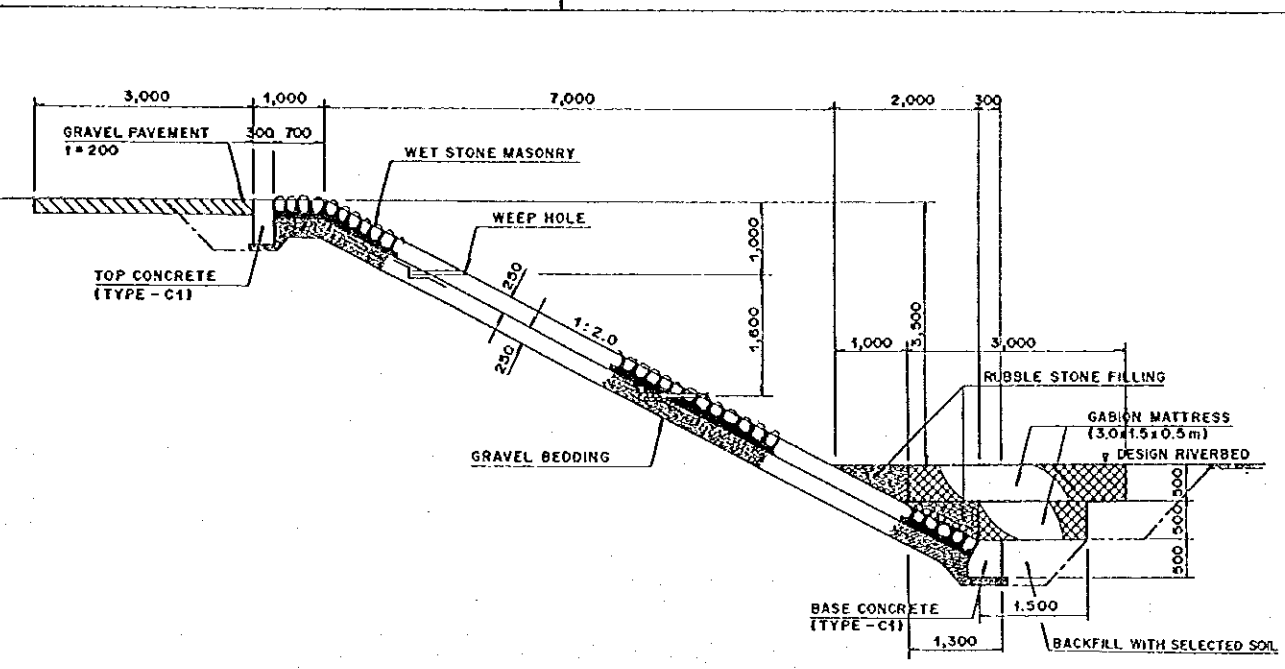
NO.	DATE	REVISIONS	ORIGINATED	DESIGNED	APPROVED

THE REPUBLIC OF INDONESIA MINISTRY OF PUBLIC WORKS DIRECTORATE GENERAL OF WATER RESOURCES DEVELOPMENT AND DIRECTORATE GENERAL OF HUMAN SETTLEMENT		PROVINCE: CENTRAL JAWA PROJECT NAME: FLOOD CONTROL, URBAN DRAINAGE AND WATER RESOURCES DEVELOPMENT IN SEMARANG IN THE REPUBLIC OF INDONESIA DISTRICT: SEMARANG CITY DRAWING NO.: WG-P1-PR-S1-38 SHEET NO.: 129
FRATUNSELUNA FLOOD CONTROL PROJECT COMPONENT: WEST FLOODWAY / GARANG RIVER IMPROVEMENT PROTECTION WORKS FOR RIVERBANK & RIVERBED RIVER SECTION WF. 147 TO WF. 155 (RIGHT & LEFT BANK) STRUCTURAL DETAILS OF RETENMENT (2/2)		DESIGNED: <i>[Signature]</i> CHECKED: <i>[Signature]</i> DATE: <i>[Blank]</i> CONTRACT NO.: <i>[Blank]</i>
SATAP INTERNATIONAL COOPERATION AGENCY CIVIL ENGINEERING CO., LTD. IN ASSOCIATION WITH PACIFIC CONSULTANTS INTERNATIONAL AND PACIFIC INTERNATIONAL INC.		CHIEF OF PLANNING AND DESIGN PROJECT MANAGER

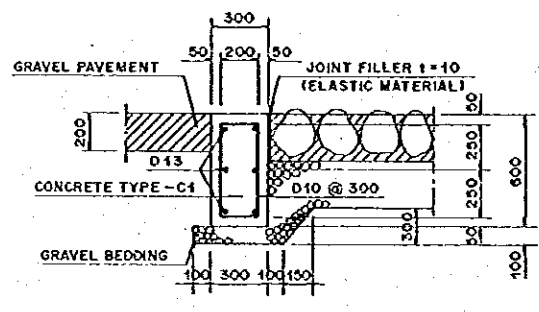
IP.18
 N = 432 250
 E = 9 224 940
 IA = 57°24'51"
 R = 120 m
 TL = 65.717 m
 SL = 16.817 m
 CL = 120.248 m



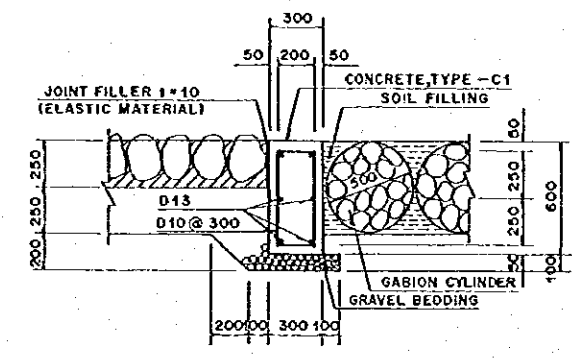
LAY OUT PLAN OF REVETMENT
 SCALE A



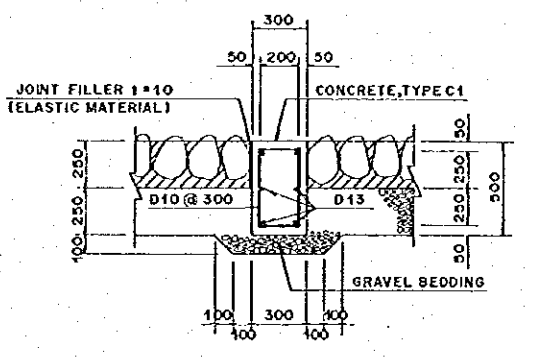
STANDARD CROSS SECTION OF REVETMENT (WF.163 - WF.166 + 27 m)
 SCALE C



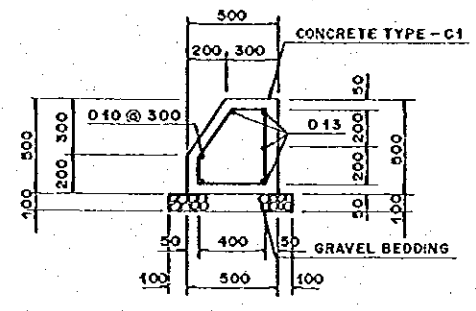
TOP CONCRETE
 SCALE D



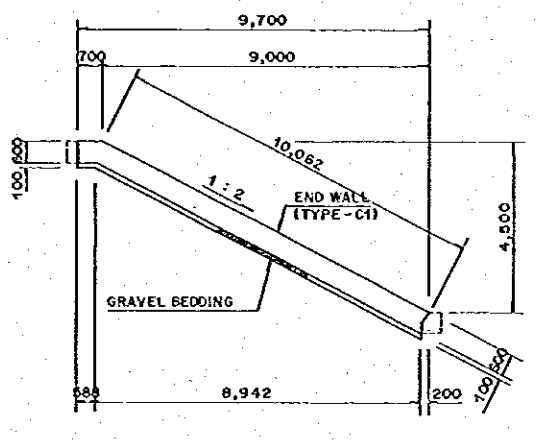
END WALL
 SCALE D



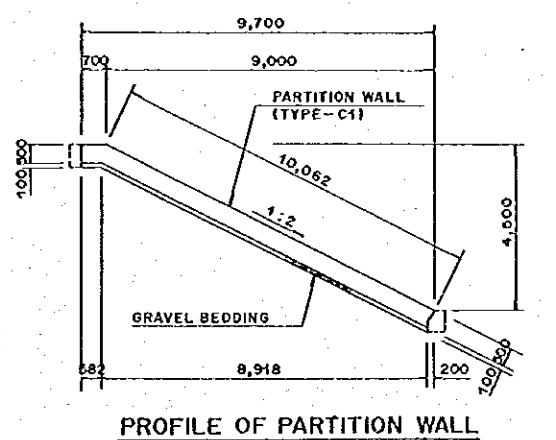
PARTITION WALL
 SCALE D



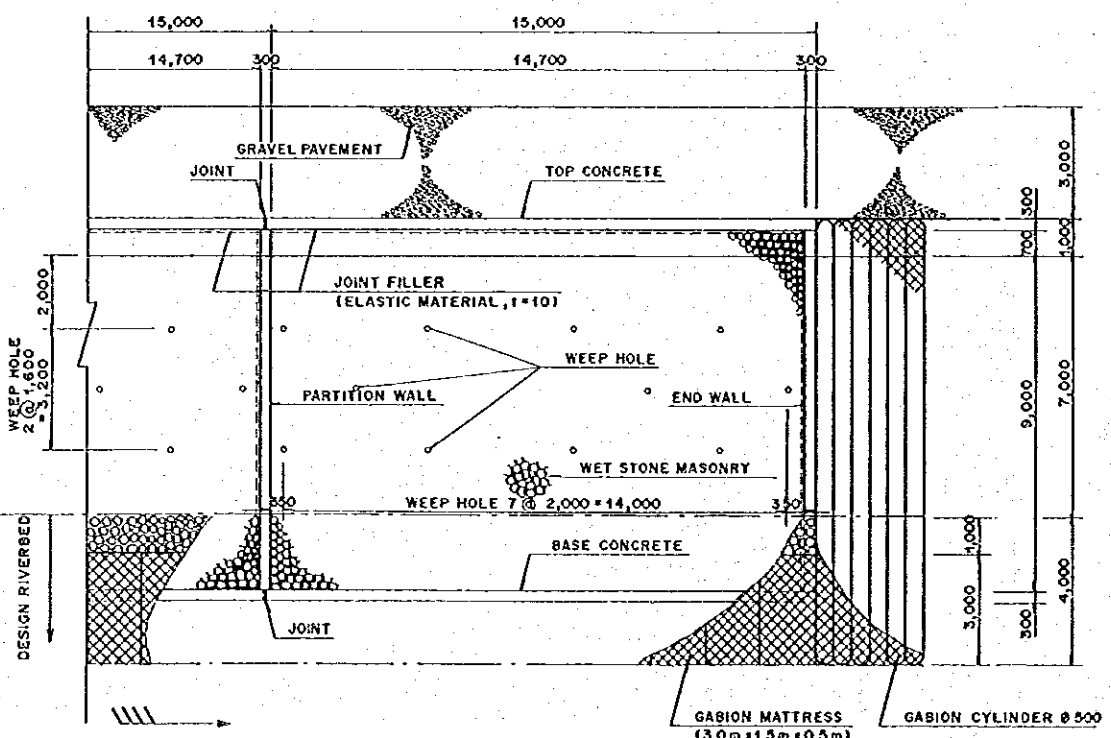
BASE CONCRETE
 SCALE D



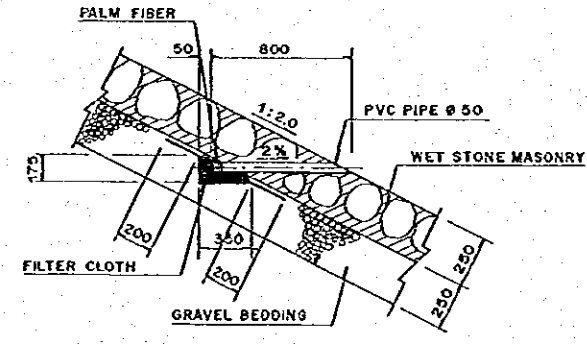
PROFILE OF END WALL
 SCALE B



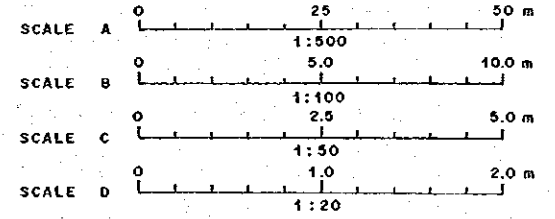
PROFILE OF PARTITION WALL
 SCALE B



PLAN
 SCALE B



DETAIL OF WEEP HOLE
 SCALE D



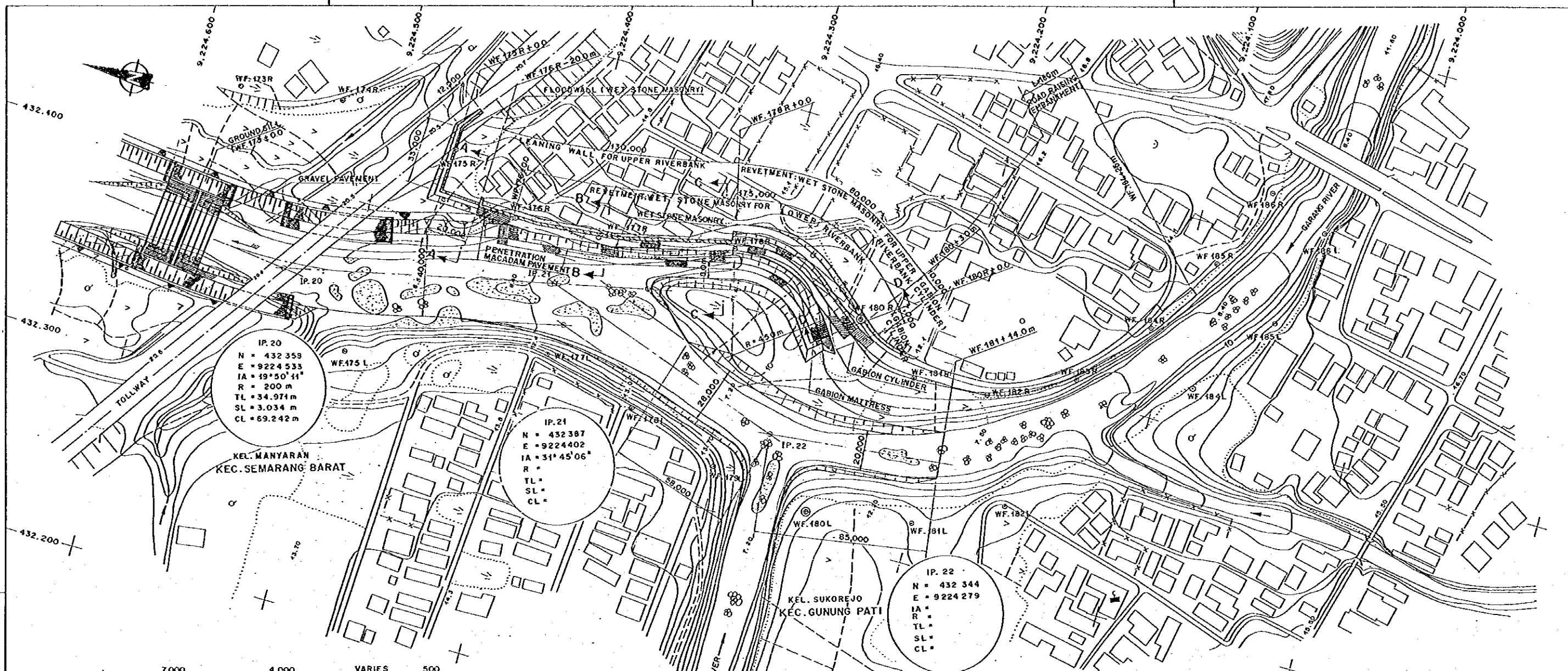
NO.	DATE	REVISIONS	ORIGINATED	DESIGNED	APPROVED

THE REPUBLIC OF INDONESIA
 MINISTRY OF PUBLIC WORKS
 DIRECTORATE GENERAL OF WATER RESOURCES DEVELOPMENT AND DIRECTORATE GENERAL OF HUMAN SETTLEMENT

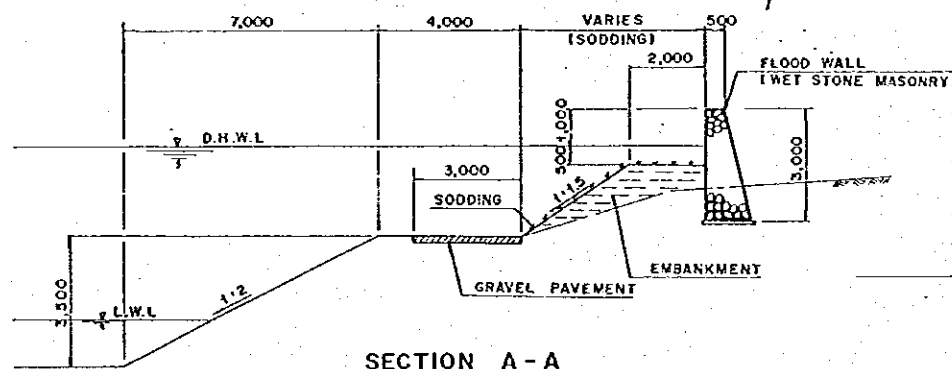
JRATUNSELUNA FLOOD CONTROL PROJECT
 COMPONENT : WEST FLOODWAY / GARANG RIVER IMPROVEMENT
 PROTECTION WORKS FOR RIVERBANK & RIVERBED
 RIVER SECTION : WF.163L TO WF.167L (LEFT BANK)
 PLAN AND STRUCTURAL DETAILS OF REVETMENT

DESIGNED: [Signature]
 CHECKED: [Signature]
 APPROVED: [Signature]

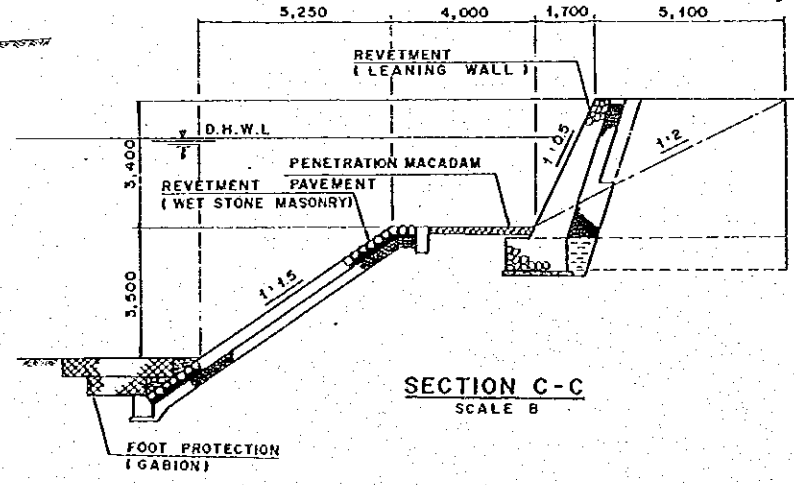
DATE: [Date]
 CONTRACT NO. [Number]



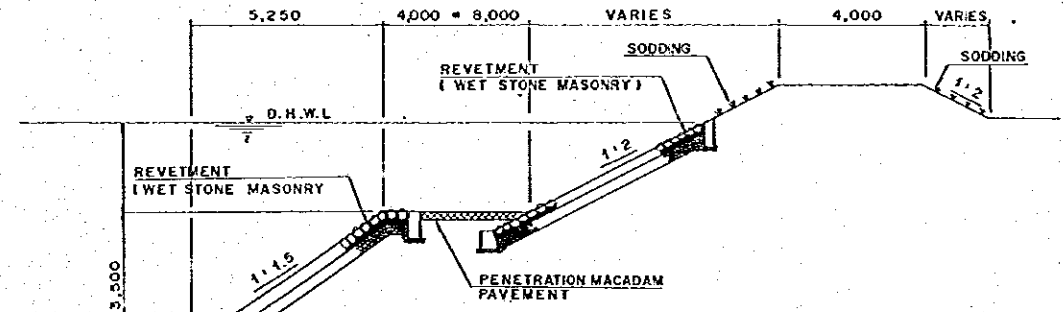
PLAN OF BANK PROTECTION
SCALE A



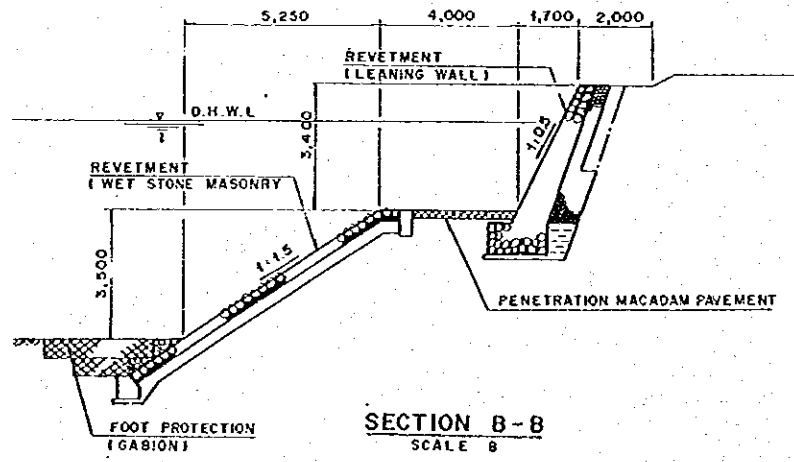
SECTION A-A
SCALE B



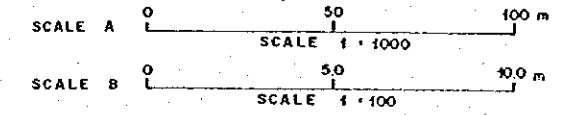
SECTION C-C
SCALE B



SECTION D-D
SCALE B

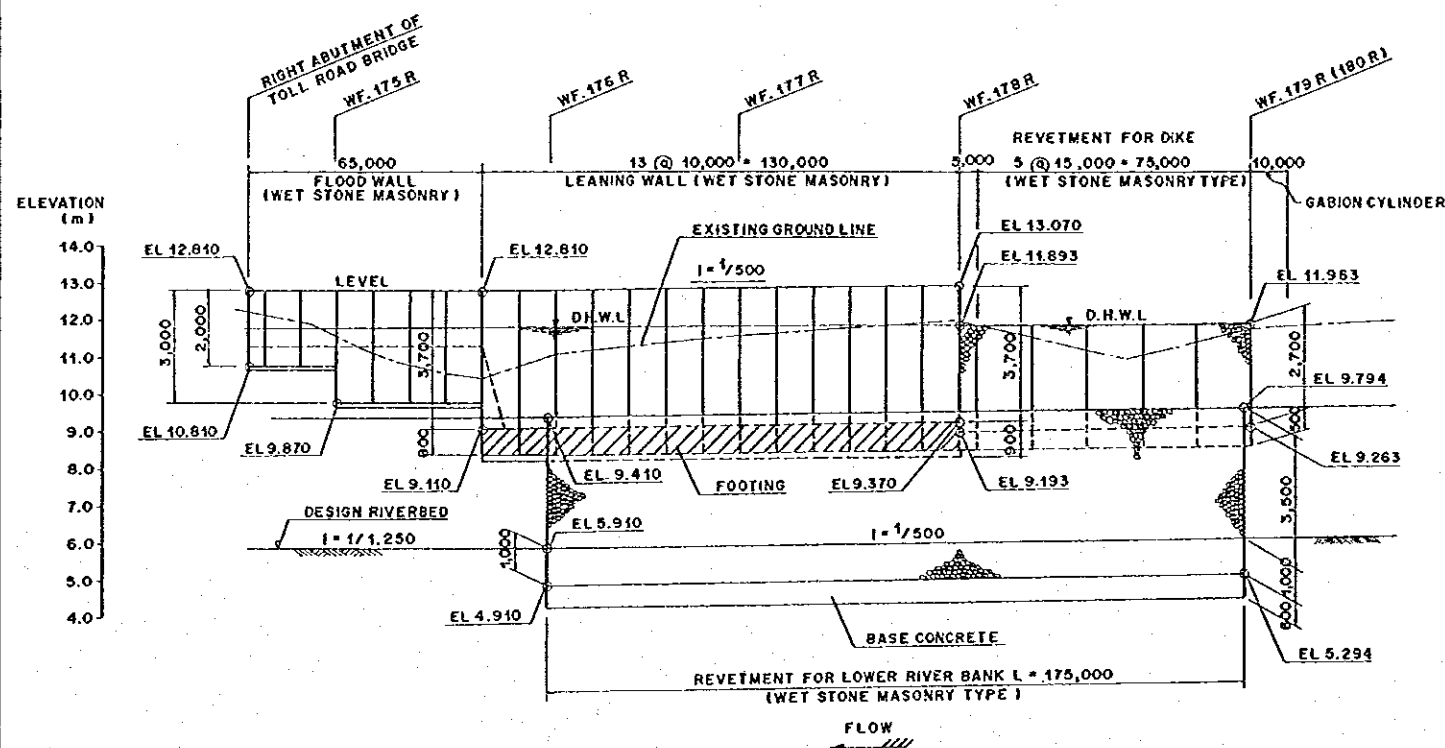


SECTION B-B
SCALE B

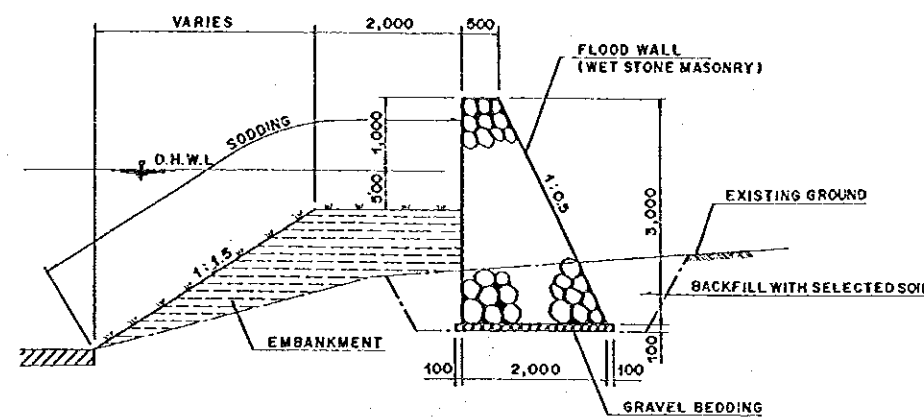


NO.	DATE	REVISIONS	ORIGINATED	DESIGNED	APPROVED	APPROVED

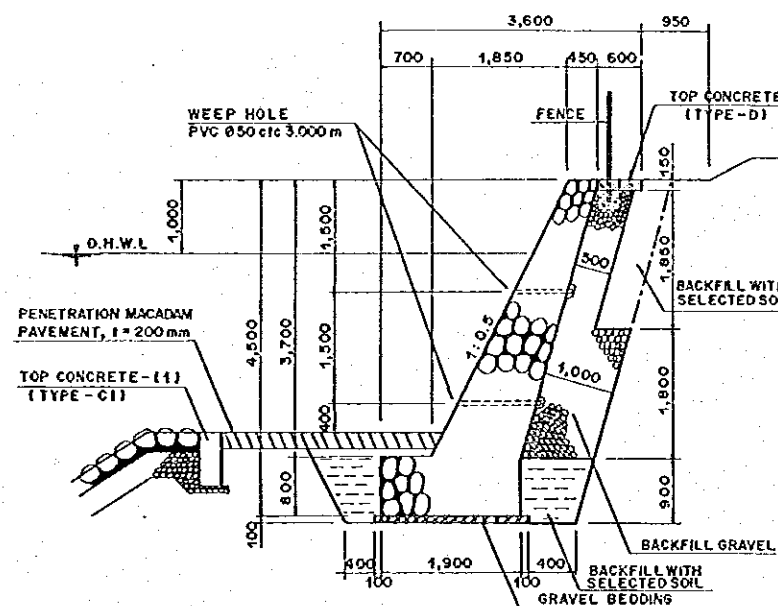
	THE REPUBLIC OF INDONESIA	PROVINCE	CENTRAL JAWA	
	MINISTRY OF PUBLIC WORKS	DIRECTORATE GENERAL OF WATER RESOURCES DEVELOPMENT AND DIRECTORATE GENERAL OF HUMAN SETTLEMENT	PROJECT NAME	FLOOD CONTROL, URBAN DRAINAGE AND WATER SERVICES DEVELOPMENT IN SEMARANG IN THE REPUBLIC OF INDONESIA
	IRATUNSELUNA FLOOD CONTROL PROJECT	COMPONENT: WEST FLOODWAY / GARANG RIVER IMPROVEMENT	DISTRICT	SEMARANG CITY
	PROTECTION WORKS FOR RIVERBANK & RIVERBED	RIVER SECTION: WF.175 R TO WF.180 R (RIGHT BANK)	DRAWING NO.	WF - P1 - PA - P1 - 32
LAYOUT PLAN AND CROSS SECTIONS OF REVETMENT		SHEET NO.	131	
JAPAN INTERNATIONAL COOPERATION AGENCY CII ENGINEERING CO., LTD. IN ASSOCIATION WITH PACIFIC CONSULTANTS INTERNATIONAL AND PABCO INTERNATIONAL INC.		DESIGNED	DATE	
CHIEF OF PLANNING AND DESIGN PROJECT MANAGER		CHECKED	CONTRACT NO.	



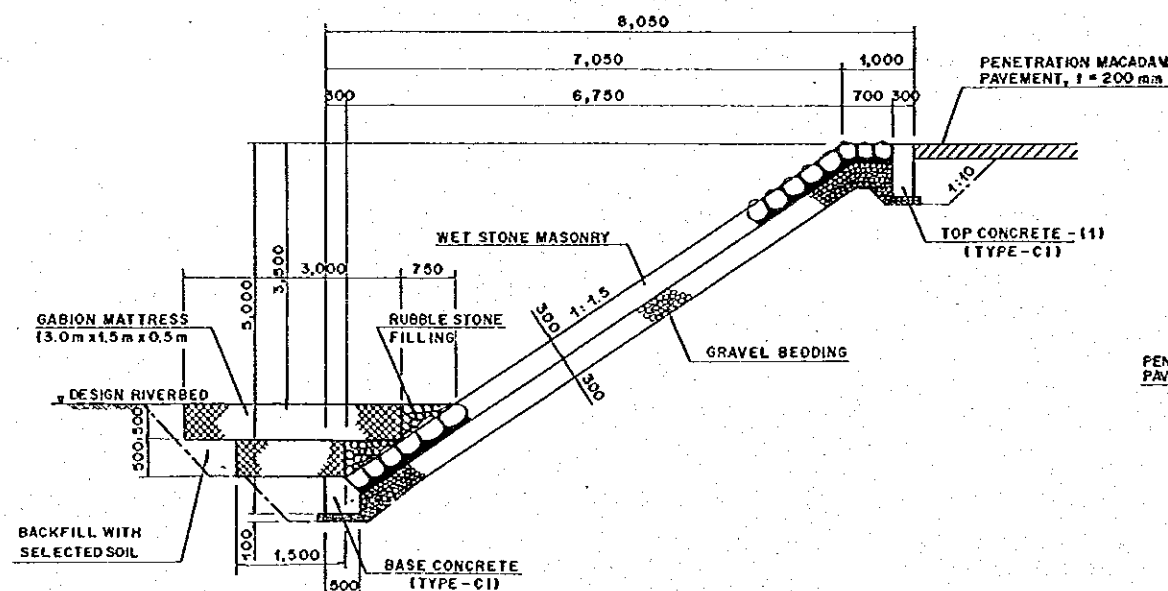
PROFILE OF REVELTMENTS
SCALE H = A, V = B



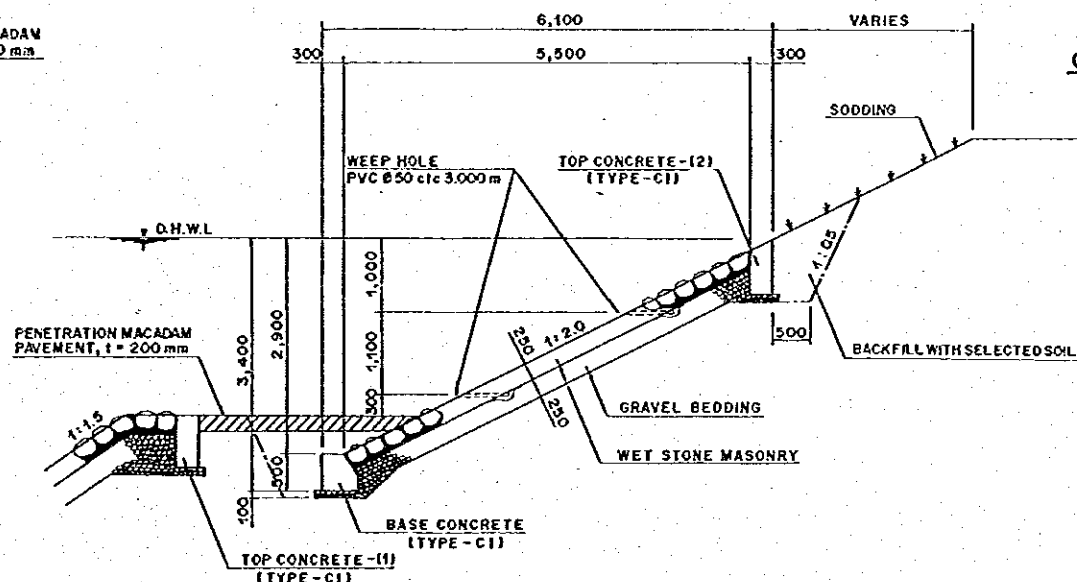
STANDARD CROSS SECTION OF FLOOD WALL
SCALE C



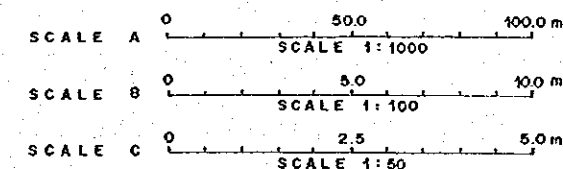
CROSS SECTION OF LEANING WALL
SCALE C



STANDARD CROSS SECTION OF REVELTMENT (LOWER CHANNEL)
SCALE C

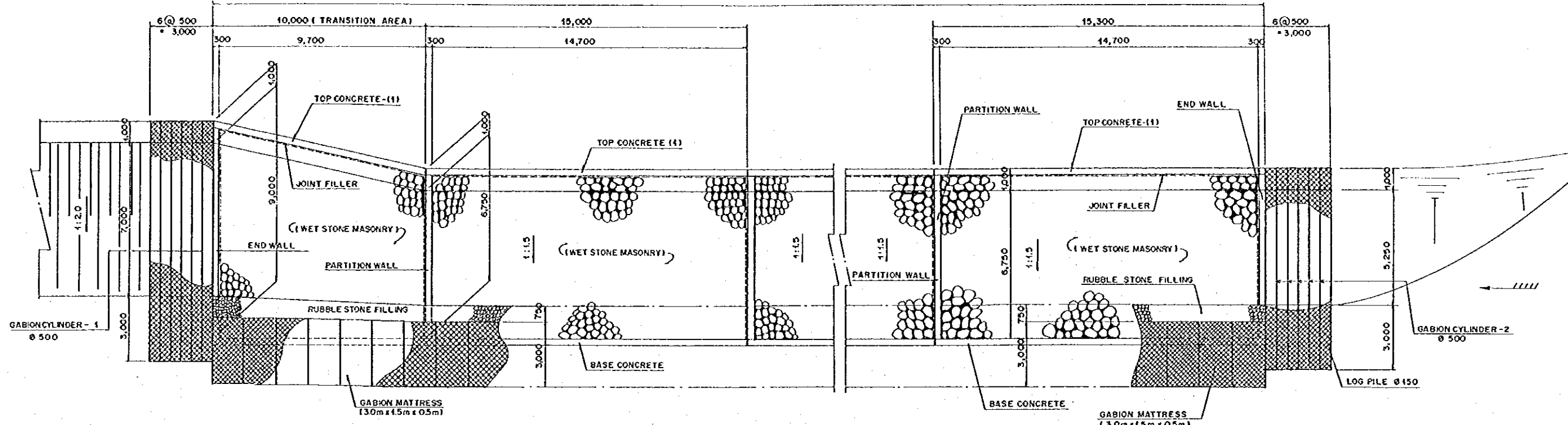


STANDARD CROSS SECTION OF REVELTMENT (UPPER CHANNEL)
SCALE C

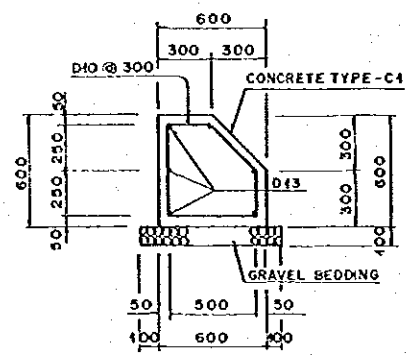


THE REPUBLIC OF INDONESIA MINISTRY OF PUBLIC WORKS DIRECTORATE GENERAL OF WATER RESOURCES DEVELOPMENT AND DIRECTORATE GENERAL OF HUMAN SETTLEMENT		PROVINCE CENTRAL JAVA
BRATUNSELUNA FLOOD CONTROL PROJECT COMPONENT : WEST FLOODWAY / GARANO RIVER IMPROVEMENT PROTECTION WORKS FOR RIVERBANK & RIVERBED RIVER SECTION : WF.175 R TO WF.180 R (RIGHT BANK) PROFILE AND STANDARD CROSS SECTION OF REVELTMENT		PROJECT NAME FLOOD CONTROL, URBAN DRAINAGE AND WATER RESOURCES DEVELOPMENT IN SEMARANG IN THE REPUBLIC OF INDONESIA
JAPAN INTERNATIONAL COOPERATION AGENCY (JICA) IN ASSOCIATION WITH PACIFIC CONSULTANTS INTERNATIONAL AND PABCO INTERNATIONAL, INC.		DISTRICT SEMARANG CITY
DESIGNED CHECKED CHIEF OF PLANNING AND DESIGN		DRAWING NO. WG - P1 - PR - 51 - 33 SHEET NO. 131
APPROVED PROJECT MANAGER		CONTRACT NO.

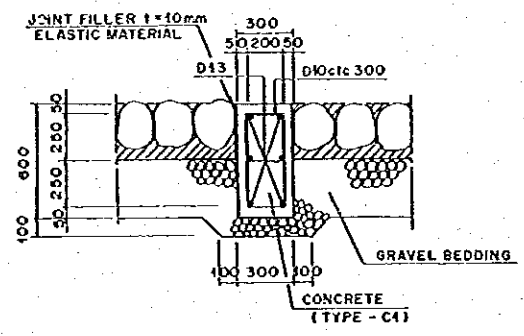
NO.	DATE	REVISIONS	ORIGINATED	DESIGNED	APPROVED



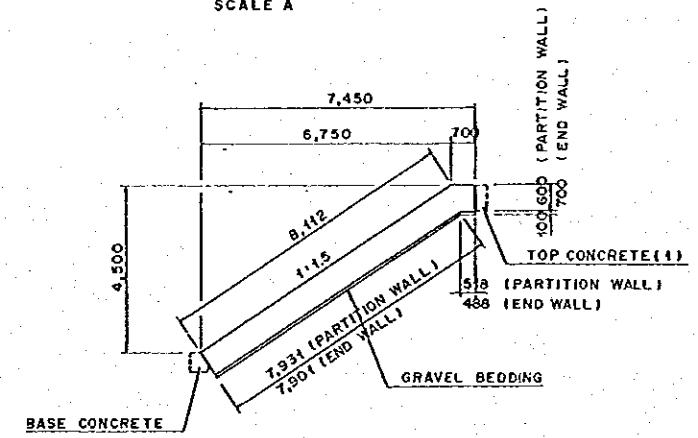
PLAN OF REVETMENT (LOW WATER CHANNEL)
SCALE A



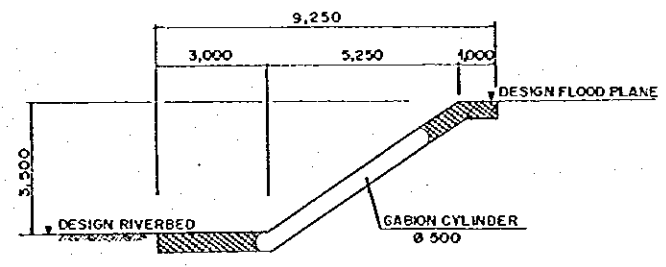
BASE CONCRETE
SCALE B



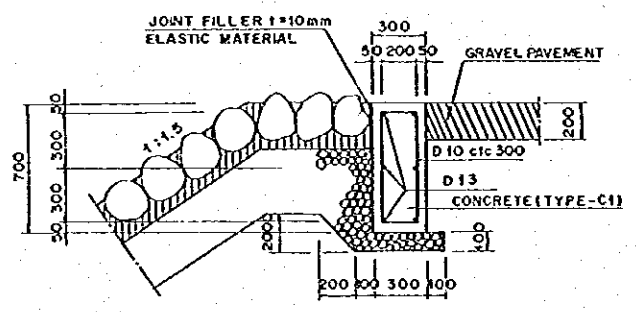
PARTITION WALL
SCALE B



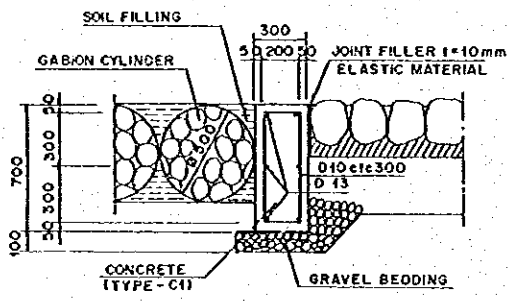
PROFILE OF PARTITION WALL
SCALE A



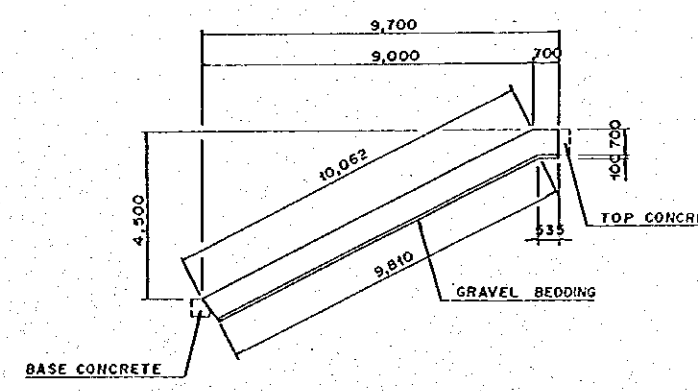
GABION CYLINDER - 2
SCALE A



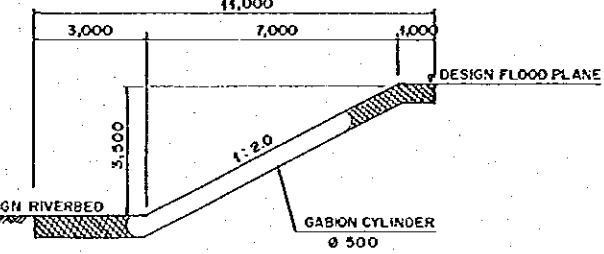
TOP CONCRETE (1)
SCALE B



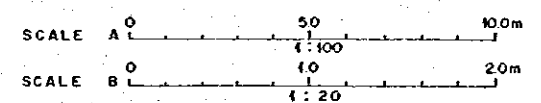
END WALL
SCALE B



PROFILE OF END WALL (DOWNSTREAM)
SCALE A

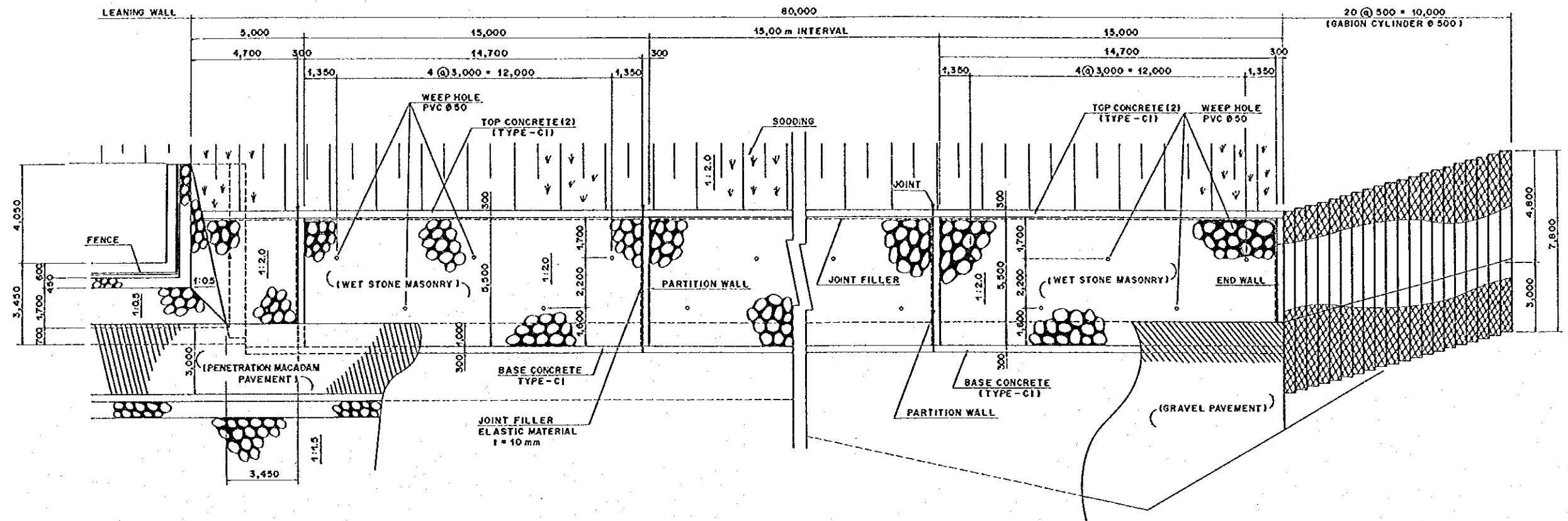


GABION CYLINDER - 1
SCALE A

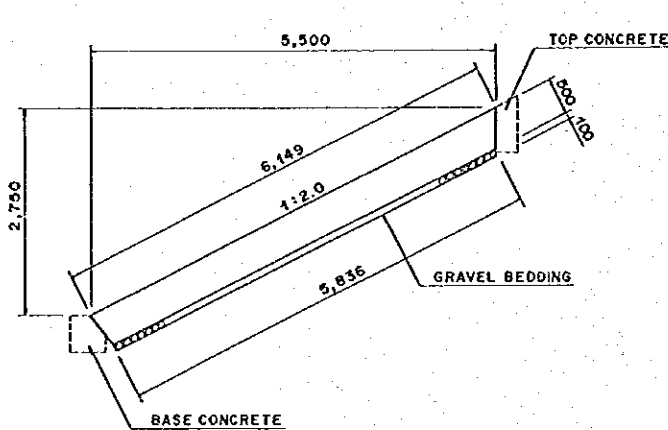


NO.	DATE	REVISIONS	ORIGINATED	DRAWN	APPROVED

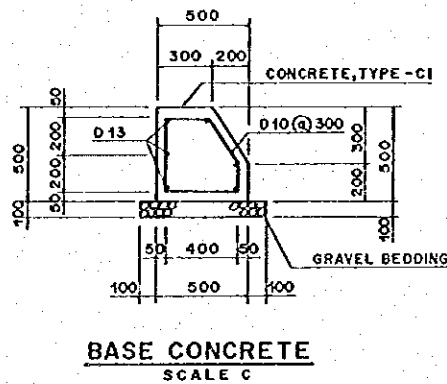
THE REPUBLIC OF INDONESIA MINISTRY OF PUBLIC WORKS DIRECTORATE GENERAL OF WATER RESOURCES DEVELOPMENT AND DIRECTORATE GENERAL OF HUMAN SETTLEMENT		PROVINCE CENTRAL JAVA
IRATUNSELUNA FLOOD CONTROL PROJECT COMPONENT : WEST FLOODWAY / GARANG RIVER IMPROVEMENT PROTECTION WORKS FOR RIVERBANK & RIVERBED RIVER SECTION : WF. 175 R TO WF. 180 R (RIGHT BANK) STRUCTURAL DETAILS OF REVETMENT (UPPER SIDE)		PROJECT NAME FLOOD CONTROL, URBAN DRAINAGE AND WATER RESOURCES DEVELOPMENT IN SEMARANG IN THE REPUBLIC OF INDONESIA
ENJIN PERKAWAJIAN COOPERATION AGENCY PT. BANGUNAN CO., LTD. IN ASSOCIATION WITH PACIFIC CONSULTANTS INTERNATIONAL AND PABO PERKAWAJIAN, INC.		DEFECT SEMARANG CITY DRAWING NO. WS - P1 - PA - 51 - 34 SHEET NO. 133
CHIEF OF PLANNING AND DESIGN PROJECT MANAGER		DATE CONTRACT NO.



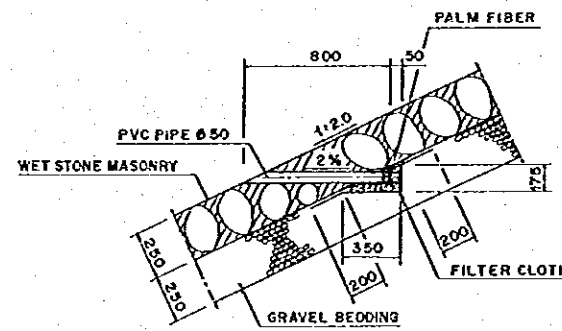
PLAN OF UPPER SIDE REVETMENT
SCALE A



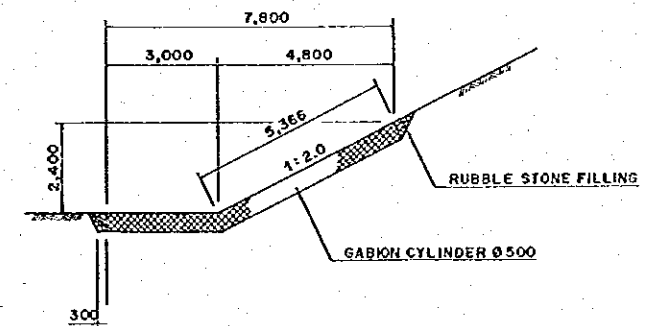
SECTION OF PARTITION WALL
SCALE B



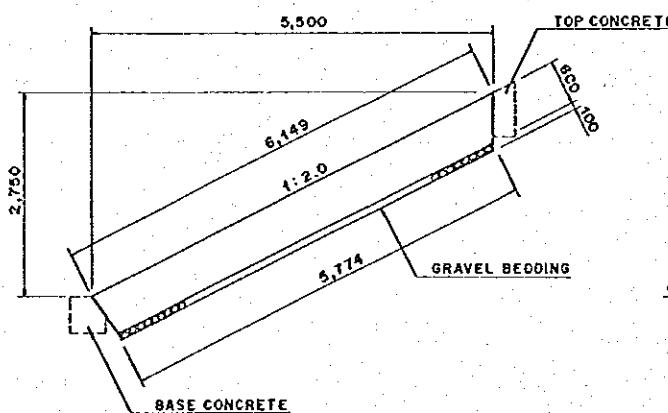
BASE CONCRETE
SCALE C



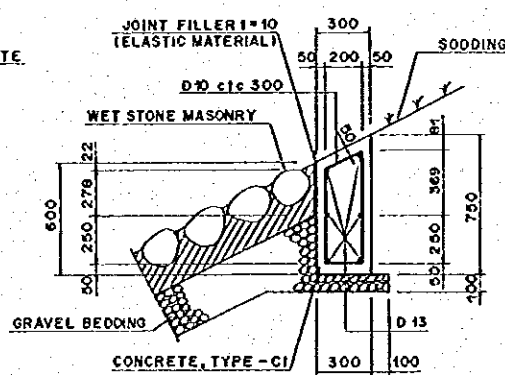
DETAIL OF WEEP HOLE
SCALE C



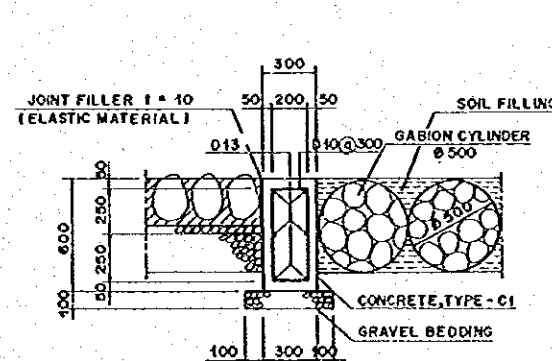
SECTION OF GABION CYLINDER
SCALE A



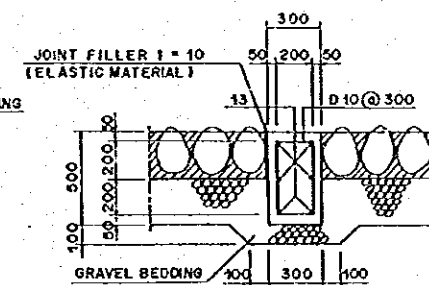
SECTION OF END WALL
SCALE B



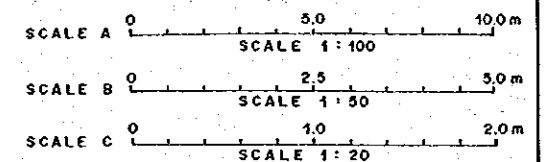
TOP CONCRETE (2)
SCALE C



END WALL
SCALE C

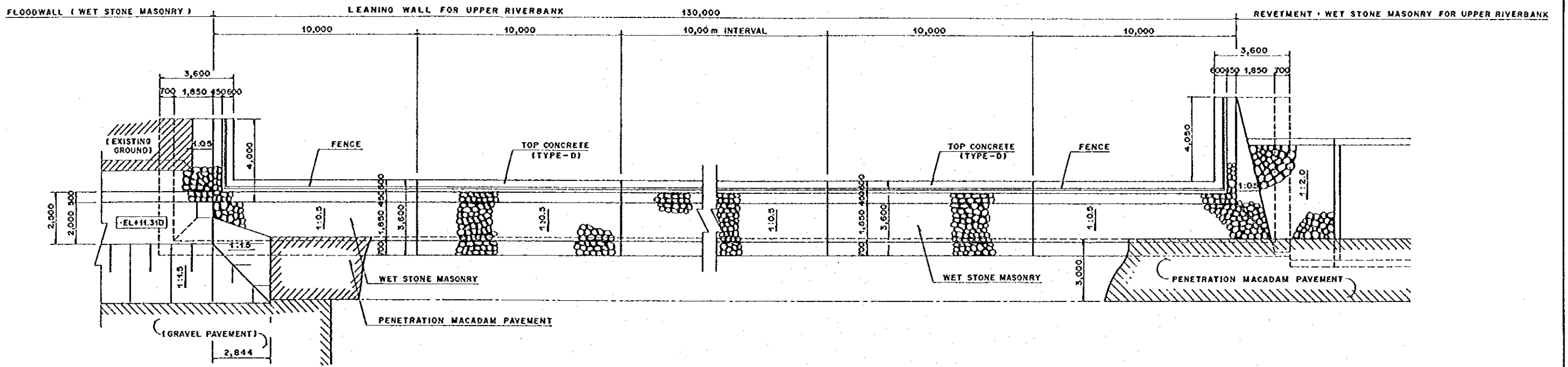


PARTITION WALL
SCALE C

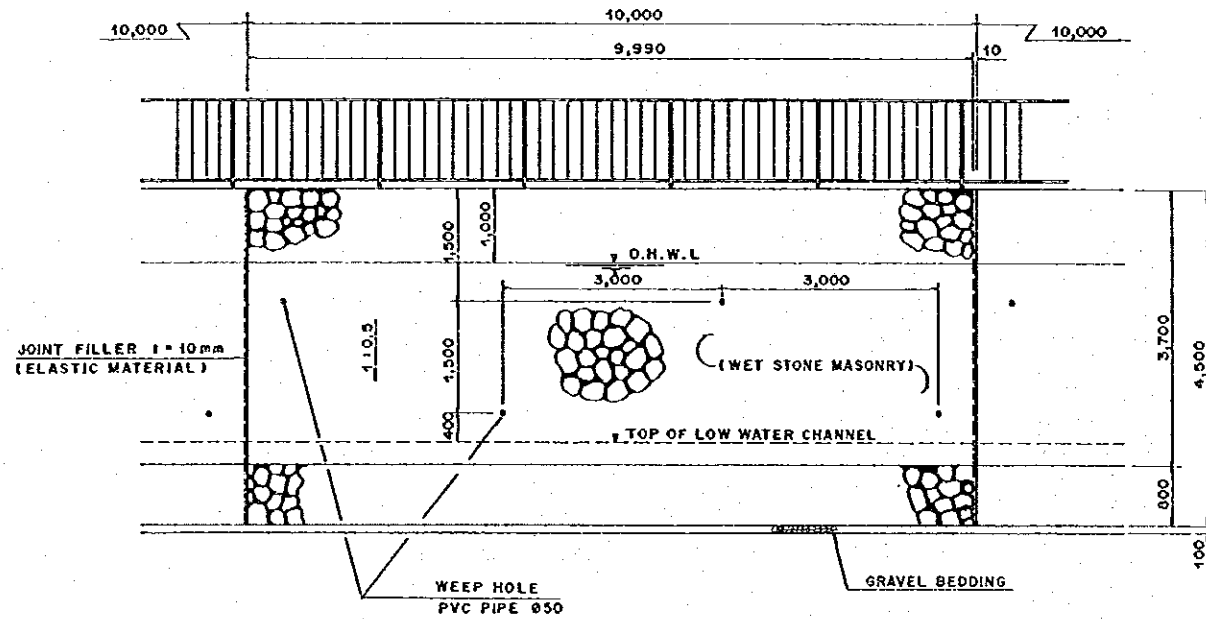


NO.	DATE	REVISIONS	ORIGINATED	DRAWN	APPROVED

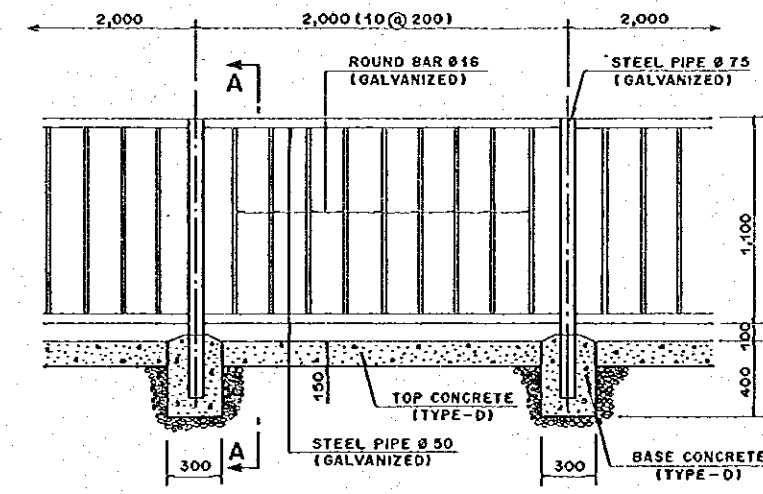
THE REPUBLIC OF INDONESIA MINISTRY OF PUBLIC WORKS DIRECTORATE GENERAL OF WATER RESOURCES DEVELOPMENT AND DIRECTORATE GENERAL OF HUMAN SETTLEMENT		PROVINCE CENTRAL JAVA
IKATUNSELUNA FLOOD CONTROL PROJECT COMPONENT: WEST FLOODWAY / GARANG RIVER IMPROVEMENT PROTECTION WORKS FOR RIVERBANK B RIVERBED RIVER SECTION: WF. 175 R TO WF. 180 R (RIGHT BANK) STRUCTURAL DETAILS OF REVETMENT (LOWER SIDE)		PROJECT NAME FLOOD CONTROL, URBAN DRAINAGE AND WATER RESOURCES DEVELOPMENT IN SEMARANG IN THE REPUBLIC OF INDONESIA
JAPAN INTERNATIONAL COOPERATION AGENCY JICA INTERNATIONAL CO., LTD. IN ASSOCIATION WITH PACIFIC CONSULTANTS INTERNATIONAL INC. PACIFIC INTERNATIONAL INC.		DISTRICT SEMARANG CITY
DESIGNED: [Signature] CHECKED: [Signature] CHIEF OF PLANNING AND DESIGN		DRAWING NO. WS-P1-PR-51-33 SHEET NO. 134
APPROVED: [Signature] PROJECT MANAGER		DATE CONTRACT NO.



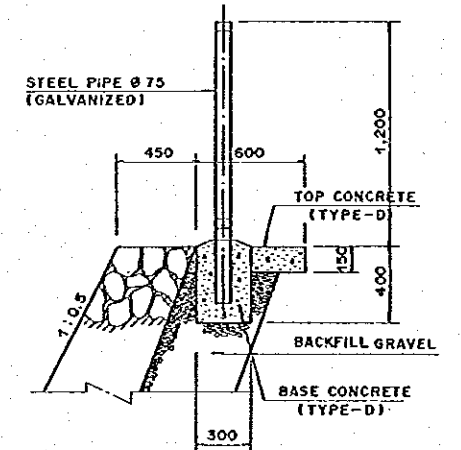
PLAN OF UPPER RIVERBANK REVETMENT (LEANING WALL)
SCALE A



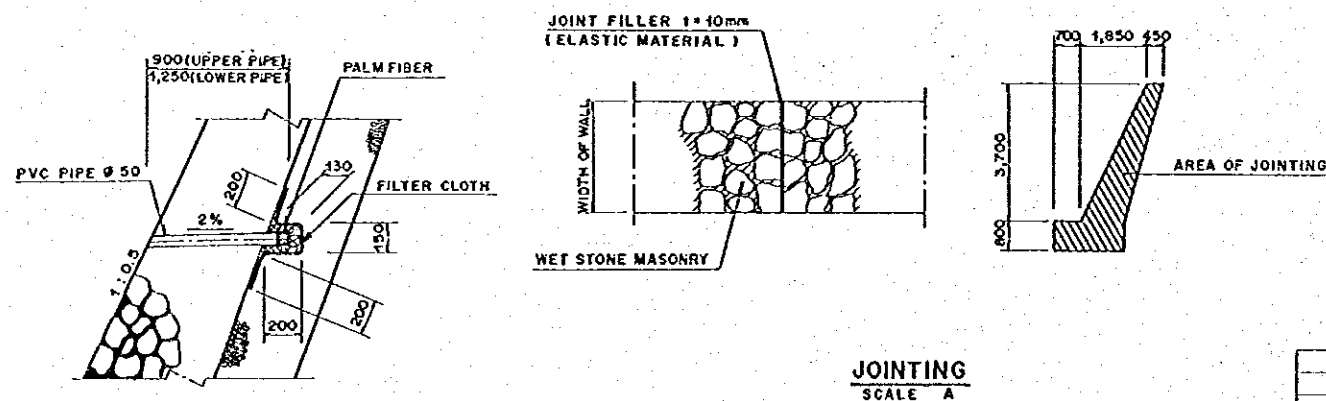
ELEVATION OF LEANING WALL
SCALE B



DETAIL OF FENCE
SCALE C

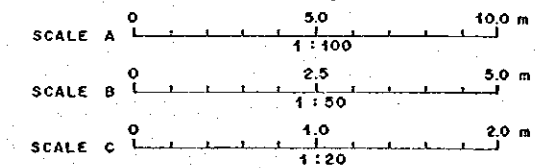


SECTION A - A
SCALE C



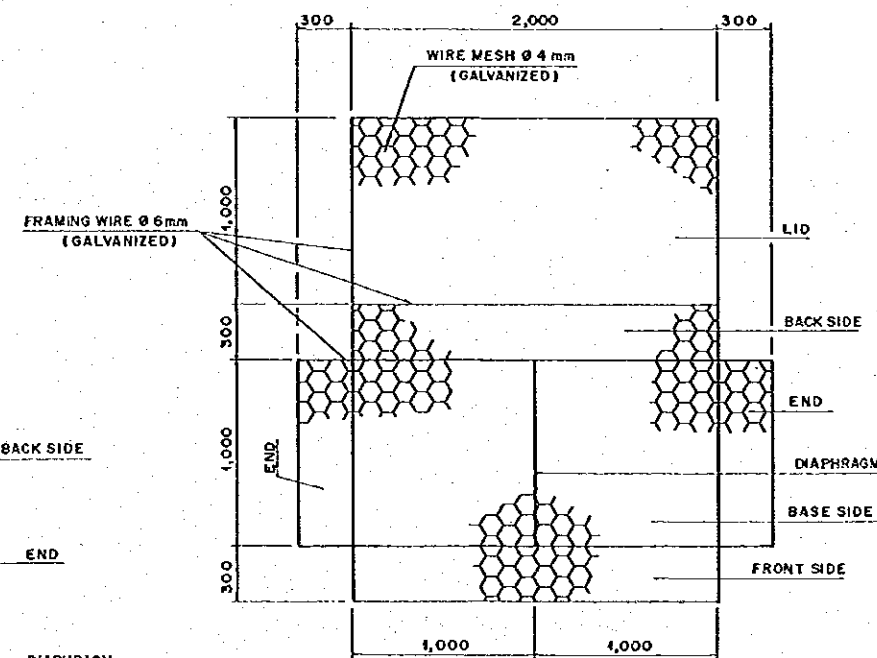
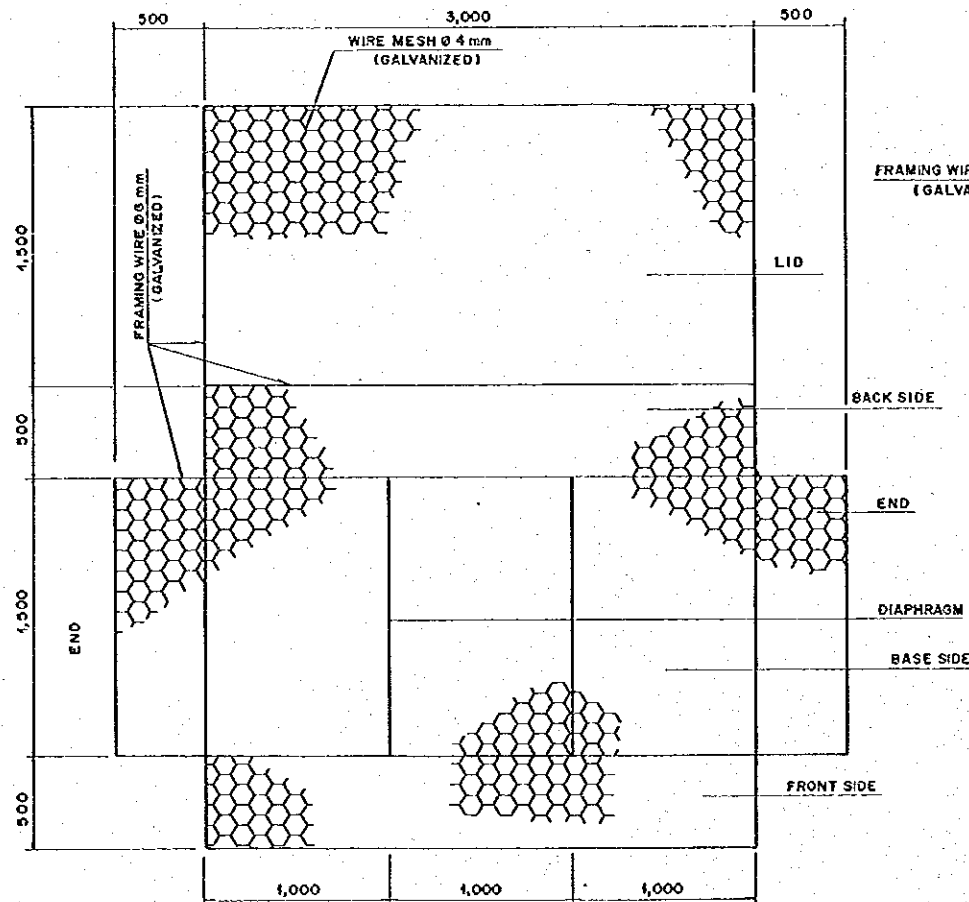
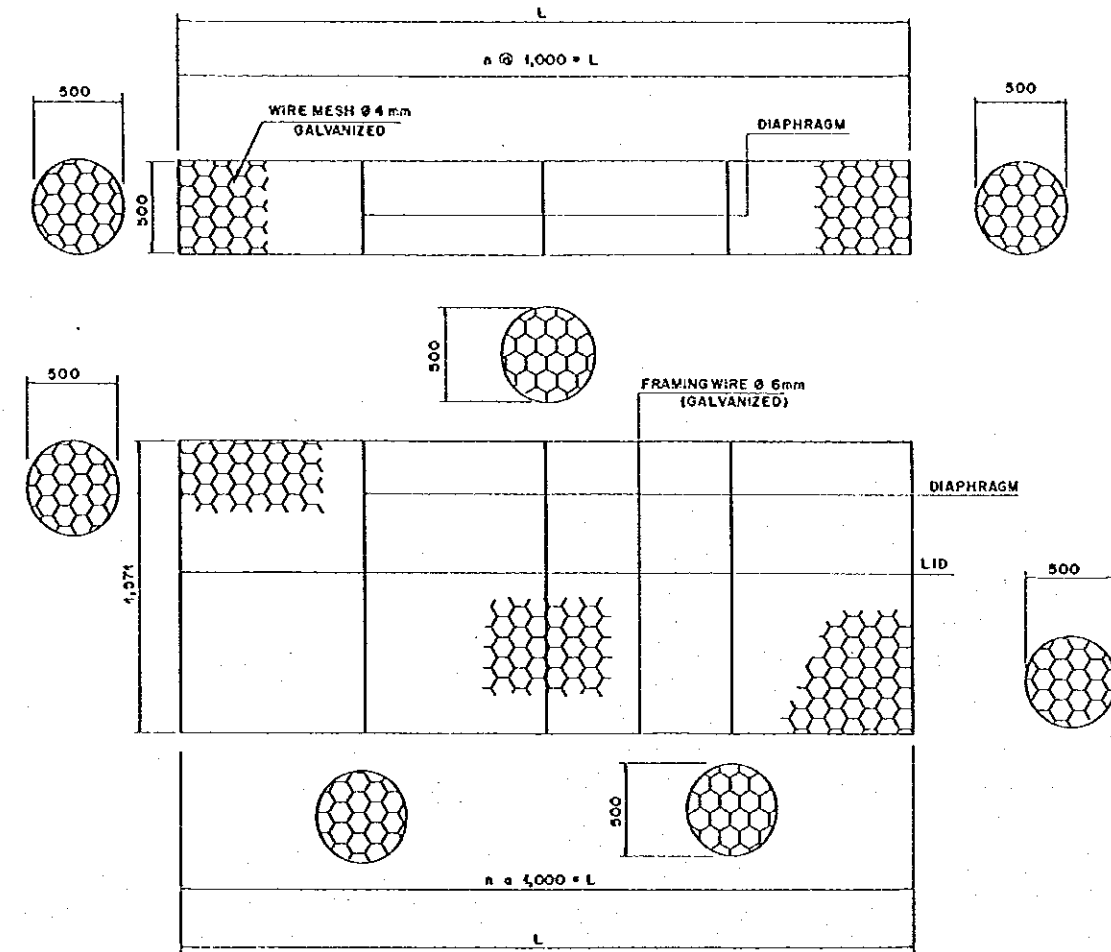
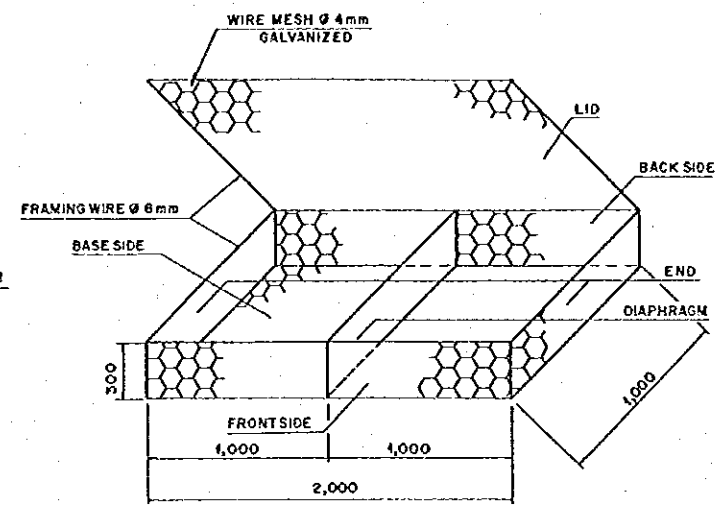
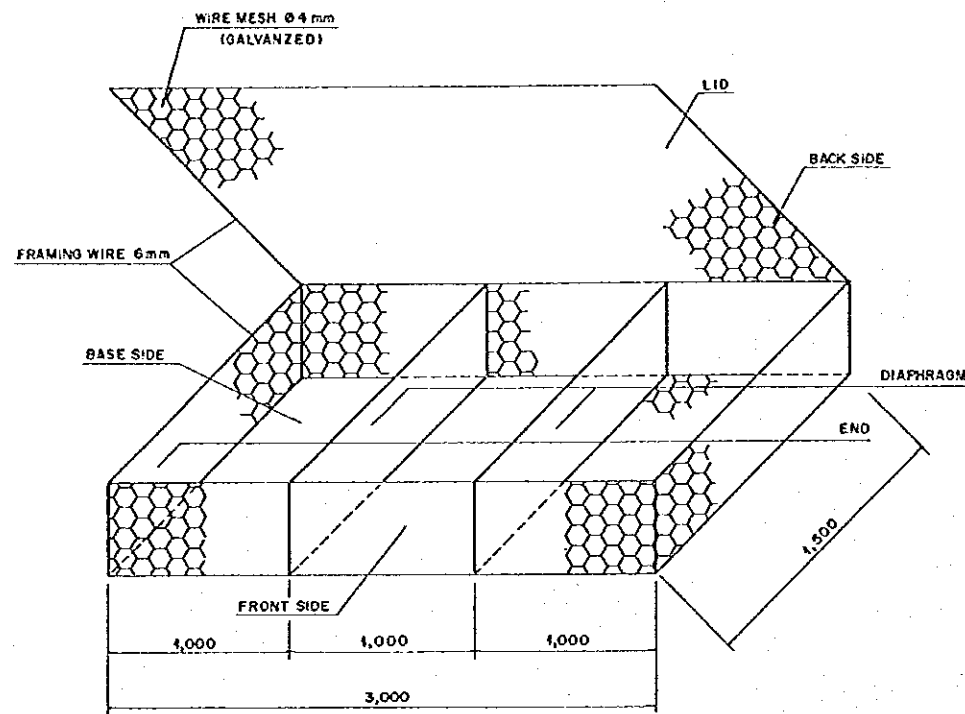
DETAIL OF WEEP HOLE
SCALE C

JOINTING
SCALE A

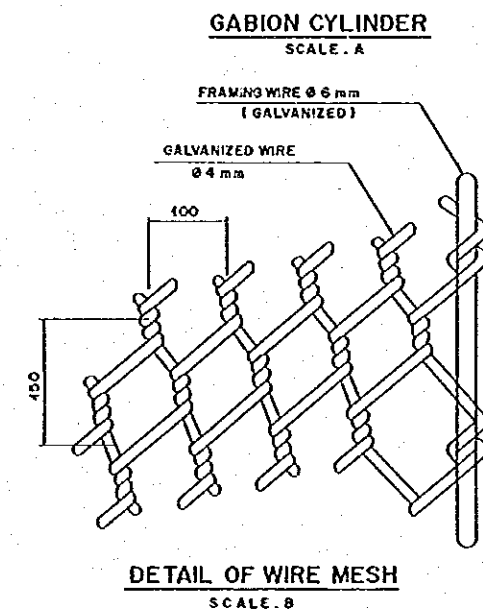


THE REPUBLIC OF INDONESIA MINISTRY OF PUBLIC WORKS DIRECTORATE GENERAL OF WATER RESOURCES DEVELOPMENT AND DIRECTORATE GENERAL OF HUMAN SETTLEMENT		PROVINCE CENTRAL JAVA
PLATUNSELUMA FLOOD CONTROL PROJECT COMPONENT: WEST FLOODWAY / GARANG RIVER IMPROVEMENT PROTECTION WORKS FOR RIVERBANK & RIVERBED RIVER SECTION: WF175R TO WF180R (RIGHT BANK) STRUCTURAL DETAILS OF LEANING WALL		PROJECT NAME FLOOD CONTROL, URBAN DRAINAGE AND WATER RESOURCES DEVELOPMENT OF SEMARANG IN THE REPUBLIC OF INDONESIA DISTRICT SEMARANG CITY DRAWING NO. W9-P4-PR-81-34 SHEET NO. 135
DESIGNED <i>[Signature]</i>	CHECKED <i>[Signature]</i>	DATE CONTRACT NO.
CHIEF OF PLANNING AND DESIGN PROJECT MANAGER		

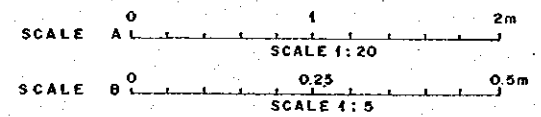
NO.	DATE	REVISIONS	ORIGINATED	DESIGNED	APPROVED	APPROVED



GABION MATTRESS (TYPE.B)
SCALE . A



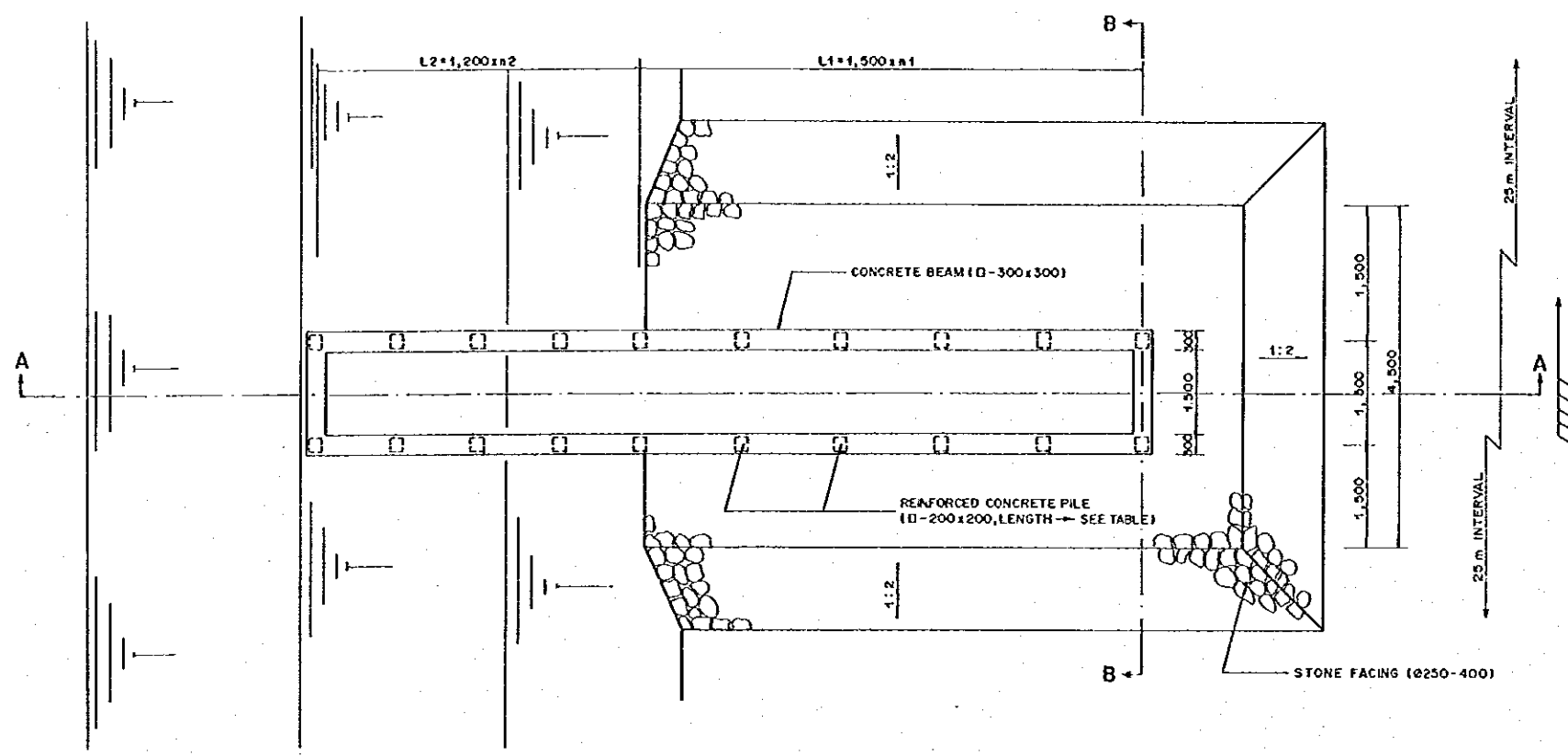
DETAIL OF WIRE MESH
SCALE . B



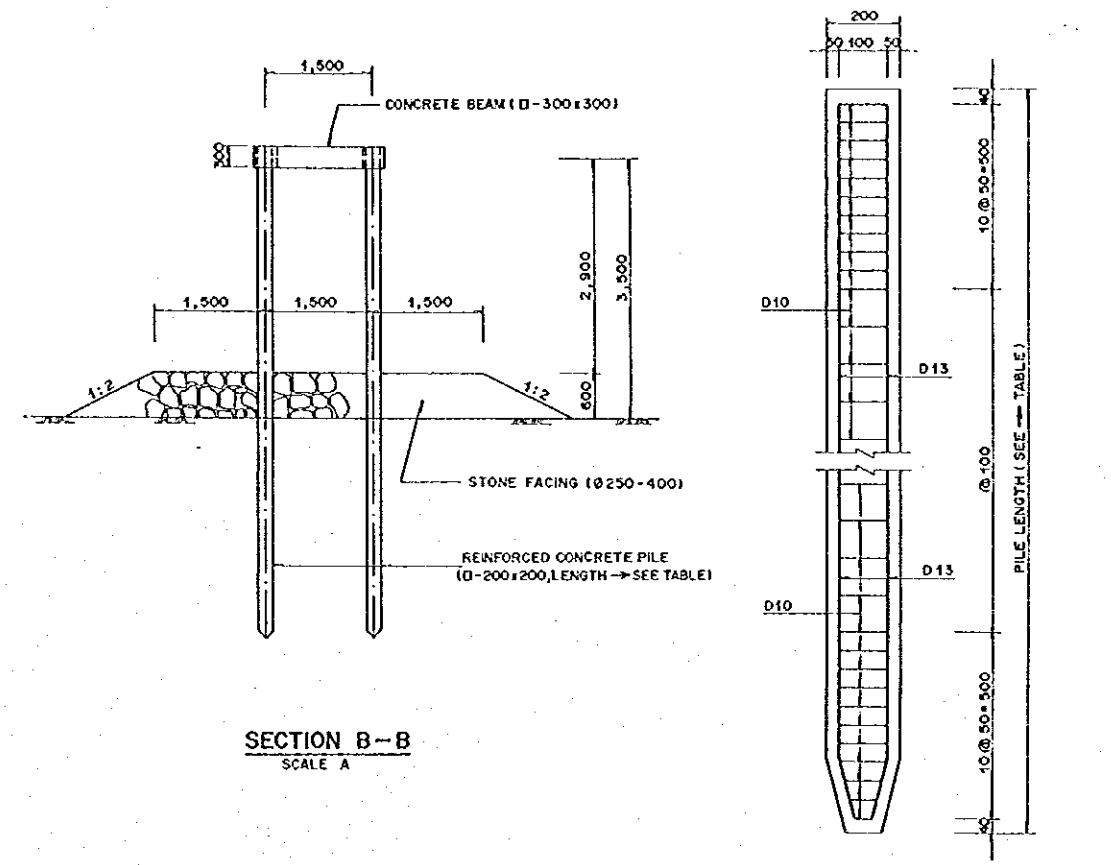
- NOTE :
- 1 ALL WIRES USED IN GABION MATTRESS SHALL BE GALVANIZED
 - 2 ALL WIRES USED IN GABION CYLINDER SHALL BE COATED WITH POLY VINYL CHLORIDE AFTER BEING GALVANIZED
 - 3 "L" FOR GABION CYLINDER SHALL BE DETERMINED BY ADJUSTING TO THE SITE CONDITION

NO.	DATE	REVISIONS	ORIGINATED	DESIGNED	APPROVED

THE REPUBLIC OF INDONESIA MINISTRY OF PUBLIC WORKS DIRECTORATE GENERAL OF WATER RESOURCES DEVELOPMENT AND DIRECTORATE GENERAL OF HUMAN SETTLEMENT		PROVINCE CENTRAL JAVA
BRATUNSELUNA FLOOD CONTROL PROJECT COMPONENT : WEST FLOODWAY / GARANO RIVER IMPROVEMENT PROTECTION WORKS FOR RIVERBANK & RIVERBED DETAILS OF GABION MATTRESS AND CYLINDER		PROJECT NAME SIMARANG CITY DISTRICT SIMARANG CITY DRAWING NO. WR-P1-PR-91-37 SHEET NO. 136
JAPAN INTERNATIONAL COOPERATION AGENCY CII ENGINEERING CO., LTD. IN ASSOCIATION WITH PACIFIC CONSULTANTS INTERNATIONAL AND PAKO CONSULTANTS INC.	DESIGNED CHECKED APPROVED	DATE CONTRACT NO.
CHIEF OF PLANNING AND DESIGN PROJECT MANAGER		APPROVED

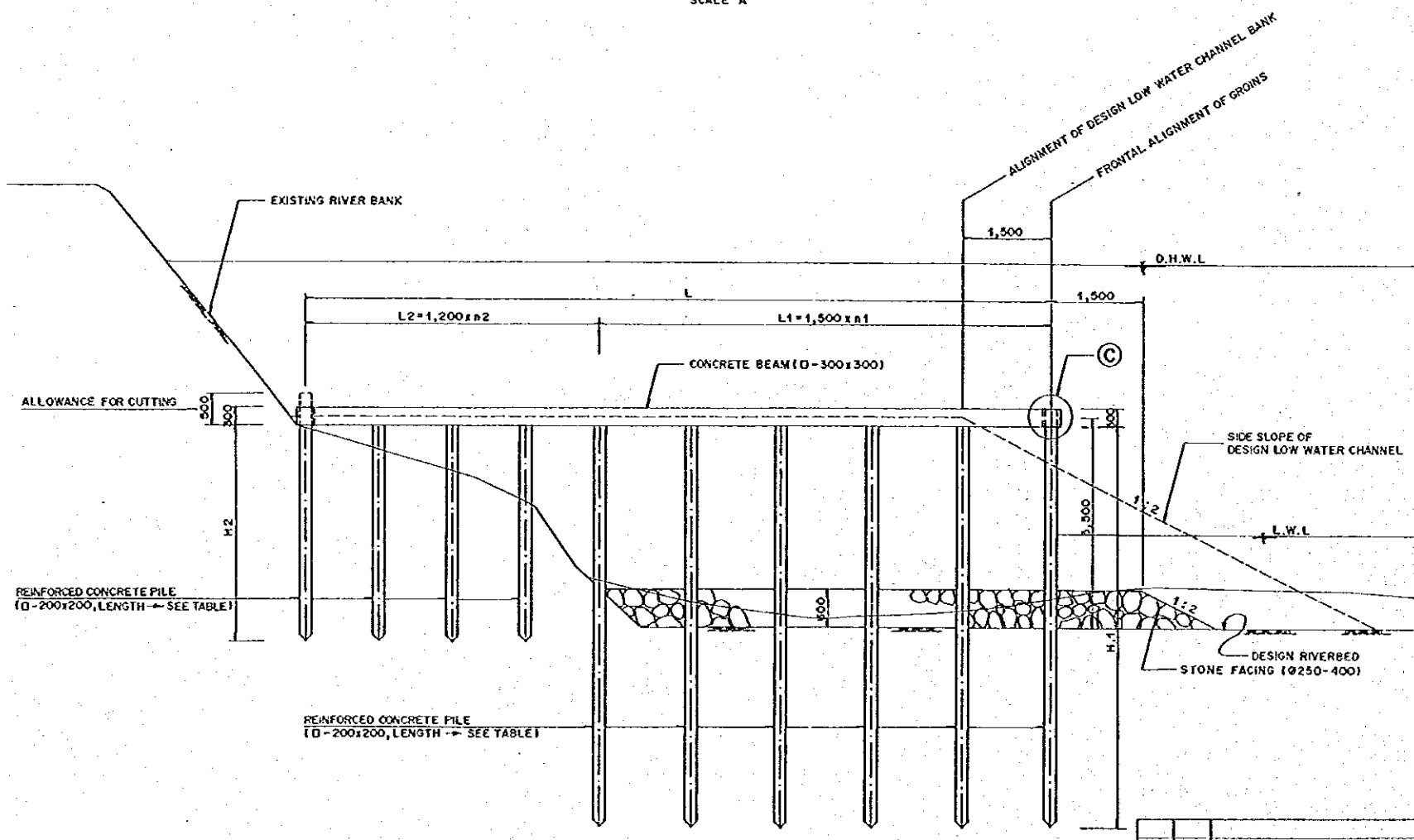


PLAN OF GROIN
SCALE A

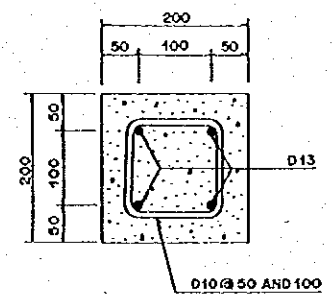


SECTION B-B
SCALE A

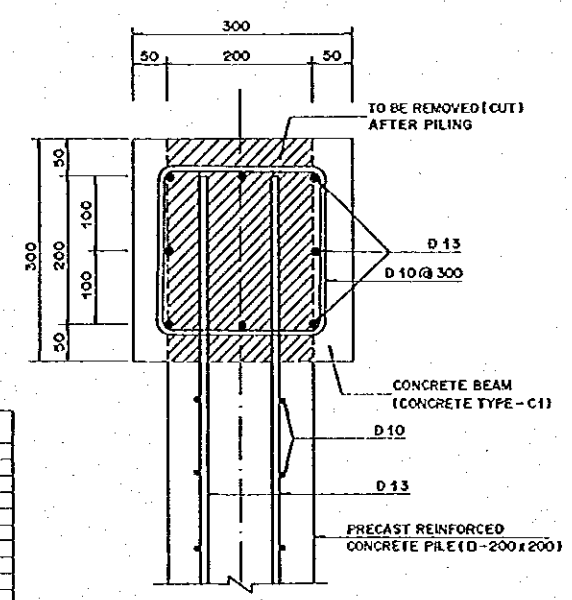
RE-BAR ARRANGEMENT OF PILE
SCALE B



SECTION A-A
SCALE A



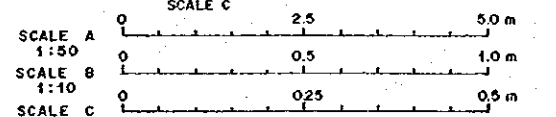
CROSS SECTION OF PILE
SCALE C



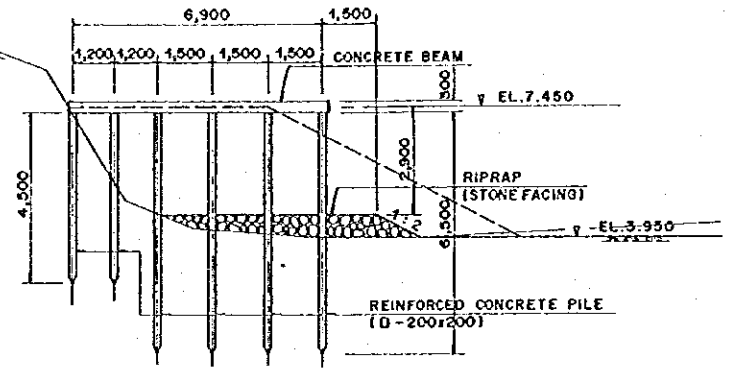
DETAIL OF C
SCALE C

DATA ON CONCRETE PILE

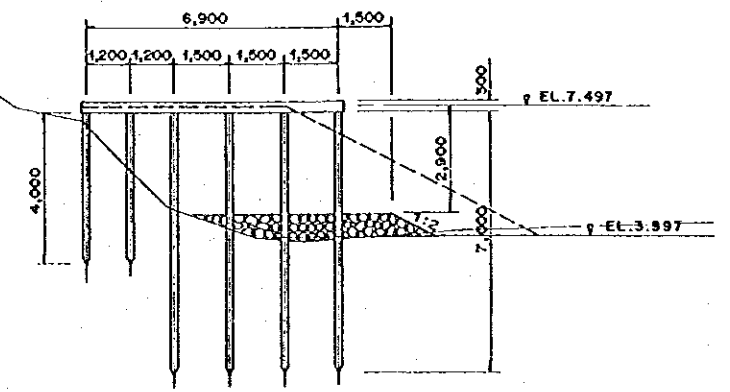
LOCATION	n1	n2	L1 (m)	L2 (m)	L (m)	H1 (m)	H2 (m)
WF127L	3	2	4.5	2.4	6.9	6.5	4.5
+25m	4	3	6.0	3.6	9.6	6.5	4.0
WF128L	5	3	7.5	3.6	11.1	6.5	3.5
+25m	3	2	4.5	2.4	6.9	7.0	4.0
WF129L	1	2	1.5	2.4	3.9	7.0	4.0
+25m	2	2	3.0	2.4	5.4	7.0	4.0
WF130L	2	2	3.0	2.4	5.4	7.0	3.5
+25m	2	3	4.5	2.4	6.9	7.0	3.5
WF131L	8	-	12.0	-	12.0	6.5	3.5
+25m	4	3	6.0	3.6	9.6	6.5	3.5
WF132L	3	3	4.5	3.6	8.1	6.5	3.5
WF143L	1	3	1.5	3.6	5.1	6.0	3.5
+25m	2	3	3.0	3.6	6.6	6.5	3.5
WF144L	3	3	4.5	3.6	8.1	7.0	3.5
+25m	5	3	7.5	3.6	11.1	7.0	3.5
WF145L	8	3	12.0	3.6	15.6	7.0	3.5
+25m	5	3	7.5	3.6	11.1	7.0	3.5
WF146L	1	2	1.5	2.4	3.9	6.5	3.5



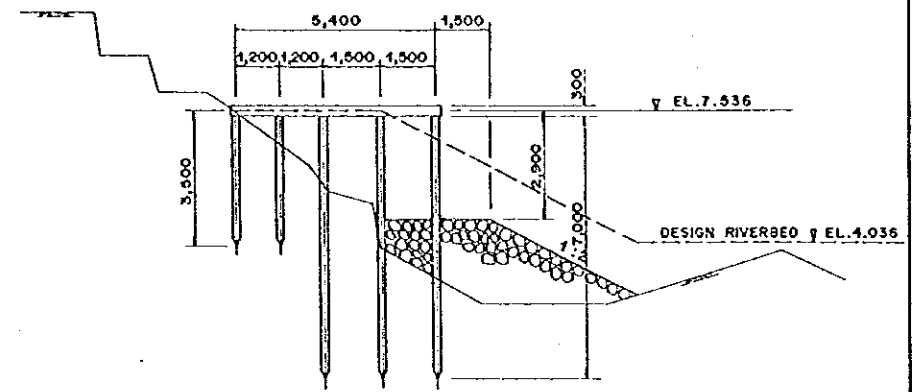
THE REPUBLIC OF INDONESIA MINISTRY OF PUBLIC WORKS DIRECTORATE GENERAL OF WATER RESOURCES DEVELOPMENT AND DIRECTORATE GENERAL OF HUMAN SETTLEMENT			PROVINCE CENTRAL JAVA		
JATUNSELUMA FLOOD CONTROL PROJECT COMPONENT: WEST FLOODWAY / GARANG RIVER IMPROVEMENT PROTECTION WORKS FOR RIVERBANK & RIVERBED STRUCTURAL DETAILS OF PILE TYPE GROIN			PROJECT NAME FLOOD CONTROL, LEAKY DRAINAGE AND FLOOD MITIGATION DEVELOPMENT IN SEMARANG IN THE REPUBLIC OF INDONESIA		
EJAN INTERNATIONAL COOPERATION AGENCY CIH ENGINEERING CO., LTD. IN ASSOCIATION WITH PACIFIC CONSULTANTS INTERNATIONAL AND PACIFIC INTERNATIONAL INC.			DISTRICT SEMARANG CITY		
DESIGNED CHECKED DATE			DRAWING NO. W.C.-P1-P2-31-38		
APPROVED PROJECT MANAGER			SECRET NO. 137 CONTRACT NO.		
NO.	DATE	KEYS	CREATED	DISKIND	APPROVED



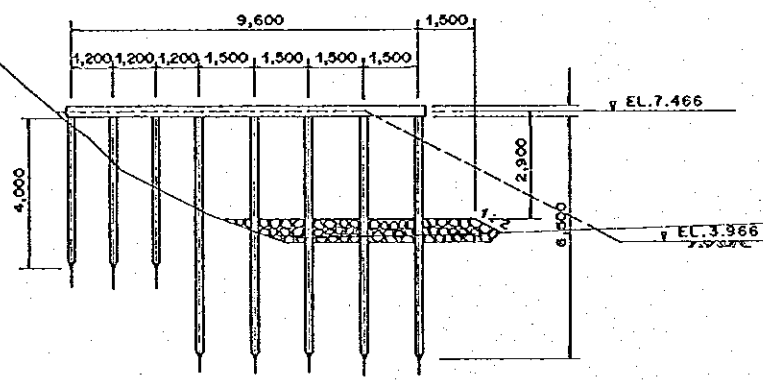
SECTION - WF 127 L ± 0
SCALE A



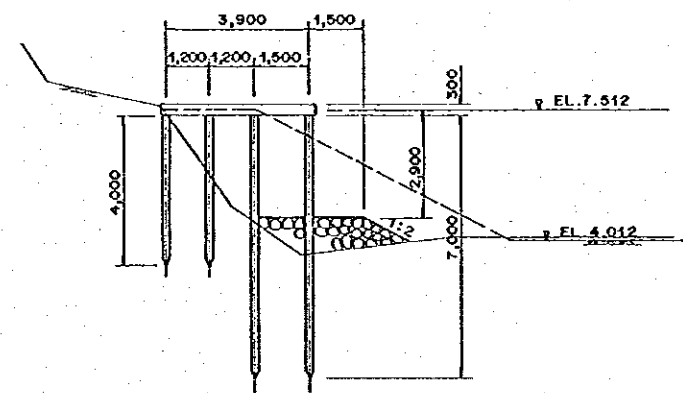
SECTION - WF 128 L ± 25 m
SCALE A



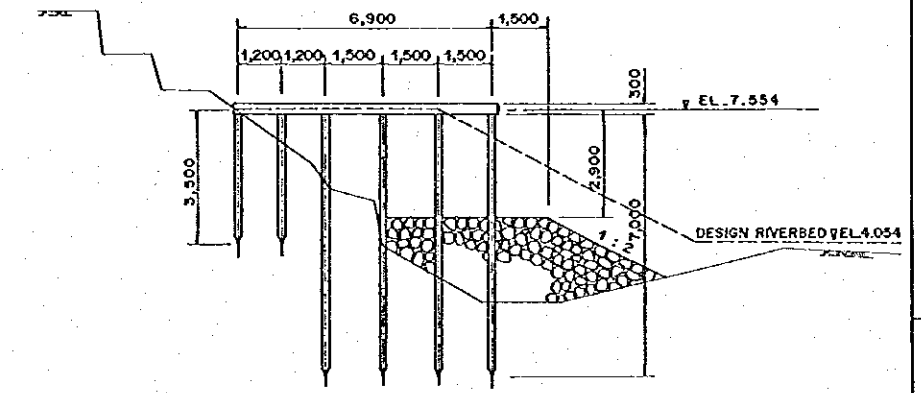
SECTION - WF 130 L ± 0
SCALE A



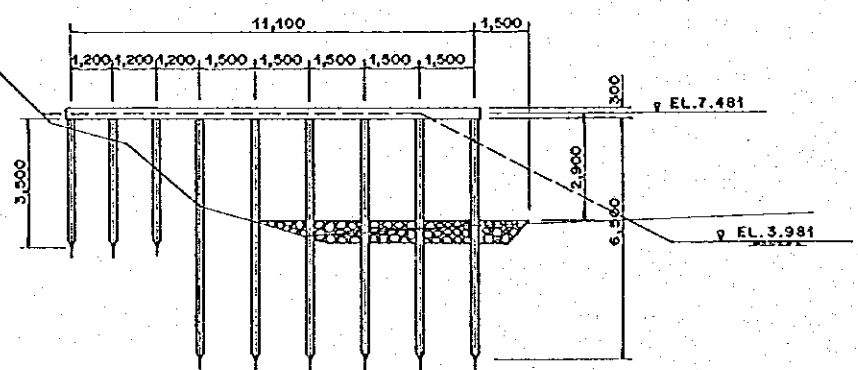
SECTION - WF 127 L ± 25 m
SCALE A



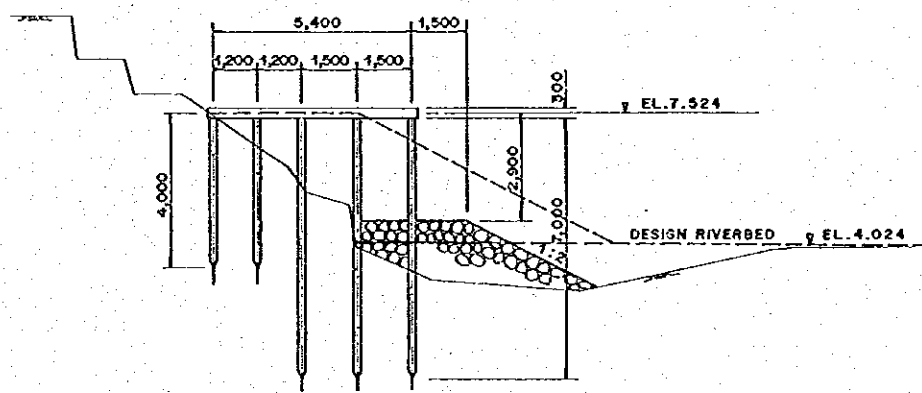
SECTION - WF 129 L ± 0
SCALE A



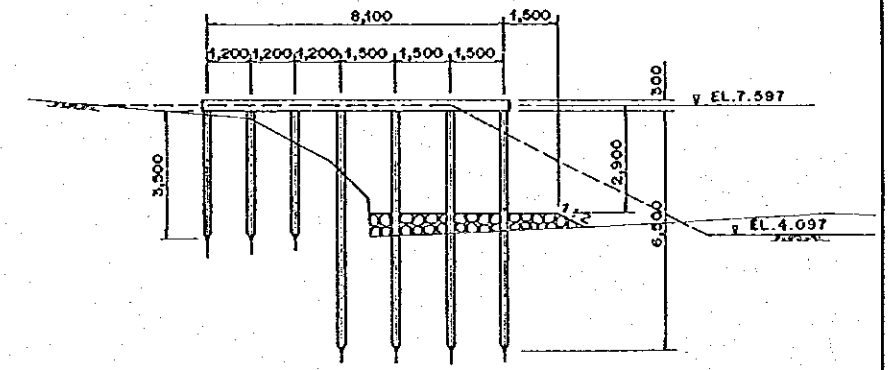
SECTION - WF 130 L ± 25 m
SCALE A



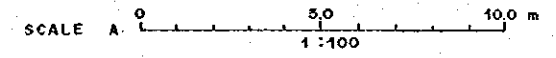
SECTION - WF 128 L ± 0
SCALE A



SECTION - WF 129 L ± 25 m
SCALE A



SECTION - WF 132 L ± 0
SCALE A



NO.	DATE	REVISIONS	ORIGINATED	DESIGNED	APPROVED

THE REPUBLIC OF INDONESIA
MINISTRY OF PUBLIC WORKS
DIRECTORATE GENERAL OF WATER RESOURCES DEVELOPMENT
AND DIRECTORATE GENERAL OF HUMAN SETTLEMENT

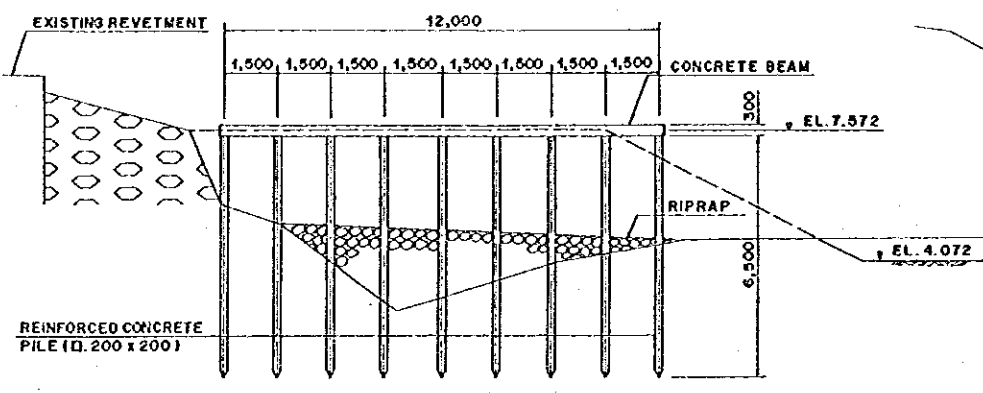
JRATUNSELUNA FLOOD CONTROL PROJECT
COMPONENT: WEST FLOODWAY / GARANG RIVER IMPROVEMENT
PROTECTION WORKS FOR RIVERBANK & RIVERBED
CROSS SECTIONS OF PILE TYPE GROIN (1/2)

SAFARI INTERNATIONAL COOPERATION AGENCY
SFI INDONESIA CO., LTD. IN ASSOCIATION WITH
PACIFIC CONSULTANTS INTERNATIONAL INC.
PACIFIC INTERNATIONAL INC.

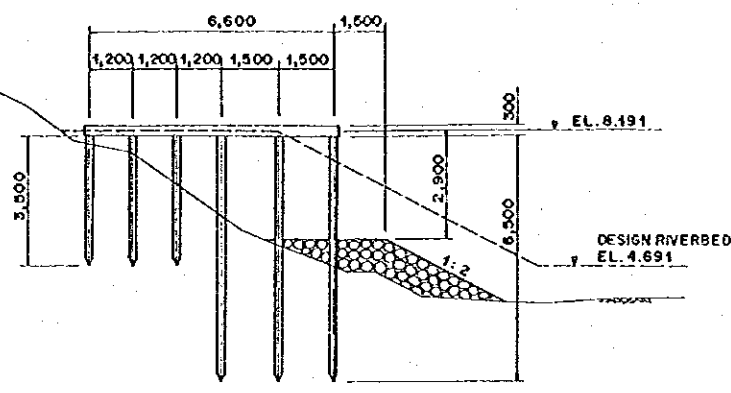
DESIGNED: [Signature]
CHECKED: [Signature]
DATE: [Date]

PROVINCE: CENTRAL JAVA
PROJECT NAME: FLOOD CONTROL, URBAN DRAINAGE AND WATER RESOURCES DEVELOPMENT OF SEMARANG IN THE REPUBLIC OF INDONESIA
DISTRICT: SEMARANG CITY
DRAWING NO. WG-PM-PR-Cr-38
SHEET NO. 138
CONTRACT NO. [Number]

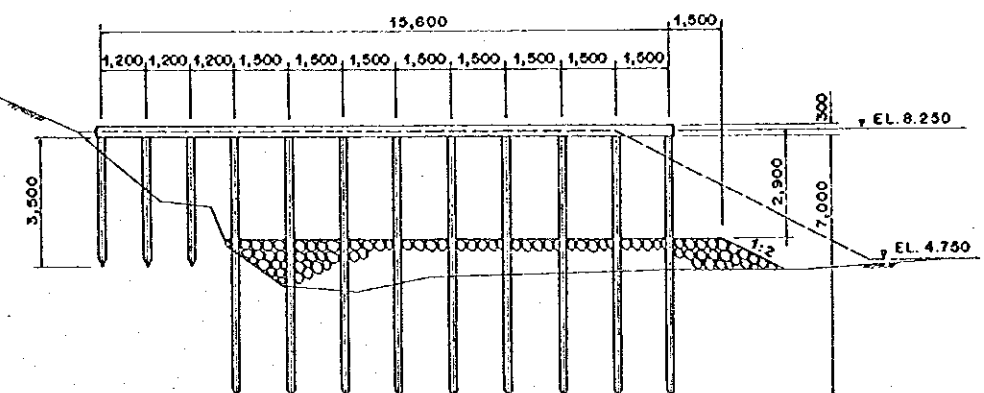
CHIEF OF PLANNING AND DESIGN
PROJECT MANAGER



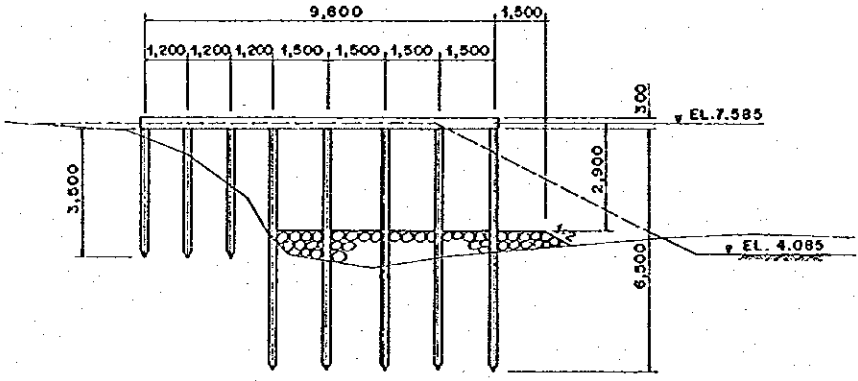
SECTION - WF.131L ± 0
SCALE A



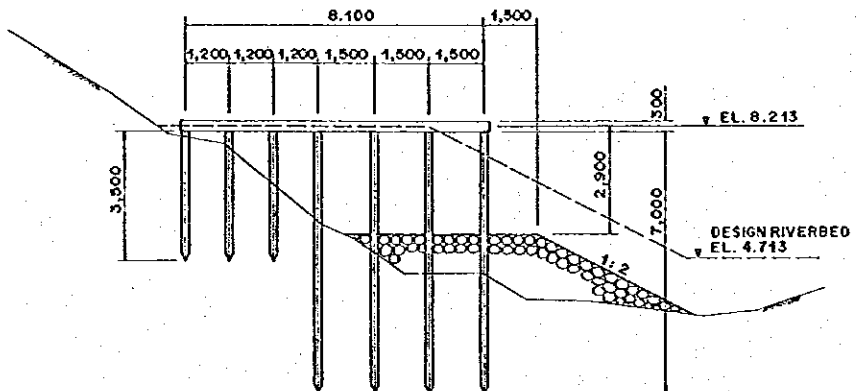
SECTION - WF.143L + 25 m
SCALE A



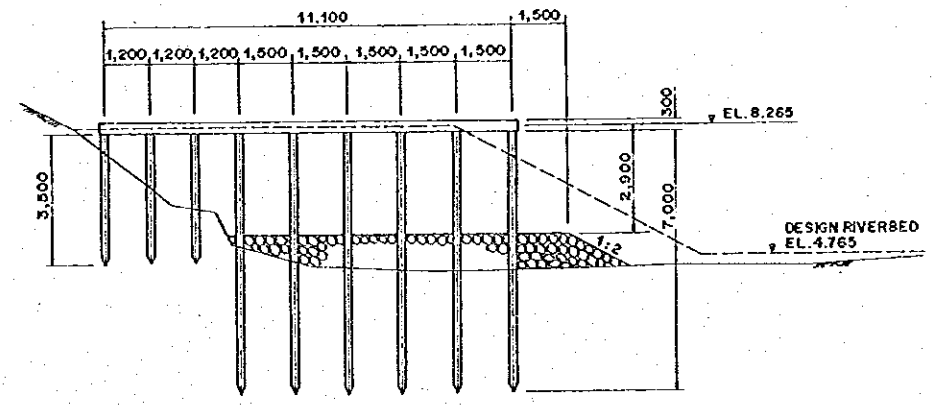
SECTION - WF.145L ± 0
SCALE A



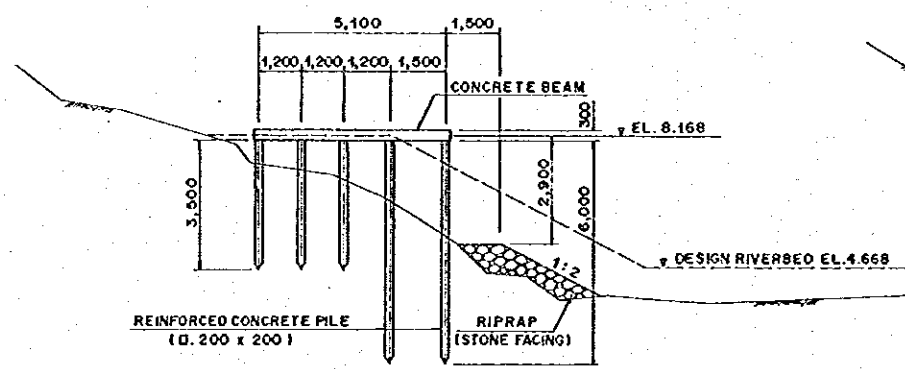
SECTION - WF.131L + 25 m
SCALE A



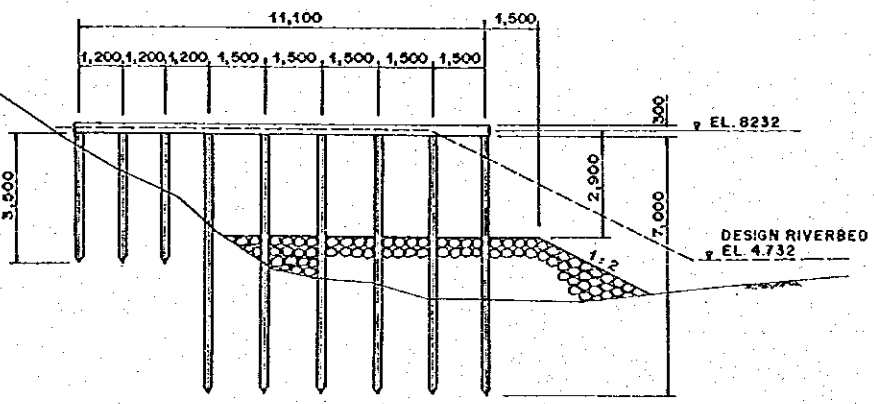
SECTION - WF.144L ± 0
SCALE A



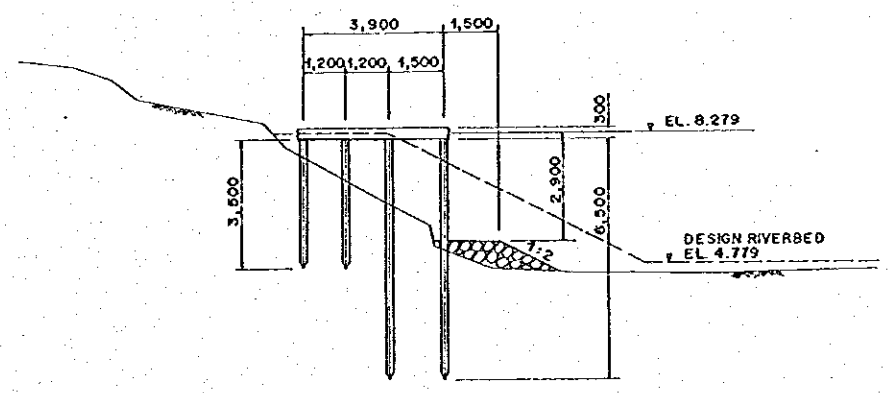
SECTION - WF.145L + 25 m
SCALE A



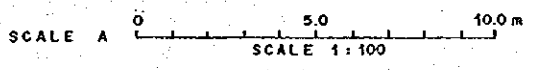
SECTION - WF.143L ± 0
SCALE A



SECTION - WF.144L + 25 m
SCALE A

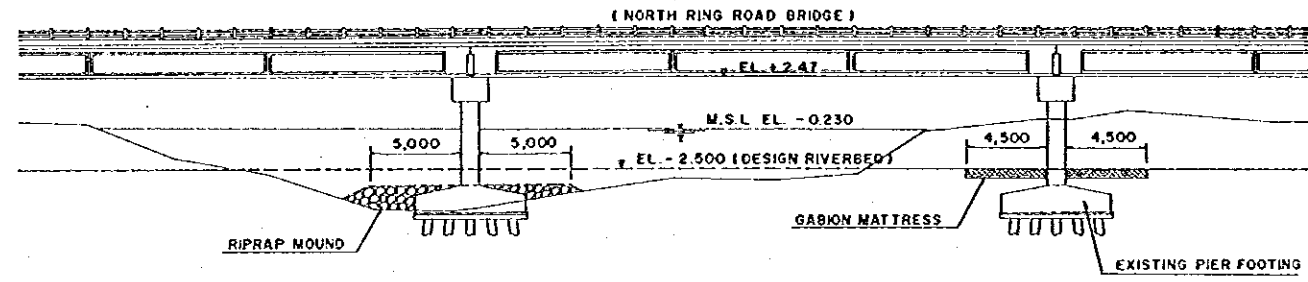


SECTION - WF.146L ± 0
SCALE A

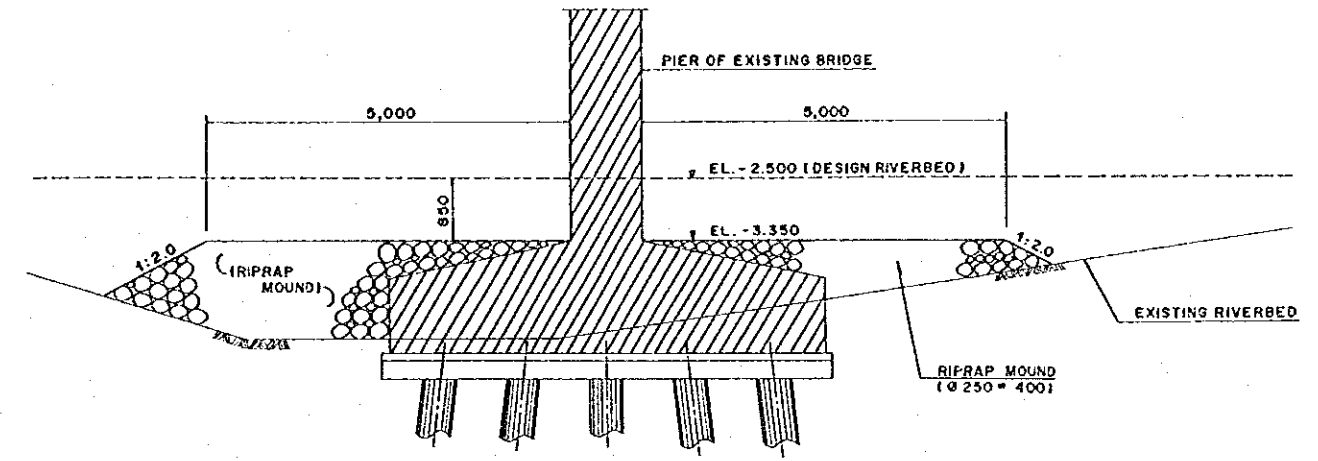


NO.	DATE	REVISIONS	ORIGINATED	DRAWN	APPROVED

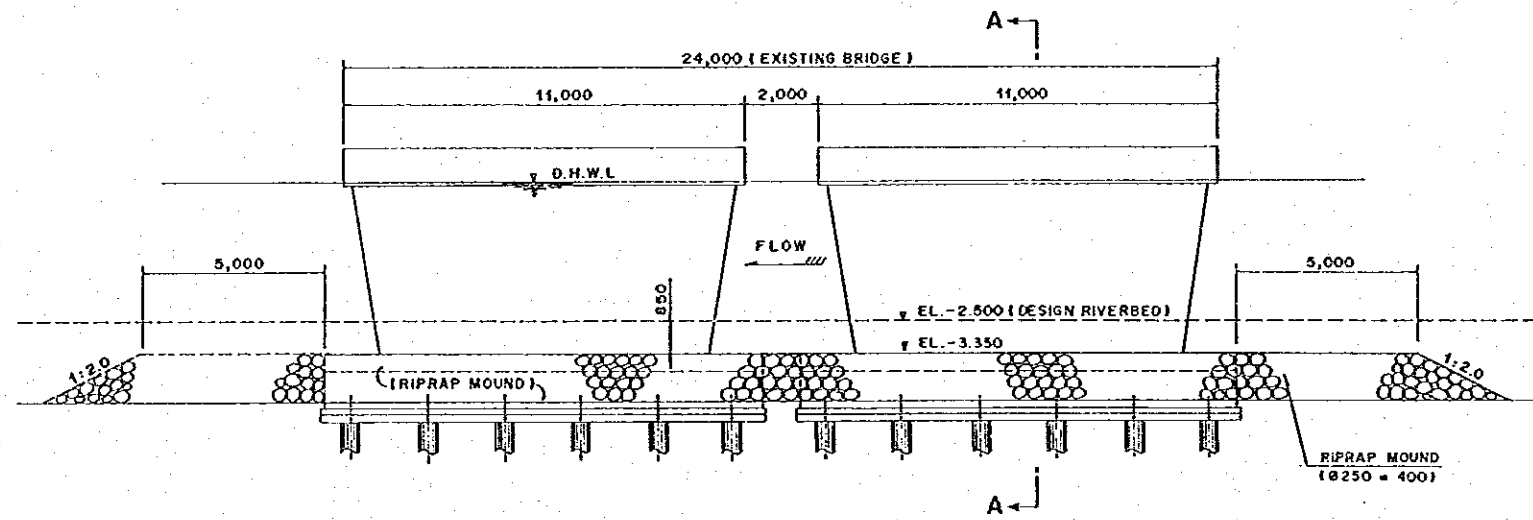
THE REPUBLIC OF INDONESIA MINISTRY OF PUBLIC WORKS DIRECTORATE GENERAL OF WATER RESOURCES DEVELOPMENT AND DIRECTORATE GENERAL OF HUMAN SETTLEMENT		PROVINCE CENTRAL JAWA
JRATUNSELUNA FLOOD CONTROL PROJECT COMPONENT: WEST FLOODWAY / GARANG RIVER IMPROVEMENT PROTECTION WORKS FOR RIVERBANK & RIVERBED CROSS SECTIONS OF PILE TYPE GROWN (2/2)		PROJECT NAME FLOOD CONTROL, URBAN DRAINAGE AND WATER RESOURCES DEVELOPMENT IN SEMARANG IN THE REPUBLIC OF INDONESIA
DEAN INTERNATIONAL CONSULTING AGENCY CIVIL ENGINEERING CO., LTD. IN ASSOCIATION WITH PACIFIC CONSULTANTS INTERNATIONAL AND TABC INTERNATIONAL INC.		DISTRRICT SEMARANG CITY
DESIGNED: [Signature] CHECKED: [Signature]		DRAWING NO. WS-P1-PR-Cr-48 SHEET NO. 139
CHIEF OF PLANNING AND DESIGN PROJECT MANAGER		DATE CONTRACTING



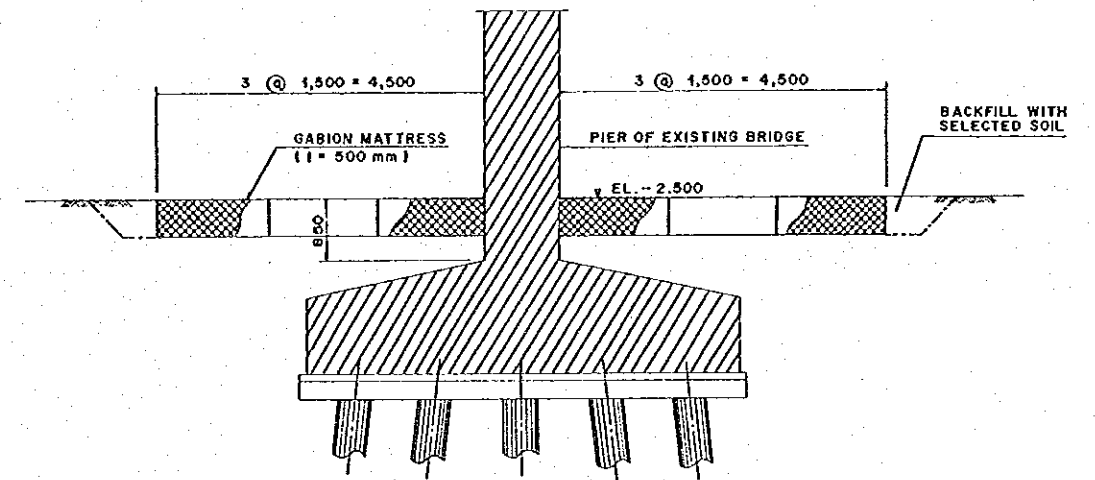
ARRANGEMENT OF RIVERBED PROTECTION
SCALE A



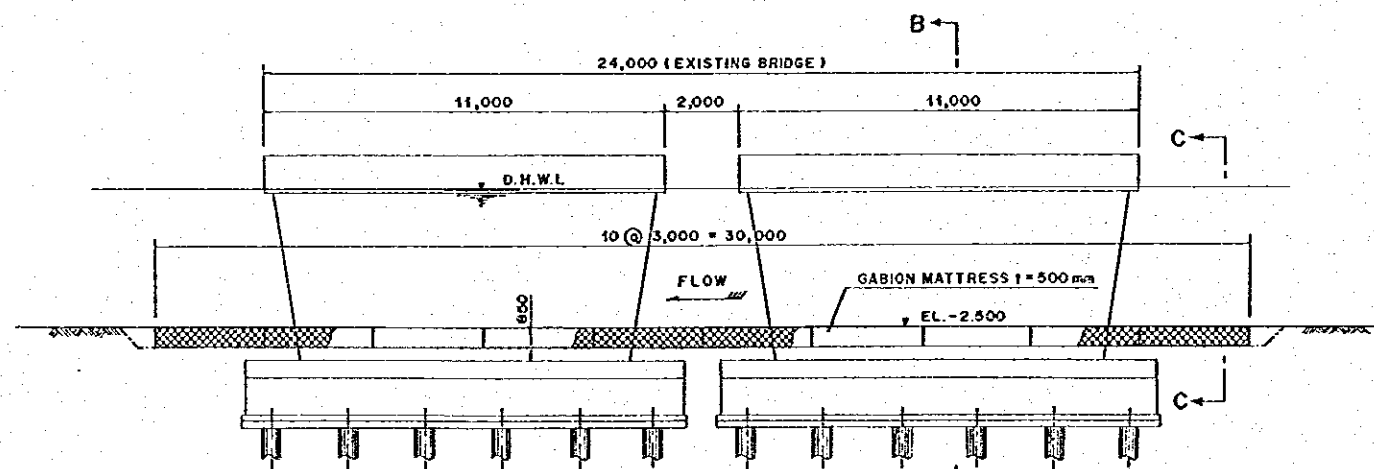
SECTION A - A
SCALE C



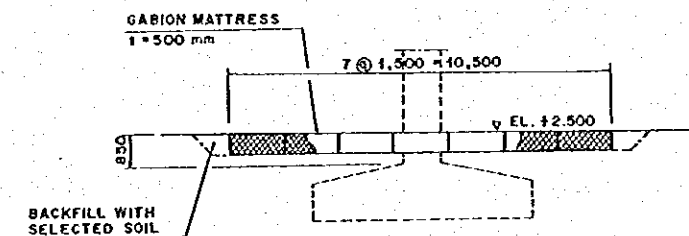
PROFILE OF RIVERBED PROTECTION (RIPRAP MOUND)
SCALE B



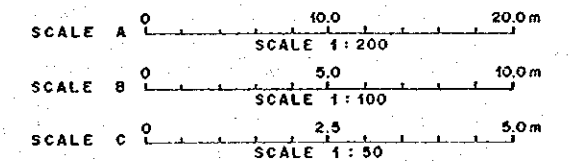
SECTION B - B
SCALE C



PROFILE OF RIVERBED PROTECTION (GABION MATTRESS)
SCALE B

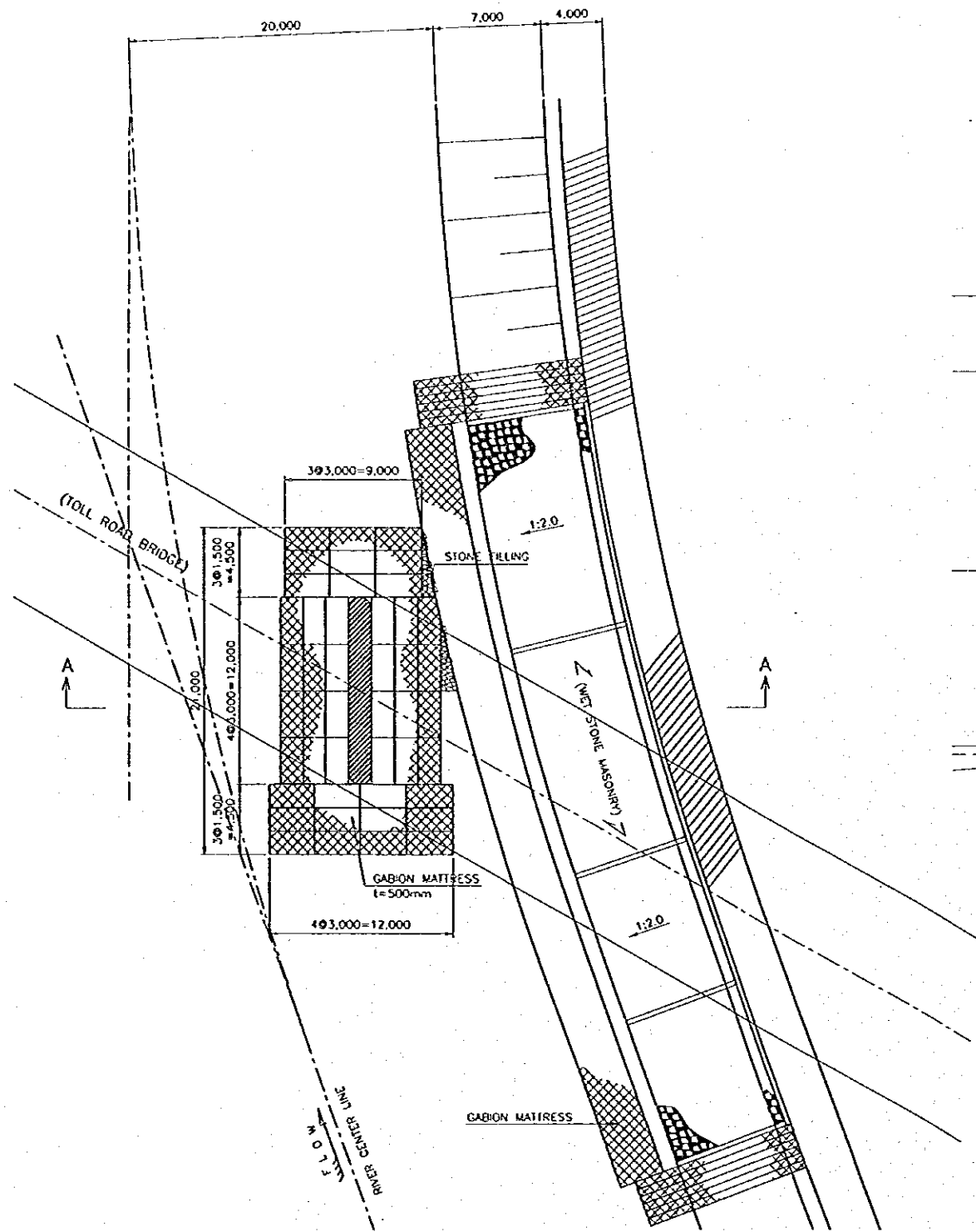


SECTION C - C
SCALE B

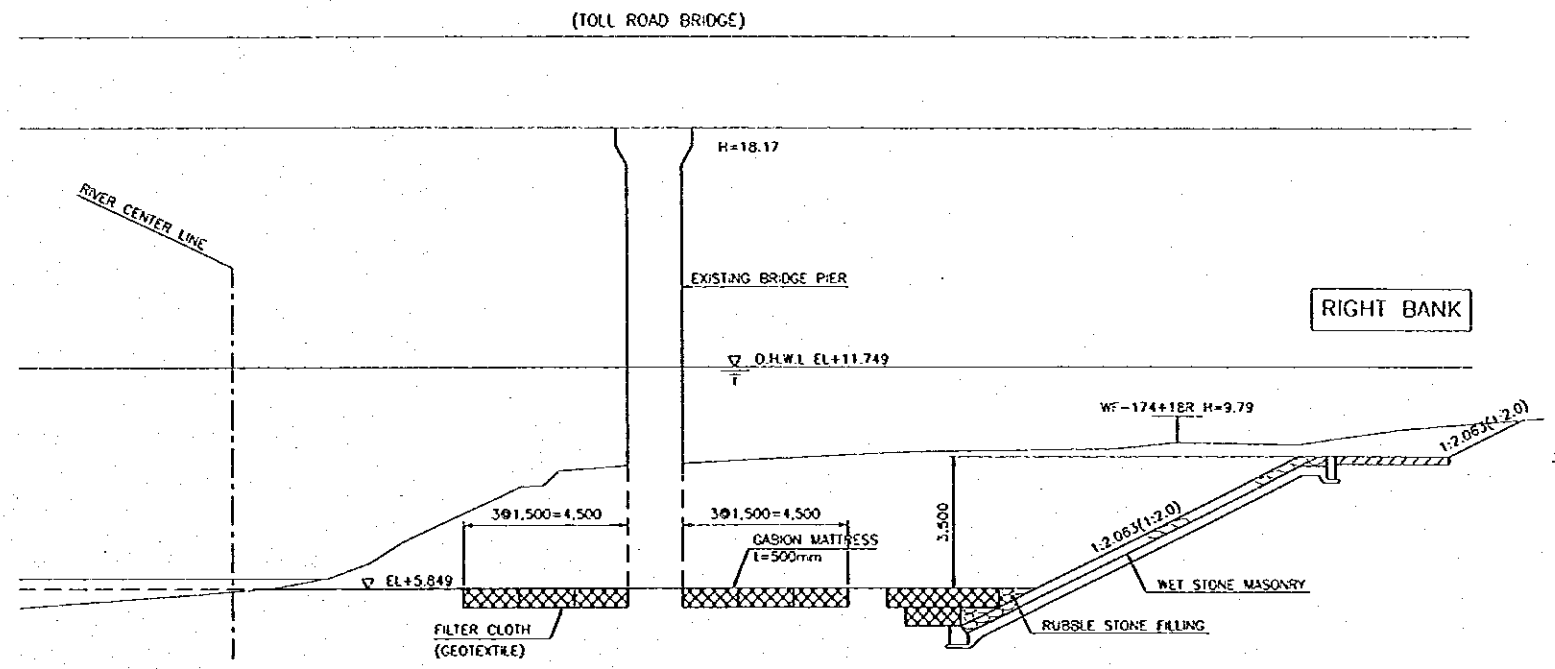


NO.	DATE	REVISIONS	ORIGINATED	DESIGNED	APPROVED

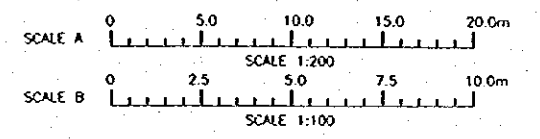
THE REPUBLIC OF INDONESIA MINISTRY OF PUBLIC WORKS DIRECTORATE GENERAL OF WATER RESOURCES DEVELOPMENT AND DIRECTORATE GENERAL OF HUMAN SETTLEMENT		PROVINCE CENTRAL JAVA
JATUNSELUNA FLOOD CONTROL PROJECT COMPONENT : WEST FLOODWAY GARANO RIVER IMPROVEMENT PROTECTION WORKS FOR RIVERBANK & RIVERBED DETAILS OF RIVERBED PROTECTION FOR NORTH RING ROAD BRIDGE		PROJECT NAME FLOOD CONTROL, URBAN DRAINAGE AND WATER RESOURCES DEVELOPMENT IN SEMARANG IN THE REPUBLIC OF INDONESIA DISTRICT SEMARANG CITY
JAPAN INTERNATIONAL COOPERATION AGENCY CES ENGINEERING CO., LTD. IN ASSOCIATION WITH PACIFIC CONSULTANTS INTERNATIONAL INC. JABC INTERNATIONAL INC.		DRAWING NO. W3 - P1 - PR - S1 - 42 SHEET NO. 141 DATE CONTRACT NO.
DESIGNED CHECKED APPROVED	PROJECT MANAGER	DATE



PLAN OF RIVERBED PROTECTION
SCALE A

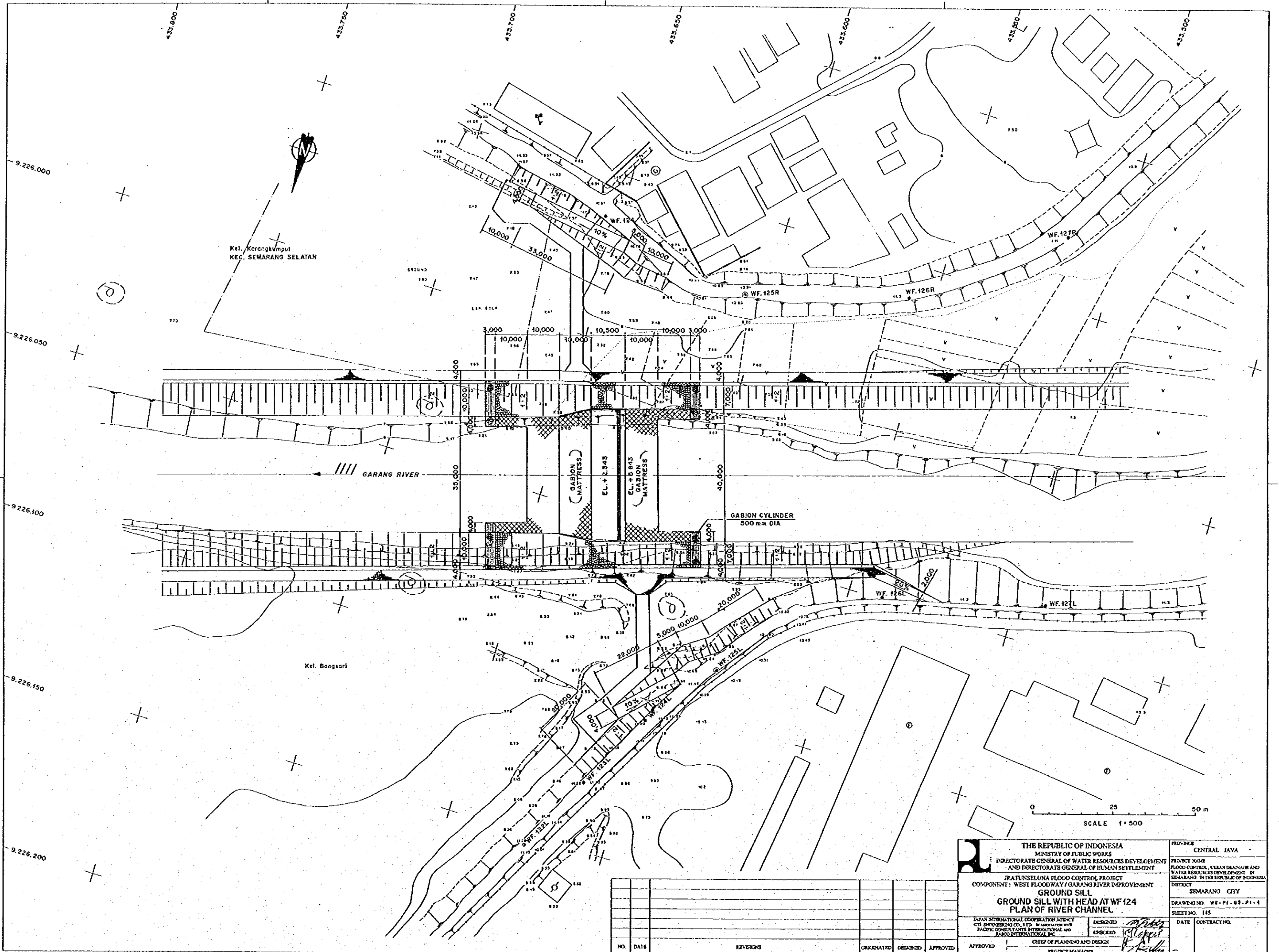


SECTION A-A
SCALE B



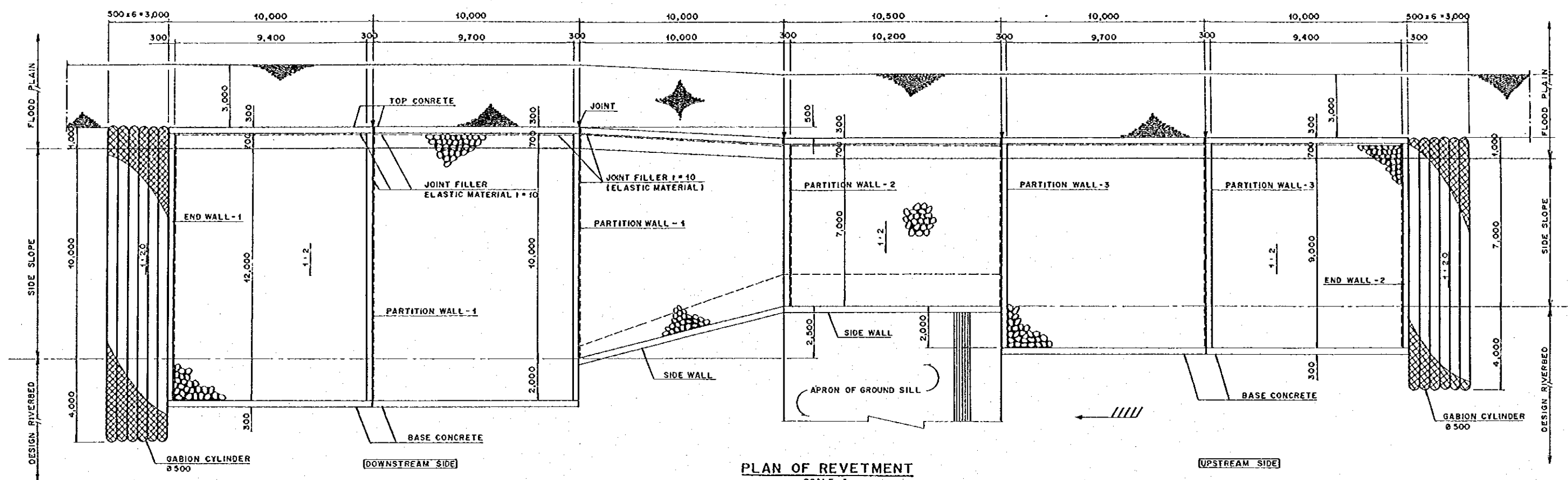
NO.	DATE	REVISIONS	ORIGINATED	DESIGNED	APPROVED

	THE REPUBLIC OF INDONESIA MINISTRY OF PUBLIC WORKS DIRECTORATE GENERAL OF WATER RESOURCES DEVELOPMENT AND DIRECTORATE GENERAL OF HUMAN SETTLEMENT	PROVINCE CENTRAL JAVA
	PROJECT NAME FLOOD CONTROL, URBAN DRAINAGE AND WATER RESOURCES DEVELOPMENT IN SEMARANG IN THE REPUBLIC OF INDONESIA	DISTRICT SEMARANG CITY
PROJECT JRATUNSELUNA FLOOD CONTROL PROJECT COMPONENT : WEST FLOODWAY / GARANG RIVER IMPROVEMENT PROTECTION WORKS FOR RIVERBANK & RIVERBED DETAILS OF RIVERBED PROTECTION FOR TOLL ROAD BRIDGE		DRAWING NO. WB - P 4 - PR - 01 - 45 SHEET NO. 144
SAFARI INTERNATIONAL COOPERATION AGENCY CCI ENGINEERING CO., LTD. in association with PACIFIC CONSULTANTS INTERNATIONAL and FARCO INTERNATIONAL INC.	DESIGNED CHECKED CENIP OF PLANNING AND DESIGN PROJECT MANAGER	DATE CONTRACT NO.

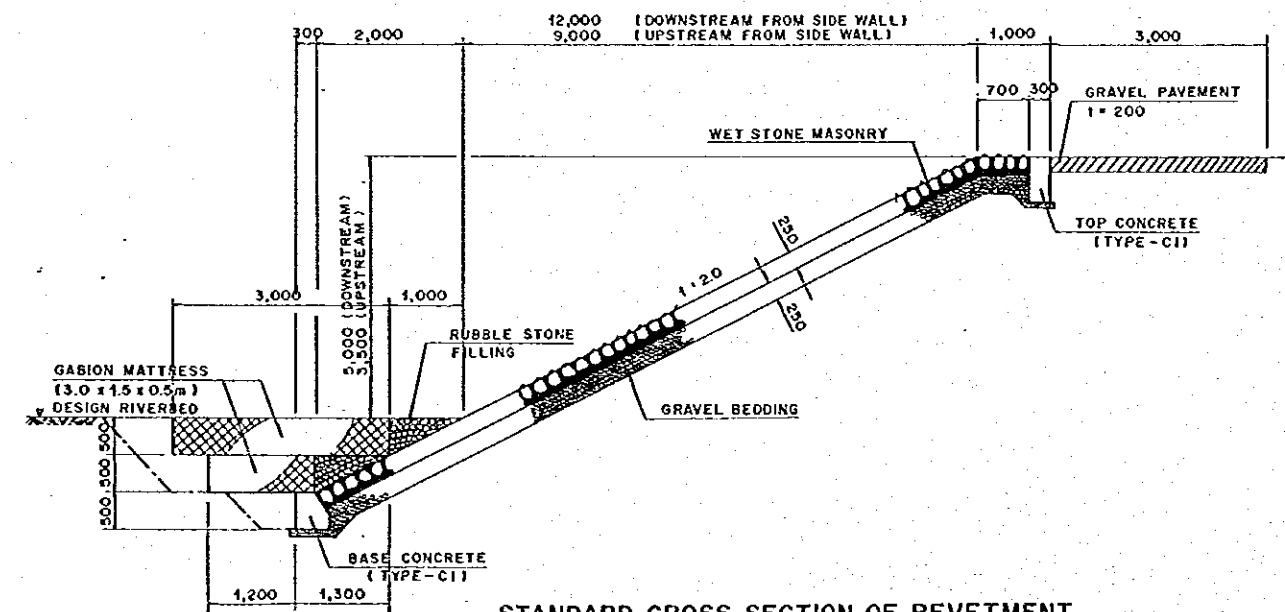


THE REPUBLIC OF INDONESIA MINISTRY OF PUBLIC WORKS DIRECTORATE GENERAL OF WATER RESOURCES DEVELOPMENT AND DIRECTORATE GENERAL OF HUMAN SETTLEMENT		PROVINCE CENTRAL JAWA
JRATUNSELUNA FLOOD CONTROL PROJECT COMPONENT: WEST FLOODWAY / GARANG RIVER IMPROVEMENT GROUND SILL GROUND SILL WITH HEAD AT WF 124 PLAN OF RIVER CHANNEL		PROJECT NAME FLOOD CONTROL, URBAN DRAINAGE AND WATER RESOURCES DEVELOPMENT IN SEMARANG IN THE REPUBLIC OF INDONESIA
JAPAN INTERNATIONAL COOPERATION AGENCY CITI ENGINEERING CO., LTD. IN ASSOCIATION WITH PACIFIC CONSULTANTS INTERNATIONAL AND JABODINTERNASIONAL		DISTRICT SEMARANG CITY
DESIGNED CHECKED APPROVED CHIEF OF PLANNING AND DESIGN PROJECT MANAGER		DRAWING NO. W8-PF-05-P1-4 SHEET NO. 145 DATE CONTRACT NO.

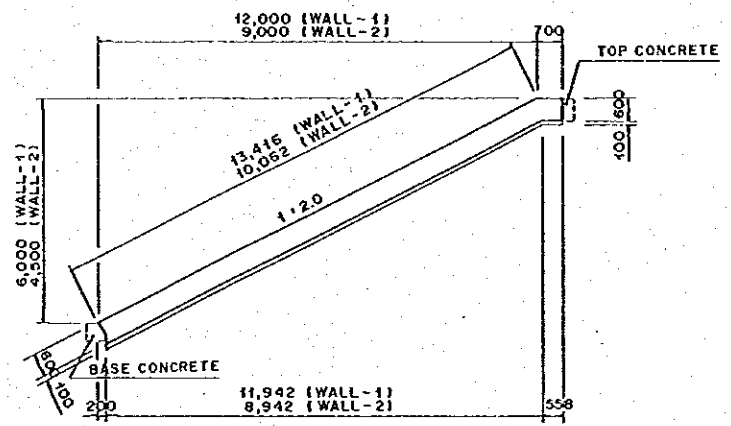
NO.	DATE	REVISIONS	ORIGINATED	DESIGNED	APPROVED



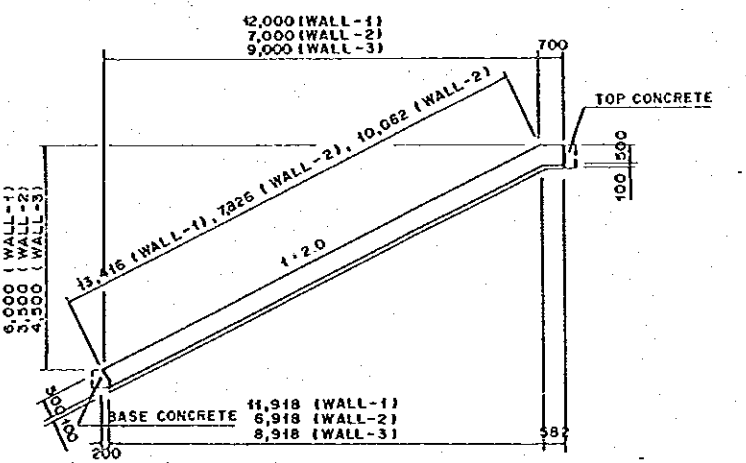
PLAN OF REVETMENT
SCALE A



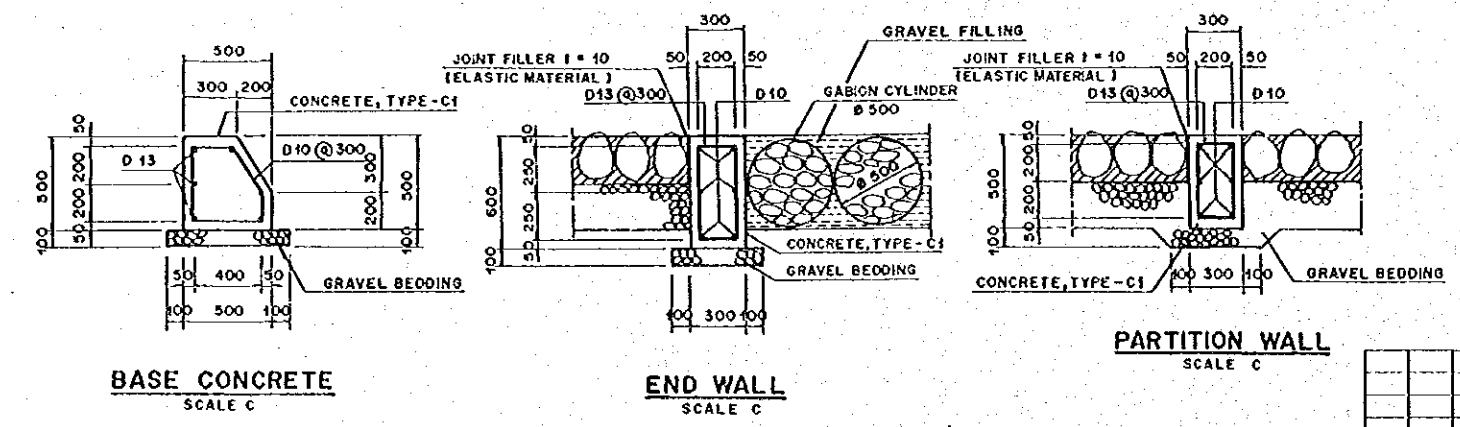
STANDARD CROSS SECTION OF REVETMENT
SCALE B



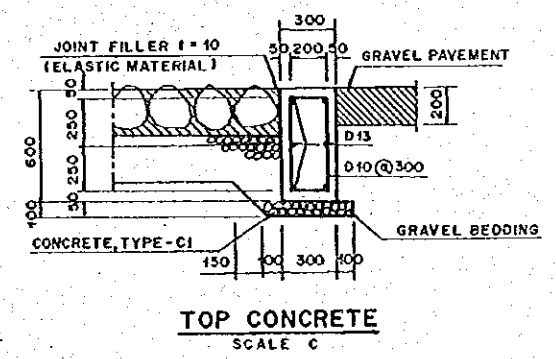
PROFILE OF END WALL -1 & -2
SCALE A



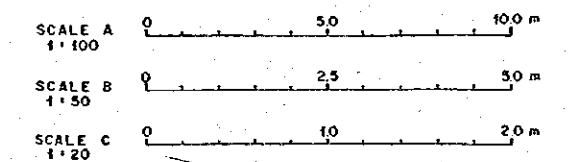
PROFILE OF PARTITION WALL -1, -2 & -3
SCALE A



PARTITION WALL
SCALE C



TOP CONCRETE
SCALE C

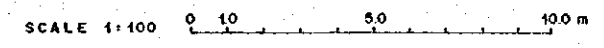
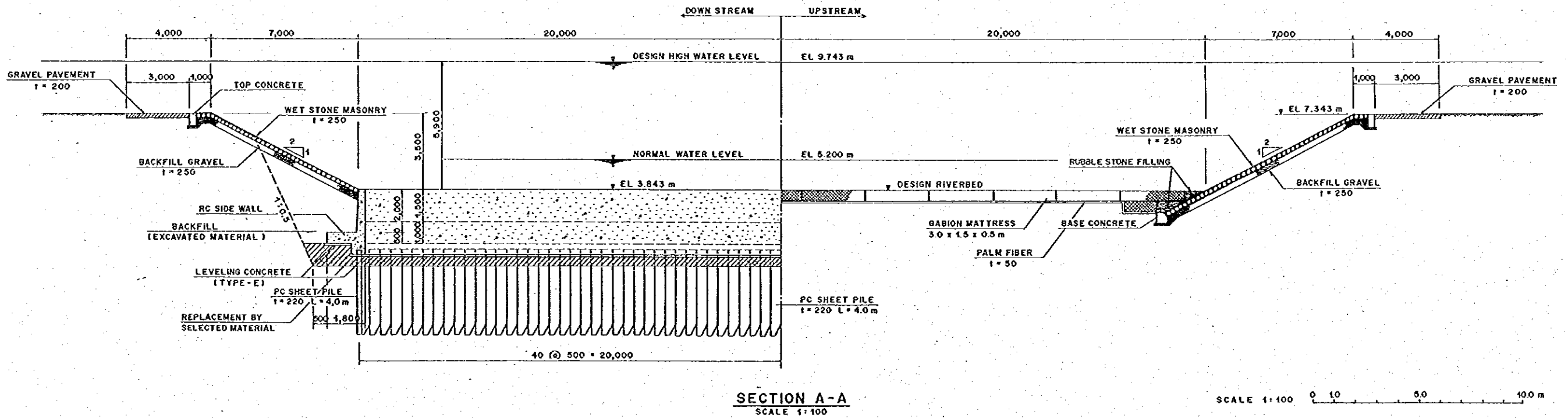
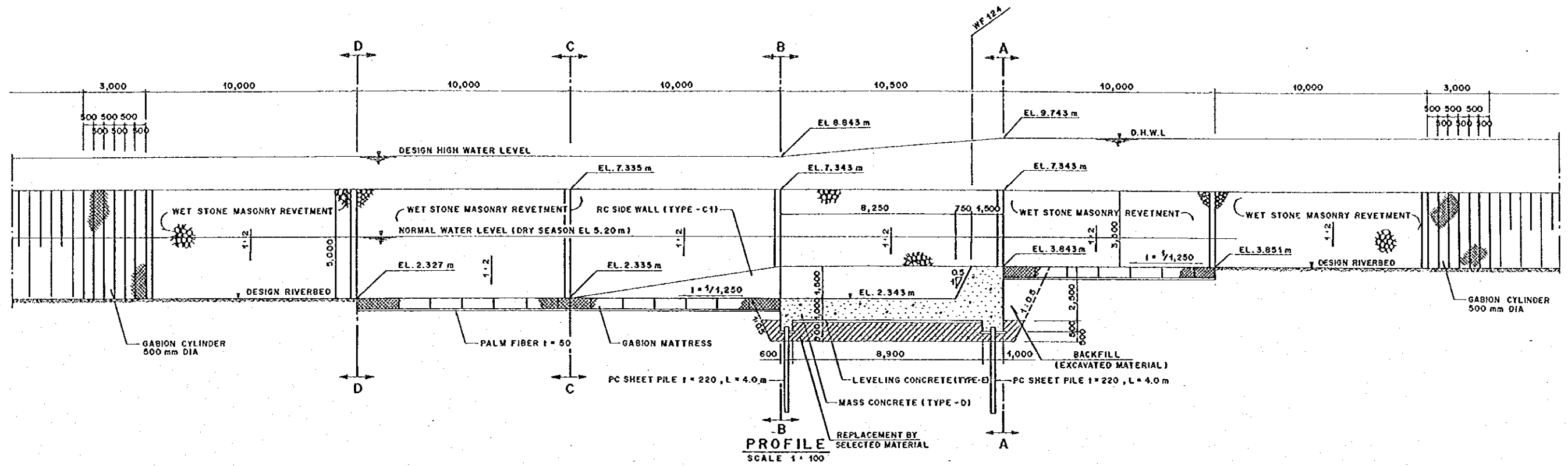


BASE CONCRETE
SCALE C

END WALL
SCALE C

NO.	DATE	REVISIONS	ORIGINATED	DESIGNED	APPROVED

THE REPUBLIC OF INDONESIA MINISTRY OF PUBLIC WORKS DEPARTMENT GENERAL OF WATER RESOURCES DEVELOPMENT AND DIRECTORATE GENERAL OF HUMAN SETTLEMENT		PROVINCE CENTRAL JAVA
JATUNSELUMA FLOOD CONTROL PROJECT COMPONENT: WEST FLOODWAY / GARANG RIVER IMPROVEMENT GROUND SILL GROUND SILL WITH HEAD AT WF 124 PLAN PROFILE AND STANDARD CROSS SECTION OF REVETMENT		PROJECT NAME FLOOD CONTROL, URBAN DRAINAGE AND WATER RESOURCES DEVELOPMENT IN SEMARANG IN THE REPUBLIC OF INDONESIA DISTRICT SEMARANG CITY DRAWING NO. W2.P1-05-S1-2 SHEET NO. 146
JAWA INTERNATIONAL COOPERATION AGENCY CIL ENGINEERING CO., LTD. IN ASSOCIATION WITH PACIFIC CONSULTANTS INTERNATIONAL INC. JAWA INTERNATIONAL INC.	DESIGNED CHECKED CHIEF OF PLANNING AND DESIGN PROJECT MANAGER	DATE CONTRACT NO.



NO.	DATE	REVISIONS	ORIGINATED	DESIGNED	APPROVED

THE REPUBLIC OF INDONESIA MINISTRY OF PUBLIC WORKS DIRECTORATE GENERAL OF WATER RESOURCES DEVELOPMENT AND DIRECTORATE GENERAL OF HUMAN SETTLEMENT		PROVINCE CENTRAL JAVA
BRATUNSELUNA FLOOD CONTROL PROJECT COMPONENT: WEST FLOODWAY / GARANG RIVER IMPROVEMENT GROUND SILL WITH HEAD AT WF 124 PROFILE AND CROSS SECTION (1/2)		PROJECT NAME FLOOD CONTROL, URBAN DRAINAGE AND WATER RESOURCES DEVELOPMENT IN SEMARANG IN THE REPUBLIC OF INDONESIA
DESIGNED: [Signature] CHECKED: [Signature]		DISTRICT SEMARANG CITY
CHIEF OF PLANNING AND DESIGN		DRAWING NO. W0-P1-05-Gr-3 SHEET NO. 141
APPROVED: [Signature] PROJECT MANAGER		DATE: [Blank] CONTRACT NO.: [Blank]