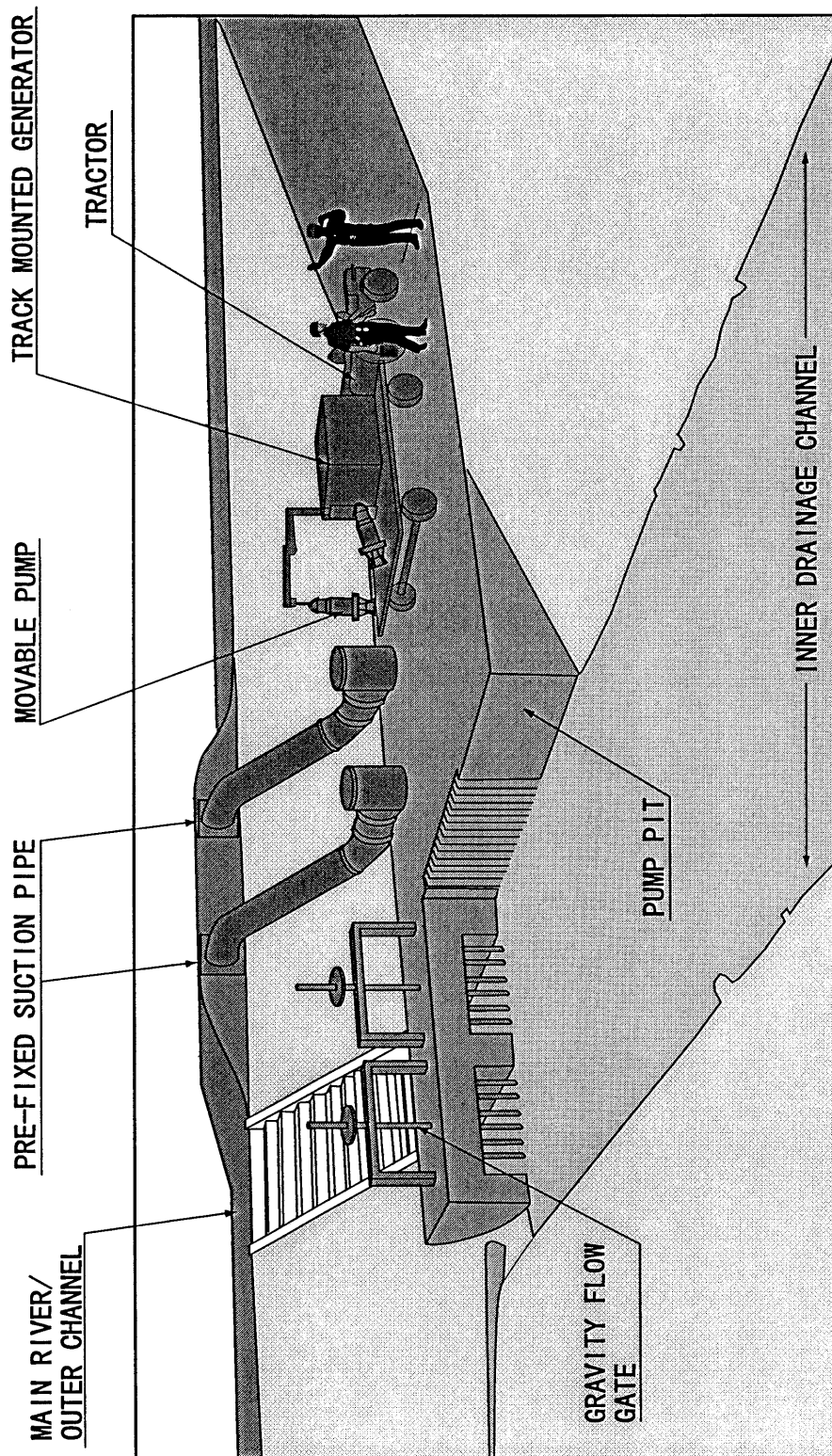


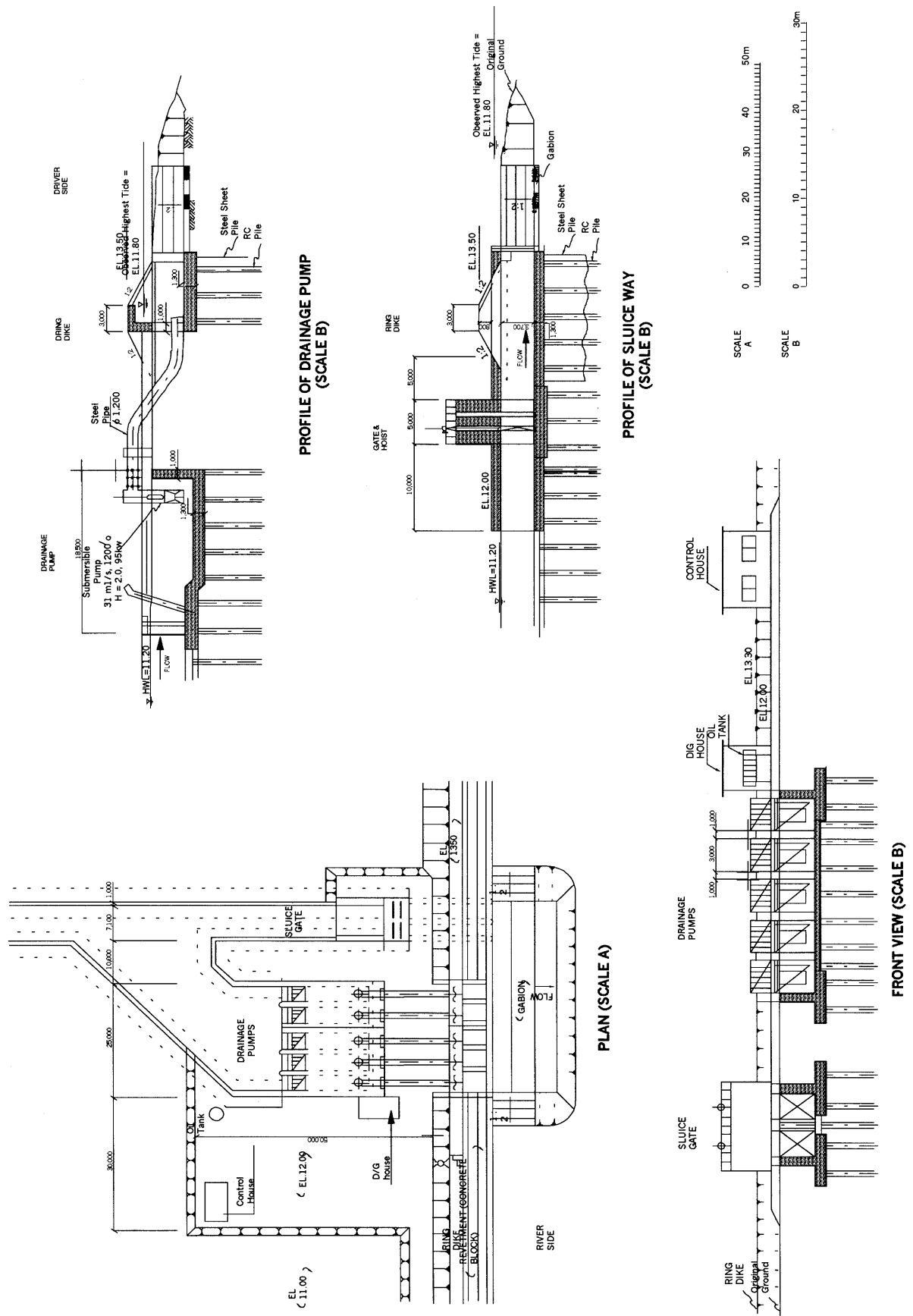
THE STUDY ON  
 INTEGRATED URBAN DRAINAGE IMPROVEMENT  
 FOR MELAKA AND SUNGAI PETANI IN MALAYSIA  
 JAPAN INTERNATIONAL COOPERATION AGENCY

Fig. VI-8  
 General Layout of Stationary Type  
 Pumping System



THE STUDY ON  
 INTEGRATED URBAN DRAINAGE IMPROVEMENT  
 FOR MELAKA AND SUNGAI PETANI IN MALAYSIA  
 JAPAN INTERNATIONAL COOPERATION AGENCY

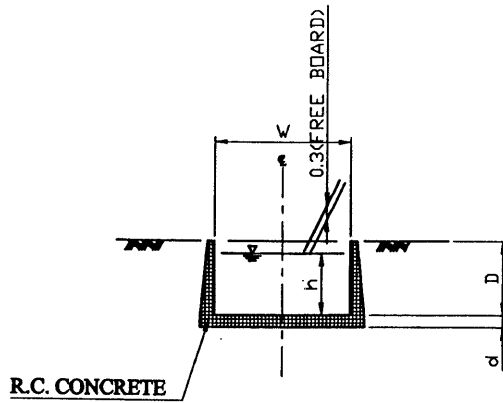
Fig. VI-9  
 General Layout of Movable Type  
 Pumping System



THE STUDY ON  
 INTEGRATED URBAN DRAINAGE IMPROVEMENT  
 FOR MELAKA AND SUNGAI PETANI IN MALAYSIA  
 JAPAN INTERNATIONAL COOPERATION AGENCY

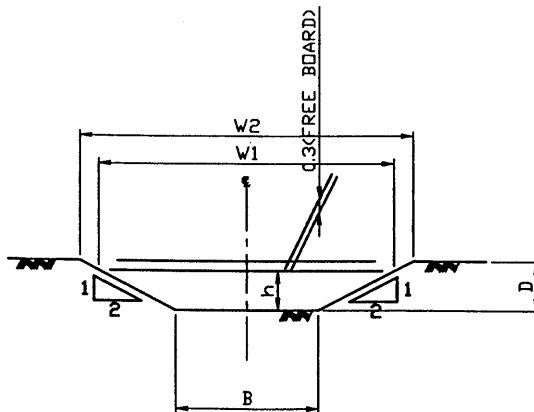
**Fig. VI-10**  
**General Layout of Unit Type**  
**Pumping System**

## TYPICAL CROSS SECTION OF RC DRAINAGE CHANNEL



DIMENSION		UNIT: M	
W	D	h	d
1.0	1.0	0.7	0.20
2.0	1.5	1.2	0.25
4.0	2.0	1.7	0.30
6.0	2.5	2.2	0.35
8.0	3.0	2.7	0.40
10.0	3.5	3.2	0.45

## TYPICAL CROSS SECTION OF EARTH DRAINAGE CHANNEL

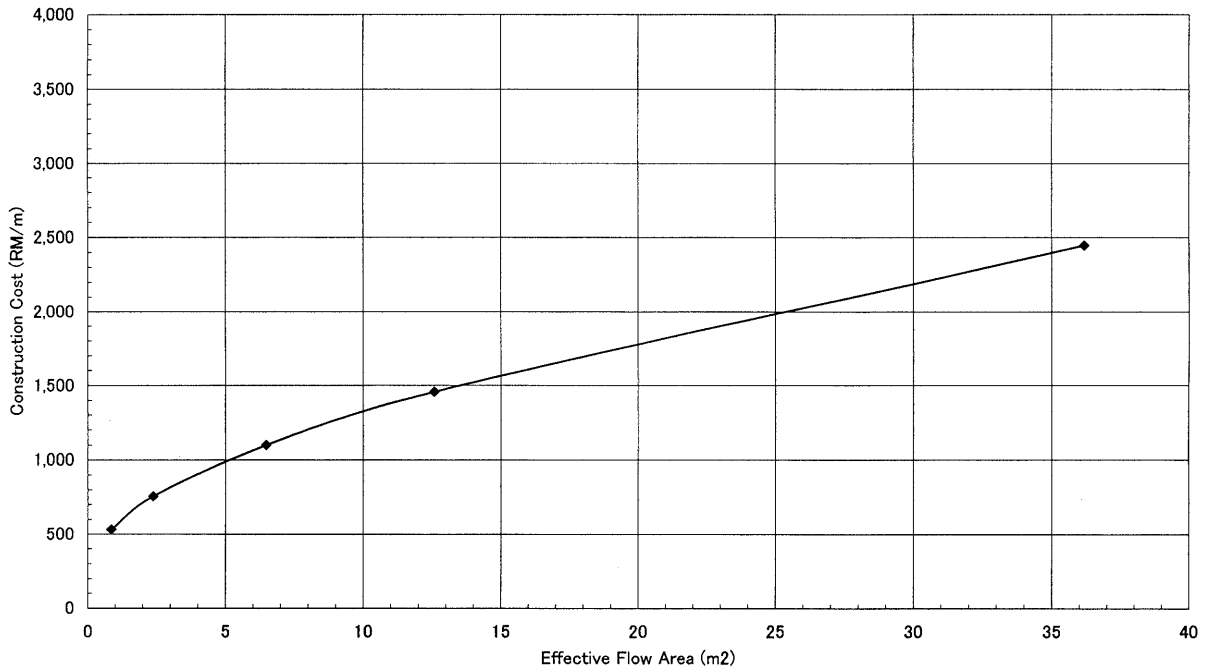


DIMENSION			UNIT: M	
W1	B	h	W2	D
7.0	1.0	1.5	8.2	1.8
8.0	2.0	1.5	9.2	1.8
10.0	4.0	1.5	11.2	1.8
12.0	4.8	1.8	13.2	2.1
14.0	6.8	1.8	15.2	2.1
16.0	8.8	1.8	17.2	2.1
18.0	10.0	2.0	19.2	2.3
20.0	12.0	2.0	21.2	2.3
25.0	17.0	2.0	26.2	2.3
30.0	20.0	2.5	31.2	2.8
40.0	30.0	2.5	41.2	2.8
60.0	50.0	2.5	61.2	2.8

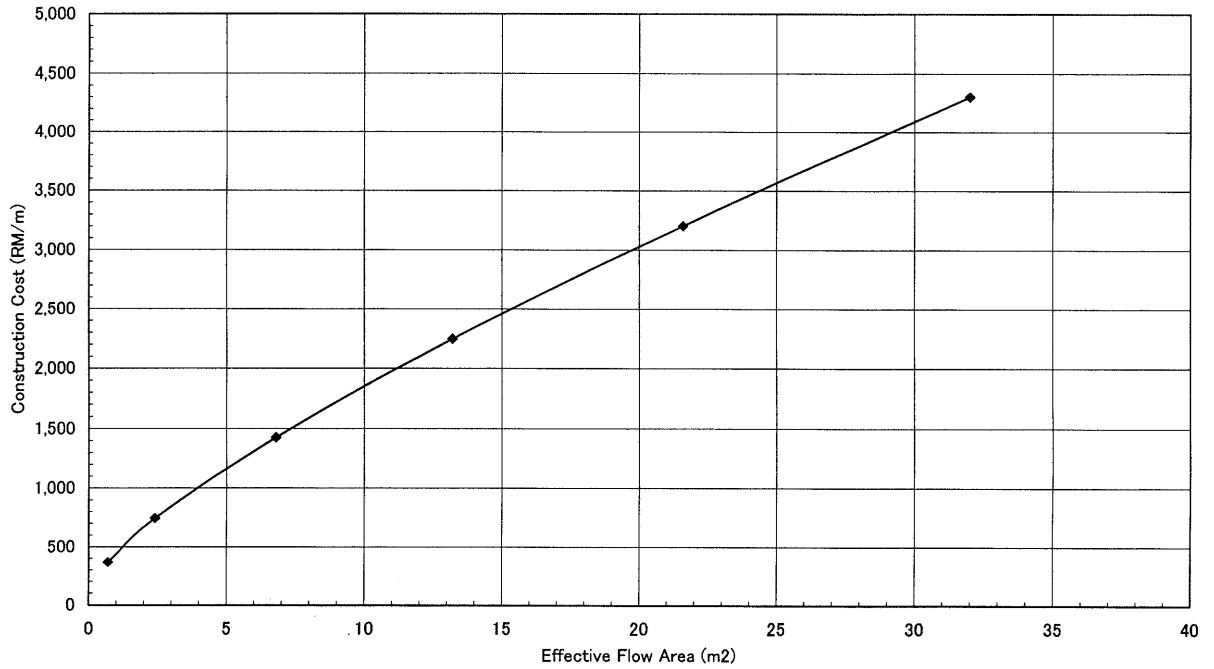
THE STUDY ON  
INTEGRATED URBAN DRAINAGE IMPROVEMENT  
FOR MELAKA AND SUNGAI PETANI IN MALAYSIA  
JAPAN INTERNATIONAL COOPERATION AGENCY

Fig. VI-11  
Typical Cross Sections of Earth and  
RC Drainage Channels

Unit Construction Cost of Earth Drainage Channel

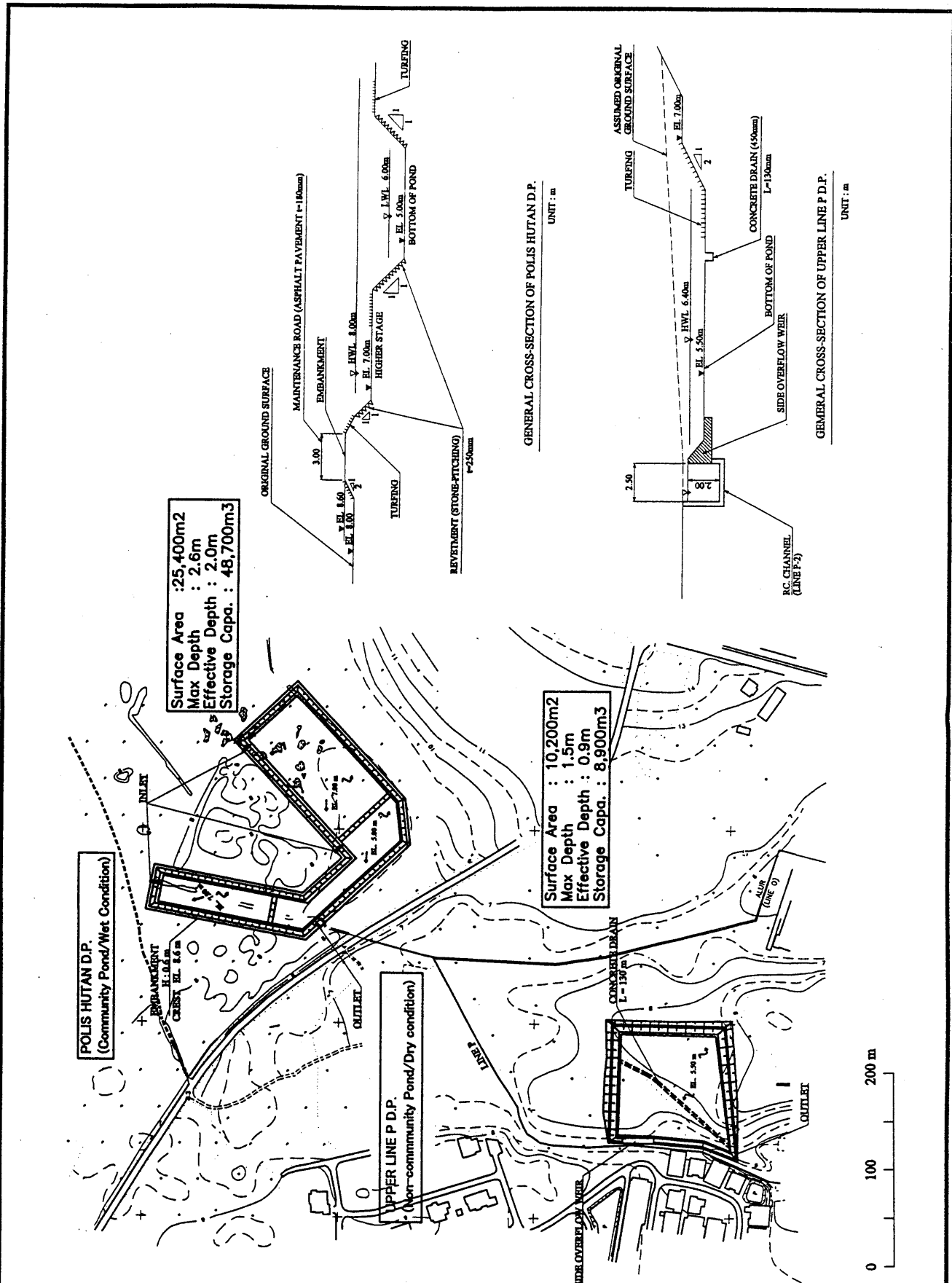


Unit Construction Cost of RC Drainage Channel



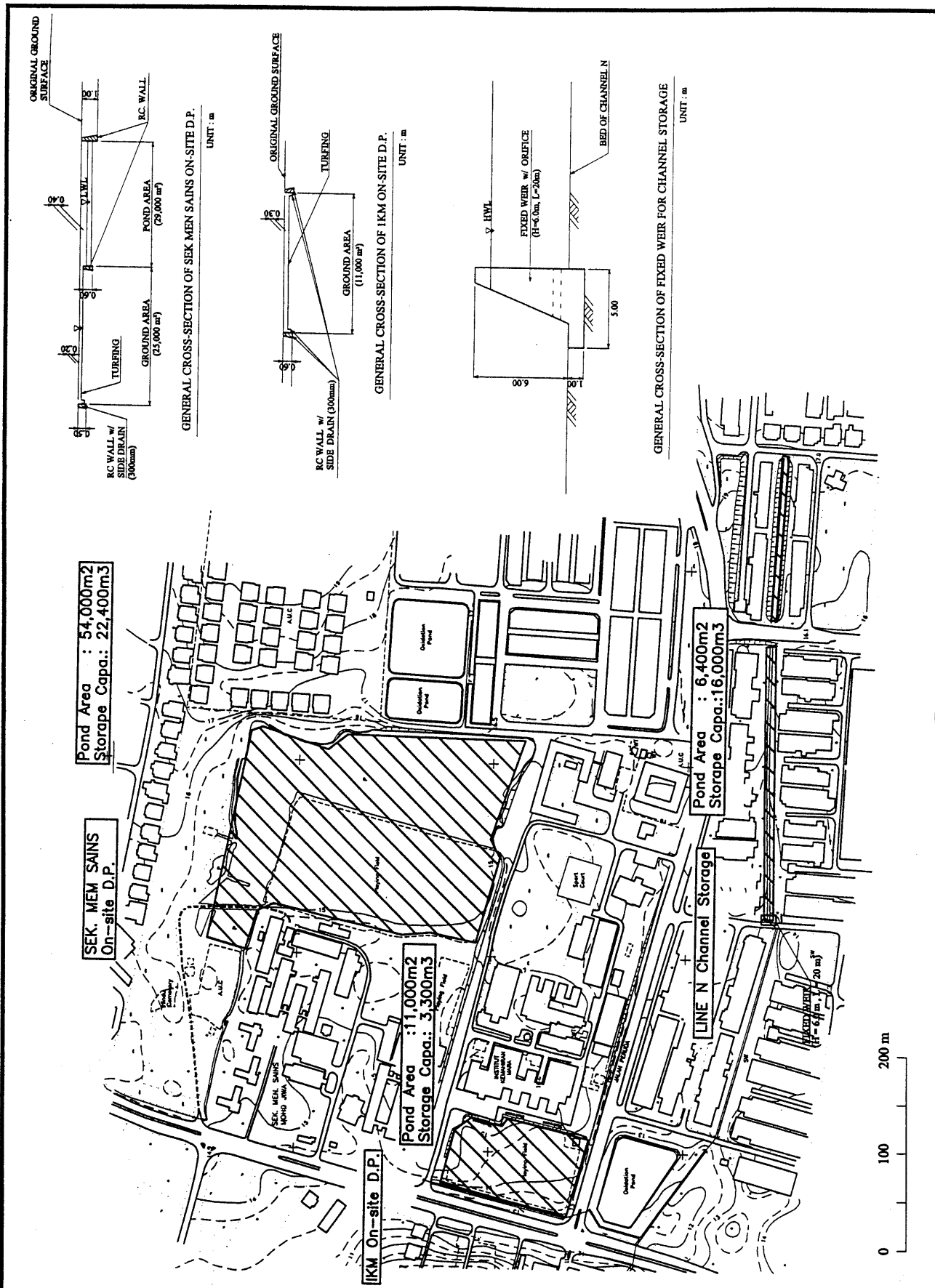
THE STUDY ON  
INTEGRATED URBAN DRAINAGE IMPROVEMENT  
FOR MELAKA AND SUNGAI PETANI IN MALAYSIA  
JAPAN INTERNATIONAL COOPERATION AGENCY

**Fig. VI-12**  
**Relation between Unit Construction Cost**  
**of Drainage Channels and Flow Area**



THE STUDY ON  
 INTEGRATED URBAN DRAINAGE IMPROVEMENT  
 FOR MELAKA AND SUNGAI PETANI IN MALAYSIA  
 JAPAN INTERNATIONAL COOPERATION AGENCY

**Fig. VI-13 (1/2)**  
**General Layout of Proposed Detention**  
**Facilities in Sg. Air Mendidih Basin**  
**(Sg. Petani)**



THE STUDY ON  
 INTEGRATED URBAN DRAINAGE IMPROVEMENT  
 FOR MELAKA AND SUNGAI PETANI IN MALAYSIA  
 JAPAN INTERNATIONAL COOPERATION AGENCY

Fig. VI-13 (2/2)  
 General Layout of Proposed Detention  
 Facilities in Sg. Air Mendidih Basin  
 (Sg. Petani)