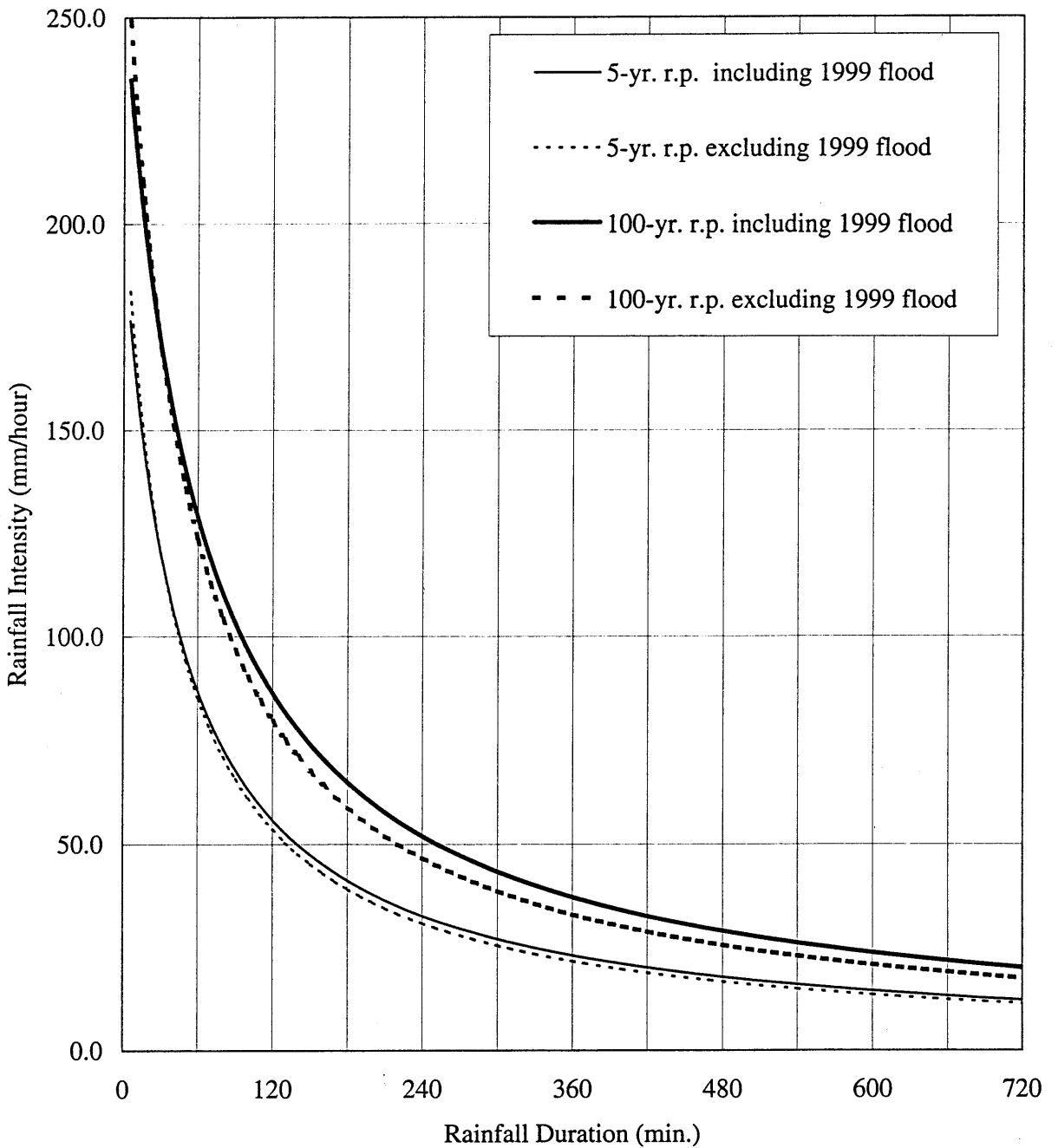
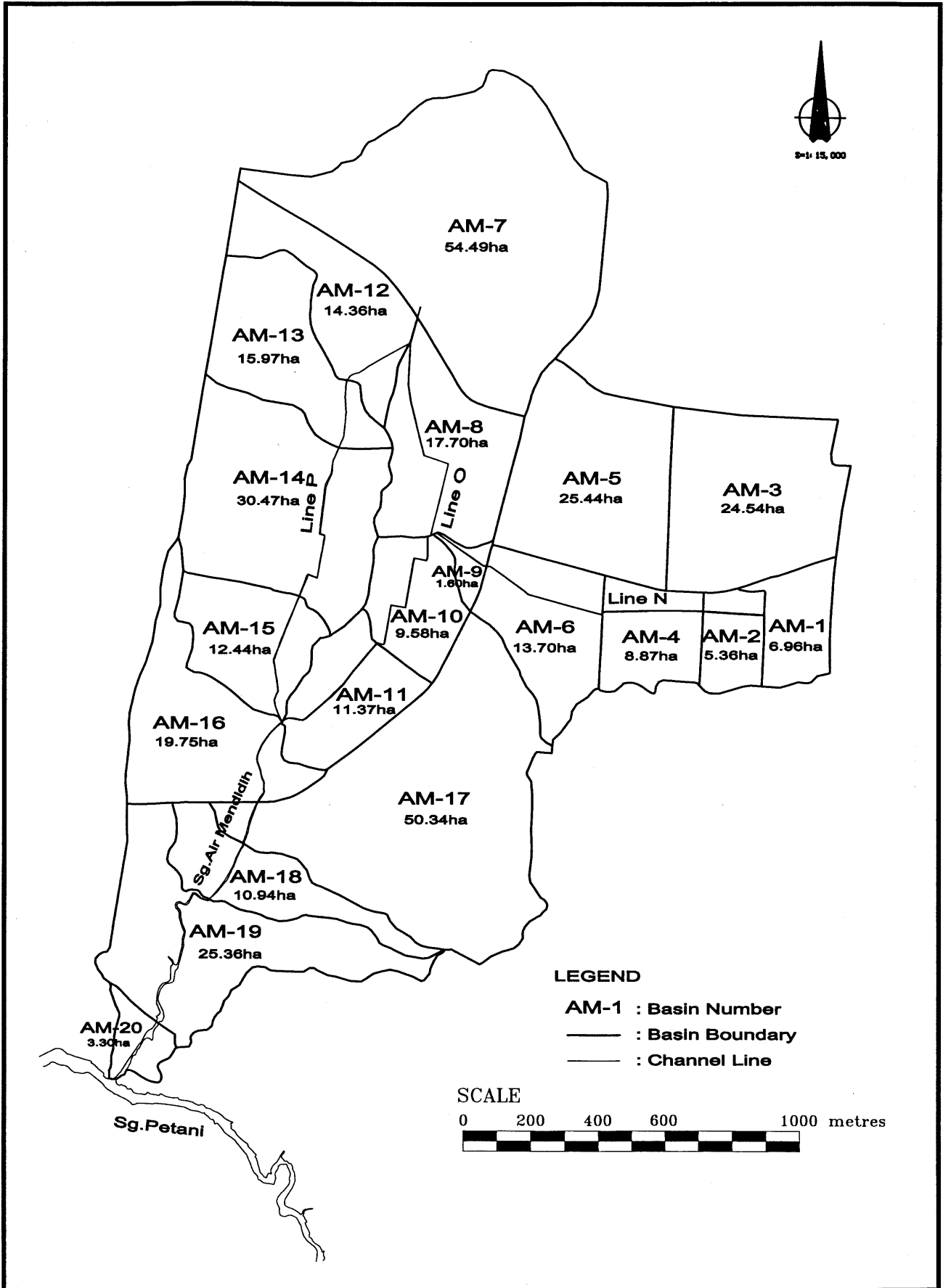


FIGURES



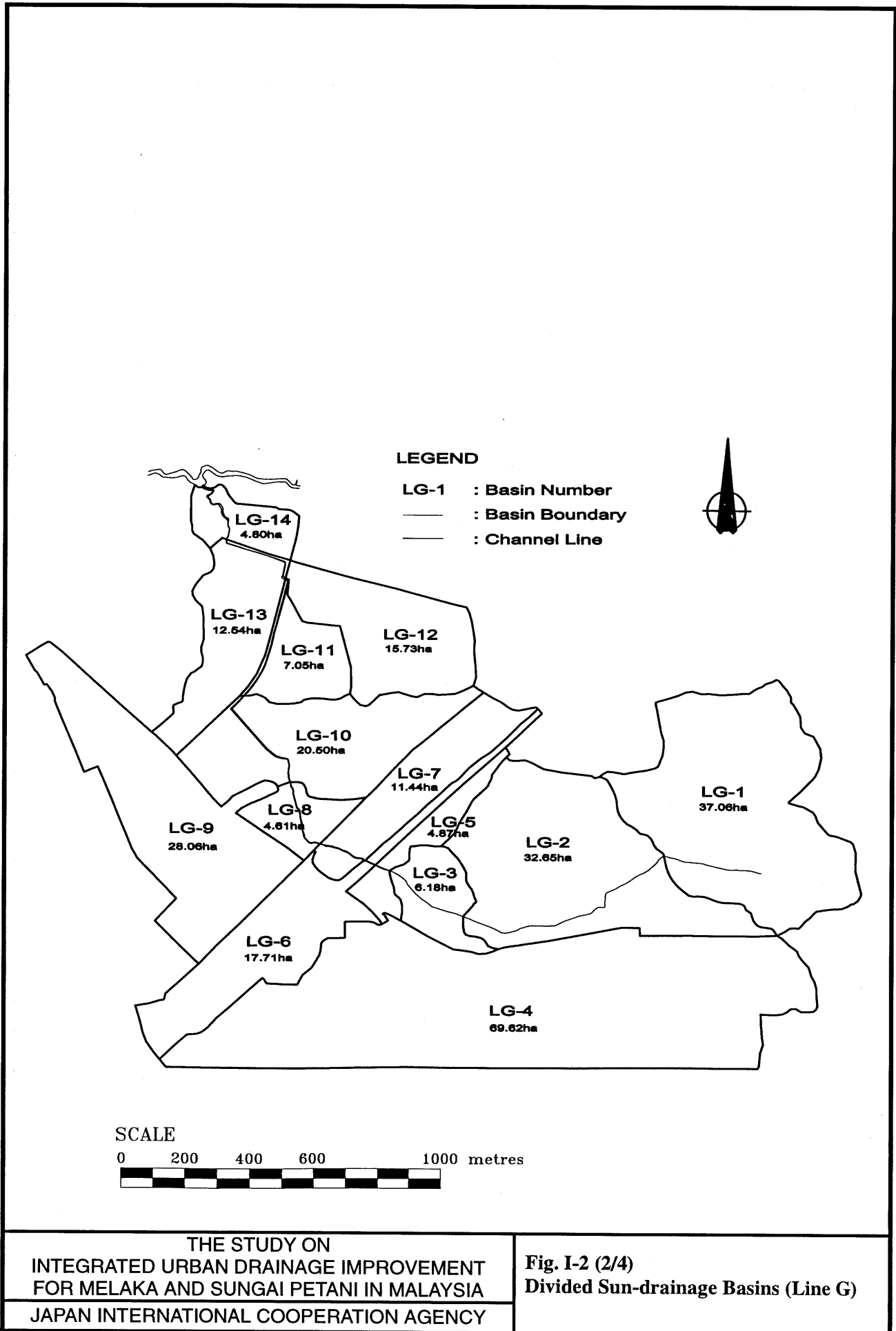
THE STUDY ON
 INTEGRATED URBAN DRAINAGE IMPROVEMENT
 FOR MELAKA AND SUNGAI PETANI IN MALAYSIA
 JAPAN INTERNATIONAL COOPERATION AGENCY

Fig. I-1
Rainfall Intensity-Duration Curves with
and without 1999 Flood



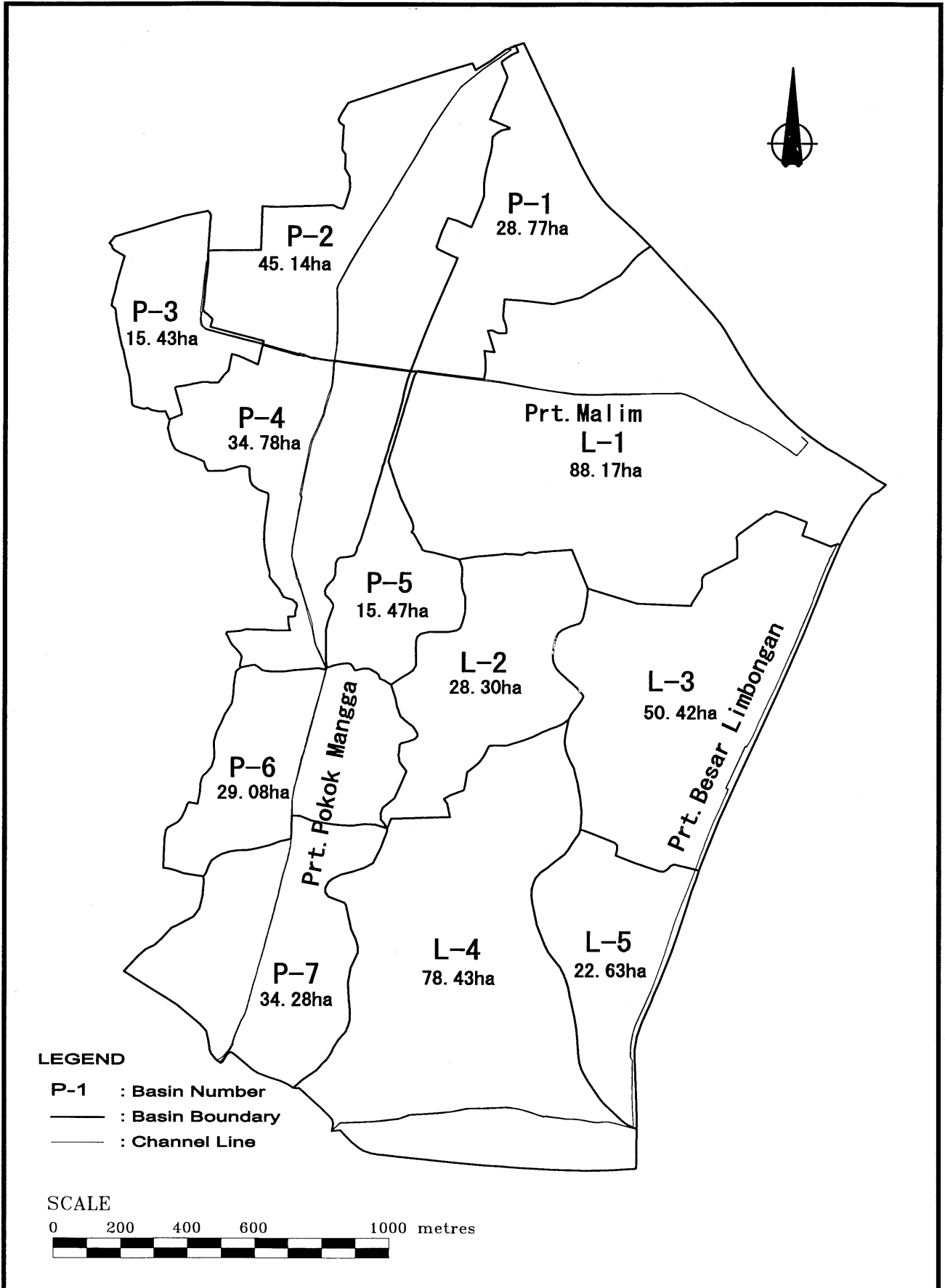
THE STUDY ON
 INTEGRATED URBAN DRAINAGE IMPROVEMENT
 FOR MELAKA AND SUNGAI PETANI IN MALAYSIA
 JAPAN INTERNATIONAL COOPERATION AGENCY

Fig. I-2 (1/4)
Divided Sun-drainage Basins
(Sg. Air Mendidih)



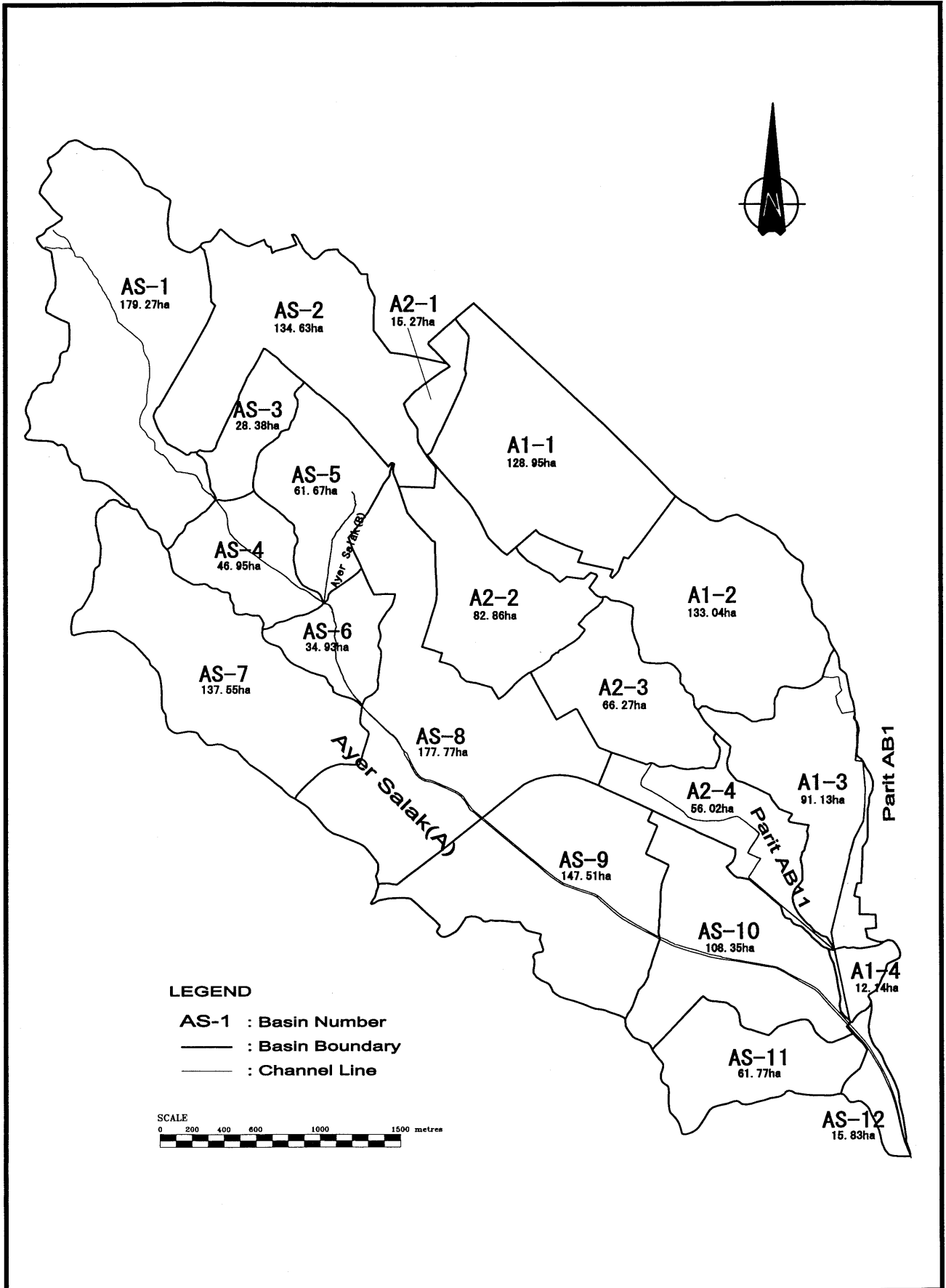
THE STUDY ON
 INTEGRATED URBAN DRAINAGE IMPROVEMENT
 FOR MELAKA AND SUNGAI PETANI IN MALAYSIA
 JAPAN INTERNATIONAL COOPERATION AGENCY

Fig. I-2 (2/4)
 Divided Sun-drainage Basins (Line G)



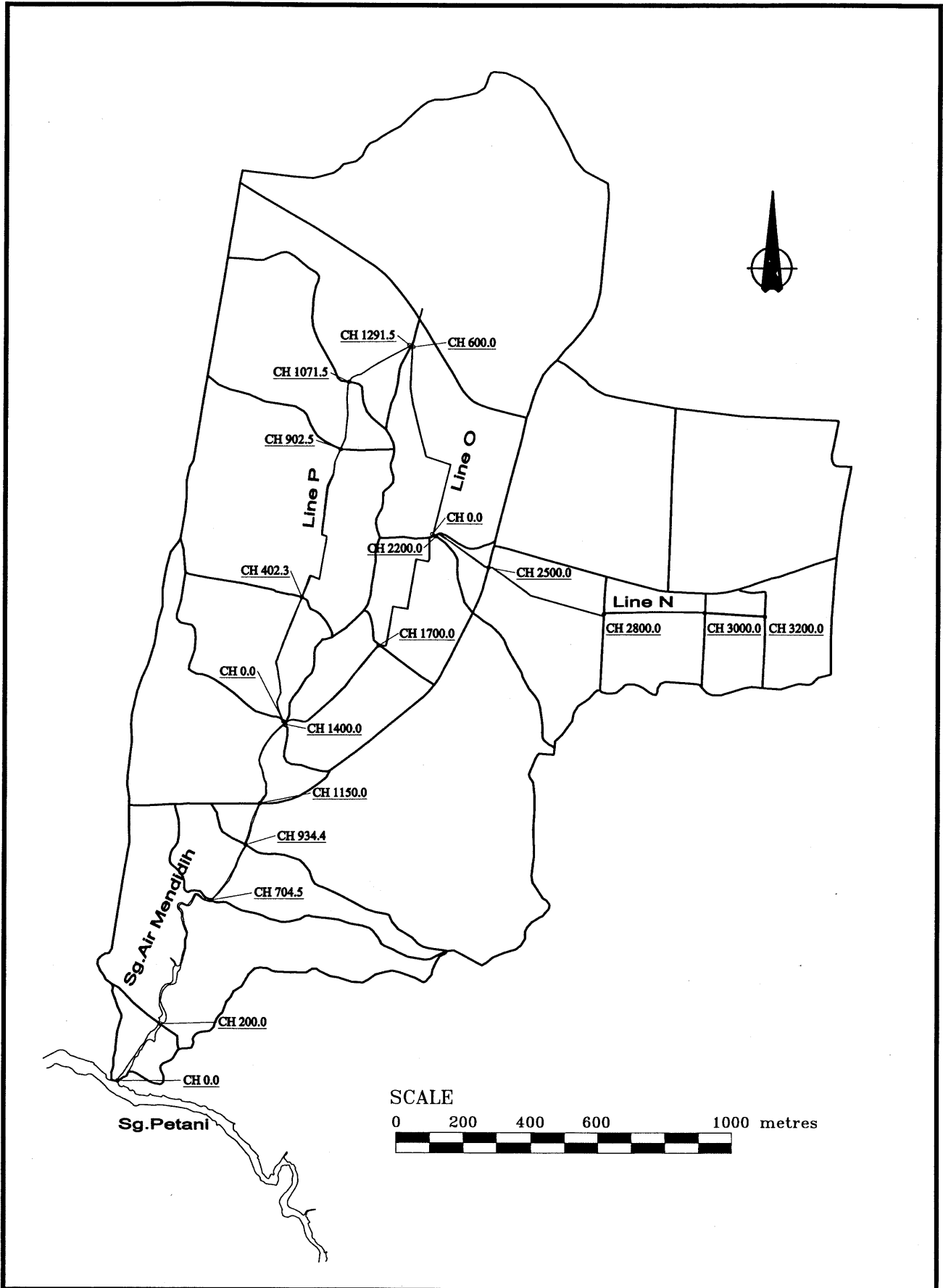
THE STUDY ON
 INTEGRATED URBAN DRAINAGE IMPROVEMENT
 FOR MELAKA AND SUNGAI PETANI IN MALAYSIA
 JAPAN INTERNATIONAL COOPERATION AGENCY

Fig. I-2 (3/4)
 Divided Sun-drainage Basins
 (Prt. Pokok Mangga)



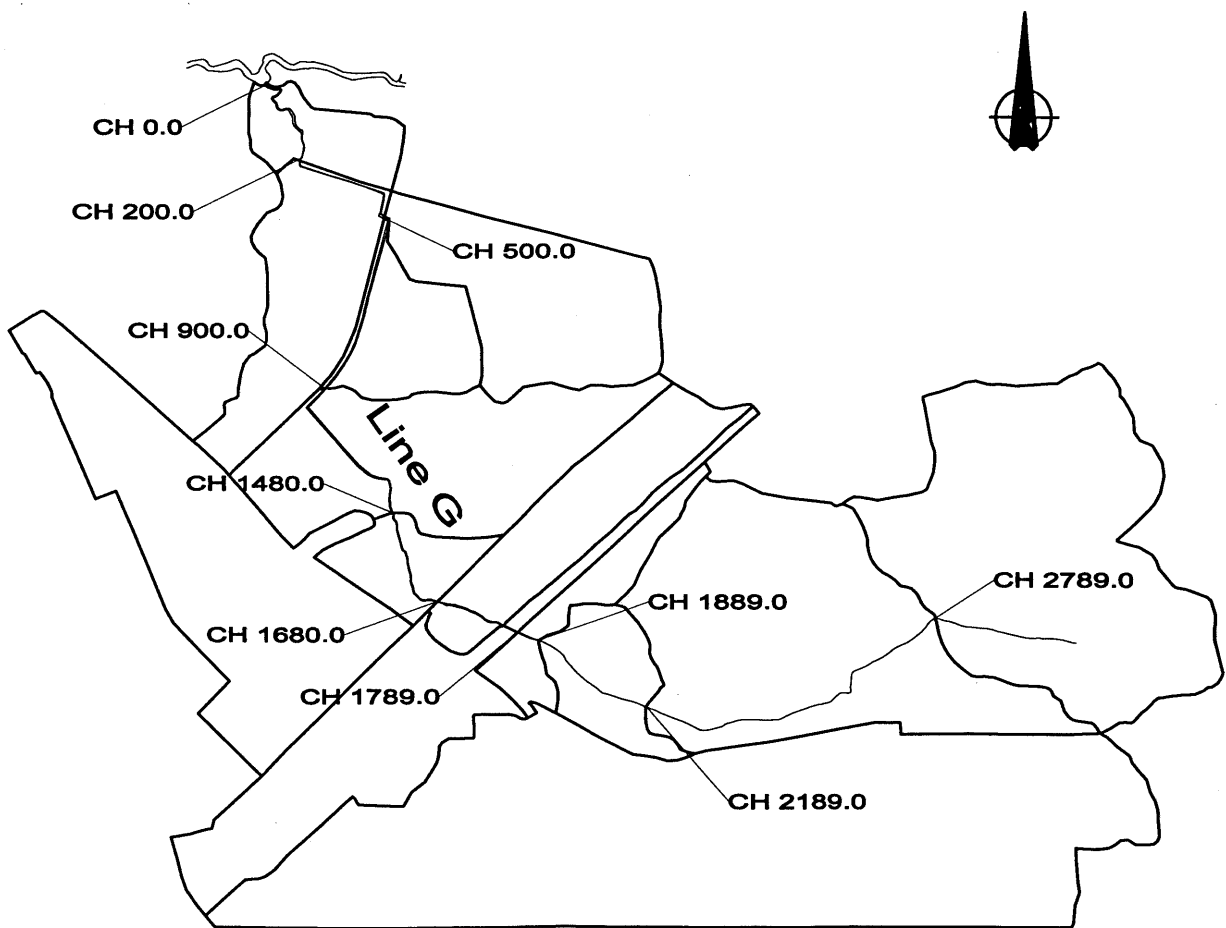
THE STUDY ON
INTEGRATED URBAN DRAINAGE IMPROVEMENT
FOR MELAKA AND SUNGAI PETANI IN MALAYSIA
JAPAN INTERNATIONAL COOPERATION AGENCY

Fig. I-2 (4/4)
Divided Sun-drainage Basins
(Sg. Ayer Salak)



THE STUDY ON
 INTEGRATED URBAN DRAINAGE IMPROVEMENT
 FOR MELAKA AND SUNGAI PETANI IN MALAYSIA
 JAPAN INTERNATIONAL COOPERATION AGENCY

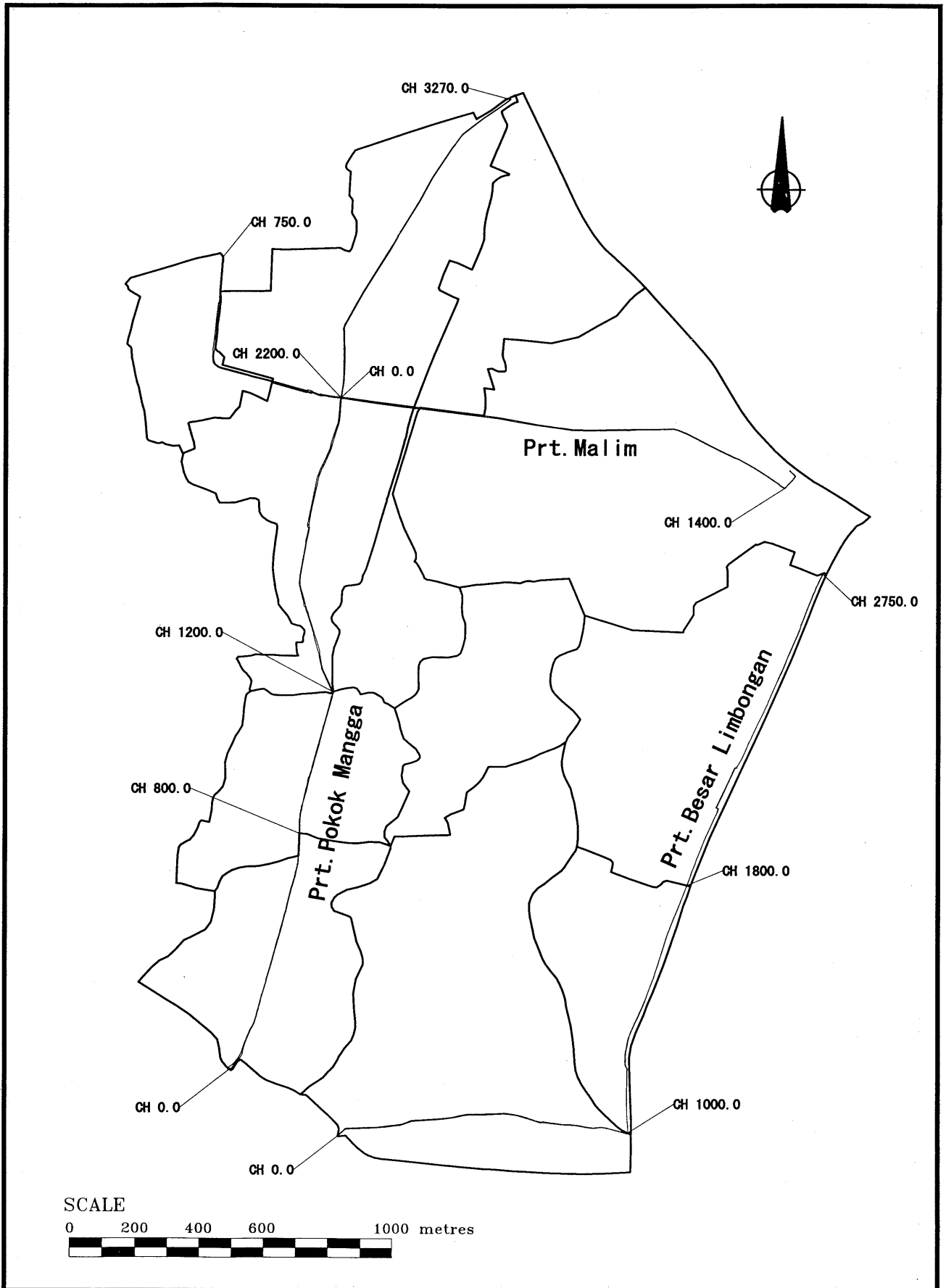
Fig. I-3 (1/4)
 Divided Sections of Trunk Drains and
 Reference Point Numbers (Sg. Air
 Mendidih)



SCALE
 0 200 400 600 1000 metres

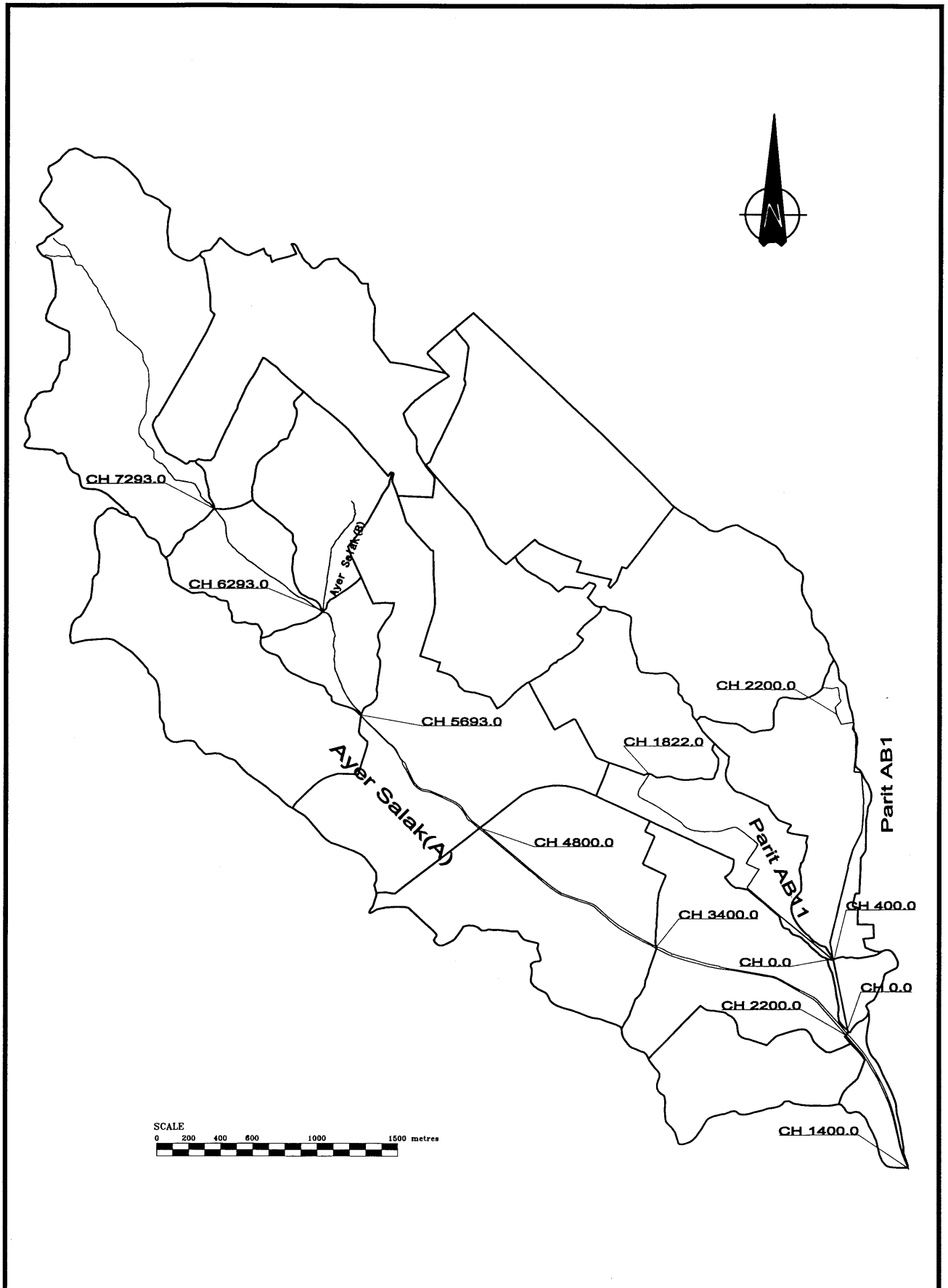
THE STUDY ON
 INTEGRATED URBAN DRAINAGE IMPROVEMENT
 FOR MELAKA AND SUNGAI PETANI IN MALAYSIA
 JAPAN INTERNATIONAL COOPERATION AGENCY

Fig. I-3 (2/4)
 Divided Sections of Trunk Drains and
 Reference Point Numbers (Line G)



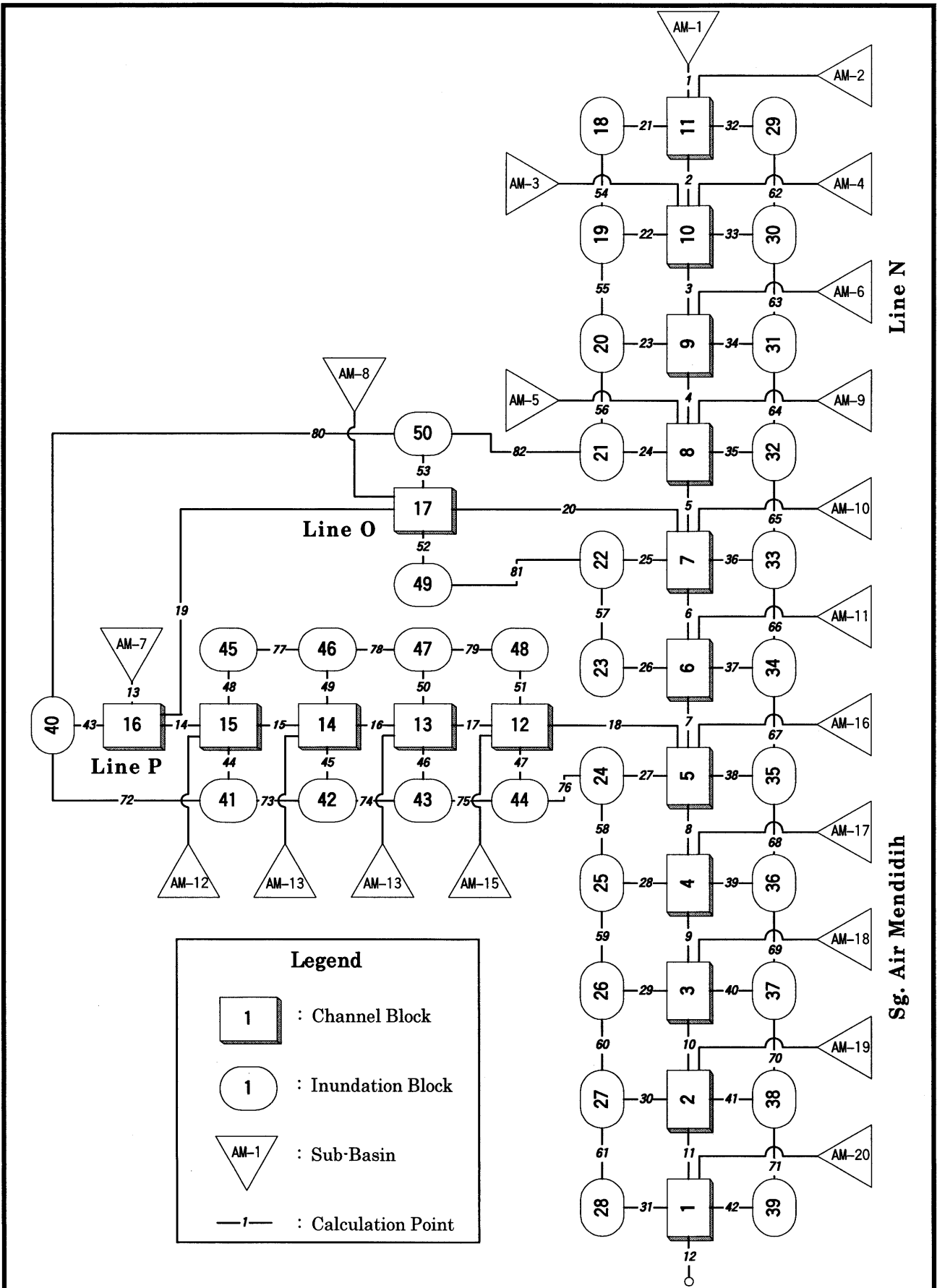
THE STUDY ON
 INTEGRATED URBAN DRAINAGE IMPROVEMENT
 FOR MELAKA AND SUNGAI PETANI IN MALAYSIA
 JAPAN INTERNATIONAL COOPERATION AGENCY

Fig. I-3 (3/4)
 Divided Sections of Trunk Drains and Reference
 Point Numbers (Prt. Fokok Mangga)



THE STUDY ON
 INTEGRATED URBAN DRAINAGE IMPROVEMENT
 FOR MELAKA AND SUNGAI PETANI IN MALAYSIA
 JAPAN INTERNATIONAL COOPERATION AGENCY

Fig. I-3 (4/4)
 Divided Sections of Trunk Drains and
 Reference Point Numbers (Sg. Ayer Salak)



THE STUDY ON
 INTEGRATED URBAN DRAINAGE IMPROVEMENT
 FOR MELAKA AND SUNGAI PETANI IN MALAYSIA
 JAPAN INTERNATIONAL COOPERATION AGENCY

Fig. I-4 (1/4)
 Simulation Model of Flood Inundation
 and Channel Flow (Sg. Air Mendidih)

Line G

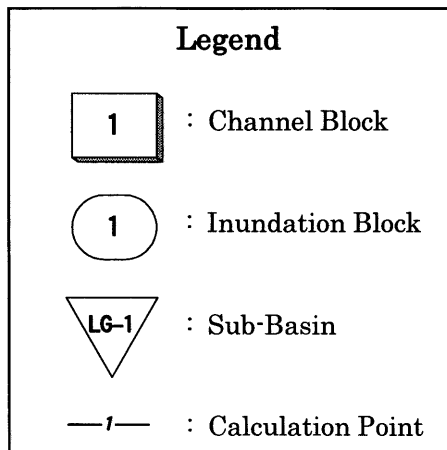
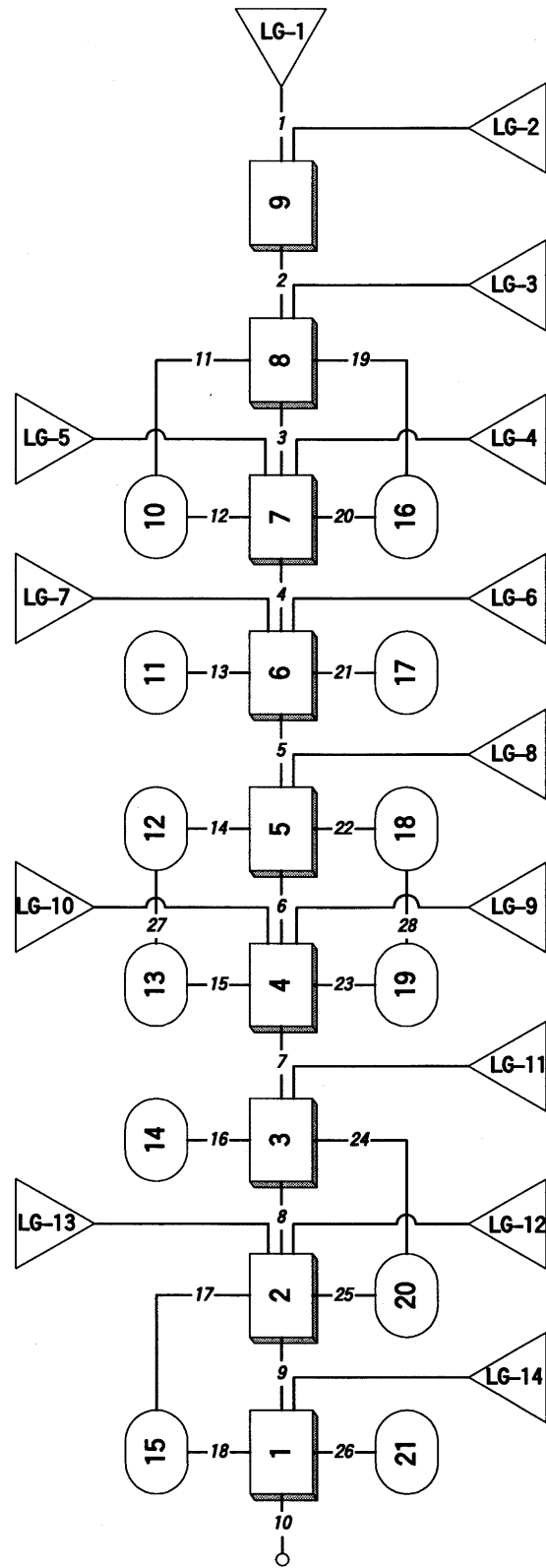
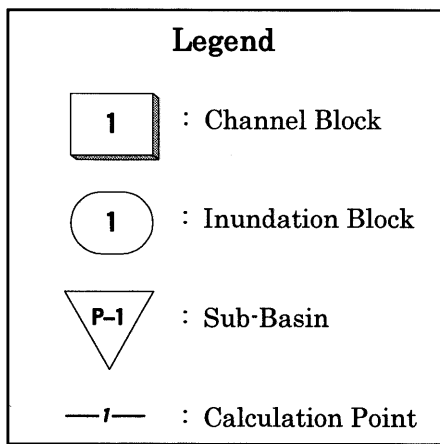
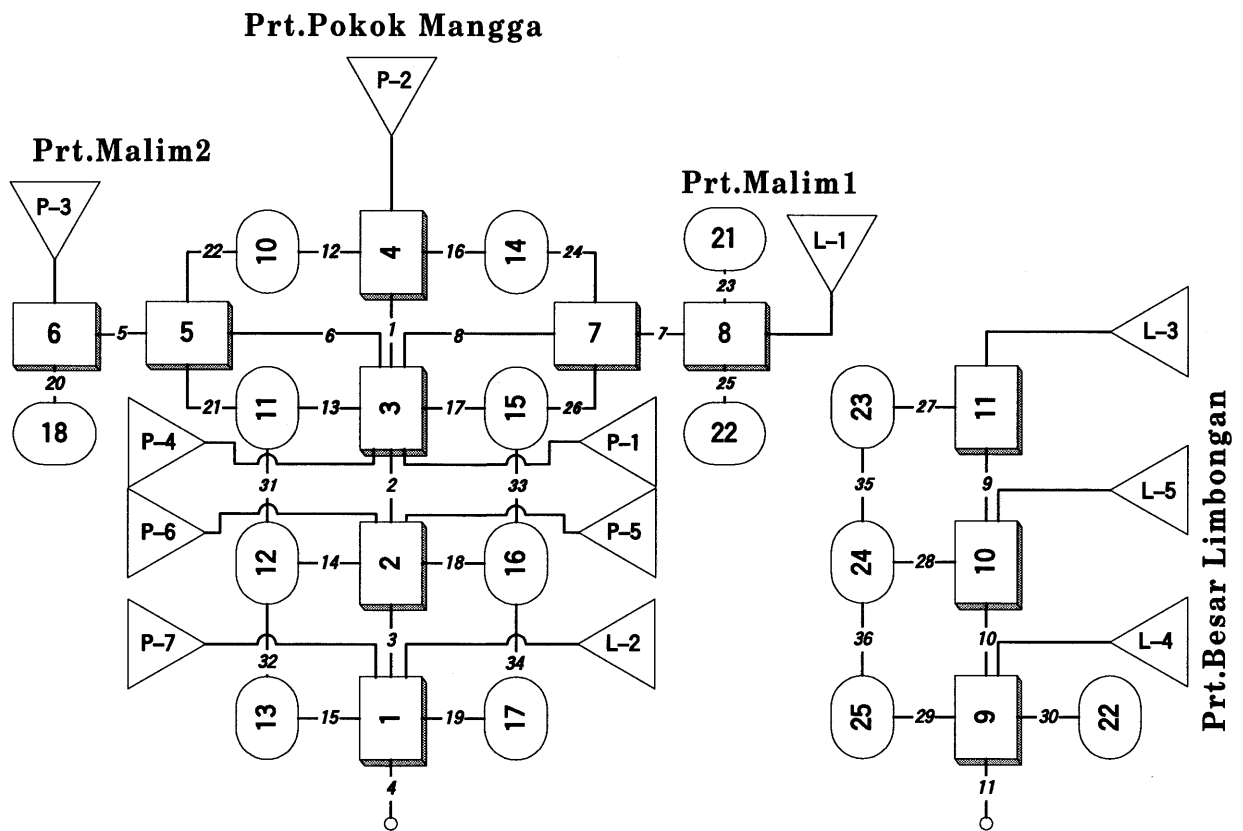
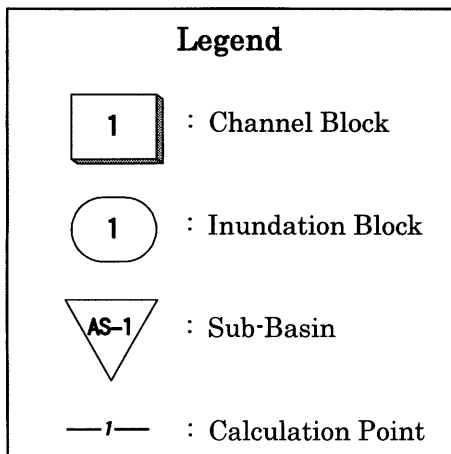
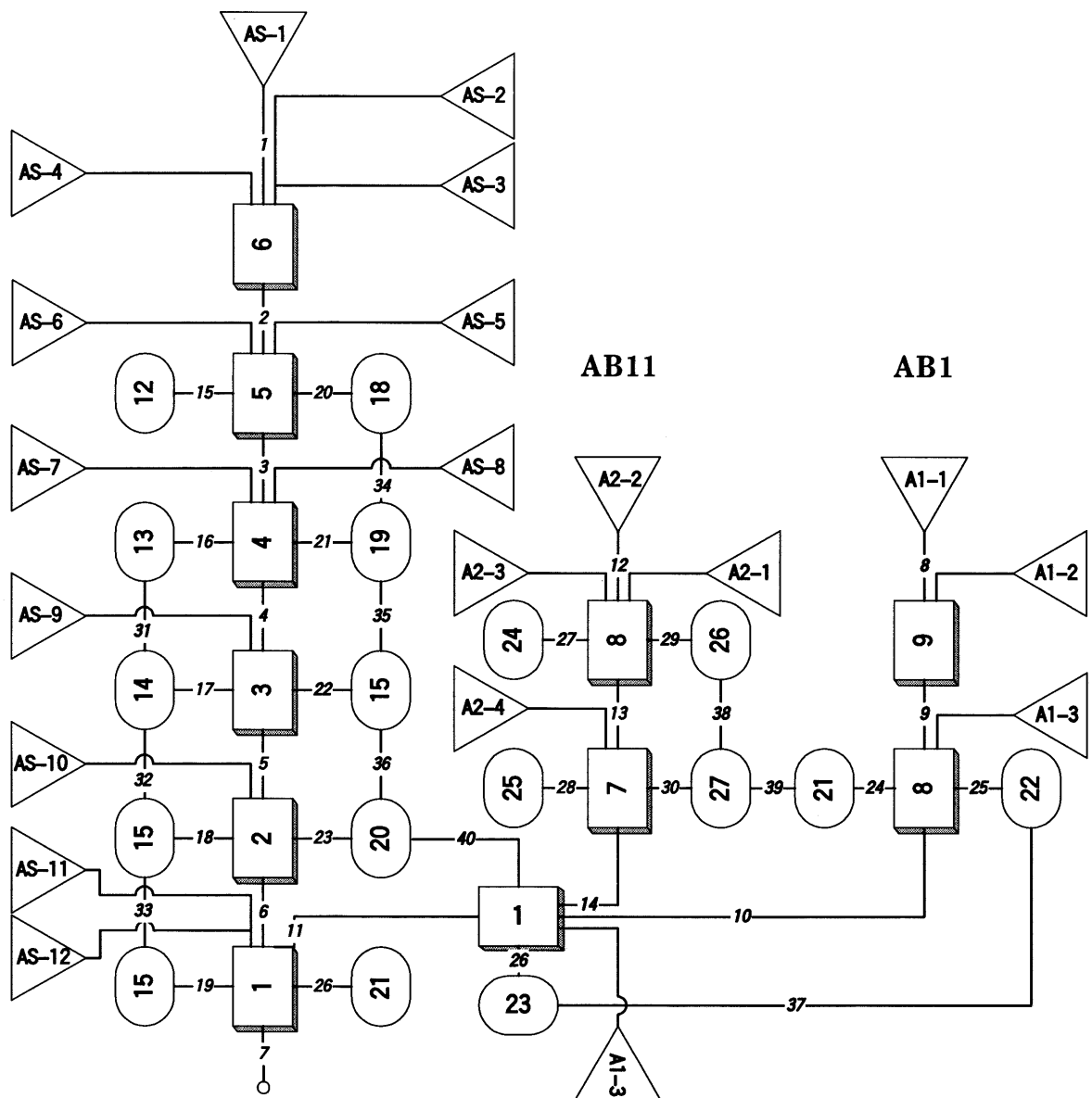


Fig. I-4 (2/4)
 Simulation Model of Flood Inundation
 and Channel Flow (Line G)



Sg. Ayer Salak



THE STUDY ON
 INTEGRATED URBAN DRAINAGE IMPROVEMENT
 FOR MELAKA AND SUNGAI PETANI IN MALAYSIA
 JAPAN INTERNATIONAL COOPERATION AGENCY

Fig. I-4 (4/4)
 Simulation Model of Flood Inundation
 and Channel Flow (Sg. Ayer Salak)