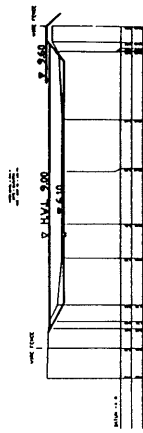
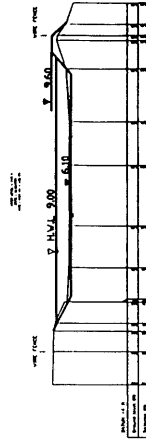


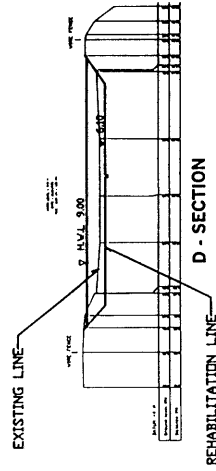
CROSS - SECTIONS



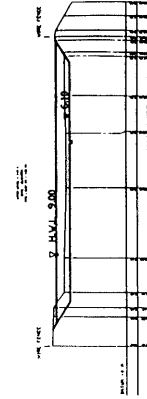
B - SECTION



C - SECTION

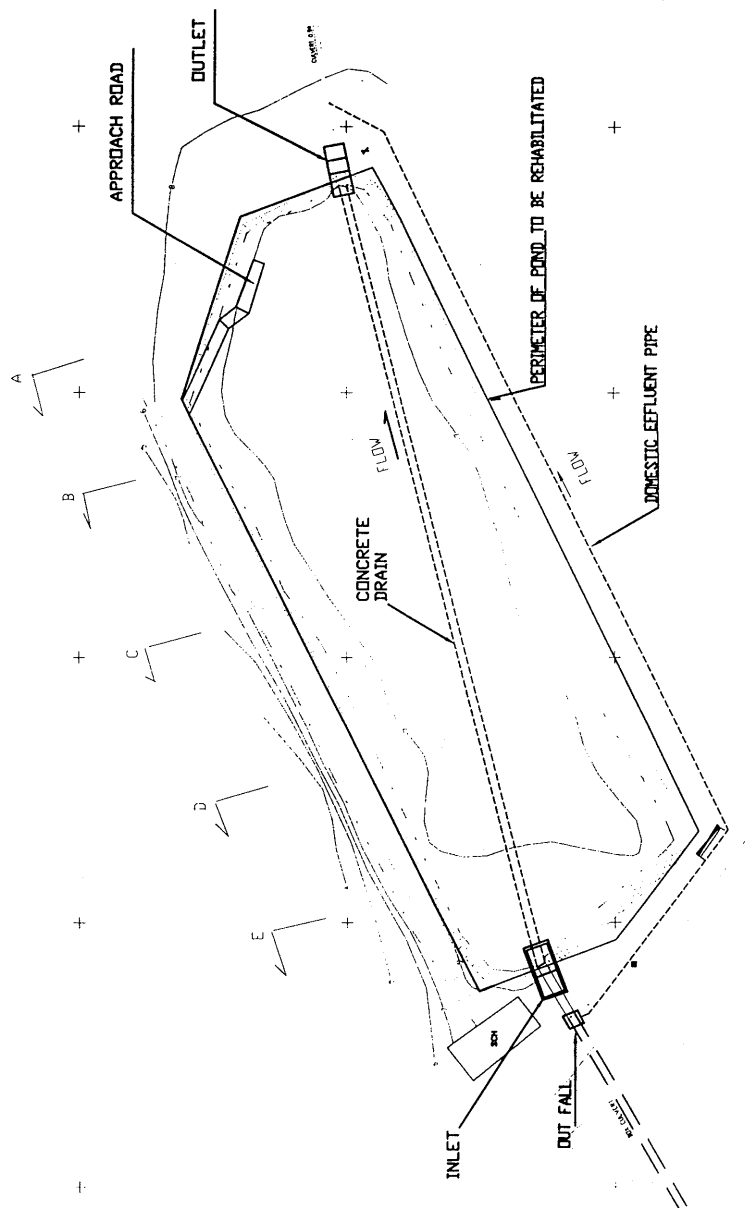


D - SECTION



E - SECTION

PLAN OF POND (TAMAN SRI WANG, SUNGAI PETANI)

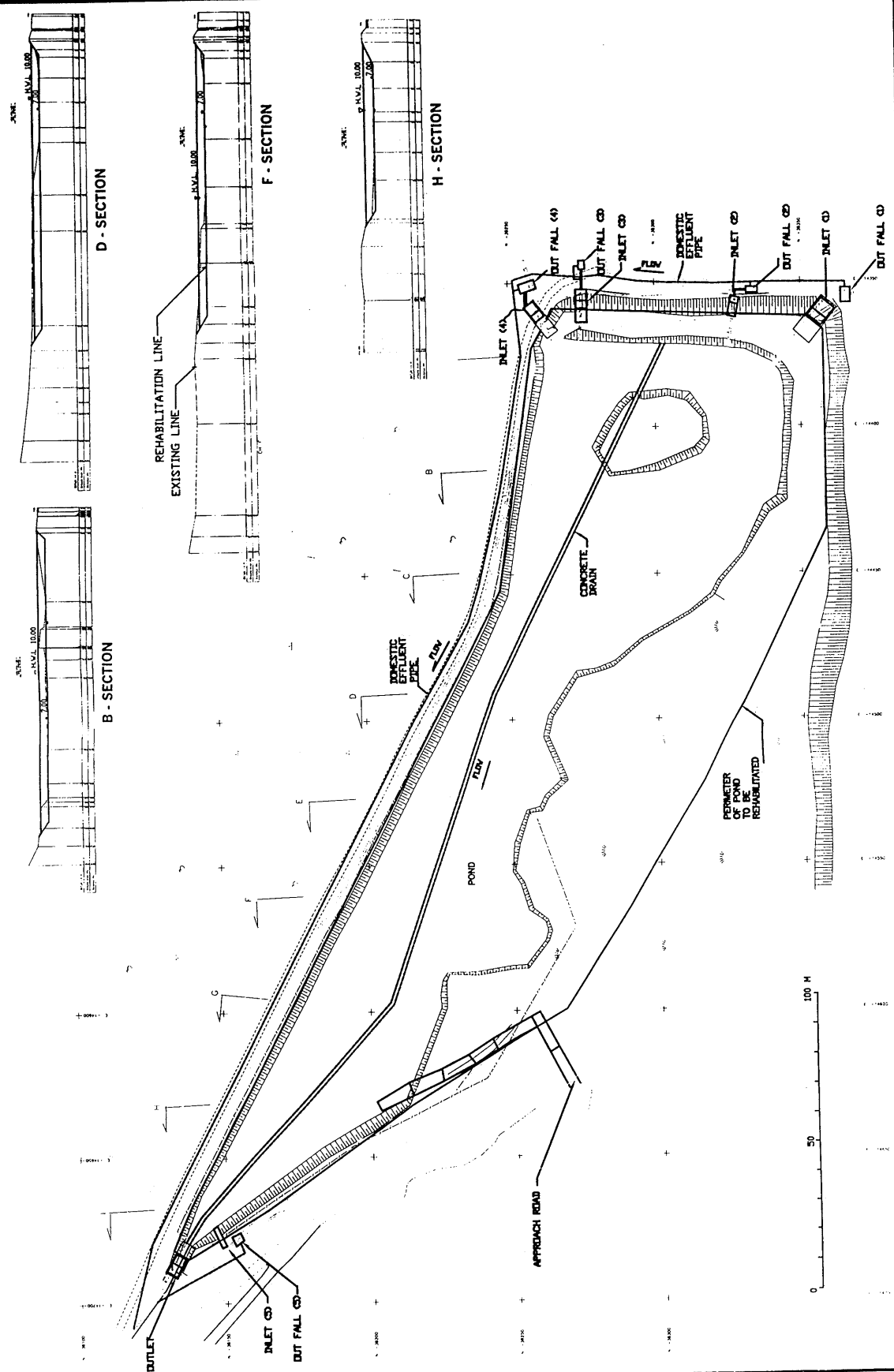


THE STUDY ON  
 INTEGRATED URBAN DRAINAGE IMPROVEMENT  
 FOR MELAKA AND SUNGAI PETANI IN MALAYSIA  
 JAPAN INTERNATIONAL COOPERATION AGENCY

Fig. 4-10  
 Rehabilitation of Existing Detention Pond  
 at Taman Sri Wang (Sg. Petani)

CROSS - SECTIONS

PLAN OF POND (TAMAN KELADI, SUNGAI PETANI)

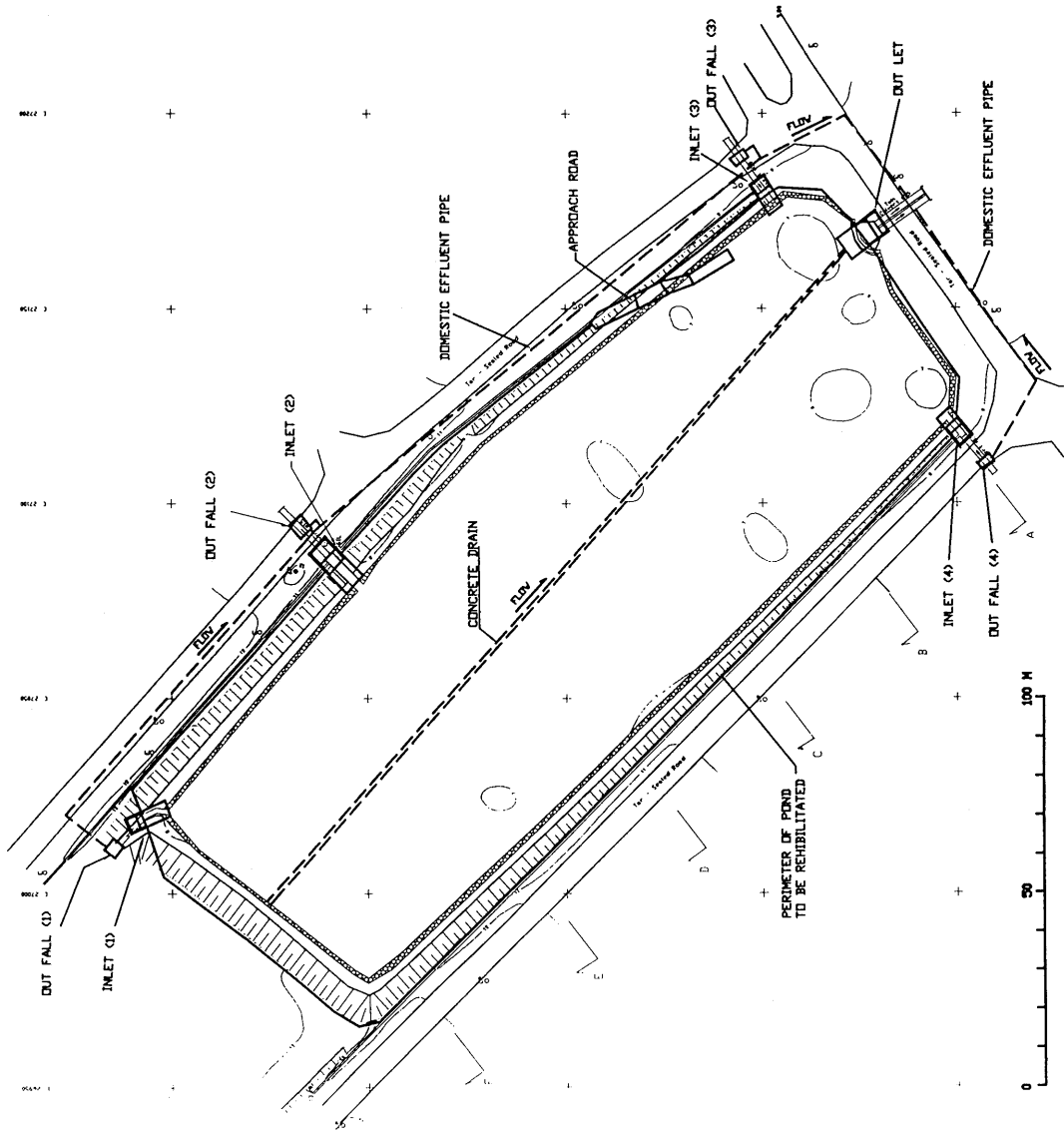
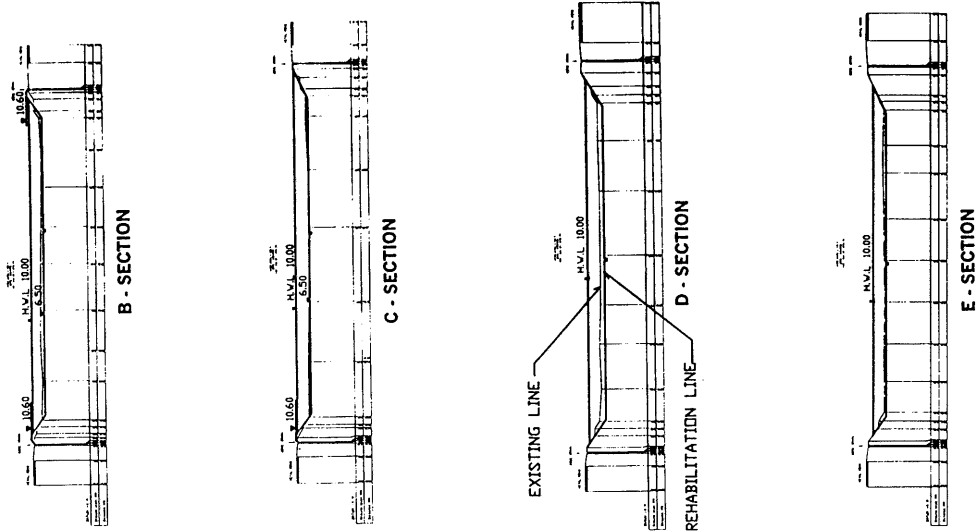


THE STUDY ON  
 INTEGRATED URBAN DRAINAGE IMPROVEMENT  
 FOR MELAKA AND SUNGAI PETANI IN MALAYSIA  
 JAPAN INTERNATIONAL COOPERATION AGENCY

Fig. 4-11  
 Rehabilitation of Existing Detention Pond  
 at Taman Keladi (Sg. Petani)

PLAN OF POND (KAWASAN INDUSTRI BUKIT RAMBAI, MELAKA)

CROSS - SECTIONS

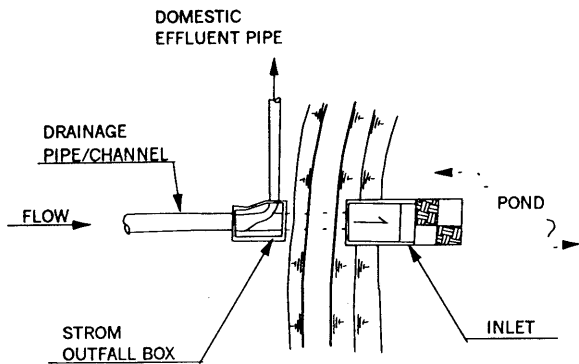


THE STUDY ON  
 INTEGRATED URBAN DRAINAGE IMPROVEMENT  
 FOR MELAKA AND SUNGAI PETANI IN MALAYSIA  
 JAPAN INTERNATIONAL COOPERATION AGENCY

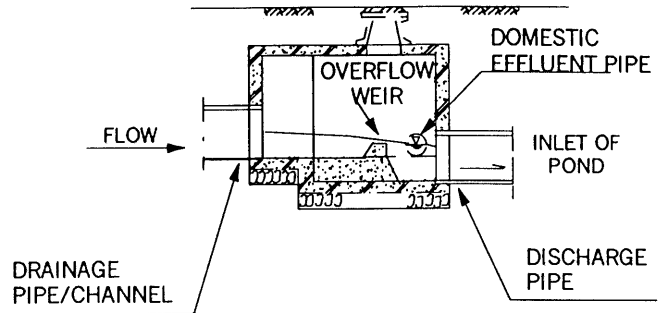
Fig. 4-12  
 Rehabilitation of Existing Detention Pond  
 at Kawasan Industri Bukit Rambai  
 (Melaka)

### STORM OUTFALL BOX

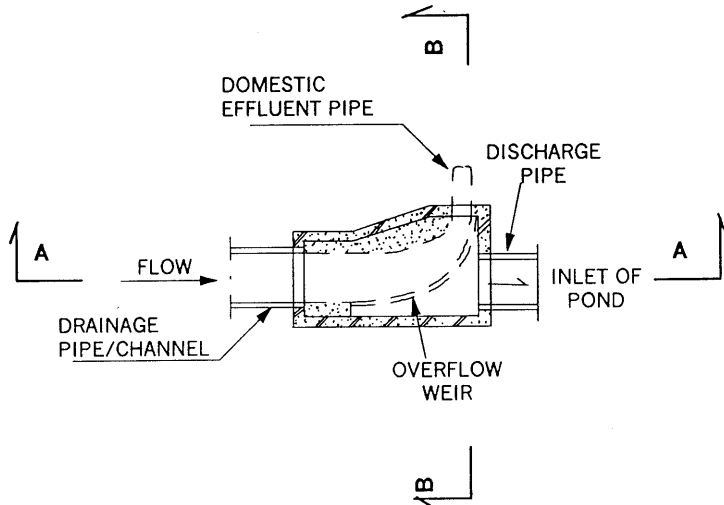
GENERAL PLAN



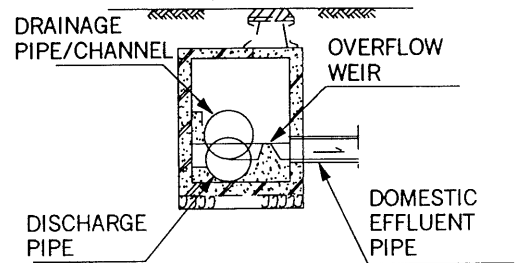
A - A SECTION



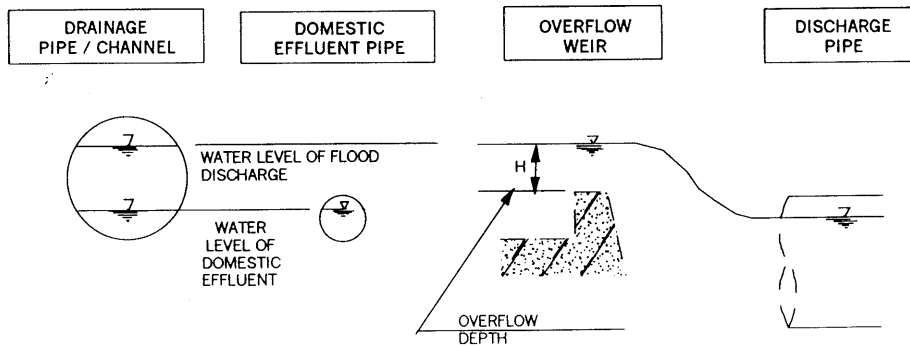
PLAN OF STORM OUTFALL BOX



B - B SECTION



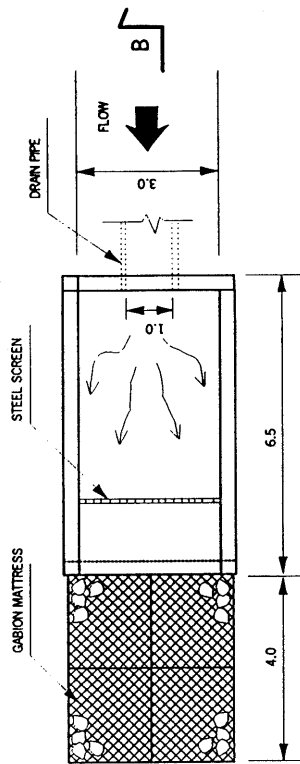
### STRUCTURAL CONDITION OF STORM OUTFALL



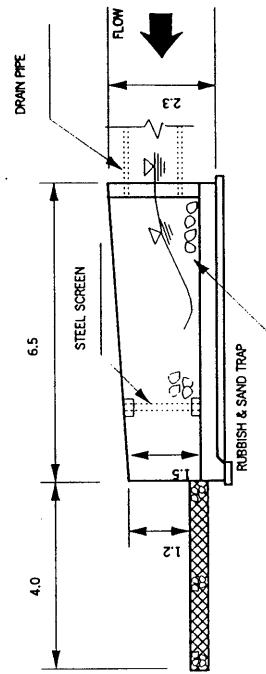
THE STUDY ON  
 INTEGRATED URBAN DRAINAGE IMPROVEMENT  
 FOR MELAKA AND SUNGAI PETANI IN MALAYSIA  
 JAPAN INTERNATIONAL COOPERATION AGENCY

Fig. 4-13  
 Outline of Storm Outfall Structure

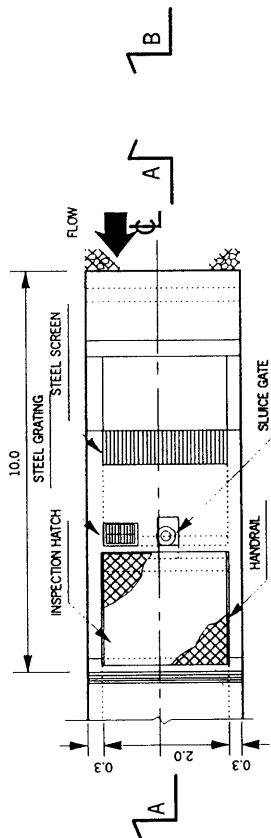
PLAN OF INLET STRUCTURE



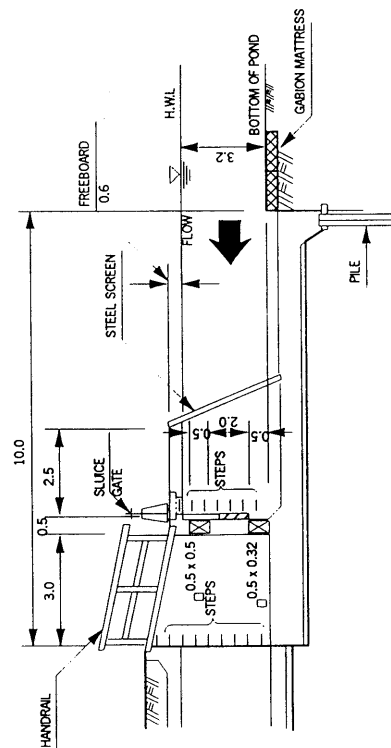
B - B SECTION



PLAN OF OUTLET STRUCTURE

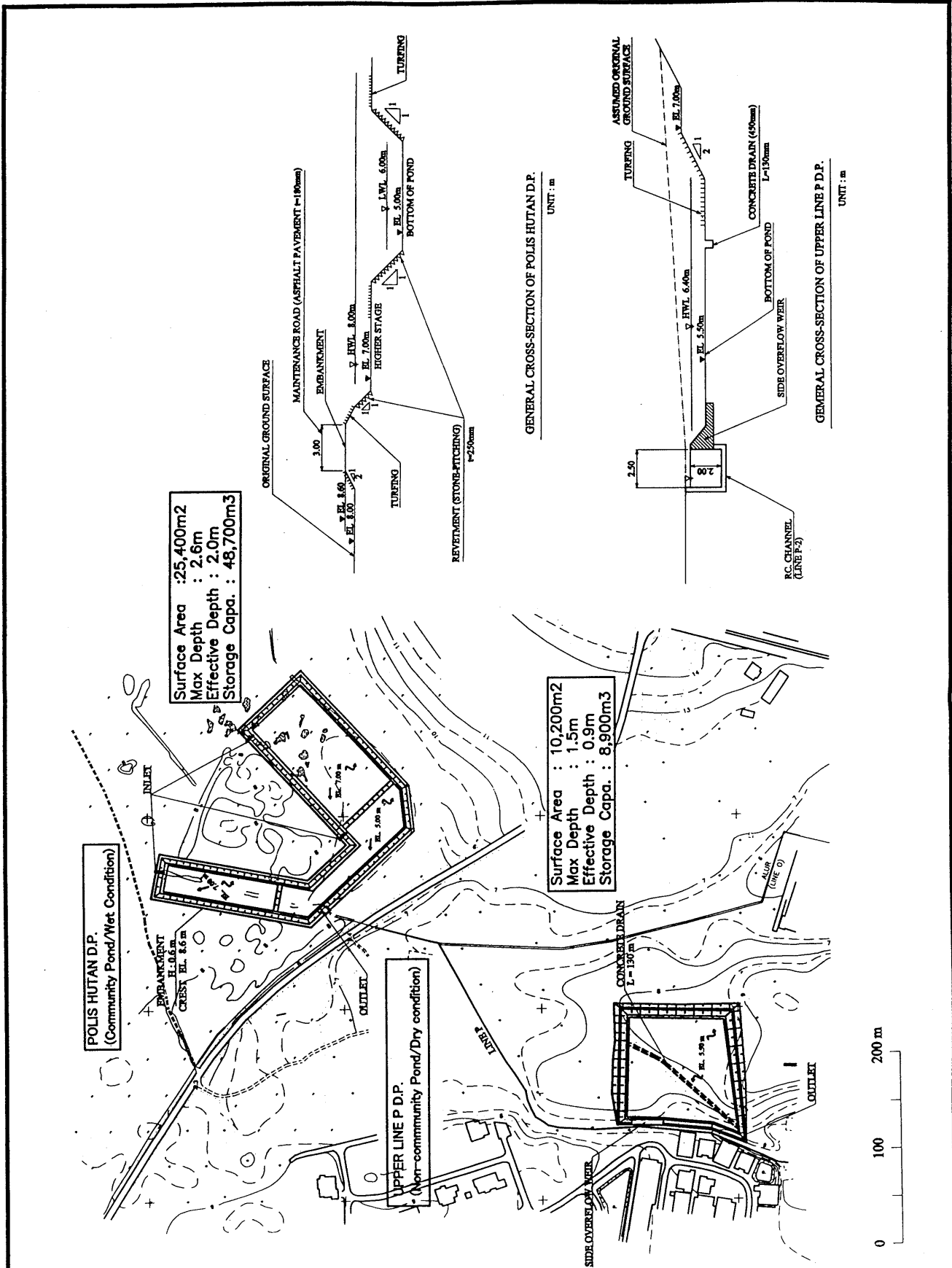


A - A SECTION



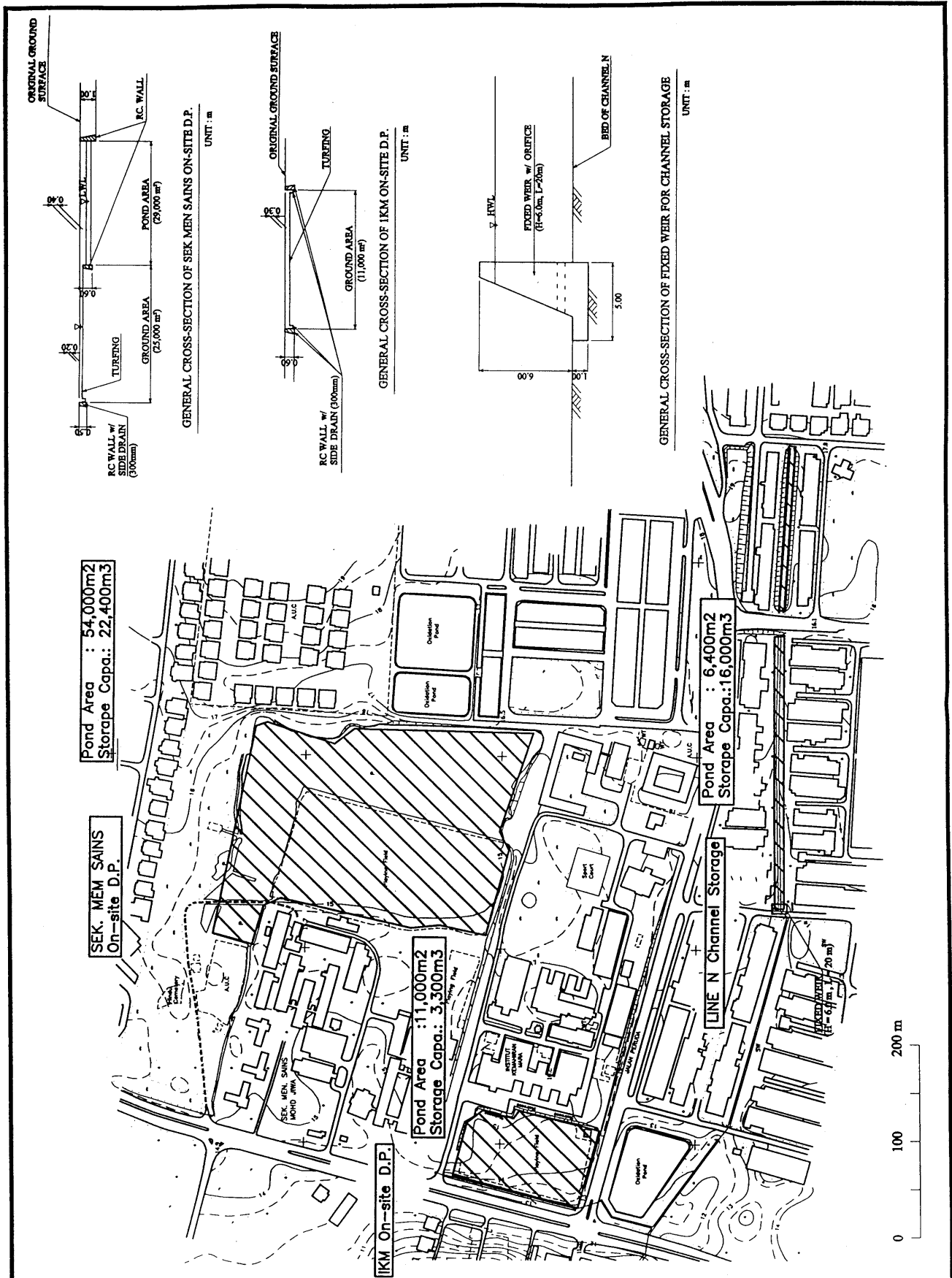
THE STUDY ON  
 INTEGRATED URBAN DRAINAGE IMPROVEMENT  
 FOR MELAKA AND SUNGAI PETANI IN MALAYSIA  
 JAPAN INTERNATIONAL COOPERATION AGENCY

Fig. 4-14  
 Typical In/Outlets Structure for Detention Pond



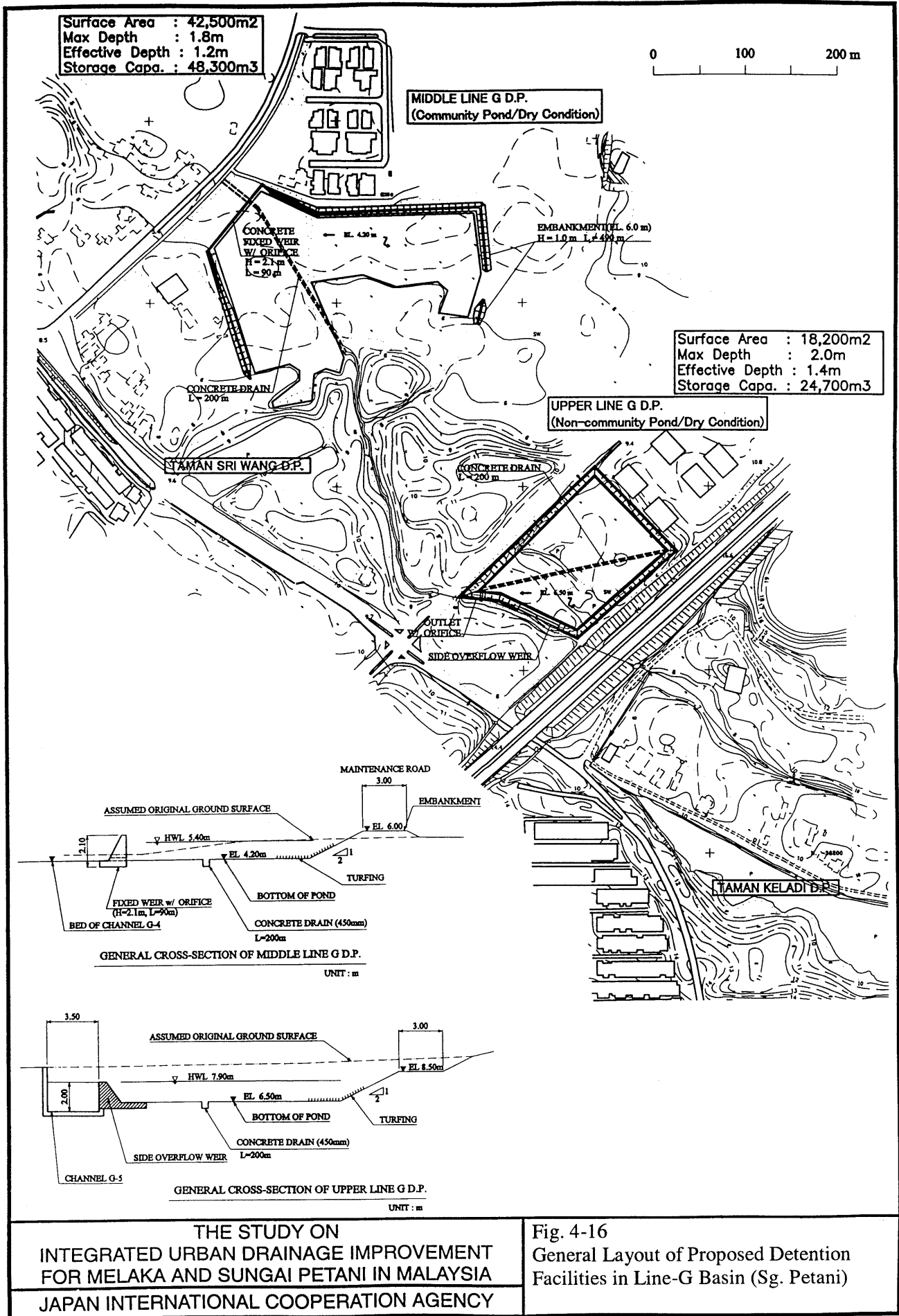
THE STUDY ON  
INTEGRATED URBAN DRAINAGE IMPROVEMENT  
FOR MELAKA AND SUNGAI PETANI IN MALAYSIA  
JAPAN INTERNATIONAL COOPERATION AGENCY

Fig. 4-15 (1/2)  
General Layout of Proposed Detention  
Facilities in Sg. Air Mendidih Basin (Sg.  
Petani)



THE STUDY ON  
 INTEGRATED URBAN DRAINAGE IMPROVEMENT  
 FOR MELAKA AND SUNGAI PETANI IN MALAYSIA  
 JAPAN INTERNATIONAL COOPERATION AGENCY

Fig. 4-15 (2/2)  
 General Layout of Proposed Detention  
 Facilities in Sg. Air Mendidih Basin (Sg.  
 Petani)



THE STUDY ON  
 INTEGRATED URBAN DRAINAGE IMPROVEMENT  
 FOR MELAKA AND SUNGAI PETANI IN MALAYSIA  
 JAPAN INTERNATIONAL COOPERATION AGENCY

Fig. 4-16  
 General Layout of Proposed Detention  
 Facilities in Line-G Basin (Sg. Petani)