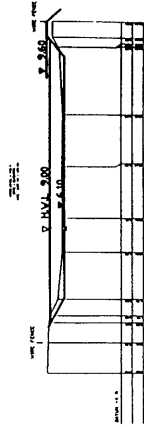
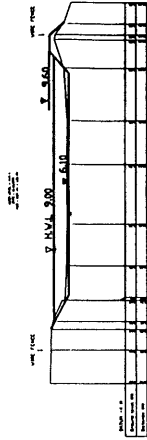


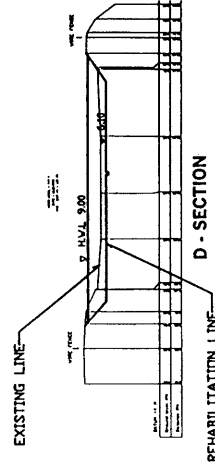
CROSS - SECTIONS



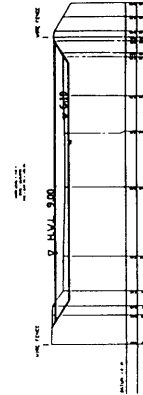
B - SECTION



C - SECTION

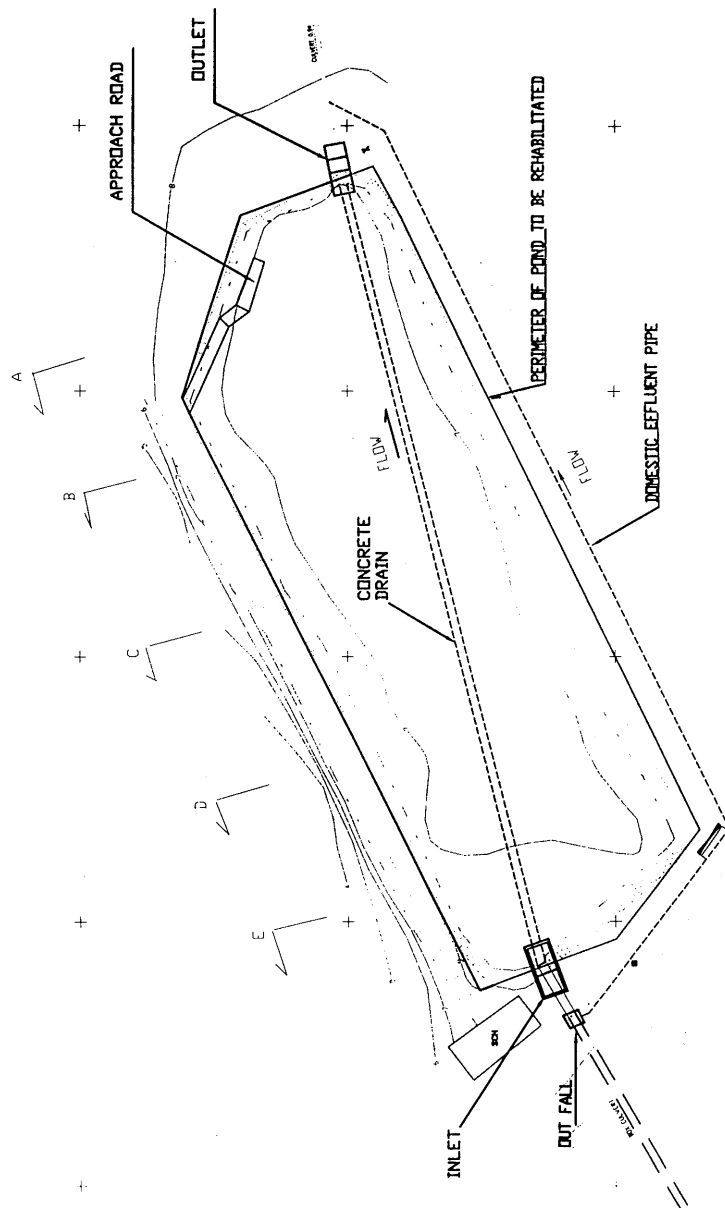


D - SECTION



E - SECTION

PLAN OF POND (TAMAN SRI WANG, SUNGAI PETANI)

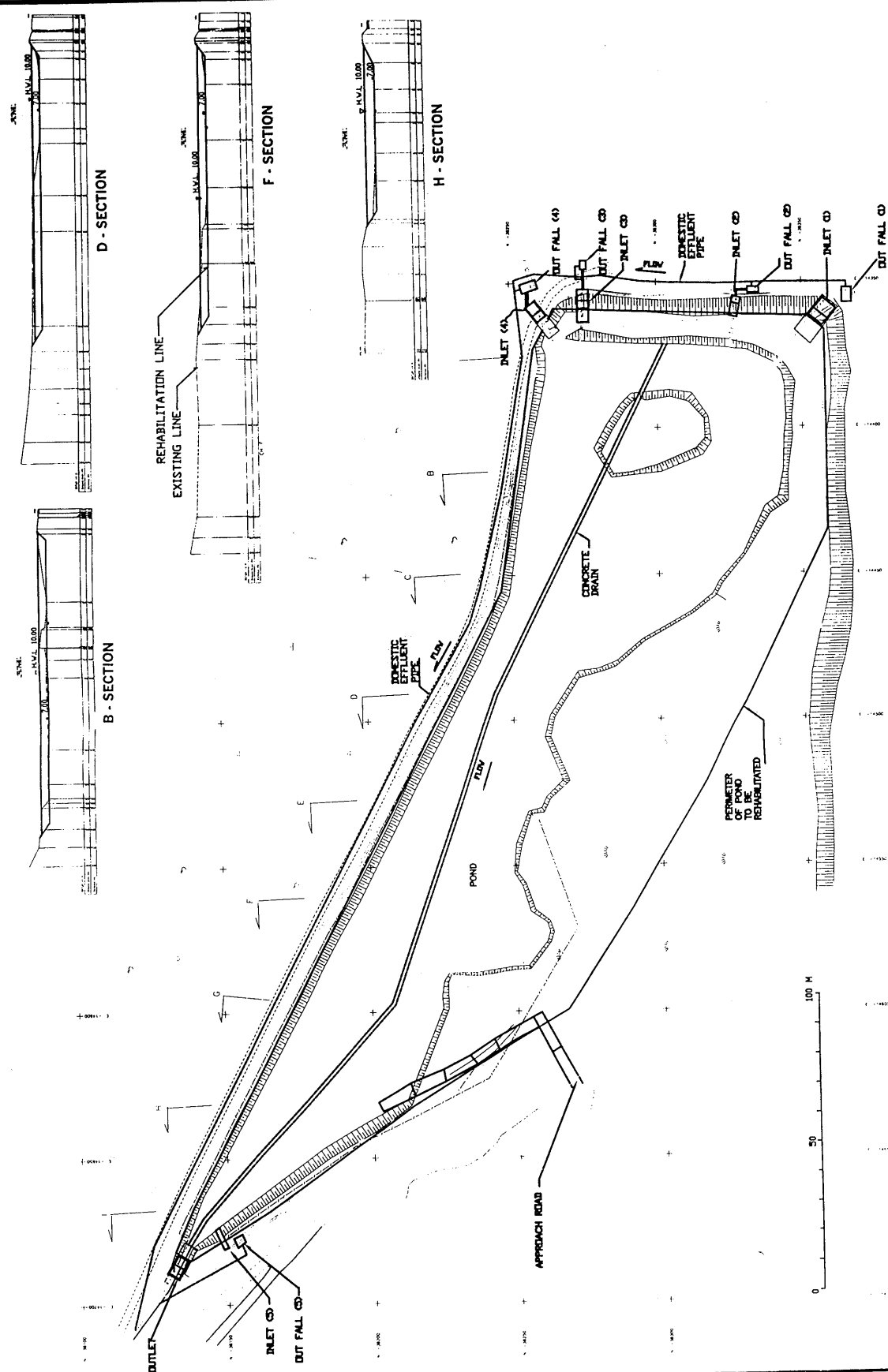


THE STUDY ON  
 INTEGRATED URBAN DRAINAGE IMPROVEMENT  
 FOR MELAKA AND SUNGAI PETANI IN MALAYSIA  
 JAPAN INTERNATIONAL COOPERATION AGENCY

図 3-19  
 既存洪水調節池の改良案 (タマン・ス  
 リ・ワン調節池、スンガイ・プタニ)

CROSS - SECTIONS

PLAN OF POND (TAMAN KELADI, SUNGAI PETANI)

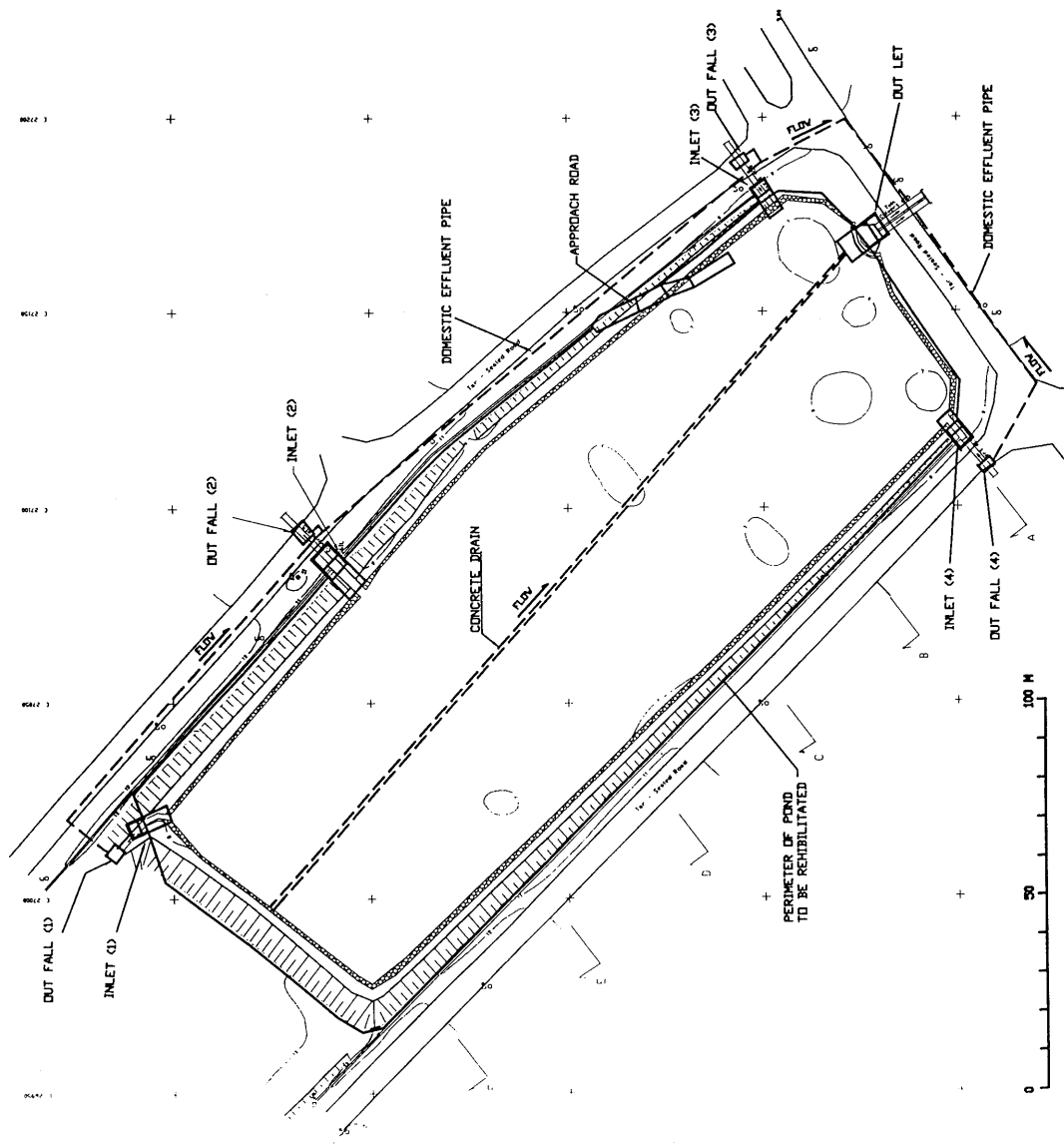
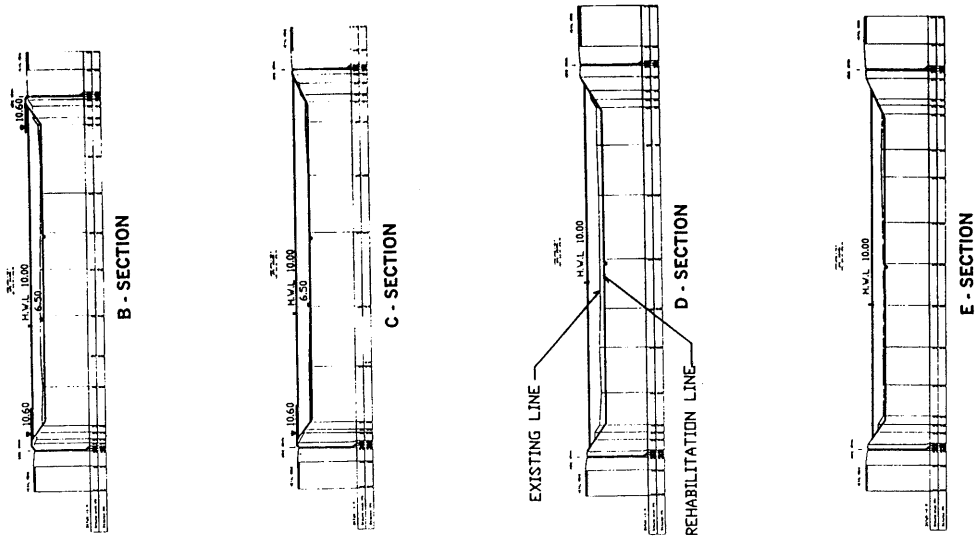


THE STUDY ON  
 INTEGRATED URBAN DRAINAGE IMPROVEMENT  
 FOR MELAKA AND SUNGAI PETANI IN MALAYSIA  
 JAPAN INTERNATIONAL COOPERATION AGENCY

図 3-20  
 既存洪水調節池の改良案(タマン・クラ  
 ズ調節池、スンガイ・プタニ)

PLAN OF POND (KAWASAN INDUSTRI BUKIT RAMBAI, MELAKA)

CROSS - SECTIONS

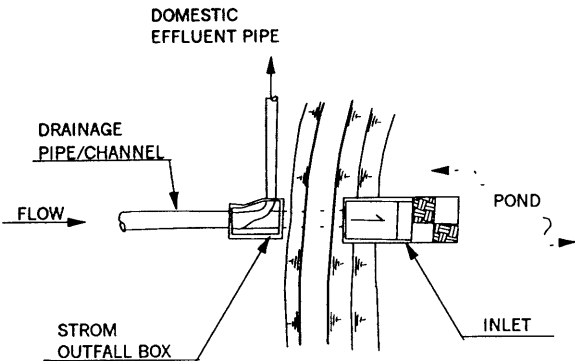


THE STUDY ON  
 INTEGRATED URBAN DRAINAGE IMPROVEMENT  
 FOR MELAKA AND SUNGAI PETANI IN MALAYSIA  
 JAPAN INTERNATIONAL COOPERATION AGENCY

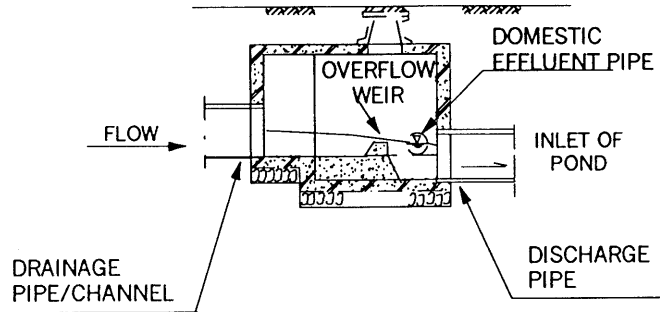
図 3-21  
 既存洪水調節池の改良案 (ブキット・ランバイ調節池、マラッカ)

# STORM OUTFALL BOX

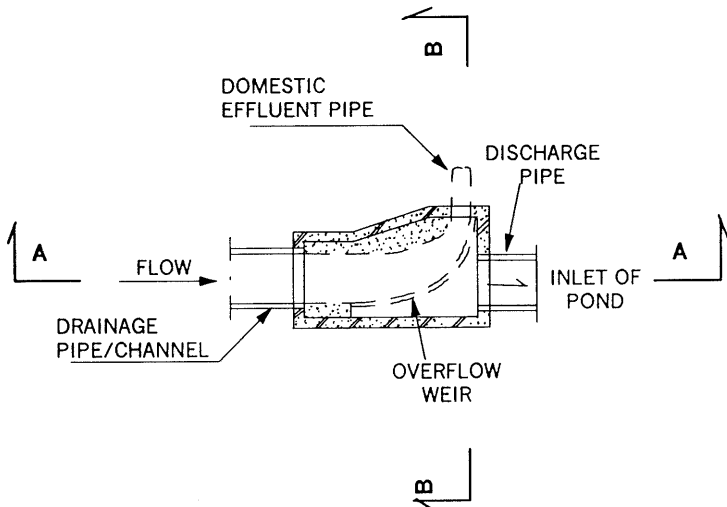
GENERAL PLAN



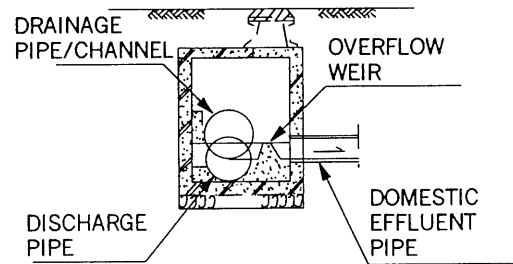
A - A SECTION



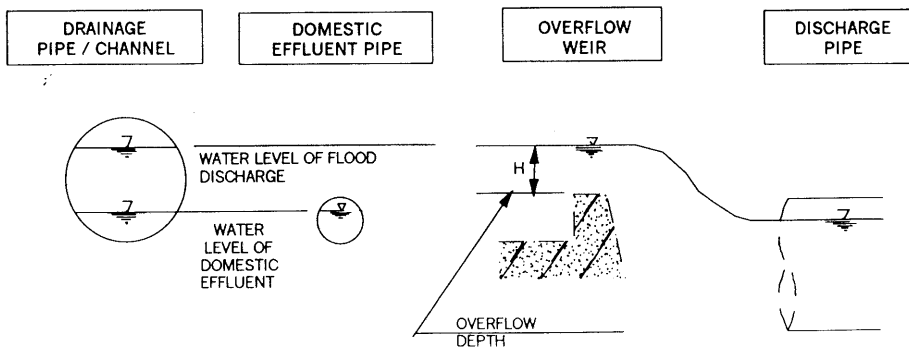
PLAN OF STORM OUTFALL BOX



B - B SECTION



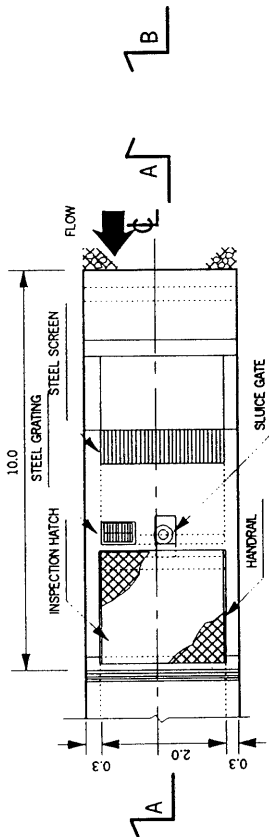
## STRUCTURAL CONDITION OF STORM OUTFALL



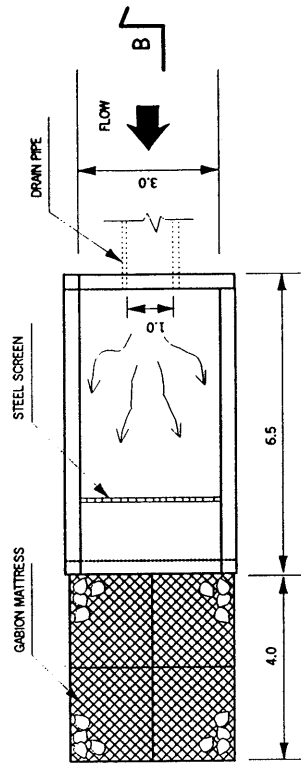
THE STUDY ON  
 INTEGRATED URBAN DRAINAGE IMPROVEMENT  
 FOR MELAKA AND SUNGAI PETANI IN MALAYSIA  
 JAPAN INTERNATIONAL COOPERATION AGENCY

図 3-22  
 洪水放流構造物概要

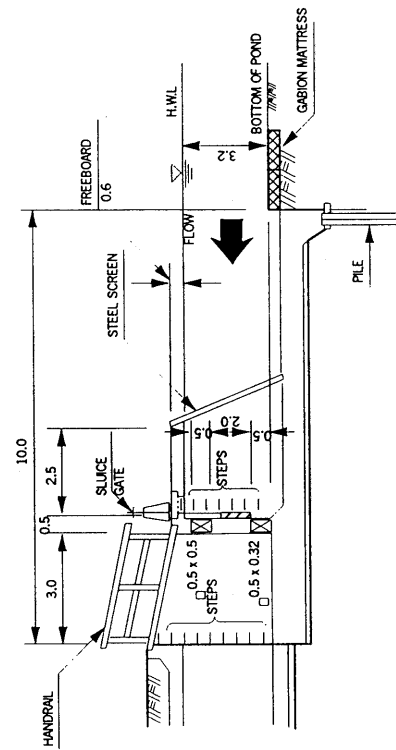
PLAN OF OUTLET STRUCTURE



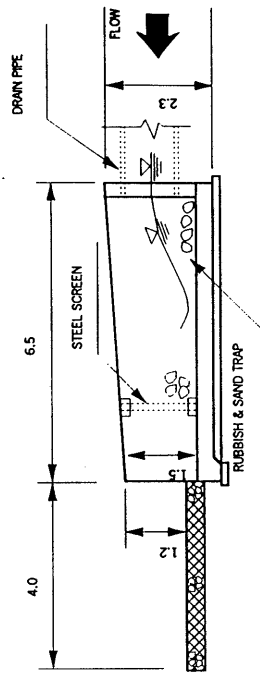
PLAN OF INLET STRUCTURE



A - A SECTION

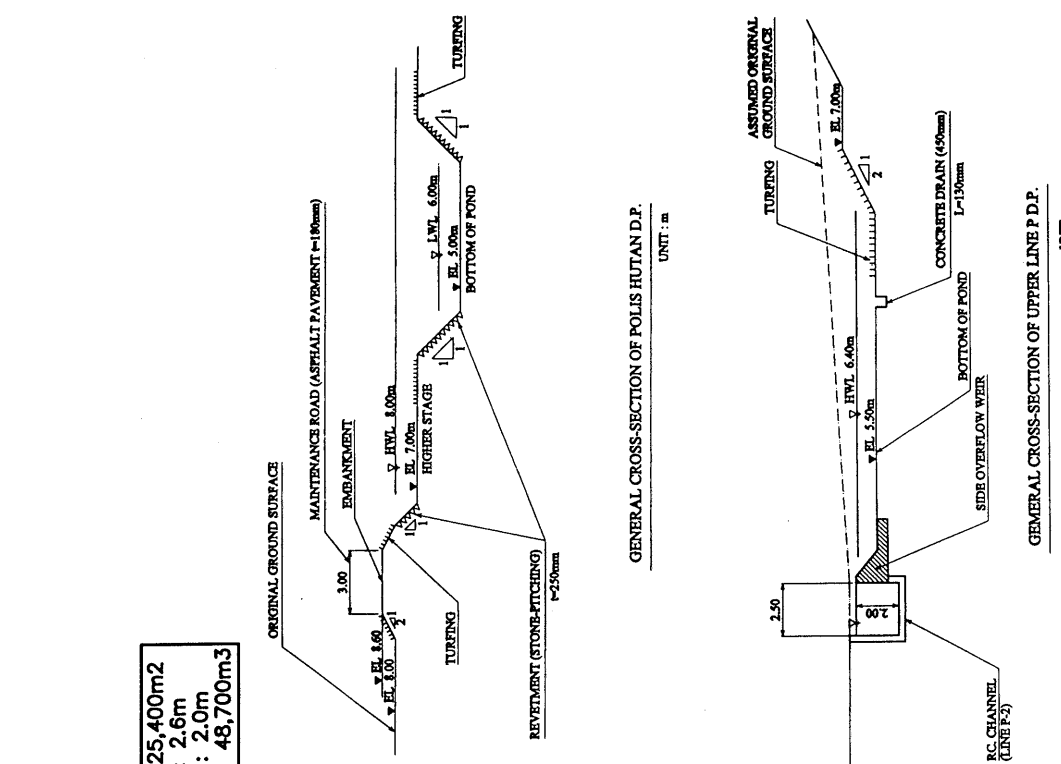


B - B SECTION



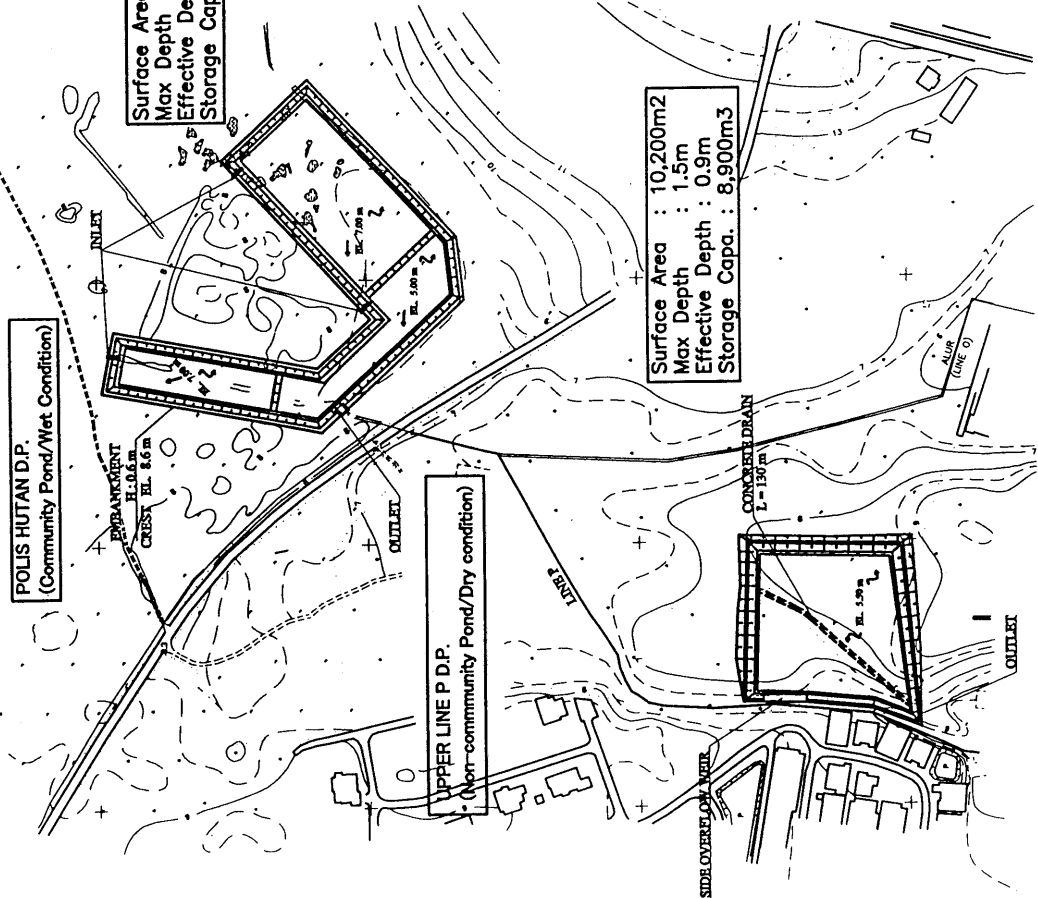
THE STUDY ON  
 INTEGRATED URBAN DRAINAGE IMPROVEMENT  
 FOR MELAKA AND SUNGAI PETANI IN MALAYSIA  
 JAPAN INTERNATIONAL COOPERATION AGENCY

図 3-23  
 洪水調節池標準流入・出構造図



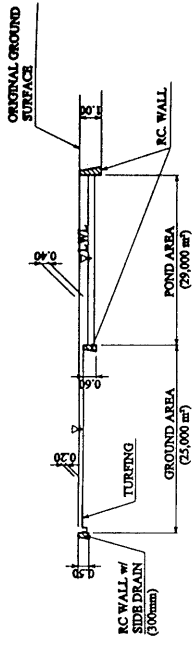
Surface Area : 25,400m<sup>2</sup>  
 Max Depth : 2.6m  
 Effective Depth : 2.0m  
 Storage Capa. : 48,700m<sup>3</sup>

Surface Area : 10,200m<sup>2</sup>  
 Max Depth : 1.5m  
 Effective Depth : 0.9m  
 Storage Capa. : 8,900m<sup>3</sup>

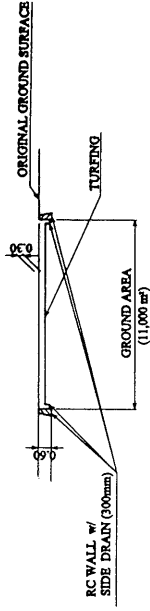


THE STUDY ON  
 INTEGRATED URBAN DRAINAGE IMPROVEMENT  
 FOR MELAKA AND SUNGAI PETANI IN MALAYSIA  
 JAPAN INTERNATIONAL COOPERATION AGENCY

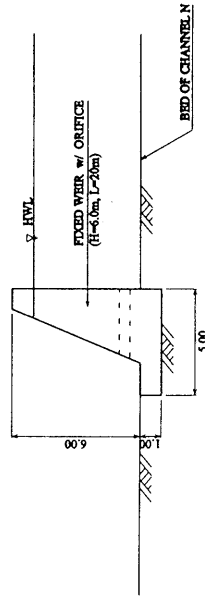
図 3-24 (1/2)  
 新規洪水調節池設計図 (アイル・メン  
 ディイ川排水区域)



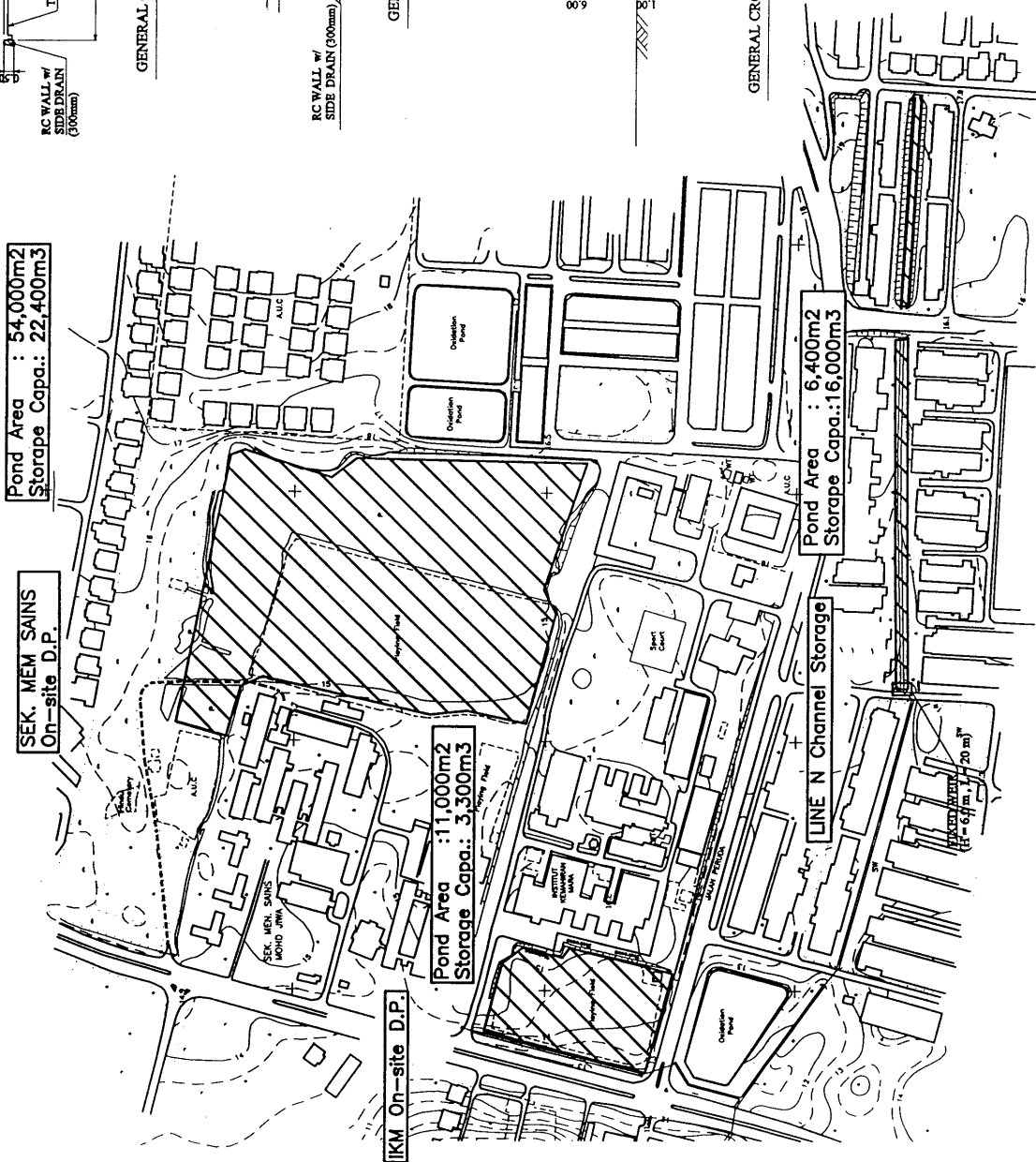
GENERAL CROSS-SECTION OF SEK MEN SAINS ON-SITE D.P.



GENERAL CROSS-SECTION OF IKM ON-SITE D.P.

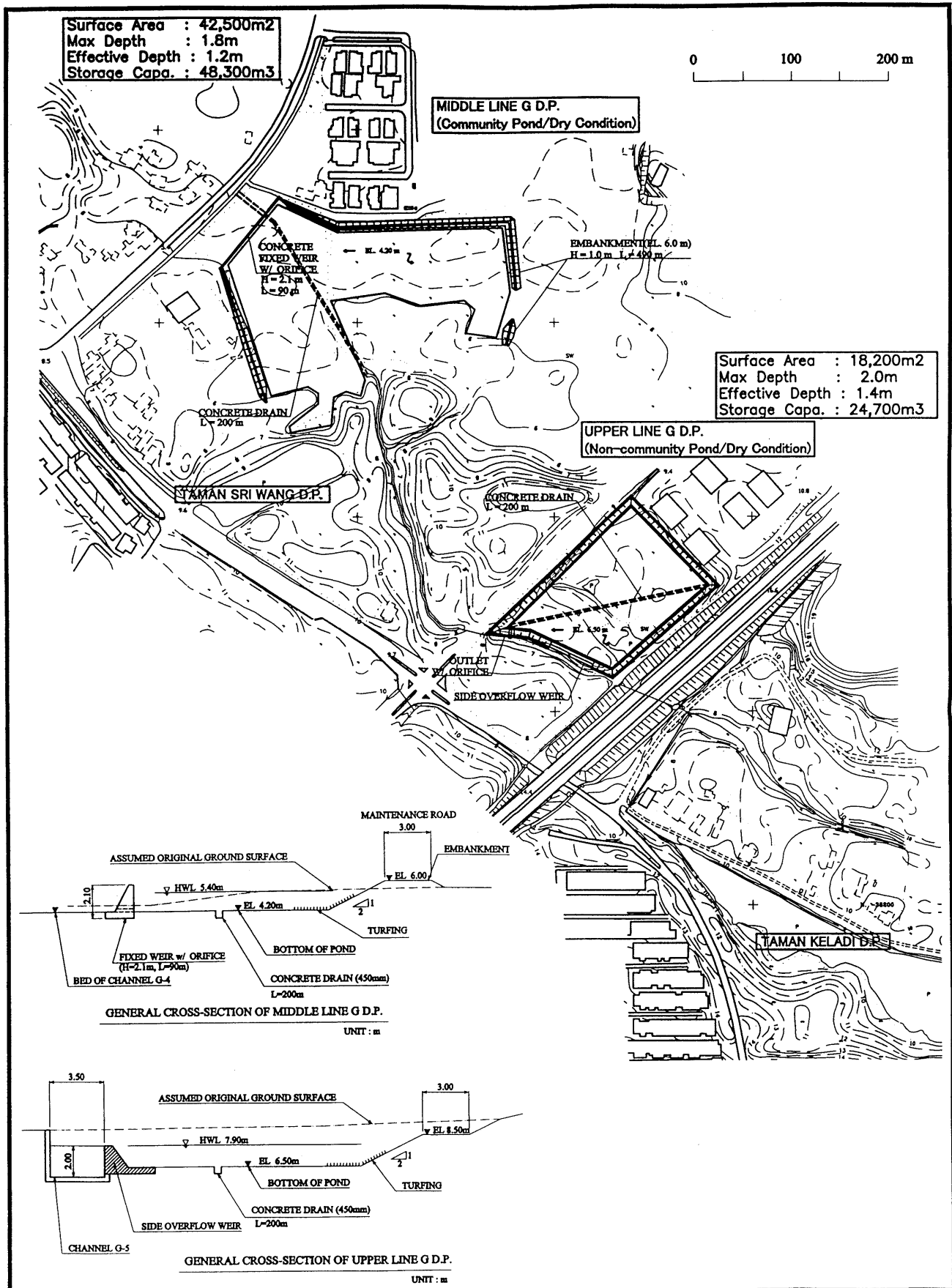


GENERAL CROSS-SECTION OF FIXED WEIR FOR CHANNEL STORAGE



THE STUDY ON  
INTEGRATED URBAN DRAINAGE IMPROVEMENT  
FOR MELAKA AND SUNGAI PETANI IN MALAYSIA  
JAPAN INTERNATIONAL COOPERATION AGENCY

図 3-24 (2/2)  
新規洪水調節池設計図 (アイル・メン  
ディ川排水区域)



THE STUDY ON  
 INTEGRATED URBAN DRAINAGE IMPROVEMENT  
 FOR MELAKA AND SUNGAI PETANI IN MALAYSIA  
 JAPAN INTERNATIONAL COOPERATION AGENCY

図 3-25  
 新規洪水調節池設計図 (ライン G 排水  
 区域)