

8.3.2 School Enrollment Projection

Table 8.3.10 Projected School Enrollment by Municipality by Target Year

Name of Municipality/City	1998			2005			2010		
	School Age Population	Total Enrollment		School Age Population	Total Enrollment		School Age Population	Total Enrollment	
		Number	Participation Rate		Number	Participation Rate		Number	Participation Rate
Ayud	11,234	9,749	87	11,740	10,566	90	11,804	11,804	95
Almodian	8,082	5,271	65	9,215	6,451	70	9,778	6,427	78
Amilao	5,967	5,408	91	6,684	6,350	95	7,020	7,020	98
Badianan	5,663	4,420	78	6,156	5,233	85	6,377	5,739	90
Balasan	6,949	6,190	89	7,613	7,232	95	8,084	7,922	98
Banale	7,321	7,083	97	8,308	8,142	98	9,120	8,938	98
Barotac Nuevo	11,270	8,804	78	12,168	9,734	80	12,641	10,745	85
Barotac Viejo	9,886	10,092	102	11,131	10,374	93	12,173	11,930	98
Barad	4,689	2,860	61	5,334	3,467	65	5,701	3,706	65
Bingawan	3,388	3,008	89	3,787	3,598	95	3,989	3,909	98
Cabatuan	11,067	7,790	70	11,985	8,989	75	12,557	10,046	80
Calinog	13,668	11,554	85	16,265	14,639	90	17,754	16,847	95
Carles	14,496	12,913	89	16,767	15,929	95	18,518	18,148	98
Concepcion	8,979	7,327	82	10,097	8,582	85	11,124	10,012	90
Dingle	9,568	7,898	83	9,979	8,482	85	10,442	9,398	90
Duelas	5,383	7,254	135	5,705	6,846	120	5,948	5,948	100
Dumangas	13,759	8,984	65	14,696	11,022	75	15,451	13,906	90
Estancia	9,591	9,194	96	11,717	11,131	95	13,268	13,003	98
Guambal	7,178	6,565	91	8,707	8,098	93	9,419	8,948	95
Ibarras	7,093	6,202	87	7,612	6,851	90	7,854	7,461	95
Janjauy	13,968	12,303	88	15,656	14,090	90	16,500	16,170	98
Lambunao	16,763	13,062	78	18,865	15,092	80	20,124	17,105	85
Leganes	5,328	6,070	114	5,814	5,814	100	6,285	6,159	98
Lemery	6,340	5,292	83	7,000	5,950	85	7,532	6,779	90
Leon	11,320	10,705	95	13,581	12,902	95	14,513	14,223	98
Maasin	7,991	7,704	96	8,392	7,972	95	8,452	8,283	98
Mitago	13,197	12,127	92	13,844	13,152	95	14,161	13,878	98
Mina	4,608	3,768	82	5,022	4,520	90	5,415	5,144	95
New Lucena	4,548	4,830	106	4,687	4,453	95	4,948	4,849	98
Oton	15,522	13,319	86	18,112	16,301	90	19,760	18,772	95
Passi City	16,885	16,076	95	18,239	17,874	98	19,185	18,801	98
Pawa	7,427	6,167	83	9,049	7,692	85	10,238	9,214	90
Potolan	15,475	12,902	83	16,983	14,945	88	17,968	16,710	93
San Dionisio	7,857	7,097	90	8,770	8,332	95	9,373	9,186	98
San Enrique	7,416	5,209	70	8,048	6,438	80	8,600	6,880	80
San Joaquin	12,353	9,682	78	14,788	14,492	98	15,739	15,378	95
San Miguel	5,038	5,332	106	5,716	5,430	95	6,453	6,324	98
San Rafael	3,598	3,588	100	4,097	3,073	75	4,684	4,590	98
Santa Barbara	10,327	7,070	68	11,544	6,349	55	12,668	10,133	80
Sara	11,542	10,767	93	12,826	12,185	95	14,547	14,256	98
Tigbauan	12,770	6,702	52	14,586	9,481	65	16,046	12,485	75
Tubigan	4,942	3,718	75	6,270	5,016	80	6,988	5,590	80
Zarraga	4,941	3,280	66	6,076	4,253	70	6,963	5,570	80
Provincial Total	395,387	335,336	85	443,631	387,722	87	477,506	437,521	92
									424,368

8.3.3 Projection of the Number of Public Utilities

Table 8.3.11 Projected Number of Public Utilities by Municipality by Target Year

Name of Municipality/City	Type	1998	2005		2010	
		No. of Public Utilities	Proposed Construction	Total	Proposed Construction	Total
Ajuy	Public Market	1	1	2	1	3
	Bus/Jeepney Terminal		1	1	1	2
	Parks/Playground	1	1	2	2	4
	Total	2	3	5	4	9
Alimodian	Public Market	1	1	2	2	4
	Bus/Jeepney Terminal	1	1	2	1	3
	Parks/Playground	1	1	2	2	4
	Total	3	3	6	5	11
Anilao	Public Market	1	1	2	1	3
	Bus/Jeepney Terminal		1	1	1	2
	Parks/Playground	2	1	3	1	4
	Total	3	3	6	3	9
Badiangan	Public Market	1	1	2	1	3
	Bus/Jeepney Terminal		1	1	1	2
	Parks/Playground	1	1	2	1	3
	Total	2	3	5	3	8
Balasan	Public Market	1	1	2	1	3
	Bus/Jeepney Terminal		1	1	1	2
	Parks/Playground	1	1	2	1	3
	Total	2	3	5	3	8
Banate	Public Market	1	1	2	1	3
	Bus/Jeepney Terminal		1	1	1	2
	Parks/Playground		1	1	2	3
	Total	1	3	4	4	8
Barotac Nuevo	Public Market	1	1	2	2	4
	Bus/Jeepney Terminal		1	1	1	2
	Parks/Playground	1	1	2	1	3
	Total	2	3	5	4	9
Barotac Viejo	Public Market	1	1	2	1	3
	Bus/Jeepney Terminal	1	1	2	1	3
	Parks/Playground	1	1	2	2	4
	Total	3	3	6	4	10
Batad	Public Market	2	1	3	1	4
	Bus/Jeepney Terminal		1	1	1	2
	Parks/Playground	2	1	3	1	4
	Total	4	3	7	3	10
Bingawan	Public Market	2	1	3	1	4
	Bus/Jeepney Terminal		1	1	1	2
	Parks/Playground	2	1	3	2	5
	Total	4	3	7	4	11
Cabatuan	Public Market	2	1	3	2	5
	Bus/Jeepney Terminal		1	1	2	3
	Parks/Playground	1	1	2	1	3
	Total	3	3	6	5	11
Calinog	Public Market	2	1	3	2	5
	Bus/Jeepney Terminal		1	1	2	3
	Parks/Playground		1	1	3	4
	Total	2	3	5	7	12
Carles	Public Market	1	1	2	2	4
	Bus/Jeepney Terminal		1	1	2	3
	Parks/Playground	1	1	2	2	4
	Total	2	3	5	6	11
Concepcion	Public Market	2	1	3	1	4
	Bus/Jeepney Terminal		1	1	1	2
	Parks/Playground	1	1	2	2	4
	Total	3	3	6	4	10
Dingle	Public Market	1	1	2	1	3
	Bus/Jeepney Terminal		1	1	1	2
	Parks/Playground	1	1	2	2	4
	Total	2	3	5	4	9
Duchas	Public Market	1	1	2	1	3
	Bus/Jeepney Terminal		1	1	1	2
	Parks/Playground		1	1	1	2
	Total	1	3	4	3	7

Table 8.3.11 Projected Number of Public Utilities by Municipality by Target Year (Cont'd)

Name of Municipality/City	Type	1998	2005		2010	
		No. of Public Utilities	Proposed Construction	Total	Proposed Construction	Total
Dumangas	Public Market	2	1	3	2	5
	Bus/Jeepney Terminal	2	1	3	1	4
	Parks/Playground	1	1	2	2	4
	Total	5	3	8	5	13
Estancia	Public Market	2	1	3	1	4
	Bus/Jeepney Terminal		1	1	1	2
	Parks/Playground		1	1	2	3
	Total	2	3	5	4	9
Guimbal	Public Market	2	1	3	1	4
	Bus/Jeepney Terminal		1	1	1	2
	Parks/Playground	4	1	5	2	7
	Total	6	3	9	4	13
Igbaras	Public Market	3	1	4	1	5
	Bus/Jeepney Terminal		1	1	1	2
	Parks/Playground	1	1	2	2	4
	Total	4	3	7	4	11
Janiuay	Public Market	2	1	3	2	5
	Bus/Jeepney Terminal	2	1	3	2	5
	Parks/Playground	2	1	3	2	5
	Total	6	3	9	6	15
Lambunao	Public Market	2	2	4	2	6
	Bus/Jeepney Terminal	3	2	5	1	6
	Parks/Playground		2	2	2	4
	Total	5	6	11	5	16
Leganes	Public Market	1	1	2	1	3
	Bus/Jeepney Terminal	1	1	2	2	4
	Parks/Playground		1	1	2	3
	Total	2	3	5	5	10
Lemery	Public Market	1	1	2	1	3
	Bus/Jeepney Terminal		1	1	1	2
	Parks/Playground		1	1	2	3
	Total	1	3	4	4	8
Leon	Public Market	4	2	6	2	8
	Bus/Jeepney Terminal		1	1	2	3
	Parks/Playground	2	1	3	2	5
	Total	6	4	10	6	16
Maasin	Public Market	5	1	6	1	7
	Bus/Jeepney Terminal		1	1	1	2
	Parks/Playground	1	1	2	2	4
	Total	6	3	9	4	13
Miagao	Public Market	1	2	3	3	6
	Bus/Jeepney Terminal	1	2	3	2	5
	Parks/Playground	1	2	3	2	5
	Total	3	6	9	7	16
Mina	Public Market	1		1	1	2
	Bus/Jeepney Terminal	1	1	2	1	3
	Parks/Playground	1	1	2	2	4
	Total	3	2	5	4	9
New Lucena	Public Market	3	1	4	1	5
	Bus/Jeepney Terminal		1	1	1	2
	Parks/Playground	3	1	4	2	6
	Total	6	3	9	4	13
Oton	Public Market	1	1	2	2	4
	Bus/Jeepney Terminal	2	1	3	1	4
	Parks/Playground	2	1	3	3	6
	Total	5	3	8	6	14
Passi City	Public Market	2	1	3	2	5
	Bus/Jeepney Terminal	5	2	7	2	9
	Parks/Playground	3	1	4	2	6
	Total	10	4	14	6	20
Pavia	Public Market	1	1	2	1	3
	Bus/Jeepney Terminal		1	1	1	2
	Parks/Playground	1	1	2	2	4
	Total	2	3	5	4	9

Table 8.3.11 Projected Number of Public Utilities by Municipality by Target Year (Cont'd)

Name of Municipality/City	Type	1998	2005		2010	
		No. of Public Utilities	Proposed Construction	Total	Proposed Construction	Total
Pototan	Public Market	4	1	5	2	7
	Bus/Jeepney Terminal	2	2	4	2	6
	Parks/Playground	2	2	4	3	7
	Total	8	5	13	7	20
San Dionisio	Public Market	2	1	3	1	4
	Bus/Jeepney Terminal		1	1	1	2
	Parks/Playground	2	1	3	2	5
	Total	4	3	7	4	11
San Enrique	Public Market	1	1	2	1	3
	Bus/Jeepney Terminal		1	1	1	2
	Parks/Playground		1	1	2	3
	Total	1	3	4	4	8
San Joaquin	Public Market	3	2	5	2	7
	Bus/Jeepney Terminal	1	1	2	2	4
	Parks/Playground	2	1	3	4	7
	Total	6	4	10	8	18
San Miguel	Public Market	1	1	2	2	4
	Bus/Jeepney Terminal		1	1	2	3
	Parks/Playground	1	1	2	2	4
	Total	2	3	5	6	11
San Rafael	Public Market	1	1	2	1	3
	Bus/Jeepney Terminal	1	1	2	1	3
	Parks/Playground		1	1	3	4
	Total	2	3	5	5	10
Santa Barbara	Public Market	1	2	3	2	5
	Bus/Jeepney Terminal		2	2	2	4
	Parks/Playground	5	6	11	2	13
	Total	6	10	16	6	22
Sara	Public Market	2	2	4	2	6
	Bus/Jeepney Terminal	2	2	4	2	6
	Parks/Playground	4	1	5	3	8
	Total	8	5	13	7	20
Tigbauan	Public Market	1	1	2	1	3
	Bus/Jeepney Terminal		1	1	1	2
	Parks/Playground	1	1	2	3	5
	Total	2	3	5	5	10
Tubungan	Public Market	1	1	2	2	4
	Bus/Jeepney Terminal		1	1	2	3
	Parks/Playground	1	1	2	5	7
	Total	2	3	5	9	14
Zarraga	Public Market	1	1	2	2	4
	Bus/Jeepney Terminal		1	1	1	2
	Parks/Playground	1	1	2	2	4
	Total	2	3	5	5	10
Provincial Total	Public Market	72	48	120	63	183
	Bus/Jeepney Terminal	25	49	74	57	131
	Parks/Playground	57	51	108	90	198
	Total	154	148	302	210	512

8.4 Types of Facilities and Implementation Criteria

8.4.1 Water Supply

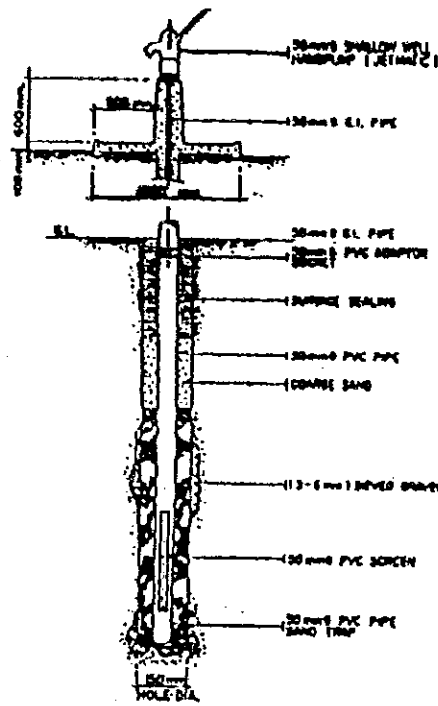
(1) Urban water supply

With regard to development/expansion of urban water supply by municipality, existing conditions, future requirements and planned/on-going projects were reviewed in preparation of this PW4SP. Potential water source for future development was also evaluated in Chapter 7, taking into account the possibility to utilize untapped spring sources. Location of urban area of respective municipalities/city was referred to Figure 3.4.1 in Chapter 3. Table 8.4.1 presents basic figures on existing service coverage, water sources and future requirements.

Table 8.4.1 Existing Condition and Future Requirements of Urban Water Supply by Municipality

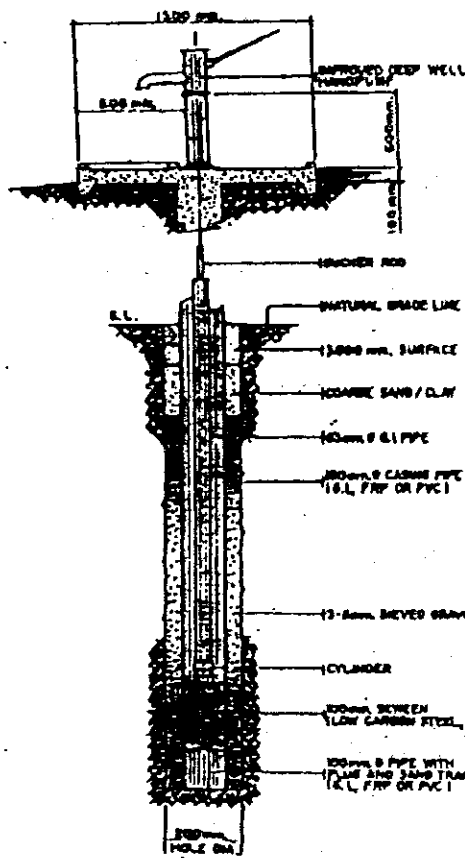
Name of Municipality	Existing Condition (1998)						Phase I (2005)						Phase II (2010)						
	Urban Population (1998)	Level III System and Others		L-III Water Source		Urban Population (2005)	Pop. Served by Level III and Others		Newly Developed/Additional Water-Source (m3/d)	Total Water Source Required (m3/d)	Urban Population (2010)	Pop. Served by Level III		Newly Developed/Additional Water Source (m3/d)	Total Water Source Required (m3/d)				
		No. of Levels III and Operating	Pop. Served by Level III	% Served	Total Pop. Served (%)		Type	Production (m3/d)				Additional Pop. Served by L-III	Total Pop. Served by Level III			% Served	Total Pop. Served	% Served	
Ayey	3,107 (IWD)	3,890	93%	2,890	91%	3,247	2,890	89%	None	2,890	89%	3,491	426	3,316	95%	100	500		
Azumadam	6,776 (IWD)	3,240	48%	1,926	28%	2,726	1,014	45%	None	6,180	80%	8,190	3,527	2,781	95%	500	1,100		
Zambale	1,104 (IWD)	1,104	61%	152	70%	3,024	266	68%	None	1,252	73%	2,220	739	2,109	95%	100	300		
Bandangan	1,690 (I/Mun)	490	29%	981	88%	1,828	490	27%	None	1,828	81%	2,015	1,624	1,914	95%	200	300		
Banue	3,602	2,512	70%	2,512	70%	3,946	518	13%	None	3,010	77%	3,972	3,255	3,773	95%	500	600		
Banue	1,517	1,214	80%	1,214	80%	1,721	1,214	71%	None	1,214	71%	1,407	1,217	1,717	95%	300	400		
Banue Nuevo	3,844 (IWD)	2,010	52%	1,727	37%	4,151	2,010	48%	None	3,717	90%	4,151	1,913	3,943	95%	300	600		
Barotac Viejo	3,945	2,026	51%	2,026	51%	4,442	583	13%	None	2,609	59%	4,795	3,972	4,555	95%	600	700		
Batang	1,106 (I/Mun)	780	67%	149	92%	1,328	780	59%	None	929	70%	1,367	519	1,299	95%	100	300		
Brazawan	3,337	3,094	92%	3,094	92%	3,752	3,094	82%	None	3,094	82%	3,917	3,917	3,917	95%	600	700		
Cabanuan	43,852 (I/MWD)	2,490	6%	30,149	73%	47,489	6,230	18%	None	39,059	82%	100	1,200	49,757	38,549	47,269	95%	1,100	6,300
Calinog	5,014 (IWD)	1,764	35%	1,202	26%	3,967	783	24%	None	3,749	61%	6,469	3,599	6,146	95%	500	900		
Carles	2,349	909	39%	909	39%	2,717	356	13%	None	1,265	47%	2,921	2,419	2,775	95%	400	300		
Concepcion	4,455	2,154	48%	2,154	48%	5,010	657	13%	None	2,811	56%	5,999	5,042	5,999	95%	700	800		
Danile	5,917 (IWD)	1,960	33%	2,770	47%	6,171	1,960	33%	None	4,078	77%	300	6,457	4,174	6,134	95%	600	900	
Davao	4,962 (IWD)	1,940	39%	2,128	43%	5,280	1,540	31%	None	1,613	30%	2,038	3,07	1,936	95%	100	300		
Dumangué	1,864 (IWD)	1,165	62%	1,165	62%	2,013	264	13%	None	1,749	74%	100	10,766	5,681	10,228	95%	800	1,400	
Financera	7,965 (IWD)	3,270	41%	2,618	33%	9,730	1,277	16%	None	7,163	80%	10,766	5,681	10,228	95%	800	1,400		
Gumbal	7,192 (I/Ass)	3,708	52%	3,399	47%	8,724	3,708	43%	None	6,107	70%	100	9,543	5,158	9,066	95%	700	1,200	
Igbaras	5,332	2,406	45%	3,165	59%	5,722	751	13%	None	3,916	68%	100	10,086	5,918	9,582	95%	800	1,300	
Janao	8,537 (IWD)	1,926	23%	6,332	74%	9,511	1,238	14%	None	1,923	23%	5,198	4,466	5,128	95%	600	700		
Lambuan	4,484	1,261	28%	1,261	28%	5,046	662	13%	None	4,795	83%	8,164	6,765	7,756	95%	900	1,100		
Legaspi	6,921	3,804	55%	3,804	55%	7,553	991	13%	None	4,795	83%	100	3,396	3,226	3,226	95%	500	600	
Letury	2,729	2,168	79%	2,168	79%	3,013	2,168	72%	None	2,168	72%	3,396	3,226	3,226	95%	500	600		
Leon	4,830 (IWD)	1,758	36%	1,808	37%	5,795	760	13%	None	4,326	75%	100	6,143	3,318	5,836	95%	500	900	
Maasin	3,200 (I/MWD)	585	18%	1,594	49%	1,340	441	33%	None	2,622	78%	100	3,408	2,212	3,238	95%	300	500	
Mabiga	8,137 (IWD)	2,112	26%	2,597	32%	8,536	1,120	13%	None	5,929	69%	500	9,079	5,393	8,625	95%	800	1,400	
Mina	2,319	1,404	61%	1,404	61%	2,527	332	13%	None	1,736	69%	100	2,943	2,369	2,764	95%	400	500	
New Lucena	2,641	1,678	64%	1,678	64%	2,722	357	13%	None	2,035	75%	2,941	2,437	2,764	95%	300	400		
Oton	66,873 (I/MWD)	2,625	4%	21,787	33%	71,032	9,319	17%	None	33,731	47%	1,300	77,497	61,678	73,622	95%	8,100	9,700	
Pawi City	8,625 (IWD)	8,550	99%	75	0%	9,317	8,550	97%	None	8,625	93%	1,200	10,084	1,610	6,380	95%	200	1,400	
Pavia	8,296 (I/MWD)	5,845	70%	1,937	24%	10,108	5,845	58%	None	7,862	77%	800	11,437	5,020	10,865	95%	600	1,400	
Pototan	16,790 (IWD)	6,360	38%	7,916	47%	18,426	690	4%	None	14,276	77%	900	19,495	12,160	18,520	95%	1,600	2,500	
San Dionisio	4,711 (I/Mun)	2,754	58%	2,754	58%	5,292	301	6%	None	4,211	80%	500	6,389	2,626	6,070	95%	400	900	
San Estanislao	2,112	1,243	59%	1,243	59%	2,292	704	31%	None	1,544	67%	100	2,460	1,941	2,242	95%	300	400	
San Francisco	4,484 (I/Mun)	1,303	29%	1,940	43%	5,368	704	13%	None	3,967	74%	5,745	3,451	5,438	95%	500	600		
San Miguel	13,749 (I/MWD)	815	6%	12,733	92%	15,599	15,599	92%	None	13,568	87%	100	17,669	15,914	16,729	95%	2,100	2,100	
San Rafael	3,144	2,782	88%	2,782	88%	3,580	3,580	100%	None	2,782	88%	100	3,715	3,529	3,529	95%	500	600	
San Vicente	7,920 (I/MWD)	1,130	14%	5,240	66%	8,853	8,853	100%	None	6,370	72%	200	9,206	7,610	8,746	95%	1,000	1,200	
Sara	3,852 (I/Mun)	582	15%	2,792	72%	4,281	582	14%	None	3,374	79%	100	4,321	3,523	4,105	95%	500	600	
Sibuyan	8,335	5,618	67%	5,618	67%	9,521	1,249	13%	None	6,367	72%	100	10,461	8,388	9,938	95%	1,200	1,400	
Tubungan	1,411	1,126	80%	1,126	80%	1,790	215	12%	None	1,376	76%	100	2,042	1,705	1,940	95%	300	400	
Zarraga	3,134	2,093	67%	2,093	67%	3,854	506	13%	None	2,599	67%	100	4,224	3,507	4,013	95%	500	600	
Provincial Total	310,998	61,646	20%	190,018	61%	350,408	31,624	5%	None	245,288	70%	378,243	264,061	159,331	95%	36,300	50,900		

(Note) WD: Water District, Pro: Province, Mun: Municipality, Ass: Association
 MWD: Metropolitan Water District, Production includes Iloilo City.
 Unit consumption: 100 lpd
 Additional population served in 2010 includes the served population that will be absorbed by Level III system.



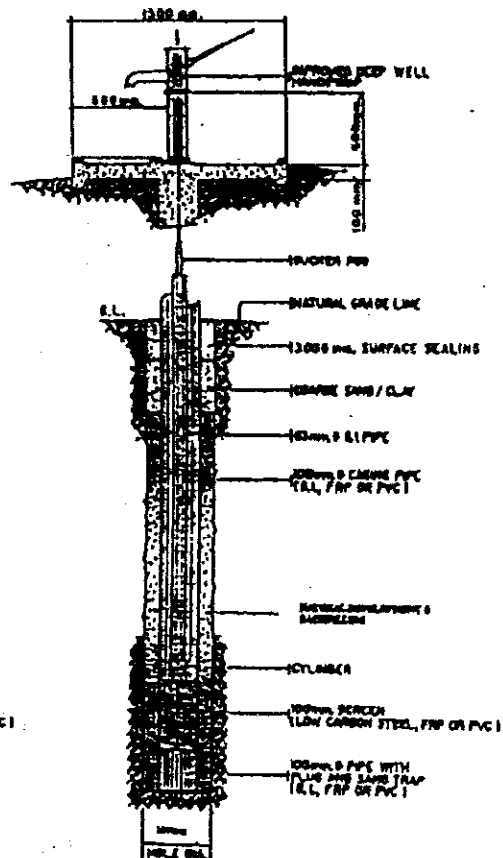
OPEN HOLE DRILLING & GRAVEL PACK METHOD

SHALLOW WELLS



OPEN HOLE DRILLING & GRAVEL PACK METHOD

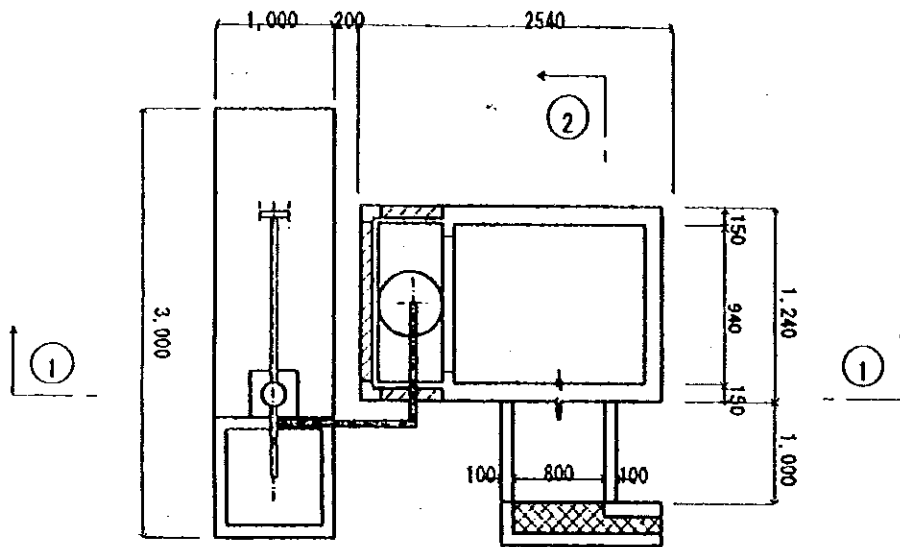
DEEP WELLS



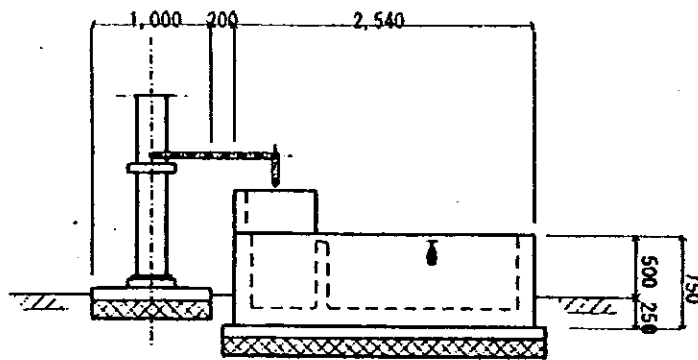
OPEN HOLE DRILLING & NATURAL GRAVEL PACK METHOD

FIGURE 8.4.1

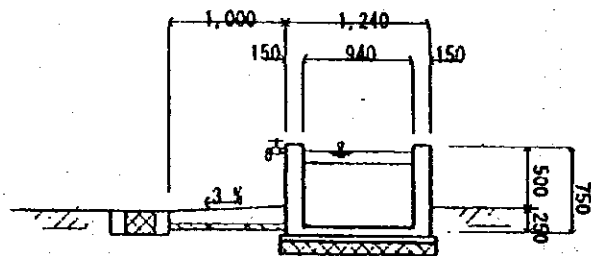
TYPICAL STRUCTURE OF LEVEL I WELL FACILITY



PLAN $S = 1/30$



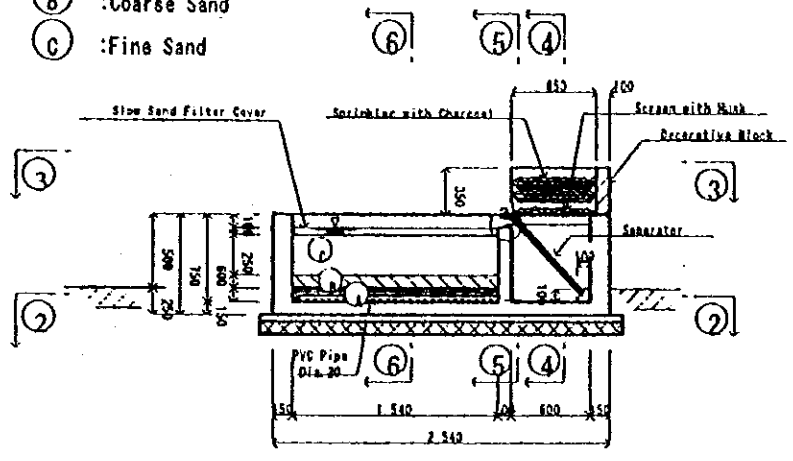
Section ① — ① $S = 1/30$



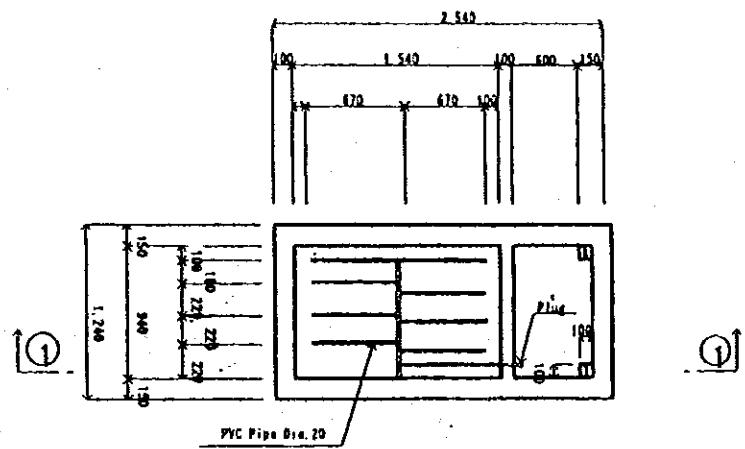
Section ② — ② $S = 1/30$

Figure 8.4.2(a) Iron Removal Facility

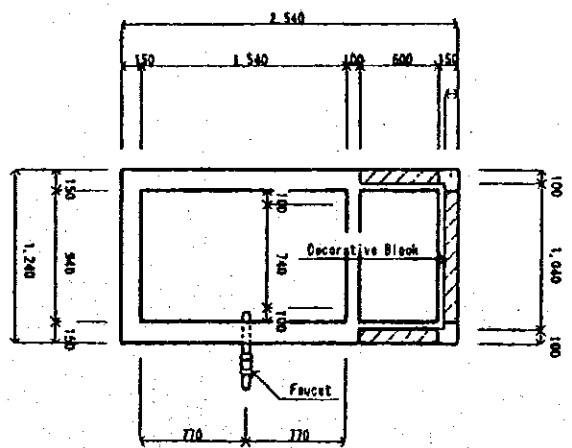
- (A) :Pebble
- (B) :Coarse Sand
- (C) :Fine Sand



Section ① - ① S = 1/20



Section ② - ② S = 1/20



Section ③ - ③ S = 1/20

Figure 8.4.2(b) Iron Removal Facility

8.4.3 Urban Sewerage

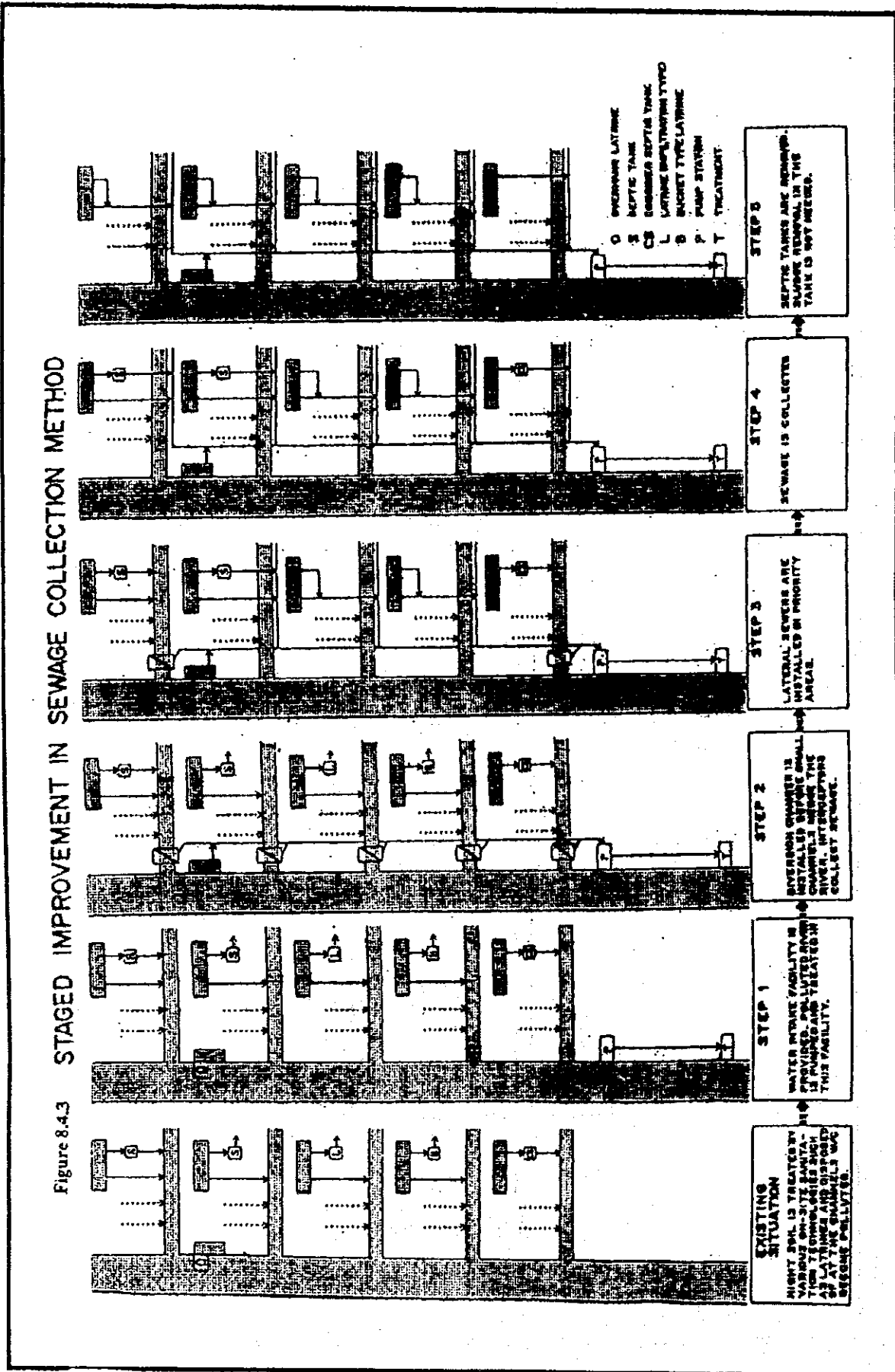


Figure 8.4.3

8.5 Service Coverage by Target Year

8.5.1 Water Supply

(1) Population to be served by Level II system in Phase I

Twenty (20) untapped spring sources out of total 25 were confirmed to be suitable for Level II systems in rural water supply by the time of PW4SP preparation as shown in Table 8.5.1. Conditions and assumptions applied for this estimate are as follows:

Source capacity:

The average source capacity of untapped spring was assumed to meet the need of 100 households based on the review of existing Level II systems with spring sources.

Number of system:

Twenty (20) out of total 25 untapped springs identified during the course of RW4SP preparation were considered to serve twenty (20) Level II systems in twenty (20) rural barangays of 5 municipalities/cities.

Table 8.5.1 Population to be Served by Level II System in Phase I

Name of Municipality	Number of Untapped Spring	Number of Barangay to be Served	Number of Households to be Served	Population to be Served
Ajuy	3			
Alimodian	8	8	644	3,576
Anilao				
Badiangan				
Balasan				
Banate				
Barotac Nuevo				
Barotac Viejo				
Batad				
Bingawan				
Cabatuan				
Calinog				
Carles	4	4	400	2,140
Concepcion				
Dingle	1			
Dueñas				
Dumangas				
Estancia				
Guimbal				
Igbaras				
Janiuay				
Lambunao				
Leganes	5	5	345	1,855
Lemery				
Leon				
Maasin				

Table 8.5.1 Population to be Served by Level II System in Phase I

Name of Municipality	Number of Untapped Spring	Number of Barangay to be Served	Number of Households to be Served	Population to be Served
Miagao				
Mina				
New Lucena				
Oton				
Passi City				
Pavia				
Pototan				
San Dionisio	1	1	100	523
San Enrique				
San Joaquin	2	2	200	1,130
San Miguel				
San Rafael				
Santa Barbara				
Sara	1			
Tigbauan				
Tubungan				
Zarraga				
Provincial Total	25	20	1,689	9,224

(Note) There are 6 untapped springs in the municipality of Concepcion, which not included in the list due to no information available

(2) Population to be served by target year

Phase I

For urban area, the additional service coverage was assumed as the population to be served by Level III service. For rural area, the population to be served by Level II systems with untapped springs was first calculated and the rest of additional service coverage was estimated to be served by Level I facilities.

Phase II

For urban area, the population served by Level I and II facilities in base year was considered to be absorbed by Level III service aside from the additional service coverage to be estimated by the sector target. For rural area, all existing facilities in Phase I were assumed to be utilized through the future.

The population to be served by target year is exhibited in Table 8.5.2 and Table 8.5.3.

Table 8.5.2 Population to be Served in Phase I (Water Supply)

Name of Municipality/City	Area	Population Served in the Base Year				Phase I Coverage (2005)												
		Population Served in the Base Year			Total Population	Service Coverage			Additional Population to be Served									
		Level III	Level II	Level I		Total	Level III	Level II	Level I	Total	Level III	Level II	Level I	Total				
Ajuy	Urban	2,890			2,890	3,247	2,890											
	Rural	4,490	2,300	17,788	24,578	37,776	4,490	2,300	17,788	24,578								
	Total	7,380	2,300	17,788	27,468	41,023	7,380	2,300	17,788	27,468								
Alimodian	Urban	3,240		1,926	5,166	7,726	4,249											1,009
	Rural		2,175	14,068	16,243	27,565		5,751	14,068	19,819			3,576					3,576
	Total	3,240	2,175	15,994	21,409	35,291	4,249	5,751	15,994	25,994	1,009		3,576					4,585
Anilao	Urban	1,104		152	1,256	2,024	1,368											264
	Rural	330		8,271	8,601	22,400	330											2,906
	Total	1,434		8,423	9,857	24,424	1,698											3,170
Badiangan	Urban	490		991	1,481	1,826	490											
	Rural		250	20,771	21,021	23,929		250	20,771	21,021								
	Total	490	250	21,762	22,502	25,755	490	250	21,762	22,502								
Balasan	Urban			2,512	2,512	3,946	515											515
	Rural			14,190	14,190	22,272												2,889
	Total			16,702	16,702	26,218	515											3,404
Banate	Urban			1,214	1,214	1,721												
	Rural			14,388	14,388	28,283												
	Total			15,602	15,602	30,004												
Barotac Nuevo	Urban	2,010		1,727	3,737	4,151	2,010											
	Rural	4,210		33,544	37,754	41,682	4,210											
	Total	6,220		35,271	41,491	45,833	6,220											
Barotac Viejo	Urban			2,026	2,026	4,442	580											580
	Rural	2,880	1,575	15,667	20,122	35,535	2,880	1,575	20,277	24,732								4,610
	Total	2,880	1,575	17,693	22,148	39,977	3,460	1,575	22,303	27,338	580							5,190
Batad	Urban	780		74	929	1,328	780											
	Rural		1,625	8,249	9,874	17,171		1,625	10,477	12,102								
	Total	780	1,700	8,323	10,803	18,499	780	1,700	10,551	13,031								
Bingawan	Urban			3,094	3,094	3,752												
	Rural			3,009	3,009	9,758												
	Total			6,103	6,103	13,510												
Cabatuan	Urban	2,490	375	29,974	32,839	47,489	8,690	375	29,974	39,039	6,200							
	Rural																	
	Total	2,490	375	29,974	32,839	47,489	8,690	375	29,974	39,039	6,200							6,200

Table 8.5.2 Population to be Served in Phase I (Water Supply) (Cont'd)

Name of Municipality/City	Area	Population Served in the Base Year			Phase I Coverage (2005)									
		Level III	Level II	Level I	Total	Service Coverage			Additional Population to be Served			Total		
						Level III	Level II	Level I	Level III	Level II	Level I			
Calinog	Urban	1,764		1,202	2,966	2,543		1,202	3,745	779				779
	Rural	150		13,370	13,520	150		20,176	20,326					6,806
	Total	1,914		14,572	16,486	2,693		21,378	24,071	779				7,585
Carles	Urban			909	909	355		909	1,264	355				355
	Rural			2,425	14,137	54,338		4,565	16,621	21,186				2,140
	Total			2,425	15,046	57,055		4,565	17,530	22,450				4,909
Concepcion	Urban			2,154	2,154	654		2,154	2,808	654				654
	Rural			185	12,558	30,694		185	16,540	16,725				3,982
	Total			185	14,712	35,704		185	18,694	19,533				3,982
Dingle	Urban	1,960		2,770	4,730	1,960		2,770	4,730					
	Rural	6,758		18,737	26,895	6,758		1,400	18,737	26,895				
	Total	8,718		21,507	31,625	8,718		1,400	21,507	31,625				
Duenas	Urban	1,950		2,128	4,078	1,950		2,128	4,078					
	Rural			16,712	16,712	26,268		20,120	20,120					3,408
	Total	1,950		18,840	20,790	31,548		22,248	24,198					3,408
Dumangas	Urban	1,165		184	1,349	1,428		184	1,612	263				263
	Rural	6,215		16,464	22,854	6,215		23,505	29,895					7,041
	Total	7,380		16,648	24,203	7,643		23,689	31,507	263				7,304
Estancia	Urban	3,270		2,616	5,886	4,540		2,616	7,156	1,270				1,270
	Rural			12,696	12,696	31,209		16,745	16,745					4,049
	Total	3,270		15,312	18,582	40,939		19,361	23,901	1,270				5,319
Guimbal	Urban	3,708		2,399	6,107	3,708		2,399	6,107					
	Rural			13,689	13,964	26,045		275	17,068	17,343				3,379
	Total	3,708		16,088	20,071	34,769		275	19,467	23,450				3,379
Igaras	Urban			3,165	3,165	747		3,165	3,912	747				747
	Rural			10,162	11,112	23,071		950	13,155	14,105				2,993
	Total			13,327	14,277	28,793		950	16,320	18,017				2,993
Janituy	Urban	2,406		3,926	6,332	3,658		3,926	7,584	1,252				1,252
	Rural	168		26,896	27,064	168		33,317	33,485					6,421
	Total	2,574		30,822	33,396	59,092		37,243	41,069	1,252				7,673
Lambunao	Urban			1,261	1,261	659		1,261	1,920	659				659
	Rural			24,193	24,193	64,744		32,592	32,592					8,399
	Total			25,454	25,454	69,790		33,853	34,512	659				8,399

Table 8.5.2 Population to be Served in Phase I (Water Supply) (Cont'd)

Name of Municipality/City	Area	Population Served in the Base Year			Phase I Coverage (2005)															
		Level III	Level II	Level I	Total	Service Coverage			Additional Population to be Served											
						Level III	Level II	Level I	Total	Level III	Level II	Level I	Total							
Leganes	Urban	300		3,660	3,960	1,286		3,660	4,946	986										
	Rural	150	675	8,149	8,974	150	2,530	8,149	10,829			1,855								
	Total	450	675	11,809	12,934	1,436	2,530	11,809	15,775	986		1,855								
Lemery	Urban			2,168	2,168			2,168	2,168											
	Rural		200	14,667	14,867		200	14,667	14,867											
	Total		200	16,835	17,035		200	16,835	17,035											
Leon	Urban	1,758		1,808	3,566	2,515		1,808	4,323	757										
	Rural	1,350	1,350	23,774	26,474	1,350	1,350	29,948	32,648											
	Total	3,108	1,350	25,582	30,040	3,865	1,350	31,756	36,971	757										
Maasin	Urban	585		1,596	2,181	1,024		1,596	2,620	439										
	Rural	730	25	15,236	15,991	730	25	18,896	19,651											
	Total	1,315	25	16,832	18,172	1,754	25	20,492	22,271	439										
Miaogao	Urban	2,112		2,597	4,709	3,226		2,597	5,823	1,114										
	Rural		875	25,826	26,701	47,594		875	32,000											
	Total	2,112	875	28,423	31,410	56,130	3,226	875	34,597	38,698	1,114									
Mina	Urban			1,404	1,404	2,527		1,404	1,734	330										
	Rural			8,605	8,605	16,089		8,605	10,692											
	Total			10,009	10,009	18,616	330	10,009	12,096	330										
New Lucena	Urban			1,678	1,678	2,722		1,678	2,033	355										
	Rural	270		9,984	10,254	14,940		9,984	10,254											
	Total	270		11,662	11,932	17,662	625	11,662	12,287	355										
Oton	Urban	2,625		21,787	24,412	11,398		21,787	33,685	9,273										
	Rural			21,787	24,412	71,032		21,787	33,685	9,273										
	Total	2,625		43,204	48,824	82,430	11,398	43,204	67,370	18,546										
Passi City	Urban	8,550	75		8,625	9,317		8,550	8,625											
	Rural	2,466	125	37,129	39,720	57,343		37,129	39,720											
	Total	11,016	200	74,258	78,940	114,660		74,258	78,940											
Pavia	Urban	5,845		1,957	7,802	5,845		1,957	7,802											
	Rural	7,964	1,025	9,626	18,615	25,469		9,626	18,615											
	Total	13,809	1,025	11,583	26,417	35,577		11,583	26,417											
Pototan	Urban	6,360		7,916	14,276	6,360		7,916	14,276											
	Rural	435	100	27,968	28,503	46,095		27,968	34,483											
	Total	6,795	100	35,884	42,779	64,521	6,795	35,884	48,759											

Table 8.5.2 Population to be Served in Phase I (Water Supply) (Cont'd)

Name of Municipality/City	Area	Population Served in the Base Year			Phase I Coverage (2005)															
		Level III	Level II	Level I	Total	Service Coverage			Additional Population to be Served											
						Level III	Level II	Level I	Total	Level III	Level II	Level I	Total							
San Dionisio	Urban	2,754		767	3,521	5,258	3,440	767	4,207	686										
	Rural		1,925	9,253	11,178	24,380		2,448	11,893	14,341		523	2,640	3,163						
	Total	2,754	1,925	10,020	14,699	29,638	3,440	2,448	12,660	18,548	686	523	2,640	3,849						
San Enrique	Urban			1,243	1,243	2,292	299	1,243	1,542	299										
	Rural			13,918	13,918	26,533		17,360	17,360				3,442	3,442						
	Total			15,161	15,161	28,825	299	18,603	18,902	299			3,442	3,741						
San Joaquin	Urban	1,303		1,960	3,263	5,368	2,004	1,960	3,964	701										
	Rural	2,422	6,695	13,822	22,939	52,163	2,422	7,825	19,459	29,706		1,130	5,637	6,767						
	Total	3,725	6,695	15,782	26,202	57,531	4,426	7,825	21,419	33,670	701	1,130	5,637	7,468						
San Miguel	Urban	815		12,753	13,568	15,599	815	12,753	13,568											
	Rural		425	5,661	6,086	6,999		425	5,661	6,086										
	Total	815	425	18,414	19,654	22,598	815	18,414	19,654											
San Rafael	Urban			2,782	2,782	3,580		2,782	2,782											
	Rural			6,989	6,989	10,909		8,404	8,404				1,415	1,415						
	Total			9,771	9,771	14,489		11,186	11,186				1,415	1,415						
Santa Barbara	Urban	1,130		5,240	6,370	8,853	1,130	5,240	6,370											
	Rural	1,315	150	26,017	27,482	37,784	1,315	150	26,017	27,482										
	Total	2,445	150	31,257	33,852	46,637	2,445	150	31,257	33,852										
Sara	Urban	582		2,792	3,374	4,281	582	2,792	3,374											
	Rural	434	1,400	33,213	35,047	40,781	434	1,400	33,213	35,047										
	Total	1,016	1,400	36,005	38,421	45,062	1,016	1,400	36,005	38,421										
Tigbauan	Urban			5,618	5,618	9,521	1,243	5,618	6,861	1,243										
	Rural		1,625	16,616	18,241	47,660		1,625	22,799	24,424			6,183	6,183						
	Total		1,625	22,234	23,859	57,181	1,243	1,625	28,417	31,285	1,243		6,183	7,426						
Tubungan	Urban		125	1,001	1,126	1,790	234	125	1,001	1,360	234									
	Rural		1,300	12,981	14,281	24,199		1,300	16,120	17,420										
	Total		1,425	13,982	15,407	25,989	234	1,425	17,121	18,780	234									
Zarraga	Urban			2,093	2,093	3,854	503	2,093	2,093											
	Rural			10,615	10,615	19,753		13,177	13,177											
	Total			12,708	12,708	23,607	503	15,270	15,773	503										
Provincial Total	Urban	63,946	650	149,224	213,820	350,408	95,413	650	149,224	245,286	31,467									
	Rural	42,737	31,230	657,183	731,150	1,320,646	42,737	40,454	775,231	858,420		9,224	118,048	127,270						
	Total	106,683	31,880	806,407	944,970	1,671,054	138,150	41,104	924,455	1,103,706	31,467	9,224	118,048	158,736						

Note: Total may not add-up due to rounding-off.

Table 8.5.3 Population to be Served in Phase II (Water Supply)

Name of Municipality/City	Population Served in 2005				Phase II Coverage (2010)									
	Area			Total	Service Coverage			Additional Population to be Served			Total			
	Level III	Level II	Level I		Level III	Level II	Level I	Total	Level III	Level II		Level I		
Total Population	Level III	Level II	Level I	Total	Level III	Level II	Level I	Total	Level III	Level II	Level I	Total		
Ajuy	Urban	2,890			2,890	3,491	3,316		3,316	426			426	
	Rural	4,490	2,300	17,788	24,578	39,926	4,490	2,300	30,341	37,131			12,553	
	Total	7,380	2,300	17,788	27,468	43,417	7,806	2,300	30,341	40,447	426		12,553	
Alimodian	Urban	4,249		1,926	6,175	8,190	7,781		7,781	3,532			3,532	
	Rural		5,751	14,068	19,819	29,259		5,751	21,460	27,211			7,392	
	Total	4,249	5,751	15,994	25,994	37,449	7,781	5,751	21,460	34,992	3,532		7,392	
Anilao	Urban	1,368		152	1,520	2,220	2,109		2,109	741			741	
	Rural	330		11,177	11,507	23,956	330		21,949	22,279			10,772	
	Total	1,698		11,329	13,027	26,176	2,439		21,949	24,388	741		10,772	
Badiangan	Urban	490		991	1,481	2,015	1,914		1,914	1,424			1,424	
	Rural		250	20,771	21,021	24,663		250	22,687	22,937			1,916	
	Total	490	250	21,762	22,502	26,678	1,914	250	22,687	24,851	1,424		1,916	
Balasan	Urban	515		2,512	3,027	3,972	3,773		3,773	3,258			3,258	
	Rural			17,079	17,079	23,869			22,198	22,198			5,119	
	Total	515		19,591	20,106	27,841	3,773		22,198	25,971	3,258		5,119	
Banate	Urban			1,214	1,214	1,807	1,717		1,717	1,717			1,717	
	Rural			18,057	18,057	31,130			28,951	28,951			10,894	
	Total			19,271	19,271	32,937	1,717		28,951	30,668	1,717		10,894	
Barotac Nuevo	Urban	2,010		1,727	3,737	4,151	3,943		3,943	1,933			1,933	
	Rural	4,210		33,544	37,754	43,463	4,210		36,211	40,421			2,667	
	Total	6,220		35,271	41,491	47,614	8,153		36,211	44,364	1,933		2,667	
Barotac Viejo	Urban	580		2,026	2,606	4,795	4,555		4,555	3,975			3,975	
	Rural	2,880	1,575	20,277	24,732	38,925	2,880	1,575	31,745	36,200			11,468	
	Total	3,460	1,575	22,303	27,338	43,720	7,435	1,575	31,745	40,755	3,975		15,443	
Batad	Urban	780		74	854	1,367	1,299		1,299	519			519	
	Rural		1,625	10,477	12,102	18,404		1,625	15,491	17,116			5,014	
	Total	780	1,700	10,551	13,031	19,771	1,299	1,625	15,491	18,415	519		5,014	
Bingawan	Urban			3,094	3,094	4,123	3,917		3,917	3,917			3,917	
	Rural			4,275	4,275	10,106			9,399	9,399			5,124	
	Total			7,369	7,369	14,229	3,917		9,399	13,316	3,917		5,124	
Cabatuan	Urban	8,690	375	29,974	39,039	49,757	47,269		47,269	38,579			38,579	
	Rural			29,974	29,974	49,757	47,269		47,269	38,579			38,579	
	Total	8,690	375	29,974	39,039	49,757	47,269		47,269	38,579			38,579	
Calinog	Urban	2,543		1,202	3,745	6,469	6,146		6,146	3,603			3,603	
	Rural	150		20,176	20,326	57,243	150		53,086	53,236			32,910	
	Total	2,693		21,378	24,071	63,712	6,296		53,086	59,382	3,603		32,910	

Table 8.5.3 Population to be Served in Phase II (Water Supply) (Cont'd)

Name of Municipality/City	Area	Population Served in 2005				Phase II Coverage (2010)										
		Population Served in 2005			Total Population	Service Coverage			Additional Population to be Served							
		Level III	Level II	Level I		Total	Level III	Level II	Level I	Total	Level III	Level II	Level I	Total		
Carles	Urban	355		909	1,264	2,921	2,775			2,775	2,420					2,420
	Rural		4,565	16,621	21,186	60,091		4,565	51,320	55,885						34,699
	Total	355	4,565	17,530	22,450	63,012	2,775	4,565	51,320	58,660	2,420					34,699
Concepcion	Urban	654		2,154	2,808	5,999	5,699			5,699	5,045					5,045
	Rural		185	16,540	16,725	33,338		185	30,819	31,004						14,279
	Total	654	185	18,694	19,533	39,337	5,699	185	30,819	36,703	5,045					14,279
Dingle	Urban	1,960		2,770	4,730	6,457	6,134			6,134	4,174					4,174
	Rural	6,758	1,400	18,737	26,895	33,253	6,758	1,400	22,767	30,925						4,030
	Total	8,718	1,400	21,507	31,625	39,710	12,892	1,400	22,767	37,059	4,174					4,030
Dueñas	Urban	1,950		2,128	4,078	5,844	5,552			5,552	3,602					3,602
	Rural			20,120	20,120	27,050			25,157	25,157						5,037
	Total	1,950		22,248	24,198	32,894	5,552		25,157	30,709	3,602					5,037
Dumangas	Urban	1,428		184	1,612	2,038	1,936			1,936	508					508
	Rural	6,215	175	23,505	29,895	57,143	6,215	175	46,753	53,143						23,248
	Total	7,643	175	23,689	31,507	59,181	8,151	175	46,753	55,079	508					23,248
Estancia	Urban	4,540		2,616	7,156	10,766	10,228			10,228	5,688					5,688
	Rural			16,745	16,745	35,392			33,101	33,101						16,356
	Total	4,540		19,361	23,901	46,358	10,228		33,101	43,329	5,688					16,356
Guimbal	Urban	3,708		2,399	6,107	9,543	9,066			9,066	5,358					5,358
	Rural			17,068	17,343	28,068			275	25,828	26,103					8,760
	Total	3,708		19,467	23,450	37,611	9,066		275	25,828	35,169					8,760
Igbaras	Urban	747		3,165	3,912	6,275	5,961			5,961	5,214					5,214
	Rural			13,155	14,105	23,432			950	20,842	21,792					7,687
	Total	747		16,320	18,017	29,707	5,961		950	20,842	27,753					7,687
Januay	Urban	3,658		3,926	7,584	10,086	9,582			9,582	5,924					5,924
	Rural	168		33,317	33,485	52,191	168		48,370	48,538						15,053
	Total	3,826		37,243	41,069	62,277	9,750		48,370	58,120	5,924					15,053
Lambunao	Urban	659		1,261	1,920	5,398	5,128			5,128	4,469					4,469
	Rural			32,592	32,592	69,049			64,216	64,216						31,624
	Total	659		33,853	34,512	74,447	5,128		64,216	69,344	4,469					31,624
Leganes	Urban	1,286		3,660	4,946	8,164	7,756			7,756	6,470					6,470
	Rural	150		8,149	10,829	15,455	150		2,530	11,693	14,373					3,544
	Total	1,436		11,809	15,775	23,619	7,906		2,530	11,693	22,129					3,544
Lemery	Urban			2,168	2,168	3,396	3,226			3,226	3,226					3,226
	Rural			200	14,667	22,537			200	20,759	20,959					6,092
	Total			2,368	16,835	25,933	3,226		200	20,759	24,185					6,092

Table 8.5.3 Population to be Served in Phase II (Water Supply) (Cont'd)

Name of Municipality/City	Area	Population Served in 2005				Phase II Coverage (2010)										
		Population Served in 2005			Total Population	Service Coverage			Additional Population to be Served							
		Level III	Level II	Level I		Total	Level III	Level II	Level I	Total	Level III	Level II	Level I	Total		
Leon	Urban	2,515		1,808	4,323	6,143	5,836						3,321			3,321
	Rural	1,350	1,350	29,948	32,648	50,906	1,350	1,350	44,643	47,343				14,695		14,695
	Total	3,865	1,350	31,756	36,971	57,049	7,186	1,350	44,643	53,179	3,321			14,695		18,016
Maasin	Urban	1,024		1,596	2,620	3,408	3,238						2,214			2,214
	Rural	730	25	18,896	19,651	28,395	730	25	25,652	26,407				6,756		6,756
	Total	1,754	25	20,492	22,271	31,803	3,968	25	25,652	29,645	2,214			6,756		8,970
Migao	Urban	3,226		2,597	5,823	9,079	8,625						5,399			5,399
	Rural		875	32,000	32,875	48,337		875	44,078	44,953			12,078			12,078
	Total	3,226	875	34,597	38,698	57,416	8,625	875	44,078	53,578	5,399			12,078		17,477
Mina	Urban	330		1,404	1,734	2,843	2,701						2,371			2,371
	Rural			10,692	10,692	17,228			16,022	16,022				5,330		5,330
	Total	330		12,096	12,426	20,071	2,701		16,022	18,723	2,371			5,330		7,701
New Lucena	Urban	355		1,678	2,033	2,941	2,794						2,439			2,439
	Rural	270		9,984	10,254	15,703	270		14,334	14,604			4,350			4,350
	Total	625		11,662	12,287	18,644	3,064		14,334	17,398	2,439			4,350		6,789
Oton	Urban	11,898		21,787	33,685	77,497	73,622						61,724			61,724
	Rural															
	Total	11,898		21,787	33,685	77,497	73,622						61,724			61,724
Passi City	Urban	8,550	75		8,625	10,084	9,580						1,030			1,030
	Rural	2,466	125	37,129	39,720	60,034	2,466	125	53,241	55,832			16,112			16,112
	Total	11,016	200	37,129	48,345	70,118	12,046	125	53,241	65,412	1,030			16,112		17,142
Pavia	Urban	5,945		1,957	7,802	11,437	10,865						5,020			5,020
	Rural	7,964	1,025	9,626	18,615	28,815	7,964	1,025	17,809	26,798			8,183			8,183
	Total	13,809	1,025	11,583	26,417	40,252	18,829	1,025	17,809	37,663	5,020			8,183		13,203
Pototan	Urban	6,360		7,916	14,276	19,495	18,520						12,160			12,160
	Rural	435	100	33,948	34,483	48,769	435	100	44,820	45,355			10,872			10,872
	Total	6,795	100	41,864	48,759	68,264	18,955	100	44,820	63,875	12,160			10,872		23,032
San Dionisio	Urban	3,440		767	4,207	6,389	6,070						2,630			2,630
	Rural		2,448	11,893	14,341	25,288		2,448	21,070	23,518			9,177			9,177
	Total	3,440	2,448	12,660	18,548	31,677	6,070	2,448	21,070	29,588	2,630			9,177		11,807
San Enrique	Urban	299		1,243	1,542	2,360	2,242						1,943			1,943
	Rural			17,360	17,360	28,441			26,450	26,450			9,090			9,090
	Total	299		18,603	18,902	30,801	2,242		26,450	28,692	1,943			9,090		11,033
San Joaquin	Urban	2,004		1,960	3,964	5,745	5,458						3,454			3,454
	Rural	2,422	7,825	19,459	29,706	55,484	2,422	7,825	41,353	51,600			21,894			21,894
	Total	4,426	7,825	21,419	33,670	61,229	7,880	7,825	41,353	57,058	3,454			21,894		25,348

Table 8.5.3 Population to be Served in Phase II (Water Supply) (Cont'd)

Name of Municipality/City	Area	Population Served in 2005				Phase II Coverage (2010)								
		Total Population				Service Coverage				Additional Population to be Served				
		Level III	Level II	Level I	Total	Level III	Level II	Level I	Total	Level III	Level II	Level I	Total	
San Miguel	Urban	815		12,753	13,568	16,729				16,729	15,914			15,914
	Rural		425	5,661	6,086		425	6,924	7,349			1,263		1,263
	Total	815	425	18,414	19,654	16,729	425	6,924	24,078	16,729	15,914	1,263		17,177
San Rafael	Urban			2,782	2,782	3,529				3,529	3,529			3,529
	Rural			8,404	8,404	12,850				11,951	11,951			3,547
	Total			11,186	11,186	16,565				11,951	15,480			7,076
Santa Barbara	Urban	1,130		5,240	6,370	8,746				8,746	7,616			7,616
	Rural	1,315	150	26,017	27,482	41,965	150	37,562	39,027			11,545		11,545
	Total	2,445	150	31,257	33,852	51,171	150	37,562	47,773	41,05	3,523			19,161
Sara	Urban	582		2,792	3,374	4,321				4,105				3,523
	Rural	434	1,400	33,213	35,047	46,789	434	41,680	43,514			8,467		8,467
	Total	1,016	1,400	36,005	38,421	51,110	1,400	41,680	47,619	3,523	8,695			11,990
Tigbauan	Urban	1,243		5,618	6,861	10,461				9,938				8,695
	Rural			22,799	24,424	54,796				1,625	49,335			26,536
	Total	1,243		28,417	31,285	65,257				1,625	49,335			35,231
Tubungan	Urban	234		1,001	1,360	2,042				1,940	1,706			1,706
	Rural			16,120	17,420	26,922				1,300	23,737			7,617
	Total	234		17,121	18,780	28,964				1,300	23,737			9,323
Zamaga	Urban	503		2,093	2,596	4,224				4,013	4,013			3,510
	Rural			13,177	13,177	22,829				21,231	21,231			8,054
	Total	503		15,270	15,773	27,053				21,231	25,244			11,564
Provincial Total	Urban	95,413	650	1,49,224	2,45,287	3,78,243	359,333			359,333	263,920			263,920
	Rural	42,737	40,454	775,231	858,422	1,419,596	42,737	40,454	1,237,035	1,320,226				461,804
	Total	138,150	41,104	924,455	1,103,709	1,797,839	402,070	40,454	1,237,035	1,679,559	263,920			725,724

8.5.2 Sanitation

Table 8.5.4 Additional Number of Households to be Served in Phase I (Household Toilets)

Name of Municipality/City	No. of Household Served in the Based Year				Phase I Coverage (2005)									
	No. of Household Served in the Based Year			Total No. of HHs	Household Coverage			Additional No. of HHs to be Served						
	Flush	Pour Flush	VIP/Dry		Flush	Pour Flush	VIP/Dry	Total	Flush	Pour Flush	VIP/Dry			
Ajuy	Urban	10	353	26	389	617	86	459	29	574	76	106	3	185
	Rural		2,194	1,565	3,759	7,293	547	4,376	547	5,470	547	1,164		1,711
	Total	10	2,547	1,591	4,148	7,910	633	4,835	576	6,044	623	1,270	3	1,896
Alimodian	Urban	56	1,180		1,236	1,545	216	1,221		1,437	160	41		201
	Rural	373	2,340	607	3,320	4,967	373	2,980	372	3,725		405		405
	Total	429	3,520	607	4,556	6,512	589	4,201	372	5,162	160	446		606
Anilao	Urban	19	142		161	391	55	291	18	364	36	149	18	203
	Rural		922		922	4,179	313	2,507	314	3,134	313	1,585	314	2,212
	Total	19	1,064		1,083	4,570	368	2,798	332	3,498	349	1,734	332	2,415
Badiangan	Urban	38	262		300	356	50	265	16	331	12	3	16	31
	Rural	23	1,810	1,320	3,153	4,628	347	2,777	347	3,471	318			318
	Total	61	2,072	1,320	3,453	4,984	397	3,042	363	3,802	330	3	16	349
Balasan	Urban	40	337	155	532	760	106	566	35	707	66	109		175
	Rural	25	495	335	855	4,376	328	2,626	328	3,282	303	2,124		2,427
	Total	65	832	490	1,387	5,136	434	3,192	363	3,989	369	2,233		2,602
Banate	Urban		166		166	324		241	60	301		75	60	135
	Rural		1,672		1,672	5,247		3,148	787	3,935		1,476	787	2,263
	Total		1,838		1,838	5,571		3,389	847	4,236		1,551	847	2,398
Barotac Nuevo	Urban	219	409		628	780	219	506		725		97		97
	Rural	183	4,060	115	4,358	7,939	595	4,763	596	5,954	412	703	481	1,596
	Total	402	4,469	115	4,986	8,719	814	5,269	596	6,679	412	800	481	1,693
Barotac Viejo	Urban	8	118	471	597	851	119	633	39	791	111	83		194
	Rural	2	291	1,278	1,571	6,496	487	3,898	487	4,872	485	2,816		3,301
	Total	10	409	1,749	2,168	7,347	606	4,531	526	5,663	596	2,899		3,495
Batud	Urban	26	22	27	75	281	39	209	13	261	13	173		186
	Rural	60	634	1,118	1,812	3,296	247	1,978	247	2,472	187	473		660
	Total	86	656	1,145	1,887	3,577	286	2,187	260	2,733	200	646		846
Bingawan	Urban	28	603		631	780	28	697		725		94		94
	Rural		1,038		1,038	1,913		1,148	287	1,435		110	287	397
	Total	28	1,641		1,669	2,693	28	1,845	287	2,160		204	287	491
Cabatuan	Urban		3,326	4,013	7,339	8,960	1,250	6,666	417	8,333	994			994
	Rural													
	Total		3,326	4,013	7,339	8,960	1,250	6,666	417	8,333	994			994
Callinog	Urban	194	244	438	876	1,145	194	852	19	1,065		189		189
	Rural	1,645	2,791	768	5,204	9,862	1,645	7,397		7,397		2,193		2,193
	Total	1,839	3,035	1,206	6,080	11,007	1,839	6,604	19	8,462		2,382		2,382

Table 8.5.4 Additional Number of Households to be Served in Phase I (Household Toilets) (Cont'd)

Name of Municipality/City	Area	No. of Household Served in the Based Year				Phase I Coverage (2005)									
		Total		Total No. of HHs		Household Coverage				Additional No. of HHs to be Served					
		Flush	VIP/Dry	Flush	Total	Flush	Pour Flush	VIP/Dry	Total	Flush	Pour Flush	VIP/Dry	Total		
Carles	Urban	3	264	537	267	75	399	25	499	72	135	25	232		
	Rural	1	3,369	10,157	3,370	355	6,094	1,169	7,618	354	2,725	1,169	4,248		
	Total	4	3,633	10,694	3,637	430	6,493	1,194	8,117	426	2,860	1,194	4,480		
Concepcion	Urban		671	899	671	125	711		836	125	40		165		
	Rural		1,693	5,914	1,693	444	3,549	443	4,436	444	1,856	443	2,743		
	Total		2,364	6,813	2,364	569	4,260	443	5,272	569	1,896	443	2,908		
Dingle	Urban	59	1,130	1,249	1,189	59	1,130		1,189						
	Rural		5,255	6,159	5,255		5,255		5,255						
	Total	59	6,385	7,408	6,444	59	6,385		6,444						
Duehas	Urban	40	537	998	826	139	742	47	928	99	3		102		
	Rural	4	1,296	4,966	2,751	373	2,980	372	3,725	369	605		974		
	Total	44	1,833	5,964	3,577	512	3,722	419	4,653	468	608		1,076		
Dumangas	Urban	22	330	409	352	57	323		380	28			28		
	Rural	8	6,341	10,580	6,349	794	6,348	793	7,935	786	7		793		
	Total	30	6,671	10,989	6,701	851	6,671	793	8,315	814	7		793		
Estancia	Urban	193	534	249	976	257	1,368	85	1,710	64	670		734		
	Rural	148	1,965	6,048	2,715	454	3,629	453	4,536	306	1,515		1,821		
	Total	341	2,499	7,887	3,691	711	4,997	538	6,246	370	2,185		2,555		
Guimbal	Urban	49	1,142	56	1,247	218	1,163	73	1,454	169	21		207		
	Rural	68	3,084	4,727	3,539	355	3,190		3,545	6			6		
	Total	117	4,226	6,290	4,786	573	4,353	73	4,999	175	21		213		
Igbaras	Urban		1,002	1,002	1,002	156	887		1,043	41			41		
	Rural		2,319	4,578	2,319	343	2,747	344	3,434	343	428		344		
	Total		3,321	5,700	3,321	499	3,634	344	4,477	384	428		344		
Januay	Urban	83	1,598	1,884	1,681	263	1,489		1,752	71			71		
	Rural		3,199	9,167	7,042	319	3,843	3,843	7,042						
	Total	83	4,797	11,051	8,723	263	4,688	3,843	8,794	71			71		
Lambunao	Urban		745	893	745	125	705		830	85			85		
	Rural		7,655	11,439	8,455	659	7,920		8,579	124			124		
	Total		8,400	12,332	9,200	784	8,625		9,409	209			209		
Leganes	Urban	285	804	1,469	1,270	285	1,081		1,366		96		96		
	Rural	42	1,635	2,662	2,030	42	1,635	353	2,030				96		
	Total	327	2,439	4,131	3,300	327	2,716	353	3,396				96		
Lemery	Urban	18	298	444	444	64	477	101	596				152		
	Rural	41	530	4,209	2,450	41	2,526	590	3,157				707		
	Total	59	828	4,850	2,894	59	3,003	691	3,753				859		

Table 8.5.4 Additional Number of Households to be Served in Phase I (Household Toilets) (Cont'd)

Name of Municipality/City	Area	No. of Household Served in the Based Year				Phase I Coverage (2005)									
		Flush	Pour Flush	VIP/Dry	Total	Total No. of HHs	Household Coverage			Additional No. of HHs to be Served					
							Flush	Pour Flush	VIP/Dry	Total	Flush	Pour Flush	VIP/Dry		
Leon	Urban	39	839	14	892	1,087	152	859	1,011	113	6	119			
	Rural	28	4,286	58	4,372	8,468	635	5,081	635	607	795	1,979			
	Total	67	5,125	72	5,264	9,555	787	5,940	635	720	801	2,098			
Maasin	Urban		540		540	567		540							
	Rural	184	1,582	1,765	3,531	4,807	361	2,884	360	74		74			
	Total	184	2,122	1,765	4,071	5,374	361	3,424	360	74		74			
Miagao	Urban		1,303		1,303	1,549	216	1,225		138		138			
	Rural		6,015		6,015	9,188	689	6,202		689	187	876			
	Total		7,318		7,318	10,737	905	7,427		8,332	187	1,014			
Mina	Urban	1	358		359	471	66	372		438	65	79			
	Rural		1,683		1,683	2,952	221	1,771	222	2,214	221	88			
	Total	1	2,041		2,042	3,423	287	2,143	222	2,652	286	102			
New Lucena	Urban		400		400	532	74	421		495	74	21			
	Rural		2,242		2,242	2,819		2,242		2,242					
	Total		2,642		2,642	3,351	74	2,663		2,737	74	21			
Oton	Urban	17	10,001		10,018	13,608	1,898	10,124	633	12,655	1,881	123			
	Rural														
	Total	17	10,001		10,018	13,608	1,898	10,124	633	12,655	1,881	123			
Passi City	Urban	11	1,264		1,275	1,751	244	1,302	82	1,628	233	38			
	Rural	6	3,957		3,963	10,860	815	6,516	814	815	809	814			
	Total	17	5,221		5,238	12,611	1,059	7,818	896	9,773	1,042	896			
Pavia	Urban	513	585	278	1,376	1,900	513	1,254		1,767		391			
	Rural	634	2,073	1,017	3,724	4,907	634	2,073	1,017	3,724					
	Total	1,147	2,658	1,295	5,100	6,807	1,147	3,327	1,017	5,491		391			
Pototan	Urban	269	1,991	730	2,990	3,419	477	2,544	159	3,180	190	190			
	Rural	689	2,626	2,724	6,039	8,797	689	5,278	631	6,598	559	559			
	Total	958	4,617	3,454	9,029	12,216	1,166	7,822	790	9,778	190	559			
San Dionisio	Urban	17	204	22	243	1,027	143	704	48	955	126	26			
	Rural	27	738	897	1,662	4,662	350	2,798	349	3,497	323	1,835			
	Total	44	942	919	1,905	5,689	493	3,502	397	4,452	449	2,072			
San Enrique	Urban	145	223		368	429	145	254		399	31	31			
	Rural	363	980	725	2,068	4,987	363	2,992	385	3,740	1,672	1,672			
	Total	508	1,203	725	2,436	5,416	508	3,246	385	4,139	1,703	1,703			
San Joaquin	Urban	52	602	10	664	972	136	723	45	904	84	35			
	Rural	54	4,156	43	4,253	9,232	692	5,539	693	6,924	638	650			
	Total	106	4,758	53	4,917	10,204	828	6,262	738	7,828	722	685			

Table 8.5.4 Additional Number of Households to be Served in Phase I (Household Toilets) (Cont'd)

Name of Municipality/City	Area	No. of Household Served in the Based Year				Phase I Coverage (2005)									
		Flush	Pour Flush	VIP/Dry	Total	Total No. of HHs	Household Coverage			Additional No. of HHs to be Served					
							Flush	Pour Flush	VIP/Dry	Total	Flush	Pour Flush	VIP/Dry		
San Miguel	Urban		2,422		2,422	2,988	417	2,362			2,779	357			357
	Rural		1,042		1,042	1,367		1,042			1,042				
	Total		3,464		3,464	4,355	417	3,404			3,821	357			357
San Rafael	Urban		251		251	685		510	127		637		259	127	386
	Rural		467		467	1,955		1,173	293		1,466		706	293	999
	Total		718		718	2,640		1,683	420		2,103		965	420	1,385
Santa Barbara	Urban	882	521		1,403	1,683	882	683			1,565		162		162
	Rural	2,238	2,215	611	5,064	7,365	2,238	3,286			5,524		460		460
	Total	3,120	2,736	611	6,467	9,048	3,120	3,969			7,089		622		622
Sara	Urban	2	337	137	476	846	118	630	39		787	116	195		311
	Rural		1,647	2,067	3,714	7,965	582	4,779	613		5,974	582	1,678		2,260
	Total	2	1,984	2,204	4,190	8,811	700	5,409	652		6,761	698	1,873		2,571
Tigbauan	Urban	135	1,218		1,353	1,712	239	1,274	79		1,592	104	56	79	239
	Rural	160	5,186		5,346	8,942	671	5,366	670		6,707	511	180	670	1,361
	Total	295	6,404		6,699	10,654	910	6,640	749		8,299	615	236	749	1,600
Tubungan	Urban	55	208	3	266	341	55	254	8		317		46	5	51
	Rural		2,254	820	3,074	4,392	234	2,635	425		3,294	220			220
	Total	55	2,462	823	3,340	4,733	289	2,889	433		3,611	220	46	5	271
Zarraga	Urban	152	368	38	558	743	152	539			691		133		133
	Rural	41	1,818	945	2,804	3,651	41	1,818	945		2,804				
	Total	193	2,186	983	3,362	4,394	193	2,357	945		3,495		133		133
Provincial Total	Urban	3,680	39,852	7,225	50,757	66,603	10,066	49,715	2,197		61,978	5,703	4,392	1,126	11,221
	Rural	7,047	101,555	28,093	136,695	248,118	17,957	148,500	20,724		187,181	9,971	32,671	7,844	50,486
	Total	10,727	141,407	35,318	187,452	314,721	28,023	198,215	22,921		249,159	15,674	37,063	8,970	61,707

Table 8.5.5 Additional Number of Households to be Served in Phase II (Household Toilets)

Name of Municipality/City	Area	No. households Served in 2005					Phase II Coverage (2010)							
		Pour Flush		VIP/Dry	Total	Total No. of HHs	Household Coverage			Additional No. of HHs to be Served				
		Flush			Flush		Pour Flush	VIP/Dry	Total	Flush	Pour Flush	VIP/Dry	Total	
Ajuy	Urban	86	459	29	574	873	406	377	29	812	320			320
	Rural	547	4,376	547	5,470	9,982	1,392	7,344	547	9,283	845	2,968		3,813
	Total	633	4,835	576	6,044	10,855	1,798	7,721	576	10,095	1,165	2,968		4,133
Alimodian	Urban	216	1,221		1,437	2,048	953	952		1,905	737			737
	Rural	373	2,980	372	3,725	7,315	373	6,058	372	6,803	737	3,078		3,078
	Total	589	4,201	372	5,162	9,363	1,326	7,010	372	8,708	737	3,078		3,815
Anilao	Urban	55	291	18	364	555	258	240	18	516	203			203
	Rural	313	2,507	314	3,134	5,989	330	4,926	314	5,570	17	2,419		2,436
	Total	368	2,798	332	3,498	6,544	588	5,166	332	6,086	220	2,419		2,639
Badiangan	Urban	50	265	16	331	504	235	218	16	469	185			185
	Rural	347	2,777	347	3,471	6,166	347	5,040	347	5,734	226	2,263		2,263
	Total	397	3,042	363	3,802	6,670	582	5,258	363	6,203	185	2,263		2,448
Balasan	Urban	106	566	35	707	993	462	426	35	923	356			356
	Rural	328	2,626	328	3,282	5,967	328	4,893	328	5,549	226	2,267		2,267
	Total	434	3,192	363	3,989	6,960	790	5,319	363	6,472	582	2,267		2,623
Banate	Urban		241	60	301	452	210	150	60	420	210			210
	Rural		3,148	787	3,935	7,783	6,451	787	7,238	210	3,303			3,303
	Total		3,389	847	4,236	8,235	210	6,601	847	7,658	210	3,303		3,513
Barotac Nuevo	Urban	219	506		725	1,038	483	482		965	264			264
	Rural	595	4,763	596	5,954	10,866	1,516	7,993	596	10,105	921	3,230		4,151
	Total	814	5,269	596	6,679	11,904	1,999	8,475	596	11,070	1,185	3,230		4,415
Barotac Viejo	Urban	119	633	39	791	1,199	558	518	39	1,115	439			439
	Rural	487	3,898	487	4,872	9,731	1,358	7,205	487	9,050	871	3,307		4,178
	Total	606	4,531	526	5,663	10,930	1,916	7,723	526	10,165	1,310	3,307		4,617
Batad	Urban	39	209	13	261	342	159	146	13	318	120			120
	Rural	247	1,978	247	2,472	4,601	247	3,785	247	4,279	120	1,807		1,807
	Total	286	2,187	260	2,733	4,943	406	3,931	260	4,597	120	1,807		1,927
Bingawan	Urban	25	697		725	1,031	480	479		959	452			452
	Rural		1,148	287	1,435	2,527		2,063	287	2,350	915			915
	Total	28	1,845	287	2,160	3,558	480	2,542	287	3,309	452	915		1,367
Cabanuan	Urban	1,250	6,666	417	8,333	12,439	5,784	5,367	417	11,568	4,534			4,534
	Rural													
	Total	1,250	6,666	417	8,333	12,439	5,784	5,367	417	11,568	4,534			4,534
Calinog	Urban	194	852	19	1,065	1,617	752	733	19	1,504	558			558
	Rural	1,645	5,752		7,397	14,311	150	13,159		13,309	7,407			7,407
	Total	1,839	6,604	19	8,462	15,928	902	13,892	19	14,813	558	7,407		7,965

Table 8.5.5 Additional Number of Households to be Served in Phase II (Household Toilets) (Cont'd)

Name of Municipality/City	Area	No. households Served in 2005				Phase II Coverage (2010)											
		No. households Served in 2005				Household Coverage				Additional No. of HHs to be Served							
		Flush	Pour Flush	VIP/Dry	Total	Total No. of HHs	Flush	Pour Flush	VIP/Dry	Total	Flush	Pour Flush	VIP/Dry	Total			
Carles	Urban	75	399	25	499	730	340	314	25	679	265			265			
	Rural	355	6,094	1,169	7,618	15,023	355	12,447	1,169	13,971		6,353		6,353			
	Total	430	6,493	1,194	8,117	15,753	695	12,761	1,194	14,650	265	6,353		6,618			
Concepcion	Urban	125	711		836	1,500	698	697		1,395	573			573			
	Rural	444	3,549	443	4,436	8,335	444	6,865	443	7,752		3,316		3,316			
	Total	569	4,260	443	5,272	9,835	1,142	7,562	443	9,147	573	3,316		3,889			
Dingle	Urban	59	1,130		1,189	1,614	751	750		1,501	692			692			
	Rural		5,255		5,255	8,313	1,160	6,571		7,731	1,160	1,316		2,476			
	Total	59	6,385		6,444	9,927	1,911	7,321		9,232	1,852	1,316		3,168			
Duehas	Urban	139	742	47	928	1,461	680	632	47	1,359	541			541			
	Rural	373	2,980	372	3,725	6,763	373	5,545	372	6,290		2,565		2,565			
	Total	512	3,722	419	4,653	8,224	1,053	6,177	419	7,649	541	2,565		3,106			
Dumangas	Urban	57	323		380	510	237	237		474	180			180			
	Rural	794	6,348	793	7,935	14,286	1,993	10,500	793	13,286	1,199	4,152		5,351			
	Total	851	6,671	793	8,315	14,796	2,230	10,737	793	13,760	1,379	4,152		5,531			
Estancia	Urban	257	1,368	85	1,710	2,692	1,252	1,167	85	2,504	995			995			
	Rural	454	3,629	453	4,536	8,898	454	7,368	453	8,275		3,739		3,739			
	Total	711	4,997	538	6,246	11,590	1,706	8,535	538	10,779	995	3,739		4,734			
Gumbal	Urban	218	1,163	73	1,454	2,386	1,110	1,036	73	2,219	892			892			
	Rural	355	3,190		3,545	7,017	355	6,171		6,526	2,981			2,981			
	Total	573	4,353	73	4,999	9,403	1,465	7,207	73	8,745	892	2,981		3,873			
Igbaras	Urban	156	887		1,043	1,569	730	729		1,459	574			574			
	Rural	343	2,747	344	3,434	5,838	343	4,761	344	5,448		2,014		2,014			
	Total	499	3,634	344	4,477	7,427	1,073	5,490	344	6,907	574	2,014		2,588			
Janauay	Urban	263	1,489		1,752	2,522	1,173	1,172		2,345	910			910			
	Rural		3,199	3,843	7,042	13,048	168	8,124	3,843	12,135	168	4,925		5,093			
	Total	263	4,688	3,843	8,794	15,570	1,341	9,296	3,843	14,480	1,078	4,925		6,003			
Lambunao	Urban	125	705		830	1,350	628	628		1,256	503			503			
	Rural	659	7,920		8,579	17,262	659	15,395		16,054	7475			7,475			
	Total	784	8,625		9,409	18,612	1,287	16,023		17,310	503	7,475		7,978			
Leganes	Urban	285	1,081		1,366	2,041	949	949		1,898	664			664			
	Rural	42	1,635	353	2,030	3,864	150	3,091	353	3,594	108	1,456		1,564			
	Total	327	2,716	353	3,396	5,905	1,099	4,040	353	5,492	772	1,456		2,228			
Lemery	Urban	18	477	101	596	849	395	294	101	790	377			377			
	Rural	41	2,526	590	3,157	5,634	41	4,609	590	5,240		2,083		2,083			
	Total	59	3,003	691	3,753	6,483	436	4,903	691	6,030	377	2,083		2,460			

Table 8.5.5 Additional Number of Households to be Served in Phase II (Household Toilets) (Cont'd)

Name of Municipality/City	Area	No. households Served in 2005				Phase II Coverage (2010)								
		Pour Flush		VIP/Dry	Total	Total No. of HHs		Household Coverage			Additional No. of HHs to be Served			
		Flush	Pour Flush	VIP/Dry	Total	Flush	Total	Flush	Pour Flush	VIP/Dry	Total	Flush	Pour Flush	VIP/Dry
Leon	Urban	152	859		1,011	1,536	714	714		1,428	562			562
	Rural	635	5,081	635	6,351	12,727	1,350	9,851	635	11,836	715	4,770		5,485
	Total	787	5,940	635	7,362	14,263	2,064	10,565	635	13,264	1,277	4,770		6,047
Maasin	Urban		540		540	852	396	396		792	396			396
	Rural	361	2,884	360	3,605	7,099	730	5,512	360	6,602	369	2,628		2,997
	Total	361	3,424	360	4,145	7,951	1,126	5,908	360	7,394	765	2,628		3,393
Miagao	Urban	216	1,225		1,441	2,270	1,056	1,055		2,111	840			840
	Rural	689	6,202		6,891	12,084	689	10,549		11,238	4,347			4,347
	Total	905	7,427		8,332	14,354	1,745	11,604		13,349	840	4,347		5,187
Mina	Urban	66	372		438	711	331	330		661	265			265
	Rural	221	1,771	222	2,214	4,307	221	3,563	222	4,006		1,792		1,792
	Total	287	2,143	222	2,652	5,018	552	3,893	222	4,667	265	1,792		2,057
New Lucena	Urban	74	421		495	735	342	342		684	268			268
	Rural		2,242		2,242	3,926	270	3,381		3,651	270	1,139		1,409
	Total	74	2,663		2,737	4,661	612	3,723		4,335	538	1,139		1,677
Oton	Urban	1,898	10,124	633	12,655	19,374	9,009	8,376	633	18,018	7,111			7,111
	Rural													
	Total	1,898	10,124	633	12,655	19,374	9,009	8,376	633	18,018	7,111			7,111
Passi City	Urban	244	1,302	82	1,628	2,521	1,173	1,090	82	2,345	929			929
	Rural	815	6,516	814	8,145	15,009	2,094	11,050	814	13,958	1,279	4,534		5,813
	Total	1,059	7,818	896	9,773	17,530	3,267	12,140	896	16,303	2,208	4,534		6,742
Pavia	Urban	513	1,254		1,767	2,859	1,330	1,329		2,659	817			817
	Rural	634	2,073	1,017	3,724	7,204	1,005	4,678	1,017	6,700	371	2,605		2,976
	Total	1,147	3,327	1,017	5,491	10,063	2,335	6,007	1,017	9,359	1,188	2,680		3,868
Pototan	Urban	477	2,544	159	3,180	4,874	2,267	2,107	159	4,533	1,790			1,790
	Rural	689	5,278	631	6,598	12,192	435	10,273	631	11,339		4,995		4,995
	Total	1,166	7,822	790	9,778	17,066	2,702	12,380	790	15,872	1,790	4,995		6,785
San Dionisio	Urban	143	764	48	955	1,597	743	694	48	1,485	600			600
	Rural	350	2,798	349	3,497	6,322	350	5,180	349	5,879		2,382		2,382
	Total	493	3,562	397	4,452	7,919	1,093	5,874	397	7,364	600	2,382		2,982
San Enrique	Urban	145	254		399	590	275	274		549	130			130
	Rural	363	2,992	385	3,740	7,110	363	5,864	385	6,612		2,872		2,872
	Total	508	3,246	385	4,139	7,700	638	6,138	385	7,161	130	2,892		3,022
San Joaquin	Urban	136	723	45	904	1,436	668	622	45	1,335	532			532
	Rural	692	5,539	693	6,924	13,871	1,935	10,272	693	12,900	1,243	4,733		5,976
	Total	828	6,262	738	7,828	15,307	2,603	10,894	738	14,235	1,775	4,733		6,508

Table 8.5.5 Additional Number of Households to be Served in Phase II (Household Toilets) (Cont'd)

Name of Municipality/City	Area	No. households Served in 2005					Phase II Coverage (2010)							
		Flush	Pour Flush	VIP/Dry	Total	Total No. of HHs	Household Coverage			Additional No. of HHs to be Served				
							Flush	Pour Flush	VIP/Dry	Total	Flush	Pour Flush	VIP/Dry	Total
San Miguel	Urban	417	2,362		2,779	4,402	2,047	2,047	2,047	4,094	1,630			1,630
	Rural		1,042		1,042	1,976	1,838	1,838	1,838	1,838		796		796
	Total	417	3,404		3,821	6,378	2,047	3,885	2,047	5,932	1,630	796		2,426
San Rafael	Urban		510	127	637	929	432	305	127	864	432			432
	Rural		1,173	293	1,466	3,213	2,695	293	2,988	2,988	1,522			1,522
	Total		1,683	420	2,103	4,142	432	3,000	420	3,852	432	1,522		1,954
Santa Barbara	Urban	882	683		1,565	2,302	1,071	1,070	2,141	1,89	387			576
	Rural	2,238	3,286		5,524	10,491	1,315	8,442	9,757	11,898	189	5,156		5,156
	Total	3,120	3,969		7,089	12,793	2,386	9,512	11,898	11,898	189	5,543		5,732
Sara	Urban	118	630	39	787	1,080	502	463	39	1,004	384			384
	Rural	582	4,779	613	5,974	11,697	434	9,831	613	10,878	5,052			5,052
	Total	700	5,409	652	6,761	12,777	936	10,294	652	11,882	384	5,052		5,436
Tigbauan	Urban	239	1,274	79	1,592	2,615	1,137	1,137	79	2,432	977			977
	Rural	671	5,366	670	6,707	13,699	671	11,399	670	12,740	6,033			6,033
	Total	910	6,640	749	8,299	16,314	1,887	12,536	749	15,172	977	6,033		7,010
Tubungan	Urban	55	254	8	317	511	238	229	8	475	183			183
	Rural	234	2,635	425	3,294	6,731	234	5,601	425	6,260	2,966			2,966
	Total	289	2,889	433	3,611	7,242	472	5,830	433	6,735	183	2,966		3,149
Zarraga	Urban	152	539		691	1,056	491	491	982	339				339
	Rural	41	1,818	945	2,804	5,707	41	4,322	945	5,308	2,504			2,504
	Total	193	2,357	945	3,495	6,763	532	4,813	945	6,290	339	2,504		2,843
Provincial Total	Urban	10,066	49,715	2,197	61,978	94,565	43,984	41,764	2,197	87,945	33,918	482		34,400
	Rural	17,957	148,500	20,724	187,181	354,904	24,673	284,665	20,724	330,062	9,536	136,165		145,701
	Total	28,023	198,215	22,921	249,159	449,469	68,657	326,429	22,921	418,007	43,454	136,647		180,101

Table 8.5.6 Additional Number of Public School Students to be Served in Phases I and II (School Toilets)

Name of Municipality/City	Std. No. of Public School Student that can be Served in the Base Year (1998)	Projected No. of Public School Student in 2005	Phase I Coverage (2005)		Projected Number of Public School Students in 2010	Phase II Coverage (2010)	
			Public School Students Coverage	Additional No. of Public School Student to be Served		Public School Students Coverage	Additional No. of Public School Students to be Served
Ajuy	4,040	10,566	7,629	3,589	11,804	10,624	2,995
Alimodian	80	6,451	2,271	2,191	7,627	6,864	4,593
Amilao	2,080	6,350	4,237	2,157	7,020	6,318	2,081
Badangan	4,420	5,233	4,420	5,739	7,680	5,165	745
Balasan	1,640	6,852	3,967	2,327	7,680	6,912	2,945
Banate	3,960	8,142	6,726	2,766	8,938	8,044	1,318
Barotac Nuevo	2,920	9,126	3,100	3,100	10,113	9,102	6,002
Barotac Viejo	2,707	10,018	6,323	3,403	11,564	10,408	4,085
Batad	80	3,200	2,707	3,335	3,706	3,335	628
Bingawan	80	3,598	1,302	1,222	3,909	3,518	2,216
Cabanan	5,120	8,989	8,173	3,053	10,046	9,041	868
Calinog	5,560	13,825	10,256	4,696	15,074	13,567	3,311
Carles	5,600	15,090	10,726	5,126	17,592	15,833	5,107
Concepcion	3,920	8,078	6,664	2,744	9,455	8,510	1,846
Dingle	3,840	7,983	6,552	2,712	8,876	7,988	1,436
Dumas	4,920	6,561	4,920	2,712	8,876	7,988	1,436
Dumangas	6,720	10,287	10,214	3,494	13,133	11,820	1,606
Escancia	8,104	9,959	8,104	3,671	12,605	11,345	3,241
Gumbal	920	8,098	3,671	2,751	8,948	8,053	4,362
Igbaras	80	6,851	2,407	2,327	7,461	6,715	4,308
Janiuy	4,480	14,873	9,532	5,052	15,675	14,108	4,576
Lambunao	6,960	15,092	12,086	5,126	17,105	15,395	3,309
Leganes	2,680	5,814	4,655	1,975	6,159	5,543	888
Lernery	3,360	5,950	5,381	2,021	6,779	6,101	720
Leon	6,160	12,223	10,312	4,152	13,787	12,408	2,096
Manasin	4,720	7,553	7,286	2,566	8,029	7,226	2,988
Mingao	9,120	12,460	9,120	1,535	13,453	12,108	2,988
Mima	3,120	4,520	4,655	1,535	5,144	4,630	238
New Lucena	2,560	4,218	3,993	1,433	4,701	4,231	238
Oton	2,760	15,395	7,989	5,229	17,784	16,006	8,017
Passi City	8,760	17,327	14,646	5,886	18,226	16,403	1,757
Pavia	2,760	7,692	5,373	2,613	9,214	8,291	2,920
Pototan	240	13,586	4,855	4,615	16,171	14,554	9,699
San Dionisio	3,800	8,332	6,630	2,830	9,186	8,267	1,637
San Enrique	1,560	6,036	3,610	2,050	6,880	6,192	2,582
San Joaquin	1,800	11,091	5,567	3,767	12,591	11,332	5,765
San Miguel	2,920	5,602	4,823	1,903	6,324	5,502	869
San Rafael	1,480	3,892	2,802	1,322	4,500	4,131	1,329
Santa Barbara	7,070	8,658	7,070	1,322	10,133	9,120	2,050
Sam	3,240	10,902	6,943	3,703	13,092	11,783	4,840
Tigbauan	1,480	9,918	4,849	3,369	12,984	11,686	6,837
Tubungan	2,280	5,016	3,984	1,704	5,590	5,031	1,047
Zarraga	440	1,369	929	3,830	3,447	3,447	2,078
Provincial Total	150,461	374,141	261,899	111,438	424,368	381,935	120,121

Table 8.5.7 Additional Number of Public Utilities with Sanitary Toilets in Phase I and II

Name of Municipality/City	Type	Coverage in Base Year (1998)			Phase I Coverage (2005)			Phase I Coverage (2010)		
		No. of PU with Toilets Facilities	No. of PU with Sanitary Toilets	No. of PU with Toilets Facilities	Add'l. No. of Public Utilities with Sanitary Toilets	No. of PU with Sanitary Toilets	No. of PU with Toilets Facilities	Add'l. No. of Public Utilities with Sanitary Toilets	No. of PU with Sanitary Toilets	
Ajuy	Public Market			1	1	1	1	1	2	
	Bus/Jeepney Terminal			1	1	1	1	1	2	
	Parks/Playground			1	1	1	1	1	2	
	Total			3	3	3	3	3	7	
Alimodian	Public Market	4	4	5	1	5	7	2	7	
	Bus/Jeepney Terminal	2	2	3	1	3	4	1	4	
	Parks/Playground	2	2	3	1	3	5	2	5	
	Total	8	8	11	3	11	16	5	16	
Anilao	Public Market	2	2	3	1	3	4	1	4	
	Bus/Jeepney Terminal	2	2	3	1	3	2	1	2	
	Parks/Playground	4	4	7	3	7	10	3	10	
	Total	2	2	3	1	3	4	1	4	
Badiangan	Bus/Jeepney Terminal	3	3	4	1	4	5	1	5	
	Parks/Playground	5	5	8	3	8	11	3	11	
	Total	2	2	3	1	3	4	1	4	
Balasan	Public Market	2	2	1	1	1	2	1	2	
	Bus/Jeepney Terminal	2	2	3	1	3	4	1	4	
	Parks/Playground	4	4	7	3	7	10	3	10	
	Total	6	6	7	1	7	8	1	8	
Sanate	Bus/Jeepney Terminal	6	6	9	3	9	13	4	13	
	Parks/Playground	4	4	5	1	5	7	2	7	
	Total	2	2	3	1	3	4	1	4	
Barotac Nuevo	Public Market	2	2	3	1	3	4	1	4	
	Bus/Jeepney Terminal	6	6	9	3	9	13	4	13	
	Parks/Playground	6	6	7	1	7	8	1	8	
	Total	7	7	8	1	8	9	1	9	
Barotac Viejo	Public Market	2	2	3	1	3	5	2	5	
	Bus/Jeepney Terminal	15	15	18	3	18	22	4	22	
	Parks/Playground									

Table 8.5.7 Additional Number of Public Utilities with Sanitary Toilets in Phase I and II (Cont'd)

Name of Municipality/City	Type	Coverage in Base Year (1998)		Phase I Coverage (2005)			Phase I Coverage (2010)		
		No. of PU with Toilets Facilities	No. of PU with Sanitary Toilets	No. of PU with Toilets Facilities	Add'l No. of Public Utilities with Sanitary Toilets	No. of PU with Sanitary Toilets	No. of PU with Toilets Facilities	Add'l No. of Public Utilities with Sanitary Toilets	No. of PU with Sanitary Toilets
Batad	Public Market	8	8	9	1	9	10	1	10
	Bus/Jeepney Terminal			1	1	1	2	1	2
	Parks/Playground	6	6	7	1	7	8	1	8
	Total	14	14	17	3	17	20	3	20
Bingawan	Public Market	2	2	3	1	3	4	1	4
	Bus/Jeepney Terminal			1	1	1	2	1	2
	Parks/Playground	2	2	3	1	3	5	2	5
	Total	4	4	7	3	7	11	4	11
Cabatuan	Public Market	6	6	7	1	7	9	2	9
	Bus/Jeepney Terminal			1	1	1	3	2	3
	Parks/Playground	2	2	3	1	3	4	1	4
	Total	8	8	11	3	11	16	5	16
Callinog	Public Market	6	6	7	1	7	9	2	9
	Bus/Jeepney Terminal			1	1	1	3	2	3
	Parks/Playground			1	1	1	4	3	4
	Total	6	6	9	3	9	16	7	16
Carles	Public Market	2		3	3	3	5	2	5
	Bus/Jeepney Terminal			1	1	1	3	2	3
	Parks/Playground	2		3	3	3	5	2	5
	Total	4		7	7	7	13	6	13
Concepcion	Public Market	6	6	7	1	7	8	1	8
	Bus/Jeepney Terminal			1	1	1	2	1	2
	Parks/Playground	4	4	5	1	5	7	2	7
	Total	10	10	13	3	13	17	4	17
Dingle	Public Market	2	2	3	1	3	4	1	4
	Bus/Jeepney Terminal			1	1	1	2	1	2
	Parks/Playground	2	2	3	1	3	5	2	5
	Total	4	4	7	3	7	11	4	11
Duchias	Public Market	3	3	4	1	4	5	1	5
	Bus/Jeepney Terminal			1	1	1	2	1	2
	Parks/Playground			1	1	1	2	1	2
	Total	3	3	6	3	6	9	3	9

Table 8.5.7 Additional Number of Public Utilities with Sanitary Toilets in Phase I and II (Cont'd)

Name of Municipality/City	Type	Coverage in Base Year (1998)			Phase I Coverage (2005)			Phase I Coverage (2010)		
		No. of PU with Toilets Facilities	No. of PU with Sanitary Toilets	No. of PU with Toilets Facilities	No. of PU with Toilets Facilities	Add'l. No. of Public Utilities with Sanitary Toilets	No. of PU with Sanitary Toilets	No. of PU with Toilets Facilities	Add'l. No. of Public Utilities with Sanitary Toilets	No. of PU with Sanitary Toilets
Dumangas	Public Market	2	2	3	1	3	5	2	5	
	Bus/Jeepney Terminal	1	1	2	1	2	3	1	3	
	Parks/Playground	4	4	5	1	5	7	2	7	
	Total	7	7	10	3	10	15	5	15	
Estancia	Public Market	4	4	5	1	5	6	1	6	
	Bus/Jeepney Terminal			1	1	1	2	1	2	
	Parks/Playground			1	1	1	3	2	3	
	Total	4	4	7	3	7	11	4	11	
Guimbal	Public Market	2	2	3	1	3	4	1	4	
	Bus/Jeepney Terminal			1	1	1	2	1	2	
	Parks/Playground	4	4	5	1	5	7	2	7	
	Total	6	6	9	3	9	13	4	13	
Igaras	Public Market	2	2	3	1	3	4	1	4	
	Bus/Jeepney Terminal			1	1	1	2	1	2	
	Parks/Playground			1	1	1	3	2	3	
	Total	2	2	5	3	5	9	4	9	
Januay	Public Market	10	10	11	1	11	13	2	13	
	Bus/Jeepney Terminal	2	2	3	1	3	5	2	5	
	Parks/Playground	7	7	8	1	8	10	2	10	
	Total	19	19	22	3	22	28	6	28	
Lambunao	Public Market	2	2	4	2	4	6	2	6	
	Bus/Jeepney Terminal			2	2	2	3	1	3	
	Parks/Playground			2	2	2	4	2	4	
	Total	2	2	8	6	8	13	5	13	
Leganes	Public Market	2	2	3	1	3	4	1	4	
	Bus/Jeepney Terminal	2	2	3	1	3	5	2	5	
	Parks/Playground			1	1	1	3	2	3	
	Total	4	4	7	3	7	12	5	12	
Lemery	Public Market			1	1	1	2	1	2	
	Bus/Jeepney Terminal			1	1	1	2	1	2	
	Parks/Playground			1	1	1	3	2	3	
	Total			3	3	3	7	4	7	

Table 8.5.7 Additional Number of Public Utilities with Sanitary Toilets in Phase I and II (Cont'd)

Name of Municipality/City	Type	Coverage in Base Year (1998)		Phase I Coverage (2005)			Phase I Coverage (2010)		
		No. of PU with Toilets Facilities	No. of PU with Sanitary Toilets	No. of PU with Toilets Facilities	Add'l. No. of Public Utilities with Sanitary Toilets	No. of PU with Sanitary Toilets	No. of PU with Toilets Facilities	Add'l. No. of Public Utilities with Sanitary Toilets	No. of PU with Sanitary Toilets
Leon	Public Market	4	4	6	2	6	8	2	8
	Bus/Jeepney Terminal			1	1	1	3	2	3
	Parks/Playground	4	4	5	1	5	7	2	7
	Total	8	8	12	4	12	18	6	18
Maasin	Public Market	8	8	9	1	9	10	1	10
	Bus/Jeepney Terminal			1	1	1	2	1	2
	Parks/Playground			1	1	1	3	2	3
	Total	8	8	11	3	11	15	4	15
Miagao	Public Market	6	6	8	2	8	11	3	11
	Bus/Jeepney Terminal	2	2	4	2	4	6	2	6
	Parks/Playground	2	2	4	2	4	6	2	6
	Total	10	10	16	6	16	23	7	23
Mina	Public Market	2	2	2		2	3	1	3
	Bus/Jeepney Terminal			1	1	1	2	1	2
	Parks/Playground			1	1	1	3	2	3
	Total	2	2	4	2	4	8	4	8
New Lucena	Public Market	6	6	7	1	7	8	1	8
	Bus/Jeepney Terminal			1	1	1	2	1	2
	Parks/Playground	6	6	7	1	7	9	2	9
	Total	12	12	15	3	15	19	4	19
Oton	Public Market	4	4	5	1	5	7	2	7
	Bus/Jeepney Terminal	2	2	3	1	3	4	1	4
	Parks/Playground	4	4	5	1	5	8	3	8
	Total	10	10	13	3	13	19	6	19
Passi City	Public Market	16	10	17	7	17	19	2	19
	Bus/Jeepney Terminal	7	7	9	2	9	11	2	11
	Parks/Playground	16	16	17	1	17	19	2	19
	Total	39	33	43	10	43	49	6	49
Pavia	Public Market	2	2	3	1	3	4	1	4
	Bus/Jeepney Terminal			1	1	1	2	1	2
	Parks/Playground	2	2	3	1	3	5	2	5
	Total	4	4	7	3	7	11	4	11

Table 8.5.7 Additional Number of Public Utilities with Sanitary Toilets in Phase I and II (Cont'd)

Name of Municipality/City	Type	Coverage in Base Year (1998)				Phase I Coverage (2005)				Phase I Coverage (2010)			
		No. of PU with Toilets Facilities		No. of PU with Sanitary Toilets		No. of PU with Toilets Facilities		Add'l. No. of Public Utilities with Sanitary Toilets		No. of PU with Toilets Facilities		Add'l. No. of Public Utilities with Sanitary Toilets	
		No. of PU with Toilets Facilities	No. of PU with Sanitary Toilets	No. of PU with Toilets Facilities	No. of PU with Sanitary Toilets	No. of PU with Toilets Facilities	No. of PU with Sanitary Toilets	No. of PU with Toilets Facilities	No. of PU with Sanitary Toilets	No. of PU with Toilets Facilities	No. of PU with Sanitary Toilets	No. of PU with Toilets Facilities	No. of PU with Sanitary Toilets
Pototan	Public Market	4	4	5	1	5	7	2	7	2	7		
	Bus/Jecpncy Terminal	2	2	4	2	4	6	2	6	2	6		
	Parks/Playground	2	2	4	2	4	7	3	7	3	7		
	Total	8	8	13	5	13	20	7	20	7	20		
San Dionisio	Public Market	2	2	3	1	3	4	1	4	1	4		
	Bus/Jecpncy Terminal	2	2	1	1	1	2	1	2	1	2		
	Parks/Playground	2	2	3	1	3	5	2	5	2	5		
	Total	4	4	7	3	7	11	4	11	4	11		
San Enrique	Public Market	2	2	3	1	3	4	1	4	1	4		
	Bus/Jecpncy Terminal	2	2	3	1	3	4	1	4	1	4		
	Parks/Playground	2	2	1	1	1	2	1	2	1	2		
	Total	4	4	5	3	5	9	4	9	4	9		
San Joaquin	Public Market	4	4	6	2	6	8	2	8	2	8		
	Bus/Jecpncy Terminal	2	2	3	1	3	5	2	5	2	5		
	Parks/Playground	4	4	5	1	5	9	4	9	4	9		
	Total	10	10	14	4	14	22	8	22	8	22		
San Miguel	Public Market	2	2	3	1	3	5	2	5	2	5		
	Bus/Jecpncy Terminal	2	2	1	1	1	3	2	3	2	3		
	Parks/Playground	4	4	7	3	7	13	6	13	6	13		
	Total	2	2	3	1	3	5	2	5	2	5		
San Rafael	Public Market	2	2	3	1	3	4	1	4	1	4		
	Bus/Jecpncy Terminal	2	2	1	1	1	2	1	2	1	2		
	Parks/Playground	2	2	1	1	1	4	3	4	3	4		
	Total	2	2	5	3	5	10	5	10	5	10		
Santa Barbara	Public Market	2	2	4	2	4	6	2	6	2	6		
	Bus/Jecpncy Terminal	2	2	2	2	2	4	2	4	2	4		
	Parks/Playground	10	10	16	6	16	18	2	18	2	18		
	Total	12	12	22	10	22	28	6	28	6	28		
Sara	Public Market	2	2	4	2	4	6	2	6	2	6		
	Bus/Jecpncy Terminal	2	2	4	2	4	6	2	6	2	6		
	Parks/Playground	4	4	5	1	5	8	3	8	3	8		
	Total	8	8	13	5	13	20	7	20	7	20		

Table 8.5.7 Additional Number of Public Utilities with Sanitary Toilets in Phase I and II (Cont'd)

Name of Municipality/City	Type	Coverage in Base Year (1998)			Phase I Coverage (2005)			Phase I Coverage (2010)		
		No. of PU with Toilets Facilities	No. of PU with Sanitary Toilets	No. of PU with Toilets Facilities	Add'l No. of Public Utilities with Sanitary Toilets	No. of PU with Sanitary Toilets	No. of PU with Toilets Facilities	Add'l No. of Public Utilities with Sanitary Toilets	No. of PU with Sanitary Toilets	
Tigbauan	Public Market	2	2	3	1	3	4	1	4	
	Bus/Jeepney Terminal			1	1	1	2	1	2	
	Parks/Playground	2	2	3	1	3	6	3	6	
	Total	4	4	7	3	7	12	5	12	
Tubungan	Public Market	4	4	5	1	5	7	2	7	
	Bus/Jeepney Terminal			1	1	1	3	2	3	
	Parks/Playground	2	2	3	1	3	8	5	8	
	Total	6	6	9	3	9	18	9	18	
Zarraga	Public Market	2	2	3	1	3	5	2	5	
	Bus/Jeepney Terminal			1	1	1	2	1	2	
	Parks/Playground	1	1	2	1	2	4	2	4	
	Total	3	3	6	3	6	11	5	11	
Provincial Total	Public Market	161	153	209	56	209	272	63	272	
	Bus/Jeepney Terminal	31	31	80	49	80	137	57	137	
	Parks/Playground	109	107	160	53	160	250	90	250	
	Total	301	291	449	158	449	659	210	659	

8.6 Facilities, Equipment and Rehabilitation Required to Meet the Target Services

8.6.1 Water Supply

(1) Required water supply facilities

Urban water supply:

Urban water supply facilities required by target year shown in Table 8.6.1 were estimated as the required number of house connections based on the additional service coverage.

As reference, the following requirements were also estimated:

- daily average water demand at 100 lpcd consumption rate, and
- number of deep wells to meet the daily maximum water demand based on the groundwater productivity.

(daily maximum water demand = 1.3 x daily average water demand)

Information pertaining to the expansion plan of Level III systems was arranged to be indicated in Table 8.6.1 and details presented in Table 8.6.2.

Rural water supply:

Rural water supply facilities required by target year shown in Table 8.6.3(a) were estimated as the number of Level II systems with number of communal faucets and the number of Level I wells broken-down to deep and shallow wells. Twenty (20) untapped springs suitable for Level II system were confirmed during this PW4SP preparation.

(2) Required well drilling and rehabilitation equipment

Presently, the 1st DEO (in Iloilo City), 2nd DEO (in Dumangas) and 3rd DEO (in Bontac Viejo) have a total of 3 units of rotary/percussion drilling rig (6 - 18" of bit diameter and 120 - 200m of depth).

Taking into account of the existing equipment, the number of required equipment is estimated as described below.

Applicable type of well drilling equipment is determined considering the geological formation of the province, the easiness to technically operate. Both types of percussion and rotary are suitable for the soft and hard formations, and the percussion type can be easily operated and maintained without special training to drillers compared with the latter, it is very useful to bores in the boulders or cobbles formations. Thus, the drilling equipment of percussion type is recommendable to be selected in the PW4SP preparation.

Table 8.6.1 Urban Water Supply Facilities Required by Target Year

Name of Municipality/City	Reference on Expansion of Existing Level III System				Phase I (2005) Requirements				Phase II (2010) Requirements					
	Name of Operating Body	Area	Coverage in 1998		Type of Water Source	Plan for Expansion	Additional Population to be Served	Number of House Connections	Daily Average Water Demand (m ³ /day)	Number of Spring Dev'/L/Deep Well	Additional Population to be Served	Number of House Connections	Daily Average Water Demand (m ³ /day)	Number of Spring Dev'/L/Deep Well
			No. of Barangay Served	Served Population										
Ajuy	Ajuy WD	Urban	1	2,800	Surf	No					426	107	43	1
		Rural	4	4,490										
		Total	5	7,380										
Alimodian	Alimodian WD	Urban	1	3,240	DgW	No	1,009	202	101	1	3,532	883	353	1
		Rural												
		Total	1	3,240										
Amiiao	Amiiao WD	Urban	1	1,104	DW	No	264	51	26	1	741	185	74	1
		Rural	4	330										
		Total	5	1,434										
Badiangan	Badiangan WW	Urban	1	490	SP	No					1,424	356	142	1
		Rural												
		Total	1	490										
Balasan	Not Applicable	Urban	N.A.	N.A.	N.A.	N.A.	515	99	52	1	3,258	815	326	1
		Rural	N.A.	N.A.										
		Total												
Banate	Not Applicable	Urban	N.A.	N.A.	N.A.	N.A.					1,717	429	172	1
		Rural	N.A.	N.A.										
		Total												
Barotac Nuevo	Acuit Waterworks	Urban	1	1,301	DW	N.A.					1,933	483	193	1
		Rural	1	1,301										
		Total	2	2,880										
Barotac Viejo	Barotac Viejo WD	Urban	2	2,880	Dgw	No	580	111	58	1	3,975	994	398	1
		Rural	2	2,880										
		Total	4	5,760										
Batad	Batad Rural WW	Urban	1	780	DW	No					519	130	52	1
		Rural												
		Total	1	780										
Bingawan	Not Applicable	Urban	N.A.	N.A.	N.A.	N.A.					3,917	979	392	1
		Rural	N.A.	N.A.										
		Total												
Cabatuan	Metro Iteño WD (a)	Urban	19	2,490		No	6,200	1,170	620	1	38,579	9,645	3,858	6
		Rural												
		Total	19	2,490										
Calinog	Calinog WD	Urban	4	1,764	DgW	No	779	150	78	1	3,603	901	360	1
		Rural	2	150										
		Total	6	1,914										
Carles	Not Applicable	Urban	N.A.	N.A.	N.A.	N.A.	355	70	36	1	2,420	605	242	1
		Rural	N.A.	N.A.										
		Total												

Table 8.6.1 Urban Water Supply Facilities Required by Target Year (Cont'd)

Name of Municipality/City	Reference on Expansion of Existing Level III System				Phase I (2005) Requirements				Phase II (2010) Requirements					
	Name of Operating Body	Area	Coverage in 1998		Type of Water Source	Plan for Expansion	Additional Population to be Served	Number of House Connections	Daily Average Water Demand (m ³ /day)	Number of Spring Dev'./ Deep Well	Additional Population to be Served	Number of House Connections	Daily Average Water Demand (m ³ /day)	Number of Spring Dev'./ Deep Well
			No. of Barangay Served	Served Population										
Concepcion	Not Applicable	Urban	N.A.	N.A.	N.A.	N.A.	654	117	65	1	5,045	1,261	505	1
		Rural	N.A.	N.A.										
		Total												
Dingle	Agsalanan Waterworks	Urban	1	678	N.A.	N.A.					4,174	1,044	417	1
		Rural	1	678										
		Total	5	1,950										
Duenhas	Duenhas WD	Urban	5	1,950	DW	No					3,602	901	360	1
		Rural												
		Total	5	1,950										
Dumangas	Dumangas-Btac. Nuevo WD (b)	Urban	5	1,165	DgW	No	263	53	26	1	508	127	51	1
		Rural	21	6,215										
		Total	26	7,380										
Estancia	Estancia WD	Urban	4	3,270	DgW/DW	No	1,270	240	127	1	5,688	1,422	569	1
		Rural												
		Total	4	3,270										
Guimbal	Guimbal Rural Waterwork	Urban	11	3,708	DgW/DW	No					5,358	1,340	536	1
		Rural												
		Total	11	3,708										
Igbaras	Not Applicable	Urban	N.A.	N.A.	N.A.	N.A.	747	146	75	1	5,214	1,304	521	1
		Rural	N.A.	N.A.										
		Total												
January	January WD	Urban	15	2,406	DW	No	1,252	246	125	1	5,924	1,481	592	1
		Rural	1	168										
		Total	16	2,574										
Lambunao	Not Applicable	Urban	N.A.	N.A.	N.A.	N.A.	659	117	66	1	4,469	1,117	447	1
		Rural	N.A.	N.A.										
		Total												
Leganes	Leganes WD	Urban	1	300	DW	N.A.	986	192	99	1	6,470	1,618	647	1
		Rural	1	150										
		Total	2	450										
Lemery	Not Applicable	Urban	N.A.	N.A.	N.A.	N.A.					3,226	807	323	1
		Rural	N.A.	N.A.										
		Total												
Leon	Buga WW	Urban	1	1,038	DW	No	757	142	76	1	3,321	830	332	1
		Rural												
		Total	1	1,038										

Table 8.6.1 Urban Water Supply Facilities Required by Target Year (Cont'd)

Name of Municipality/City	Reference on Expansion of Existing Level III System					Phase I (2005) Requirements				Phase II (2010) Requirements						
	Name of Operating Body	Area	Coverage in 1998		Type of Water Source	Plan for Expansion	Additional Population to be Served	Number of House Connections	Daily Average Water Demand (m ³ /day)	Number of Spring Dev't./ Deep Well	Additional Population to be Served	Number of House Connections	Daily Average Water Demand (m ³ /day)	Number of Spring Dev't./ Deep Well		
			No. of Served	Barangay											Served Population	
Leon	Leon WD	Urban	1	1,758	DW	No										
		Rural	1	312												
		Total	2	2,070												
Mausin	Municipal Total	Urban	1	1,758												
		Rural	2	1,350												
		Total														
Mina	Metro Iloilo WD (b)	Urban	4	585		No	439	74	44	1	2,214	554	221	1		
		Rural	5	730												
		Total	9	1,315												
Miagao	Miagao WD	Urban	7	2,112	Surf	No	1,114	202	111	1	5,399	1,350	540	1		
		Rural	7	2,112												
		Total														
New Lucena	New Lucena WW	Urban	N.A.	N.A.	N.A.	N.A.	330	61	33	1	2,371	593	237	1		
		Rural	N.A.	N.A.												
		Total														
Oton	Metro Iloilo WD (c)	Urban	1	270	DW	No	355	69	36	1	2,439	610	244	1		
		Rural	1	270												
		Total	10	2,625												
Passi City	Agdayao Waterwork	Urban	1	936	SP	N.A.					1,030	258	103	1		
		Rural	1	936												
		Total	5	5,845												
Pavia	Metro Iloilo WD (d)	Urban	6	7,010		No	9,273	1,776	927	2	61,724	15,431	6,172	9		
		Rural	11	12,855												
		Total														
Pototan	Dingle-Pototan WD (b)	Urban	5	6,360		No					12,160	3,040	1,216	2		
		Rural	1	435												
		Total	6	6,795												
San Dionisio	San Dionisio WW	Urban	1	2,754	SP	No	686	134	69	1	2,630	658	263	1		
		Rural	1	2,754												
		Total	N.A.	N.A.												
San Enrique	Not Applicable	Urban	N.A.	N.A.	N.A.	N.A.	299	56	30	1	1,943	486	194	1		
		Rural	N.A.	N.A.												
		Total														
San Joaquin	San Joaquin - LGU	Urban	5	1,303	SP	No	701	127	70	1	3,454	864	345	1		
		Rural	3	1,210												
		Total	8	2,513												

Table 8.6.1 Urban Water Supply Facilities Required by Target Year (Cont'd)

Name of Municipality/City	Reference on Expansion of Existing Level III System				Phase I (2005) Requirements				Phase II (2010) Requirements					
	Name of Operating Body	Area	Coverage in 1998		Type of Water Source	Plan for Expansion	Additional Population to be Served	Number of House Connections	Daily Average Water Demand (m ³ /day)	Number of Spring Dev't./ Deep Well	Additional Population to be Served	Number of House Connections	Daily Average Water Demand (m ³ /day)	Number of Spring Dev't./ Deep Well
			No. of Barangay Served	Served Population										
San Miguel	Metro Iloilo WD (e)	Urban	1	815		N.A.					15,914	3,979	1,591	3
		Rural												
		Total	1	815										
San Rafael	Not Applicable	Urban	N.A.	N.A.		N.A.					3,529	882	353	1
		Rural	N.A.	N.A.		N.A.								
		Total												
Santa Barbara	Metro Iloilo WD (f)	Urban	6	1,150		N.A.					7,616	1,904	762	1
		Rural	7	1,315										
		Total	13	2,465										
Sara	Sara Mun. WS	Urban	3	582		N.A.					3,523	881	352	1
		Rural	4	434		SP/Surf								
		Total	7	1,016										
Tigbauan	Not Applicable	Urban	N.A.	N.A.		N.A.	224	124	1		8,695	2,174	870	2
		Rural	N.A.	N.A.										
		Total												
Tubungan	Not Applicable	Urban	N.A.	N.A.		N.A.	45	23	1		1,706	427	171	1
		Rural	N.A.	N.A.										
		Total												
Zarraga	Not Applicable	Urban	N.A.	N.A.		N.A.	97	50	1		3,510	878	351	1
		Rural	N.A.	N.A.										
		Total												
Provincial Total		Urban	122	63,946			31,467	5,971	3,147	27	263,920	65,988	26,392	60
		Rural	86	42,737										
		Total	208	106,683										

Table 8.6.2 Plan for Expansion of Existing Level III Systems

Name of Municipality/City	Name of Operating Body	Additional Areas Barangay to be Covered	Additional Population to be Served	Additional Water Sources	
				Type	Capacity (m ³ /day)
Ajuy	Ajuy WD				
Alimodian	Alimodian WD				
Anilao	Anilao WD				
Badianan	Badianan WW				
	Dumangas-Btac. Nuevo WD (a)				
Barotac Viejo	Barotac Viejo WD				
Batad	Batad Rural WW				
Cabatuan	Metro Iloilo WD (a)				
Calinog	Calinog WD				
	Dingle-Pototan WD (a)				
Dueñas	Dueñas WD				
Dumangas	Dumangas-Btac. Nuevo WD (b)				
Estancia	Estancia WD				
Guimbal	Guimbal Rural Waterwork				
Janiuay	Janiuay WD				
Leon	Buga WW				
	Leon WD				
	Municipal Total				
Maasin	Metro Iloilo WD (b)				
Miagao	Miagao WD				
New Lucena	New Lucena WW				
Oton	Metro Iloilo WD (c)				
	Passi WD				
Pavia	Metro Iloilo WD (d)				
Pototan	Dingle-Pototan WD (b)				
San Dionisio	San Dionisio WW				
San Joaquin	San Joaquin - LGU				

Table 8.6.3(a) Rural Water Supply Facilities Required by Target Year

Name of Municipality/City	Phase I (2005) Requirements											Phase II (2010) Requirements						
	Level II			Level I				Level I				Level I			Level I			Total
	Number of System	No. of Communal Faucets	Number of Deep Wells			No. of Shallow Wells	Total	Number of Deep Wells			Sub-total	No. of Shallow Wells	Number of Deep Wells		Sub-total			
			40 m	80 m	120 m			40 m	80 m	120 m								
Ajay	3												168		168	42	210	
Alimodian	8	129											62		62	62	124	
Amliao			35			35	1	36					171		171	9	180	
Budlayangin														32		32	32	
Balasan			31			31	7	38					69		69	17	86	
Banate			43			43	2	45					173		173	9	182	
Baroque Nuevo			12			12	44	56					45		45	45	45	
Baroque Viejo			9			9	20	29					26		26	39	192	
Batad							17	17					82		82	4	86	
Bingawan																		
Cabatuan																		
Calitrog			35			35	60	85					385		385	164	549	
Carles	4	80	37			37	24	61					348		348	231	579	
Concepcion			6			6	45	51					24		24	214	238	
Dingle	1												65		65	3	68	
Duenias			43			43	43	86					84		84	84	84	
Dumangas			92			92	92	184					388		388		388	
Espancia			11			11	41	52					55		55	218	273	
Gumbal			41			41	41	82					146		146		146	
Igbaras			28			28	12	40					91		91	38	129	
January			40			40	39	79					23		23	22	45	
Lambunao			60			60	39	99					317		317	211	528	
Leganes	5	69											60		60	60	60	
Lethery													82		82	20	102	
Leon			37			37	36	73					123		123	122	245	
Maasin			21			21	21	42					57		57	56	113	
Miagao			56			56	23	79					142		142	60	202	
Mina			26			26	26	52					89		89	89	89	
New Lucena													73		73	73	73	
Oton																		
Passi City													216		216	53	269	
Pavia													137		137		137	
Pototan			76			76	76	152					182		182	182	182	
San Dionisio	1	20	17			17	17	34					77		77	76	153	
San Enrique			35			35	8	43					122		122	30	152	
San Joaquin	2	40	61			61	6	67					329		329	36	365	
San Miguel													22		22		22	
San Rafael			7			7	10	17					24		24	36	60	
Santa Barbara													193		193		193	
Sura	1		77			77	77	154					100		100	42	142	
Tykbauan			16			16	22	38					51		51	76	127	
Tubungan			32			32	32	64					135		135		135	
Zarnaga			767			767	259	1,026					4,032		4,032	1,418	5,450	
Provincial Total	25	338					442	1,408					4,032		4,032	2,062	7,512	

Table 8.6.3(b) Rural Water Supply Facilities Required by Target Year

Name of Municipality/City	Phase I (2005) Requirements										Phase II (2010) Requirements									
	Percentage Allocated to Public Facility (50%)					Percentage Allocated to Public Facility (50%)					Percentage Allocated to Public Facility (50%)					Percentage Allocated to Public Facility (50%)				
	Percentage Allocated for Public Wells (95%) and Percentage Allocated for Public Spring Development (5%)					Percentage Allocated for Public Wells (95%) and Percentage Allocated for Public Spring Development (5%)					Percentage Allocated for Public Wells (95%) and Percentage Allocated for Public Spring Development (5%)					Percentage Allocated for Public Wells (95%) and Percentage Allocated for Public Spring Development (5%)				
	Number of Deep Wells		No. of Shallow Wells			Total	No. of Spring Dev.	Grand Total	Number of Deep Wells		No. of Shallow Wells			Total	No. of Spring Dev.	Grand Total				
40 m	80 m	120 m	Sub-total	40 m	80 m				120 m	Sub-total										
Ajuy								80			80			100	5	105				
Alimodian								30			30			59	3	62				
Anilao	17			17				81			81			85	5	90				
Badianan								10			10			16	1	17				
Balasan	15		3	18				33			33			41	2	43				
Banate	21		1	22				82			82			86	5	91				
Barotac Nuevo	6		6	12				23			23			23		23				
Barotac Viejo	5		5	10				20			20			20		20				
Batad	9		9	18				12			12			12		12				
Bungawan								39			39			41	2	43				
Cabanuan																				
Calinog	29		12	41				183			183			261	14	275				
Carles	18		11	29				165			165			275	15	290				
Concepcion	3		3	6				12			12			113	6	119				
Dingle	22		22	44				31			31			32	2	34				
Ducas	46		46	92				42			42			42		42				
Dumungas	5		5	10				194			194			194		194				
Estancia	21		21	42				26			26			130	7	137				
Guinabal	14		14	28				73			73			73		73				
Igbaras	19		19	38				44			44			62	3	65				
Janjauy	29		18	47				11			11			22	1	23				
Lambunao								151			151			251	13	264				
Leganes								30			30			30		30				
Lertery	18		17	35				39			39			48	3	51				
Leon	10		10	20				59			59			117	6	123				
Maasin	27		27	54				27			27			54	3	57				
Miagao	13		13	26				68			68			96	5	101				
Mina								45			45			45		45				
New Lucena								37			37			37		37				
Oton																				
Passi City								103			103			128	7	135				
Pavia	38		38	76				69			69			69		69				
Pototan	8		8	16				37			37			73	4	77				
San Dionisio	17		17	34				58			58			72	4	76				
San Enrique	29		29	58				157			157			174	9	183				
San Joaquin	4		4	8				12			12			16	2	18				
San Rafael								97			97			97		97				
Santa Barbara	39		39	78				47			47			67	4	71				
Sara	8		8	16				25			25			36	1	37				
Tigbauan	16		16	32				68			68			68		68				
Tubunigan	340		340	680				1,969			1,969			3,630	135	3,765				
Zarraga	126		126	252				681			681			980	3	983				
Provincial Total								506			506			980		980				

Medium size percussion drilling rig (truck-mounted type for deep well):

Average performance

- 1 well/30 days (5 m/day of drilling rate with finishing work)

Annual accomplishment

- 9 wells/year (365 days/year ÷ 30 days/well x 0.75)

Required number

- 11 sets for the total 506 deep wells

Well rehabilitation equipment:

Average performance

- 1 well/7 days (well redevelopment and finishing work)

Annual accomplishment

- 39 wells/year (365 days/year ÷ 7 days/well x 0.75)

Required number

- 2 sets for 10% of 506 Level I deep wells

Support vehicle:

Type - pick-up truck with winch, double cab

Required number

- 2 units for well rehabilitation

Considering the utilization of existing drilling rigs, it is necessary for the province to procure/mobilize 8 units of medium size percussion rig for the medium-term development plan. Likewise the following equipment shall be considered for medium-term development plan to meet the physical targets:

- 2 sets of well rehabilitation equipment for 10% of deep wells (at least 1 set shall be held by the provincial government); and
- 2 units of support vehicle for well rehabilitation (at least 1 set shall be held by the provincial government).

In addition to the above, for long-term plan, each one unit of medium size percussion rig and service truck equipped with crane for hauling drilling tools/water is required.

8.6.2 Sanitation

Table 8.6.4 Urban Household Toilets Required by Target Year

Name of Municipality/City	Phase I (2005) Requirements						Phase II (2010) Requirements					
	Additional HHs to be Served			No. of HHs to be Served			Additional HHs to be Served			No. of HHs to be Served		
	Flush	Pour Flush	VIP/ Dry	Flush	Pour Flush	VIP/ Dry	Flush	Pour Flush	VIP/ Dry	Flush	Pour Flush	VIP/ Dry
Ajuy	76	106	3	185	76	106	3	185	320	320	320	320
Alimodian	160	201	41	201	160	41	201	737	737	737	737	737
Anilao	36	149	18	203	36	149	18	203	203	203	203	203
Bacungan	12	3	16	3	12	3	16	185	185	185	185	185
Balasan	66	109	66	175	66	109	66	175	356	356	356	356
Banatic	75	75	60	135	75	60	60	135	210	210	210	210
Barotac Nuevo	97	97	97	97	97	97	97	264	264	264	264	264
Barotac Viejo	111	83	83	194	111	83	83	194	439	439	439	439
Banzad	13	173	13	186	13	173	13	186	120	120	120	120
Bingawan	94	94	94	94	94	94	94	452	452	452	452	452
Cabatuan	994	994	994	994	994	994	994	4,534	4,534	4,534	4,534	4,534
Calinog	189	189	189	189	189	189	189	558	558	558	558	558
Carles	72	135	25	232	72	135	25	232	265	265	265	265
Concepcion	125	40	40	165	125	40	40	165	573	573	573	573
Dingle	99	102	99	102	99	99	3	102	692	692	692	692
Dueltas	3	3	3	3	3	3	3	541	541	541	541	541
Dumangas	28	28	28	28	28	28	28	180	180	180	180	180
Estancia	64	734	64	734	64	670	64	995	995	995	995	995
Gumbal	169	207	169	207	169	21	17	207	892	892	892	892
Igaras	41	41	41	41	41	41	41	574	574	574	574	574
January	71	71	71	71	71	71	71	910	910	910	910	910
Lambunao	85	85	85	85	85	85	85	503	503	503	503	503
Leganes	96	96	96	96	96	96	96	664	664	664	664	664
Lemery	152	152	152	152	152	152	152	377	377	377	377	377
Leon	113	6	6	119	113	6	6	119	562	562	562	562
Maasin	396	396	396	396	396	396	396	396	396	396	396	396
Miagao	138	138	138	138	138	138	138	840	840	840	840	840
Mina	65	79	65	144	65	14	14	265	265	265	265	265
New Lucena	74	21	21	95	74	21	21	268	268	268	268	268
Oton	1,881	123	633	2,637	1,881	123	633	2,637	7,111	7,111	7,111	7,111
Passi City	233	38	82	353	233	38	82	353	929	929	929	929
Pavia	391	391	391	391	391	391	391	817	817	817	817	817
Pototan	190	190	190	190	190	190	190	1,790	1,790	1,790	1,790	1,790
San Dionisio	126	560	26	712	126	560	26	712	600	600	600	600
San Enrique	31	31	31	31	31	31	31	130	130	130	130	130
San Joaquin	84	121	35	240	84	121	35	240	532	532	532	532
San Miguel	357	357	357	357	357	357	357	1,630	1,630	1,630	1,630	1,630
San Rafael	259	127	127	386	259	127	127	386	432	432	432	432
Santa Barbara	162	162	162	162	162	162	162	189	189	189	189	189
Sara	116	195	116	311	116	195	116	384	384	384	384	384
Tigbauan	104	56	79	239	104	56	79	239	977	977	977	977
Tubunjan	46	46	5	51	46	46	5	183	183	183	183	183
Zarraga	133	133	133	133	133	133	133	339	339	339	339	339
Provincial Total	5,703	4,392	1,126	11,221	5,703	4,392	1,126	11,221	33,918	33,918	482	34,400

Table 8.6.5 Rural Household Toilets Required by Target Year

Name of Municipality/City	Phase I (2005) Requirements						Phase II (2010) Requirements					
	Additional HHs to be Served			No. of HHs to be Served			Additional HHs to be Served			No. of HHs to be Served		
	Flush	Pour Flush	VIP/Dry	Total	Flush	Pour Flush	VIP/Dry	Total	Flush	Pour Flush	VIP/Dry	Total
Ayuy	547	1,164		1,711	547	1,164		1,711	845	2,968		3,813
Alimodian		405		405		405		405		3,078		3,078
Amiiao	313	1,585	314	2,212	313	1,585	314	2,212	17	2,419	17	2,436
Badiangan	318			318	318			318		2,263		2,263
Balasan	303	2,124		2,427	303	2,124		2,427		2,267		2,267
Banate		1,476	787	2,263		1,476	787	2,263		3,303		3,303
Barotac Nuevo	412	703	481	1,596	412	703	481	1,596	921	3,230	921	4,151
Barotac Viejo	485	2,816		3,301	485	2,816		3,301	871	3,307	871	4,178
Batad	187	473		660	187	473		660		1,807		1,807
Bingawan		110		110		110		110		915		915
Cabatuan												
Cainog		2,193		2,193		2,193		2,193		7,407		7,407
Carles	354	2,725	1,169	4,248	354	2,725	1,169	4,248		6,353		6,353
Concepcion	444	1,856	443	2,743	444	1,856	443	2,743		3,316		3,316
Dingle									1,160	1,316	1,160	2,476
Duhas	369	605		974	369	605		974		2,565		2,565
Dumangas	786	7	793	1,586	786	7	793	1,586	1,199	4,152	1,199	5,351
Estancia	306	1,515		1,821	306	1,515		1,821		3,739		3,739
Gumbal	6			6	6			6		2,981		2,981
Igbaras	343	428	344	1,115	343	428	344	1,115		2,014		2,014
Janauay									168	4,925	168	5,093
Lambunao	124			124	124			124		7,475		7,475
Leganes									108	1,456	108	1,564
Lemery	607	795	577	1,979	607	795	577	1,979		2,083		2,083
Leon	74			74	74			74	715	4,770	715	5,485
Maasin									369	2,628	369	2,997
Miagao	689	187		876	689	187		876		4,347		4,347
Mina	221	88	222	531	221	88	222	531		1,792		1,792
New Luteña									270	1,139	270	1,409
Oton												
Passi City	809	2,559	814	4,182	809	2,559	814	4,182	1,279	4,534	1,279	5,813
Pavia									371	2,605	371	2,976
Potolan		559		559		559		559		4,995		4,995
San Dionisio	323	1,512		1,835	323	1,512		1,835		2,382		2,382
San Enrique		1,672		1,672		1,672		1,672		2,872		2,872
San Joaquin	638	1,383	650	2,671	638	1,383	650	2,671	1,243	4,733	1,243	5,976
San Miguel										796		796
San Rafael		706	293	999		706	293	999		1,522		1,522
Santa Barbara		460		460		460		460		5,156		5,156
Sara	582	1,678		2,260	582	1,678		2,260		5,052		5,052
Tigbauan	511	180	670	1,361	511	180	670	1,361		6,033		6,033
Tubungan	220			220	220			220		2,966		2,966
Zamaya										2,504		2,504
Provincial Total	9,971	32,671	7,844	50,486	9,971	32,671	7,844	50,486	9,536	136,165	9,536	145,701

Table 8.6.6 Public School Toilets Required by Target Year

Name of Municipality/City	Phase I (2005) Requirements			Phase II (2010) Requirements		
	Additional Public School Students to be Served	No. of Toilet Unit	No. of Toilet Facilities	Additional Public School Students to be Served	No. of Toilet Unit	No. of Toilet Facilities
Ajuy	3,589	90	18	2,995	75	15
Alimodian	2,191	55	11	4,593	115	23
Anilao	2,157	54	11	2,081	53	11
Badiangan				745	19	4
Balasan	2,327	59	12	2,945	74	15
Banate	2,766	70	14	1,318	33	7
Barotac Nuevo	3,100	78	16	6,002	151	31
Barotac Viejo	3,403	86	18	4,085	103	21
Batad				628	16	4
Bingawan	1,222	31	7	2,216	56	12
Cabatuan	3,053	77	16	868	22	5
Calinog	4,696	118	24	3,311	83	17
Carles	5,126	129	26	5,107	128	26
Concepcion	2,744	69	14	1,846	47	10
Dingle	2,712	68	14	1,436	36	8
Dueñas				166	5	1
Dumangas	3,494	88	18	1,606	41	9
Estancia				3,241	82	17
Guimbal	2,751	69	14	4,382	110	22
Igbaras	2,327	59	12	4,308	108	22
Janiuay	5,052	127	26	4,576	115	23
Lambunao	5,126	129	26	3,309	83	17
Leganes	1,975	50	10	888	23	5
Lemery	2,021	51	11	720	18	4
Leon	4,152	104	21	2,096	53	11
Maasin	2,566	65	13			
Miagao				2,988	75	15
Mina	1,535	39	8			
New Lucena	1,433	36	8	238	6	2
Oton	5,229	131	27	8,017	201	41
Passi City	5,886	148	30	1,757	44	9
Pavia	2,613	66	14	2,920	73	15
Pototan	4,615	116	24	9,699	243	49
San Dionisio	2,830	71	15	1,637	41	9
San Enrique	2,050	52	11	2,582	65	13
San Joaquin	3,767	95	19	5,765	145	29
San Miguel	1,903	48	10	869	22	5
San Rafael	1,322	34	7	1,329	34	7
Santa Barbara				2,050	52	11
Sara	3,703	93	19	4,840	121	25
Tigbauan	3,369	85	17	6,837	171	35
Tubungan	1,704	43	9	1,047	27	6
Zarraga	929	24	5	2,078	52	11
Provincial Total	111,438	2,807	575	120,121	3,021	622

Table 8.6.7 Public Toilets Required by Target Year

Name of Municipality/City	Phase I (2005) Requirements					Phase II (2010) Requirements				
	Public Market		Number of Public Toilets		Total	Public Market		Number of Public Toilets		Total
			Bus/Jeepney Terminal	Parks/Playground				Bus/Jeepney Terminal	Parks/Playground	
Ajuy	1		1		3	1	1	1	2	4
Alimodian					3	2			2	5
Amilao					3	1			1	3
Badlangan					3	1			1	3
Balasan					3	1			1	3
Banate					3	1			2	4
Barotac Nuevo					3	2			1	4
Barotac Viejo					3	1			2	4
Batad					3	1			1	3
Bingawan					3	1			2	4
Cabatuan					3	2			1	5
Calinog					3	2			3	7
Carles	3		3		7	2			2	6
Concepcion					3	1			1	4
Dingle					3	1			2	4
Duehas					3	1			1	3
Dumangas					3	2			2	5
Estancia					3	1			2	4
Gumbal					3	1			2	4
Igbaras					3	1			2	4
Janjuy					3	2			2	6
Lambunao	2		2		6	2			2	5
Leganes					3	1			2	5
Lemery	2		1		3	1			2	4
Leon					4	2			2	6
Mausin					3	1			2	4
Mingao	2		2		6	3			2	7
Mina					2	1			2	4
New Lucena					3	1			2	4
Oton					3	2			3	6
Passi City	7		2		10	2			2	6
Pavia					3	1			2	4
Porotian					3	2			3	7
San Dromisio					3	1			2	4
San Enrique					3	1			2	4
San Joaquin	2		1		4	2			4	8
San Miguel					3	2			2	6
San Rafael					3	1			3	5
Santa Barbara	2		2		6	2			2	6
Sara	2		2		5	2			2	7
Tigbauan					3	1			1	3
Tubungan					3	2			2	5
Zarraga					3	2			1	5
Provincial Total	56		49		158	63			57	210