

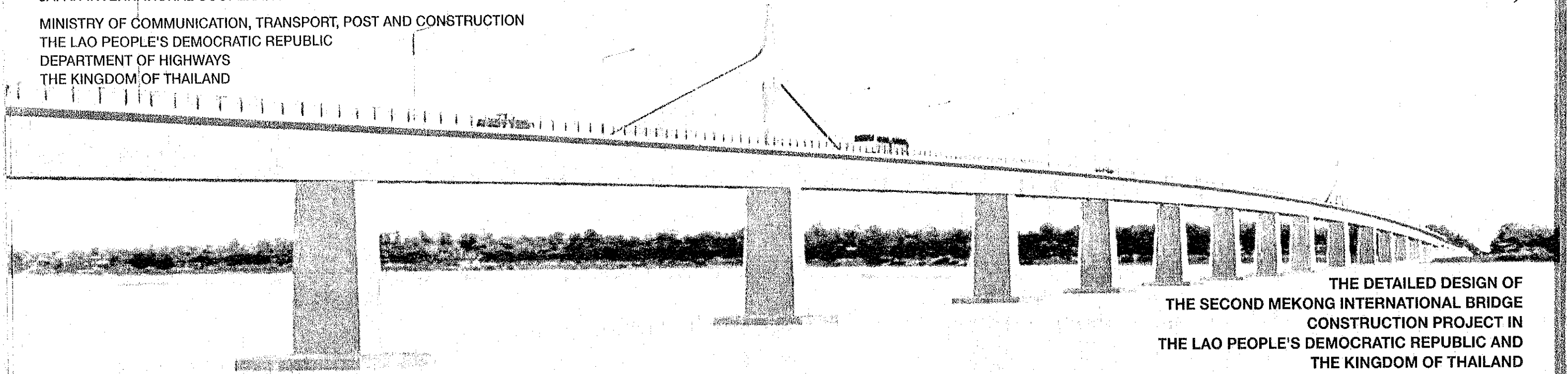
JAPAN INTERNATIONAL COOPERATION AGENCY

MINISTRY OF COMMUNICATION, TRANSPORT, POST AND CONSTRUCTION

THE LAO PEOPLE'S DEMOCRATIC REPUBLIC

DEPARTMENT OF HIGHWAYS

THE KINGDOM OF THAILAND

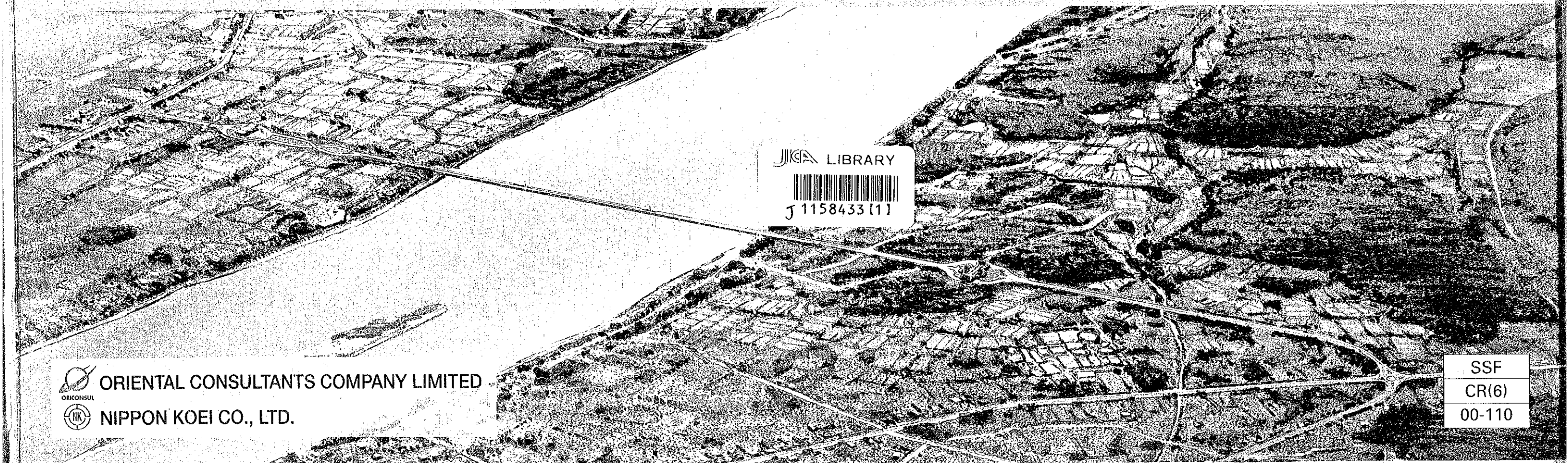


THE DETAILED DESIGN OF  
THE SECOND MEKONG INTERNATIONAL BRIDGE  
CONSTRUCTION PROJECT IN  
THE LAO PEOPLE'S DEMOCRATIC REPUBLIC AND  
THE KINGDOM OF THAILAND

# FINAL REPORT

DRAWINGS PACKAGE

JUNE 2000



JICA LIBRARY  
J 1158433 (1)

ORIENTAL CONSULTANTS COMPANY LIMITED

NIPPON KOEI CO., LTD.

SSF  
CR(6)  
00-110

JAPAN INTERNATIONAL COOPERATION AGENCY

MINISTRY OF COMMUNICATION, TRANSPORT, POST AND CONSTRUCTION  
THE LAO PEOPLE'S DEMOCRATIC REPUBLIC  
DEPARTMENT OF HIGHWAYS  
THE KINGDOM OF THAILAND

THE DETAILED DESIGN OF  
THE SECOND MEKONG INTERNATIONAL BRIDGE  
CONSTRUCTION PROJECT IN  
THE LAO PEOPLE'S DEMOCRATIC REPUBLIC AND  
THE KINGDOM OF THAILAND

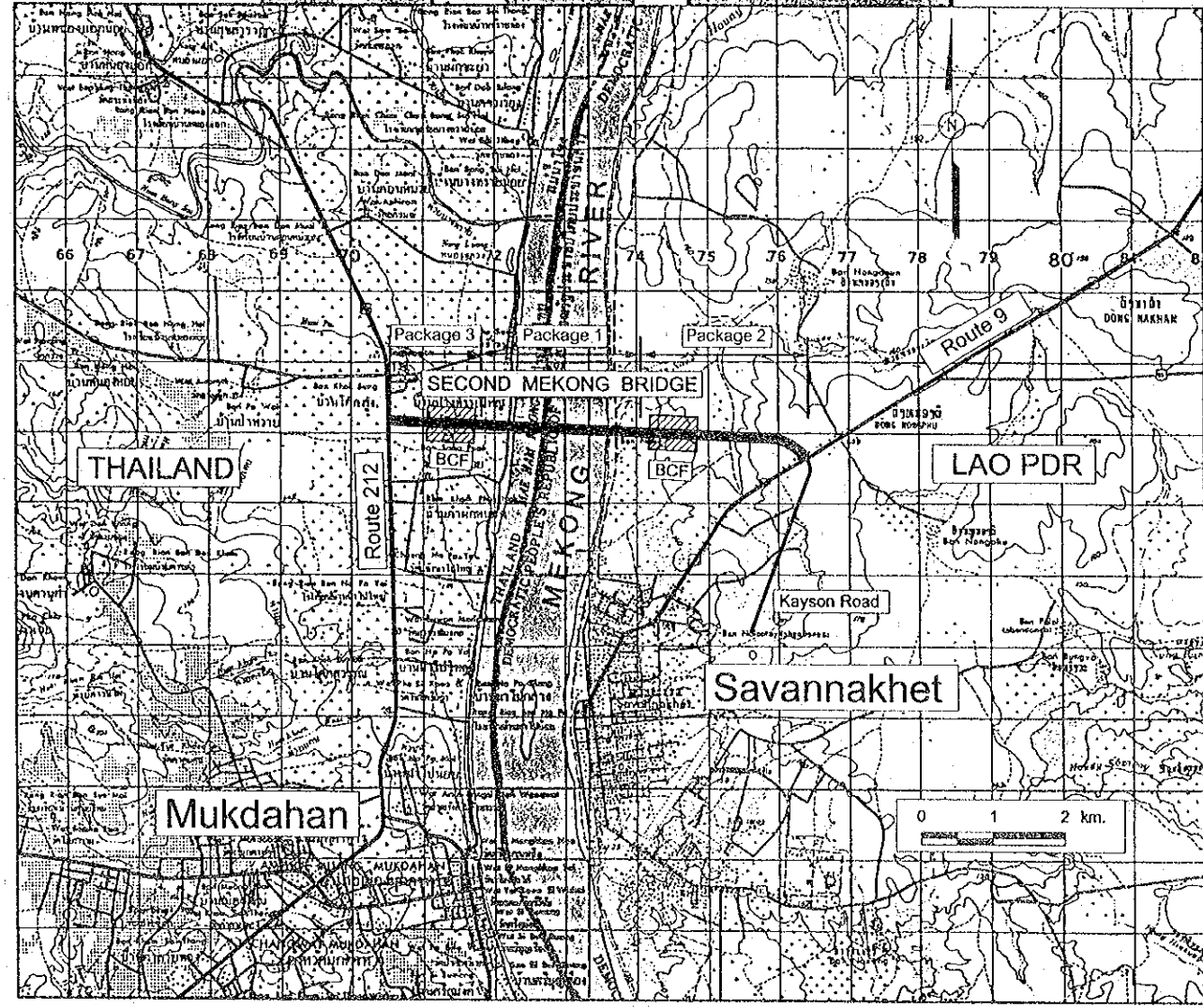
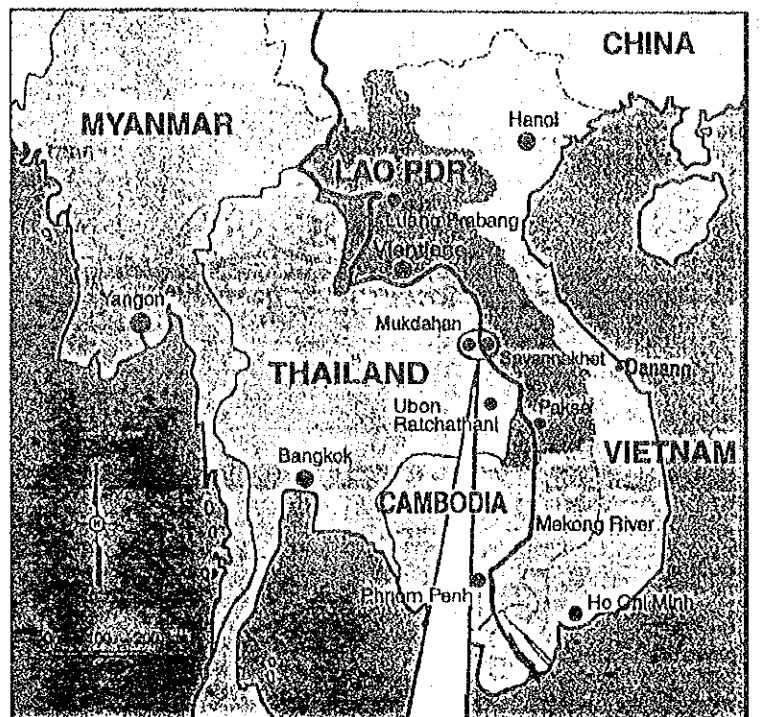
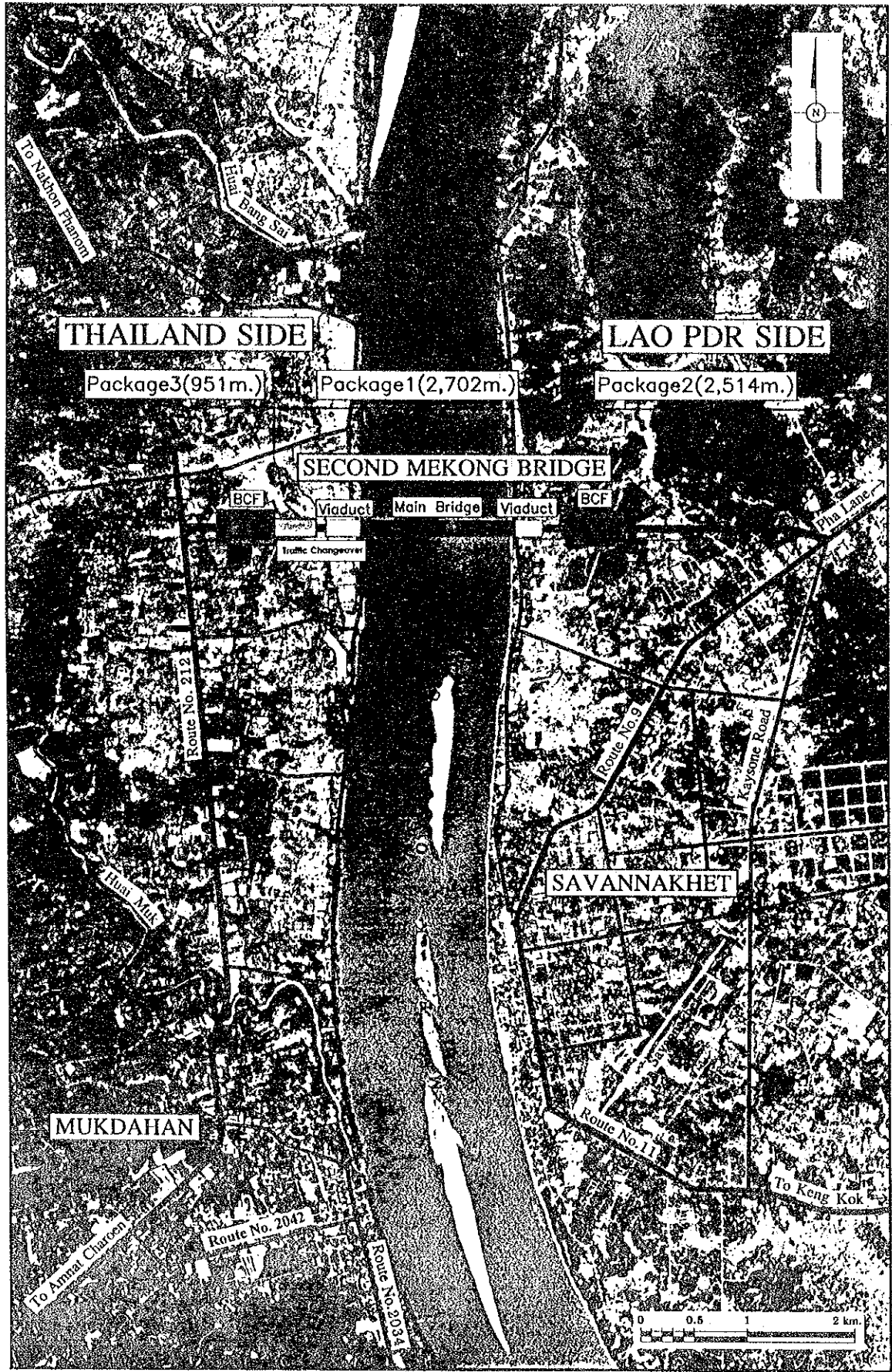
**FINAL REPORT**  
**DRAWINGS (PACKAGE 2)**

JUNE 2000



1158433 [1]

DATE OF ISSUE: 05/03/2000  
 DWG. NO. GE-1 SHEET NO. 1  
 DWG. STATUS



REV.	DATE	DESCRIPTION	APPROVED	PROJECT STUDY TEAM	JICA	THE SECOND MEKONG INTERNATIONAL BRIDGE CONSTRUCTION PROJECT	QUALITY RECORD	NAME	SIGNATURE	DATE	DWG. TITLE
				ORIENTAL CONSULTANTS CO., LTD. In association with NIPPON KOKI CO., LTD.	JICA JAPAN INTERNATIONAL COOPERATION AGENCY LAO PEOPLE'S DEMOCRATIC REPUBLIC MINISTRY OF COMMUNICATION, TRANSPORT, POST AND CONSTRUCTION KINGDOM OF THAILAND MINISTRY OF TRANSPORT AND COMMUNICATIONS DEPARTMENT OF HIGHWAYS	THE SECOND MEKONG INTERNATIONAL BRIDGE CONSTRUCTION PROJECT	DESIGN DESIGN CHECK SUBMITTED APPROVED	A. Morikawa T. Morizawa A. Saitani P. Viraphanb		10/02/00 11/01/00 2/12/00 23/01/00	LOCATION MAP

PACKAGE 2

DATE OF ISSUE:	
05/03/2000	
DWG. NO.	SHEET NO.
GE-2	2
DWG. STATUS	

SHEET NO.	TITLE	DRAWING NO.
<b>1. GENERAL</b>		
1	PROJECT LOCATION MAP	GE-1
2	LIST OF DRAWING (1)	GE-2
3	LIST OF DRAWING (2)	GE-3
<b>2. ROAD</b>		
<b>GENERAL</b>		
4	ABBREVIATION AND SYMBOLS	R-RG-1
5	KEY PLAN ( LAO PDR SIDE )	R-RG-2
6	ALIGNMENT LAYOUT ( LAO PDR SIDE )	R-RG-3
7	SETTING OUT DATA	R-RG-4
8	RIGHT OF WAY PLAN ( LAO PDR SIDE )	R-RG-5
<b>PLAN &amp; PROFILE</b>		
9	PLAN (1) STA. 3+200.000 - STA. 3+840.000	R-P-1
10	PLAN (2) STA. 3+840.000 - STA. 4+540.000	R-P-2
11	PLAN (3) STA. 4+540.000 - STA. 5+240.000	R-P-3
12	PLAN (4) STA. 5+240.000 - STA. 5+940.000	R-P-4
13	PLAN (5) STA. 5+940.000 - STA. 6+400.000	R-P-5
14	PROFILE (1) STA. 3+199.955 - STA. 3+840.000	R-P-6
15	PROFILE (2) STA. 3+840.000 - STA. 4+540.000	R-P-7
16	PROFILE (3) STA. 4+540.000 - STA. 5+240.000	R-P-8
17	PROFILE (4) STA. 5+240.000 - STA. 5+940.000	R-P-9
18	PROFILE (5) STA. 5+940.000 - STA. 6+260.000	R-P-10
19	PROFILE @ ROAD AS STA. 0+000.000 - STA. 0+240.000 (-240)	R-P-11
20	PROFILE @ ROAD @ STA. 0+000.000 - STA. 0+140.000 (-140)	R-P-12
<b>GEOMETRIC</b>		
21	GEOMETRIC LAYOUT BCF	R-G-1
22	GEOMETRIC LAYOUT INTERSECTION A3	R-G-2
23	GEOMETRIC LAYOUT INTERSECTION NO. 9	R-G-3
<b>CROSS SECTION</b>		
24	TYPICAL CROSS SECTION ( LAO P.D.R. SIDE )	R-C-1
25	CROSS SECTION (1) STA. 4+300.000 TO STA. 4+400.000	R-C-2
26	CROSS SECTION (2) STA. 4+420.000 TO STA. 4+520.000	R-C-3
27	CROSS SECTION (3) STA. 4+540.000 TO STA. 4+640.000	R-C-4
28	CROSS SECTION (4) STA. 4+660.000 TO STA. 4+760.000	R-C-5
29	CROSS SECTION (5) STA. 4+780.000 TO STA. 4+880.000	R-C-6
30	CROSS SECTION (6) STA. 4+900.000 TO STA. 5+000.000	R-C-7
31	CROSS SECTION (7) STA. 5+020.000 TO STA. 5+120.000	R-C-8
32	CROSS SECTION (8) STA. 5+140.000 TO STA. 5+240.000	R-C-9
33	CROSS SECTION (9) STA. 5+260.000 TO STA. 5+360.000	R-C-10
34	CROSS SECTION (10) STA. 5+380.000 TO STA. 5+480.000	R-C-11
35	CROSS SECTION (11) STA. 5+500.000 TO STA. 5+600.000	R-C-12
36	CROSS SECTION (12) STA. 5+620.000 TO STA. 5+720.000	R-C-13
37	CROSS SECTION (13) STA. 5+740.000 TO STA. 5+840.000	R-C-14
38	CROSS SECTION (14) STA. 5+860.000 TO STA. 5+960.000	R-C-15
39	CROSS SECTION (15) STA. 5+980.000 TO STA. 6+080.000	R-C-16
40	CROSS SECTION (16) STA. 6+100.000 TO STA. 6+200.000	R-C-17
41	CROSS SECTION (17) STA. 6+220.000 TO STA. 6+320.000	R-C-18

SHEET NO.	TITLE	DRAWING NO.
42	CROSS SECTION (18) STA. 6+340.000 TO STA. 6+397.337	R-C-19
43	CROSS SECTION (19) 3A STA. 0+000.000 TO STA. 0+140.000	R-C-20
44	CROSS SECTION (20) 3A STA. 0+160.000 TO STA. 0+240.000	R-C-21
45	CROSS SECTION (21) 3B STA. 0+000.000 TO STA. 0+140.000	R-C-22
46	CROSS SECTION (22) 3B STA. 0+160.000 TO STA. 0+240.000	R-C-23
47	CROSS SECTION (23) 9A STA. 0+000.000 TO STA. 0+140.000	R-C-24
48	CROSS SECTION (24) 9B STA. 0+000.000 TO STA. 0+140.000	R-C-25
<b>DRAINAGE</b>		
49	RC. U-DITCH AND SIDE DITCH	R-D-1
50	PIPE CULVERT(1) RC. PIPE #0.80-#1.50 L	R-D-2
51	PIPE CULVERT(2) RC. PIPE #0.60 L	R-D-3
52	PIPE CULVERT(3) HEAD WALL FOR PIPE CULVERT	R-D-4
53	CATCH BASIN 1.50x1.60 L	R-D-5
<b>BOX CULVERT</b>		
54	BOX CULVERT(1)	R-B-1
55	BOX CULVERT(2) WINGWALL DETAILS	R-B-2
56	BOX CULVERT(3) WINGWALL DETAILS	R-B-3
<b>TRAFFIC SIGN &amp; PAVEMENT MARKING</b>		
57	TRAFFIC SIGN & ROAD MARKING (1) STA. 3+560.000 TO STA. 3+950.000	R-T-1
58	TRAFFIC SIGN & ROAD MARKING (2) STA. 3+920.000 TO STA. 4+300.000	R-T-2
59	TRAFFIC SIGN & ROAD MARKING (3) STA. 4+300.000 TO STA. 4+700.000	R-T-3
60	TRAFFIC SIGN & ROAD MARKING (4) STA. 4+700.000 TO STA. 5+100.000	R-T-4
61	TRAFFIC SIGN & ROAD MARKING (5) STA. 5+100.000 TO STA. 5+500.000	R-T-5
62	TRAFFIC SIGN & ROAD MARKING (6) STA. 5+500.000 TO STA. 5+870.000	R-T-6
63	TRAFFIC SIGN & ROAD MARKING (7) STA. 5+870.000 TO STA. 6+200.000	R-T-7
64	TRAFFIC SIGN & ROAD MARKING (8) STA. 6+200.000 TO STA. 6+400.000	R-T-8
65	MINOR SIGN AND SIGN POST DETAILS (1)	R-T-9
66	MINOR SIGN AND SIGN POST DETAILS (2)	R-T-10
67	STEEL POLE FOR OVERHANGING TRAFFIC SIGN (1)	R-T-11
68	STEEL POLE FOR OVERHANGING TRAFFIC SIGN (2)	R-T-12
69	STANDARD TRAFFIC SIGNS (1)	R-T-13
70	STANDARD TRAFFIC SIGNS (2)	R-T-14
71	TRAFFIC SIGN AND SIGN BOARD DETAILS	R-T-15
72	MARKINGS LINE ARROW AND HATCHING MARKING	R-T-16
73	CURB PAINTING	R-T-17
<b>MISCELLANEOUS</b>		
74	SODDING DETAILS	R-MI-1
75	CURB AND GUTTER	R-MI-2
76	GUARD RAIL W-BEAM	R-MI-3
77	FENCE DETAIL	R-MI-4
78	KILOMETER POST, RIGHT OF WAY MONUMENT POST	R-MI-5
79	LANDSCAPING AT ROAD NO. 9 INTERSECTION	R-MI-6
<b>LIGHTING</b>		
80	ELECTRICAL SYMBOLS AND ABBREVIATIONS	R-L-1
81	LIGHTING LAYOUT-1	R-L-2

SHEET NO.	TITLE	DRAWING NO.
82	LIGHTING LAYOUT-2	R-L-3
83	LIGHTING LAYOUT-3	R-L-4
84	LIGHTING LAYOUT-4	R-L-5
85	LIGHTING LAYOUT-5	R-L-6
86	LIGHTING LAYOUT-6	R-L-7
87	SINGLE LINE DIAGRAM & LIGHTING COLUMN-1	R-L-8
88	SINGLE LINE DIAGRAM & LIGHTING COLUMN-2	R-L-9
89	SINGLE LINE DIAGRAM & LIGHTING COLUMN-3	R-L-10
90	DETAILS OF LIGHTING COLUMN AND UNDERGROUND CABLE	R-L-11
91	DRAWPITS	R-L-12
92	LIGHTING COLUMN CONNECTION & SUPPLY PILLAR	R-L-13
93	HM. POLE BASE & CARRIAGE	R-L-14
94	HM. COMPARTMENT & FOUNDATION	R-L-15
<b>3. BCF CIVIL</b>		
95	GENERAL LAYOUT OF BCF	F-C-1
96	CROSS SECTION (1)	F-C-2
97	CROSS SECTION (2)	F-C-3
98	CROSS SECTION (3)	F-C-4
99	CROSS SECTION (4)	F-C-5
100	CROSS SECTION (5)	F-C-6
101	CROSS SECTION (6)	F-C-7
102	CROSS SECTION (7)	F-C-8
103	CROSS SECTION (8)	F-C-9
104	LONGITUDINAL PROFILE, CONTROL LINE AND PAVEMENT CROSS FALLS	F-C-10
105	GEOMETRIC LAYOUT	F-C-11
106	GRADING PLAN	F-C-12
107	GENERAL LAYOUT OF EXTERNAL FINISHING	F-C-13
108	CURB LAYOUT	F-C-14
109	25 CM. CONCRETE PAVEMENT	F-C-15
110	CONCRETE PAVEMENT BLOCK	F-C-16
111	DRAINAGE LAYOUT (1)	F-C-17
112	DRAINAGE LAYOUT (2)	F-C-18
113	DRAINAGE LAYOUT DETAILS	F-C-19
114	MANHOLE DETAILS (1)	F-C-20
115	MANHOLE DETAILS (2)	F-C-21
116	RC U-DITCH AND SIDE DITCH DETAILS (1)	F-C-22
117	RC U-DITCH AND SIDE DITCH DETAILS (2)	F-C-23
118	RC U-DITCH AND SIDE DITCH DETAILS (3)	F-C-24
119	DRAIN CHUTE	F-C-25
120	CROSS SECTION LAYOUT OF DRAINAGE AND UNDER GROUND CONDUIT (1)	F-C-26
121	CROSS SECTION LAYOUT OF DRAINAGE AND UNDER GROUND CONDUIT (2)	F-C-27
122	CROSS SECTION LAYOUT OF DRAINAGE AND WATER SUPPLY PIPE (1)	F-C-28
123	CROSS SECTION LAYOUT OF DRAINAGE AND WATER SUPPLY PIPE (2)	F-C-29
124	CROSS SECTION DETAILS	F-C-30
125	TRAFFIC SIGN LAYOUT AND ROAD MARKING	F-C-31
126	LAYOUT OF LANDSCAPING WORK	F-C-32
127	PLANTING AND GRASSING IN MEDIANS	F-C-33
128	PLANTING DETAILS	F-C-34
129	METHOD OF TRANSPLANTING TREE	F-C-35
130	GATE AND SECURITY FENCE	F-C-36
131	FLAG POLE	F-C-37

REV.	DATE	DESCRIPTION	APPROVED	PROJECT STUDY TEAM			QUALITY RECORD	NAME	SIGNATURE	DATE	DWG. TITLE
				ORIENTAL CONSULTANTS CO., LTD.	JICA JAPAN INTERNATIONAL COOPERATION AGENCY LAO PEOPLE'S DEMOCRATIC REPUBLIC MINISTRY OF COMMUNICATION, TRANSPORT, POST AND CONSTRUCTION KINGDOM OF THAILAND MINISTRY OF TRANSPORT AND COMMUNICATIONS DEPARTMENT OF HIGHWAYS		DESIGN	H. Ocho		16/03/00	LIST OF DRAWING (1)
				In association with			DESIGN CHECK	T. Mawitana		17/03/00	
							SUBMITTED	A. Hualani		21/03/00	
				NIPPON KOEI CO., LTD.			APPROVED	P. Viraphanth		22/03/00	

PACKAGE 2

DATE OF ISSUE:		05/03/2000
DWG. NO.	GE-3	SHEET NO. 3
DWG. STATUS		

SHEET NO.	TITLE	DRAWING NO.	SHEET NO.	TITLE	DRAWING NO.	SHEET NO.	TITLE	DRAWING NO.
	<b>4. BCF ARCHITECTURAL</b>		182	OFFICER'S PARKING SHED : PARKING PLAN, ELEVATION & DETAIL SECTION (T-A&B)	F-A-51		<b>6. BCF ELECTRICAL AND MECHANICAL</b>	
132	LOCATION MAP	F-A-1	183	ACCOMMODATION : LAYOUT PLAN	F-A-52	233	GENERAL SPECIFICATION FOR UTILITY WORK	F-U-1
133	LAYOUT PLAN	F-A-2	184	ACCOMMODATION : FLOOR PLANS	F-A-53	234	POWER SUPPLY SYSTEM	F-E-1
134	MAIN OFFICE : FINISH SCHEDULE	F-A-3	185	ACCOMMODATION : ELEVATIONS	F-A-54	235	ONE LINE DIAGRAM	F-E-2
135	MAIN OFFICE : 1 <sup>st</sup> FLOOR PLAN	F-A-4	186	ACCOMMODATION : SECTION DETAILS	F-A-55	236	DETAIL OF DISTRIBUTION PANEL (1)	F-E-3
138	MAIN OFFICE : 2 <sup>nd</sup> FLOOR PLAN	F-A-5	187	ACCOMMODATION : TOILET, KITCHEN AND DETAILS	F-A-56	237	DETAIL OF DISTRIBUTION PANEL (2)	F-E-4
137	MAIN OFFICE : ROOF PLAN	F-A-6	188	ACCOMMODATION : DOORS & WINDOWS AND DETAILS	F-A-57	238	DETAIL OF DISTRIBUTION PANEL (3)	F-E-5
138	MAIN OFFICE : ROOF PLAN	F-A-6	189	POWER HOUSE (1) : FLOOR PLAN, ROOF PLAN	F-A-58	239	DETAIL OF DISTRIBUTION PANEL (4)	F-E-6
139	MAIN OFFICE : ELEVATION A, C	F-A-7	190	POWER HOUSE (2) : ELEVATIONS AND SECTION DETAILS	F-A-59	240	DETAIL OF DISTRIBUTION PANEL (5)	F-E-7
140	MAIN OFFICE : ELEVATION B, D	F-A-8	191	OFFICE GARBAGE (1) : PLAN, ROOF PLAN AND ELEVATION	F-A-60	241	DETAIL OF HIGH MAST LIGHTING (1)	F-E-8
141	MAIN OFFICE : TRANSVERSAL SECTION	F-A-9	192	OFFICE GARBAGE (2) : PLAN AND SECTION DETAILS	F-A-61	242	DETAIL OF HIGH MAST LIGHTING (2)	F-E-9
141	MAIN OFFICE : LONGITUDINAL SECTION	F-A-10	193	VEHICLE INSPECTION PIT : DETAILS	F-A-62	243	FIGURE OF LIGHTING FIXTURE	F-E-10
142	MAIN OFFICE : DEPARTURE BUILDING-PLAN	F-A-11		<b>5. BCF STRUCTURAL</b>		244	DETAIL OF MANHOLE, HANDHOLE AND UNDER GROUND CONDUIT	F-E-11
143	MAIN OFFICE : ARRIVAL & DEPARTURE-ELEVATION A, C	F-A-12		STRUCTURAL NOTES	F-S-1	245	PLAN OF EXTERNAL ELECTRICAL WORK (1)	F-E-12
144	MAIN OFFICE : DEPARTURE BUILDING-ELEVATION B, D	F-A-13	194	MAIN OFFICE : FOOTING AND COLUMN PLAN (1)	F-S-2	246	PLAN OF EXTERNAL ELECTRICAL WORK (2)	F-E-13
145	MAIN OFFICE : DEPARTURE BUILDING-CROSS SECTION AT 1-1	F-A-14	195	MAIN OFFICE : FOOTING AND COLUMN PLAN (2)	F-S-3	247	PLAN AND DETAIL OF POWER HOUSE	F-E-14
146	MAIN OFFICE : ARRIVAL BUILDING-PLAN	F-A-15	196	MAIN OFFICE : FIRST FLOOR BEAM PLAN (1)	F-S-4	248	PLAN OF INTERNAL LIGHTING AND POWER OUTLET IN MAIN OFFICE (GROUND FLOOR)	F-E-15
147	MAIN OFFICE : ARRIVAL BUILDING-ELEVATION B, D	F-A-16	197	MAIN OFFICE : FIRST FLOOR BEAM PLAN (2)	F-S-5	249	PLAN OF INTERNAL LIGHTING AND POWER OUTLET IN MAIN OFFICE (SECOND FLOOR)	F-E-16
148	MAIN OFFICE : ARRIVAL BUILDING-CROSS SECTION AT 1-1	F-A-17	198	MAIN OFFICE : FIRST FLOOR COLUMN PLAN (1)	F-S-6	250	SYSTEM OF PRIVATE TELEPHONE, PUBLIC ANNOUNCING AND TELEVISION	F-E-17
149	MAIN OFFICE : CENTRAL BUILDING-1 <sup>st</sup> FLOOR PLAN	F-A-18	199	MAIN OFFICE : FIRST FLOOR COLUMN PLAN (2)	F-S-7	251	PLAN OF TELEPHONE, TV AND PUBLIC ANNOUNCING SYSTEM IN MAIN OFFICE (GROUND FLOOR)	F-E-18
150	MAIN OFFICE : CENTRAL BUILDING-2 <sup>nd</sup> FLOOR PLAN	F-A-19	200	MAIN OFFICE : SECOND FLOOR BEAM PLAN	F-S-8	252	PLAN OF TELEPHONE, TV AND PUBLIC ANNOUNCING SYSTEM IN MAIN OFFICE (SECOND FLOOR)	F-E-19
151	MAIN OFFICE : CENTRAL BUILDING-ELEVATION A, C	F-A-20	201	MAIN OFFICE : SECOND FLOOR SLABS & COLUMNS PLAN	F-S-9	253	PLAN OF INTERNAL ELECTRICAL WORK IN PUBLIC TOILETS, BOOTHS AND CHECK POINT OFFICES AND TOLL OFFICE AND CHECK POINT OFFICE	F-E-20
152	MAIN OFFICE : CENTRAL BUILDING-ELEVATION B, D	F-A-21	202	MAIN OFFICE : ROOF BEAM PLAN (1)	F-S-10	254	PLAN OF ELECTRICAL WORK IN ACCOMMODATION	F-E-21
153	MAIN OFFICE : CENTRAL BUILDING-CROSS SECTION AT 1-1	F-A-22	203	MAIN OFFICE : ROOF BEAM PLAN (2)	F-S-11	255	PLAN OF LIGHTING PROTECTION SYSTEM	F-E-22
154	MAIN OFFICE : DEPARTURE BUILDING-TYPICAL SECTION 1	F-A-23	204	MAIN OFFICE : DETAILS OF ROOF PLAN	F-S-12	256	WATER SUPPLY AND WASTE WATER DRAINAGE SYSTEM	F-P-1
155	MAIN OFFICE : ARRIVAL BUILDING, CORRIDOR-TYPICAL SECTION 2	F-A-24	205	MAIN OFFICE : SECTION 1-1	F-S-13	257	EXTERNAL PLUMBING WORK	F-P-2
156	MAIN OFFICE : ARRIVAL-TOILET DETAILS T1, T2 AND T3	F-A-25	206	MAIN OFFICE : SECTION 2-2	F-S-14	258	PLUMBING WORK IN MAIN OFFICE (1) GROUND FLOOR	F-P-3
157	MAIN OFFICE : ARRIVAL AND CENTRAL BUILDING-TOILET DETAILS T4 AND T8	F-A-26	207	MAIN OFFICE : SECTION 3-3	F-S-15	259	PLUMBING WORK IN MAIN OFFICE (2) SECOND FLOOR	F-P-4
158	MAIN OFFICE : DEPARTURE BUILDING-TOILET DETAILS T5, T6 AND T7	F-A-27	208	MAIN OFFICE : SECTION 4-4	F-S-16	260	DETAIL OF PLUMBING WORK (MAIN OFFICE)	F-P-5
159	MAIN OFFICE : DETAILS OF TOILET (4)	F-A-28	209	MAIN OFFICE : SECTION 5-5	F-S-17	261	PLUMBING WORK IN PUBLIC TOILETS AND CHECK POINT AND TOLL OFFICE	F-P-6
160	MAIN OFFICE : ROOF CEILING PLAN	F-A-29	210	MAIN OFFICE : SECTION 6-6	F-S-18	262	PLUMBING WORK IN ACCOMMODATION	F-P-7
161	MAIN OFFICE : ARRIVAL BUILDING REFLECTED CEILING PLAN	F-A-30	211	MAIN OFFICE : R/C FOOTING, COLUMN, BEAM AT SEC. 1-1	F-S-19	263	DETAILS FOR PLUMBING WORK	F-P-8
162	MAIN OFFICE : DEPARTURE BUILDING REFLECTED CEILING PLAN	F-A-31	212	MAIN OFFICE : PARTIAL DETAILS OF TRUSSES (1)	F-S-20	264	WASTE WATER TREATMENT SYSTEM DETAILS	F-P-9
163	MAIN OFFICE : DOOR & WINDOWS SCHEDULE (1)	F-A-32	213	MAIN OFFICE : PARTIAL DETAILS OF TRUSSES (2)	F-S-21	265	PLAN OF AIR CONDITIONER AND VENTILATION IN MAIN OFFICE (GROUND FLOOR)	F-M-1
164	MAIN OFFICE : DOOR & WINDOWS SCHEDULE (2)	F-A-33	214	MAIN OFFICE : PARTIAL DETAILS OF TRUSSES (3)	F-S-22	266	PLAN OF AIR CONDITIONER AND VENTILATION IN MAIN OFFICE (SECOND FLOOR)	F-M-2
165	MAIN OFFICE : DOOR & WINDOWS SCHEDULE (3)	F-A-34	215	MAIN OFFICE : R/C FOOTING & COLUMNS (1)	F-S-23	267		
166	MAIN OFFICE : DETAILS OF WATER TANK AND TOILET	F-A-35	216	MAIN OFFICE : R/C FOOTING & COLUMNS (2)	F-S-24			
167	MAIN OFFICE : CENTRAL BUILDING-DETAILS OF GABLE (1)	F-A-36	217	MAIN OFFICE : R/C STAIR REINFORCEMENT	F-S-25			
168	MAIN OFFICE : ARRIVAL AND DEPARTURE BUILDING--DETAILS OF GABLE & EARRE (2)	F-A-37	218	MAIN OFFICE : R/C FIRST FLOOR BEAMS	F-S-26			
169	MAIN OFFICE : TYPICAL ROOF DETAILS	F-A-38	219	MAIN OFFICE : R/C FIRST FLOOR BEAMS & SLABS	F-S-27			
170	MAIN OFFICE : MISCELLANEOUS DETAILS 1 (FLOWER & INSPECTION COUNTER)	F-A-39	220	MAIN OFFICE : R/C SECOND FLOOR BEAMS	F-S-28			
171	MAIN OFFICE : MISCELLANEOUS DETAILS 2 (EAVES DETAILS, GABLE DETAILS, SECURITY CAGE DETAILS)	F-A-40	221	MAIN OFFICE : R/C SECOND FLOOR BEAMS & ROOF BEAMS	F-S-29			
172	MAIN OFFICE : PLAN & ROOF PLAN	F-A-41	222	MAIN OFFICE : R/C ROOF BEAMS	F-S-30			
173	MAIN OFFICE : EXTERIOR ELEVATIONS	F-A-42	223	MAIN OFFICE : R/C ROOF BEAMS & 2ND FLOOR SLABS	F-S-31			
174	BUS STOP : ELEVATION AND SECTION DETAILS	F-A-43	224	BUS STOP : STRUCTURAL DETAILS	F-S-32			
175	PUBLIC TOILET : PLAN & ELEVATION	F-A-44	225	PUBLIC TOILET : STRUCTURAL DETAILS	F-S-33			
176	PUBLIC TOILET : DETAIL PLAN & SECTION	F-A-45	226	CHECKING OFFICES : STRUCTURAL DETAILS	F-S-34			
177	BOOTH (IMMIGRATION & CUSTOMS) : PLAN, ELEVATION, SECTION AND DETAILS	F-A-46	227	CHECK POINT BOOTH : STRUCTURAL DETAILS	F-S-35			
178	BOOTH (IMMIGRATION & QUARANTINE) : PLAN, ELEVATION, SECTION AND DETAILS	F-A-47	228	POWER HOUSE : FOOTING, BEAM & SLABS DETAILS	F-S-36			
179	CHECKING OFFICES : 1 <sup>st</sup> FLOOR PLAN, ELEVATION AND SECTION, FINISHING	F-A-48	229	POWER HOUSE : BEAM, COLUMN AND FOOTING	F-S-37			
180	CHECKING OFFICES : TOILET DETAILS AND TOILET EQUIPMENT SCHEDULE	F-A-49	230	OFFICER'S ACCOMMODATION : STRUCTURAL FRAM & ROOF PLAN	F-S-38			
181	CHECK POINT BOOTHS : PLAN, ROOF PLAN, MATERIALS AND FINISH SCHEDULE	F-A-50	231	OFFICER'S ACCOMMODATION : FOOTING, BEAM & MISC DETAILS	F-S-39			

REV.	DATE	DESCRIPTION	APPROVED	PROJECT STUDY TEAM	JICA	LAO PEOPLE'S DEMOCRATIC REPUBLIC	MINISTRY OF COMMUNICATION, TRANSPORT, POST AND CONSTRUCTION	THE SECOND MEKONG INTERNATIONAL BRIDGE CONSTRUCTION PROJECT	QUALITY RECORD	NAME	SIGNATURE	DATE	DWG. TITLE
				ORIENTAL CONSULTANTS CO., LTD. In association with NIPPON KOKI CO., LTD.	JICA	MINISTRY OF COMMUNICATION, TRANSPORT, POST AND CONSTRUCTION	MINISTRY OF TRANSPORT AND COMMUNICATIONS DEPARTMENT OF HIGHWAYS		DESIGN	H. Okita	<i>[Signature]</i>	16-02-00	LIST OF DRAWING (2)
								DESIGN CHECK	T. Mouasana	<i>[Signature]</i>	17-04-00		
								SUBMITTED	A. Hiraford	<i>[Signature]</i>	17-07-00		
								APPROVED	P. Viraphonh	<i>[Signature]</i>	22-07-00		

# LEGEND

DATE OF ISSUE:	
05/03/2000	
DWG. NO.	SHEET NO.
R-RG-1	4
DWG. STATUS	

## UTILITIES AND DRAINAGE

	DITCH, EXISTING
	DITCH, NEW
	DITCH BOTTOM
	DRAINAGE CHANNEL, CONCRETE
	MANHOLE ON DRAINAGE CHANNEL
	GUTTER AND INLET DRAIN
	DRAINAGE PIPE
	ELECTRIC CABLE UNDERGROUND
	ELECTRIC LINE OVERHEAD
	HIGH VOLTAGE
	TELEPHONE CABLE UNDERGROUND
	TELEPHONE LINE OVERHEAD
	MANHOLE ON PIPE/CABLE
	PIPE CULVERT, EXISTING
	PIPE CULVERT, NEW
	BOX CULVERT, EXISTING
	BOX CULVERT, NEW
	CONTROL CABINET, TELE
	CONTROL CABINET, ELECTRIC
	MANHOLE, TELE OR ELECTRICAL
	POWER TRANSFORMER
	ELECTRICITY PYLON
	ELECTRIC/TELEPOLE, EXISTING
	ELECTRIC/TELEPOLE, NEW
	LAMP POST
	ELECTRIC POLE TO BE REMOVED
	BILLBOARD, SINGLE FACE
	BILLBOARD, DOUBLE FACE

## ROAD AND TRAFFIC

	CENTERLINE OF ROAD
	GRAVEL EDGE EXISTING ROAD
	ASPHALT EDGE, EXISTING
	ASPHALT EDGE, PLANNED
	SHOULDER EDGE
	CURB, EXISTING
	CURB, PLANNED
	DROPPED CURB AND TYPE (PLANNED)
	CUT SLOPE AND FILL SLOPE } ON PROPOSED ROAD
	BRIDGE
	GUARD RAIL, PROPOSED
	GUIDE POSTS, PROPOSED
	CONCRETE BARRIER
	TRAFFIC SIGNAL
	ROAD SIGN
	PAVEMENT MARKING
<b>MAP</b>	
	POND
	EXISTING ROAD
	HOUSE, HUT
	BUILDING, HOUSE, ONE STOREY WOOD
	BUILDING, HOUSE, TWO STOREY CONCRETE
	PORCH ( VERANDA )
	HOUSE TO BE REMOVED
	RICE FIELD
	TREE, EXISTING
	TREE, PROPOSED
	HEDGE
	FENCE
	RAIL
	RETAINING WALL

	ASPHALT SURFACE
	CONCRETE SURFACE
	GRAVEL SURFACE
	GRASSED SURFACE
	CONCRETE TILES
	+ 10.00 NEW LEVEL
	+ 10.00 EXISTING LEVEL
	NORTH ARROW
	COORDINATES
	BENCH MARK

## PROFILE

	EXISTING ROAD/TERRAIN PROFILE
	NEW ROAD PROFILE
	PIPE CULVERT
	BOX CULVERT
	ELEVATION
	(HIGH) WATER LEVEL

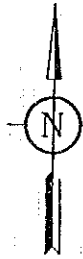
## GENERAL REMARKS

WHEN THE SYMBOL FOR EXISTING AND PLANNED OBJECTS IS SIMILAR:

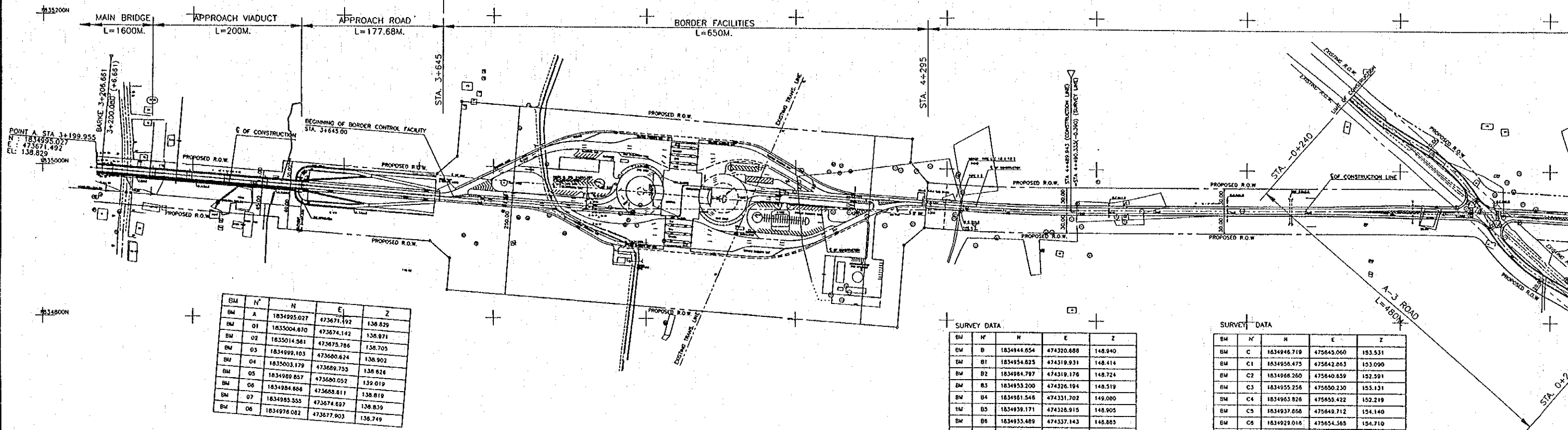
THIN LINES (0.18-0.25mm) = EXISTING

THICK LINES (0.5-0.7mm) = PLANNED

REV.	DATE	DESCRIPTION	APPROVED	PROJECT STUDY TEAM	JICA JAPAN INTERNATIONAL COOPERATION AGENCY	LAO PEOPLE'S DEMOCRATIC REPUBLIC MINISTRY OF COMMUNICATION, TRANSPORT, POST AND CONSTRUCTION	THE SECOND MEKONG INTERNATIONAL BRIDGE CONSTRUCTION PROJECT	QUALITY RECORD	NAME	SIGNATURE	DATE	DWG. TITLE:
				ORIENTAL CONSULTANTS CO., LTD. in association with NIPPON KORI CO., LTD.	MINISTRY OF TRANSPORT AND COMMUNICATIONS DEPARTMENT OF HIGHWAYS			DESIGN	H. Okita		16/02/00	ABBREVIATION AND SYMBOLS
							DESIGN CHECK	T. Mosuzawa		17/02/00		
							SUBMITTED	A. Hirotsu		21/02/00		
							APPROVED	P. Viraphanth		20/02/00		



PACKAGE 1 (OTHER CONTRACT) LIMIT OF CONSTRUCTION



BM	N	N	E	Z
BM A	1834925.027	473671.192	138.829	
BM 01	1835004.670	473674.142	138.971	
BM 02	1835014.581	473675.786	138.705	
BM 03	1834999.103	473660.624	138.902	
BM 04	1835003.179	473669.753	138.826	
BM 05	1834989.857	473680.052	139.019	
BM 06	1834984.658	473683.811	138.819	
BM 07	1834985.555	473674.697	138.839	
BM 08	1834978.082	473677.903	138.749	

SURVEY DATA

BM	N	N	E	Z
BM B	1834944.654	474320.888	148.940	
BM B1	1834954.825	474319.931	148.414	
BM B2	1834964.797	474319.176	148.724	
BM B3	1834953.200	474326.194	148.519	
BM B4	1834961.546	474331.702	149.080	
BM B5	1834958.171	474328.915	148.905	
BM B6	1834955.489	474337.143	148.885	
BM B7	1834955.810	474324.953	148.253	
BM B8	1834924.957	474330.074	146.700	

SURVEY DATA

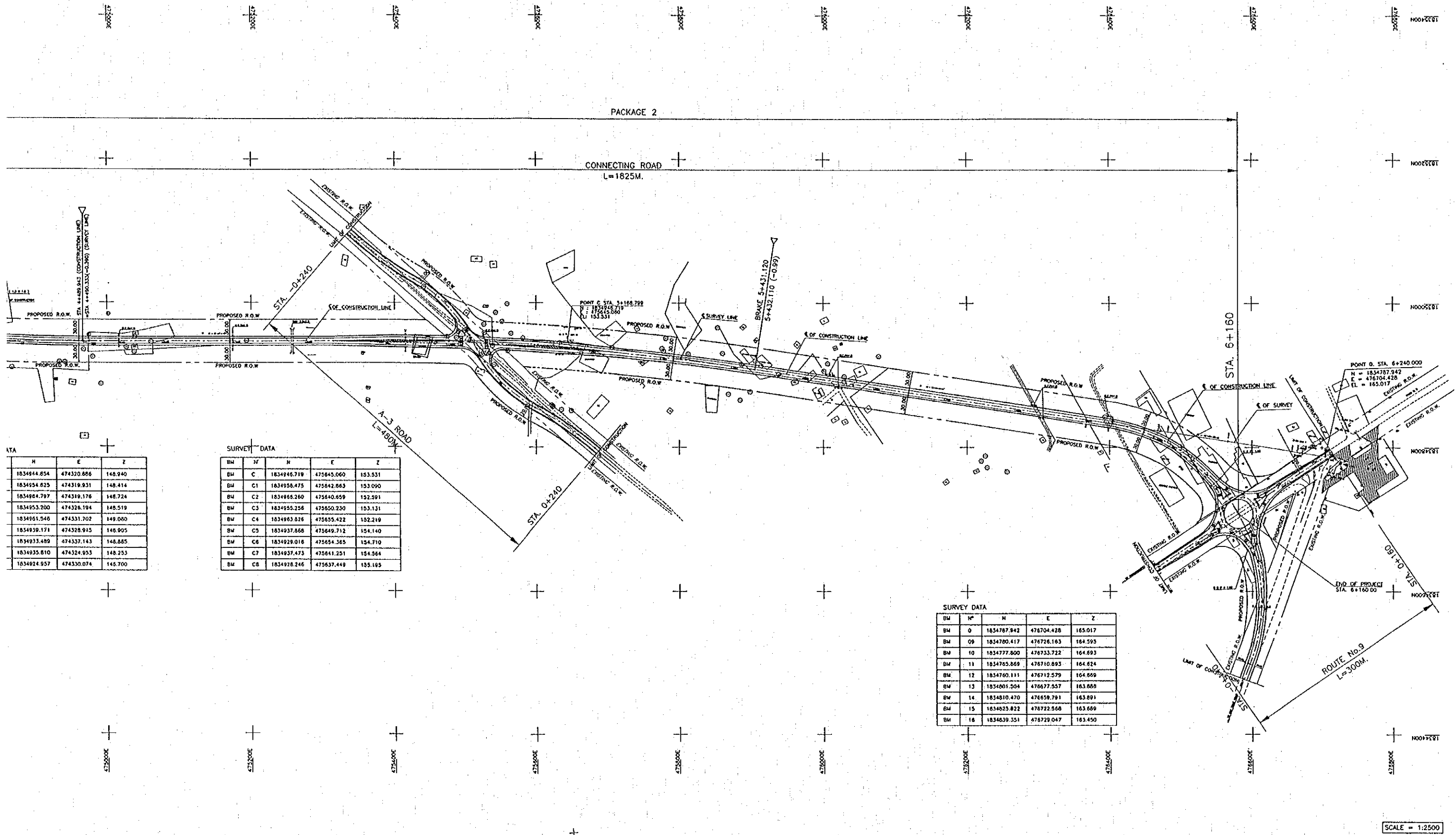
BM	N	N	E	Z
BM C	1834946.719	475645.060	153.531	
BM C1	1834956.475	475642.863	153.090	
BM C2	1834966.260	475640.659	152.591	
BM C3	1834955.256	475650.230	153.131	
BM C4	1834963.828	475655.422	152.219	
BM C5	1834937.656	475649.712	154.140	
BM C6	1834929.016	475654.365	154.710	
BM C7	1834937.473	475641.251	154.864	
BM C8	1834928.246	475637.449	153.193	

REV.	DATE	DESCRIPTION	APPROVED	PROJECT STUDY TEAM

ORIENTAL CONSULTANTS CO., LTD.  
 in association with  
 NIPPON KOEI CO., LTD.

JIC  
 MINIS





ATA

H	E	Z
1834944.854	474320.806	148.940
1834954.825	474319.931	148.414
1834964.797	474319.176	148.724
1834953.200	474326.194	148.519
1834961.548	474331.702	149.090
1834939.171	474328.915	148.905
1834933.489	474337.143	148.885
1834935.810	474324.953	148.253
1834924.957	474330.074	148.700

SURVEY DATA

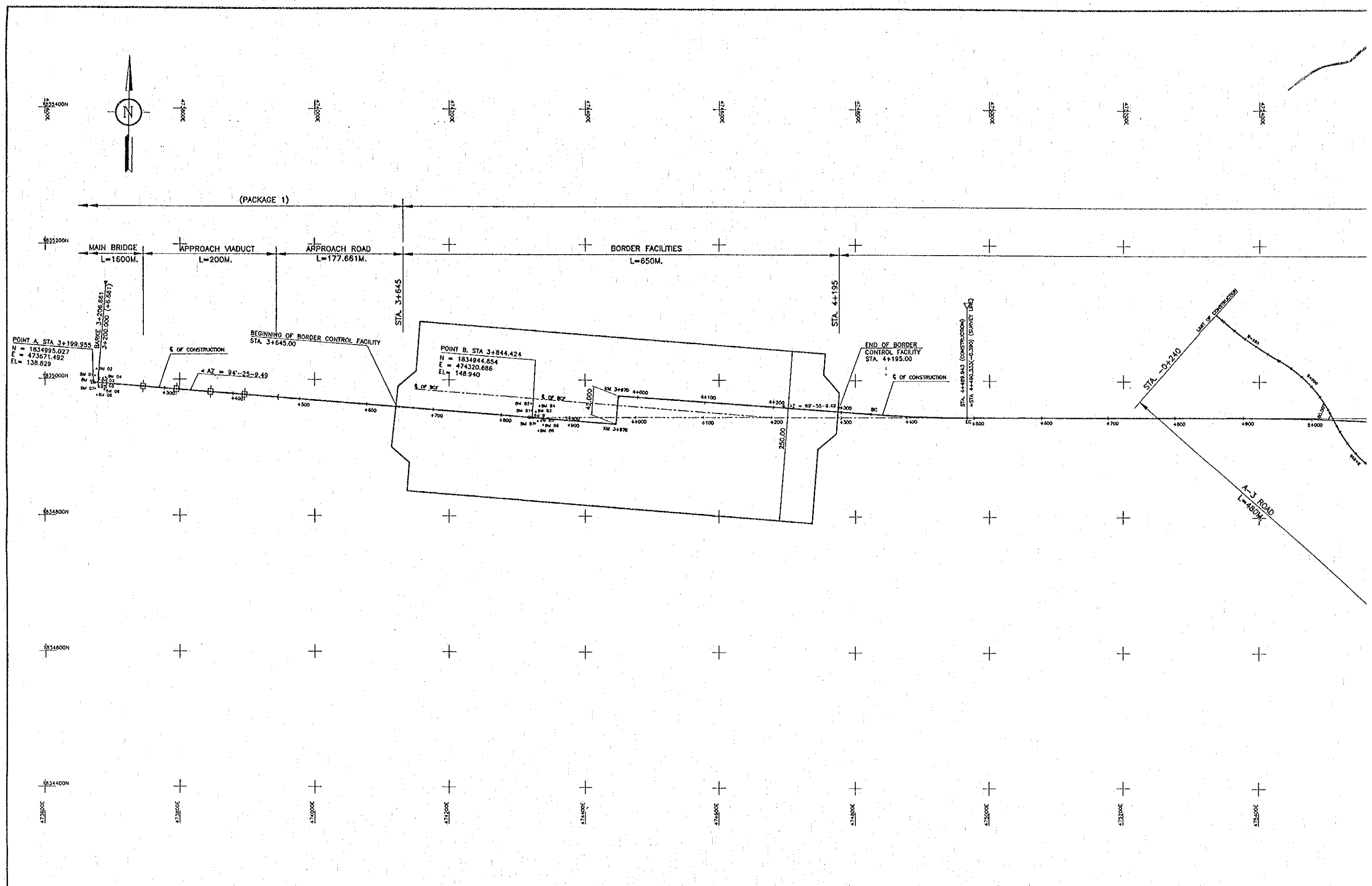
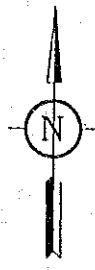
BM	X	Y	N	E	Z
BM C	1834946.719	475845.060	153.531		
BM C1	1834958.475	475842.863	153.090		
BM C2	1834968.280	475840.659	152.391		
BM C3	1834955.258	475850.230	153.131		
BM C4	1834963.826	475855.422	152.219		
BM C5	1834937.868	475849.712	154.140		
BM C6	1834929.018	475854.365	154.710		
BM C7	1834937.473	475841.251	154.584		
BM C8	1834928.246	475837.449	155.195		

SURVEY DATA

BM	X	Y	N	E	Z
BM 0	1834787.942	476704.428	165.017		
BM 09	1834780.417	476726.163	164.593		
BM 10	1834777.600	476733.722	164.693		
BM 11	1834765.889	476710.895	164.824		
BM 12	1834760.111	476712.579	164.689		
BM 13	1834661.504	476677.557	163.608		
BM 14	1834810.470	476658.791	163.891		
BM 15	1834825.822	476722.568	163.689		
BM 16	1834639.351	476729.047	163.450		

SCALE = 1:2500

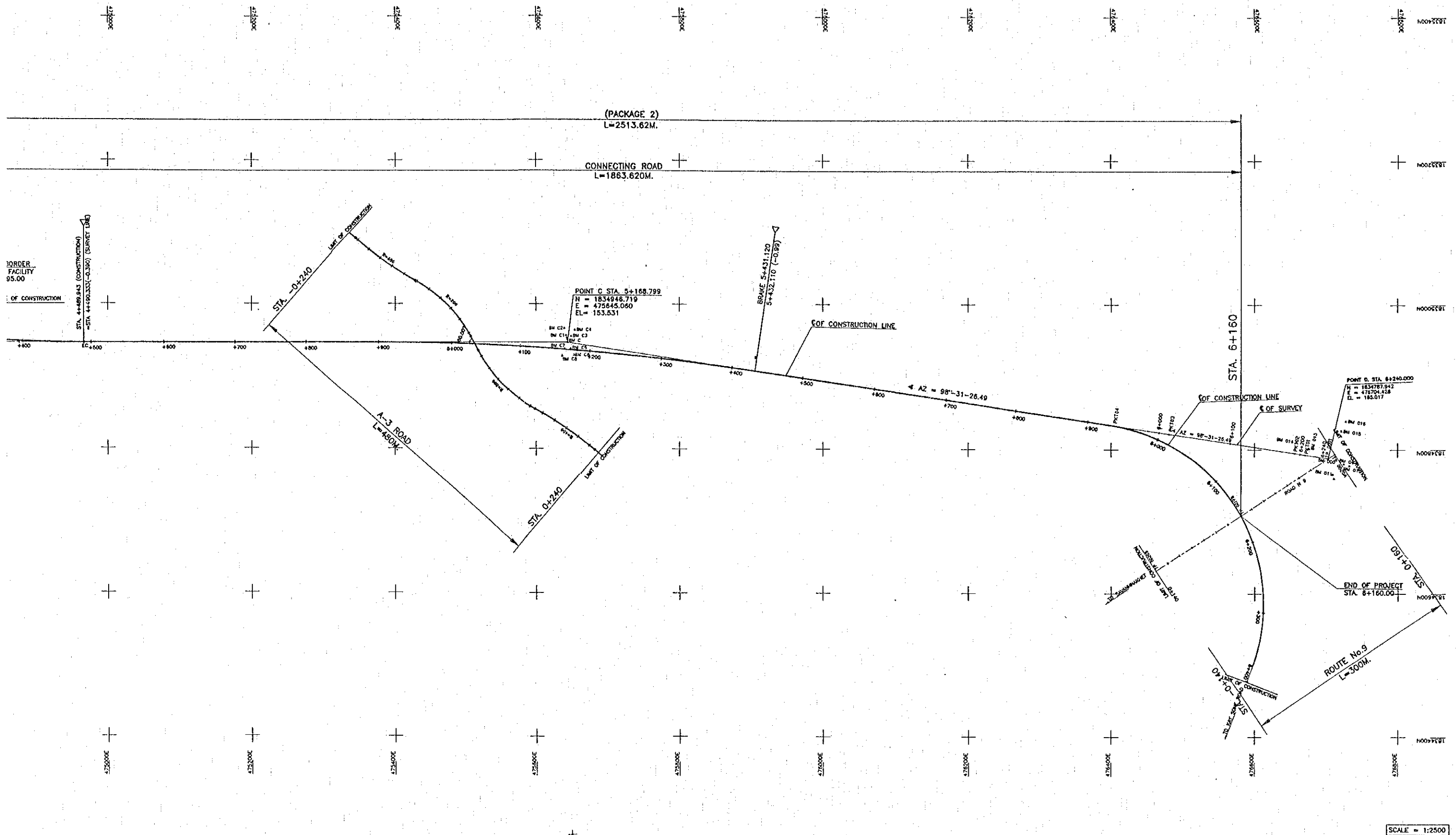
REV.	DATE	DESCRIPTION	APPROVED	PROJECT STUDY TEAM	JICA JAPAN INTERNATIONAL COOPERATION AGENCY	QUALITY RECORD	NAME	SIGNATURE	DATE	DWG. TITLE:
				ORIENTAL CONSULTANTS CO., LTD. In association with NIPPON KORI CO., LTD.	LAO PEOPLE'S DEMOCRATIC REPUBLIC MINISTRY OF COMMUNICATION, TRANSPORT, POST AND CONSTRUCTION KINGDOM OF THAILAND MINISTRY OF TRANSPORT AND COMMUNICATIONS DEPARTMENT OF HIGHWAYS	DESIGN	H. Okita	<i>[Signature]</i>	2/20/00	KEY PLAN LAO PDR SIDE
						DESIGN CHECK	T. Mitsuoka	<i>[Signature]</i>	2/20/00	
						SUBMITTED	A. Hirakawa	<i>[Signature]</i>	2/20/00	
						APPROVED	P. Veeraphanth	<i>[Signature]</i>	5/1/00	



REV.	DATE	DESCRIPTION	APPROVED	PROJECT STUDY TEAM

ORIENTAL CONSULTANTS CO., LTD.  
 In association with  

 NIPPON KOEI CO., LTD.



REV.	DATE	DESCRIPTION	APPROVED

PROJECT STUDY TEAM  
**ORIENTAL CONSULTANTS CO., LTD.**  
 in association with  
**NIPPON KOZI CO., LTD.**

**JICA** JAPAN INTERNATIONAL COOPERATION AGENCY  
 LAO PEOPLE'S DEMOCRATIC REPUBLIC  
 MINISTRY OF COMMUNICATION, TRANSPORT, POST AND CONSTRUCTION  
 KINGDOM OF THAILAND  
 MINISTRY OF TRANSPORT AND COMMUNICATIONS  
 DEPARTMENT OF HIGHWAYS

THE SECOND MEXONG  
 INTERNATIONAL BRIDGE  
 CONSTRUCTION PROJECT

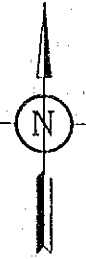
QUALITY RECORD	NAME	SIGNATURE	DATE
DESIGN	H. Okita	<i>[Signature]</i>	16-12-00
DESIGN CHECK	T. Masutawa	<i>[Signature]</i>	18-02-00
SUBMITTED	A. Krolani	<i>[Signature]</i>	21/5/00
APPROVED	P. Viroshonth	<i>[Signature]</i>	22/01/00

DWG. TITLE:  
**ALIGNMENT LAYOUT  
 LAO PDR SIDE**

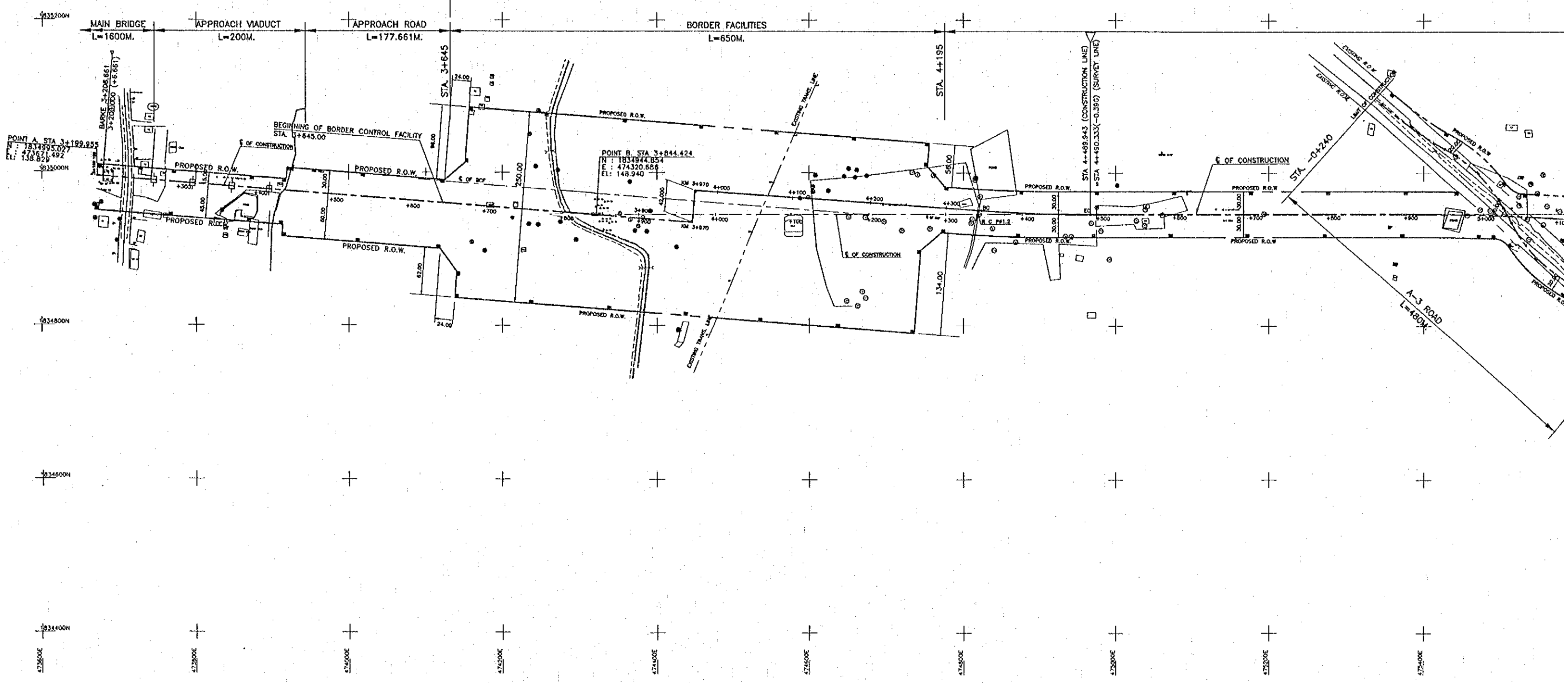
SETTING OUT DATA

LOCATION	POINT	STATION	COORDINATES		CURVE DATA							
			EAST	NORTH	DEFLECTION ANGLE	SPIRAL IN A (M)	RADIUS R (M)	SPIRAL OUT A (M)	DEGREE OF CURVATURE, D (M)	TANGENT LENGTH T (M)	LENGTH OF CURVE, L (M)	EXTERNAL LENGTH E (M)
C OF CONSTRUCTION												
BEGINNING OF LOA SIDE	BM A	3+199.955	473871.492	1834995.027								
	ABUTMENT	3+467.339	473944.722	1834973.910								
	BM B	3+851.085	474320.686	1834944.854								
	END	3+970.000	474445.889	1834935.178								
BEGINNING	BOP	3+070	474774.973	1834951.899								
	PC1	4+206.820	474782.779	1834951.266								
	PI1	4+375.106	474853.027	1834945.837	4° 28' 58.44"	2000				78.286	156.493	1.532
	PT1	4+453.313	474931.313	1834945.824								
	PC2	4+904.277	475382.289	1834946.426								
	PI2	5+187.069	475845.060	1834946.719	8° 35' 18.08"	3500				262.792	524.598	9.852
	PT2	5+428.875	475904.948	1834907.767								
	PC3	5+929.103	476399.850	1834833.822								
ROAD A3	PI3	6+237.285	476704.428	1834787.942	101° 54' 5.76"	250				308.182	444.629	146.833
	PT3	6+373.731	476598.876	1834499.138								
	END	6+413.731	476582.918	1834481.851								
	BOP	0+000	475511.000	1834944.000								
ROAD A3	PCA3/A1	0+013.557	476704.358	1834955.818								
	PIA3/A1	0+069.400	475477.000	1835004.500	31° 12' 4.32"	200				55.843	108.911	7.850
	PTA3/A1	0+122.468	475428.380	1835031.968								
	PCA3/A2	0+126.770	475424.634	1835034.084								
	PIA3/A2	0+175.393	475382.300	1835058.000	12° 20' 0.96"	450				48.823	96.87	2.619
	PTA3/A2	0+223.840	475348.052	1835090.407								
END	0+240.000	475333.856	1835101.311									
A3	BEGINNING	0+000	475511.000	1834944.000								
	PCA3/B1	0+007.798	475514.713	1834937.143								
	PIA3/B1	0+069.637	475544.300	1834882.500	34° 31' 10.2"	200				62.139	120.495	9.431
	PTA3/B1	0+128.293	475589.643	1834854.244								
	PCA3/B2	0+135.754	475592.999	1834857.637								
	PIA3/B2	0+192.794	475643.800	1834831.700	13° 24' 55.44"	485				57.04	113.557	3.343
PTA3/B2	0+249.311	475687.196	1834794.685									
END	0+250	475687.722	1834794.236									
ROAD 9	BEGINNING											
	9A	0+000	476579.800	1834707.500								
	END	0+160	476714.255	1834794.229								
	9B	0+000	476579.800	1834707.500								
END	0+140	476482.214	1834631.516									

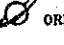

REV.	DATE	DESCRIPTION	APPROVED	PROJECT STUDY TEAM	JICA JAPAN INTERNATIONAL COOPERATION AGENCY	LAO PEOPLE'S DEMOCRATIC REPUBLIC MINISTRY OF COMMUNICATION, TRANSPORT, POST AND CONSTRUCTION	THE SECOND MEKONG INTERNATIONAL BRIDGE CONSTRUCTION PROJECT	QUALITY RECORD	NAME	SIGNATURE	DATE	DWG. TITLE
				ORIENTAL CONSULTANTS CO., LTD. in association with NIPPON KOKI CO., LTD.				DESIGN	H. Orita	[Signature]	16/02/00	SETTING OUT DATA
							DESIGN CHECK	T. Masuzawa	[Signature]	18/02/00		
							SUBMITTED	A. Hironaka	[Signature]	21/02/00		
							APPROVED	P. Waphanith	[Signature]	23/02/00		



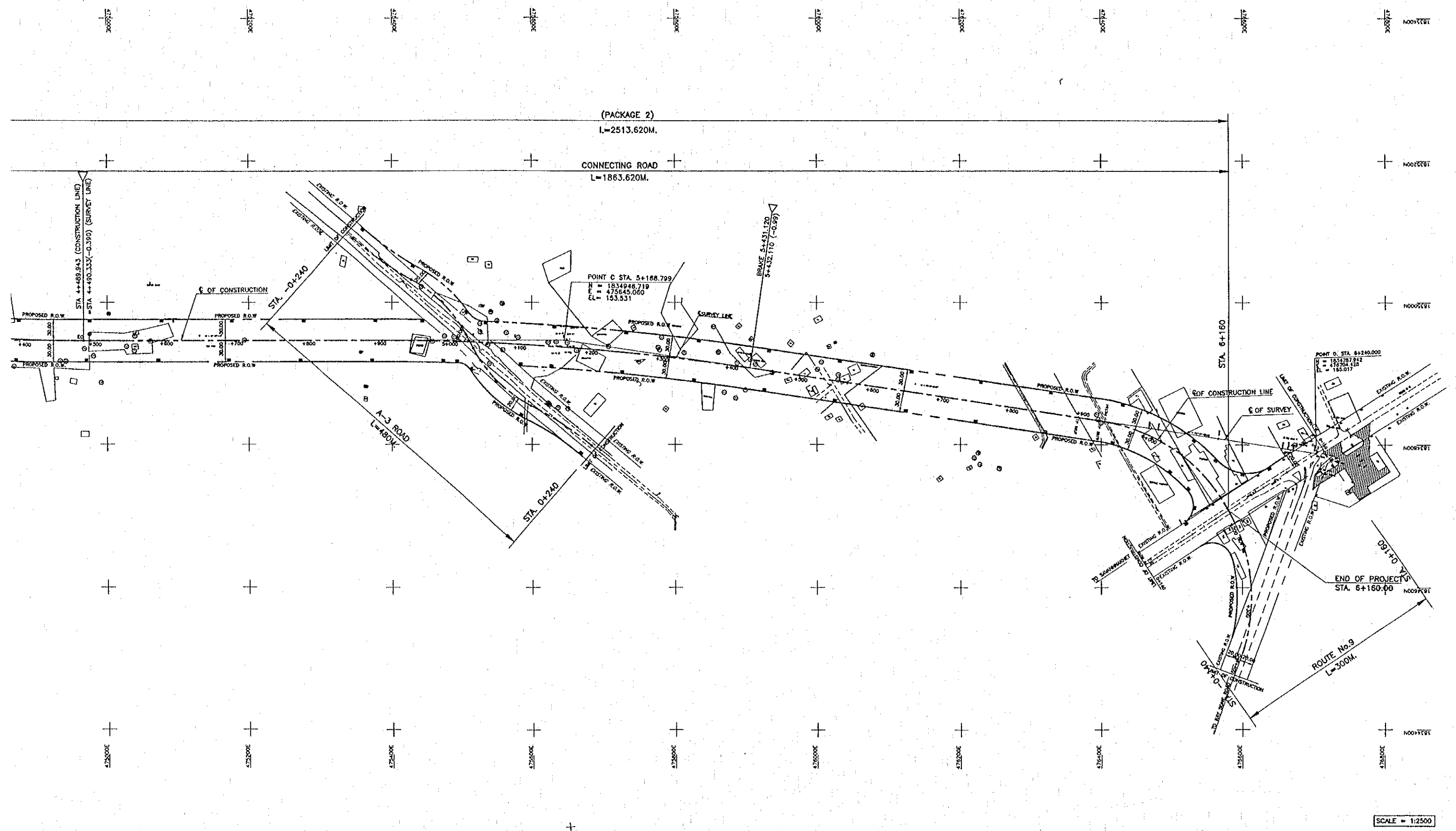
(PACKAGE 1)



REV.	DATE	DESCRIPTION	APPROVED	PROJECT STUDY TEAM


**ORIENTAL CONSULTANTS CO., LTD.**  
 In association with  

**NIPPON KOEI CO., LTD.**

DATE OF ISSUE:	
05/03/2000	
DWG. NO.	SHEET NO.
R-RG-5	8
DWG. STATUS	



SCALE = 1:2500

REV.	DATE	DESCRIPTION	APPROVED

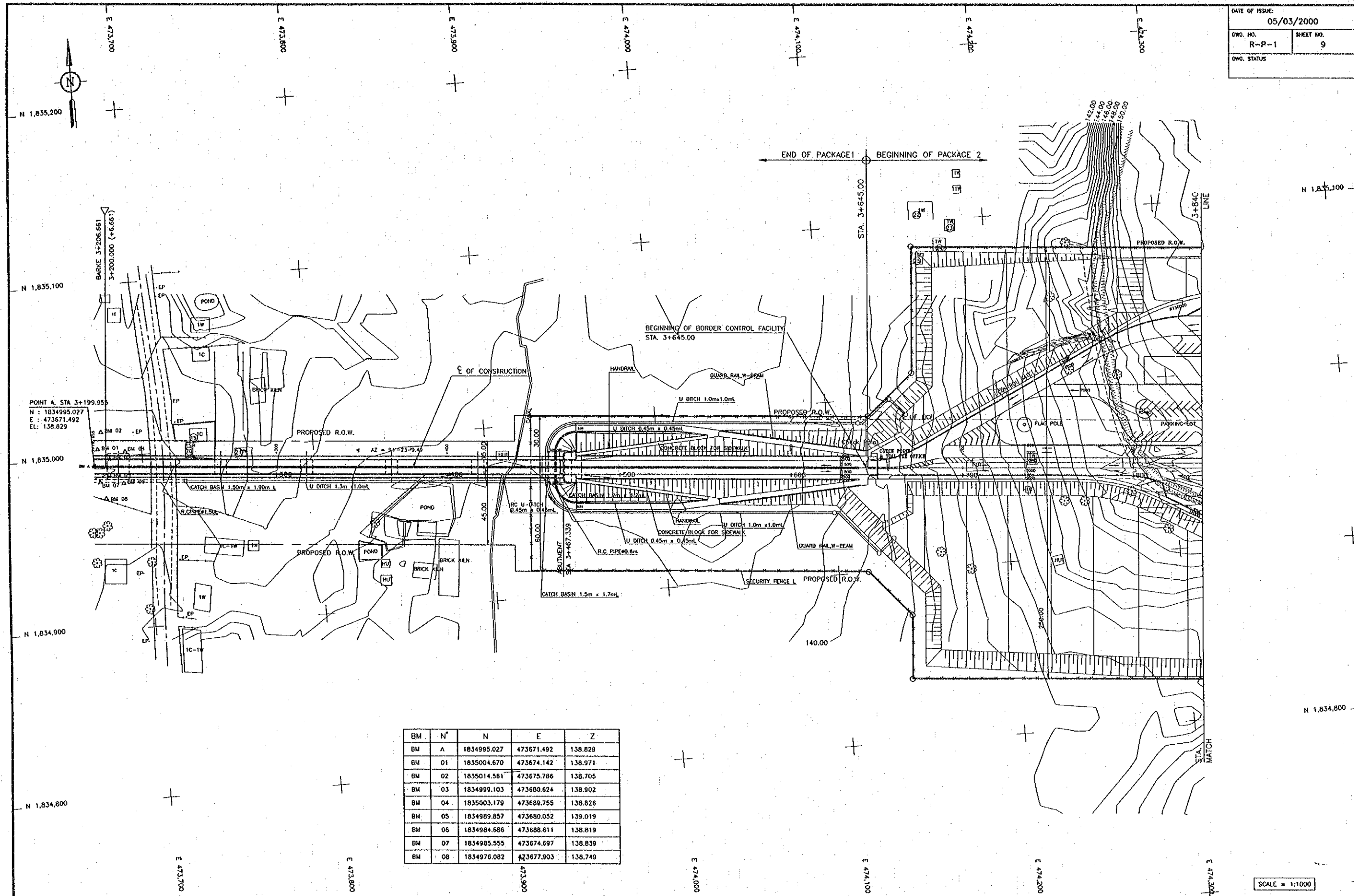
PROJECT STUDY TEAM  
**ORIENTAL CONSULTANTS CO., LTD.**  
 in association with  
**NIPPON KOEI CO., LTD.**

**JICA** JAPAN INTERNATIONAL COOPERATION AGENCY  
 LAO PEOPLE'S DEMOCRATIC REPUBLIC  
 MINISTRY OF COMMUNICATION, TRANSPORT, POST AND CONSTRUCTION  
 KINGDOM OF THAILAND  
 MINISTRY OF TRANSPORT AND COMMUNICATIONS  
 DEPARTMENT OF HIGHWAYS

**THE SECOND MEKONG INTERNATIONAL BRIDGE CONSTRUCTION PROJECT**

QUALITY RECORD	NAME	SIGNATURE	DATE
DESIGN	H. Okita	<i>[Signature]</i>	16/02/00
DESIGN CHECK	T. Masuzawa	<i>[Signature]</i>	18/02/00
SUBMITTED	A. Hiratani	<i>[Signature]</i>	21/02/00
APPROVED	P. Viraphanth	<i>[Signature]</i>	22/02/00

DWG. TITLE:  
**RIGHT OF WAY PLAN**  
 LAO PDR SIDE



BM	N'	N	E	Z
BM A		1834995.027	473671.492	138.829
BM 01		1835004.670	473674.142	138.971
BM 02		1835014.561	473675.786	138.705
BM 03		1834999.103	473680.624	138.902
BM 04		1835003.179	473689.755	138.826
BM 05		1834989.857	473680.052	139.019
BM 06		1834984.686	473688.611	138.819
BM 07		1834985.555	473674.697	138.839
BM 08		1834976.082	473677.903	138.740

REV.	DATE	DESCRIPTION	APPROVED

PROJECT STUDY TEAM  
**ORIENTAL CONSULTANTS CO., LTD.**  
 In association with  
**NIPPON KOEI CO., LTD.**

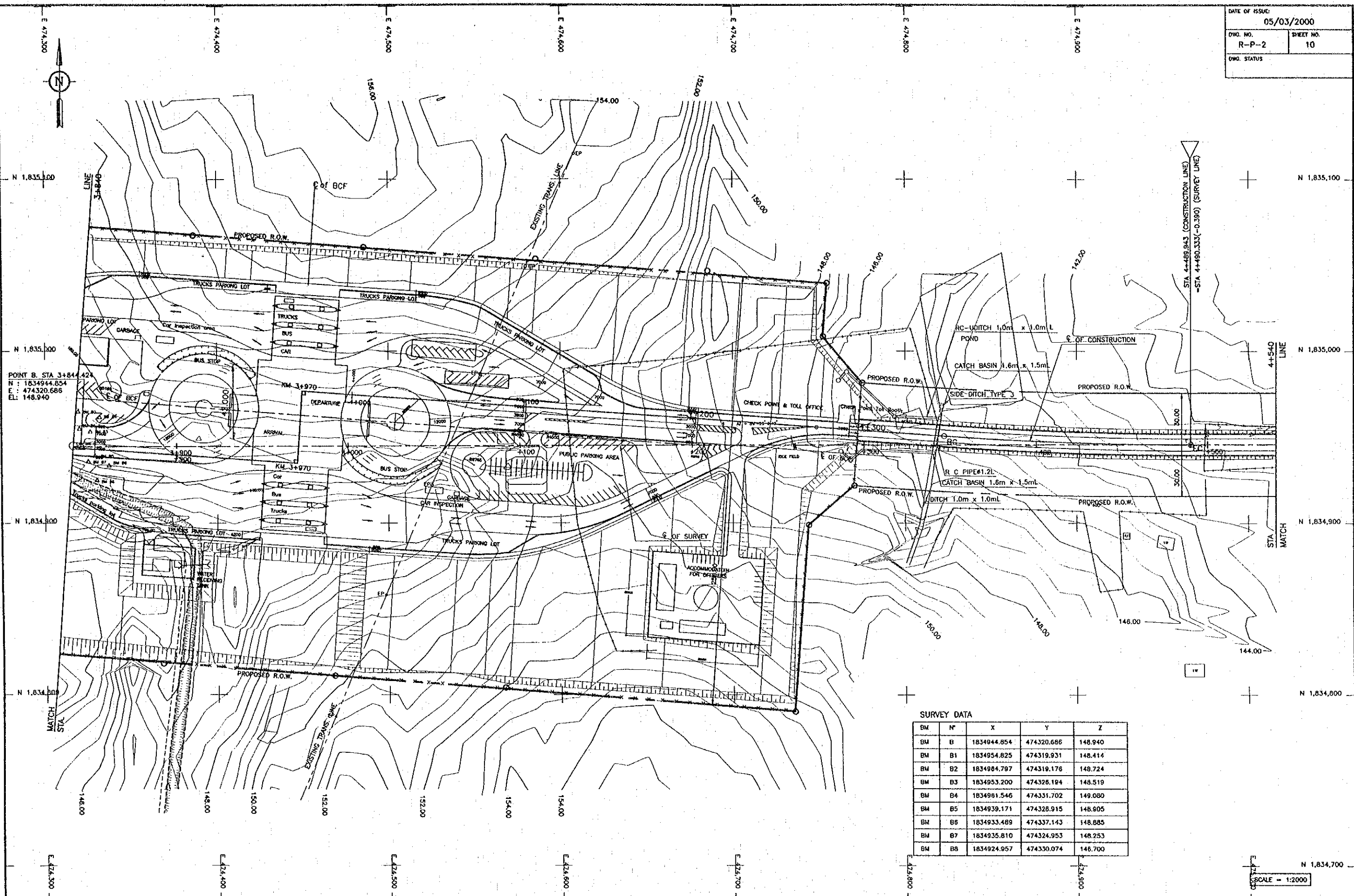
**JICA** JAPAN INTERNATIONAL COOPERATION AGENCY  
 LAO PEOPLE'S DEMOCRATIC REPUBLIC  
 MINISTRY OF COMMUNICATION, TRANSPORT, POST AND CONSTRUCTION  
 KINGDOM OF THAILAND  
 MINISTRY OF TRANSPORT AND COMMUNICATIONS  
 DEPARTMENT OF HIGHWAYS

**THE SECOND MEKONG INTERNATIONAL BRIDGE CONSTRUCTION PROJECT**

QUALITY RECORD	NAME	SIGNATURE	DATE	DWG. TITLE
DESIGN	H. Okita	<i>[Signature]</i>	23/05/00	PLAN (1) STA. 3+200.00 - 3+840.00
DESIGN CHECK	T. Masuzawa	<i>[Signature]</i>	27-05/00	
SUBMITTED	A. Hirakani	<i>[Signature]</i>	27/05/00	
APPROVED	P. Viraphanth	<i>[Signature]</i>	5/6/00	

PLAN (1)  
 STA. 3+200.00 - 3+840.00

SCALE = 1:1000



POINT B, STA 3+844.424  
 N : 1834944.854  
 E : 474320.686  
 EL: 148.940

SURVEY DATA

BM	N°	X	Y	Z
BM	B	1834944.854	474320.686	148.940
BM	B1	1834954.825	474319.931	148.414
BM	B2	1834984.797	474319.176	148.724
BM	B3	1834953.200	474326.194	148.519
BM	B4	1834961.546	474331.702	149.080
BM	B5	1834939.171	474326.915	148.805
BM	B6	1834933.489	474337.143	148.885
BM	B7	1834935.810	474324.953	148.253
BM	B8	1834924.957	474330.074	148.700

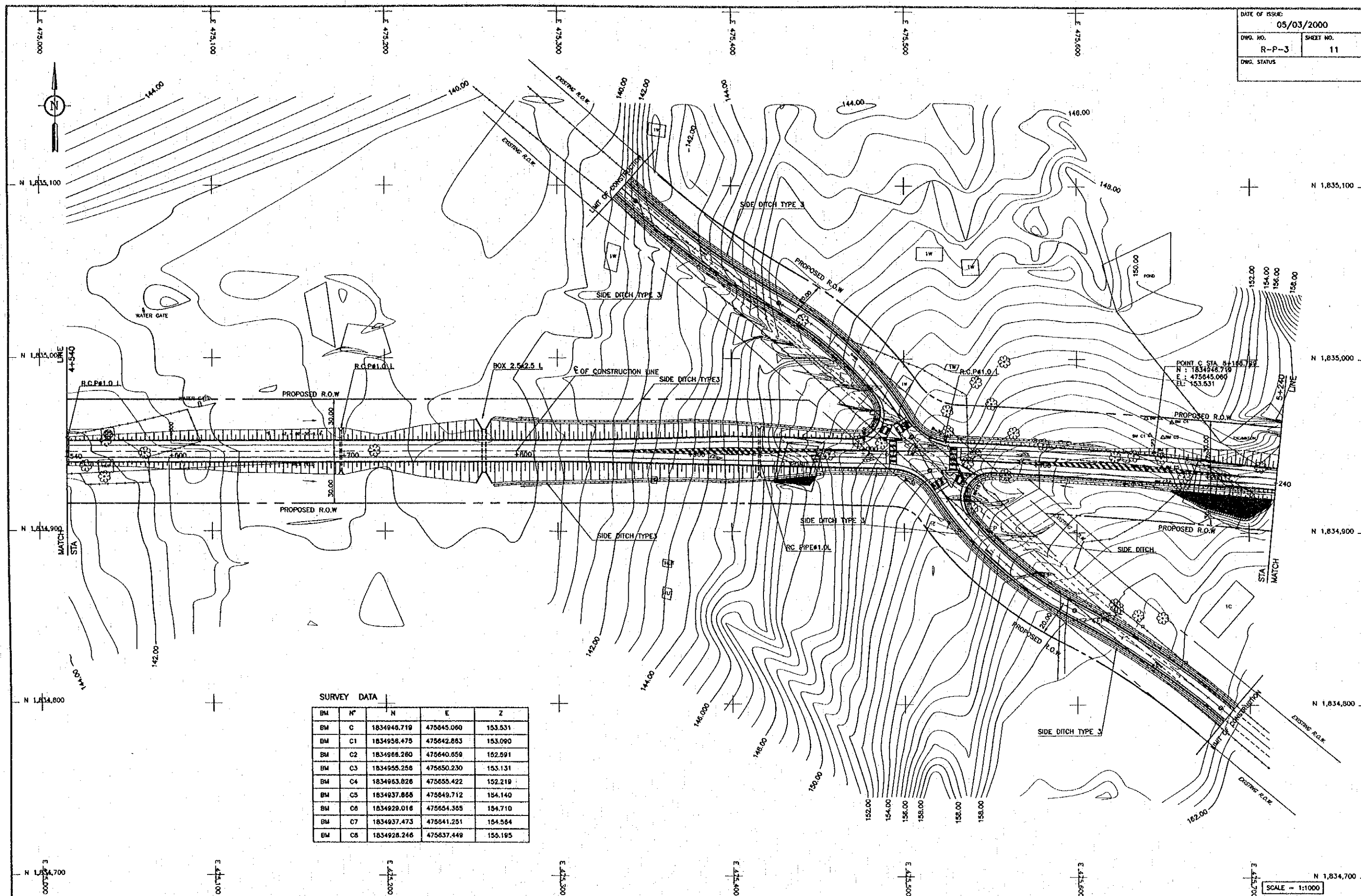
REV.	DATE	DESCRIPTION	APPROVED	PROJECT STUDY TEAM	JICA JAPAN INTERNATIONAL COOPERATION AGENCY	QUALITY RECORD	NAME	SIGNATURE	DATE	DWG. TITLE:
				ORIENTAL CONSULTANTS CO., LTD. In association with NIPPON KORI CO., LTD.	LAO PEOPLE'S DEMOCRATIC REPUBLIC MINISTRY OF COMMUNICATION, TRANSPORT, POST AND CONSTRUCTION KINGDOM OF THAILAND MINISTRY OF TRANSPORT AND COMMUNICATIONS DEPARTMENT OF HIGHWAYS	DESIGN	H. Okano	<i>[Signature]</i>	18-02-00	PLAN (2) STA. 3+840.00 - 4+540.00
						DESIGN CHECK	T. Moutoua	<i>[Signature]</i>	21/02/00	
						SUBMITTED	A. Houtori	<i>[Signature]</i>	21/02/00	
						APPROVED	P. Viraphanth	<i>[Signature]</i>	22/02/00	

C:\SMD-NEW\LAO\PA2-P02.DWG



DATE OF ISSUE: 05/03/2000

DWG. NO. R-P-3 SHEET NO. 11  
 DWG. STATUS



**SURVEY DATA**

BM	N°	N	E	Z
BM C		1834948.719	475045.060	153.531
BM C1		1834958.475	475642.863	153.090
BM C2		1834988.260	475640.859	152.591
BM C3		1834955.256	475650.230	153.131
BM C4		1834983.826	475655.422	152.219
BM C5		1834937.866	475649.712	154.140
BM C6		1834929.016	475654.365	154.710
BM C7		1834937.473	475641.251	154.564
BM C8		1834928.246	475637.449	155.185

REV.	DATE	DESCRIPTION	APPROVED

PROJECT STUDY TEAM  
 ORIENTAL CONSULTANTS CO., LTD.  
 in association with  
 NIPPON KOKI CO., LTD.

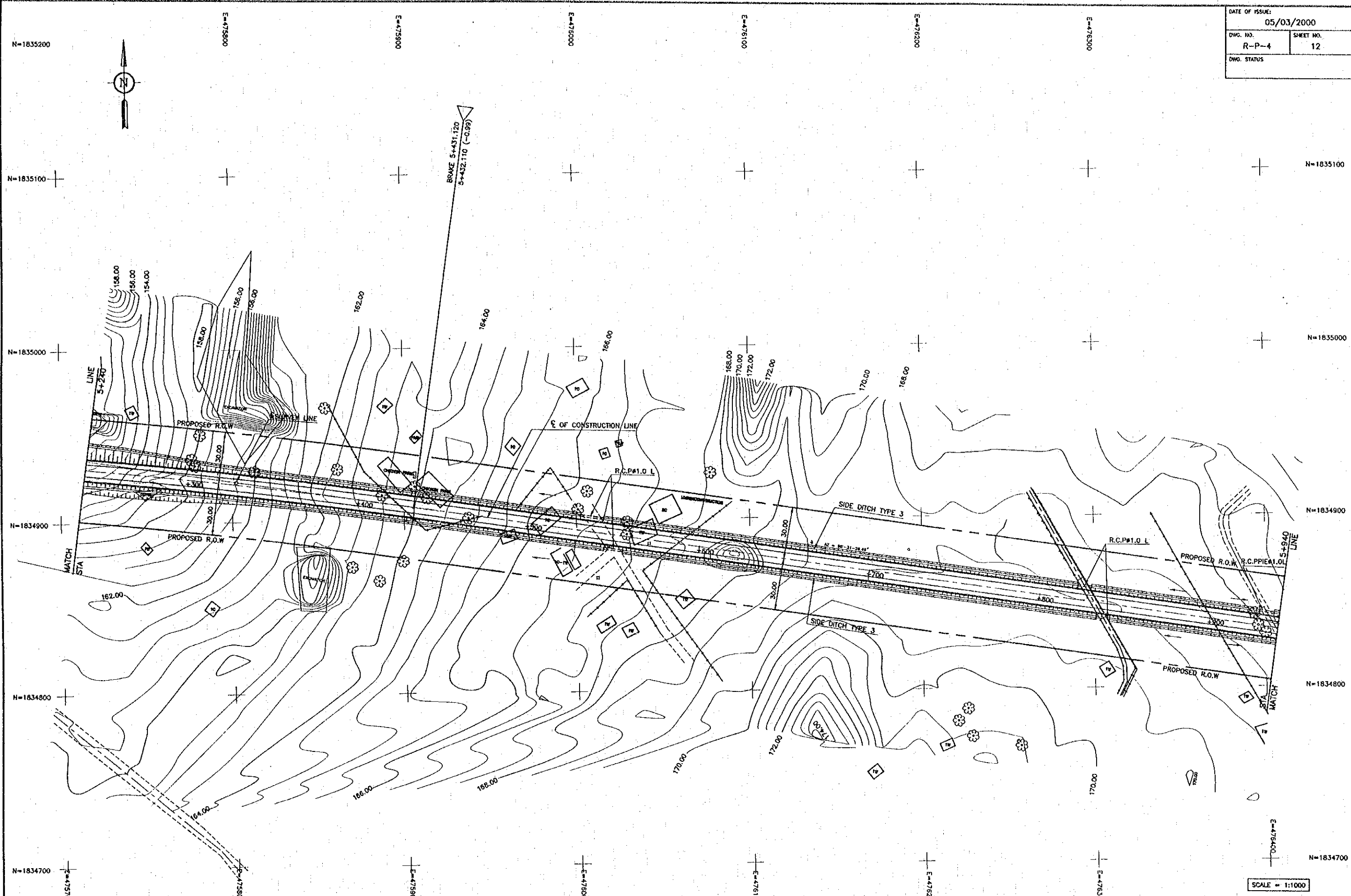
JICA JAPAN INTERNATIONAL COOPERATION AGENCY  
 LAO PEOPLE'S DEMOCRATIC REPUBLIC  
 MINISTRY OF COMMUNICATION, TRANSPORT, POST AND CONSTRUCTION  
 KINGDOM OF THAILAND  
 MINISTRY OF TRANSPORT AND COMMUNICATIONS  
 DEPARTMENT OF HIGHWAYS

THE SECOND MEKONG INTERNATIONAL BRIDGE CONSTRUCTION PROJECT

QUALITY RECORD	NAME	SIGNATURE	DATE
DESIGN	H. Ohta	<i>[Signature]</i>	16/02/00
DESIGN CHECK	T. Mousazeev	<i>[Signature]</i>	17/02/00
SUBMITTED	A. Hiratani	<i>[Signature]</i>	21/02/00
APPROVED	P. Veeraphanth	<i>[Signature]</i>	22/02/00

DWG. TITLE:  
**PLAN (3)**  
 STA. 4+540.00 - 5+240.00

DATE OF ISSUE: 05/03/2000	
DWG. NO. R-P-4	SHEET NO. 12
DWG. STATUS	



REV.	DATE	DESCRIPTION	APPROVED

PROJECT STUDY TEAM  
**ORIENTAL CONSULTANTS CO., LTD.**  
 In association with  
**NIPPON KOKI CO., LTD.**

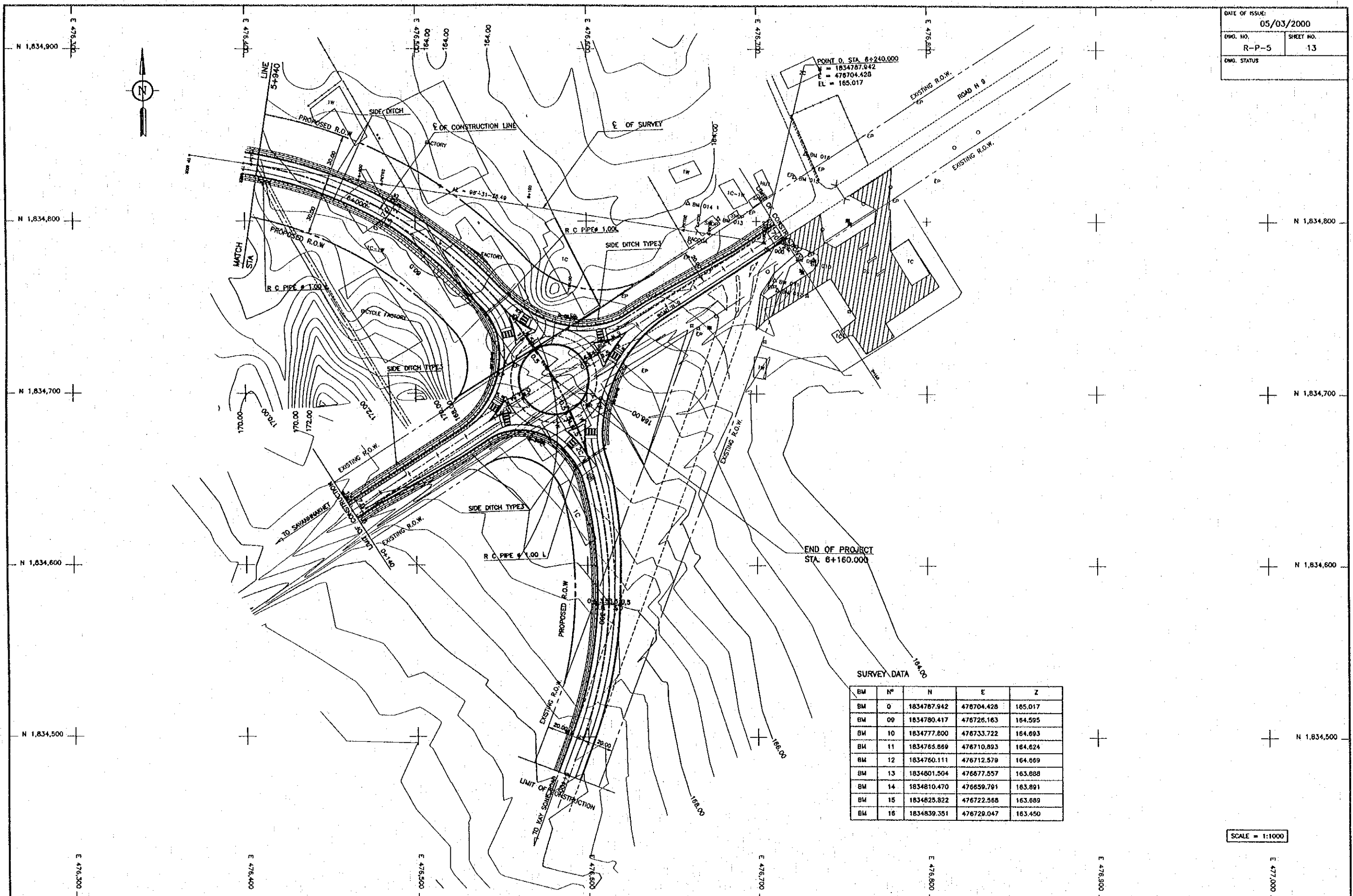
**JICA** JAPAN INTERNATIONAL COOPERATION AGENCY  
 LAO PEOPLE'S DEMOCRATIC REPUBLIC  
 MINISTRY OF COMMUNICATION, TRANSPORT, POST AND CONSTRUCTION  
 KINGDOM OF THAILAND  
 MINISTRY OF TRANSPORT AND COMMUNICATIONS  
 DEPARTMENT OF HIGHWAYS

**THE SECOND MEKONG INTERNATIONAL BRIDGE CONSTRUCTION PROJECT**

QUALITY RECORD	NAME	SIGNATURE	DATE	DWG. TITLE
DESIGN	H. Okita	<i>[Signature]</i>	11/27/99	PLAN (4) STA. 5+240.00 - 5+940.00
DESIGN CHECK	T. Morimoto	<i>[Signature]</i>	11/22/99	
SUBMITTED	A. Hirakari	<i>[Signature]</i>	11/02/99	
APPROVED	P. Viraphanth	<i>[Signature]</i>	02/01/00	

C:\SAB-NEW\LAO\PA2-PD4.DWG

DATE OF ISSUE: 05/03/2000  
 DWG. NO. R-P-5 SHEET NO. 13  
 DWG. STATUS



SURVEY DATA

BM	N <sup>o</sup>	N	E	Z
BM	0	1834787.942	476704.428	165.017
BM	09	1834780.417	476726.163	164.595
BM	10	1834777.800	476733.722	164.693
BM	11	1834785.869	476710.893	164.624
BM	12	1834760.111	476712.579	164.669
BM	13	1834801.504	476677.557	163.888
BM	14	1834810.470	476659.791	163.891
BM	15	1834825.822	476722.565	163.689
BM	16	1834839.351	476729.047	163.450

SCALE = 1:1000

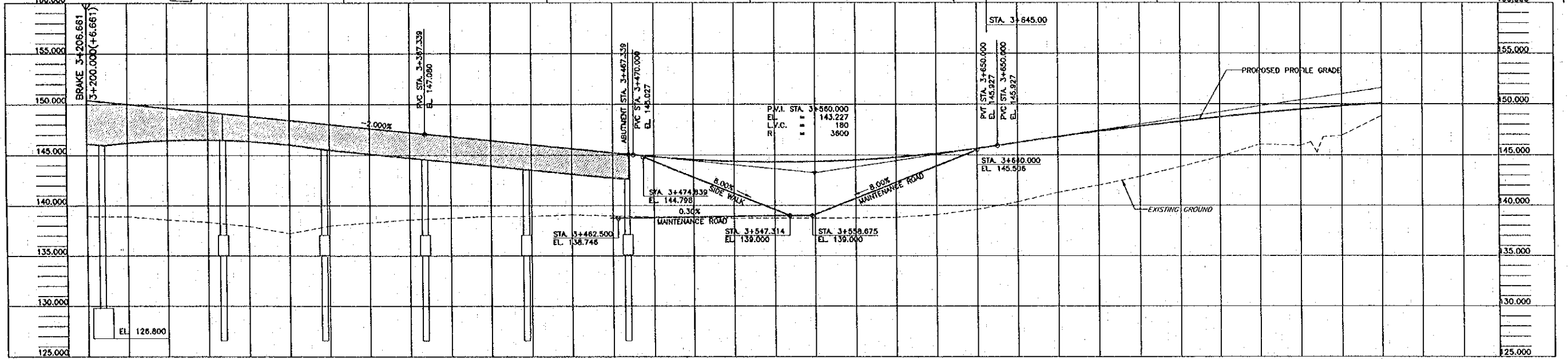
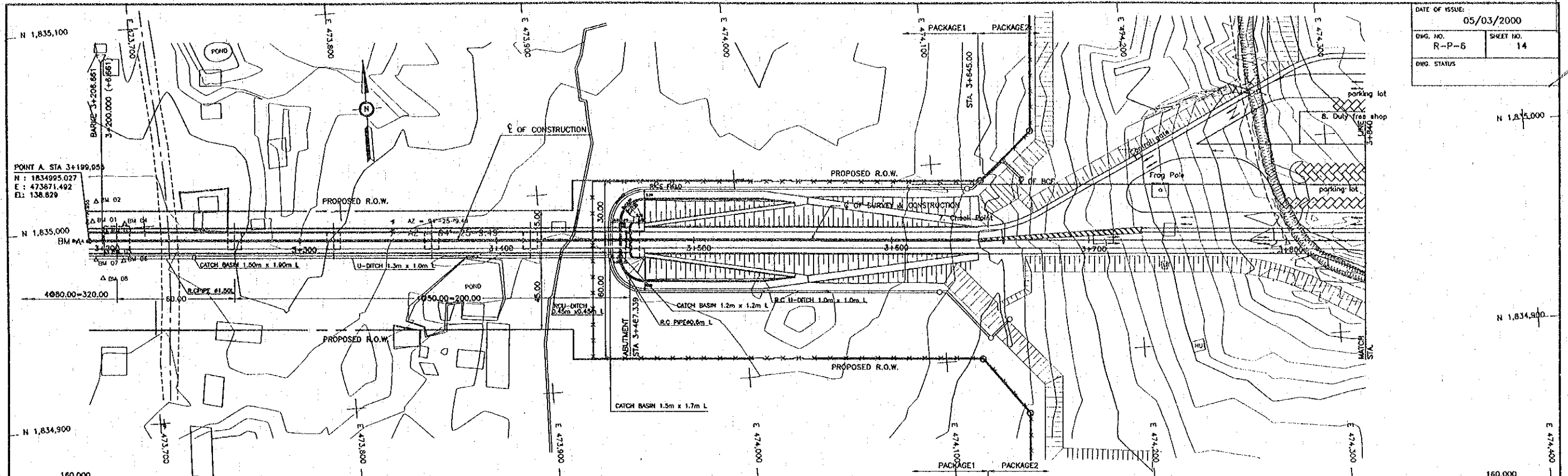
REV.	DATE	DESCRIPTION	APPROVED

PROJECT STUDY TEAM  
 ORIENTAL CONSULTANTS CO., LTD.  
 In association with  
 NIPPON KOGI CO., LTD.

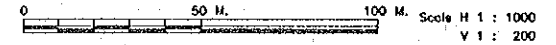
JICA JAPAN INTERNATIONAL COOPERATION AGENCY  
 LAO PEOPLE'S DEMOCRATIC REPUBLIC  
 MINISTRY OF COMMUNICATION, TRANSPORT, POST AND CONSTRUCTION  
 KINGDOM OF THAILAND  
 MINISTRY OF TRANSPORT AND COMMUNICATIONS  
 DEPARTMENT OF HIGHWAYS

THE SECOND MUKONG INTERNATIONAL BRIDGE CONSTRUCTION PROJECT

QUALITY RECORD	NAME	SIGNATURE	DATE	DWG. TITLE:
DESIGN	H. Okita	<i>[Signature]</i>	11/22/00	PLAN (5) STA 5+940.00 - 6+400.00
DESIGN CHECK	T. Mutsaers	<i>[Signature]</i>	12/02/00	
SUBMITTED	A. Nictorol	<i>[Signature]</i>	21/02/00	
APPROVED	P. Veeraphanth	<i>[Signature]</i>	22/02/00	

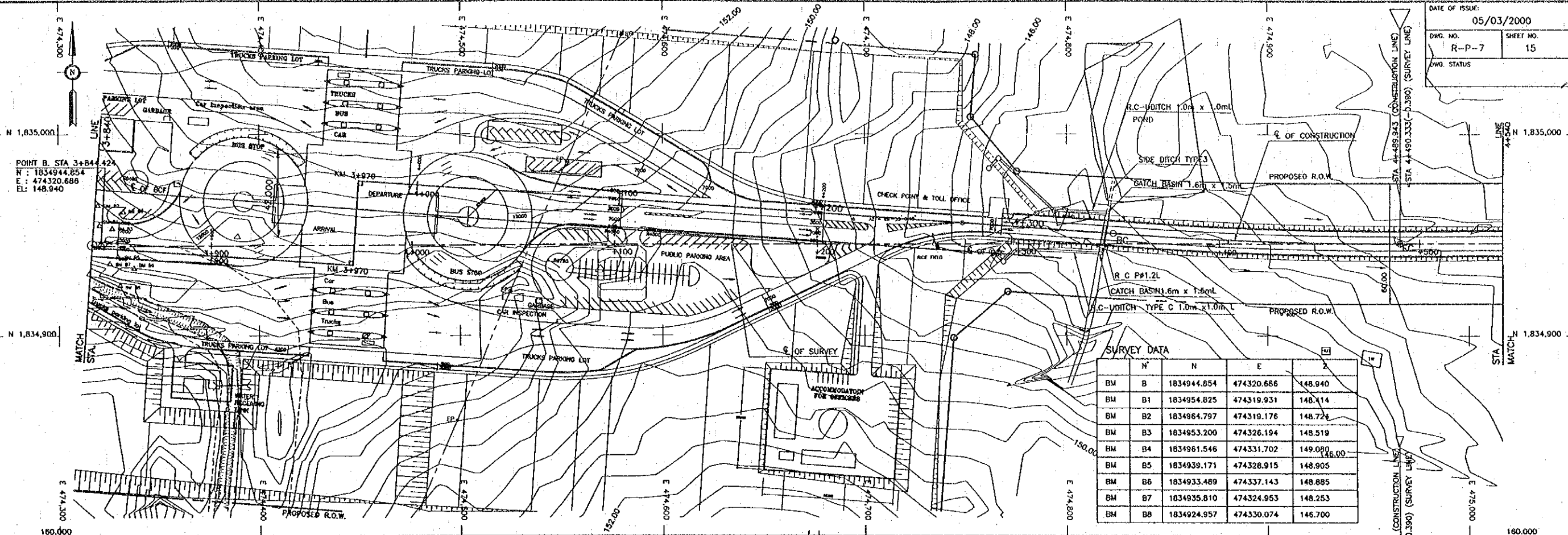


GRADIENT	-2.000% L=1112.661																														+3.000% L=390.000																														GRADIENT
PROPOSED HEIGHT	150.427	150.027	149.627	149.227	148.827	148.427	148.027	147.627	147.227	146.827	146.427	146.027	145.627	145.227	144.841	144.552	144.374	144.308	144.308	144.352	144.508	144.774	145.152	145.641	146.223	146.789	147.323	147.823	148.289	148.723	149.123	149.489	149.823	150.123	PROPOSED HEIGHT																										
EXISTING HEIGHT	138.841	138.800	138.565	138.342	137.925	137.225	137.974	138.391	138.660	138.791	138.971	139.039	139.091	139.106	139.060	138.838	138.737	138.728	138.745	138.776	138.822	138.868	138.898	138.956	140.346	141.278	141.891	142.866	143.857	144.857	145.847	146.816	147.674	148.639	EXISTING HEIGHT																										
STATION	3+200					3+300										3+400																					3+800	STATION																							



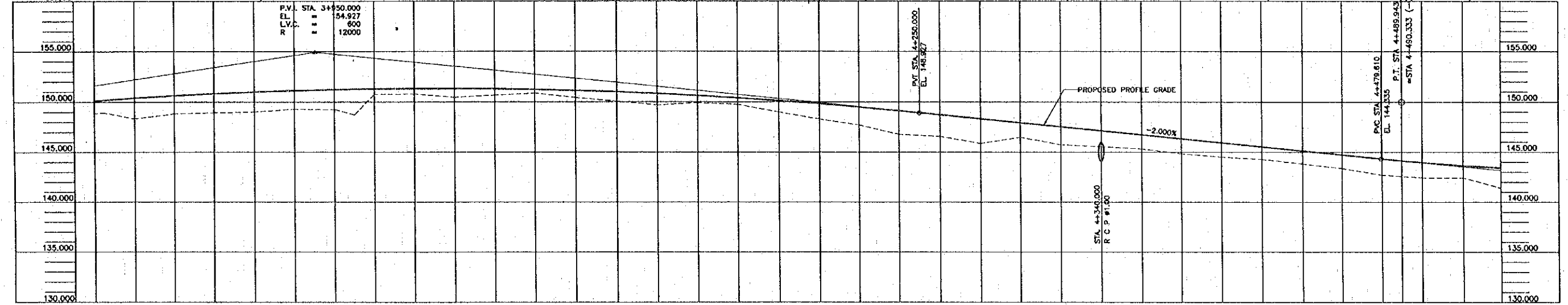
REV.	DATE	DESCRIPTION	APPROVED	PROJECT STUDY TEAM	JICA JAPAN INTERNATIONAL COOPERATION AGENCY	QUALITY RECORD	NAME	SIGNATURE	DATE	DWG. TITLE:
				ORIENTAL CONSULTANTS CO., LTD. In association with NIPPON KORI CO., LTD.	LAO PEOPLE'S DEMOCRATIC REPUBLIC MINISTRY OF COMMUNICATION, TRANSPORT, POST AND CONSTRUCTION KINGDOM OF THAILAND MINISTRY OF TRANSPORT AND COMMUNICATIONS DEPARTMENT OF HIGHWAYS	DESIGN DESIGN CHECK SUBMITTED APPROVED	H. Okita T. Masuzawa A. Hirotono P. Veeponth	[Signatures]	16-02-00 17-02-00 21-03-00 22/02/00	PROFILE(1) STA. 3+199.955 - 3+840.00

C:\SMB-KHW\LAO\PA2-PO5.dwg



**SURVEY DATA**

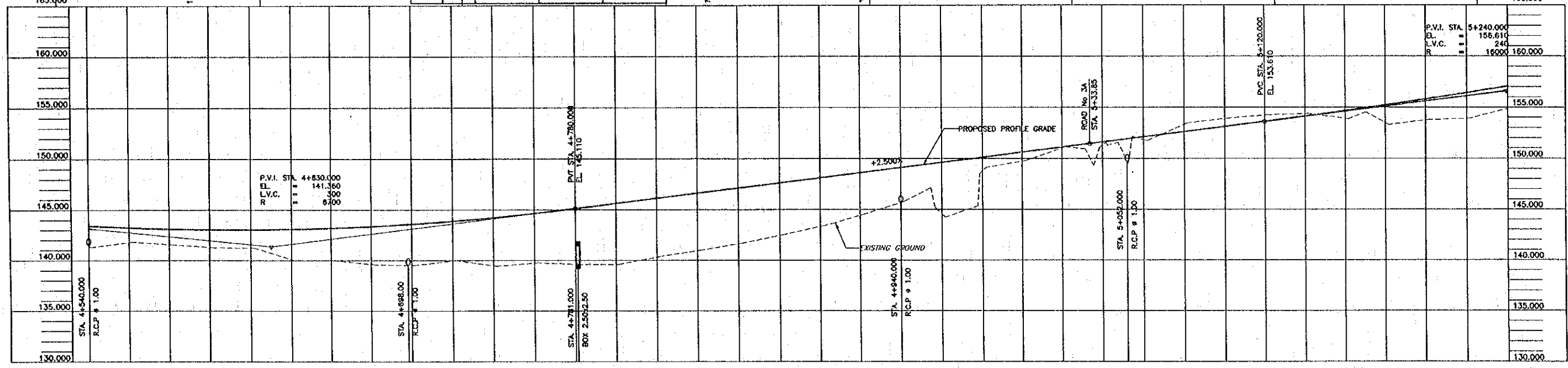
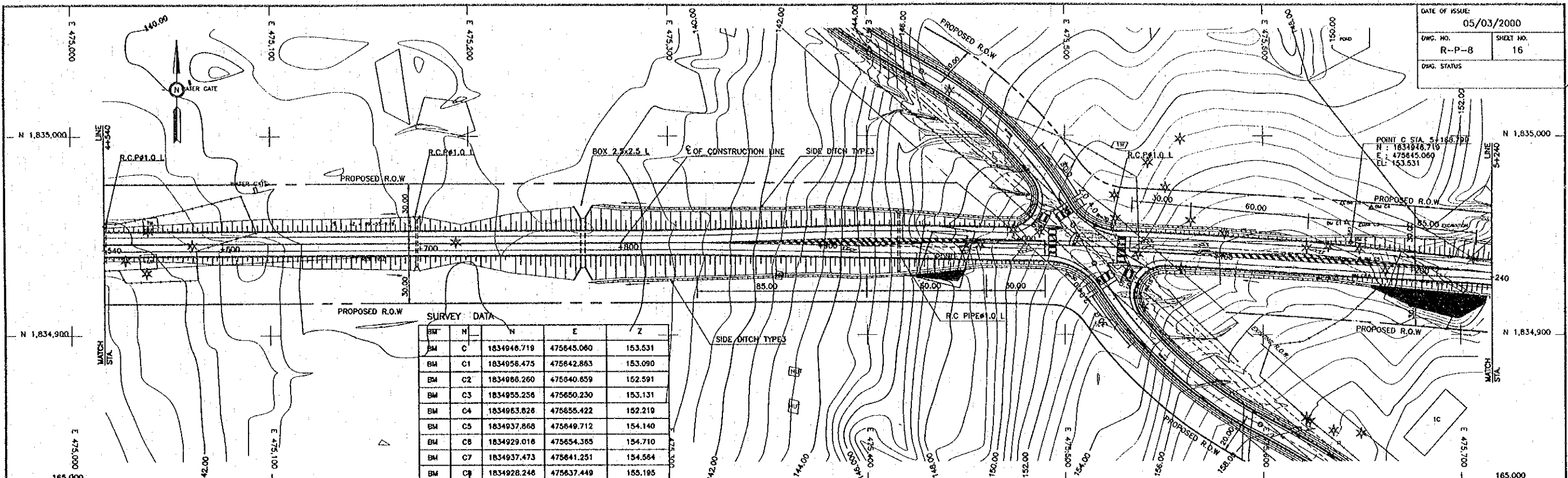
BM	N	N	E	Z
BM B	183494.854	474320.666	148.940	
BM B1	183495.025	474319.931	148.114	
BM B2	183496.797	474319.176	148.724	
BM B3	183495.200	474326.194	148.519	
BM B4	183496.1546	474331.702	149.080	146.00
BM B5	1834939.171	474328.915	148.905	
BM B6	1834933.489	474337.143	148.885	
BM B7	1834935.810	474324.953	148.253	
BM B8	1834924.957	474330.074	146.700	



GRADIENT	-2.000% L=679.610																												GRADIENT								
PROPOSED HEIGHT	150.123	150.389	150.623	150.823	150.989	151.123	151.223	151.289	151.323	151.323	151.289	151.223	151.123	150.889	150.623	150.389	150.123	149.823	149.489	149.123	148.727	148.327	147.927	147.527	147.127	146.727	146.327	145.927	145.527	145.127	144.727	144.327	143.990	143.680	143.330	PROPOSED HEIGHT	
EXISTING HEIGHT	146.659	146.533	146.625	146.630	146.004	146.391	146.747	150.760	150.786	150.657	150.650	150.605	150.427	150.043	148.874	148.696	148.744	148.981	149.276	149.699	149.768	149.655	149.686	148.491	148.796	148.945	148.379	146.654	144.506	144.371	143.871	143.389	142.685	142.438	142.437	141.929	EXISTING HEIGHT
STATION				3+900					4+000					4+100					4+200					4+300				4+400				4+500				STATION	



REV.	DATE	DESCRIPTION	APPROVED	PROJECT STUDY TEAM	JICA JAPAN INTERNATIONAL COOPERATION AGENCY	QUALITY RECORD	NAME	SIGNATURE	DATE	DWG. TITLE:
				ORIENTAL CONSULTANTS CO., LTD. in association with NIPPON KOEI CO., LTD.	LAO PEOPLE'S DEMOCRATIC REPUBLIC MINISTRY OF COMMUNICATION, TRANSPORT, POST AND CONSTRUCTION KINGDOM OF THAILAND MINISTRY OF TRANSPORT AND COMMUNICATIONS DEPARTMENT OF HIGHWAYS	DESIGN	H. Orita	[Signature]	15/12/00	PROFILE (2) STA. 3+840.00 - 4+540.00
						DESIGN CHECK	T. Moutaou	[Signature]	15/12/00	
						SUBMITTED	A. Hiratani	[Signature]	21/1/00	
						APPROVED	P. Viraphanth	[Signature]	27/1/00	

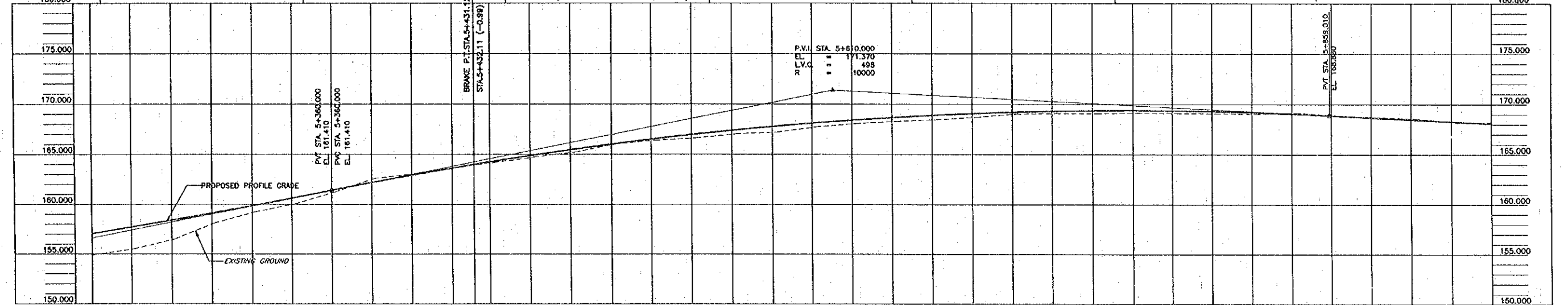
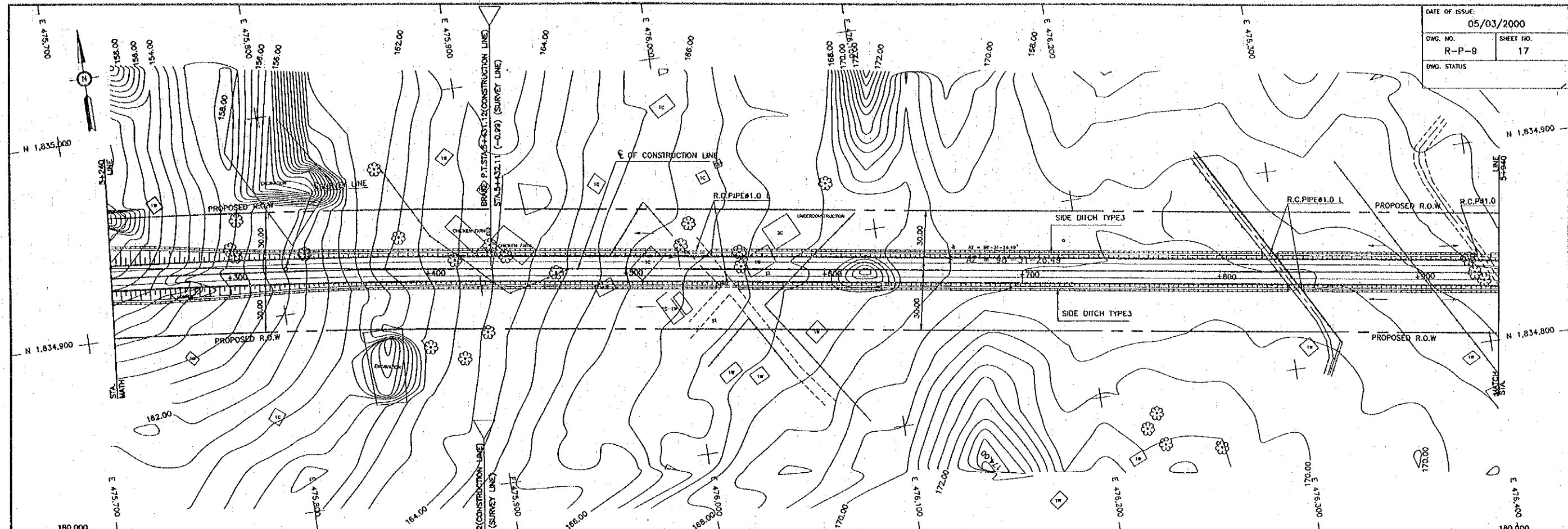


GRADIENT	PROPOSED HEIGHT	EXISTING HEIGHT	STATION	GRADIENT	PROPOSED HEIGHT	EXISTING HEIGHT	STATION
141.380	143.430	141.260	4+540.00	156.610	156.610	156.610	5+240.00
	143.240	141.284					
	143.110	141.555					
	143.040	141.271	4+600				
	143.030	141.276					
	143.080	138.899					
	143.180	139.279					
	143.380	139.566					
	143.550	139.216	4+700				
	143.880	139.668					
	144.230	139.427					
	144.540	139.761					
	145.110	140.287	4+800				
	145.610	140.621					
	146.110	140.277					
	146.610	140.289					
	147.110	141.689					
	147.610	142.209					
	148.110	142.287	4+900				
	148.610	144.655					
	149.110	145.795					
	149.610	144.236					
	150.110	148.122	5+000				
	150.610	148.229					
	151.110	151.123					
	151.610	151.523					
	152.110	151.271	5+100				
	152.610	153.464					
	153.110	153.287					
	153.610	154.294					
	154.123	154.375					
	154.660	153.854					
	155.223	153.300	5+200				
	155.810	153.276					
	156.423	155.816					
	157.050	156.511					

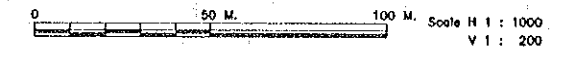


REV.	DATE	DESCRIPTION	APPROVED	PROJECT STUDY TEAM	JICA JAPAN INTERNATIONAL COOPERATION AGENCY	QUALITY RECORD	NAME	SIGNATURE	DATE	DWG. TITLE:
				ORIENTAL CONSULTANTS CO., LTD. In association with NIPPON KOKI CO., LTD.	LAO PEOPLE'S DEMOCRATIC REPUBLIC MINISTRY OF COMMUNICATION, TRANSPORT, POST AND CONSTRUCTION	DESIGN	H. Daroi	<i>[Signature]</i>	14/02/00	PROFILE (3) STA 4+540.00 - 5+240.00
					KINGDOM OF THAILAND MINISTRY OF TRANSPORT AND COMMUNICATIONS DEPARTMENT OF HIGHWAYS	DESIGN CHECK	T. Masuzawa	<i>[Signature]</i>	18/02/00	
						SUBMITTED	A. Hrotong	<i>[Signature]</i>	21/02/00	
						APPROVED	P. Virophanth	<i>[Signature]</i>	22/02/00	

DATE OF ISSUE: 05/03/2000  
 DWG. NO. R-P-9 SHEET NO. 17  
 DWG. STATUS



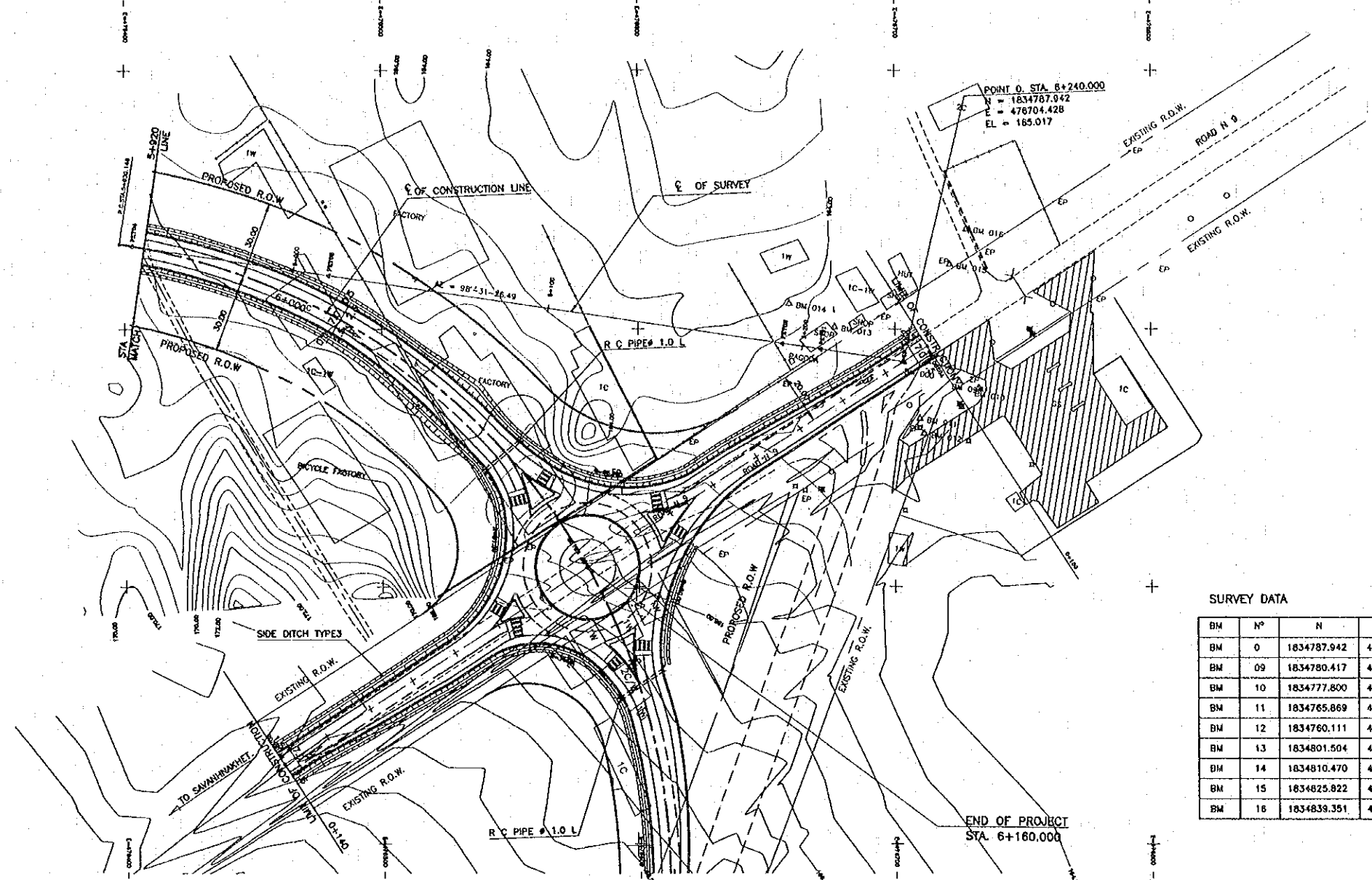
GRADIENT	14.000% L=369.010																				GRADIENT																			
PROPOSED HEIGHT	157.060	157.723	158.410	159.123	159.860	160.623	161.410	162.190	162.930	163.629	164.287	164.878	155.450	166.000	166.501	166.961	167.382	167.762	168.102	168.403	168.662	168.882	169.061	169.201	169.300	169.359	169.378	169.357	169.295	169.194	169.052	168.870	168.670	168.470	168.270	168.070	PROPOSED HEIGHT			
EXISTING HEIGHT	154.813	155.513	156.271	157.138	158.290	160.029	161.276	162.605	164.089	165.694	167.390	169.123	170.845	172.529	174.160	175.718	177.267	178.783	180.257	181.685	183.065	184.390	185.655	186.866	188.018	189.118	190.162	191.148	192.073	192.937	193.740	194.482	195.164	195.787	196.353	196.864	197.311	EXISTING HEIGHT		
STATION	5+300								5+400					5+500					5+600						5+700					5+800				5+900					5+940.00	STATION



REV.	DATE	DESCRIPTION	APPROVED	PROJECT STUDY TEAM
				ORIENTAL CONSULTANTS CO., LTD. In association with NIPPON KOEI CO., LTD.

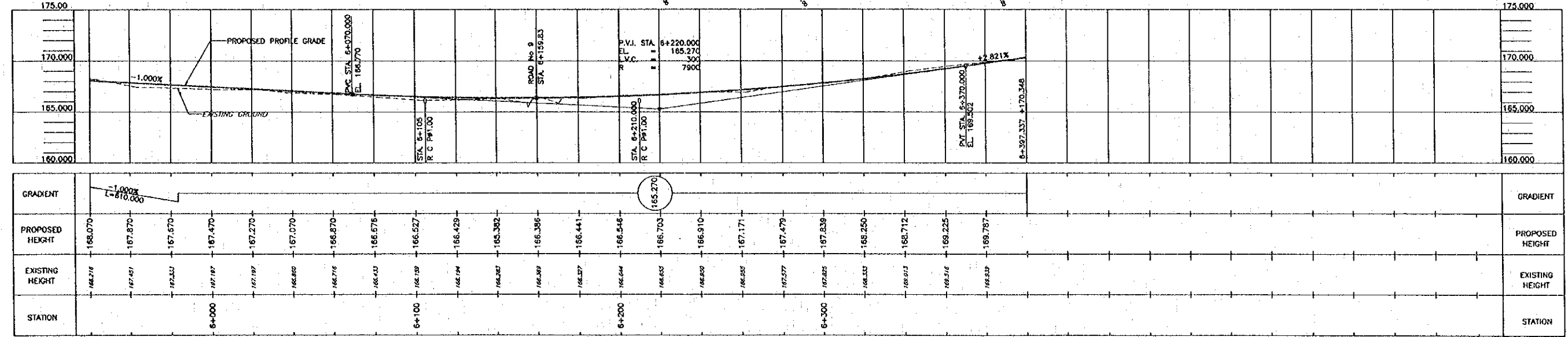
JICA JAPAN INTERNATIONAL COOPERATION AGENCY  
 LAO PEOPLE'S DEMOCRATIC REPUBLIC  
 MINISTRY OF COMMUNICATION, TRANSPORT, POST AND CONSTRUCTION  
 KINGDOM OF THAILAND  
 MINISTRY OF TRANSPORT AND COMMUNICATIONS  
 DEPARTMENT OF HIGHWAYS

QUALITY RECORD	NAME	SIGNATURE	DATE	DWG. TITLE:
DESIGN	H. Osho	<i>[Signature]</i>	16-02-00	PROFILE (4) STA 5+240.00 - 5+940.00
DESIGN CHECK	T. Masuzawa	<i>[Signature]</i>	17-02-00	
SUBMITTED	A. Hirota	<i>[Signature]</i>	21/04/00	
APPROVED	P. Viraphanth	<i>[Signature]</i>	23/02/00	



SURVEY DATA

BM	N°	N	E	Z
BM 0		1834787.942	476704.428	165.017
BM 09		1834780.417	476726.163	164.595
BM 10		1834777.800	476733.722	164.693
BM 11		1834765.869	476710.893	164.624
BM 12		1834760.111	476712.579	164.669
BM 13		1834801.504	476677.557	163.888
BM 14		1834810.470	476659.791	163.891
BM 15		1834825.822	476722.568	163.689
BM 16		1834839.351	476729.047	163.450



0 50 M. 100 M. SCALE H 1 : 1000  
 V 1 : 200

REV.	DATE	DESCRIPTION	APPROVED

PROJECT STUDY TEAM  
 ORIENTAL CONSULTANTS CO., LTD.  
 In association with  
 NIPPON KOEI CO., LTD.

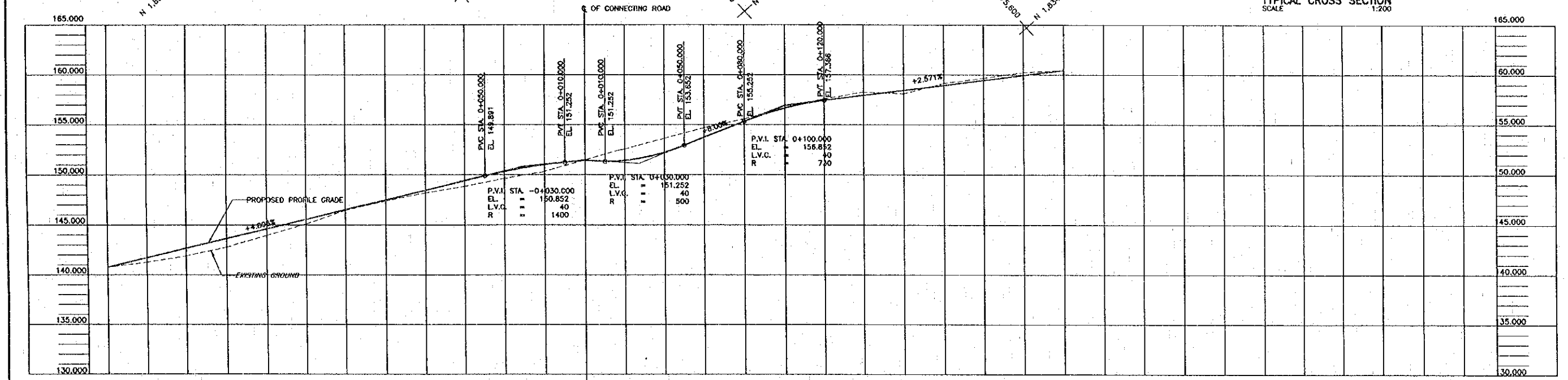
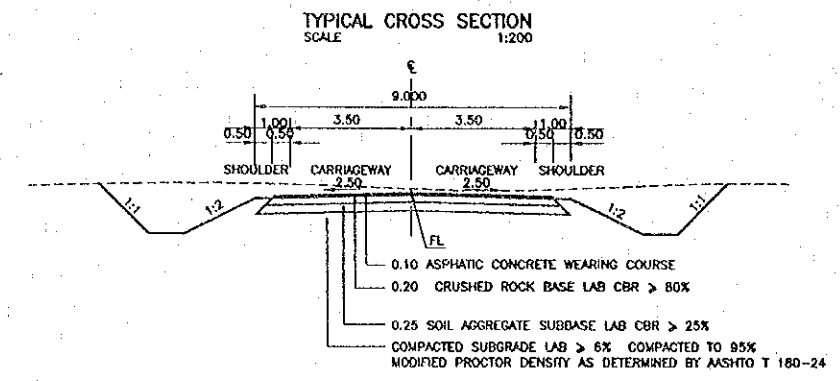
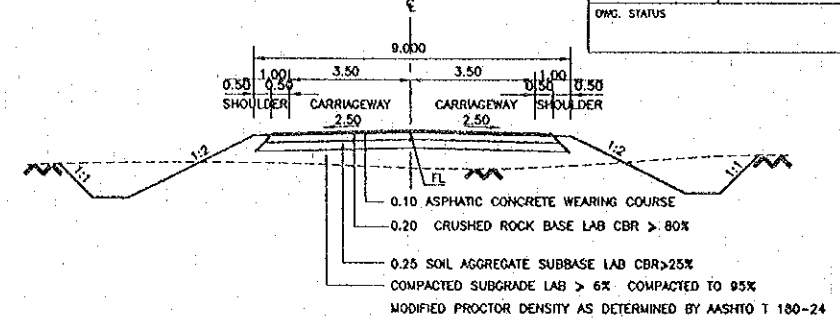
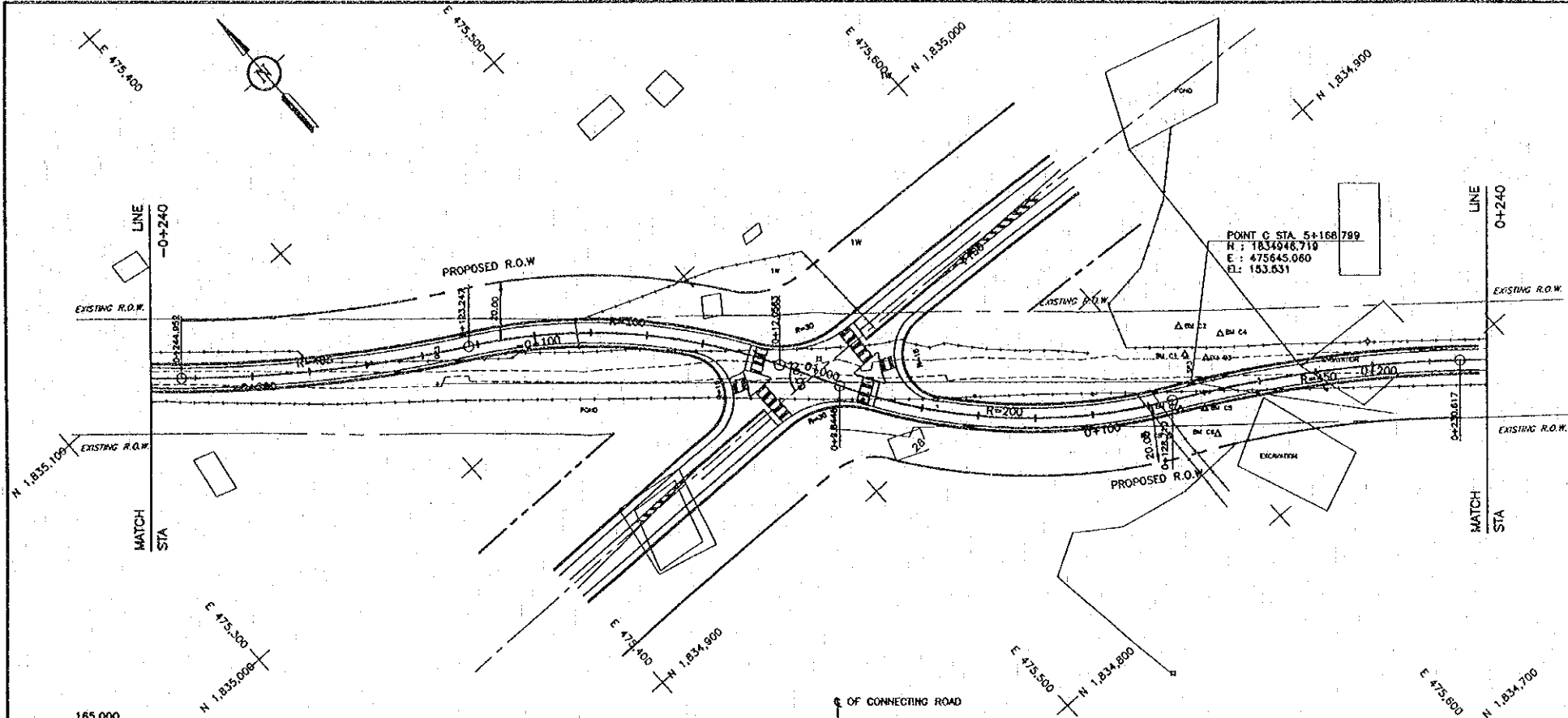
JICA JAPAN INTERNATIONAL COOPERATION AGENCY  
 LAO PEOPLE'S DEMOCRATIC REPUBLIC  
 MINISTRY OF COMMUNICATION, TRANSPORT, POST AND CONSTRUCTION  
 KINGDOM OF THAILAND  
 MINISTRY OF TRANSPORT AND COMMUNICATIONS  
 DEPARTMENT OF HIGHWAYS

THE SECOND MEKONG  
 INTERNATIONAL BRIDGE  
 CONSTRUCTION PROJECT

QUALITY RECORD	NAME	SIGNATURE	DATE
DESIGN	H. Dika	<i>[Signature]</i>	16/03/00
DESIGN CHECK	T. Mouszawa	<i>[Signature]</i>	17/03/00
SUBMITTED	A. Hretonz	<i>[Signature]</i>	21/03/00
APPROVED	P. Virophanh	<i>[Signature]</i>	24/03/00

DWG. TITLE:  
**PROFILE (5)**  
 STA. 5+940.00 - 6+260.00

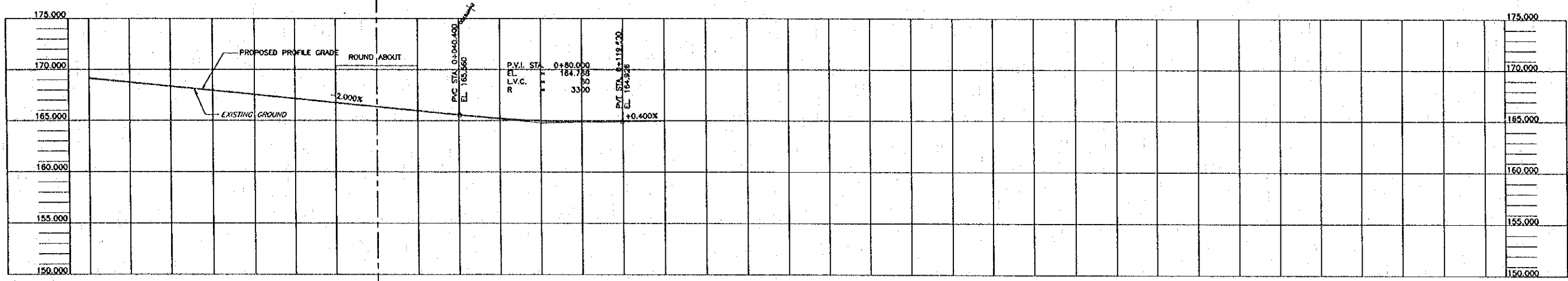
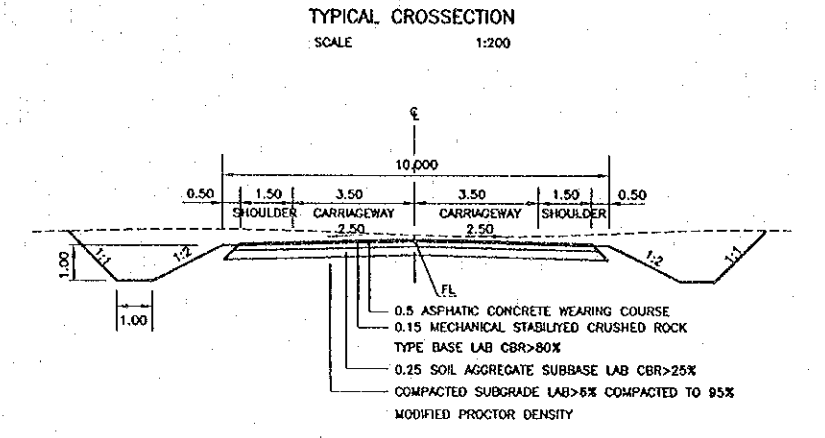
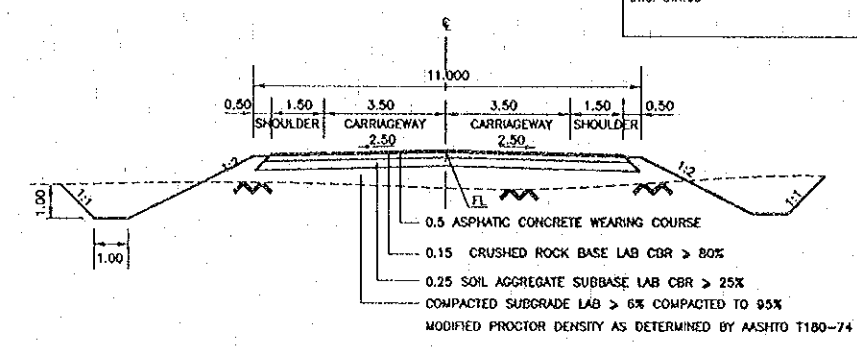
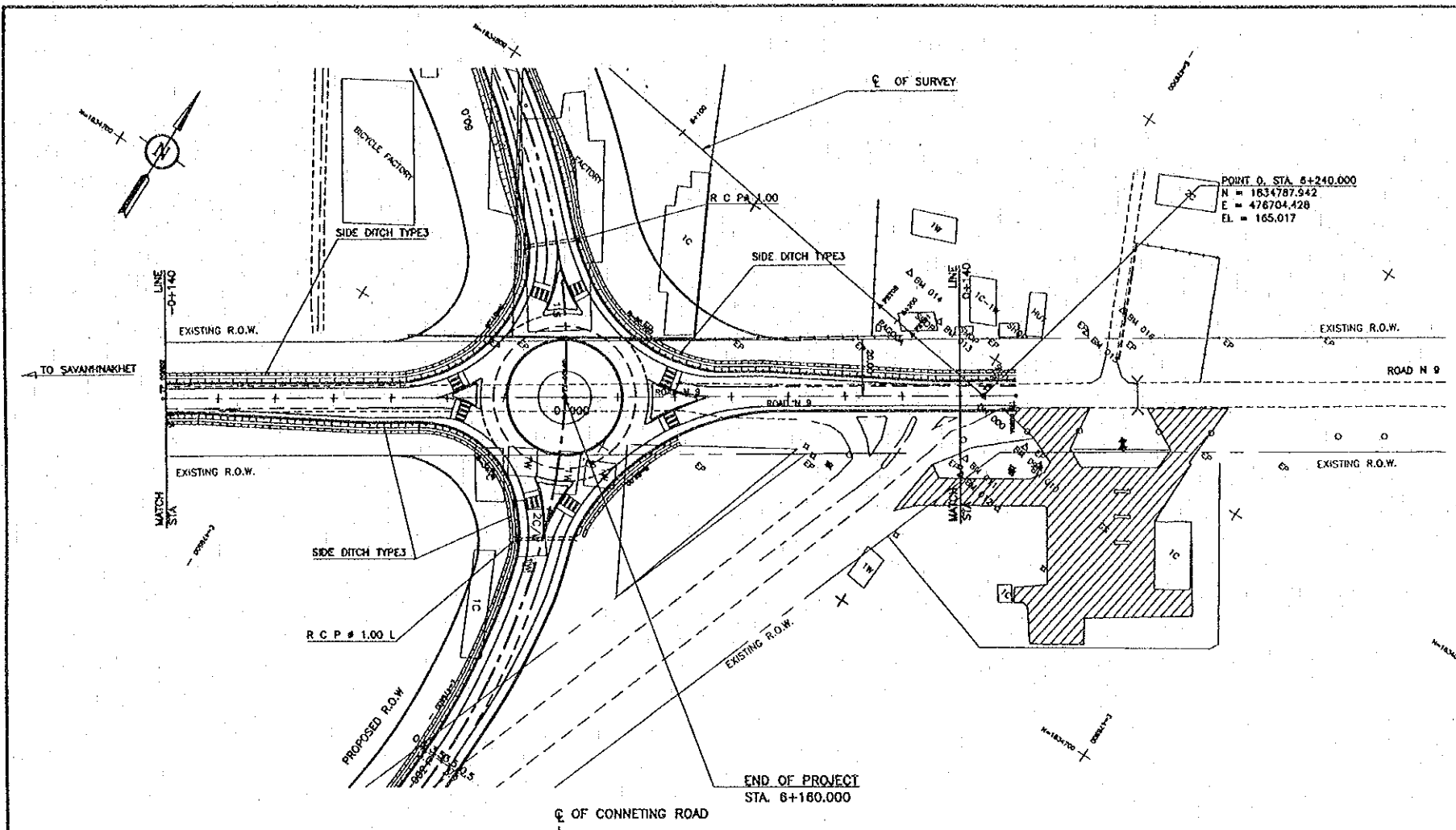




GRADIENT	+4.806% L=210.000																				+2.571% L=140.000		GRADIENT			
PROPOSED HEIGHT	140.739	141.721	142.662	143.643	144.604	145.585	146.527	147.468	148.449	149.410	149.856	151.017	151.452	151.352	152.152	153.652	155.252	156.531	157.350	157.560	158.395	158.909	159.423	159.937	160.451	PROPOSED HEIGHT
EXISTING HEIGHT	142.739	141.249	141.807	142.778	142.863	143.095	143.465	143.778	144.194	144.639	149.627	149.802	151.712	152.264	152.619	154.679	155.247	156.707	157.276	158.277	158.694	159.149	159.671	159.937	160.451	EXISTING HEIGHT
STATION	0+240	-220	0+200	-180	-160	-140	-120	0+100	-080	-060	-040	-020	0+000	020	040	060	080	0+100	120	140	160	180	0+200	220	0+240	STATION

REV.	DATE	DESCRIPTION	APPROVED	PROJECT STUDY TEAM	JICA JAPAN INTERNATIONAL COOPERATION AGENCY	LAO PEOPLE'S DEMOCRATIC REPUBLIC MINISTRY OF COMMUNICATION, TRANSPORT, POST AND CONSTRUCTION	THE SECOND MEKONG INTERNATIONAL BRIDGE CONSTRUCTION PROJECT	QUALITY RECORD	NAME	SIGNATURE	DATE	DWG. TITLE:
				ORIENTAL CONSULTANTS CO., LTD. In association with NIPPON KORI CO., LTD.				DESIGN	H. Okita	[Signature]	16/12/99	PROFILE OF ROAD A3 STA. 0+000 - 0+240(-240)
							DESIGN CHECK	T. Maysitoo	[Signature]	16/12/99		
							SUBMITTED	A. Hiratani	[Signature]	17/12/99		
							APPROVED	P. Veeraphanth	[Signature]	22/02/00		

DATE OF ISSUE: 05/03/2000  
 DWG. NO. R-P-12 SHEET NO. 20  
 DWG. STATUS



GRADIENT	-2.000% L=280.000															+0.400% L=60.000		GRADIENT
PROPOSED HEIGHT	169.168	168.768	168.368	167.968	167.568	167.168	166.768	166.368	165.968	165.568	165.220	165.008	164.908	164.928	164.908	165.008	PROPOSED HEIGHT	
EXISTING HEIGHT	168.099	167.797	167.397	167.037	166.637	166.237	165.837	165.437	165.037	146.220	146.900	146.800	146.907	146.907	146.009	EXISTING HEIGHT		
STATION	-140	-120	0+100	0+80	0+60	0+40	0+20	0+00	0+20	0+40	0+60	0+80	0+100	120	140	STATION		



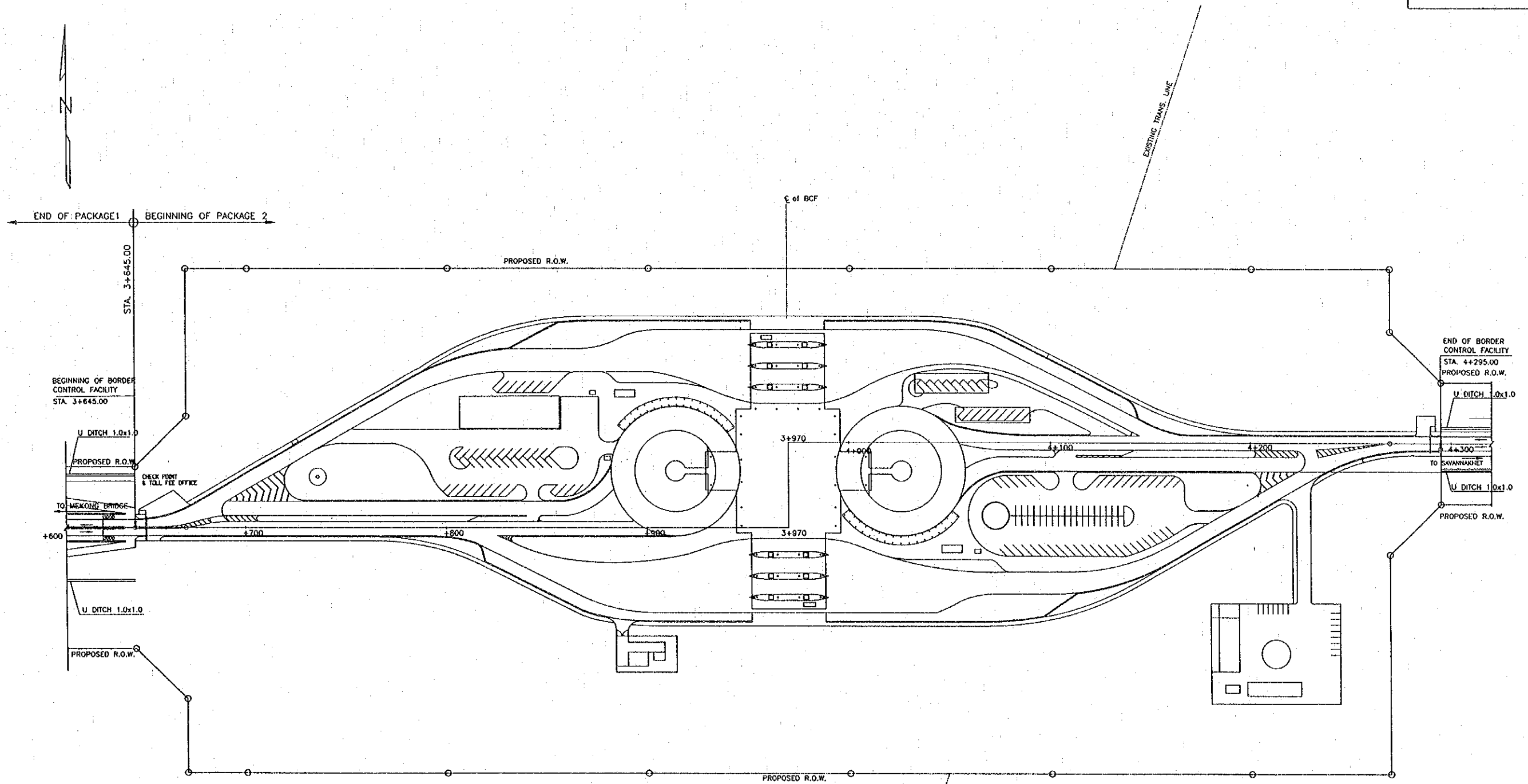
REV.	DATE	DESCRIPTION	APPROVED

PROJECT STUDY TEAM  
 ORIENTAL CONSULTANTS CO., LTD.  
 In association with  
 NIPPON KORI CO., LTD.

JICA JAPAN INTERNATIONAL COOPERATION AGENCY  
 LAO PEOPLE'S DEMOCRATIC REPUBLIC  
 MINISTRY OF COMMUNICATION, TRANSPORT, POST AND CONSTRUCTION  
 KINGDOM OF THAILAND  
 MINISTRY OF TRANSPORT AND COMMUNICATIONS  
 DEPARTMENT OF HIGHWAYS

THE SECOND MEKONG INTERNATIONAL BRIDGE CONSTRUCTION PROJECT

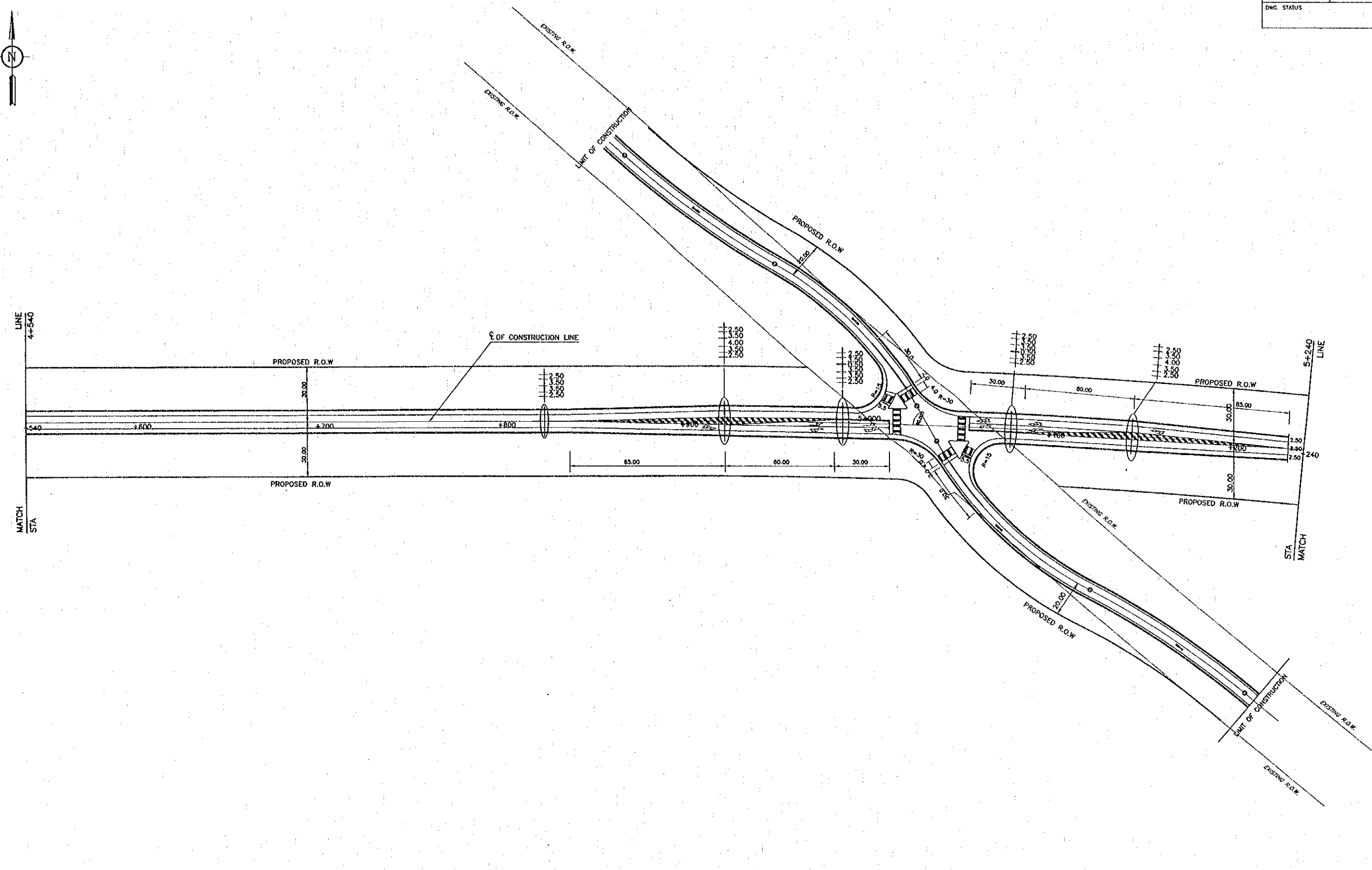
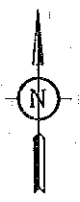
QUALITY RECORD	NAME	SIGNATURE	DATE	DWG. TITLE:
DESIGN	H. Okita	<i>[Signature]</i>	16/02/00	PROFILE OF ROAD 9 STA. 0+000 - 0+140(-140)
DESIGN CHECK	T. Masuzawa	<i>[Signature]</i>	18/02/00	
SUBMITTED	A. Hirata	<i>[Signature]</i>	21/02/00	
APPROVED	P. Viraphanth	<i>[Signature]</i>	23/02/00	



LAYOUT PLAN  
SCALE 1:1000

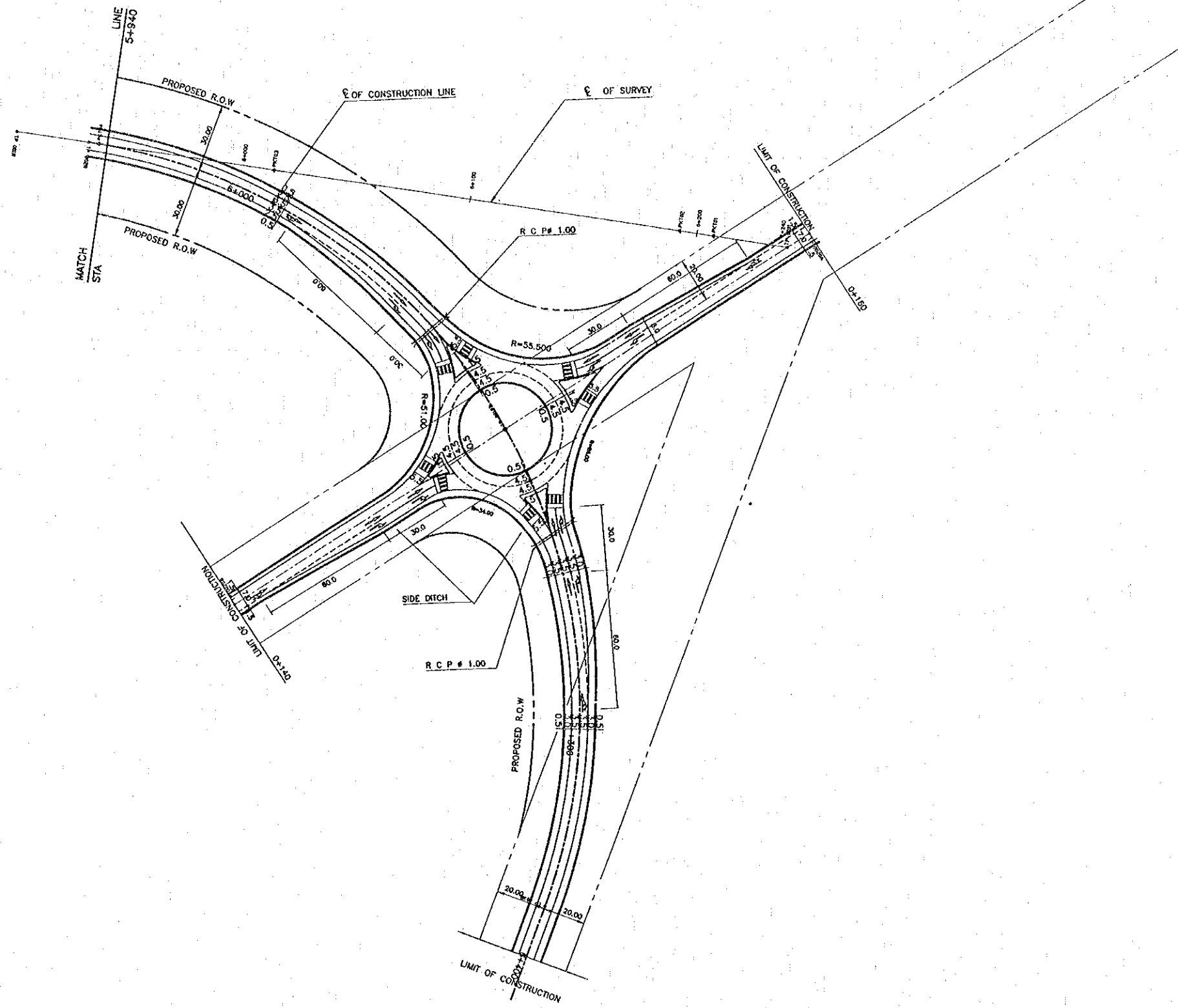
REV.	DATE	DESCRIPTION	APPROVED	PROJECT STUDY TEAM	JICA JAPAN INTERNATIONAL COOPERATION AGENCY	QUALITY RECORD	NAME	SIGNATURE	DATE	DWG. TITLE:
				ORIENTAL CONSULTANTS CO., LTD. In association with NIPPON KOEI CO., LTD.	LAO PEOPLE'S DEMOCRATIC REPUBLIC MINISTRY OF COMMUNICATION, TRANSPORT, POST AND CONSTRUCTION	DESIGN	M. Ono	<i>[Signature]</i>	5/3/00	GEOMETRIC LAYOUT BCF
					KINGDOM OF THAILAND MINISTRY OF TRANSPORT AND COMMUNICATIONS DEPARTMENT OF HIGHWAYS	DESIGN CHECK	T. Morizawa	<i>[Signature]</i>	5/12/00	
						SUBMITTED	A. Hironaka	<i>[Signature]</i>	5/12/00	
						APPROVED	P. Viraphanth	<i>[Signature]</i>	5/16/00	

DATE OF ISSUE: 05/03/2000	
DWG. NO. R-G-2	SHEET NO. 22
DWG. STATUS	

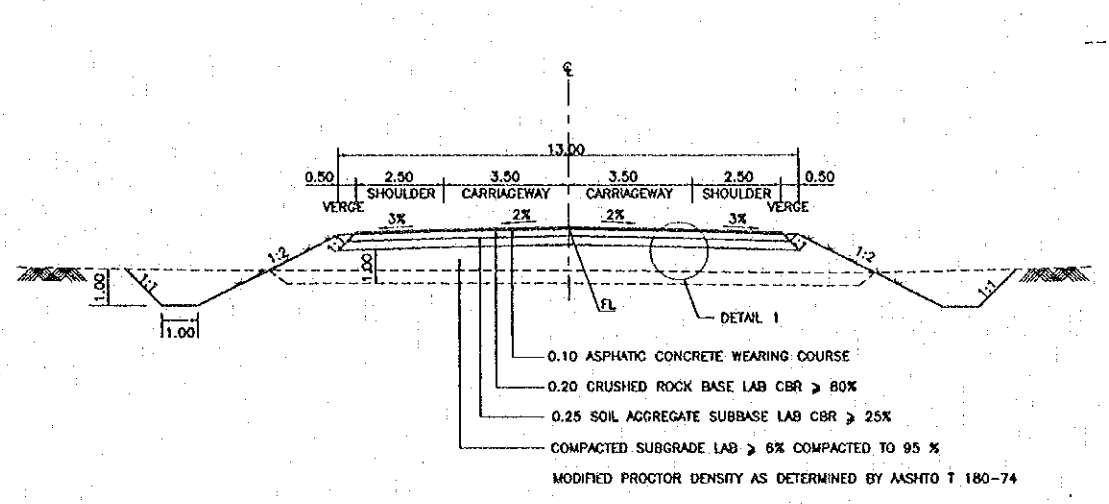


REV.	DATE	DESCRIPTION	APPROVED	PROJECT STUDY TEAM	JICA JAPAN INTERNATIONAL COOPERATION AGENCY	QUALITY RECORD	NAME	SIGNATURE	DATE	DWG. TITLE:
				ORIENTAL CONSULTANTS CO., LTD. In association with NIPPON KOKI CO., LTD.	LAO PEOPLE'S DEMOCRATIC REPUBLIC MINISTRY OF COMMUNICATION, TRANSPORT, POST AND CONSTRUCTION	DESIGN	H. OARU	<i>[Signature]</i>	16.02.00	GEOMETRIC LAYOUT INTERSECTION A3
					KINGDOM OF THAILAND MINISTRY OF TRANSPORT AND COMMUNICATIONS DEPARTMENT OF HIGHWAYS	DESIGN CHECK	T. MASUZAWA	<i>[Signature]</i>	17.12.00	
						SUBMITTED	A. HIROTORI	<i>[Signature]</i>	21.12.00	
						APPROVED	P. VEEPHANTH	<i>[Signature]</i>	22/02/00	

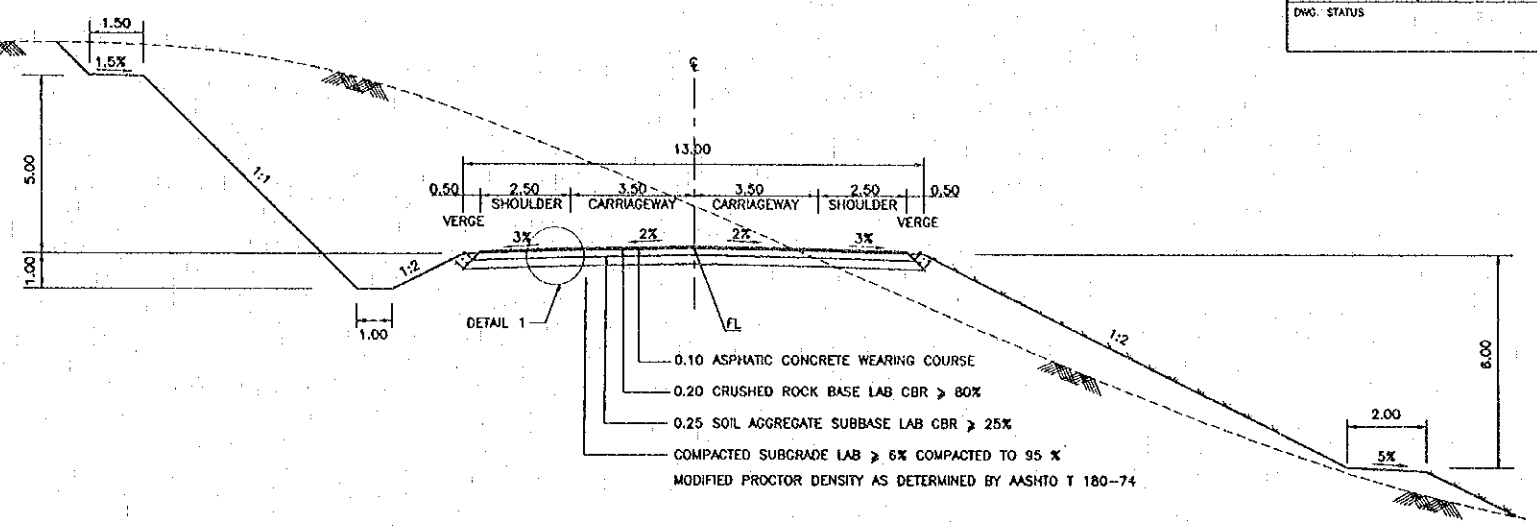
DATE OF ISSUE: 05/03/2000	
DWG. NO. R-C-3	SHEET NO. 23
DWG. STATUS	



REV.	DATE	DESCRIPTION	APPROVED	PROJECT STUDY TEAM	JICA JAPAN INTERNATIONAL COOPERATION AGENCY	QUALITY RECORD	NAME	SIGNATURE	DATE	DWG. TITLE:	
				 ORIENTAL CONSULTANTS CO., LTD. in association with  NIPPON KOEI CO., LTD.	 LAO PEOPLE'S DEMOCRATIC REPUBLIC MINISTRY OF COMMUNICATION, TRANSPORT, POST AND CONSTRUCTION  KINGDOM OF THAILAND MINISTRY OF TRANSPORT AND COMMUNICATIONS DEPARTMENT OF HIGHWAYS	 THE SECOND MEKONG INTERNATIONAL BRIDGE CONSTRUCTION PROJECT	DESIGN DESIGN CHECK SUBMITTED APPROVED	H. Okita T. Masuzawa A. Hiratake P. Viraphonh	   	12-12-00 12-12-00 21/12/00 22/02/00	GEOMETRIC LAYOUT INTERSECTION No 9

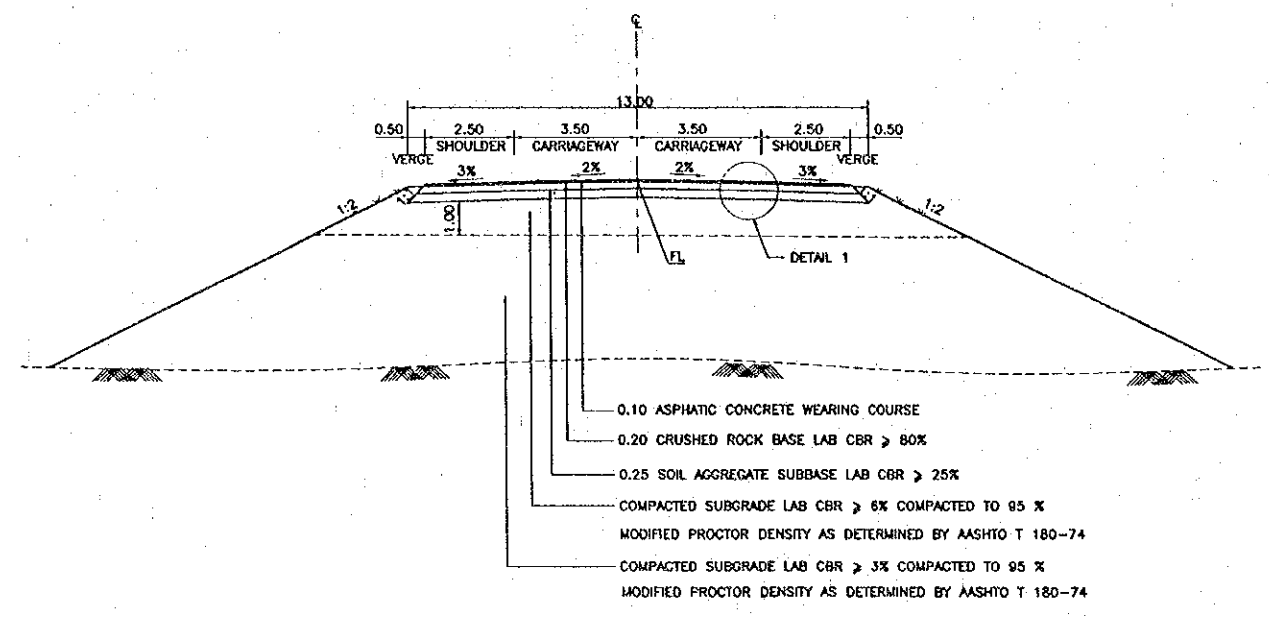


PAVEMENT IN FILL SECTION (1)

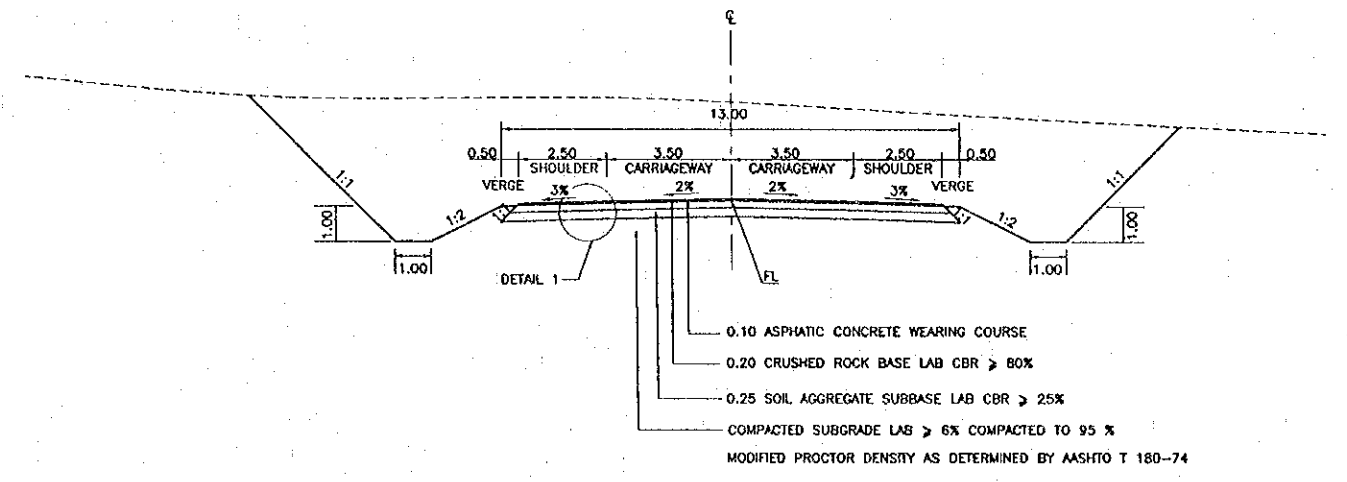


PAVEMENT IN CUT AND FILL SECTION

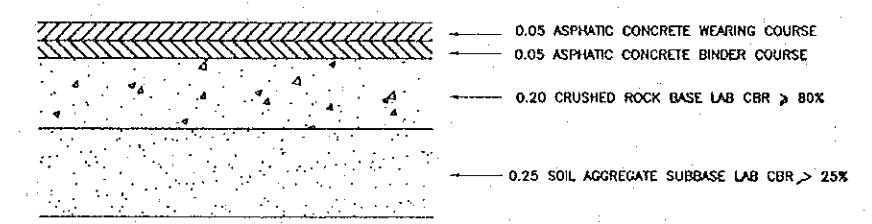
TYPICAL CROSS SECTION  
 SCALE 1:100



PAVEMENT IN FILL SECTION (2)



PAVEMENT IN CUT SECTION



DETAIL 1  
 ASPHALTIC CONCRETE PAVEMENT DETAIL

REV.	DATE	DESCRIPTION	APPROVED	PROJECT STUDY TEAM	JICA JAPAN INTERNATIONAL COOPERATION AGENCY	QUALITY RECORD	NAME	SIGNATURE	DATE	DWG. TITLE
				ORIENTAL CONSULTANTS CO., LTD. In association with NIPPON KOKI CO., LTD.	LAO PEOPLE'S DEMOCRATIC REPUBLIC MINISTRY OF COMMUNICATION, TRANSPORT, POST AND CONSTRUCTION KINGDOM OF THAILAND MINISTRY OF TRANSPORT AND COMMUNICATIONS DEPARTMENT OF HIGHWAYS	DESIGN	H. Okita	<i>[Signature]</i>	16-02-00	TYPICAL CROSS SECTION LAO SIDE
						DESIGN CHECK	T. Masutani	<i>[Signature]</i>	17-02-00	
						SUBMITTED	A. Hirakuni	<i>[Signature]</i>	21/02/00	
						APPROVED	P. Viraphanth	<i>[Signature]</i>	30/02/00	



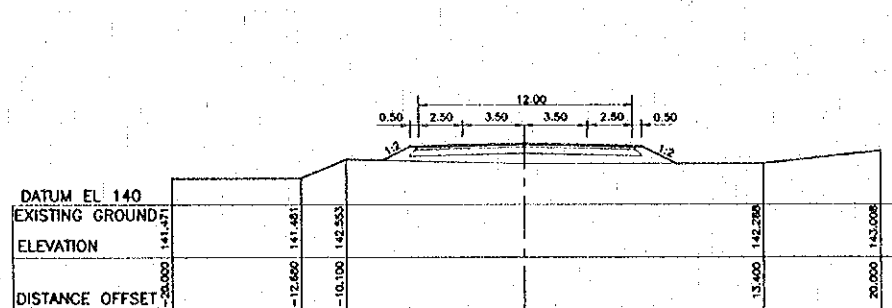




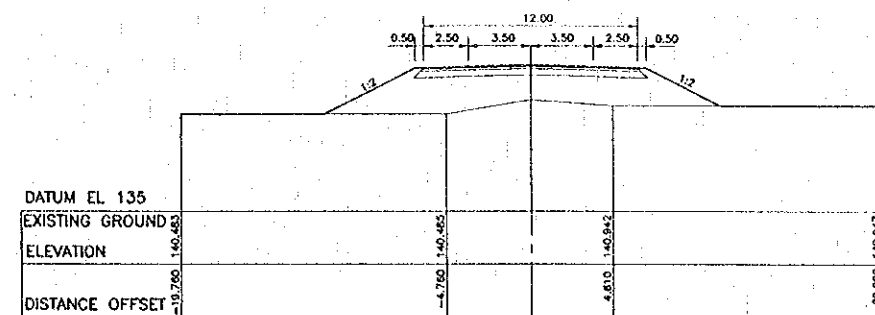
DATE OF ISSUE: 05/03/2000

DWG. NO. R-C-4 SHEET NO. 27

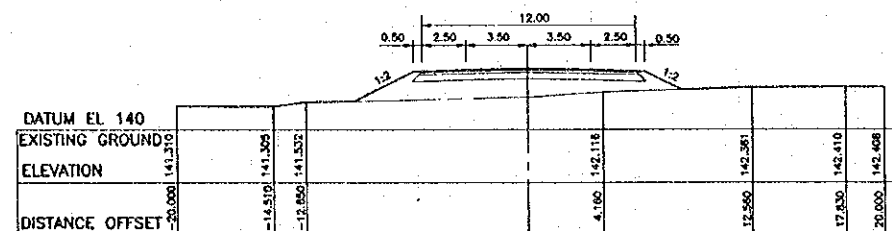
DRG. STATUS



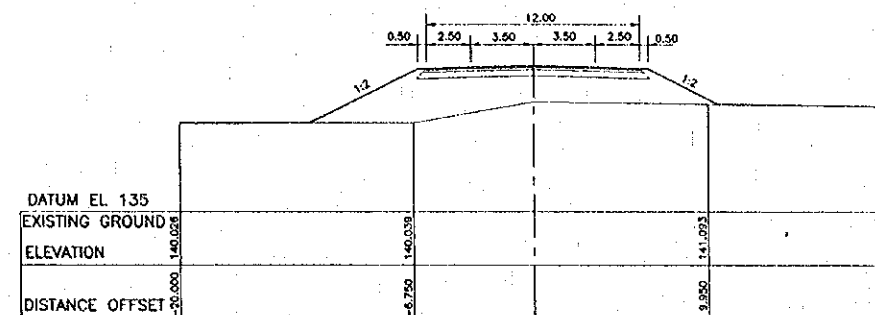
STA. 4+540  
GL=142.300  
FL=143.430



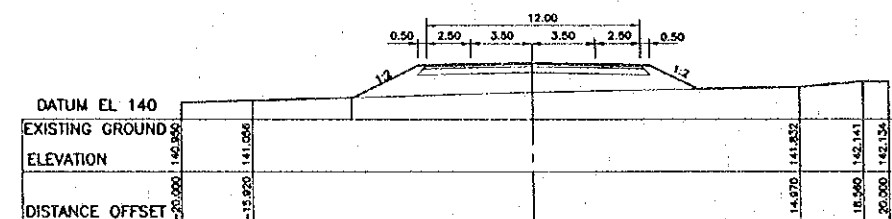
STA. 4+600  
GL=141.271  
FL=143.040



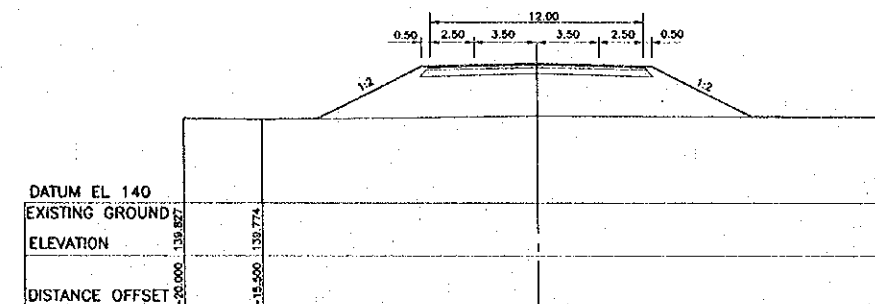
STA. 4+560  
GL=141.824  
FL=143.240



STA. 4+620  
GL=141.226  
FL=143.030



STA. 4+580  
GL=141.555  
FL=143.110



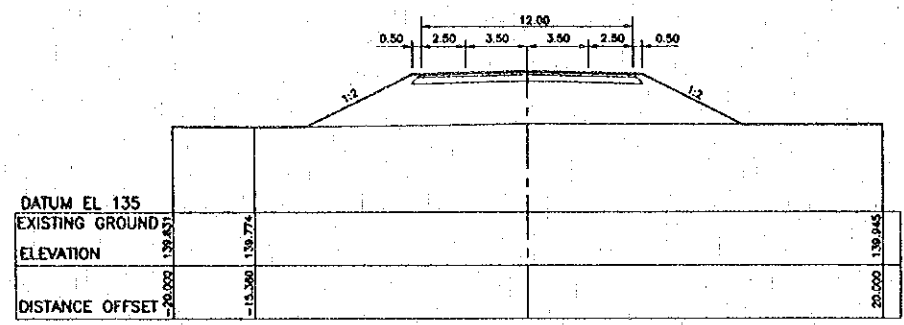
STA. 4+640  
GL=139.980  
FL=143.080

REV.	DATE	DESCRIPTION	APPROVED	PROJECT STUDY TEAM	JICA JAPAN INTERNATIONAL COOPERATION AGENCY	LAO PEOPLE'S DEMOCRATIC REPUBLIC MINISTRY OF COMMUNICATION, TRANSPORT, POST AND CONSTRUCTION	THE SECOND MUKONG INTERNATIONAL BRIDGE CONSTRUCTION PROJECT	QUALITY RECORD	NAME	SIGNATURE	DATE	DWG. TITLE:
				ORIENTAL CONSULTANTS CO., LTD. In association with NIPPON KOKI CO., LTD.				DESIGN	H. Orita	<i>[Signature]</i>	16-02-00	CROSS SECTION (3) STA. 4+540 - 4+640 LAO PDR SIDE
							DESIGN CHECK	T. Masutani	<i>[Signature]</i>	21-02-00		
							SUBMITTED	A. Hrotani	<i>[Signature]</i>	21/02/00		
							APPROVED	P. Veprachit	<i>[Signature]</i>	22/02/00		

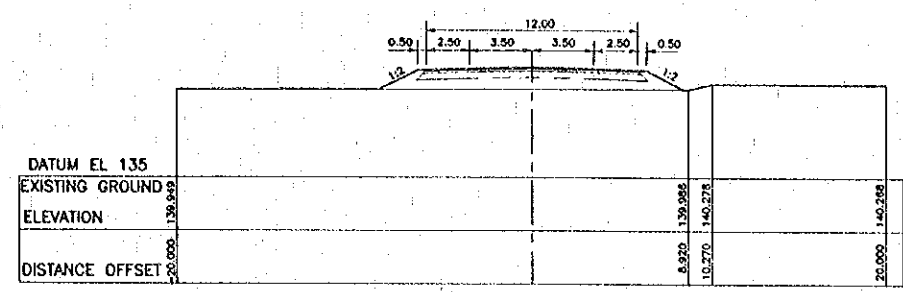
DATE OF ISSUE: 05/03/2000

DWG. NO. R-C-5 SHEET NO. 28

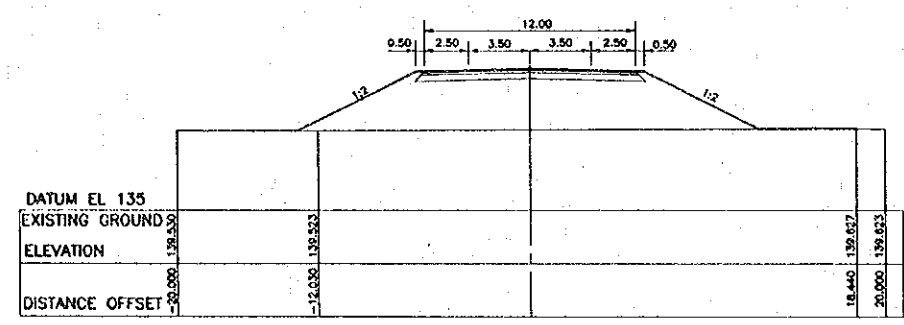
DWG. STATUS



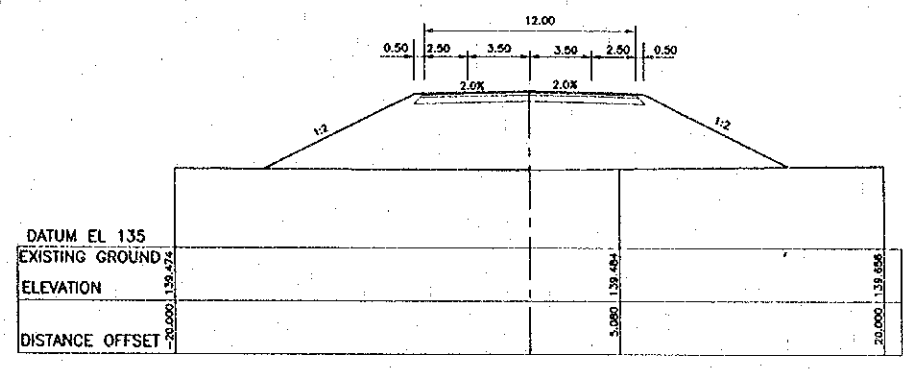
STA. 4+660  
GL=139.979  
FL=143.190



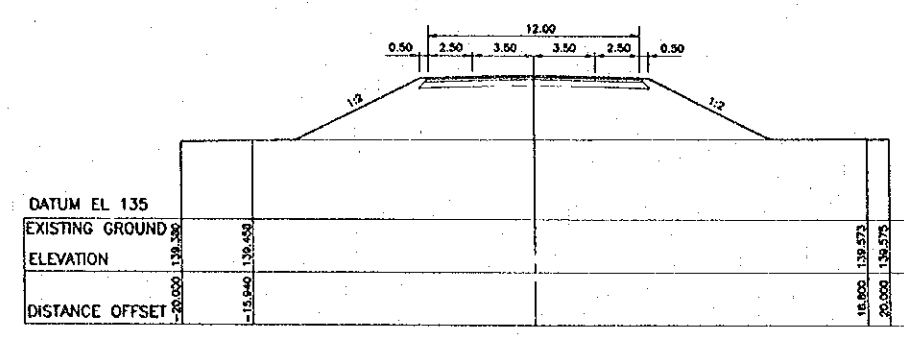
STA. 4+720  
GL=139.985  
FL=143.880



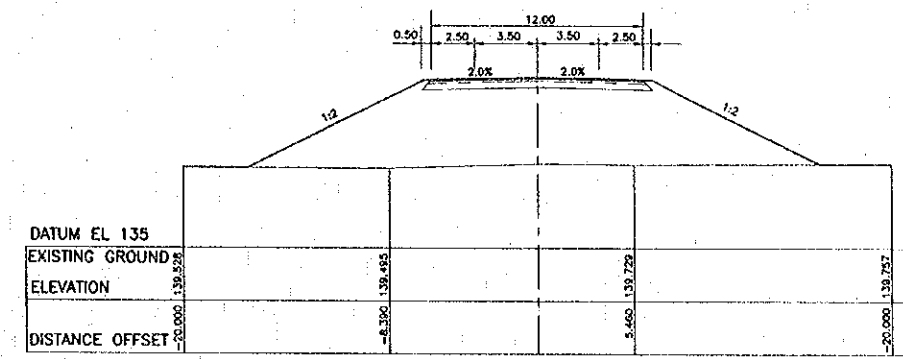
STA. 4+680  
GL=139.588  
FL=143.360



STA. 4+740  
GL=139.421  
FL=144.230



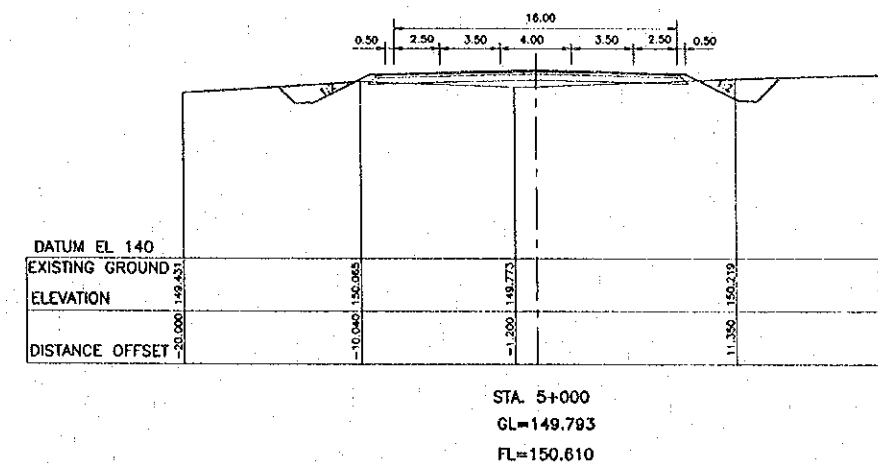
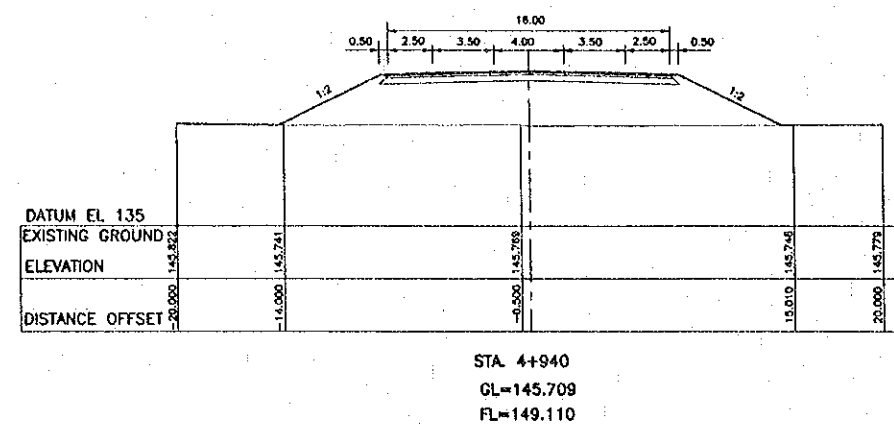
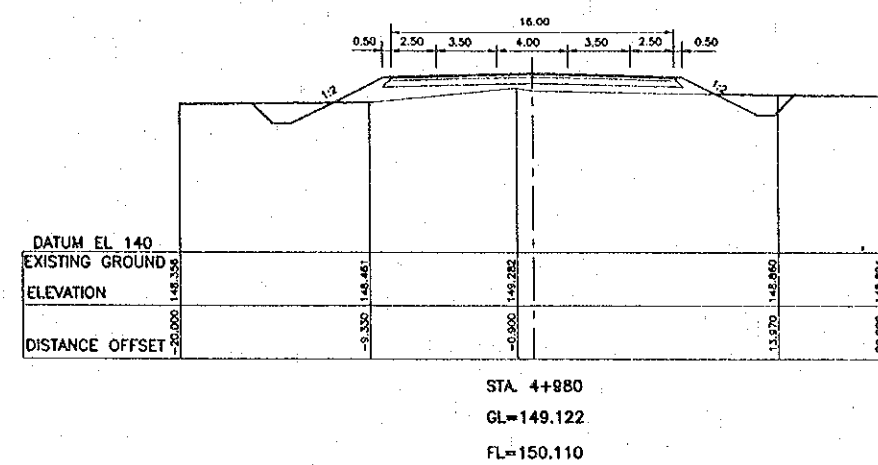
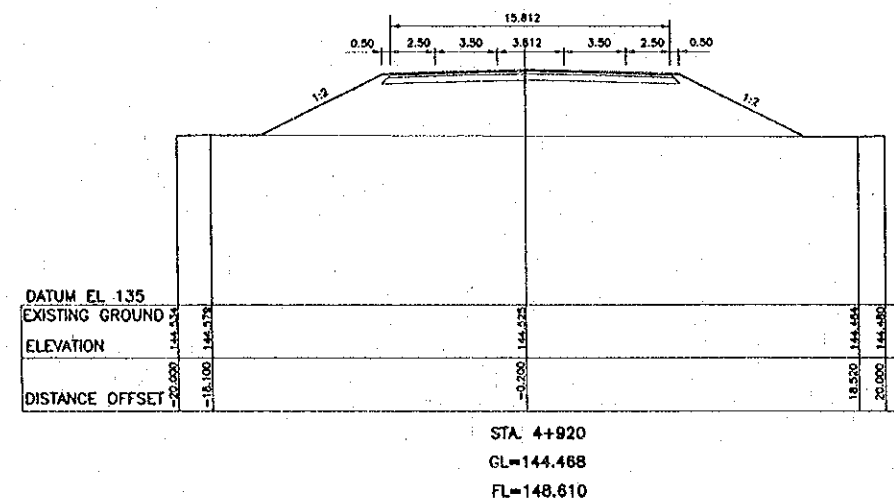
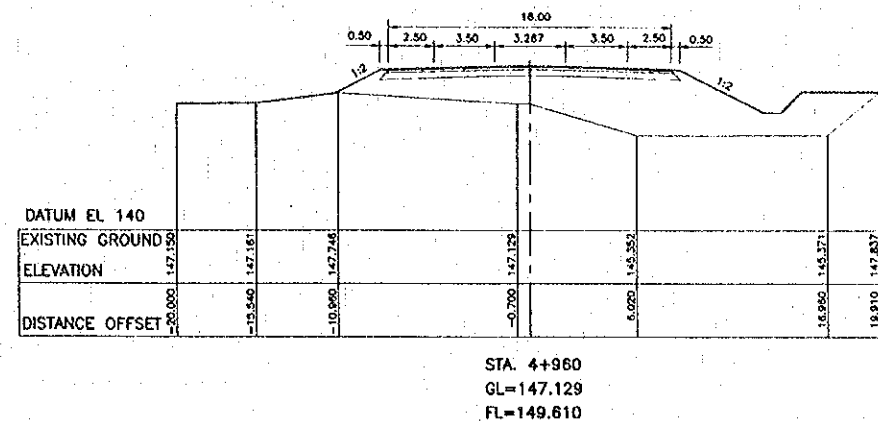
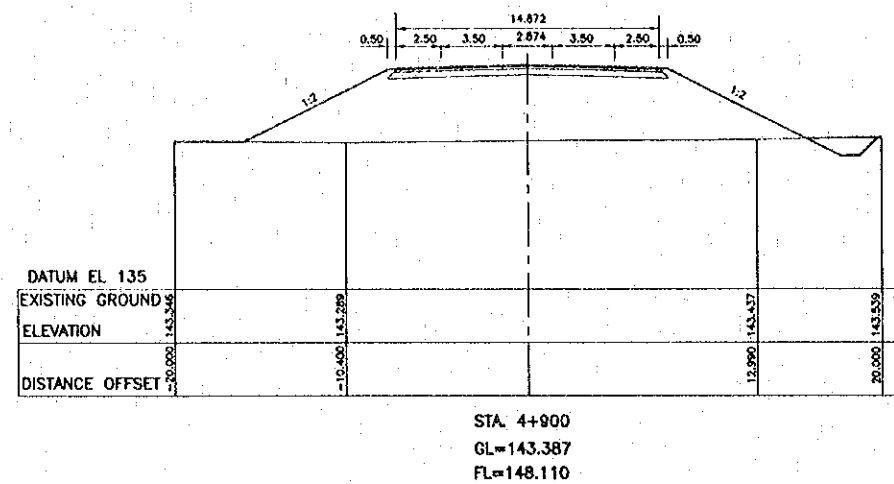
STA. 4+700  
GL=139.518  
FL=143.590



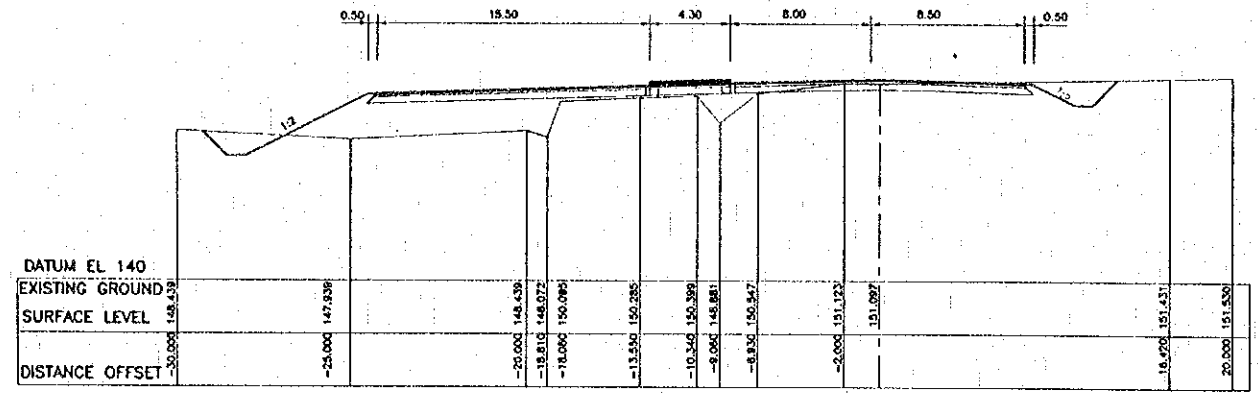
STA. 4+760  
GL=139.761  
FL=144.640

REV.	DATE	DESCRIPTION	APPROVED	PROJECT STUDY TEAM	JICA JAPAN INTERNATIONAL COOPERATION AGENCY	QUALITY RECORD	NAME	SIGNATURE	DATE	DWG. TITLE:
				ORIENTAL CONSULTANTS CO., LTD. In association with NIPPON KOKI CO., LTD.	LAO PEOPLE'S DEMOCRATIC REPUBLIC MINISTRY OF COMMUNICATION, TRANSPORT, POST AND CONSTRUCTION	DESIGN	H. Ohta	<i>[Signature]</i>	16/02/00	CROSS SECTION (4) STA. 4+660 -- 4+760 LAO PDR SIDE
					KINGDOM OF THAILAND MINISTRY OF TRANSPORT AND COMMUNICATIONS DEPARTMENT OF HIGHWAYS	DESIGN CHECK	T. Manuza	<i>[Signature]</i>	17/02/00	
						SUBMITTED	A. Hiratani	<i>[Signature]</i>	21/01/00	
						APPROVED	P. Virophanth	<i>[Signature]</i>	02/02/00	

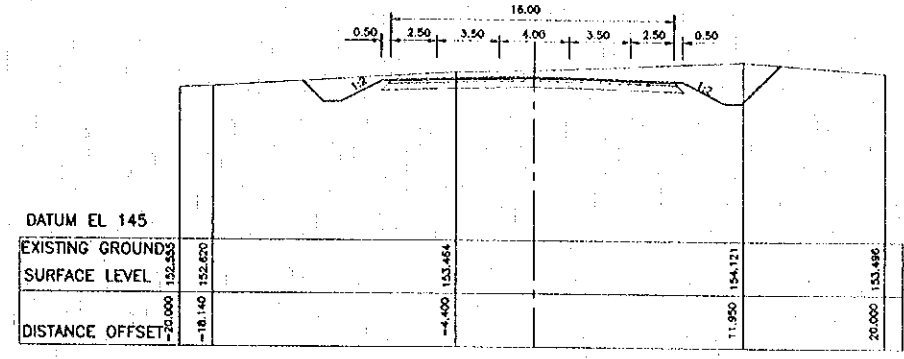




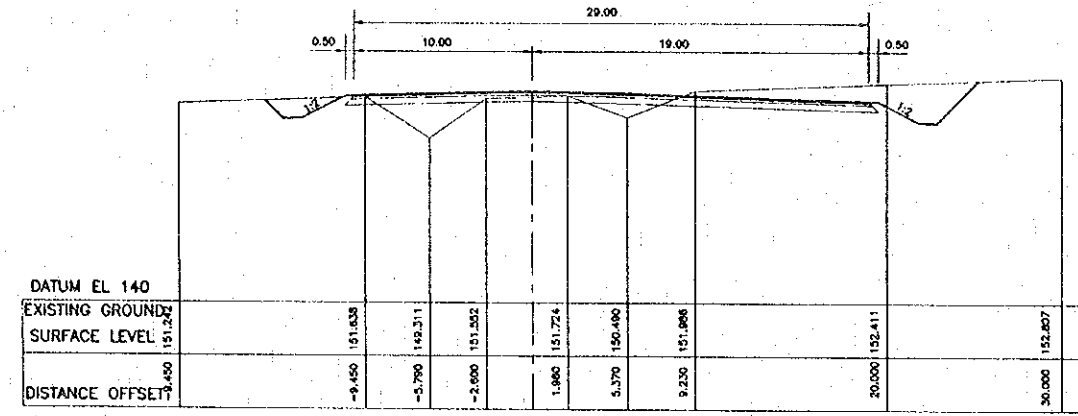
REV.	DATE	DESCRIPTION	APPROVED	PROJECT STUDY TEAM	JICA	QUALITY RECORD	NAME	SIGNATURE	DATE	DWG. TITLE
				ORIENTAL CONSULTANTS CO., LTD. In association with NIPPON KOKI CO., LTD.	JAPAN INTERNATIONAL COOPERATION AGENCY LAO PEOPLE'S DEMOCRATIC REPUBLIC MINISTRY OF COMMUNICATION, TRANSPORT, POST AND CONSTRUCTION KINGDOM OF THAILAND MINISTRY OF TRANSPORT AND COMMUNICATIONS DEPARTMENT OF HIGHWAYS	DESIGN	H. Okita	<i>[Signature]</i>	16-02-00	CROSS SECTION (6) STA. 4+900 - 5+000 LAO PDR SIDE
						DESIGN CHECK	T. Moutouwa	<i>[Signature]</i>	17-02-00	
						SUBMITTED	A. Hirakawa	<i>[Signature]</i>	21/02/00	
						APPROVED	P. Viraphonh	<i>[Signature]</i>	22/02/00	



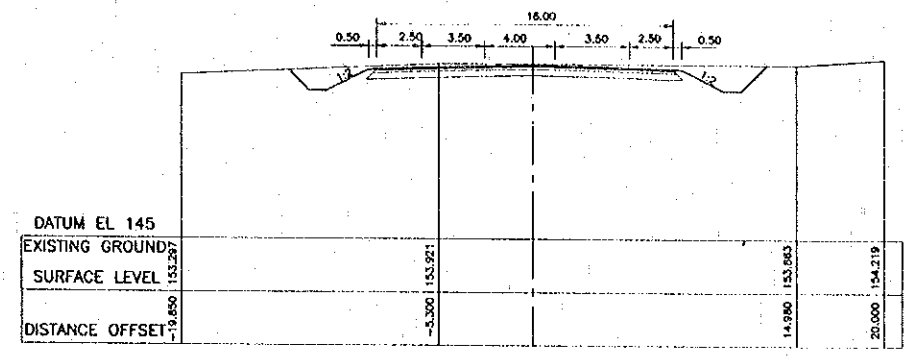
STA. 5+020  
 GL=151.097  
 FL=151.110



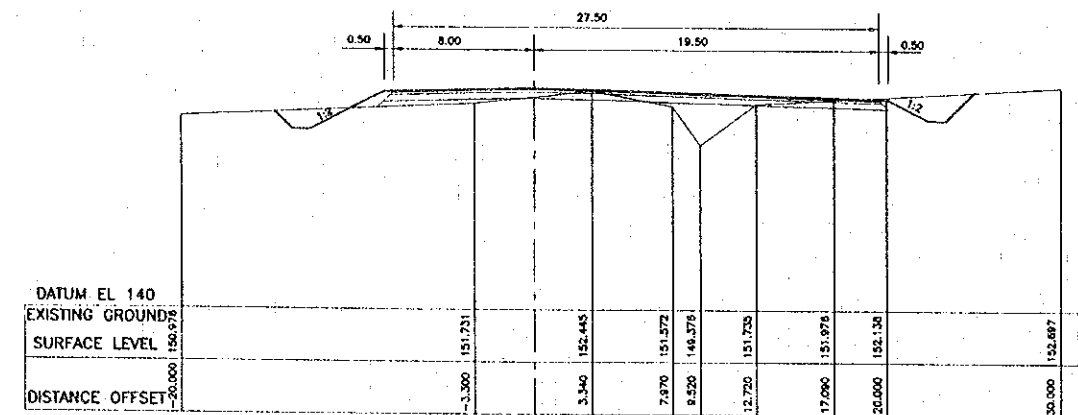
STA. 5+080  
 GL=153.568  
 FL=152.610



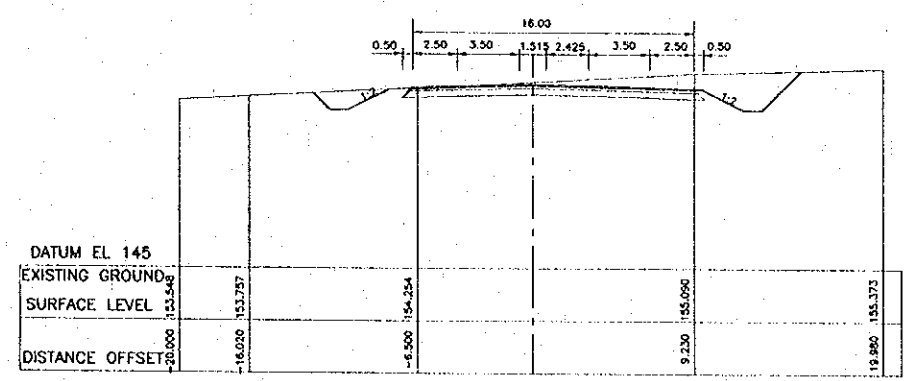
STA. 5+040  
 GL=151.625  
 FL=151.956



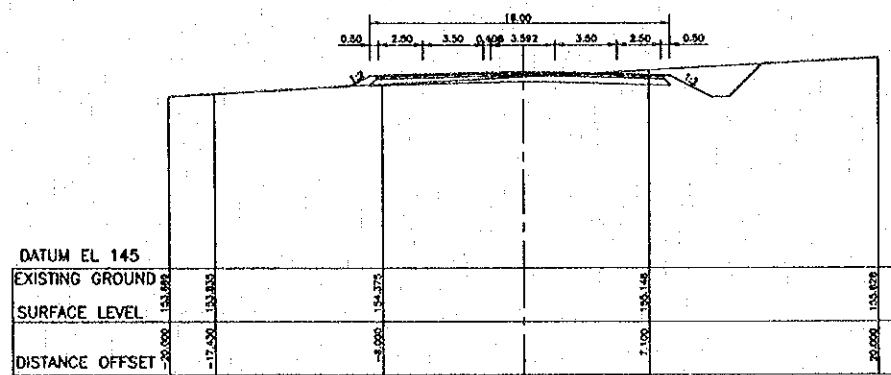
STA. 5+100  
 GL=153.919  
 FL=153.110



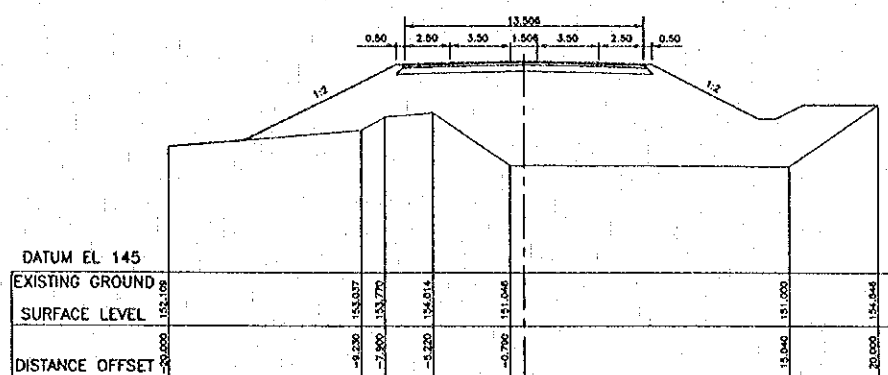
STA. 5+060  
 GL=152.067  
 FL=151.110



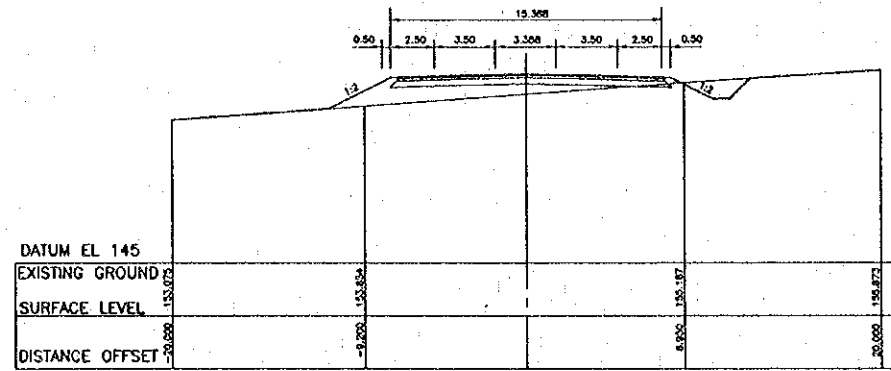
STA. 5+120  
 GL=154.852  
 FL=153.610



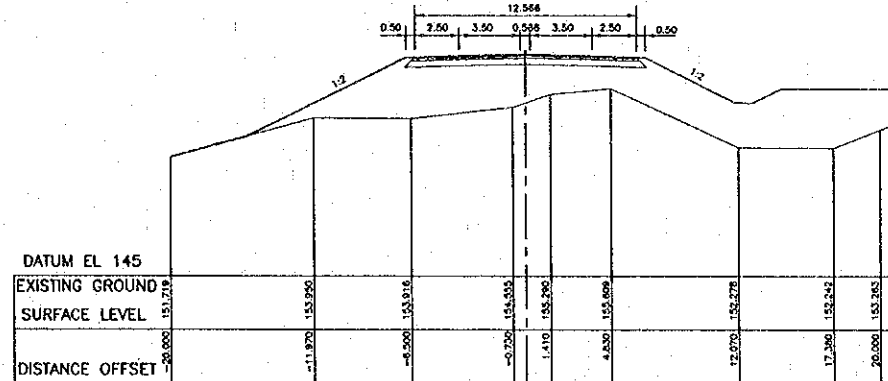
STA. 5+140  
 GL=154.767  
 FL=154.123



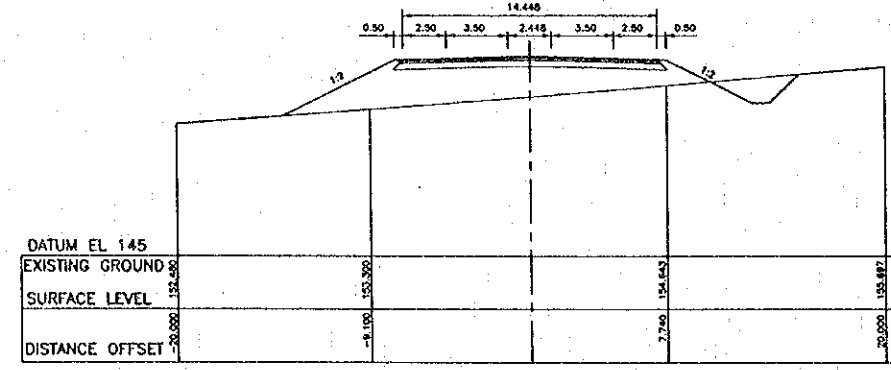
STA. 5+200  
 GL=151.055  
 FL=155.810



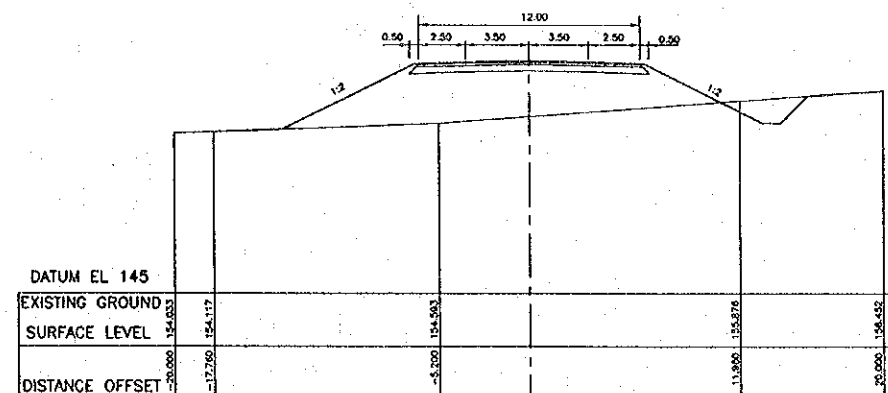
STA. 5+180  
 GL=154.539  
 FL=154.660



STA. 5+220  
 GL=154.793  
 FL=156.423



STA. 5+180  
 GL=153.993  
 FL=155.223



STA. 5+240  
 GL=154.989  
 FL=156.423

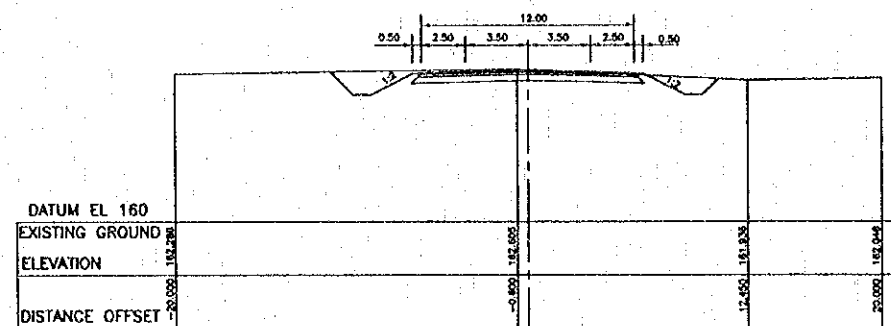
REV.	DATE	DESCRIPTION	APPROVED	PROJECT STUDY TEAM	JICA	QUALITY RECORD	NAME	SIGNATURE	DATE	DWG. TITLE
				ORIENTAL CONSULTANTS CO., LTD. in association with NIPPON KOKI CO., LTD.	JAPAN INTERNATIONAL COOPERATION AGENCY LAO PEOPLE'S DEMOCRATIC REPUBLIC MINISTRY OF COMMUNICATION, TRANSPORT, POST AND CONSTRUCTION KINGDOM OF THAILAND MINISTRY OF TRANSPORT AND COMMUNICATIONS DEPARTMENT OF HIGHWAYS	DESIGN	H. Okita	<i>[Signature]</i>	16-12-01	CROSS SECTION (8) STA 5+140 - 5+240 LAO PDR SIDE
						DESIGN CHECK	T. Moutoua	<i>[Signature]</i>	18-02-00	
						SUBMITTED	A. Hiratani	<i>[Signature]</i>	21/04/00	
						APPROVED	P. Veeraphan	<i>[Signature]</i>	22/03/00	



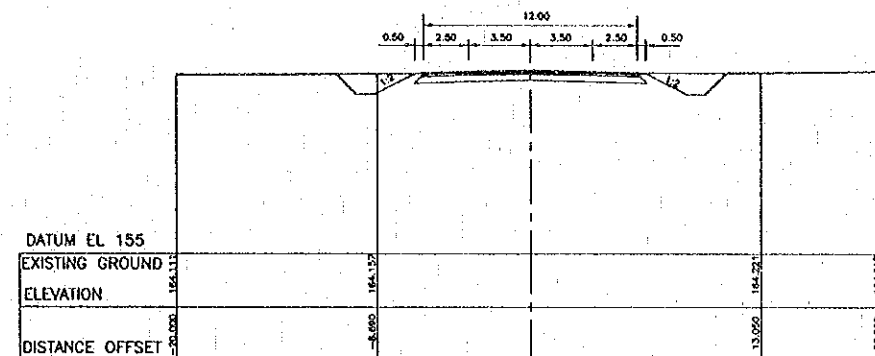
DATE OF ISSUE:  
05/03/2000

DWG. NO. R-C-11 SHEET NO. 34

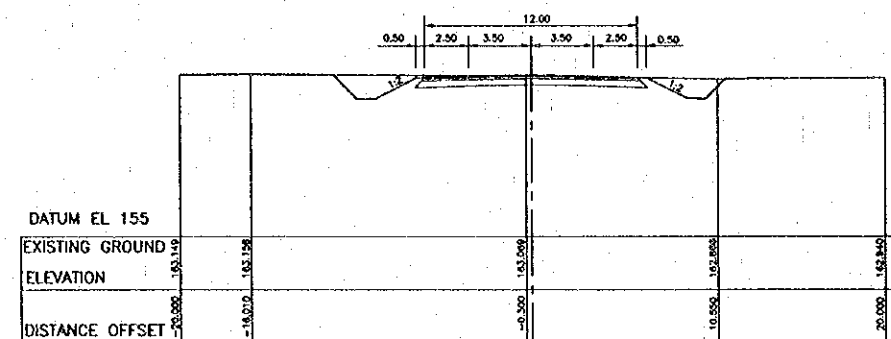
DWG. STATUS



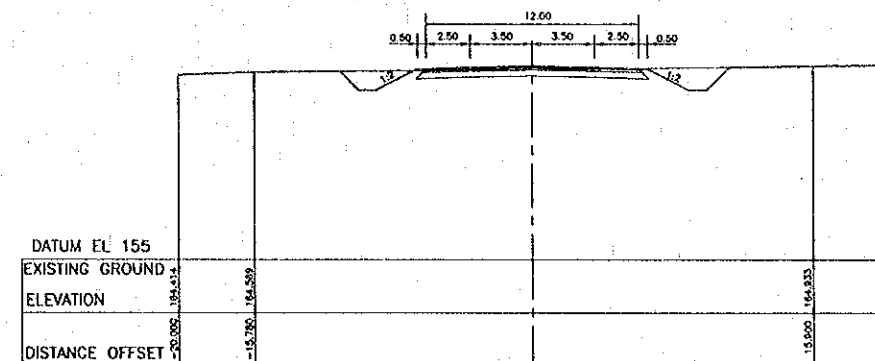
STA. 5+380  
GL=162.585  
FL=162.190



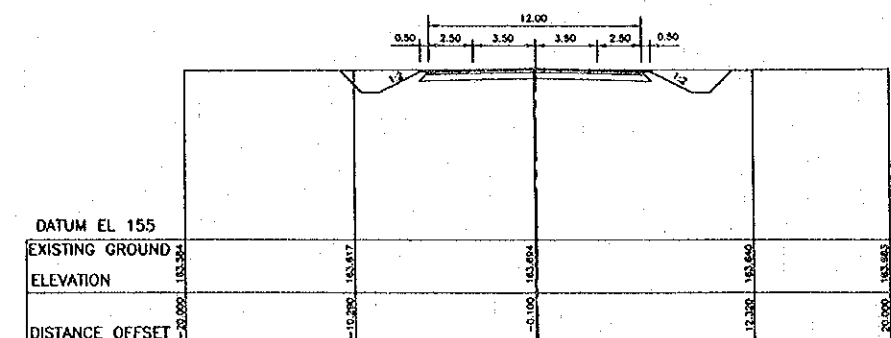
STA. 5+440  
GL=164.190  
FL=164.257



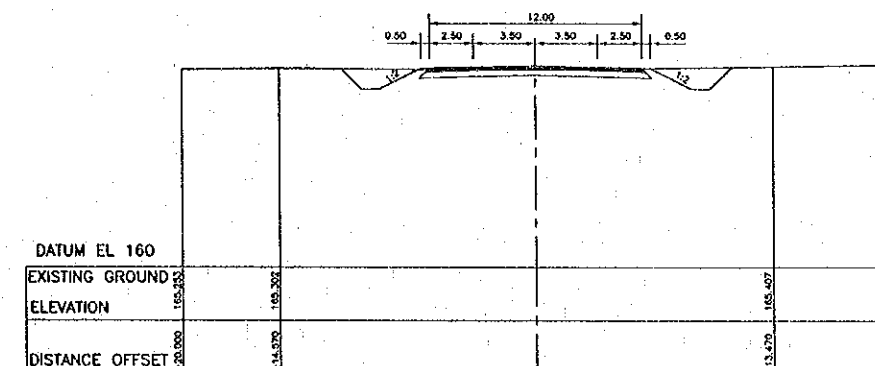
STA. 5+400  
GL=163.066  
FL=162.930



STA. 5+460  
GL=164.733  
FL=164.878



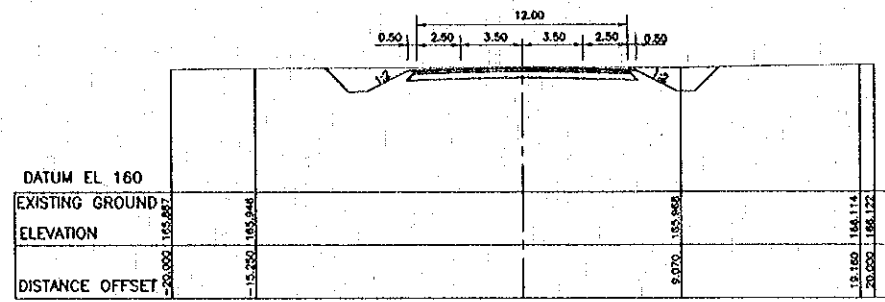
STA. 5+420  
GL=163.694  
FL=163.629



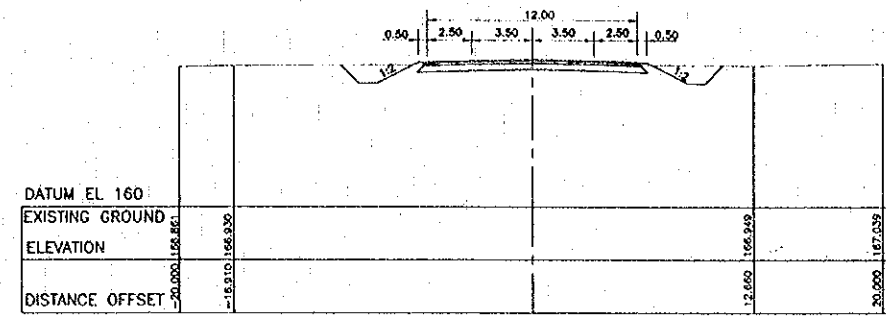
STA. 5+480  
GL=165.225  
FL=165.459

REV.	DATE	DESCRIPTION	APPROVED	PROJECT STUDY TEAM	JICA JAPAN INTERNATIONAL COOPERATION AGENCY	QUALITY RECORD	NAME	SIGNATURE	DATE	DWG. TITLE
				ORIENTAL CONSULTANTS CO., LTD. In association with NIPPON KOKI CO., LTD.	LAO PEOPLE'S DEMOCRATIC REPUBLIC MINISTRY OF COMMUNICATION, TRANSPORT, POST AND CONSTRUCTION KINGDOM OF THAILAND MINISTRY OF TRANSPORT AND COMMUNICATIONS DEPARTMENT OF HIGHWAYS	DESIGN	H. Okita	<i>[Signature]</i>	16-12-01	CROSS SECTION (10) STA. 5+380 - 5+480 LAO PDR SIDE
						DESIGN CHECK	T. Masuzawa	<i>[Signature]</i>	18-12-01	
						SUBMITTED	A. Hiratani	<i>[Signature]</i>	21/12/01	
						APPROVED	P. Voraphanth S. Tansyabutra	<i>[Signature]</i>	22/01/02	

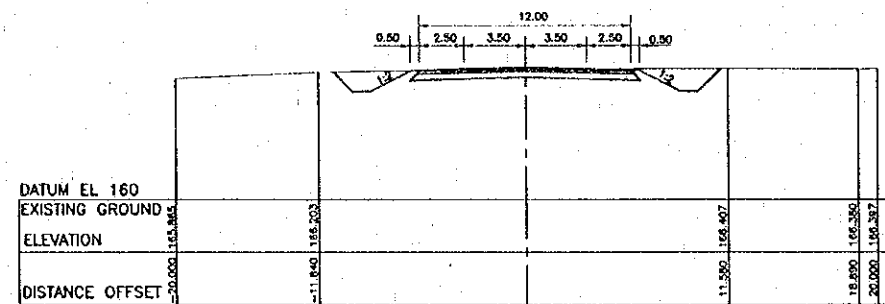




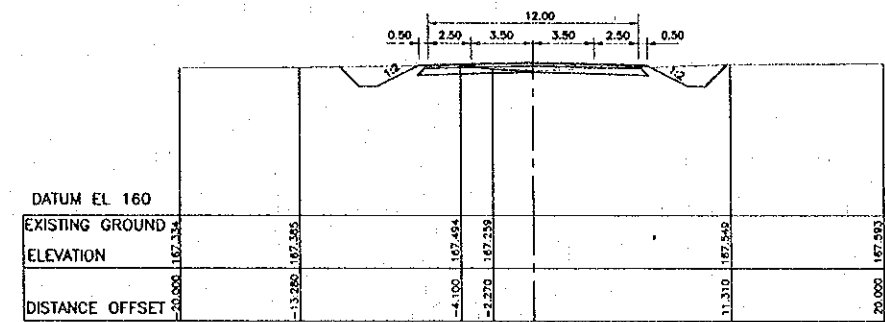
STA. 5+500  
 GL=166.028  
 FL=166.000



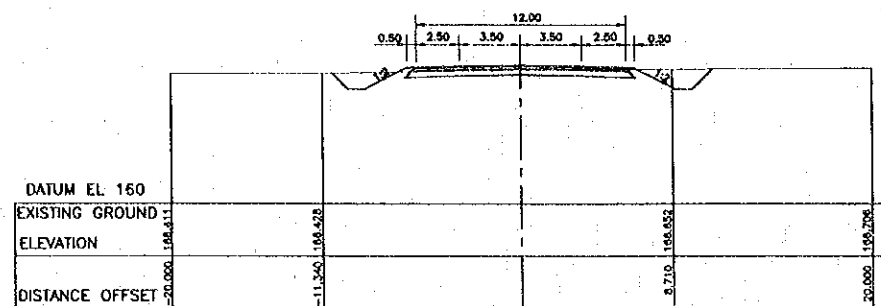
STA. 5+560  
 GL=167.027  
 FL=167.382



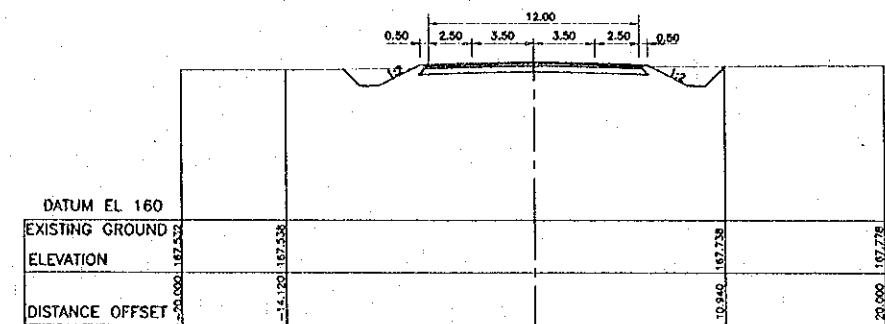
STA. 5+520  
 GL=166.380  
 FL=166.501



STA. 5+580  
 GL=167.203  
 FL=167.762



STA. 5+540  
 GL=166.618  
 FL=166.961



STA. 5+600  
 GL=167.731  
 FL=168.102

REV.	DATE	DESCRIPTION	APPROVED

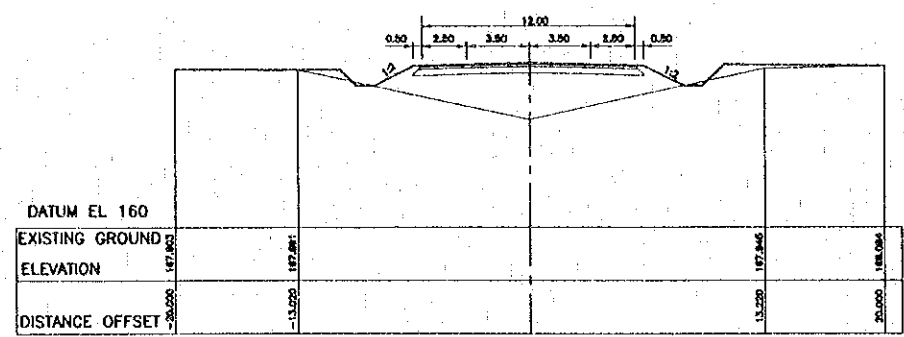
PROJECT STUDY TEAM  
 ORIKONTAL CONSULTANTS CO., LTD.  
 In association with  
 NIPPON KOKI CO., LTD.

JICA JAPAN INTERNATIONAL COOPERATION AGENCY  
 LAO PEOPLE'S DEMOCRATIC REPUBLIC  
 MINISTRY OF COMMUNICATION, TRANSPORT, POST AND CONSTRUCTION  
 KINGDOM OF THAILAND  
 MINISTRY OF TRANSPORT AND COMMUNICATIONS  
 DEPARTMENT OF HIGHWAYS

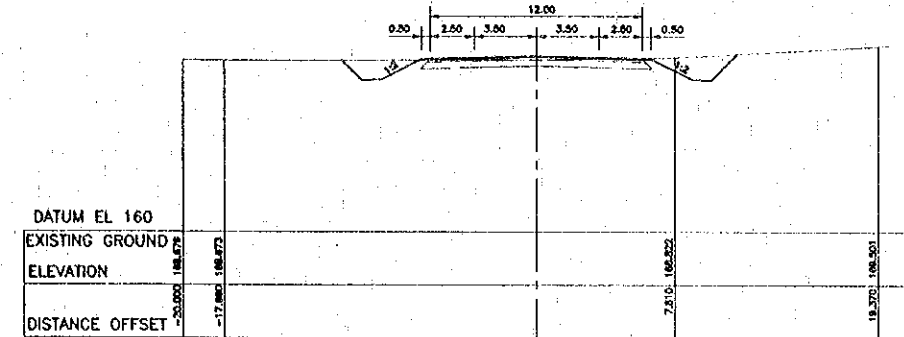
THE SECOND MEKONG INTERNATIONAL BRIDGE CONSTRUCTION PROJECT

QUALITY RECORD	NAME	SIGNATURE	DATE
DESIGN	H. Oula	<i>[Signature]</i>	05/03/00
DESIGN CHECK	T. Mousavara	<i>[Signature]</i>	05/03/00
SUBMITTED	A. Houtana	<i>[Signature]</i>	05/03/00
APPROVED	P. Viraphanth	<i>[Signature]</i>	05/03/00

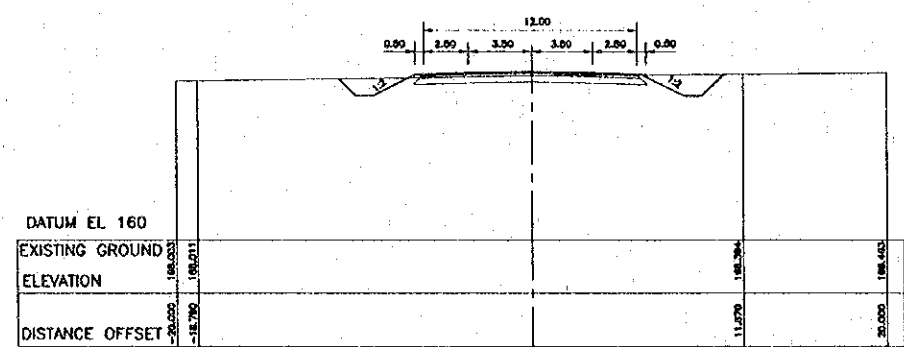
DWG. TITLE  
 CROSS SECTION (11)  
 STA. 5+500 - 5+600  
 LAO PDR SIDE



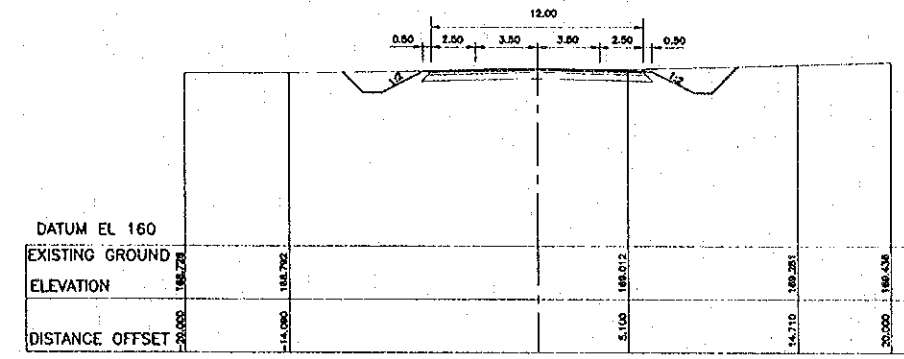
STA. 5+620  
 GL=165.065  
 FL=168.403



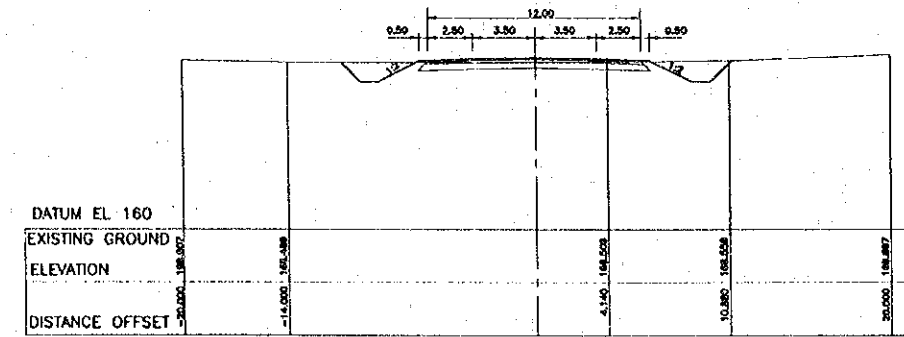
STA. 5+680  
 GL=168.696  
 FL=169.061



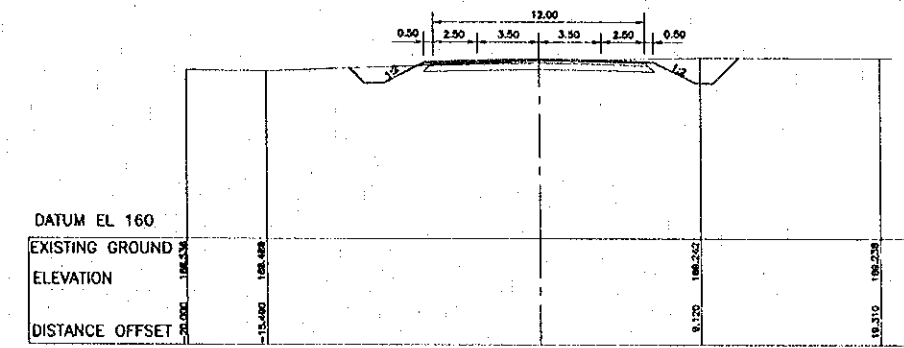
STA. 5+640  
 GL=168.290  
 FL=168.662



STA. 5+700  
 GL=169.026  
 FL=169.201



STA. 5+660  
 GL=168.455  
 FL=168.882



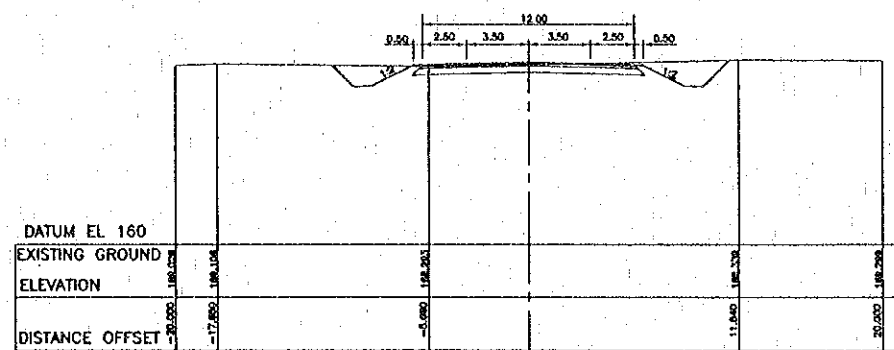
STA. 5+720  
 GL=169.067  
 FL=169.300

REV.	DATE	DESCRIPTION	APPROVED	PROJECT STUDY TEAM	JICA JAPAN INTERNATIONAL COOPERATION AGENCY	QUALITY RECORD	NAME	SIGNATURE	DATE	DWG. TITLE:
				ORIENTAL CONSULTANTS CO., LTD. In association with NIPPON KOKI CO., LTD.	LAO PEOPLE'S DEMOCRATIC REPUBLIC MINISTRY OF COMMUNICATION, TRANSPORT, POST AND CONSTRUCTION KINGDOM OF THAILAND MINISTRY OF TRANSPORT AND COMMUNICATIONS DEPARTMENT OF HIGHWAYS	DESIGN	H. Ohta	<i>[Signature]</i>	11-02-01	CROSS SECTION (12) STA. 5+620 - 5+720 LAO PDR SIDE
						DESIGN CHECK	T. Muzumara	<i>[Signature]</i>	11-02-00	
						SUBMITTED	A. Igratani	<i>[Signature]</i>	11-02-00	
						APPROVED	P. Veeraphanth	<i>[Signature]</i>	02/03/00	
					THE SECOND MEKONG INTERNATIONAL BRIDGE CONSTRUCTION PROJECT					

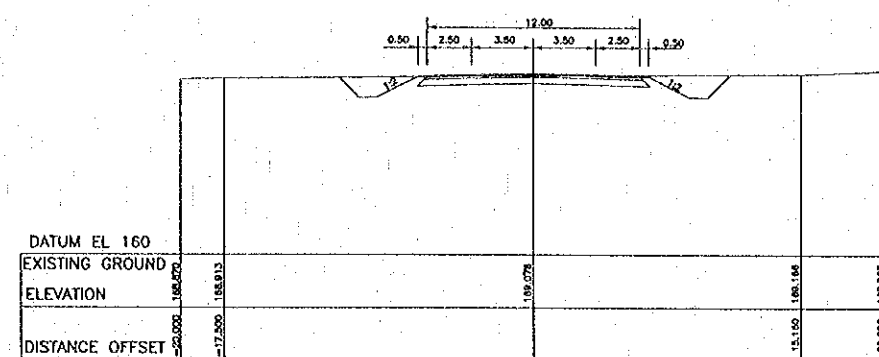
DATE OF ISSUE: 05/03/2000

DWG. NO. R-C-14 SHEET NO. 37

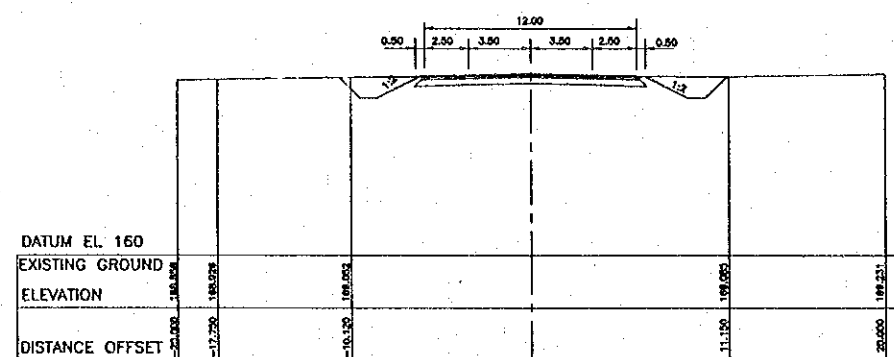
DWG. STATUS



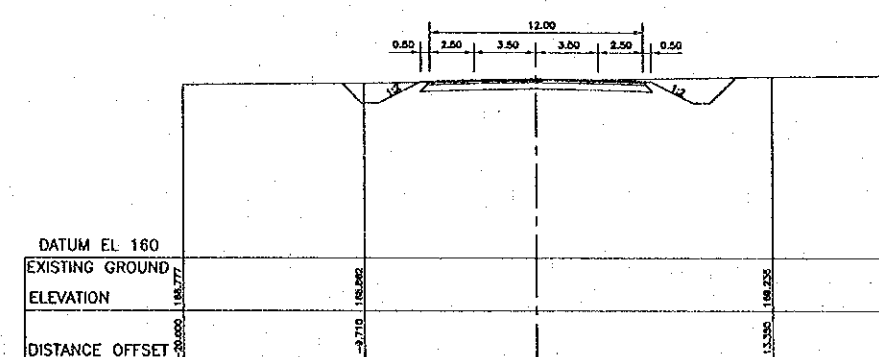
STA. 5+740  
GL=169.073  
FL=169.359



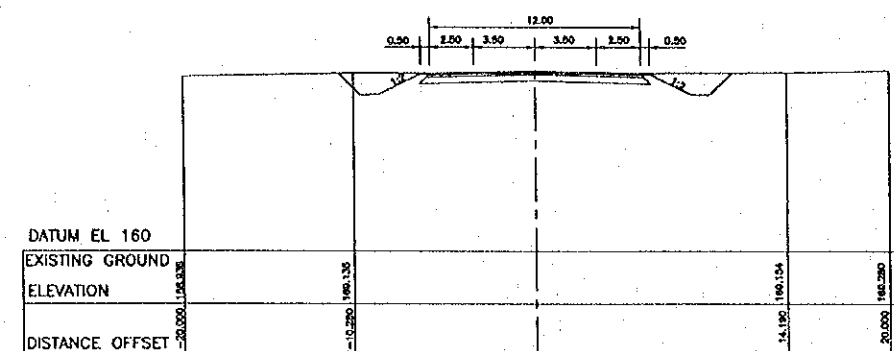
STA. 5+800  
GL=169.078  
FL=169.295



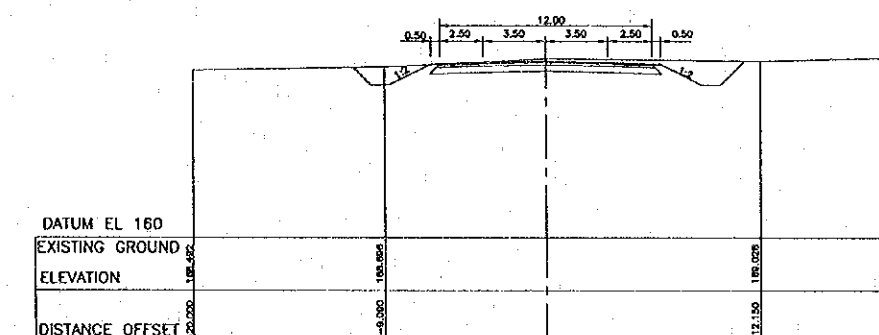
STA. 5+760  
GL=169.126  
FL=169.378



STA. 5+820  
GL=169.022  
FL=169.194



STA. 5+780  
GL=169.102  
FL=169.358



STA. 5+840  
GL=169.160  
FL=168.025

REV	DATE	DESCRIPTION	APPROVED

PROJECT STUDY TEAM  
ORIENTAL CONSULTANTS CO., LTD.  
In association with  
NIPPON KOBİ CO., LTD.

JICA JAPAN INTERNATIONAL COOPERATION AGENCY  
LAO PEOPLE'S DEMOCRATIC REPUBLIC  
MINISTRY OF COMMUNICATION, TRANSPORT, POST AND CONSTRUCTION  
KINGDOM OF THAILAND  
MINISTRY OF TRANSPORT AND COMMUNICATIONS  
DEPARTMENT OF HIGHWAYS

THE SECOND MEKONG INTERNATIONAL BRIDGE CONSTRUCTION PROJECT

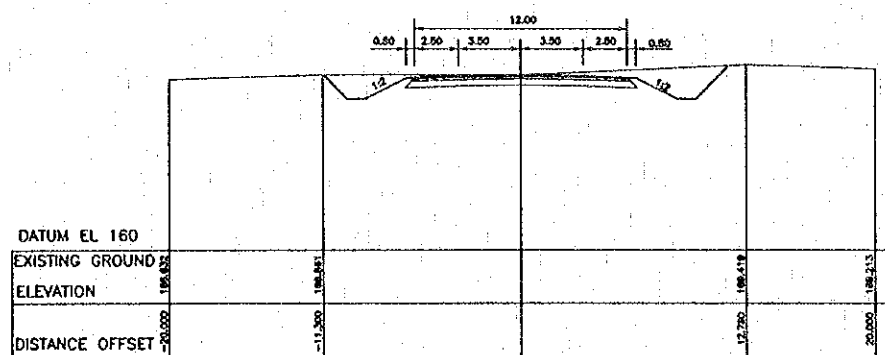
QUALITY RECORD	NAME	SIGNATURE	DATE
DESIGN	H. Okita	<i>[Signature]</i>	11/17/99
DESIGN CHECK	T. Moritomo	<i>[Signature]</i>	12/01/99
SUBMITTED	A. Haratani	<i>[Signature]</i>	01/01/00
APPROVED	P. Viraphanth	<i>[Signature]</i>	02/02/00

DWG. TITLE: CROSS SECTION (13)  
STA. 5+740 - 5+840  
LAO PDR SIDE

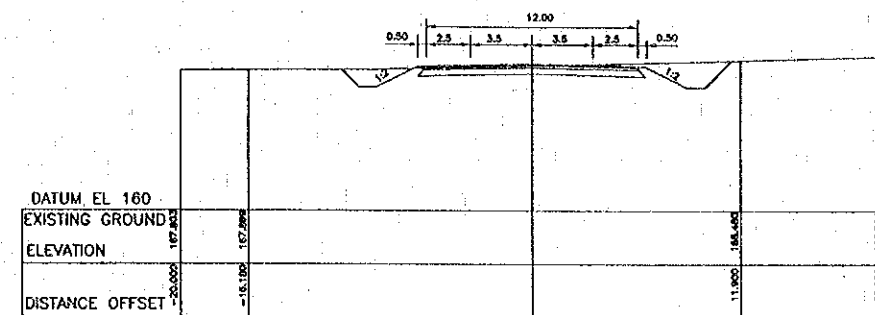
DATE OF ISSUE: 05/03/2000

DWG. NO. R-C-15 SHEET NO. 38

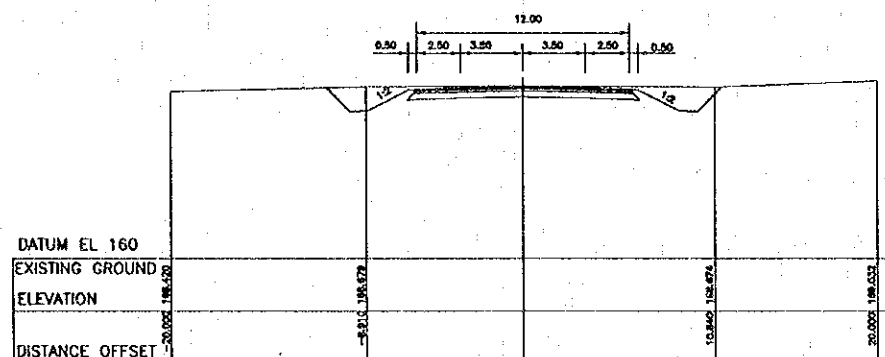
DWG. STATUS



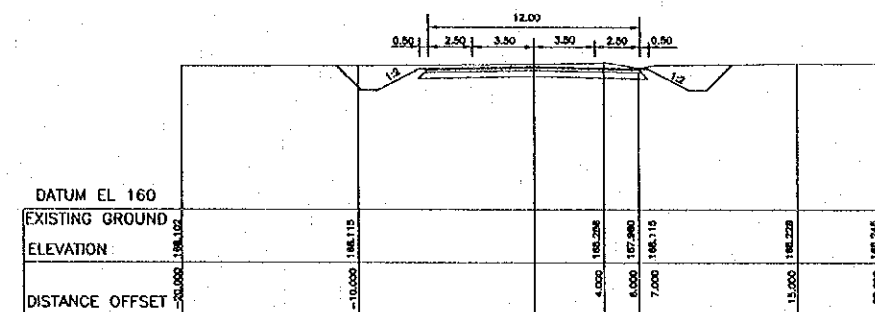
STA. 5+860  
GL=168.850  
FL=168.870



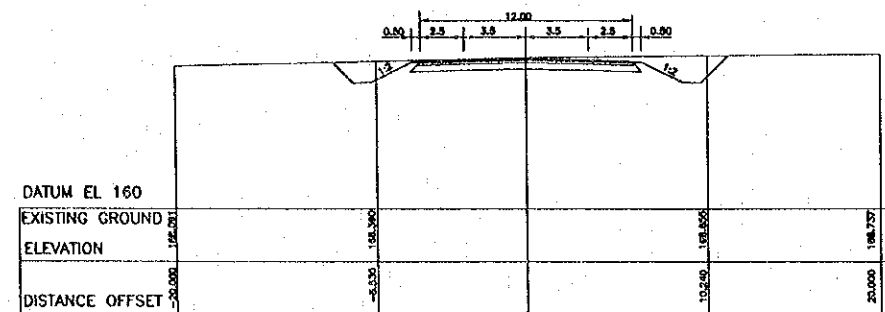
STA. 5+920  
GL=168.179  
FL=168.270



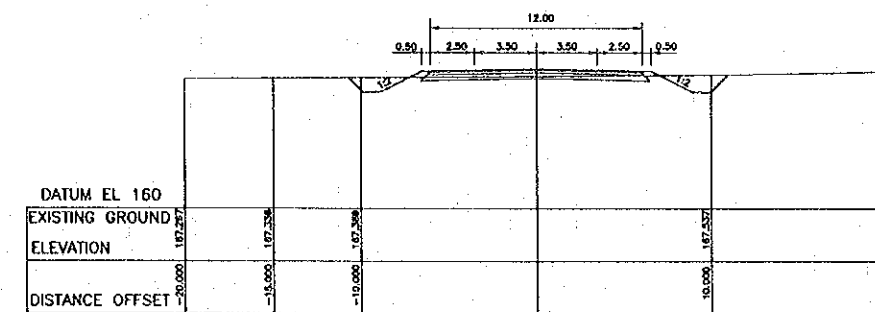
STA. 5+880  
GL=168.718  
FL=168.670



STA. 5+940  
GL=168.216  
FL=168.070





STA. 5+900  
GL=168.564  
FL=168.470



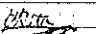

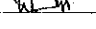

STA. 5+960  
GL=167.451  
FL=167.870

REV.	DATE	DESCRIPTION	APPROVED

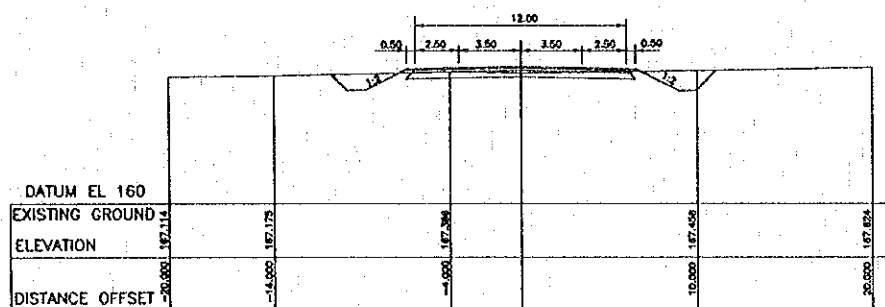
PROJECT STUDY TEAM  
 ORIENTAL CONSULTANTS CO., LTD.  
 In association with  
 NIPPON KORI CO., LTD.

 JAPAN INTERNATIONAL COOPERATION AGENCY  
 LAO PEOPLE'S DEMOCRATIC REPUBLIC  
 MINISTRY OF COMMUNICATION, TRANSPORT, POST AND CONSTRUCTION  
 KINGDOM OF THAILAND  
 MINISTRY OF TRANSPORT AND COMMUNICATIONS  
 DEPARTMENT OF HIGHWAYS

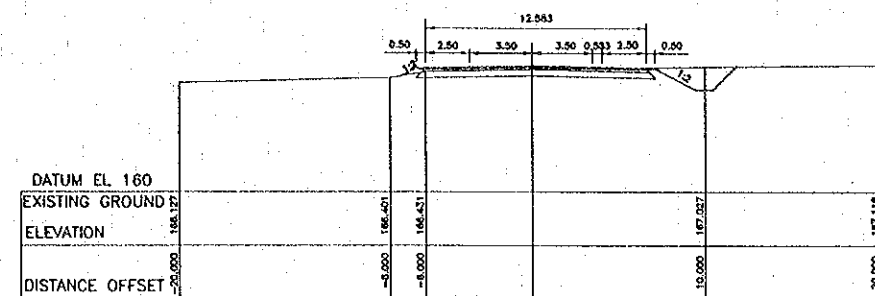
  
 THE SECOND MEKONG  
 INTERNATIONAL BRIDGE  
 CONSTRUCTION PROJECT

QUALITY RECORD	NAME	SIGNATURE	DATE
DESIGN	H. Okita		16/12/00
DESIGN CHECK	T. Masuzono		21/01/01
SUBMITTED	A. Hirakawa		21/02/01
APPROVED	P. Viraphanth		22/02/01

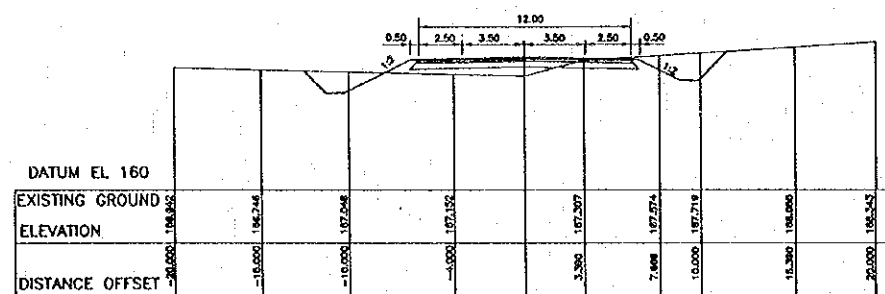
DWG. TITLE:  
**CROSS SECTION (14)**  
 STA 5+860 - 5+960  
 LAO PDR SIDE



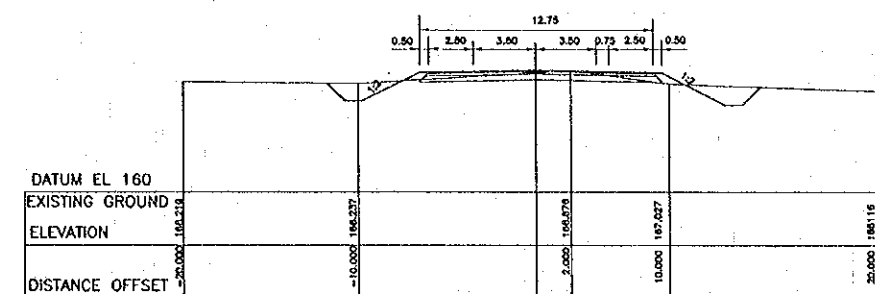
STA. 5+980  
 GL=167.333  
 FL=167.670



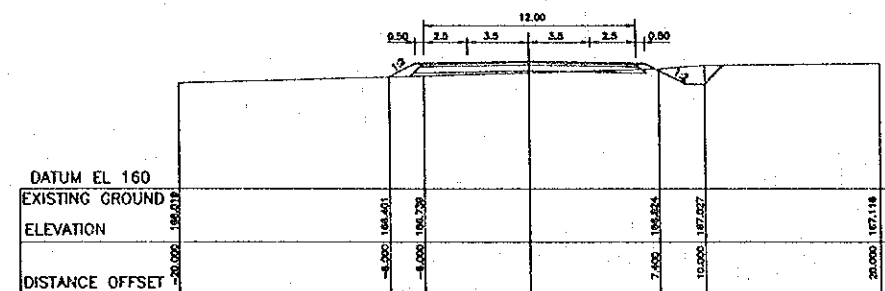
STA. 6+040  
 GL=166.896  
 FL=167.070



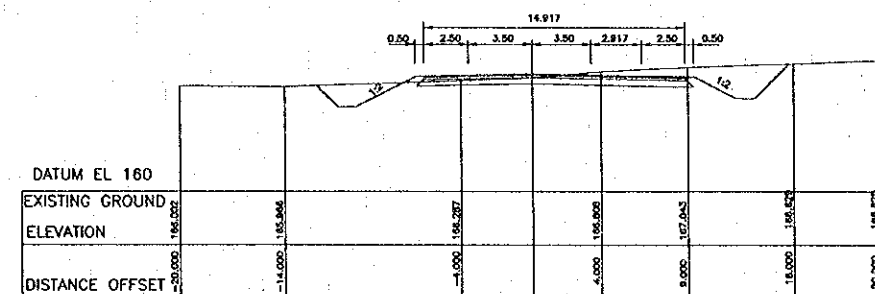
STA. 6+000  
 GL=167.155  
 FL=167.470



STA. 6+060  
 GL=166.716  
 FL=166.870

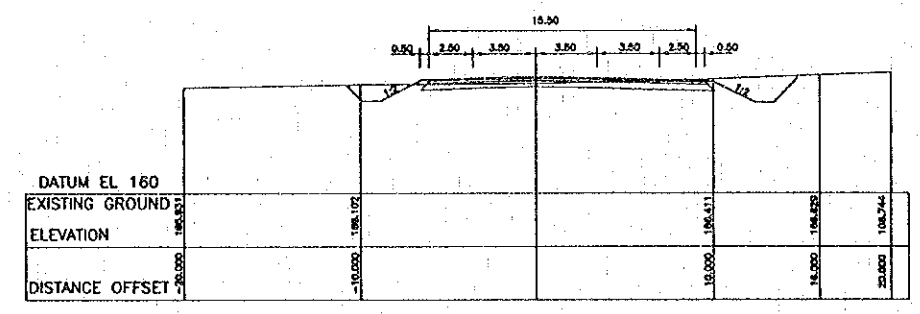


STA. 6+020  
 GL=166.896  
 FL=167.270

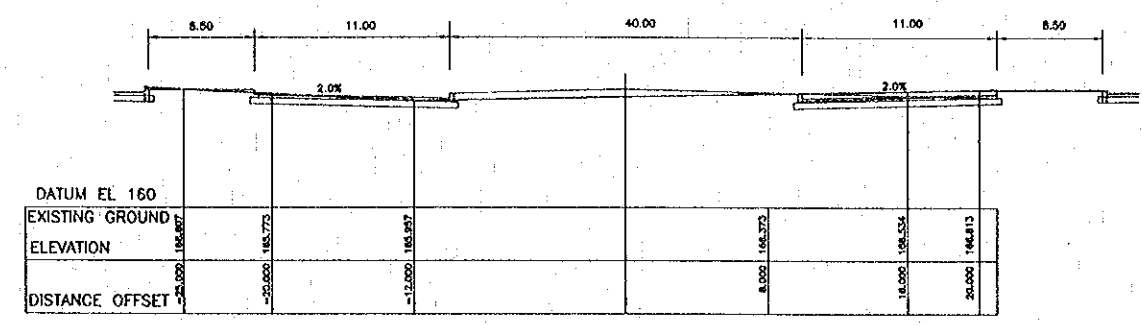


STA. 6+080  
 GL=166.433  
 FL=166.676

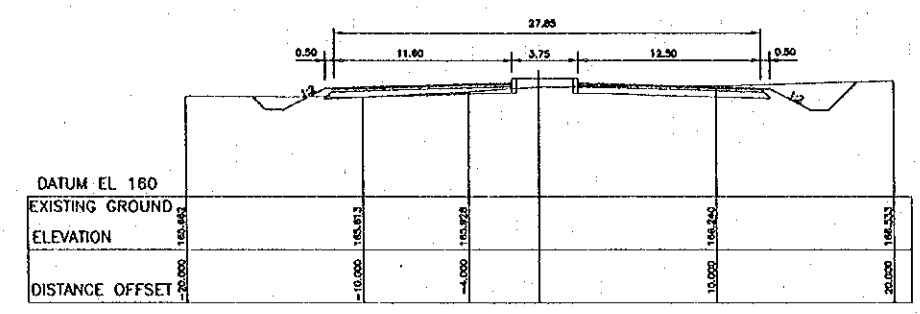
REV.	DATE	DESCRIPTION	APPROVED	PROJECT STUDY TEAM	JICA JAPAN INTERNATIONAL COOPERATION AGENCY	QUALITY RECORD	NAME	SIGNATURE	DATE	DWG. TITLE
				ORIENTAL CONSULTANTS CO., LTD. in association with NIPPON KOEI CO., LTD.	LAO PEOPLE'S DEMOCRATIC REPUBLIC MINISTRY OF COMMUNICATION, TRANSPORT, POST AND CONSTRUCTION KINGDOM OF THAILAND MINISTRY OF TRANSPORT AND COMMUNICATIONS DEPARTMENT OF HIGHWAYS	DESIGN	H. Orita	<i>[Signature]</i>	12/10/99	CROSS SECTION (15) STA 5+980 - 6+080 LAO PDR SIDE
						DESIGN CHECK	T. Morizono	<i>[Signature]</i>	12/17/99	
						SUBMITTED	A. Hirataki	<i>[Signature]</i>	12/16/99	
						APPROVED	P. Virothoeth	<i>[Signature]</i>	02/02/00	



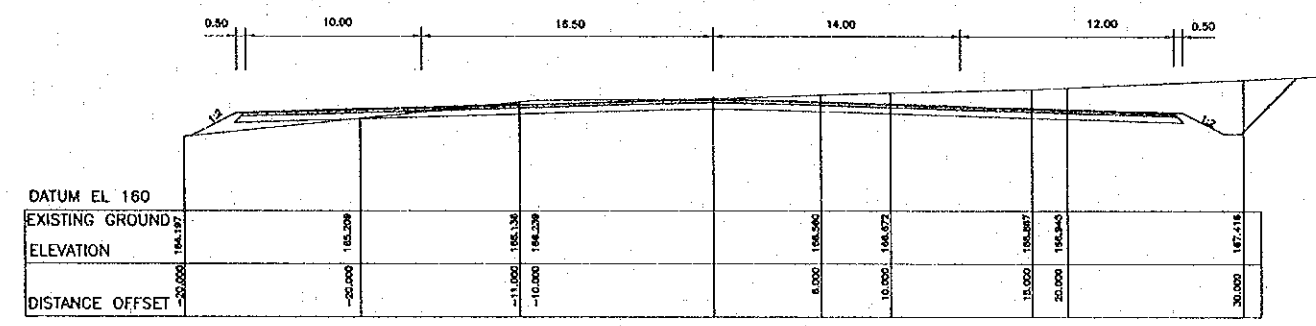
STA. 6+100  
 GL=166.159  
 FL=166.527



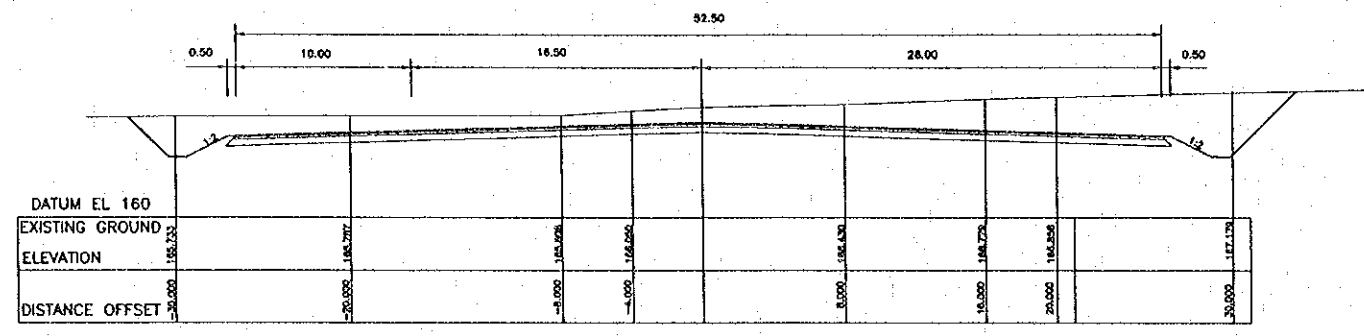
STA. 6+160  
 GL=166.217  
 FL=166.386



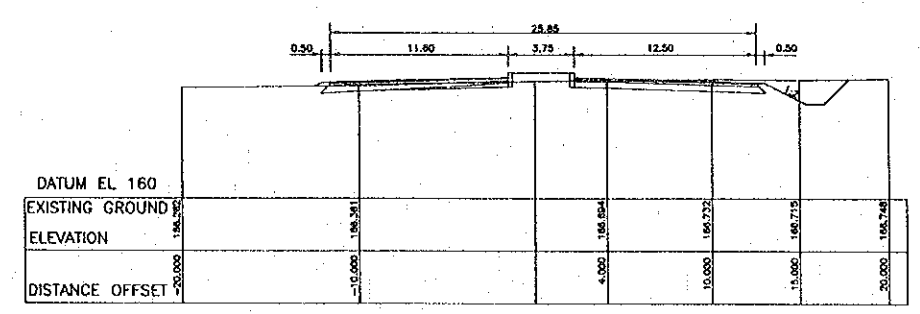
STA. 6+120  
 GL=166.194  
 FL=166.429



STA. 6+180  
 GL=166.327  
 FL=166.441



STA. 6+140  
 GL=166.283  
 FL=165.382



STA. 6+200  
 GL=166.644  
 FL=166.546

REV.	DATE	DESCRIPTION	APPROVED

PROJECT STUDY TEAM  
 ORIENTAL CONSULTANTS CO., LTD.  
 in association with  
 NIPPON KORI CO., LTD.

JICA JAPAN INTERNATIONAL COOPERATION AGENCY  
 LAO PEOPLE'S DEMOCRATIC REPUBLIC  
 MINISTRY OF COMMUNICATION, TRANSPORT, POST AND CONSTRUCTION  
 KINGDOM OF THAILAND  
 MINISTRY OF TRANSPORT AND COMMUNICATIONS  
 DEPARTMENT OF HIGHWAYS

THE SECOND MEKONG INTERNATIONAL BRIDGE CONSTRUCTION PROJECT

QUALITY RECORD	NAME	SIGNATURE	DATE
DESIGN	H. Oka	<i>[Signature]</i>	16-02-00
DESIGN CHECK	T. Masuzono	<i>[Signature]</i>	16-02-00
SUBMITTED	A. Hirakawa	<i>[Signature]</i>	22-02-00
APPROVED	P. Veeraphonth	<i>[Signature]</i>	22-02-00

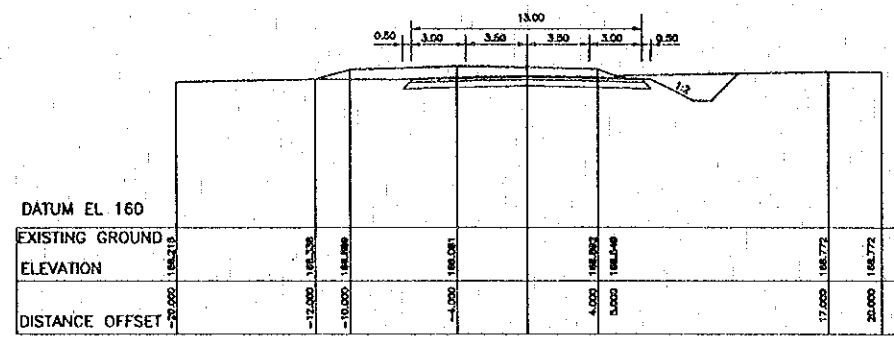
DWG. TITLE:  
**CROSS SECTION (16)**  
 STA 6+100 - 6+200  
 LAO PDR SIDE



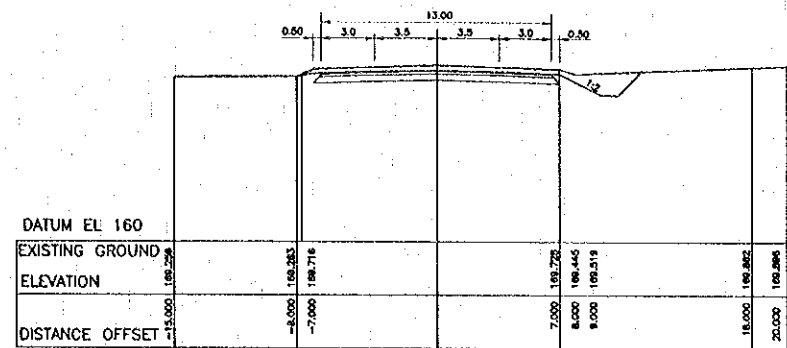
DATE OF ISSUE: 05/03/2000

DWG. NO. R-C-19 SHEET NO. 42

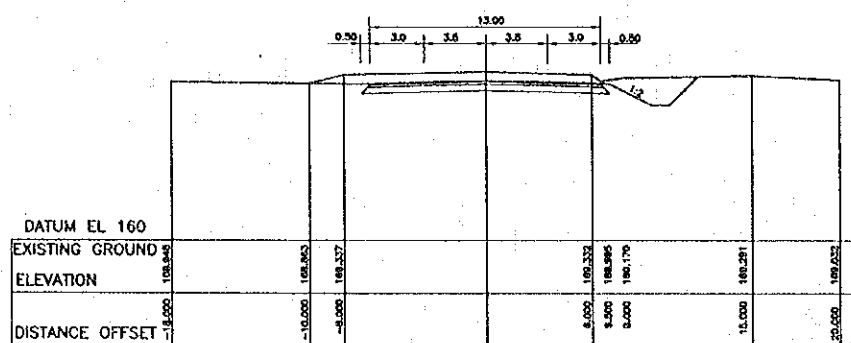
DWG. STATUS



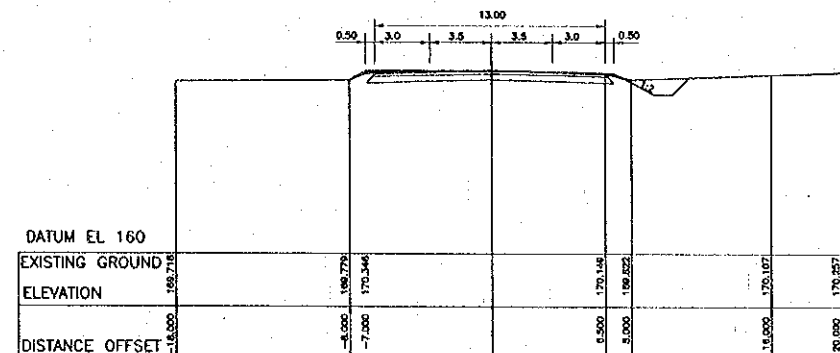
STA. 6+340  
GL=169.013  
FL=168.712



STA. 6+380  
GL=169.939  
FL=169.784



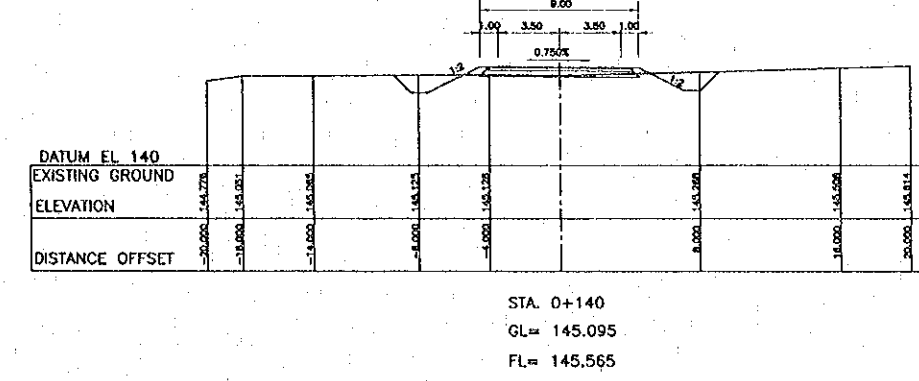
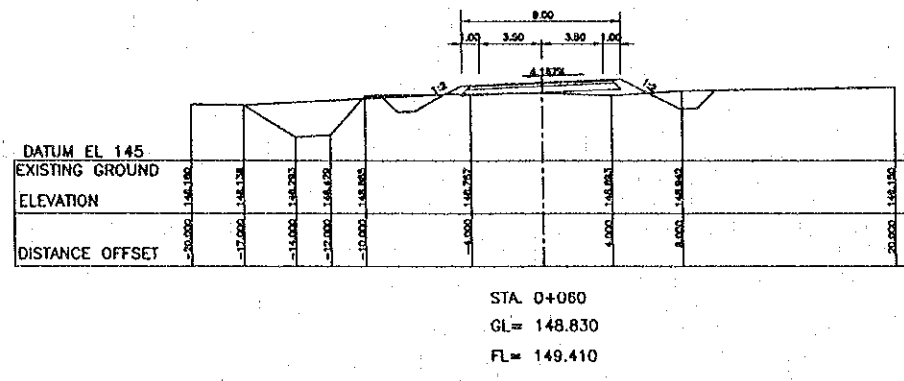
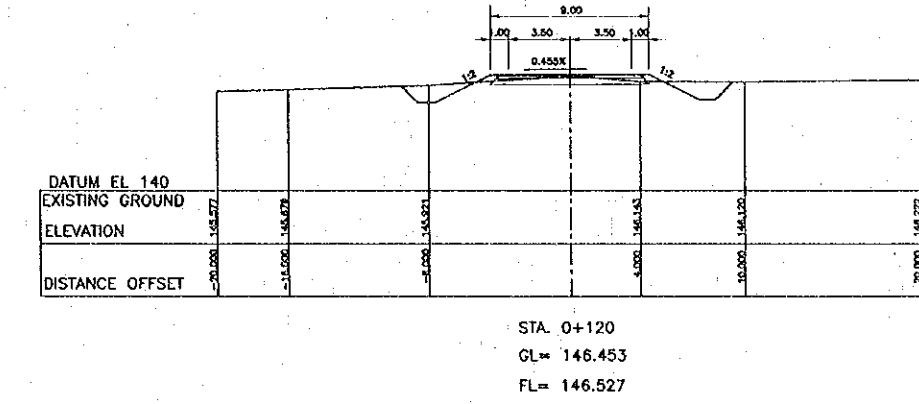
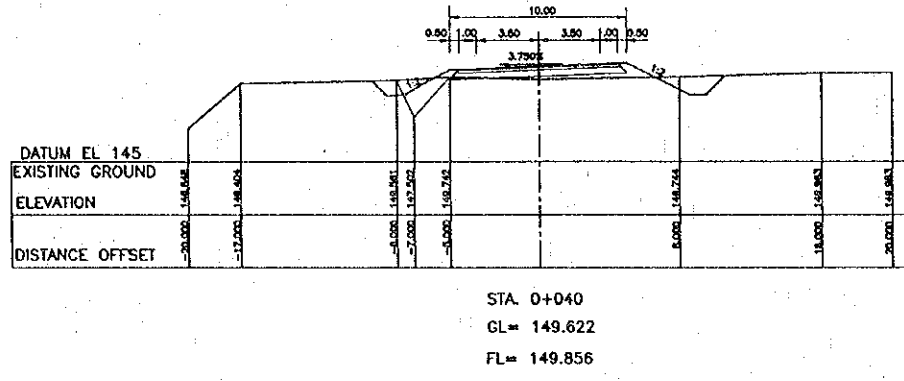
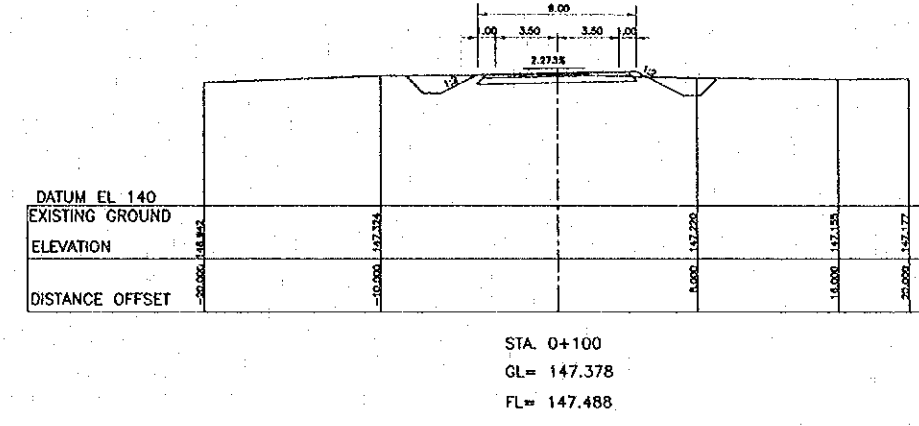
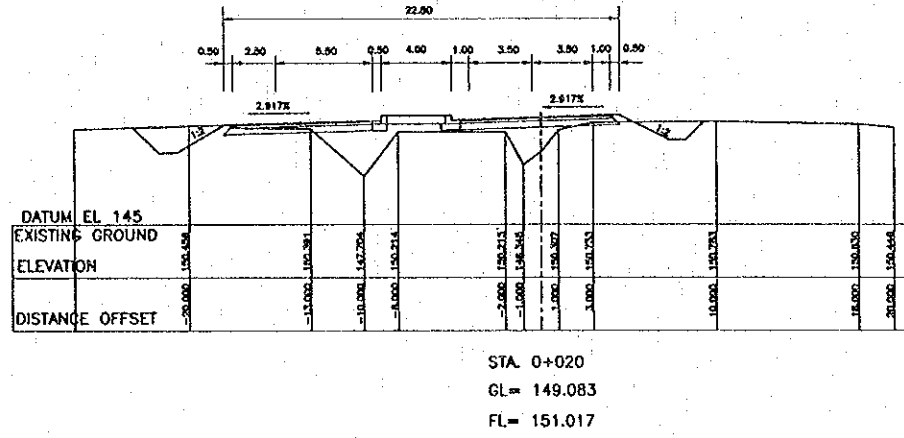
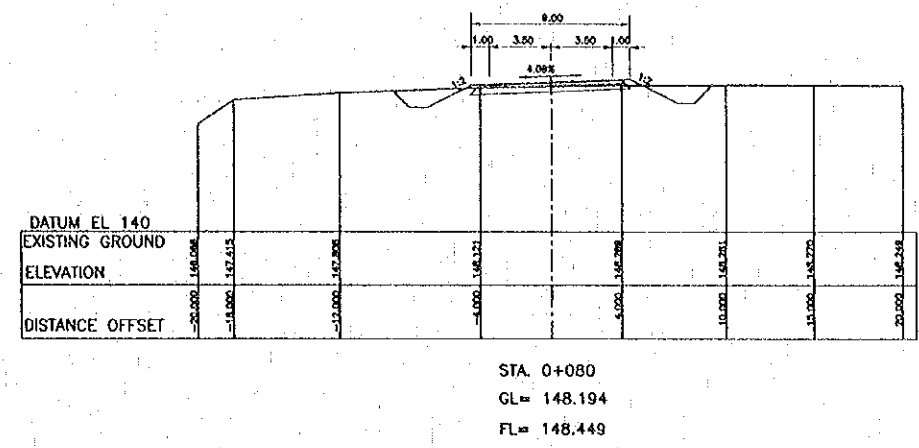
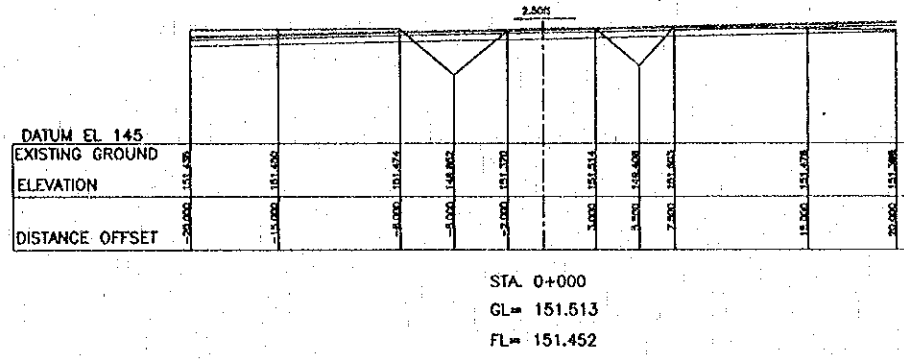
STA. 6+360  
GL=169.516  
FL=169.225



STA. 6+400.000  
GL=170.346  
FL=170.346

REV.	DATE	DESCRIPTION	APPROVED	PROJECT STUDY TEAM	JICA JAPAN INTERNATIONAL COOPERATION AGENCY	QUALITY RECORD	NAME	SIGNATURE	DATE	DWG. TITLE:
				ORIENTAL CONSULTANTS CO., LTD. In association with NIPPON KOKI CO., LTD.	LAO PEOPLE'S DEMOCRATIC REPUBLIC MINISTRY OF COMMUNICATION, TRANSPORT, POST AND CONSTRUCTION KINGDOM OF THAILAND MINISTRY OF TRANSPORT AND COMMUNICATIONS DEPARTMENT OF HIGHWAYS	DESIGN	H. Ohta	<i>[Signature]</i>	11-02-00	CROSS SECTION (18) STA 6+340 - 6+397.337 LAO PDR SIDE
						DESIGN CHECK	T. Masuzawa	<i>[Signature]</i>	11-02-00	
						SUBMITTED	A. Hiratani	<i>[Signature]</i>	11/02/00	
						APPROVED	P. Virapornth	<i>[Signature]</i>	22/02/00	



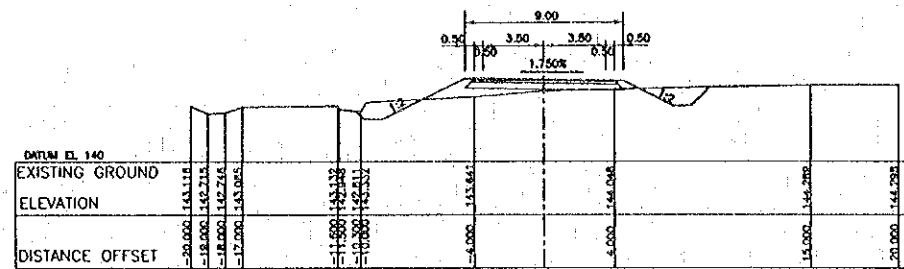


REV.	DATE	DESCRIPTION	APPROVED	PROJECT STUDY TEAM	JICA JAPAN INTERNATIONAL COOPERATION AGENCY	QUALITY RECORD	NAME	SIGNATURE	DATE	DWO. TITLE
				ORIENTAL CONSULTANTS CO., LTD. In association with NIPPON KOEI CO., LTD.	LAO PEOPLE'S DEMOCRATIC REPUBLIC MINISTRY OF COMMUNICATION, TRANSPORT, POST AND CONSTRUCTION KINGDOM OF THAILAND MINISTRY OF TRANSPORT AND COMMUNICATIONS DEPARTMENT OF HIGHWAYS	DESIGN	H. Orita	<i>[Signature]</i>	11-12-99	CROSS SECTION (19) 3A STA. 0+000 - 0+140 LAO PDR SIDE
						DESIGN CHECK	T. Moutzawa	<i>[Signature]</i>	18-02-00	
						SUBMITTED	A. Khotani	<i>[Signature]</i>	21/02/00	
						APPROVED	P. Veeraphanth	<i>[Signature]</i>	22/02/00	

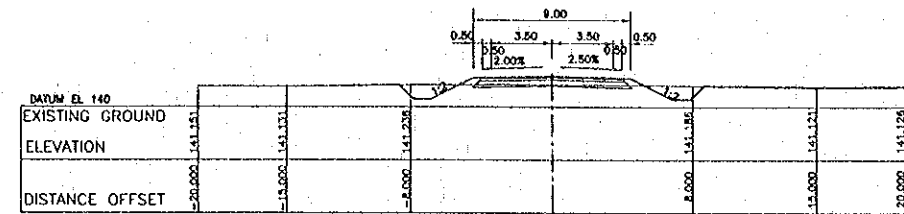
DATE OF ISSUE: 05/03/2000

DWG. NO. R-C-21 SHEET NO. 44

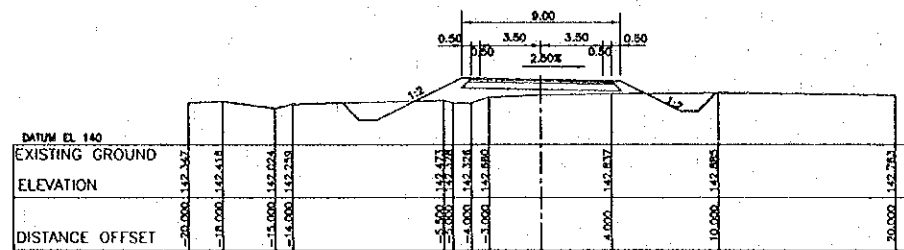
DWG. STATUS



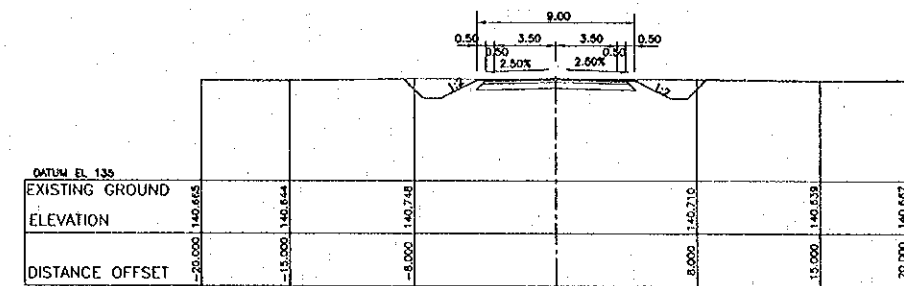
STA. 0+160  
GL= 143.953  
FL= 144.604



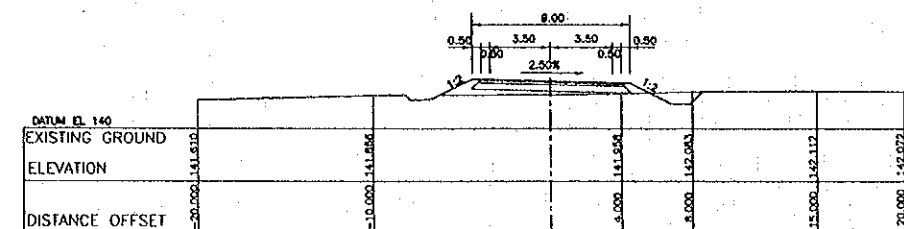
STA. 0+220  
GL= 141.245  
FL= 141.721



STA. 0+180  
GL= 142.770  
FL= 143.643



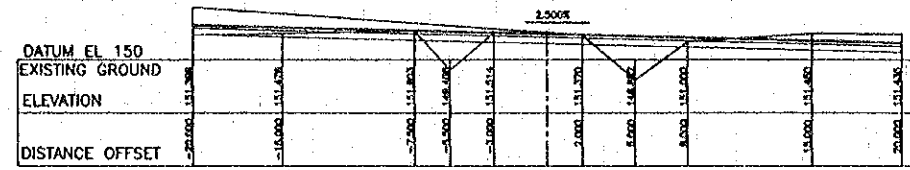
STA. 0+240  
GL= 140.759  
FL= 140.759



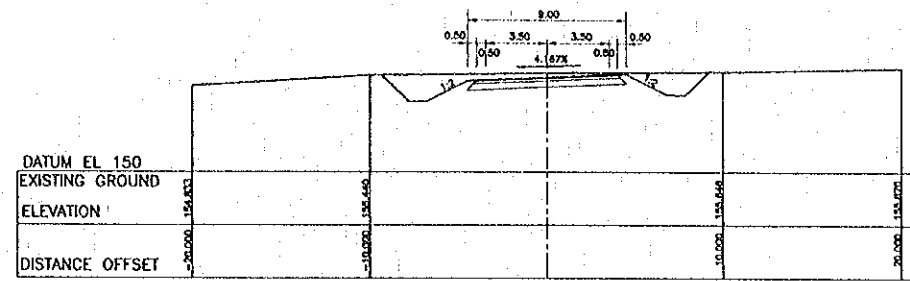
STA. 0+200  
GL= 141.903  
FL= 142.682

SCALE 1:200

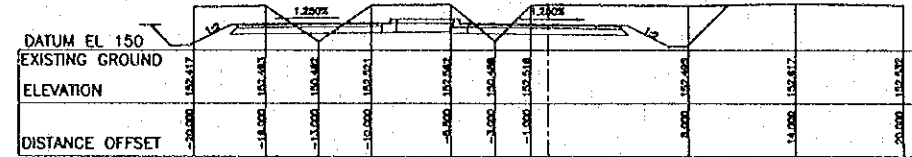
REV.	DATE	DESCRIPTION	APPROVED	PROJECT STUDY TEAM	JICA JAPAN INTERNATIONAL COOPERATION AGENCY	QUALITY RECORD	NAME	SIGNATURE	DATE	DWG. TITLE
				ORIENTAL CONSULTANTS CO., LTD. in association with NIPPON KOKI CO., LTD.	LAO PEOPLE'S DEMOCRATIC REPUBLIC MINISTRY OF COMMUNICATION, TRANSPORT, POST AND CONSTRUCTION KINGDOM OF THAILAND MINISTRY OF TRANSPORT AND COMMUNICATIONS DEPARTMENT OF HIGHWAYS	DESIGN	H. Orita	<i>[Signature]</i>	16-02-00	CROSS SECTION (20) 3A STA. 0+160 - 0+240 LAO PDR SIDE
						DESIGN CHECK	T. Mousawa	<i>[Signature]</i>	18-02-00	
						SUBMITTED	A. Hirota	<i>[Signature]</i>	21-02-00	
						APPROVED	P. Veeponth	<i>[Signature]</i>	23/02/00	
					THE SECOND MEKONG INTERNATIONAL BRIDGE CONSTRUCTION PROJECT					



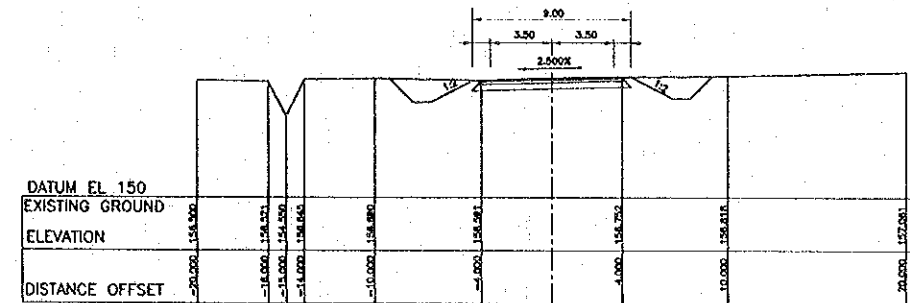
STA. 0+000  
 GL= 151.513  
 FL= 151.452



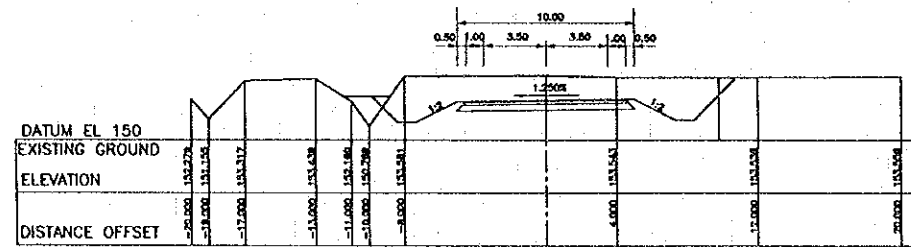
STA. 0+080  
 GL= 155.582  
 FL= 155.252



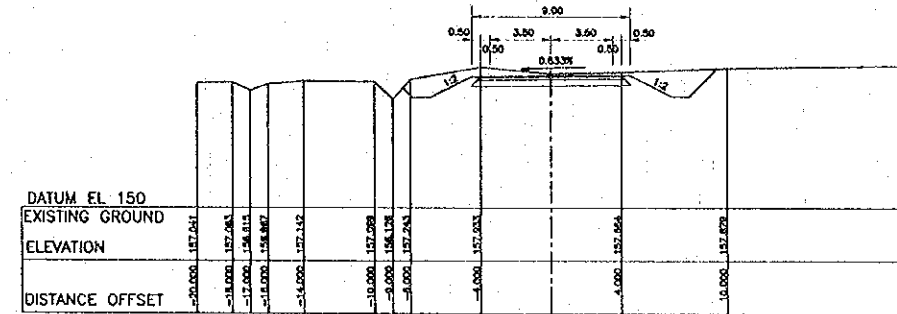
STA. 0+020  
 GL= 152.554  
 FL= 151.352



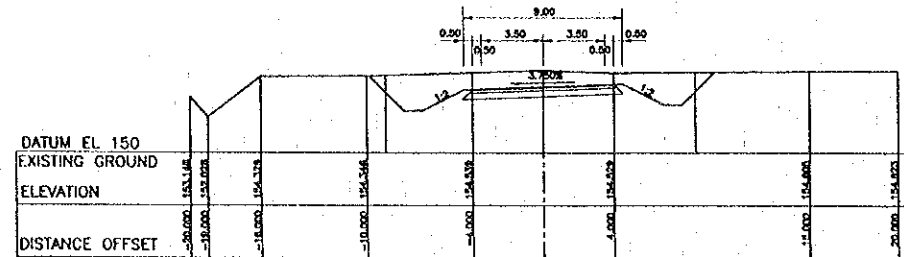
STA. 0+100  
 GL= 156.707  
 FL= 156.581



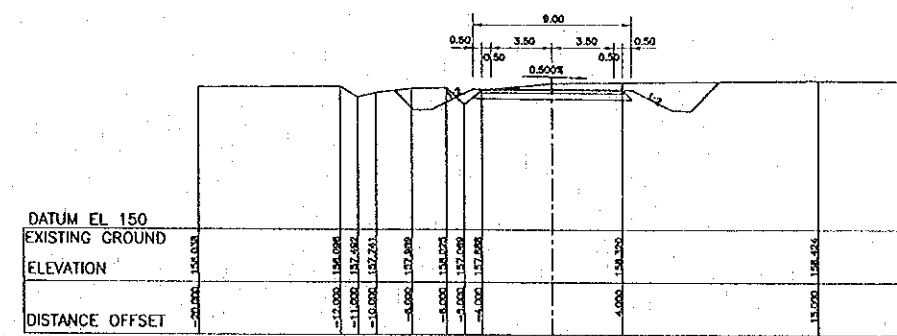
STA. 0+040  
 GL= 153.619  
 FL= 152.152



STA. 0+120  
 GL= 157.576  
 FL= 157.366



STA. 0+060  
 GL= 154.670  
 FL= 153.625

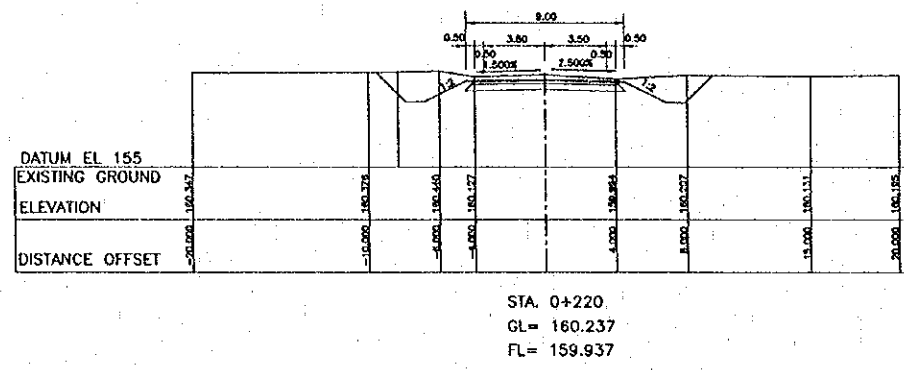
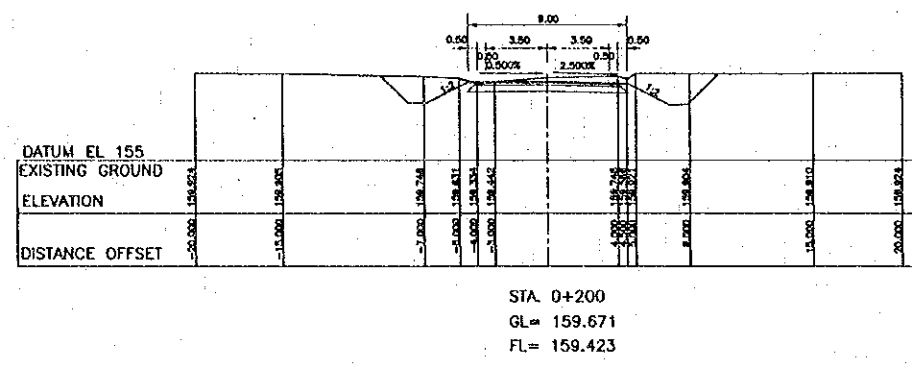
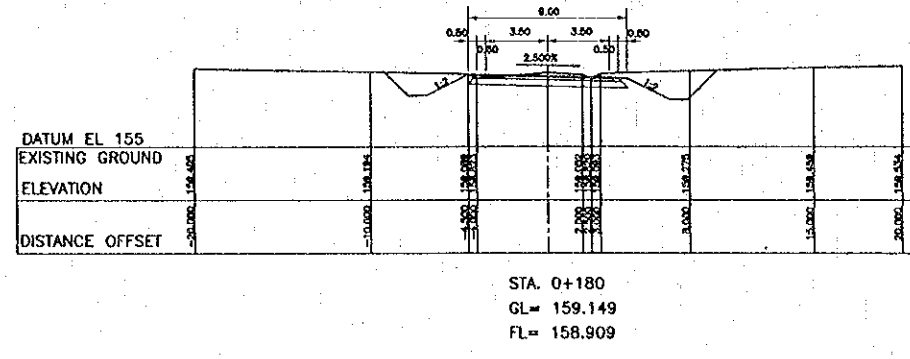
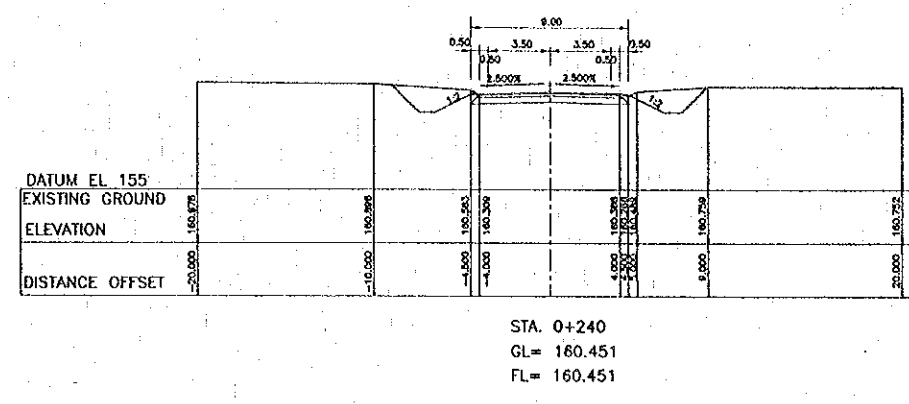
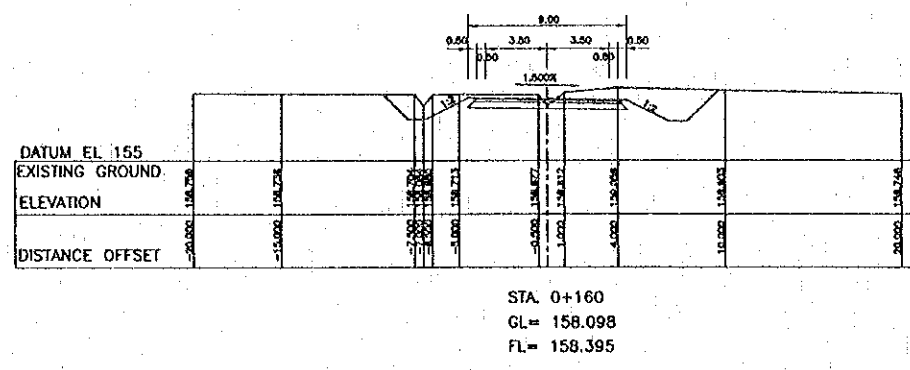


STA. 0+140  
 GL= 158.227  
 FL= 157.880

SCALE 1:200

REV.	DATE	DESCRIPTION	APPROVED	PROJECT STUDY TEAM	JICA JAPAN INTERNATIONAL COOPERATION AGENCY	QUALITY RECORD	NAME	SIGNATURE	DATE	DWG. TITLE
				ORIENTAL CONSULTANTS CO., LTD. In association with NIPPON KOKI CO., LTD.	LAO PEOPLE'S DEMOCRATIC REPUBLIC MINISTRY OF COMMUNICATION, TRANSPORT, POST AND CONSTRUCTION KINGDOM OF THAILAND MINISTRY OF TRANSPORT AND COMMUNICATIONS DEPARTMENT OF HIGHWAYS	DESIGN	H. Ohta	[Signature]	16/02/00	CROSS SECTION (21) 3B STA. 0+000 - 0+140 LAO PDR SIDE
						DESIGN CHECK	T. Mowzawa	[Signature]	17/02/00	
						SUBMITTED	A. Hiroaki	[Signature]	21/02/00	
						APPROVED	P. Veeraphan	[Signature]	22/02/00	

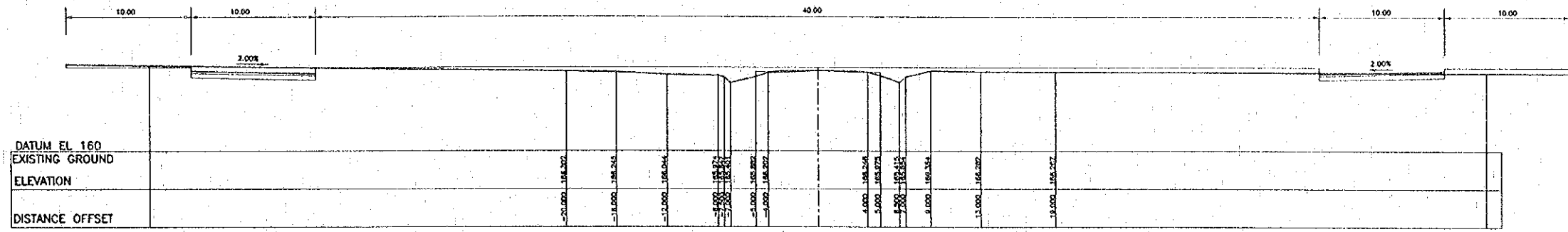
DATE OF ISSUE: 05/03/2000  
 DWG. NO. R-C-23 SHEET NO. 46  
 DWG. STATUS



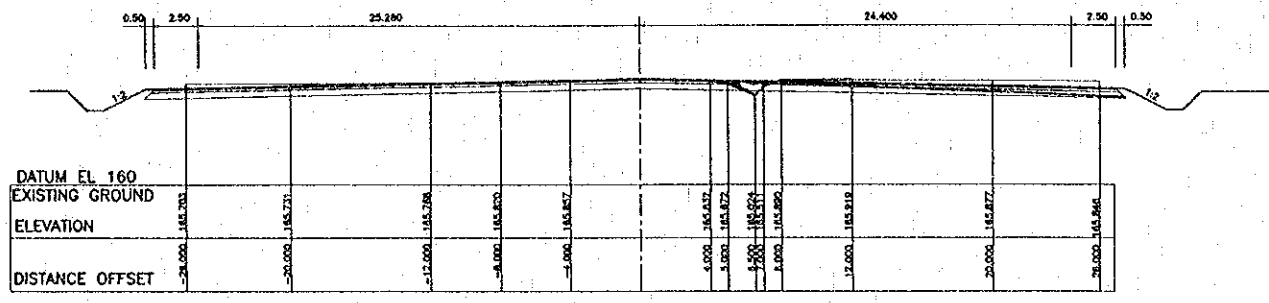
SCALE 1:200

REV.	DATE	DESCRIPTION	APPROVED	PROJECT STUDY TEAM	JICA JAPAN INTERNATIONAL COOPERATION AGENCY	LAO PEOPLE'S DEMOCRATIC REPUBLIC MINISTRY OF COMMUNICATION, TRANSPORT, POST AND CONSTRUCTION	THE SECOND MEKONG INTERNATIONAL BRIDGE CONSTRUCTION PROJECT	QUALITY RECORD	NAME	SIGNATURE	DATE	DWG. TITLE:
				ORIENTAL CONSULTANTS CO., LTD. in association with NIPPON KOKI CO., LTD.	KINGDOM OF THAILAND MINISTRY OF TRANSPORT AND COMMUNICATIONS DEPARTMENT OF HIGHWAYS			DESIGN	H. Okta	[Signature]	16-02-98	CROSS SECTION (22) 3B STA. 0+160 -- 0+240 LAO PDR SIDE
							DESIGN CHECK	T. Howsawa	[Signature]	18-01-00		
							SUBMITTED	A. Hirokuni	[Signature]	21-01-00		
							APPROVED	P. Veeraphanth	[Signature]	22-02-00		

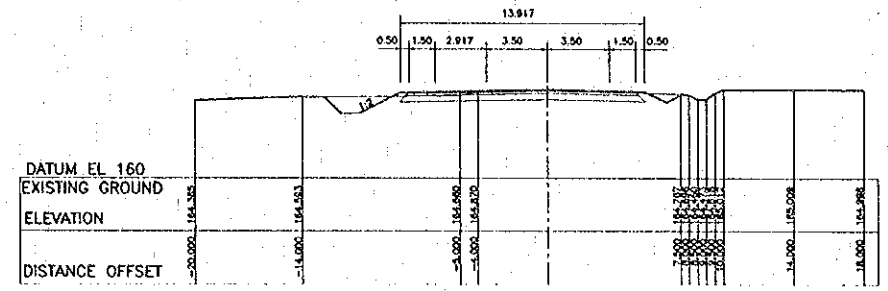




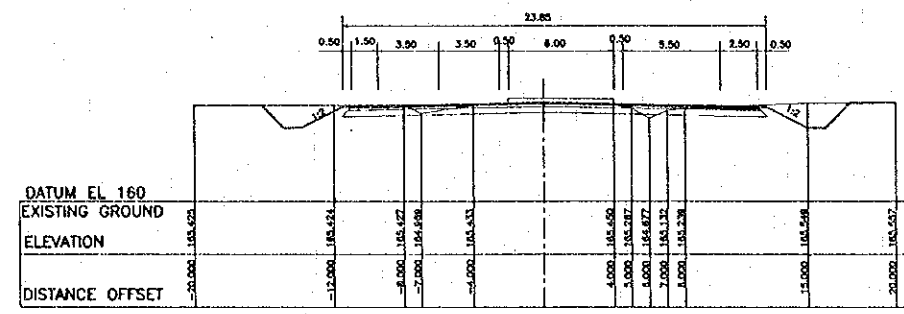
STA 0+000  
 GL= 166.373  
 FL= 166.368



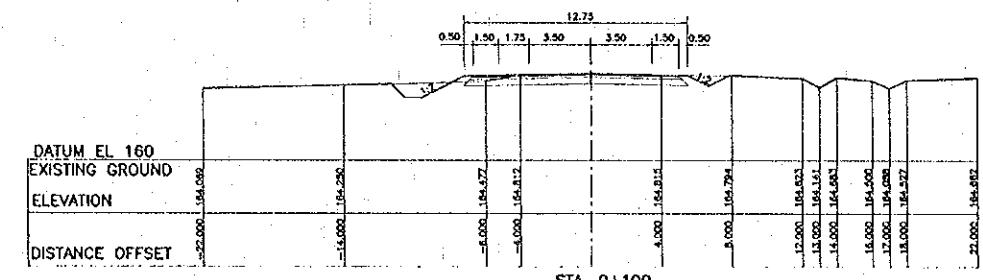
STA 0+020  
 GL= 165.983  
 FL= 165.968



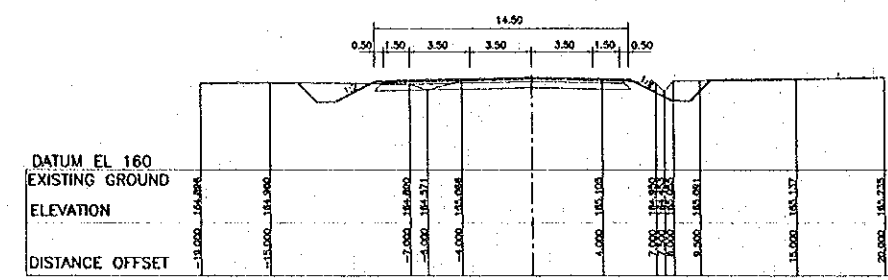
STA 0+080  
 GL= 164.990  
 FL= 165.008



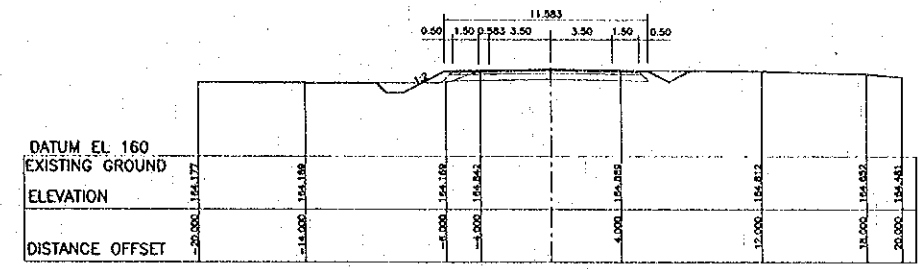
STA 0+040  
 GL= 165.587  
 FL= 165.628



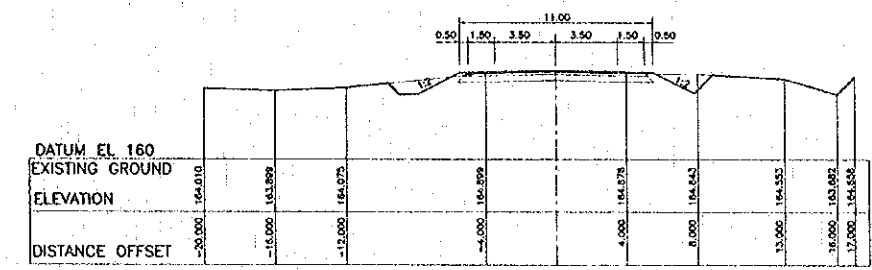
STA 0+100  
 GL= 164.908  
 FL= 164.928



STA 0+060  
 GL= 165.220  
 FL= 165.220



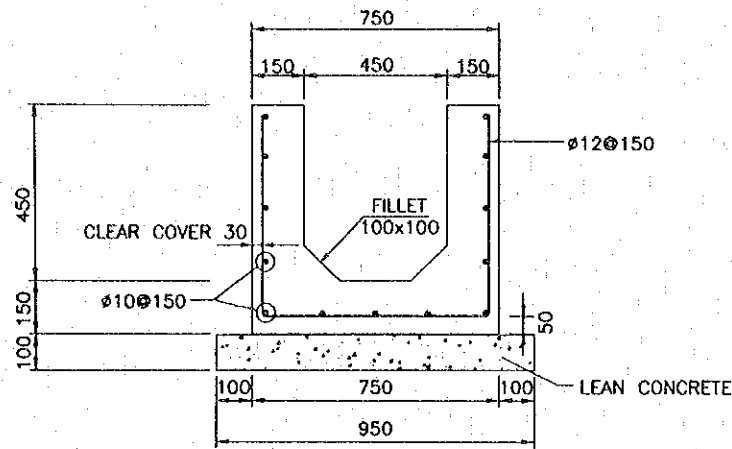
STA 0+120  
 GL= 164.967  
 FL= 164.928



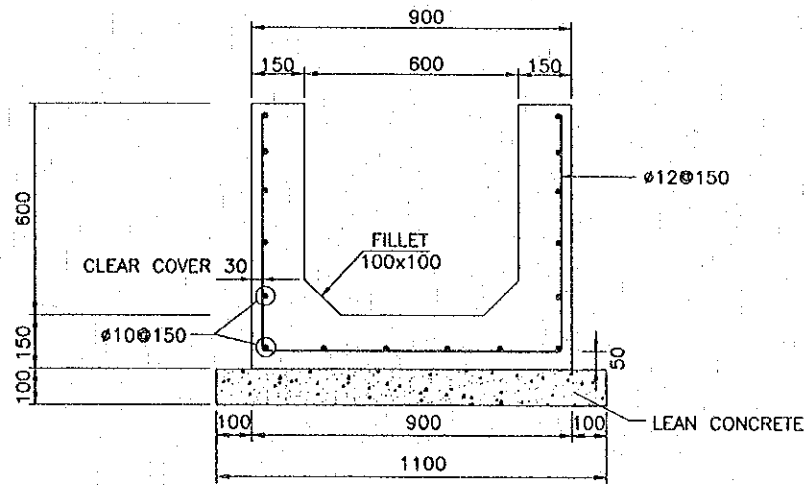
STA 0+140  
 GL= 165.006  
 FL= 165.008

SCALE 1:200

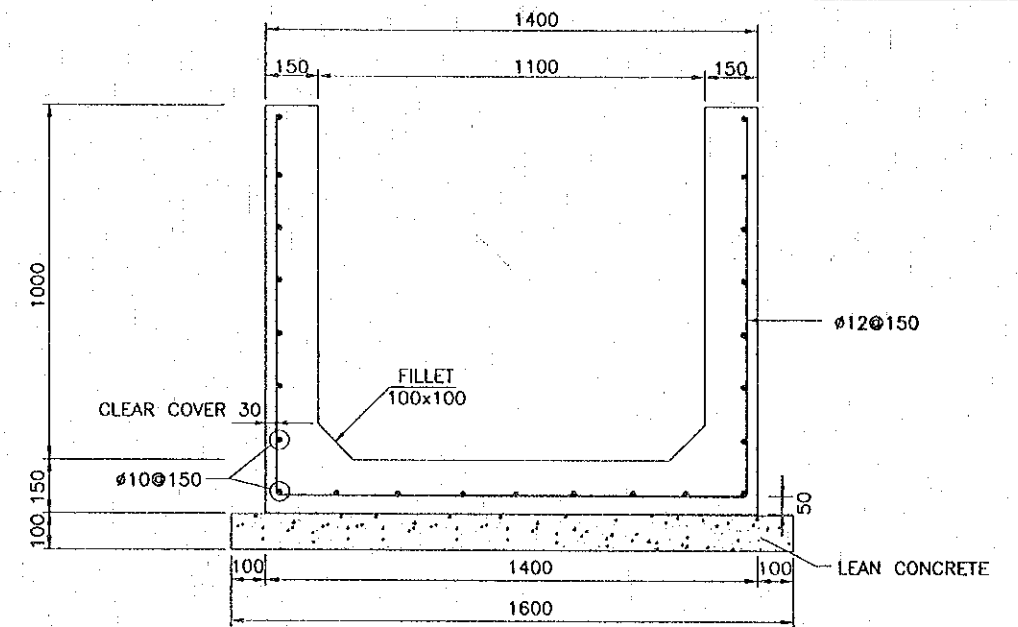
REV.	DATE	DESCRIPTION	APPROVED	PROJECT STUDY TEAM	JICA JAPAN INTERNATIONAL COOPERATION AGENCY	LAO PEOPLE'S DEMOCRATIC REPUBLIC	MINISTRY OF COMMUNICATION, TRANSPORT, POST AND CONSTRUCTION	THE SECOND MEKONG INTERNATIONAL BRIDGE CONSTRUCTION PROJECT	QUALITY RECORD	NAME	SIGNATURE	DATE	DWG. TITLE
				ORIENTAL CONSULTANTS CO., LTD. In association with NIPPON KOEI CO., LTD.					DESIGN	H. Orita	[Signature]	16/12/00	CROSS SECTION (24) 9B STA. 0+000 - 0+140 LAO PDR SIDE
								DESIGN CHECK	T. Mousong	[Signature]	18/02/00		
								SUBMITTED	A. Nitoni	[Signature]	21/10/00		
								APPROVED	P. Viraphanth	[Signature]	22/09/00		



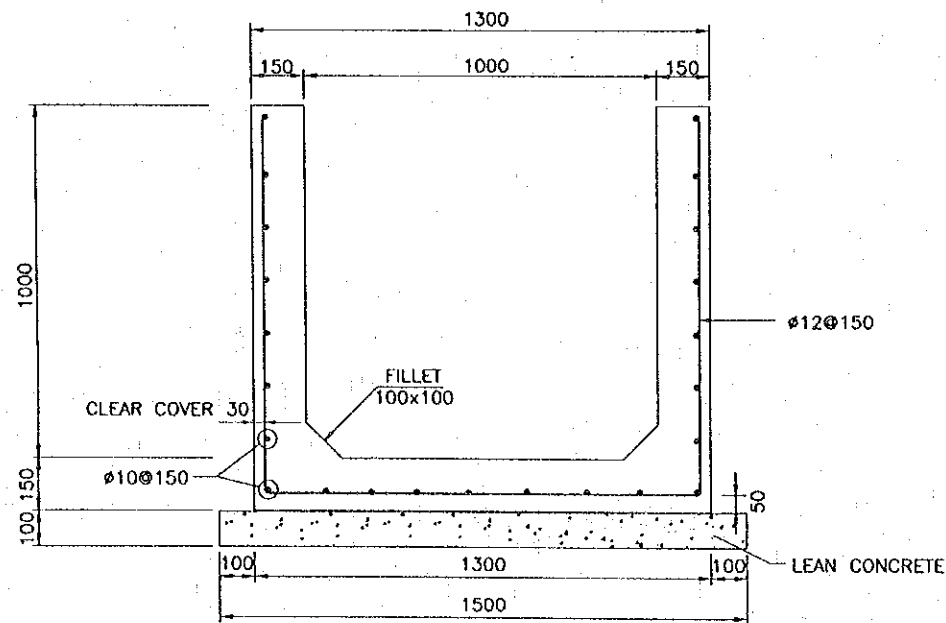
SECTION OF R.C. U-DITCH 0.45x0.45L  
SCALE 1:10



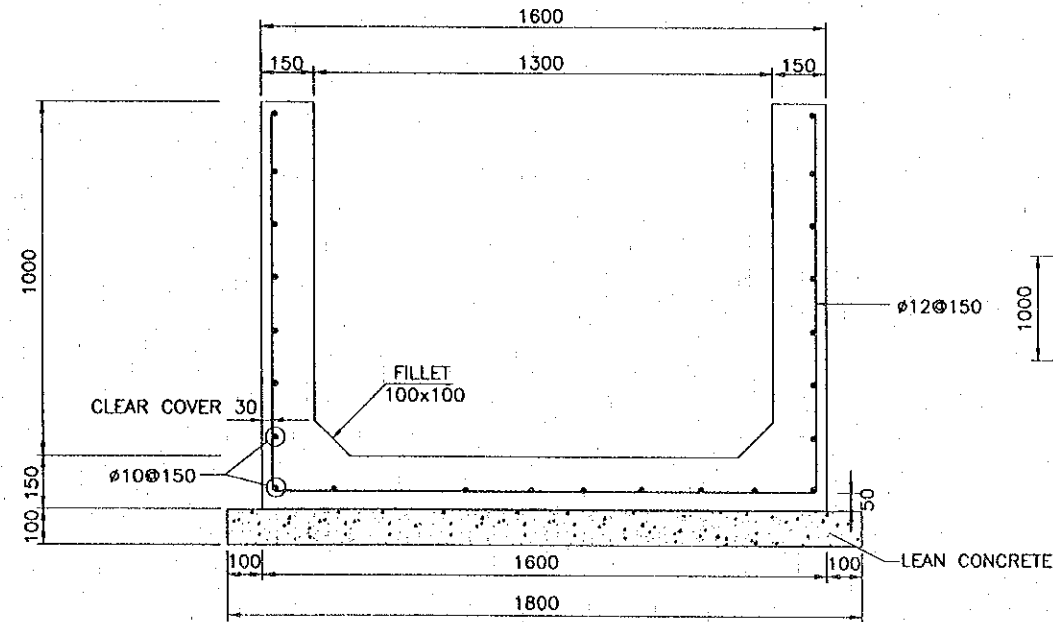
SECTION OF R.C. U-DITCH 0.60x0.60L  
SCALE 1:10



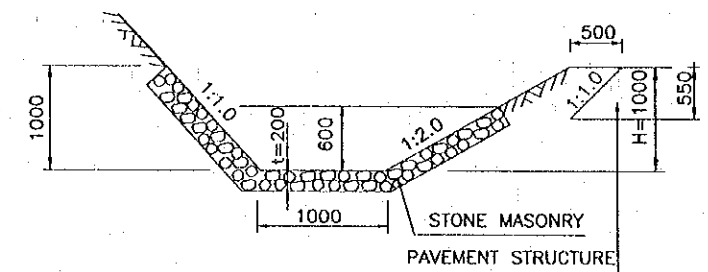
SECTION OF R.C. U-DITCH 1.10x1.00L  
SCALE 1:10



SECTION OF R.C. U-DITCH 1.00x1.00L  
SCALE 1:10



SECTION OF R.C. U-DITCH 1.30x1.00L  
SCALE 1:10



SIDE DITCH TYPE 3  
SCALE 1:10

NOTES:

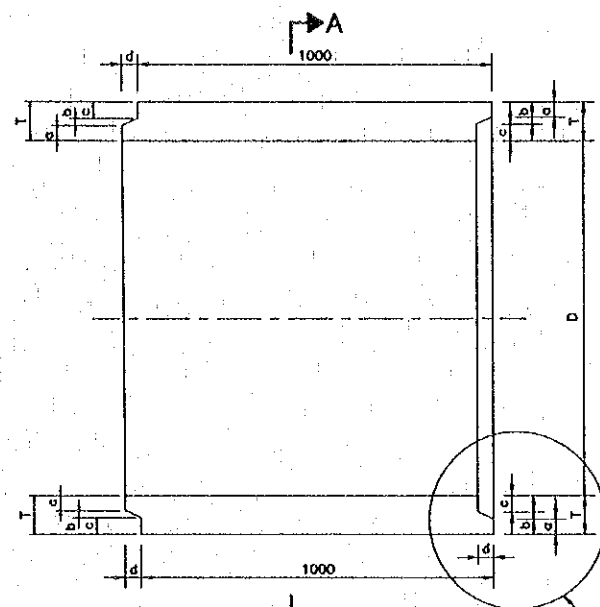
1. ALL DIMENSIONS ARE IN MILLIMETRES UNLESS OTHERWISE STATED
2. CONCRETE SHALL BE CLASS D (24N/mm<sup>2</sup>)
2. REINFORCING STEEL BAR SHALL BE GRADE SD295

REV.	DATE	DESCRIPTION	APPROVED	PROJECT STUDY TEAM
				ORIENTAL CONSULTANTS CO., LTD. in association with NIPPON KOKI CO., LTD.

JICA JAPAN INTERNATIONAL COOPERATION AGENCY  
LAO PEOPLE'S DEMOCRATIC REPUBLIC  
MINISTRY OF COMMUNICATION, TRANSPORT, POST AND CONSTRUCTION  
KINGDOM OF THAILAND  
MINISTRY OF TRANSPORT AND COMMUNICATIONS  
DEPARTMENT OF HIGHWAYS

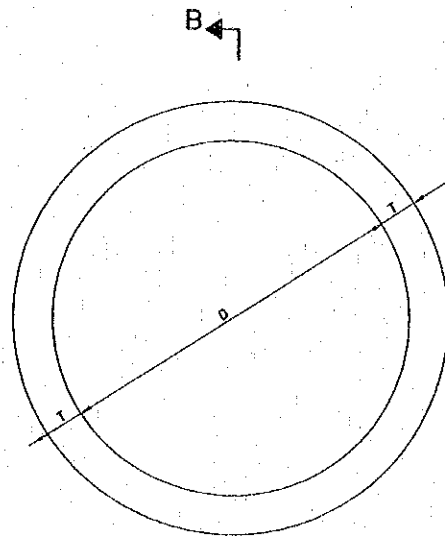
THE SECOND MEKONG  
INTERNATIONAL BRIDGE  
CONSTRUCTION PROJECT

QUALITY RECORD	NAME	SIGNATURE	DATE	DWG. TITLE
DESIGN	H. Okita	<i>[Signature]</i>	18.12.00	RC.U-DITCH AND SIDE DITCH LAO PDR SIDE
DESIGN CHECK	T. Mavuzono	<i>[Signature]</i>	18.02.00	
SUBMITTED	A. Hrotani	<i>[Signature]</i>	11/01/00	
APPROVED	P. Veeraphanth	<i>[Signature]</i>	22/07/00	



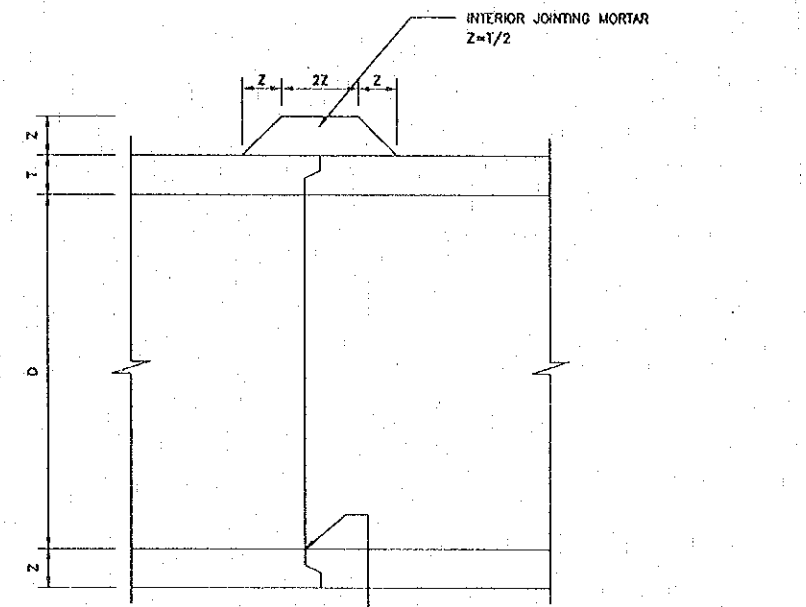
SECTION B-B  
NOT TO SCALE

DIMENSIONS ACC. TO TABLE 1



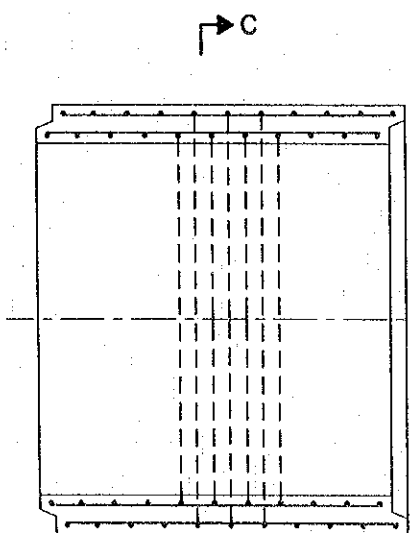
SECTION A-A  
NOT TO SCALE

DIMENSIONS ACC. TO TABLE 1



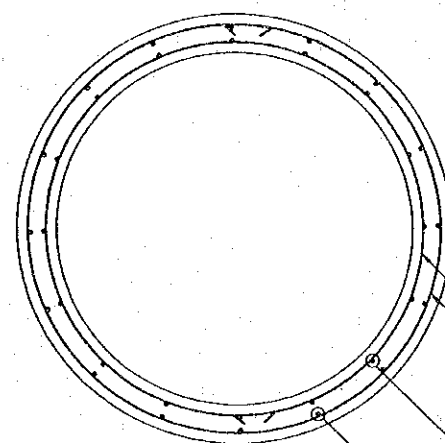
PIPE CONNECTION JOINT DETAIL

R.C PIPE  $\phi 0.80-\phi 1.50$  L  
DIMENSIONS



SECTION D-D  
NOT TO SCALE

R.C PIPE  $\phi 0.80-\phi 1.50$  L  
REINFORCEMENT



SECTION C-C  
NOT TO SCALE

CIRCULAR REINFORCEMENT ACC. TO TABLE 2

LONGITUDINAL REINFORCEMENT  $\phi 8\text{mm}$  MAX c300mm.

TABLE 1

INSIDE DIAMETER D mm	WALL THICKNESS T mm	DIMENSION OF PIPE END DETAILS IN mm TONGUE AND GROOVE			
		a	b	c	d
800	95	38	15	42	45
1000	110	43	20	47	45
1200	125	48	25	52	50
1500	150	57	30	63	60

TABLE 2

INSIDE DIAMETER D mm	MIN. CIRCULAR REINFORCEMENT mm <sup>2</sup> /m		CRUSHING LOAD TO PRODUCE 0.30mm CRACK WIDTH AND 310mm CRACK LENGTH kg/m	ULTIMATE CRUSHING LOAD kg/m	ULTIMATE STRENGTH FOR 152 X 304mm CONCRETE CYLINDER AT 28 DAY AGE N/mm <sup>2</sup>
	INNER CAGE	OUTER CAGE			
800	940	710	11,420	14,280	40
1000	1200	900	14,280	17,850	
1200	1550	1160	17,130	21,410	
1500	2133	1598	21,413	26,767	

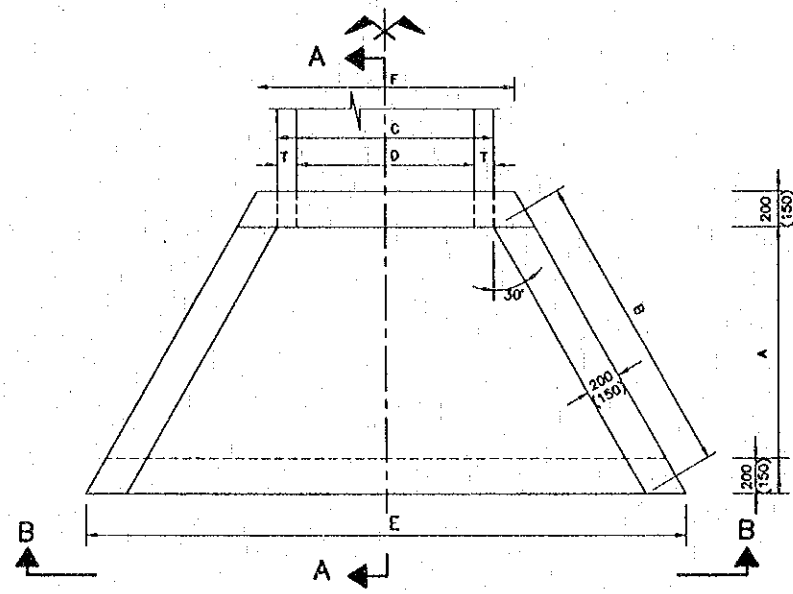
NOTES

- ALL DIMENSIONS SHOWN ARE IN mm, UNLESS OTHERWISE SHOWN.
- ALL PIPE BARRELS SHALL CONFORM TO REQUIREMENTS OF ASHTO M170M, REINFORCED CONCRETE CULVERT, STORM DRAIN, AND SEWER PIPE (METRIC) CLASS X, WALL B.
- ALL CONCRETE SHALL BE CLASS A, UNLESS OTHERWISE SHOWN, CYLINDER STRENGTH OF CONCRETE AT 28 DAYS  $f'_c=40\text{N/mm}^2$
- ALL STEEL REINFORCEMENT SHALL BE GRADE SD 295 FOR DEFORMED BARS SR235 FOR ROUND BAR
- MORTAR FOR PIPE CONNECTION JOINT SHALL CONSIST OF 1 PART PORTLAND CEMENT TO 2 PARTS OF SAND BY VOLUME.

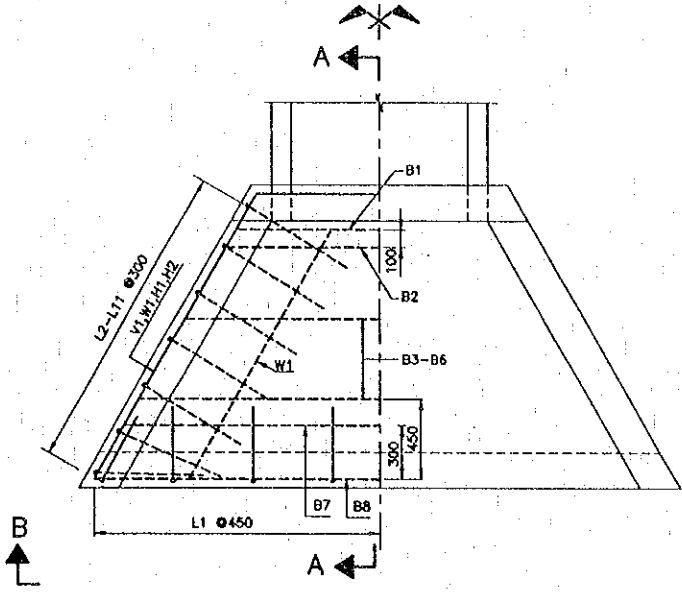
REV.	DATE	DESCRIPTION	APPROVED	PROJECT STUDY TEAM	JICA	QUALITY RECORD	NAME	SIGNATURE	DATE	DWG. TITLE:
				ORIENTAL CONSULTANTS CO., LTD. in association with NIPPON KOKI CO., LTD.	JICA JAPAN INTERNATIONAL COOPERATION AGENCY LAO PEOPLE'S DEMOCRATIC REPUBLIC MINISTRY OF COMMUNICATION, TRANSPORT, POST AND CONSTRUCTION KINGDOM OF THAILAND MINISTRY OF TRANSPORT AND COMMUNICATIONS DEPARTMENT OF HIGHWAYS	DESIGN	H. Okano	[Signature]	16/12/00	PIPE CULVERT(1) R.C. PIPE $\phi 0.80-\phi 1.50$ L LAO PDR SIDE
						DESIGN CHECK	T. Manousova	[Signature]	17/02/00	
						SUBMITTED	A. Hiratani	[Signature]	21/02/00	
						APPROVED	P. Veeraphonh	[Signature]	22/02/00	



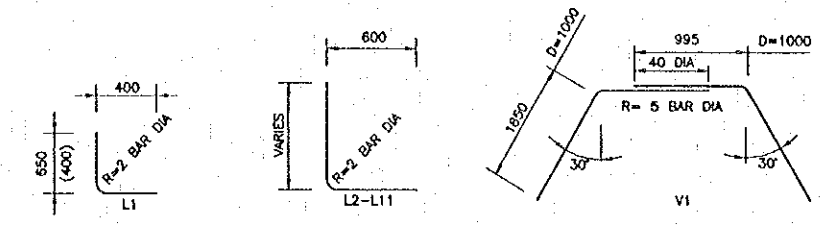




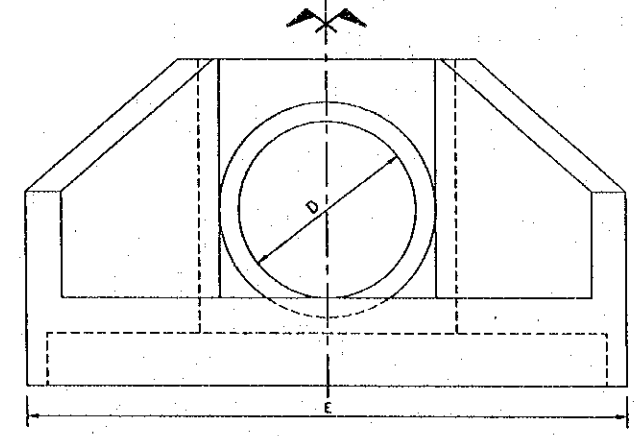
PLAN  
SCALE 1:20



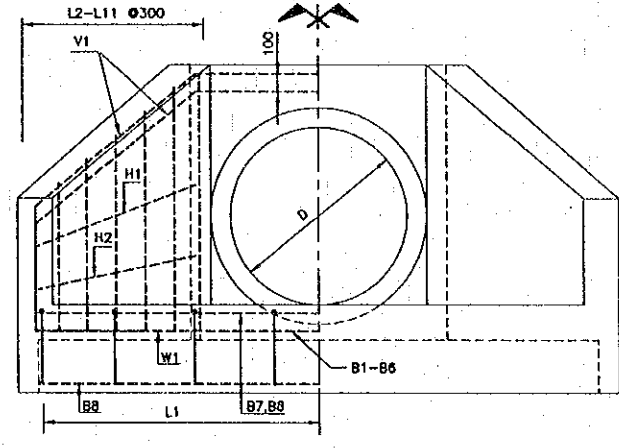
PLAN  
SCALE 1:20



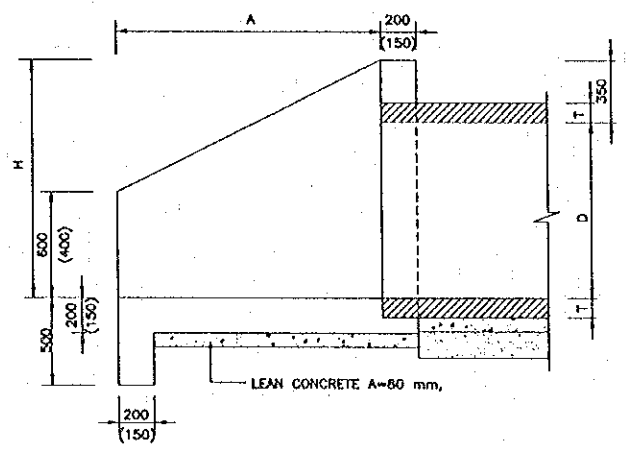
BENDING AS SHOWN  
REINFORCEMENT



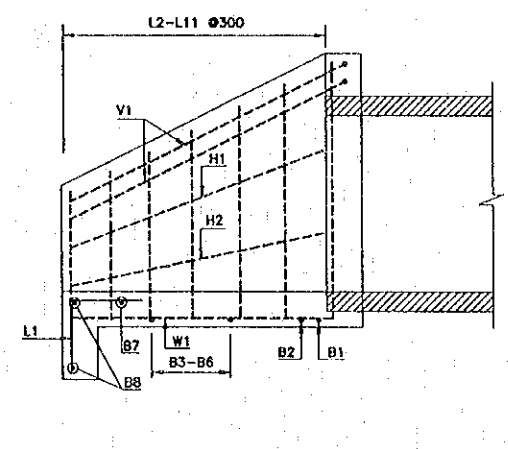
END VIEW B-B  
SCALE 1:20



END VIEW B-B  
SCALE 1:20



SECTION A-A  
SCALE 1:20



SECTION A-A  
SCALE 1:20

HEAD WALL FOR R.C. PIPE  $\phi$ 0.60- $\phi$ 1.20 L  
DIMENSIONS

TABLE 1  
TABLE OF DIMENSIONS

DIA. OF PIPE D mm	WALL THICKNESS mm	TABLE OF DIMENSIONS					
		A	B	C	E	F	H
600	75	1100	1270	750	2370	920	950
800	95	1500	1730	990	3070	1160	1150
1000	110	1500	1730	1220	3410	1450	1350
1200	125	1900	2190	1450	4110	1680	1550

TABLE 2  
TABLE OF REINFORCEMENT  
FOR ONE WINGWALL END

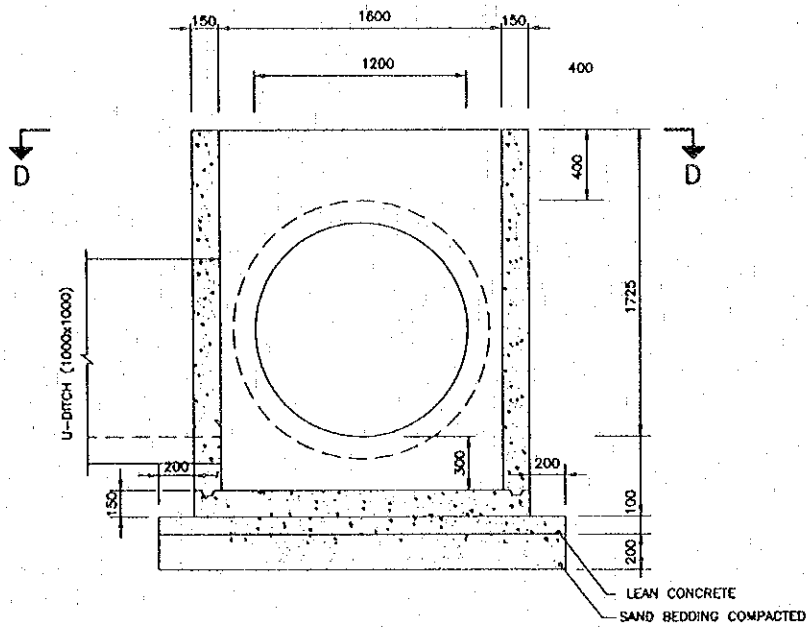
BAR MARK	SIZE $\phi$ mm	TABLE OF DIMENSIONS							
		D=600		D=800		D=1000		D=1200	
		No.	LENGTH	No.	LENGTH	No.	LENGTH	No.	LENGTH
B1	16					1	1620	1	1850
B2	16					1	1740	1	1970
B3	12					1	2200	1	2420
B4	12					1	2720	1	2940
B5	12							1	3460
B6	12								
B7	12			1	2550	1	2890	1	3590
B8	12			2	2900	2	3240	2	3940
L1	12	6	800	8	800	8	800	10	800
L2	16(12)	2	1040	2	1070	2	1320	2	1320
L3	16(12)	2	1150	2	1200	2	1450	2	1450
L4	16(12)	2	1260	2	1330	2	1580	2	1580
L5	16(12)	2	1370	2	1460	2	1710	2	1710
L6	16(12)	2	1480	2	1590	2	1840	2	1840
L7	16(12)			2	1720	2	1970	2	1970
L8	16							2	2100
L9	16							2	2250
L10	16								
L11	16								
H1	12	2	1210	2	1690	2	1810	2	2250
H2	12					2	1770	2	2230
V1	16(12)	2	1980	2	2695	4	2975	4	3590
W1	12	2	1210	4	1650	4	1650	4	2110
CONC. m <sup>3</sup>			0.80		1.20		2.00		2.80
REINF. Kg			31.00		41.57		65.78		114.05

NOTE: FOR  $\phi$  800 PIPE CULVERT V1, L2-L7 SHALL BE  $\phi$  12mm REBARS

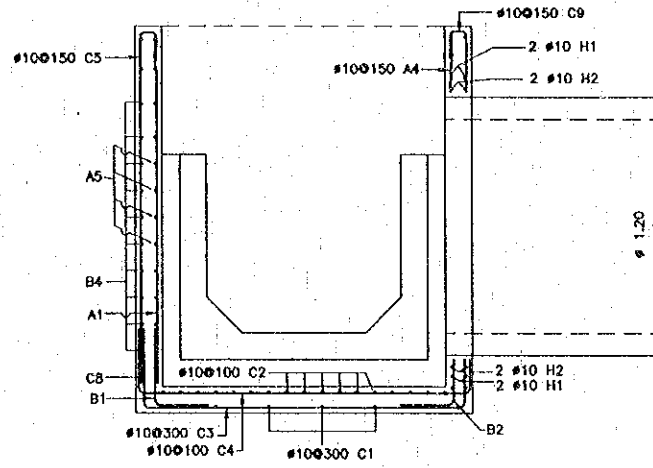
- NOTES:
- ALL DIMENSIONS ARE IN mm.
  - ALL CONCRETE SHALL BE CLASS D, UNLESS OTHERWISE SHOWN, (CYLINDER STRENGTH OF CONCRETE AT 28 DAYS  $f'_{c}=24$  N/mm<sup>2</sup>).
  - ALL STEEL REINFORCEMENT SHALL BE GRADE S0295
  - CONCRETE COVER SHALL BE 50 mm, IF NOT OTHERWISE SHOWN AND MEASURED FROM THE SURFACE OF CONCRETE TO THE FACE OF NEAREST BAR.
  - LAP LENGTH OF REINFORCEMENT BARS SHALL BE AS SHOWN IN THE SPECIFICATIONS.
  - ALL EXPOSED CONCRETE EDGES SHALL BE CHAMFERED 20mm.
  - DIMENSIONS IN BRACKETS ( ) ARE FOR PIPE CULVERT DIA 800.

REV.	DATE	DESCRIPTION	APPROVED	PROJECT STUDY TEAM	JICA JAPAN INTERNATIONAL COOPERATION AGENCY	QUALITY RECORD	NAME	SIGNATURE	DATE	DWG. TITLE
				ORIENTAL CONSULTANTS CO., LTD. In association with NIPPON KORI CO., LTD.	LAO PEOPLE'S DEMOCRATIC REPUBLIC MINISTRY OF COMMUNICATION, TRANSPORT, POST AND CONSTRUCTION KINGDOM OF THAILAND MINISTRY OF TRANSPORT AND COMMUNICATIONS DEPARTMENT OF HIGHWAYS	DESIGN	H. Orita	<i>[Signature]</i>	16-02-00	PIPE CULVERT (3) HEAD WALL FOR PIPE CULVERT LAO FOR SIDE
						DESIGN CHECK	T. Mousawa	<i>[Signature]</i>	18-02-00	
						SUBMITTED	A. Hirani	<i>[Signature]</i>	21-02-00	
						APPROVED	P. Veeraparthi	<i>[Signature]</i>	23/01/00	

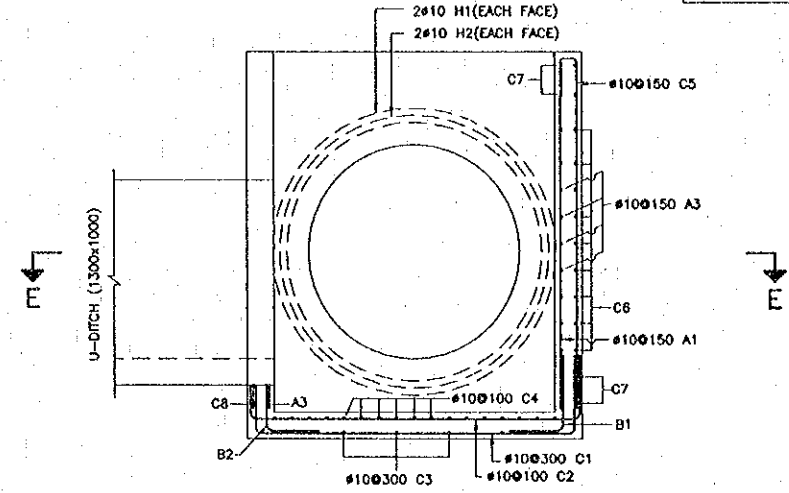
DATE OF ISSUE:		05/03/2000	
DWG. NO.	R-D-5	SHEET NO.	53
DWG. STATUS			



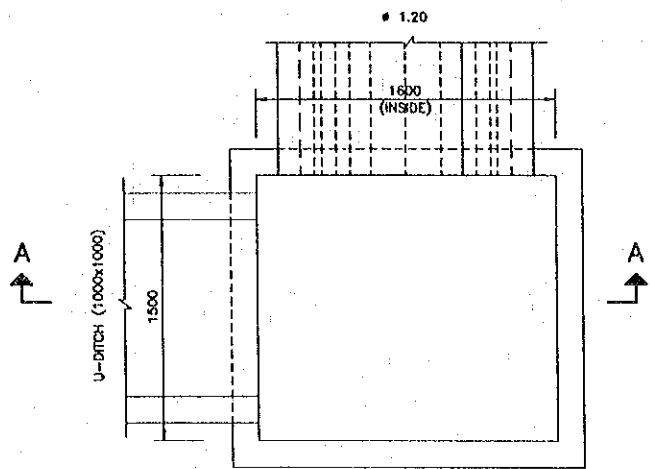
SECTION A-A  
SCALE 1:20



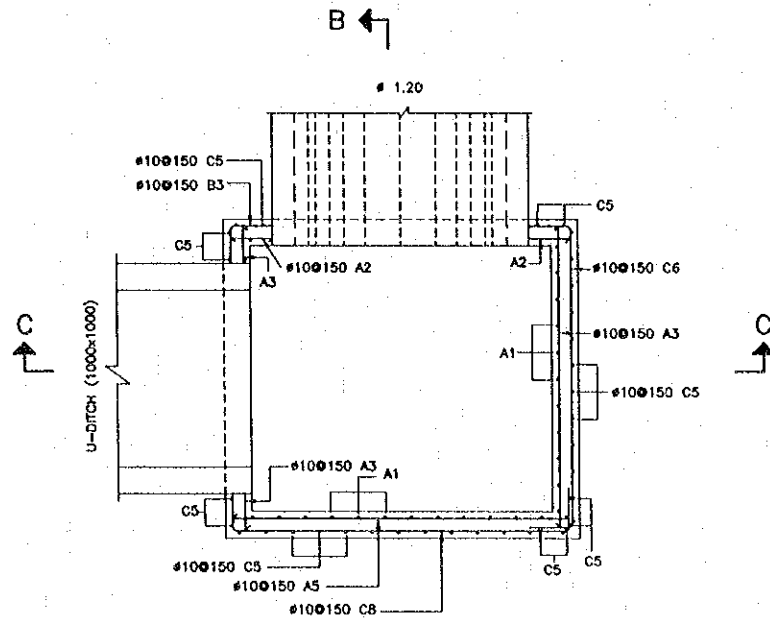
SECTION B-B  
(REINFORCING DETAILS)  
SCALE 1:20



SECTION C-C  
(REINFORCING DETAILS)  
SCALE 1:20



SECTION D-D  
SCALE 1:20



SECTION E-E  
(REINFORCING DETAILS)  
SCALE 1:20

**NOTES:**

- ALL DIMENSIONS SHOWN ARE IN MILLIMETRES UNLESS OTHERWISE INDICATED
- CONCRETE SHALL BE CLASS D (24N/mm<sup>2</sup>)
- ALL REINFORCING STEEL SHALL BE DEFORMED BARS AND SHALL CONFORM GRADE SD295
- STRUCTURAL STEEL SHALL CONFORM TO AASHTO M183
- FLAT PLATE STEEL SHALL CONFORM TO AASHTO M160
- THE CONCRETE COVER SHALL BE 30mm.
- THE COVER SHALL BE MEASURED FROM THE CONCRETE SURFACE TO THE FACE OF THE NEAREST BAR
- LAP LENGTH OF BARS SHALL NOT BE LESS THAN 30 BAR DIAMETERS OR 300mm, WHICHEVER IS BIGGER.

ALL REINFORCING BARS ARE NOTED IN THE FOLLOWING MANNER



REV.	DATE	DESCRIPTION	APPROVED

PROJECT STUDY TEAM  
 ORIENTAL CONSULTANTS CO., LTD.  
 In association with  
 NIPPON KOEI CO., LTD.

JICA JAPAN INTERNATIONAL COOPERATION AGENCY  
 LAO PEOPLE'S DEMOCRATIC REPUBLIC  
 MINISTRY OF COMMUNICATION, TRANSPORT, POST AND CONSTRUCTION  
 KINGDOM OF THAILAND  
 MINISTRY OF TRANSPORT AND COMMUNICATIONS  
 DEPARTMENT OF HIGHWAYS

THE SECOND MEKONG INTERNATIONAL BRIDGE CONSTRUCTION PROJECT

QUALITY RECORD	NAME	SIGNATURE	DATE	DWG. TITLE
DESIGN	H. Orito		16/12/00	CATCH BASIN 1.50m x 1.60m L LAO PDR SIDE
DESIGN CHECK	T. Masuzawa		28/12/00	
SUBMITTED	A. Hironaka		21/01/00	
APPROVED	P. Viraphanth		27/01/00	

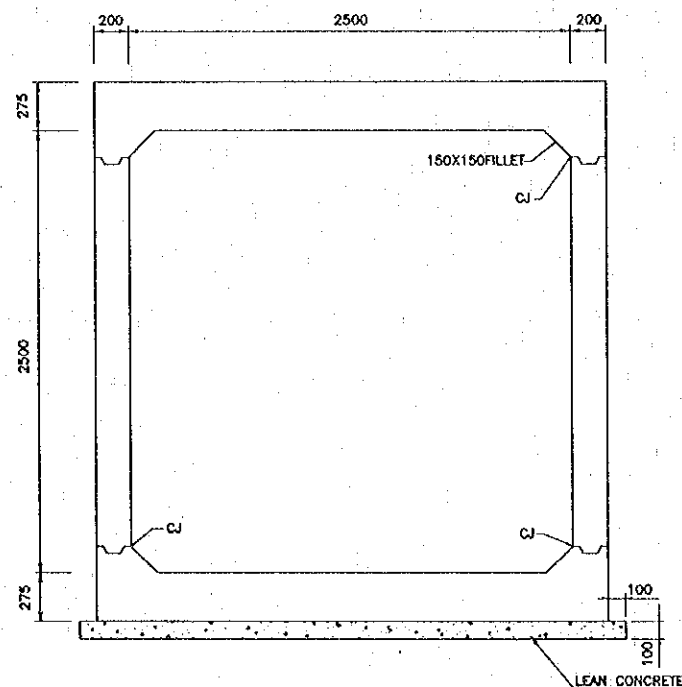
DATE OF ISSUE: 05/03/2000

DWG. NO. R-B-1 SHEET NO. 54

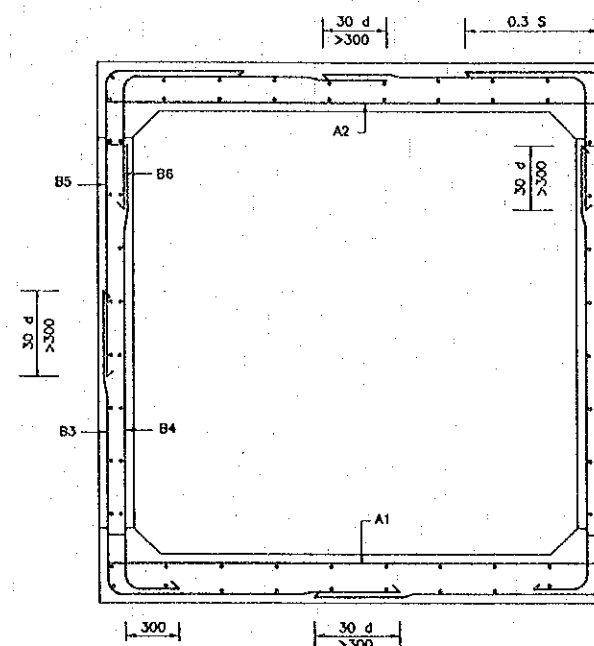
DWG. STATUS

BARREL DIMENSIONS AND QUANTITIES

CONCRETE		REINFORCEMENT																			WEIGHT kg PER m		
VOL. PER m	CUM. PER m	BAR DIAMETER, SPACING AND LENGTH IN MILLIMETERS																					
		BARS-A1			BARS-A2			BARS-B3			BARS-B4			BARS-B5			BARS-B6			NUMBER OF SPACER BARS #12 Ø300			
SIZE	SPACING	LENGTH	SIZE	SPACING	LENGTH	SIZE	SPACING	LENGTH	SIZE	SPACING	LENGTH	SIZE	SPACING	LENGTH	SIZE	SPACING	LENGTH	TOP	BOTTOM		EACH WALL		
2.64		16	250	2820	16	150	2820	16	150	3350	12	175	2835	16	150	2450	12	175	2245	20	20	16	242.0



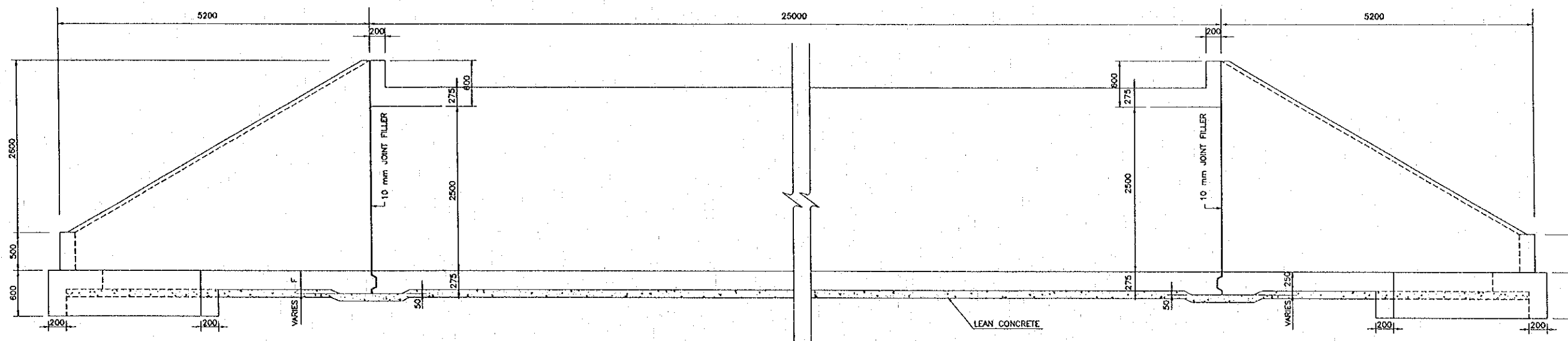
BARREL DIMENSIONS  
SCALE 1:40



BARREL REINFORCEMENT  
SCALE 1:40

NOTES

1. ALL DIMENSIONS ARE IN mm.
2. ALL CONCRETE SHALL BE CLASS D (24N/mm<sup>2</sup>)
3. ALL STEEL REINFORCEMENT SHALL CONFORM TO THE REQUIREMENTS OF THE SPECIFICATIONS FOR DEFORMED BILLET STEEL BARS SD 295
4. CONCRETE COVER SHALL BE 40 mm AND MEASURED FROM THE SURFACE OF CONCRETE TO THE FACE OF NEAREST BAR.
5. ALL EXPOSED CONCRETE EDGES SHALL BE CHAMFERED 20 mm.
6. LAP LENGTH OF REINFORCEMENT BARS SHALL BE AS SHOWN IN THE SPECIFICATIONS.



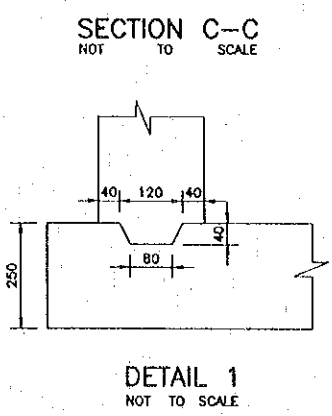
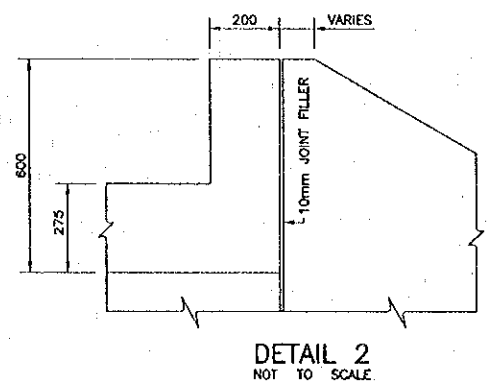
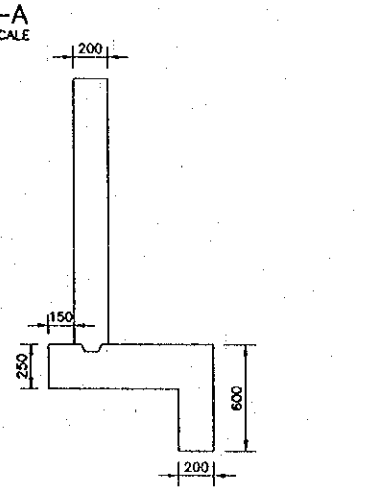
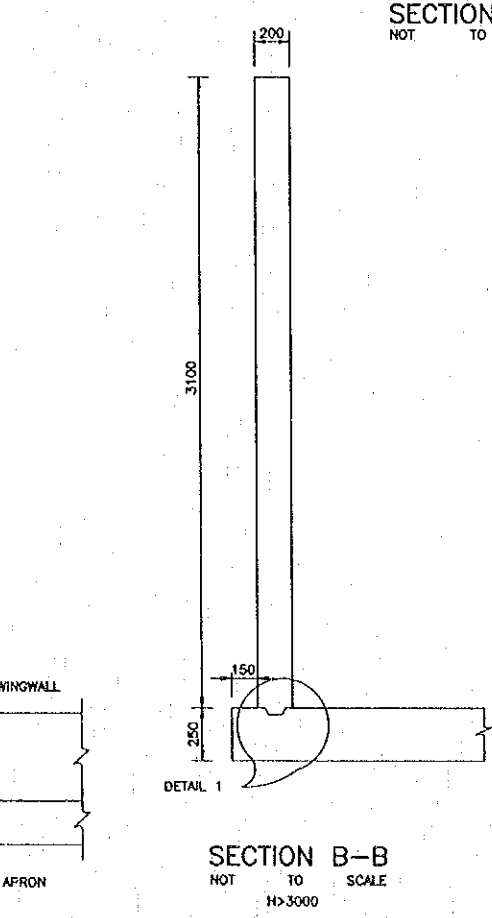
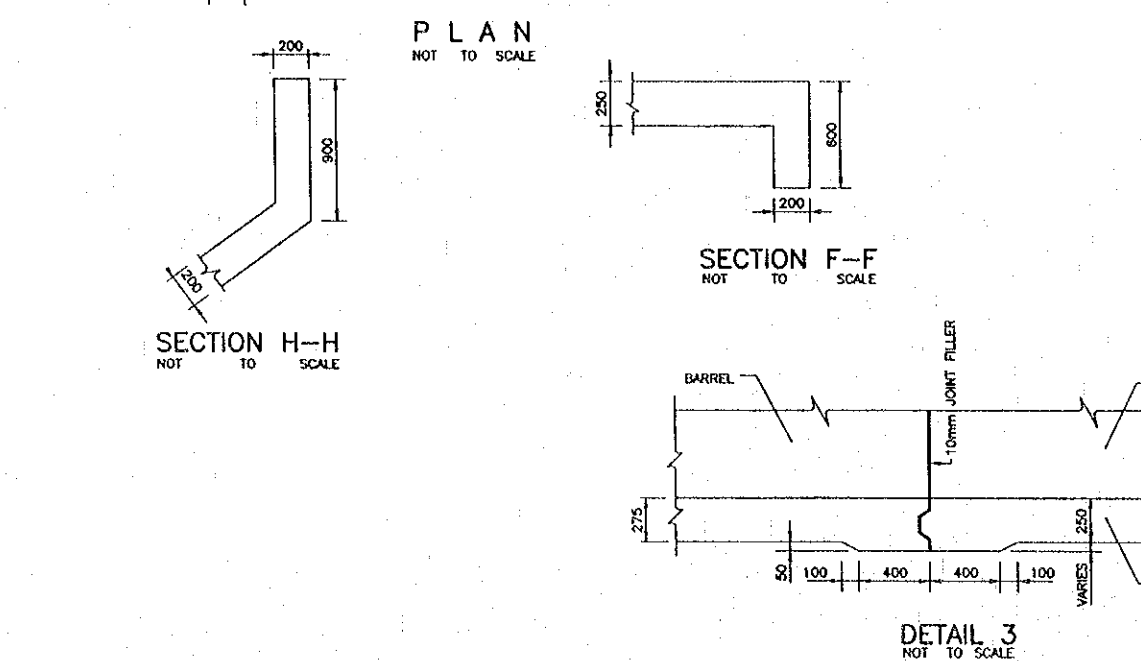
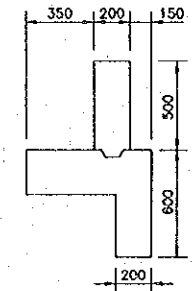
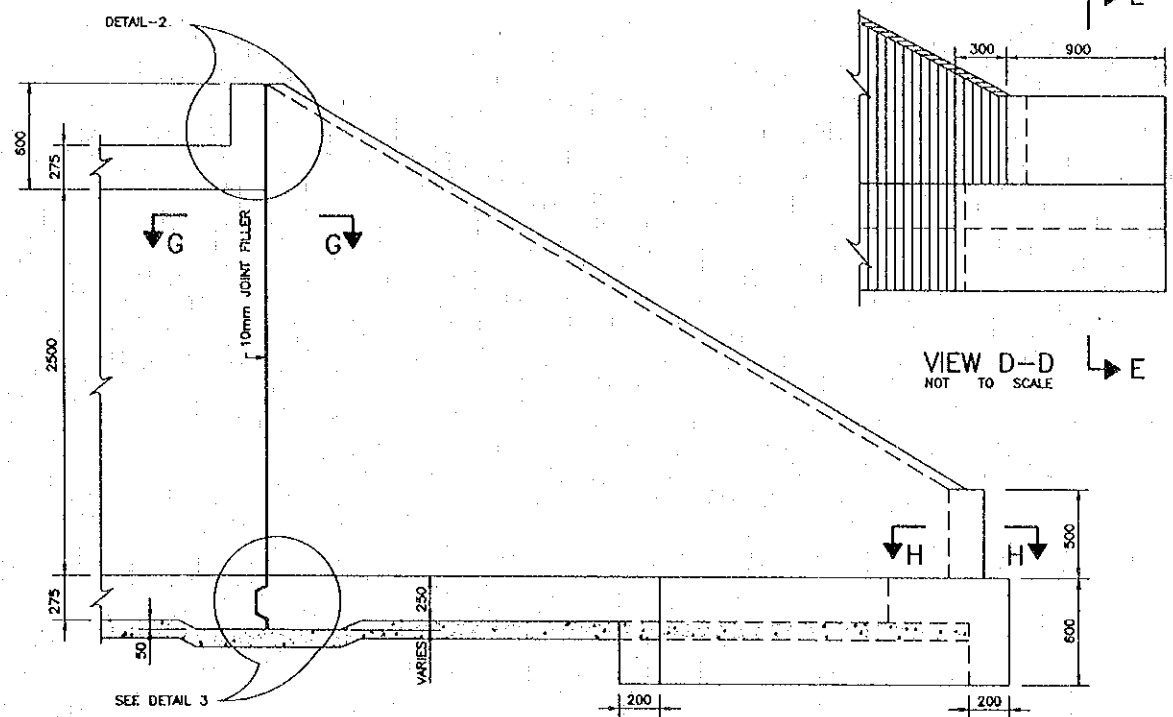
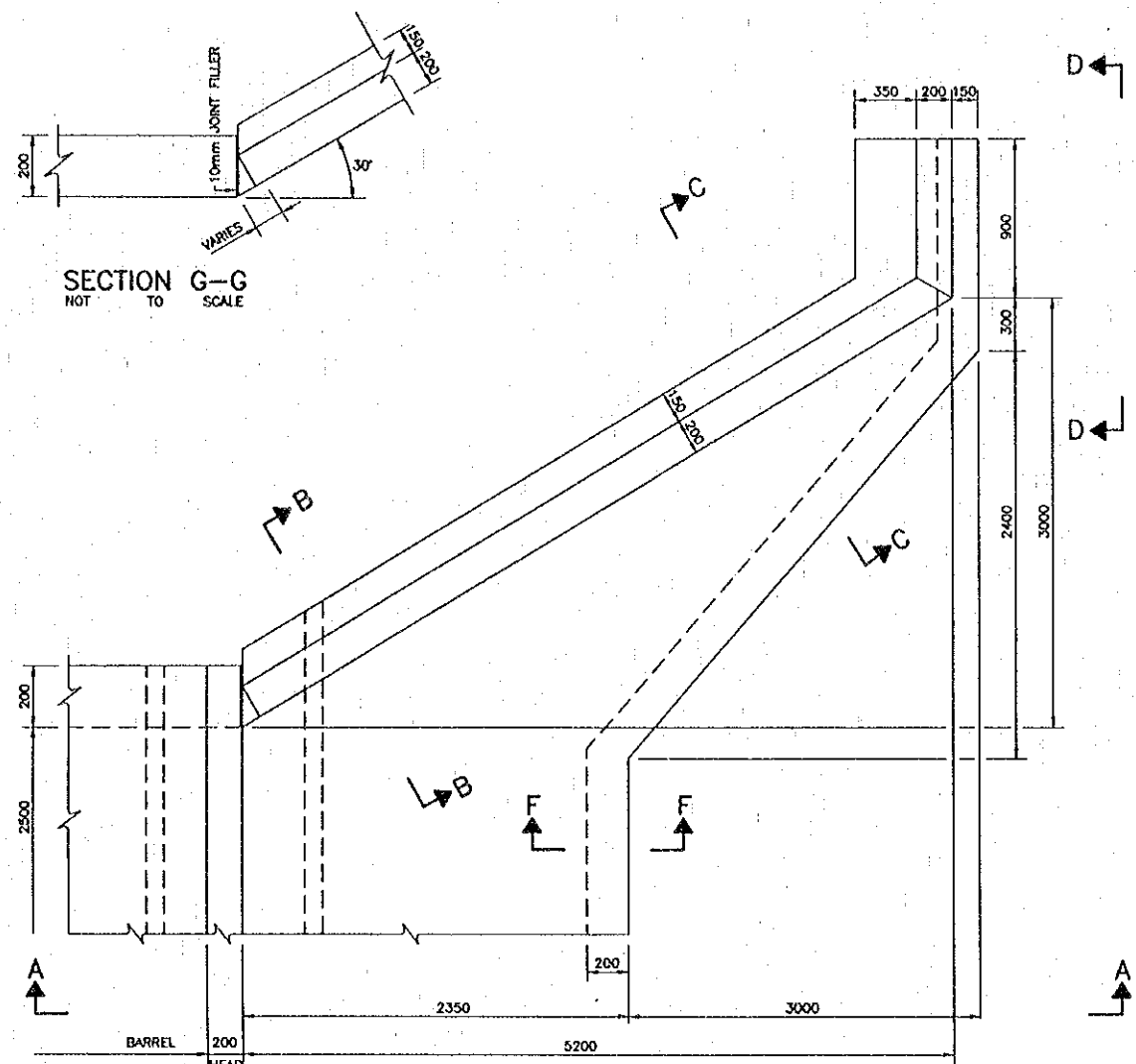
SIDE VIEW OF BOX CULVERT  
SCALE 1:10

REV.	DATE	DESCRIPTION	APPROVED	PROJECT STUDY TEAM	JICA	QUALITY RECORD	NAME	SIGNATURE	DATE	DWG. TITLE:
				ORIENTAL CONSULTANTS CO., LTD. in association with NIPPON KOKI CO., LTD.	JAPAN INTERNATIONAL COOPERATION AGENCY LAO PEOPLE'S DEMOCRATIC REPUBLIC MINISTRY OF COMMUNICATION, TRANSPORT, POST AND CONSTRUCTION KINGDOM OF THAILAND MINISTRY OF TRANSPORT AND COMMUNICATIONS DEPARTMENT OF HIGHWAYS	DESIGN	H. Okita	[Signature]	16/02/00	BOX CULVERT (1) LAO FOR SIDE
						DESIGN CHECK	T. Morizawa	[Signature]	21/02/00	
						SUBMITTED	A. Hattori	[Signature]	21/02/00	
						APPROVED	P. Virophanth	[Signature]	02/03/00	

DATE OF ISSUE: 05/03/2000

DWG. NO. R-B-2 SHEET NO. 55

DWG. STATUS



NOTES:  
 1. ALL DIMENSIONS ARE IN mm.  
 2. ALL CONCRETE SHALL BE CLASS D (24N/mm<sup>2</sup>)  
 3. ALL EXPOSED CONCRETE EDGES SHALL BE CHAMFERED 20 mm.

REV.	DATE	DESCRIPTION	APPROVED

PROJECT STUDY TEAM  
 ORIENTAL CONSULTANTS CO., LTD.  
 in association with  
 NIPPON KOKI CO., LTD.

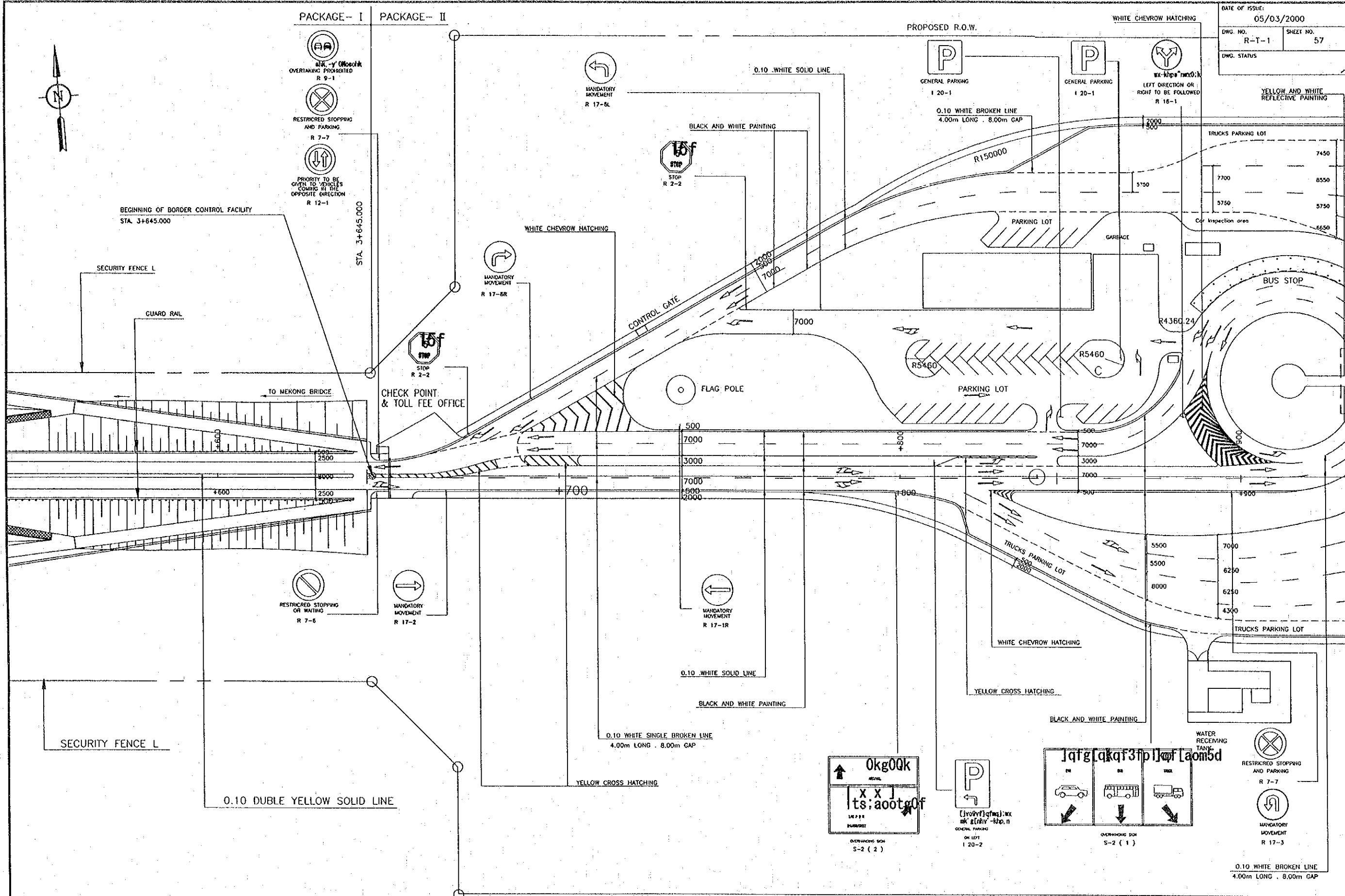
JICA JAPAN INTERNATIONAL COOPERATION AGENCY  
 LAO PEOPLE'S DEMOCRATIC REPUBLIC  
 MINISTRY OF COMMUNICATION, TRANSPORT, POST AND CONSTRUCTION  
 KINGDOM OF THAILAND  
 MINISTRY OF TRANSPORT AND COMMUNICATIONS  
 DEPARTMENT OF HIGHWAYS

THE SECOND MEKONG INTERNATIONAL BRIDGE CONSTRUCTION PROJECT

QUALITY RECORD	NAME	SIGNATURE	DATE	DWG. TITLE:
DESIGN	H. Okita	<i>[Signature]</i>	12-12-10	BOX CULVERT (2) WINGWALL DETAILS LAO PDR SIDE
DESIGN CHECK	T. Masutawa	<i>[Signature]</i>	11-02-10	
SUBMITTED	A. Hirakari	<i>[Signature]</i>	11-02-10	
APPROVED	P. Virophanth	<i>[Signature]</i>	12/03/00	

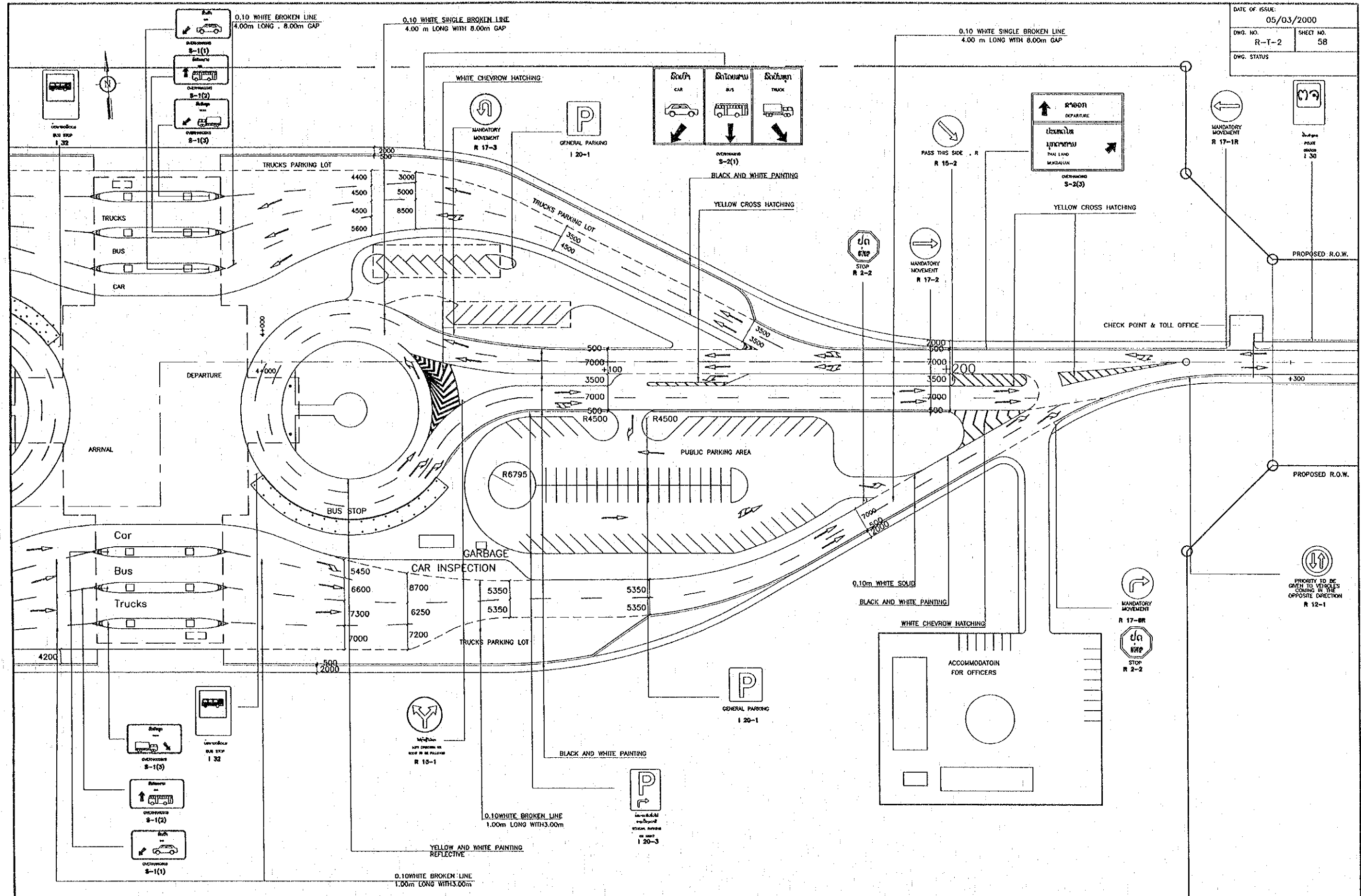


DATE OF ISSUE: 05/03/2000  
 DWG. NO. R-T-1 SHEET NO. 57  
 DWG. STATUS



REV.	DATE	DESCRIPTION	APPROVED	PROJECT STUDY TEAM	JICA	LAO PEOPLE'S DEMOCRATIC REPUBLIC	MINISTRY OF COMMUNICATION, TRANSPORT, POST AND CONSTRUCTION	KINGDOM OF THAILAND	MINISTRY OF TRANSPORT AND COMMUNICATIONS	DEPARTMENT OF HIGHWAYS	THE SECOND MEKONG INTERNATIONAL BRIDGE CONSTRUCTION PROJECT	QUALITY RECORD	NAME	SIGNATURE	DATE	DWG. TITLE:
				ORIENTAL CONSULTANTS CO., LTD. in association with NIPPON KOEI CO., LTD.								DESIGN	H. Ohta	<i>[Signature]</i>	21/02/00	TRAFFIC SIGN AND ROAD MARKING (1) STA 3+560.000 - 3+950.000
												DESIGN CHECK	T. Matsuzawa	<i>[Signature]</i>	27/02/00	
												SUBMITTED	A. Hiratani	<i>[Signature]</i>	27/02/00	
												APPROVED	P. Veeraphanth	<i>[Signature]</i>	27/02/00	

DATE OF ISSUE: 05/03/2000  
 DRG. NO. R-T-2 SHEET NO. 58  
 DRG. STATUS



REV.	DATE	DESCRIPTION	APPROVED

PROJECT STUDY TEAM  
 ORIENTAL CONSULTANTS CO., LTD.  
 In association with  
 NIPPON KOEI CO., LTD.

JICA JAPAN INTERNATIONAL COOPERATION AGENCY  
 LAO PEOPLE'S DEMOCRATIC REPUBLIC  
 MINISTRY OF COMMUNICATION, TRANSPORT, POST AND CONSTRUCTION  
 KINGDOM OF THAILAND  
 MINISTRY OF TRANSPORT AND COMMUNICATIONS  
 DEPARTMENT OF HIGHWAYS

THE SECOND MEKONG  
 INTERNATIONAL BRIDGE  
 CONSTRUCTION PROJECT

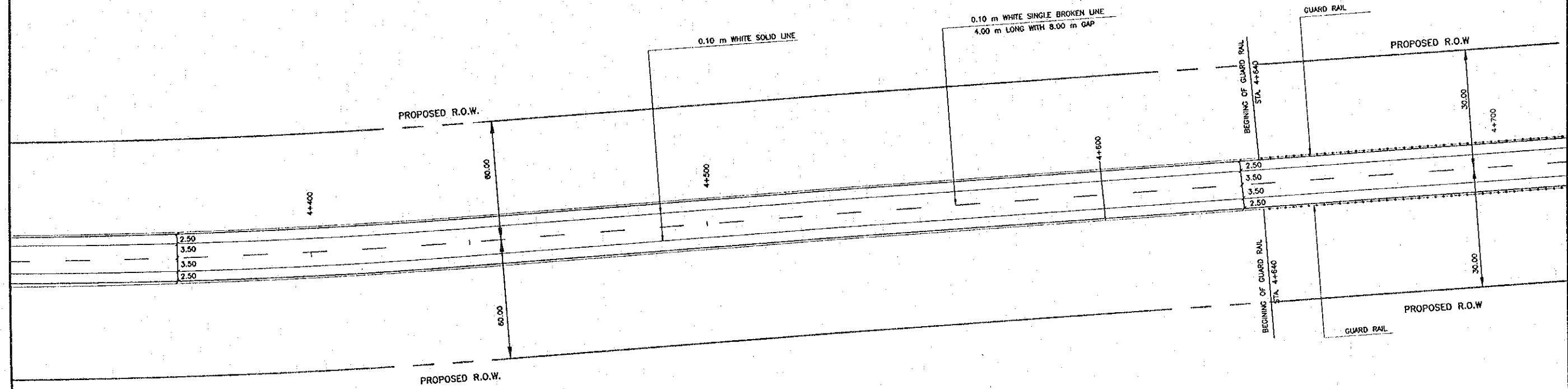
QUALITY RECORD	NAME	SIGNATURE	DATE
DESIGN	H. Ollio	<i>[Signature]</i>	11/01/99
DESIGN CHECK	F. Moutzou	<i>[Signature]</i>	12/17/99
SUBMITTED	A. Hiratani	<i>[Signature]</i>	21/12/99
APPROVED	P. Viraphanah	<i>[Signature]</i>	02/02/00

DRG. TITLE:  
**TRAFFIC SIGN AND ROAD MARKING (2)**  
 STA 3+920.000 - 4+300.000








DATE OF ISSUE: 05/03/2000	
DWG. NO. R-T-3	SHEET NO. 59
DWG. STATUS	


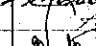
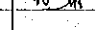



REV.	DATE	DESCRIPTION	APPROVED

PROJECT STUDY TEAM  
 ORIENTAL CONSULTANTS CO., LTD.  
 in association with  
 NIPPON KOEI CO., LTD.

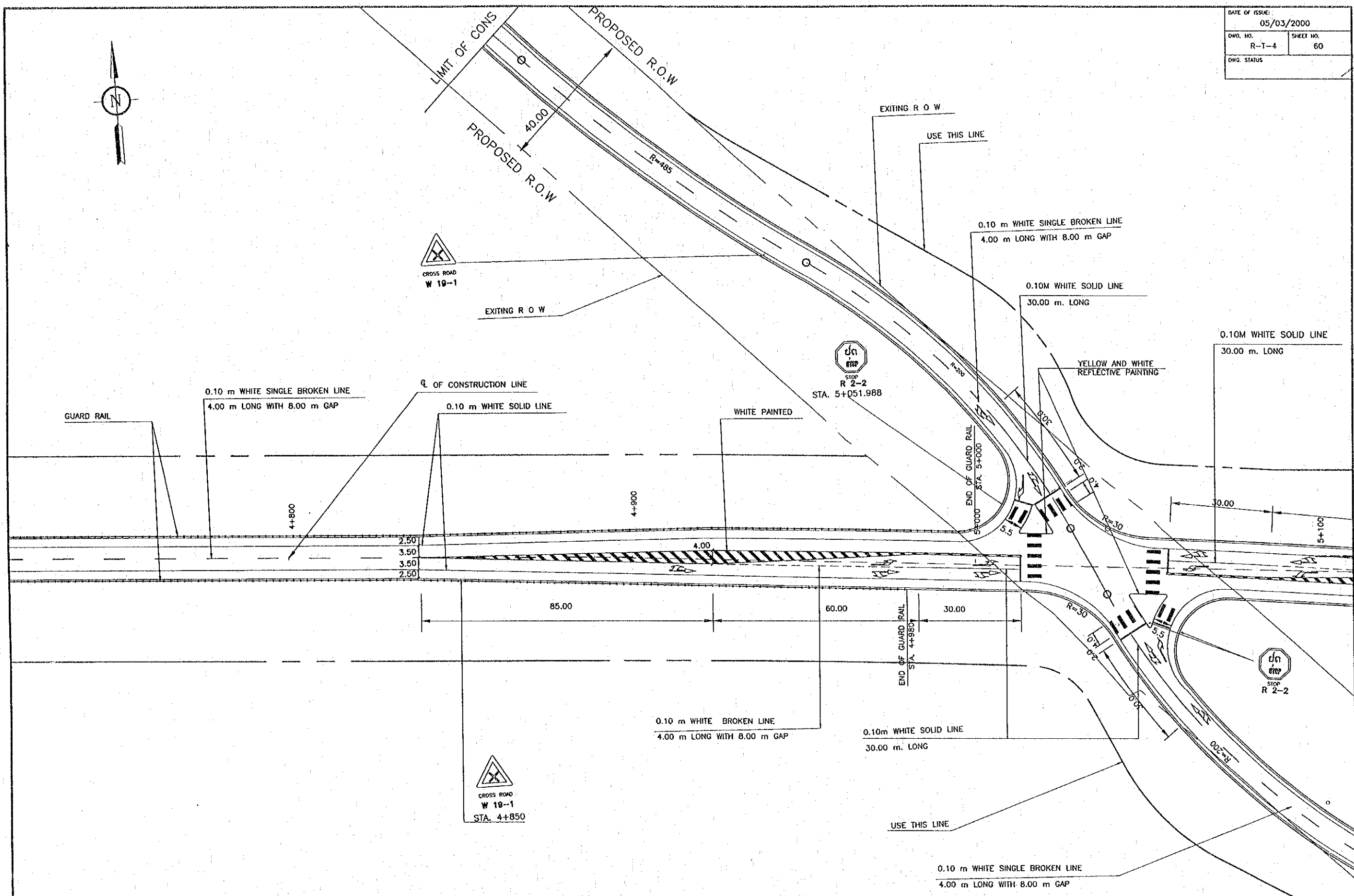
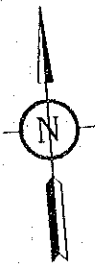
 JAPAN INTERNATIONAL COOPERATION AGENCY  
 LAO PEOPLE'S DEMOCRATIC REPUBLIC  
 MINISTRY OF COMMUNICATION, TRANSPORT, POST AND CONSTRUCTION  
 KINGDOM OF THAILAND  
 MINISTRY OF TRANSPORT AND COMMUNICATIONS  
 DEPARTMENT OF HIGHWAYS

   
 THE SECOND MEKONG  
 INTERNATIONAL BRIDGE  
 CONSTRUCTION PROJECT

QUALITY RECORD	NAME	SIGNATURE	DATE
DESIGN	H. Ohta		16-12-00
DESIGN CHECK	T. Masuzawa		18-01-00
SUBMITTED	A. Hirota		21-02-00
APPROVED	P. Virophanh		03/03/00

DWG. TITLE:  
**TRAFFIC SIGN AND ROAD MARKING (3)**  
 STA 4+300.000 - 4+700.000

DATE OF ISSUE: 05/03/2000	
DWG. NO. R-T-4	SHEET NO. 60
DWG. STATUS	



REV.	DATE	DESCRIPTION	APPROVED

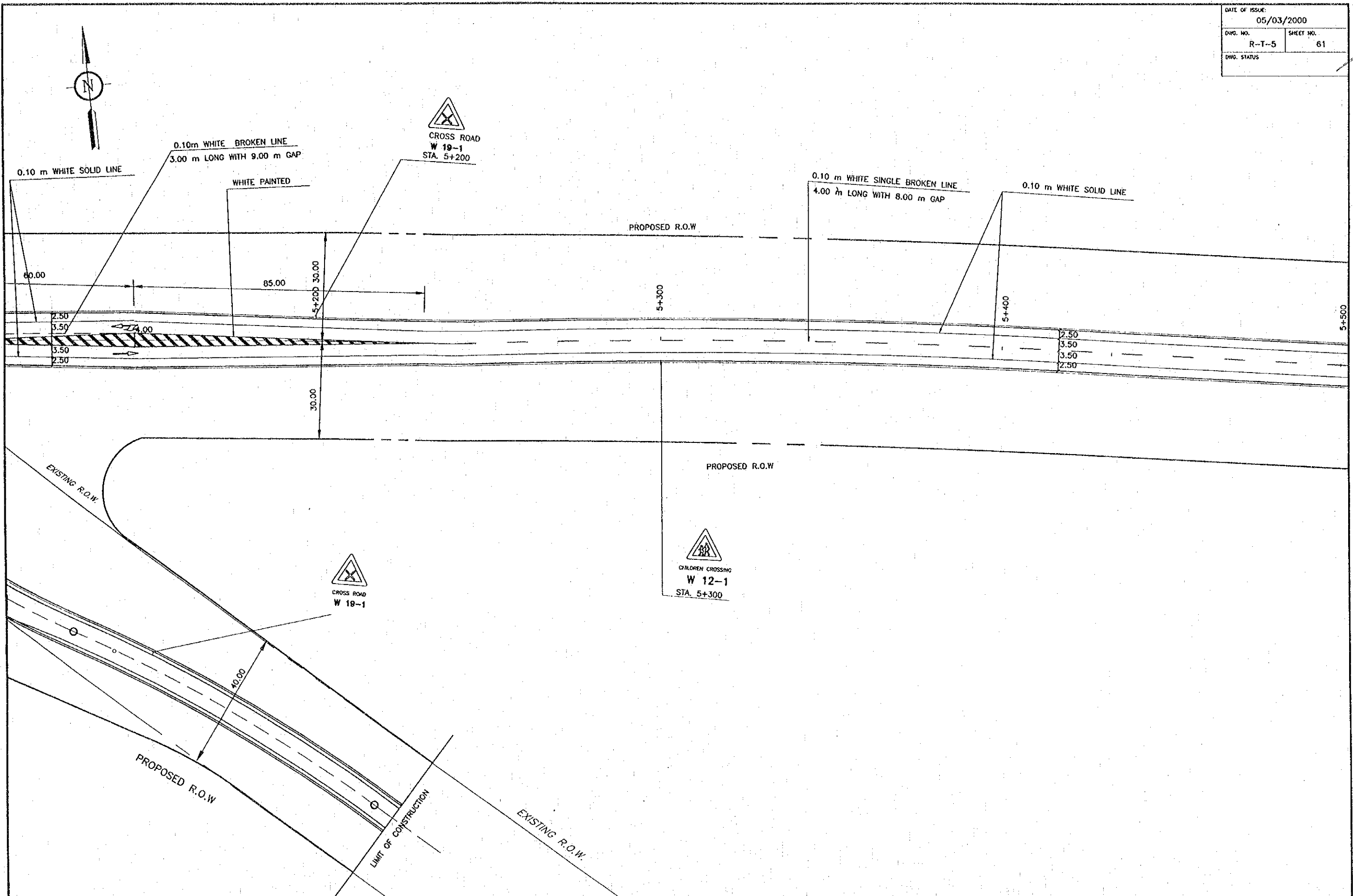
PROJECT STUDY TEAM  
**ORIENTAL CONSULTANTS CO., LTD.**  
 in association with  
**NIPPON KORI CO., LTD.**

**JICA** JAPAN INTERNATIONAL COOPERATION AGENCY  
 LAO PEOPLE'S DEMOCRATIC REPUBLIC  
 MINISTRY OF COMMUNICATION, TRANSPORT, POST AND CONSTRUCTION  
 KINGDOM OF THAILAND  
 MINISTRY OF TRANSPORT AND COMMUNICATIONS  
 DEPARTMENT OF HIGHWAYS

**THE SECOND MEKONG INTERNATIONAL BRIDGE CONSTRUCTION PROJECT**

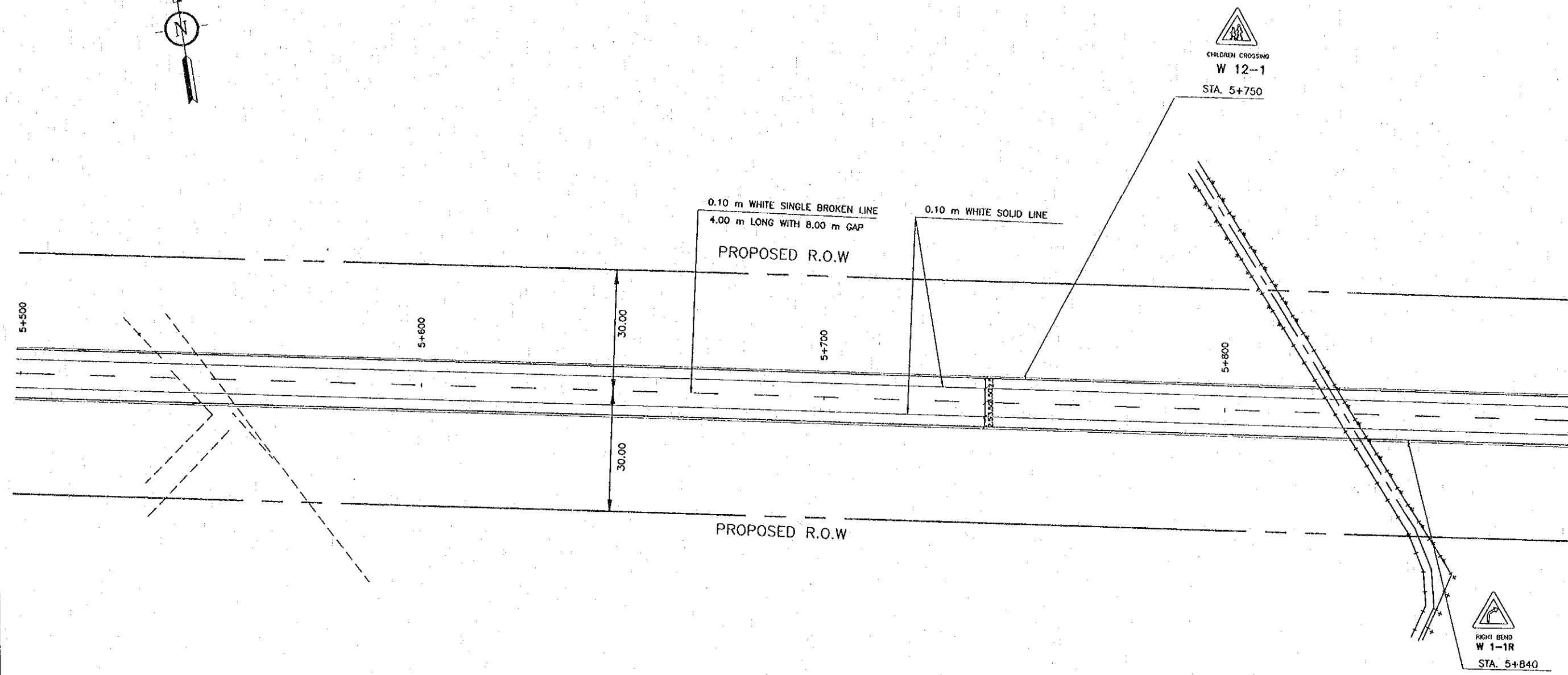
QUALITY RECORD	NAME	SIGNATURE	DATE	DWG. TITLE
DESIGN	H. Okita	<i>[Signature]</i>	16/02/00	TRAFFIC SIGN AND ROAD MARKING (4) STA 4+700.000 - 5+100.000
DESIGN CHECK	T. Mavivava	<i>[Signature]</i>	18-02-00	
SUBMITTED	A. Hiratani	<i>[Signature]</i>	21/1/00	
APPROVED	P. Vrephenth	<i>[Signature]</i>	24/02/00	

DATE OF ISSUE:	
05/03/2000	
DWG. NO.	SHEET NO.
R-T-5	61
DRG. STATUS	

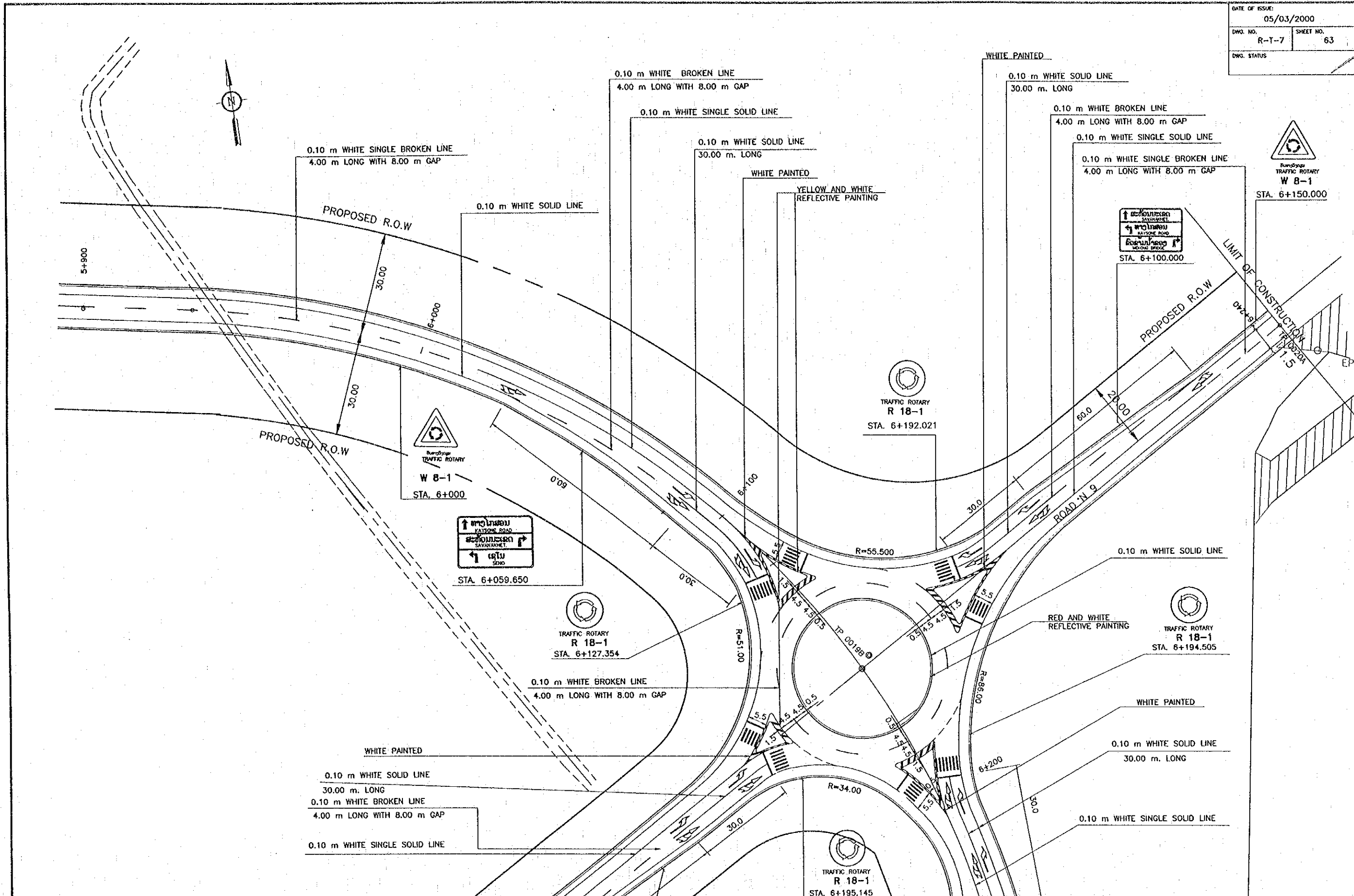


REV.	DATE	DESCRIPTION	APPROVED	PROJECT STUDY TEAM	JICA JAPAN INTERNATIONAL COOPERATION AGENCY	QUALITY RECORD	NAME	SIGNATURE	DATE	DWG. TITLE:
				ORIENTAL CONSULTANTS CO., LTD. in association with NIPPON KOEI CO., LTD.	LAO PEOPLE'S DEMOCRATIC REPUBLIC MINISTRY OF COMMUNICATION, TRANSPORT, POST AND CONSTRUCTION	DESIGN	H. Okita	<i>[Signature]</i>	11-12-00	TRAFFIC SIGN AND ROAD MARKING (5) STA 5+100.000 - 5+500.000
					KINGDOM OF THAILAND MINISTRY OF TRANSPORT AND COMMUNICATIONS DEPARTMENT OF HIGHWAYS	DESIGN CHECK	F. Masuzawa	<i>[Signature]</i>	12-12-00	
						SUBMITTED	A. Hirakawa	<i>[Signature]</i>	21/02/00	
						APPROVED	P. Viraphontha	<i>[Signature]</i>	23/03/00	

DATE OF ISSUE:		05/03/2000	
DWG. NO.	R-T-6	SHEET NO.	62
DWG. STATUS:			

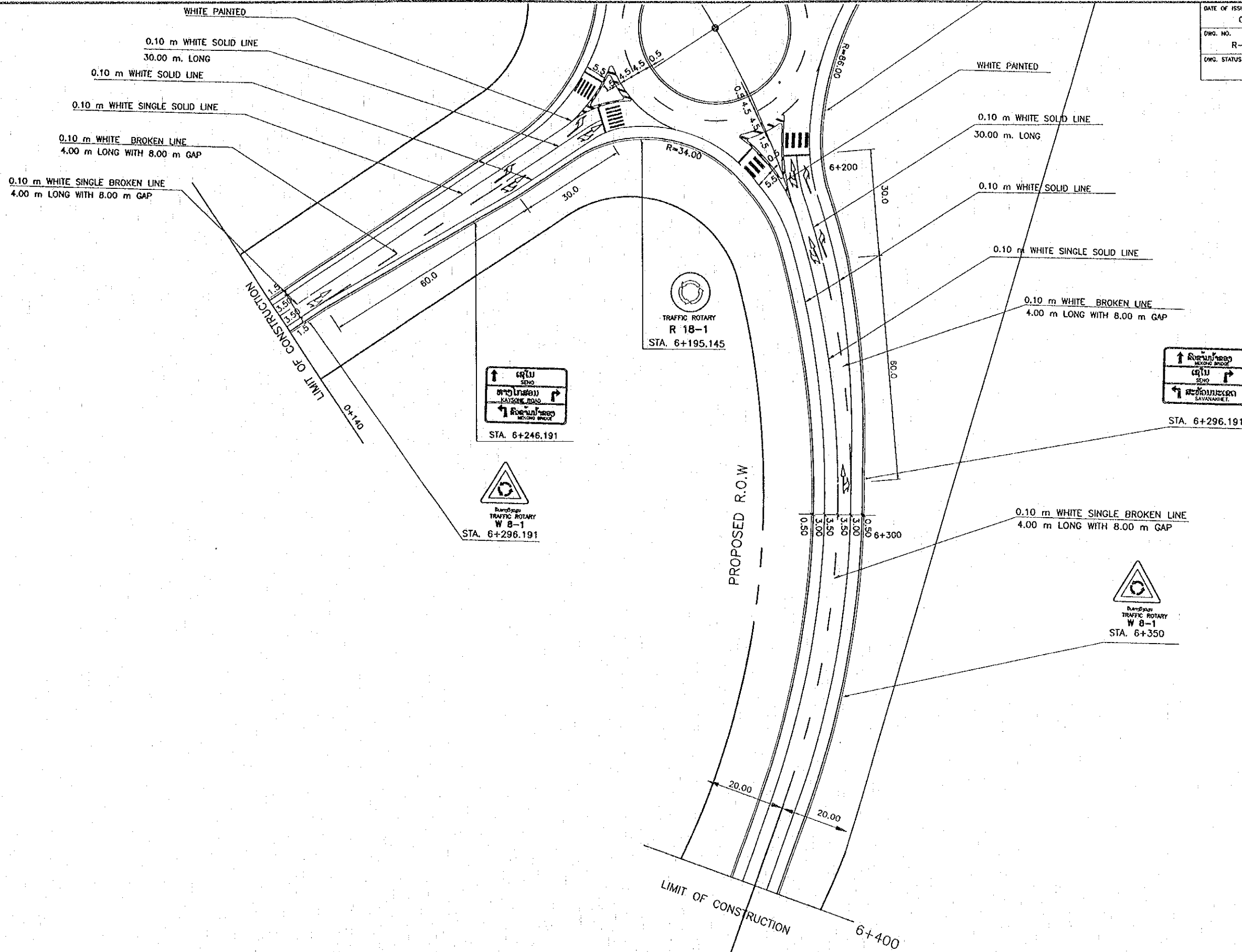


REV.	DATE	DESCRIPTION	APPROVED	PROJECT STUDY TEAM	JICA JAPAN INTERNATIONAL COOPERATION AGENCY	QUALITY RECORD	NAME	SIGNATURE	DATE	DWG. TITLE:	
				ORIENTAL CONSULTANTS CO., LTD. In association with NIPPON KOEI CO., LTD.	LAO PEOPLE'S DEMOCRATIC REPUBLIC MINISTRY OF COMMUNICATION, TRANSPORT, POST AND CONSTRUCTION KINGDOM OF THAILAND MINISTRY OF TRANSPORT AND COMMUNICATIONS DEPARTMENT OF HIGHWAYS	THE SECOND MEKONG INTERNATIONAL BRIDGE CONSTRUCTION PROJECT	DESIGN	H. Okita		16-11-00	TRAFFIC SIGN AND ROAD MARKING (6) STA 5+500.000 - 5+870.000
						DESIGN CHECK	T. Matsuura		18-01-00		
						SUBMITTED	A. Hirakawa		21-02-00		
						APPROVED	P. Viraphanth		22-02-00		

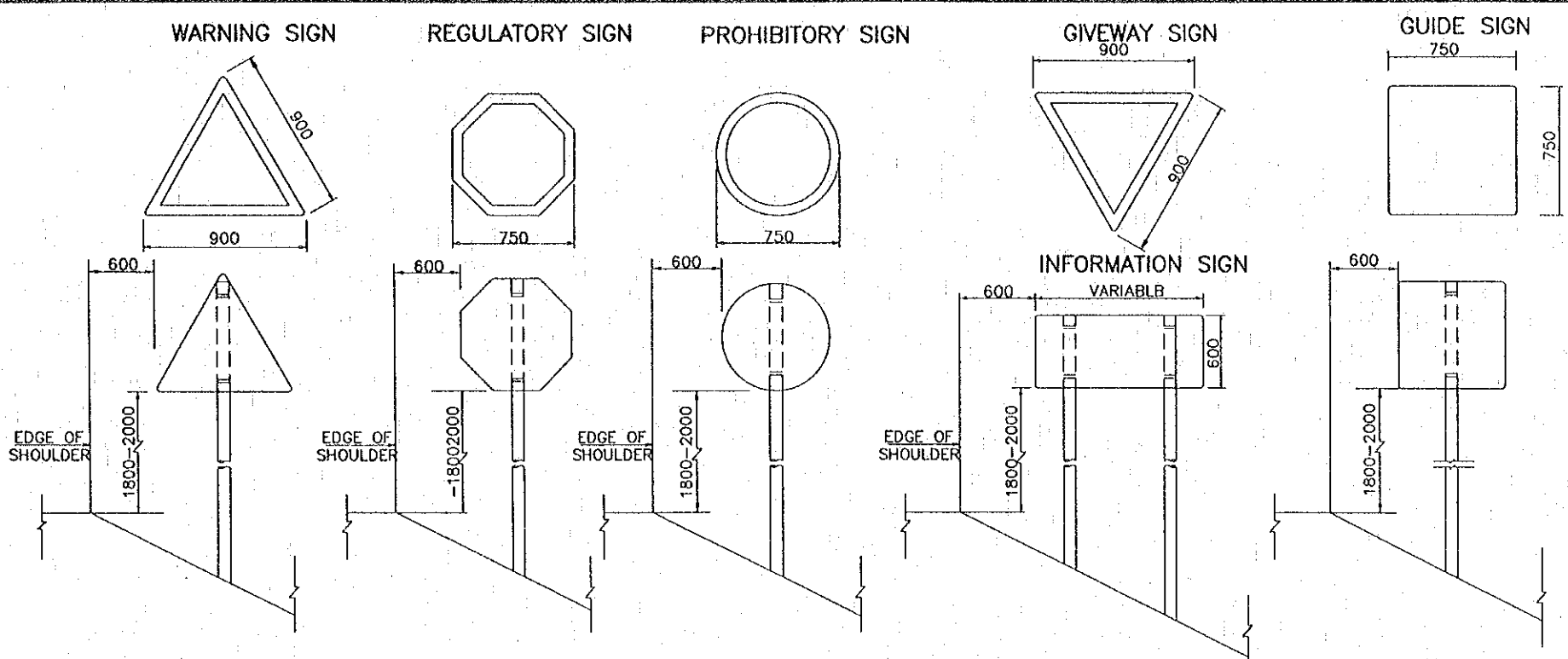


REV.	DATE	DESCRIPTION	APPROVED	PROJECT STUDY TEAM	JICA JAPAN INTERNATIONAL COOPERATION AGENCY	QUALITY RECORD	NAME	SIGNATURE	DATE	DWG. TITLE:
				ORIENTAL CONSULTANTS CO., LTD. in association with NIPPON KORI CO., LTD.	LAO PEOPLE'S DEMOCRATIC REPUBLIC MINISTRY OF COMMUNICATION, TRANSPORT, POST AND CONSTRUCTION KINGDOM OF THAILAND MINISTRY OF TRANSPORT AND COMMUNICATIONS DEPARTMENT OF HIGHWAYS	DESIGN	H. OMO	<i>[Signature]</i>	16/02/00	TRAFFIC SIGN AND ROAD MARKING (7) STA 5+870.000 - 6+200.000
						DESIGN CHECK	T. MANUWONG	<i>[Signature]</i>	18/02/00	
						SUBMITTED	A. HIRATANI	<i>[Signature]</i>	21/02/00	
						APPROVED	P. VROPHANTH	<i>[Signature]</i>	23/02/00	

DATE OF ISSUE:		05/03/2000	
DWG. NO.	R-T-8	SHEET NO.	64
DWG. STATUS			

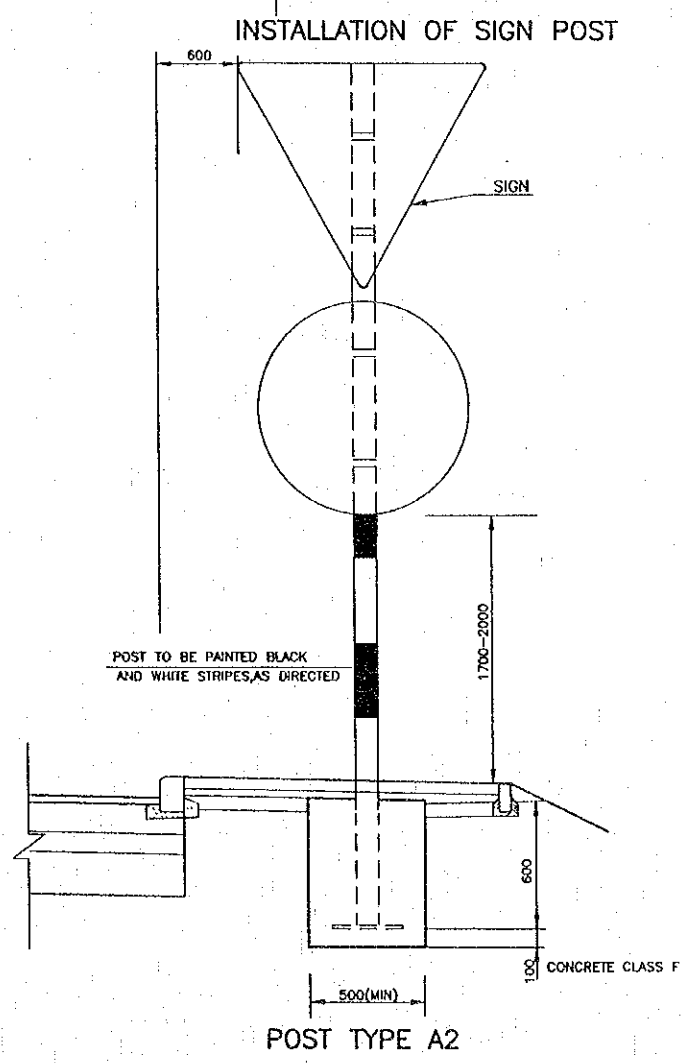
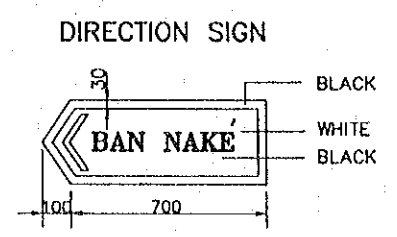
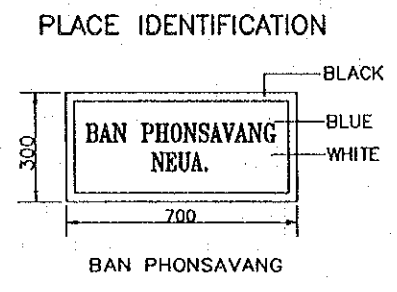
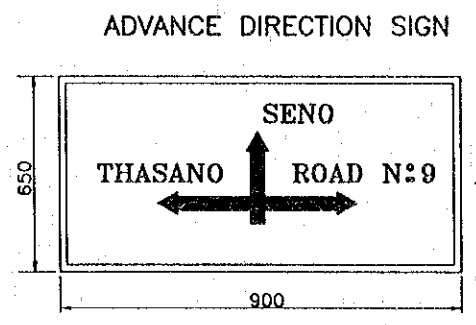


REV.	DATE	DESCRIPTION	APPROVED	PROJECT STUDY TEAM	JICA	LAO PEOPLE'S DEMOCRATIC REPUBLIC	MINISTRY OF COMMUNICATION, TRANSPORT, POST AND CONSTRUCTION	THE SECOND MEKONG INTERNATIONAL BRIDGE CONSTRUCTION PROJECT	QUALITY RECORD	NAME	SIGNATURE	DATE	DWG. TITLE:
				ORIENTAL CONSULTANTS CO., LTD. In association with NIPPON KOEI CO., LTD.		KINGDOM OF THAILAND	MINISTRY OF TRANSPORT AND COMMUNICATIONS DEPARTMENT OF HIGHWAYS		DESIGN	H. Orita	<i>[Signature]</i>	18-02-00	TRAFFIC SIGN AND ROAD MARKING (B) STA 6+200.000 - 6+400.000
								DESIGN CHECK	T. Masutani	<i>[Signature]</i>	18-02-00		
								SUBMITTED	A. Hiratani	<i>[Signature]</i>	11-01-00		
								APPROVED	P. Veophonth	<i>[Signature]</i>	22/02/00		



**NOTES:**

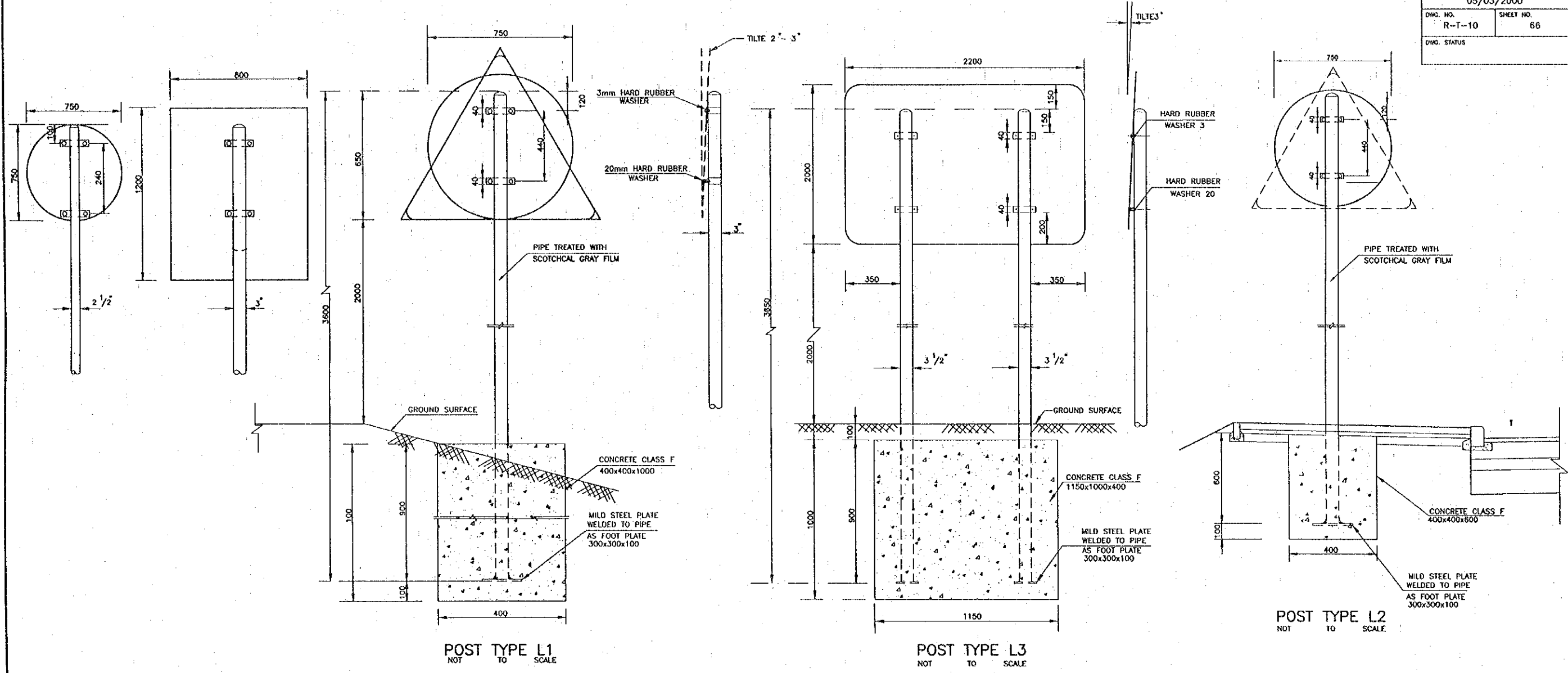
- ALL DIMENSIONS ARE IN MILLIMETERS UNLESS OTHERWISE INDICATED.
- SIGN PLATE SHALL BE MADE OF 2mm. THICK ALUMINIUM ALLOY.
- ALUMINIUM ALLOY SIGN PLATE SHALL CONFORM TO.
- UNLESS OTHERWISE INDICATED SIGNS AND THEIR SUPPORTS SHALL BE OF THE SIZES, COLOURS AND TYPES PRESCRIBED BY, AND SITE IN ACCORDANCE WITH THE RECOMMENDATIONS OF THE DEPARTMENT'S TRAFFIC CONTROL DEVICE MANUAL, PART I ISSUED.
- REFLECTIVE SHEETING SHALL CONFORM TO ENGINEER GRADE AND HIGH INTENSIFY GRADE.
- SIGN FRAME SHALL BE MADE OF 50x25x1.6mm. STEEL RECTANGULAR TUBING FRAME WELDED AND SMOOTHED IN PRIMING. PAINT FOR FRAME SHALL BE RUST PREVENTIVE PAINT (RED LEAD BASED PRIMER FOR IRON AND STEEL SURFACED ,TYPE 3) WHICH CONFORMS TO; THE SUCCEEDING COATING SHALL BE PAINTED WITH BLACK METAL PAINT.
- LENGTH OF SIGN POSTS AND POSITIONS OF HOLES STATED IN THE DRAWING ARE FOR THE MIN. SIZE ONLY. THESE LENGTHS AND POSITION OF HOLES SHALL BE ADJUSTED DEPENDING ON SITE CONDITIONS.
- BACK OF SIGN, CLOSE TO EDGE OF PAVEMENT SIDE, SHALL BE STAMPED WITH DEPTH NOT LESS THAN 0.5 mm.
- CONCRETE SHALL MEET THE REQUIREMENTS OF CONCRETE CLASS F (15N/mm<sup>2</sup>)
- CLEAR CONCRETE COVER SHALL BE 30mm.
- REINFORCING STEEL SHALL BEGRADE



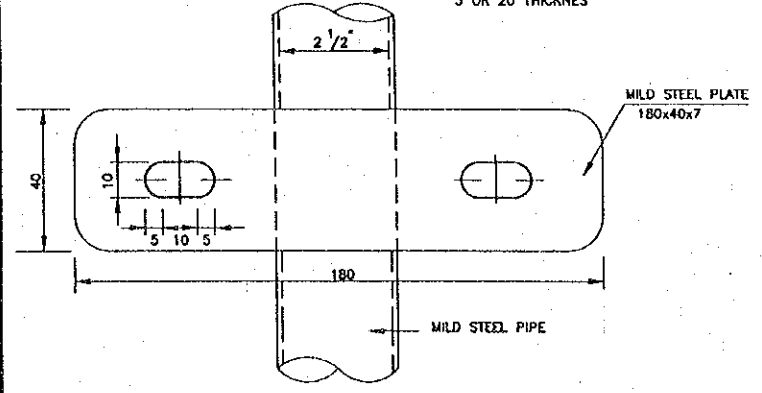
NARROWPORTION OF SIGN	EDGE SIGN LINE	SIGN CENTERLINE	SIGN CURVE RADIUS
600	50	40	30
750	60	50	30.7
900	70	60	40.5

\* THE NUMBER IN THIS TABLE ARE IN MM

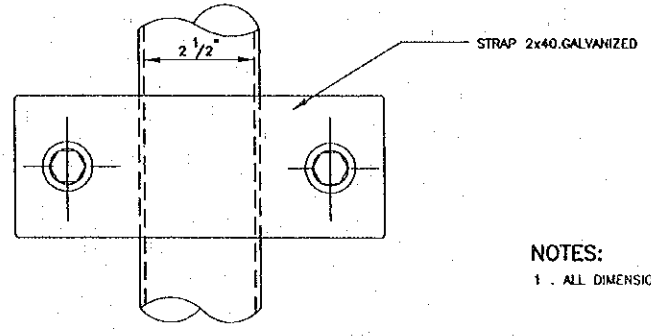
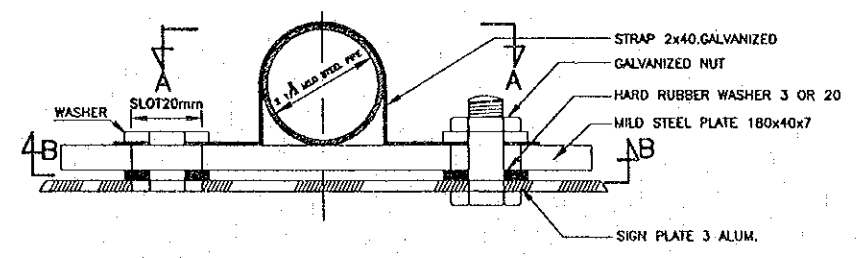
REV.	DATE	DESCRIPTION	APPROVED	PROJECT STUDY TEAM	JICA JAPAN INTERNATIONAL COOPERATION AGENCY	QUALITY RECORD	NAME	SIGNATURE	DATE	DWG. TITLE
				ORIENTAL CONSULTANTS CO., LTD. In association with NIPPON KOEI CO., LTD.	LAO PEOPLE'S DEMOCRATIC REPUBLIC MINISTRY OF COMMUNICATION, TRANSPORT, POST AND CONSTRUCTION KINGDOM OF THAILAND MINISTRY OF TRANSPORT AND COMMUNICATIONS DEPARTMENT OF HIGHWAYS	DESIGN DESIGN CHECK SUBMITTED APPROVED	H. Okita T. Masuzawa A. Hiratani P. Vrophanth	<i>[Signature]</i> <i>[Signature]</i> <i>[Signature]</i> <i>[Signature]</i>	16/02/00 18/02/00 21/02/00 22/02/00	MINOR SIGN AND SIGN POST DETAILS ( 1 ) LAO PDR SIDE



THE SIGN HAS TO BE TILTED BACK BY MEANS OF HARD RUBBER WASHER 3 OR 20 THICKNES



SECTION B-B  
NOT TO SCALE

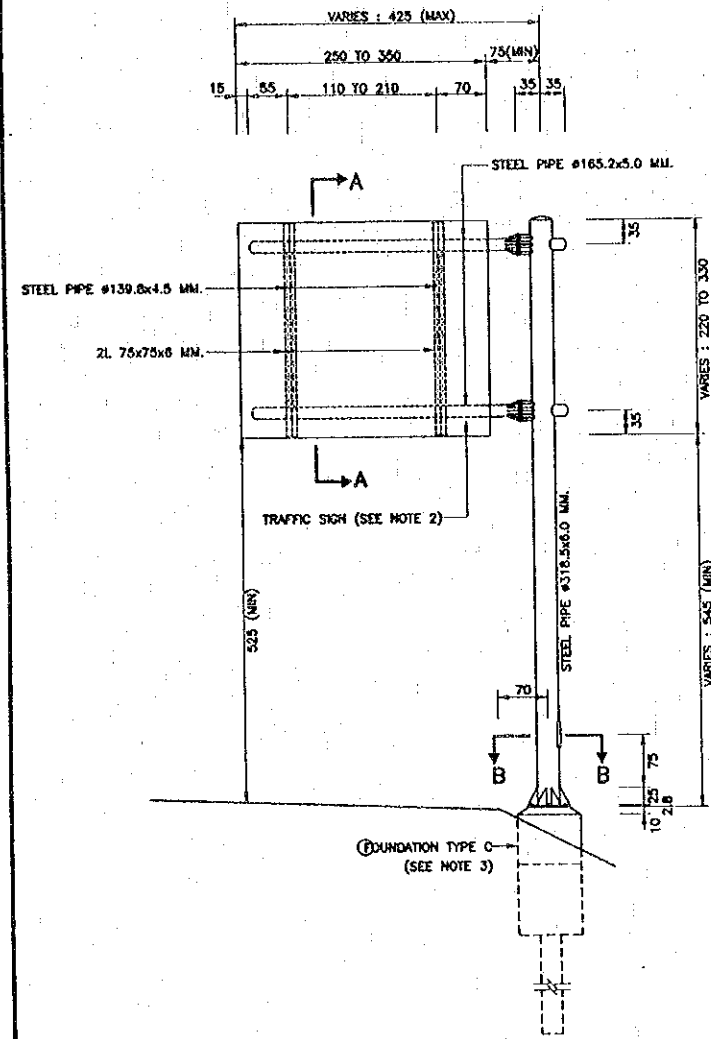


SECTION A-A  
NOT TO SCALE

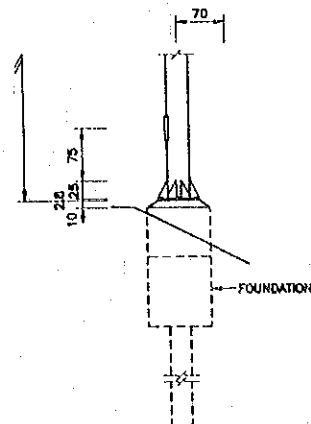
NOTES:  
1. ALL DIMENSIONS ARE IN MILLIMETERS UNLESS OTHERWISE INDICATED

REV.	DATE	DESCRIPTION	APPROVED	PROJECT STUDY TEAM	JICA	QUALITY RECORD	NAME	SIGNATURE	DATE	DWG. TITLE
				ORIENTAL CONSULTANTS CO., LTD. in association with NIPPON KORI CO., LTD.	MINISTRY OF COMMUNICATION, TRANSPORT, POST AND CONSTRUCTION KINGDOM OF THAILAND MINISTRY OF TRANSPORT AND COMMUNICATIONS DEPARTMENT OF HIGHWAYS	DESIGN	H. Okita	<i>[Signature]</i>	16/02/00	MINOR SIGN AND SIGN POST DETAILS( 2 ) LAO PDR SIDE
						DESIGN CHECK	T. Motosawa	<i>[Signature]</i>	17/02/00	
						SUBMITTED	A. Hiratani	<i>[Signature]</i>	21/02/00	
						APPROVED	P. Viraphanth	<i>[Signature]</i>	22/02/00	

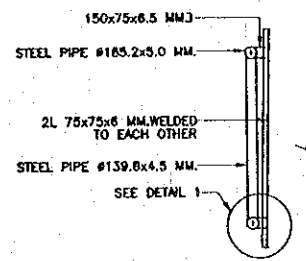
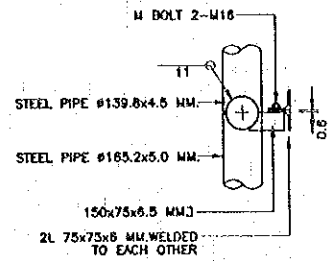




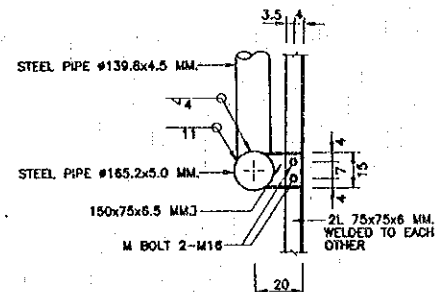
STEEL POLE FOR OVERHANGING TRAFFIC SIGN TYPE 3  
 SCALE 1 : 50



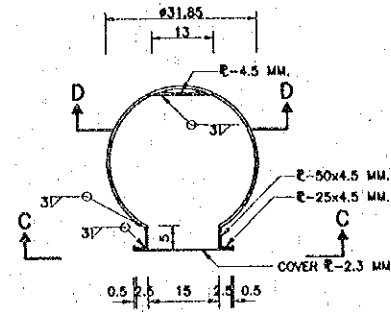
STEEL POLE FOR OVERHANGING TRAFFIC SIGN AT SIDEWALK OR RAISED MEDIAN  
 SCALE 1 : 50



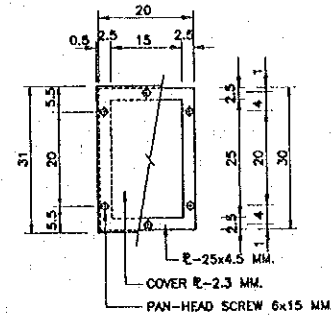
SECTION A-A  
 SCALE 1 : 50



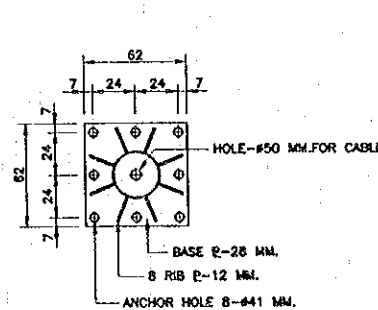
DETAIL 1  
 SCALE 1 : 15



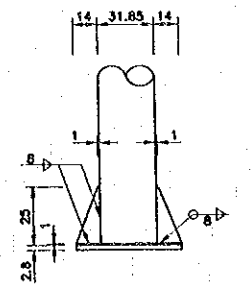
SECTION B-B  
 SCALE 1 : 7.5



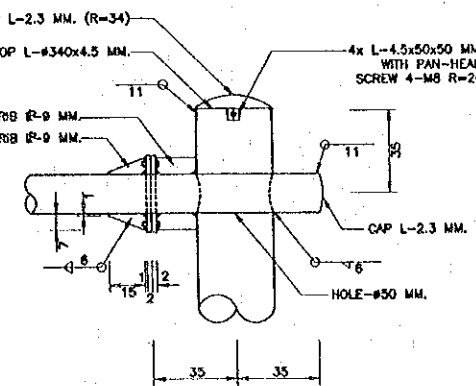
SECTION C-C  
 SCALE 1 : 7.5



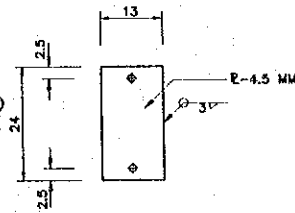
SECTION D-D  
 SCALE 1 : 7.5



BASE OF STEEL POLE  
 SCALE 1 : 20



TOP OF STEEL POLE AND JOINT DETAIL  
 SCALE 1 : 15



NOTES :

1. DIMENSIONS FOR WELDING SYMBOLS ARE IN MILLIMETERS , ALL OTHER DIMENSIONS ARE IN CENTIMETERS UNLESS OTHERWISE INDICATED.
2. THE DIMENSIONS OF STEEL PIPE SHOWN ARE THE OUTER DIAMETER AND THE THICKNESS OF THE PIPE FOR EXAMPLE : #318.5x6.0 MM. MEANS THE OUTER DIAMETER OF THE PIPE IS 318.5 MM. AND THE THICKNESS IS 6.0 MM.
3. STEEL PIPE SHALL CONFORM TO ONE OF THE FOLLOWING SPECIFICATIONS
  - 5.1 TIS. 107 GRADE HS41.
  - 5.2 JIS. G3444 GRADE STK41
  - 5.3 ASTM. A252-75 GRADE 2
4. STRUCTURAL STEEL SECTION SHALL CONFORM TO TIS.116 GRADE F# 24
5. STEEL PIPE, STRUCTURAL STEEL SECTION, STEEL PLATE, BOLTS, NUTS AND WASHERS SHALL BE GALVANIZED. ZINC COATING SHALL NOT BE LESS THAN 550 GRAMS PER SQUARE METER.
6. ELECTRIC ARC WELDING WHICH CONFORMS TO AISC STANDARD SHALL BE USED FOR WELDING STEEL.

REV.	DATE	DESCRIPTION	APPROVED	PROJECT STUDY TEAM

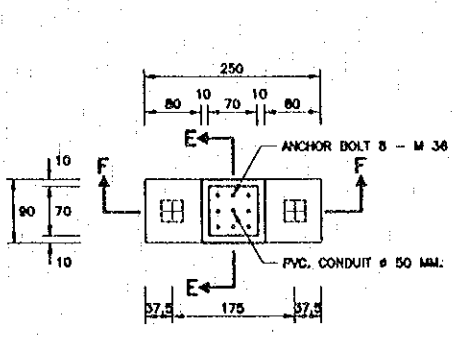
ORIENTAL CONSULTANTS CO., LTD.  
 In association with  
 NIPPON KOEI CO., LTD.

JICA JAPAN INTERNATIONAL COOPERATION AGENCY  
 LAO PEOPLE'S DEMOCRATIC REPUBLIC  
 MINISTRY OF COMMUNICATION, TRANSPORT, POST AND CONSTRUCTION  
 KINGDOM OF THAILAND  
 MINISTRY OF TRANSPORT AND COMMUNICATIONS  
 DEPARTMENT OF HIGHWAYS

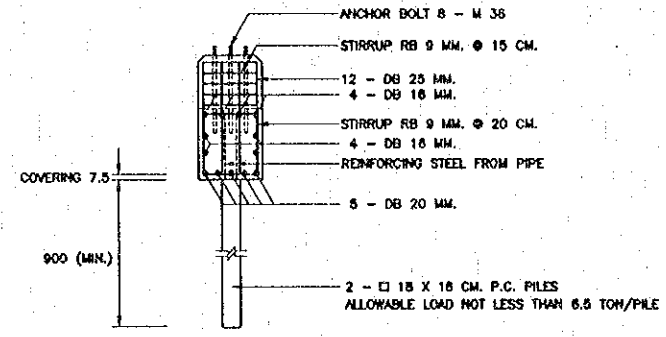
THE SECOND MEKONG INTERNATIONAL BRIDGE CONSTRUCTION PROJECT

QUALITY RECORD	NAME	SIGNATURE	DATE
DESIGN	H. Okiya	<i>[Signature]</i>	11/12/00
DESIGN CHECK	T. Manuzawa	<i>[Signature]</i>	11/20/00
SUBMITTED	A. Hirokuni	<i>[Signature]</i>	11/20/00
APPROVED	P. Viraphanth	<i>[Signature]</i>	12/07/00

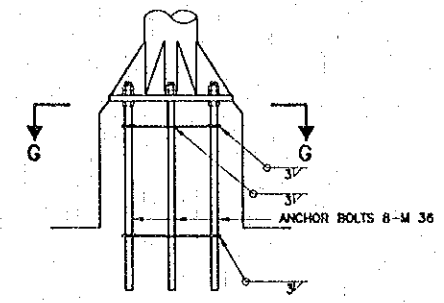
DWG. TITLE:  
 STEEL POLE FOR OVERHANGING TRAFFIC SIGN(1)  
 LAO PDR SIDE



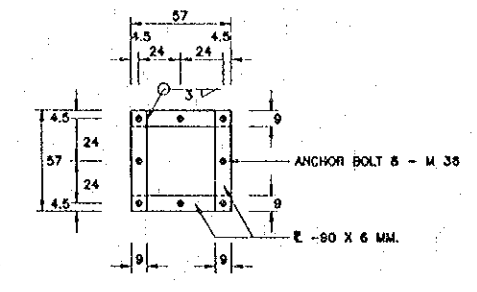
PLAN OF FOUNDATION TYPE C  
SCALE 1:50



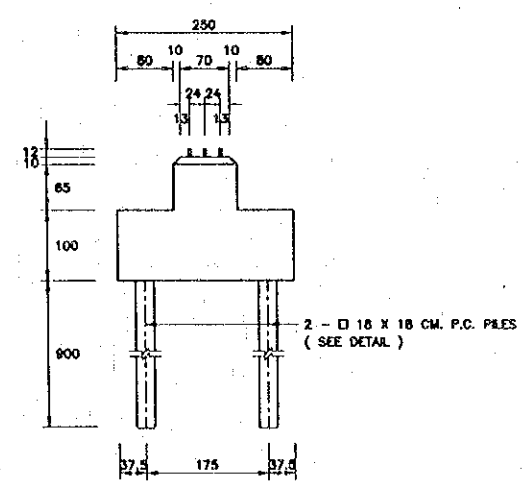
SECTION E - E  
SCALE 1:50



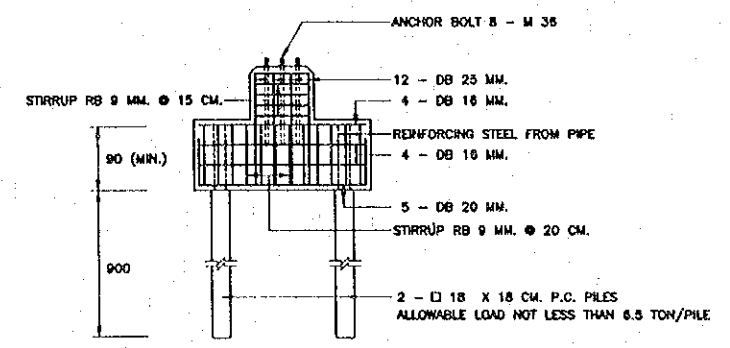
ANCHOR BOLT DETAIL  
SCALE 1:20



SECTION G - G  
SCALE 1:20



SIDE ELEVATION OF FOUNDATION TYPE C  
SCALE 1:50



SECTION F - F  
SCALE 1:50

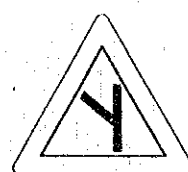
NOTES

1. ALL DIMENSIONS ARE IN CENTIMETERS UNLESS OTHERWISE INDICATED.
2. CONCRETE FOR FOUNDATION SHALL BE CLASS D ( 24N/mm<sup>2</sup> )
3. CONCRETE FOR PRESTRESS CONCRETE PILE SHALL BE CLASS B ( 30N/mm<sup>2</sup> )
4. REINFORCING STEEL BARS SHALL BE GRADE S4235 FOR ROUND BARS AND GRADE S0295 FOR DEFORMED BARS
5. CLEAR CONCRETE COVER SHALL BE 7.5cm FOR FOUNDATION.

REV.	DATE	DESCRIPTION	APPROVED	PROJECT STUDY TEAM	JICA JAPAN INTERNATIONAL COOPERATION AGENCY	QUALITY RECORD	NAME	SIGNATURE	DATE	DWG. TITLE
				ORIENTAL CONSULTANTS CO., LTD. In association with NIPPON KOGI CO., LTD.	LAO PEOPLE'S DEMOCRATIC REPUBLIC MINISTRY OF COMMUNICATION, TRANSPORT, POST AND CONSTRUCTION KINGDOM OF THAILAND MINISTRY OF TRANSPORT AND COMMUNICATIONS DEPARTMENT OF HIGHWAYS	DESIGN	H. Okita	<i>[Signature]</i>	11-10-00	STEEL POLE FOR OVERHANGING TRAFFIC SIGN (2) LAO PDR SIDE
						DESIGN CHECK	T. Masutawa	<i>[Signature]</i>	11-09-00	
						SUBMITTED	A. Kiatani	<i>[Signature]</i>	21/02/00	
						APPROVED	P. Yraphanth	<i>[Signature]</i>	21/02/00	

WARNING SIGNS

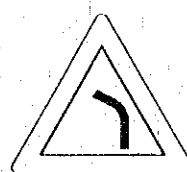
RESTRICTIVE SIGNS



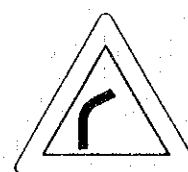
ທາງໂຕ້ຕອບທາງໂຕ້ຕອບເບື້ອງຊ້າຍ  
 Y JUNCTION, LEFT  
 W 2-11L



ທາງໂຕ້ຕອບທາງໂຕ້ຕອບເບື້ອງຂວາ  
 Y JUNCTION, RIGHT  
 W 2-11R



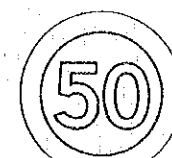
ທາງໂຕ້ຕອບເບື້ອງຊ້າຍ  
 LEFT BEND  
 W 1-1L



ທາງໂຕ້ຕອບເບື້ອງຂວາ  
 RIGHT BEND  
 W 1-1R



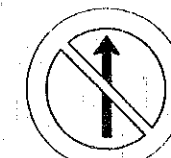
ທາງຕັກຂ້າມ ( ເບນຄົນໄຫຼ )  
 PEDESTRIAN CROSSING  
 W 12-2



ຄວາມໄວຈັກ  
 SPEED LIMIT 50 km/h  
 R 3-1



ສິ້ນສິ້ນຄວາມໄວຈັກ  
 END OF SPEED LIMIT 50 km/h  
 R 13/3-1



ຫ້າມເຂົ້າ  
 NO INT  
 R 4-1



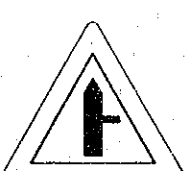
ຫ້າມຢູ່ແລະຫ້າມອາດ  
 RESTRICTED STOPPING AND  
 PARKING  
 R 4-2



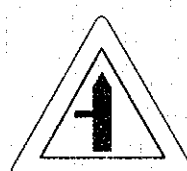
ຫ້າມອາດ  
 RESTRICTED STOPPING  
 OR WAITING  
 R 4-3



ທາງໂຕ້ຕອບທາງ  
 INTERSECTION WITH A NON  
 PRIORITY ROAD  
 W 10-1



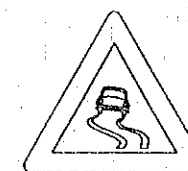
ທາງໂຕ້ຕອບທາງເບື້ອງຂວາ  
 SIDE ROAD, RIGHT  
 W 10-2R



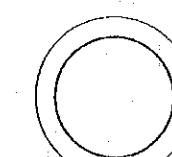
ທາງໂຕ້ຕອບທາງເບື້ອງຊ້າຍ  
 SIDE ROAD, LEFT  
 W 10-2L



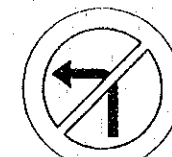
ລູກນ້ອຍຕັກຂ້າມ  
 CHILDREN CROSSING  
 W 11-1



ທາງມື້ນອຸ່ນ  
 SLIPPERY ROAD  
 W 9-1



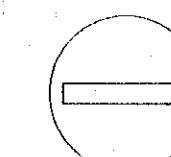
ຫ້າມເຂົ້າສູ່ທຸກທິດ  
 CLOSED TO ALL VEHICLES  
 IN BOTH DIRECTIONS  
 R 5-1



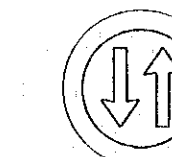
ຫ້າມລຸງວຽນ  
 NO LEFT TURN  
 R 8-1



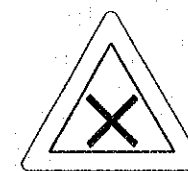
ຫ້າມລຸງວຽນ  
 NO RIGHT TURN  
 R 8-2



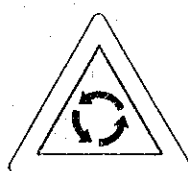
ຫ້າມເຂົ້າ  
 ENTRY PROHIBITED  
 R 5-1



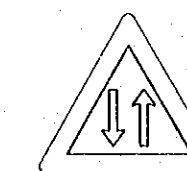
ຄວາມເປັນເອົາເອົາ  
 PRIORITY TO BE GIVEN TO VEHICLES  
 COMING IN THE OPPOSITE DIRECTION  
 R 12-1



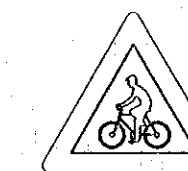
ຕີທາງຕັກຂ້າມ  
 CROSS ROAD  
 W 19-1



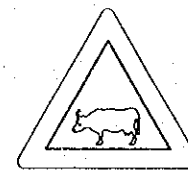
ຕີທາງວົງຈຸນ  
 TRAFFIC ROTARY  
 W 8-1



ທາງສອງທາງ  
 TWO - WAY TRAFFIC  
 W 18-1



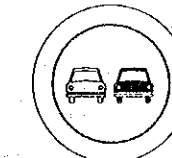
ຕີທາງລູກລີບ  
 CYCLISTS  
 W 13-1



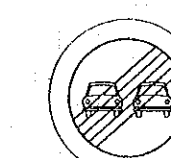
ທາງມີສັດລ້ຽງ  
 ANIMALS CROSSING  
 W 14-1



ຫ້າມລຸງວຽນຄືນ  
 NO U TURN  
 R 8-3



ຫ້າມລຸງວຽນ  
 OVERTAKING PROHIBITED  
 R 9-1



ສິ້ນສິ້ນຫ້າມລຸງວຽນ  
 END OF OVERTAKING  
 PROHIBITED  
 R 13/9-1



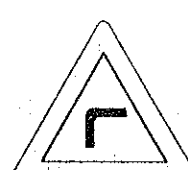
ຕັກທາງ  
 STOP CUSTOMS  
 R 11-1



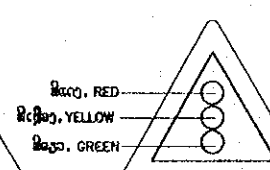
ສິ້ນສິ້ນຫ້າມທຸກປະເພດ  
 END OF ALL PROHIBITIONS  
 R 13



ທາງໂຕ້ຕອບເບື້ອງຊ້າຍ  
 LEFT SHARP BEND  
 W 1-2L



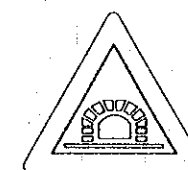
ທາງໂຕ້ຕອບເບື້ອງຂວາ  
 RIGHT SHARP BEND  
 W 1-2R



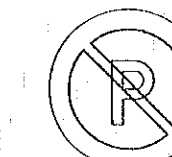
ທາງມີສັນຍາ  
 SIGNALS AHEAD  
 W 15-1



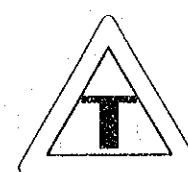
ທາງມີສັດ  
 WILD ANIMALS  
 W 14-2



ທາງອຸ່ນ  
 TUNNEL  
 W 29-1



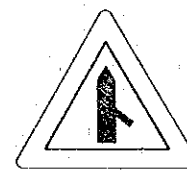
ຫ້າມອາດ  
 PARKING AND  
 STOPPING PROHIBITED  
 R 14-1



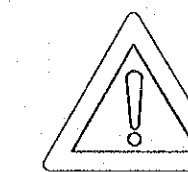
ທາງເຂົ້າທາງໂຕ້ຕອບ  
 MERGE WITH  
 NON-PRIORITY ROAD  
 W 33-1



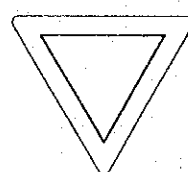
ທາງເຂົ້າທາງໂຕ້ຕອບ  
 MERGE, LEFT  
 WITH NON - PRIORITY ROAD  
 W 33-2



ທາງເຂົ້າທາງໂຕ້ຕອບ  
 MERGE, RIGHT  
 W 33-3



ອຸ່ນອື່ນ  
 OTHER DANGER  
 W 5-2



ບໍ່ອາດ  
 GIVE WAY  
 W 22-1

REV.	DATE	DESCRIPTION	APPROVED	PROJECT STUDY TEAM	JICA	QUALITY RECORD	NAME	SIGNATURE	DATE	DWG. TITLE
				ORIENTAL CONSULTANTS CO., LTD. in association with NIPPON KOBİ CO., LTD.	JICA JAPAN INTERNATIONAL COOPERATION AGENCY LAO PEOPLE'S DEMOCRATIC REPUBLIC MINISTRY OF COMMUNICATION, TRANSPORT, POST AND CONSTRUCTION KINGDOM OF THAILAND MINISTRY OF TRANSPORT AND COMMUNICATIONS DEPARTMENT OF HIGHWAYS	DESIGN DESIGN CHECK SUBMITTED APPROVED	H. Orita T. Morizawa A. Hiratani P. Virophanth	[Signatures]	16-09-00 21-09-00 21/10/00 22/02/00	STANDARD TRAFFIC SIGNS ( 1 ) LAO PDR SIDE

INFORMATIVE ROAD SIGNS

REGULATORY ROAD SIGNS



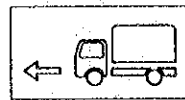
STOP  
I 29



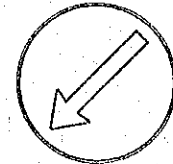
TRUCK TURNING  
RIGHT  
I 12-1



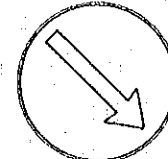
TRUCK GOING  
STRAIGHT  
I 12-2



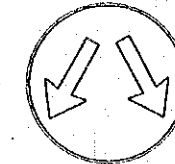
TRUCK TURNING  
LEFT  
I 12-3



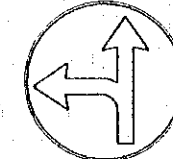
LEFT DETOUR DIRECTION  
TO BE FOLLOWED  
R 15-1



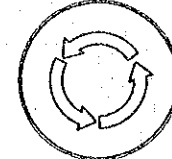
RIGHT DETOUR DIRECTION  
TO BE FOLLOWED  
R 15-2



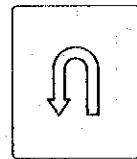
LEFT DETOUR DIRECTION AND  
RIGHT TO BE FOLLOWED  
R 15-3



STRAIGHT DIRECTION OR TURN  
LEFT TO BE FOLLOWED  
R 17-7L



ROUNDABOUT  
R 18-1



U TURNING  
I 23



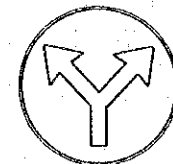
GENERAL PARKING  
I 20-1



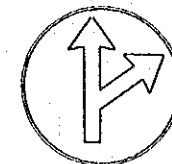
PEDESTRIAN  
CROSSING  
I 39-2



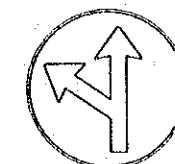
PEDESTRIAN  
CROSSING  
I 39-1



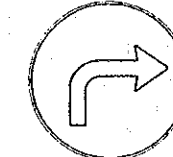
LEFT DIRECTION OR  
RIGHT TO BE FOLLOWED  
R 16-1



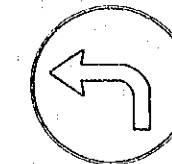
STRAIGHT DIRECTION OR  
RIGHT TO BE FOLLOWED  
R 16-2



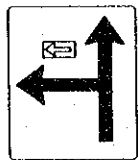
STRAIGHT DIRECTION OR  
LEFT TO BE FOLLOWED  
R 16-3



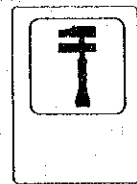
TURN RIGHT DIRECTION  
TO BE FOLLOWED  
R 17-6R



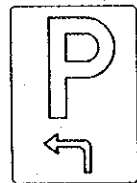
TURN LEFT DIRECTION  
TO BE FOLLOWED  
R 17-6L



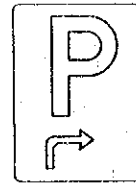
DIRECTION  
TO BE FOLLOWED  
I -24



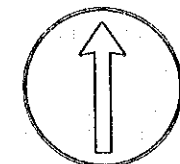
MECHANICAL HELP  
I 16



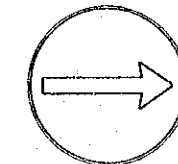
GENERAL PARKING  
ON LEFT  
I 20-2



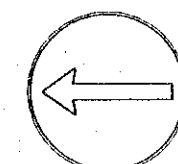
GENERAL PARKING  
ON RIGHT  
I 20-3



STRAIGHT DIRECTION TO BE  
FOLLOWED  
R 17-0



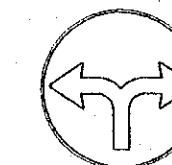
RIGHT DIRECTION TO BE  
FOLLOWED  
R 17-2R



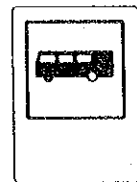
LEFT DIRECTION TO BE  
FOLLOWED  
R 17-2L



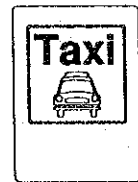
MANDATORY  
MOVEMENT  
R 17-3



RIGHT TO BE FOLLOWED  
R 17-5



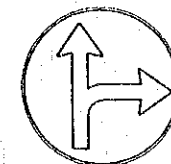
BUS STOP  
I 32



TAXI STATION  
I 31



POLICE  
STATION  
I 36

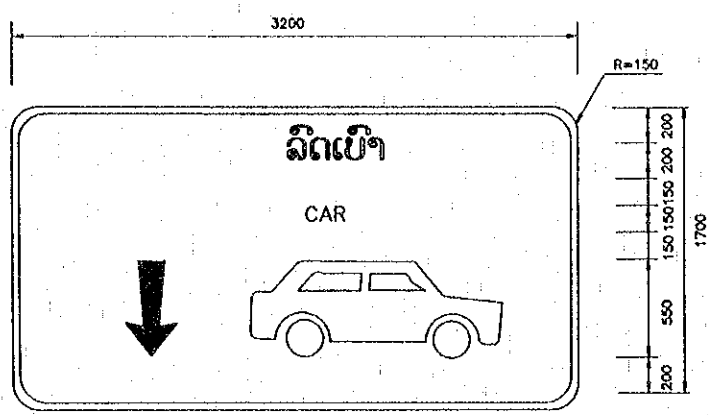


STRAIGHT DIRECTION OR TURN  
RIGHT TO BE FOLLOWED  
R 17-7R

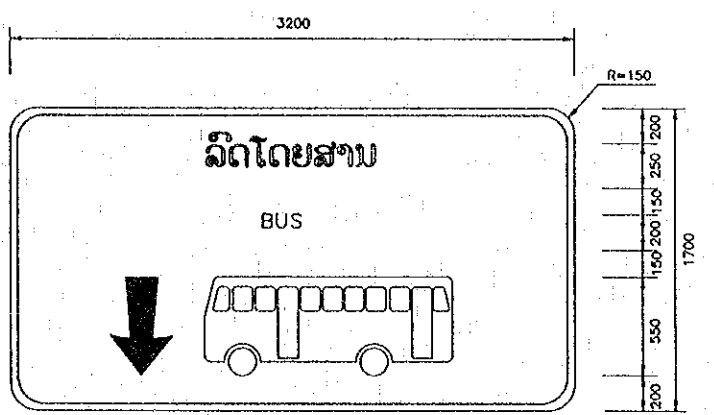


STOP  
R 2-2

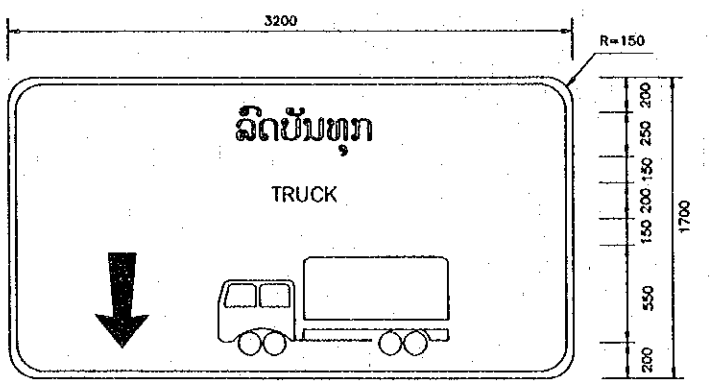
REV.	DATE	DESCRIPTION	APPROVED	PROJECT STUDY TEAM	JICA	LAO PEOPLE'S DEMOCRATIC REPUBLIC	MINISTRY OF COMMUNICATION, TRANSPORT, POST AND CONSTRUCTION	THE SECOND MEKONG INTERNATIONAL BRIDGE CONSTRUCTION PROJECT	QUALITY RECORD	NAME	SIGNATURE	DATE	DWG. TITLE
				ORIENTAL CONSULTANTS CO., LTD. In association with NIPPON KORI CO., LTD.	JICA	MINISTRY OF COMMUNICATION, TRANSPORT, POST AND CONSTRUCTION	MINISTRY OF TRANSPORT AND COMMUNICATIONS DEPARTMENT OF HIGHWAYS		DESIGN	H. Okita	[Signature]	11-02-00	STANDARD TRAFFIC SIGNS ( 2 ) LAO PDR SIDE
								DESIGN CHECK	T. Masuzawa	[Signature]	11-02-00		
								SUBMITTED	A. Hirakawa	[Signature]	11/02/00		
								APPROVED	P. Viraphanth	[Signature]	11/02/00		



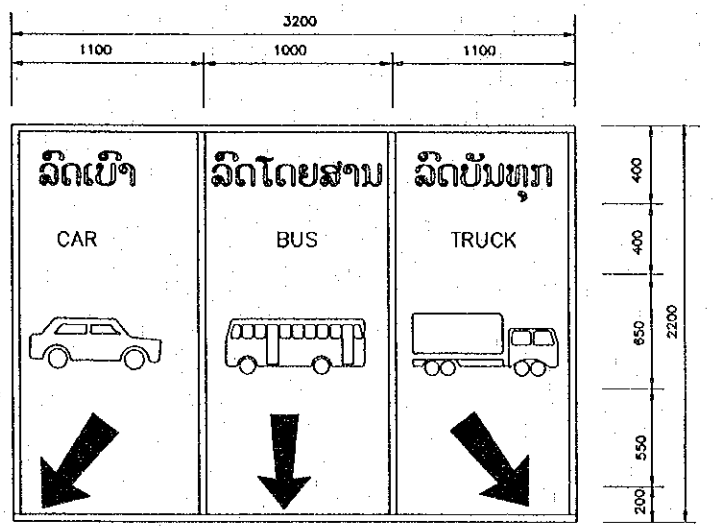
OVERHANGING SIGN S-1 ( 1 )



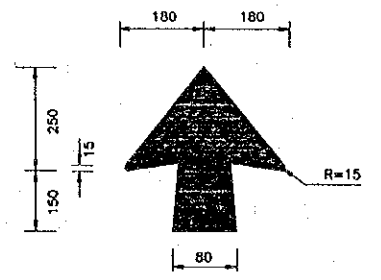
OVERHANGING SIGN S-1 ( 2 )



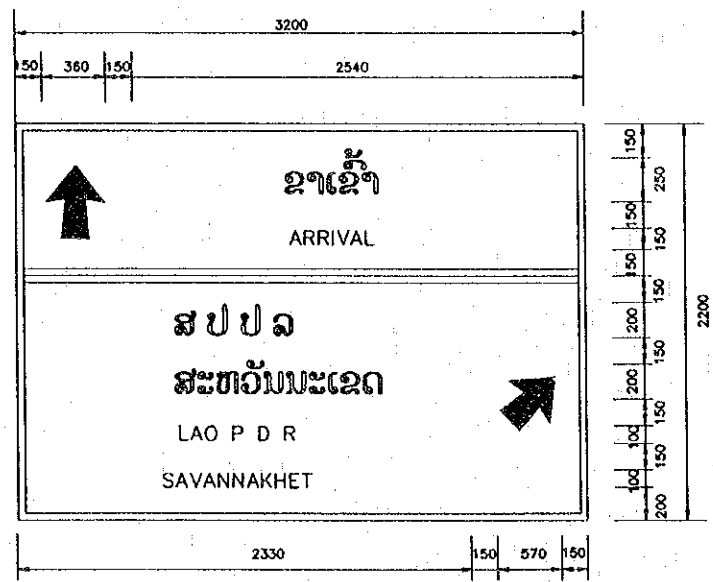
OVERHANGING SIGN S-1 ( 3 )



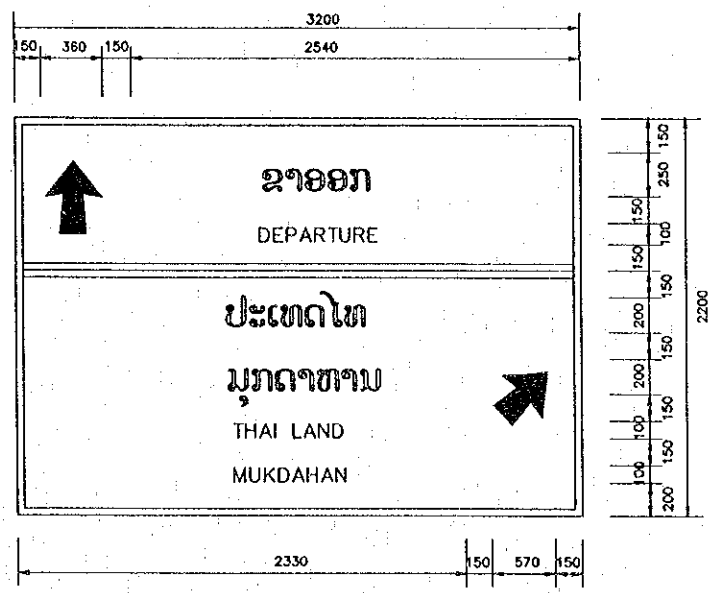
OVERHANGING SIGN S-2 ( 1 )



ARROW DIMENSIONS



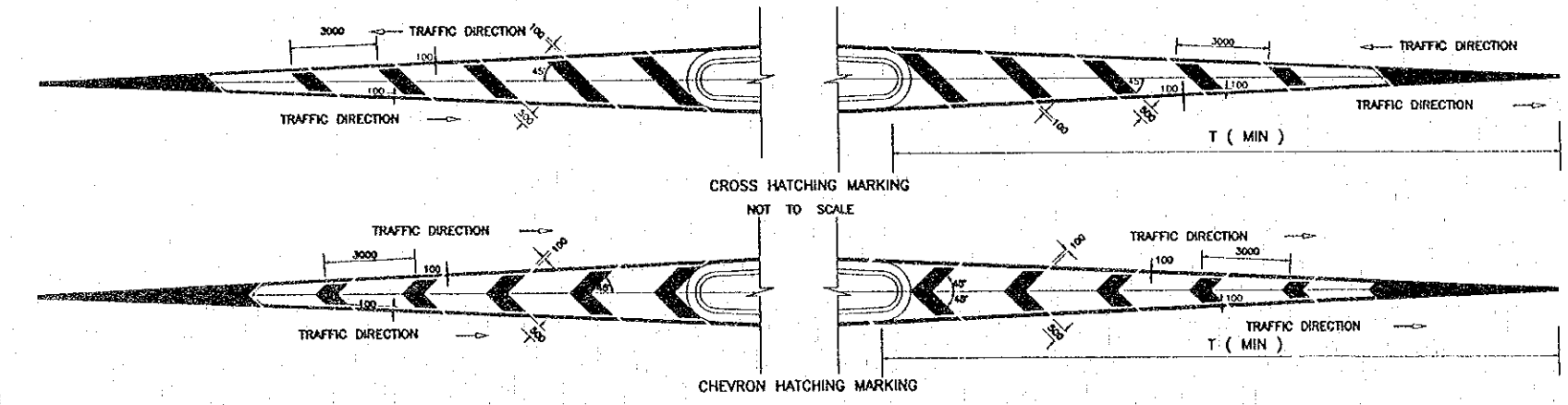
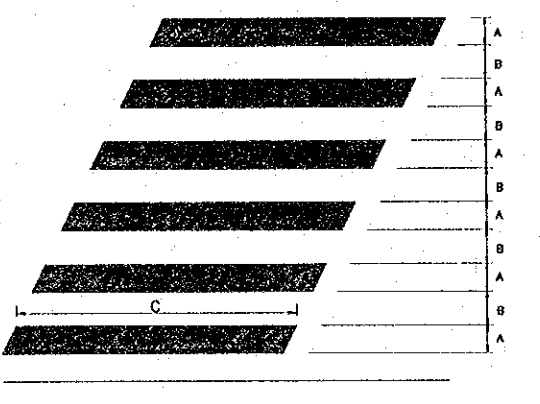
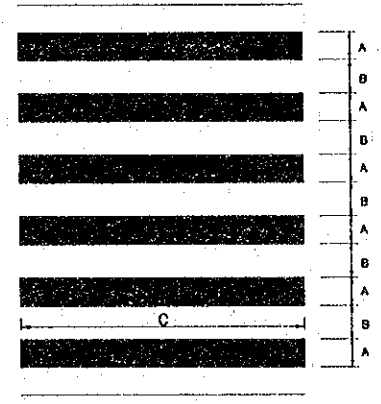
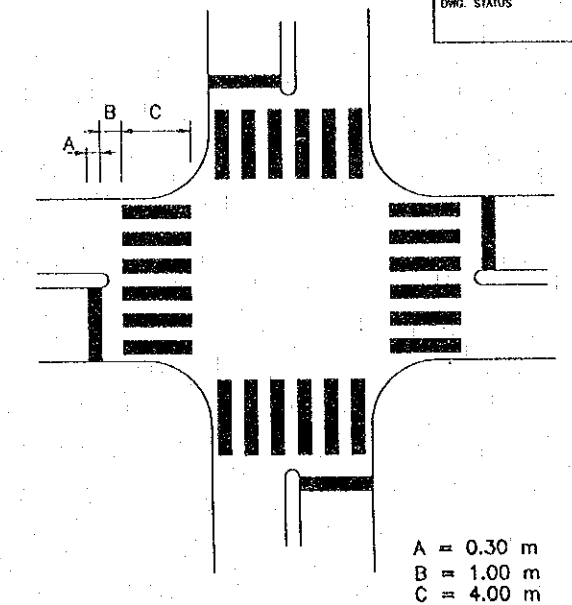
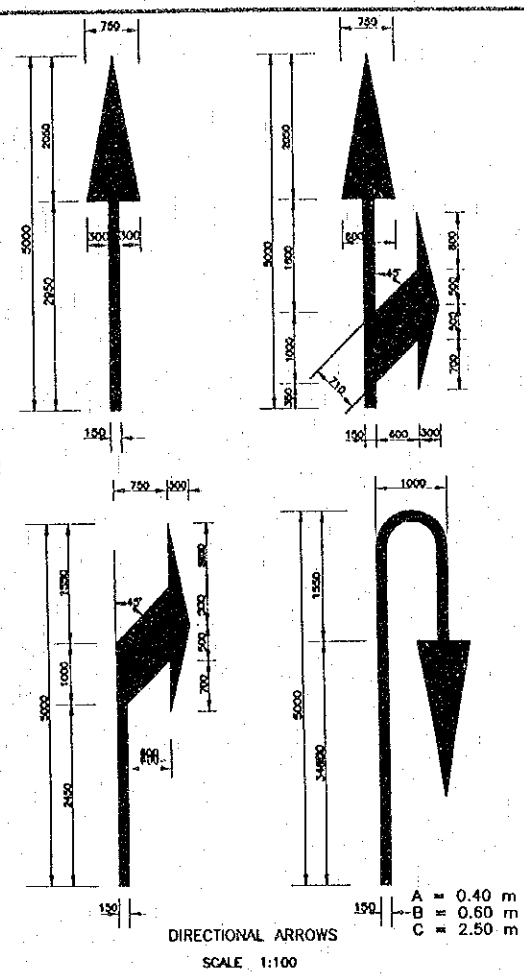
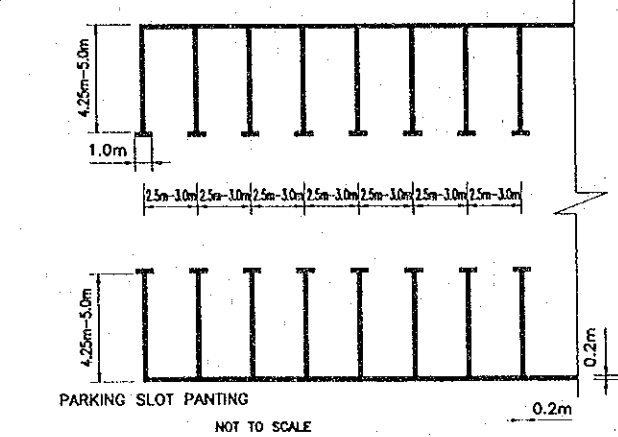
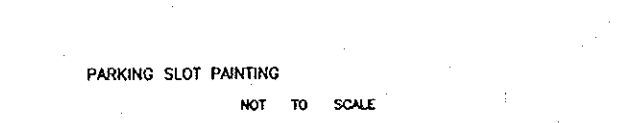
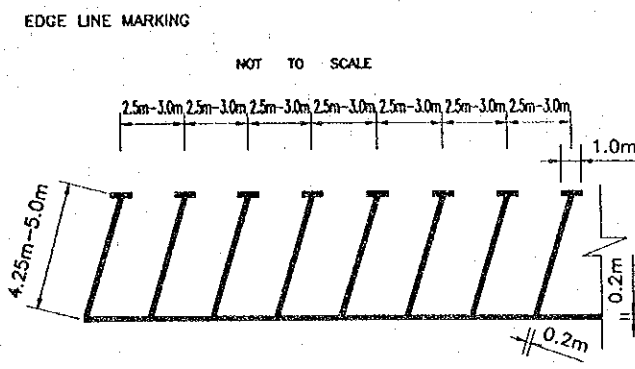
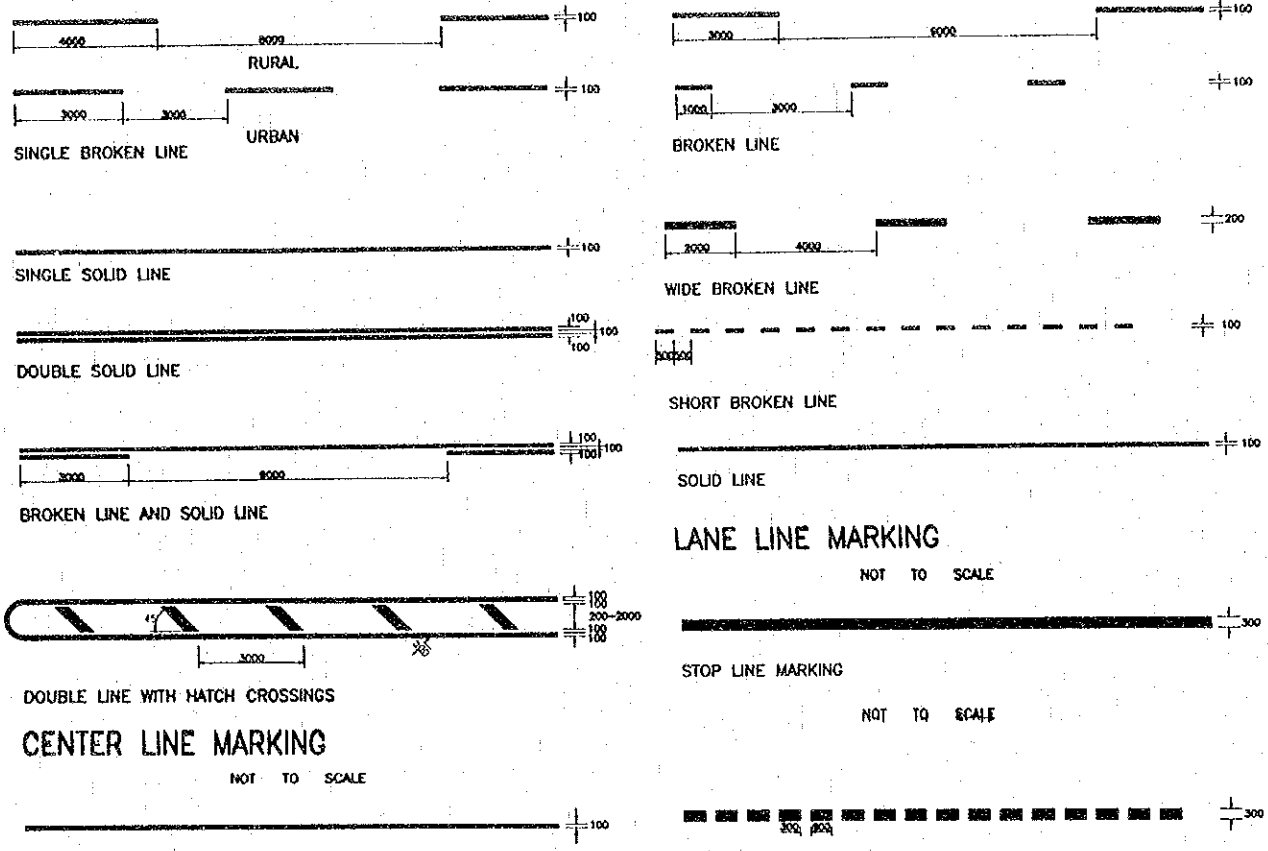
OVERHANGING SIGN S-2( 2 )



OVERHANGING SIGN S-2( 3 )

NOTE  
 1. ALL DIMENSIONS ARE IN MILLIMETERS UNLESS OTHERWISE INDICATED

REV.	DATE	DESCRIPTION	APPROVED	PROJECT STUDY TEAM	JICA	QUALITY RECORD	NAME	SIGNATURE	DATE	DWG. TITLE
				ORIENTAL CONSULTANTS CO., LTD. In association with NIPPON KOHI CO., LTD.	JAPAN INTERNATIONAL COOPERATION AGENCY LAO PEOPLE'S DEMOCRATIC REPUBLIC MINISTRY OF COMMUNICATION, TRANSPORT, POST AND CONSTRUCTION	DESIGN	H. Orita	<i>[Signature]</i>	11/02/00	TRAFFIC SIGN AND SIGN BOARD DETAILS LAO PDR SIDE
					KINGDOM OF THAILAND MINISTRY OF TRANSPORT AND COMMUNICATIONS DEPARTMENT OF HIGHWAYS	DESIGN CHECK	T. Morisawa	<i>[Signature]</i>	02/02/00	
						SUBMITTED	A. Hiratani	<i>[Signature]</i>	21/02/00	
						APPROVED	P. Viraphanth	<i>[Signature]</i>	22/02/00	



URBAN

DESIGN SPEED(Km/h)	T ( m )
20	15
30	20
40	25
50	30
60	40

- NOTES:**
- ROAD PAINT SHALL BE THERMOPLASTIC MATERIAL INCORPORATING GLASS BEAD AND CONFORMING WITH AASHTO M 249
  - GLASS BEADS SHALL CONFORM TO AASHTO M 247 ( TYPE 2 )

REV.	DATE	DESCRIPTION	APPROVED

PROJECT STUDY TEAM  
 ORIENTAL CONSULTANTS CO., LTD.  
 In association with  
 NIPPON KOEI CO., LTD.

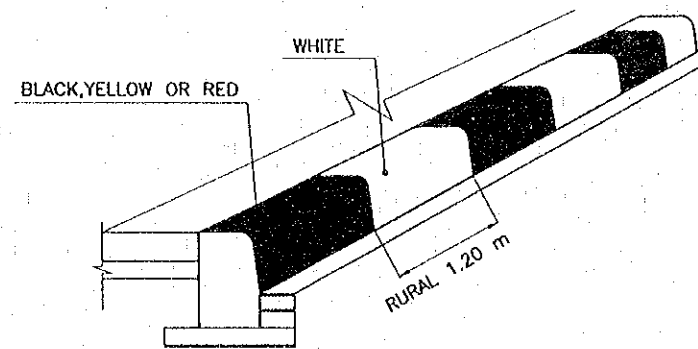
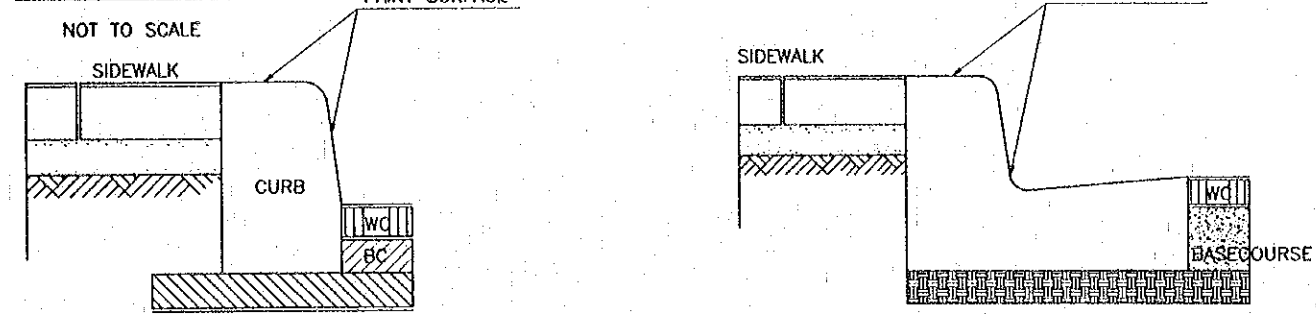
JICA JAPAN INTERNATIONAL COOPERATION AGENCY  
 LAO PEOPLE'S DEMOCRATIC REPUBLIC  
 MINISTRY OF COMMUNICATION, TRANSPORT, POST AND CONSTRUCTION  
 KINGDOM OF THAILAND  
 MINISTRY OF TRANSPORT AND COMMUNICATIONS  
 DEPARTMENT OF HIGHWAYS

THE SECOND MEKONG INTERNATIONAL BRIDGE CONSTRUCTION PROJECT

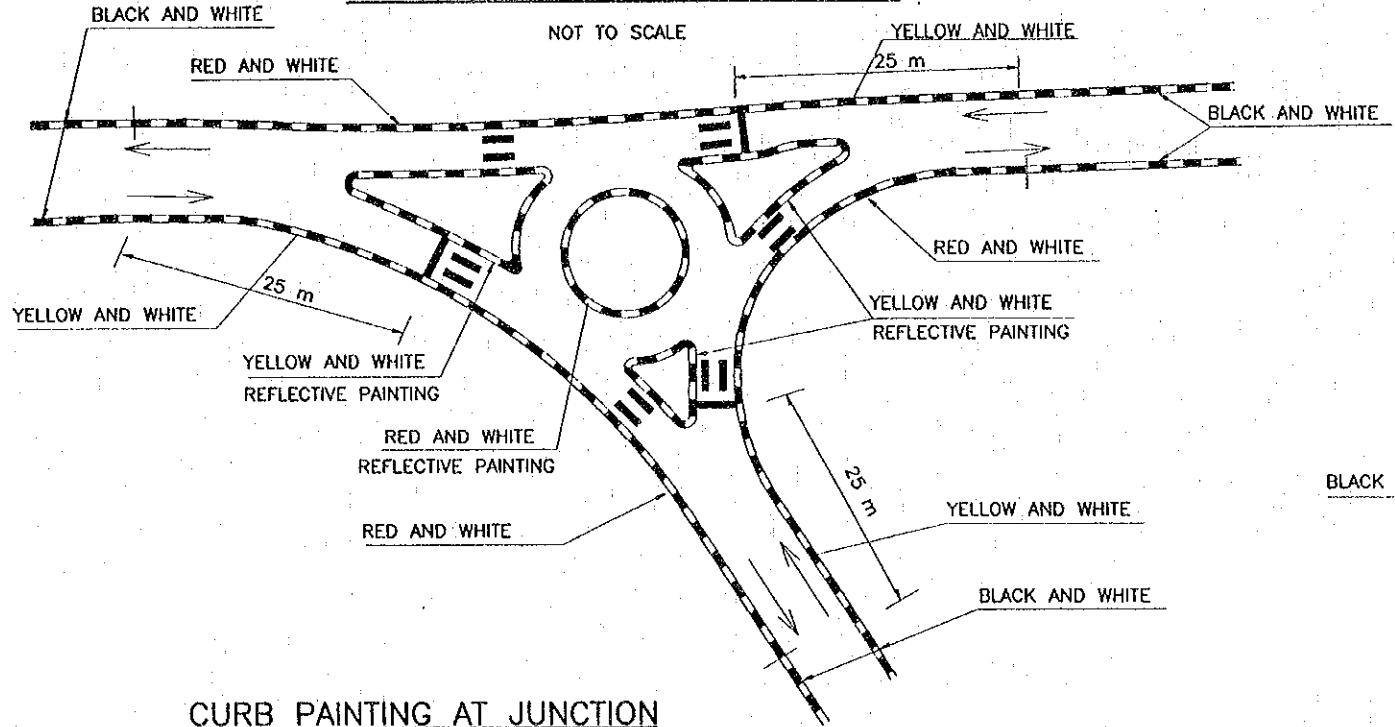
QUALITY RECORD	NAME	SIGNATURE	DATE
DESIGN	H. Orita	<i>H. Orita</i>	16-01-02
DESIGN CHECK	T. Mouszowa	<i>T. Mouszowa</i>	17-01-02
SUBMITTED	A. Nirelani	<i>A. Nirelani</i>	21-01-02
APPROVED	P. Viraphonh	<i>P. Viraphonh</i>	22-02-02

DWG. TITLE:  
**MAKINGS LINE, ARROW AND HATCHING MARKINGS**  
 LAO PDR SIDE

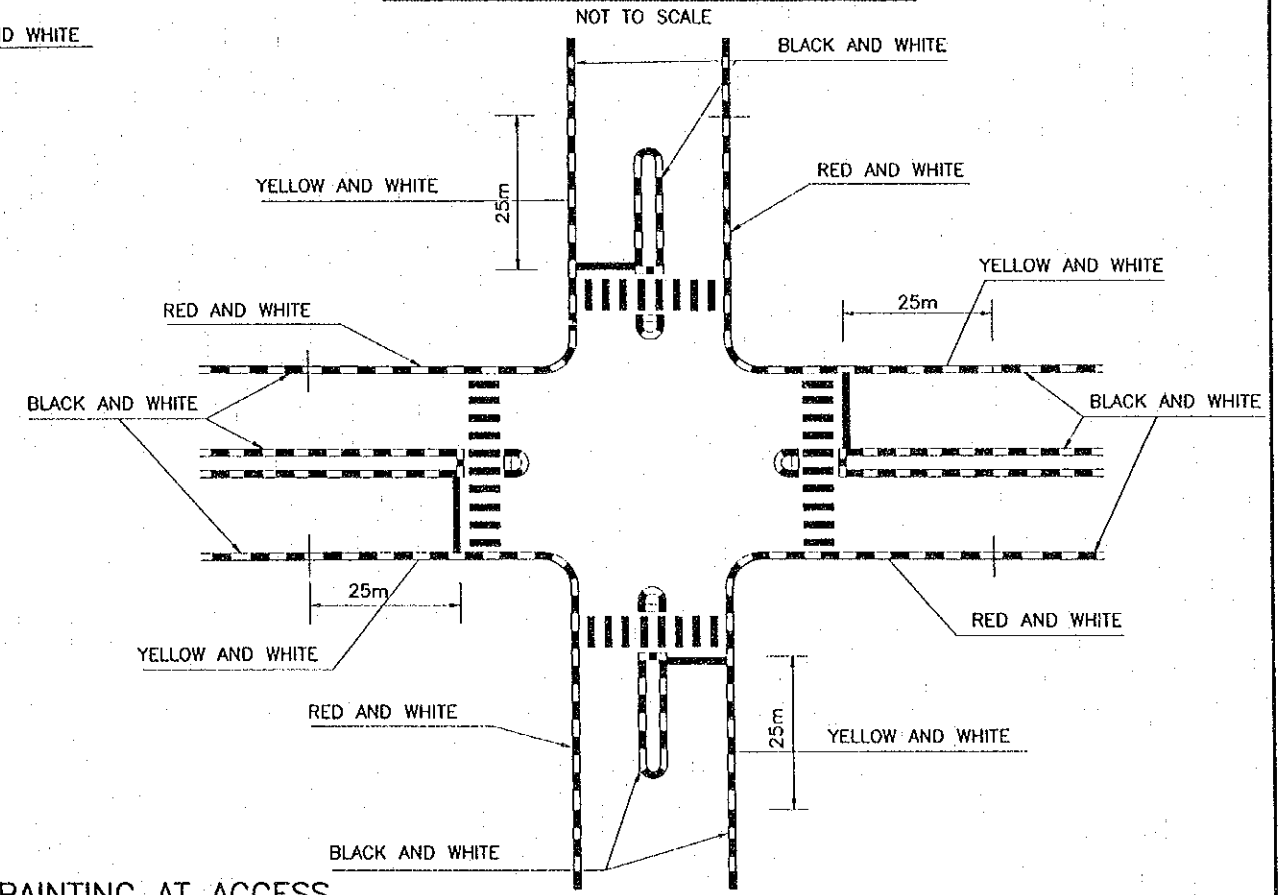
**CURB MARKING**



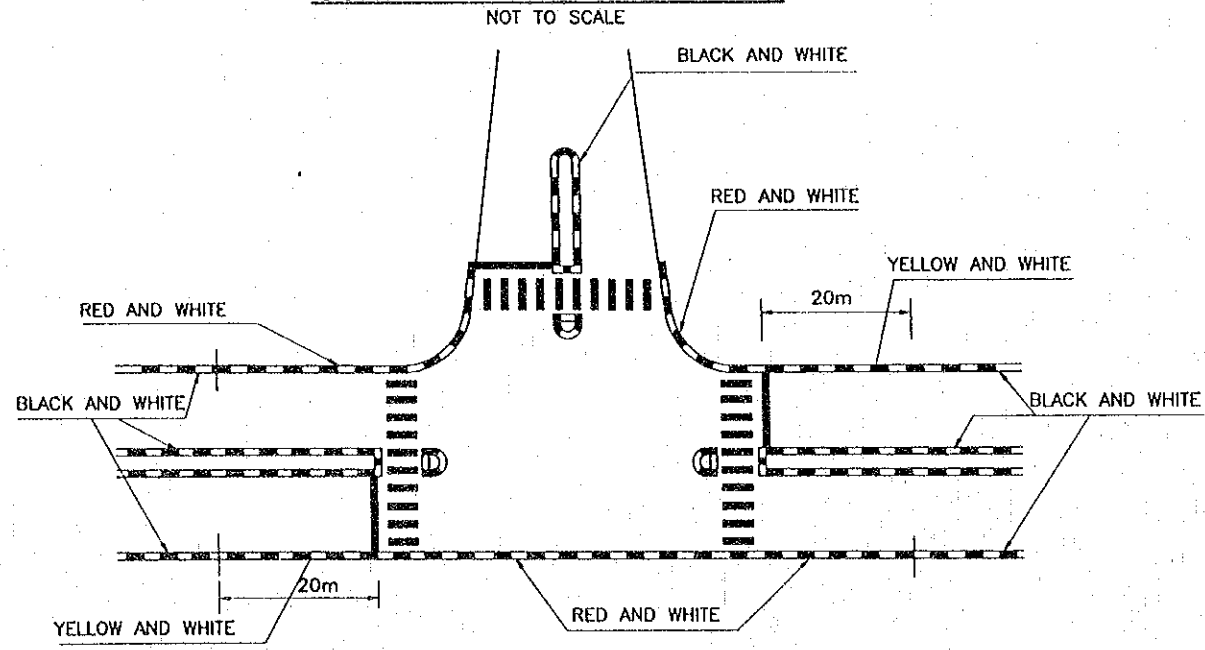
**CURB PAINTING AT ROUND ABOUT**



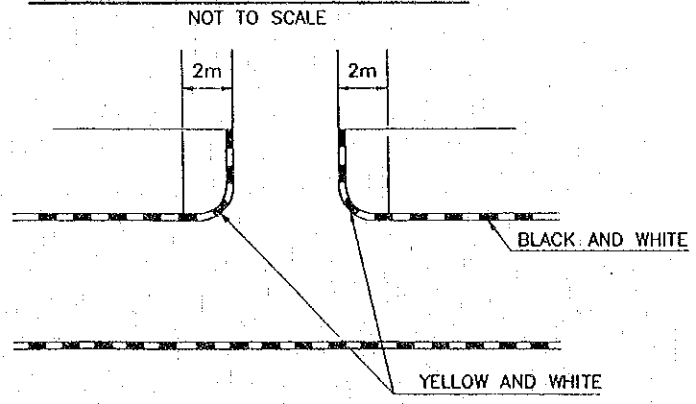
**CURB PAINTING AT INTERSECTION**



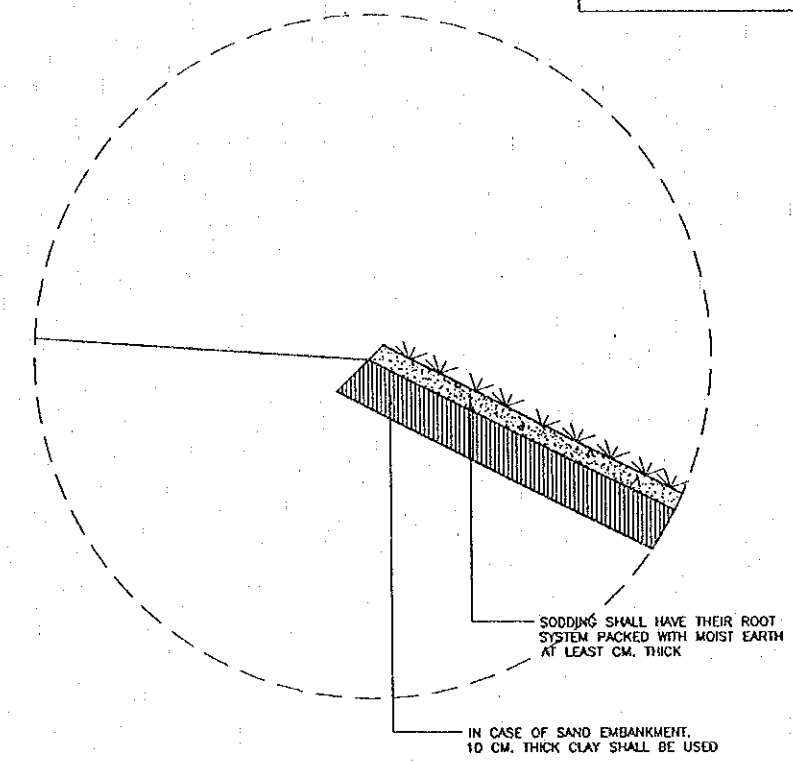
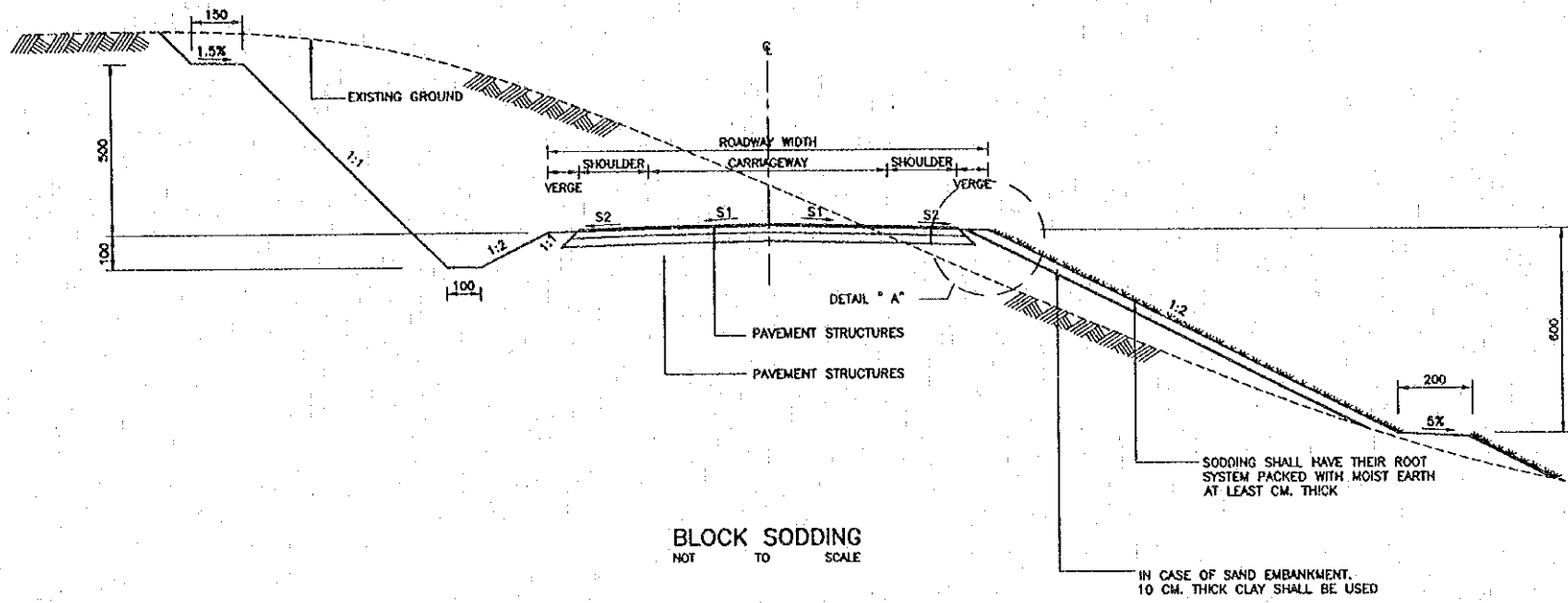
**CURB PAINTING AT JUNCTION**



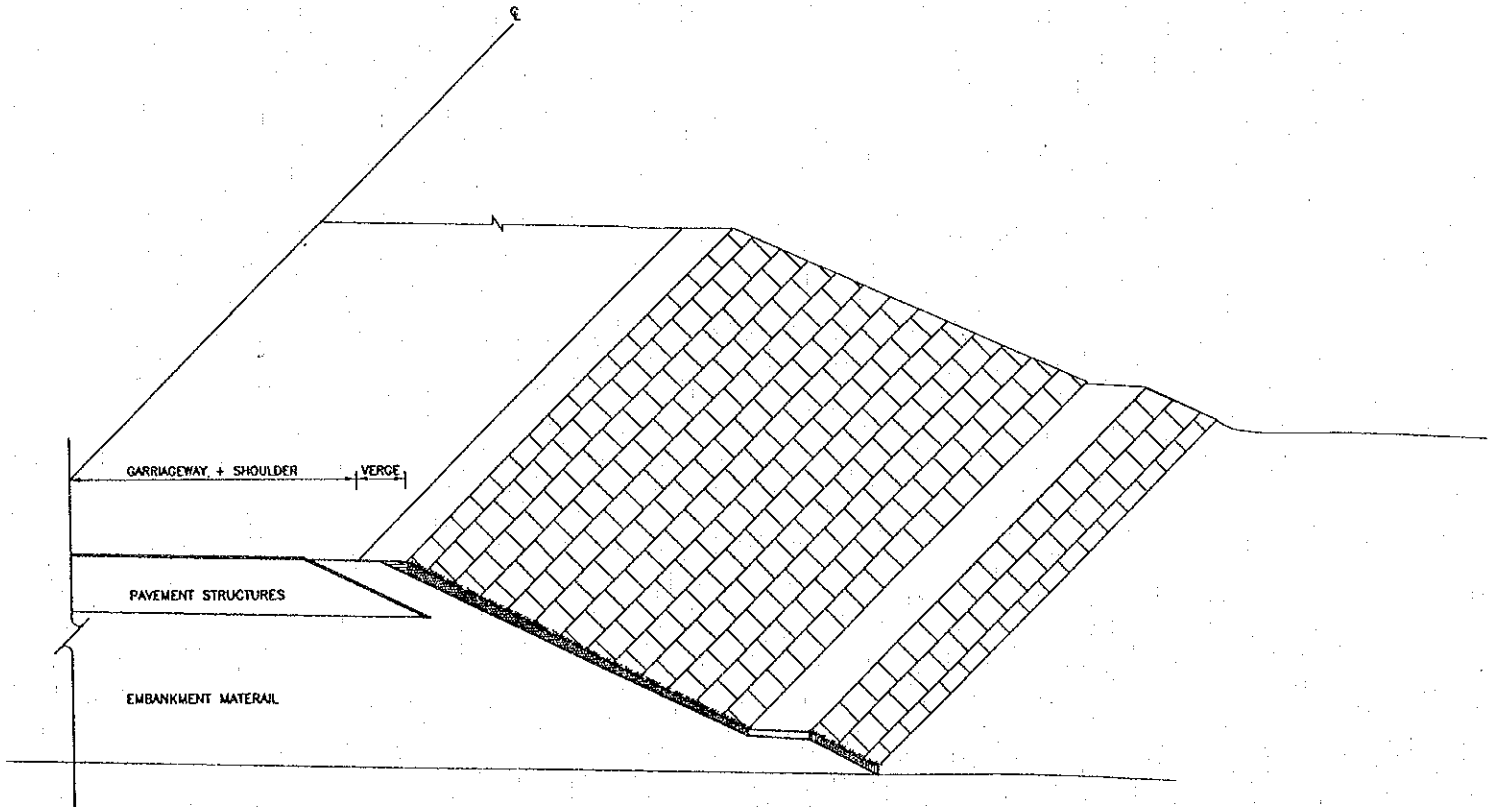
**CURB PAINTING AT ACCESS**



REV.	DATE	DESCRIPTION	APPROVED	PROJECT STUDY TEAM	JICA	LAO PEOPLE'S DEMOCRATIC REPUBLIC	MINISTRY OF COMMUNICATION, TRANSPORT, POST AND CONSTRUCTION	KINGDOM OF THAILAND	MINISTRY OF TRANSPORT AND COMMUNICATIONS	DEPARTMENT OF HIGHWAYS	THE SECOND MEKONG INTERNATIONAL BRIDGE CONSTRUCTION PROJECT	QUALITY RECORD	NAME	SIGNATURE	DATE	DWG. TITLE:
				ORIENTAL CONSULTANTS CO., LTD. In association with NIPPON KORI CO., LTD.	JICA	LAO PEOPLE'S DEMOCRATIC REPUBLIC	MINISTRY OF COMMUNICATION, TRANSPORT, POST AND CONSTRUCTION	KINGDOM OF THAILAND	MINISTRY OF TRANSPORT AND COMMUNICATIONS	DEPARTMENT OF HIGHWAYS	THE SECOND MEKONG INTERNATIONAL BRIDGE CONSTRUCTION PROJECT	DESIGN	H. ONTO	<i>Okita</i>	16/12/00	CURB PAINTING LAO PDR SIDE
											DESIGN CHECK	T. MASUTOMO	<i>T. Masutomo</i>	18/02/00		
											SUBMITTED	A. HIRONANI	<i>A. Hironani</i>	21/03/00		
											APPROVED	P. VERAPHANTH	<i>P. Veraphanth</i>	01/04/00		



DETAIL " A "  
NOT TO SCALE



ISOMETRIC DIAGRAM BLOCK SODDING  
NOT TO SCALE

NOTES :

GENERAL

1. ALL DIMENSION ARE IN CENTIMETERS UNLESS OTHERWISE INDICATED.
2. THE ENGINEER SHALL DECIDE WHETHER OR NOT TO PROVIDE SODDING FOR SLOPE PROTECTION GENERALLY EMBANKMENTS COMPOSED OF SANDY OR SILTY MATERIALS WILL REQUIRE SODDING, CUT SLOPE WILL NOT NORMALLY BE SODDED AND THEN ONLY AT THE DIRECTION OF THE ENGINEER.
3. WHERE THE SIDE SLOPE MATERIAL IS NOT SUITABLE FOR GROWING GRASS, ORGANIC TOP SOIL APPROXIMATELY 10CM. THICK SHALL BE PLACED ON THE SIDE SLOPES AND LIGHTLY COMPACTED TO THE SATISFACTION OF THE ENGINEER, THOROUGHLY MOISTENED WITH WATER AND SODDING PLACED.
4. WHERE THE SIDE SLOPE MATERIAL IS SUITABLE FOR GRASS, THE FOLLOWING PROCEDURES SHALL APPLY AFTER THE ROADWAY FORMATION IS CONSTRUCTED TO THE ELEVATION AS SHOWN ON THE DRAWING AND THE SIDE SLOPE HAS BEEN SHAPED AS REQUIRED, THE SIDE SLOPE MATERIAL SHALL BE SCARIFIED TO A MINIMUM DEPTH OF 5 CM, THOROUGHLY MOISTENED WITH WATER AND SODDING PLACED.
5. THE TYPE OF GRASS USED SHALL BE A LOCAL SPECIES WHICH GROWS RAPIDLY THE ENGINEER SHALL DECIDE IN THE FIELD WHETHER TOP SOIL IS REQUIRED AND WHICH TYPE OF GRASS SHALL BE USED THE WORK SHALL BE COMPLETED TO THE DETAILS AS SPECIFIED ON THE DRAWING.
6. THE CONTRACTOR SHALL BE RESPONSIBLE FOR MAINTAINING THE GRASS UNTIL THE END OF THE MAINTENANCE PERIOD.

BLOCK SODDING

7. BLOCK SODDING OBTAINED FROM PLANTED GROUND FOR PLACING SHALL HAVE THEIR ROOT SYSTEM PACKED WITH MOIST EARTH AT LEAST 4 CM. THICK AND HAVE A MINIMUM SIZE OF APPROXIMATELY 30 X 30 CM. THE SODDING SHALL BE PLACED ON THE SIDE SLOPES WITHIN 48 HOURS AFTER REMOVAL FROM BORROW AREA.
8. SODDING SHALL BE LAID IN STAGGERED ROWS PARALLEL TO ROADWAY ALIGNMENT AS SHOWN ON THE DRAWING EACH BLOCK SHALL BE STAGGERED ONE HALF ITS LENGTH AND BE FIRMLY BUTTED AGAINST THE PREVIOUS BLOCK (S)
9. PLANTED BLOCK SHALL BE PLACED AND LIGHTLY COMPACTED ON THE DESIGNATED AREAS AND THE LONGITUDINAL INTERSTICES SEALED WITH TOP SOIL. THE PLANTED SODS SHALL BE WATERED DAILY UNTIL THEY HAVE ROOTED AND HAVE ESTABLISHED THEMSELVES IN THE NEW AREAS.

REV.	DATE	DESCRIPTION	APPROVED	PROJECT STUDY TEAM	QUALITY RECORD	NAME	SIGNATURE	DATE	DWG. TITLE:
				ORIENTAL CONSULTANTS CO., LTD. in association with NIPPON KOKI CO., LTD.	DESIGN	H. Okita	<i>[Signature]</i>	15/02/00	SODDING DETAILS LAO POR SIDE
					DESIGN CHECK	T. Morozawa	<i>[Signature]</i>	17/02/00	
					SUBMITTED	A. Hirota	<i>[Signature]</i>	21/02/00	
					APPROVED	P. Viraphanth	<i>[Signature]</i>	22/02/00	

JICA JAPAN INTERNATIONAL COOPERATION AGENCY  
LAO PEOPLE'S DEMOCRATIC REPUBLIC  
MINISTRY OF COMMUNICATION, TRANSPORT, POST AND CONSTRUCTION  
KINGDOM OF THAILAND  
MINISTRY OF TRANSPORT AND COMMUNICATIONS  
DEPARTMENT OF HIGHWAYS

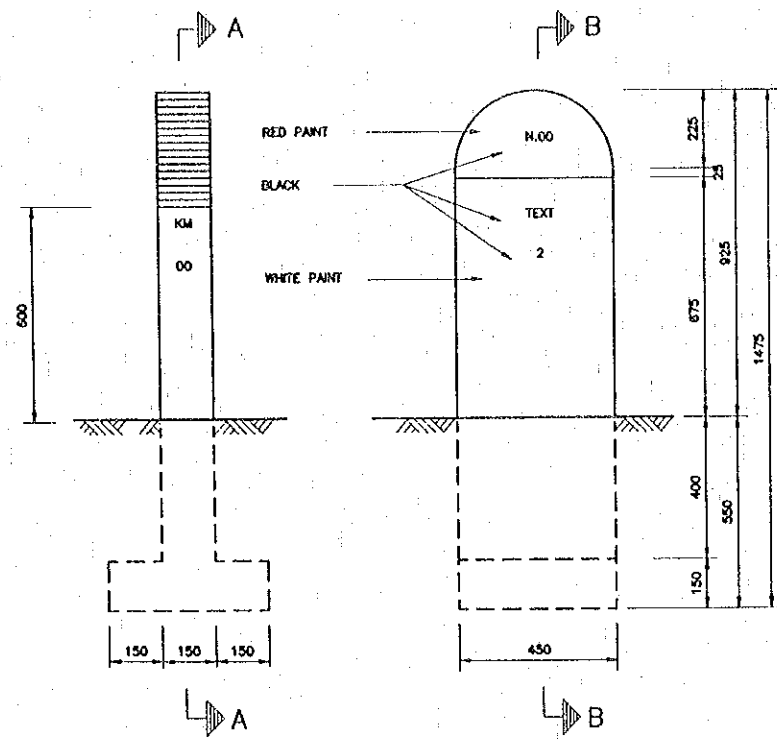
THE SECOND MEKONG  
INTERNATIONAL BRIDGE  
CONSTRUCTION PROJECT



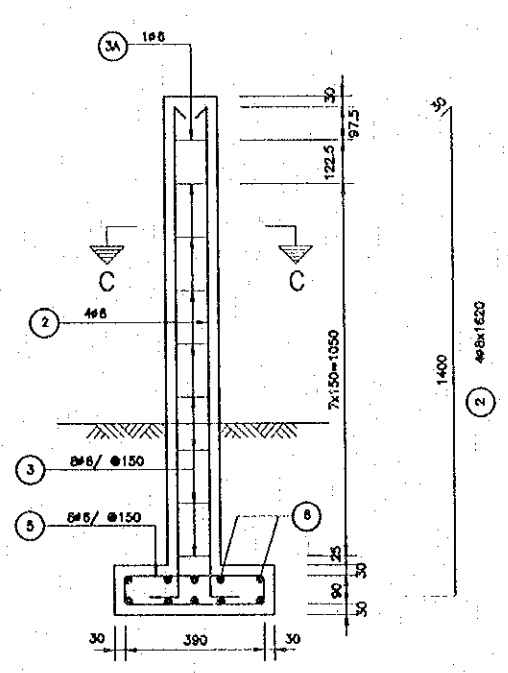




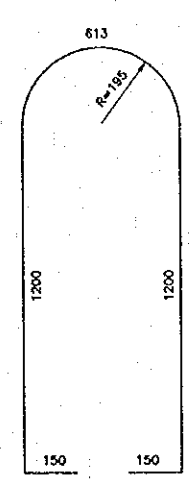




**SIDE ELEVATION**  
SCALE 1:10  
**END ELEVATION**  
SCALE 1:10



**SECTION B-B**  
SCALE 1:10

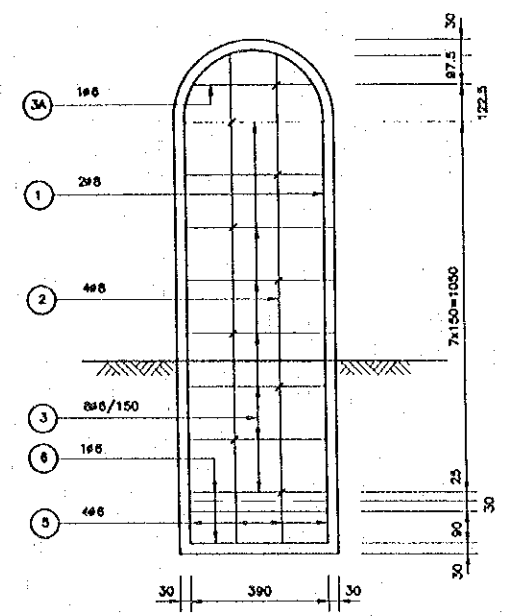


1 2#8x3340

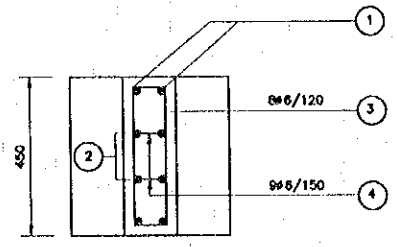
**KILOMETER POST**

SYMBOLS	Ø(MM)	NUMBERS	LENGTH (MM)
1	8	2	3340
2	8	4	1620
3	6	8	1850
3A	6	1	840
4	6	9	160
5	6	4	1050
6	6	10	460

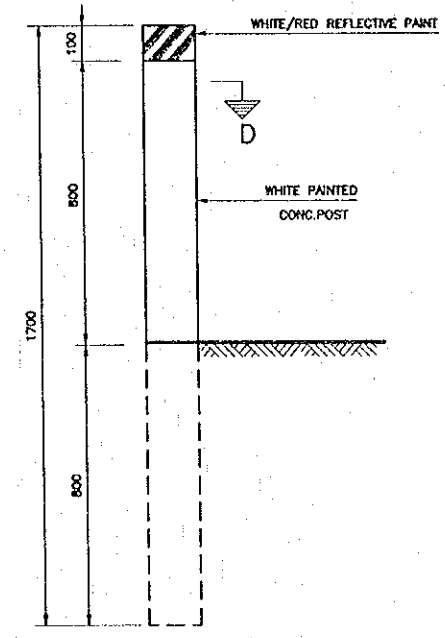
**KILOMETER POST**



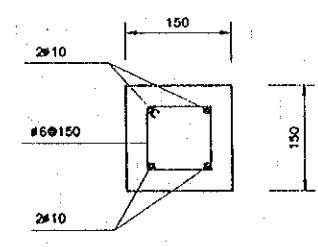
**SECTION A-A**  
SCALE 1:10



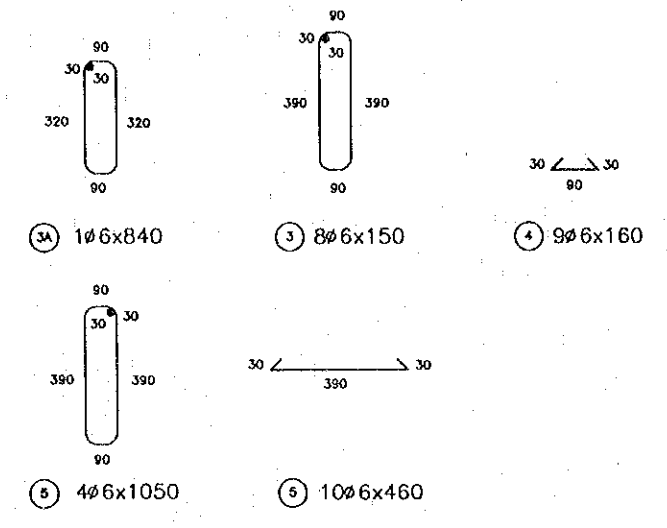
**SECTION A-A**  
SCALE 1:10



**RIGHT OF WAY MONUMENT POST**  
SCALE 1:10

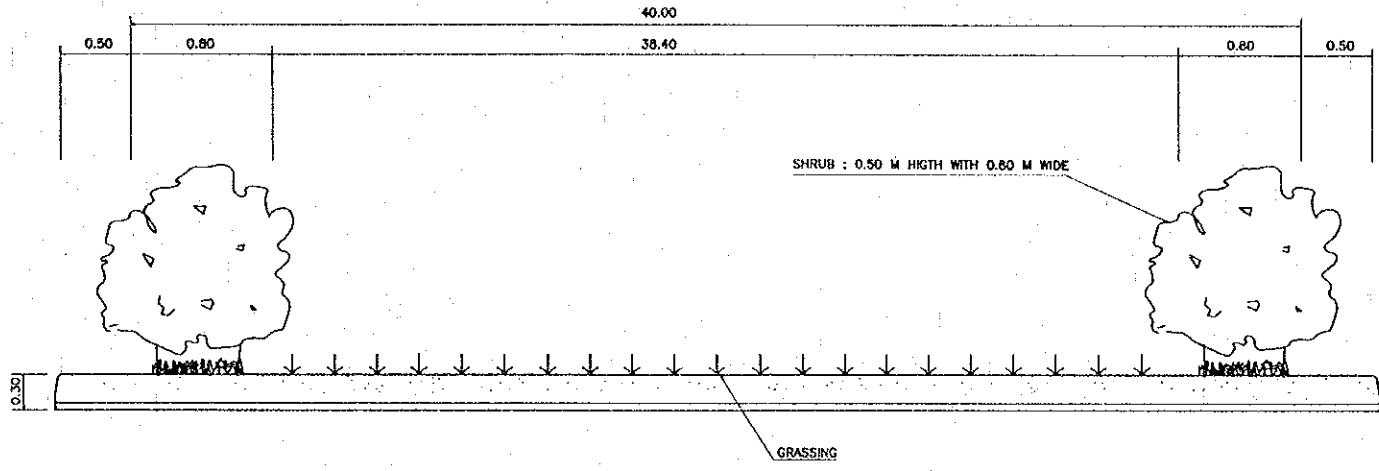
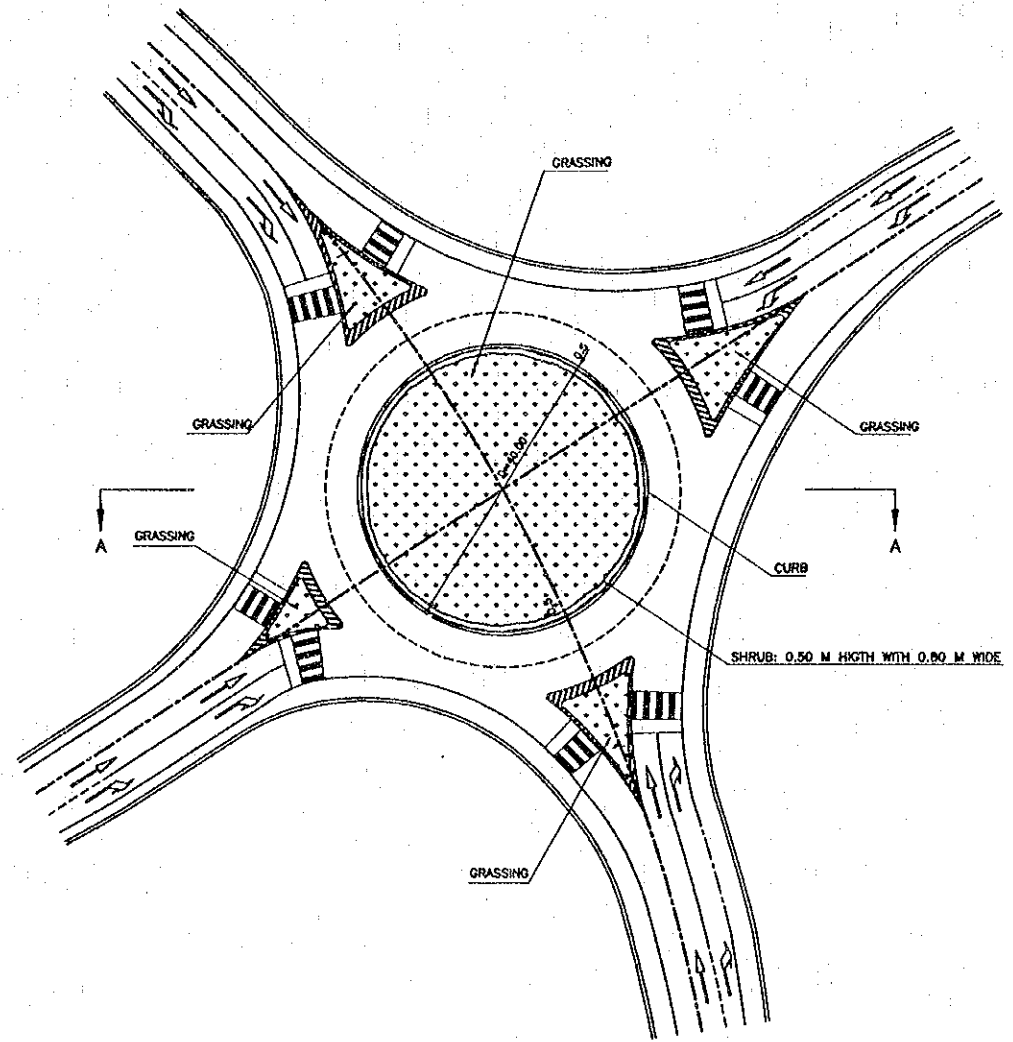


**SECTION D-D**  
SCALE 1:10



- NOTES :
- KILOMETER POSTS AND EDGE MARKER POSTS SHALL BE MADE WITH CONCRETE CLASS D ( 24 N/mm )
  - ALL REINFORCING STEEL SHALL BE GRADE SR235
  - ALL DIMENSIONS ARE IN MILLIMETER IF NOT OTHERWISE INDICATED

REV.	DATE	DESCRIPTION	APPROVED	PROJECT STUDY TEAM	JICA	LAO PEOPLE'S DEMOCRATIC REPUBLIC	MINISTRY OF COMMUNICATION, TRANSPORT, POST AND CONSTRUCTION	KINGDOM OF THAILAND	MINISTRY OF TRANSPORT AND COMMUNICATIONS	DEPARTMENT OF HIGHWAYS	THE SECOND MEKONG INTERNATIONAL BRIDGE CONSTRUCTION PROJECT	QUALITY RECORD	NAME	SIGNATURE	DATE	DWG. TITLE
				ORIENTAL CONSULTANTS CO., LTD. In association with NIPPON KOEI CO., LTD.	JICA	LAO PEOPLE'S DEMOCRATIC REPUBLIC	MINISTRY OF COMMUNICATION, TRANSPORT, POST AND CONSTRUCTION	KINGDOM OF THAILAND	MINISTRY OF TRANSPORT AND COMMUNICATIONS	DEPARTMENT OF HIGHWAYS	THE SECOND MEKONG INTERNATIONAL BRIDGE CONSTRUCTION PROJECT	DESIGN	H. Otha	[Signature]	11-02-00	KILOMETER POST RIGHT OF WAY MONUMENT POST LAO PDR SIDE
												DESIGN CHECK	T. Mousazera	[Signature]	11-02-00	
												SUBMITTED	A. Nkolani	[Signature]	11/02/00	
												APPROVED	P. Virophanh	[Signature]	12/01/00	
													S. Temyobutra	[Signature]		



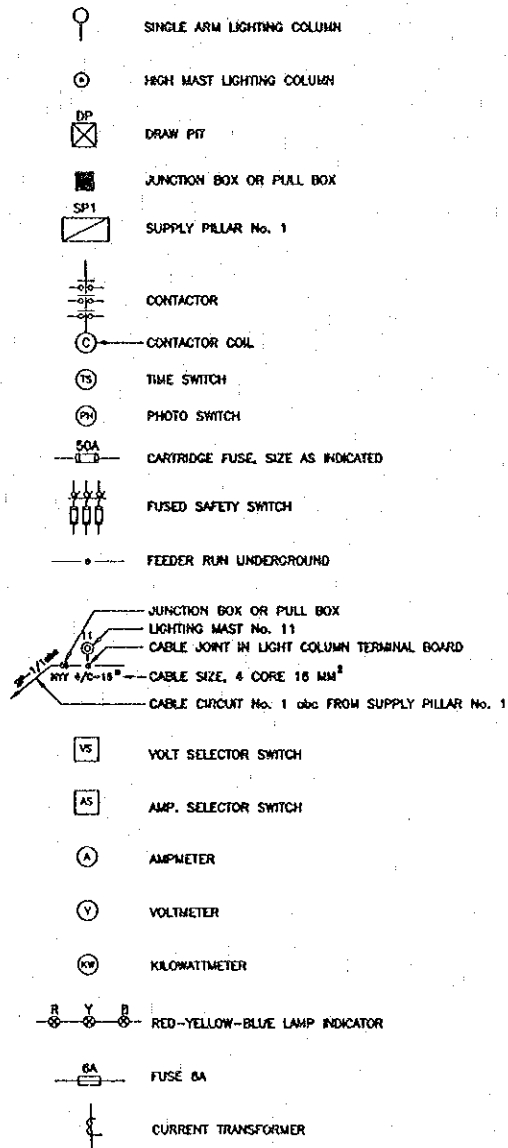
LANDSCAPING ROUND ABOUT  
SCALE 1:500

SECTION A-A  
SCALE TO SCALE

NOTE:  
1. ALL DIMENSION ARE IN METER

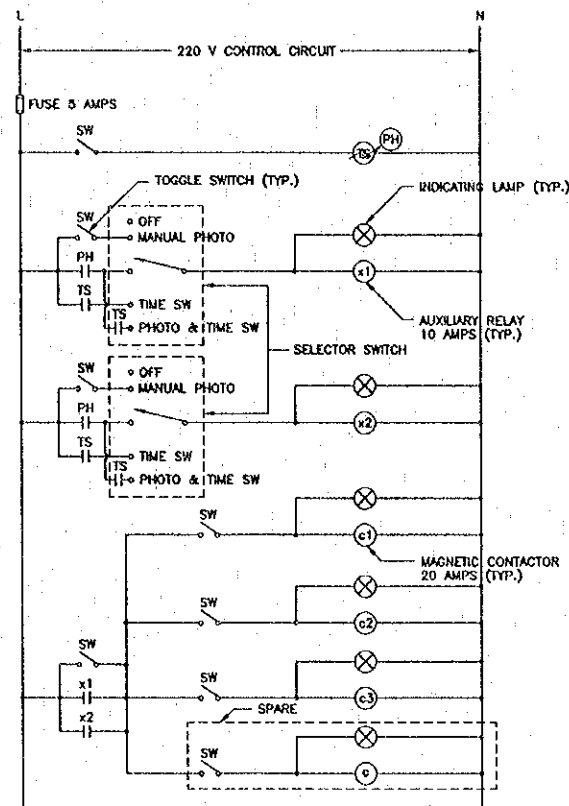
REV.	DATE	DESCRIPTION	APPROVED	PROJECT STUDY TEAM	JICA JAPAN INTERNATIONAL COOPERATION AGENCY	LAO PEOPLE'S DEMOCRATIC REPUBLIC MINISTRY OF COMMUNICATION, TRANSPORT, POST AND CONSTRUCTION	KINGDOM OF THAILAND MINISTRY OF TRANSPORT AND COMMUNICATIONS DEPARTMENT OF HIGHWAYS	THE SECOND MEKONG INTERNATIONAL BRIDGE CONSTRUCTION PROJECT	QUALITY RECORD	NAME	SIGNATURE	DATE	DWG. TITLE:
				ORIENTAL CONSULTANTS CO., LTD. in association with NIPPON KOKI CO., LTD.					DESIGN	H. Ouba	[Signature]	16-03-00	LAND SCAPING AT ROAD No.9 INTERSECTION LAO PDR SIDE
								DESIGN CHECK	T. Mouzoua	[Signature]	18-03-00		
								SUBMITTED	A. Hrotard	[Signature]	21-03-00		
								APPROVED	P. Vrophanth	[Signature]	22-03-00		

EXTERIOR ELECTRICAL SYMBOLS



ABBREVIATIONS

NOC	NOT IN THIS CONTRACT
C	CONDUIT
SP	SUPPLY PILLAR
WP	WEATHERPROOF
AFG	ABOVE FINISHED GRADE
CH	CHARGE
JB	JUNCTION BOX
EC	EMPTY CONDUIT
HPS	HIGH PRESSURE SODIUM
DWG	DRAWING
DP	DRAWPIT
☐	CENTERLINE
TOT	TELEPHONE ORGANIZATION OF THAILAND
GRSC	GALVANIZED RIGID STEEL CONDUIT
NEMA	NATIONAL ELECTRICAL MANUFACTURERS ASSOCIATION
EXO	EXOTHERIC WELD
PCD	PERIPHERICAL CENTER DIAMETER
HM	HIGH MAST
BC	BARE COPPER CONDUCTOR
SF	SOFFIT LANTERN
☐ OF CONSTR.	CENTERLINE OF CONSTRUCTION
CTL	CONTROL LANE
UPVC	POLYVINYL CHLORIDE CONDUIT (IS.218-2524)



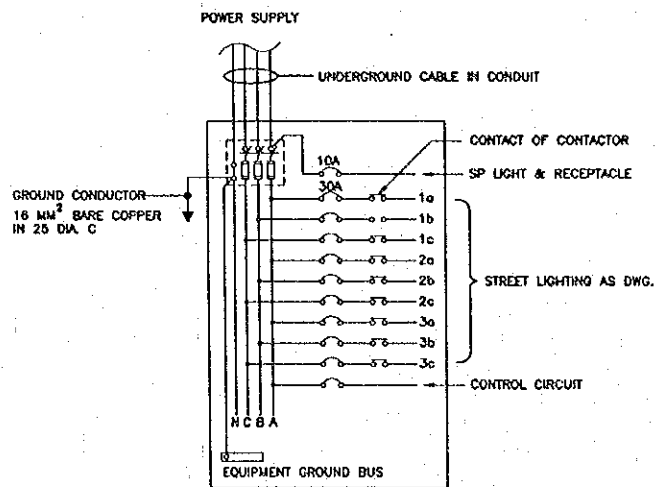
NOTES:

1. ALL DIMENSIONS ARE SHOWN IN METERS UNLESS OTHERWISE INDICATED.
2. THE LAO ELECTRICITY AUTHORITY SHALL BE RESPONSIBLE FOR REMOVAL AND RELOCATION OF ALL EXISTING ELECTRIC POLES AND LINES, HIGH VOLTAGE, LOW VOLTAGE, OVERHEAD AND UNDERGROUND WITHIN BOUNDARY OF RIGHT OF WAYS IN THIS CONTRACT.
3. THE LAO ELECTRICITY AUTHORITY SHALL ARRANGE POWER SUPPLY FOR THE SUPPLY PILLARS. THE CONTRACTOR SHALL COORDINATE WITH THE LAO ELECTRICITY AUTHORITY FOR LOCATION. HE SHALL PROVIDE THE INCOMING SERVICE CABLE FROM SUPPLY PILLARS TO LAO ELECTRICITY AUTHORITY'S METERING POLE WITH FUSIBLE SAFETY SWITCH, SERVICE HEAD AND SLACK CABLES READY FOR LAO ELECTRICITY AUTHORITY'S CONNECTIONS.
4. EXACT LOCATION OF SUPPLY PILLARS SHALL BE AS DIRECTED BY THE ENGINEER DURING CONSTRUCTION.
5. ALL POWER CABLES SHALL BE COPPER, 0.6/1 KV PVC CROSS-LINKED POLYETHYLENE INSULATED AND PVC SHEATHED POWER CABLE (IEC 502 STANDARD)
6. ALL CONDUITS SHALL BE HIGH DENSITY POLYETHYLENE CONDUITS UNLESS OTHERWISE INDICATED.
7. ALL WIRING CROSS UNDER ROADWAY OR PAVEMENT SHALL BE RUN IN HIGH DENSITY POLYETHYLENE CONDUITS REINFORCED CONCRETE ENCASED EXTENDED 1.50 M. BEYOND PAVEMENT NUMBER OF CONDUITS SHALL BE AS REQUIRED.
8. ALL WIRING ON, IN OR UNDER STRUCTURE SHALL BE RUN IN UPVC CONDUITS.
9. ALL DRAWPITS SHALL BE TYPE "B" UNLESS OTHERWISE INDICATED THE EXACT LOCATION SHALL BE AS DIRECTED BY THE ENGINEER DURING CONSTRUCTION.
10. FOR SIMPLICITY, THE DIAGRAM OF SUPPLY PILLARS AS SHOWN IN STREET LIGHTING DIAGRAMS IN OTHER DRAWINGS ARE INCOMPLETE, REFER TO TYPICAL DIAGRAM IN THIS DWG.

TYPICAL CONTACTOR CIRCUIT

CONTROL SELECTOR SWITCH POSITION

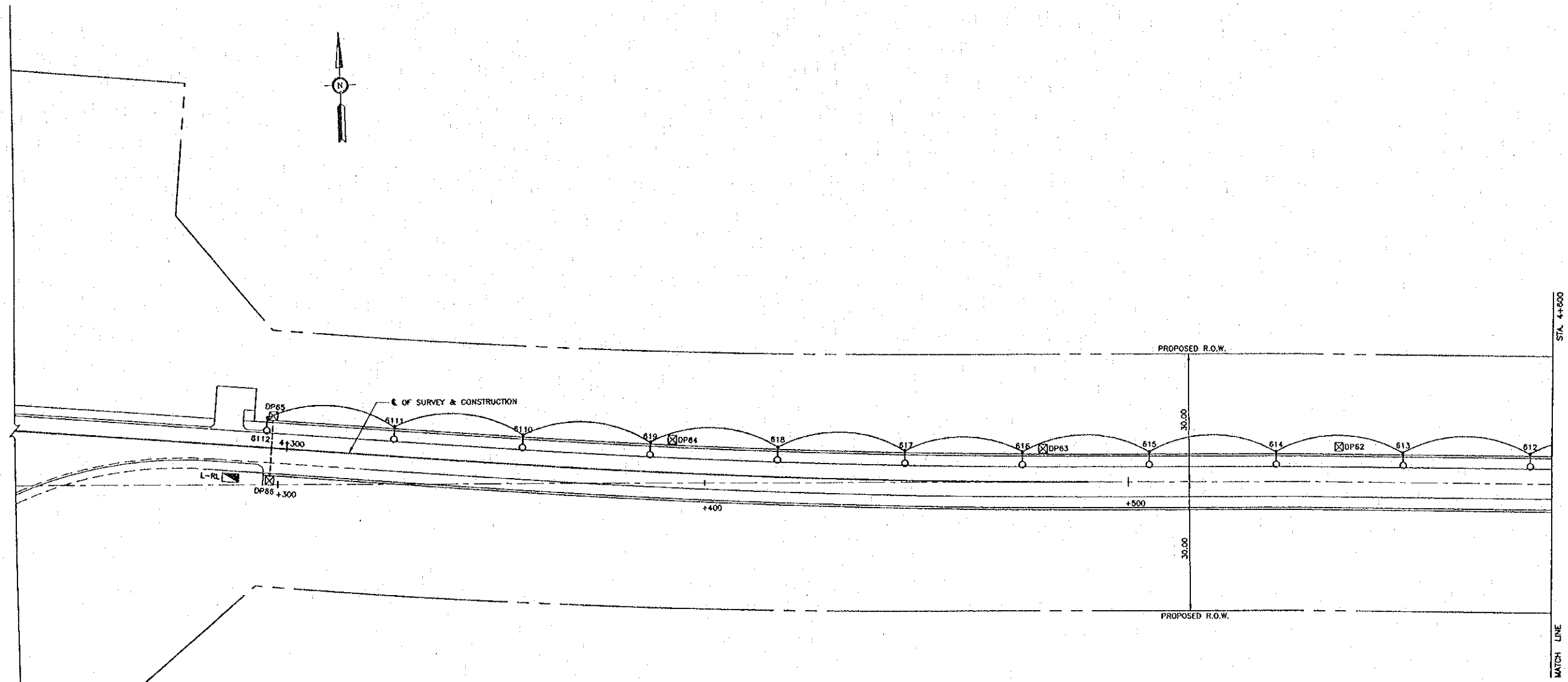
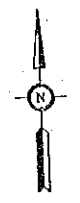
1. OFF - SWITCH OFF ALL LUMINARIES
2. MANUAL - MANUALLY SWITCH ON/OFF ALL LUMINARIES
3. PHOTO - ALL LUMINARIES BE SWITCHED ON/OFF BY PHOTOCELL CONTROL
4. TIME SW - ALL LUMINARIES BE SWITCHED ON/OFF BY PROGRAMMABLE TIMER SWITCH CONTROL
5. PHOTO & TIME SW - ALL LUMINARIES BE SWITCHED ON/OFF BY BOTH PHOTOCELL AND TIMER SWITCH CONTROL



TYPICAL DIAGRAM OF SUPPLY PILLAR

REV.	DATE	DESCRIPTION	APPROVED	PROJECT STUDY TEAM	JICA	LAO PEOPLE'S DEMOCRATIC REPUBLIC	MINISTRY OF COMMUNICATION, TRANSPORT, POST AND CONSTRUCTION	KINGDOM OF THAILAND	MINISTRY OF TRANSPORT AND COMMUNICATIONS	DEPARTMENT OF HIGHWAYS	THE SECOND MEKONG INTERNATIONAL BRIDGE CONSTRUCTION PROJECT	QUALITY RECORD	NAME	SIGNATURE	DATE	DWG. TITLE
				ORIENTAL CONSULTANTS CO., LTD. In association with NIPPON KORI CO., LTD.	JICA	LAO PEOPLE'S DEMOCRATIC REPUBLIC	MINISTRY OF COMMUNICATION, TRANSPORT, POST AND CONSTRUCTION	KINGDOM OF THAILAND	MINISTRY OF TRANSPORT AND COMMUNICATIONS	DEPARTMENT OF HIGHWAYS	THE SECOND MEKONG INTERNATIONAL BRIDGE CONSTRUCTION PROJECT	DESIGN	T. Takobusiri	<i>T. Takobusiri</i>	19-02-00	ELECTRICAL SYMBOLS AND ABBREVIATIONS
												DESIGN CHECK	T. Mizutawa	<i>T. Mizutawa</i>	18-02-00	
												SUBMITTED	A. Hirolani	<i>A. Hirolani</i>	21/02/00	
												APPROVED	P. Vongphanh	<i>P. Vongphanh</i>	22/02/00	

DATE OF ISSUE:		05/03/2000
DWG. NO.	R-L-2	SHEET NO. 81
DWG. STATUS		



REV.	DATE	DESCRIPTION	APPROVED

PROJECT STUDY TEAM  
**ORIENTAL CONSULTANTS CO., LTD.**  
 in association with  
**NIPPON KOKI CO., LTD.**

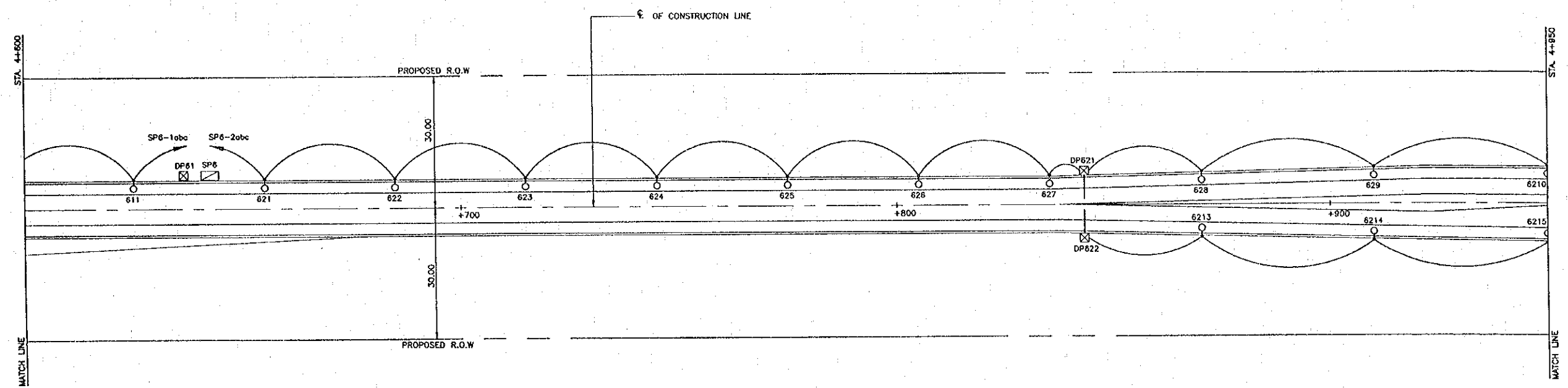
**JICA** JAPAN INTERNATIONAL COOPERATION AGENCY  
 LAO PEOPLE'S DEMOCRATIC REPUBLIC  
 MINISTRY OF COMMUNICATION, TRANSPORT, POST AND CONSTRUCTION  
 KINGDOM OF THAILAND  
 MINISTRY OF TRANSPORT AND COMMUNICATIONS  
 DEPARTMENT OF HIGHWAYS

**THE SECOND MEKONG  
 INTERNATIONAL BRIDGE  
 CONSTRUCTION PROJECT**

QUALITY RECORD	NAME	SIGNATURE	DATE
DESIGN	T. Takahashi	<i>T. Takahashi</i>	18-01-00
DESIGN CHECK	T. Maruyama	<i>T. Maruyama</i>	18-02-00
SUBMITTED	A. Hirokuni	<i>A. Hirokuni</i>	21/02/00
APPROVED	P. Viraphanb	<i>P. Viraphanb</i>	22/03/00

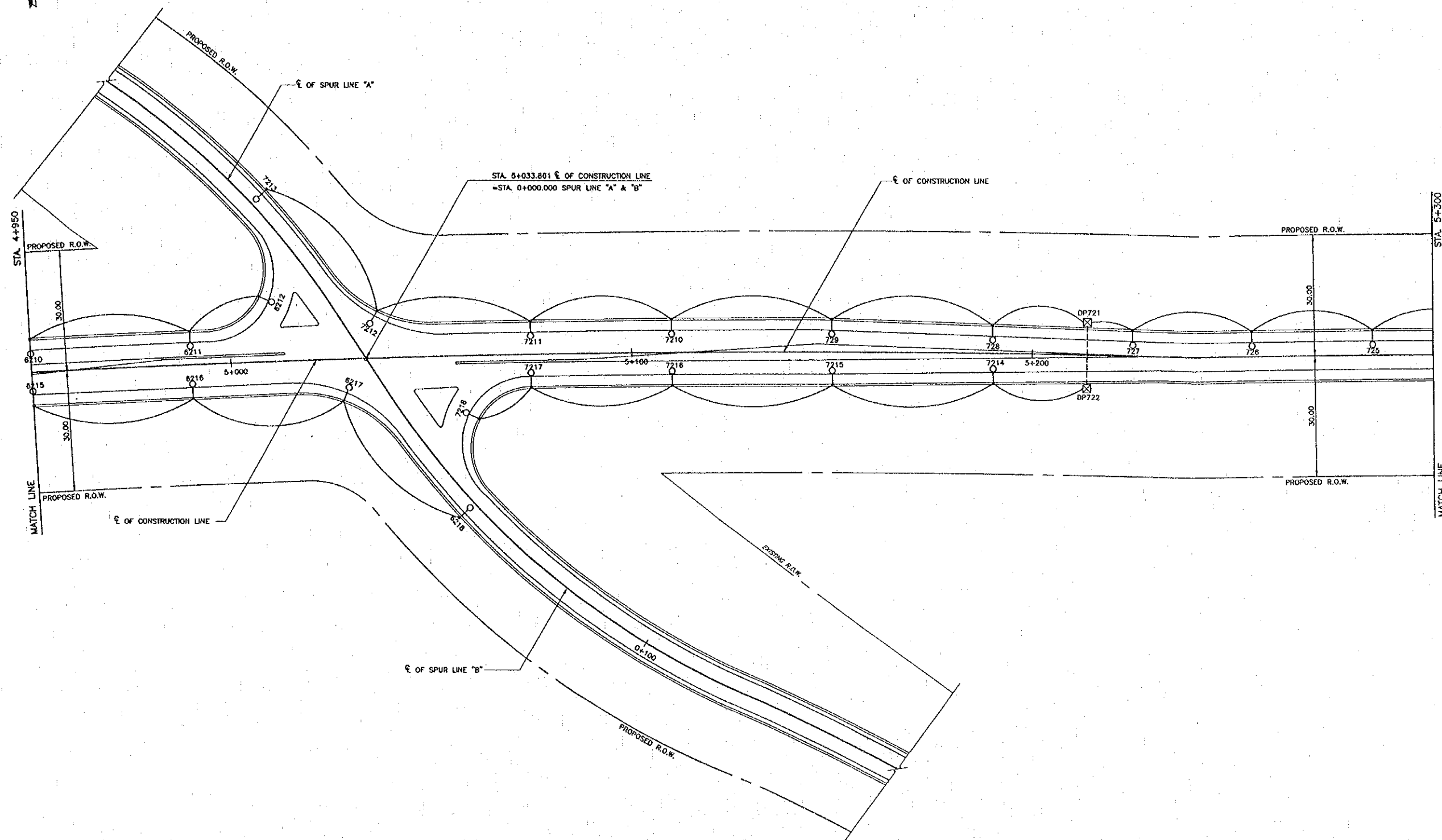
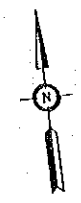
DWG. TITLE:  
**LIGHTING LAYOUT-1**

DATE OF ISSUE:		05/03/2000
DWG. NO.	R-L-3	SHEET NO. 82
DWG. STATUS		



REV.	DATE	DESCRIPTION	APPROVED	PROJECT STUDY TEAM	JICA JAPAN INTERNATIONAL COOPERATION AGENCY	QUALITY RECORD	NAME	SIGNATURE	DATE	DWG. TITLE:
				ORIENTAL CONSULTANTS CO., LTD. In association with NIPPON KOEI CO., LTD.	LAO PEOPLE'S DEMOCRATIC REPUBLIC MINISTRY OF COMMUNICATION, TRANSPORT, POST AND CONSTRUCTION	DESIGN	T. Takabuchi	<i>T. Takabuchi</i>	2002-08	LIGHTING LAYOUT-2
					KINGDOM OF THAILAND MINISTRY OF TRANSPORT AND COMMUNICATIONS DEPARTMENT OF HIGHWAYS	DESIGN CHECK	T. Masuzawa	<i>T. Masuzawa</i>	12/01-02	
						SUBMITTED	A. Hrolani	<i>A. Hrolani</i>	21/01/00	
						APPROVED	P. Vrephanth	<i>P. Vrephanth</i>	22/02/00	





REV.	DATE	DESCRIPTION	APPROVED

PROJECT STUDY TEAM  
 ORIENTAL CONSULTANTS CO., LTD.  
 in association with  
 NIPPON KORI CO., LTD.

JICA JAPAN INTERNATIONAL COOPERATION AGENCY  
 LAO PEOPLE'S DEMOCRATIC REPUBLIC  
 MINISTRY OF COMMUNICATION, TRANSPORT, POST AND CONSTRUCTION  
 KINGDOM OF THAILAND  
 MINISTRY OF TRANSPORT AND COMMUNICATIONS  
 DEPARTMENT OF HIGHWAYS

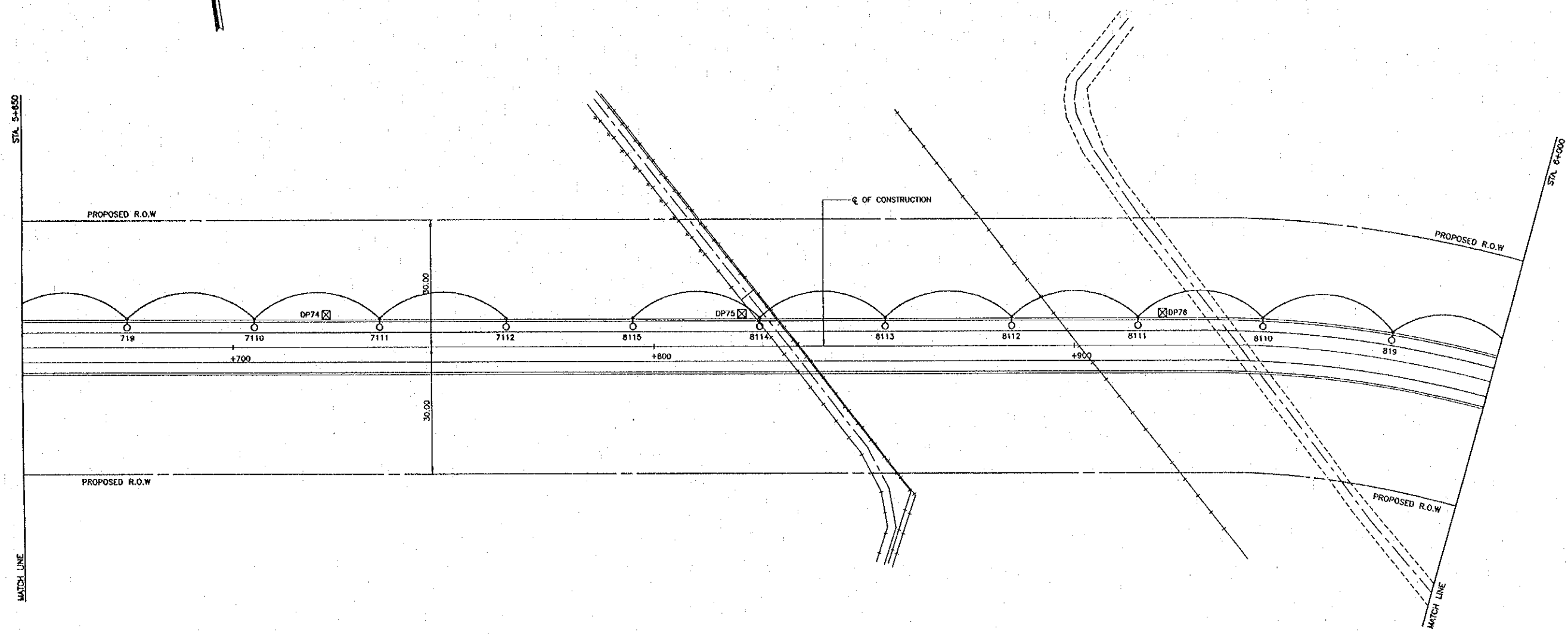
THE SECOND MEKONG  
 INTERNATIONAL BRIDGE  
 CONSTRUCTION PROJECT

QUALITY RECORD	NAME	SIGNATURE	DATE
DESIGN	T. Tokobushi	<i>T. Tokobushi</i>	05-01-00
DESIGN CHECK	T. Masuzawa	<i>T. Masuzawa</i>	05-01-00
SUBMITTED	A. Hiratani	<i>A. Hiratani</i>	05/01/00
APPROVED	P. Viraphonth	<i>P. Viraphonth</i>	05/02/00



DWG. TITLE: LIGHTING LAYOUT-3



DATE OF ISSUE: 05/03/2000	
DWG. NO. R-L-6	SHEET NO. 85
DWG. STATUS	



REV.	DATE	DESCRIPTION	APPROVED

PROJECT STUDY TEAM  
 ORIENTAL CONSULTANTS CO., LTD.  
 in association with  
 NIPPON KORI CO., LTD.

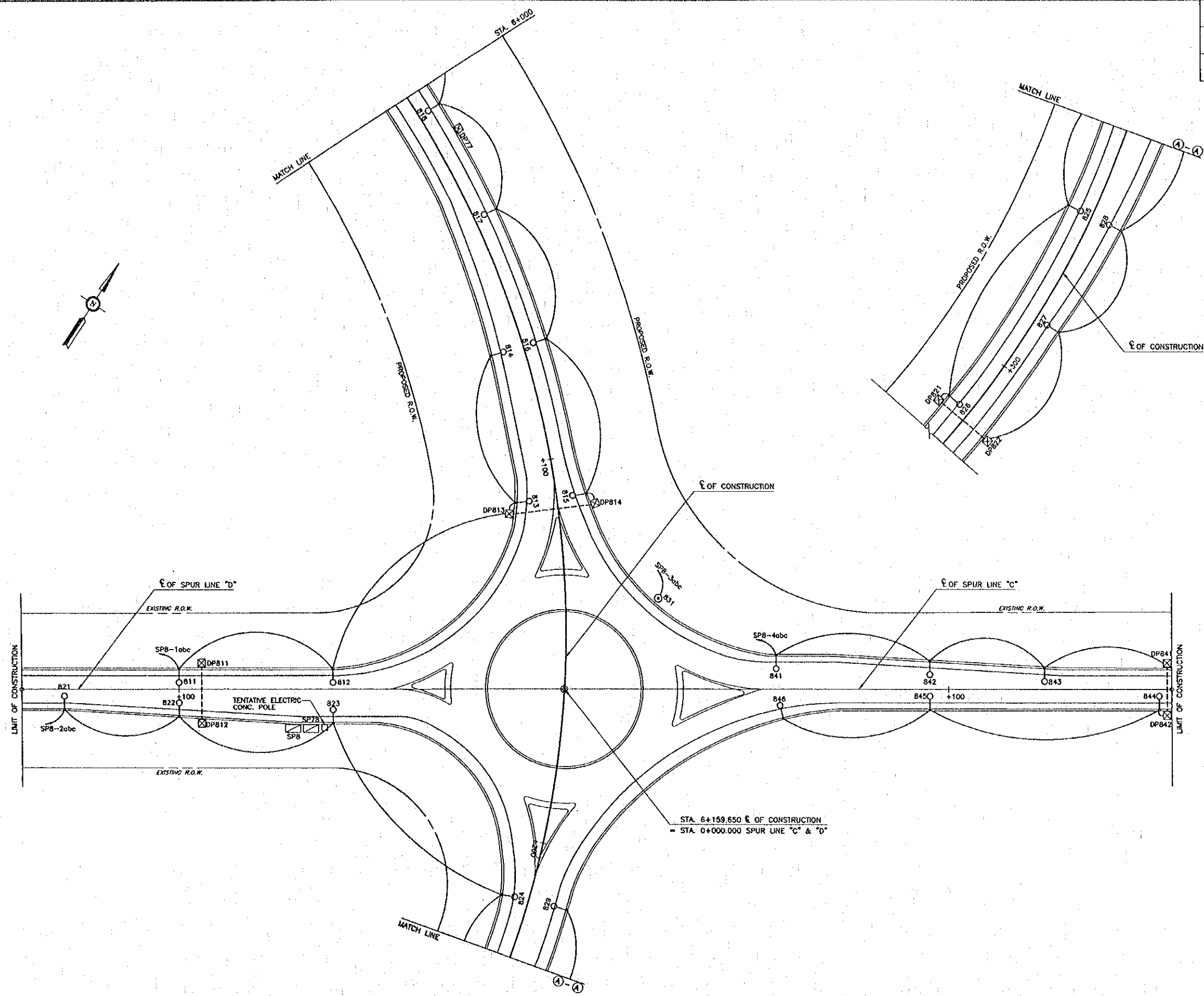
 JAPAN INTERNATIONAL COOPERATION AGENCY  
 LAO PEOPLE'S DEMOCRATIC REPUBLIC  
 MINISTRY OF COMMUNICATION, TRANSPORT, POST AND CONSTRUCTION  
 KINGDOM OF THAILAND  
 MINISTRY OF TRANSPORT AND COMMUNICATIONS  
 DEPARTMENT OF HIGHWAYS

   
 THE SECOND MEKONG  
 INTERNATIONAL BRIDGE  
 CONSTRUCTION PROJECT

QUALITY RECORD	NAME	SIGNATURE	DATE
DESIGN	T. Tetsuobashi	<i>T. Tetsuobashi</i>	05/01/00
DESIGN CHECK	T. Masuzawa	<i>T. Masuzawa</i>	05/02/00
SUBMITTED	A. Hirotoni	<i>A. Hirotoni</i>	01/02/00
APPROVED	P. Viraphanth	<i>P. Viraphanth</i>	22/03/00

DWG. TITLE: LIGHTING LAYOUT-5

DATE OF ISSUE: 05/03/2000	
DWG. NO. R-L-7	SHEET NO. 86
DWG. STATUS	

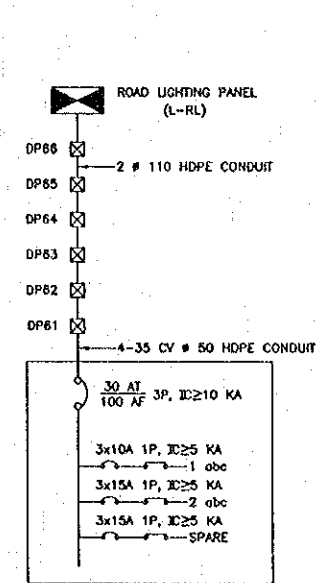


STA. 6+159.650  $\epsilon$  OF CONSTRUCTION  
 = STA. 0+000.000 SPUR LINE "C" & "D"

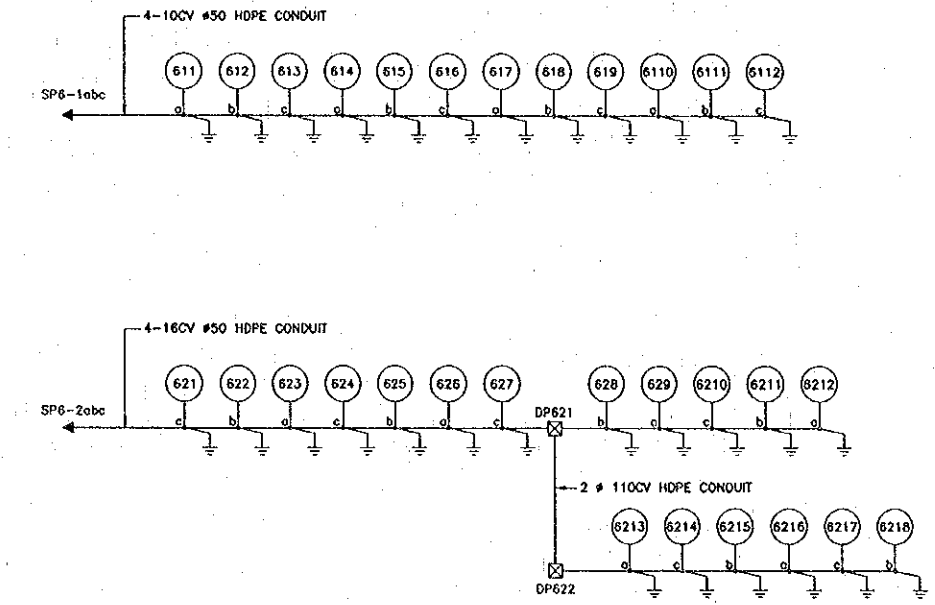
REV.	DATE	DESCRIPTION	APPROVED	PROJECT STUDY TEAM	JICA JAPAN INTERNATIONAL COOPERATION AGENCY	QUALITY RECORD	NAME	SIGNATURE	DATE	DWG. TITLE:
				ORIENTAL CONSULTANTS CO., LTD. In association with NIPPON KOKI CO., LTD.	LAO PEOPLE'S DEMOCRATIC REPUBLIC MINISTRY OF COMMUNICATION, TRANSPORT, POST AND CONSTRUCTION	DESIGN	T. Takahashi	<i>T. Takahashi</i>	1/10/00	LIGHTING LAYOUT-6
					KINGDOM OF THAILAND MINISTRY OF TRANSPORT AND COMMUNICATIONS DEPARTMENT OF HIGHWAYS	DESIGN CHECK	T. Masuzawa	<i>T. Masuzawa</i>	1/10/00	
						SUBMITTED	A. Hirofumi	<i>A. Hirofumi</i>	2/10/00	
						APPROVED	P. Viraphonh	<i>P. Viraphonh</i>	2/10/00	

LIGHTING COLUMN SCHEDULE

COLUMN NUMBER	STA.	ROAD	COLUMN HEIGHT	COLUMN TYPE	MOUNTING TYPE	ARM LENGTH (M.)	LANTERN TYPE	LAMP TYPE	REMARK
SP6	4+845.000	E OF CONSTR.	-	PILLAR	-	-	-	-	TOTAL LOAD 15 KVA
611	4+825.000	E OF CONSTR.	10	SINGLE	M-2	2.50	CO	1x250 HPS	
612	4+595.000	E OF CONSTR.	10	SINGLE	M-2	2.50	CO	1x250 HPS	
613	4+565.000	E OF CONSTR.	10	SINGLE	M-2	2.50	CO	1x250 HPS	
614	4+535.000	E OF CONSTR.	10	SINGLE	M-2	2.50	CO	1x250 HPS	
615	4+505.000	E OF CONSTR.	10	SINGLE	M-2	2.50	CO	1x250 HPS	
616	4+475.000	E OF CONSTR.	10	SINGLE	M-2	2.50	CO	1x250 HPS	
617	4+445.000	E OF CONSTR.	10	SINGLE	M-2	2.50	CO	1x250 HPS	
618	4+415.000	E OF CONSTR.	10	SINGLE	M-2	2.50	CO	1x250 HPS	
619	4+385.000	E OF CONSTR.	10	SINGLE	M-2	2.50	CO	1x250 HPS	
6110	4+355.000	E OF CONSTR.	10	SINGLE	M-2	2.50	CO	1x250 HPS	
6111	4+325.000	E OF CONSTR.	10	SINGLE	M-2	2.50	CO	1x250 HPS	
6112	4+295.000	E OF CONSTR.	10	SINGLE	M-2	2.50	CO	1x250 HPS	
621	4+855.000	E OF CONSTR.	10	SINGLE	M-2	2.50	CO	1x250 HPS	
622	4+885.000	E OF CONSTR.	10	SINGLE	M-2	2.50	CO	1x250 HPS	
623	4+715.000	E OF CONSTR.	10	SINGLE	M-2	2.50	CO	1x250 HPS	
624	4+745.000	E OF CONSTR.	10	SINGLE	M-2	2.50	CO	1x250 HPS	
625	4+775.000	E OF CONSTR.	10	SINGLE	M-2	2.50	CO	1x250 HPS	
626	4+805.000	E OF CONSTR.	10	SINGLE	M-2	2.50	CO	1x250 HPS	
627	4+835.000	E OF CONSTR.	10	SINGLE	M-2	2.50	CO	1x250 HPS	
628	4+870.000	E OF CONSTR.	10	SINGLE	M-2	2.50	CO	1x250 HPS	
629	4+910.000	E OF CONSTR.	10	SINGLE	M-2	2.50	CO	1x250 HPS	
6210	4+950.000	E OF CONSTR.	10	SINGLE	M-2	2.50	CO	1x250 HPS	
6211	4+990.000	E OF CONSTR.	10	SINGLE	M-2	2.50	CO	1x250 HPS	
6212	5+010.000	E OF CONSTR.	10	SINGLE	M-2	2.50	CO	1x250 HPS	
6213	4+870.000	E OF CONSTR.	10	SINGLE	M-2	2.50	CO	1x250 HPS	
6214	4+910.000	E OF CONSTR.	10	SINGLE	M-2	2.50	CO	1x250 HPS	
6215	4+950.000	E OF CONSTR.	10	SINGLE	M-2	2.50	CO	1x250 HPS	
6216	4+990.000	E OF CONSTR.	10	SINGLE	M-2	2.50	CO	1x250 HPS	
6217	5+028.000	E OF CONSTR.	10	SINGLE	M-2	2.50	CO	1x250 HPS	
6218	0+045.000	SPUR LINE "B"	10	SINGLE	M-2	2.50	CO	1x250 HPS	



SUPPLY PILLAR : "SP 6"  
 MOUNTING TYPE : AT GRADE

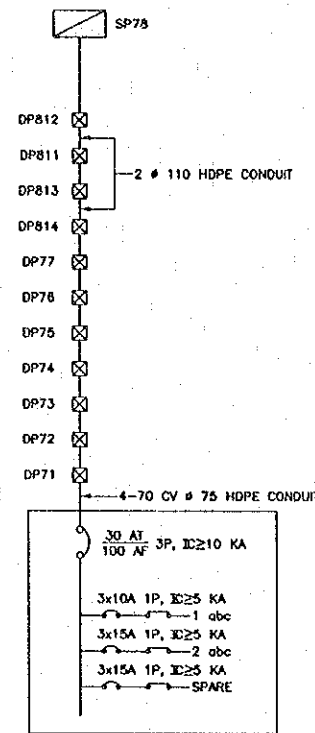


SINGLE LINE DIAGRAM (SP6)

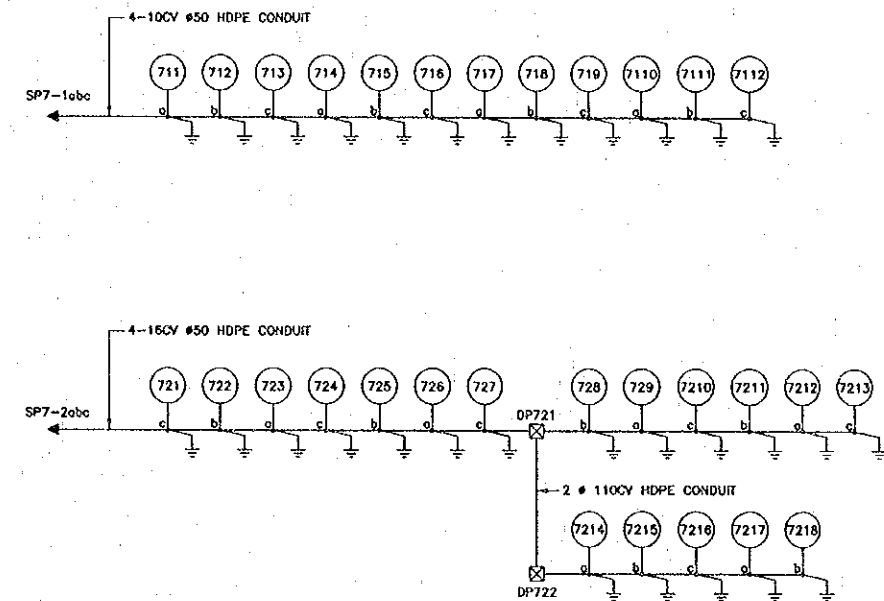
REV.	DATE	DESCRIPTION	APPROVED	PROJECT STUDY TEAM	JICA JAPAN INTERNATIONAL COOPERATION AGENCY	LAO PEOPLE'S DEMOCRATIC REPUBLIC MINISTRY OF COMMUNICATION, TRANSPORT, POST AND CONSTRUCTION	KINGDOM OF THAILAND MINISTRY OF TRANSPORT AND COMMUNICATIONS DEPARTMENT OF HIGHWAYS	THE SECOND MEKONG INTERNATIONAL BRIDGE CONSTRUCTION PROJECT	QUALITY RECORD	NAME	SIGNATURE	DATE	DWG. TITLE:
				ORIENTAL CONSULTANTS CO., LTD. in association with NIPPON KOKI CO., LTD.					DESIGN	T. Taka	[Signature]	17/02/00	SINGLE LINE DIAGRAM & LIGHTING COLUMN-1
								DESIGN CHECK	T. Mousawa	[Signature]	17/02/00		
								SUBMITTED	A. Hrotani	[Signature]	21/02/00		
								APPROVED	P. Viraphanth	[Signature]	21/02/00		

LIGHTING COLUMN SCHEDULE

COLUMN NUMBER	STA.	ROAD	COLUMN HEIGHT	COLUMN TYPE	MOUNTING TYPE	ARM LENGTH (M.)	LANTERN TYPE	LAMP TYPE	REMARK
SP7	5+420.000	E OF CONSTR.	-	PILLAR	-	-	-	-	TOTAL LOAD 15 KVA
711	5+435.000	E OF CONSTR.	10	SINGLE	M-2	2.50	CO	1x250 HPS	
712	5+465.000	E OF CONSTR.	10	SINGLE	M-2	2.50	CO	1x250 HPS	
713	5+495.000	E OF CONSTR.	10	SINGLE	M-2	2.50	CO	1x250 HPS	
714	5+525.000	E OF CONSTR.	10	SINGLE	M-2	2.50	CO	1x250 HPS	
715	5+555.000	E OF CONSTR.	10	SINGLE	M-2	2.50	CO	1x250 HPS	
716	5+585.000	E OF CONSTR.	10	SINGLE	M-2	2.50	CO	1x250 HPS	
717	5+615.000	E OF CONSTR.	10	SINGLE	M-2	2.50	CO	1x250 HPS	
718	5+645.000	E OF CONSTR.	10	SINGLE	M-2	2.50	CO	1x250 HPS	
719	5+675.000	E OF CONSTR.	10	SINGLE	M-2	2.50	CO	1x250 HPS	
7110	5+705.000	E OF CONSTR.	10	SINGLE	M-2	2.50	CO	1x250 HPS	
7111	5+735.000	E OF CONSTR.	10	SINGLE	M-2	2.50	CO	1x250 HPS	
7112	5+765.000	E OF CONSTR.	10	SINGLE	M-2	2.50	CO	1x250 HPS	
721	5+405.000	E OF CONSTR.	10	SINGLE	M-2	2.50	CO	1x250 HPS	
722	5+375.000	E OF CONSTR.	10	SINGLE	M-2	2.50	CO	1x250 HPS	
723	5+345.000	E OF CONSTR.	10	SINGLE	M-2	2.50	CO	1x250 HPS	
724	5+315.000	E OF CONSTR.	10	SINGLE	M-2	2.50	CO	1x250 HPS	
725	5+285.000	E OF CONSTR.	10	SINGLE	M-2	2.50	CO	1x250 HPS	
726	5+255.000	E OF CONSTR.	10	SINGLE	M-2	2.50	CO	1x250 HPS	
727	5+225.000	E OF CONSTR.	10	SINGLE	M-2	2.50	CO	1x250 HPS	
728	5+190.000	E OF CONSTR.	10	SINGLE	M-2	2.50	CO	1x250 HPS	
729	5+150.000	E OF CONSTR.	10	SINGLE	M-2	2.50	CO	1x250 HPS	
7210	5+110.000	E OF CONSTR.	10	SINGLE	M-2	2.50	CO	1x250 HPS	
7211	5+075.000	E OF CONSTR.	10	SINGLE	M-2	2.50	CO	1x250 HPS	
7212	5+037.000	E OF CONSTR.	10	SINGLE	M-2	2.50	CO	1x250 HPS	
7213	0+048.000	SPUR LINE "A"	10	SINGLE	M-2	2.50	CO	1x250 HPS	
7214	5+190.000	E OF CONSTR.	10	SINGLE	M-2	2.50	CO	1x250 HPS	
7215	5+160.000	E OF CONSTR.	10	SINGLE	M-2	2.50	CO	1x250 HPS	
7216	5+110.000	E OF CONSTR.	10	SINGLE	M-2	2.50	CO	1x250 HPS	
7217	5+075.000	E OF CONSTR.	10	SINGLE	M-2	2.50	CO	1x250 HPS	
7218	5+060.000	E OF CONSTR.	10	SINGLE	M-2	2.50	CO	1x250 HPS	



SUPPLY PILLAR : "SP 7"  
 MOUNTING TYPE : AT GRADE

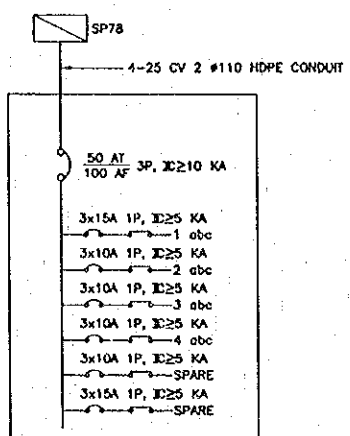
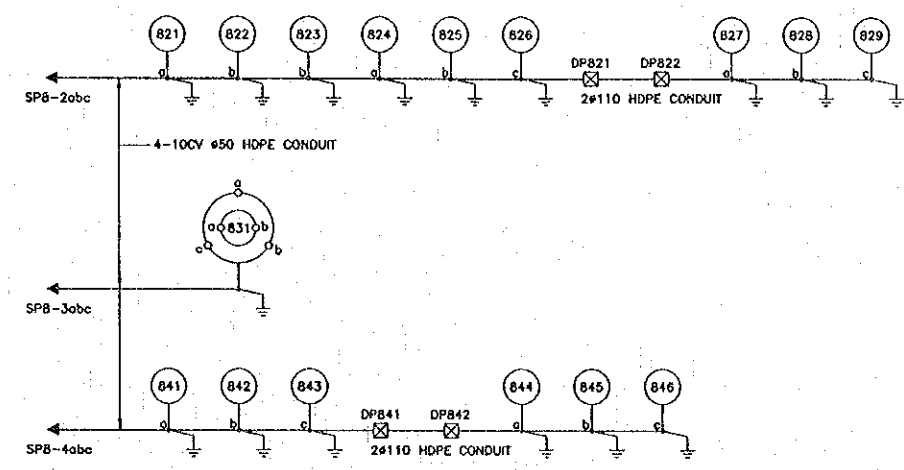
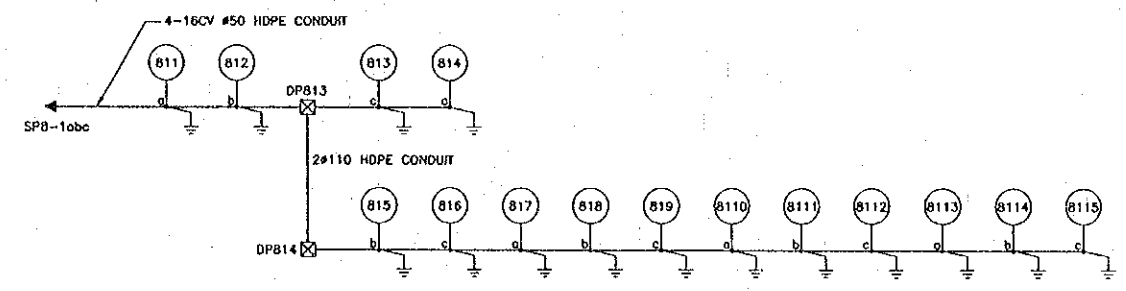
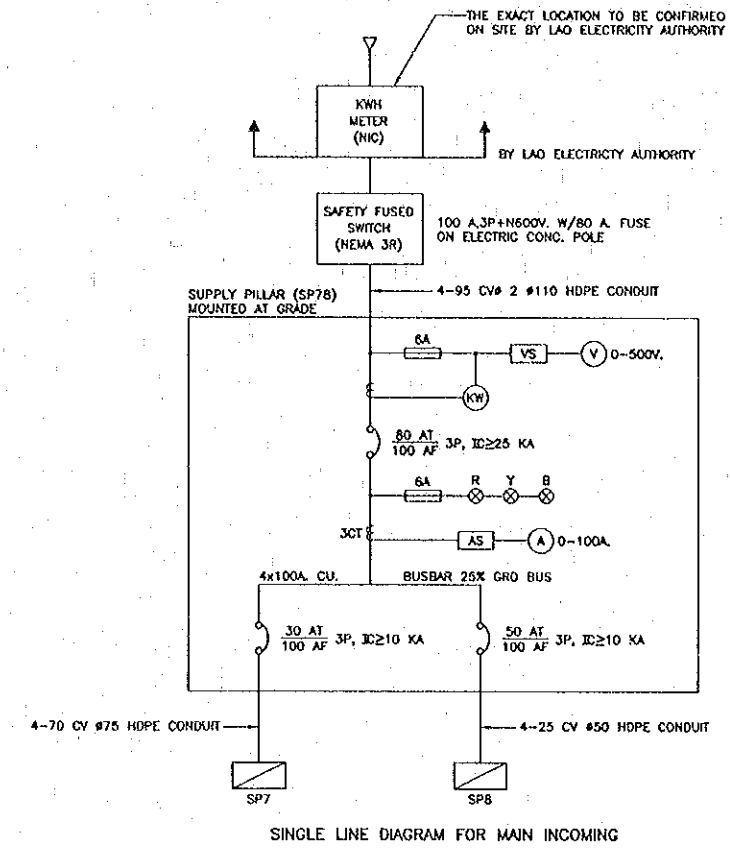


SINGLE LINE DIAGRAM (SP7)

REV.	DATE	DESCRIPTION	APPROVED	PROJECT STUDY TEAM	JICA	LAO PEOPLE'S DEMOCRATIC REPUBLIC	MINISTRY OF COMMUNICATION, TRANSPORT, POST AND CONSTRUCTION	THE SECOND MEKONG INTERNATIONAL BRIDGE CONSTRUCTION PROJECT	QUALITY RECORD	NAME	SIGNATURE	DATE	DWG. TITLE:
				ORIENTAL CONSULTANTS CO., LTD. In association with NIPPON KORI CO., LTD.					DESIGN	T. Takobushi	<i>T. Takobushi</i>	1-01-00	SINGLE LINE DIAGRAM & LIGHTING COLUMN-2
								DESIGN CHECK	T. Masuzawa	<i>T. Masuzawa</i>	18-02-00		
								SUBMITTED	A. Hraferat	<i>A. Hraferat</i>	21/12/00		
								APPROVED	P. Vrephanth	<i>P. Vrephanth</i>	22/02/00		

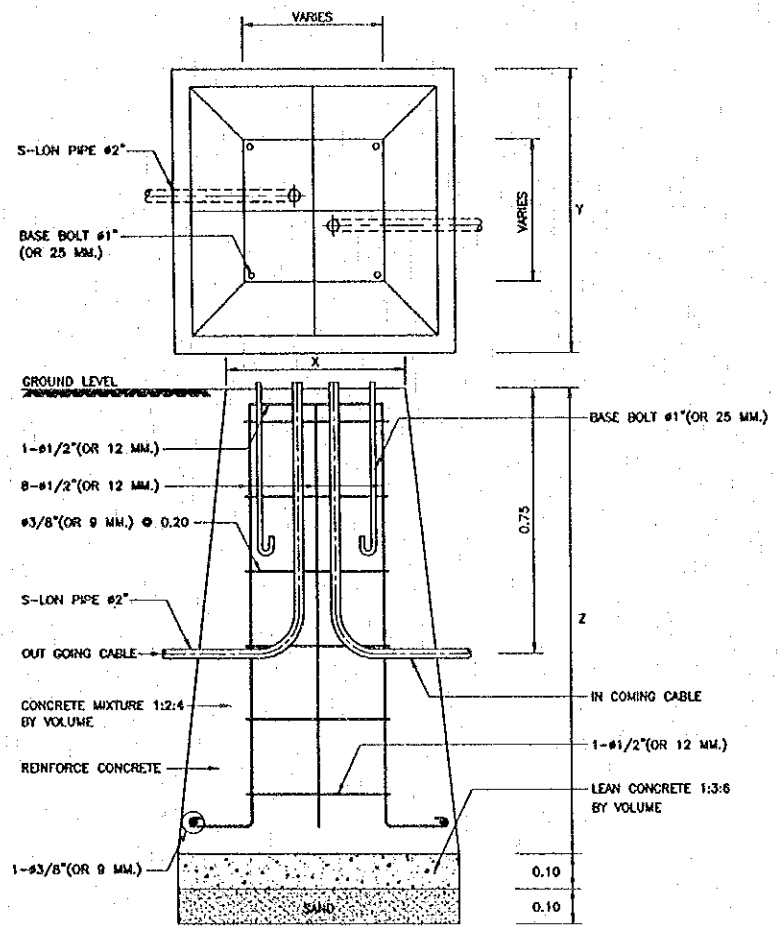
LIGHTING COLUMN SCHEDULE

COLUMN NUMBER	STA.	ROAD	COLUMN HEIGHT	COLUMN TYPE	MOUNTING TYPE	ARM LENGTH (M.)	LANTERN TYPE	LAMP TYPE	REMARK
SP78	0+088.000	SPUR LINE "D"	-	PILLAR	-	-	-	-	TOTAL LOAD 30 KVA
SP8	0+070.000	SPUR LINE "D"	-	PILLAR	-	-	-	-	TOTAL LOAD 15 KVA
811	0+100.000	SPUR LINE "D"	10	SINGLE	M-2	2.50	CO	1x250 HPS	
812	0+060.000	SPUR LINE "D"	10	SINGLE	M-2	2.50	CO	1x250 HPS	
813	8+110.000	OF CONSTR.	10	SINGLE	M-2	2.50	CO	1x250 HPS	
814	8+070.000	OF CONSTR.	10	SINGLE	M-2	2.50	CO	1x250 HPS	
815	8+110.000	OF CONSTR.	10	SINGLE	M-2	2.50	CO	1x250 HPS	
816	8+070.000	OF CONSTR.	10	SINGLE	M-2	2.50	CO	1x250 HPS	
817	8+035.000	OF CONSTR.	10	SINGLE	M-2	2.50	CO	1x250 HPS	
818	8+005.000	OF CONSTR.	10	SINGLE	M-2	2.50	CO	1x250 HPS	
819	5+975.000	OF CONSTR.	10	SINGLE	M-2	2.50	CO	1x250 HPS	
8110	5+945.000	OF CONSTR.	10	SINGLE	M-2	2.50	CO	1x250 HPS	
8111	5+915.000	OF CONSTR.	10	SINGLE	M-2	2.50	CO	1x250 HPS	
8112	5+885.000	OF CONSTR.	10	SINGLE	M-2	2.50	CO	1x250 HPS	
8113	5+855.000	OF CONSTR.	10	SINGLE	M-2	2.50	CO	1x250 HPS	
8114	5+825.000	OF CONSTR.	10	SINGLE	M-2	2.50	CO	1x250 HPS	
8115	5+795.000	OF CONSTR.	10	SINGLE	M-2	2.50	CO	1x250 HPS	
821	0+130.000	SPUR LINE "D"	10	SINGLE	M-2	2.50	CO	1x250 HPS	
822	0+100.000	SPUR LINE "D"	10	SINGLE	M-2	2.50	CO	1x250 HPS	
823	0+090.000	SPUR LINE "D"	10	SINGLE	M-2	2.50	CO	1x250 HPS	
824	8+215.000	OF CONSTR.	10	SINGLE	M-2	2.50	CO	1x250 HPS	
825	8+255.000	OF CONSTR.	10	SINGLE	M-2	2.50	CO	1x250 HPS	
826	8+315.000	OF CONSTR.	10	SINGLE	M-2	2.50	CO	1x250 HPS	
827	8+285.000	OF CONSTR.	10	SINGLE	M-2	2.50	CO	1x250 HPS	
828	8+255.000	OF CONSTR.	10	SINGLE	M-2	2.50	CO	1x250 HPS	
829	8+215.000	OF CONSTR.	10	SINGLE	M-2	2.50	CO	1x250 HPS	
831	8+140.000	OF CONSTR.	30	HM	M-1	-	FLOOD	5x400 HPS	
841	0+055.000	SPUR LINE "C"	10	SINGLE	M-2	2.50	CO	1x250 HPS	
842	0+095.000	SPUR LINE "C"	10	SINGLE	M-2	2.50	CO	1x250 HPS	
843	0+125.000	SPUR LINE "C"	10	SINGLE	M-2	2.50	CO	1x250 HPS	
844	0+155.000	SPUR LINE "C"	10	SINGLE	M-2	2.50	CO	1x250 HPS	
845	0+095.000	SPUR LINE "C"	10	SINGLE	M-2	2.50	CO	1x250 HPS	
846	0+055.000	SPUR LINE "C"	10	SINGLE	M-2	2.50	CO	1x250 HPS	



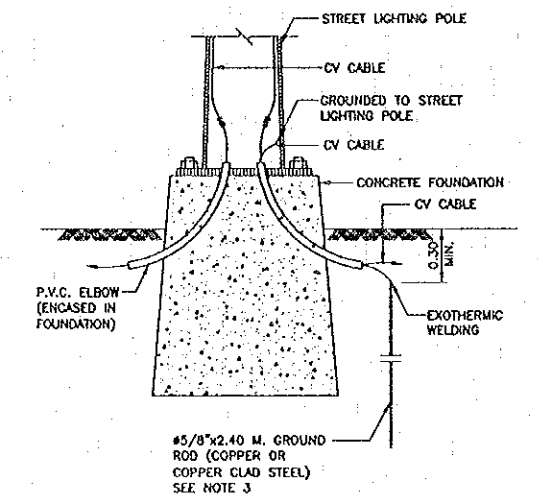
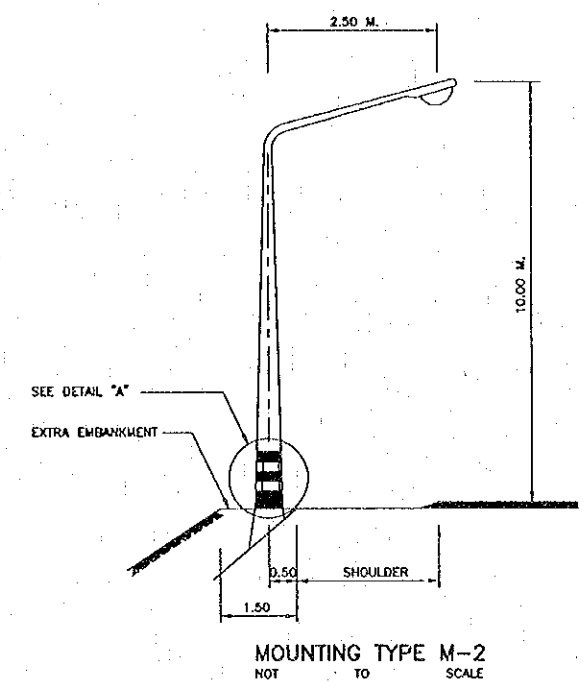
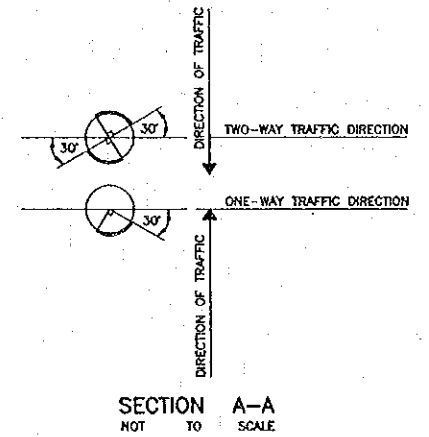
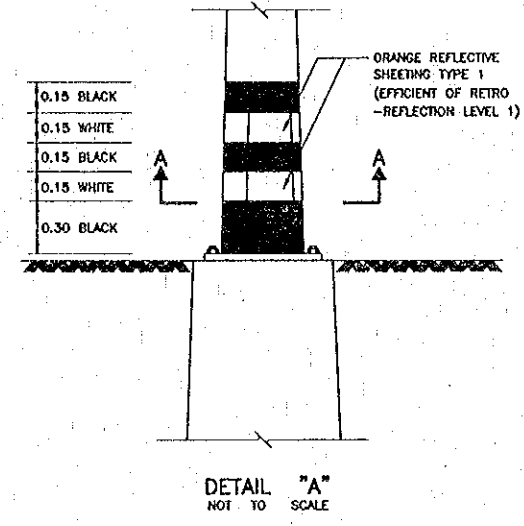
SUPPLY PILLAR : "SP 8"  
 MOUNTING TYPE : AT GRADE

C:\LAOS\PACKAGE2\Part2-L10.dwg

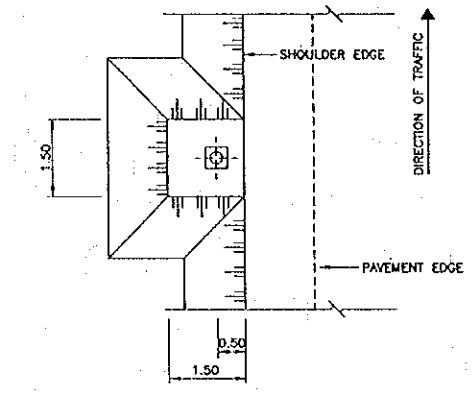


LIGHTING POLE FOUNDATION DETAILS  
 NOT TO SCALE

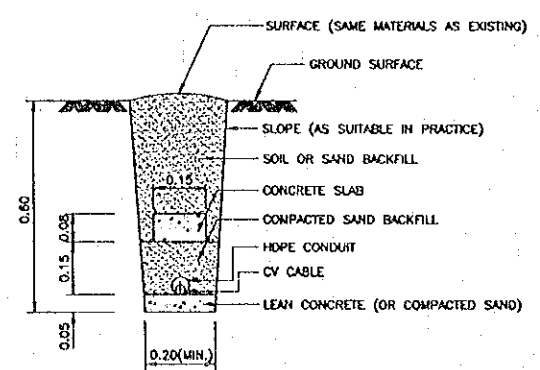
H	X(CM.)	Y(CM.)	Z(CM.)	REMARKS
10.00	45x45	120x120	180	FOR SIDE ENTRY OR POST TOP MOUNTING



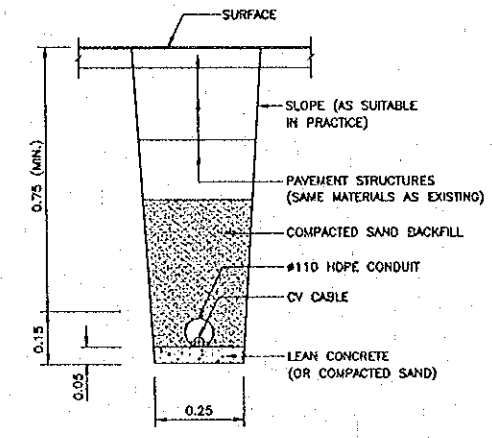
DETAIL OF GROUND ROD  
 SCALE 1:20



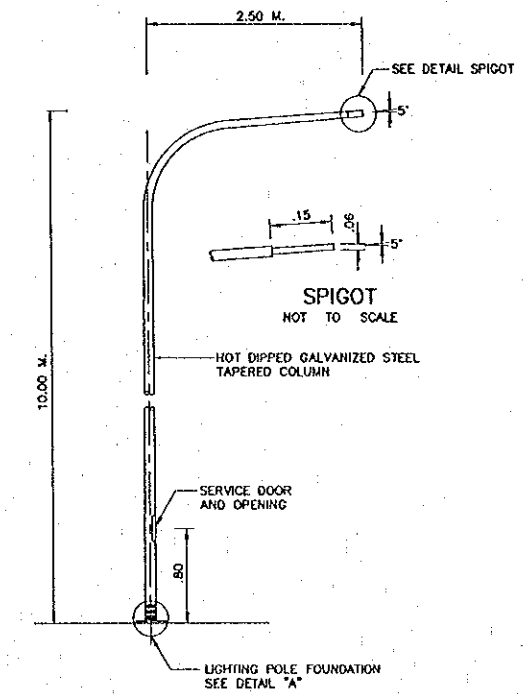
- NOTES:
- ALL DIMENSIONS ARE IN METERS UNLESS OTHERWISE INDICATED.
  - THE ELEVATION OF LIGHTING POLE FOUNDATION SHALL BE LOCATED AS FOLLOWS:
    - FOR LIGHTING POLE ON EDGE OF SHOULDER, RAISED MEDIAN AND SIDEWALK, THE TOP OF FOUNDATION LEVEL SHALL BE ABOUT 5 CM. HIGHER THAN GROUND LEVEL.
    - FOR LIGHTING POLE IN DEPRESSED MEDIAN, THE TOP OF FOUNDATION LEVEL SHALL KEEP THE SAME ELEVATION AS ROAD PROFILE GRADE.
  - FOR LAO ELECTRICITY AUTHORITY GROUND ROD, SHALL USE GALVANIZED STEEL ROD.



DETAIL OF BURIAL CABLE UNDER GROUND  
 SCALE 1:10



DETAIL OF BURIAL CABLE UNDER ROADWAY  
 SCALE 1:10



TYPICAL LIGHTING COLUMN  
 NOT TO SCALE

REV.	DATE	DESCRIPTION	APPROVED

PROJECT STUDY TEAM  
 ORIENTAL CONSULTANTS CO., LTD.  
 In association with  
 NIPPON KOKI CO., LTD.

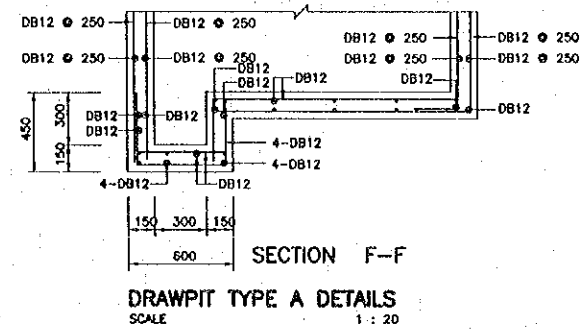
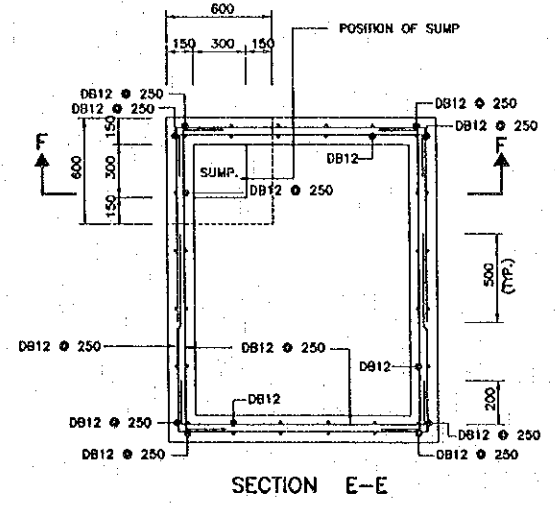
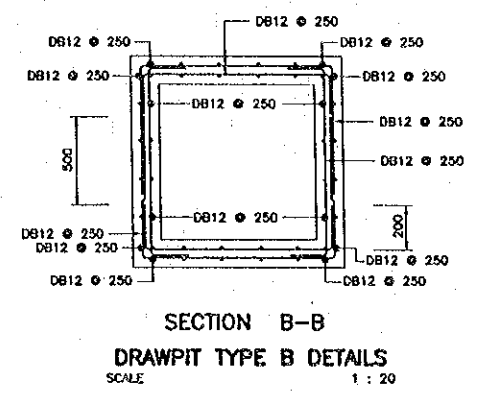
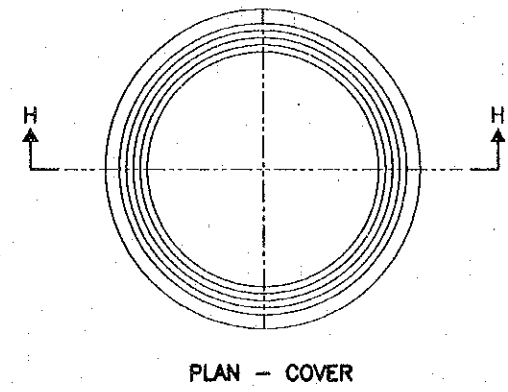
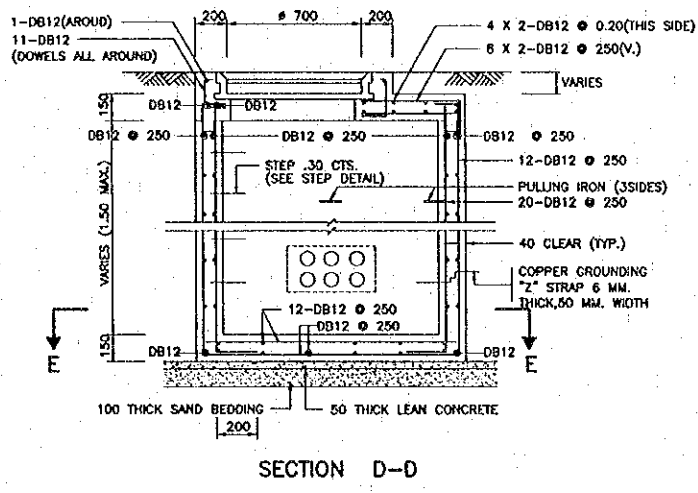
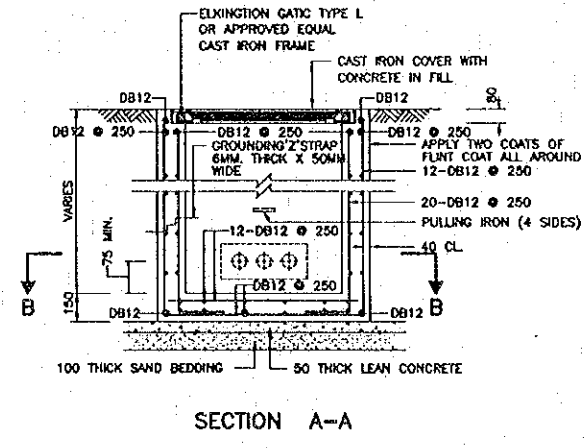
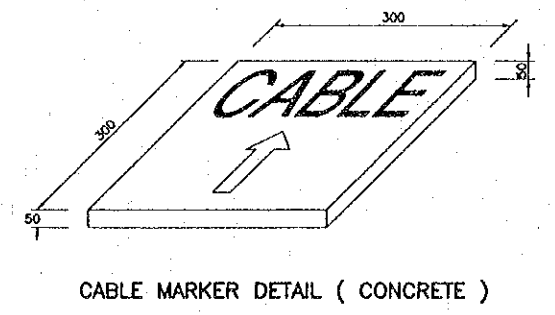
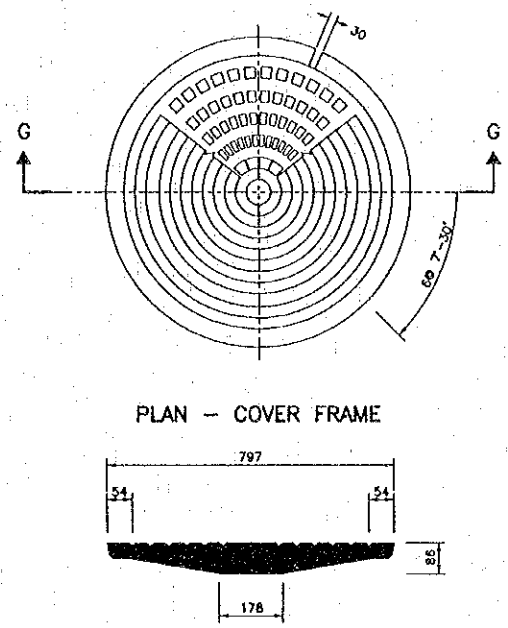
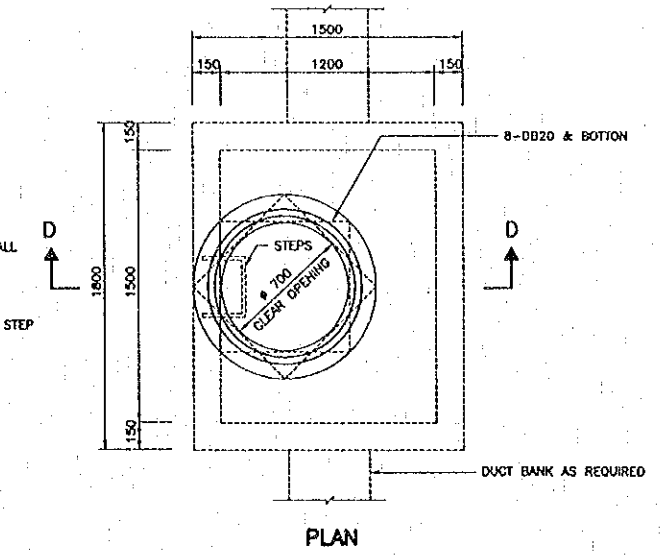
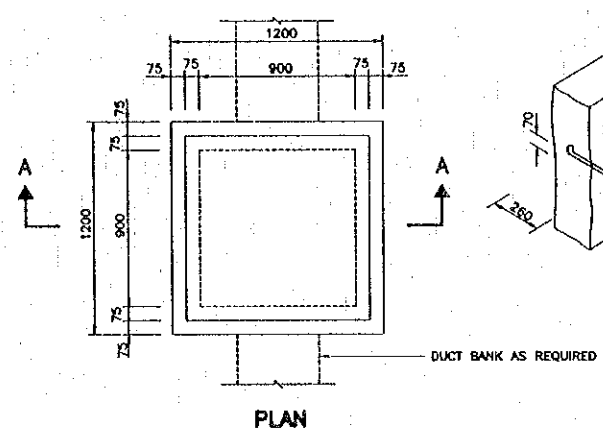
JICA JAPAN INTERNATIONAL COOPERATION AGENCY  
 LAO PEOPLE'S DEMOCRATIC REPUBLIC  
 MINISTRY OF COMMUNICATION, TRANSPORT, POST AND CONSTRUCTION  
 KINGDOM OF THAILAND  
 MINISTRY OF TRANSPORT AND COMMUNICATIONS  
 DEPARTMENT OF HIGHWAYS

THE SECOND MEKONG INTERNATIONAL BRIDGE CONSTRUCTION PROJECT

QUALITY RECORD	NAME	SIGNATURE	DATE
DESIGN	T. Takabuchi	<i>T. Takabuchi</i>	17/01/00
DESIGN CHECK	T. Mesutawa	<i>T. Mesutawa</i>	18/02/00
SUBMITTED	A. Hrotand	<i>A. Hrotand</i>	21/05/00
APPROVED	P. Viraphanth	<i>P. Viraphanth</i>	22/02/00

DWG. TITLE:  
 DETAILS OF LIGHTING COLUMN AND UNDERGROUND CABLE





- NOTES :
1. ALL DIMENSIONS ARE IN MILLIMETERS UNLESS OTHERWISE INDICATED.
  2. CONCRETE SHALL BE CLASS D (24N/MM<sup>2</sup>) UNLESS OTHERWISE SHOWN.
  3. REINFORCING STEEL BARS SHALL BE GRADE S0285.

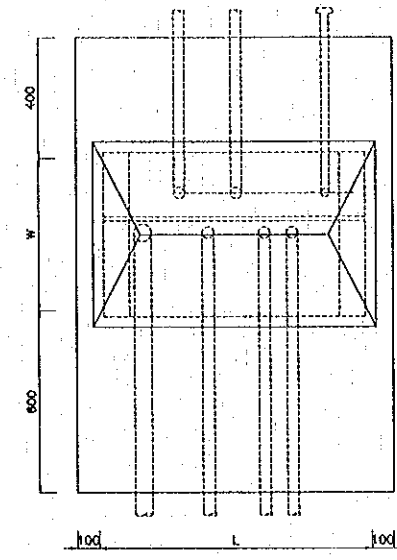
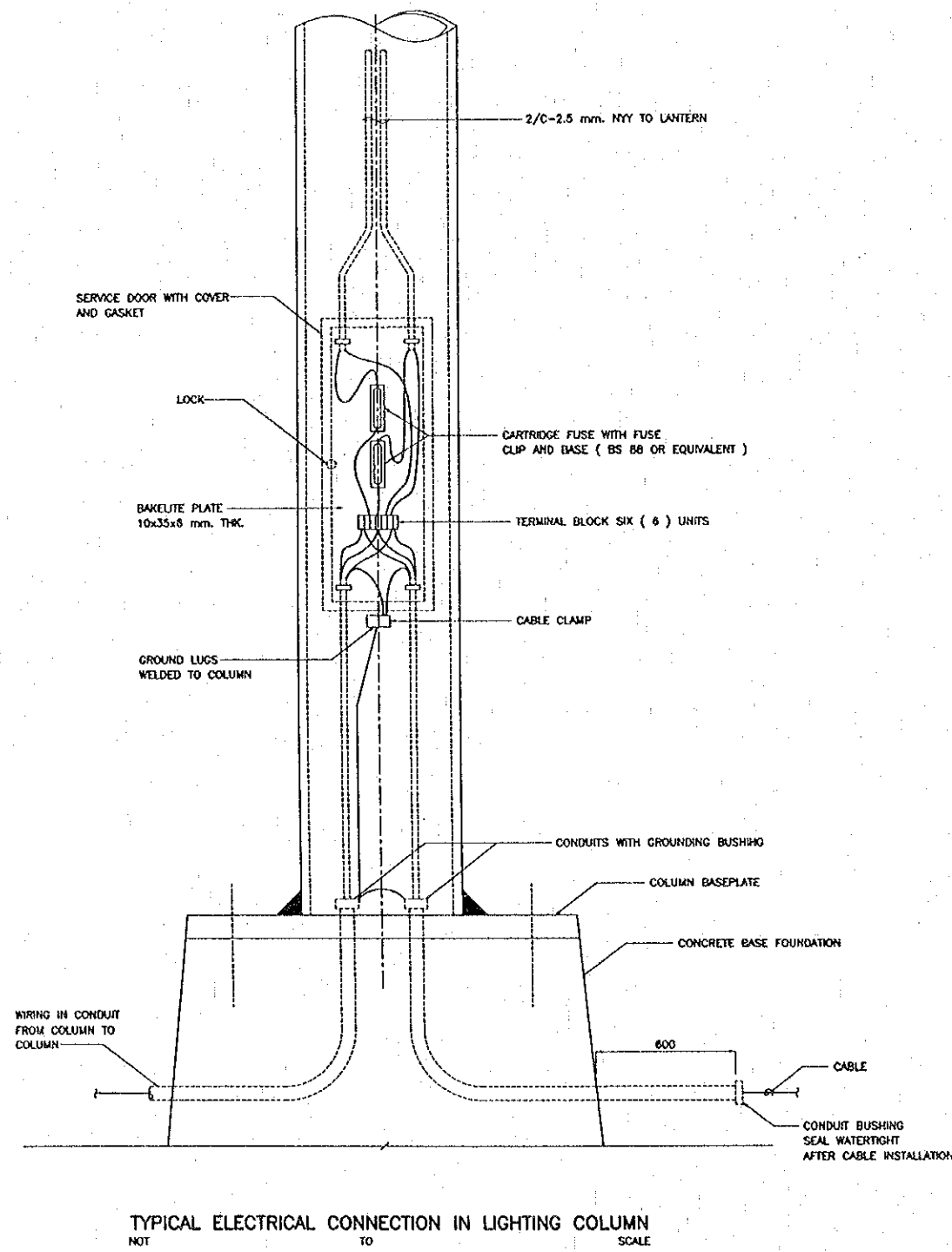
REV.	DATE	DESCRIPTION	APPROVED

PROJECT STUDY TEAM  
 ORIENTAL CONSULTANTS CO., LTD.  
 In association with  
 NIPPON KORI CO., LTD.

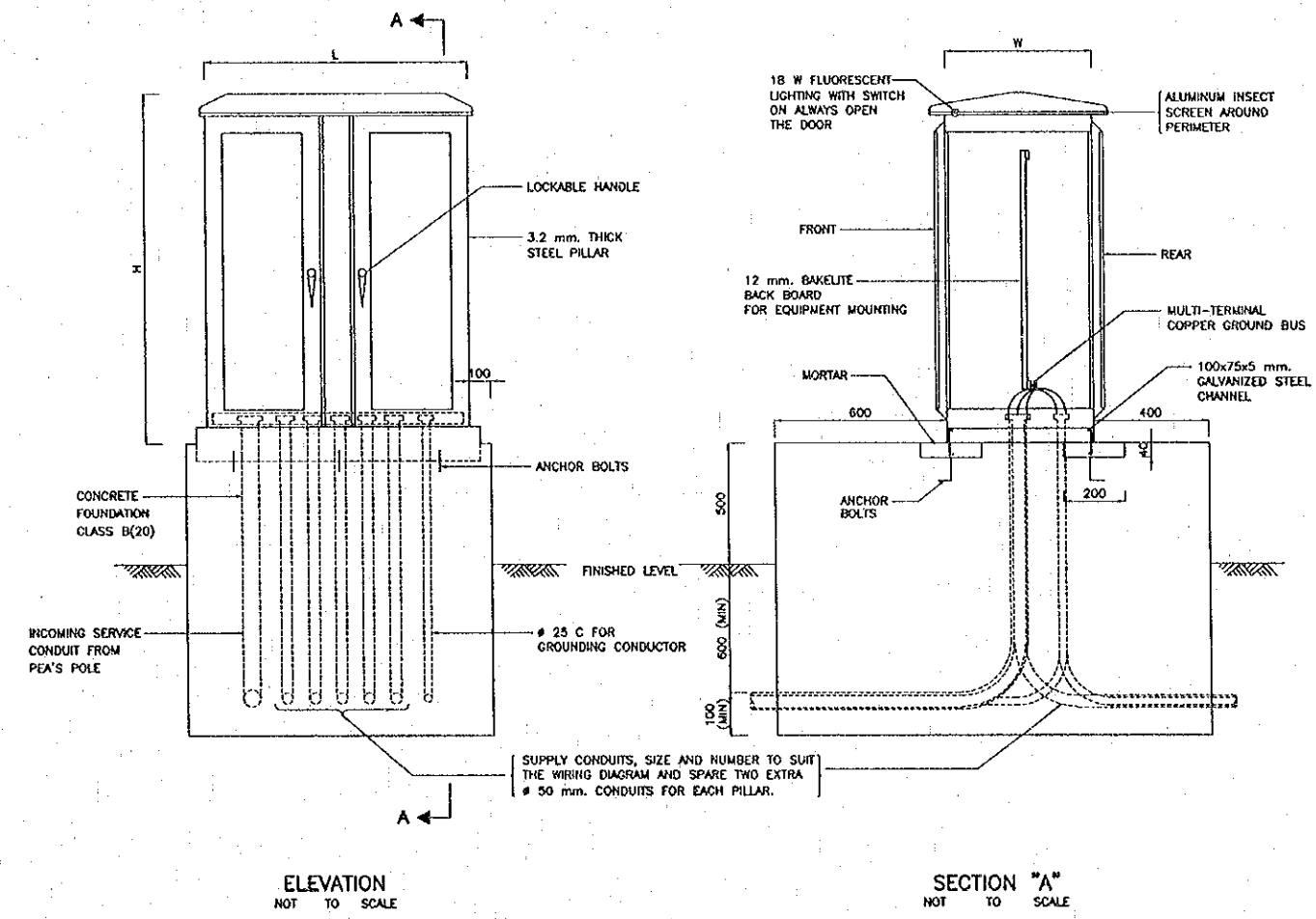
JICA JAPAN INTERNATIONAL COOPERATION AGENCY  
 LAO PEOPLE'S DEMOCRATIC REPUBLIC  
 MINISTRY OF COMMUNICATION, TRANSPORT, POST AND CONSTRUCTION  
 KINGDOM OF THAILAND  
 MINISTRY OF TRANSPORT AND COMMUNICATIONS  
 DEPARTMENT OF HIGHWAYS

THE SECOND MEKONG INTERNATIONAL BRIDGE CONSTRUCTION PROJECT

QUALITY RECORD	NAME	SIGNATURE	DATE	DWG. TITLE
DESIGN	T. Tokobuwa	<i>T. Tokobuwa</i>	11-01-00	DRAWPITS
DESIGN CHECK	T. Masuawa	<i>T. Masuawa</i>	11-02-00	
SUBMITTED	A. Hirofumi	<i>A. Hirofumi</i>	11/02/00	
APPROVED	P. Viraphanth	<i>P. Viraphanth</i>	12/02/00	



NOTES:  
 1. ALL DIMENSIONS ARE IN MILLIMETERS UNLESS OTHERWISE INDICATED.  
 2. THE CONTRACTOR SHALL BE RESPONSIBLE FOR SIZING THE SUPPLY PILLAR TO ACCOMMODATE ALL EQUIPMENT INSTALLED AND ALLOW FOR USABLE SPACE FOR FUTURE ADDITION, REFERRED TO THE SPECIFICATIONS.



REV.	DATE	DESCRIPTION	APPROVED

PROJECT STUDY TEAM  
 ORIENTAL CONSULTANTS CO., LTD.  
 in association with  
 NIPPON KOEI CO., LTD.

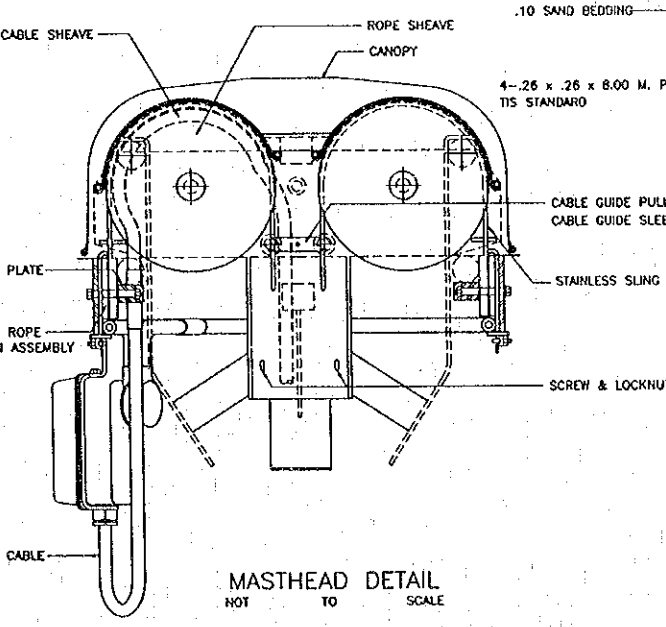
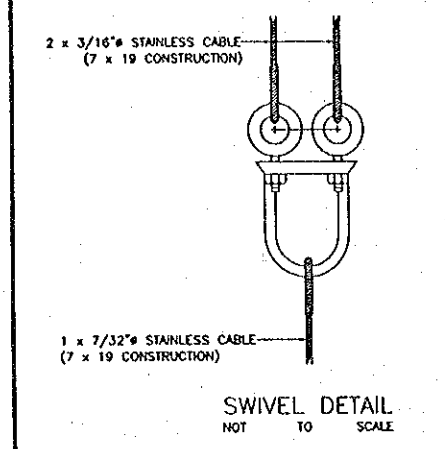
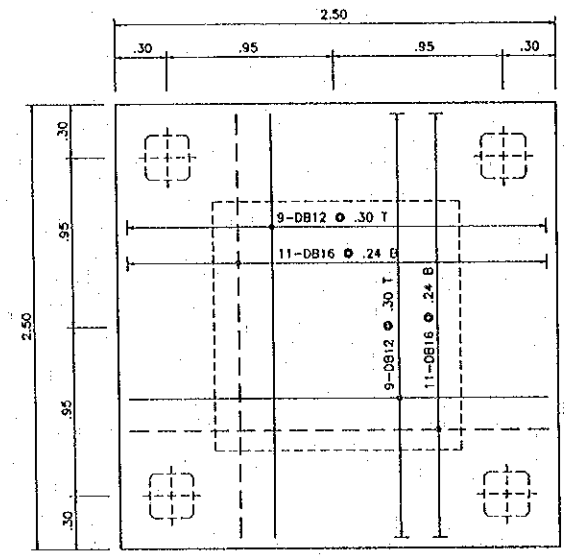
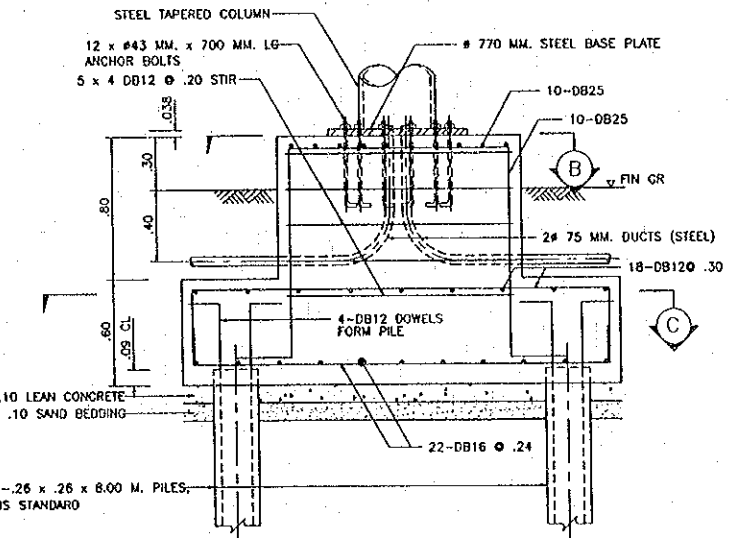
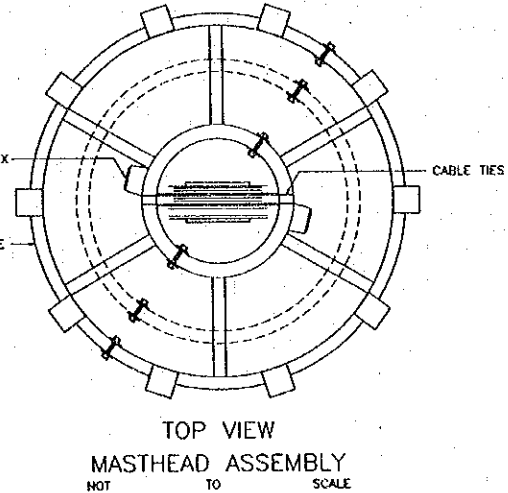
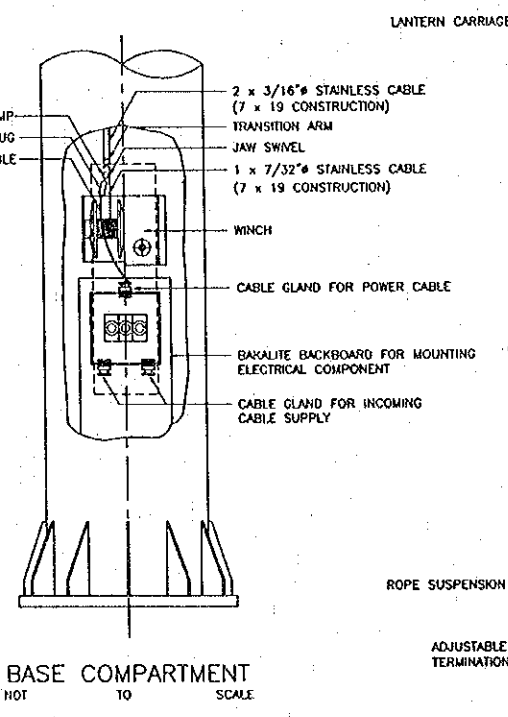
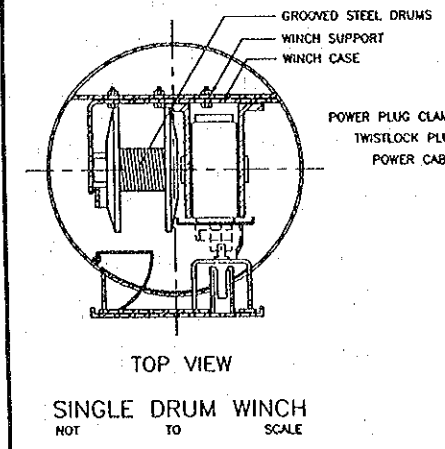
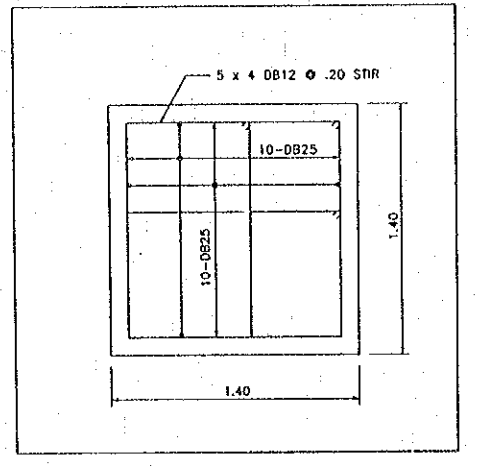
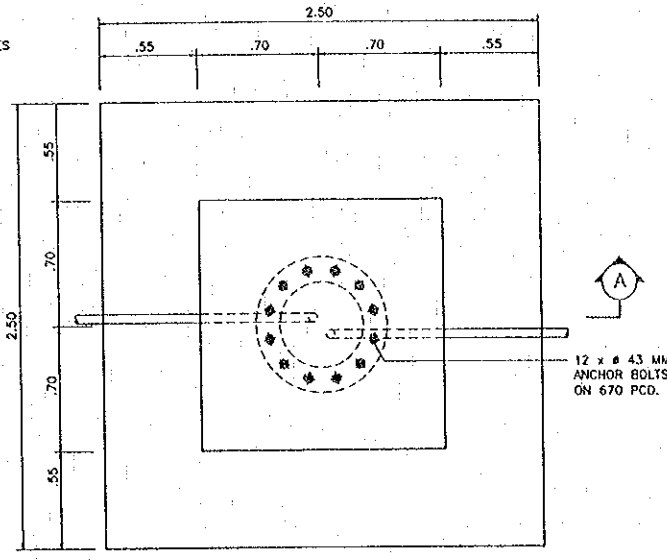
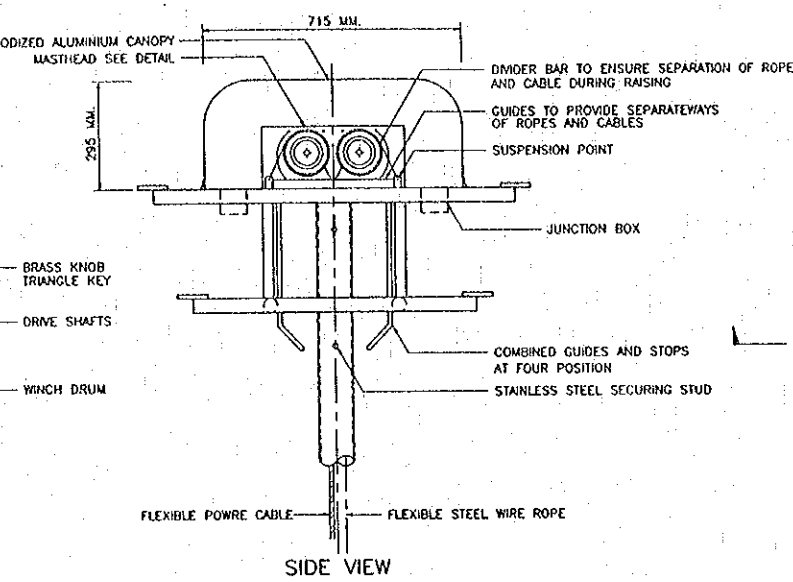
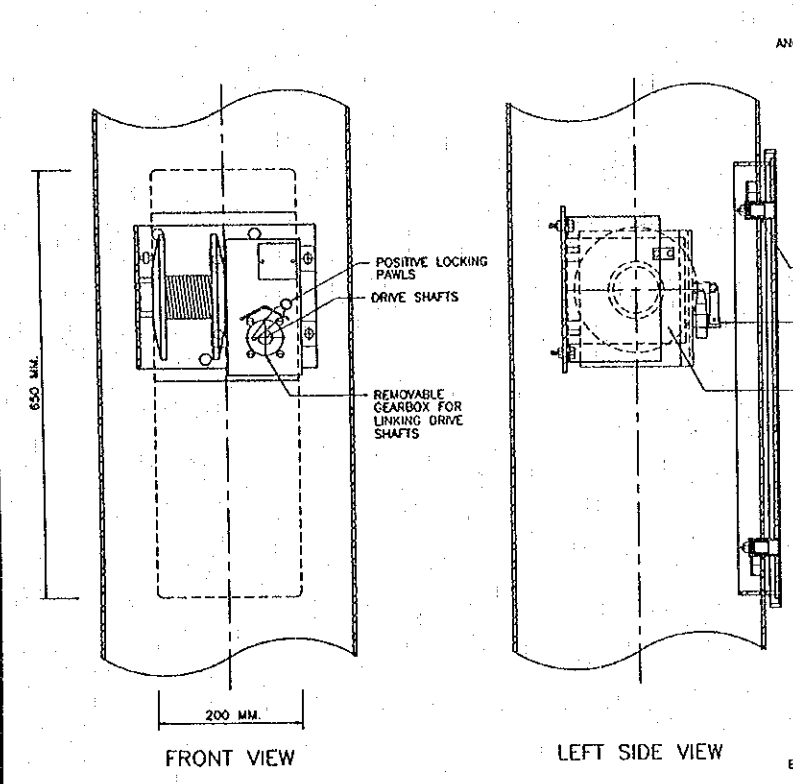
JICA JAPAN INTERNATIONAL COOPERATION AGENCY  
 LAO PEOPLE'S DEMOCRATIC REPUBLIC  
 MINISTRY OF COMMUNICATION, TRANSPORT, POST AND CONSTRUCTION  
 KINGDOM OF THAILAND  
 MINISTRY OF TRANSPORT AND COMMUNICATIONS  
 DEPARTMENT OF HIGHWAYS

THE SECOND MEKONG INTERNATIONAL BRIDGE CONSTRUCTION PROJECT

QUALITY RECORD	NAME	SIGNATURE	DATE
DESIGN	T. Takahashi	<i>T. Takahashi</i>	11/02/00
DESIGN CHECK	T. Masuzawa	<i>T. Masuzawa</i>	11/02/00
SUBMITTED	A. Hiratani	<i>A. Hiratani</i>	11/02/00
APPROVED	P. Viraphanth	<i>P. Viraphanth</i>	12/02/00

DWG. TITLE:  
 LIGHTING COLUMN CONNECTION & SUPPLY PILLAR

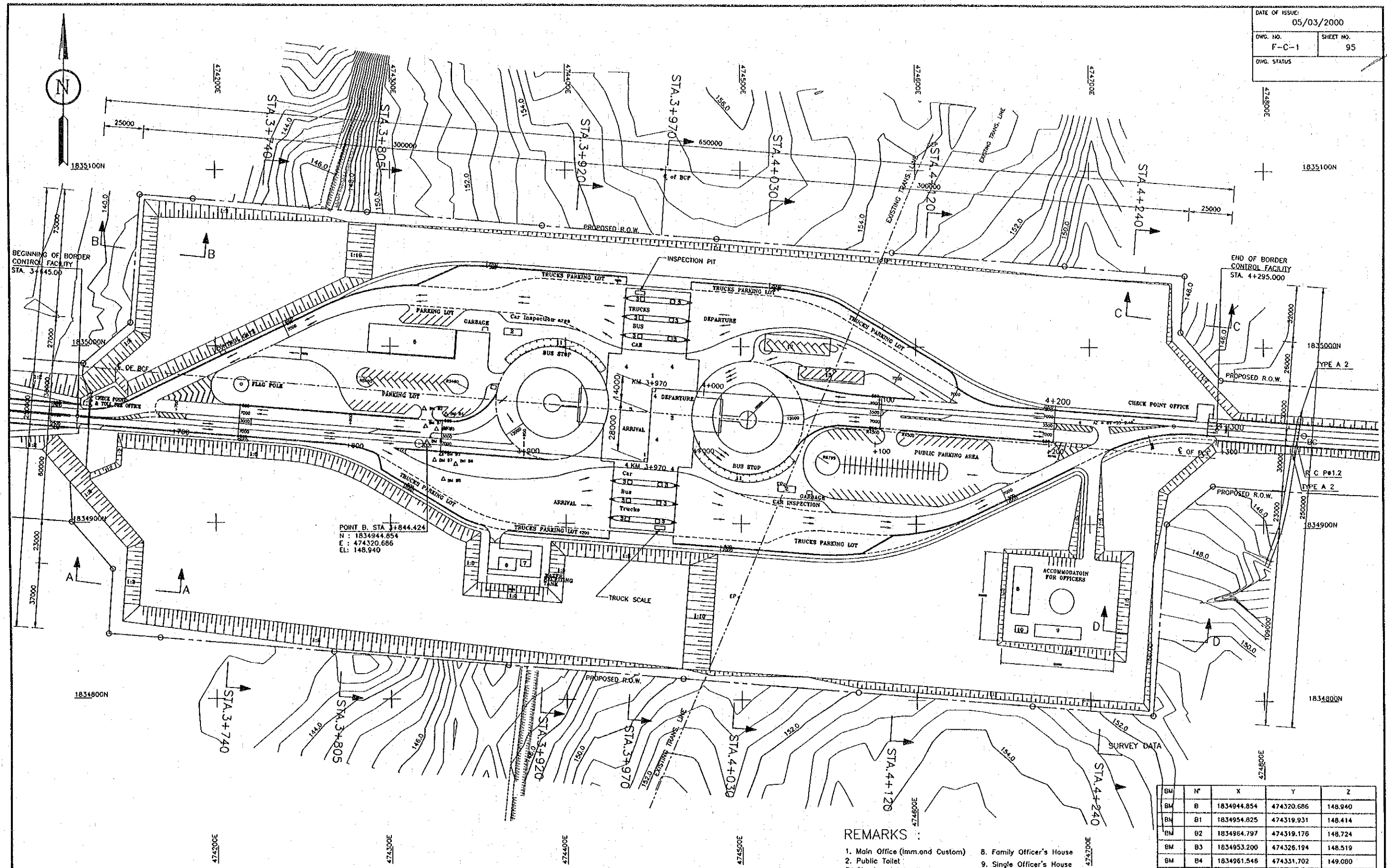




HIGH MAST FOUNDATION (M1)  
 SCALE 1 : 20

NOTE:  
 1. ALL DIMENSIONS SHOWN ARE IN METERS UNLESS OTHERWISE NOTED.  
 2. THE SPECIFICATION OF HIGH MAST LIGHTING SYSTEM SHALL BE FOLLOWED TO THE TECHNICAL SPECIFICATIONS NO.25.5.

REV.	DATE	DESCRIPTION	APPROVED	PROJECT STUDY TEAM	JICA	QUALITY RECORD	NAME	SIGNATURE	DATE	DWG. TITLE
				ORIENTAL CONSULTANTS CO., LTD. In association with NIPPON KOEI CO., LTD.	JICA LAO PEOPLE'S DEMOCRATIC REPUBLIC MINISTRY OF COMMUNICATION, TRANSPORT, POST AND CONSTRUCTION KINGDOM OF THAILAND MINISTRY OF TRANSPORT AND COMMUNICATIONS DEPARTMENT OF HIGHWAYS	DESIGN	T. Takobushi	<i>T. Takobushi</i>	23/04/00	HM. COMPARTMENT & FOUNDATION
						DESIGN CHECK	T. Mizuono	<i>T. Mizuono</i>	27/04/00	
						SUBMITTED	A. Hiratani	<i>A. Hiratani</i>	27/04/00	
						APPROVED	P. Virephonh	<i>P. Virephonh</i>	05/05/00	



NOTE :  
 ALL DIMENSIONS ARE IN MILLIMETERS UNLESS OTHERWISE INDICATED.

LAYOUT PLAN  
 SCALE 1:1000

- REMARKS :
- 1. Main Office (Imm. and Custom)
  - 2. Public Toilet
  - 3. Check point booth
  - 4. Inspection booth (Imm. & Custom)
  - 5. Duty free shop ( Future)
  - 6. Power house
  - 7. Water Receiving Tank
  - 8. Family Officer's House
  - 9. Single Officer's House
  - 10. Toilet and Laundry
  - 11. Bus stop
  - 12. Officer's Parking
  - 13. Motorcycle Parking

BM	N°	X	Y	Z
BM	B	1834944.854	474320.686	148.940
BM	B1	1834954.825	474319.931	148.414
BM	B2	1834964.797	474319.176	148.724
BM	B3	1834953.200	474326.194	148.519
BM	B4	1834961.546	474331.702	149.080
BM	B5	1834939.171	474328.915	148.905
BM	B6	1834933.489	474337.143	148.085
BM	B7	1834935.810	474324.953	148.253
BM	B8	1834924.957	474330.074	146.700

REV.	DATE	DESCRIPTION	APPROVED

PROJECT STUDY TEAM  
 ORIENTAL CONSULTANTS CO., LTD.  
 in association with  
 NIPPON KOBİ CO., LTD.

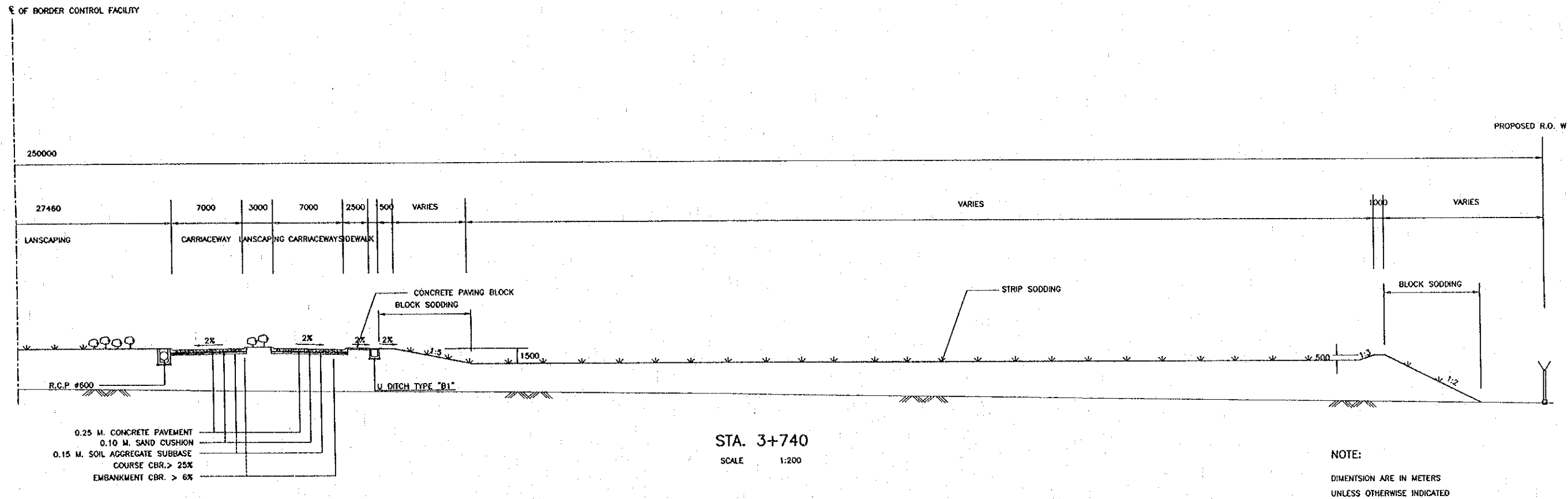
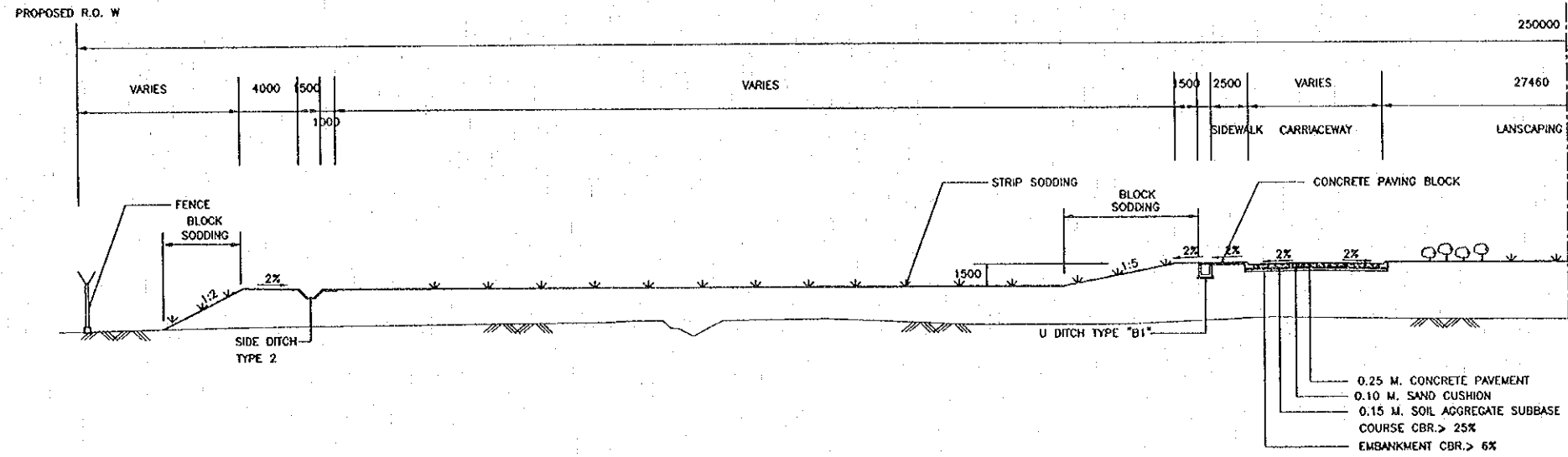
JICA JAPAN INTERNATIONAL COOPERATION AGENCY  
 LAO PEOPLE'S DEMOCRATIC REPUBLIC  
 MINISTRY OF COMMUNICATION, TRANSPORT, POST AND CONSTRUCTION  
 KINGDOM OF THAILAND  
 MINISTRY OF TRANSPORT AND COMMUNICATIONS  
 DEPARTMENT OF HIGHWAYS

THE SECOND MEKONG  
 INTERNATIONAL BRIDGE  
 CONSTRUCTION PROJECT

QUALITY RECORD	NAME	SIGNATURE	DATE
DESIGN	H. Okita	<i>[Signature]</i>	27/05/00
DESIGN CHECK	T. Matsuzawa	<i>[Signature]</i>	27/05/00
SUBMITTED	A. Hirotsuki	<i>[Signature]</i>	27/05/00
APPROVED	P. Viraphanth	<i>[Signature]</i>	5/6/00

DWG. TITLE:  
 BORDER CONTROL FACILITIES  
 LAO PDR SIDE  
 GENERAL LAYOUT OF BCF

DATE OF ISSUE:		05/03/2000
DWG. NO.	F-C-2	SHEET NO.
		96
DWG. STATUS		



STA. 3+740  
SCALE 1:200

NOTE:  
DIMENSION ARE IN METERS  
UNLESS OTHERWISE INDICATED

REV.	DATE	DESCRIPTION	APPROVED

PROJECT STUDY TEAM  
**ORIENTAL CONSULTANTS CO., LTD.**  
 in association with  
**NIPPON KOKI CO., LTD.**

**JICA** JAPAN INTERNATIONAL COOPERATION AGENCY  
 LAO PEOPLE'S DEMOCRATIC REPUBLIC  
 MINISTRY OF COMMUNICATION, TRANSPORT, POST AND CONSTRUCTION  
 KINGDOM OF THAILAND  
 MINISTRY OF TRANSPORT AND COMMUNICATIONS  
 DEPARTMENT OF HIGHWAYS

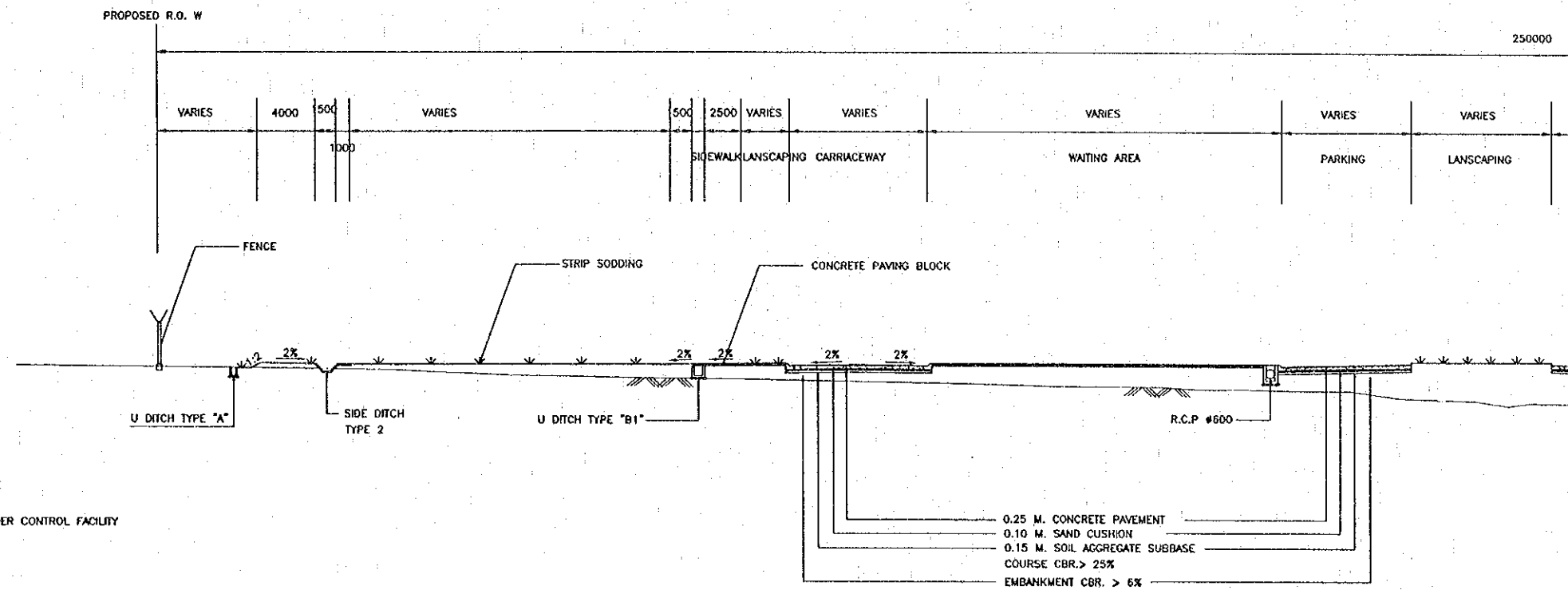
**THE SECOND MEKONG INTERNATIONAL BRIDGE CONSTRUCTION PROJECT**

QUALITY RECORD	NAME	SIGNATURE	DATE
DESIGN	H. Okita	<i>[Signature]</i>	21/02/00
DESIGN CHECK	T. Mochizuki	<i>[Signature]</i>	21/02/00
SUBMITTED	A. Hirotsu	<i>[Signature]</i>	21/02/00
APPROVED	P. Virophanth	<i>[Signature]</i>	22/02/00

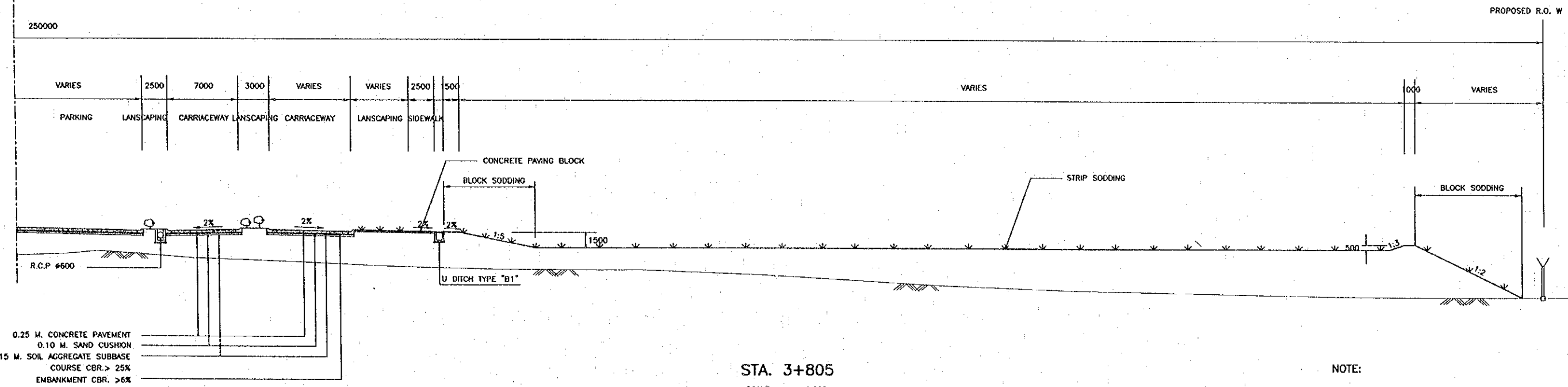
DWG. TITLE:  
**BORDER CONTROL FACILITIES  
 LAO PDR SIDE  
 CROSS SECTION (1)**

DATE OF ISSUE: 05/03/2000  
 DWS. NO. F-C-3 SHEET NO. 97  
 DWS. STATUS

€ OF BORDER CONTROL FACILITY



€ OF BORDER CONTROL FACILITY

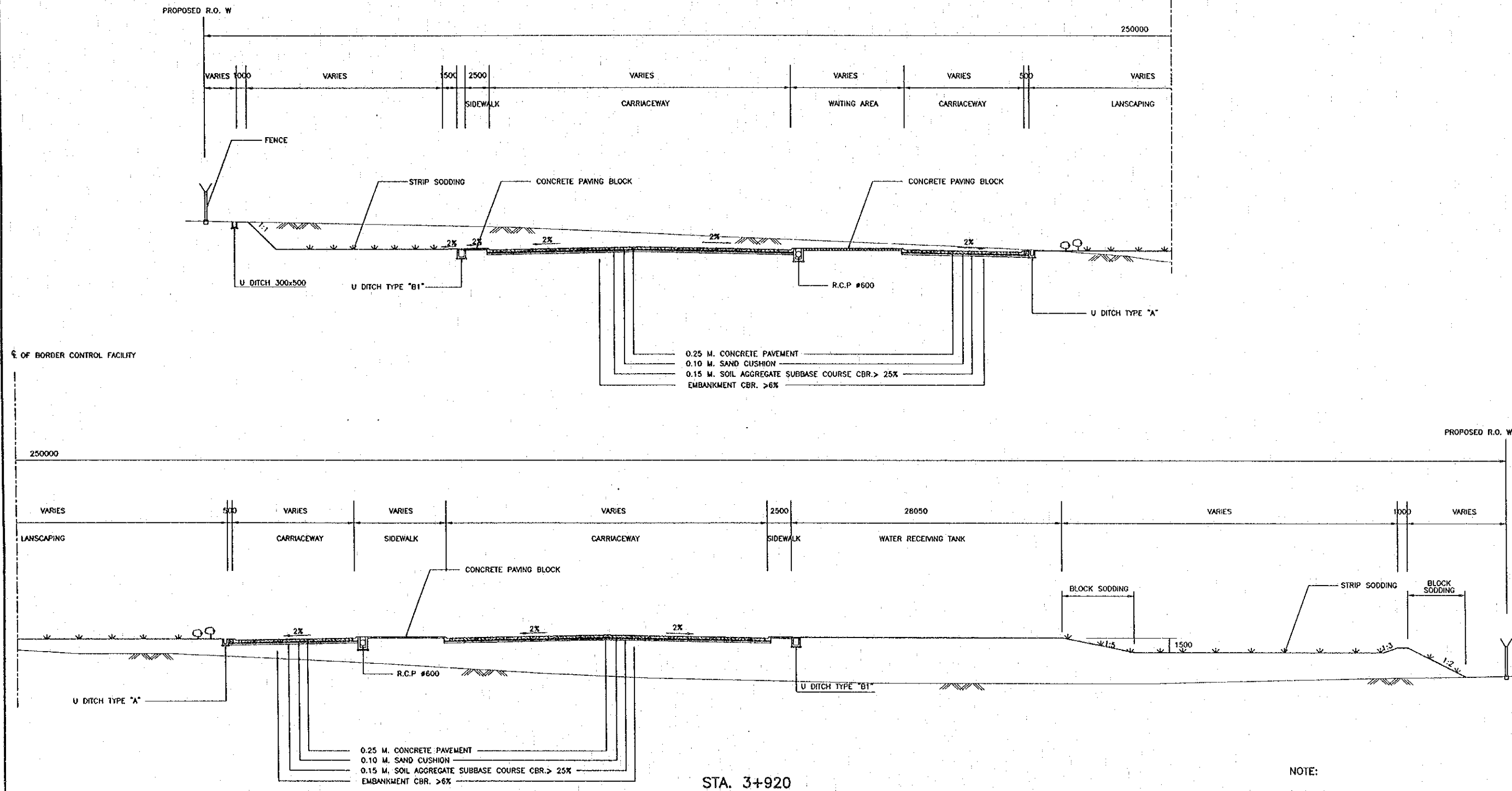


STA. 3+805  
 SCALE 1:200

NOTE:  
 DIMENSION ARE IN METERS  
 UNLESS OTHERWISE INDICATED

REV.	DATE	DESCRIPTION	APPROVED	PROJECT STUDY TEAM	JICA JAPAN INTERNATIONAL COOPERATION AGENCY	QUALITY RECORD	NAME	SIGNATURE	DATE	DWG. TITLE:
				ORIENTAL CONSULTANTS CO., LTD. in association with NIPPON KOEI CO., LTD.	LAO PEOPLE'S DEMOCRATIC REPUBLIC MINISTRY OF COMMUNICATION, TRANSPORT, POST AND CONSTRUCTION	DESIGN	H. Ohta	<i>[Signature]</i>	11/27/00	BORDER CONTROL FACILITIES LAO PDR SIDE CROSS SECTION (2)
					KINGDOM OF THAILAND MINISTRY OF TRANSPORT AND COMMUNICATIONS DEPARTMENT OF HIGHWAYS	DESIGN CHECK	T. Morizawa	<i>[Signature]</i>	12-02-00	
						SUBMITTED	A. Hirota	<i>[Signature]</i>	12/01/00	
						APPROVED	P. Viraphonh	<i>[Signature]</i>	12/02/00	

☐ OF BORDER CONTROL FACILITY

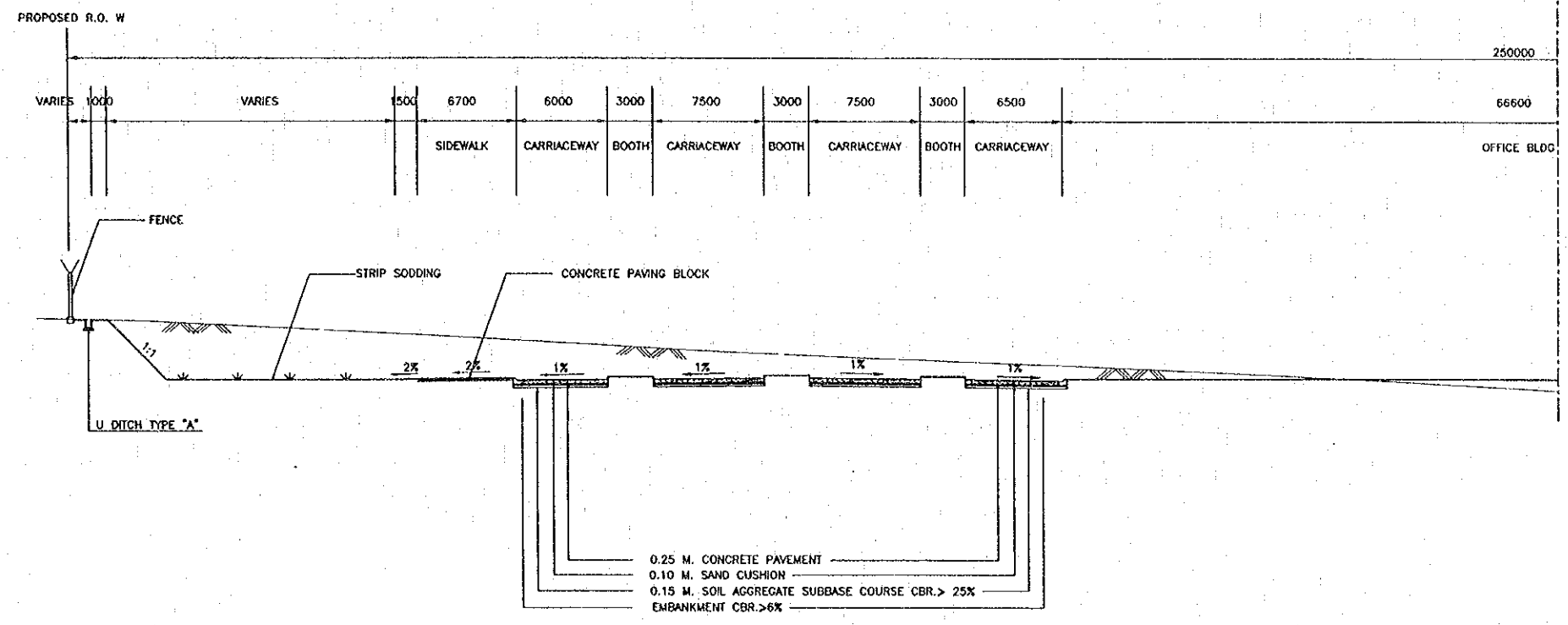


NOTE:  
 DIMENSIONS ARE IN METERS  
 UNLESS OTHERWISE INDICATED

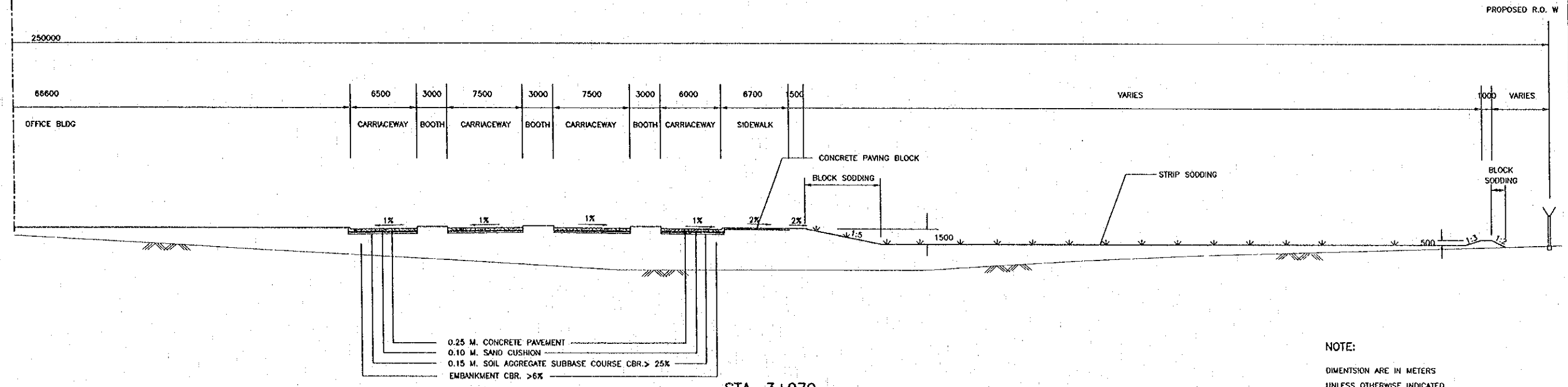
REV.	DATE	DESCRIPTION	APPROVED	PROJECT STUDY TEAM	JICA	QUALITY RECORD	NAME	SIGNATURE	DATE	DWG. TITLE
				ORIENTAL CONSULTANTS CO., LTD. in association with NIPPON KOEI CO., LTD.	JAPAN INTERNATIONAL COOPERATION AGENCY LAO PEOPLE'S DEMOCRATIC REPUBLIC MINISTRY OF COMMUNICATION, TRANSPORT, POST AND CONSTRUCTION KINGDOM OF THAILAND MINISTRY OF TRANSPORT AND COMMUNICATIONS DEPARTMENT OF HIGHWAYS	DESIGN	H. Ohta	<i>[Signature]</i>	16/02/00	BORDER CONTROL FACILITIES LAO PDR SIDE CROSS SECTION (3)
						DESIGN CHECK	T. Morizono	<i>[Signature]</i>	18-02-00	
						SUBMITTED	A. Hirataki	<i>[Signature]</i>	2/03/00	
						APPROVED	P. Viraphanth	<i>[Signature]</i>	02/03/00	



☉ OF BORDER CONTROL FACILITY



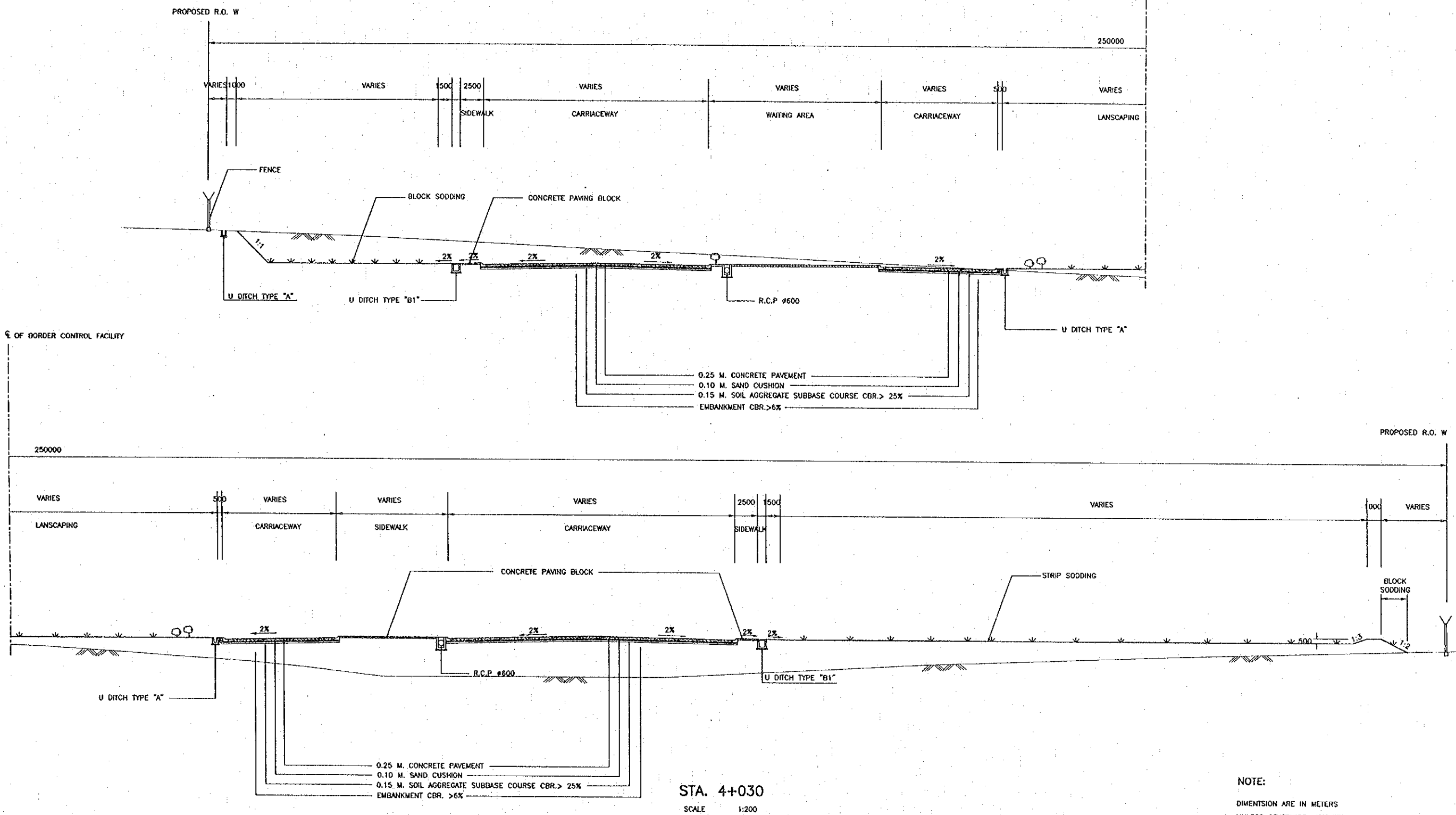
☉ OF BORDER CONTROL FACILITY



STA. 3+970  
 SCALE 1:200

NOTE:  
 DIMENSIONS ARE IN METERS  
 UNLESS OTHERWISE INDICATED

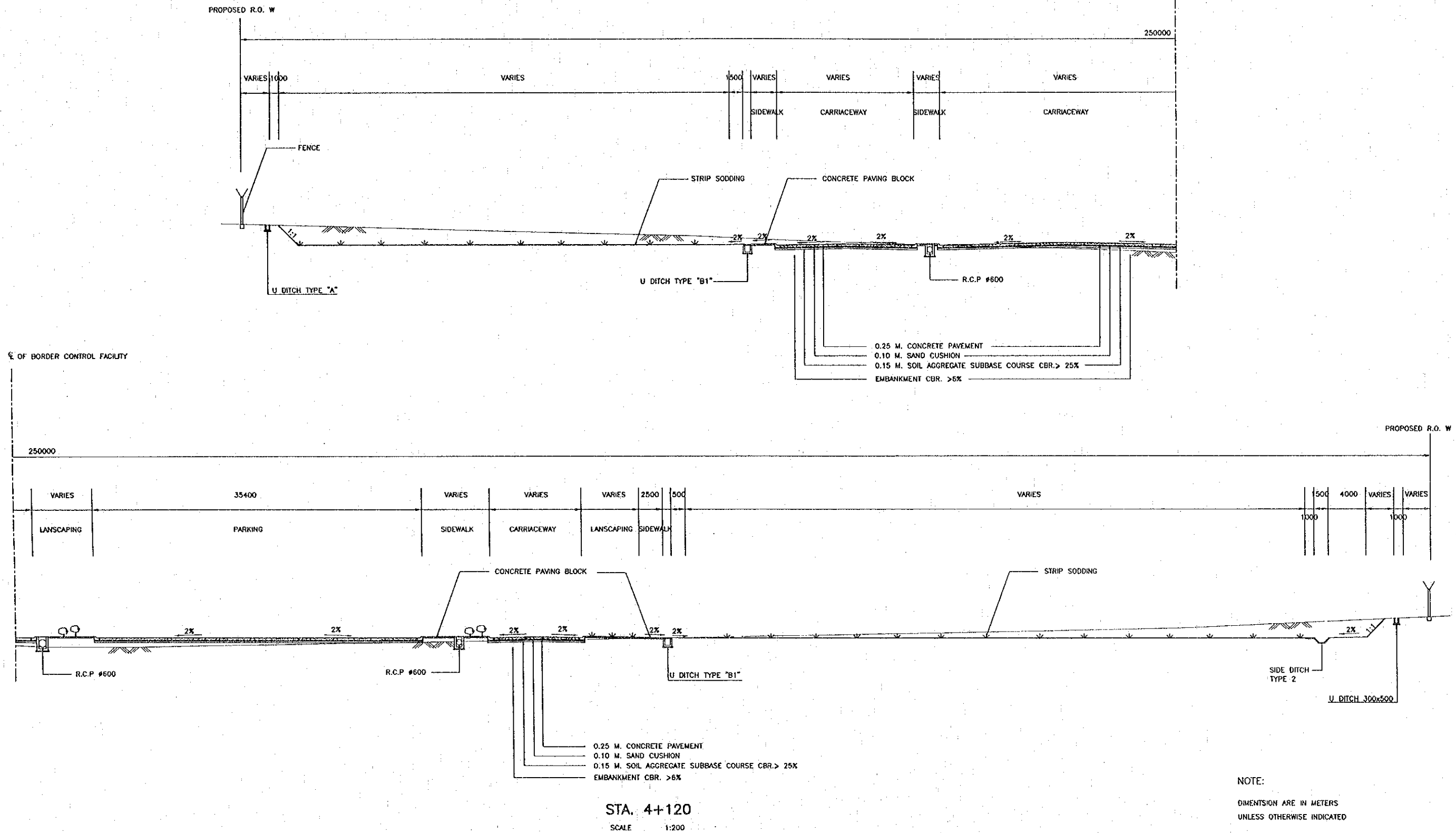
REV.	DATE	DESCRIPTION	APPROVED	PROJECT STUDY TEAM	JICA JAPAN INTERNATIONAL COOPERATION AGENCY	QUALITY RECORD	NAME	SIGNATURE	DATE	DWG. TITLE
				ORIENTAL CONSULTANTS CO., LTD. in association with NIPPON KOEI CO., LTD.	LAO PEOPLE'S DEMOCRATIC REPUBLIC MINISTRY OF COMMUNICATION, TRANSPORT, POST AND CONSTRUCTION KINGDOM OF THAILAND MINISTRY OF TRANSPORT AND COMMUNICATIONS DEPARTMENT OF HIGHWAYS	DESIGN	H. Orita	<i>[Signature]</i>	11/2/00	BORDER CONTROL FACILITIES LAO PDR SIDE CROSS SECTION (4)
						DESIGN CHECK	T. Mawzawa	<i>[Signature]</i>	11/2/00	
						SUBMITTED	A. Krotani	<i>[Signature]</i>	11/2/00	
						APPROVED	P. Waphanth	<i>[Signature]</i>	11/2/00	



NOTE:  
 DIMENSION ARE IN METERS  
 UNLESS OTHERWISE INDICATED

REV.	DATE	DESCRIPTION	APPROVED	PROJECT STUDY TEAM	JICA	QUALITY RECORD	NAME	SIGNATURE	DATE	DWG. TITLE
				ORIENTAL CONSULTANTS CO., LTD. in association with NIPPON KOKI CO., LTD.	JAPAN INTERNATIONAL COOPERATION AGENCY LAO PEOPLE'S DEMOCRATIC REPUBLIC MINISTRY OF COMMUNICATION, TRANSPORT, POST AND CONSTRUCTION	DESIGN	H. OARU	<i>[Signature]</i>	11/02/00	BORDER CONTROL FACILITIES LAO PDR SIDE CROSS SECTION (5)
					KINGDOM OF THAILAND MINISTRY OF TRANSPORT AND COMMUNICATIONS DEPARTMENT OF HIGHWAYS	DESIGN CHECK	T. MORIZONO	<i>[Signature]</i>	02/02/00	
						SUBMITTED	A. HIROTA	<i>[Signature]</i>	21/02/00	
						APPROVED	P. VROPHANTH	<i>[Signature]</i>	02/02/00	

DATE OF ISSUE: 05/03/2000	
DWG. NO. F-C-7	SHEET NO. 101
DWG. STATUS	



NOTE:  
DIMENSION ARE IN METERS  
UNLESS OTHERWISE INDICATED

REV.	DATE	DESCRIPTION	APPROVED

PROJECT STUDY TEAM  
**ORIENTAL CONSULTANTS CO., LTD.**  
 in association with  
**NIPPON KOEI CO., LTD.**

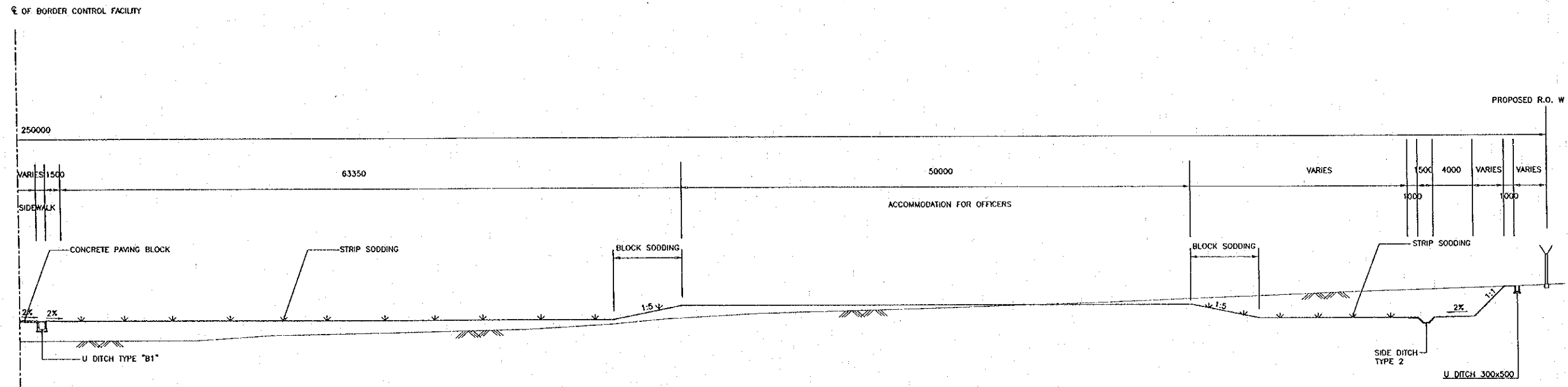
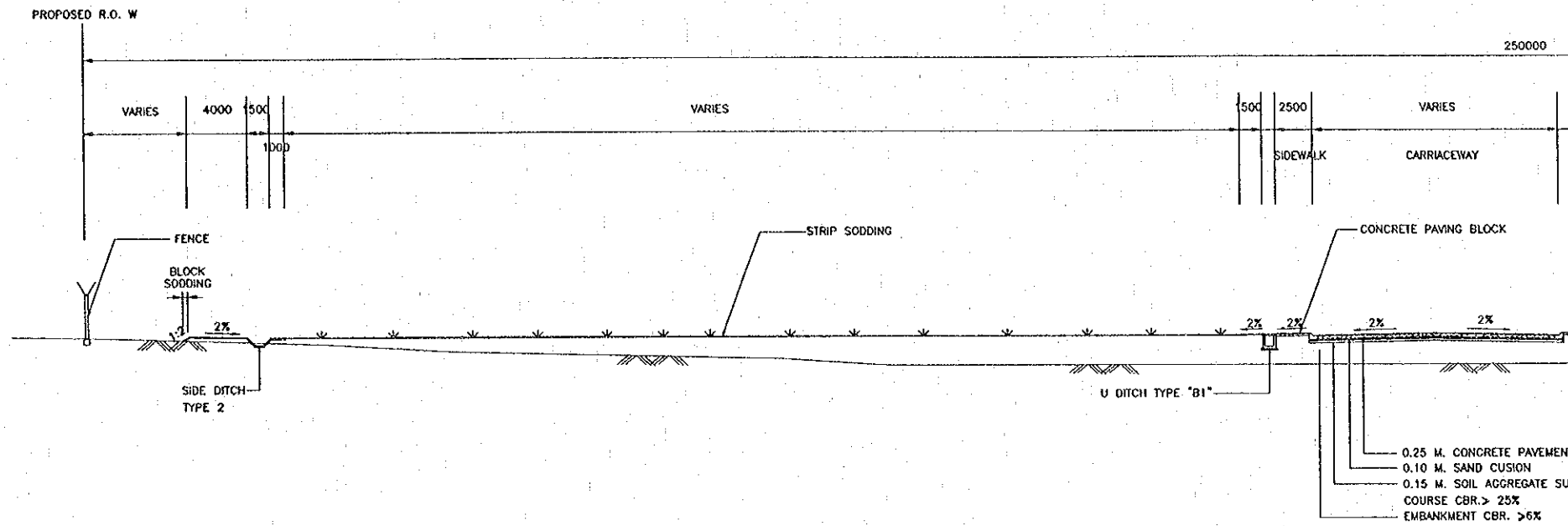
**JICA** JAPAN INTERNATIONAL COOPERATION AGENCY  
 LAO PEOPLE'S DEMOCRATIC REPUBLIC  
 MINISTRY OF COMMUNICATION, TRANSPORT, POST AND CONSTRUCTION  
 KINGDOM OF THAILAND  
 MINISTRY OF TRANSPORT AND COMMUNICATIONS  
 DEPARTMENT OF HIGHWAYS

**THE SECOND MEKONG  
 INTERNATIONAL BRIDGE  
 CONSTRUCTION PROJECT**

QUALITY RECORD	NAME	SIGNATURE	DATE
DESIGN	H. Osho	<i>[Signature]</i>	11/02/00
DESIGN CHECK	T. Masuzawa	<i>[Signature]</i>	12/02/00
SUBMITTED	A. Hietori	<i>[Signature]</i>	21/02/00
APPROVED	P. Viraphanith	<i>[Signature]</i>	27/02/00

DWG. TITLE:  
**BORDER CONTROL FACILITIES  
 LAO PDR SIDE  
 CROSS SECTION (6)**

DATE OF ISSUE:	
05/03/2000	
DWG. NO.	SHEET NO.
F-C-8	102
DWG. STATUS	

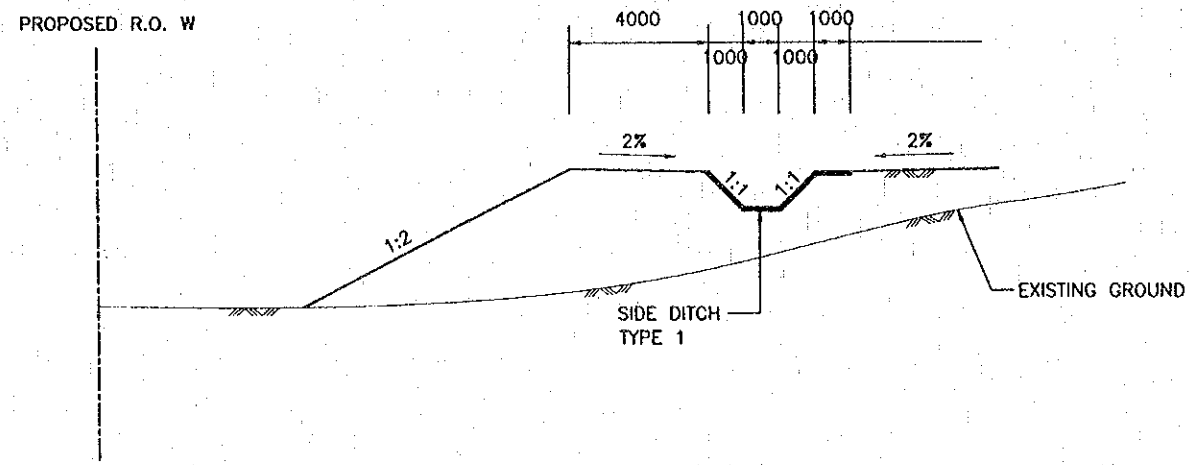


STA. 4+240  
SCALE 1:200

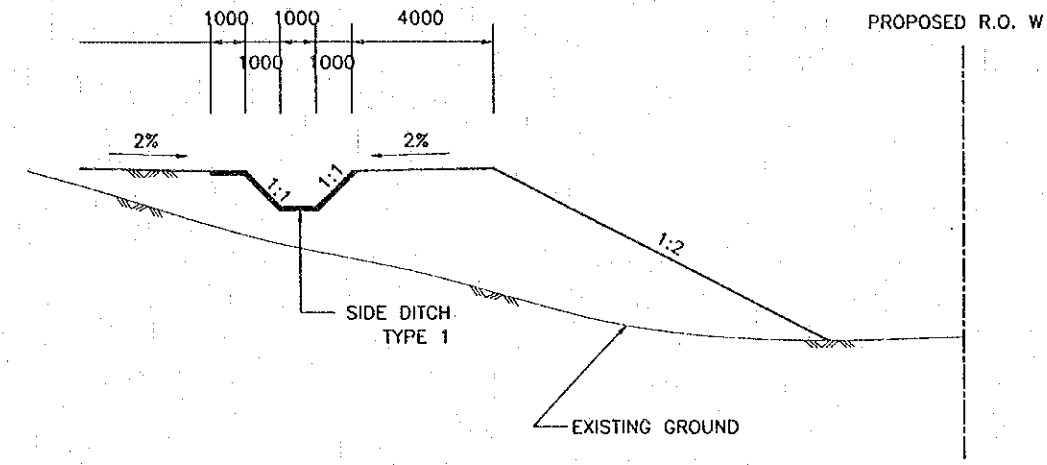
NOTE:  
DIMENSION ARE IN METERS  
UNLESS OTHERWISE INDICATED

REV.	DATE	DESCRIPTION	APPROVED	PROJECT STUDY TEAM	JICA JAPAN INTERNATIONAL COOPERATION AGENCY	QUALITY RECORD	NAME	SIGNATURE	DATE	DWG. TITLE:
				ORIENTAL CONSULTANTS CO., LTD. In association with NIPPON KOEI CO., LTD.	LAO PEOPLE'S DEMOCRATIC REPUBLIC MINISTRY OF COMMUNICATION, TRANSPORT, POST AND CONSTRUCTION	DESIGN	H. Okita	<i>[Signature]</i>	05/03/00	BORDER CONTROL FACILITIES LAO PDR SIDE CROSS SECTION (7)
					KINGDOM OF THAILAND MINISTRY OF TRANSPORT AND COMMUNICATIONS DEPARTMENT OF HIGHWAYS	DESIGN CHECK	T. Morizawa	<i>[Signature]</i>	18/02/00	
						SUBMITTED	A. Hirakawa	<i>[Signature]</i>	21/02/00	
						APPROVED	P. Viraphonh	<i>[Signature]</i>	12/02/00	

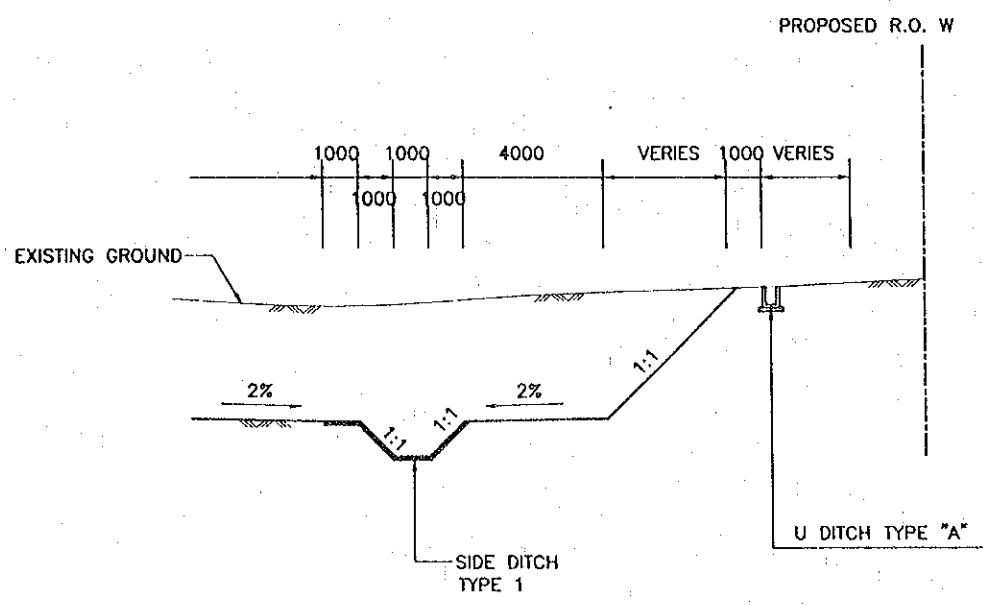
DATE OF ISSUE:	
05/03/2000	
DWG. NO.	SHEET NO.
F-C-9	103
DWG. STATUS	



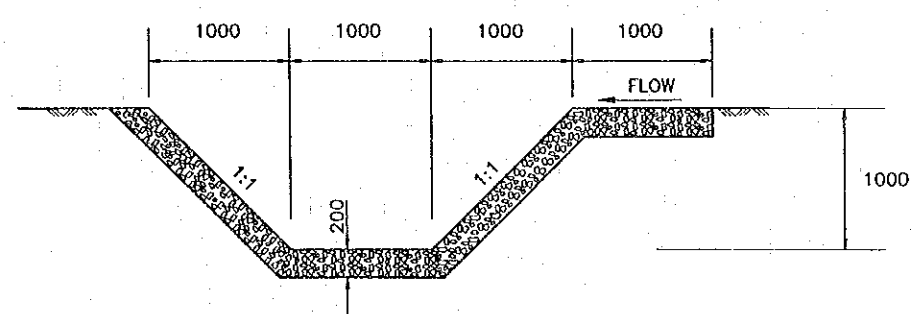
SECTION A-A, B-B  
SCALE 1:100



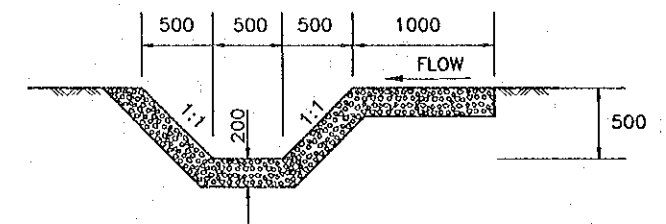
SECTION C-C  
SCALE 1:100



SECTION D-D  
SCALE 1:100



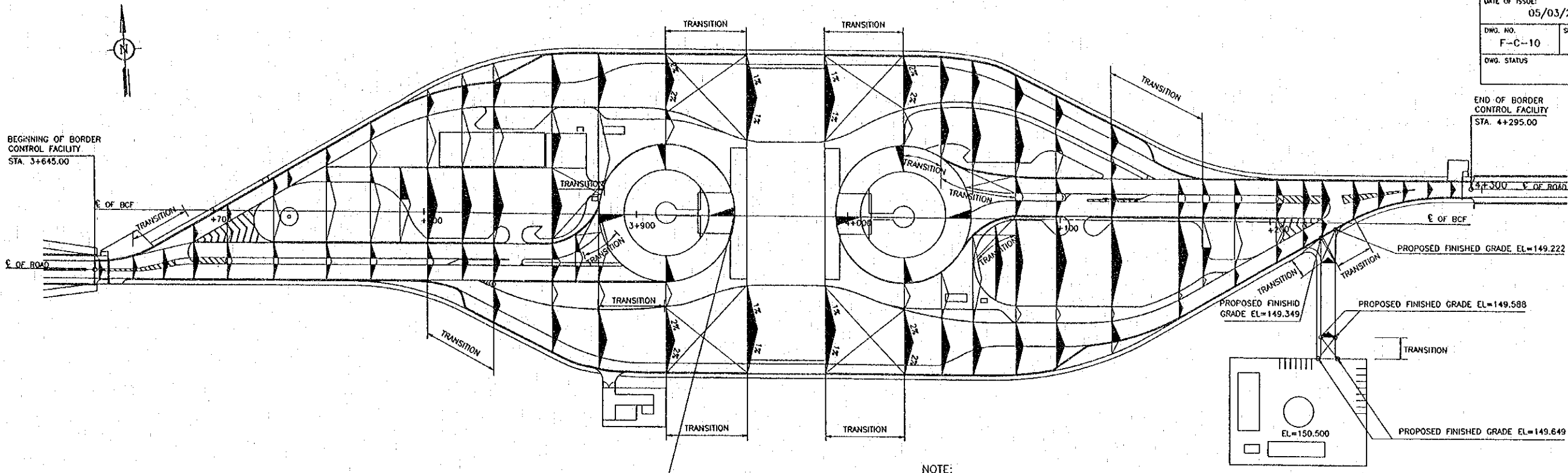
SIDE DITCH TYPE 1  
SCALE 1:25



SIDE DITCH TYPE 2  
SCALE 1:25

NOTE:  
DIMENSION ARE IN MILLIMETER  
UNLESS OTHERWISE INDICATED

REV.	DATE	DESCRIPTION	APPROVED	PROJECT STUDY TEAM	JICA JAPAN INTERNATIONAL COOPERATION AGENCY	QUALITY RECORD	NAME	SIGNATURE	DATE	DWG. TITLE
				ORIENTAL CONSULTANTS CO., LTD. In association with NIPPON KOBEL CO., LTD.	LAO PEOPLE'S DEMOCRATIC REPUBLIC MINISTRY OF COMMUNICATION, TRANSPORT, POST AND CONSTRUCTION	DESIGN	H. Oki	<i>[Signature]</i>	26/02/00	BORDER CONTROL FACILITIES LAO PDR SIDE CROSS SECTION (8)
					KINGDOM OF THAILAND MINISTRY OF TRANSPORT AND COMMUNICATIONS DEPARTMENT OF HIGHWAYS	DESIGN CHECK	T. Masuzawa	<i>[Signature]</i>	27/02/00	
						SUBMITTED	A. Hiratani	<i>[Signature]</i>	27/02/00	
						APPROVED	P. Viraphanth	<i>[Signature]</i>	27/02/00	



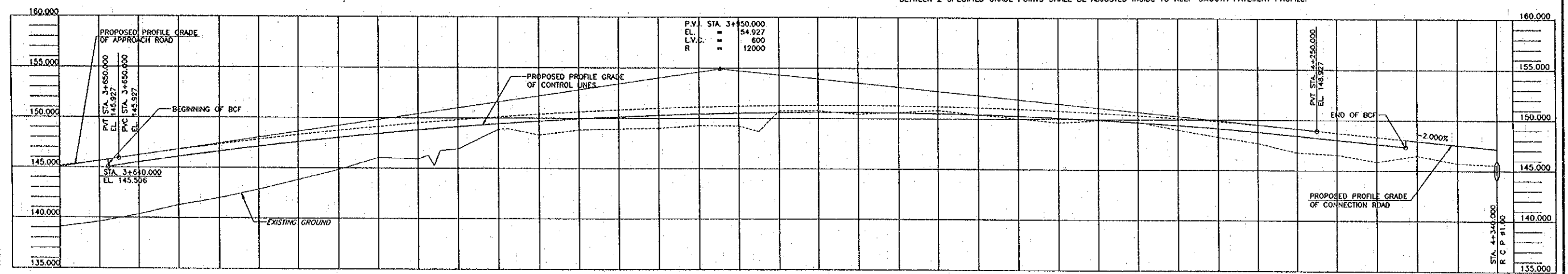
ADJUSTMENT TO RAISE 80 MM. FROM ORIGINAL PAVEMENT LEVEL.

NOTE:

- CROSS FALL OF PAVEMENT SHALL BE 2% UNLESS OTHERWISE INDICATED.
- SURFACE OF WALKWAY MEDIAN AND ISLAND SHALL HAVE A CROSS SLOPE OF 2% OR AS DIRECTED BY THE ENGINEER FOR SURFACE DRAIN.
- PAVEMENT FINISHING GRADE AT ANY POINTS SHALL BE CALCULATED ACCORDING TO THE PROPOSED PROFILE GRADE OF CENTRAL LINE AND CROSS-FALL SHOWN IN THE DRAWING, UNLESS OTHERWISE SPECIFIED IN THE PLAN. WHEN FINISH GRADES OF PAVEMENT ARE SPECIFIED IN THE PLAN, THE SPECIFIED FINISHING GRADES SHALL GOVERN AND PAVEMENT LEVEL IN SECTIONS BETWEEN 2 SPECIFIED GRADE POINTS SHALL BE ADJUSTED INSIDE TO KEEP SMOOTH PAVEMENT PROFILE.

LEGEND:

n: PAVEMENT CROSS FALL (%)



GRADIENT	PROPOSED HEIGHT	BCF HEIGHT	STATION	GRADIENT	PROPOSED HEIGHT	BCF HEIGHT	STATION
3.000%	145.596	145.596	3+640.000	154.927	148.927	4+250.000	
1.500%	145.641	145.641	3+650.000	150.889	148.489	4+100.000	
1.500%	146.223	146.223	3+700.000	151.289	148.727	4+200.000	
1.500%	146.789	146.789	3+800.000	151.223	148.327	4+300.000	
1.500%	147.323	147.323	3+900.000	150.889	147.927	4+400.000	
1.500%	147.823	147.823	4+000.000	150.823	147.527		
1.500%	148.289	148.289	4+100.000	150.823	147.127		
1.500%	148.723	148.723	4+200.000	150.823	146.727		
1.500%	149.123	149.123	4+300.000	150.823	146.327		
1.500%	149.489	149.489	4+400.000	150.823	145.927		
1.500%	149.823	149.823		150.823	145.527		
1.500%	150.123	150.123		150.823	145.127		
1.500%	150.389	150.389		150.823	144.727		
1.500%	150.623	150.623		150.823	144.327		
1.500%	150.823	150.823		150.823	143.927		
1.500%	150.989	150.989		150.823	143.527		
1.500%	151.123	151.123		150.823	143.127		
1.500%	151.223	151.223		150.823	142.727		
1.500%	151.289	151.289		150.823	142.327		
1.500%	151.223	151.223		150.823	141.927		
1.500%	151.123	151.123		150.823	141.527		
1.500%	150.989	150.989		150.823	141.127		
1.500%	150.823	150.823		150.823	140.727		
1.500%	150.623	150.623		150.823	140.327		
1.500%	150.389	150.389		150.823	139.927		
1.500%	150.123	150.123		150.823	139.527		
1.500%	150.823	150.823		150.823	139.127		
1.500%	150.823	150.823		150.823	138.727		
1.500%	150.823	150.823		150.823	138.327		
1.500%	150.823	150.823		150.823	137.927		
1.500%	150.823	150.823		150.823	137.527		
1.500%	150.823	150.823		150.823	137.127		
1.500%	150.823	150.823		150.823	136.727		
1.500%	150.823	150.823		150.823	136.327		
1.500%	150.823	150.823		150.823	135.927		

REV.	DATE	DESCRIPTION	APPROVED	PROJECT STUDY TEAM	JICA JAPAN INTERNATIONAL COOPERATION AGENCY	QUALITY RECORD	NAME	SIGNATURE	DATE	DWG. TITLE:
				ORIENTAL CONSULTANTS CO., LTD. In association with NIPPON KOEI CO., LTD.	LAO PEOPLE'S DEMOCRATIC REPUBLIC MINISTRY OF COMMUNICATION, TRANSPORT, POST AND CONSTRUCTION	DESIGN	H. Osho	<i>[Signature]</i>	2/20/00	BORDER CONTROL FACILITIES, LAO PDR SIDE LONGITUDINAL PROFILE, CONTROL LINE AND PAVEMENT CROSS FALLS
					KINGDOM OF THAILAND MINISTRY OF TRANSPORT AND COMMUNICATIONS DEPARTMENT OF HIGHWAYS	DESIGN CHECK	T. Masuzawa	<i>[Signature]</i>	20/05/00	
						SUBMITTED	A. Hirakawa	<i>[Signature]</i>	21/05/00	
						APPROVED	P. Veeraphonh	<i>[Signature]</i>	5/11/00	

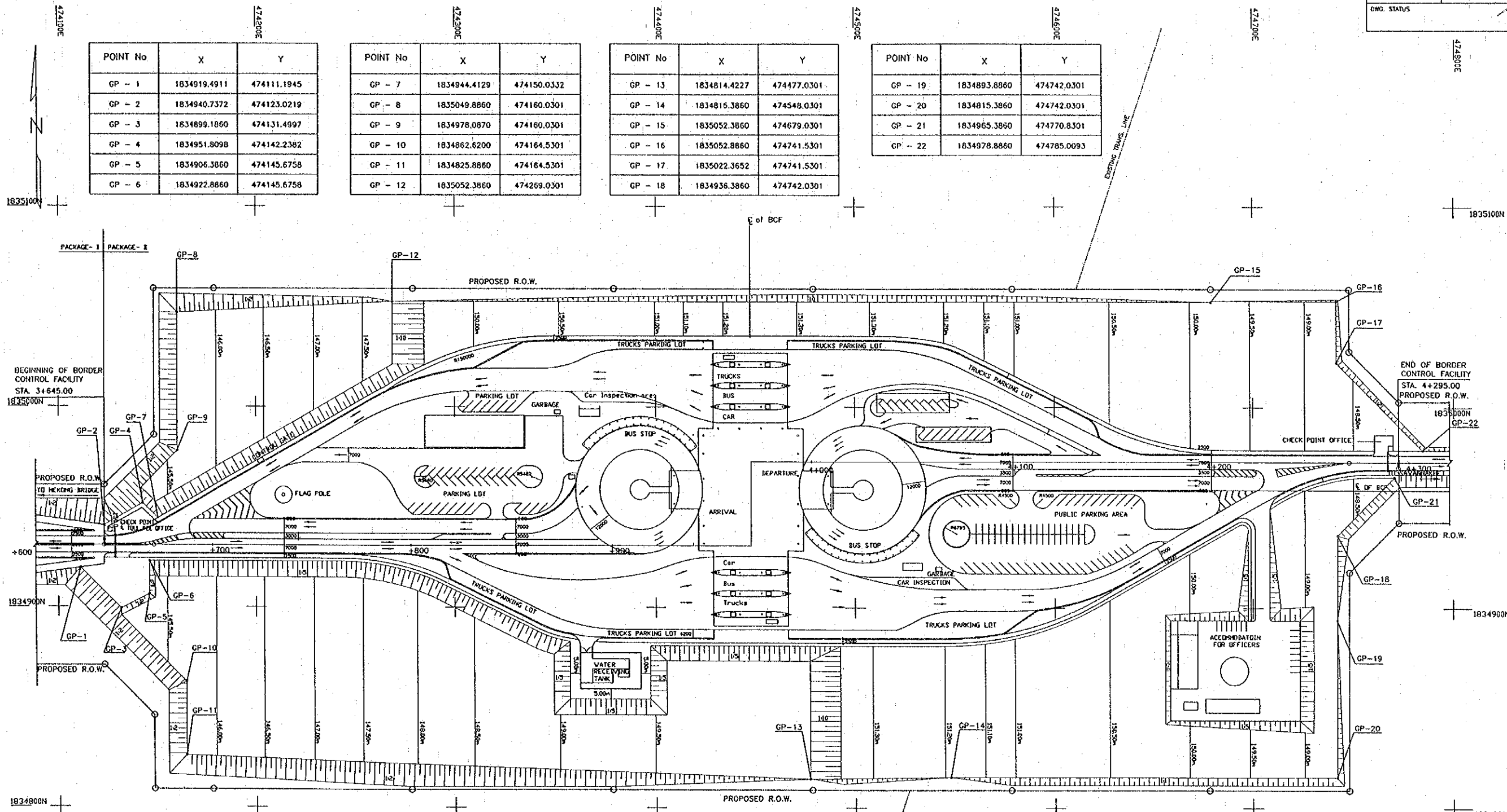


POINT No	X	Y
GP - 1	1834919.4911	474111.1945
GP - 2	1834940.7372	474123.0219
GP - 3	1834899.1860	474131.4997
GP - 4	1834951.8098	474142.2382
GP - 5	1834906.3860	474145.6758
GP - 6	1834922.8860	474145.6758

POINT No	X	Y
GP - 7	1834944.4129	474150.0332
GP - 8	1835049.8860	474160.0301
GP - 9	1834978.0870	474160.0301
GP - 10	1834862.6200	474164.5301
GP - 11	1834825.8860	474164.5301
GP - 12	1835052.3860	474269.0301

POINT No	X	Y
GP - 13	1834814.4227	474477.0301
GP - 14	1834815.3860	474548.0301
GP - 15	1835052.3860	474679.0301
GP - 16	1835052.8860	474741.5301
GP - 17	1835022.3652	474741.5301
GP - 18	1834936.3860	474742.0301

POINT No	X	Y
GP - 19	1834893.8860	474742.0301
GP - 20	1834815.3860	474742.0301
GP - 21	1834965.3860	474770.8301
GP - 22	1834978.8860	474785.0093



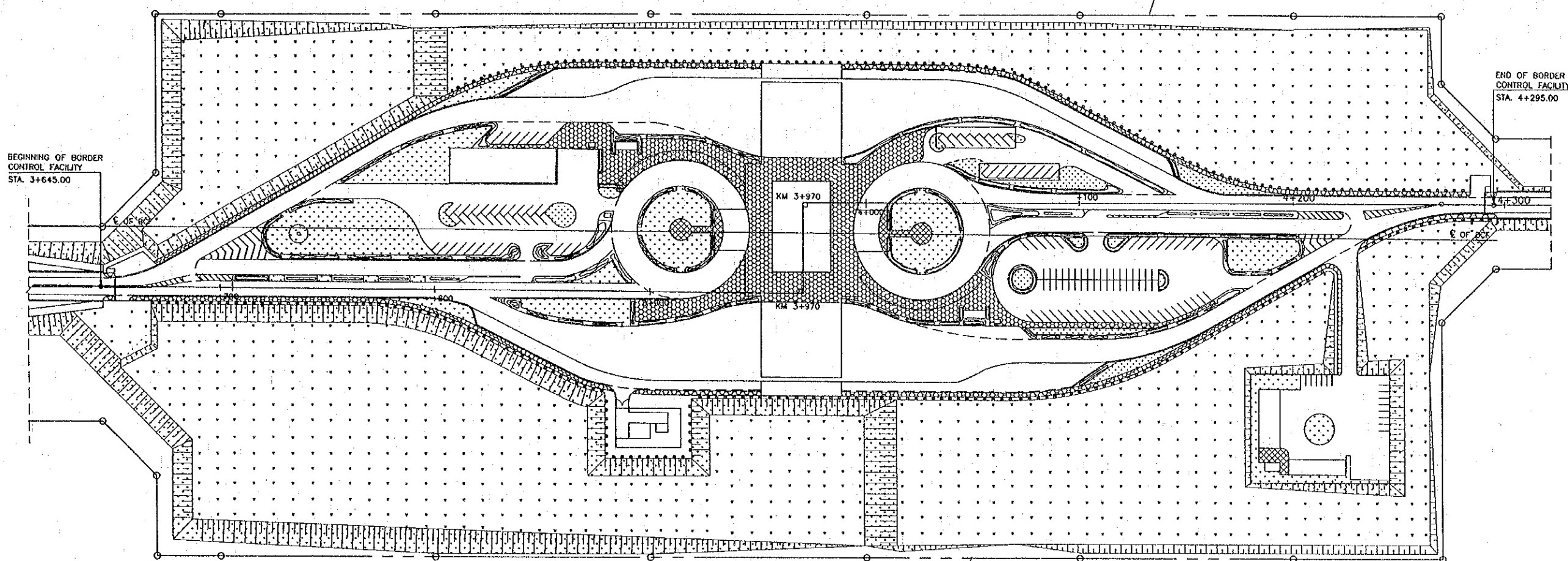
- NOTE:
1. GRADING PLAN SHOWN IN THE DRAWING IS FOR REFERENCE ONLY AND WILL BE MODIFIED ACCORDING TO ACTUAL TOPOGRAPHICAL CONDITIONS.
  2. THE CONTRACTOR SHALL PREPARE HIS PROPOSED PROCEDURE OF LAND LEVELLING WORK CONSIDERING SURFACE DRAINAGE DURING CONSTRUCTION AND SUBMIT TO THE ENGINEER FOR HIS APPROVAL
  3. ALL DAMAGES CAUSED BY STORM WATER DURING CONSTRUCTION SHALL BE RECTIFIED BY THE CONTRACTOR AT HIS OWN EXPENCE

LAYOUT PLAN  
 SCALE 1 : 1000

REV.	DATE	DESCRIPTION	APPROVED	PROJECT STUDY TEAM	JICA JAPAN INTERNATIONAL COOPERATION AGENCY	QUALITY RECORD	NAME	SIGNATURE	DATE	DWG. TITLE:
				ORIENTAL CONSULTANTS CO., LTD. in association with NIPPON KOEI CO., LTD.	LAO PEOPLE'S DEMOCRATIC REPUBLIC MINISTRY OF COMMUNICATION, TRANSPORT, POST AND CONSTRUCTION KINGDOM OF THAILAND MINISTRY OF TRANSPORT AND COMMUNICATIONS DEPARTMENT OF HIGHWAYS	DESIGN	H. Orita	[Signature]	23/05/00	BORDER CONTROL FACILITIES LAO PDR SIDE GRADING PLAN
						DESIGN CHECK	T. Moutono	[Signature]	27/07/00	
						SUBMITTED	A. Hiratani	[Signature]	27/07/00	
						APPROVED	P. Veeraphanth	[Signature]	27/07/00	



DATE OF ISSUE: 05/03/2000	
DWG. NO. F-C-13	SHEET NO. 107
DWG. STATUS	



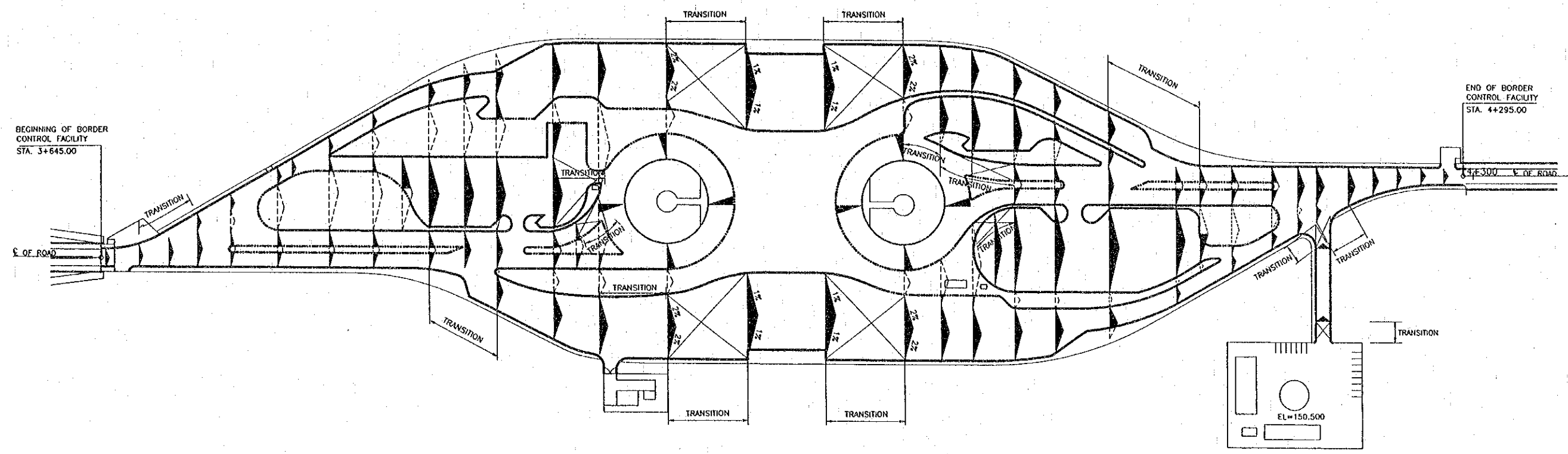
- NOTE:**
1. CONCRETE PAVEMENT 25 CM. DETAILS, SEE DWG NO. F-C-15
  2. CONCRETE PAVING BLOCK DETAILS, SEE DWG NO. F-C-16

- LEGEND:**
- |  |                         |  |                                     |
|--|-------------------------|--|-------------------------------------|
|  | CONCRETE PAVEMENT 25CM  |  | BLOCK SODDING AND PLANTING          |
|  | CONCRETE PAVING BLOCK   |  | SHRUB H=600                         |
|  | DECORATIVE PAVING BLOCK |  | BOUGAINVILLEA GLABRA (PAPER FLOWER) |
|  | STRIP SODDING           |  |                                     |

LAYOUT PLAN  
SCALE 1:1000

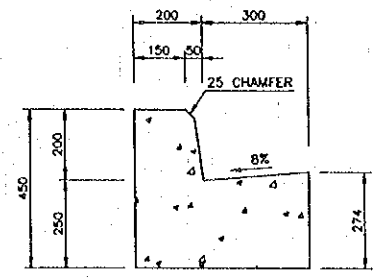
REV.	DATE	DESCRIPTION	APPROVED	PROJECT STUDY TEAM	JICA	LAO PEOPLE'S DEMOCRATIC REPUBLIC	MINISTRY OF COMMUNICATION, TRANSPORT, POST AND CONSTRUCTION	THE SECOND MEKONG INTERNATIONAL BRIDGE CONSTRUCTION PROJECT	QUALITY RECORD	NAME	SIGNATURE	DATE	DWG. TITLE:
				ORIENTAL CONSULTANTS CO., LTD. In association with NIPPON KOEI CO., LTD.	JICA	MINISTRY OF COMMUNICATION, TRANSPORT, POST AND CONSTRUCTION	KINGDOM OF THAILAND MINISTRY OF TRANSPORT AND COMMUNICATIONS DEPARTMENT OF HIGHWAYS		DESIGN	H. Orita	<i>[Signature]</i>	23/05/00	BORDER CONTROL FACILITIES LAO PDR SIDE GENERAL LAYOUT OF EXTERNAL FINISHING
								DESIGN CHECK	T. Masuzawa	<i>[Signature]</i>	23/05/00		
								SUBMITTED	A. Hiratani	<i>[Signature]</i>	27/05/00		
								APPROVED	P. Viraphanth	<i>[Signature]</i>	27/05/00		

DATE OF ISSUE: 05/03/2000	
DWG. NO. F-C-14	SHEET NO. 108
DWG. STATUS	

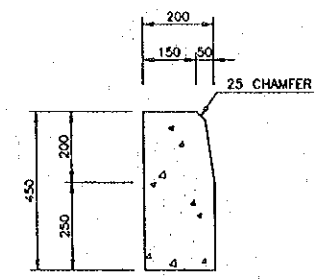


BEGINNING OF BORDER CONTROL FACILITY  
STA. 3+645.00

END OF BORDER CONTROL FACILITY  
STA. 4+295.00



CURB TYPE 2  
SCALE 1 : 10



CURB TYPE 3  
SCALE 1 : 10

LAYOUT PLAN  
SCALE 1:1000

NOTE:

- CROSS FALL OF PAVEMENT SHALL BE 2% UNLESS OTHERWISE INDICATED.
- SURFACE OF WALKWAY MEDIAN AND ISLAND SHALL HAVE A CROSS SLOPE OF 2% OR AS DIRECTED BY THE ENGINEER FOR SURFACE DRAIN.
- CURB TYPE SHALL BE CONSTRUCTED AS SHOWN IN THE DRAWING.
- TRANSITION OF PAVEMENT CROSS FALL SHALL BE APPLIED THE SUITABLE CURB TYPE 2 OR 3 BY THE CONTRACTOR.
- DIMENSION ARE IN MILLIMETERS UNLESS OTHERWISE INDICATED.

LEGEND:

- CURB TYPE 2
- CURB TYPE 3
- n: PAVEMENT CROSS FALL (%)

REV.	DATE	DESCRIPTION	APPROVED

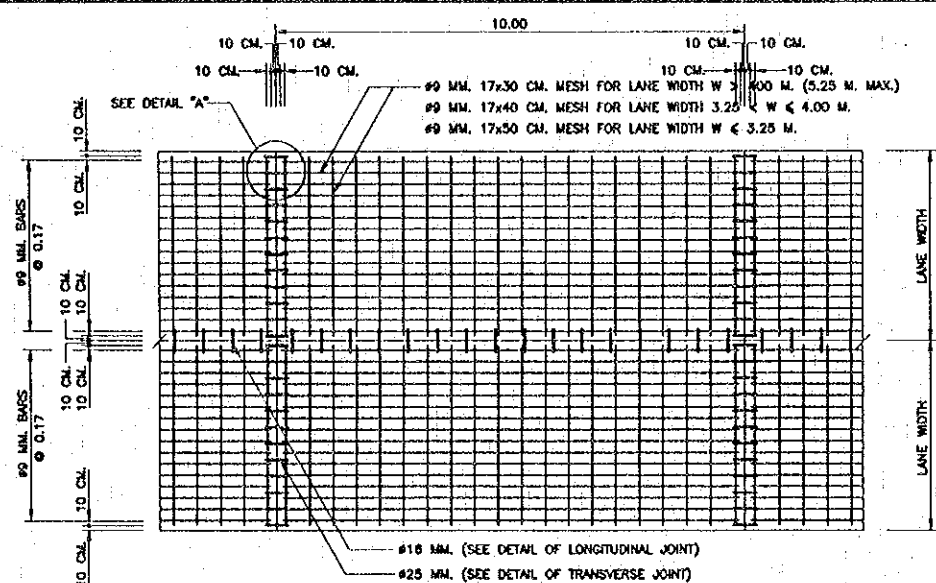
PROJECT STUDY TEAM  
 ORIENTAL CONSULTANTS CO., LTD.  
 In association with  
 NIPPON KOEI CO., LTD.

JAPAN INTERNATIONAL COOPERATION AGENCY  
 LAO PEOPLE'S DEMOCRATIC REPUBLIC  
 MINISTRY OF COMMUNICATION, TRANSPORT, POST AND CONSTRUCTION  
 KINGDOM OF THAILAND  
 MINISTRY OF TRANSPORT AND COMMUNICATIONS  
 DEPARTMENT OF HIGHWAYS

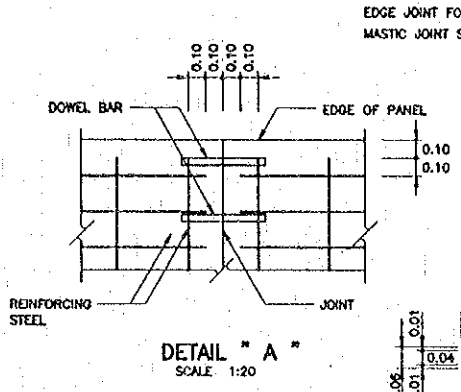
THE SECOND MEKONG INTERNATIONAL BRIDGE CONSTRUCTION PROJECT

QUALITY RECORD	NAME	SIGNATURE	DATE
DESIGN	H. Okita	<i>[Signature]</i>	27/05/00
DESIGN CHECK	T. Akazawa	<i>[Signature]</i>	27/05/00
SUBMITTED	A. Hiratani	<i>[Signature]</i>	27/05/00
APPROVED	P. Viraphanth	<i>[Signature]</i>	5/6/00

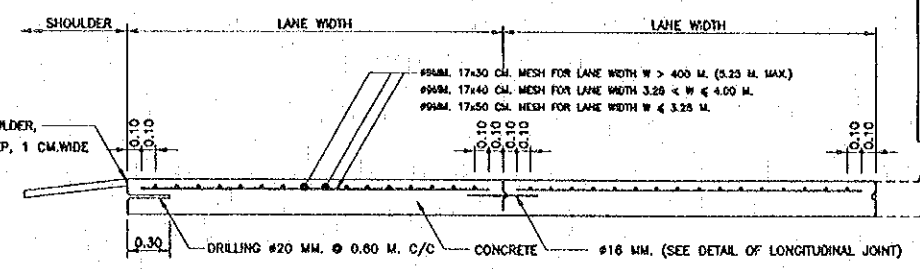
DWG. TITLE:  
 BORDER CONTROL FACILITIES  
 LAO PDR SIDE  
 CURB LAYOUT



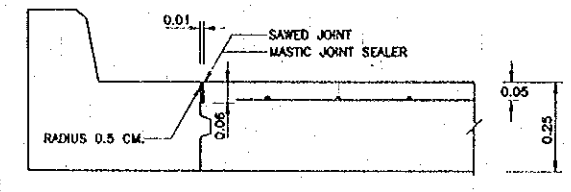
PLAN OF REINFORCED CONCRETE PAVEMENT  
SCALE 1:75



DETAIL "A"  
SCALE 1:20

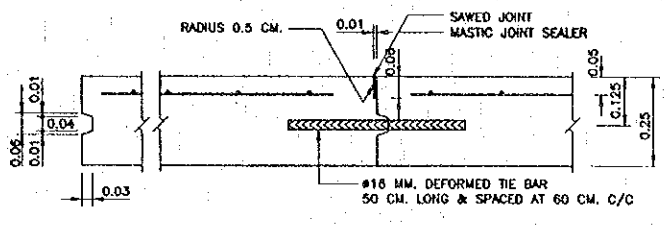


REINFORCEMENT DETAIL OF CONCRETE PAVEMENT CROSS-SECTION  
SCALE 1:20

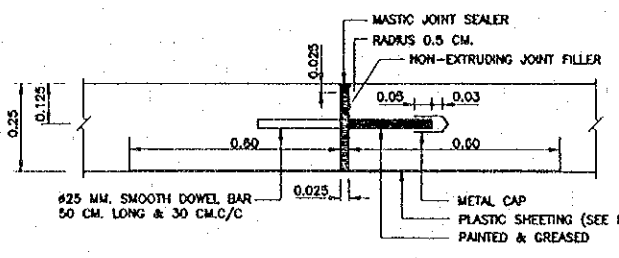


DETAIL OF DUMMY JOINT  
SCALE 1:10

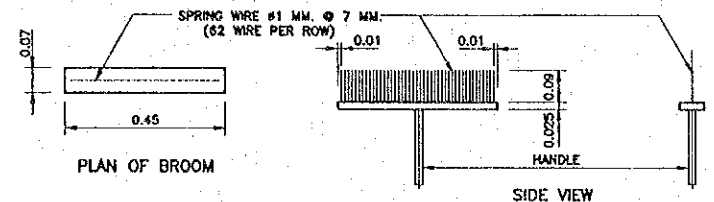
EDGE JOINT FOR ASPHALT SHOULDER,  
MASTIC JOINT SEALER 2 CM. DEEP, 1 CM. WIDE



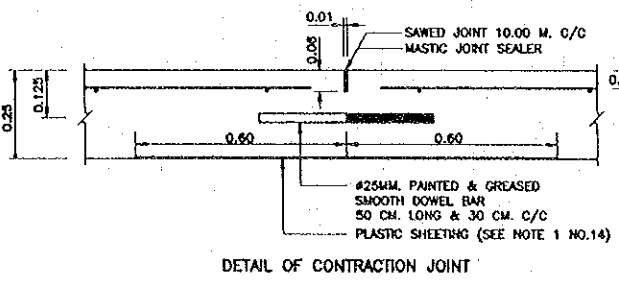
DETAIL OF LONGITUDINAL JOINT  
SCALE 1:10



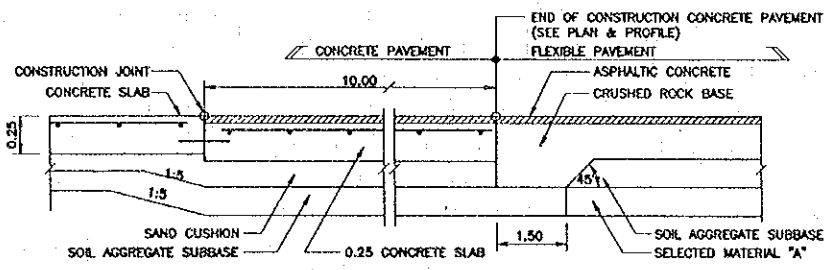
DETAIL OF EXPANSION JOINT



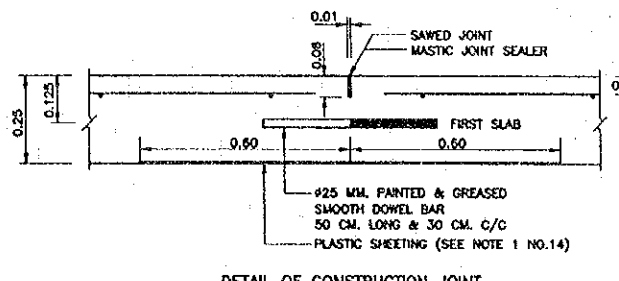
DETAIL OF BROOM SURFACE CONCRETE PAVEMENT  
SCALE 1:10



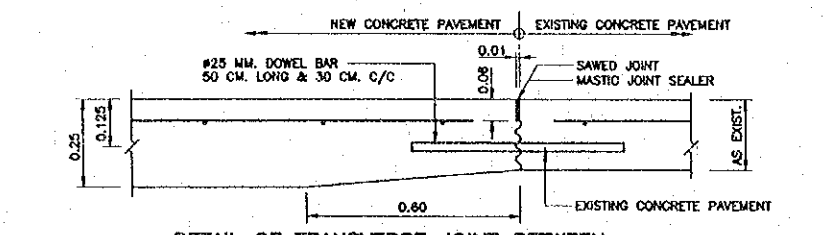
DETAIL OF CONTRACTION JOINT



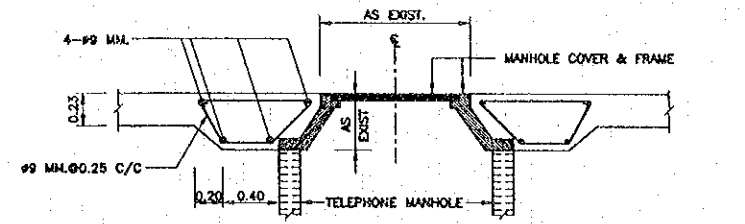
DETAIL OF JOINT BETWEEN CONCRETE PAVEMENT & FLEXIBLE PAVEMENT  
NOT TO SCALE



DETAIL OF CONSTRUCTION JOINT  
SCALE 1:10



DETAIL OF TRANSVERSE JOINT BETWEEN NEW AND EXISTING CONCRETE PAVEMENT  
SCALE 1:10



EDGE DETAIL OF CONCRETE PAVEMENT AT TELEPHONE MANHOLE  
NOT TO SCALE

NOTES 1 :

- ALL DIMENSIONS ARE IN METERS UNLESS OTHERWISE INDICATED.
- EXPANSION JOINT SHALL BE CONSTRUCTED AT THE INTERVAL OF 350 METERS. IF THE LAST INTERVAL IS LESS THAN 350 METERS, THE INTERVALS SHALL BE AVERAGED BUT BETWEEN 300 AND 350 METERS.
- EXPANSION JOINT SHALL BE PROVIDED AT THE OUTER EDGE OF BOTH SIDES OF THE BOX CULVERT CROSSING.
- MASTIC JOINT SEALER SHALL BE OF THE HOT POURED ELASTIC TYPE CONFORMING TO TIS. 479.
- JOINT FILLER SHALL CONFORM TO THE AASHTO M. 213-74 OR ASTM. D1751-73 SPECIFICATION.
- CONCRETE SHALL BE CLASS C ( $27N/mm^2$ ) UNLESS OTHERWISE SHOWN.
- REINFORCING STEEL SHALL CONFORM GRADE SR FOR ROUND BARS AND GRADE SD 295 FOR DEFORMED BAR.
- WELDED WIRE CAN BE USED IN PLACE OF BAR MESH. (SEE NOTE 2)
- CONCRETE PAYER SHALL BE REQUIRED FOR CONCRETE POURING. IN CASE OF NECESSARY POURING CONCRETE BY MAN-POWER, CONCRETE SHALL BE POURED ONLY GAP SPACE NOT MORE THAN 30.00 METERS LONG.
- ALL JOINTS EXCEPT EXPANSION JOINT SHALL BE MADE BY SLOT CUTTING MACHINE ONLY. FOAM SHEET, PLYWOOD, TIMBER OR MATERIAL OF THE SAME TYPE SHALL NOT BE ALLOWED.
- BROOMING CONCRETE SURFACE WITH A BROOM OF THE STANDARD TYPE SPECIFIED SHALL BE REQUIRED. THE DIRECTION OF BROOMING SHALL BE PERPENDICULAR TO THE DIRECTION OF TRAFFIC FROM ONE EDGE OR JOINT TO THE OTHER. ONE PHASE OF BROOM SURFACE SHALL PROPERLY OVERLAP WITH ANOTHER. CONCRETE BROOM SURFACE SHALL NOT BE OVER 3 MM. DEPTH. THE SURFACE SHALL BE FREE FROM PORES, HOLES OR LUMPS OF COARSE AGGREGATE OVER THE SURFACE.
- BROOMING SURFACE CONCRETE SHALL CORRESPOND TO THE FIGURE.
- PREPARATION OF JOINT FOR MASTIC JOINT SEALER.
  - THE JOINT SHALL BE CLEARED WITH A BLOWER TO GET RID OF ALL KINDS OF DIRT THE JOINT SHALL BE COMPLETELY DRY.
  - PRIMER SHALL BE APPLIED TO THE JOINT WITH A BRUSH OR SPRAYER THE JOINT SHALL BE LET DRY BEFORE THE POURING OF MASTIC JOINT SEALER WHICH HAS BEEN BOILED AND DISSOLVED BY MEANS OF HEAT CONDUCTIVITY TO THE SPECIFIED TEMPERATURE.
  - JOINTS SHALL BE CUT AND MASTIC JOINT SEALER SHALL BE DROPPED AS SOON AS POSSIBLE.
  - MASTIC JOINT SEALER SHALL BE DROPPED WITH JOINT SEALANT APPLYING MACHINE.
- PLASTIC SHEET USED IN CONSTRUCTION SHALL HAVE THE FOLLOWING REQUIREMENTS :
  - THICKNESS OF 0.07 MM. WITH A TOLERANCE OF NOT MORE THAN 7% SHALL BE REQUIRED.
  - WIDTH SHALL NOT BE LESS THAN 1.20 M.
  - IT SHALL BE COLOURLESS, TRANSPARENT AND WATERPROOF, FREE FROM POROUS AREA, TURN AREA AND BUSTLING AREA WHICH ARE VISIBLE BY NAKED EYE. EDGE SHALL BE STRAIGHT.
  - CONTINUOUS LENGTH SHALL BE REQUIREMENT TO THE WIDTH OF TRAFFIC LANES. CONNECTION ALLOWED AT LONGITUDINAL JOINTS WITH NOT LESS THAN 20 CM. OVERLAPPING SHALL BE REQUIRED.

NOTES 2 :

- BAR MESH 9 MM. AS SHOWN IN THIS DRAWING SHALL BE REPLACED BY WELDED STEEL WIRE FABRIC WITH PROPERTIES CONFORMING TO STANDARD SPECIFICATION FOR WELDED STEEL WIRE FABRIC FOR CONCRETE REINFORCEMENT, AASHTO DESIGNATION M 55 - 75 (ASTM. DESIGNATION A 185 - 73). BEFORE USING WELDED STEEL WIRE FABRIC, THE SAMPLES SHALL BE SENT TO MATERIAL AND RESEARCH DIVISION DOH. FOR APPROVING.
- MINIMUM SIZE OF WIRE TO BE USED SHALL NOT BE LESS THAN STANDARD WIRE AASHTO DESIGNATION M 32 - 78 (ASTM DESIGNATION A 82 - 76) SIZE NUMBER 12 AT NOMINAL DIAMETER OF 3.15 MM. AND NOMINAL AREA OF  $0.007 \text{ CM}^2$ . WIRE TO BE USED SHALL HAVE YIELD STRENGTH OF NOT LESS THAN 63,000  $\text{lb}/\text{INCH}^2$  (PSI).
- LAP SPLICES OF BAR MESH SHALL NOT BE LESS THAN 40 TIMES OF WIRE DIAMETER AND NOT LESS THAN SPACING OF CROSS WIRE + 5 CM.
- QUANTITY OF STEEL WIRE FABRIC CALCULATED FROM NOMINAL AREA AND SPACING IN EACH DIRECTION SHALL CONFORM TO THE FOLLOWING REQUIREMENT :
  - LONGITUDINAL STEEL (STEEL BETWEEN TRANSVERSE JOINT) SHALL HAVE THE MINIMUM AREA OF  $1.042 \text{ CM}^2/\text{M}$ .
  - TRANSVERSE STEEL :
    - MINIMUM OF  $0.492 \text{ CM}^2/\text{M}$  SHALL REQUIRED IF SPACE BETWEEN LONGITUDINAL JOINT OR FREE EDGE IS MEASURED AT 3.00 M.
    - MINIMUM OF  $0.534 \text{ CM}^2/\text{M}$  SHALL REQUIRED IF SPACE BETWEEN LONGITUDINAL JOINT OR FREE EDGE IS MEASURED AT 3.25 M.
    - MINIMUM OF  $0.575 \text{ CM}^2/\text{M}$  SHALL REQUIRED IF SPACE BETWEEN LONGITUDINAL JOINT OR FREE EDGE IS MEASURED AT 3.50 M.
 QUANTITY OF WELDED STEEL WIRE FABRIC SPECIFIED REFERS TO QUANTITY OF WELDED STEEL WIRE FABRIC MEASURED AGAINST AVERAGE SPACE LENGTH OF 1 METER FROM THE TOTAL SPACE LENGTH BETWEEN JOINT OR FREE EDGE.
- WELDING POINTS SHALL BE ADEQUATELY STRONG AND SHALL NOT COME OFF DURING TRANSPORTATION OR PLACING. HOWEVER, THEY SHALL NOT BE SUBJECT TO REJECTION IF COMING OFF DURING CONSTRUCTION WITH WHATEVER REASON EXCEPT THAT DISCONNECTED POINTS EXCEED 1% OF ALL WELDING POINTS. IF ROLLED OVER, DISCONNECTED POINTS SHALL NOT EXCEED 1% OF ALL POINTS IN THE AREA OF  $14 \text{ M}^2$  DISCONNECTED POINTS FOR ONE WELDED STEEL WIRE FABRIC SHALL NOT EXCEED HALF OF ALL ALLOWABLE DISCONNECTED WELDING POINTS.
- WELDED STEEL WIRE FABRIC SHEET SHALL BE SMOOTH NOT ROLL OR TWIST ALL DIRECTIONS, WHILE BEING PLACED DURING CONSTRUCTION.
- CLEAR CONCRETE COVER SPACE OF WELDED STEEL WIRE FABRIC SHALL CONFORM TO BAR MESH SPECIFICATION IN THIS DRAWING.

REV.	DATE	DESCRIPTION	APPROVED	PROJECT STUDY TEAM

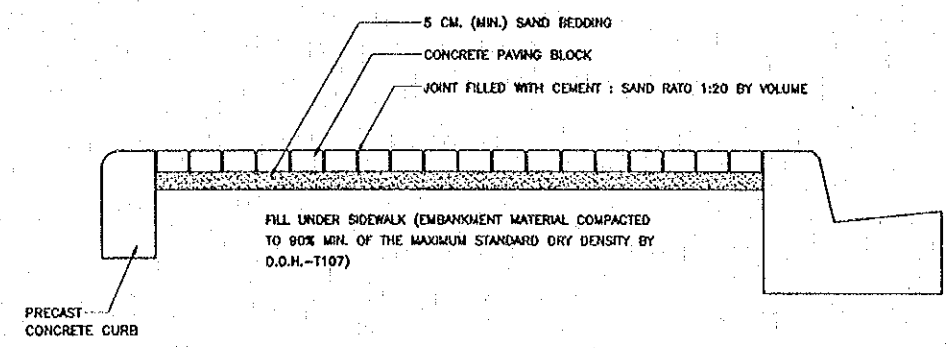
ORIENTAL CONSULTANTS CO., LTD.  
 in association with  
 NIPPON KOKI CO., LTD.

JICA JAPAN INTERNATIONAL COOPERATION AGENCY  
 LAO PEOPLE'S DEMOCRATIC REPUBLIC  
 MINISTRY OF COMMUNICATION, TRANSPORT, POST AND CONSTRUCTION  
 KINGDOM OF THAILAND  
 MINISTRY OF TRANSPORT AND COMMUNICATIONS  
 DEPARTMENT OF HIGHWAYS

THE SECOND MEKONG INTERNATIONAL BRIDGE CONSTRUCTION PROJECT

QUALITY RECORD	NAME	SIGNATURE	DATE	DWO. TITLE:
DESIGN	H. Orita	<i>[Signature]</i>	14/5/00	
DESIGN CHECK	T. Moutzawa	<i>[Signature]</i>	18/5/00	
SUBMITTED	A. Hirotsu	<i>[Signature]</i>	21/6/00	
APPROVED	P. Viraphanth	<i>[Signature]</i>	22/6/00	

BORDER CONTROL FACILITIES  
 LAO PDR SIDE  
 25 CM. CONCRETE PAVEMENT



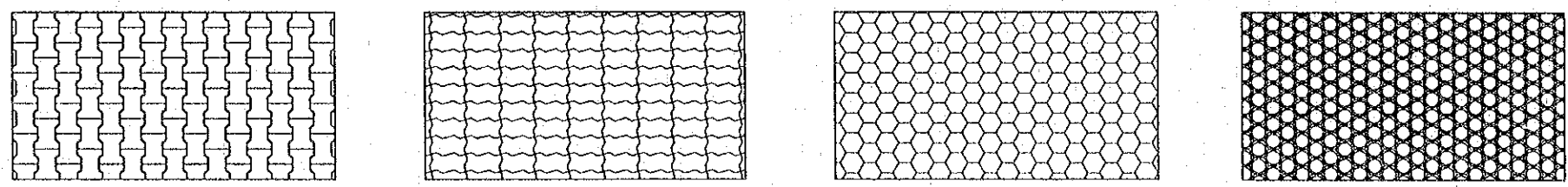
CROSS SECTION  
SCALE 1:10

NOTES :

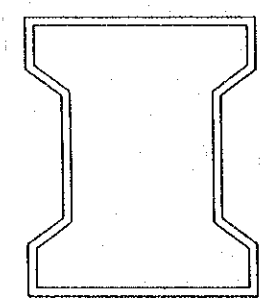
1. ALL DIMENSIONS ARE IN METERS OR OTHERWISE INDICATED.
2. SHAPE AND ARRANGEMENT SHALL BE SPECIFIED IN THE DRAWINGS OR DIRECTED BY THE ENGINEERS.
3. COST OF CONCRETE PAVING BLOCK SHALL INCLUDE SAND BEDDING, JOINT FILLING, AND PRECAST CONCRETE CURB.
4. CONCRETE PAVING BLOCK SHALL CONFORM TO TIS. 827
5. JOINT SHALL BE FILLED WITH CEMENT : SAND RATIO 1:20 BY VOLUME.

PROPERTIES OF SAND BEDDING AND JOINT FILLING SAND

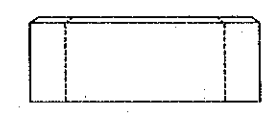
SIEVE SIZE mm.	% PASSING	
	SAND BEDDING	JOINTING SAND
9.52	100	--
4.75	95 - 100	--
2.36	80 - 100	100
1.18	50 - 85	90 - 100
0.60	25 - 60	60 - 90
0.30	10 - 30	30 - 60
0.15	5 - 15	15 - 30
0.075	0 - 5	10 - 20



SHAPE AND ARRANGEMENT OF CONCRETE PAVING BLOCK  
NOT TO SCALE

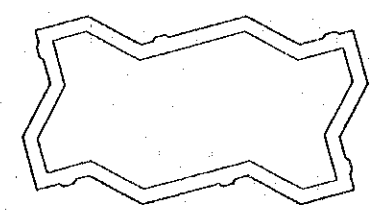


TOP VIEW

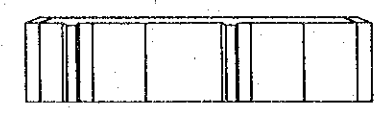


SIDE VIEW

CONCRETE PAVING BLOCK BEHATON SHAPE  
NOT TO SCALE

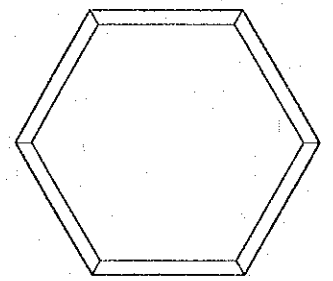


TOP VIEW

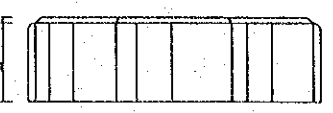


SIDE VIEW

CONCRETE PAVING BLOCK UNI-PAVE SHAPE  
NOT TO SCALE

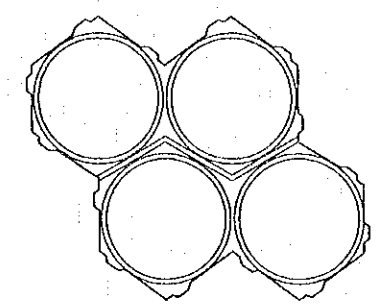


TOP VIEW



SIDE VIEW

CONCRETE PAVING BLOCK OCTA-CUBE SHAPE  
NOT TO SCALE



TOP VIEW



SIDE VIEW

CONCRETE PAVING BLOCK DYWIDAG SHAPE  
NOT TO SCALE

REV.	DATE	DESCRIPTION	APPROVED	PROJECT STUDY TEAM	JICA JAPAN INTERNATIONAL COOPERATION AGENCY	QUALITY RECORD:	NAME	SIGNATURE	DATE	DWG. TITLE:
				ORIENTAL CONSULTANTS CO., LTD. in association with NIPPON KOZI CO., LTD.	LAO PEOPLE'S DEMOCRATIC REPUBLIC MINISTRY OF COMMUNICATION, TRANSPORT, POST AND CONSTRUCTION	DESIGN	H. Orita	<i>[Signature]</i>	18/02/00	BORDER CONTROL FACILITIES LAO PDR SIDE CONCRETE PAVEMENT BLOCK
					KINGDOM OF THAILAND MINISTRY OF TRANSPORT AND COMMUNICATIONS DEPARTMENT OF HIGHWAYS	DESIGN CHECK	T. Motuzawa	<i>[Signature]</i>	21/02/00	
						SUBMITTED	A. Nirelani	<i>[Signature]</i>	22/02/00	
						APPROVED	P. Viraphanth	<i>[Signature]</i>	22/02/00	

PROPOSED R.O.W.

DATE OF ISSUE: 05/03/2000  
DWG. NO. F-C-17 SHEET NO. 111  
DWG. STATUS

of BCF

DETAIL 1

TRUCKS PARKING LOT

BEGINNING OF BORDER CONTROL FACILITY  
STA. 3+645.00

CHUTE DRAIN

STONE MASONRY OPEN DITCH

TRUCKS  
BUS  
CAR

Car Inspection area

U DITCH 1.1x1.0

PROPOSED R.O.W.

TO MEKONG BRIDGE

CHECK POINT & TOLL FEE OFFICE

+600

DETAIL 4

U DITCH 1.0x1.0

PROPOSED R.O.W.

STONE MASONRY OPEN DITCH

NOTE:  
LOCATION OF MANHOLES AND INVERT ELEVATION AS INDICATED  
IN DRAWING SHALL BE ADJUSTED ON SITE AND APPROVED BY THE ENGINEER

LEGEND 2

- R.C.U-DITCH 300x500
- R.C.U-DITCH 500x800 TYPE B-1
- R.C.U-DITCH 500x800 TYPE B-2
- #600 RCP
- #800 RCP
- STONE MASONRY OPEN SIDE DITCH TYPE 1
- STONE MASONRY OPEN SIDE DITCH TYPE 2

LAYOUT PLAN  
SCALE 1:500

LEGEND 1

- MANHOLE W/RC COVER.
- MANHOLE W/RC COVER VARIES SIZE.
- MANHOLE W/STEEL GRATING COVER.
- MANHOLE W/STEEL GRATING COVER VARIES SIZE.

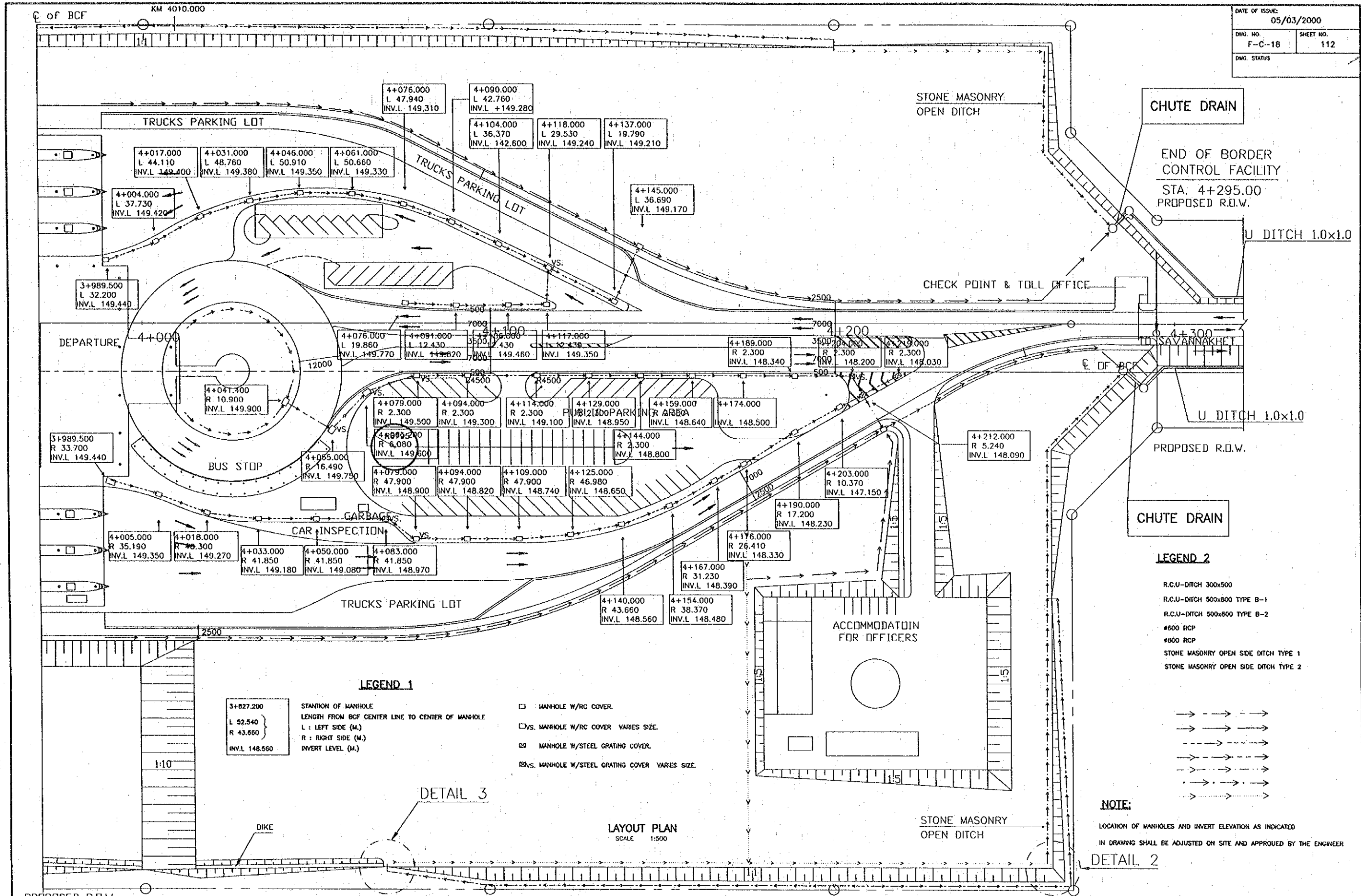
3+827.200  
L 52.540  
R 43.660  
INV.L 148.560

WATER RECEIVING TANK

DIKE

PROPOSED R.O.W.

REV.	DATE	DESCRIPTION	APPROVED	PROJECT STUDY TEAM	JICA	QUALITY RECORD	NAME	SIGNATURE	DATE	DWG. TITLE
				ORIENTAL CONSULTANTS CO., LTD. in association with NIPPON KOEI CO., LTD.	JAPAN INTERNATIONAL COOPERATION AGENCY LAO PEOPLE'S DEMOCRATIC REPUBLIC MINISTRY OF COMMUNICATION, TRANSPORT, POST AND CONSTRUCTION KINGDOM OF THAILAND MINISTRY OF TRANSPORT AND COMMUNICATIONS DEPARTMENT OF HIGHWAYS	DESIGN	M. Okita	<i>[Signature]</i>	5/1/00	BORDER CONTROL FACILITIES LAO PDR SIDE DRAINAGE LAYOUT (1)
						DESIGN CHECK	T. Muevava	<i>[Signature]</i>	5/1/00	
						SUBMITTED	A. Hantana	<i>[Signature]</i>	5/1/00	
						APPROVED	P. Viraphanth	<i>[Signature]</i>	5/6/00	



**LEGEND 1**

3+827.200  
 L 52.540  
 R 43.660  
 INV.L 148.560

STATION OF MANHOLE  
 LENGTH FROM BCF CENTER LINE TO CENTER OF MANHOLE  
 L : LEFT SIDE (M.)  
 R : RIGHT SIDE (M.)  
 INVERT LEVEL (M.)

- MANHOLE W/RC COVER.
- VS. MANHOLE W/RC COVER VARIES SIZE.
- ⊞ MANHOLE W/STEEL GRATING COVER.
- ⊞VS. MANHOLE W/STEEL GRATING COVER VARIES SIZE.

- LEGEND 2**
- R.C.U-DITCH 300x500
  - R.C.U-DITCH 500x800 TYPE B-1
  - R.C.U-DITCH 500x800 TYPE B-2
  - #600 RCP
  - #800 RCP
  - STONE MASONRY OPEN SIDE DITCH TYPE 1
  - STONE MASONRY OPEN SIDE DITCH TYPE 2

**NOTE:**  
 LOCATION OF MANHOLES AND INVERT ELEVATION AS INDICATED  
 IN DRAWING SHALL BE ADJUSTED ON SITE AND APPROVED BY THE ENGINEER

LAYOUT PLAN  
 SCALE 1:500

REV.	DATE	DESCRIPTION	APPROVED

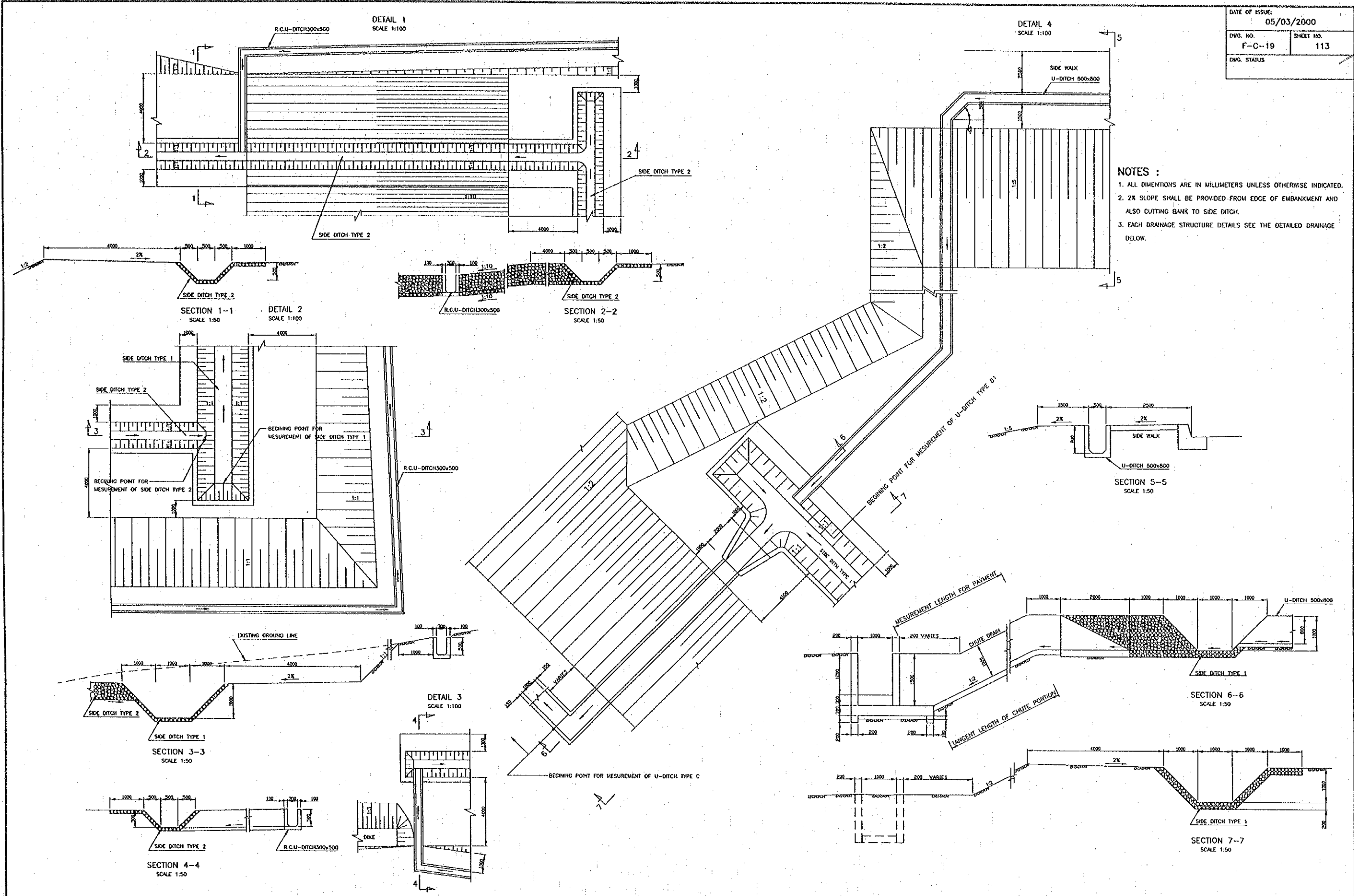
PROJECT STUDY TEAM  
 ORIENTAL CONSULTANTS CO., LTD.  
 in association with  
 NIPPON KOEI CO., LTD.

JICA JAPAN INTERNATIONAL COOPERATION AGENCY  
 LAO PEOPLE'S DEMOCRATIC REPUBLIC  
 MINISTRY OF COMMUNICATION, TRANSPORT, POST AND CONSTRUCTION  
 KINGDOM OF THAILAND  
 MINISTRY OF TRANSPORT AND COMMUNICATIONS  
 DEPARTMENT OF HIGHWAYS

THE SECOND MEKONG  
 INTERNATIONAL BRIDGE  
 CONSTRUCTION PROJECT

QUALITY RECORD	NAME	SIGNATURE	DATE	DWG. TITLE
DESIGN	H. Okita	<i>[Signature]</i>	16/09/00	BORDER CONTROL FACILITIES LAO PDR SIDE DRAINAGE LAYOUT (2)
DESIGN CHECK	T. Maestawa	<i>[Signature]</i>	17/09/00	
SUBMITTED	A. Hrotani	<i>[Signature]</i>	21/09/00	
APPROVED	P. Viraphanth	<i>[Signature]</i>	12/01/00	

**NOTES :**  
 1. ALL DIMENSIONS ARE IN MILLIMETERS UNLESS OTHERWISE INDICATED.  
 2. 2% SLOPE SHALL BE PROVIDED FROM EDGE OF EMBANKMENT AND ALSO CUTTING BANK TO SIDE DITCH.  
 3. EACH DRAINAGE STRUCTURE DETAILS SEE THE DETAILED DRAINAGE BELOW.



REV.	DATE	DESCRIPTION	APPROVED

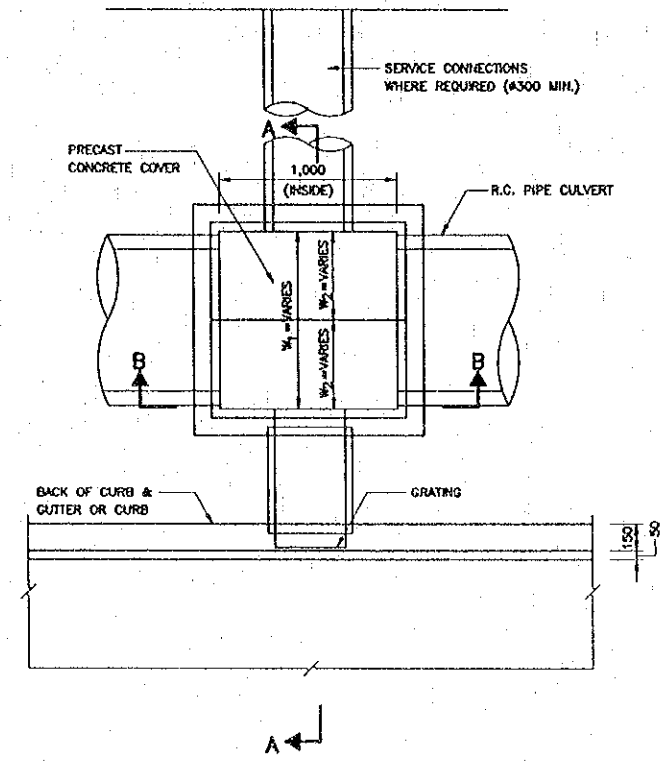
PROJECT STUDY TEAM  
 ORIENTAL CONSULTANTS CO., LTD.  
 in association with  
 NIPPON KORI CO., LTD.

JICA JAPAN INTERNATIONAL COOPERATION AGENCY  
 LAO PEOPLE'S DEMOCRATIC REPUBLIC  
 MINISTRY OF COMMUNICATION, TRANSPORT, POST AND CONSTRUCTION  
 KINGDOM OF THAILAND  
 MINISTRY OF TRANSPORT AND COMMUNICATIONS  
 DEPARTMENT OF HIGHWAYS

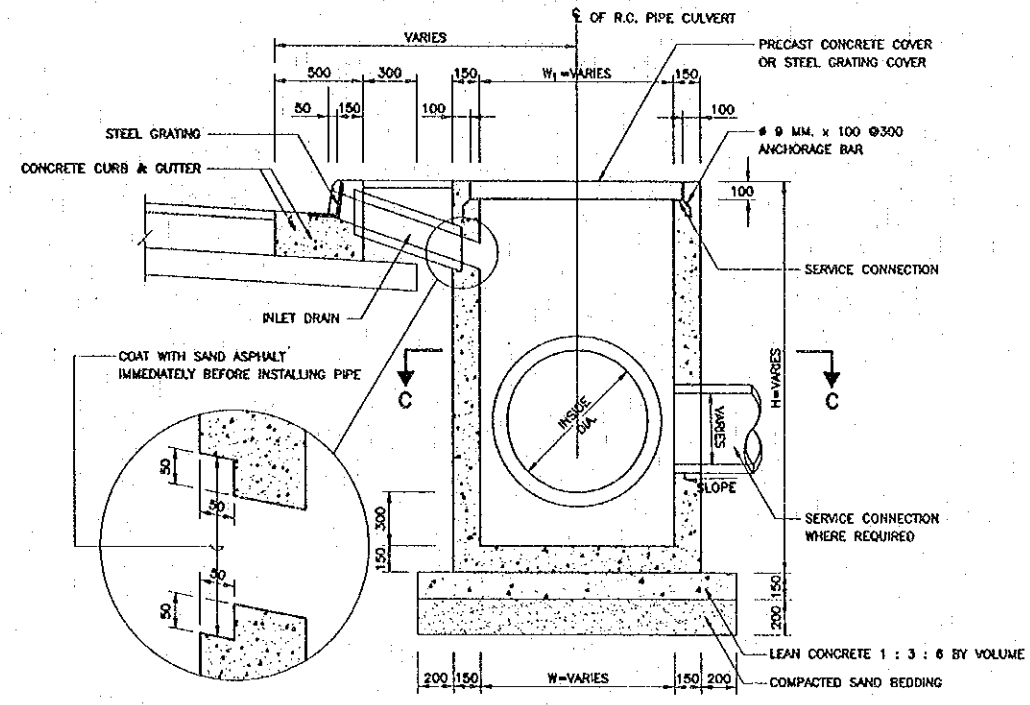
THE SECOND MEKONG INTERNATIONAL BRIDGE CONSTRUCTION PROJECT

QUALITY RECORD	NAME	SIGNATURE	DATE	APP. TITLE
DESIGN	H. Okita	<i>[Signature]</i>	16/03/00	
DESIGN CHECK	T. Morizawa	<i>[Signature]</i>	18/03/00	
SUBMITTED	A. Hiratani	<i>[Signature]</i>	21/03/00	
APPROVED	P. Veeraphanth	<i>[Signature]</i>	22/03/00	

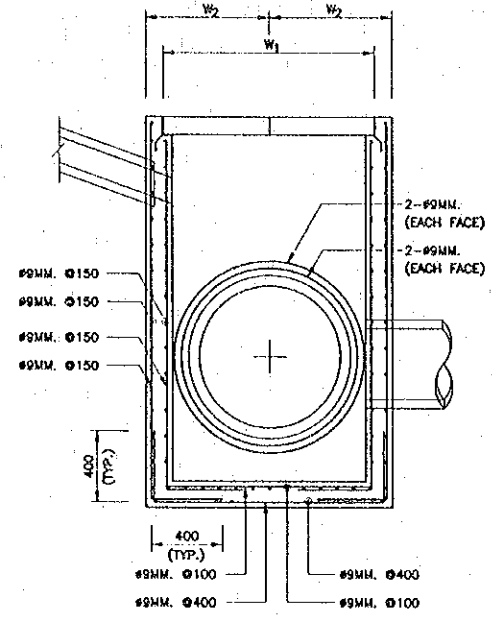
BORDER CONTROL FACILITIES  
 LAO PDR SIDE  
 DRAINAGE LAYOUT DETAILS



PLAN OF MANHOLE TYPE "D"  
 SCALE 1 : 20



SECTION A - A  
 SCALE 1 : 20



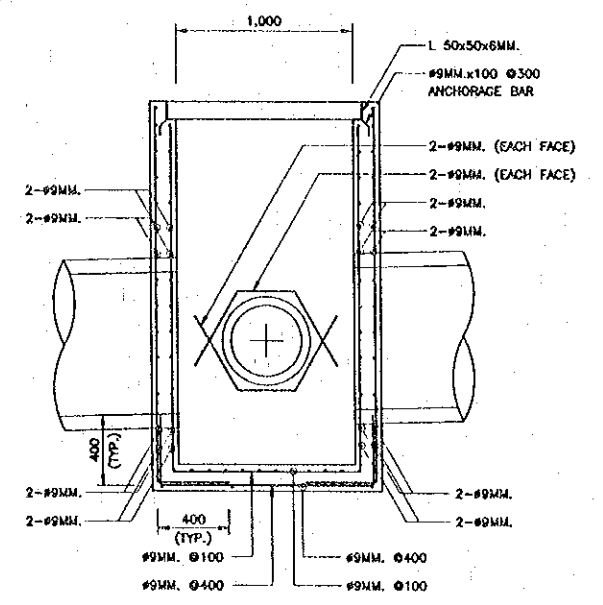
SECTION A - A  
 SCALE 1 : 20

TABLE I

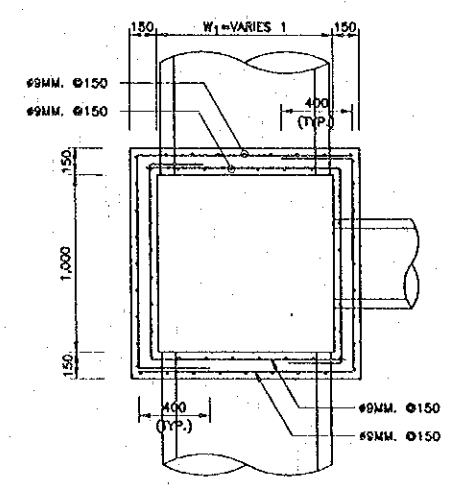
INSIDE DIA. OF R.C. PIPE CULVERT	DIMENSIONS		
	W1	W2	H
Ø 600	800	440	VARIES
Ø 800	1,000	540	VARIES
Ø 1,000	1,250	665	VARIES
Ø 1,200	1,500	790	VARIES

NOTE :

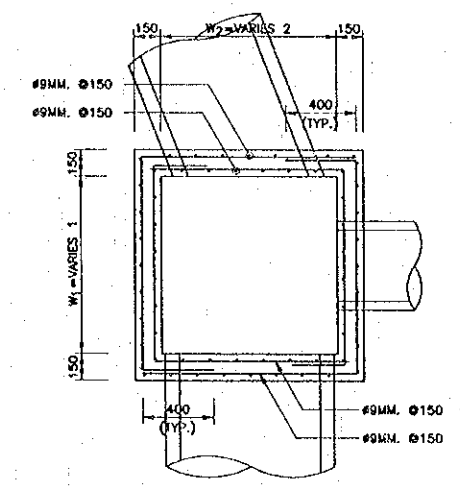
- ALL DIMENSIONS ARE IN MILLIMETERS UNLESS OTHERWISE INDICATED.
- CONCRETE SHALL HAVE A MINIMUM ULTIMATE COMPRESSIVE STRENGTH OF 210 KSC. FOR 15x15x15 CM. CUBE AT 28 DAYS AN APPROXIMATE MIX DESIGN PER CUBIC METER IS SUGGESTED AS FOLLOWS :  
 PORTLAND CEMENT TYPE 1 350 KG. (MIN.)  
 SAND 0.43 M<sup>3</sup>  
 CRUSHED ROCK OR GRAVEL 0.86 M<sup>3</sup>  
 CONCRETE SLUMP 10 CM. (MAX.)
- REINFORCING STEEL SHALL CONFORM TO TIS. 20 GRADE SR 24
- STRUCTURAL STEEL SHALL CONFORM TO TIS. 116 GRADE Fe 30
- STRUCTURAL STEEL AND PLATE STEEL SHALL BE PAINTED WITH RUST-OLEUM PAINT OR EQUIVALENT TWICE AND OIL PAINT ONCE.
- CLEAR CONCRETE COVER SHALL BE 3 CM.
- MANHOLE SIZE SHALL VARY ACCORDING TO THE SIZE OF R.C. PIPE CULVERT (SEE TABLE I)
- MANHOLES SHALL BE ARRANGED AT 10.00 M. (TYP.) INTERVAL OR AS DIRECTED BY THE ENGINEER.
- W 1 SHALL BE DEPENDENT ON THE FIGURES SHOWN IN TABLE I
- W 2 SHALL BE SO DETERMINED THAT THE DISTANCE BETWEEN OUTER EDGE OF THE MANHOLE AND OUTER SURFACE OF THE PIPE SHALL BE MAINTAINED TO BE ATLEAST 15 CM. ON THE OUTER SURFACE OF THE MANHOLE.



SECTION B - B  
 SCALE 1 : 20



NORMAL SECTION C - C  
 SCALE 1 : 20

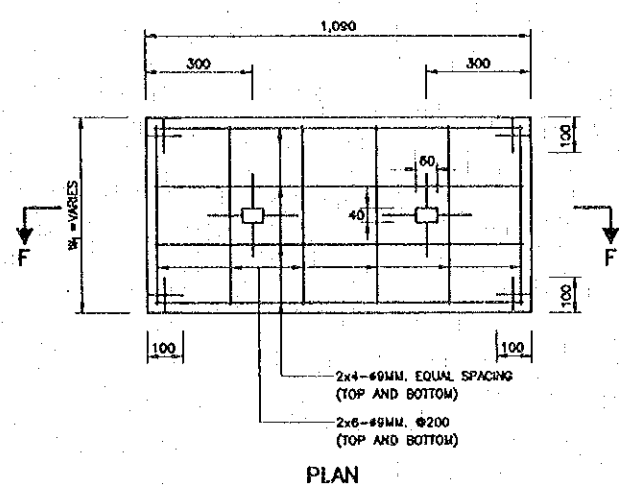


SKEW SECTION C - C  
 SCALE 1 : 20

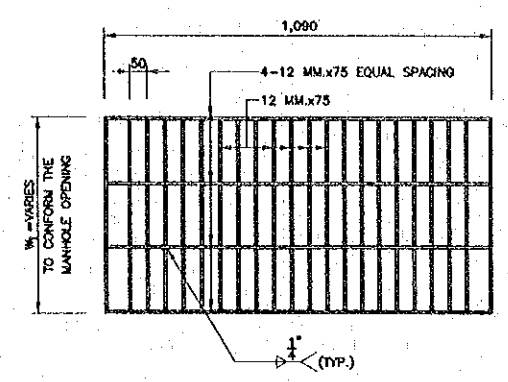
REV.	DATE	DESCRIPTION	APPROVED	PROJECT STUDY TEAM	JICA JAPAN INTERNATIONAL COOPERATION AGENCY	QUALITY RECORD	NAME	SIGNATURE	DATE	DWG. TITLE
				ORIENTAL CONSULTANTS CO., LTD. in association with NIPPON KOKI CO., LTD.	LAO PEOPLE'S DEMOCRATIC REPUBLIC MINISTRY OF COMMUNICATION, TRANSPORT, POST AND CONSTRUCTION KINGDOM OF THAILAND MINISTRY OF TRANSPORT AND COMMUNICATIONS DEPARTMENT OF HIGHWAYS	DESIGN H. Orito		<i>[Signature]</i>	14/02/00	BORDER CONTROL FACILITIES LAO PDR SIDE MANHOLE DETAILS (1)
						DESIGN CHECK T. Masuzono		<i>[Signature]</i>	18/02/00	
						SUBMITTED A. Hirotsu		<i>[Signature]</i>	21/02/00	
						APPROVED P. Weaphanth		<i>[Signature]</i>	02/02/00	



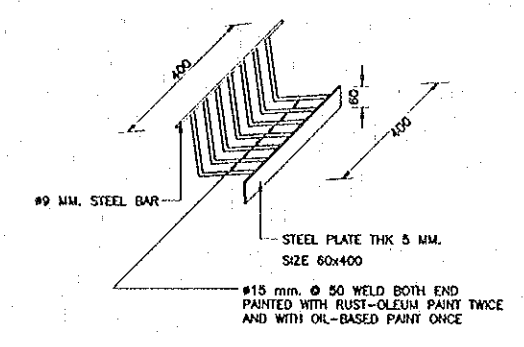
DATE OF ISSUE	
05/03/2000	
DWG. NO.	SHEET NO.
F-C-21	115
DWG. STATUS	



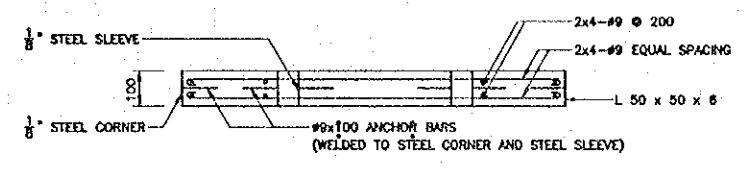
PLAN



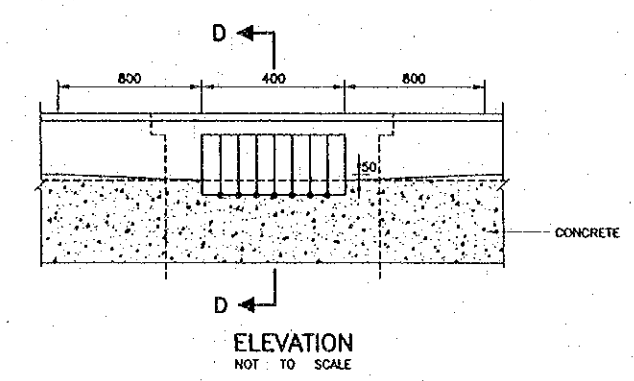
STEEL GRATING COVER DETAILS  
SCALE 1 : 10



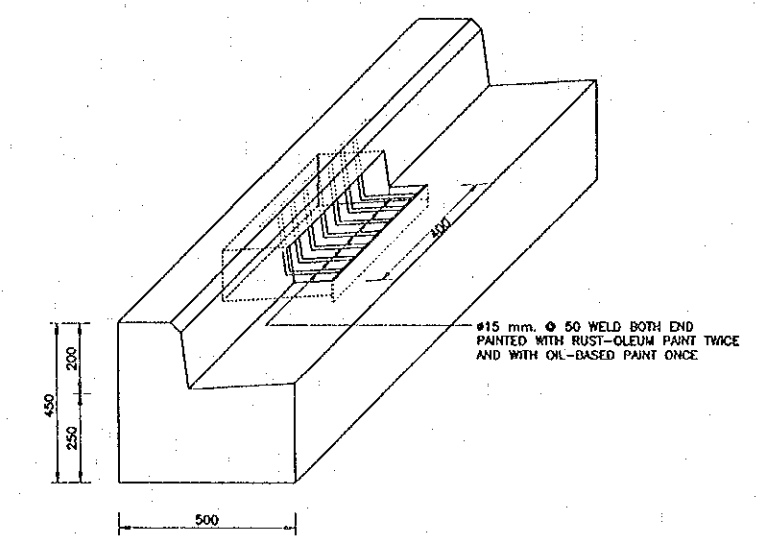
DETAIL 'A'  
SCALE 1 : 10



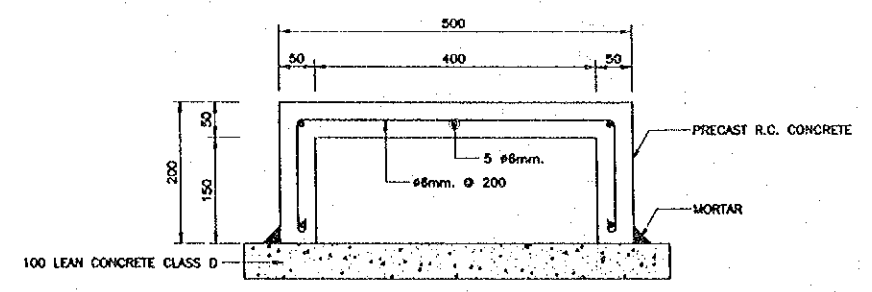
SECTION F - F  
CONCRETE COVER DETAILS  
SCALE 1 : 10



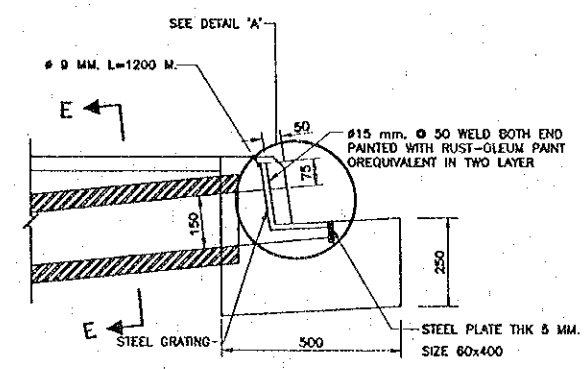
ELEVATION  
NOT TO SCALE



DRAIN GRATING  
SCALE 1 : 10



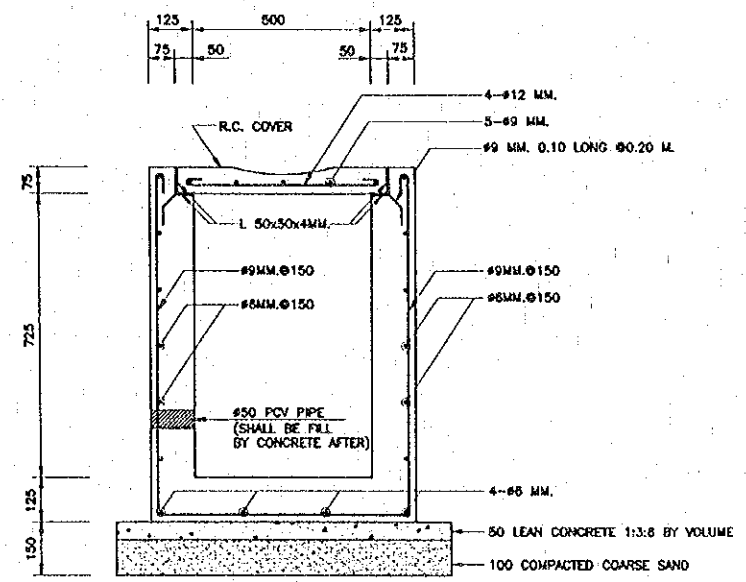
SECTION E-E  
NOT TO SCALE



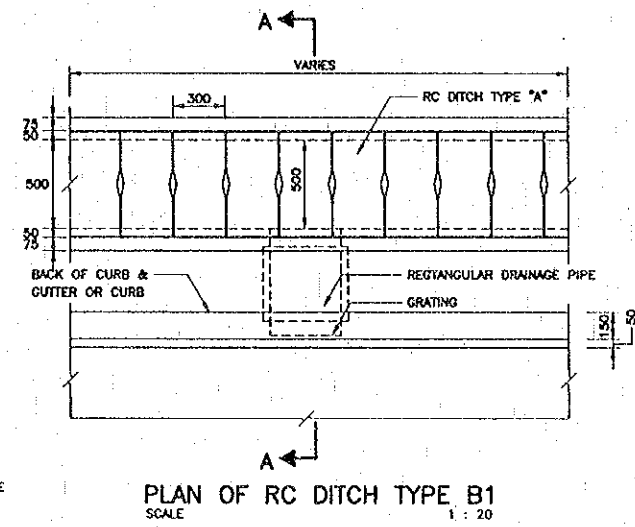
SECTION D-D  
SCALE 1 : 10

- NOTES :
- ALL DIMENSIONS ARE IN MILLIMETERS UNLESS OTHERWISE INDICATED.
  - CONCRETE SHALL HAVE A MINIMUM ULTIMATE COMPRESSIVE STRENGTH OF 210 KSC. FOR 15x15x15 CM. CUBE AT 28 DAYS AN APPROXIMATE MIX DESIGN PER CUBIC METER IS SUGGESTED AS FOLLOWS :  
 PORTLAND CEMENT TYPE 1 350 KG. (M<sup>3</sup>)  
 SAND 0.43 M<sup>3</sup>  
 CRUSHED ROCK OR GRAVEL 0.86 M<sup>3</sup>  
 CONCRETE SLUMP 10 CM. (MAX.)
  - REINFORCING STEEL SHALL CONFORM TO TIS. 20 GRADE SR 24
  - STRUCTURAL STEEL SHALL CONFORM TO TIS. 116 GRADE Fe 30
  - FLAT PLATE STEEL SHALL CONFORM TO TIS. 55 GRADE SR 24
  - STRUCTURAL STEEL AND PLATE STEEL SHALL BE PAINTED WITH RUST-OLEUM PAINT OR EQUIVALENT TWICE AND OIL PAINT ONCE.
  - CLEAR CONCRETE COVER SHALL BE 3 CM.
  - MANHOLE SIZE SHALL VARY ACCORDING TO THE SIZE OF R.C. PIPE CULVERT (SEE TABLE 1)
  - MANHOLES SHALL BE ARRANGED AT 15.00 M. (TYP.) INTERVAL OR AS DIRECTED BY THE ENGINEER.

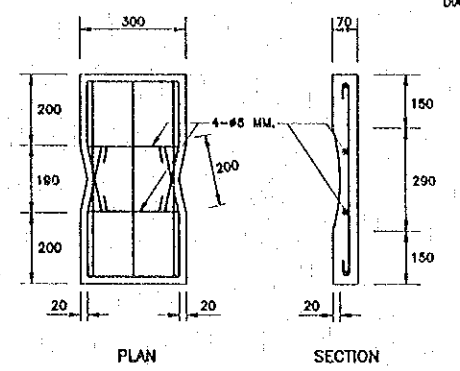
REV.	DATE	DESCRIPTION	APPROVED	PROJECT STUDY TEAM	JICA JAPAN INTERNATIONAL COOPERATION AGENCY	QUALITY RECORD	NAME	SIGNATURE	DATE	DWG. TITLE
				ORIENTAL CONSULTANTS CO., LTD. In association with NIPPON KOKI CO., LTD.	LAO PEOPLE'S DEMOCRATIC REPUBLIC MINISTRY OF COMMUNICATION, TRANSPORT, POST AND CONSTRUCTION	DESIGN	H. Okita	<i>[Signature]</i>	16/02/00	BORDER CONTROL FACILITIES LAO PDR SIDE MANHOLE DETAILS (2)
					KINGDOM OF THAILAND MINISTRY OF TRANSPORT AND COMMUNICATIONS DEPARTMENT OF HIGHWAYS	DESIGN CHECK	T. Moeuzawa	<i>[Signature]</i>	10-02-00	
					THE SECOND MEKONG INTERNATIONAL BRIDGE CONSTRUCTION PROJECT	SUBMITTED	A. Hiratani	<i>[Signature]</i>	21/01/00	
						APPROVED	P. Waphanth	<i>[Signature]</i>	24/04/00	



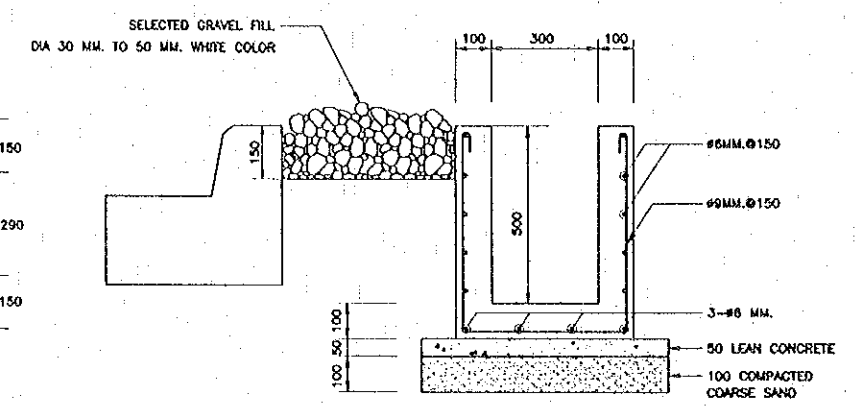
SECTION OF R.C. DITCH TYPE B1  
 (0.50 x 0.80)  
 SCALE 1 : 10



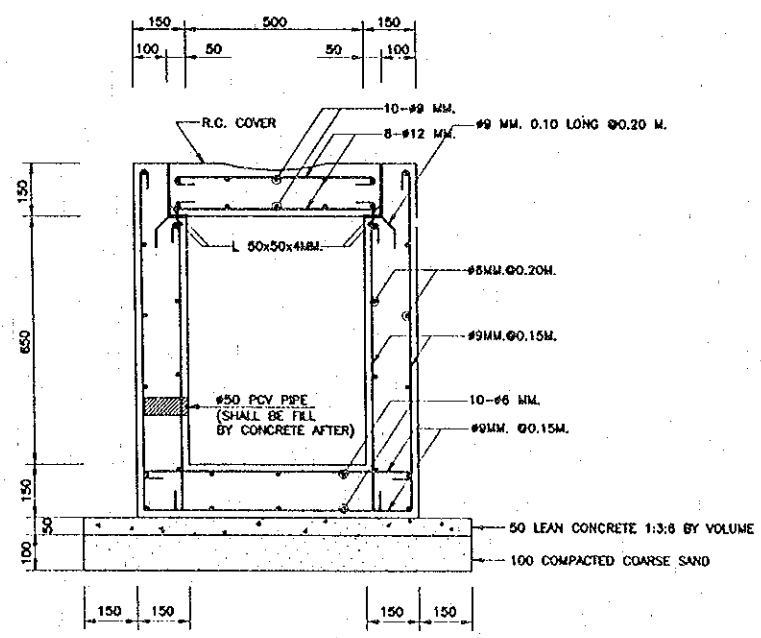
PLAN OF RC DITCH TYPE B1  
 SCALE 1 : 20



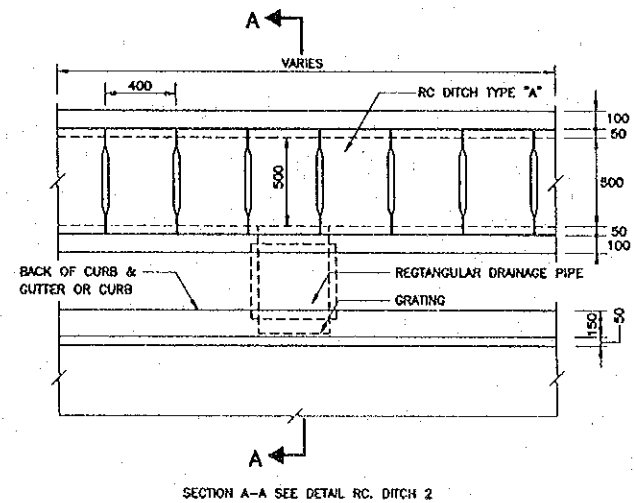
R.C. COVER OF R.C. DITCH TYPE B1  
 SCALE 1 : 10



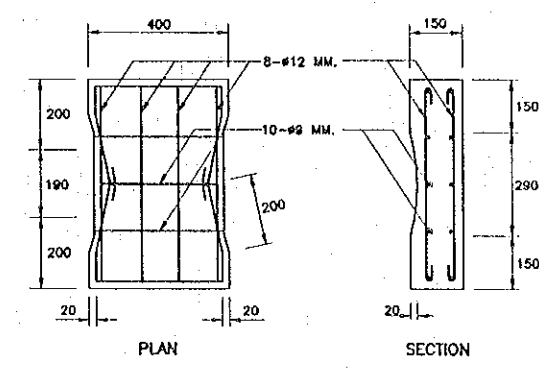
SECTION OF R.C. DITCH TYPE A  
 (0.30 x 0.50)  
 SCALE 1 : 10



SECTION OF R.C. DITCH TYPE B2  
 (0.50 x 0.80)  
 SCALE 1 : 10



PLAN OF RC DITCH TYPE B2  
 SCALE 1 : 20



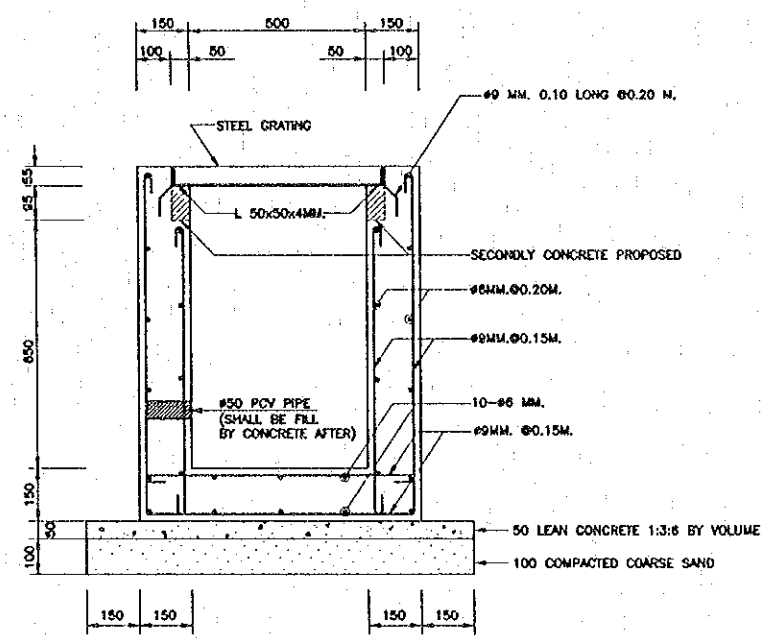
R.C. COVER OF R.C. DITCH TYPE B2  
 SCALE 1 : 10

- NOTES :
- ALL DIMENSIONS ARE IN MILLIMETERS UNLESS OTHERWISE INDICATED.
  - CONCRETE FOR R.C. DITCH TYPE "A" AND TYPE "B" SHALL HAVE A MINIMUM ULTIMATE COMPRESSIVE STRENGTH OF 210 KSC. FOR 15x15x15 CM. CUBE AT 28 DAYS. AN APPROXIMATE MIX DESIGN PER CUBIC METER IS SUGGESTED AS FOLLOWS:  
 PORTLAND CEMENT TYPE 1 350 KG. (MIN.)  
 SAND 0.43 M.<sup>3</sup>  
 CRUSHED ROCK OR GRAVEL 0.86 M.<sup>3</sup>  
 CONCRETE SLUMP 10 CM. (MAX.)
  - LAP LENGTH SHALL NOT BE LESS THAN 40 BAR DIAMETERS.
  - CLEAR CONCRETE COVER SHALL BE 3 CM. UNLESS OTHERWISE INDICATED.
  - JOINT IN R.C. DITCH TYPE "A" AND TYPE "B" SHALL BE SPACED AT 10.00 M. INTERVAL WIDTH OF THE JOINT IS 1 CM. AND FILLED WITH MORTAR (PORTLAND CEMENT : SAND) RATIO 1:3 BY VOLUME.
  - R.C. DITCH TYPE "A" AND TYPE "B" CROSS DRAIN AT CONNECTION ROAD SHALL BE PRECAST 1 M. LONG. WIDTH OF THE JOINT IS 1 CM. AND FILLED WITH MORTAR (PORTLAND CEMENT : SAND) RATIO 1:3 BY VOLUME.
  - FLAT PLATE STEEL CONFORM TO TIS. 55 GRADE SR 24.
  - THE CONTRACTOR SHALL SUBMIT SAMPLE OF THE SELECTED GRAVEL FILL TO THE ENGINEER FOR APPROVAL.

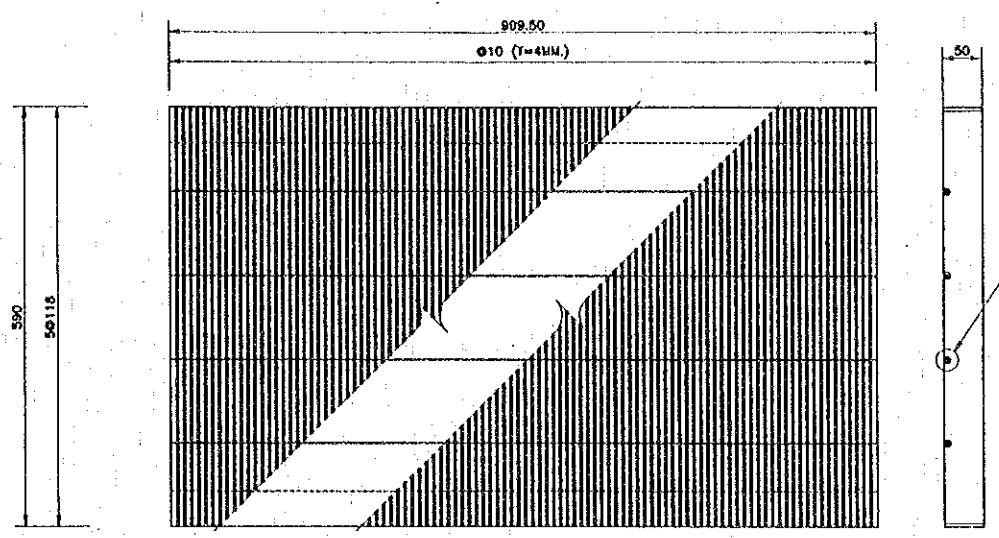
REV.	DATE	DESCRIPTION	APPROVED	PROJECT STUDY TEAM	JICA	LAO PEOPLE'S DEMOCRATIC REPUBLIC	KINGDOM OF THAILAND	THE SECOND MEKONG INTERNATIONAL BRIDGE CONSTRUCTION PROJECT	QUALITY RECORD	NAME	SIGNATURE	DATE	DWG. TITLE
				ORIENTAL CONSULTANTS CO., LTD. In association with NIFFON KOKI CO., LTD.	JICA JAPAN INTERNATIONAL COOPERATION AGENCY	MINISTRY OF COMMUNICATION, TRANSPORT, POST AND CONSTRUCTION	MINISTRY OF TRANSPORT AND COMMUNICATIONS DEPARTMENT OF HIGHWAYS		DESIGN	H. Oshio	<i>[Signature]</i>	11/2/00	BORDER CONTROL FACILITIES LAO PDR SIDE RC U-DITCH AND SIDE DITCH DETAILS (1)
								DESIGN CHECK	T. Mouzawa	<i>[Signature]</i>	11/2/00		
								SUBMITTED	A. Hivonani	<i>[Signature]</i>	11/2/00		
								APPROVED	P. Vrephenth	<i>[Signature]</i>	11/2/00		



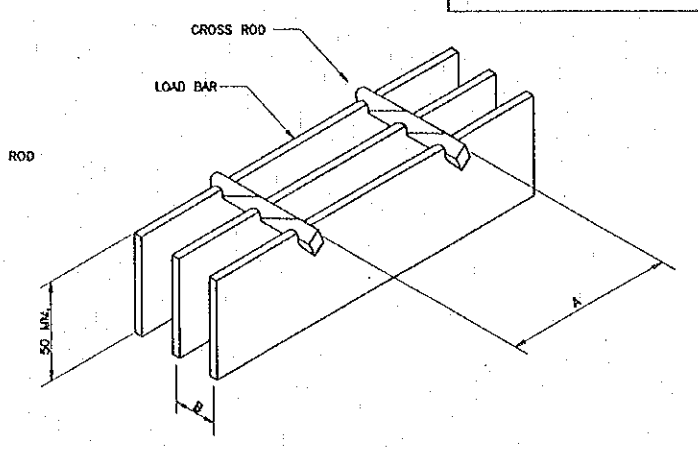
DATE OF ISSUE: 05/03/2000  
 DWG. NO. F-C-24 SHEET NO. 118  
 DWG. STATUS



SECTION OF R.C. DITCH TYPE B2 FOR GRATING COVER  
 (0.50 x 0.80)  
 SCALE 1 : 10

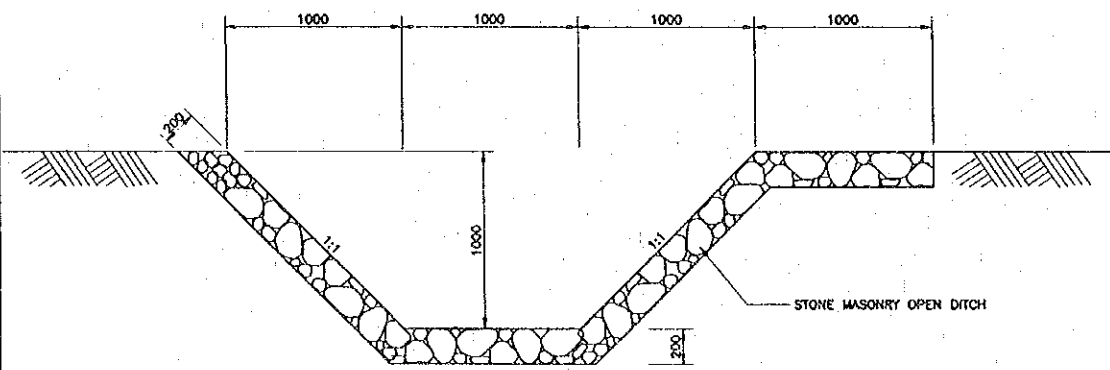


STEEL GRATING COVER DETAIL  
 SCALE 1 : 5

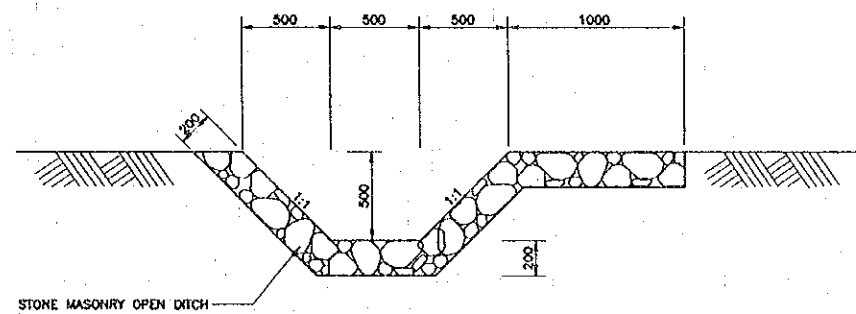


NOT TO SCALE

A PITCH	118 MM.
B PITCH	10 MM.
LOAD BAR	FB-50x4
CROSS ROD	6 MM. SQUARE TWISTED ROD



SIDE DITCH TYPE 1  
 SCALE 1 : 20

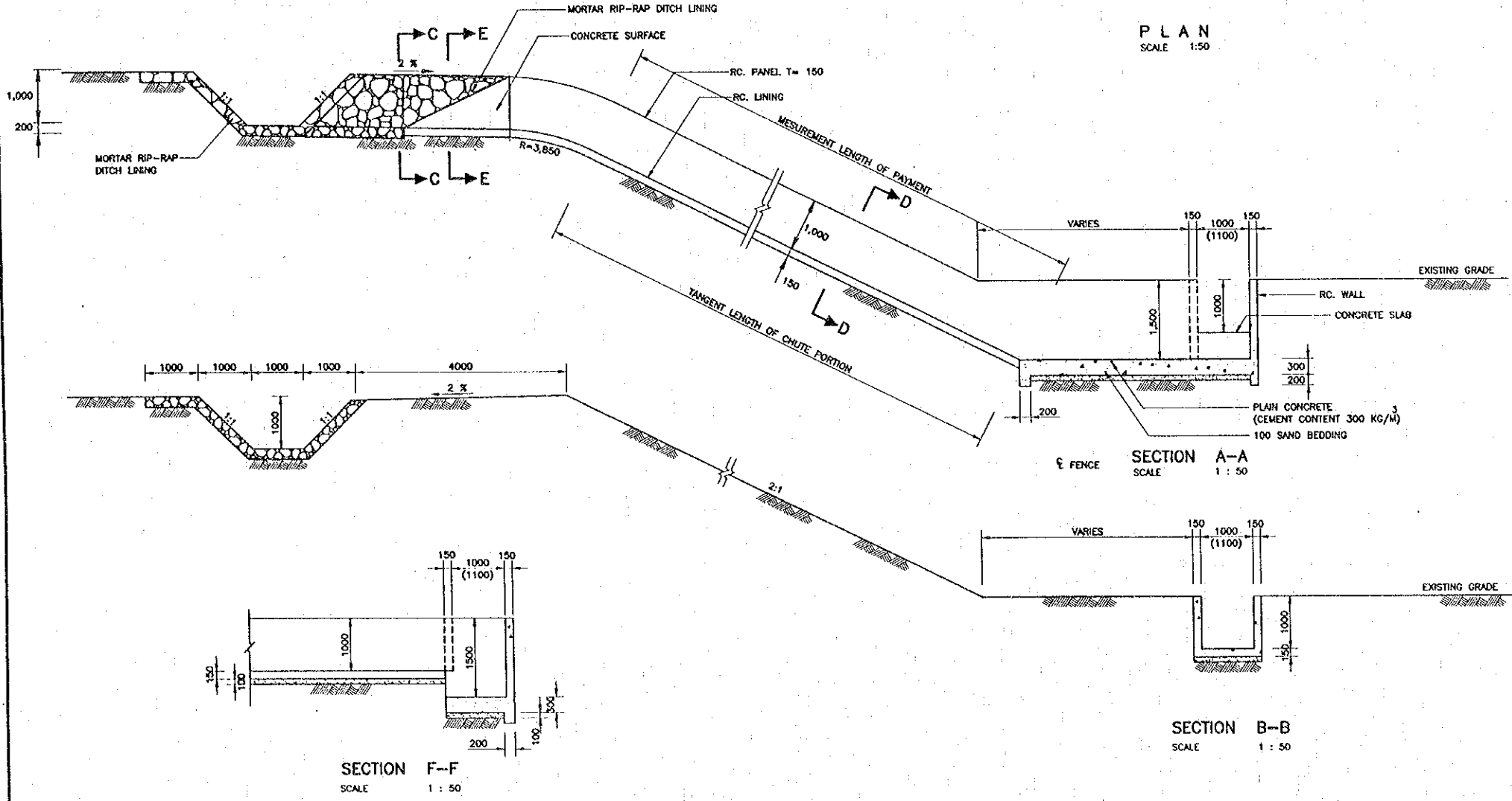
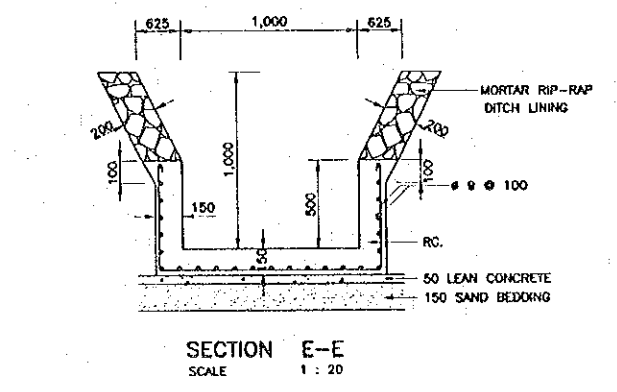
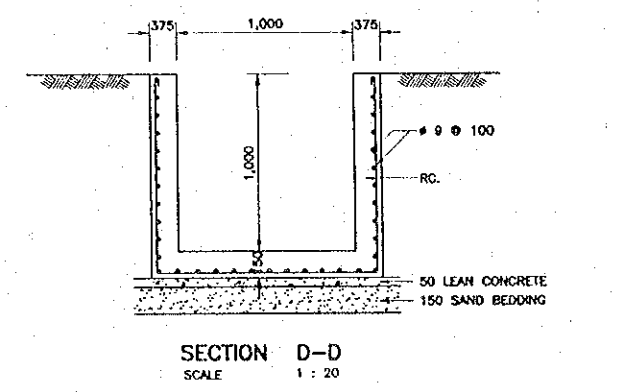
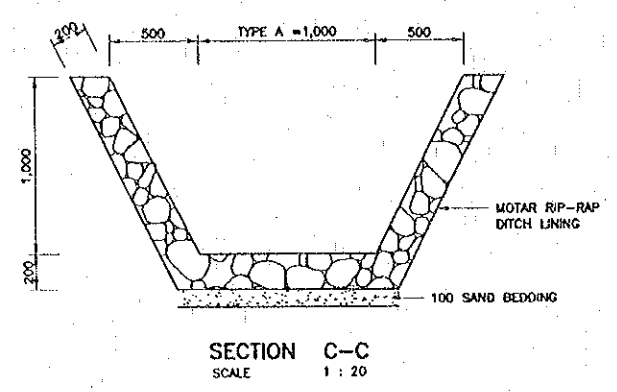
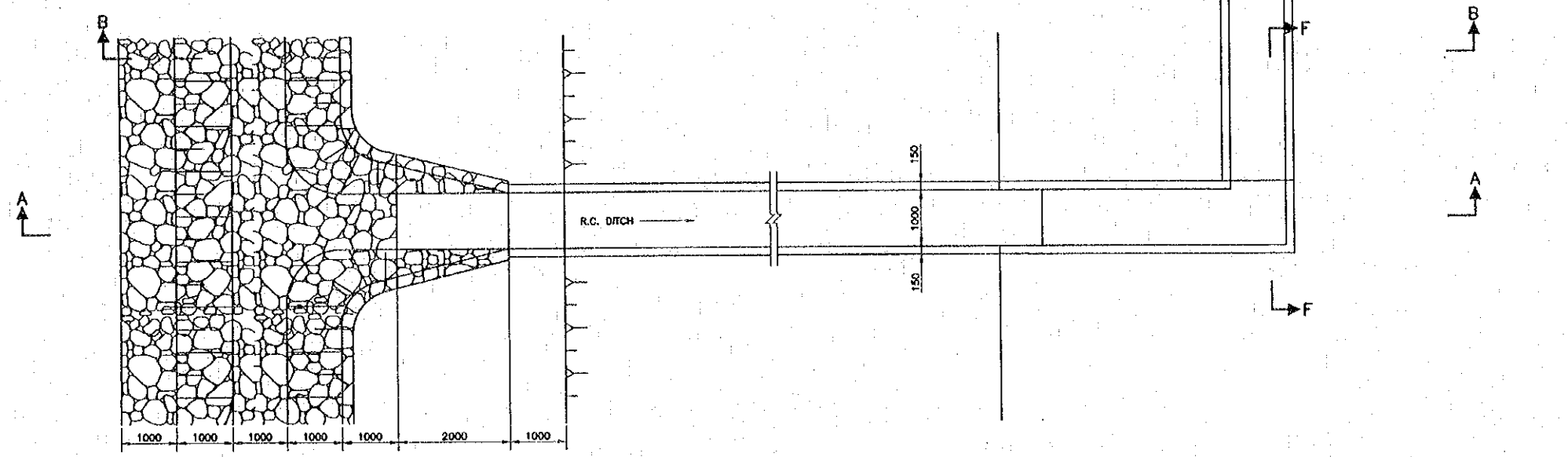


SIDE DITCH TYPE 2  
 SCALE 1 : 20

NOTES :

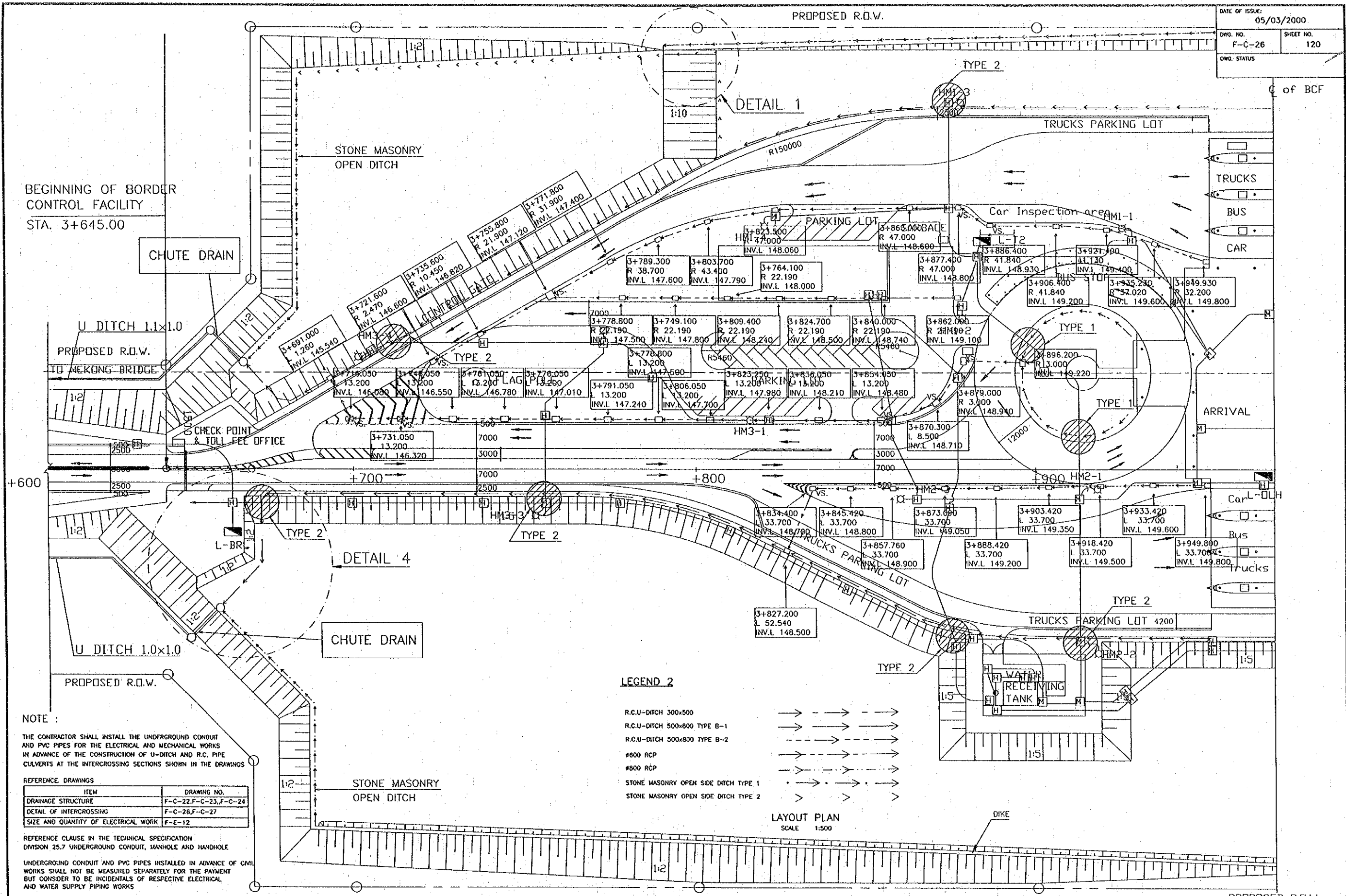
- ALL DIMENSIONS ARE IN MILLIMETERS UNLESS OTHERWISE INDICATED.
- THE STONES USED FOR RIP - RAP DITCH SHALL WEIGH 20-45 KG. EACH AND AT LEAST 50% SHALL WEIGH MORE THAN 35 KG. STONES SHALL HAVE SUCH SHAP AND DIMENSIONS AS TO MINIMIZE THE INTERSPACES AFTER PLACING. THE THICKNESS OF THE STONES SHALL BE APPROXIMATELY 15 CM.
- THE LARGEST STONE SHALL BE PLACED FIRST. THE INTERSTICES SHALL BE FILLED WITH SPALLS OR SMALL STONES UNTIL A SMOOTH SURFACE IS OBTAINED. THEN FRESH MORTAR SHALL BE APPLIED TO SEAL ALL JOINTS.
- THE THREE TYPES OF DITCH LINING SHALL BE CONSTRUCTED IN THE AREA OF RAINFALL INTENSITY NOT OVER 10 IN./HR. IN CASE OF RAINFALL INTENSITY IS OVER 10 IN./HR., DITCH LINING SHALL BE DESIGNED BY THE ENGINEER.
- DITCH LINING SHALL BE CONSTRUCTED BY CONSIDERATION OF THE SOIL CONDITION, EROSION AND THE DISCHARGE IN THE DITCH. GENERALLY, DITCH LINING SHALL BE CONSTRUCTED IF ROADWAY GRADE EXCEEDS 6%.
- CONCRETE DITCH CHECK :
  - CONCRETE MIX. SHALL BE 1:2:4 BY VOLUME. CONCRETE SLUMP TEST SHALL NOT EXCEED 10 CM.
  - CONCRETE DITCH CHECK SHALL BE CONSTRUCTED FOR TYPE II AND TYPE III OF THE LINING. GENERALLY THE SPACING OF DITCH CHECK SHALL NOT EXCEED 150 M., 120 M., 100 M., AND 80 M. FOR ROADWAY GRADE OF 6%, 8%, 10% AND 12% RESPECTIVELY, BUT THE LOCATION SHALL SUITABLY BE CONSIDERED IN THE FIELD AND BY THE APPROVAL OF THE ENGINEER FOR THE PARTICULAR TYPE OF TERRAINS.

REV.	DATE	DESCRIPTION	APPROVED	PROJECT STUDY TEAM	JICA JAPAN INTERNATIONAL COOPERATION AGENCY	QUALITY RECORD	NAME	SIGNATURE	DATE	DWG. TITLE
				ORIENTAL CONSULTANTS CO., LTD. In association with NIPPON KOKI CO., LTD.	LAO PEOPLE'S DEMOCRATIC REPUBLIC MINISTRY OF COMMUNICATION, TRANSPORT, POST AND CONSTRUCTION	DESIGN	H. Okita	<i>[Signature]</i>	16/06/00	BORDER CONTROL FACILITIES LAO PDR SIDE RC U-DITCH AND SIDE DITCH DETAILS (3)
					KINGDOM OF THAILAND MINISTRY OF TRANSPORT AND COMMUNICATIONS DEPARTMENT OF HIGHWAYS	DESIGN CHECK	T. Mousawa	<i>[Signature]</i>	18/02/00	
						SUBMITTED	A. Hrotani	<i>[Signature]</i>	21/01/00	
					THE SECOND MEKONG INTERNATIONAL BRIDGE CONSTRUCTION PROJECT	APPROVED	P. Vrophanth	<i>[Signature]</i>	22/02/00	



- NOTES :
- ALL DIMENSIONS ARE IN MILLIMETERS UNLESS OTHERWISE INDICATED.
  - REINFORCING STEEL SHALL BE PLAIN ROUND BARS CONFORMING TO TIS 20 GRADE SR 24 .
  - CONCRETE MIX SHALL BE 1:2:4 BY VOLUME. CONCRETE SLUMP TEST SHALL NOT BE EXCEED 10 CM.
  - THE STONES USED FOR RIP-RAP DITCH LINING SHALL WEIGH 20-45 KG. EACH AND AT LEAST 50% SHALL WEIGH MORE THAN 35 KG. STONES SHALL HAVE SUCH SHAPE AND DIMENSIONS AS TO MINIMIZE THE INTERSPACES AFTER PLACING. THE THICKNESS OF STONES SHALL BE APPROXIMATELY 15 CM.

REV.	DATE	DESCRIPTION	APPROVED	PROJECT STUDY TEAM	JICA JAPAN INTERNATIONAL COOPERATION AGENCY	QUALITY RECORD	NAME	SIGNATURE	DATE	DWG. TITLE:
				ORIENTAL CONSULTANTS CO., LTD. In association with NIPPON KOKI CO., LTD.	LAO PEOPLE'S DEMOCRATIC REPUBLIC MINISTRY OF COMMUNICATION, TRANSPORT, POST AND CONSTRUCTION	DESIGN	H. Okita	<i>[Signature]</i>	16/02/00	BORDER CONTROL FACILITIES LAO PDR SIDE DRAIN CHUTE
					KINGDOM OF THAILAND MINISTRY OF TRANSPORT AND COMMUNICATIONS DEPARTMENT OF HIGHWAYS	DESIGN CHECK	T. Masurova	<i>[Signature]</i>	18-02-00	
						SUBMITTED	A. Harelani	<i>[Signature]</i>	21/02/00	
						APPROVED	P. Virophanth	<i>[Signature]</i>	22/02/00	



BEGINNING OF BORDER CONTROL FACILITY  
 STA. 3+645.00

NOTE :  
 THE CONTRACTOR SHALL INSTALL THE UNDERGROUND CONDUIT AND PVC PIPES FOR THE ELECTRICAL AND MECHANICAL WORKS IN ADVANCE OF THE CONSTRUCTION OF U-DITCH AND R.C. PIPE CULVERTS AT THE INTERCROSSING SECTIONS SHOWN IN THE DRAWINGS

REFERENCE DRAWINGS

ITEM	DRAWING NO.
DRAINAGE STRUCTURE	F-C-22, F-C-23, F-C-24
DETAIL OF INTERCROSSING	F-C-26, F-C-27
SIZE AND QUANTITY OF ELECTRICAL WORK	F-E-12

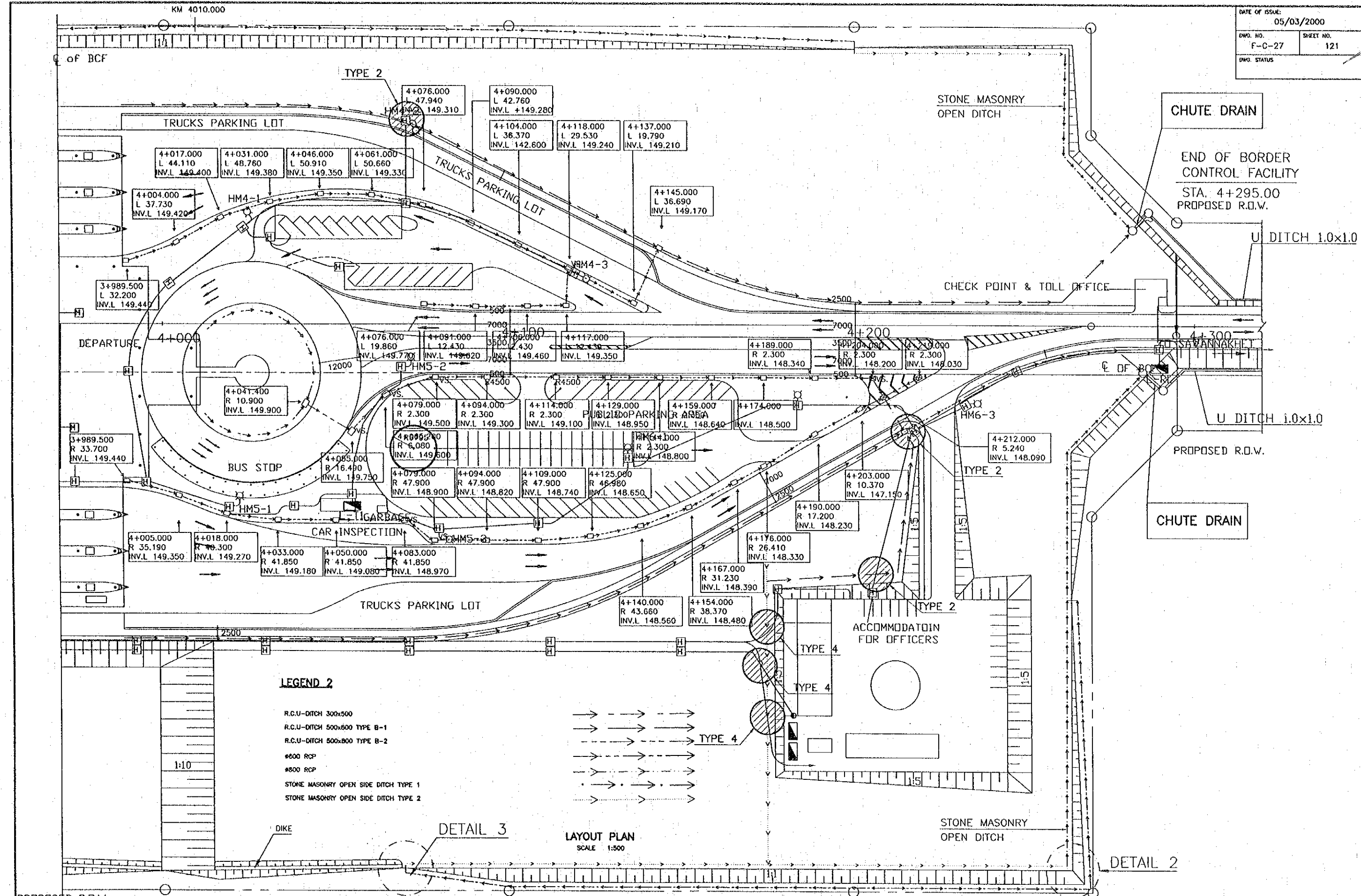
REFERENCE CLAUSE IN THE TECHNICAL SPECIFICATION DIVISION 25.7 UNDERGROUND CONDUIT, MANHOLE AND HANDHOLE

UNDERGROUND CONDUIT AND PVC PIPES INSTALLED IN ADVANCE OF CIVIL WORKS SHALL NOT BE MEASURED SEPARATELY FOR THE PAYMENT BUT CONSIDER TO BE INCIDENTALS OF RESPECTIVE ELECTRICAL AND WATER SUPPLY PIPING WORKS

- LEGEND 2**
- R.C.U-DITCH 300x500
  - R.C.U-DITCH 500x800 TYPE B-1
  - R.C.U-DITCH 500x800 TYPE B-2
  - #600 RCP
  - #800 RCP
  - STONE MASONRY OPEN SIDE DITCH TYPE 1
  - STONE MASONRY OPEN SIDE DITCH TYPE 2

LAYOUT PLAN  
 SCALE 1:500

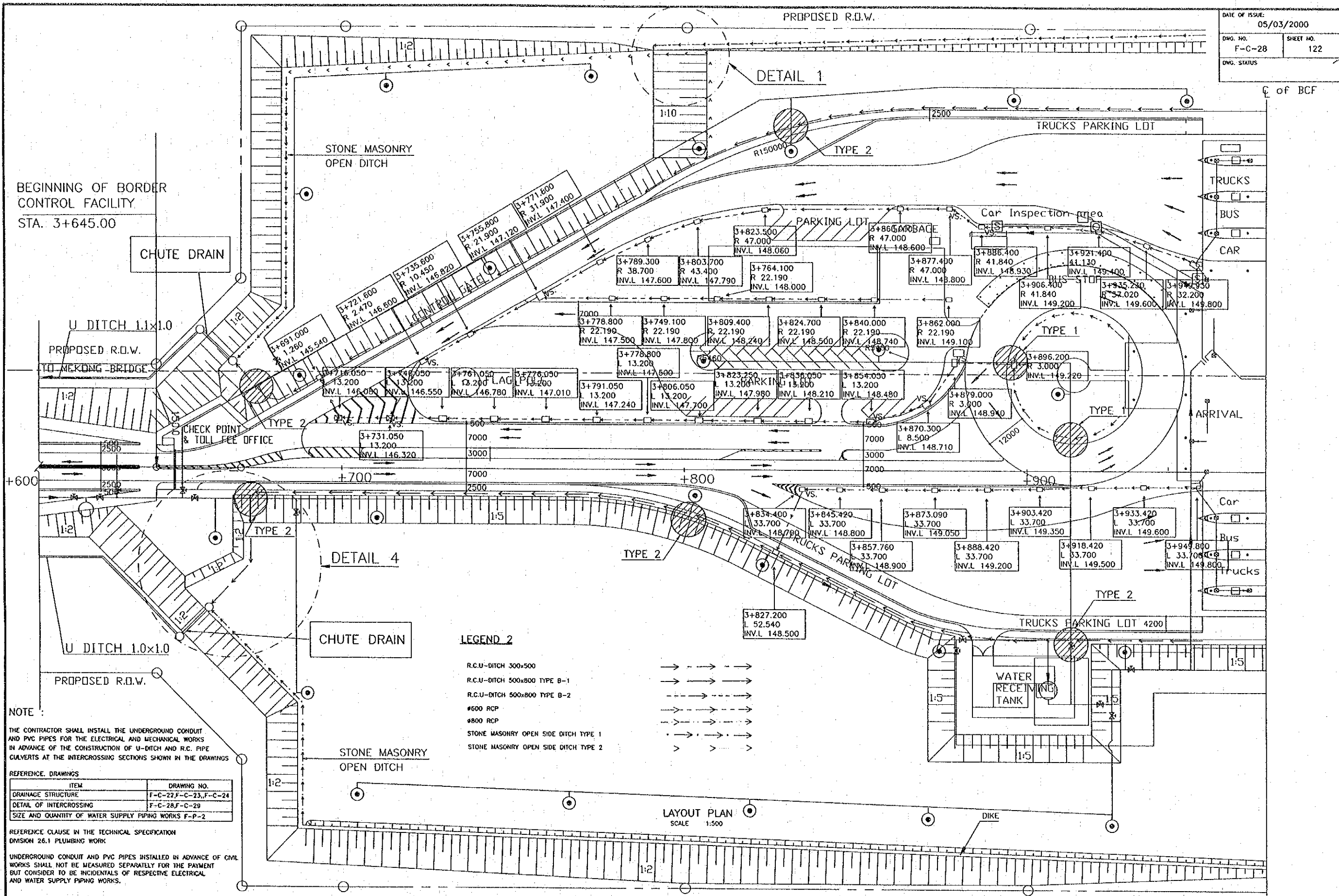
REV.	DATE	DESCRIPTION	APPROVED	PROJECT STUDY TEAM	JICA	QUALITY RECORD	NAME	SIGNATURE	DATE	DWG. TITLE
				ORIENTAL CONSULTANTS CO., LTD. In association with NIPPON KORI CO., LTD.	JAPAN INTERNATIONAL COOPERATION AGENCY LAO PEOPLE'S DEMOCRATIC REPUBLIC MINISTRY OF COMMUNICATION, TRANSPORT, POST AND CONSTRUCTION KINGDOM OF THAILAND MINISTRY OF TRANSPORT AND COMMUNICATIONS DEPARTMENT OF HIGHWAYS	DESIGN	H. Orito	<i>[Signature]</i>	2/26/00	BORDER CONTROL FACILITIES LAO PDR SIDE LOCATION OF INTERCROSSING SECTIONS BETWEEN DRAINAGE WORKS AND ELECTRICAL WORKS (1)
						DESIGN CHECK	T. Morizawa	<i>[Signature]</i>	2/26/00	
						SUBMITTED	A. Hiratani	<i>[Signature]</i>	2/26/00	
						APPROVED	P. Veerapornth	<i>[Signature]</i>	5/6/00	



- LEGEND 2**
- R.C.U-DITCH 300x500
  - R.C.U-DITCH 500x800 TYPE B-1
  - R.C.U-DITCH 500x800 TYPE B-2
  - #600 RCP
  - #800 RCP
  - STONE MASONRY OPEN SIDE DITCH TYPE 1
  - STONE MASONRY OPEN SIDE DITCH TYPE 2

**LAYOUT PLAN**  
SCALE 1:500

REV. DATE DESCRIPTION APPROVED PROJECT STUDY TEAM ORIENTAL CONSULTANTS CO., LTD. in association with NIPPON KOKI CO., LTD.		JICA JAPAN INTERNATIONAL COOPERATION AGENCY LAO PEOPLE'S DEMOCRATIC REPUBLIC MINISTRY OF COMMUNICATION, TRANSPORT, POST AND CONSTRUCTION KINGDOM OF THAILAND MINISTRY OF TRANSPORT AND COMMUNICATIONS DEPARTMENT OF HIGHWAYS		THE SECOND MEKONG INTERNATIONAL BRIDGE CONSTRUCTION PROJECT		QUALITY RECORD DESIGN H. Okita DESIGN CHECK T. Masuzawa SUBMITTED A. Hirakawa APPROVED P. Viraphanth		NAME SIGNATURE DATE H. Okita T. Masuzawa A. Hirakawa P. Viraphanth		DWO. TITLE: <b>BORDER CONTROL FACILITIES</b> LAO PDR SIDE LOCATION OF INTERSECTING SECTIONS BETWEEN DRAINAGE WORKS AND ELECTRICAL WORKS (2)	
-------------------------------------------------------------------------------------------------------------------------------------	--	---------------------------------------------------------------------------------------------------------------------------------------------------------------------------------------------------------------------------------------------	--	-------------------------------------------------------------	--	------------------------------------------------------------------------------------------------------------------	--	--------------------------------------------------------------------------------	--	------------------------------------------------------------------------------------------------------------------------------------------------------	--



**LEGEND 2**

- R.C.U-DITCH 300x500
- R.C.U-DITCH 500x800 TYPE B-1
- R.C.U-DITCH 500x800 TYPE B-2
- #600 RCP
- #800 RCP
- STONE MASONRY OPEN SIDE DITCH TYPE 1
- STONE MASONRY OPEN SIDE DITCH TYPE 2

**NOTE:**  
 THE CONTRACTOR SHALL INSTALL THE UNDERGROUND CONDUIT AND PVC PIPES FOR THE ELECTRICAL AND MECHANICAL WORKS IN ADVANCE OF THE CONSTRUCTION OF U-DITCH AND R.C. PIPE CULVERTS AT THE INTERCROSSING SECTIONS SHOWN IN THE DRAWINGS

**REFERENCE DRAWINGS**

ITEM	DRAWING NO.
DRAINAGE STRUCTURE	F-C-22, F-C-23, F-C-24
DETAIL OF INTERCROSSING	F-C-28, F-C-29
SIZE AND QUANTITY OF WATER SUPPLY PIPING WORKS	F-P-2

REFERENCE CLAUSE IN THE TECHNICAL SPECIFICATION DIVISION 26.1 PLUMBING WORK

UNDERGROUND CONDUIT AND PVC PIPES INSTALLED IN ADVANCE OF CIVIL WORKS SHALL NOT BE MEASURED SEPARATELY FOR THE PAYMENT BUT CONSIDER TO BE INCIDENTALS OF RESPECTIVE ELECTRICAL AND WATER SUPPLY PIPING WORKS.

REV.	DATE	DESCRIPTION	APPROVED

PROJECT STUDY TEAM

**ORIENTAL CONSULTANTS CO., LTD.**

In association with

**NIPPON KOEI CO., LTD.**

**JICA** JAPAN INTERNATIONAL COOPERATION AGENCY

LAO PEOPLE'S DEMOCRATIC REPUBLIC  
 MINISTRY OF COMMUNICATION, TRANSPORT, POST AND CONSTRUCTION

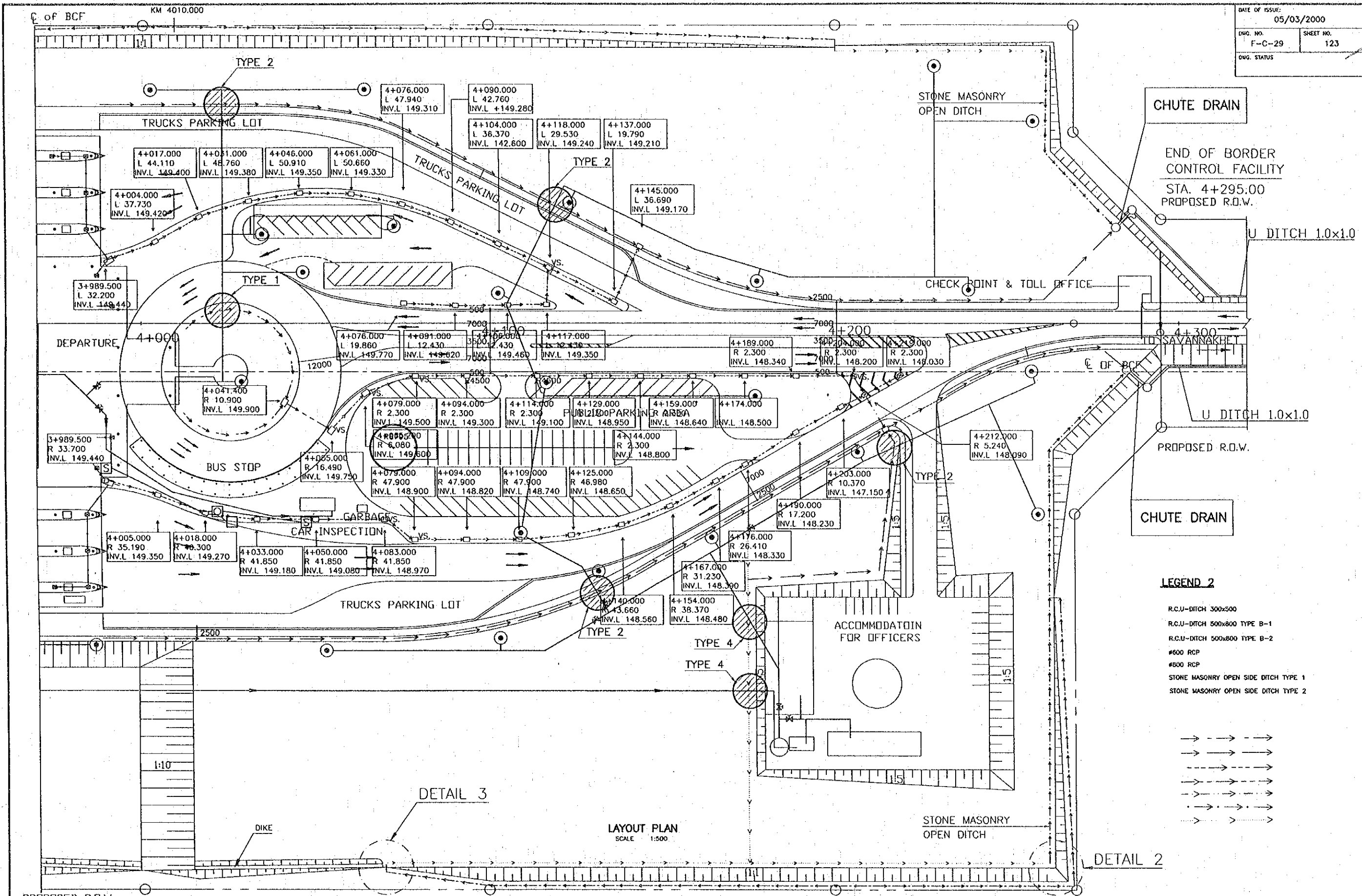
KINGDOM OF THAILAND  
 MINISTRY OF TRANSPORT AND COMMUNICATIONS  
 DEPARTMENT OF HIGHWAYS

**THE SECOND MEKONG INTERNATIONAL BRIDGE CONSTRUCTION PROJECT**

QUALITY RECORD	NAME	SIGNATURE	DATE	DWG. TITLE
DESIGN	M. Okita	<i>[Signature]</i>	2/2000	BORDER CONTROL FACILITIES LAO PDR SIDE LOCATION OF INTERCROSSING SECTIONS BETWEEN DRAINAGE WORKS AND WATER SUPPLY PIPES (1)
DESIGN CHECK	T. Masuzawa	<i>[Signature]</i>	2/2000	
SUBMITTED	A. Hiratani	<i>[Signature]</i>	2/2000	
APPROVED	P. Virophanh	<i>[Signature]</i>	5/6/00	

**BORDER CONTROL FACILITIES**  
 LAO PDR SIDE  
 LOCATION OF INTERCROSSING SECTIONS BETWEEN DRAINAGE WORKS AND WATER SUPPLY PIPES (1)





- LEGEND 2**
- R.C.U-DITCH 300x500
  - R.C.U-DITCH 500x800 TYPE B-1
  - R.C.U-DITCH 500x800 TYPE B-2
  - #600 RCP
  - #800 RCP
  - STONE MASONRY OPEN SIDE DITCH TYPE 1
  - STONE MASONRY OPEN SIDE DITCH TYPE 2

REV.	DATE	DESCRIPTION	APPROVED	PROJECT STUDY TEAM

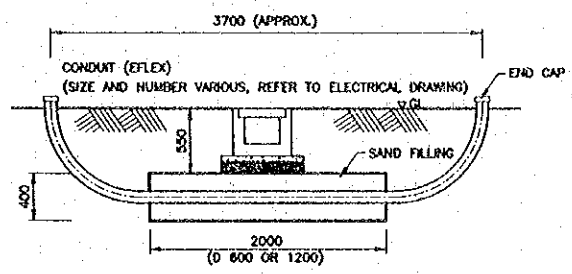
ORIENTAL CONSULTANTS CO., LTD.  
 In association with  
 NIPPON KOKI CO., LTD.

JICA JAPAN INTERNATIONAL COOPERATION AGENCY  
 LAO PEOPLE'S DEMOCRATIC REPUBLIC  
 MINISTRY OF COMMUNICATION, TRANSPORT, POST AND CONSTRUCTION  
 KINGDOM OF THAILAND  
 MINISTRY OF TRANSPORT AND COMMUNICATIONS  
 DEPARTMENT OF HIGHWAYS

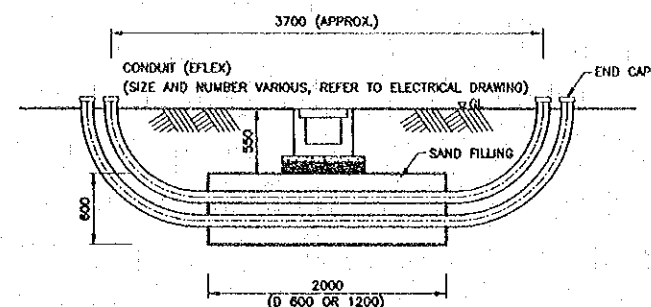
THE SECOND MEKONG  
 INTERNATIONAL BRIDGE  
 CONSTRUCTION PROJECT

QUALITY RECORD	NAME	SIGNATURE	DATE	DWG. TITLE
DESIGN	H. Orita	<i>[Signature]</i>	18/02/00	BORDER CONTROL FACILITIES LAO PDR SIDE LOCATION OF INTERCROSSING SECTIONS BETWEEN DRAINAGE WORKS AND WATER SUPPLY PIPES (2)
DESIGN CHECK	T. Muzozara	<i>[Signature]</i>	21/02/00	
SUBMITTED	A. Hirata	<i>[Signature]</i>	21/02/00	
APPROVED	P. Virophanth	<i>[Signature]</i>	22/02/00	

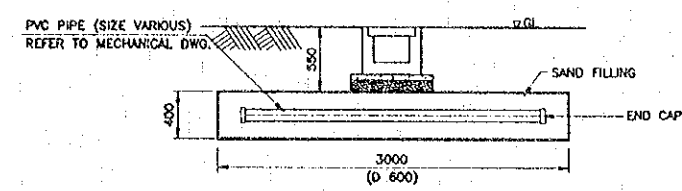
**BORDER CONTROL FACILITIES**  
 LAO PDR SIDE  
 LOCATION OF INTERCROSSING SECTIONS BETWEEN DRAINAGE WORKS  
 AND WATER SUPPLY PIPES (2)



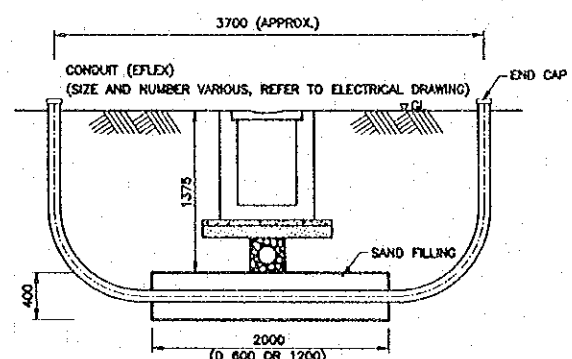
TYPE 1 (1 STEP) FOR CONDUIT  
 SCALE 1 : 30



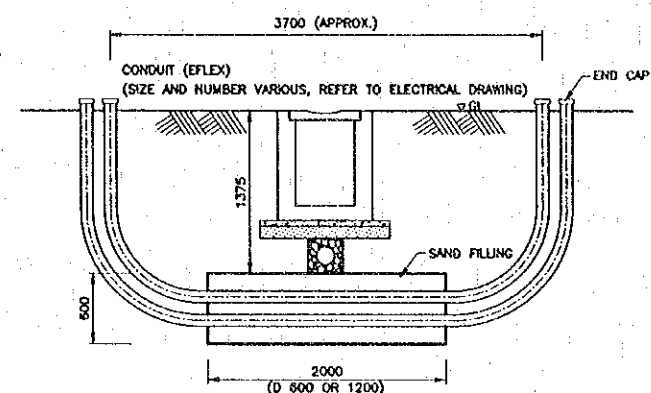
TYPE 1 (2 STEP) FOR CONDUIT  
 SCALE 1 : 30



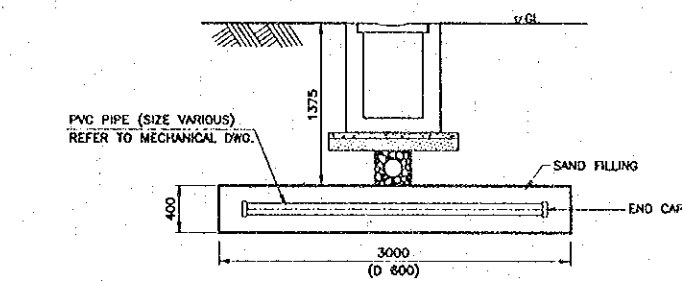
TYPE 1 FOR WATER SUPPLY PIPE  
 SCALE 1 : 30



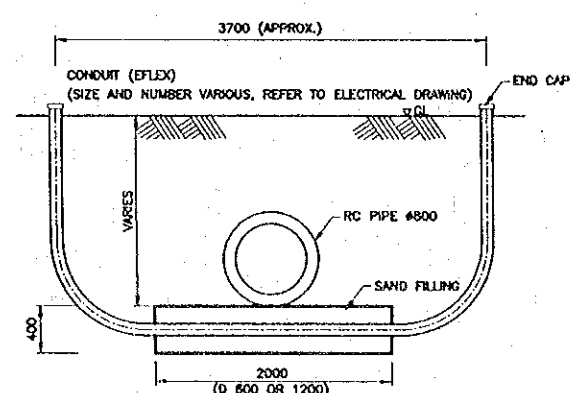
TYPE 2 (1 STEP) FOR CONDUIT  
 SCALE 1 : 30



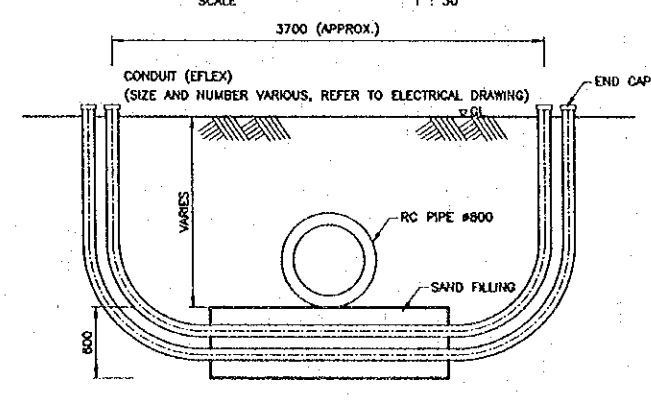
TYPE 2 (2 STEP) FOR CONDUIT  
 SCALE 1 : 30



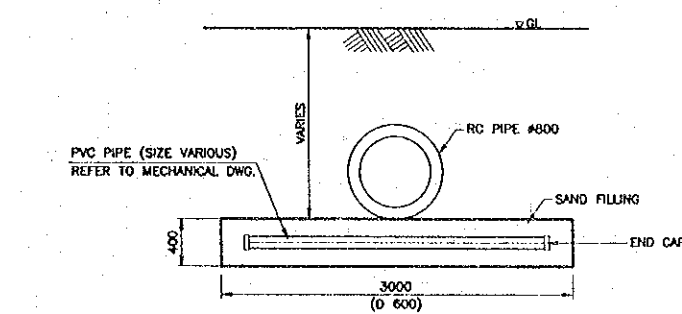
TYPE 2 FOR WATER SUPPLY PIPE  
 SCALE 1 : 30



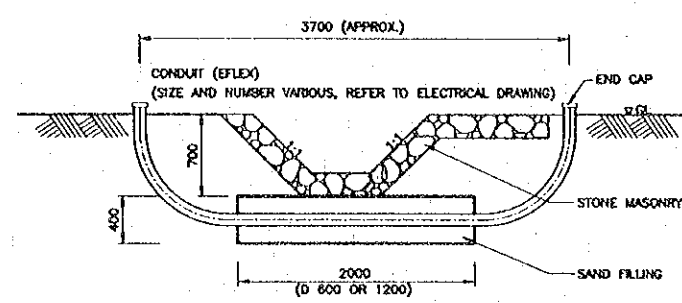
TYPE 3 (1 STEP) FOR CONDUIT  
 SCALE 1 : 30



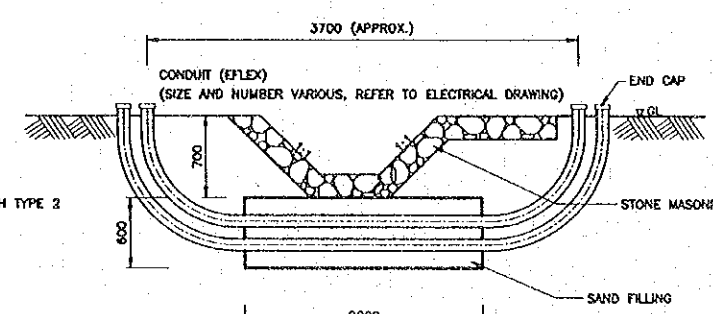
TYPE 3 (2 STEP) FOR CONDUIT  
 SCALE 1 : 30



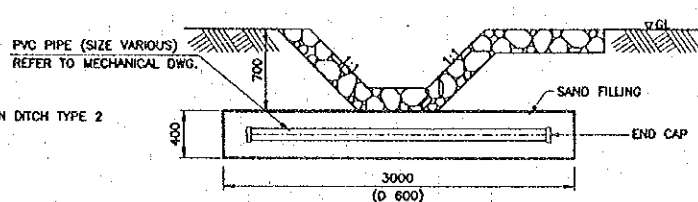
TYPE 3 FOR WATER SUPPLY PIPE  
 SCALE 1 : 30



TYPE 4 (1 STEP) FOR CONDUIT  
 SCALE 1 : 30



TYPE 4 (2 STEP) FOR CONDUIT  
 SCALE 1 : 30



TYPE 4 FOR WATER SUPPLY PIPE  
 SCALE 1 : 30

- NOTES :
1. ALL DIMENSIONS ARE IN MILLIMETERS UNLESS OTHERWISE INDICATED.
  2. THE DRAWING SHALL BE USED IN CONJUNCTION WITH THE OTHER DETAILED DRAWINGS.

REV.	DATE	DESCRIPTION	APPROVED

PROJECT STUDY TEAM  
 ORIENTAL CONSULTANTS CO., LTD.  
 in association with  
 NIPPON KORI CO., LTD.

JICA JAPAN INTERNATIONAL COOPERATION AGENCY  
 LAO PEOPLE'S DEMOCRATIC REPUBLIC  
 MINISTRY OF COMMUNICATION, TRANSPORT, POST AND CONSTRUCTION  
 KINGDOM OF THAILAND  
 MINISTRY OF TRANSPORT AND COMMUNICATIONS  
 DEPARTMENT OF HIGHWAYS

THE SECOND MEKONG  
 INTERNATIONAL BRIDGE  
 CONSTRUCTION PROJECT

QUALITY RECORD	NAME	SIGNATURE	DATE	DWG. TITLE
DESIGN	H. Okita	<i>[Signature]</i>	16/01/00	BORDER CONTROL FACILITIES LAO PDR SIDE INTERCROSSING SECTION DETAILS
DESIGN CHECK	T. Morizawa	<i>[Signature]</i>	18-02-00	
SUBMITTED	A. Hirofumi	<i>[Signature]</i>	21/02/00	
APPROVED	P. Virophonh	<i>[Signature]</i>	22/02/00	

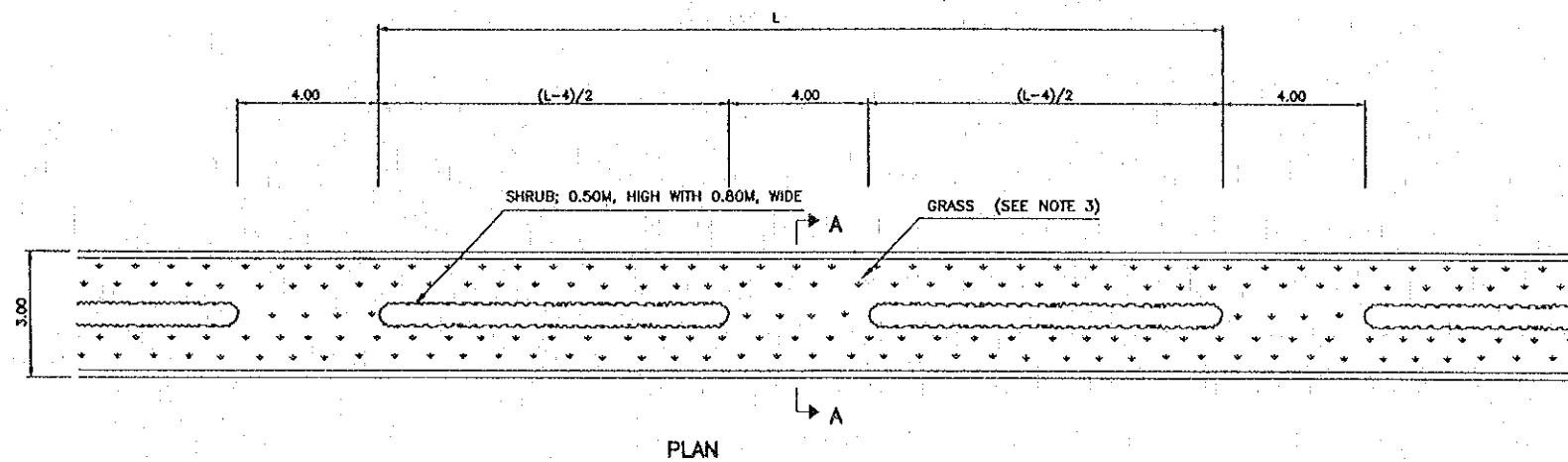




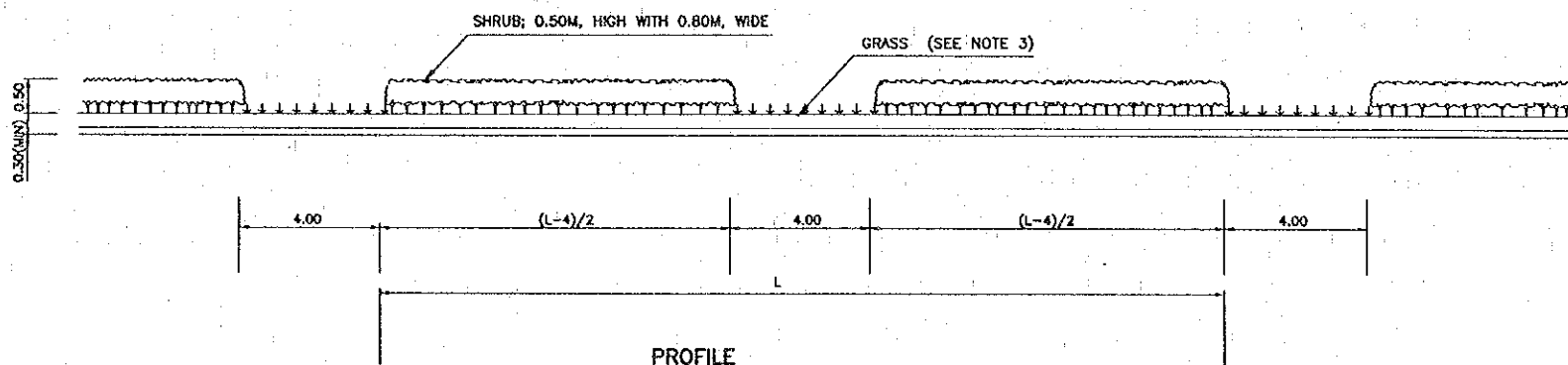
DATE OF ISSUE: 05/03/2000

DRG. NO. F-C-33 SHEET NO. 127

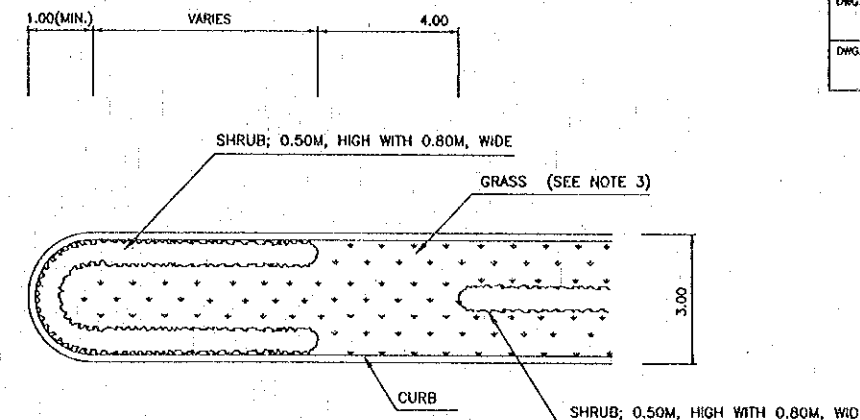
DRG. STATUS



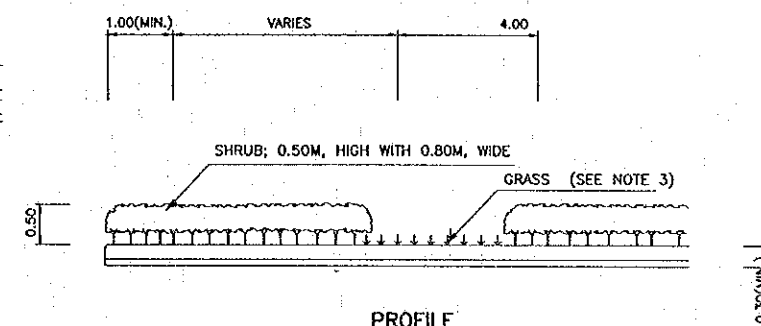
PLAN



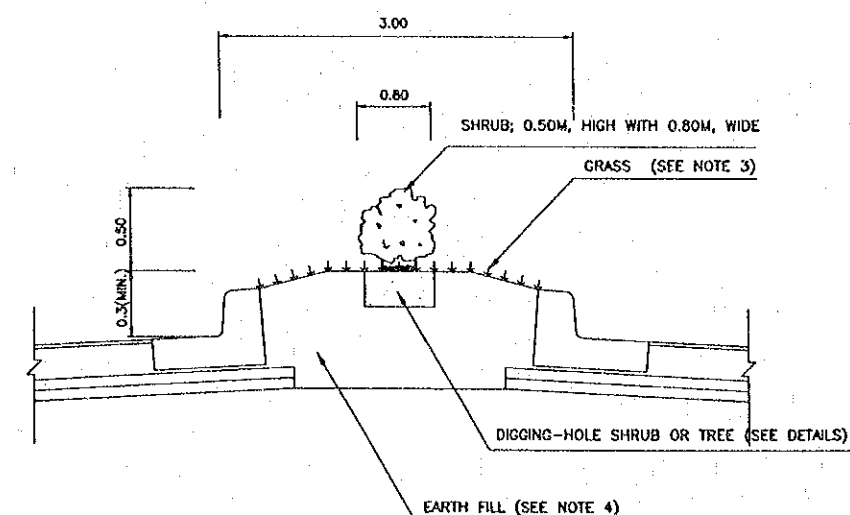
PROFILE  
DETAIL OF PLANTING AT MEDIAN  
NOT TO SCALE



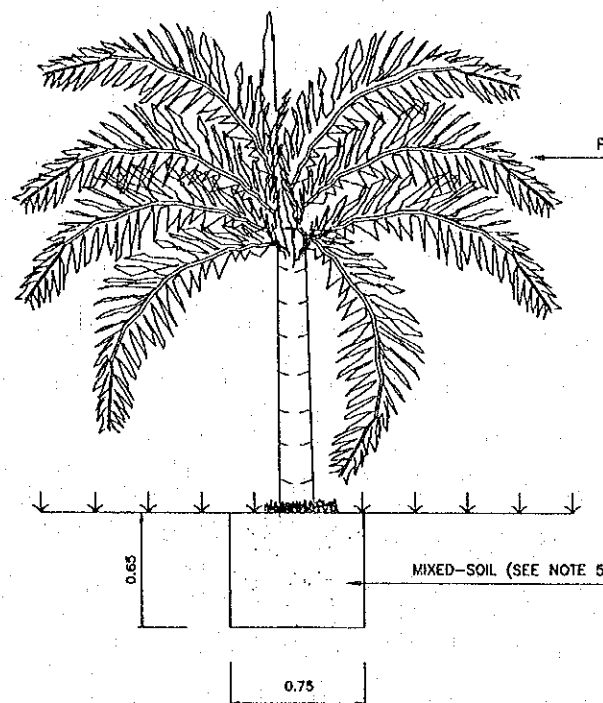
PLAN



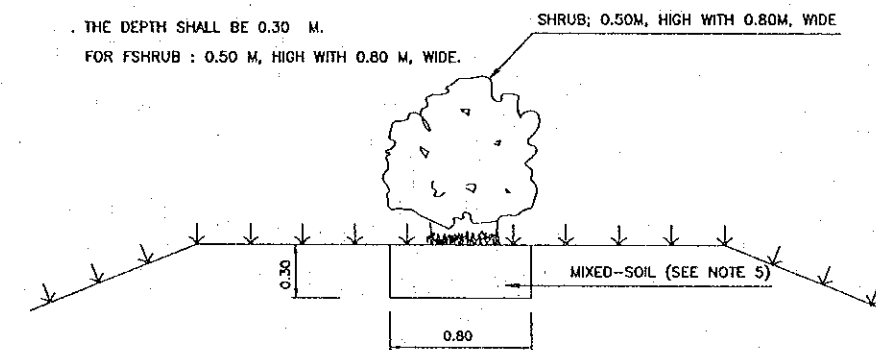
PROFILE  
BEGINNING OFF MEDIAN  
NOT TO SCALE



SECTION A-A  
NOT TO SCALE



DETAIL OF DIGGING-HOLE FOR TREE  
SCALE 1:20



DETAIL OF DIGGING-HOLE FOR SHRUB  
SCALE 1:20

NOTES:

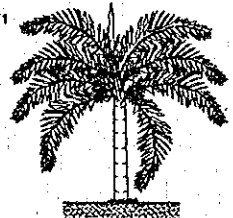

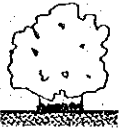

1. ALL DIMENSIONS ARE IN METER UNLESS OTHERWISE INDICATED.
2. TREE AND SHRUB SHALL BE DIRECTED BY ENGINEERS OR OTHERWISE INDICATED IN DRAWING.
3. GRASS SHALL BE NUALNOI GRASS OR OTHERWISE INDICATED IN DRAWINGS.
4. EARTH FILL IN MEDIAN SHALL BE ORGANIC TOPSOIL THAT BE SUITABLE FOR GRASSING.
5. MIXED-SOIL SHALL BE THE PROPORTION OF SOIL : FERTILIZER : SAND EQUAL TO 4 : 3 : 2 BY VOLUME.
6. THE CONTRACTOR SHALL BE RESPONSIBLE FOR MAINTENING THE PLANTS UNTIL THE END PERIOD AS SPECIFIED IN THE SPECIAL PROVISIONS.


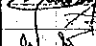
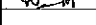

REV.	DATE	DESCRIPTION	APPROVED	PROJECT STUDY TEAM	JICA	QUALITY RECORD	NAME	SIGNATURE	DATE	DRG. TITLE:
				ORIENTAL CONSULTANTS CO., LTD. in association with NIPPON KOSI CO., LTD.	JICA JAPAN INTERNATIONAL COOPERATION AGENCY LAO PEOPLE'S DEMOCRATIC REPUBLIC MINISTRY OF COMMUNICATION, TRANSPORT, POST AND CONSTRUCTION KINGDOM OF THAILAND MINISTRY OF TRANSPORT AND COMMUNICATIONS DEPARTMENT OF HIGHWAYS	DESIGN	H. Okita	<i>[Signature]</i>	16/02/00	BORDER CONTROL FACILITIES LAO PDR SIDE PLANTING AND GRASSING IN MEDIANS
						DESIGN CHECK	T. Morizawa	<i>[Signature]</i>	18/02/00	
						SUBMITTED	A. Hiratani	<i>[Signature]</i>	21/02/00	
						APPROVED	P. Viraphanth	<i>[Signature]</i>	01/02/00	

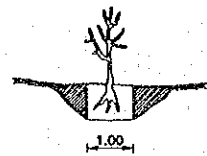
DATE OF ISSUE: 05/03/2000

DWG. NO. F-C-34 SHEET NO. 128

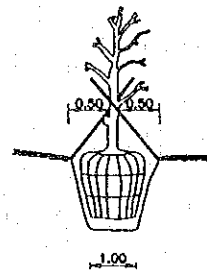
DWG. STATUS

PLANT LEGEND				
FORM	MARK	LAO NAME	FAMILY NAME ( BOTANICAL )	SCIENTIFIC NAME ( COMMON )
	T1	MANILA PLAM	PALMAE	VEITCHIA MERRILL
	DIAMETER	2-3 INCH.		
	SPACING	5 m.		
	CHARACTERISTIC	TALL PLANT		
	T2	CHAMPAC	CHAMPAC	MICHELTIA CHAMPACA
	DIAMETER	2-3 INCH.		
	SPACING	5 m.		
	CHARACTERISTIC	TALL PLANT		
	T3	SHRUB	GENUS LXORA	LXORA RUBRA
	DIAMETER	0.5 INCH.		
	SPACING	0.5 m.		
	CHARACTERISTIC	SMALL PLANT		
	T4	PAPER FLOWER	BOUGAINVILLEAE	BOUGAINVILLEA SP.
	DIAMETER	2-3 INCH.		
	SPACING	10 m.		
	CHARACTERISTIC	MEDIUM PLANT		
NOTE :				

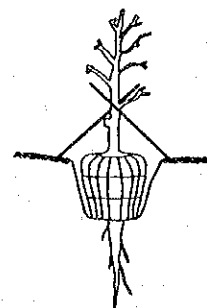
REV.	DATE	DESCRIPTION	APPROVED	PROJECT STUDY TEAM	JICA JAPAN INTERNATIONAL COOPERATION AGENCY	LAO PEOPLE'S DEMOCRATIC REPUBLIC MINISTRY OF COMMUNICATION, TRANSPORT, POST AND CONSTRUCTION	THE SECOND MEKONG INTERNATIONAL BRIDGE CONSTRUCTION PROJECT	QUALITY RECORD	NAME	SIGNATURE	DATE	DWG. TITLE
				ORIENTAL CONSULTANTS CO., LTD. in association with NIPPON KOKI CO., LTD.	KINGDOM OF THAILAND MINISTRY OF TRANSPORT AND COMMUNICATIONS DEPARTMENT OF HIGHWAYS			DESIGN	H. Okita		16/02/00	BORDER CONTROL FACILITIES LAO PDR SIDE PLANTING DETAILS
								DESIGN CHECK	T. Moeuzawa		22/02/00	
								SUBMITTED	A. Hirakoni		21/02/00	
								APPROVED	P. Wraphanth		22/02/00	



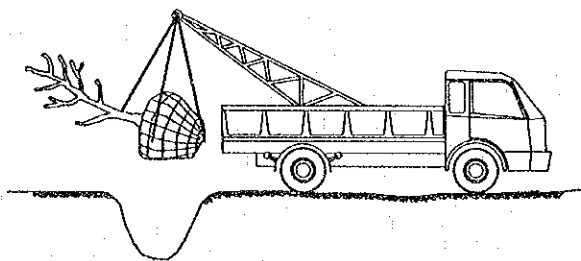
1.) TRIMMING



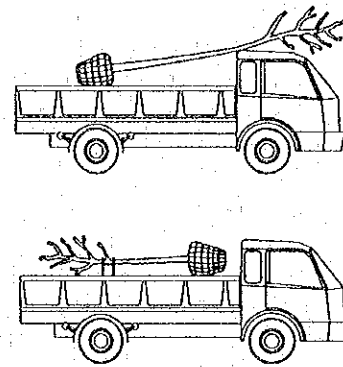
2.) DIGGING UP



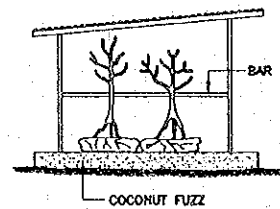
3.) TAPROOT CUTTING



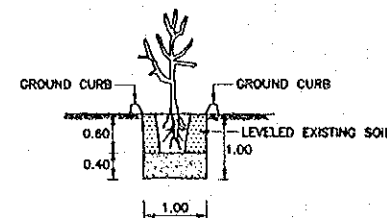
4.) CRANE-TRUCK OR TRIPOD USING



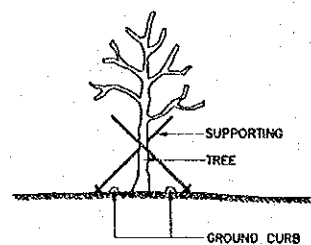
5.) REMOVING



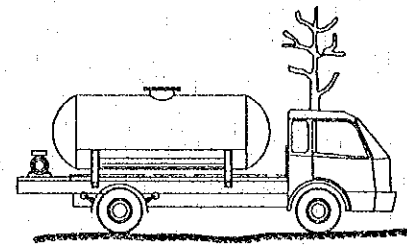
6.) GREEN HOUSE



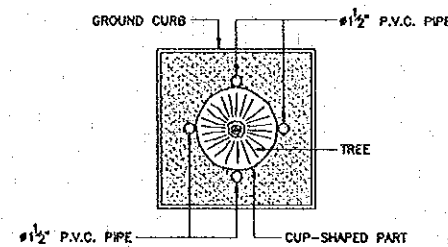
7.) PLANTING



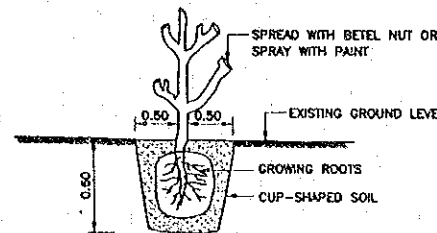
8.) SUPPORTING



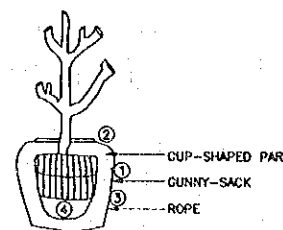
9.) WATERING



10.) PIPE INSTALLATION



COP - SHAPED SOIL DETAILS



- ① THE FIRST TIED ROPE
- ② THE SECOND TIED ROPE
- ③ THE THIRD TIED ROPE
- ④ WRAP THE TREE BY THE KNITTED ROPE (SIMILAR TO WRAP THE WATERMELON)

DETAIL OF WRAPING THE CUP - SHAPED SOIL WITH GUNNY - SACK

METHOD OF TRANSPLANTING TREE

1. TRIMMING UNNECESSARY BRANCHES TO REDUCE VAPORIZATION OF THE TREE
  - 1.1 CUT MINOR BRANCHES AND LEAVE THEM ABOUT 2".
  - 1.2 SPRAY THE CUTS WITH PAINT OR SPREAD WITH BETEL NUT TO PREVENT FUNGAL INFECTION.
2. DIGGING AROUND THE TREE TO REMOVE
  - 2.1 TOOLS USED ARE A HOE, A SPADE AND A CROWBAR.
  - 2.2 BIGGER OR MORE COMPLICATED GARDENING EQUIPMENTS MAY BE USED FOR BIGGER TREES.
  - 2.3 DIG AROUND THE TREE - 50 CM. AWAY FROM IT AND 80 CM. DEEP. USE THE CROWBAR TO CUT OFF ONCE THE MINOR ROOT.
  - 2.4 ADJUST THE SOIL AND MAKE THE SHAPE OF A CUP. (DO NOT CUT THE TAPROOT).
  - 2.5 WRAP AROUND THE TRUNK WHICH IS BEING COVERED WITH CUP - SHAPED SOIL, WITH THE GUNNY - SACK. SEW THEM TOGETHER IF TWO OR THREE GUNNY - SACKS ARE USED. TIE UP THE GUNNY - SACKS TIGHTLY WITH 30-50 ROPES. USED TRIPOD TO HOLD UP THE TRUNK AT LEAST 21 DAYS. (SOME KINDS OF TREE DO NOT) WATERING THE GUNNY - SACKS, NOT LET TO DRY.
  - 2.6 AFTER 21 DAYS EXAMINE THE TREE, IF IN SUITABLE STATE, DIG INTO THE GROUND FOR ANOTHER 10-20 CM. CUT THE TAPROOT WITH A CROWBAR. WHILE IN THIS STEP, DO IT QUICKLY TO PROJECT THE REST OF THE TREE.
3. REMOVING
  - 3.1 WRAP AROUND THE TRUNK WITH GUNNY - SACKS.
  - 3.2 LIFT THE TREE FROM THE GROUND BY CRANE-TRUCK OR TRIPOD AND HELP WITH MAN.
  - 3.3 LAY THE TREE DOWN ON THE BACK OF TRUCK. UNDER THE TREE ARE PIECES OF GUNNY - SACKS PUT TO PROTECT THE TREE. IF THE TREE IS LONGER THAN THE BACK OF TRUCK, LAY THE BRANCHES-SIDE ON THE TRUCK'S ROOF AND THE CUP-SHAPED SIDE IN THE TRUCK.
4. PRE - TRANSPLANTING
  - 4.1 BEFORE TRANSPLANTING, THE TREE SHOULD BE PUT TO REST IN THE GREENHOUSE ABOUT 1 MONTH FOR SOFT WOOD OR 3 MONTHS FOR HARDWOOD. COVER THE CUP-SHAPED PART WITH COCONUT FUZZ AND WAIT TILL THE LEAVES GROW.
  - 4.2 THE TREE MAY BE PUT ANYWHERE OTHER THAN IN THE GREENHOUSE AS LONG AS THERE IS NO STRONG SUNLIGHT.
5. PLANTING
  - 5.1 PREPARE A HOLE OF SIZE 1.00 x 1.00 x 1.00 M.
  - 5.2 FILL THE HOLE WITH THE EXISTING SOIL WHICH IS USED AS BASE 40 CM. THICK. PUT THE TREE ON THE BASE SURFACE AND THE CUP-SHAPED PART IS AT THE SAME LEVEL AS THE EXISTING GROUND AT TOP OF THE HOLE.
  - 5.3 BEFORE FILLING THE HOLE, USE DILUTE LYSOL SOLUTION TO PREVENT FUNGAL INFECTION BY POURING THE DILUTE LYSOL SOLUTION ON THE CUP-SHAPED PART OF THE TREE. THEN FILL THE HOLE WITH THE EXISTING SOIL AND COMPACTED LOOSELY UNTIL THE SOIL IS AT THE SAME LEVEL AS THE CUP - SHAPED PART.
  - 5.4 BUILD GROUND CURB AROUND THE TREE. THIS MAKES A CIRCLE WITH A RADIUS OF 1 METER. THE CURB WILL HELP PRESERVE WATER.
  - 5.5 USE TRIPOD TO SUPPORT THE TREE.
6. MAINTENANCE
  - 6.1 WATERING SHOULD BE DONE IN THE MORNING AND EVENING.
  - 6.2 WATER SPRAYING (BY SPRINGER) SHOULD BE DONE FROM THE TOP TO THE BOTTOM OF THE TREE (VERTICALLY).
  - 6.3 IT USUALLY TAKES ONE MONTH FOR YOUNG LEAVES TO COME OUT DEPENDING UPON THE KINDS OF TREES. IN THE MEAN TIME, THE TREE WILL ALSO NEED VITAMIN B-1 AT THE MORNING AND EVENING TWICE A WEEK.
  - 6.4 AFTER ONE MONTH, FERTILIZER (15-30-15) SHALL BE GIVEN.
  - 6.5 IF IT IS DIFFICULT TO WATER THE TREE SINCE IT IS GROWN ON HARD SOIL SUCH AS LATERITE SOIL, THE P.V.C. PIPE #2 1/2 WHICH IS 30 CM. LONG WITH DRILLED AT BOTTOM PART #5 MM. WITH 10 CM. APART SHALL BE BURIED. WATER WILL BE SENT THROUGH THE P.V.C. PIPE TO THE ROOTS.
  - 6.6 THE TREE WILL GROW IN ABOUT 3 MONTHS AND WILL COMPLETELY GROW IN ONE YEAR.

NOTES :

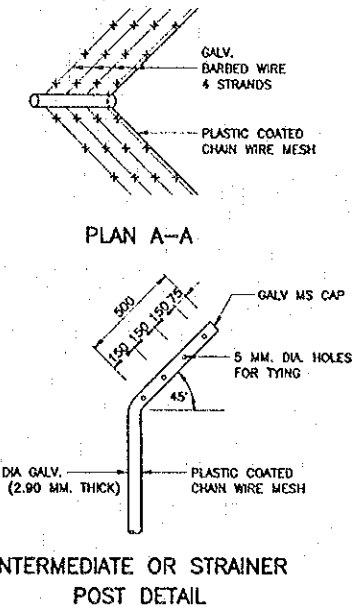
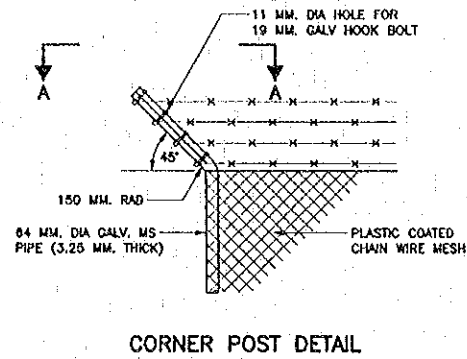
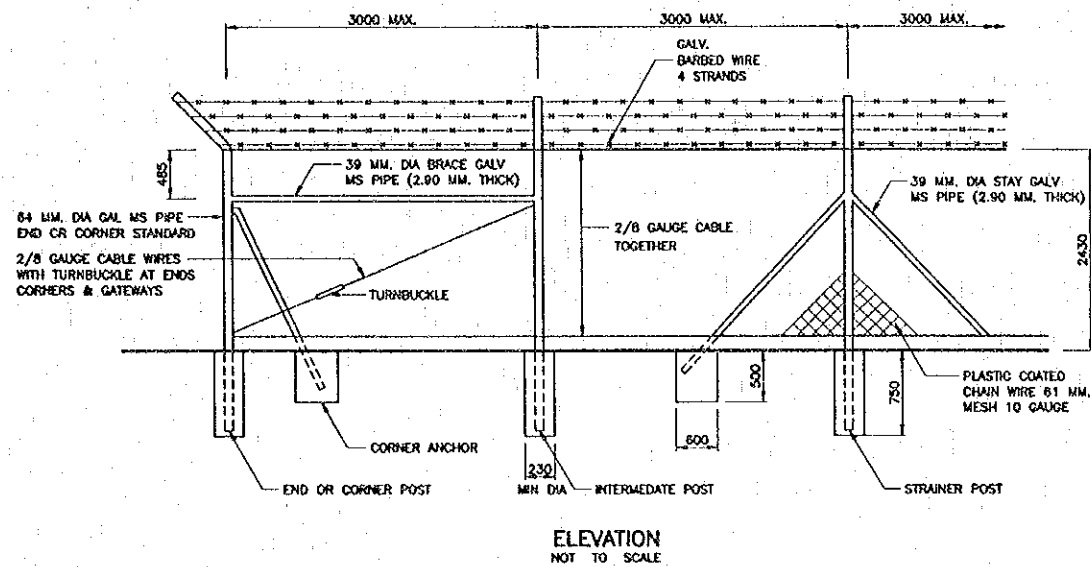
1. ALL DIMENSIONS ARE IN METERS UNLESS OTHERWISE INDICATED.
2. TREES TO BE TRANSPLANTED FROM THE AREA OF CONSTRUCTION ARE TREES THAT ARE IMPORTANT TO BE RESERVED AS DIRECTED BY THE ENGINEER.
3. THE ENGINEER WILL ASSIGN A NEW LOCATION TO PLANT OUT OF ROADBED.
4. WHEN THE TRANSPLANTING ARE FINISHED, THE CONTRACTOR SHALL TAKE CARE OF THE TREES UNTIL THEY ARE BIG ENOUGH.
5. THE DEPARTMENT OF HIGHWAYS SHALL PAY ACCORDING TO THE SIGNS OF THE GROWTH OF THE TREES. IF THE TREES DIE, THE DEPARTMENT OF HIGHWAYS SHALL PAY ACCORDING TO ROADWAY EXCAVATION (EARTH). THE NUMBERS OF THE HOLES SHALL BE TAKEN INTO ACCOUNT.

REV.	DATE	DESCRIPTION	APPROVED	PROJECT STUDY TEAM	JICA JAPAN INTERNATIONAL COOPERATION AGENCY	QUALITY RECORD	NAME	SIGNATURE	DATE	DWG. TITLE
				ORIENTAL CONSULTANTS CO., LTD. In association with NIPPON KOKI CO., LTD.	LAO PEOPLE'S DEMOCRATIC REPUBLIC MINISTRY OF COMMUNICATION, TRANSPORT, POST AND CONSTRUCTION KINGDOM OF THAILAND MINISTRY OF TRANSPORT AND COMMUNICATIONS DEPARTMENT OF HIGHWAYS	DESIGN	M. Okita	<i>M. Okita</i>	14/07/00	BORDER CONTROL FACILITIES LAO PDR SIDE METHOD OF TRANSPLANTING TREE
						DESIGN CHECK	T. Monzawa	<i>T. Monzawa</i>	18/08/00	
						SUBMITTED	A. Hirota	<i>A. Hirota</i>	21/08/00	
						APPROVED	P. Vroepoth	<i>P. Vroepoth</i>	22/08/00	

DATE OF ISSUE: 05/03/2000

DWG. NO. F-C-36 SHEET NO. 130  
 DWG. STATUS

SECURITY FENCE

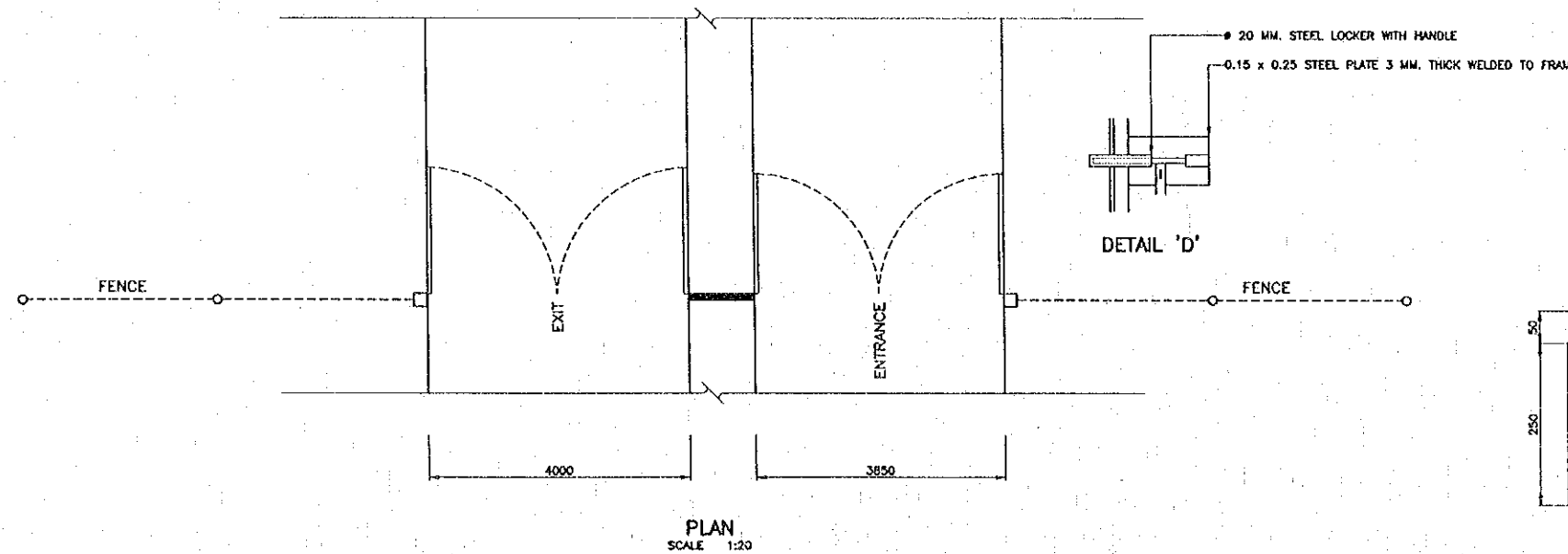
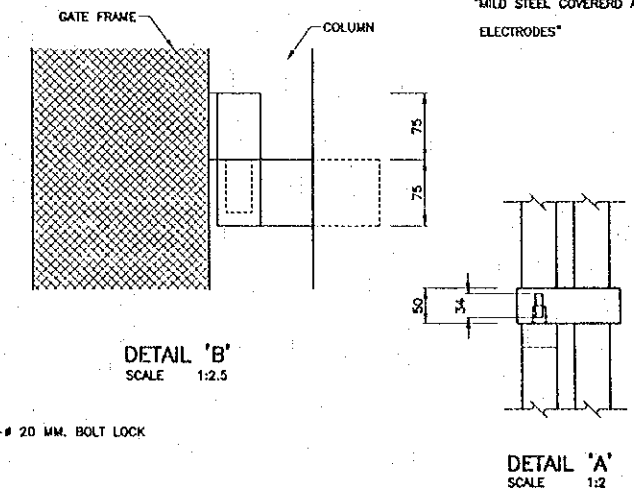
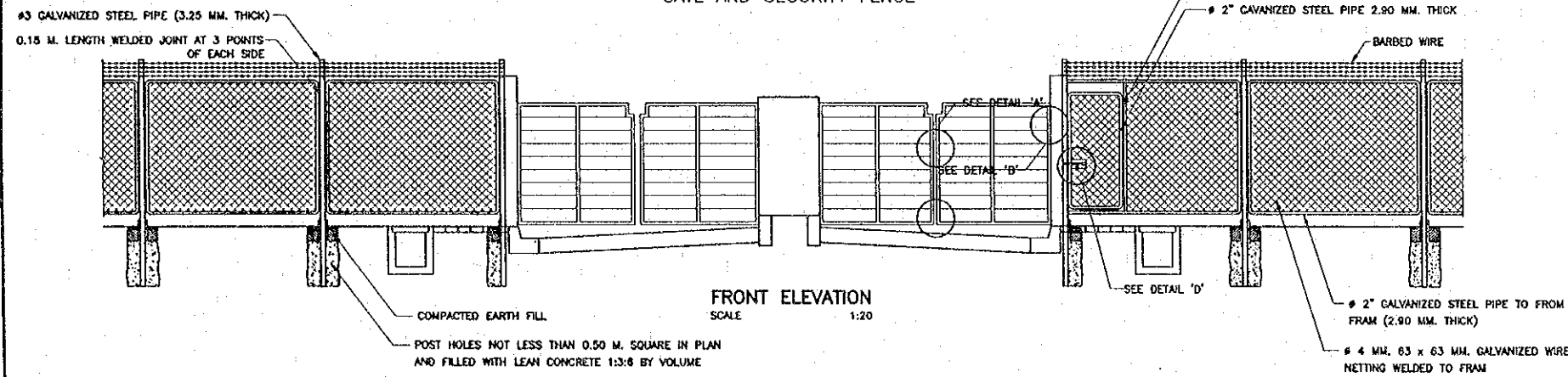


MATERIALS

MATERIALS, USED IN THE WORK, SHALL CONFORM TO SIZE AND WEIGHT SPECIFIED ON THE DRAWINGS, AND MEET THE FOLLOWING REQUIREMENTS OF THOSE HERINAFTER SPECIFIED UNDER THE PARTICULAR ITEM :

- (1) STRUCTURAL SHAPES, PLATES AND BAR UNLESS OTHERWISE NOTED TIS STANDARD 116 "STRUCTURAL STEEL SECTION"
- (2) STEEL TUBE TIS STANDARD 107 "HOLLOW STEEL SECTION FOR GENERAL STRUCTURAL PURPOSE"
- (3) WELDING ROD TIS STANDARD 49 "MILD STEEL COVERED ARC WELDING ELECTRODES"

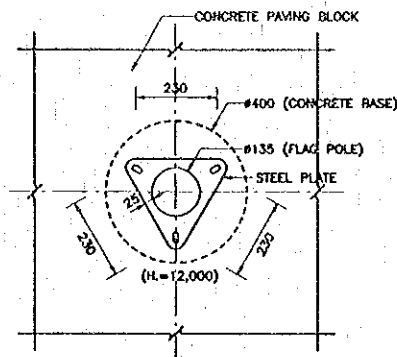
GATE AND SECURITY FENCE



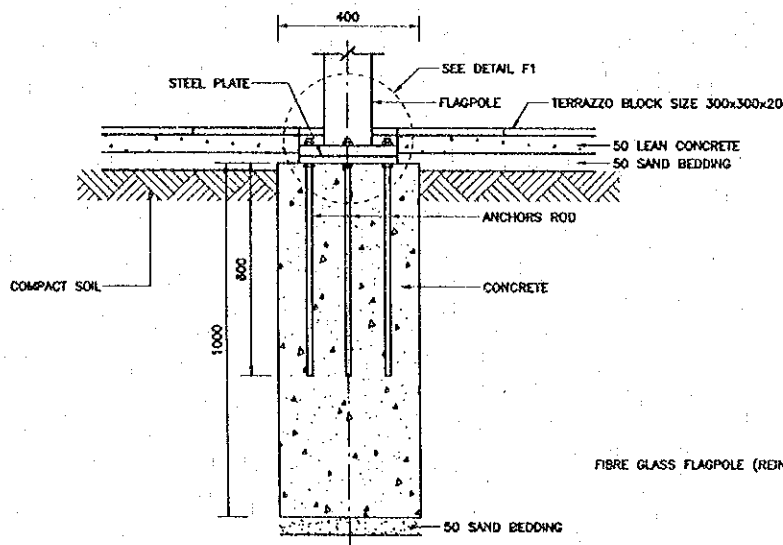
ALL DIMENSIONS ARE IN MILLIMETERS UNLESS OTHERWISE INDICATED.

REV.	DATE	DESCRIPTION	APPROVED	PROJECT STUDY TEAM	JICA JAPAN INTERNATIONAL COOPERATION AGENCY	QUALITY RECORD	NAME	SIGNATURE	DATE	DWG. TITLE:
				ORIENTAL CONSULTANTS CO., LTD. In association with NIPPON KOKI CO., LTD.	LAO PEOPLE'S DEMOCRATIC REPUBLIC MINISTRY OF COMMUNICATION, TRANSPORT, POST AND CONSTRUCTION KINGDOM OF THAILAND MINISTRY OF TRANSPORT AND COMMUNICATIONS DEPARTMENT OF HIGHWAYS	DESIGN	H. Okta	<i>[Signature]</i>	15/02/00	BORDER CONTROL FACILITIES LAO PDR SIDE GATE AND SECURITY FENCE
						DESIGN CHECK	T. Masutomo	<i>[Signature]</i>	17/02/00	
						SUBMITTED	A. Hirafani	<i>[Signature]</i>	21/02/00	
						APPROVED	P. Viraphanth	<i>[Signature]</i>	22/02/00	

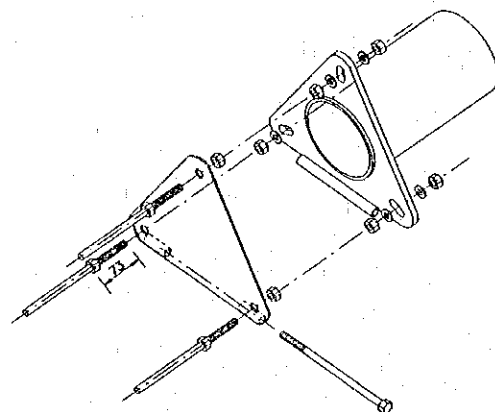




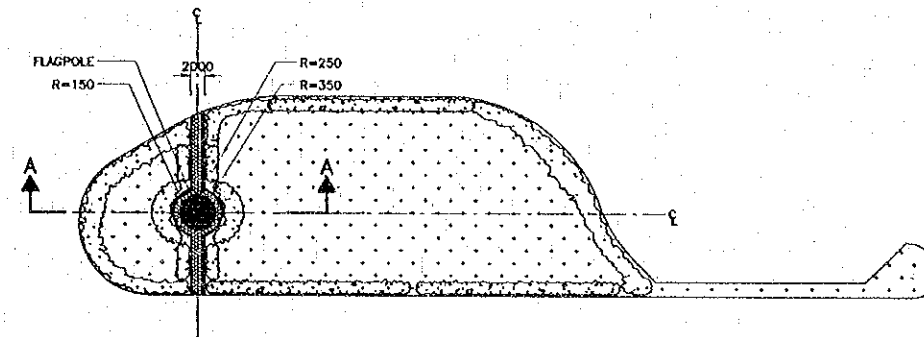
BASE OF FLAG POLE PLAN  
 SCALE 1:10



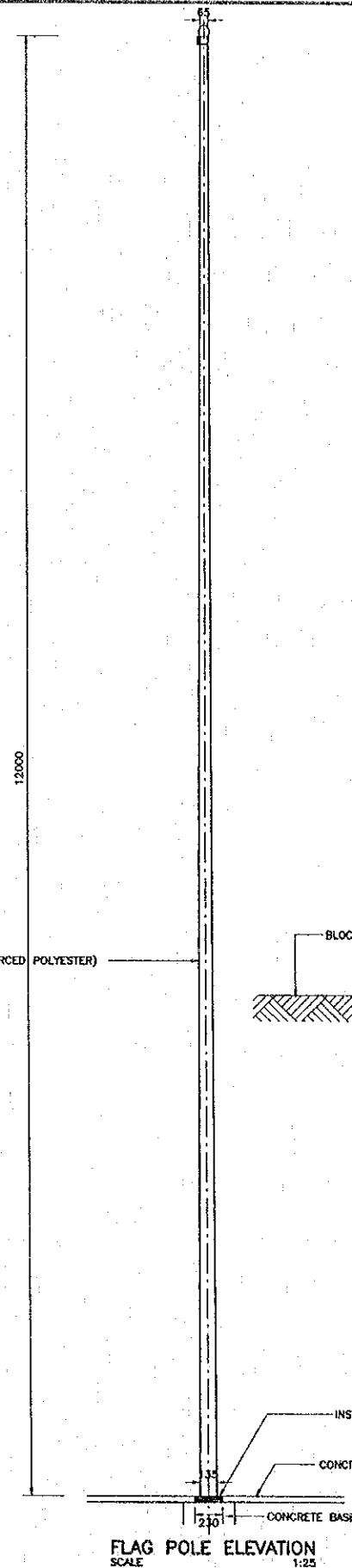
FIXING FOUNDATION  
 SCALE 1:10



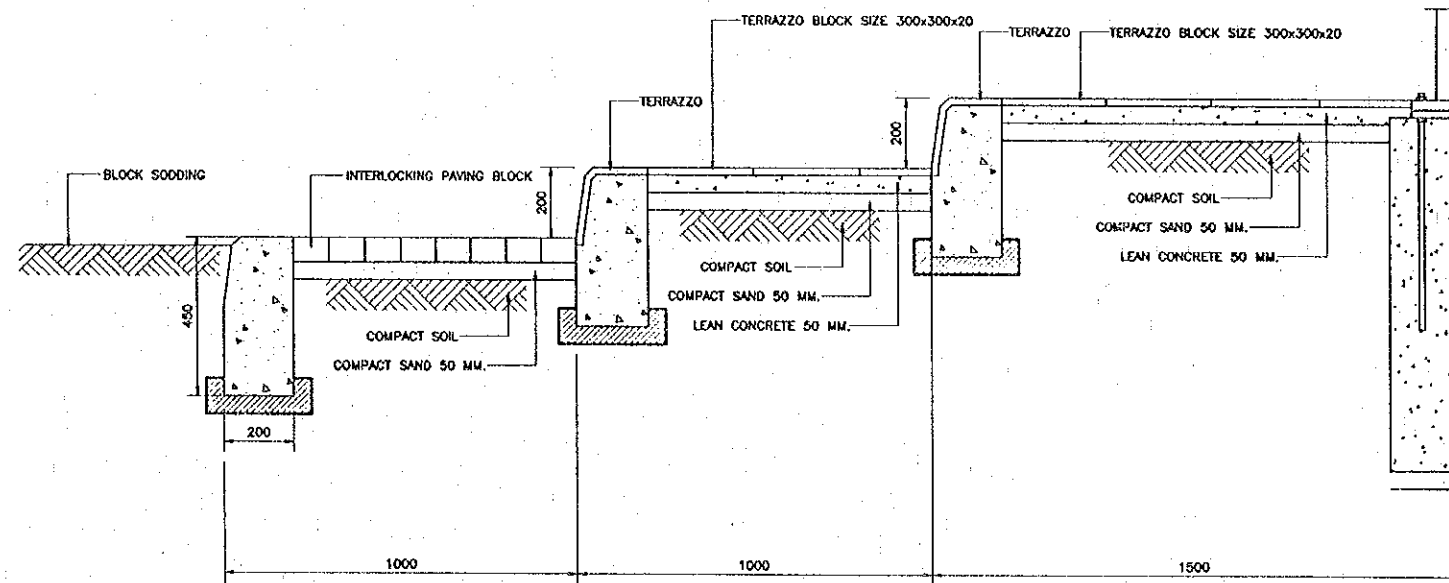
DETAIL F1  
 NOT TO SCALE



FLAG POLE PLAN  
 SCALE 1:500



FLAG POLE ELEVATION  
 SCALE 1:25



DETAIL OF SECTION A-A  
 SCALE 1:10

NOTE

- MATERIAL : FIBERGLASS - HIGH MECHANICAL STRENGTH COMBINED WITH FLEXIBILITY AND LOW WEIGHT.  
 - NON CONDUCTIVE, NO EARTHING  
 - COLOUR SURFACE GET COAT, PROVIDING A GLOSSY, WEATHER RESISTANT SURFACE FINISH.
- INSTALLATION  
 - FOR GROUND INSTALLATION APPLIED TO A FROST-FREE DEPTH OF 1.0-2.0 M.  
 ALL DIMENSIONS ARE IN MILLIMETERS UNLESS OTHERWISE INDICATED.

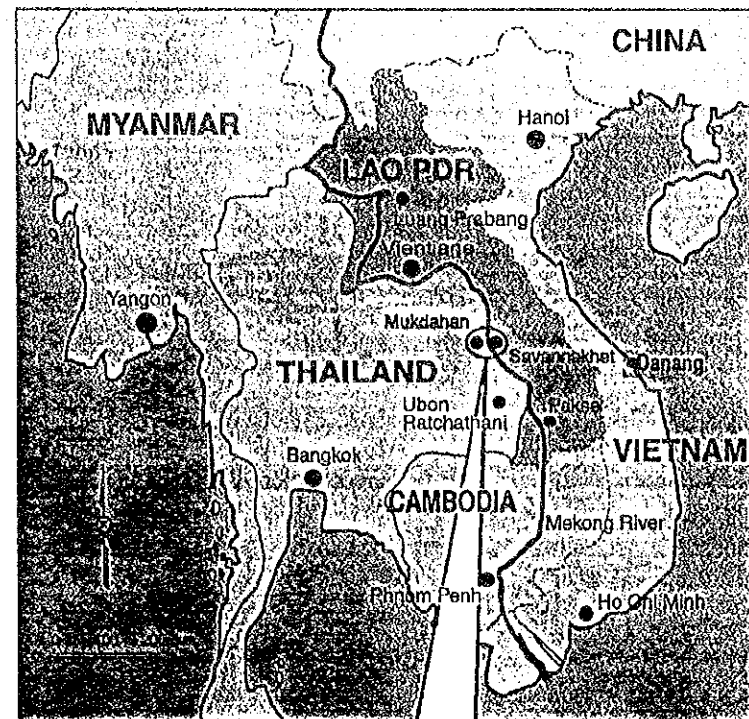
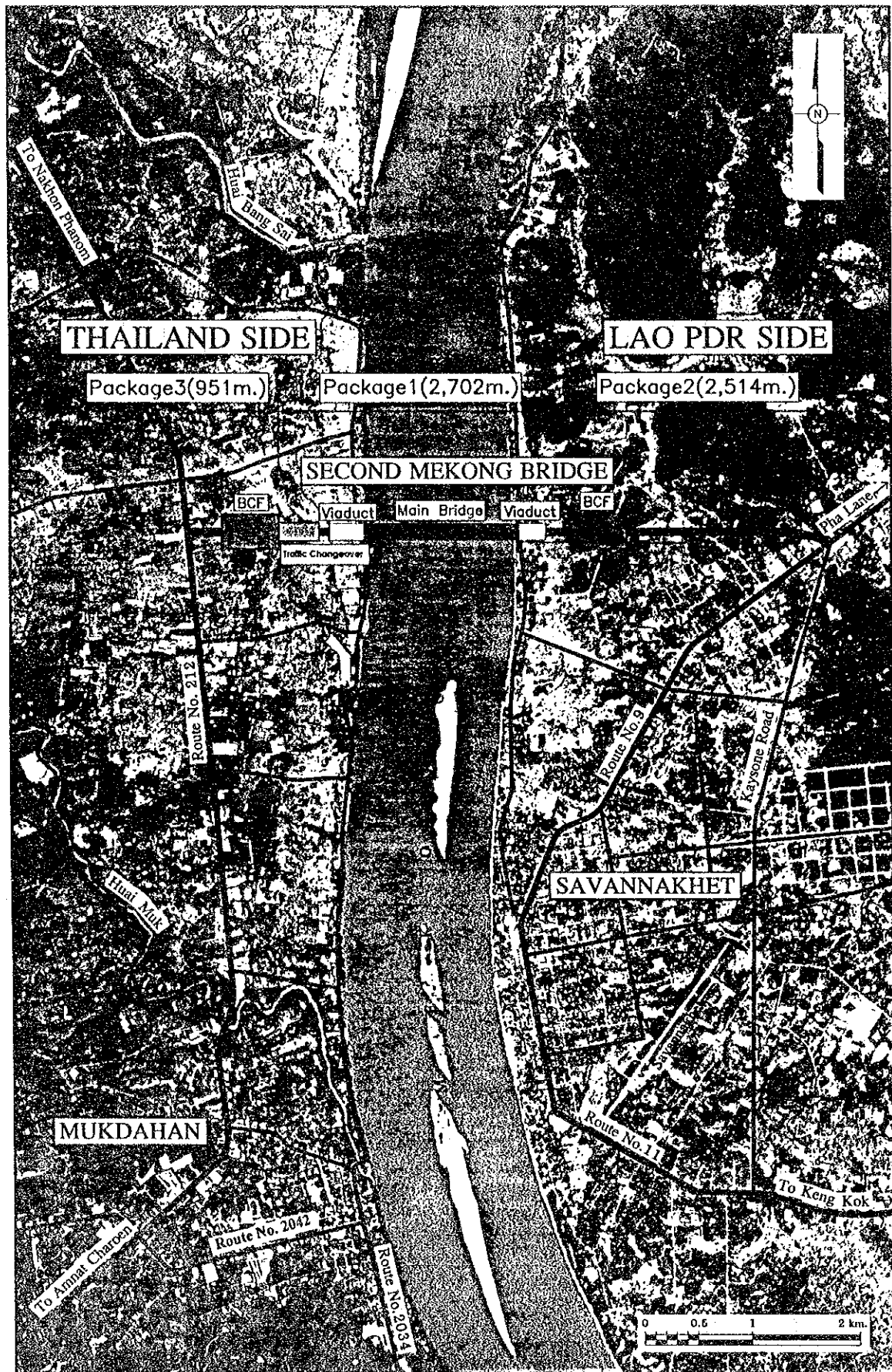
REV.	DATE	DESCRIPTION	APPROVED	PROJECT STUDY TEAM

ORIKONTAL CONSULTANTS CO., LTD.  
 In association with  
 NIPPON KOKI CO., LTD.

JICA JAPAN INTERNATIONAL COOPERATION AGENCY  
 LAO PEOPLE'S DEMOCRATIC REPUBLIC  
 MINISTRY OF COMMUNICATION, TRANSPORT, POST AND CONSTRUCTION  
 KINGDOM OF THAILAND  
 MINISTRY OF TRANSPORT AND COMMUNICATIONS  
 DEPARTMENT OF HIGHWAYS

THE SECOND MEKONG INTERNATIONAL BRIDGE CONSTRUCTION PROJECT

QUALITY RECORD	NAME	SIGNATURE	DATE	DWG. TITLE
DESIGN	H. Orita	<i>[Signature]</i>	14/03/00	BORDER CONTROL FACILITIES LAO PDR SIDE FLAG POLE
DESIGN CHECK	T. Masuzawa	<i>[Signature]</i>	18/04/00	
SUBMITTED	A. Hirakawa	<i>[Signature]</i>	21/05/00	
APPROVED	P. Vroophonh	<i>[Signature]</i>	12/05/00	



REV.	DATE	DESCRIPTION	APPROVED	PROJECT STUDY TEAM

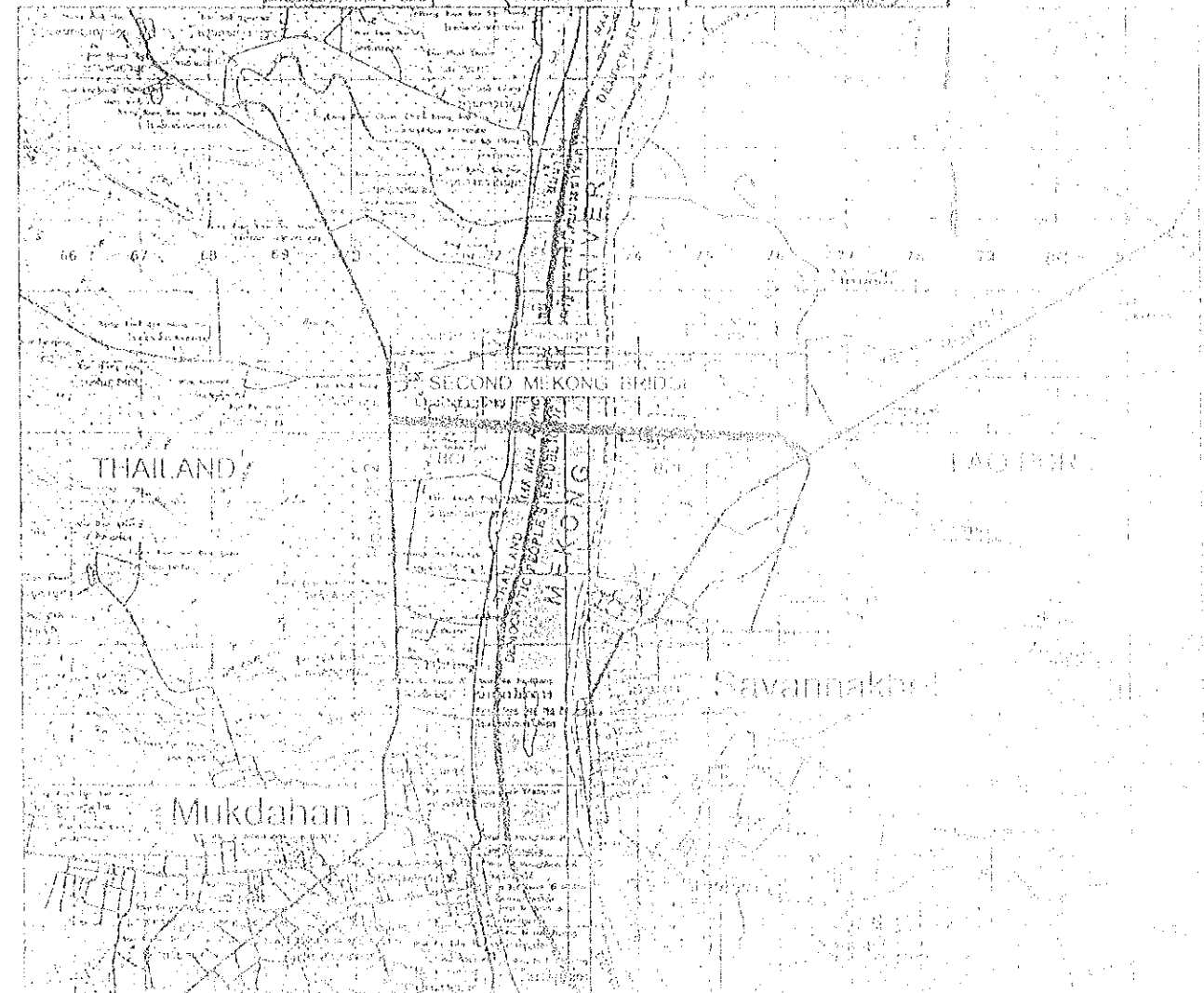
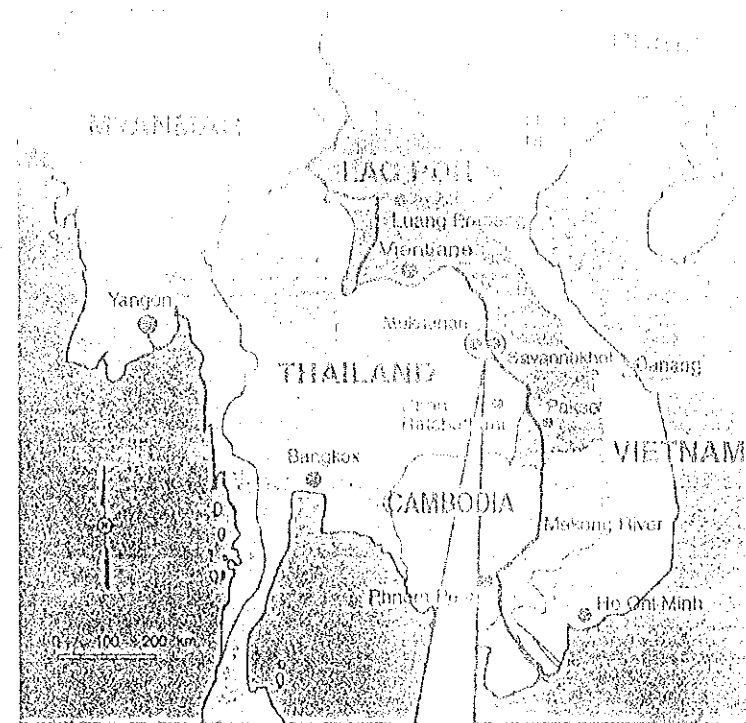
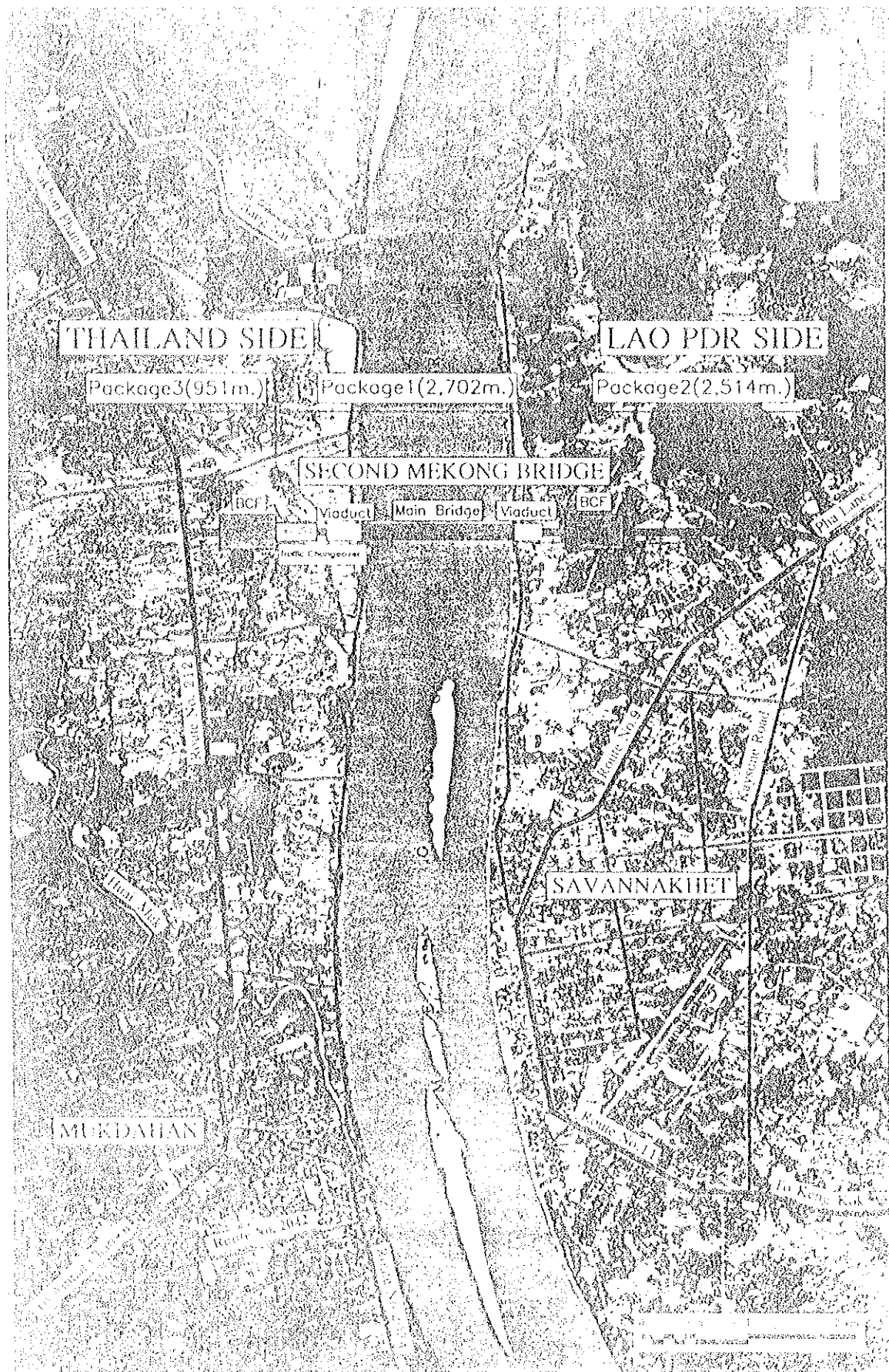
ORIENTAL CONSULTANTS CO., LTD.  
 in association with  
 NIPPON KOKI CO., LTD.

JICA JAPAN INTERNATIONAL COOPERATION AGENCY  
 LAO PEOPLE'S DEMOCRATIC REPUBLIC  
 MINISTRY OF COMMUNICATION, TRANSPORT, POST AND CONSTRUCTION  
 KINGDOM OF THAILAND  
 MINISTRY OF TRANSPORT AND COMMUNICATIONS  
 DEPARTMENT OF HIGHWAYS

THE SECOND MEKONG  
 INTERNATIONAL BRIDGE  
 CONSTRUCTION PROJECT

QUALITY RECORD	NAME	SIGNATURE	DATE	DWG. TITLE
DESIGN	A. Marloka	<i>[Signature]</i>	16-02-00	BORDER CONTROL FACILITIES LAO PDR SIDE LOCATION MAP
DESIGN CHECK	T. Masuzawa	<i>[Signature]</i>	18-02-00	
SUBMITTED	A. Hiratani	<i>[Signature]</i>	21/01/00	
APPROVED	P. Veeraphanth	<i>[Signature]</i>	22/01/00	

BORDER CONTROL FACILITIES  
 LAO PDR SIDE  
 LOCATION MAP



日本国際協力株式会社  
 代表取締役社長  
 佐藤 隆夫  
 〒100-8388 東京都千代田区千代田 1-1-1  
 日本国際協力株式会社

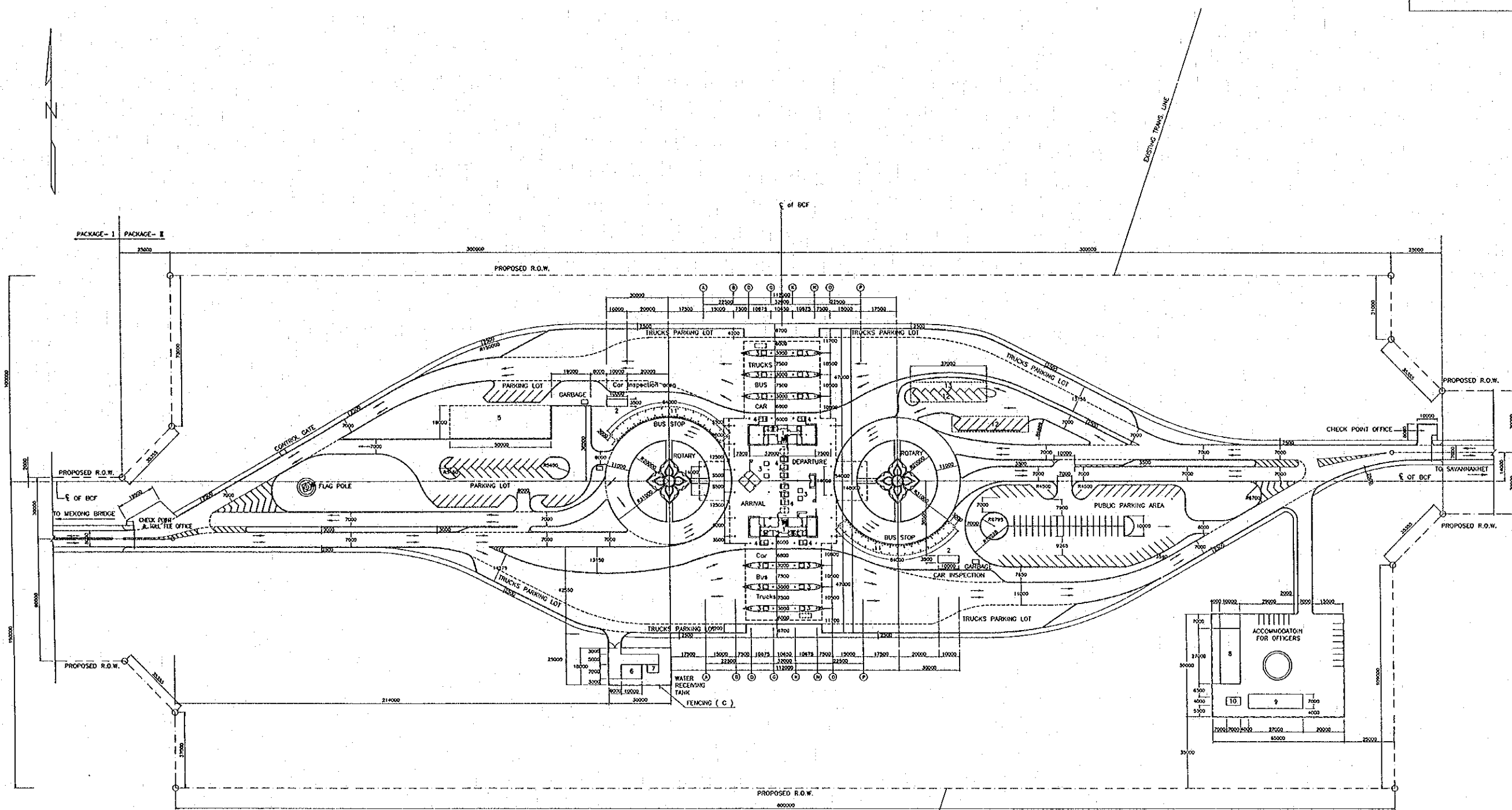
老挝人民民主共和国  
 交通部、运输、港口和建筑部  
 老挝人民民主共和国  
 交通部、运输、港口和建筑部  
 老挝人民民主共和国  
 交通部、运输、港口和建筑部

日本国際協力株式会社  
 代表取締役社長  
 佐藤 隆夫  
 〒100-8388 東京都千代田区千代田 1-1-1  
 日本国際協力株式会社

日本国際協力株式会社  
 代表取締役社長  
 佐藤 隆夫  
 〒100-8388 東京都千代田区千代田 1-1-1  
 日本国際協力株式会社

日本国際協力株式会社  
 代表取締役社長  
 佐藤 隆夫  
 〒100-8388 東京都千代田区千代田 1-1-1  
 日本国際協力株式会社

日本国際協力株式会社  
 代表取締役社長  
 佐藤 隆夫  
 〒100-8388 東京都千代田区千代田 1-1-1  
 日本国際協力株式会社



LAYOUT PLAN  
 SCALE 1:1000

- NOTES :
- 1. MAIN OFFICE (Imm. AND CUSTOM)
  - 2. PUBLIC TOILET
  - 3. CHECK POINT BOOTH
  - 4. INSPECTION BOOTH (Imm. & CUSTOM)
  - 5. DUTY FREE SHOP (FUTURE)
  - 6. POWER HOUSE
  - 7. WATER RECEIVING TANK
  - 8. FAMILY OFFICER'S HOUSE
  - 9. SINGLE OFFICER'S HOUSE
  - 10. TOILET AND LAUNDRY
  - 11. BUS STOP
  - 12. OFFICER'S PARKING (T-1)
  - 13. OFFICER'S PARKING WITH MOTORCYCLE PARK. (T-2)

REV.	DATE	DESCRIPTION	APPROVED

PROJECT STUDY TEAM  
 ORIENTAL CONSULTANTS CO., LTD.  
 In association with  
 NIPPON KOEI CO., LTD.

JICA JAPAN INTERNATIONAL COOPERATION AGENCY  
 LAO PEOPLE'S DEMOCRATIC REPUBLIC  
 MINISTRY OF COMMUNICATION, TRANSPORT, POST AND CONSTRUCTION  
 KINGDOM OF THAILAND  
 MINISTRY OF TRANSPORT AND COMMUNICATIONS  
 DEPARTMENT OF HIGHWAYS

THE SECOND MEKONG INTERNATIONAL BRIDGE CONSTRUCTION PROJECT

QUALITY RECORD	NAME	SIGNATURE	DATE
DESIGN	A. Morikita	<i>[Signature]</i>	2/26/00
DESIGN CHECK	T. Morizono	<i>[Signature]</i>	2/26/00
SUBMITTED	A. Hiratani	<i>[Signature]</i>	2/26/00
APPROVED	P. Viraphanth	<i>[Signature]</i>	5/16/00

DWG. TITLE:  
 BORDER CONTROL FACILITIES  
 LAO PDR SIDE  
 LAYOUT PLAN

**ROOM FINISH SCHEDULE (MAIN OFFICE)**

FLOOR LEVEL	ROOM NAME	FLOOR	SKIRTING	WALL	CEILING	REMARKS
	MAIN OFFICE - ARRIVAL CUSTOM SECTION					
FIRST FLOOR	CUSTOM OFFICE	F2	SA	△	⊙	
	COMPUTER ROOM	F2	SA	△	⊙	
	STORE ROOM	F2	SA	△	⊙	
	INSURANCE OFFICE	F2	SA	△	⊙	
	MEN TOILET	F3	-	△△	⊙	
	WOMEN TOILET	F3	-	△△	⊙	
	PANTRY	F3	SA	△	⊙	
	CORRIDOR	F1	SA	△	⊙	
	STAIR HALL	F1	SA	△	⊙	☆
SECOND FLOOR	DIRECTOR ROOM	F2	SA	△	⊙	
	GUEST ROOM	F2	SA	△	⊙	
	WOMEN TOILET	F3	-	△△	⊙	
	MEETING ROOM	F2	SA	△	⊙	
	NIGHT STAFF ROOM	F2	SA	△	⊙	
	NIGHT STAFF TOILET	F3	-	△△	⊙	
	PANTRY	F3	SA	△	⊙	
	CORRIDOR	F1	SA	△	⊙	
	STAIR HALL	F1	SA	△	⊙	☆
	MAIN OFFICE - ARRIVAL IMMIGRATION SECTION					
FIRST FLOOR	IMMIGRATION OFFICE	F2	SA	△	⊙	
	COMPUTER ROOM	F2	SA	△	⊙	
	HEALTH/QUARANTINE OFFICE	F2	SA	△	⊙	
	QUARANTINE OFFICE	F2	-	△	⊙	
	NIGHT STAFF ROOM	F2	SA	△	⊙	
	NIGHT STAFF TOILET	F3	-	△△	⊙	
	PANTRY	F3	SA	△	⊙	
	CORRIDOR	F1	SA	△	⊙	
	STAIR HALL	F1	S1	△	⊙	☆
SECOND FLOOR	DIRECTOR ROOM	F2	SA	△	⊙	
	GUEST ROOM	F2	SA	△	⊙	
	MEN TOILET	F3	-	△△	⊙	
	PANTRY	F3	SA	△	⊙	
	MEETING ROOM	F2	SA	△	⊙	
	NIGHT STAFF ROOM	F2	SA	△	⊙	
	NIGHT STAFF TOILET	F3	-	△△	⊙	
	CORRIDOR	F1	SA	△	⊙	
	STAIR HALL	F1	SA	△	⊙	☆

**ROOM FINISH SCHEDULE (MAIN OFFICE)**

FLOOR LEVEL	ROOM NAME	FLOOR	SKIRTING	WALL	CEILING	REMARKS
	MAIN OFFICE - DEPARTURE CUSTOM SECTION					
FIRST FLOOR	CUSTOM OFFICE	F2	SA	△	⊙	
	COMPUTER ROOM	F2	SA	△	⊙	
	MULTI FUNCTION OFFICE	F2	SA	△	⊙	
	MEN TOILET	F3	-	△△	⊙	
	WOMEN TOILET	F3	-	△△	⊙	
	PANTRY	F3	SA	△	⊙	
	CORRIDOR	F1	SA	△	⊙	
	STAIR HALL	F1	SA	△	⊙	☆
SECOND FLOOR	DIRECTOR ROOM	F2	SA	△	⊙	
	GUEST ROOM	F2	SA	△	⊙	
	PANTRY	F3	SA	△	⊙	
	MEETING ROOM	F2	SA	△	⊙	
	NIGHT STAFF ROOM	F2	SA	△	⊙	
	NIGHT STAFF TOILET	F3	-	△△	⊙	
	TOILET (M)	F3	-	△△	⊙	
	CORRIDOR	F1	SA	△	⊙	
	STAIR HALL	F1	SA	△	⊙	☆
	MAIN OFFICE - DEPARTURE IMMIGRATION SECTION					
FIRST FLOOR	IMMIGRATION OFFICE	F2	SA	△	⊙	
	COMPUTER ROOM	F2	SA	△	⊙	
	STORAGE	F2	SA	△	⊙	
	MULTI FUNCTION OFFICE	F2	SA	△	⊙	
	SERVICE ROOM	F2	SA	△	⊙	
	PANTRY	F3	SA	△	⊙	
	CORRIDOR	F1	SA	△	⊙	
	STAIR HALL	F1	SA	△	⊙	☆
SECOND FLOOR	DIRECTOR ROOM	F2	SA	△	⊙	
	GUEST ROOM	F2	SA	△	⊙	
	PANTRY	F3	SA	△	⊙	
	WOMEN TOILET	F3	-	△△	⊙	
	MEETING ROOM	F2	SA	△	⊙	
	NIGHT STAFF ROOM	F2	SA	△	⊙	
	NIGHT STAFF TOILET	F3	-	△△	⊙	
	CORRIDOR	F1	SA	△	⊙	
	STAIR HALL	F1	SA	△	⊙	☆

**ROOM FINISH SCHEDULE (MAIN OFFICE)**

FLOOR LEVEL	ROOM NAME	FLOOR	SKIRTING	WALL	CEILING	REMARKS
	MAIN OFFICE - CENTRAL CUSTOM SECTION					
FIRST FLOOR	VISA OFFICE	F2	SA	△	⊙	
	MONEY EXCHANGE (ARR.)	F2	SA	△	⊙	
	CONTROL ROOM	F2	SA	△	⊙	
	PUMP ROOM	CEM. PLAS	-	CEM. PLAS	⊙	
	TRAVEL OFFICE	F2	SA	△	⊙	
	MONEY EXCHANGE (DEPT.)	F2	SA	△	⊙	
SECOND FLOOR	VIP. ROOM	F2	SA	△	⊙	
	VIP. TOILET	F3	-	△△	⊙	
	ADMIN. OFFICE	F2	SA	△	⊙	
	PANTRY (1)	F3	SA	△	⊙	
	MEN TOILET	F3	-	△△	⊙	
	WOMEN TOILET	F3	-	△△	⊙	
	SERVICE ROOM	CEM. PLAS	-	△	⊙	
	PANTRY (2)	F3	SA	△	⊙	
	CORRIDOR	F2	SA	△	⊙	
	HALL AREA	F2	SA	△	⊙	
ROOF	WATER TANK AREA	WATER	-	-	-	
		PROOF				
		CEM.				
		MORTAR				

**MATERIAL LIST (COMMON)**

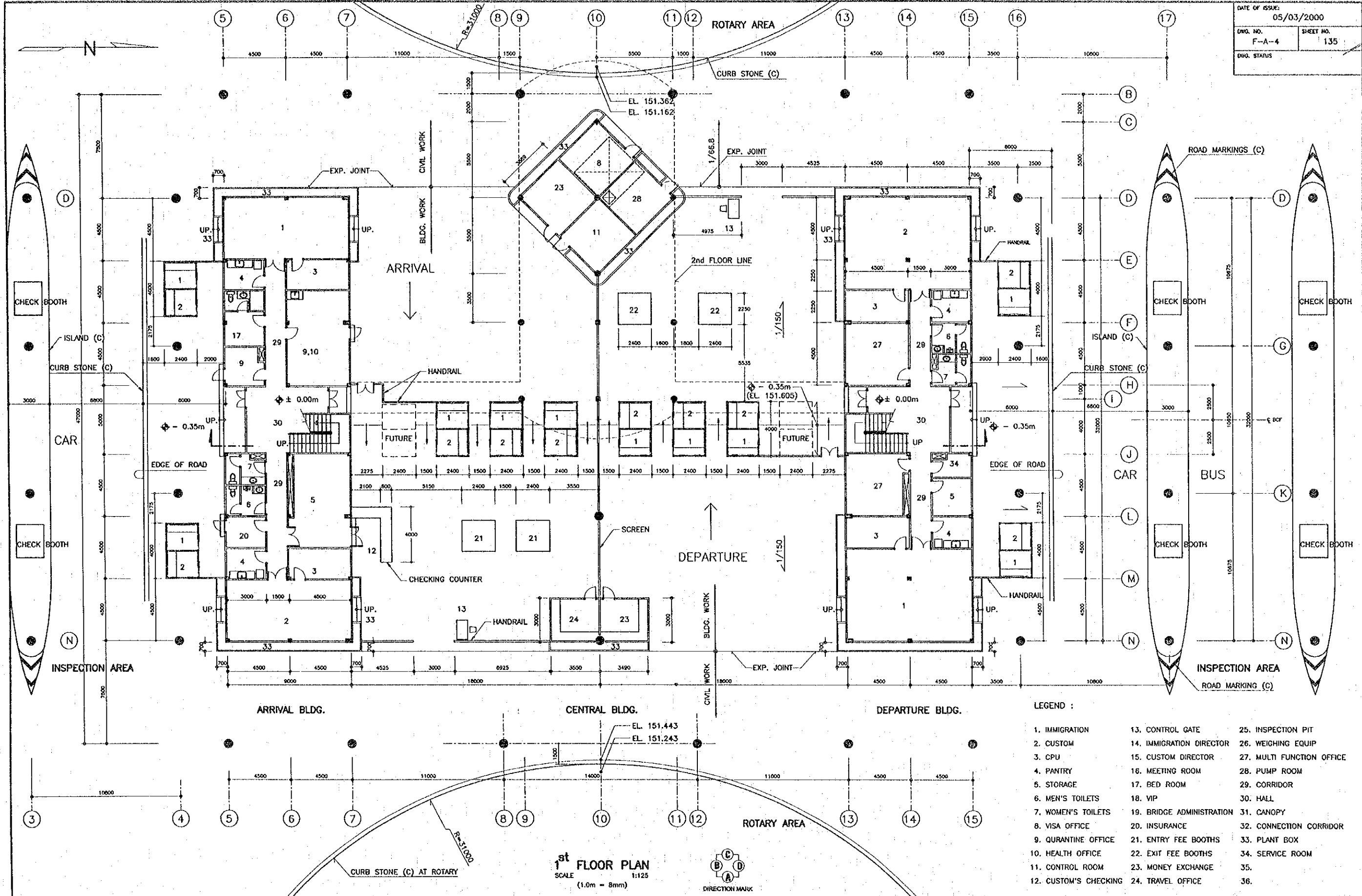
FLOOR LEVEL	MARK	MATERIALS	SIZE	REMARKS
FLOOR	①	TERRAZZO CAST IN PLACE		DWDR SHALL BE BRASS
	②	PORCELAIN TILE	300x300 mm.	
	③	CERAMIC TILE	200x200 mm.	
	④	GRANITE TILE	100x200 mm.	
	⑤	CONC. STEEL TROWEL		
	⑥	TERRAZZO TILE		
SKIRTING	①	TERRAZZO	H = 100 mm.	
	②	WOOD PAINT	H = 100 mm.	
WALL	△	PLASTER W/PAIN		
	△	CERAMIC TILE	200x200 mm.	
	△	GRANITE TILE	25x200 mm.	
	△	WASHED GRAVEL		
	△	TERRAZZO TILE		
CEILING	⊙	ACOUSTIC CEILING BOARD	600x1200x15 mm.	ST-721 FISSURED W/METAL
				FRAME "T-BAR SYSTEM"
	⊙	GYPSUM BOARD		
		MOISTURE RESISTANCE TYPE	800x800x9 mm.	
	⊙	EXPOSED CONC.		
	⊙	ALUM. SPANDREL	100 WIDTH	COLORED ALUM.
	⊙	CEM. PLAS EP.		

NOTES :  
 1. ALL BRAND NAMES SHOWN ON THE DRAWINGS SHALL BE TENTATIVE OF WHICH FINAL SHALL BE DETERMINED BY THE ENGINEER.

FLOOR	EXTERIOR FINISH	MISC	EXTERIOR FINISH
FLOOR	-CONCOURSE TERRAZZO BLOCK NON SLIPPERY FIN.		-PLANT BOX : AS SHOWN ON THE DRAWINGS.
WAINSCOT	-DEPT., ARR. & CENTRAL WASHED GRAVEL (H=700) W/GROOVE		-DRAIN DITCH : W=300 W/CONC. COVER
	-INSPECTION AREA TERRAZZO BLOCK H=200 FOR COLUMNS		-CATCH BASIN : 600x600 W/CONC. COVER
WALL	-DEPT., ARR. & CENTRAL CEM. MORT. PLAST. AEP		-DOWNSPOUT : PVC 100#, 125# & 200#, STEEL PROTECTION
	-INSPECTION AREA MOSAIC TILE (25x25x5) FOR COLUMNS		
CEILING	-CONCOURSE COLORED ALUM. PANEL, T=2.0		-CONTROL HANDRAIL : STEEL HANDRAIL, H=1100 O.P.
	-DEPT., ARR. PORCH COLORED ALUM. SPANDREL, T=1.2		-STAINLESS HANDRAIL : SCREEN BETWEEN ARR. AND DEPARTURE
	-INSPECTION AREA COLORED ALUM. SPANDREL, T=1.2 & WELDED		
	MESH 6#, 150x150 GRID O.P., BIRDS'NET, GALV.		-CUSTOM INSPECTION TABLE : STAINLESS PLATE COVERING
	WEAVED MESH		-CONNECTION CORRIDOR : AS SHOWN ON THE DRAWING.
ROOF	-DEPT., ARR. & CENTRAL CONC. ROOF TILING & FIBER CEM. ROOF TILING		-CANOPY : AS SHOWN ON THE DRAWING
			-GUTTER : GALV. STEEL SHEET PAINT

REV.	DATE	DESCRIPTION	APPROVED	PROJECT STUDY TEAM	JICA JAPAN INTERNATIONAL COOPERATION AGENCY	THE SECOND MEKONG INTERNATIONAL BRIDGE CONSTRUCTION PROJECT	QUALITY RECORD	NAME	SIGNATURE	DATE	DWG. TITLE
				ORIENTAL CONSULTANTS CO., LTD. In association with NIPPON KOKI CO., LTD.	LAO PEOPLE'S DEMOCRATIC REPUBLIC MINISTRY OF COMMUNICATION, TRANSPORT, POST AND CONSTRUCTION		DESIGN	A. Morikawa		16/02/00	BORDER CONTROL FACILITIES LAO PDR SIDE MAIN OFFICE : FINISH SCHEDULE
					KINGDOM OF THAILAND MINISTRY OF TRANSPORT AND COMMUNICATIONS DEPARTMENT OF HIGHWAYS		DESIGN CHECK	T. Mouzoung		18/02/00	
							SUBMITTED	A. Hiratani		21/02/00	
							APPROVED	P. Wiphanth		22/02/00	

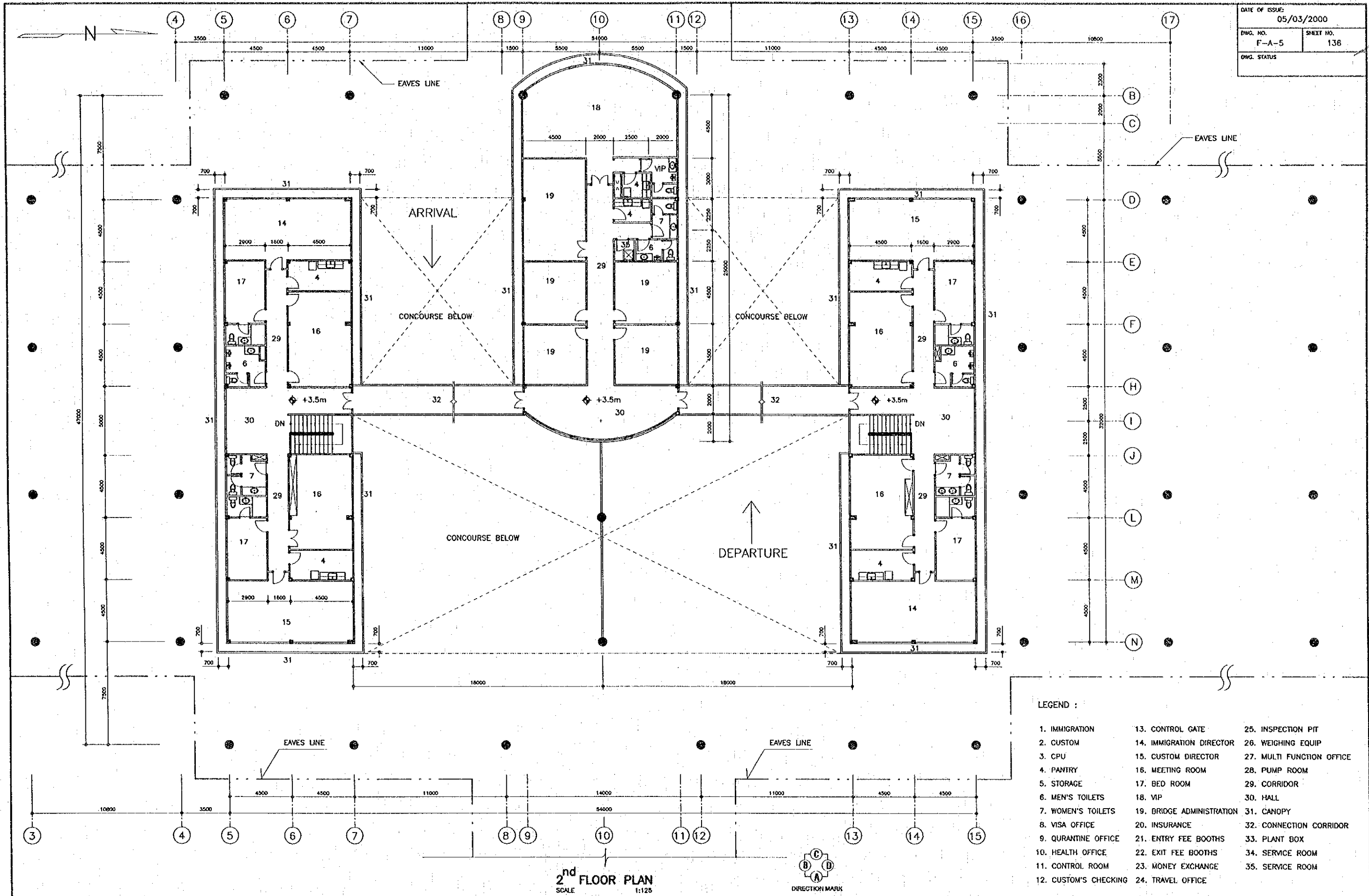
DATE OF ISSUE: 05/03/2000  
 DWG. NO. F-A-4 SHEET NO. 135  
 DWG. STATUS



1<sup>st</sup> FLOOR PLAN  
 SCALE 1:125  
 (1.0m = 8mm)

- LEGEND :
- |                       |                           |                           |
|-----------------------|---------------------------|---------------------------|
| 1. IMMIGRATION        | 13. CONTROL GATE          | 25. INSPECTION PIT        |
| 2. CUSTOM             | 14. IMMIGRATION DIRECTOR  | 26. WEIGHING EQUIP        |
| 3. CPU                | 15. CUSTOM DIRECTOR       | 27. MULTI FUNCTION OFFICE |
| 4. PANTRY             | 16. MEETING ROOM          | 28. PUMP ROOM             |
| 5. STORAGE            | 17. BED ROOM              | 29. CORRIDOR              |
| 6. MEN'S TOILETS      | 18. VIP                   | 30. HALL                  |
| 7. WOMEN'S TOILETS    | 19. BRIDGE ADMINISTRATION | 31. CANOPY                |
| 8. VISA OFFICE        | 20. INSURANCE             | 32. CONNECTION CORRIDOR   |
| 9. QUARANTINE OFFICE  | 21. ENTRY FEE BOOTHS      | 33. PLANT BOX             |
| 10. HEALTH OFFICE     | 22. EXIT FEE BOOTHS       | 34. SERVICE ROOM          |
| 11. CONTROL ROOM      | 23. MONEY EXCHANGE        | 35.                       |
| 12. CUSTOM'S CHECKING | 24. TRAVEL OFFICE         | 36.                       |

REV.	DATE	DESCRIPTION	APPROVED	PROJECT STUDY TEAM	JICA JAPAN INTERNATIONAL COOPERATION AGENCY	QUALITY RECORD	NAME	SIGNATURE	DATE	DWG. TITLE
				ORIENTAL CONSULTANTS CO., LTD. in association with NIIPPON KORI CO., LTD.	LAO PEOPLE'S DEMOCRATIC REPUBLIC MINISTRY OF COMMUNICATION, TRANSPORT, POST AND CONSTRUCTION KINGDOM OF THAILAND MINISTRY OF TRANSPORT AND COMMUNICATIONS DEPARTMENT OF HIGHWAYS	DESIGN DESIGN CHECK SUBMITTED APPROVED	A. Morikawa T. Masuzawa A. Hiratake P. Wephanth	<i>[Signatures]</i>	16-02-00 18-02-00 21/01/01 21/02/00	BORDER CONTROL FACILITIES LAO PDR SIDE MAIN OFFICE : 1 <sup>st</sup> FLOOR PLAN

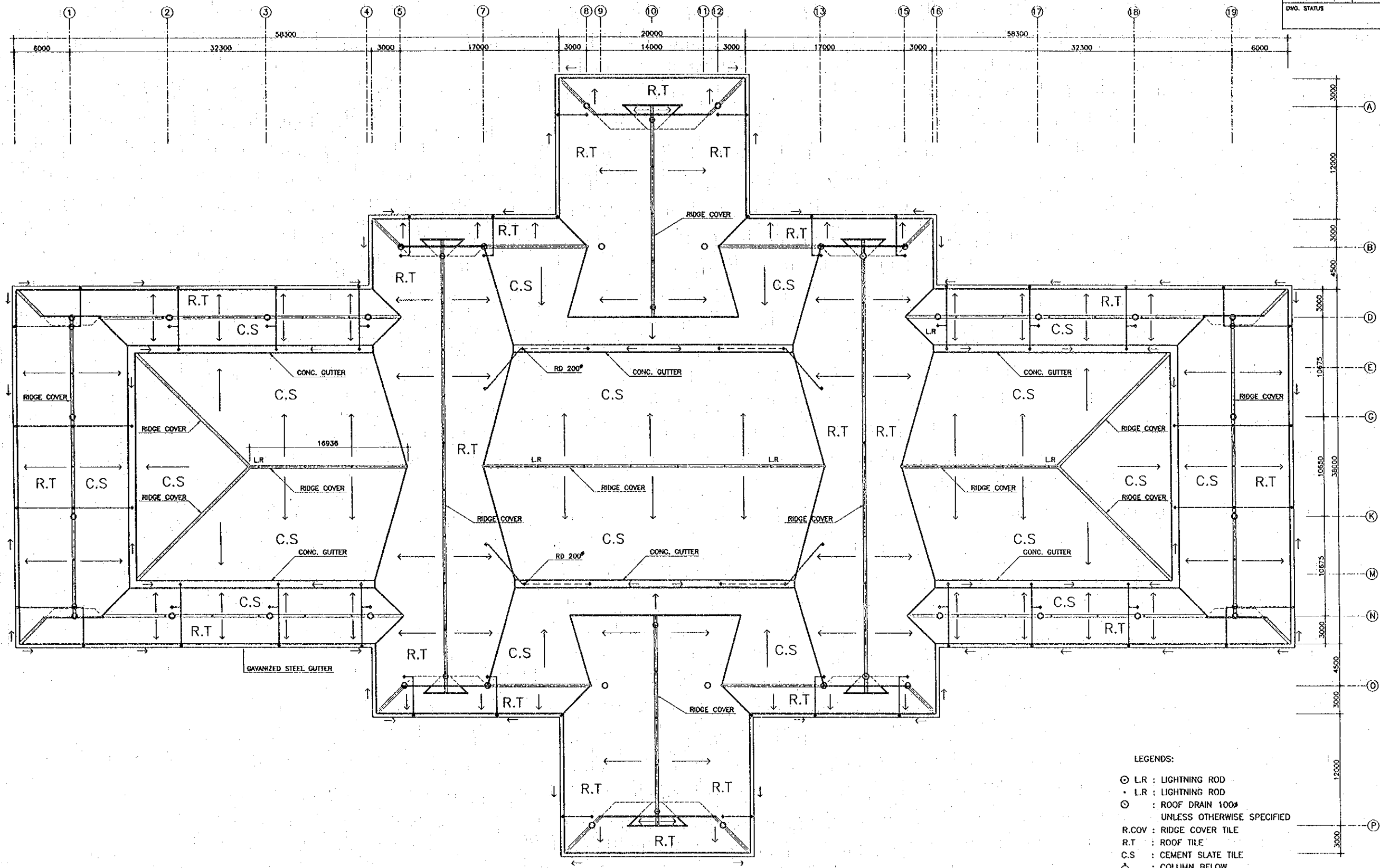


- LEGEND :
- |                       |                           |                           |
|-----------------------|---------------------------|---------------------------|
| 1. IMMIGRATION        | 13. CONTROL GATE          | 25. INSPECTION PIT        |
| 2. CUSTOM             | 14. IMMIGRATION DIRECTOR  | 26. WEIGHING EQUIP        |
| 3. CPU                | 15. CUSTOM DIRECTOR       | 27. MULTI FUNCTION OFFICE |
| 4. PANTRY             | 16. MEETING ROOM          | 28. PUMP ROOM             |
| 5. STORAGE            | 17. BED ROOM              | 29. CORRIDOR              |
| 6. MEN'S TOILETS      | 18. VIP                   | 30. HALL                  |
| 7. WOMEN'S TOILETS    | 19. BRIDGE ADMINISTRATION | 31. CANOPY                |
| 8. VISA OFFICE        | 20. INSURANCE             | 32. CONNECTION CORRIDOR   |
| 9. QUARANTINE OFFICE  | 21. ENTRY FEE BOOTHS      | 33. PLANT BOX             |
| 10. HEALTH OFFICE     | 22. EXIT FEE BOOTHS       | 34. SERVICE ROOM          |
| 11. CONTROL ROOM      | 23. MONEY EXCHANGE        | 35. SERVICE ROOM          |
| 12. CUSTOM'S CHECKING | 24. TRAVEL OFFICE         |                           |

2<sup>nd</sup> FLOOR PLAN  
 SCALE 1:125



REV.	DATE	DESCRIPTION	APPROVED	PROJECT STUDY TEAM	JICA JAPAN INTERNATIONAL COOPERATION AGENCY	LAO PEOPLE'S DEMOCRATIC REPUBLIC MINISTRY OF COMMUNICATION, TRANSPORT, POST AND CONSTRUCTION	KINGDOM OF THAILAND MINISTRY OF TRANSPORT AND COMMUNICATIONS DEPARTMENT OF HIGHWAYS	THE SECOND MEKONG INTERNATIONAL BRIDGE CONSTRUCTION PROJECT	QUALITY RECORD	NAME	SIGNATURE	DATE	DRG. TITLE
				ORIENTAL CONSULTANTS CO., LTD. In association with NIPPON KOKI CO., LTD.					DESIGN	A. Morikawa	<i>[Signature]</i>	16/02/00	BORDER CONTROL FACILITIES LAO PDR SIDE MAIN OFFICE : 2 <sup>nd</sup> FLOOR PLAN
								DESIGN CHECK	T. Mousazawa	<i>[Signature]</i>	18/02/00		
								SUBMITTED	A. Hiratani	<i>[Signature]</i>	21/02/00		
								APPROVED	P. Viraphanth	<i>[Signature]</i>	22/02/00		



ROOF PLAN  
 SCALE 1:200

- LEGENDS:
- L.R. : LIGHTNING ROD
  - L.R. : LIGHTNING ROD
  - : ROOF DRAIN 100# UNLESS OTHERWISE SPECIFIED
  - R.COV : RIDGE COVER TILE
  - R.T. : ROOF TILE
  - C.S. : CEMENT SLATE TILE
  - : COLUMN BELOW
  - ┌ : LEADER PIPE

REV.	DATE	DESCRIPTION	APPROVED

PROJECT STUDY TEAM  
 ORIENTAL CONSULTANTS CO., LTD.  
 in association with  
 NIPPON KOKI CO., LTD.

JICA JAPAN INTERNATIONAL COOPERATION AGENCY  
 LAO PEOPLE'S DEMOCRATIC REPUBLIC  
 MINISTRY OF COMMUNICATION, TRANSPORT, POST AND CONSTRUCTION  
 KINGDOM OF THAILAND  
 MINISTRY OF TRANSPORT AND COMMUNICATIONS  
 DEPARTMENT OF HIGHWAYS

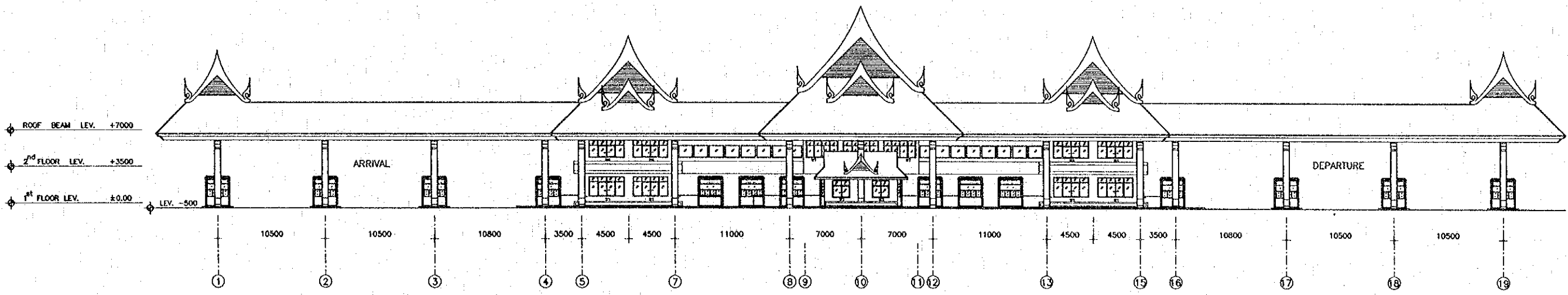
THE SECOND MEKONG INTERNATIONAL BRIDGE CONSTRUCTION PROJECT

QUALITY RECORD	NAME	SIGNATURE	DATE
DESIGN	A. Morikita	<i>[Signature]</i>	16/02/00
DESIGN CHECK	T. Mutsurewa	<i>[Signature]</i>	17/02/00
SUBMITTED	A. Hirotsu	<i>[Signature]</i>	21/02/00
APPROVED	P. Veaphorath	<i>[Signature]</i>	02/03/00

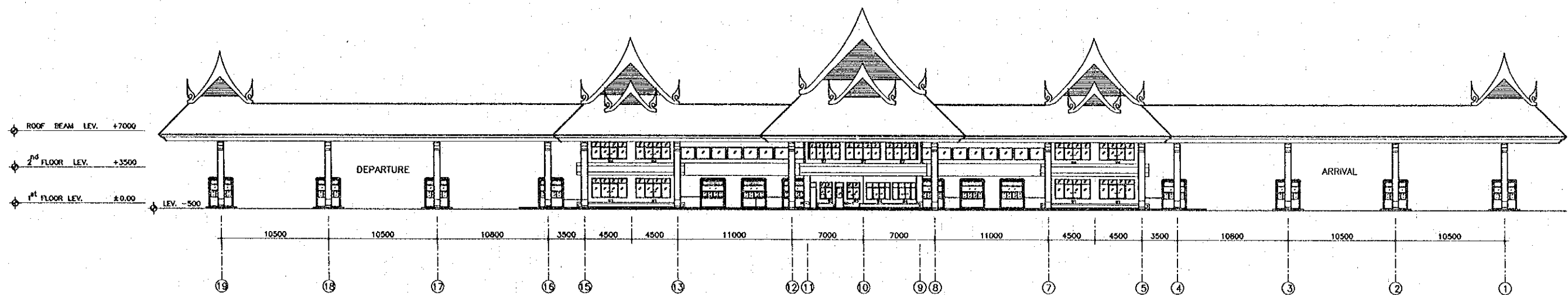
DWG. TITLE: BORDER CONTROL FACILITIES  
 LAO PDR SIDE  
 MAIN OFFICE : ROOF PLAN



DATE OF ISSUE: 05/03/2000  
 DWG. NO. F-A-7 SHEET NO. 138  
 DWG. STATUS



ELEVATION A ( SAVANNAKHET SIDE )  
 SCALE 1:200



ELEVATION C ( BRIDGE SIDE )  
 SCALE 1:200

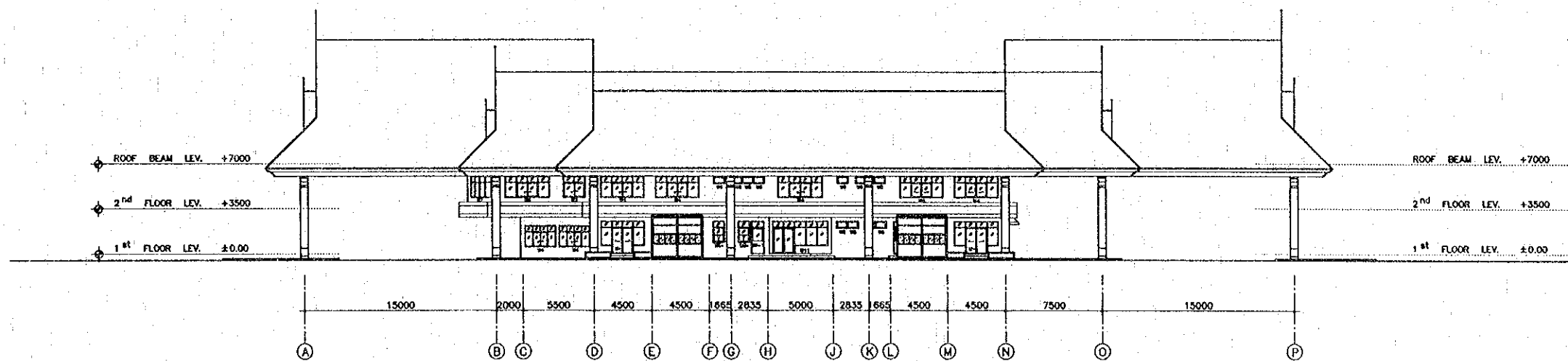


REV.	DATE	DESCRIPTION	APPROVED	PROJECT STUDY TEAM	JICA JAPAN INTERNATIONAL COOPERATION AGENCY	LAO PEOPLE'S DEMOCRATIC REPUBLIC MINISTRY OF COMMUNICATION, TRANSPORT, POST AND CONSTRUCTION	THE SECOND MEKONG INTERNATIONAL BRIDGE CONSTRUCTION PROJECT	QUALITY RECORD	NAME	SIGNATURE	DATE	DWG. TITLE
				ORIENTAL CONSULTANTS CO., LTD. in association with NIPPON KOEI CO., LTD.		KINGDOM OF THAILAND MINISTRY OF TRANSPORT AND COMMUNICATIONS DEPARTMENT OF HIGHWAYS		DESIGN	A. Marfaka	<i>[Signature]</i>	16/02/00	BORDER CONTROL FACILITIES LAO PDR SIDE MAIN OFFICE : ELEVATION A, C
							DESIGN CHECK	T. Manuwan	<i>[Signature]</i>	18/02/00		
							SUBMITTED	A. Hiratani	<i>[Signature]</i>	21/02/00		
							APPROVED	P. Viraphanah	<i>[Signature]</i>	22/02/00		

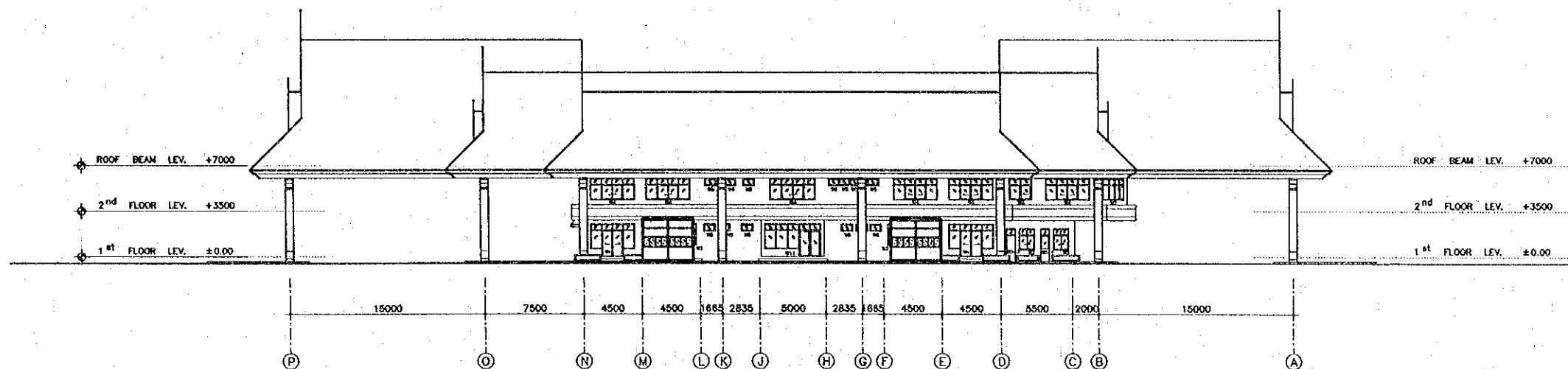
DATE OF ISSUE: 05/03/2000

DWG. NO. F-A-B SHEET NO. 139

DWG. STATUS



ELEVATION B (ARRIVAL SIDE)  
SCALE 1:200



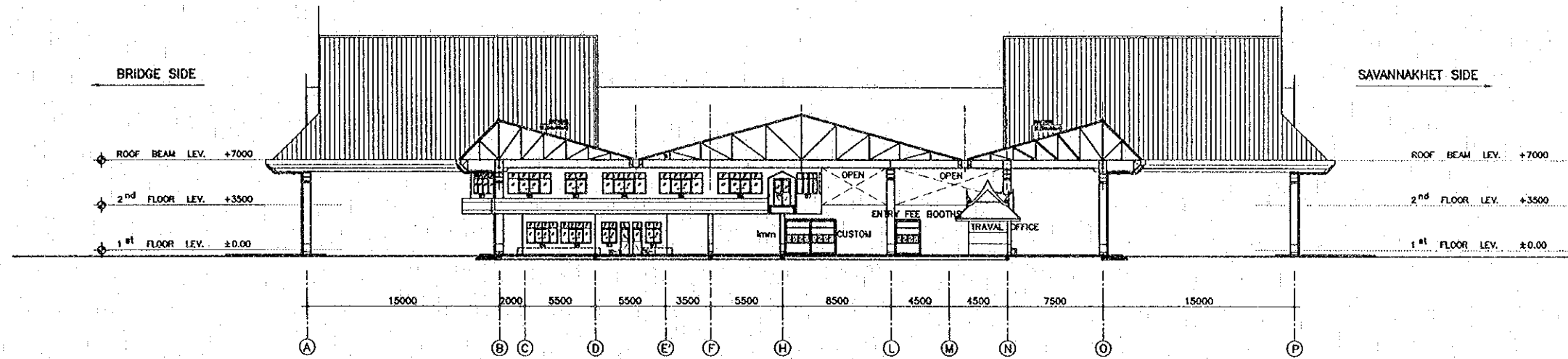
ELEVATION D (DEPARTURE SIDE)  
SCALE 1:200



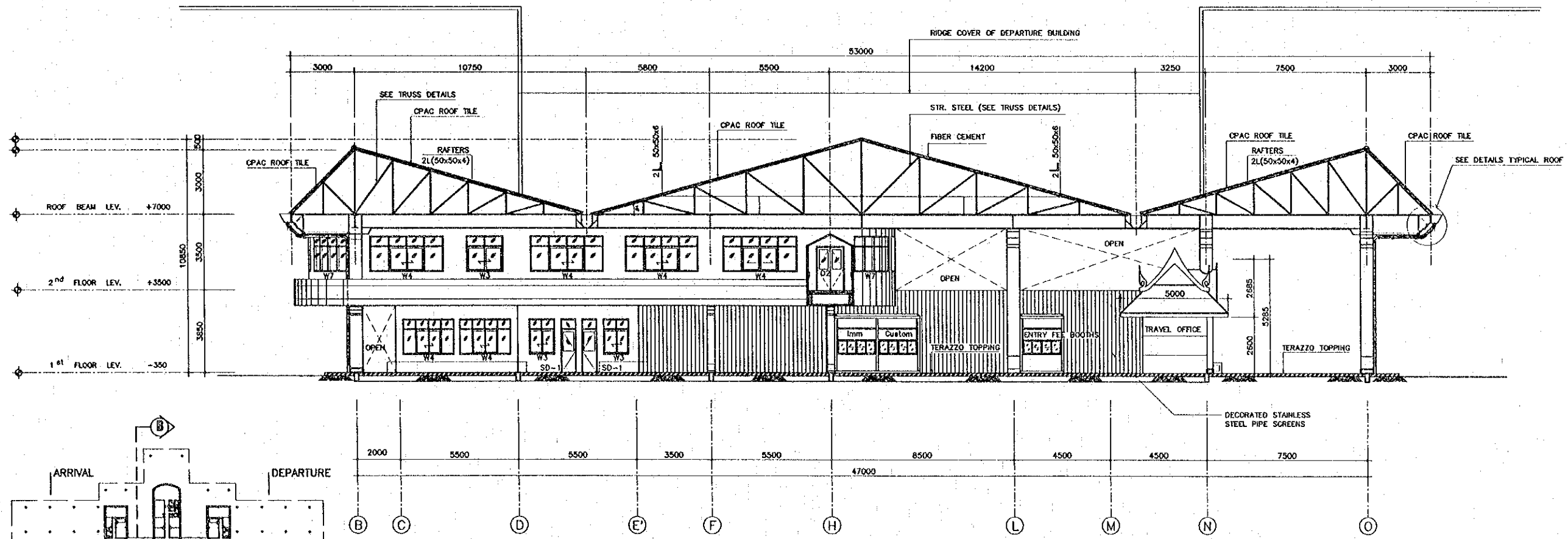
DIRECTION MARK

REV.	DATE	DESCRIPTION	APPROVED	PROJECT STUDY TEAM	JICA JAPAN INTERNATIONAL COOPERATION AGENCY	LAO PEOPLE'S DEMOCRATIC REPUBLIC MINISTRY OF COMMUNICATION, TRANSPORT, POST AND CONSTRUCTION	KINGDOM OF THAILAND MINISTRY OF TRANSPORT AND COMMUNICATIONS DEPARTMENT OF HIGHWAYS	THE SECOND MEKONG INTERNATIONAL BRIDGE CONSTRUCTION PROJECT	QUALITY RECORD	NAME	SIGNATURE	DATE	DWG. TITLE
				ORIENTAL CONSULTANTS CO., LTD. in association with NIPPON KOKI CO., LTD.					DESIGN	A. Morikita	<i>[Signature]</i>	16-02-00	BORDER CONTROL FACILITIES LAO PDR SIDE MAIN OFFICE : ELEVATION B, D
								DESIGN CHECK	T. Mizutani	<i>[Signature]</i>	18-02-00		
								SUBMITTED	A. Hirani	<i>[Signature]</i>	21/01/00		
								APPROVED	P. Virephanth	<i>[Signature]</i>	22/02/00		

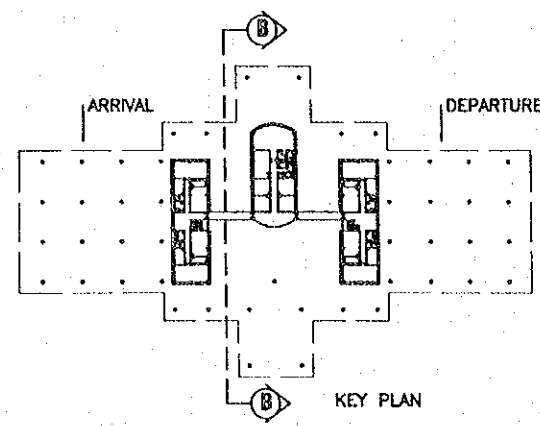
DATE OF ISSUE: 05/03/2000	
DWG. NO. F-A-9	SHEET NO. 140
DWG. STATUS	



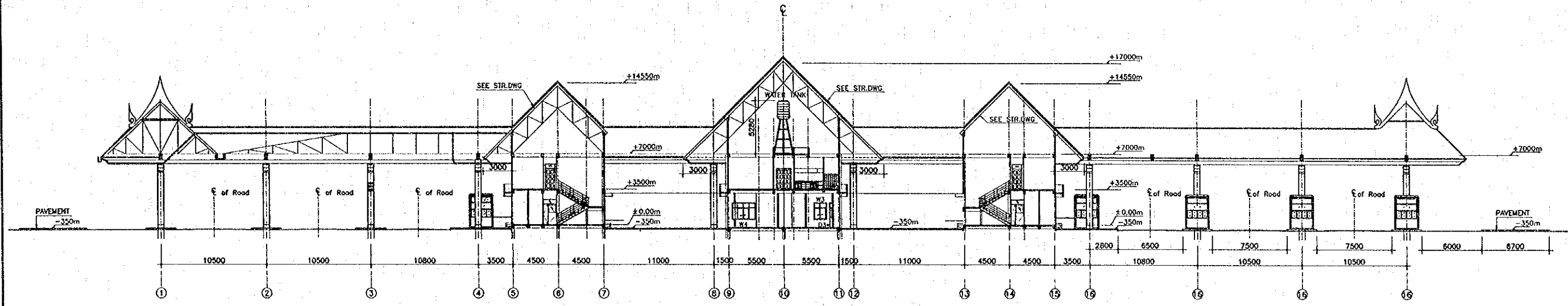
TRANSVERSAL SECTION (B-B)  
SCALE 1:200



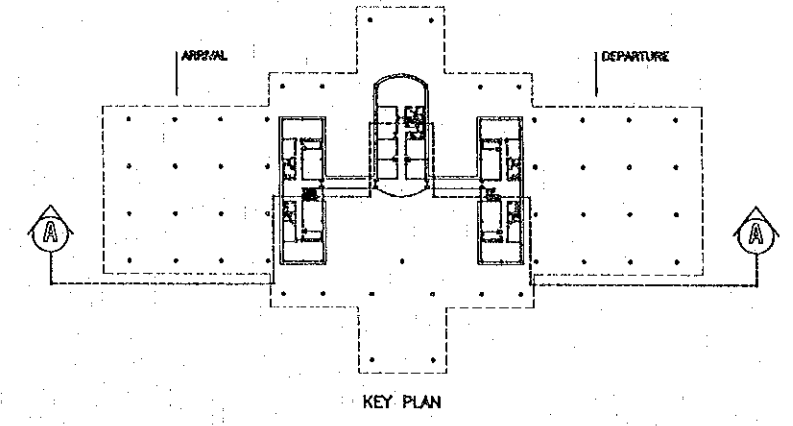
DETAIL OF TRANSVERSAL SECTION (B-B)  
SCALE 1:100



REV.	DATE	DESCRIPTION	APPROVED	PROJECT STUDY TEAM	JICA JAPAN INTERNATIONAL COOPERATION AGENCY	QUALITY RECORD	NAME	SIGNATURE	DATE	DWG. TITLE
				ORIENTAL CONSULTANTS CO., LTD. in association with NIPPON KOKI CO., LTD.	LAO PEOPLE'S DEMOCRATIC REPUBLIC MINISTRY OF COMMUNICATION, TRANSPORT, POST AND CONSTRUCTION	DESIGN	A. Morikita	<i>[Signature]</i>	10/02/00	BORDER CONTROL FACILITIES LAO PDR SIDE MAIN OFFICE : TRANSVERSAL SECTION
					KINGDOM OF THAILAND MINISTRY OF TRANSPORT AND COMMUNICATIONS DEPARTMENT OF HIGHWAYS	DESIGN CHECK	T. Manivone	<i>[Signature]</i>	07/02/00	
						SUBMITTED	A. Hironaka	<i>[Signature]</i>	21/02/00	
						APPROVED	P. Viraphanith	<i>[Signature]</i>	22/02/00	

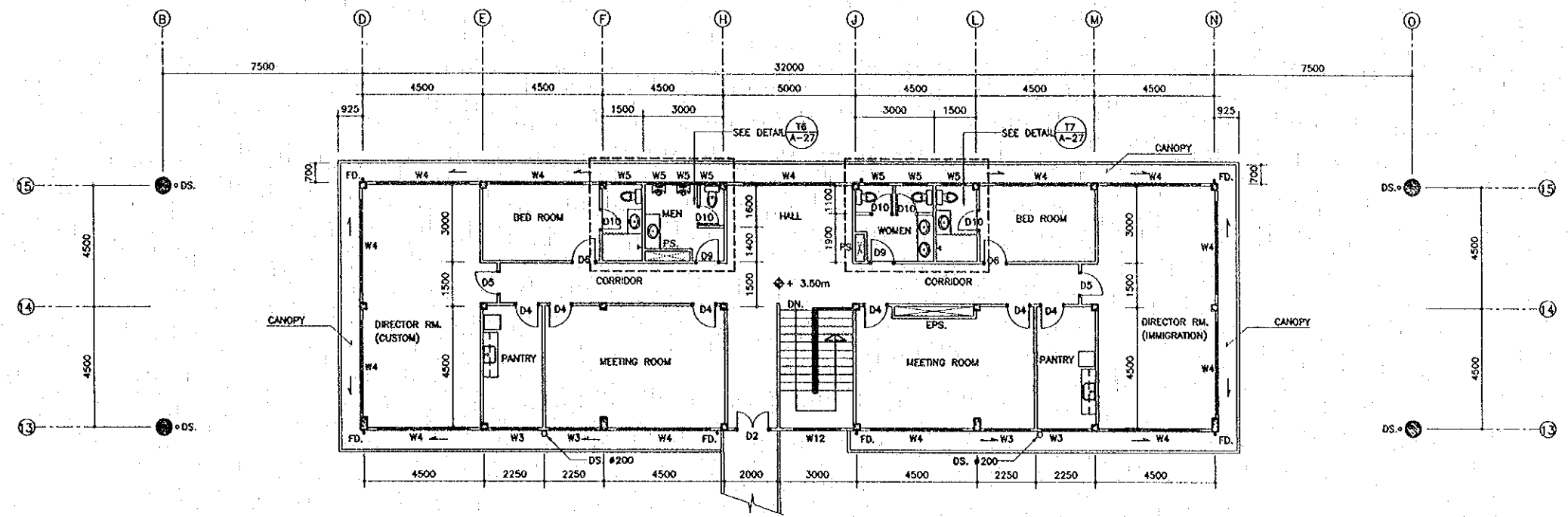


MAIN OFFICE : LONGITUDINAL SECTION  
 SCALE: 1:200

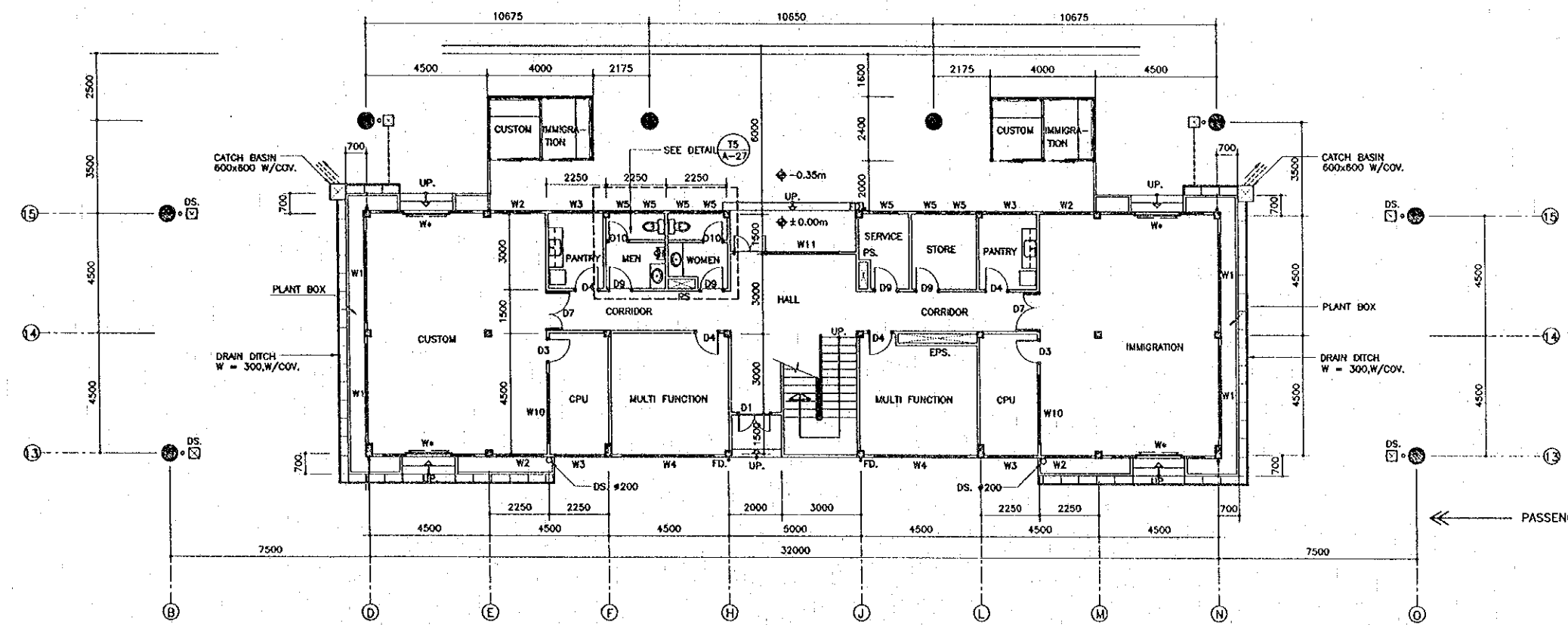


KEY PLAN

REV.	DATE	DESCRIPTION	APPROVED	PROJECT STUDY TEAM	JICA JAPAN INTERNATIONAL COOPERATION AGENCY	QUALITY RECORD	NAME	SIGNATURE	DATE	DWG. TITLE
				ORIENTAL CONSULTANTS CO., LTD. In association with NIPPON KORI CO., LTD.	LAO PEOPLE'S DEMOCRATIC REPUBLIC MINISTRY OF COMMUNICATION, TRANSPORT, POST AND CONSTRUCTION	DESIGN	A. Morlaka	<i>[Signature]</i>	16/02/00	BORDER CONTROL FACILITIES LAO PDR SIDE MAIN OFFICE : LONGITUDINAL SECTION
					KINGDOM OF THAILAND MINISTRY OF TRANSPORT AND COMMUNICATIONS DEPARTMENT OF HIGHWAYS	DESIGN CHECK	T. Maasawa	<i>[Signature]</i>	17/02/00	
						SUBMITTED	A. Hiratani	<i>[Signature]</i>	21/02/00	
						APPROVED	P. Virophanth	<i>[Signature]</i>	22/02/00	



2<sup>nd</sup> FLOOR PLAN  
 SCALE 1:100



1<sup>st</sup> FLOOR PLAN  
 SCALE 1:100

← PASSENGER FLOW

- LEGENDS :
- DS. : DOWNSPOUT P.V.C. # 125 OP. UNLESS OTHERWISE SPECIFIED
  - DS. : DOWNSPOUT P.V.C. # 100 OP.
  - ☒ CATCH BASIN (M)
  - ⊗ FD. : FLOOR DRAIN 100#



REV.	DATE	DESCRIPTION	APPROVED

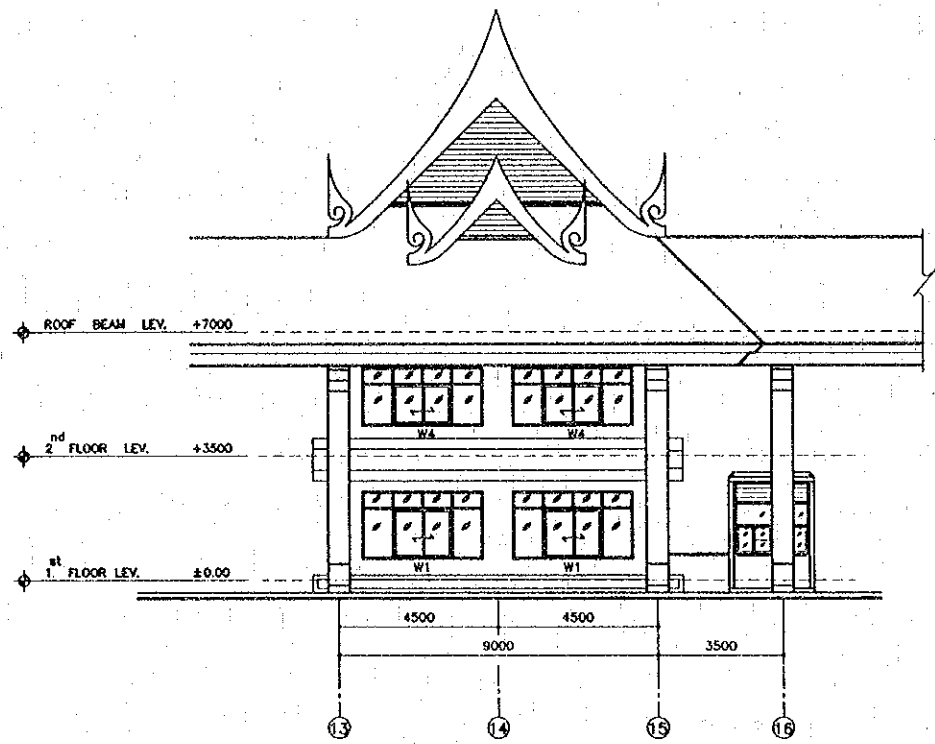
PROJECT STUDY TEAM  
 ORIENTAL CONSULTANTS CO., LTD.  
 In association with  
 NIPPON KOKI CO., LTD.

JICA JAPAN INTERNATIONAL COOPERATION AGENCY  
 LAO PEOPLE'S DEMOCRATIC REPUBLIC  
 MINISTRY OF COMMUNICATION, TRANSPORT, POST AND CONSTRUCTION  
 KINGDOM OF THAILAND  
 MINISTRY OF TRANSPORT AND COMMUNICATIONS  
 DEPARTMENT OF HIGHWAYS

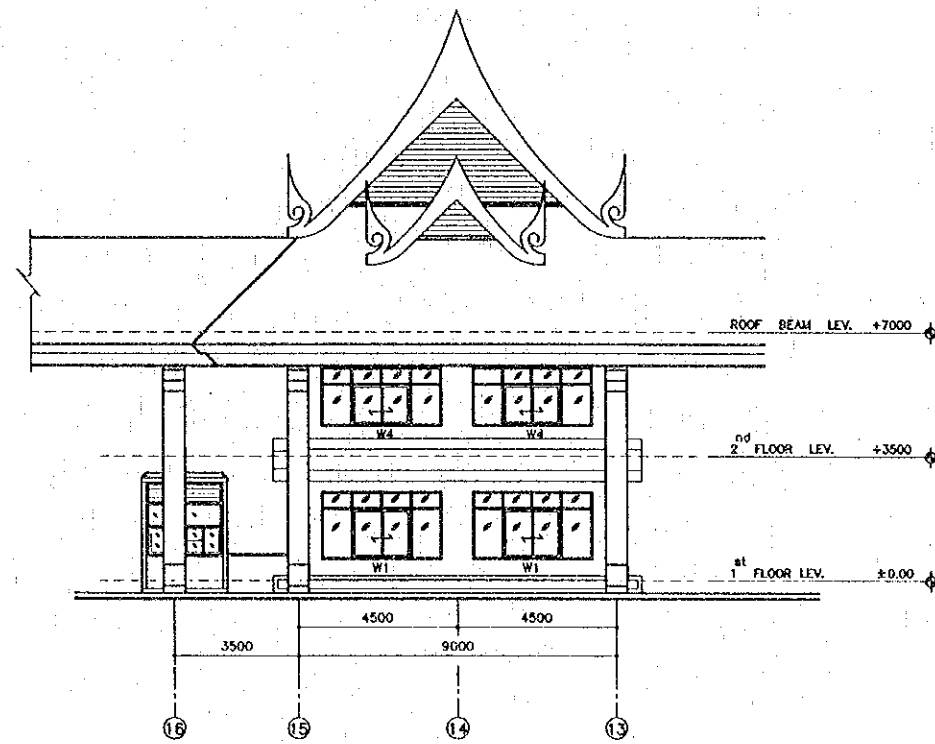
THE SECOND MEKONG  
 INTERNATIONAL BRIDGE  
 CONSTRUCTION PROJECT

QUALITY RECORD	NAME	SIGNATURE	DATE	DWG. TITLE
DESIGN	A. Morikawa	<i>[Signature]</i>	11/02/00	BORDER CONTROL FACILITIES LAO PDR SIDE MAIN OFFICE : DEPARTURE BUILDING - PLAN
DESIGN CHECK	T. Maekawa	<i>[Signature]</i>	18/02/00	
SUBMITTED	A. Hiratani	<i>[Signature]</i>	21/02/00	
APPROVED	P. Wirophanit	<i>[Signature]</i>	11/02/00	

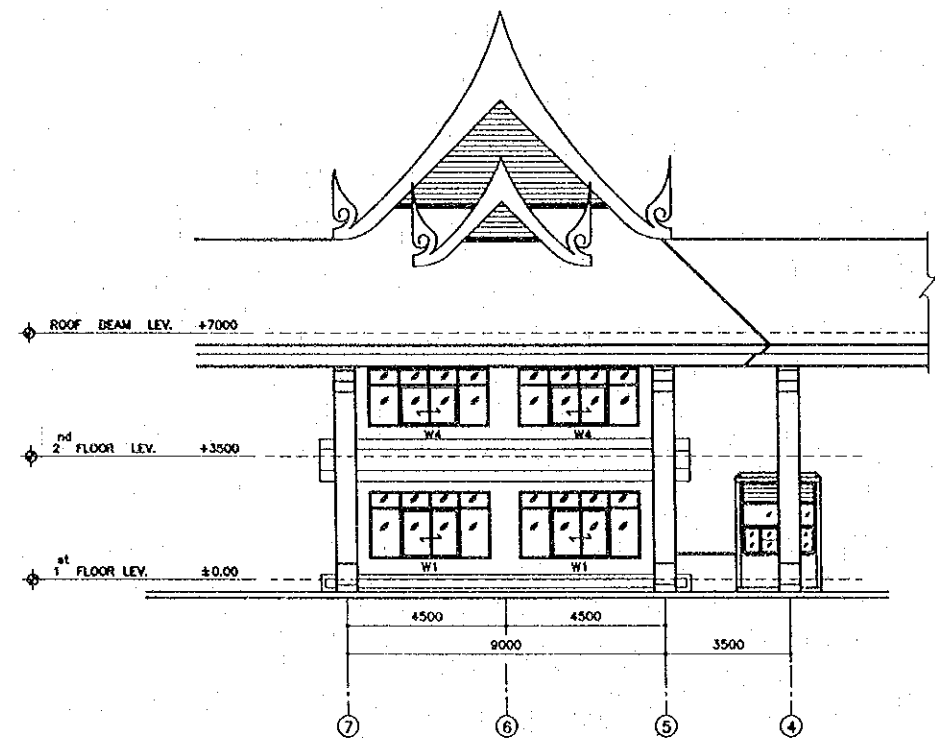
DATE OF ISSUE: 05/03/2000	
DWG. NO. F-A-12	SHEET NO. 143
DWG. STATUS	



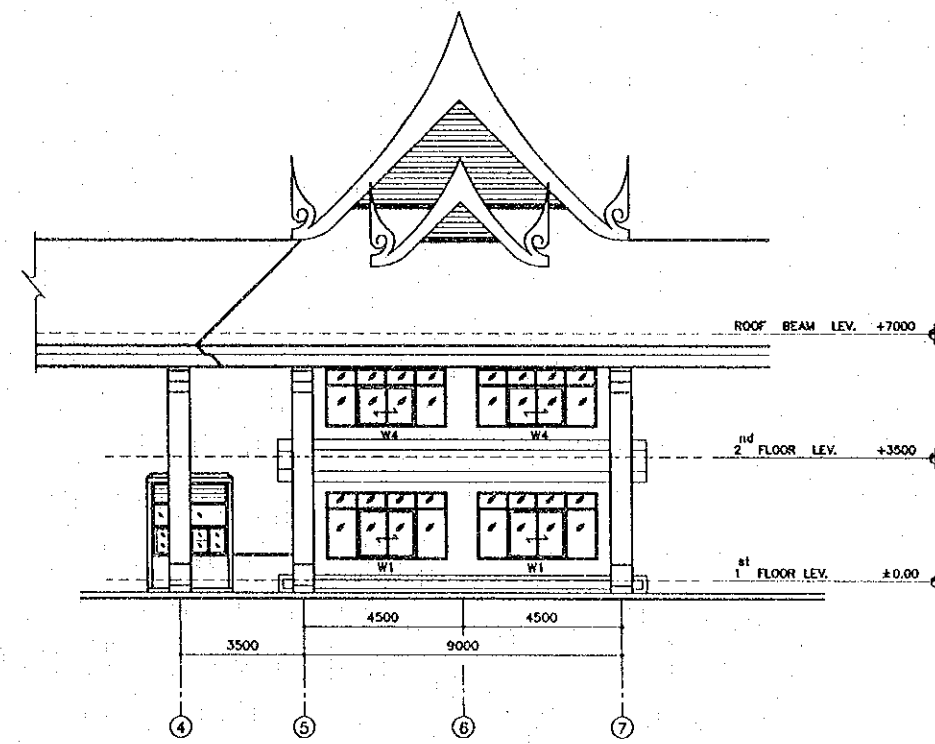
ELEVATION A (DEPARTURE BUILDING)  
SCALE 1:100



ELEVATION C (DEPARTURE BUILDING)  
SCALE 1:100





ELEVATION C (ARRIVAL BUILDING)  
SCALE 1:100



ELEVATION A (ARRIVAL BUILDING)  
SCALE 1:100


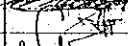




REV.	DATE	DESCRIPTION	APPROVED

PROJECT STUDY TEAM  
 ORIENTAL CONSULTANTS CO., LTD.  
 in association with  
 NIPPON KORI CO., LTD.

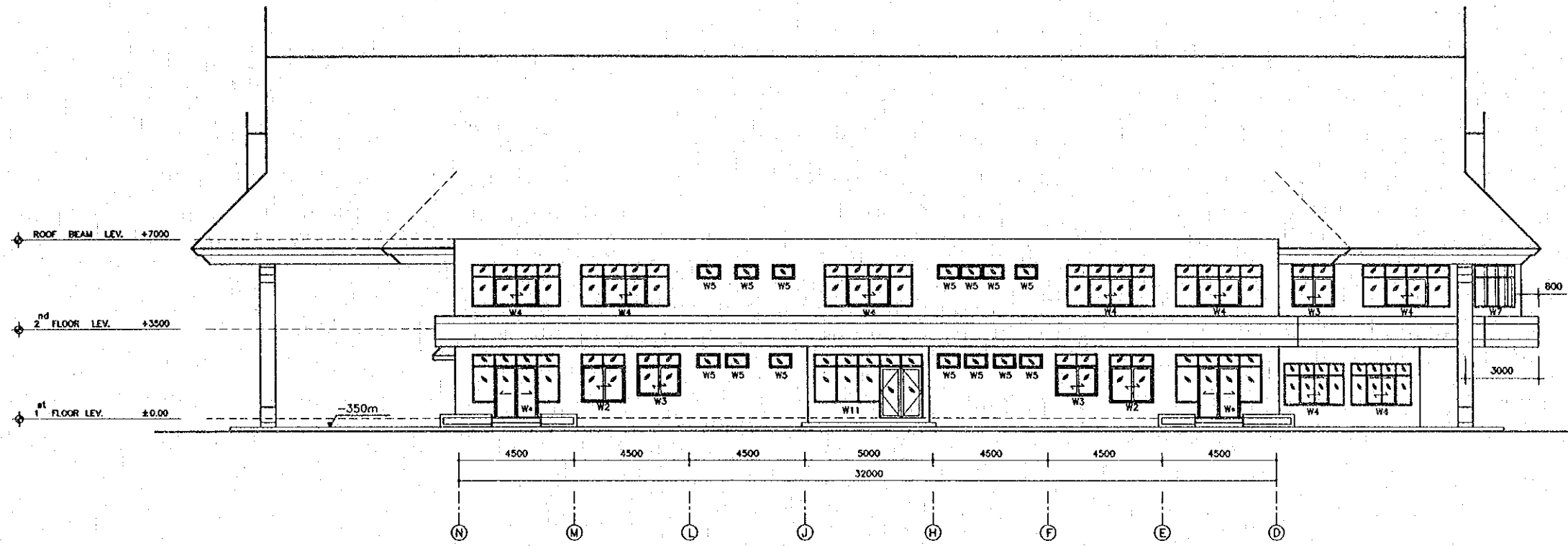
 JAPAN INTERNATIONAL COOPERATION AGENCY  
 LAO PEOPLE'S DEMOCRATIC REPUBLIC  
 MINISTRY OF COMMUNICATION, TRANSPORT, POST AND CONSTRUCTION  
 KINGDOM OF THAILAND  
 MINISTRY OF TRANSPORT AND COMMUNICATIONS  
 DEPARTMENT OF HIGHWAYS

 THE SECOND MEKONG  
 INTERNATIONAL BRIDGE  
 CONSTRUCTION PROJECT

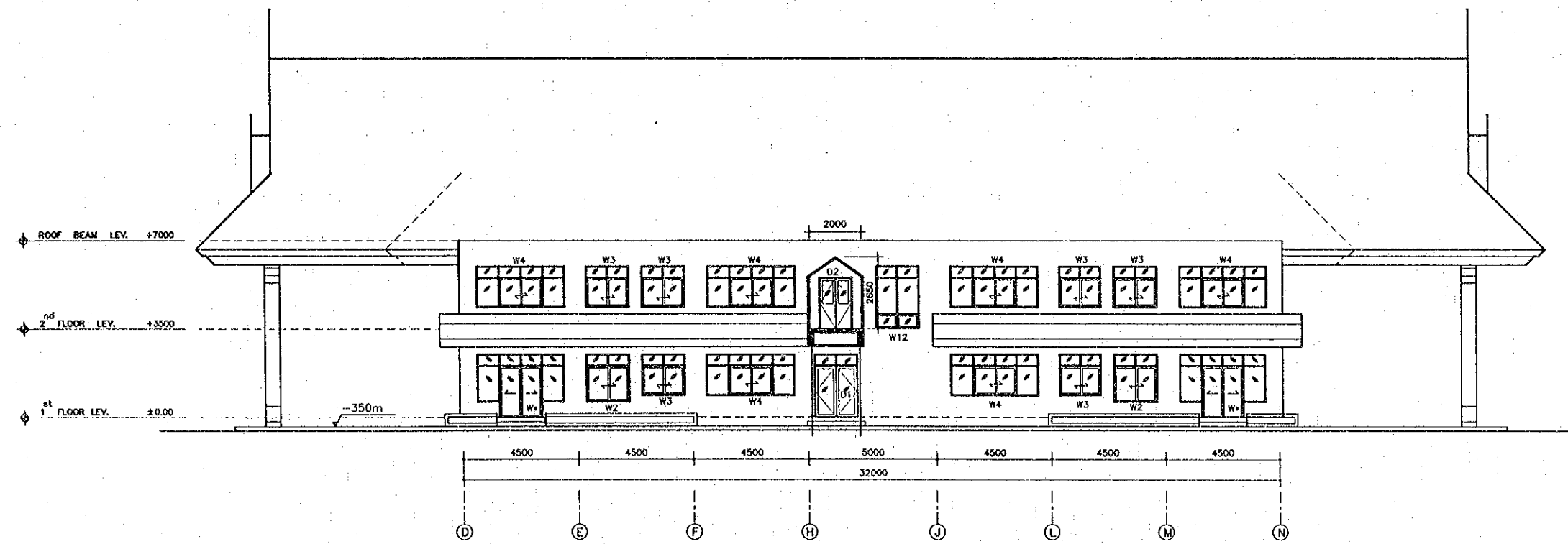
QUALITY RECORD	NAME	SIGNATURE	DATE
DESIGN	A. Morikita		16/02/00
DESIGN CHECK	T. Morizawa		28/02/00
SUBMITTED	A. Hirutani		24/03/00
APPROVED	P. Viraphanth		23/03/00

DWG. TITLE:  
**BORDER CONTROL FACILITIES**  
 LAO PDR SIDE  
 MAIN OFFICE : ARRIVAL AND DEPARTURE-ELEVATION A, C

DATE OF ISSUE: 05/03/2000	
DWG. NO. F-A-13	SHEET NO. 144
DWG. STATUS	



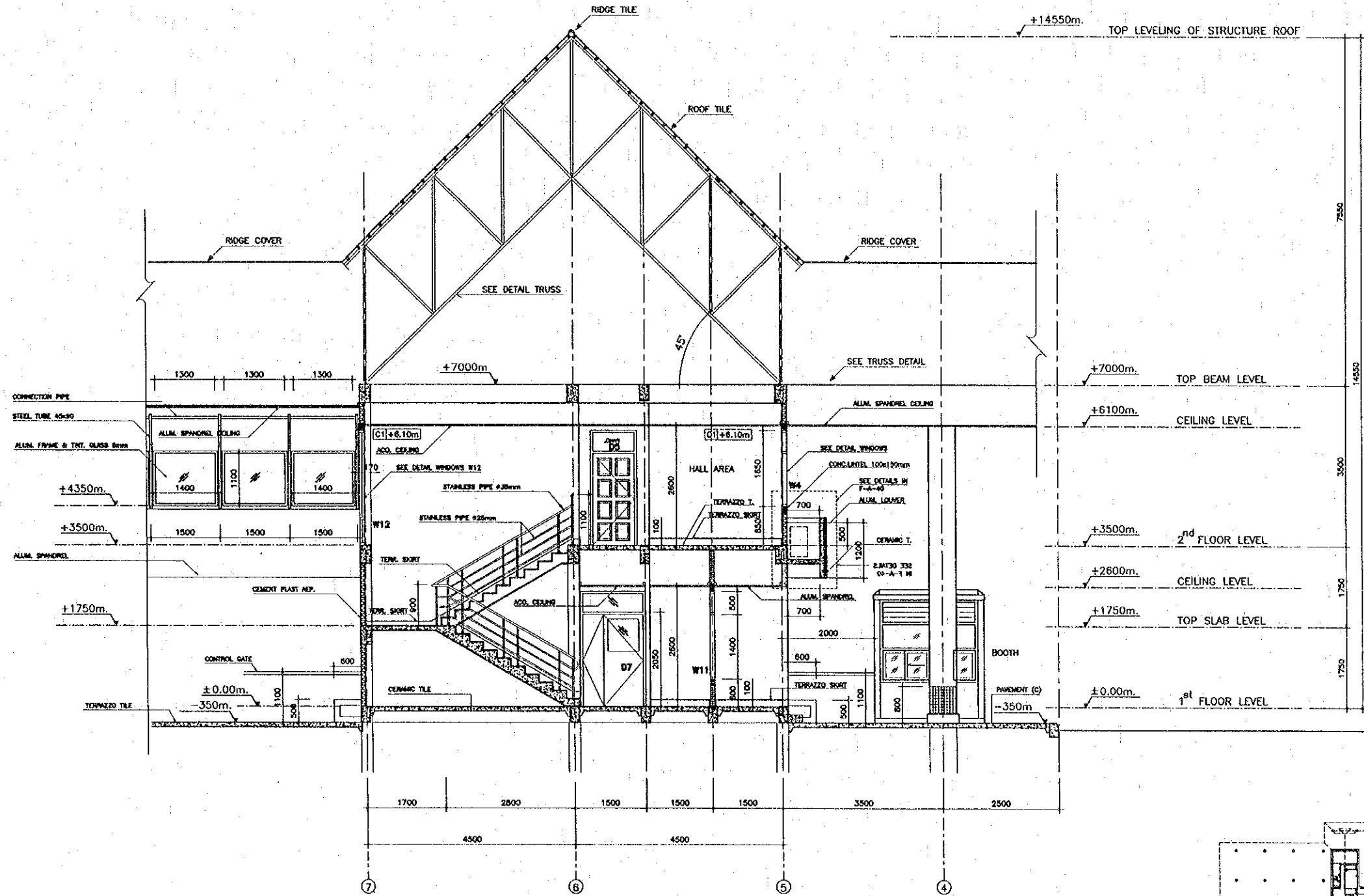
ELEVATION D (DEPARTURE BUILDING)  
SCALE 1:100



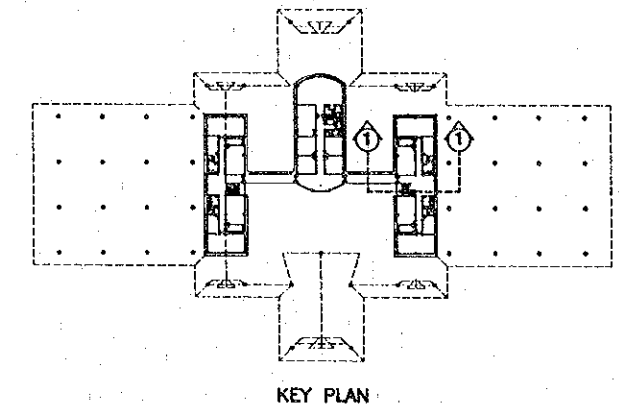
ELEVATION B (DEPARTURE BUILDING)  
SCALE 1:100



REV.	DATE	DESCRIPTION	APPROVED	PROJECT STUDY TEAM	JICA	QUALITY RECORD	NAME	SIGNATURE	DATE	DWG. TITLE
				ORIENTAL CONSULTANTS CO., LTD. in association with NIPPON KOEI CO., LTD.	JAPAN INTERNATIONAL COOPERATION AGENCY LAO PEOPLE'S DEMOCRATIC REPUBLIC MINISTRY OF COMMUNICATION, TRANSPORT, POST AND CONSTRUCTION KINGDOM OF THAILAND MINISTRY OF TRANSPORT AND COMMUNICATIONS DEPARTMENT OF HIGHWAYS	DESIGN	A. Morikita	<i>[Signature]</i>	16/02/00	BORDER CONTROL FACILITIES LAO PDR SIDE MAIN OFFICE : DEPARTURE BUILDING-ELEVATION D, B
						DESIGN CHECK	T. Maruzawa	<i>[Signature]</i>	18-02-00	
						SUBMITTED	A. Herland	<i>[Signature]</i>	21/02/00	
						APPROVED	P. Virophonh	<i>[Signature]</i>	22/02/00	

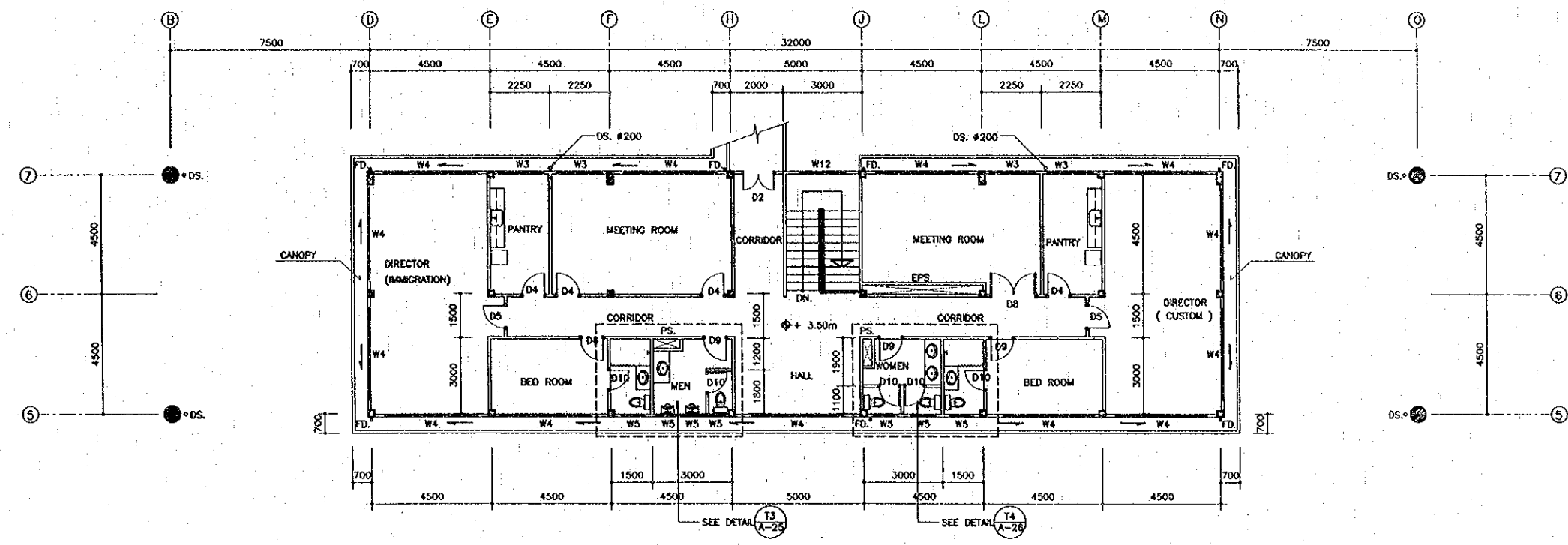
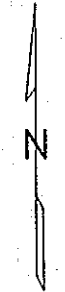


CROSS SECTION AT 1-1  
SCALE 1:50

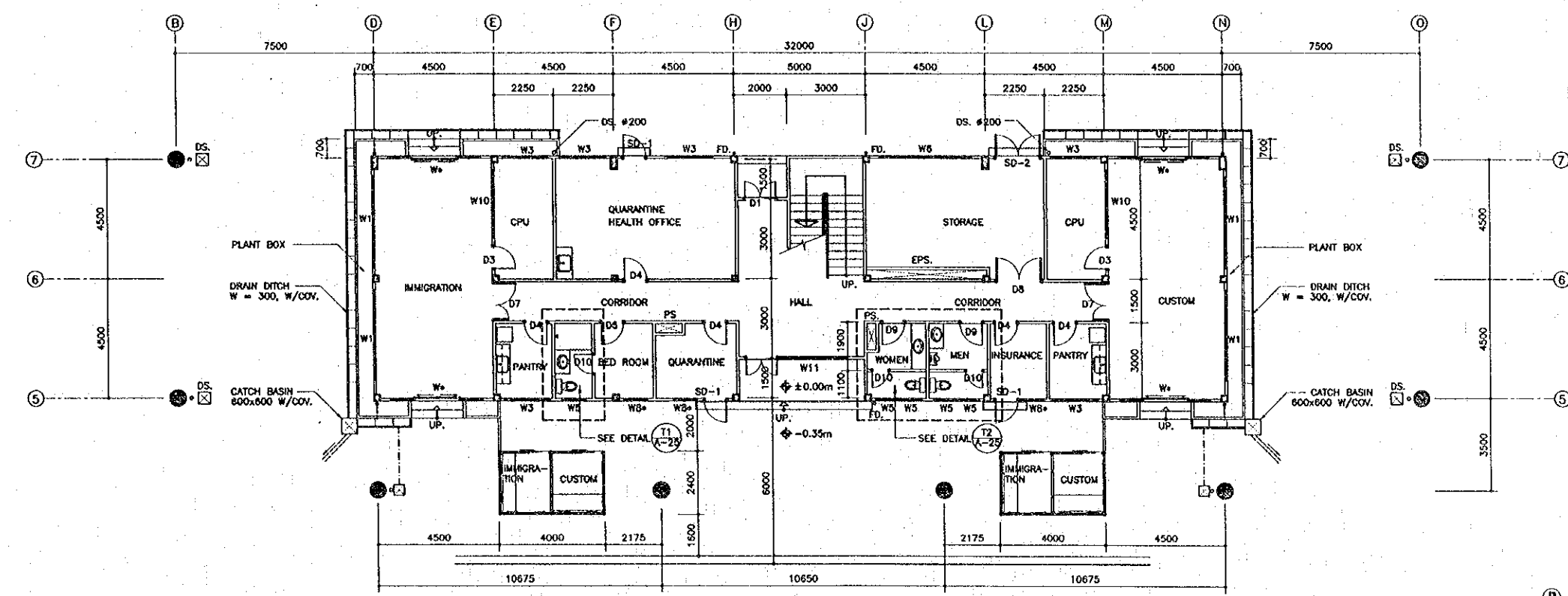


REV.	DATE	DESCRIPTION	APPROVED	PROJECT STUDY TEAM	JICA	QUALITY RECORD	NAME	SIGNATURE	DATE	DWG. TITLE:
				ORIENTAL CONSULTANTS CO., LTD. in association with NIPPON KOKI CO., LTD.	JAPAN INTERNATIONAL COOPERATION AGENCY LAO PEOPLE'S DEMOCRATIC REPUBLIC MINISTRY OF COMMUNICATION, TRANSPORT, POST AND CONSTRUCTION KINGDOM OF THAILAND MINISTRY OF TRANSPORT AND COMMUNICATIONS DEPARTMENT OF HIGHWAYS	DESIGN	A. Morikita	<i>[Signature]</i>	11-02-00	BORDER CONTROL FACILITIES LAO PDR SIDE MAIN OFFICE : DEPARTURE BUILDING-CROSS SECTION AT 1-1
						DESIGN CHECK	T. Mokuizawa	<i>[Signature]</i>	11-02-00	
						SUBMITTED	A. Hiratani	<i>[Signature]</i>	21/02/00	
						APPROVED	P. Viraphanin	<i>[Signature]</i>	23/02/00	





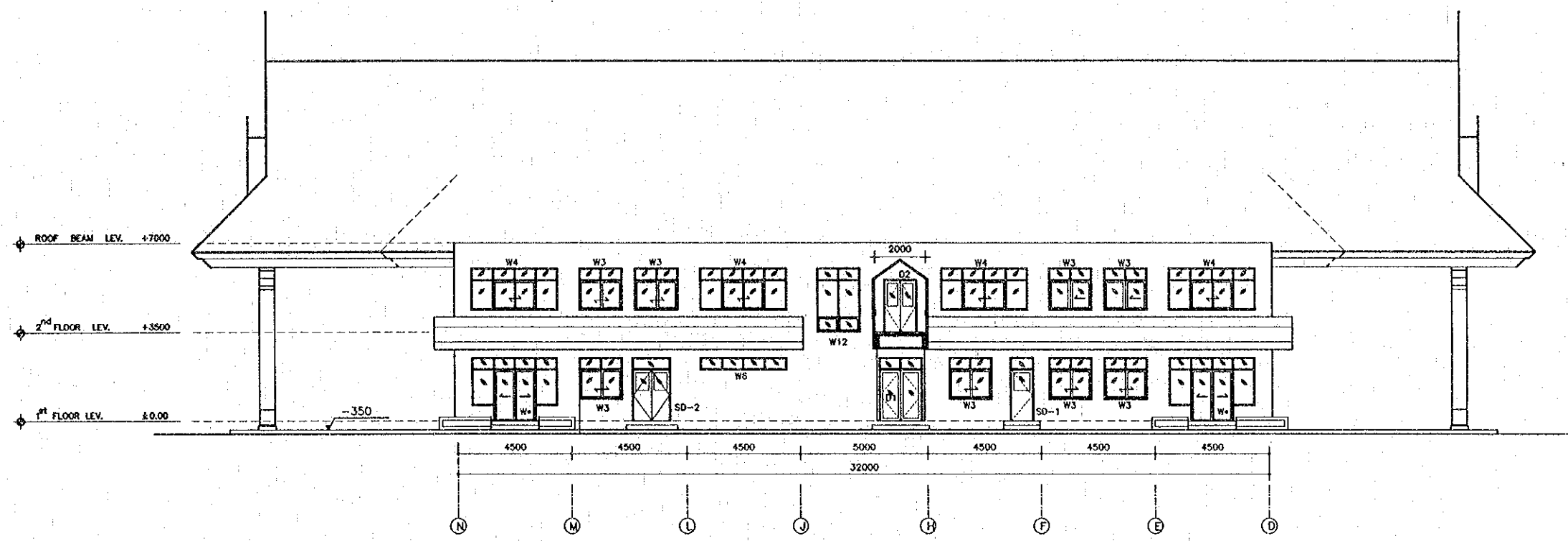
PASSENGER FLOW →



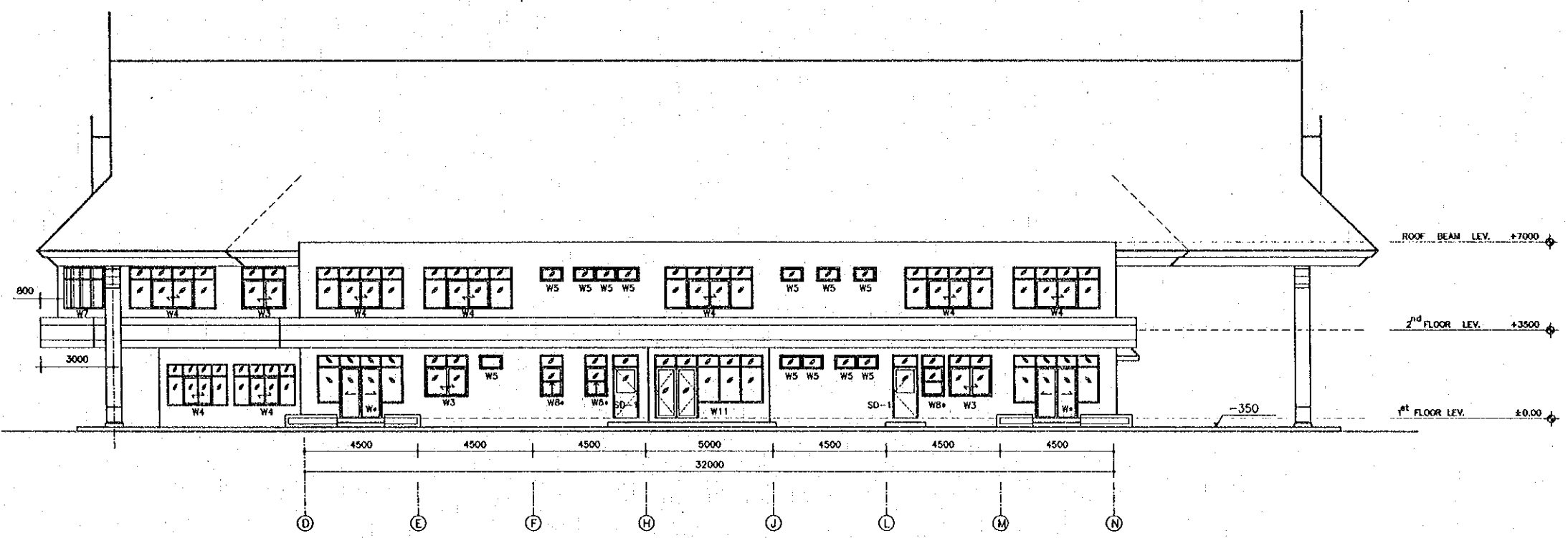
- LEGENDS :
- DS. : DOWNSPOUT P.V.C. # 125 OP. UNLESS SPECIFIED
  - DS. : DOWNSPOUT P.V.C. # 100 OP.
  - ☒ CATCH BASIN (M)
  - ⊗ FLOOR DRAIN 100M



REV.	DATE	DESCRIPTION	APPROVED	PROJECT STUDY TEAM	JICA JAPAN INTERNATIONAL COOPERATION AGENCY	QUALITY RECORD	NAME	SIGNATURE	DATE	DWG. TITLE
				ORIENTAL CONSULTANTS CO., LTD. in association with NIPPON KOEI CO., LTD.	LAO PEOPLE'S DEMOCRATIC REPUBLIC MINISTRY OF COMMUNICATION, TRANSPORT, POST AND CONSTRUCTION KINGDOM OF THAILAND MINISTRY OF TRANSPORT AND COMMUNICATIONS DEPARTMENT OF HIGHWAYS	DESIGN DESIGN CHECK SUBMITTED APPROVED	A. Markka T. Manuwan A. Hantant P. Vrepharth	<i>[Signatures]</i>	1-02-00 1-02-00 01/01/00 22/02/00	BORDER CONTROL FACILITIES LAO PDR SIDE MAIN OFFICE : ARRIVAL BUILDING-PLAN



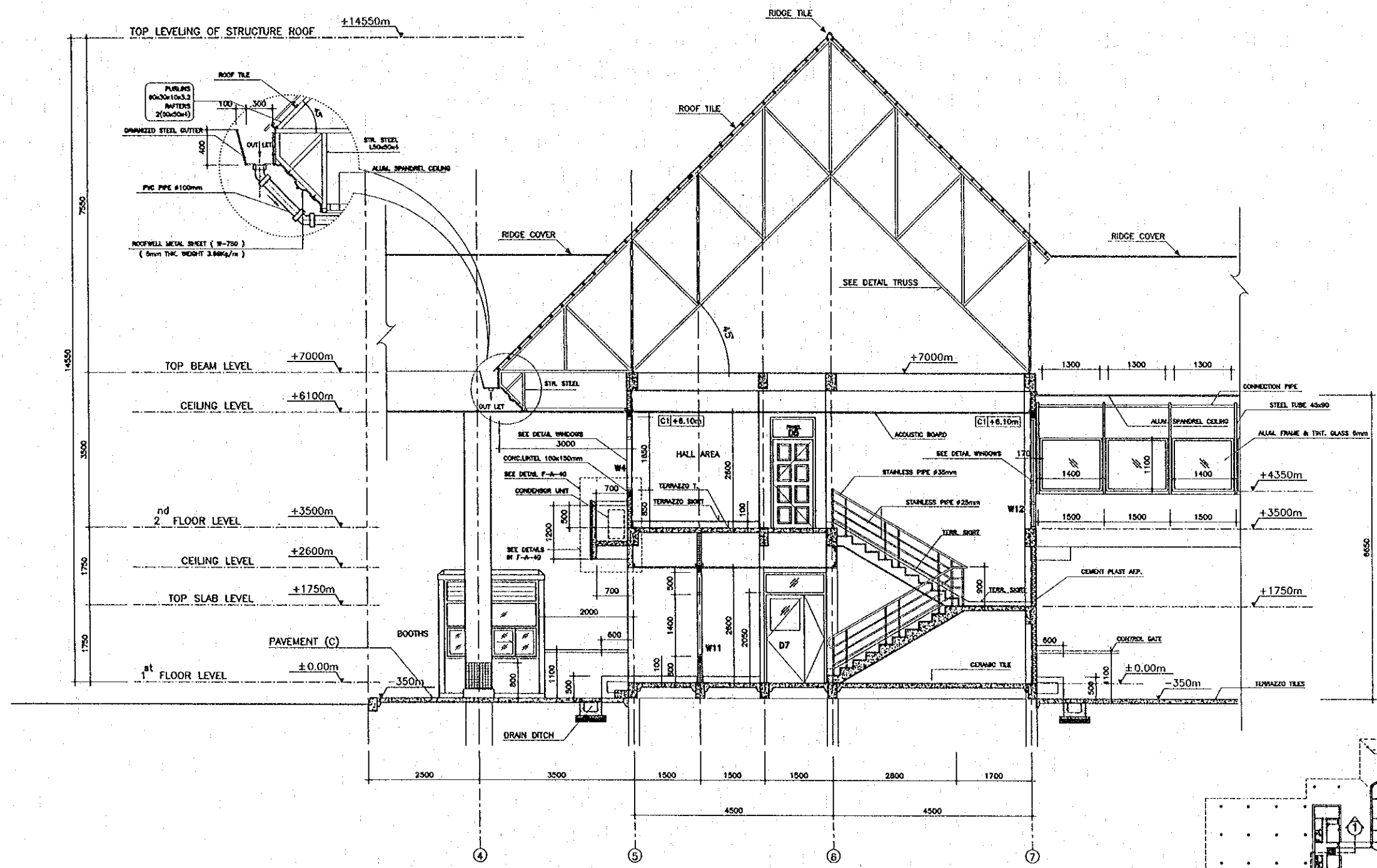
ELEVATION D (ARRIVAL BUILDING)  
SCALE 1:100



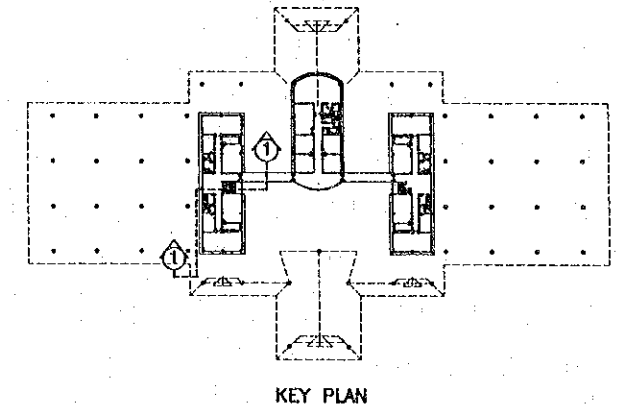
ELEVATION B (ARRIVAL BUILDING)  
SCALE 1:100



REV.	DATE	DESCRIPTION	APPROVED	PROJECT STUDY TEAM	JICA	LAO PEOPLE'S DEMOCRATIC REPUBLIC	KINGDOM OF THAILAND	THE SECOND MEKONG INTERNATIONAL BRIDGE CONSTRUCTION PROJECT	QUALITY RECORD	NAME	SIGNATURE	DATE	DWG. TITLE
				ORIENTAL CONSULTANTS CO., LTD. In association with NIPPON KOEI CO., LTD.	JICA	MINISTRY OF COMMUNICATION, TRANSPORT, POST AND CONSTRUCTION	MINISTRY OF TRANSPORT AND COMMUNICATIONS DEPARTMENT OF HIGHWAYS		DESIGN	A. Mochika	<i>[Signature]</i>	18-02-00	BORDER CONTROL FACILITIES LAO PDR SIDE MAIN OFFICE : ARRIVAL BUILDING--ELEVATION B, D
								DESIGN CHECK	T. Mousazono	<i>[Signature]</i>	18-02-00		
								SUBMITTED	A. Hiratani	<i>[Signature]</i>	21/02/00		
								APPROVED	P. Viraphanth	<i>[Signature]</i>	22/02/00		



CROSS SECTION AT 1-1  
 SCALE 1:50



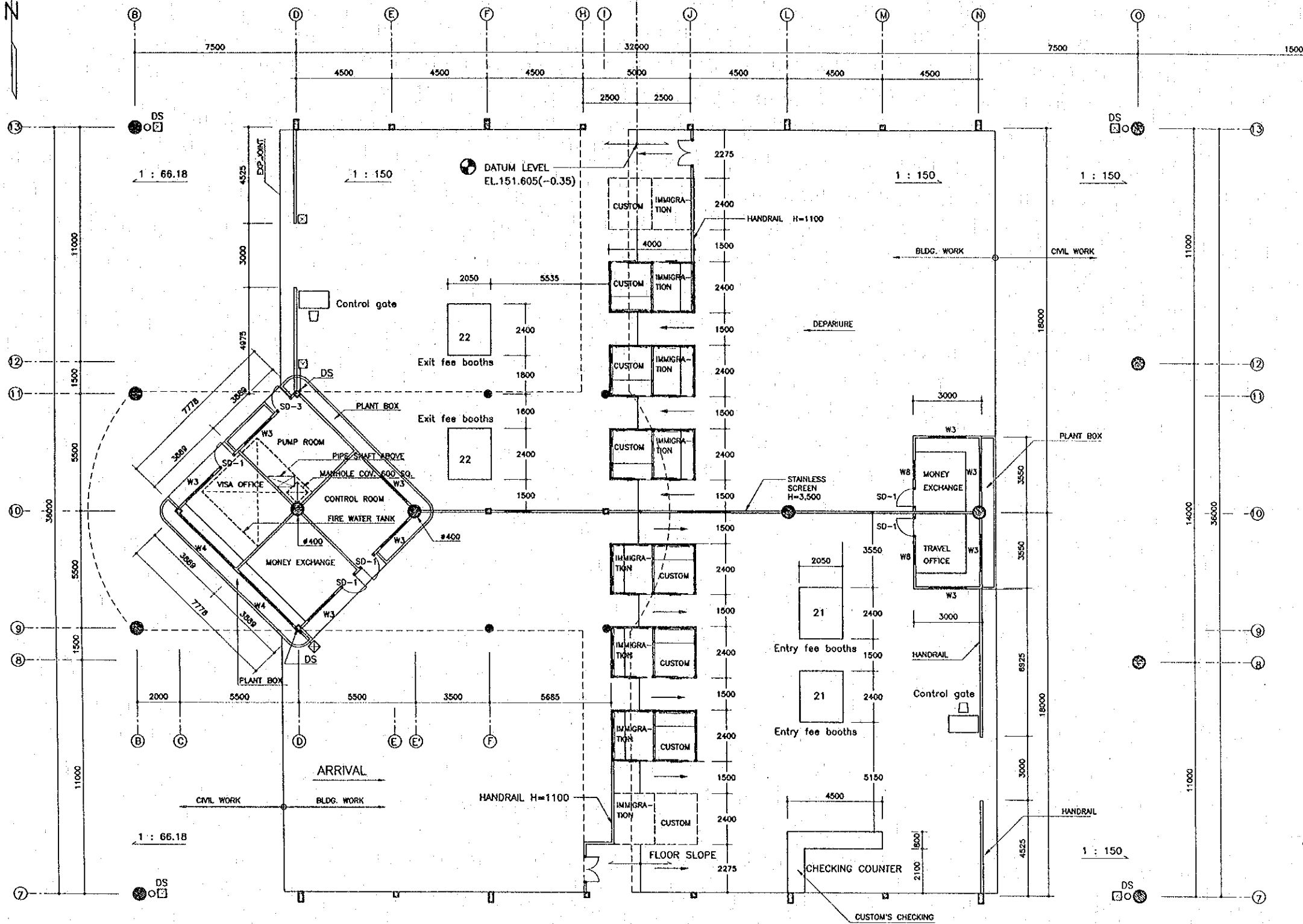
REV.	DATE	DESCRIPTION	APPROVED

PROJECT STUDY TEAM  
 ORIENTAL CONSULTANTS CO., LTD.  
 In association with  
 NIPPON KOKI CO., LTD.

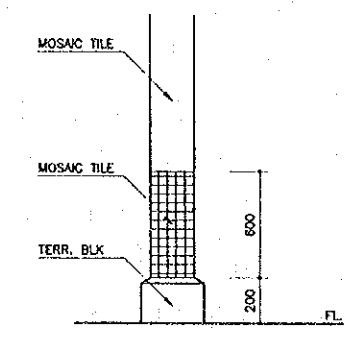
JICA JAPAN INTERNATIONAL COOPERATION AGENCY  
 LAO PEOPLE'S DEMOCRATIC REPUBLIC  
 MINISTRY OF COMMUNICATION, TRANSPORT, POST AND CONSTRUCTION  
 KINGDOM OF THAILAND  
 MINISTRY OF TRANSPORT AND COMMUNICATIONS  
 DEPARTMENT OF HIGHWAYS

THE SECOND MEKONG  
 INTERNATIONAL BRIDGE  
 CONSTRUCTION PROJECT

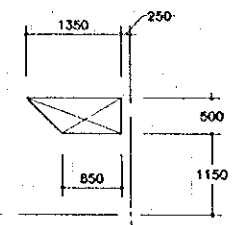
QUALITY RECORD	NAME	SIGNATURE	DATE	DWG. TITLE
DESIGN	A. Moolak	<i>[Signature]</i>	11-02-00	BORDER CONTROL FACILITIES LAO PDR SIDE MAIN OFFICE : ARRIVAL BUILDING-CROSS SECTION AT 1-1
DESIGN CHECK	T. Meeuwana	<i>[Signature]</i>	11-02-00	
SUBMITTED	A. Hiratani	<i>[Signature]</i>	11/03/00	
APPROVED	P. Viraphanah	<i>[Signature]</i>	22/03/00	



1<sup>st</sup> FLOOR PLAN  
 SCALE 1:100



BOTTOM OF IND. COLUMNS

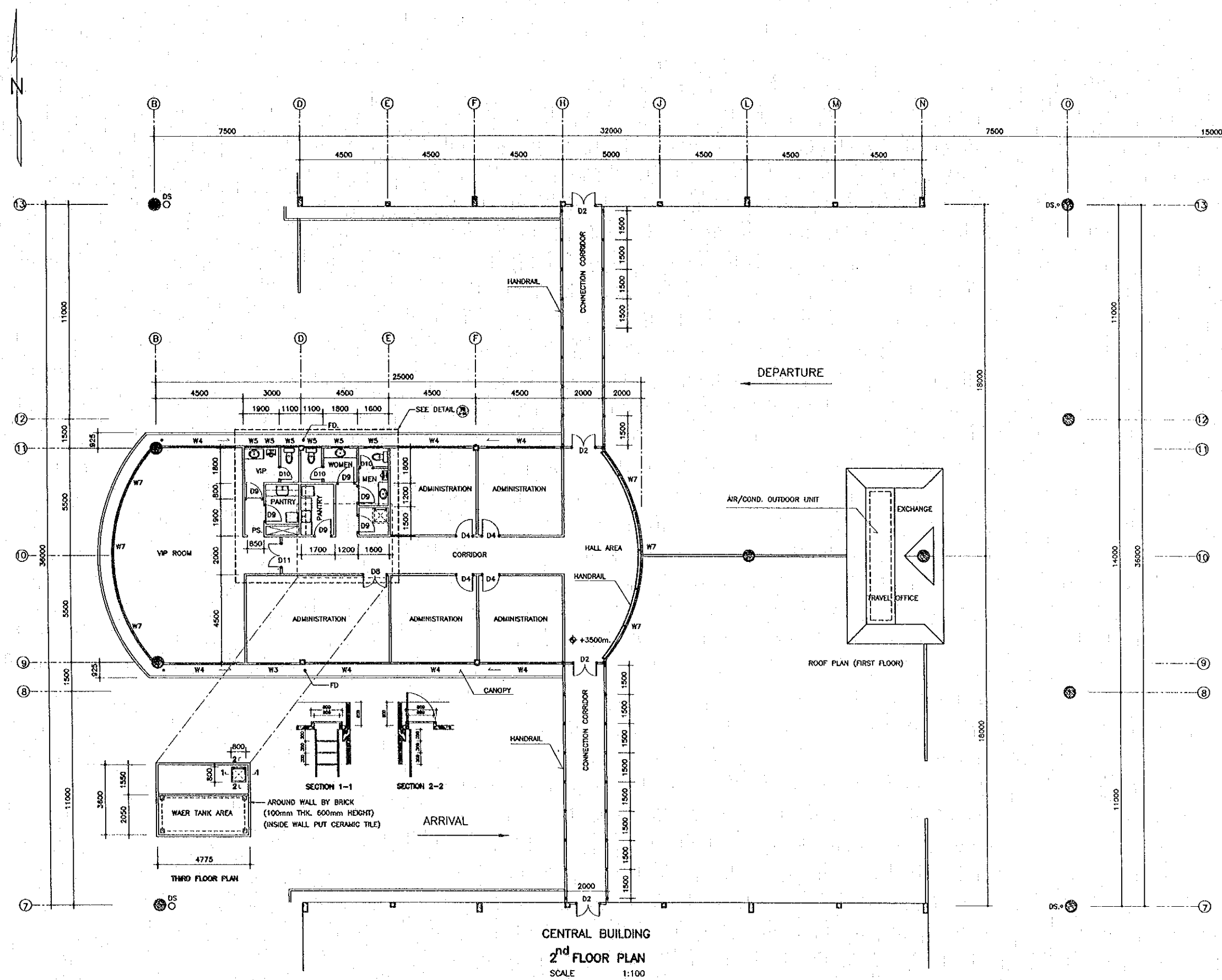


PIPE SHAFT DETAIL



- LEGENDS :
- DS : DOWNSPOUT P.V.C. #100
  - DS : DOWNSPOUT P.V.C. #100
  - DS : DOWNSPOUT P.V.C. #100

REV.	DATE	DESCRIPTION	APPROVED	PROJECT STUDY TEAM	JICA	QUALITY RECORD	NAME	SIGNATURE	DATE	DRG. TITLE
				ORIENTAL CONSULTANTS CO., LTD. In association with NIPPON KOEI CO., LTD.	JICA JAPAN INTERNATIONAL COOPERATION AGENCY LAO PEOPLE'S DEMOCRATIC REPUBLIC MINISTRY OF COMMUNICATION, TRANSPORT, POST AND CONSTRUCTION KINGDOM OF THAILAND MINISTRY OF TRANSPORT AND COMMUNICATIONS DEPARTMENT OF HIGHWAYS	DESIGN	A. Morikita	<i>[Signature]</i>	16/02/00	BORDER CONTROL FACILITIES LAO PDR SIDE MAIN OFFICE : CENTRAL BUILDING-1 <sup>st</sup> FLOOR PLAN
						DESIGN CHECK	T. Matsuura	<i>[Signature]</i>	18/02/00	
						SUBMITTED	A. Hatakeyama	<i>[Signature]</i>	21/02/00	
						APPROVED	P. Virophanth	<i>[Signature]</i>	22/02/00	

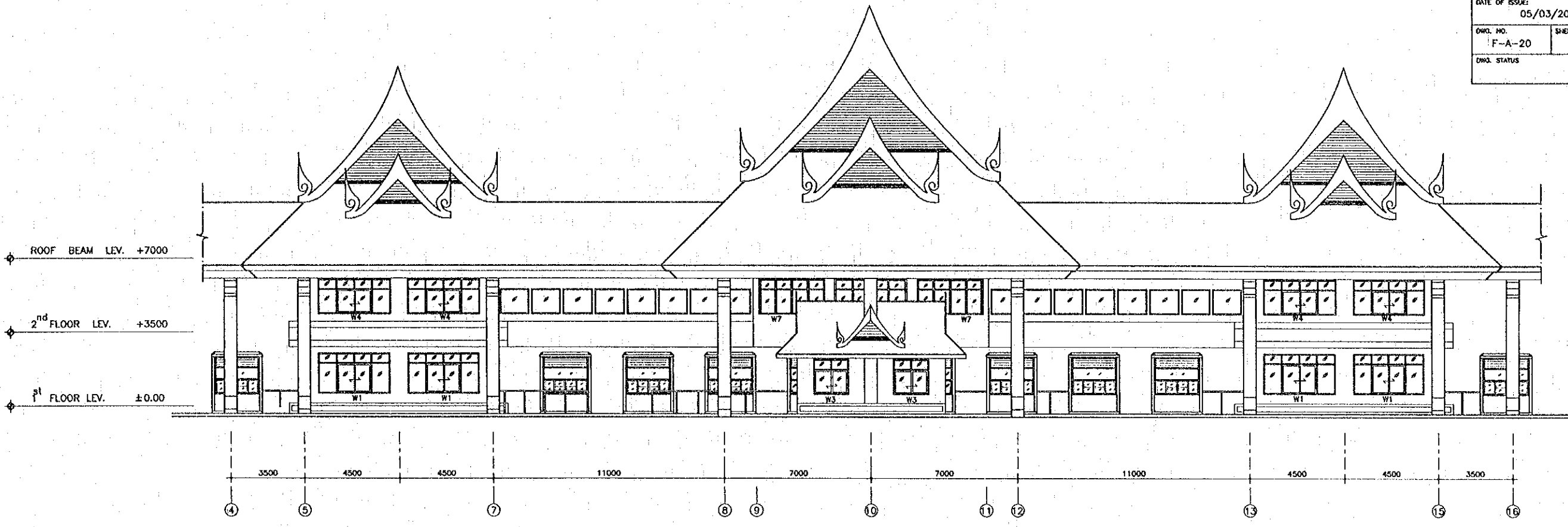


CENTRAL BUILDING  
 2<sup>nd</sup> FLOOR PLAN  
 SCALE 1:100

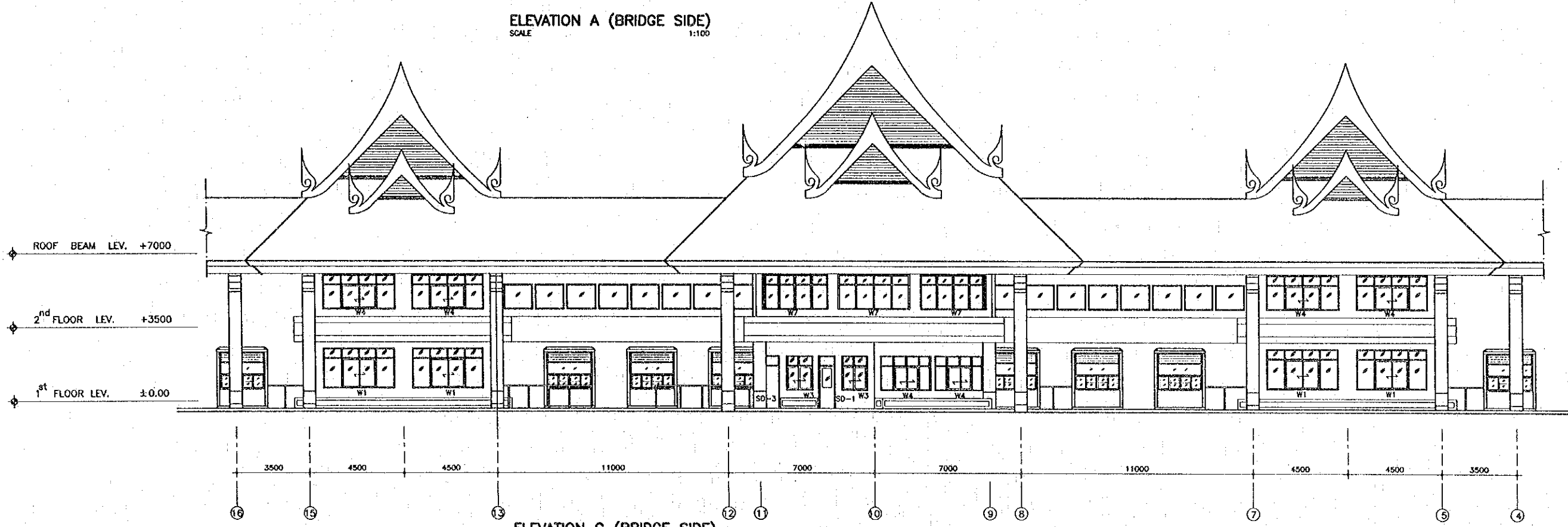
- LEGENDS :
- DS. : DOWNSPOUT P.V.C. # 125 OP. UNLESS SPECIFIED
  - FD. : FLOOR DRAIN # 100

REV.	DATE	DESCRIPTION	APPROVED	PROJECT STUDY TEAM	JICA	QUALITY RECORD	NAME	SIGNATURE	DATE	DWG. TITLE
				ORIENTAL CONSULTANTS CO., LTD. In association with NIPPON KOEI CO., LTD.	JAPAN INTERNATIONAL COOPERATION AGENCY LAO PEOPLE'S DEMOCRATIC REPUBLIC MINISTRY OF COMMUNICATION, TRANSPORT, POST AND CONSTRUCTION KINGDOM OF THAILAND MINISTRY OF TRANSPORT AND COMMUNICATIONS DEPARTMENT OF HIGHWAYS	DESIGN	A. Morikita	<i>[Signature]</i>	16-03-00	BORDER CONTROL FACILITIES LAO PDR SIDE MAIN OFFICE : CENTRAL BUILDING-2 <sup>nd</sup> FLOOR PLAN
						DESIGN CHECK	T. Moutzawa	<i>[Signature]</i>	18-03-00	
						SUBMITTED	A. Kitroni	<i>[Signature]</i>	21/03/00	
						APPROVED	P. Wraphanth	<i>[Signature]</i>	22/03/00	

DATE OF ISSUE: 05/03/2000	
DWG. NO. F-A-20	SHEET NO. 151
DWG. STATUS	



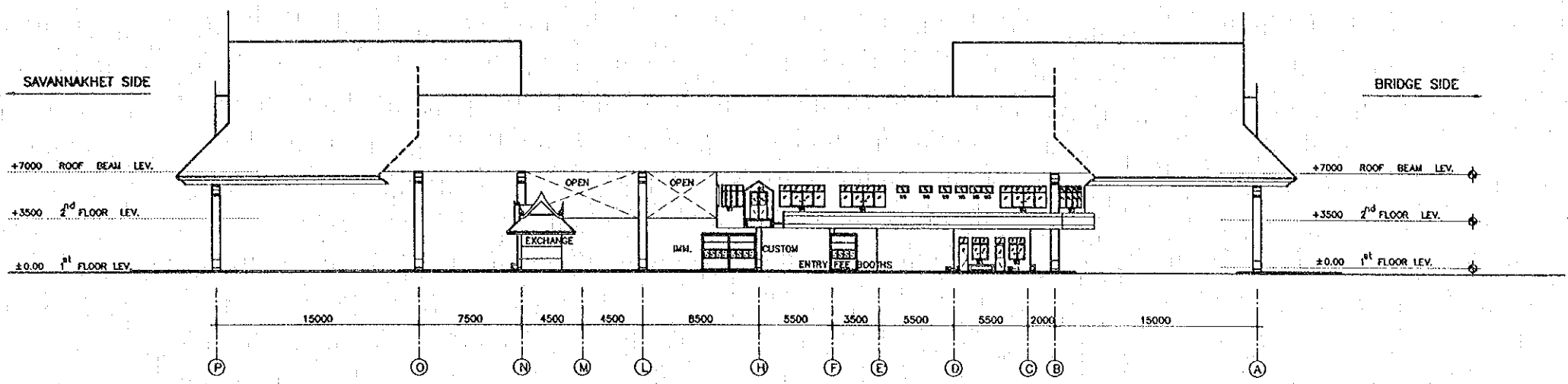
ELEVATION A (BRIDGE SIDE)  
SCALE 1:100



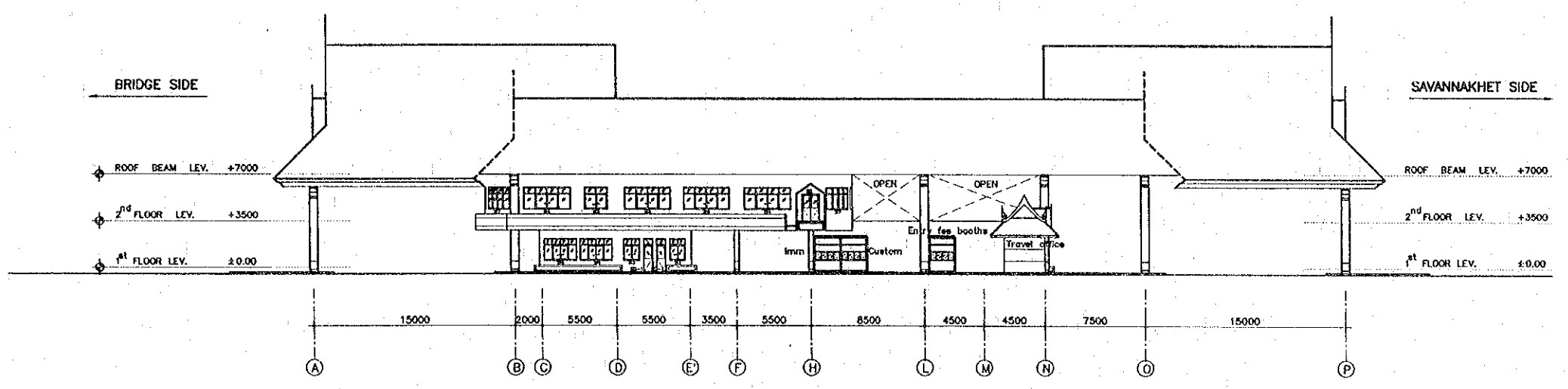
ELEVATION C (BRIDGE SIDE)  
SCALE 1:100

REV.	DATE	DESCRIPTION	APPROVED	PROJECT STUDY TEAM	JICA JAPAN INTERNATIONAL COOPERATION AGENCY	LAO PEOPLE'S DEMOCRATIC REPUBLIC MINISTRY OF COMMUNICATION, TRANSPORT, POST AND CONSTRUCTION	THE SECOND MEXKONG INTERNATIONAL BRIDGE CONSTRUCTION PROJECT	QUALITY RECORD	NAME	SIGNATURE	DATE	DWG. TITLE
				ORIENTAL CONSULTANTS CO., LTD. In association with NIPPON KOEI CO., LTD.	MINISTRY OF TRANSPORT AND COMMUNICATIONS DEPARTMENT OF HIGHWAYS			DESIGN	A. Morlaka	<i>[Signature]</i>	16/02/00	BORDER CONTROL FACILITIES LAO PDR SIDE MAIN OFFICE : CENTRAL BUILDING--ELEVATION A, C
							DESIGN CHECK	T. Mouzeawa	<i>[Signature]</i>	18/02/00		
							SUBMITTED	A. Hiratani	<i>[Signature]</i>	21/02/00		
							APPROVED	P. Viraphanth	<i>[Signature]</i>	22/02/00		

DATE OF ISSUE:	
05/03/2000	
DWG. NO.	SHEET NO.
F-A-21	152
DWG. STATUS	

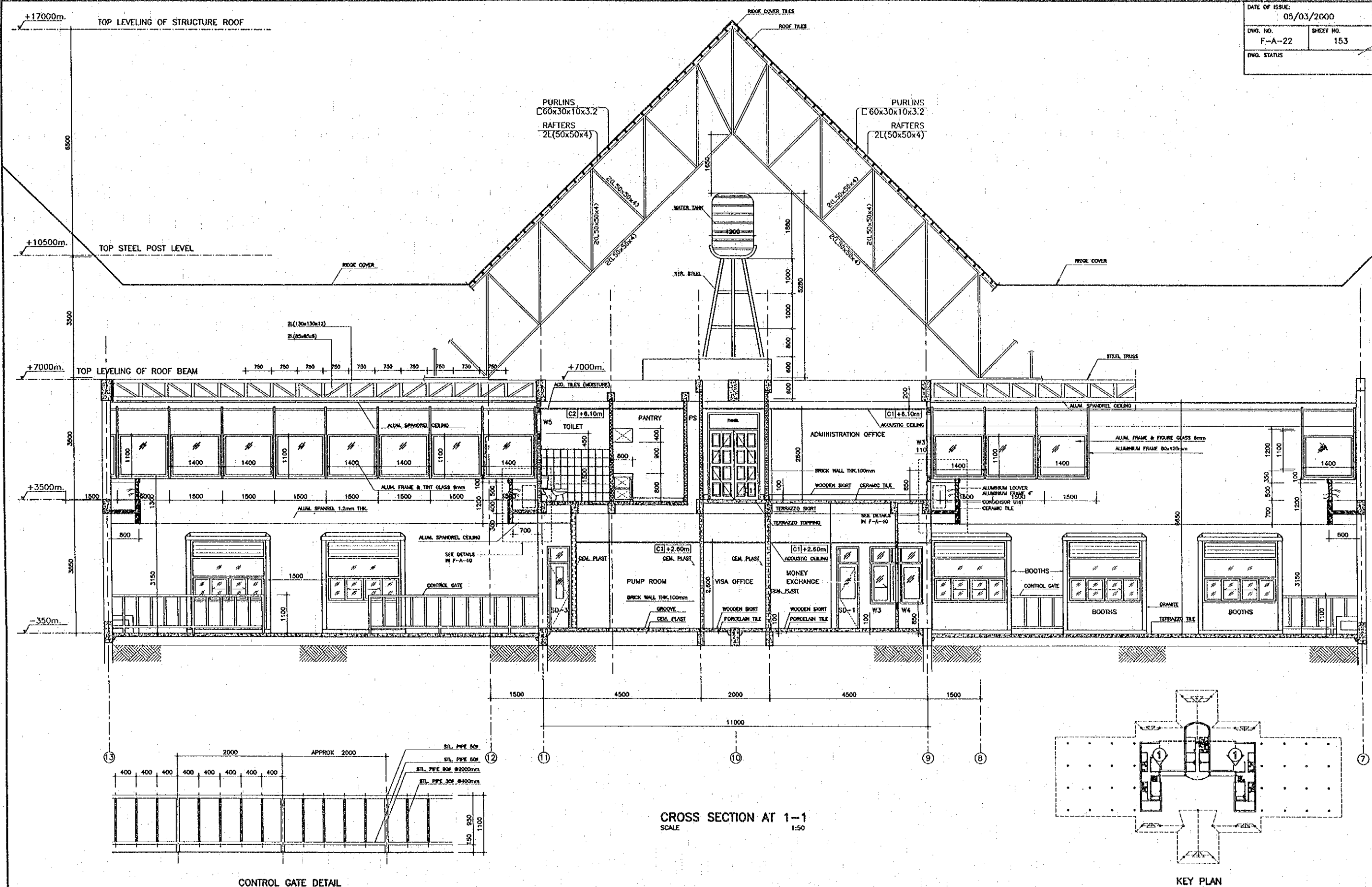


ELEVATION D (CENTRAL BUILDING)  
SCALE 1:200



ELEVATION B (CENTRAL BUILDING)  
SCALE 1:200

REV.	DATE	DESCRIPTION	APPROVED	PROJECT STUDY TEAM	JICA JAPAN INTERNATIONAL COOPERATION AGENCY	LAO PEOPLE'S DEMOCRATIC REPUBLIC MINISTRY OF COMMUNICATION, TRANSPORT, POST AND CONSTRUCTION	THE SECOND MEKONG INTERNATIONAL BRIDGE CONSTRUCTION PROJECT	QUALITY RECORD	NAME	SIGNATURE	DATE	DWG. TITLE
				ORIENTAL CONSULTANTS CO., LTD. in association with NIPPON KOGI CO., LTD.	KINGDOM OF THAILAND MINISTRY OF TRANSPORT AND COMMUNICATIONS DEPARTMENT OF HIGHWAYS			DESIGN	A. Morloka	<i>[Signature]</i>	16/03/00	BORDER CONTROL FACILITIES LAO PDR SIDE MAIN OFFICE : CENTRAL BUILDING-ELEVATION B, D
							DESIGN CHECK	T. Mouzawa	<i>[Signature]</i>	18/03/00		
							SUBMITTED	A. Hirafu	<i>[Signature]</i>	21/04/00		
							APPROVED	P. Vrophanh	<i>[Signature]</i>	22/04/00		



REV.	DATE	DESCRIPTION	APPROVED

PROJECT STUDY TEAM  
 ORIENTAL CONSULTANTS CO., LTD.  
 In association with  
 NIPPON KOKI CO., LTD.

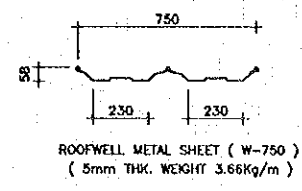
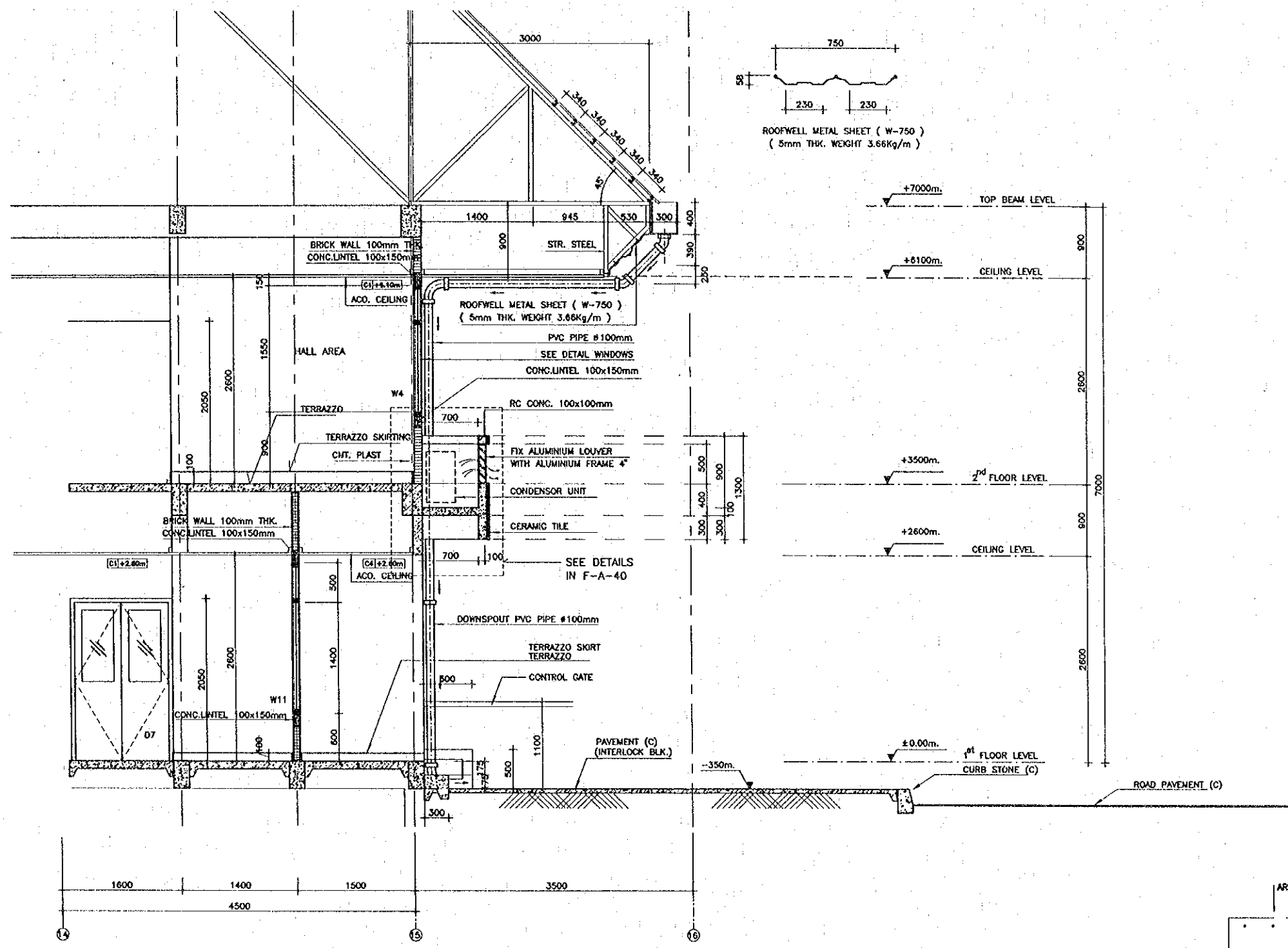
JICA JAPAN INTERNATIONAL COOPERATION AGENCY  
 LAO PEOPLE'S DEMOCRATIC REPUBLIC  
 MINISTRY OF COMMUNICATION, TRANSPORT, POST AND CONSTRUCTION  
 KINGDOM OF THAILAND  
 MINISTRY OF TRANSPORT AND COMMUNICATIONS  
 DEPARTMENT OF HIGHWAYS

THE SECOND MEKONG INTERNATIONAL BRIDGE CONSTRUCTION PROJECT

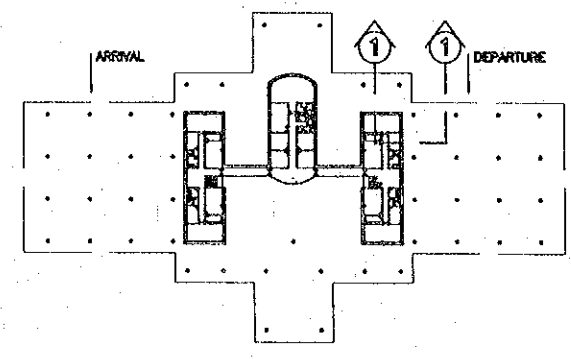
QUALITY RECORD	NAME	SIGNATURE	DATE
DESIGN	A. Morioka	<i>[Signature]</i>	18-02-00
DESIGN CHECK	T. Morosawa	<i>[Signature]</i>	18-02-00
SUBMITTED	A. Hiratani	<i>[Signature]</i>	21/01/00
APPROVED	P. Virophanth	<i>[Signature]</i>	02/02/00

DWG. TITLE  
**BORDER CONTROL FACILITIES**  
 LAO PDR SIDE  
 MAIN OFFICE : CENTRAL BUILDING-CROSS SECTION AT 1-1



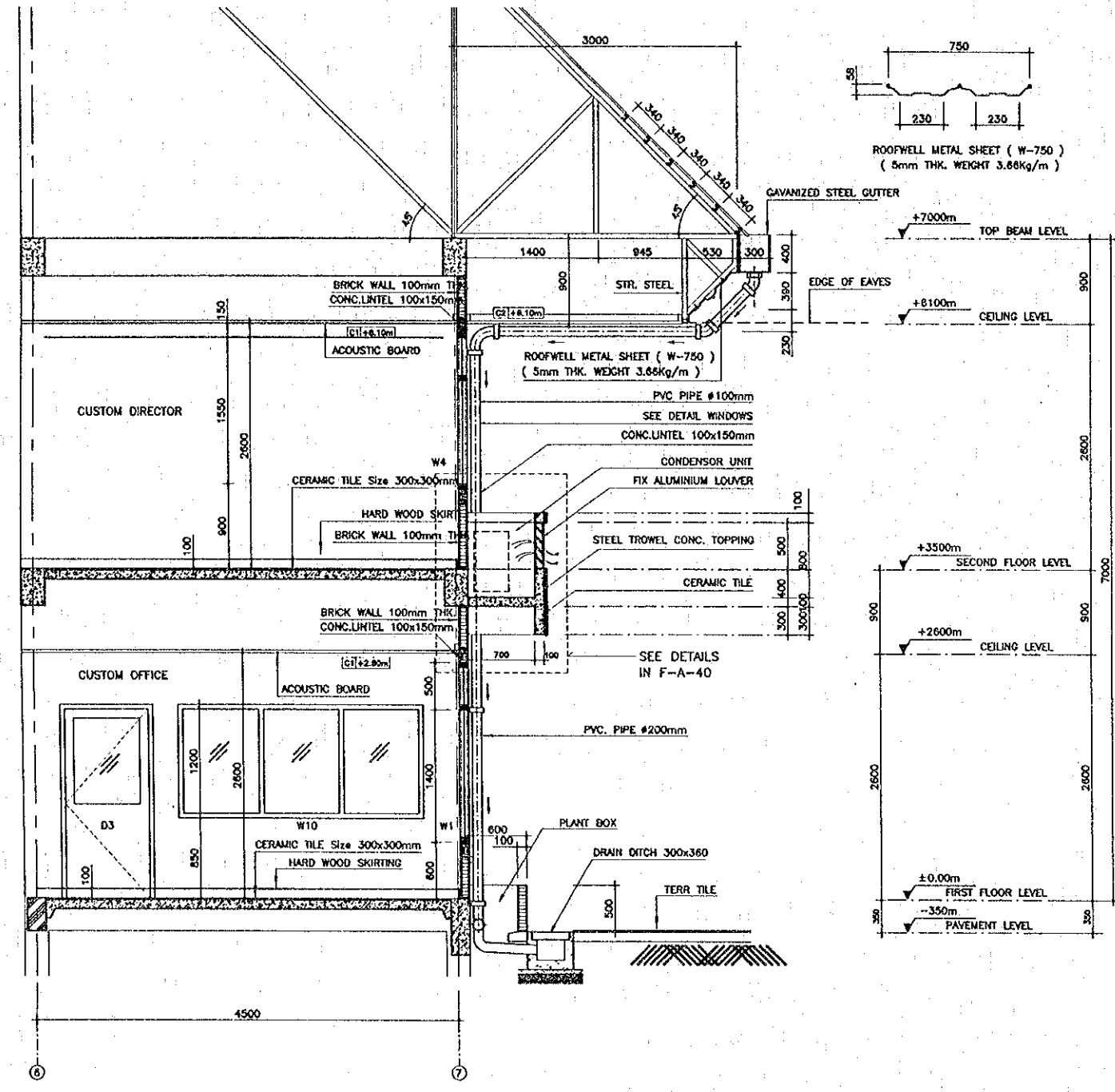


TYPICAL SECTION 1  
 SCALE 1:30

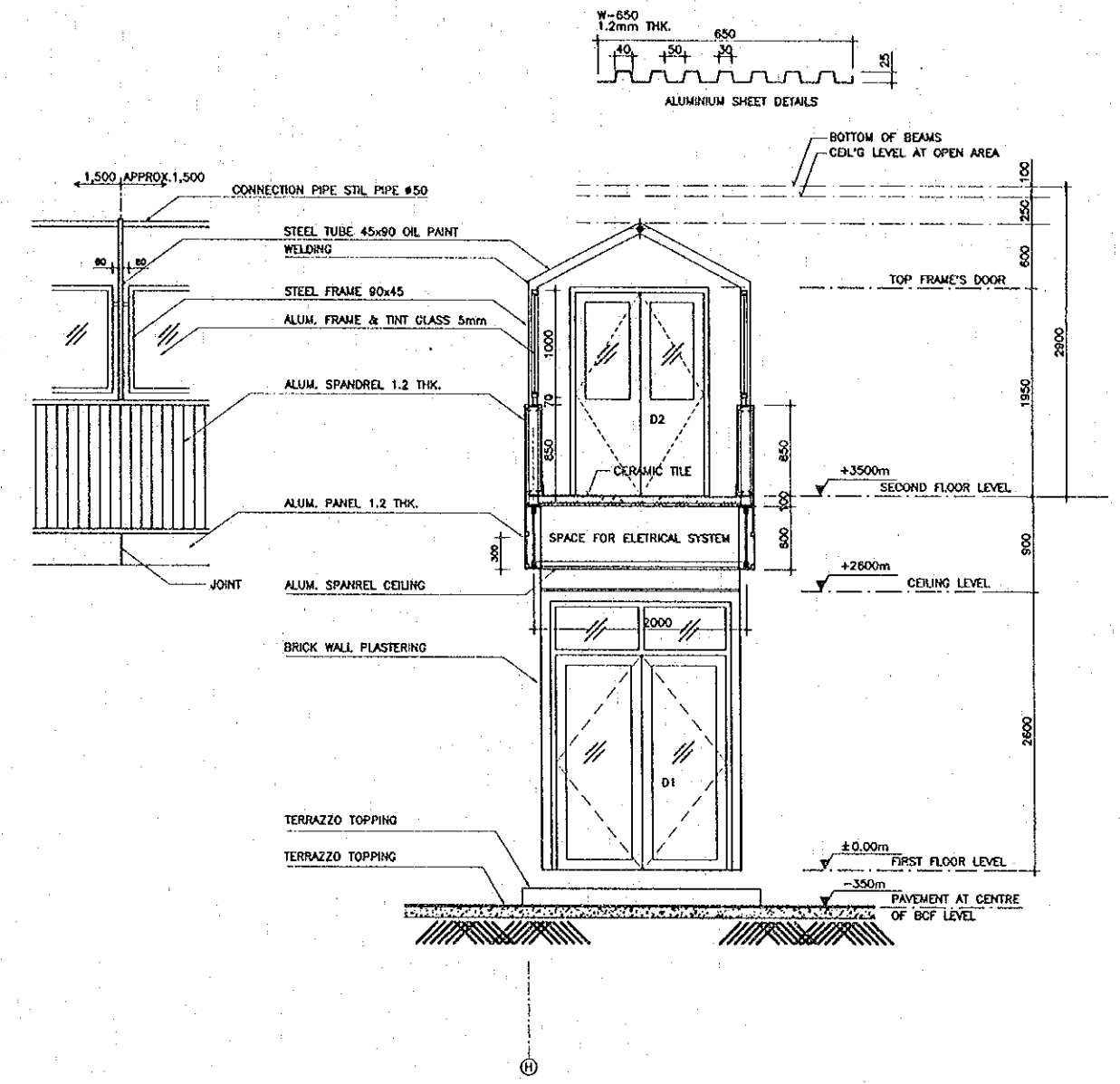


KEY PLAN

REV.	DATE	DESCRIPTION	APPROVED	PROJECT STUDY TEAM	JICA JAPAN INTERNATIONAL COOPERATION AGENCY	QUALITY RECORD	NAME	SIGNATURE	DATE	DWO. TITLE
				ORIENTAL CONSULTANTS CO., LTD. In association with NIPPON KOKI CO., LTD.	LAO PEOPLE'S DEMOCRATIC REPUBLIC MINISTRY OF COMMUNICATION, TRANSPORT, POST AND CONSTRUCTION KINGDOM OF THAILAND MINISTRY OF TRANSPORT AND COMMUNICATIONS DEPARTMENT OF HIGHWAYS	DESIGN	A. Morikita	<i>[Signature]</i>	16/02/00	BORDER CONTROL FACILITIES LAO PDR SIDE MAIN OFFICE : DEPARTURE BUILDING-TYPICAL SECTION 1
						DESIGN CHECK	T. Manuwan	<i>[Signature]</i>	21/02/00	
						SUBMITTED	A. Hiratani	<i>[Signature]</i>	21/02/00	
						APPROVED	P. Veraphanth	<i>[Signature]</i>	22/02/00	

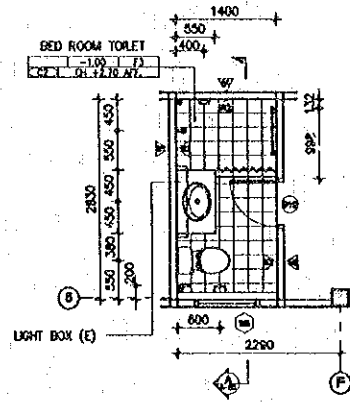


TYPICAL SECTION 2  
 SCALE 1:30

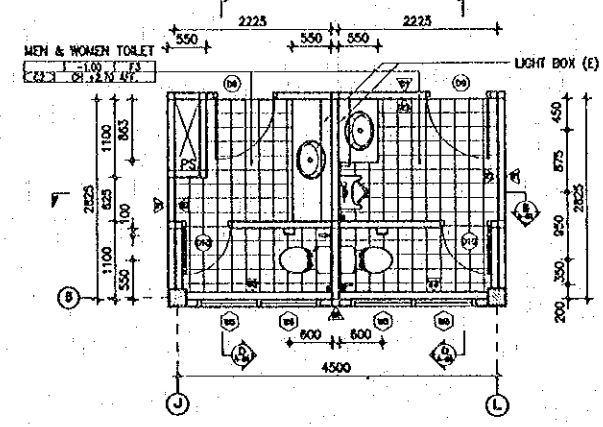


CONNECTION CORRIDOR DETAIL  
 SCALE 1:30

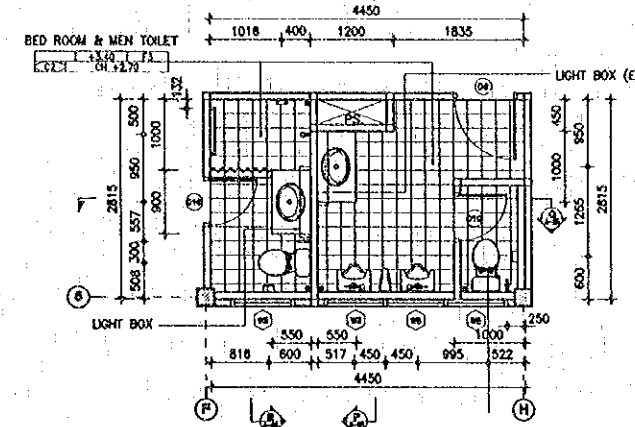
REV.	DATE	DESCRIPTION	APPROVED	PROJECT STUDY TEAM	JICA JAPAN INTERNATIONAL COOPERATION AGENCY	QUALITY RECORD	NAME	SIGNATURE	DATE	DWG. TITLE
				ORIENTAL CONSULTANTS CO., LTD. In association with NIPPON KORI CO., LTD.	LAO PEOPLE'S DEMOCRATIC REPUBLIC MINISTRY OF COMMUNICATION, TRANSPORT, POST AND CONSTRUCTION KINGDOM OF THAILAND MINISTRY OF TRANSPORT AND COMMUNICATIONS DEPARTMENT OF HIGHWAYS	DESIGN	A. Morioka	<i>[Signature]</i>	12/01/00	BORDER CONTROL FACILITIES LAO PDR SIDE MAIN OFFICE : ARRIVAL BUILDING, CORRIDOR-TYPICAL SECTION 2
						DESIGN CHECK	T. Moutono	<i>[Signature]</i>	21/01/00	
						SUBMITTED	A. Hiratani	<i>[Signature]</i>	22/01/00	
						APPROVED	P. Vichaphanth	<i>[Signature]</i>	22/01/00	



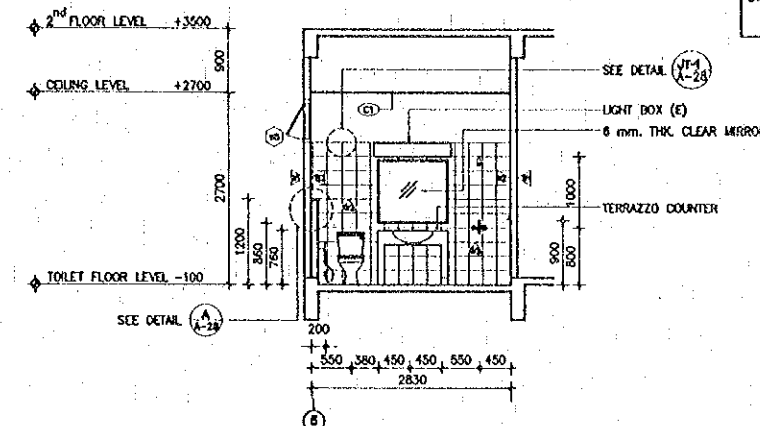
DETAILS TOILET T1  
 SCALE 1:50



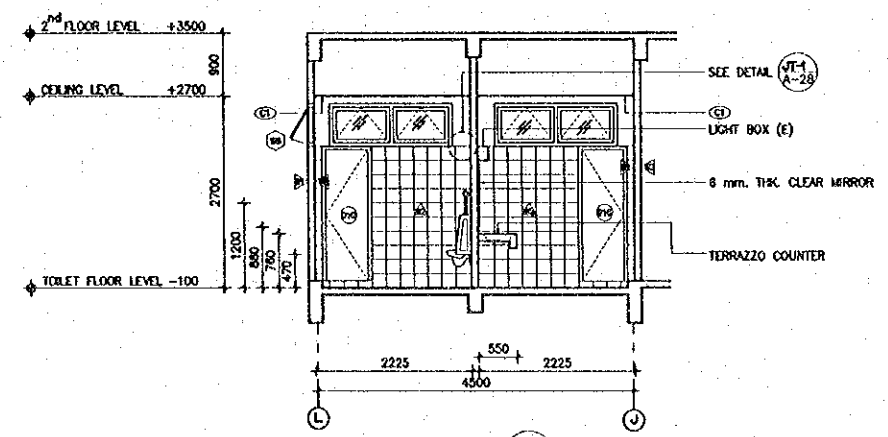
DETAILS TOILET T2  
 SCALE 1:50



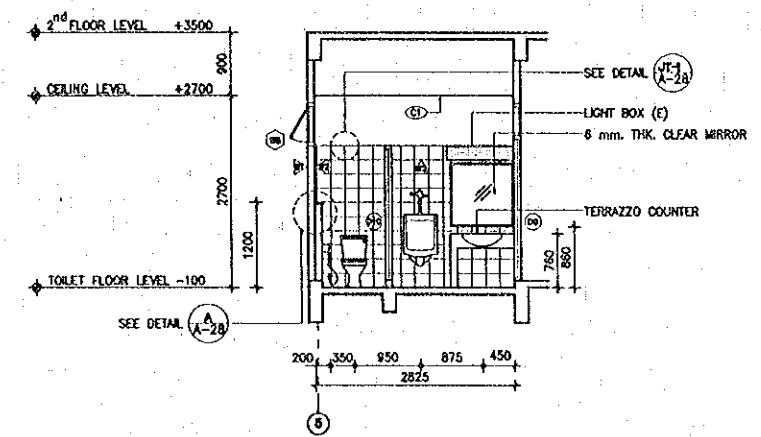
DETAILS TOILET T3  
 SCALE 1:50



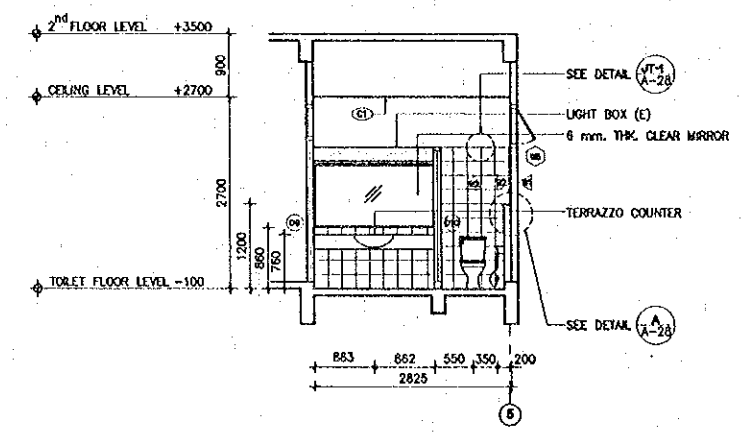
SECTION A T1  
 SCALE 1:50



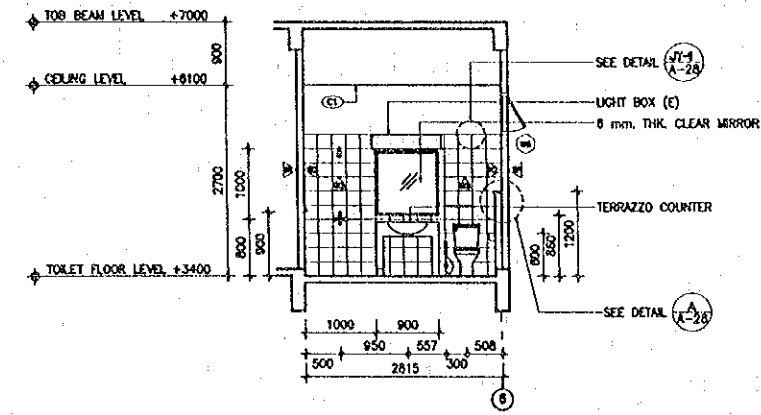
SECTION B T2  
 SCALE 1:50



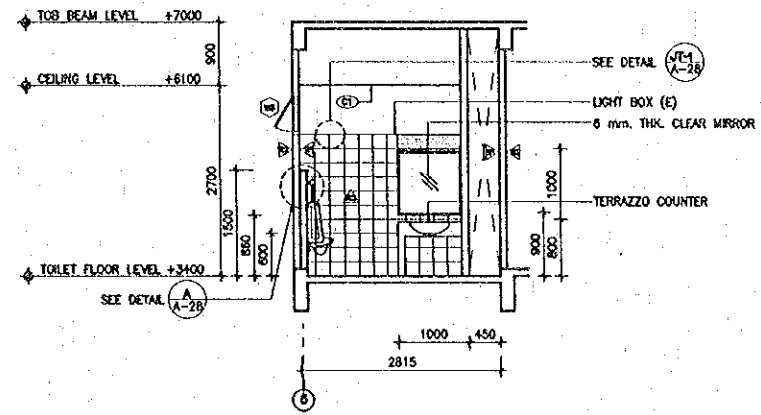
SECTION C T2  
 SCALE 1:50



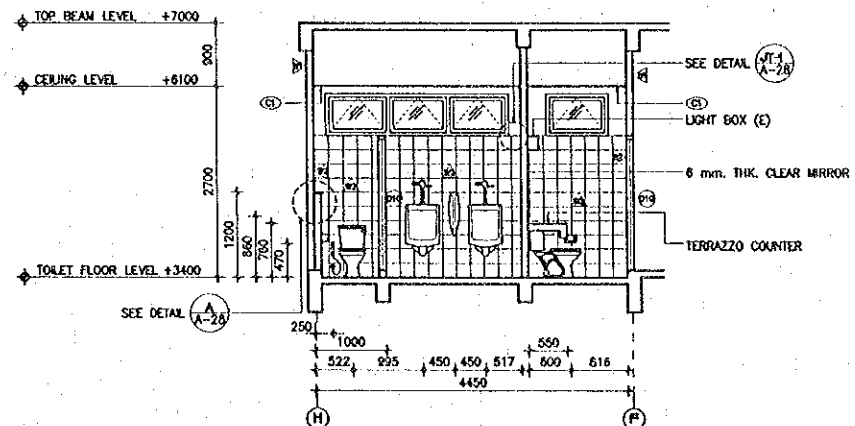
SECTION D T2  
 SCALE 1:50



SECTION E T3  
 SCALE 1:50



SECTION F T3  
 SCALE 1:50



SECTION G T3  
 SCALE 1:50

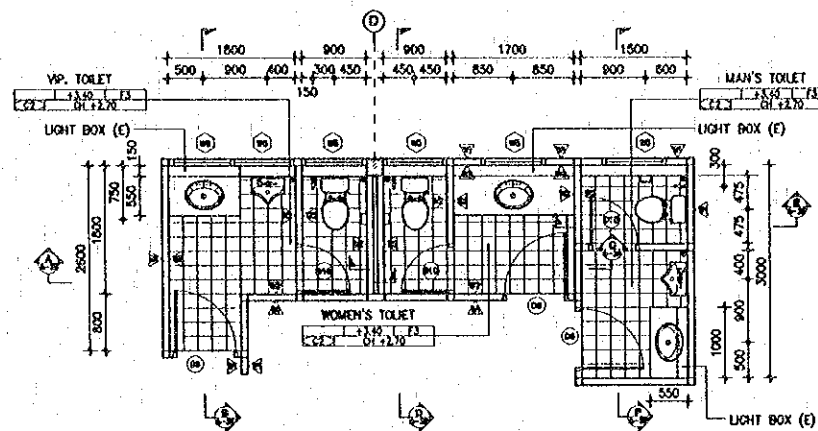
REV.	DATE	DESCRIPTION	APPROVED	PROJECT STUDY TEAM

ORIENTAL CONSULTANTS CO., LTD.  
 In association with  
 NIPPON KOKI CO., LTD.

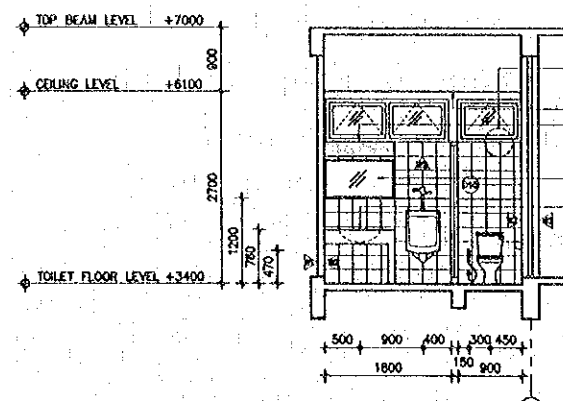
JICA JAPAN INTERNATIONAL COOPERATION AGENCY  
 LAO PEOPLE'S DEMOCRATIC REPUBLIC  
 MINISTRY OF COMMUNICATION, TRANSPORT, POST AND CONSTRUCTION  
 KINGDOM OF THAILAND  
 MINISTRY OF TRANSPORT AND COMMUNICATIONS  
 DEPARTMENT OF HIGHWAYS

THE SECOND MEKONG INTERNATIONAL BRIDGE CONSTRUCTION PROJECT

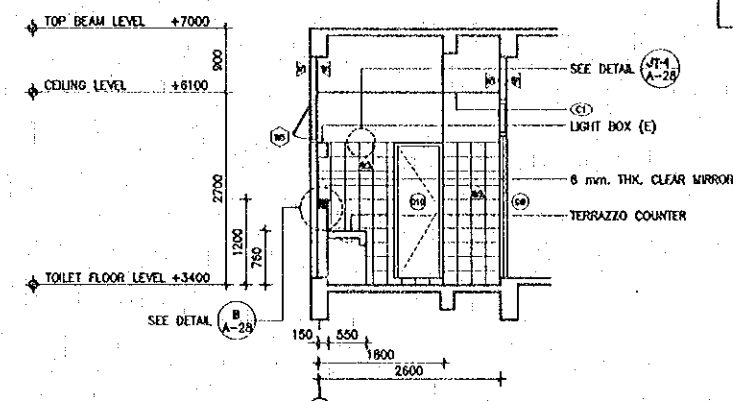
QUALITY RECORD	NAME	SIGNATURE	DATE	DWG. TITLE
DESIGN	A. Morikita	<i>[Signature]</i>	16/02/00	BORDER CONTROL FACILITIES LAO PDR SIDE MAIN OFFICE : ARRIVAL-TOILET DETAILS T1,T2, AND T3
DESIGN CHECK	T. Manuwong	<i>[Signature]</i>	21/02/00	
SUBMITTED	A. Herford	<i>[Signature]</i>	22/02/00	
APPROVED	P. Virephanth	<i>[Signature]</i>	22/02/00	



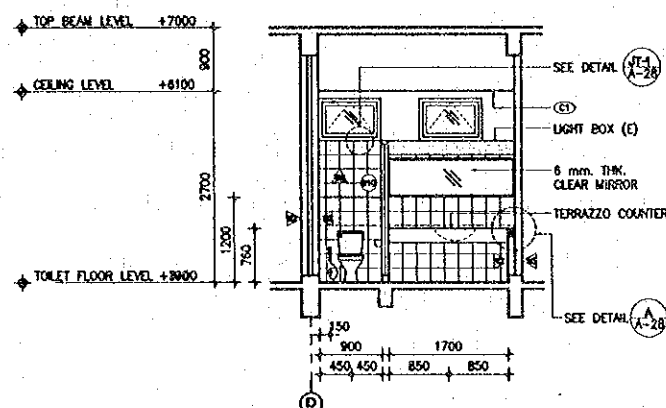
DETAIL TOILET T8  
SCALE 1:50 A-26



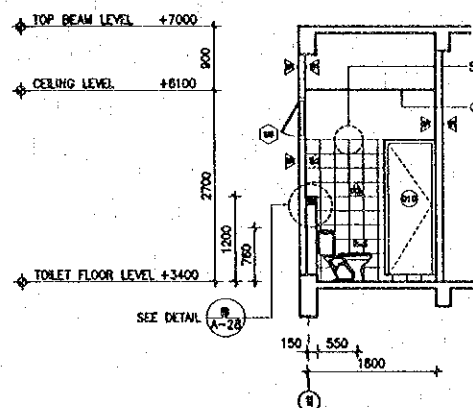
SECTION A T8  
SCALE 1:50 A-26



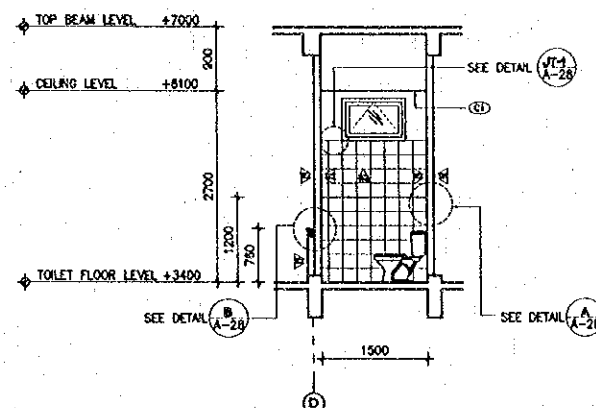
SECTION B T8  
SCALE 1:50 A-26



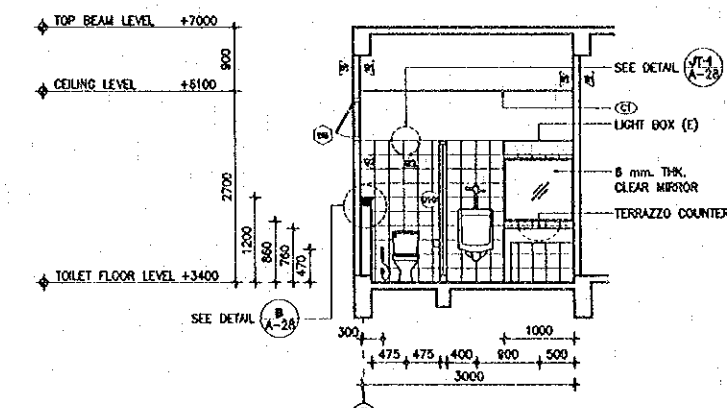
SECTION C T8  
SCALE 1:50 A-26



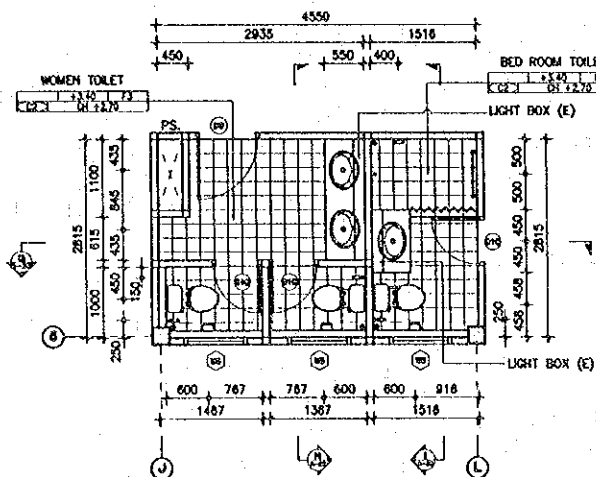
SECTION D T8  
SCALE 1:50 A-26



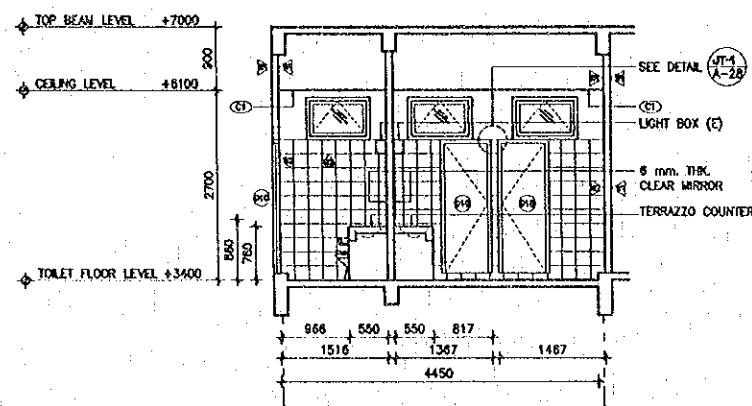
SECTION E T8  
SCALE 1:50 A-26



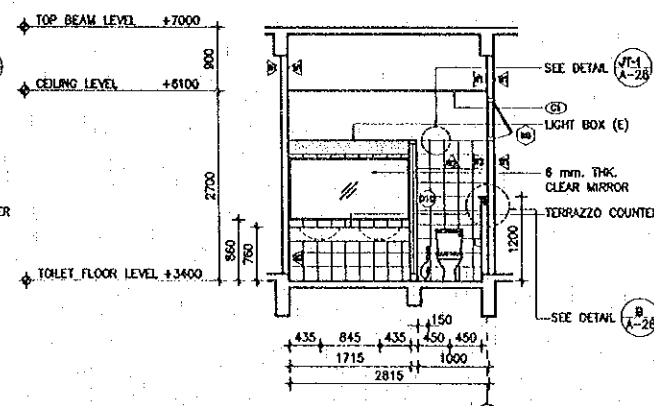
SECTION F T8  
SCALE 1:50 A-26



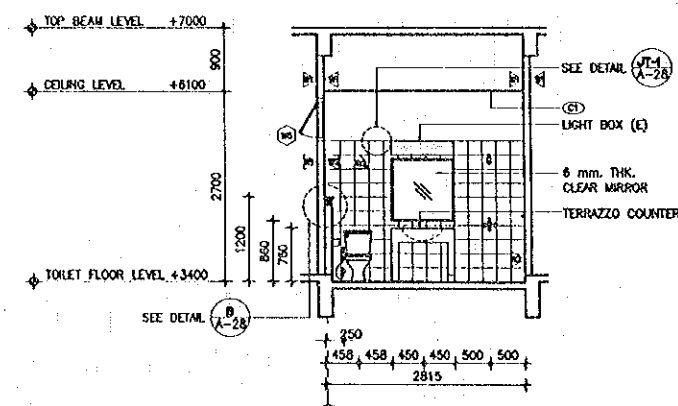
DETAIL TOILET T4  
SCALE 1:50 A-26



SECTION G T4  
SCALE 1:50 A-26



SECTION H T4  
SCALE 1:50 A-26



SECTION I T4  
SCALE 1:50 A-26

REV.	DATE	DESCRIPTION	APPROVED

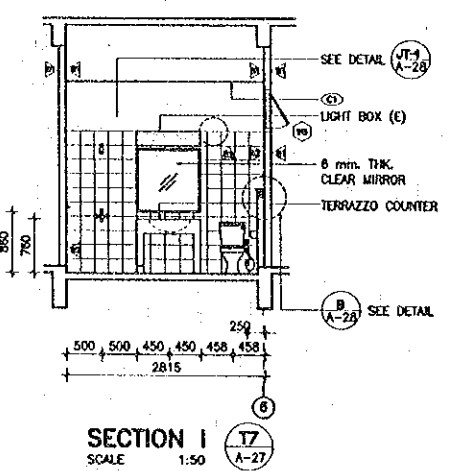
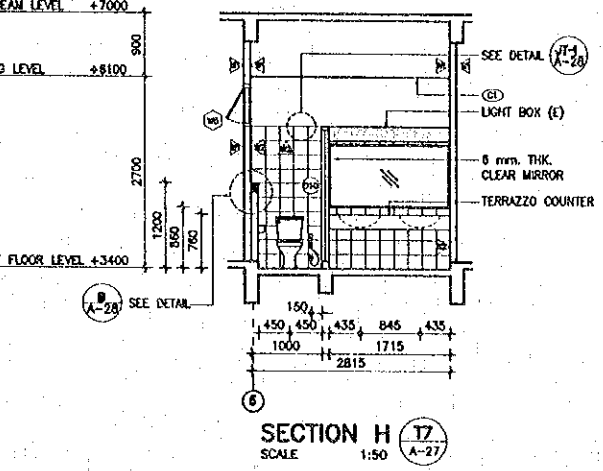
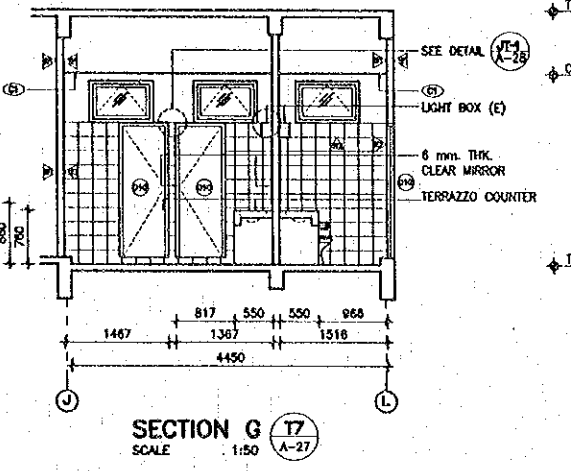
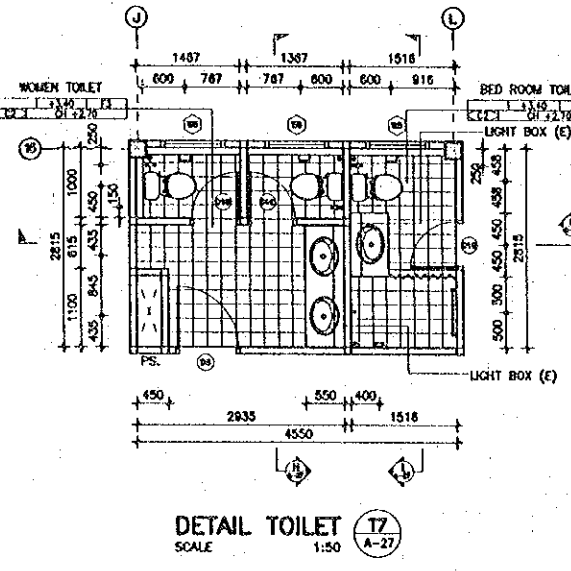
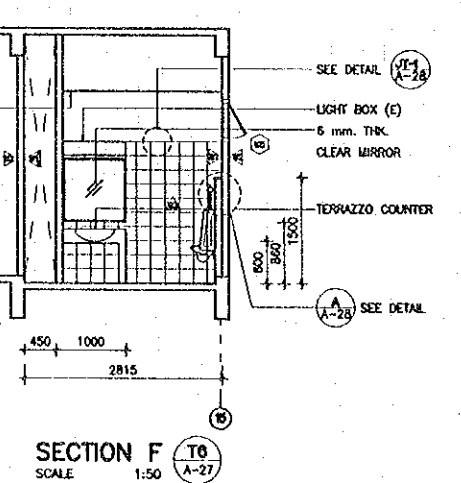
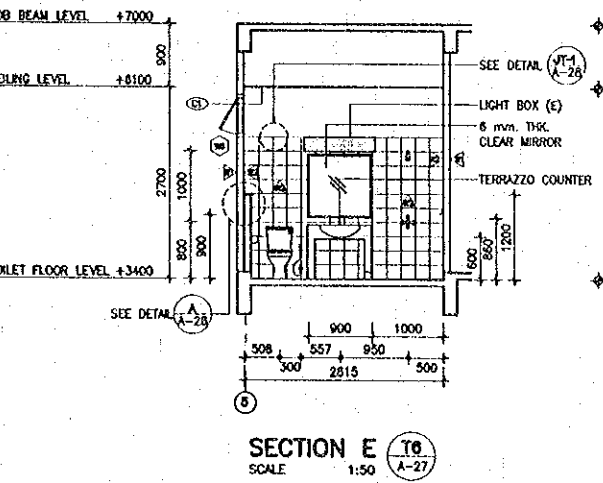
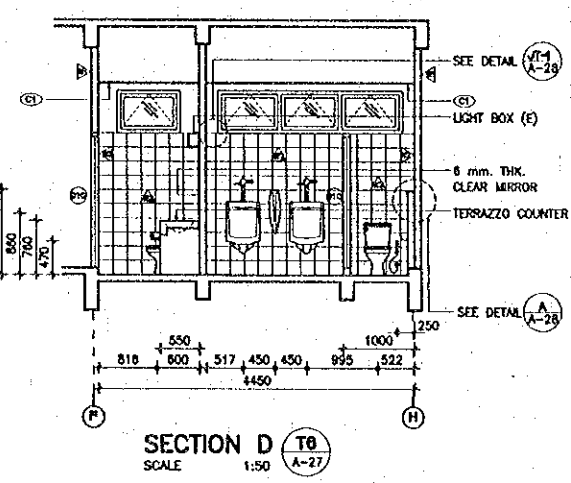
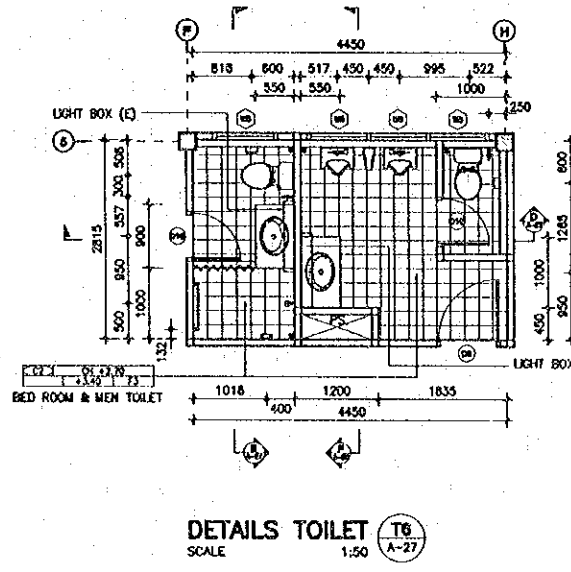
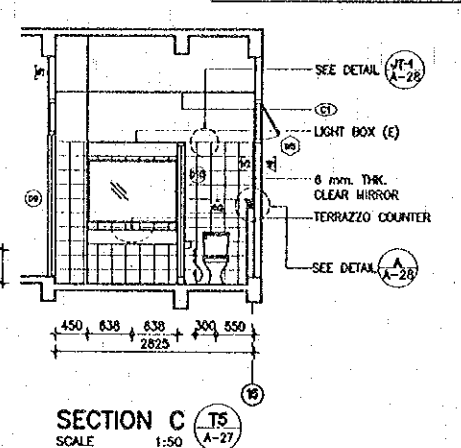
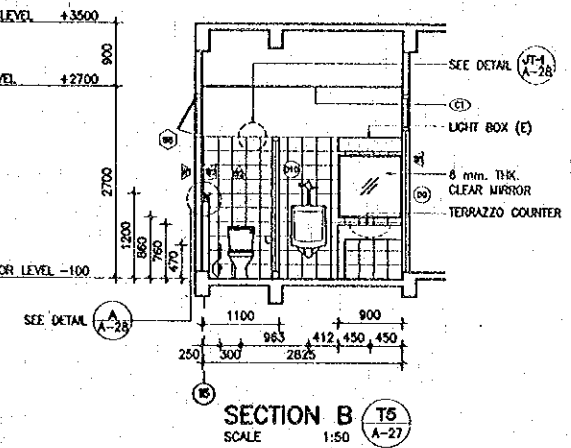
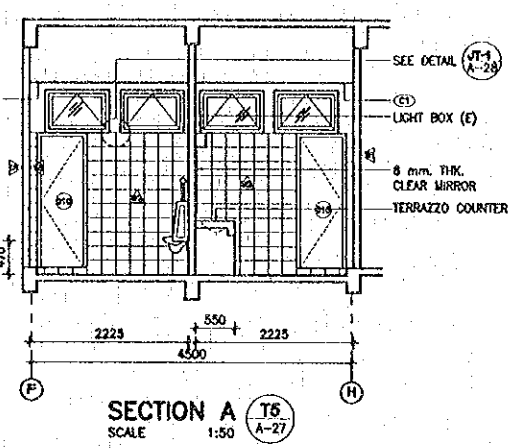
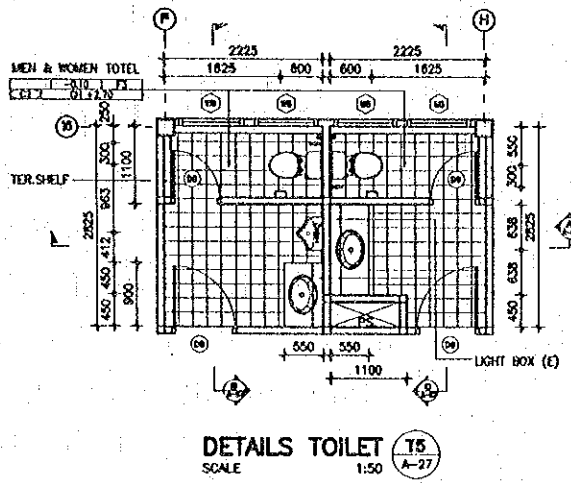
PROJECT STUDY TEAM  
**ORIENTAL CONSULTANTS CO., LTD.**  
 in association with  
**NIPPON KOEI CO., LTD.**

**JICA** JAPAN INTERNATIONAL COOPERATION AGENCY  
 LAO PEOPLE'S DEMOCRATIC REPUBLIC  
 MINISTRY OF COMMUNICATION, TRANSPORT, POST AND CONSTRUCTION  
 KINGDOM OF THAILAND  
 MINISTRY OF TRANSPORT AND COMMUNICATIONS  
 DEPARTMENT OF HIGHWAYS

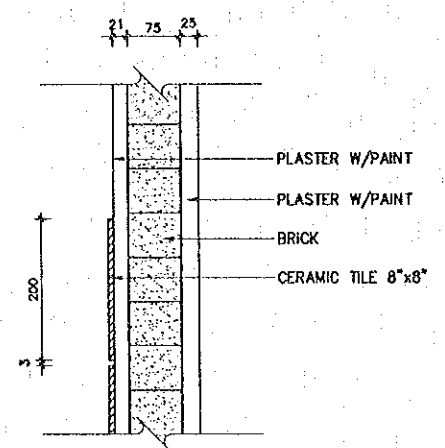
**THE SECOND MEKONG INTERNATIONAL BRIDGE CONSTRUCTION PROJECT**

QUALITY RECORD	NAME	SIGNATURE	DATE
DESIGN	A. Nodoka	<i>[Signature]</i>	12/2000
DESIGN CHECK	T. Masuzawa	<i>[Signature]</i>	1/2000
SUBMITTED	A. Hirotsu	<i>[Signature]</i>	4/10/00
APPROVED	P. Veeraphan	<i>[Signature]</i>	05/03/00

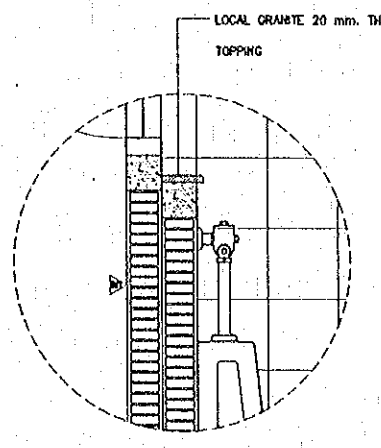
DWG. TITLE:  
**BORDER CONTROL FACILITIES  
 LAO PDR SIDE  
 MAIN OFFICE : ARRIVAL & CENTRAL BUILDING-TOILET DETAILS  
 T4 AND T8**



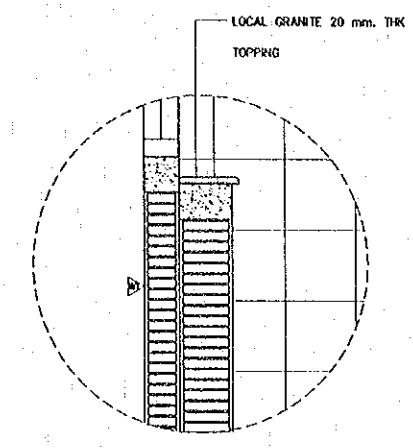
REV.	DATE	DESCRIPTION	APPROVED	PROJECT STUDY TEAM	JICA	LAO PEOPLE'S DEMOCRATIC REPUBLIC	MINISTRY OF COMMUNICATION, TRANSPORT, POST AND CONSTRUCTION	THE SECOND MEKONG INTERNATIONAL BRIDGE CONSTRUCTION PROJECT	QUALITY RECORD	NAME	SIGNATURE	DATE	DWG. TITLE
				ORIENTAL CONSULTANTS CO., LTD. in association with NIPPON KOKI CO., LTD.	JICA	MINISTRY OF COMMUNICATION, TRANSPORT, POST AND CONSTRUCTION	MINISTRY OF TRANSPORT AND COMMUNICATIONS DEPARTMENT OF HIGHWAYS	THE SECOND MEKONG INTERNATIONAL BRIDGE CONSTRUCTION PROJECT	DESIGN	A. Morikawa	<i>[Signature]</i>	16/01/00	BORDER CONTROL FACILITIES LAO PDR SIDE MAIN OFFICE : DEPARTURE BUILDING--TOILET DETAILS T5, T6 AND T7
								DESIGN CHECK	T. Mousavina	<i>[Signature]</i>	17/02/00		
								SUBMITTED	A. Hirvanti	<i>[Signature]</i>	21/02/00		
								APPROVED	P. Viraphanth	<i>[Signature]</i>	22/02/00		



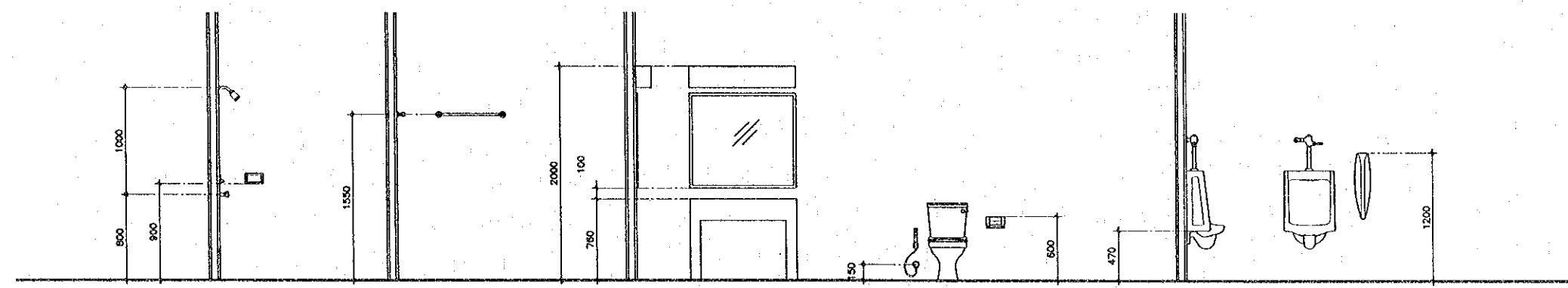
DETAIL JT-1  
SCALE 1:5



DETAIL A  
SCALE 1:10

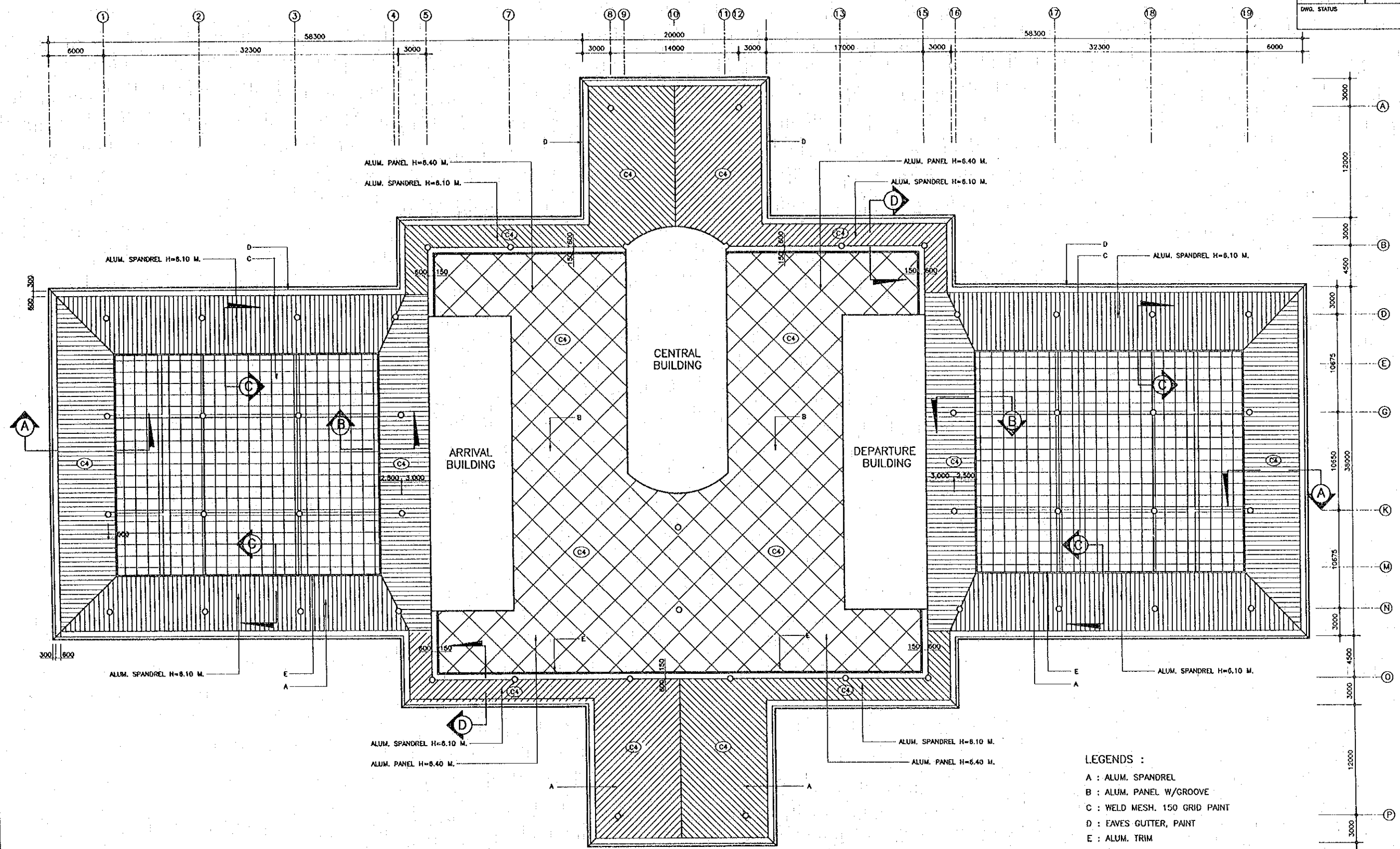
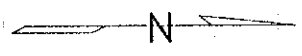


DETAIL B  
SCALE 1:10



DETAIL  
SCALE 1:25

REV.	DATE	DESCRIPTION	APPROVED	PROJECT STUDY TEAM	JICA JAPAN INTERNATIONAL COOPERATION AGENCY	QUALITY RECORD	NAME	SIGNATURE	DATE	DWG. TITLE
				ORIENTAL CONSULTANTS CO., LTD. In association with NIPPON KOEI CO., LTD.	LAO PEOPLE'S DEMOCRATIC REPUBLIC MINISTRY OF COMMUNICATION, TRANSPORT, POST AND CONSTRUCTION	DESIGN	A. Morkola	<i>[Signature]</i>	16/02/00	BORDER CONTROL FACILITIES LAO PDR SIDE MAIN OFFICE : DETAILS OF TOILET
				KINGDOM OF THAILAND MINISTRY OF TRANSPORT AND COMMUNICATIONS DEPARTMENT OF HIGHWAYS	DESIGN CHECK	T. Mankwaa	<i>[Signature]</i>	18/02/00		
					SUBMITTED	A. Hiratani	<i>[Signature]</i>	21/02/00		
					APPROVED	P. Viraphanth	<i>[Signature]</i>	22/02/00		

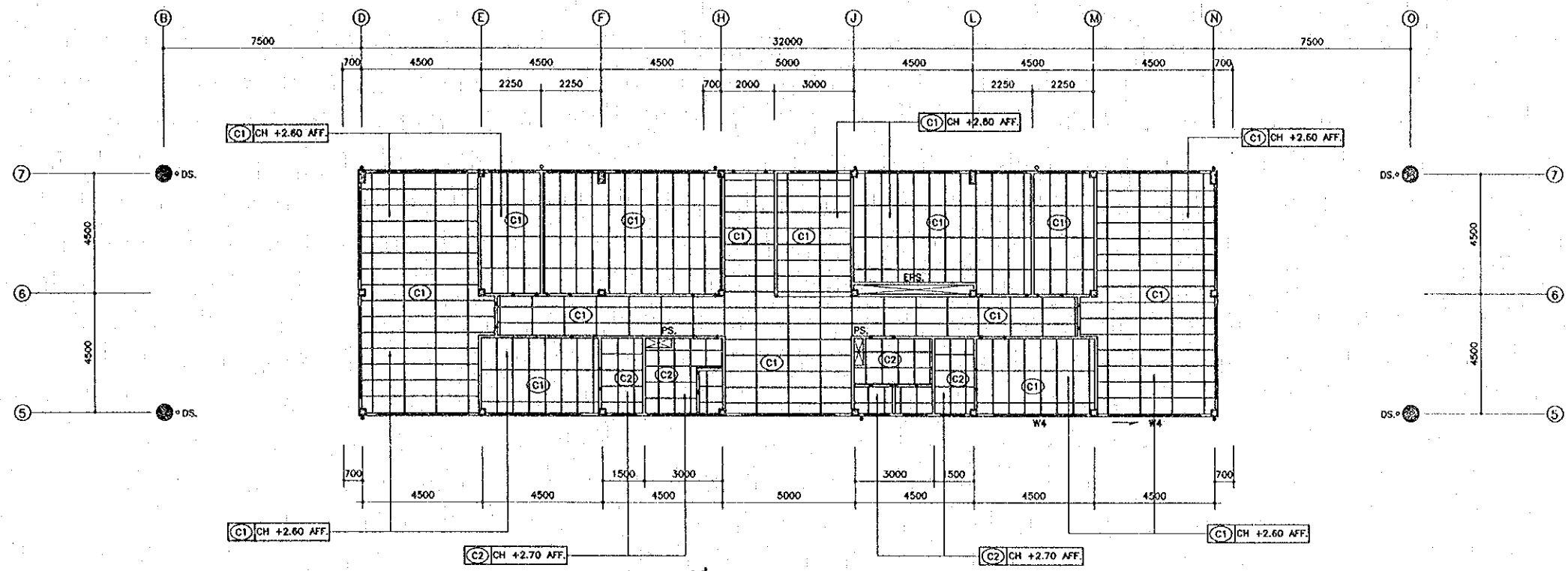
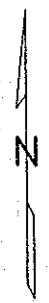


**ROOF CEILING PLAN**  
 SCALE 1:200

- LEGENDS :**
- A : ALUM. SPANDREL
  - B : ALUM. PANEL W/GROOVE
  - C : WELD MESH 150 GRID PAINT
  - D : EAVES GUTTER, PAINT
  - E : ALUM. TRIM

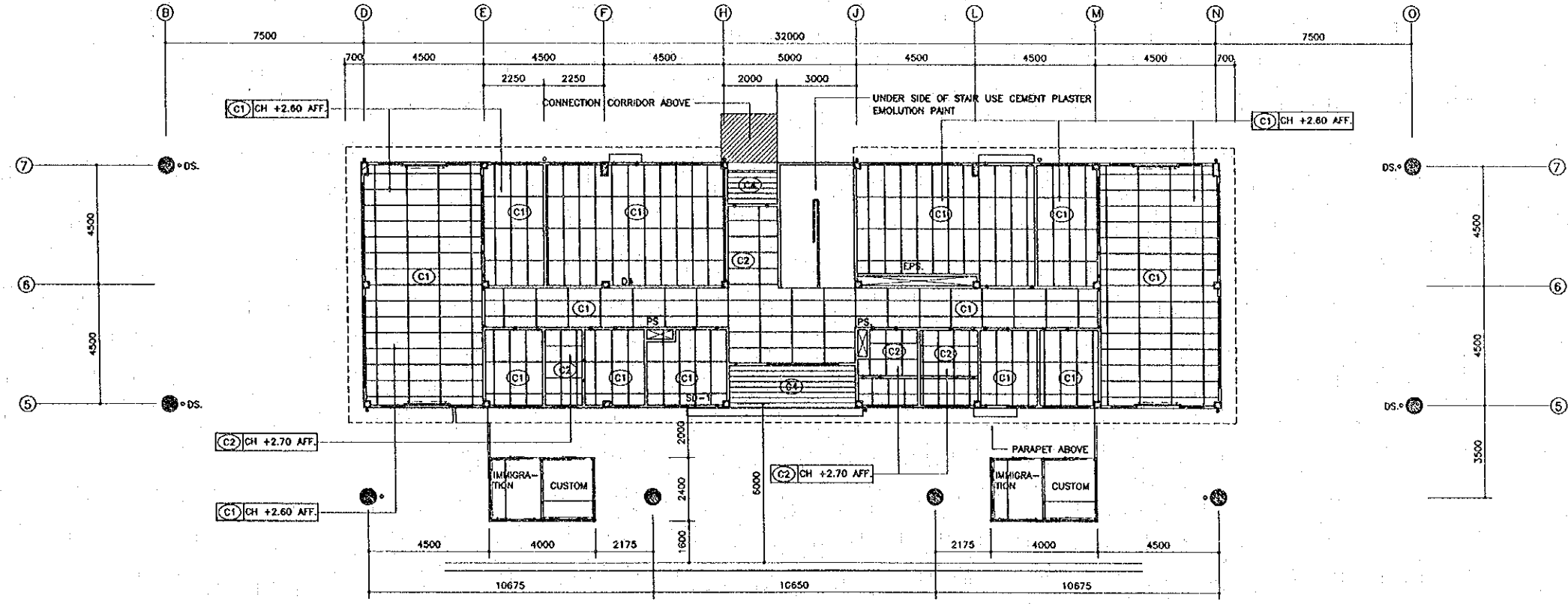
**NOTES :**  
 FOR DETAILS , SEE DWG. NO. F-A-40

REV.	DATE	DESCRIPTION	APPROVED	PROJECT STUDY TEAM	JICA	LAO PEOPLE'S DEMOCRATIC REPUBLIC	MINISTRY OF COMMUNICATION, TRANSPORT, POST AND CONSTRUCTION	THE SECOND MEKONG INTERNATIONAL BRIDGE CONSTRUCTION PROJECT	QUALITY RECORD	NAME	SIGNATURE	DATE	DWG. TITLE
				ORIENTAL CONSULTANTS CO., LTD. in association with NIPPON KOEI CO., LTD.	JICA	MINISTRY OF COMMUNICATION, TRANSPORT, POST AND CONSTRUCTION	KINGDOM OF THAILAND MINISTRY OF TRANSPORT AND COMMUNICATIONS DEPARTMENT OF HIGHWAYS		DESIGN	A. Morikawa	<i>[Signature]</i>	16-02-00	BORDER CONTROL FACILITIES LAO PDR SIDE MAIN OFFICE : ROOF CEILING PLAN
								DESIGN CHECK	T. Masuzawa	<i>[Signature]</i>	18-02-00		
								SUBMITTED	A. Hirakawa	<i>[Signature]</i>	21-02-00		
								APPROVED	P. Virophanth	<i>[Signature]</i>	22/03/00		



2<sup>nd</sup> FLOOR CEILING PLAN  
 SCALE: 1:100

PASSENGER FLOW →

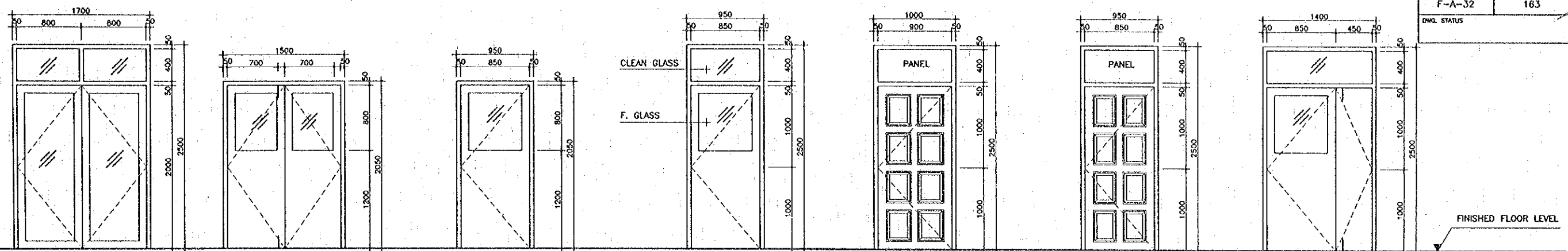


1<sup>st</sup> FLOOR CEILING PLAN  
 SCALE: 1:100

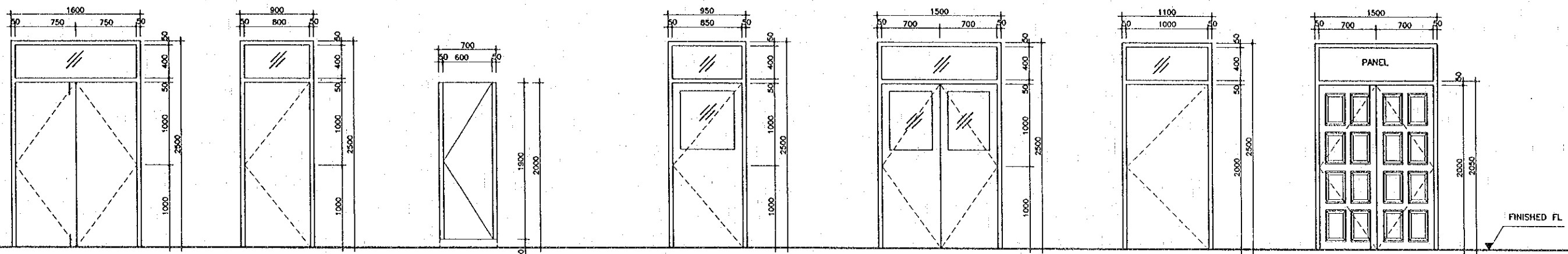
REV.	DATE	DESCRIPTION	APPROVED	PROJECT STUDY TEAM	JICA JAPAN INTERNATIONAL COOPERATION AGENCY	LAO PEOPLE'S DEMOCRATIC REPUBLIC MINISTRY OF COMMUNICATION, TRANSPORT, POST AND CONSTRUCTION	KINGDOM OF THAILAND MINISTRY OF TRANSPORT AND COMMUNICATIONS DEPARTMENT OF HIGHWAYS	THE SECOND MRKONG INTERNATIONAL BRIDGE CONSTRUCTION PROJECT	QUALITY RECORD	NAME	SIGNATURE	DATE	DWG. TITLE
				ORIENTAL CONSULTANTS CO., LTD. in association with NIPPON KOKI CO., LTD.					DESIGN	A. Morloka	<i>[Signature]</i>	16-02-00	BORDER CONTROL FACILITIES LAO PDR SIDE MAIN OFFICE : ARRIVAL BUILDING-REFLECTED CEILING PLAN
								DESIGN CHECK	T. Mouzeva	<i>[Signature]</i>	18-02-00		
								SUBMITTED	A. Hirorani	<i>[Signature]</i>	21/02/00		
								APPROVED	P. Veophanth	<i>[Signature]</i>	22/02/00		







DETAIL D1 : 1700x2000 mm	DETAIL D2 : 1500x2050 mm	DETAIL D3 : 950x2050 mm	DETAIL D4 : 950x2050 mm	DETAIL D5 : 1000x2500 mm	DETAIL D6 : 950x2500 mm	DETAIL D7 : 1400x2500 mm
ALUMINIUM FRAME 60x120mm	HARD WOOD FRAME 60x120mm	HARD WOOD FRAME 60x120mm	HARD WOOD FRAME 60x120mm	HARD WOOD FRAME 60x120mm	HARD WOOD FRAME 60x120mm	WOODEN FLUSH 60x120mm
ALUMINIUM AND CLEAN GLASS 5mm THK.	HARD WOOD AND CLEAN GLASS 5mm THK.	HARD WOOD AND CLEAN GLASS 5mm	HARD WOOD AND GLASS 5mm	HARD WOOD PANEL 20mm	HARD WOOD PANEL 20mm	DOOR PANEL 1x850x2000 mm
DOOR PANEL 2x800x2000 mm	DOOR PANEL 2x700x2000 mm	DOOR PANEL 1x900x2000 mm	DOOR PANEL 1x900x2000 mm	DOOR PANEL 1x900x2000 mm	DOOR PANEL 1x850x2000 mm	DOOR PANEL 1x450x2000 mm
ACCESSORIES: KNOB,STOPPER,LOCK SET TOP/BOTTOM HINGES DOOR BOLTES,	STAINLESS HINGE 4" x 4" , 6 ACCESSORIES: KNOB,STOPPER,LOCK SET DOOR BOLTES,	STAINLESS HINGE 4" x 4" , 3 ACCESSORIES: KNOB,STOPPER,LOCK SET	STAINLESS HINGE 4" x 4" , 3 ACCESSORIES: KNOB,STOPPER,LOCK SET	STAINLESS HINGE 4" x 4" , 3 ACCESSORIES: KNOB,STOPPER,LOCK SET	STAINLESS HINGE 4" x 4" , 3 ACCESSORIES: KNOB,STOPPER,LOCK SET	STAINLESS HINGE 4" x 4" , 6 ACCESSORIES: KNOB,STOPPER,LOCK SET DOOR BOLTES,

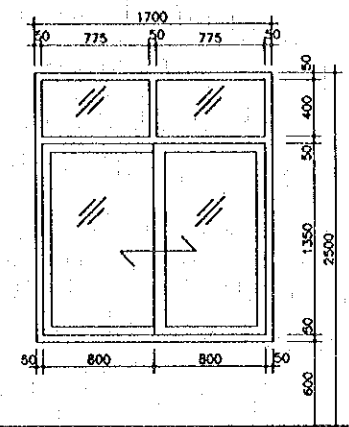


DETAIL D8 : 1600x2500 mm	DETAIL D9 : 900x2500 mm	DETAIL D10 : 700x2000 mm	DETAIL SD-1 : 950x2500 mm	DETAIL SD-2 : 1500x2500 mm	DETAIL SD-3 : 1100x2500 mm	DETAIL D-11 : 1500x2500 mm
WOODEN FLUSH FRAME	WOODEN FLUSH FRAME	WOODEN FLUSH FRAME	STELL FLUSH FRAME	STEEL FLUSH FRAME	STEEL FLUSH FRAME	HARD WOOD FRAME 80x120mm
DOOR PANEL 2x750x2000 mm	DOOR PANEL 800x2000 mm	DOOR PANEL 600x1900 mm	DOOR PANEL 1x850x2000 mm	CLEAN GLASS 5mm THK.	DOOR PANEL 1x1000x2000 mm	DOOR PANEL 2x700x2000 mm
STAINLESS HINGES 4" x 4" , 6	STAINLESS HINGES 4" x 4" , 3	STAINLESS HINGES 4" x 4" , 3	STAINLESS HINGES 4" x 4" , 3	DOOR PANEL 2x700x2000 mm	STAINLESS HINGES 4" x 4" , 6	STAINLESS HINGES 4" x 4" , 6
ACCESSORIES: KNOB,STOPPER,LOCK SET DOOR BOLTS,	ACCESSORIES: KNOB,STOPPER,LOCK SET	ACCESSORIES: KNOB,STOPPER,LOCK SET	ACCESSORIES: KNOB,STOPPER,LOCK SET	STAINLESS HINGES 4" x 4" , 6 ACCESSORIES: KNOB,STOPPER,LOCK SET DOOR BOLTS	ACCESSORIES: KNOB,STOPPER,LOCK SET	ACCESSORIES: KNOB,STOPPER,LOCK SET DOOR BLOTS,

DETAIL DOOR STYLES  
 SCALE 1:25

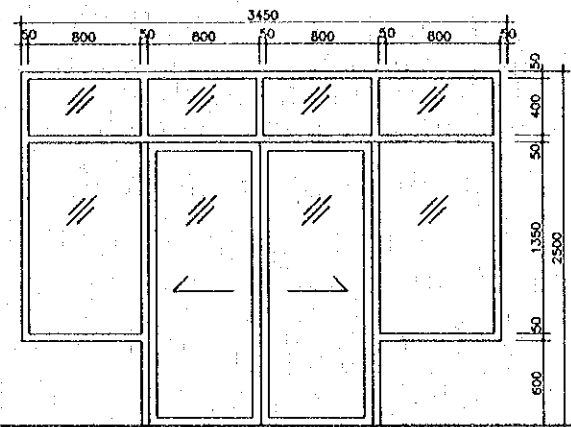
REV.	DATE	DESCRIPTION	APPROVED	PROJECT STUDY TEAM	JICA JAPAN INTERNATIONAL COOPERATION AGENCY	THE SECOND MEKONG INTERNATIONAL BRIDGE CONSTRUCTION PROJECT	QUALITY RECORD	NAME	SIGNATURE	DATE	DWG. TITLE
				ORIENTAL CONSULTANTS CO., LTD. in association with NIPPON KOEI CO., LTD.	LAO PEOPLE'S DEMOCRATIC REPUBLIC MINISTRY OF COMMUNICATION, TRANSPORT, POST AND CONSTRUCTION KINGDOM OF THAILAND MINISTRY OF TRANSPORT AND COMMUNICATIONS DEPARTMENT OF HIGHWAYS		DESIGN	A. Morikawa	<i>[Signature]</i>	16-02-00	BORDER CONTROL FACILITIES LAO PDR SIDE MAIN OFFICE : DOORS AND WINDOWS SCHEDULE (1)
						DESIGN CHECK	T. Morizawa	<i>[Signature]</i>	17-02-00		
						SUBMITTED	A. Hironaka	<i>[Signature]</i>	21-02-00		
						APPROVED	P. Virophanth	<i>[Signature]</i>	22-02-00		

DATE OF ISSUE	
05/03/2000	
DWG. NO.	SHEET NO.
F-A-33	164
DWG. STATUS	



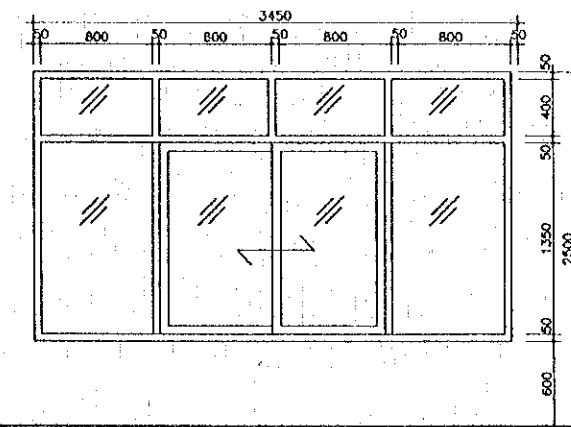
DETAIL W2: 1700x1900 mm

ALUMINIUM FRAME 60x120mm  
 GLASS 5mm SLIDING SASH  
 PANEL SLIDE 2x800x1350mm  
 ACCESSORIES: PULL,STOPPER,LOCK SET



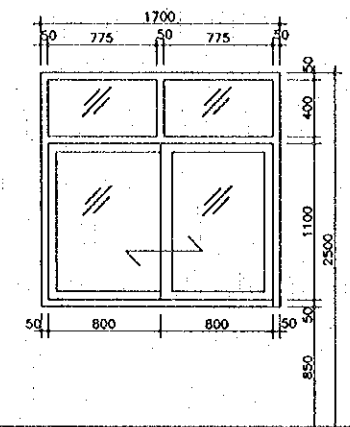
DETAIL W\*: 3450x1900 mm

ALUMINIUM FRAME 60x120mm  
 GLASS 5mm SLIDING SASH  
 PANEL SLIDE 2x800x1100mm  
 ACCESSORIES: PULL,STOPPER,LOCK SET



DETAIL W1: 3450x1900 mm

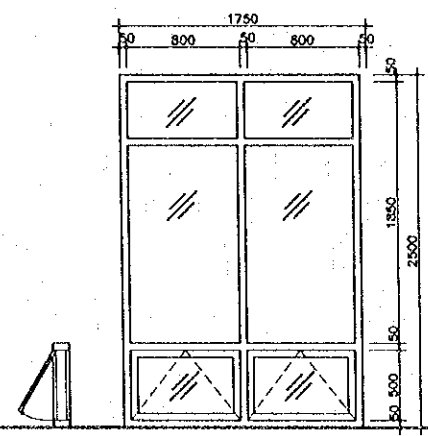
ALUMINIUM FRAME 60x120mm  
 GLASS 5mm SLIDING SASH  
 PANEL SLIDE 2x800x1100mm  
 ACCESSORIES: PULL,STOPPER,LOCK SET



DETAIL W3 : 1700x1650 mm

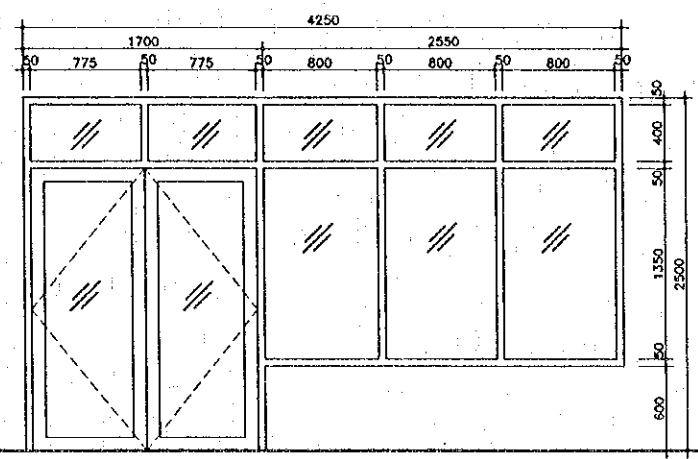
ALUMINIUM FRAME 60x120mm  
 GLASS 5mm SLIDING SASH  
 PANEL SLIDE 2x800x1100 mm  
 ACCESSORIES: PULL,STOPPER,LOCK SET

FINISHED FLOOR LEVEL



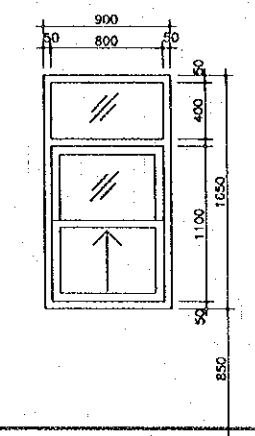
DETAIL W12: 1750x2500 mm

ALUMINIUM FRAME 60x120mm  
 CLEAN GLASS 5mm.  
 TOP HUNG WINDOW PANEL : 2x800x500mm  
 ACCESSORIES: FASTENER,STOPPER,ARM HINGES



DETAIL W11: 4250x2500 mm

ALUMINIUM FRAME 60x120mm  
 CLEAN GLASS 5mm  
 WINDOW PANEL (FIXED) : 3x800x1350mm  
 ACCESSORIES: KNOB,STOPPER,LOCK SET  
 TOP & BOTTOM HINGES



DETAIL W8\* : 900x1650 mm

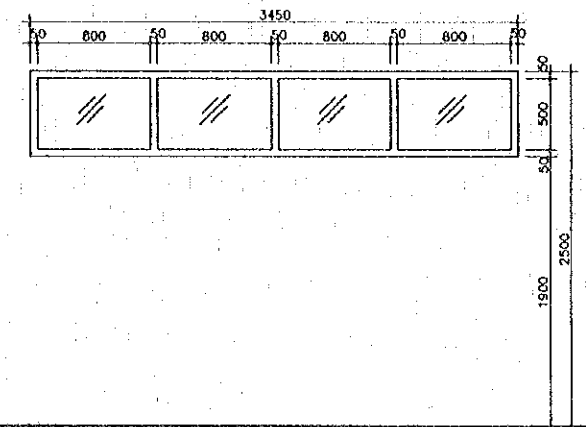
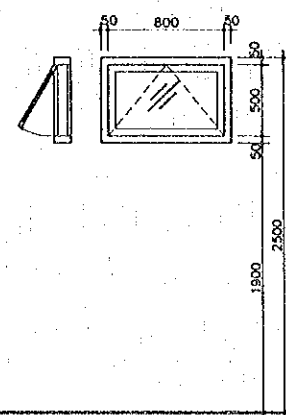
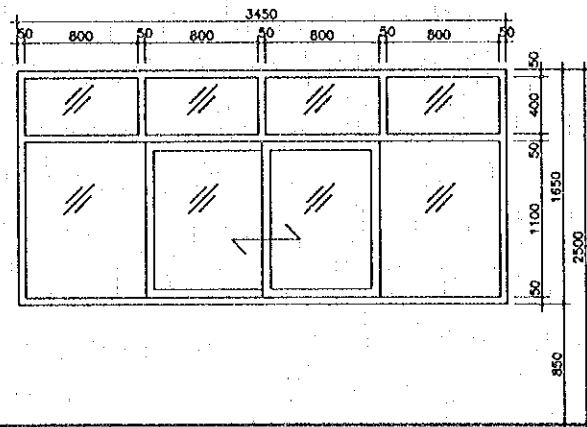
ALUMINIUM FRAME 60x120mm  
 CLEAN GLASS 5mm  
 VERT. SLIDE WINDOW PANEL : 1x800x1100mm  
 ACCESSORIES: KNOB,STOPPER,LOCK SET

FINISHED FLOOR LEVEL

DETAIL WINDOW STYLES  
 SCALE 1:25

REV.	DATE	DESCRIPTION	APPROVED	PROJECT STUDY TEAM	JICA JAPAN INTERNATIONAL COOPERATION AGENCY	QUALITY RECORD	NAME	SIGNATURE	DATE	DWG. TITLE
				ORIENTAL CONSULTANTS CO., LTD. In association with HIPPOON KOEI CO., LTD.	LAO PEOPLE'S DEMOCRATIC REPUBLIC MINISTRY OF COMMUNICATION, TRANSPORT, POST AND CONSTRUCTION	DESIGN	A. Morikawa	<i>[Signature]</i>	18/02/00	BORDER CONTROL FACILITIES LAO PDR SIDE MAIN OFFICE : DOORS AND WINDOWS SCHEDULE (2)
				KINGDOM OF THAILAND MINISTRY OF TRANSPORT AND COMMUNICATIONS DEPARTMENT OF HIGHWAYS	DESIGN CHECK	T. Mookdara	<i>[Signature]</i>	21/02/00		
					SUBMITTED	A. Hiratani	<i>[Signature]</i>	22/02/00		
					APPROVED	P. Vongphanh	<i>[Signature]</i>	22/02/00		

DATE OF ISSUE: 05/03/2000	
DWG. NO. F--A--34	SHEET NO. 185
ENCL. STATUS	



FINISHED FLOOR LEVEL

DETAIL W4: 3450x1650 mm

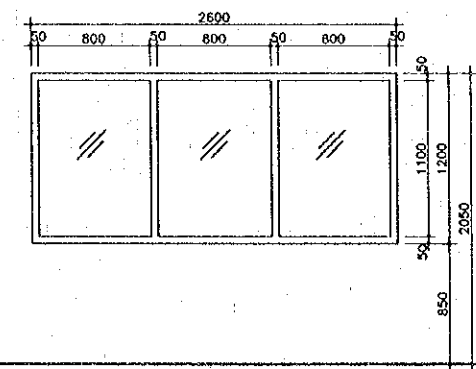
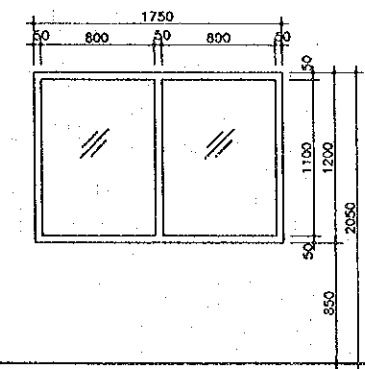
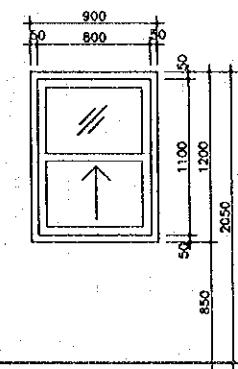
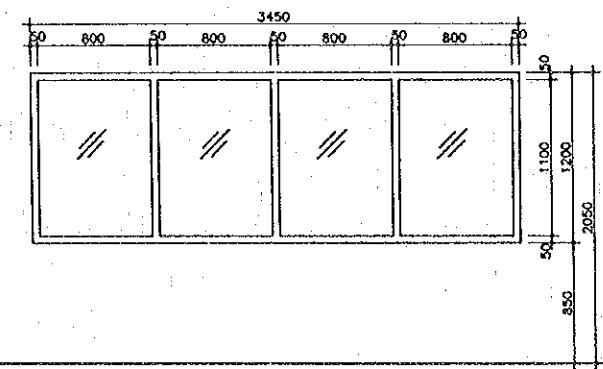
DETAIL W5: 800x600 mm

DETAIL W6 : 3450x600 mm

ALUMINIUM FRAME 60x120mm  
 CLEAN GLASS 5mm THK.  
 SLIDING SASH 2x800x1100mm  
 ACCESSORIES : PULL,STOPPER,LOCK SET

ALUMINIUM FRAME 60x120mm  
 CLEAN GLASS 5mm  
 TOP HUNG PANEL 800x500 mm  
 ACCESSORIES : FASTENER,STOPPER,ARMS,HINGES

ALUMINIUM FRAME 60x120mm  
 CLEAN GLASS 5mm FIXED  
 WINDOW FRAM : 4x800x500



FINISHED FLOOR LEVEL

DETAIL W7: 3450x1200 mm

DETAIL W8: 900x1200 mm

DETAIL W9: 1750x1200 mm

DETAIL W10: 2600x1200 mm

ALUMINIUM FRAME 60x120mm  
 FIXED CLEAN GLASS 5mm THK.  
 WINDOW FRAME : 4x800x1100mm

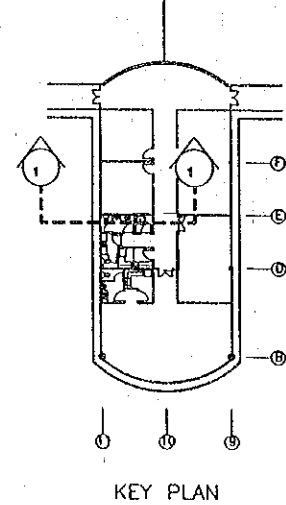
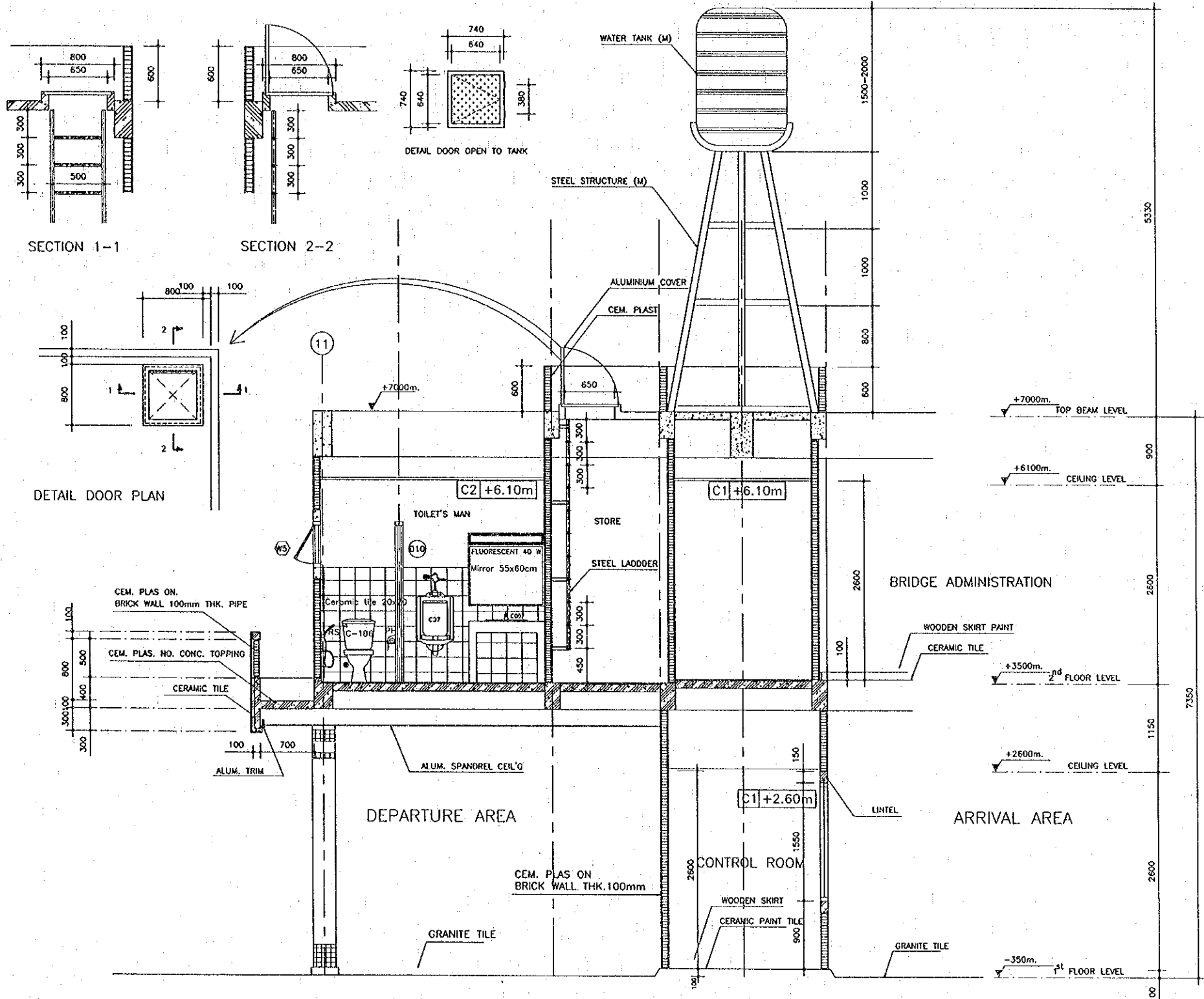
ALUMINIUM FRAME 60x120mm  
 CLEAN GLASS 5mm THK.  
 VERT.SLIDING WINDOW PANEL : 1x800x1100mm  
 ACCESSORIES : PULL,STOPPER,LOCK SET

ALUMINIUM FRAME 60x120mm  
 FIXED CLEAN GLASS 5mm THK.  
 WINDOW FRAME : 2x800x1100mm

ALUMINIUM FRAME 60x120mm  
 FIXED CLEAN GLASS 5mm THK.  
 WINDOW FRAME : 3x800x1100mm

DETAIL WINDOW STYLES  
 SCALE 1:25

REV.	DATE	DESCRIPTION	APPROVED	PROJECT STUDY TEAM	JICA JAPAN INTERNATIONAL COOPERATION AGENCY	QUALITY RECORD	NAME	SIGNATURE	DATE	DWG. TITLE
				ORIENTAL CONSULTANTS CO., LTD. in association with NIPPON KOEI CO., LTD.	LAO PEOPLE'S DEMOCRATIC REPUBLIC MINISTRY OF COMMUNICATION, TRANSPORT, POST AND CONSTRUCTION	DESIGN	A. Morikita	<i>[Signature]</i>	16/02/00	BORDER CONTROL FACILITIES LAO PDR SIDE MAIN OFFICE : DOORS AND WINDOWS SCHEDULE (3)
					KINGDOM OF THAILAND MINISTRY OF TRANSPORT AND COMMUNICATIONS DEPARTMENT OF HIGHWAYS	DESIGN CHECK	T. Muezzawa	<i>[Signature]</i>	21/02/00	
						SUBMITTED	A. Hiratani	<i>[Signature]</i>	21/02/00	
						APPROVED	P. Viraphanth	<i>[Signature]</i>	22/02/00	



DETAILS OF WATER TANK & TOILET  
 SCALE 1:30

REV.	DATE	DESCRIPTION	APPROVED

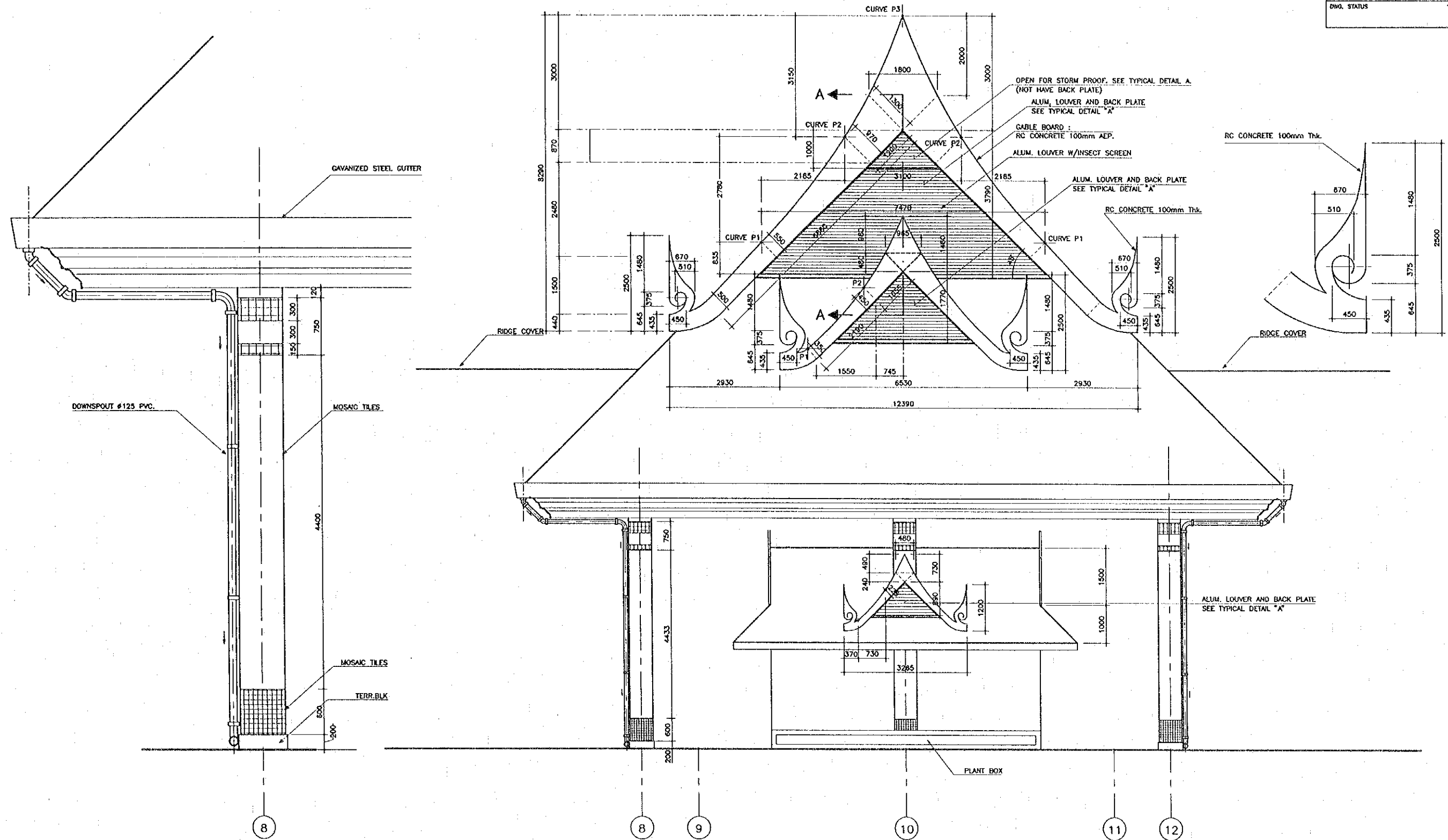
PROJECT STUDY TEAM  
**ORIENTAL CONSULTANTS CO., LTD.**  
 in association with  
**NIPPON KOEI CO., LTD.**

**JICA** JAPAN INTERNATIONAL COOPERATION AGENCY  
 LAO PEOPLE'S DEMOCRATIC REPUBLIC  
 MINISTRY OF COMMUNICATION, TRANSPORT, POST AND CONSTRUCTION  
 KINGDOM OF THAILAND  
 MINISTRY OF TRANSPORT AND COMMUNICATIONS  
 DEPARTMENT OF HIGHWAYS

**THE SECOND MEKONG INTERNATIONAL BRIDGE CONSTRUCTION PROJECT**

QUALITY RECORD	NAME	SIGNATURE	DATE	DWG. TITLE
DESIGN	A. Morikita	<i>[Signature]</i>	23-05-00	BORDER CONTROL FACILITIES LAO PDR SIDE MAIN OFFICE : DETAILS OF WATERTANK AND TOILET
DESIGN CHECK	F. Masuzawa	<i>[Signature]</i>	26-07-00	
SUBMITTED	A. Hiratani	<i>[Signature]</i>	29/02/00	
APPROVED	P. Viraphanth	<i>[Signature]</i>	5/6/00	

BORDER CONTROL FACILITIES  
 LAO PDR SIDE  
 MAIN OFFICE : DETAILS OF WATERTANK AND TOILET

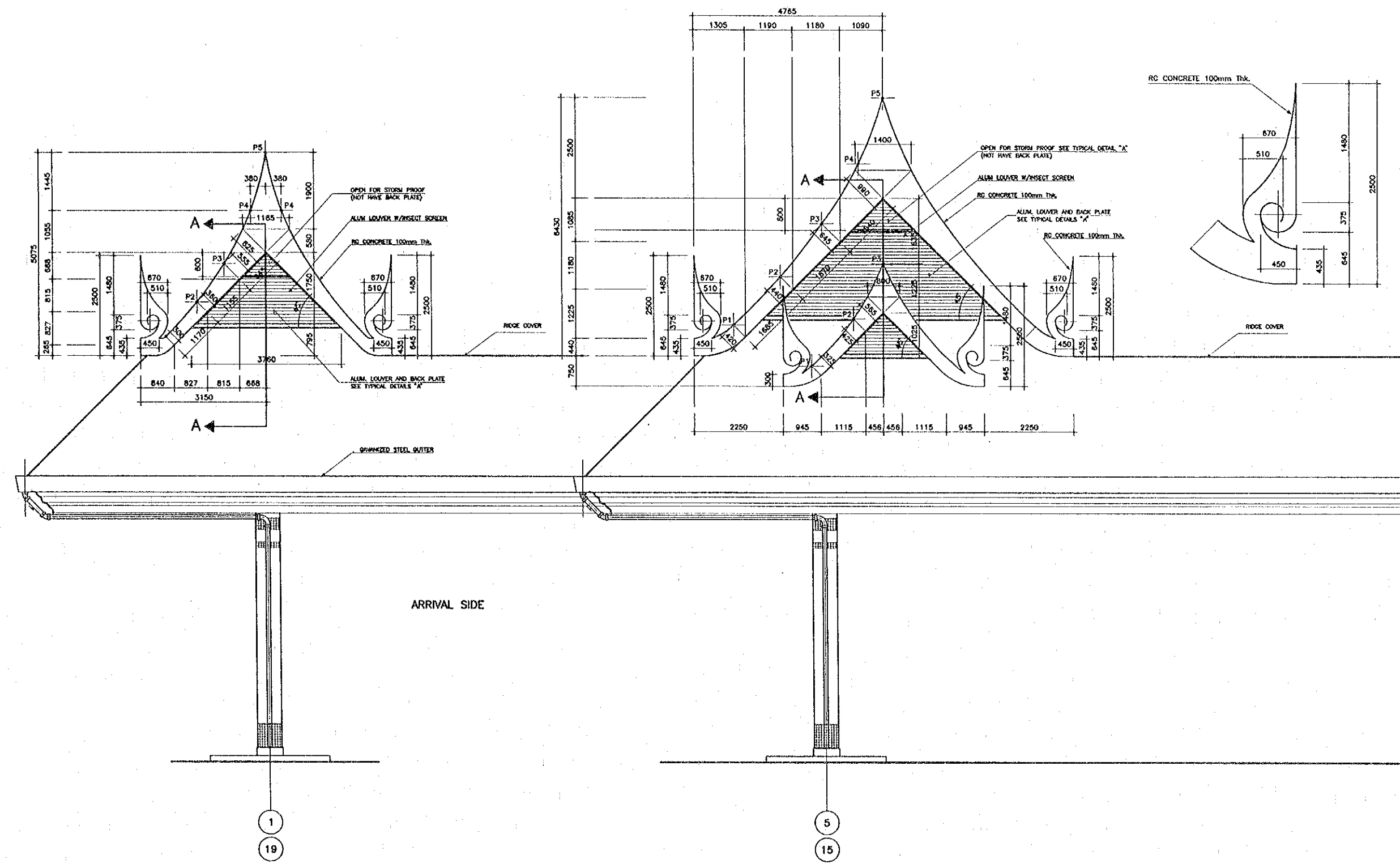


DETAILS OF LINE 8  
 SCALE 1:125

DETAILS OF GABLE (CENTRAL BUILDING)  
 SCALE 1:50

- NOTES :
- FOR REINFORCEMENT AND FIXING OF THE GABLE, SEE DWG. NO. F-S-32
  - ALUM. LOUVER SHALL BE OF COLORED

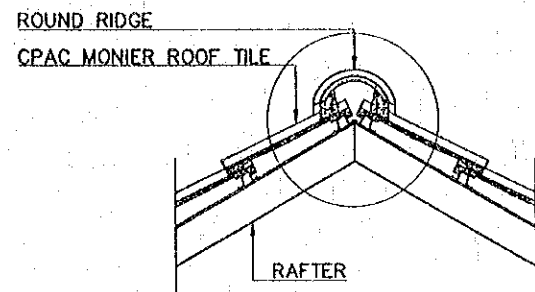
REV.	DATE	DESCRIPTION	APPROVED	PROJECT STUDY TEAM	JICA	MINISTRY OF COMMUNICATION, TRANSPORT, POST AND CONSTRUCTION	MINISTRY OF TRANSPORT AND COMMUNICATIONS DEPARTMENT OF HIGHWAYS	THE SECOND MEKONG INTERNATIONAL BRIDGE CONSTRUCTION PROJECT	QUALITY RECORD	NAME	SIGNATURE	DATE	DWG. TITLE
				ORIENTAL CONSULTANTS CO., LTD. In association with NIPPON KORI CO., LTD.	JICA	LAO PEOPLE'S DEMOCRATIC REPUBLIC	KINGDOM OF THAILAND		DESIGN	A. Morikawa	<i>[Signature]</i>	16/02/00	BORDER CONTROL FACILITIES LAO PDR SIDE MAIN OFFICE : CENTRAL BUILDING-DETAILS OF GABLE (1)
								DESIGN CHECK	T. Mawazawa	<i>[Signature]</i>	21/02/00		
								SUBMITTED	A. Hiratani	<i>[Signature]</i>	21/02/00		
								APPROVED	P. Viraphanth	<i>[Signature]</i>	21/02/00		



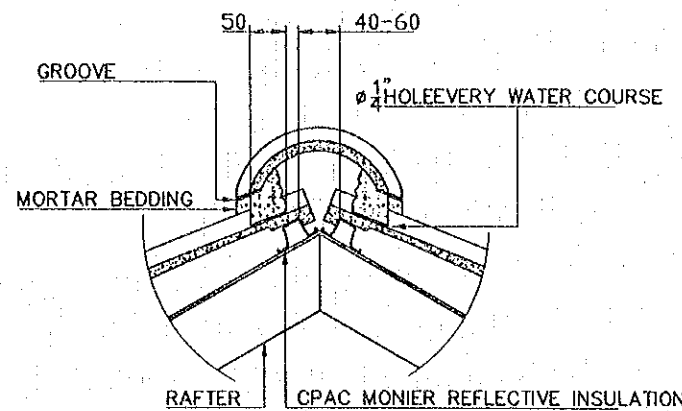
DETAILS OF GABLE AND EARRE  
SCALE 1:50

NOTES :  
1. THE SAME NOTES IN THE PROVIOUS SHEET SHALL APPLIED

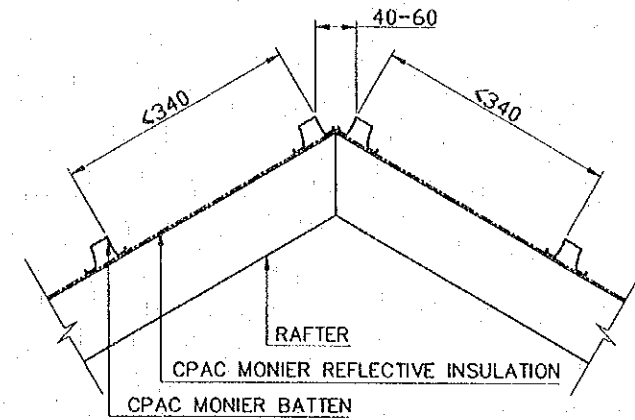
REV.	DATE	DESCRIPTION	APPROVED	PROJECT STUDY TEAM	JICA	LAO PEOPLE'S DEMOCRATIC REPUBLIC	MINISTRY OF COMMUNICATION, TRANSPORT, POST AND CONSTRUCTION	KINGDOM OF THAILAND	MINISTRY OF TRANSPORT AND COMMUNICATIONS	DEPARTMENT OF HIGHWAYS	THE SECOND MEKONG INTERNATIONAL BRIDGE CONSTRUCTION PROJECT	QUALITY RECORD	NAME	SIGNATURE	DATE	DWG. TITLE:
				ORIENTAL CONSULTANTS CO., LTD. In association with NIPPON KORI CO., LTD.	JICA	LAO PEOPLE'S DEMOCRATIC REPUBLIC	MINISTRY OF COMMUNICATION, TRANSPORT, POST AND CONSTRUCTION	KINGDOM OF THAILAND	MINISTRY OF TRANSPORT AND COMMUNICATIONS	DEPARTMENT OF HIGHWAYS	THE SECOND MEKONG INTERNATIONAL BRIDGE CONSTRUCTION PROJECT	DESIGN	A. Morloka	<i>[Signature]</i>	18/02/00	BORDER CONTROL FACILITIES LAO PDR SIDE MAIN OFFICE : ARRIVAL AND DEPARTURE BUILDING -- DETAILS OF GABLE (2)
											DESIGN CHECK	T. Manozawa	<i>[Signature]</i>	18/02/00		
											SUBMITTED	A. Hironaka	<i>[Signature]</i>	21/02/00		
											APPROVED	P. Wraphonh	<i>[Signature]</i>	22/02/00		



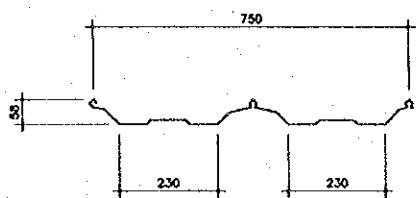
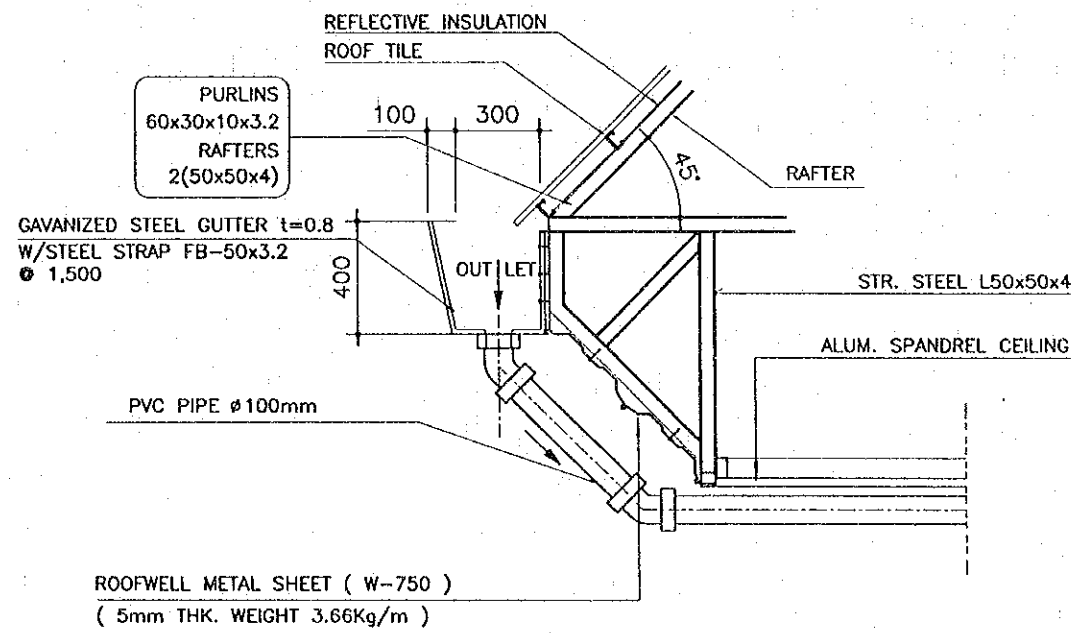
SCALE 1:20



SCALE 1:10

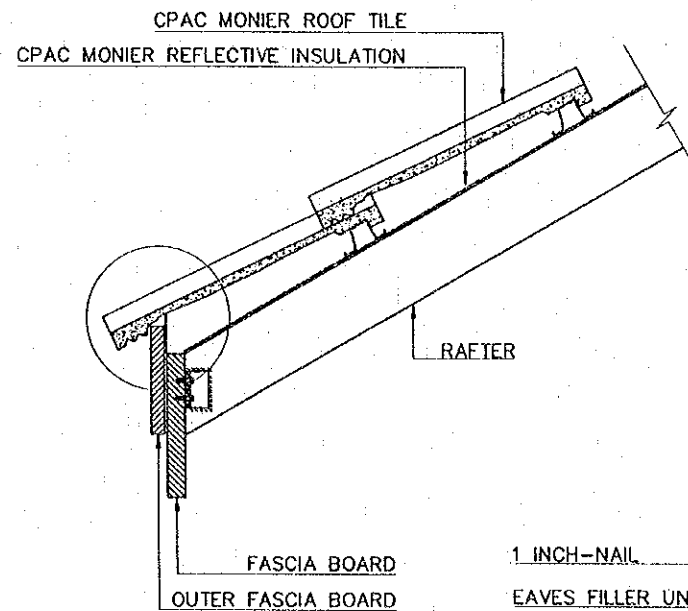


SCALE 1:10

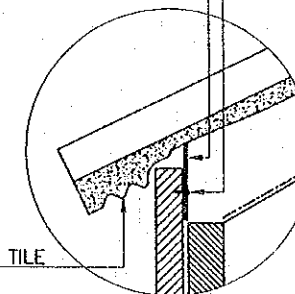


ROOFWELL METAL SHEET ( W-750 )  
 ( 5mm THK. WEIGHT 3.66Kg/m )

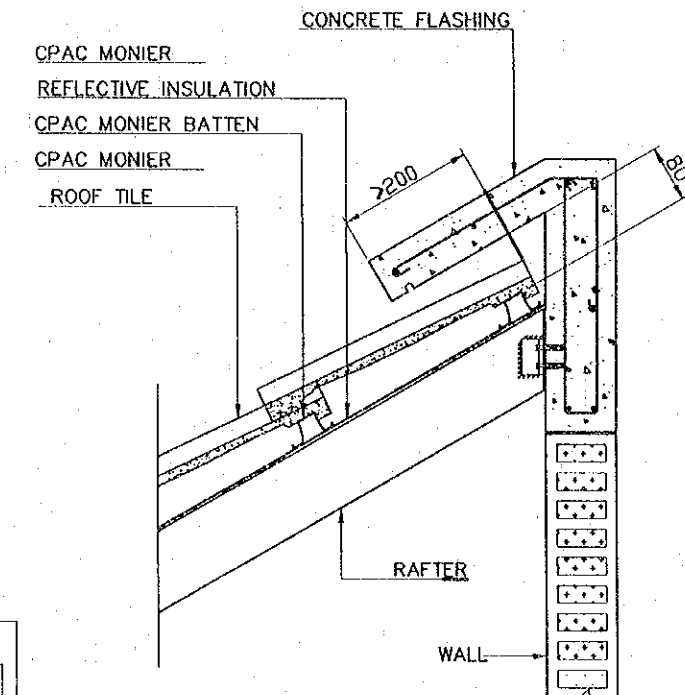
GUTTER DETAILS  
 ( MAIN OFFICE )



SCALE 1:10



SCALE 1:5

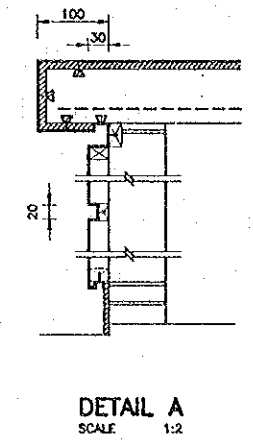
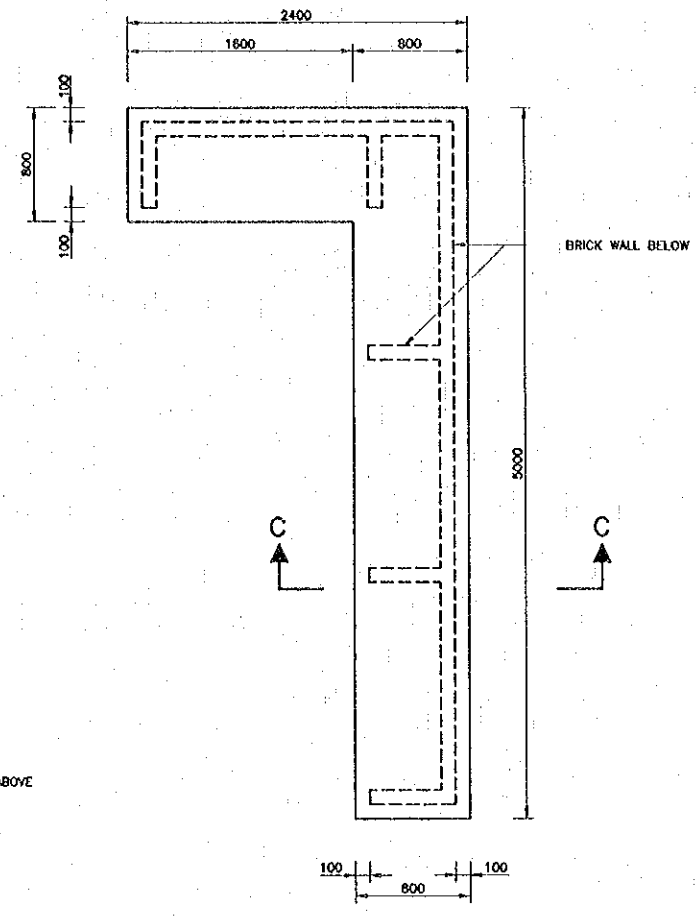
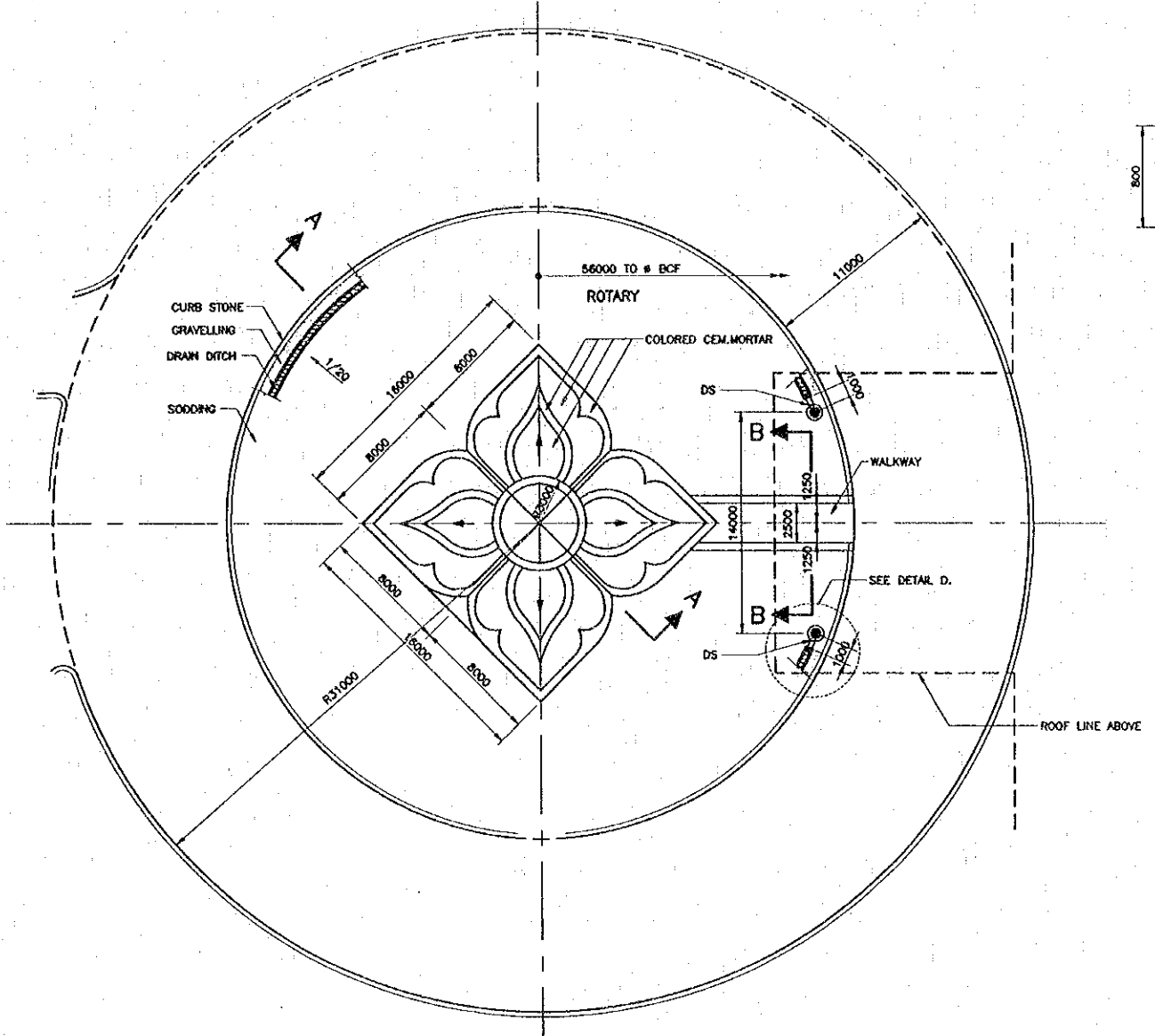


SCALE 1:10

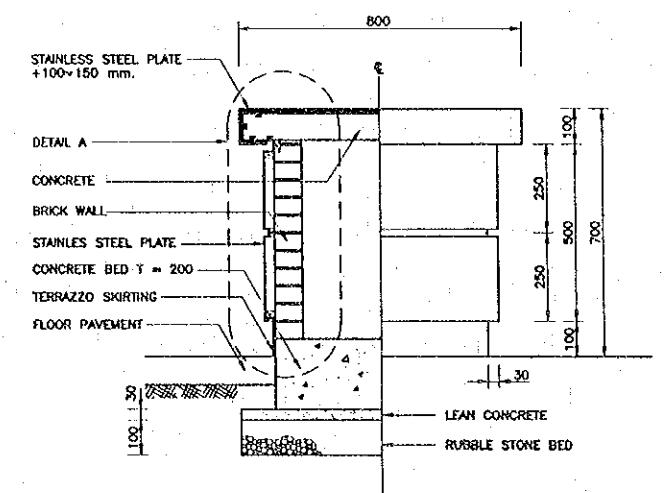
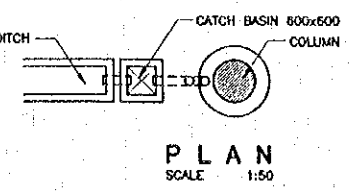
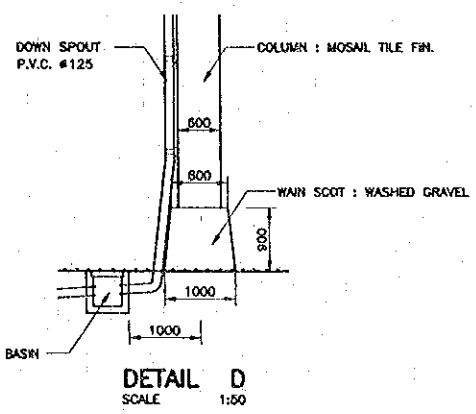
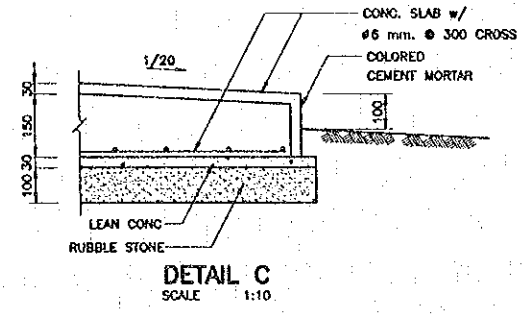
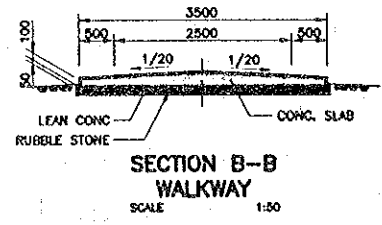
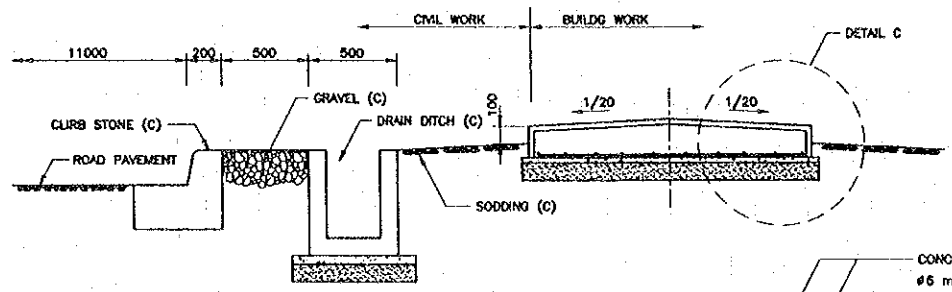
NOTE :  
 1. THE BRAND NAME SHALL BE TENTATIVE ONLY.

REV.	DATE	DESCRIPTION	APPROVED	PROJECT STUDY TEAM	JICA JAPAN INTERNATIONAL COOPERATION AGENCY	QUALITY RECORD	NAME	SIGNATURE	DATE	DWG. TITLE
				ORIENTAL CONSULTANTS CO., LTD. in association with NIPPON KOKI CO., LTD.	LAO PEOPLE'S DEMOCRATIC REPUBLIC MINISTRY OF COMMUNICATION, TRANSPORT, POST AND CONSTRUCTION KINGDOM OF THAILAND MINISTRY OF TRANSPORT AND COMMUNICATIONS DEPARTMENT OF HIGHWAYS	DESIGN	A. Morikita	<i>[Signature]</i>	16/02/00	BORDER CONTROL FACILITIES LAO PDR SIDE TYPICAL ROOF DETAILS
						DESIGN CHECK	T. Mochizuki	<i>[Signature]</i>	17/02/00	
						SUBMITTED	A. Hiratani	<i>[Signature]</i>	21/02/00	
						APPROVED	P. Viraphanth	<i>[Signature]</i>	22/02/00	





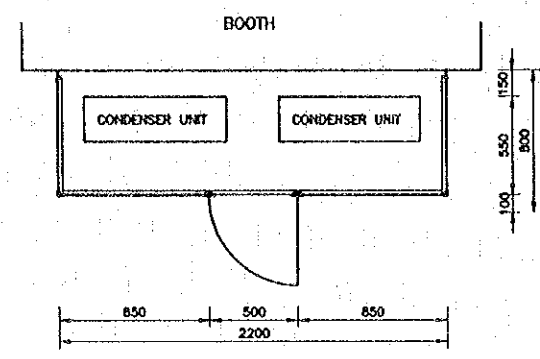
FLOWER SYMBOL DETAILS  
SCALE 1:200



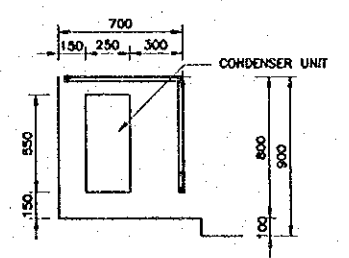
SECTION C-C FRONT ELEVATION  
SCALE 1:10

CHECKING COUNTER DETAILS  
SCALE 1:10

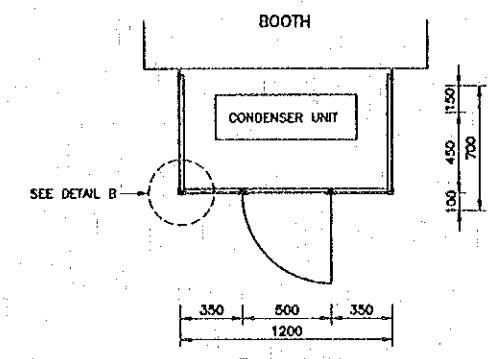
REV.	DATE	DESCRIPTION	APPROVED	PROJECT STUDY TEAM	JICA	QUALITY RECORD	NAME	SIGNATURE	DATE	DRAW. TITLE
				ORIENTAL CONSULTANTS CO., LTD. In association with NIPPON KOEI CO., LTD.	JAPAN INTERNATIONAL COOPERATION AGENCY LAO PEOPLE'S DEMOCRATIC REPUBLIC MINISTRY OF COMMUNICATION, TRANSPORT, POST AND CONSTRUCTION KINGDOM OF THAILAND MINISTRY OF TRANSPORT AND COMMUNICATIONS DEPARTMENT OF HIGHWAYS	DESIGN	A. Marfota	<i>[Signature]</i>	16/02/00	BORDER CONTROL FACILITIES LAO PDR SIDE MAIN OFFICE : MISCELLANEOUS DETAILS (1) (FLOWER & INSPECTION COUNTER)
						DESIGN CHECK	T. Masuoka	<i>[Signature]</i>	18/02/00	
						SUBMITTED	A. Hiratani	<i>[Signature]</i>	21/01/00	
						APPROVED	P. Viraphanhi	<i>[Signature]</i>	22/02/00	



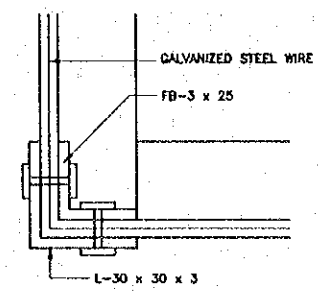
PLAN



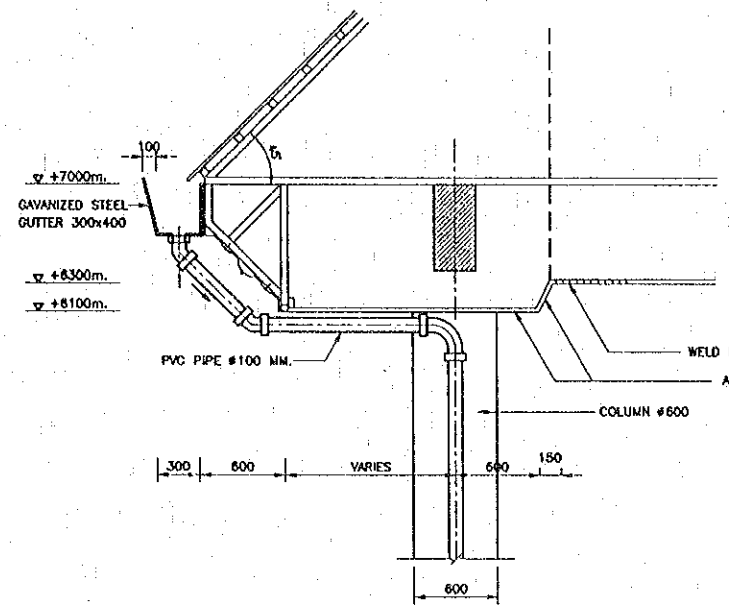
SECTION



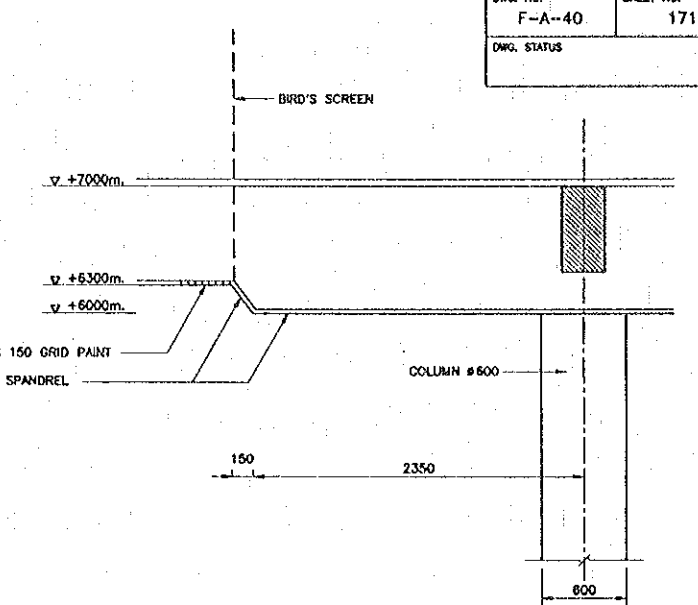
PLAN



DETAIL B  
SCALE 1:1

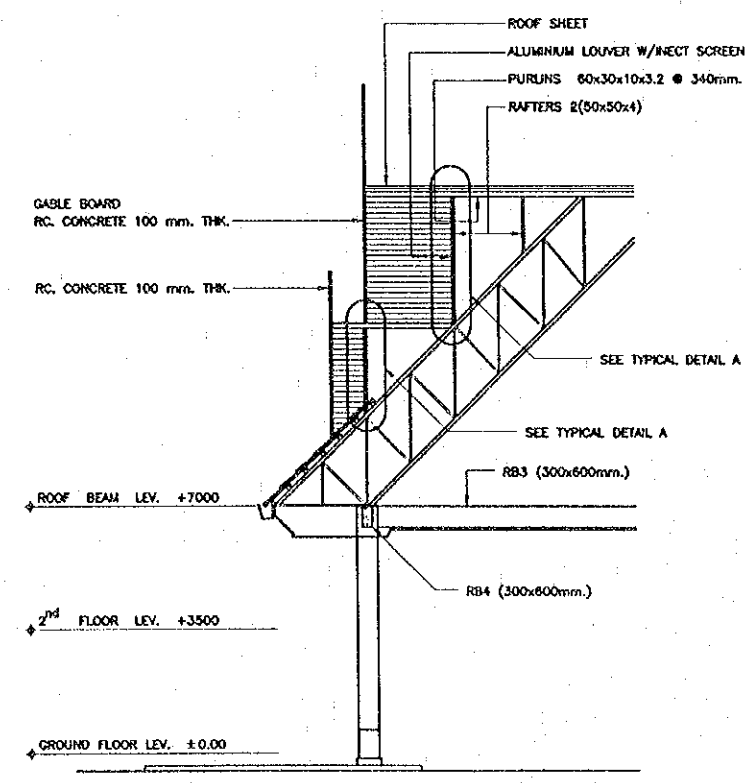


SECTION A-A  
SCALE 1:25

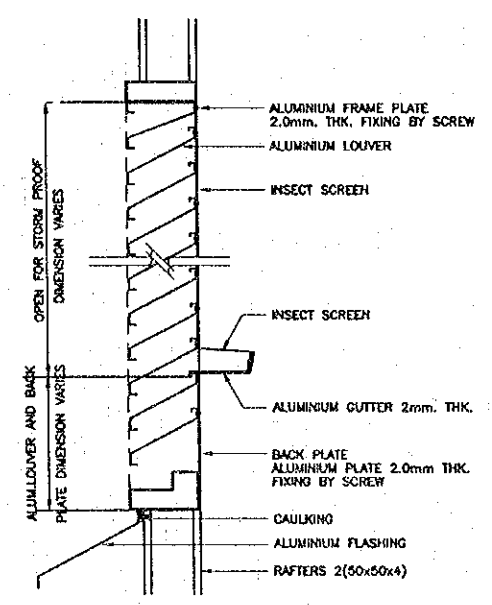


SECTION B-B  
SCALE 1:25

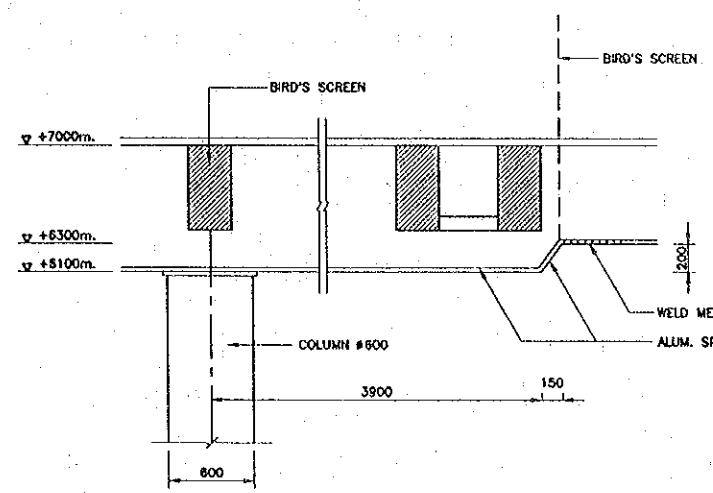
SECURITY CAGE DETAILS  
SCALE 1:20



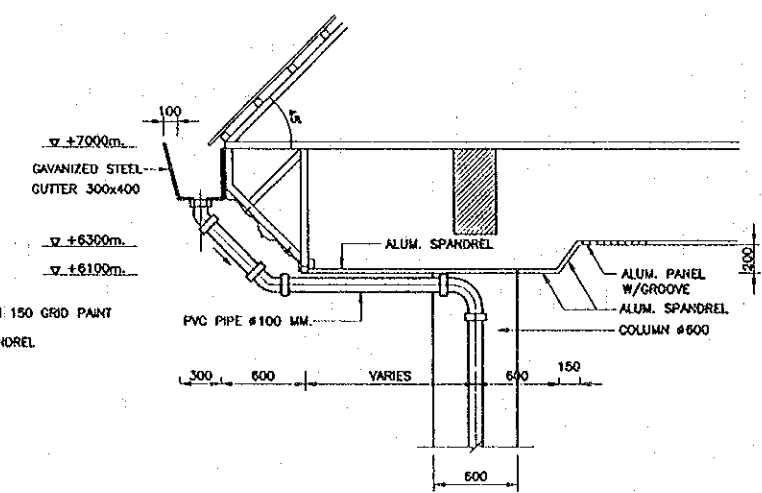
DETAILS OF GABLE (2)  
SCALE 1:100



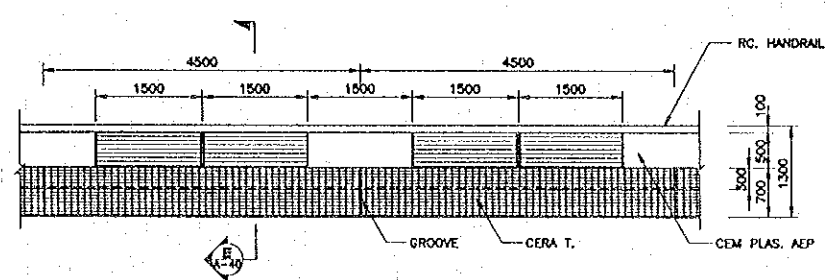
TYPICAL DETAIL A  
SCALE 1:5



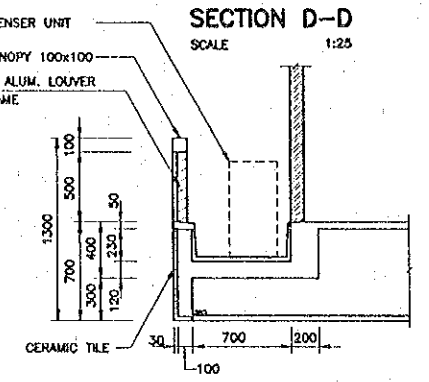
SECTION C-C  
SCALE 1:25



SECTION D-D  
SCALE 1:25



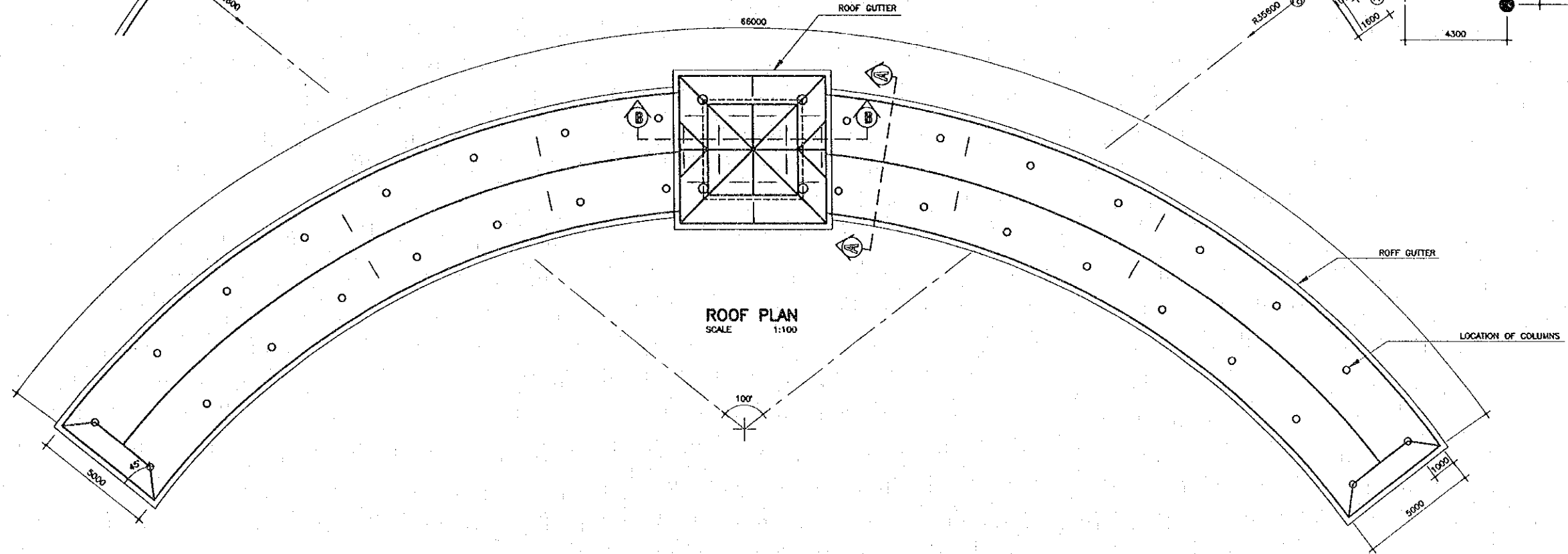
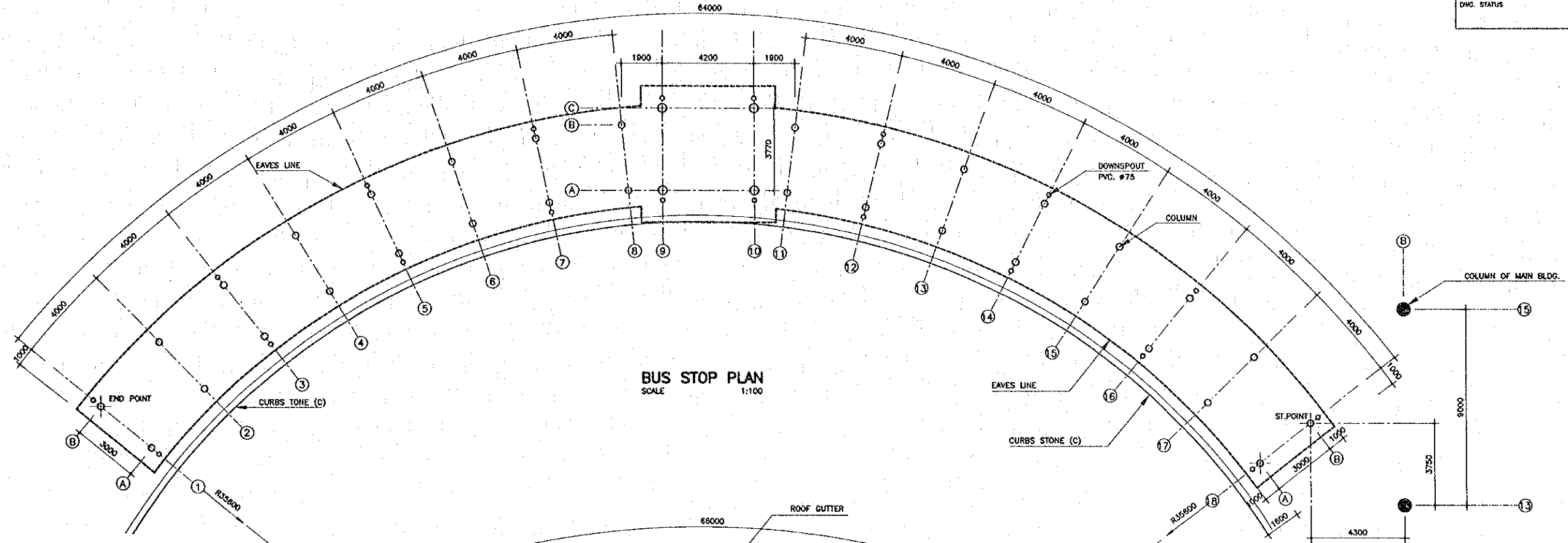
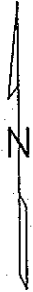
TYPICAL ELEVATION OF CANOPY  
SCALE 1:50



SECTION E-E  
SCALE 1:25

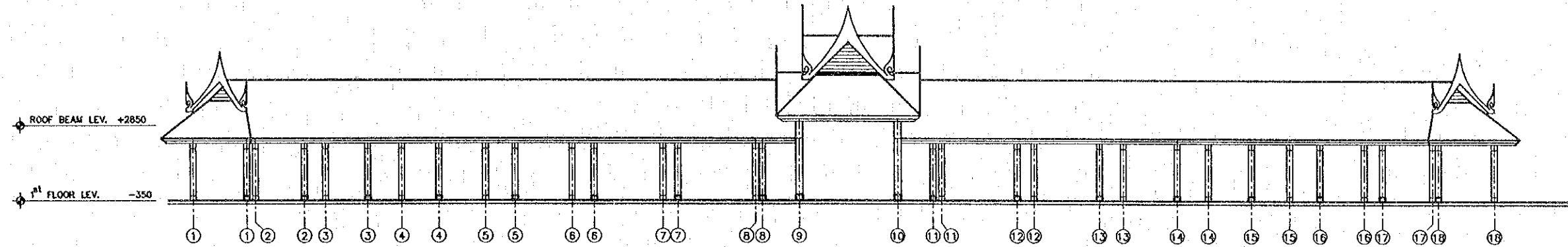
- NOTES :
1. DIMENSION AFFIXED (\*) SHALL BE TENTATIVE, WHICH SHALL BE DETERMINED BY THE ENGINEER
  2. ALL STEEL MATERIAL SHALL BE GALVANIZED
  3. THE ACCESS DOOR SHALL BE PROVIDED WITH PAD & LOCK

REV.	DATE	DESCRIPTION	APPROVED	PROJECT STUDY TEAM	JICA	QUALITY RECORD	NAME	SIGNATURE	DATE	DWG. TITLE
				ORIKRYAL CONSULTANTS CO., LTD. In association with NIPPON KOKI CO., LTD.	JAPAN INTERNATIONAL COOPERATION AGENCY LAO PEOPLE'S DEMOCRATIC REPUBLIC MINISTRY OF COMMUNICATION, TRANSPORT, POST AND CONSTRUCTION KINGDOM OF THAILAND MINISTRY OF TRANSPORT AND COMMUNICATIONS DEPARTMENT OF HIGHWAYS	DESIGN	A. Morikawa	<i>[Signature]</i>	16/02/00	BORDER CONTROL FACILITIES LAO PDR SIDE MAIN OFFICE : MISCELLANEOUS DETAILS 2 (EAVES DETAILS, GABLE DETAILS, SECURITY CAGE DETAILS)
						DESIGN CHECK	T. Muezzara	<i>[Signature]</i>	17/02/00	
						SUBMITTED	A. Narelara	<i>[Signature]</i>	21/02/00	
						APPROVED	P. Viraphanth	<i>[Signature]</i>	22/02/00	

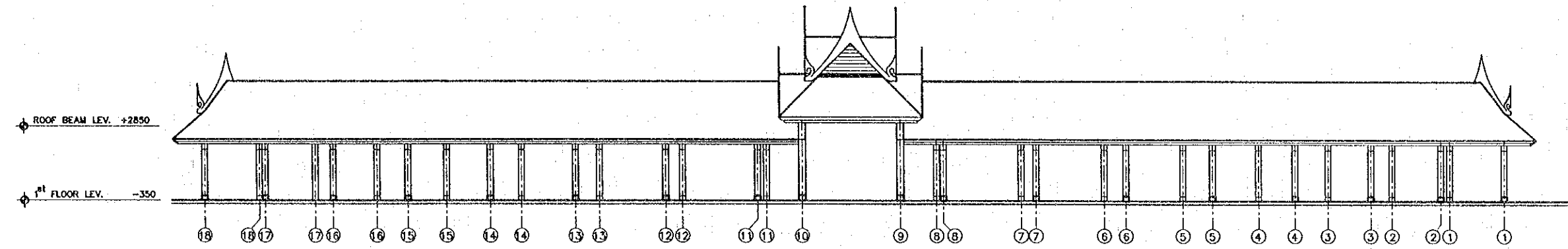


REV.	DATE	DESCRIPTION	APPROVED	PROJECT STUDY TEAM	JICA JAPAN INTERNATIONAL COOPERATION AGENCY	LAO PEOPLE'S DEMOCRATIC REPUBLIC MINISTRY OF COMMUNICATION, TRANSPORT, POST AND CONSTRUCTION	THE SECOND MEKONG INTERNATIONAL BRIDGE CONSTRUCTION PROJECT	QUALITY RECORD	NAME	SIGNATURE	DATE	DWG. TITLE
				ORIENTAL CONSULTANTS CO., LTD. In association with NIPPON KOEI CO., LTD.	MINISTRY OF TRANSPORT AND COMMUNICATIONS DEPARTMENT OF HIGHWAYS			DESIGN	A. Morkoka	<i>[Signature]</i>	16/02/00	BORDER CONTROL FACILITIES LAO PDR SIDE MAIN OFFICE : PLAN & ROOF PLAN
							DESIGN CHECK	T. Mawzawa	<i>[Signature]</i>	18/02/00		
							SUBMITTED	A. Houtant	<i>[Signature]</i>	21/02/00		
							APPROVED	P. Viraphenb	<i>[Signature]</i>	02/03/00		

DATE OF ISSUE: 05/03/2000	
DWG. NO. F-A-42	SHEET NO. 173
DWG. STATUS	

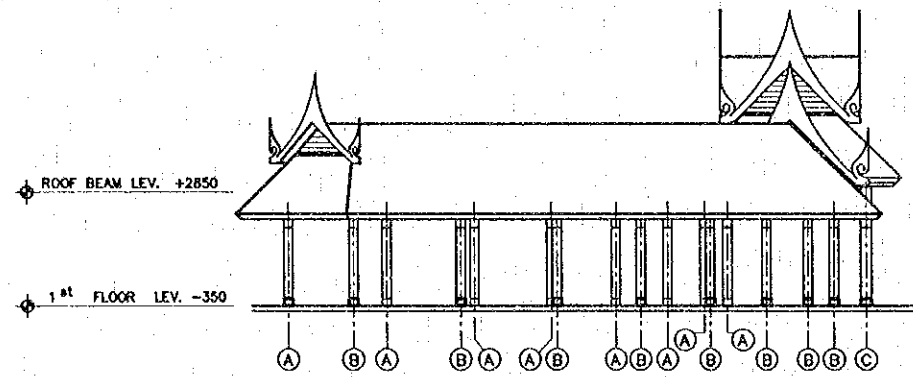


**ELEVATION B**  
SCALE 1:100

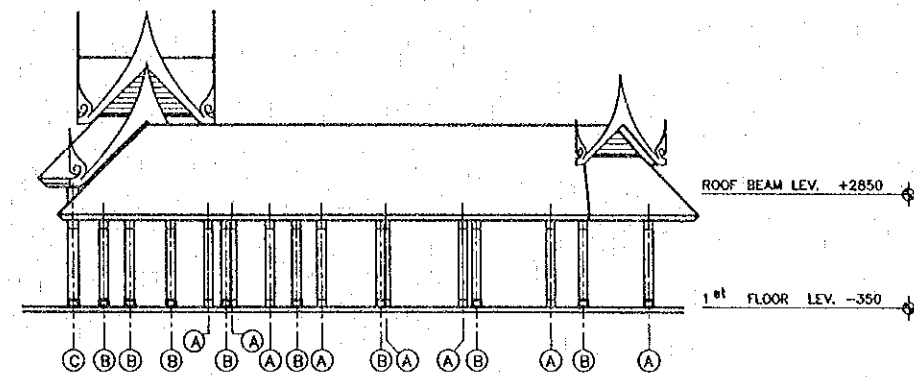


**ELEVATION D**  
SCALE 1:100

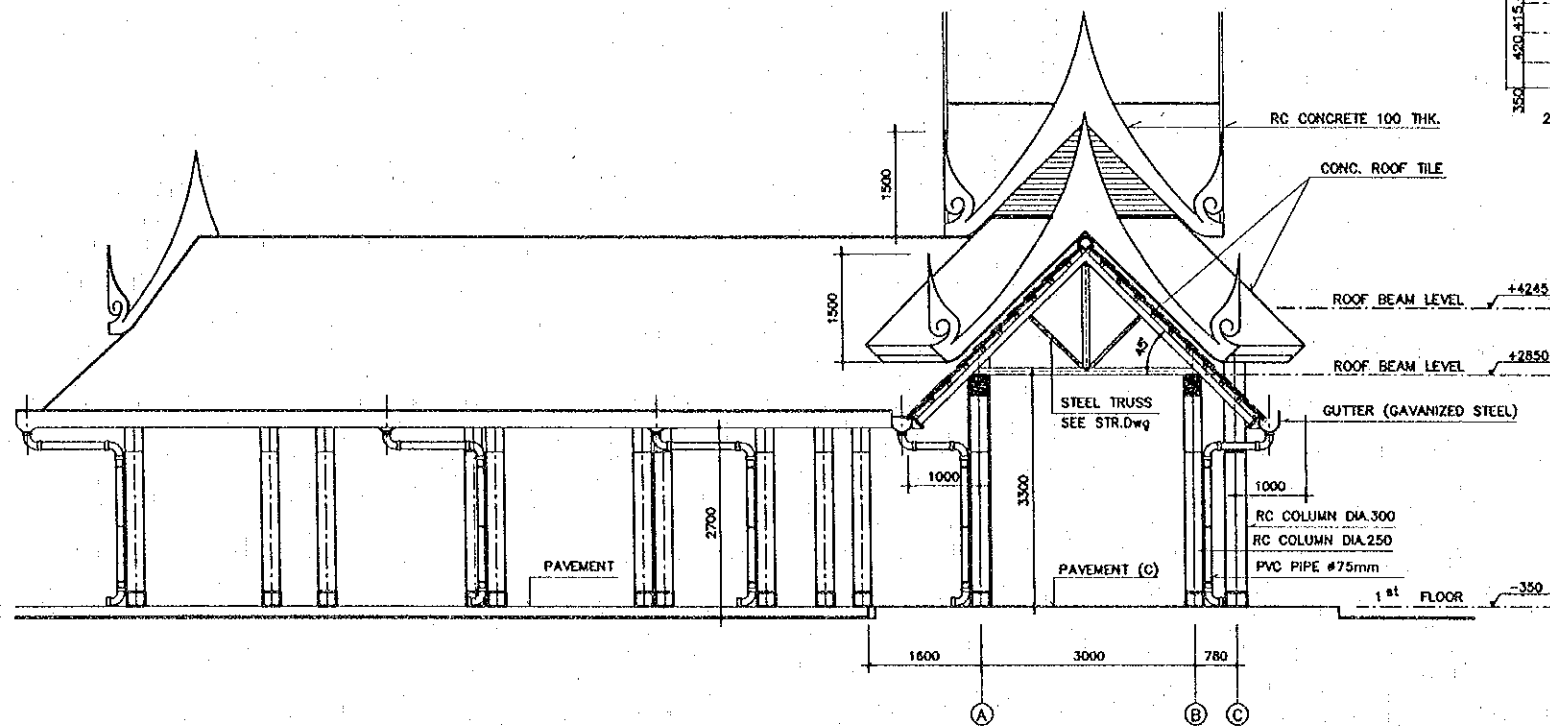
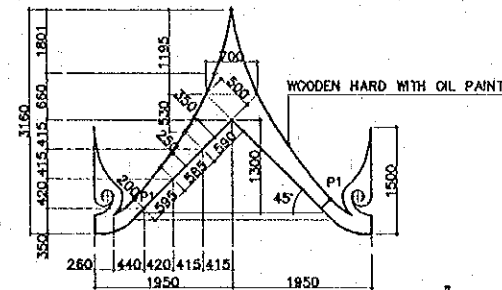
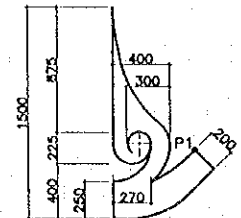
REV.	DATE	DESCRIPTION	APPROVED	PROJECT STUDY TEAM	JICA JAPAN INTERNATIONAL COOPERATION AGENCY	LAO PEOPLE'S DEMOCRATIC REPUBLIC MINISTRY OF COMMUNICATION, TRANSPORT, POST AND CONSTRUCTION	THE SECOND MEKONG INTERNATIONAL BRIDGE CONSTRUCTION PROJECT	QUALITY RECORD	NAME	SIGNATURE	DATE	DWG. TITLE
				ORIENTAL CONSULTANTS CO., LTD. in association with NIPPON KOEI CO., LTD.	KINGDOM OF THAILAND MINISTRY OF TRANSPORT AND COMMUNICATIONS DEPARTMENT OF HIGHWAYS			DESIGN	A. Mookda	<i>[Signature]</i>	11/02/00	BORDER CONTROL FACILITIES LAO PDR SIDE MAIN OFFICE : EXTERIOR ELEVATIONS
							DESIGN CHECK	T. Manuwan	<i>[Signature]</i>	11/02/00		
							SUBMITTED	A. Hretong	<i>[Signature]</i>	11/02/00		
							APPROVED	P. Veeraphonh	<i>[Signature]</i>	11/02/00		



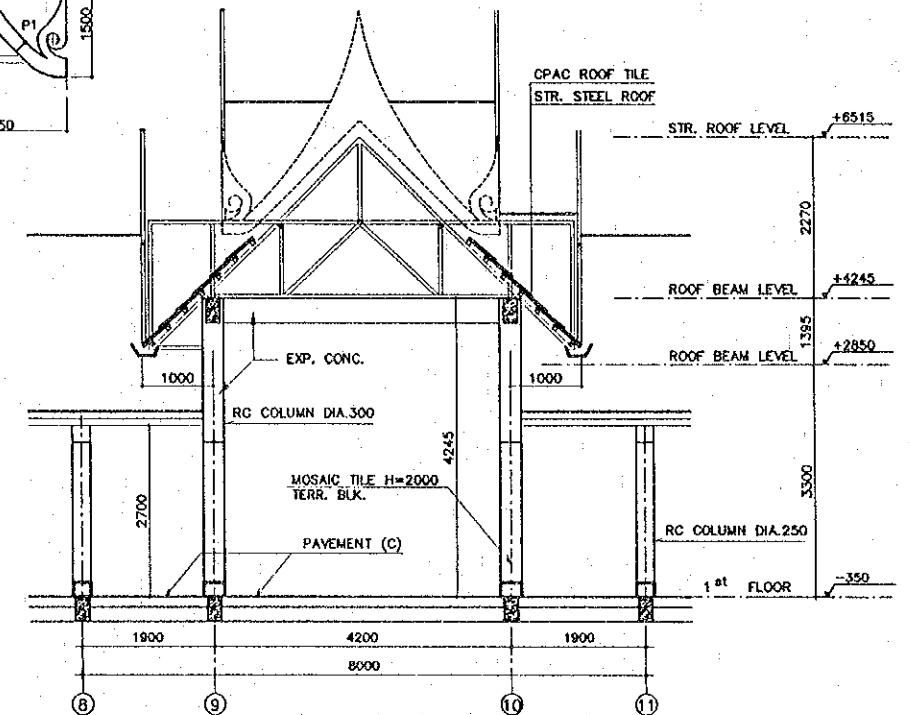
ELEVATION A  
 SCALE 1:100



ELEVATION C  
 SCALE 1:100



CROSS SECTION A  
 SCALE 1:50

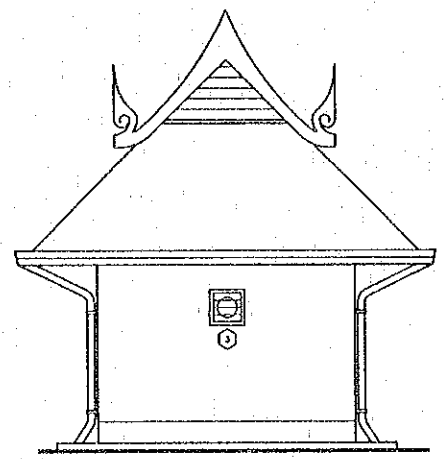


CROSS SECTION B  
 SCALE 1:50

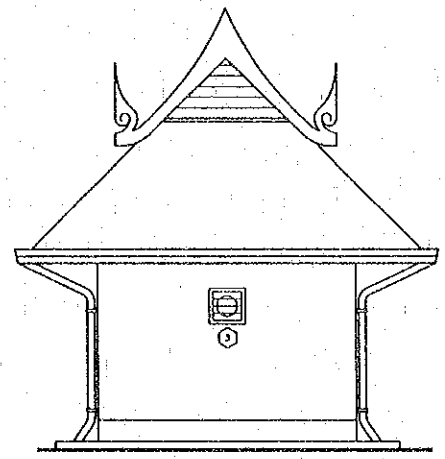
NOTES :

1. FLOOR PAVEMENT AND CURB STONE SHALL BE UNDER CIVIL WORK
2. FOR FIXING DETAILS FOR GABLE BOARD, SEE STR. DWG. NO.
3. FOR ROOF DETAILS, SEE DWG. NO. F-A-38

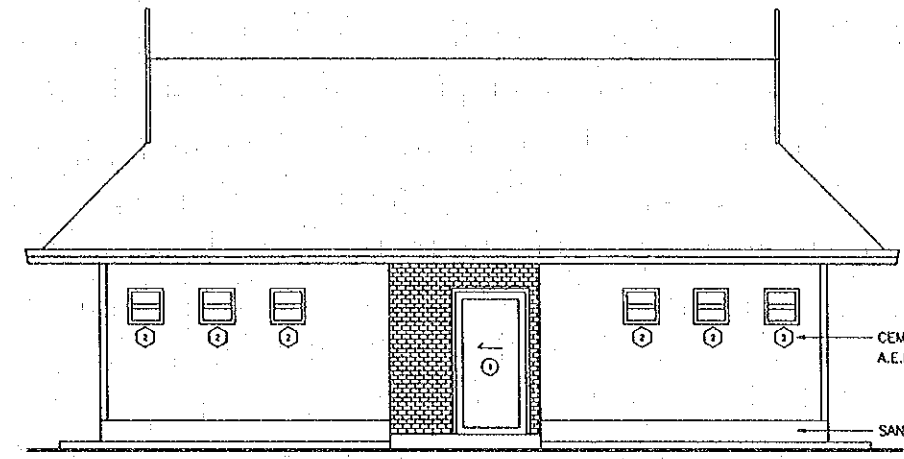
REV.	DATE	DESCRIPTION	APPROVED	PROJECT STUDY TEAM	JICA	QUALITY RECORD	NAME	SIGNATURE	DATE	DWG. TITLE
				ORIENTAL CONSULTANTS CO., LTD. in association with NIPPON KORI CO., LTD.	JAPAN INTERNATIONAL COOPERATION AGENCY LAO PEOPLE'S DEMOCRATIC REPUBLIC MINISTRY OF COMMUNICATION, TRANSPORT, POST AND CONSTRUCTION KINGDOM OF THAILAND MINISTRY OF TRANSPORT AND COMMUNICATIONS DEPARTMENT OF HIGHWAYS	DESIGN	A. Morikawa	<i>[Signature]</i>	16/02/00	BORDER CONTROL FACILITIES LAO PDR SIDE BUS STOP : ELEVATION AND SECTION DETAILS
						DESIGN CHECK	T. Hasegawa	<i>[Signature]</i>	17/02/00	
						SUBMITTED	A. Hirakawa	<i>[Signature]</i>	21/02/00	
						APPROVED	P. Viraphanth	<i>[Signature]</i>	02/03/00	



SIDE ELEVATION 4  
SCALE 1:100

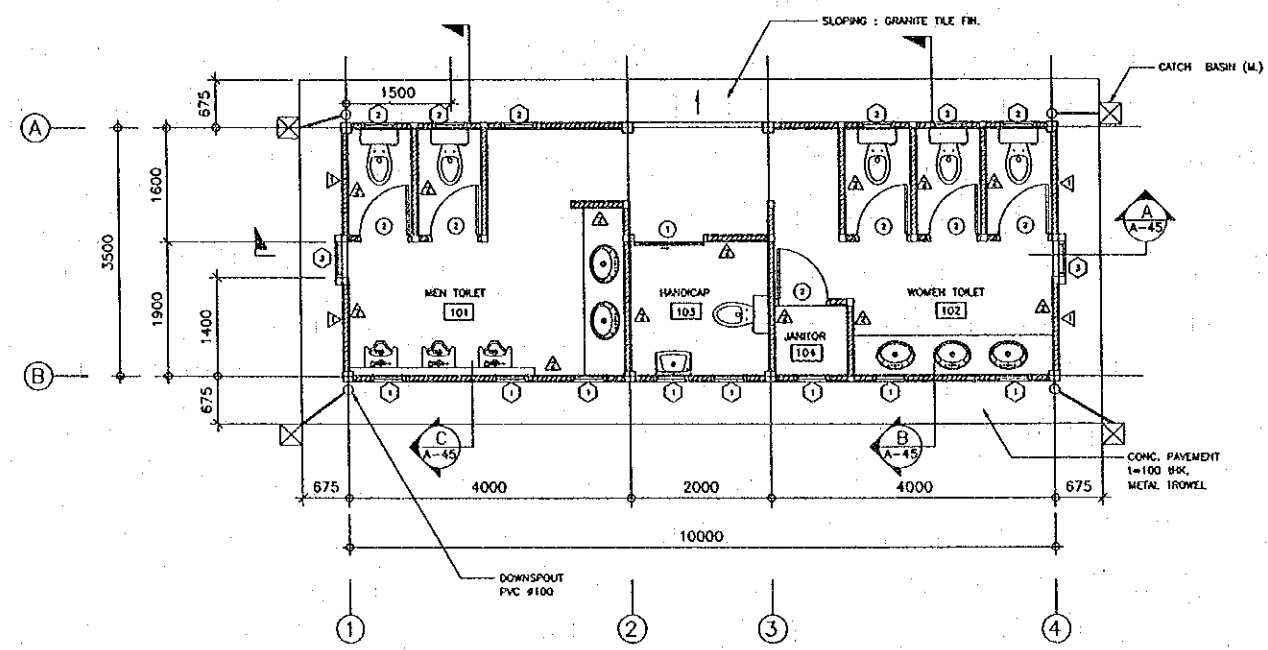


SIDE ELEVATION 2  
SCALE 1:100

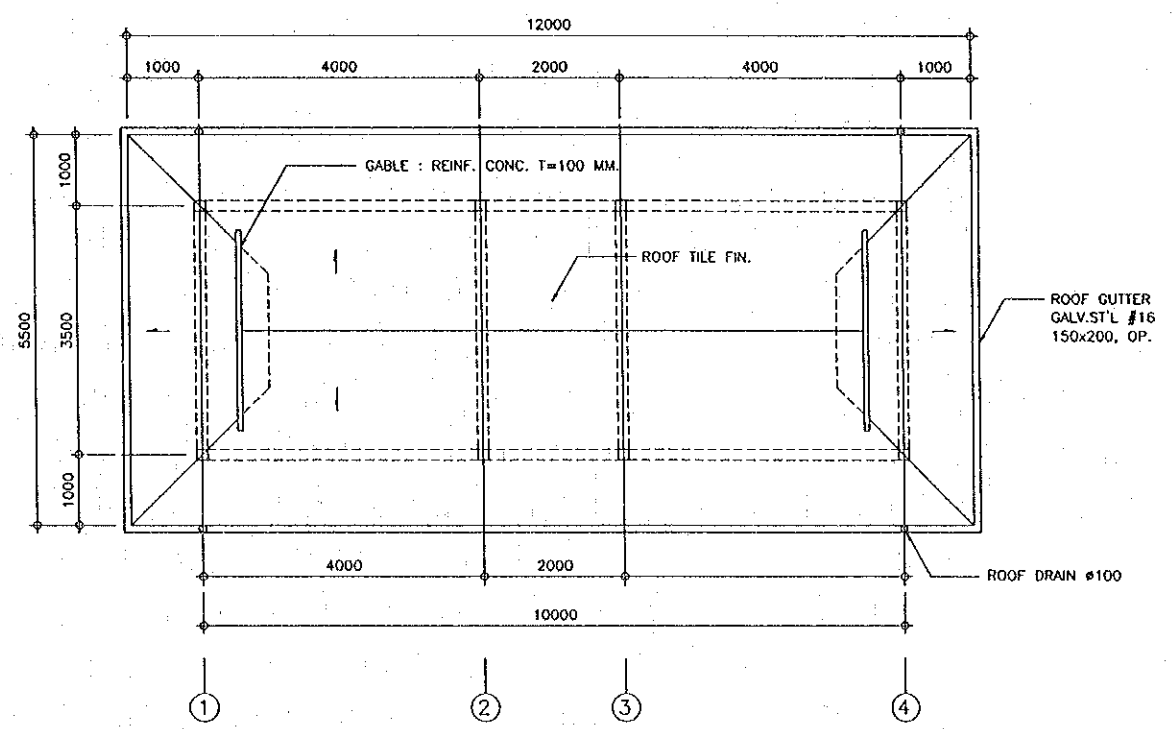


FRONT ELEVATION 1  
SCALE 1:100

CEM. MORTAR PLASTER  
A.E.P. ON HALF BRICK WALL  
SAND WASH, H=500



GROUND FLOOR PLAN  
SCALE 1:100



ROOF PLAN  
SCALE 1:100

- NOTES :
1. ALL BRAND NAMES SHOWN SHALL BE TENTATIVE ONLY.
  2. ALL FINISH NO. SHALL REFER TO DWG. NO. F-A-3
  3. ALL ACCESSORIES FOR HANDICAPPED SHALL CONFORM TO THE APPLICABLE CODE.
  4. FOR DETAILS OF GABLE, SEE DWG. NO. F-F-36, 37
  5. STRUC. DETAILS SEE DWG. NO. F-S-33

REV.	DATE	DESCRIPTION	APPROVED

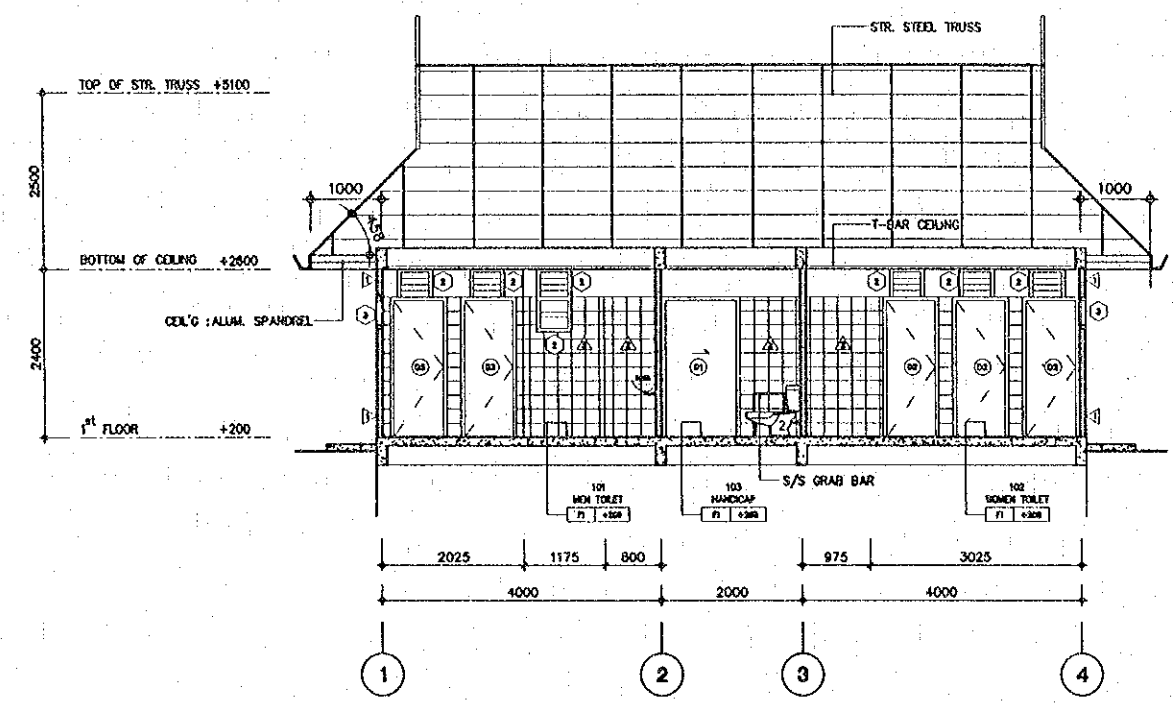
PROJECT STUDY TEAM  
 ORIENTAL CONSULTANTS CO., LTD.  
 In association with  
 NIPPON KOEI CO., LTD.

JICA JAPAN INTERNATIONAL COOPERATION AGENCY  
 LAO PEOPLE'S DEMOCRATIC REPUBLIC  
 MINISTRY OF COMMUNICATION, TRANSPORT, POST AND CONSTRUCTION  
 KINGDOM OF THAILAND  
 MINISTRY OF TRANSPORT AND COMMUNICATIONS  
 DEPARTMENT OF HIGHWAYS

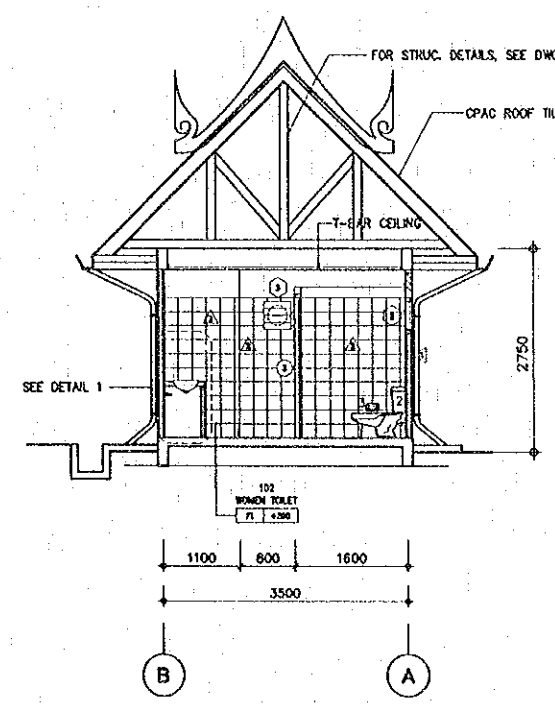
THE SECOND MEKONG  
 INTERNATIONAL BRIDGE  
 CONSTRUCTION PROJECT

QUALITY RECORD	NAME	SIGNATURE	DATE
DESIGN	A. Moripha	<i>A. Moripha</i>	23-05-00
DESIGN CHECK	T. Moutana	<i>T. Moutana</i>	26-05-00
SUBMITTED	A. Hiratani	<i>A. Hiratani</i>	21/05/00
APPROVED	P. Viraphanth	<i>P. Viraphanth</i>	5/6/00

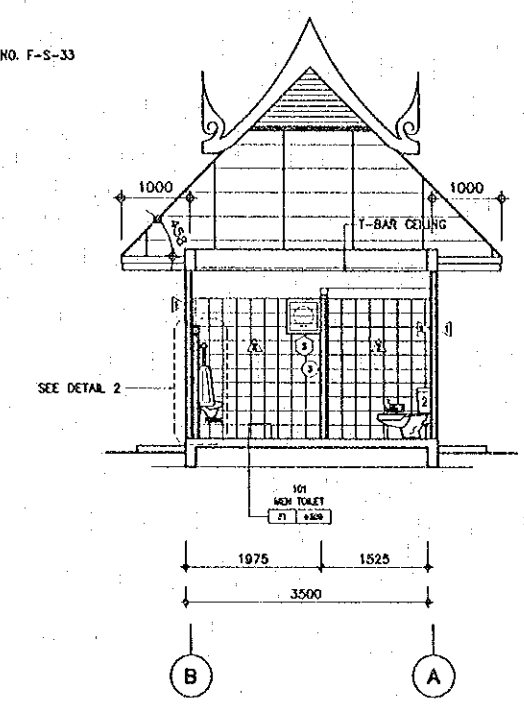
DWG. TITLE:  
 BORDER CONTROL FACILITIES  
 LAO PDR SIDE  
 PUBLIC TOILET : PLAN & ELEVATION



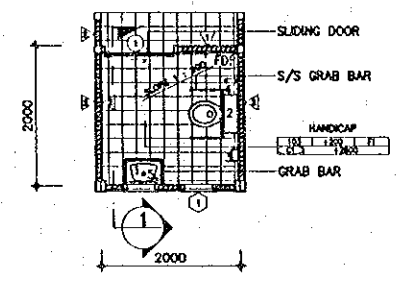
SECTION A - A  
 SCALE 1:50



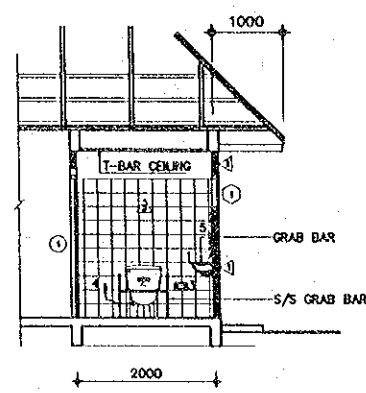
SECTION B - B  
 SCALE 1:50



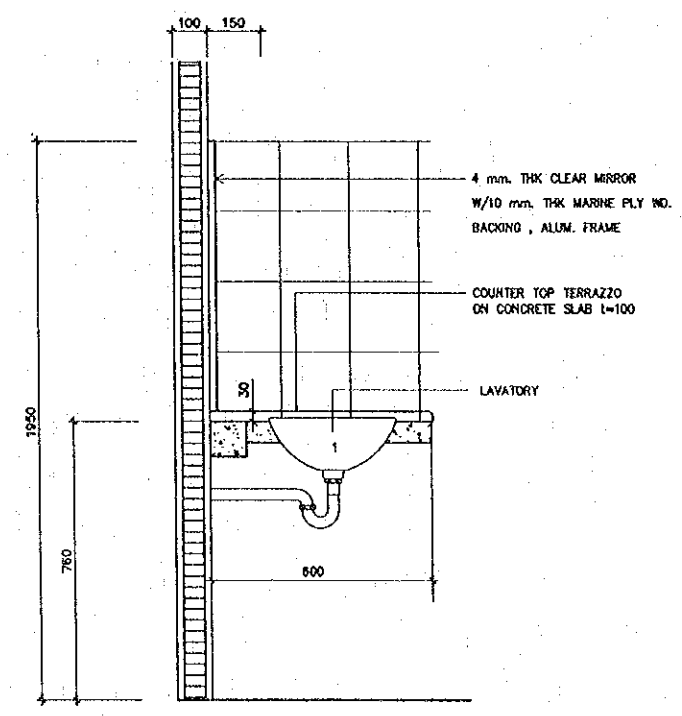
SECTION C - C  
 SCALE 1:50



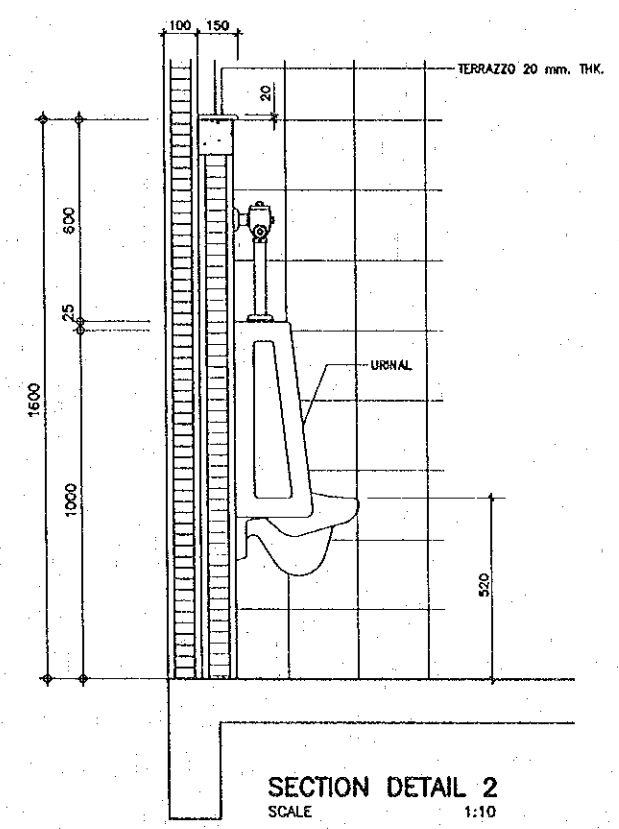
HANDICAP RM. DETAIL  
 SCALE 1:50



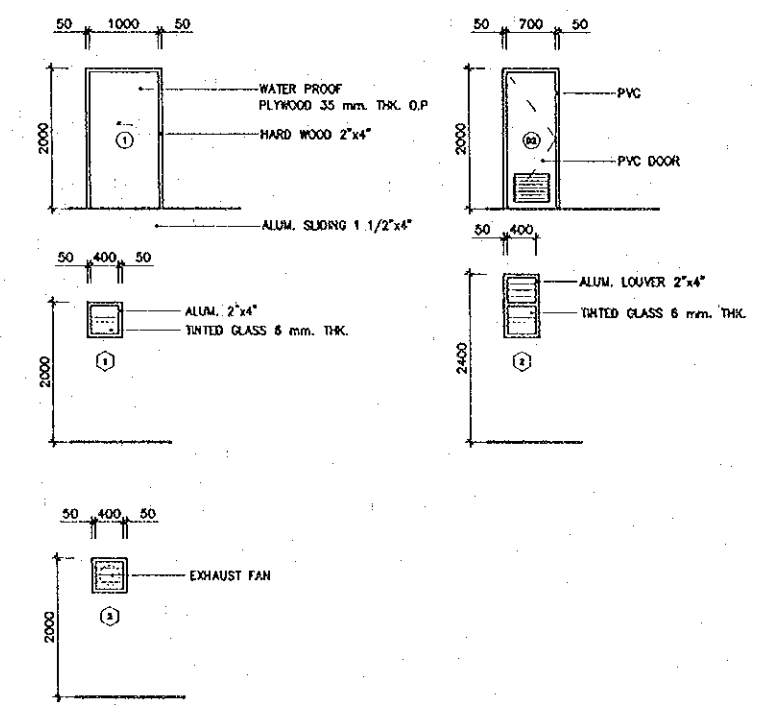
SECTION 1-1  
 SCALE 1:50



SECTION DETAIL 1  
 SCALE 1:10



SECTION DETAIL 2  
 SCALE 1:10



DOOR, WINDOW DETAILS  
 SCALE 1:10

REV.	DATE	DESCRIPTION	APPROVED

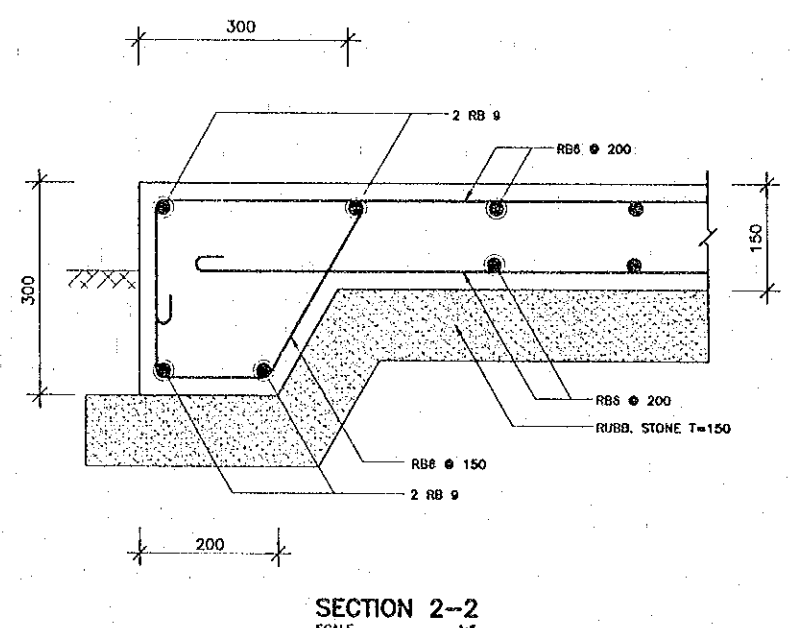
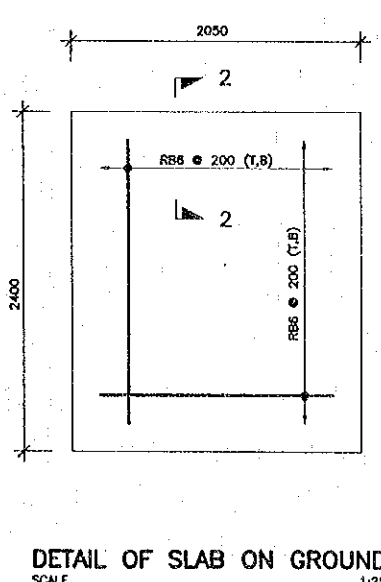
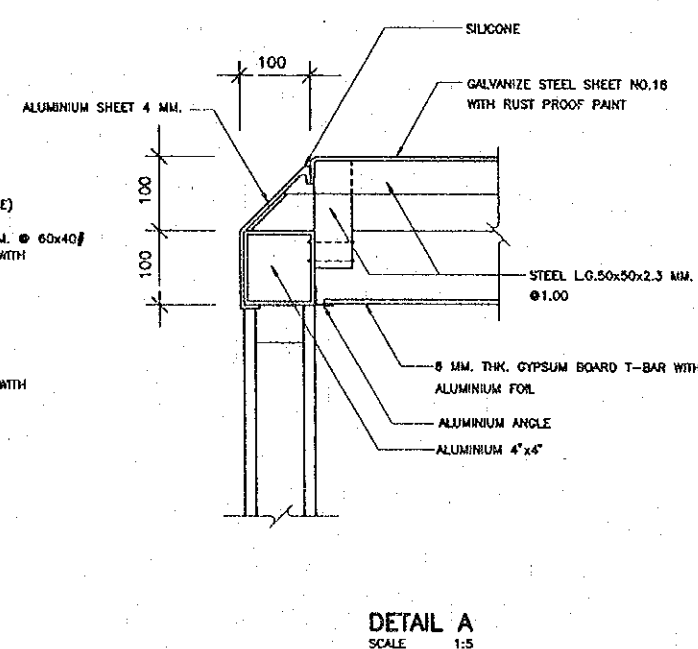
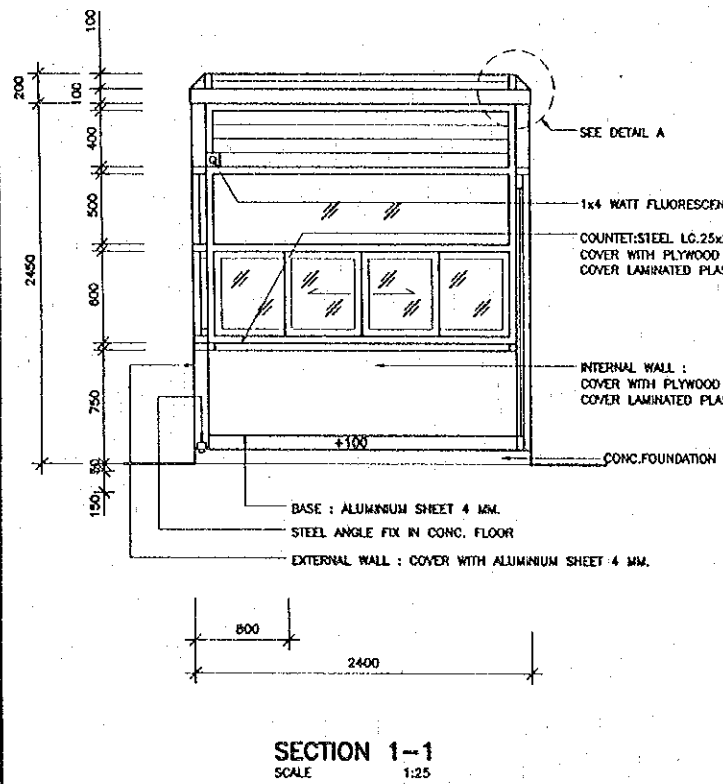
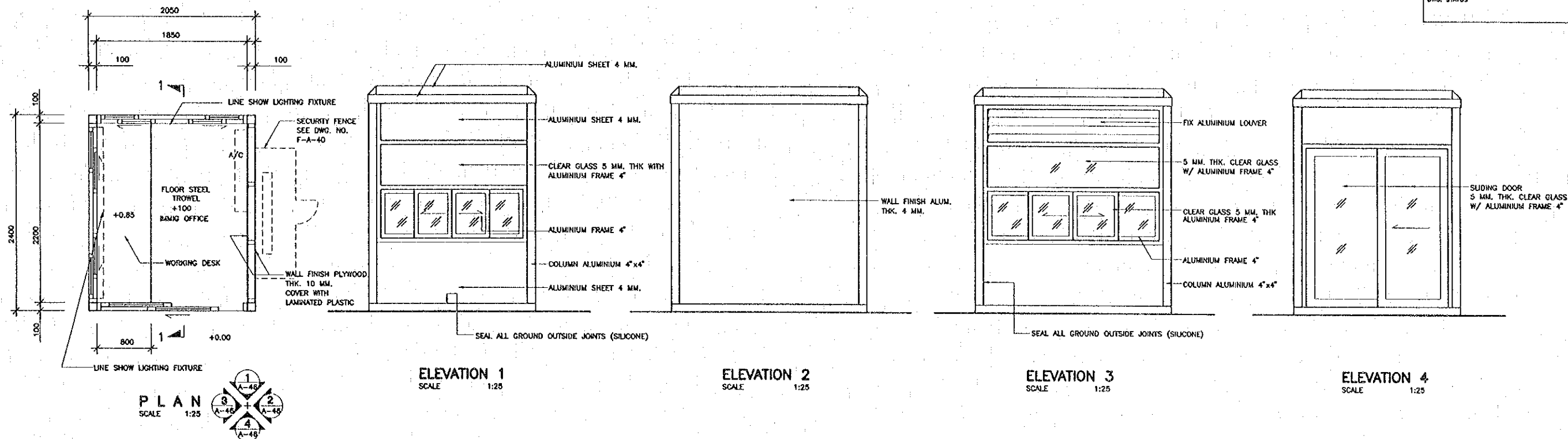
PROJECT STUDY TEAM  
 ORIENTAL CONSULTANTS CO., LTD.  
 in association with  
 NIPPON KOKI CO., LTD.

JICA JAPAN INTERNATIONAL COOPERATION AGENCY  
 LAO PEOPLE'S DEMOCRATIC REPUBLIC  
 MINISTRY OF COMMUNICATION, TRANSPORT, POST AND CONSTRUCTION  
 KINGDOM OF THAILAND  
 MINISTRY OF TRANSPORT AND COMMUNICATIONS  
 DEPARTMENT OF HIGHWAYS

THE SECOND MEKONG INTERNATIONAL BRIDGE CONSTRUCTION PROJECT

QUALITY RECORD	NAME	SIGNATURE	DATE	DWG. TITLE
DESIGN	A. Morikita	<i>[Signature]</i>	16/02/00	BORDER CONTROL FACILITIES LAO PDR SIDE PUBLIC TOILET : DETAIL PLAN & SECTION
DESIGN CHECK	T. Masuzawa	<i>[Signature]</i>	18/02/00	
SUBMITTED	A. Hinojara	<i>[Signature]</i>	21/02/00	
APPROVED	P. Viraphonh	<i>[Signature]</i>	21/02/00	

DATE OF ISSUE: 05/03/2000	
DWG. NO. F-A-46	SHEET NO. 177
DWG. STATUS	

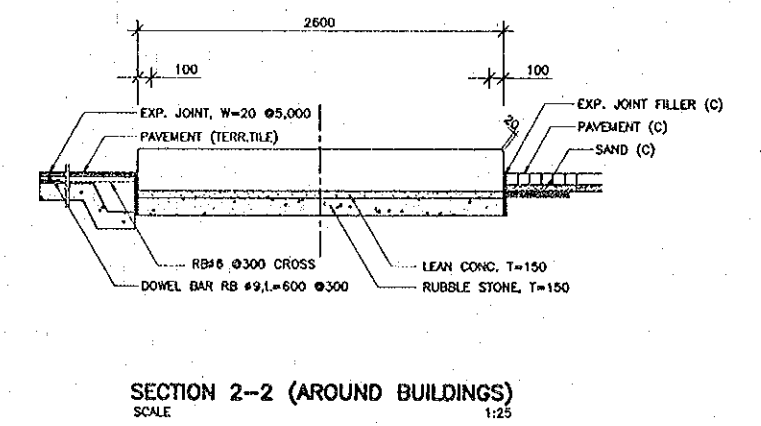
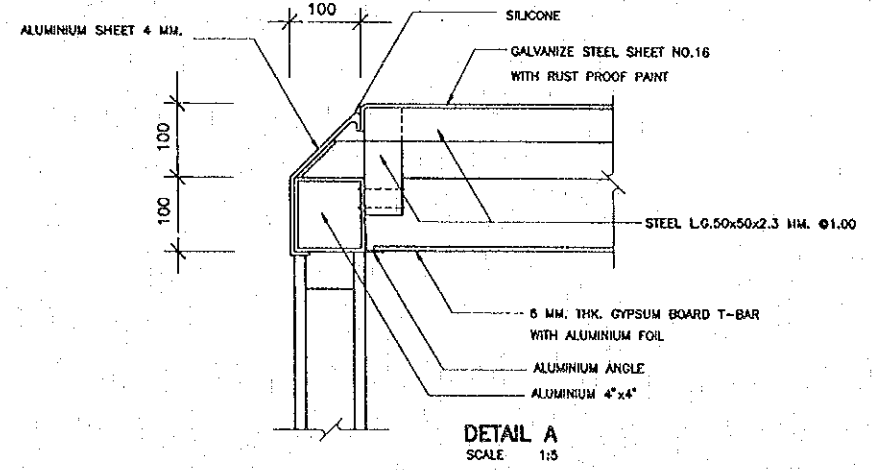
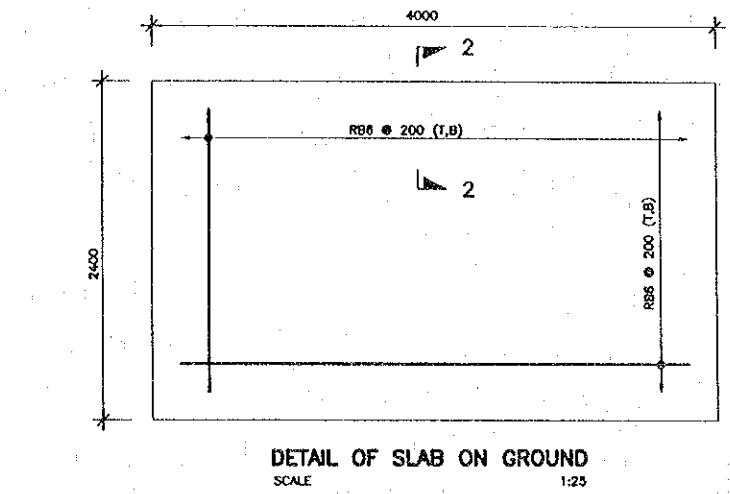
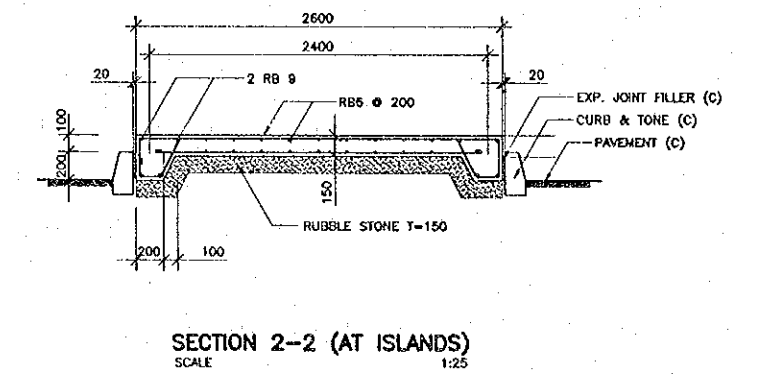
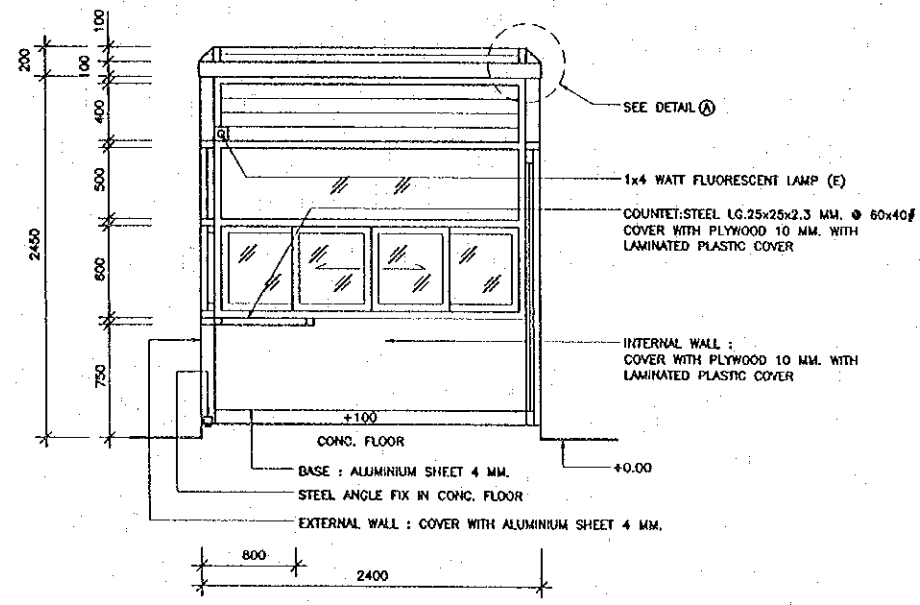
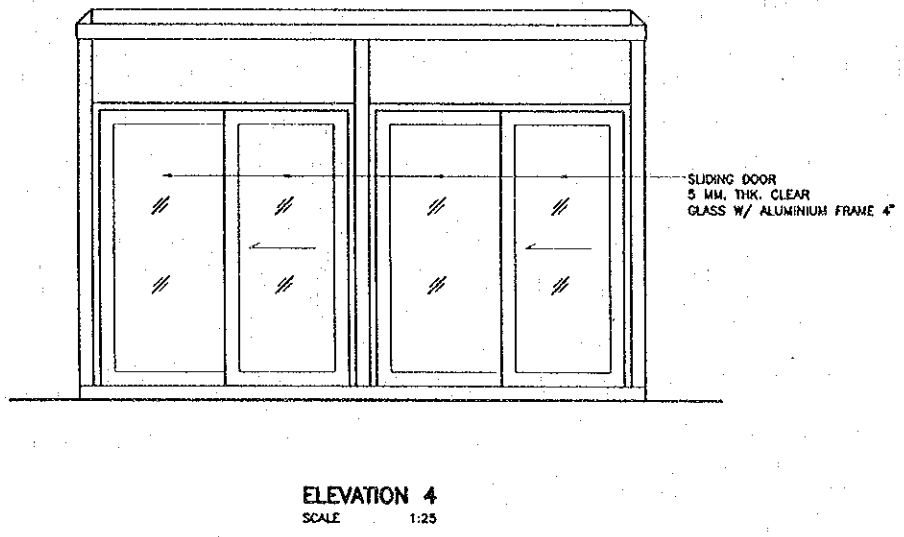
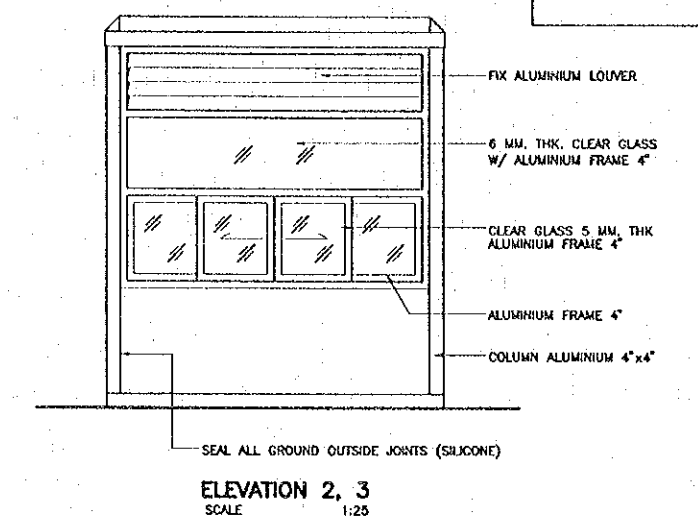
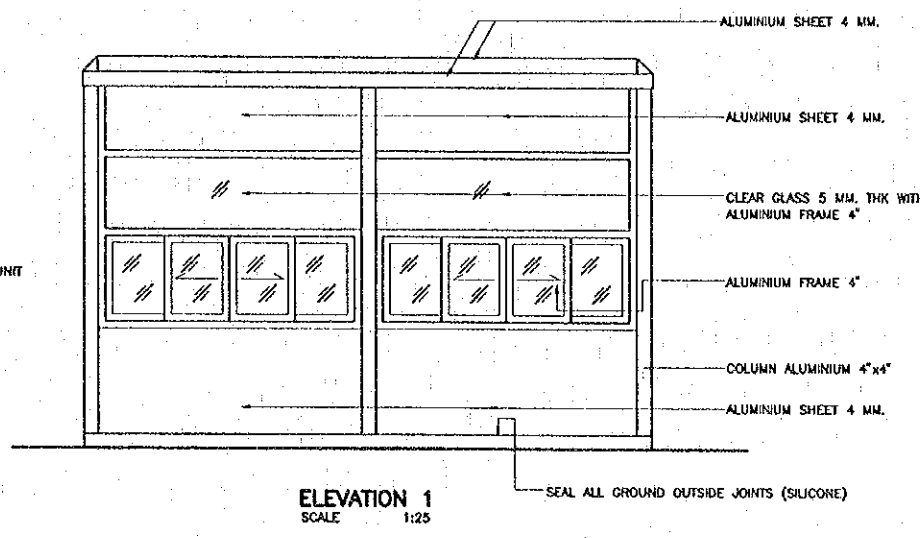
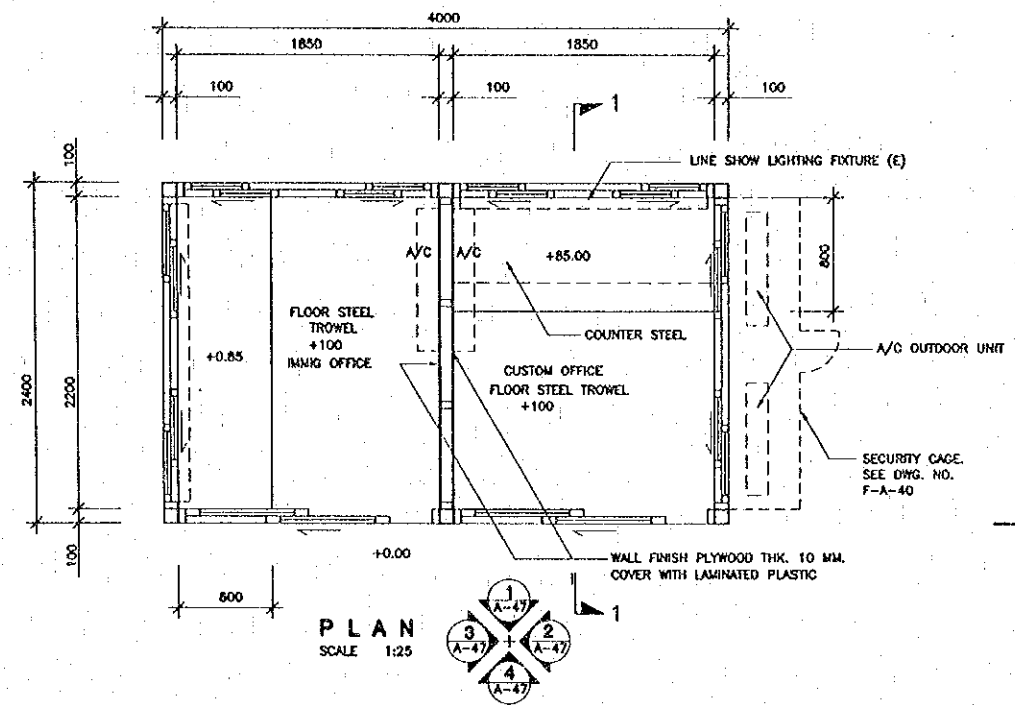


**NOTES :**  
 1. FOR DETAILS AROUND FOUNDATION AND PAVEMENT, SEE DWG. F-A-47

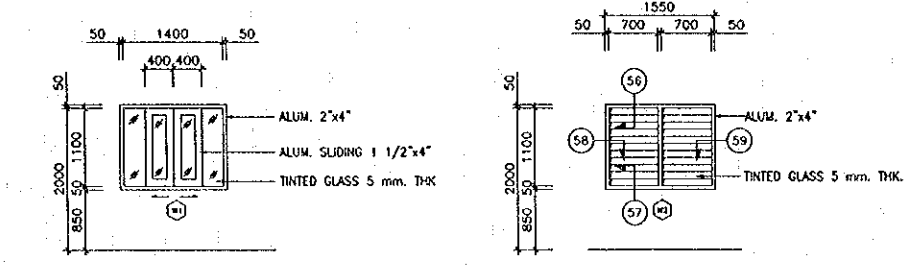
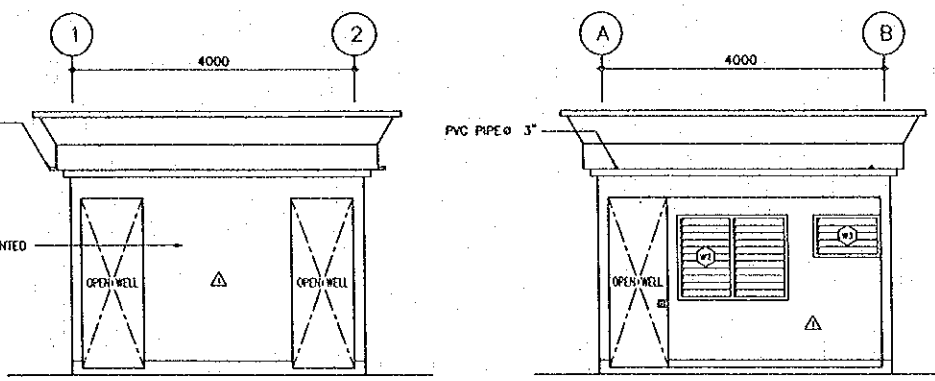
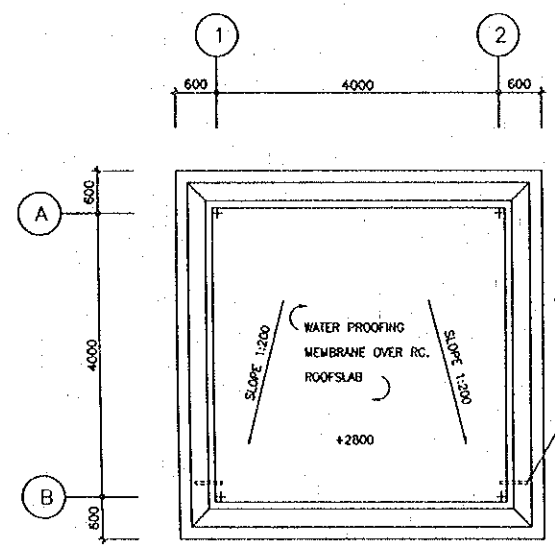
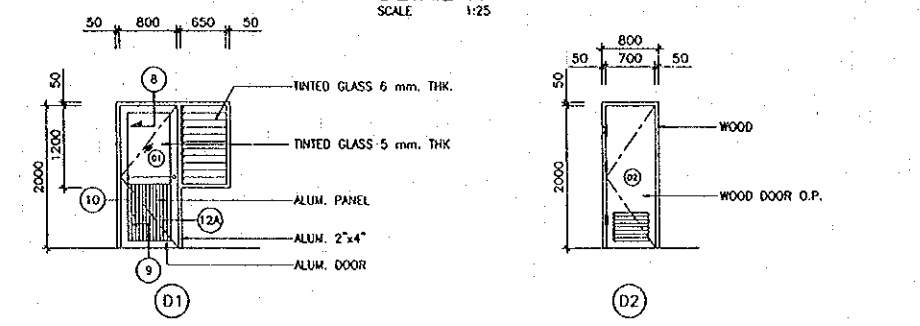
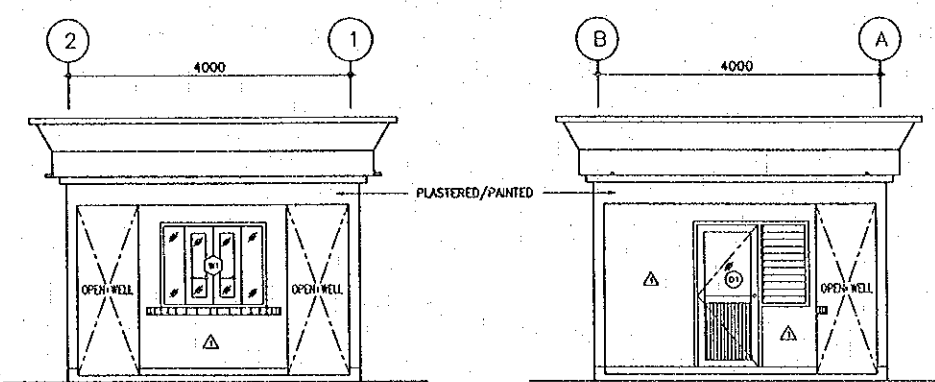
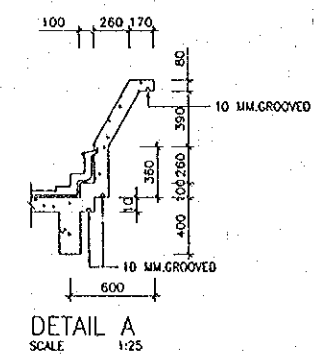
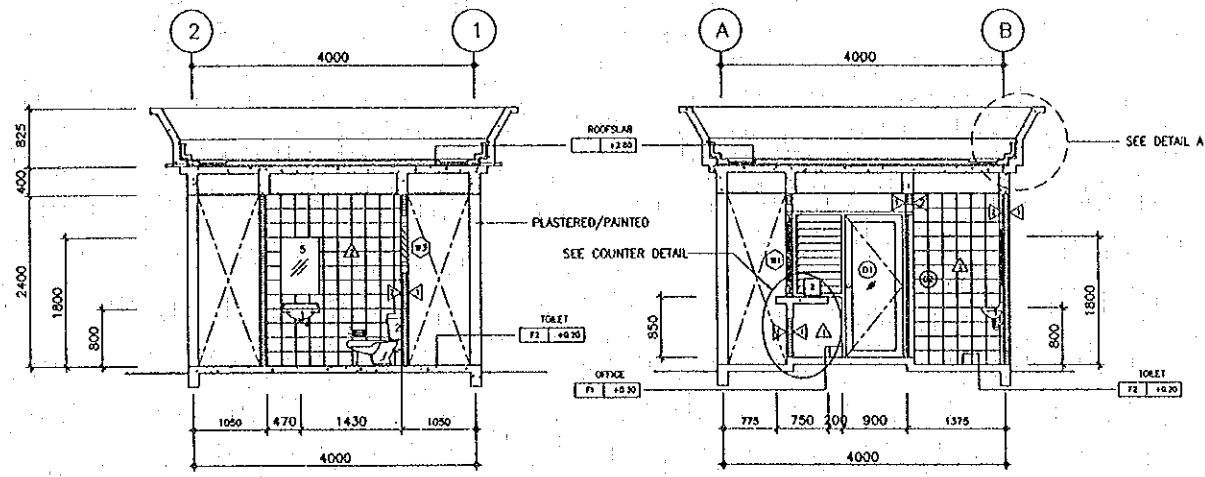
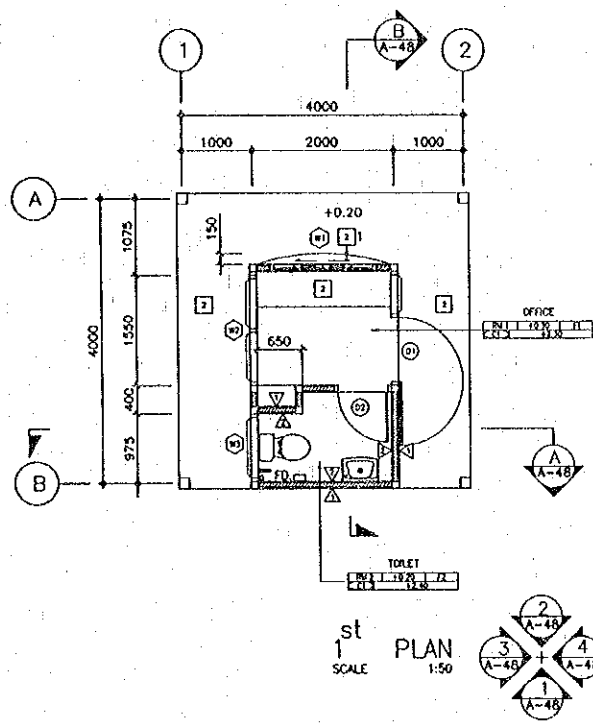
REV.	DATE	DESCRIPTION	APPROVED	PROJECT STUDY TEAM	JICA JAPAN INTERNATIONAL COOPERATION AGENCY	QUALITY RECORD	NAME	SIGNATURE	DATE	DWG. TITLE:
				ORIENTAL CONSULTANTS CO., LTD. In association with NIPPON KOKI CO., LTD.	LAO PEOPLE'S DEMOCRATIC REPUBLIC MINISTRY OF COMMUNICATION, TRANSPORT, POST AND CONSTRUCTION	DESIGN	A. Morikawa	<i>[Signature]</i>	16/02/00	BORDER CONTROL FACILITIES LAO PDR SIDE BOOTH (IMMIGRATION & CUSTOMS) : PLAN, ELEVATION, SECTION AND DETAILS
					KINGDOM OF THAILAND MINISTRY OF TRANSPORT AND COMMUNICATIONS DEPARTMENT OF HIGHWAYS	DESIGN CHECK	T. Hongsana	<i>[Signature]</i>	18/02/00	
						SUBMITTED	A. Hirakawa	<i>[Signature]</i>	21/02/00	
						APPROVED	P. Virophanth	<i>[Signature]</i>	22/02/00	



DATE OF ISSUE: 05/03/2000	
DWG. NO. F-A-47	SHEET NO. 178
DWG. STATUS	

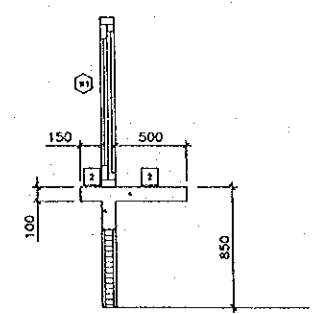
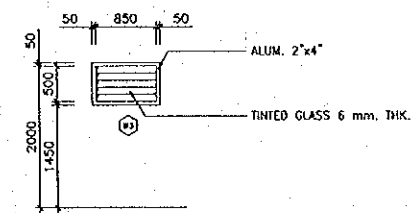


REV.	DATE	DESCRIPTION	APPROVED	PROJECT STUDY TEAM	JICA JAPAN INTERNATIONAL COOPERATION AGENCY	THE SECOND MEKONG INTERNATIONAL BRIDGE CONSTRUCTION PROJECT	QUALITY RECORD	NAME	SIGNATURE	DATE	DWG. TITLE
				ORIENTAL CONSULTANTS CO., LTD. In association with NIPPON KOEI CO., LTD.	LAO PEOPLE'S DEMOCRATIC REPUBLIC MINISTRY OF COMMUNICATION, TRANSPORT, POST AND CONSTRUCTION		DESIGN	A. Morfoka		16/02/00	BORDER CONTROL FACILITIES LAO PDR SIDE BOOTH (IMMIGRATION & QUARANTINE) : PLAN, ELEVATION, SECTION AND DETAILS
					KINGDOM OF THAILAND MINISTRY OF TRANSPORT AND COMMUNICATIONS DEPARTMENT OF HIGHWAYS		DESIGN CHECK	T. Moeuzawa		18/02/00	
							SUBMITTED	A. Hiratani		21/04/00	
							APPROVED	P. Viraphanth		27/07/00	



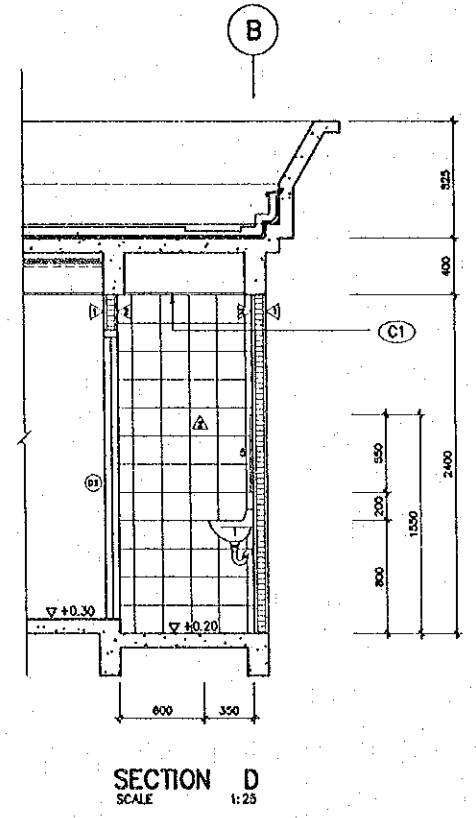
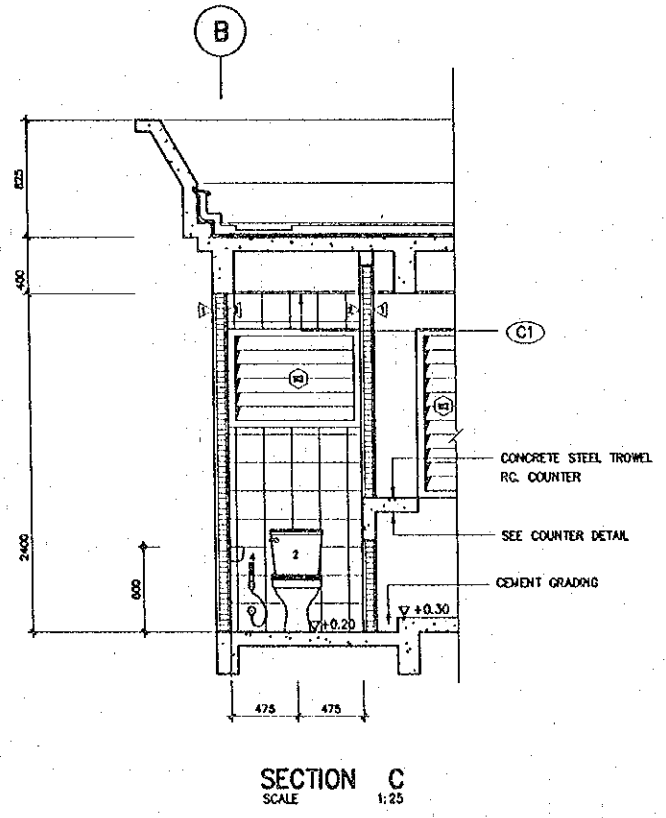
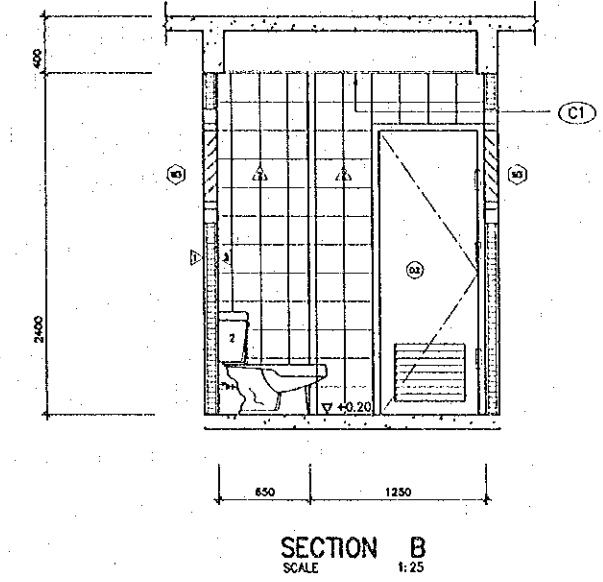
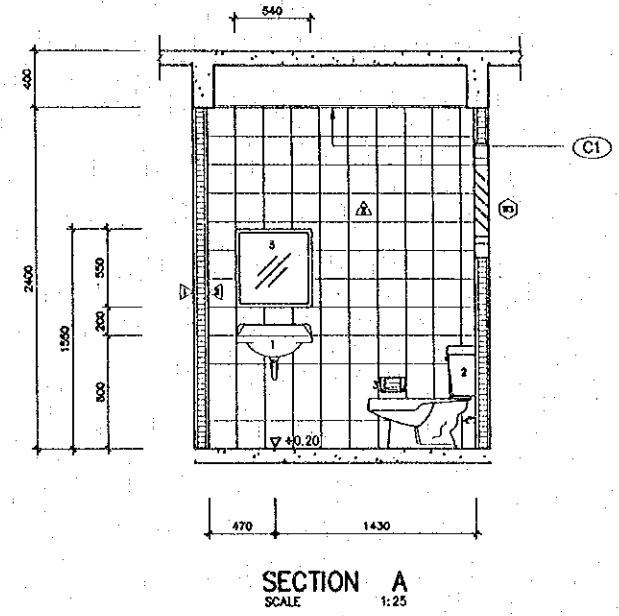
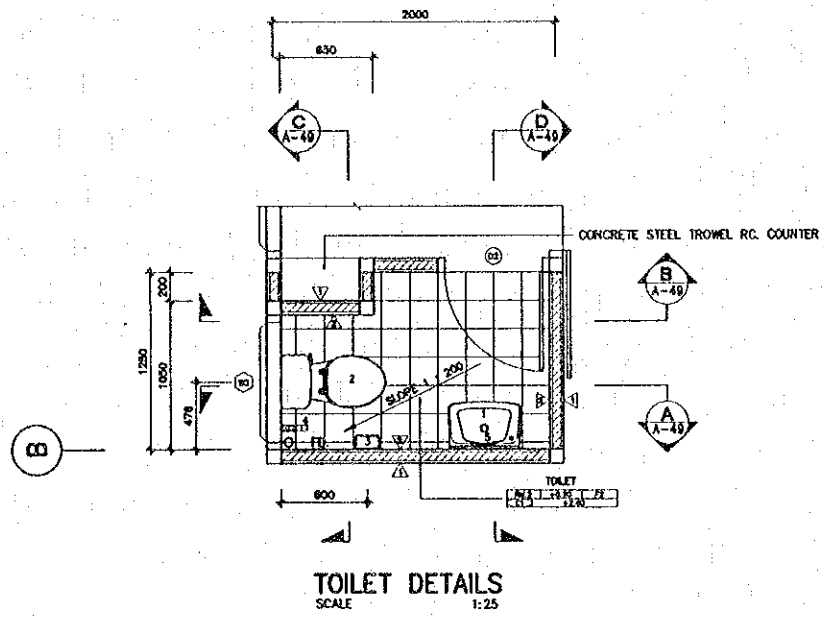
56,57,58,58 SEE TYPICAL DETAILS (5)

DOOR & WINDOW DETAIL



NO.	ROOM NAME	MARK	WALL FINISHING/FLOOR FINISHING		NOTE
			MATERIAL	FINISHING	
RM.1	OFFICE	WALL (A)	HOLLOW BLOCK	PLASTER & PAINT	
		CEILING (C)	9 mm. THK. GYPSUM B. (MOISTURE RESISTANT) ON T-BAR (600x1200) W/EMULSION PAINT		
		FLOOR (F)	CONCRETE STEEL TROWEL		
RM.2	TOILET	WALL (A)	HOLLOW BLOCK	TILE 200x200 mm. (CAMPANA)	
		CEILING (C)	9 mm. THK. GYPSUM B. (MOISTURE RESISTANT) ON T-BAR (600x1200) W/EMULSION PAINT		
		FLOOR (F)	TILE 200x200 mm.		

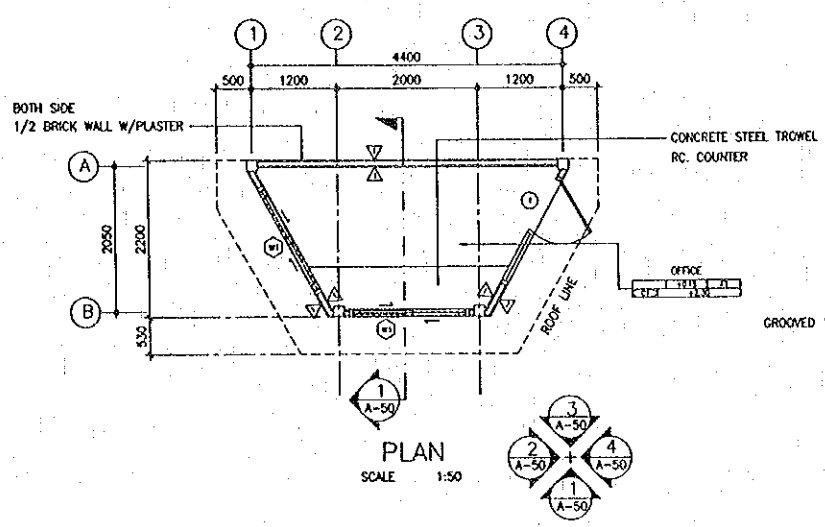
- NOTES :
- TILE SHALL BE CAMPANA (44039) VEHICLE TYPE OR EQUIVALENT APPROVED
  - CEILING SHALL BE ELEPHANT BRAND "MOISTURE-RESISTANT TYPE" OR EQUIVALENT APPROVED



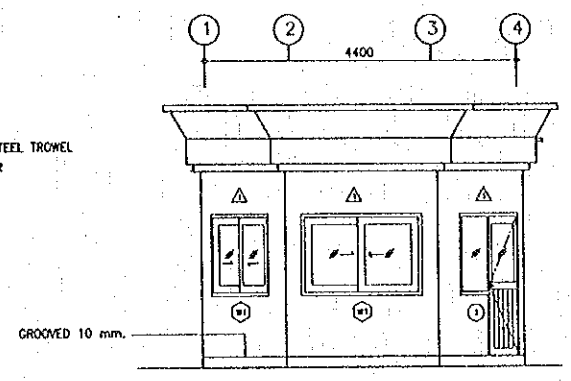
MARK	TOILET EQUIPMENT SCHEDULE
1 LAVATORY	L-1530.5 GENEVA WALLRUNG WASHBASIN
2 WATER CLOSET	L-2126.0-700 OBJECT. TWO PIECES DUAL FLUSH
3 PAPER HOLDER	L-7261.0 UNIVERSAL PAPER HOLDER (SMALL)
4 SPRAY WASHER	CT 666
5 MIRROR	"THAI ASAHI" ALUMINIUM FRAME
NOTES :	
1) ALL TOILET FIXTURE SHALL BE LAUFEN	
2) ALL TOILET EQUIPMENT AND ACCESSORIES SHALL BE COTTO OR APPROVED EQUAL	

REV.	DATE	DESCRIPTION	APPROVED	PROJECT STUDY TEAM	JICA JAPAN INTERNATIONAL COOPERATION AGENCY	QUALITY RECORD	NAME	SIGNATURE	DATE	DWG. TITLE
				ORIENTAL CONSULTANTS CO., LTD. In association with NIPPON KOKI CO., LTD.	LAO PEOPLE'S DEMOCRATIC REPUBLIC MINISTRY OF COMMUNICATION, TRANSPORT, POST AND CONSTRUCTION KINGDOM OF THAILAND MINISTRY OF TRANSPORT AND COMMUNICATIONS DEPARTMENT OF HIGHWAYS	DESIGN	A. Morloka	<i>[Signature]</i>	18-02-00	BORDER CONTROL FACILITIES LAO PDR SIDE CHECKING OFFICE : TOILET DETAILS AND TOILET EQUIPMENT SCHEDULE
						DESIGN CHECK	T. Mouzoree	<i>[Signature]</i>	18-02-00	
						SUBMITTED	A. Hiranand	<i>[Signature]</i>	11/02/00	
						APPROVED	P. Viraphanth	<i>[Signature]</i>	12/02/00	

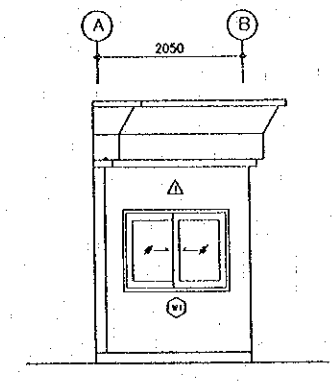
DATE OF ISSUE: 05/03/2000  
 DWG. NO. F-A-50 SHEET NO. 181  
 DWG. STATUS



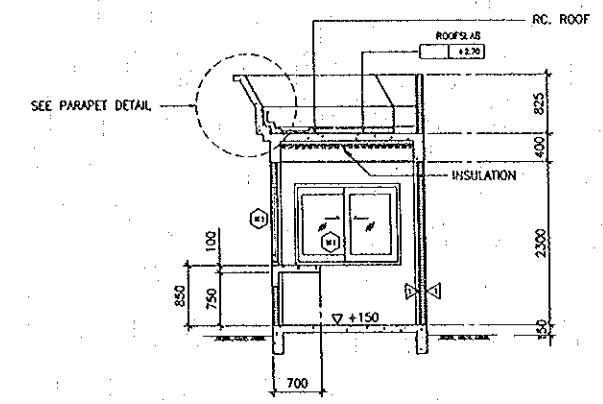
PLAN  
SCALE 1:50



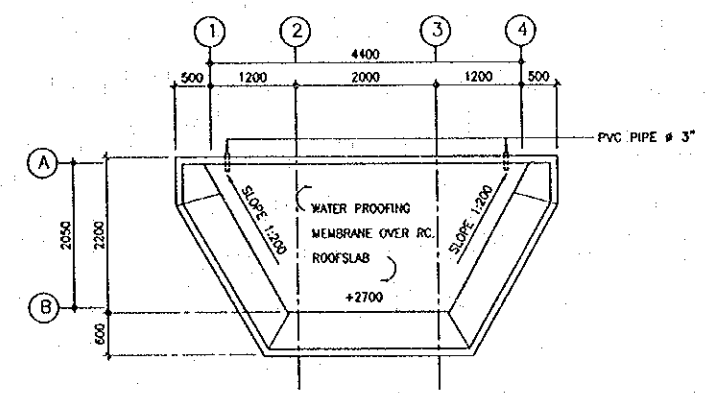
ELEVATION 1  
SCALE 1:50



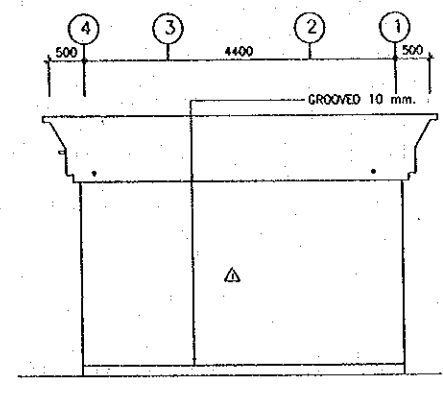
ELEVATION 2  
SCALE 1:50



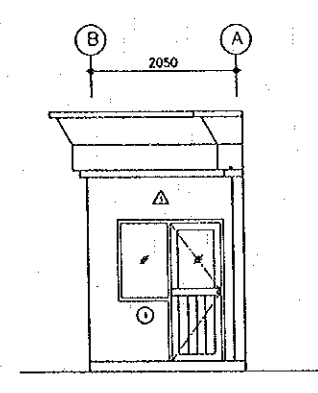
SECTION 1  
SCALE 1:50



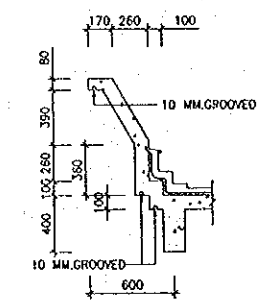
ROOF PLAN  
SCALE 1:50



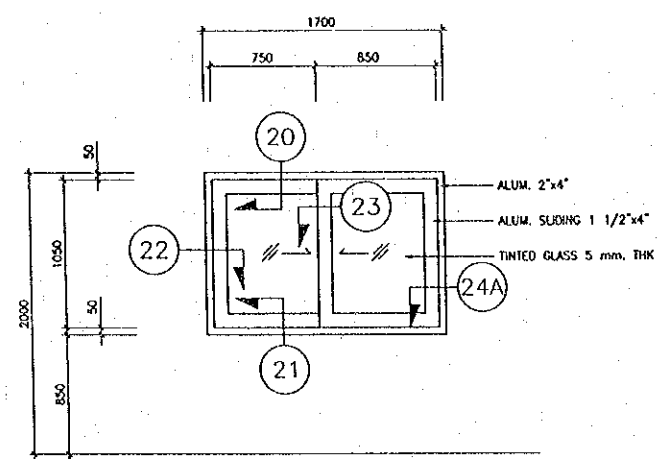
ELEVATION 3  
SCALE 1:50



ELEVATION 4  
SCALE 1:50

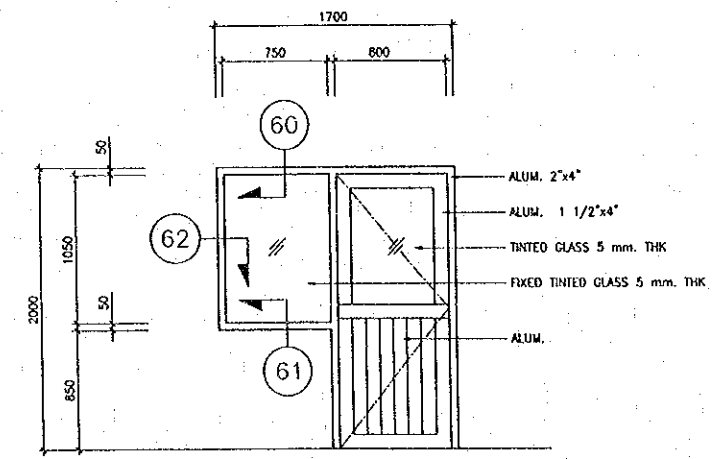


PARAPET DETAIL  
SCALE 1:25



WINDOW W1 DETAIL  
SCALE 1:25

20,21,22,23,24A SEE TYPICAL DETAILS (1)



DOOR D1 DETAIL  
SCALE 1:25

60,61,62 SEE TYPICAL DETAILS (5)

ROOM NAME	MARK	WALL FINISHING		NOTE
		MATERIAL	FINISHING	
OFFICE	WALL Δ	HOLLOW BLOCK	PLASTER & PAINT	
	CEILING ⊕	SEE NOTE *		
	FLOOR □	CONCRETE STEEL TROWEL		

NOTES :

\* CEILING SHALL BE NITTOBO OR APPROVED EQUAL.

MODEL	CODE	SIZE (mm.)	EDGE
GYPSUM	ST 721	9x300x600	TRIM

REV.	DATE	DESCRIPTION	APPROVED

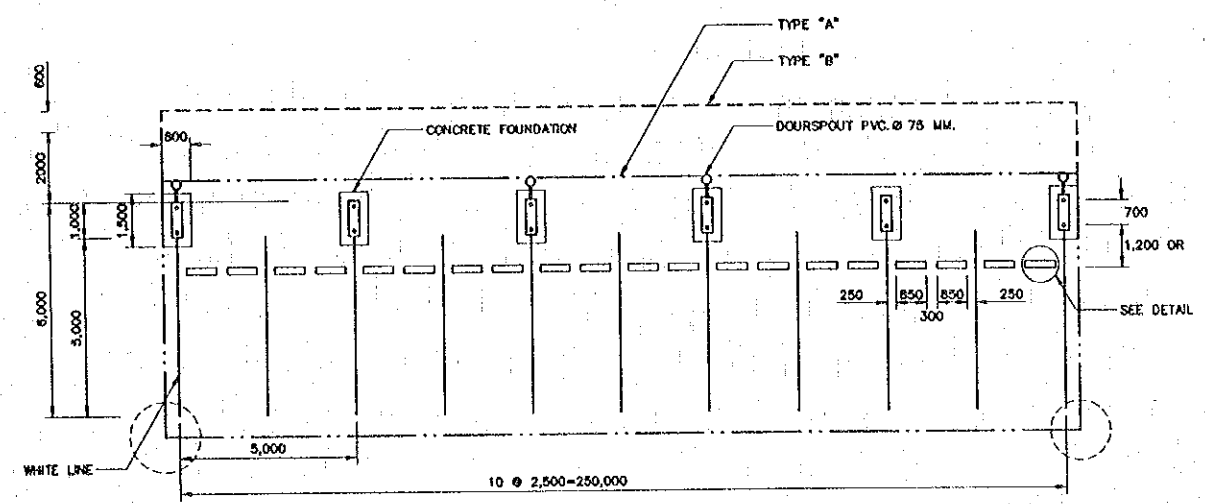
PROJECT STUDY TEAM  
 ORIENTAL CONSULTANTS CO., LTD.  
 In association with  
 NIPPON KOEI CO., LTD.

JICA JAPAN INTERNATIONAL COOPERATION AGENCY  
 LAO PEOPLE'S DEMOCRATIC REPUBLIC  
 MINISTRY OF COMMUNICATION, TRANSPORT, POST AND CONSTRUCTION  
 KINGDOM OF THAILAND  
 MINISTRY OF TRANSPORT AND COMMUNICATIONS  
 DEPARTMENT OF HIGHWAYS

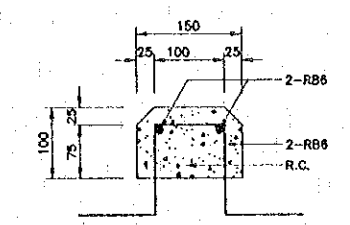
THE SECOND MEKONG INTERNATIONAL BRIDGE CONSTRUCTION PROJECT

QUALITY RECORD	NAME	SIGNATURE	DATE
DESIGN	A. Morioka	<i>A. Morioka</i>	23-05-00
DESIGN CHECK	T. Masuzawa	<i>T. Masuzawa</i>	27-05-00
SUBMITTED	A. Hirakawa	<i>A. Hirakawa</i>	27-05-00
APPROVED	P. Viraphanb	<i>P. Viraphanb</i>	5/6/00

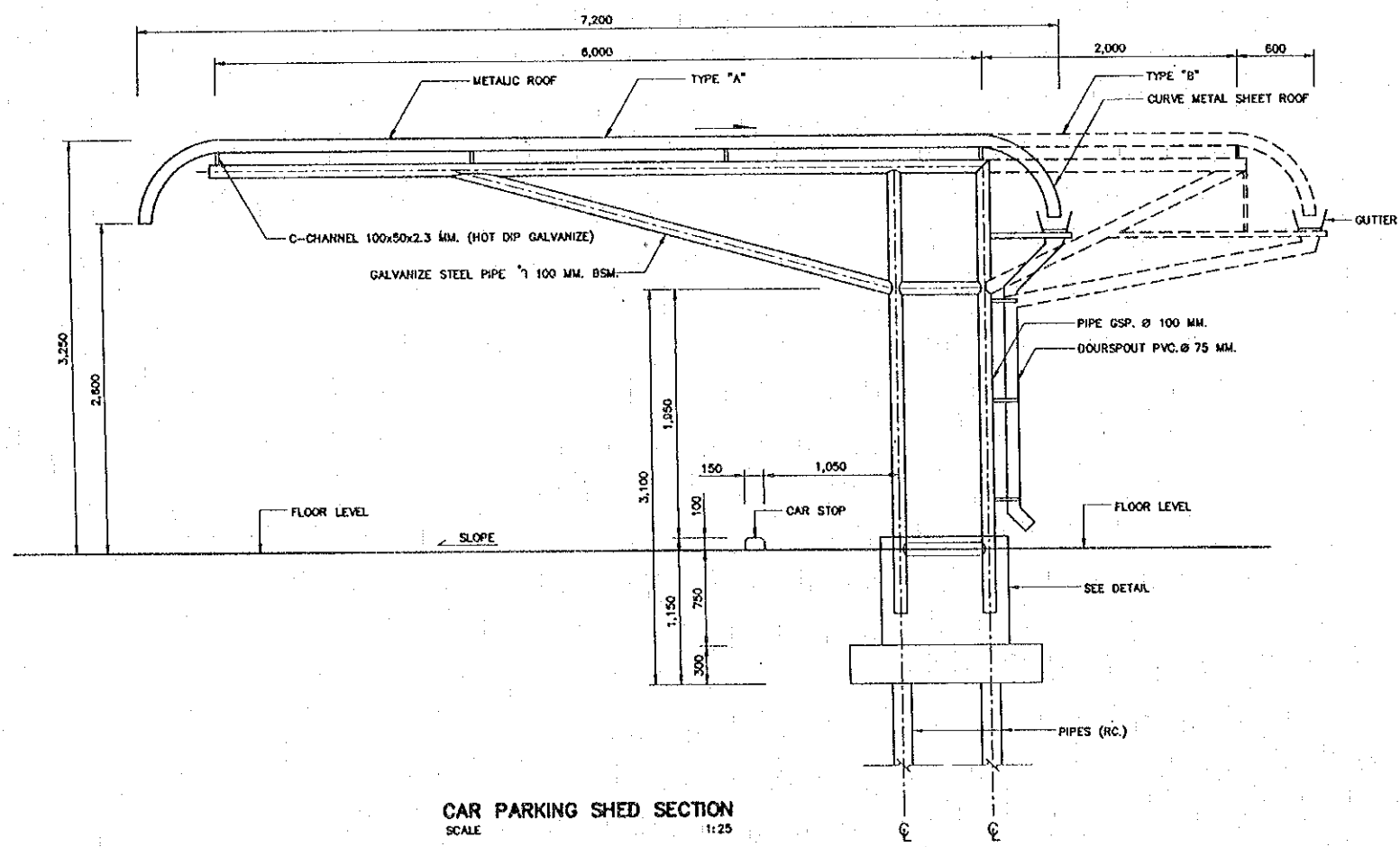
BORDER CONTROL FACILITIES  
 LAO PDR SIDE  
 CHECK POINT BOOTH : PLAN, ROOF PLAN,  
 MATERIALS AND FINISH SCHEDULE



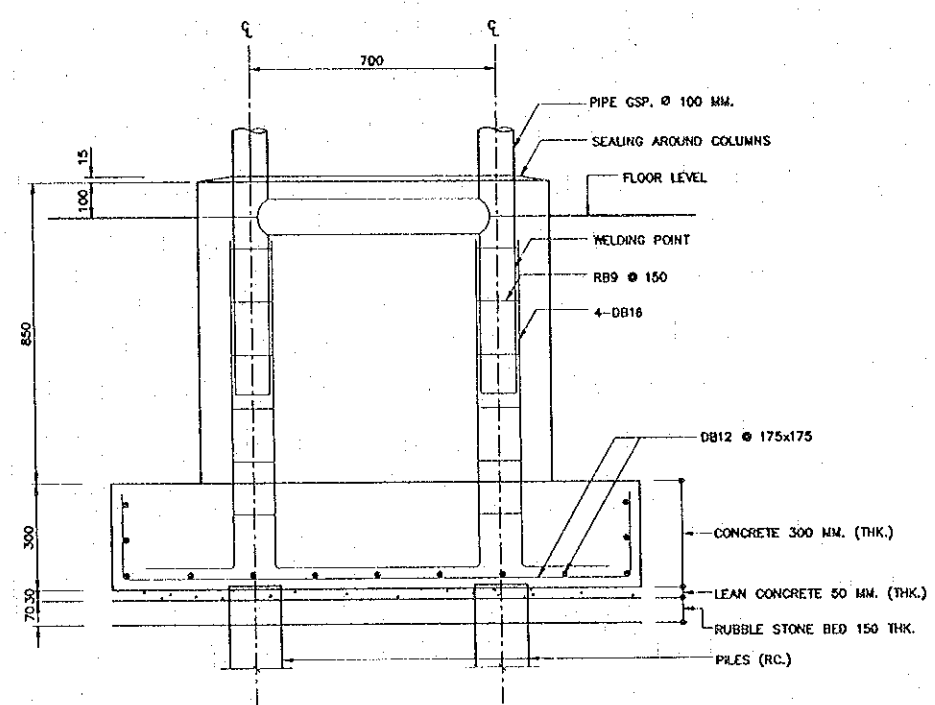
**CAR PARKING PLAN**  
SCALE 1:100



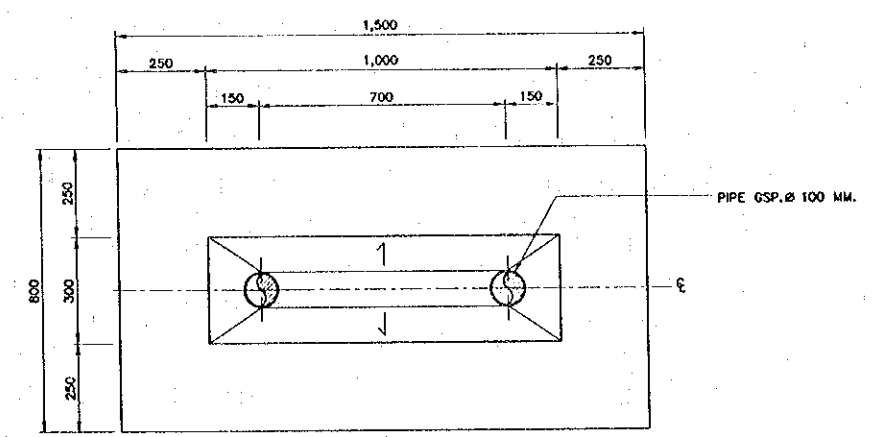
**CAR STOP DETAIL**  
SCALE 1:5



**CAR PARKING SHED SECTION**  
SCALE 1:25



**FOUNDATION DETAIL**  
SCALE 1:10



REV.	DATE	DESCRIPTION	APPROVED

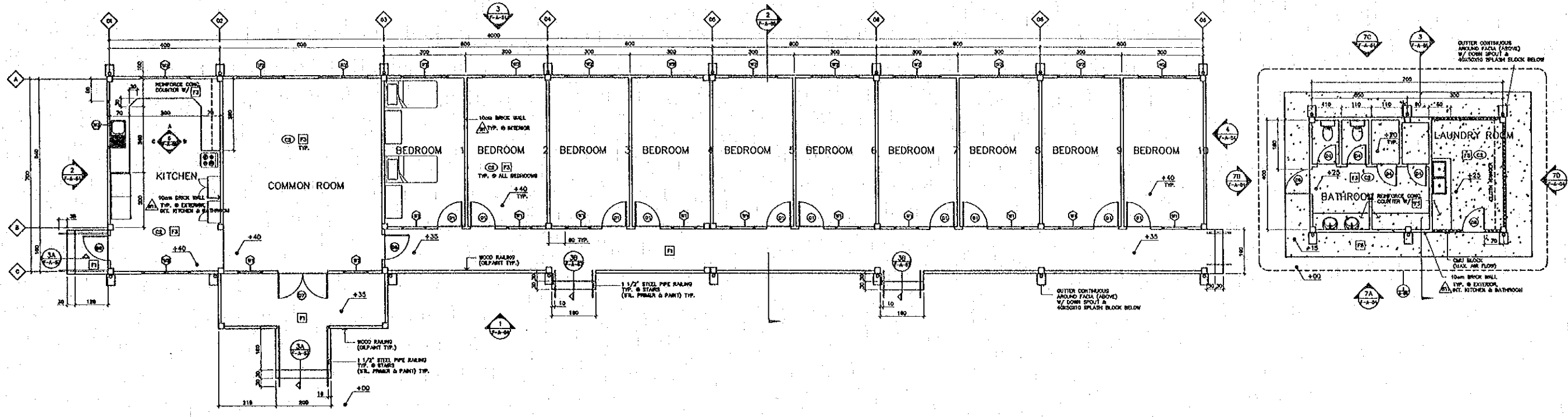
PROJECT STUDY TEAM  
 ORIENTAL CONSULTANTS CO., LTD.  
 in association with  
 NIPPON KOKI CO., LTD.

JICA JAPAN INTERNATIONAL COOPERATION AGENCY  
 LAO PEOPLE'S DEMOCRATIC REPUBLIC  
 MINISTRY OF COMMUNICATION, TRANSPORT, POST AND CONSTRUCTION  
 KINGDOM OF THAILAND  
 MINISTRY OF TRANSPORT AND COMMUNICATIONS  
 DEPARTMENT OF HIGHWAYS

THE SECOND MEKONG INTERNATIONAL BRIDGE CONSTRUCTION PROJECT

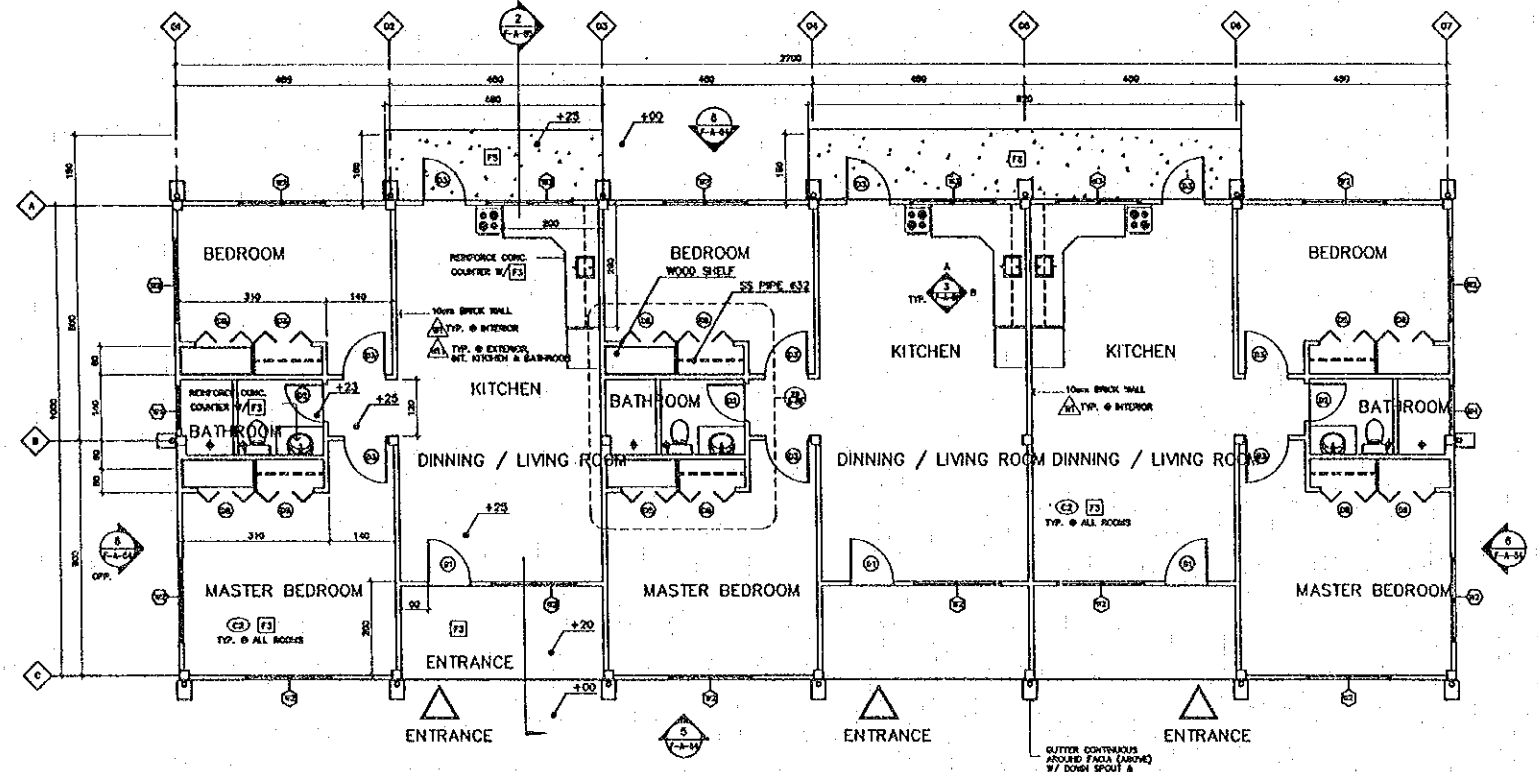
QUALITY RECORD	NAME	SIGNATURE	DATE	DWG. TITLE
DESIGN	A. Morokita	<i>[Signature]</i>	16/02/00	BORDER CONTROL FACILITIES LAO PDR SIDE OFFICER'S PARKING SHED : PARKING PLAN, ELEVATION & DETAIL SECTION (T-A & B)
DESIGN CHECK	T. Morozova	<i>[Signature]</i>	18/02/00	
SUBMITTED	A. Hiratani	<i>[Signature]</i>	11/02/00	
APPROVED	P. Wiphaphanth	<i>[Signature]</i>	22/02/00	





1 MAIN FLOOR PLAN (ACCOMMODATION FOR SINGLE)  
SCALE 1:75

2 FLOOR PLAN (TOILET + LAUNDRY)  
SCALE 1:75



3 FLOOR PLAN (ACCOMMODATION FOR FAMILY)  
SCALE 1:75

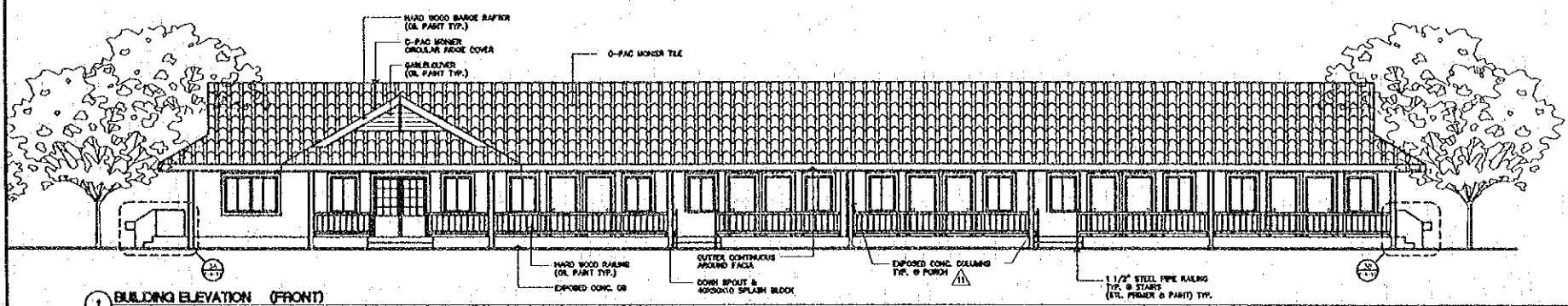
- GENERAL NOTE**
1. ALL STEEL TO BE PRIME
  2. EXPOSED STEEL TO BE PRIME AND PAINT
  3. ALL WOOD TO BE TREATED WITH TERMITE RESISTIVE CHEMICAL
  4. EXPOSED WOOD TO BE OIL PAINT TYP.
  5. DOORS, DOORS AND WINDOWS FRAMING TO BE OILPAINT TYP.
  6. ALL BRAND NAME SHOWN SHALL BE TENTATIVE ONLY AND SHALL BE SUBJECT TO THE ENGINEER'S APPROVAL.

**MATERIALS LIST**

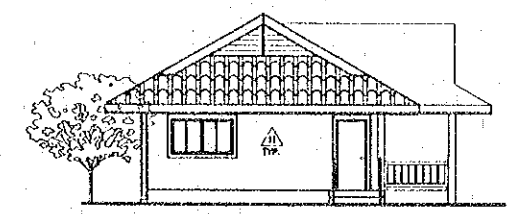
MARK	DESCRIPTION	SIZE	BRAND	REMARK
F1	FLOOR	WASHED GRAVEL		GROOVE
F2	FLOOR	CERAMIC FLOOR TILE	8" X 8"	CAMPANA OR EQUAL 44021 TABAC
F3	FLOOR	CONCRETE STEEL TROWEL		
G1	CEILING	GYPSUM BOARD	MOISTURE RESISTANCE TYPE	60 X 60 X .9 cm ELEPHANT OR EQUAL
G2	CEILING	EXPOSED CONCRETE		
W1	WALL	PLASTER W/ PAINT E.P.		EMULSION PAINT
W2	WALL	PLASTER W/ PAINT A.E.P.		ACRYLIC EMULSION PAINT
W3	WALL	CERAMIC WALL TILE	8" X 8"	CAMPANA OR EQUAL
W4	WALL	WOOD SKIRTING	11 = 100	CAMPANA OR EQUAL

4 MATERIALS LIST  
NOT TO SCALE

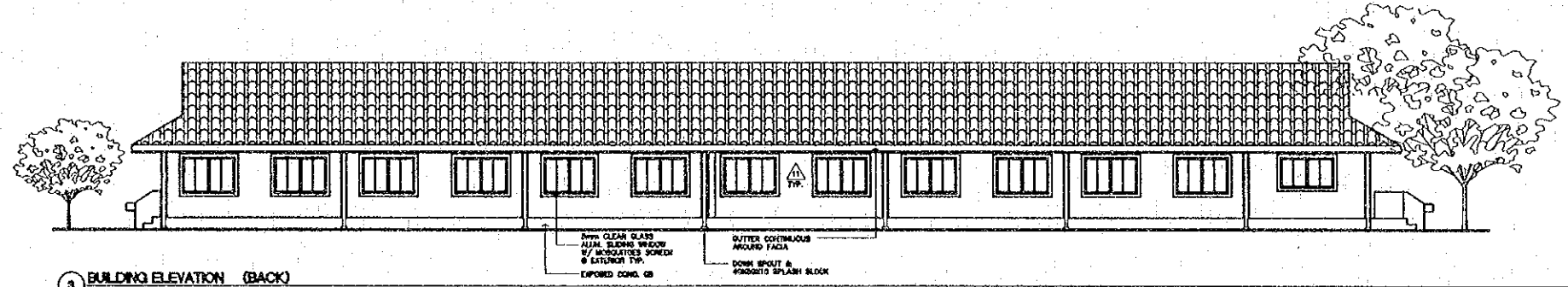
REV.	DATE	DESCRIPTION	APPROVED	PROJECT STUDY TEAM	JICA JAPAN INTERNATIONAL COOPERATION AGENCY	QUALITY RECORD	NAME	SIGNATURE	DATE	DWG. TITLE
				ORIENTAL CONSULTANTS CO., LTD. in association with NIPPON KOKI CO., LTD.	LAO PEOPLE'S DEMOCRATIC REPUBLIC MINISTRY OF COMMUNICATION, TRANSPORT, POST AND CONSTRUCTION	DESIGN	A. Morloka	<i>[Signature]</i>	16/02/00	BORDER CONTROL FACILITIES LAO PDR SIDE ACCOMMODATION : FLOOR PLANS
				KINGDOM OF THAILAND MINISTRY OF TRANSPORT AND COMMUNICATIONS DEPARTMENT OF HIGHWAYS	DESIGN CHECK	T. Moerzawa	<i>[Signature]</i>	17/02/00		
					SUBMITTED	A. Hirutani	<i>[Signature]</i>	21/02/00		
					APPROVED	P. Viraphanth	<i>[Signature]</i>	22/02/00		



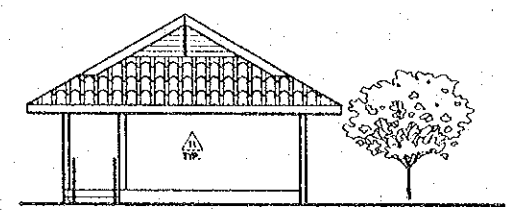
1 BUILDING ELEVATION (FRONT)  
 SCALE 1:100 ACCOMMODATION FOR BRIGADE



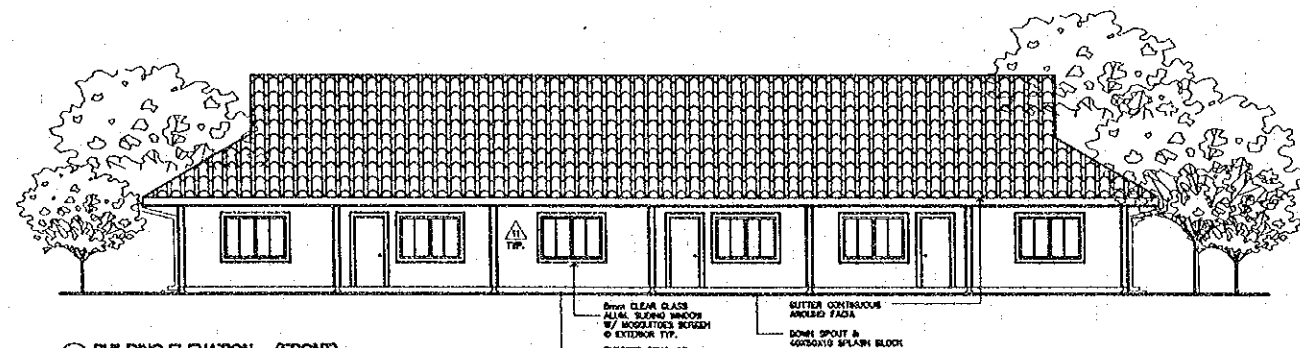
2 BUILDING ELEVATION (SIDE)  
 SCALE 1:100 ACCOMMODATION FOR BRIGADE



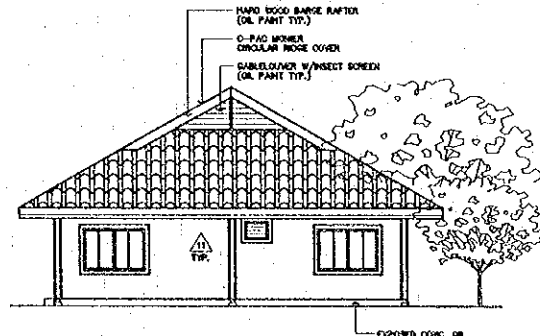
3 BUILDING ELEVATION (BACK)  
 SCALE 1:100 ACCOMMODATION FOR BRIGADE



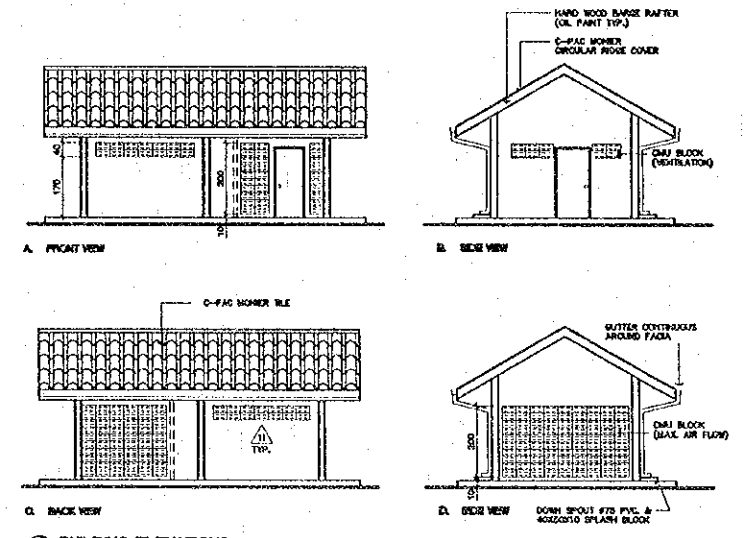
4 BUILDING ELEVATION (SIDE)  
 SCALE 1:100 ACCOMMODATION FOR BRIGADE



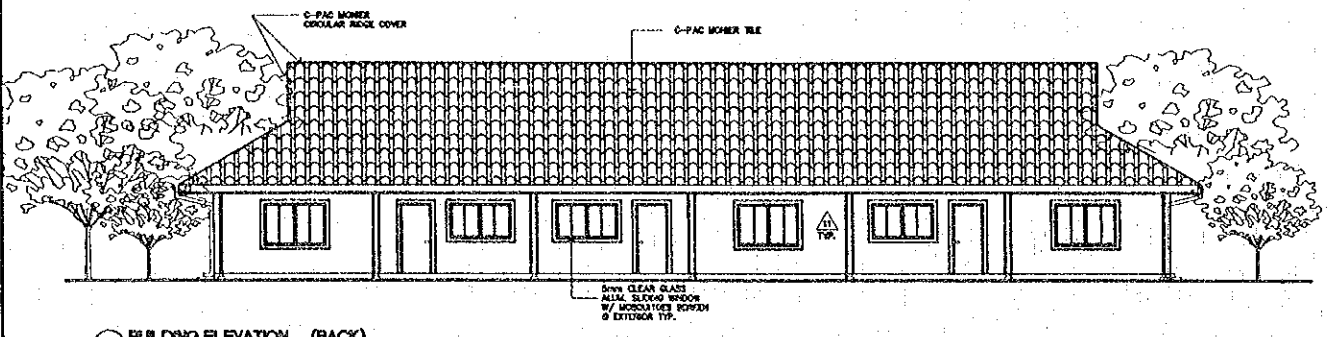
5 BUILDING ELEVATION (FRONT)  
 SCALE 1:100 ACCOMMODATION FOR FAMILY



6 BUILDING ELEVATION (SIDE)  
 SCALE 1:100 ACCOMMODATION FOR FAMILY



7 BUILDING ELEVATIONS  
 SCALE 1:100 TOILET + LAUNDRY



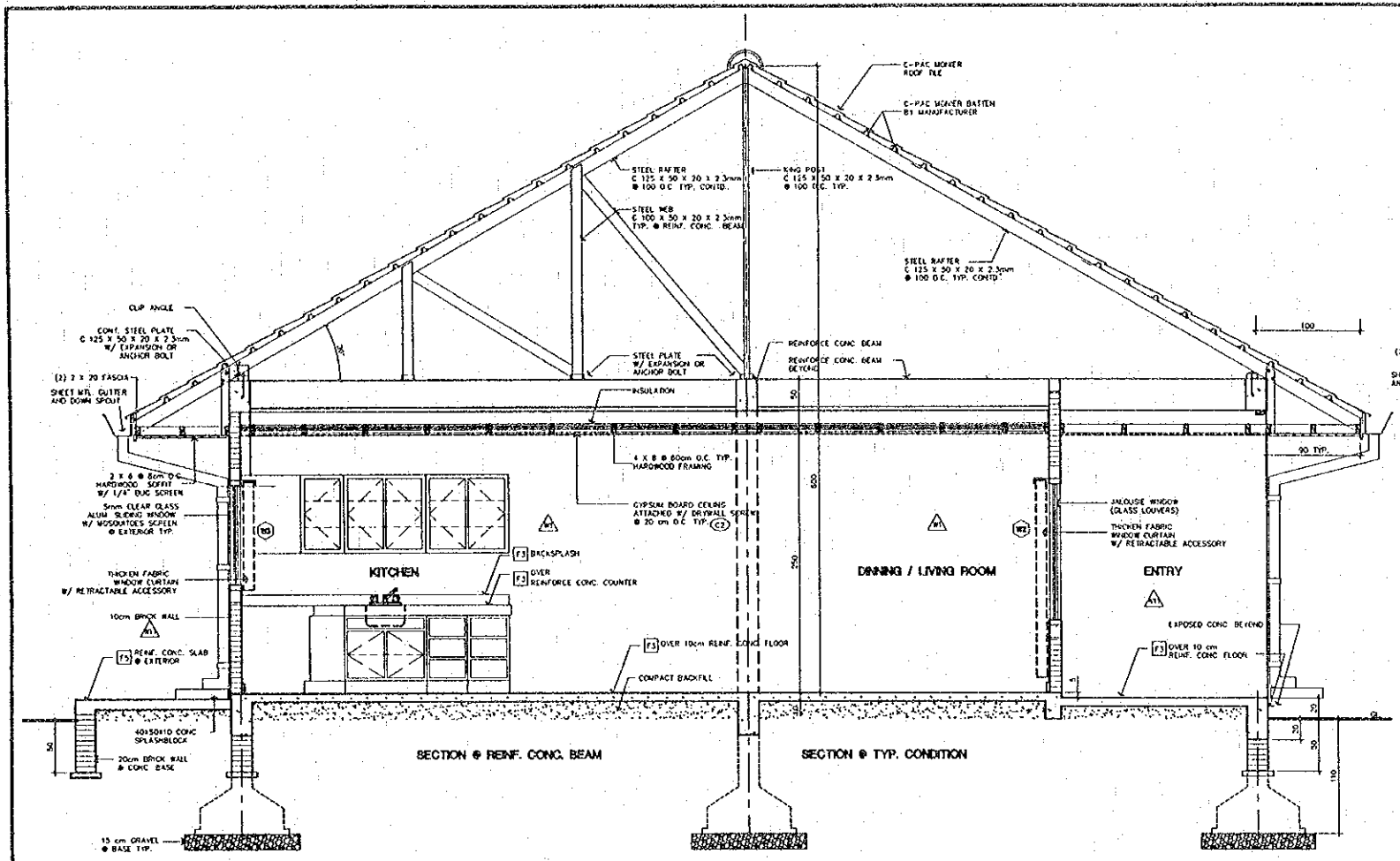
8 BUILDING ELEVATION (BACK)  
 SCALE 1:100 ACCOMMODATION FOR FAMILY

GENERAL NOTE

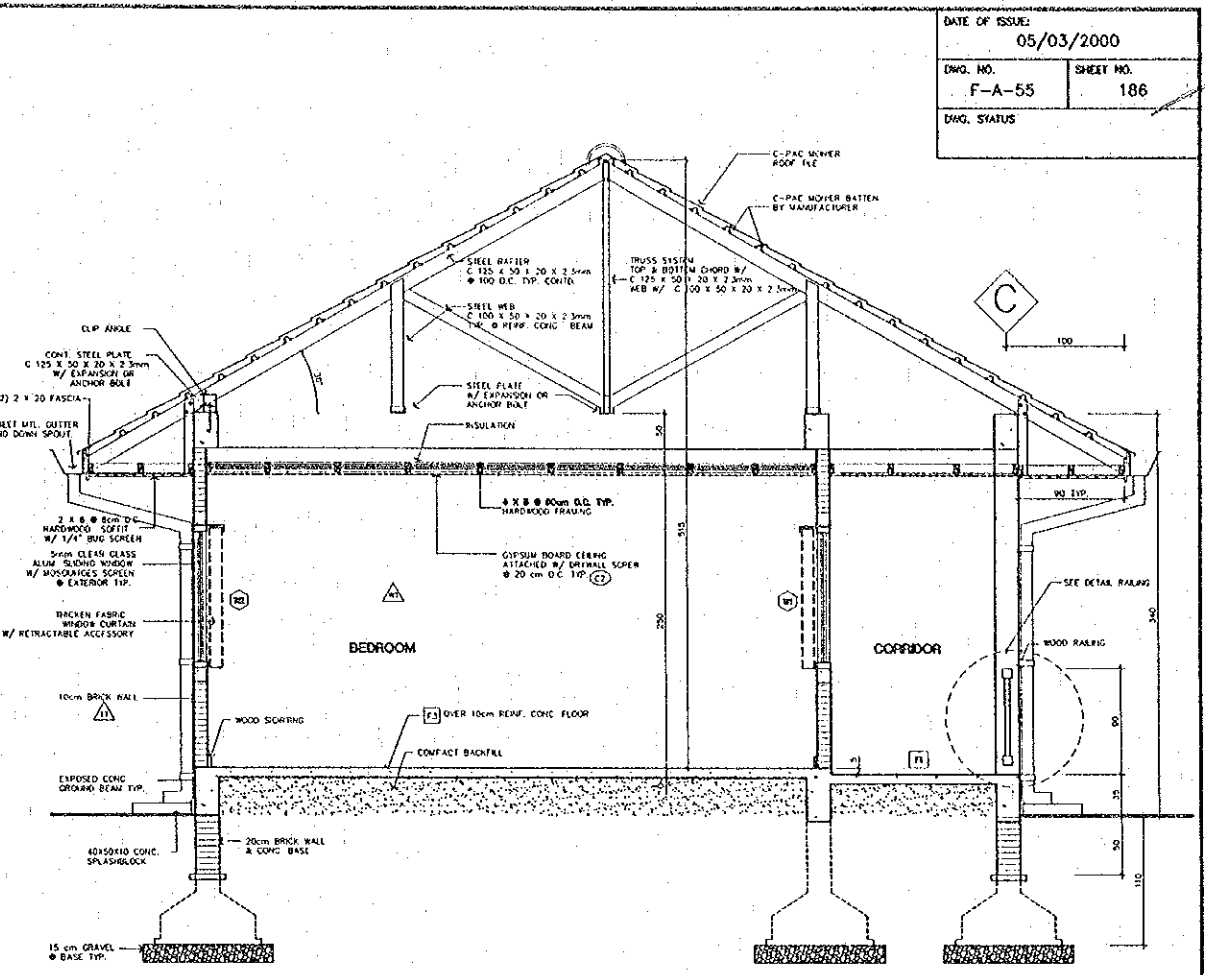
1. ALL STEEL TO BE PRIME
2. EXPOSED STEEL TO BE PRIME AND PAINT
3. ALL WOOD TO BE TREATED WITH TERMITE RESISTIVE CHEMICAL
4. EXPOSED WOOD TO BE OIL PAINT TYP.
5. DOORS, DOORS AND WINDOWS FRAMING TO BE OILPAINT TYP.

REV.	DATE	DESCRIPTION	APPROVED	PROJECT STUDY TEAM	JICA JAPAN INTERNATIONAL COOPERATION AGENCY	LAO PEOPLE'S DEMOCRATIC REPUBLIC MINISTRY OF COMMUNICATION, TRANSPORT, POST AND CONSTRUCTION	KINGDOM OF THAILAND MINISTRY OF TRANSPORT AND COMMUNICATIONS DEPARTMENT OF HIGHWAYS	THE SECOND MEKONG INTERNATIONAL BRIDGE CONSTRUCTION PROJECT	QUALITY RECORD	NAME	SIGNATURE	DATE	DRG. TITLE
				ORIENTAL CONSULTANTS CO., LTD. in association with NIPPON KORI CO., LTD.					DESIGN	A. Morikita	<i>[Signature]</i>	15/02/00	BORDER CONTROL FACILITIES LAO PDR SIDE ACCOMMODATION : ELEVATIONS
								DESIGN CHECK	T. Mouzerre	<i>[Signature]</i>	17/02/00		
								SUBMITTED	A. Hirani	<i>[Signature]</i>	21/02/00		
								APPROVED	P. Visvornith	<i>[Signature]</i>	22/02/00		

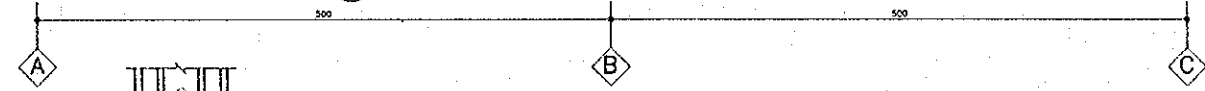




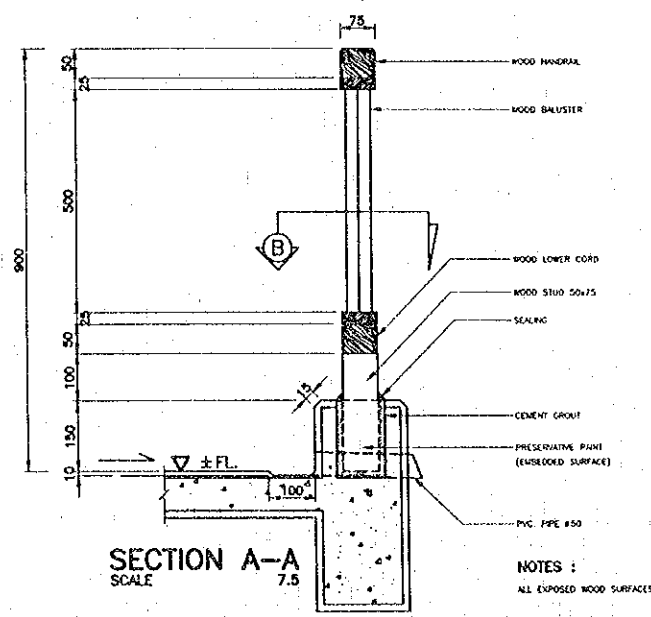
1 BUILDING SECTION (ACCOMMODATION FOR FAMILY)  
 SCALE 1:30



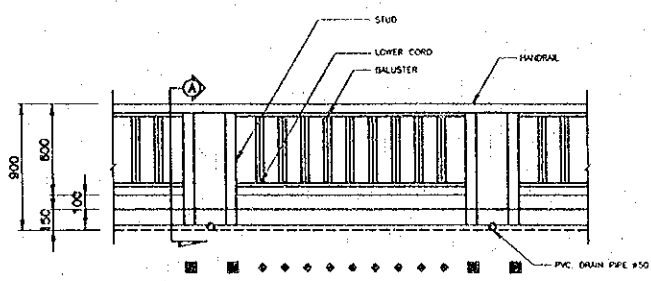
2 BUILDING SECTION (ACCOMMODATION FOR SINGLE)  
 SCALE 1:30



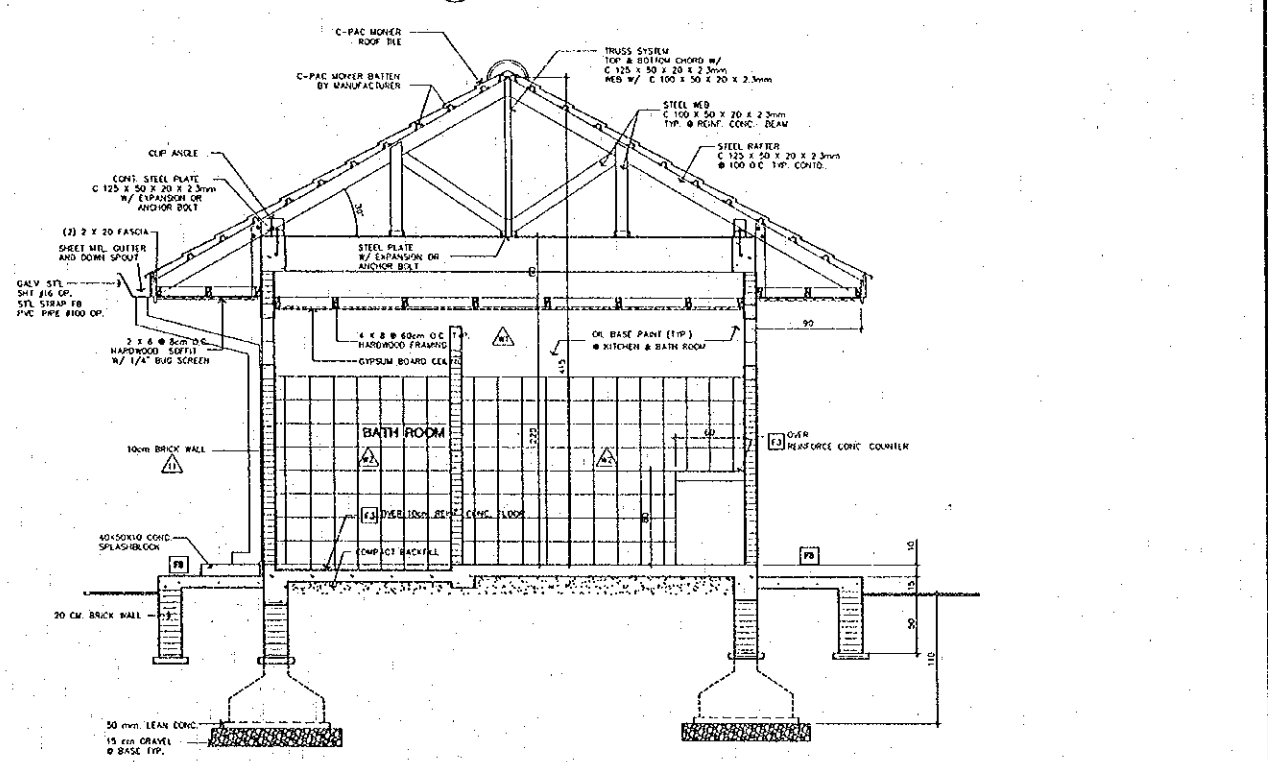
SECTION B-B  
 SCALE 7.5



SECTION A-A  
 SCALE 7.5

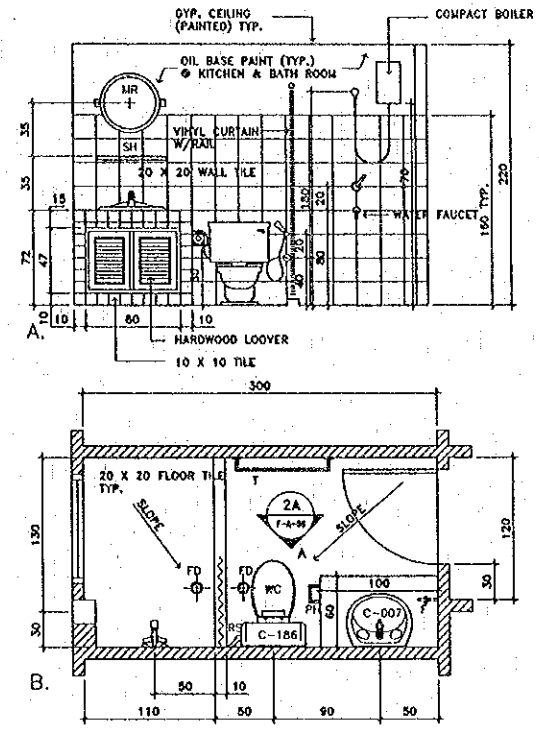
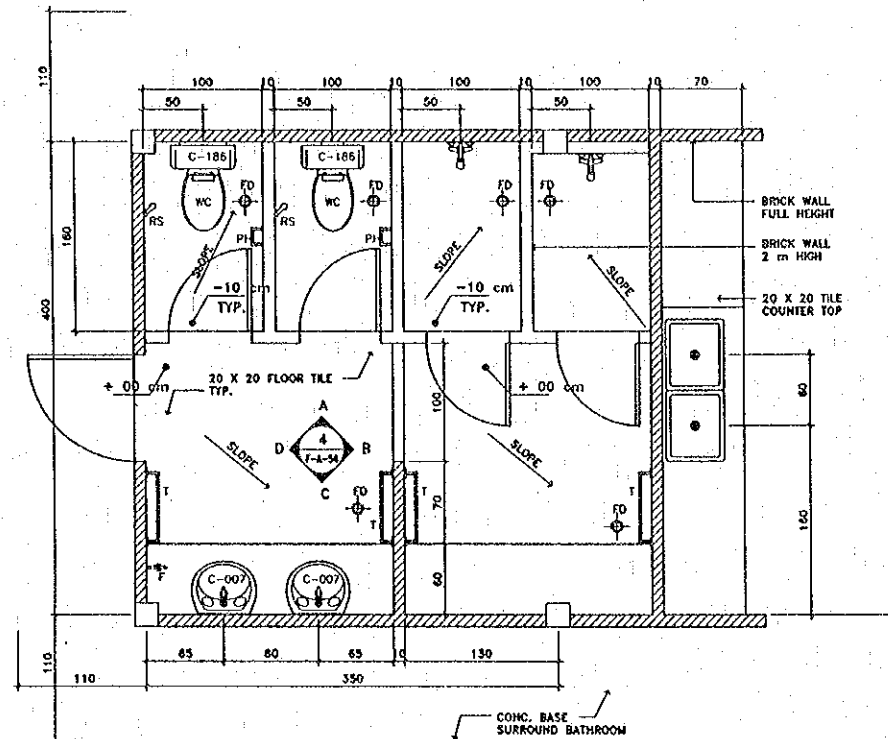


TYPICAL RAILING ELEVATION  
 SCALE IN MILLIMETER 2.5



3 BUILDING SECTION (TOILET + LAUNDRY)  
 SCALE 1:30

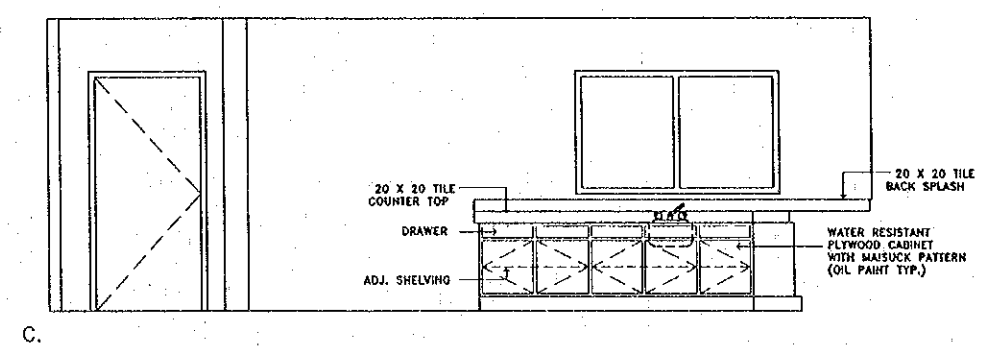
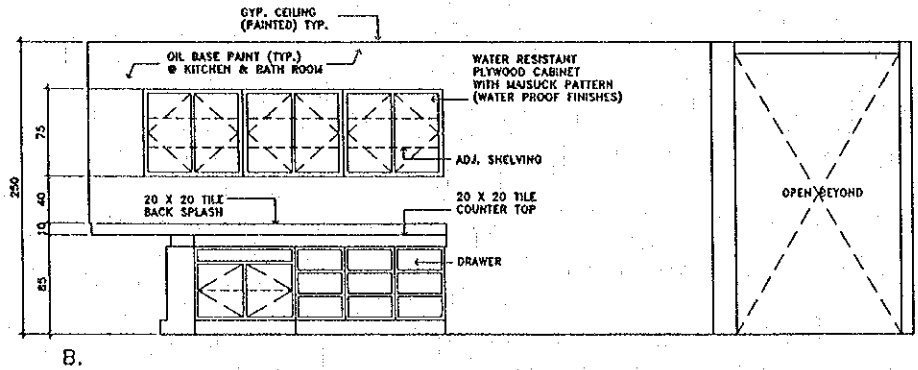
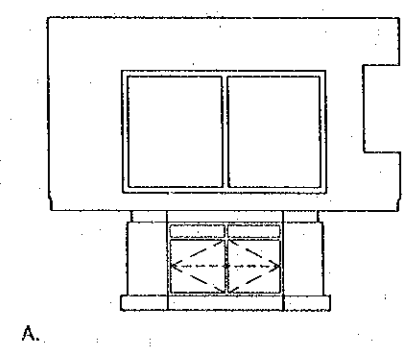
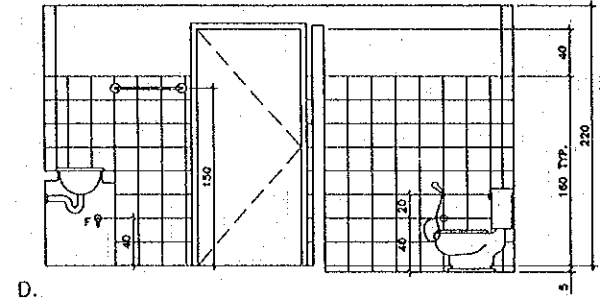
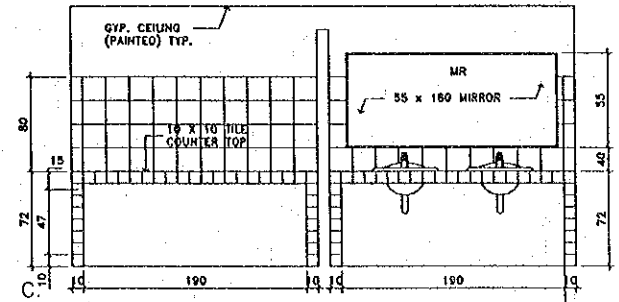
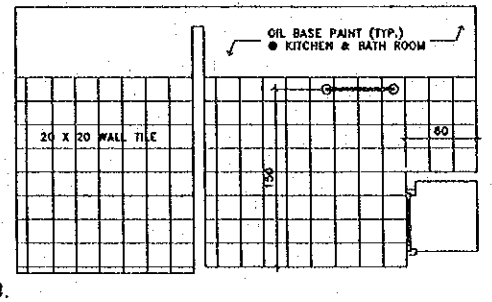
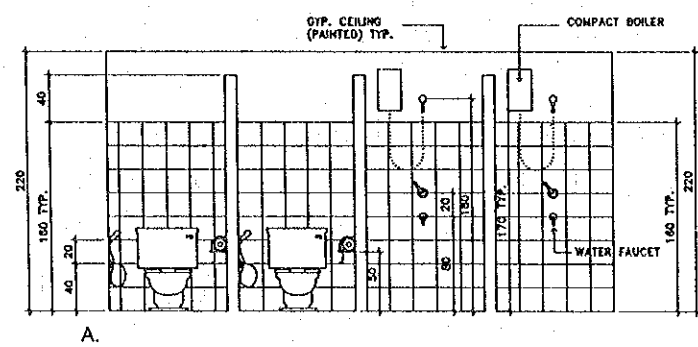
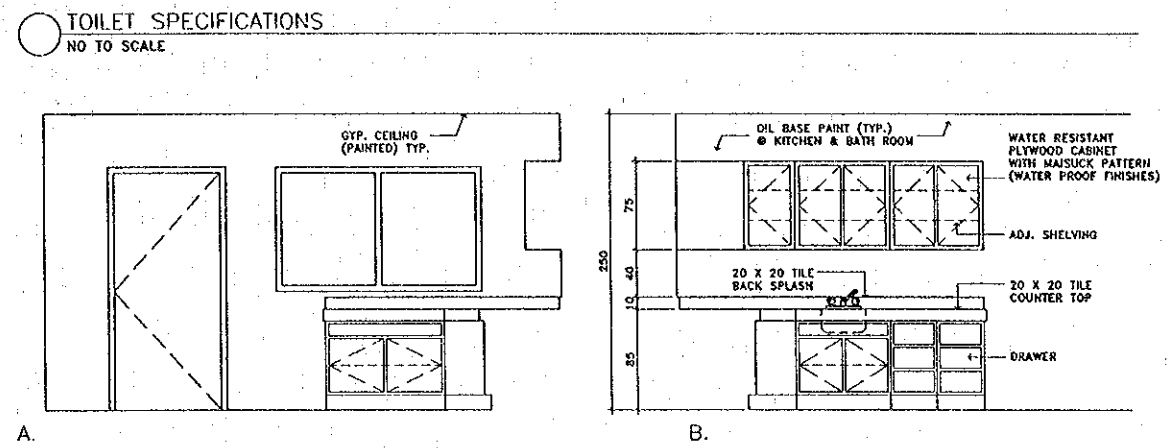
REV.	DATE	DESCRIPTION	APPROVED	PROJECT STUDY TEAM	JICA	QUALITY RECORD	NAME	SIGNATURE	DATE	DWG. TITLE
				ORIENTAL CONSULTANTS CO., LTD. in association with NIPPON KOKI CO., LTD.	JAPAN INTERNATIONAL COOPERATION AGENCY LAO PEOPLE'S DEMOCRATIC REPUBLIC MINISTRY OF COMMUNICATION, TRANSPORT, POST AND CONSTRUCTION KINGDOM OF THAILAND MINISTRY OF TRANSPORT AND COMMUNICATIONS DEPARTMENT OF HIGHWAYS	DESIGN	A. Morikawa	<i>[Signature]</i>	16-02-00	BORDER CONTROL FACILITIES LAO PDR SIDE ACCOMMODATION : SECTION DETAILS
						DESIGN CHECK	T. Maekawa	<i>[Signature]</i>	18-02-00	
						SUBMITTED	A. Hirata	<i>[Signature]</i>	21-02-00	
						APPROVED	P. Viraphan	<i>[Signature]</i>	20/02/00	

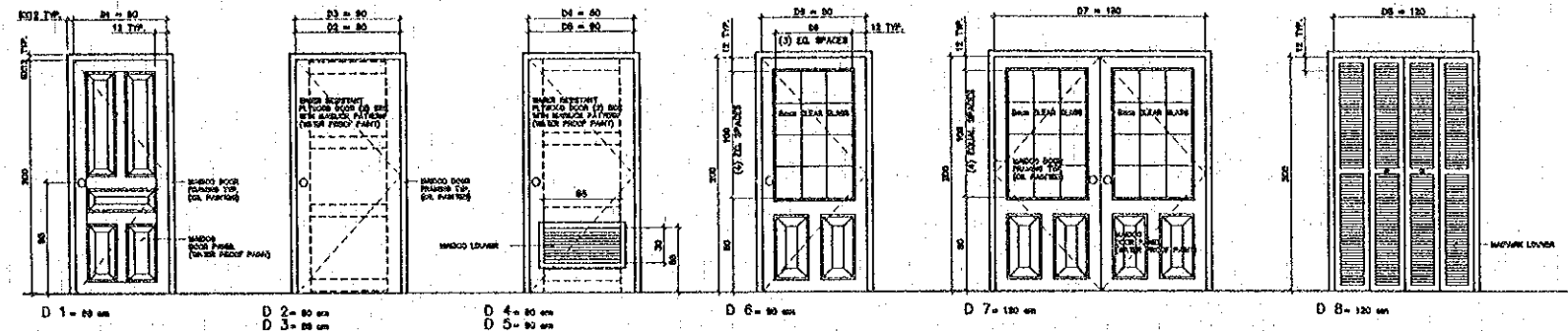


**TOILET SPECIFICATIONS**

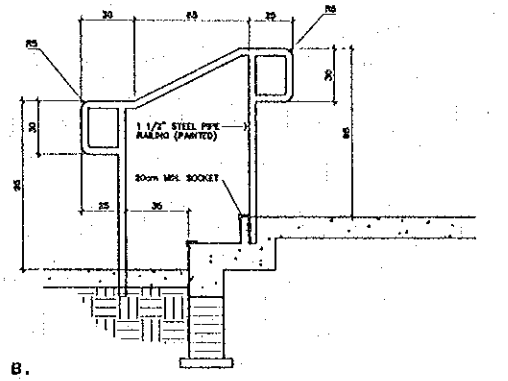
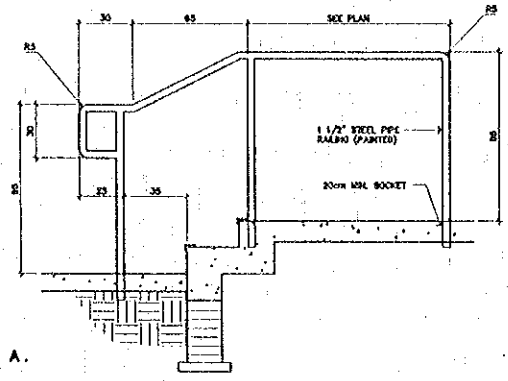
SANITARY FIXTURE	NO	COLOR	REMARK
WC	TOILET	C-186 TANYA	WHITE COTTO OR EQUAL
LAV	LAVATORY	C-007 JADE	WHITE COTTO OR EQUAL
PH	PAPER HOLDER		WHITE
RS	RINSING SPRAY		WHITE
T	TOWEL RAIL		WHITE
MR	MIRROR		
FD	FLOOR DRAIN		
F	WATER FAUCET		
SH	SHELF		WHITE

- GENERAL NOTE:**
1. ALL STEEL TO BE PRIME
  2. EXPOSED STEEL TO BE PRIME AND PAINT
  3. ALL WOOD TO BE TREATED WITH TERMITE RESISTIVE CHEMICAL
  4. EXPOSED WOOD TO BE OIL PAINT TYP.
  5. DOORS, DOORS AND WINDOWS FRAMING TO BE OILPAINT TYP.

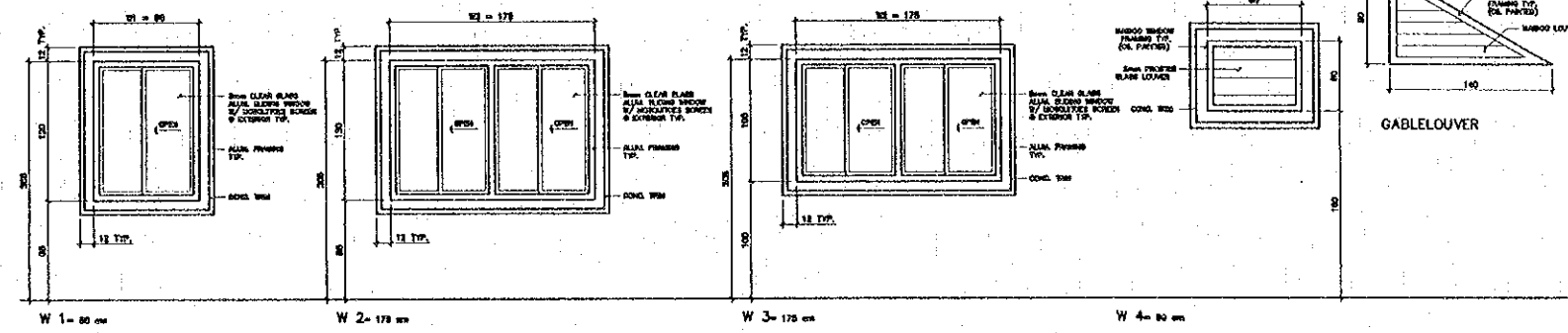




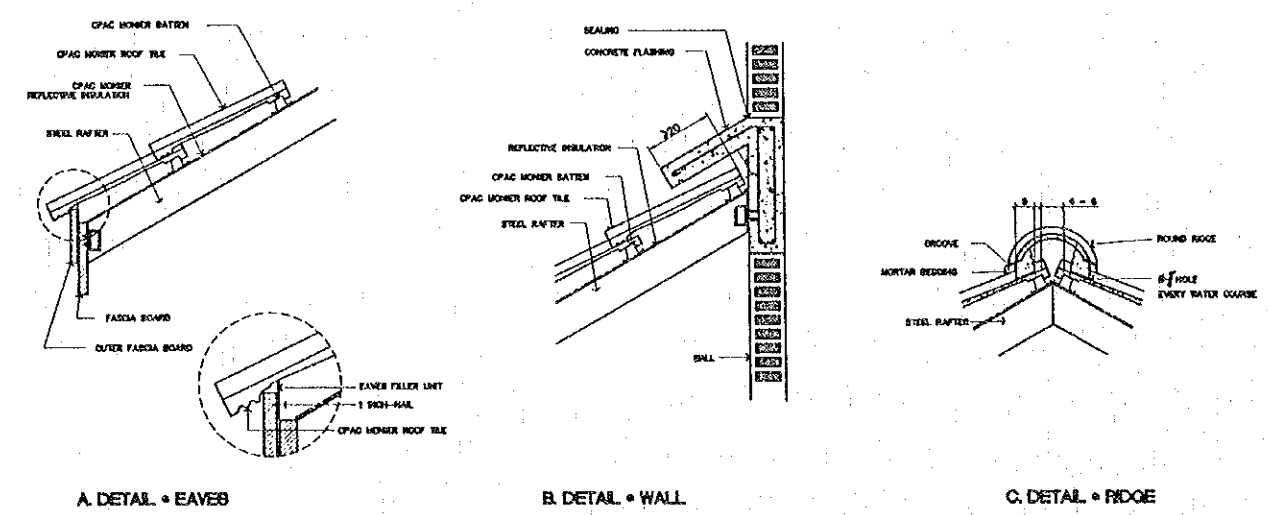
1 DOORS  
 SCALE 1:30



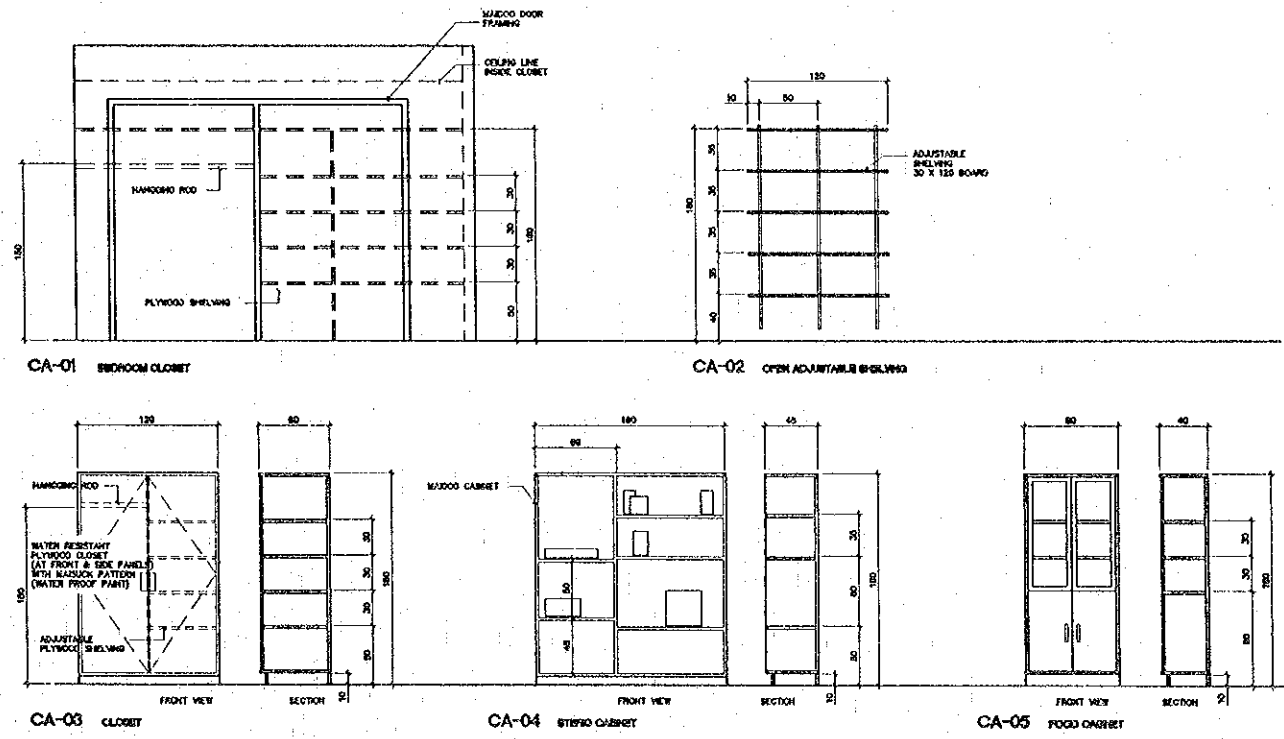
3 STAIRS  
 SCALE 1:20



2 WINDOWS  
 SCALE 1:30



4 ROOF DETAILS  
 SCALE 1:10



5 CABINETS (REFERENCE ONLY)  
 SCALE 1:30

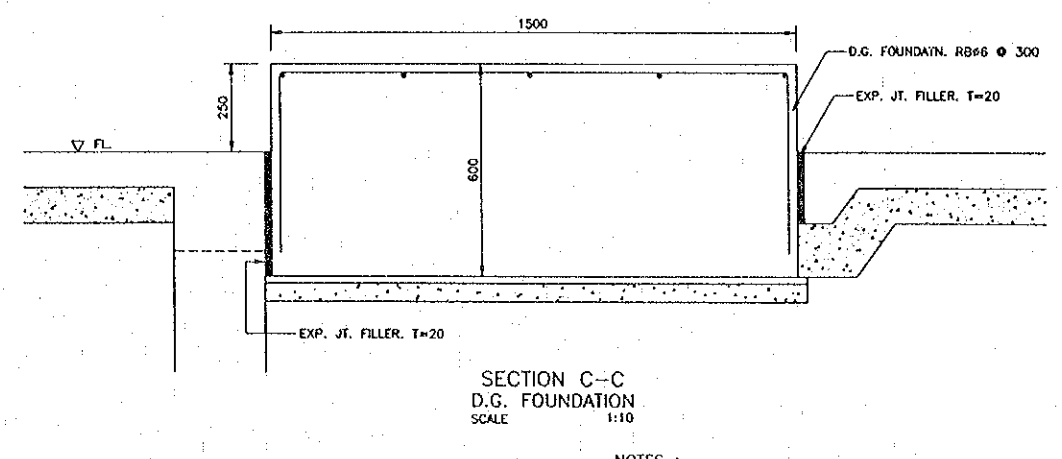
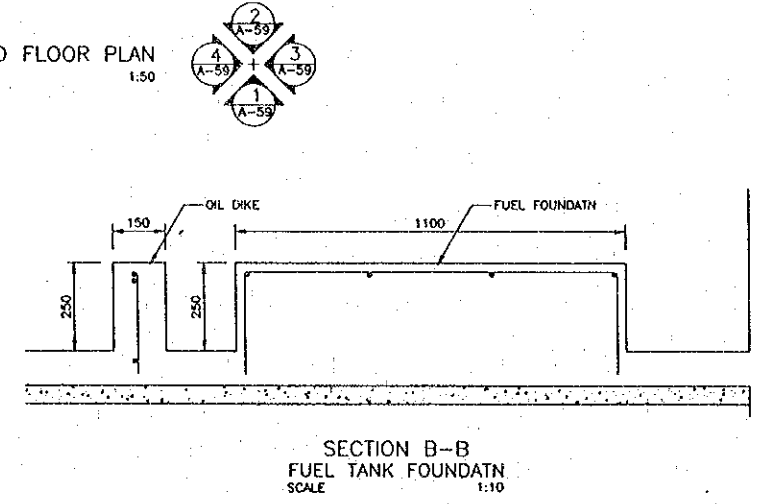
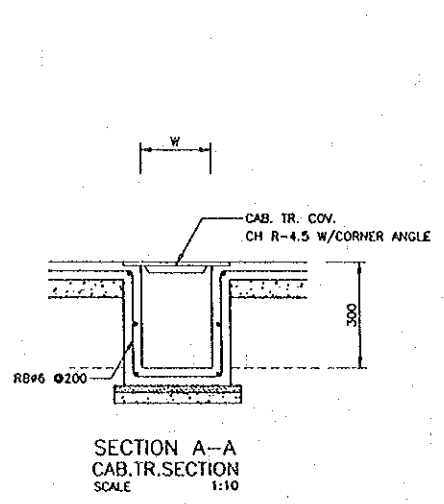
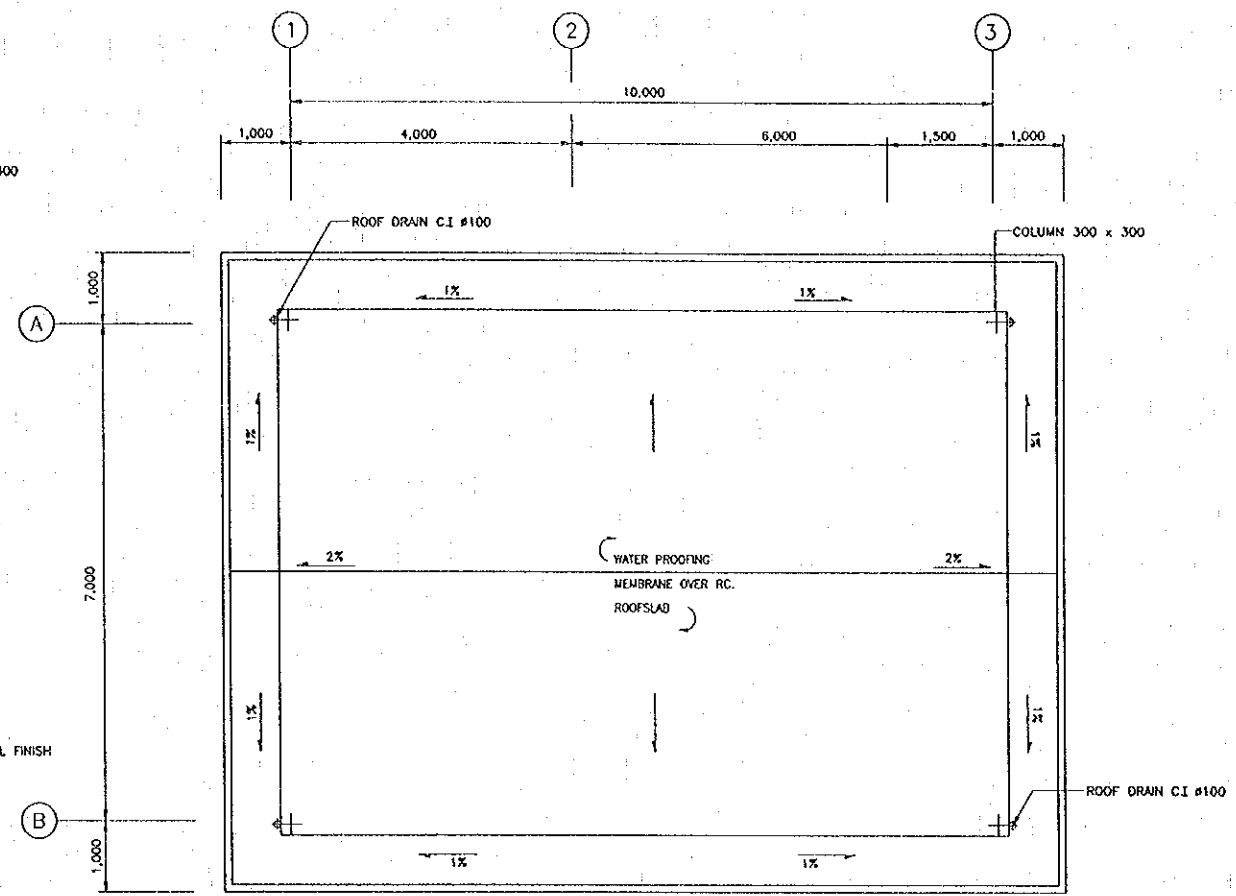
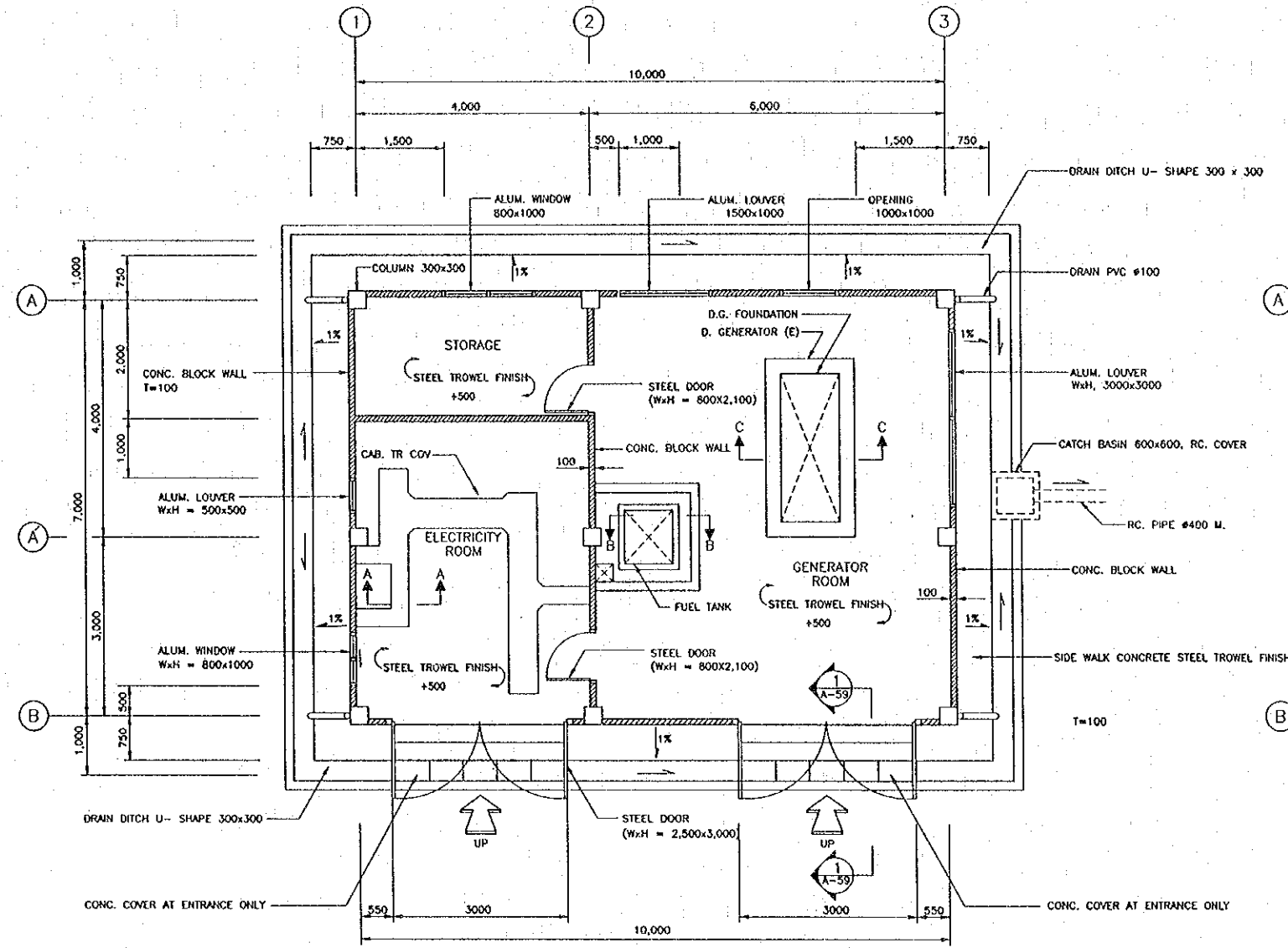
REV.	DATE	DESCRIPTION	APPROVED	PROJECT STUDY TEAM

ORIENTAL CONSULTANTS CO., LTD.  
 In association with  
 NIPPON KOKI CO., LTD.

JICA JAPAN INTERNATIONAL COOPERATION AGENCY  
 LAO PEOPLE'S DEMOCRATIC REPUBLIC  
 MINISTRY OF COMMUNICATION, TRANSPORT, POST AND CONSTRUCTION  
 KINGDOM OF THAILAND  
 MINISTRY OF TRANSPORT AND COMMUNICATIONS  
 DEPARTMENT OF HIGHWAYS

THE SECOND MEKONG  
 INTERNATIONAL BRIDGE  
 CONSTRUCTION PROJECT

QUALITY RECORD	NAME	SIGNATURE	DATE	DWG. TITLE:
DESIGN	A. Morkka	<i>[Signature]</i>	11/02/00	BORDER CONTROL FACILITIES LAO PDR SIDE ACCOMMODATION : DOORS & WINDOWS AND DETAILS
DESIGN CHECK	T. Moeuzawa	<i>[Signature]</i>	1/20/00	
SUBMITTED	A. Hirtland	<i>[Signature]</i>	21/01/00	
APPROVED	P. Viraphonh	<i>[Signature]</i>	24/02/00	



NOTES :  
ALL DIMENSIONS ARE IN MILLIMETER UNLESS OTHERWISE INDICATED.

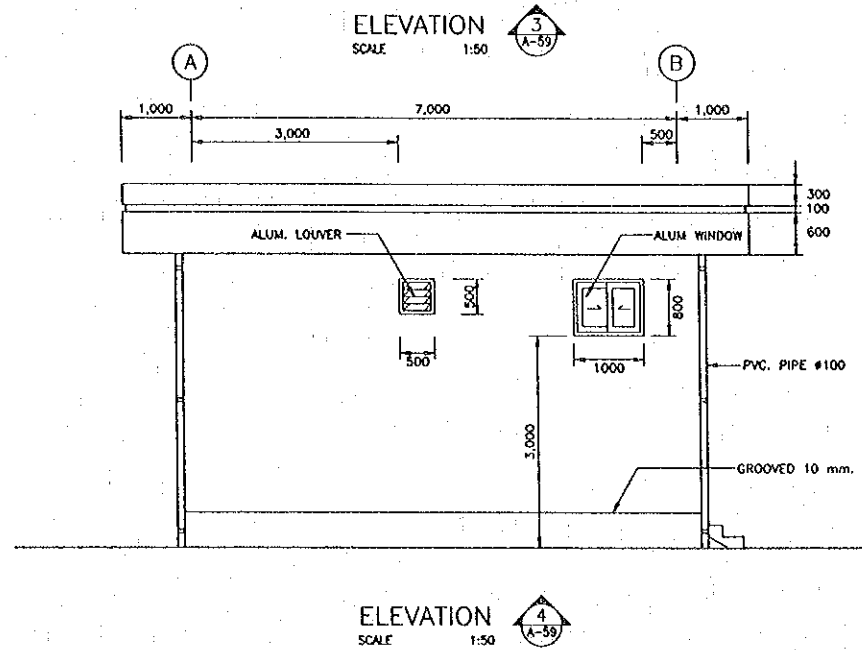
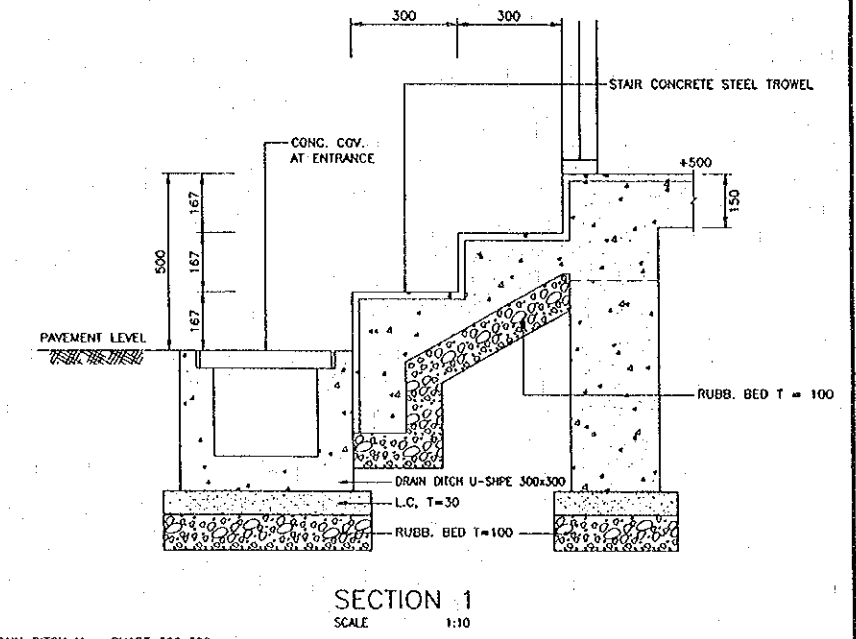
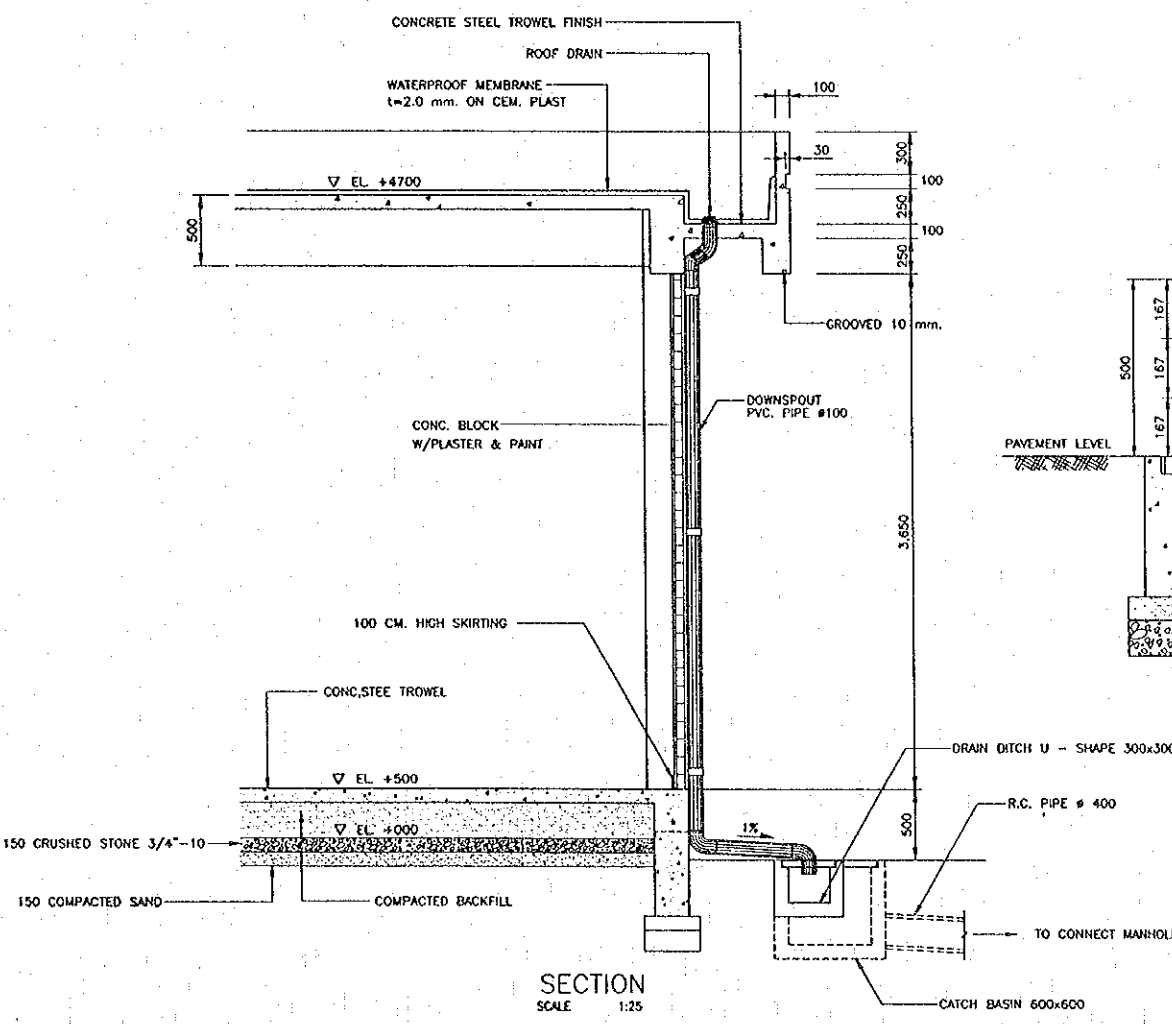
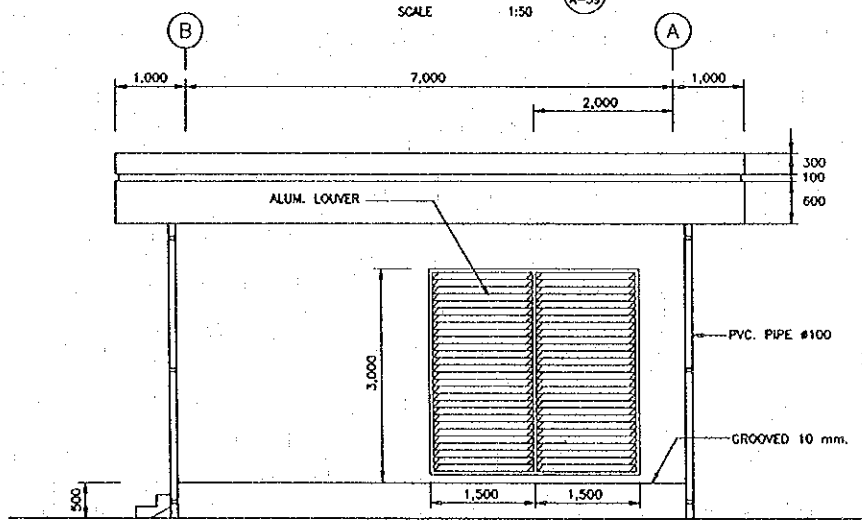
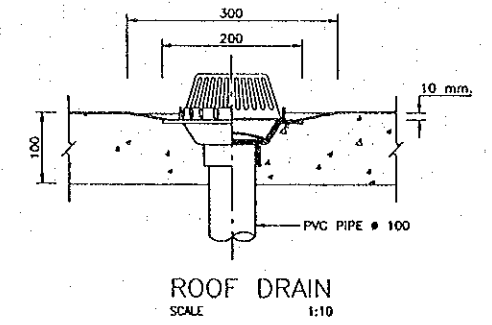
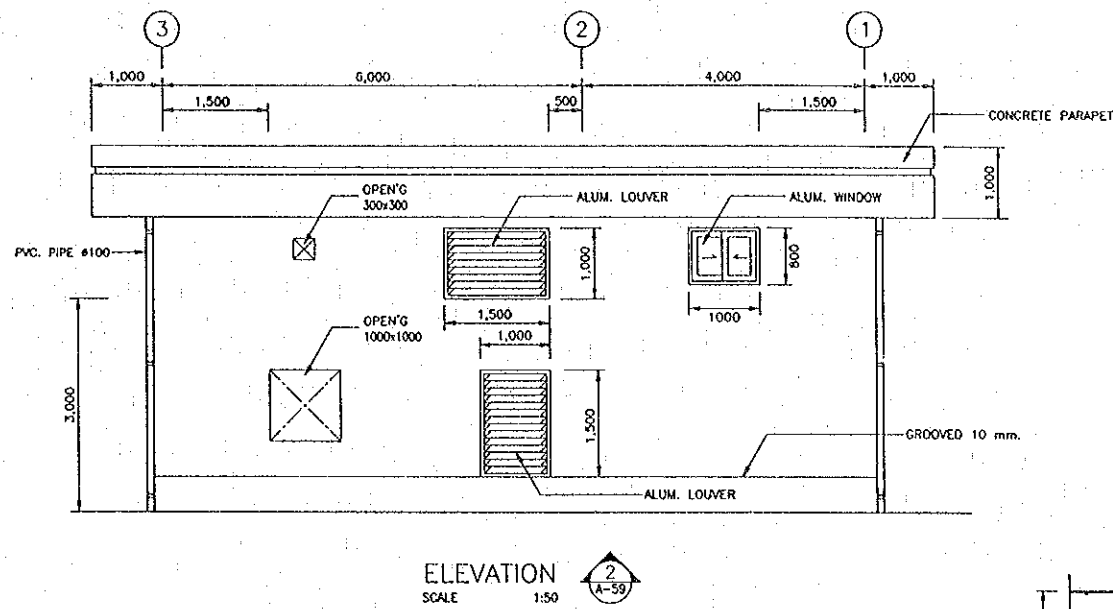
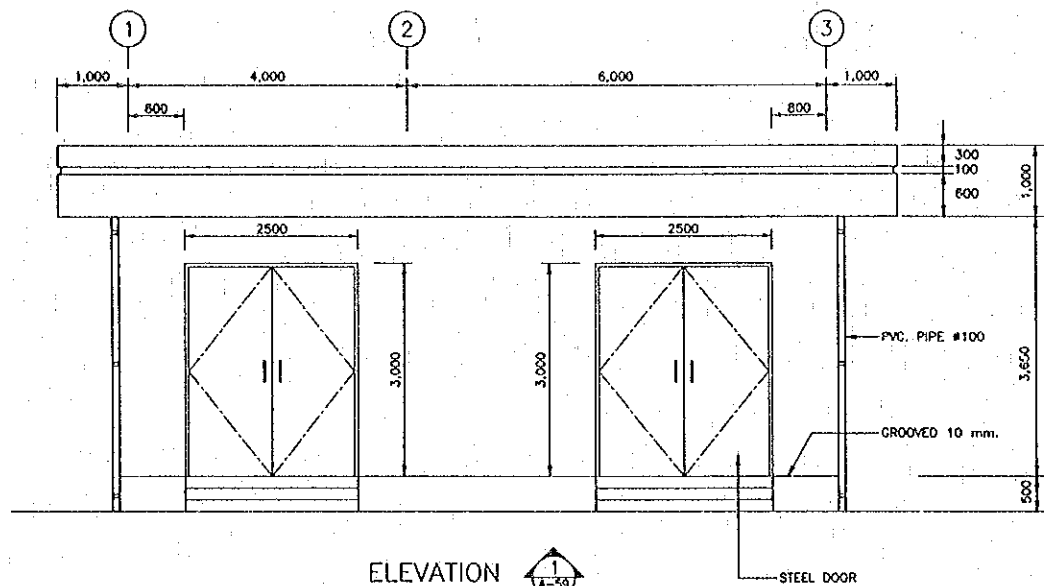
REV.	DATE	DESCRIPTION	APPROVED

PROJECT STUDY TEAM  
 ORIENTAL CONSULTANTS CO., LTD.  
 in association with  
 NIPPON KOEI CO., LTD.

JICA JAPAN INTERNATIONAL COOPERATION AGENCY  
 LAO PEOPLE'S DEMOCRATIC REPUBLIC  
 MINISTRY OF COMMUNICATION, TRANSPORT, POST AND CONSTRUCTION  
 KINGDOM OF THAILAND  
 MINISTRY OF TRANSPORT AND COMMUNICATIONS  
 DEPARTMENT OF HIGHWAYS

THE SECOND MEKONG  
 INTERNATIONAL BRIDGE  
 CONSTRUCTION PROJECT

QUALITY RECORD	NAME	SIGNATURE	DATE	DWG. TITLE:
DESIGN	A. Morikawa	<i>[Signature]</i>	23/05/00	BORDER CONTROL FACILITIES LAO PDR SIDE POWER HOUSE (1) : PLAN, ROOF PLAN
DESIGN CHECK	T. Masuzawa	<i>[Signature]</i>	23/05/00	
SUBMITTED	A. Hirotsuki	<i>[Signature]</i>	23/05/00	
APPROVED	P. Viraphanth	<i>[Signature]</i>	5/6/00	

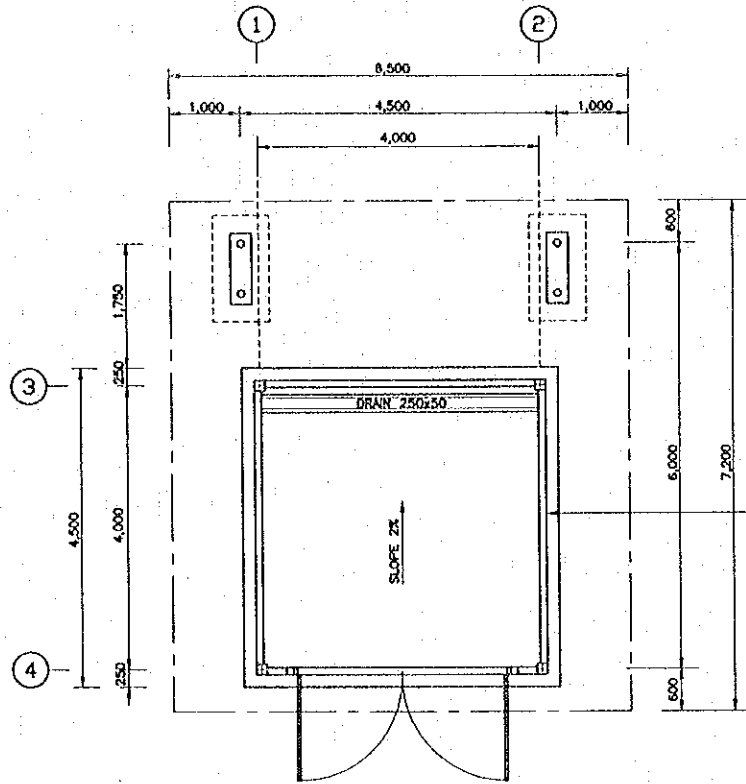


NOTES:  
 1. ALL DIMENSION ARE IN MILLIMETERS UNLESS OTHERWISE INDICATED.  
 2. ALL ALUM. LOUVER AND WINDOW SHALL BE PROVIDED WITH INSECT SCREENS.

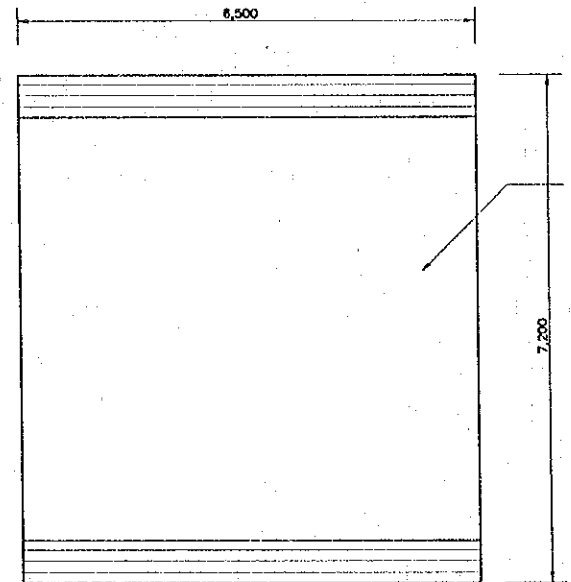
REV.	DATE	DESCRIPTION	APPROVED	PROJECT STUDY TEAM
				ORIENTAL CONSULTANTS CO., LTD. in association with NIPPON KORI CO., LTD.

JICA JAPAN INTERNATIONAL COOPERATION AGENCY  
 LAO PEOPLE'S DEMOCRATIC REPUBLIC  
 MINISTRY OF COMMUNICATION, TRANSPORT, POST AND CONSTRUCTION  
 KINGDOM OF THAILAND  
 MINISTRY OF TRANSPORT AND COMMUNICATIONS  
 DEPARTMENT OF HIGHWAYS

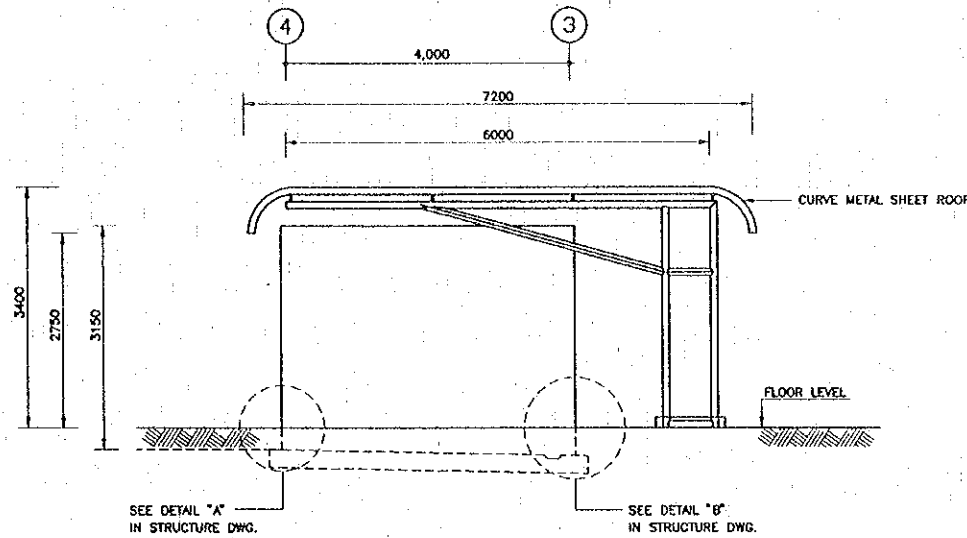
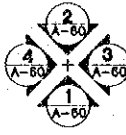
QUALITY RECORD	NAME	SIGNATURE	DATE	DWG. TITLE:
DESIGN	A. Marfoka	<i>[Signature]</i>	23-03-00	BORDER CONTROL FACILITIES LAO PDR SIDE POWER HOUSE (2) : ELEVATION AND SECTION DETAILS
DESIGN CHECK	T. Masuzono	<i>[Signature]</i>	26-04-00	
SUBMITTED	A. Hiratani	<i>[Signature]</i>	29-05-00	
APPROVED	P. Viraphonh	<i>[Signature]</i>	5/6/00	



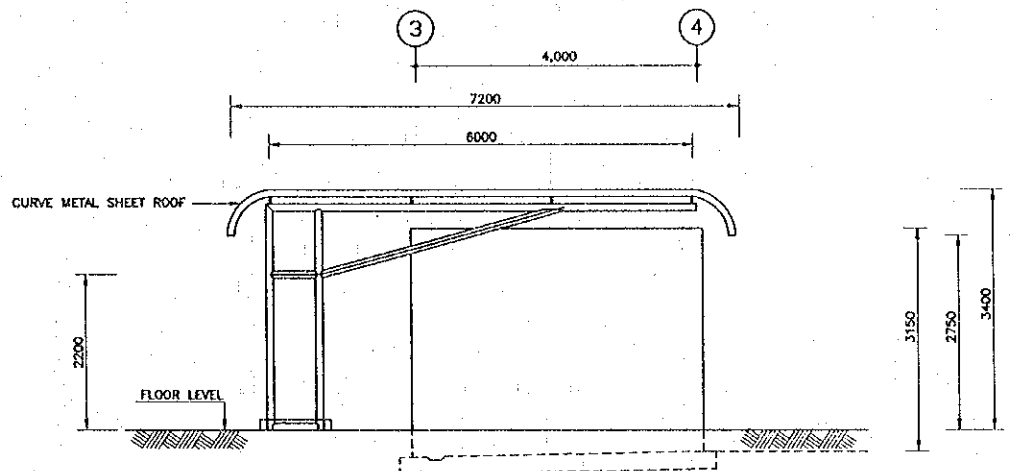
PLAN VIEW  
SCALE 1 : 50



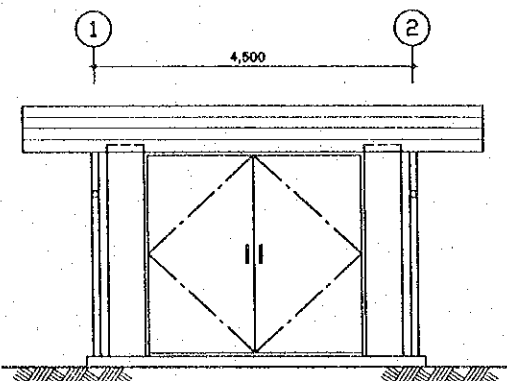
ROOF PLAN  
SCALE 1 : 50



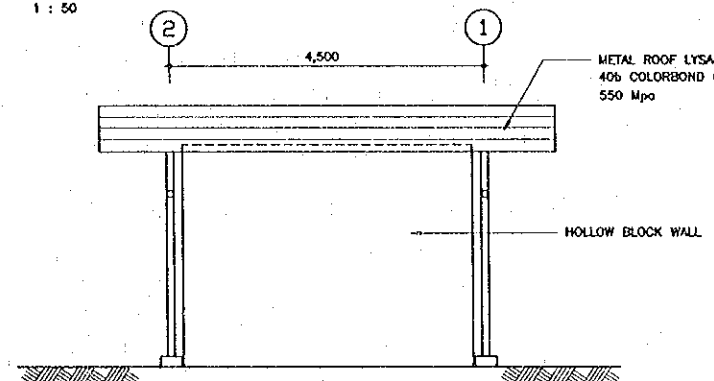
ELEVATION 3  
SCALE 1 : 50



ELEVATION 4  
SCALE 1 : 50



ELEVATION 1  
SCALE 1 : 50



ELEVATION 2  
SCALE 1 : 50

- NOTES :
1. ALL DIMENSIONS ARE IN MILLIMETERS UNLESS OTHERWISE INDICATED.
  2. ALL ELEVATIONS ARE IN MILLIMETERS REFERRING TO ARCHITECTURAL DWG.

REV.	DATE	DESCRIPTION	APPROVED

PROJECT STUDY TEAM  
 ORIENTAL CONSULTANTS CO., LTD.  
 in association with  
 NIPPON KOEI CO., LTD.

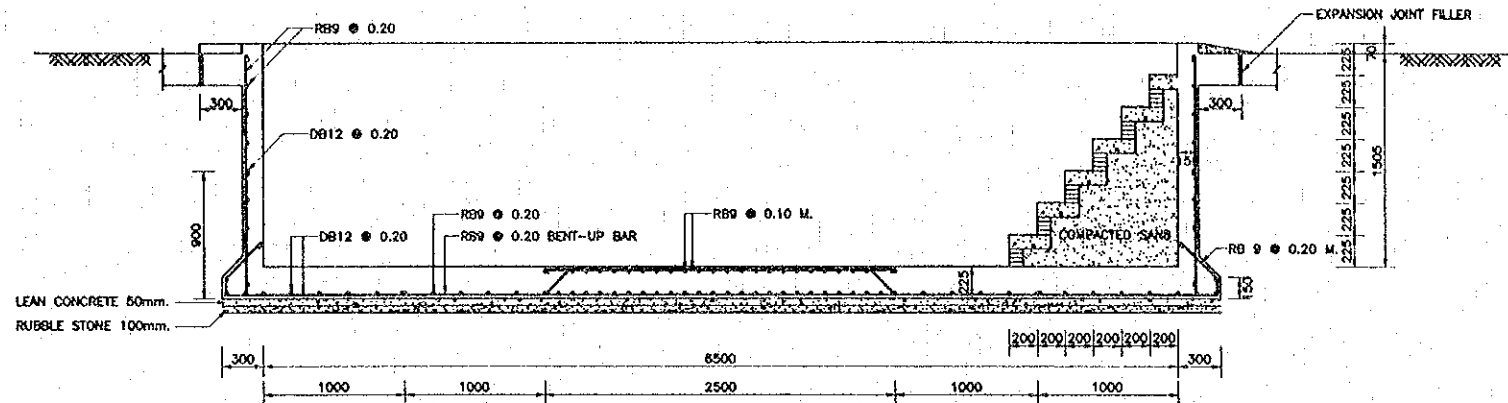
JICA JAPAN INTERNATIONAL COOPERATION AGENCY  
 LAO PEOPLE'S DEMOCRATIC REPUBLIC  
 MINISTRY OF COMMUNICATION, TRANSPORT, POST AND CONSTRUCTION  
 KINGDOM OF THAILAND  
 MINISTRY OF TRANSPORT AND COMMUNICATIONS  
 DEPARTMENT OF HIGHWAYS

THE SECOND MEKONG INTERNATIONAL BRIDGE CONSTRUCTION PROJECT

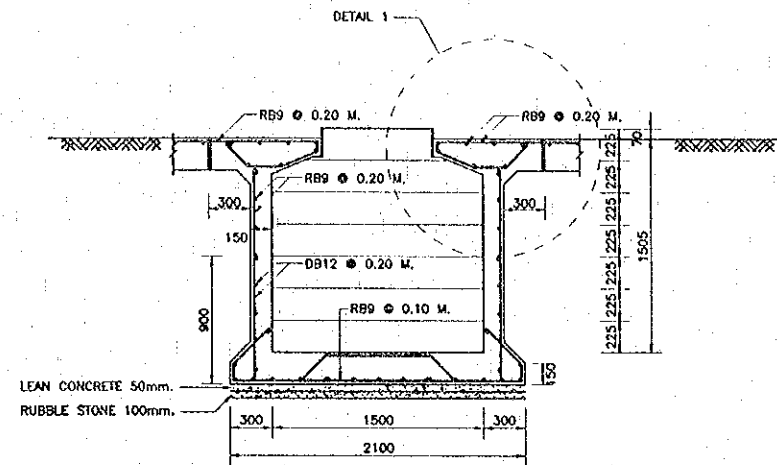
QUALITY RECORD	NAME	SIGNATURE	DATE
DESIGN	A. Morikita	<i>[Signature]</i>	16-02-00
DESIGN CHECK	T. Monzawa	<i>[Signature]</i>	18-02-00
SUBMITTED	A. Hirakawa	<i>[Signature]</i>	21-02-00
APPROVED	P. Virophanth	<i>[Signature]</i>	22/02/00

DWG. TITLE:  
**BORDER CONTROL FACILITIES  
 LAO PDR SIDE  
 OFFICE GARBAGE(1) : PLAN, ROOF PLAN AND ELEVATION**

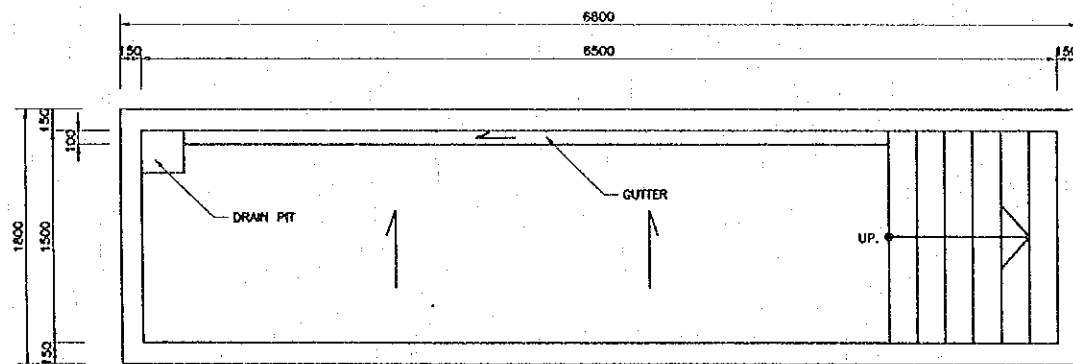




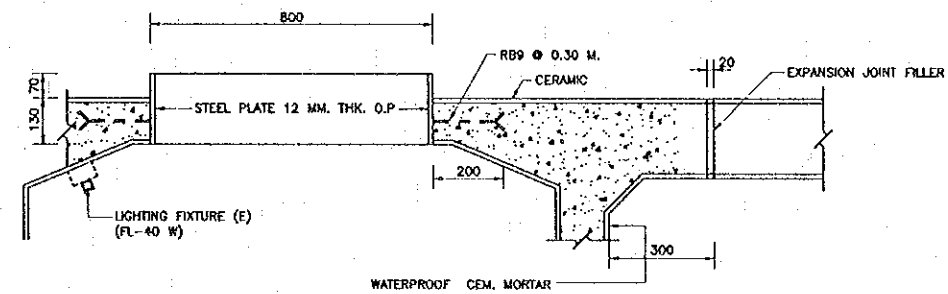
SECTION A - A  
 SCALE 1:25



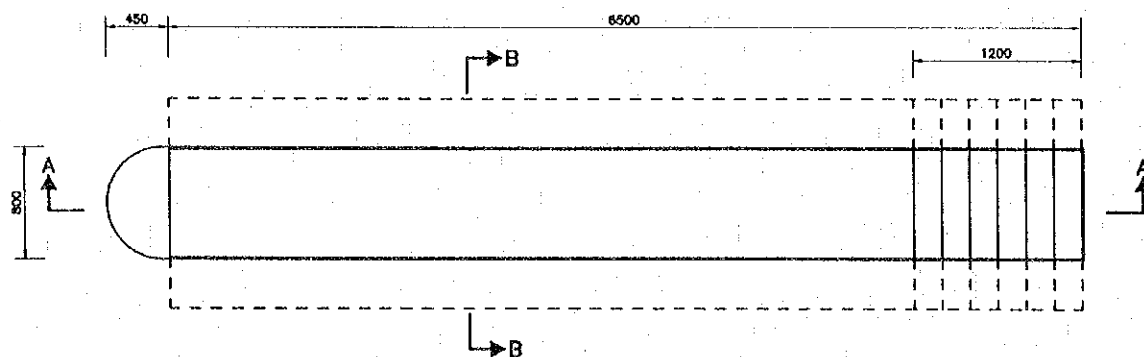
SECTION B - B  
 SCALE 1:25



UNDER GROUND FLOOR PLAN  
 SCALE 1:25



DETAIL 1  
 SCALE 1:10



FLOOR PLAN  
 SCALE 1:25

NOTES :

1. ALL DIMENSIONS ARE IN MILLIMETERS UNLESS OTHERWISE INDICATED
2. LIGHTING FIXTURE 1 x 4 WATT 2 SETS
3. PLUG 2 SETS

WATERPROOF FLUICOAT

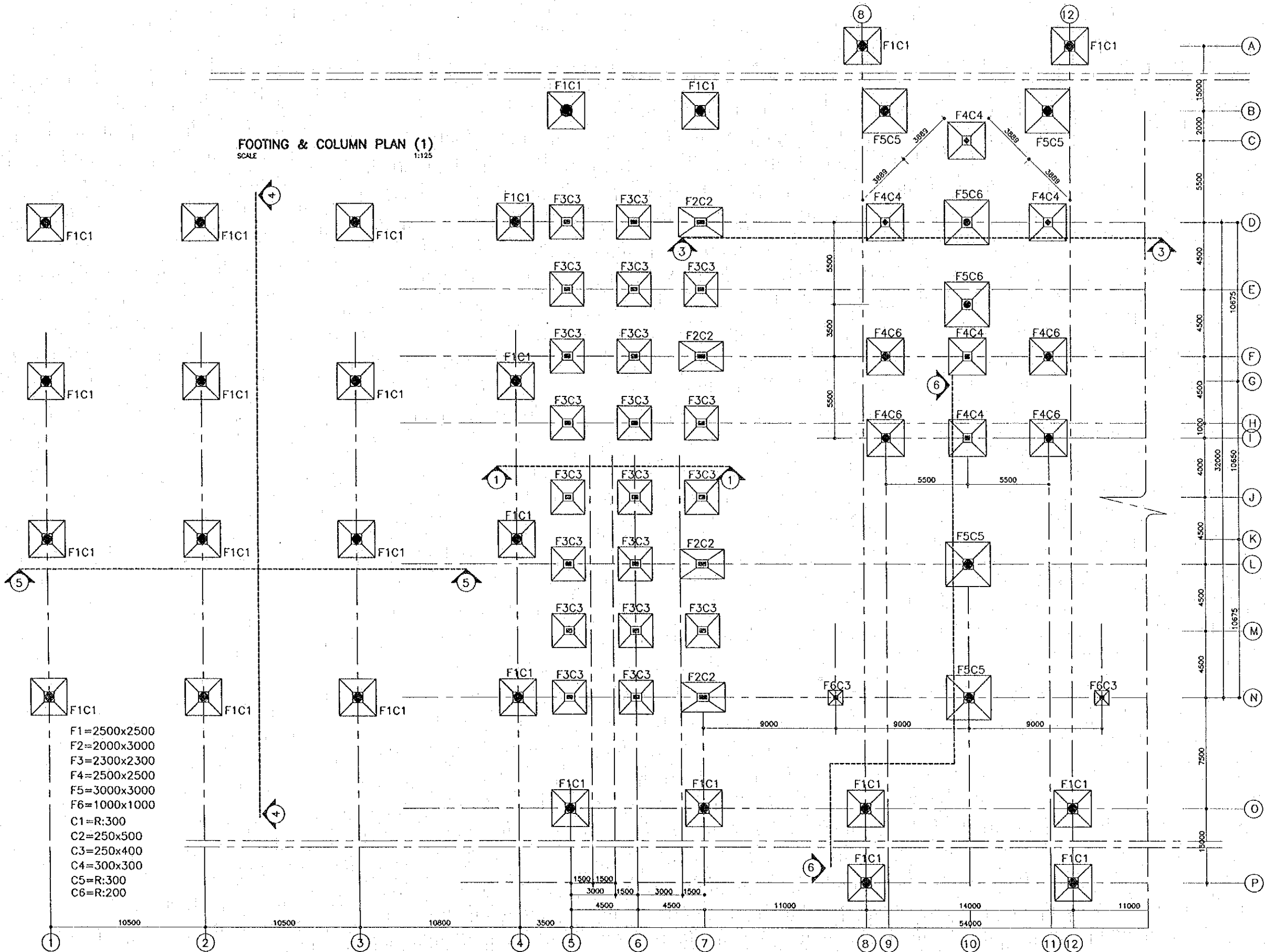
1. EXTERNAL PLASTER WITH WATERPROOF AGENT.
2. PAINT FLUICOAT NO.1 2 COATED BY VERTICAL DIRECTION.
3. PAINT FLUICOAT NO.1 1 COATED BY HORIZONTAL DIRECTION.
4. BEFORE BACKFILLING, COMPLETE CHECK FOR LEAKAG OF WATER SHALL BE MADE.

REV.	DATE	DESCRIPTION	APPROVED	PROJECT STUDY TEAM	JICA	QUALITY RECORD	NAME	SIGNATURE	DATE	DWG. TITLE:
				ORIENTAL CONSULTANTS CO., LTD. In association with NIPPON KOKI CO., LTD.	JICA JAPAN INTERNATIONAL COOPERATION AGENCY LAO PEOPLE'S DEMOCRATIC REPUBLIC MINISTRY OF COMMUNICATION, TRANSPORT, POST AND CONSTRUCTION KINGDOM OF THAILAND MINISTRY OF TRANSPORT AND COMMUNICATIONS DEPARTMENT OF HIGHWAYS	DESIGN	A. Morikita	<i>[Signature]</i>	16-02-00	BORDER CONTROL FACILITIES LAO PDR SIDE VEHICLE INSPECTION PIT : DETAILS
						DESIGN CHECK	T. Mousavou	<i>[Signature]</i>	18-02-00	
						SUBMITTED	A. Hirakawa	<i>[Signature]</i>	21/02/00	
						APPROVED	P. Virephanth	<i>[Signature]</i>	28/02/00	





FOOTING & COLUMN PLAN (1)  
 SCALE 1:125



- F1=2500x2500
- F2=2000x3000
- F3=2300x2300
- F4=2500x2500
- F5=3000x3000
- F6=1000x1000
- C1=R:300
- C2=250x500
- C3=250x400
- C4=300x300
- C5=R:300
- C6=R:200

REV.	DATE	DESCRIPTION	APPROVED

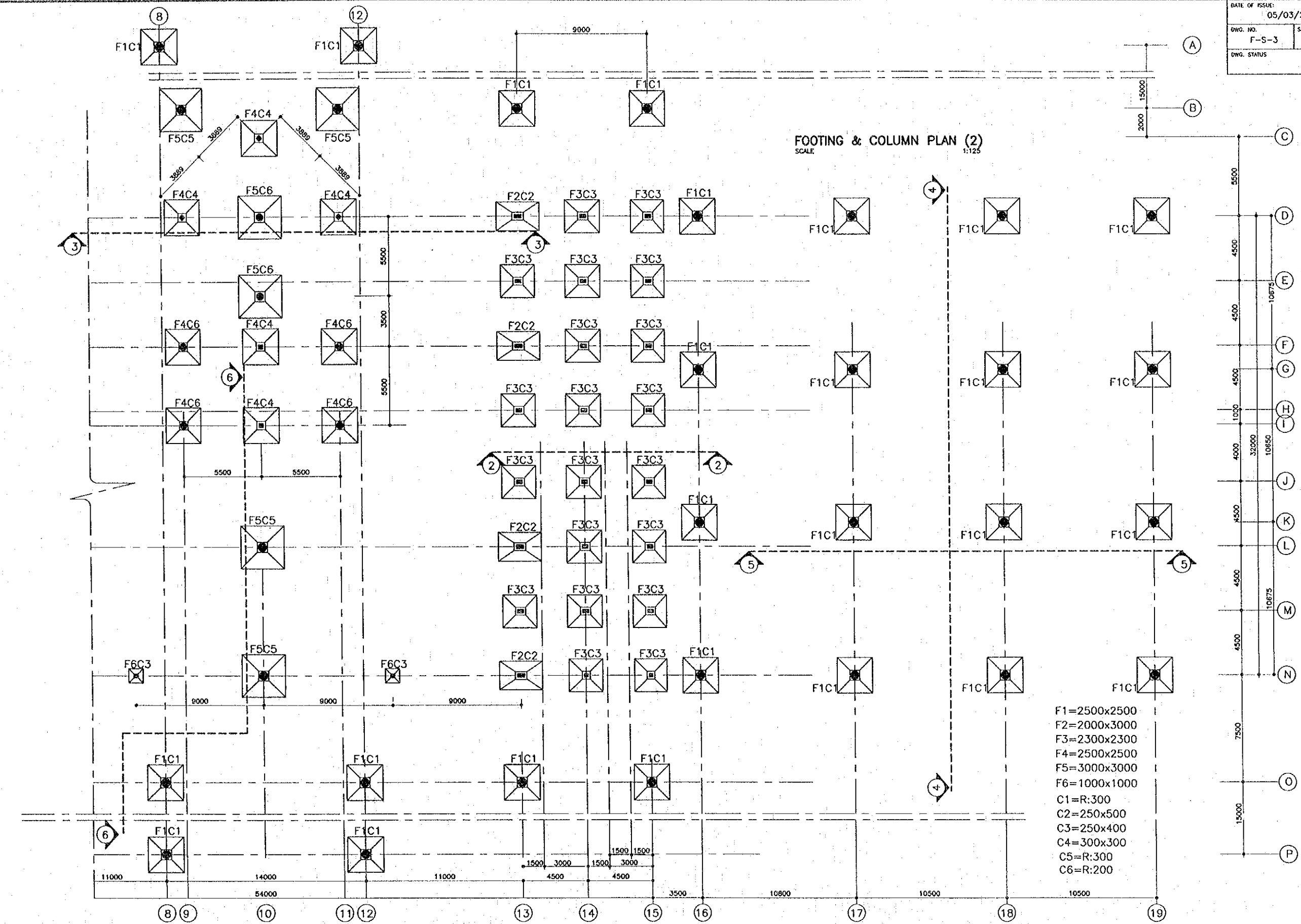
PROJECT STUDY TEAM  
 ORIENTAL CONSULTANTS CO., LTD.  
 in association with  
 NIPPON KOEI CO., LTD.

JICA JAPAN INTERNATIONAL COOPERATION AGENCY  
 LAO PEOPLE'S DEMOCRATIC REPUBLIC  
 MINISTRY OF COMMUNICATION, TRANSPORT, POST AND CONSTRUCTION  
 KINGDOM OF THAILAND  
 MINISTRY OF TRANSPORT AND COMMUNICATIONS  
 DEPARTMENT OF HIGHWAYS

THE SECOND MEKONG INTERNATIONAL BRIDGE CONSTRUCTION PROJECT

QUALITY RECORD	NAME	SIGNATURE	DATE
DESIGN	A. Morokita	<i>[Signature]</i>	11-02-99
DESIGN CHECK	T. Matsuzawa	<i>[Signature]</i>	12-01-99
SUBMITTED	A. Hiratani	<i>[Signature]</i>	21/01/00
APPROVED	P. Viraphanth	<i>[Signature]</i>	22/02/00

BORDER CONTROL FACILITIES  
 LAO PDR SIDE  
 MAIN OFFICE : FOOTING & COLUMN PLAN (1)



F1=2500x2500  
 F2=2000x3000  
 F3=2300x2300  
 F4=2500x2500  
 F5=3000x3000  
 F6=1000x1000  
 C1=R:300  
 C2=250x500  
 C3=250x400  
 C4=300x300  
 C5=R:300  
 C6=R:200

REV.	DATE	DESCRIPTION	APPROVED

PROJECT STUDY TEAM  
 ORIENTAL CONSULTANTS CO., LTD.  
 In association with  
 NIPPON KORI CO., LTD.

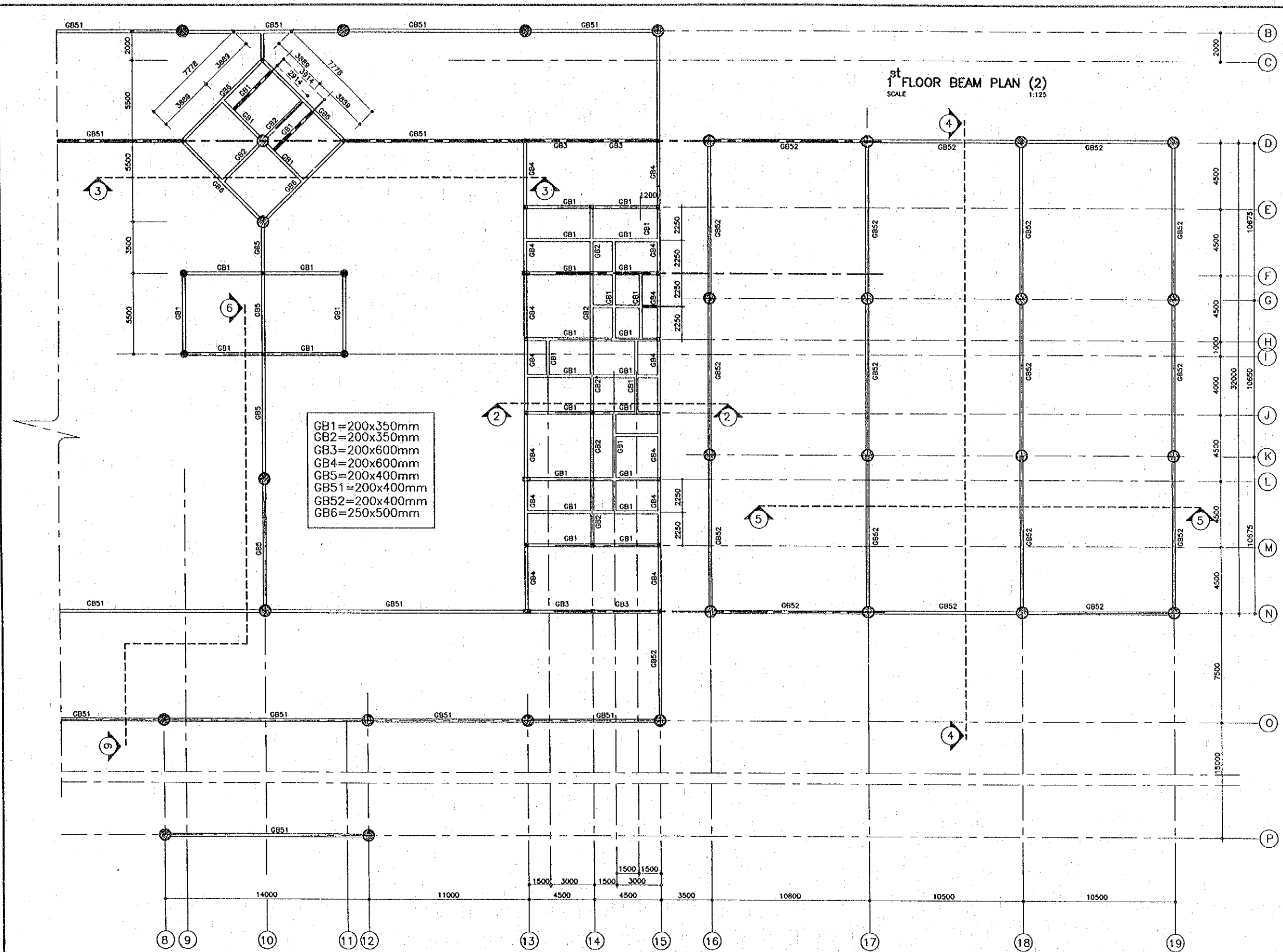
JICA JAPAN INTERNATIONAL COOPERATION AGENCY  
 LAO PEOPLE'S DEMOCRATIC REPUBLIC  
 MINISTRY OF COMMUNICATION, TRANSPORT, POST AND CONSTRUCTION  
 KINGDOM OF THAILAND  
 MINISTRY OF TRANSPORT AND COMMUNICATIONS  
 DEPARTMENT OF HIGHWAYS

THE SECOND MEKONG  
 INTERNATIONAL BRIDGE  
 CONSTRUCTION PROJECT

QUALITY RECORD	NAME	SIGNATURE	DATE	DWG. TITLE
DESIGN	A. Morisaka	<i>[Signature]</i>	16/02/00	BORDER CONTROL FACILITIES LAO PDR SIDE MAIN OFFICE : FOOTING & COLUMN PLAN (2)
DESIGN CHECK	T. Morisawa	<i>[Signature]</i>	18/02/00	
SUBMITTED	A. Hirakani	<i>[Signature]</i>	21/02/00	
APPROVED	P. Viraphanth	<i>[Signature]</i>	23/02/00	



1<sup>st</sup> FLOOR BEAM PLAN (2)  
 SCALE 1:125



REV.	DATE	DESCRIPTION	APPROVED

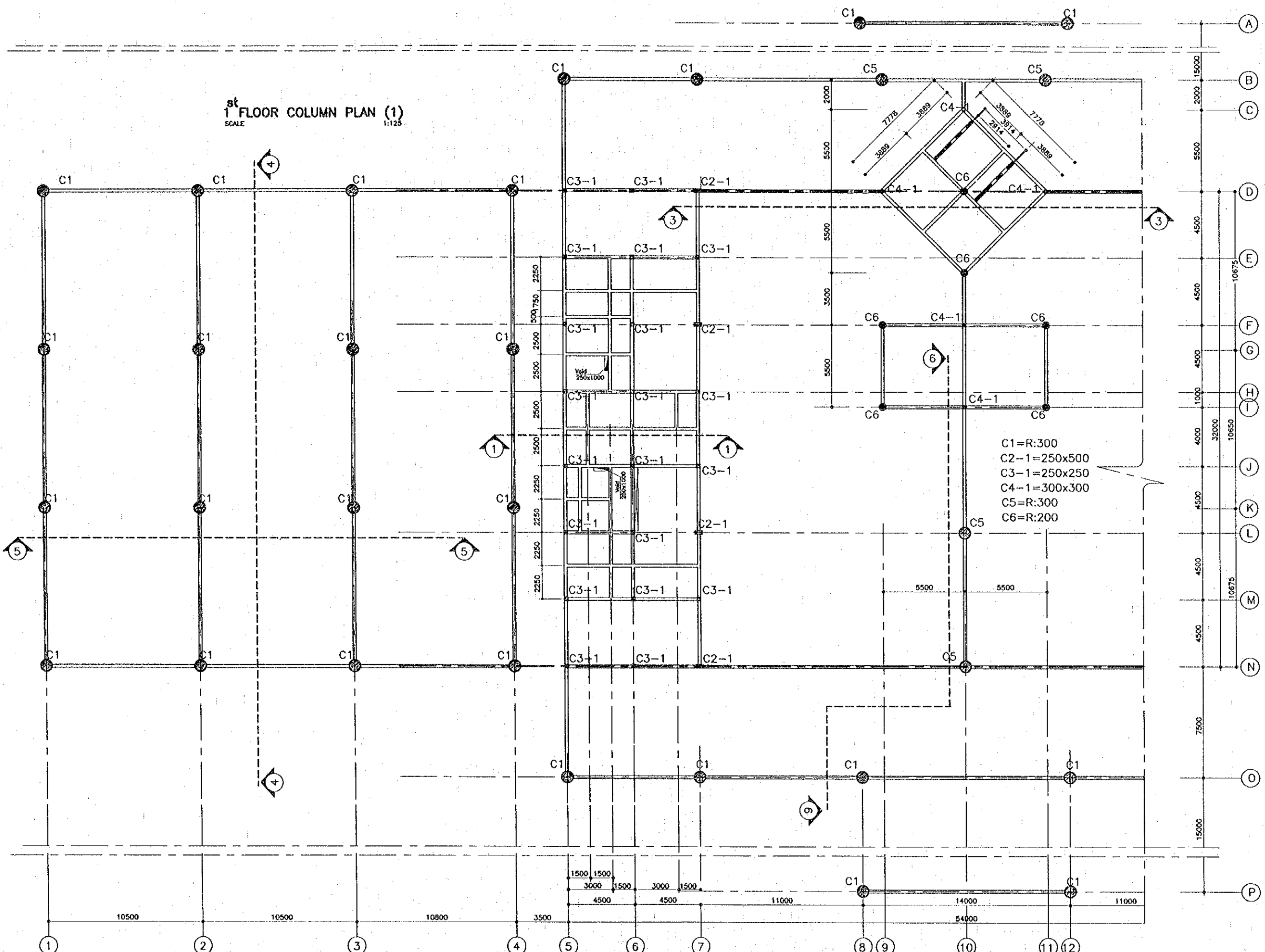
PROJECT STUDY TEAM  
 ORIENTAL CONSULTANTS CO., LTD.  
 In association with  
 NIPPON KOEI CO., LTD.

JICA JAPAN INTERNATIONAL COOPERATION AGENCY  
 LAO PEOPLE'S DEMOCRATIC REPUBLIC  
 MINISTRY OF COMMUNICATION, TRANSPORT, POST AND CONSTRUCTION  
 KINGDOM OF THAILAND  
 MINISTRY OF TRANSPORT AND COMMUNICATIONS  
 DEPARTMENT OF HIGHWAYS

THE SECOND MEKONG  
 INTERNATIONAL BRIDGE  
 CONSTRUCTION PROJECT

QUALITY RECORD	NAME	SIGNATURE	DATE	DWG. TITLE
DESIGN	A. Morieka	<i>[Signature]</i>	18/02/00	BORDER CONTROL FACILITIES LAO PDR SIDE 1 <sup>st</sup> FLOOR BEAM PLAN (2)
DESIGN CHECK	T. Masuzawa	<i>[Signature]</i>	21/02/00	
SUBMITTED	A. Hiratani	<i>[Signature]</i>	21/02/00	
APPROVED	P. Viraphonth	<i>[Signature]</i>	22/02/00	

1<sup>st</sup> FLOOR COLUMN PLAN (1)  
 SCALE 1:125



C1=R:300  
 C2-1=250x500  
 C3-1=250x250  
 C4-1=300x300  
 C5=R:300  
 C6=R:200

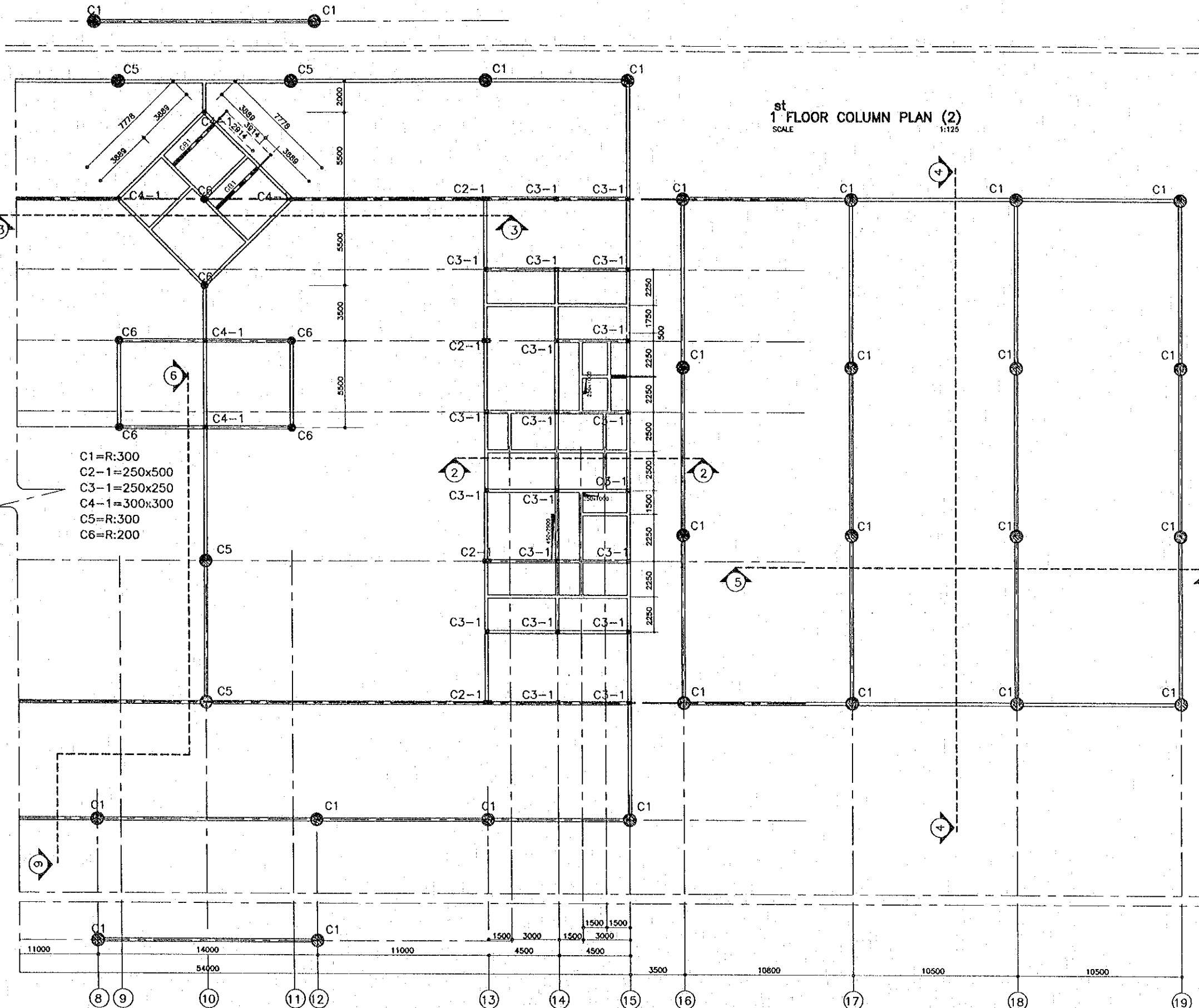
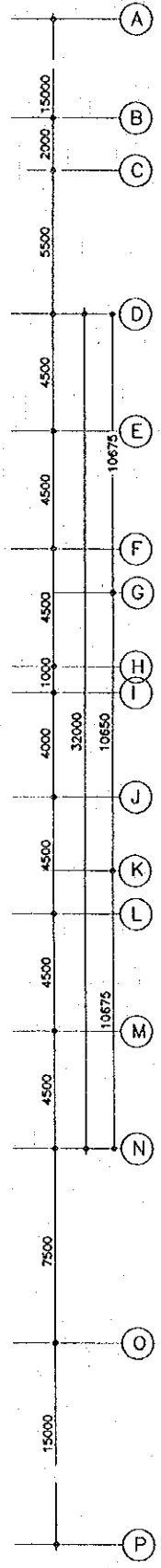
REV.	DATE	DESCRIPTION	APPROVED	PROJECT STUDY TEAM	JICA	QUALITY RECORD	NAME	SIGNATURE	DATE	DWG. TITLE
				ORIENTAL CONSULTANTS CO., LTD. In association with NIPPON KOEI CO., LTD.	JICA LAO PEOPLE'S DEMOCRATIC REPUBLIC MINISTRY OF COMMUNICATION, TRANSPORT, POST AND CONSTRUCTION KINGDOM OF THAILAND MINISTRY OF TRANSPORT AND COMMUNICATIONS DEPARTMENT OF HIGHWAYS	DESIGN	A. Morioka	<i>[Signature]</i>	12/20/00	BORDER CONTROL FACILITIES LAO PDR SIDE MAIN OFFICE : 1 <sup>st</sup> FLOOR COLUMN PLAN (1)
						DESIGN CHECK	T. Muezzawa	<i>[Signature]</i>	8/2/00	
						SUBMITTED	A. Nrotorn	<i>[Signature]</i>	11/01/00	
						APPROVED	P. Vraphanth	<i>[Signature]</i>	22/02/00	

D:\NEW\F-S-6.DWG

DATE OF ISSUE: 05/03/2000	
DWG. NO. F-S-7	SHEET NO. 200
DWG. STATUS	

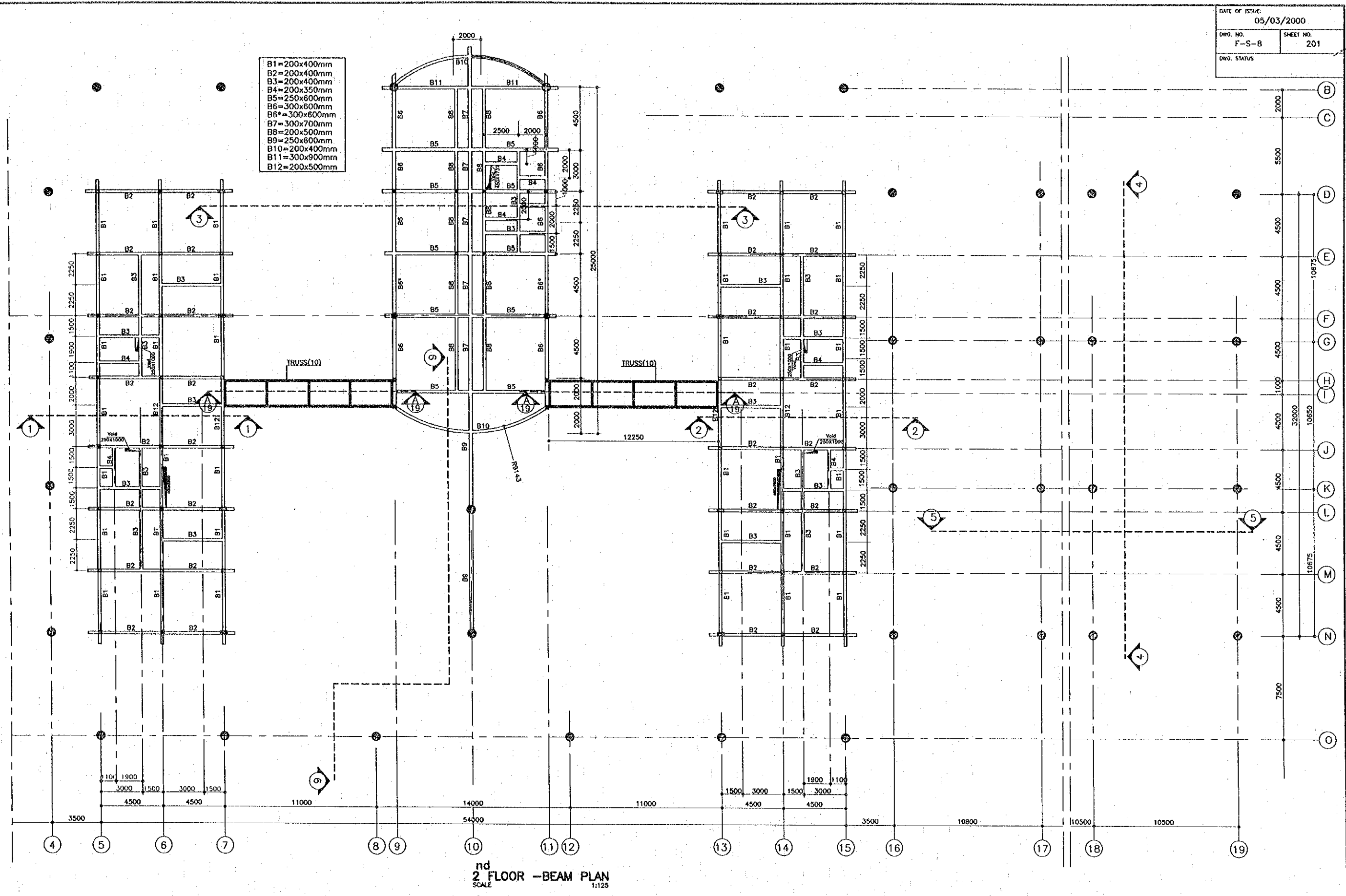
1<sup>st</sup> FLOOR COLUMN PLAN (2)  
SCALE 1:125

- C1=R:300
- C2-1=250x500
- C3-1=250x250
- C4-1=300x300
- C5=R:300
- C6=R:200



REV.	DATE	DESCRIPTION	APPROVED	PROJECT STUDY TEAM	JICA JAPAN INTERNATIONAL COOPERATION AGENCY	QUALITY RECORD	NAME	SIGNATURE	DATE	DWG. TITLE
				ORIENTAL CONSULTANTS CO., LTD. in association with NIPPON KOEI CO., LTD.	LAO PEOPLE'S DEMOCRATIC REPUBLIC MINISTRY OF COMMUNICATION, TRANSPORT, POST AND CONSTRUCTION	DESIGN	A. Morikita	<i>[Signature]</i>	11/22/00	BORDER CONTROL FACILITIES LAO PDR SIDE at MAIN OFFICE : 1 FLOOR COLUMN PLAN (2)
					KINGDOM OF THAILAND MINISTRY OF TRANSPORT AND COMMUNICATIONS DEPARTMENT OF HIGHWAYS	DESIGN CHECK	T. Morizawa	<i>[Signature]</i>	11/22/00	
						SUBMITTED	A. Hirata	<i>[Signature]</i>	11/22/00	
						APPROVED	P. Viraphanth	<i>[Signature]</i>	11/22/00	

- B1=200x400mm
- B2=200x400mm
- B3=200x400mm
- B4=200x350mm
- B5=250x600mm
- B6=300x600mm
- B6\*=300x600mm
- B7=300x700mm
- B8=200x500mm
- B9=250x600mm
- B10=200x400mm
- B11=300x900mm
- B12=200x500mm

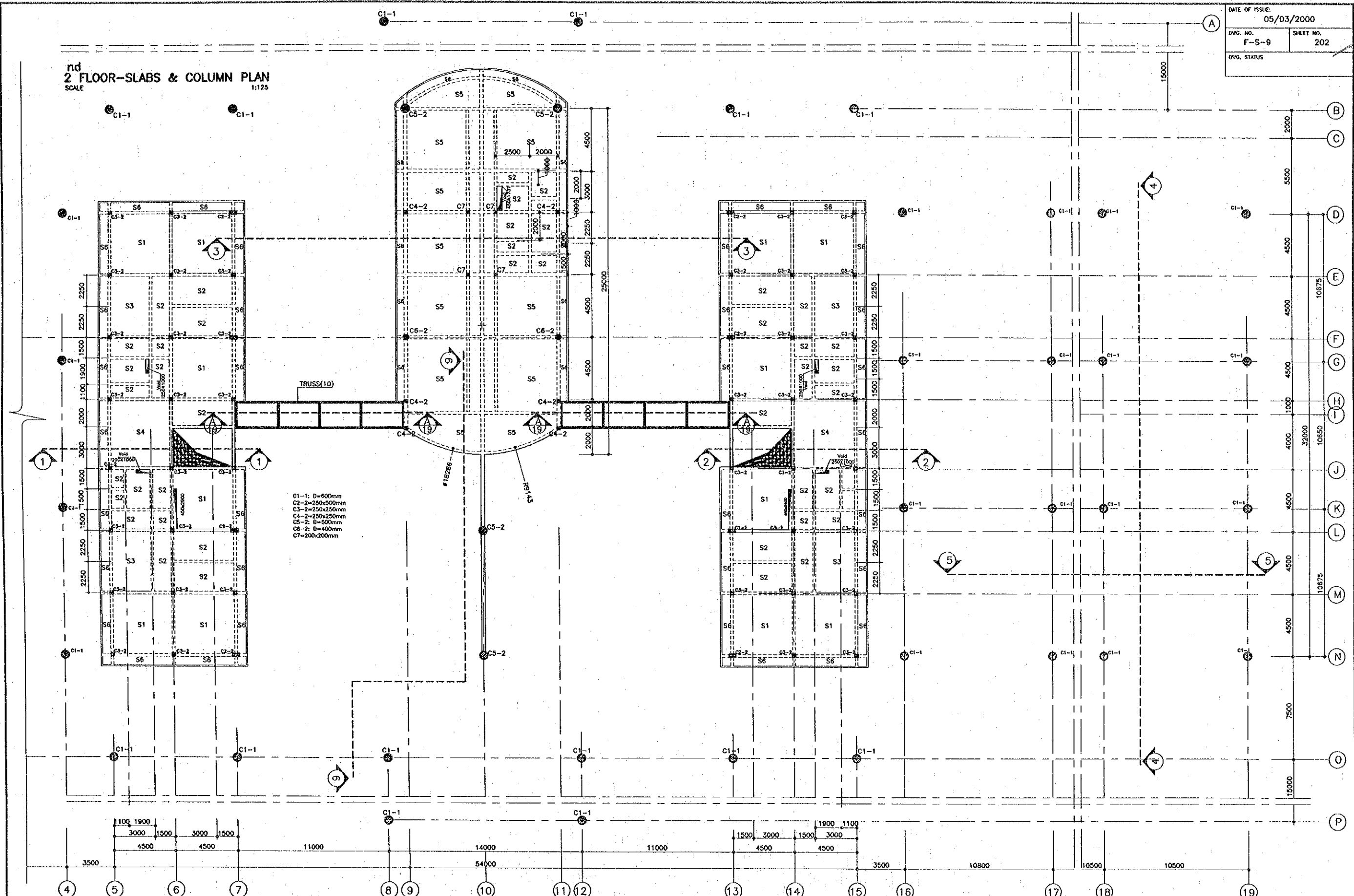


2<sup>nd</sup> FLOOR - BEAM PLAN  
 SCALE 1:125

REV.	DATE	DESCRIPTION	APPROVED	PROJECT STUDY TEAM	JICA	QUALITY RECORD	NAME	SIGNATURE	DATE	DWG. TITLE
				ORIENTAL CONSULTANTS CO., LTD. in association with NIPPON KOEI CO., LTD.	JAPAN INTERNATIONAL COOPERATION AGENCY LAO PEOPLE'S DEMOCRATIC REPUBLIC MINISTRY OF COMMUNICATION, TRANSPORT, POST AND CONSTRUCTION KINGDOM OF THAILAND MINISTRY OF TRANSPORT AND COMMUNICATIONS DEPARTMENT OF HIGHWAYS	DESIGN	A. Morioka	<i>[Signature]</i>	16/02/00	BORDER CONTROL FACILITIES LAO PDR SIDE MAIN OFFICE : 2 <sup>nd</sup> FLOOR BEAM PLAN
						DESIGN CHECK	T. Morizawa	<i>[Signature]</i>	17/02/00	
						SUBMITTED	A. Hiratani	<i>[Signature]</i>	21/02/00	
						APPROVED	P. Yiraphonth	<i>[Signature]</i>	22/02/00	

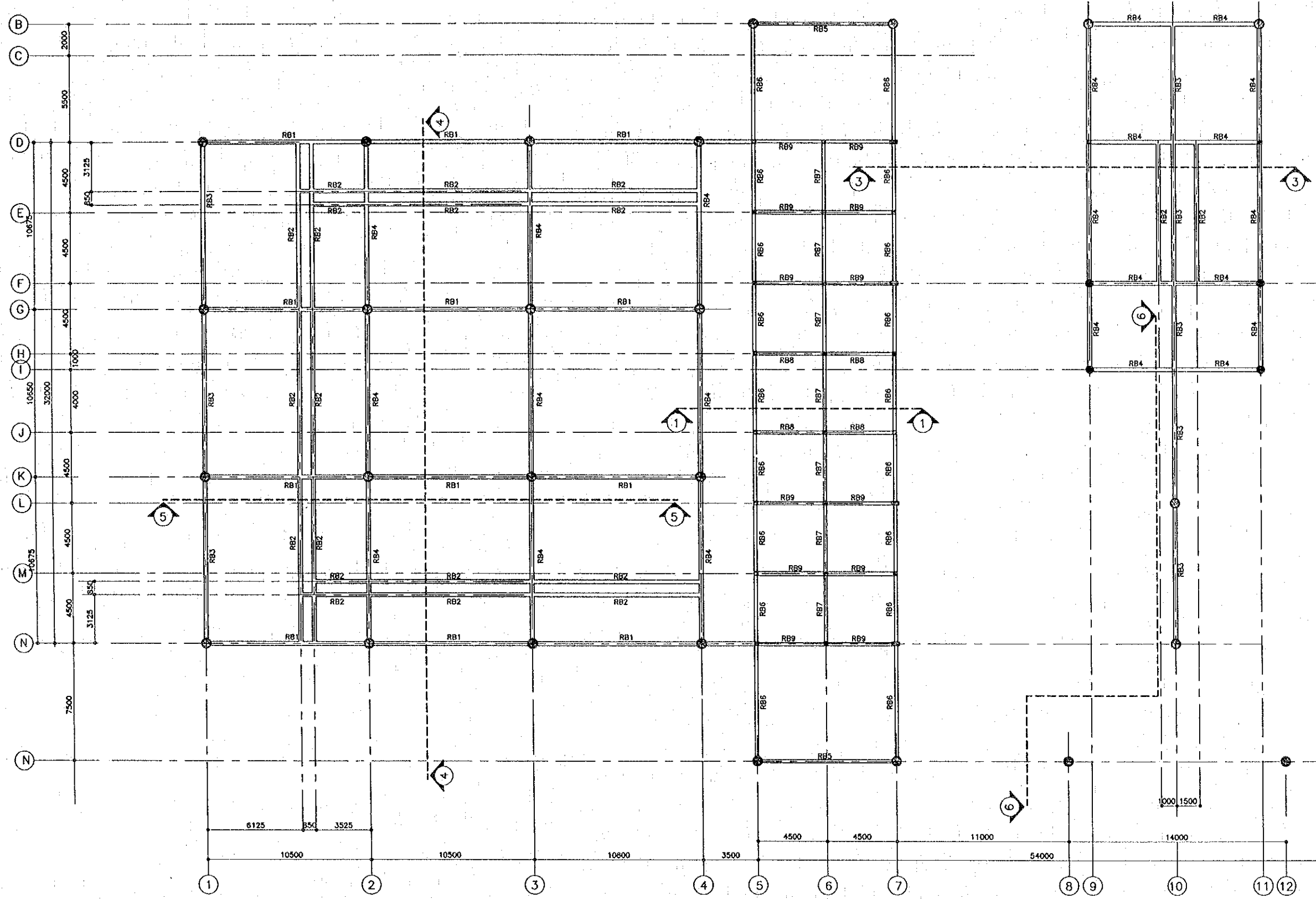


nd  
 2 FLOOR-SLABS & COLUMN PLAN  
 SCALE 1:125



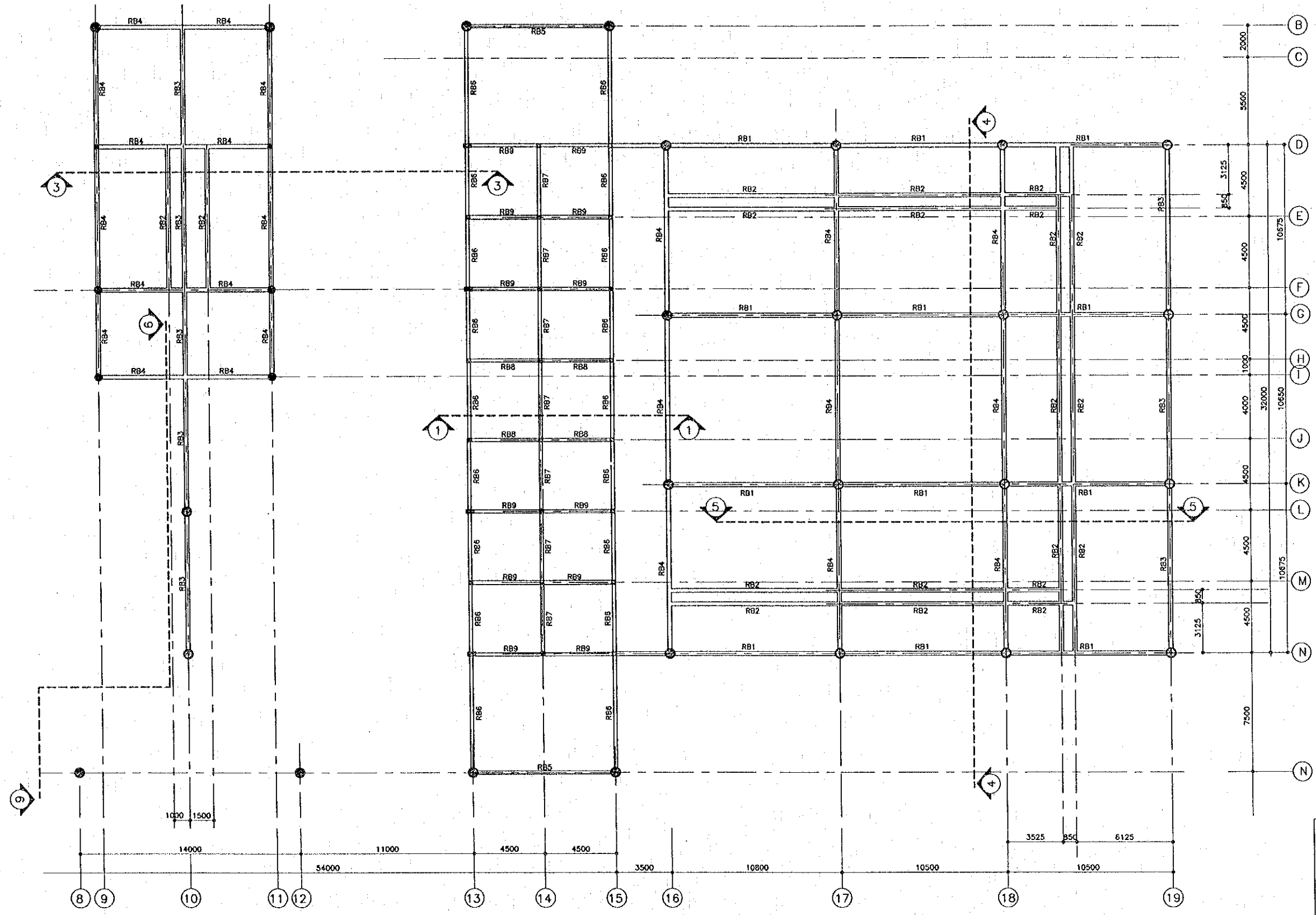
REV.	DATE	DESCRIPTION	APPROVED	PROJECT STUDY TEAM	JICA	QUALITY RECORD	NAME	SIGNATURE	DATE	DWG. TITLE
				ORIENTAL CONSULTANTS CO., LTD. in association with NIPPON KORI CO., LTD.	JICA JAPAN INTERNATIONAL COOPERATION AGENCY LAO PEOPLE'S DEMOCRATIC REPUBLIC MINISTRY OF COMMUNICATION, TRANSPORT, POST AND CONSTRUCTION KINGDOM OF THAILAND MINISTRY OF TRANSPORT AND COMMUNICATIONS DEPARTMENT OF HIGHWAYS	DESIGN	A. Morioka	<i>[Signature]</i>	11/2000	BORDER CONTROL FACILITIES LAO PDR SIDE MAIN OFFICE : 2 <sup>nd</sup> FLOOR SLABS & COLUMNS PLAN
						DESIGN CHECK	T. Moeutana	<i>[Signature]</i>	11/2000	
						SUBMITTED	A. Hiratani	<i>[Signature]</i>	11/2000	
						APPROVED	P. Viraphanth	<i>[Signature]</i>	11/2000	

RB1=300x600mm  
 RB2=250x550mm  
 RB3=300x600mm  
 RB4=300x600mm  
 RB5=200x400mm  
 RB6=200x400mm  
 RB7=200x400mm  
 RB8=200x400mm  
 RB9=200x400mm



ROOF BEAM PLAN (2)  
 SCALE 1:125

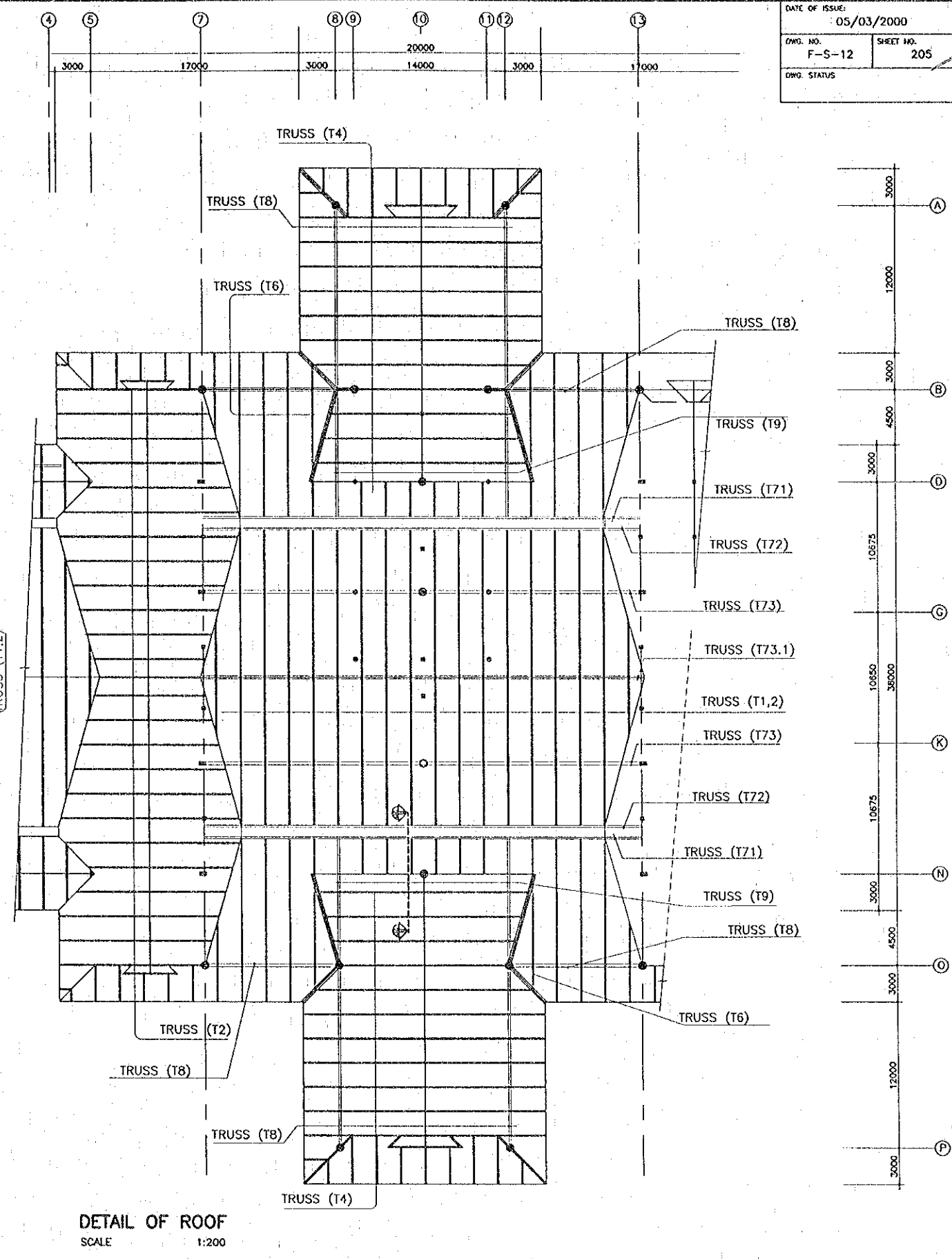
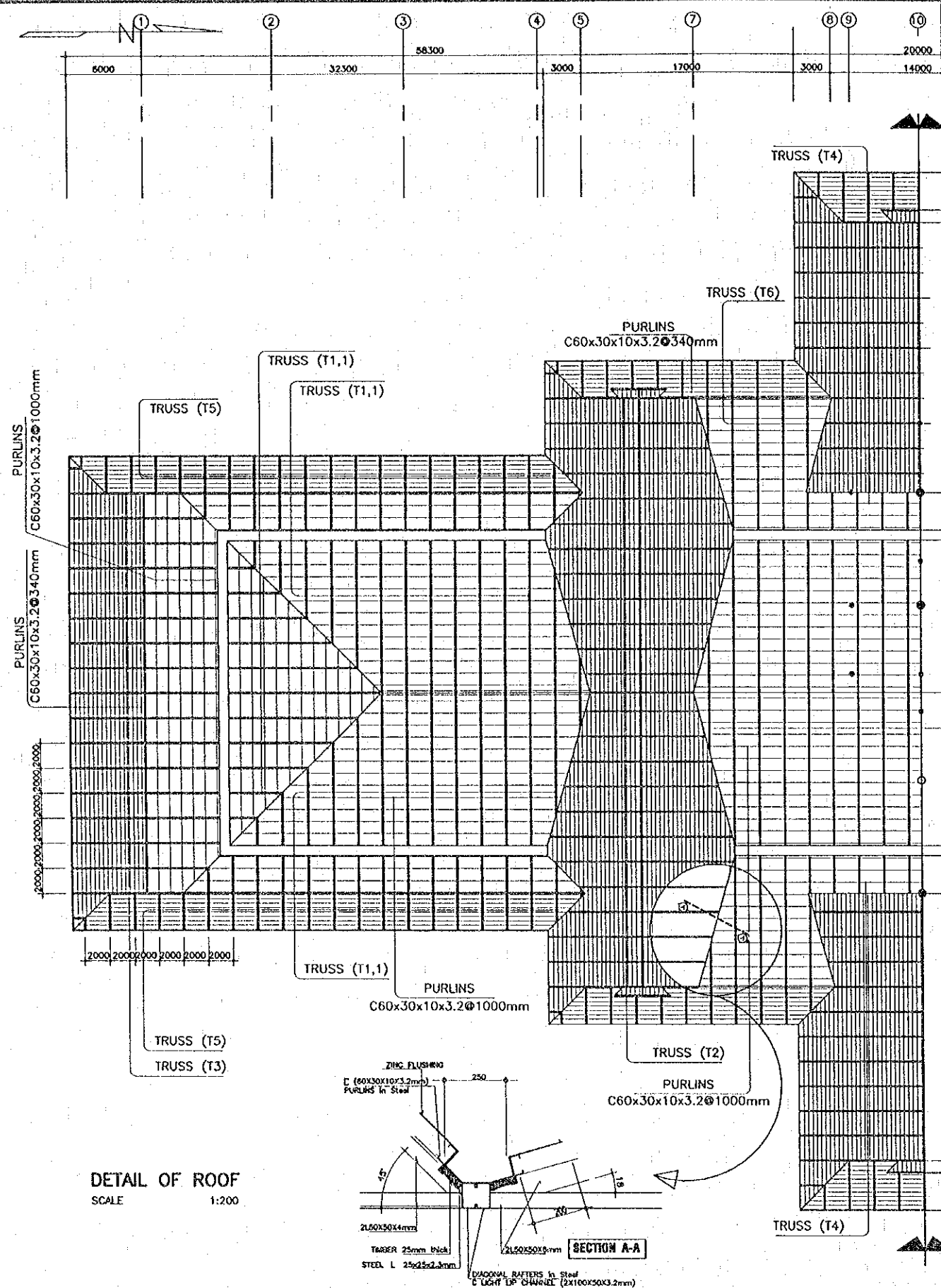
REV.	DATE	DESCRIPTION	APPROVED	PROJECT STUDY TEAM	JICA	LAO PEOPLE'S DEMOCRATIC REPUBLIC	KINGDOM OF THAILAND	THE SECOND MEKONG INTERNATIONAL BRIDGE CONSTRUCTION PROJECT	QUANTITY RECORD	NAME	SIGNATURE	DATE	DWG. TITLE
				ORIENTAL CONSULTANTS CO., LTD. In association with NIPPON KOSI CO., LTD.	JICA	MINISTRY OF COMMUNICATION, TRANSPORT, POST AND CONSTRUCTION	MINISTRY OF TRANSPORT AND COMMUNICATIONS DEPARTMENT OF HIGHWAYS		DESIGN	A. Mochika	<i>[Signature]</i>	16/02/00	BORDER CONTROL FACILITIES LAO PDR SIDE MAIN OFFICE : ROOF BEAM PLAN (1)
								DESIGN CHECK	T. Masuzawa	<i>[Signature]</i>	18/02/00		
								SUBMITTED	A. Hirohata	<i>[Signature]</i>	21/02/00		
								APPROVED	P. Virophanth	<i>[Signature]</i>	22/02/00		



RB1=300x600mm  
 RB2=250x550mm  
 RB3=300x600mm  
 RB4=300x600mm  
 RB5=200x400mm  
 RB6=200x400mm  
 RB7=200x400mm  
 RB8=200x400mm  
 RB9=200x400mm

ROOF BEAM PLAN (1)  
 SCALE 1:125

REV.	DATE	DESCRIPTION	APPROVED	PROJECT STUDY TEAM	JICA	MINISTRY OF COMMUNICATION, TRANSPORT, POST AND CONSTRUCTION	MINISTRY OF TRANSPORT AND COMMUNICATIONS	DEPARTMENT OF HIGHWAYS	THE SECOND MEKONG INTERNATIONAL BRIDGE CONSTRUCTION PROJECT	QUALITY RECORD	NAME	SIGNATURE	DATE	DWG. TITLE
				ORIENTAL CONSULTANTS CO., LTD. In association with NIPPON KOKI CO., LTD.						DESIGN	A. Morikoto	<i>[Signature]</i>	16/02/00	BORDER CONTROL FACILITIES LAO PDR SIDE MAIN OFFICE : ROOF BEAM PLAN (2)
										DESIGN CHECK	T. Masuzawa	<i>[Signature]</i>	18/02/00	
										SUBMITTED	A. Hirakawa	<i>[Signature]</i>	21/02/00	
										APPROVED	P. Viraphanth	<i>[Signature]</i>	22/02/00	



REV.	DATE	DESCRIPTION	APPROVED

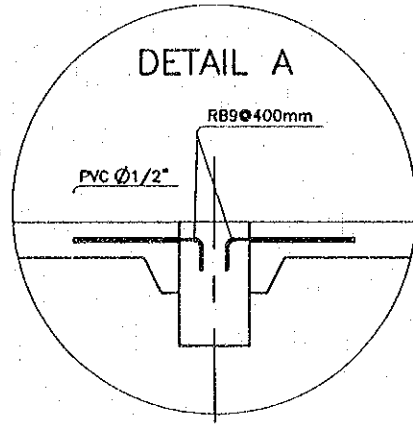
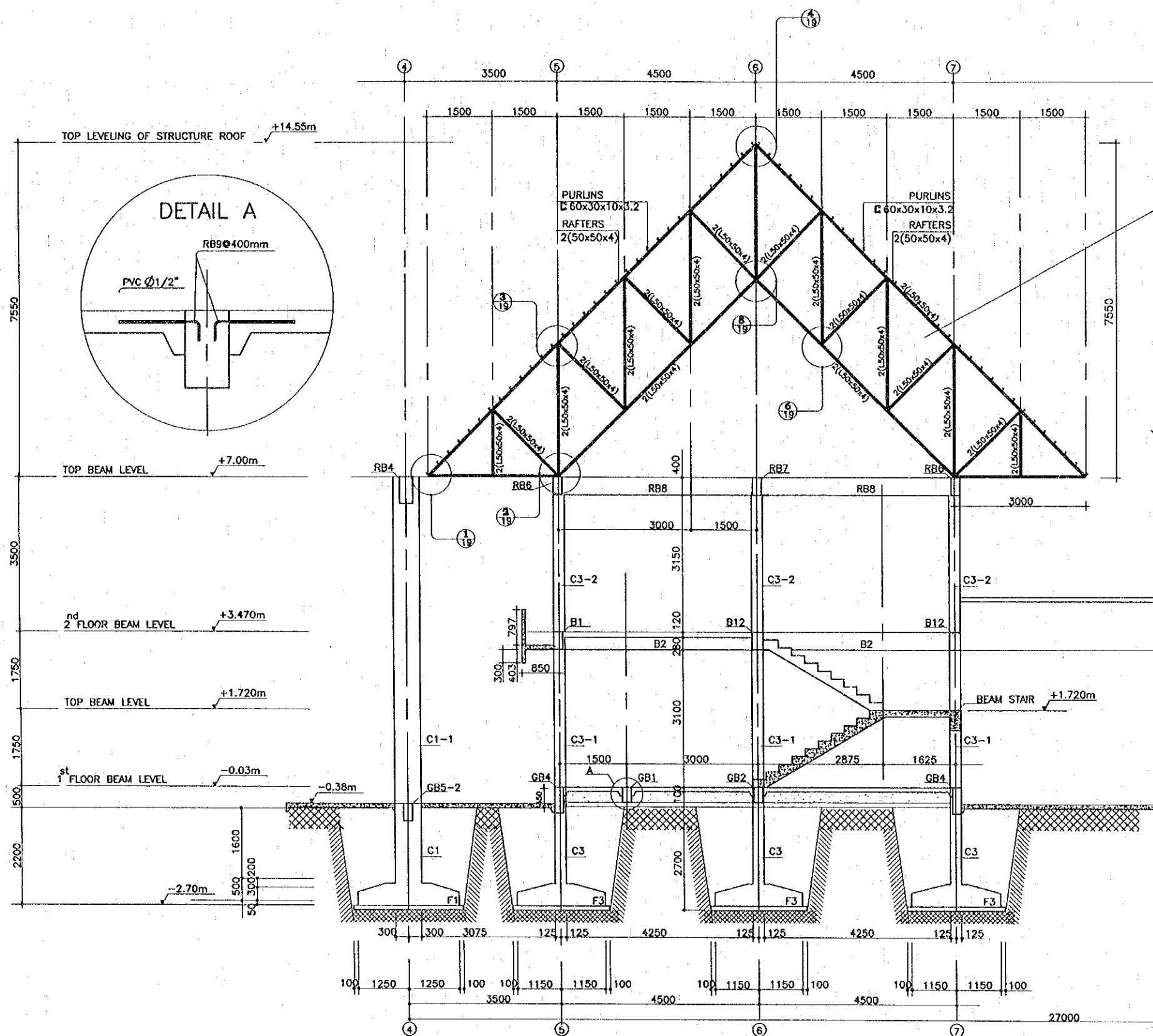
PROJECT STUDY TEAM  
 ORIENTAL CONSULTANTS CO., LTD.  
 in association with  
 NIPPON KORI CO., LTD.

JICA JAPAN INTERNATIONAL COOPERATION AGENCY  
 LAO PEOPLE'S DEMOCRATIC REPUBLIC  
 MINISTRY OF COMMUNICATION, TRANSPORT, POST AND CONSTRUCTION  
 KINGDOM OF THAILAND  
 MINISTRY OF TRANSPORT AND COMMUNICATIONS  
 DEPARTMENT OF HIGHWAYS

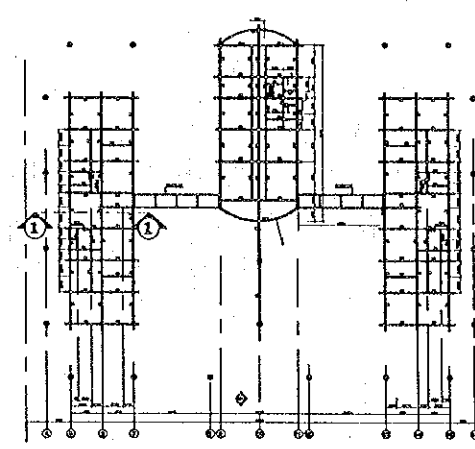
THE SECOND MEKONG  
 INTERNATIONAL BRIDGE  
 CONSTRUCTION PROJECT

QUALITY RECORD	NAME	SIGNATURE	DATE	DWG. TITLE
DESIGN	A. Morioka	<i>[Signature]</i>	16-02-00	BORDER CONTROL FACILITIES LAO PDR SIDE MAIN OFFICE : DETAILS OF ROOF PLAN
DESIGN CHECK	T. Muzawa	<i>[Signature]</i>	18-02-00	
SUBMITTED	A. Krotani	<i>[Signature]</i>	21-02-00	
APPROVED	P. Vrapanath	<i>[Signature]</i>	22/02/00	

BORDER CONTROL FACILITIES  
 LAO PDR SIDE  
 MAIN OFFICE : DETAILS OF ROOF PLAN



TRUSS (T2)



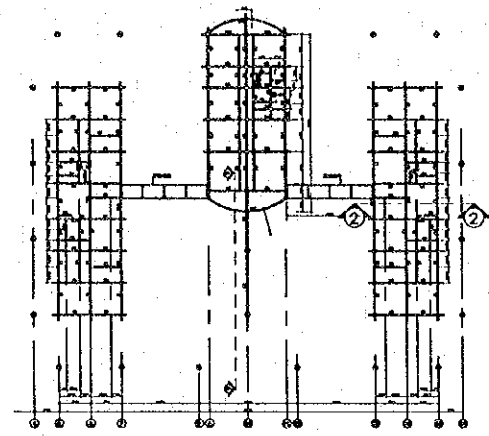
KEY PLAN

SECTION 1-1  
 SCALE 1:50

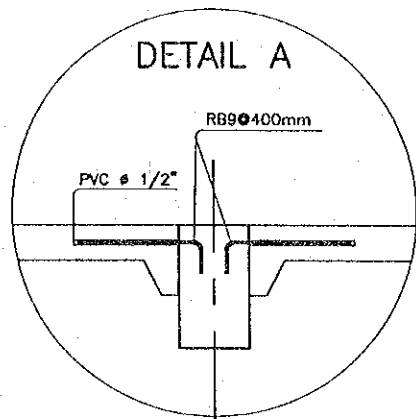
REV.	DATE	DESCRIPTION	APPROVED	PROJECT STUDY TEAM	JICA JAPAN INTERNATIONAL COOPERATION AGENCY	LAO PEOPLE'S DEMOCRATIC REPUBLIC MINISTRY OF COMMUNICATION, TRANSPORT, POST AND CONSTRUCTION	THE SECOND MEKONG INTERNATIONAL BRIDGE CONSTRUCTION PROJECT	QUALITY RECORD	NAME	SIGNATURE	DATE	DWG. TITLE:
				ORIENTAL CONSULTANTS CO., LTD. in association with NIPPON KOEI CO., LTD.	KINGDOM OF THAILAND MINISTRY OF TRANSPORT AND COMMUNICATIONS DEPARTMENT OF HIGHWAYS			DESIGN	A. Morlaka	<i>[Signature]</i>	16-02-00	BORDER CONTROL FACILITIES LAO PDR SIDE MAIN OFFICE : SECTION 1-1
							DESIGN CHECK	T. Masuzawa	<i>[Signature]</i>	17-02-00		
							SUBMITTED	A. Hiratani	<i>[Signature]</i>	21/01/00		
							APPROVED	P. Viraphonh	<i>[Signature]</i>	22/02/00		

DATE OF ISSUE: 05/03/2000

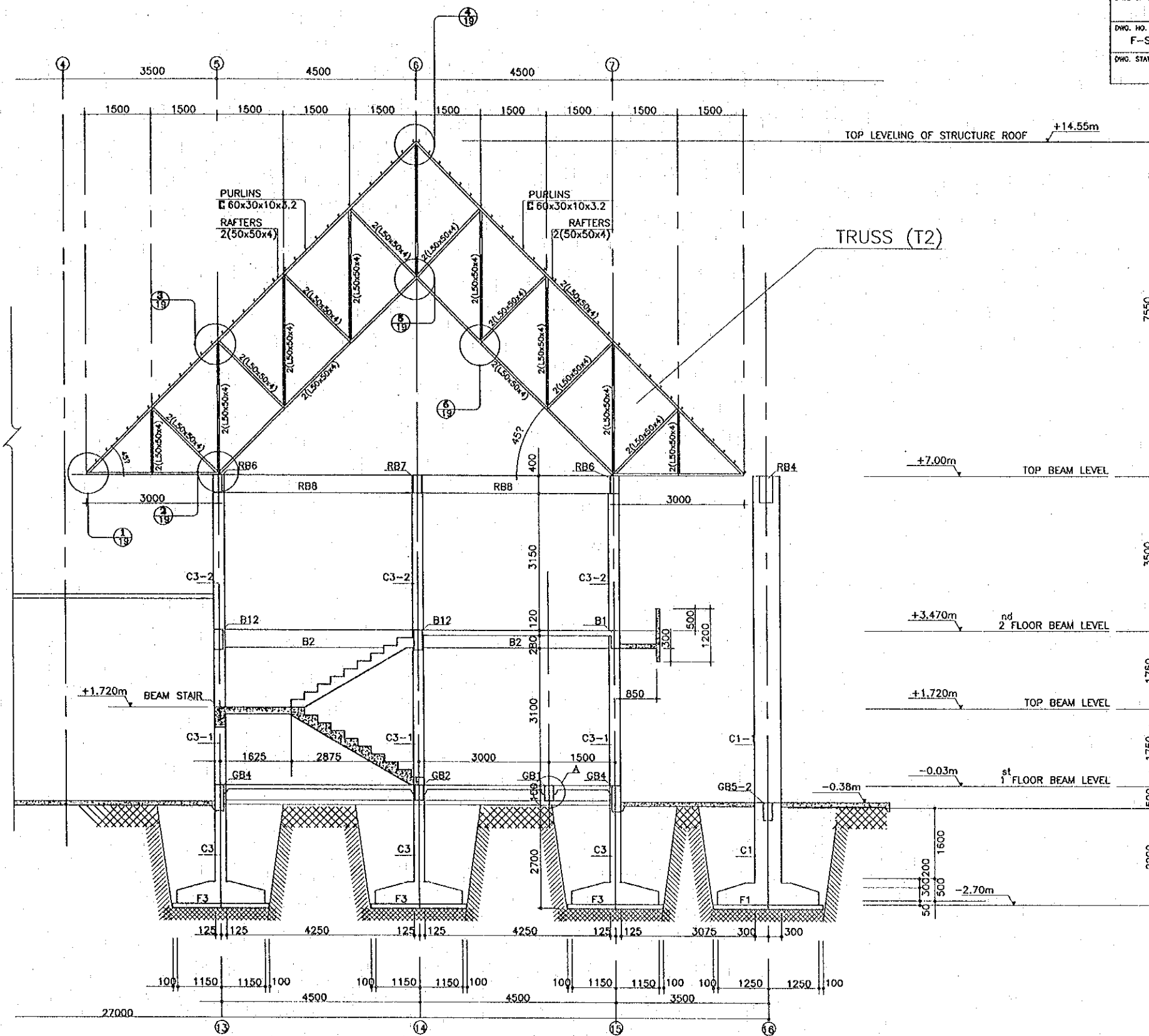
DWG. NO. F-S-14 SHEET NO. 207  
 DWG. STATUS



KEY PLAN



DETAIL A



SECTION 2-2

SCALE 1:50

REV.	DATE	DESCRIPTION	APPROVED

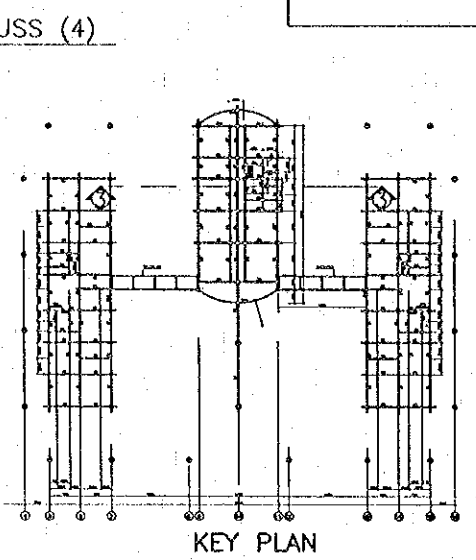
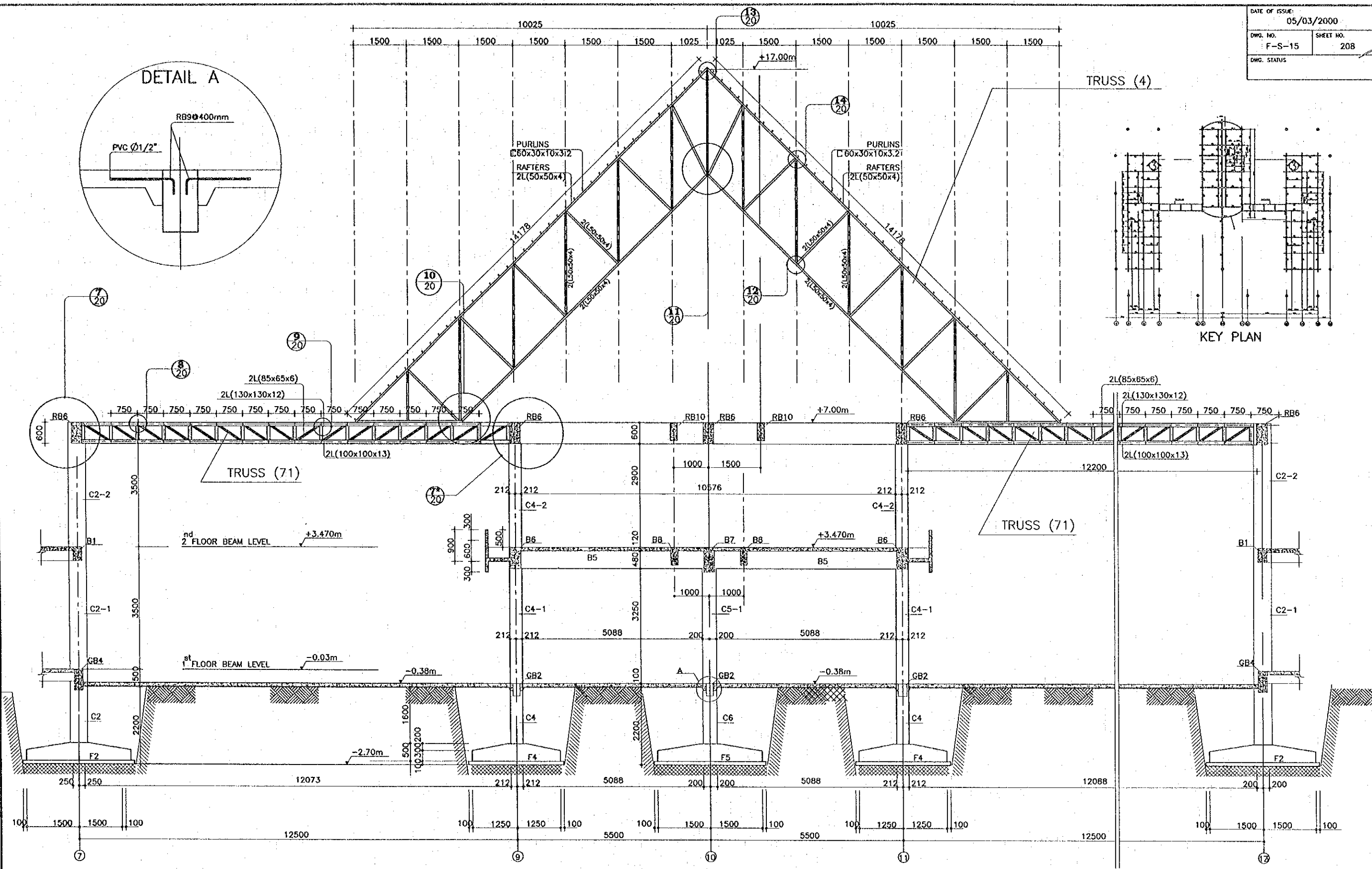
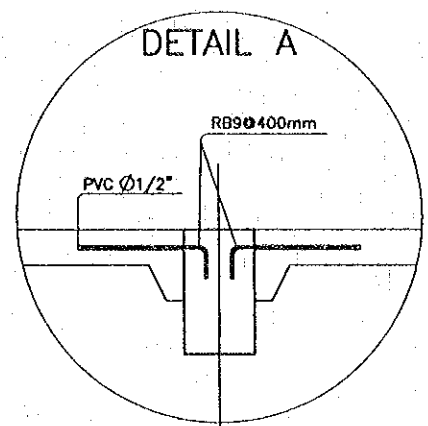
PROJECT STUDY TEAM  
 ORIENTAL CONSULTANTS CO., LTD.  
 In association with  
 NIPPON KOEI CO., LTD.

JICA JAPAN INTERNATIONAL COOPERATION AGENCY  
 LAO PEOPLE'S DEMOCRATIC REPUBLIC  
 MINISTRY OF COMMUNICATION, TRANSPORT, POST AND CONSTRUCTION  
 KINGDOM OF THAILAND  
 MINISTRY OF TRANSPORT AND COMMUNICATIONS  
 DEPARTMENT OF HIGHWAYS

THE SECOND MEKONG INTERNATIONAL BRIDGE CONSTRUCTION PROJECT

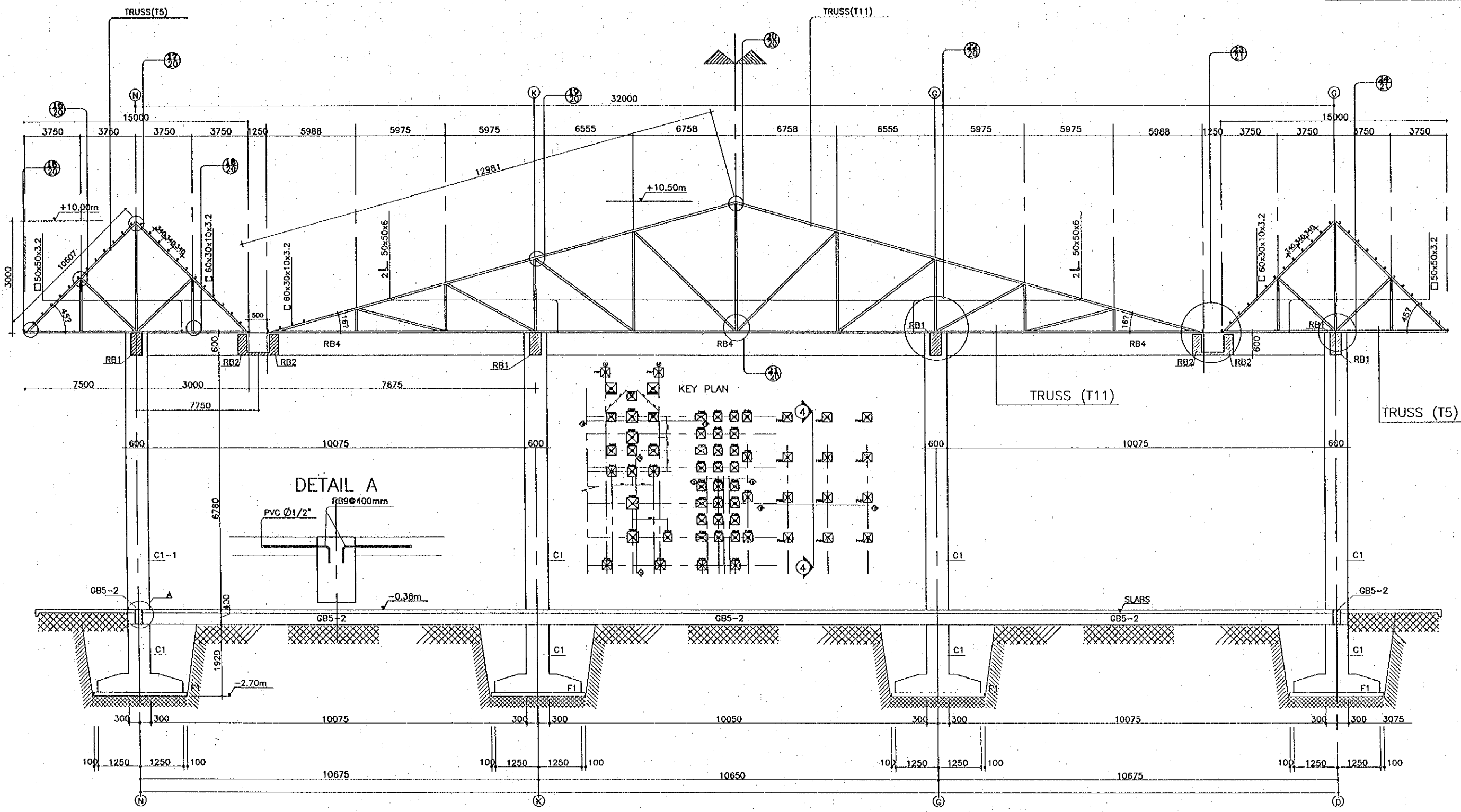
QUALITY RECORD	NAME	SIGNATURE	DATE	DWG. TITLE
DESIGN	A. Morioka	<i>[Signature]</i>	16-02-00	BORDER CONTROL FACILITIES LAO PDR SIDE MAIN OFFICE : SECTION 2-2
DESIGN CHECK	T. Maizawa	<i>[Signature]</i>	17-02-00	
SUBMITTED	A. Hirata	<i>[Signature]</i>	21-02-00	
APPROVED	P. Viraphanth	<i>[Signature]</i>	22/02/00	

BORDER CONTROL FACILITIES  
 LAO PDR SIDE  
 MAIN OFFICE : SECTION 2-2



SECTION 3-3  
 SCALE 1:50

REV.	DATE	DESCRIPTION	APPROVED	PROJECT STUDY TEAM	<p>JICA JAPAN INTERNATIONAL COOPERATION AGENCY          LAO PEOPLE'S DEMOCRATIC REPUBLIC          MINISTRY OF COMMUNICATION, TRANSPORT, POST AND CONSTRUCTION          KINGDOM OF THAILAND          MINISTRY OF TRANSPORT AND COMMUNICATIONS          DEPARTMENT OF HIGHWAYS</p>	<p>THE SECOND MEKONG          INTERNATIONAL BRIDGE          CONSTRUCTION PROJECT</p>	QUALITY RECORD	NAME	SIGNATURE	DATE	DWG. TITLE:
				<p>ORIENTAL CONSULTANTS CO., LTD.          in association with          NIPPON KORI CO., LTD.</p>			DESIGN	A. Morikio	<i>[Signature]</i>	11/01/00	<b>BORDER CONTROL FACILITIES          LAO PDR SIDE          MAIN OFFICE : SECTION 3-3</b>
					DESIGN CHECK	T. Masuzawa	<i>[Signature]</i>	11/01/00			
					SUBMITTED	A. Hirofumi	<i>[Signature]</i>	11/01/00			
					APPROVED	P. Viraphanth	<i>[Signature]</i>	22/02/00			



SECTION 4-4  
 SCALE 1:50

REV.	DATE	DESCRIPTION	APPROVED

PROJECT STUDY TEAM  
 ORIENTAL CONSULTANTS CO., LTD.  
 In association with  
 NIPPON KOEI CO., LTD.

JICA JAPAN INTERNATIONAL COOPERATION AGENCY  
 LAO PEOPLE'S DEMOCRATIC REPUBLIC  
 MINISTRY OF COMMUNICATION, TRANSPORT, POST AND CONSTRUCTION  
 KINGDOM OF THAILAND  
 MINISTRY OF TRANSPORT AND COMMUNICATIONS  
 DEPARTMENT OF HIGHWAYS

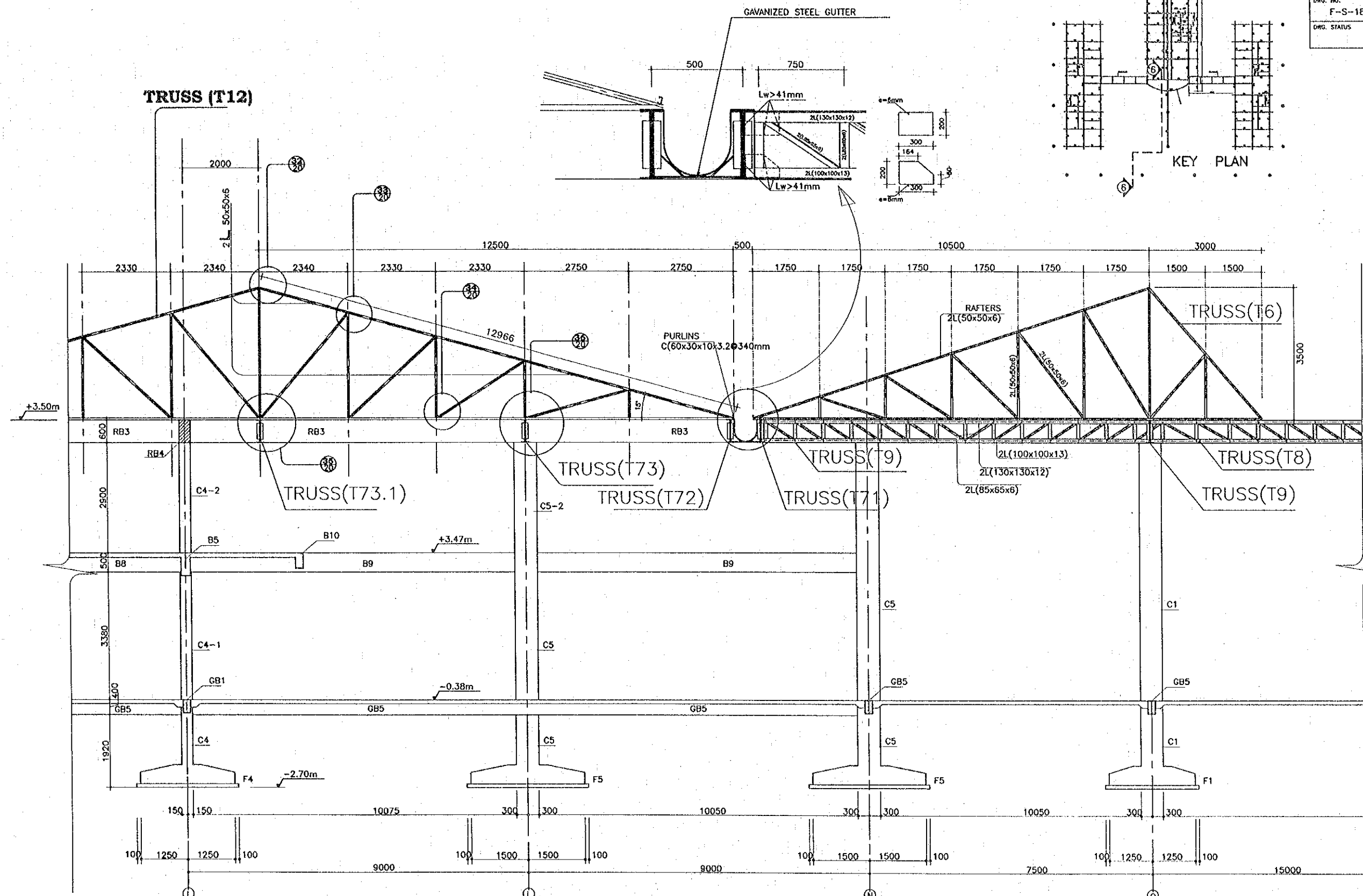
THE SECOND MEKONG  
 INTERNATIONAL BRIDGE  
 CONSTRUCTION PROJECT

QUALITY RECORD	NAME	SIGNATURE	DATE	DWG. TITLE
DESIGN	A. Morikita	<i>[Signature]</i>	16-02-00	BORDER CONTROL FACILITIES LAO PDR SIDE MAIN OFFICE : SECTION 4-4
DESIGN CHECK	T. Mauegawa	<i>[Signature]</i>	18-02-00	
SUBMITTED	A. Hirakawa	<i>[Signature]</i>	21-02-00	
APPROVED	P. Viraphanth	<i>[Signature]</i>	22/03/00	

BORDER CONTROL FACILITIES  
 LAO PDR SIDE  
 MAIN OFFICE : SECTION 4-4



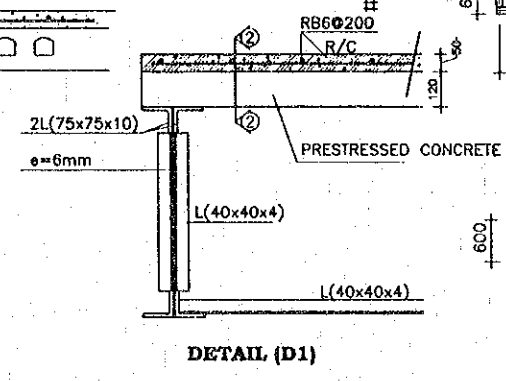
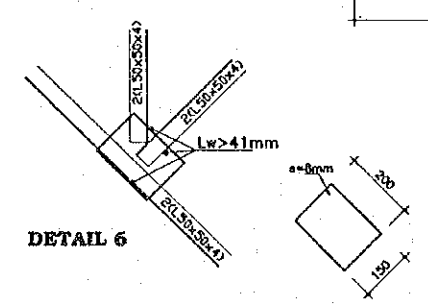
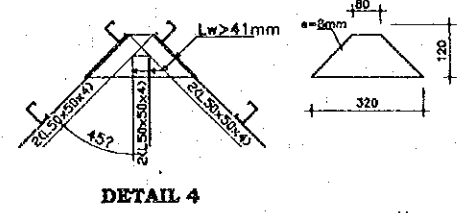
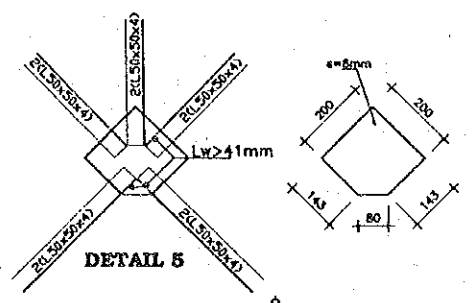
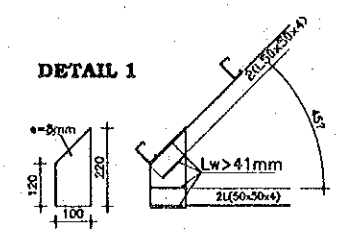
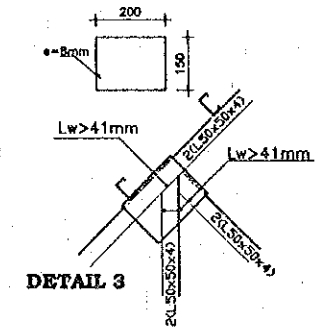
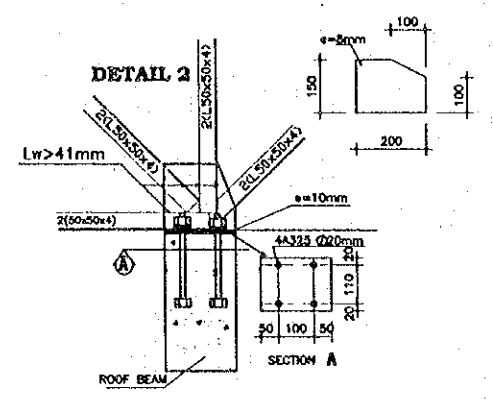
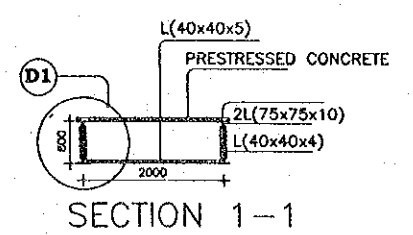
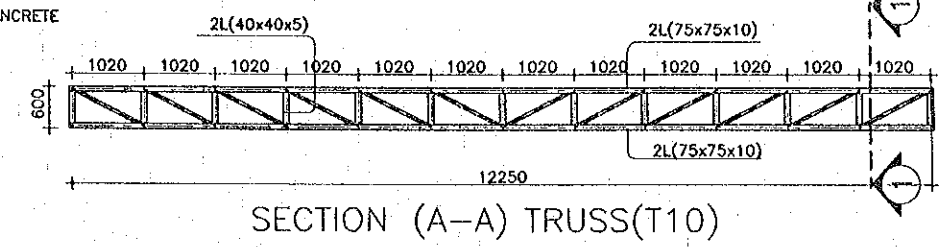
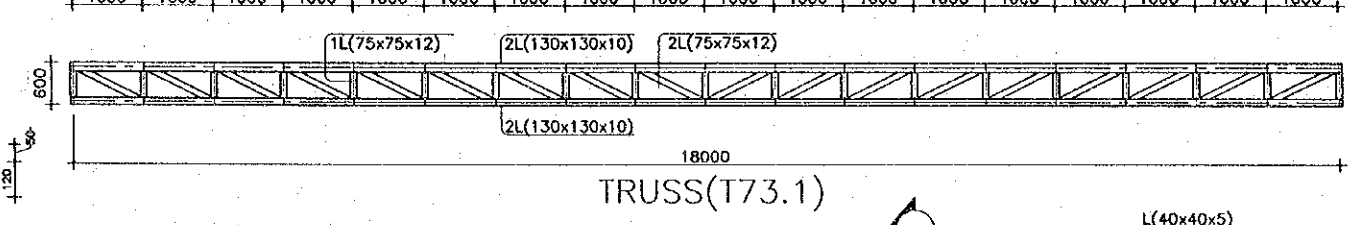
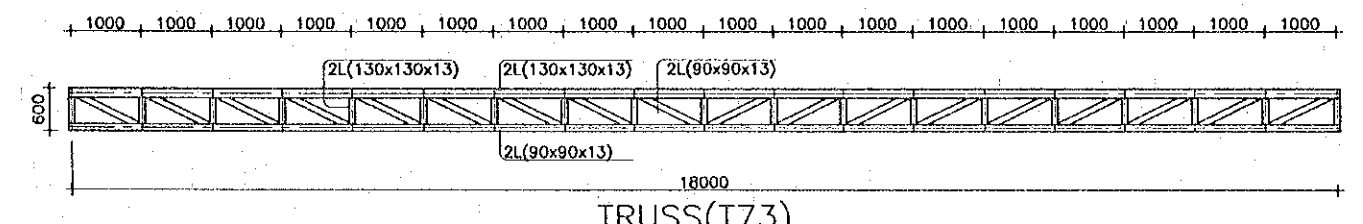
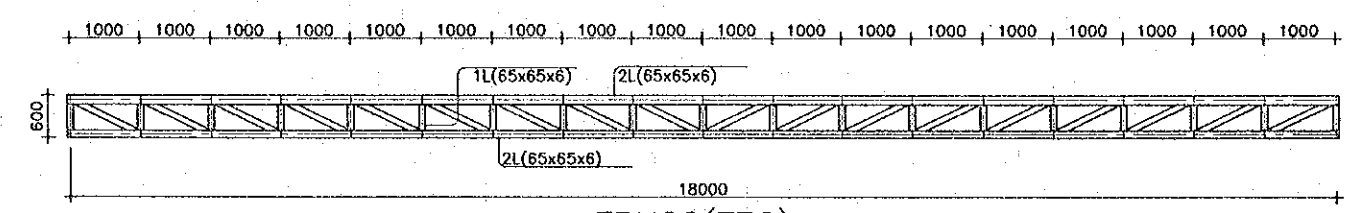
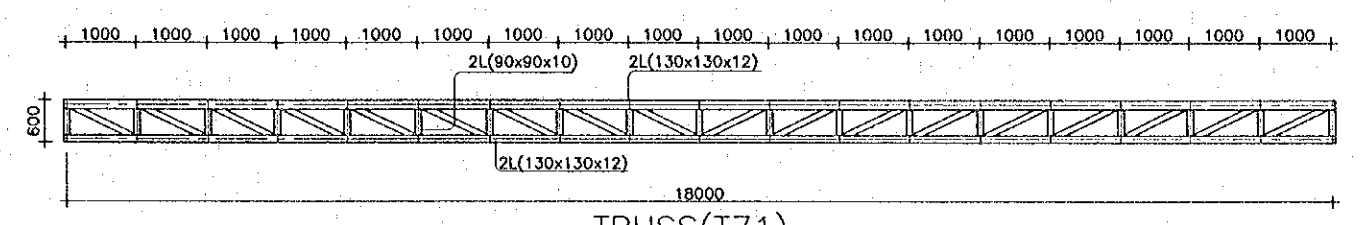
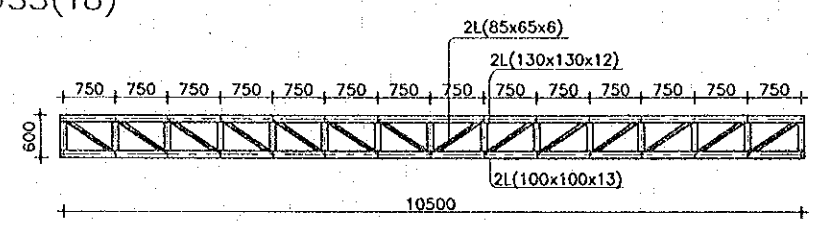
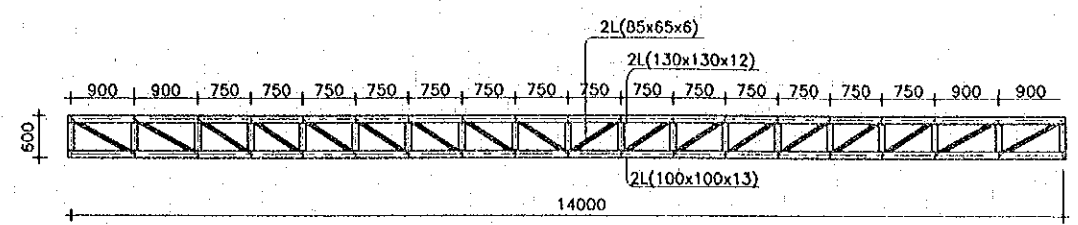
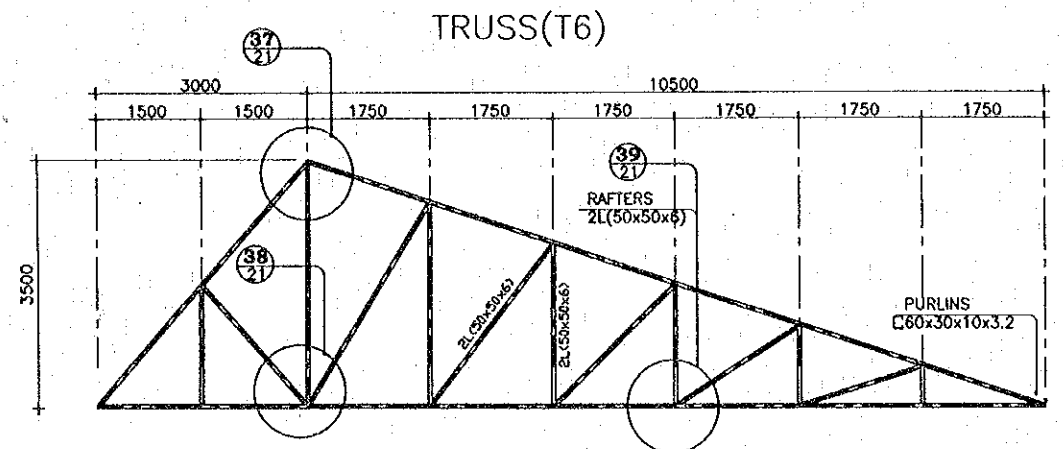




SECTION 6-6  
 SCALE 1:50

REV.	DATE	DESCRIPTION	APPROVED	PROJECT STUDY TEAM	JICA	QUALITY RECORD	NAME	SIGNATURE	DATE	DWG. TITLE:
				ORIENTAL CONSULTANTS CO., LTD. in association with NIPPON KOBİ CO., LTD.	JICA JAPAN INTERNATIONAL COOPERATION AGENCY LAO PEOPLE'S DEMOCRATIC REPUBLIC MINISTRY OF COMMUNICATION, TRANSPORT, POST AND CONSTRUCTION KINGDOM OF THAILAND MINISTRY OF TRANSPORT AND COMMUNICATIONS DEPARTMENT OF HIGHWAYS	DESIGN	A. Morikawa	<i>[Signature]</i>	14/02/00	BORDER CONTROL FACILITIES LAO PDR SIDE MAIN OFFICE : SECTION 6-6
						DESIGN CHECK	T. Matsuzawa	<i>[Signature]</i>	18/02/00	
						SUBMITTED	A. Hirapant	<i>[Signature]</i>	21/02/00	
						APPROVED	P. Viraphanth	<i>[Signature]</i>	22/02/00	





REV.	DATE	DESCRIPTION	APPROVED

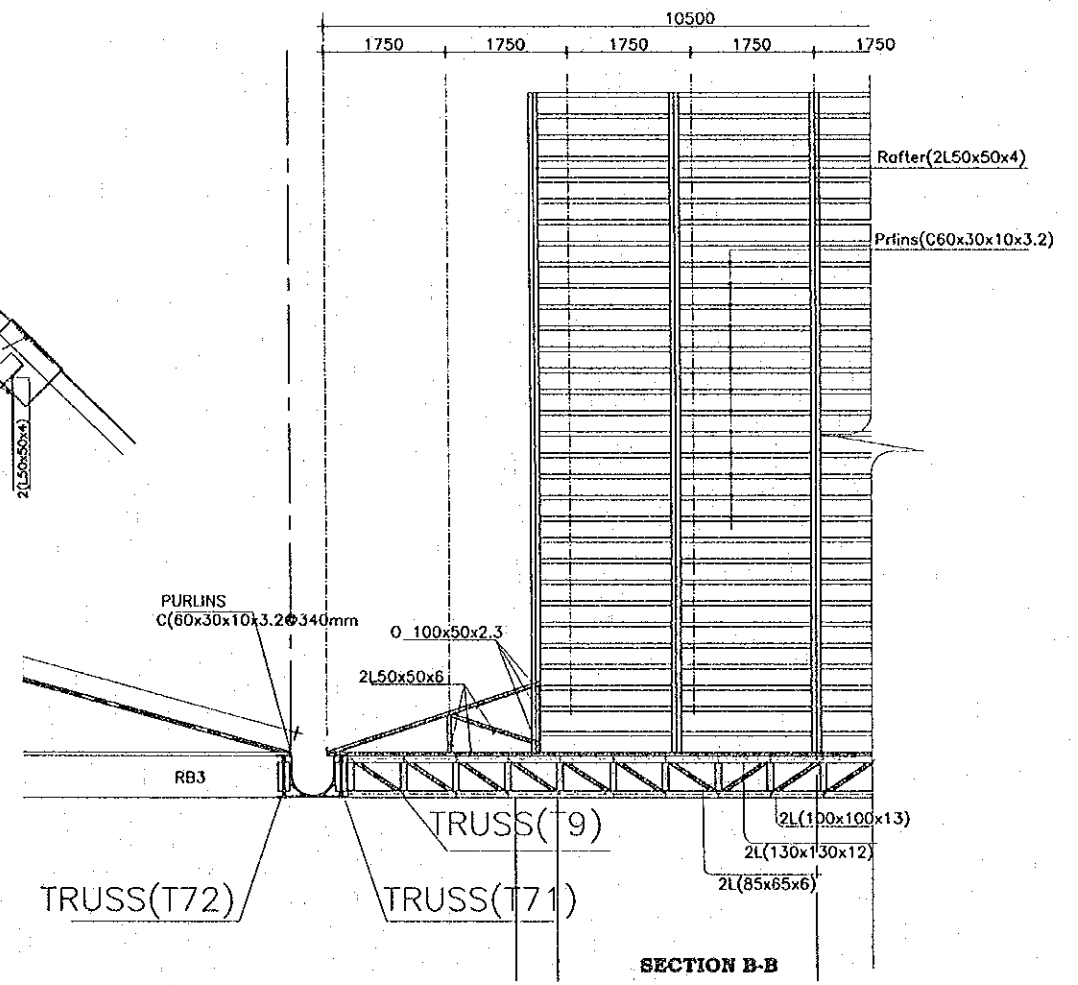
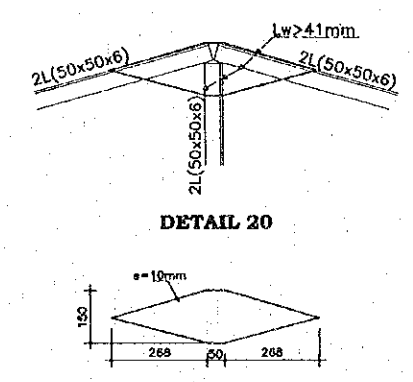
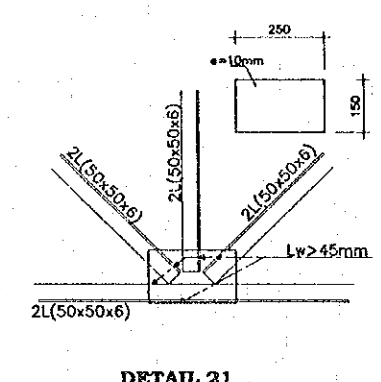
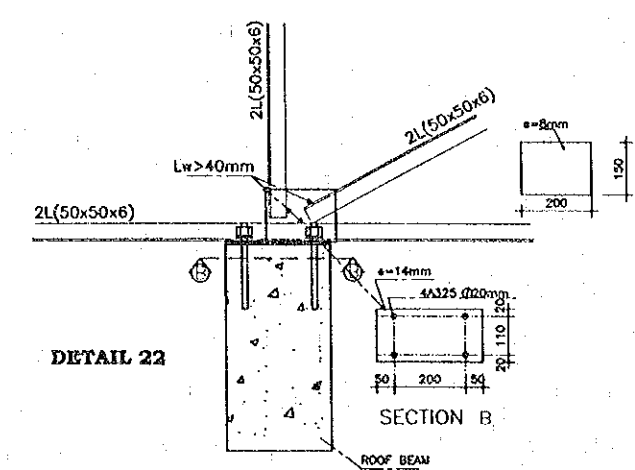
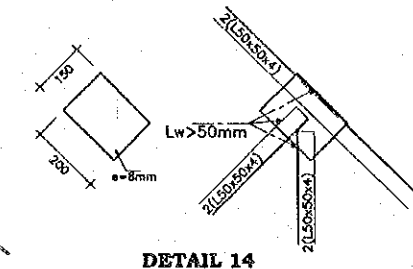
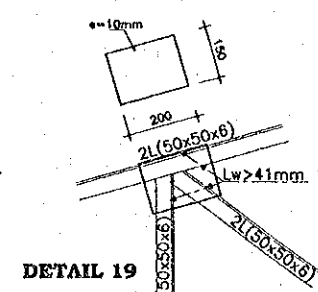
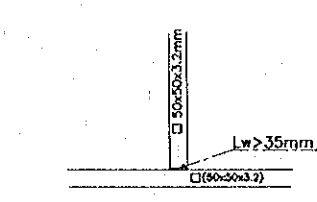
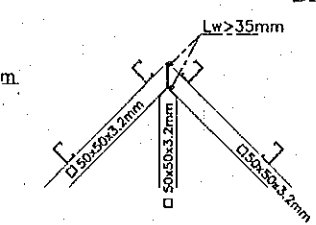
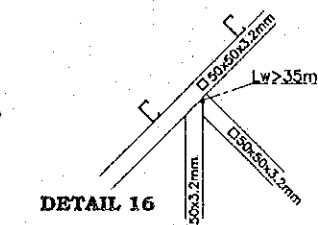
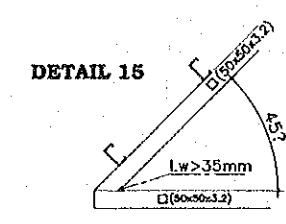
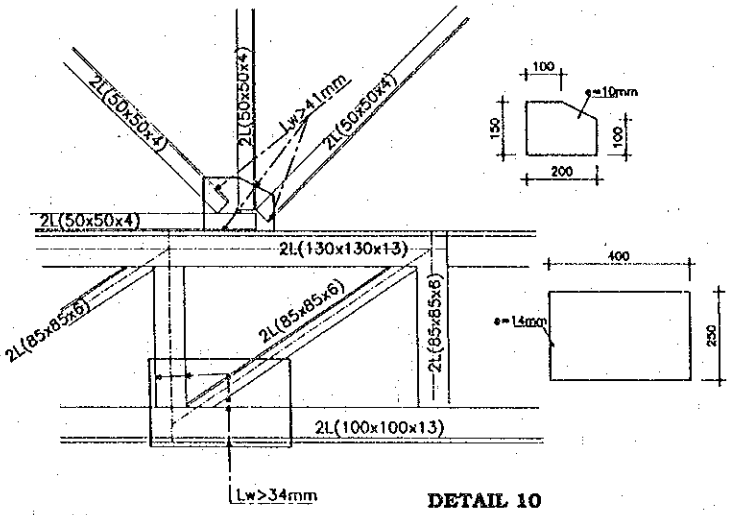
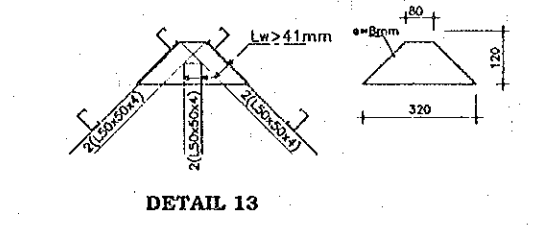
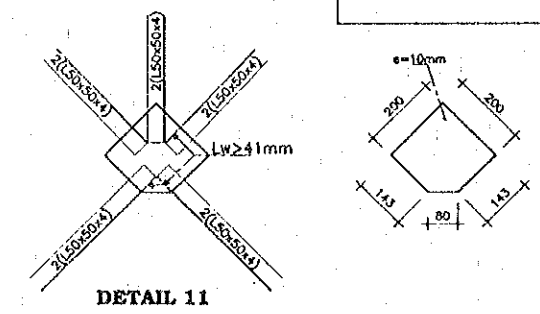
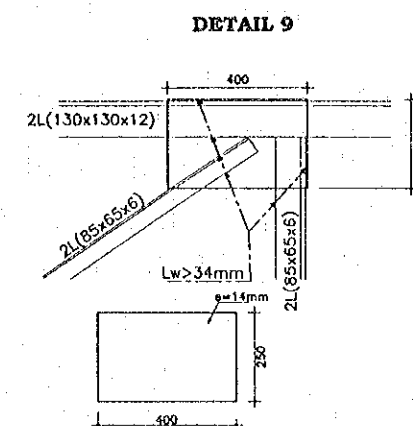
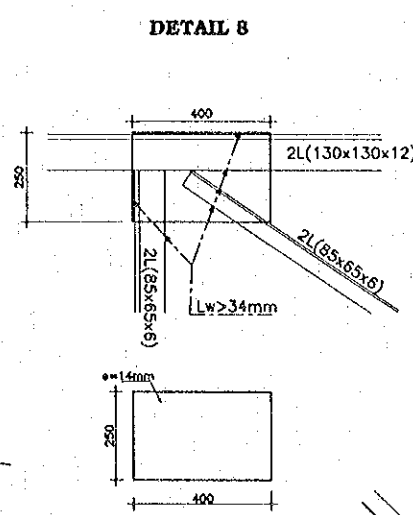
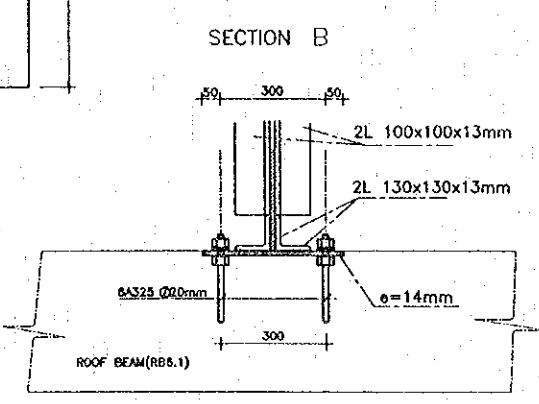
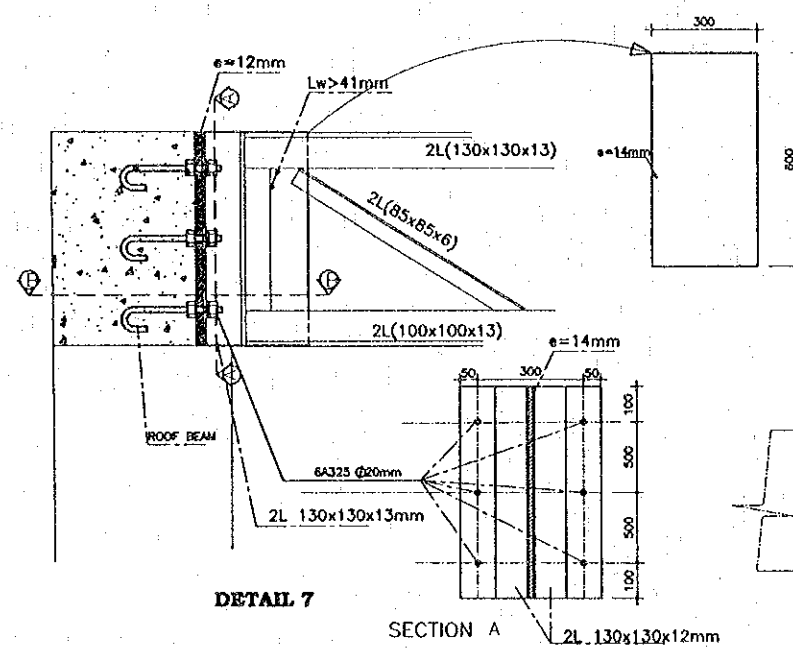
PROJECT STUDY TEAM  
 ORIENTAL CONSULTANTS CO., LTD.  
 In association with  
 NIPPON KOKI CO., LTD.

JICA JAPAN INTERNATIONAL COOPERATION AGENCY  
 LAO PEOPLE'S DEMOCRATIC REPUBLIC  
 MINISTRY OF COMMUNICATION, TRANSPORT, POST AND CONSTRUCTION  
 KINGDOM OF THAILAND  
 MINISTRY OF TRANSPORT AND COMMUNICATIONS  
 DEPARTMENT OF HIGHWAYS

THE SECOND MUKONG  
 INTERNATIONAL BRIDGE  
 CONSTRUCTION PROJECT

QUALITY RECORD	NAME	SIGNATURE	DATE
DESIGN	A. Morikawa	<i>[Signature]</i>	12/01/00
DESIGN CHECK	T. Morikawa	<i>[Signature]</i>	12/01/00
SUBMITTED	A. Hirotsuki	<i>[Signature]</i>	2/10/00
APPROVED	P. Viraphanth	<i>[Signature]</i>	12/22/00

DWG. TITLE:  
 BORDER CONTROL FACILITIES  
 LAO PDR SIDE  
 MAIN OFFICE : PARTIAL DETAILS OF TRUSSES (1)



REV.	DATE	DESCRIPTION	APPROVED

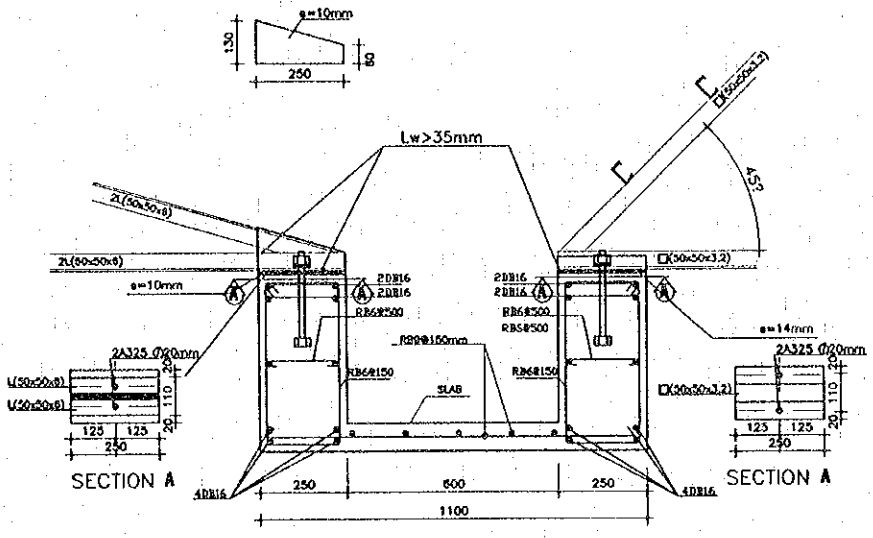
PROJECT STUDY TEAM  
 ORIENTAL CONSULTANTS CO., LTD.  
 In association with  
 NIPPON KORI CO., LTD.

JICA JAPAN INTERNATIONAL COOPERATION AGENCY  
 LAO PEOPLE'S DEMOCRATIC REPUBLIC  
 MINISTRY OF COMMUNICATION, TRANSPORT, POST AND CONSTRUCTION  
 KINGDOM OF THAILAND  
 MINISTRY OF TRANSPORT AND COMMUNICATIONS  
 DEPARTMENT OF HIGHWAYS

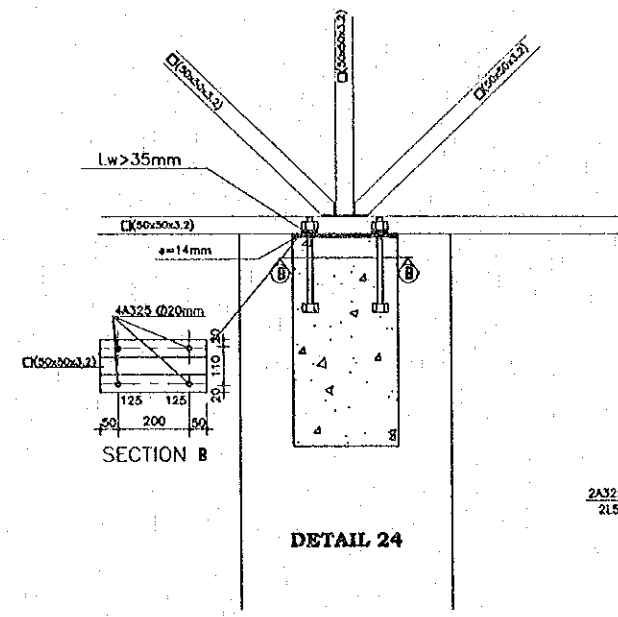
THE SECOND MEKONG INTERNATIONAL BRIDGE  
 CONSTRUCTION PROJECT

QUALITY RECORD	NAME	SIGNATURE	DATE
DESIGN	A. Morloke	<i>[Signature]</i>	18-12-99
DESIGN CHECK	T. Maouzara	<i>[Signature]</i>	18-12-99
SUBMITTED	A. Hiratani	<i>[Signature]</i>	21-11-99
APPROVED	P. Viraphanth	<i>[Signature]</i>	22-03-00

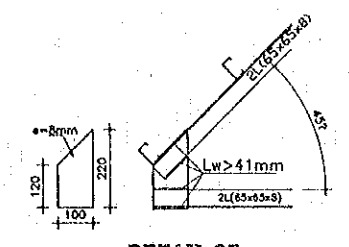
BORDER CONTROL FACILITIES  
 LAO PDR SIDE  
 MAIN OFFICE : PARTIAL DETAILS OF TRUSSES (2)



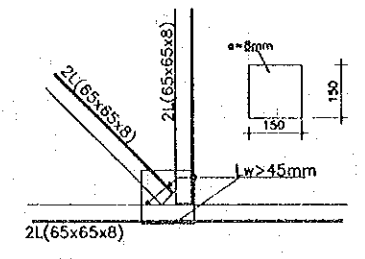
DETAIL 23



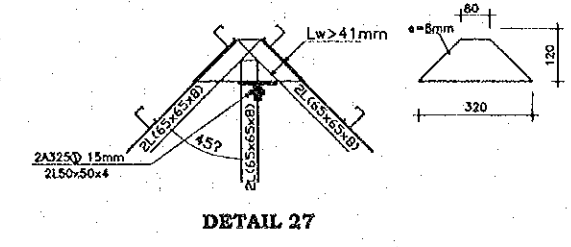
DETAIL 24



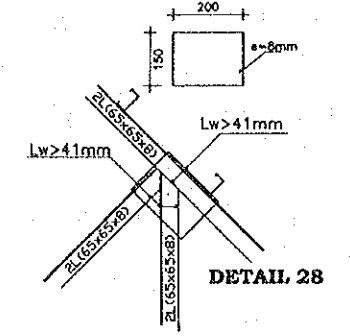
DETAIL 25



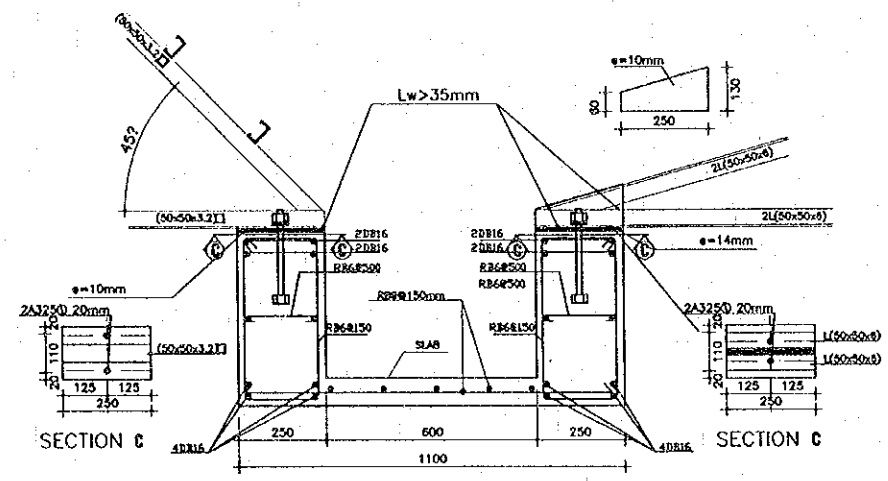
DETAIL 26



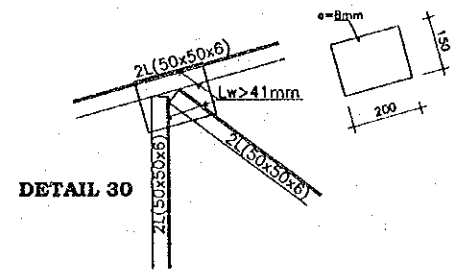
DETAIL 27



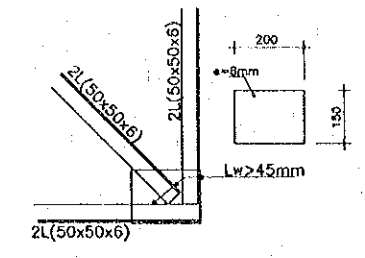
DETAIL 28



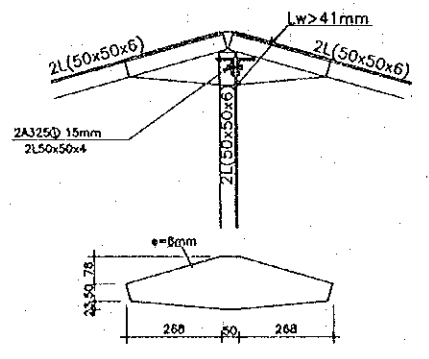
DETAIL 29



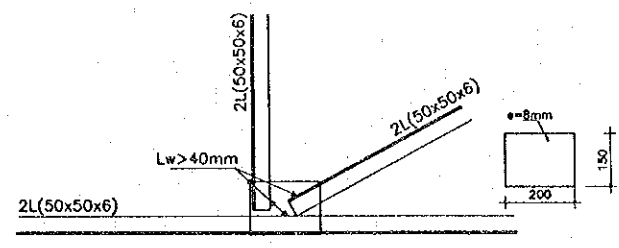
DETAIL 30



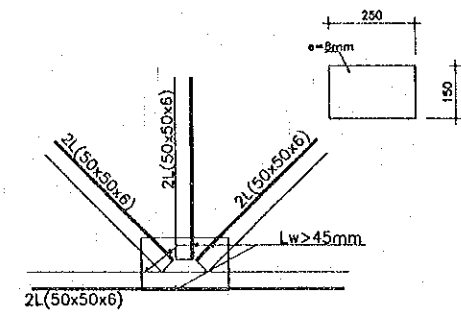
DETAIL 31



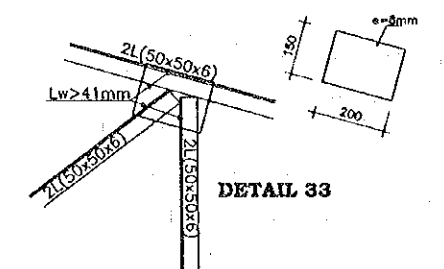
DETAIL 32



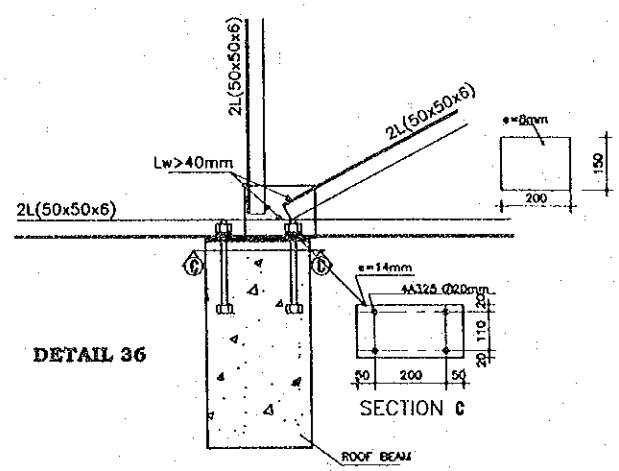
DETAIL 34



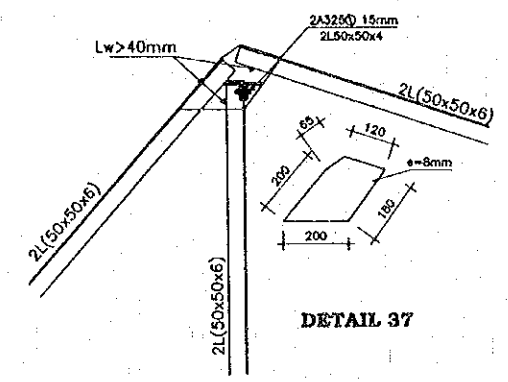
DETAIL 35



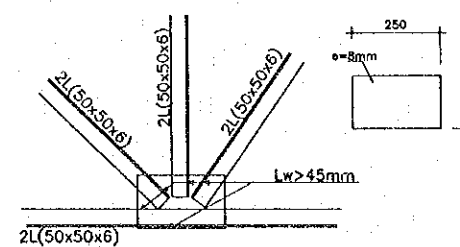
DETAIL 33



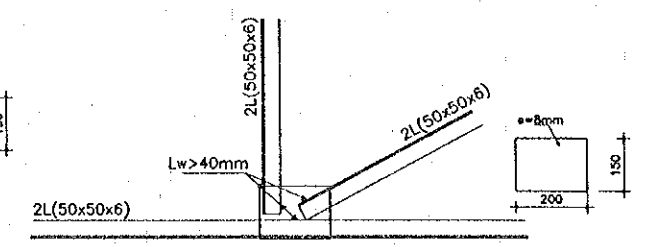
DETAIL 36



DETAIL 37



DETAIL 38

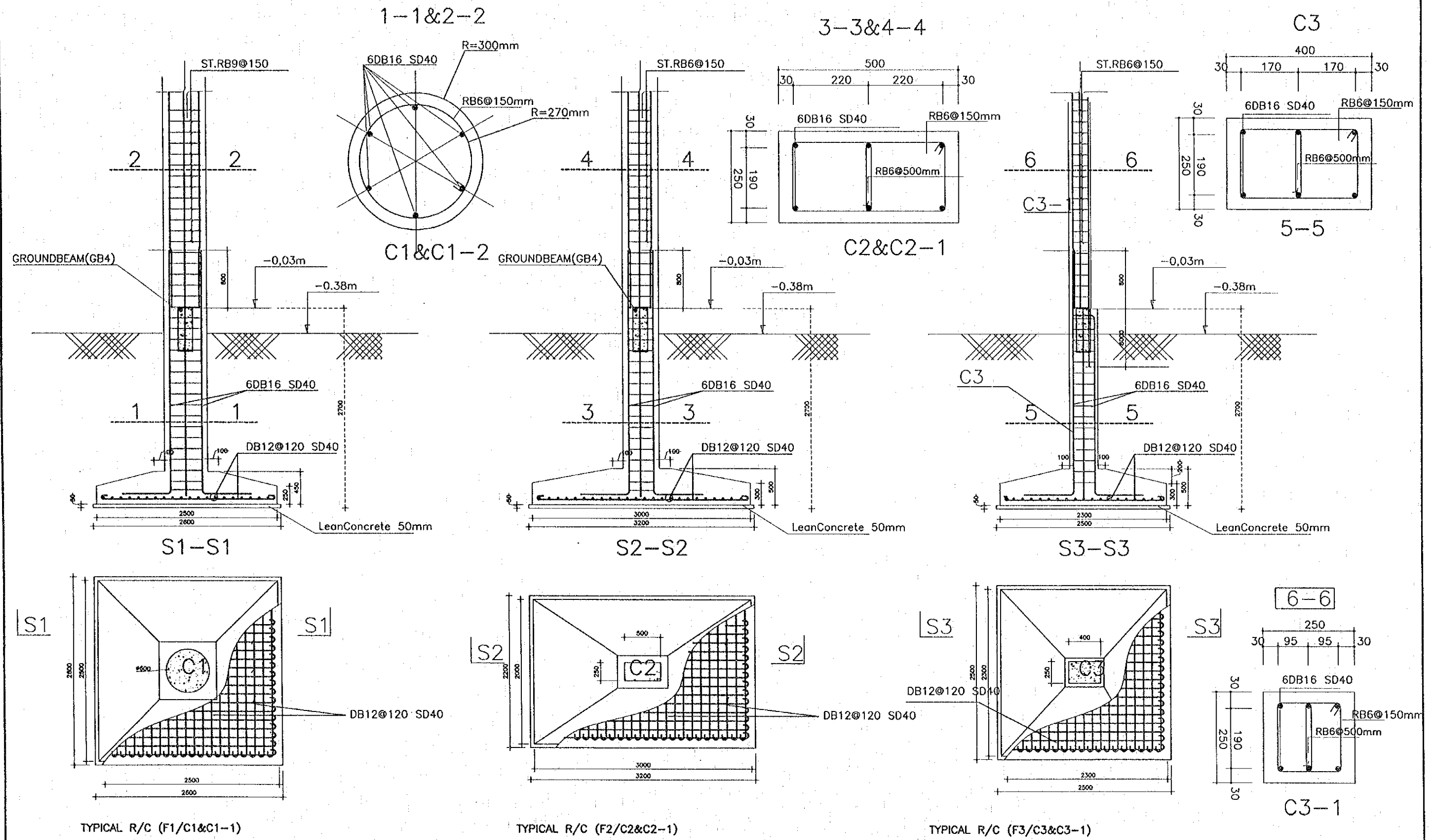


DETAIL 39

REV.	DATE	DESCRIPTION	APPROVED	PROJECT STUDY TEAM	JICA	QUALITY RECORD	NAME	SIGNATURE	DATE	DWG. TITLE
				ORIENTAL CONSULTANTS CO., LTD. in association with NIPPON KORI CO., LTD.	JAPAN INTERNATIONAL COOPERATION AGENCY LAO PEOPLE'S DEMOCRATIC REPUBLIC MINISTRY OF COMMUNICATION, TRANSPORT, POST AND CONSTRUCTION KINGDOM OF THAILAND MINISTRY OF TRANSPORT AND COMMUNICATIONS DEPARTMENT OF HIGHWAYS	DESIGN DESIGN CHECK SUBMITTED APPROVED	A. Morikita T. Umezawa A. Hirotsu P. Veeraphanth	<i>[Signatures]</i>	1/12/00 11/21/00 2/2/00	BORDER CONTROL FACILITIES LAO PDR SIDE MAIN OFFICE : PARTIAL DETAILS OF TRUSSES (3)

TYPICAL R/C OF (FOOTING & COLUMN)  
SCALE 1:25 m

DATE OF ISSUE: 05/03/2000	
DWG. NO. F-S-23	SHEET NO. 216
DWG. STATUS	

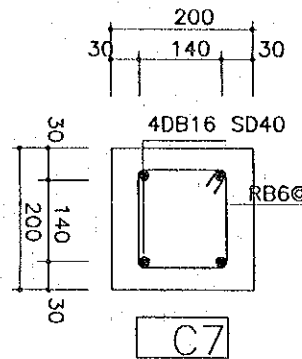
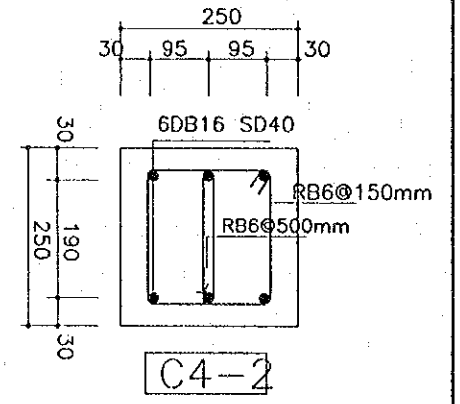
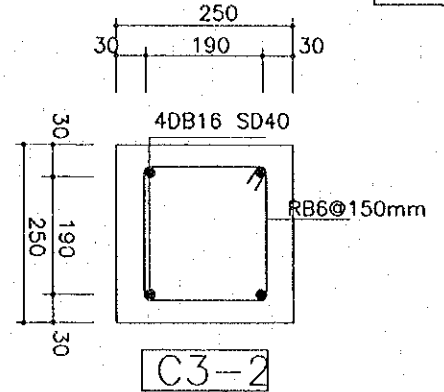
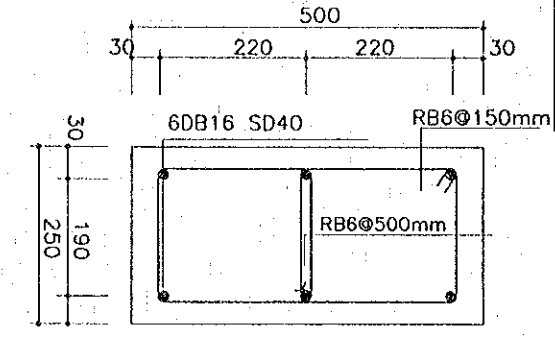
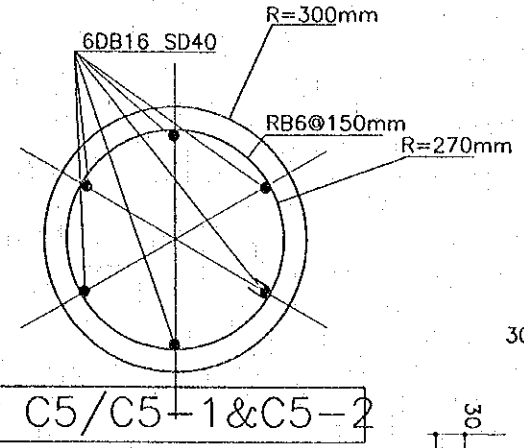
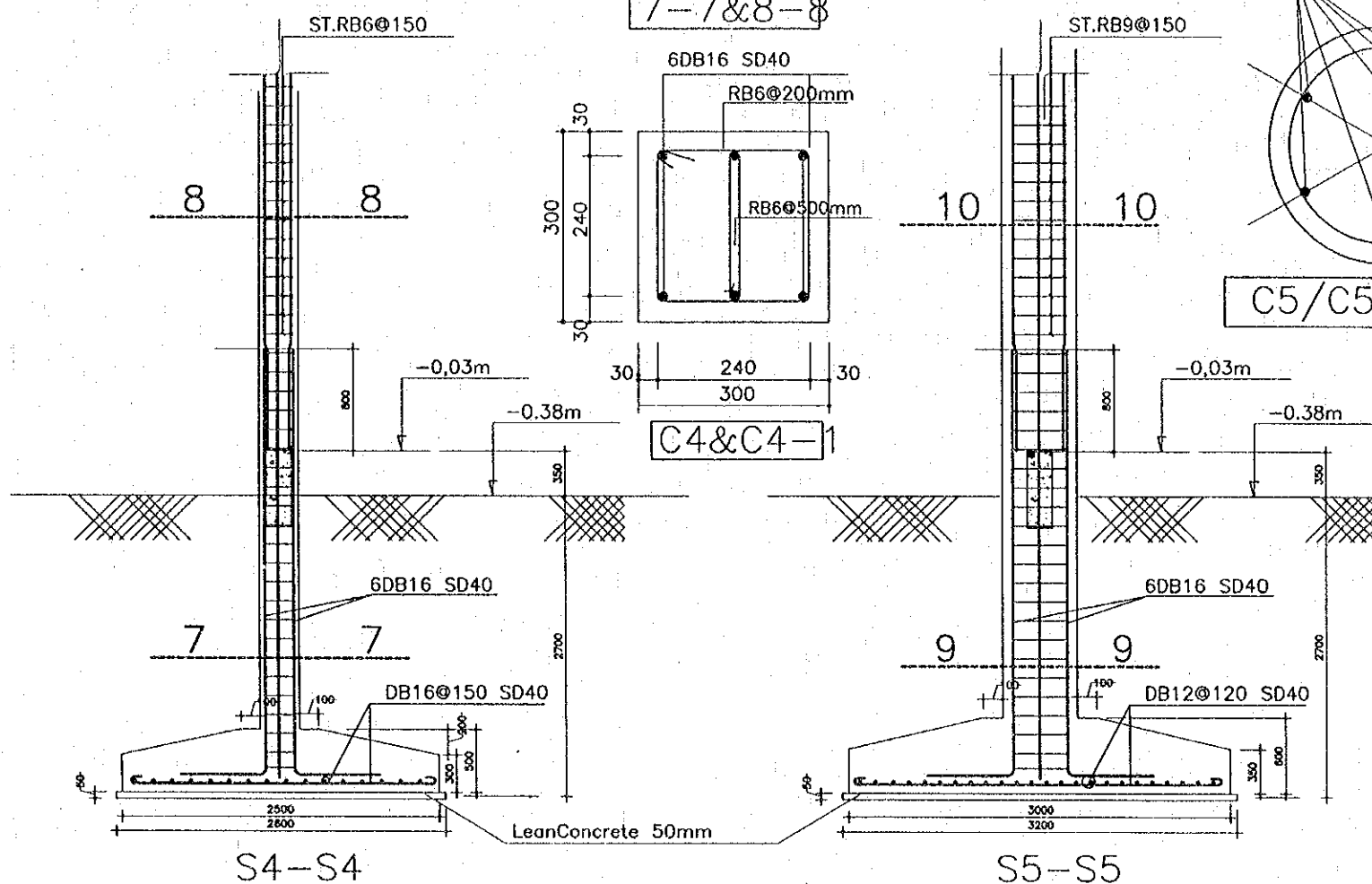


REV.	DATE	DESCRIPTION	APPROVED	PROJECT STUDY TEAM	JICA JAPAN INTERNATIONAL COOPERATION AGENCY	THE SECOND MEKONG INTERNATIONAL BRIDGE CONSTRUCTION PROJECT	QUALITY RECORD	NAME	SIGNATURE	DATE	DWG. TITLE
				ORIENTAL CONSULTANTS CO., LTD. In association with NIPPON KOSI CO., LTD.	LAO PEOPLE'S DEMOCRATIC REPUBLIC MINISTRY OF COMMUNICATION, TRANSPORT, POST AND CONSTRUCTION		DESIGN	A. Morioke	<i>[Signature]</i>	16-02-00	BORDER CONTROL FACILITIES LAO PDR SIDE MAIN OFFICE : R.C. FOOTING & COLUMN (1)
					KINGDOM OF THAILAND MINISTRY OF TRANSPORT AND COMMUNICATIONS DEPARTMENT OF HIGHWAYS	DESIGN CHECK	T. Masuzawa	<i>[Signature]</i>	18-02-00		
						SUBMITTED	A. Hirontani	<i>[Signature]</i>	21/01/00		
						APPROVED	P. Viraphanth	<i>[Signature]</i>	22/02/00		

TYPICAL R/C OF (FOOTING & COLUMN)

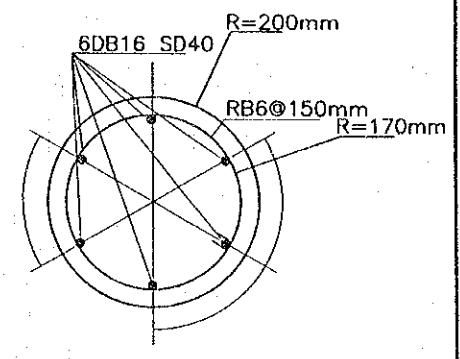
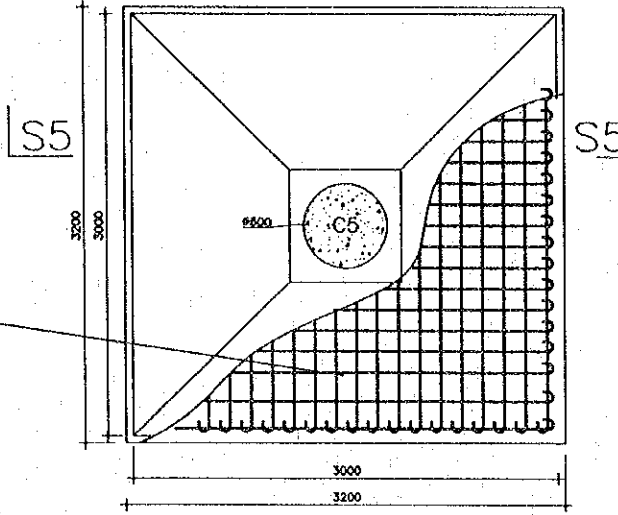
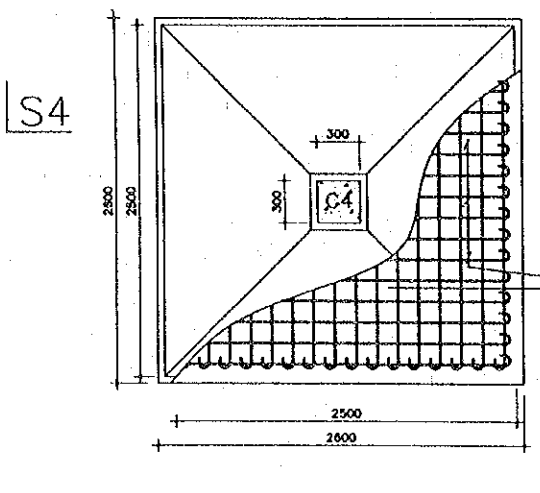
SCALE 1:25M

DATE OF ISSUE: 05/03/2000  
 DWG. NO. F-S-24 SHEET NO. 217  
 DWG. STATUS



MARK	SIZE						STEEL QUANTITY and SIZE "K"
	AXB	d	d'	D	h	H	
F-1	2500x2500	250	200	450	1750	2200	DB12@120 SD40
F-2	2000x3000	300	200	500	1700	2200	DB12@120 SD40
F-3	2300x2300	300	200	500	1700	2200	DB12@120 SD40
F-4	2500x2500	300	200	500	1700	2200	DB16@150 SD40
F-5	3000x3000	350	250	600	1600	2200	DB16@150 SD40

MARK	SIZE	STEEL	
	axb	QUANTITY and SIZE	STIRRUP
C1&C1-1	R=300mm	6DB16 SD40	RB9@150
C2&C2-1	250x500	6DB16 SD40	RB6@150
C2-2	250x500	6DB16 SD40	RB6@150
C3	250x400	6DB16 SD40	RB6@150
C3-1	250x250	6DB16 SD40	RB6@150
C3-2	250x250	4DB16 SD40	RB6@150
C4&C4-1	300x300	6DB16 SD40	RB6@150
C4-2	250x250	6DB16 SD40	RB6@150
C5/C5-1&C5-2	R=300mm	6DB16 SD40	RB6@200
C6/C6-1&C6-2	R=200mm	6DB16 SD40	RB6@200
C7	200x200	4DB16 SD40	RB6@200



TYPICAL R/C (F4/C4&C4-1)

TYPICAL R/C (F5/C5&C5-1)

C6/C6-1&C6-2

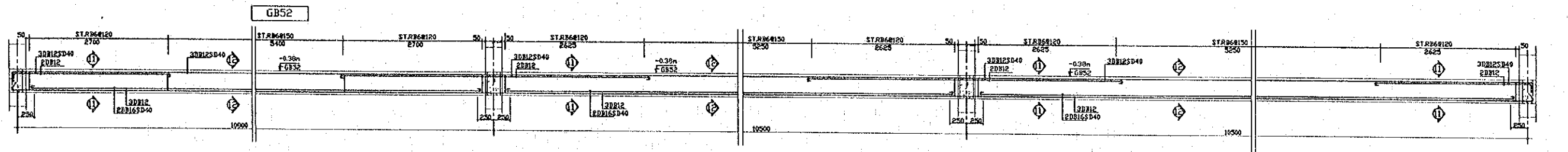
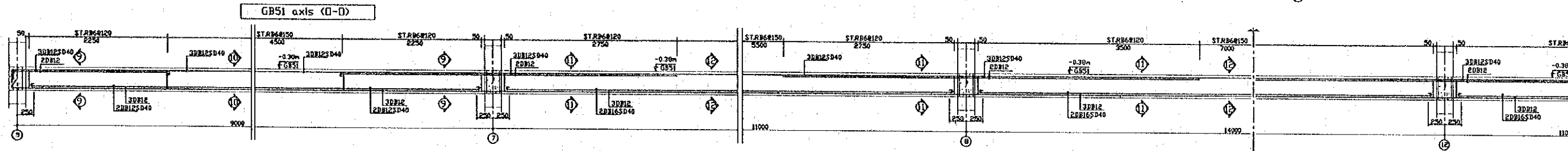
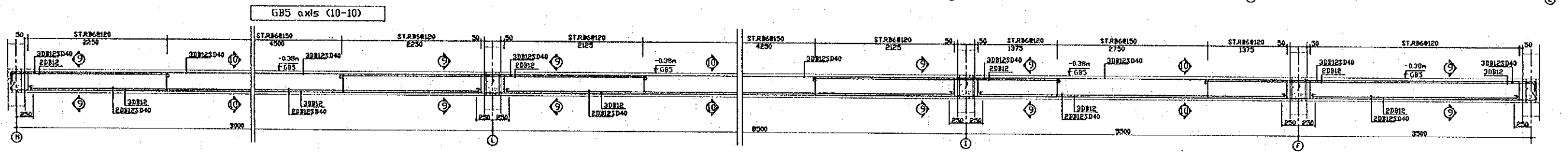
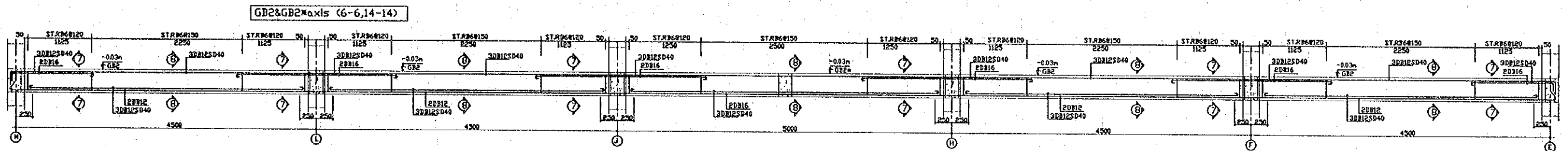
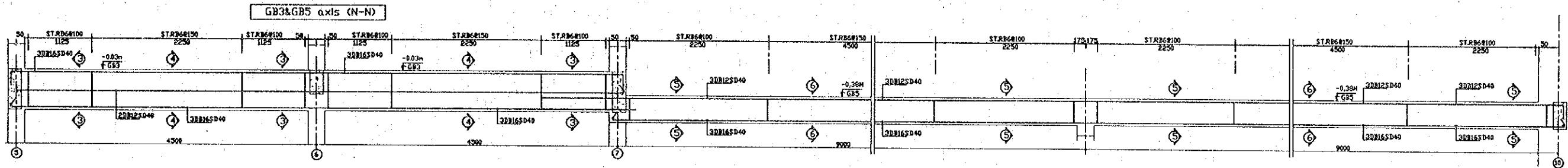
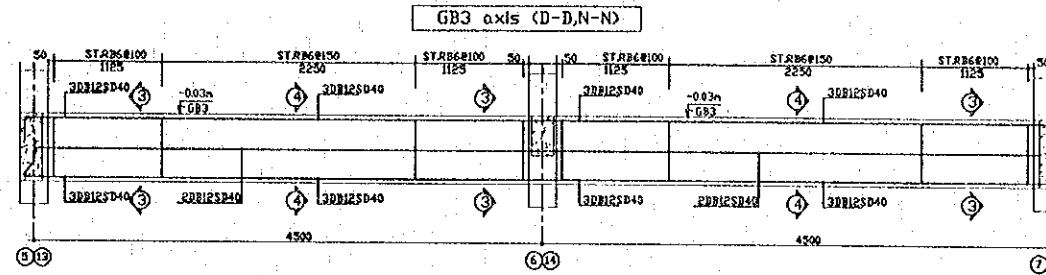
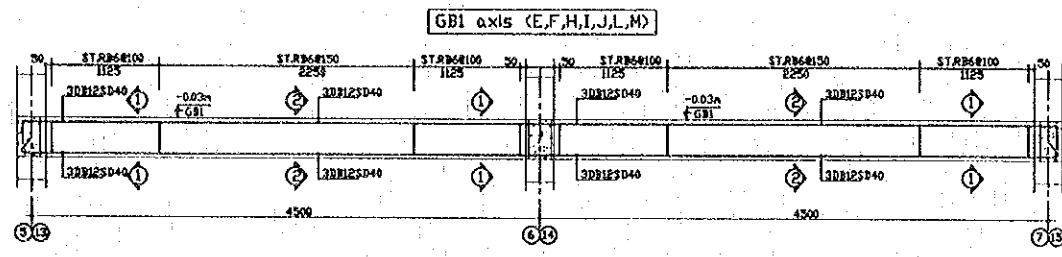
REV.	DATE	DESCRIPTION	APPROVED	PROJECT STUDY TEAM	JICA JAPAN INTERNATIONAL COOPERATION AGENCY	QUALITY RECORD	NAME	SIGNATURE	DATE	DWG. TITLE:
				ORIENTAL CONSULTANTS CO., LTD. in association with NIPPON KOGI CO., LTD.	LAO PEOPLE'S DEMOCRATIC REPUBLIC MINISTRY OF COMMUNICATION, TRANSPORT, POST AND CONSTRUCTION KINGDOM OF THAILAND MINISTRY OF TRANSPORT AND COMMUNICATIONS DEPARTMENT OF HIGHWAYS	DESIGN	A. Moroko	<i>[Signature]</i>	6/22/00	BORDER CONTROL FACILITIES
						DESIGN CHECK	T. Mousawa	<i>[Signature]</i>	17/2/00	LAO PDR SIDE
						SUBMITTED	A. Hekolani	<i>[Signature]</i>	21/6/00	MAIN OFFICE : R.C. FOOTING & COLUMN (2)
						APPROVED	P. Veeraparth	<i>[Signature]</i>	22/6/00	



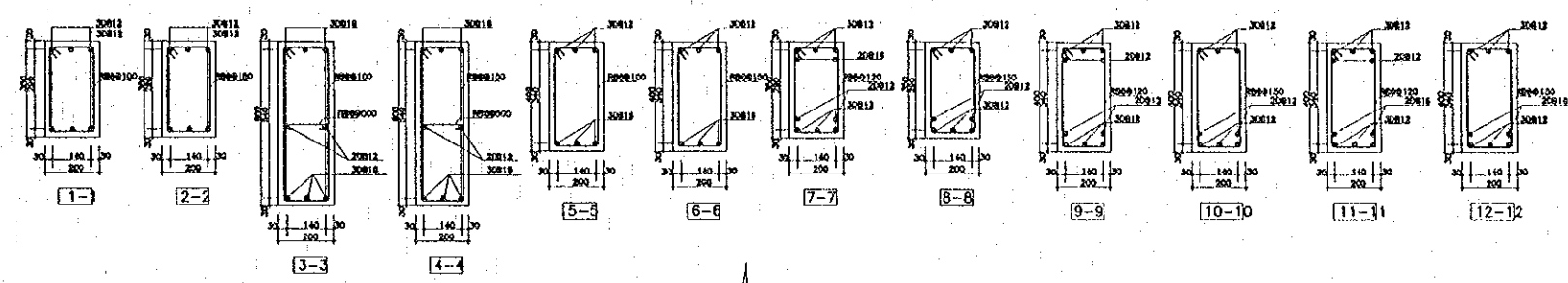
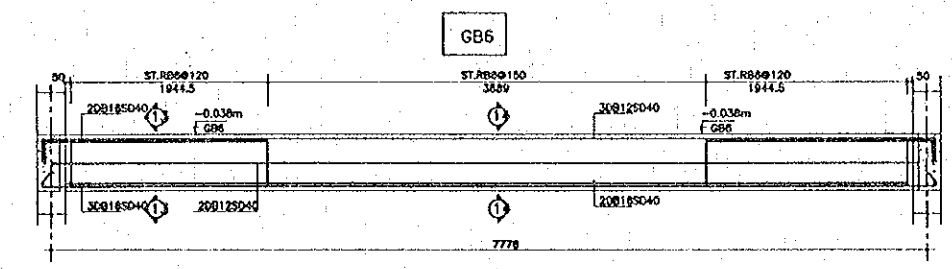
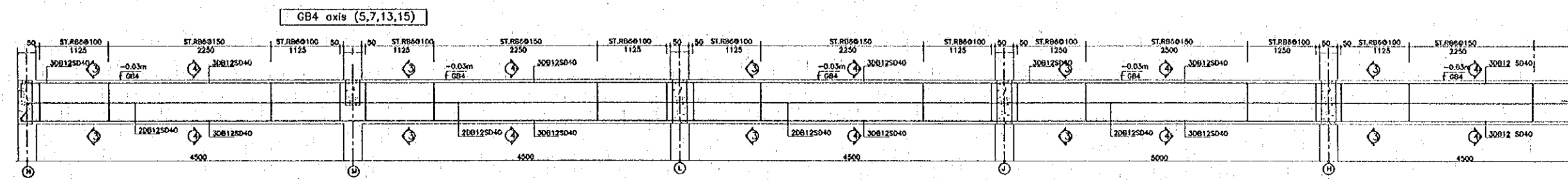


R.C. 1<sup>st</sup> FLOOR BEAMS  
SCALE 1:25

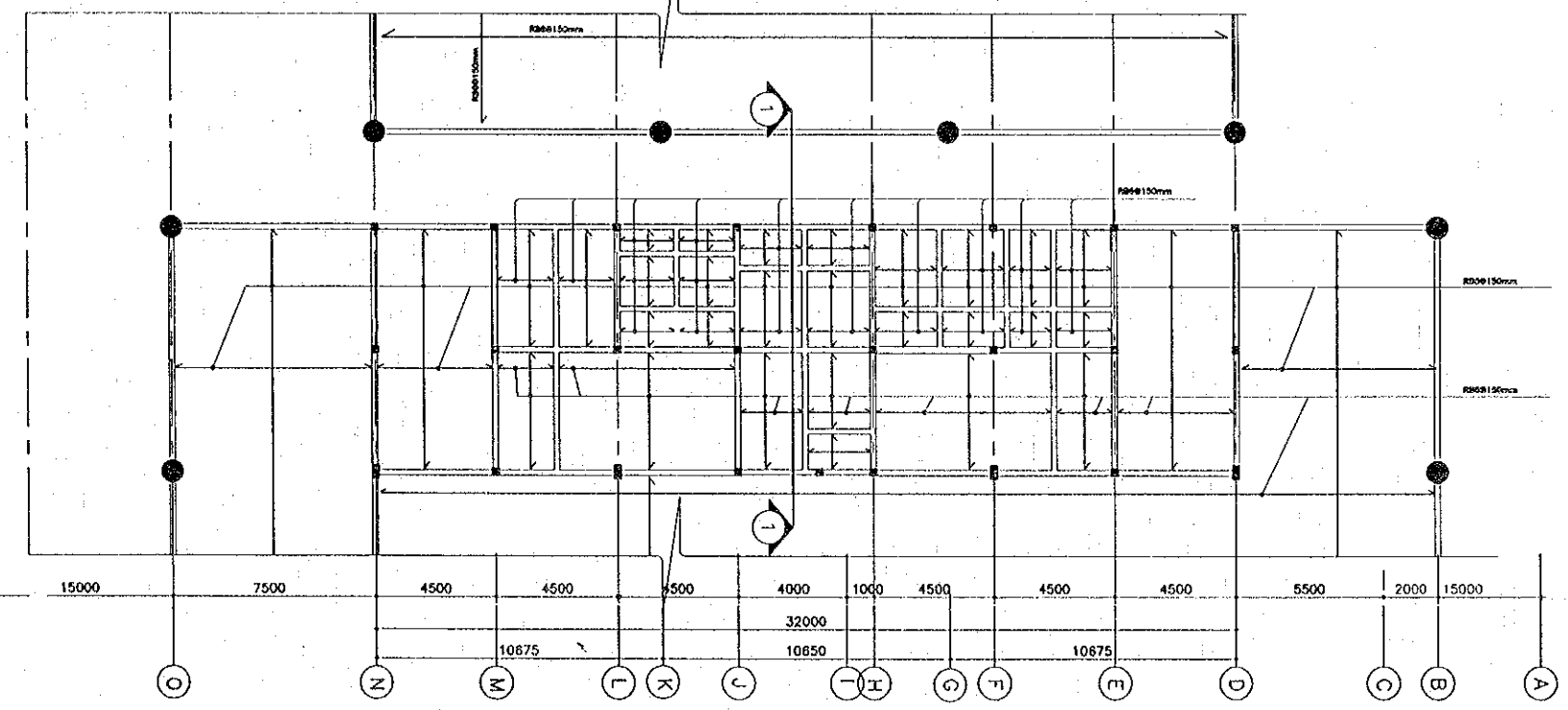
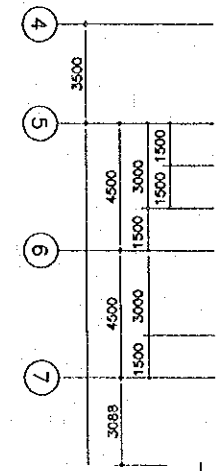
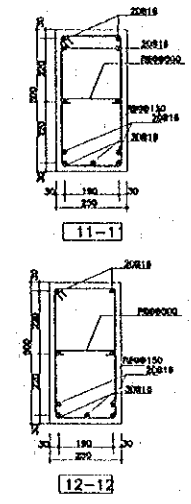
DATE OF ISSUE  
05/03/2000  
DWG. NO. F-S-26 SHEET NO. 219  
DWG. STATUS



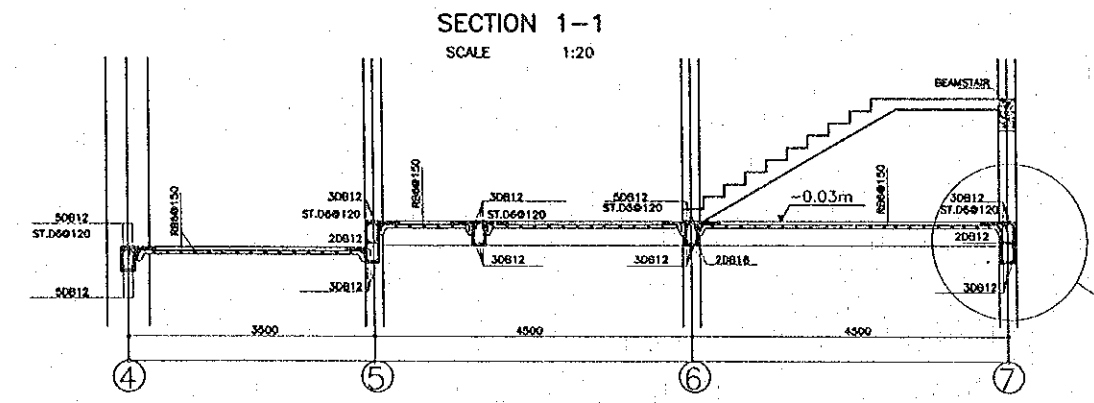
REV.	DATE	DESCRIPTION	APPROVED	PROJECT STUDY TEAM	JICA	QUALITY RECORD	NAME	SIGNATURE	DATE	DWG. TITLE
				ORIENTAL CONSULTANTS CO., LTD. in association with NIPPON KOKI CO., LTD.	JAPAN INTERNATIONAL COOPERATION AGENCY LAO PEOPLE'S DEMOCRATIC REPUBLIC MINISTRY OF COMMUNICATION, TRANSPORT, POST AND CONSTRUCTION KINGDOM OF THAILAND MINISTRY OF TRANSPORT AND COMMUNICATIONS DEPARTMENT OF HIGHWAYS	DESIGN	A. Morikita	<i>[Signature]</i>	05/02/00	BORDER CONTROL FACILITIES LAO PDR SIDE MAIN OFFICE : 1 FLOOR BEAMS
						DESIGN CHECK	T. Mowizowa	<i>[Signature]</i>	05/02/00	
						SUBMITTED	A. Hirotsuki	<i>[Signature]</i>	05/02/00	
						APPROVED	P. Veeraphanth	<i>[Signature]</i>	05/02/00	



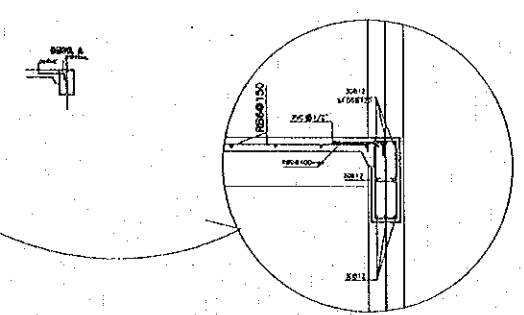
R.C. 1<sup>st</sup> FLOOR BEAMS  
 SCALE 1:125



R.C. 1<sup>st</sup> FLOOR SLABS  
 SCALE 1:125



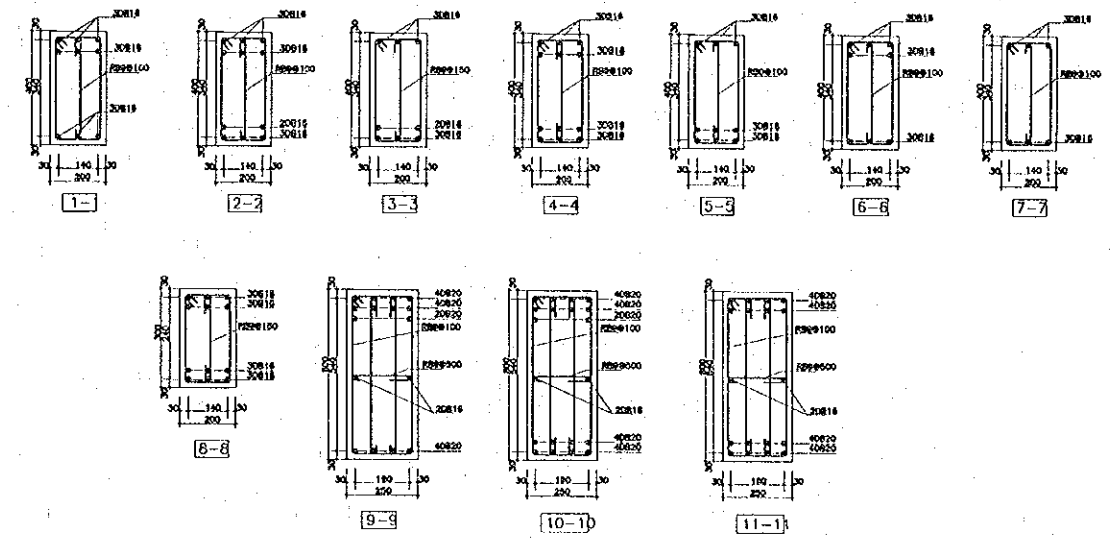
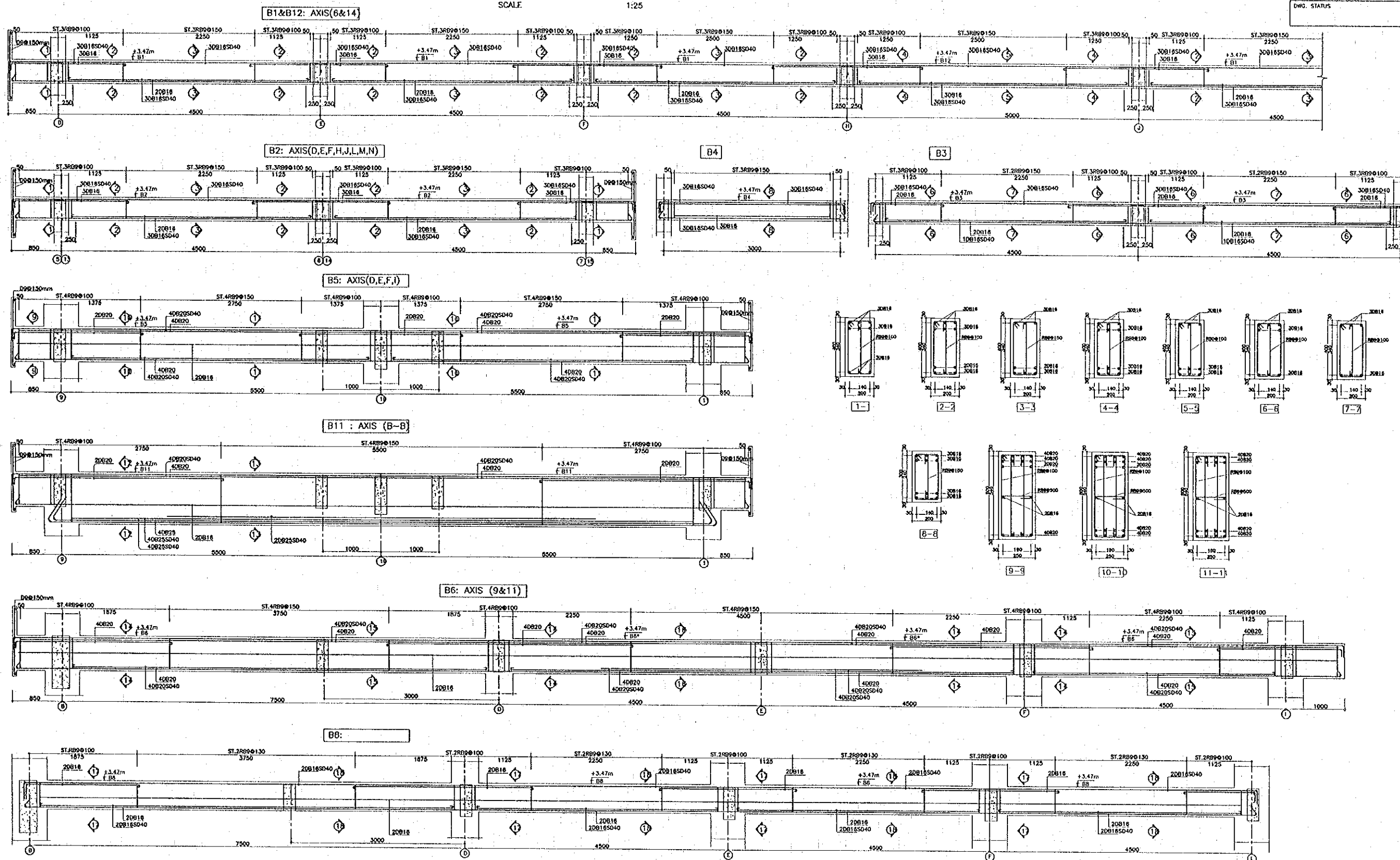
SECTION 1-1  
 SCALE 1:20



REV.	DATE	DESCRIPTION	APPROVED	PROJECT STUDY TEAM	JICA	QUALITY RECORD	NAME	SIGNATURE	DATE	DWG. TITLE
				ORIENTAL CONSULTANTS CO., LTD. In association with NIPPON KOBİ CO., LTD.	JICA JAPAN INTERNATIONAL COOPERATION AGENCY LAO PEOPLE'S DEMOCRATIC REPUBLIC MINISTRY OF COMMUNICATION, TRANSPORT, POST AND CONSTRUCTION KINGDOM OF THAILAND MINISTRY OF TRANSPORT AND COMMUNICATIONS DEPARTMENT OF HIGHWAYS	DESIGN	A. Morioka	<i>[Signature]</i>	16-02-00	BORDER CONTROL FACILITIES LAO PDR SIDE MAIN OFFICE : R.C. 1 <sup>st</sup> FLOOR BEAM & SLABS
						DESIGN CHECK	T. Mousazawa	<i>[Signature]</i>	18-02-00	
						SUBMITTED	A. Hiratani	<i>[Signature]</i>	11/01/00	
						APPROVED	P. Varaphanth	<i>[Signature]</i>	12/07/00	

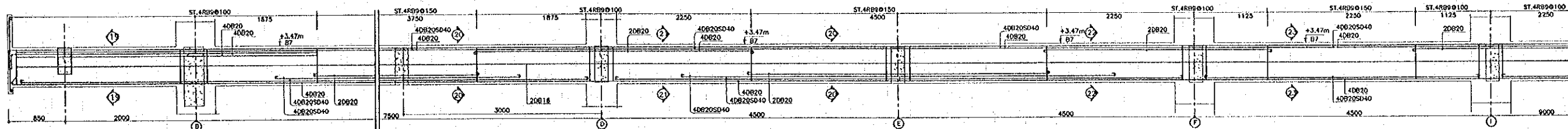
nd  
R.C. 2 FLOOR BEAMS  
SCALE 1:25

DATE OF ISSUE: 05/03/2000  
DWG. NO. F-S-28 SHEET NO. 221  
DWG. STATUS:

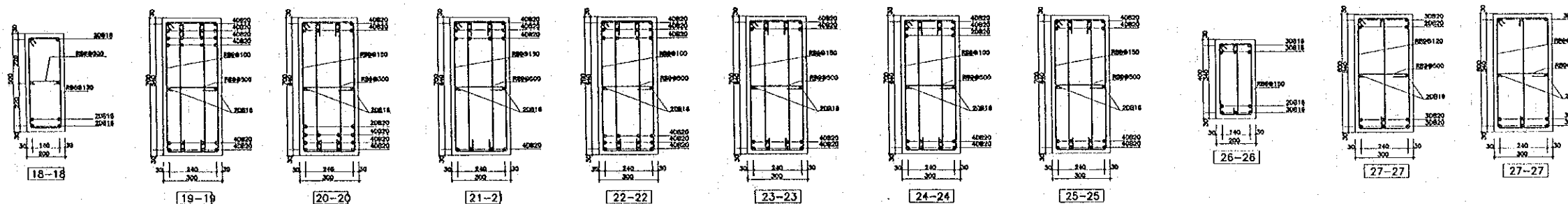
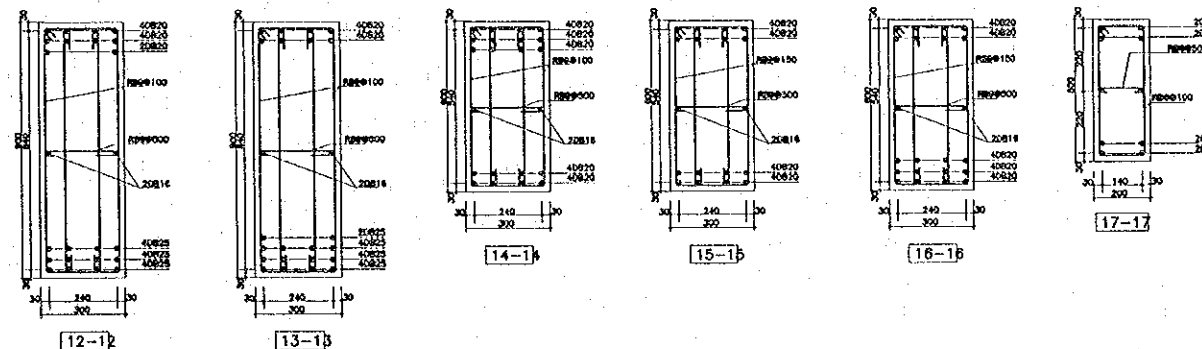
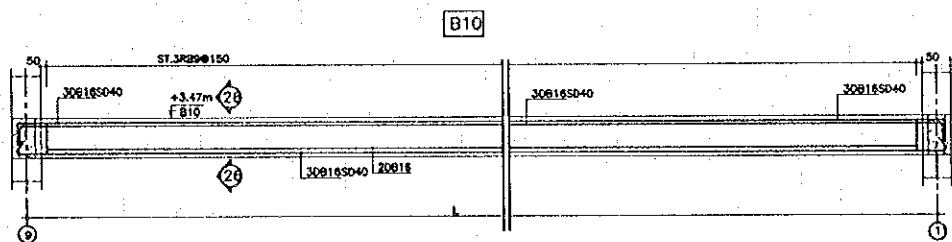
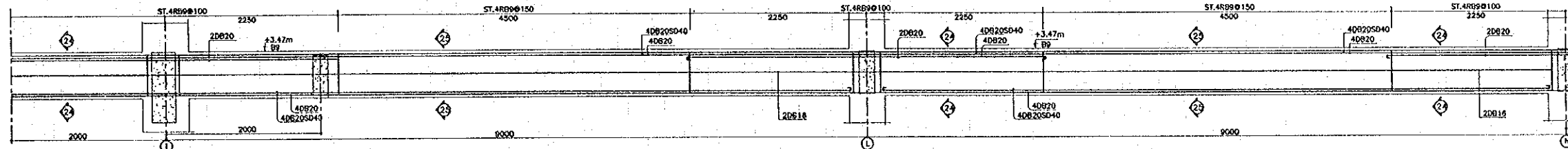


REV.	DATE	DESCRIPTION	APPROVED	PROJECT STUDY TEAM	JICA	QUALITY RECORD	NAME	SIGNATURE	DATE	DWG. TITLE:
				ORIENTAL CONSULTANTS CO., LTD. in association with NIPPON KOBİ CO., LTD.	JICA JAPAN INTERNATIONAL COOPERATION AGENCY LAO PEOPLE'S DEMOCRATIC REPUBLIC MINISTRY OF COMMUNICATION, TRANSPORT, POST AND CONSTRUCTION KINGDOM OF THAILAND MINISTRY OF TRANSPORT AND COMMUNICATIONS DEPARTMENT OF HIGHWAYS	DESIGN DESIGN CHECK SUBMITTED APPROVED	A. Morikita T. Masuzawa A. Hirata P. Viraphanb	<i>[Signatures]</i>	16/02/00 18/02/00 21/02/00 22/02/00	BORDER CONTROL FACILITIES LAO PDR SIDE MAIN OFFICE : R.C. 2 <sup>nd</sup> FLOOR BEAMS

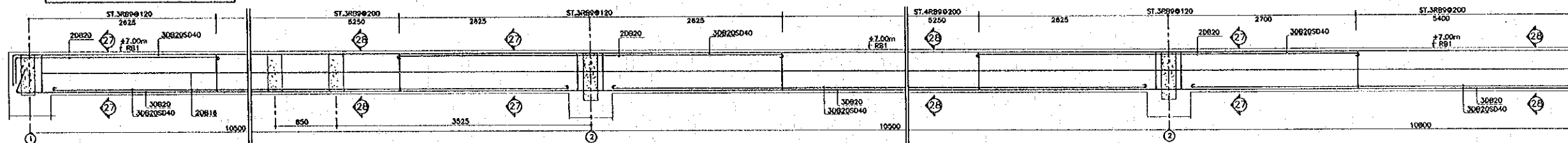
B7&B9: AXIS (10-10)



B7&B9: AXIS (10-10)



TYPICAL R/C ROOF BEAM (RB1)

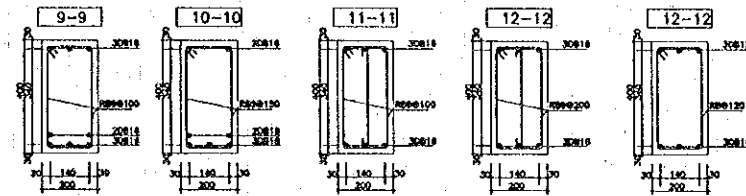
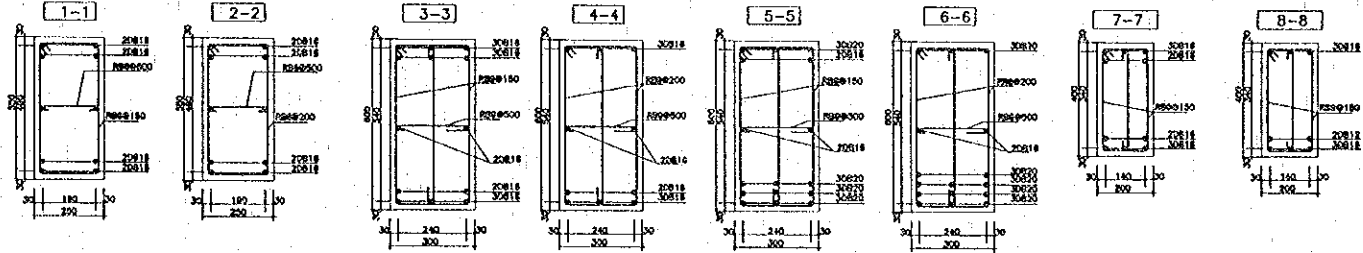
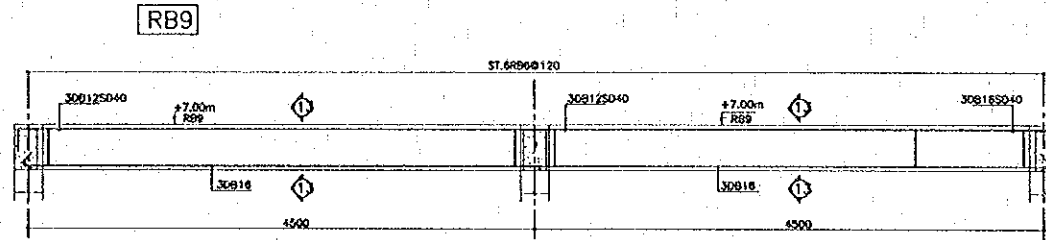
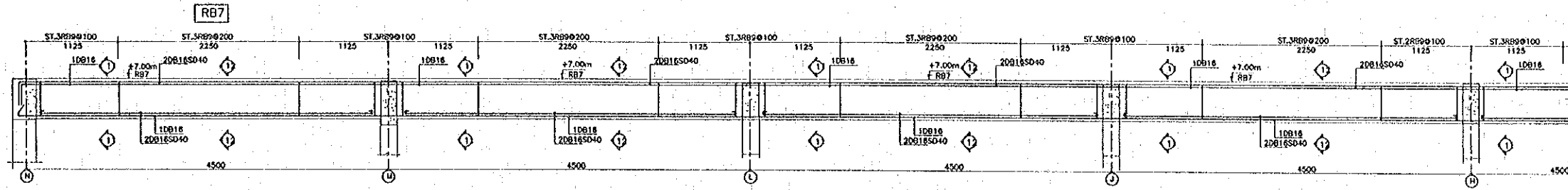


REV.	DATE	DESCRIPTION	APPROVED	PROJECT STUDY TEAM	JICA JAPAN INTERNATIONAL COOPERATION AGENCY	LAO PEOPLE'S DEMOCRATIC REPUBLIC MINISTRY OF COMMUNICATION, TRANSPORT, POST AND CONSTRUCTION	THE SECOND MEKONG INTERNATIONAL BRIDGE CONSTRUCTION PROJECT	QUALITY RECORD	NAME	SIGNATURE	DATE	DWG. TITLE
				ORIENTAL CONSULTANTS CO., LTD. in association with NIPPON KORI CO., LTD.				DESIGN	A. Morioka	<i>[Signature]</i>	18-02-00	BORDER CONTROL FACILITIES LAO PDR SIDE MAIN OFFICE : R.C. 2 <sup>nd</sup> FLOOR BEAMS AND ROOF BEAMS
							DESIGN CHECK	T. Masuzawa	<i>[Signature]</i>	18-02-00		
							SUBMITTED	A. Krotani	<i>[Signature]</i>	21/01/00		
							APPROVED	P. Viraphanth	<i>[Signature]</i>	24/01/00		

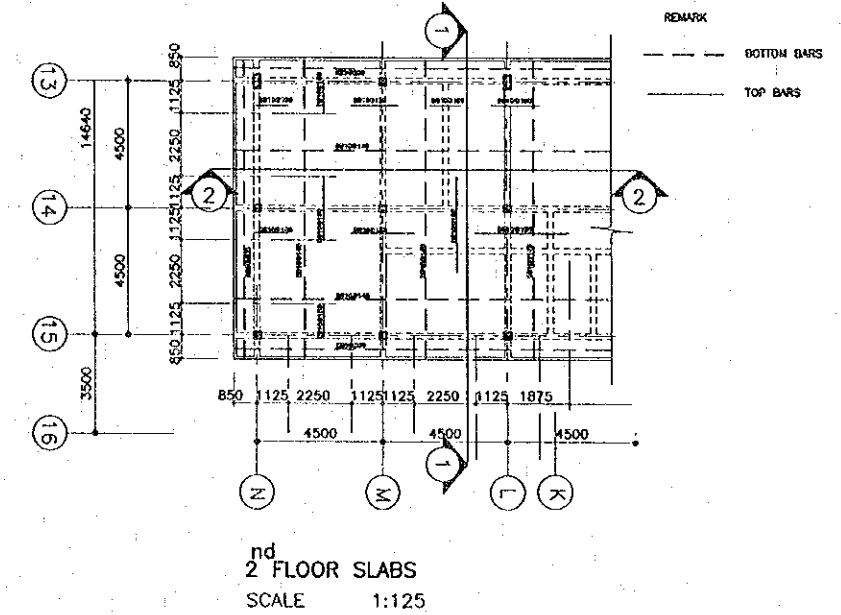
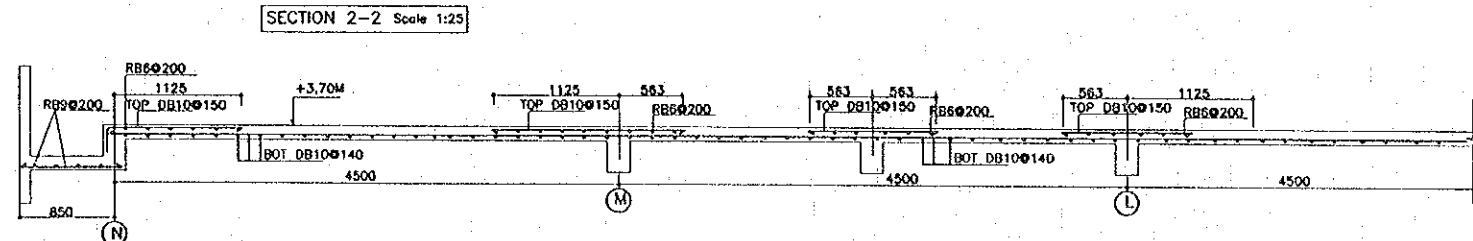
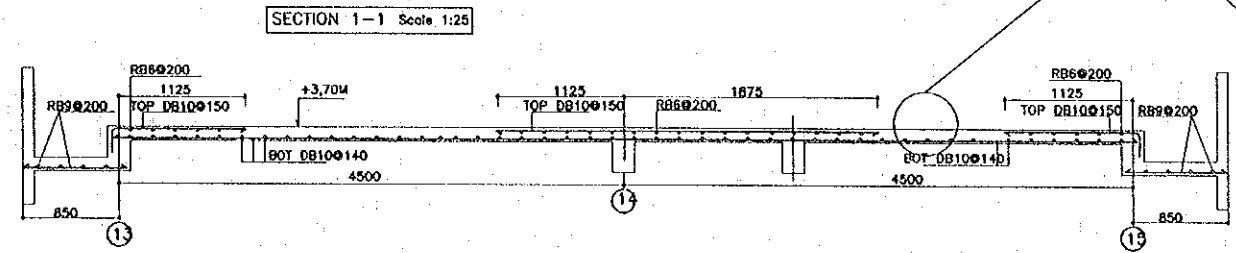
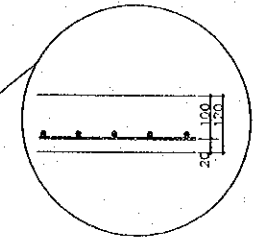


TYPICAL R/C ROOF BEAM

DATE OF ISSUE: 05/03/2000  
 DWO. NO. F-S-31 SHEET NO. 224  
 DWO. STATUS



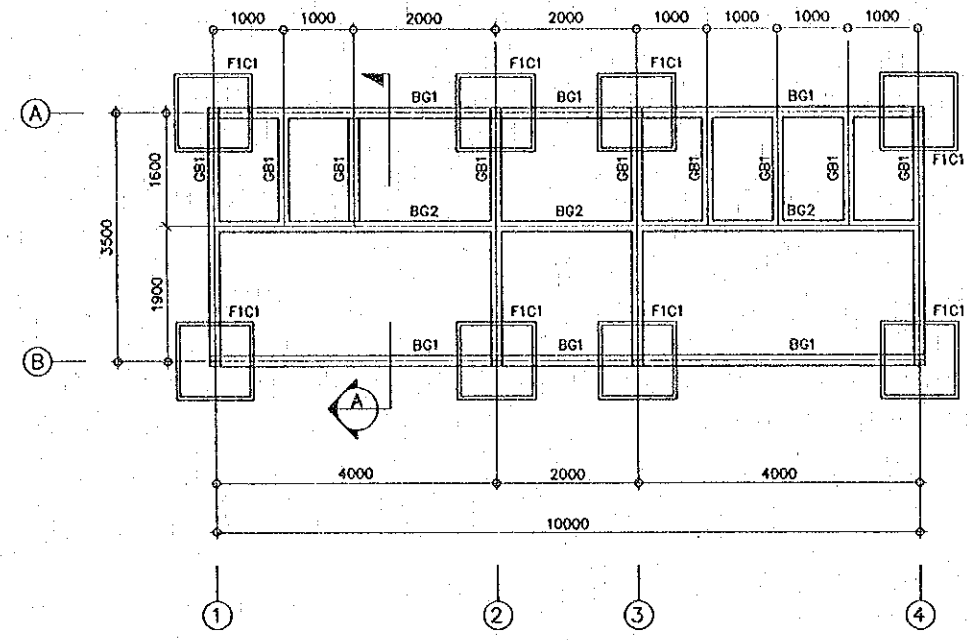
NO.	DIMENSION (MM)		REINFORCING STEEL				REMARK	
	LX	LY	H	Short Way	Long Way	Short Way		Long Way
B1			120	DB10@150	DB10@150	DB10@140	DB10@140	
B2			120	DB10@150	DB10@150	DB10@140	DB10@140	
B3			120	DB10@150	DB10@150	DB10@140	DB10@140	
B4			120	DB10@150	DB10@150	DB10@140	DB10@140	
B5			120	DB10@150	DB10@150	DB10@140	DB10@140	
B6			80	DB10@130	DB10@150	DB10@140	DB10@140	



REV.	DATE	DESCRIPTION	APPROVED	PROJECT STUDY TEAM	QUALITY RECORD	NAME	SIGNATURE	DATE	DWO. TITLE
				ORIENTAL CONSULTANTS CO., LTD. In association with NIPPON KOKI CO., LTD.	DESIGN	A. Morioka	<i>[Signature]</i>	12-02-00	BORDER CONTROL FACILITIES LAO PDR SIDE MAIN OFFICE : R.C. ROOF BEAMS & 2 FLOOR SLABS
				JICA JAPAN INTERNATIONAL COOPERATION AGENCY LAO PEOPLE'S DEMOCRATIC REPUBLIC MINISTRY OF COMMUNICATION, TRANSPORT, POST AND CONSTRUCTION	DESIGN CHECK	T. Moritawa	<i>[Signature]</i>	18-02-00	
				KINGDOM OF THAILAND MINISTRY OF TRANSPORT AND COMMUNICATIONS DEPARTMENT OF HIGHWAYS	SUBMITTED	A. Hiratani	<i>[Signature]</i>	21-1-00	
				THE SECOND MEKONG INTERNATIONAL BRIDGE CONSTRUCTION PROJECT	APPROVED	P. Virohonth	<i>[Signature]</i>	22/02/00	

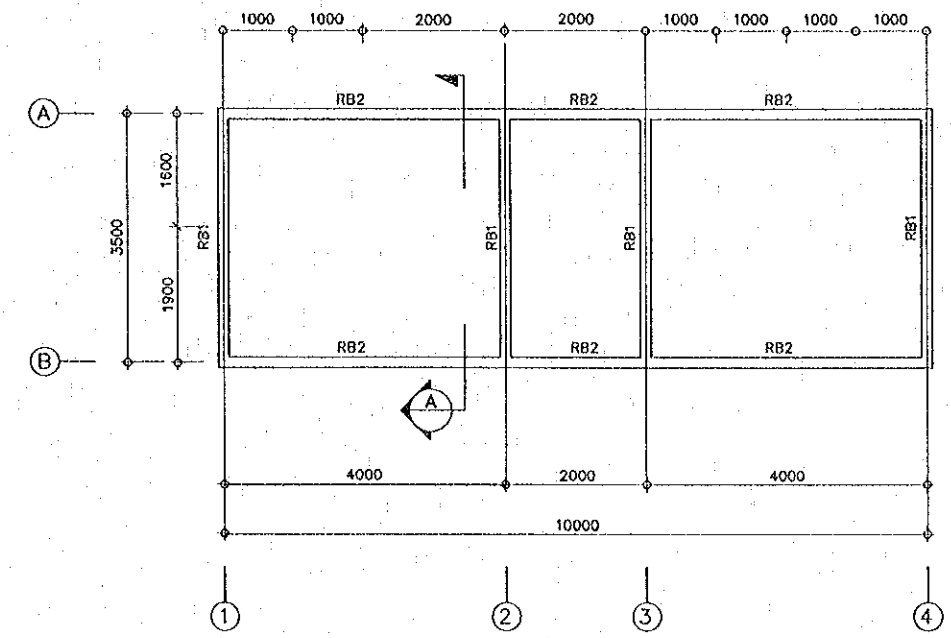




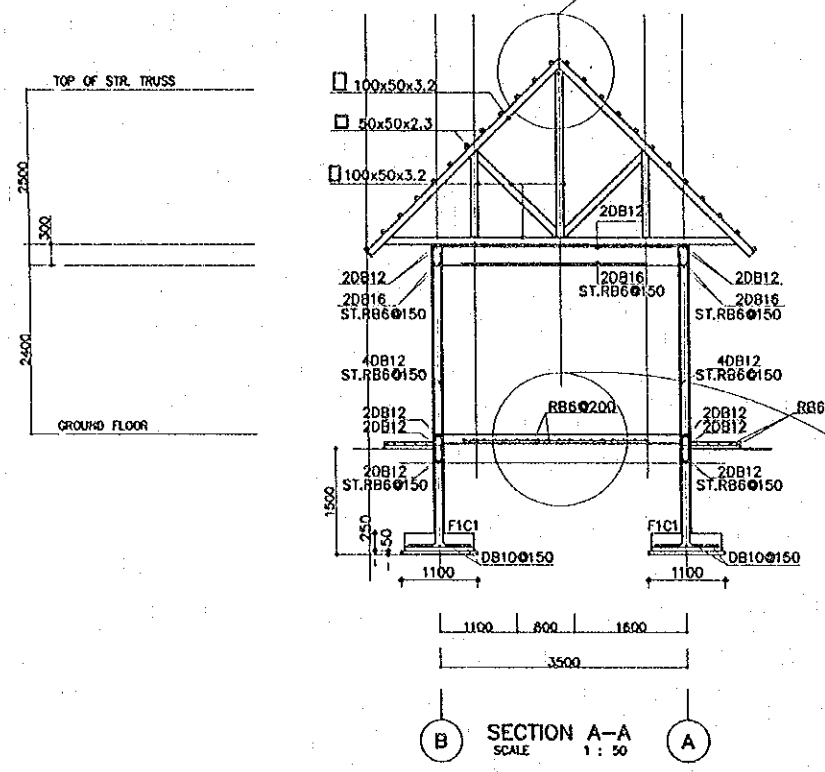


FOOTING, COLUMN, GROUND FLOOR OF PLAN  
 SCALE 1 : 100

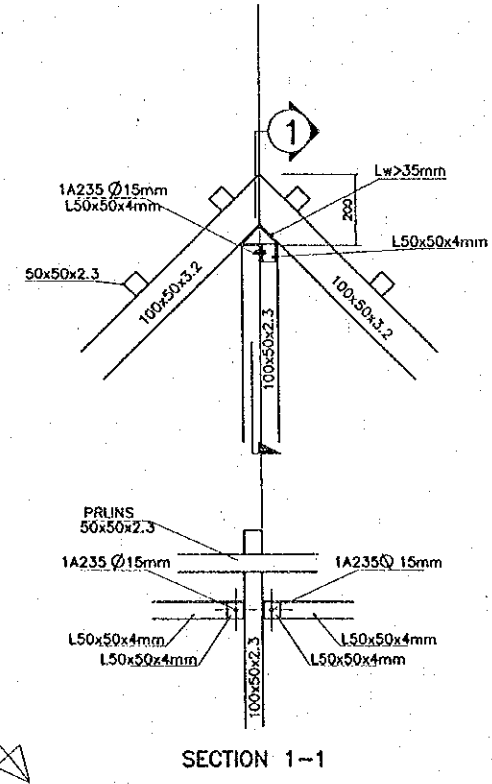
F1=1000x1000mm  
 C1=150x150mm  
 BG1=150x400mm  
 BG2=150x400mm  
 RB1=150x300mm  
 RB2=150x300mm



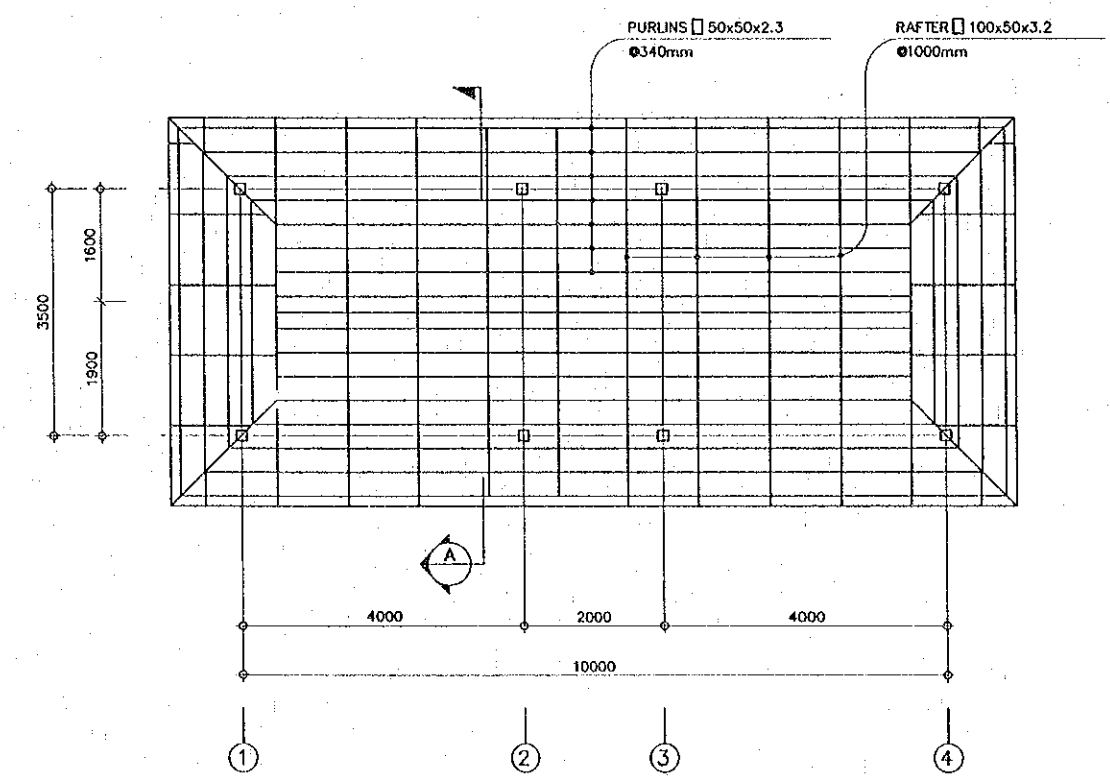
ROOF BEAM PLAN  
 SCALE 1 : 100



SECTION A-A  
 SCALE 1 : 50



SECTION 1-1



DETAIL OF ROOF  
 SCALE 1 : 100

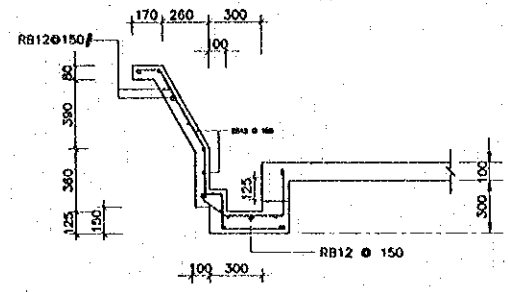
REV.	DATE	DESCRIPTION	APPROVED	PROJECT STUDY TEAM	JICA	LAO PEOPLE'S DEMOCRATIC REPUBLIC	MINISTRY OF COMMUNICATION, TRANSPORT, POST AND CONSTRUCTION	THE SECOND MEKONG INTERNATIONAL BRIDGE CONSTRUCTION PROJECT	QUALITY RECORD	NAME	SIGNATURE	DATE	DWG. TITLE
				ORIENTAL CONSULTANTS CO., LTD. in association with NIPPON KOBİ CO., LTD.	JICA	MINISTRY OF COMMUNICATION, TRANSPORT, POST AND CONSTRUCTION	MINISTRY OF TRANSPORT AND COMMUNICATIONS DEPARTMENT OF HIGHWAYS		DESIGN	A. Morikita	<i>[Signature]</i>	16/02/00	BORDER CONTROL FACILITIES LAOS SIDE PUBLIC TOILET STRUCTURAL DETAILS
								DESIGN CHECK	T. Mizutawa	<i>[Signature]</i>	17/02/00		
								SUBMITTED	A. Hirota	<i>[Signature]</i>	21/01/00		
								APPROVED	P. Virophanh	<i>[Signature]</i>	22/02/00		



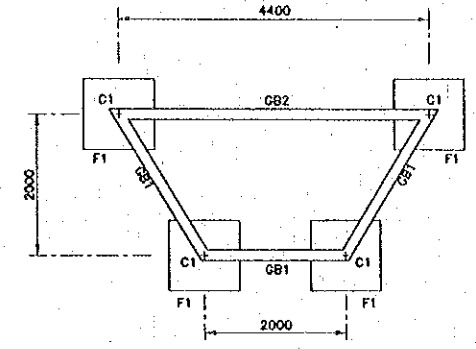
DATE OF ISSUE: 05/03/2000

DWG. NO. F-S-35 SHEET NO. 228

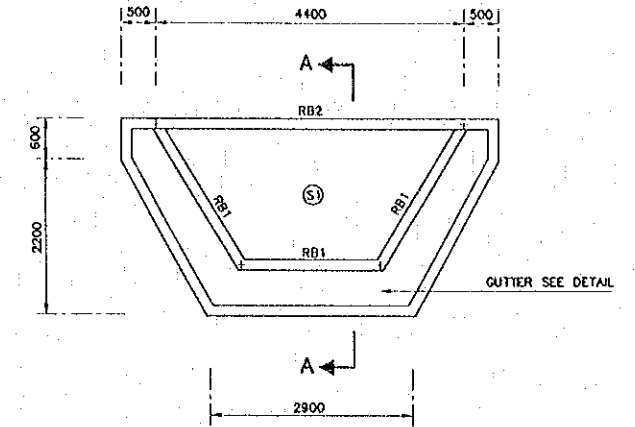
DWG. STATUS



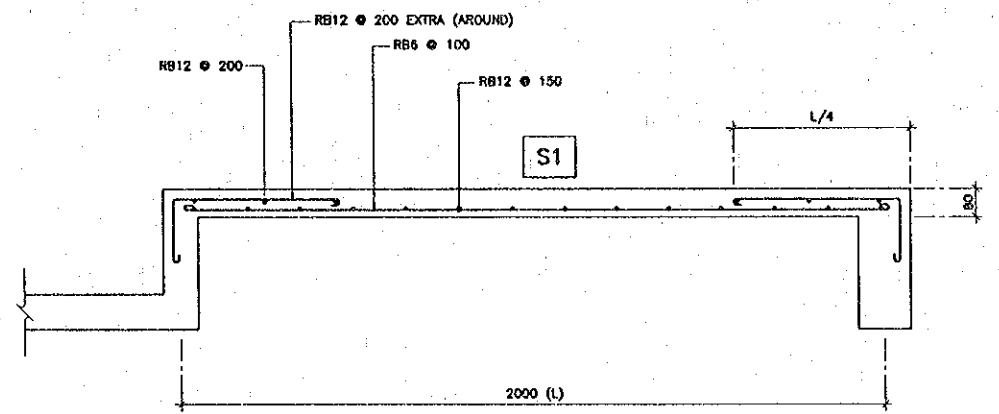
PARAPET DETAIL  
SCALE 1:20



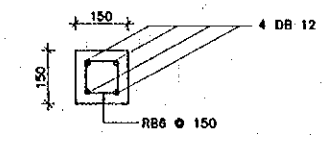
GRADE BEAM  
SCALE 1:50



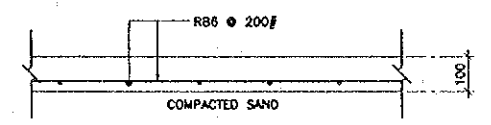
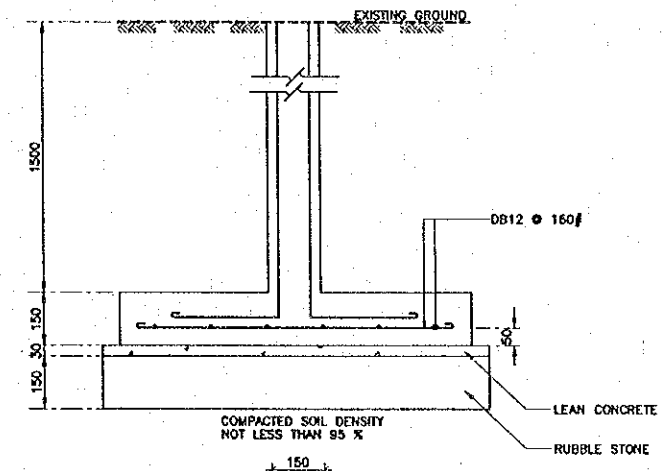
ROOF FRAME PLAN  
SCALE 1:50



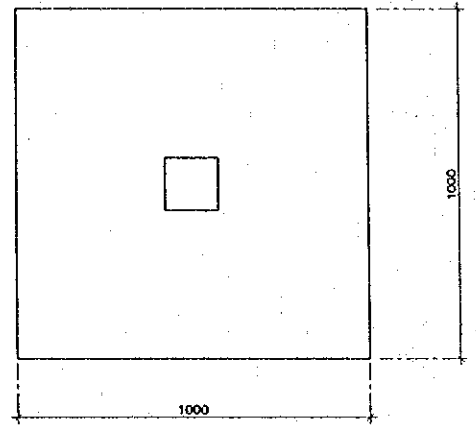
SECTION A-A  
SCALE 1:10



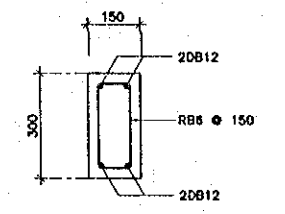
C1 DETAIL  
SCALE 1:10



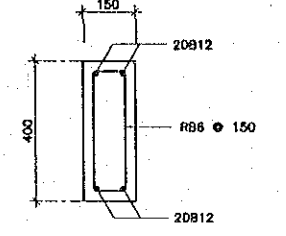
GS DETAIL  
SCALE 1:10



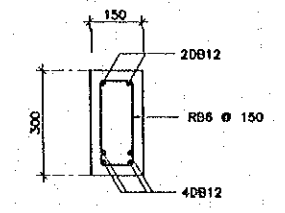
F1 DETAIL  
SCALE 1:10



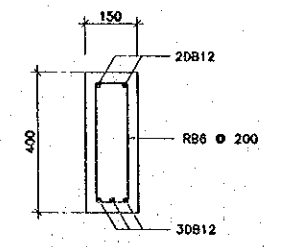
GB1 DETAIL  
SCALE 1:10



RB1 DETAIL  
SCALE 1:10



GB2 DETAIL  
SCALE 1:10



RB2 DETAIL  
SCALE 1:10

- NOTES
1. ALL DIMENSIONS ARE IN MILLIMETER UNLESS OTHERWISE INDICATED
  2. ALL ELEVATIONS AND DETAILS ARE REFERRING TO ARCHITECTURAL DWG.
  3. SOIL UNDER THE FOOTING SHALL HAVE A MINIMUM ALLOW ABEL BEARING CAPACITY OF 10 TON/M<sup>2</sup>

REV.	DATE	DESCRIPTION	APPROVED

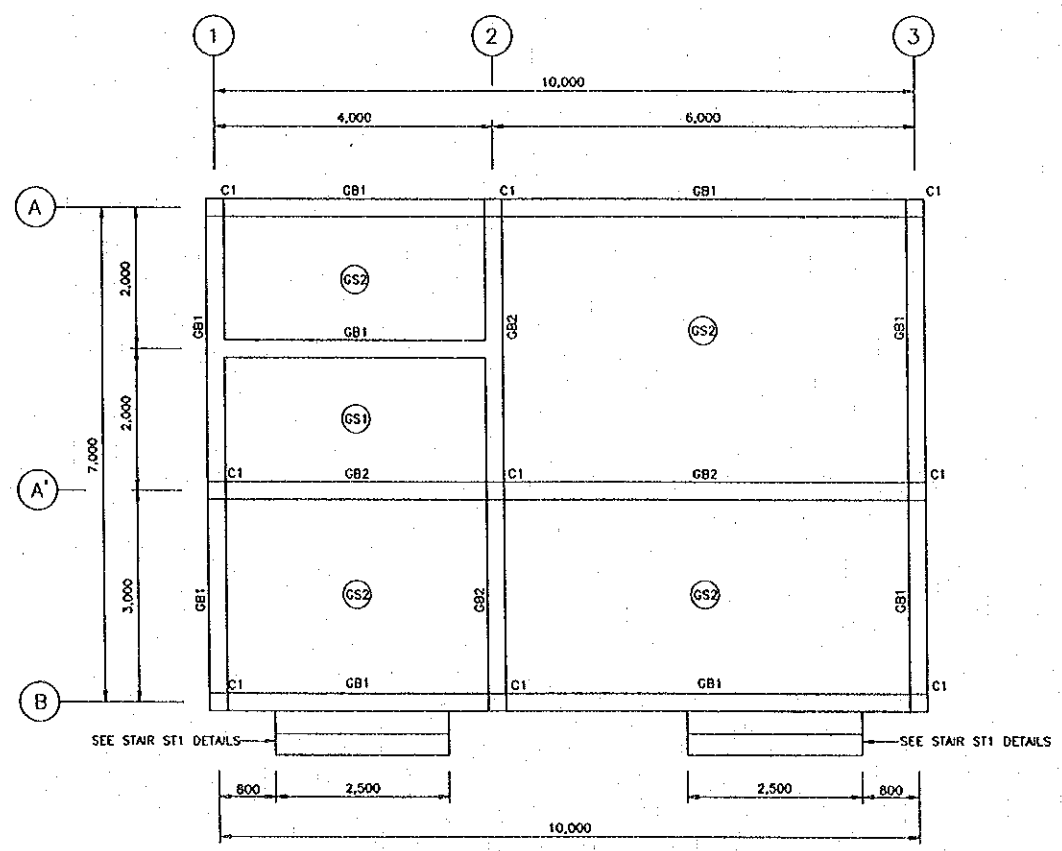
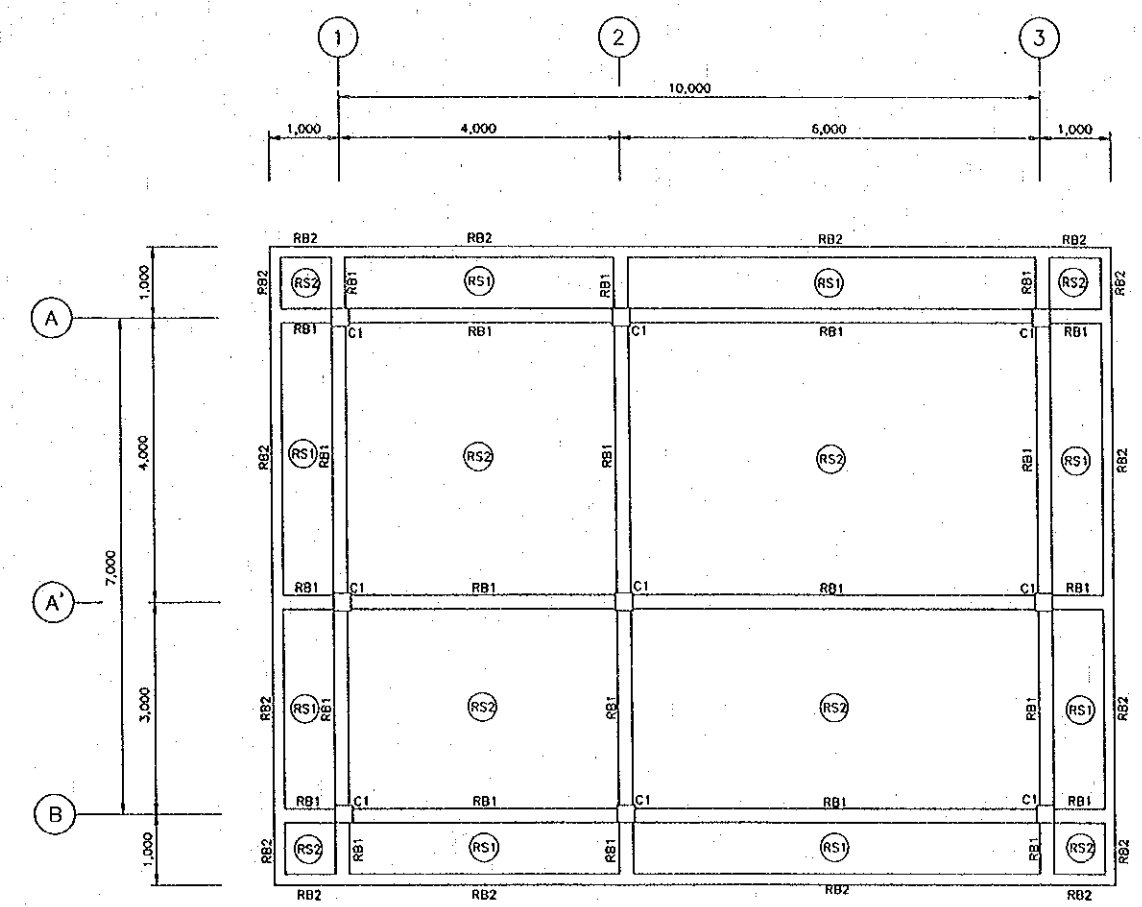
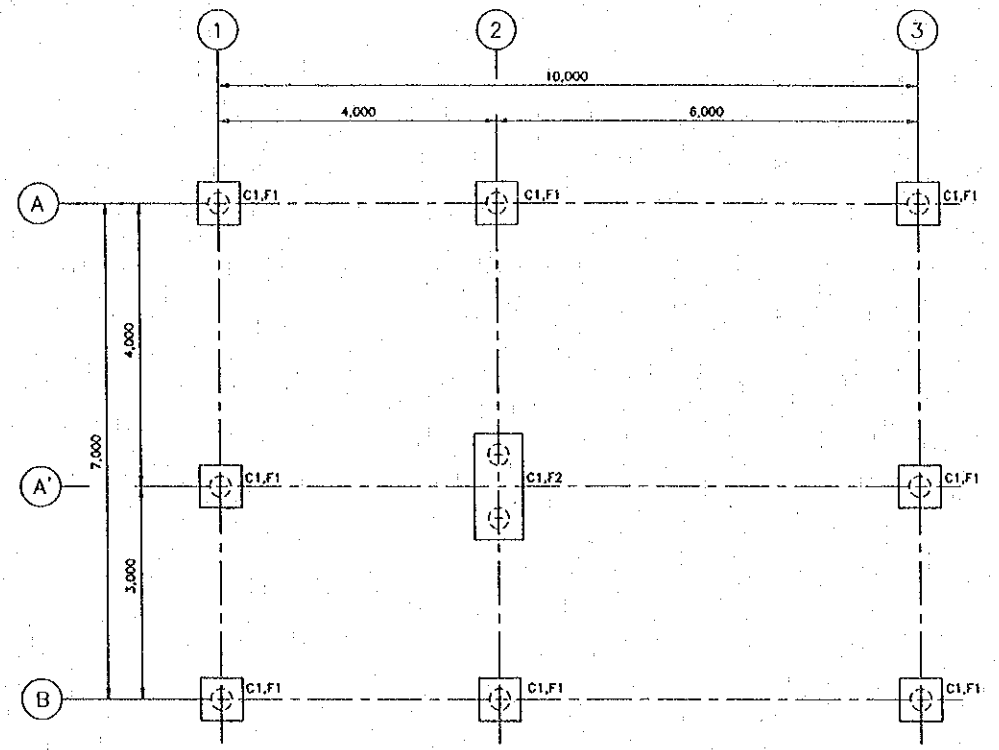
PROJECT STUDY TEAM  
 ORIENTAL CONSULTANTS CO., LTD.  
 In association with  
 NIPPON KOEI CO., LTD.

JICA JAPAN INTERNATIONAL COOPERATION AGENCY  
 LAO PEOPLE'S DEMOCRATIC REPUBLIC  
 MINISTRY OF COMMUNICATION, TRANSPORT, POST AND CONSTRUCTION  
 KINGDOM OF THAILAND  
 MINISTRY OF TRANSPORT AND COMMUNICATIONS  
 DEPARTMENT OF HIGHWAYS

THE SECOND MEKONG INTERNATIONAL BRIDGE CONSTRUCTION PROJECT

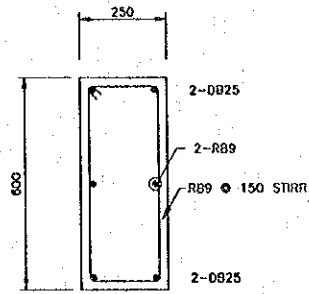
QUALITY RECORD	NAME	SIGNATURE	DATE
DESIGN	A. Meeleka	<i>[Signature]</i>	18/02/00
DESIGN CHECK	T. Mousetawo	<i>[Signature]</i>	21/02/00
SUBMITTED	A. Hiratani	<i>[Signature]</i>	22/02/00
APPROVED	P. Virophanth	<i>[Signature]</i>	22/02/00

DWG. TITLE: BORDER CONTROL FACILITIES  
 LAO PDR SIDE  
 CHECK POINT BOOTH : STRUCTURAL DETAILS

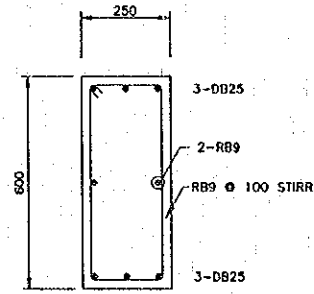


NOTES :  
 1. ALL DIMENSIONS ARE IN MILLIMETER UNLESS OTHERWISE INDICATED.  
 2. ALL ELEVATIONS AND DETAILS SHALL BE REFERRED TO ARCHITECTURAL DWG.

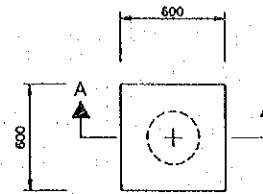
REV.	DATE	DESCRIPTION	APPROVED	PROJECT STUDY TEAM	JICA	QUALITY RECORD	NAME	SIGNATURE	DATE	DWG. TITLE:
				ORIENTAL CONSULTANTS CO., LTD. in association with NIPPON KOEI CO., LTD.	JAPAN INTERNATIONAL COOPERATION AGENCY LAO PEOPLE'S DEMOCRATIC REPUBLIC MINISTRY OF COMMUNICATION, TRANSPORT, POST AND CONSTRUCTION KINGDOM OF THAILAND MINISTRY OF TRANSPORT AND COMMUNICATIONS DEPARTMENT OF HIGHWAYS	DESIGN	A. Morfoka	<i>[Signature]</i>	23-01-00	BORDER CONTROL FACILITIES LAO PDR SIDE POWER HOUSE : FOOTING, BEAM AND SLAB DETAILS
						DESIGN CHECK	T. Masuzawa	<i>[Signature]</i>	21-01-00	
						SUBMITTED	A. Hiratani	<i>[Signature]</i>	21/04/00	
						APPROVED	P. Viraphanth	<i>[Signature]</i>	5/6/00	



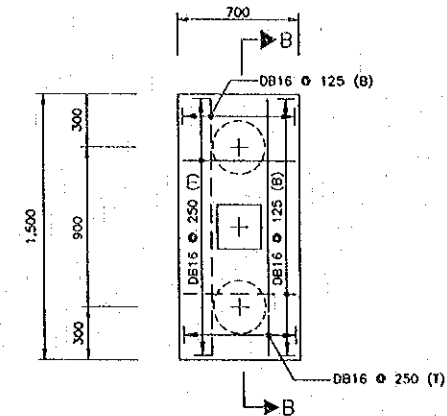
BEAM GB1  
SCALE 1 : 10



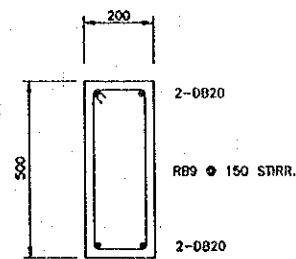
BEAM GB2  
SCALE 1 : 10



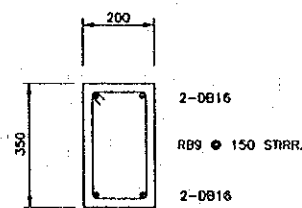
FOOTING F1  
SCALE 1 : 20



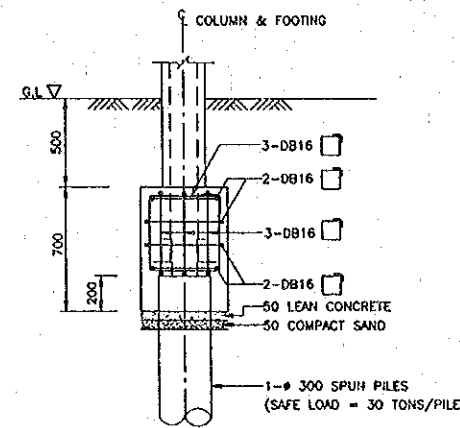
FOOTING F2  
SCALE 1 : 20



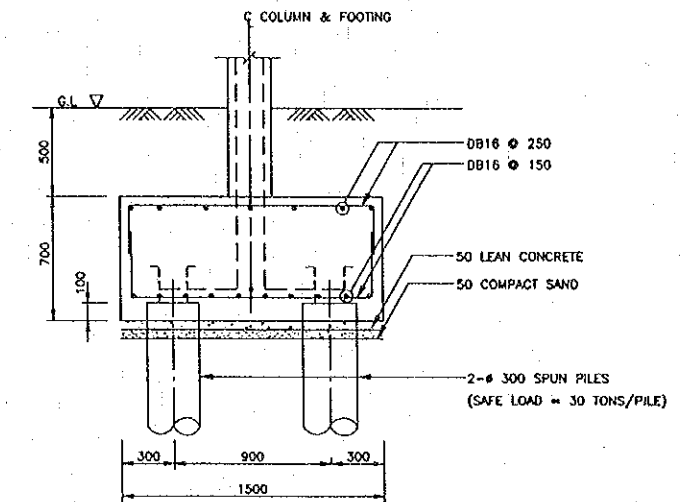
BEAM RB1  
SCALE 1 : 10



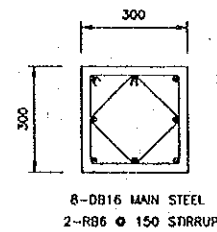
BEAM RB2  
SCALE 1 : 10



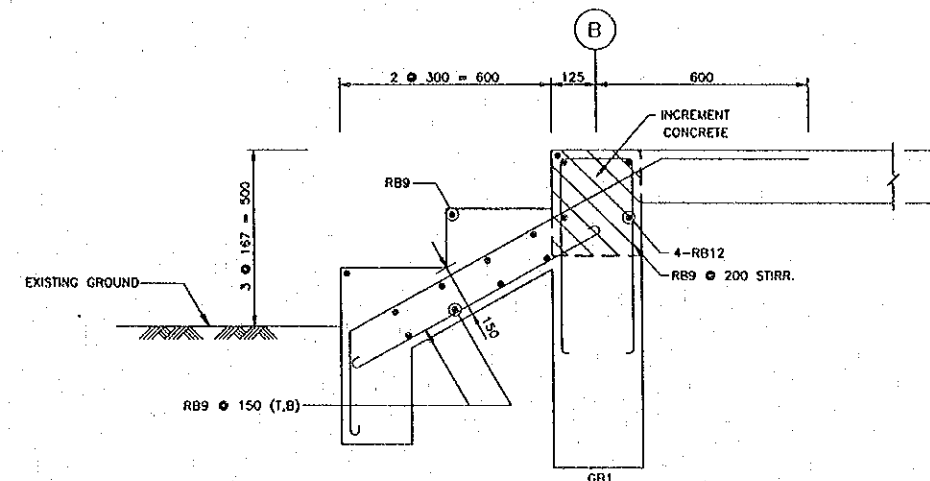
SECTION A-A  
SCALE 1 : 20



SECTION B-B  
SCALE 1 : 20



COLUMN C1  
SCALE 1 : 10



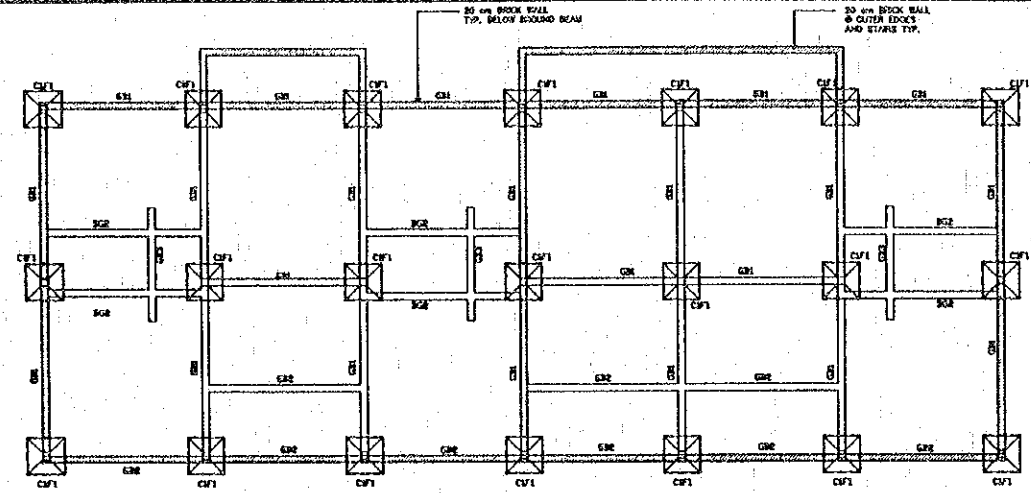
STAIR ST1 DETAILS  
AND INCREMENT CONCRETE REINFORCEMENT  
SCALE 1 : 10

NOTES

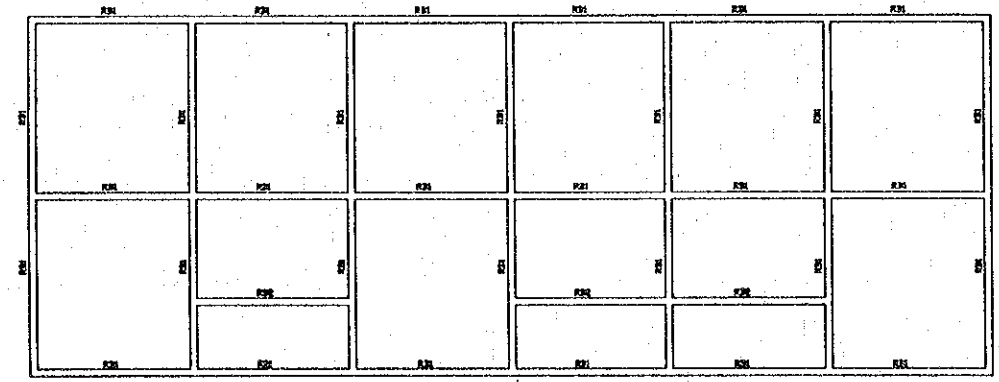
1. ALL DIMENSIONS ARE IN MILLIMETERS UNLESS OTHERWISE INDICATED
2. ALL ELEVATIONS ARE IN METERS REFERRING TO ARCHITECTURAL DWG.
3. REINFORCEMENT FOR SLABS :  
 RS1 : RB9 Ø 200 TOP & BOTTOM,BOTH DIRECTION  
 RS2 : RB9 Ø 150 TOP & BOTTOM,BOTH DIRECTION  
 GS2 : RB9 Ø 200 TOP & BOTTOM,BOTH DIRECTION

REV.	DATE	DESCRIPTION	APPROVED	PROJECT STUDY TEAM	JICA	QUALITY RECORD	NAME	SIGNATURE	DATE	DWG. TITLE:
				ORIENTAL CONSULTANTS CO., LTD. in association with NIPPON KOEI CO., LTD.	JAPAN INTERNATIONAL COOPERATION AGENCY LAO PEOPLE'S DEMOCRATIC REPUBLIC MINISTRY OF COMMUNICATION, TRANSPORT, POST AND CONSTRUCTION KINGDOM OF THAILAND MINISTRY OF TRANSPORT AND COMMUNICATIONS DEPARTMENT OF HIGHWAYS	DESIGN	A. Morikita	<i>[Signature]</i>	22-05-00	BORDER CONTROL FACILITIES LAO PDR SIDE POWER HOUSE : BEAM, COLUMN AND FOOTING
						DESIGN CHECK	T. Masutawa	<i>[Signature]</i>	24-05-00	
						SUBMITTED	A. Kitakani	<i>[Signature]</i>	27/05/00	
						APPROVED	P. Visphanth	<i>[Signature]</i>	5/6/00	

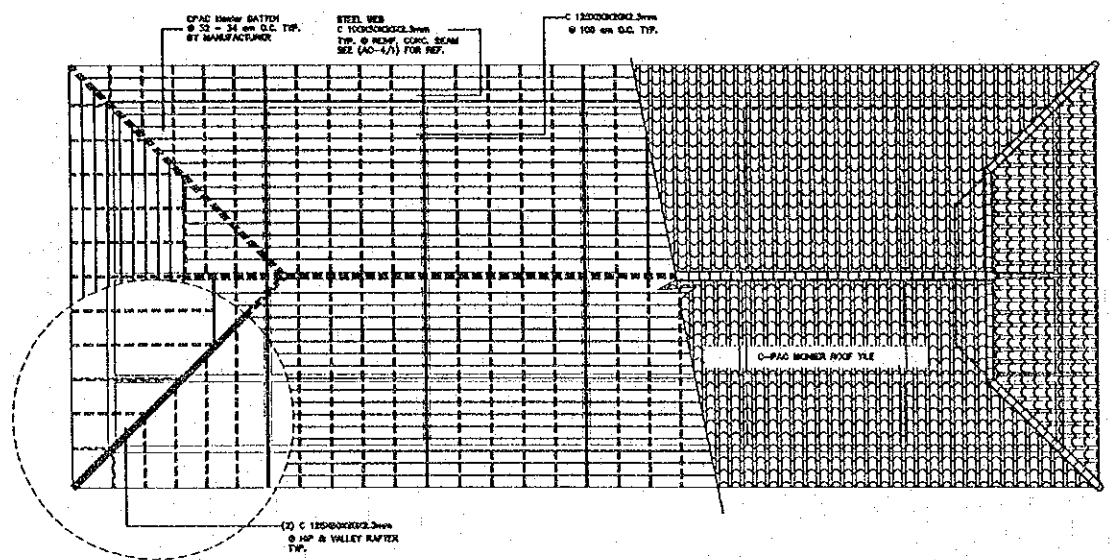
DATE OF ISSUE: 05/03/2000  
 DWG. NO. F-S-38 SHEET NO. 231  
 DWG. STATUS



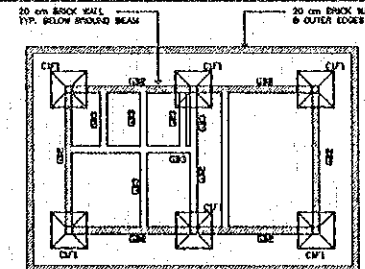
1 FOUNDATION PLAN (ACCOMMODATION FOR FAMILY)  
 ECH: 1 / 100



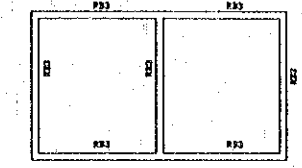
2 ROOF BEAM  
 ECH: 1 / 100



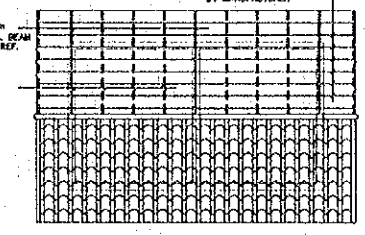
3 ROOF FRAMING PLAN  
 ECH: 1 / 100



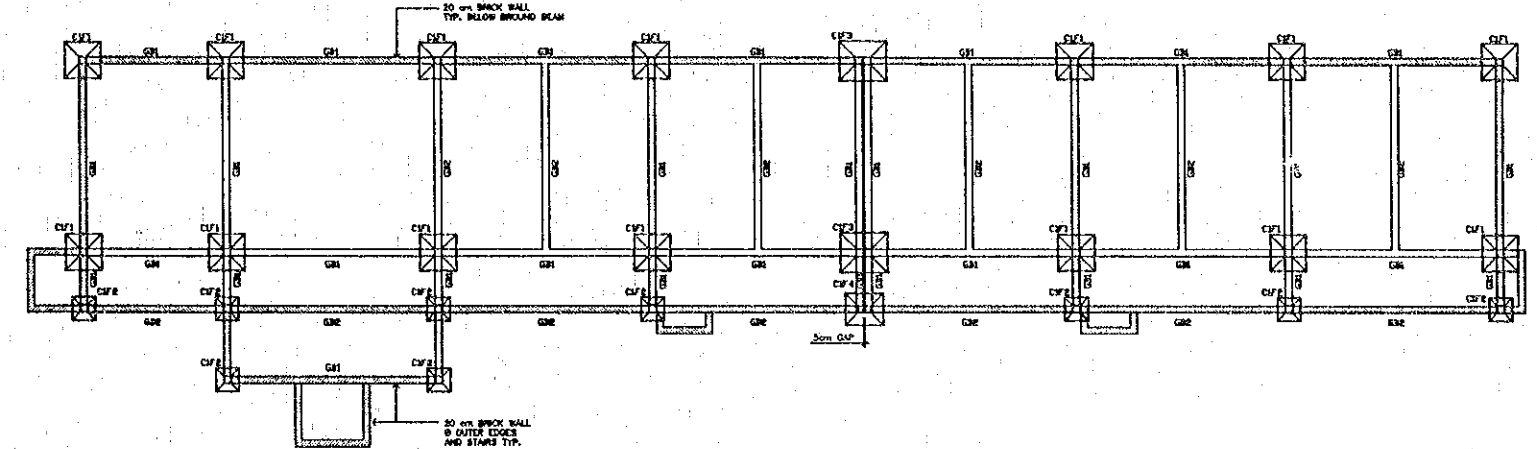
4 FOUNDATION PLAN (TOILET + LAUNDRY)  
 ECH: 1 / 100



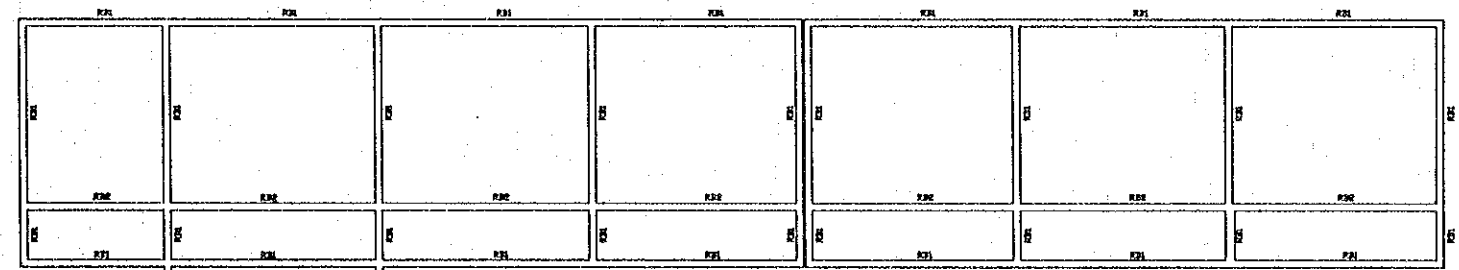
5 ROOF BEAM  
 ECH: 1 / 100



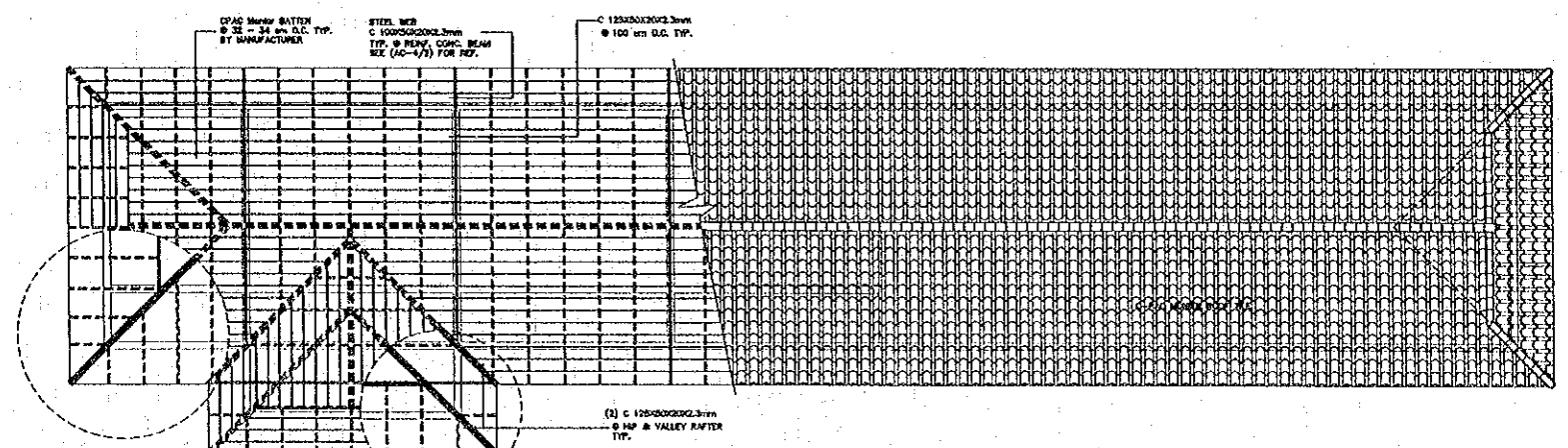
6 ROOF FRAMING PLAN  
 ECH: 1 / 100



7 FOUNDATION PLAN (ACCOMMODATION FOR SINGLE)  
 ECH: 1 / 100

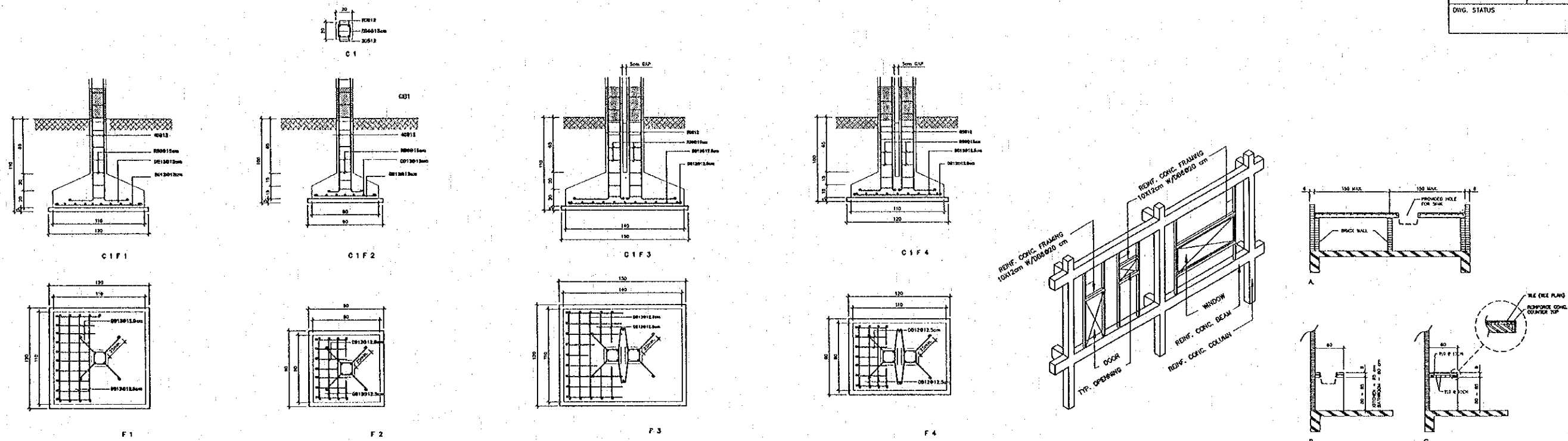


8 ROOF BEAM  
 ECH: 1 / 100

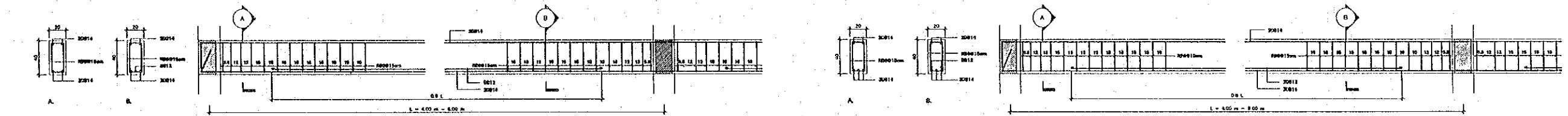


9 ROOF FRAMING PLAN  
 ECH: 1 / 100

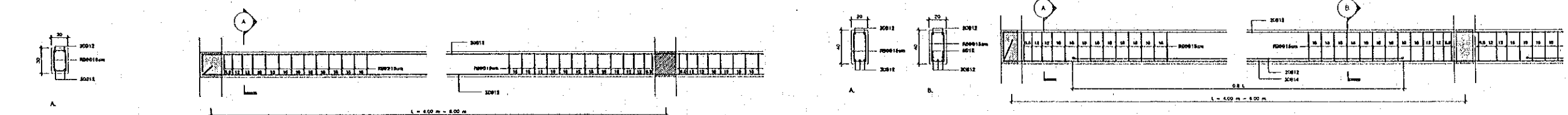
REV.	DATE	DESCRIPTION	APPROVED	PROJECT STUDY TEAM	JICA JAPAN INTERNATIONAL COOPERATION AGENCY	THE SECOND MEKONG INTERNATIONAL BRIDGE CONSTRUCTION PROJECT	QUALITY RECORD	NAME	SIGNATURE	DATE	DWG. TITLE:
				ORIENTAL CONSULTANTS CO., LTD. In association with NIPPON KOEI CO., LTD.	LAO PEOPLE'S DEMOCRATIC REPUBLIC MINISTRY OF COMMUNICATION, TRANSPORT, POST AND CONSTRUCTION	THE SECOND MEKONG INTERNATIONAL BRIDGE CONSTRUCTION PROJECT	DESIGN	A. Morioka	<i>A. Morioka</i>	16/02/00	BORDER CONTROL FACILITIES LAO PDR SIDE OFFICER'S ACCOMMODATION : STRUCTURAL FRAMING & ROOF PLAN
						DESIGN CHECK	T. Morozawa	<i>T. Morozawa</i>	18/02/00		
						SUBMITTED	A. Hiratani	<i>A. Hiratani</i>	21/02/00		
						APPROVED	P. Viraphanth	<i>P. Viraphanth</i>	22/02/00		



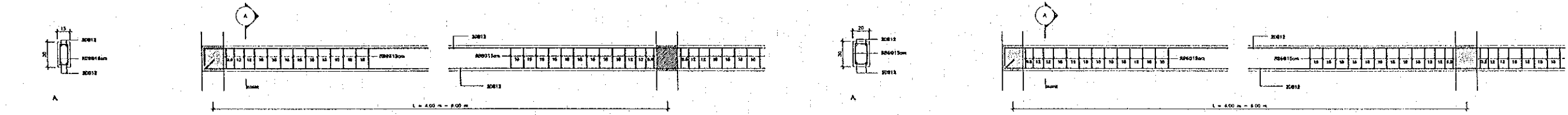
1 FOUNDATION C1 F1 ECH: 1/30  
 2 FOUNDATION C1 F2 ECH: 1/30  
 3 FOUNDATION C1 F3 ECH: 1/30  
 4 FOUNDATION C1 F4 ECH: 1/30  
 5 DOORS AND WINDOWS FRAMING DIAGRAM NOT TO SCALE  
 6 REINF. CONC. COUNTER TOP ECH: NOT TO SCALE



7 GROUND BEAM GB 1 ECH: 1/30  
 8 ROOF BEAM RB 1 ECH: 1/30



9 GROUND BEAM GB 2 ECH: 1/30  
 10 ROOF BEAM RB 2 ECH: 1/30



11 GROUND BEAM GB 3 ECH: 1/30  
 12 ROOF BEAM RB 3 ECH: 1/30

NOTES:  
 1. FOUNDATIONS SHOWN ARE DESIGNED ON THE BASIS OF THE ASSUMED SOIL BEARING CAPACITY TO 1/2 THE FINAL DIMENSIONS, DEPTH AND TREATMENT OF FOUNDATIONS SHALL BE DETERMINED BY THE ENGINEER.  
 2. SLAB-ON-GRADE SHALL BE REINFORCED WITH RB. 99 @ 200 IN BOTH DIRECTION.

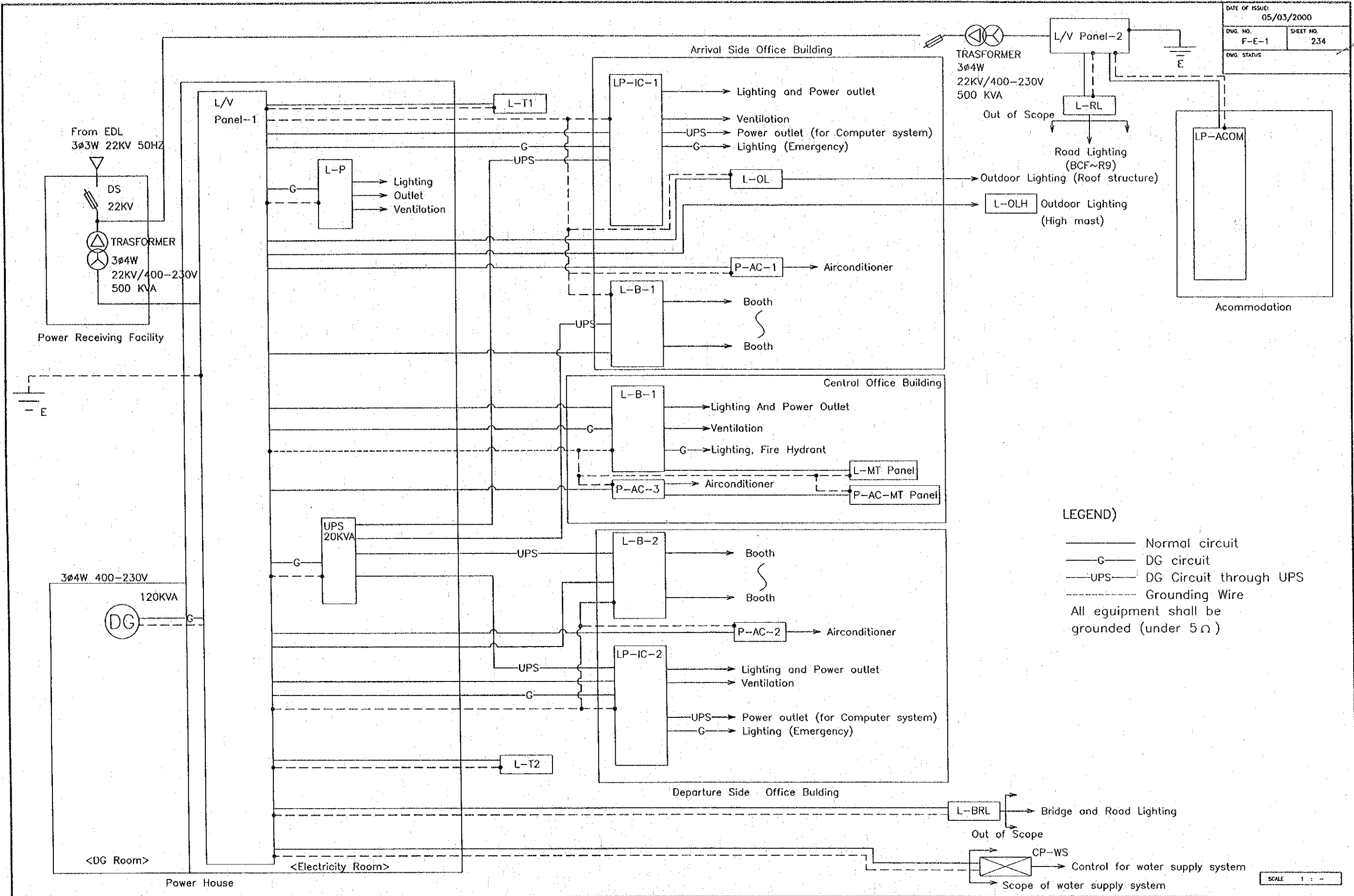
REV.	DATE	DESCRIPTION	APPROVED	PROJECT STUDY TEAM	<p>JICA JAPAN INTERNATIONAL COOPERATION AGENCY          LAO PEOPLE'S DEMOCRATIC REPUBLIC          MINISTRY OF COMMUNICATION, TRANSPORT, POST AND CONSTRUCTION          KINGDOM OF THAILAND          MINISTRY OF TRANSPORT AND COMMUNICATIONS          DEPARTMENT OF HIGHWAYS</p>	<p>THE SECOND MEKONG          INTERNATIONAL BRIDGE          CONSTRUCTION PROJECT</p>	QUALITY RECORD	NAME	SIGNATURE	DATE	DWG. TITLE:
				<p>ORIENTAL CONSULTANTS CO., LTD.          In association with          NIPPON KOEI CO., LTD.</p>			DESIGN	A. Manoka		16-02-00	<b>BORDER CONTROL FACILITIES          LAO PDR SIDE          OFFICER'S ACCOMMODATION :          FOOTINGS, BEAMS &amp; MISC. DETAILS</b>
					DESIGN CHECK	T. Masuzawa		18-02-00			
					SUBMITTED	A. Hirakawa		21/02/00			
					APPROVED	P. Viraphanth		02/02/00			

GENERAL SPECIFICATION FOR UTILITY WORK

I ELECTRICAL WORK	II MECHANICAL WORK
<p>1. CONSTRUCTION ITEM</p> <p>(1) POWER RECEIVING FACILITY            (2) EMERGENCY DIESEL GENERATOR            (3) POWER DISTRIBUTION PANEL            (4) EXTERNAL LIGHTING            (5) CABLE AND WIRING            (6) UNDER GROUND CONDUIT, MANHOLE AND HANDHOLE            (7) CONDUITS, FITTINGS AND BOXES            (8) LIGHTING AND POWER OUTLET SYSTEM            (9) PRIVATE TELEPHONE SYSTEM            (10) PUBLIC ANNOUNCING SYSTEM            (11) TV SYSTEM            (12) COMPUTER SYSTEM            (13) GROUNDING            (14) LIGHTNING PROTECTION SYSTEM            (15) CIVIL WORKS FOR UNDER GROUND CONDUIT</p> <p>2. GENERAL NOTES</p> <p>(1) ALL EXPENSES RELATED TO CONSTRUCTION AND PROCEDURES ON POWER DISTRIBUTION OBLIGATED TO THE ELECTRICITY AUTHORITY SHALL BE TOTALLY PAID BY CONTRACTOR.</p> <p>(2) ALL EXPENSES RELATED TO CONSTRUCTION AND PROCEDURES ON TELEPHONE LINE DISTRIBUTION OBLIGATED TO THE TELEPHONE AUTHORITY SHALL BE TOTALLY PAID BY CONTRACTOR.</p> <p>(3) POWER</p> <p>RECEIVING : 3 PHASE 3 WIRE 22KV 50HZ (FROM EDL)            DISTRIBUTION : 3 PHASE 4 WIRE 300-220V 50HZ                              1 PHASE 2 WIRE 220V 50HZ</p> <p>(4) UNDER GROUND CONDUITS SHALL BE INSTALLED NOT LESS THAN 600mm BELOW F.G.L</p> <p>(5) LIGHTING SWITCHES SHALL BE MOUNTED AT 120cm F.F.L UNLESS OTHERWISE INDICATED.</p> <p>(6) POWER OUTLETS SHALL BE MOUNTED AT 30cm EITHER ABOVE F.F.L OR ABOVE BENCH LEVEL AS APPROPRIATE UNLESS OTHERWISE INDICATED.</p> <p>(7) TELEPHONE OUTLETS SHALL BE LOCATED AT 30cm ABOVE F.F.L UNLESS OTHERWISE INDICATED.</p> <p>(8) THE CONTRACTOR SHALL PROVIDE AND INSTALL ALL JUNCTION AND PULL BOXES REQUIRED FOR THE INSTALLATION OF ELECTRICAL DEVICES AND EQUIPMENT, WHETHER OR NOT SPECIFICALLY INDICATED ON THE PLANS.</p> <p>(9) WALL MOUNTED POWER DISTRIBUTION PANELS SHALL HAVE 2 SPARE 1 INCH DIA. CONDUITS STORED TO ABOVE AN ACCESSIBLE CEILING FOR FUTURE PLAN.</p> <p>(10) THE CONTRACTOR SHALL PROVIDE CONDUIT AND OUTLET BOXES WITH PULL WIRE FOR COMPUTER SYSTEM.</p> <p>(11) LIGHTNING ELECTRODE SHALL NOT BE USED FOR ANY OTHER PURPOSES.</p> <p>(12) EXPENCES ON ELECTRICITY, WATER AND OTHER UTILITIES DURING CONSTRUCTION SHALL BE PAID BY THE CONTRACTOR.</p> <p>(13) DON'T SCALE FROM THE LAYOUT ELECTRICAL DRAWING.            THE WORK ACCORDING TO ARCHITECTURAL AND ELECTRICAL DETAILS.</p>	<p>1. CONSTRUCTION ITEM</p> <p>1-1 PLUMBING WORK</p> <p>(1) WATER SUPPLY SYSTEM            (2) WASTE WATER DRAINAGE SYSTEM            (3) RAIN WATER DRAINAGE SYSTEM</p> <p>1-2 AIR CONDITIONING AND VENTILATION SYSTEM            1-3 FIRE FIGHTING SYSTEM            1-4 CIVIL WORK FOR UNDER GROUND PIPE            1-5 TRUCK SCALE</p> <p>2. GENERAL NOTES</p> <p>(1) EXPENSES RELATED TO CONSTRUCTION AND PROCEDURES FOR WATER DISTRIBUTION OBLIGATED TO THE WATER AUTHORITY SHALL BE PAID BY THE CONTRACTOR.</p> <p>(2) WATER RECEIVING : FROM NAMPAPA</p> <p>(3) UNDER GROUND PIPES SHALL BE INSTALLED NOT LESS THAN 1000mm BELOW F.G.L</p> <p>(4) THE PRESSURE CLASS OF PVC PIPES SHALL BE AS FOLLOWS.            FOR WATER SUPPLY : CLASS 13.5            OTHERS : CLASS 8.5</p> <p>(5) THE QUALITY OF DISCHARGING WATER TREATED BY SEPTIC TANK SHALL BE AS FOLLOWS.            BOD : UNDER 60mg            SS : UNDER 50mg</p> <p>(6) THE INVERT FOR DRAINAGE PIPE SHALL BE INSTALLED AT LESS THAN 30m OF INTERVAL.</p> <p>(7) AIR TEMPERATURE            MAXIMUM OUTDOOR : 39.5 °C            RECOMMENDED INDOOR : 26.0 °C</p> <p>(8) RECOMMENDED AIR VOLUME : 30m<sup>3</sup>/HR*men</p> <p>(9) ALL AIR CONDITIONER UNIT SHALL BE SPLIT TYPE.</p> <p>(10) EXPENCES ON ELECTRICITY, WATER AND OTHER UTILITIES DURING CONSTRUCTION SHALL BE PAID BY THE CONTRACTOR.</p> <p>(11) DON'T SCALE FROM THE LAYOUT MECHANICAL DRAWING.            THE WORK ACCORDING TO ARCHITECTURAL AND MECHANICAL DETAILS.</p>

REV.	DATE	DESCRIPTION	APPROVED	PROJECT STUDY TEAM	JICA	LAO PEOPLE'S DEMOCRATIC REPUBLIC	MINISTRY OF COMMUNICATION, TRANSPORT, POST AND CONSTRUCTION	KINGDOM OF THAILAND	MINISTRY OF TRANSPORT AND COMMUNICATIONS	DEPARTMENT OF HIGHWAYS	THE SECOND MEKONG INTERNATIONAL BRIDGE CONSTRUCTION PROJECT	QUALITY RECORD	NAME	SIGNATURE	DATE	DWG. TITLE
				ORIENTAL CONSULTANTS CO., LTD. in association with NIPPON KOKI CO., LTD.								DESIGN	F. Tokuobushi	<i>[Signature]</i>	18-02-00	BORDER CONTROL FACILITIES LAO PDR SIDE GENERAL SPECIFICATION FOR UTILITY WORK
												DESIGN CHECK	T. Mokuwara	<i>[Signature]</i>	18-02-00	
												SUBMITTED	A. Hirofumi	<i>[Signature]</i>	18-02-00	
												APPROVED	P. Viraphorath	<i>[Signature]</i>	18-02-00	





LEGEND)  
 — Normal circuit  
 —G— DG circuit  
 —UPS— DG Circuit through UPS  
 - - - - - Grounding Wire  
 All equipment shall be grounded (under 5Ω)

REV.	DATE	DESCRIPTION	APPROVED	PROJECT STUDY TEAM

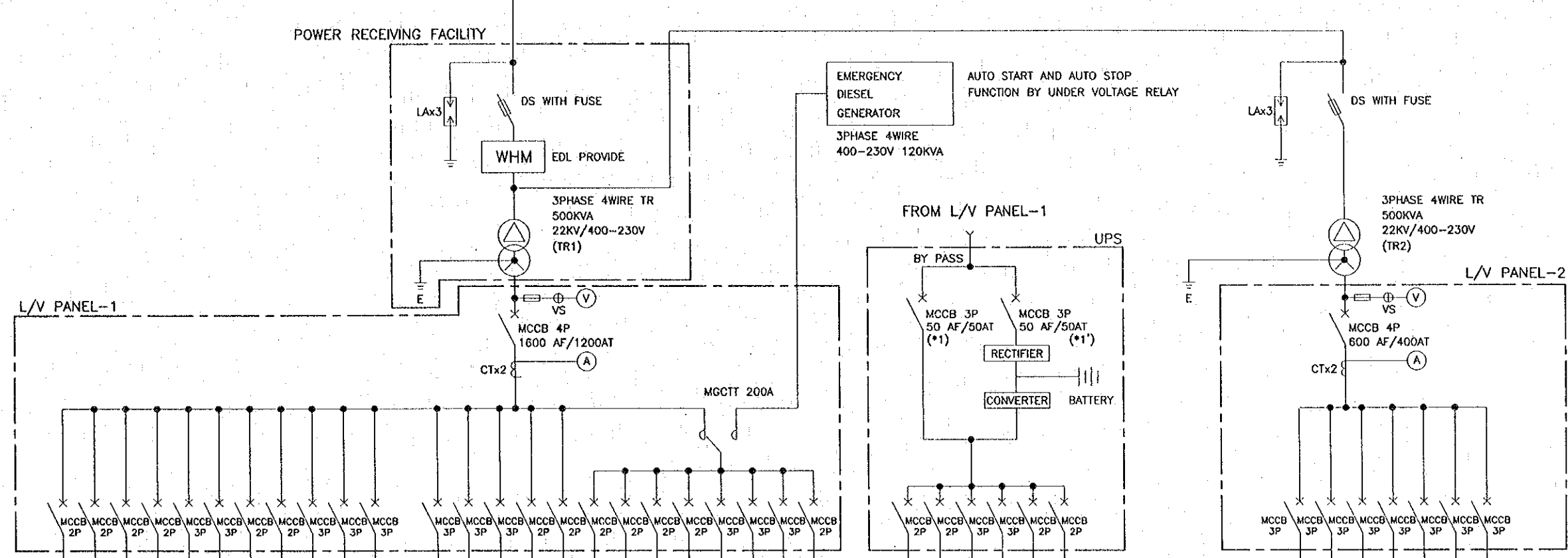
ORIENTAL CONSULTANTS CO., LTD.  
 In association with  
 NIPPON KOEI CO., LTD.

JICA JAPAN INTERNATIONAL COOPERATION AGENCY  
 LAO PEOPLE'S DEMOCRATIC REPUBLIC  
 MINISTRY OF COMMUNICATION, TRANSPORT, POST AND CONSTRUCTION  
 KINGDOM OF THAILAND  
 MINISTRY OF TRANSPORT AND COMMUNICATIONS  
 DEPARTMENT OF HIGHWAYS

THE SECOND MEKONG INTERNATIONAL BRIDGE CONSTRUCTION PROJECT

QUALITY RECORD	NAME	SIGNATURE	DATE	DWG. TITLE
DESIGN	T. Takahashi	<i>T. Takahashi</i>	17-02-00	BORDER CONTROL FACILITIES LAO PDR SIDE POWER SUPPLY SYSTEM
DESIGN CHECK	T. Morizawa	<i>T. Morizawa</i>	17-02-00	
SUBMITTED	A. Hirotsu	<i>A. Hirotsu</i>	21/01/00	
APPROVED	P. Veeraphanth	<i>P. Veeraphanth</i>	22/02/00	

3PHASE 3WIRE 22KV 50HZ FROM EDL



CIRCUIT No.	LOAD NAME	LOAD (KVA)	AF/AT
N1	LP-IC-1	20.54	100/100
N2	LP-IC-2	21.26	100/100
N3	LP-IC-3	14.48	100/100
N4	L-P	1.16	30/10
N5	L-B-1	56.16	225/150
N6	L-B-2	56.16	225/150
N7	L-T1	0.96	30/10
N8	L-T2	0.96	30/10
N9	P-AC-1	61.50	225/150
N10	P-AC-2	62.30	225/150
N11	P-AC-3	48.30	225/150

N13	L-OL	20.85	100/50
N14	L-BRL	15.00	100/50
N15	L-OLH	120.00	400/300
-	SPARE	-	50/50
-	SPARE	-	50/50
G1	LP-IC-1	4.74	50/30
G2	LP-IC-2	5.4	50/30
G3	LP-IC-3	4.08	50/30
G4	L-P	0.24	30/10
G5	CP-WS	16.76	50/50
G6	FIRE HYDRANT	7.89	30/30
-	UPS	42.00	100/100
-	SPARE	-	50/50
-	SPARE	-	50/50

U1	LP-IC-1	2.00	50/20
U2	LP-IC-2	2.00	50/20
U3	L-B-1	12.00	50/50
U4	L-B-2	12.00	50/50
-	SPARE	-	50/50
-	SPARE	-	50/50

CIRCUIT No.	LOAD NAME	LOAD (KVA)	AF/AT
N21	LP-ACOM	112.78	300/300
N22	L-RL	48.38	150/150
N23	BONDED WARE HOUSE (FUTURE PLAN)	(200.00)	400/400
-	SPARE	-	50/50
-	SPARE	-	50/50
-	SPARE	-	50/50
-	SPARE	-	50/50

NOTE)  
 THE MCCB \*1 AND \*1' SHALL BE INTERLOCKED.

REV.	DATE	DESCRIPTION	APPROVED

PROJECT STUDY TEAM  
 ORIENTAL CONSULTANTS CO., LTD.  
 In association with  
 NIPPON KOKI CO., LTD.

JICA JAPAN INTERNATIONAL COOPERATION AGENCY  
 LAO PEOPLE'S DEMOCRATIC REPUBLIC  
 MINISTRY OF COMMUNICATION, TRANSPORT, POST AND CONSTRUCTION  
 KINGDOM OF THAILAND  
 MINISTRY OF TRANSPORT AND COMMUNICATIONS  
 DEPARTMENT OF HIGHWAYS

THE SECOND MEKONG INTERNATIONAL BRIDGE CONSTRUCTION PROJECT

QUALITY RECORD	NAME	SIGNATURE	DATE	DWG. TITLE
DESIGN	T. Takaobushi	T. Takaobushi	18-02-00	BORDER CONTROL FACILITIES LAO PDR SIDE ONE LINE DIAGRAM
DESIGN CHECK	T. Maetoko	T. Maetoko	18-02-00	
SUBMITTED	A. Hirofumi	A. Hirofumi	21/01/00	
APPROVED	P. Virophanth	P. Virophanth	22/01/00	

PANEL	ONE LINE	BREAKER	POLE	AF	AT	VOLTAGE (V)	PHASE	WIRE	LOAD(VA)	CIRCUIT	FACILITY	LOCATION
UP-0-1	1 PHASE 230V 200V/200V/200V (3W)	MCCB	1	30	30	230	1	3	1,600	H	LINEB	APPROX. BLDG OFFICE BUILDING W/ SANITATION, OFF. POWER
		MCCB	1	30	30	230	1	3	1,600	H	LINEB	APPROX. BLDG OFFICE BUILDING W/ SANITATION, HEALTH OFFICE
		MCCB	1	30	30	230	1	3	1,600	H	LINEB	APPROX. BLDG OFFICE BUILDING W/ SANITATION, QUARTERS OFFICE
		MCCB	1	30	30	230	1	3	1,600	H	LINEB	APPROX. BLDG OFFICE BUILDING W/ SANITATION, OFF. POWER
		MCCB	1	30	30	230	1	3	1,600	H	LINEB	APPROX. BLDG OFFICE BUILDING W/ SANITATION, OFF. POWER
		MCCB	1	30	30	230	1	3	1,600	H	LINEB	APPROX. BLDG OFFICE BUILDING W/ SANITATION, OFF. POWER
		MCCB	1	30	30	230	1	3	1,600	H	LINEB	APPROX. BLDG OFFICE BUILDING W/ SANITATION, OFF. POWER
		MCCB	1	30	30	230	1	3	1,600	H	LINEB	APPROX. BLDG OFFICE BUILDING W/ SANITATION, OFF. POWER
		MCCB	1	30	30	230	1	3	1,600	H	LINEB	APPROX. BLDG OFFICE BUILDING W/ SANITATION, OFF. POWER
		MCCB	1	30	30	230	1	3	1,600	H	LINEB	APPROX. BLDG OFFICE BUILDING W/ SANITATION, OFF. POWER

PANEL	ONE LINE	BREAKER	POLE	AF	AT	VOLTAGE (V)	PHASE	WIRE	LOAD(VA)	CIRCUIT	FACILITY	LOCATION
UP-0-2	1 PHASE 230V 200V/200V/200V (3W)	MCCB	1	30	30	230	1	3	1,600	H	LINEB	APPROX. BLDG OFFICE BUILDING W/ SANITATION, OFF. POWER
		MCCB	1	30	30	230	1	3	1,600	H	LINEB	APPROX. BLDG OFFICE BUILDING W/ SANITATION, OFF. POWER
		MCCB	1	30	30	230	1	3	1,600	H	LINEB	APPROX. BLDG OFFICE BUILDING W/ SANITATION, OFF. POWER
		MCCB	1	30	30	230	1	3	1,600	H	LINEB	APPROX. BLDG OFFICE BUILDING W/ SANITATION, OFF. POWER
		MCCB	1	30	30	230	1	3	1,600	H	LINEB	APPROX. BLDG OFFICE BUILDING W/ SANITATION, OFF. POWER
		MCCB	1	30	30	230	1	3	1,600	H	LINEB	APPROX. BLDG OFFICE BUILDING W/ SANITATION, OFF. POWER
		MCCB	1	30	30	230	1	3	1,600	H	LINEB	APPROX. BLDG OFFICE BUILDING W/ SANITATION, OFF. POWER
		MCCB	1	30	30	230	1	3	1,600	H	LINEB	APPROX. BLDG OFFICE BUILDING W/ SANITATION, OFF. POWER
		MCCB	1	30	30	230	1	3	1,600	H	LINEB	APPROX. BLDG OFFICE BUILDING W/ SANITATION, OFF. POWER
		MCCB	1	30	30	230	1	3	1,600	H	LINEB	APPROX. BLDG OFFICE BUILDING W/ SANITATION, OFF. POWER

REV.	DATE	DESCRIPTION	APPROVED	PROJECT STUDY TEAM			QUALITY RECORD	NAME	SIGNATURE	DATE	DWG. TITLE:
				ORIENTAL CONSULTANTS CO., LTD. In association with NIPPON KOKI CO., LTD.	JAPAN INTERNATIONAL COOPERATION AGENCY LAO PEOPLE'S DEMOCRATIC REPUBLIC MINISTRY OF COMMUNICATION, TRANSPORT, POST AND CONSTRUCTION KINGDOM OF THAILAND MINISTRY OF TRANSPORT AND COMMUNICATIONS DEPARTMENT OF HIGHWAYS		DESIGN	T. Takahashi		19-01-00	BORDER CONTROL FACILITIES LAO PDR SIDE DETAIL OF DISTRIBUTION PANEL (1)
							DESIGN CHECK	T. Moritomo		27-01-00	
							SUBMITTED	A. Haraoka		21-02-00	
							APPROVED	P. Virophanth		22-02-00	


PANEL	ONE LINE	BREAKER	POLE	AF	AT	VOLTAGE (V)	PHASE	WIRE	LOAD(WA)	CIRCUIT	FACILITY	LOCATION
L-0-1	1 PHASE 230V MCCB 1P 200/1000 4.800 VA	MCCB	1	20	13	230	1	3	340	H	LIGHTING	POWER HOUSE (ELECTRICITY ROOM)
												POWER HOUSE ON ROOM
												POWER HOUSE BRIDGE
												POWER HOUSE
												POWER HOUSE
												POWER HOUSE
	1 PHASE 230V MCCB 1P 200/1000 4.800 VA	MCCB	1	20	13	230	1	3	340	H	LIGHTING	POWER HOUSE (ELECTRICITY ROOM)
												POWER HOUSE ON ROOM
												POWER HOUSE BRIDGE
												POWER HOUSE
												POWER HOUSE
												POWER HOUSE
	1 PHASE 230V MCCB 1P 200/1000 4.800 VA	MCCB	1	20	13	230	1	3	340	H	LIGHTING	POWER HOUSE (ELECTRICITY ROOM)
												POWER HOUSE ON ROOM
												POWER HOUSE BRIDGE
												POWER HOUSE
												POWER HOUSE
												POWER HOUSE

PANEL	ONE LINE	BREAKER	POLE	AF	AT	VOLTAGE (V)	PHASE	WIRE	LOAD(WA)	CIRCUIT	FACILITY	LOCATION
L-0-1	1 PHASE 230V MCCB 1P 200/1000 4.800 VA	MCCB	1	20	13	230	1	3	400	H	LIGHTING	ROOM A3
												ROOM A4
												ROOM A5
												ROOM A6
												ROOM A7
												ROOM A8
	1 PHASE 230V MCCB 1P 200/1000 4.800 VA	MCCB	1	20	13	230	1	3	400	H	LIGHTING	ROOM A3
												ROOM A4
												ROOM A5
												ROOM A6
												ROOM A7
												ROOM A8
	1 PHASE 230V MCCB 1P 200/1000 4.800 VA	MCCB	1	20	13	230	1	3	400	H	LIGHTING	ROOM A3
												ROOM A4
												ROOM A5
												ROOM A6
												ROOM A7
												ROOM A8

REV.	DATE	DESCRIPTION	APPROVED	PROJECT STUDY TEAM							QUALITY RECORD	NAME	SIGNATURE	DATE	DWG. TITLE
					JICA JAPAN INTERNATIONAL COOPERATION AGENCY ORIENTAL CONSULTANTS CO., LTD. In association with NIPPON KOKI CO., LTD.		LAO PEOPLE'S DEMOCRATIC REPUBLIC MINISTRY OF COMMUNICATION, TRANSPORT, POST AND CONSTRUCTION KINGDOM OF THAILAND MINISTRY OF TRANSPORT AND COMMUNICATIONS DEPARTMENT OF HIGHWAYS		THE SECOND MEKONG INTERNATIONAL BRIDGE CONSTRUCTION PROJECT		DESIGN	T. Takasubuti		18-02-04	BORDER CONTROL FACILITIES LAO PDR SIDE DETAIL OF DISTRIBUTION PANEL (2)
											DESIGN CHECK	T. Masuoka		18-02-04	
											SUBMITTED	A. Hironaka		11/01/00	
											APPROVED	P. Virophanth		02/02/00	

PANEL	ONE LINE	BRAKER	POLE	AF	AT	VOLTAGE (V)	PHASE	WIRE	LOAD (VA)	CIRCUIT	FACILITY	LOCATION	
L-0-1-03	1 PHASE BRK/SPW LAMP VA	MCCB	1	30	30	220	1	2	240	U	LIGHTING	ROOM A8	
		MCCB	1	30	30	220	1	2	240	U	POWER OUTLET	ROOM A8	
		MCCB	1	30	30	220	1	2	240	U	VERIFICATION POWER OUTLET	ROOM A8	
	1 PHASE BRK/SPW LAMP VA	MCCB	1	30	30	220	1	2	240	U	IN CONDITION	ROOM A8	
		MCCB	1	30	30	220	1	2	240	U	SPACE	ROOM A8	
		MCCB	1	30	30	220	1	2	240	U	SPACE	ROOM A8	
	1 PHASE BRK/SPW LAMP VA	MCCB	1	30	30	220	1	2	240	U	CPU POWER OUTLET	ROOM A8	
		MCCB	1	30	30	220	1	2	240	U	SPACE	ROOM A8	
		MCCB	1	30	30	220	1	2	240	U	SPACE	ROOM A8	
	L-0-1-04	1 PHASE BRK/SPW LAMP VA	MCCB	1	30	30	220	1	2	240	U	LIGHTING	ROOM A9
			MCCB	1	30	30	220	1	2	240	U	POWER OUTLET	ROOM A9
			MCCB	1	30	30	220	1	2	240	U	VERIFICATION POWER OUTLET	ROOM A9
1 PHASE BRK/SPW LAMP VA		MCCB	1	30	30	220	1	2	240	U	IN CONDITION	ROOM A9	
		MCCB	1	30	30	220	1	2	240	U	SPACE	ROOM A9	
		MCCB	1	30	30	220	1	2	240	U	SPACE	ROOM A9	
1 PHASE BRK/SPW LAMP VA		MCCB	1	30	30	220	1	2	240	U	CPU POWER OUTLET	ROOM A9	
		MCCB	1	30	30	220	1	2	240	U	SPACE	ROOM A9	
		MCCB	1	30	30	220	1	2	240	U	SPACE	ROOM A9	
L-0-1-05		1 PHASE BRK/SPW LAMP VA	MCCB	1	30	30	220	1	2	240	U	LIGHTING	ROOM B1
			MCCB	1	30	30	220	1	2	240	U	POWER OUTLET	ROOM B1
			MCCB	1	30	30	220	1	2	240	U	VERIFICATION POWER OUTLET	ROOM B1
	1 PHASE BRK/SPW LAMP VA	MCCB	1	30	30	220	1	2	240	U	IN CONDITION	ROOM B1	
		MCCB	1	30	30	220	1	2	240	U	SPACE	ROOM B1	
		MCCB	1	30	30	220	1	2	240	U	SPACE	ROOM B1	
	1 PHASE BRK/SPW LAMP VA	MCCB	1	30	30	220	1	2	240	U	CPU POWER OUTLET	ROOM B1	
		MCCB	1	30	30	220	1	2	240	U	SPACE	ROOM B1	
		MCCB	1	30	30	220	1	2	240	U	SPACE	ROOM B1	
	L-0-1-06	1 PHASE BRK/SPW LAMP VA	MCCB	1	30	30	220	1	2	240	U	LIGHTING	ROOM B2
			MCCB	1	30	30	220	1	2	240	U	POWER OUTLET	ROOM B2
			MCCB	1	30	30	220	1	2	240	U	VERIFICATION POWER OUTLET	ROOM B2
1 PHASE BRK/SPW LAMP VA		MCCB	1	30	30	220	1	2	240	U	IN CONDITION	ROOM B2	
		MCCB	1	30	30	220	1	2	240	U	SPACE	ROOM B2	
		MCCB	1	30	30	220	1	2	240	U	SPACE	ROOM B2	
1 PHASE BRK/SPW LAMP VA		MCCB	1	30	30	220	1	2	240	U	CPU POWER OUTLET	ROOM B2	
		MCCB	1	30	30	220	1	2	240	U	SPACE	ROOM B2	
		MCCB	1	30	30	220	1	2	240	U	SPACE	ROOM B2	
L-0-1-07		1 PHASE BRK/SPW LAMP VA	MCCB	1	30	30	220	1	2	240	U	LIGHTING	ROOM B3
			MCCB	1	30	30	220	1	2	240	U	POWER OUTLET	ROOM B3
			MCCB	1	30	30	220	1	2	240	U	VERIFICATION POWER OUTLET	ROOM B3
	1 PHASE BRK/SPW LAMP VA	MCCB	1	30	30	220	1	2	240	U	IN CONDITION	ROOM B3	
		MCCB	1	30	30	220	1	2	240	U	SPACE	ROOM B3	
		MCCB	1	30	30	220	1	2	240	U	SPACE	ROOM B3	
	1 PHASE BRK/SPW LAMP VA	MCCB	1	30	30	220	1	2	240	U	CPU POWER OUTLET	ROOM B3	
		MCCB	1	30	30	220	1	2	240	U	SPACE	ROOM B3	
		MCCB	1	30	30	220	1	2	240	U	SPACE	ROOM B3	
	L-0-1-08	1 PHASE BRK/SPW LAMP VA	MCCB	1	30	30	220	1	2	240	U	LIGHTING	ROOM B4
			MCCB	1	30	30	220	1	2	240	U	POWER OUTLET	ROOM B4
			MCCB	1	30	30	220	1	2	240	U	VERIFICATION POWER OUTLET	ROOM B4
1 PHASE BRK/SPW LAMP VA		MCCB	1	30	30	220	1	2	240	U	IN CONDITION	ROOM B4	
		MCCB	1	30	30	220	1	2	240	U	SPACE	ROOM B4	
		MCCB	1	30	30	220	1	2	240	U	SPACE	ROOM B4	
1 PHASE BRK/SPW LAMP VA		MCCB	1	30	30	220	1	2	240	U	CPU POWER OUTLET	ROOM B4	
		MCCB	1	30	30	220	1	2	240	U	SPACE	ROOM B4	
		MCCB	1	30	30	220	1	2	240	U	SPACE	ROOM B4	
L-0-1-09		1 PHASE BRK/SPW LAMP VA	MCCB	1	30	30	220	1	2	240	U	LIGHTING	ROOM B5
			MCCB	1	30	30	220	1	2	240	U	POWER OUTLET	ROOM B5
			MCCB	1	30	30	220	1	2	240	U	VERIFICATION POWER OUTLET	ROOM B5
	1 PHASE BRK/SPW LAMP VA	MCCB	1	30	30	220	1	2	240	U	IN CONDITION	ROOM B5	
		MCCB	1	30	30	220	1	2	240	U	SPACE	ROOM B5	
		MCCB	1	30	30	220	1	2	240	U	SPACE	ROOM B5	
	1 PHASE BRK/SPW LAMP VA	MCCB	1	30	30	220	1	2	240	U	CPU POWER OUTLET	ROOM B5	
		MCCB	1	30	30	220	1	2	240	U	SPACE	ROOM B5	
		MCCB	1	30	30	220	1	2	240	U	SPACE	ROOM B5	
	L-0-1-10	1 PHASE BRK/SPW LAMP VA	MCCB	1	30	30	220	1	2	240	U	LIGHTING	ROOM B6
			MCCB	1	30	30	220	1	2	240	U	POWER OUTLET	ROOM B6
			MCCB	1	30	30	220	1	2	240	U	VERIFICATION POWER OUTLET	ROOM B6
1 PHASE BRK/SPW LAMP VA		MCCB	1	30	30	220	1	2	240	U	IN CONDITION	ROOM B6	
		MCCB	1	30	30	220	1	2	240	U	SPACE	ROOM B6	
		MCCB	1	30	30	220	1	2	240	U	SPACE	ROOM B6	
1 PHASE BRK/SPW LAMP VA		MCCB	1	30	30	220	1	2	240	U	CPU POWER OUTLET	ROOM B6	
		MCCB	1	30	30	220	1	2	240	U	SPACE	ROOM B6	
		MCCB	1	30	30	220	1	2	240	U	SPACE	ROOM B6	

PANEL	ONE LINE	BRAKER	POLE	AF	AT	VOLTAGE (V)	PHASE	WIRE	LOAD (VA)	CIRCUIT	FACILITY	LOCATION	
L-0-1-11	1 PHASE BRK/SPW LAMP VA	MCCB	1	30	30	220	1	2	240	U	LIGHTING	ROOM B7	
		MCCB	1	30	30	220	1	2	240	U	POWER OUTLET	ROOM B7	
		MCCB	1	30	30	220	1	2	240	U	VERIFICATION POWER OUTLET	ROOM B7	
	1 PHASE BRK/SPW LAMP VA	MCCB	1	30	30	220	1	2	240	U	IN CONDITION	ROOM B7	
		MCCB	1	30	30	220	1	2	240	U	SPACE	ROOM B7	
		MCCB	1	30	30	220	1	2	240	U	SPACE	ROOM B7	
	1 PHASE BRK/SPW LAMP VA	MCCB	1	30	30	220	1	2	240	U	CPU POWER OUTLET	ROOM B7	
		MCCB	1	30	30	220	1	2	240	U	SPACE	ROOM B7	
		MCCB	1	30	30	220	1	2	240	U	SPACE	ROOM B7	
	L-0-1-12	1 PHASE BRK/SPW LAMP VA	MCCB	1	30	30	220	1	2	240	U	LIGHTING	ROOM B8
			MCCB	1	30	30	220	1	2	240	U	POWER OUTLET	ROOM B8
			MCCB	1	30	30	220	1	2	240	U	VERIFICATION POWER OUTLET	ROOM B8
1 PHASE BRK/SPW LAMP VA		MCCB	1	30	30	220	1	2	240	U	IN CONDITION	ROOM B8	
		MCCB	1	30	30	220	1	2	240	U	SPACE	ROOM B8	
		MCCB	1	30	30	220	1	2	240	U	SPACE	ROOM B8	
1 PHASE BRK/SPW LAMP VA		MCCB	1	30	30	220	1	2	240	U	CPU POWER OUTLET	ROOM B8	
		MCCB	1	30	30	220	1	2	240	U	SPACE	ROOM B8	
		MCCB	1	30	30	220	1	2	240	U	SPACE	ROOM B8	
L-0-1-13		1 PHASE BRK/SPW LAMP VA	MCCB	1	30	30	220	1	2	240	U	LIGHTING	ROOM B9
			MCCB	1	30	30	220	1	2	240	U	POWER OUTLET	ROOM B9
			MCCB	1	30	30	220	1	2	240	U	VERIFICATION POWER OUTLET	ROOM B9
	1 PHASE BRK/SPW LAMP VA	MCCB	1	30	30	220	1	2	240	U	IN CONDITION	ROOM B9	
		MCCB	1	30	30	220	1	2	240	U	SPACE	ROOM B9	
		MCCB	1	30	30	220	1	2	240	U	SPACE	ROOM B9	
	1 PHASE BRK/SPW LAMP VA	MCCB	1	30	30	220	1	2	240	U	CPU POWER OUTLET	ROOM B9	
		MCCB	1	30	30	220	1	2	240	U	SPACE	ROOM B9	
		MCCB	1	30	30	220	1	2	240	U	SPACE	ROOM B9	

REV.	DATE	DESCRIPTION	APPROVED	PROJECT STUDY TEAM		QUALITY RECORD	NAME	SIGNATURE	DATE	DWG. TITLE:
				ORIENTAL CONSULTANTS CO., LTD. in association with NIPPON KOKI CO., LTD.	JICA JAPAN INTERNATIONAL COOPERATION AGENCY LAO PEOPLE'S DEMOCRATIC REPUBLIC MINISTRY OF COMMUNICATION, TRANSPORT, POST AND CONSTRUCTION KINGDOM OF THAILAND MINISTRY OF TRANSPORT AND COMMUNICATIONS DEPARTMENT OF HIGHWAYS	DESIGN	T. Tolobushov	<i>T. Tolobushov</i>	18.01.00	BORDER CONTROL FACILITIES LAO PDR SIDE DETAIL OF DISTRIBUTION PANEL (3)
						DESIGN CHECK	T. Moutawa	<i>T. Moutawa</i>	18.01.00	
						SUBMITTED	A. Hrotland	<i>A. Hrotland</i>	18.01.00	
						APPROVED	P. Vepphonth	<i>P. Vepphonth</i>	22.02.00	

DATE OF ISSUE: 05/03/2000  
 DWG. NO. F-E-6  
 SHEET NO. 239  
 DWG. STATUS

PANEL	ONE LINE	BREAKER	POLE	AF	AT	VOLTAGE (V)	PHASE	WIRE	LOAD(A)	CIRCUIT	FACILITY	LOCATION
1-0-01	1 PHASE ONE WAY BYPASS BYPASS	MCB	1	20	10	220	1	3	30	3	SWITCH	SWITCH RM
		MCB	1	20	10	220	1	3	30	3	SWITCH	SWITCH RM
		MCB	1	20	10	220	1	3	30	3	SWITCH	SWITCH RM
		MCB	1	20	10	220	1	3	30	3	SWITCH	SWITCH RM
	1 PHASE ONE WAY BYPASS	MCB	1	20	10	220	1	3	30	3	SWITCH	SWITCH RM
		MCB	1	20	10	220	1	3	30	3	SWITCH	SWITCH RM
		MCB	1	20	10	220	1	3	30	3	SWITCH	SWITCH RM
		MCB	1	20	10	220	1	3	30	3	SWITCH	SWITCH RM
	1 PHASE ONE WAY BYPASS	MCB	1	20	10	220	1	3	30	3	SWITCH	SWITCH RM
		MCB	1	20	10	220	1	3	30	3	SWITCH	SWITCH RM
		MCB	1	20	10	220	1	3	30	3	SWITCH	SWITCH RM
		MCB	1	20	10	220	1	3	30	3	SWITCH	SWITCH RM

PANEL	ONE LINE	BREAKER	POLE	AF	AT	VOLTAGE (V)	PHASE	WIRE	LOAD(A)	CIRCUIT	FACILITY	LOCATION
1-0	1 PHASE ONE WAY BYPASS BYPASS	MCB	1	20	10	220	1	3	30	3	SWITCH	SWITCH RM
		MCB	1	20	10	220	1	3	30	3	SWITCH	SWITCH RM
		MCB	1	20	10	220	1	3	30	3	SWITCH	SWITCH RM
		MCB	1	20	10	220	1	3	30	3	SWITCH	SWITCH RM
	1 PHASE ONE WAY BYPASS	MCB	1	20	10	220	1	3	30	3	SWITCH	SWITCH RM
		MCB	1	20	10	220	1	3	30	3	SWITCH	SWITCH RM
		MCB	1	20	10	220	1	3	30	3	SWITCH	SWITCH RM
		MCB	1	20	10	220	1	3	30	3	SWITCH	SWITCH RM
	1 PHASE ONE WAY BYPASS	MCB	1	20	10	220	1	3	30	3	SWITCH	SWITCH RM
		MCB	1	20	10	220	1	3	30	3	SWITCH	SWITCH RM
		MCB	1	20	10	220	1	3	30	3	SWITCH	SWITCH RM
		MCB	1	20	10	220	1	3	30	3	SWITCH	SWITCH RM

REV.	DATE	DESCRIPTION	APPROVED

PROJECT STUDY TEAM  
 ORIENTAL CONSULTANTS CO., LTD.  
 in association with  
 NIPPON KOEI CO., LTD.

JICA JAPAN INTERNATIONAL COOPERATION AGENCY  
 LAO PEOPLE'S DEMOCRATIC REPUBLIC  
 MINISTRY OF COMMUNICATION, TRANSPORT, POST AND CONSTRUCTION  
 KINGDOM OF THAILAND  
 MINISTRY OF TRANSPORT AND COMMUNICATIONS  
 DEPARTMENT OF HIGHWAYS

THE SECOND MEKONG INTERNATIONAL BRIDGE CONSTRUCTION PROJECT

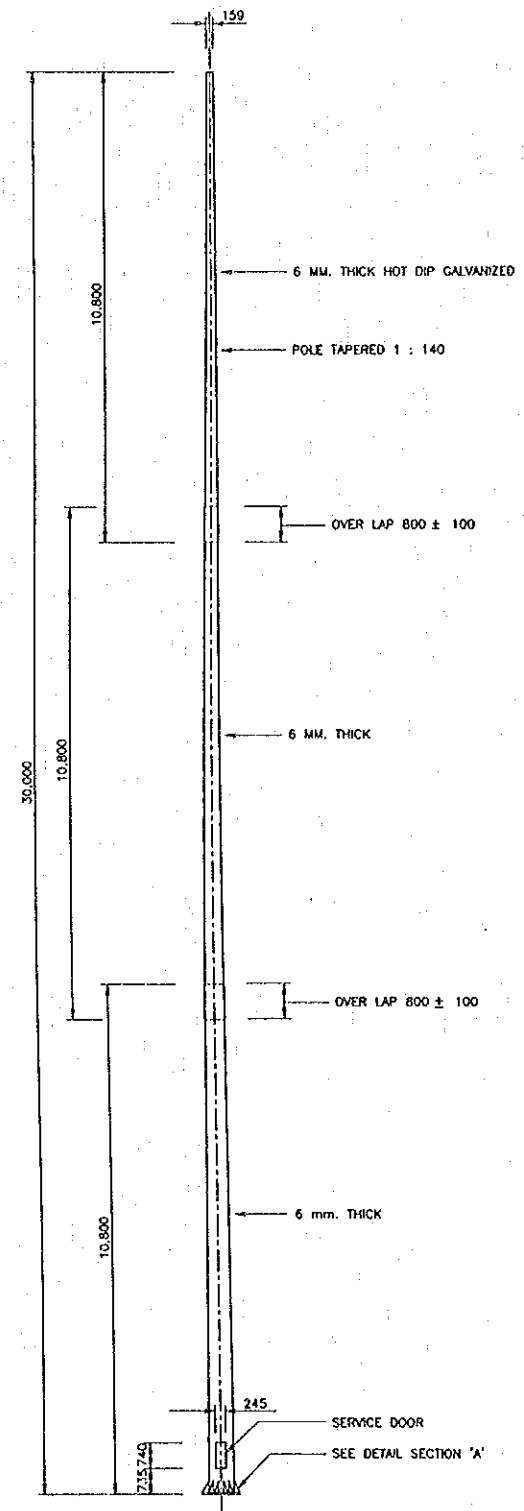
QUALITY RECORD	NAME	SIGNATURE	DATE	DWG. TITLE
DESIGN	T. Takaobura	<i>T. Takaobura</i>	19-03-00	BORDER CONTROL FACILITIES LAO PDR SIDE DETAIL OF DISTRIBUTION PANEL (4)
DESIGN CHECK	T. Matsuura	<i>T. Matsuura</i>	19-04-00	
SUBMITTED	A. Hirata	<i>A. Hirata</i>	21/01/00	
APPROVED	P. Wopphath	<i>P. Wopphath</i>	22/02/00	

PANEL	ONE LINE	BRAKER	POLE	AF	V	VOLTAGE (V)	PHASE	WIRE	LOAD(WA)	CIRCUIT	FACILITY	LOCATION
P-001-01	3 PHASE 4WIRE 3W/4W	BK1	1	1	1	220		1	1	1	SP-001-01	SP-001-01
		BK2	1	1	1	220		1	1	1	SP-001-02	SP-001-02
		BK3	1	1	1	220		1	1	1	SP-001-03	SP-001-03
		BK4	1	1	1	220		1	1	1	SP-001-04	SP-001-04
		BK5	1	1	1	220		1	1	1	SP-001-05	SP-001-05
		BK6	1	1	1	220		1	1	1	SP-001-06	SP-001-06
		BK7	1	1	1	220		1	1	1	SP-001-07	SP-001-07
		BK8	1	1	1	220		1	1	1	SP-001-08	SP-001-08
		BK9	1	1	1	220		1	1	1	SP-001-09	SP-001-09
		BK10	1	1	1	220		1	1	1	SP-001-10	SP-001-10
		BK11	1	1	1	220		1	1	1	SP-001-11	SP-001-11
		BK12	1	1	1	220		1	1	1	SP-001-12	SP-001-12
P-001-02	3 PHASE 4WIRE 3W/4W	BK13	1	1	1	220		1	1	1	SP-001-13	SP-001-13
		BK14	1	1	1	220		1	1	1	SP-001-14	SP-001-14
		BK15	1	1	1	220		1	1	1	SP-001-15	SP-001-15
		BK16	1	1	1	220		1	1	1	SP-001-16	SP-001-16
		BK17	1	1	1	220		1	1	1	SP-001-17	SP-001-17
		BK18	1	1	1	220		1	1	1	SP-001-18	SP-001-18
		BK19	1	1	1	220		1	1	1	SP-001-19	SP-001-19
		BK20	1	1	1	220		1	1	1	SP-001-20	SP-001-20
		BK21	1	1	1	220		1	1	1	SP-001-21	SP-001-21
		BK22	1	1	1	220		1	1	1	SP-001-22	SP-001-22
		BK23	1	1	1	220		1	1	1	SP-001-23	SP-001-23

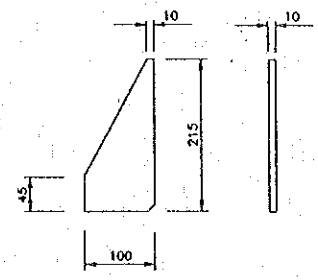
PANEL	ONE LINE	BRAKER	POLE	AF	V	VOLTAGE (V)	PHASE	WIRE	LOAD(WA)	CIRCUIT	FACILITY	LOCATION
P-001-03	3 PHASE 4WIRE 3W/4W	BK24	1	1	1	220		1	1	1	SP-001-24	SP-001-24
		BK25	1	1	1	220		1	1	1	SP-001-25	SP-001-25
		BK26	1	1	1	220		1	1	1	SP-001-26	SP-001-26
		BK27	1	1	1	220		1	1	1	SP-001-27	SP-001-27
		BK28	1	1	1	220		1	1	1	SP-001-28	SP-001-28
		BK29	1	1	1	220		1	1	1	SP-001-29	SP-001-29
		BK30	1	1	1	220		1	1	1	SP-001-30	SP-001-30
		BK31	1	1	1	220		1	1	1	SP-001-31	SP-001-31
		BK32	1	1	1	220		1	1	1	SP-001-32	SP-001-32
		BK33	1	1	1	220		1	1	1	SP-001-33	SP-001-33
		BK34	1	1	1	220		1	1	1	SP-001-34	SP-001-34
		BK35	1	1	1	220		1	1	1	SP-001-35	SP-001-35

REV.	DATE	DESCRIPTION	APPROVED	PROJECT STUDY TEAM	<p>JICA JAPAN INTERNATIONAL COOPERATION AGENCY          LAO PEOPLE'S DEMOCRATIC REPUBLIC          MINISTRY OF COMMUNICATION, TRANSPORT, POST AND CONSTRUCTION          KINGDOM OF THAILAND          MINISTRY OF TRANSPORT AND COMMUNICATIONS          DEPARTMENT OF HIGHWAYS</p>	QUALITY RECORD	NAME	SIGNATURE	DATE	DWG. TITLE:
				ORIENTAL CONSULTANTS CO., LTD. In association with NIPPON KORI CO., LTD.		DESIGN	T. Takaozushi		11-01-00	BORDER CONTROL FACILITIES LAO PDR SIDE DETAIL OF DISTRIBUTION PANEL (5)
						DESIGN CHECK	T. Maazuewa		21-01-00	
						SUBMITTED	A. Hrelong		21-01-00	
					APPROVED	P. Viraphanth		22-02-00		

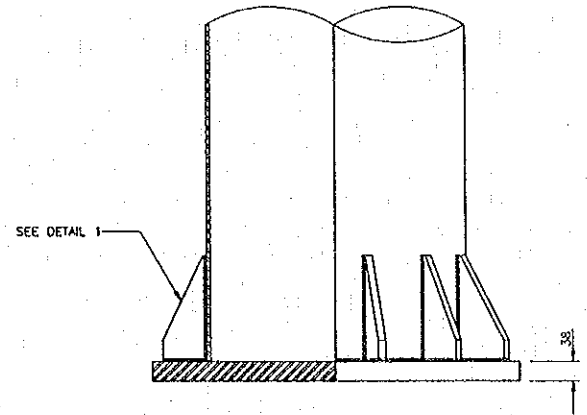
DATE OF ISSUE:		05/03/2000
DWG. NO.	F-E-8	SHEET NO. 241
DWG. STATUS		



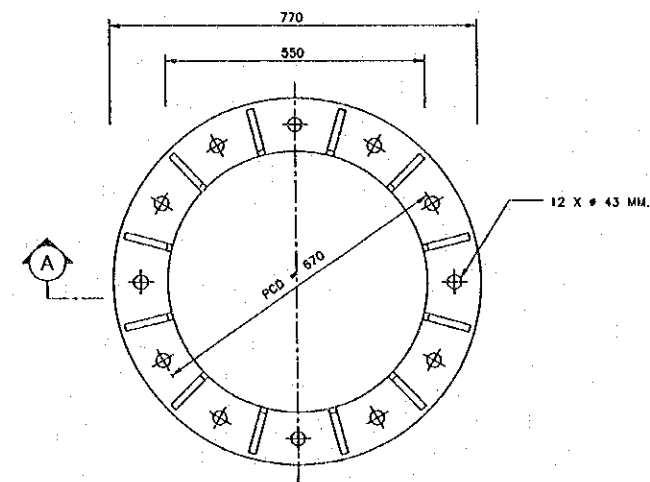
HIGH MAST STEEL TAPERED POLE  
NOT TO SCALE



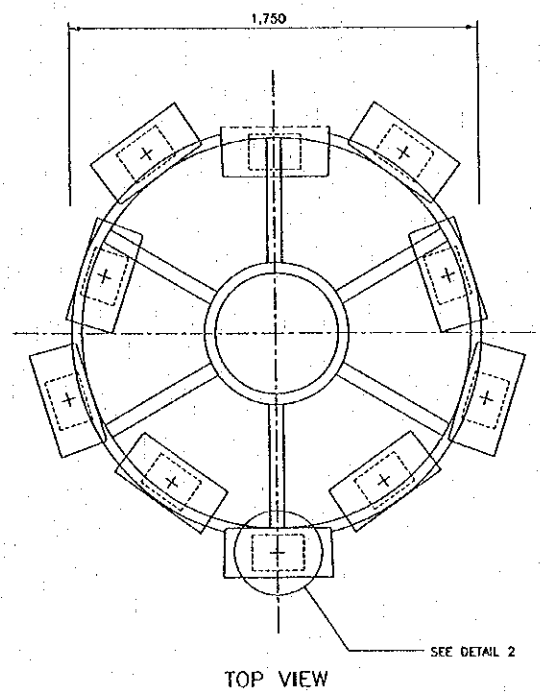
DETAIL 1



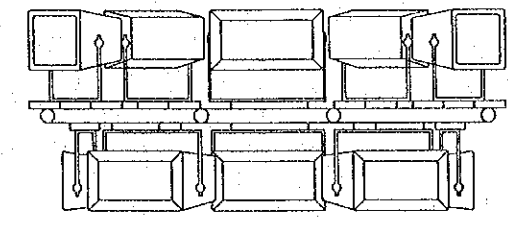
SECTION 'A'



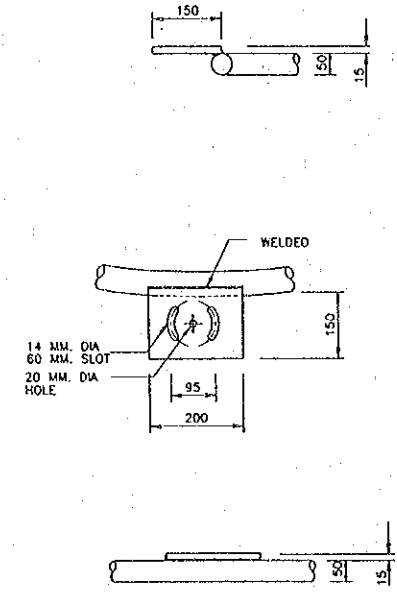
HIGH MAST BASE PLATE  
NOT TO SCALE



TOP VIEW



FRONT VIEW  
LANTERN CARRIAGE  
NOT TO SCALE



DETAIL 2

- NOTE:
- ALL DIMENSIONS ARE IN MILLIMETERS UNLESS OTHERWISE INDICATED.
  - THE SPECIFICATION OF HIGH MAST LIGHTING SYSTEM SHALL BE FOLLOWED TO THE 'TECHNICAL SPECIFICATIONS NO.25.5.

REV.	DATE	DESCRIPTION	APPROVED

PROJECT STUDY TEAM  
**ORIENTAL CONSULTANTS CO., LTD.**  
 in association with  
**NIPPON KOEI CO., LTD.**

**JICA** JAPAN INTERNATIONAL COOPERATION AGENCY  
 LAO PEOPLE'S DEMOCRATIC REPUBLIC  
 MINISTRY OF COMMUNICATION, TRANSPORT, POST AND CONSTRUCTION  
 KINGDOM OF THAILAND  
 MINISTRY OF TRANSPORT AND COMMUNICATIONS  
 DEPARTMENT OF HIGHWAYS

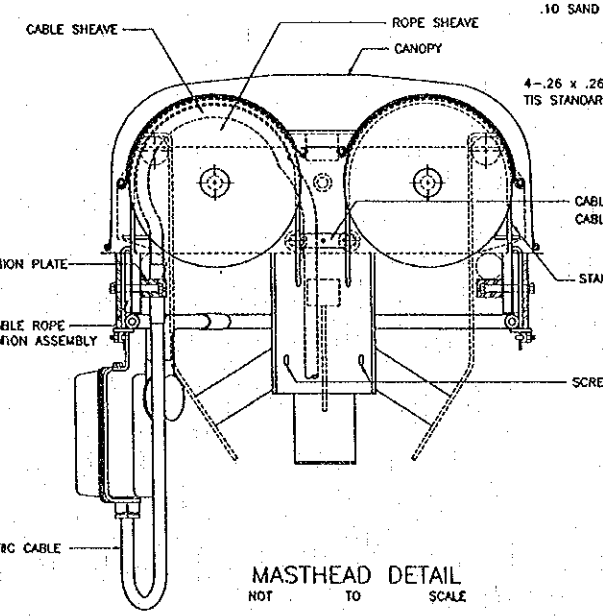
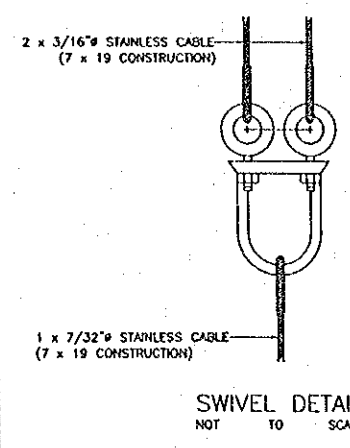
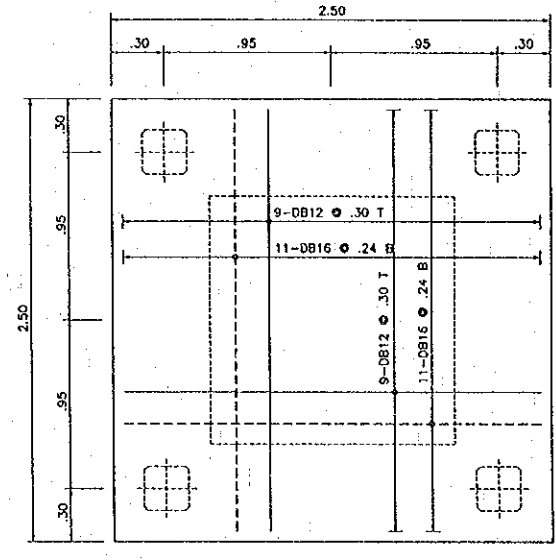
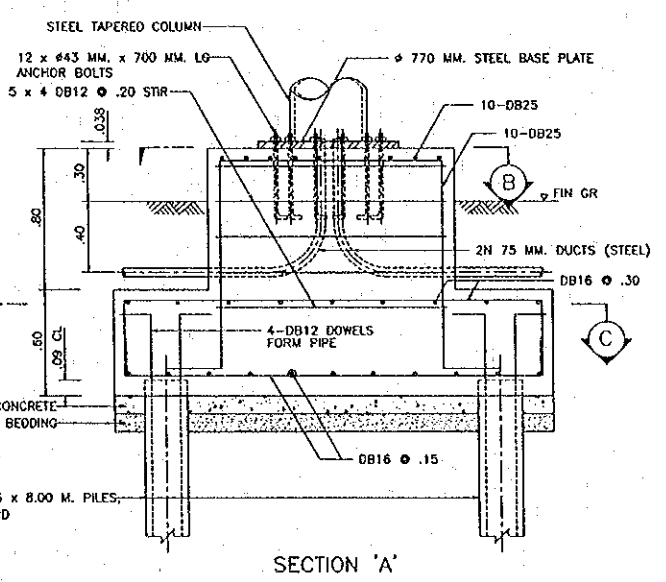
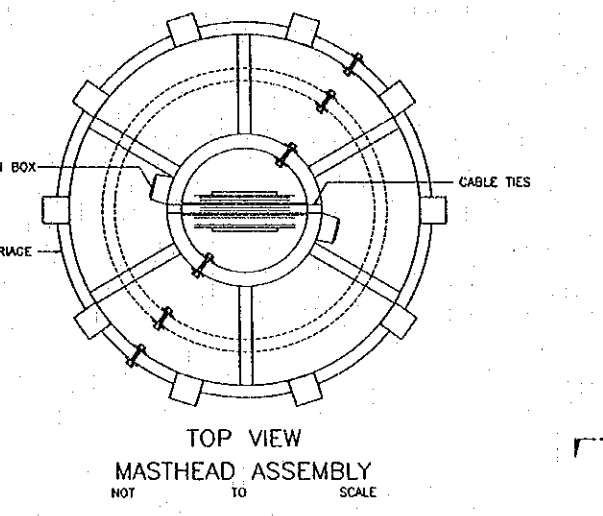
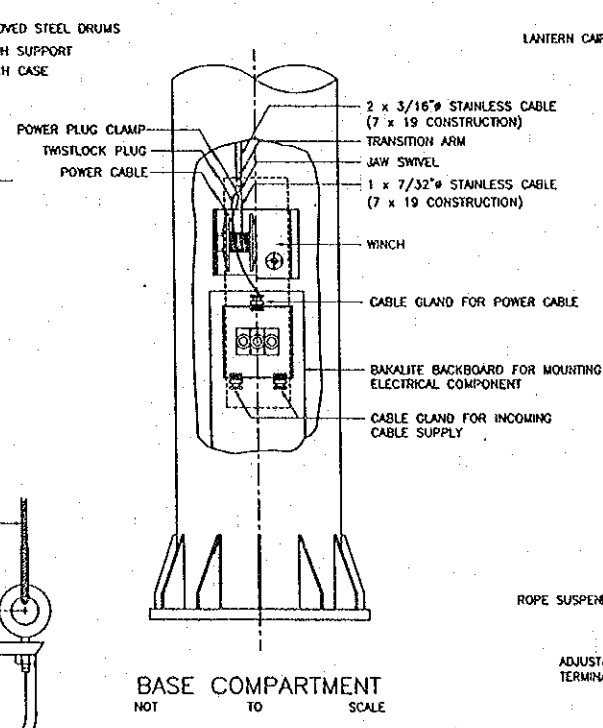
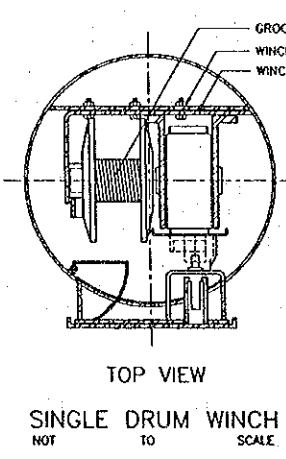
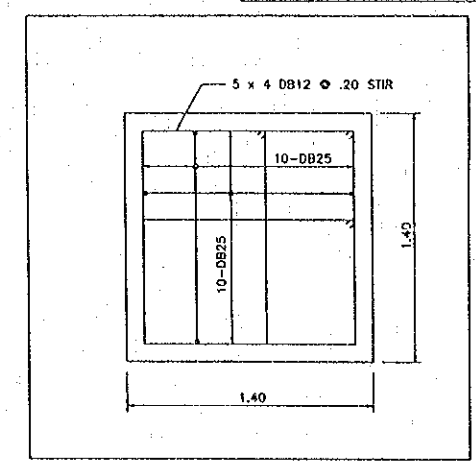
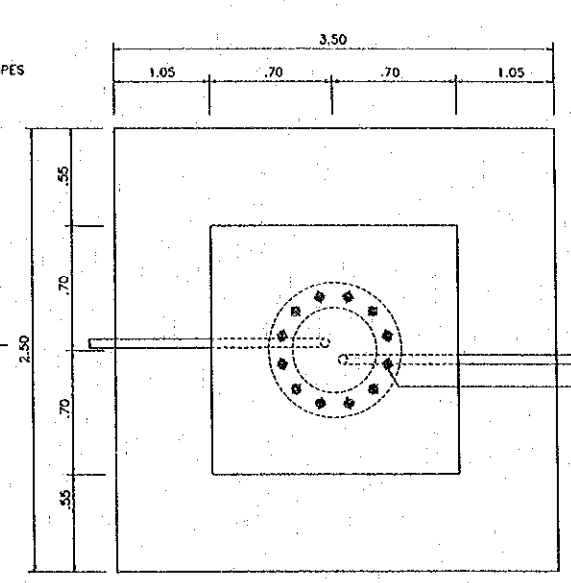
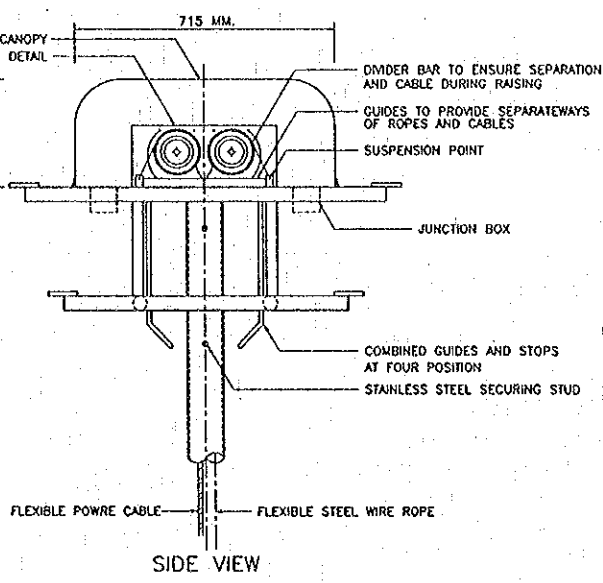
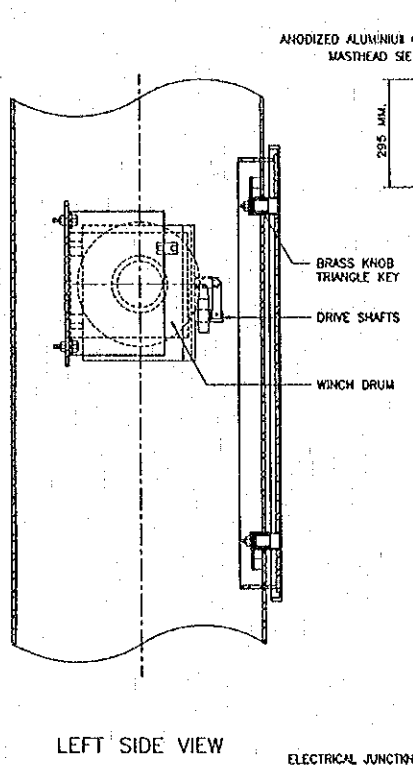
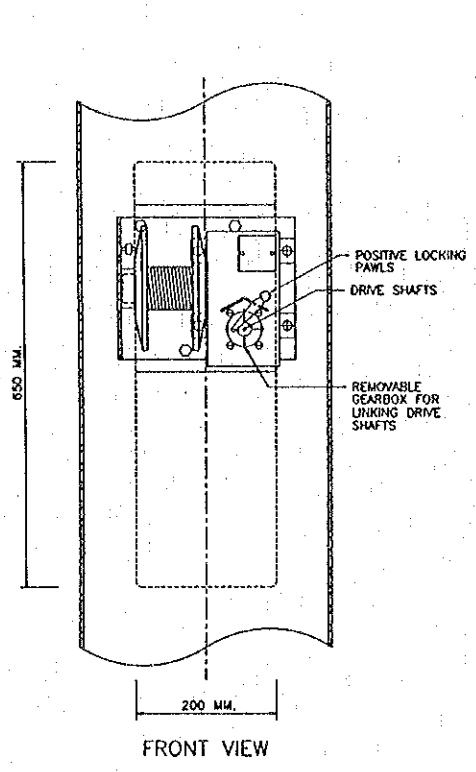
**THE SECOND MEKONG INTERNATIONAL BRIDGE CONSTRUCTION PROJECT**

QUALITY RECORD	NAME	SIGNATURE	DATE	DWG. TITLE
DESIGN	T. Tokobunhi	<i>T. Tokobunhi</i>	23/05/00	BORDER CONTROL FACILITIES LAO PDR SIDE DETAIL OF HIGH MAST LIGHTING (1)
DESIGN CHECK	T. Masuzawa	<i>T. Masuzawa</i>	26/05/00	
SUBMITTED	A. Hiratani	<i>A. Hiratani</i>	27/05/00	
APPROVED	P. Viraphonh	<i>P. Viraphonh</i>	31/05/00	

BORDER CONTROL FACILITIES  
 LAO PDR SIDE  
 DETAIL OF HIGH MAST LIGHTING (1)



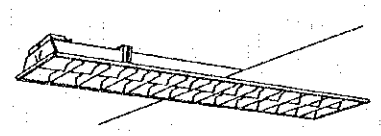
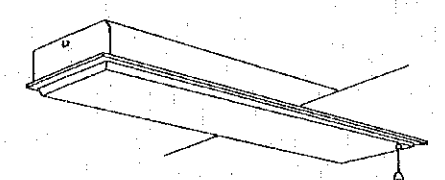
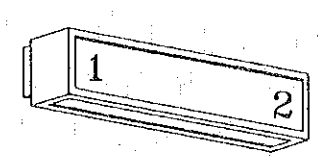
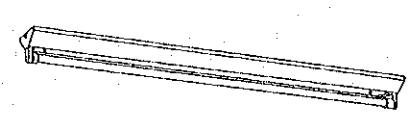
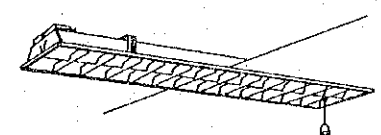
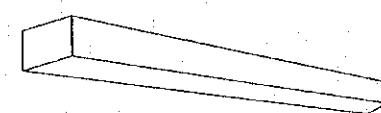
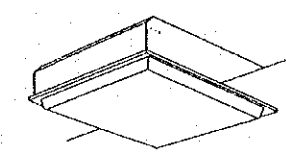
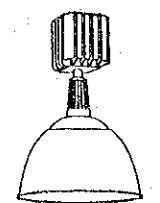
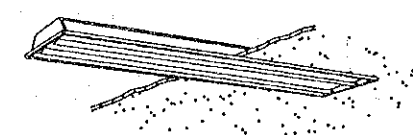
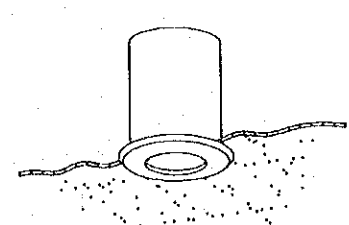
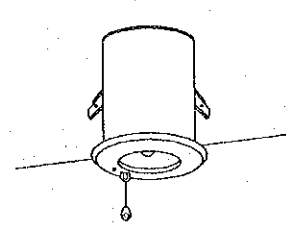
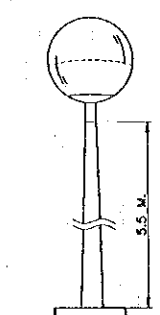

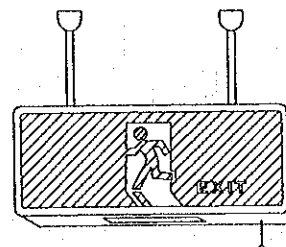
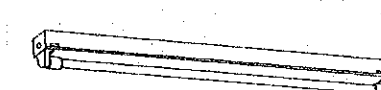
DATE OF ISSUE: 05/03/2000  
 DWG. NO. F-E-9 SHEET NO. 242  
 DWG. STATUS



HIGH MAST FOUNDATION  
 SCALE 1 : 20

NOTE:  
 1. ALL DIMENSIONS ARE IN METERS UNLESS OTHERWISE INDICATED.  
 2. THE SPECIFICATION OF HIGH MAST LIGHTING SYSTEM SHALL BE FOLLOWED TO THE TECHNICAL SPECIFICATIONS NO.25.5.

REV.	DATE	DESCRIPTION	APPROVED	PROJECT STUDY TEAM	JICA	QUALITY RECORD	NAME	SIGNATURE	DATE	DWG. TITLE
				ORIENTAL CONSULTANTS CO., LTD. in association with NIPPON KOEI CO., LTD.	JAPAN INTERNATIONAL COOPERATION AGENCY LAO PEOPLE'S DEMOCRATIC REPUBLIC MINISTRY OF COMMUNICATION, TRANSPORT, POST AND CONSTRUCTION KINGDOM OF THAILAND MINISTRY OF TRANSPORT AND COMMUNICATIONS DEPARTMENT OF HIGHWAYS	DESIGN	T. Takahashi	<i>T. Takahashi</i>	23/05/00	BORDER CONTROL FACILITIES LAO PDR SIDE DETAIL OF HIGH MAST LIGHTING (2)
						DESIGN CHECK	T. Masuzawa	<i>T. Masuzawa</i>	26/05/00	
						SUBMITTED	A. Kirelani	<i>A. Kirelani</i>	27/05/00	
						APPROVED	P. Viraphanth	<i>P. Viraphanth</i>	05/06/00	

 <p>FL 40W*2 W/LOUVER RECESSED</p>	 <p>FL 40W*2 W/COVER BT RECESSED</p>	 <p>FL 40W*1 W/BT WALL MOUNTED (STAIRWAY GUIDE)</p>	 <p>FL 40W*1 SURFACE MOUNTED W/BT</p>
 <p>FL 40W*2 W/LOUVER BT RECESSED</p>	 <p>FL 40W*1 WALL MOUNTED</p>	 <p>FL 20W*5 W/COVER RECESSED</p>	 <p>HIGHBAY HID 250W*1 (SODIUM/MERCURY)</p>
 <p>FL 40W*2 RECESSED</p>	 <p>FL 18W*1 RECESSED (CEILING LIGHTING)</p>	 <p>FL 13W*1 W/BT RECESSED (EMERGENCY LIGHTING)</p>	 <p>GARDEN LIGHTING HID 100W*1 (MERCURY)</p>
 <p>FL 40W*1 RECESSED</p>	 <p>FL 20W*1 W/BT SURFACE MOUNTED (EXIT LIGHTING)</p>	 <p>FL 40W*1 SURFACE MOUNTED WP</p>	

REV.	DATE	DESCRIPTION	APPROVED

PROJECT STUDY TEAM  
**ORIENTAL CONSULTANTS CO., LTD.**  
 in association with  
**NIIPPON KOEI CO., LTD.**

**JICA** JAPAN INTERNATIONAL COOPERATION AGENCY  
 LAO PEOPLE'S DEMOCRATIC REPUBLIC  
 MINISTRY OF COMMUNICATION, TRANSPORT, POST AND CONSTRUCTION  
 KINGDOM OF THAILAND  
 MINISTRY OF TRANSPORT AND COMMUNICATIONS  
 DEPARTMENT OF HIGHWAYS

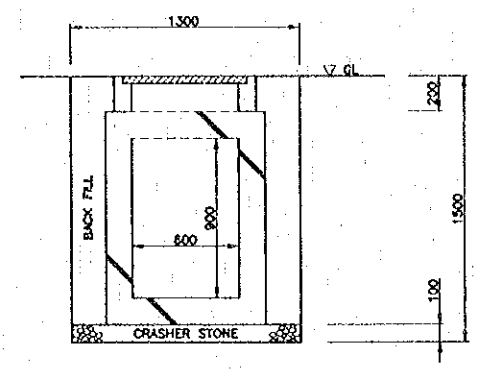
**THE SECOND MEKONG INTERNATIONAL BRIDGE CONSTRUCTION PROJECT**

QUALITY RECORD	NAME	SIGNATURE	DATE
DESIGN	T. Takahashi	<i>T. Takahashi</i>	11-01-00
DESIGN CHECK	T. Meevong	<i>T. Meevong</i>	18-02-00
SUBMITTED	A. Hiratani	<i>A. Hiratani</i>	21-01-00
APPROVED	P. Virophanh	<i>P. Virophanh</i>	02/02/00

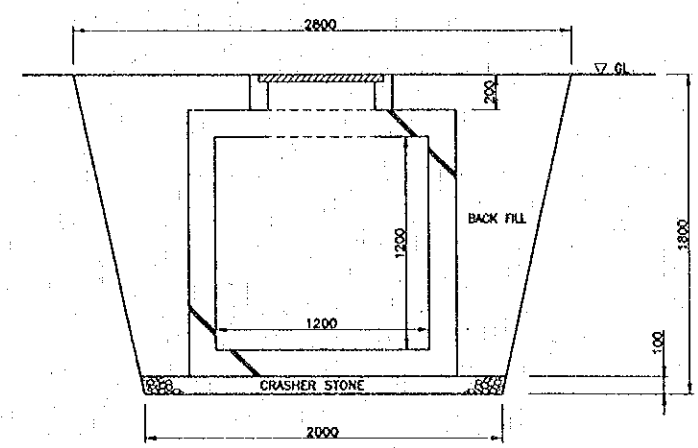
DWG. TITLE:  
**BORDER CONTROL FACILITIES  
 LAO PDR SIDE  
 FIGURE OF LIGHTING FIXTURE**

DATE OF ISSUE: 05/03/2000

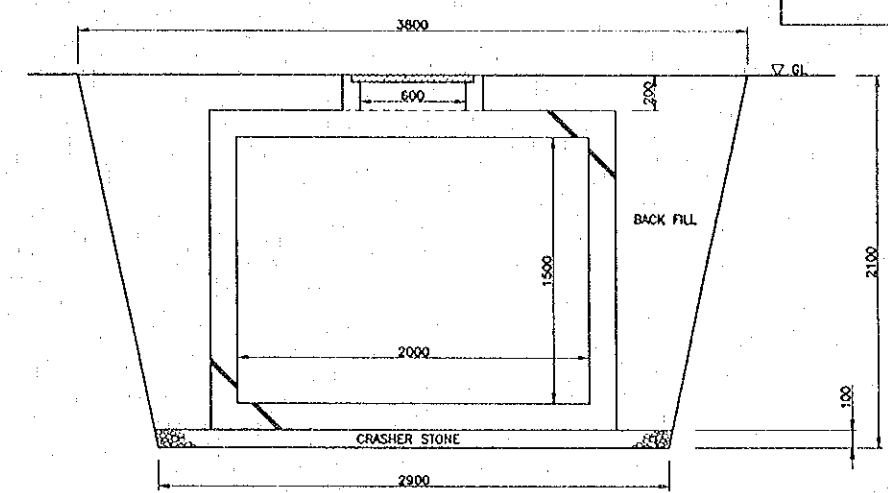
DWG. NO. F-E-11 SHEET NO. 244  
 DWG. STATUS



MANHOLE (600x600x900)  
 SCALE 1:20

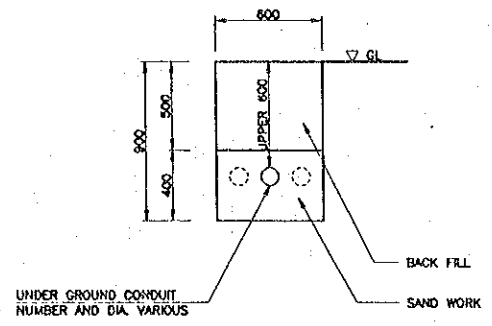


MANHOLE (1200x1200x1200)  
 SCALE 1:20



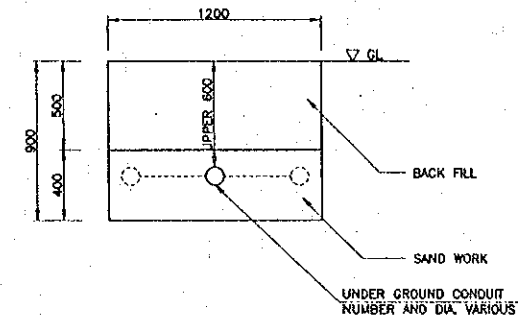
MANHOLE (1200x1200x1500)  
 SCALE 1:20

UNDERGROUND CONDUIT INSTALLATION  
 (CONNECTED TO H.H 600x600x600)  
 SCALE 1:20



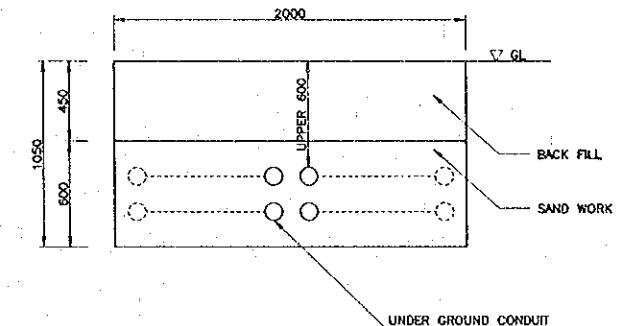
TYPE-1-1

UNDERGROUND CONDUIT INSTALLATION  
 (CONNECTED TO H.H 1200x1200x1200)  
 SCALE 1:20

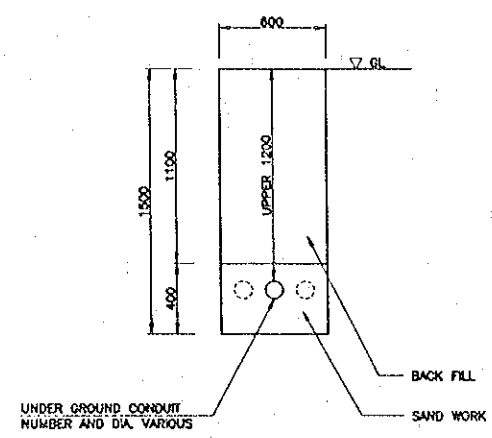


TYPE-2-1

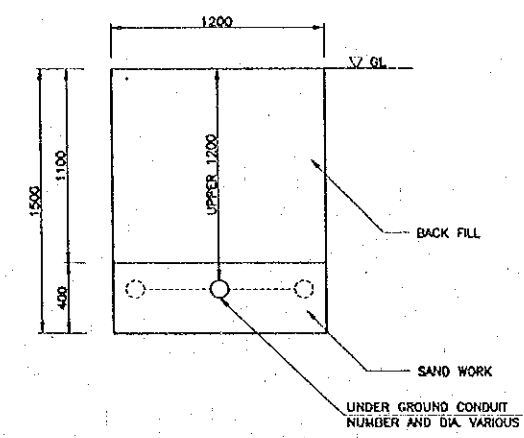
UNDERGROUND CONDUIT INSTALLATION  
 (CONNECTED TO H.H 2000x2000x1500)  
 SCALE 1:20



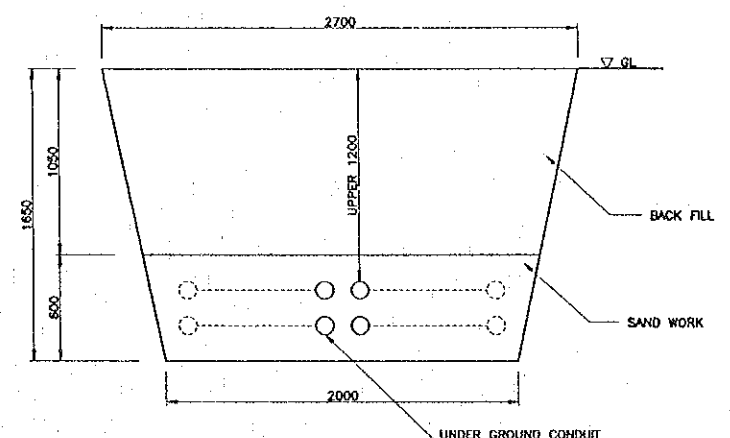
TYPE-3-1



TYPE-1-2  
 (ROAD CROSS SECTION)



TYPE-2-2  
 (ROAD CROSS SECTION)



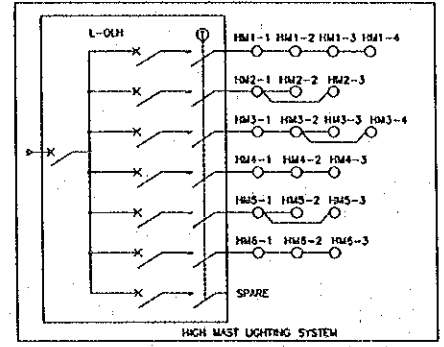
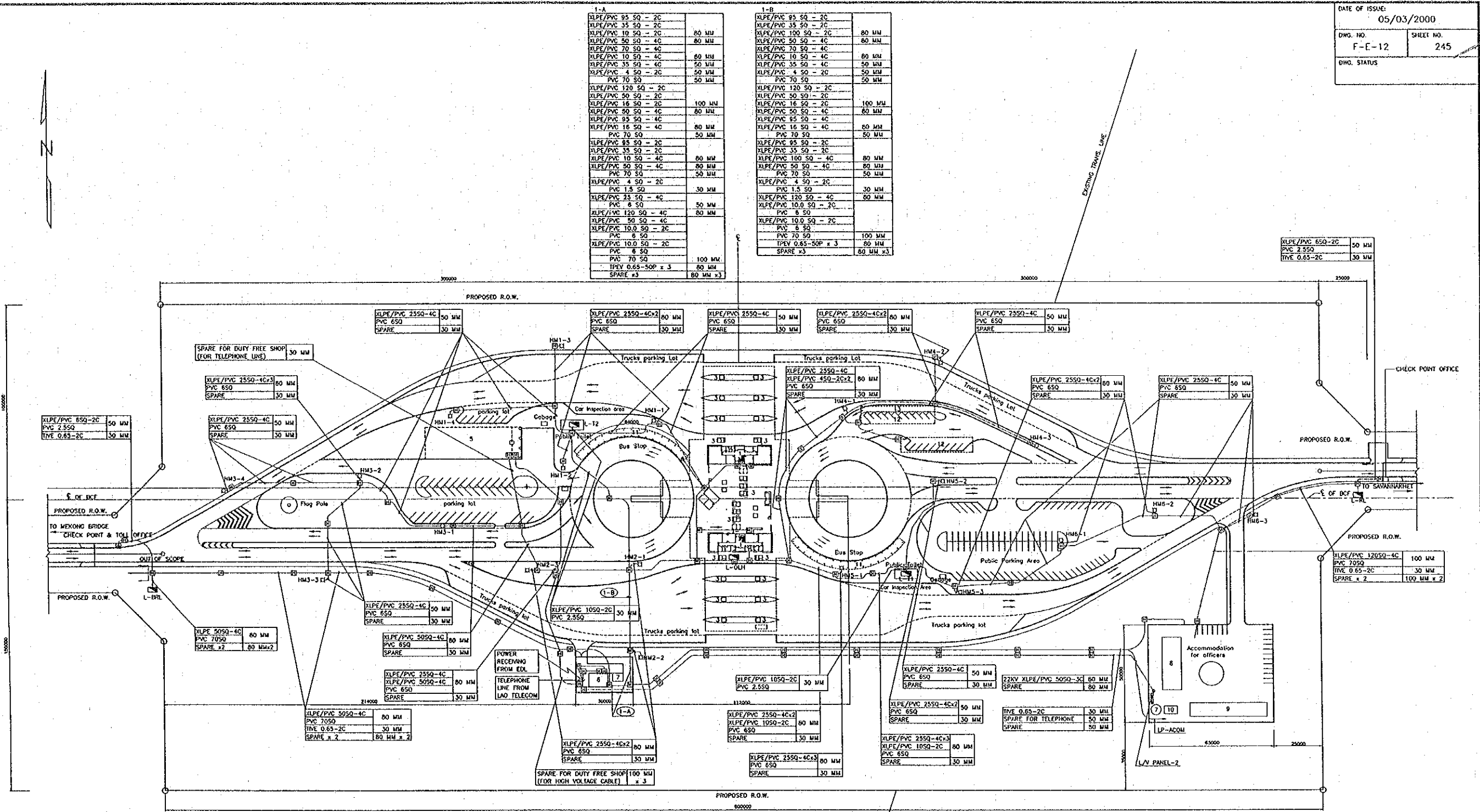
TYPE-3-2  
 (ROAD CROSS SECTION)

REV.	DATE	DESCRIPTION	APPROVED	PROJECT STUDY TEAM	JICA	QUALITY RECORD	NAME	SIGNATURE	DATE	DWG. TITLE
				ORIENTAL CONSULTANTS CO., LTD. In association with NIPPON KOEI CO., LTD.	JAPAN INTERNATIONAL COOPERATION AGENCY LAO PEOPLE'S DEMOCRATIC REPUBLIC MINISTRY OF COMMUNICATION, TRANSPORT, POST AND CONSTRUCTION KINGDOM OF THAILAND MINISTRY OF TRANSPORT AND COMMUNICATIONS DEPARTMENT OF HIGHWAYS	DESIGN	T. Takaoobun	<i>T. Takaoobun</i>	18-01-00	BORDER CONTROL FACILITIES LAO PDR SIDE DETAIL OF MANHOLE, HANDHOLE AND UNDERGROUND CONDUIT
						DESIGN CHECK	T. Masuzawa	<i>T. Masuzawa</i>	18-01-00	
						SUBMITTED	A. Hiratani	<i>A. Hiratani</i>	21/01/00	
						APPROVED	P. Virophanth	<i>P. Virophanth</i>	22/02/00	

1-A		1-B	
XLPE/PVC 95 SQ - 2C	80 MM	XLPE/PVC 95 SQ - 2C	80 MM
XLPE/PVC 35 SQ - 2C	80 MM	XLPE/PVC 35 SQ - 2C	80 MM
XLPE/PVC 10 SQ - 2C	80 MM	XLPE/PVC 100 SQ - 2C	80 MM
XLPE/PVC 50 SQ - 4C	80 MM	XLPE/PVC 50 SQ - 4C	80 MM
XLPE/PVC 70 SQ - 4C	80 MM	XLPE/PVC 70 SQ - 4C	80 MM
XLPE/PVC 10 SQ - 4C	80 MM	XLPE/PVC 10 SQ - 4C	80 MM
XLPE/PVC 35 SQ - 4C	80 MM	XLPE/PVC 35 SQ - 4C	80 MM
XLPE/PVC 4 SQ - 2C	50 MM	XLPE/PVC 4 SQ - 2C	50 MM
PVC 70 SQ	50 MM	PVC 70 SQ	50 MM
XLPE/PVC 120 SQ - 2C	100 MM	XLPE/PVC 120 SQ - 2C	100 MM
XLPE/PVC 50 SQ - 2C	80 MM	XLPE/PVC 50 SQ - 2C	80 MM
XLPE/PVC 16 SQ - 2C	80 MM	XLPE/PVC 16 SQ - 2C	80 MM
XLPE/PVC 50 SQ - 4C	80 MM	XLPE/PVC 50 SQ - 4C	80 MM
XLPE/PVC 85 SQ - 4C	80 MM	XLPE/PVC 85 SQ - 4C	80 MM
XLPE/PVC 16 SQ - 4C	80 MM	XLPE/PVC 16 SQ - 4C	80 MM
PVC 70 SQ	50 MM	PVC 70 SQ	50 MM
XLPE/PVC 85 SQ - 2C	100 MM	XLPE/PVC 85 SQ - 2C	100 MM
XLPE/PVC 35 SQ - 2C	80 MM	XLPE/PVC 35 SQ - 2C	80 MM
XLPE/PVC 10 SQ - 4C	80 MM	XLPE/PVC 100 SQ - 4C	80 MM
XLPE/PVC 50 SQ - 4C	80 MM	XLPE/PVC 50 SQ - 4C	80 MM
PVC 70 SQ	50 MM	PVC 70 SQ	50 MM
XLPE/PVC 4 SQ - 2C	50 MM	XLPE/PVC 4 SQ - 2C	50 MM
PVC 1.5 SQ	30 MM	PVC 1.5 SQ	30 MM
XLPE/PVC 25 SQ - 4C	80 MM	XLPE/PVC 120 SQ - 4C	80 MM
PVC 6 SQ	50 MM	XLPE/PVC 100 SQ - 2C	80 MM
XLPE/PVC 120 SQ - 4C	80 MM	PVC 6 SQ	50 MM
XLPE/PVC 50 SQ - 4C	80 MM	XLPE/PVC 100 SQ - 2C	80 MM
XLPE/PVC 10.0 SQ - 2C	80 MM	PVC 6 SQ	50 MM
PVC 8 SQ	50 MM	PVC 70 SQ	100 MM
XLPE/PVC 10.0 SQ - 2C	80 MM	TPEV 0.65-50P x 3	80 MM
PVC 70 SQ	100 MM	SPARE x 3	80 MM x 3
PVC 6 SQ	50 MM		
PVC 70 SQ	100 MM		
TPEV 0.65-50P x 3	80 MM		
SPARE x 3	80 MM x 3		

XLPE/PVC 650-2C	50 MM
PVC 2.550	30 MM
TPEV 0.65-2C	30 MM

XLPE/PVC 120SQ-4C	100 MM
PVC 2.550	30 MM
TPEV 0.65-2C	100 MM x 2



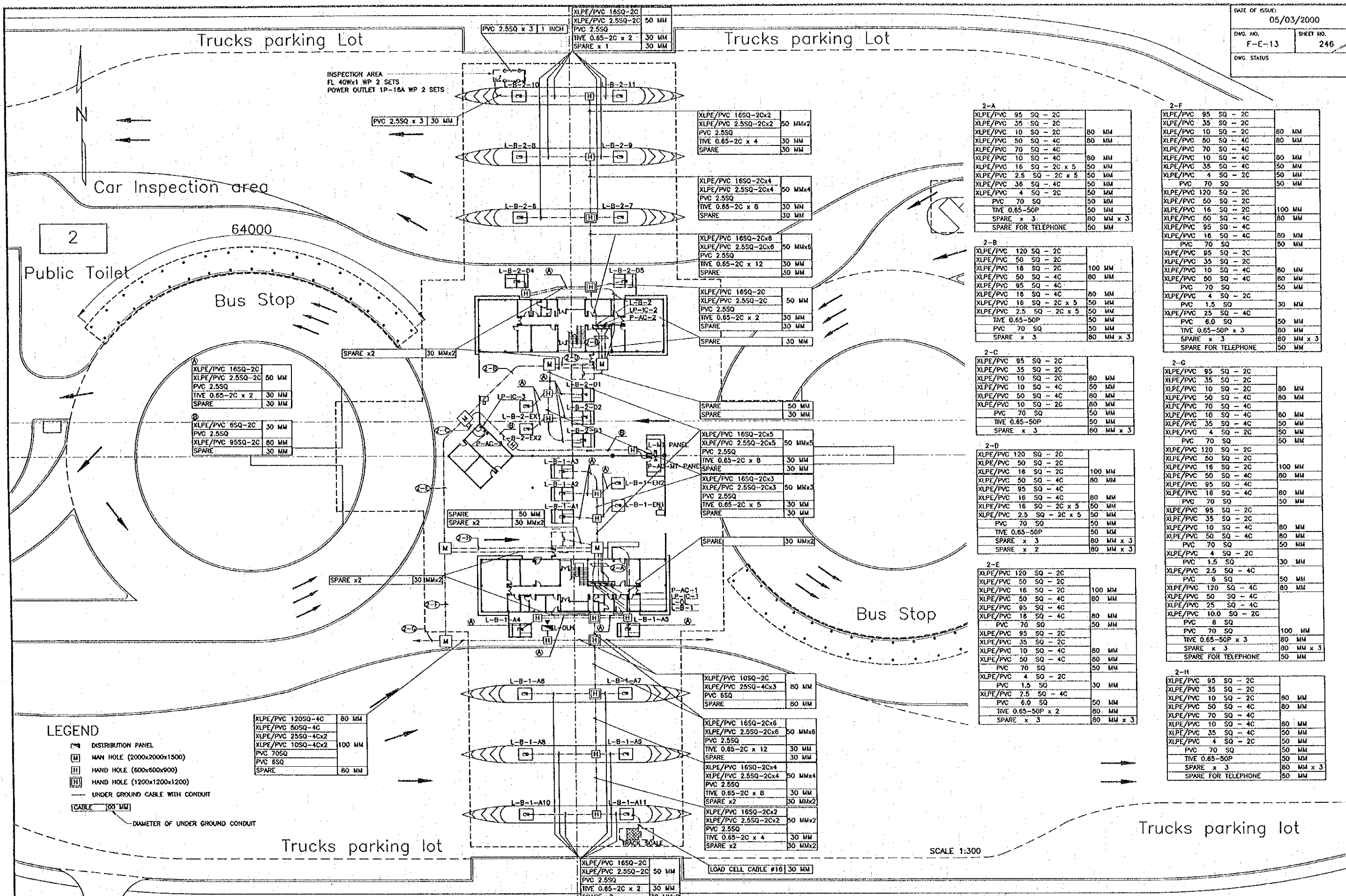
**LEGEND**

- DISTRIBUTION PANEL
- HIGH MAST LIGHTING HD 400x10 SETS (SODIUM LAMP)
- ⊕ MAN HOLE (2000x2000x1500)
- ⊕ HAND HOLE (600x600x900)
- UNDER GROUND CABLE WITH CONDUIT
- CABLE 100 MM
- DIAMETER OF UNDER GROUND CONDUIT

- NOTES :**
1. MAIN OFFICE (Imm. AND CUSTOM)
  2. PUBLIC TOILET
  3. CHECK POINT BOOTH
  4. INSPECTION BOOTH (Imm. & CUSTOM)
  5. DUTY FREE SHOP (FUTURE)
  6. POWER HOUSE
  7. WATER RECEIVING TANK
  8. FAMILY OFFICER'S HOUSE
  9. SINGLE OFFICER'S HOUSE
  10. TOILET AND LAUNDRY
  11. BUS STOP
  12. OFFICER'S PARKING (T-1)
  13. OFFICER'S PARKING WITH MOTORCYCLE PARK. (T-2)
- CVV: PVC INSULATED AND PVC SHEATHED CONTROL CABLE

SCALE 1 : 1000

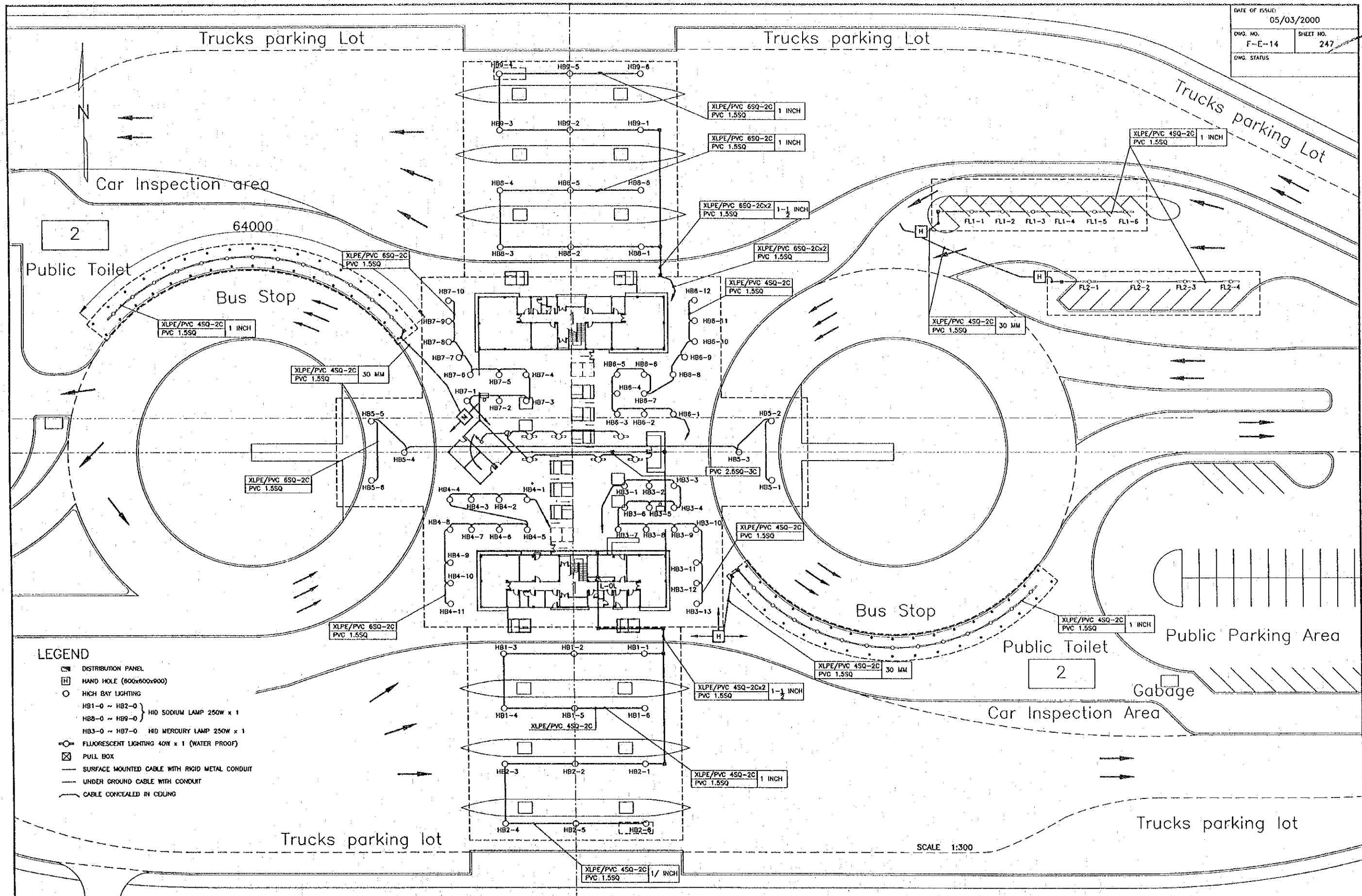
REV.	DATE	DESCRIPTION	APPROVED	PROJECT STUDY TEAM	JICA JAPAN INTERNATIONAL COOPERATION AGENCY	LAO PEOPLE'S DEMOCRATIC REPUBLIC MINISTRY OF COMMUNICATION, TRANSPORT, POST AND CONSTRUCTION	THE SECOND MEKONG INTERNATIONAL BRIDGE CONSTRUCTION PROJECT	QUALITY RECORD	NAME	SIGNATURE	DATE	DWG. TITLE:
				ORIENTAL CONSULTANTS CO., LTD. In association with NIPPON KOEI CO., LTD.		KINGDOM OF THAILAND MINISTRY OF TRANSPORT AND COMMUNICATIONS DEPARTMENT OF HIGHWAYS		DESIGN	T. Tekeobuath	<i>[Signature]</i>	23/05/00	BORDER CONTROL FACILITIES LAO PDR SIDE PLAN OF EXTERNAL ELECTRICAL WORK (1)
							DESIGN CHECK	T. Masueawa	<i>[Signature]</i>	28/05/00		
							SUBMITTED	A. Hirorant	<i>[Signature]</i>	29/05/00		
							APPROVED	P. Viraphanth	<i>[Signature]</i>	31/05/00		



REV.	DATE	DESCRIPTION	APPROVED	PROJECT STUDY TEAM
				ORIENTAL CONSULTANTS CO., LTD. in association with NIPPON KORI CO., LTD.

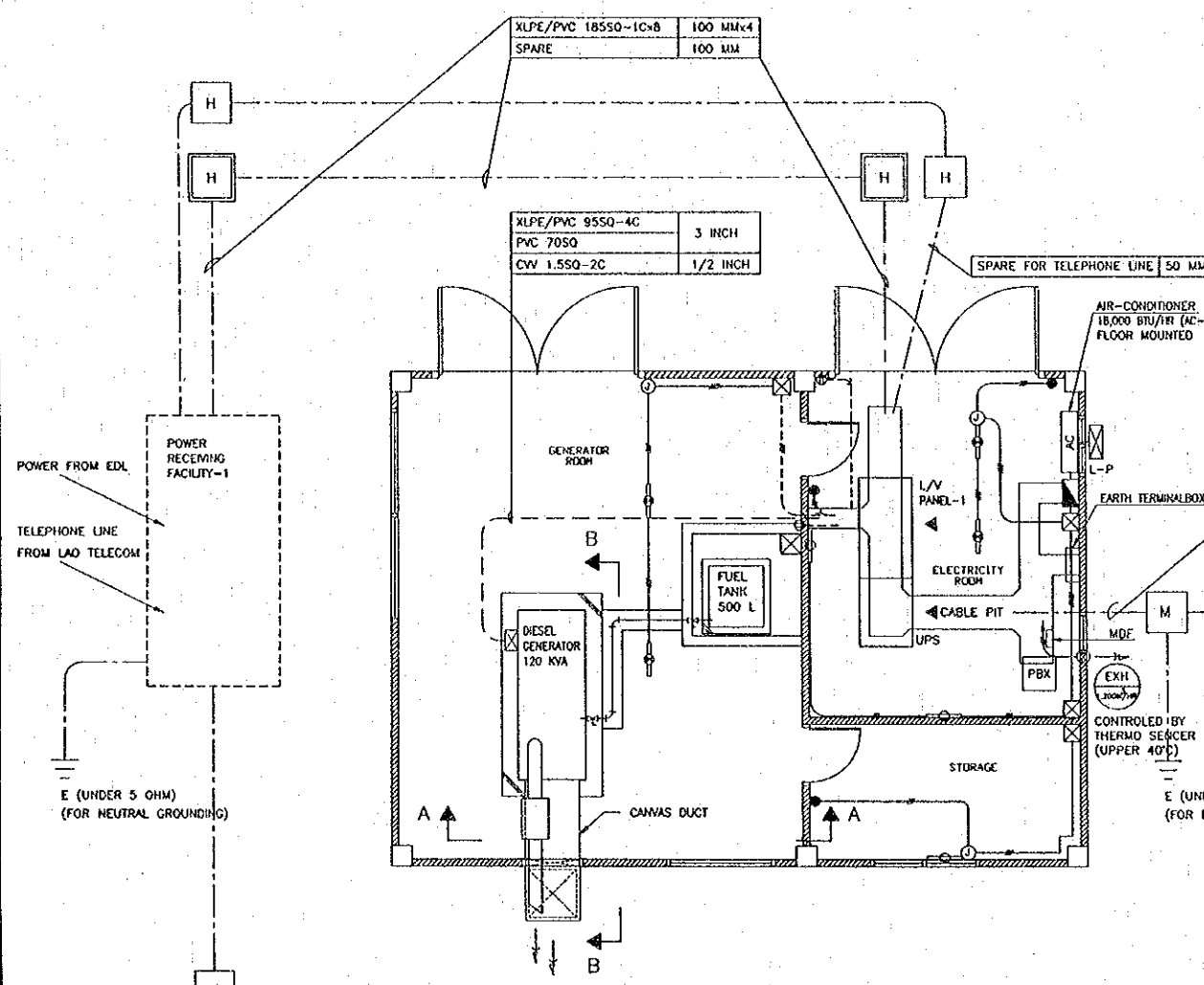
JICA JAPAN INTERNATIONAL COOPERATION AGENCY  
 LAO PEOPLE'S DEMOCRATIC REPUBLIC  
 MINISTRY OF COMMUNICATION, TRANSPORT, POST AND CONSTRUCTION  
 KINGDOM OF THAILAND  
 MINISTRY OF TRANSPORT AND COMMUNICATIONS  
 DEPARTMENT OF HIGHWAYS

QUALITY RECORD	NAME	SIGNATURE	DATE	DWG. TITLE:
DESIGN	H. Orita	<i>[Signature]</i>	18-02-00	BORDER CONTROL FACILITIES LAO PDR SIDE PLAN OF EXTERNAL ELECTRICAL WORK (2)
DESIGN CHECK	T. Nouzawa	<i>[Signature]</i>	17-02-00	
SUBMITTED	A. Hirata	<i>[Signature]</i>	17-02-00	
APPROVED	P. Virophanth	<i>[Signature]</i>	22/02/00	



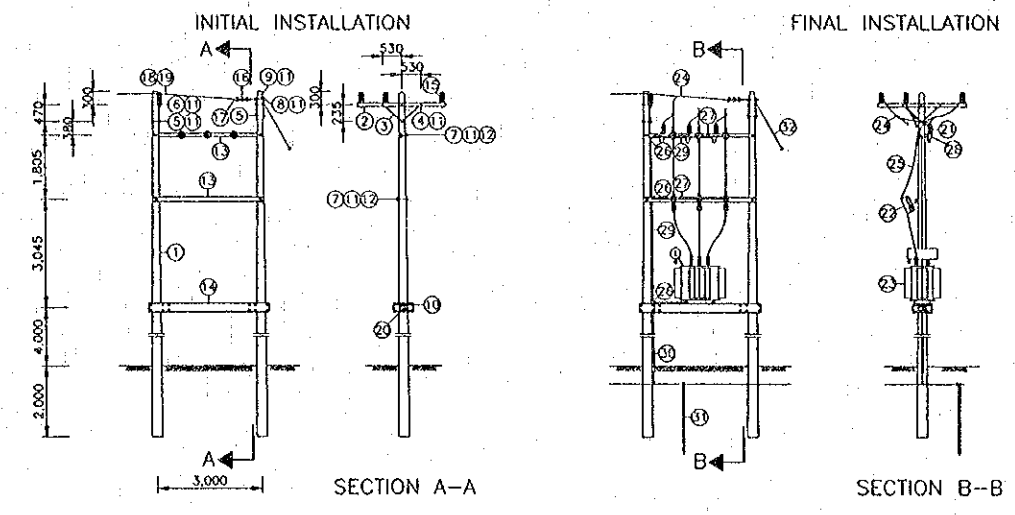
- LEGEND**
- DISTRIBUTION PANEL
  - ⊠ HAND HOLE (600x600x600)
  - HIGH BAY LIGHTING
  - HB1-0 ~ HB2-0 } H10 SODIUM LAMP 250W x 1
  - HB8-0 ~ HB9-0 } H10 SODIUM LAMP 250W x 1
  - HB3-0 ~ HB7-0 } H10 MERCURY LAMP 250W x 1
  - FLUORESCENT LIGHTING 40W x 1 (WATER PROOF)
  - ⊠ PULL BOX
  - SURFACE MOUNTED CABLE WITH RIGID METAL CONDUIT
  - UNDER GROUND CABLE WITH CONDUIT
  - CABLE CONCEALED IN CEILING

REV.	DATE	DESCRIPTION	APPROVED	PROJECT STUDY TEAM	JICA	QUALITY RECORD	NAME	SIGNATURE	DATE	DWG. TITLE
				ORIENTAL CONSULTANTS CO., LTD. in association with NIPPON KOKI CO., LTD.	JAPAN INTERNATIONAL COOPERATION AGENCY LAO PEOPLE'S DEMOCRATIC REPUBLIC MINISTRY OF COMMUNICATION, TRANSPORT, POST AND CONSTRUCTION KINGDOM OF THAILAND MINISTRY OF TRANSPORT AND COMMUNICATIONS DEPARTMENT OF HIGHWAYS	DESIGN	H. Okita	<i>[Signature]</i>	18-02-00	BORDER CONTROL FACILITIES LAO PDR SIDE PLAN OF EXTERNAL ELECTRICAL WORK (3)
						DESIGN CHECK	T. Mousazong	<i>[Signature]</i>	18-02-00	
						SUBMITTED	A. Hirofani	<i>[Signature]</i>	18/02/00	
						APPROVED	P. Viraphanth	<i>[Signature]</i>	22/02/00	

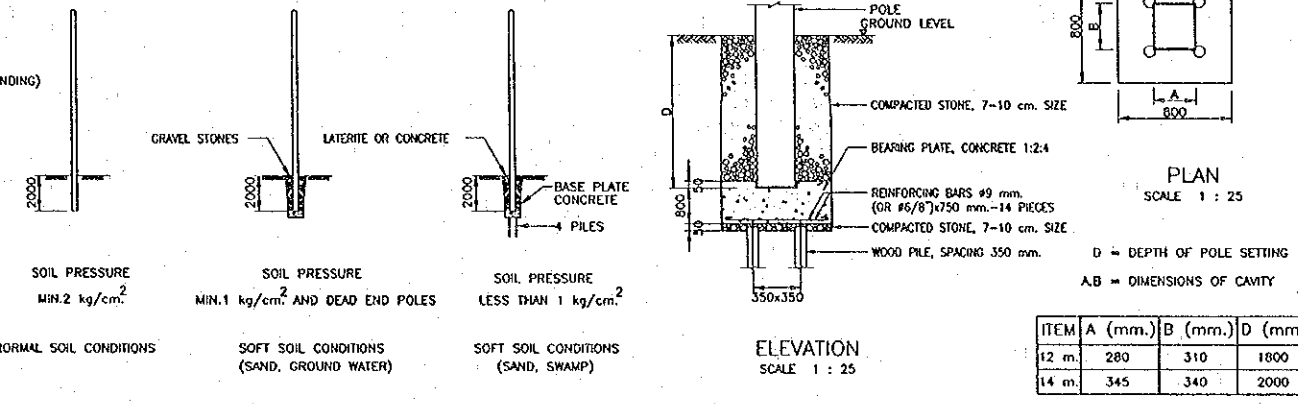


XLPE/PVC 95 SQ - 2C	
XLPE/PVC 35 SQ - 2C	
XLPE/PVC 10 SQ - 2C	80 MM
XLPE/PVC 50 SQ - 4C	80 MM
XLPE/PVC 70 SQ - 4C	
XLPE/PVC 10 SQ - 4C	80 MM
XLPE/PVC 35 SQ - 4C	50 MM
XLPE/PVC 4 SQ - 2C	50 MM
PVC 70 SQ	50 MM
XLPE/PVC 120 SQ - 2C	
XLPE/PVC 50 SQ - 2C	100 MM
XLPE/PVC 18 SQ - 2C	80 MM
XLPE/PVC 50 SQ - 4C	80 MM
XLPE/PVC 95 SQ - 4C	
XLPE/PVC 16 SQ - 4C	80 MM
PVC 70 SQ	50 MM
XLPE/PVC 95 SQ - 2C	
XLPE/PVC 35 SQ - 2C	
XLPE/PVC 10 SQ - 4C	80 MM
XLPE/PVC 50 SQ - 4C	80 MM
PVC 70 SQ	50 MM
XLPE/PVC 4 SQ - 2C	
PVC 1.5 SQ	30 MM
XLPE/PVC 120 SQ - 4C	80 MM
XLPE/PVC 10 SQ - 2C	
PVC 6 SQ	
XLPE/PVC 10 SQ - 2C	
PVC 6 SQ	
PVC 70 SQ	100 MM
TVE 0.65-2C	30 MM
SPARE FOR TELEPHONE	50 MM
SPARE	50 MM
SPARE x 3	80 MM x 3

ASSEMBLY "K"  
 TRANSFORMER INSTALLATION ON PLATFORM AT DEAD-END

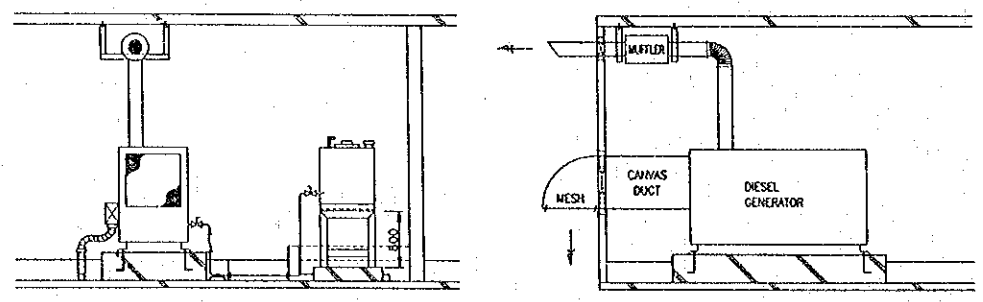


ASSEMBLY "N"  
 BURYING DEPTH AND FOUNDATION FOR H.T. POLES  
 POLES 22 KV 12 m.



PLAN SCALE 1 : 50

- LEGEND
- FLUORESCENT LIGHTING 40W x 1 W/BT
  - FLUORESCENT LIGHTING 40W x 1 (WALL MOUNTED)
  - POWER OUTLET (SURFACE MOUNTED) 2P 16A-2
  - TAMBLER SWITCH (SURFACE MOUNTED)
  - PULL BOX (200x200x200)
  - JUNCTION BOX
  - PVC 2.5 SQ x 3 (CONDUIT 1/2 INCH)
  - PVC 2.5 SQ x 4 (CONDUIT 3/4 INCH)
  - PVC 2.5 SQ x 6 (CONDUIT 3/4 INCH)
  - UNDER FLOOR WIRING W/CONDUIT
  - MANHOLE (2000x2000x1500)
  - HANDHOLE (1200x1200x1200)
  - HANDHOLE (600x600x900)

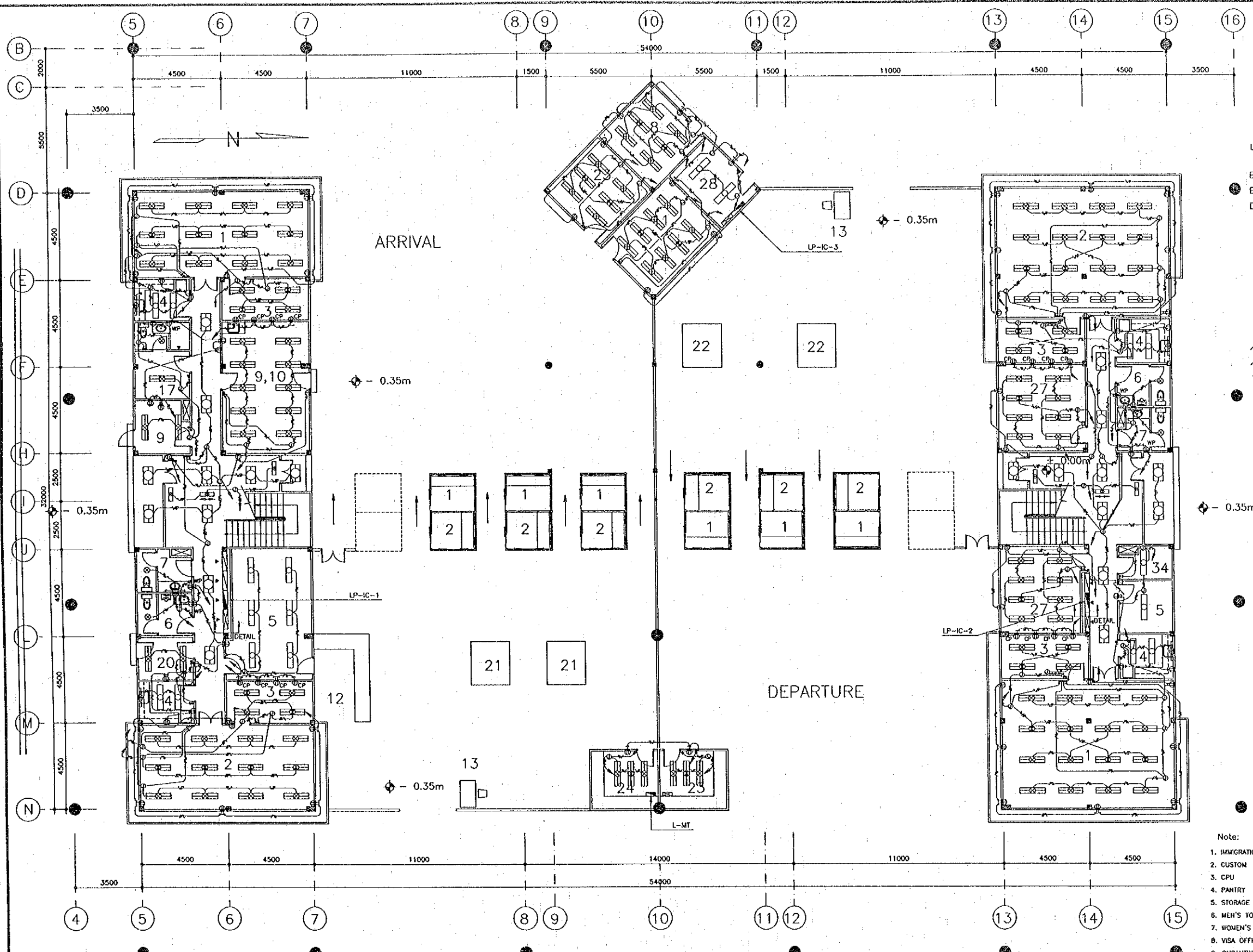


SECTION A-A SCALE 1 : 50

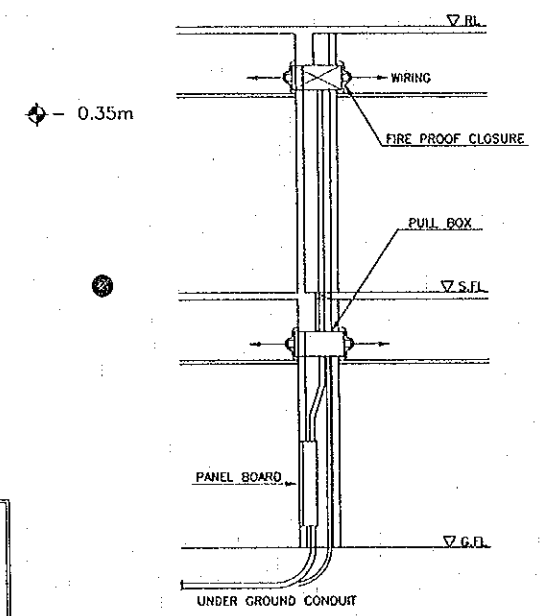
SECTION B-B SCALE 1 : 50

BILL OF MATERIAL		
ITEM	DESCRIPTION	REQ'D
1	POLE, CONCRETE 12 m. LONG	2
2	CROSSARM, SPUN PRESTRESSED CONCRETE, 100 x 100 x 2,500 mm.	3
3	BRACE, FLAT, FOR CROSSARM 30x6x760 mm.	6
4	BOLT, MACHINE, M 16 x 160 mm.	4
5	BOLT, MACHINE, M 16 x 200 mm.	2
6	BOLT, MACHINE, M 16 x 300 mm.	1
7	BOLT, MACHINE, M 16 x 350 mm.	4
8	BOLT, MACHINE, M 16 x 400 mm.	1
9	BOLT, DOUBLE ARMING ROUND EYE, M 16 x 400 mm.	3
10	BOLT, MACHINE, HEXAGON M 16 x 550 mm.	12
11	WASHER, SQUARE, FLAT 50 x 50 x 5 mm. HOLE #18 mm, DIN 436	27
12	WASHER, LOCK M 16 x DIN 127	4
13	BEAM, SPUN PRESTRESSED CONCRETE 100 x 100 x 3,200 mm.	2
14	PRESTRESSED CONCRETE BEAM 150 x 250 x 3,450 mm. FOR TRANSFORMER PLATFORM	2
15	INSULATOR, LINE POST TYPE, ANSI C 29.7 CLASS 57-2L	6
16	INSULATOR, SUSPENSION TYPE, EE-NEMA CLASS 52-1	9
17	CLAMP, STRAIN, FOR ACSR SIZE AS REQUIRED	3
18	TAPE, ARMOUR, Al 1 x 10 mm. LENGTH AS REQUIRED	
19	TIE, WIRE, Al #4 mm. LENGTH AS REQUIRED	
20	MORTAR 1 : 3	50 kg.

BILL OF MATERIAL		
ITEM	DESCRIPTION	REQ'D
21	LIGHTNING ARRESTER, 20-26 KV.5KA	3
22	CUT-OUT, FUSE, OPENTYPE, SINGLE INSULATOR, DROP-OUT 22 KV.100A	3
23	TRANSFORMER, 3#, 22 KV.500 KVA.	1
24	CONNECTOR, PARALLEL GROOVE, DOUBLE BOLT, Al 25-95 mm <sup>2</sup>	6
25	CONDUCTOR, AL 35 mm <sup>2</sup>	15 m.
26	CLAMP, SINGLE U-BOLT, MB (WIRE ROPE CLIP)	4
27	WIRE, STEEL, SOLID, DIMETER 4 mm. (HS. 71-2517)	5.5 m.
28	WASHER, SQUARE, CURVED 60 x 60 x 5 mm. HOLE #22 mm.	3
29	WIRE, STEEL STRANDED 50/7 DIN 48201 ST.II	30 m.
30	PIPE, S'LON #20x2,500 mm. COMPLETE WITH FIXING ACCESSORIES	1
31	ROD, GROUND 60 x 60 x 5 mm., 2,000 mm. LONG	1
32	GUY ASSEMBLY GI	1



- LEGEND**
- ☐ FLUORESCENT LIGHTING W/LOUVER 40W x 2 (RECESSED)
  - ☐ FLUORESCENT LIGHTING W/LOUVER, BT 40W x 2 (RECESSED)
  - ☐ FLUORESCENT LIGHTING 40W x 1 (RECESSED)
  - ☐ FLUORESCENT LIGHTING W/COVER, BT 40W x 2 (RECESSED)
  - 40W x 1 (WALL MOUNTED)
  - ⊙ CEILING LIGHTING FL 18W x 1 (RECESSED)
  - ☐ EXIT LIGHTING FL 20W x 1 (SURFACE MOUNTED)
  - ⊙ POWER OUTLET 2P 16A-2
  - ⊙ POWER OUTLET 2P 16A-2 (WATER PROOF)
  - A TAMBLER SWITCH
  - ⊙ JUNCTION BOX
  - PVC/PVC 2.5 SQ-3C (CONCEALED IN CEILING)
  - PVC/PVC 2.5 SQ-4C (CONCEALED IN CEILING)
  - CABLE CONCEALED IN WALL WITH CONDUIT
  - 1 (ONE) CABLE : PFLEX-CD 22
  - 2 (TWO) CABLE : PFLEX-CD 28
  - 3 (THREE) CABLE : PFLEX-CD 36



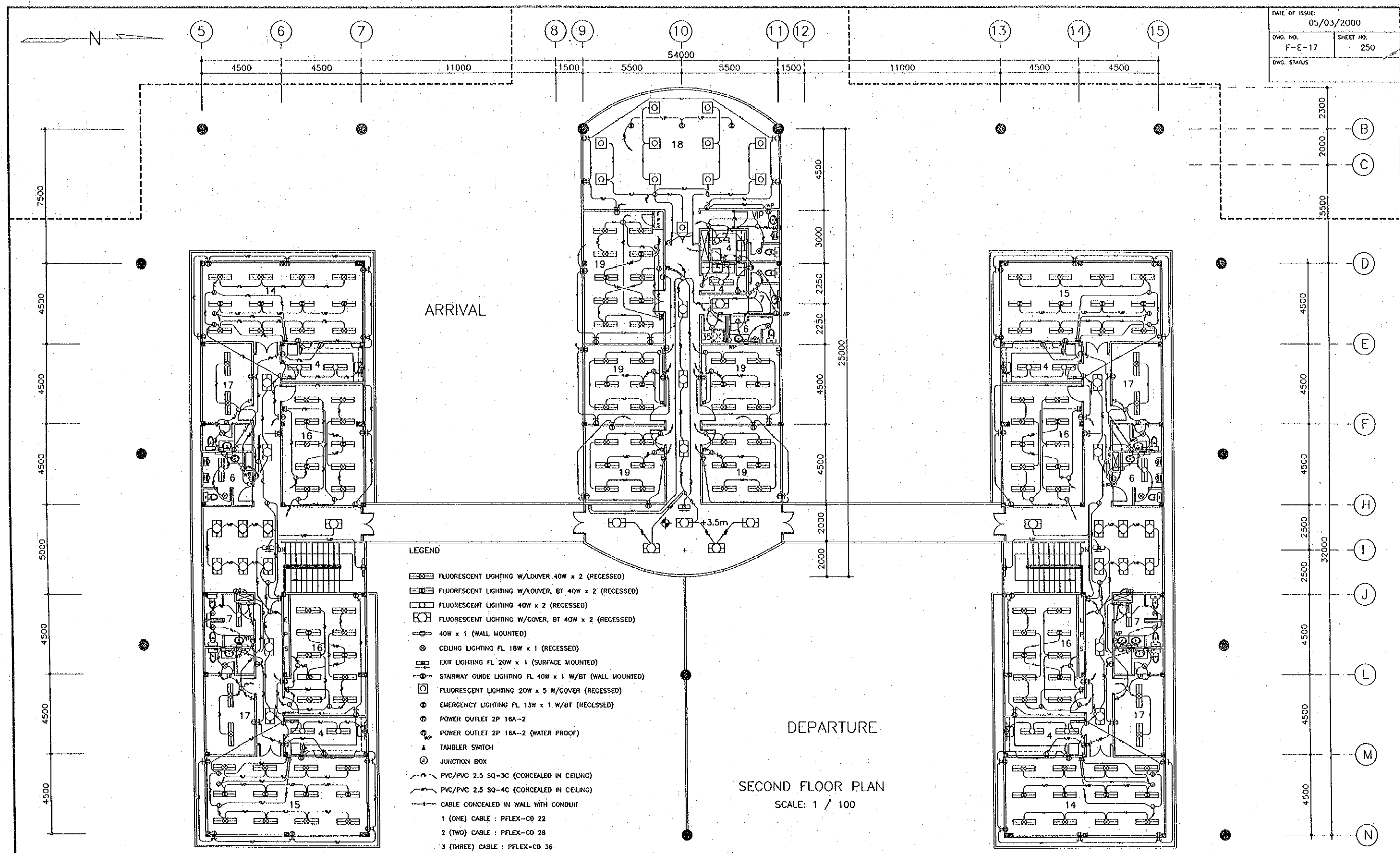
TYPICAL CROSS SECTION DETAIL FOR WALL RECESSED PANEL BOARDS  
 SCALE: 1/50

- Note:
- |                      |                           |                           |
|----------------------|---------------------------|---------------------------|
| 1. IMMIGRATION       | 12. CUSTOM'S CHECKING     | 23. MONEY EXCHANGE        |
| 2. CUSTOM            | 13. CONTROL GATE          | 24. TRAVEL OFFICE         |
| 3. CPU               | 14. IMMIGRATION DIRECTOR  | 25. INSPECTION PIT        |
| 4. PANTRY            | 15. CUSTOM DIRECTOR       | 26. WEIGHING EQUIP        |
| 5. STORAGE           | 16. MEETING ROOM          | 27. MULTI FUNCTION OFFICE |
| 6. MEN'S TOILETS     | 17. BED ROOM              | 28. PUMP ROOM             |
| 7. WOMEN'S TOILETS   | 18. VIP                   | 29. CORRIDOR              |
| 8. VISA OFFICE       | 19. BRIDGE ADMINISTRATION | 30. HALL                  |
| 9. QUARANTINE OFFICE | 20. INSURANCE             | 31. CANOPY                |
| 10. HEALTH OFFICE    | 21. ENTRY FEE BOOTHS      | 32. CONNECTION CORRIDOR   |
| 11. CONTROL ROOM     | 22. EXIT FEE BOOTHS       | 33. PLANT BOX             |
|                      |                           | 34. SERVICE ROOM          |

GROUND FLOOR PLAN  
 SCALE: 1/100

REV.	DATE	DESCRIPTION	APPROVED	PROJECT STUDY TEAM	JICA	LAO PEOPLE'S DEMOCRATIC REPUBLIC	MINISTRY OF COMMUNICATION, TRANSPORT, POST AND CONSTRUCTION	THE SECOND MEKONG INTERNATIONAL BRIDGE CONSTRUCTION PROJECT	QUALITY RECORD	NAME	SIGNATURE	DATE	DWG. TITLE
				ORIENTAL CONSULTANTS CO., LTD. in association with NIPPON KOEI CO., LTD.	JICA	MINISTRY OF COMMUNICATION, TRANSPORT, POST AND CONSTRUCTION	KINGDOM OF THAILAND MINISTRY OF TRANSPORT AND COMMUNICATIONS DEPARTMENT OF HIGHWAYS		DESIGN	T. Takahashi	[Signature]	23/05/00	BORDER CONTROL FACILITIES LAO PDR SIDE PLAN OF INTERNAL LIGHTING AND POWER OUTLET IN MAIN OFFICE (GROUND FLOOR)
								DESIGN CHECK	T. Matsuura	[Signature]	27/05/00		
								SUBMITTED	A. Hirani	[Signature]	29/05/00		
								APPROVED	P. Vraphonth	[Signature]	5/6/00		





- LEGEND**
- ☐ FLUORESCENT LIGHTING W/LOUVER 40W x 2 (RECESSED)
  - ☐ FLUORESCENT LIGHTING W/LOUVER, BT 40W x 2 (RECESSED)
  - ☐ FLUORESCENT LIGHTING 40W x 2 (RECESSED)
  - ☐ FLUORESCENT LIGHTING W/COVER, BT 40W x 2 (RECESSED)
  - 40W x 1 (WALL MOUNTED)
  - CEILING LIGHTING FL 18W x 1 (RECESSED)
  - ☐ EXIT LIGHTING FL 20W x 1 (SURFACE MOUNTED)
  - ☐ STAIRWAY GUIDE LIGHTING FL 40W x 1 W/BT (WALL MOUNTED)
  - ☐ FLUORESCENT LIGHTING 20W x 5 W/COVER (RECESSED)
  - EMERGENCY LIGHTING FL 13W x 1 W/BT (RECESSED)
  - POWER OUTLET 2P 16A-2
  - POWER OUTLET 2P 16A-2 (WATER PROOF)
  - ▲ TAMBLER SWITCH
  - JUNCTION BOX
  - PVC/PVC 2.5 SQ-3C (CONCEALED IN CEILING)
  - PVC/PVC 2.5 SQ-4C (CONCEALED IN CEILING)
  - CABLE CONCEALED IN WALL WITH CONDUIT
  - 1 (ONE) CABLE : PFLEX-CD 22
  - 2 (TWO) CABLE : PFLEX-CD 28
  - 3 (THREE) CABLE : PFLEX-CD 36

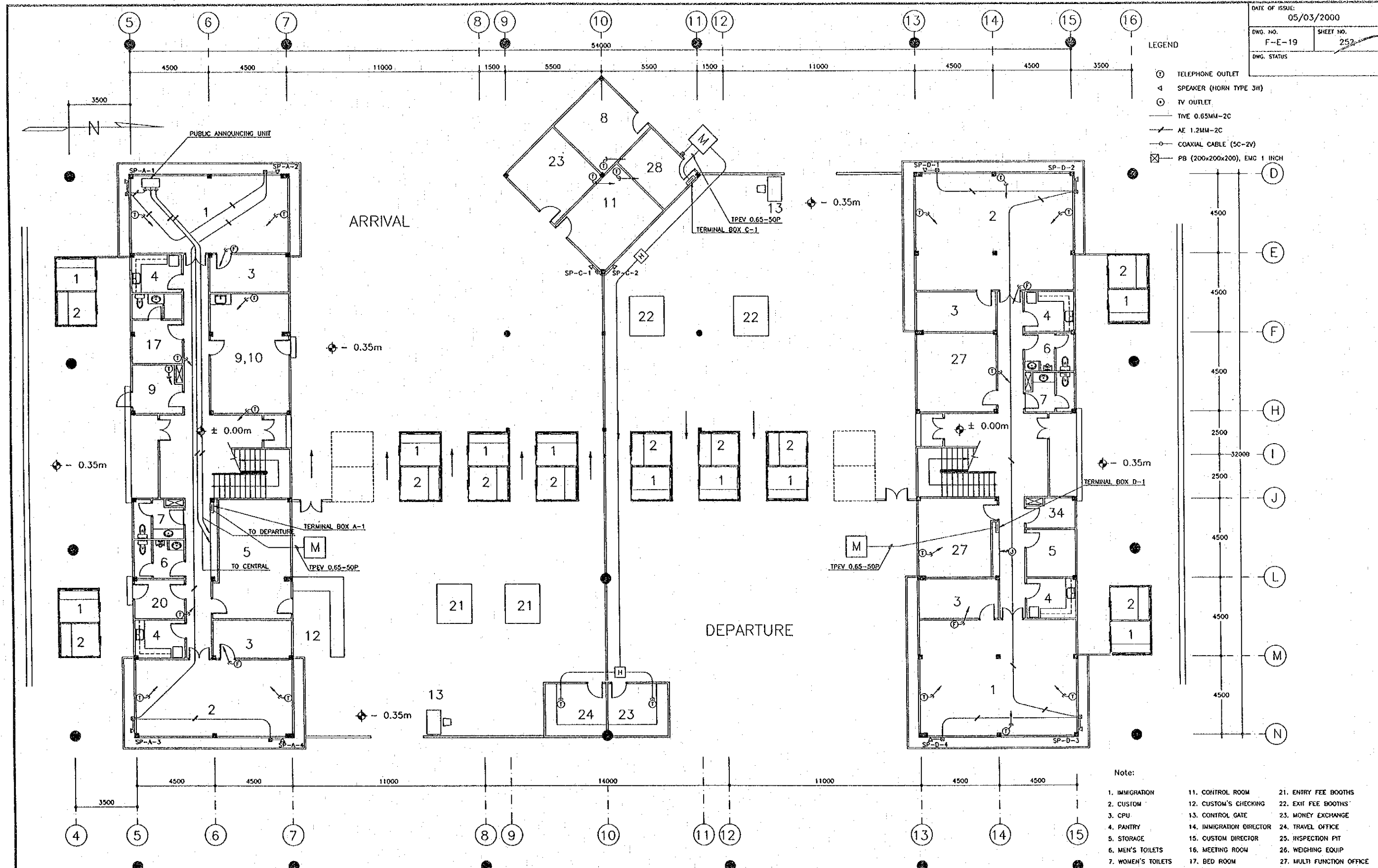
- Note: 1. IMMIGRATION 5. STORAGE 9. QUARANTINE OFFICE 13. CONTROL GATE 17. BED ROOM 21. ENTRY FEE BOOTHS 25. INSPECTION PIT  
 2. CUSTOM 6. MEN'S TOILETS 10. HEALTH OFFICE 14. IMMIGRATION DIRECTOR 18. VIP 22. EXIT FEE BOOTHS 26. WEIGHING EQUIP  
 3. CPU 7. WOMEN'S TOILETS 11. CONTROL ROOM 15. CUSTOM DIRECTOR 19. BRIDGE ADMINISTRATION 23. MONEY EXCHANGE 27. MULTI FUNCTION OFFICE  
 4. PANTRY 8. VISA OFFICE 12. CUSTOM'S CHECKING 16. MEETING ROOM 20. INSURANCE 24. TRAVEL OFFICE

REV.	DATE	DESCRIPTION	APPROVED	PROJECT STUDY TEAM	JICA JAPAN INTERNATIONAL COOPERATION AGENCY	QUALITY RECORD	NAME	SIGNATURE	DATE	ORIG. TITLE:
				ORIENTAL CONSULTANTS CO., LTD. in association with NIPPON KOEI CO., LTD.	LAO PEOPLE'S DEMOCRATIC REPUBLIC MINISTRY OF COMMUNICATION, TRANSPORT, POST AND CONSTRUCTION	DESIGN	T. Tokobushi	<i>T. Tokobushi</i>	23/05/00	BORDER CONTROL FACILITIES LAO PDR SIDE PLAN OF INTERNAL LIGHTING & POWER OUTLET IN MAIN OFFICE (SECOND FLOOR)
				KINGDOM OF THAILAND MINISTRY OF TRANSPORT AND COMMUNICATIONS DEPARTMENT OF HIGHWAYS	DESIGN CHECK	T. Masuzawa	<i>T. Masuzawa</i>	26/05/00		
					SUBMITTED	A. Hiratori	<i>A. Hiratori</i>	27/05/00		
					APPROVED	P. Virophanth	<i>P. Virophanth</i>	5/6/00		



LEGEND

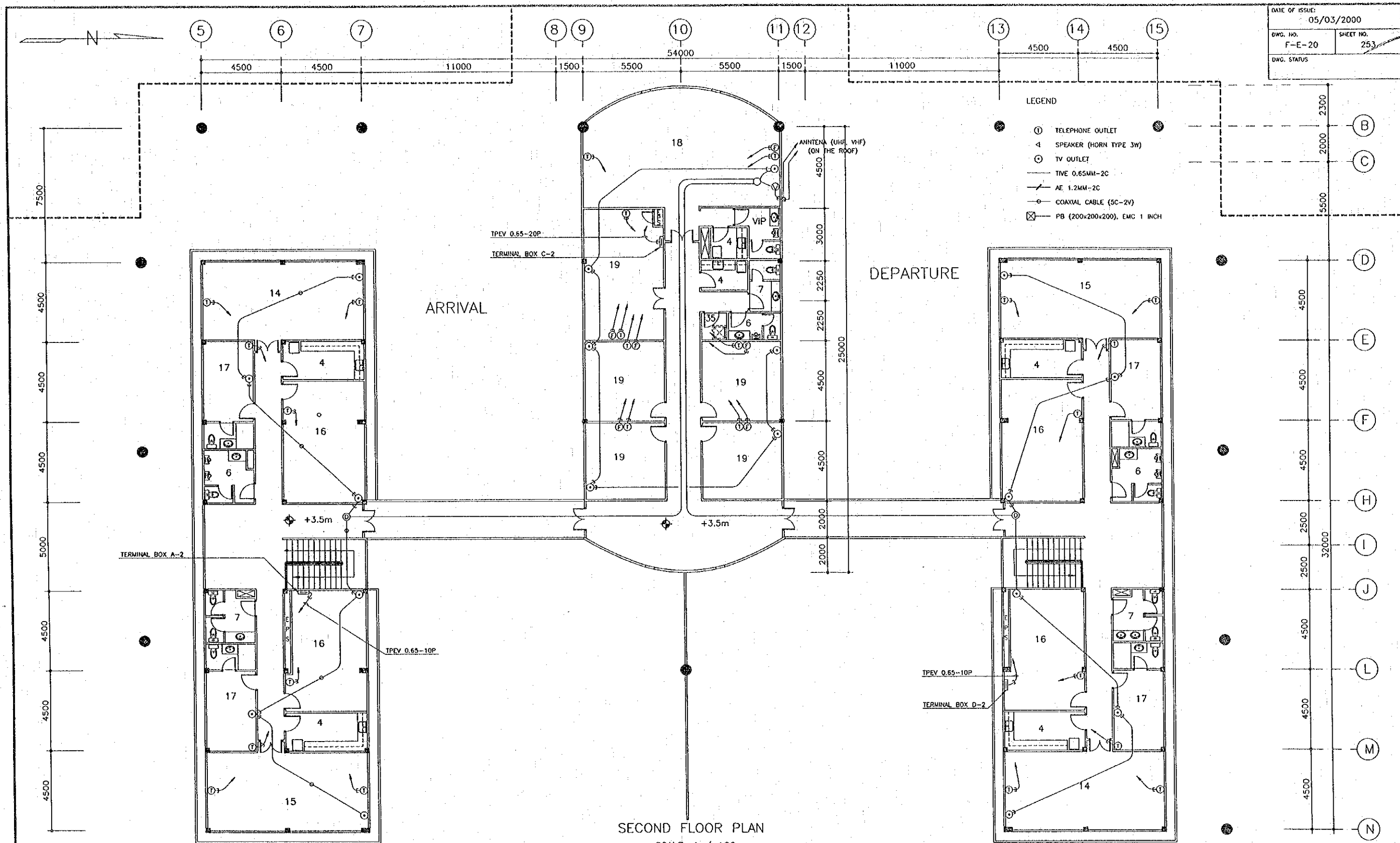
- ⊙ TELEPHONE OUTLET
- ◁ SPEAKER (HORN TYPE JH)
- ⊙ TV OUTLET
- TVE 0.65MM-2C
- AE 1.2MM-2C
- COAXIAL CABLE (5C-2V)
- ⊠ PB (200x200x200), EMC 1 INCH



GROUND FLOOR PLAN  
 SCALE: 1/100

- Note:
- |                      |                           |                           |
|----------------------|---------------------------|---------------------------|
| 1. IMMIGRATION       | 11. CONTROL ROOM          | 21. ENTRY FEE BOOTHS      |
| 2. CUSTOM            | 12. CUSTOM'S CHECKING     | 22. EXIT FEE BOOTHS       |
| 3. CPU               | 13. CONTROL GATE          | 23. MONEY EXCHANGE        |
| 4. PANTRY            | 14. IMMIGRATION DIRECTOR  | 24. TRAVEL OFFICE         |
| 5. STORAGE           | 15. CUSTOM DIRECTOR       | 25. INSPECTION PIT        |
| 6. MEN'S TOILETS     | 16. MEETING ROOM          | 26. WEIGHING EQUIP        |
| 7. WOMEN'S TOILETS   | 17. BED ROOM              | 27. MULTI FUNCTION OFFICE |
| 8. VISA OFFICE       | 18. VIP                   | 28. PUMP ROOM             |
| 9. QUARANTINE OFFICE | 19. BRIDGE ADMINISTRATION |                           |
| 10. HEALTH OFFICE    | 20. INSURANCE             |                           |

REV.	DATE	DESCRIPTION	APPROVED	PROJECT STUDY TEAM	JICA JAPAN INTERNATIONAL COOPERATION AGENCY	QUALITY RECORD	NAME	SIGNATURE	DATE	DWG. TITLE
				ORIENTAL CONSULTANTS CO., LTD. in association with NIPPON KOEI CO., LTD.	LAO PEOPLE'S DEMOCRATIC REPUBLIC MINISTRY OF COMMUNICATION, TRANSPORT, POST AND CONSTRUCTION KINGDOM OF THAILAND MINISTRY OF TRANSPORT AND COMMUNICATIONS DEPARTMENT OF HIGHWAYS	DESIGN	T. Takobunai	<i>[Signature]</i>	27/05/00	BORDER CONTROL FACILITIES LAO PDR SIDE PLAN OF TELEPHONE, TV AND PUBLIC ANNOUNCING SYSTEM IN MAIN OFFICE (GROUND FLOOR)
						DESIGN CHECK	T. Masuzono	<i>[Signature]</i>	27/05/00	
						SUBMITTED	A. Jintani	<i>[Signature]</i>	27/05/00	
						APPROVED	P. Viraphanth	<i>[Signature]</i>	27/05/00	

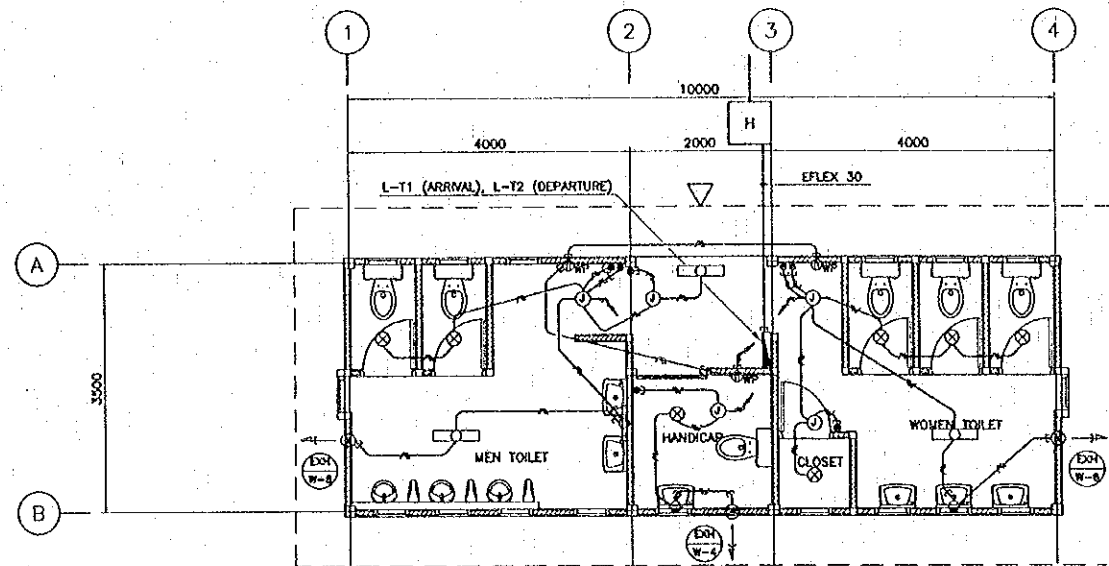


- LEGEND
- ① TELEPHONE OUTLET
  - 4 SPEAKER (HORN TYPE 3W)
  - ⊙ TV OUTLET
  - TIVE 0.65MM-2C
  - AE 1.2MM-2C
  - ⊖ COAXIAL CABLE (5C-2V)
  - ⊠ PB (200x200x200), EMC 1 INCH

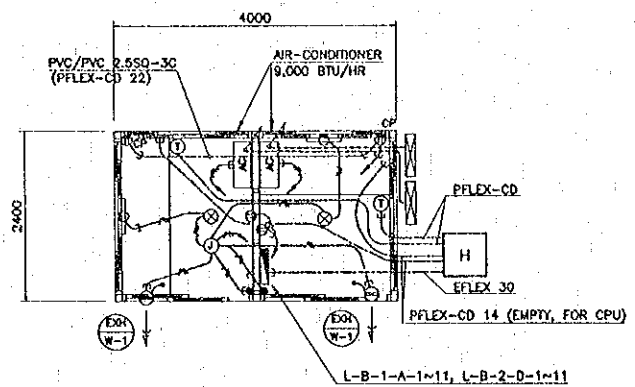
SECOND FLOOR PLAN  
 SCALE: 1 / 100

- Note: 1. IMMIGRATION 5. STORAGE 9. QUARANTINE OFFICE 13. CONTROL GATE 17. BED ROOM 21. ENTRY FEE BOOTHS 25. INSPECTION PIT  
 2. CUSTOM 6. MEN'S TOILETS 10. HEALTH OFFICE 14. IMMIGRATION DIRECTOR 18. VIP 22. EXIT FEE BOOTHS 26. WEIGHING EQUIP  
 3. CPU 7. WOMEN'S TOILETS 11. CONTROL ROOM 15. CUSTOM DIRECTOR 19. BRIDGE ADMINISTRATION 23. MONEY EXCHANGE 27. MULTI FUNCTION OFFICE  
 4. PANTRY 8. VISA OFFICE 12. CUSTOM'S CHECKING 16. MEETING ROOM 20. INSURANCE 24. TRAVEL OFFICE

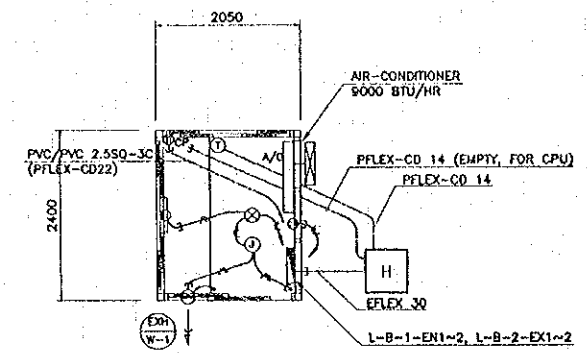
REV.	DATE	DESCRIPTION	APPROVED	PROJECT STUDY TEAM	JICA	LAO PEOPLE'S DEMOCRATIC REPUBLIC	MINISTRY OF COMMUNICATION, TRANSPORT, POST AND CONSTRUCTION	KINGDOM OF THAILAND	MINISTRY OF TRANSPORT AND COMMUNICATIONS	DEPARTMENT OF HIGHWAYS	THE SECOND MEKONG INTERNATIONAL BRIDGE CONSTRUCTION PROJECT	QUALITY RECORD	NAME	SIGNATURE	DATE	DWG. TITLE:
				ORIENTAL CONSULTANTS CO., LTD. in association with NIPPON KOEI CO., LTD.								DESIGN	T. Tokobushi	<i>T. Tokobushi</i>	27-01-00	BORDER CONTROL FACILITIES LAO PDR SIDE PLAN OF TELEPHONE, TV AND PUBLIC ANNOUNCING SYSTEM IN MAIN OFFICE (SECOND FLOOR)
												DESIGN CHECK	T. Masutawa	<i>T. Masutawa</i>	28-01-00	
												SUBMITTED	A. Hiratani	<i>A. Hiratani</i>	29-03-00	
												APPROVED	P. Viraphonh	<i>P. Viraphonh</i>	5/6/00	



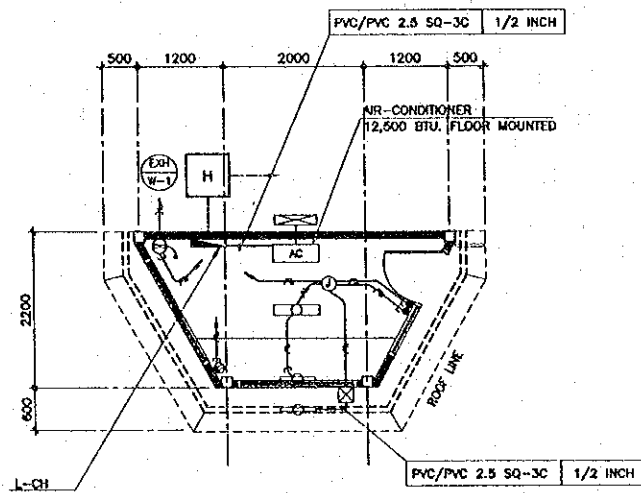
**PUBLIC TOILETS**  
 SCALE 1 : 50



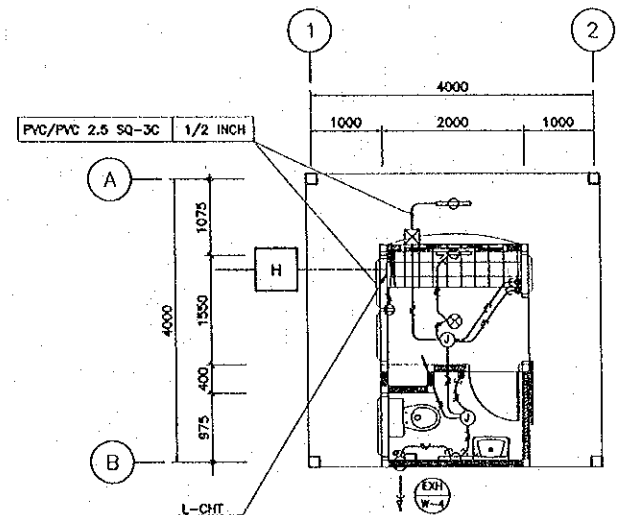
**BOOTHS**  
 SCALE 1 : 50



**ENTRY, EXIT FEE BOOTHS**  
 SCALE 1 : 50



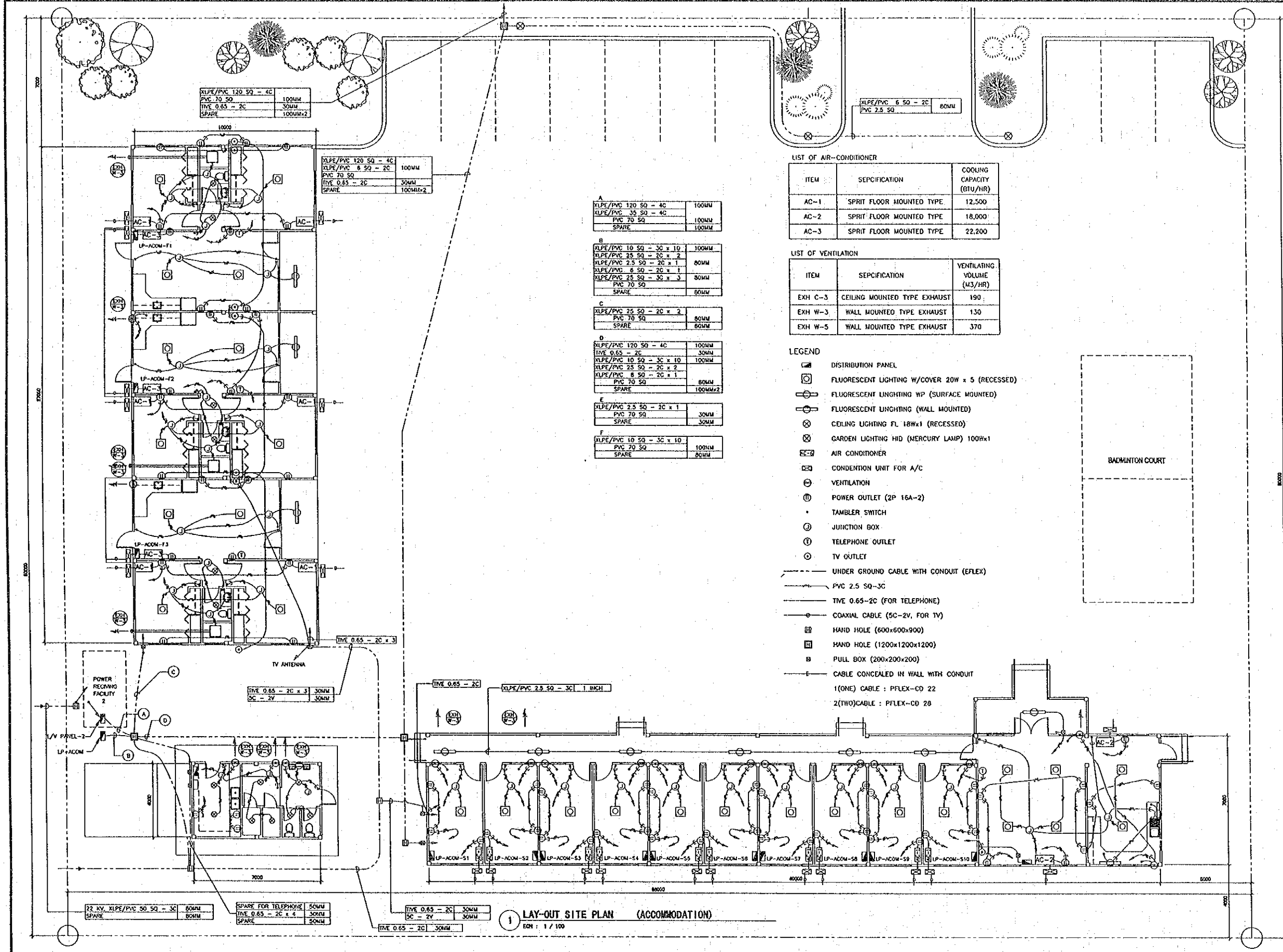
**CHECK POINT OFFICE**  
 SCALE 1 : 50



**CHECK POINT AND TOLL OFFICE**  
 SCALE 1 : 50

- LEGEND**
- DISTRIBUTION PANEL
  - FLUORESCENT LIGHTING 40W x 1 (RECESSED)
  - FLUORESCENT LIGHTING 40W x 1 (WALL MOUNTED)
  - FLUORESCENT LIGHTING 40W x 1 WP (SURFACE MOUNTED)
  - ⊗ CEILING LIGHTING FL 18W x 1 (RECESSED)
  - ⊙ POWER OUTLET 2P 16A-2
  - ⊙ WP POWER OUTLET 2P 16A-2 (WATER PROOF)
  - ⊙ CP POWER OUTLET 2P 16A-2 (FOR COMPUTER)
  - ⋮ TAMBLER SWITCH
  - ⊙ JUNCTION BOX
  - PVC/PVC 2.5 SQ-3C (CONCEALED IN CEILING)
  - WIRING W/UNDER GROUND CONDUIT
  - ⊙ VENTILATION WALL MOUNTED 40M<sup>3</sup>/HR EXHAUST
  - ⊙ VENTILATION WALL MOUNTED 370M<sup>3</sup>/HR EXHAUST
  - ⊙ VENTILATION WALL MOUNTED 600M<sup>3</sup>/HR EXHAUST
  - ⊙ TELEPHONE OUTLET
  - ⊗ PULL BOX (200x200x200)

REV.	DATE	DESCRIPTION	APPROVED	PROJECT STUDY TEAM	JICA	LAO PEOPLE'S DEMOCRATIC REPUBLIC	MINISTRY OF COMMUNICATION, TRANSPORT, POST AND CONSTRUCTION	THE SECOND MEKONG INTERNATIONAL BRIDGE CONSTRUCTION PROJECT	QUALITY RECORD	NAME	SIGNATURE	DATE	DWG. TITLE
				ORIENTAL CONSULTANTS CO., LTD. In association with NIPPON KOEI CO., LTD.	JICA	MINISTRY OF TRANSPORT AND COMMUNICATIONS DEPARTMENT OF HIGHWAYS			DESIGN	T. Takobushi	<i>T. Takobushi</i>	18-02-00	<b>BORDER CONTROL FACILITIES</b> LAO PDR SIDE PLAN OF INTERNAL ELECTRICAL WORK IN PUBLIC TOILETS, BOOTHS, CHECK POINT AND TOLL OFFICE AND CHECK POINT OFFICE
								DESIGN CHECK	T. Masuzawa	<i>T. Masuzawa</i>	18-02-00		
								SUBMITTED	A. Hirota	<i>A. Hirota</i>	21/6/00		
								APPROVED	P. Vrophanh	<i>P. Vrophanh</i>	22/6/00		



LIST OF AIR-CONDITIONER

ITEM	SEPCIFICATION	COOLING CAPACITY (BTU/HR)
AC-1	SPRIT FLOOR MOUNTED TYPE	12,500
AC-2	SPRIT FLOOR MOUNTED TYPE	18,000
AC-3	SPRIT FLOOR MOUNTED TYPE	22,200

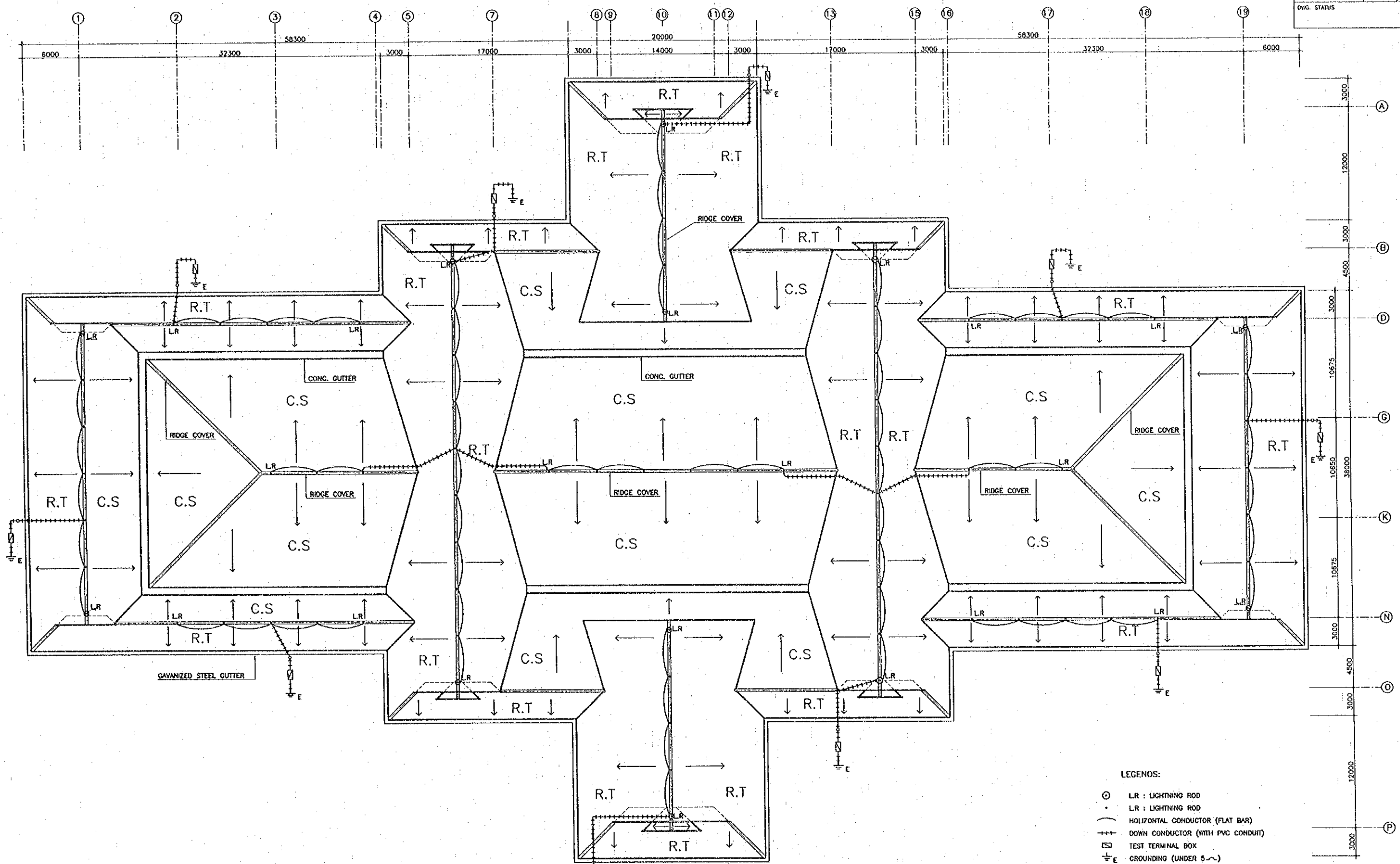
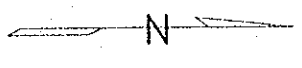
LIST OF VENTILATION

ITEM	SEPCIFICATION	VENTILATING VOLUME (M3/HR)
EXH C-3	CEILING MOUNTED TYPE EXHAUST	190
EXH W-3	WALL MOUNTED TYPE EXHAUST	130
EXH W-5	WALL MOUNTED TYPE EXHAUST	370

- LEGEND
- DISTRIBUTION PANEL
  - FLUORESCENT LIGHTING W/COVER 20W x 5 (RECESSED)
  - FLUORESCENT LIGHTING WP (SURFACE MOUNTED)
  - FLUORESCENT LIGHTING (WALL MOUNTED)
  - ⊗ CEILING LIGHTING FL 18Wx1 (RECESSED)
  - ⊗ GARDEN LIGHTING HID (MERCURY LAMP) 100Wx1
  - AIR CONDITIONER
  - CONDENTION UNIT FOR A/C
  - VENTILATION
  - POWER OUTLET (2P 16A-2)
  - TAMBLER SWITCH
  - JUNCTION BOX
  - TELEPHONE OUTLET
  - TV OUTLET
  - UNDER GROUND CABLE WITH CONDUIT (EFLEX)
  - PVC 2.5 SQ-3C
  - TIVE 0.65-2C (FOR TELEPHONE)
  - COAXIAL CABLE (5C-2V, FOR TV)
  - HAND HOLE (600x600x900)
  - HAND HOLE (1200x1200x1200)
  - PULL BOX (200x200x200)
  - CABLE CONCEALED IN WALL WITH CONDUIT
  - 1(ONE) CABLE : PFLEX-CD 22
  - 2(TWO)CABLE : PFLEX-CD 28

1 LAY-OUT SITE PLAN (ACCOMMODATION)  
 EDN : 1 / 100

REV.	DATE	DESCRIPTION	APPROVED	PROJECT STUDY TEAM	JICA	QUALITY RECORD	NAME	SIGNATURE	DATE	DWG. TITLE
				ORIENTAL CONSULTANTS CO., LTD. in association with NIPPON KOEI CO., LTD.	JICA JAPAN INTERNATIONAL COOPERATION AGENCY LAO PEOPLE'S DEMOCRATIC REPUBLIC MINISTRY OF COMMUNICATION, TRANSPORT, POST AND CONSTRUCTION KINGDOM OF THAILAND MINISTRY OF TRANSPORT AND COMMUNICATIONS DEPARTMENT OF HIGHWAYS	DESIGN	T. Tokobushi	<i>T. Tokobushi</i>	22/05/00	BORDER CONTROL FACILITIES LAO PDR SIDE PLAN OF ELECTRICAL WORK IN ACCOMMODATION
						DESIGN CHECK	T. Masuzawa	<i>T. Masuzawa</i>	24/05/00	
						SUBMITTED	A. Hiratani	<i>A. Hiratani</i>	27/05/00	
						APPROVED	P. Veephanith	<i>P. Veephanith</i>	31/05/00	



ROOF PLAN  
 SCALE: 1/200

- LEGENDS:
- LR : LIGHTNING ROD
  - LR : LIGHTNING ROD
  - (—) HORIZONTAL CONDUCTOR (FLAT BAR)
  - +++ DOWN CONDUCTOR (WITH PVC CONDUIT)
  - TEST TERMINAL BOX
  - ⊥ E GROUNDING (UNDER 5~)
  - R.COY : RIDGE COVER TILE
  - R.T : ROOF TILE
  - C.S : CEMENT SLATE TILE

REV.	DATE	DESCRIPTION	APPROVED

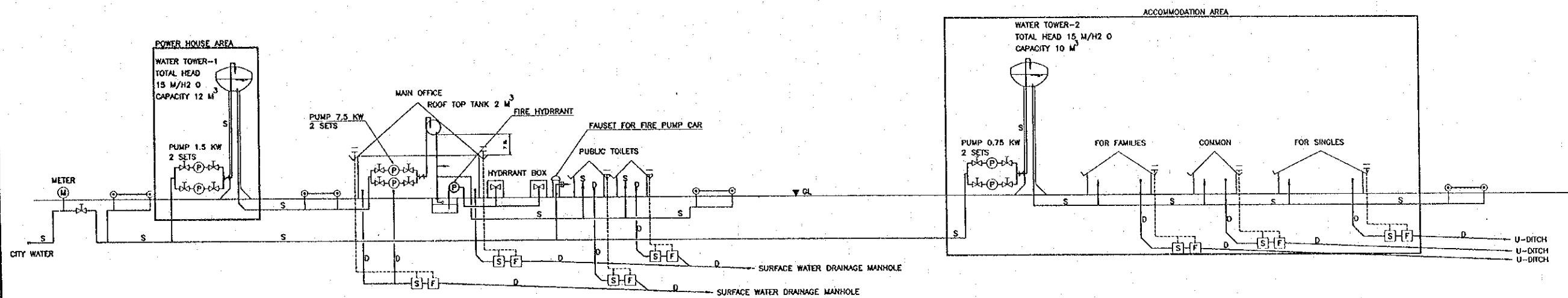
PROJECT STUDY TEAM  
 ORIENTAL CONSULTANTS CO., LTD.  
 In association with  
 NIPPON KOKI CO., LTD.

JICA JAPAN INTERNATIONAL COOPERATION AGENCY  
 LAO PEOPLE'S DEMOCRATIC REPUBLIC  
 MINISTRY OF COMMUNICATION, TRANSPORT, POST AND CONSTRUCTION  
 KINGDOM OF THAILAND  
 MINISTRY OF TRANSPORT AND COMMUNICATIONS  
 DEPARTMENT OF HIGHWAYS

THE SECOND MEKONG  
 INTERNATIONAL BRIDGE  
 CONSTRUCTION PROJECT

QUALITY RECORD	NAME	SIGNATURE	DATE
DESIGN	T. Takobushi	<i>T. Takobushi</i>	19-02-00
DESIGN CHECK	T. Masuzawa	<i>T. Masuzawa</i>	18-04-00
SUBMITTED	A. Hirakuni	<i>A. Hirakuni</i>	11/01/00
APPROVED	P. Viraphanth	<i>P. Viraphanth</i>	22/02/00

DWG. TITLE:  
 BORDER CONTROL FACILITIES  
 LAO PDR SIDE  
 PLAN OF LIGHTNING PROTECTION SYSTEM



- [S] SEPTIC TANK
- [F] FILTER TANK
- ⊙ FAUSET FOR OUTDOOR SPRINKLE
- S SUPPLY PIPE
- D DRAIN PIPE
- V VENT PIPE

REV.	DATE	DESCRIPTION	APPROVED

PROJECT STUDY TEAM  
 ORIENTAL CONSULTANTS CO., LTD.  
 In association with  
 NIPPON KOKI CO., LTD.

JICA JAPAN INTERNATIONAL COOPERATION AGENCY  
 LAO PEOPLE'S DEMOCRATIC REPUBLIC  
 MINISTRY OF COMMUNICATION, TRANSPORT, POST AND CONSTRUCTION  
 KINGDOM OF THAILAND  
 MINISTRY OF TRANSPORT AND COMMUNICATIONS  
 DEPARTMENT OF HIGHWAYS

THE SECOND MEKONG  
 INTERNATIONAL BRIDGE  
 CONSTRUCTION PROJECT

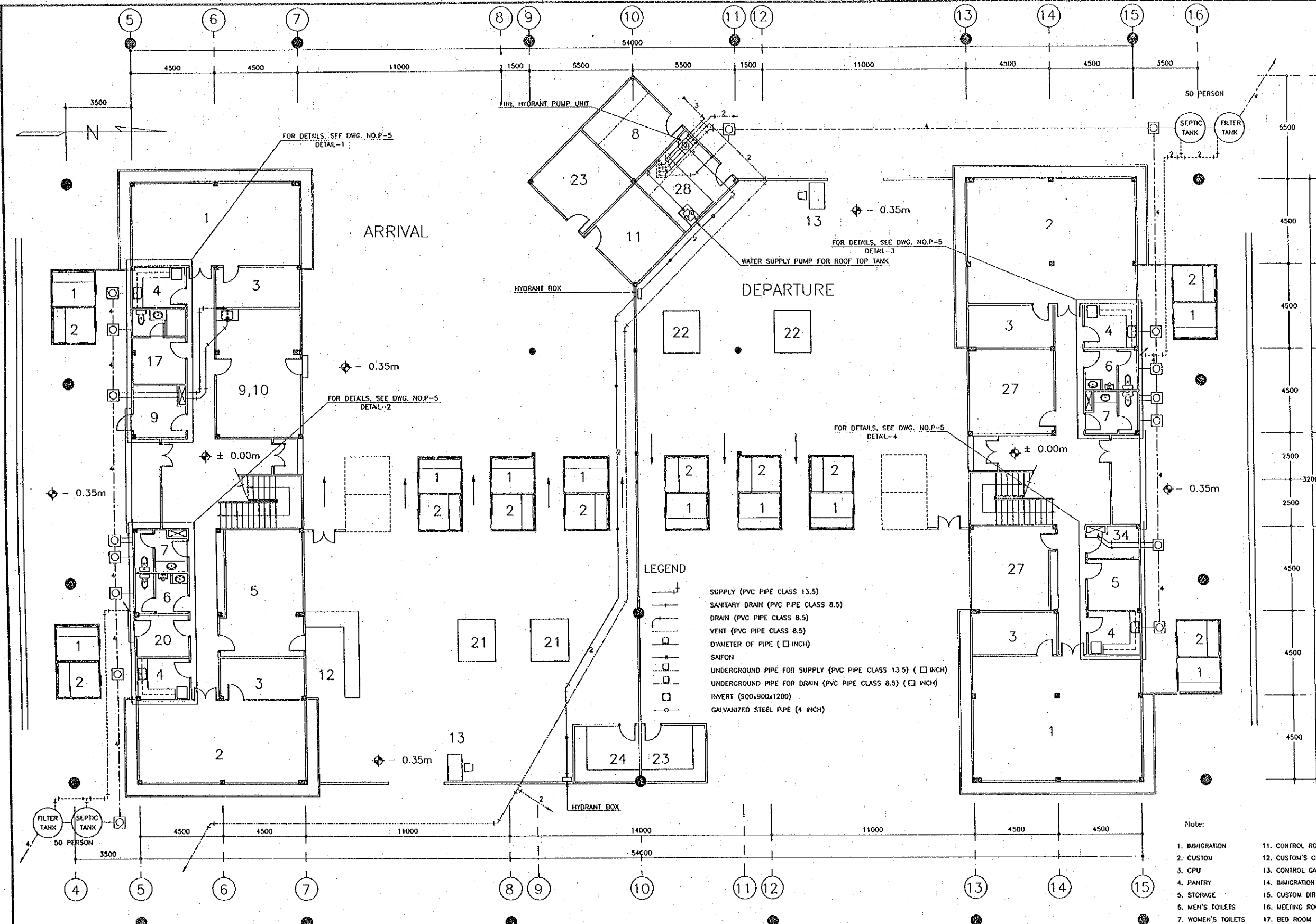
QUALITY RECORD	NAME	SIGNATURE	DATE
DESIGN	T. Tokobuishi	<i>T. Tokobuishi</i>	17-02-00
DESIGN CHECK	T. Mosewono	<i>T. Mosewono</i>	17-02-00
SUBMITTED	A. Hirotsu	<i>A. Hirotsu</i>	21/01/00
APPROVED	P. Veeraphonh	<i>P. Veeraphonh</i>	27/02/00

DWG. TITLE:  
 BORDER CONTROL FACILITIES  
 LAO PDR SIDE  
 WATER SUPPLY AND WASTE WATER DRAINAGE SYSTEM





DATE OF ISSUE: 05/03/2000  
 DWG. NO. F-P-3 SHEET NO. 259  
 DWG. STATUS



GROUND FLOOR PLAN  
 SCALE: 1/100

- Note:
- |                      |                           |                           |
|----------------------|---------------------------|---------------------------|
| 1. IMMIGRATION       | 11. CONTROL ROOM          | 21. ENTRY FEE BOOTHS      |
| 2. CUSTOM            | 12. CUSTOM'S CHECKING     | 22. EXIT FEE BOOTHS       |
| 3. CPU               | 13. CONTROL GATE          | 23. MONEY EXCHANGE        |
| 4. PANTRY            | 14. IMMIGRATION DIRECTOR  | 24. TRAVEL OFFICE         |
| 5. STORAGE           | 15. CUSTOM DIRECTOR       | 25. INSPECTION PIT        |
| 6. MEN'S TOILETS     | 16. MEETING ROOM          | 26. WEIGHING EQUIP        |
| 7. WOMEN'S TOILETS   | 17. BED ROOM              | 27. MULTI FUNCTION OFFICE |
| 8. VISA OFFICE       | 18. VIP                   | 28. PUMP ROOM             |
| 9. QUARANTINE OFFICE | 19. BRIDGE ADMINISTRATION |                           |
| 10. HEALTH OFFICE    | 20. INSURANCE             |                           |

REV.	DATE	DESCRIPTION	APPROVED

PROJECT STUDY TEAM  
 ORIENTAL CONSULTANTS CO., LTD.  
 In association with  
 NIPPON KOEI CO., LTD.

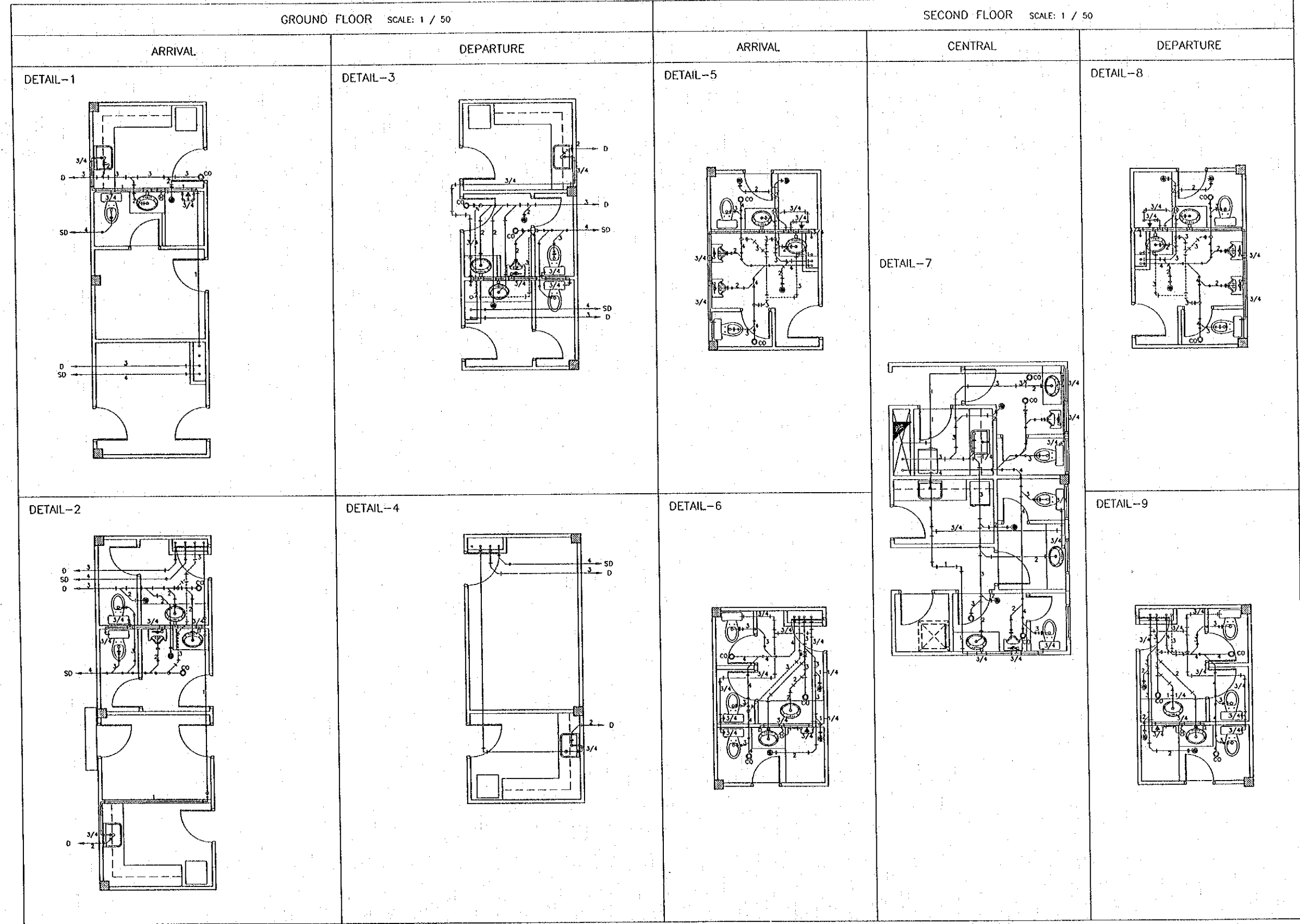
JICA JAPAN INTERNATIONAL COOPERATION AGENCY  
 LAO PEOPLE'S DEMOCRATIC REPUBLIC  
 MINISTRY OF COMMUNICATION, TRANSPORT, POST AND CONSTRUCTION  
 KINGDOM OF THAILAND  
 MINISTRY OF TRANSPORT AND COMMUNICATIONS  
 DEPARTMENT OF HIGHWAYS

THE SECOND MEKONG INTERNATIONAL BRIDGE CONSTRUCTION PROJECT

QUALITY RECORD	NAME	SIGNATURE	DATE
DESIGN	T. Tokobushi	<i>T. Tokobushi</i>	23/05/00
DESIGN CHECK	T. Mesuzora	<i>T. Mesuzora</i>	24/05/00
SUBMITTED	A. Hiratani	<i>A. Hiratani</i>	24/05/00
APPROVED	P. Viraphanth	<i>P. Viraphanth</i>	24/05/00

DWG. TITLE:  
 BORDER CONTROL FACILITIES  
 LAO PDR SIDE  
 PLUMBING WORK IN MAIN OFFICE(1) GROUND FLOOR





- LEGEND
- SUPPLY (PVC PIPE CLASS 13.5)
  - SANITARY DRAIN (PVC PIPE CLASS 15)
  - DRAIN (PVC PIPE CLASS 8.5)
  - VENT (PVC PIPE CLASS 8.5)
  - DIAMETER OF PIPE (□ INCH)
  - SAFON

REV.	DATE	DESCRIPTION	APPROVED

PROJECT STUDY TEAM  
 ORIENTAL CONSULTANTS CO., LTD.  
 In association with  
 NIPPON KOEI CO., LTD.

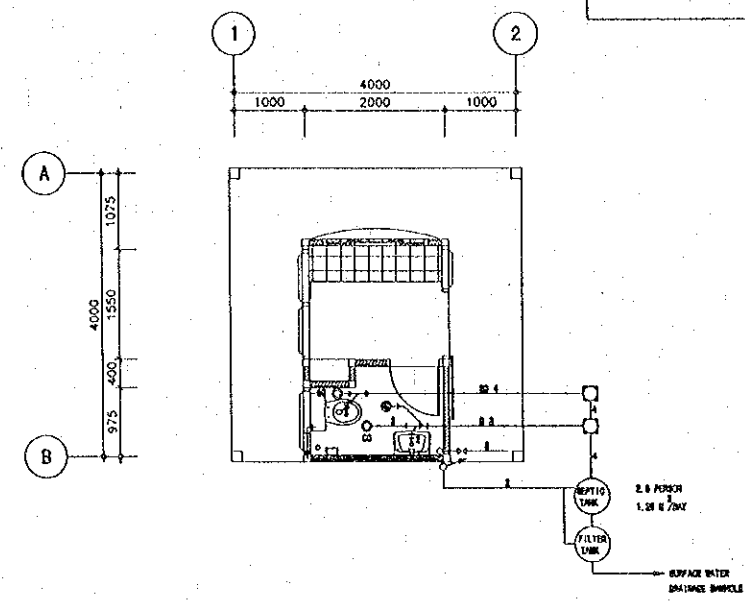
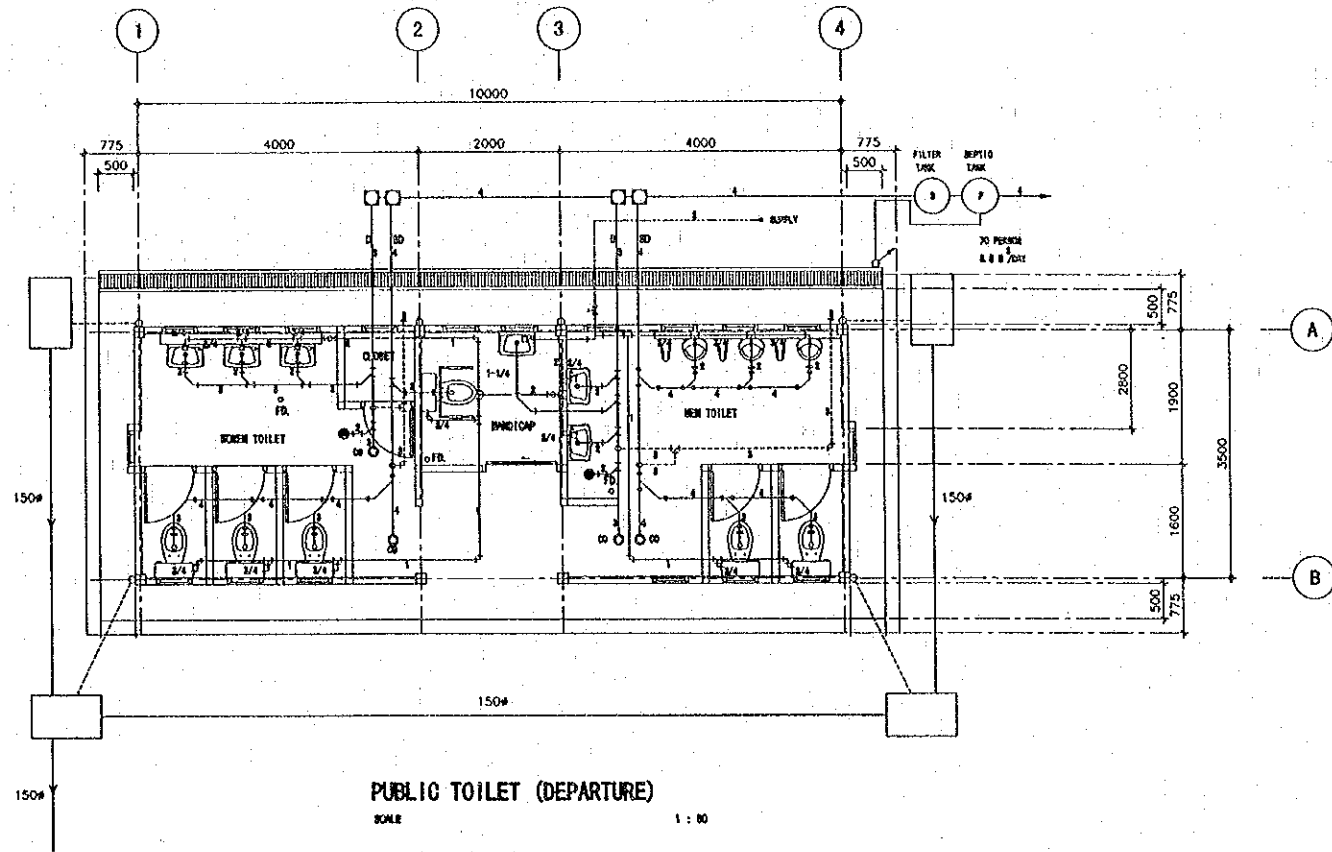
JICA JAPAN INTERNATIONAL COOPERATION AGENCY  
 LAO PEOPLE'S DEMOCRATIC REPUBLIC  
 MINISTRY OF COMMUNICATION, TRANSPORT, POST AND CONSTRUCTION  
 KINGDOM OF THAILAND  
 MINISTRY OF TRANSPORT AND COMMUNICATIONS  
 DEPARTMENT OF HIGHWAYS

THE SECOND MEKONG  
 INTERNATIONAL BRIDGE  
 CONSTRUCTION PROJECT

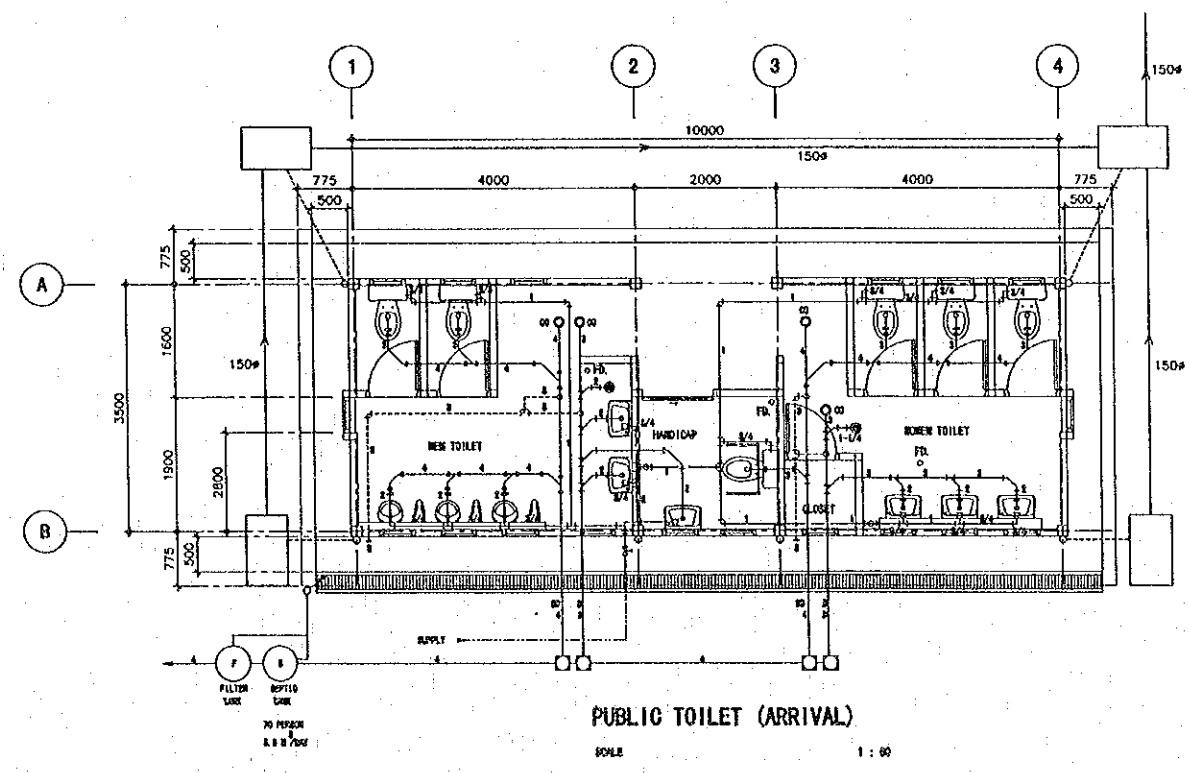
QUALITY RECORD	NAME	SIGNATURE	DATE
DESIGN	T. Takobushi	<i>T. Takobushi</i>	23-05-99
DESIGN CHECK	T. Masutawa	<i>T. Masutawa</i>	21-05-00
SUBMITTED	A. Hiratani	<i>A. Hiratani</i>	23/05/00
APPROVED	P. Viraphonh	<i>P. Viraphonh</i>	5/6/00

DWG. TITLE:  
 BORDER CONTROL FACILITIES  
 LAO PDR SIDE  
 DETAIL OF PLUMBING WORK (MAIN OFFICE)

DATE OF ISSUE: 05/03/2000  
 DWG. NO. F-P-6 SHEET NO. 262  
 DWG. STATUS

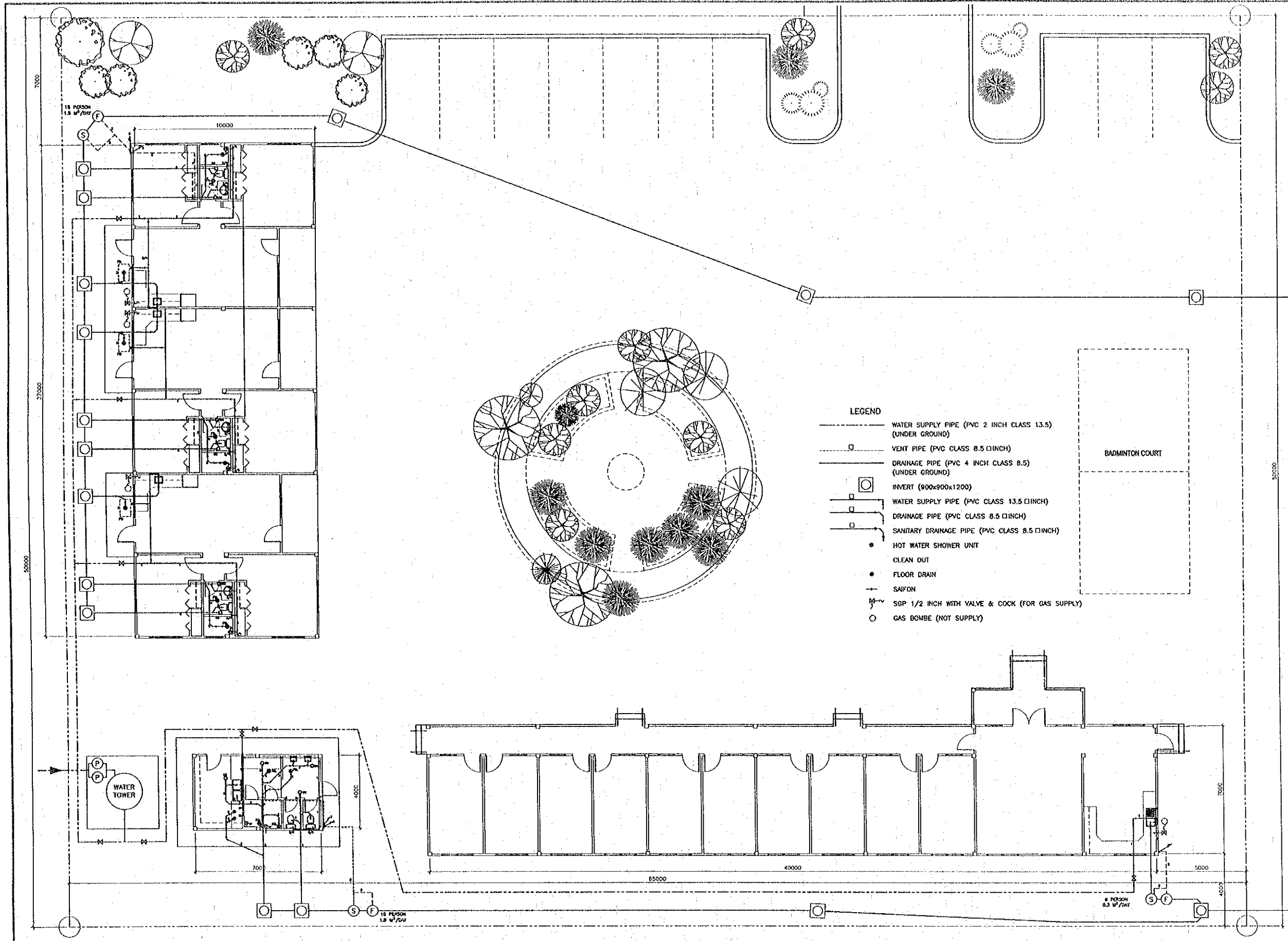


TO SURFACE WATER DRAINAGE MANHOLE



- LEGEND**
- SUPPLY (PVC PIPE CLASS 13.5)
  - SANITARY DRAIN (PVC PIPE CLASS 8.5)
  - DRAIN (PVC PIPE CLASS 8.5)
  - VENT (PVC PIPE CLASS 8.5)
  - DIAMETER OF PIPE (□ INCH)
  - SAIFON
  - CONCRETE PIPE (□mm)
  - CATCH BASIN (600x1000x1600)

REV.	DATE	DESCRIPTION	APPROVED	PROJECT STUDY TEAM	JICA	QUALITY RECORD	NAME	SIGNATURE	DATE	DWG. TITLE
				ORIENTAL CONSULTANTS CO., LTD. In association with NIPPON KOEI CO., LTD.	JAPAN INTERNATIONAL COOPERATION AGENCY LAO PEOPLE'S DEMOCRATIC REPUBLIC MINISTRY OF COMMUNICATION, TRANSPORT, POST AND CONSTRUCTION KINGDOM OF THAILAND MINISTRY OF TRANSPORT AND COMMUNICATIONS DEPARTMENT OF HIGHWAYS	DESIGN	I. Takahashi	<i>[Signature]</i>	22-05-00	BORDER CONTROL FACILITIES LAO PDR SIDE PLUMBING WORK IN PUBLIC TOILETS AND CHECK POINT AND TOLL OFFICE
						DESIGN CHECK	T. Masuoka	<i>[Signature]</i>	22-05-00	
						SUBMITTED	A. Hirotsu	<i>[Signature]</i>	22/05/00	
						APPROVED	P. Vorphanth	<i>[Signature]</i>	5/6/00	



- LEGEND**
- WATER SUPPLY PIPE (PVC 2 INCH CLASS 13.5) (UNDER GROUND)
  - VENT PIPE (PVC CLASS 8.5 INCH)
  - DRAINAGE PIPE (PVC 4 INCH CLASS 8.5) (UNDER GROUND)
  - INVERT (900x900x1200)
  - WATER SUPPLY PIPE (PVC CLASS 13.5 INCH)
  - DRAINAGE PIPE (PVC CLASS 8.5 INCH)
  - SANITARY DRAINAGE PIPE (PVC CLASS 8.5 INCH)
  - HOT WATER SHOWER UNIT
  - CLEAN OUT
  - FLOOR DRAIN
  - SAFON
  - SGP 1/2 INCH WITH VALVE & COCK (FOR GAS SUPPLY)
  - GAS BOMBE (NOT SUPPLY)

REV.	DATE	DESCRIPTION	APPROVED	PROJECT STUDY TEAM

ORIENTAL CONSULTANTS CO., LTD.  
 In association with  
 NIPPON KORI CO., LTD.

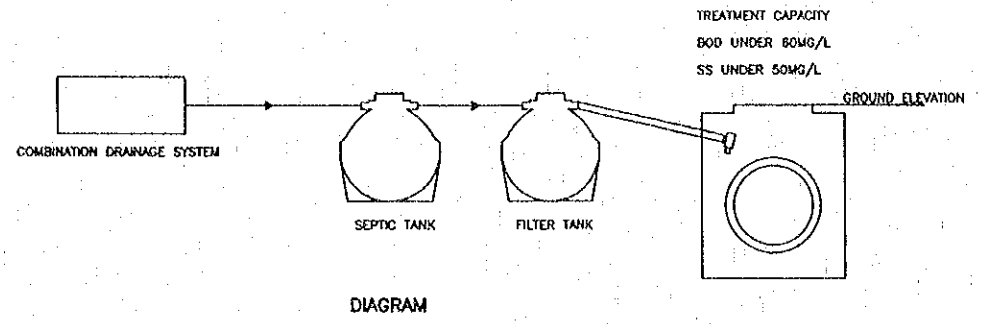
JICA JAPAN INTERNATIONAL COOPERATION AGENCY  
 LAO PEOPLE'S DEMOCRATIC REPUBLIC  
 MINISTRY OF COMMUNICATION, TRANSPORT, POST AND CONSTRUCTION  
 KINGDOM OF THAILAND  
 MINISTRY OF TRANSPORT AND COMMUNICATIONS  
 DEPARTMENT OF HIGHWAYS

THE SECOND MEKONG  
 INTERNATIONAL BRIDGE  
 CONSTRUCTION PROJECT

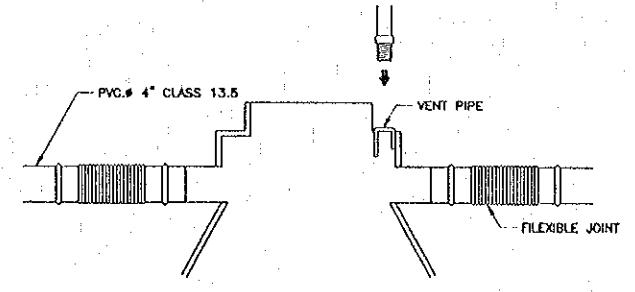
QUALITY RECORD	NAME	SIGNATURE	DATE	DWG. TITLE:
DESIGN	T. Takobuzhi	<i>T. Takobuzhi</i>	18-02-00	BORDER CONTROL FACILITIES LAO PDR SIDE PLUMBING WORK IN ACCOMMODATION
DESIGN CHECK	T. Masuzawa	<i>T. Masuzawa</i>	18-02-00	
SUBMITTED	A. Hiratani	<i>A. Hiratani</i>	21/2/00	
APPROVED	P. Viraphanah	<i>P. Viraphanah</i>	22/2/00	

C:\SWB-LAO\PACKAGE-7\ELECTRICAL\F-P-7.dwg



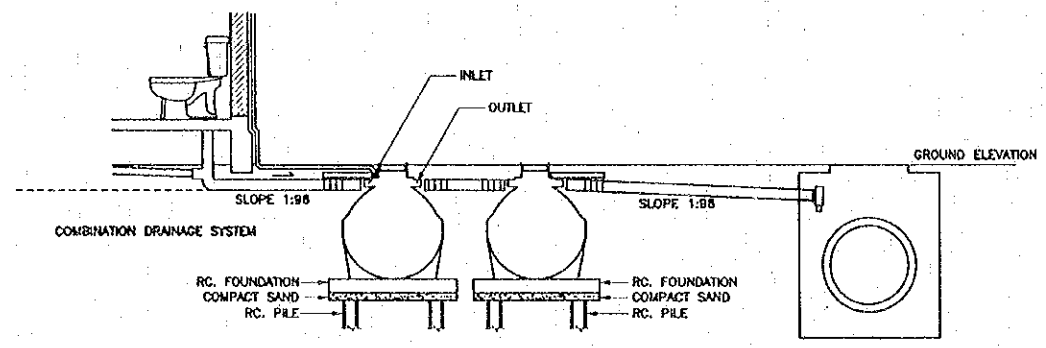


DIAGRAM

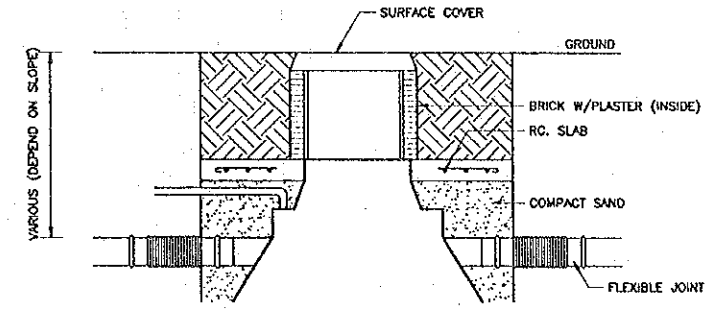


SEPTIC TANK

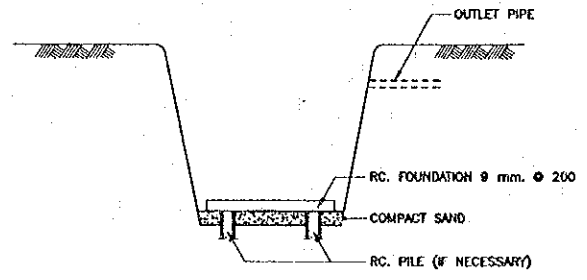
DETAIL OF THE CONNECTION OF INLET - OUTLET PIPE



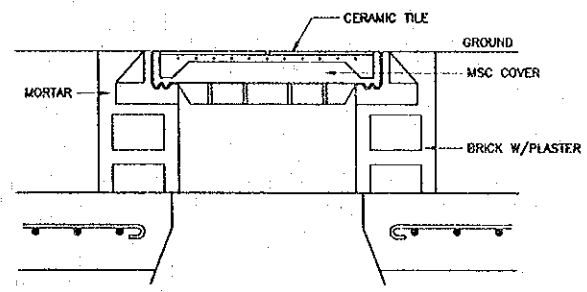
INSTALLATION



DETAIL OF SETTING THE TOP OF SEPTIC TANK IN POSITION

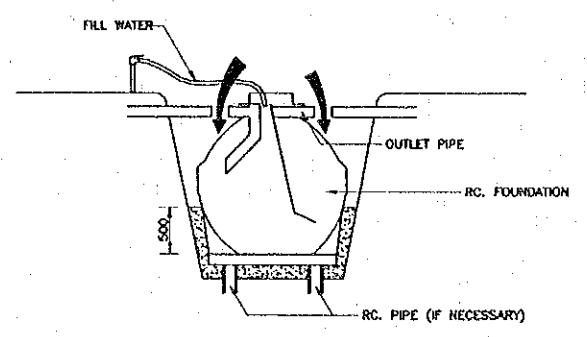


DETAIL OF DIGGING - HOLE FOR SEPTIC TANK



SEPTIC TANK

COVER INSTALLATION DETAIL



DETAIL OF THE INSTALLATION OF SEPTIC TANK

REV.	DATE	DESCRIPTION	APPROVED

PROJECT STUDY TEAM  
 ORIENTAL CONSULTANTS CO., LTD.  
 In association with  
 NIPPON KORI CO., LTD.

JICA JAPAN INTERNATIONAL COOPERATION AGENCY  
 LAO PEOPLE'S DEMOCRATIC REPUBLIC  
 MINISTRY OF COMMUNICATION, TRANSPORT, POST AND CONSTRUCTION  
 KINGDOM OF THAILAND  
 MINISTRY OF TRANSPORT AND COMMUNICATIONS  
 DEPARTMENT OF HIGHWAYS

THE SECOND MEKONG INTERNATIONAL BRIDGE CONSTRUCTION PROJECT

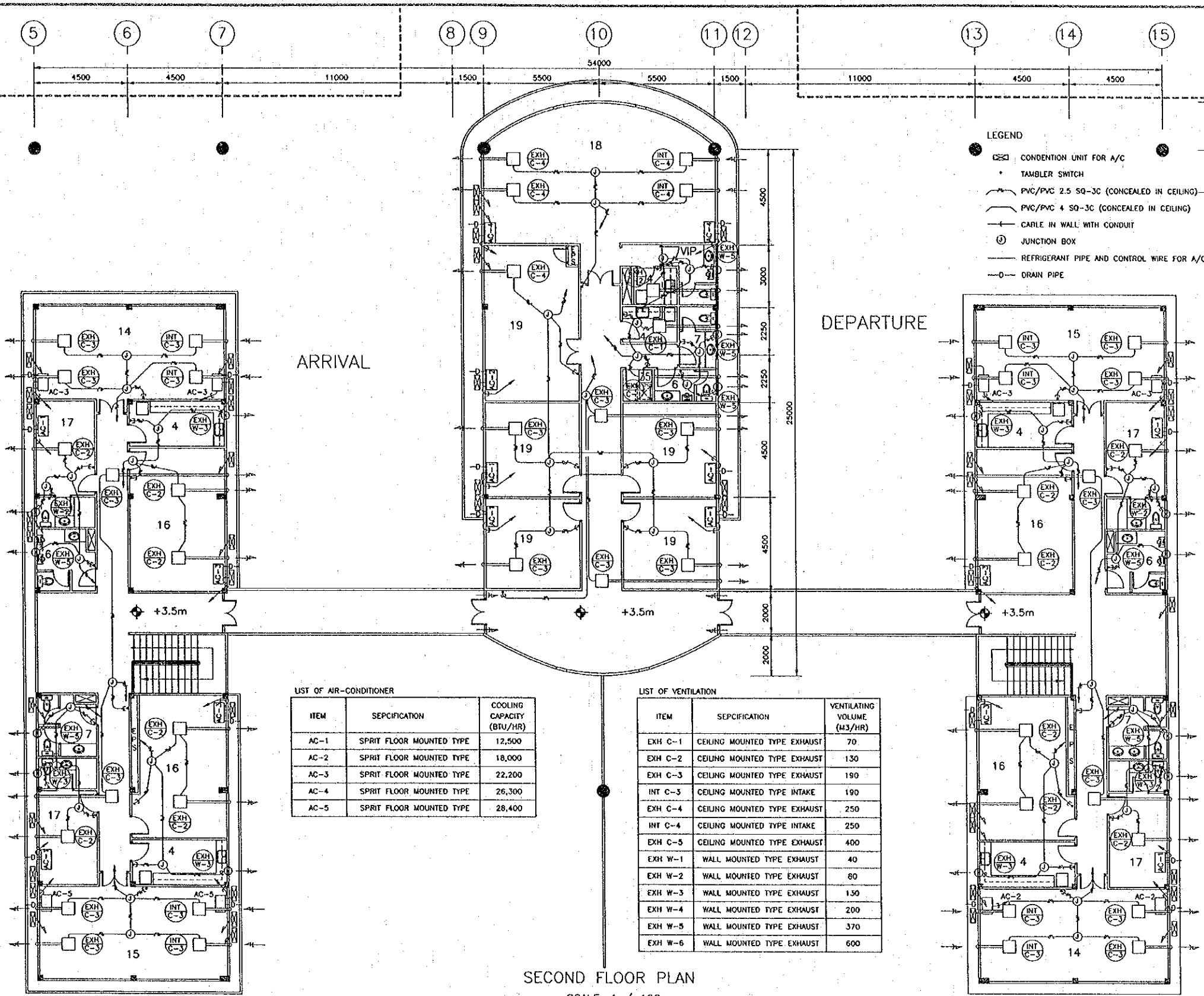
QUALITY RECORD	NAME	SIGNATURE	DATE
DESIGN	T. Teekobong	<i>T. Teekobong</i>	11/01/00
DESIGN CHECK	T. Masuzawa	<i>T. Masuzawa</i>	11/01/00
SUBMITTED	A. Hicolani	<i>A. Hicolani</i>	11/01/00
APPROVED	P. Viraphanth	<i>P. Viraphanth</i>	12/02/00

DWG. TITLE:  
 BORDER CONTROL FACILITIES  
 LAO PDR SIDE  
 WASTE WATER TREATMENT SYSTEM DETAILS





- LEGEND
- ☐ CONDECTION UNIT FOR A/C
  - TAMBLER SWITCH
  - PVC/PVC 2.5 SQ-3C (CONCEALED IN CEILING)
  - PVC/PVC 4 SQ-3C (CONCEALED IN CEILING)
  - CARLE IN WALL WITH CONDUIT
  - ⊕ JUNCTION BOX
  - REFRIGERANT PIPE AND CONTROL WIRE FOR A/C
  - DRAIN PIPE



LIST OF AIR-CONDITIONER

ITEM	SEPCIFICATION	COOLING CAPACITY (BTU/HR)
AC-1	SPRIT FLOOR MOUNTED TYPE	12,500
AC-2	SPRIT FLOOR MOUNTED TYPE	18,000
AC-3	SPRIT FLOOR MOUNTED TYPE	22,200
AC-4	SPRIT FLOOR MOUNTED TYPE	26,300
AC-5	SPRIT FLOOR MOUNTED TYPE	28,400

LIST OF VENTILATION

ITEM	SEPCIFICATION	VENTILATING VOLUME (M <sup>3</sup> /HR)
EXH C-1	CEILING MOUNTED TYPE EXHAUST	70
EXH C-2	CEILING MOUNTED TYPE EXHAUST	130
EXH C-3	CEILING MOUNTED TYPE EXHAUST	190
INT C-3	CEILING MOUNTED TYPE INTAKE	190
EXH C-4	CEILING MOUNTED TYPE EXHAUST	250
INT C-4	CEILING MOUNTED TYPE INTAKE	250
EXH C-5	CEILING MOUNTED TYPE EXHAUST	400
EXH W-1	WALL MOUNTED TYPE EXHAUST	40
EXH W-2	WALL MOUNTED TYPE EXHAUST	80
EXH W-3	WALL MOUNTED TYPE EXHAUST	130
EXH W-4	WALL MOUNTED TYPE EXHAUST	200
EXH W-5	WALL MOUNTED TYPE EXHAUST	370
EXH W-6	WALL MOUNTED TYPE EXHAUST	600

SECOND FLOOR PLAN  
 SCALE: 1 / 100

- Note: 1. IMMIGRATION 5. STORAGE 9. QURANTINE OFFICE 13. CONTROL GATE 17. BED ROOM 21. ENTRY FEE BOOTHS 25. INSPECTION PIT  
 2. CUSTOM 6. MEN'S TOILETS 10. HEALTH OFFICE 14. IMMIGRATION DIRECTOR 18. VIP 22. EXIT FEE BOOTHS 26. WEIGHING EQUIP  
 3. CPU 7. WOMEN'S TOILETS 11. CONTROL ROOM 15. CUSTOM DIRECTOR 19. BRIDGE ADMINISTRATION 23. MONEY EXCHANGE 27. MULTI FUNCTION OFFICE  
 4. PANTRY 8. VISA OFFICE 12. CUSTOM'S CHECKING 16. MEETING ROOM 20. INSURANCE 24. TRAVEL OFFICE

REV.	DATE	DESCRIPTION	APPROVED	PROJECT STUDY TEAM	JICA JAPAN INTERNATIONAL COOPERATION AGENCY	QUALITY RECORD	NAME	SIGNATURE	DATE	DWG. TITLE
				ORIENTAL CONSULTANTS CO., LTD. In association with NIPPON KOEI CO., LTD.	LAO PEOPLE'S DEMOCRATIC REPUBLIC MINISTRY OF COMMUNICATION, TRANSPORT, POST AND CONSTRUCTION KINGDOM OF THAILAND MINISTRY OF TRANSPORT AND COMMUNICATIONS DEPARTMENT OF HIGHWAYS	DESIGN DESIGN CHECK SUBMITTED APPROVED	T. Tokubushi T. Masuoka A. Hirataki P. Viragonth	<i>[Signatures]</i>	13/03/00 28/03/00 27/03/00 05/06/00	BORDER CONTROL FACILITIES LAO PDR SIDE PLAN OF AIR-CONDITIONER & VENTILATION IN MAIN OFFICE (SECOND FLOOR)

