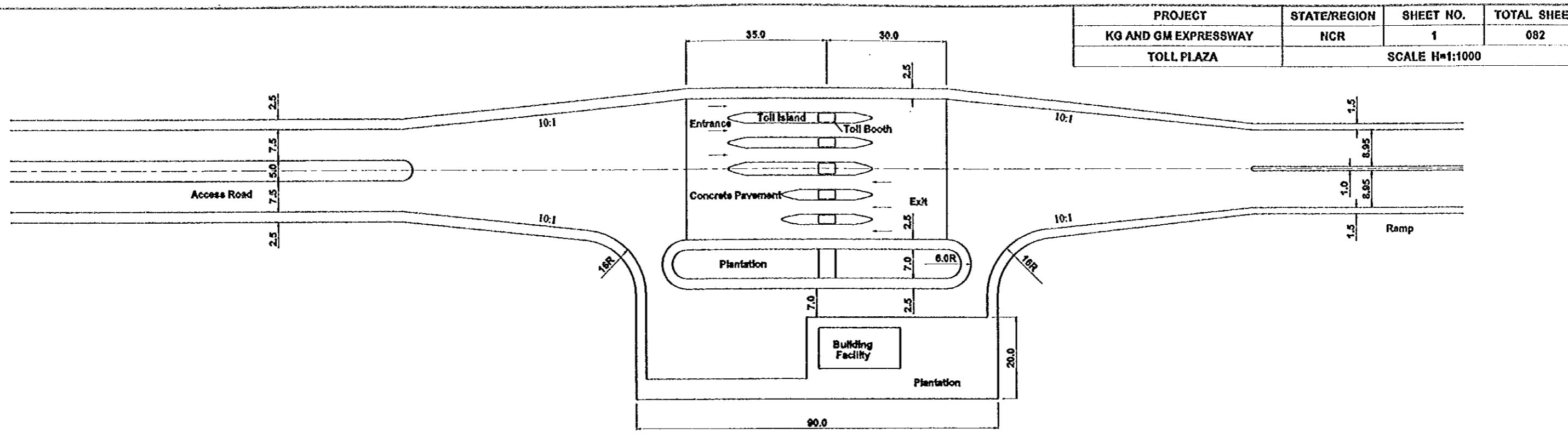
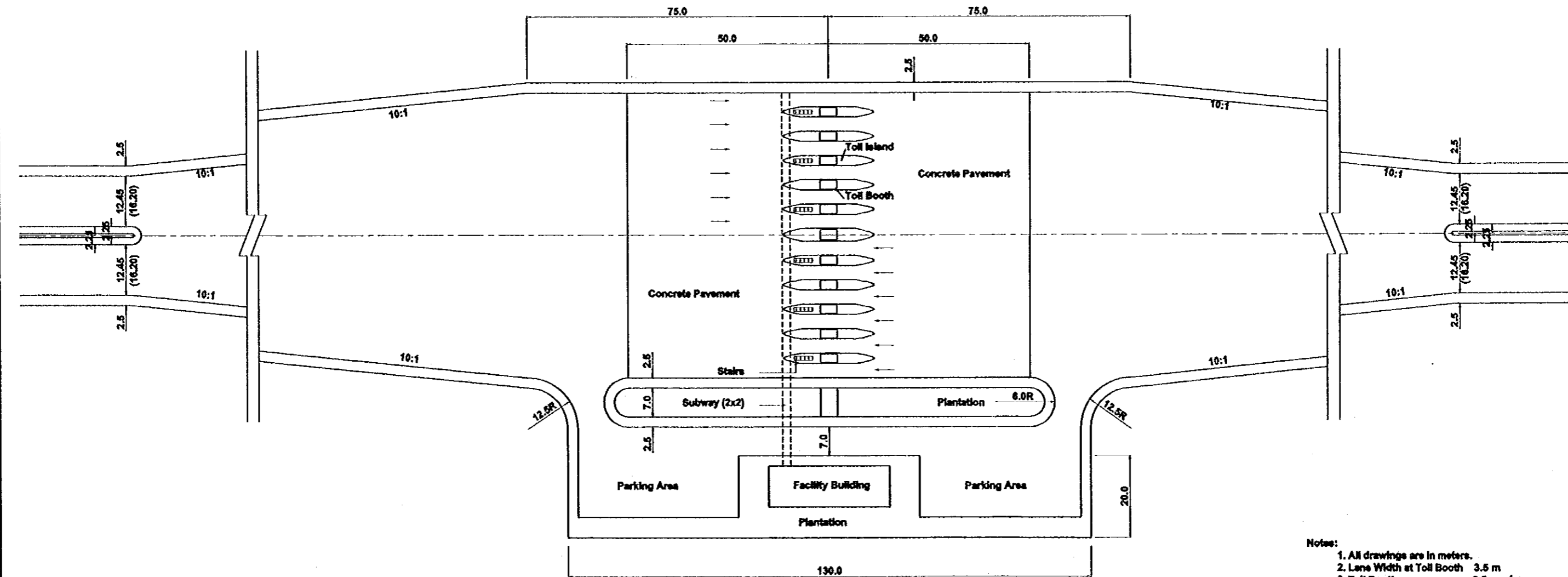


PROJECT	STATE/REGION	SHEET NO.	TOTAL SHEET
KG AND GM EXPRESSWAY	NCR	1	082
TOLL PLAZA		SCALE H=1:1000	



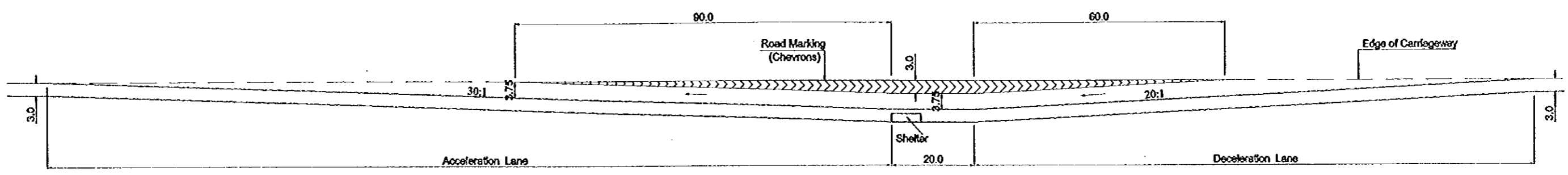
TOLL PLAZA AT INTERCHANGE



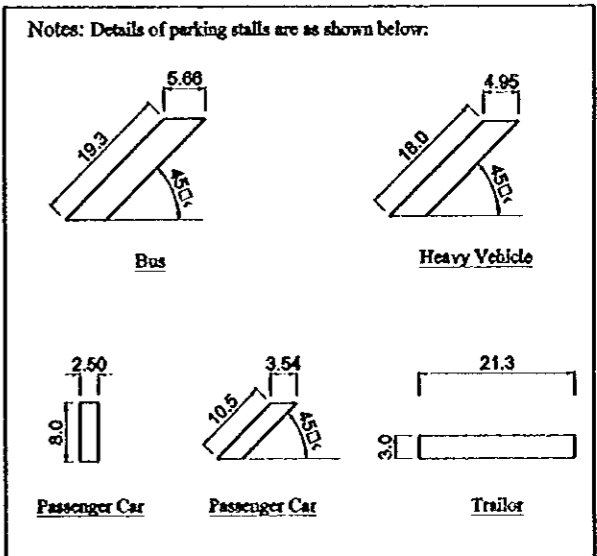
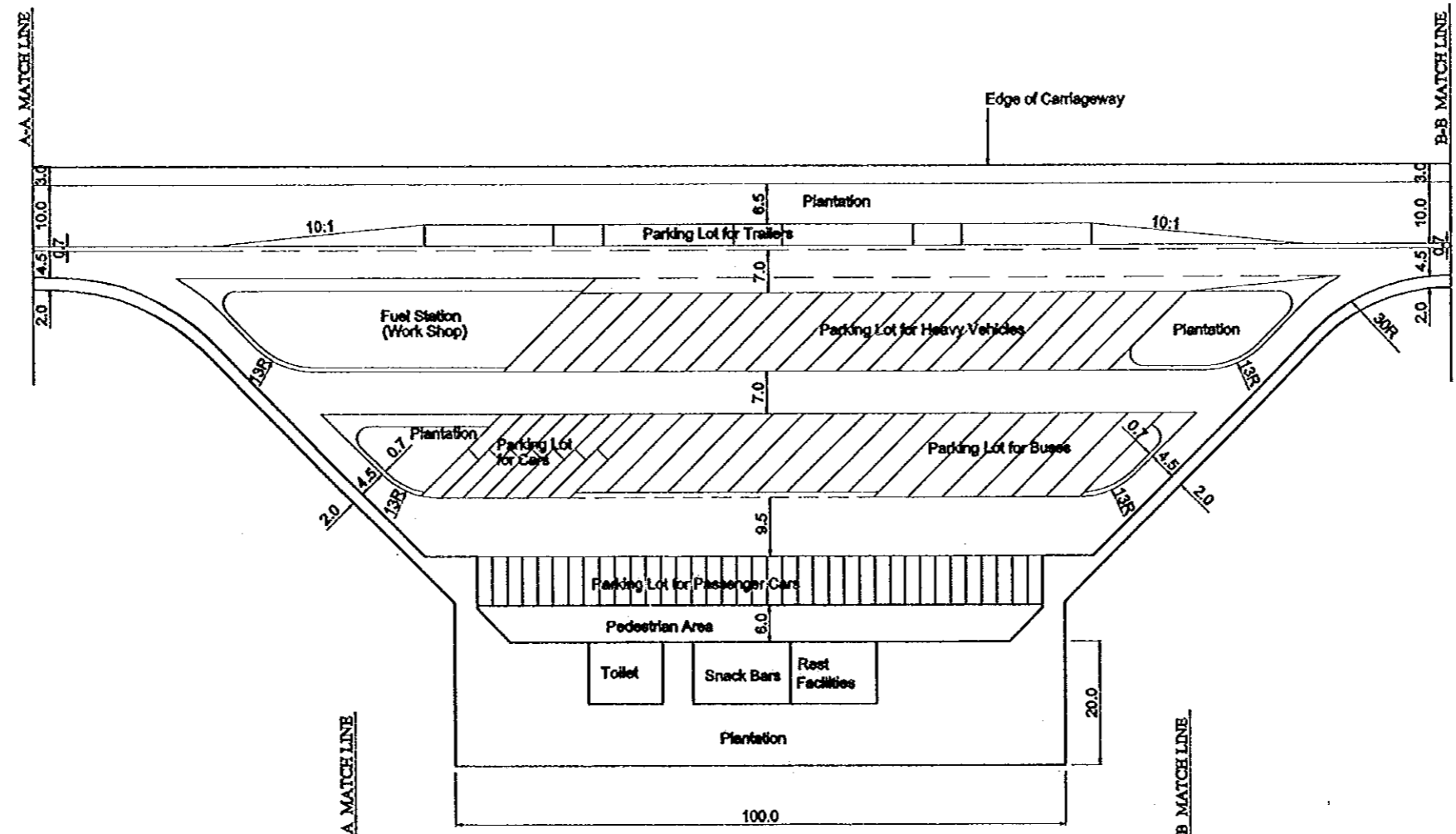
TOLL PLAZA AT THROUGHWAY

- Notes:
- All drawings are in meters.
 - Lane Width at Toll Booth 3.5 m
 - Toll Booth 2.5m x 4m
 - Central Toll Booth 3.1m x 4m
 - Dimension inside brackets are for GM-route.
 - Toll Plaza at Throughway is recommended to install at No.6+700 of GM Route.

PROJECT	STATE/REGION	SHEET NO.	TOTAL SHEET
KG AND GM EXPRESSWAY	NCR	1	083
REST AREA AND BUS-BAY		SCALE H=1:1000	

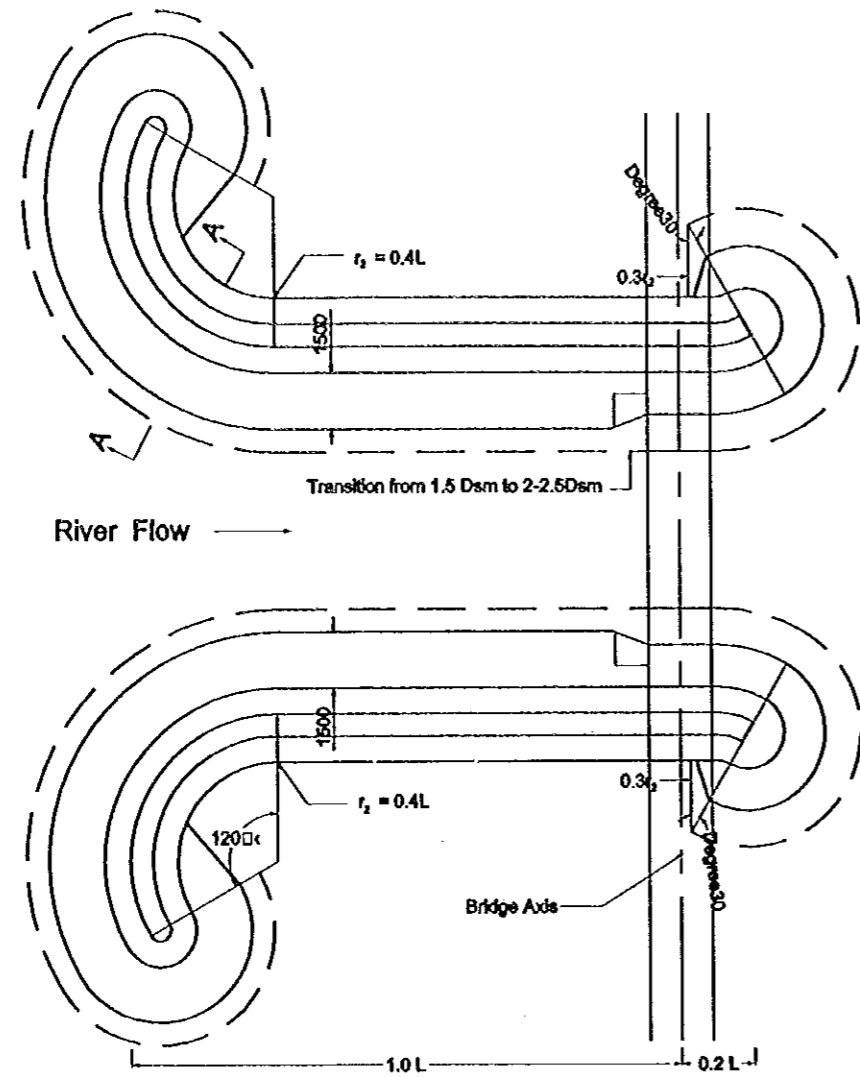


BUS-BAY

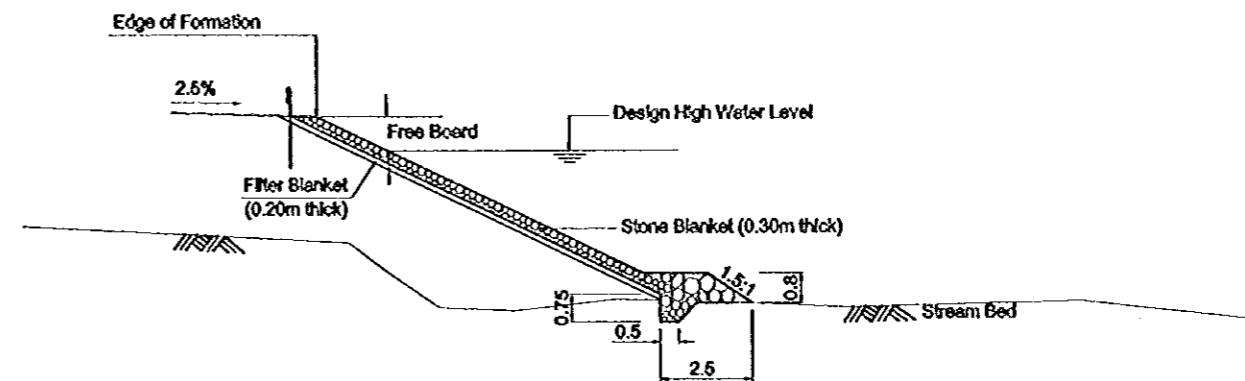


REST AREA

PROJECT	STATE/REGION	SHEET NO.	TOTAL SHEET
KUNDLI-GHAZIABAD EXPRESSWAY	NCR	1	084
GUIDE BUND AND RIVER BANK PROTECTION		SCALE H=1:200	



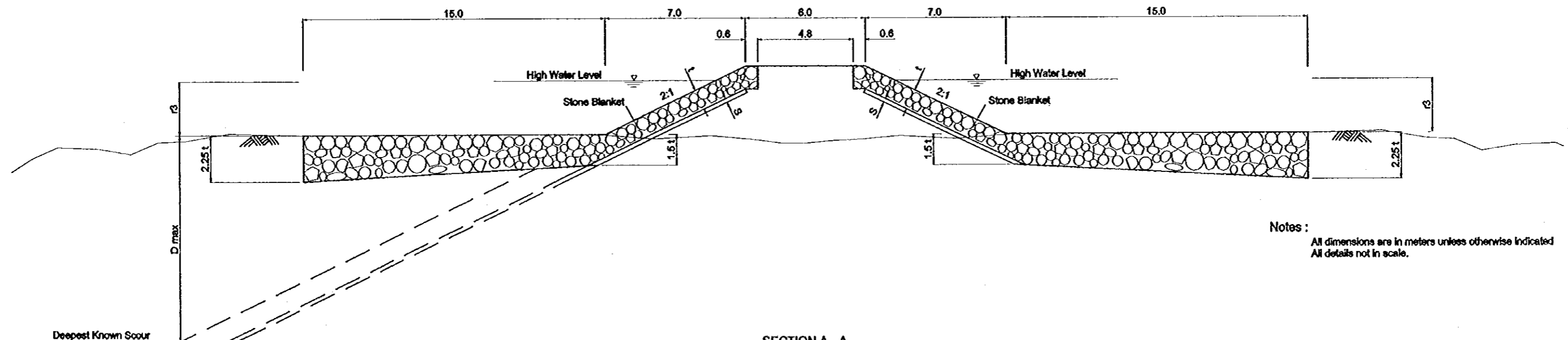
STRAIGHT GUIDE BUND



RIVER BANK PROTECTION

LEGEND

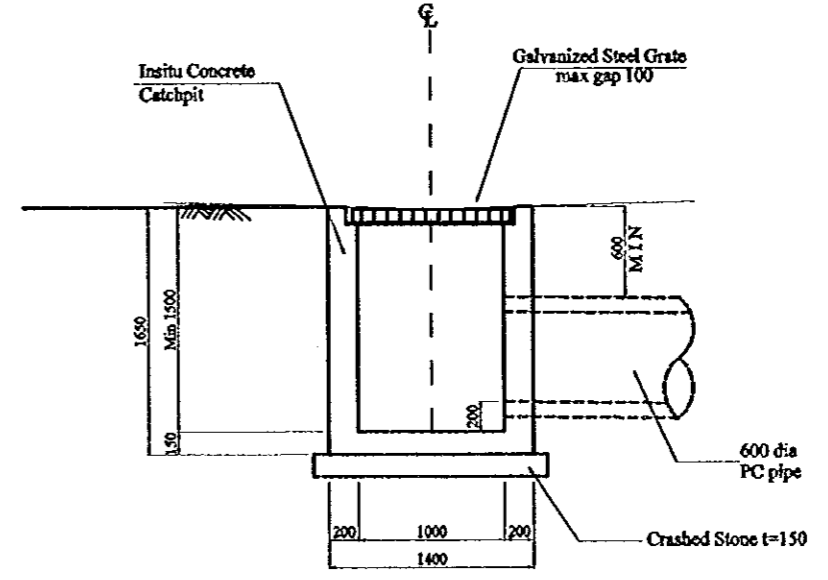
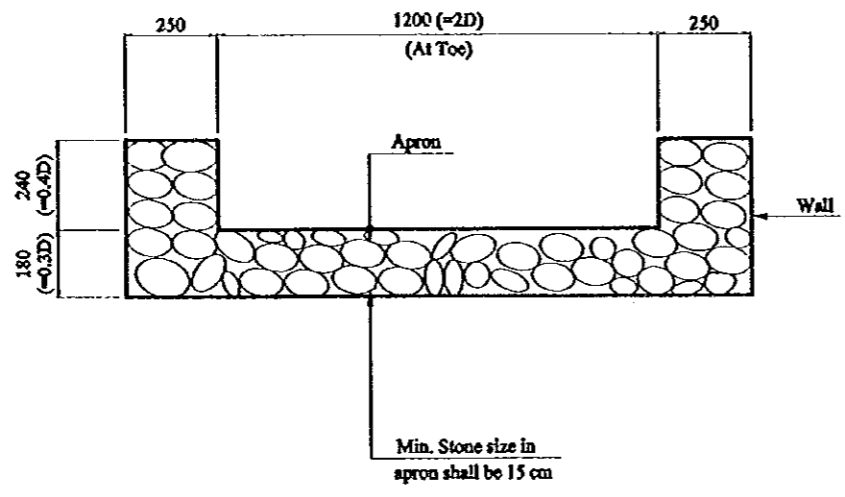
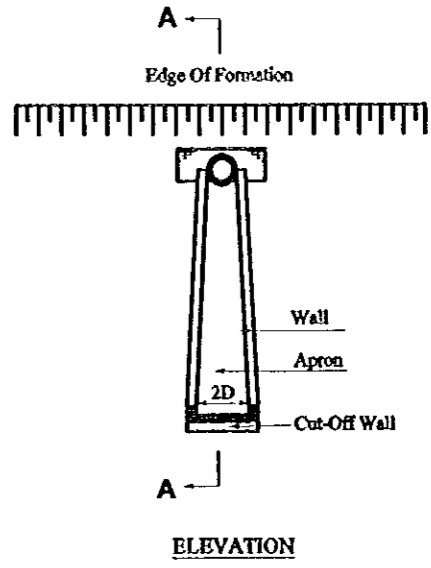
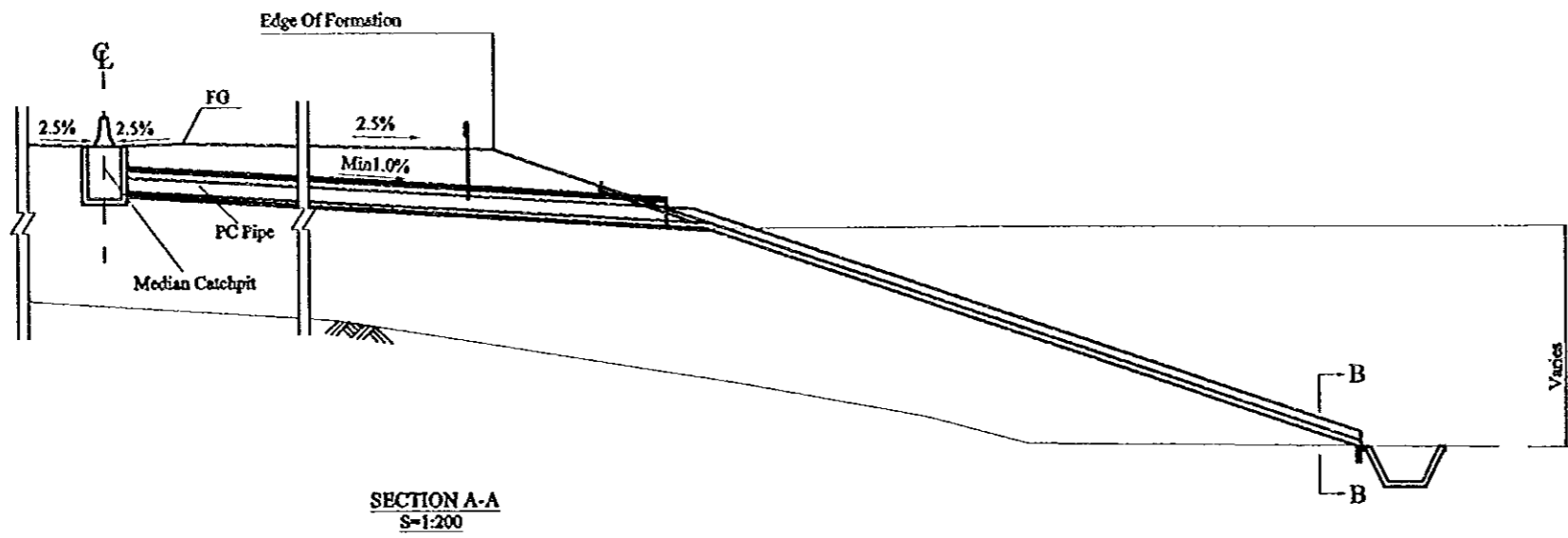
- F = Height of Top of Guide Bund Above Pond Level
- r3 = Rise of Flood above L.W.L. at Guide Bund
- L = Length of Bridge
- Dsm = Mean Depth of Scour
- t = Thickness of Stone Pitching
- S = Thickness of Filter



SECTION A - A

Notes:
All dimensions are in meters unless otherwise indicated
All details not in scale.

PROJECT	STATE/REGION	SHEET NO.	TOTAL SHEET
KG AND GM EXPRESSWAY	NCR	1	085
MEDIAN DRAINAGE	SCALE : INDICATED		



SECTION B-B
S=1:10

INITIAL MEDIAN CATCHPIT
S=1:50

PROJECT		STATE/REGION	SHEET NO.	TOTAL SHEET
KUNDLI - GHAZIABAD EXPRESSWAY		NCR	1/10	086
LAND ACQUISITION PLAN		SCALE :		

STATION No.	STATION COORDINATE		DIRECTION	STAKE DISTANCE	LEFT SIDE STAKE COORDINATE		STAKE DISTANCE	RIGHT SIDE STAKE COORDINATE	
	NORTHING	EASTING			NORTHING	EASTING		NORTHING	EASTING
0K600.000	3200241.9256	705948.7141	80-51-59.174	50.00	3200291.2916	705940.7773	50.00	3200192.5595	705956.6509
0K800.000	3200276.4893	706145.6379	79-13-45.894	50.00	3200325.6084	706136.3541	50.00	3200227.3701	706155.0418
1K000.000	3200316.6562	706341.6139	77-35-32.614	50.00	3200365.4984	706330.8707	50.00	3200267.8340	706352.3572
1K200.000	3200362.4236	706536.3023	75-57-19.334	50.00	3200410.9289	706524.1684	50.00	3200313.9182	706548.4361
1K370.000	3200405.6772	706700.7033	74-33-50.046	50.00	3200453.8736	706687.3951	50.00	3200357.4808	706714.0115
1K400.000	3200413.6079	706729.6360	74-46-43.539	50.00	3200461.8538	706716.5087	50.00	3200365.3619	706742.7634
1K600.000	3200463.6996	706923.2561	76-12-40.159	50.00	3200512.2586	706911.3389	50.00	3200415.1406	706935.1733
1K800.000	3200508.9357	707118.0679	77-38-36.779	50.00	3200557.7774	707107.3682	50.00	3200460.0339	707128.7675
2K000.000	3200549.2878	707313.9495	79-04-33.399	50.00	3200598.3818	707304.4741	50.00	3200500.1939	707323.4249
2K200.000	3200584.7309	707510.7786	80-30-30.019	50.00	3200634.0464	707502.5334	50.00	3200535.4154	707519.0239
2K400.000	3200615.2426	707708.4323	81-56-26.640	50.00	3200664.7488	707701.4224	50.00	3200565.7364	707715.4421
2K600.000	3200640.6040	707906.7868	83-22-23.260	50.00	3200690.4699	707901.0167	50.00	3200591.1380	707912.5570
2K800.000	3200661.3990	708105.7184	84-48-19.880	50.00	3200711.1937	708101.1915	50.00	3200611.6044	708110.2452
3K000.000	3200677.0148	708305.1026	86-14-16.500	50.00	3200726.9071	708301.8219	50.00	3200627.1226	708308.3833
3K200.000	3200687.6417	708504.8148	87-40-13.120	50.00	3200737.6004	708502.7824	50.00	3200637.6830	708506.8473
3K400.000	3200693.2730	708704.7303	89-06-09.740	50.00	3200743.2668	708703.9473	50.00	3200643.2791	708705.5133
3K600.000	3200693.9051	708904.7241	90-32-06.361	50.00	3200743.9029	708905.1911	50.00	3200643.9073	708904.2572
3K800.000	3200689.5377	709104.6712	91-58-02.981	50.00	3200739.5082	709106.3879	50.00	3200639.5672	709102.9546
4K000.000	3200680.1735	709304.4467	93-23-59.601	50.00	3200730.0855	709307.4119	50.00	3200630.2615	709301.4815
4K200.000	3200665.8184	709503.9256	94-49-56.221	50.00	3200715.6407	709508.1376	50.00	3200615.9961	709499.7137
4K400.000	3200648.4813	709702.9834	96-15-52.841	50.00	3200696.1827	709708.4395	50.00	3200596.7799	709697.5273
4K600.000	3200622.1743	709901.4956	97-41-49.461	50.00	3200671.7238	709908.1823	50.00	3200572.6248	709894.7988
4K800.000	3200592.9127	710099.3381	99-07-46.081	50.00	3200642.2793	710107.2714	50.00	3200543.5460	710091.4048
5K000.000	3200558.7146	710296.3874	100-33-42.702	50.00	3200607.9675	710305.5522	50.00	3200509.5617	710287.2225
5K200.000	3200558.7146	710296.3874	100-33-42.702	50.00	3200607.9675	710305.5522	50.00	3200509.5617	710287.2225
5K400.000	3200522.0552	710492.9989	100-33-42.702	50.00	3200571.2081	710502.1637	50.00	3200472.9023	710483.8340
5K600.000	3200485.3958	710689.6104	100-33-42.702	50.00	3200534.5487	710698.7752	50.00	3200436.2429	710680.4455
5K800.000	3200448.7364	710886.2219	100-33-42.702	50.00	3200497.8993	710895.3868	50.00	3200399.5835	710877.0571
5K000.000	3200412.0770	711082.8334	100-33-42.702	50.00	3200461.2298	711091.9983	50.00	3200362.9241	711073.6686
6K000.000	3200375.4176	711279.4449	100-33-42.702	50.00	3200424.5704	711288.6098	50.00	3200326.2647	711270.2801
6K140.000	3200349.7560	711417.0730	100-33-42.702	50.00	3200398.9089	711426.2379	50.00	3200300.6031	711407.9082
6K200.000	3200338.6571	711476.0375	100-45-29.895	50.00	3200387.7782	711485.3708	50.00	3200289.5359	711466.7042
6K400.000	3200300.2018	711672.3045	101-24-47.207	50.00	3200349.2131	711682.1986	50.00	3200251.1905	711662.4105
6K600.000	3200259.5061	711868.1193	102-04-04.519	50.00	3200308.4011	711878.5729	50.00	3200210.6111	711857.6658
6K800.000	3200216.5752	712063.4562	102-43-21.831	50.00	3200265.3476	712074.4679	50.00	3200167.8029	712052.4446
7K000.000	3200171.4147	712258.2897	103-22-39.143	50.00	3200220.0581	712269.8580	50.00	3200122.7714	712246.7214
7K200.000	3200124.0306	712452.5944	104-01-56.455	50.00	3200172.5386	712464.7179	50.00	3200075.5227	712440.4709
7K400.000	3200074.4290	712646.3449	104-41-13.767	50.00	3200122.7952	712659.0219	50.00	3200026.0628	712633.6678
7K600.000	3200022.6164	712839.5158	105-20-31.079	50.00	3200070.8346	712852.7448	50.00	3199974.3982	712826.2868
7K800.000	3199968.5995	713032.0820	105-59-48.391	50.00	3200016.6634	713045.8612	50.00	3199920.5356	713018.3029
8K000.000	3199912.3855	713224.0183	106-39-05.704	50.00	3199960.2887	713238.3459	50.00	3199864.4822	713209.6908
8K200.000	3199853.9816	713415.2997	107-18-23.016	50.00	3199901.7180	713430.1737	50.00	3199806.2452	713400.4256
8K400.000	3199793.3955	713605.9011	107-57-40.328	50.00	3199840.9588	713621.3197	50.00	3199745.8322	713390.4824
8K600.000	3199730.6351	713795.7976	108-36-57.640	50.00	3199778.0191	713811.7588	50.00	3199683.2511	713379.8364
8K800.000	3199665.7096	713984.9645	109-16-14.952	50.00	3199712.9071	714001.4662	50.00	3199618.5102	713368.4628
9K000.000	3199598.6245	714173.3771	109-55-32.264	50.00	3199645.6313	714190.4171	50.00	3199551.6177	714156.3370
9K200.000	3199529.3915	714361.0106	110-34-49.576	50.00	3199576.2005	714378.5867	50.00	3199482.5826	714343.4345
9K400.000	3199458.0187	714547.8407	111-14-06.888	50.00	3199504.6238	714565.9506	50.00	3199411.4137	714329.7308
9K600.000	3199384.5155	714733.8430	111-53-24.200	50.00	3199430.9105	714752.4843	50.00	3199338.1204	714315.2016
9K800.000	3199308.8913	714918.9931	112-32-41.512	50.00	3199355.0703	714938.1634	50.00	3199262.7123	714299.8227
10K000.000	3199231.1561	715103.2668	113-11-58.824	50.00	3199277.1130	715122.9636	50.00	3199185.1992	715083.5699
10K200.000	3199151.3201	715286.6401	113-51-16.136	50.00	3199197.0488	715306.8608	50.00	3199105.5913	715066.4193
10K400.000	3199069.3936	715469.0890	114-30-33.448	50.00	3199114.8883	715489.8311	50.00	3199023.8989	715048.3470
10K570.000	3198998.1204	715623.4260	115-03-57.164	50.00	3199043.4115	715644.6090	50.00	3198952.8294	715026.2430
10K600.000	3198985.4106	715650.6007	115-03-57.164	50.00	3199030.7017	715671.7837	50.00	3198940.1196	715029.4177
10K800.000	3198900.6786	715831.7649	115-03-57.164	50.00	3198945.9697	715852.9479	50.00	3198855.3876	715010.5819
11K000.000	3198815.9466	716012.9292	115-03-57.164	50.00	3198861.2377	716034.1122	50.00	3198770.6556	715991.7462

STATION No.	STATION COORDINATE		DIRECTION	STAKE DISTANCE	LEFT SIDE STAKE COORDINATE		STAKE DISTANCE	RIGHT SIDE STAKE COORDINATE	
	NORTHING	EASTING			NORTHING	EASTING		NORTHING	EASTING
11K200.000	3198731.2146	716194.0934	115-03-57.164	50.00	3198776.5057	716215.2764	50.00	3198685.9235	716172.9104
11K400.000	3198646.4826	716375.2577	115-03-57.164	50.00	3198691.7737	716396.4407	50.00	3198601.1915	716354.0747
11K600.000	3198561.7506	716556.4219	115-03-57.164	50.00	3198607.0416	716577.6049	50.00	3198516.4595	716535.2389
11K800.000	3198477.0186	716737.5962	115-03-57.164	50.00	3198522.3096	716758.7692	50.00	3198431.7275	716716.4032
12K000.000	3198392.2866	716918.7504	115-03-57.164	50.00	3198437.5776	716939.9334	50.00	3198346.9955	716897.5674
12K200.000	3198307.5545	717099.9147	115-03-57.164	50.00	3198352.8455	717121.0977	50.00	3198262.2635	717078.7317
12K400.000	3198222.8225	717281.0789	115-03-57.164	50.00	3198268.1136	717302.2619	50.00	3198177.5315	717259.8959
12K600.000	3198138.0905	717462.2432	115-03-57.164	50.00	3198183.3816	717483.4262	50.00	3198092.7995	717441.0602
12K800.000	3198053.3585	717643.4074	115-03-57.164	50.00	3198098.6496	717664.5905	50.00	3198008.0675	717622.2244
13K000.000	3197968.6265	717824.5717	115-03-57.164	50.00	3198013.9176	717845.7547	50.00	3197923.3354	717803.3887
13K200.000	3197883.8945	718005.7360	115-03-57.164	50.00	3197929.1856	718026.9190	50.00	3197838.6034	717984.5529
13K400.000	3197799.1625	718186.9002	115-03-57.164	50.00	3197844.4535	718208.0832	50.00	3197753.8714	718165.7172
13K510.000	3197752.5599	718286.5406	115-03-57.164	50.00	3197797.8509	718307.7236	50.00	3197707.2688	718265.3576
13K600.000									
13K800.000									
14K000.000									
14K200.000									
14K400.000									
14K600.000									
14K800.000									
15K000.000									
15K200.000	3197169.0259	719870.4587	105-22-58.412	50.00	3197217.2347	719883.7222	50.00	3197120.8172	719857.1953
15K400.000	3197117.9041	720063.8113	104-14-13.116	50.00	3197166.3685	720076.1080	50.00	3197069.4398	720051.5147
15K600.000	3197070.6593	720258.1476	103-05-27.820	50.00	3197119.3599	720269.4726	50.0		

PROJECT		STATE/REGION	SHEET NO.	TOTAL SHEET
KUNDLI - GHAZIABAD EXPRESSWAY		NCR	2/10	087
LAND ACQUISITION PLAN		SCALE :		

STATION No.	STATION COORDINATE		DIRECTION	STAKE DISTANCE	LEFT SIDE STAKE COORDINATE		STAKE DISTANCE	RIGHT SIDE STAKE COORDINATE	
	NORTHING	EASTING			NORTHING	EASTING		NORTHING	EASTING
22K000.000	3195346.1161	726373.9244	121-22-52.129	50.00	3195388.8022	726399.9608	50.00	3195303.4300	726347.8879
22K200.000	3195240.0819	726543.4976	122-39-15.791	50.00	3195282.1789	726570.4761	50.00	3195197.9848	726516.5191
22K400.000	3195130.3058	726710.6729	123-55-39.453	50.00	3195171.7930	726738.5802	50.00	3195088.8187	726682.7656
22K600.000	3195016.8422	726875.3676	125-12-03.116	50.00	3195057.6990	726904.1898	50.00	3194975.9853	726646.5454
22K800.000	3194899.7469	727037.5005	126-28-26.778	50.00	3194939.9532	727067.2234	50.00	3194859.5406	727007.7775
23K000.000	3194779.0780	727196.9914	127-44-50.441	50.00	3194818.6139	727227.6004	50.00	3194739.5421	727166.3824
23K200.000	3194654.8948	727353.7616	129-01-14.103	50.00	3194693.7408	727385.2416	50.00	3194616.0488	727322.2816
23K400.000	3194527.2589	727507.7337	130-17-37.765	50.00	3194565.3958	727540.0691	50.00	3194489.1220	727475.3984
23K600.000	3194396.2331	727658.8317	131-34-01.428	50.00	3194433.6421	727692.0065	50.00	3194358.8241	727625.6569
23K800.000	3194261.8822	727806.9810	132-50-25.090	50.00	3194298.5448	727840.9788	50.00	3194225.2196	727772.9831
24K000.000	3194124.2726	727952.1083	134-06-48.752	50.00	3194160.1707	727996.9124	50.00	3194088.3745	727917.3042
24K200.000	3193983.4721	728094.1420	135-23-12.415	50.00	3194018.5880	728129.7352	50.00	3193948.3563	728058.5488
24K400.000	3193839.5504	728233.0121	136-39-36.077	50.00	3193873.8667	728269.3768	50.00	3193805.2341	728206.6474
24K600.000	3193692.5785	728368.6498	137-55-59.739	50.00	3193726.0782	728405.7681	50.00	3193659.0787	728331.5316
24K800.000	3193544.5347	728503.1169	138-15-05.655	50.00	3193588.6604	728439.3501	50.00	3193522.0743	728364.7426
25K000.000	3193400.1747	728641.5275	137-01-25.696	50.00	3193578.6194	728539.6987	50.00	3193510.4499	728466.5350
25K200.000	3193259.8278	728784.0056	135-23-12.416	50.00	3193435.2906	728677.1207	50.00	3193365.0589	728605.9343
25K400.000	3193123.6084	728930.4349	133-44-59.136	50.00	3193295.9461	728818.5811	50.00	3193223.7094	728749.4301
25K600.000	3192980.6959	729080.8959	132-06-45.655	50.00	3193160.6997	728963.9645	50.00	3193086.5170	728896.9053
25K800.000	3192863.9934	729234.6660	130-28-32.575	50.00	3193029.6617	729113.1522	50.00	3192953.5936	729048.2396
26K000.000	3192740.8098	729392.2194	128-50-19.295	50.00	3192892.9391	729266.0225	50.00	3192825.0477	729203.3095
26K200.000	3192622.1774	729553.2276	127-12-06.015	50.00	3192780.6354	729422.4505	50.00	3192700.9842	729361.9883
26K400.000	3192508.1930	729717.5590	125-33-52.735	50.00	3192662.8504	729582.3086	50.00	3192581.5044	729524.1465
26K600.000	3192398.9496	729885.0797	123-55-39.454	50.00	3192549.6801	729745.4663	50.00	3192466.7058	729689.6518
26K800.000	3192294.5366	729985.0797	122-17-26.174	50.00	3192441.2171	729911.7904	50.00	3192356.6822	729858.3690
27K000.000	3192294.5366	730055.6528	122-17-26.174	50.00	3192337.5498	730081.1451	50.00	3192251.5233	730030.1605
27K200.000	3192100.5380	730229.1391	120-39-12.894	50.00	3192238.7623	730253.3923	50.00	3192151.3150	730204.8860
27K400.000	3192011.1109	730405.3970	119-00-59.614	50.00	3192144.9370	730428.3912	50.00	3192056.1390	730382.4029
27K600.000	3191926.8306	730584.2827	117-22-46.334	50.00	3192056.1486	730605.9991	50.00	3191966.0731	730562.5663
27K800.000	3191847.7659	730765.6500	115-44-33.054	50.00	3191972.4704	730786.0709	50.00	3191881.1908	730745.2291
28K000.000	3191773.9814	730949.3510	114-06-19.773	50.00	3191893.9704	730968.4598	50.00	3191801.5614	730930.2423
28K200.000	3191749.4155	731135.2357	112-28-06.493	50.00	3191820.7129	731153.0167	50.00	3191727.2499	731117.4547
28K400.000	3191702.4285	731200.7833	110-49-53.213	50.00	3191796.3225	731218.0961	50.00	3191702.5085	731183.4705
28K600.000	3191622.5174	731219.9896	110-15-30.565	50.00	3191748.7482	731340.8165	50.00	3191656.1089	731303.1607
28K800.000	3191533.5440	731321.9896	112-07-14.170	50.00	3191687.8382	731526.4270	50.00	3191577.1966	731484.1883
29K000.000	3191435.7308	731505.3077	114-59-07.410	50.00	3191577.7527	731707.7618	50.00	3191489.3354	731661.0457
29K200.000	3191329.3221	731684.4037	117-51-00.651	50.00	3191478.7167	731884.3676	50.00	3191392.7449	731833.2908
29K400.000	3191214.5841	731859.8292	120-42-53.891	50.00	3191370.9780	732055.8029	50.00	3191287.6663	732000.4931
29K600.000	3191091.8033	732028.1480	123-34-47.131	50.00	3191254.8057	732221.6392	50.00	3191174.3625	732162.2348
29K800.000	3190961.2868	732349.7868	126-26-40.372	50.00	3191130.4902	732381.4622	50.00	3191053.1165	732318.1115
30K000.000	3190823.3608	732501.3029	129-18-33.612	50.00	3190998.3422	732534.8722	50.00	3190924.2315	732467.7336
30K200.000	3190678.3700	732646.1065	132-10-26.852	50.00	3190858.6921	732681.4858	50.00	3190788.0295	732610.7271
30K400.000	3190526.6768	732783.8357	135-02-20.093	50.00	3190711.8899	732820.9366	50.00	3190644.8511	732746.7347
30K600.000	3190368.6604	732914.1462	137-54-13.333	50.00	3190558.2996	732952.8760	50.00	3190495.0540	732875.4164
30K800.000	3190204.7157	733036.7124	140-46-06.573	50.00	3190398.3079	733076.9743	50.00	3190339.0128	732996.4505
31K000.000	3190035.2542	733151.2279	143-37-59.814	50.00	3190232.3139	733192.9213	50.00	3190177.1174	733109.5345
31K200.000	3190003.2542	733257.4064	146-29-53.054	50.00	3190060.7324	733300.4270	50.00	3190009.7725	733214.3859
31K400.000	3190015.3402	733269.1224	149-21-46.294	50.00	3190040.5712	733312.2895	50.00	3189990.1091	733225.9554
31K600.000	3189962.6180	733358.3882	149-41-37.645	50.00	3189987.8491	733401.5553	50.00	3189937.3870	733315.2212
31K800.000	3189899.9499	733459.3125	149-41-37.645	50.00	3189975.1809	733502.4795	50.00	3189964.7188	733416.1454
32K000.000	3189517.2817	733560.2367	149-41-37.645	50.00	3189542.5128	733603.4037	50.00	3189492.0508	733517.0697
32K200.000	3189344.6135	733661.1609	149-41-37.645	50.00	3189369.8446	733704.3280	50.00	3189319.3825	733617.9939
32K400.000	3189171.9454	733762.0852	149-41-37.645	50.00	3189197.1764	733805.2522	50.00	3189146.7143	733718.9181
32K600.000	3188990.2772	733863.0094	149-41-37.645	50.00	3189024.5082	733906.1765	50.00	3188974.0461	733819.8424
32K800.000	3188826.6090	733963.9337	149-41-37.645	50.00	3188851.8401	734007.1007	50.00	3188801.3779	733920.7666
33K000.000	3188653.9408	734064.8579	149-41-37.645	50.00	3188679.1719	734108.0249	50.00	3188628.7098	734021.6909
33K200.000	3188481.2727	734165.7821	149-41-37.645	50.00	3188506.5037	734208.9492	50.00	3188456.0416	734122.6151

STATION No.	STATION COORDINATE		DIRECTION	STAKE DISTANCE	LEFT SIDE STAKE COORDINATE		STAKE DISTANCE	RIGHT SIDE STAKE COORDINATE	
	NORTHING	EASTING			NORTHING	EASTING		NORTHING	EASTING
32K000.000	3188308.6045	734266.7064	149-41-37.645	50.00	3188333.8355	734309.8734	50.00	3188283.3734	734223.5393
32K200.000	3188135.9363	734367.6306	149-41-37.645	50.00	3188161.1674	734410.7977	50.00	3188110.7053	734324.4636
32K400.000	3187963.2681	734468.5549	149-41-37.645	50.00	3187988.4992	734511.7219	50.00	3187938.0371	734425.3878
32K600.000	3187793.2592	734474.4050	149-41-37.645	50.00	3187978.4903	734517.5721	50.00	3187928.0282	734431.2380
32K800.000	3187790.9930	734570.1459	148-59-15.352	50.00	3187816.7542	734612.9987	50.00	3187765.2319	734527.2331
33K000.000	3187621.4454	734676.2034	146-41-33.107	50.00	3187648.9020	734717.9902	50.00	3187593.9888	734634.4166
33K200.000	3187602.2454	734688.9063	146-19-34.326	50.00	3187629.9688	734730.5167	50.00	3187574.5222	734647.2959
33K400.000	3187457.5059	734790.7154	143-25-44.506	50.00	3187487.2968	734830.8714	50.00	3187427.7150	734750.5594
33K600.000	3187300.3732	734914.4022	140-09-17.945	50.00	3187332.4088	734932.7912	50.00	3187268.3375	734876.0131
33K800.000	3187150.5609	735046.8612	136-52-51.385	50.00	3187184.7367	735083.3579	50.00	3187116.3850	735010.3644
34K000.000	3187008.5581	735187.6600	133-36-24.825	50.00	3187044.7625	735222.1454	50.00	3186972.3536	735153.1747
34K200.000	3186874.8283	735336.3391	130-19-58.264	50.00	3186912.9432	735368.7005	50.00	3186836.7134	735303.9778
34K400.000	3186749.8081	735492.4131	127-03-31.704	50.00	3186789.7090	735522.5448	50.00	3186709.9073	735462.2813
34K600.000	3186633.9057	735655.3724	123-47-05.143	50.00	3186675.4623	735683.1761	50.00	3186592.3491	735627.5687
34K800.000	3186537.2725	735808.2040	120-49-27.790	50.00	3186580.2096	735833.8245	50.00	3186494.3354	735782.5836
35K000.000	3186527.4986	735824.6847	120-31-04.878	50.00	3186570.5721	735850.0752	50.00	3186484.4252	735799.2942
35K200.000	3186429.8649	735999.2187	118-11-32.026	50.00	3186473.9333	736022.8403	50.00	3186385.7966	735975.5972
35K400.000	3186340.4857	736169.4470	117-27-24.470	50.00	3186384.8537	736192.5010	50.00	3186296.1178	736146.9330
35K600.000	3								

PROJECT		STATE/REGION	SHEET NO.	TOTAL SHEET
GHAZIABAD - MEERUT EXPRESSWAY		NCR	3/10	088
LAND ACQUISITION PLAN		SCALE :		

STATION No.	STATION COORDINATE		DIRECTION	STAKE DISTANCE	EFT SIDE STAKE COORDINATE		STAKE DISTANCE	GHT SIDE STAKE COORDINATE	
	NORTHING	EASTING			NORTHING	EASTING		NORTHING	EASTING
0K200.000	3173483.8842	734711.7507	14-45-40.053	50.00	3173490.7876	734662.2295	50.00	3173476.9808	734761.2718
0K000.000	3173682.5764	734734.4018	9-52-11.389	50.00	3173686.9962	734684.5975	50.00	3173678.1567	734784.2060
0K200.000	3173882.1524	734747.0941	2-13-49.415	50.00	3173884.0775	734697.1311	50.00	3173880.2273	734797.0570
0K400.000	3174082.1193	734749.7959	354-35-27.441	50.00	3174081.5389	734699.7992	50.00	3174082.6878	734799.7926
0K528.576	3174210.6354	734746.2528	350-15-30.694	50.00	3174208.4544	734696.3004	50.00	3174212.8163	734796.2052
0K600.000	3174281.9910	734743.1373	347-23-23.102	50.00	3174279.8100	734693.1849	50.00	3174284.1719	734793.0897
0K800.000	3174481.8006	734734.4134	344-06-49.015	50.00	3174479.6197	734684.4610	50.00	3174483.9816	734784.3658
1K000.000	3174681.6103	734725.6896	344-01-10.750	50.00	3174679.4293	734675.7371	50.00	3174683.7912	734775.6420
1K200.000	3174881.4199	734716.9657	345-30-52.872	50.00	3174879.2389	734667.0133	50.00	3174883.6009	734766.9181
1K400.000	3175081.2296	734708.2418	350-15-30.695	50.00	3175079.0486	734658.2894	50.00	3175083.4105	734758.1942
1K600.000	3175281.0392	734699.5179	351-31-42.064	50.00	3175278.8582	734649.5655	50.00	3175283.2202	734749.4703
1K800.000	3175480.8488	734690.7940	359-10-04.038	50.00	3175478.6679	734640.8416	50.00	3175483.0298	734740.7465
1K667.529	3175548.3140	734687.8485	6-48-26.012	50.00	3175546.1330	734637.8960	50.00	3175550.4949	734737.8009
2K000.000	3175680.6887	734682.8603	14-26-47.986	50.00	3175679.4025	734632.8768	50.00	3175681.9749	734732.8437
2K112.529	3175793.2071	734682.1617	22-05-09.961	50.00	3175794.0879	734632.1695	50.00	3175792.3263	734732.1539
2K200.000	3175880.6026	734685.6143	29-43-31.935	50.00	3175883.6682	734635.7083	50.00	3175877.5369	734735.5202
2K400.000	3176079.2811	734707.8294	32-18-46.570	50.00	3176087.3138	734658.4789	50.00	3176071.2485	734757.1800
2K600.000	3176274.7493	734749.7684	36-20-32.029	50.00	3176287.6586	734701.4663	50.00	3176261.8299	734798.0704
2K800.000	3176465.0540	734811.0120	38-33-06.516	50.00	3176482.7310	734764.2410	50.00	3176447.3770	734857.7830
3K000.000	3176648.2938	734890.9485	38-33-06.516	50.00	3176656.1318	734846.1759	50.00	3176626.0359	734935.7211
3K200.000	3176822.6379	734938.7791	38-33-06.516	50.00	3176849.2545	734946.4523	50.00	3176796.0213	735031.1059
3K316.153	3176919.1151	735053.4305	38-33-06.516	50.00	3176948.1436	735012.7200	50.00	3176890.0666	735094.1410
3K400.000	3176996.4653	735103.3665	38-33-06.516	50.00	3177016.8907	735063.6891	50.00	3176956.0400	735143.0439
3K561.153	3177112.5915	735203.6698	38-33-06.516	50.00	3177144.0575	735164.8125	50.00	3177081.1255	735242.5271
3K600.000	3177142.7816	735228.1173	38-33-06.516	50.00	3177174.2476	735189.2600	50.00	3177111.3155	735266.9746
3K800.000	3177298.2107	735353.9813	37-03-18.865	50.00	3177329.6768	735315.1240	50.00	3177266.7447	735392.8386
4K000.000	3177453.6399	735479.8454	35-31-38.470	50.00	3177485.1060	735440.9881	50.00	3177422.1739	735518.7027
4K200.000	3177609.0691	735605.7095	33-59-58.075	50.00	3177640.5352	735566.8522	50.00	3177577.6031	735644.5668
4K400.000	3177764.4983	735731.5736	32-28-17.680	50.00	3177795.9643	735692.7163	50.00	3177733.0323	735770.4309
4K600.000	3177919.9275	735857.4376	30-56-37.285	50.00	3177951.3935	735818.5804	50.00	3177888.4615	735896.2949
4K800.000	3178075.3567	735983.3017	29-24-56.890	50.00	3178106.8227	735944.4444	50.00	3178043.8907	736022.1590
5K000.000	3178230.7859	736109.1658	27-53-16.496	50.00	3178262.2519	736070.3085	50.00	3178199.3199	736148.0231
5K080.010	3178292.9656	736159.5180	26-21-36.101	50.00	3178324.4317	736120.6607	50.00	3178261.4996	736198.3753
5K200.000	3178386.8151	736234.2807	24-49-55.706	50.00	3178417.6555	736194.9250	50.00	3178355.9748	736273.6365
5K400.000	3178545.8641	736355.5287	23-30-41.097	50.00	3178575.6441	736315.3647	50.00	3178516.0840	736395.6927
5K600.000	3178708.0894	736472.4928	23-30-41.097	50.00	3178736.7879	736431.5490	50.00	3178679.3908	736513.4365
5K800.000	3178873.3756	736585.0897	23-30-41.097	50.00	3178900.9722	736543.3953	50.00	3178845.7790	736626.7842
6K000.000	3179041.6054	736693.2395	23-30-41.097	50.00	3179068.0805	736650.8241	50.00	3179015.1303	736735.6550
6K200.000	3179212.6589	736796.8653	23-30-41.097	50.00	3179237.9937	736753.7590	50.00	3179187.3242	736839.9716
6K400.000	3179386.4147	736895.8934	23-30-41.097	50.00	3179410.5911	736852.1269	50.00	3179362.2384	736939.6598
6K600.000	3179562.7492	736990.2533	23-30-41.097	50.00	3179585.7500	736945.8577	50.00	3179539.7484	737034.6488
6K800.000	3179741.5369	737079.8779	23-30-41.097	50.00	3179763.3458	737034.8849	50.00	3179719.7280	737124.8710
7K000.000	3179922.6508	737164.7036	23-30-41.097	50.00	3179943.2522	737119.1451	50.00	3179902.0493	737210.2622
7K107.461	3180020.8800	737208.2777	23-30-41.097	50.00	3180040.8266	737162.4287	50.00	3180000.9334	737254.1268
7K200.000	3180105.7364	737245.1944	23-30-41.097	50.00	3180125.6830	737199.3454	50.00	3180085.7898	737291.0435
7K400.000	3180289.1325	737324.9808	23-30-41.097	50.00	3180309.0791	737279.1318	50.00	3180269.1859	737370.8293
7K600.000	3180472.5287	737404.7672	23-30-41.097	50.00	3180492.4752	737358.9181	50.00	3180452.5821	737450.6162
7K800.000									
8K000.000									
8K200.000									
8K282.733									
8K400.000									
8K600.000									
8K694.162									
8K800.000									
9K000.000									
9K200.000									

REFER TO GHAZIABAD JUNCTION LAND ACQUISITION PLAN DRAWING

STATION No.	STATION COORDINATE		DIRECTION	STAKE DISTANCE	EFT SIDE STAKE COORDINATE		STAKE DISTANCE	GHT SIDE STAKE COORDINATE	
	NORTHING	EASTING			NORTHING	EASTING		NORTHING	EASTING
9K400.000									
9K600.000									
9K800.000									
10K000.000									
10K188.625									
10K200.000									
10K400.000	3182751.1579	736952.5044	52-13-03.291	50.00	3182791.5652	736923.0553	50.00	3182710.7507	736981.9536
10K600.000	3182867.4514	739115.2162	50-34-50.010	50.00	3182908.2640	739086.3314	50.00	3182826.6399	739144.1011
10K600.053	3182867.4823	739115.2599	48-56-36.730	50.00	3182908.2949	739086.3751	50.00	3182826.6693	739144.1447
10K800.000	3182995.6985	739276.5119	47-18-23.450	50.00	3183025.5161	739246.2833	50.00	3182945.8610	739306.7405
11K000.000	3183109.2355	739433.7774	45-40-10.170	50.00	3183148.0334	739402.2383	50.00	3183070.4375	739465.3166
11K200.000	3183237.9550	739586.8381	44-01-56.890	50.00	3183275.6803	739554.0235	50.00	3183200.2297	739619.6528
11K400.000	3183371.7041	739735.5239	42-23-43.610	50.00	3183408.3149	739701.4702	50.00	3183335.0934	739769.5776
11K600.000	3183510.3342	739879.6697	40-45-30.329	50.00	3183545.7897	739844.4148	50.00	3183474.8787	739914.9246
11K800.000	3183653.6913	740019.1152	39-07-17.049	50.00	3183687.9521	739932.6982	50.00	3183619.4304	740055.5322
12K000.000	3183801.6160	740153.7056	37-29-03.769	50.00	3183834.6441	740116.1670	50.00	3183768.5879	740191.2441
12K200.000	3183953.9441	740283.2913	35-50-50.489	50.00	3183985.7028	740244.6729	50.00	3183922.1853	740321.9097
12K400.000	3184110.5062	740407.7283	34-12-37.209	50.00	3184140.9603	740368.0729	50.00	3184080.0522	740447.3937
12K600.000	3184271.1286	740526.8785	32-34-23.928	50.00	3184300.2441	740486.2302	50.00	3184242.0131	740567.5268
12K800.000	3184435.6326	740640.6094	30-56-10.648	50.00	3184463.3773	740599.0133	50.00	3184407.8890	740682.2055
13K000.000	3184603.8356	740748.7916	29-17-57.368	50.00	3184630.1786	740706.2970	50.00	3184577.4927	740791.2922
13K200.000	3184775.5507	740851.3140	27-39-44.088	50.00	3184800.4627	740807.9621	50.00	3184750.6387	740894.6660
13K400.000	3184950.5871	740948.0537	26-01-30.808	50.00	3184974.0404	740903.8956	50.00	3184927.1337	740992.2119
13K600.000	3185128.7503	741038.9062	24-23-17.528	50.00	3185150.7189	740993.9910	50.00	3185106.7816	741083.8215
13K800.000	3185309.8423	741123.7706	24-20-02.094	50.00	3185330.3019	741078.1482	50.00	3185289.3828	741169.3930
14K000.000	3185493.6621	741202.5525	24-20-02.094	50.00	3185493.6621	741156.2736	50.00	3185474.7343	741248.8315
14K071.106	3185559.6345	741229.0795	24-20-02.094	50.00	3185578.0124	741182.5795	50.00	3185541.2565	741275.5795
14K200.000	3185679.5057	741276.4556	24-20-02.094	50.00	3185697.8837	741229.9556	50.00	3185661.1277	741322.9556
14K400.000	3185865.5057	741349.9675	24-20-02.094	50.00	3185893.8837	741303.4675	50.00	3185847.12	

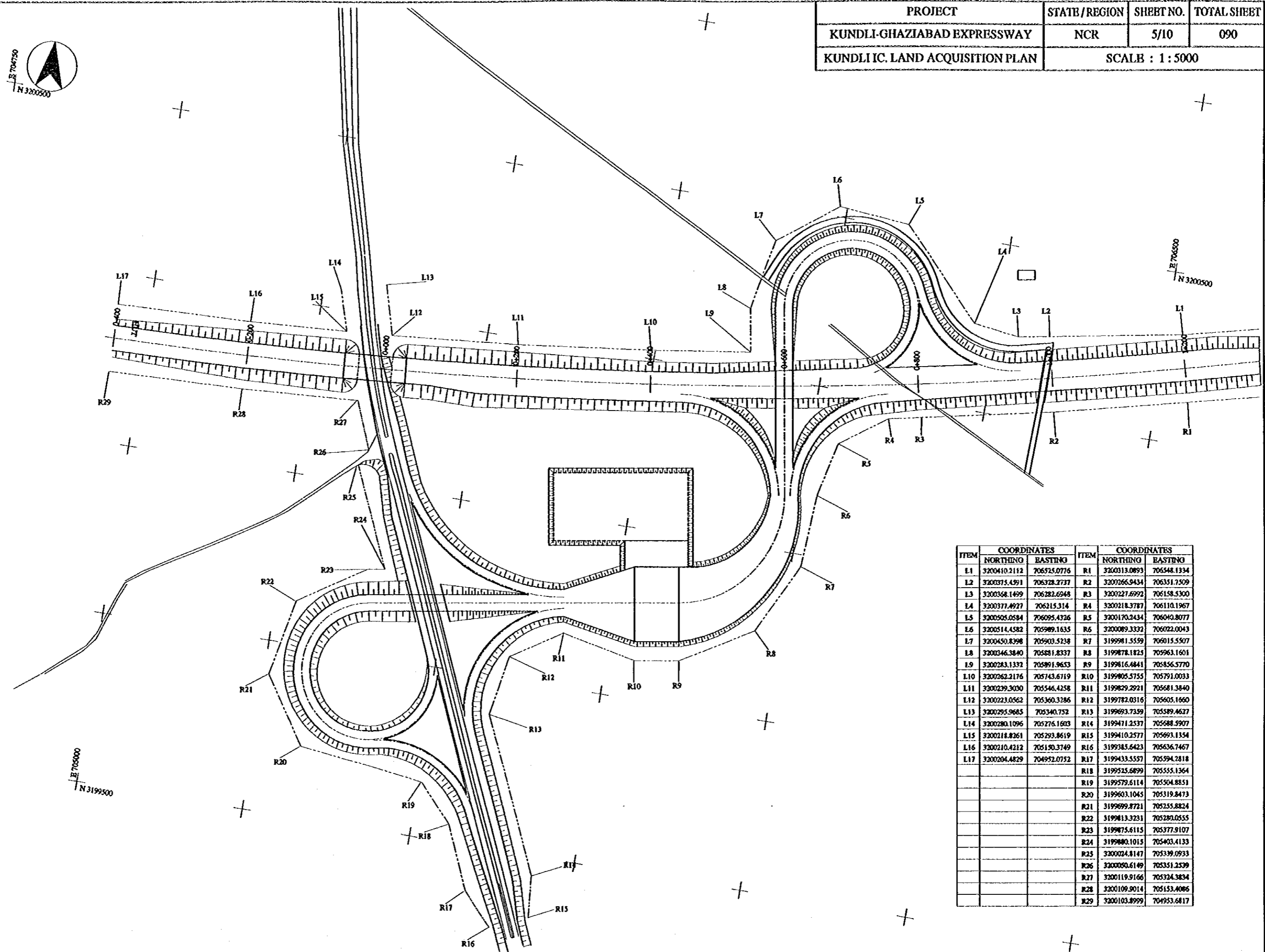
PROJECT		STATE/REGION	SHEET NO.	TOTAL SHEET
GHAZIABAD - MEERUT EXPRESSWAY		NCR	4/10	089
LAND ACQUISITION PLAN		SCALE :		

STATION No.	STATION COORDINATE		DIRECTION	STAKE DISTANCE	EFT SIDE STAKE COORDINATE		STAKE DISTANCE	RIGHT SIDE STAKE COORDINATE	
	NORTHING	EASTING			NORTHING	EASTING		NORTHING	EASTING
19K987.826	3190126.4152	744589.0733	71-53-21.883	50.00	3190173.9381	744573.5307	50.00	3190078.8923	744604.6159
20K000.000	3190130.1996	744600.6445	71-53-21.883	50.00	3190177.7225	744585.1019	50.00	3190082.6767	744616.1871
20K200.000	3190192.3700	744790.7361	71-53-21.883	50.00	3190239.8929	744775.1935	50.00	3190144.8471	744806.2787
20K400.000	3190254.5404	744980.8278	71-53-21.883	50.00	3190302.0633	744965.2852	50.00	3190207.0175	744996.3704
20K600.000	3190316.7108	745170.9195	71-53-21.883	50.00	3190364.2337	745155.3769	50.00	3190269.1879	745186.4621
20K800.000	3190378.8812	745361.0111	71-53-21.883	50.00	3190426.4041	745345.4685	50.00	3190331.3583	745376.5537
21K000.000	3190441.0516	745551.1028	71-53-21.883	50.00	3190488.5745	745535.5602	50.00	3190393.5287	745566.6454
21K200.000	3190503.2220	745741.1945	70-33-26.938	50.00	3190550.7449	745725.6519	50.00	3190455.6990	745756.7371
21K400.000	3190565.3924	745931.2861	67-41-33.698	50.00	3190612.9153	745915.7435	50.00	3190517.8694	745946.8287
21K600.000	3190627.5627	746121.3778	64-49-40.458	50.00	3190675.0857	746105.8352	50.00	3190580.0398	746136.9204
21K707.014	3190660.8282	746223.0899	61-57-47.217	50.00	3190708.3511	746207.5473	50.00	3190613.3053	746238.6325
21K800.000	3190690.7577	746311.1256	59-05-53.977	50.00	3190737.9065	746294.4825	50.00	3190643.6090	746327.7686
22K000.000	3190762.0161	746497.9782	56-14-00.737	50.00	3190808.2742	746478.9995	50.00	3190715.7580	746516.9569
22K200.000									
22K400.000									
22K600.000									
22K800.000									
23K000.000									
23K200.000									
23K400.000									
23K600.000									
23K800.000									
24K000.000									
24K200.000	3192101.3646	748208.3469	26-03-10.038	50.00	3192130.8508	748167.9886	50.00	3192071.8484	748248.7052
24K400.000	3192265.6816	748322.3276	26-03-10.038	50.00	3192293.1438	748280.5445	50.00	3192238.2193	748364.1106
24K600.000	3192435.4899	748427.9534	26-03-10.038	50.00	3192460.8295	748384.8500	50.00	3192410.1502	748471.0567
24K800.000	3192610.3650	748524.9603	26-03-10.038	50.00	3192633.5187	748480.6443	50.00	3192587.2113	748569.2763
24K907.014	3192705.6653	748573.2412	26-03-10.038	50.00	3192727.8253	748528.3217	50.00	3192683.9054	748618.1606
25K000.000	3192789.4028	748614.0805	26-03-10.038	50.00	3192811.3628	748569.1610	50.00	3192767.4429	748658.9999
25K200.000	3192969.0808	748701.9203	26-03-10.038	50.00	3192991.0407	748657.0008	50.00	3192947.1208	748746.8398
25K400.000	3193148.7587	748789.7601	26-03-10.038	50.00	3193170.7187	748744.8406	50.00	3193126.7988	748834.6796
25K600.000	3193328.4367	748877.5999	26-03-10.038	50.00	3193350.3967	748832.6804	50.00	3193306.4767	748922.5194
25K800.000	3193508.1147	748965.4397	26-03-10.038	50.00	3193530.0746	748920.5202	50.00	3193486.1547	749010.3592
26K000.000	3193687.7926	749053.2795	26-03-10.038	50.00	3193709.7526	749008.3600	50.00	3193665.8327	749098.1990
26K200.000	3193867.4706	749141.1193	26-03-10.038	50.00	3193889.4305	749096.1998	50.00	3193845.5106	749186.0388
26K400.000	3194047.1485	749228.9591	26-22-35.292	50.00	3194069.1085	749184.0396	50.00	3194025.1886	749273.8786
26K600.000	3194226.8265	749316.7989	26-56-57.940	50.00	3194248.7664	749271.8795	50.00	3194204.6665	749361.7184
26K800.000	3194406.5044	749404.6388	27-31-20.588	50.00	3194428.4644	749359.7193	50.00	3194384.5445	749449.5582
26K887.015	3194484.6778	749442.8556	28-05-43.236	50.00	3194506.6377	749397.9362	50.00	3194462.7178	749487.7751
27K000.000	3194586.0417	749492.7650	28-40-05.884	50.00	3194608.2550	749447.9703	50.00	3194563.8283	749537.5597
27K200.000	3194764.7733	749582.5129	29-14-28.532	50.00	3194787.4335	749537.9425	50.00	3194742.1131	749627.0832
27K400.000	3194942.5985	749674.0435	29-48-51.180	50.00	3194965.7033	749629.7020	50.00	3194919.4937	749718.3850
27K600.000	3195119.4995	749767.3478	30-23-13.828	50.00	3195143.0465	749723.2396	50.00	3195095.9525	749811.4561
27K800.000	3195295.4587	749862.4164	30-57-36.476	50.00	3195319.4156	749818.5459	50.00	3195271.4718	749906.2870
28K000.000	3195470.4584	749959.2399	31-31-59.124	50.00	3195494.8828	749915.6113	50.00	3195446.0340	750002.8684
28K200.000	3195644.4811	750057.8084	32-06-21.772	50.00	3195669.3406	750014.4263	50.00	3195619.6216	750101.1905
28K400.000	3195817.5094	750158.1122	32-40-44.420	50.00	3195842.8015	750114.9809	50.00	3195792.2174	750201.2436
28K600.000	3195989.5261	750260.1413	33-15-07.069	50.00	3196015.2482	750217.2650	50.00	3195963.8040	750303.0176
28K800.000	3196160.5139	750363.8854	33-49-29.717	50.00	3196186.6635	750321.2685	50.00	3196134.3644	750406.5023
29K000.000	3196330.4558	750469.3342	34-23-52.365	50.00	3196357.0302	750426.9909	50.00	3196303.8814	750511.6975
29K200.000	3196499.3346	750576.4770	34-58-15.013	50.00	3196526.3312	750534.3916	50.00	3196472.3380	750618.5625
29K400.000	3196667.1336	750685.3033	35-32-37.661	50.00	3196694.5497	750643.4900	50.00	3196639.7175	750727.1167
29K600.000	3196833.8360	750795.8021	36-07-00.309	50.00	3196861.6688	750754.2650	50.00	3196806.0032	750837.3393
29K800.000	3196999.4251	750907.9624	36-41-22.957	50.00	3197027.6719	750866.7057	50.00	3196971.1782	750949.2191
30K000.000	3197163.8843	751021.7729	37-15-45.605	50.00	3197192.5422	750980.8007	50.00	3197135.2263	751062.7451
30K200.000	3197327.1972	751137.2223	37-50-08.253	50.00	3197356.2634	751096.5388	50.00	3197298.1309	751177.9059
30K400.000	3197489.3474	751254.2991	38-24-30.901	50.00	3197518.8191	751213.9082	50.00	3197459.8758	751294.6899

REFER TO MODINAGAR IC. LAND ACQUISITION PLAN DRAWING

STATION No.	STATION COORDINATE		DIRECTION	STAKE DISTANCE	EFT SIDE STAKE COORDINATE		STAKE DISTANCE	RIGHT SIDE STAKE COORDINATE	
	NORTHING	EASTING			NORTHING	EASTING		NORTHING	EASTING
30K600.000	3197650.3188	751372.9914	38-58-53.549	50.00	3197680.1929	751332.8973	50.00	3197620.4448	751413.0856
30K800.000	3197810.0953	751493.2875	39-33-16.197	50.00	3197840.3688	751453.4941	50.00	3197779.8218	751533.0809
31K000.000	3197968.6608	751615.1754	40-07-38.845	50.00	3197999.3307	751575.6867	50.00	3197937.9909	751654.6640
31K200.000	3198125.9995	751738.6427	40-42-01.493	50.00	3198157.0628	751699.4627	50.00	3198094.9363	751777.8227
31K400.000	3198282.0957	751863.6773	41-16-24.141	50.00	3198313.5492	751824.8098	50.00	3198250.6422	751902.5447
31K600.000	3198436.9338	751990.2665	41-50-46.789	50.00	3198468.7744	751951.7155	50.00	3198405.0932	752028.8175
31K800.000	3198590.4993	752118.3978	42-25-09.438	50.00	3198622.7228	752080.1671	50.00	3198558.2738	752156.6284
32K000.000	3198742.7738	752248.0582	42-59-32.086	50.00	3198775.3790	752210.1518	50.00	3198710.1686	752285.9647
32K200.000	3198893.7451	752379.2350	43-33-54.734	50.00	3198926.7277	752341.6564	50.00	3198860.7625	752416.8135
32K400.000	3199043.3971	752511.9148	44-06-03.453	50.00	3199076.7539	752474.6580	50.00	3199010.0404	752549.1617
32K600.000	3199191.7149	752646.0845	44-06-03.453	50.00	3199225.4424	752609.1731	50.00	3199157.9873	752682.9959
32K800.000	3199338.6835	752781.7307	44-06-03.453	50.00	3199372.7785	752745.1584	50.00	3199304.5885	752818.3030
33K000.000	3199484.2884	752918.8397	44-06-03.453	50.00	3199518.7474	752882.6102	50.00	3199449.8294	752955.0692
33K187.014	3199619.1926	753048.3578	44-06-03.453	50.00	3199653.9888	753012.4521	50.00	3199584.3963	753084.2635
33K200.000	3199628.5178	753057.3949	44-06-03.453	50.00	3199663.3141	753021.4892	50.00	3199593.7216	753093.3006
33K400.000	3199772.1408	753196.5799	44-06-03.453	50.00	3199806.9370	753160.6741	50.00	3199737.3445	753232.4856
33K600.000	3199915.7637	753335.7648	44-06-03.453	50.00	3199950.5600	753299.8591	50.00	3199880.9675	753371.6706
33K800.000	3200059.3866	753474.9498	44-06-03.453	50.00	3200094.1829	753439.0440	50.00	3200024.5904	753510.8555
34K000.000	3200203.0096	753614.1347	42-24-53.012	50.00	3200237.8058	753578.2290	50.00	3200168.2133	753650.0405
34K200.000	3200346.6325	753753.3197	39-31-02.268	50.00	3200381.4288	753717.4140	50.00	3200311.8363	753789.2254
34K400.000	3200490.2554	753892.5047	37-23-41.218	50.00	3200525.0517	753856.5989	50.00	3200455.4592	753928.4104
34K405.911	3200494.5003	753896.6183	31-39-54.737	50.00	3200529.2965	753860.7126	50.00	3200459.7040	753932.5241
34K600.000	3200635.1913	754030.3107	25-56-08.257	50.00	3200668.9159	753993.3966	50.00	3200601.4667	754067.2248
34K725.911	3200730.0858	754113.0467	20-12-21.776	50.00	3200761.9014	754074.4750	50.00	3200693.2702	754151.6183
34K800.000	3200788.1004	754159.1210	14-28-35.296	50.00	3200818.4656	754119.39			

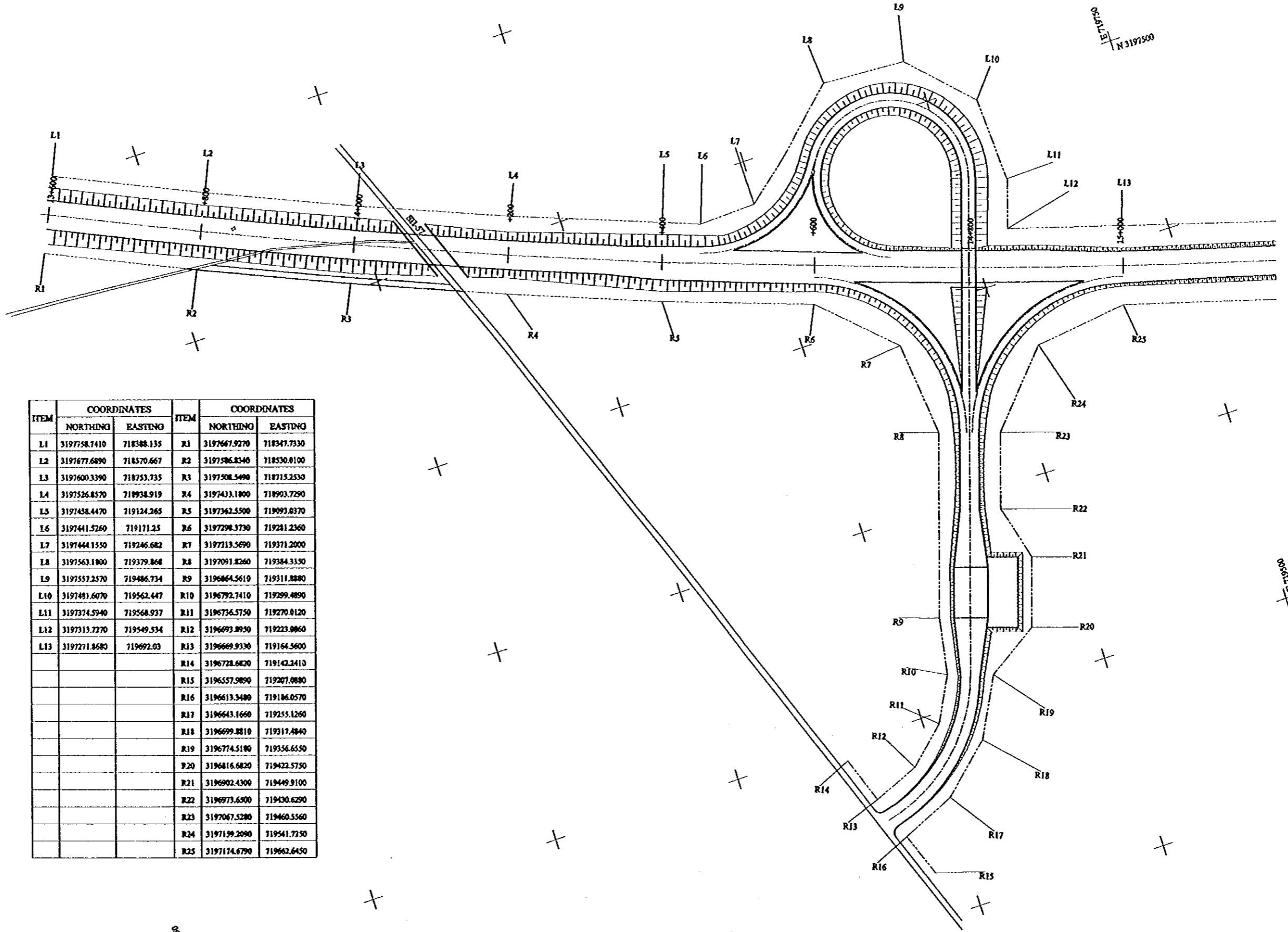
PROJECT	STATB/REGION	SHEET NO.	TOTAL SHEET
KUNDLI-GHAZIABAD EXPRESSWAY	NCR	5/10	090
KUNDLI I.C. LAND ACQUISITION PLAN		SCALE : 1 : 5000	



ITEM	COORDINATES		ITEM	COORDINATES	
	NORTHING	EASTING		NORTHING	EASTING
L1	3200410.2112	706525.0776	R1	3200313.0893	706548.1334
L2	3200375.4391	706328.2737	R2	3200266.9434	706351.7509
L3	3200358.1499	706282.6948	R3	3200227.6992	706158.5300
L4	3200377.4927	706215.314	R4	3200218.3787	706110.1967
L5	3200505.0584	706095.4326	R5	3200170.2434	706040.8077
L6	3200514.4582	705989.1635	R6	3200089.3332	706022.0043
L7	3200450.8398	705903.5238	R7	3199981.5559	706015.5507
L8	3200346.3840	705881.8337	R8	3199878.1825	705963.1601
L9	3200283.1332	705891.9653	R9	3199816.4841	705856.5770
L10	3200262.2176	705743.6119	R10	3199805.5755	705791.0033
L11	3200239.3030	705546.4258	R11	3199829.2921	705681.3840
L12	3200223.0562	705360.3286	R12	3199782.0316	705605.1660
L13	3200295.9665	705340.752	R13	3199693.7359	705589.4627
L14	3200280.1096	705276.1603	R14	3199471.2537	705688.5907
L15	3200218.8261	705293.8619	R15	3199410.2577	705693.1354
L16	3200210.4212	705190.3749	R16	3199385.6423	705636.7467
L17	3200204.4829	704952.0752	R17	3199433.5557	705594.2818
			R18	3199525.6899	705555.1364
			R19	3199579.6114	705504.8851
			R20	3199603.1045	705319.8473
			R21	3199699.8721	705255.8824
			R22	3199613.3231	705280.0555
			R23	3199875.6115	705377.9107
			R24	3199880.1015	705403.4133
			R25	3200024.8147	705339.0933
			R26	3200080.6149	705351.2539
			R27	3200119.9166	705324.3834
			R28	3200109.9014	705153.4086
			R29	3200103.8999	704953.6817



PROJECT	STATB/REGION	SHEET NO.	TOTAL SHEET
KUNDI-GHAZIABAD EXPRESSWAY	NCR	6/10	091
KHBKRA IC. LAND ACQUISITION PLAN		SCALE : 1 : 5000	



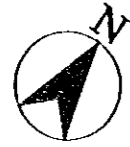
ITEM	COORDINATES		ITEM	COORDINATES	
	NORTHING	EASTING		NORTHING	EASTING
L1	319758.7410	718388.135	R1	3197667.9270	718347.7330
L2	3197677.6890	718370.667	R2	3197586.8340	718330.8100
L3	3197600.3390	718753.735	R3	3197508.5490	718715.2530
L4	3197526.8570	719938.919	R4	3197433.1800	718903.7290
L5	3197458.4470	719124.265	R5	3197362.5500	719093.8370
L6	3197441.5260	719171.25	R6	3197298.3730	719281.2360
L7	3197444.1550	719246.682	R7	3197213.5690	719371.2000
L8	3197563.1800	719379.868	R8	3197091.8260	719384.3350
L9	3197557.2570	719486.734	R9	3196864.5610	719311.8880
L10	3197481.6070	719562.447	R10	3196792.7410	719299.4890
L11	3197374.5940	719568.937	R11	3196736.5750	719270.8120
L12	3197313.7270	719549.534	R12	3196693.8930	719223.8860
L13	3197271.8680	719692.03	R13	3196669.9330	719164.5600
			R14	3196728.6820	719142.2410
			R15	3196557.9890	719207.0880
			R16	3196613.3480	719186.0570
			R17	3196643.1660	719255.1260
			R18	3196699.8810	719317.4840
			R19	3196774.5190	719356.6530
			R20	3196816.6820	719422.5750
			R21	3196902.4300	719449.9100
			R22	3196973.6900	719430.6290
			R23	3197067.5280	719460.5560
			R24	3197199.2090	719541.7230
			R25	3197174.6790	719662.6450

SCALE: 1:5000
N 3197750

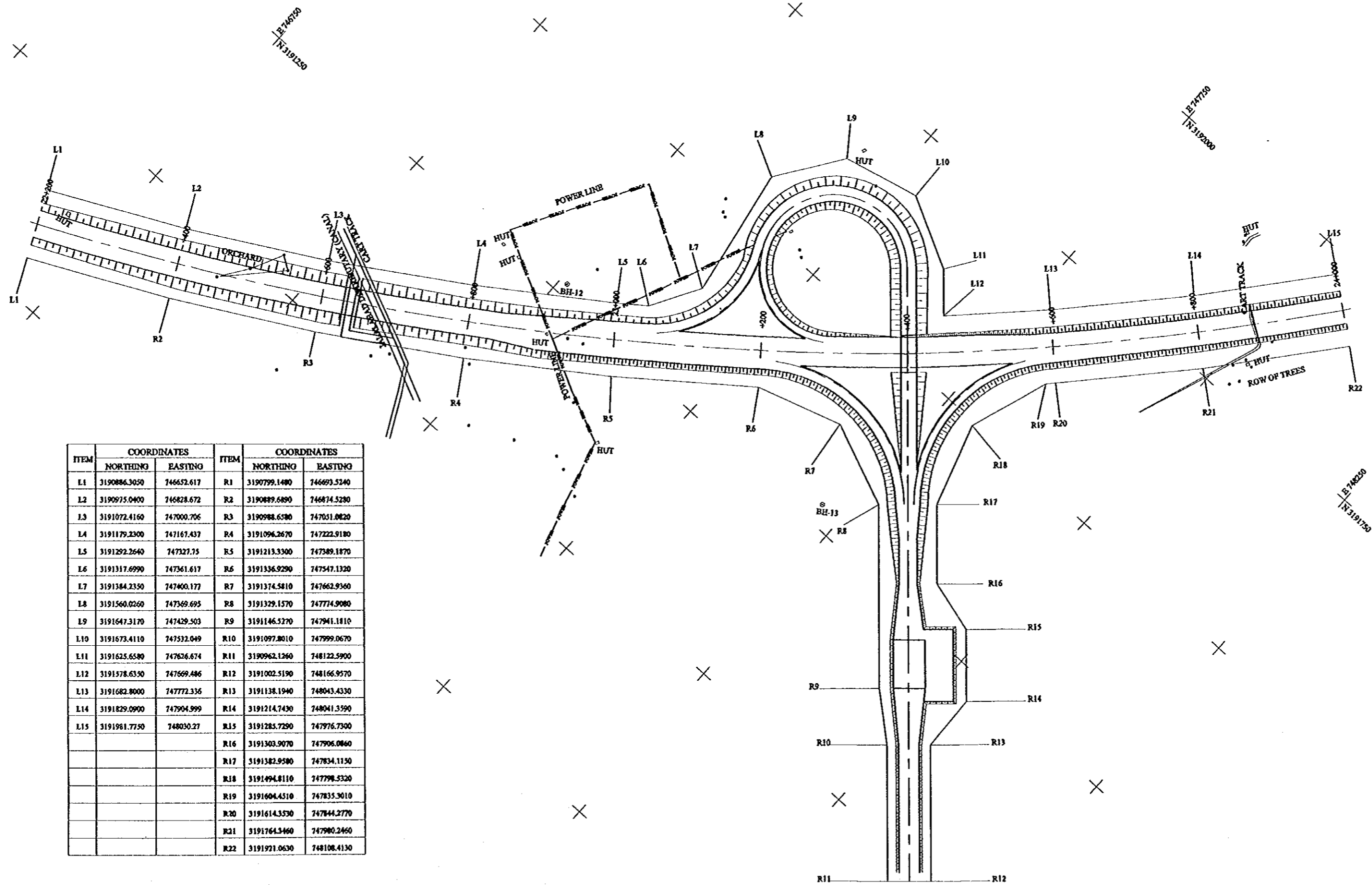
SCALE: 1:5000
N 3197500

SCALE: 1:5000
N 3196750

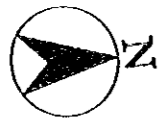
SCALE: 1:5000
N 3196750



PROJECT	STATB/REGION	SHEET NO.	TOTAL SHEET
GHAZIABAD-MEERUT EXPRESSWAY	NCR	7/10	092
MODINAGAR I.C. LAND ACQUISITION PLAN		SCALE : 1 : 5000	

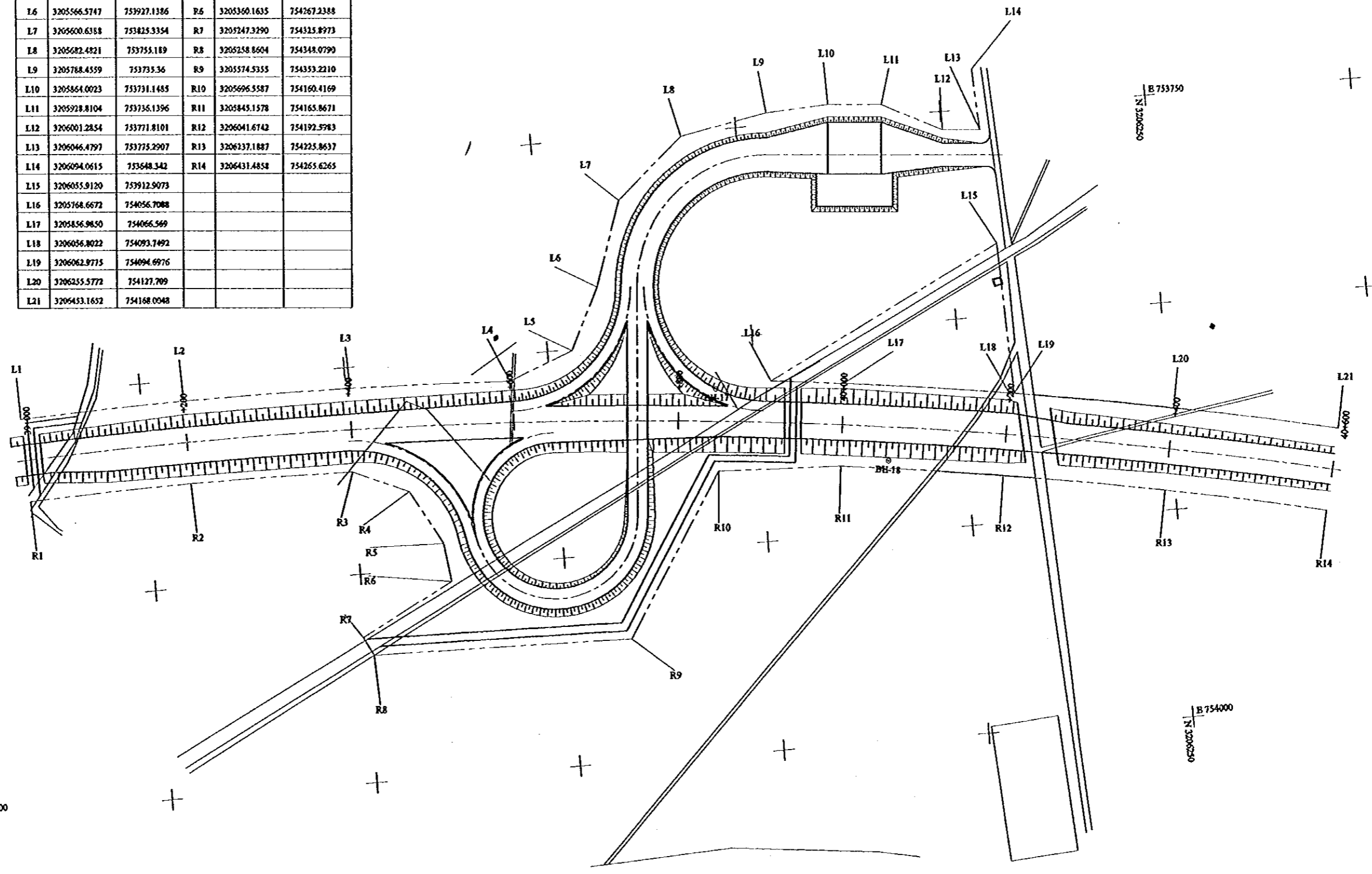


ITEM	COORDINATES		ITEM	COORDINATES	
	NORTHING	EASTING		NORTHING	EASTING
L1	3190886.3050	746652.617	R1	3190799.1480	746693.5240
L2	3190975.0400	746828.672	R2	3190889.6890	746874.5280
L3	3191072.4160	747000.706	R3	3190988.6380	747031.0820
L4	3191179.2300	747167.437	R4	3191096.2670	747222.9180
L5	3191292.2640	747327.75	R5	3191213.3300	747389.1870
L6	3191317.6990	747361.617	R6	3191336.9290	747547.1320
L7	3191384.2350	747400.177	R7	3191374.5810	747662.9360
L8	3191560.0260	747369.695	R8	3191329.1570	747774.9080
L9	3191647.3170	747429.503	R9	3191146.5270	747941.1810
L10	3191673.4110	747532.049	R10	3191097.8010	747999.0670
L11	3191625.6580	747626.674	R11	3190962.1260	748122.5900
L12	3191578.6350	747669.486	R12	3191002.5190	748166.9570
L13	3191682.8000	747772.336	R13	3191138.1940	748043.4330
L14	3191829.0900	747904.999	R14	3191214.7430	748041.3590
L15	3191961.7750	748030.27	R15	3191285.7290	747976.7300
			R16	3191303.9070	747906.0860
			R17	3191382.9580	747834.1150
			R18	3191494.8110	747798.5320
			R19	3191604.4510	747835.3010
			R20	3191614.3530	747844.2770
			R21	3191764.3460	747980.2460
			R22	3191921.0630	748108.4130



PROJECT	STATE/REGION	SHEET NO.	TOTAL SHEET
GHAZIABAD-MBERRUT EXPRESSWAY	NCR	8/10	093
MBERRUT IC. LAND ACQUISITION PLAN		SCALE : 1 : 5000	

ITEM	COORDINATES		ITEM	COORDINATES	
	NORTHING	EASTING		NORTHING	EASTING
L1	3204850.3321	754031.1338	R1	3204555.1458	754131.6178
L2	3205052.0348	754024.7826	R2	3205053.4769	754124.7730
L3	3205254.0680	754025.1764	R3	3205250.3283	754126.2458
L4	3205451.0926	754032.0434	R4	3203317.5633	754155.3759
L5	3205529.5454	754001.2909	R5	3205354.1384	754220.8360
L6	3205566.5747	753927.1386	R6	3205360.1635	754267.2388
L7	3205600.6358	753825.3354	R7	3205247.3290	754325.8973
L8	3205682.4821	753755.1819	R8	3205258.8604	754348.0790
L9	3205768.4559	753735.36	R9	3205574.5355	754353.2210
L10	3205864.0023	753731.1485	R10	3205696.5587	754160.4169
L11	3205928.8104	753736.1396	R11	3205845.1578	754165.8671
L12	3206001.2854	753771.8101	R12	3206041.6742	754192.5983
L13	3206046.4797	753775.2907	R13	3206237.1887	754225.8637
L14	3206094.0615	753648.342	R14	3206431.4858	754265.6265
L15	3206055.9120	753912.9073			
L16	3205768.6672	754056.7088			
L17	3205856.9650	754066.569			
L18	3206036.8022	754093.7492			
L19	3206062.9775	754094.6976			
L20	3206255.5772	754127.709			
L21	3206453.1652	754168.0048			



E 753750
N 3204750

E 754000
N 3204750

E 753750
N 3206250

E 754000
N 3206250



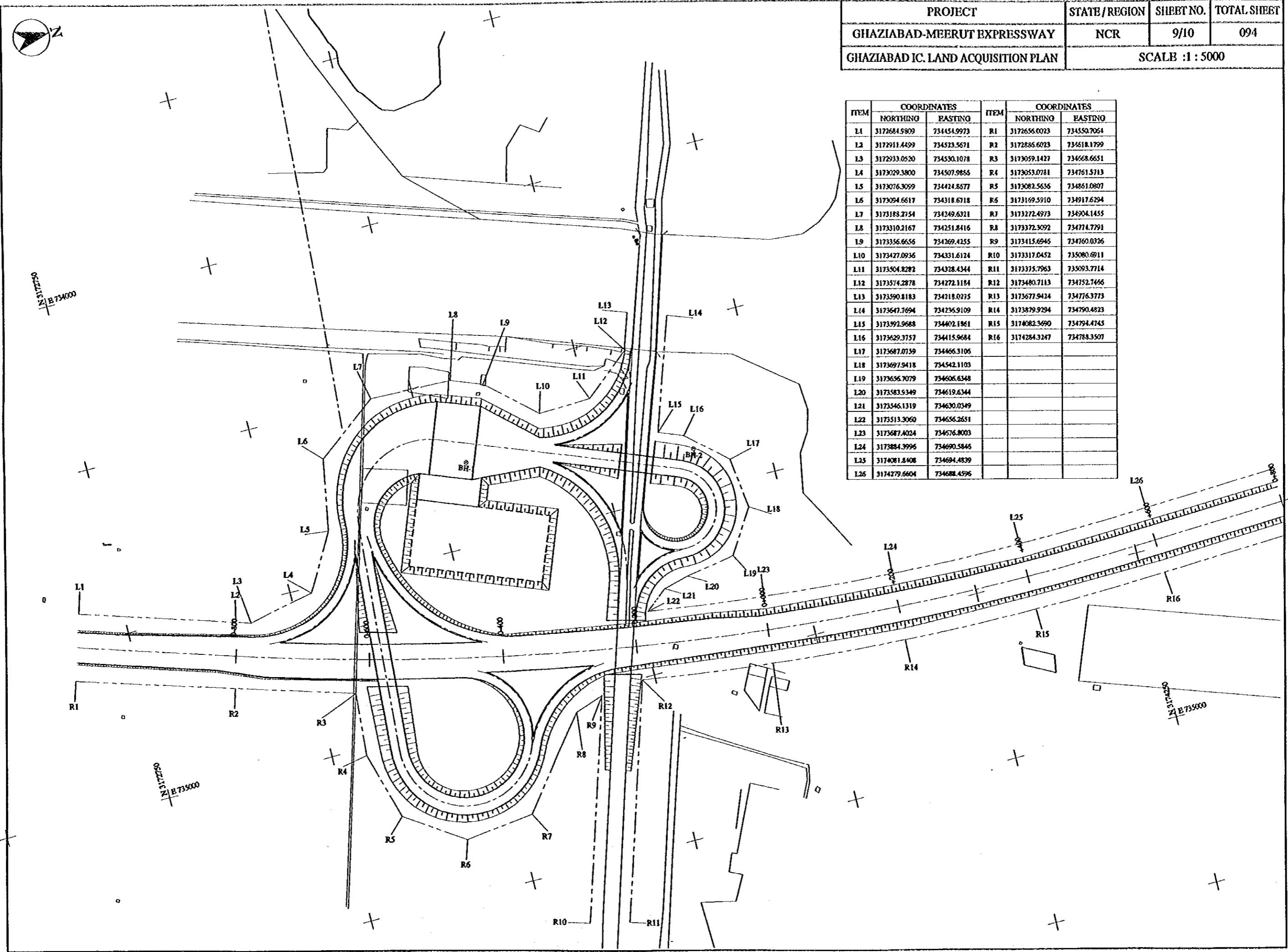
PROJECT	STATE/REGION	SHEET NO.	TOTAL SHEET
GHAZIABAD-MEERUT EXPRESSWAY	NCR	9/10	094
GHAZIABAD IC. LAND ACQUISITION PLAN		SCALE : 1 : 5000	

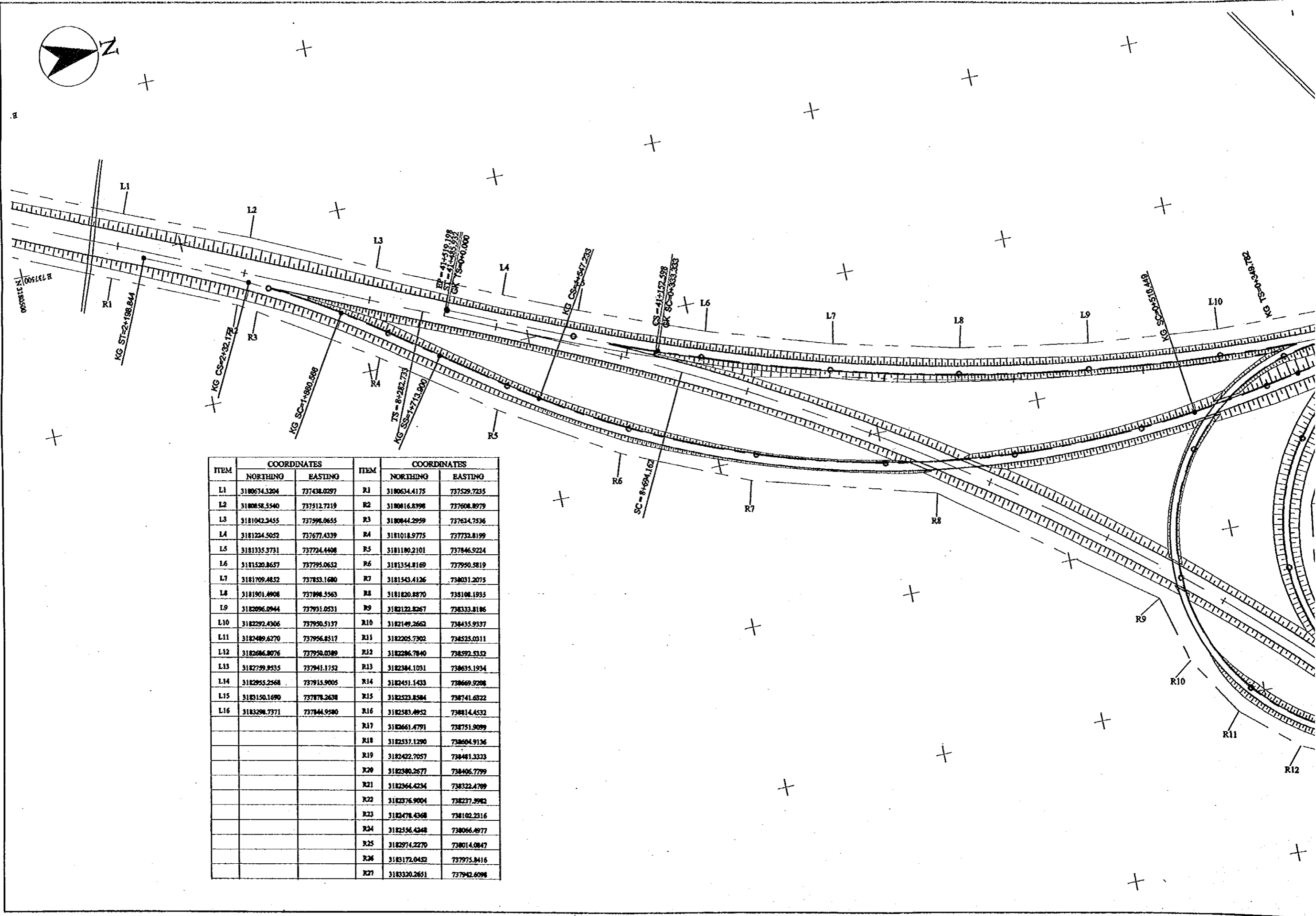
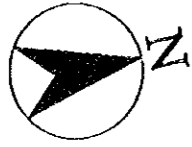
ITEM	COORDINATES		ITEM	COORDINATES	
	NORTHING	EASTING		NORTHING	EASTING
L1	3172684.5809	734454.9973	R1	3172656.0023	734550.7064
L2	3172911.4499	734523.5671	R2	3172886.6023	734618.1799
L3	3172933.0520	734590.1078	R3	3173059.1427	734668.6651
L4	3173029.3800	734507.9856	R4	3173053.0781	734761.5713
L5	3173076.3099	734424.8577	R5	3173082.5656	734861.0807
L6	3173054.6617	734318.6718	R6	3173169.5910	734917.6294
L7	3173188.2754	734249.6321	R7	3173272.4973	734904.1455
L8	3173310.2167	734251.8416	R8	3173372.5092	734774.7791
L9	3173356.6656	734269.4255	R9	3173415.6945	734760.0326
L10	3173427.0936	734331.6124	R10	3173317.6452	735080.6911
L11	3173504.8282	734328.4344	R11	3173375.7963	735093.7714
L12	3173574.2878	734272.1184	R12	3173480.7113	734752.7466
L13	3173590.8183	734218.0275	R13	3173677.9424	734776.3773
L14	3173647.7694	734236.9109	R14	3173879.9294	734790.4823
L15	3173592.9688	734402.1861	R15	3174082.5690	734794.4745
L16	3173629.3757	734415.9684	R16	3174284.3247	734788.3507
L17	3173687.0759	734466.3105			
L18	3173697.9418	734542.1103			
L19	3173656.7079	734606.6348			
L20	3173583.5349	734619.6344			
L21	3173546.1319	734630.0349			
L22	3173513.3060	734656.2651			
L23	3173687.4024	734676.8003			
L24	3173884.3996	734690.5845			
L25	3174081.8408	734694.4839			
L26	3174279.6604	734688.4596			

N 3172750
E 734600

N 3172750
E 733500

N 3174250
E 735000





ITEM	COORDINATES		ITEM	COORDINATES	
	NORTHING	EASTING		NORTHING	EASTING
L1	3180674.3204	737438.0297	R1	3180634.4175	737529.7235
L2	3180858.5540	737512.7219	R2	3180816.8398	737608.8979
L3	3181042.2455	737598.0655	R3	3180844.2959	737624.7536
L4	3181224.5052	737677.4339	R4	3181018.9775	737732.8199
L5	3181335.3731	737724.4408	R5	3181180.2101	737846.9224
L6	3181520.8657	737795.0652	R6	3181354.8169	737950.5819
L7	3181709.4852	737853.1680	R7	3181543.4126	738031.2073
L8	3181901.4908	737898.5563	R8	3181820.8870	738108.1935
L9	3182096.0944	737931.0531	R9	3182122.8267	738333.8186
L10	3182292.4306	737950.5137	R10	3182149.2662	738435.9337
L11	3182489.6270	737956.8517	R11	3182205.7902	738525.0311
L12	3182686.8976	737958.0389	R12	3182286.7840	738592.5352
L13	3182799.8535	737941.1752	R13	3182384.1031	738635.1934
L14	3182955.2568	737915.9005	R14	3182451.1433	738669.9208
L15	3183150.1690	737878.2638	R15	3182523.8584	738741.6322
L16	3183298.7371	737844.9580	R16	3182583.4952	738814.4532
			R17	3182661.4791	738751.9099
			R18	3182537.1290	738604.9136
			R19	3182422.7057	738481.3333
			R20	3182380.2677	738406.7799
			R21	3182364.4234	738322.4709
			R22	3182376.9004	738237.5982
			R23	3182478.4368	738102.2316
			R24	3182546.4248	738066.4977
			R25	3182974.2270	738014.0847
			R26	3183172.0452	737975.8416
			R27	3183320.2651	737942.6098

JICA