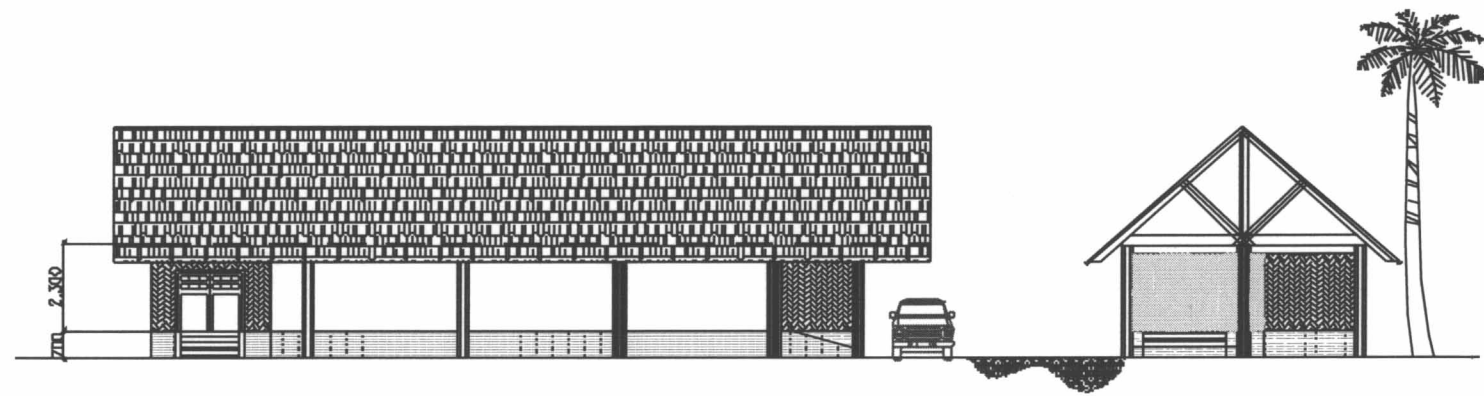
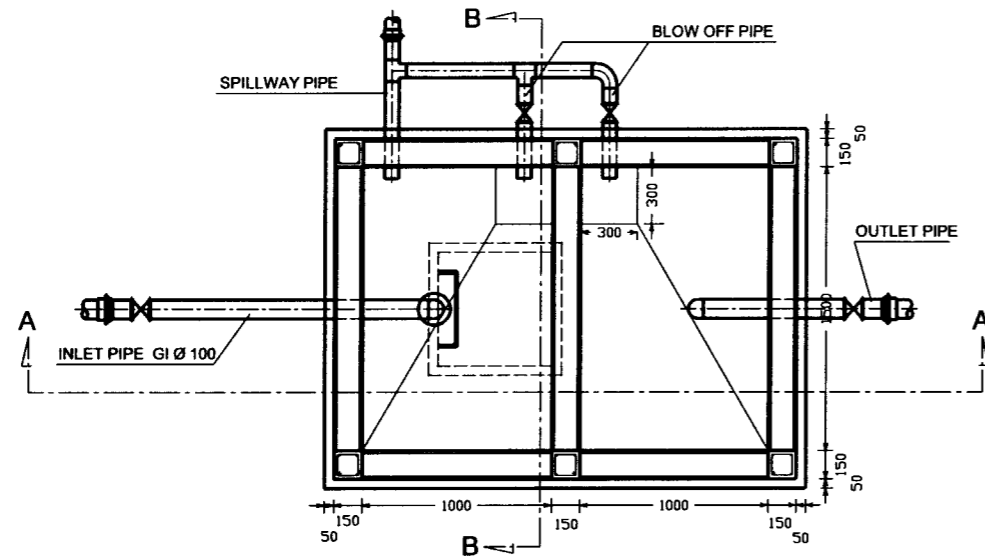
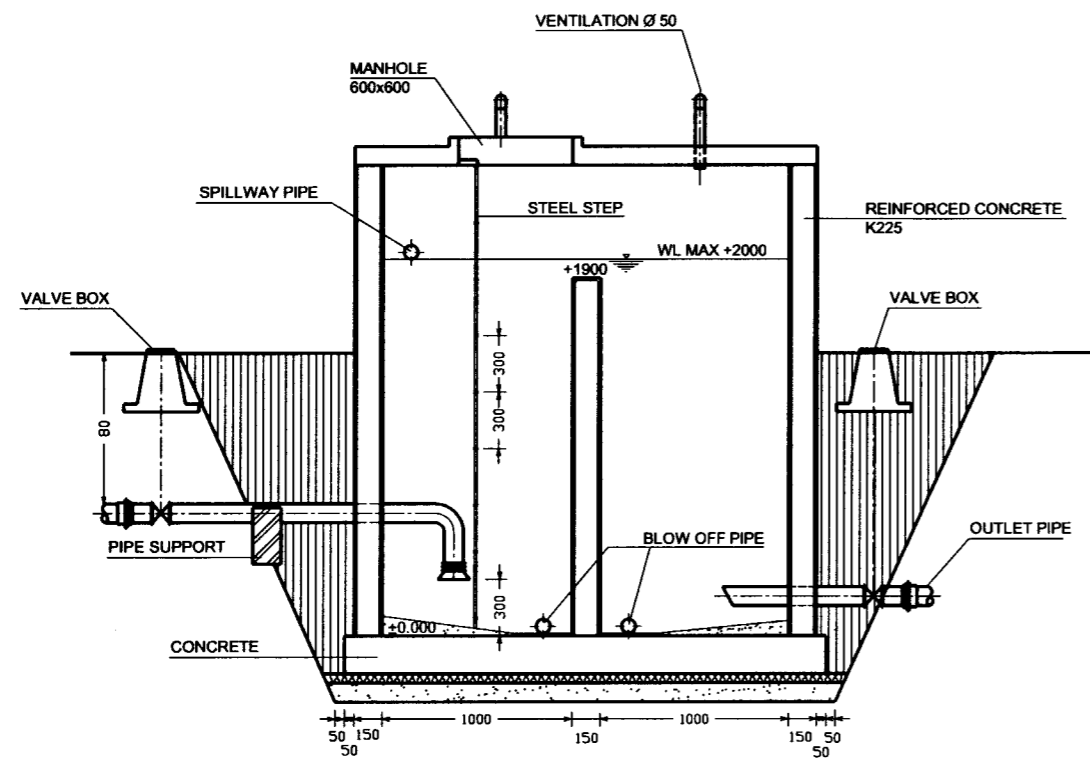


## Common Drawings

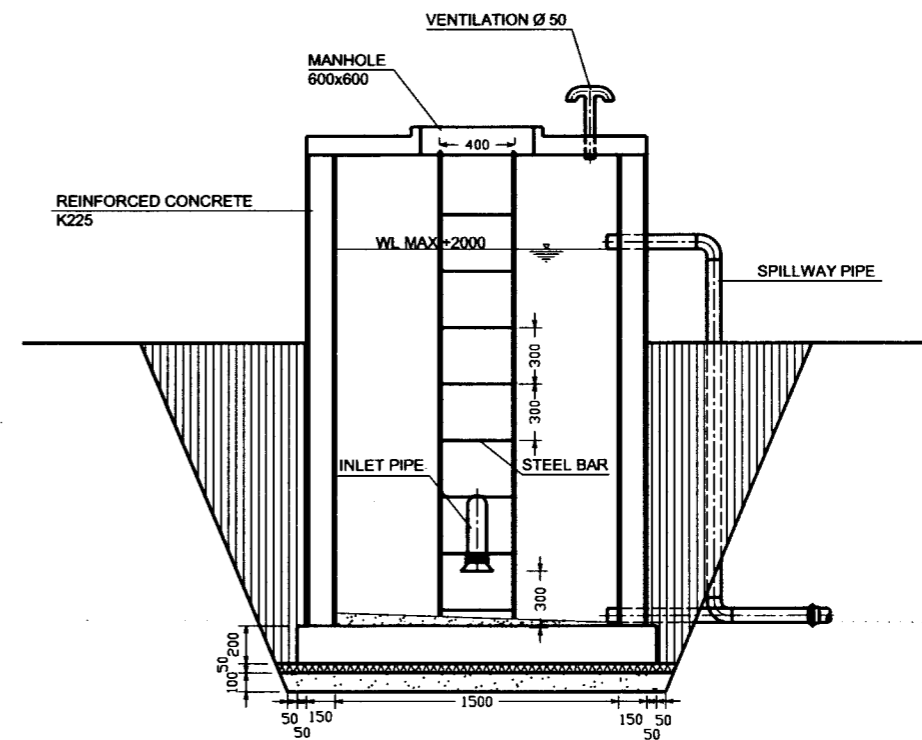




PLAN  
SCALE 1:40

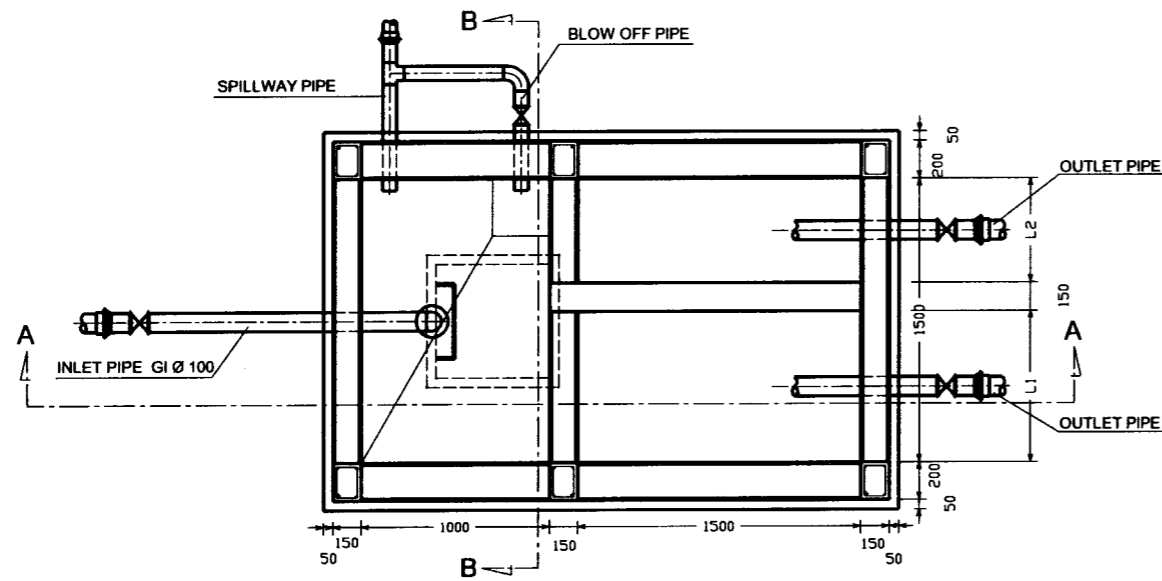


SECTION A-A  
SCALE 1:40

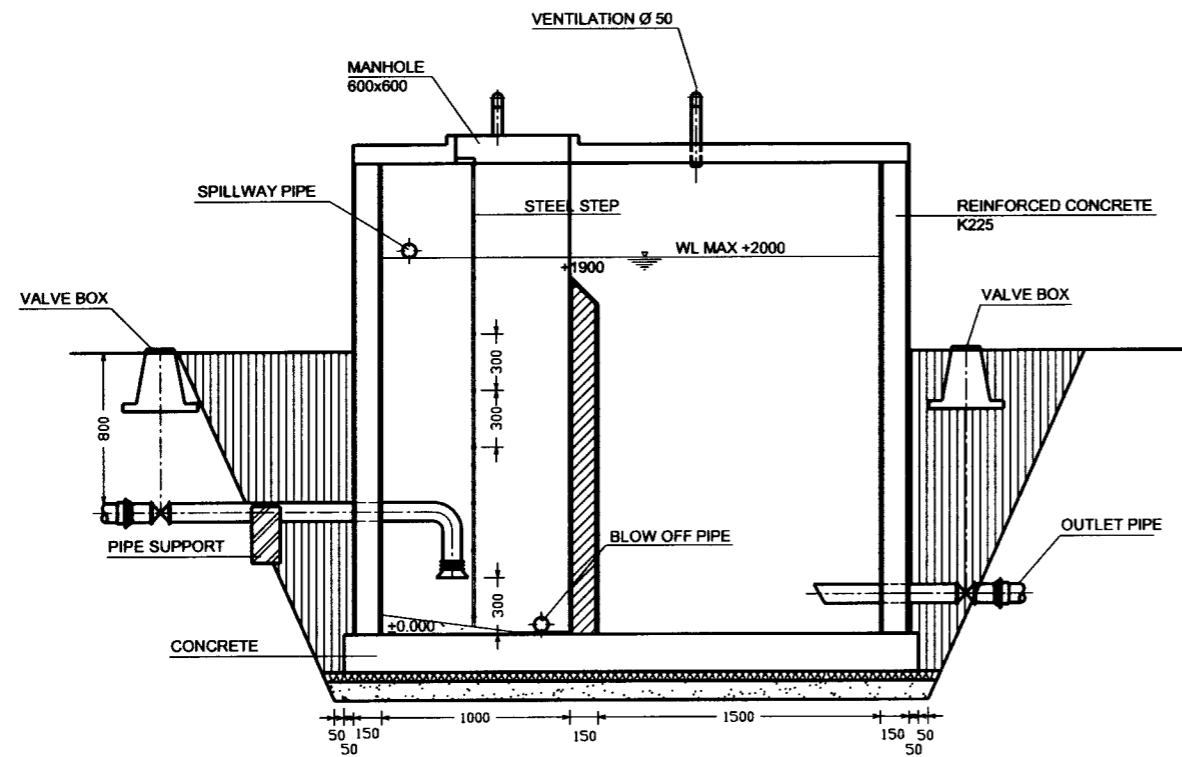


SECTION B-B  
SCALE 1:40

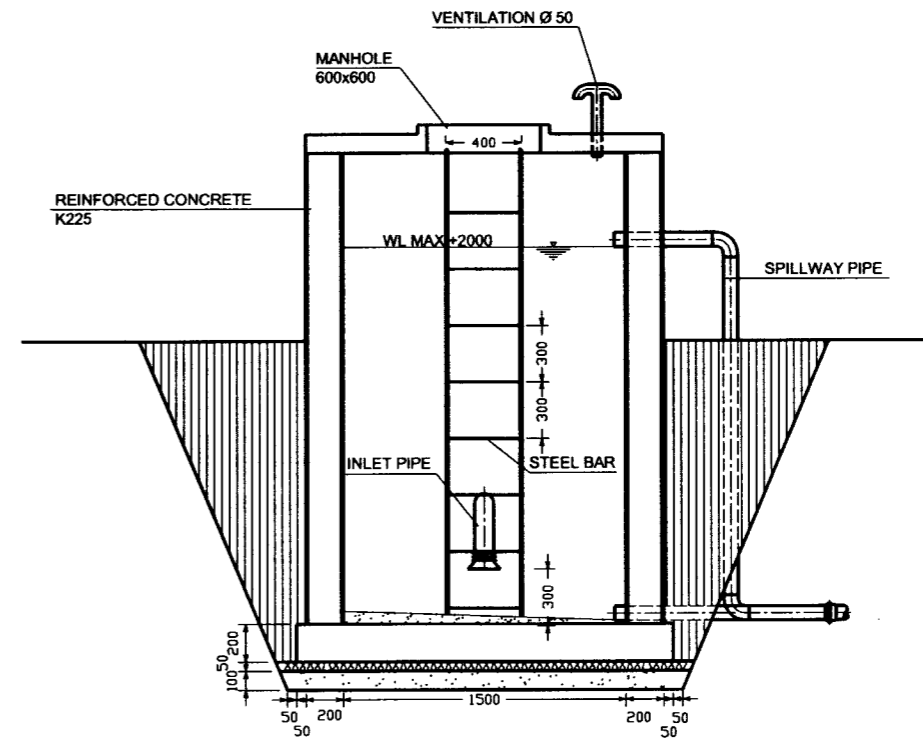
Japan International Cooperation Agency (JICA)	THE FEASIBILITY STUDY ON INTEGRATED AGRICULTURAL AND RURAL DEVELOPMENT IN HIGHLAND AREA	PRESSURE CONTROL STAND (OPEN STAND)  COMMON DRAWINGS	DATE MARCH 2000
	THE REPUBLIC OF INDONESIA		DRAWING NO. CI/1



PLAN  
SCALE 1:40



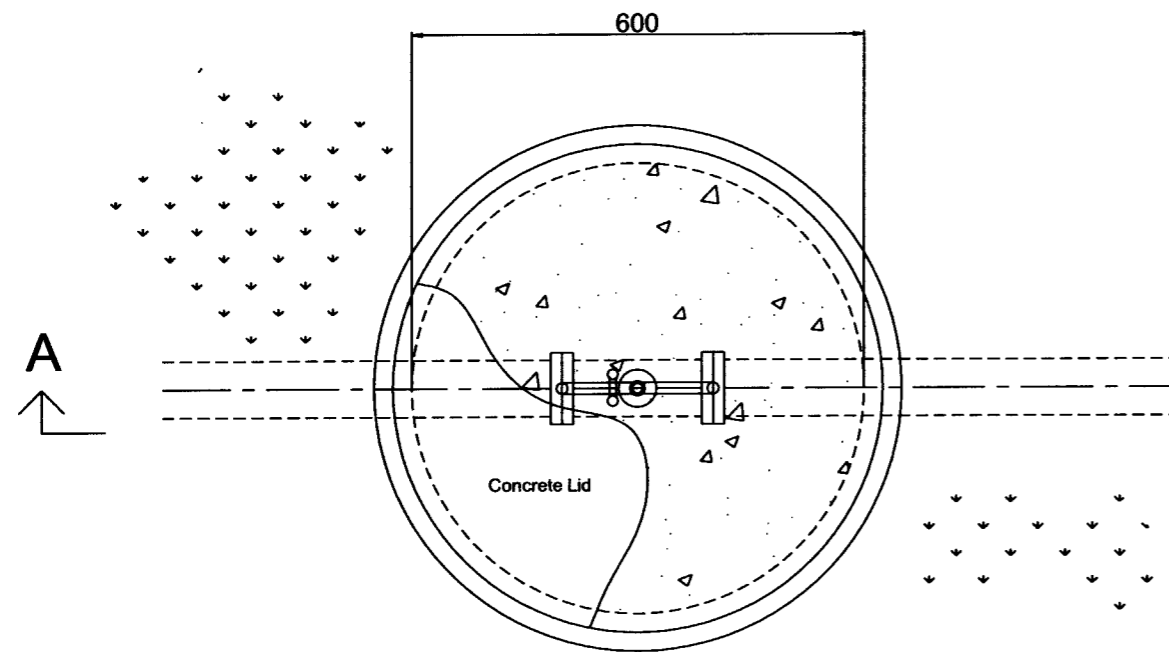
SECTION A-A  
SCALE 1:40



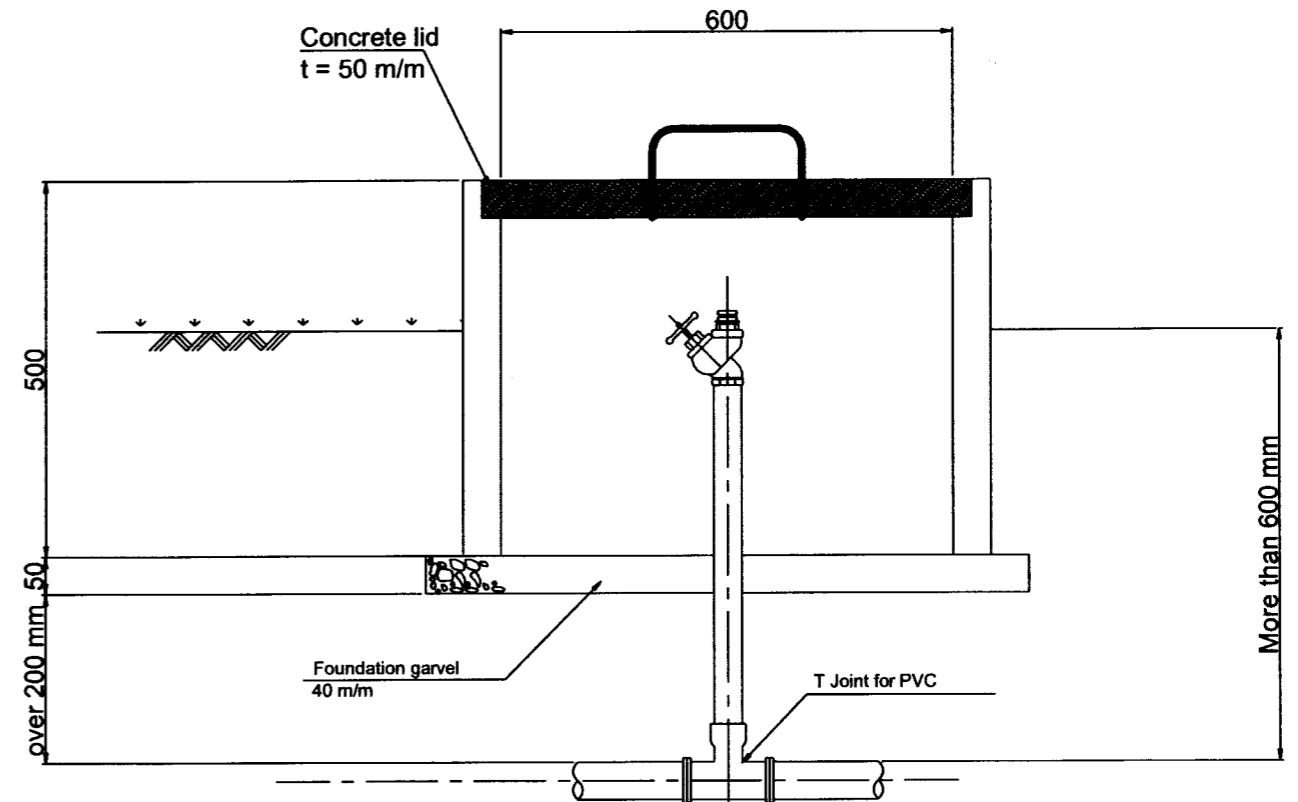
SECTION B-B  
SCALE 1:40

Japan International Cooperation Agency (JICA)	THE FEASIBILITY STUDY ON INTEGRATED AGRICULTURAL AND RURAL DEVELOPMENT IN HIGHLAND AREA	DIVERSION STAND COMMON DRAWINGS	DATE MARCH 2000
	THE REPUBLIC OF INDONESIA		DRAWING NO. CI/2

PLAN

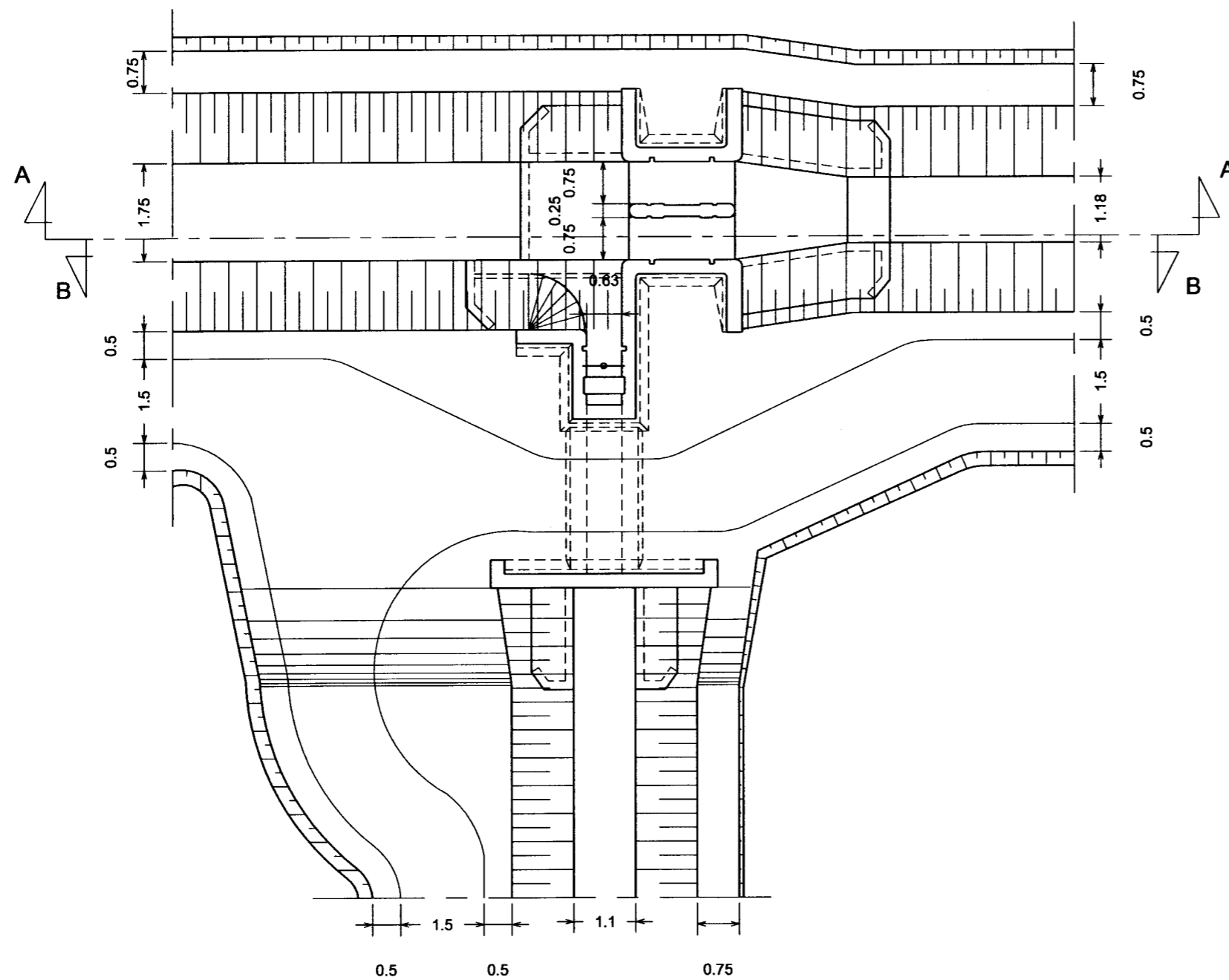


SECTION A - A

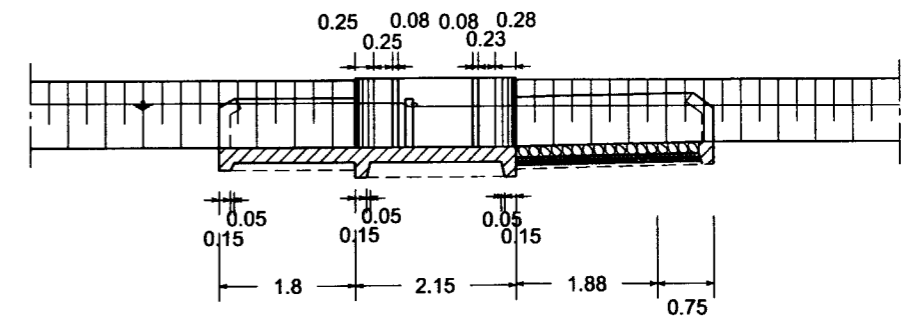


Note: All dimension in mm Notes and Description (text style 3)  
 All main heading text style is 1  
 All subheading text style is 2  
 Dimension style is Standard

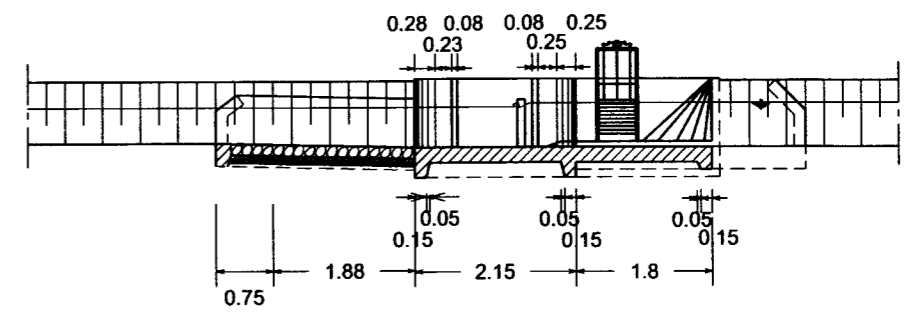
Japan International Cooperation Agency (JICA)	THE FEASIBILITY STUDY ON INTEGRATED AGRICULTURAL AND RURAL DEVELOPMENT IN HIGHLAND AREA	FIELD VALVE STAND COMMON DRAWINGS	DATE MARCH 2000
	THE REPUBLIC OF INDONESIA		DRAWING NO. CI/3



**PLAN**  
SCALE 1:50

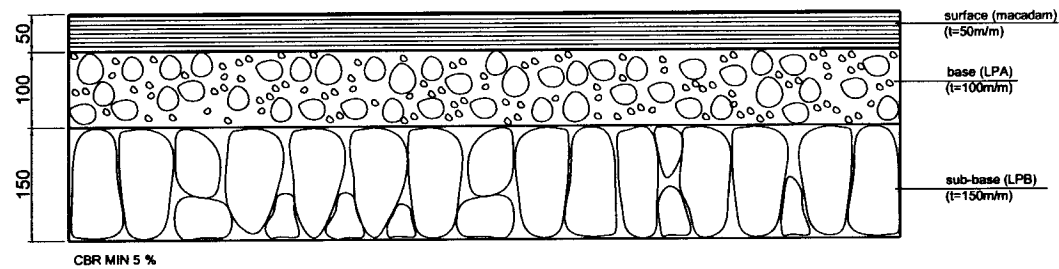


**SECTION A-A**  
SCALE 1:50



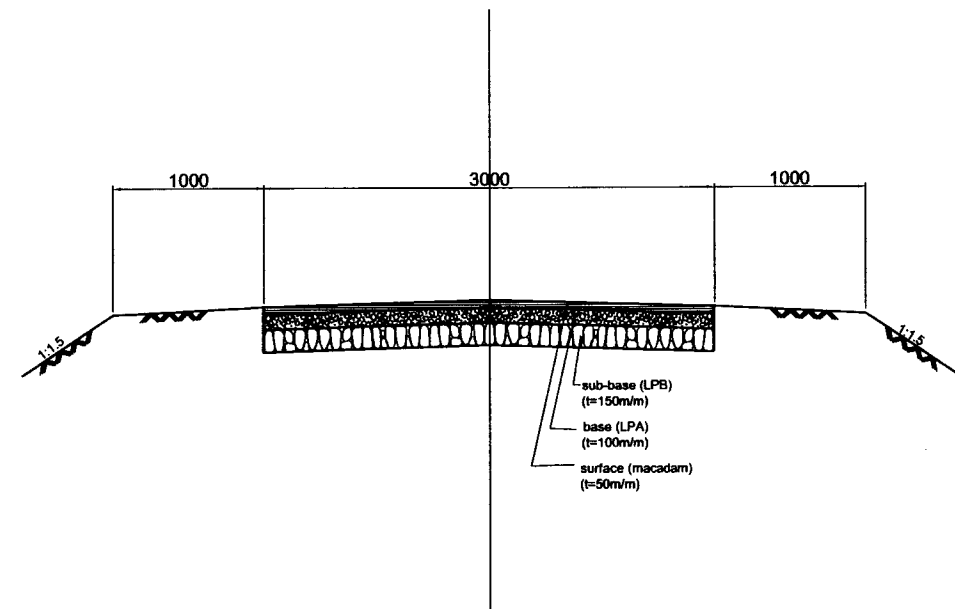
**SECTION B-B**  
SCALE 1:50

<i>Japan International Cooperation Agency (JICA)</i>	THE FEASIBILITY STUDY ON INTEGRATED AGRICULTURAL AND RURAL DEVELOPMENT IN HIGHLAND AREA	DIVERSION STRUCTURE ON THE RIVER/ STREAM	DATE MARCH 2000
	THE REPUBLIC OF INDONESIA	COMMON DRAWINGS	DRAWING NO. CI/4

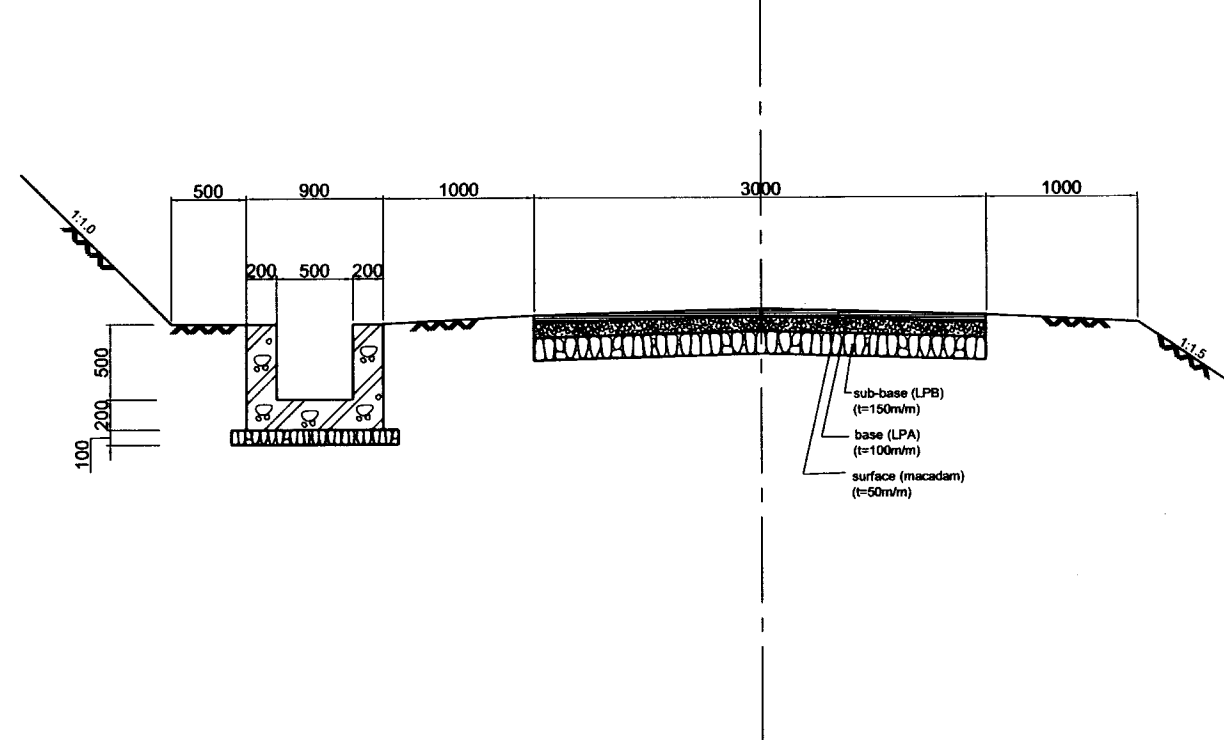


ROAD SECTION  
SCALE 1:10

SECTION TYPE A  
SCALE 1:50

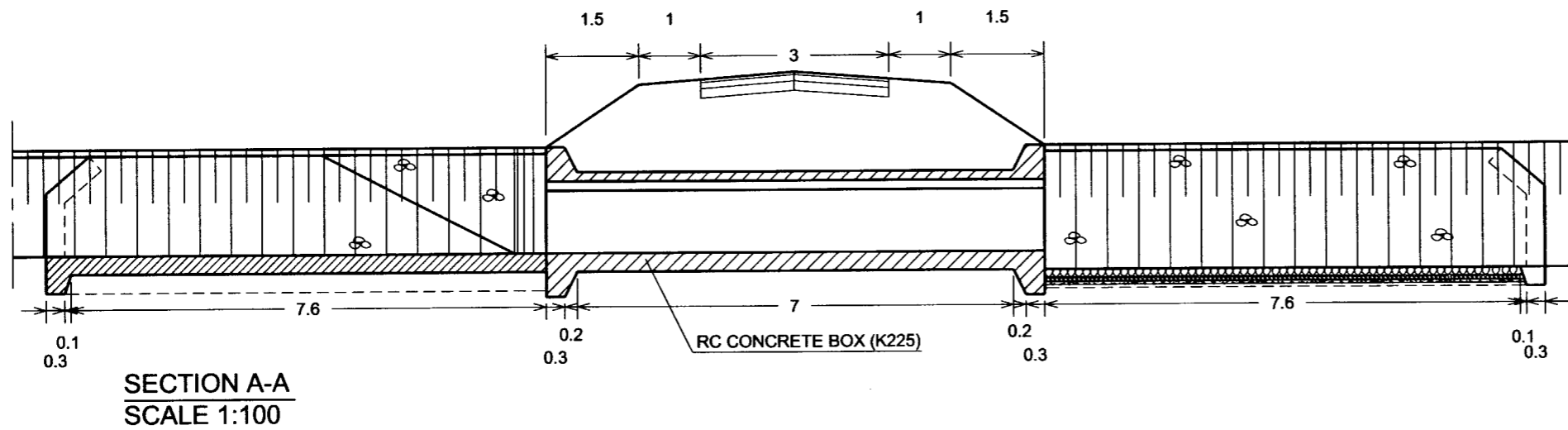
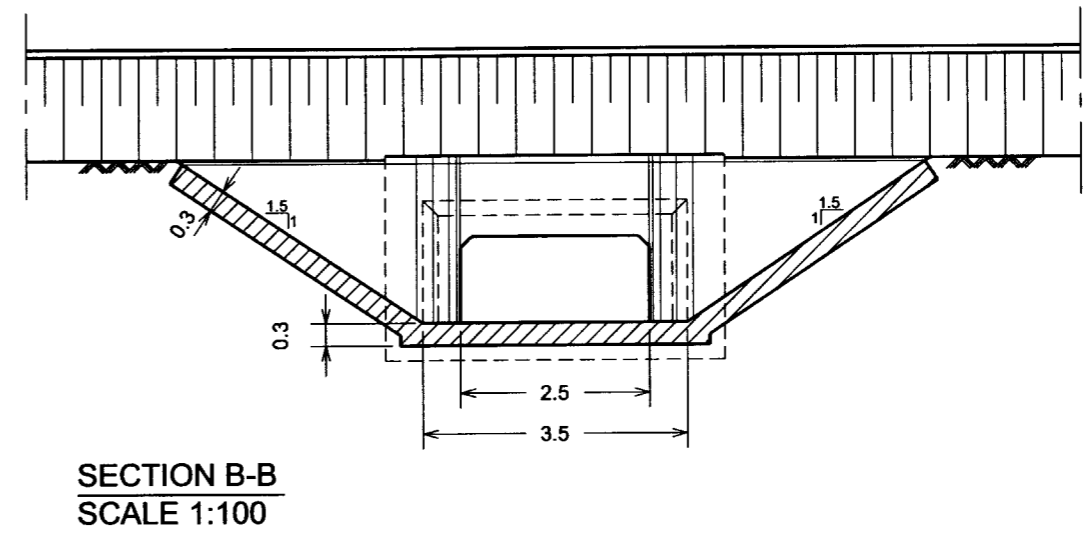
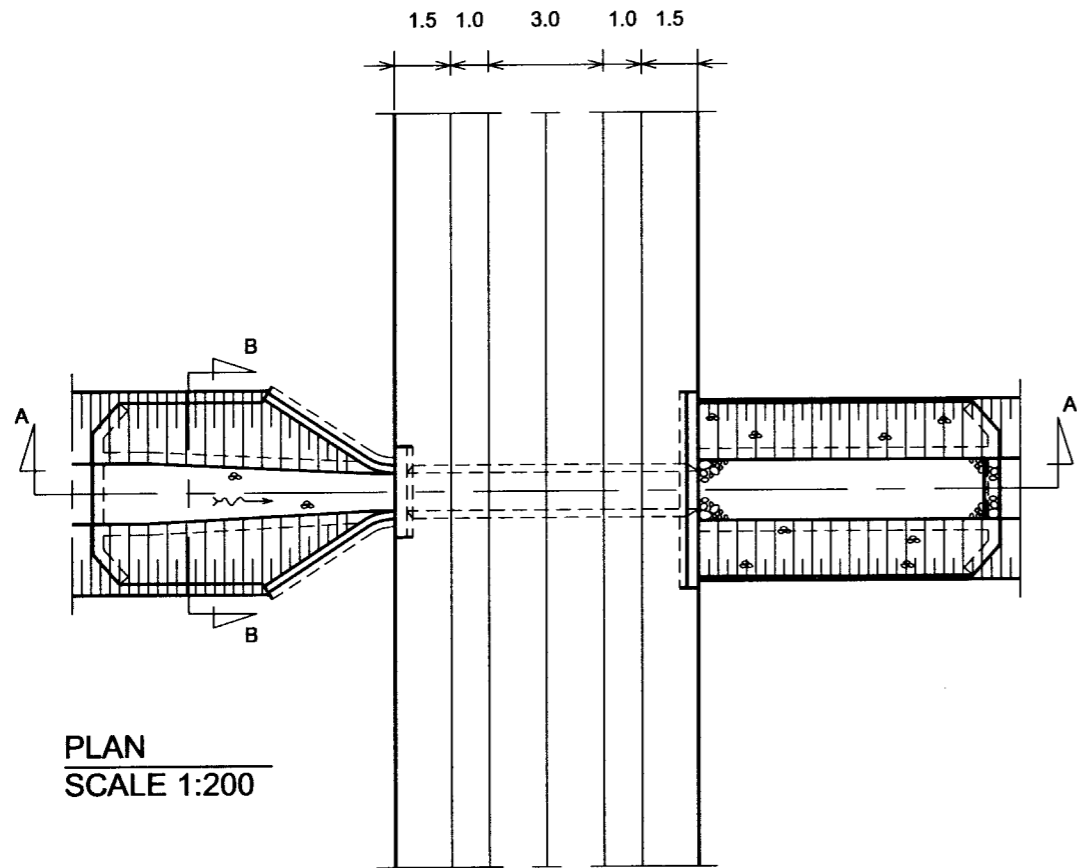


SECTION TYPE B  
SCALE 1:50



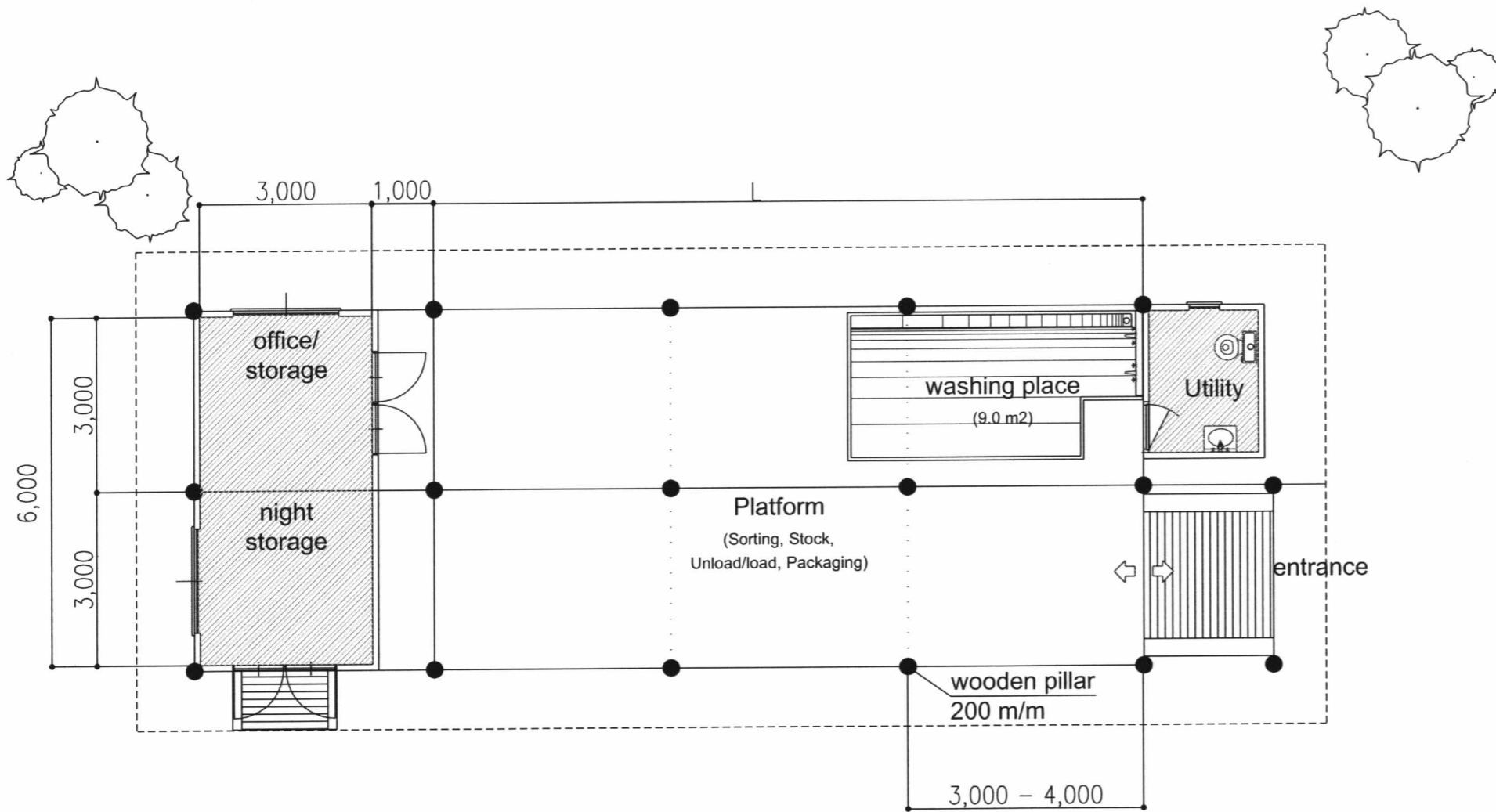
Japan International Cooperation Agency (JICA)	THE FEASIBILITY STUDY ON INTEGRATED AGRICULTURAL AND RURAL DEVELOPMENT IN HIGHLAND AREA	STANDARD ROAD SECTION COMMON DRAWINGS	DATE MARCH 2000
	THE REPUBLIC OF INDONESIA		DRAWING NO. CM/1



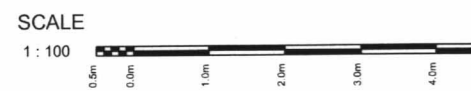
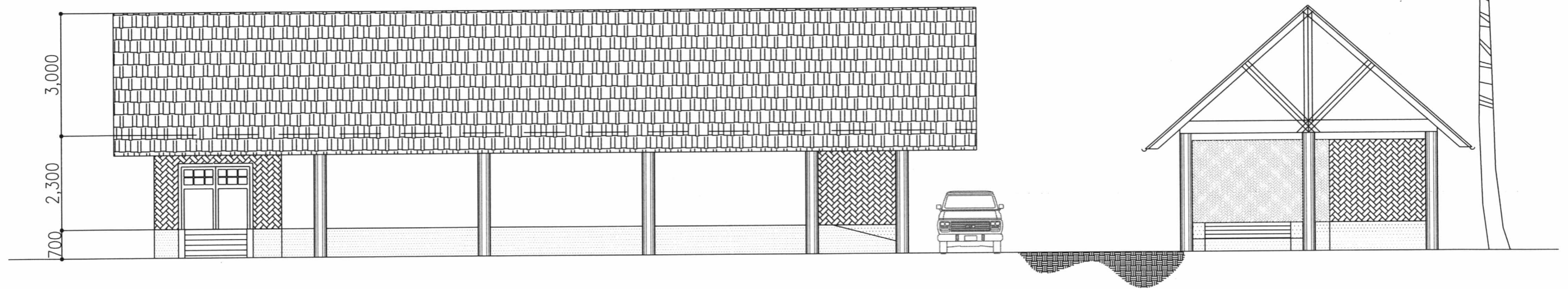


Japan International Cooperation Agency (JICA)	THE FEASIBILITY STUDY ON INTEGRATED AGRICULTURAL AND RURAL DEVELOPMENT IN HIGHLAND AREA	CROSS DRAIN (BOX CULVERT)  COMMON DRAWINGS	DATE MARCH 2000
	THE REPUBLIC OF INDONESIA		DRAWING NO. CM/3





	L (m)	Platform Area (m <sup>2</sup> )	Total Floor Area (m <sup>2</sup> )
Mekarjaya	7.0	40	69
Tanjungkarya	6.0	34	63
Gekbrong	6.0	34	63
Langensari	9.5	56	85



Japan International Cooperation Agency (JICA)	THE FEASIBILITY STUDY ON INTEGRATED AGRICULTURAL AND RURAL DEVELOPMENT IN HIGHLAND AREA	GENERAL PLAN OF COLLECTION CENTER	DATE MARCH 2000
	THE REPUBLIC OF INDONESIA	COMMON DRAWINGS	DRAWING NO. CM/4