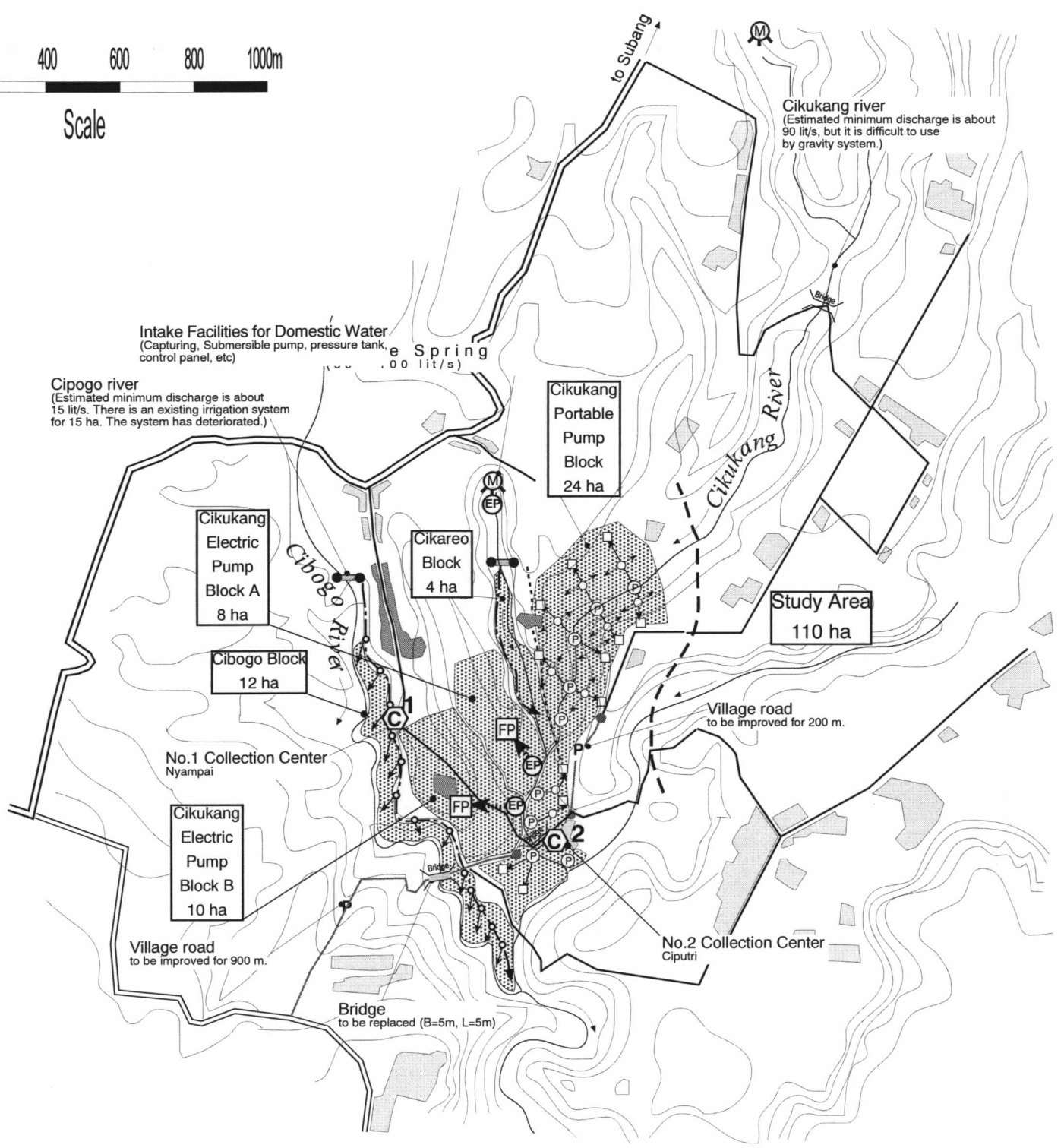
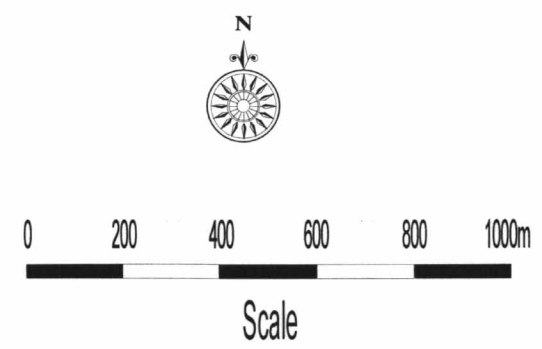
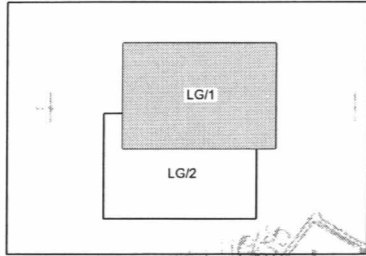
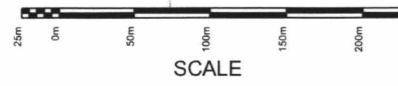


Langensari Model Area



| LEGEND | |
|-----------|--------------------------------------|
| --- --- | Boundary of study area |
| - - - - - | Village boundary |
| ==G==P== | Provincial road (Good/Poor) |
| -G-P- | District road (Good/Poor) |
| G - P | Village road |
| | Connection road |
| ==== | Railway |
| ~~~~~ | River/stream |
| (M) | Spring |
| G---P | Irrigation canal (Good/Poor) |
| ● | Intake |
| ■ | Proposed area for rural water supply |



- LEGEND**
- MAIN PIPELINE/CANAL
 - - - LATERAL PIPELINE/CANAL
 - DIVERSION STRUCTURE
 - INTAKE STRUCTURE
 - COLLECTION CENTER

- NAME OF BLOCK
- IRRIGATION AREA
- UNIT WATER REQUIREMENT
- ROTATION WATER REQUIREMENT

CIBOGO VILLAGE

CIKOLE VILLAGE

CIKIDANG VILLAGE

CIKOLE SPRING

INTAKE BOX AT SPRING

CIBOGO WEIR (IMPROVEMENT)

CIBOGO RIVER

CIKOLE SPRING IRRIGATION SYSTEM
A=3.5 HA

CIKUKANG PORTABLE PUMP IRRIGATION SYSTEM
A=20.6 HA

FARM POND
V=288 M³ A=8.2 HA

- LB1ka 1.0 ha 0.71 l/s 4.26 l/s
- LB2ka 1.0 ha 0.71 l/s 4.26 l/s

- LB1ki 1.0 ha 0.71 l/s 4.26 l/s
- LB2ki 1.0 ha 0.71 l/s 4.26 l/s

- LB3ka 1.0 ha 0.71 l/s 4.26 l/s
- LB3ki 1.0 ha 0.71 l/s 4.26 l/s

- LB4ka 1.0 ha 0.71 l/s 4.26 l/s
- LB4ki 1.0 ha 0.71 l/s 4.26 l/s

- LB5ka 1.0 ha 0.71 l/s 4.26 l/s
- LB5ki 1.0 ha 0.71 l/s 4.26 l/s

- LB6ka 1.0 ha 0.71 l/s 4.26 l/s
- LB6ki 1.0 ha 0.71 l/s 4.26 l/s

- LB7ka 1.0 ha 0.71 l/s 4.26 l/s
- LB7ki 1.0 ha 0.71 l/s 4.26 l/s

- LB8ka 1.0 ha 0.71 l/s 4.26 l/s
- LB8ki 1.0 ha 0.71 l/s 4.26 l/s

- LB9ka 1.0 ha 0.71 l/s 4.26 l/s
- LB9ki 1.0 ha 0.71 l/s 4.26 l/s

- LB10ka 1.0 ha 0.71 l/s 4.26 l/s
- LB10ki 1.0 ha 0.71 l/s 4.26 l/s

- LB11ka 1.0 ha 0.71 l/s 4.26 l/s
- LB11ki 1.0 ha 0.71 l/s 4.26 l/s

- LB12ka 1.0 ha 0.71 l/s 4.26 l/s
- LB12ki 1.0 ha 0.71 l/s 4.26 l/s

- LB13ka 1.0 ha 0.71 l/s 4.26 l/s
- LB13ki 1.0 ha 0.71 l/s 4.26 l/s

- LB14ka 1.0 ha 0.71 l/s 4.26 l/s
- LB14ki 1.0 ha 0.71 l/s 4.26 l/s

- LB15ka 1.0 ha 0.71 l/s 4.26 l/s
- LB15ki 1.0 ha 0.71 l/s 4.26 l/s

- LB16ka 1.0 ha 0.71 l/s 4.26 l/s
- LB16ki 1.0 ha 0.71 l/s 4.26 l/s

- LB17ka 1.0 ha 0.71 l/s 4.26 l/s
- LB17ki 1.0 ha 0.71 l/s 4.26 l/s

- LB18ka 1.0 ha 0.71 l/s 4.26 l/s
- LB18ki 1.0 ha 0.71 l/s 4.26 l/s

- LB19ka 1.0 ha 0.71 l/s 4.26 l/s
- LB19ki 1.0 ha 0.71 l/s 4.26 l/s

- LB20ka 1.0 ha 0.71 l/s 4.26 l/s
- LB20ki 1.0 ha 0.71 l/s 4.26 l/s

- LB21ka 1.0 ha 0.71 l/s 4.26 l/s
- LB21ki 1.0 ha 0.71 l/s 4.26 l/s

- LB22ka 1.0 ha 0.71 l/s 4.26 l/s
- LB22ki 1.0 ha 0.71 l/s 4.26 l/s

- LB23ka 1.0 ha 0.71 l/s 4.26 l/s
- LB23ki 1.0 ha 0.71 l/s 4.26 l/s

- LB24ka 1.0 ha 0.71 l/s 4.26 l/s
- LB24ki 1.0 ha 0.71 l/s 4.26 l/s

- LB25ka 1.0 ha 0.71 l/s 4.26 l/s
- LB25ki 1.0 ha 0.71 l/s 4.26 l/s

- LB26ka 1.0 ha 0.71 l/s 4.26 l/s
- LB26ki 1.0 ha 0.71 l/s 4.26 l/s

- LB27ka 1.0 ha 0.71 l/s 4.26 l/s
- LB27ki 1.0 ha 0.71 l/s 4.26 l/s

- LB28ka 1.0 ha 0.71 l/s 4.26 l/s
- LB28ki 1.0 ha 0.71 l/s 4.26 l/s

- LB29ka 1.0 ha 0.71 l/s 4.26 l/s
- LB29ki 1.0 ha 0.71 l/s 4.26 l/s

- LB30ka 1.0 ha 0.71 l/s 4.26 l/s
- LB30ki 1.0 ha 0.71 l/s 4.26 l/s

- LB31ka 1.0 ha 0.71 l/s 4.26 l/s
- LB31ki 1.0 ha 0.71 l/s 4.26 l/s

- LB32ka 1.0 ha 0.71 l/s 4.26 l/s
- LB32ki 1.0 ha 0.71 l/s 4.26 l/s

- LB33ka 1.0 ha 0.71 l/s 4.26 l/s
- LB33ki 1.0 ha 0.71 l/s 4.26 l/s

- LB34ka 1.0 ha 0.71 l/s 4.26 l/s
- LB34ki 1.0 ha 0.71 l/s 4.26 l/s

- LB35ka 1.0 ha 0.71 l/s 4.26 l/s
- LB35ki 1.0 ha 0.71 l/s 4.26 l/s

- LB36ka 1.0 ha 0.71 l/s 4.26 l/s
- LB36ki 1.0 ha 0.71 l/s 4.26 l/s

- LB37ka 1.0 ha 0.71 l/s 4.26 l/s
- LB37ki 1.0 ha 0.71 l/s 4.26 l/s

- LB38ka 1.0 ha 0.71 l/s 4.26 l/s
- LB38ki 1.0 ha 0.71 l/s 4.26 l/s

- LB39ka 1.0 ha 0.71 l/s 4.26 l/s
- LB39ki 1.0 ha 0.71 l/s 4.26 l/s

- LB40ka 1.0 ha 0.71 l/s 4.26 l/s
- LB40ki 1.0 ha 0.71 l/s 4.26 l/s

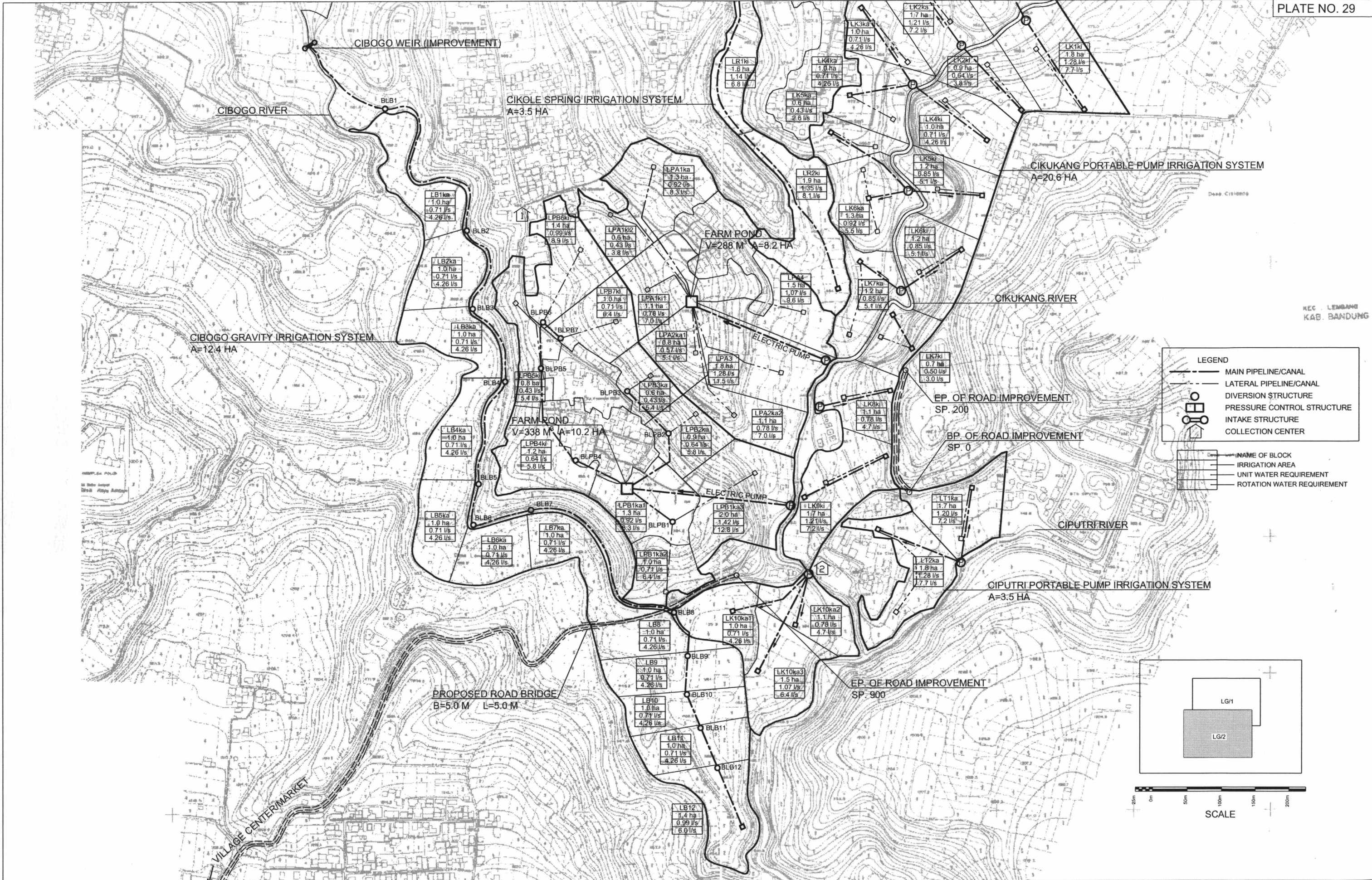
Japan International
Cooperation Agency
(JICA)

THE FEASIBILITY STUDY ON INTEGRATED
AGRICULTURAL AND RURAL
DEVELOPMENT IN HIGHLAND AREA

THE REPUBLIC OF INDONESIA

GENERAL LAYOUT PLAN
LANGENSARI MODEL AREA

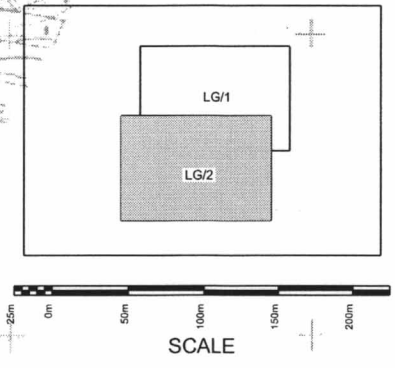
DATE MARCH 2000
DRAWING NO. LS/1 (1/2)



LEGEND

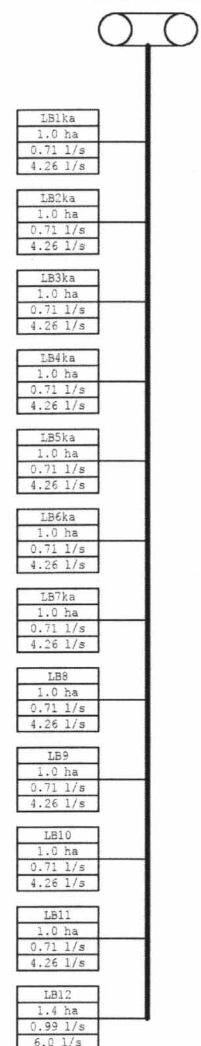
- MAIN PIPELINE/CANAL
- - - LATERAL PIPELINE/CANAL
- ⊕ DIVERSION STRUCTURE
- ⊞ PRESSURE CONTROL STRUCTURE
- ⊞ INTAKE STRUCTURE
- ⊞ COLLECTION CENTER

— NAME OF BLOCK
 — IRRIGATION AREA
 — UNIT WATER REQUIREMENT
 — ROTATION WATER REQUIREMENT

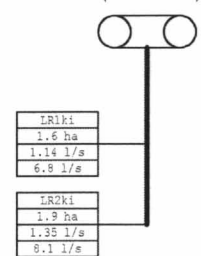


| | | | |
|---|---|--|---------------------------|
| Japan International Cooperation Agency (JICA) | THE FEASIBILITY STUDY ON INTEGRATED AGRICULTURAL AND RURAL DEVELOPMENT IN HIGHLAND AREA | GENERAL LAYOUT PLAN LANGENSARI MODEL AREA | DATE MARCH 2000 |
| | THE REPUBLIC OF INDONESIA | | DRAWING NO. LS/1 (2/2) |

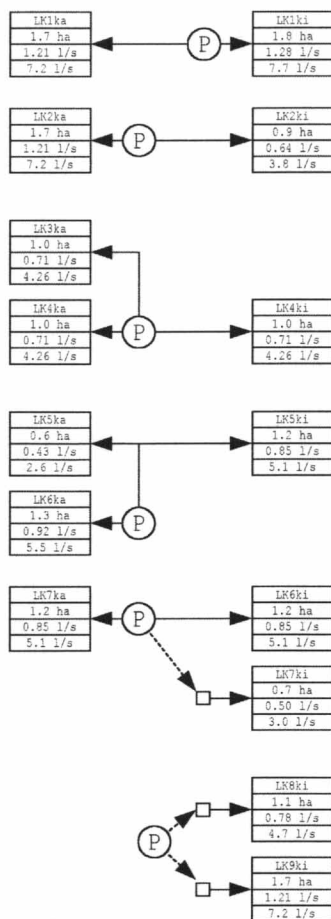
Proposed Cibogo Weir
(12.4 ha)



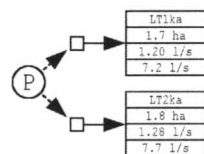
Proposed Cikareo Intake
(3.5 ha)



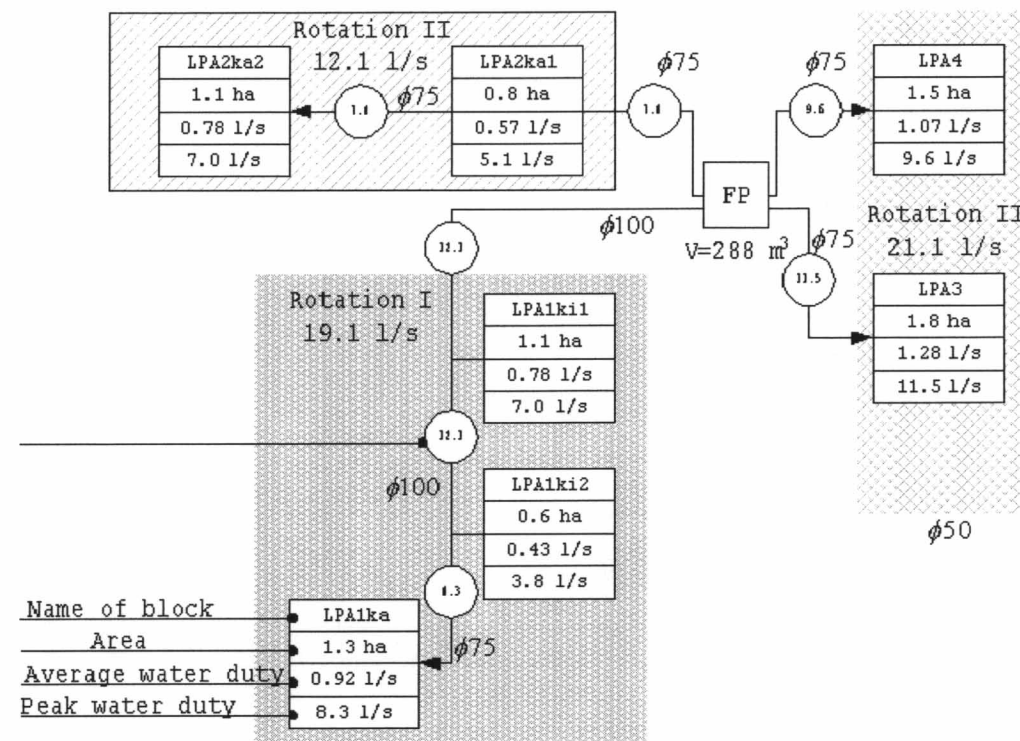
Proposed Cikukang
Portable Pump System
(20.6 ha)



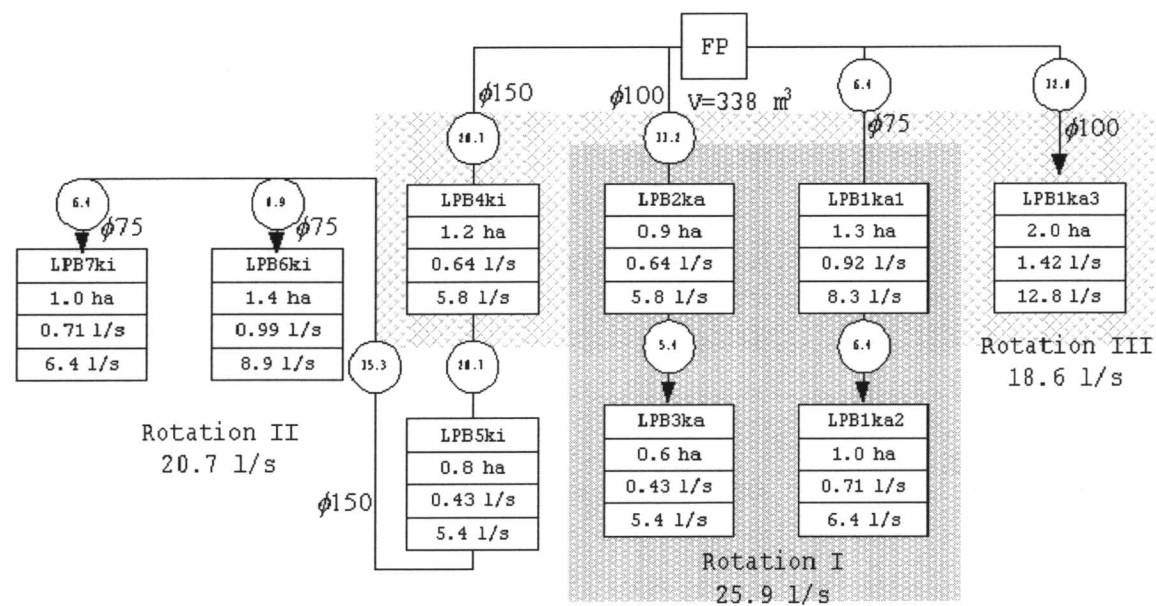
Proposed Ciputri
Portable Pump System
(3.5 ha)

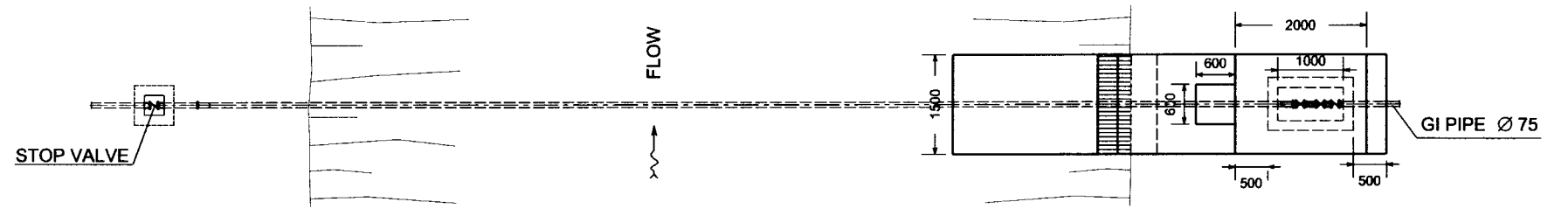


Rotation of System LPA

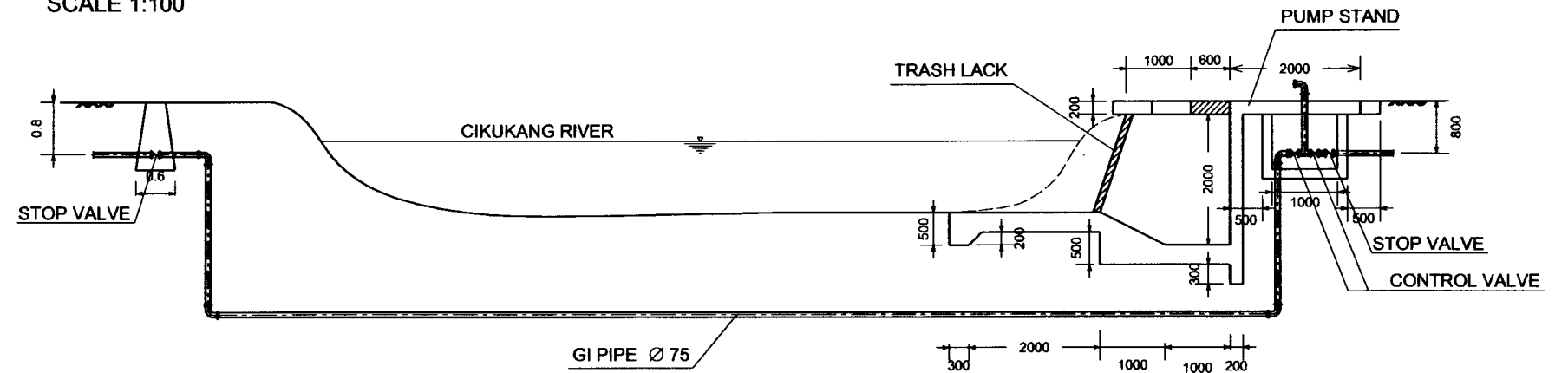


Rotation of System LPB

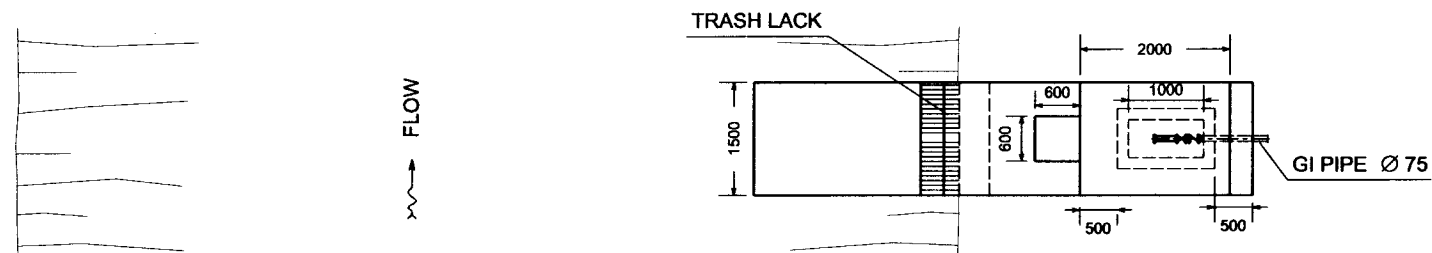




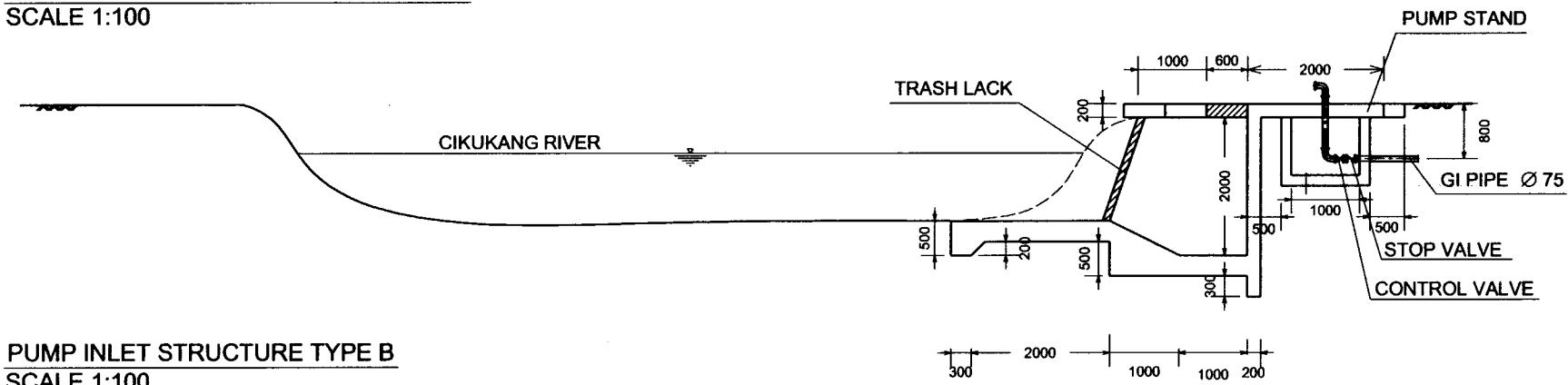
PUMP INLET STRUCTURE PLAN TYPE A
SCALE 1:100



PUMP INLET STRUCTURE TYPE A
SCALE 1:100



PUMP INLET STRUCTURE PLAN TYPE B
SCALE 1:100



PUMP INLET STRUCTURE TYPE B
SCALE 1:100

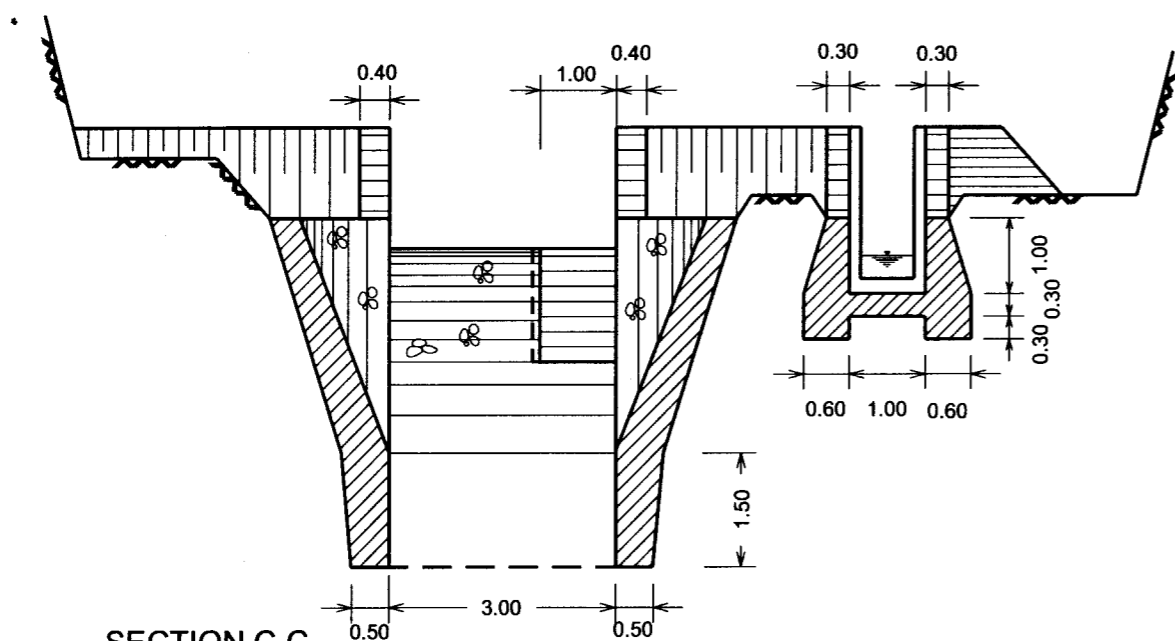
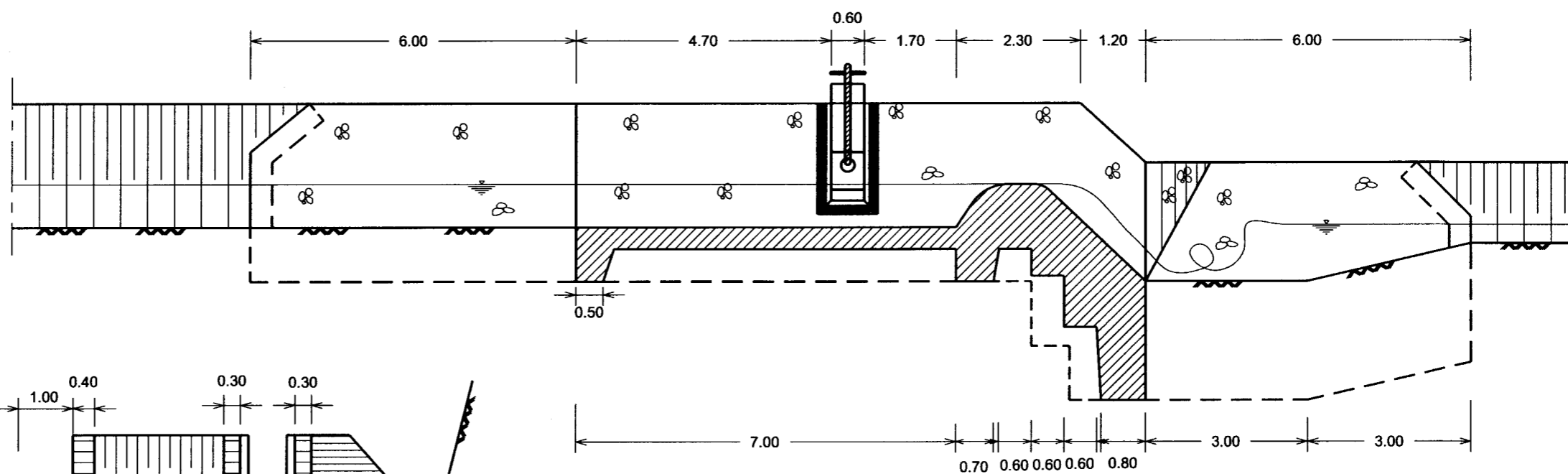
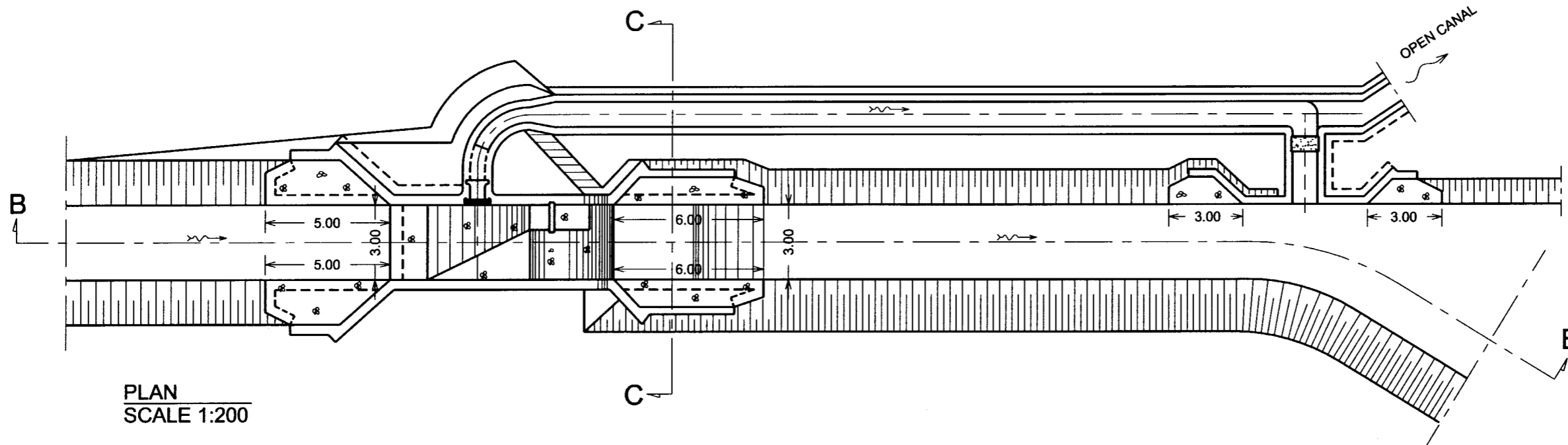
Japan International
Cooperation Agency
(JICA)

THE FEASIBILITY STUDY ON INTEGRATED
AGRICULTURAL AND RURAL
DEVELOPMENT IN HIGHLAND AREA

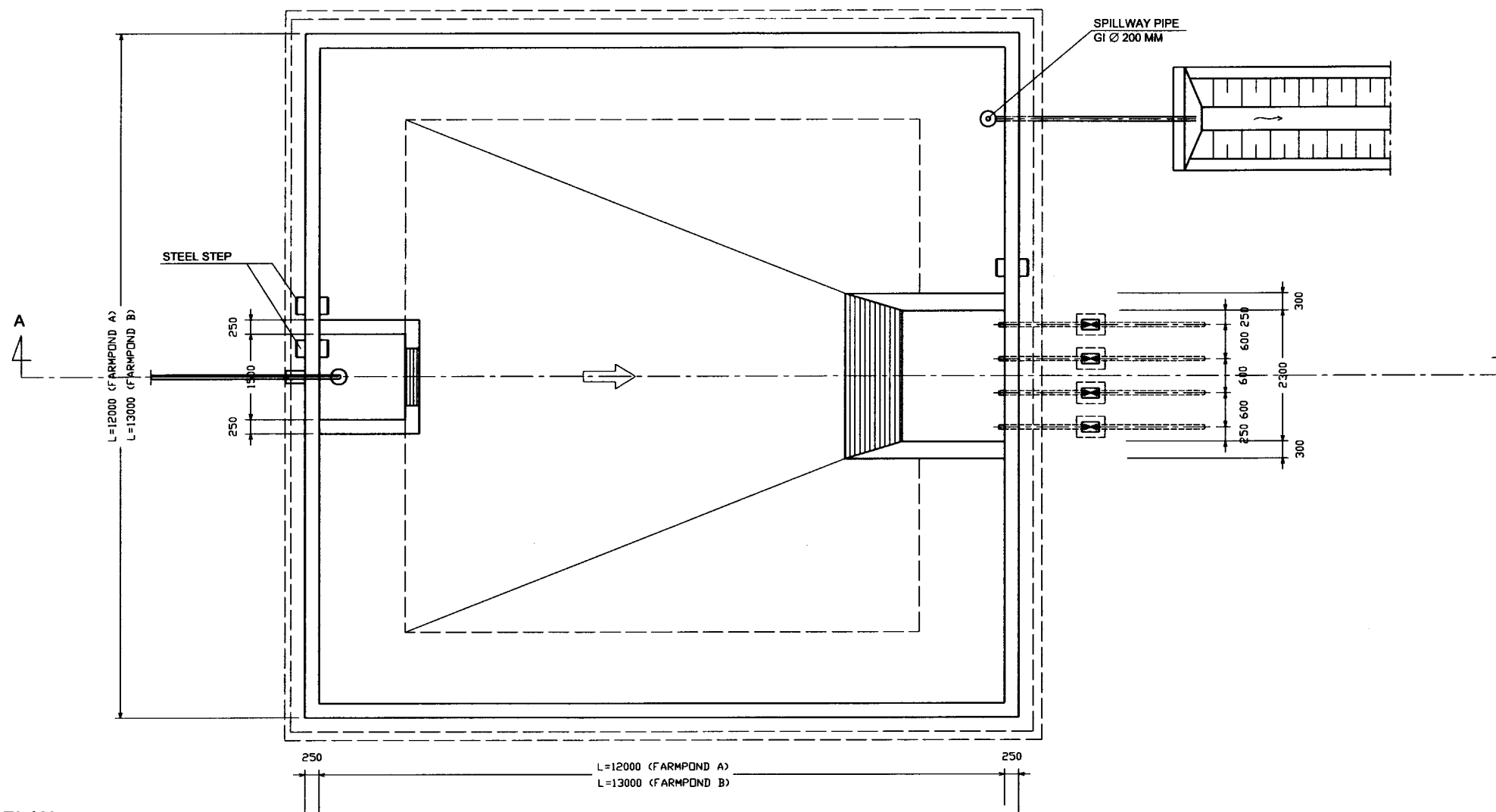
THE REPUBLIC OF INDONESIA

PUMP INLET STRUCTURE
LANGENSARI MODEL AREA

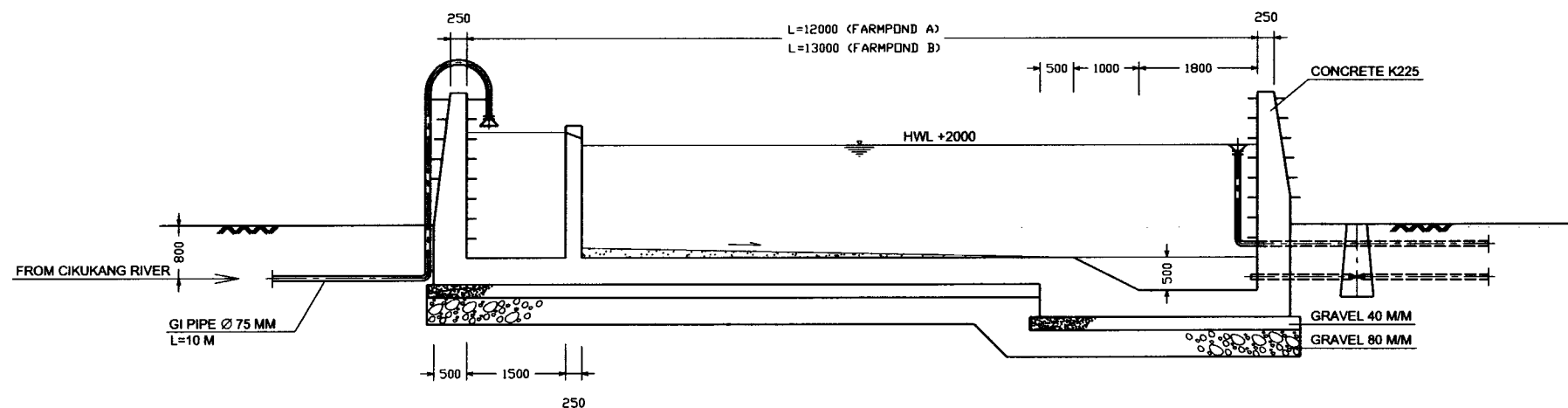
DATE MARCH 2000
DRAWING NO.
LS/3



| | | | |
|---|---|--|------------------|
| Japan International Cooperation Agency (JICA) | THE FEASIBILITY STUDY ON INTEGRATED AGRICULTURAL AND RURAL DEVELOPMENT IN HIGHLAND AREA | PROPOSED CIBOGO INTAKE WEIR LANGENSARI MODEL AREA | DATE MARCH 2000 |
| | THE REPUBLIC OF INDONESIA | | DRAWING NO. LS/4 |

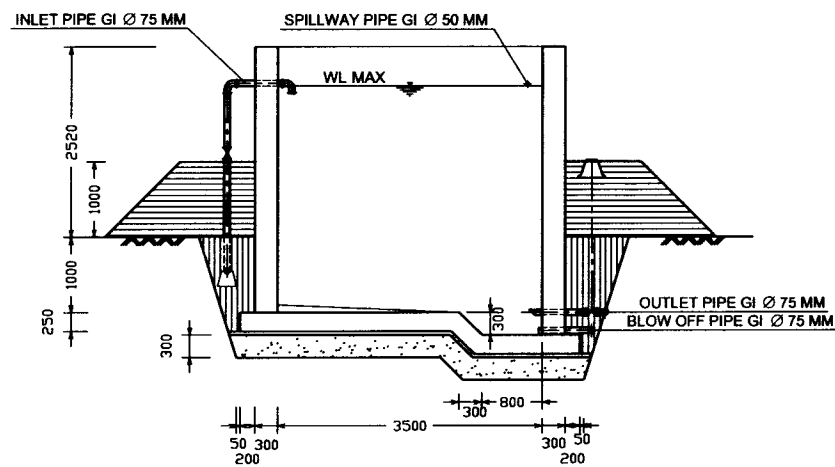


PLAN
SCALE 1:100

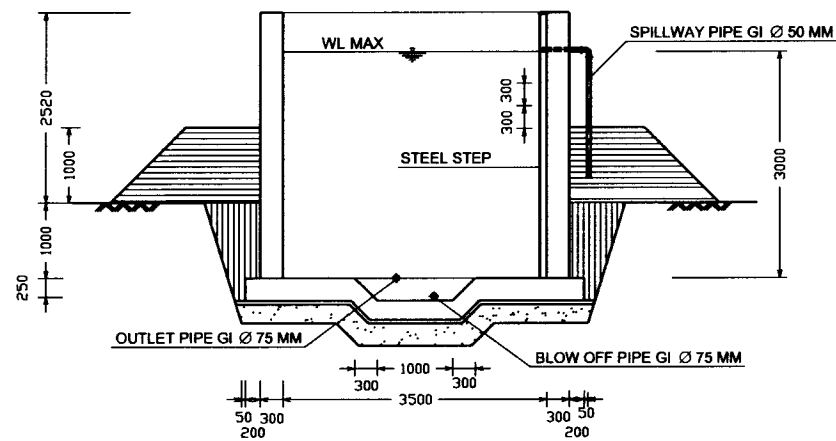


SECTION A-A
SCALE 1:100

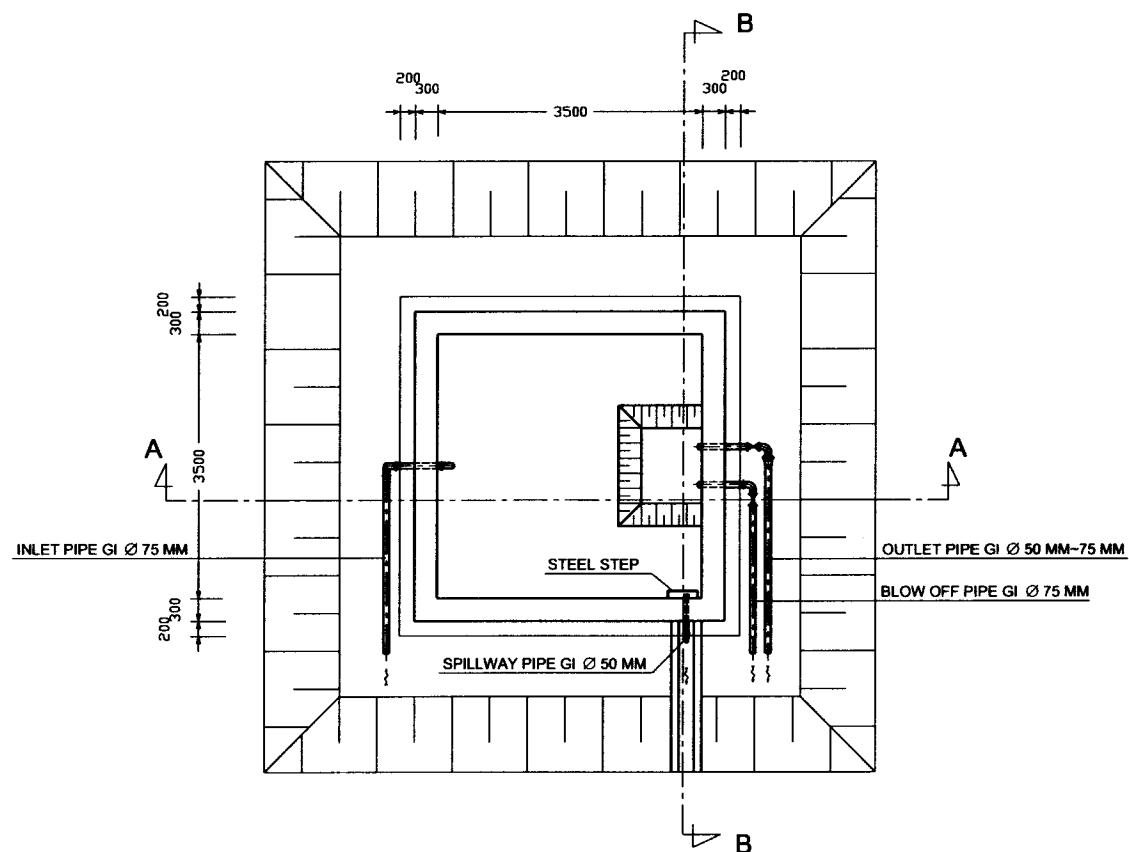
| | | | |
|---|---|---|---------------------|
| Japan International Cooperation Agency (JICA) | THE FEASIBILITY STUDY ON INTEGRATED AGRICULTURAL AND RURAL DEVELOPMENT IN HIGHLAND AREA | FARMPOND (CIKUKANG ELECTRIC PUMP SYSTEM A,B) | DATE MARCH 2000 |
| | THE REPUBLIC OF INDONESIA | LANGENSARI MODEL AREA | DRAWING NO. LS/5 |



SECTION A-A
SCALE 1:100



SECTION B-B
SCALE 1:100



PLAN
SCALE 1:100

Japan International
Cooperation Agency
(JICA)

THE FEASIBILITY STUDY ON INTEGRATED
AGRICULTURAL AND RURAL
DEVELOPMENT IN HIGHLAND AREA

THE REPUBLIC OF INDONESIA

FIELD STORAGE TANK
LANGENSARI MODEL AREA

DATE MARCH 2000

DRAWING NO.

LS/6