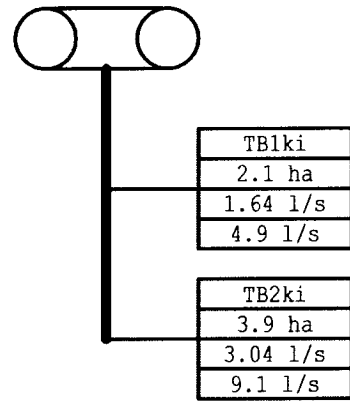
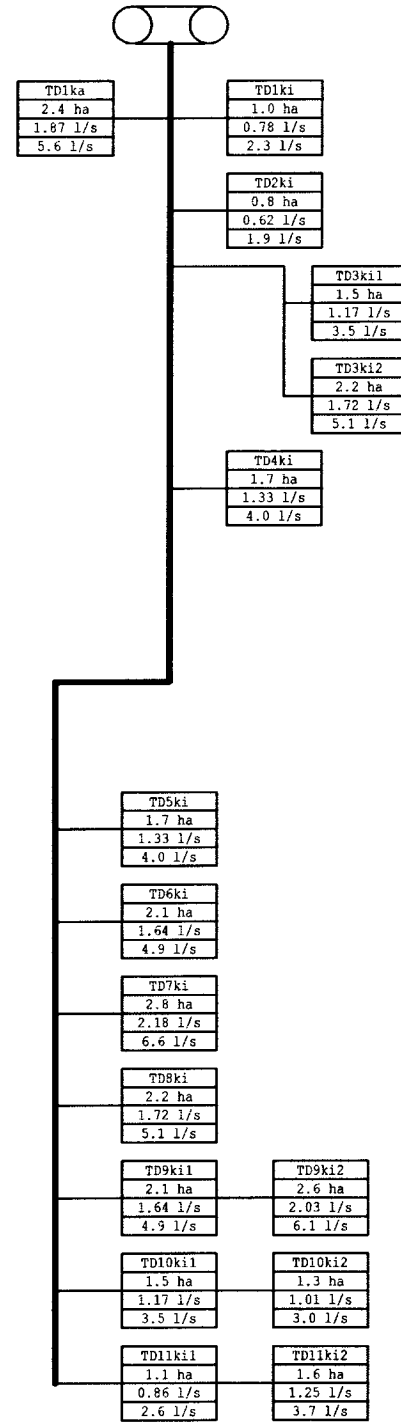


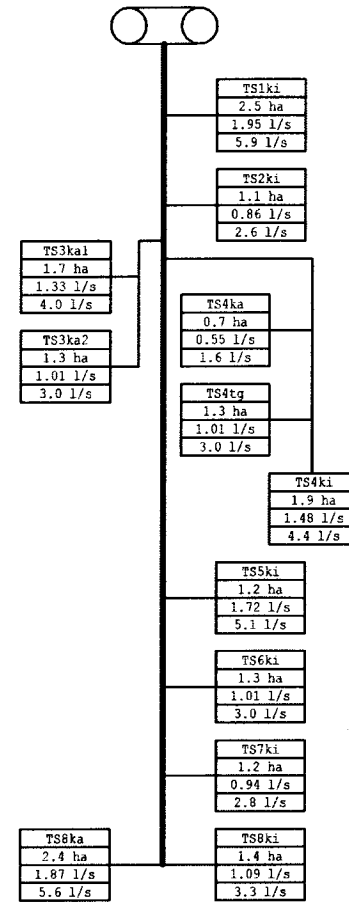
Proposed Cibuntu Intake Box
(Total=6.0ha)



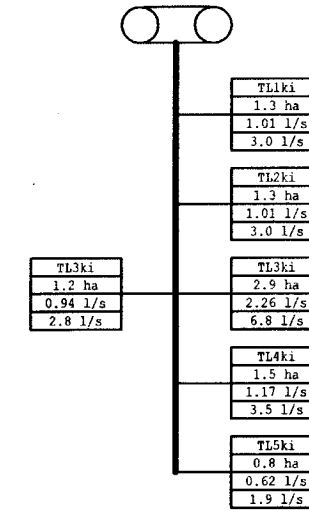
Proposed Cidalilebak Intake (Capturing)
(Total=29.9ha)



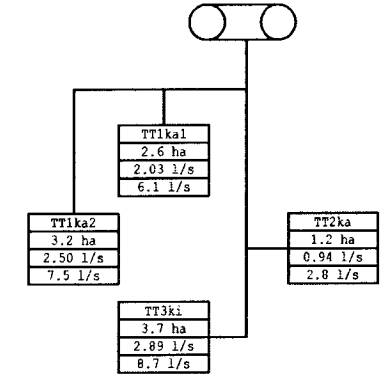
Proposed Cisaat Intake Weir
(Total=18.0ha)



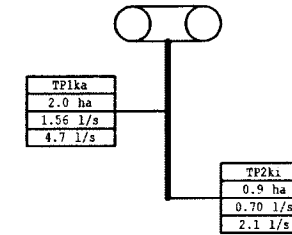
Proposed Cilembang Intake Box
(Total=9.0ha)



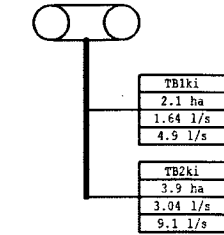
Proposed Cilatung Intake Box
(Total=10.7ha)



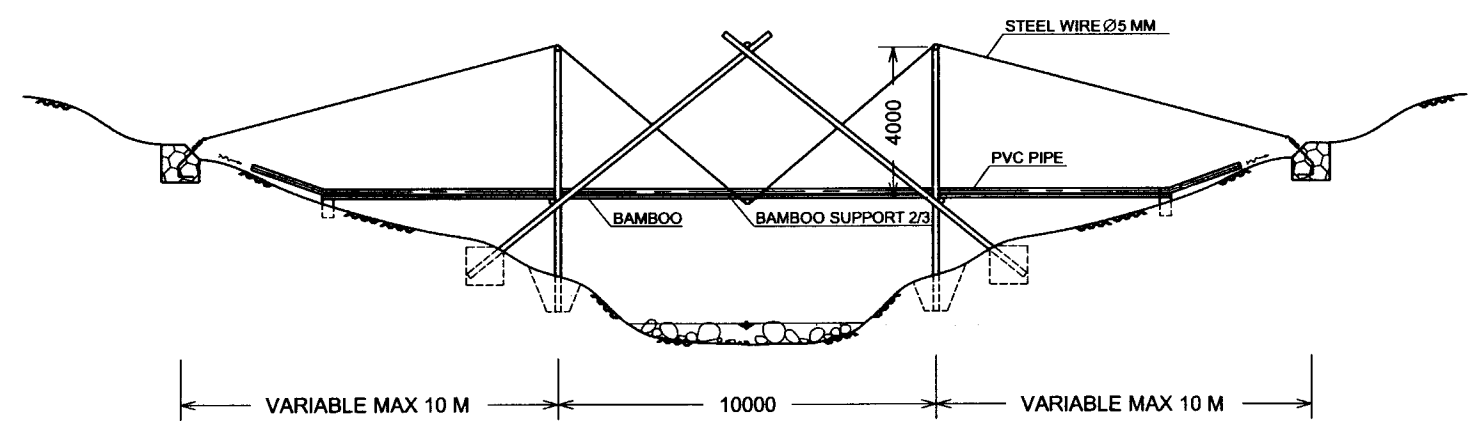
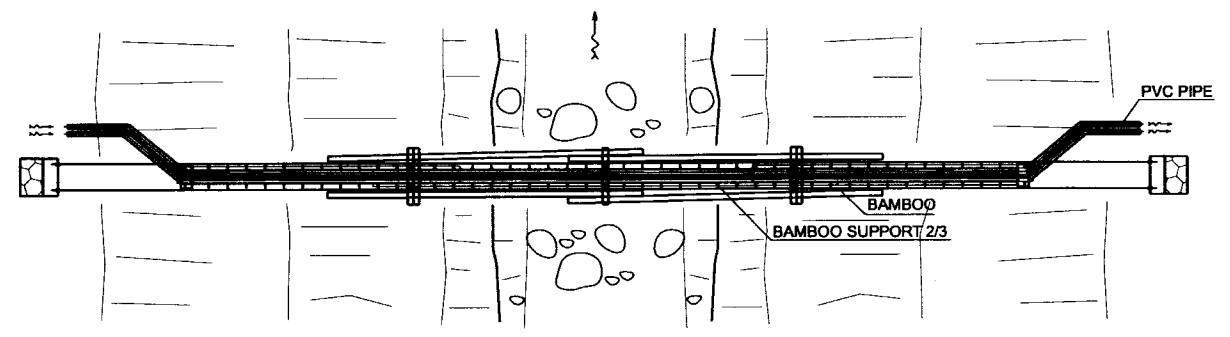
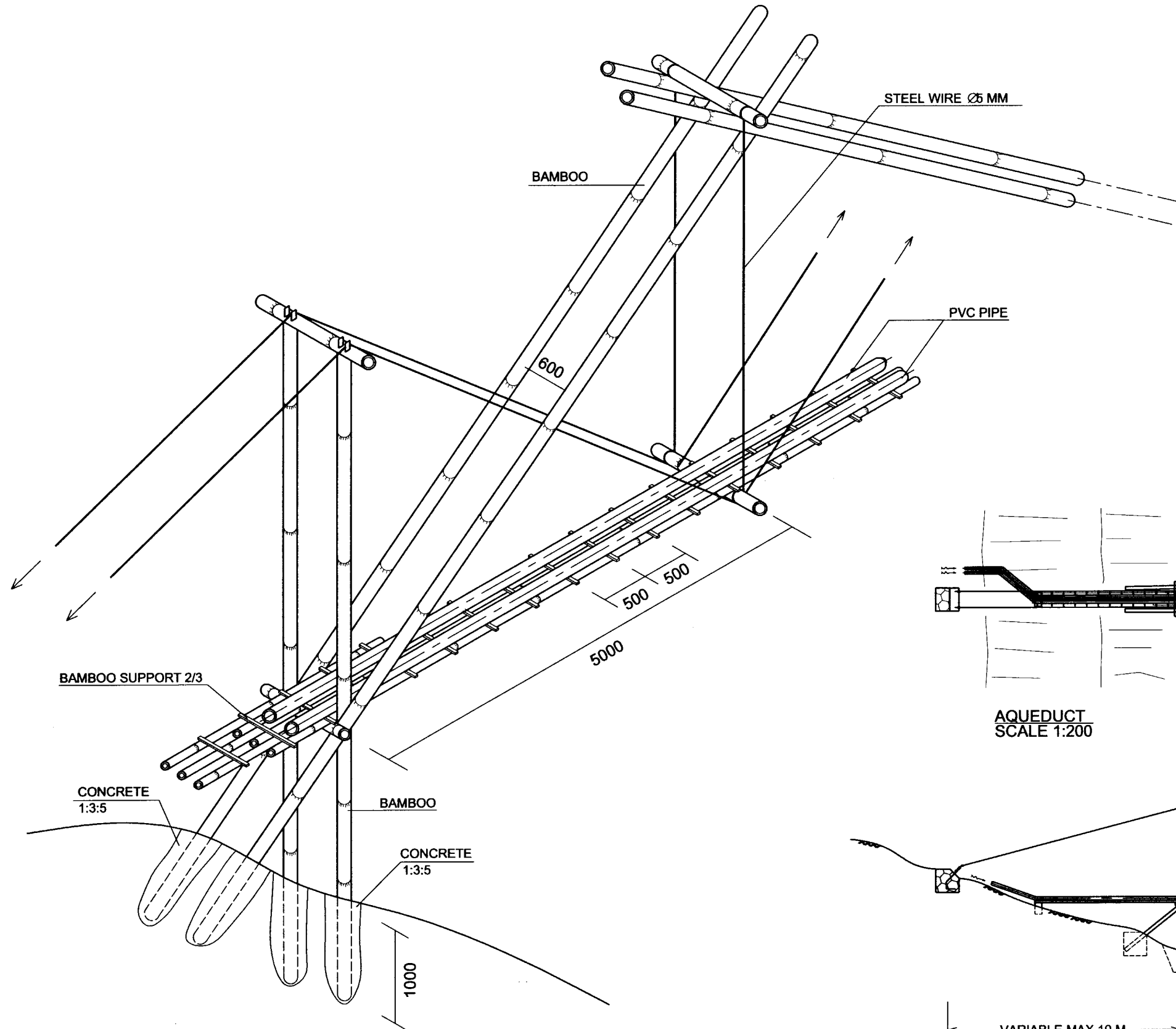
Proposed Tanjungpura Intake Weir
(Total=2.9ha)



Proposed Cibuntu Intake Box
(Total=6.0ha)



Japan International Cooperation Agency (JICA)	THE FEASIBILITY STUDY ON INTEGRATED AGRICULTURAL AND RURAL DEVELOPMENT IN HIGHLAND AREA	IRRIGATION DIAGRAM TANJUNGPURA MODEL AREA	DATE MARCH 2000
	THE REPUBLIC OF INDONESIA		DRAWING NO. TK/2



Japan International Cooperation Agency (JICA)	THE FEASIBILITY STUDY ON INTEGRATED AGRICULTURAL AND RURAL DEVELOPMENT IN HIGHLAND AREA	AQUEDUCT TANJUNGKARYA MODEL AREA	DATE MARCH 2000
	THE REPUBLIC OF INDONESIA		DRAWING NO. TK/3