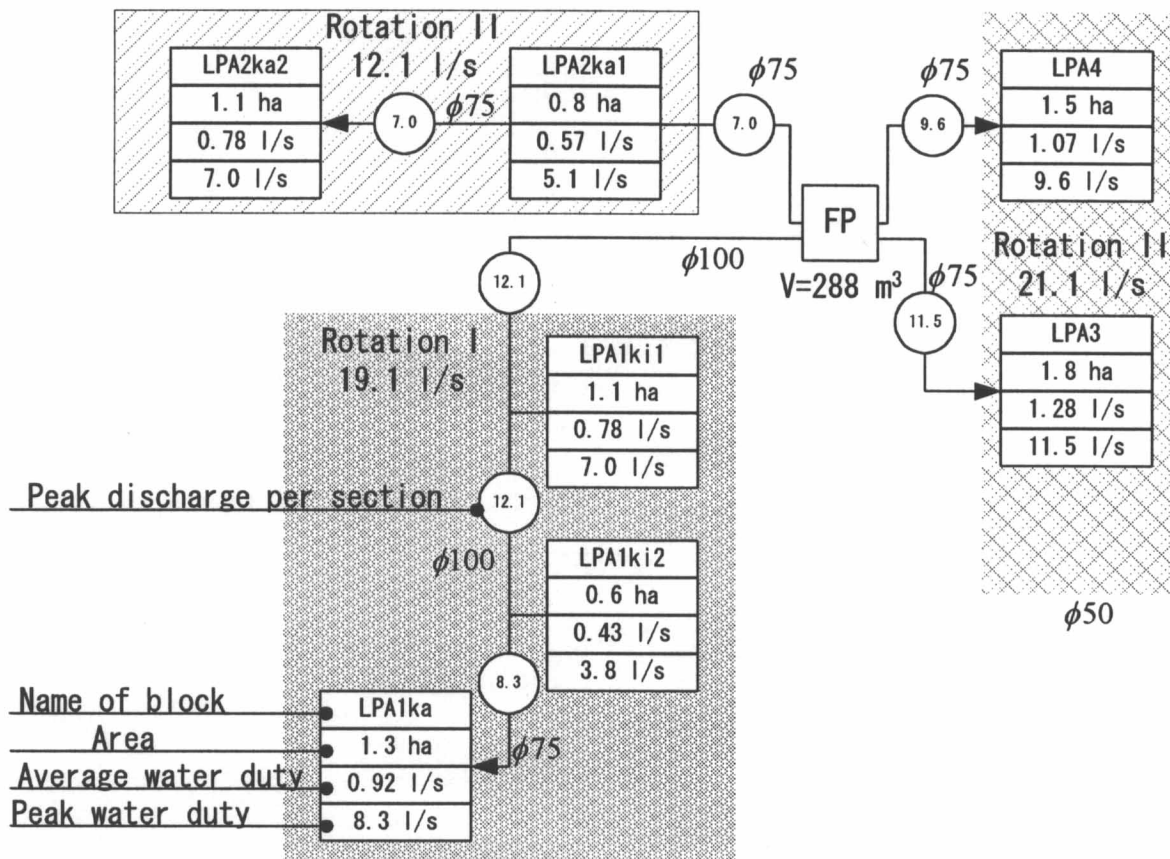


Feasibility Study on Integrated Agricultural and Rural Development In Highland Area

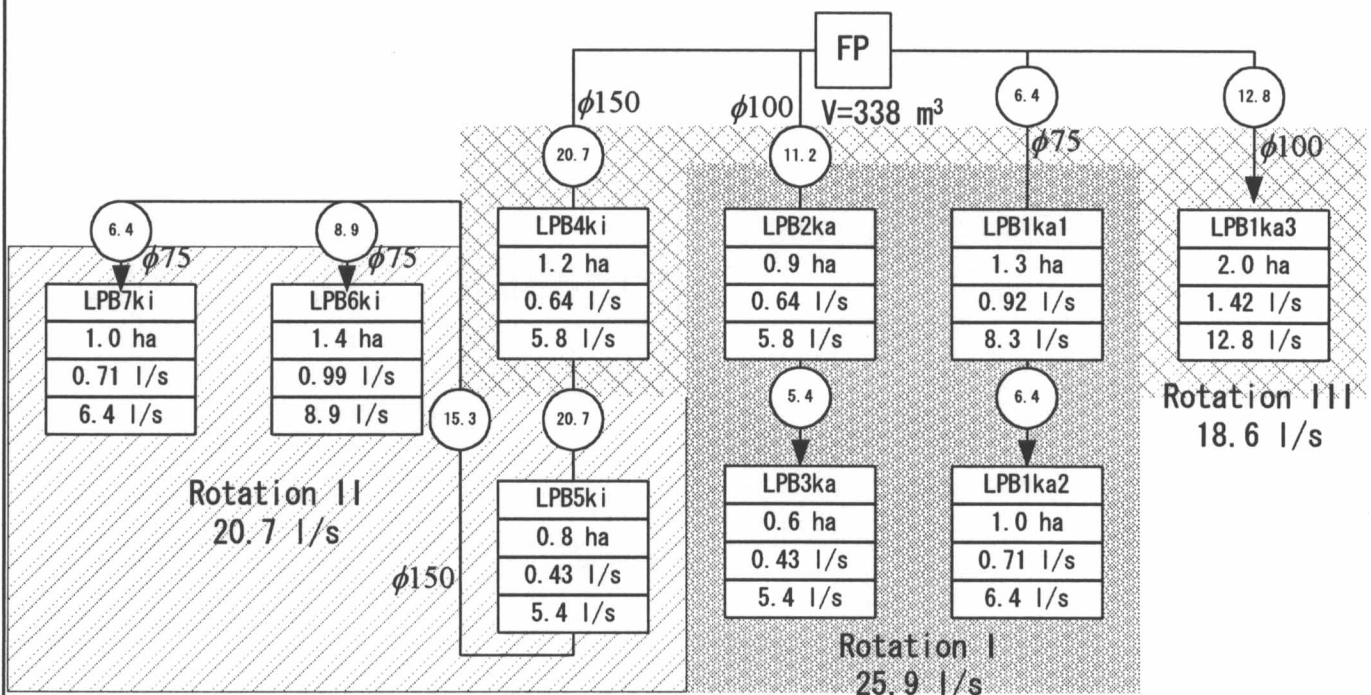
Japan International Cooperation Agency

**Fig. 9.6.1**  
**Infrastructure Development Plan**  
**Langensari Model Area**

### Rotation of System LPA



### Rotation of System LPB



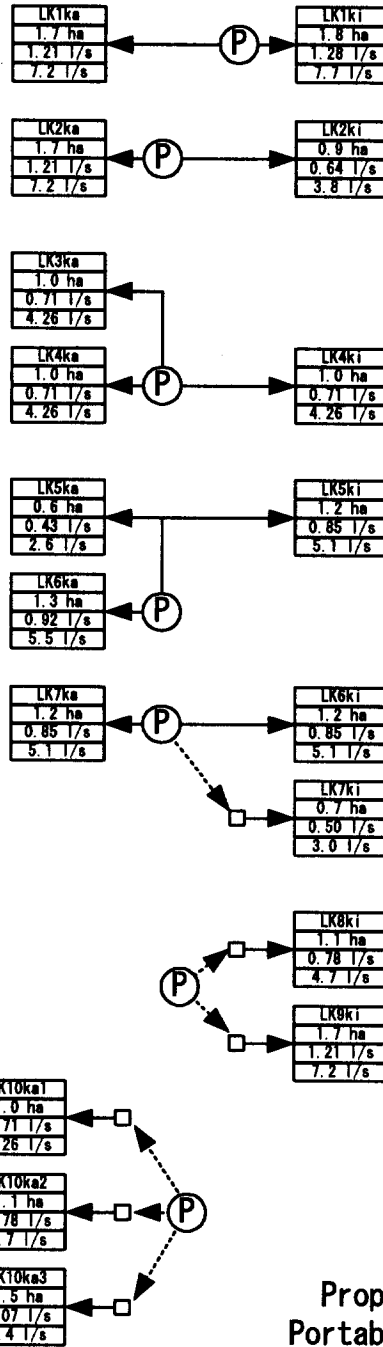
**Proposed Cibogo Weir  
(12.4 ha)**

LB1ka	1.0 ha	0.71 l/s	4.26 l/s
LB2ka	1.0 ha	0.71 l/s	4.26 l/s
LB3ka	1.0 ha	0.71 l/s	4.26 l/s
LB4ka	1.0 ha	0.71 l/s	4.26 l/s
LB5ka	1.0 ha	0.71 l/s	4.26 l/s
LB6ka	1.0 ha	0.71 l/s	4.26 l/s
LB7ka	1.0 ha	0.71 l/s	4.26 l/s
LB8	1.0 ha	0.71 l/s	4.26 l/s
LB9	1.0 ha	0.71 l/s	4.26 l/s
LB10	1.0 ha	0.71 l/s	4.26 l/s
LB11	1.0 ha	0.71 l/s	4.26 l/s
LB12	1.4 ha	0.98 l/s	6.0 l/s

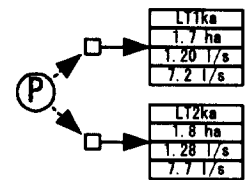
**Proposed Cikareo Intake  
(3.5 ha)**

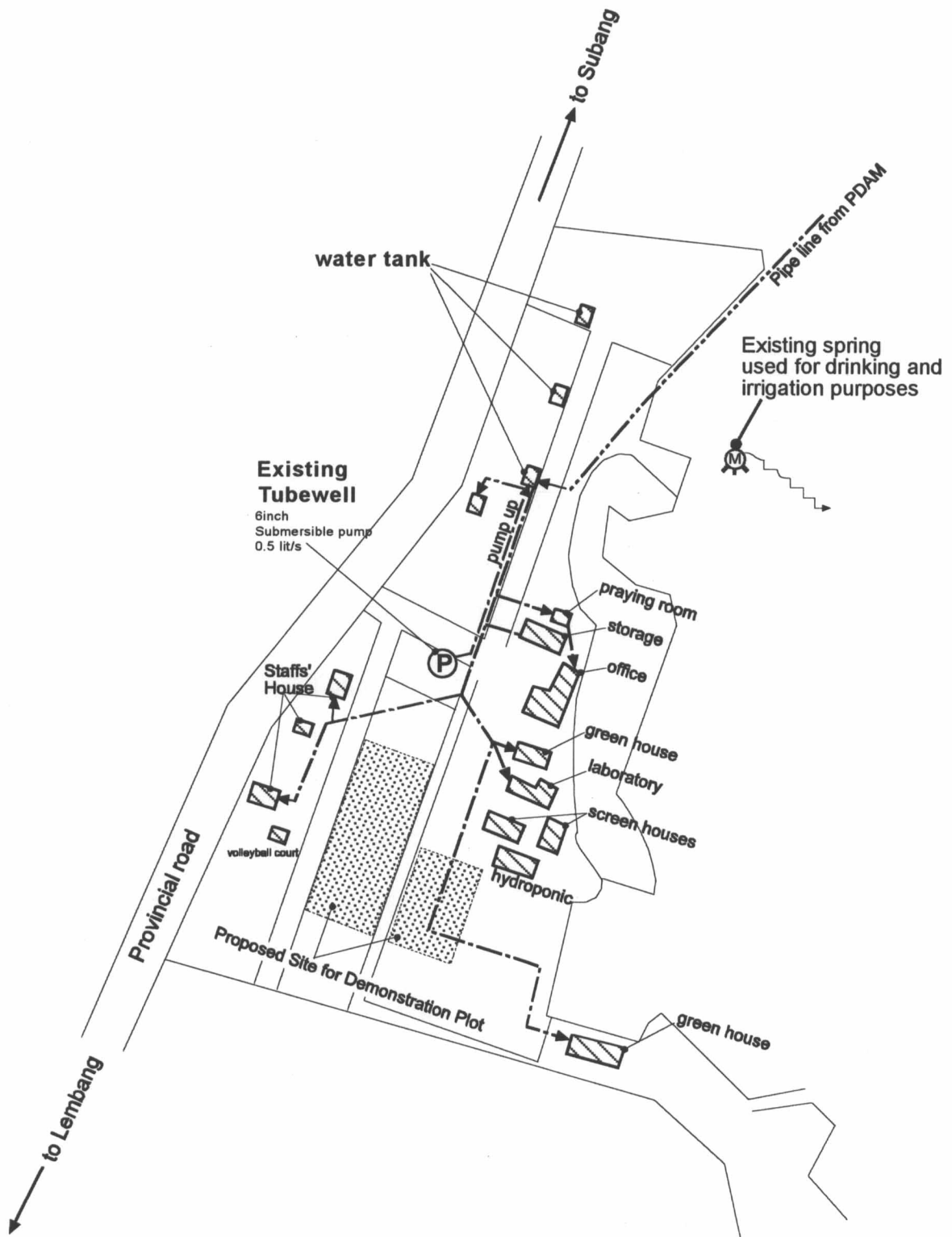
LR1ki	1.6 ha	1.14 l/s	6.8 l/s
LR2ki	1.9 ha	1.35 l/s	8.1 l/s

**Proposed Cikukang  
Portable Pump System  
(20.6 ha)**

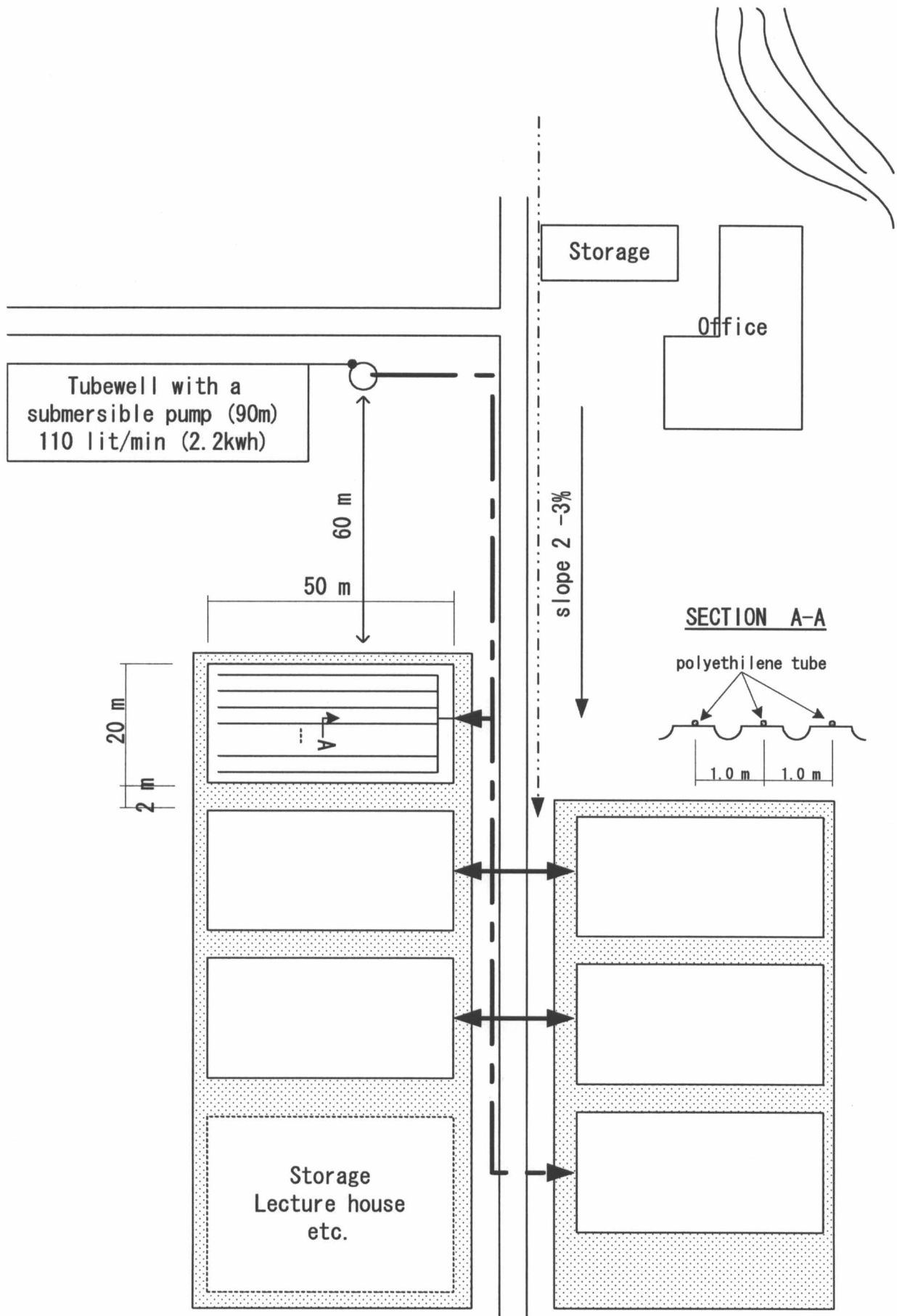


**Proposed Ciputri  
Portable Pump System  
(3.5 ha)**





**Fig. 10.1.1**  
**Present Layout of Margahayu BBU**



THE FEASIBILITY STUDY ON INTEGRATED  
AGRICULTURAL AND RURAL DEVELOPMENT IN  
HIGHLAND AREA

JICA

**Fig. 10.1.2**  
**Layout Plan of Adaptive Trial Farm at Margahayu BBU**