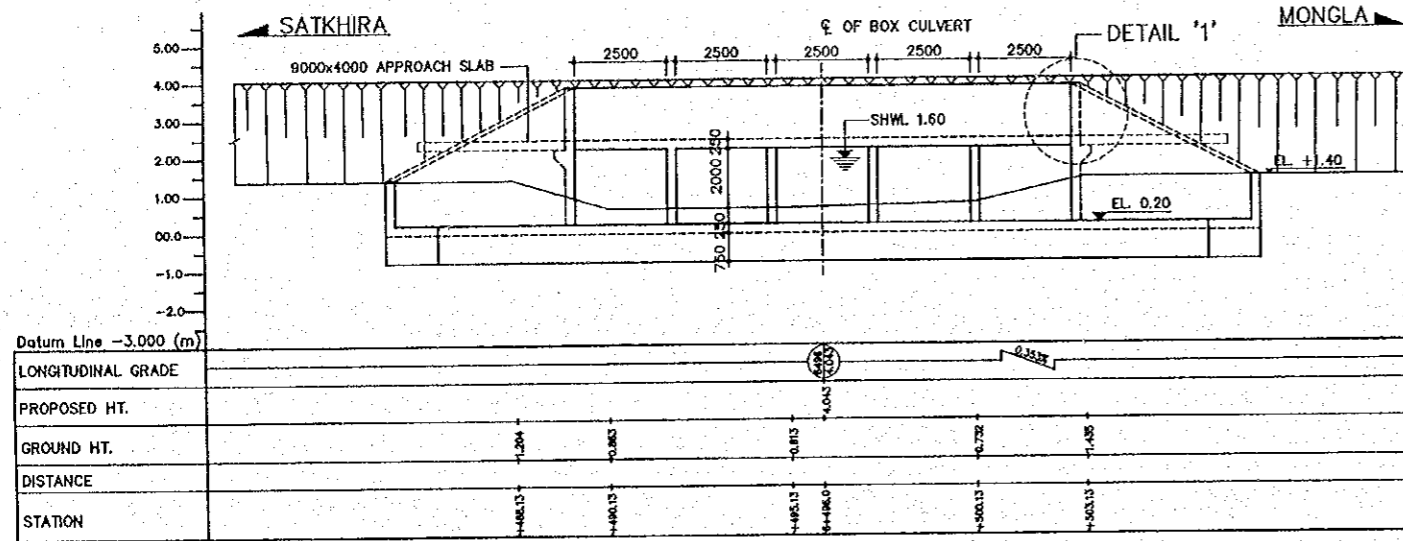
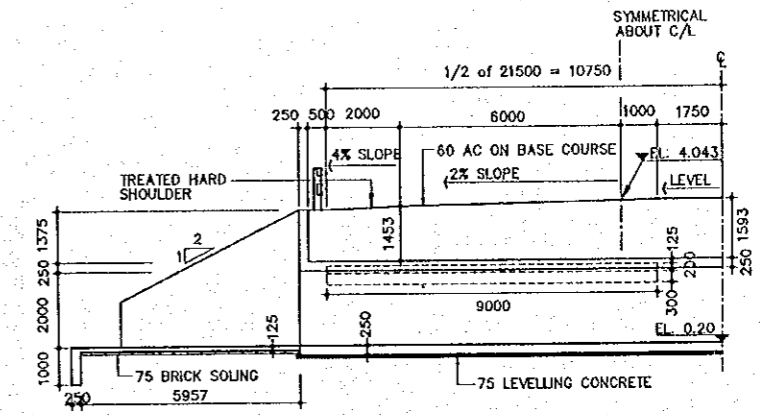


THE STUDY ON CONSTRUCTION OF THE BRIDGE
OVER THE RIVER RUPSA IN KHULNA (PHASE 2)
GENERAL ARRANGEMENT OF BOX CULVERT
Moriyutsure Khai (STA. 6+496)

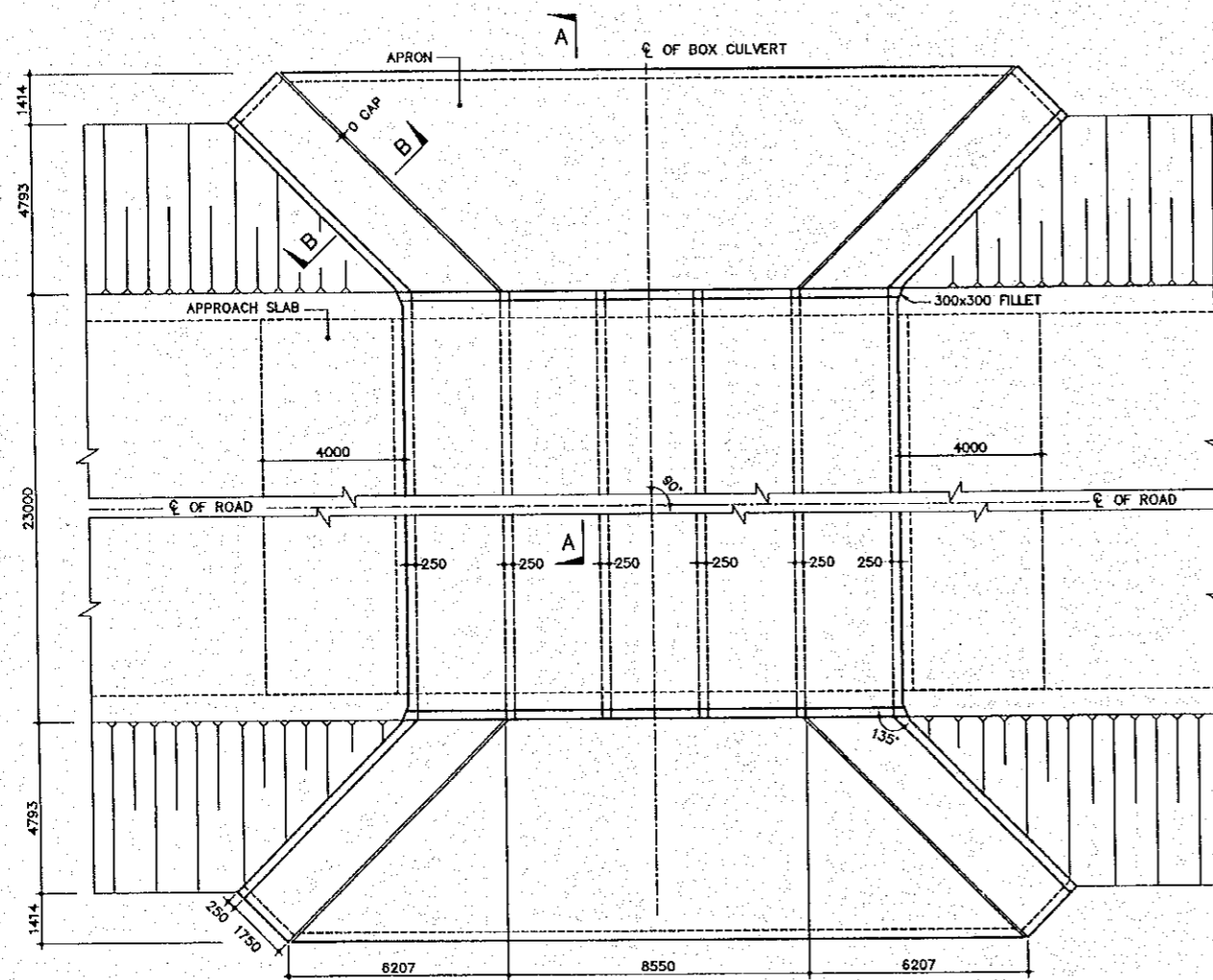
SCALE	SHEET NO.
AS SHOWN	M-29



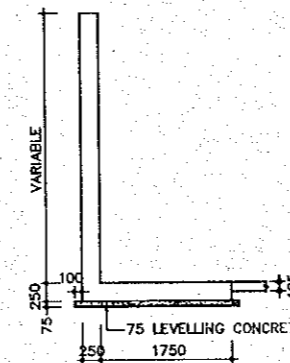
2 GENERAL ELEVATION AT C/L
M-29 SCALE 1:100



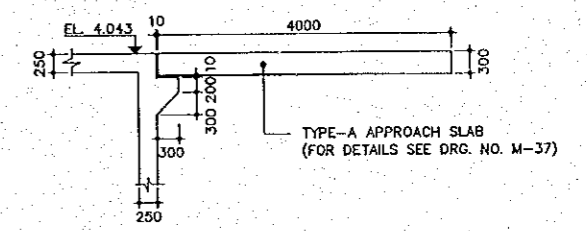
3 SECTION A-A
M-29 SCALE 1:100



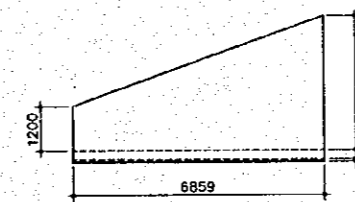
1 PART PLAN
M-29 SCALE 1:100



4 SECTION B-B
M-29 SCALE 1:50



DETAIL '1'



5 ELEVATION OF WING WALL AT WATER SIDE
M-29 SCALE 1:100

NOTES:

1. ALL DIMENSIONS ARE IN MILLIMETER UNLESS OTHERWISE SPECIFIED.
2. THIS DRAWING TO BE READ IN CONJUNCTION WITH DRG. NO. M-30, M-31, M-32 & M-37.
3. ALL ELEVATIONS ARE IN P.W.D., meter.
4. PROVISION SHOULD BE KEPT OVER DECK FOR PLACEMENT OF GUARD RAIL.

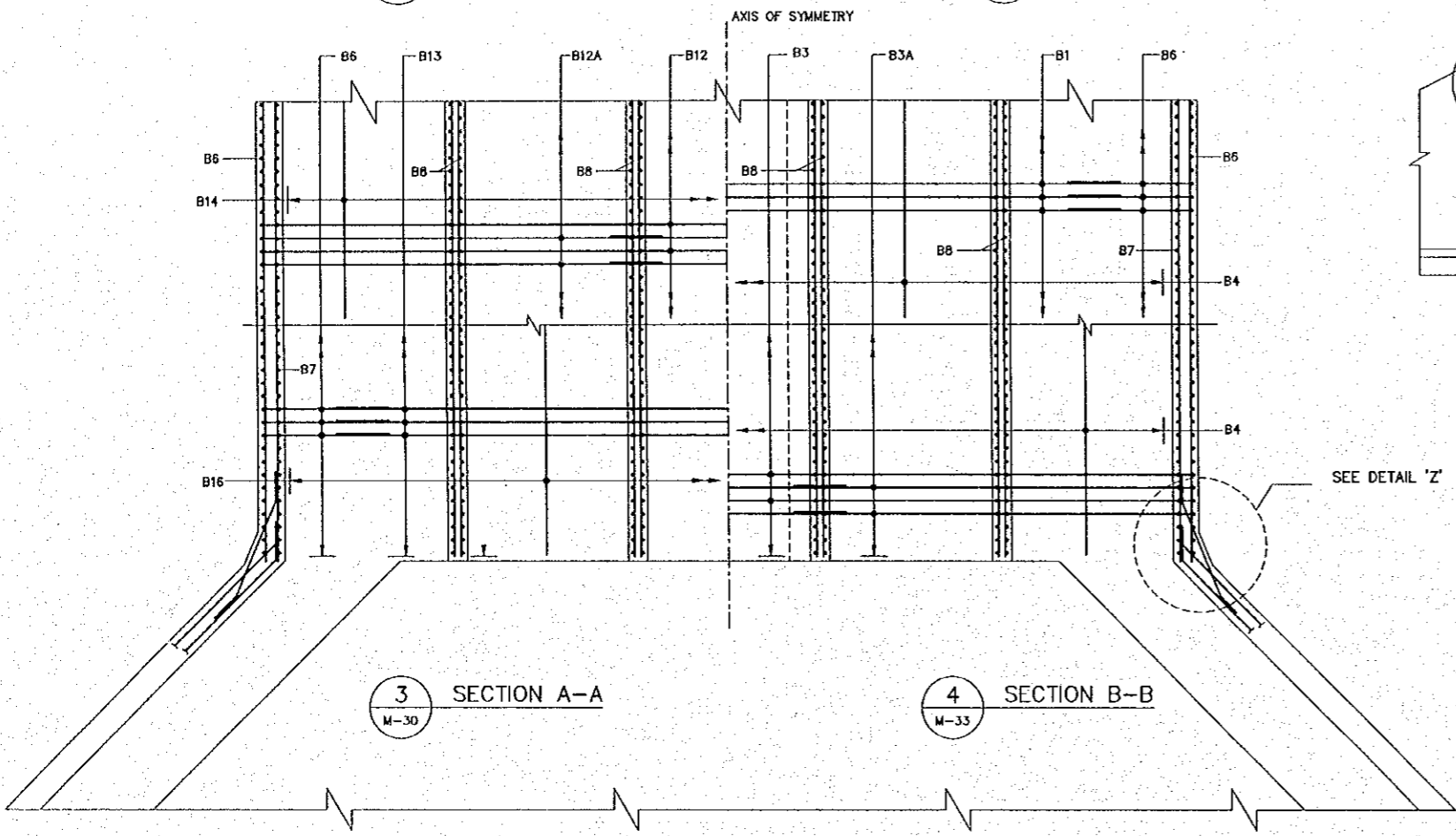
THE STUDY ON CONSTRUCTION OF THE BRIDGE
OVER THE RIVER RUPSA IN KHULNA (PHASE 2)

REINFORCEMENT DETAILS OF BOX
Moriyutsure Khal (STA. 6+496)

SCALE	SHEET NO.
AS SHOWN	M-30

5 SECTION C-C
M-30

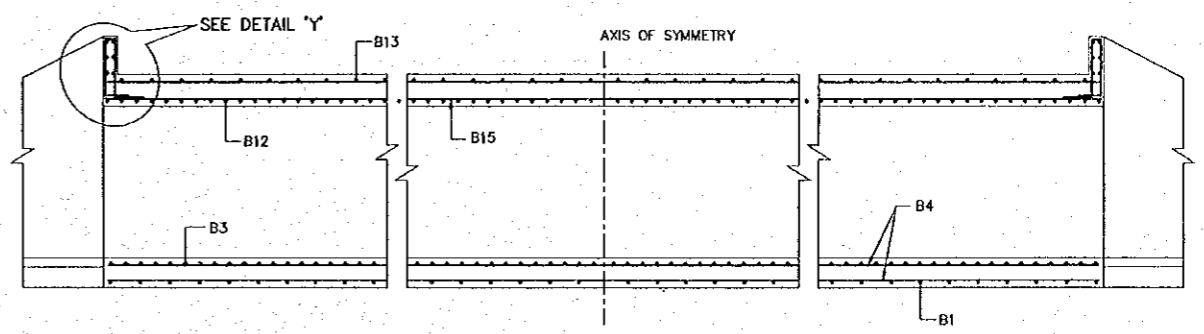
6 SECTION D-D
M-30



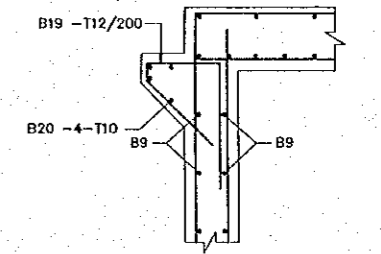
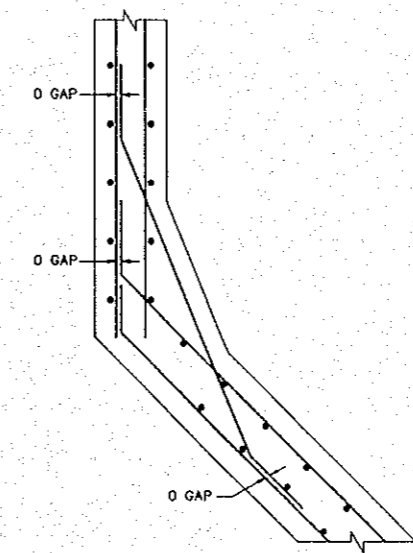
3 SECTION A-A
M-30

4 SECTION B-B
M-35

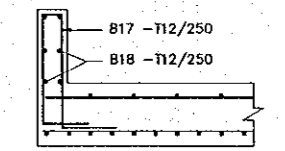
1 PART PLAN & SECTION
M-30 SCALE : 1:50



7 SECTION E-E
M-30 SCALE : 1:50

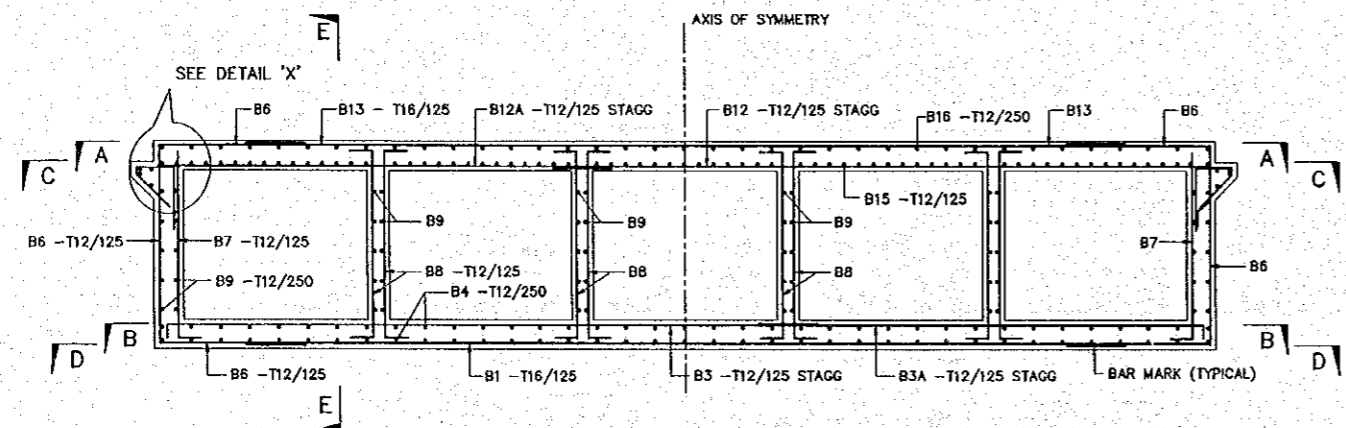


8 DETAIL 'X'
M-30 SCALE : NOT TO SCALE



9 DETAIL 'Y'
M-30 SCALE : NOT TO SCALE

10 DETAIL 'Z'
M-30 SCALE : NOT TO SCALE



2 REINFORCEMENT DETAILS OF BOX
M-30 SCALE : 1:50

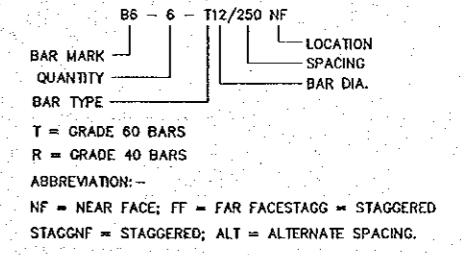
NOTES:

1. ALL DIMENSIONS ARE IN MILLIMETER UNLESS OTHERWISE SPECIFIED.
2. NOT ALL REINFORCEMENT ARE NECESSARILY SHOWN IN ANY VIEW.
3. CONCRETE GRADE ARE CLASS 25 FOR R.C.C. WORK AND CLASS 15 FOR LEVELLING WORK.
4. REINFORCEMENT TO BE DEFORMED BAR TO AASHTO M31 (ASTM A615) GRADE 60.
5. LAP LENGTHS HAVE BEEN CONSIDERED IN BAR BENDING SCHEDULE FOR ALL SPECIFIED PLACES USE FOLLOWING LAP LENGTH AS MINIMUM FOR ALL UNSPECIFIED PLACES.

BAR DIA	LAP LENGTH
25#	950mm
20#	650mm
16#	550mm
12#	400mm

6. CLEAR COVER OF REBARS :
TOP OF TOP SLAB : 50
BOTTOM OF TOP SLAB : 40
TOP & BOTTOM OF BOTTOM SLAB & WALLS : 65

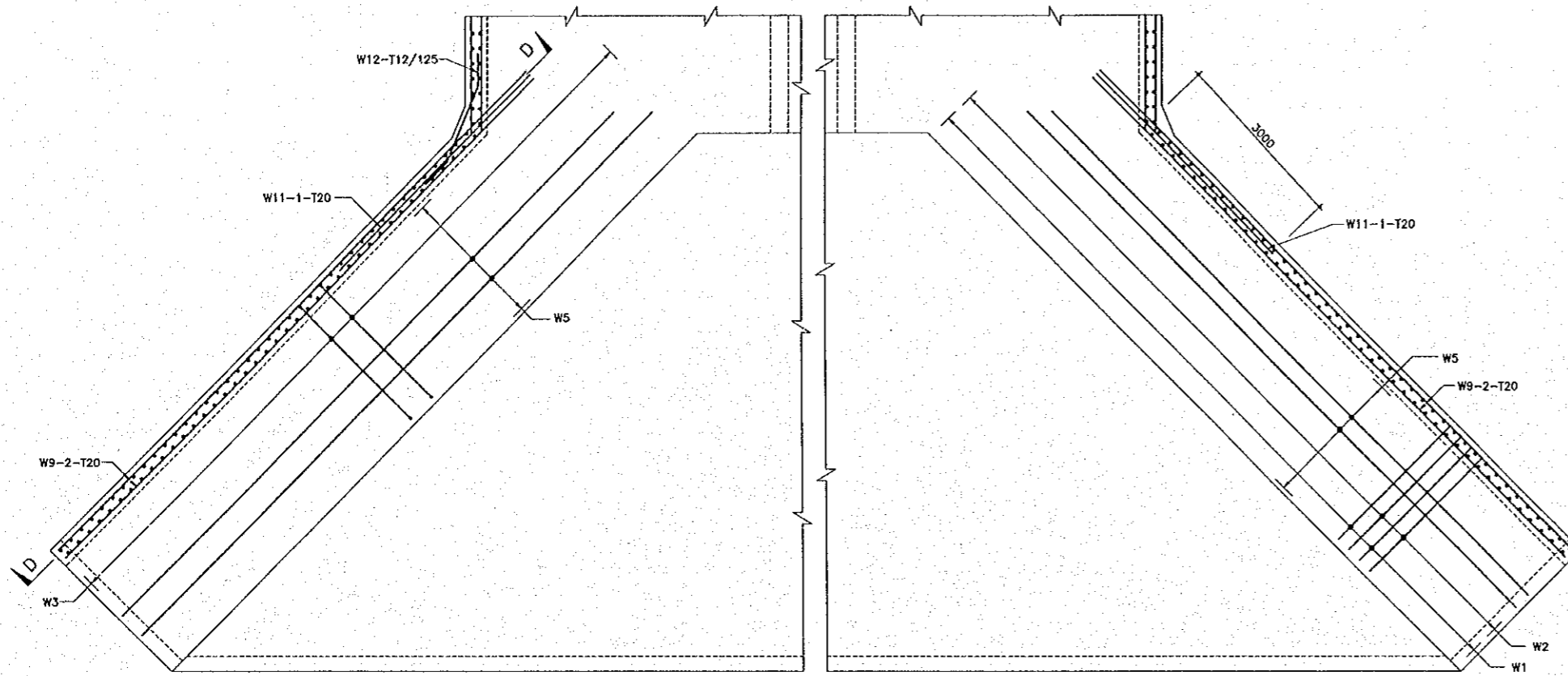
7. KEY TO REINFORCEMENT NOMENCLATURE



THE STUDY ON CONSTRUCTION OF THE BRIDGE
OVER THE RIVER RUPSA IN KHULNA (PHASE 2)

REINFORCEMENT DETAILS OF WING WALL
Moriyutsure Khal (STA. 6+496)

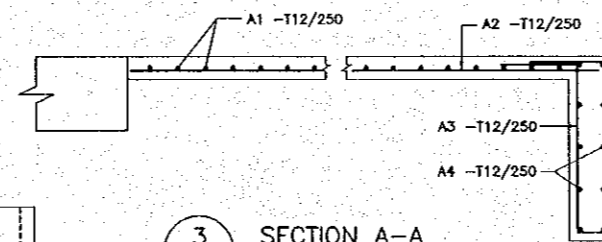
SCALE AS SHOWN
SHEET NO. M-31



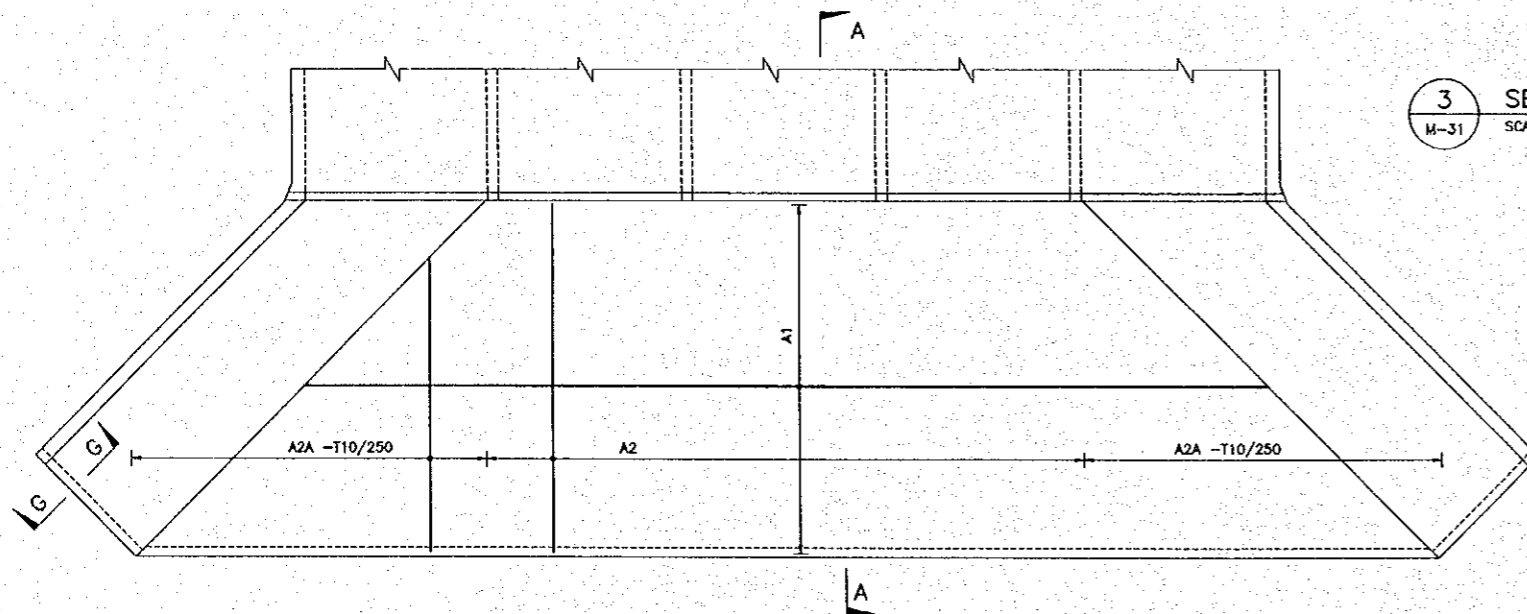
REINF. DETAIL OF WING WALL BASE
(SECTION E-E)

REINF. DETAIL OF WING WALL BASE
(SECTION F-F)

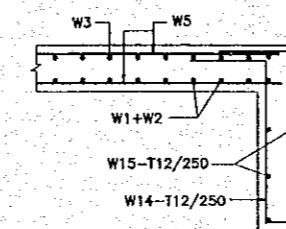
2 REINF. DETAIL OF WING WALL
M-31 SCALE : NOT TO SCALE



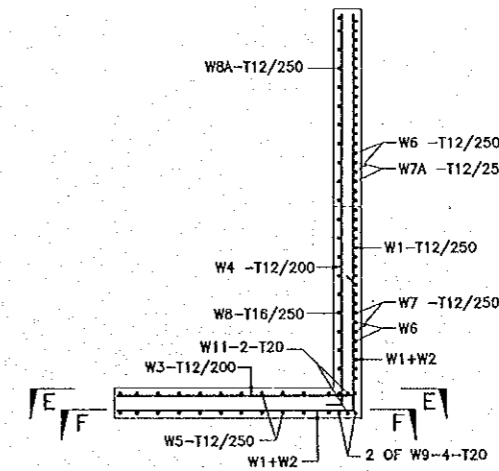
3 SECTION A-A
M-31 SCALE 1:20



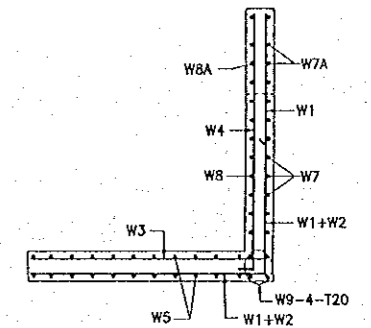
1 REINF. DETAIL OF APRON & CUTOFF
M-31 SCALE : NOT TO SCALE 1:100



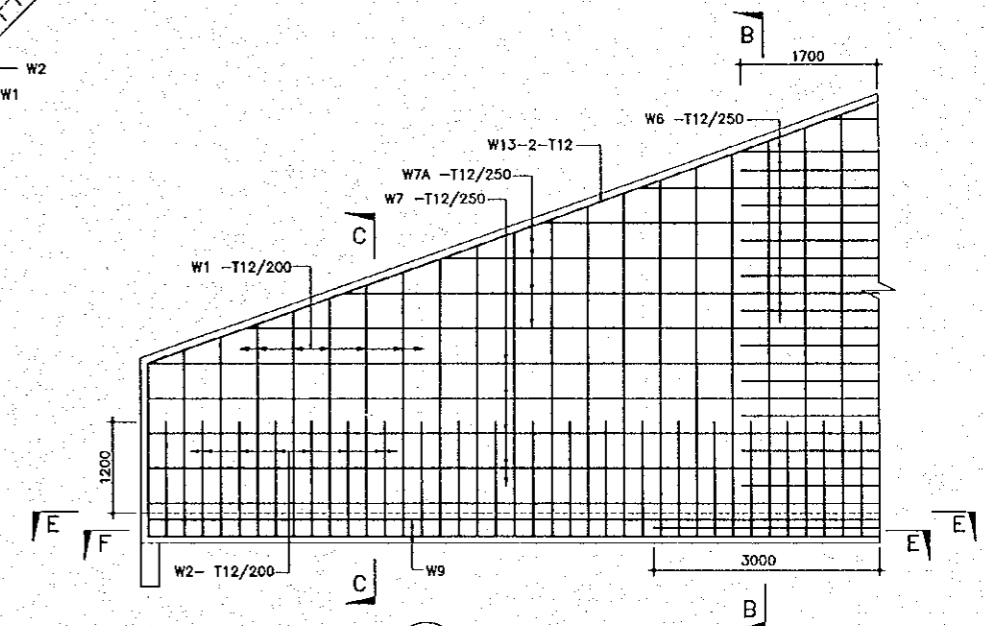
7 SECTION G-G
M-31 SCALE 1:20



4 SECTION B-B
M-31 SCALE : NOT TO SCALE



5 SECTION C-C
M-31 SCALE : NOT TO SCALE



6 SECTION D-D
M-31 SCALE : NOT TO SCALE

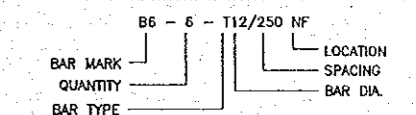
NOTES:

- ALL DIMENSIONS ARE IN MILLIMETER UNLESS OTHERWISE SPECIFIED.
- NOT ALL REINFORCEMENT ARE NECESSARILY SHOWN IN ANY VIEW.
- CONCRETE GRADE ARE CLASS 25 FOR R.C.C. WORK AND CLASS 15 FOR LEVELLING WORK.
- REINFORCEMENT TO BE DEFORMED BAR TO AASHTO M31 (ASTM A615) GRADE 60.
- LAP LENGTHS HAVE BEEN CONSIDERED IN BAR BENDING SCHEDULE FOR ALL SPECIFIED PLACES USE FOLLOWING LAP LENGTH AS MINIMUM FOR ALL UNSPECIFIED PLACES.

BAR DIA	LAP LENGTH
25#	950mm
20#	650mm
16#	550mm
12#	400mm

6. CLEAR COVER OF REBARS :
TOP OF TOP SLAB : 50
BOTTOM OF TOP SLAB : 40
TOP & BOTTOM OF BOTTOM SLAB & WALLS : 55

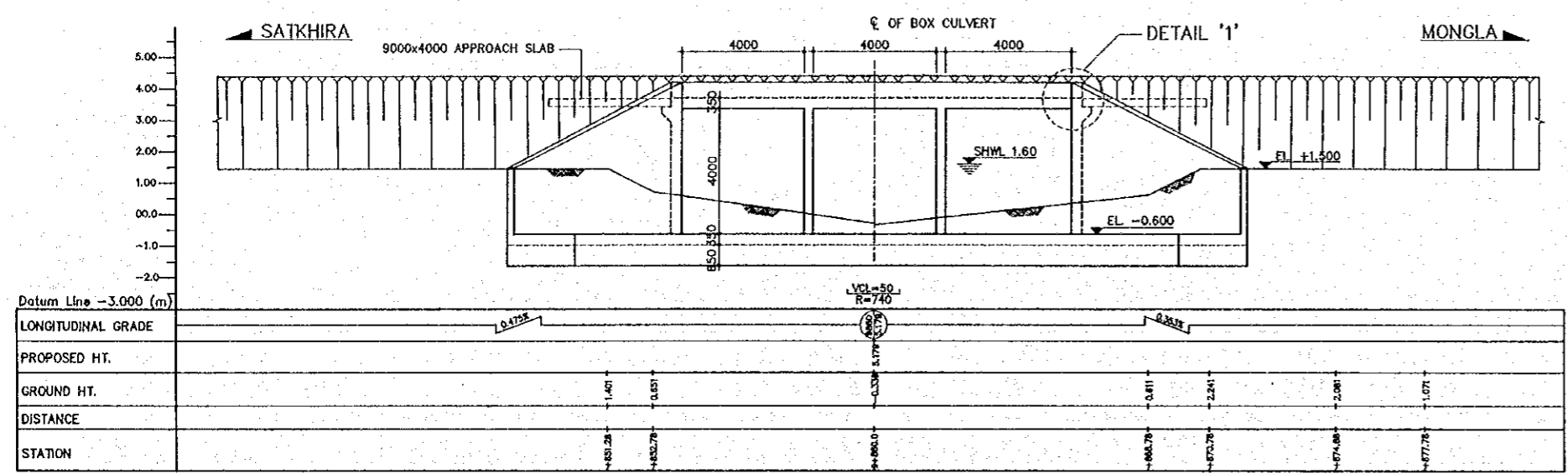
7. KEY TO REINFORCEMENT NOMENCLATURE



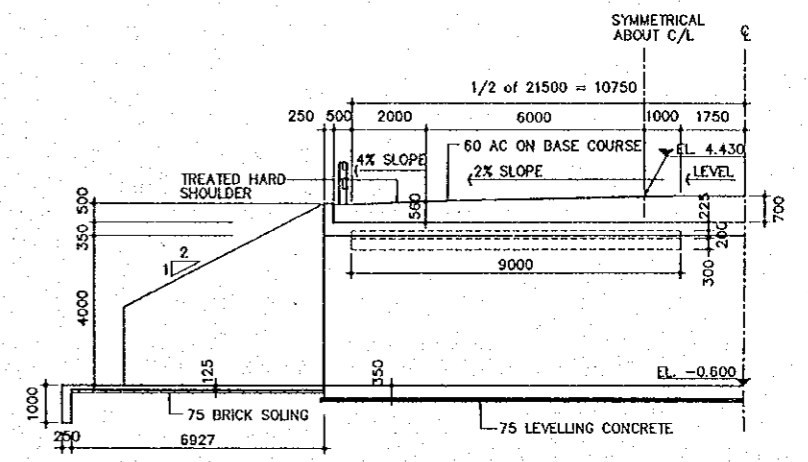
- T = GRADE 60 BARS
R = GRADE 40 BARS
ABBREVIATION:-
NF = NEAR FACE; FF = FAR FACE; STAG = STAGGERED;
STAGGNF = STAGGERED; ALT = ALTERNATE SPACING.

THE STUDY ON CONSTRUCTION OF THE BRIDGE
OVER THE RIVER RUPSA IN KHULNA (PHASE 2)
GENERAL ARRANGEMENT OF BOX CULVERT
Besar Khal (STA. 9+860)

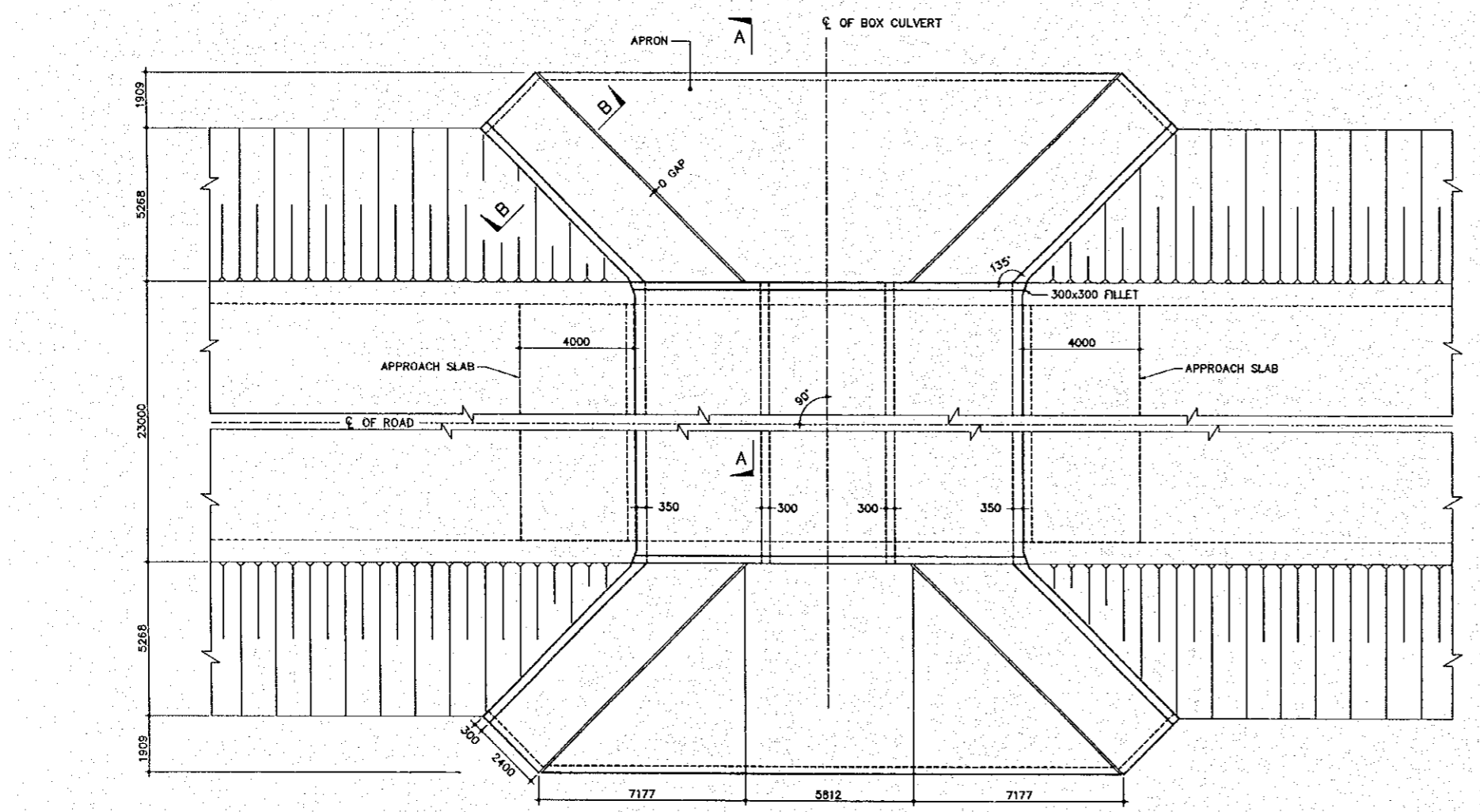
SCALE AS SHOWN
SHEET NO. M-33



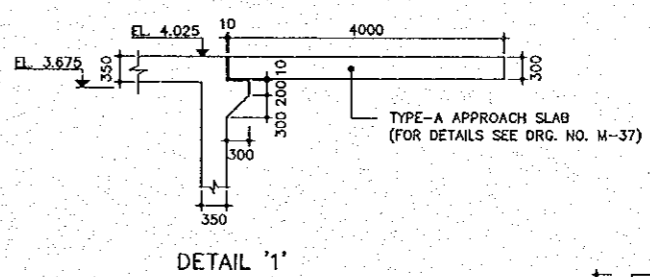
2 GENERAL ELEVATION AT C/L
M-33 SCALE 1:100



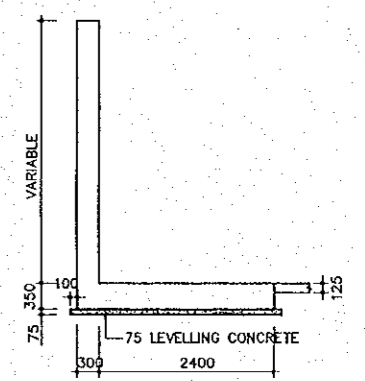
3 SECTION A-A
M-33 SCALE 1:100



1 PART PLAN
M-33 SCALE 1:100



5 ELEVATION OF WING WALL AT WATER SIDE
M-33 SCALE 1:100



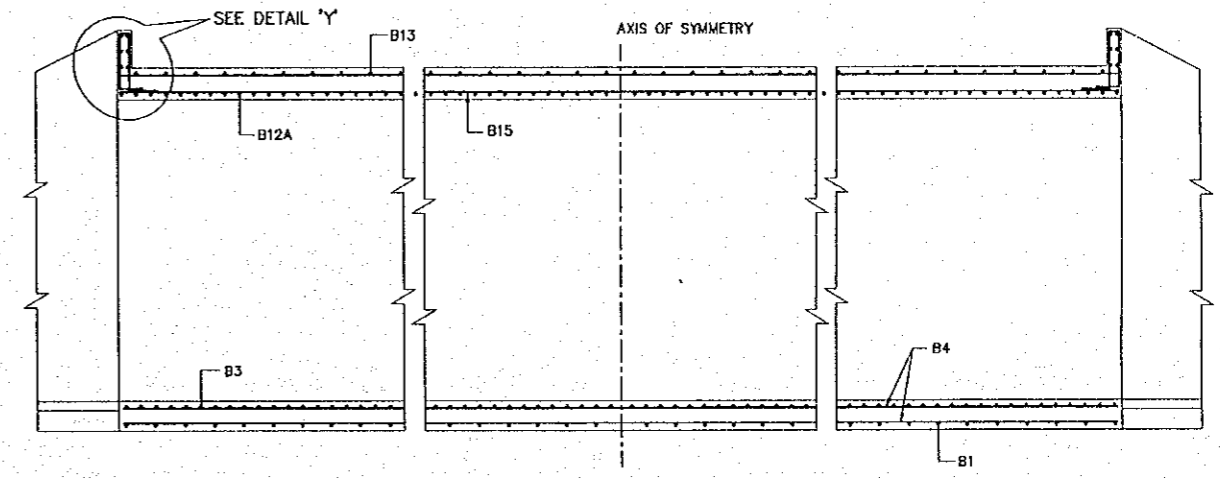
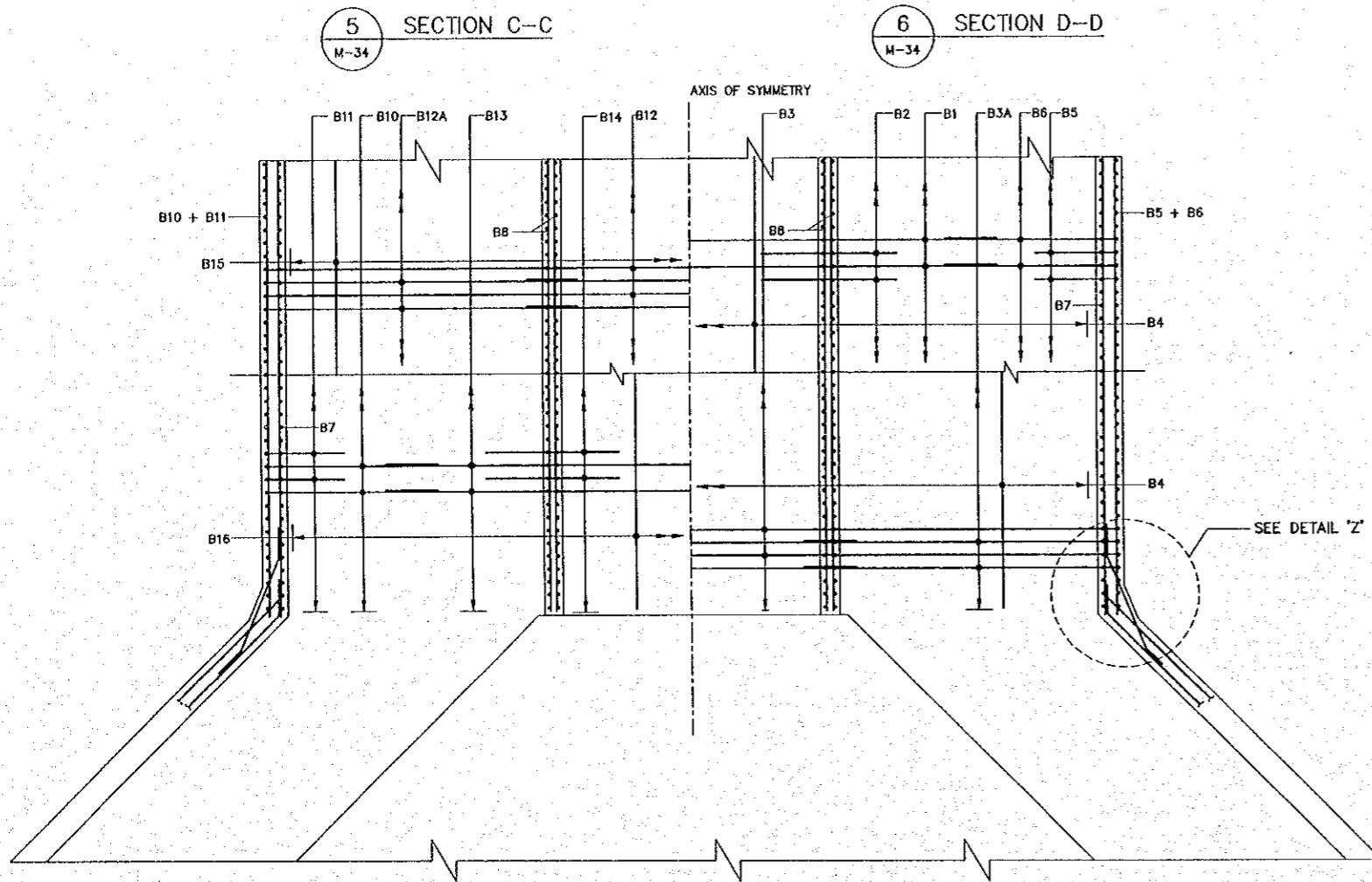
4 SECTION B-B
M-33 SCALE 1:50

- NOTES:
1. ALL DIMENSIONS ARE IN MILLIMETER UNLESS OTHERWISE SPECIFIED.
 2. THIS DRAWING TO BE READ IN CONJUNCTION WITH DRG. NO. M-34, M-35, M-36 & M-37.
 3. ALL ELEVATIONS ARE IN P.W.D., meter.
 4. PROVISION SHOULD BE KEPT OVER DECK FOR PLACEMENT OF GUARD RAIL.

THE STUDY ON CONSTRUCTION OF THE BRIDGE
OVER THE RIVER RUPSA IN KHULNA (PHASE 2)

REINFORCEMENT DETAILS OF BOX
Besar Khal (STA. 9+860)

SCALE	SHEET NO.
AS SHOWN	M-34

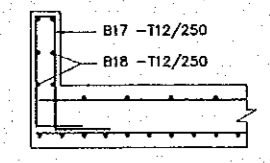
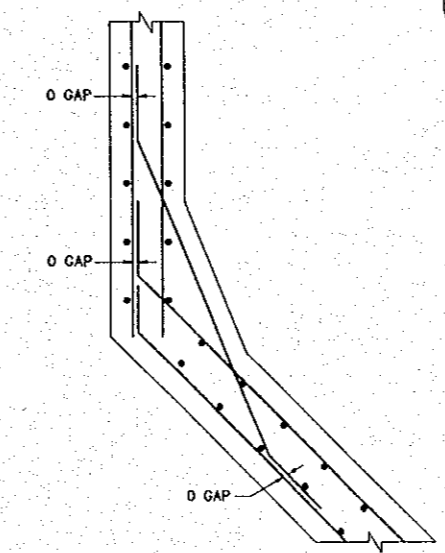


3 SECTION A-A
M-34

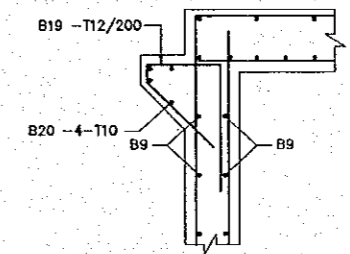
4 SECTION B-B
M-34

1 PART PLAN & SECTION
M-34 SCALE: 1:50

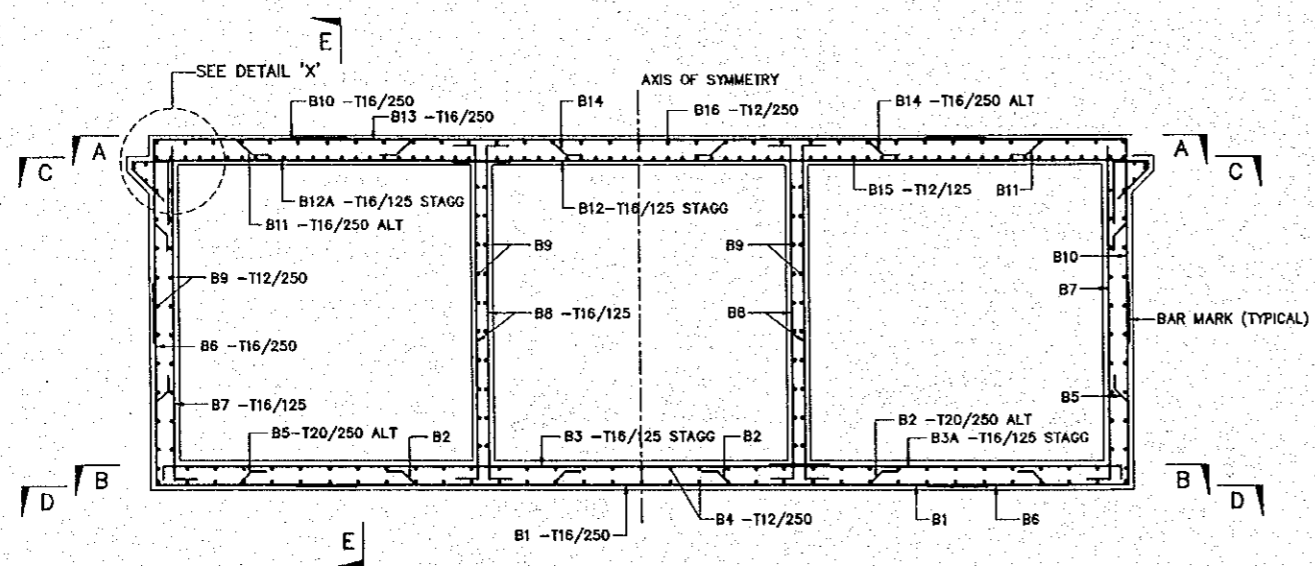
7 SECTION E-E
M-34 SCALE: 1:50



9 DETAIL 'Y'
M-34 SCALE: NOT TO SCALE



8 DETAIL 'X'
M-34 SCALE: NOT TO SCALE



2 REINFORCEMENT DETAILS OF BOX
M-34 SCALE: 1:50

10 DETAIL 'Z'
M-34 SCALE: NOT TO SCALE

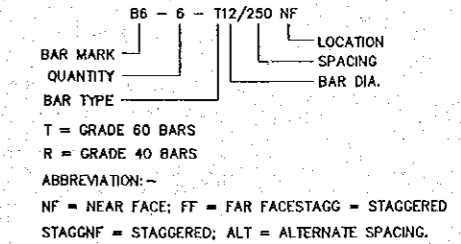
NOTES:

1. ALL DIMENSIONS ARE IN MILLIMETER UNLESS OTHERWISE SPECIFIED.
2. NOT ALL REINFORCEMENT ARE NECESSARILY SHOWN IN ANY VIEW.
3. CONCRETE GRADE ARE CLASS 25 FOR R.C.C. WORK AND CLASS 15 FOR LEVELLING WORK.
4. REINFORCEMENT TO BE DEFORMED BAR TO AASHTO M31 (ASTM A615) GRADE 60.
5. LAP LENGTHS HAVE BEEN CONSIDERED IN BAR BENDING SCHEDULE FOR ALL SPECIFIED PLACES USE FOLLOWING LAP LENGTH AS MINIMUM FOR ALL UNSPECIFIED PLACES.

BAR DIA	LAP LENGTH
25#	950mm
20#	650mm
16#	550mm
12#	400mm

6. CLEAR COVER OF REBARS :
TOP OF TOP SLAB : 50
BOTTOM OF TOP SLAB : 40
TOP & BOTTOM OF BOTTOM SLAB & WALLS : 65

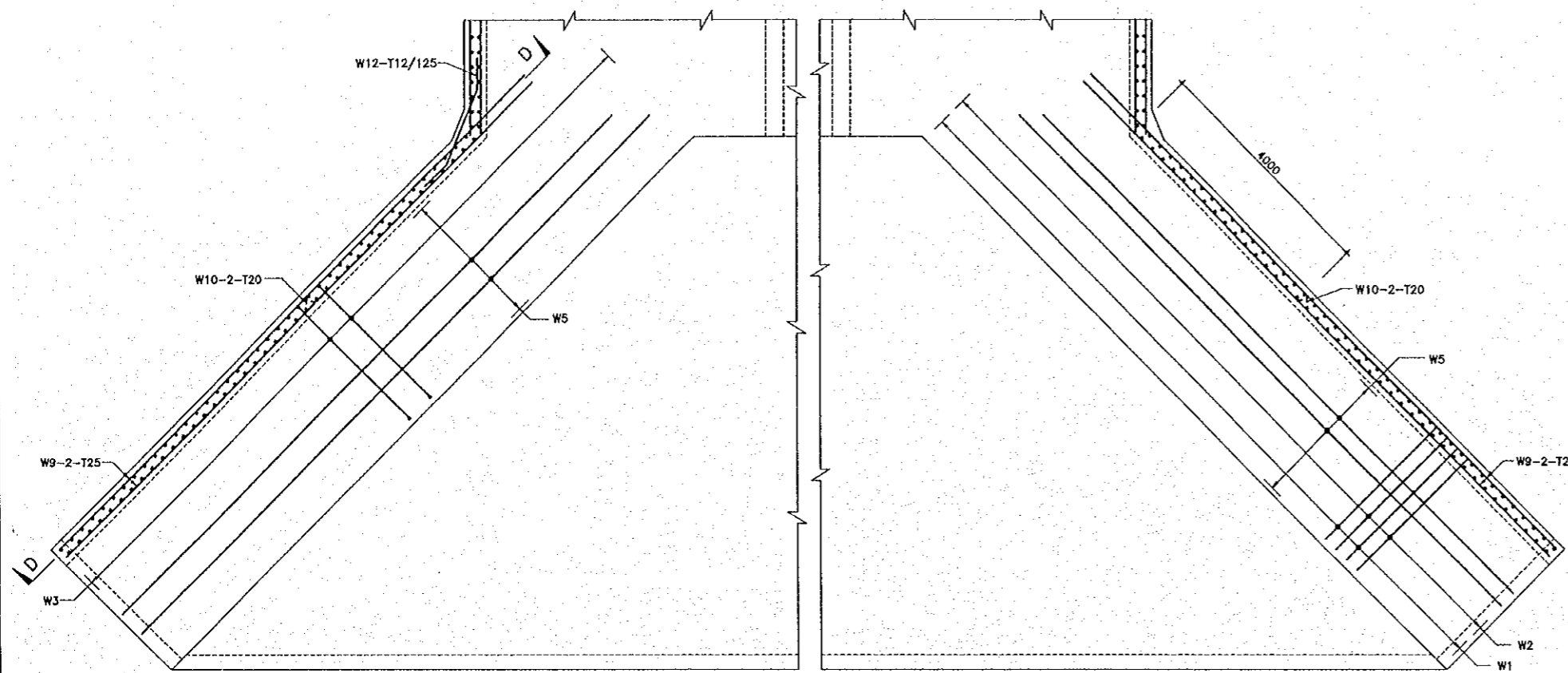
7. KEY TO REINFORCEMENT NOMENCLATURE



THE STUDY ON CONSTRUCTION OF THE BRIDGE
OVER THE RIVER RUPSA IN KHULNA (PHASE 2)

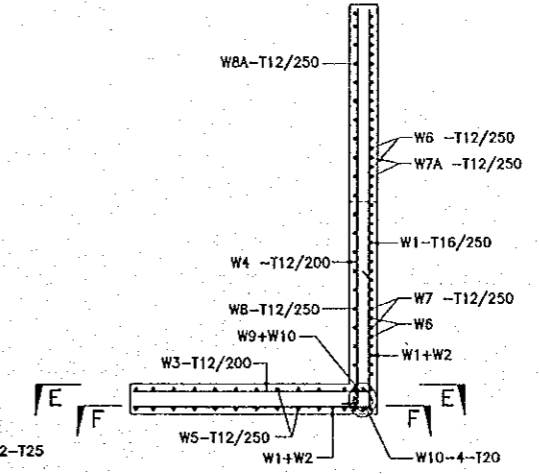
REINFORCEMENT DETAILS OF WING WALL
Besar Khal (STA. 9 + 860)

SCALE AS SHOWN SHEET NO. M-35

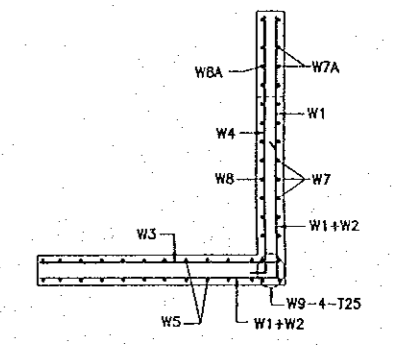


REINFORCING DETAIL OF WING WALL BASE
(SECTION E-E)

REINFORCING DETAIL OF WING WALL BASE
(SECTION F-F)

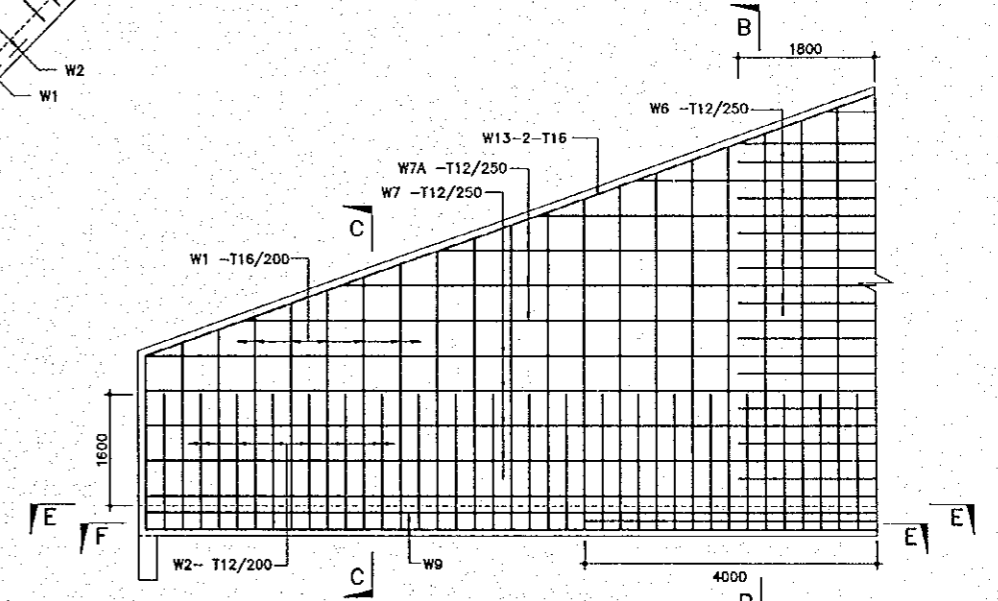


4 SECTION B-B
M-35 SCALE: NOT TO SCALE

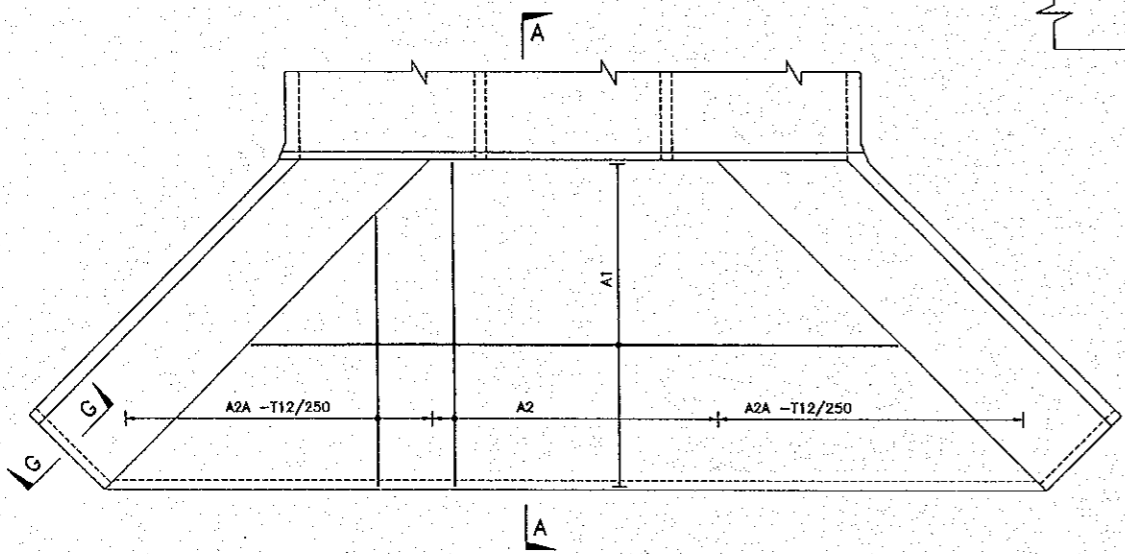


5 SECTION C-C
M-35 SCALE: NOT TO SCALE

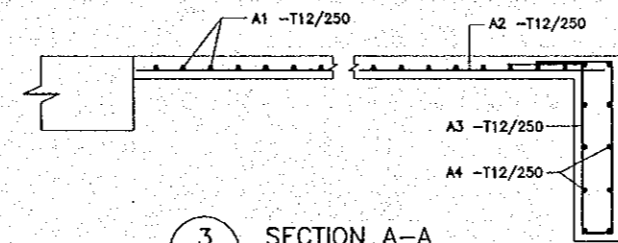
2 REINFORCING DETAIL OF WING WALL
M-35 SCALE: NOT TO SCALE



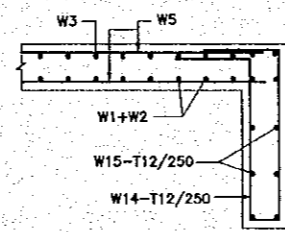
6 SECTION D-D
M-35 SCALE: NOT TO SCALE



1 REINFORCING DETAIL OF APRON & CUTOFF
M-35 SCALE 1:100



3 SECTION A-A
M-35 SCALE 1:20



7 SECTION G-G
M-35 SCALE 1:20

NOTES:

- ALL DIMENSIONS ARE IN MILLIMETER UNLESS OTHERWISE SPECIFIED.
- NOT ALL REINFORCEMENT ARE NECESSARILY SHOWN IN ANY VIEW.
- CONCRETE GRADE ARE CLASS 25 FOR R.C.C. WORK AND CLASS 15 FOR LEVELLING WORK.
- REINFORCEMENT TO BE DEFORMED BAR TO AASHTO M31 (ASTM A615) GRADE 60.
- LAP LENGTHS HAVE BEEN CONSIDERED IN BAR BENDING SCHEDULE FOR ALL SPECIFIED PLACES USE FOLLOWING LAP LENGTH AS MINIMUM FOR ALL UNSPECIFIED PLACES.

BAR DIA	LAP LENGTH
25#	950mm
20#	650mm
16#	550mm
12#	400mm

- CLEAR COVER OF REBARS :
TOP OF TOP SLAB : 50
BOTTOM OF TOP SLAB : 40
TOP & BOTTOM OF BOTTOM SLAB & WALLS : 65

7. KEY TO REINFORCEMENT NOMENCLATURE

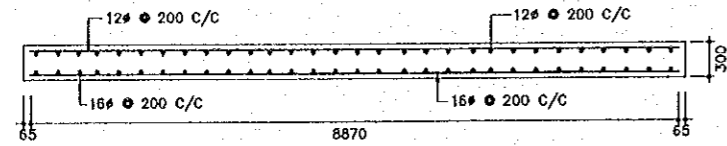


ABBREVIATION:-
NF = NEAR FACE; FF = FAR FACE; STAG = STAGGERED
STAGNF = STAGGERED; ALT = ALTERNATE SPACING.

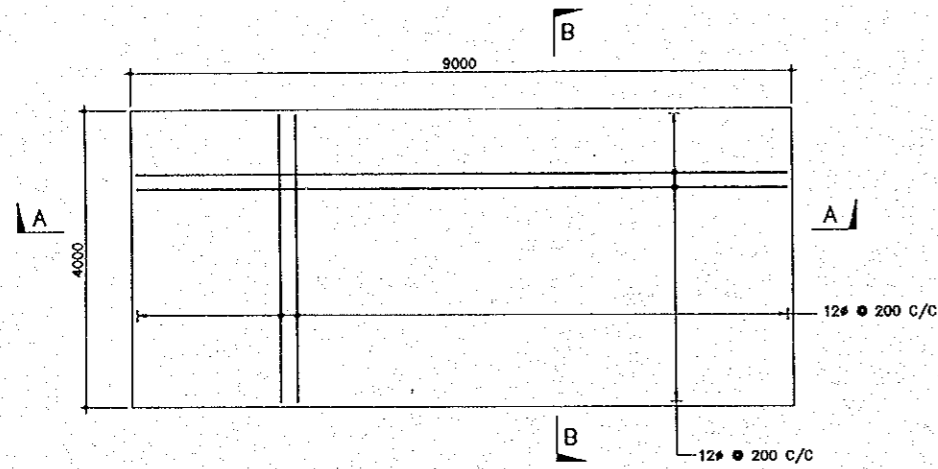
THE STUDY ON CONSTRUCTION OF THE BRIDGE
OVER THE RIVER RUPSA IN KHULNA (PHASE 2)

APPROACH SLAB & MISCELLANEOUS
OF BOX CULVERT

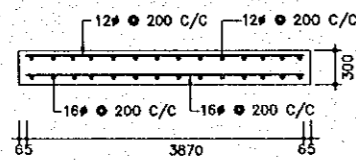
SCALE	SHEET NO.
AS SHOWN	M-37



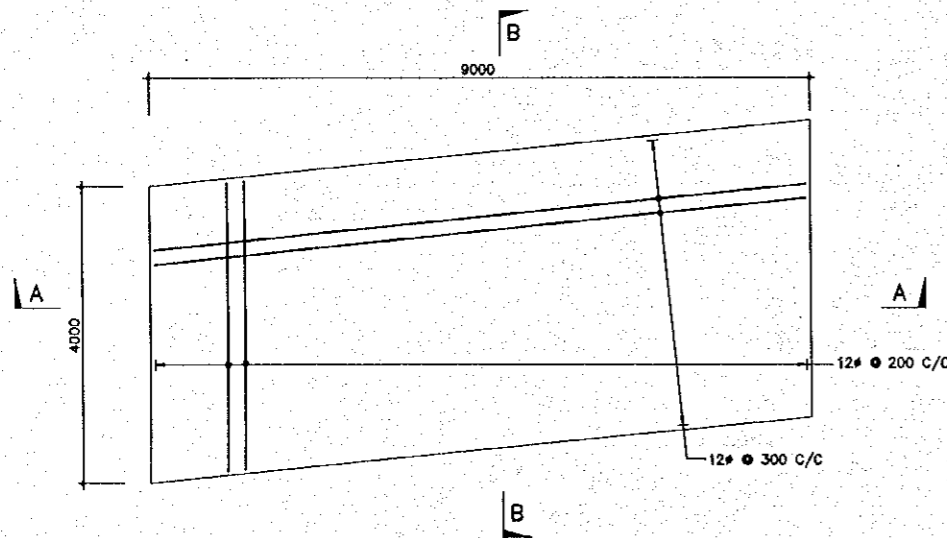
3 SECTION A-A
M-37 SCALE 1:50



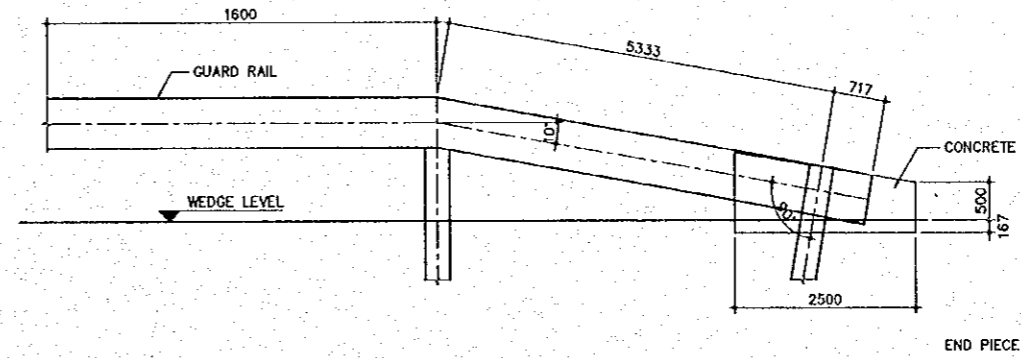
1 REINF. DETAILS OF APPROACH SLAB
(TYPE-A)
M-37 SCALE 1:50



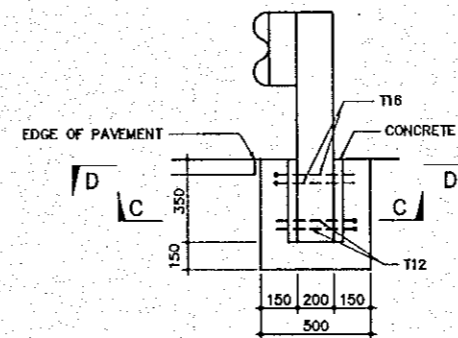
4 SECTION B-B
M-37 SCALE 1:50



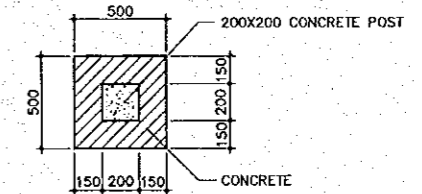
2 REINF. DETAILS OF APPROACH SLAB
(TYPE-B)
M-37 SCALE 1:50



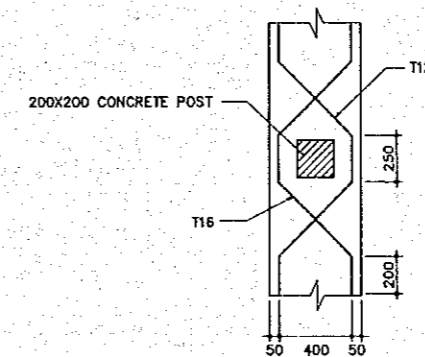
5 ELEVATION OF GUARD RAIL AT ENDS
M-37 SCALE 1:50



6 GUARD RAIL DETAILS
M-37 SCALE 1:20



7 SECTION: C-C
M-37 SCALE 1:20

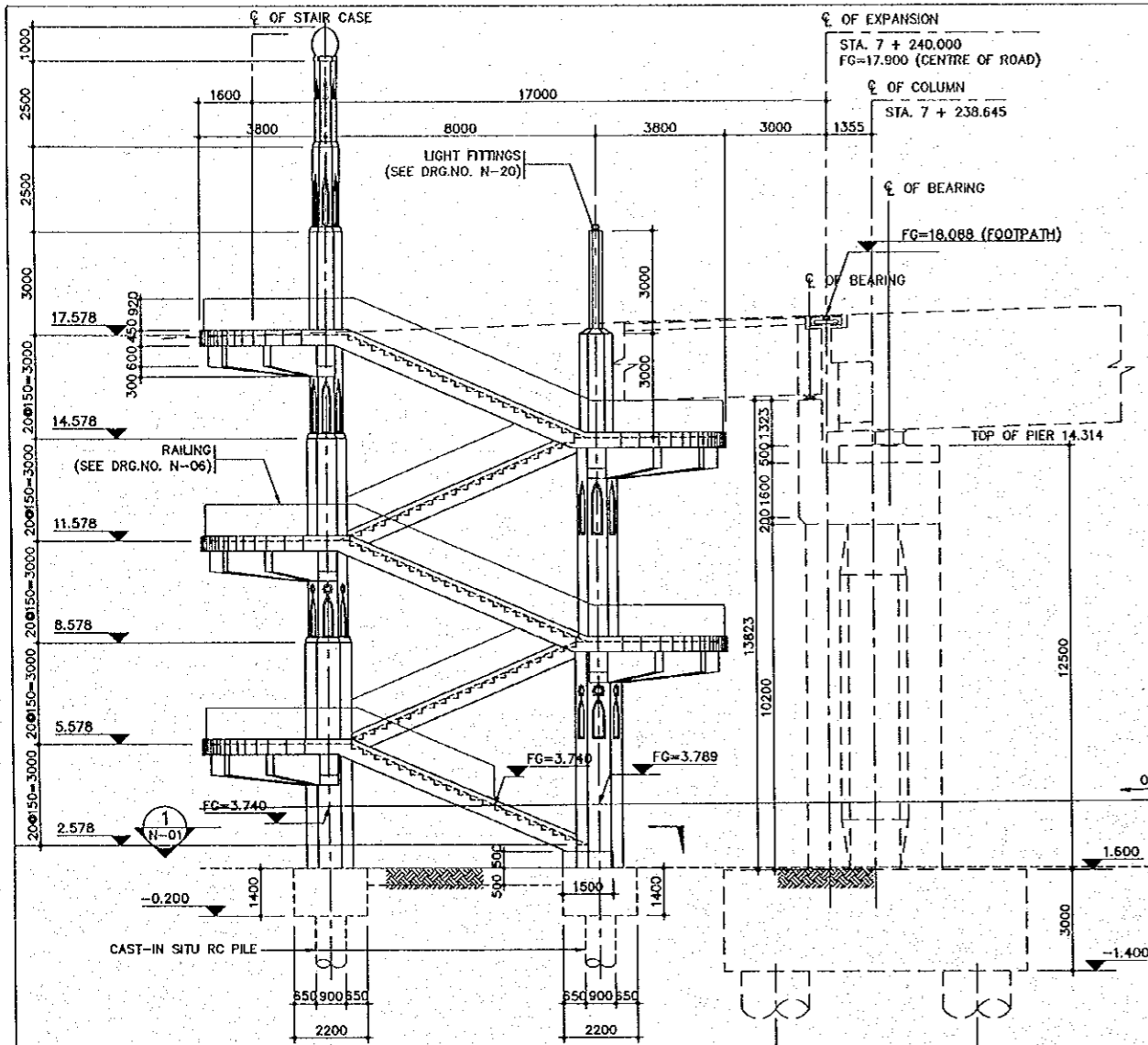


8 SECTION D-D
M-37 SCALE 1:20

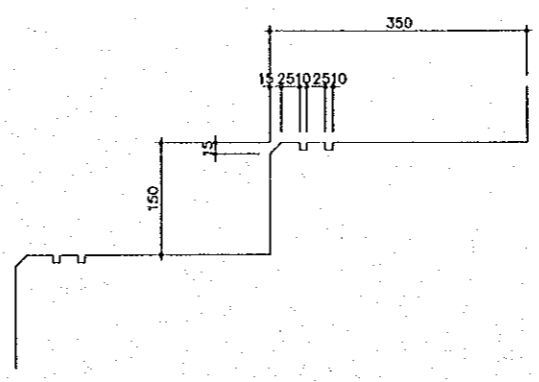
N. STAIRCASE

THE STUDY ON CONSTRUCTION OF THE BRIDGE
OVER THE RIVER RUPSA IN KHULNA (PHASE 2)

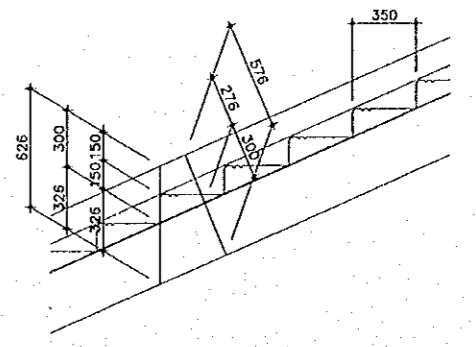
GENERAL ARRANGEMENT OF WEST SIDE (KHULNA) STAIR CASE (SHEET 1 OF 2)	SCALE AS SHOWN	SHEET NO. N-01
--	-------------------	-------------------



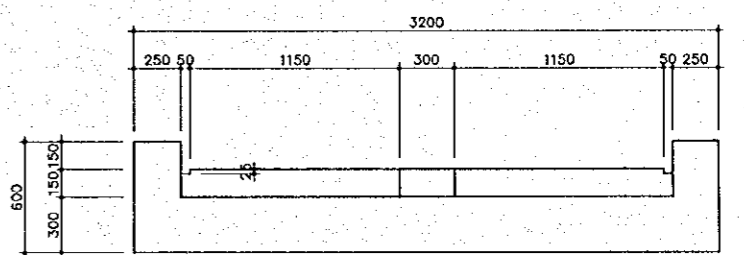
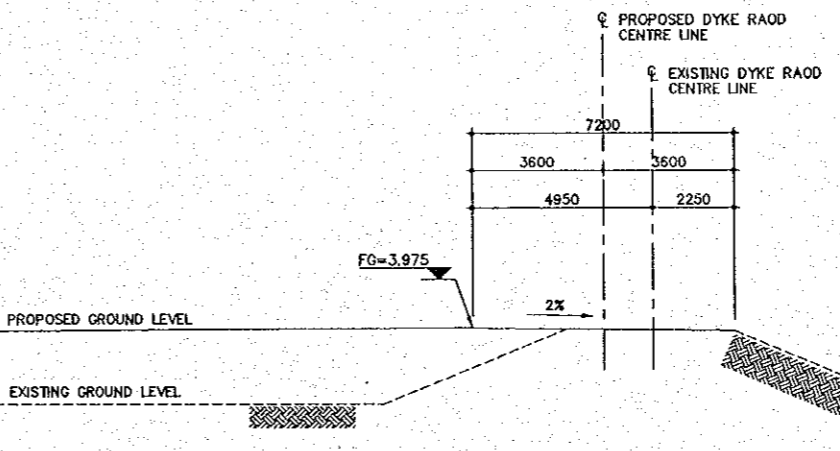
1 ELEVATION
N-01 SCALE 1:100



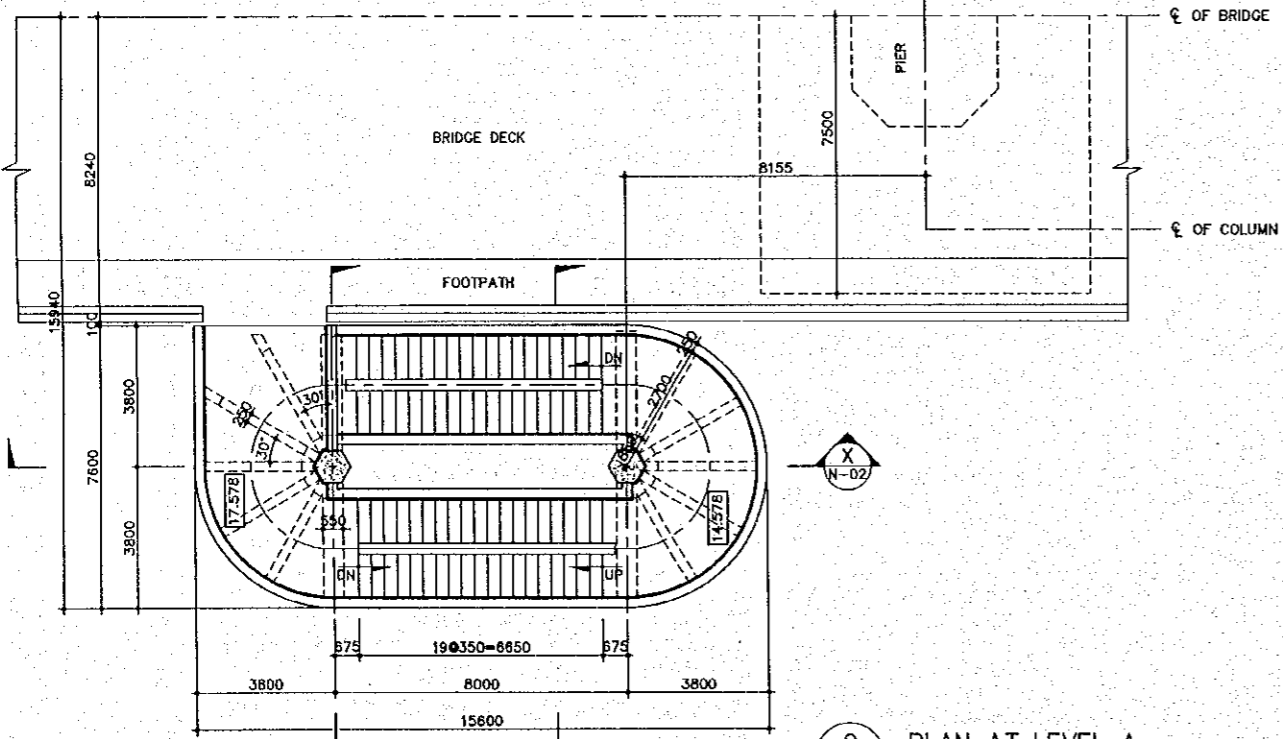
7 DETAIL: STEPS
N-01 SCALE 1:5



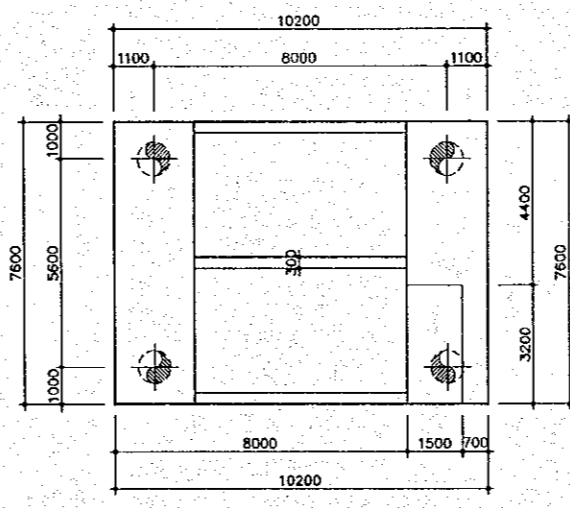
6 DETAIL: STEPS
N-01 SCALE 1:20



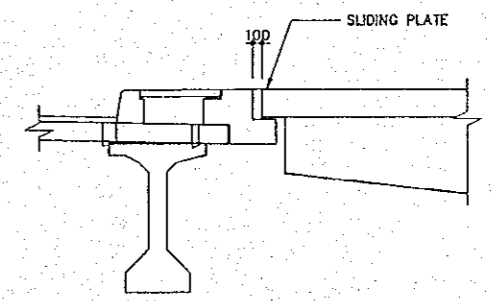
5 STAIR CASE CROSS SECTION
N-01 SCALE 1:20



2 PLAN AT LEVEL A
N-01 SCALE 1:100



3 PLAN 1-1
N-01 SCALE 1:100

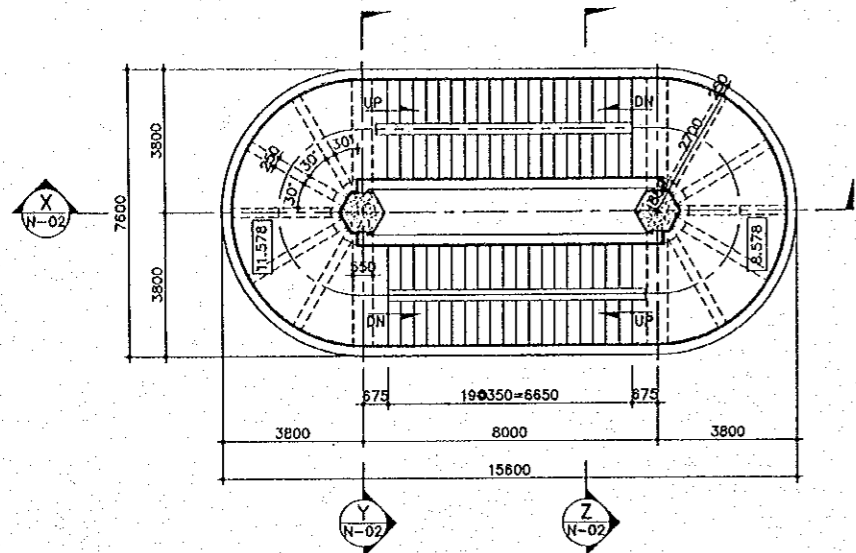


4 DETAIL OF EXPANSION JOINT
N-01 SCALE 1:40

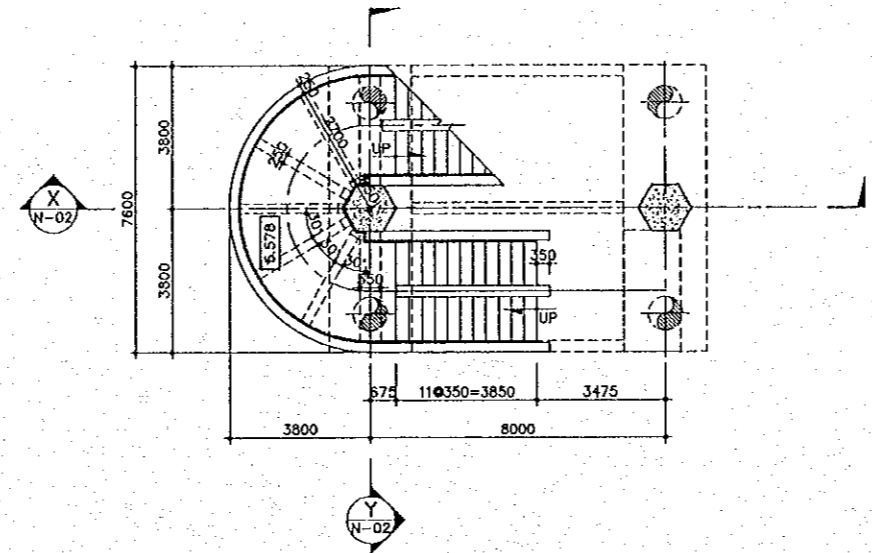
THE STUDY ON CONSTRUCTION OF THE BRIDGE
OVER THE RIVER RUPSA IN KHULNA (PHASE 2)

GENERAL ARRANGEMENT OF WEST SIDE
(KHULNA) STAIR CASE (SHEET 2 OF 2)

SCALE AS SHOWN SHEET NO. N-02



1 PLAN AT LEVEL B
SCALE 1:100

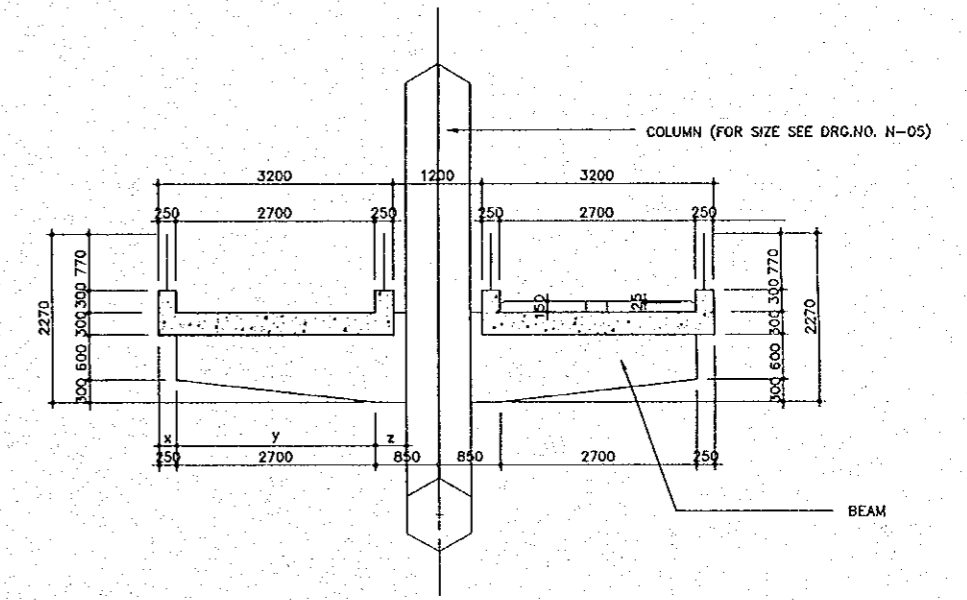


2 PLAN AT LEVEL C
SCALE 1:100

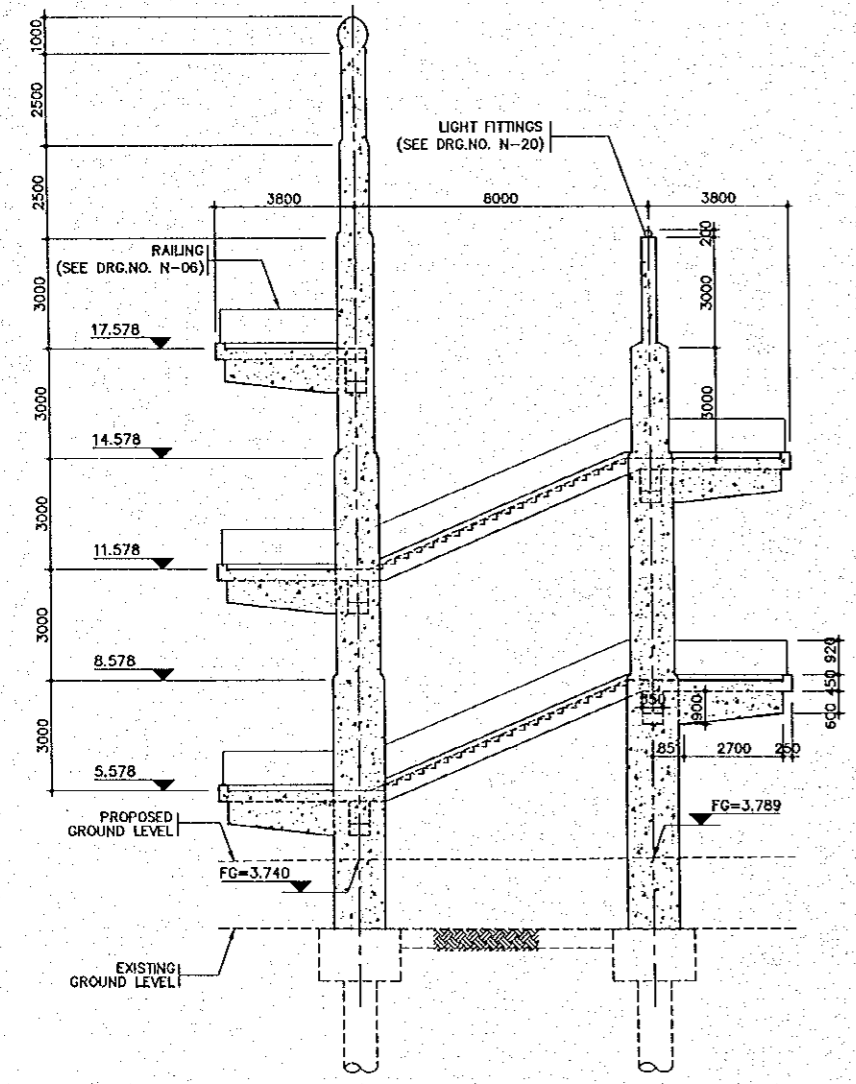
TABLE: LENGTH OF BEAM

POSITION	SIZE OF COLUMN (INSCRIBED CIRCLE)	x	y	z (VARIABLE)
AT LEVEL A	Ø1000	250	2700	417
AT LEVEL B	Ø1200	250	2700	330
AT LEVEL C	Ø1400	250	2700	244

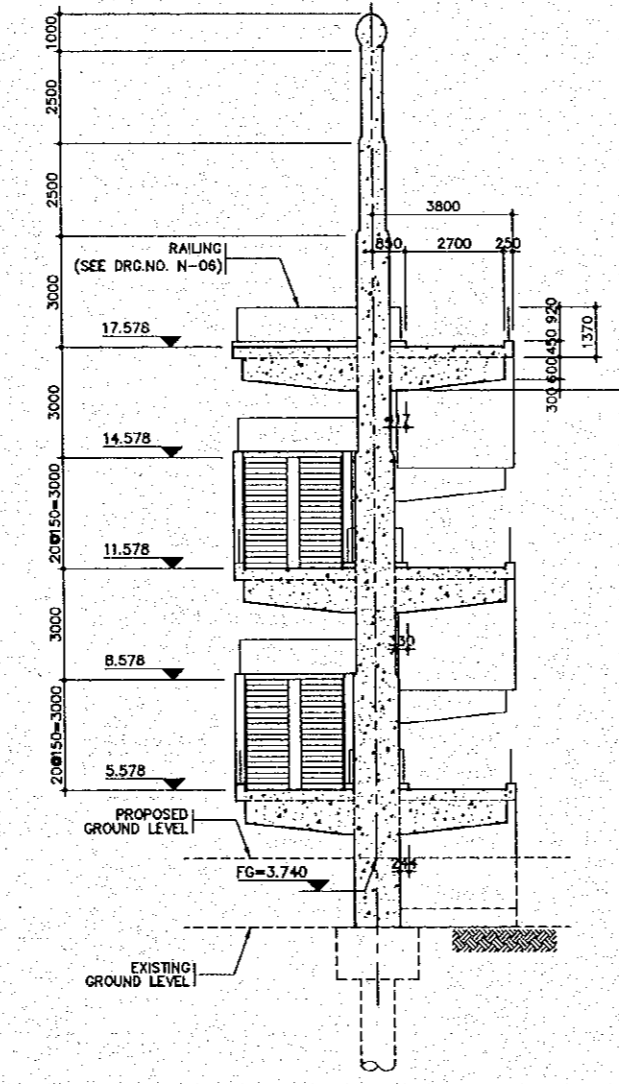
NOTES:
1. FOR DETAIL OF COLUMNS SEE DRG.NO. N-05.
2. LENGTH OF BEAMS ARE SAME FOR BOTH 550mm AND 250mm WIDTHS.



5 DETAIL SECTION Z-Z
SCALE 1:50

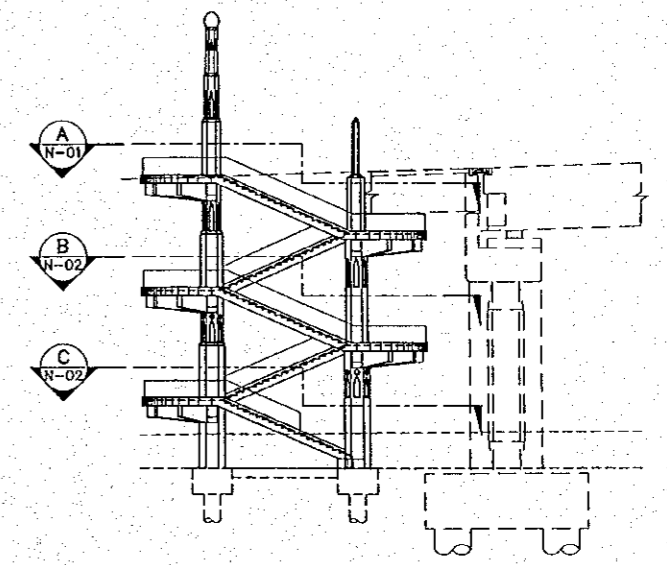


3 SECTION X-X
SCALE 1:100



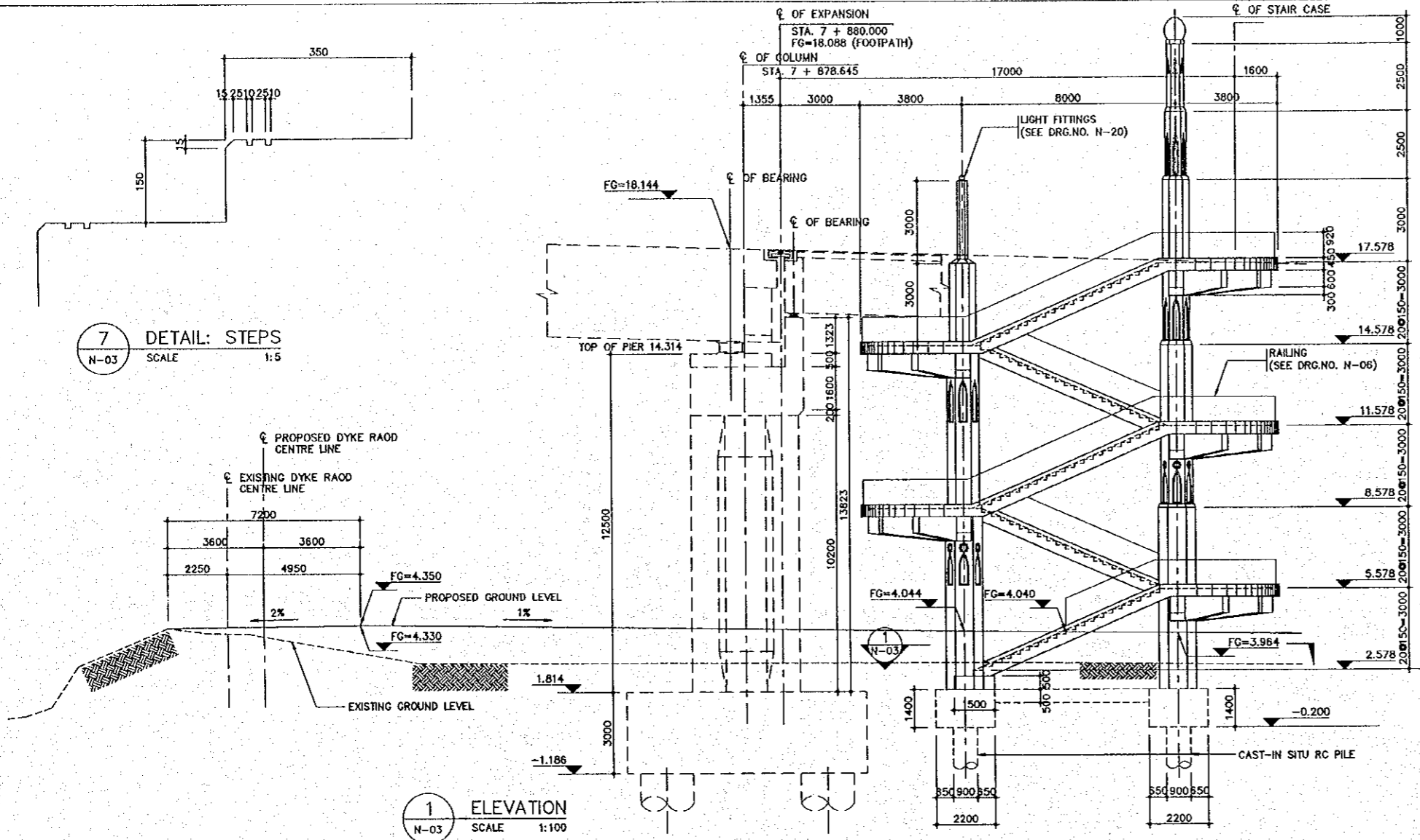
4 SECTION Y-Y
SCALE 1:100

LEGEND: PLANS

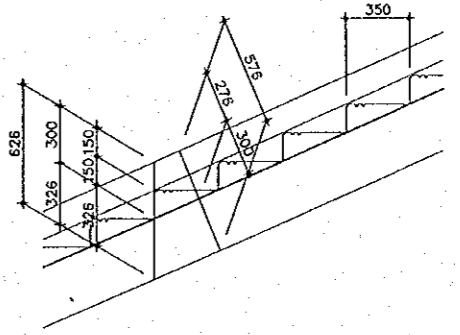


THE STUDY ON CONSTRUCTION OF THE BRIDGE
OVER THE RIVER RUPSA IN KHULNA (PHASE 2)

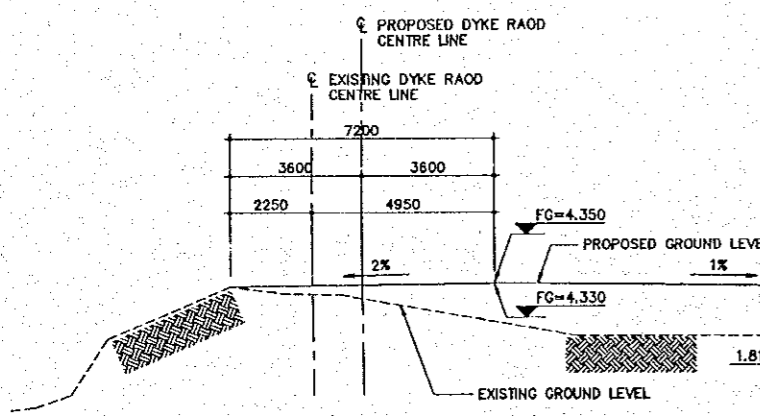
GENERAL ARRANGEMENT OF WEST SIDE (MONGLA) STAIR CASE (SHEET 1 OF 2)	SCALE AS SHOWN	SHEET NO. N-03
---	-------------------	-------------------



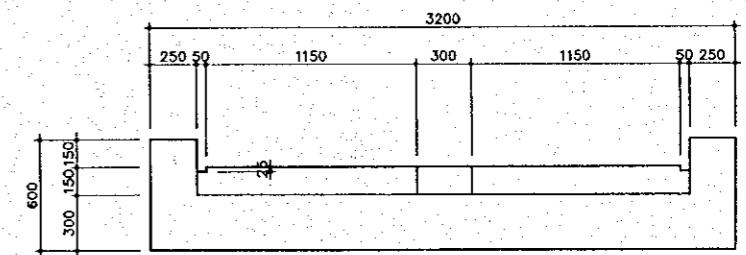
7 DETAIL: STEPS
N-03 SCALE 1:5



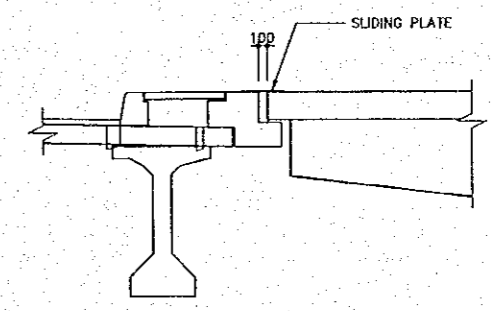
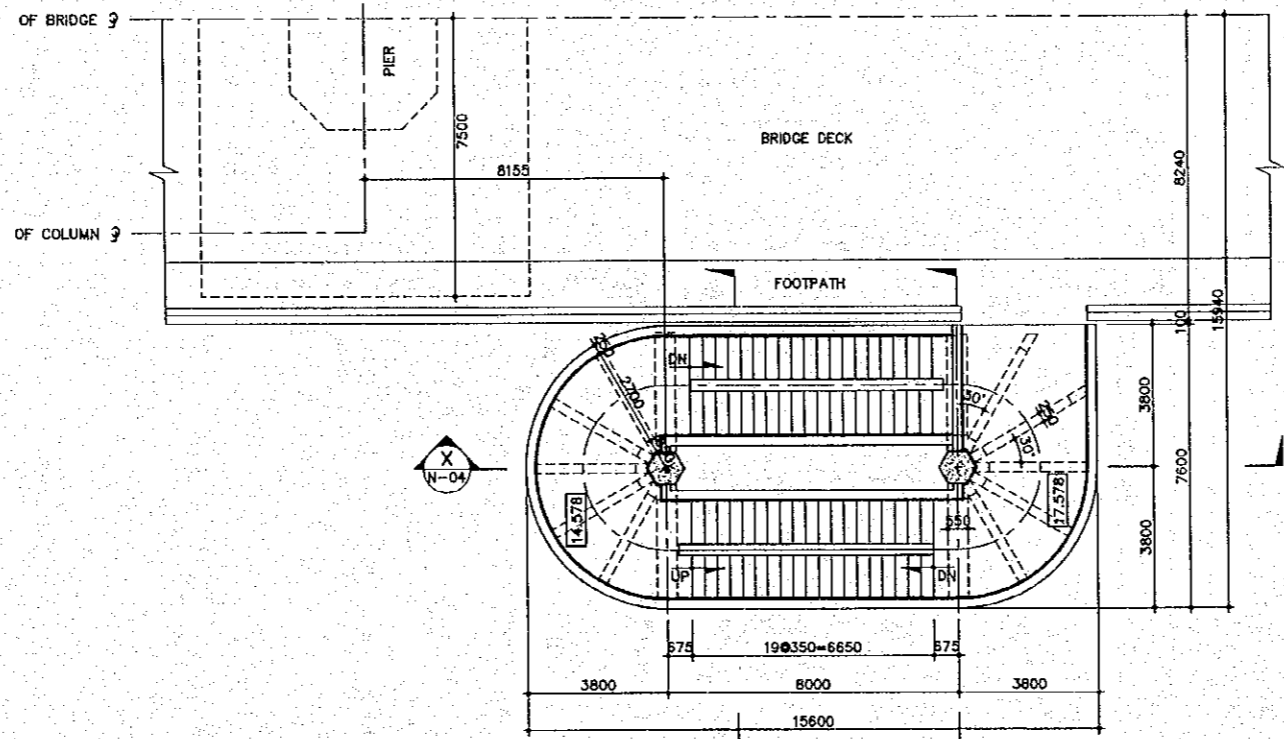
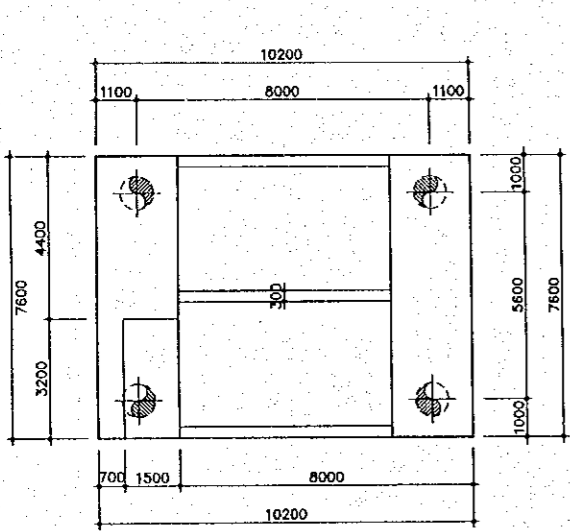
6 DETAIL: STEPS
N-03 SCALE 1:20



3 PLAN 1-1
N-03 SCALE 1:100



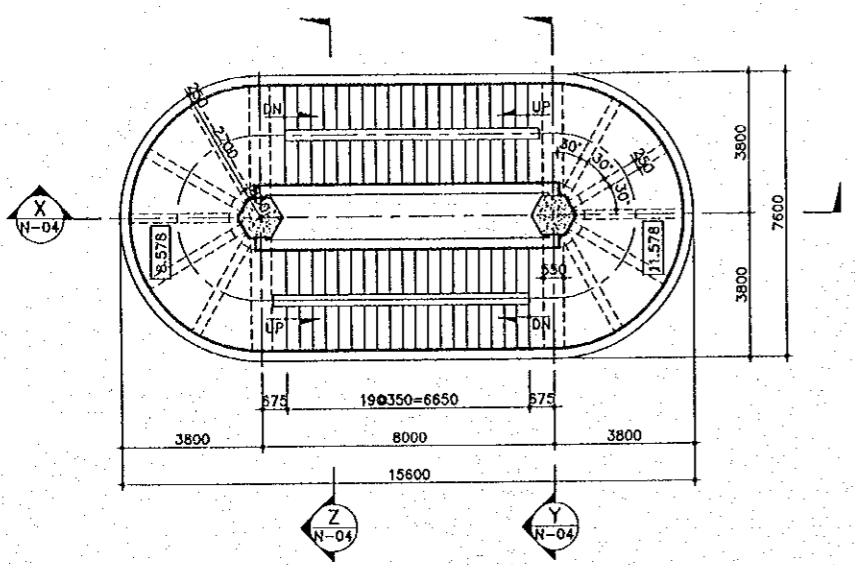
5 STAIR CASE CROSS SECTION
N-03 SCALE 1:20



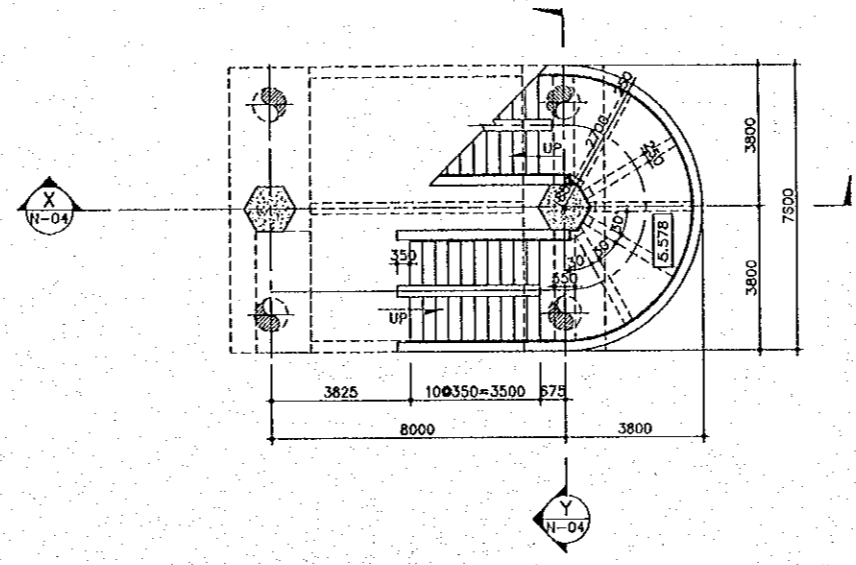
4 DETAIL OF EXPANSION JOINT
N-03 SCALE 1:40

THE STUDY ON CONSTRUCTION OF THE BRIDGE
OVER THE RIVER RUPSA IN KHULNA (PHASE 2)
GENERAL ARRANGEMENT OF EAST SIDE
(MONGLA) STAIR CASE (SHEET 2 OF 2)

SCALE AS SHOWN SHEET NO. N-04



1 PLAN AT LEVEL B
SCALE 1:100

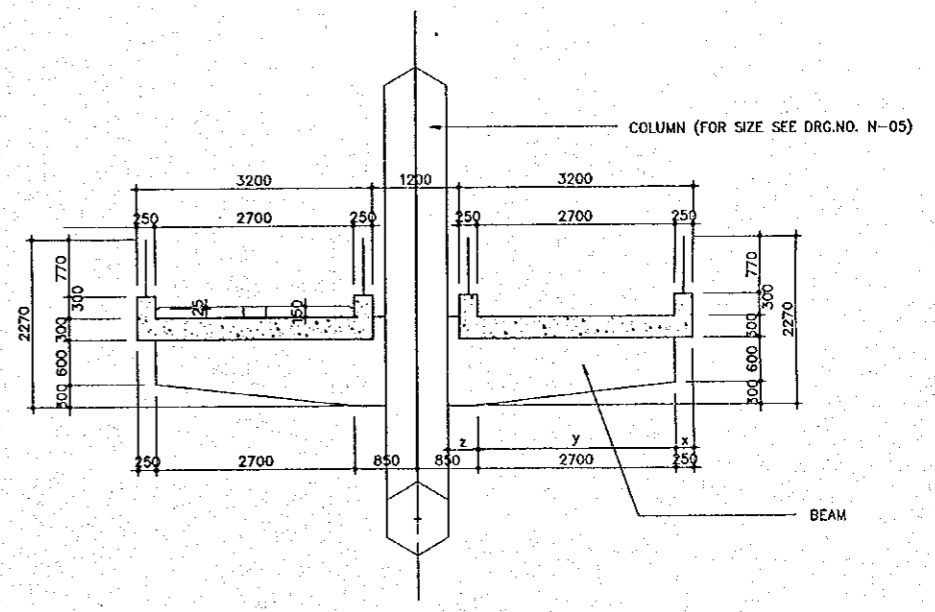


2 PLAN AT LEVEL C
SCALE 1:100

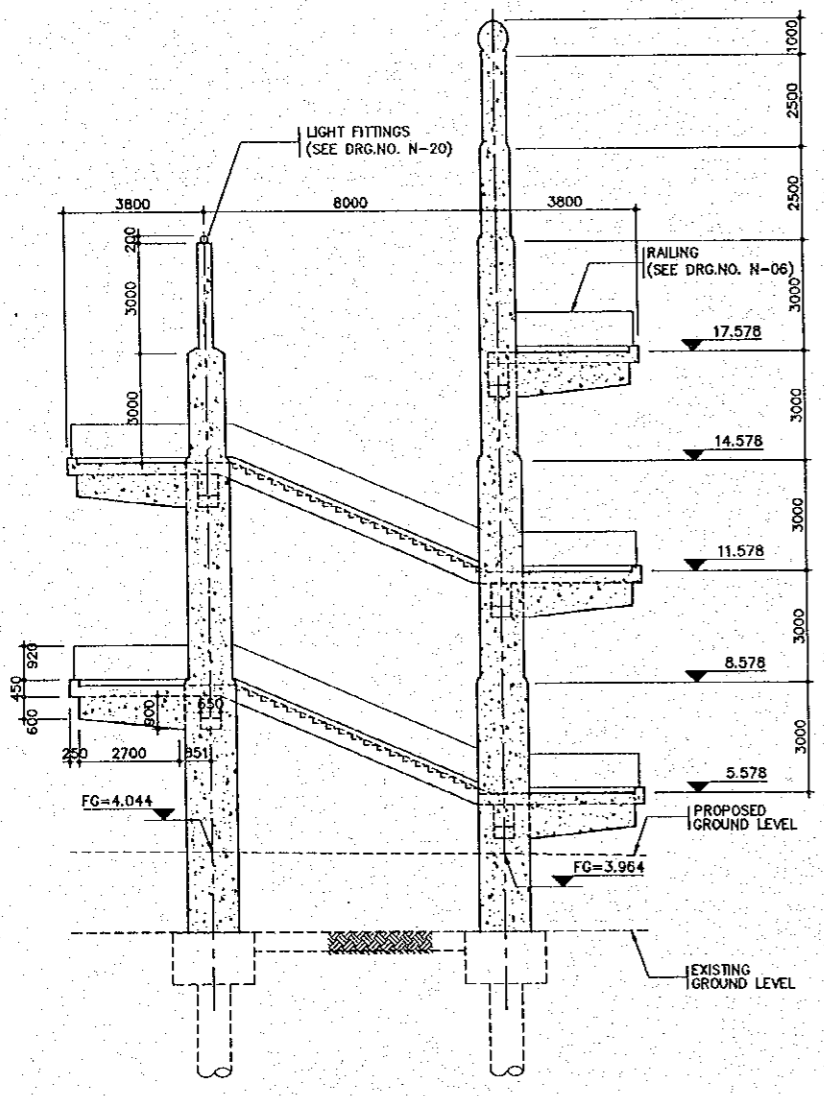
TABLE: LENGTH OF BEAM

POSITION	SIZE OF COLUMN (INSCRIBED CIRCLE)	x	y	z (VARIABLE)
AT LEVEL A	Ø1000	250	2700	417
AT LEVEL B	Ø1200	250	2700	330
AT LEVEL C	Ø1400	250	2700	244

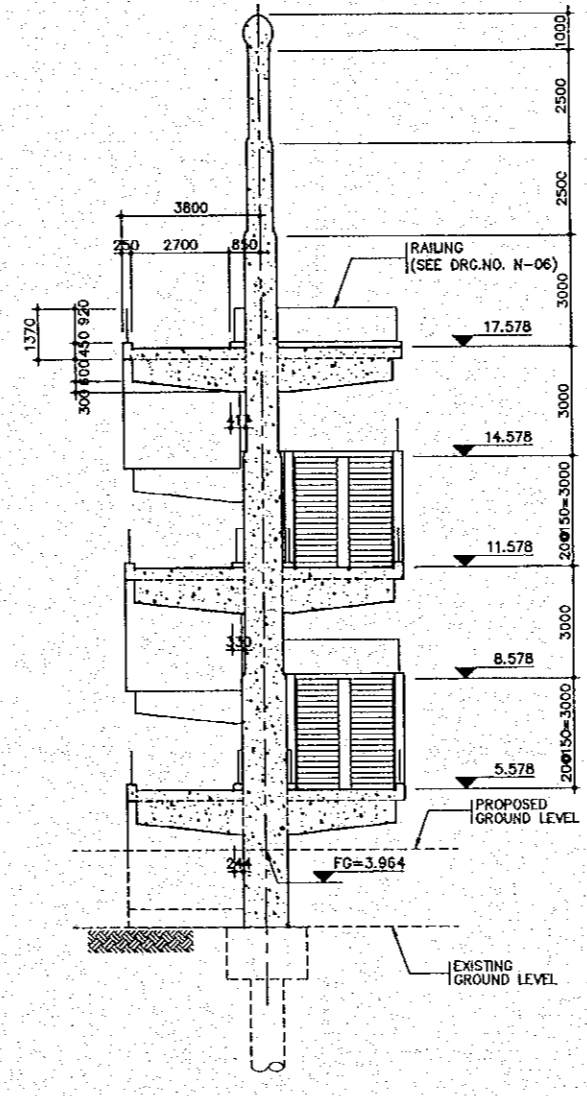
NOTES:
1. FOR DETAIL OF COLUMNS SEE DRG.NO. N-05.
2. LENGTH OF BEAMS ARE SAME FOR BOTH 550mm AND 250mm WIDTHS.



5 DETAIL SECTION Z-Z
SCALE 1:50

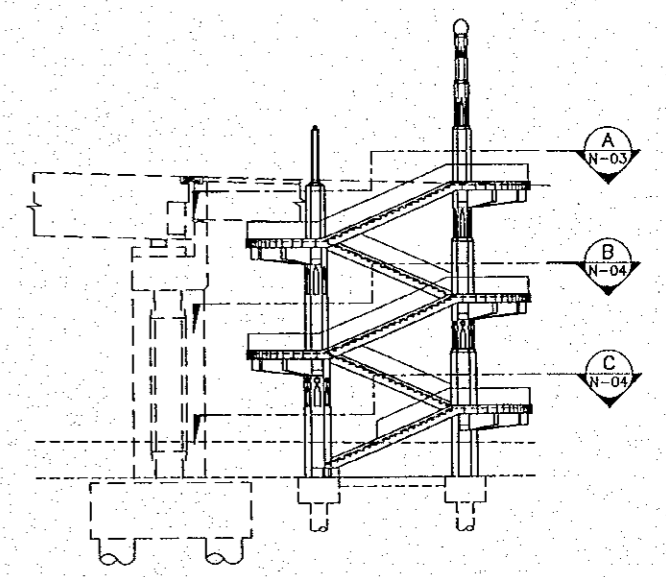


3 SECTION X-X
SCALE 1:100



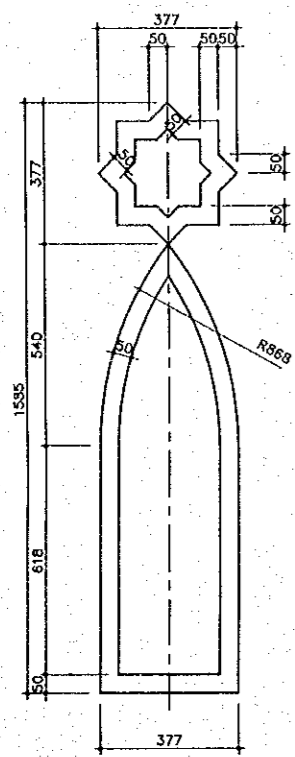
4 SECTION Y-Y
SCALE 1:100

LEGEND: PLANS

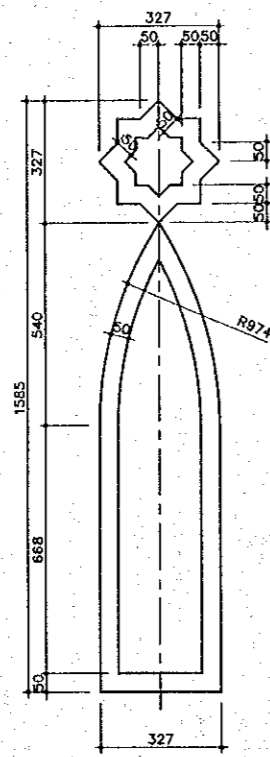


THE STUDY ON CONSTRUCTION OF THE BRIDGE
OVER THE RIVER RUPSA IN KHULNA (PHASE 2)
COLUMN AND PATTERN DETAILS
OF STAIR CASE

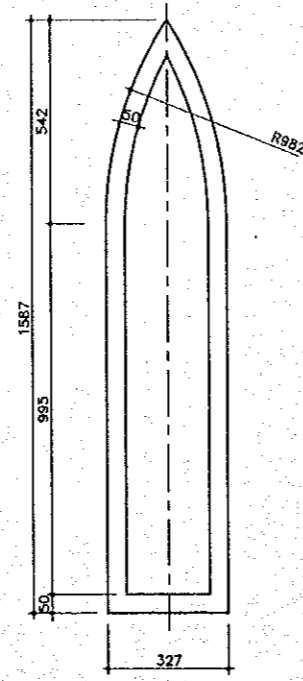
SCALE	SHEET NO.
AS SHOWN	N-05



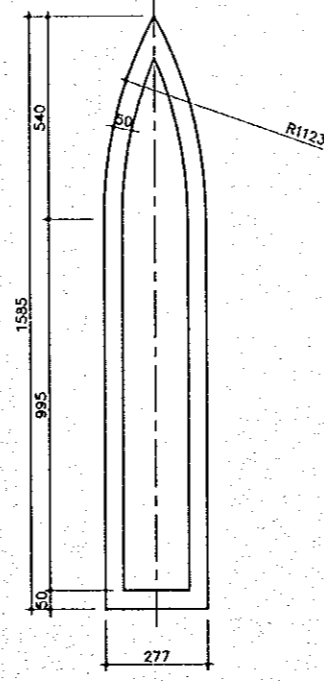
1 DETAIL A
N-05 SCALE 1:10



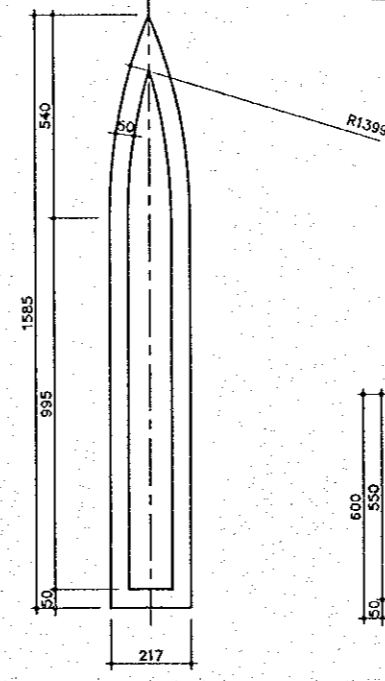
2 DETAIL B
N-05 SCALE 1:10



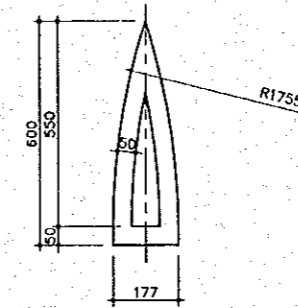
3 DETAIL C
N-05 SCALE 1:10



4 DETAIL D
N-05 SCALE 1:10

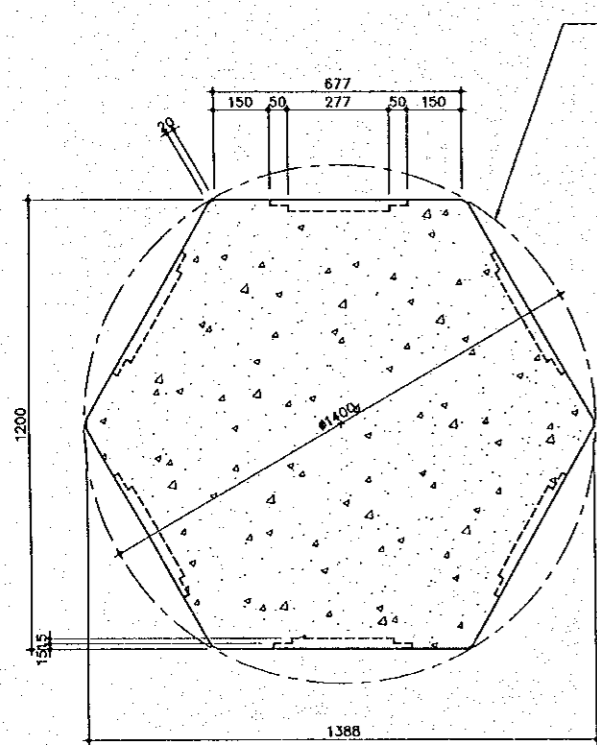
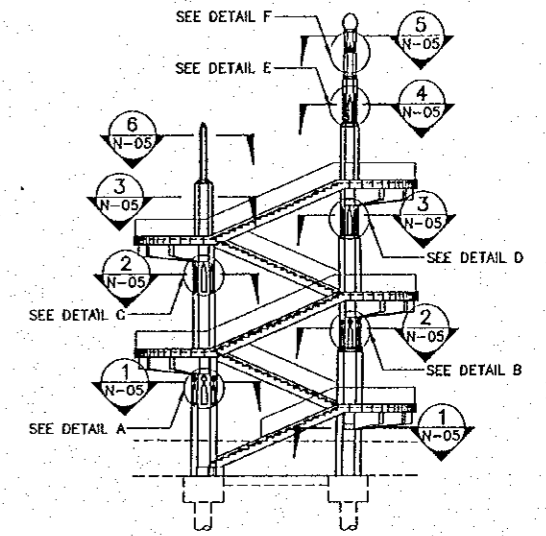


5 DETAIL E
N-05 SCALE 1:10

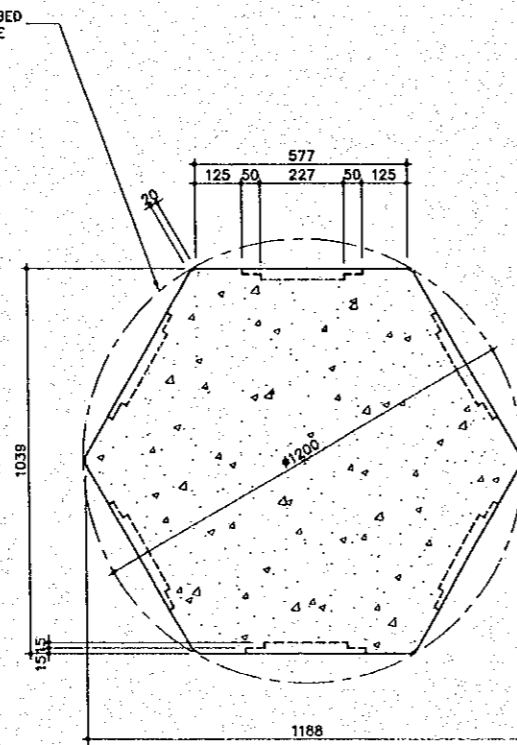


6 DETAIL F
N-05 SCALE 1:10

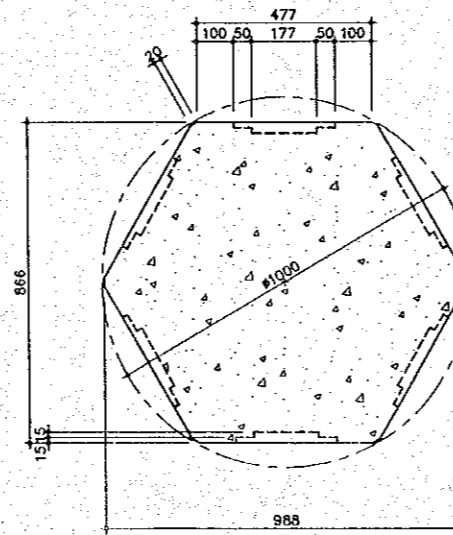
LEGEND: DETAILS AND SECTIONS



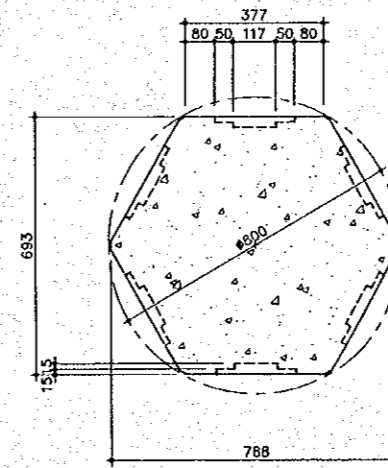
7 SECTION 1-1
N-05 SCALE 1:10



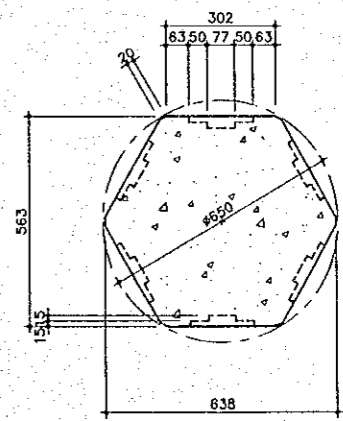
8 SECTION 2-2
N-05 SCALE 1:10



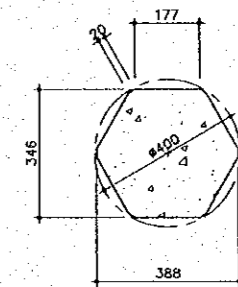
9 SECTION 3-3
N-05 SCALE 1:10



10 SECTION 4-4
N-05 SCALE 1:10



11 SECTION 5-5
N-05 SCALE 1:10



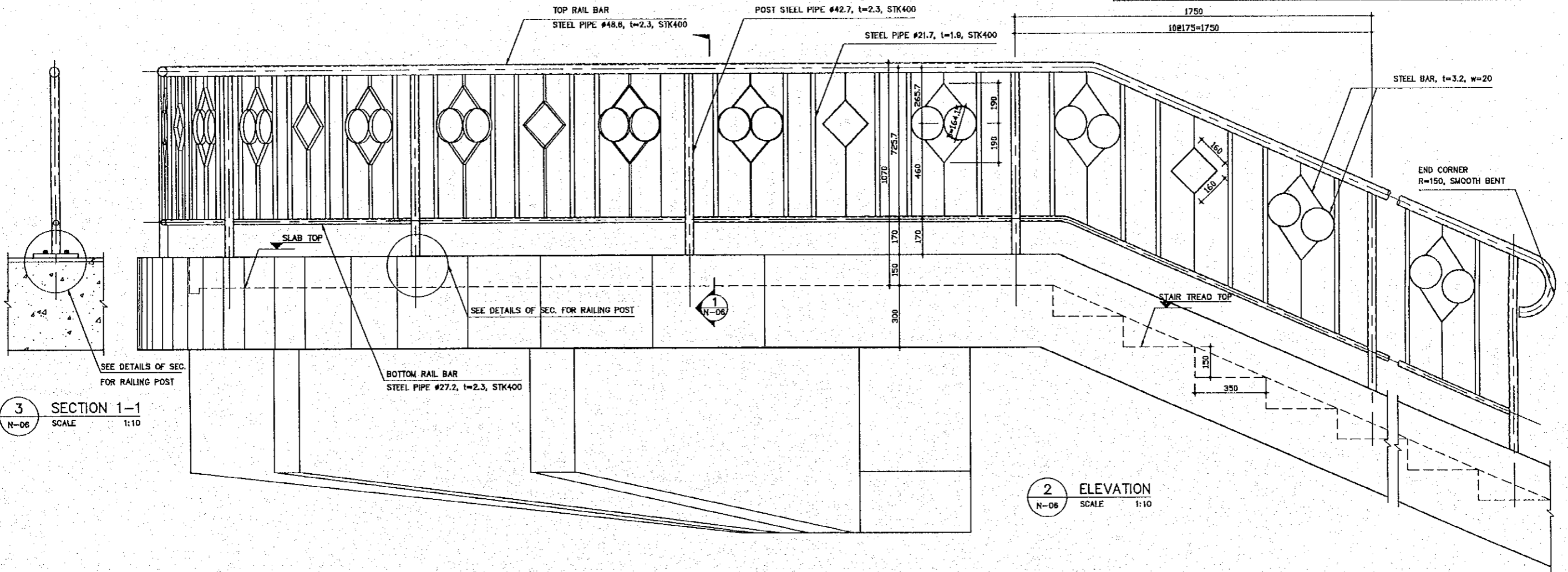
12 SECTION 6-6
N-05 SCALE 1:10

NOTE:
DIFFERENT SIZES OF COLUMN SECTIONS SHOWN IN
INSCRIBED CIRCLES.

THE STUDY ON CONSTRUCTION OF THE BRIDGE
OVER THE RIVER RUPSA IN KHULNA (PHASE 2)

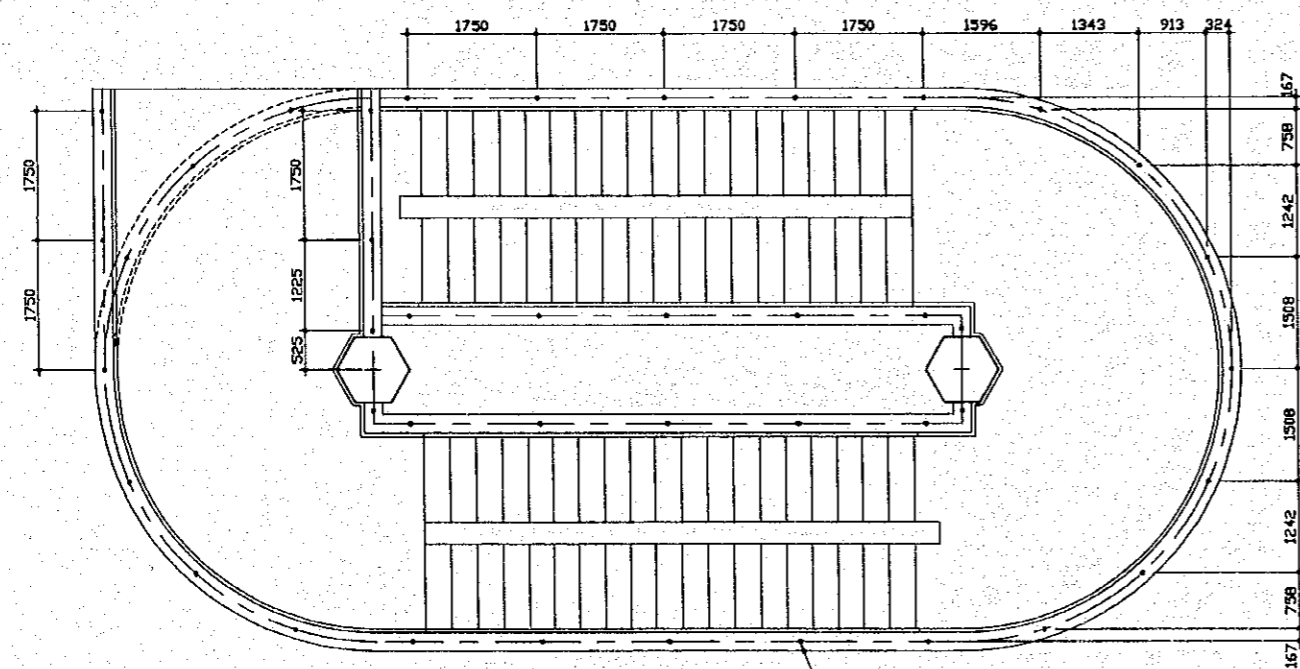
RAILING DETAILS OF STAIR CASE

SCALE	SHEET NO.
AS SHOWN	N-06

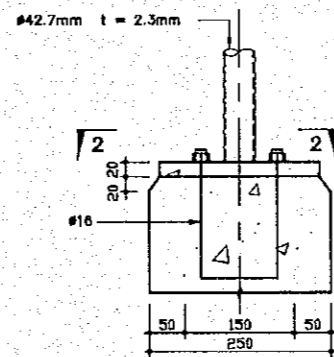


3 SECTION 1-1
SCALE 1:10

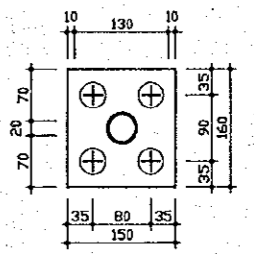
2 ELEVATION
SCALE 1:10



1 KEY PLAN SHOWING LOCATION OF RAILING POSTS
SCALE 1:50



4 SEC. OF RAILING POST
SCALE 1:5



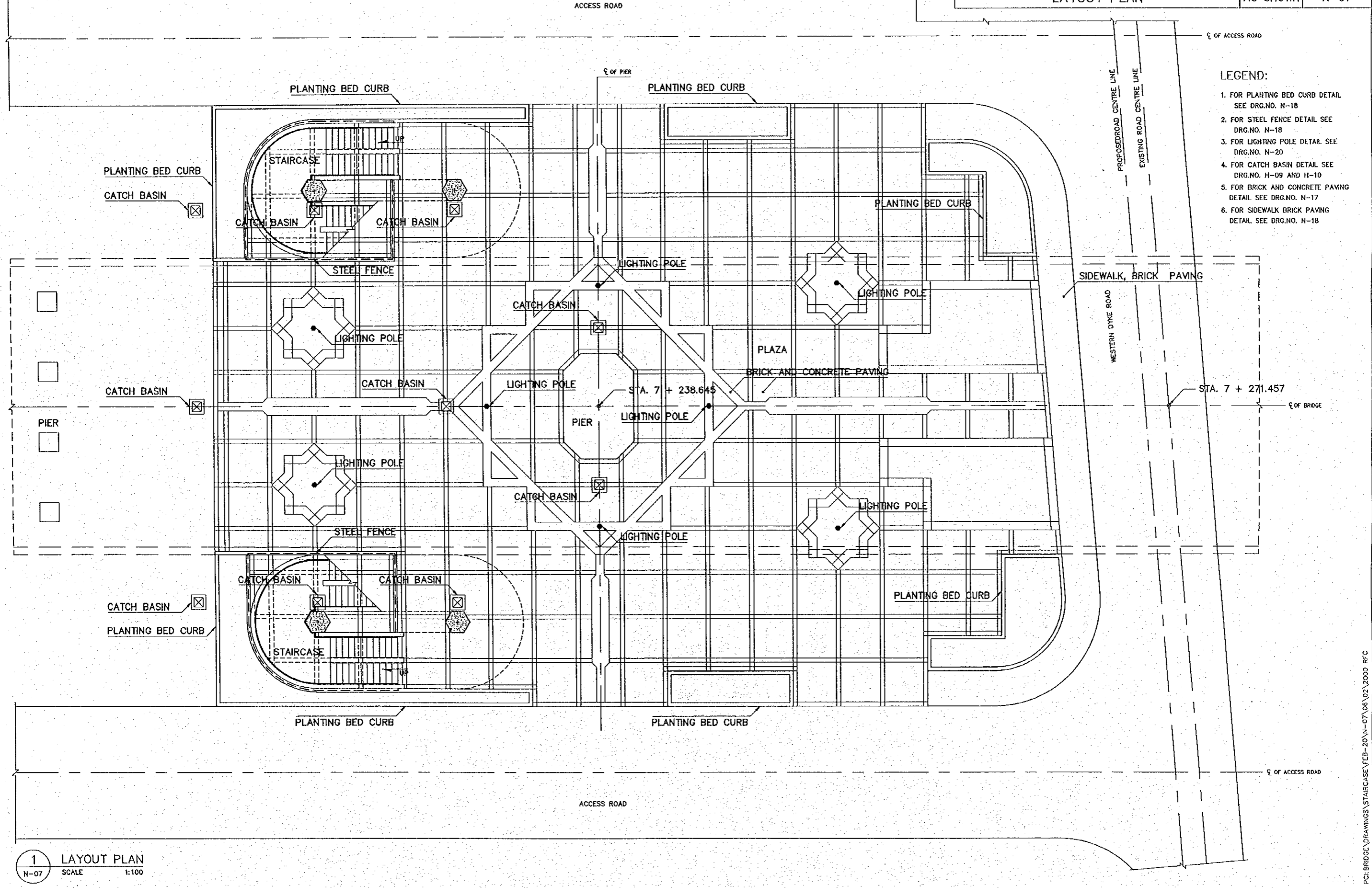
5 SECTION 2-2
SCALE 1:5

NOTES:

1. ALL JOINT SECTIONS OF THE RAILING SHALL BE TIGHTLY WELDED AT PRODUCTION FACTORY.
2. ALL THE FENCE PORTION SHALL BE TREATED BY RUST INHIBITIVE PRIMER AFTER SMOOTHING SURFACE OF ALL PORTIONS. OIL PAINT FOR EXTERIOR USE SHOULD BE UTILIZED FOR FINISHING AFTER COMPLETE DRYING OF PRIMER.
3. BOTH WORKS SHOULD BE MADE IN THE PRODUCTION FACTORY GENERALLY.

THE STUDY ON CONSTRUCTION OF THE BRIDGE
OVER THE RIVER RUPSA IN KHULNA (PHASE 2)
WEST SIDE (KHULNA) STAIR PLAZA
LAYOUT PLAN

SCALE	SHEET NO.
AS SHOWN	N-07



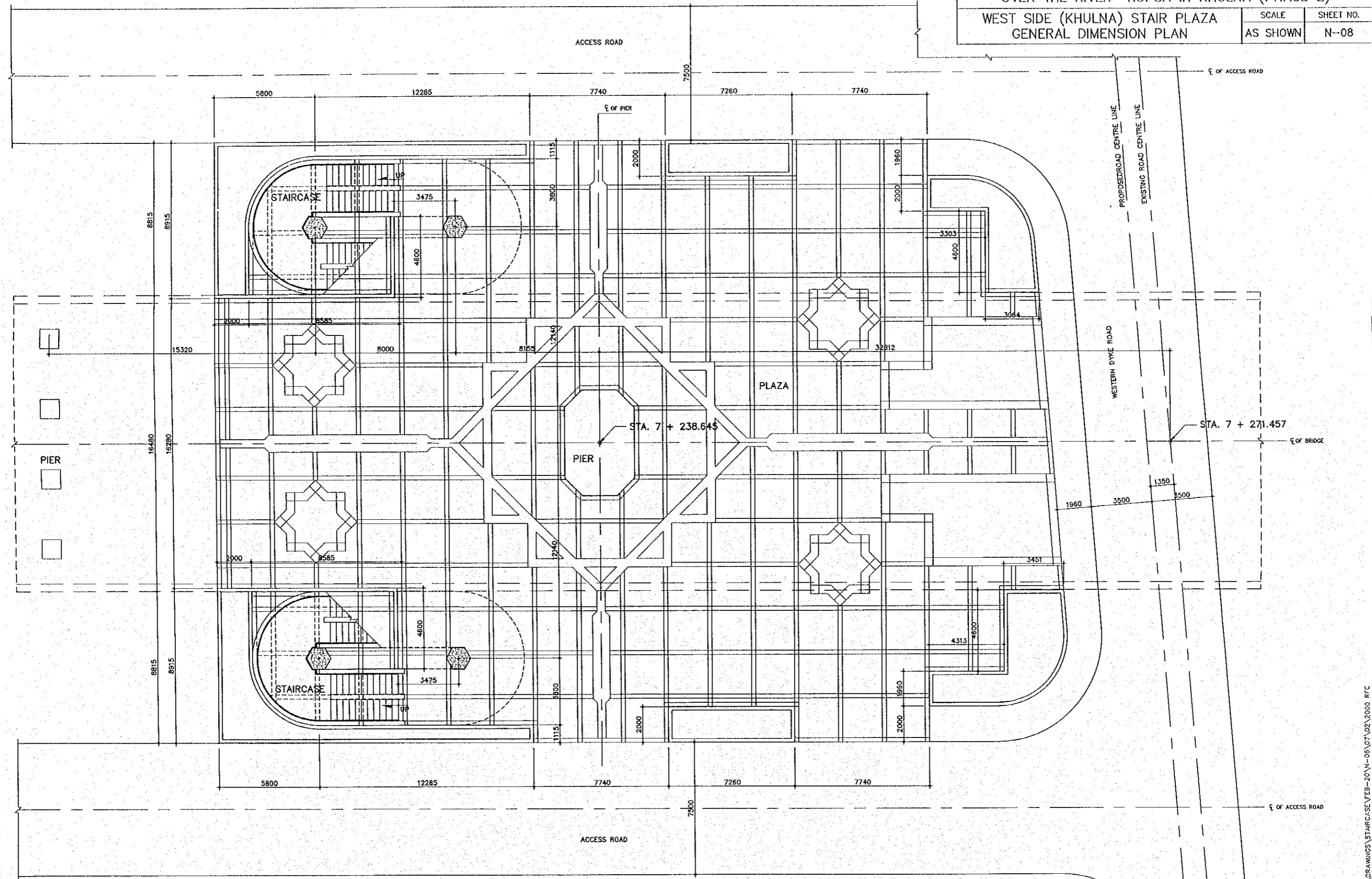
- LEGEND:**
1. FOR PLANTING BED CURB DETAIL SEE DRG.NO. N-18
 2. FOR STEEL FENCE DETAIL SEE DRG.NO. N-18
 3. FOR LIGHTING POLE DETAIL SEE DRG.NO. N-20
 4. FOR CATCH BASIN DETAIL SEE DRG.NO. H-09 AND H-10
 5. FOR BRICK AND CONCRETE PAVING DETAIL SEE DRG.NO. N-17
 6. FOR SIDEWALK BRICK PAVING DETAIL SEE DRG.NO. N-18

1 LAYOUT PLAN
N-07 SCALE 1:100

PCI:BRIDGE DRAWINGS\STAIRCASE\FEB-20\N-07\06\02\2000.RFC

THE STUDY ON CONSTRUCTION OF THE BRIDGE
OVER THE RIVER RUPSA IN KHULNA (PHASE 2)
WEST SIDE (KHULNA) STAIR PLAZA
GENERAL DIMENSION PLAN

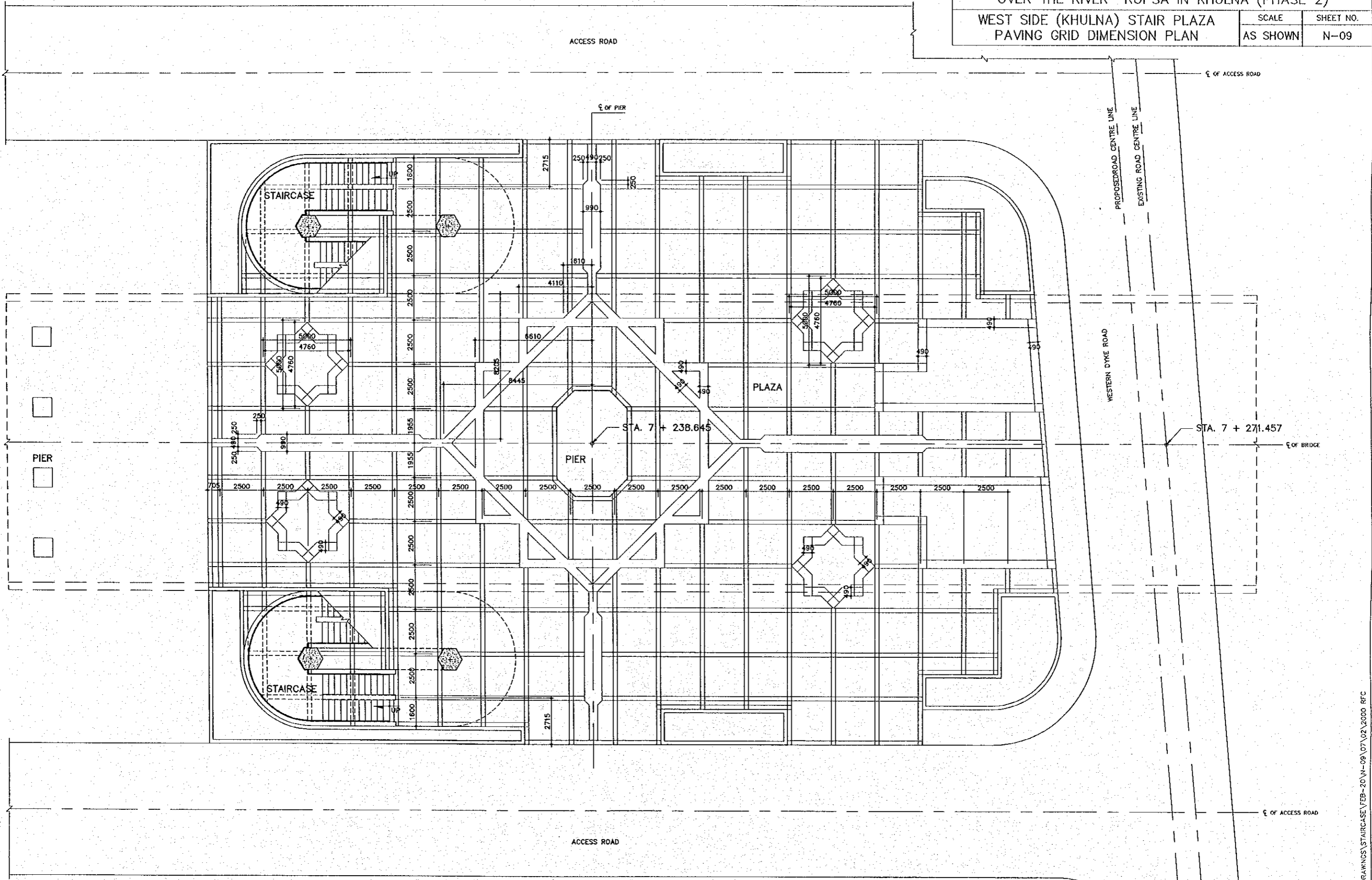
SCALE	SHEET NO.
AS SHOWN	N-08



1 GENERAL DIMENSION PLAN
N-08 SCALE 1:100

THE STUDY ON CONSTRUCTION OF THE BRIDGE
OVER THE RIVER RUPSA IN KHULNA (PHASE 2)
WEST SIDE (KHULNA) STAIR PLAZA
PAVING GRID DIMENSION PLAN

SCALE AS SHOWN	SHEET NO. N-09
-------------------	-------------------

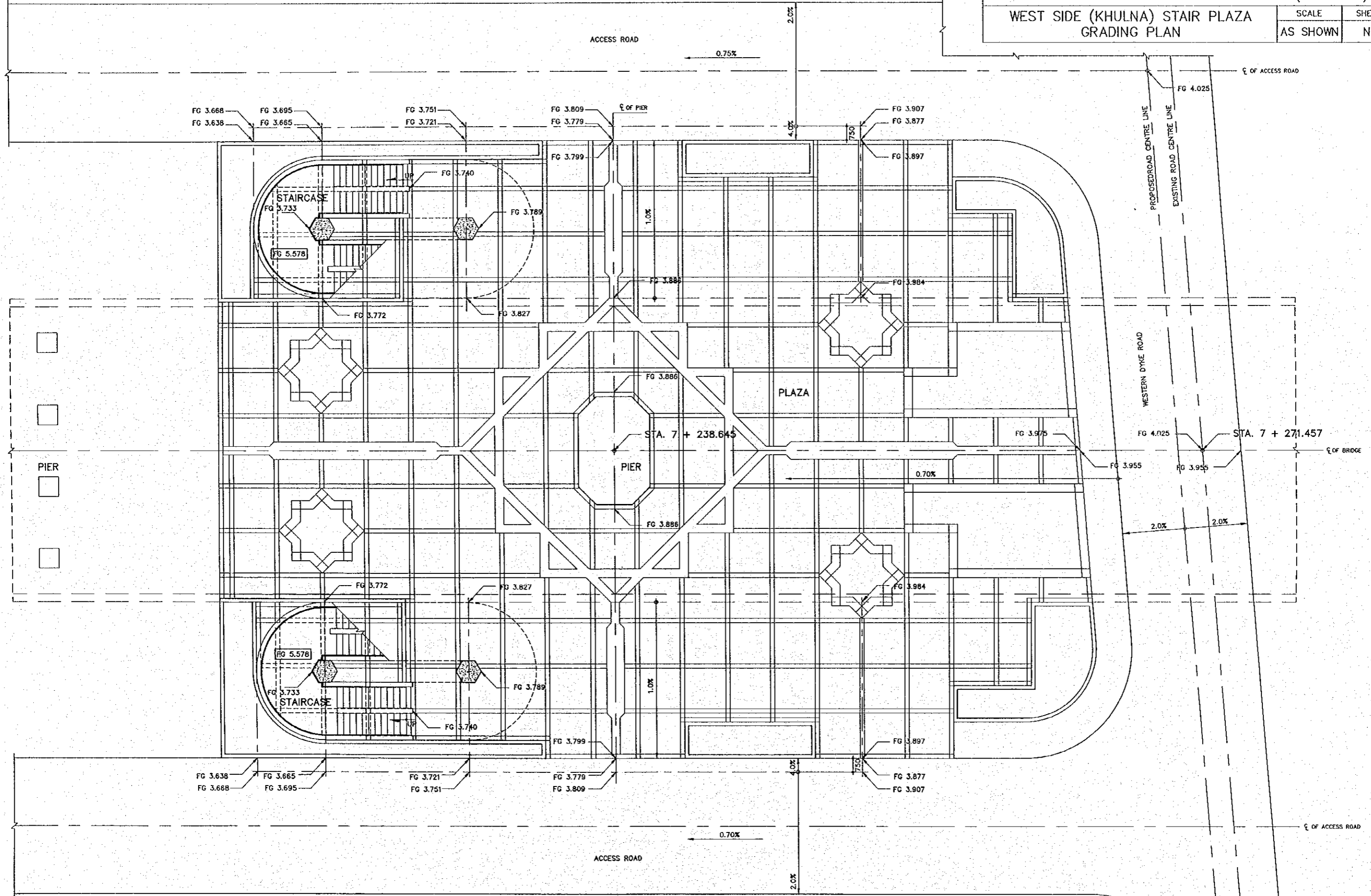


1 PAVING GRID DIMENSION PLAN
N-09 SCALE 1:100

PCI:BRIDGE\DRAWINGS\STAIRCASE\FEB-20\N-09\07\02\2000 RFC

THE STUDY ON CONSTRUCTION OF THE BRIDGE
OVER THE RIVER RUPSA IN KHULNA (PHASE 2)
WEST SIDE (KHULNA) STAIR PLAZA
GRADING PLAN

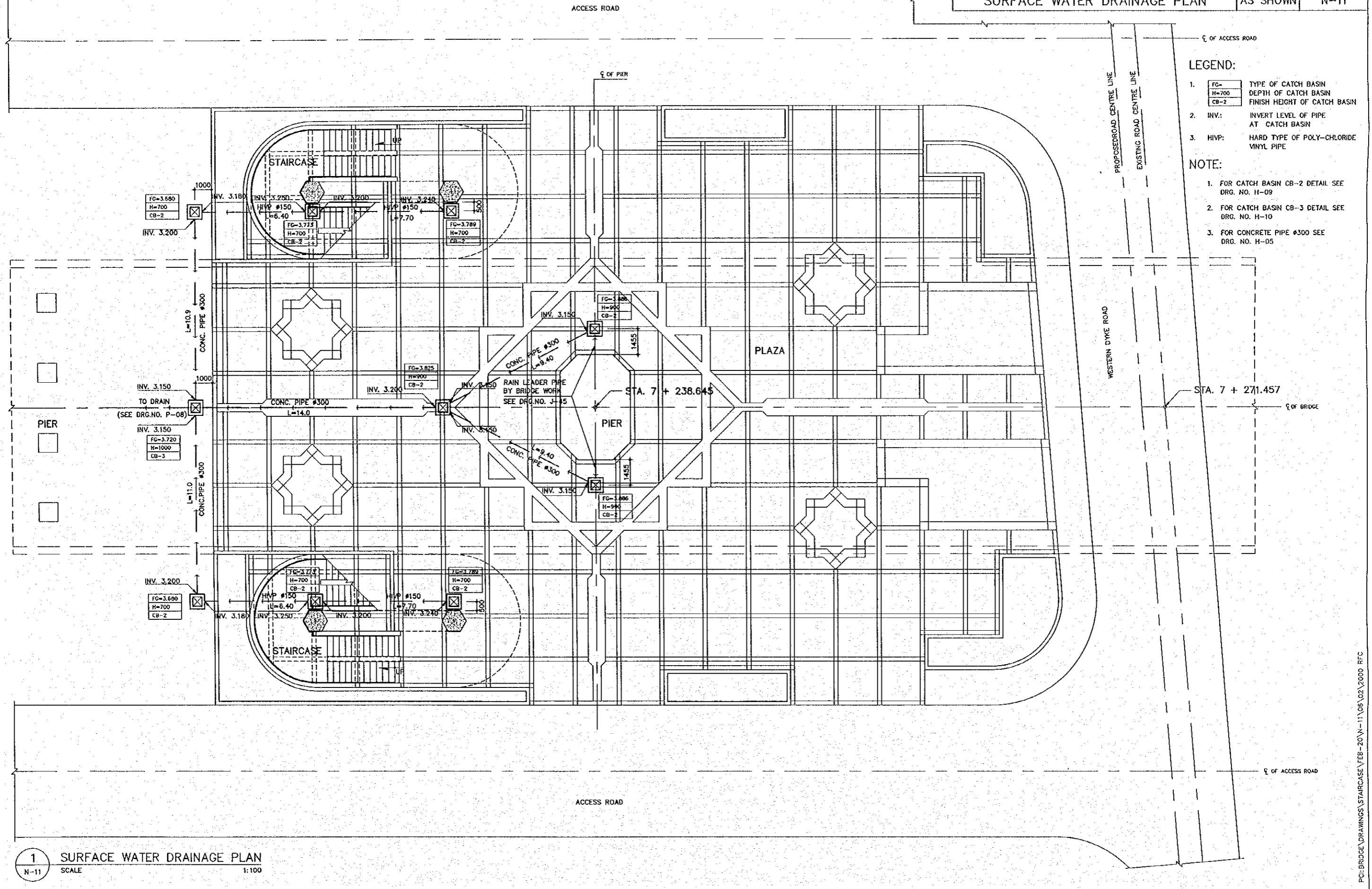
SCALE	SHEET NO.
AS SHOWN	N-10



1 GRADING PLAN
N-10 SCALE 1:100

THE STUDY ON CONSTRUCTION OF THE BRIDGE
OVER THE RIVER RUPSA IN KHULNA (PHASE 2)
WEST SIDE (KHULNA) STAIR PLAZA
SURFACE WATER DRAINAGE PLAN

SCALE AS SHOWN
SHEET NO. N-11



LEGEND:

- | | |
|-------|------------------------------|
| FG= | TYPE OF CATCH BASIN |
| H=700 | DEPTH OF CATCH BASIN |
| CB-2 | FINISH HEIGHT OF CATCH BASIN |
- | | |
|------|-------------------------------------|
| INV. | INVERT LEVEL OF PIPE AT CATCH BASIN |
|------|-------------------------------------|
- | | |
|-----|---------------------------------------|
| HVP | HARD TYPE OF POLY-CHLORIDE VINYL PIPE |
|-----|---------------------------------------|

NOTE:

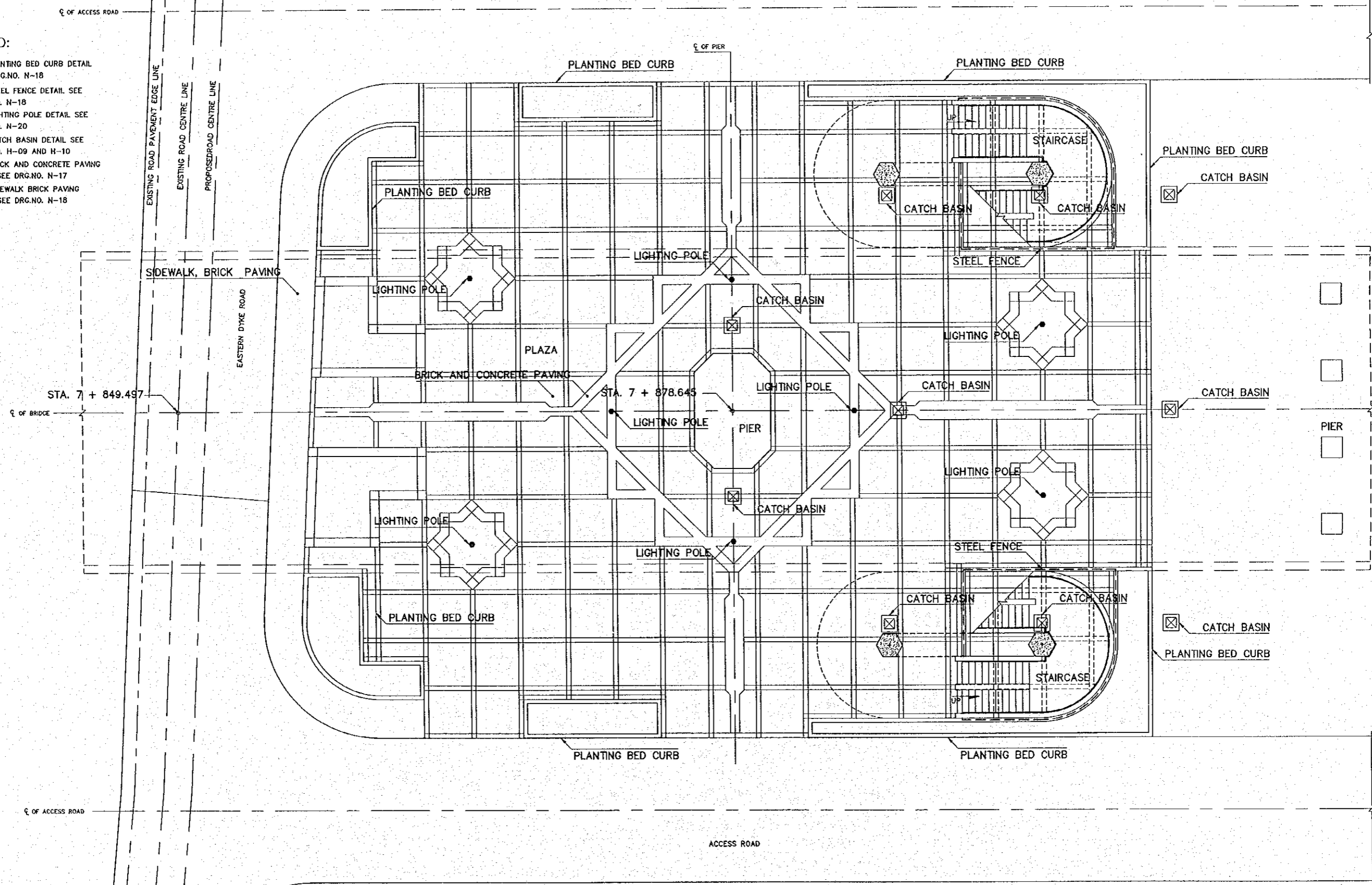
- FOR CATCH BASIN CB-2 DETAIL SEE DRG. NO. H-09
- FOR CATCH BASIN CB-3 DETAIL SEE DRG. NO. H-10
- FOR CONCRETE PIPE #300 SEE DRG. NO. H-05

THE STUDY ON CONSTRUCTION OF THE BRIDGE
OVER THE RIVER RUPSA IN KHULNA (PHASE 2)
EAST SIDE (MONGLA) STAIR PLAZA
LAYOUT PLAN

SCALE	SHEET NO.
AS SHOWN	N-12

LEGEND:

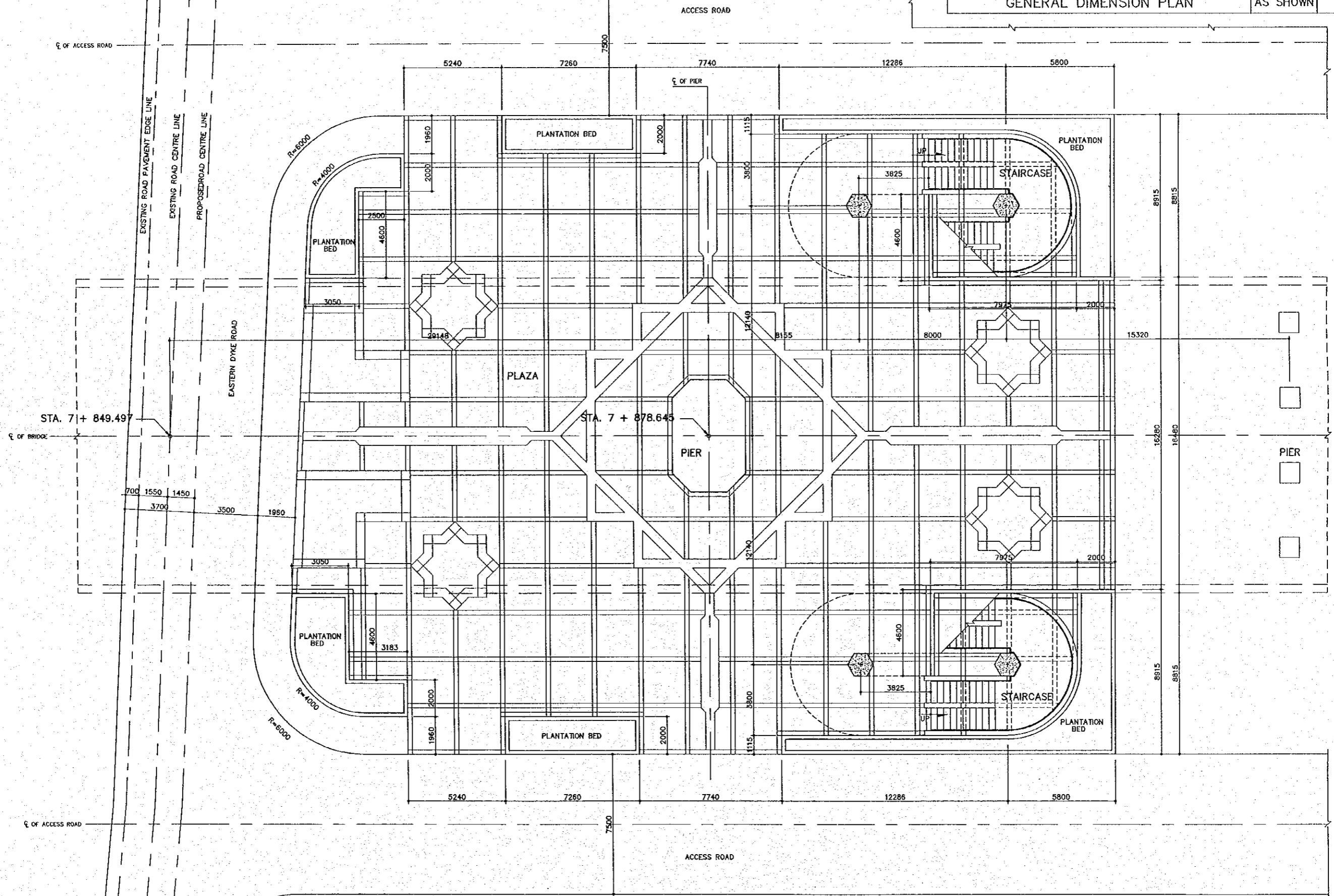
1. FOR PLANTING BED CURB DETAIL SEE DRG.NO. N-18
2. FOR STEEL FENCE DETAIL SEE DRG.NO. N-18
3. FOR LIGHTING POLE DETAIL SEE DRG.NO. N-20
4. FOR CATCH BASIN DETAIL SEE DRG.NO. H-09 AND H-10
5. FOR BRICK AND CONCRETE PAVING DETAIL SEE DRG.NO. N-17
6. FOR SIDEWALK BRICK PAVING DETAIL SEE DRG.NO. N-18



1 LAYOUT PLAN
N-12 SCALE 1:100

THE STUDY ON CONSTRUCTION OF THE BRIDGE
OVER THE RIVER RUPSA IN KHULNA (PHASE 2)
EAST SIDE (MONGLA) STAIR PLAZA
GENERAL DIMENSION PLAN

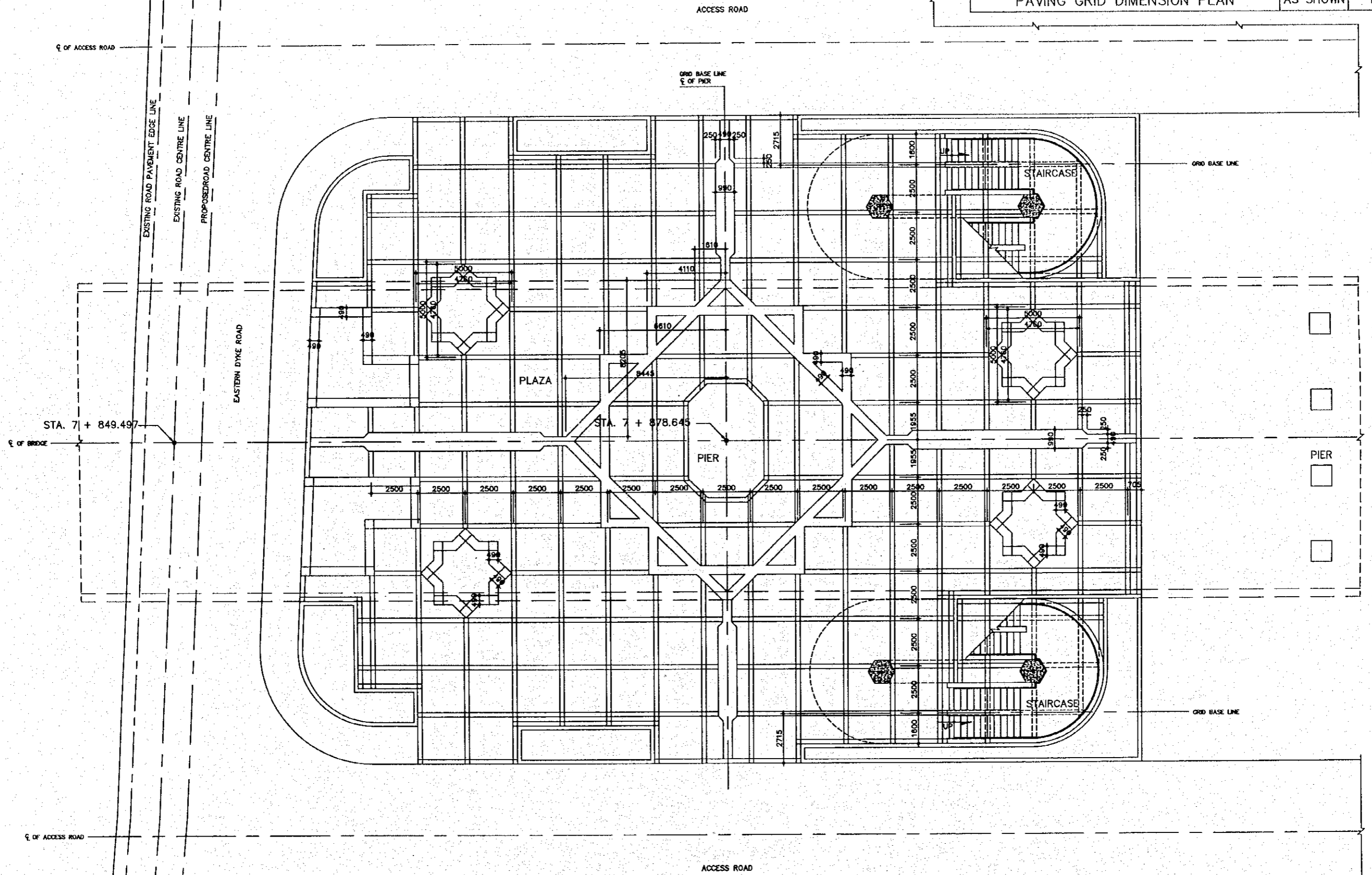
SCALE	SHEET NO.
AS SHOWN	N-13



1 GENERAL DIMENSION PLAN
N-13 SCALE 1:100

THE STUDY ON CONSTRUCTION OF THE BRIDGE
OVER THE RIVER RUPSA IN KHULNA (PHASE 2)
EAST SIDE (MONGLA) STAIR PLAZA
PAVING GRID DIMENSION PLAN

SCALE	SHEET NO.
AS SHOWN	N-14



1 PAVING GRID DIMENSION PLAN
N-14 SCALE 1:100