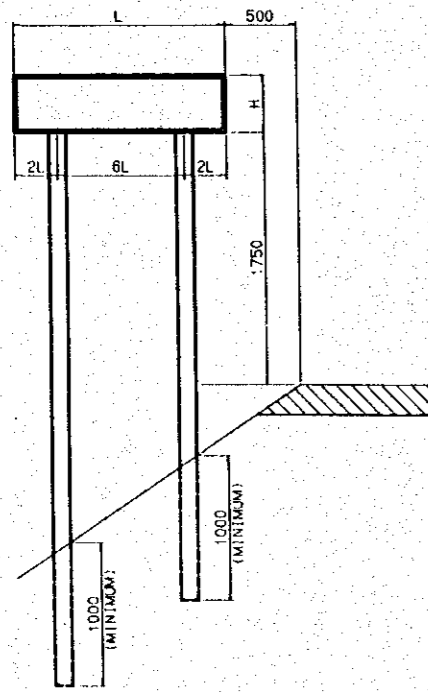
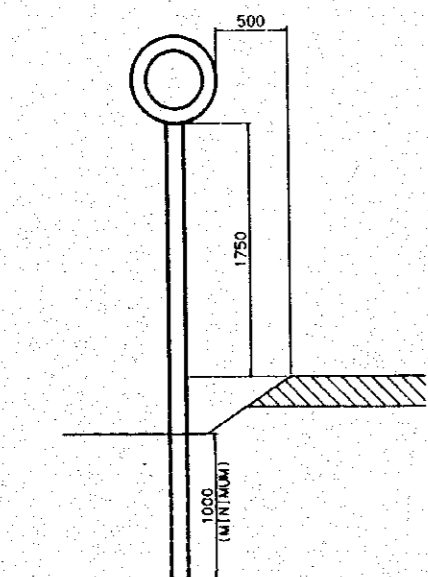


DETAIL OF TRAFFIC SIGN

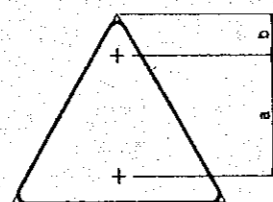
A-9-1
DETAIL OF TRAFFIC SIGN

SIGN MOUNTING DETAILS

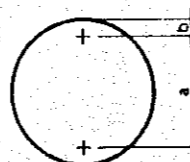
TYPICAL ELEVATIONS SCALE 1:50



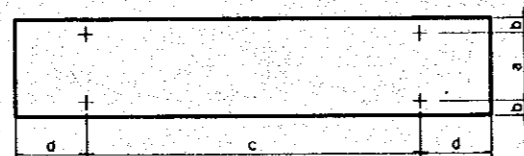
TYPE-A



TYPE-B



TYPE-C&D

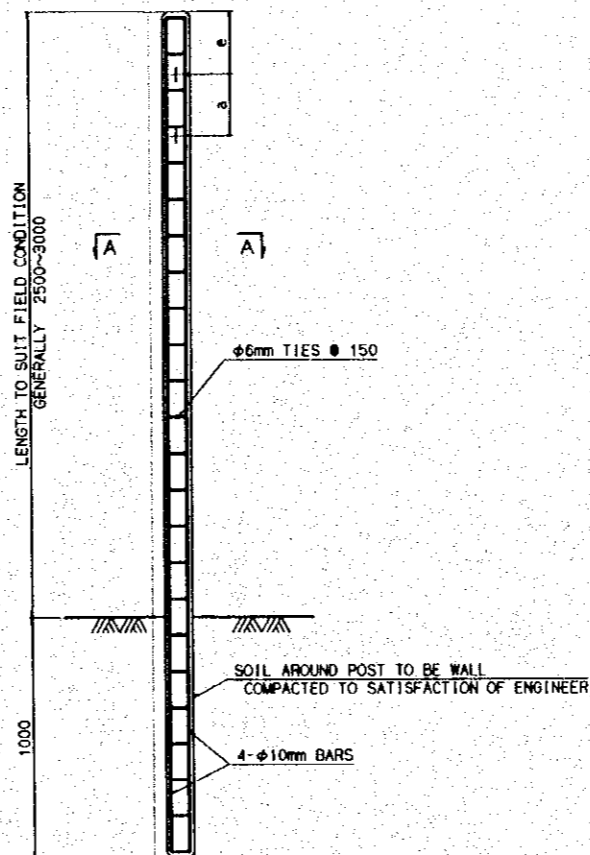


POSITION OF HOLES (mm)

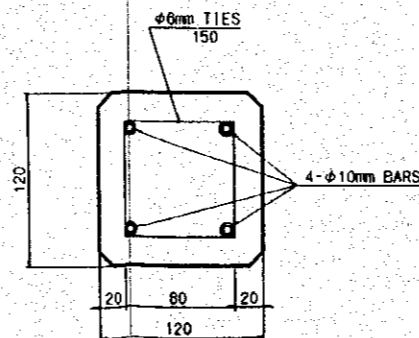
SIGN TYPE	A	B	C	D
a	500	400	450	530
b	170	70	60	60
c	-	-	6L	2L
d	-	-	6L	2L
e	60	60	60	60

NOTE:- HOLE SIZE TO SUIT
φ10mm BOLT

REINFORCED CONCRETE POST

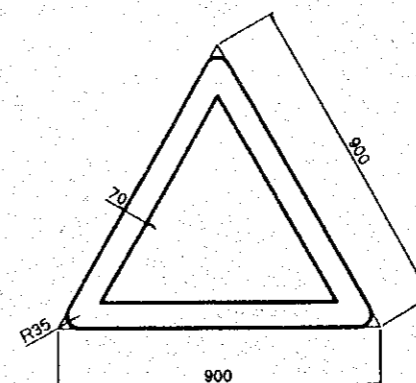


SECTION A-A
SCALE 1:5

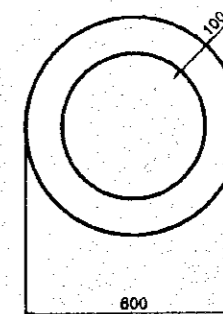


SIGN SIZE

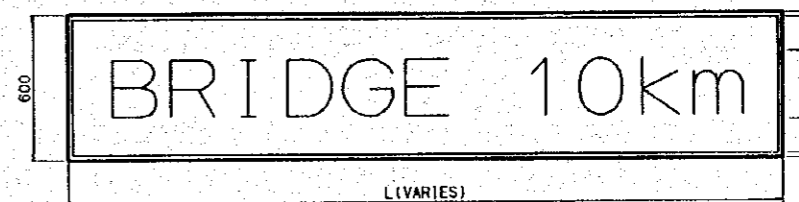
TYPE-A
SCALE 1:20



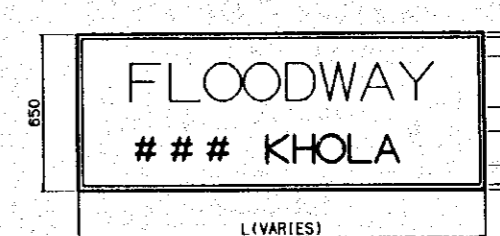
TYPE-B
SCALE 1:20



TYPE-C SCALE 1:30



TYPE-D SCALE 1:30

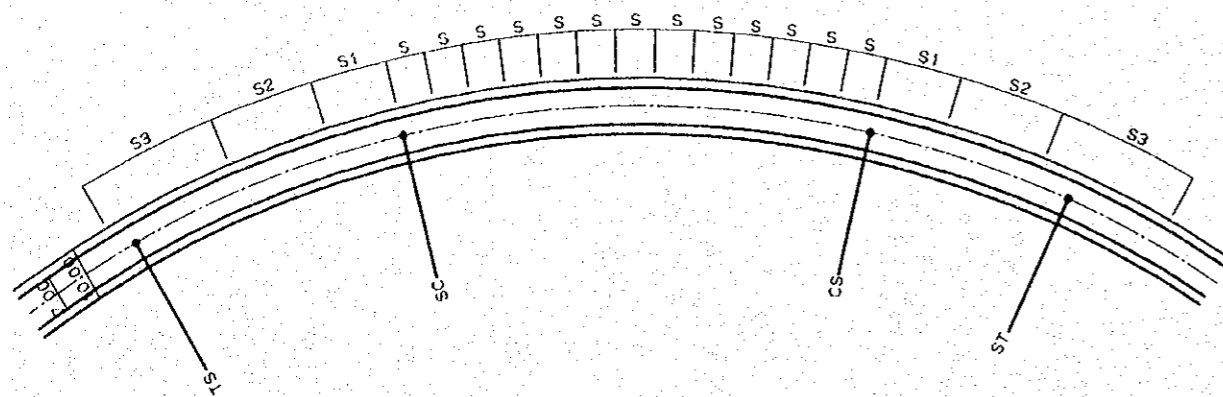


NOTE: The Types of SIGNS are as show In the Standard Designs of DOR.

DETAIL OF DELINEATORS AND GUARD BLOCK TYPE-A

A-9-2
DETAIL OF DELINEATORS
AND GUARD BLOCK TYPE-A

DELINEATORS ON HORIZONTAL CURVES

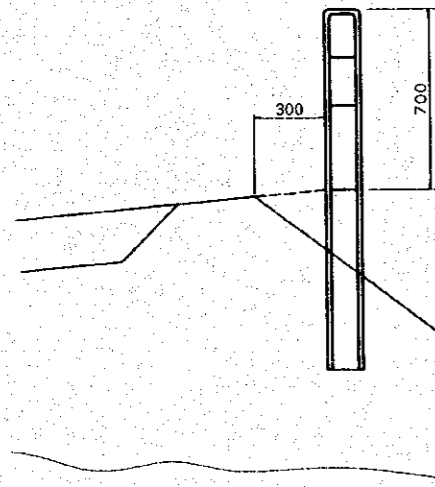


SPACING OF DELINEATORS
ON HORIZONTAL CURVES

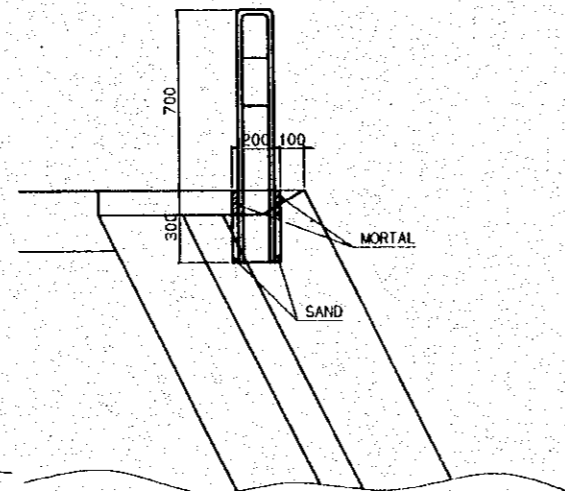
RADIUS (m)	S (m)	S1 (m)	S2 (m)	S3 (m)
20	3	5	7	12
40	5	7	10	20
60	7	10	15	28
80	9	13	22	35
100	10	15	25	40
120	11	17	28	44
140	12	19	31	48
160	13	21	34	50
180	14	23	37	50
200	15	25	40	50
300	20	30	45	50
400	30	45	50	50
500 AND OVER	NO DELINEATORS INSTALLED			

DELINEATOR INSTALLATION SECTION

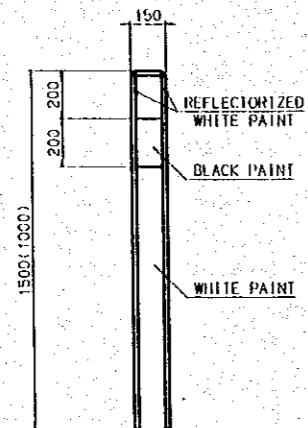
ON EARTH SLOPE



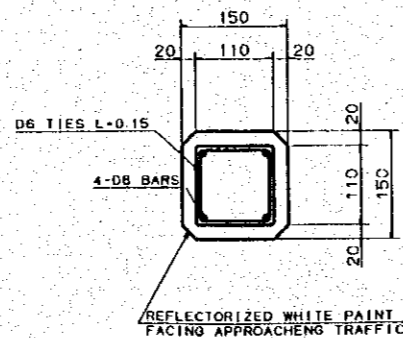
ON RETAINING WALL



DELINEATOR DETAIL SCALE 1:30

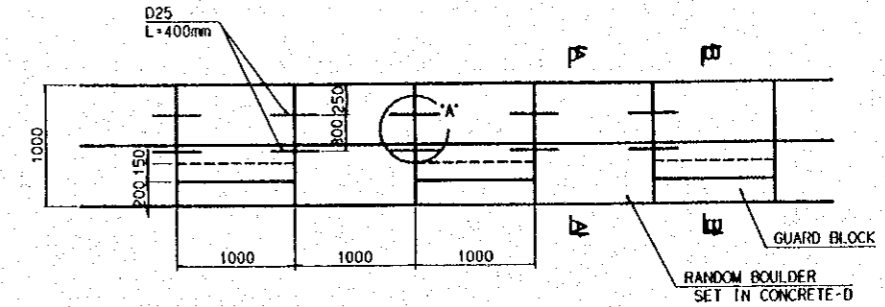


POST SECTION SCALE 1:10

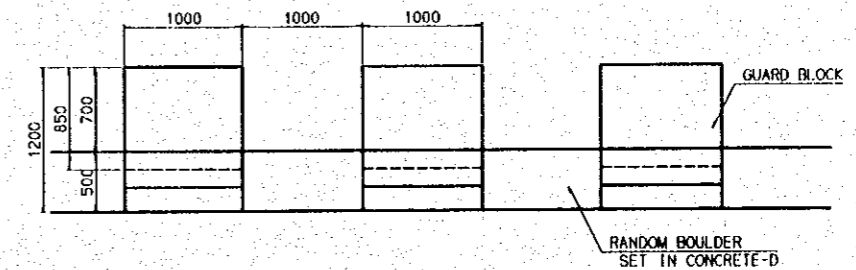


GUARD BLOCK TYPE-A SCALE 1:60

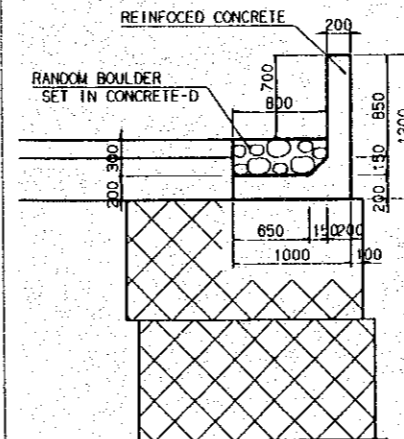
PLAN



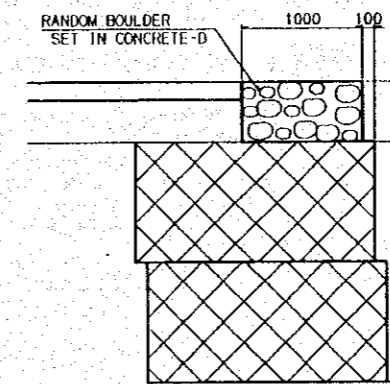
ELEVATION



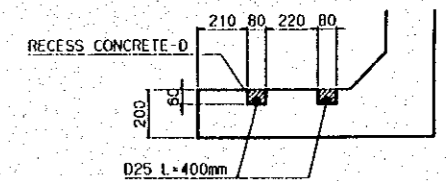
SECTION A-A



SECTION B-B



DETAIL OF 'A' SCALE 1:30



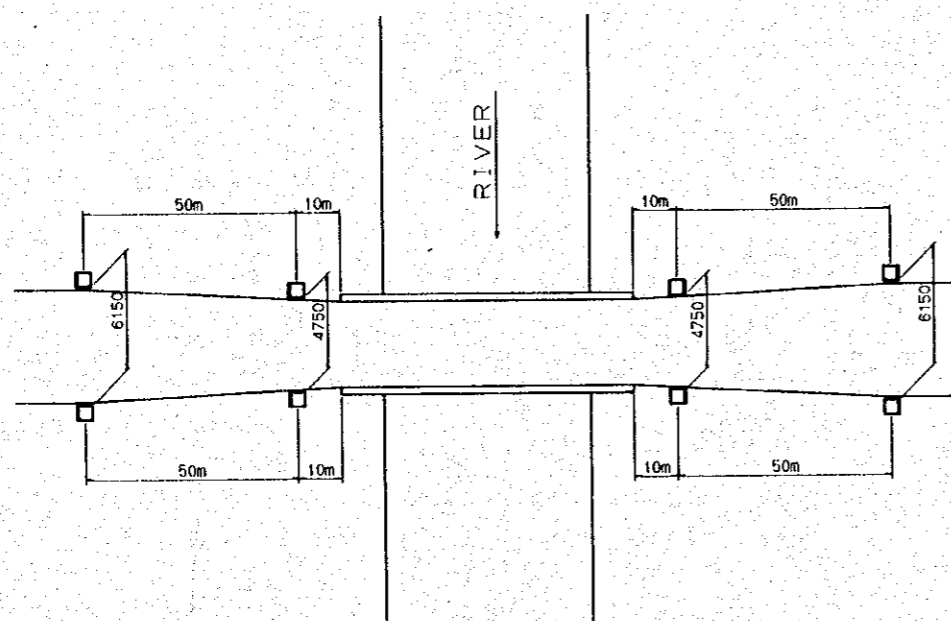
WORK QUANTITIES PER UNIT (PER 10.0 m)

ITEM	UNIT	QUANTITY	REMARKS
RANDOM BOULDER SET IN CONCRETE-D	m ³	3.64	
CONCRETE-D	m ³	0.68	
FORM	m ²	16.1	
BAR	kg	154	

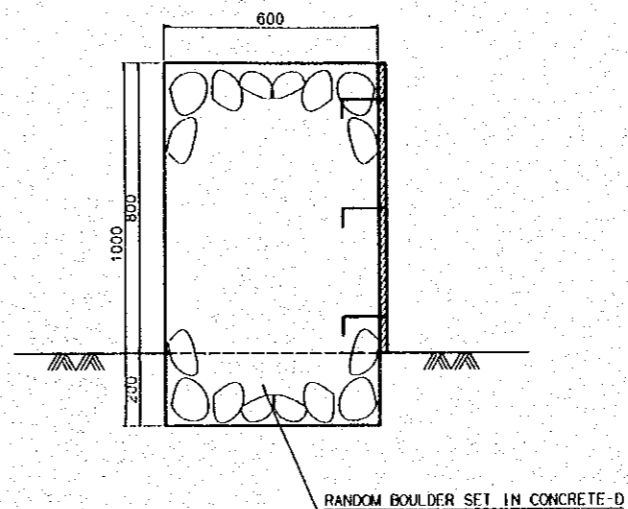
DETAIL OF GUARD BLOCK TYPE-B

A-9-3
 DETAIL OF
 GUARD BLOCK TYPE-B

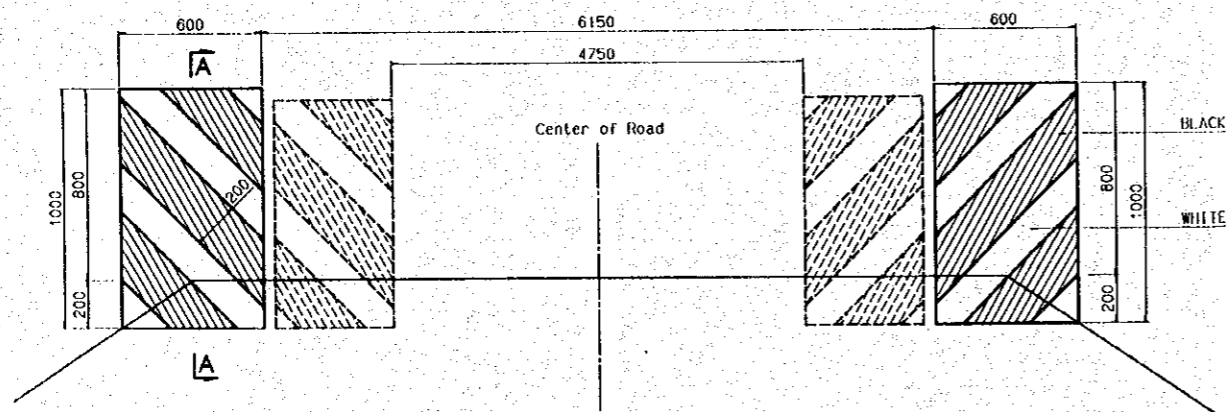
PLAN NOT TO SCALE



SECTION A-A SCALE 1:20



ELEVATION NOT TO SCALE

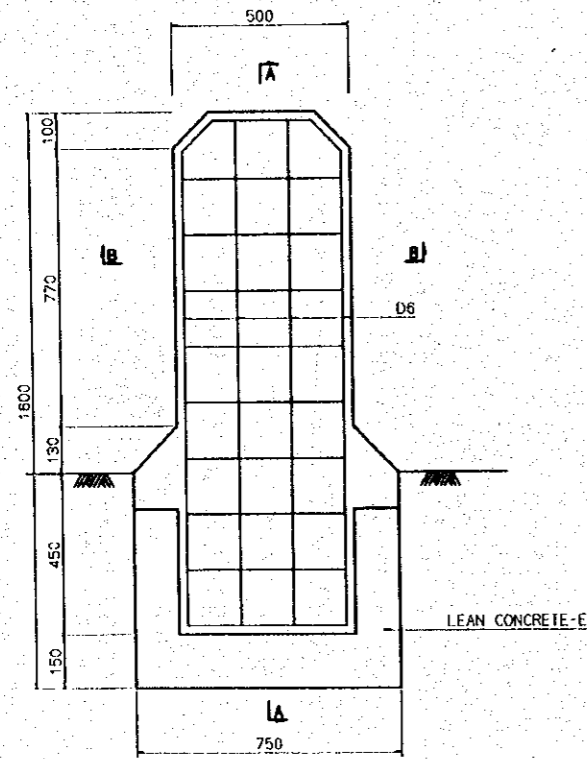


DETAIL OF DISTANCE SIGN SCALE 1:20

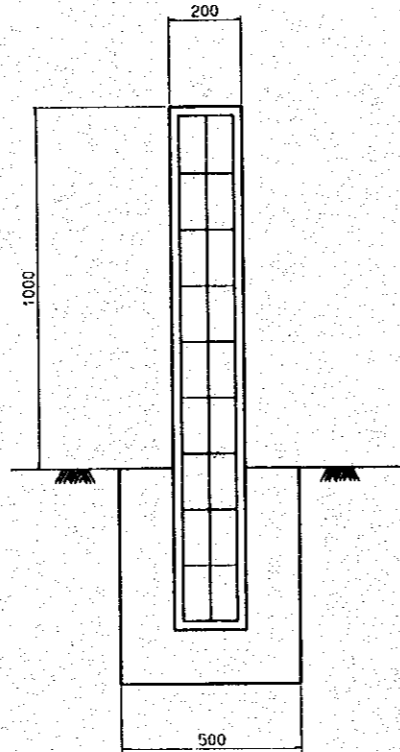
A-9-4
DETAIL OF DISTANCE SIGN

DISTANCE SIGN 5KM

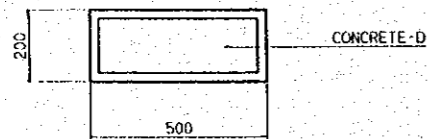
ELEVATION



SECTION A-A



SECTION B-B

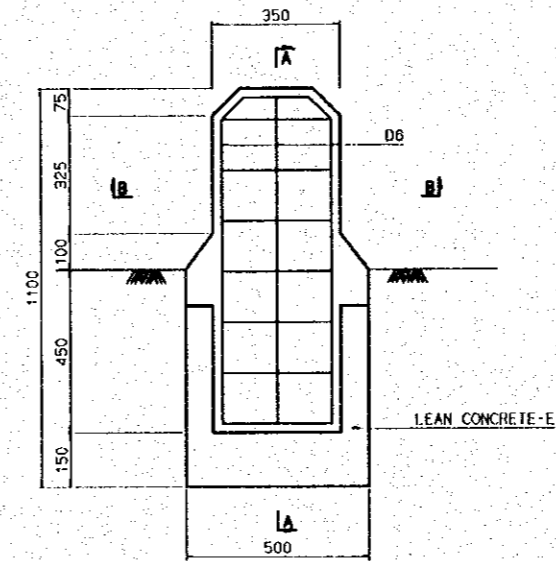


MATERIALS LIST (PER 1 UNIT)

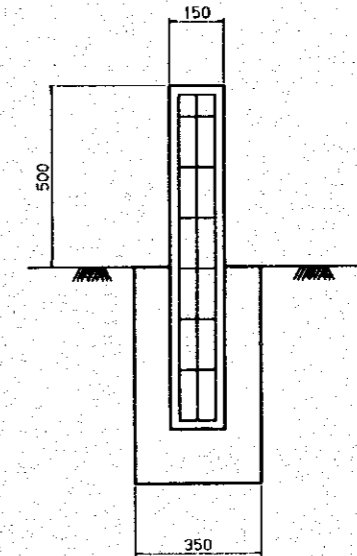
ITEM	UNIT	QUANTITY	REMARKS
CONCRETE-D	m ³	0.15	
LEAN CONCRETE-E	m ³	0.10	
REINFORCEMENT BAR $\phi 6$	kg	6	
FORM-WORK	m ²	1.95	
EXCAVATION	m ³	0.56	
BACK-FILL	m ³	0.33	

DISTANCE SIGN 1KM

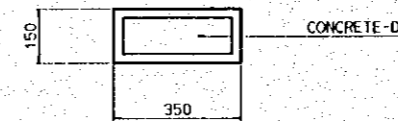
ELEVATION



SECTION A-A



SECTION B-B

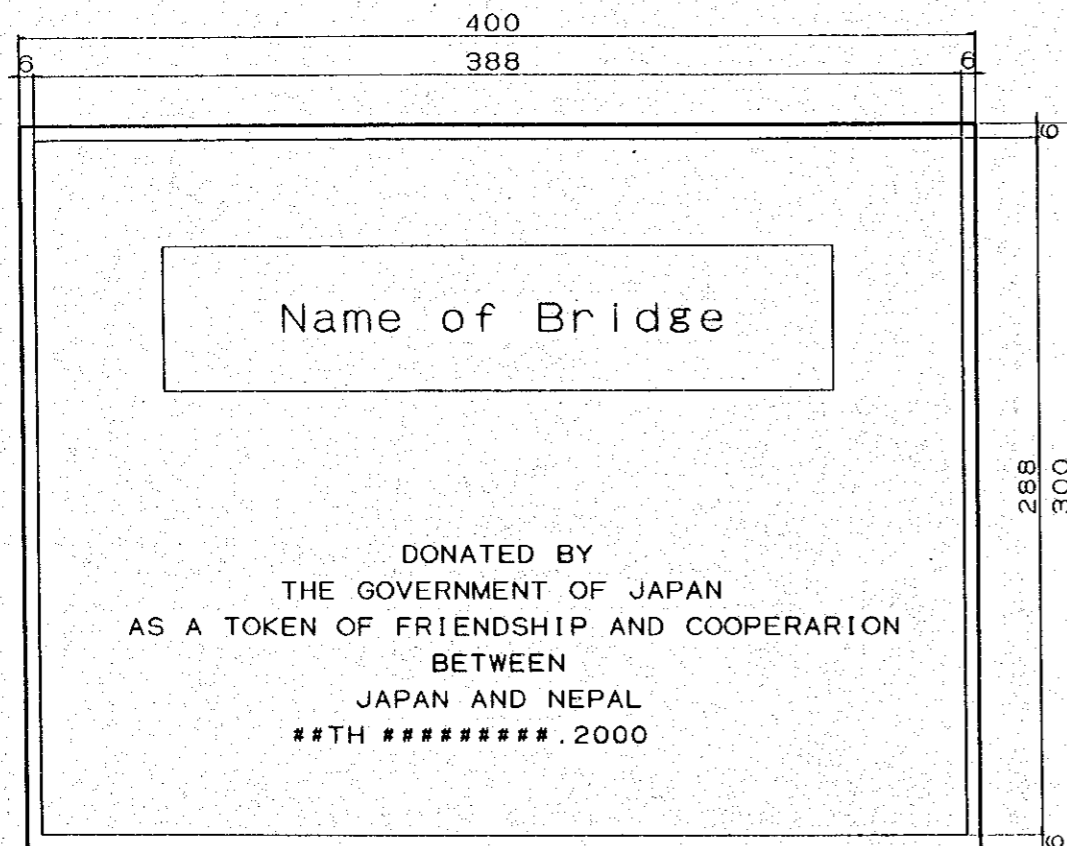


MATERIALS LIST (PER 10.0 m)

ITEM	UNIT	QUANTITY	REMARKS
CONCRETE-D	m ³	0.05	
LEAN CONCRETE-E	m ³	0.06	
REINFORCEMENT BAR $\phi 6$	t	3	
FORM-WORK	m ²	1.06	
EXCAVATION	m ³	0.40	
BACK-FILL	m ³	0.30	

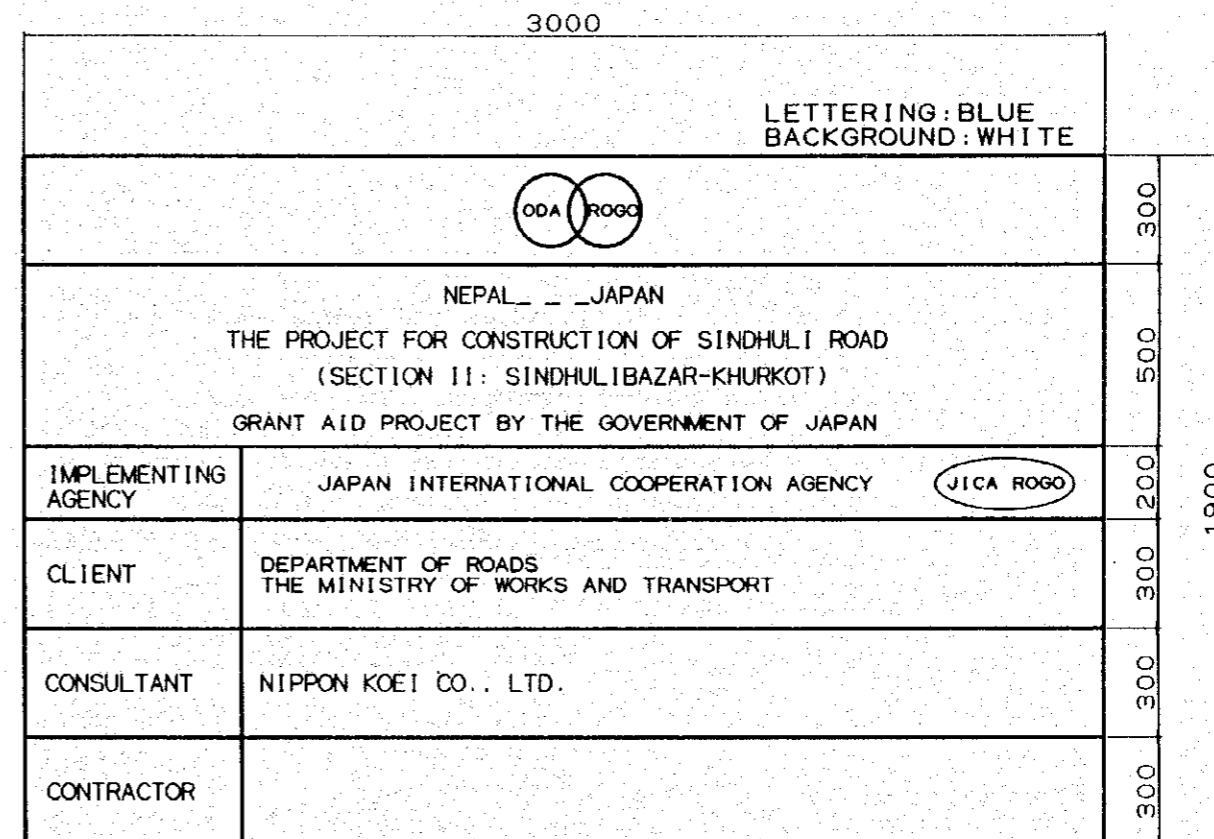
A-9-5
 BRIDGE NAME PLATE
 AND
 PROJECT INFORMATION BOARD

BRIDGE NAME PLATE
 SCALE 1:3



THE PLATE SHALL BE MADE BY MARBLE

PROJECT INFORMATION BOARD
 SCALE 1:20

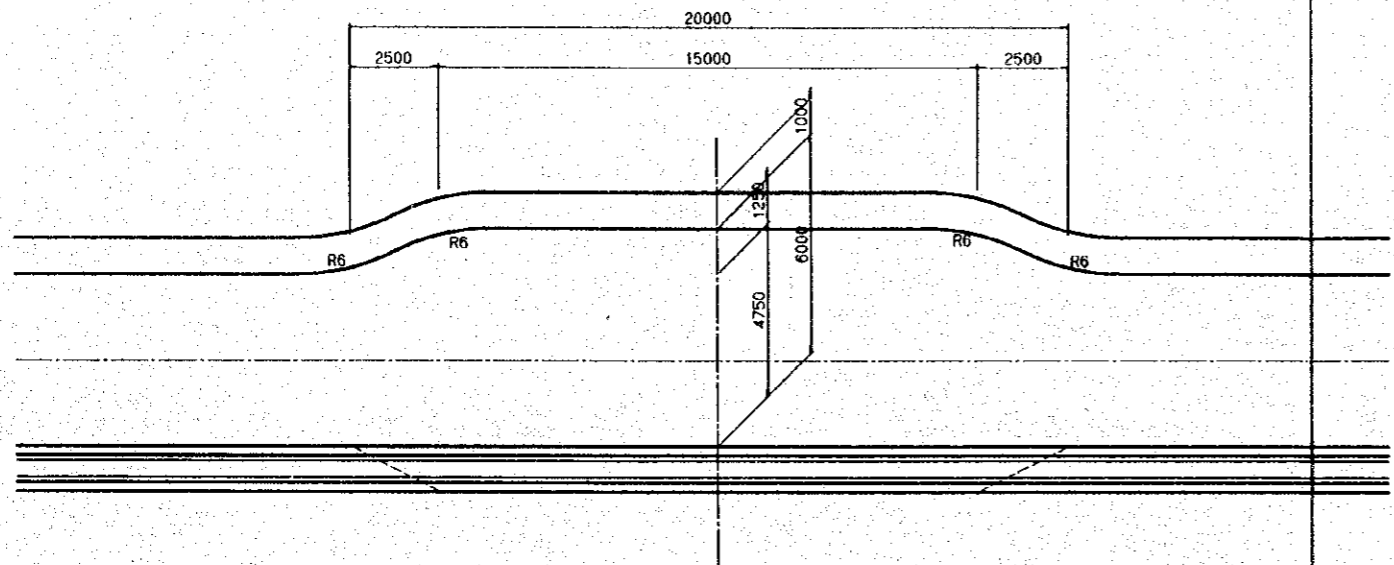


THE BOARD SHALL BE MADE BY WODDEN PANEL

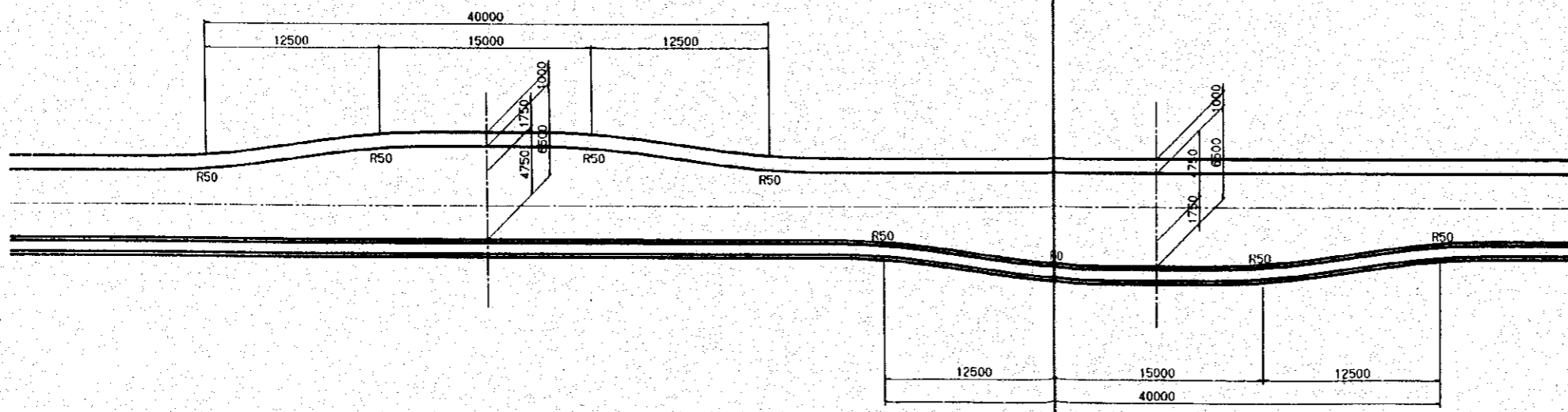
PASING PLACE AND BUS STOP PLAN

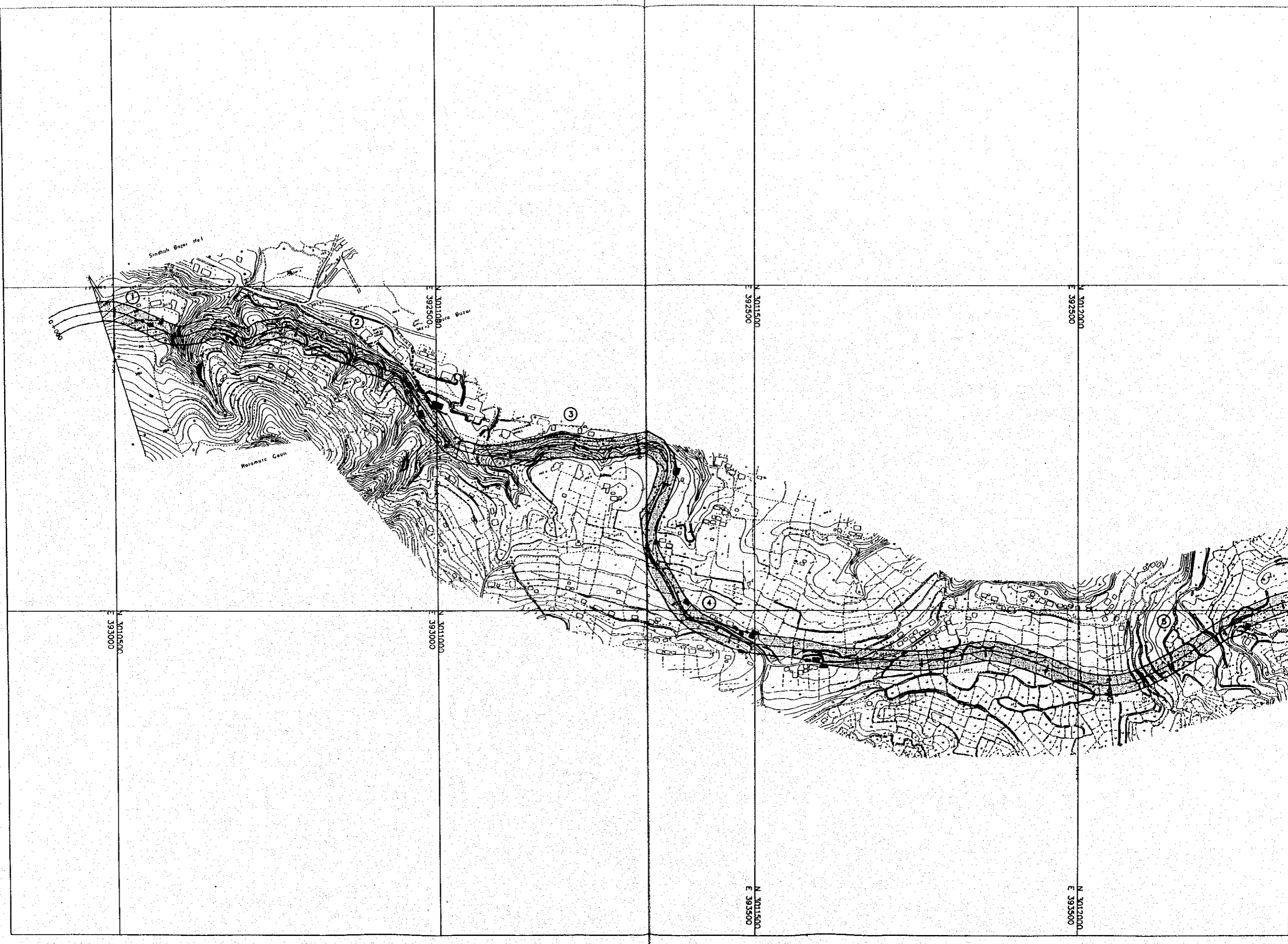
A-10-1
PASING PLACE
AND BUS STOP PLAN

PASING PLACE SCALE 1:200



BUS-STOP PLACE SCALE 1:400





Sindhu Bazar Hal

Relomate Gaun

N 1011000
E 392500

N 1011500
E 392500

N 1012000
E 392500

N 1010500
E 393000

N 1011000
E 393000

N 1011500
E 393500

N 1012000
E 393500

1

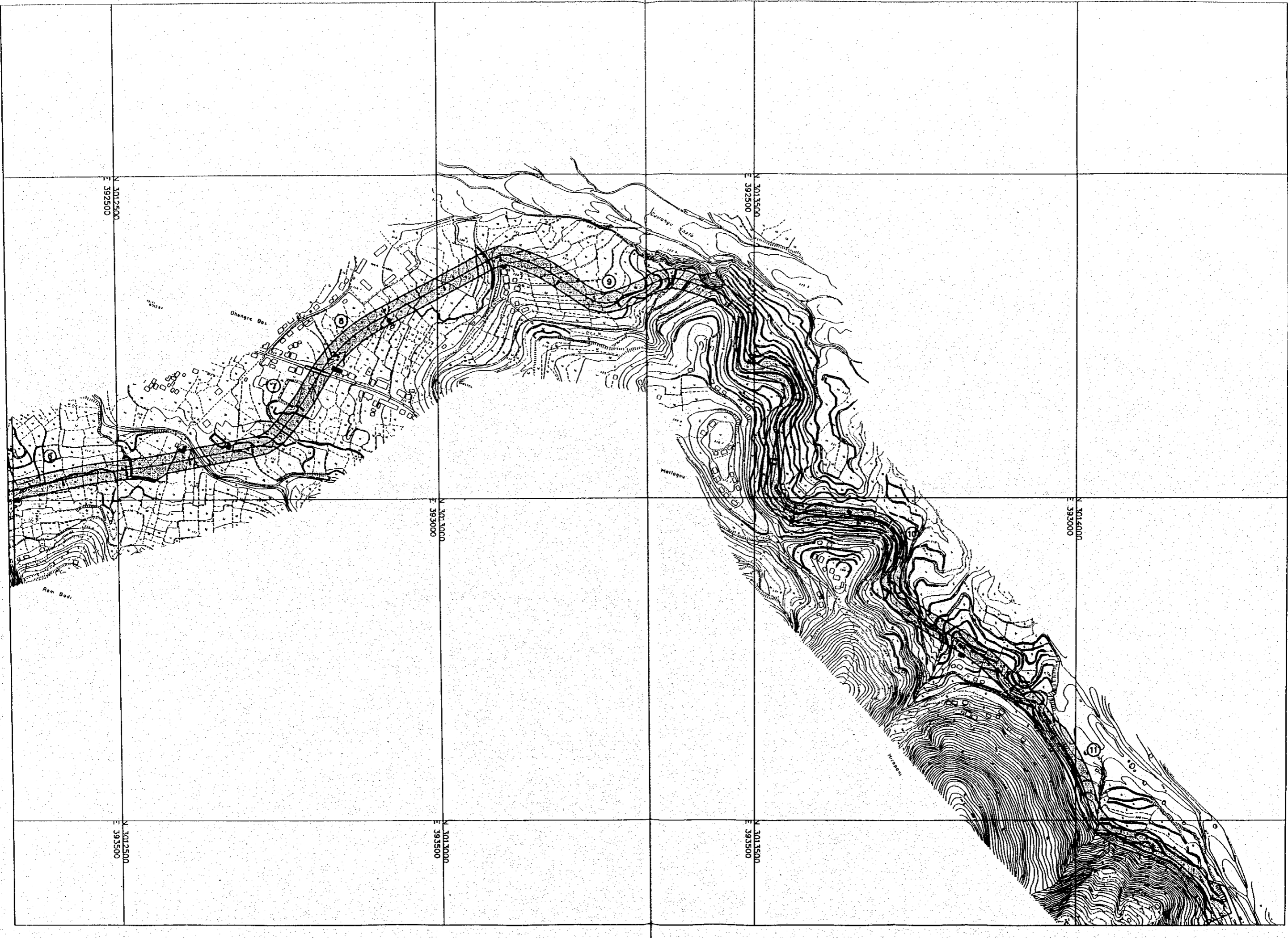
2

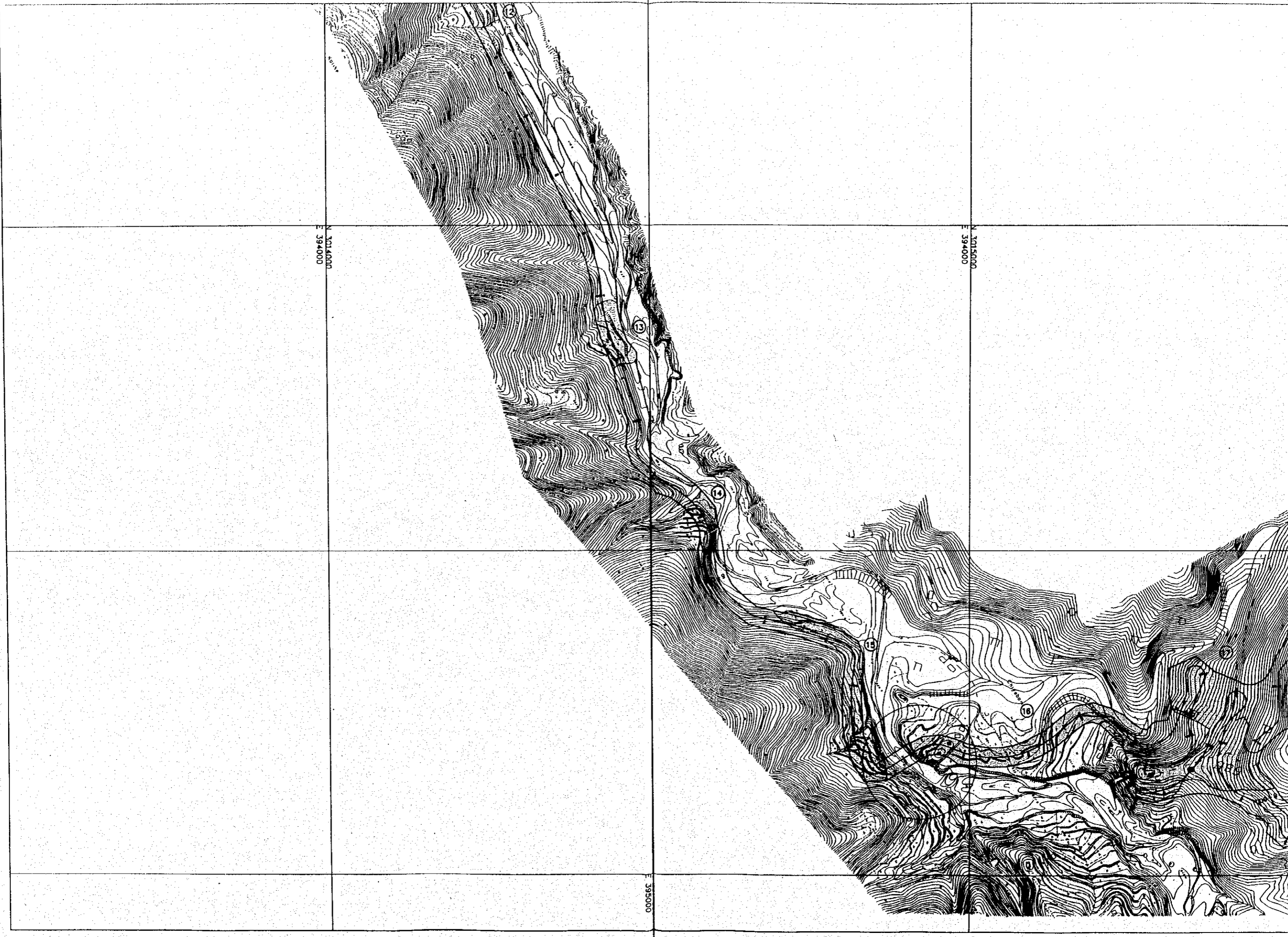
3

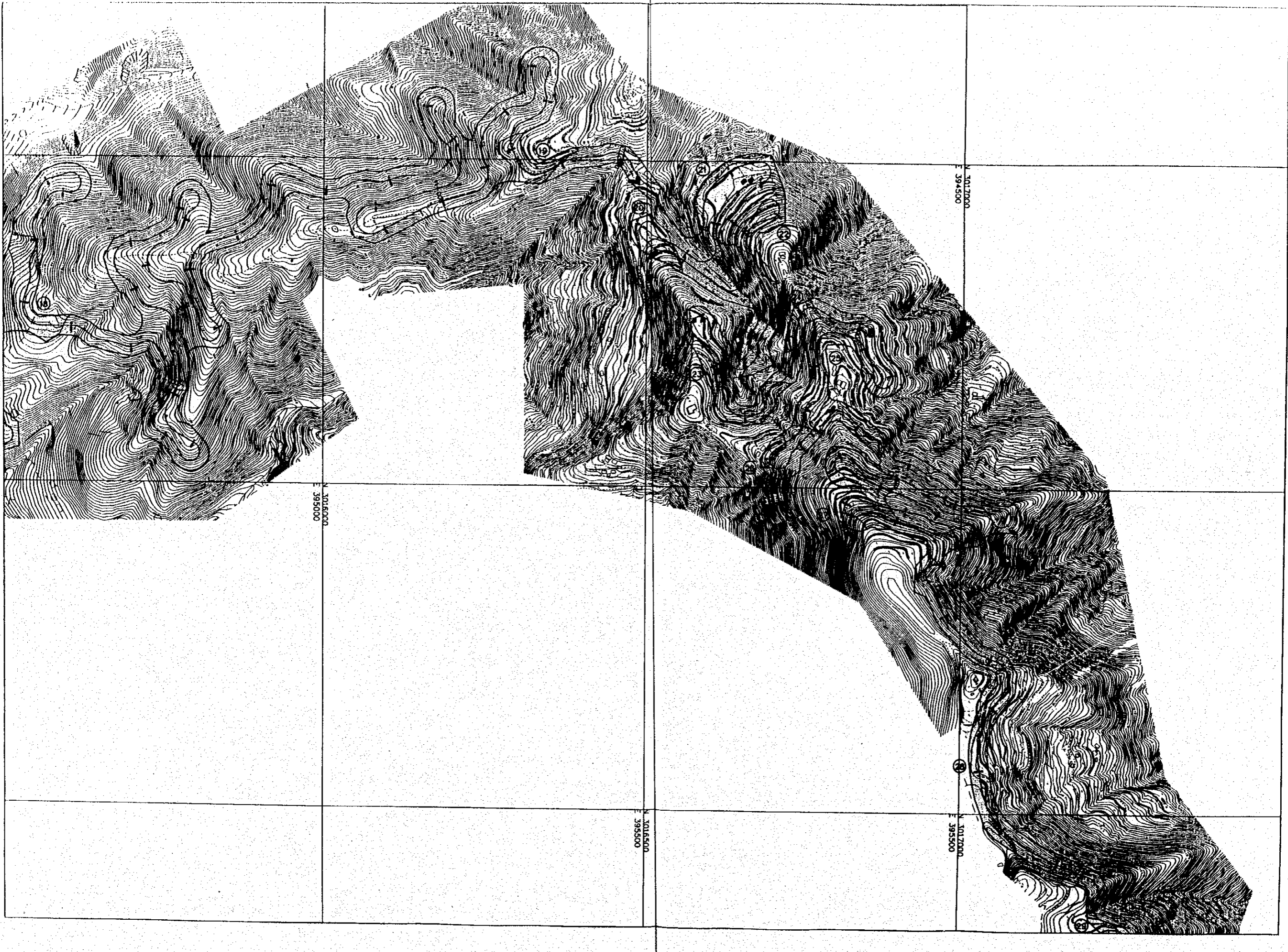
4

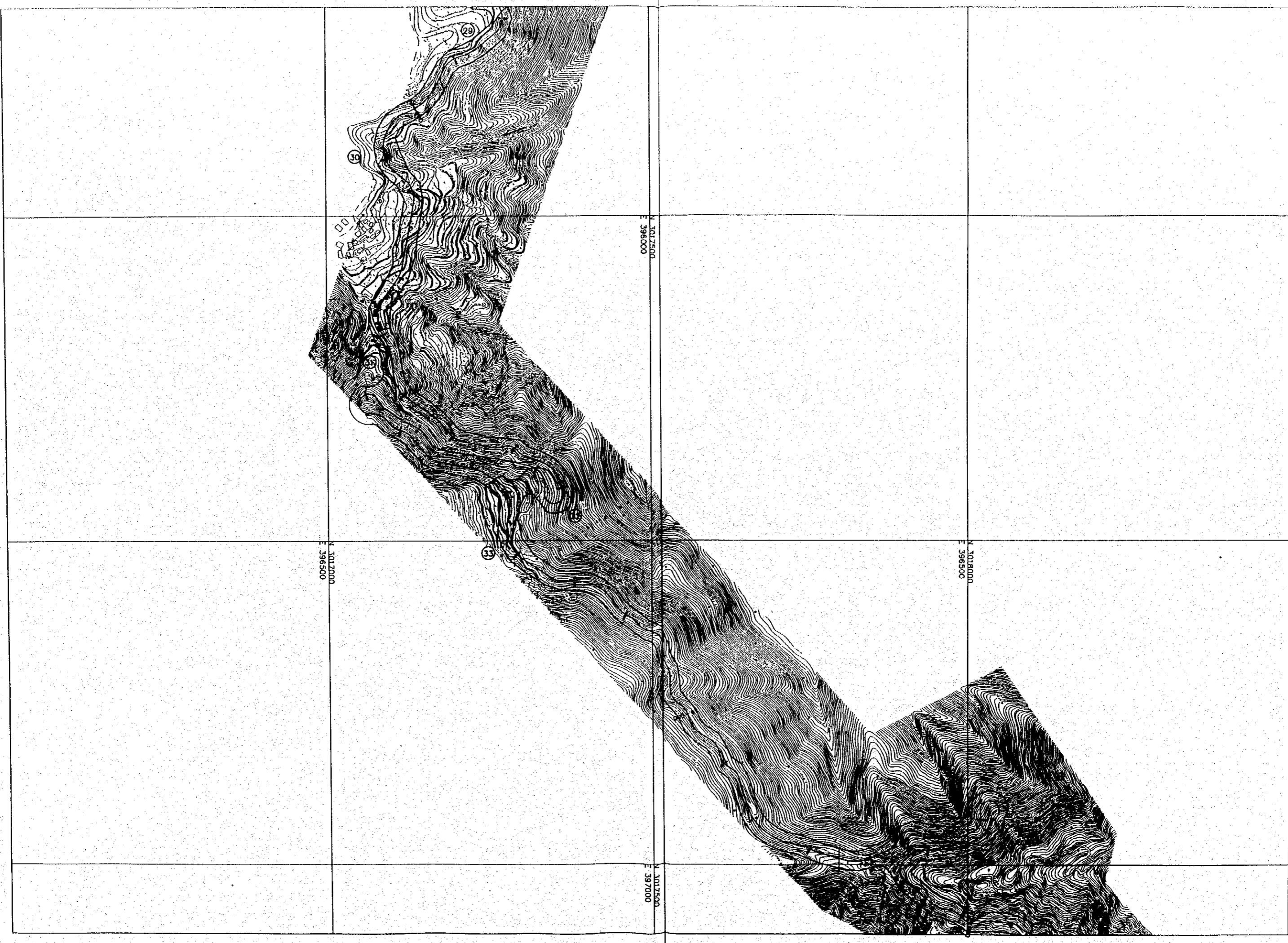
5

6









N 1017000
E 396500

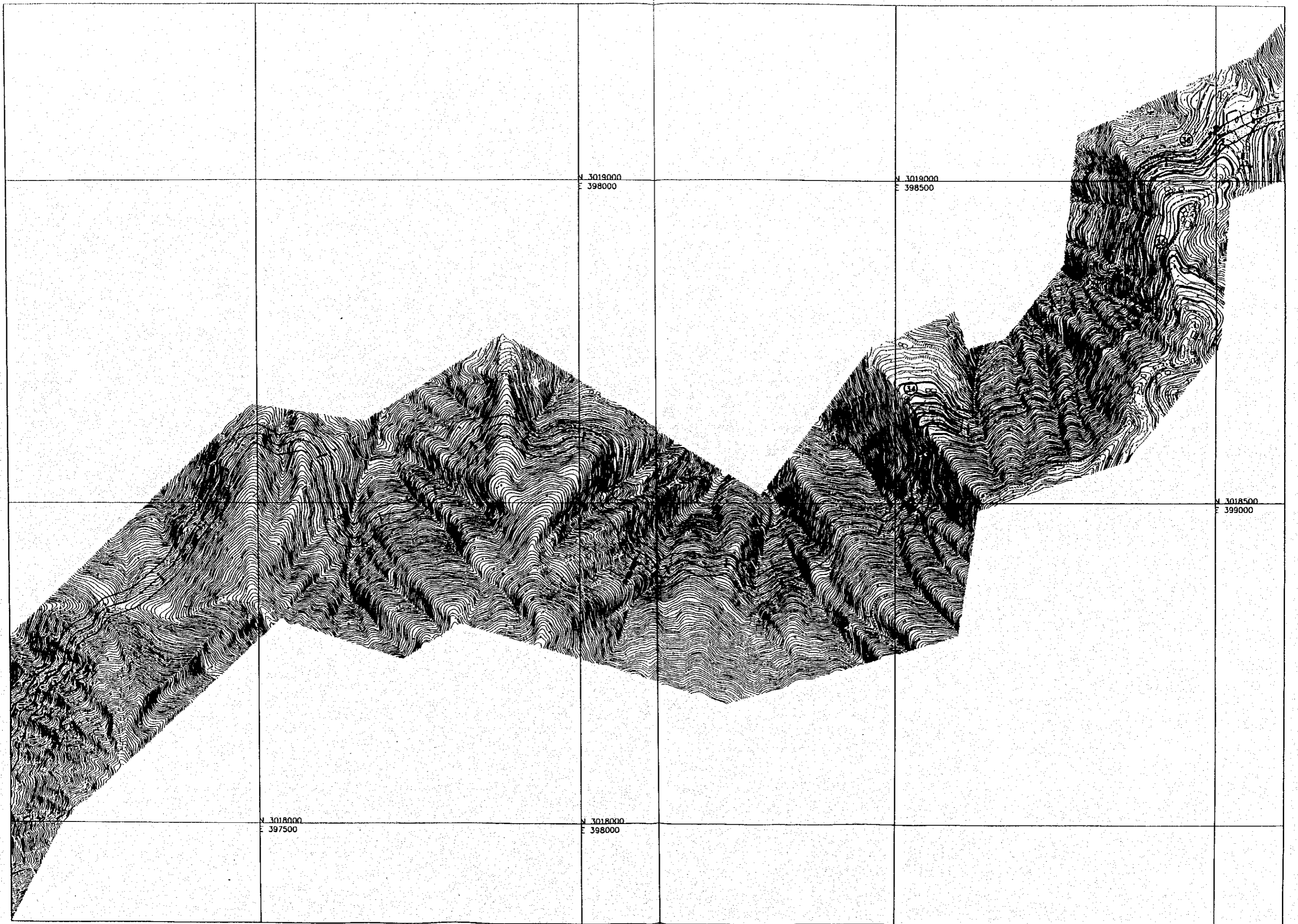
N 1017500
E 396000

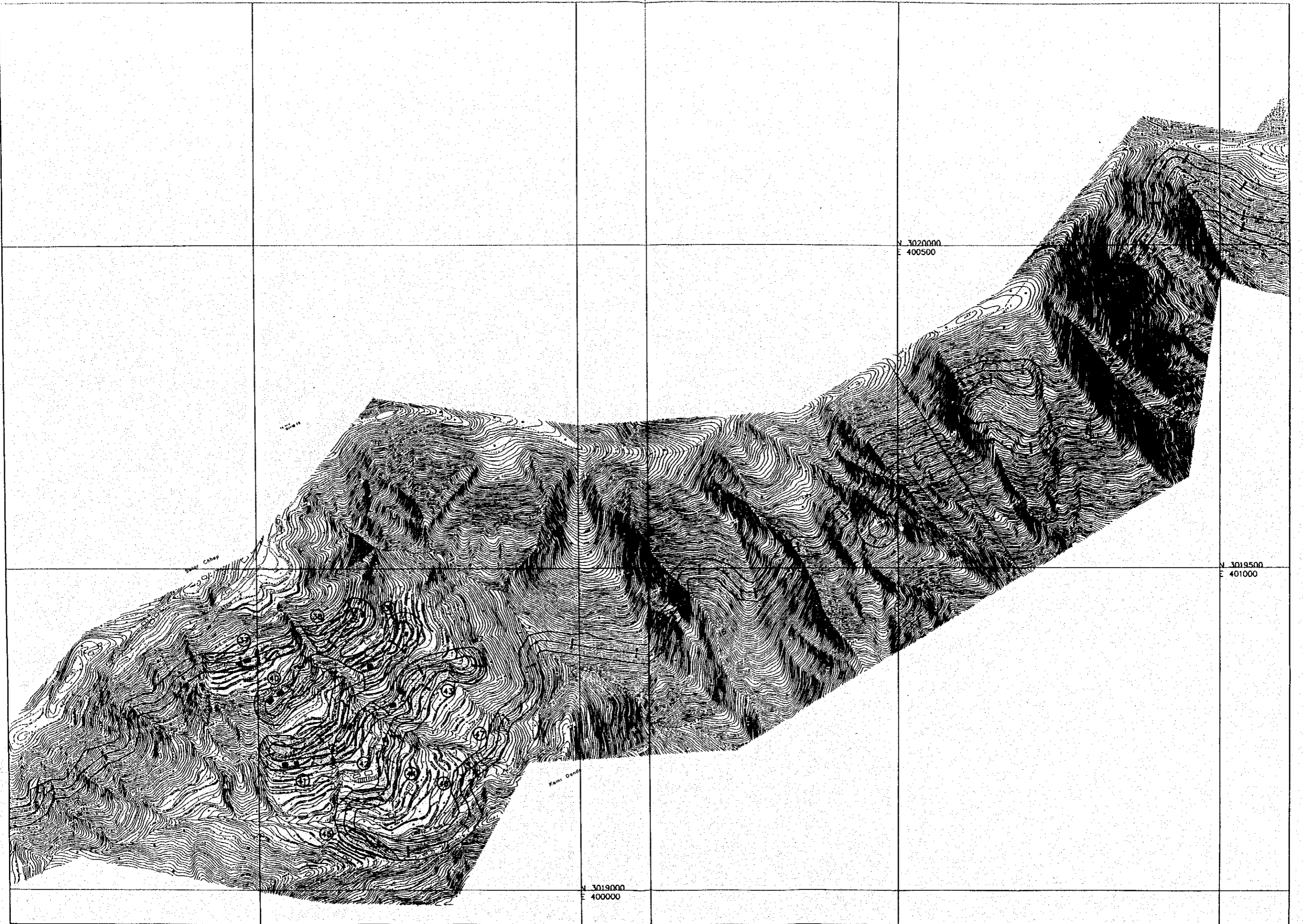
N 1018000
E 396500

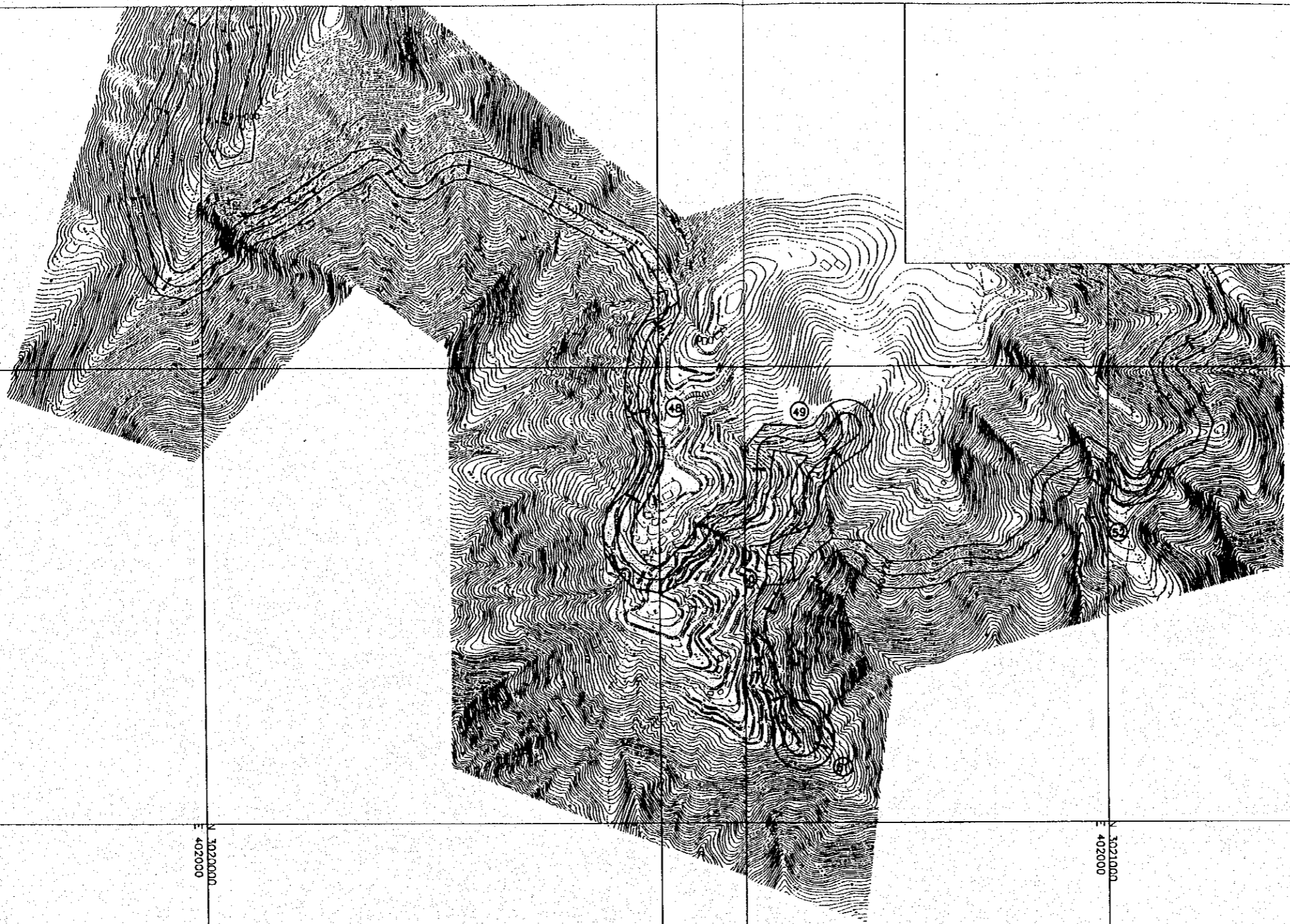
N 1017500
E 397000

29

30



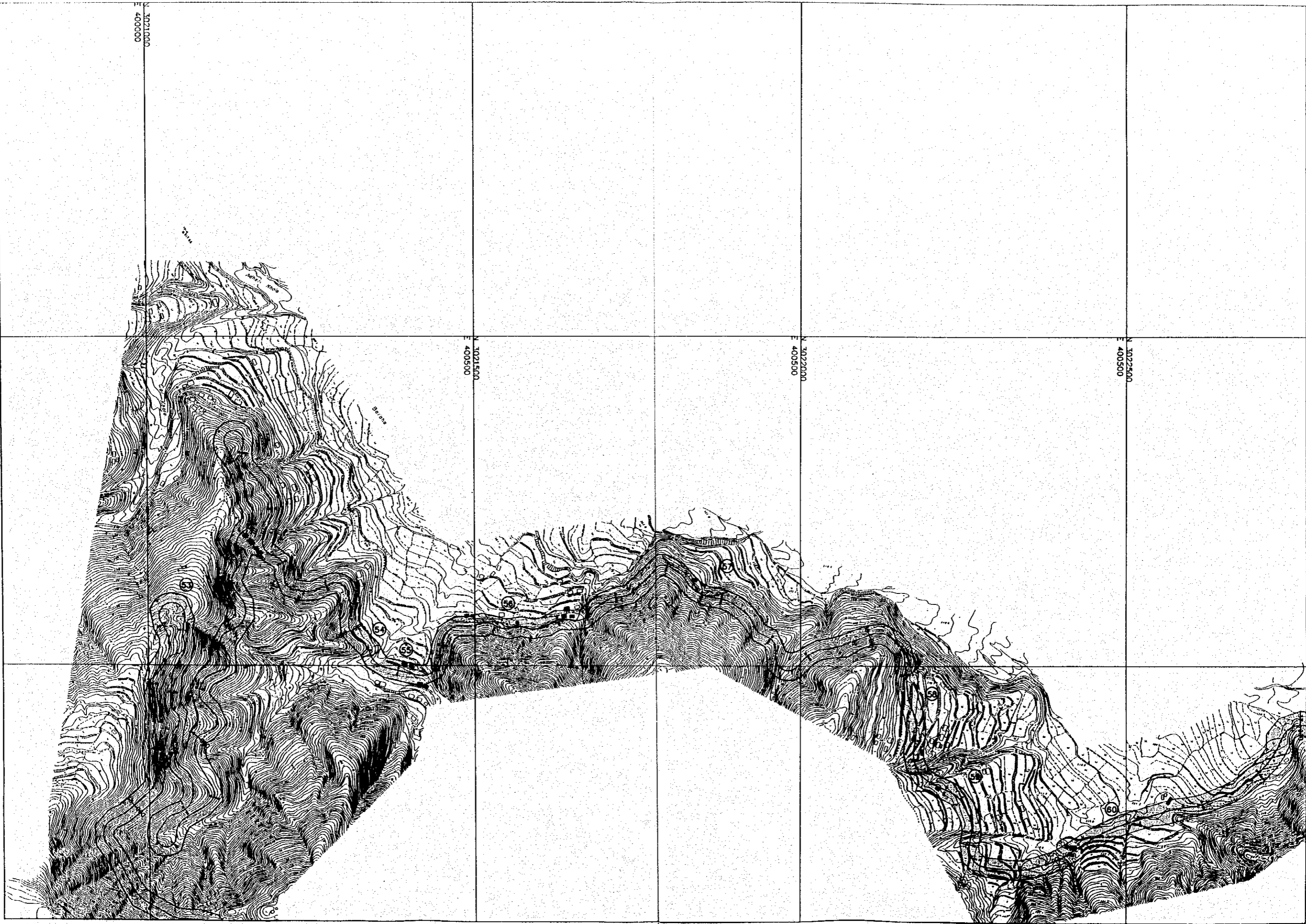


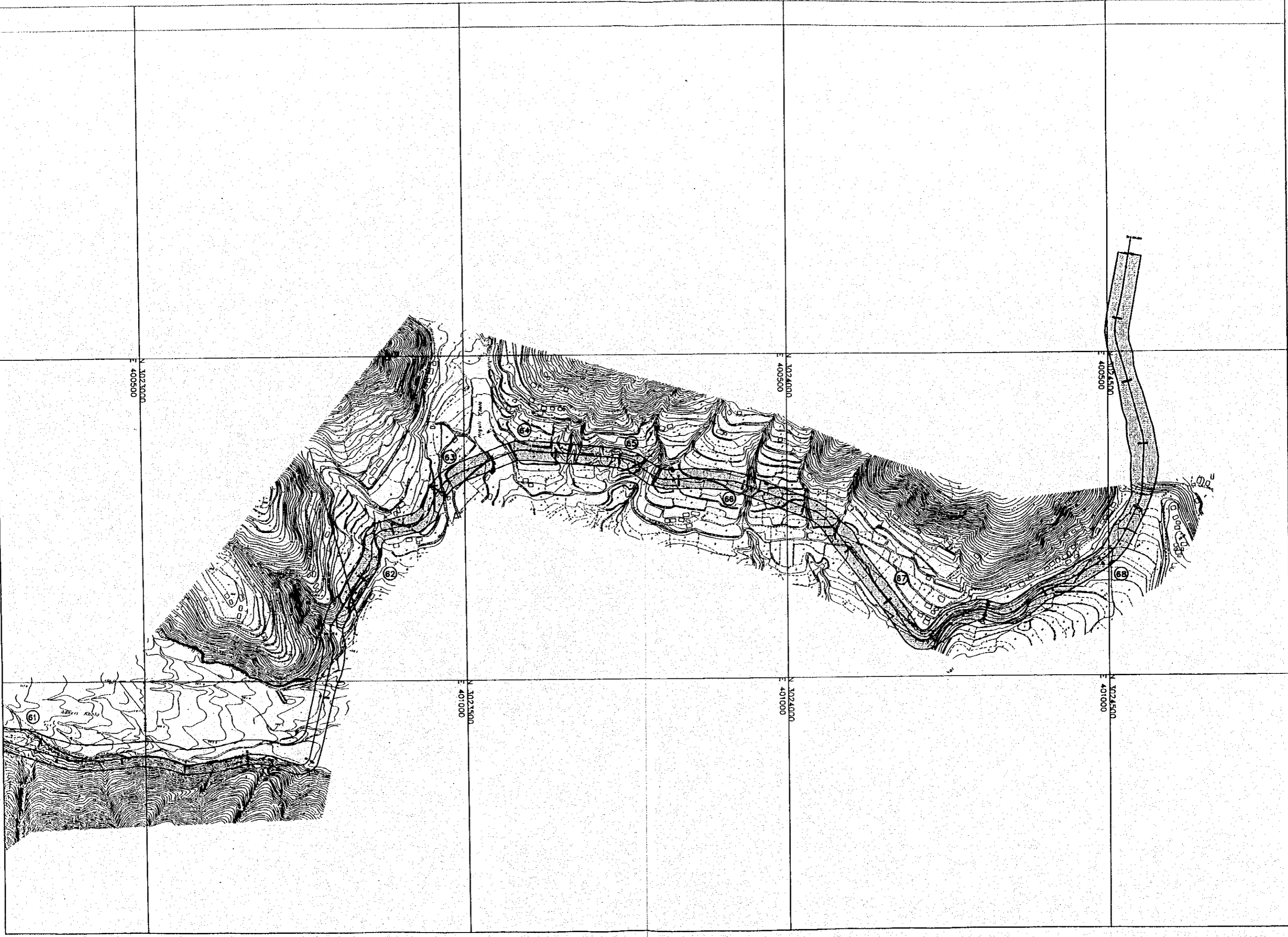


N 3020000
E 4020000

N 3021000
E 4020000

N 3021500
E 4015000





JICA