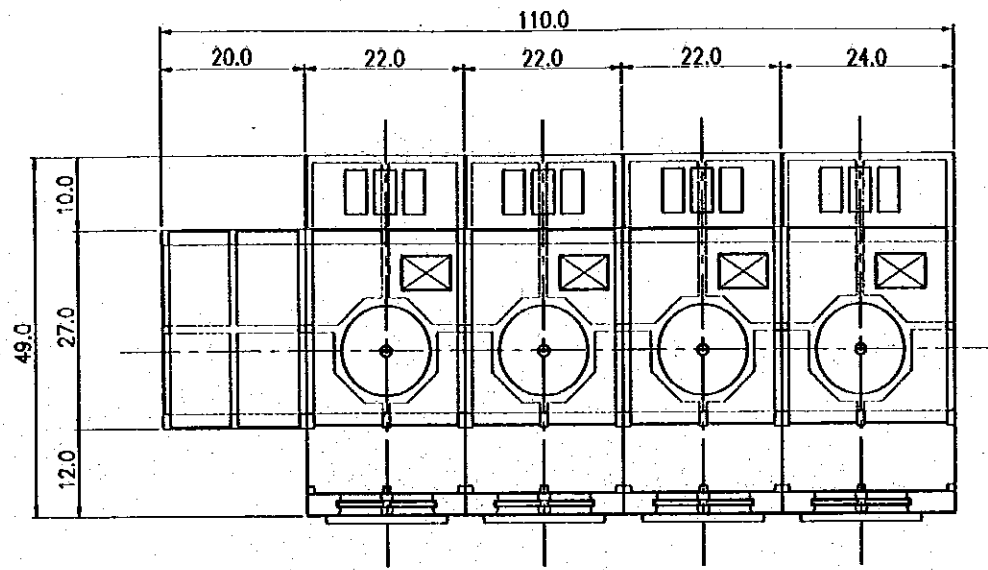


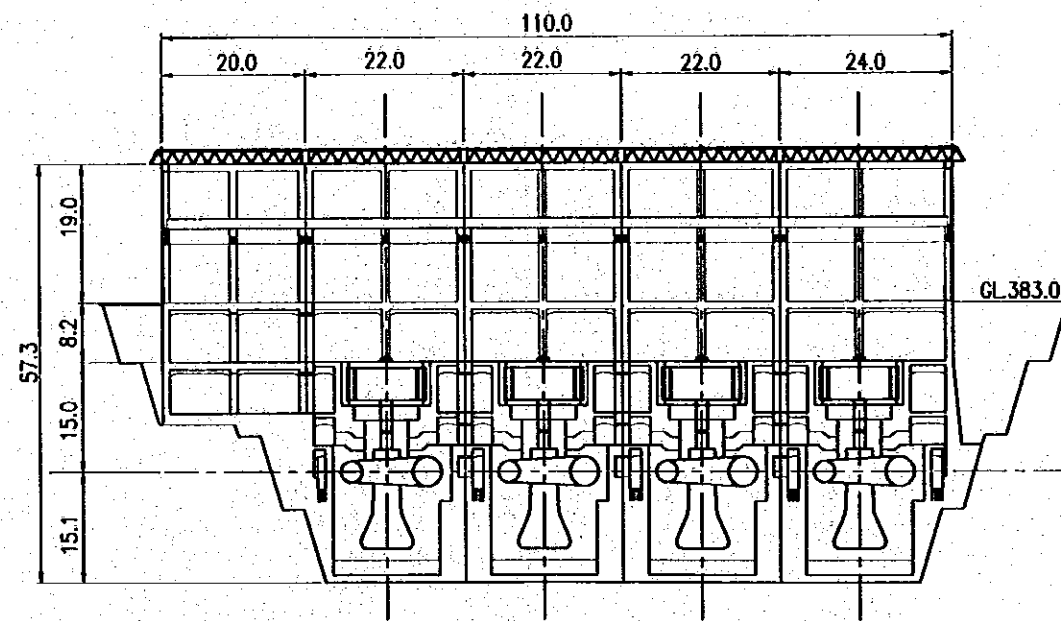
FEASIBILITY STUDY
 ON THE DEVELOPMENT OF MUNDA DAM MULTIPURPOSE PROJECT
 IN ISLAMIC REPUBLIC OF PAKISTAN
 JAPAN INTERNATIONAL COOPERATION AGENCY

図面 C10

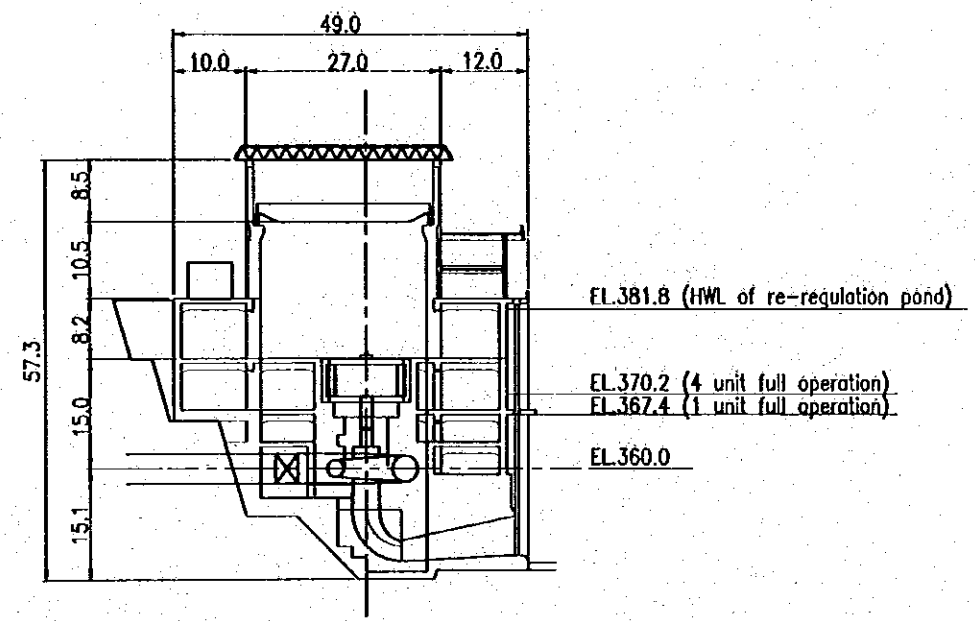
発電水路計画図



PLAN SCALE A

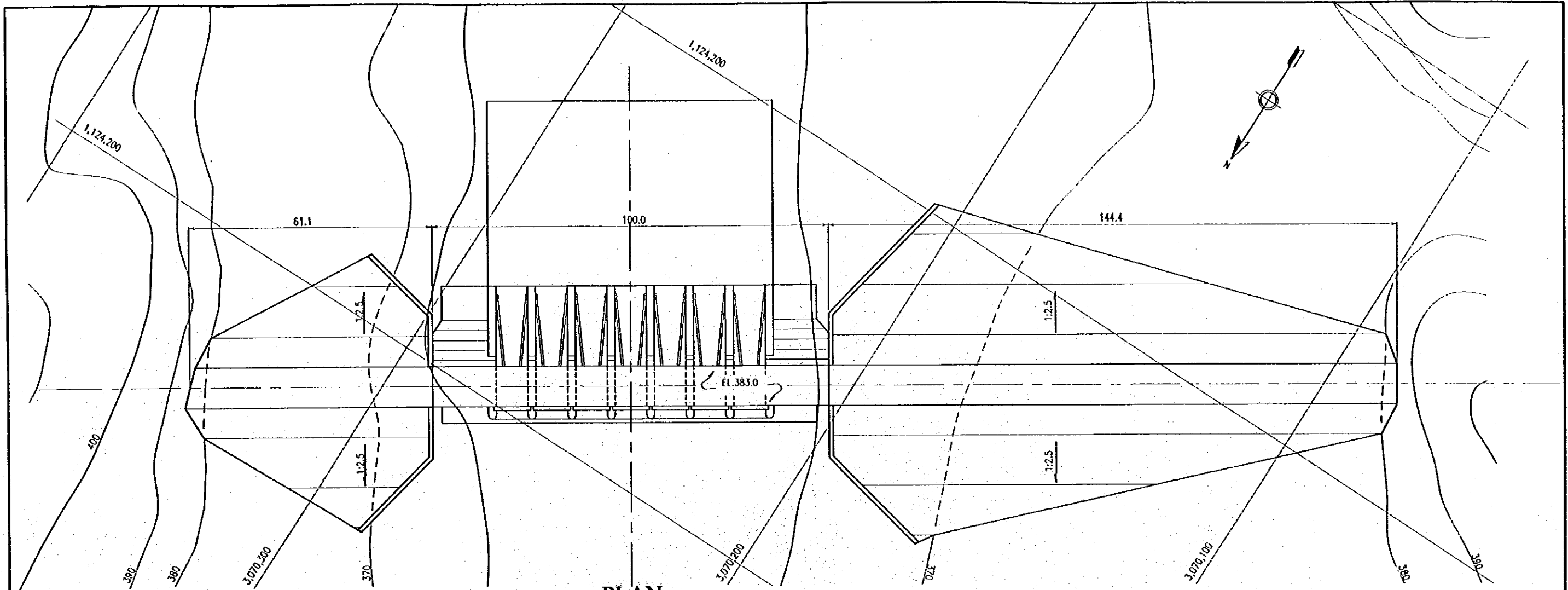


LONGITUDINAL SECTION SCALE A

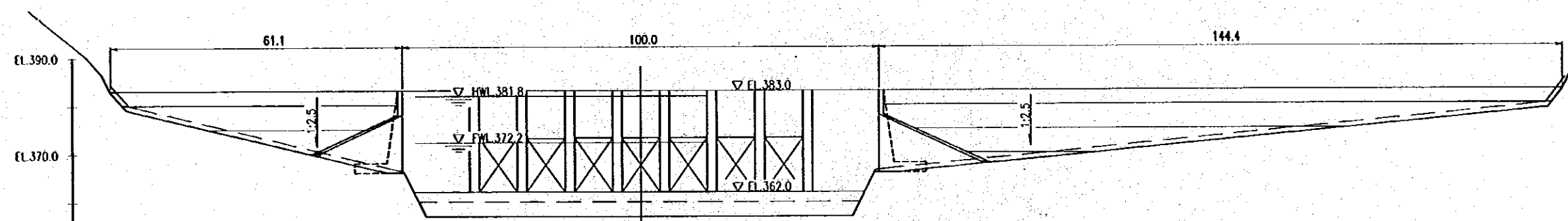


TRANSVERSE SECTION SCALE A

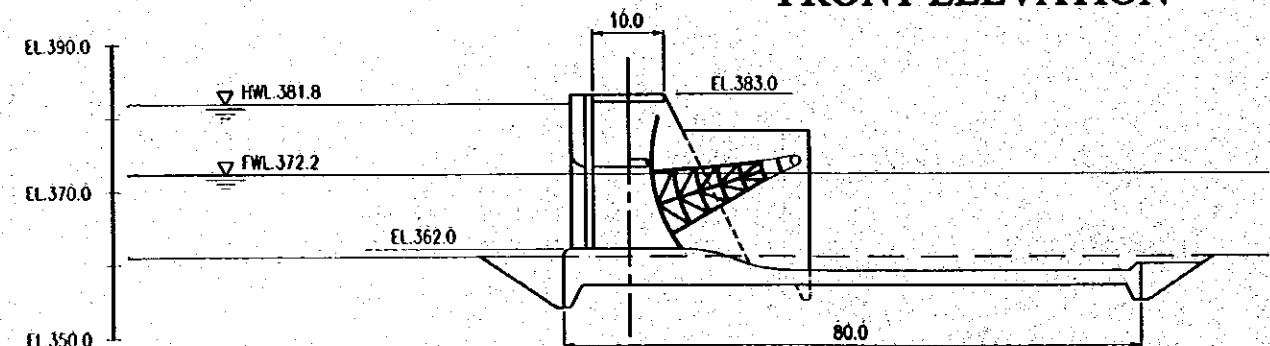
SCALE A 0 50 m



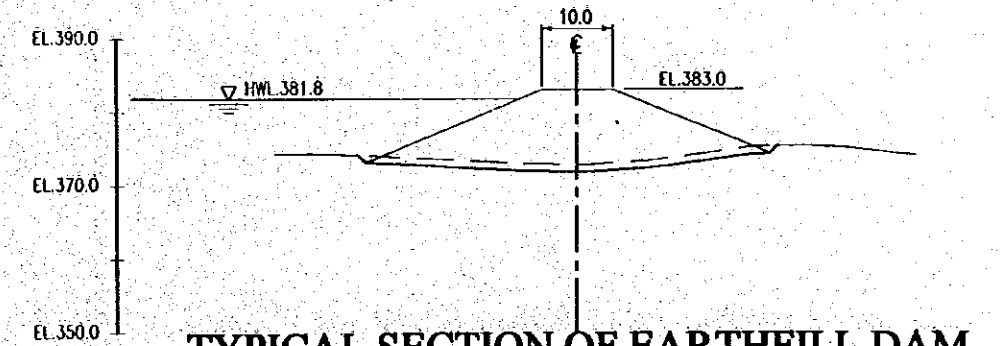
PLAN



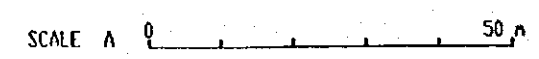
FRONT ELEVATION



TYPICAL SECTION OF GATE WEIR



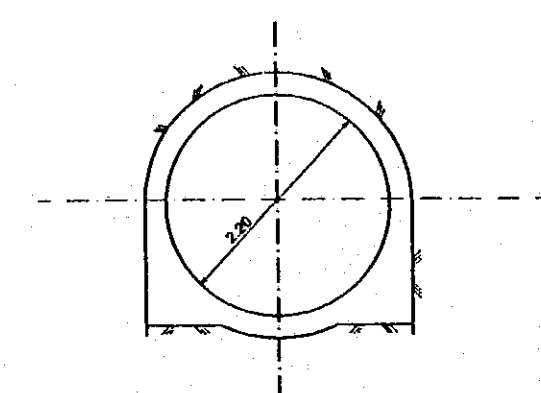
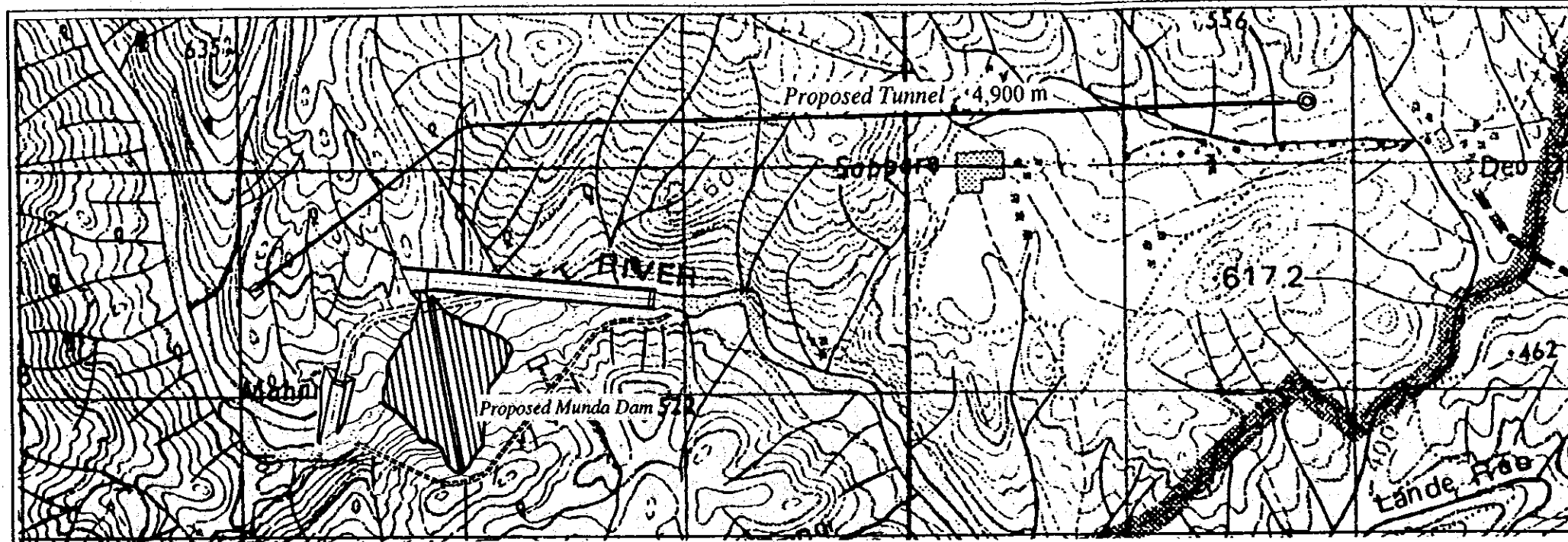
TYPICAL SECTION OF EARTHFILL DAM



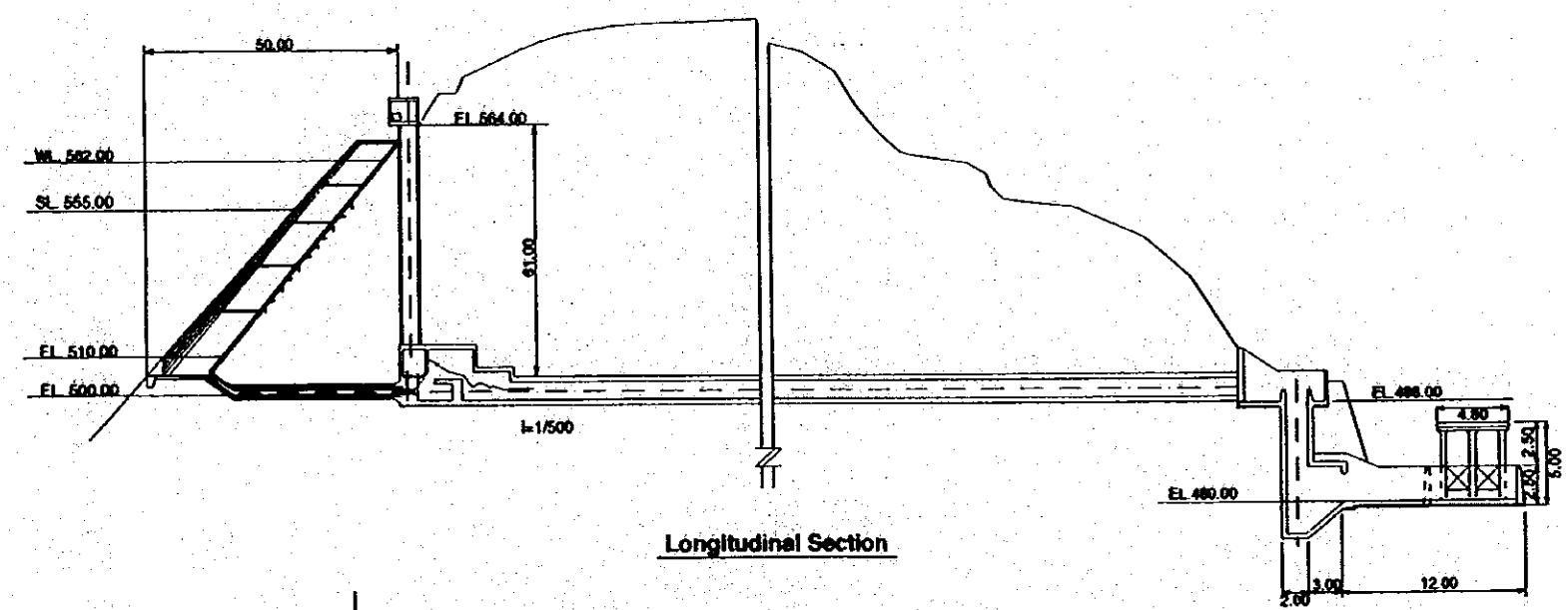
FEASIBILITY STUDY
ON THE DEVELOPMENT OF MUNDA DAM MULTIPURPOSE PROJECT
IN ISLAMIC REPUBLIC OF PAKISTAN
JAPAN INTERNATIONAL COOPERATION AGENCY

図面 C12

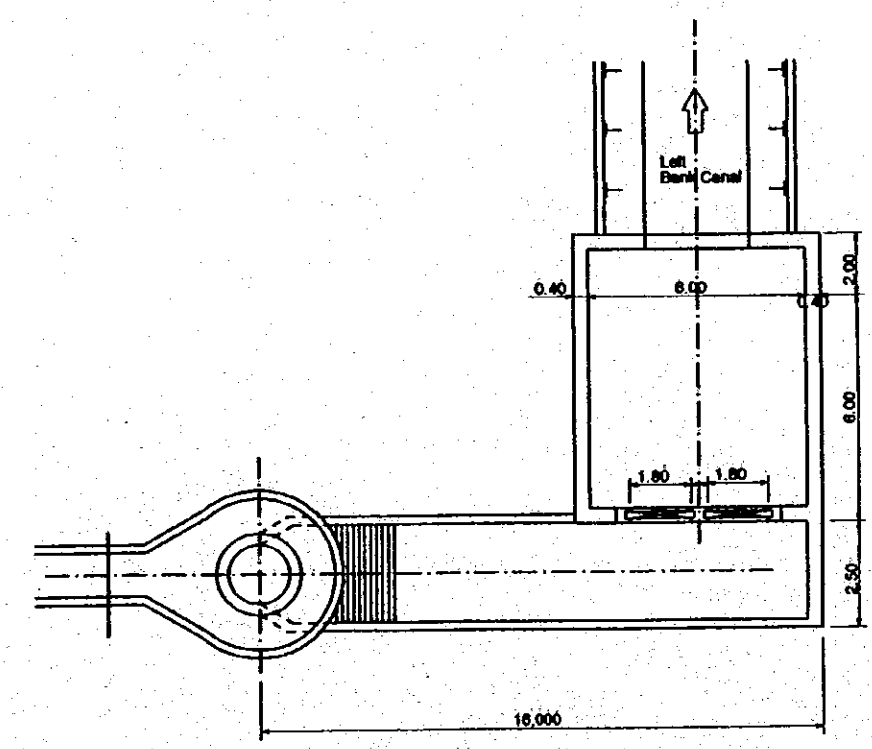
逆調整堰計画図



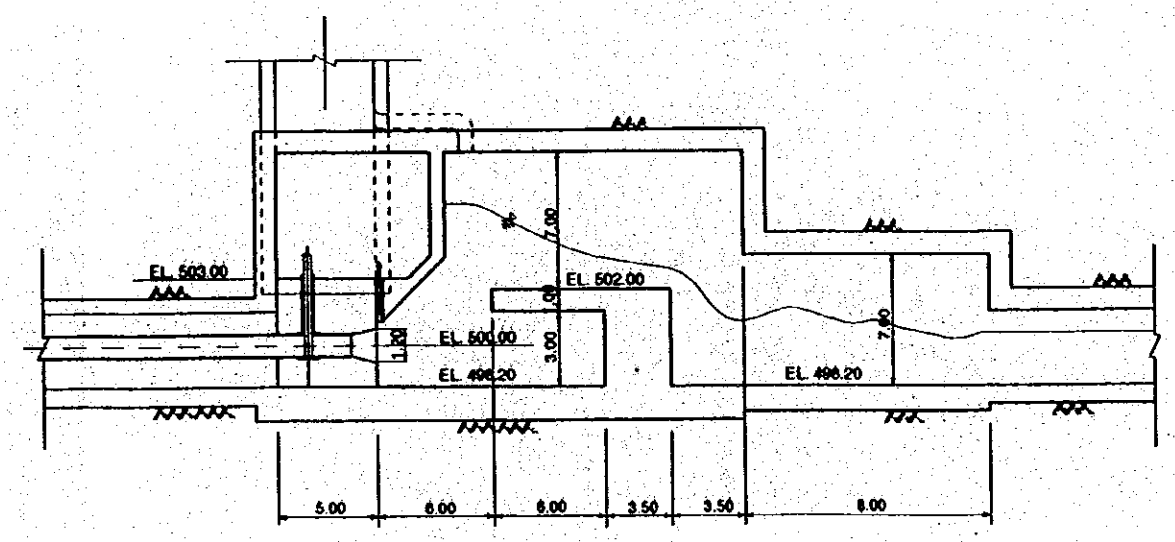
Typical Tunnel Section



Longitudinal Section



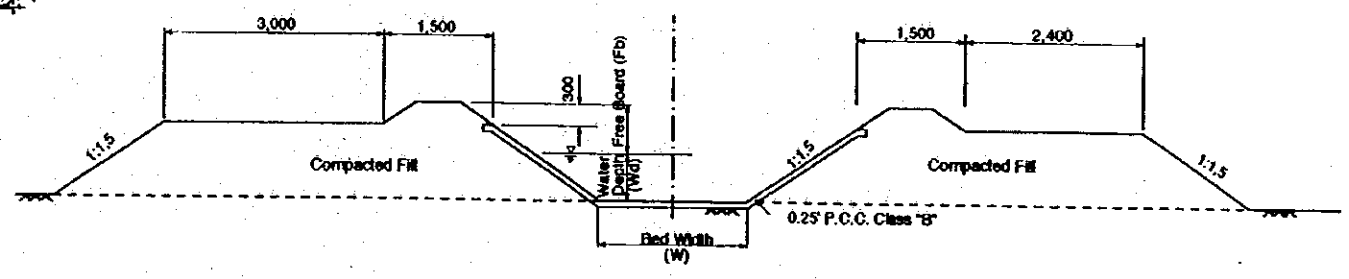
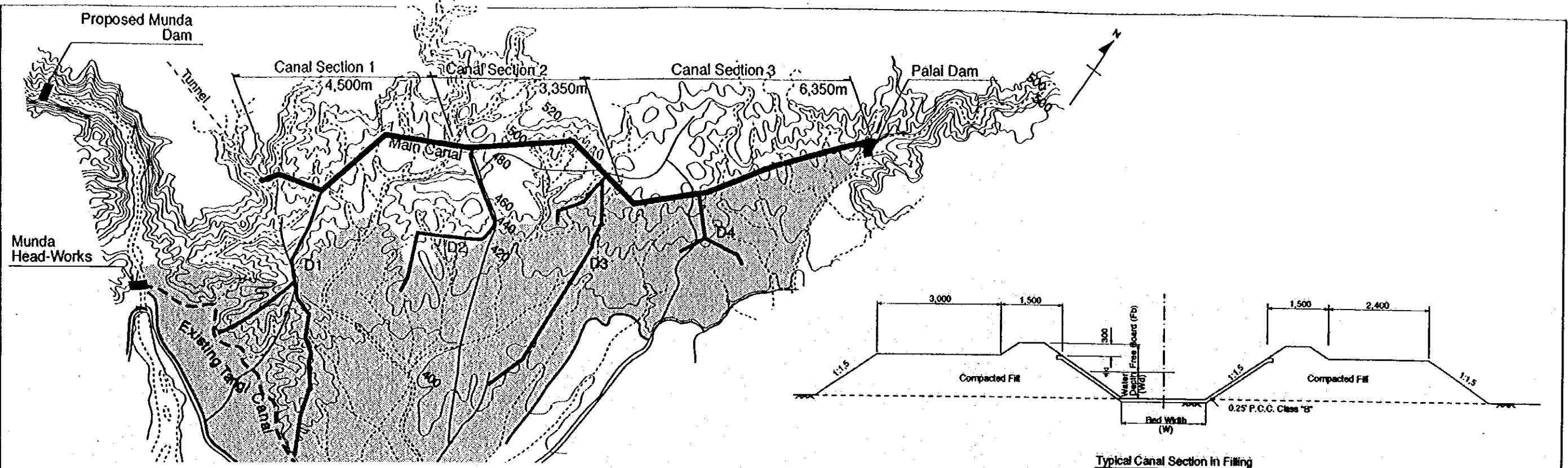
Ground Plane of Link Section



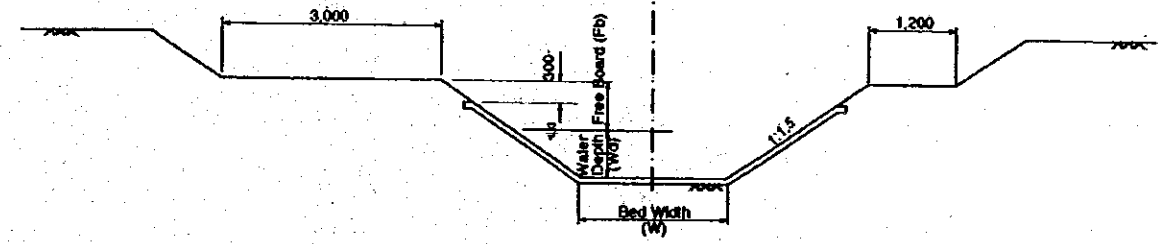
Detail of Energy Dissipator

FEASIBILITY STUDY
ON THE DEVELOPMENT OF MUNDA DAM MULTIPURPOSE PROJECT
IN ISLAMIC REPUBLIC OF PAKISTAN
JAPAN INTERNATIONAL COOPERATION AGENCY

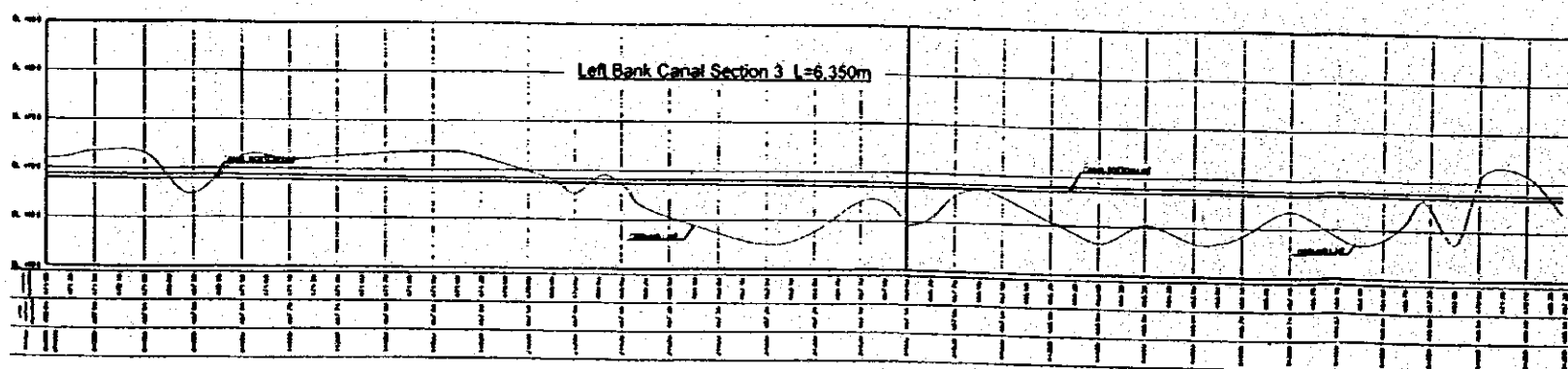
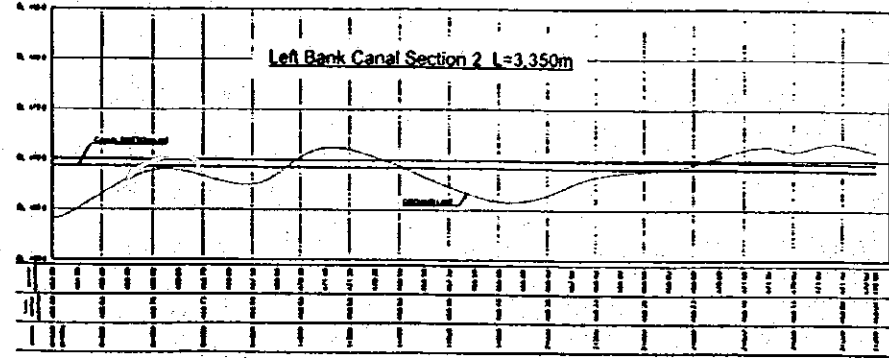
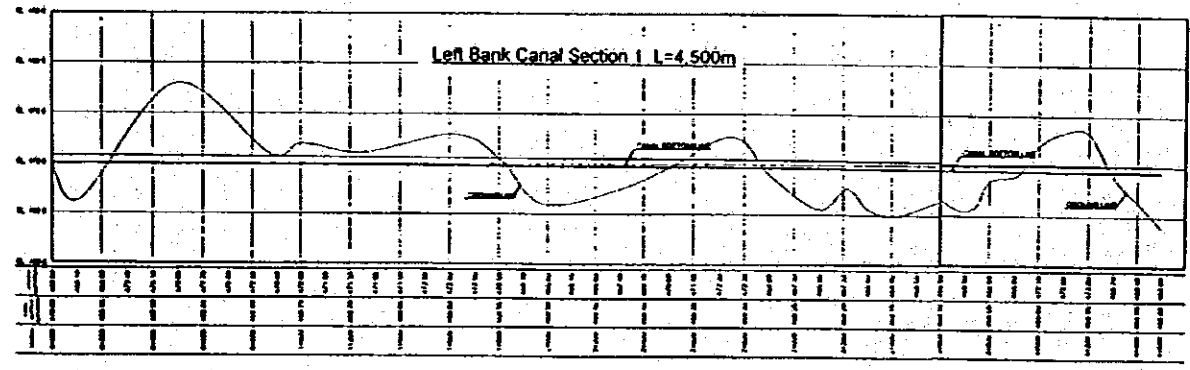
図面 101
左岸灌漑地区導水トンネル計画図



Typical Canal Section in Filling



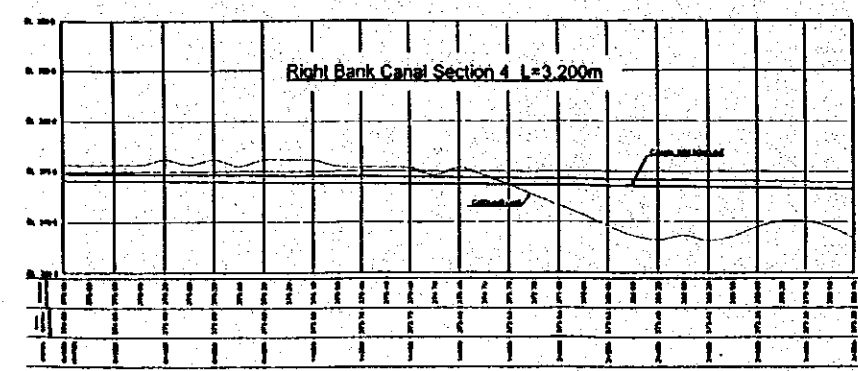
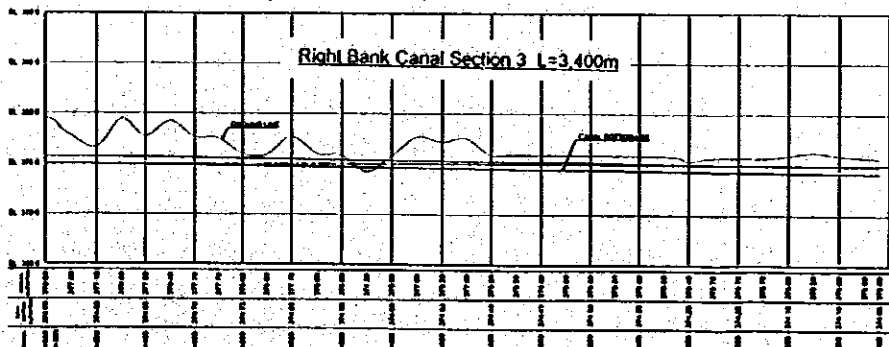
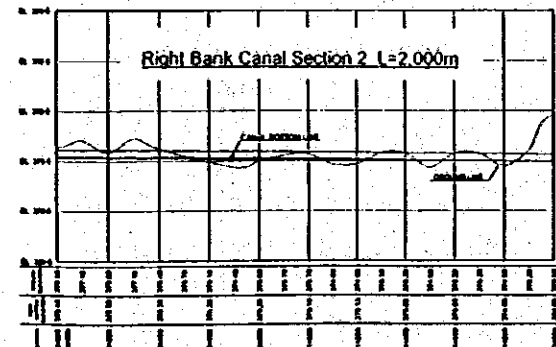
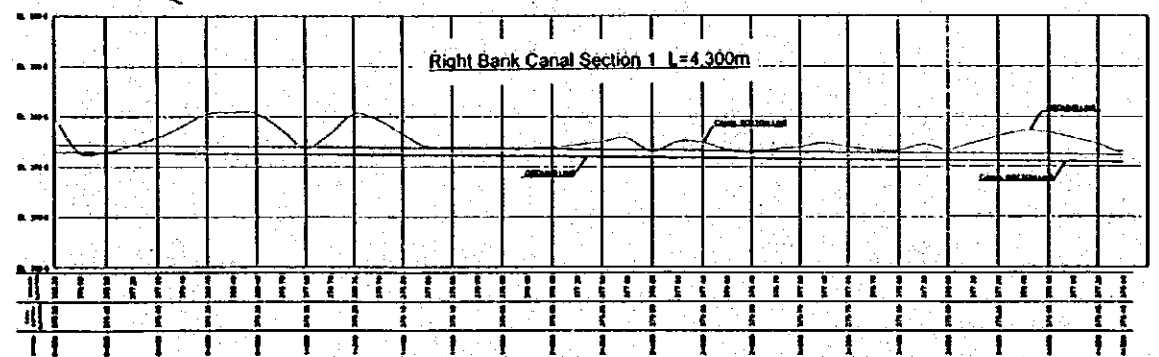
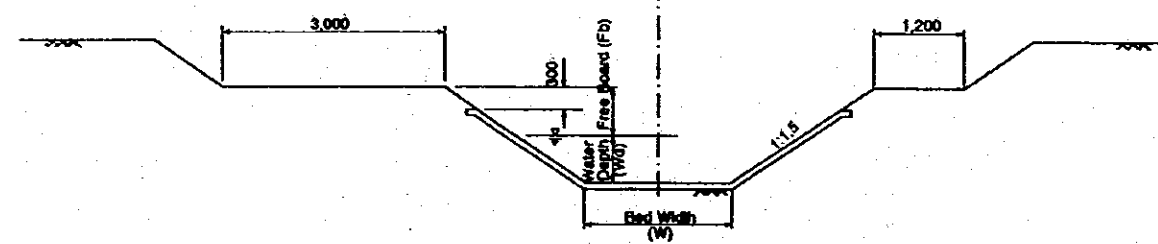
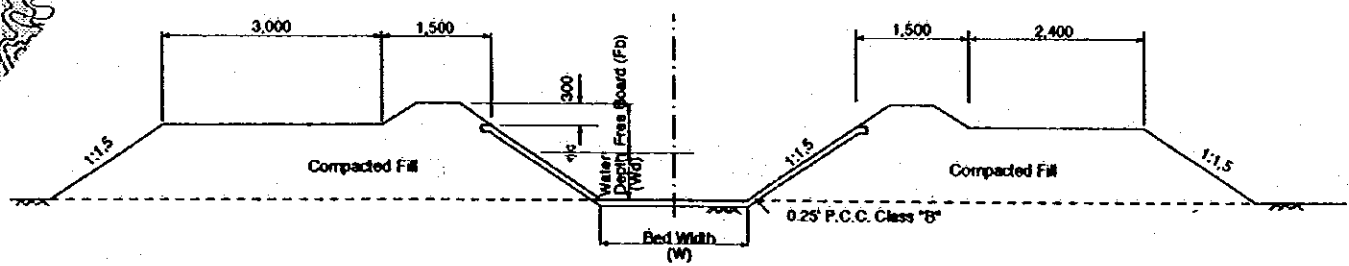
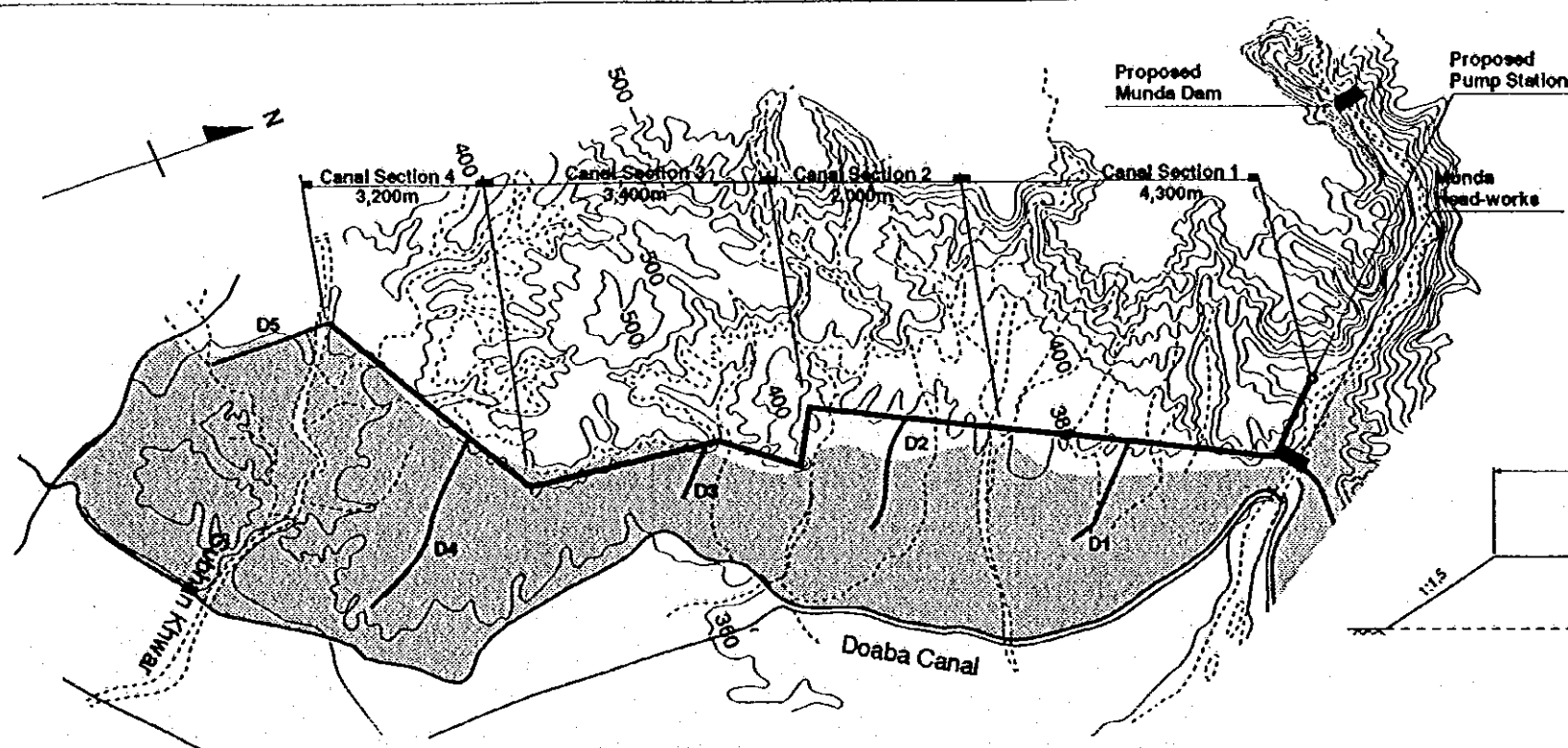
Typical Canal Section in Cutting



| Canal-section | Q(m ³ /s) | N | Bed Slope | W(m) | Wd(m) | Fb(m) |
|---------------------|----------------------|-------|-----------|------|-------|-------|
| Main Canal | | | | | | |
| Section 1 | 4.391 | 0.016 | 1/4,000 | 2.00 | 1.083 | 0.55 |
| Section 2 | 2.501 | 0.016 | 1/4,000 | 1.50 | 0.872 | 0.54 |
| Section 3 | 1.016 | 0.016 | 1/4,000 | 1.00 | 0.656 | 0.54 |
| Distributary | | | | | | |
| D1 | 1.890 | 0.016 | 1/4,000 | 1.20 | 0.842 | 0.54 |
| D2 | 0.345 | 0.016 | 1/4,000 | 1.00 | 0.378 | 0.54 |
| D3 | 1.140 | 0.016 | 1/4,000 | 1.00 | 0.695 | 0.54 |
| D4 | 0.486 | 0.016 | 1/4,000 | 1.00 | 0.452 | 0.54 |

FEASIBILITY STUDY
ON THE DEVELOPMENT OF MUNDA DAM MULTIPURPOSE PROJECT
IN ISLAMIC REPUBLIC OF PAKISTAN
JAPAN INTERNATIONAL COOPERATION AGENCY

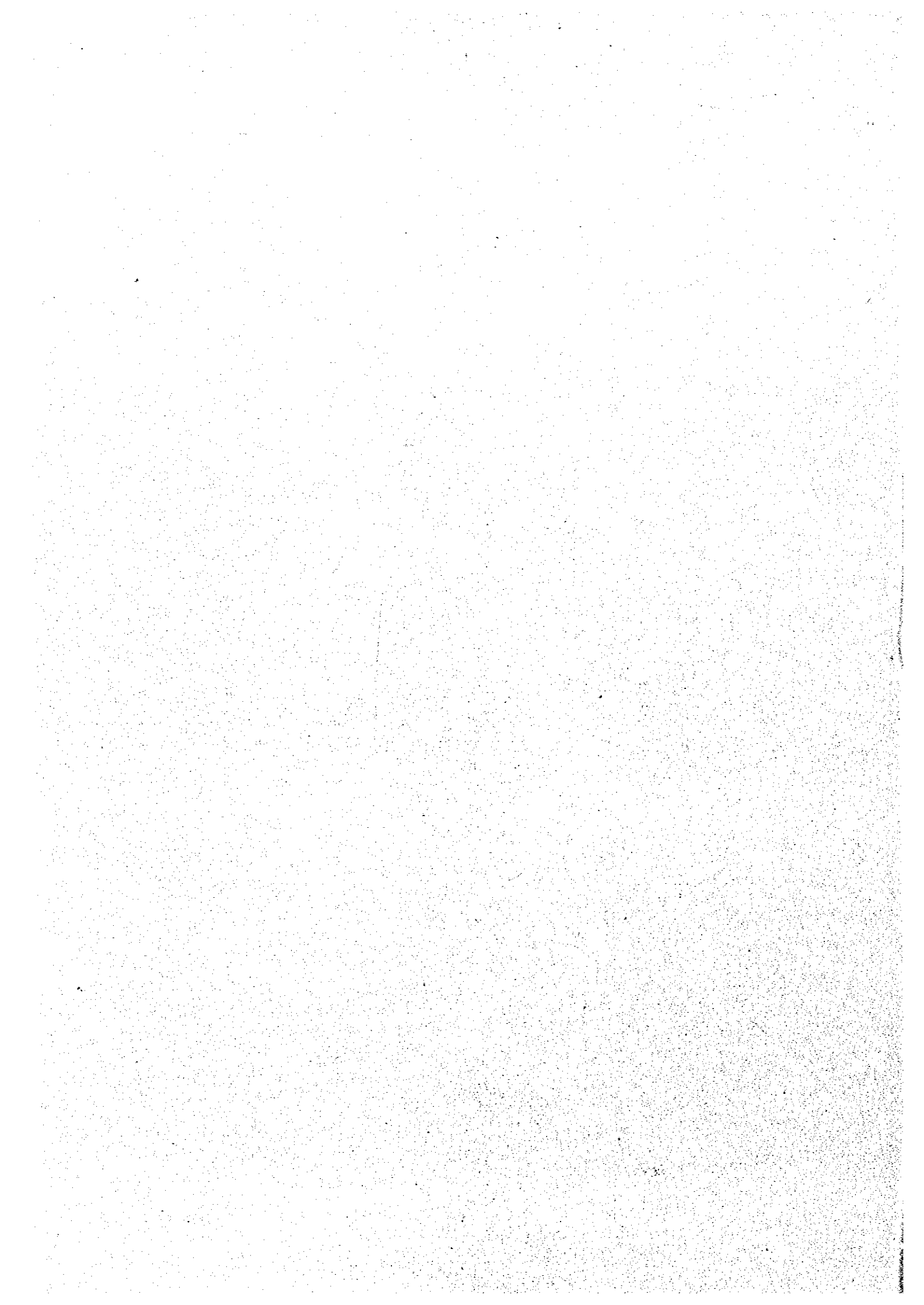
図面 102
左岸地区幹支線水路計画図

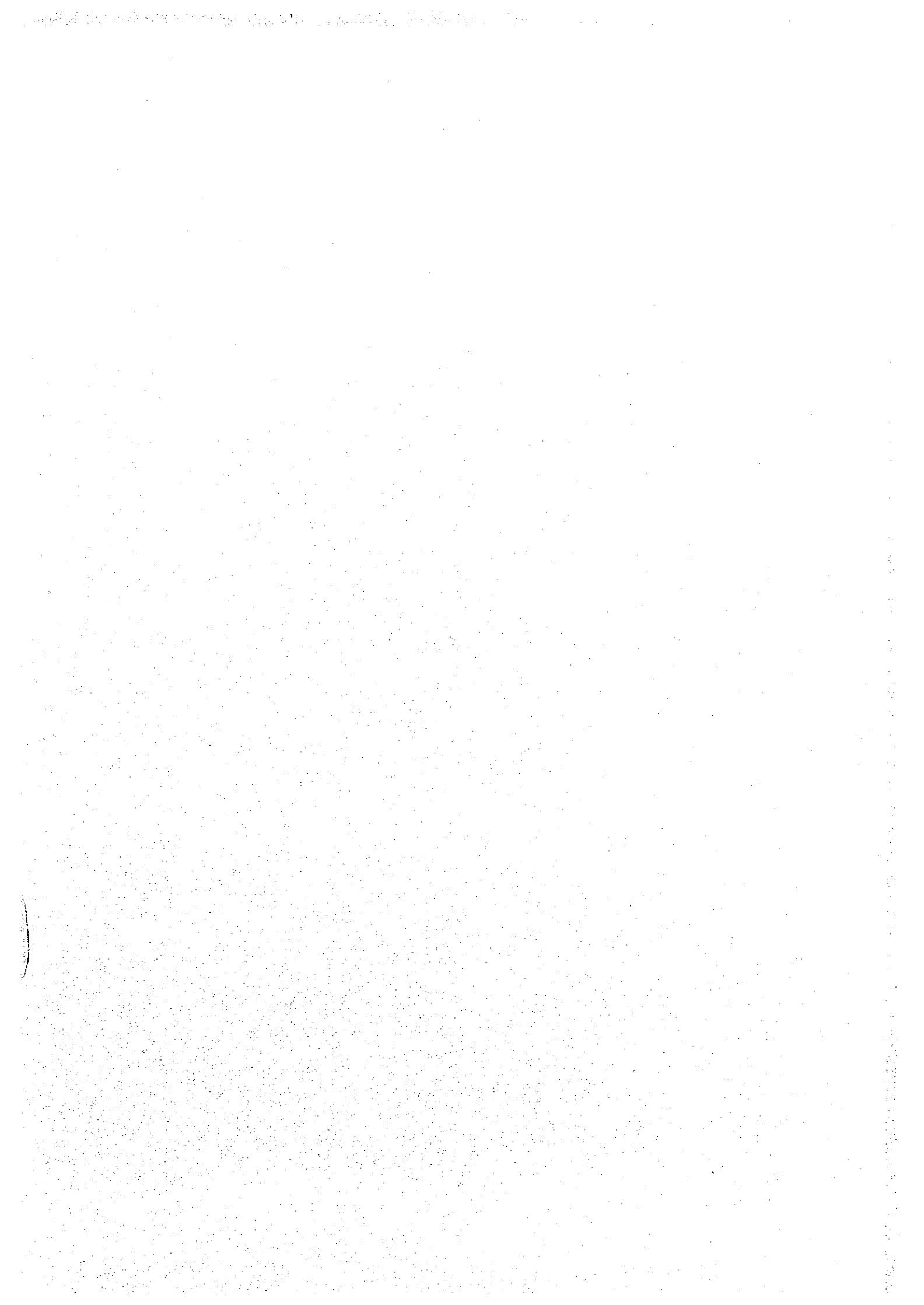


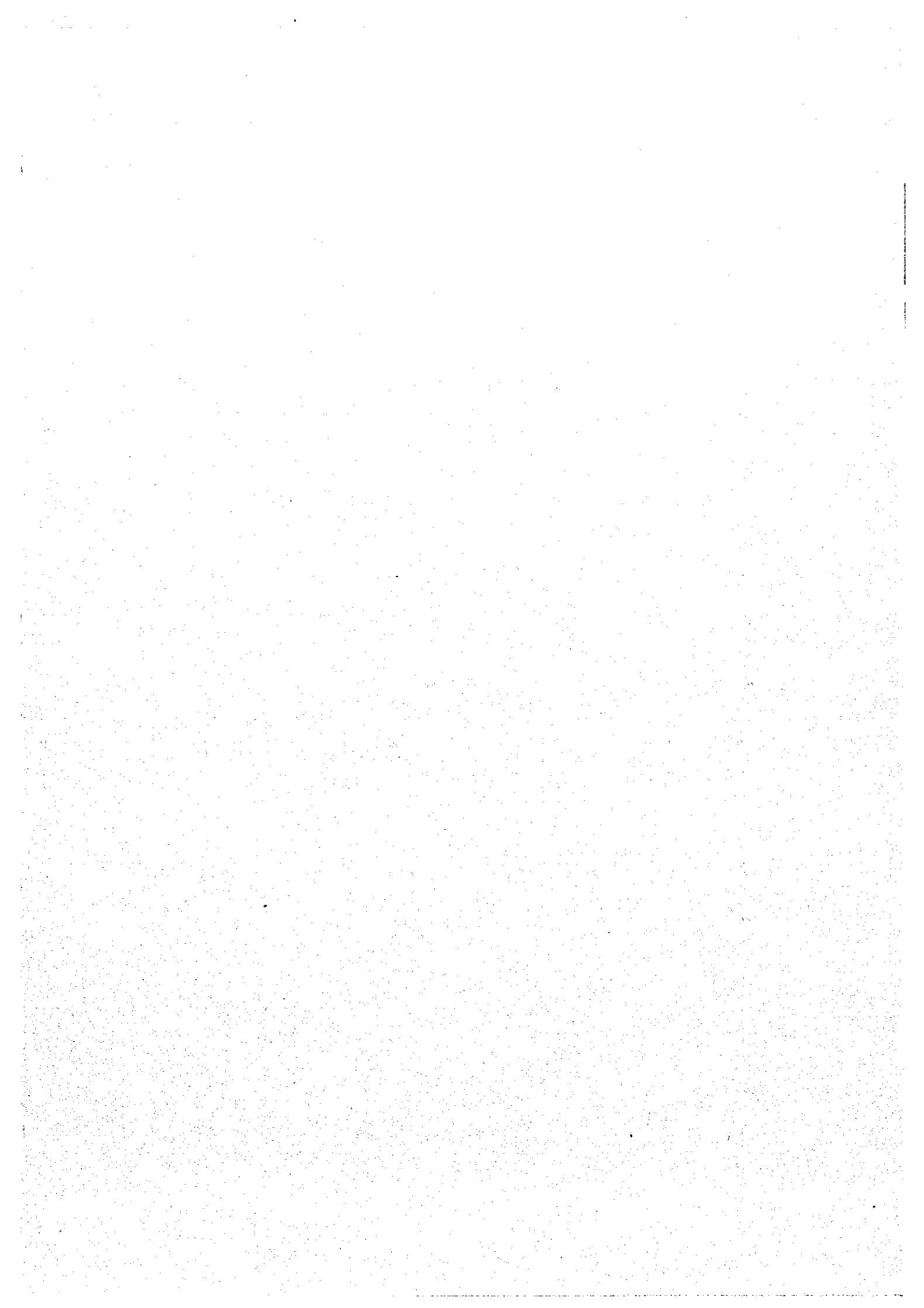
| Canal-section | Q(m ³ /s) | N | Bed Slope | W(m) | Wd(m) | Fb(m) |
|---------------------|----------------------|-------|-----------|------|-------|-------|
| Main Canal | | | | | | |
| Section 1 | 2.204 | 0.016 | 1/4,000 | 1.50 | 0.845 | 0.55 |
| Section 2 | 1.821 | 0.016 | 1/4,000 | 1.20 | 0.826 | 0.54 |
| Section 3 | 1.548 | 0.016 | 1/4,000 | 1.20 | 0.763 | 0.54 |
| Section 4 | 1.316 | 0.016 | 1/4,000 | 1.20 | 0.703 | 0.54 |
| Distributary | | | | | | |
| D1 | 0.382 | 0.016 | 1/4,000 | 1.00 | 0.399 | 0.54 |
| D2 | 0.273 | 0.016 | 1/4,000 | 1.00 | 0.333 | 0.54 |
| D3 | 0.232 | 0.016 | 1/4,000 | 1.00 | 0.305 | 0.54 |
| D4 | 0.879 | 0.016 | 1/4,000 | 1.00 | 0.611 | 0.54 |
| D5 | 0.437 | 0.016 | 1/4,000 | 1.00 | 0.428 | 0.54 |

FEASIBILITY STUDY
ON THE DEVELOPMENT OF MUNDA DAM MULTIPURPOSE PROJECT
IN ISLAMIC REPUBLIC OF PAKISTAN
JAPAN INTERNATIONAL COOPERATION AGENCY

図面 103
右岸地区幹支線水路計画図







JICA