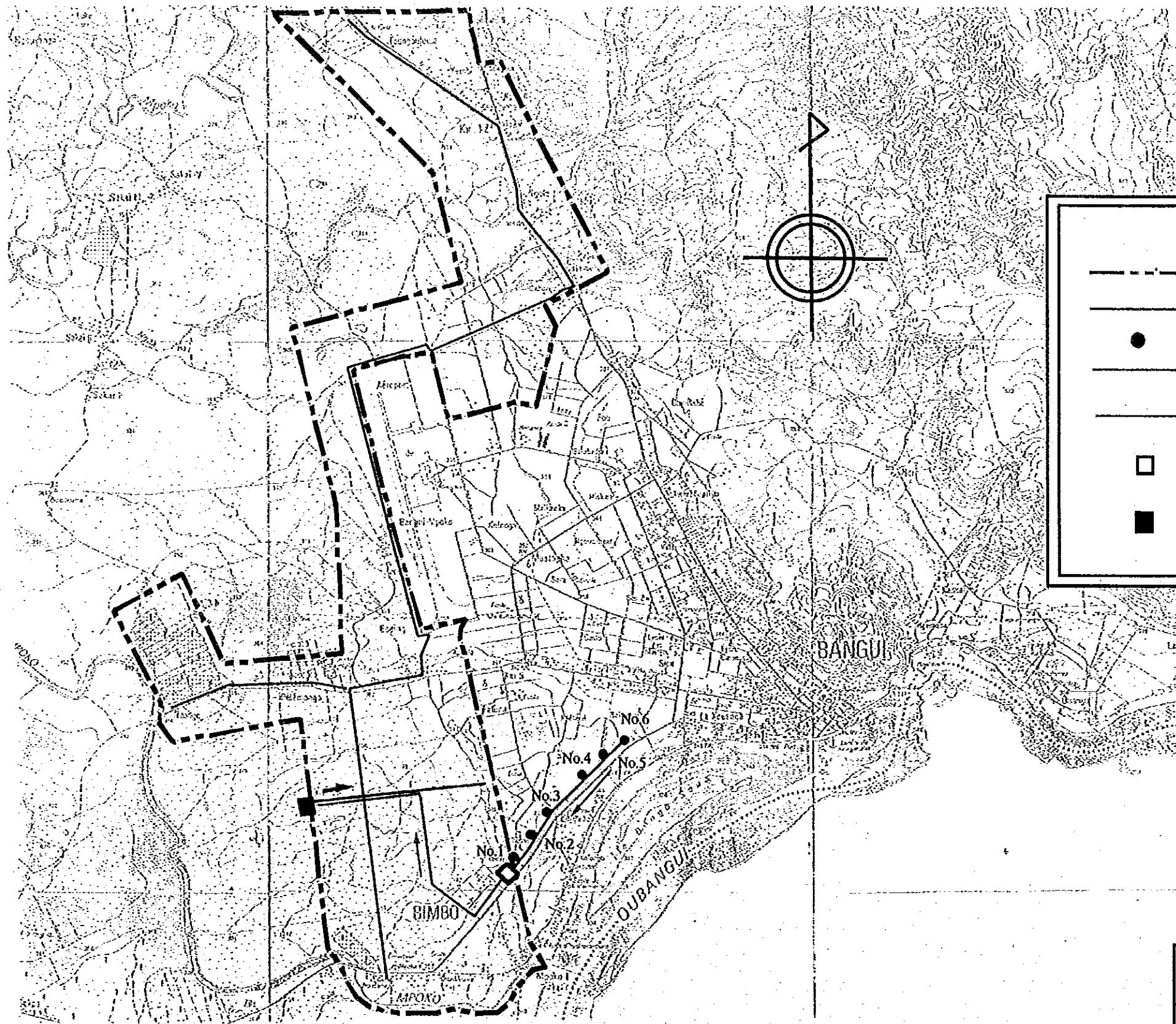


7. DRAWINGS (FEASIBILITY STUDY)

Content of the Preliminary Drawings on the Feasibility Study Project

- No.1 General Layout Plan of Water Supply Facilities
- No.2 Longitudinal Profile of Conveyance & Transmission Pipeline
- No.3 Layout Plan of Wellfield & Transmission Facilities 1/4
- No.4 Layout Plan of Wellfield & Transmission Facilities 2/4
- No.5 Layout Plan of Wellfield & Transmission Facilities 3/4
- No.6 Layout Plan of Wellfield & Transmission Facilities 4/4
- No.7 Layout Plan of Deepwell Facilities 1/3 (Well No.1 & No.2)
- No.8 Layout Plan of Deepwell Facilities 2/3 (Well No.3 & No.4)
- No.9 Layout Plan of Deepwell Facilities 3/3 (Well No.5 & No.6)
- No.10 Cross-Sections of Deepwell
- No.11 Well House
- No.12 Collection Chamber (Plan)
- No.13 Collection Chamber (A-A Section)
- No.14 Collection Chamber (B-B & C-C Section)
- No.15 Transmission Pump House (Plan & A-A Section)
- No.16 Transmission Pump House (B-B Section)
- No.17 Service Reservoir (Plan)
- No.18 Service Reservoir (A-A & B-B Section)
- No.19 Service Reservoir (C-C Section)
- No.20 Public Fountain (Kiosk)
- No.21 Aqueduct
- No.22 Layout Plan of Distribution Pipeline
- No.23 Layout Plan of Public Fountains



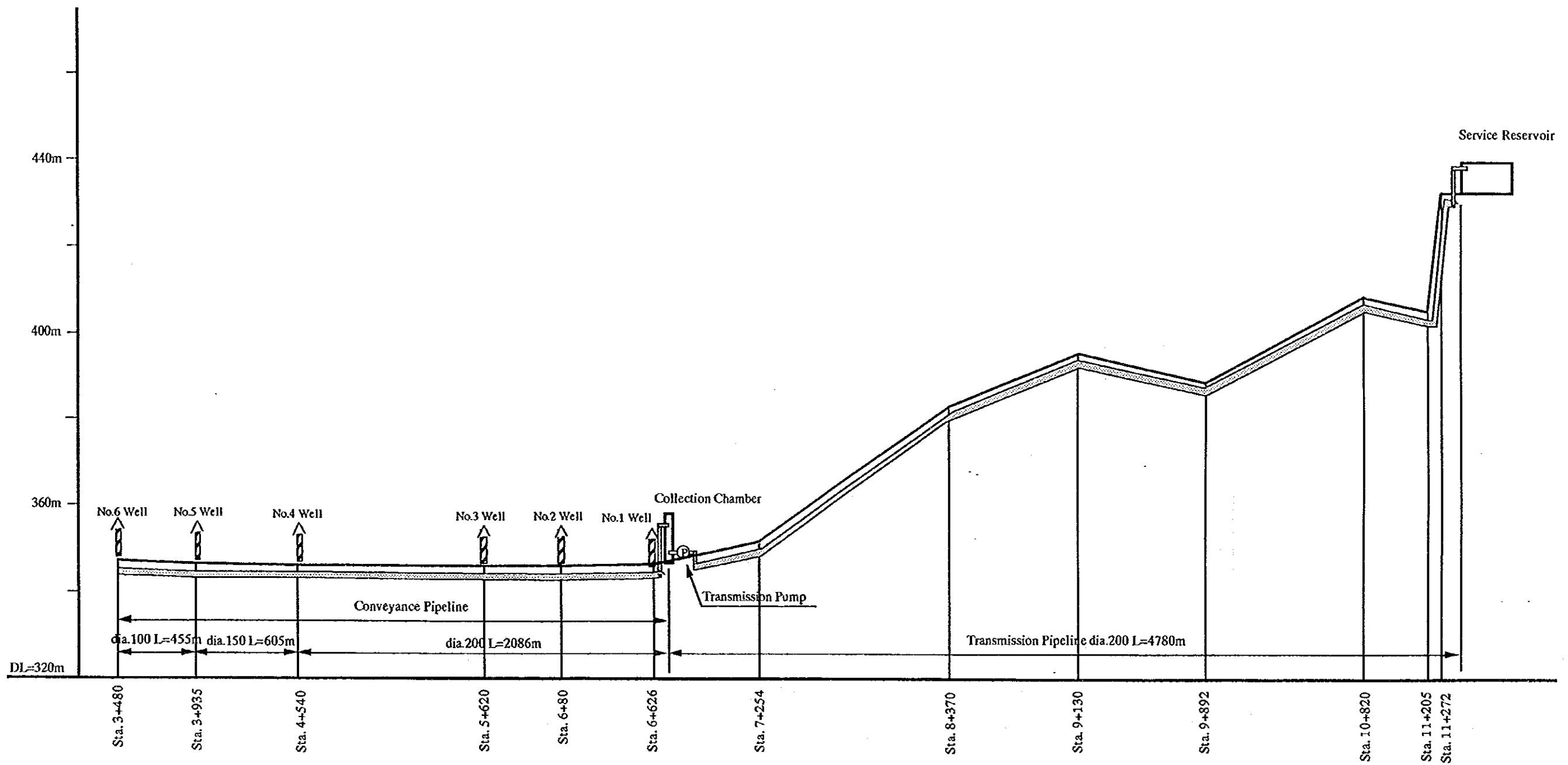
Legend

- Water Supply Boundary
- Conveyance Pipeline
- Proposed Deepwell
- Transmission Pipeline
- Distribution Pipeline
- Collection Chamber
- Service Reservoir

Central African Republic
 Study on Groundwater Development in
 Bangui City (Feasibility Study)

Drawing No.1	General Layout Plan of Water Supply Facilities Scale:non
--------------	---

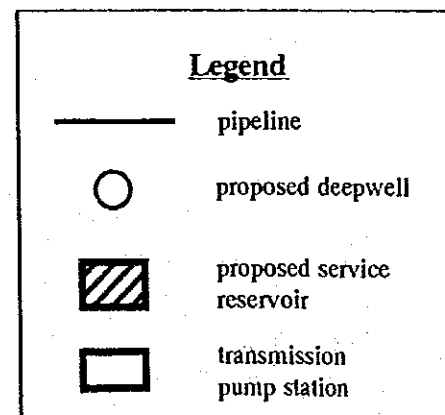
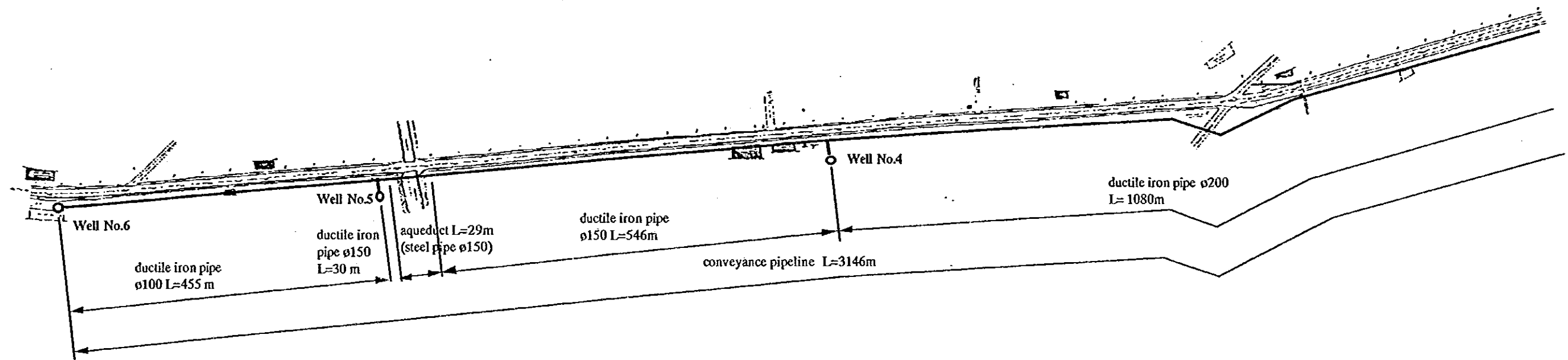
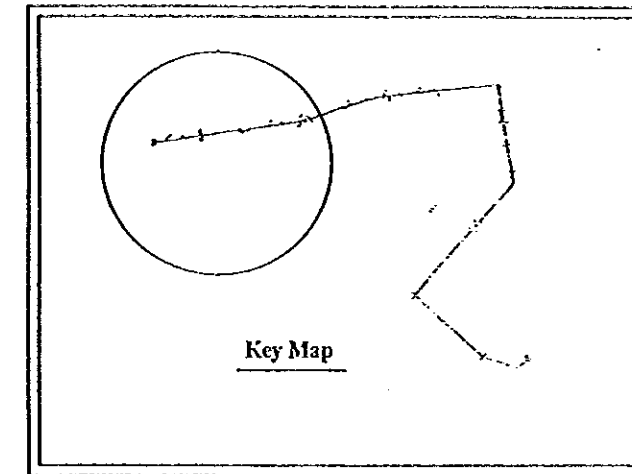
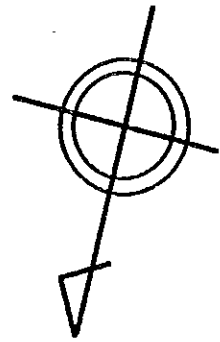
Japan International Cooperation Agency



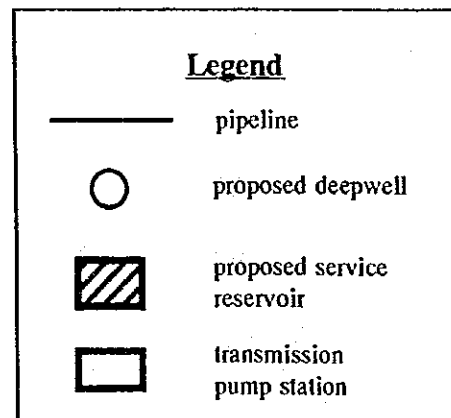
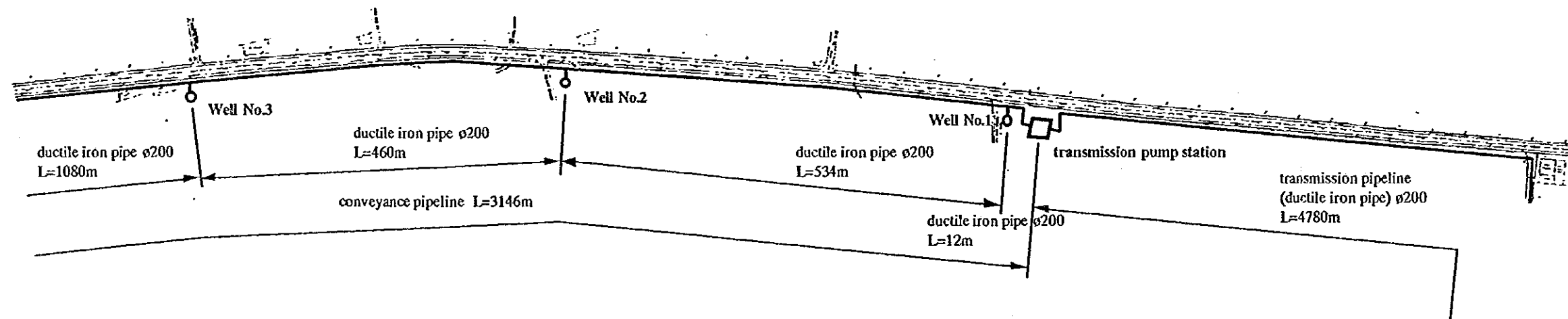
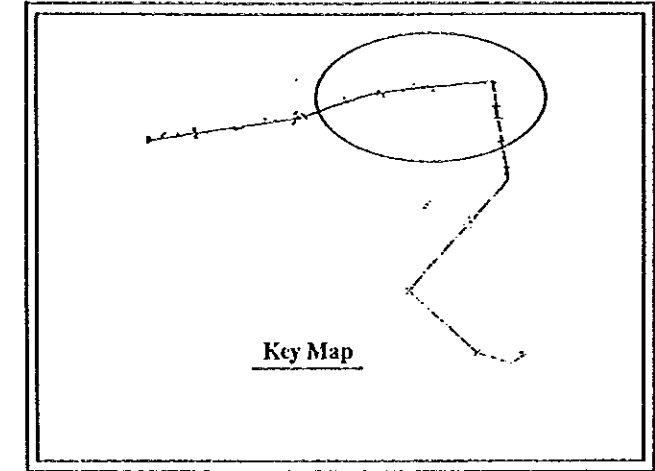
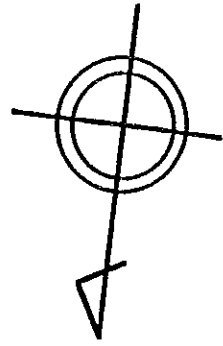
Central African Republic
 Study on Groundwater Development in
 Bangui City (Feasibility Study)

Drawing No.2 Longitudinal Profile of
 Conveyance & Transmission
 Pipeline
 Scale: non

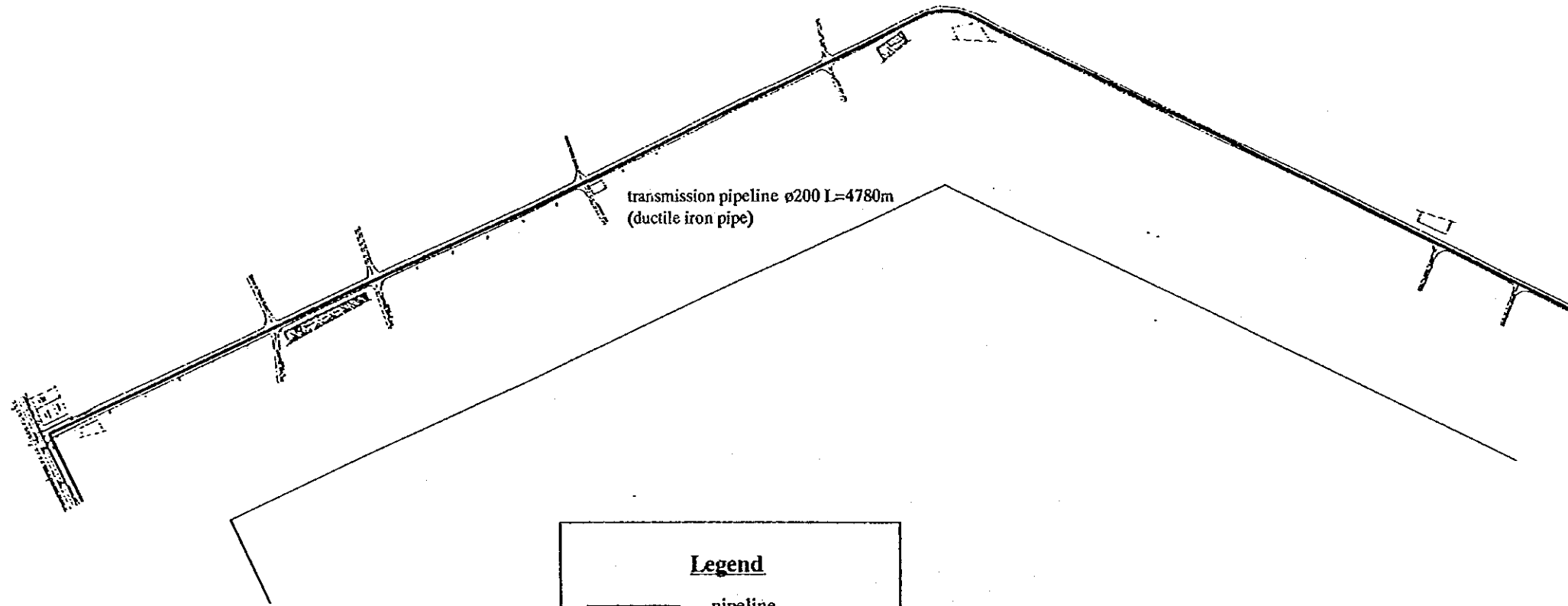
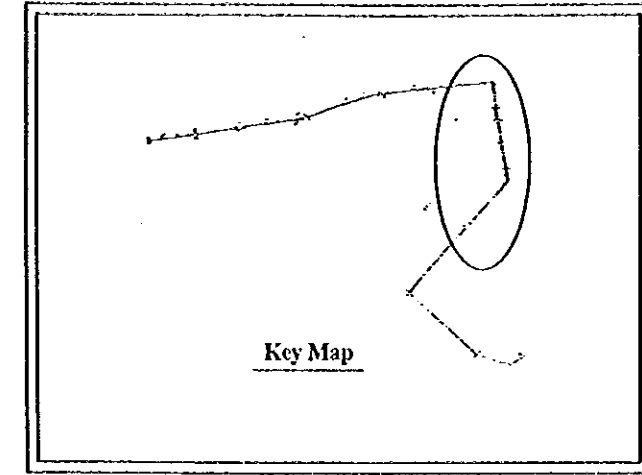
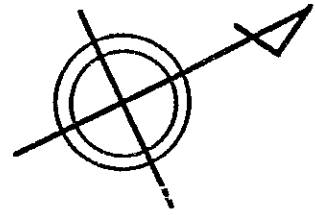
Japan International Cooperation Agency



Central African Republic Study on Groundwater Development in Bangui City (Feasibility Study)	
Drawing No.3	Layout Plan of Wellfield & Transmission Facilities 1/4 Scale=1:6,000
Japan International Cooperation Agency	

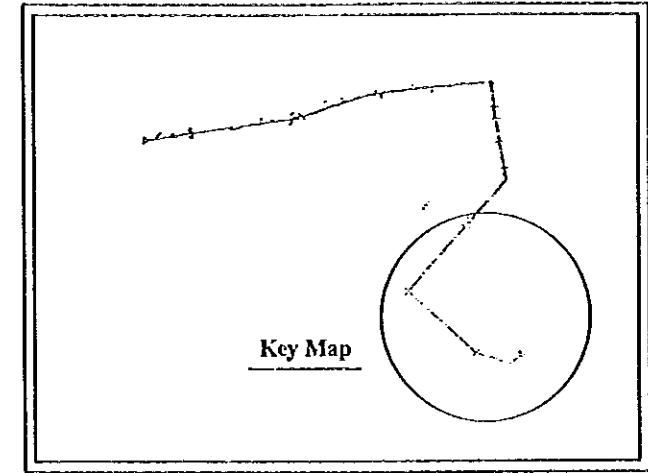
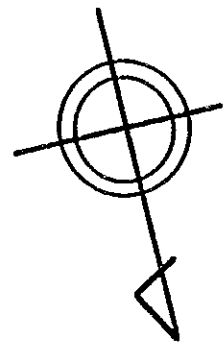


Central African Republic Study on Groundwater Development in Bangui City (Feasibility Study)	
Drawing No.4	Layout Plan of Wellfield & Transmission Facilities 2/4 Scale=1:6,000
Japan International Cooperation Agency	

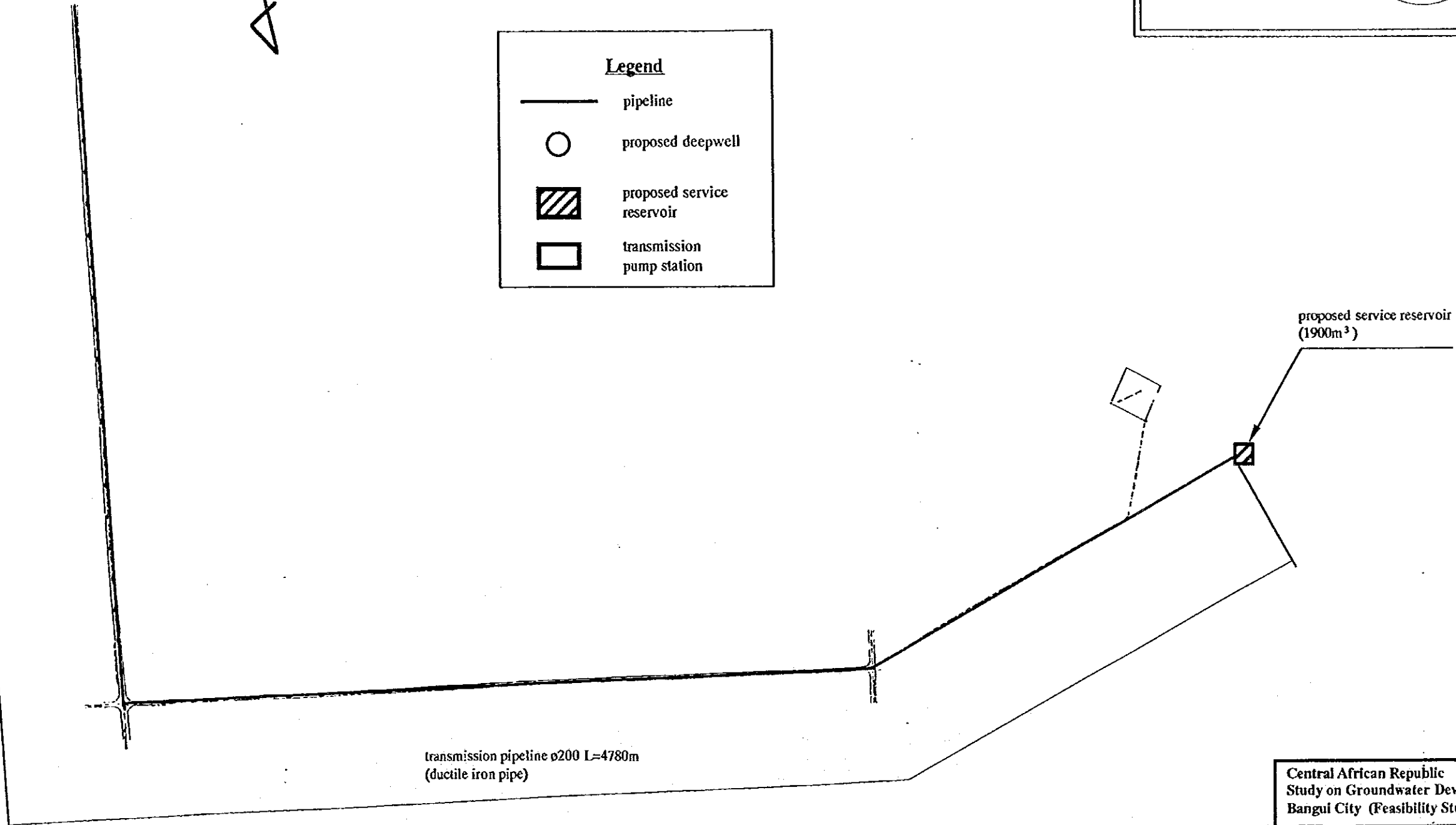


Legend	
—	pipeline
○	proposed deepwell
▨	proposed service reservoir
□	transmission pump station

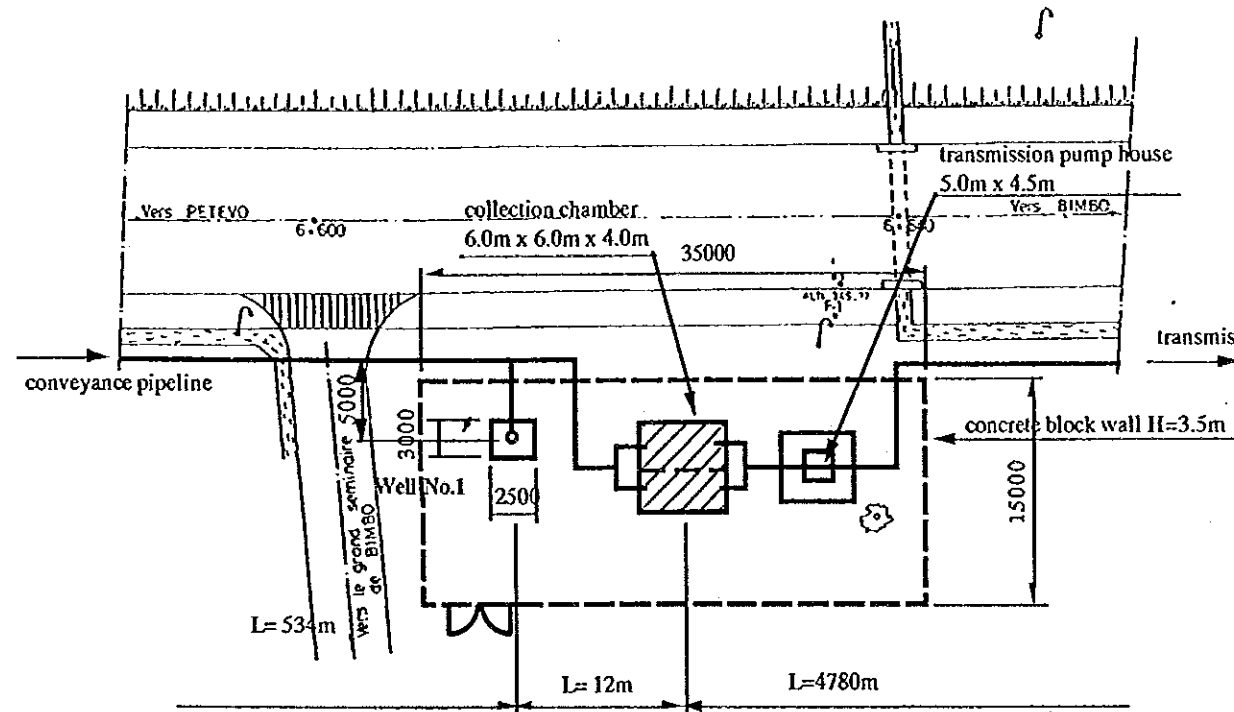
Central African Republic Study on Groundwater Development in Bangui City (Feasibility Study)	
Drawing No.5	Layout Plan of Wellfield & Transmission Facilities 3/4 Scale=1:6,000
Japan International Cooperation Agency	



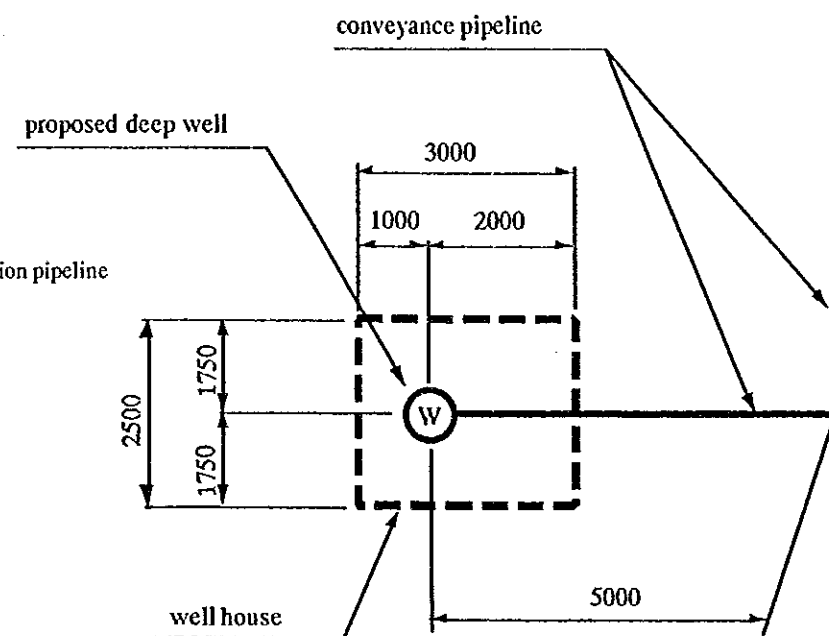
Legend	
—	pipeline
○	proposed deepwell
▨	proposed service reservoir
□	transmission pump station



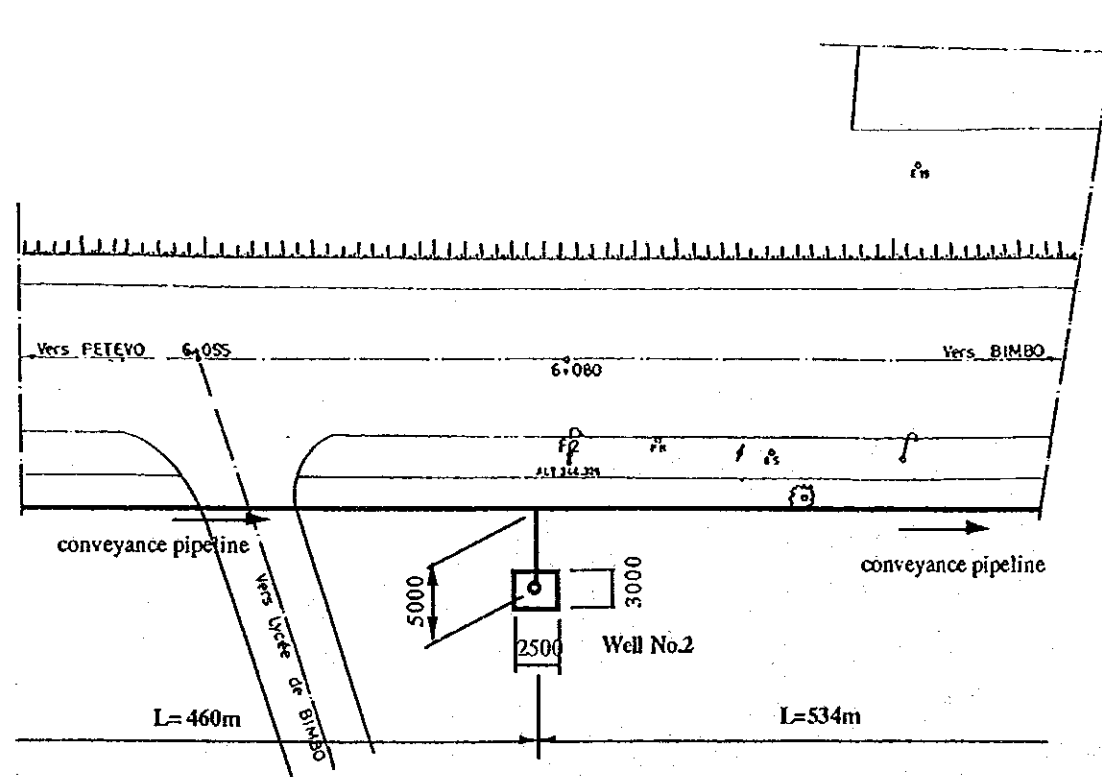
Central African Republic Study on Groundwater Development in Bangui City (Feasibility Study)	
Drawing No.6	Layout Plan of Wellfield & Transmission Facilities 4/4 Scale=1:6,000
Japan International Cooperation Agency	



Layout Plan of Well No.1 & Transmission Facilities



Typical Layout of Deepwell Facility

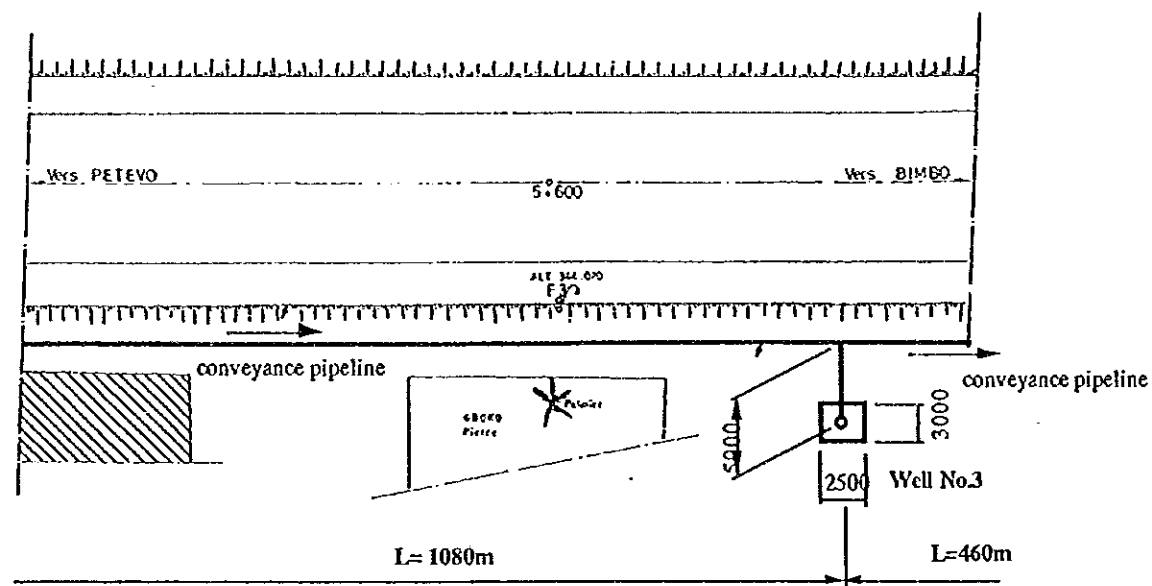


Layout Plan of Well No.2

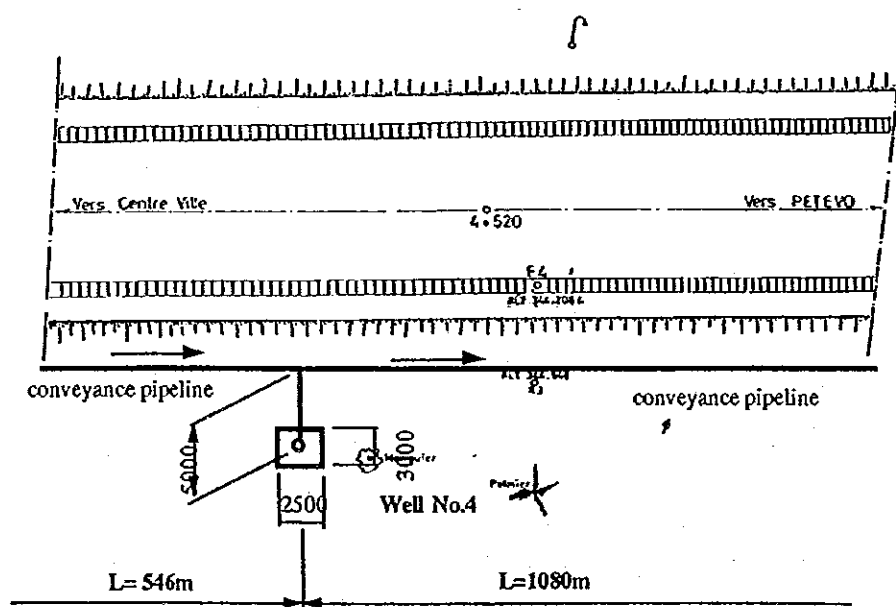
Central African Republic
Study on Groundwater Development in
Bangui City (Feasibility Study)

Drawing No.7 Layout Plan of Deepwell Facilities
1/3 (Well No.1 & No.2)
Scale=1:500

Japan International Cooperation Agency



Layout Plan of Well No.3

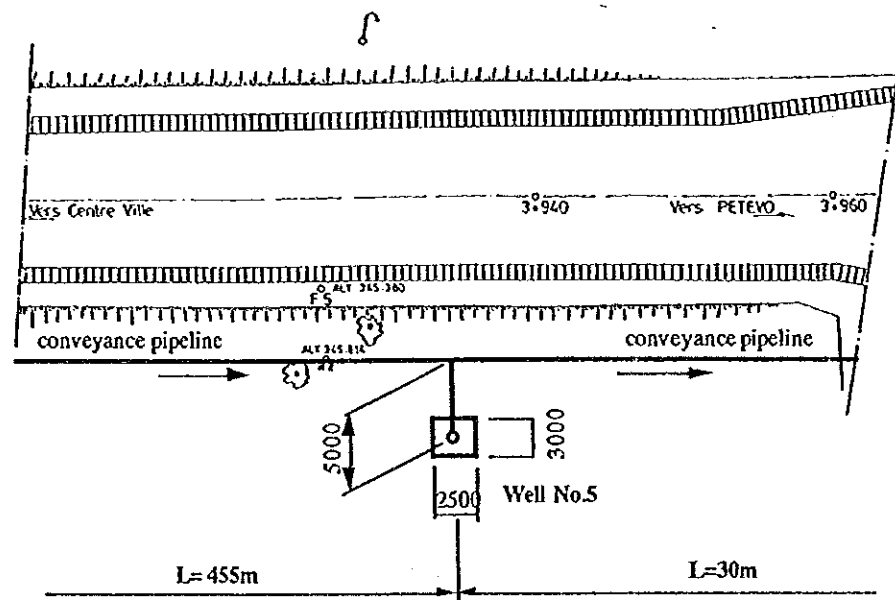


Layout Plan of Well No.4

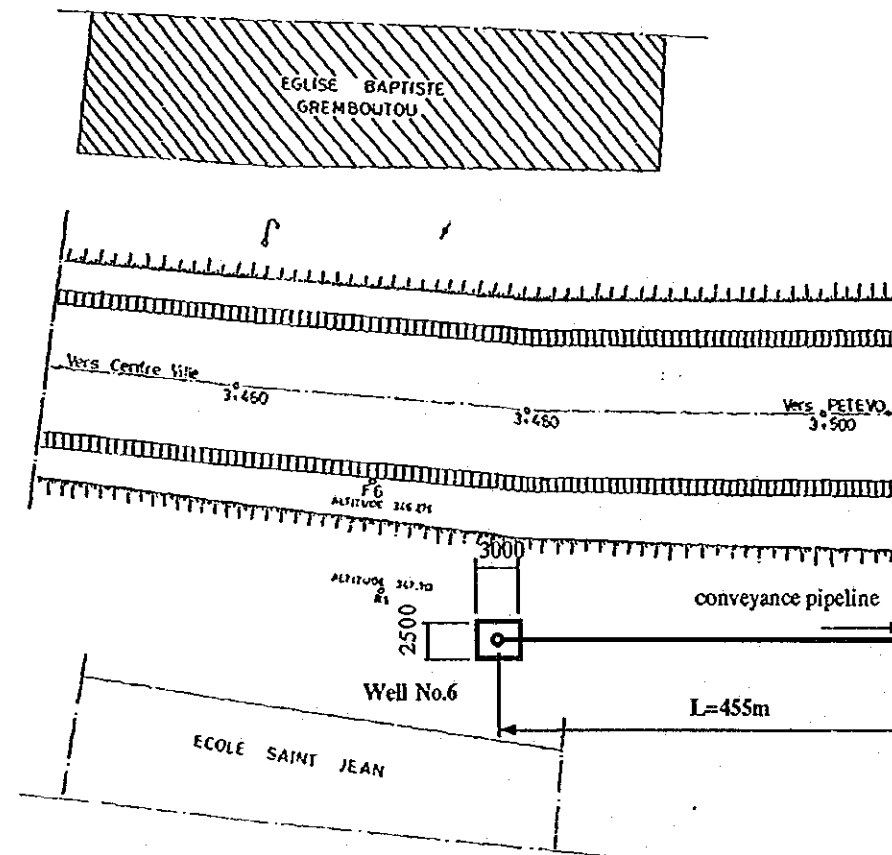
Central African Republic
Study on Groundwater Development in
Bangui City (Feasibility Study)

Drawing No.8 Layout Plan of Deepwell Facilities
2/3 (Well No.3 & No.4)
Scale=1:500

Japan International Cooperation Agency



Layout Plan of Well No.5

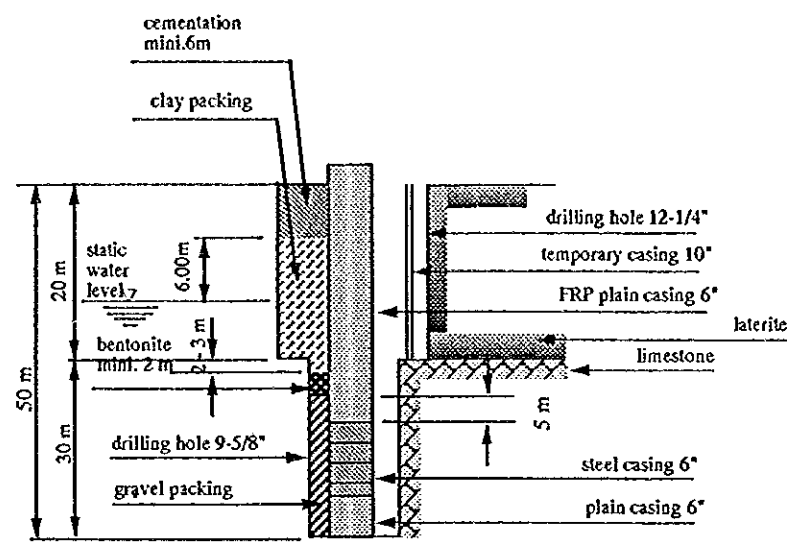


Layout Plan of Well No.6

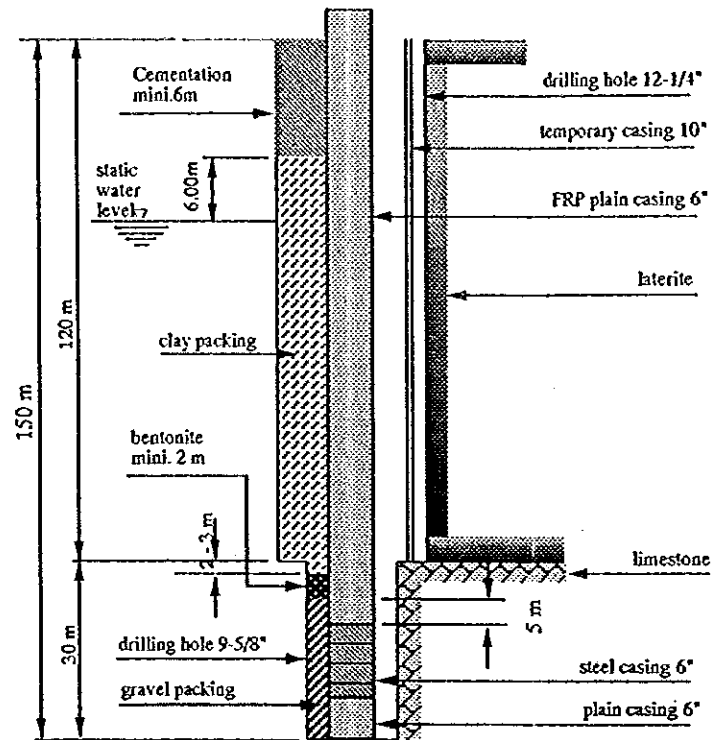
Central African Republic
Study on Groundwater Development in
Bangui City (Feasibility Study)

Drawing No.9 | Layout Plan of Deepwell Facilities
3/3 (Well No.5 & No.6)
Scale=1:500

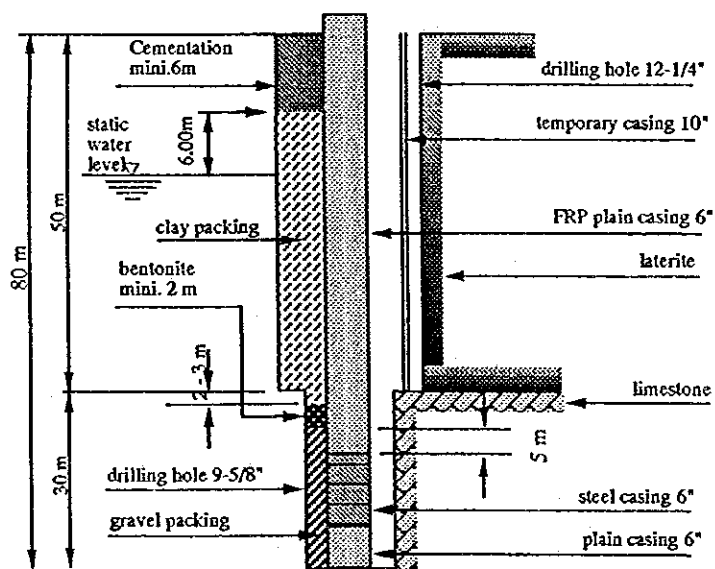
Japan International Cooperation Agency



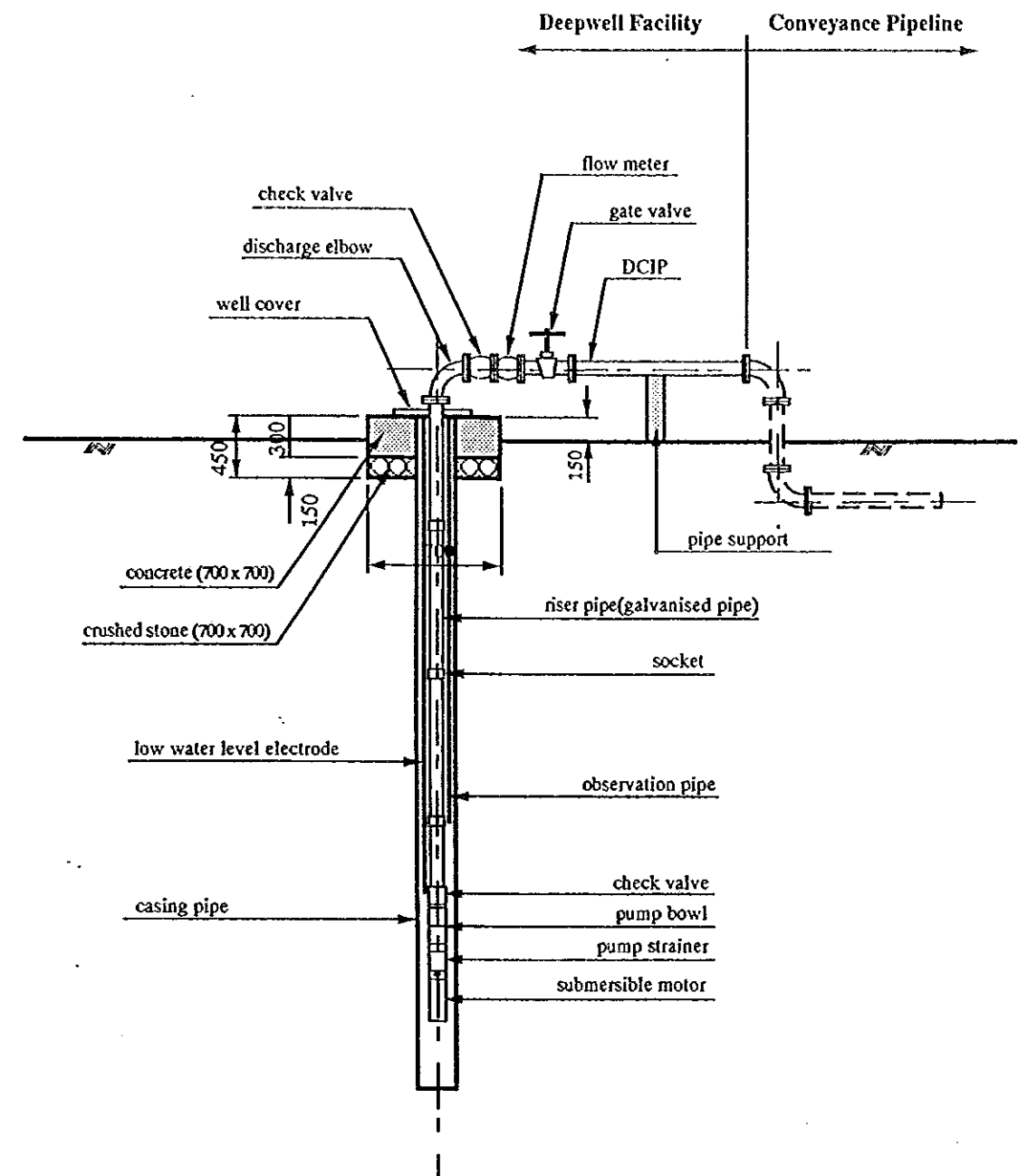
Well No. 6



Well No. 1, No. 2, No. 3, and No. 4

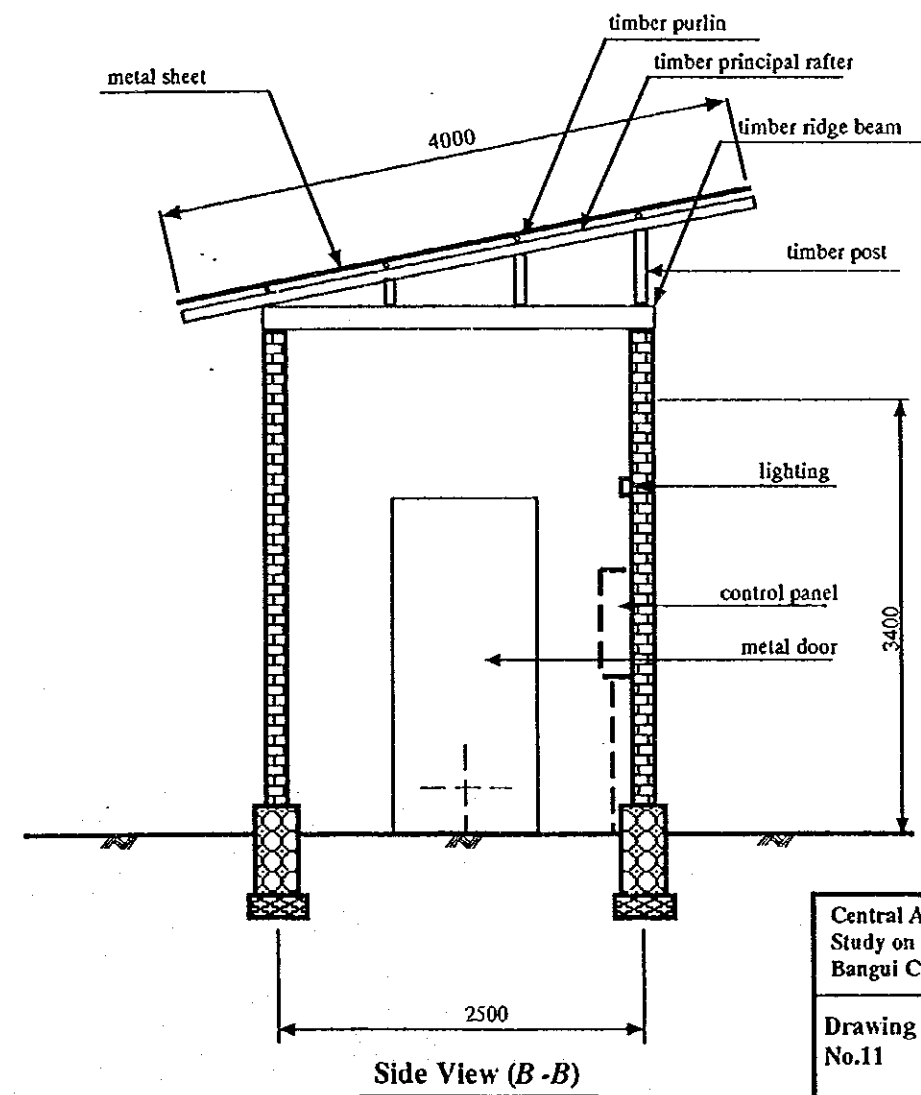
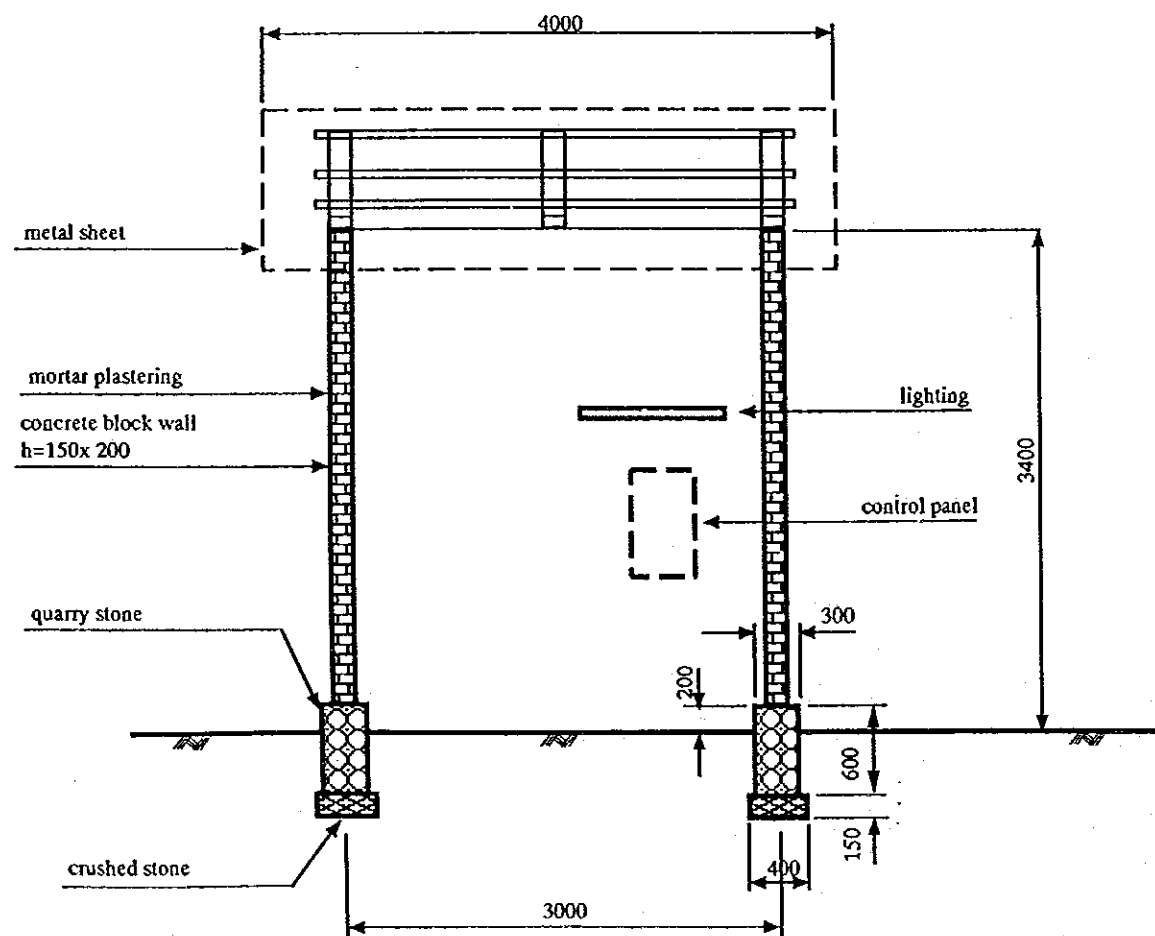
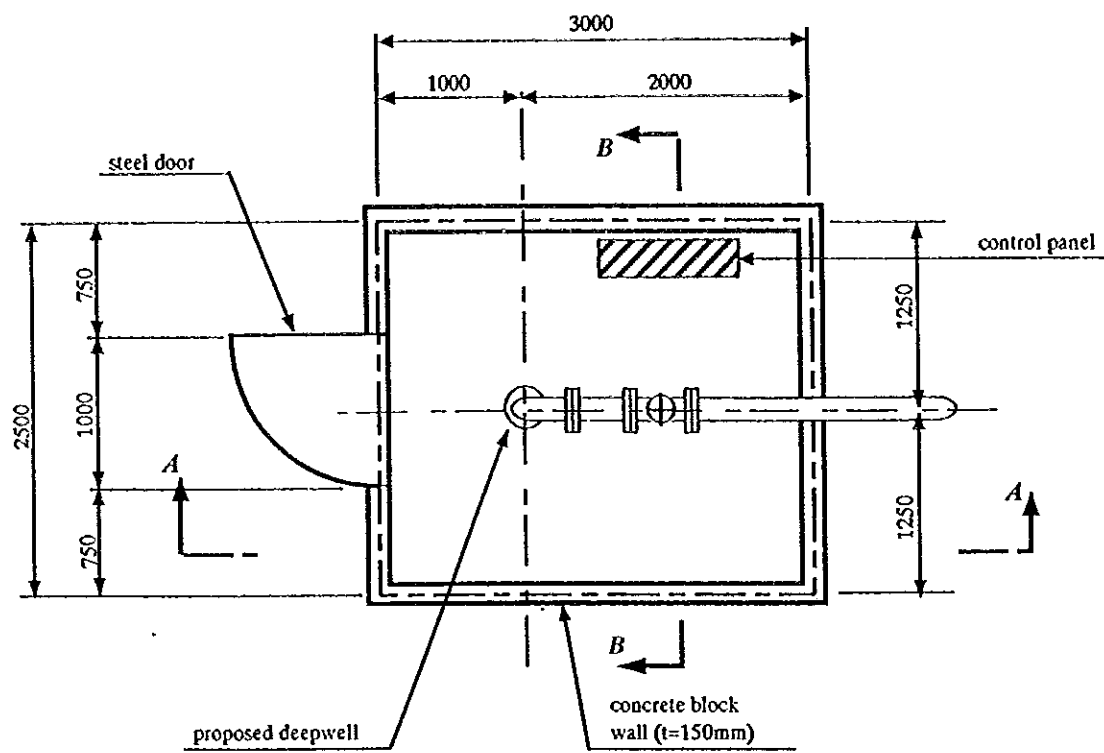


Well No. 5

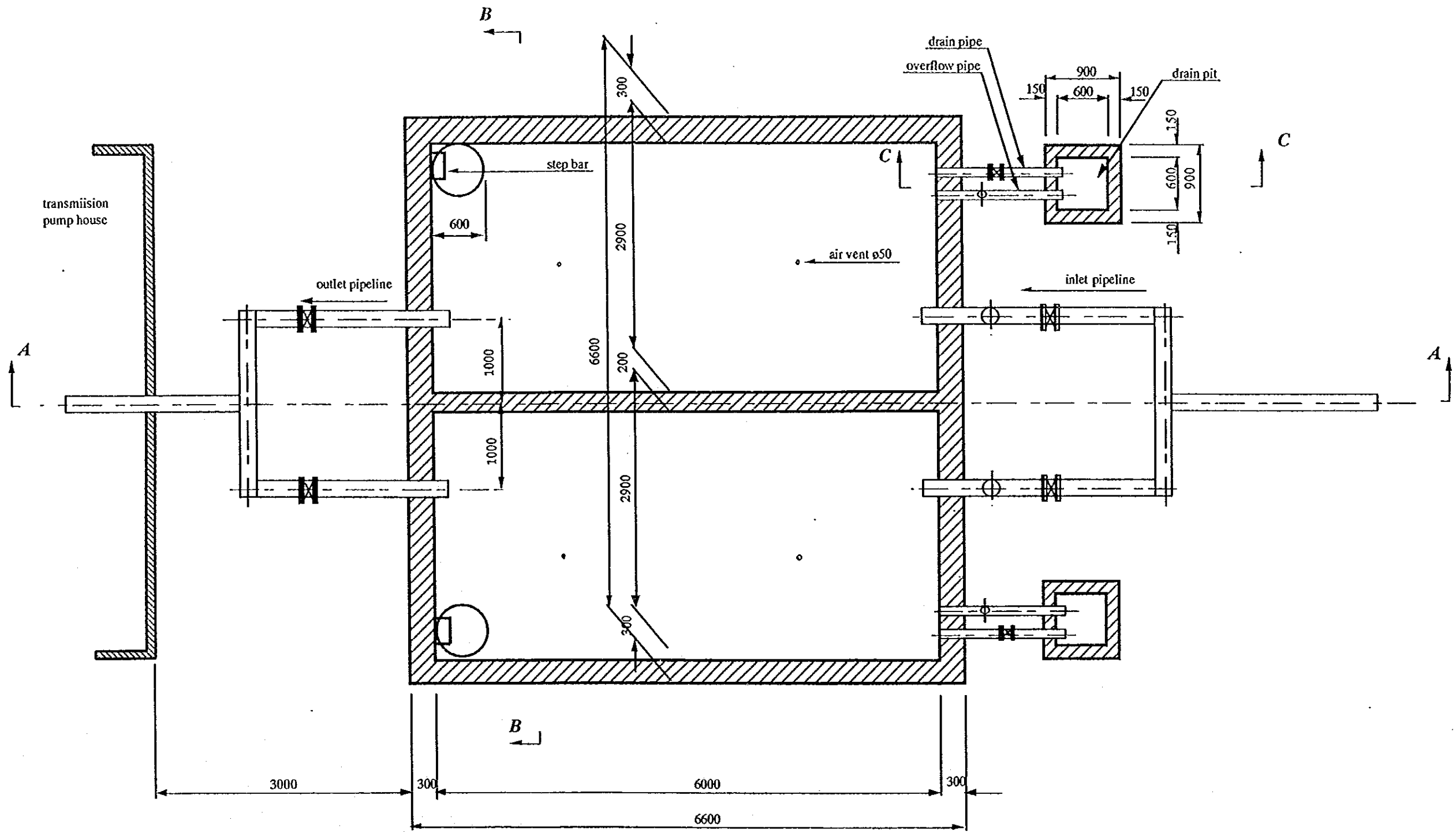


Deepwell Facility

Central African Republic Study on Groundwater Development in Bangui City (Feasibility Study)	
Drawing No.10	Cross-Sections of Deepwell Scale:non
Japan International Cooperation Agency	

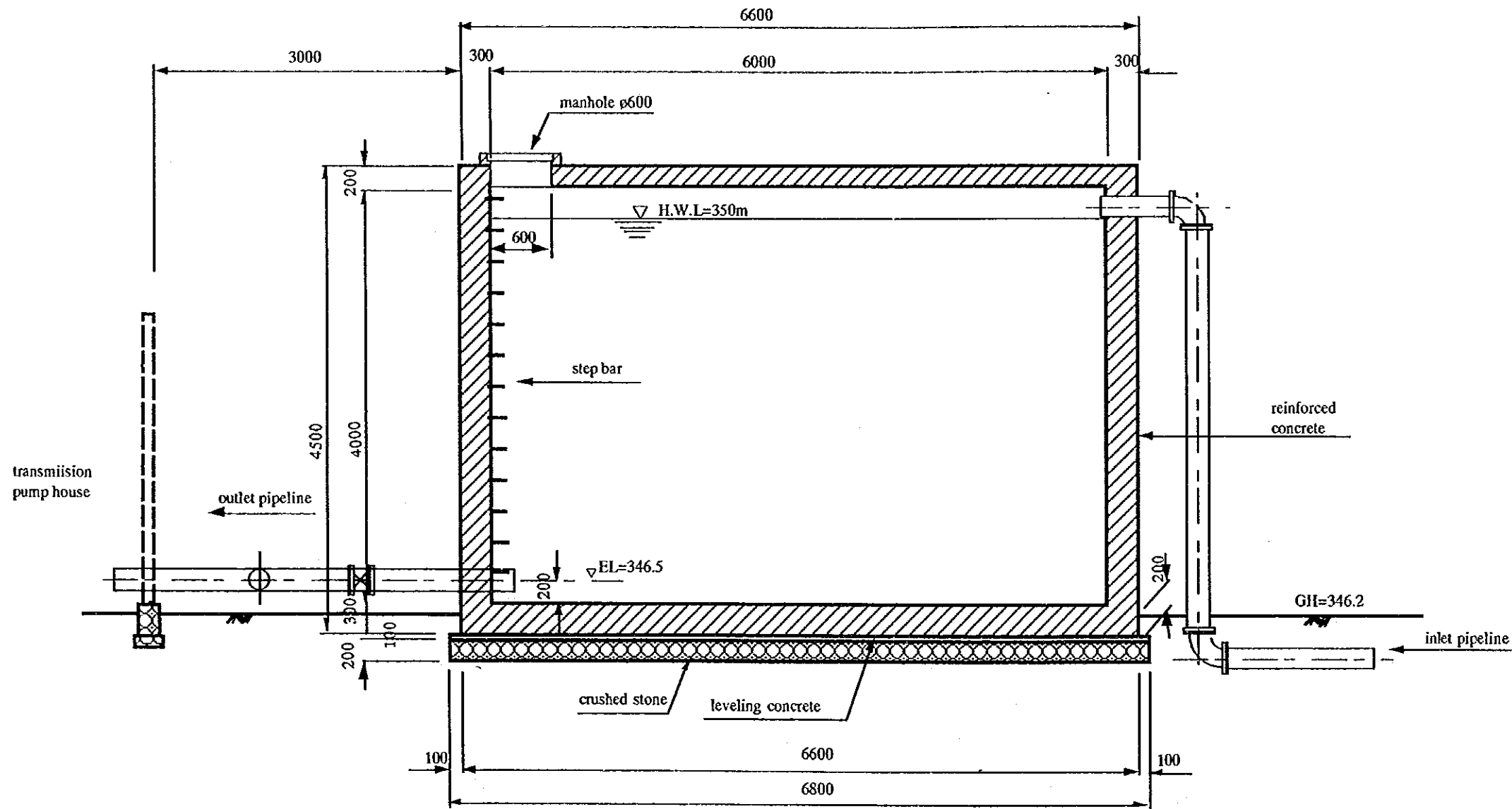


Central African Republic Study on Groundwater Development in Bangui City (Feasibility Study)	
Drawing No.11	Well House Scale=1:50
Japan International Cooperation Agency	



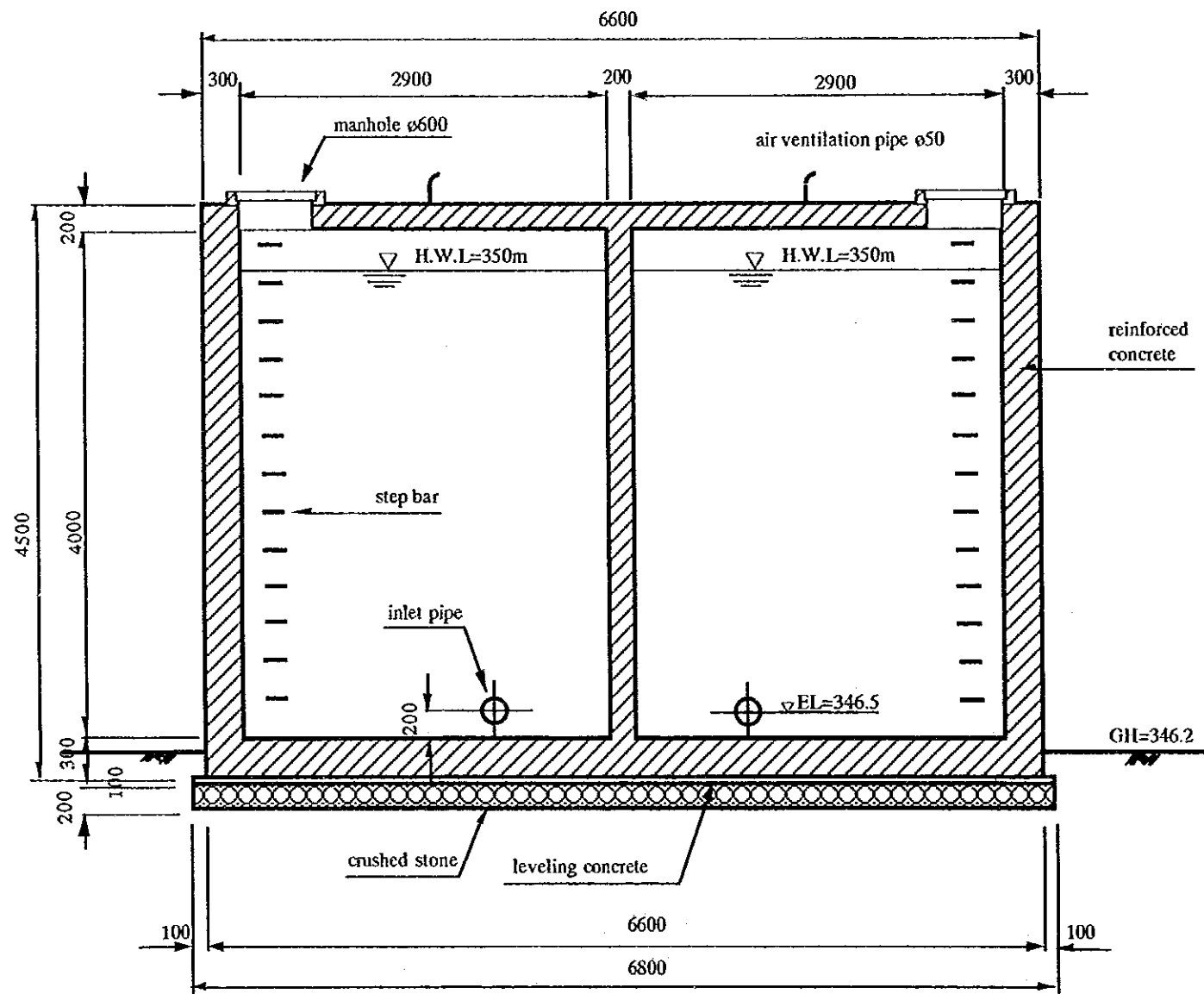
Plan

Central African Republic Study on Groundwater Development in Bangui City (Feasibility Study)	
Drawing No.12	Collection Chamber 1/3 (Plan) Scale=1:50
Japan International Cooperation Agency	

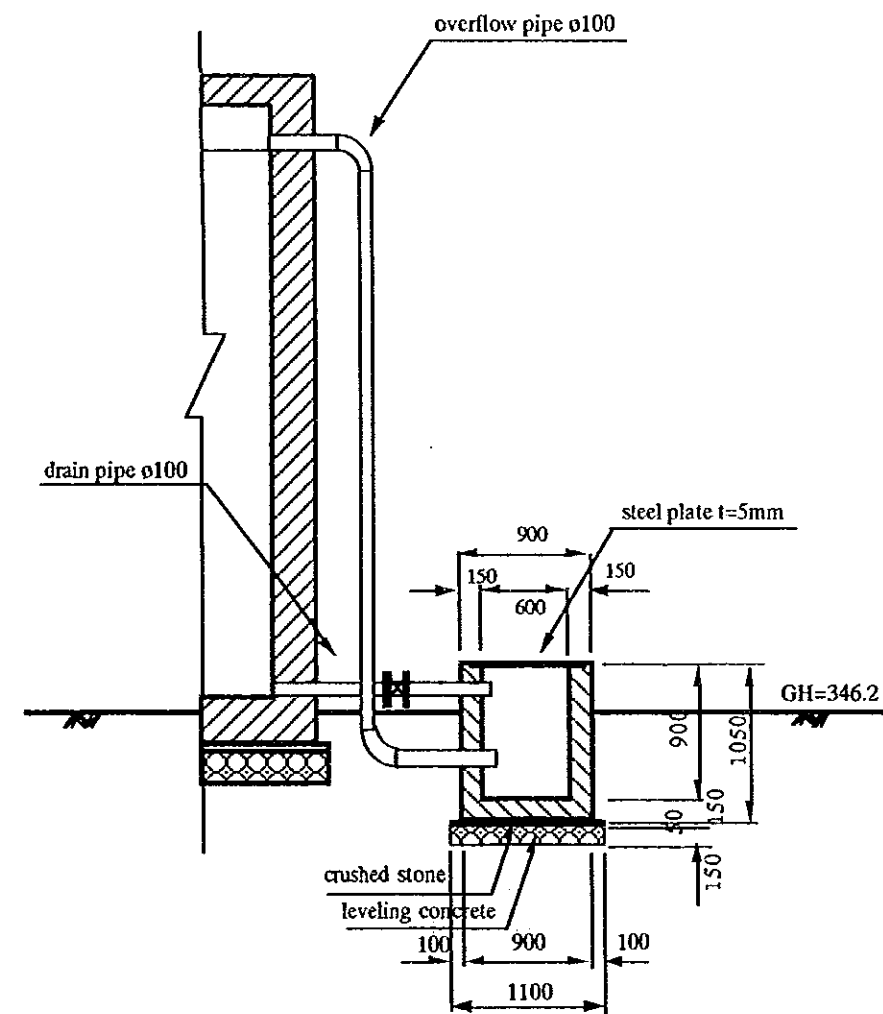


A-A Section

Central African Republic Study on Groundwater Development in Bangul City (Feasibility Study)	
Drawing No.13	Collection Chamber 2/3 (A-A Section) Scale=1:50
Japan International Cooperation Agency	

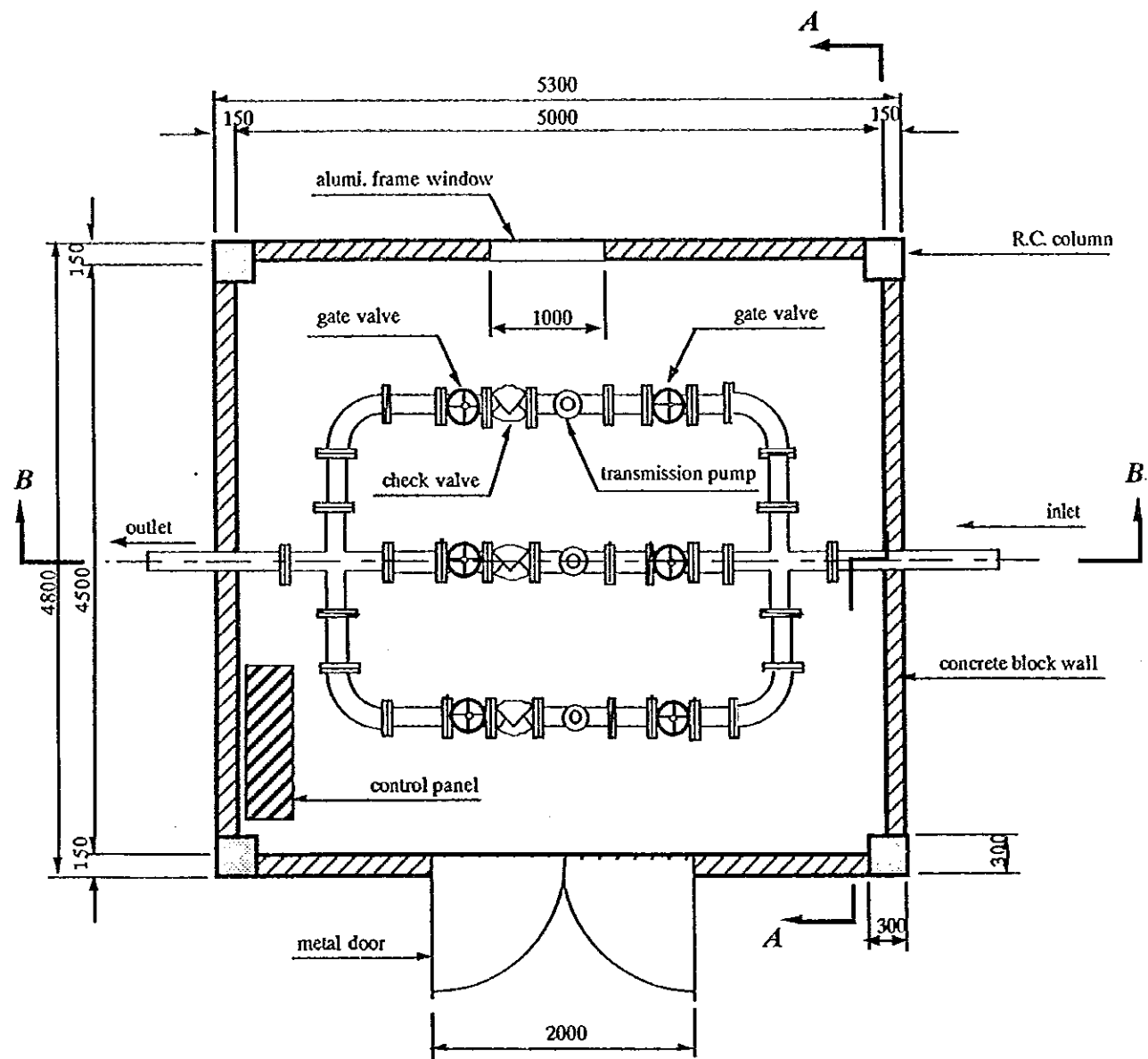


B-B Section

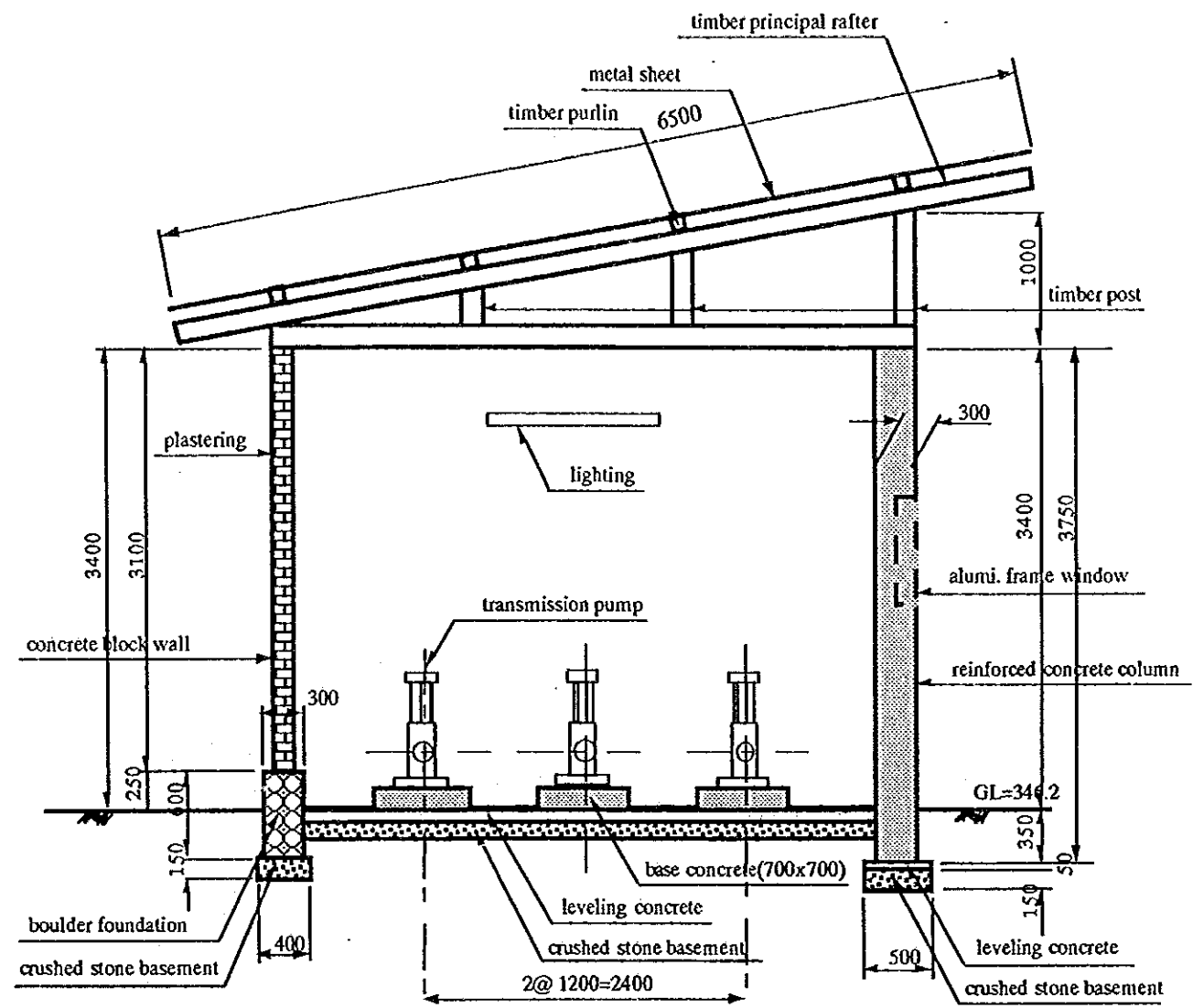


C-C Section

Central African Republic Study on Groundwater Development in Bangui City (Feasibility Study)	
Drawing No.14	Collection Chamber 3/3 (B-B & C-C Section) Scale=1:50
Japan International Cooperation Agency	



Plan

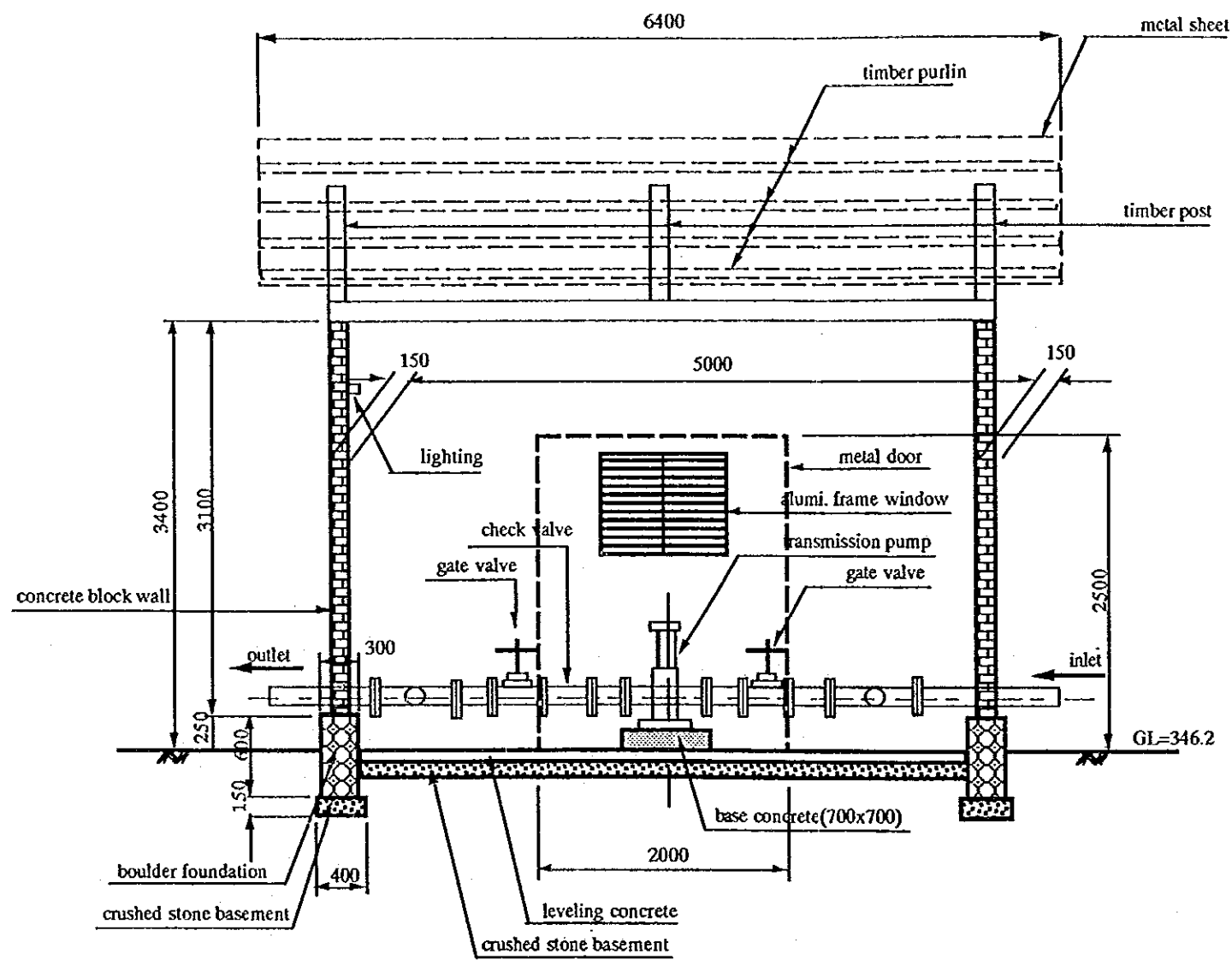


A-A Section

Central African Republic
Study on Groundwater Development in
Bangui City (Feasibility Study)

Drawing No.15 Transmission Pump House 1/2
(Plan & A-A Section)
Scale=1:50

Japan International Cooperation Agency

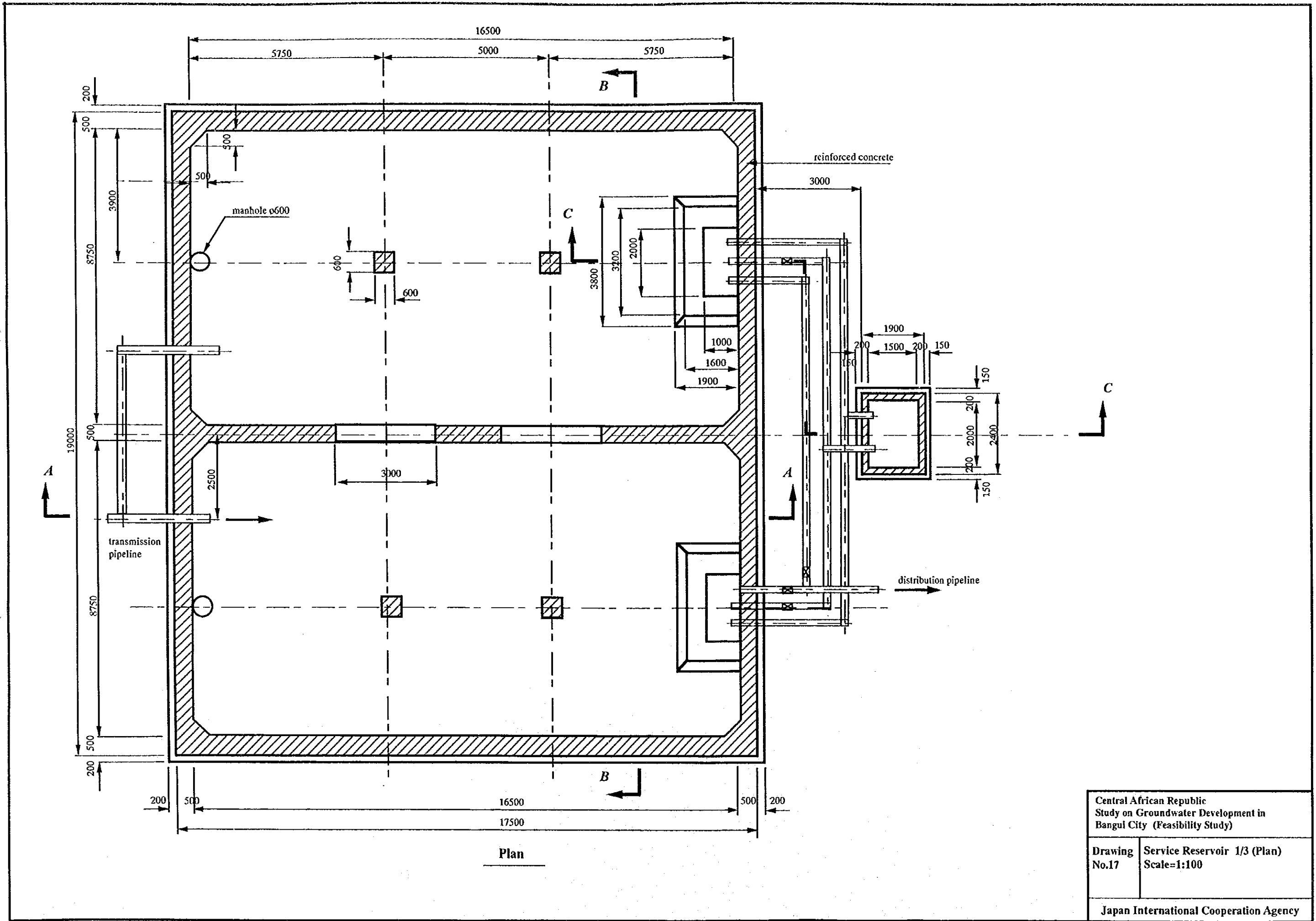


B-B Section

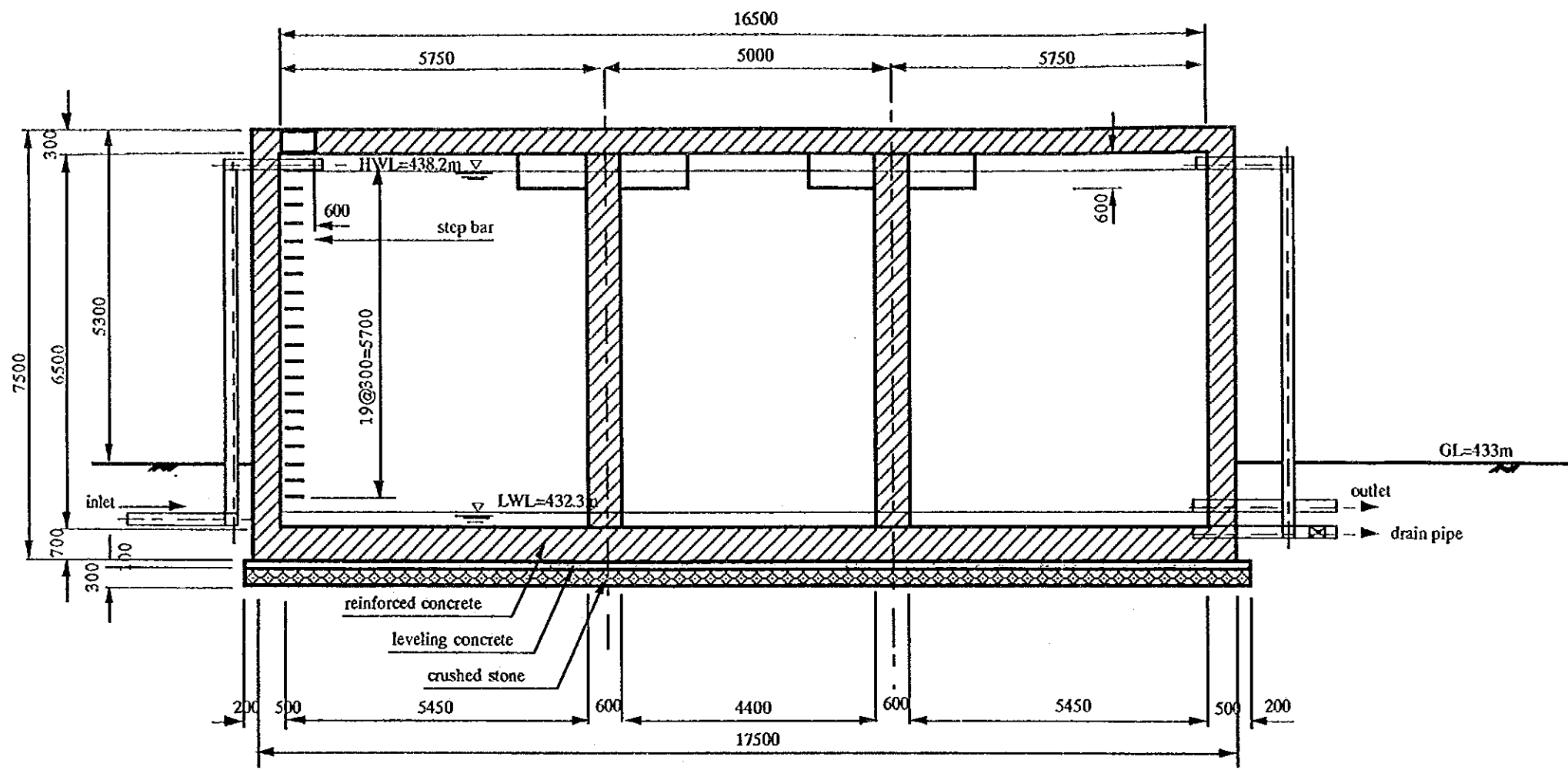
Central African Republic
 Study on Groundwater Development in
 Bangui City (Feasibility Study)

Drawing No.16 | Transmission Pump House 2/2
 (B-B Section)
 Scale=1:50

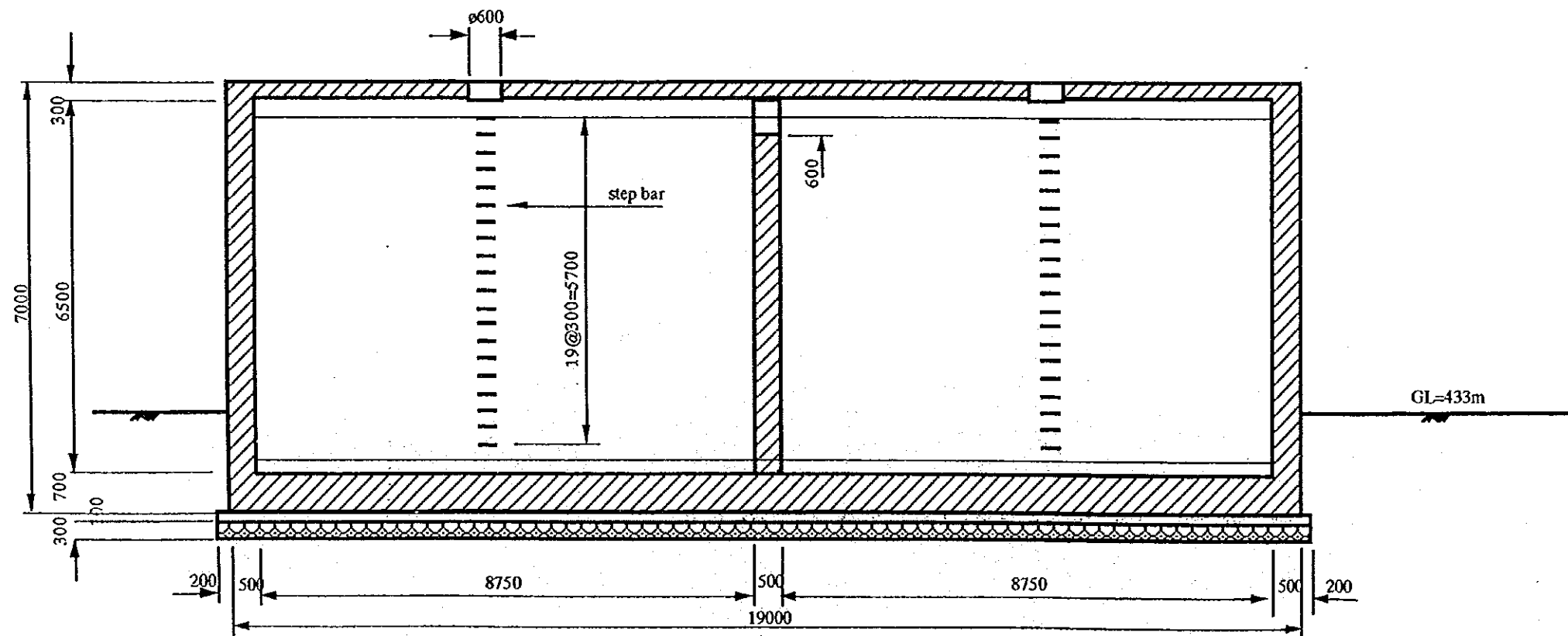
Japan International Cooperation Agency



Central African Republic Study on Groundwater Development in Bangui City (Feasibility Study)	
Drawing No.17	Service Reservoir 1/3 (Plan) Scale=1:100
Japan International Cooperation Agency	



A-A Section

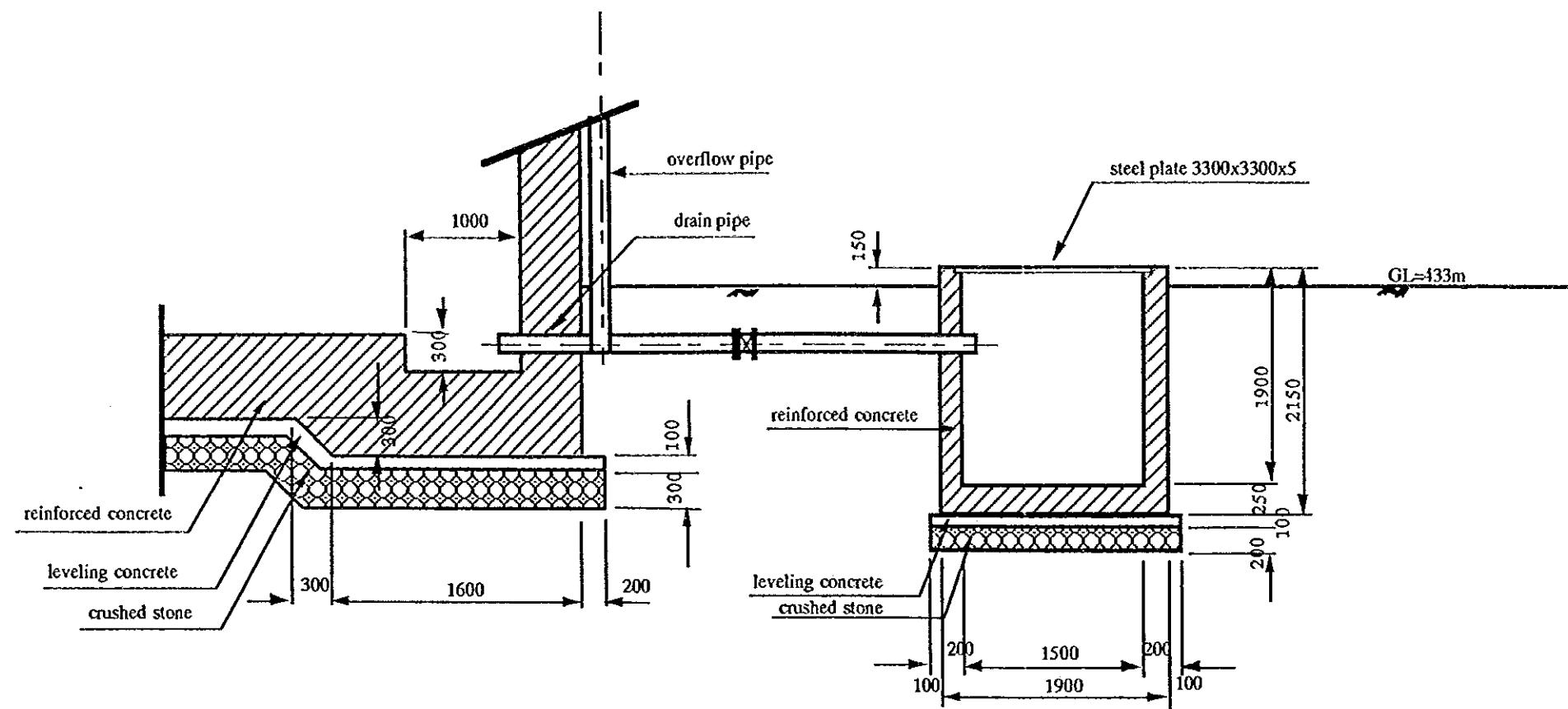


B-B Section

Central African Republic
Study on Groundwater Development in
Bangui City (Feasibility Study)

Drawing No.18 Service Reservoir 2/3
(A-A & B-B Sections)
Scale=1:100

Japan International Cooperation Agency

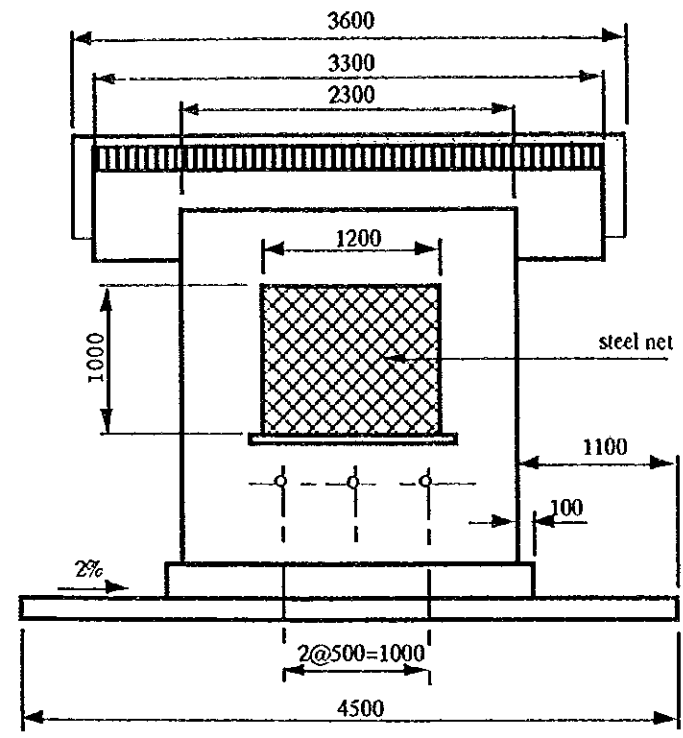


C-C Section

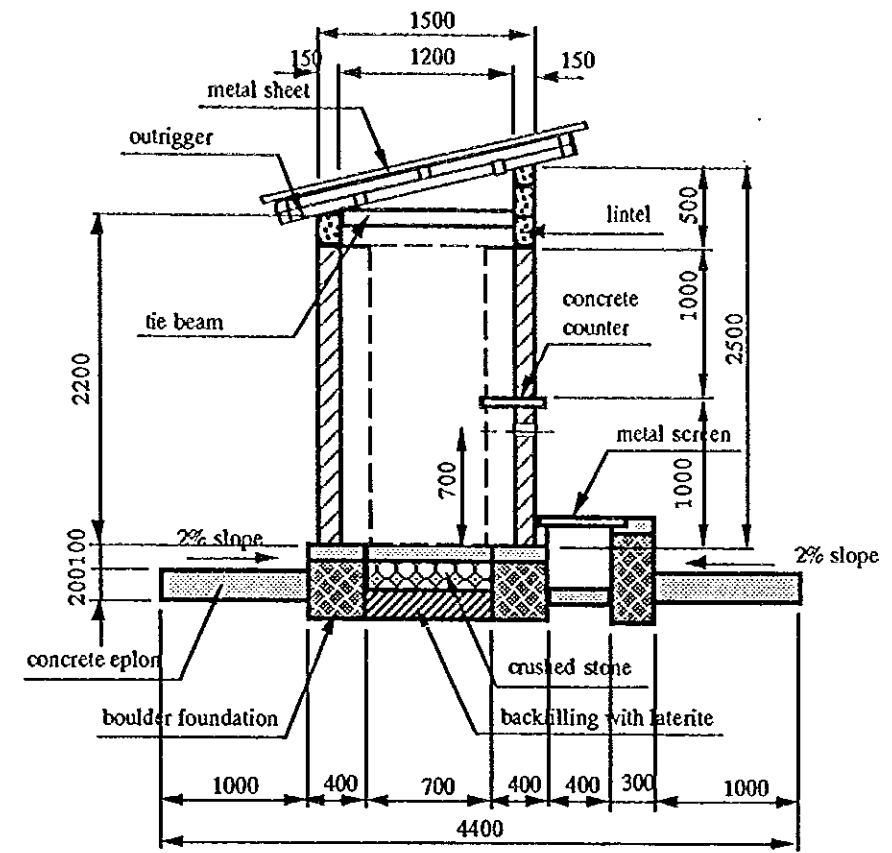
Central African Republic
Study on Groundwater Development in
Bangui City (Feasibility Study)

Drawing No.19 Service Reservoir 3/3
(C-C Sections)
Scale=1:100

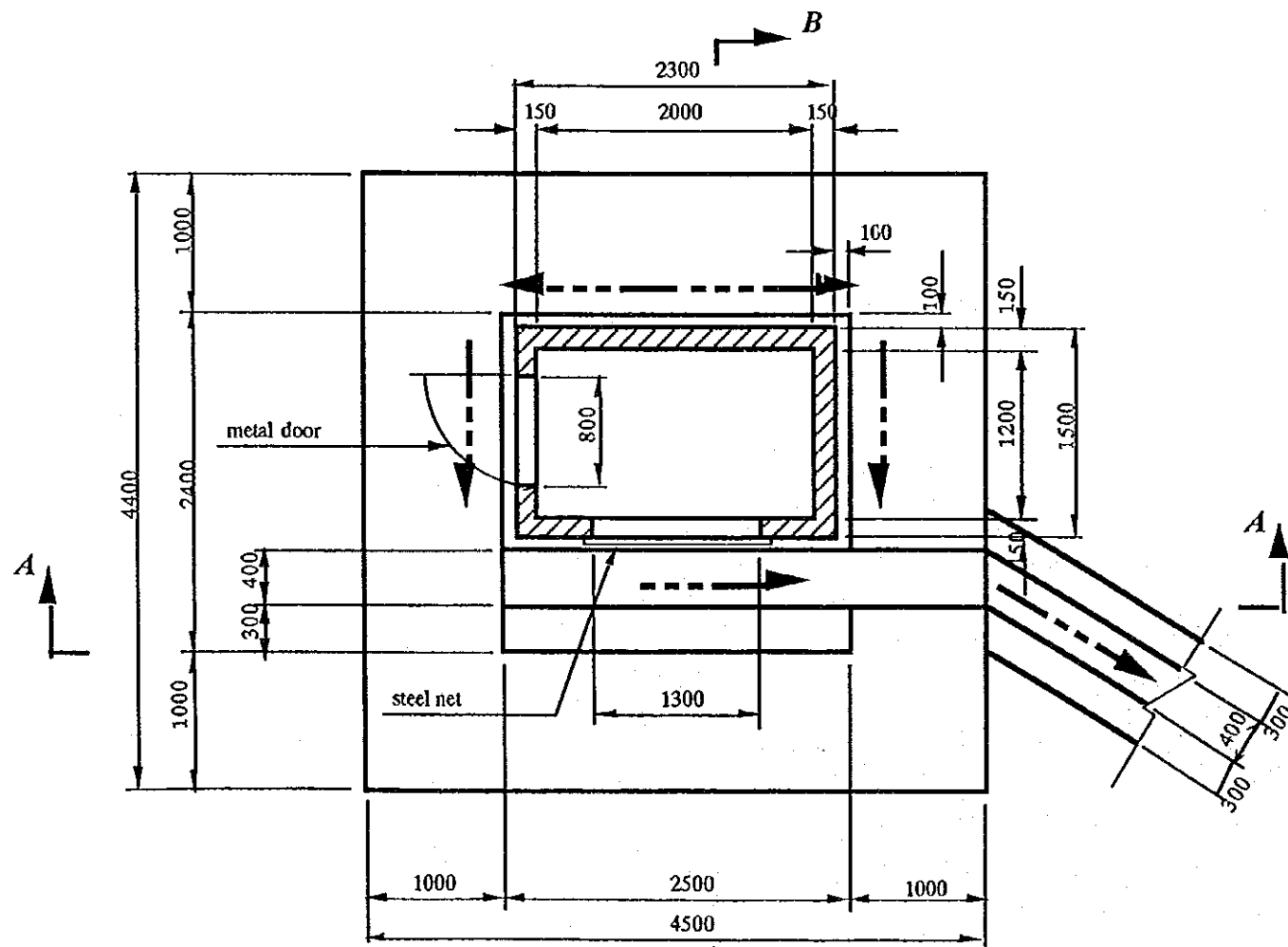
Japan International Cooperation Agency



A-A Section

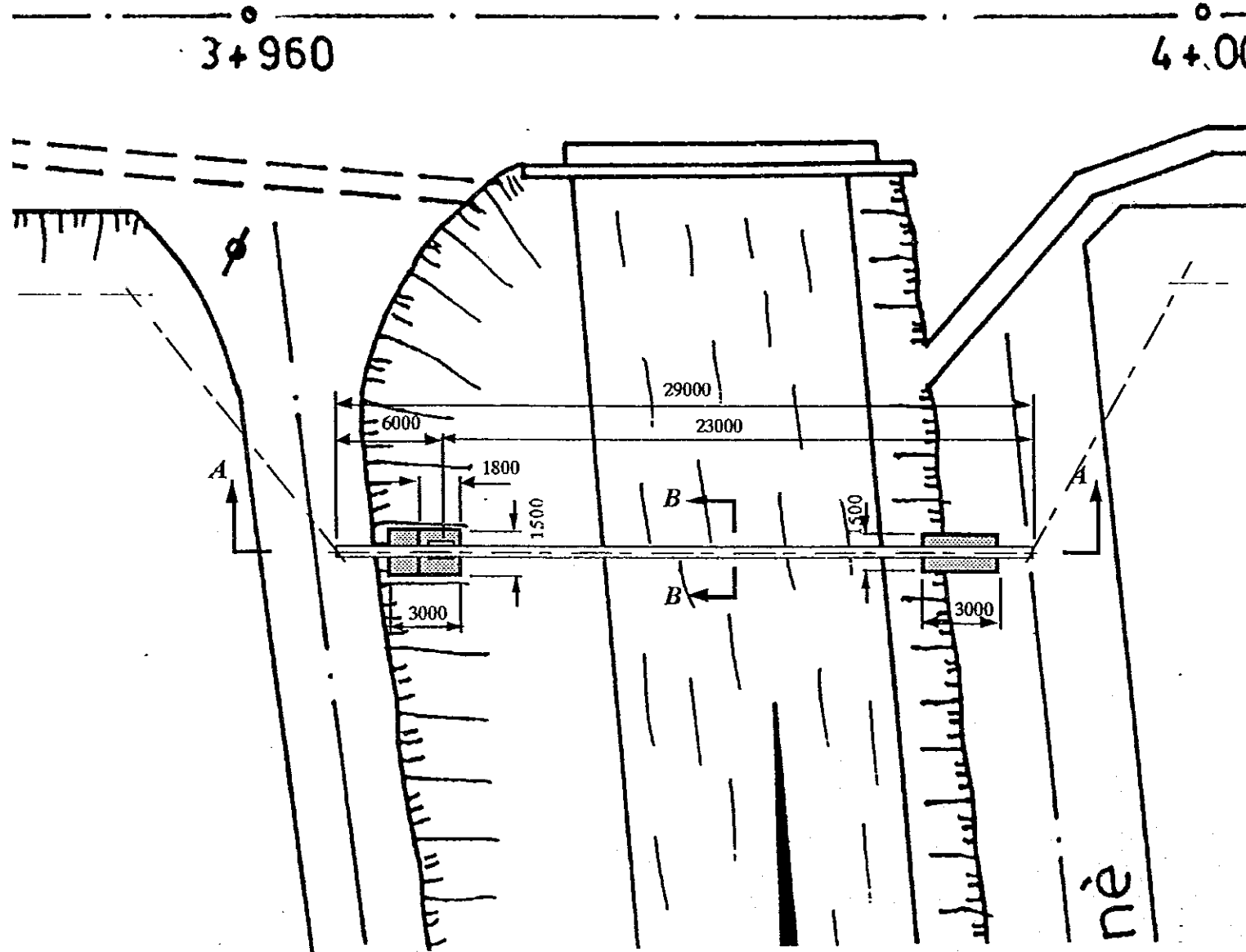
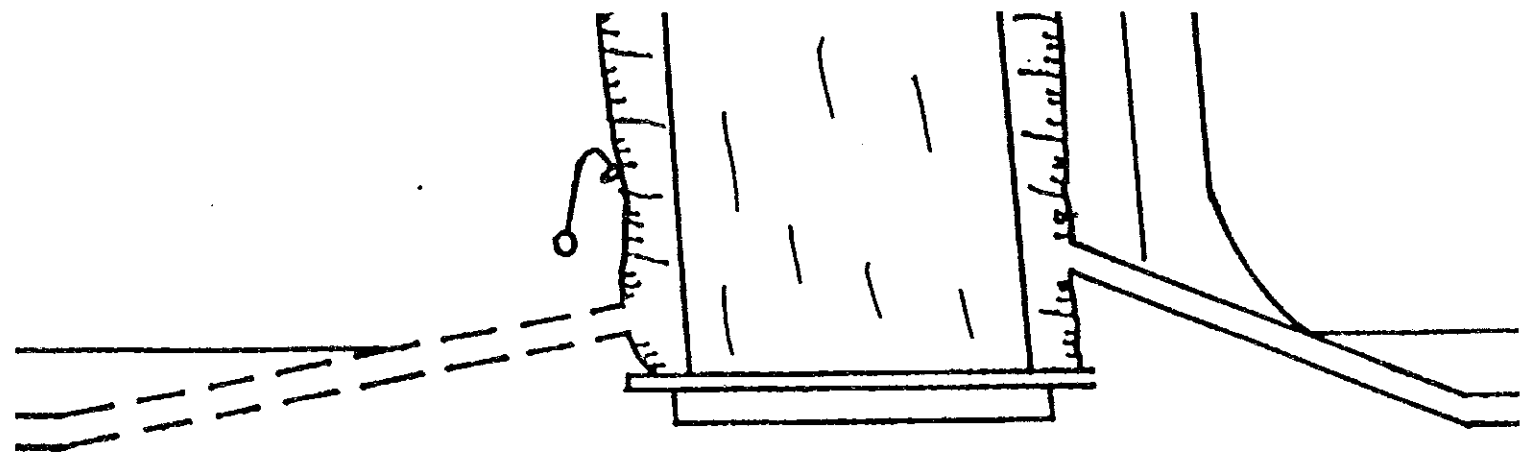


B-B Section

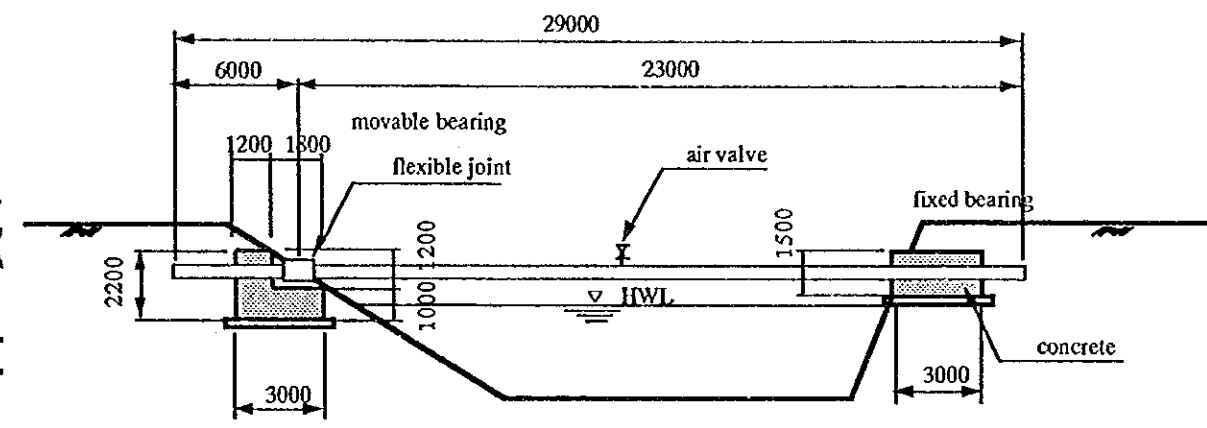


Plan

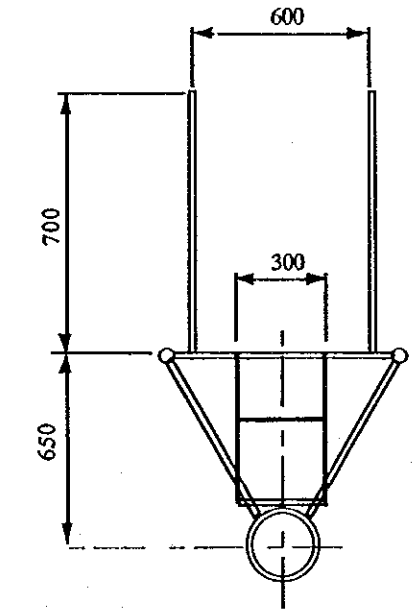
Central African Republic Study on Groundwater Development in Bangui City (Feasibility Study)	
Drawing No.20	Public Fountain (Kiosk) Scale=1:50
Japan International Cooperation Agency	



Plan

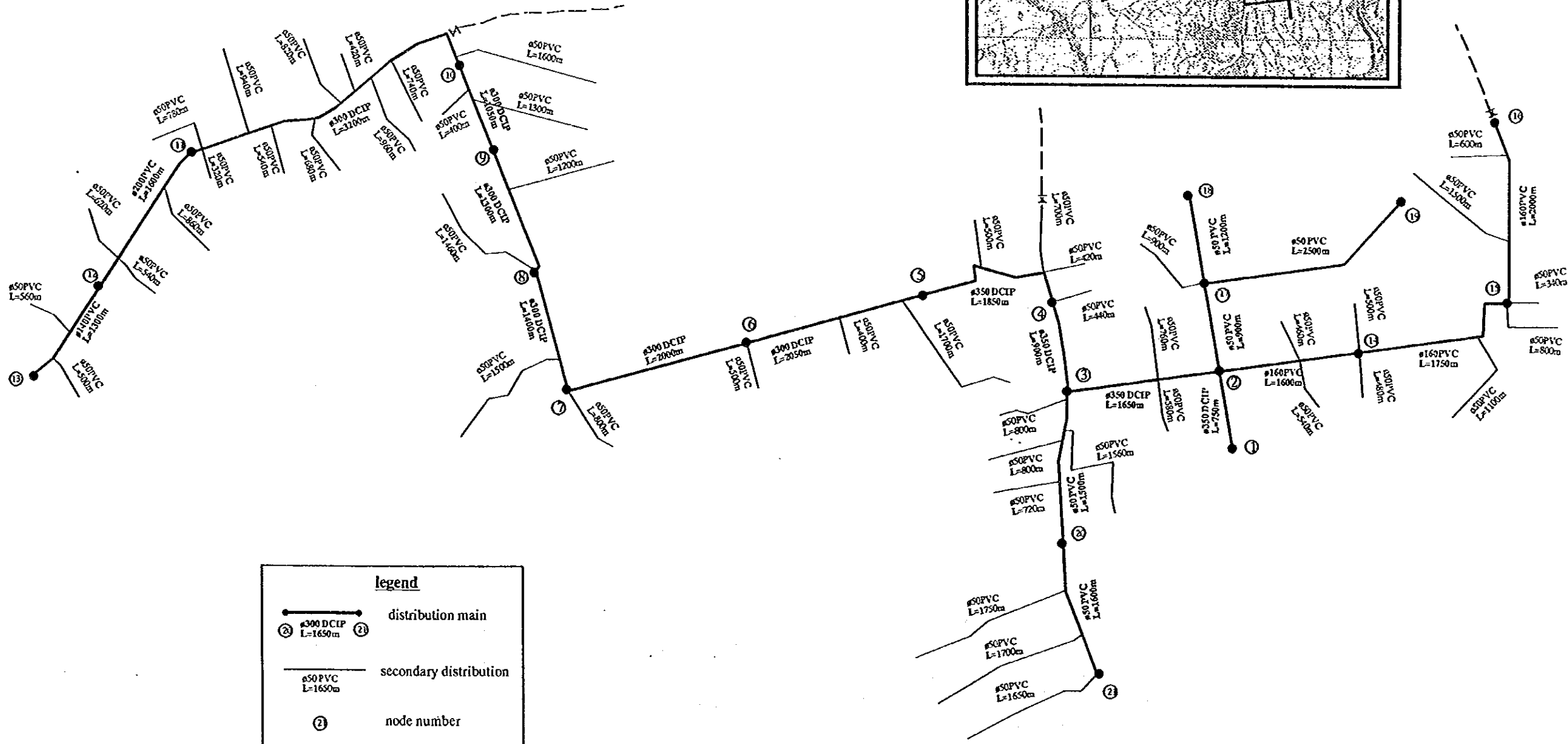
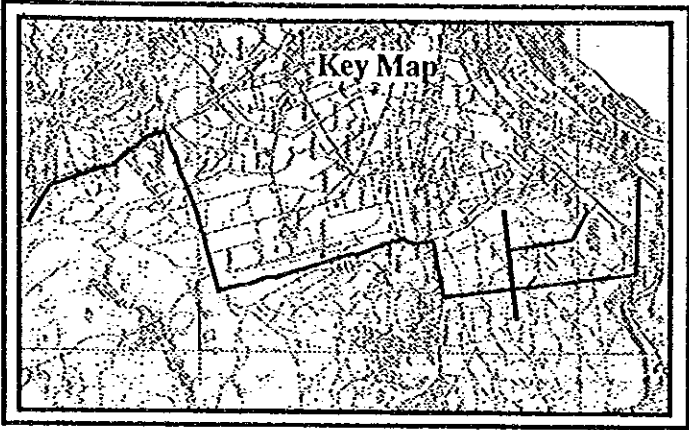
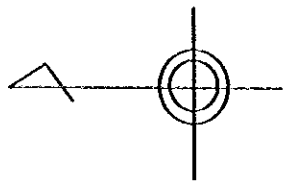


A-A Section



B-B Section

Central African Republic Study on Groundwater Development in Bangul City (Feasibility Study)	
Drawing No.21	Aqueduct Scale:non
Japan International Cooperation Agency	



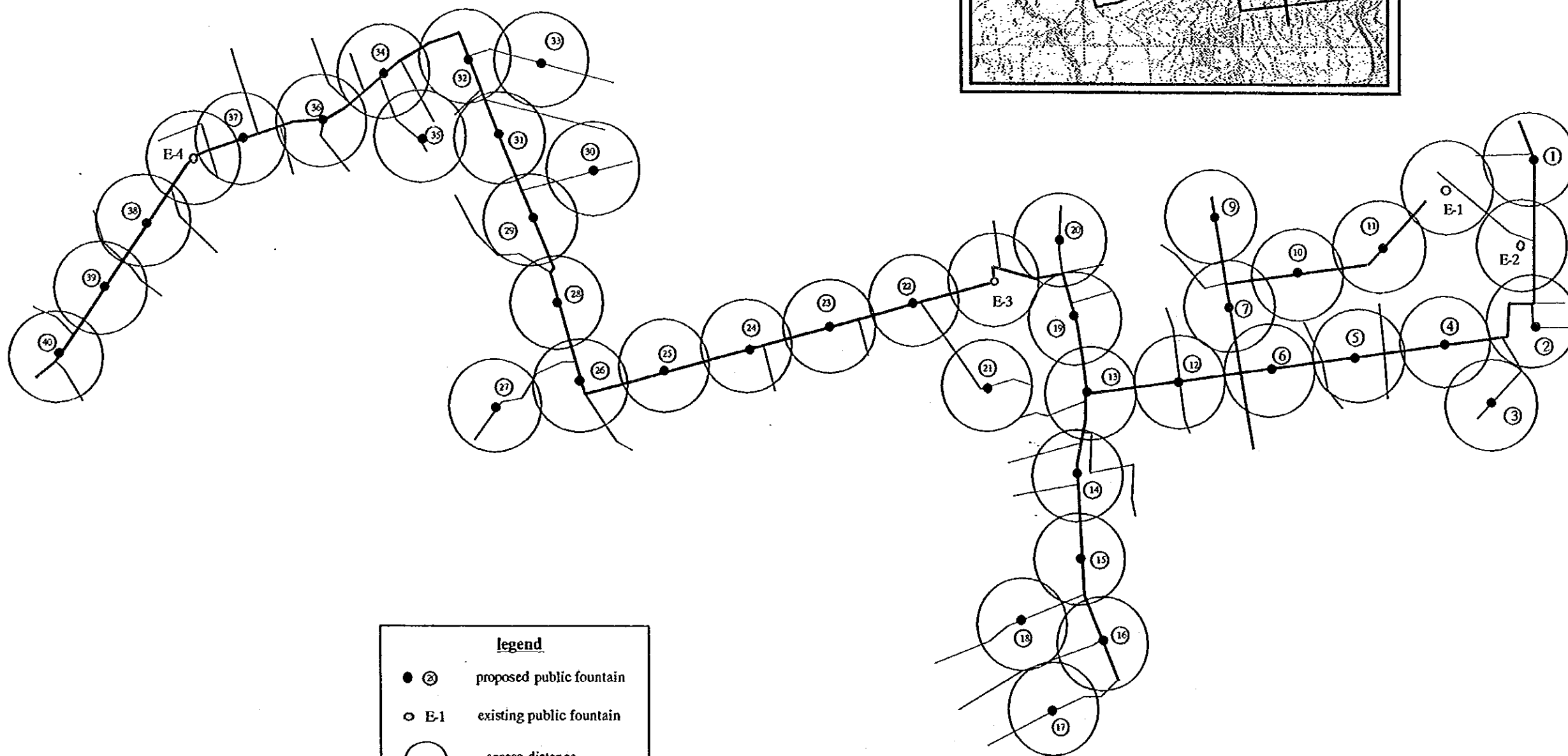
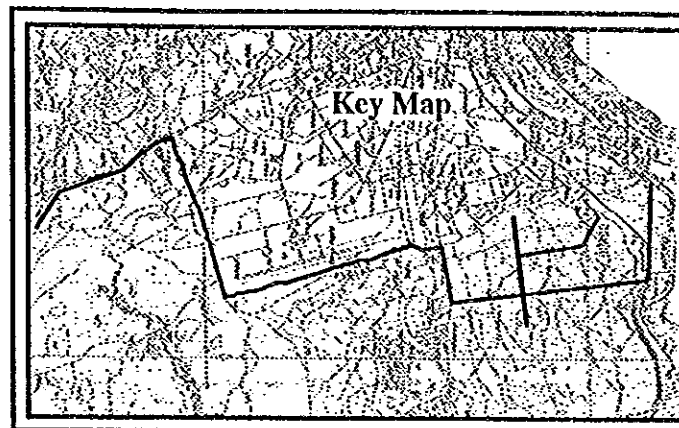
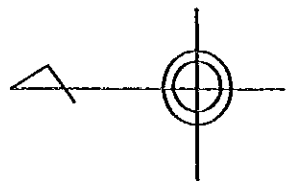
legend	
—●—●—	distribution main
② —●—●— ②	#300 DCIP L=1650m
—	secondary distribution
—●—	#50 PVC L=1650m
②	node number
- - -	existing pipeline

Central African Republic
Study on Groundwater Development in
Bangui City (Feasibility Study)

Drawing
No.22

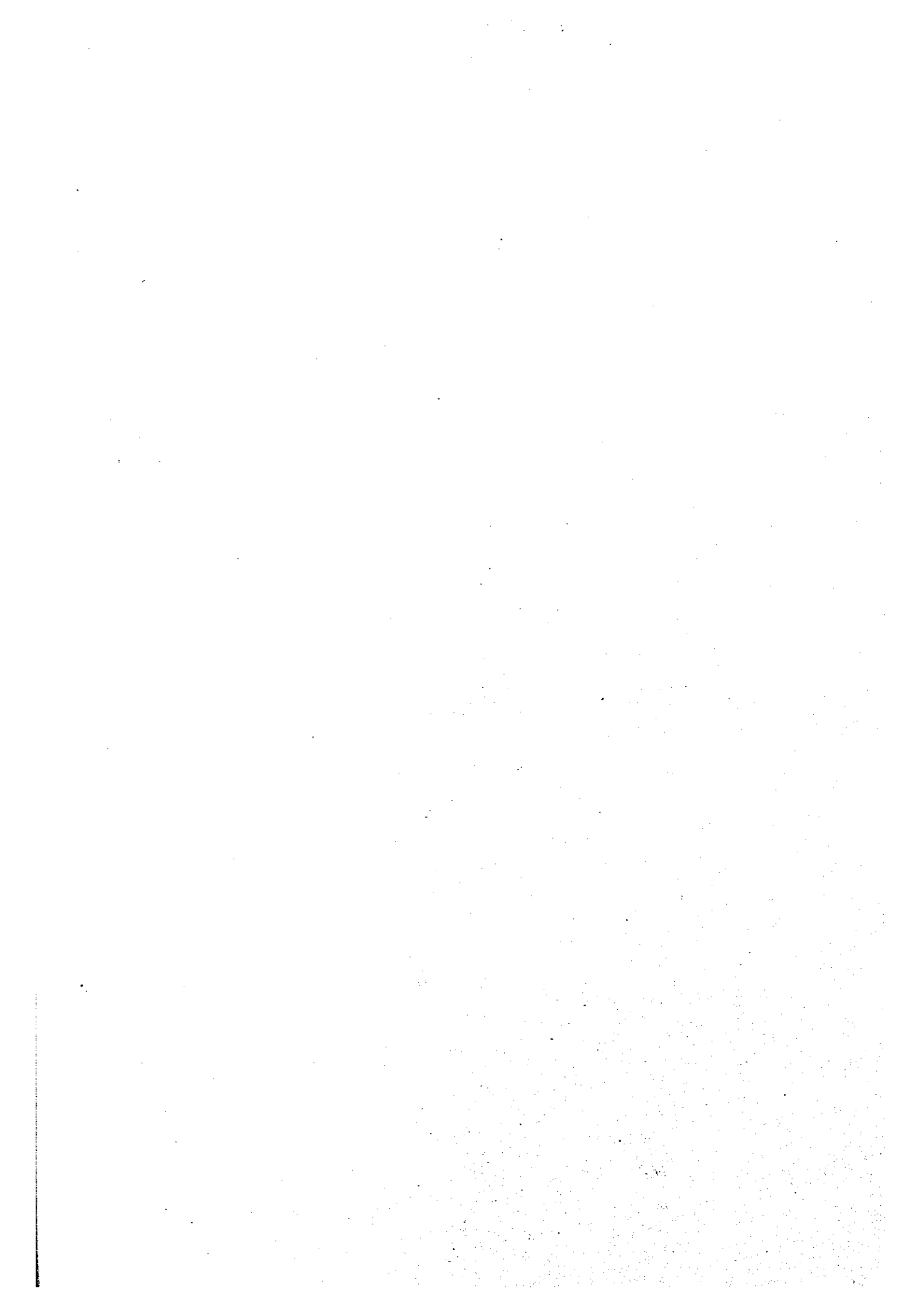
Layout Plan of Distribution
Pipeline
Scale=1:50,000

Japan International Cooperation Agency



legend	
● ②	proposed public fountain
○ E-1	existing public fountain
○	access distance

Central African Republic Study on Groundwater Development in Bangui City (Feasibility Study)	
Drawing No.23	Layout Plan of Public Fountains Scale=1:50,000
Japan International Cooperation Agency	







JICA