

Data 3

*Opinion Survey on
Medical Institutions*

Data 3.1 Tabulated Results of the Opinion Survey on Medical Institutions D3-1

Data 3.2 Graphic Illustration of the Results of the Opinion Survey on Medical Institutions
..... D3-22

Data 3.1 Tablated Results of the Opinion Survey on Medical Institutions

Q1 – Type of Institutions

options	Adana	Mersin	Number	%
Public institution	14	3	17	41.5
Private institution	14	10	24	58.5
Total	28	13	41	100.0

Q 2 – Location of Institutions

options	Public institution	Private institution	Number	%
Adana	14	14	28	68.3
Mersin	3	10	13	31.7
	17	24	41	100.0

Q 3A – Capacity (Classification of institutions)

	options	Adana	Mersin	Number	%
A	Non-hospitalizing	12	2	14	34.1
M	Hospitalizing	16	11	27	65.9
		28	13	41	100.0

Q3B Number of Beds at Hospitalizing Institutions

Q 3A	Adana	Mersin	Total
Hospitalizing Institutions	16	11	27
Number of beds(total)	4032	1292	5324
Number of beds/institution(max.)	784	578	784
Number of beds/institution(min.)	12	5	5
Total occupied beds(mean)	3328	1015.5	4343.5
Bed occupancy Rate(%)	82.6	78.6	81.6

Q3C Number of out-patients at hospitalizing institutions

	Adana	Mersin	Total
Hospitalizing Institutions	16	11	27
Number of outpatients (total) /day	490	304	794
Number of outpatients/institution (mean) /day	30.6	27.6	29.4
Number of outpatients/institution(Min.)/day	4	4	4
Number of outpatients/institution(Max.)/day	90	84	90

Q3C-2 Number of polyclinic patients at non-hospitalizing institutions

	Adana	Mersin	Total
Non-hospitalizing Institutions	12	2	14
Number of polyclinic patients/day (Total) /day	2975	125	3100
Number of polyclinic patients/institution (mean) /day	247.9	62.5	221.4
Number of polyclinic patients/institution (min.) /day	15	25	15
Number of polyclinic patients/institution (max.) /day	1000	100	1000

Q 3D-1 Number of employees at hospitalizing institutions

		Adana	Mersin	Total
number of hospitalizing institutions		16	11	27
Full time employees	Total	6397	2063	8460
	Mean	399.8	187.5	313.3
	Minimum	21	5	5
	Maximum	832	1168	1168
Part time employees	Total	313	28	341
	Mean	19.6	2.5	12.6
	Minimum	0	0	0
	Maximum	195	11	195

Q3D-2 Number of employees at non-hospitalizing institutions

		Adana	Mersin	Total
number of non-hospitalizing institutions		12	2	14
Full time employees	Total	348	27	365
	Mean/institution	28.2	13.5	26.1
	Minimum/institution	5	7	5
	Maximum/institution	48	20	48
Part time employees	total	29	11	40
	Mean/institution	2.4	5.5	2.9
	Minimum/institution	0	3	0
	Maximum/institution	15	8	15

Questions on infectious waste and hazardous waste management

Q4- Present storage system in department or Patients' wards where is generated

code	Options	Adana	Mersin	Number	%
A	We separate the waste into E,T,G.	3	0	3	7.3
C	We mix E and T. but separate G type.	1	0	1	2.4
D	We do not separate our waste.	2	0	2	4.9
F	We separate waste into E,G,Glassware and X-Ray developing solutions(We do not have T-waste.)	0	3	3	7.3
G	We separate waste into E, G, Glassware and X-ray developing solutions(we do not have T-waste)	1	1	2	4.9
H	We separate waste into E, G, glassware (we do not have T-waste)	0	5	5	12.2
J	We separate waste into E and G(we do not have T waste)	13	3	16	39.0
K	We separate waste into E, G glassware and paper(We do not have T waste)	0	1	1	2.4
L	We separate waste into E, and T mixed), G, and glassware	2	0	2	4,9
M	We separate waste into E, T, G glassware, paper and X-ray developing solutions.	1	0	1	2.4
N	We separate waste into (E, T, G mixed) and glassware, paper and X-ray developing solutions.	0	0	0	0
P	We separate waste into E, G, X-ray developing solutions.(We do not have T-waste)	3	0	3	7.3
R	We separate waste into (E, G mixed),and paper(We do not have T-waste).	1	0	1	2.4
S	We separate waste into E, T, G glassware,X-ray developing solutions.	1	0	1	2.4
T	We separate waste into (E, T,G mixed) and X-ray developing solutions (We do not have T-waste.)	0	0	0	0
	Total	28	13	41	100.0

Note 1 : X-ray developing solutions contain silver, thus were evaluated here because of their heavy metal content

Note 2 : Paper and glassware were included because of their recycling properties.

E : Infectious waste T : Hazardous Waste G : Other General Waste

Q5- Present storage system at the central collection points at the hospital:

code	Options	Adana	Mersin	Number	%
A	We separate the waste into E,T,G.	3	0	3	7.3
C	We mix E and T, but separate G type.	1	0	1	2.4
D	We do not separate our waste.	2	0	2	4.9
F	We separate waste into E, G, Glassware and X Ray developing solutions(We do not have T-waste.)	1	3	4	9.8
G	We separate waste into E, G, Glassware and X-ray developing solutions(we do not have T-wastes)	1	1	2	4.9
H	We separate waste into E, G, glassware(We do not have T waste)	0	5	5	12.2
J	We separate waste into E and G(we do not have T waste	13	3	16	39.0
K	We separate waste into E, G glassware paper and X-ray developing solutions.(We do not have T waste)	0	1	1	2.4
L	We separate waste into E, and T mixed), G, and glassware	2	0	2	4.9
M	We separate waste into E, T, G glassware, paper and X-ray developing solutions.	0	0	0	0
N	We separate waste into (E, T, G mixed) and glassware, paper, X-ray developing solutions.	1	0	1	2.4
P	We separate waste into E, G, X-ray developing solutions.(We do not have T-waste)	1	0	1	2.4
R	We separate waste into (E, G mixed),and paper(We do not have T-waste).	1	0	1	2.4
S	We separate waste into E,T,G glassware, X-ray developing solutions	1	0	1	2.4
T	We separate waste into (E,G mixed) and X-ray developing solutions (We do not have T-waste.)	1	0	1	2.4
	Total	28	13	41	100.0

Note 1 : X-ray developing solutions contain silver, thus were evaluated here because of their heavy metal content

Note 2 : Paper and glassware were included because of their recycling properties.

Q6- Containers currently used for the storage of infectious wastes at the central Collection points

	Options	Adana	Mersin	Number	%
B1	50lt hard plastic containers designated by the law without a plastic bag liner with a cover	1	0	1	2.4
G	special, closed,locked room	2	1	3	7.3
H	Metal medium sized,275lt container with a cover	5	0	5	12.2
J	Metal medium sized,275lt container with a cover with a lock	7	4	11	26.8
K	Metal large sized, 400lt container with a	3	1	4	9.8

	cover				
L	Metal large sized, 400lt container with a cover with a lock	3	3	6	14.6
V	Small sized, 150lt hard plastic container with a cover	0	0	0	0
M	Small sized, 150lt hard plastic container with a cover with a lock	2	0	2	4.9
N	Bags are left outside the building	0	1	1	2.4
P	Bags are left inside the building	0	1	1	2.4
R	Small plastic barrels with a cover	1	1	2	4.9
S	Metal 180lt barrels with a cover with a lock	1	0	1	2.4
T	Uncovered truck with a capacity of 3 tons	1	0	1	2.4
U	Metal, 180lt barrels without a cover	1	0	1	2.4
Z	Special Air-conditioned rooms with a drainage system, designated by the law	1	0	1	2.4
	Total	28	13	41	100.0

Q7 Containers currently used for the storage of hazardous wastes at the central collection points:

	Options	Adana			Mersin			Total	%
		Sub-total	In	out	Sub-total	in	out		
A1	Hard plastic containers with a bag liner with a cover	2	1	1	0	0	0	2	4.9
G	Plastic water barrels for X-ray developing solutions	4	0	4	4	2	2	8	19.5
H	Uncovered truck with a capacity of 3 tons and plastic water barrels for X-ray developing solutions	1	1	0	0	0	0	1	2.4
J	Lead containers for nuclear wastes and plastic waste barrels for X-ray developing solutions	1	1	0	0	0	0	1	2.4
K	Lead containers for nuclear wastes	4	3	1	0	0	0	4	9.8
YOK	We do not have any hazardous solid waste	16	9	7	9	7	2	25	61.0
Total		28			13			41	100.0

Note: in : medical institution with inpatients
out : medical institution without inpatient

Q8-Treatment method used for infectious waste generated at the hospital:

	Options	Adana	Mersin	Number	%
J	Incineration in an incinerator	0	1	1	2.4
M	No treatment	27	12	39	95.1
O	Open burial	1	0	1	2.4
Total		28	13	41	100.0

Q9-Treatment method used for hazardous waste generated at the hospital

	Options	Adana			Mersin			Total	%
		Sub-total	in	out	Sub-total	in	out		
A	Nuclear waste are left in lead containers with a cover and discarded daily with double- liner bags	1	1	0	0	0	0	1	2.4
F	Left until collected by Turkish Institution of Energy(TIAE)	1	1	0	0	0	0	1	2.4
M	No treatment	10	5	5	4	4	0	14	34.1
YOK	We do not have any hazardous solid waste	16	9	7	9	7	2	25	61.0
Total		28			13			41	100.0

Note : in ; medical institution with inpatient

out ; medical institution without inpatient

Q10 Who is responsible for the removal of infectious waste from the hospital either for disposal or further treatment ?

Code	Options	Adana	Mersin	Number	%
M	The municipality	27	12	39	95.1
O	The hospital	1	0	1	2.4
P	Dust of burial are collected by the Municipality	0	1	1	2.4
Total		28	13	41	100.0

Q11- Who is responsible for the removal of hazardous wastes from the hospital either for disposal or further treatment ?

	Options	Adana			Mersin			Total	%	
		Sub-total	in	out	sub-total	in	out			
A	Turkish Institution of Atomic Energy(TIAE)	2	0	2	0	0	0	2	12.5	4.9
C	Private Contractor	4	4	0	4	0	4	8	50.0	19.5
M	The Municipality	4	4	0	0	0	0	4	25.0	9.8
O	The hospital	1	1	0	0	0	0	1	6.3	2.4
R	Turkish Institution of Atomic Energy(TIAE) and a private contractor	1	1	0	0	0	0	1	6.3	2.4
	subtotal	12	10	2	4	0	4	16	100.0	39.0
YOK	We do not have any hazardous solid waste	16	9	7	9	7	2	25		61.0
Total		28			13			41		100.0

Q12- How often is the infectious waste collected from the hospital by those responsible for its removal ?

	Options	Adana	Mersin	Number	%
A	Every day	2	0	2	4.9
B	5 to 6 times a week	14	6	20	48.8
C	3 to 4 times a week	2	0	2	4.9
D	twice a week	3	2	5	7.4
E	once a week	2	3	5	7.4
G	twice a month	0	2	2	4.9
K	twice a day	3	0	3	7.3
L	three times a day	1	0	1	2.4
P	6 times a year	1	0	1	2.4
Total		28	13	41	100.0

Q13 How often is the hazardous waste collected from the institution by those responsible for its removal ?

Those that have not reported X-ray developing solutions as a hazardous waste

	Options	Adana			Mersin			total	%
		sub-total	in	out	sub-total	in	out		
B	5 to 6 times a week	6	3	3	2	2	0	8	19.5
J	4 times a year	2	1	1	2	2	0	4	9.8
K	Twice a day	2	2	0	0	0	0	2	4.9
Q	once a year	1	0	1	0	0	0	1	2.4
R	18 times a year	1	0	1	0	0	0	1	2.4
YOK	We do not have any hazardous solid waste	16	9	7	9	7	2	25	61.0
Total		28			13			41	100.0

Note: in : medical institution with inpatient

out : medical insitution without inpatient

Q14 The present infectious waste collection costs:

	Options	Adana	Mersin	Number	%
B	Those specifying an approximate cost	14	11	25	61.0
C	No treatment expenses	10	2	12	29.3
	NA	4	0	4	9.8
Total		28	13	41	100.0

Q14B-1(1) Lowest Infectious waste collection Cost at hospitalizing institutions

		Adana	Mersin	Total
Number of hospitalizing institutions		16	11	27
Number of answered institutions		9	10	19
lowest cost	TL/day/institution	25000	45000	25000
highest	TL/day/institution	1000000	3750000	3750000
Total	TL/day	2965000	8735000	11750000
mean	TL/day/institution	329440	873500	618420

Q14B-1(2) Infectious lowest waste lowest collection Cost at non-hospitalizing institutions

		Adana	Mersin	Total
Number of non-hospitalizing institutions		12	2	14
Number of answered institutions		4	1	5
lowest cost	TL/day/institution	25000		
highest	TL/day/institution	100000		
Total	TL/day	215000	200000	415000
mean	TL/day/institution	53750	200000	47000

Q14B-2(1). Infectious waste highest collection Cost at hospitalizing institutions

		Adana	Mersin	Total
Number of hospitalizing institutions		16	11	27
Number of answered institutions		9	10	19
lowest cost	TL/day/institution	35000	50000	35000
highest cost	TL/day/institution	1500000	4500000	4500000
Total cost	TL/day	7125000	11160000	18285000
mean cost	TL/day/institution	791670	1116000	962370

Q14B-2(2). Infectious waste highest collection Cost at non-hospitalizing institutions

		Adana	Mersin	Total
Number of non-hospitalizing institutions		12	2	14
Number of answered institutions		4	1	5
lowest cost	TL/day/institution	35000	—	—
highest	TL/day/institution	1500000	—	—
Total	TL/day	335000	250000	585000
mean	TL/day/institution	83750	250000	117000

Q14BX-1 Infectious waste mean collection Cost at hospitalizing institutions

		Adana	Mersin	Total
Number of hospitalizing institutions		16	11	27
Number of answered institutions		10	10	20
lowest cost	TL/day/institution	30000	47500	30000
highest	TL/day/institution	2330000	4125000	4125000
Total	TL/day	5875000	10872500	16747500
mean	TL/day/institution	587500	1087250	837380

Q14BX-2 Infectious waste mean collection Cost at non-hospitalizing institutions

		Adana	Mersin	Total
Number of non-hospitalizing institutions		12	2	14
Number of answered institutions		4	1	5
lowest cost	TL/day/institution	30000	—	—
highest cost	TL/day/institution	125000	—	—
Total	TL/day	275000	225000	500000
mean cost	TL/day/institution	68750	225000	100000

15 The present Hazardous waste collection costs:

	Options	Adana			Mersin			Total	%
		Sub-total	in	out	sub-total	in	out		
A	Specific Values	1	1	0	0	0	0	1	2.4
B	Approximate Values	1	0	1	0	0	0	1	2.4
C	No Treatment expenses	8	4	4	4	4	0	12	29.3
YOK	We do not have any hazardous Solid waste	16	10	6	9	7	2	25	61.0
	No Answer	2	2	0	0	0	0	2	4.9
Total		28			13			41	100.0

Note: 2 Institutions did not specify a separate cost for hazardous waste collection
in: medical institution with inpatient
out: medical institution without inpatient

Q15AX-1 Hazardous waste collection Cost at hospitalizing institutions

	Adana	Mersin	Total
Number of hospitalizing institutions	16	11	27
Number of answered institutions	0	0	0
Hazardous waste collection Cost (TL/day)	NA	NA	NA

Q15AX-2 Hazardous waste collection Cost at non-hospitalizing institutions

	Adana	Mersin	Total
Number of non-hospitalizing institutions	12	2	14
Number of answered institutions	2	0	2
lowest Hazardous waste collection Cost	TL/day/institution	27000	-
highest Hazardous waste collection Cost	TL/day/institution	1175000	-
Total Cost	TL/day	1202000	-
Mean Hazardous waste collection Cost	TL/day/institution	601000	-

Q16.16-C-1 Infectious waste treatment Cost at medical institutions

	Adana	Mersin	Total
Number of institutions	28	13	41
Number of answered institutions	28	13	41
No expenses institutions	28	13	41

Q17 the Present hazardous waste treatment costs(Including the Costs For self treatment

	Options	Adana			Mersin			Total	%
		sub-total	in	out	Sub-total	in	out		
C	No treatment expenses	12	6	6	4	4	0	16	39.0
YOK	We do not have any hazardous solid waste	16	9	7	9	7	2	25	61.0
Total		28			13			41	100.0

Note in: medical institution with inpatient
out: medical institution without inpatient

Q18-1 The overall handling Cost for both infectious and hazardous wastes for those no providing any information in detail at hospitalizing institutions

		Adana	Mersin	Total
Number of hospitalizing institutions		16	11	27
Number of answered institutions		3	0	3
lowest cost	TL/day/institution	75350	NA	NA
highest	TL/day/institution	5500000	NA	NA
Total	TL/day	7695350	NA	NA
mean	TL/day/institution	2565120	NA	NA

Q18-2 The overall handling Cost for both infectious and hazardous wastes for those no providing any information in detail at non-hospitalizing institutions

		Adana	Mersin	Total
Number of non-hospitalizing institutions		12	2	14
Number of answered institutions		2	0	2
lowest cost	TL/day/institution	150000	NA	NA
highest	TL/day/institution	1650000	NA	NA
Total	TL/day	315000	–	–
mean	TL/day/institution	1575000	NA	NA

Q19A-1 The amount of infectious waste generated per day from the hospitalizing institution

		Adana	Mersin	Total
Number of hospitalizing institutions		16	11	27
Number of answered institutions		15	11	26
lowest	bags/day/institution	1	0.5	0.5
highest	bags/day/institution	250	30	250
Total	bags/day	411	121.5	532.5
mean	bags/day/institution	27.4	11.0	20.5

Q19A-2 The amount of infectious waste generated per day from the non-hospitalizing institution

		Adana	Mersin	Total
Number of non-hospitalizing institutions		12	2	14
Number of answered institutions		11	2	13
lowest	bags/day/institution	0.008	0.14	0.008
highest	bags/day/institution	10	3	10
Total	bags/day	20.4	3.14	23.5
mean	bags/day/institution	1.9	1.6	1.8

Q19B-1 Mean Daily weight in kg of infectious waste at hospitalizing institutions

		Adana	Mersin	Total
Number of hospitalizing institutions		16	11	27
lowest	kg/day/institution	4	3	3
highest	kg/day/institution	400	1250	1250
Total	kg/day	3311	765	4076
mean	kg/day/institution	206.9	69.5	151.0
	number of bed	4032	1292	5324
unit generation amount (kg/bed)		0.821	0.592	0.765

Q19B-2 Mean Daily weight in kg of infectious waste at non-hospitalizing institutions

		Adana	Mersin	Total
Number of non-hospitalizing institutions		12	2	14
Number of answered institutions		11	2	13
Lowest	kg/day/institution	0.008	0.5	0.008
Highest	kg/day/institution	50	18	50
Total	kg/day	116.058	18.5	134.558
Mean	kg/day/institution	10.6	925	10.4
Total of non-hospitalizing institution in GM (kg/GM)		1272(120 institution)	463 (50 institution)	1735

Q20A-1 the amount of hazardous waste generated per day from hospitalizing institutions

		Adana	Mersin	Total
Number of hospitalizing institutions		16	11	27
Number of answered institutions		2	0	2
lowest	bags/day/institution	10	-	-
highest	bags/day/institution	50	-	-
Total	bags/day	60		
mean	bags/day/institution	30	-	-

Q20A-2 The amount of hazardous waste generated per day from non-hospitalizing institutions

		Adana	Mersin	Total
Number of non-hospitalizing institutions		12	2	14
Number of answered surveyed institutions.		2	0	2
lowest	bags/day/institution	0.1	-	-
highest	bags/day/institution	1	-	-
Total	bags/day	1.1		
mean	bags/day/institution	0.6	-	-

Q20B-1 Mean daily weight in kg of hazardous wastes from hospitalizing institutions

		Adana	Mersin	Total
Number of hospitalizing institutions		16	11	27
Number of answered institutions		2	0	2
lowest	kg/day/institution	85	-	-
highest	kg/day/institution	300	-	-
Total	kg/day	385		
mean	kg/day/institution	192.5	-	-

Q20B-2 Mean daily weight in kg of hazardous wastes from non-hospitalizing institutions

		Adana	Mersin	Total
Number of non-hospitalizing institutions		12	2	14
Number of answered institutions		2	0	2
lowest	kg/day/institution	3	-	-
highest	kg/day/institution	3	-	-
Total	kg/day	6		
mean	kg/day/institution	3	-	-

Q20X-1 Yearly amount of X-ray developing solutions for the hospitalizing institutions reporting X-ray developing solutions as hazardous waste

		unit	Adana	Mersin	Total
Number of hospitalizing institution			16	11	27
Number of answered institutions			2	4	6
Rate of answer		%	12.5	36.3	22.2
lowest	lt./year/institution		1560	200	200
highest	lt./year/institution		1825	1800	1825
Total	lt./year		3385	2840	6225
mean	lt./year/institution		1693	710	1038

Q20X-2 Yearly amount of X-ray developing solutions for the non-hospitalizing institutions reporting X-ray developing solutions as hazardous waste

	unit	Adana	Mersin	Total
Number of non-hospitalizing institutions		12	2	14
Number of answered institutions		4	0	4
Rate of answers	%	33.3	0	28.6
Lowest	lt./year/institution	180	0	
Highest	lt./year/institution	1200	0	
Total	lt./year	2196	0	
Mean	lt./year	549	0	

Questions on General Waste Management

Q21 the container currently used for the storage of general wastes at the collection points:

	Options	Adana	Mersin	Number	%
D	Plastic bags	1	0	1	2.4
G	Special, closed locked room	2	0	2	4.9
H	Metal, medium sized 275 lt. Container with a cover	15	9	24	58.5
K	Metal, large sized 400 lt. container with a cover	6	2	8	19.5
V	Small sized 150 lt. Hard plastic container with a cover	0	1	1	2.4
M	Small sized 150 lt. Plastic container with a cover with a lock	0	1	1	2.4
T	Uncovered truck with a capacity of 3 tons	1	0	1	2.4
U	Metal, 180 lt. Barrels without a cover	1	0	1	2.4
	NA	2	0	2	4.9
Total		28	13	41	100.0

Note: 1 of the institutions store the general waste mixed with other type of wastes.

Q22A-1 the amount of general waste generated per day from the hospitalizing institution

	Adana	Mersin	Total
Number of hospitalizing institutions	16	11	27
Number of answered institutions	16	11	27
lowest (bag/day/institution)	1	1	1
highest (bag/day/institution)	150	100	100
Total (bag/day)	541	241	782
mean (bag/day/institution)	33.8	21.9	29.0

Q22A-2 the amount of general waste generated per day from the non-hospitalizing institution

	Adana	Mersin	Total	
Number of non-hospitalizing institutions	12	2	14	
Number of answered institutions	11	2	13	
lowest	bag/day/institution	0.5	0.5	0.5
highest	bag/day/institution	20	6	20
Total	bag/day	50.7	6.5	57.2
mean	kg/day/institution	4.6	3.3	4.4

Q22B-1 the amount of general waste generated per day from the hospitalizing institution

		Adana	Mersin	Total
Number of hospitalizing institutions		16	11	27
Number of-answered institutions		15	11	26
Number of beds of answered institution		3532	1292	4824
lowest	kg/day/institution	20	8	8
highest	kg/day/institution	2500	2000	2500
Total	kg/day	5904	3388	9292
mean	kg/day/institution	393.6	423.5	357.4
mean of general waste kg/bed/day		1.672	2.622	1.926
Total generation from hospitalizing institution in GM (kg/GM)		6741 (4032beds)	3388 (1292beds)	10129 (2GM)

Q22B-2 the amount of general waste generated per day from the non-hospitalizing institution

		Adana	Mersin	Total
Number of non-hospitalizing institutions		12	2	14
Number of answered institutions		11	2	13
lowest	kg/day/institution	0.8	3	0.8
highest	kg/day/institution	225	48	225
Total	kg/day	464.8	51	515.8
mean	kg/day/institution	42.2	25.5	39.7
Total generation from non-hospitalizing institution (kg/GM)		5064 (120institution)	1275 (50 institution)	6339

Q23 Who is responsible For the removal of general wastes from the hospital either for disposal or further treatment ?

	Options	Adana	Mersin	Number	%
M	The municipality	26	13	39	95.1
O	The hospital	1	0	1	2.4
	NA	1	0	1	2.4
Total		28	13	41	100.0

Q24 How often is the general wast collected from the hospital by those responsible for its removal ?

	Options	Adana	Mersin	Number	%
A	Every day	21	12	33	80.5
B	5 to six days a week	1	0	1	2.4
D	Twice a week	0	1	1	2.4
K	Twice a day	4	0	4	9.8
L	Three times a day	1	0	1	2.4
	NA	1	0	1	2.4
Total		28	13	41	100.0

Q25 the present general waste Collection costs:

	Options	Adana	Mersin	Number	%
C	No treatment expenses	10	3	13	31.7
D	Paying only Official Environment Tax	14	10	24	58.5
	NA	4	0	4	9.8
Total		28	13	41	100.0

Note:NA -4 institutions reported an overall cost for these expenses

Q25X-1 Mean amount of yearly Official Environment Tax for the hospitalizing institutions paying only this Tax

		Adana	Mersin	Total
Number of hospitalizing institutions		16	11	27
Number of-answered institutions		1	3	4
lowest ()	TL/year/institution	—	13000000	—
highest	TL/year/institution	—	52000000	—
Total	TL/year	17000000	97000000	114000000
mean	TL/year/institution	17000000	32333330	28500000

Q25X-2 Mean amount of yearly Official Environment Tax for the non-hospitalizing institutions paying only this Tax

		Adana	Mersin	Total
Number of non-hospitalizing institutions		12	2	14
Number of -answered institutions		1	1	2
lowest	TL/year/institution	—	—	—
highest	TL/year/institution	—	—	—
Total	TL/year	36000000	45000000	81000000
mean	TL/year/institution	36000000	45000000	40500000

Q27 the number of central Collection points in the hospital:

	Options	Adana	Mersin	Number	%
A	One	17	4	21	51.2
B	More than one	10	9	19	46.3
	NA	1	0	1	2.4
Total		28	13	41	100.0

Q28 Is manual separation carried out at the central Collection points ?

	Options	Adana	Mersin	Number	%
A	No manual separation is carried out. The collection point is only a storage area	22	6	28	68.3
H	The street children carry out manual separation of general waste only	4	7	11	26.8
J	The street children carry out manual separation of both general and infectious waste	2	0	2	4.9
Total		28	13	41	100.0

Q29 Does your hospital have a recycling system ?

	Option	Adana	Mersin	Number	%
D	No. we do not recycle any of our waste.	20	3	23	56.1
G	We separate glassware for recycling at the moment of Collection of general waste	5	8	13	31.7
H	We separate paper for recycling at the moment of Collection of general waste	1	0	1	2.4
J	We separate glassware and paper for recycling at the moment of Collection of general waste	2	2	4	9.8
Total		28	13	41	100.0

Questions on waste management staff training

Q30 Is there some written instructions at the hospital on separation and management of medical solid waste ?

	Options	Adana	Mersin	Number	%
A	Yes	23	13	36	87.8
B	No	5	0	5	12.2
Total		28	13	41	100.0

Q31 Are both infectious wastes and Hazardous wastes classified and special instructions given in their handling ?

	Options	Adana	Mersin	Number	%
A	Yes	23	13	36	87.8
B	No	5	0	5	12.2
Total		28	13	41	100.0

Q32 How often are waste management staff given training on precautions over handling of infectious and hazardous wastes ?

	Options	Adana	Mersin	Number	%
A	Only at the start of the job	6	2	8	19.5
B	Once a year	2	0	2	4.9
C	Very often	18	11	29	70.7
D	Never	2	0	2	4.9
Total		28	13	41	100.0

Q33 Do the cleaning staff at the hospital wear protective clothing, such as gloves and rubber footwear, when handling infectious and hazardous waste ?

	Options	Adana	Mersin	Number	%
A	Yes	25	13	38	92.7
B	No	3	0	3	7.3
Total		28	13	41	100.0

Q34 Does the hospital keep written records on the management of infectious waste ?

	Options	Adana	Mersin	Number	%
A	Yes	17	12	29	70.7
B	No	11	1	12	29.3
Total		28	13	41	100.0

Q35 Does the hospital keep written records on the management of hazardous waste ?

	Options	Adana	Mersin	Number	%
A	Yes	6	4	10	24.4
B	No	6	0	6	14.6
YOK	We do not have any hazardous solid waste	16	9	25	61.0
Total		28	13	41	100.0

Q36 Does the hospital keep written records on the management of general waste ?

	Options	Adana	Mersin	Number	%
A	Yes	2	0	2	4.9
B	No	26	13	39	95.1
Total		28	13	41	100.0

Q37 Does the municipal health authority inspect the hospital ?

	Options	Adana	Mersin	Number	%
0	Never	11	3	14	34.1
1	Once a year	9	2	11	26.8
2	Twice a year	3	5	8	19.5
3	Three times a year	2	0	2	4.9
4	4 times a year	2	2	4	9.8
5	5 times a year	0	1	1	2.4
6	6 times a year	1	0	1	2.4
Total		28	13	41	100.0

Q38 Which of the following statements best represent the present management of infectious and hazardous wastes in your hospital ?

		Adana	Mersin	Number	%
A	Generally there are no problems with the present management	16	6	22	53.7
C	The present system constitutes a risk For the employees and patients	1	0	1	2.4
D	The present system is satisfactory from the internal view point, but constitutes an acceptable risk for the environment	9	7	16	39.0
F	The present system constitutes risk for everybody	2	0	2	4.9
Total		28	13	41	100.0

Q39 which of the following statement represents the present management of infectious and hazardous wastes in your city ?

	Options	Adana	Mersin	Number	%
A	Generally there are no problems with the present management	2	0	2	4.9
D	The present system is satisfactory from the internal view point, but constitutes an unacceptable risk For the environment	13	7	20	48.8
E	No opinion about other institutions and the city	11	5	16	39.0
F	The present system constitutes risk for everybody	2	1	3	7.3
Total		28	13	41	100.0

Q40 what are your opinion on the introduction of a recycling system ?

	Options	Adana	Mersin	Number	%
A	We would be glad to adopt an extensive recycling system	24	9	33	80.5
B	We would like to see the result from other hospital before we introduce a recycling scheme	3	2	5	12.2
C	We would introduce the recycling scheme only if it were required by the law	0	2	2	4.9
D	We would not introduce a recycling system	1	0	1	2.4
Total		28	13	41	100.0

Q41 what are your opinion on contracting private companies or individuals to handle infectious waste ?

	Options	Adana	Mersin	Number	%
A	We would be happy to have private enterprises or individuals handle our infectious waste	12	4	16	39.0
B	We would prefer the municipal authorities to handle our Infectious waste	8	4	12	29.3
C	We would prefer to handle infectious waste up to the disposal stages by ourselves	3	1	4	9.8
E	We would prefer the most economical method	2	2	4	9.8
G	We would prefer the method best adequate for health	2	1	3	7.3
H	We would prefer the method adequate for health and economical measures	1	0	1	2.4
J	We would prefer to handle all stages by ourselves	0	1	1	2.4
Total		28	13	41	100.0

Q42 What are your opinion on contracting private companies or individuals to handle hazardous waste ?

	Options	Adana	Mersin	Number	%
A	We would be happy to have private enterprises or individuals handle our hazardous waste	12	4	16	39.0
B	We would prefer the municipal authorities to handle our hazardous waste	8	5	13	31.7
C	We would prefer to handle hazardous waste up to the disposal stages by ourselves	2	1	3	7.3
E	We would prefer the most economical method	2	2	4	9.8
G	We would prefer the method best adequate for health	1	1	2	4.9
H	We would prefer the method adequate for health and economical measures	1	0	1	2.4
F	We would prefer Turkish Atomic Institution	2	0	2	4.9
Total		28	13	41	100.0

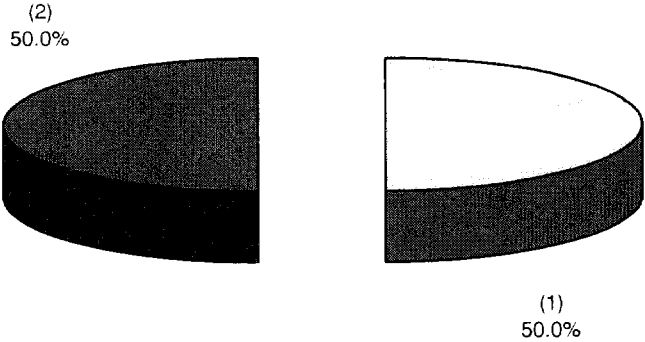
Q43 what are your opinion on contracting private companies or individuals to handle general waste

	Options	Adana	Mersin	Number	%
A	We would be happy to have private enterprises or individuals handle our general waste	7	5	12	29.3
B	We would prefer the municipal authorities to handle our general waste	18	6	24	58.5
C	We would prefer to handle general waste up to the disposal stages by ourselves	1	1	2	4.9
E	We would prefer the most economical method	2	1	3	7.3
Total		28	13	41	100.0

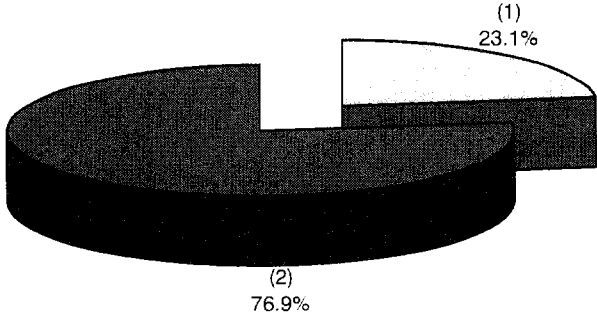
Data 3.2 Graphic Illustration of the Results of the Opinion Survey on Medical Institutions

Q1 Type of institution (%)

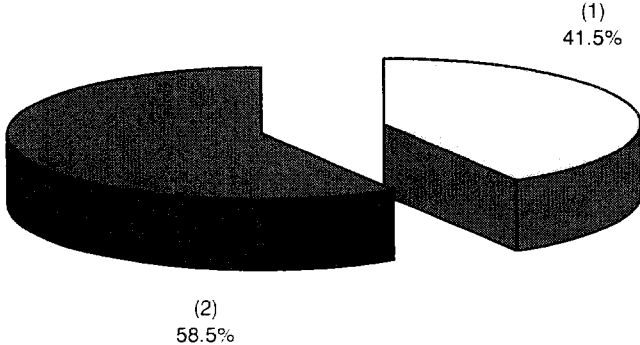
Adana



Mersin



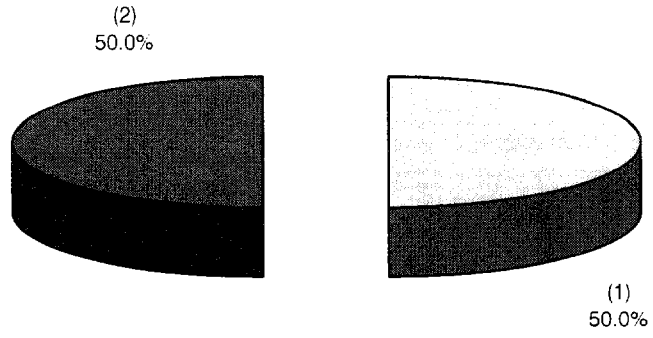
Total average



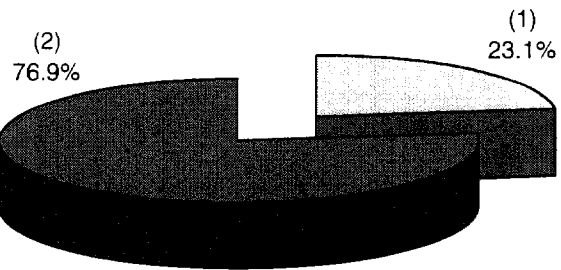
(1)Public institution
(2)Private institution

Q2 Location of institutions (%)

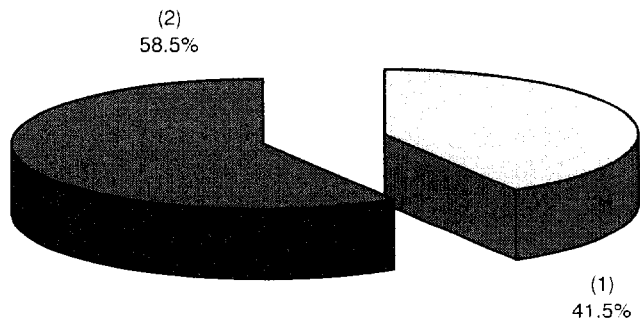
Adana



Mersin



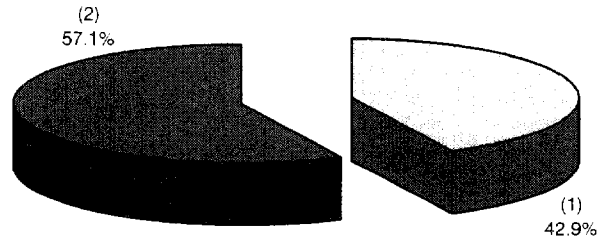
Total average



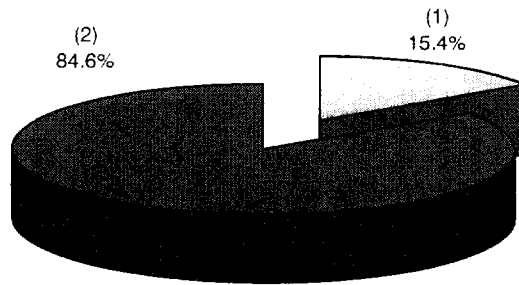
(1) Public institution
(2) Private institution

Q3 Classification of institutions(%)

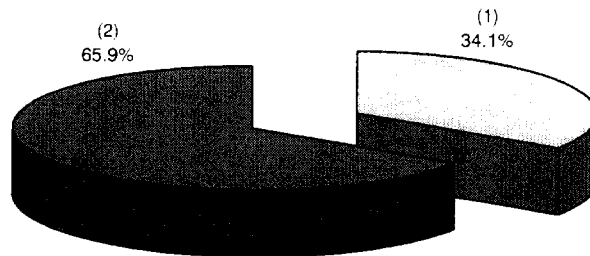
Adana



Mersin

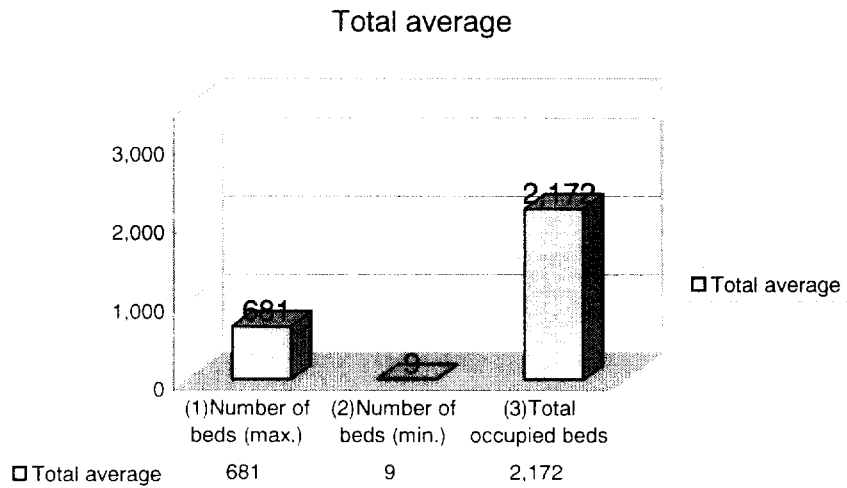
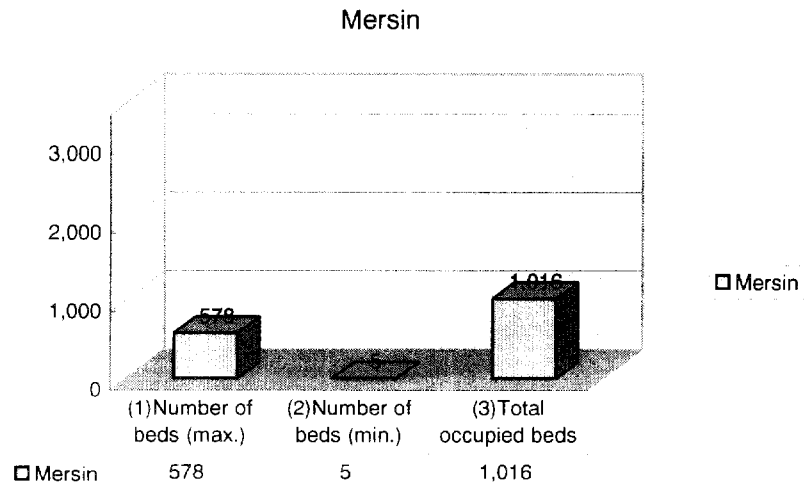
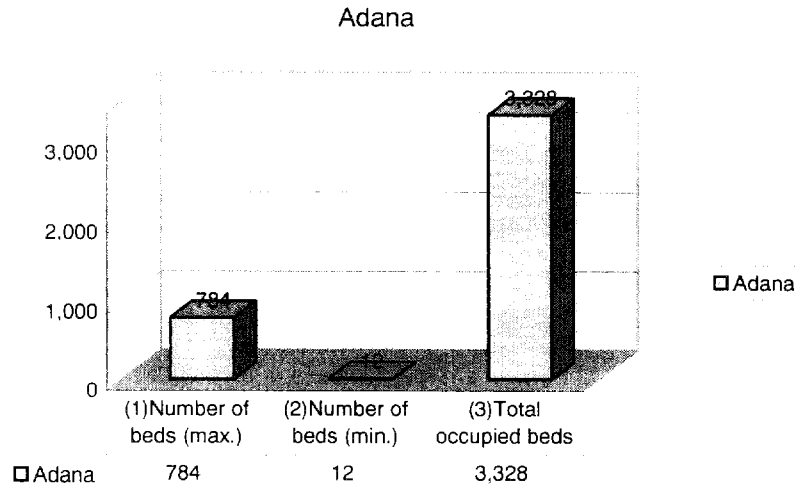


Total average



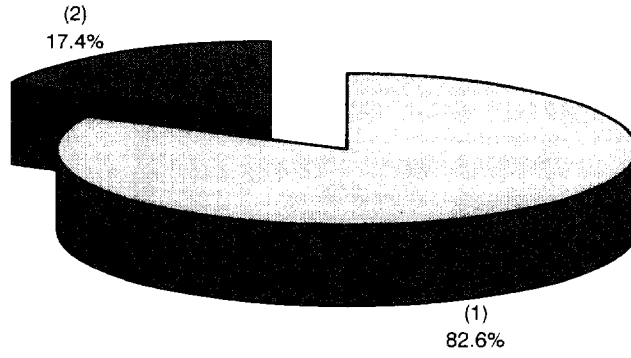
(1)Non-hospitalizing
(2)Hospitalizing

Q4 Number of beds per hospitalizing institution

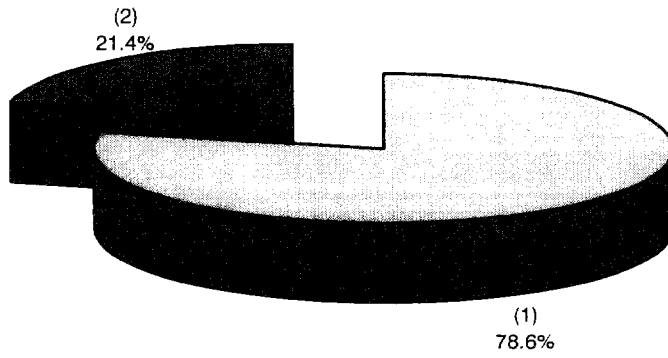


Q5 Bed occupancy rate (%)

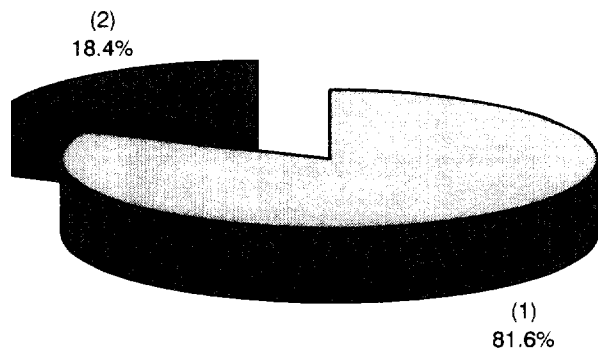
Adana



Mersin

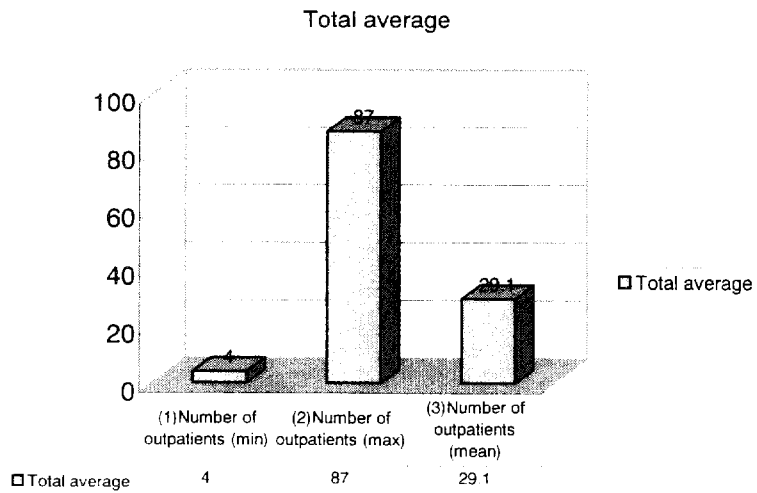
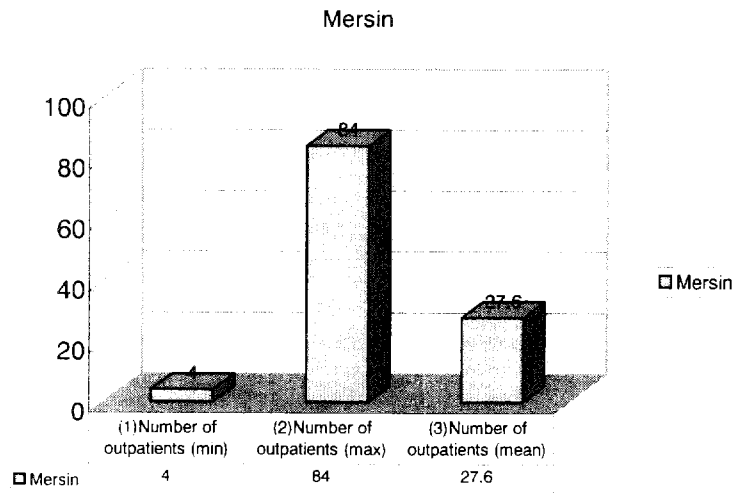
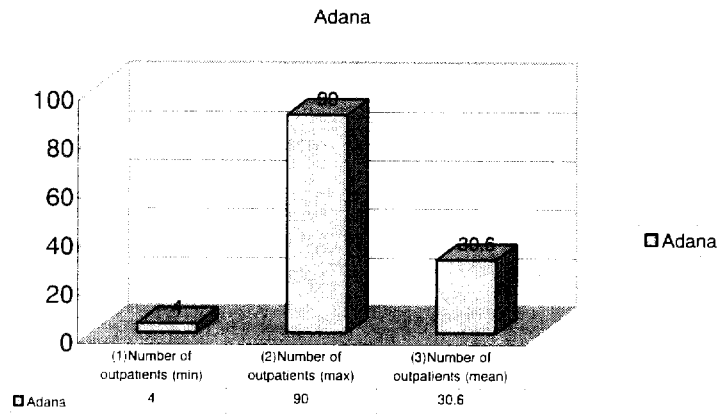


Total average



(1) Occupied
(2) Non-occupied

Q6 Number of out-patients per hospitalizing institution



Q7 Number of polyclinic patients per hospitalizing institution

