

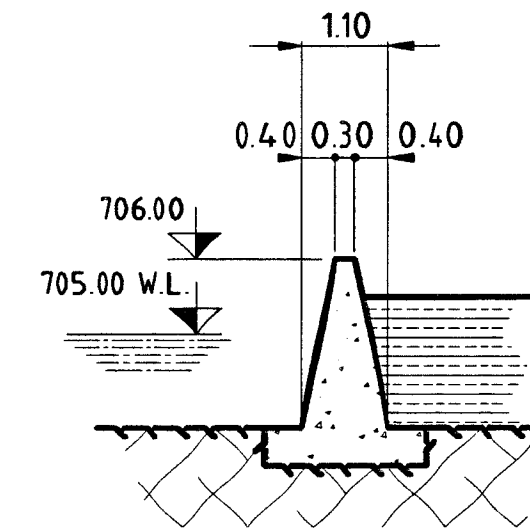
Top water level
712.70m.
water level
712.00m.

Dam
Length: 508.95m

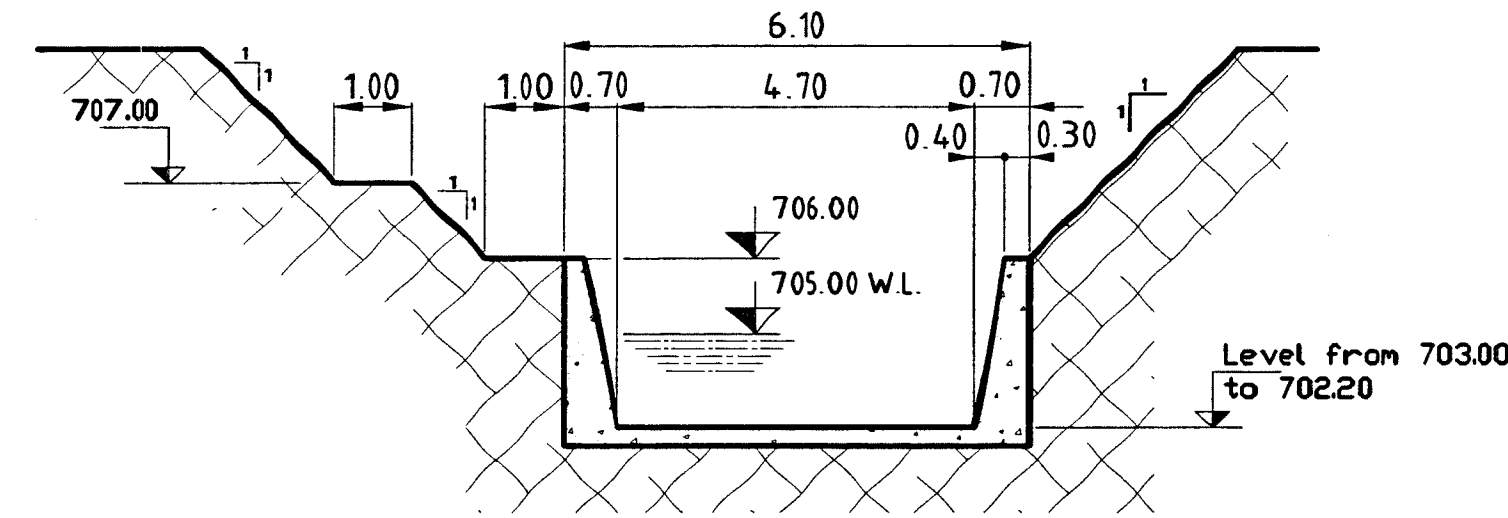
Headrace canal
Length: 515.00m
Slope: 0.05%

MINI HYDRO-ELECTRIC
POWER STATION PROJECT
NGAMBE TIKAR SITE
GENERAL LAYOUT
Plan view (sheet 1)
Fig. 8

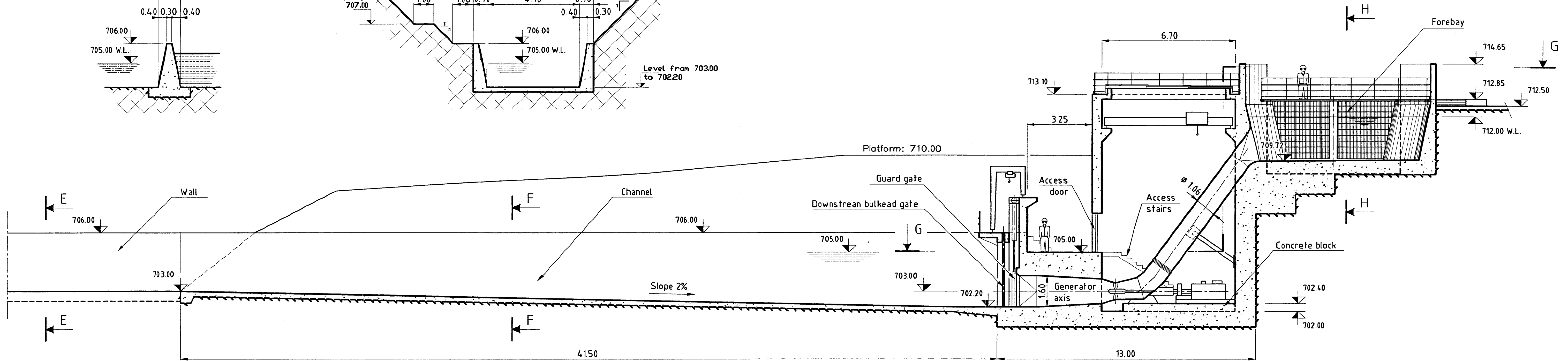
WALL
TYPICAL SECTION E - E



CHANNEL
TYPICAL SECTION F - F

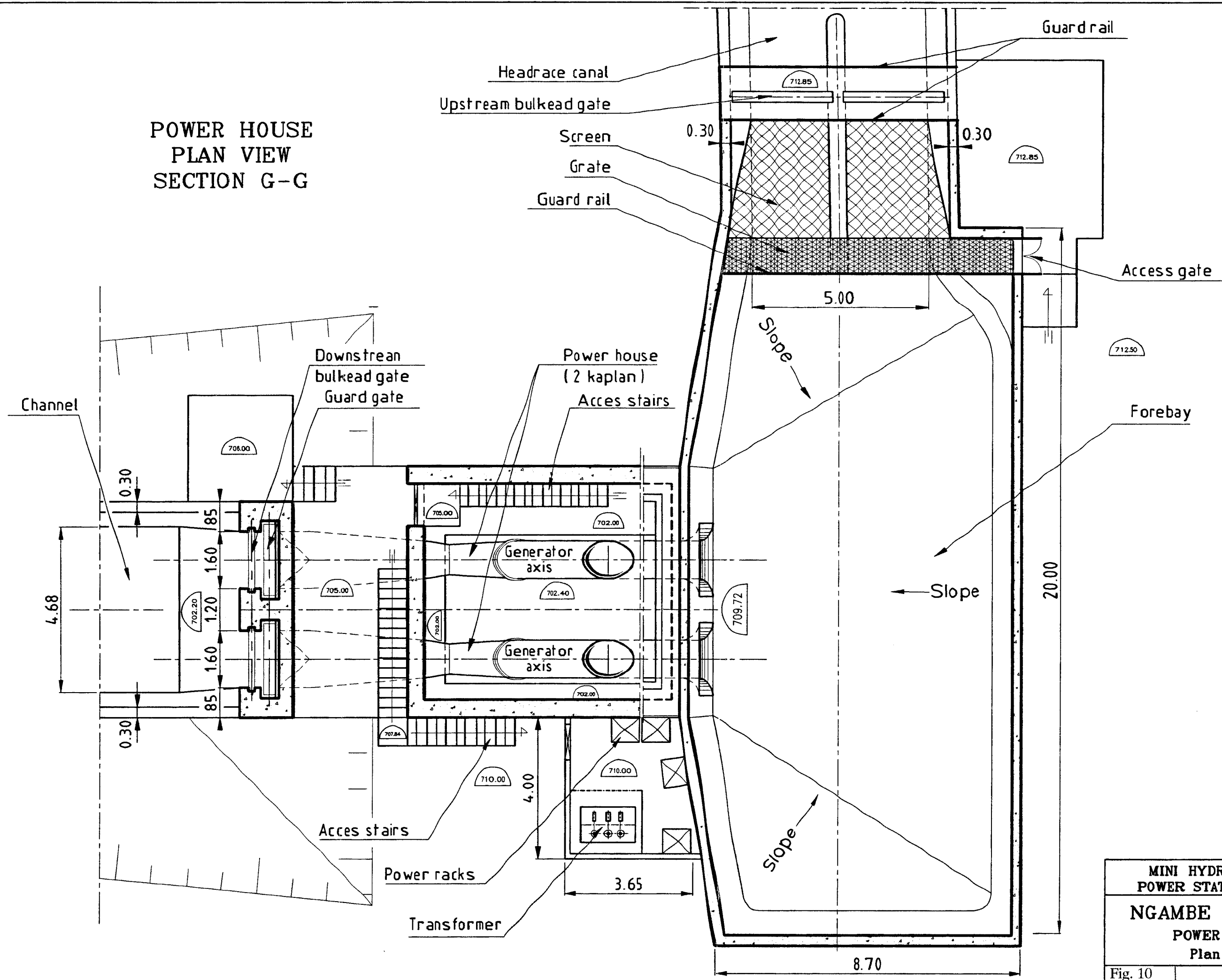


POWER HOUSE
LONGITUDINAL SECTION

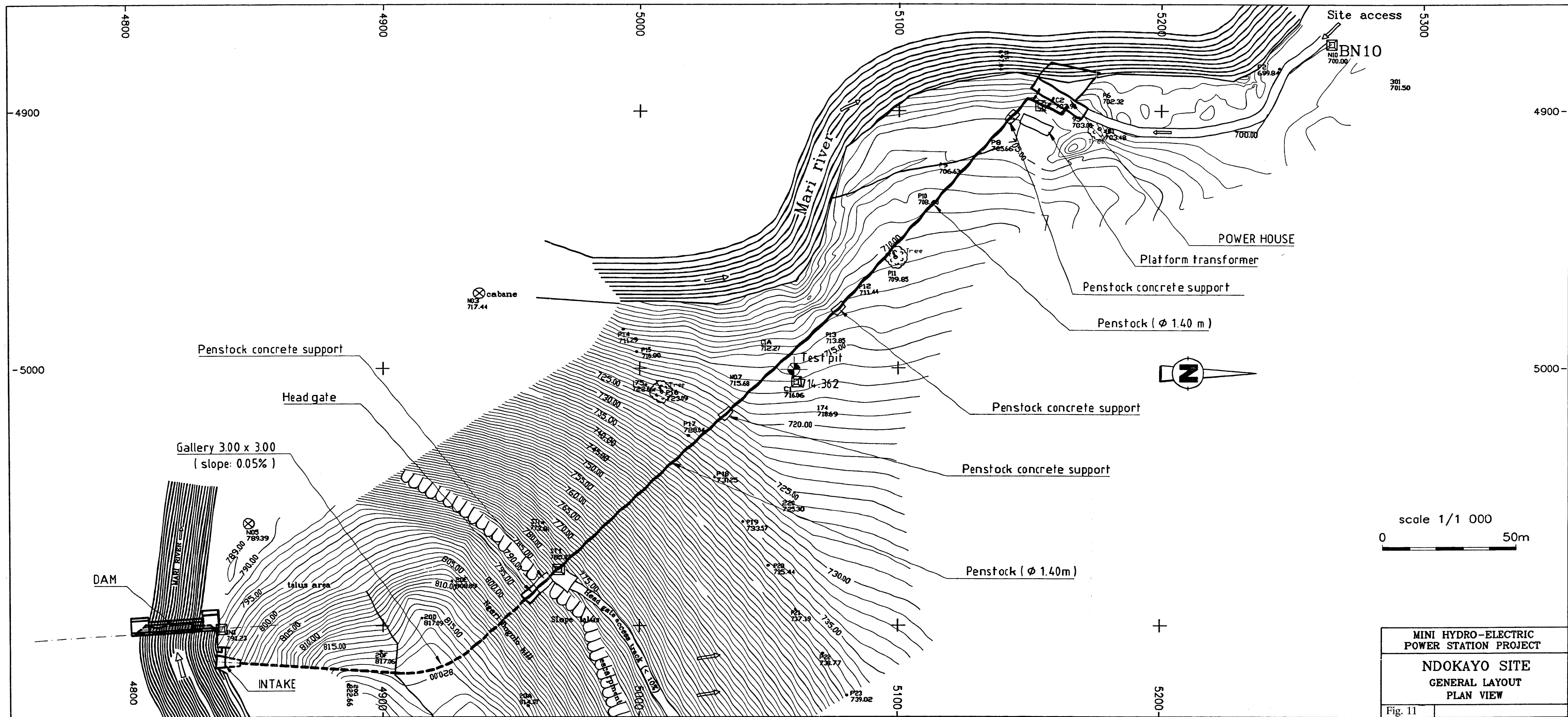


MINI HYDRO-ELECTRIC
POWER STATION PROJECT
NGAMBE TIKAR SITE
Power House
Longitudinal section
Fig. 9

POWER HOUSE
PLAN VIEW
SECTION G-G



MINI HYDRO-ELECTRIC
POWER STATION PROJECT
NGAMBE TIKAR SITE
POWER HOUSE
Plan view
Fig. 10



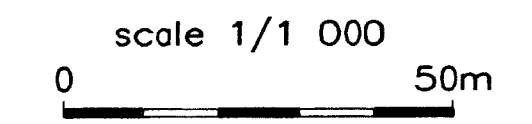
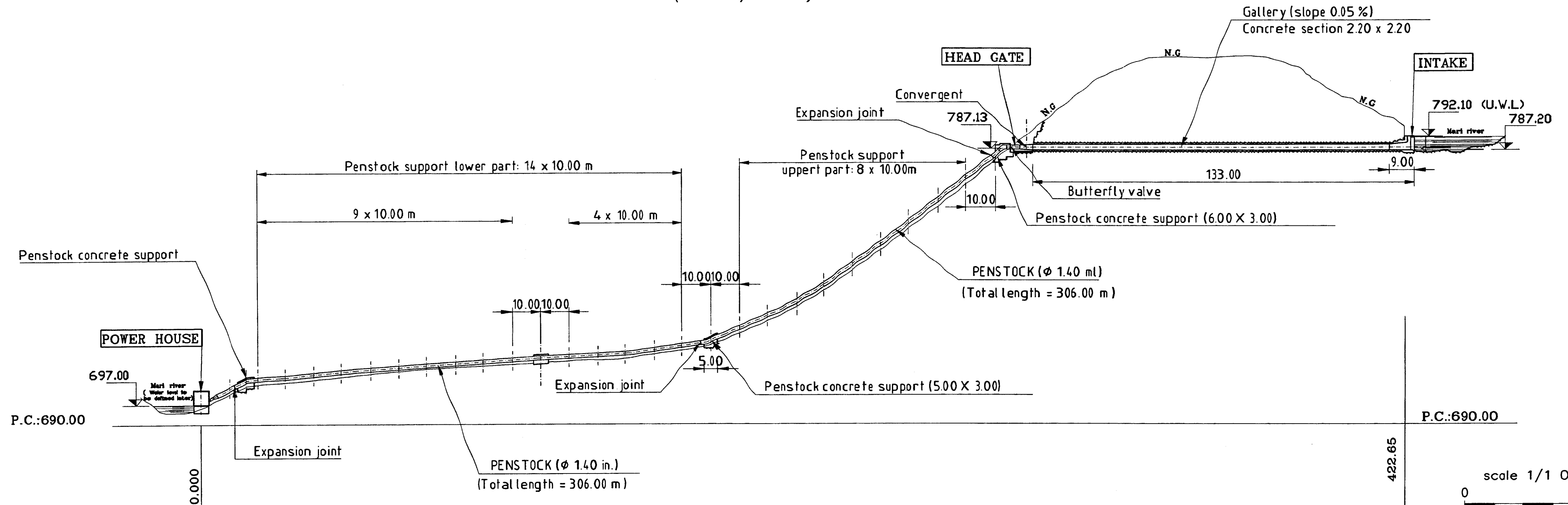
MINI HYDRO-ELECTRIC
POWER STATION PROJECT

NDOKAYO SITE
GENERAL LAYOUT
PLAN VIEW

Fig. 11

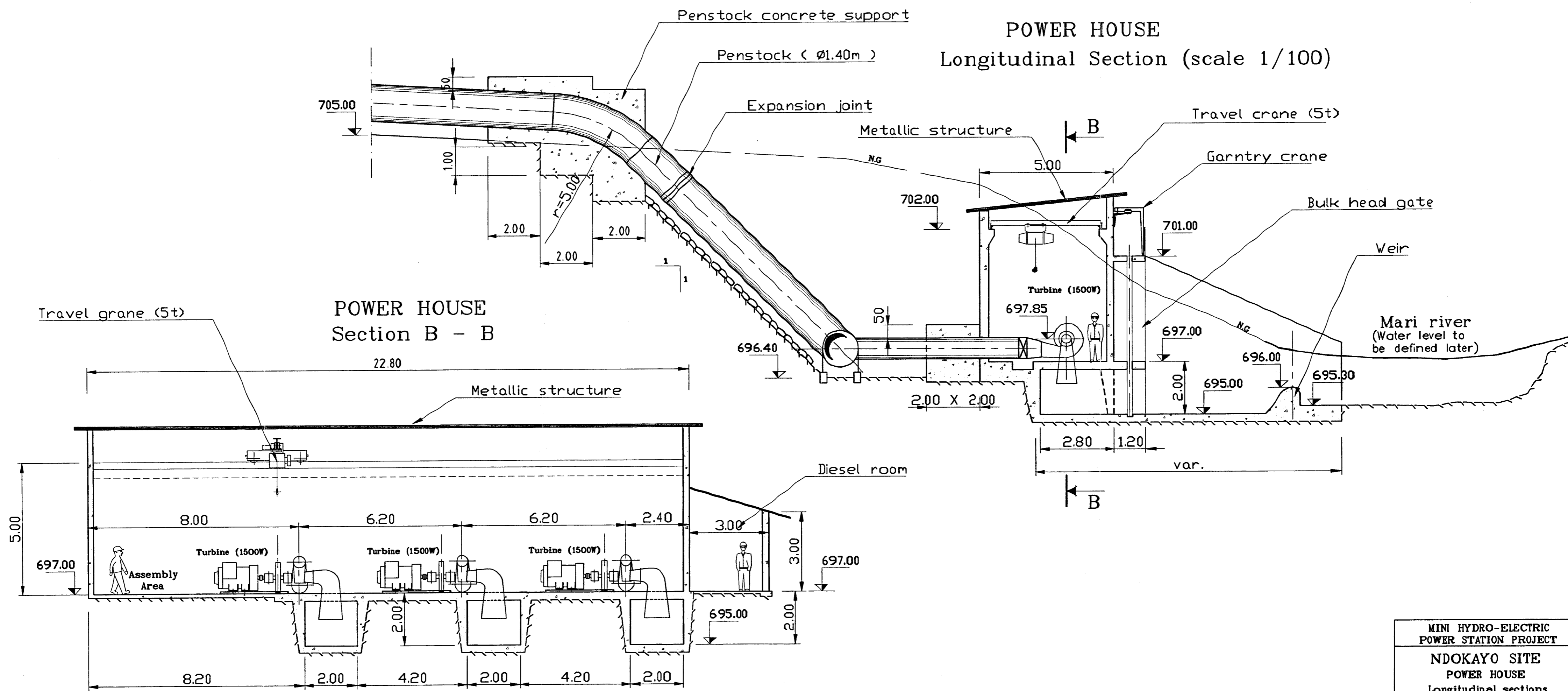
PROFILE SECTION

(scale 1/ 1 000)



MINI HYDRO-ELECTRIC
POWER STATION PROJECT
NDOKAYO SITE
GENERAL LAYOUT
PROFIL SECTION

Fig. 12

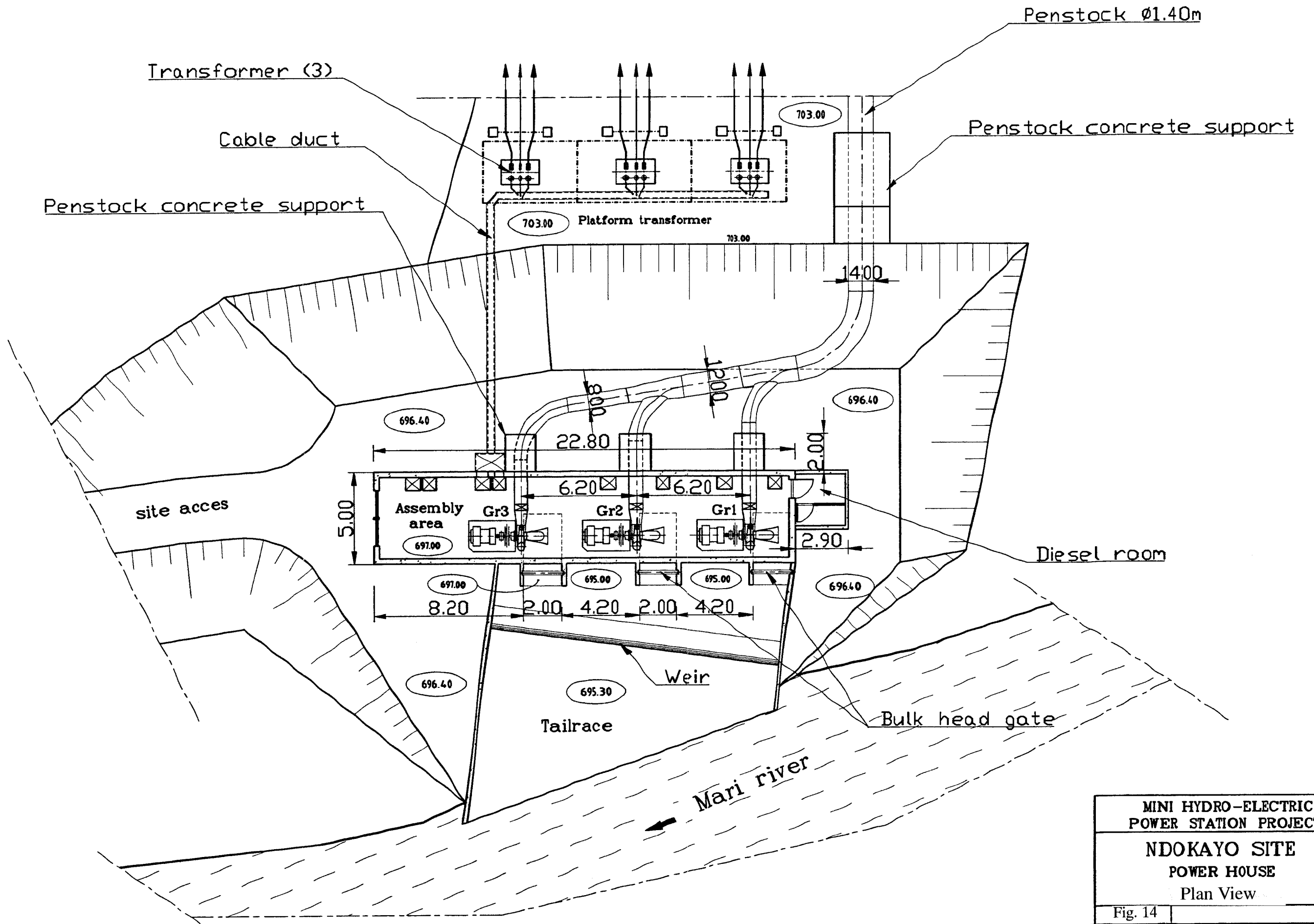


POWER HOUSE
 Longitudinal Section (scale 1/100)

POWER HOUSE
 Section B - B

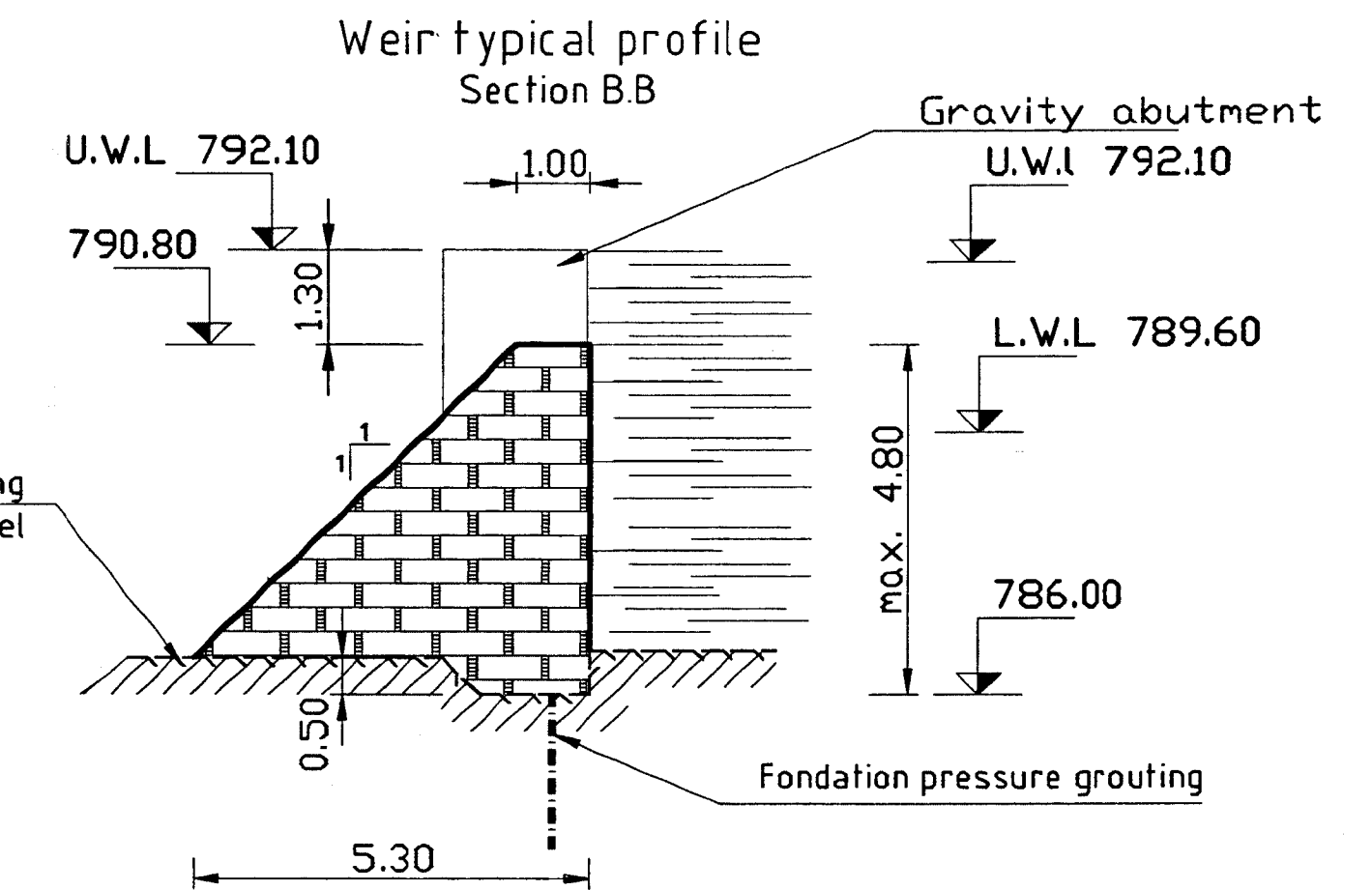
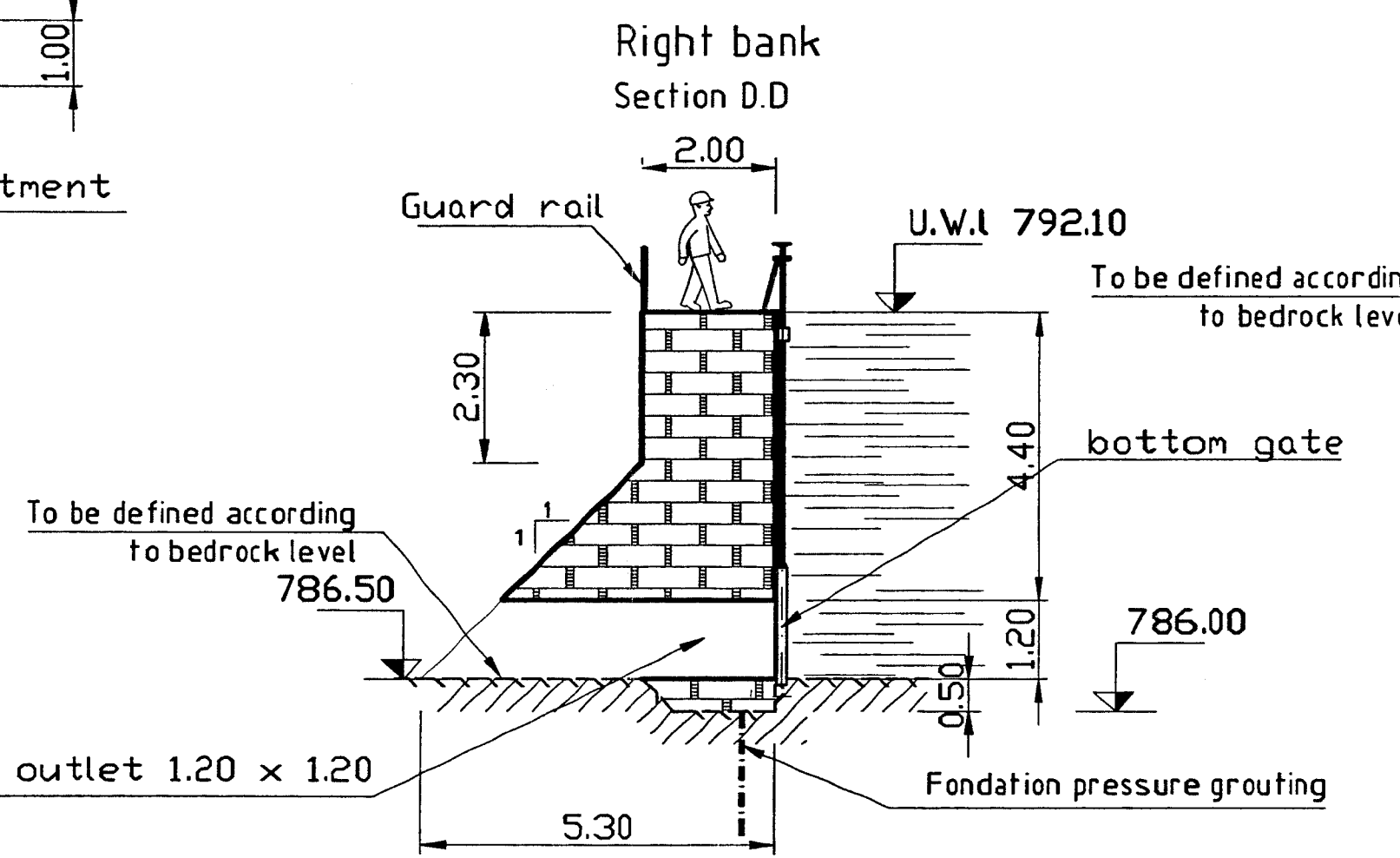
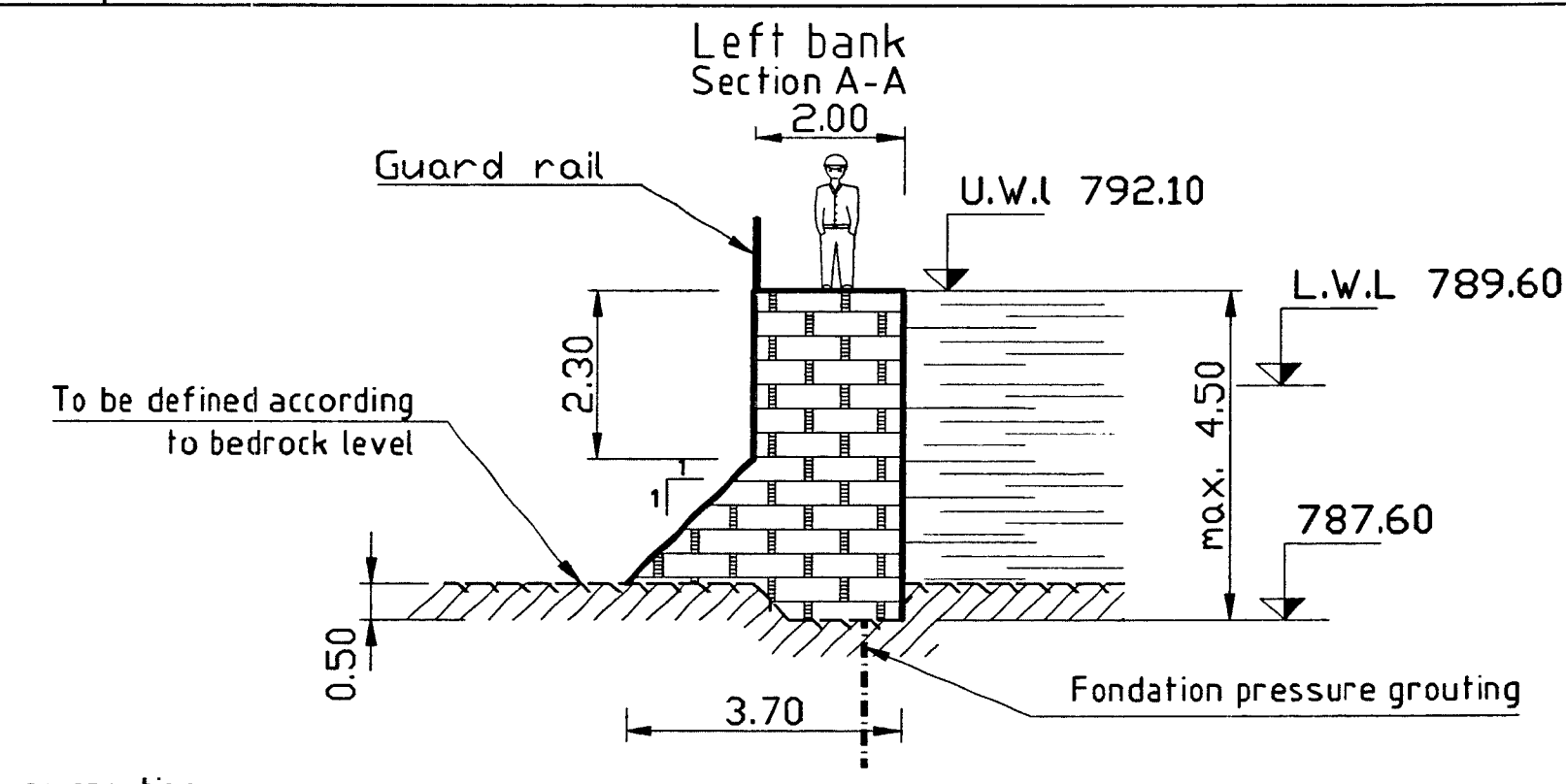
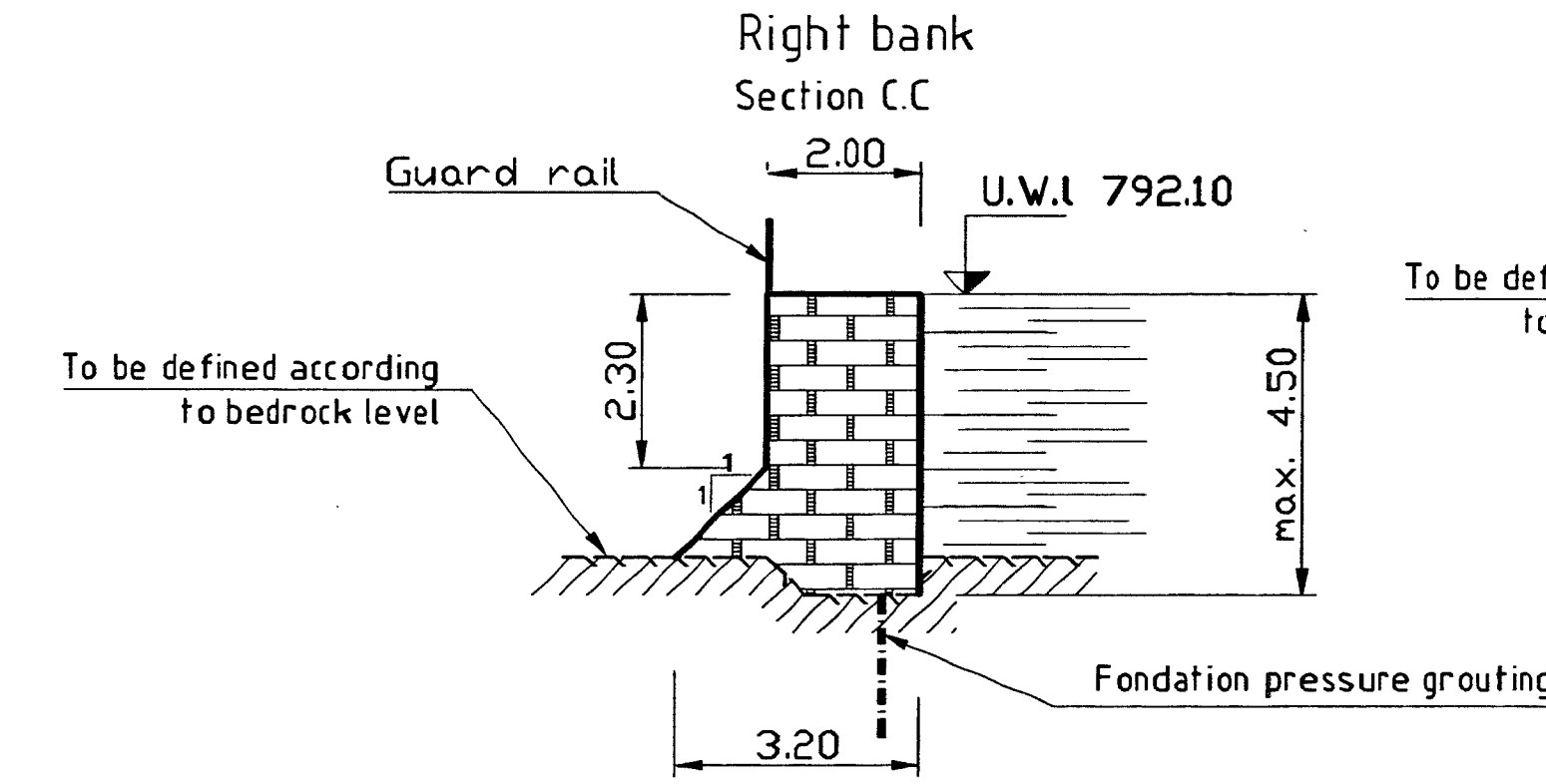
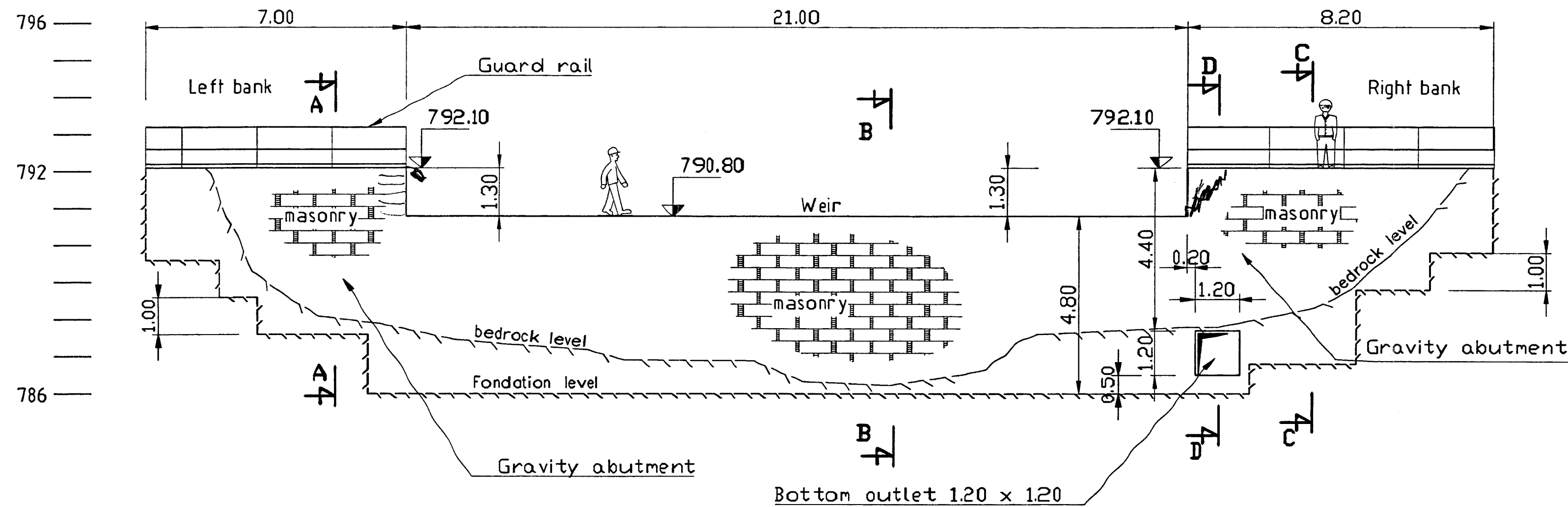
MINI HYDRO-ELECTRIC
 POWER STATION PROJECT
 NDOKAYO SITE
 POWER HOUSE
 Longitudinal sections
 Fig. 13

POWER HOUSE
Plan view (scale 1/ 200)

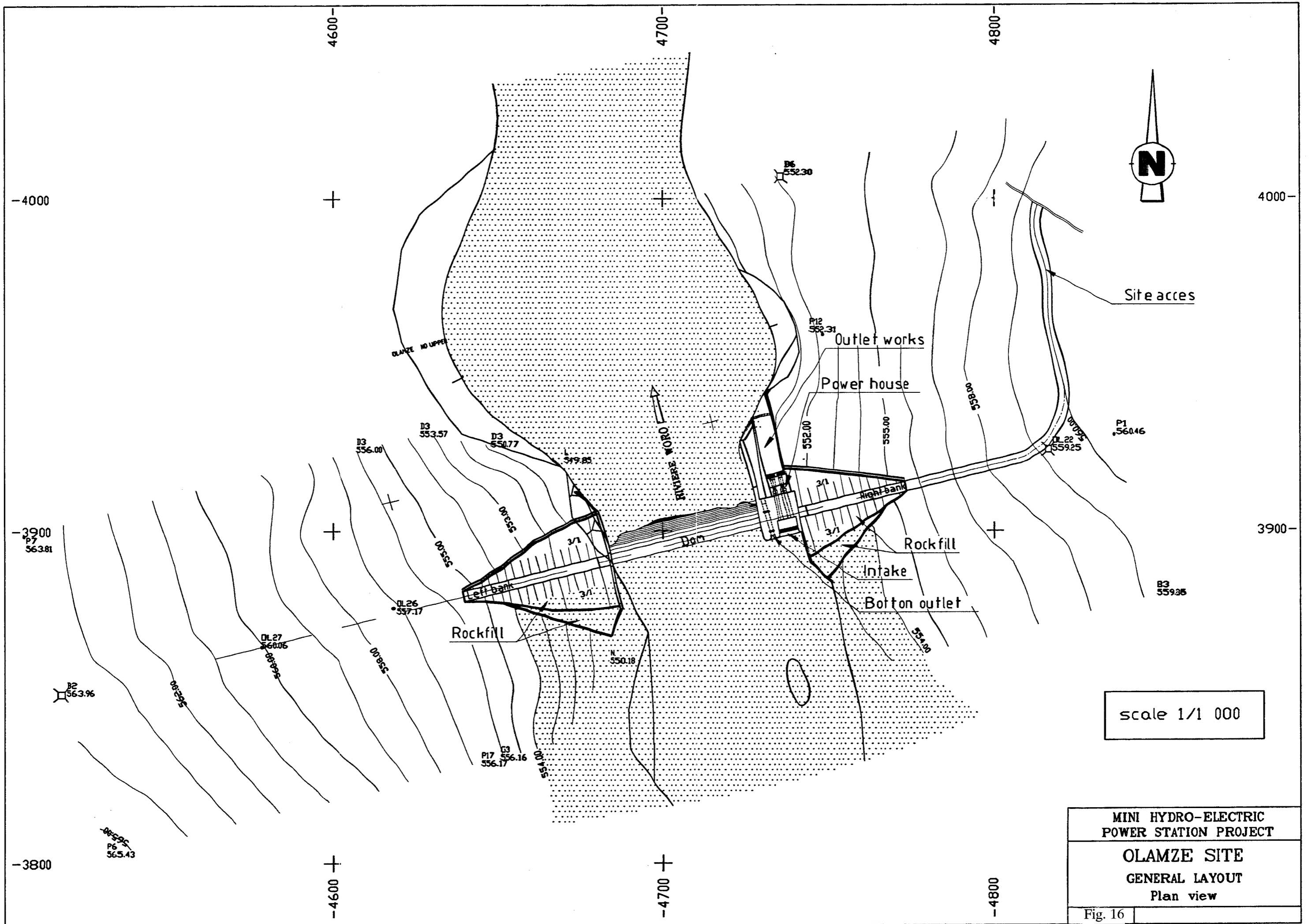


MINI HYDRO-ELECTRIC
POWER STATION PROJECT
NDOKAYO SITE
POWER HOUSE
Plan View
Fig. 14

DAM AXIS CROSS SECTION
(scale 1/100)



MINI HYDRO-ELECTRIC
POWER STATION PROJECT
NDOKAYO SITE
DAM AXIS CROSS SECTION
typical sections: A-B-C-D
Fig. 15



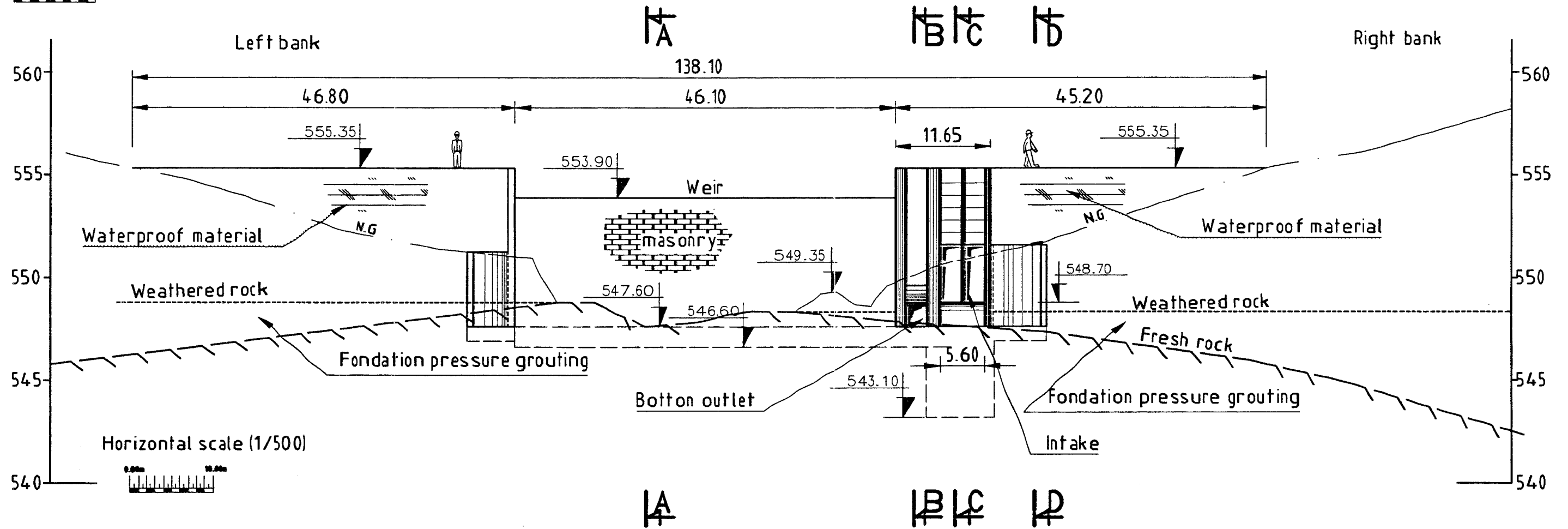
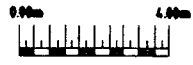
MINI HYDRO-ELECTRIC
POWER STATION PROJECT

OLAMZE SITE
GENERAL LAYOUT
Plan view

Fig. 16

UPSTREAM DAM ELEVATION

Vertical scale (1/200)



MINI HYDRO-ELECTRIC POWER STATION PROJECT
OLAMZE SITE
DAM AXIS CROSS SECTION

-Fig. 17