

6. 計画対象学校・リソースセンターリスト

[対象郡]	ページ
第1期	
ジャバ	17
モラン	19
スンサリ	21
パルサ	23
チトワン	25
ナワルパラシ	26
カンチャンプール	28
第2期	
ジャバ	30
モラン	31
スンサリ	32
シラハ	33
ダヌーサ	34
サルラヒ	35
ラウタハット	36
パルサ	37
チトワン	38
ナワルパラシ	39
バンケ	40
カンチャンプール	41
第3期	
シラハ	42
ダヌーサ	43
マホッター	44
サルラヒ	46
ラウタハット	47
バンケ	48

District : Jhapa

S.No	Cl.No	School Name	Village/V.D.C.	Terai /Hill	Toilet	Water Supply	Clrm. to be constructed	Depot Centre	
1	3	Shiva PS	Balubadi	Terai	1	1	2	Chandragadhi	
2	3	Maheshpur PS	Maheshpur	Terai	1	1	2		
3	1	Bhrikuti PS	Chandragadhi	Terai		0	2		
4	3	Basant PS	Gherabari	Terai	1	1	2		
5	3	Adarsha PS	Pathriya	Terai	1	1	2		
6	3	Dipendra PS	Kechna	Terai	1	1	2		
7	3	Sharada P.S.	Kechna	Terai	1	1	2		
8	4	Panchayat PS	Haldibari	Terai	1	1	2		
9	4	Ramjyoti PS	Jalthal	Terai	1	1	2		
10	5	Ramnagar PS	Rajgadh	Terai	1	1	2		
11	5	Bhagawati P.S.	Rajgadh	Terai	1	1	2		
12	5	Durga Devi PS	Goldhap	Terai	1	1	2		
13	6	Devi PS	Anarmani	Terai	1	1	2	Birtamode	
14	6	Devkota PS	Garamani	Terai	1	1	2		
15	7	Laxmi PS	Arjundhara	Terai	1	1	2		
16	7	Singhabahini PS	Sanischare	Terai	1	1	2		
17	7	Balijyoti PS	Sanischare	Terai	1	1	2		
18	8	Pashupati PS	Surunga	Terai	1		2		
19	8	Bhrikuti PS	Sharnamati	Terai	1		2		
20	8	Singh Devi PS	Surunga	Terai	1		2		
21	8	Chapramari PS	Sharnamati	Terai	1	1	2		
22	9	Panchmani PS	Dangibari	Terai	1	1	2		
23	10	Namuna PS	Budhbare	Terai	1		2		
24	10	Sarswoti PS	Budhbare	Terai			2		
25	10	Adarsh PS	Shantinagar	Terai	1		2		
26	11	Shanti P.S.	Duwagadi	Terai	1	1	2		
27	11	Kalika PS	Dhaijan	Terai	1	1	2		
28	11	Bhanu PS	Dhaijan	Terai	1	1	2		
29	12	Digen Janjyoti PS	Jyamirgadhi	Terai	1	1	2		
30	12	Kalika PS	Jyamirgadhi	Terai	1	1	2		
31	12	Kakarbhitta PS	Kakarbhitta	Terai			2		
32	12	Hari PS	Dhulabari	Terai	1		2		
33	13	Pavitra PS	Bahundangi	Terai	1	1	2		
34	14	Jagadamba PS	Tagandubba	Terai	1	1	2		
35	2	Budha PS	Pathamari	Terai	1	1	2		Chandragadhi
36	2	Pathamari PS	Pathamari	Terai	1	1	2		
37	2	Janaki PS	Pathamari	Terai	1	1	2		
38	2	Pashupati PS	Pathamari	Terai	1	1	2		
39	2	Prithivinagar PS	Prithivinagar	Terai	1	1	2		
40	15	Indreni PS	Baigundhura	Terai	1	1	2	Damak	
41	15	Suryodaya PS	Panchgadhi	Terai	1		2		
42	16	Janta PS	Khajurgachhi	Terai	1	1	2		
43	16	Shahid Nishulka PS	Kohabara	Terai	1		2		
44	17	Shree PS	Juro Pani	Terai		0	2		
45	17	Arunodaya PS	Juro Pani	Terai		0	2		
46	17	Bharti PS	Juro Pani	Terai	1		2		
47	17	Jankalyan PS	Korabari	Terai	1	1	2		
48	18	Kanchanjangha PS	Gauradaha	Terai		0	2		
49	18	Jan Jyoti PS	Gauradaha	Terai	1	1	2		
50	19	Tarabari PS	Damak	Terai			2		
51	19	Janjyoti PS	Damak	Terai			2		
52	19	Vidyodaya PS	Damak	Terai		0	2		
53	19	Janta PS	Damak	Terai	1		2		
54	20	Amiko PS	Lakhanpur	Terai	1		2		
55	20	Singhdevi PS	Lakhanpur	Terai			2		
56	20	Pingdanda PS	Lakhanpur	Terai	1	1	2		
57	20	Shahid Ratna PS	Lakhanpur	Terai	1	1	2		

Phase-I

District : Jhapa

S.No	Cl.No	School Name	Village/V.D.C.	Terai /Hill	Toilet	Water Supply	Clrm. to be constructed	Depot Centre
58	21	Nav Durga PS	Topgachi	Terai		0	2	Damak
59	21	Jyoti PS	Topgachi	Terai			2	
60	21	Katika PS	Topgachi	Terai	1		2	
61	21	Pathibhara PS	Dharampur	Terai	1		2	
62	22	Baljyoti PS	Satasidhara	Terai	1	1	2	Birtamode
63	22	Jharna PS	Satasidhara	Terai			2	
64	22	Shahid Bhim Narayan PS	Satasidhara	Terai	1	1	2	
65	22	Shiva PS	Satasidhara	Terai			2	
		Total 130 Classrooms			51	38	130	

All Schools are in Terai

All Schools will have 2 Classrooms.

No Resources Centres to be built.

District : Morang

S.No	Cl.No	School Name	Village/V.D.C.	Terai /Hill	Toilet	Water Supply	Clrm. to be constructed	Depot Centre
1	5	Ananta PS, Kadamaha	Dadar Bairiya	Terai			2	Biratnagar
2	5	Bhagavati PS, Babiyabirta	Dadar Bairiya	Terai			2	
3	5	Beni PS Soravag	Dadar Bairiya	Terai	1	1	2	
4	5	Gram Devata PS, Darvesa	Rangeli	Terai	1	1	2	
5	5	Sarvajanik PS, Aamghachi	Rangeli	Terai	1	1	2	
6	10	Prathamik vidyalaya, Madhubani	Rangeli	Terai	1	1	2	Rangeli
7	10	Ghuliyaswari PS Takuwa -3	Rangeli	Terai	1	1	2	
8	10	Ramjanaki PS Takuwa	Rangeli	Terai	1	1	2	
9	10	Aadarsha PS Rangeli	Rangeli	Terai			2	
10	10	Gramdev PS Shidraha	Bhaudaha	Terai	1	1	2	
11	10	Ramjanaki PS Bhaudaha	Bhaudaha	Terai	1	1	2	
12	4	Jansewa P.S. Gathgada	Jhurkiya-8	Terai	1	1	2	
13	4	Prajatantra Ni.Ma.Vi.Bhaudaha	Bhaudaha	Terai			2	Biratnagar
14	15	Shantichhetra PS Rajghat	Urlabari	Terai			2	
15	15	Sarswati PS Pathari	Urlabari	Terai	1	1	2	Mangalbare
16	15	Sunjhoda PS Urlabari	Urlabari	Terai			2	
17	15	Suryamukhi PS Madhumalla	Urlabari	Terai	1	1	2	
18	13	Saraswati PS Shanischere	Shanischere	Terai	1	1	2	
19	13	Durga PS, Shanischere	Shanischere	Terai			2	
20	13	Pragatishill PS, Bayarban	Shanischere	Terai			2	
21	13	Suntali PS, Bayarban	Shanischere	Terai	1	1	2	
22	13	Janakalyan Ma.Vi.Aaitabare	Shanischere	Terai		0	2	
23	14	Mahendra L.S.S	Dayaniyan-4	Terai			2	Rangeli
24	14	Lok Kalyankari PS Amardaha-6	Hasandaha	Terai	1	1	2	Mangalbare
25	14	Amarsingh Ma.Vi.Hasandaha	Hasandaha	Terai	1	1	2	
26	3	Dharanidhar PS Biratnagar	Janapath	Terai			2	Biratnagar
27	3	Bakhari PS Biratnagar	Janapath	Terai	1	1	2	
28	3	Gyan Nikunja PS Biratnagar	Janapath	Terai			2	
29	11	Mahendra PS Mahadeva	Baradanga	Terai	1	1	2	Rangeli
30	11	Janta PS, Dainiya	Baradanga	Terai	1	1	2	
31	11	Ni.Ma.Vi. Bardanga	Baradanga	Terai	1	1	2	
32	2	Shidhakali PS Biratnagar	Biratnagar	Terai	1		2	
33	11	Janaki PS Jhurkiya	Baradanga	Terai	1	1	2	
34	2	Prathamik Vidyalaya, Kanchalba	Kanchobadi	Terai	1	1	2	Biratnagar
35	2	Sanyasi P.S.	Gobindapur-6	Terai	1	1	2	Rangeli
36	2	Janta LSS	Biratnagar	Terai			2	Biratnagar
37	2	Shahid PS, Biratnagar-4	Biratnagar	Terai	1	1	2	
38	2	Gramkalika PS Motipur	Dhaniwonigaun	Terai	1		2	
39	2	Jananirman PS, Kaseni	Dhaniwonigaun	Terai	1		2	
40	2	Nawajanajyoti PS, Harychha	Dhaniwonigaun	Terai			2	
41	8	Rani PS, Banigoun	Dhaniwonigaun	Terai	1	1	2	
42	8	Ishwor PS, Motipur	Dhaniwonigaun	Terai		0	2	
43	1	Laxmi PS, Shisubani	Majhare	Terai	1	1	2	
44	1	Bhawani PS, Pokharya	Majhare	Terai			2	
45	1	Budheswori PS, Budhanagar	Majhare	Terai	1	1	2	
46	1	Shantichhetra PS, Govindapur	Sautha	Terai	1	1	2	
47	1	Sunbarshi Ma.Vi.Govindapur	Sautha	Terai	1	1	2	
48	12	Dil P.S.	Baradanga	Terai	1		2	Rangeli
49	12	Maharajsthan P.S.	Jhurkiya	Terai			2	
50	12	Bhanu P.S.	Jhurkiya-7	Terai	1	1	2	
51	12	Gyanoparjan PS, Dangighat	Bahuni	Terai			2	
52	12	Saraswati PS	Aamgachhi-3	Terai	1	1	2	
53	12	Ni.Ma.Vi. Bhausabari	Bahuni	Terai			2	
54	9	Shichha Bikash Ma.Vi..Deleli	Bahuni	Terai			2	Mangalbare
55	9	Dhir Nath Samphul SS, Dagihat	Bahuni	Terai	1	1	2	
56	9	Laxmi SS, Laxmimarga	Bahuni	Terai	1	1	2	

Phase-I

District : Morang

S.No	Cl.No	School Name	Village/V.D.C.	Terai /Hill	Toilet	Water Supply	Clrm. to be constructed	Depot Centre
57	6	Pothiya PS, Hatimuda	Hatimuda	Terai	1	1	2	Biratnagar
58	6	Gokhuwa PS, Hatimuda	Hatimuda	Terai	1	1	2	
59	6	Laxmi Ni.Ma.Vi.Dangraha	Hatimuda	Terai	1	1	2	
60	6	B.P.PS Indrapur	Indrapur	Terai	1	1	2	
61	6	Gachhiya PS, Sundarpur	Indrapur	Terai	1		2	
62	7	Janani PS, Dulari	Indrapur	Terai			2	Mangalbare
63	7	Janta Ni.Ma.Vi.Indrapur	Indrapur	Terai			2	
64	7	Panchayat PS, Belbari	Indrapur	Terai	1		2	
65	7	Judi PS Indrapur	Indrapur	Terai	1	1	2	
		130 Classrooms	Total		43	37	130	

All Schools are in Terai area.

Each School needs 2 Classrooms.

Resources Centres

Sn	Name of School	Location	Depot Centre
1	S.S Hasandaha, Hasandaha	Terai	Mangalbare
2	Sautha Secondary School	Terai	Rangeli
3	Machindra SS Kerabari	Terai	Mangalbare

6 Hills schools have been deducted and 6 Terai schools have been added.

Phase-I

District : Sunsari

S.No	Cl.No	School Name	Village/V.D.C.	Terai /Hill	Toilet	Water	Chrm. to be constructed	Depot Centre
1	5	Shahid smriti PS Pakali	Sinjiya	Terai	1	1	2	Inaruwa
2	5	Rajeshwori PS, Shinjiya	Bahasi	Terai	1	1	2	
3	5	Sarshwoti PS, Bahasi	Bahasi	Terai	1	1	2	
4	5	Panchyat PS,	Bahasi	Terai	1	1	2	
5	3	Prathamik School Ghopa	Dharan	Terai	1	1	2	
6	3	Sarswoti PS,	Dharan	Terai	1	1	2	
7	3	Panchayat Ni.Ma. Vidyalyaya,	Dharan	Terai	1	1	2	
8	3	Panchakanya Ni.Ma. Vidyalyaya,	Dharan	Terai			2	
9	7	Nepal Rastriya L.S.S.	Bhaluwa	Terai	1	1	2	
10	8	Sharda PS, Chandabela	Chandabela	Terai	1	1	2	
11	8	Gadhadeva Ni.Ma. Vidyalyaya,	Balaha	Terai	1	1	2	
12	8	Amarshanti PS, Inruwa	Inruwa	Terai	1	1	2	
13	10	Mohan LSS, Prakashpur	Prakashpur	Terai		0	2	
14	10	Nawadurga PS, Prakashpur	Prakashpur	Terai	1	1	2	
15	10	Gyanjyoti PS,	Prakashpur	Terai		0	2	
16	10	Sarswoti Ni.Ma. Vidyalyaya,	Prakashpur	Terai		0	2	
17	13	Shree Janta PS,	Chhitaha	Terai	1	1	2	Amahibela
18	13	Rastriya PS,	Chhitaha	Terai	1	1	2	
19	13	PS,	Rajganj Sinubari	Terai		0	2	
20	13	Ram Sita Sishu Vidyamandir	Chhitaha	Terai	1	1	2	Inaruwa
21	7	Sharda PS, Chairiya	Chairiya	Terai	1	1	2	
22	7	B.P. PS, Duhabi	Duhdabi	Terai		0	2	
23	7	Bhola PS, Basantapur	Basantapur	Terai		0	2	
24	7	Panchyat Prathamik Vidyalyay	Duhabi	Terai		0	2	
25	7	Panchayat Ni.Ma.Vidyalyaya, Duh	Duhabi	Terai		0	2	Amahibela
26	15	Sarswoti PS, Kaptanganj	Kaptanganj	Terai	1	1	2	
27	15	PS, Khuskihat	Khuskihat	Terai	1	1	2	
28	15	Divya PS, Kaptanganj	Kaptanganj	Terai	1	1	2	
29	15	Babuji PS,	Devan Ganj	Terai	1	1	2	
30	2	Suryadaya PS,	Baraha Chetra	Terai	1	1	2	
31	2	Shingha Devi PS,	Baraha Chetra	Terai	1	1	2	
32	2	Barahachhetra PS,	Baraha Chetra	Terai			2	
33	6	Balbahubhasiya PS,	Itahari	Terai	1	1	2	Inaruwa
34	6	Panchyat Rajat Jyanti PS,	Itahari	Terai	1	1	2	
35	6	Sarswoti PS,	Itahari	Terai	1	1	2	
36	6	Sarbajanik PS,	Itahari	Terai	1	1	2	
37	6	Gyanodayo PS, Khanar	Khanar	Terai	1		2	
38	12	Vantabari PS, Haripur	Haripur	Terai	1	1	2	Lauhaki
39	12	B.P. Kishan Paschimbashah	Shreepur	Terai	1	1	2	
40	12	Shreepur Ni.Ma.Vidyalyaya,	Shreepur	Terai	1		2	
41	9	Prithivi Narayan LSS, Bhokraha	Bhokraha	Terai	1		2	
42	4	Balkrisna SS Bhutaha	Bhutaha	Terai			2	Inaruwa
43	4	Bhanu PS, Mahendranagar	Mahendranagar	Terai			2	
44	4	MahendraNi.Ma.Vidyalyaya,	Mahendranagar	Terai			2	
45	4	PS, Mahendranagar	Mahendranagar	Terai	1		2	Amahibela
46	14	Laxmi PS, Ramganj	Ramganj	Terai			2	
47	14	Aammaduwa Phaarm PS,	Bhimnagar	Terai	1	1	2	
48	14	Sarswoti PS, Aamduwa	Aamduwa	Terai	1		2	
49	14	Lekhnath PS,	Bhimnagar	Terai	1	1	2	
50	14	Shiva PS,	Bhimnagar	Terai	1		2	
51	14	Rastriya PS,	Bhimnagar	Terai	1		2	

Phase-I

District : Sunsari

S.No	Cl.No	School Name	Village/V.D.C.	Terai /Hill	Toilet	Water	Clm. to be constructed	Depot Centre
52	9	Karma PS, Bhodraha	Bhodraha	Terai	1	1	2	Inaruwa
53	9	PS, Bhodraha	Bhodraha	Terai	1	1	2	
54	9	Yuvabarsha PS, Bhokraha	Bhokraha	Terai	1	1	2	
55	9	Sarswoti PS,	Dhumraha	Terai	1	1	2	
56	12	Harijan PS, Narsingh	Narsingh	Terai	1	1	2	
57	12	PS, Basantapur	Basantapur	Terai	1	1	2	
58	12	PS, Shishuwa	Shishuwa	Terai	1	1	2	
59	12	Sitaram PS, Harinagara	Harinagara	Terai		0	2	
60	12	B.P. PS, Basantapur	Basantapur	Terai	1	1	2	
		Total Classrooms 120			45	38	120	

All Schools are in Terai.

All Schools to have two Classrooms.

Resources Centres.	VDC/Village	Depot Centre
Itahari Resources Centre	Itahari (T)	Inariwa
Shreepur Resources Centre	Shreepur (T)	Inaruwa

5 schools of hill have been deducted from Hardiya Resource Centres.

District : Parsa

S.No	Cl.No	School Name	Village/V.D.C.	Terai /Hill	Toilet	Water Supply	Clrm. to be constructed	Depot Centre
1	1	Ne. Ra. Pra. Bi. Bhiswa	Bhiswa	Terai	1	1	2	Janaki Tola
2	1	Ne. Ra. Pra. Bi. Budhagain	Jayamangalapur	Terai		0	2	
3	1	Ne. Ra. Pra. Bi. Bhaluwahiya	Mirjapur	Terai			2	
4	1	Ne. Ra. Pra. Bi. Baghmari	Mirjapur	Terai	1	1	2	
5	1	Ne. Ra. Pra. Bi. Jagarnathpur	Dhobini	Terai		0	2	
6	1	Ne. Ra. Pra. Bi. Bhediwarwa	Sambauna	Terai	1	1	2	
7	2	Ne. Ra. Pra. Bi.	Biranchibarba	Terai			2	
8	2	Ne. Ra. Pra. Bi.	Mainapur Pakha-7	Terai			2	Pokharia
9	2	Nepal Red Cross Pra. Bi.	Phulbaria Purli-5	Terai	1	1	2	
10	3	Ne. Ra. Pra. Bi.	Sisayahi Bairiya	Terai	1	1	2	
11	3	Ne. Ra. Pra. Bi.	Amarpatti	Terai	1	1	2	
12	3	Ne. Ra. Pra. Bi.	Shitalpur Chhapkaiya	Terai			2	
13	5	Ne. Ra. Pra. Bi.	Kohinya Alau	Terai	1	1	2	
14	5	Ne. Ra. Pra. Bi.	Sirantola Alau-1	Terai			2	
15	5	Ne. Ra. Pra. Bi.	Lalparsa	Terai	1	1	2	Birgunj
16	6	Ne. Ra. Pra. Bi.	Kuhadi Udaythumi-3	Terai	1	1	2	
17	6	Ne. Ra. Pra. Bi. Inarwa Bagahi	Bagahi	Terai	1		2	
18	6	Bhubaneshwor nath. Pra. Bi.	Itigahi	Terai	1		2	
19	6	Shree Sharda Pra. Bi.	Bhedi:yahi	Terai	1	1	2	
20	6	Shree Bholeshankar Pra. Bi.	Auraharenj Madhubal Mayabal	Terai	1		2	
21	6	Ne. Ra. Pra. Bi.	Belwa Parsawni	Terai	1		2	
22	7	Shree Hanshabahini. Pra. Bi. Konhiya	Belwa-4	Terai		0	2	Pokharia
23	7	Ne. Ra. Pra. Bi.	Musaili	Terai	1	1	2	
24	7	Ne. Ra. Pra. Bi.	Chhoteli Hardaspur	Terai	1		2	
25	7	Ne. Ra. Pra. Bi.	Bagwana	Terai	1		2	
26	7	Shree Gaddi Bhagawati Pra. Bi. Sakhuwaniya	Madhabal. Mayawal-3	Terai			2	
27	7	Shree Gaddi Bhagawati Pra. Bi.	Manama Brahmachhari	Terai		0	2	
28	7	Ne. Ra. Pra. Bi. Chainapur	Bageshwari Titaraun	Terai			2	
29	8	Ne. Ra. Pra. Bi.	Jagadish Jamuniyan Sakhuwa Prasauni-8	Terai			2	Pokharia
30	8	Ne. Ra. Pra. Bi. Ojhaiya Prasauni	Deurbag-3	Terai	1		2	
31	8	Ne. Ra. Pra. Bi. Baijanathpur Thargatti	Gadi-7	Terai	1	1	2	
32	8	Ne. Ra. Pra. Bi.	Belwa Parsa Gadi	Terai			2	
33	8	Ne. Ra. Pra. Bi.	Deuriya	Terai	1	1	2	
34	8	Ne. Ra. Pra. Bi.	Uttarpari Sugauli Paterwa, Sugauli-7	Terai		0	2	
35	8	Gadhi Bhagawati Pra. Bi.	Sakhuwa Prasauni	Terai			2	
36	8	Ne. Ra. Pra. Bi. Akawa	Paterwa Sugauli-1	Terai	1	1	2	
37	8	Ne. Ra. Pra. Bi.	Jhakhara-9	Terai	1		2	
38	8	Ne. Ra. Pra. Bi.	Phoolbariya Basantapur	Terai	1		2	
39	8	Ne. Ra. Pra. Bi.	Prasaunisira Auraha-7	Terai	1		2	
40	9	Ne. Ra. Pra. Bi.	Mahiharwa Nichuta-3	Terai			2	Pokharia
41	9	Ne. Ra. Pra. Bi. Suddhapur Sohari	Jagarnathpur Sira-5	Terai	1		2	
42	9	Shree Durga. Pra. Bi. Harpur	Jagar Nathpur Sira-9	Terai			2	
43	9	Ne. Ra. Pra. Bi.	Madhubaha, Masihani	Terai	1		2	
44	9	Ne. Ra. Pra. Bi.	Pandepur Janakitola-7	Terai			2	
45	9	Ne. Ra. Pra. Bi. Pipalgadhi	Piradiguthi	Terai			2	
46	9	Ne. Ra. Pra. Bi. Baluwadiha	Mahadebpatti-2	Terai	1		2	
47	9	Ne. Ra. Pra. Bi. Gamharia	Mahadebpatti-5	Terai	1		2	

Phase-I

District : Parsa

S.No	Cl.No	School Name	Village/V.D.C.	Terai /Hill	Toilet	Water Supply	Clrm. to be constructed	Depot Centre
48	10	Ne.Ra.Pra.Bi. Shankar Sharaiya	Shankar Sharaiya-3	Terai	1		2	Janaki Tola.
49	10	Shree Saraswati Pra. Bi. Shankar Sharaiya	Shankar Sharaiya-5	Terai			2	
50	10	Ne.Ra.Pra.Bi. Supauli	Supanli-4	Terai			2	
51	10	Ne.Ra.Pra.Bi.	Bhawanipur Supauli-2	Terai			2	
52	10	Ne.Ra.Pra.Bi.	Beejbaniya-3	Terai		0	2	
53	10	Ne.Ra.Pra.Bi. Chamaritol	Subarnapur-4	Terai			2	
54	10	Ne.Ra.Pra.Bi. Apauni	Harpatganj	Terai	1	1	2	Birgunj
55	10	Hansa Bahini P.S.Kohiniya	Belwa, Parsauni	Terai			2	Birgunj
		Total 110 Classrooms	Total		30	15	110	

All Schools to have 2 Classrooms each.

All Schools are in Terai.

Phase-I

District : Chitwan

S.No	Cl.No	School Name	Village/V.D.C.	Terai /Hill	Toilet	Water Supply	Clm. to be constructed	Depot Centre
1	3	RPS Surtani	Surtani	Terai			2	Tandi
2	3	RPS Harnari	Harnani	Terai			2	Tandi
3	3	RPS Parbatbasti	Parbatbasti	Terai			2	Tandi
4	3	RPS Japkauli	Japkauli	Terai			2	Tandi
5	3	RPS Phasera	Phasera	Terai			2	Tandi
6	3	LSS Brmhanagar	Brmhanagar	Terai			2	Tandi
7	3	Kapiya SS	Kapiya	Terai			2	Tandi
8	3	RPS Dharampur	Dharampur	Terai			2	Tandi
9	3	RPS Gabai	Gabai	Terai			2	Tandi
10	4	RPS Kamalpur	Kamalpur	Terai	1	1	2	Tandi
11	4	RPS Bankatta	Banaliya	Terai			2	Tandi
12	4	RPS Kaparphori	Kaparphori	Terai			2	Tandi
13	4	RPS Bakulahar	Bakulahar	Terai			2	Tandi
14	4	RPS Mainaha	Mainaha	Terai			2	Tandi
15	4	RPS Sisahi	Sisahi	Terai			2	Tandi
16	4	RPS Belsi	Belsi	Terai			2	Tandi
17	4	Mohana SS	Mohana	Terai			2	Tandi
18	4	RPS Debauli	Debauli	Terai			2	Tandi
19	5	RPS Deviraman	Deviraman	Terai			2	Tandi
20	9	RPS Thimura	Thimura	Terai			2	Bharatpur
21	9	RPS Ganeshthan	Ganeshthan	Terai			2	Bharatpur
22	9	RPS Nadikinar	Nadikinar	Terai			2	Bharatpur
23	9	RPS Jakhadimai	Jakhadimai	Terai			2	Bharatpur
24	9	LSS Ramnagar	Ramnagar	Terai			2	Bharatpur
25	9	LSS Barhaghare	Barhaghare	Terai			2	Bharatpur
26	9	LSS Kailashnagar	Kailashnagar	Terai			2	Bharatpur
27	9	Laxmi SS	Kailashnagar	Terai			2	Bharatpur
28	9	Bharatpur SS	Bharatpur	Terai			2	Bharatpur
29	9	Naya Kiran SS	Bharatpur	Terai			2	Bharatpur
30	11	RPS Purba Gunjanagar	Purba Gunjanagar	Terai	1	1	2	Bharatpur
31	11	RPS Lagaunta	Lagaunta	Terai	1	1	2	Bharatpur
32	11	RPS Bhuwanbasti	Bhuwanbasti	Terai	1	1	2	Bharatpur
33	11	RPS Sashinagar	Sashinagar	Terai	1	1	2	Bharatpur
34	11	Kiran RPS Kirangunja	Kirangunja	Terai	1	1	2	Bharatpur
35	11	RPS Dadrahani	Badrahani	Terai	1	1	2	Bharatpur
36	11	Bhimnagar SS	Bhimnagar	Terai			2	Bharatpur
37	12	RPS Ratapur	Ratapur	Terai	1	1	2	Bharatpur
38	12	RPS Khadrauli	Khadrauli	Terai			2	Bharatpur
39	12	RPS Sishabas	Sishabas	Terai	1	1	2	Bharatpur
40	12	RPS Parshadhap	Meghauli-Ka	Terai			2	Bharatpur
41	12	RPS Andrauli	Andrauli	Terai	1	1	2	Bharatpur
42	12	RPS Lebornagar	Lebornagar	Terai	1	1	2	Bharatpur
43	12	LSS Jyotijuneli	Divuanagar	Terai	1		2	Bharatpur
44	12	LSS Sajhapur	Divuanagar	Terai			2	Bharatpur
45	12	Janaki SS	Divuanagar	Terai			2	Bharatpur
46	12	Jitpur SS	Jitpur	Terai			2	Bharatpur
47	12	RPS Bayarghari	Bayarghari	Terai			2	Bharatpur
		94 Classrooms	Total		12	11	94	

No. Resources Centre to be built in Chitwan.

All Schools are in Terai Area.

Only two Depo Centres.

10 Hill schools have been deducted and 10 Terai schools have been added.

District : Nawalparasi

S.No	CL.No	School Name	Village/V.D.C.	Terai /Hill	Toilet	Water Supply	Clrm. to be constructed	Depot Centre
1	1	Bijaya PS, Gaindakot	Gaindakot	Terai	1		2	Kawasoti
2	1	Krishna Gandaki PS, Gandaki	Gaindakot	Terai			2	"
3	1	Janata PS, Gadamdi	Ratanpur	Hill	1		2	"
4	1	Baljyoti PS, Damar (H)	Ratanpur	Hill	1		2	"
5	1	Mahendra Smarak PS,	Gaindakot	Terai	1		2	"
6	2	Amarjyoti PS, Amarapuri	Amarapuri	Terai	1		2	"
7	2	Narayani P.S. Sikhrauli	Mukundapur	Terai			2	"
8	2	Kumarwanti PS Bhendabari	Mukundapur	Terai	1		2	"
9	2	Jivanjyoti PS, Bartandi	Rajahar	Terai	1		2	"
10	2	Durga PS, Pitaunji	Mukundapur	Terai			2	"
11	3	Gyanodaya PS, Bulingar (H)	Bulingtar	Hill	1		2	"
12	3	JheriKhande PS, (H)	Dandajheri	Hill	1		2	"
13	3	Janajagriti PS, Dhadbesi (H)	Kotathar	Hill	1		2	"
14	4	Kamdhenu PS, Khajuri (H)	Bhartipur	Hill	1		2	"
15	4	Gorakhnath PS, Raikot (H)	Jaubari	Hill	1		2	"
16	4	Suryajyoti PS, Jukepani (H)	Dhobadi	Hill	1		2	"
17	5	Kaligandaki PS, Dedgaun (H)	Dedgaun	Hill			2	"
18	5	Balkalyan PS, Rajachautari (H)	Dedgaun	Hill	1		2	"
19	5	Balhit PS, Premtar (H)	Dedgaun	Hill	1		2	"
20	5	Krishna Gandaki PS (H)	Mithokaram	Hill	1		2	"
21	6	Hupsekot PS, Birukharkab (H)	Hupsekot	Hill	1		2	"
22	6	Hupsekot PS, Damar (H)	Hupsekot	Hill			2	"
23	6	Rastriya Kisan PS, Jabdanda (H)	Hupsekot	Hill	1		2	"
24	6	Birendra PS, Dwardaha (H)	Nayabelhani	Hill	1		2	"
25	7	Jivanjyoti PS, Kawasoti	Shivamandir	Terai	1		2	"
26	7	Janvikash Viddhyashram PS,	Shivamandir	Terai	1		2	"
27	7	Nbawadurga PS,	Shivamandir	Terai	1		2	"
28	7	Maharaja PS, Hattikhori	Shivamandir	Terai			2	"
29	7	Janakalyan PS, Koliya	Deurali	Terai	1		2	"
30	7	Jwala PS, Jhabash	Deurali	Terai			2	"
31	8	Kumarwanti PS,	Pragatinagar	Terai	1		2	"
32	8	Narayani PS,	Pragatinagar	Terai	1		2	"
33	8	Balmiki PS	Pragatinagar	Terai			2	"
34	8	Shantishreejana PS	Dibyapuri	Terai	1		2	"
35	9	Balkalyan PS, Agyauli	Agauli	Terai	1		2	"
36	9	Chandrahansha PS	Agauli	Terai	1		2	"
37	9	Chandeswari PS	Kumarwanti	Terai			2	"
38	9	Tribhuwan P.S. Danda	Agauli	Terai			2	"
39	9	Suryodaya PS, Shandh	Kawasoli	Terai	1		2	"
40	11	Ratna Ranikuwa PS	Dumkibas	Terai			2	Panchanagar
41	11	Janak PS, Ghuseri	Dumkibas	Terai			2	"
42	11	Narayani PS, Tamaspur	Nayabelhari	Terai	1		2	"
43	11	Laxmi Adarsha PS	Tamasariya	Terai	1		2	"
44	11	Chetanshil PS	Tamasariya	Terai	1		2	"
45	12	Shishukalyan PS, Shardi (H)	Benimanipur	Hill	1		2	"
46	12	Bhawani P.S. Kusunde	Dhurkot	Terai			2	"
47	12	Bhadrakali PS	Dhurkot	Terai			2	"
48	13	Shiromari PS,	Panchanagar	Terai	1	1	2	"
49	13	Bhanu PS	Panchanagar	Terai	1		2	Panchanagar
50	13	Subansikanya PS,	Tilakpur	Terai	1		2	"
51	13	Ananda PS,	Daunnedevi	Terai			2	"
52	13	Gyanodaya PS,	Makar	Terai	1	1	2	"
53	14	Shivapur Gadhi PS	Triveni	Terai	1		2	"
54	14	Rastriya PS, Raninagar	Triveni	Terai	1		2	"

District :Nawalparasi

S.No	Cl.No	School Name	Village/V.D.C.	Terai /Hill	Toilet	Water Supply	Cirm. to be constructed	Depot Centre
55	14	Kotahidevi PS,	Pratappur	Terai	1	1	2	Panchanagar
56	14	B.P. Smriti PS	Gathiparsauni	Terai	1	1	2	„
57	14	Dipendra PS,	Paklihawa	Terai			2	„
58	15	Mahendra PS	Sarawal	Terai	1	1	2	„
59	16	Trimurti PS, Tilauli	Manari	Terai	1		2	„
60	16	Shivaparabati PS,	Germi	Terai	1	1	2	„
61	16	Sukadev PS, Sanai	Sanai	Terai	1	1	2	„
62	17	Sharaswati PS,	Sunawal	Terai	1	1	2	„
63	17	Pancharatna PS	Swathi	Terai	1	1	2	„
64	17	Rajeshwari PS, Nadwa	Sukarauli	Terai	1		2	„
65	17	Jarata PS, Parsawal	Amaurat	Terai	1	1	2	„
66	17	Sunawal PS	Sunawal	Terai	1	1	2	„
		Total			50	11	132	
17 Hills +49 Terai Schools								
132 Class rooms.			15(H) +35 (T)					

All Schools to have 2 classrooms each. 98 Classrooms in Terai
34 Classrooms in Hill.

Resources Centres

Sn.	Name of School	Location	Depot Centre
1	Tribhuvan Ma.Bi-Bulingtar	Hill	Kawasoti
2	Raja Ma.Bi-Panchanagar	Terai	Panchanagar
3	Shiva Ma.Bi-Shibbasti	Terai	Kawasoti
4	Shree Janata Ma.Bi.-Arunkhola	Terai	Panchanagar
5	Shree Janak Uchha.Ma.Bi-Gaind	Terai	Kawasoti
6	Shree Pragati Ma.Bi.Pragatinagar	Terai	Kawasoti
7	Shree Janta Ma.Bi. Danda	Terai	Kawasoti

District :Kanchanpur

S.No	Cl.No	School Name	Village/V.D.C.	Terai /Hill	Toilet	Water Supply	Clrm. to be constructed	Depot Centre
1	2	Shankar PS, Nandagau	Shankarpur-5	Terai	1		2	Belauri
2	4	Baijanath PS, Dangajai	DekhatBhuli-2	Terai			2	Krishnapur
3	4	Baijanath PS, Dommilla	Krishnapur-1	Terai			2	Krishnapur
4	4	Kalika PS Bund	Krishnapur-1	Terai	1	1	2	Krishnapur
5	4	Balmukti PS Baluwaphata	Krishnapur-9	Terai	1		2	Krishnapur
6	3	Shakti PS, Kanpur	Rampur Bilashpur-5	Terai	1		2	Belauri
7	3	Kalika PS ChandanBasti	Belldadi-9	Terai			2	Belauri
8	3	Adharbhut PS Sadakghat	Rampurbilashipur-2	Terai	1		2	Belauri
9	5	Dhasrath PS, Amarpur	Jhhalari-9	Terai			2	Jhalari
10	5	Sidhanath PS Kaluwapur	Jhhalari-9	Terai	1		2	Jhalari
11	5	Jana Jyoti PS Jonapur	Pipladi-5	Terai			2	Jhalari
12	7	Shiva Gyaneswor P.S. Bhagatpur	Mahendranagar -18	Terai			2	MNR
13	8	Balajagriti PS, Haldukhal	Ma.Na.Pa.-7	Terai	1	1	2	MNR
14	8	Nawa Durga PS, Kalikatol	Ma.Na.Pa.-14	Terai	1	1	2	MNR
15	9	Srijana PS, Dhaknaghat	Dodhara-6	Terai	1	1	2	Dodhara
16	1	Durga Rastriya PS Binbari	Baisebichawa-1	Terai			2	Belauri
17	1	Sarswoti PS, Khadda	Parason-7	Terai			2	Belauri
18	1	Malika PS, Mahendrabasti	Kalika-6	Terai	1		2	Belauri
19	2	B.P. Smriti PS, Charbaruwa	Laxmipur-2	Terai			2	Belauri
20	2	Durga PS, Mataiya	Laxmipur-3	Terai			2	Belauri
21	4	Baijanath PS, Sigalpatti	Dekhat Bhuli-3	Terai			2	Krishnapur
22	4	Sayapatri PS, Mauriphata	Krishnapur-6	Terai	1		2	Krishnapur
23	3	Sarswoti PS, Jhharanasagar	Belldadi-9	Terai	1		2	Belauri
24	5	Baijanath PS Jhalari 6	Jhalari 6	Terai			2	Jhalari
25	5	Trimurti PS, Tripureshwor	Jhhalari-3	Terai	1		2	Jhalari
26	5	Sidhanath PS, Belldadi	Jhhalari-4	Terai	1		2	Jhalari
27	5	Bhawani PS, Juda	Jhhalari-2	Terai	1	1	2	Jhalari
28	5	Baijanath PS, Pariphata	Jhhalari-4	Terai	1	1	2	Jhalari
29	5	Shanti PS, Shantipur	Jhhalari-2	Terai			2	Jhalari
30	5	Kalika PS, Asaina	Pipaladi	Terai	1		2	Jhalari
31	5	Shiva Shakti PS, Kalagauri	Dekhatbhuli-4	Terai			2	Jhalari
32	5	Sarswoti PS, Chitrapur	Dekhatbhuli-9	Terai			2	Jhalari
33	5	Shiva Shankar PS, Garjmuni	Pipladi-9	Terai			2	Jhalari
34	5	Jana Jagrit PS, Ganeshpur	Pipladi-3	Terai			2	Jhalari
35	6	Panchakrit PS, Bagphata	Ma.Na. Pa.-19	Terai	1		2	MNR
36	6	Pashupati PS, Suda	Suda-2	Terai	1		2	MNR
37	6	Ganesh PS, Pipalthala	Suda-6	Terai	1		2	MNR
38	6	Sidhanath PS, Hatithala	Daiji-7	Terai			2	MNR
39	6	Sarswoti PS, Dharampur	Daiji-3	Terai	1		2	MNR
40	6	Sidhanath PS, Mushepani	Daiji-7	Terai	1		2	MNR
41	7	B.P. PS, Odhali	Ma.Na.Pa.-12	Terai	1	1	2	MNR
42	7	Bhagirathi PS, Odhali	Ma.Na.Pa.12	Terai	1		2	MNR
43	7	Dhasrath PS, Nimukheda	Ma.Na.Pa.-15	Terai	1		2	MNR
44	7	Mahakali Janajyoti PS, Bhujela	Ma.Na.Pa.-11	Terai	1		2	MNR
45	9	Bhairab PS, Sundarnagar	Dodhara-5	Terai	1		2	Dodhara
46	9	Kamaisha PS, Dodhara	Dodhara-3	Terai	1		2	Dodhara
47	9	Purna PS, Maduwaghat	Chadani-4	Terai	1		2	Dodhara
48	9	Ganesh PS,	Chadani-3	Terai			2	Dodhara
49	2	Purnima PS, Balmi	Shankarpur-6	Terai			2	Belauri
50	2	Krishna PS, Richhaha	Shreepur-3	Terai	1		2	Belauri
51	2	Baghishwori PS, Bhakunda	Shreepur-1	Terai	1		2	Belauri
52	4	Kanchan PS, Shantipur	Raie.B.-5	Terai	1		2	Krishnapur
53	4	Sarswoti PS, Kalyanpur	Krishnapur-8	Terai	1		2	Krishnapur
54	4	NawajwotiPS	Raie.B.-1	Terai			2	Krishnapur
55	4	Sarswoti PS, Bani	Krishnapur-2	Terai			2	Krishnapur
56		Baijanath Bichha Niketan PS	Ma.Na.Pa.-13	Terai			2	MNR

Phase-I

District :Kanchanpur

S.No	Cl.No	School Name	Village/V.D.C.	Terai /Hill	Toilet	Water Supply	Clrm. to be constructed	Depot Centre
57	9	Pashupati PS, Chadani	Chadani-7	Terai	1		2	Dodhara
58	9	Jana jyoti PS, Dodhara	Dodhara-5	Terai			2	Dodhara
59	9	Mahamaya PS, Chadani	Chadani-1	Terai			2	Dodhara
60	9	Kalika PS, Lathaghat	Chadani-4	Terai	1	1	2	Dodhara
61	9	Rastriya PS, Kanjabhoj	Dodhara-1	Terai	1		2	Dodhara
62	8	Kalika PS, Sukashal	Ma.Na.Pa.-6	Terai			2	MNR
63	1	Gorkha PS, Rambasti	Kalika-3	Terai	1		2	Belauri
64	1	Ashirwya PS, Amaraiya	Kalika-7	Terai	1	1	2	Belauri
65	1	Chandrabaal PS, Simari	Tri.Basti-9	Terai			2	Belauri
		130 Classrooms	Total		38	9	130	

All Schools are in Terai .

Each School to have 2 Classrooms .

Resource Centres.	VDC/ Village	Depo Centre
Niglasaini L.S.S.	Krishnapur	Krishnapur
Janajyoti S.S.(Terai)	Kalkatta	Belauri

Resource Centres

S.No	Cl.No	Name of the Resource Centre	Village (VDC)
Nawalparasi District.			
1	3	Tribhuvan Ma.Bi-(Hill.)	Bulingtar
2	13	Raja Ma.Bi.	Panchanagar
3	7	Shiva Ma.Bi.	Shivabasti
4	11	Shree Janta Ma.Bi.	Arunkhola
5	1	Shree Janak Uchha Ma.Bi.	Gaindakot.
6	8	Shree Pragati Ma.Bi.	Pragatinagar
7	9	Shree Janta Ma.Bi.	Danda
Kanchanpur District			
8	4	Niglasaini L.S.S.	Krishnapur
9	3	Janajyoti S.S.	Kalkatta.
Morang District			
10	14	S.S. Hasandaha	Hasandaha
11	12	Sautha Secondary School	Sinjuwa
12	19	Machindra Secondary School	Kerabari
Sunsari District			
13	6	Itahari Resource Centre	Itahari
14	11	Shreepur Resource Centre	Shreepur

Total: 13 Resources Centres in Terai

1 Resources Centre in Hill

No Resource Centres are to be built in Chitwan, Jhapa & Parsa districts in this year.

Jhapa

S No.	Cl. No.	School Name	V.D.C./Village	Terai / Hill	Toilet	Water supply	Cl Rm to be constructed	Proposed depot location
1	10	Digen PS	iyamirgadhi	T	0	0	2	Chandragadhi
2	10	Kalika PS	iyamirgadhi	T	1	1	2	Chandragadhi
3	12	Bhagwati PS	Chandragadhi	T	0	0	2	Chandragadhi
5	12	Bal Bikas PS	Garamani	T	0	0	2	Chandragadhi
6	12	Sahil Laxmi PS	Garamani	T	0	0	2	Chandragadhi
7	12	Sarswoti PS	Anarmani	T	0	0	2	Chandragadhi
8	12	Devi PS	Anarmani	T	1	1	2	Chandragadhi
9	12	Kakadbhitta PS	Mechi nagar	T	0	0	2	Chandragadhi
10	12	kakadhitta PS	Mechi nagar	T	1	1	2	Chandragadhi
11	12	Mahendra PS	Mechi nagar	T	0	0	2	Chandragadhi
12	12	hari PS	Mechi nagar	T	0	0	2	Chandragadhi
13	12	Shishu sakchar PS	Mechi nagar	T	1	1	2	Chandragadhi
16	13	Jankalyan PS	Maheshpur	T	1	1	2	Chandragadhi
17	13	Sarswoti Vidya M. PS	Maheshpur	T	1	1	2	Chandragadhi
18	13	Mechi PS	Maheshpur	T	1	1	2	Chandragadhi
19	13	Maheshpur PS	Maheshpur	T	1	1	2	Chandragadhi
21	14	Panchayat PS	Haldibari	T	1	0	2	Chandragadhi
22	14	Rastriya Ekta PS	Haldibari	T	1	0	2	Chandragadhi
23	14	Jaxmi PS	Jalthal	T	1	1	2	Chandragadhi
24	14	Dipendra PS	Jalthal	T	1	0	2	Chandragadhi
25	14	Shanti PS	Jalthal	T	1	1	2	Chandragadhi
26	14	Panchyat PS	Jalthal	T	1	1	2	Chandragadhi
29	15	Prithivi nagar PS	Prithivi nagar	T	1	1	2	Chandragadhi
30	15	Shanti PS	Prithivi nagar	T	1	1	2	Chandragadhi
32	15	Shiv PS	Baniyani	T	1	1	2	Chandragadhi
33	15	Devi PS	Pathamari	T	1	1	2	Chandragadhi
34	15	Pahiamari PS	Pathamari	T	1	1	2	Chandragadhi
35	15	Budha PS	Pathamari	T	1	1	2	Chandragadhi
38	15	Sarda PS	Kechna	T	1	0	2	Chandragadhi
39	15	Dipendra PS	Kechna	T	1	1	2	Chandragadhi
40	16	Adarsh PS	Pathriya	T	1	1	2	Chandragadhi
41	16	janta PS	Balubari	T	1	0	2	Chandragadhi
42	16	Shiv PS	Balubari	T	1	0	2	Chandragadhi
43	16	Pashupati PS	Balubari	T	1	1	2	Chandragadhi
44	16	Gagan PS	Balubari	T	1	1	2	Chandragadhi
47	17	Bhanu PS	Goldhap	T	1	1	2	Chandragadhi
48	17	Garam kali PS	Goldhap	T	1	1	2	Chandragadhi
49	17	Sadhuparti PS	Rajgadh	T	1	1	2	Chandragadhi
53	17	Janjyoti PS	Chakchaki	T	1	0	2	Chandragadhi
54	17	Ghodamara PS	Chakchaki	T	0	0	2	Chandragadhi
Total					31	24	80	

Morang

S No.	Cl. No.	Name of School	V.D.C./Village	Terai / Hill	Toilet	Water supply	Cl Rm to be constructed	Proposed depot centre
1	7	Sajilal PS	Sundarpur, Gachhiya	T	1	0	2	Letang
2	7	Saraswoti PS	Mrigauliya, Belgadi	T	0	0	2	Letang
3	7	Janata PS	Mrigauliya, Murtaitole	T	1	1	2	Letang
4	7	Janani PS	Dulari	T	1	1	2	Letang
5	7	Narsingh PS	Mrigauliya, Majhuwa	T	1	1	2	Letang
6	7	Devta PS	Mrigauliya, Pattharghata	T	1	0	2	Letang
7	7	BP PS	Mrigauliya, Karaiban	T	1	1	4	Letang
8	7	Thadiya PS	Dulari, Thadiya	T	1	1	2	Letang
9	7	Saraswoti PS	Dulari, Chariguwa	T	1	1	2	Letang
10	7	Adarsha PS	Dulari, Badahada	T	1	1	2	Letang
11	7	Jana Chetana PS	Dulari	T	1	1	2	Letang
12	7	pancha Jyoti PS	Belbari	T	1	1	4	Letang
13	8	Ram Janaki PS	Motipur	T	1	1	4	Letang
14	8	Janata PS	Tetariya	T	1	1	2	Letang
15	15	Radhika PS	Urlabari, Bakhar	T	1	1	2	Letang
16	15	Sunjhoda PS	Urlabari	T	1	1	2	Letang
17	15	Durga PS Durgachok	Pathari	T	1	1	4	Letang
18	15	Sunakhari PS	Pathari	T	1	1	4	Letang
19	16	Bal kalyan PS	Tadi, Dharghare	T	1	1	2	Letang
20	17	Shree PS	Pati	H	1	0	4	Letang
21	18	Surya PS	Letang, Kheruwa	H	0	0	2	Letang
22	18	Karmabote PS	Letang, Karmabote	H	1	0	2	Letang
23	18	Shree PS	Letang, Birantole	H	1	0	2	Letang
24	18	Biddya Pardan PS	Bhogatni	H	1	0	4	Letang
25	18	Krisna PS	Letang	H	1	0	2	Letang
26	19	Kuwapani PS	Kerabari, Kuwapani	H	1	0	2	Letang
27	19	Mugu PS	Kerabari, Mugu	H	1	0	2	Letang
28	19	Siddhakali PS	Biratnagar	T	1	1	2	Letang
29	19	Jana Jagaran PS	Kerabari	H	1	0	2	Letang
30	19	Jana Kalyan PS	Yansela	H	1	0	2	Letang
31	19	Jana Sewa PS	Yansela	H	1	0	2	Letang
32	19	Jaga Damba PS	Yansela	H	1	0	2	Letang
33	19	Shanti PS	Yansela	H	1	0	2	Letang
Total					31	17	80	

Resource centre

1	16	Saraswoti LSS	Tandi	T				Letang
2	17	Kalyankari LSS	Singhdevi	H				Letang
3	19	Machhindra SS	Kerabari	H				Letang

Sunsari

Sn.	Cl.no.	School Name	V.D.C./Village	Terai / Hill	Toilet	Water supply	Cl Rm to be constructed	Proposed depot centre
1	4	Sarswoti PS	Bakalauri	T	1	0	2	Inaruwa
2	4	Jan PS	Bakalauri	T	1	1	2	Inaruwa
3	4	Panchayat PS	Ichuwa Bakuwan	T	0	0	2	Inaruwa
4	4	Sarswoti PS	Bhasi	T	0	0	2	Inaruwa
5	4	PS Shivanagar	Bhasi	T	0	0	2	Inaruwa
6	4	Bhagwati PS	Singliya	T	1	0	2	Inaruwa
7	4	Janta PS	Sukarbar	T	1	1	2	Inaruwa
8	4	Mahendra PS	Purptole	T	1	1	2	Inaruwa
9	4	Chandani PS	Magrtor	T	1	0	2	Inaruwa
10	4	Buddha subha PS	Bhocharna	T	1	0	2	Inaruwa
11	4	Sarswoti PS	Dhumrna	T	1	0	2	Inaruwa
12	4	BP PS	Bhocraha	T	1	0	2	Inaruwa
13	4	Sarswoti PS	Dhumrna	T	1	1	2	Inaruwa
14	4	Tribhuwan LSS	Dhumrna	T	1	0	2	Inaruwa
15	4	Sehara PS	Dhumrna	T	0	0	2	Inaruwa
16	4	Karma PS	Bhocraha	T	1	0	2	Inaruwa
17	4	PS Jalpapur	Jalpapur	T	1	1	2	Inaruwa
18	4	Amar Shanti Sirjana PS	Inaruwa	T	1	1	4	Inaruwa
19	5	BP PS	Basantapur	T	1	1	2	Inaruwa
20	5	PS harinagar	Harinagar	T	1	1	2	Inaruwa
21	5	Harijan PS	Narsing	T	1	1	2	Inaruwa
22	5	Ra. LSS	Shreepur	T	1	1	2	Inaruwa
23	5	Bhawan Ram PS	Madhuwan	T	1	0	2	Inaruwa
24	5	Nava Durga PS	Prakashpur	T	0	0	4	Inaruwa
25	5	Janata PS	Narasingha-7	T	1	1	2	Inaruwa
26	5	PS Dhuskihat	Dhuski	T	1	1	4	Inaruwa
27	5	BP PS	Bastanpur	T	1	1	2	Inaruwa
28	6	Sarswoti LSS	Itahari	T	1	0	2	Inaruwa
29	6	Shanti Sirjana PS	Itahari	T	0	0	2	Inaruwa
30	8	Sarswoti SS	Aurabani	T	0	0	2	Inaruwa
31	8	Ma. Ne. RPS	Madhesha	T	1	1	2	Inaruwa
32	8	Sishu Bikasini PS	Madhesha	T	1	1	2	Inaruwa
33	14	Janata PS	Itahari	T	1	0	4	Inaruwa
34	14	Shiva PS Hasanpur	Amduha	T	1	1	4	Inaruwa
35	14	Nava Durga PS	Ramgunja Belgachhiya	T	1	0	2	Inaruwa
1	1	Panchaya Kanya PS	Pancha kanya	H	1	0	2	Dharan
2	1	Hardiya PS	Hardiya	H	1	0	2	Dharan
3	1	Balmaki PS	Bishnu paduka	H	1	0	2	Dharan
4	1	Panch Kanya PS	Bagadal bari	H	1	0	2	Dharan
5	1	Bhagwati PS	Baraha chatra	H	1	0	2	Dharan
Total					33	16	90	

Resource centre

1	6	Janata SS	Itahari	T				Inaruwa
2	11	Rastriya PS	Shreepur	T				Inaruwa
3	15	Shree LSS	Devangunj	T				Inaruwa

Siraha

Sn.	Cl.no.	School Name	V.D.C./Village	Terai / Hill	Toilet	Water supply	Cl Rm to be constructed	Proposed depot centre
1	6	Cha. PS Gobindapur	Chandra Udayapur	T	1	0	2	Golbazar
2	6	Ja. PS Tilasi	Devipur	T	1	0	2	Golbazar
3	6	PS Gauraha	Devipur	T	1	1	4	Golbazar
4	7	PS Nainpur	Dhangadi	T	1	1	2	Golbazar
5	7	PS Dhangadi	Dhangadi	T	1	0	2	Golbazar
6	7	PS Chiyabari	Ayodhyapur	T	1	0	2	Golbazar
7	7	Ja. PS Itari	Dhangadi	T	1	1	2	Golbazar
8	7	PS Kailashpur	Bisnupur Katti	T	1	1	2	Golbazar
9	7	Kabi PS Asanpur	Asanpur	T	1	0	2	Golbazar
10	7	Ja. PS Gadme	Bisnupur Katti	T	1	1	2	Golbazar
11	7	PS Gurudham	Lalpur	T	1	1	2	Golbazar
12	8	PS Sarswoti Pakkitol	Bastipur	T	1	1	2	Golbazar
13	8	PS Ghaletole	Bastipur	T	1	1	2	Golbazar
14	8	Khuti PS Dhodanatola	Dhodna	T	1	1	2	Golbazar
15	8	Janata PS Manik Daha	Gobindapur	T	1	1	2	Golbazar
16	8	Janata PS Mohanpur	Dhodna	T	1	0	2	Golbazar
17	8	PS Bastipur	Bastipur	T	1	1	2	Golbazar
18	9	Lekha Nath LSS Gobindapur	Gobindapur	T	1	1	2	Golbazar
19	9	PS Barchhawa Siswani	Siswani	T	1	1	2	Golbazar
20	9	Shiva PS Kattaha	Sonmati Majhaura	T	1	1	2	Golbazar
21	9	Gyan Iyoti PS	Lahan	T	1	0	2	Golbazar
22	10	PS Jahadi Siswani	Siswani	T	1	1	2	Golbazar
23	10	PS Ramhariya	Naharari Gaul-2	T	1	1	4	Golbazar
24	10	PS Mahadewa Phertaha	Mahadewa Portaha	T	1	1	2	Golbazar
25	10	PS Sakhuwannkarkatti	Sakhuwannkarti	T	1	0	2	Golbazar
26	14	PS Mohanpur Kamalpur	Mohanpur Kamalpur	T	1	1	4	Golbazar
27	14	PS Chhanchhawar	laxmipur Patari	T	1	1	2	Golbazar
28	14	Dhamiyain PS Maheshpur	Maheshpur-3	T	1	1	2	Golbazar
29	14	PS Kurawa Hanumannagar	Hanuman Nagar-8	T	1	1	4	Golbazar
30	14	PS Rampur Pipara	Pipara-6	T	1	1	4	Golbazar
31	14	Janata PS Khadakpur	Maheshpur	T	1	1	2	Golbazar
32	14	PS Baisakha	Mohanpur Kamalpur	T	1	1	4	Golbazar
Total					32	24	76	

Resource centre

1	7	Chinpur LSS	Dhangadhi	T				Golbazar
2	8	Birnagar LSS	Dhodana Birnagar	T				Golbazar

Dhanusha

Sn.	Cl.no.	School Name	V.D.C./Village	Terai / Hill	Toilet	Water supply	Cl Rm to be constructed	No of Cl Rm to be const
1	10	Hanuman RPS	Makhanaha, Navtoli	T	0	0	2	Dhalkebar
2	10	Udaya Amar PS	Bharatpur , Ratmate	T	1	1	2	Dhalkebar
3	10	RPS, Khairbona	Raghunathpur	T	0	0	2	Dhalkebar
4	10	RPS, Makhanaha	Makhanaha	T	1	0	4	Dhalkebar
5	10	Nawa Durga LSS	Bharatpur	T	0	0	2	Dhalkebar
6	10	RPS, Tintalle	Bharatpur	T	0	0	2	Dhalkebar
7	10	RPS, Dholbaja	Raghunathpur	T	1	1	2	Dhalkebar
8	12	sonamai RPS	Sinurjoda, Sohani	T	0	0	2	Dhalkebar
9	12	Gyanodaya PS	Sapahi , Gajariya	T	1	1	2	Dhalkebar
10	12	RPS Jamuniya	Gopalpur	T	1	0	2	Dhalkebar
11	12	RPS Harsar	Gopalpur	T	0	0	2	Dhalkebar
12	12	Janata PS	Benga Shivapur	T	0	0	2	Dhalkebar
13	12	RPS, Bhangaha	Baniniya	T	1	0	4	Dhalkebar
14	13	RPS BARDORIYA	Shantipur	T	1	1	2	Dhalkebar
15	13	RPS Sitanagar	Digambarpur	T	1	1	4	Dhalkebar
16	13	Bauddha Mandir RPS	Bateswor	T	1	1	2	Dhalkebar
17	13	RPS, Laxmipur	Hariharpur	T	1	1	2	Dhalkebar
18	13	RPS, Auraha	Digambarpur	T	1	1	4	Dhalkebar
19	13	LSS, Chitrapur	Laxmi Niwas	T	0	0	2	Dhalkebar
20	13	RPS, Hariharpur	Hariharpur	T	1	1	2	Dhalkebar
21	13	Saraswoti RPS	Kharihani	T	1	1	4	Dhalkebar
22	13	RPS, Naktajhijh	Naktajhijh	T	1	0	2	Dhalkebar
23	14	RPS, Kemalipur	Dhalkebar	T	0	0	2	Dhalkebar
Total					14	10	56	

Resource centre

1	13	Janata SS	Naktajhijh	T				Dhalkebar
---	----	-----------	------------	---	--	--	--	-----------

Sarlahi

S No.	Cl. No.	Name of School	V.D.C./Village	Terai / Hill	Toilet	Water supply	Cl Rm to be constructed	Proposed depot centre
1	6	Ram Janaki PS	Kaudana	T	0	0	2	Nawalpur
2	6	PS Bhagwati Pur	Bhagwatipur	T	1	0	4	Nawalpur
3	6	Ram Gulam Janta PS	Gansar	T	0	0	4	Nawalpur
4	6	PS Malangwa	Malangwa N.P	T	1	1	4	Nawalpur
5	6	PS Bishnu Pur	Malangwa N.P	T	1	1	4	Nawalpur
6	6	PS Ganesiya	Musaili	T	1	0	2	Nawalpur
7	6	Ram Janaki PS	Laxmipur - 4	T	1	1	4	Nawalpur
8	6	Dumriya PS	Dumiriya - 8	T	1	0	2	Nawalpur
9	6	Mithuhawa PS	Dumiriya - 9	T	1	0	2	Nawalpur
10	6	PS Janaki Nagar	Gadaita - 9	T	1	0	4	Nawalpur
11	6	Mahadev Janta PS	Sudhama - 6	T	1	0	2	Nawalpur
12	9	PS Sitapur	Rajghat - 5	T	1	1	2	Nawalpur
13	9	Janki Janta PS	Rajghat - 7	T	1	1	4	Nawalpur
14	9	Adarsha LSS	Ishowarpur	T	0	0	4	Nawalpur
15	9	PS Chitain	Haripur	T	1	1	2	Nawalpur
16	9	PS Atmapur	Rajghat - 7	T	1	1	2	Nawalpur
17	10	PS Bhaktipur	Bhaktipur - 9	T	1	0	2	Nawalpur
18	11	Bho.Ka. J. PS	Sausitwa -	T	1	0	2	Nawalpur
19	12	PS Hempur	Hempur	T	1	0	2	Nawalpur
20	12	PS Shiva Nagar	Parariya	T	0	0	2	Nawalpur
21	14	Na. Bi. PS	Godaita	T	1	1	2	Nawalpur
22	14	PS Rauhawa	Rauwa	T	1	1	4	Nawalpur
Total					18	9	62	

Resource centre

1	6	Saraswoti SS	Bhaktipur	T				Nawalpur
2	12	Narayan Janata PS	Ishorpur	T				Nawalpur

Rautahat

S No.	Cl. No.	School Name	V.D.C./Village	Terai / Hill	Toilet	Water supply	Cl Rm to be constructed	Proposed depot centre
1	1	PS Mangalpur	Paurai	T	1	1	4	Shantipur
2	1	Pr. Sil. PS Dadatole	Paurai	T	1	0	4	Shantipur
3	1	PS Asanba	Judibela	T	1	0	4	Shantipur
4	1	Jana Hit PS Phulbari	Judibela	T	0	0	4	Shantipur
5	1	Aa. PS Chandranigahapur	Chandranigahapur	T	1	0	2	Shantipur
6	1	B.P. PS Chandranigahapur	Chandranigahapur	T	1	0	2	Shantipur
7	1	PS Beldi	Chandranigahapur	T	1	1	4	Shantipur
8	2	PS Basantapur	Santapur	T	1	0	2	Shantipur
9	2	Si. S. PS Motipur	Santapur	T	1	0	2	Shantipur
10	2	Kri. PS Balchanpur	Dumariya	T	0	0	4	Shantipur
11	3	Sarswoti PS	Rangapur	T	1	0	4	Shantipur
12	3	PS Naya Basti	Rangapur	T	1	0	4	Shantipur
13	3	Jana Jagritia Ps Laxmipur	Laxmipur	T	0	0	4	Shantipur
14	3	Ps Briti Prastoka	Briti Prastoka	T	1	1	2	Shantipur
15	4	PS Bhasedwa	Bhasedwa	T	1	0	4	Shantipur
16	4	PS Baderwa	Bhasedwa	T	0	0	4	Shantipur
17	4	PS Patuwa Harsaha	Phatuwa-Harshah	T	1	1	4	Shantipur
18	4	Dasarath PS	Laxminiya	T	1	0	4	Shantipur
19	4	H. J. PS Himalibas	Laxminiya	T	1	1	2	Shantipur
20	4	PS Jamuniya	Hathiyai	T	0	0	4	Shantipur
21	4	PS Dumariya	Pipra Pokhariya	T	1	0	2	Shantipur
22	4	Janata PS Bhaisehi	Laximiniya	T	1	1	2	Shantipur
23	7	PS hardiya Paltuwa	Hardiya	T	1	0	2	Shantipur
24	7	PS Ramauli Bairiya	Ramauli Bairiya	T	1	0	4	Shantipur
25	7	R.J.PS Narkatiya	Ramauli Bairiya	T	0	0	2	Shantipur
Total					19	6	80	

Resource centre

1	7	Shankar SS	Samanpur	T				Shantipur
---	---	------------	----------	---	--	--	--	-----------

Parsa

S No.	Cl. No.	School Name	V.D.C./Village	Terai / Hill	Toilet	Water supply	Cl Rm to be constructed	Proposed depot centre
1	3	Ne. RPS Supauli	Supauli-4	T	1	1	4	Birgunj
2	3	Ne. RPS Jamuniya	Bijabniya-9	T	1	1	4	Birgunj
3	3	Pashupati Nath PS	Supauli-2	T	1	1	4	Birgunj
4	4	Ne. RPS Balubadiha	Mahadevpatti -2	T	1	1	4	Birgunj
5	4	Baba Baijanath PS	Bijbaniya-7	T	1	1	4	Birgunj
6	4	Ne. RPS Bijbaniya	Bijbaniya-3	T	1	0	4	Birgunj
7	5	Sharada PS	Belwa	T	1	1	4	Birgunj
8	5	Ne. RPS Rampur	Udayapur Ghurmi	T	1	0	4	Birgunj
9	5	Ne. RPS Bahurwa	Pancharukhi	T	1	0	2	Birgunj
10	5	Bhole Shankar PS	Maduwan Mathawal	T	1	0	4	Birgunj
11	5	Gadhi Bhawoti PS	Maduwan Mathawal	T	1	0	4	Birgunj
12	5	Ne. RPS Chainpur	Bageswori Titraura	T	1	1	4	Birgunj
13	5	Bramhasthan PS	Lahawar Thakuri	T	1	0	2	Birgunj
14	6	Ne. RPS Baijanathpur	Gadhi-7	T	1	1	4	Birgunj
15	6	Ne. RPS Phulbariya	Basantapur	T	1	1	4	Birgunj
16	6	Ne. RPS Pokhariya	Pokhariya-1	T	0	0	4	Birgunj
17	6	Ne. RPS Masihani	Masihani	T	1	0	4	Birgunj
18	6	Ne. RPS Chiljhapati	Masihani-3	T	1	1	4	Birgunj
19	6	Ne. RPS, Bhisawa	Bhisawa	T	1	1	4	Birgunj
20	6	Ne. RPS, Jagarnathpur	Dhobini	T	1	1	4	Birgunj
21	6	Ne. RPS, Dhobini	Dhobini	T	1	0	4	Birgunj
22	7	Ne. RPS, Bakhari	Langadi	T	1	1	4	Birgunj
23	7	Ne. RPS, Gulariya	Hariharpur	T	1	0	4	Birgunj
24	7	Devasthan Ne. RPS, Baghar	Mirjapur	T	1	1	4	Birgunj
25	7	Ne. RPS, Tihuki	Sambhauta	T	1	0	4	Birgunj
26	7	Ne. RPS, Bhediharwa	Sambhauta	T	1	1	4	Birgunj
Total					25	15	100	

Resource centre

1	4	NR Bidhyapith SS	Birgunj MT	T				Birgunj
2	7	NR SS	Basdilwa	T				Birgunj

Chitwan

S No.	Cl. No.	School Name	V.D.C./Village	Terai / Hill	Toilet	Water supply	Cl Rm to be constructed	Proposed depot centre
1	1	PS Charkilla	Korak	H	0	0	4	Shaktikhor
2	1	PS Surkhadi	Surkhadi	H	0	0	2	Shaktikhor
3	1	PS Thakaltar	Thakaltar	H	1	0	2	Shaktikhor
4	1	PS Onabang	Onabang	H	1	0	2	Shaktikhor
5	1	PS Appani	Appani	H	1	0	2	Shaktikhor
6	1	PS Kirantar	Kirantar	H	1	0	2	Shaktikhor
7	1	PS Pokhari	Pokhari	H	1	0	2	Shaktikhor
8	1	PS Makhal	Makhal	H	1	0	2	Shaktikhor
9	1	PS Chatrang	Chatrang	H	1	0	2	Shaktikhor
10	1	PS Chauralitar	Chauralitar	H	1	0	2	Shaktikhor
11	1	PS Gundi	Gundi	H	1	0	2	Shaktikhor
12	1	PS Basbang	Basbang	H	1	0	2	Shaktikhor
13	3	PS Gabai	Kumroj	H	0	0	4	Shaktikhor
14	3	PS Janakpur	Kumroj	H	0	0	4	Shaktikhor
15	3	PS Harnari	Kumroj	H	0	0	2	Shaktikhor
16	3	PS Dharmapur	Kumroj	H	0	0	2	Shaktikhor
17	6	RA. PS	Upardang gadi	H	1	0	2	Shaktikhor
18	6	RA. PS	Kusumtar	H	1	0	2	Shaktikhor
19	7	PS Beldanda	Darechowk	H	1	0	2	Shaktikhor
20	7	PS Lewatar	Darechowk	H	1	0	2	Shaktikhor
21	7	Ps Fisling	Darechowk	H	1	0	2	Shaktikhor
22	7	PS Dhusha	Darechowk	H	1	0	2	Shaktikhor
23	7	PS Crek	Darechowk	H	1	0	2	Shaktikhor
24	7	PS Pamdanda	C- Bhanjang	H	1	0	2	Shaktikhor
25	7	PS Kalikhola	C- Bhanjang	H	1	0	2	Shaktikhor
26	7	PS Devibhanjyang	C- Bhanjang	H	1	0	2	Shaktikhor
27	7	PS Chanaute	C- Bhanjang	H	1	0	2	Shaktikhor
28	7	PS Dhala	C- Bhanjang	H	1	0	2	Shaktikhor
29	7	PS Tuntesh	C- Bhanjang	H	1	0	2	Shaktikhor
30	8	RA. PS Wangthala	Siddhi	H	1	0	2	Shaktikhor
31	8	RA. PS Batarmang	Kaule	H	0	0	2	Shaktikhor
Total					24	0	68	

Nawalparasi

S No.	Cl. No.	School Name	V.D.C./Village	Terai / Hill	Toilet	Water supply	CI Rm to be constructed	Proposed depot centre
1	13	Shanti Jyoti PS	Ramnagar	T	1	1	2	Bardaghat
2	13	Gyanodaya PS	Ramnagar	T	0	0	2	Bardaghat
3	13	Nawa Jiwan PS	Ramnagar	T	0	0	2	Bardaghat
4	13	Jitpur PS	Makar	T	1	0	2	Bardaghat
5	13	Rastriya PS	Makar	T	0	0	2	Bardaghat
6	13	Siddha Jyoti PS	Daunnedevi	T	1	1	2	Bardaghat
7	13	Jitpur PS	Ramnagar	T	1	1	2	Bardaghat
8	14	Mahendra PS	Somani	T	1	1	2	Bardaghat
9	14	Birendra PS	Somani	T	1	0	2	Bardaghat
10	14	Jiwan Jyoti PS	Suryapura	T	1	0	2	Bardaghat
11	14	Shivapurgadi PS	Triveni Susta	T	1	0	2	Bardaghat
12	14	Rastriya PS	Triveni Susta	T	1	0	2	Bardaghat
13	14	Kotahidevi PS	Pratappur	T	1	0	2	Bardaghat
14	15	Sabitri PS	Thuli Sairasa	T	1	0	2	Bardaghat
15	15	Laxmipura PS	Jamuniya	T	1	0	2	Bardaghat
16	15	Durga PS	Jadda	T	1	0	2	Bardaghat
17	15	Balsikcha Niketan PS	Rampukha	T	1	0	2	Bardaghat
18	16	Janata PS	Ramgram	T	0	0	2	Bardaghat
19	16	Trimurti PS	Manari	T	1	0	2	Bardaghat
20	16	Shiva PS	Harpur	T	1	1	2	Bardaghat
21	16	Palhi Bhagawati PS	Palhi	T	1	1	2	Bardaghat
22	16	Sukadev PS	Sanai	T	1	0	2	Bardaghat
23	16	Janata PS, Devgaun	Devgaun	T	1	0	2	Bardaghat
24	17	Saraswoti PS	Swathi	T	1	1	2	Bardaghat
25	17	Pancha Ratna PS	Swathi	T	1	1	2	Bardaghat
26	17	Ghinaha PS	Sukrauli	T	1	0	2	Bardaghat
27	17	Rajeswori PS	Sukrauli	T	1	1	2	Bardaghat
28	17	Janata PS	Banjariya	T	1	1	2	Bardaghat
29	17	Gyanjyoti PS	Banjariya	T	1	1	2	Bardaghat
30	17	Rambadur PS	Sunwal	T	1	0	2	Bardaghat
31	17	Saraswoti PS	Sunwal	T	1	1	2	Bardaghat
32	17	Nawa Durga PS	Sunwal	T	1	0	2	Bardaghat
33	17	Som Nath PS	Sunwal	T	0	0	2	Bardaghat
34	17	Birendra PS	Sunwal	T	1	0	2	Bardaghat
35	17	Chandrodaya PS	Sunwal	T	0	0	2	Bardaghat
36	17	Balmiki PS	Sunwal	T	0	0	2	Bardaghat
37	17	Amar Jyoti PS	Sunwal	T	0	0	2	Bardaghat
38	17	Jan Jagriti PS	Sunwal	T	1	0	2	Bardaghat
39	17	Sunwal PS	Sunwal	T	1	0	2	Bardaghat
Total					31	12	78	

Resource centre

1	13	Raja SS	Panchnagar	T				Bardaghat
2	14	Tribhuwan SS	Pratappur	T				Bardaghat
3	17	Janata LSS	Amraut	T				Bardaghat

Banke

S No.	Cl. No.	School Name	V.D.C./Village	Terai / Hill	Toilet	Water supply	Cl Rm to be constructed	Proposed depot centre
1	4	PS H Gaon	Bankatuwa	T	1	1	2	Kohalpur
2	4	SS Thapuwa	Manikapur	T	1	0	2	Kohalpur
3	5	Bal PS	Kohalpur	T	1	0	2	Kohalpur
4	5	Krishna PS	Rajhena	T	0	0	2	Kohalpur
5	5	Gyan Jyoti PS	Rajhena	T	0	0	2	Kohalpur
6	5	PS Bardhawa	RAjhena	T	0	0	2	Kohalpur
7	5	Siddhartha PS	Rajhena	T	1	0	2	Kohalpur
8	5	N.R. PS Chatar	Kohalpur	T	1	0	2	Kohalpur
9	5	N.R. PS Nailapur	Nauwasta	T	1	0	2	Kohalpur
10	5	N.R. PS Bhairhawa	Nauwasta	T	1	0	2	Kohalpur
11	5	N.R. PS Dangpurwa	Nauwasta	T	1	1	2	Kohalpur
12	5	N.R. PS Simari	Kohalpur	T	1	0	2	Kohalpur
13	5	S. PS Pipari chatar	Kohalpur	T	1	1	2	Kohalpur
14	5	Rara PS Gabar	Chisapani	T	1	0	2	Kohalpur
15	5	Sagarmatha PS	Rajhena	T	1	0	2	Kohalpur
16	8	Siddha Smarak PS	Kachanapur	T	1	1	2	Kohalpur
17	8	PS mahendrapur	Kichanapur	T	1	1	2	Kohalpur
18	8	PS Rajpur	Kichanapur	T	1	1	2	Kohalpur
19	8	PS Chithariya	Binauna	T	1	1	2	Kohalpur
20	8	PS Alinayar	Binauna	T	1	1	2	Kohalpur
21	8	Perani SS	Mahadevpuri	T	0	0	2	Kohalpur
22	8	Balakpur PS	Mahadevpuri	T	1	0	2	Kohalpur
23	8	PS Gadarani	Bankatwa	T	1	0	2	Kohalpur
24	8	PS Fattyanayar	Titihiriya	T	1	0	2	Kohalpur
25	8	PS Guradayalpur	Titihiriya	T	1	0	2	Kohalpur
26	8	PS Karalibhangra	Titihiriya	T	1	0	2	Kohalpur
27	8	PS Channahawa	Shamshergunj	T	1	1	2	Kohalpur
28	8	PS Chaudhariya	Shamshergunj	T	1	1	2	Kohalpur
29	8	PS Kairatipur	Ganapur	T	1	0	2	Kohalpur
30	8	PS Bhatanpur	Ganapur	T	1	0	2	Kohalpur
31	8	PS Kapasi	Ganapur	T	1	0	2	Kohalpur
32	10	Bhanu PS	Khaskusma	T	1	0	2	Kohalpur
33	10	Bhawani PS	Khaskusma	T	0	0	2	Kohalpur
34	10	Dahit PS	Chishapani	T	0	0	2	Kohalpur
35	10	Gyanpunodaya PS	Khaskusma	T	1	1	2	Kohalpur
36	10	HariSiddi PS	Khaskusma	T	1	1	2	Kohalpur
37	10	Ne. PS Dhampur	Baijapur	T	1	0	4	Kohalpur
38	10	Ne. RPS	Baijapur	T	1	0	2	Kohalpur
39	10	Ne. RPS Baijapur	Baijapur	T	1	0	2	Kohalpur
40	10	Sarasawoti SS	Baijapur	T	1	0	2	Kohalpur
Total					34	12	82	

Kanchanpur

S No.	Cl. No.	Name of School	V.D.C./Village	Terai / Hill	Toilet	Water supply	Cl Rm to be constructed	Proposed Depot centre
1	6	Laxmi PS	Mahendranagar	T	0	0	2	Mahendranagar
2	6	Saraswoti LSS	Mahendranagar	T	0	0	4	Mahendranagar
3	6	Panchakriti Bijanath PS	Mahendranagar	T	1	1	2	Mahendranagar
4	6	Siddhanath PS	Suda	T	1	0	2	Mahendranagar
5	6	PS Sundarpur	Suda	T	0	0	2	Mahendranagar
6	6	Ghatai PS	Daiji	T	1	0	2	Mahendranagar
7	7	Bhrikuti PS	Mahendranagar MT	T	0	0	2	Mahendranagar
8	7	Laxmi PS	Mahendranagar	T	0	0	2	Mahendranagar
9	7	Saraswoti SS	Mahendranagar	T	0	0	2	Mahendranagar
10	7	Shiva Gyaneswor PS	Mahendranagar	T	0	0	2	Mahendranagar
11	7	Mahendra Nagar PS	Mahendranagar MT	T	0	0	4	Mahendranagar
12	8	Kalika PS	Mahendranagar MT	T	1	0	2	Mahendranagar
13	8	Yuwa Barsa PS	Mahendranagar	T	1	1	2	Mahendranagar
14	8	Tribhuvan LSS	Mahendranagar	T	0	0	2	Mahendranagar
15	8	Shanti Niketan LSS	Mahendranagar	T	0	0	4	Mahendranagar
16	8	Siddhanath SS	Mahendranagar	T	0	0	4	Mahendranagar
17	8	Siddhanath Amar SS	Mahendranagar	T	1	0	4	Mahendranagar
18	8	Maheswor PS	Mahendranagar MT	T	1	0	2	Mahendranagar
19	8	Siddhanath PS	Mahendranagar MT	T	1	0	2	Mahendranagar
Total					8	2	48	

Resource centre

1	8	Krishna SS	Krishnapur	T				Mahendranagar
---	---	------------	------------	---	--	--	--	---------------

Siraha

Sn.	Cl.no.	School Name	V.D.C./Village	Terai / Hill	Toilet	Water supply	CJ Rm to be constructed	Proposed depot centre
1	1	PS Barerwa	Siraha	T	1	0	4	Siraha
2	1	PS Bordertole	Madar	T	1	1	4	Siraha
3	2	PS Sagarpur	Hakpara	T	1	0	2	Siraha
4	2	Bal Kalyan PS		T	1	0	2	Siraha
5	2	PS Maheshpur	Arnama	T	1	0	2	Siraha
7	2	PS Khajanpur Pipra	Pipra	T	1	1	4	Siraha
8	3	PS Chharapati	Sarswor	T	1	0	2	Siraha
9	3	PS Gamahariya Katti	Sarswor	T	1	0	2	Siraha
10	3	Ja. PS Rampur	Bisnupur	T	1	1	4	Siraha
11	3	PS Bisnupur	Bisnupur	T	1	1	4	Siraha
12	4	PS Pilwaha	Dumari	T	1	1	2	Golbazar
13	4	Ja. PS Dumari	Dumari	T	1	1	2	Golbazar
14	4	PS Chikana	Chikana	T	1	0	4	Golbazar
15	4	PS Majhauriya	Majhauriya	T	1	1	4	Golbazar
16	5	PS Malaniyakhori	Malahaniyakhori	T	1	0	2	Golbazar
19	5	PS Sikron	Sikron	T	1	1	2	Golbazar
20	5	Ja. PS Manarwa	Karjanaha	T	1	1	4	Golbazar
21	5	Jana Jagriti PS Manahikuti	Rampur Birta	T	1	1	2	Golbazar
22	5	PS Prayagpur	Karjanaha	T	1	1	2	Golbazar
23	5	Ja. PS Marewa	Kalyanpur	T	1	1	2	Golbazar
49	11	Janata PS Naraha	Narhari Gaul	T	1	1	2	Siraha
50	11	Ram Janaki PS	Kachanadi	T	1	1	4	Siraha
51	11	PS Pathalgara	Kharukiyahi	T	1	1	4	Siraha
52	11	Sarswoti PS Majhaura	Majhaura	T	1	1	4	Siraha
53	11	PS Sundarpur	Navarajpur	T	1	1	4	Siraha
54	11	Janata PS Sundarpur	Navarajpur	T	1	1	4	Siraha
55	11	Ram Janaki PS	Majhaura	T	1	1	4	Siraha
56	11	PS Menaha	Navarajpur	T	1	1	4	Siraha
57	11	Jyoti PS Devnagar	Navarajpur	T	1	1	2	Siraha
58	12	Mahadev PS Silowarwa	Kabilasi	T	1	1	4	Siraha
59	12	Janata PS Kundalpur	Harkatti	T	1	1	4	Siraha
60	12	PS Lattatole	Gauripur	T	1	1	2	Siraha
61	12	Janata PS Pokhariya	Kabilasi	T	1	1	2	Siraha
62	13	Raja PS Mahadeva	Sukhipur	T	1	1	4	Golbazar
63	13	PS Haripur Betauna	Betauna	T	1	1	4	Golbazar
64	13	LSS Kalika	Mahanaur	T	1	1	4	Golbazar
65	13	PS Santanagar	Phulkattakatti	T	1	1	4	Golbazar
66	13	PS Jayanagar Dhokre	Mahanaur Betauna	T	1	1	2	Golbazar
75	13	PS Lalsariya	Sukhipur	T	1	1	4	Golbazar
76	13	PS Phulkatta	Sukhipur	T	1	1	4	Golbazar
77	13	PS Aashopur Balkawa	Ashanpur Balkawa	T	1	1	4	Golbazar
Total					41	33	130	

Resource centre

1	3	Thalakataha PS	Thalakataha	T				Siraha
2	4	Kalyanpur SS	Kalyanpur, Jabdi	T				Golbazar

Dhanusha

Sn.	Cl.no.	School Name	V.D.C./Village	Terai / Hill	Toilet	Water supply	Cl Rm to be constructed	No of Cl Rm to be const
1	1	RPS	Mukhiyapatti	T	1	1	2	Janakpur
2	1	RPS Radhopur	Nagrain	T	1	1	4	Janakpur
3	1	RPS Bahedabela	Bahedabela	T	1	1	2	Janakpur
4	1	RPS, Khatabaiya	Tulsiyahi	T	1	1	2	Janakpur
5	2	RPS Ganguli	Ghodghas	T	1	1	2	Janakpur
6	2	RPS Basahiya	Basahiya	T	1	1	2	Janakpur
7	2	RPS, Ganguli	Dhodhas	T	1	1	2	Janakpur
8	2	Akhileswornath RPS	Debdiha	T	0	0	2	Janakpur
9	2	Phu. RPS, Lohana	Lohana	T	1	1	2	Janakpur
10	2	RPS, Rupaitha	Devpura	T	0	0	2	Janakpur
11	2	RPS, Debdiha	Debdiha	T	0	0	2	Janakpur
12	4	RPS Ram Janaki	Janakpur Dham	T	0	0	2	Janakpur
13	4	LSS, Badhchauda	Badhchauda	T	0	0	2	Janakpur
14	4	Ra. PS, Hansapur	Hansapur Katpulla	T	1	1	2	Janakpur
15	4	RPS, Suga Madhukari	Suga Madhukari	T	1	1	2	Janakpur
16	4	RPS, Andupatti	Andupatti	T	1	1	4	Janakpur
17	4	Ram Janaki PS	Paudeswor	T	0	0	4	Janakpur
18	4	Saraswoti LSS	Kanakpatti	T	0	0	2	Janakpur
19	4	Ram Janaki PS	Andupatti	T	1	1	4	Janakpur
20	4	Sarbodaya SS	Paudeswor	T	1	1	2	Janakpur
21	4	RPS, Bhagawanpatti	Mansinghpatti	T	1	1	2	Janakpur
22	4	RPS, Suga Madhukarahi	Suga Madhukarahi	T	1	1	2	Janakpur
23	4	RPS, Narahiya	Suga Madhukari	T	1	1	4	Janakpur
24	4	RPS, Baghchauda	Baghchauda	T	1	1	4	Janakpur
25	5	Tapasi Baba LSS	Sonigama	T	1	0	2	Janakpur
26	5	RPS Rudauli	Sonigama	T	1	0	4	Janakpur
27	5	RPS Sarswoti	Jhojhikataiya	T	1	0	2	Janakpur
28	5	RPS Shiva Shankar	Itaharwa	T	0	0	2	Janakpur
29	5	RPS, Bharariya	Dhanauji	T	1	0	4	Janakpur
30	6	RPS Harbas	Haripur Madan	T	1	0	2	Dhabauli
31	6	RPS Dhabauli	Dhabauli	T	1	0	2	Dhabauli
32	6	Pragatishil RPS	Haththipur	T	1	0	2	Dhabauli
33	6	RPS, Tilhi	Tilhi	T	1	0	4	Dhabauli
34	6	RPS, Jogimara	Jogimara	T	1	0	4	Dhabauli
35	6	RPS, Bijayapur	Bijayapur	T	1	0	4	Dhabauli
36	7	RPS Udha	Patnuka	T	1	1	2	Dhabauli
37	7	Inarwa RPS	Inarwa	T	1	1	2	Dhabauli
38	7	Ra. Girija PS	Pra. Khe. Mahuwa	T	0	0	2	Dhabauli
39	7	RPS, Khajurichanha	Khajurichanha	T	1	0	2	Dhabauli
40	7	RPS, Katahal	Balaha Katahal	T	1	0	2	Dhabauli
41	8	LSS Dedamode	Hathmunda	T	1	0	2	Dhabauli
42	8	RPS, Gothkoyalpur	Gothkoyalpur	T	0	0	2	Dhabauli
43	8	LSS, Tedhamod	Harine	T	1	1	2	Dhabauli
44	8	RPS, Kharihani	Kharihani	T	0	0	2	Dhabauli
45	8	RPS, Harine	Harine	T	1	0	4	Dhabauli
46	9	RPS, Nauwakhor	Nauwakhor	T	1	0	2	Dhabauli
47	9	SS, Parsuram Talau	Mithileswor	T	1	0	2	Dhabauli
48	9	RPS, Chuwarwa	Gopalpur	T	1	0	2	Dhabauli
49	9	Mithila RPS, Kachuri	Thera Kachuri	T	1	0	2	Dhabauli
50	11	RPS, Sarsa	Dhanushadham	T	1	0	2	Janakpur
51	11	LSS, Makhanaha	Dhanusha Govindpur	T	1	0	4	Janakpur
52	11	Pra. SS, Mulabari, Bhiman	Yagyabhumi	T	0	0	2	Janakpur
Total					40	20	130	

Resource centre

1	7	Mahuwa SS	Khajurichanha	T				Dhabauli
2	8	Chorakoyalpur PS	Chorakoyalpur	T				Dhabauli
3	11	Bhanu SS	Yagyabhumi	T				Janakpur

Mahottari

S No.	Cl. No.	Name of School	V.D.C./Village	Terai / Hill	Toilet	Water supply	Cl Rm to be constructed	Proposed depot centre
1	1	Ra. Sa. Pra. LSS	Gauribas	H	1	0	2	Gaushala
2	1	Janata SS	Bardibas	T	0	0	2	Gaushala
3	1	RPS, Damar	Khayarmara	H	1	0	2	Gaushala
4	1	La. PS, Bhangre	Khayarmara	H	1	0	2	Gaushala
5	1	RPS, Khayarmara	Khayarmara	T	1	1	2	Gaushala
6	1	RPS, Gauribas	Gauribas	H	1	0	2	Gaushala
7	1	RPS, Gauripur	Gauribas	H	0	0	2	Gaushala
8	1	RPS, Maisthan	Maisthan	T	1	1	2	Gaushala
9	1	Panchadhura LSS	Maisthan	T	0	0	4	Gaushala
10	2	PS, Dhalkebar	Belgachhi - 8	T	1	1	2	Gaushala
11	2	Birendra PS	Belgachhi	T	1	0	2	Gaushala
12	2	Birendra PPS	Belgachi	T	1	0	2	Gaushala
13	2	Saraswoti PS	Belgadi	T	0	0	2	Gaushala
14	2	RPS, Kanti Bajar	Laxminiya	T	1	1	2	Gaushala
15	2	NR Janata PS	Laxminiya	T	1	1	2	Gaushala
16	3	SS, Hattilet	Hattilet	T	1	1	4	Gaushala
17	3	Jan Jagriti PS	Kisan Nagar	T	1	1	4	Gaushala
18	3	RPS, Prem Nagar	Kisan Nagar	T	1	1	2	Gaushala
19	4	Ne.Ra. Ja.PS, Bhagawatipu	Hattisarwa	T	1	1	2	Gaushala
20	4	PS, Aurahi	Aurahi	T	1	1	2	Gaushala
21	4	LSS, Bhoifa Timkiya	Sonamai	T	1	1	2	Gaushala
22	5	Mangalnath PS	Sundarpur	T	1	1	2	Gaushala
23	5	PS, Sonama, Tarhari	Sonama	T	1	1	4	Gaushala
24	5	Sa. Ja. SS	Sonma	T	0	0	2	Gaushala
25	5	Sonaki Dasai SS	Shreepur	T	0	0	4	Gaushala
26	5	Rastriya Janata PS	Bathanaha	T	1	0	2	Gaushala
27	5	Nepal RPS,	Bathanaha	T	1	1	2	Gaushala
28	5	Nepal RPS,	Bathanaha	T	0	0	2	Gaushala
29	5	NRPS, Sundarpur	Sundarpur	T	1	1	2	Gaushala
30	5	NRPS	Sundarpur	T	1	0	2	Gaushala
31	6	PS, Goithi	Saharaula-9	T	1	1	2	Gaushala
32	6	Ma. Ra. SS	Rangopalpur	T	0	0	4	Gaushala
33	6	PS, Gaidha Bhetpur	Gaidha Bhetpur	T	1	1	2	Gaushala
34	6	PS, Parsa Devar	Parsa Davar	T	1	1	2	Gaushala
35	7	PS, Padariya	Dharmapur	T	1	0	2	Gaushala
36	7	Kishori Janata SS	Hariharpur	T	0	0	2	Gaushala
37	7	Ja. PS, Bamara	Thantole, Bhangaha	T	1	1	4	Gaushala
38	8	PS, Tamanpur	Mahadaiya -2	T	0	0	2	Jaleswor
39	8	Ja. Ni. SS	Badya Banchauri	T	1	1	4	Jaleswor
40	8	Ramdev Janata SS	Bhramarpura	T	0	0	2	Jaleswor
41	8	Ja. SS	Damhi Madai	T	1	1	2	Jaleswor
42	8	Adarsha SS	Ratauli	T	0	0	4	Jaleswor
43	9	PS, Devnma	Balwa-4	T	0	0	2	Jaleswor
44	9	PS, Bhalni	Dhamaura	T	1	1	2	Jaleswor
45	10	Munif LSS	Sadha	T	1	0	2	Jaleswor
46	10	RPS, Gonsura	Gonsura	T	1	1	2	Jaleswor
47	10	RPS, Gonsura	Gonsura	T	1	1	2	Jaleswor
48	10	RPS, Itaharwa	Itaharwakatti	T	1	0	2	Jaleswor
49	10	Radha LSS	Itaharwakatti	T	1	1	4	Jaleswor
50	10	Kuldip PS	Itaharwakatti	T	0	0	4	Jaleswor
51	11	PS, Bhatauliya	Bhatauliya	T	1	0	2	Jaleswor
52	11	Ne.Ra. PS	Bathnaha	T	1	1	4	Jaleswor
53	11	RPS, Ajamarpatti	Ajampatti	T	1	1	2	Jaleswor
54	12	PS, Pipara	Pipara	T	1	1	2	Jaleswor
55	12	PS, Anaitha	Mahottari	T	1	1	2	Jaleswor
56	12	PS, Dhekaha	Ekrahi	T	1	1	2	Jaleswor

Phase-III

S No.	Cl. No.	Name of School	V.D.C./Village	Terai / Hill	Toilet	Water supply	Cl Rm to be constructed	Proposed depot centre
57	12	Ra. Na. HSS	Pipara	T	0	0	2	Jaleswor
58	12	LSS, Sahorwa	Sahorwa	T	1	1	2	Jaleswor
59	14	Janata SS	Pigauna	T	0	0	2	Jaleswor
60	14	New PS, Masurpatti	Suga - 9	T	0	0	2	Jaleswor
61	14	SS, Parsa Banaili	Parsa Banaili	T	0	0	2	Jaleswor
Total					43	31	146	

Resource centre

1	3	Janajyoti SS	Hattilet	T				Gaushala
2	4	Shankar PS	Meghnath Gornaha	T				Gaushala
3	8	Khuttapiparadi PS	Khuttapiparadi	T				Jaleswor
4	9	Janata SS	Banauta	T				Jaleswor

Sarlahi

S No.	Cl. No.	Name of School	V.D.C./Village	Terai / Hill	Toilet	Water supply	Cl Rm to be constructed	Proposed depot centre
1	1	Saraswoti SS	Bhaktipur	T	0	0	2	Malangawa
2	1	Ja. PS	Bhaktipur - 5	T	1	1	2	Malangawa
3	1	Ra. PS	Harinagar	T	1	0	2	Malangawa
4	1	Ra. PS	Dhankaul - 9	T	1	0	2	Malangawa
5	1	Ja. PS	Dhankaul - 5	T	1	0	2	Malangawa
6	2	PS, Pipaldamar	Kalijor	T	1	1	4	Malangawa
7	2	PS, Maisthan	Narayankhola	H	1	0	2	Malangawa
8	2	Su. PS	Raniganj	T	1	1	2	Malangawa
9	2	PS, Narayankhola	Narayankhoila	H	1	0	2	Malangawa
10	2	Siban Ja. SS	Nakailawa - 5	T	0	0	2	Malangawa
11	2	Gyan Jyoti PS	Babarganj - 1	T	1	1	2	Malangawa
12	2	Ma. U. PS	Nakailawa - 6	T	1	1	4	Malangawa
13	2	Achheswor PS	Chandra Nagar	T	1	1	2	Malangawa
14	3	Ma.Ja.Pa. SS	Chandranagar - 9	T	0	0	2	Malangawa
15	3	LSS, Tribhuwan Nagar	Tribhuwan Nagar	T	1	1	2	Malangawa
16	3	Utpidit PS	Chandra Nagar - 5	T	1	1	2	Malangawa
17	3	Utpidit Utthan PS	Belhi	T	1	1	4	Malangawa
18	3	PS, Gadatole	Babarganj	T	1	1	2	Malangawa
19	3	PS, Belha	Bela	T	1	0	2	Malangawa
20	3	PS, Khoriyatole	Ishorpur	T	1	1	2	Malangawa
21	3	Utpidit Utthan PS	Bramhapuri	T	1	1	4	Malangawa
22	3	PS, Salempur	Salempur - 6	T	1	0	2	Malangawa
23	3	PS, Khoriya	Khoriya	T	1	0	2	Malangawa
24	4	LSS, Gambhariya	Gambhariya	T	0	0	2	Malangawa
25	4	PS, Sahodwa	Sahodwa	T	1	1	4	Malangawa
26	4	PS, Bingara	Jamuniya	T	1	1	2	Malangawa
27	4	PS, Palsi	Gambhariya	T	1	1	2	Malangawa
28	4	PS, Anrahi	Aurahi	T	1	1	2	Malangawa
29	4	PS, Bakeniya	Bakeniya	T	1	1	2	Malangawa
30	4	PS, Simara	Simara	T	1	1	4	Malangawa
31	4	PS, Madhuwan	Madhuwan	T	1	1	4	Malangawa
32	4	PS, Madhopur	Sirsiya	T	1	1	2	Malangawa
33	4	PS, Bilandi	Dumrekholo	H	1	0	4	Malangawa
34	4	PS, Chhanki	Hathiaula	T	1	1	2	Malangawa
35	4	PS, Birtatole	Gaduriya	T	0	0	2	Malangawa
36	5	PS, Mirjapur	Mirjapur	T	1	1	4	Malangawa
37	5	PS, Inarwa	Inarwa	T	1	0	2	Malangawa
38	5	Sa. PS	Chandranagar	T	1	1	2	Malangawa
39	5	PS Shiva Nagar	Sakauli	T	0	0	2	Malangawa
40	7	Janta PS	Phuparani	T	1	0	4	Malangawa
41	7	Janta PS Malgata	Sisaut	T	1	0	2	Malangawa
42	7	Bagmati PS	Sisaut	T	1	0	4	Malangawa
43	7	PS manpur	Manpur - 2	T	1	0	2	Malangawa
44	8	PS Beltole	Harbuthuwa	T	1	1	4	Malangawa
45	8	PS Raniwa	Hansapur	T	1	0	2	Malangawa
46	8	PS Katani	Murtiya - 9	T	1	1	4	Malangawa
47	8	Mahendra Ratna PS	Murtiya - 6	T	1	1	4	Malangawa
48	8	Suryodoya Bal PS	Barathwa - 6	T	1	0	2	Malangawa
49	8	Nava J.J. LSS	Shankarpur - 4	T	1	0	2	Malangawa
50	8	Shankar pur PS	Shankarpur - 7	T	1	0	4	Malangawa
Total					44	26	130	

Resource centre

1	1	Sudha Siraram PS	Achalghadh	T				Malangawa
2	3	Begibhola Namuna SS	Gaudauta	T				Malangawa
3	8	Tribhuwan LSS	Manpur	T				Malangawa

Rautahat

S No.	Cl. No.	School Name	V.D.C./Village	Terai / Hill	Toilet	Water supply	Cl Rm to be constructed	Proposed depot centre
1	5	PS Mewa	Tengraha	T	1	0	4	Shantipur
2	5	PS Sabaiya Pipariya	Pathara Budharampur	T	1	0	4	Shantipur
3	5	PS Maulapur	Pataura	T	1	1	2	Shantipur
4	5	PS Paterwa	Santapur (Do)	T	0	0	4	Shantipur
5	5	PS Dumariya	Santapur (Do)	T	1	1	4	Shantipur
6	5	PS Maryadpur	Maryadpur	T	1	1	2	Shantipur
7	6	PS Uchidih	Prempur Gonahi	T	0	0	4	Shantipur
8	6	PS Poltihayi-5	Pothiyai	T	1	1	4	Shantipur
9	6	PS Poltihayi-4	Pothiyai	T	0	0	2	Shantipur
10	6	PS sivanagar	Mohamadpur	T	1	0	2	Shantipur
11	6	Ps Pipara Pokhariya	P. Pokhariya	T	1	1	2	Shantipur
12	6	PS Karkach Karmaiya	Karkach Karmaiya	T	0	0	2	Shantipur
13	6	PS Balawa	P. Pokhariya	T	1	0	4	Shantipur
14	8	PS Laxmipur	Gamahariya	T	1	0	2	Shantipur
15	8	J. Ps Gamahariya	Gamahariya	T	1	1	4	Shantipur
16	8	PS Bakari	Dharampur	T	1	0	2	Shantipur
17	8	PS Gediguthi	Gediguthi	T	1	0	2	Shantipur
18	8	PS Inarwa Baniyarpur	Bariyarpur	T	0	0	4	Shantipur
19	8	S. PS Baluwa	Madanpur	T	1	1	2	Shantipur
20	9	PS Gogdaul Ajsaibi	Ajsaibi	T	1	0	2	Rajpur
21	9	S.PS Bhalohiya	Bhalohiya	T	1	0	4	Rajpur
22	9	PS Bhediya	Bhediya	T	0	0	2	Rajpur
23	9	PS Pipara Rajbada	Pipara Rajbada	T	1	1	4	Rajpur
24	9	Bishahara PS Matsari	Matsari	T	1	0	2	Rajpur
25	9	PS Rajpur Tulsi	Rajpur Tulsi	T	1	0	4	Rajpur
26	10	PS Chikana	Jethrahiya	T	0	0	2	Shantipur
27	10	S. PS Debahi	Debahi	T	1	0	2	Shantipur
28	10	PS Debahi Tharu Tole	Debahi	T	1	0	2	Shantipur
29	10	PS Pokhariya	Tejapakad	T	0	0	2	Shantipur
30	10	PS Karuniya	Karuniya	T	0	0	4	Shantipur
31	10	PS Dephi	Dephi	T	0	0	4	Shantipur
32	11	PS Bankul -9	Sarmujwa	T	1	0	4	Shantipur
33	11	PS Sano Kopwa	Pipariya Paroha	T	0	0	2	Shantipur
34	12	PS Narkatiya Ghuti	Narkatiya	T	1	0	2	Rajpur
35	12	Mahabir PS Auraiya	Auraiya	T	1	1	2	Rajpur
36	12	S.S PS Balha Akolwa	Baluwa Akolwa	T	1	0	4	Rajpur
37	12	Kisan PS Baluwa	Rajpur Pharadwa	T	1	1	2	Rajpur
38	12	Shankar PS auraiya	Auraiya	T	0	0	2	Rajpur
39	12	PS Khaira Pahadi	Banjarahaha	T	1	0	4	Rajpur
40	12	Ps Motigang	Jokaha	T	1	0	4	Rajpur
41	13	PS Sabgadha	Gaur MT	T	1	1	4	Rajpur
42	13	PS Mahadevpatti	Gaur MT	T	1	0	2	Rajpur
43	14	Ps Badaharwa-2	Badaharwa-2	T	1	1	2	Rajpur
44	14	PS Pathra	Jhunkhuwa-2	T	1	0	2	Rajpur
45	14	PS Mohanpur	Rajdevi-5	T	1	1	4	Rajpur
Total					33	13	130	

Banke

S No.	Cl. No.	School Name	V.D.C./Village	Terai / Hill	Toilet	Water supply	Cl Rm to be constructed	Proposed depot centre
1	1	Hanuman PS	Nepalgunja MT	T	1	1	4	Nepalgunj
2	1	Ne. RPS Ranitalau	Nepalgunja MT	T	1	1	4	Nepalgunj
3	2	Bhanudaya PS	Sitapur	T	1	1	4	Nepalgunj
4	2	Janata RPS Bankatwa	Belbhar	T	1	0	4	Nepalgunj
5	2	Ne. RPS	Naubastha	T	1	0	4	Nepalgunj
6	2	Ne. RPS Badaiya	Saigaun	T	1	1	2	Nepalgunj
7	2	Ne. RPS Manpur	Indrapur	T	1	1	2	Nepalgunj
8	2	Shiva PS	Sitapur	T	1	0	4	Nepalgunj
9	2	Shivapuri PS	Saigaun	T	0	0	2	Nepalgunj
10	2	N.R. PS Parashpur	Parashpur	T	0	0	4	Nepalgunj
11	3	Bhagawoti PS	Titihiriya	T	1	0	2	Nepalgunj
12	3	N.R. PS	Sonpur	T	1	1	2	Nepalgunj
13	3	PS Bal bhadrapur	Bagyaswori	T	1	1	2	Nepalgunj
14	3	PS Bathawa	Sonpur	T	1	1	2	Nepalgunj
15	3	PS Ghiya	Raniyapur	T	1	1	2	Nepalgunj
16	3	PS Basantpur	Udarapur	T	1	1	2	Nepalgunj
17	6	Dalaipurwa PS	Kamadi	T	1	0	4	Nepalgunj
18	6	N. RPS Kantipur	Basudevpur	T	1	0	2	Nepalgunj
19	6	N. RPS Natanpurwa	Mauikapur	T	1	0	2	Nepalgunj
20	6	N. RPS Shahpurwa	Kamadi	T	1	0	2	Nepalgunj
21	6	Ne. RPS Bakaspur	Belahari	T	1	0	2	Nepalgunj
22	7	Arun Ne. RPS	Vdyapur	T	1	0	4	Holiya
23	7	Gulari PS	Phattepur	T	1	0	4	Holiya
24	7	Ne. RPS Chainpur	Hiliya	T	1	1	4	Holiya
25	7	Ne. RPS.	Hirminiya	T	1	1	2	Holiya
26	7	Ne. RPS. Shantaliya	Betahani	T	1	1	2	Holiya
27	7	PS Sarari	Phattepur	T	1	0	4	Holiya
28	7	PS Kallupurwa	Bhasaniyapur	T	1	0	4	Holiya
29	9	Durga PS Pipari	Titihiriya	T	1	0	2	Holiya
30	9	Ne. PS Pashurampur	Mairanapur	T	1	0	2	Holiya
31	9	Ne. PS	Udharapur	T	1	1	2	Holiya
32	9	Ne. PS	Bankatwa	T	1	1	2	Holiya
33	9	Ne. PS Banigaun	Katbunsa	T	1	0	2	Holiya
34	9	Ne. PS Jamuni	Gangapur	T	1	1	2	Holiya
35	9	Ne. PS Mahatiniya	Katkuiya	T	1	1	2	Holiya
36	9	Ne. RPS Gegali	Kalaphat	T	1	1	2	Holiya
37	9	Ne. RPS Orilalpur	Bankatwa	T	1	0	4	Holiya
38	9	PS Agaiya	Kachanapur	T	1	1	4	Holiya
39	9	PS Tikulipur	Kachanapur	T	1	0	2	Holiya
40	9	Santi Ne. RPS	Bageswori	T	1	0	2	Holiya
41	9	Jamuna PS	Mateheeya	T	1	1	2	Holiya
42	9	N.R. PS	Mateheeya	T	1	0	2	Holiya
43	9	N.R. PS	Narainapur	T	1	0	2	Holiya
44	9	N.R. PS	Mateheeya	T	1	0	2	Holiya
45	9	PS Kat Kuhiya	Katkuhiya	T	1	1	2	Holiya
46	9	Nr. PS Kodar Betawa	Gangpur	T	1	1	2	Holiya
47	9	Dipendra PS Bhagwanpur	Mateheeya	T	1	1	2	Holiya
48	9	N. R. PS	Kalaphatta	T	1	1	2	Holiya
49	9	N.R. PS Bahalipurwa	Kalaphatta	T	1	1	2	Holiya
Total					47	25	128	

7. ネパール側負担事業費内訳

第1期	Unit Cost	単位: NRs.	
		No.	Total
1. Construction			
1-1 Skilled Labour for classrooms	13,000	846	10,998,000
1-2 Cost by SMC(Terai)	78,000	812	63,336,000
1-3 Cost by SMC(Hill)	56,000	34	1,904,000
1-4 skilled labour for WC	2,600	269	699,400
1-5 skilled labour for RC	45,500	14	637,000
1. Total			77,574,400
2. Material & Equipment			
2-1 Cost for Depots incl.staff/district	98,000	7	686,000
2-2 Transportation from Depot(Class/Terai)	3,900	812	3,166,800
2-3 Transportation from Depot(Class/Hill)	9,100	34	309,400
2-4 Stone Collection	11,700	34	397,800
2-5 Transportation from Depot(WC/Terai)	1,300	254	330,200
2-6 Transportation from Depot(WC/Hill)	7,800	15	117,000
2-7 Local Materials by SMC (Classrooms)	9,100	846	7,698,600
2-8 Local Materials by SMC (RC)	39,000	14	546,000
2. Total			13,251,800
3. Design			
3-1 Consulting fees at central	195,000	1	195,000
3-2 Engineers at central(man-month)	4,550	22	100,100
3-3 Overseers (man-month)	3,250	308	1,001,000
3-4 Engineers	4,880	20	97,600
3. Total			1,393,700
4. Supervision			
4-1 Overseers including overhead	8,900	616	5,482,400
4-2 Engineers including overhead	13,400	160	2,144,000
4. Total			7,626,400
Grand Total			99,846,300

第2期

單位: NRs.

	Unit Cost	No.	Total
1. Construction			
1-1 Skilled Labour for classrooms	13,000	900	11,700,000
1-2 Cost by SMC(Terai)	78,000	792	61,776,000
1-3 Cost by SMC(Hill)	56,000	108	6,048,000
1-4 skilled labour for WC	2,600	310	806,000
1-5 skilled labour for RC	45,500	18	819,000
1. Total			81,149,000
2. Material & Equipment			
2-1 Cost for Depots incl.staff/district	98,000	12	1,176,000
2-2 Transportation from Depot(Class/Terai)	3,900	792	3,088,800
2-3 Transportation from Depot(Class/Hill)	9,100	108	982,800
2-4 Stone Collection	11,700	108	1,263,600
2-5 Transportation from Depot(WC/Terai)	1,300	269	349,700
2-6 Transportation from Depot(WC/Hill)	7,800	41	319,800
2-7 Local Materials by SMC (Classrooms)	9,100	900	8,190,000
2-8 Local Materials by SMC (RC)	39,000	18	702,000
2. Total			16,072,700
3. Design			
3-1 Consulting fees at central	195,000	1	195,000
3-2 Engineers at central(man-month)	4,550	22	100,100
3-3 Overseers (man-month)	3,250	396	1,287,000
3-4 Engineers	4,880	20	97,600
3. Total			1,679,700
4. Supervision			
4-1 Overseers including overhead	8,900	792	7,048,800
4-2 Engineers including overhead	13,400	144	1,929,600
4. Total			8,978,400
Grand Total			107,879,800

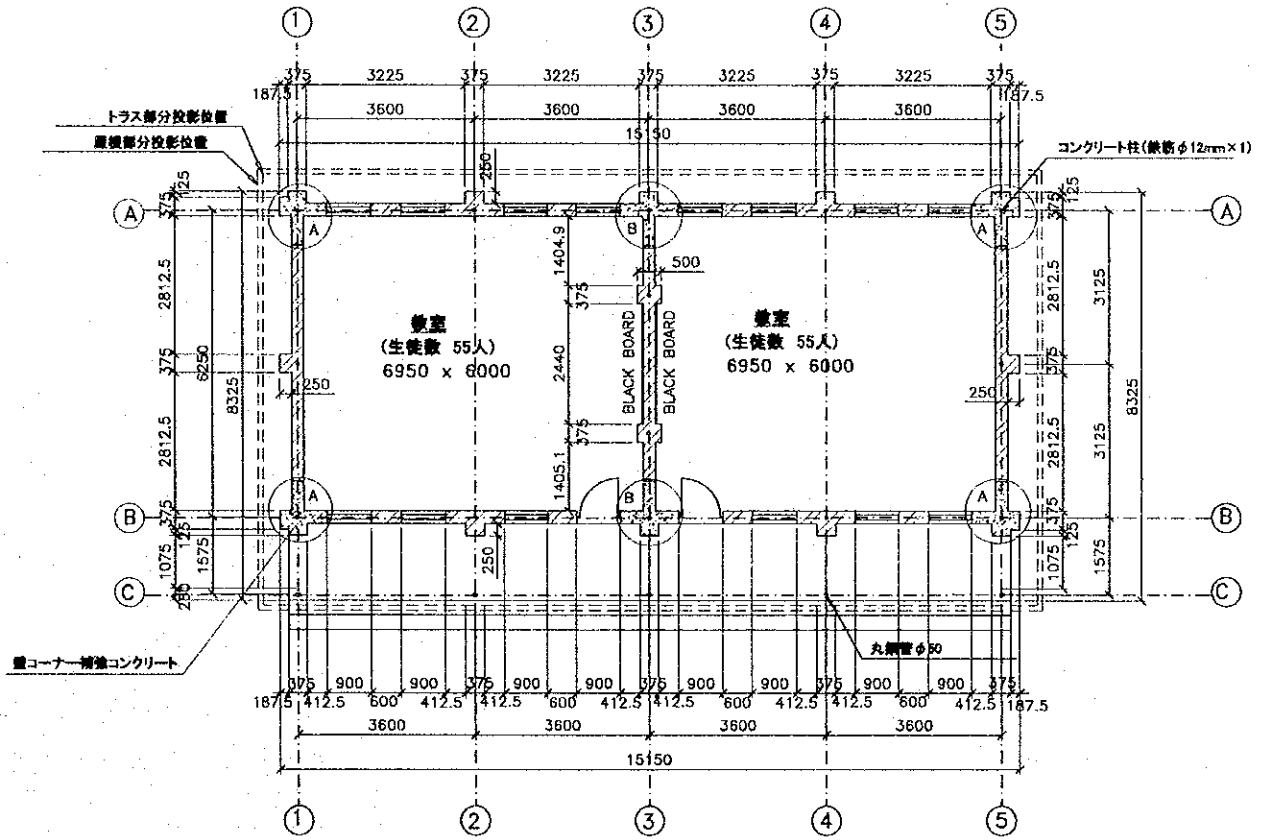
第3期

單位: NRs.

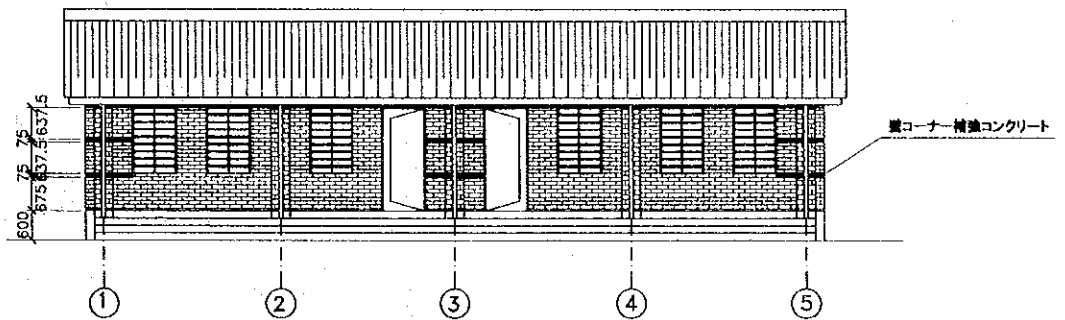
	Unit Cost	No.	Total
1. Construction			
1-1 Skilled Labour for classrooms	13,000	794	10,322,000
1-2 Cost by SMC(Terai)	78,000	776	60,528,000
1-3 Cost by SMC(Hill)	56,000	18	1,008,000
1-4 skilled labour for WC	2,600	248	644,800
1-5 skilled labour for RC	45,500	12	546,000
1. Total			73,048,800
2. Material & Equipment			
2-1 Cost for Depots incl.staff/district	98,000	6	588,000
2-2 Transportation from Depot(Class/Terai)	3,900	776	3,026,400
2-3 Transportation from Depot(Class/Hill)	9,100	18	163,800
2-4 Stone Collection	11,700	18	210,600
2-5 Transportation from Depot(WC/Terai)	1,300	241	313,300
2-6 Transportation from Depot(WC/Hill)	7,800	7	54,600
2-7 Local Materials by SMC (Classrooms)	9,100	794	7,225,400
2-8 Local Materials by SMC (RC)	39,000	12	468,000
2. Total			12,050,100
3. Design			
3-1 Consulting fees at central	195,000	1	195,000
3-2 Engineers at central(man-month)	4,550	22	100,100
3-3 Overseers (man-month)	3,250	264	858,000
3-4 Engineers	4,880	20	97,600
3. Total			1,250,700
4. Supervision			
4-1 Overseers including overhead	8,900	528	4,699,200
4-2 Engineers including overhead	13,400	96	1,286,400
4. Total			5,985,600
Grand Total			92,335,200

8. 標準設計図

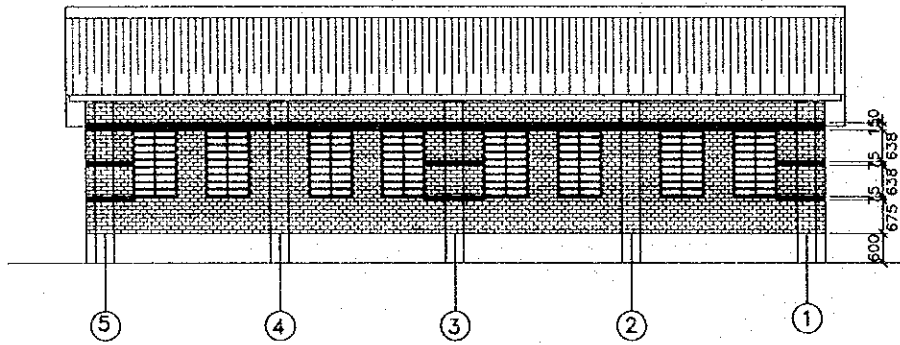
- 1) 2 教室平野部型 平面図、立面図
- 2) 2 教室平野部型 立面図
- 3) 2 教室平野部型 基礎伏図
- 4) 2 教室平野部型 小屋伏図
- 5) 2 教室平野部型 断面詳細図
- 6) 2 教室平野部型 基礎詳細図
- 7) 2 教室丘陵部型 平面図、立面図
- 8) 2 教室丘陵部型 立面図
- 9) 2 教室丘陵部型 基礎伏図
- 10) 2 教室丘陵部型 小屋伏図
- 11) 2 教室丘陵部型 断面詳細図
- 12) リソースセンター平野部型 平面図、立面図
- 13) リソースセンター平野部型 立面図
- 14) リソースセンター平野部型 基礎伏図
- 15) リソースセンター平野部型 小屋伏図
- 16) リソースセンター平野部型 断面詳細図 1
- 17) リソースセンター平野部型 断面詳細図 2
- 18) リソースセンター平野部型 基礎詳細図
- 19) リソースセンター丘陵部型 平面図、立面図
- 20) リソースセンター丘陵部型 立面図
- 21) リソースセンター丘陵部型 基礎伏図
- 22) リソースセンター丘陵部型 小屋伏図
- 23) リソースセンター丘陵部型 断面詳細図 1
- 24) リソースセンター丘陵部型 断面詳細図 2
- 25) 教室棟・リソースセンター平野部型 トラス・鉄骨梁詳細図
- 26) リソースセンター平野部型 鉄骨梁詳細図
- 27) 教室棟・リソースセンター丘陵部型 トラス・鉄骨梁詳細図
- 28) リソースセンター丘陵部型 鉄骨梁詳細図
- 29) 教室棟・リソースセンター平野／丘陵部 トラス・梁部分詳細図
- 30) 教室棟・リソースセンター平野／丘陵部 トラス・梁部分詳細図
- 31) 教室棟・リソースセンター平野／丘陵部 トラス・梁部分詳細図
- 32) 教室棟・リソースセンター平野／丘陵部 トラス・梁部分詳細図
- 33) 便所棟 平野部型 平面・断面・部分詳細図
- 34) 便所棟 丘陵部型 平面・断面・部分詳細図



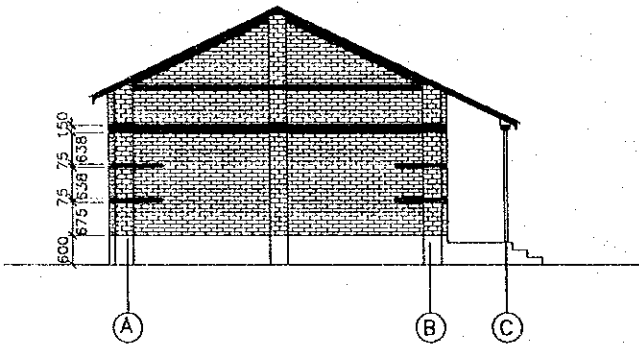
平面図



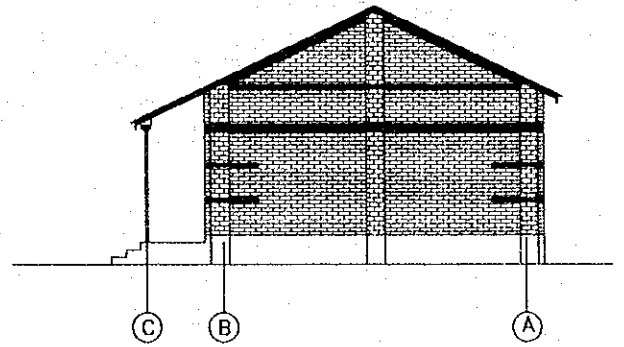
正面図



後立面图

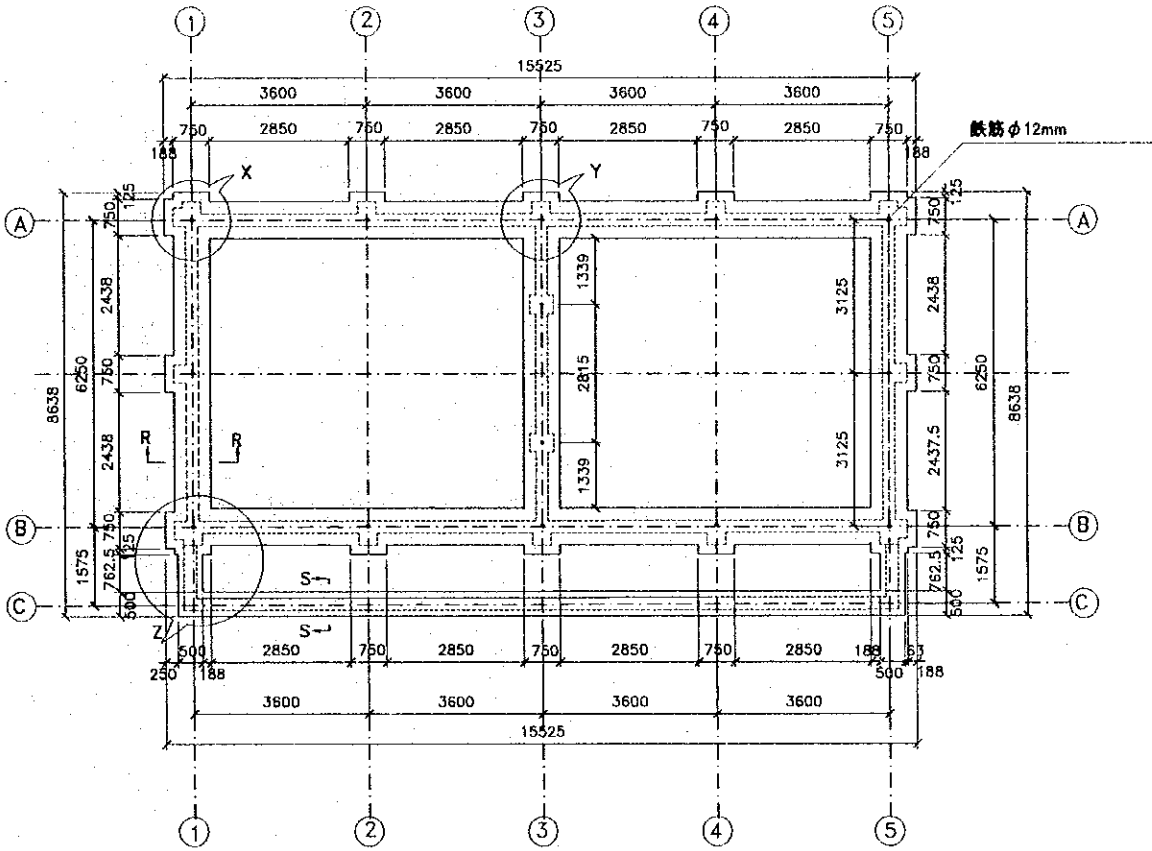


左立面图

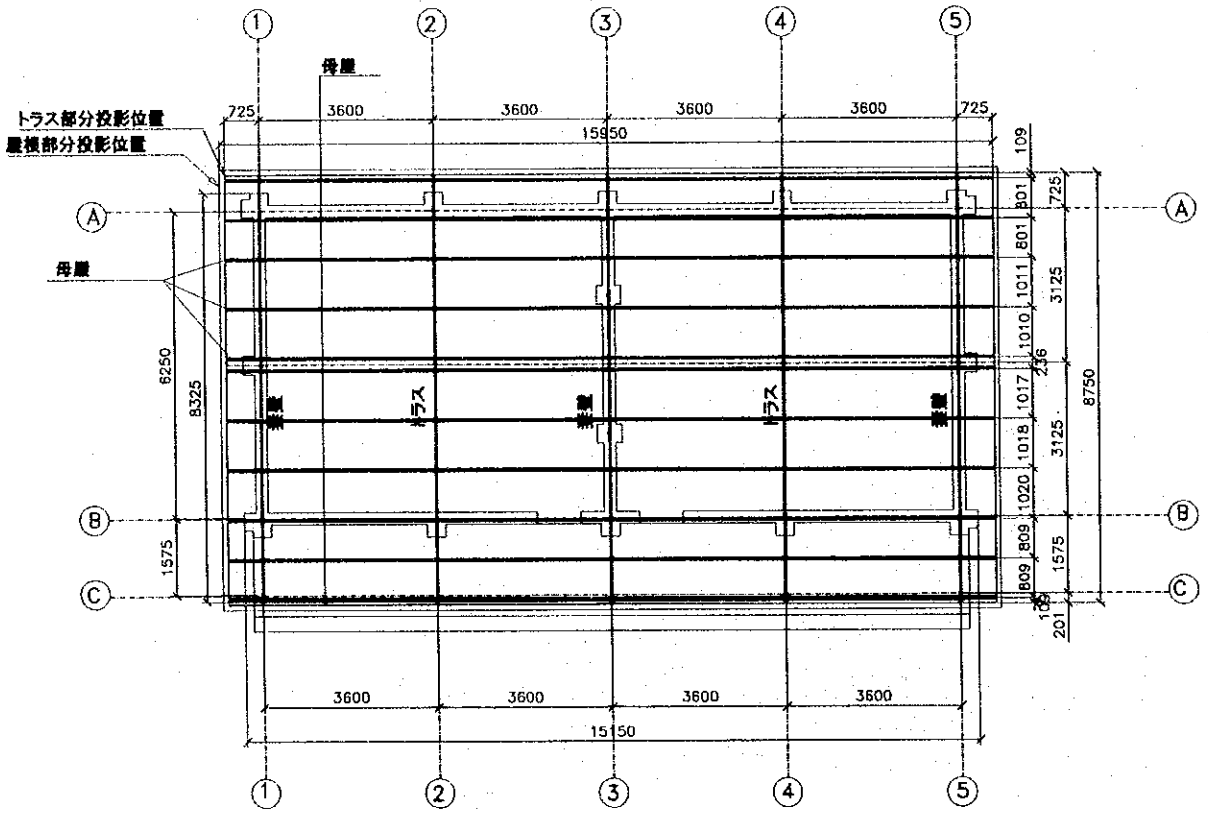


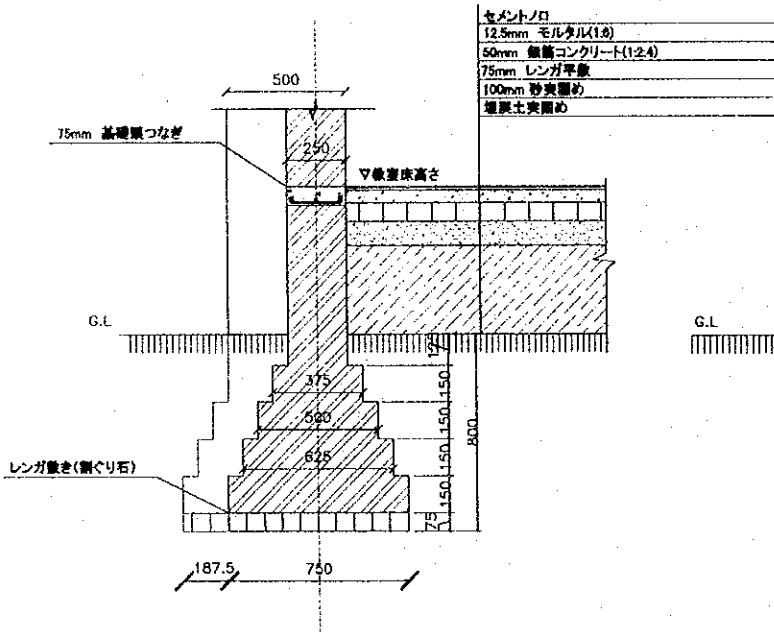
右立面图

基礎伏図

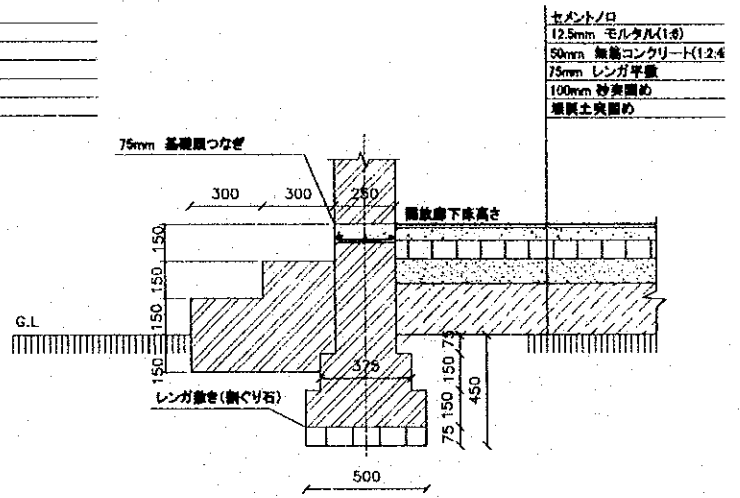


小学校教室(平野部)	トラス詳細図	S=1:150
------------	--------	---------

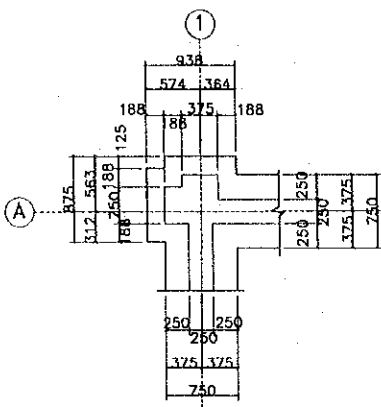




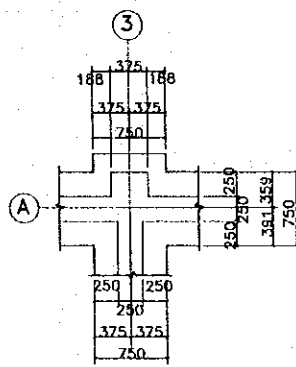
断面図 R-R



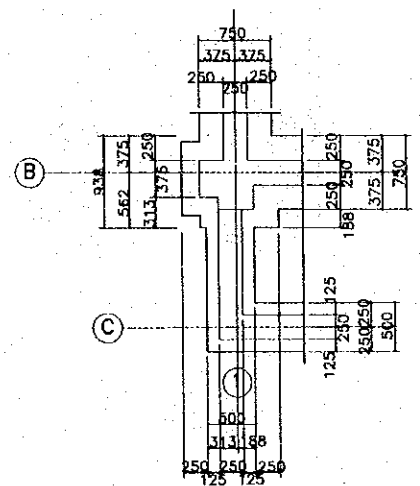
断面図 S-S



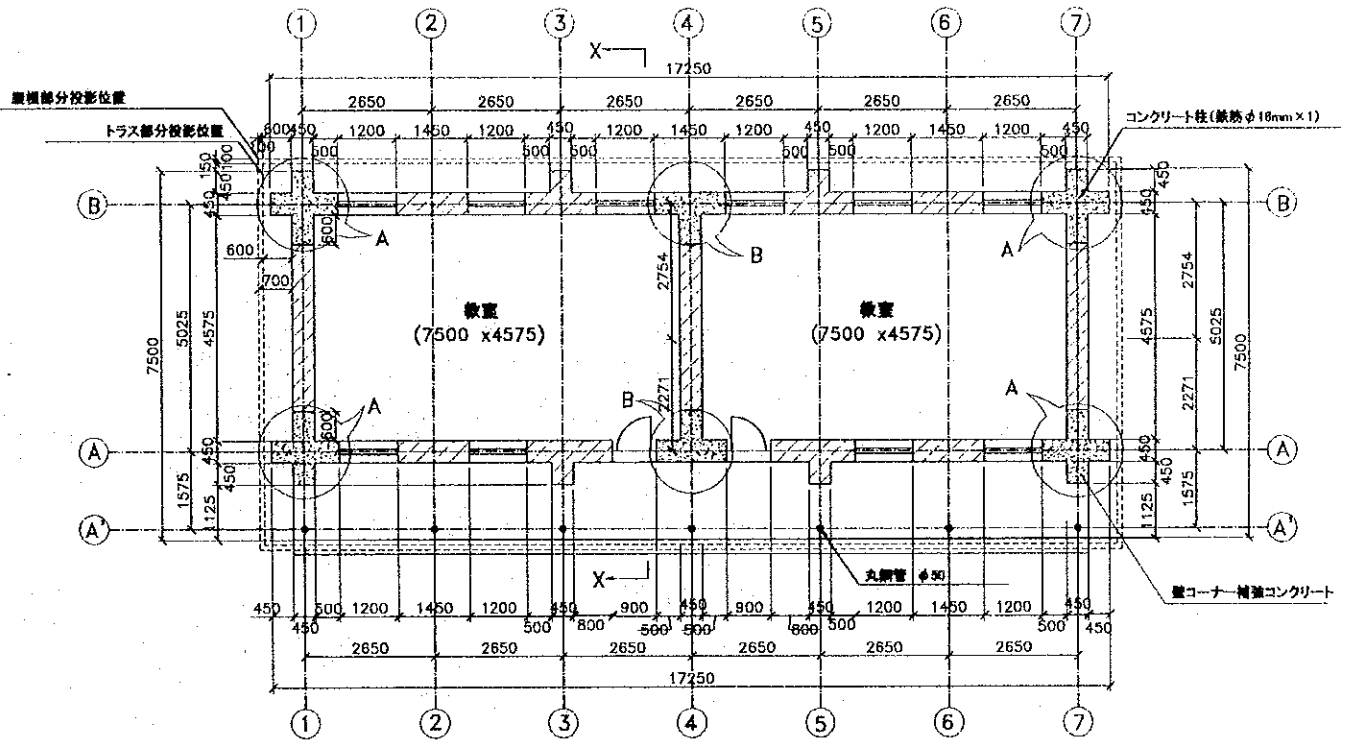
X部分詳細図



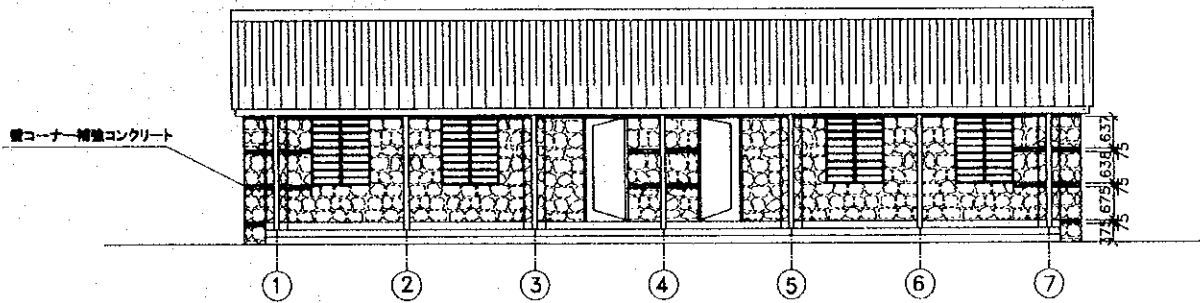
Y部分詳細



Z部分詳細図

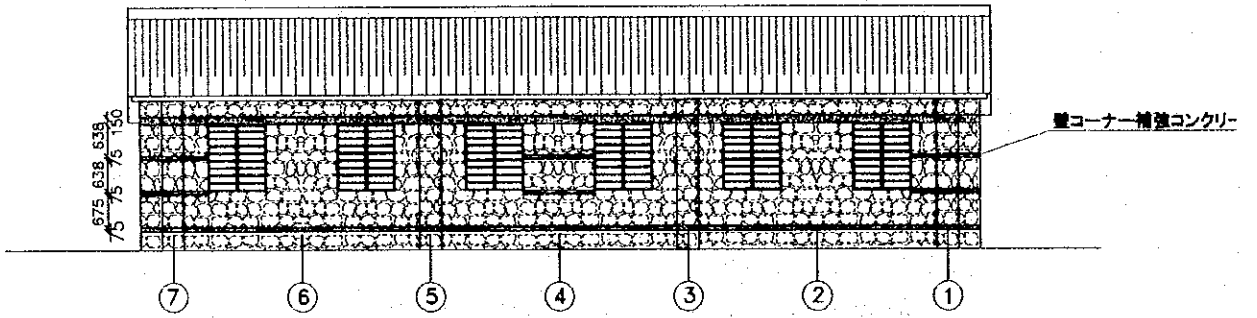


平面図

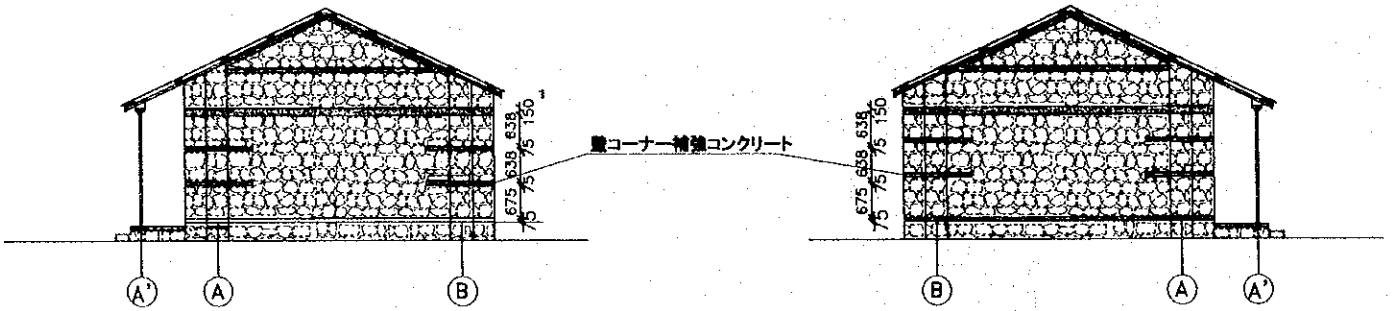


正面図

小学校教室(丘陵部)	立面図	S=1:150
------------	-----	---------



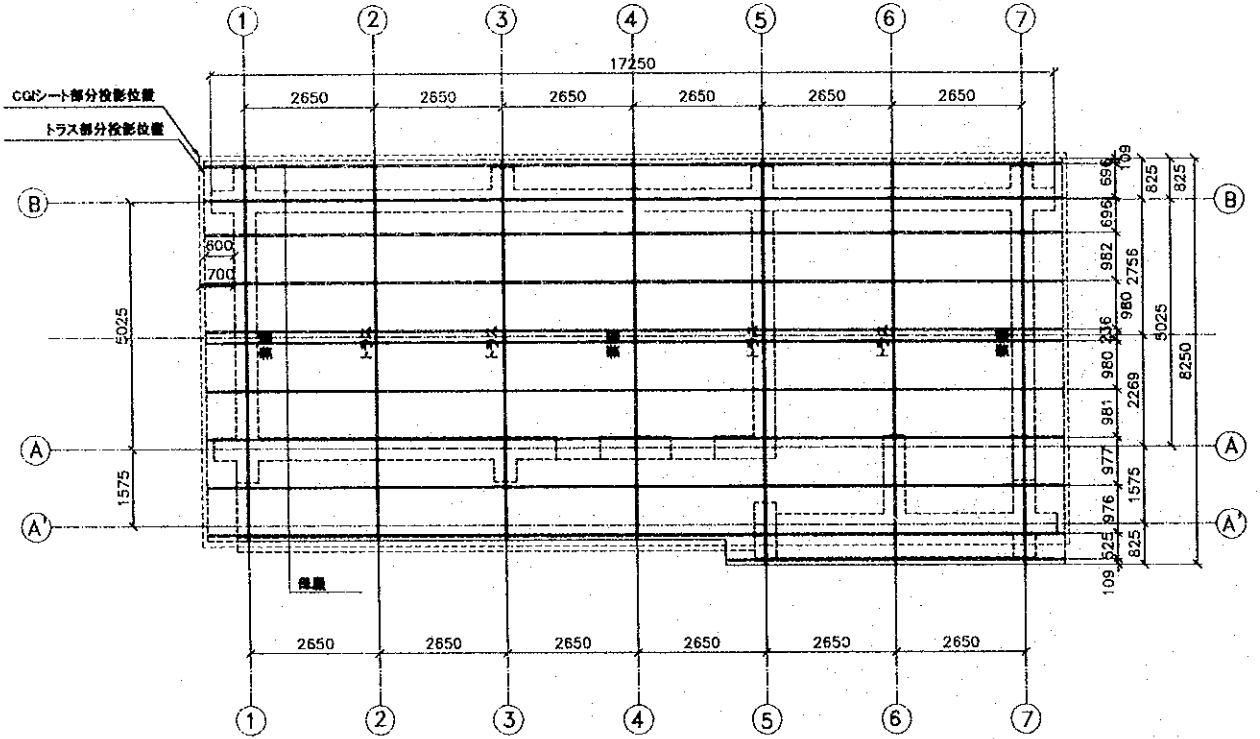
後立面図

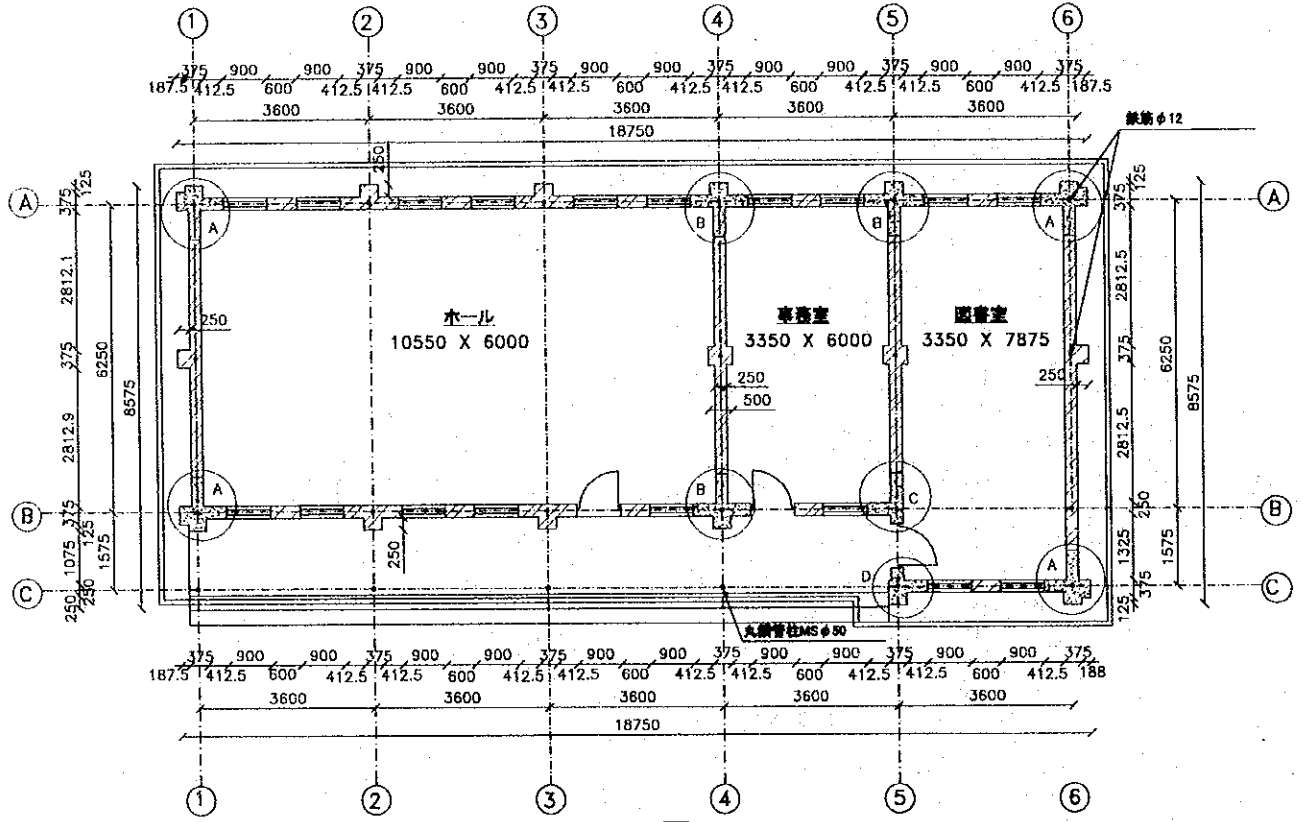


右立面図

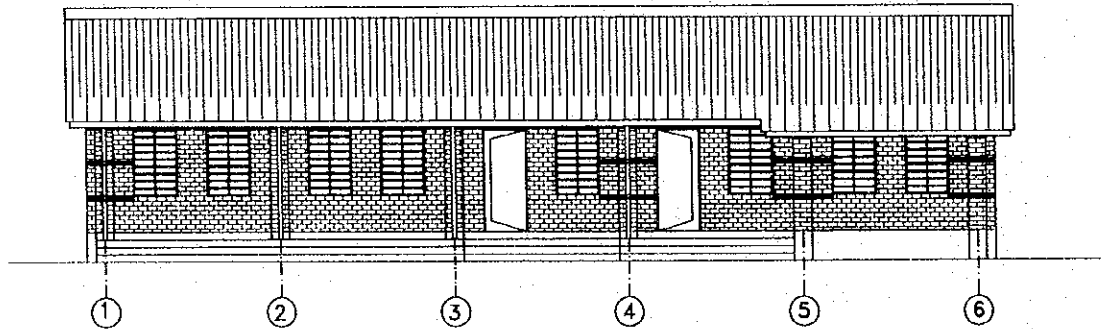
左立面図

小屋組図



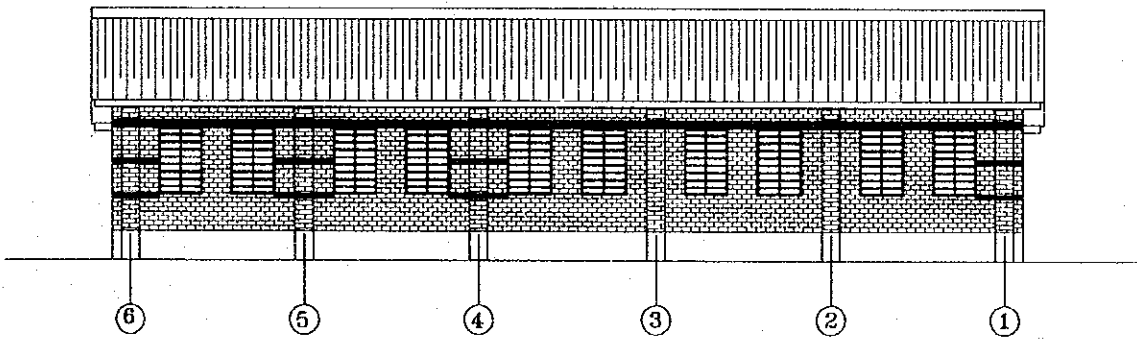


平面図

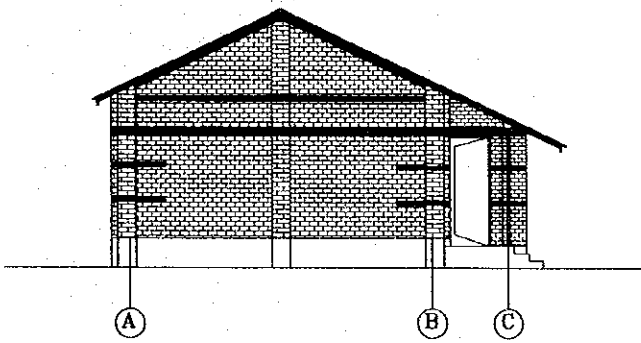


正面図

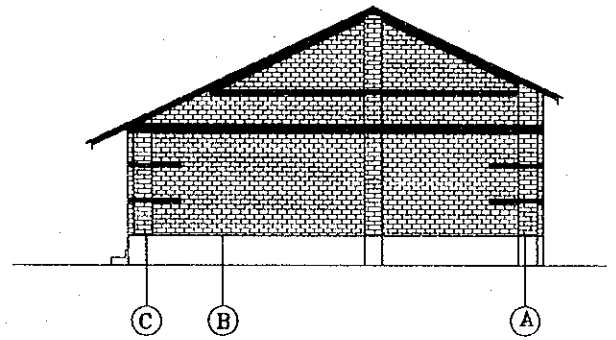
リソースセンター(平野部)	立面図	S=1:150
---------------	-----	---------



後立面図

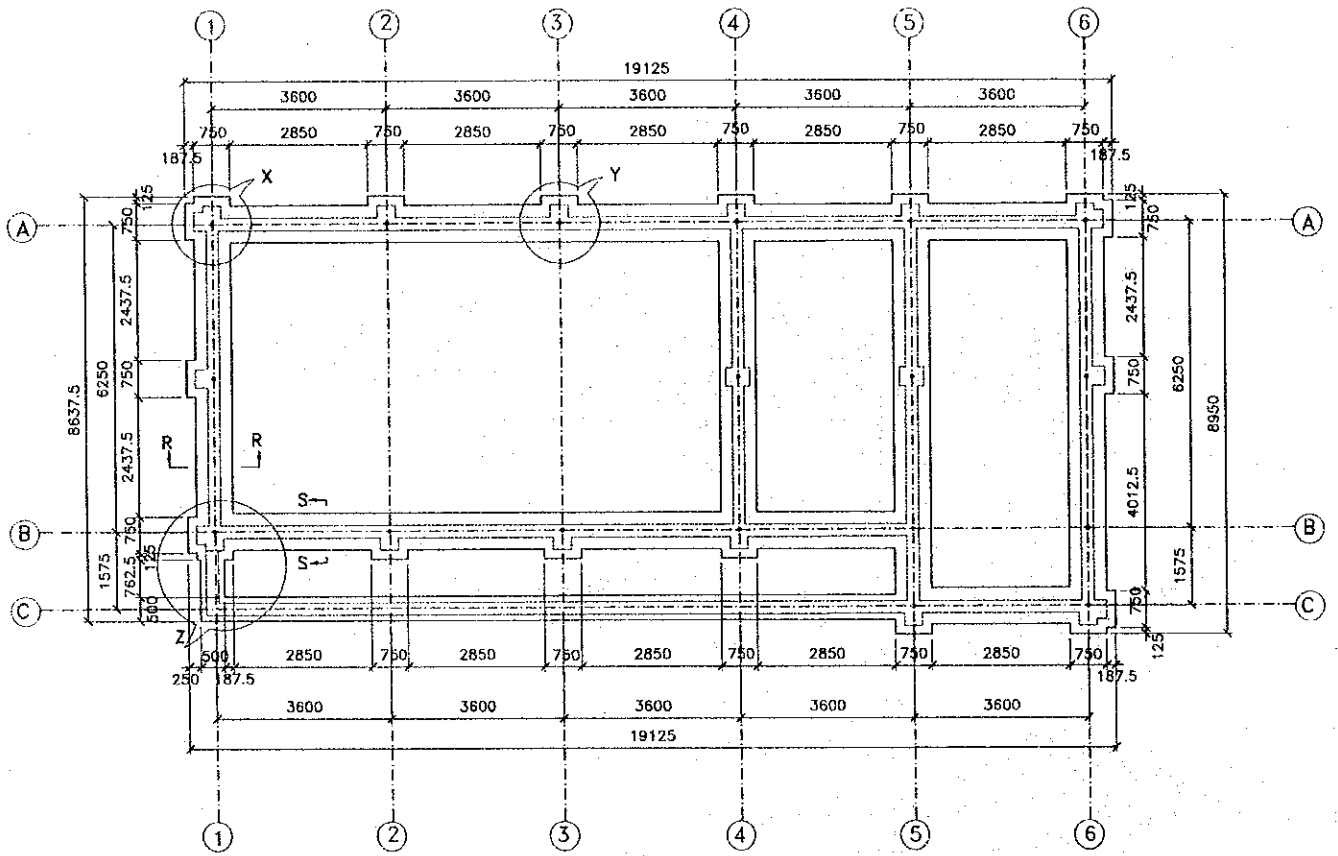


右立面図



左立面図

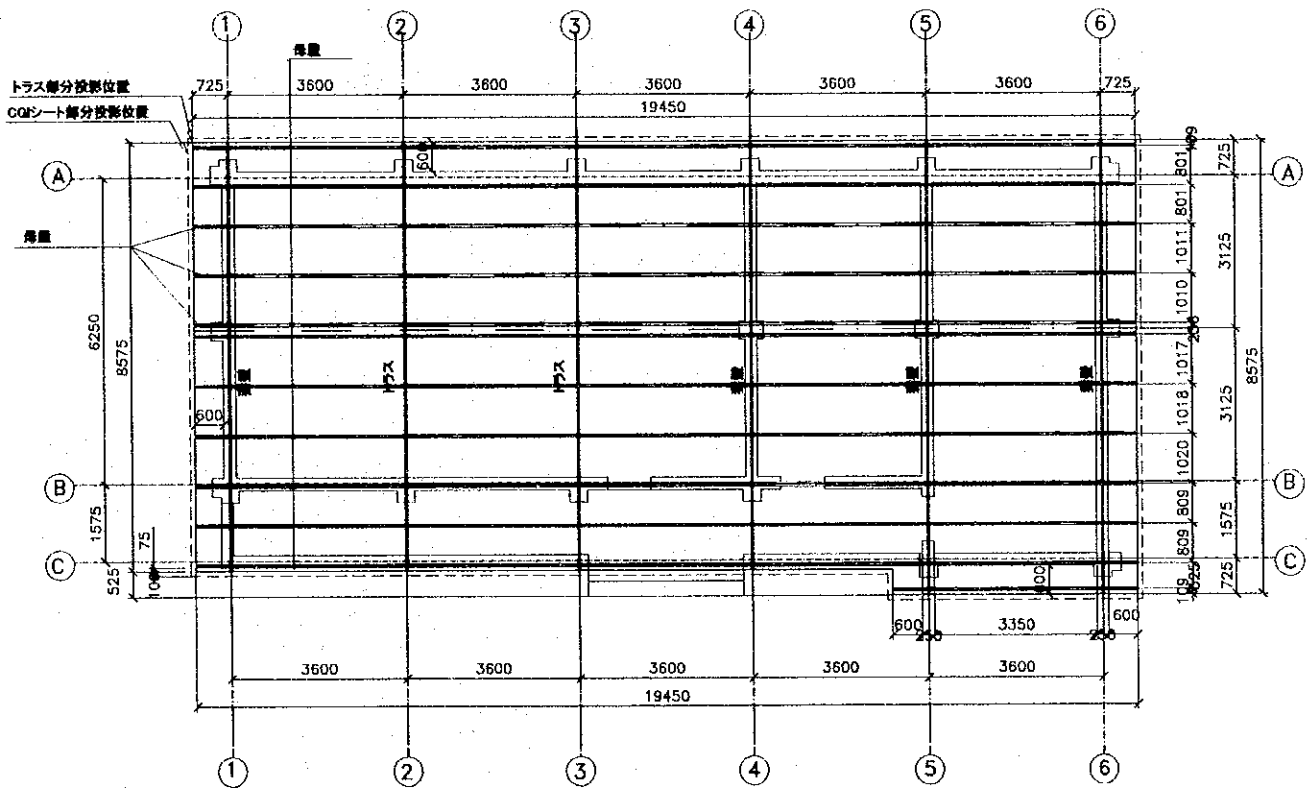
リソースセンター(平野部)	基礎伏図	S=1:150
---------------	------	---------

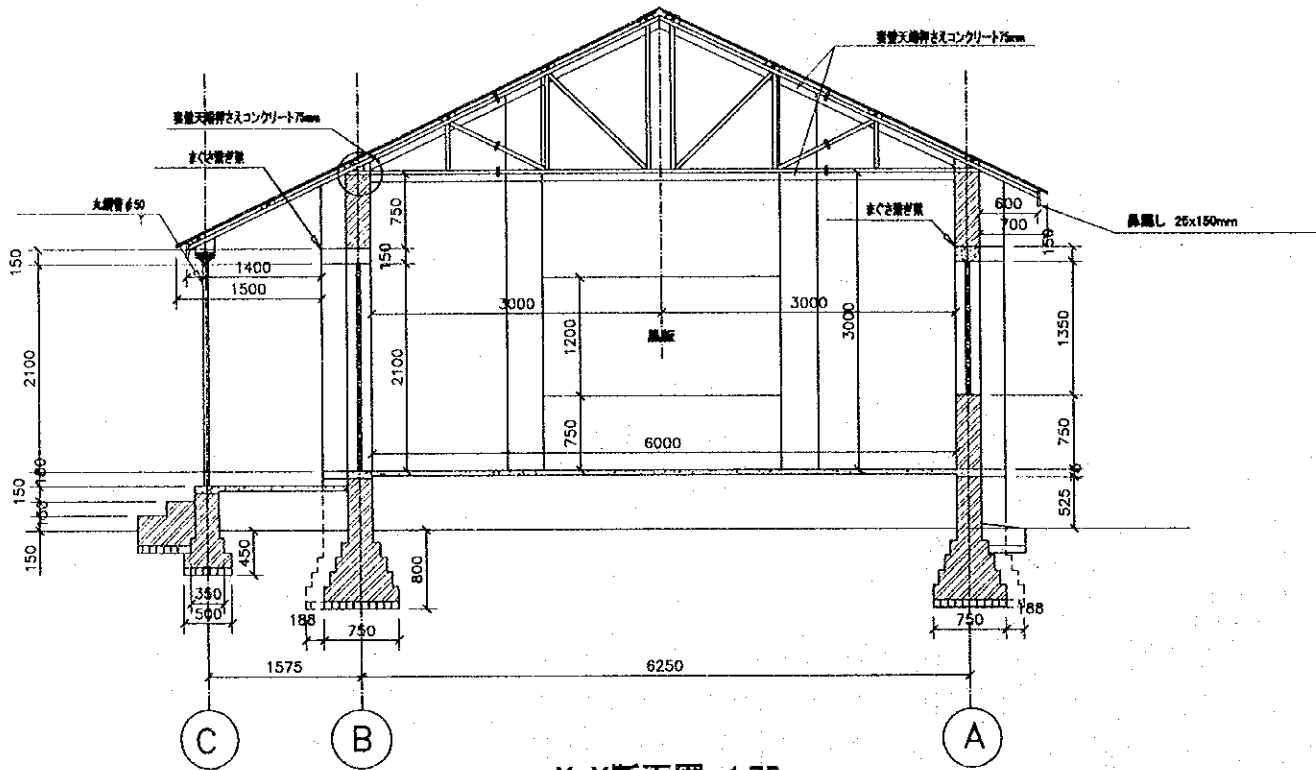


基礎伏図

リソースセンター(平野部)	小屋伏図	S=1:150
---------------	------	---------

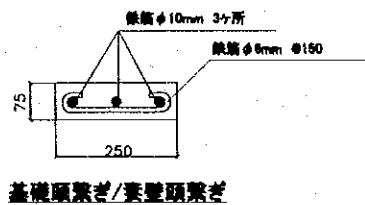
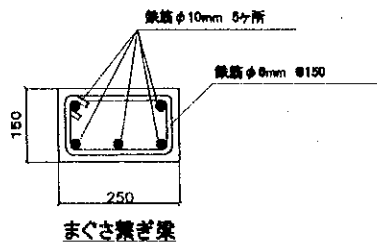
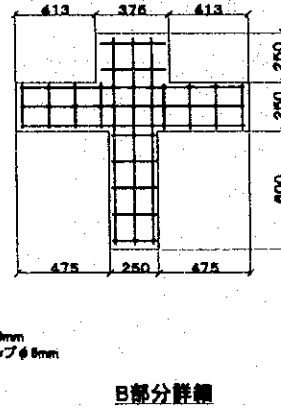
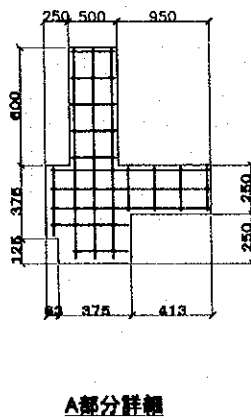
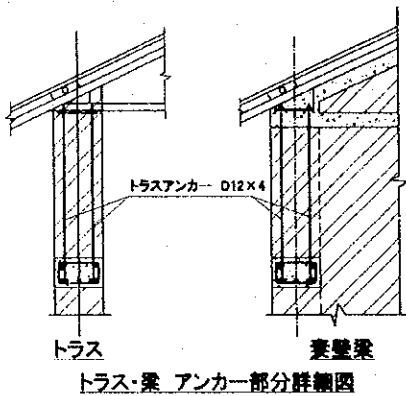
小屋伏図

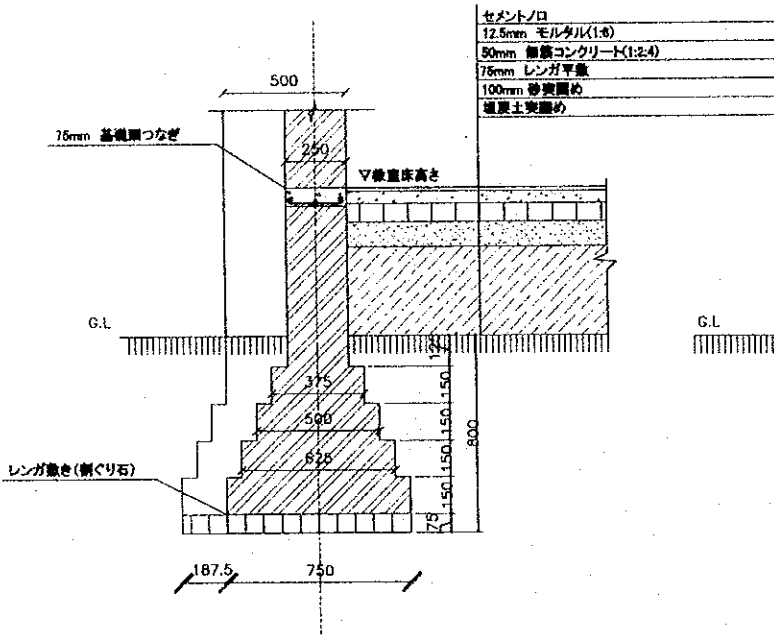




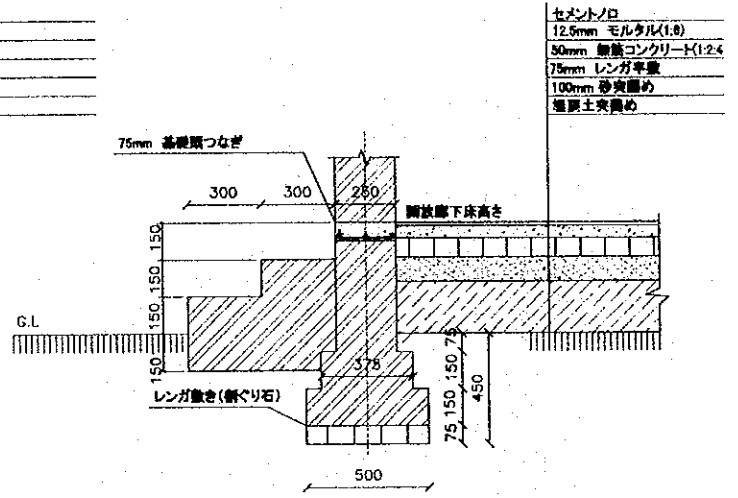
X-X断面図 1:75

壁コーナー補強コンクリート

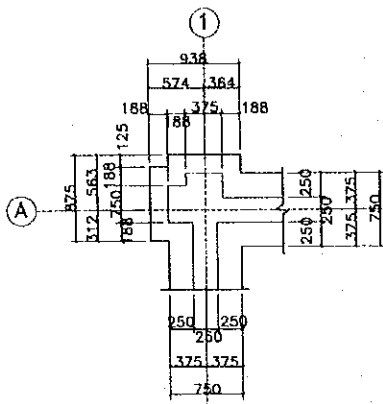




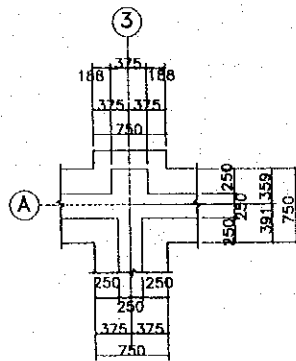
断面図 R-R



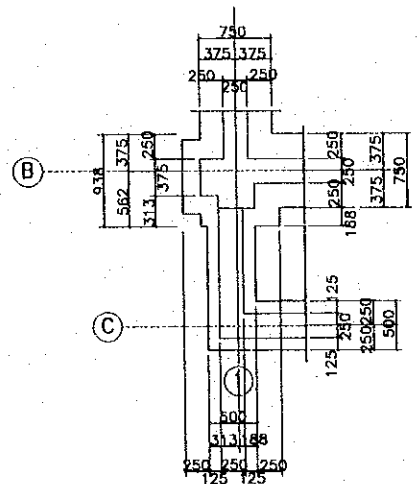
断面図 S-S



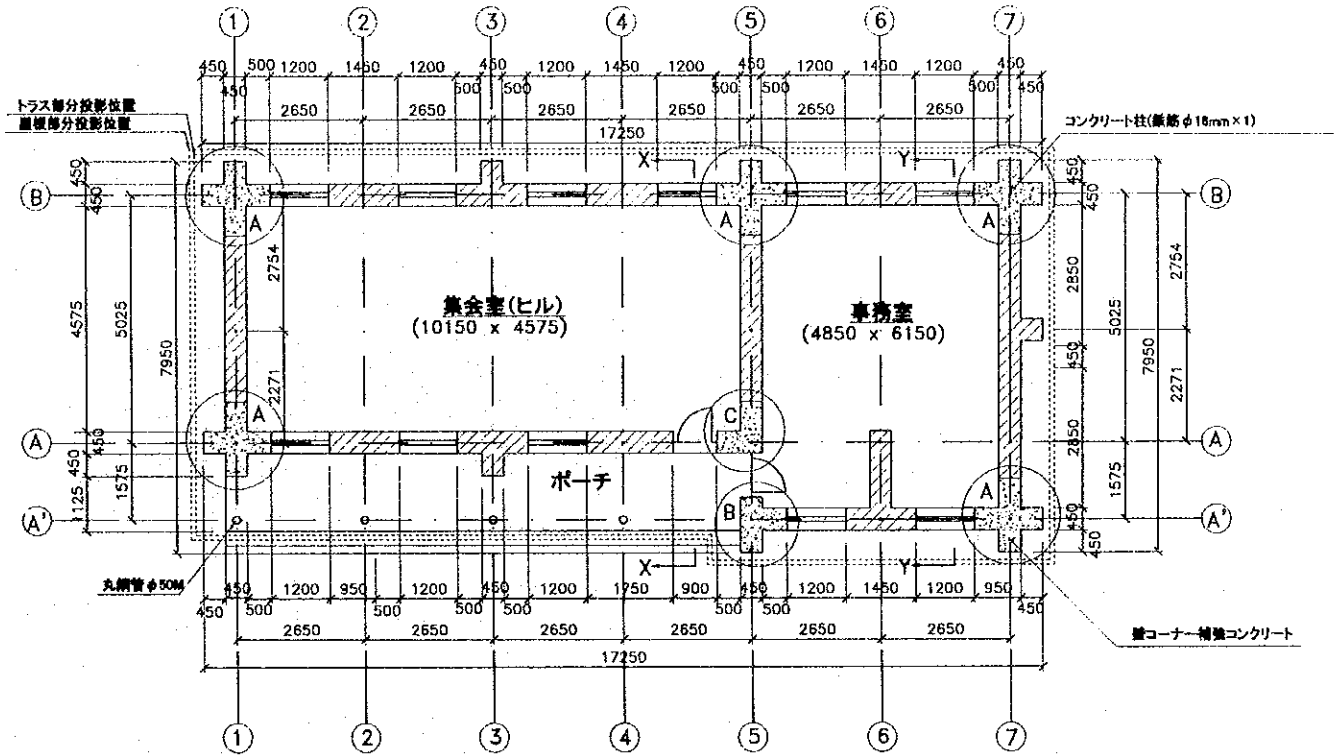
X部分詳細図



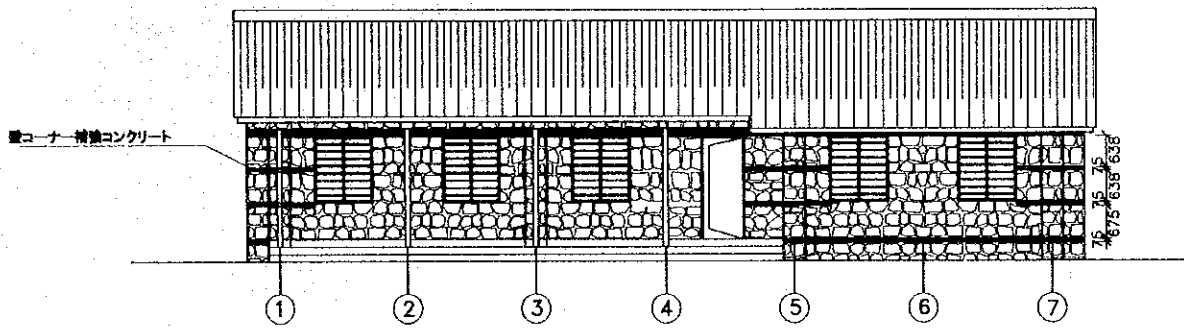
Y部分詳細



Z部分詳細図

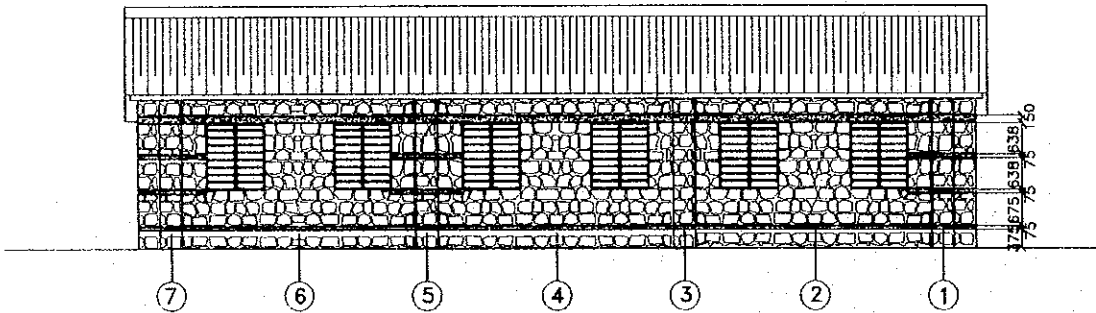


平面図

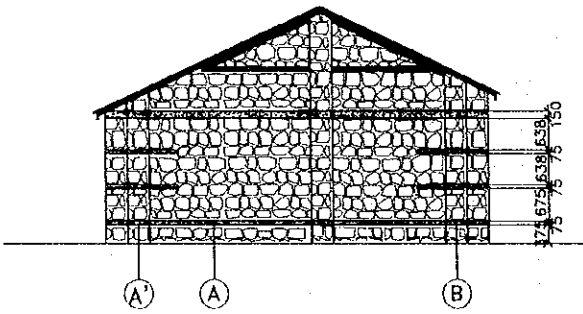


正面図

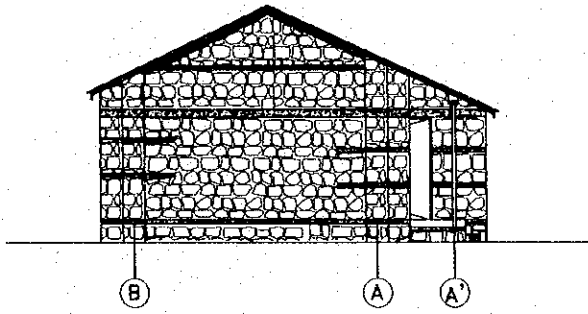
リソースセンター(丘陵部)	立面図	S=1:150
---------------	-----	---------



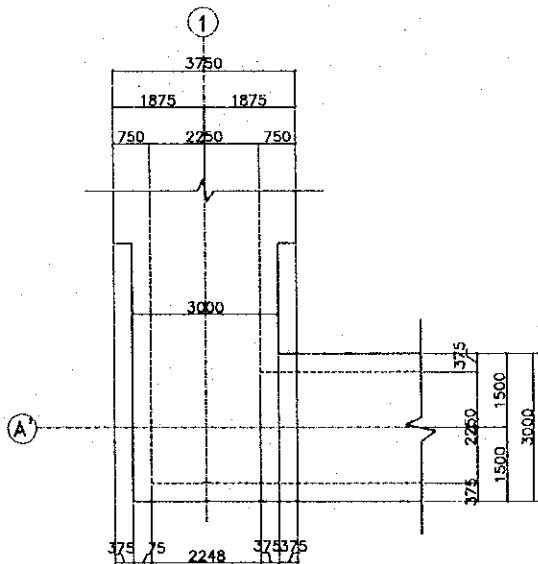
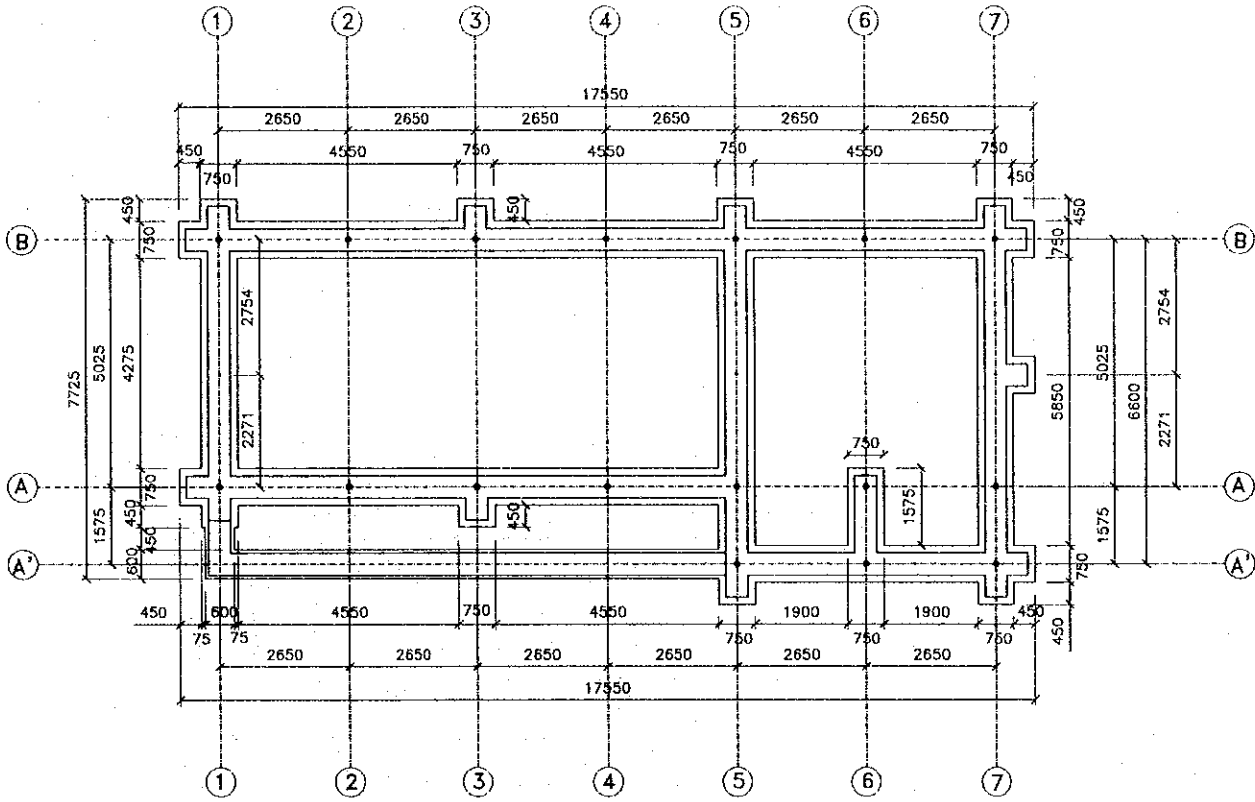
後立面図



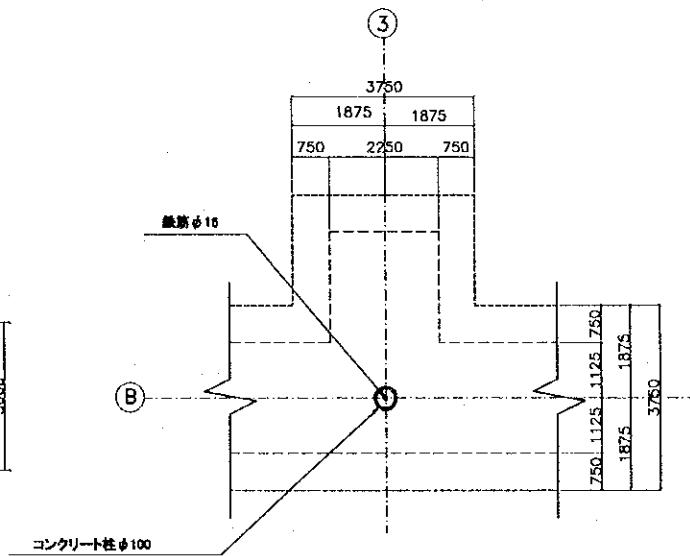
右立面図



左立面図

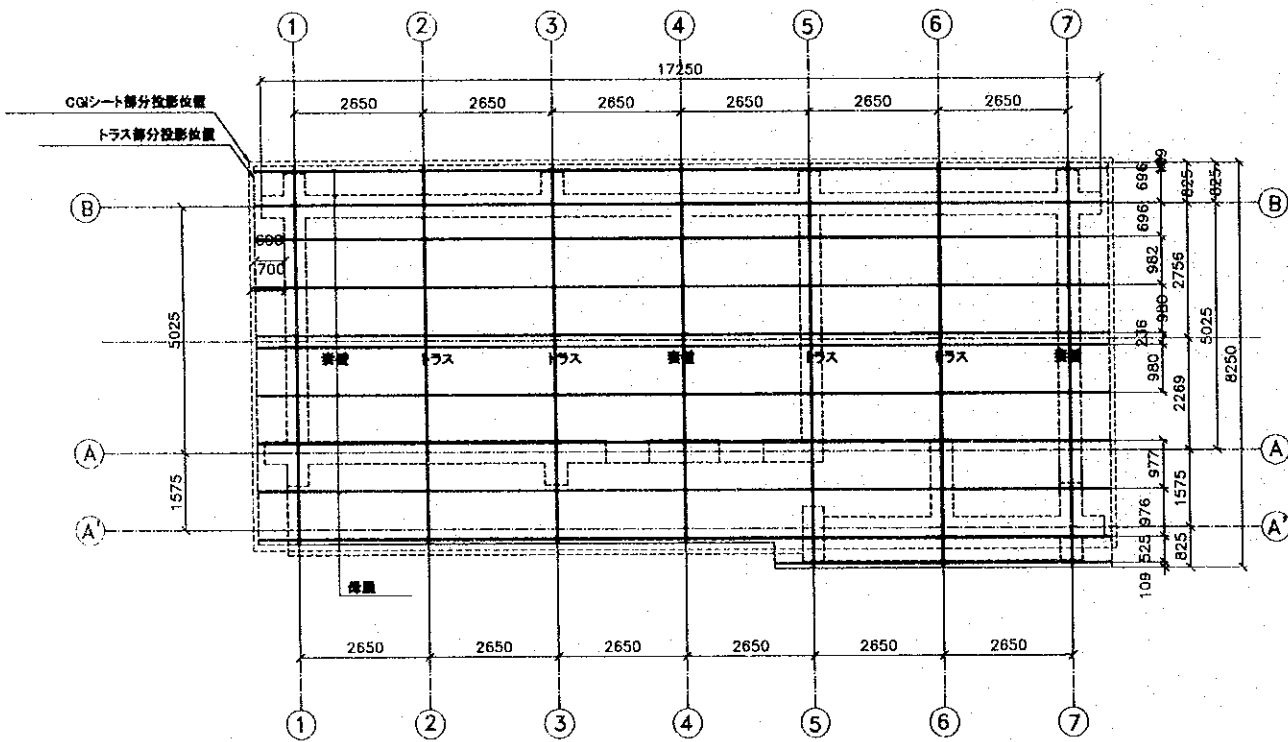


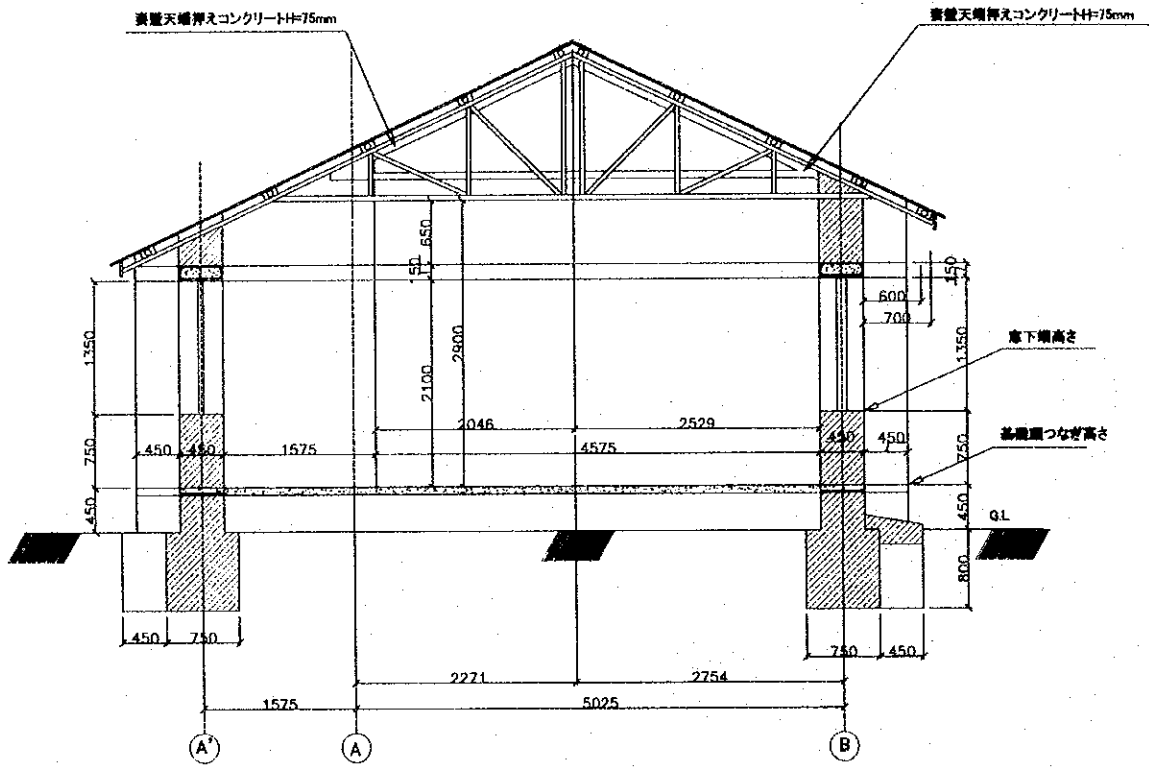
A部分詳細



B部分詳細

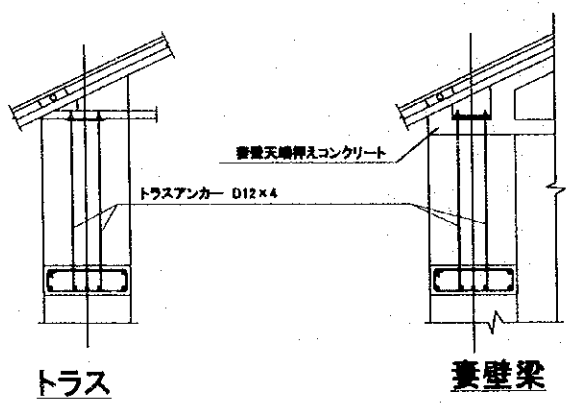
小屋組図

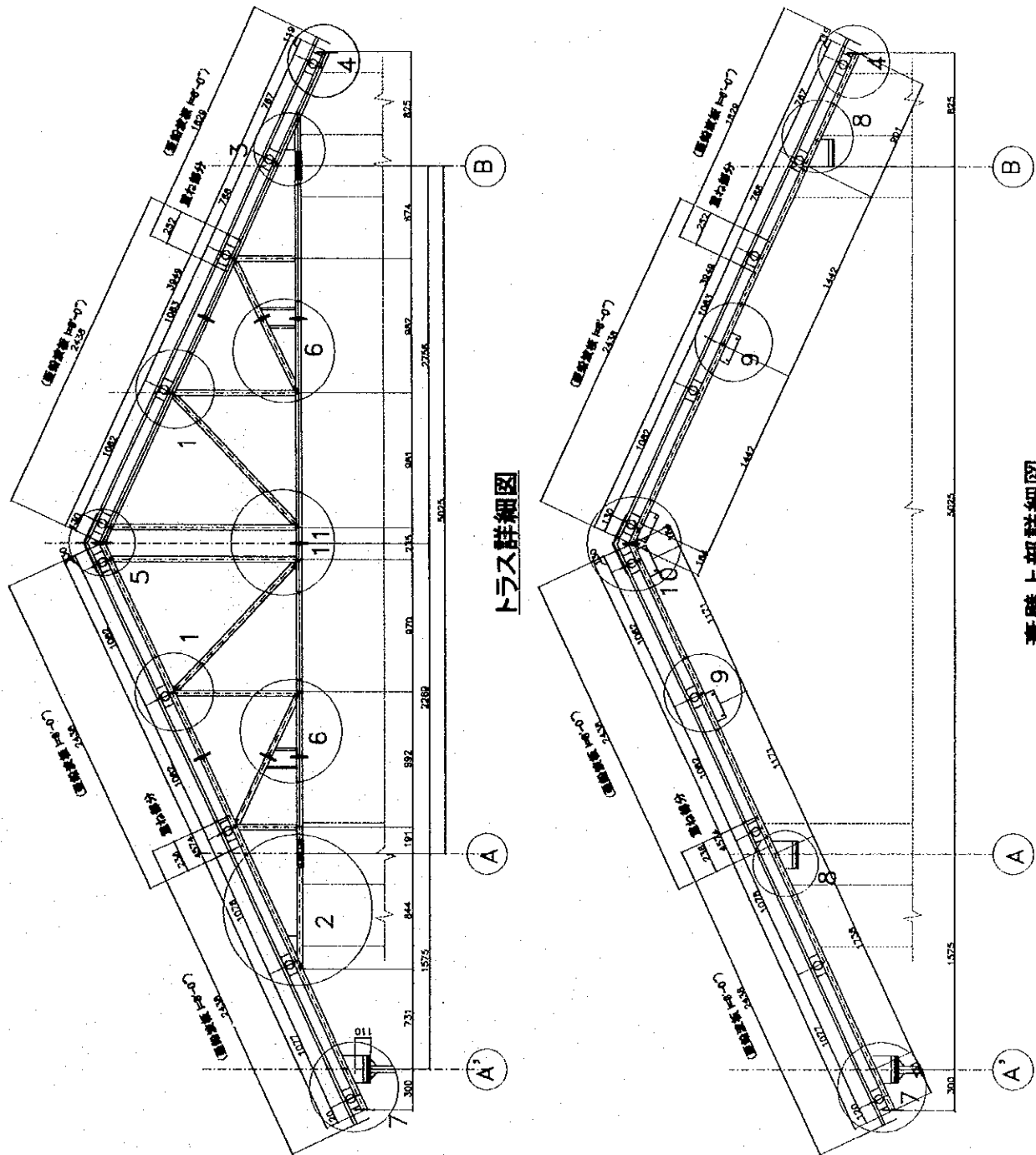


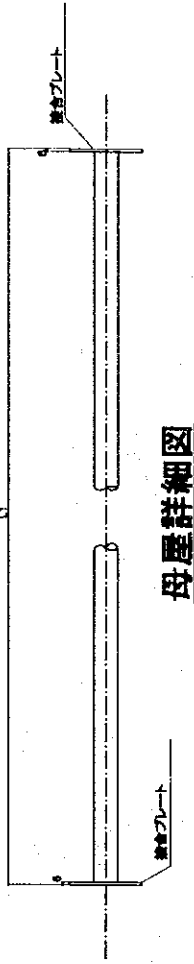


Y-Y断面図

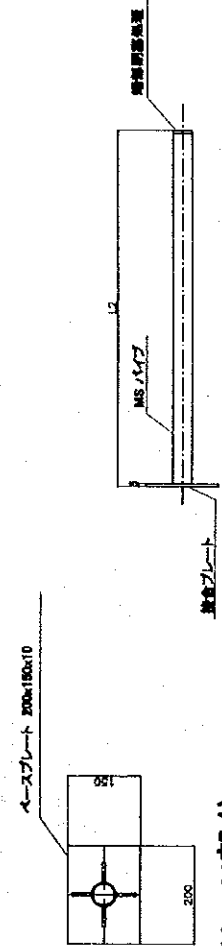
トラス・梁 アンカー部分詳細図



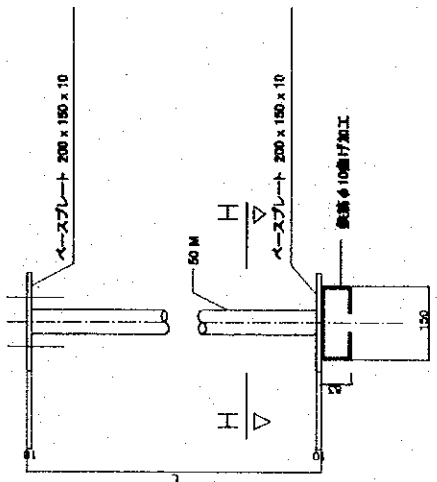
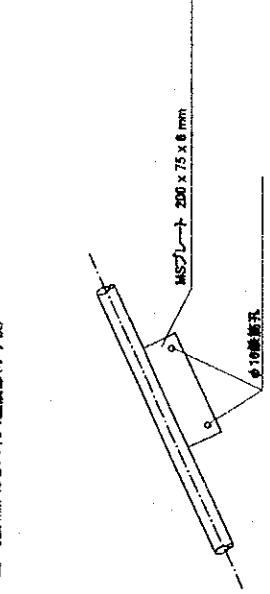




(L)長さ
 L1 = 3594 mm 平野部(小学校/リソースセンター)
 L1 = 2844 mm 丘陵部(小学校)

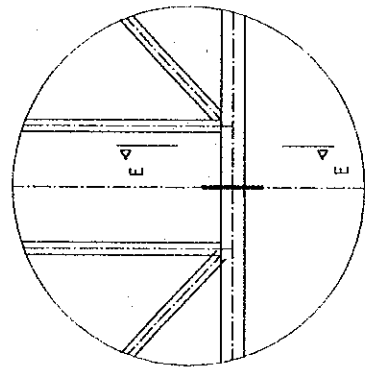
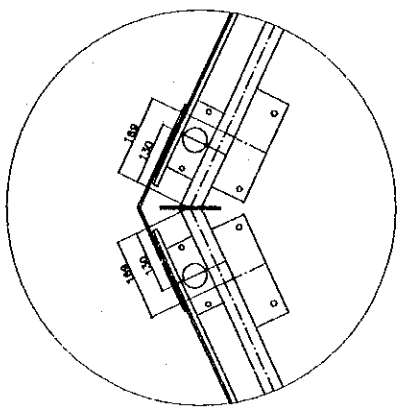


(L)長さ
 L2 = 722 mm 90°パイプ:平野部(小学校/リソースセンター)
 L2 = 822 mm 40°Lパイプ:丘陵部(小学校)



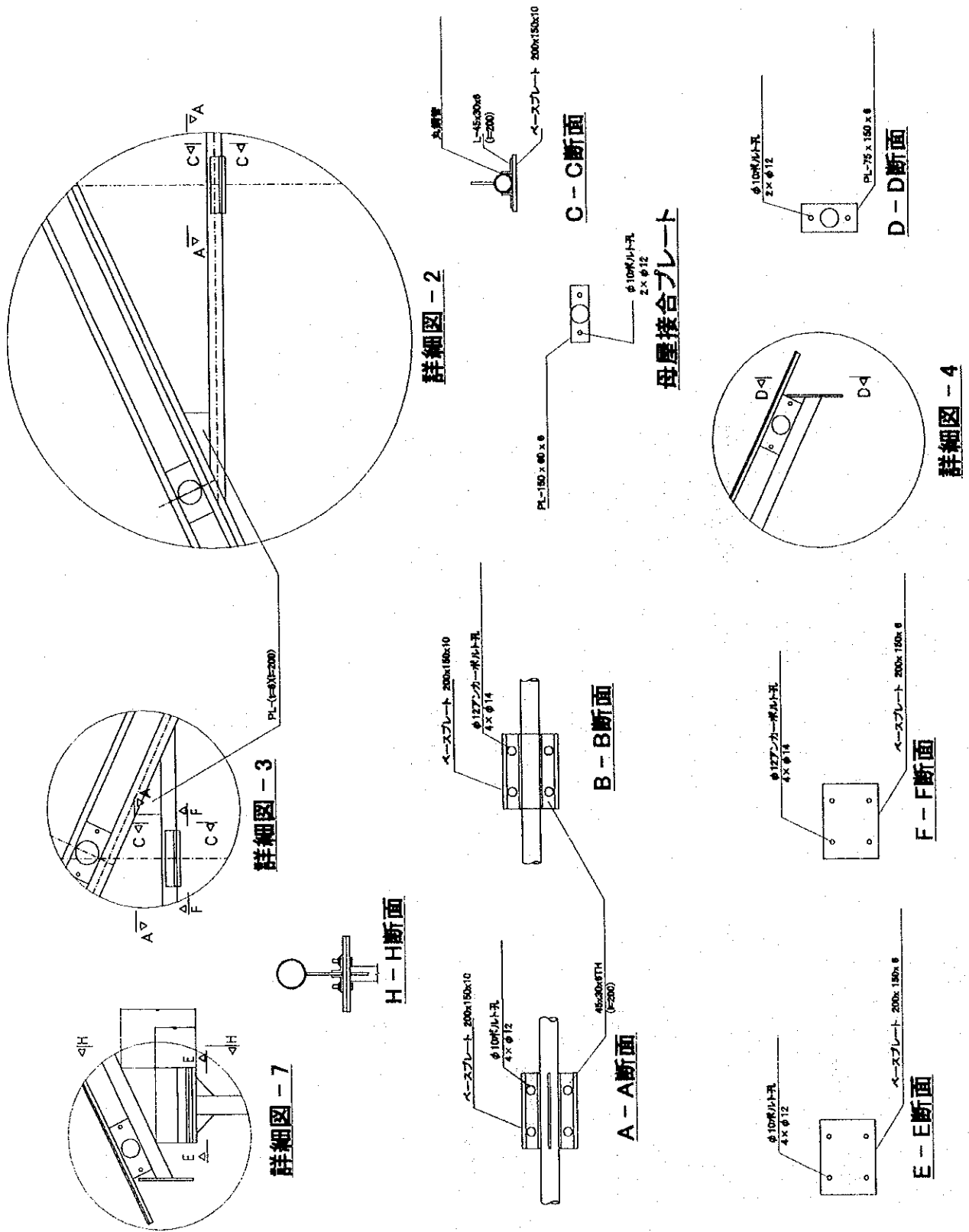
(L)長さ
 L = 2248 mm 平野部(小学校/リソースセンター)
 L = 2253 mm 丘陵部(小学校)

H-H部分



詳細図-10

詳細図-11



詳細図 - 2

母屋接合プレート

詳細図 - 4

詳細図 - 3

詳細図 - 7

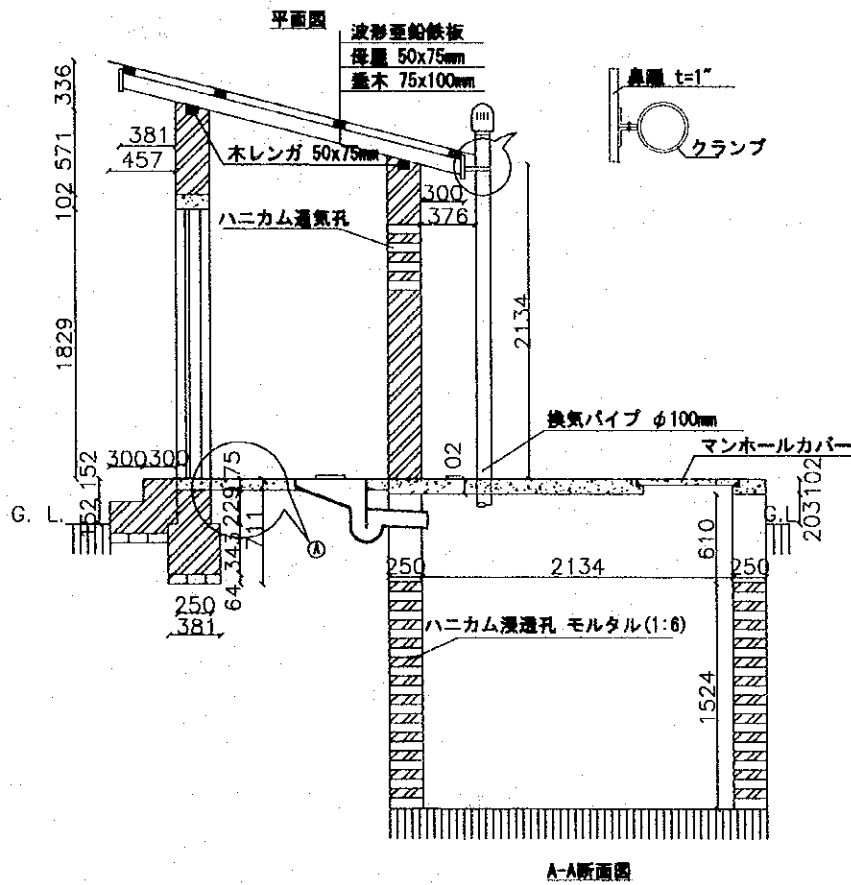
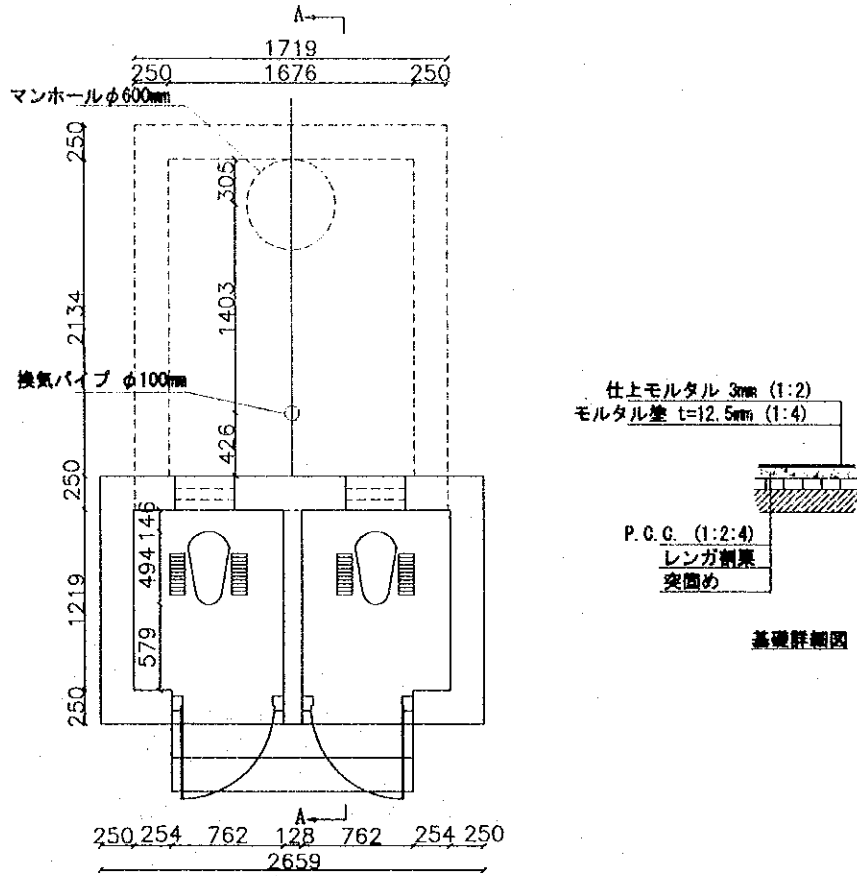
H-H断面

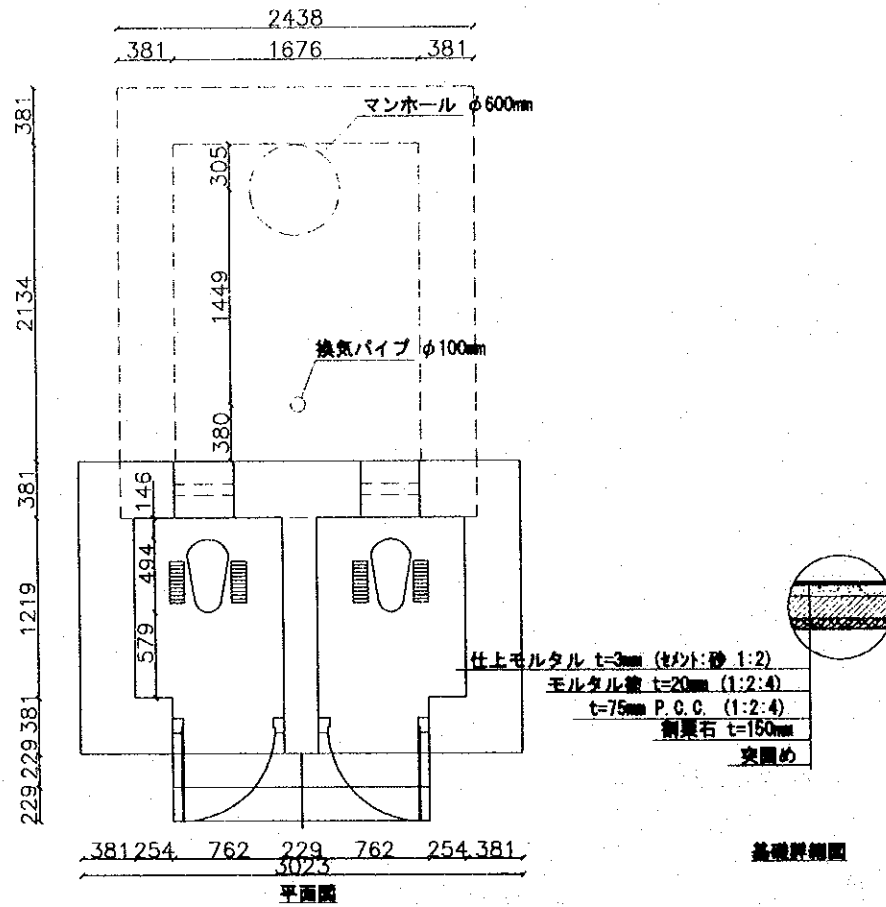
B-B断面

A-A断面

F-F断面

E-E断面





基礎詳細図

