

## ANNEX (7)

### 財務・経済分析アウトプット

FINANCIAL STATEMENTS  
ON  
BASE CASE A

- Production and Sales Plan
- Income Statements
- Long-term Loan Repayment Schedule
- Financial Internal Rate of Return

\*\*\* NINE POLLUTION ASSESSMENT PROJECT, POTOMI \*\*\*  
 PRODUCTION AND SALES PLAN  
 - BASE CASE A -  
 (US\$, 1000)

YEAR	-1	0	1	2	3	4	5	6	7	8
WITH RATED CAPACITY (ORE, TPY)	0.	0.	438000.	438000.	438000.	438000.	438000.	438000.	438000.	438000.
CAPACITY UTILIZATION	0.0	0.0	1.000	1.000	1.000	1.000	1.000	1.000	1.000	1.000
PRODUCTION (ORE, TPY)	0.	0.	438000.	438000.	438000.	438000.	438000.	438000.	438000.	438000.
WITH RATED CAPACITY (PB, TPY)	0.	0.	7950.	7950.	7950.	7950.	7950.	7950.	7950.	7950.
CAPACITY UTILIZATION	0.0	0.0	1.000	1.000	1.000	1.000	1.000	1.000	1.000	1.000
SALES VOLUME (PB, TPY)	0.0	0.0	7950.	7950.	7950.	7950.	7950.	7950.	7950.	7950.
UNIT SALES PRICE (\$/T)	0.0	0.0	0.5780	0.5780	0.5780	0.5780	0.5780	0.5780	0.5780	0.5780
SALES REVENUE	0.	0.	4595.	4595.	4595.	4595.	4595.	4595.	4595.	4595.
WITH RATED CAPACITY (ZN, TPY)	0.	0.	83460.	83460.	83460.	83460.	83460.	83460.	83460.	83460.
CAPACITY UTILIZATION	0.0	0.0	1.000	1.000	1.000	1.000	1.000	1.000	1.000	1.000
SALES VOLUME (ZN, TPY)	0.0	0.0	83460.	83460.	83460.	83460.	83460.	83460.	83460.	83460.
UNIT SALES PRICE (\$/T)	0.0	0.0	0.2460	0.2460	0.2460	0.2460	0.2460	0.2460	0.2460	0.2460
SALES REVENUE	0.	0.	20531.	20531.	20531.	20531.	20531.	20531.	20531.	20531.
WITH RATED CAPACITY (SN, TPY)	0.	0.	2510.	2510.	2510.	2510.	2510.	2510.	2510.	2510.
CAPACITY UTILIZATION	0.0	0.0	1.000	1.000	1.000	1.000	1.000	1.000	1.000	1.000
SALES VOLUME (SN, TPY)	0.0	0.0	2510.	2510.	2510.	2510.	2510.	2510.	2510.	2510.
UNIT SALES PRICE (\$/T)	0.0	0.0	0.1030	0.1030	0.1030	0.1030	0.1030	0.1030	0.1030	0.1030
SALES REVENUE	0.	0.	259.	259.	259.	259.	259.	259.	259.	259.
W/O RATED CAPACITY (ORE, TPY)	0.	0.	438000.	438000.	438000.	438000.	438000.	438000.	438000.	438000.
CAPACITY UTILIZATION	0.0	0.0	1.000	1.000	1.000	1.000	1.000	1.000	1.000	1.000
PRODUCTION (ORE, TPY)	0.	0.	438000.	438000.	438000.	438000.	438000.	438000.	438000.	438000.
W/O RATED CAPACITY (PB, TPY)	0.	0.	7460.	7460.	7460.	7460.	7460.	7460.	7460.	7460.
CAPACITY UTILIZATION	0.0	0.0	1.000	1.000	1.000	1.000	1.000	1.000	1.000	1.000
SALES VOLUME (PB, TPY)	0.0	0.0	7460.	7460.	7460.	7460.	7460.	7460.	7460.	7460.
UNIT SALES PRICE (\$/T)	0.0	0.0	-0.5780	-0.5780	-0.5780	-0.5780	-0.5780	-0.5780	-0.5780	-0.5780
SALES REVENUE	0.	0.	-4312.	-4312.	-4312.	-4312.	-4312.	-4312.	-4312.	-4312.
W/O RATED CAPACITY (ZN, TPY)	0.	0.	81020.	81020.	81020.	81020.	81020.	81020.	81020.	81020.
CAPACITY UTILIZATION	0.0	0.0	1.000	1.000	1.000	1.000	1.000	1.000	1.000	1.000
SALES VOLUME (ZN, TPY)	0.0	0.0	81020.	81020.	81020.	81020.	81020.	81020.	81020.	81020.
UNIT SALES PRICE (\$/T)	0.0	0.0	-0.2460	-0.2460	-0.2460	-0.2460	-0.2460	-0.2460	-0.2460	-0.2460
SALES REVENUE	0.	0.	-19931.	-19931.	-19931.	-19931.	-19931.	-19931.	-19931.	-19931.
TOTAL SALES REVENUE	0.	0.	1142.	1142.	1142.	1142.	1142.	1142.	1142.	1142.
SALES TAX ON REVENUE	0.	0.	0.	0.	0.	0.	0.	0.	0.	0.

\*\*\* MINE POLLUTION ASSESSMENT PROJECT. POTOSI \*\*\*  
 PRODUCTION AND SALES PLAN  
 - BASE CASE A -  
 (US\$.1000)

YEAR	9	10	11	12	13	14	15
WITH RATED CAPACITY (ORE. TPY)	438000.	438000.	438000.	438000.	438000.	438000.	438000.
CAPACITY UTILIZATION	1.000	1.000	1.000	1.000	1.000	1.000	1.000
PRODUCTION (ORE. TPY)	438000.	438000.	438000.	438000.	438000.	438000.	438000.
WITH RATED CAPACITY (PB. TPY)	7950.	7950.	7950.	7950.	7950.	7950.	7950.
CAPACITY UTILIZATION	1.000	1.000	1.000	1.000	1.000	1.000	1.000
SALES VOLUME (PB. TPY)	7950.	7950.	7950.	7950.	7950.	7950.	7950.
UNIT SALES PRICE (\$/T)	0.5780	0.5780	0.5780	0.5780	0.5780	0.5780	0.5780
SALES REVENUE	4595.	4595.	4595.	4595.	4595.	4595.	4595.
WITH RATED CAPACITY (ZN. TPY)	83460.	83460.	83460.	83460.	83460.	83460.	83460.
CAPACITY UTILIZATION	1.000	1.000	1.000	1.000	1.000	1.000	1.000
SALES VOLUME (ZN. TPY)	83460.	83460.	83460.	83460.	83460.	83460.	83460.
UNIT SALES PRICE (\$/T)	0.2460	0.2460	0.2460	0.2460	0.2460	0.2460	0.2460
SALES REVENUE	20531.	20531.	20531.	20531.	20531.	20531.	20531.
WITH RATED CAPACITY (SN. TPY)	2510.	2510.	2510.	2510.	2510.	2510.	2510.
CAPACITY UTILIZATION	1.000	1.000	1.000	1.000	1.000	1.000	1.000
SALES VOLUME (SN. TPY)	2510.	2510.	2510.	2510.	2510.	2510.	2510.
UNIT SALES PRICE (\$/T)	0.1030	0.1030	0.1030	0.1030	0.1030	0.1030	0.1030
SALES REVENUE	259.	259.	259.	259.	259.	259.	259.
W/O RATED CAPACITY (ORE. TPY)	438000.	438000.	438000.	438000.	438000.	438000.	438000.
CAPACITY UTILIZATION	1.000	1.000	1.000	1.000	1.000	1.000	1.000
PRODUCTION (ORE. TPY)	438000.	438000.	438000.	438000.	438000.	438000.	438000.
W/O RATED CAPACITY (PB. TPY)	7460.	7460.	7460.	7460.	7460.	7460.	7460.
CAPACITY UTILIZATION	1.000	1.000	1.000	1.000	1.000	1.000	1.000
SALES VOLUME (PB. TPY)	7460.	7460.	7460.	7460.	7460.	7460.	7460.
UNIT SALES PRICE (\$/T)	-0.5780	-0.5780	-0.5780	-0.5780	-0.5780	-0.5780	-0.5780
SALES REVENUE	-4312.	-4312.	-4312.	-4312.	-4312.	-4312.	-4312.
W/O RATED CAPACITY (ZN. TPY)	81020.	81020.	81020.	81020.	81020.	81020.	81020.
CAPACITY UTILIZATION	1.000	1.000	1.000	1.000	1.000	1.000	1.000
SALES VOLUME (ZN. TPY)	81020.	81020.	81020.	81020.	81020.	81020.	81020.
UNIT SALES PRICE (\$/T)	-0.2460	-0.2460	-0.2460	-0.2460	-0.2460	-0.2460	-0.2460
SALES REVENUE	-19931.	-19931.	-19931.	-19931.	-19931.	-19931.	-19931.
TOTAL SALES REVENUE	1142.	1142.	1142.	1142.	1142.	1142.	1142.
SALES TAX ON REVENUE	0.	0.	0.	0.	0.	0.	0.

\*\*\* MINE POLLUTION ASSESSMENT PROJECT. POTOSI \*\*\*  
 INCOME STATEMENTS  
 - BASE CASE A -  
 (US\$, 1000)

YEAR	-1	0	1	2	3	4	5	6	7	8
OPERATING INCOME	0.	0.	1142.	1142.	1142.	1142.	1142.	1142.	1142.	1142.
TOTAL SALES REVENUE	0.	0.	1142.	1142.	1142.	1142.	1142.	1142.	1142.	1142.
SALES TAX ON REVENUE	0.	0.	0.	0.	0.	0.	0.	0.	0.	0.
COST OF SALES	0.	0.	119.	119.	119.	119.	119.	119.	119.	119.
DIRECT COST	0.	0.	0.	0.	0.	0.	0.	0.	0.	0.
INDIRECT COST	0.	0.	-24.	-24.	-24.	-24.	-24.	-24.	-24.	-24.
DEPRECIATION AND AMORTIZATION	0.	0.	143.	143.	143.	143.	143.	143.	143.	143.
INC. IN PRODUCT INVENTORY	0.	0.	0.	0.	0.	0.	0.	0.	0.	0.
GROSS PROFIT ON SALES	0.	0.	1023.	1023.	1023.	1023.	1023.	1023.	1023.	1023.
SALES EXPENSES	0.	0.	0.	0.	0.	0.	0.	0.	0.	0.
OPERATING PROFIT	0.	0.	1023.	1023.	1023.	1023.	1023.	1023.	1023.	1023.
NON-OPERATING EXPENSES	0.	0.	129.	120.	112.	103.	94.	86.	77.	69.
INTEREST ON LONG TERM DEBT	0.	0.	129.	120.	112.	103.	94.	86.	77.	69.
INTEREST ON SHORT TERM DEBT	0.	0.	0.	0.	0.	0.	0.	0.	0.	0.
NET PROFIT OR (LOSS) BEFORE TAX	0.	0.	894.	902.	911.	920.	928.	937.	945.	954.
INCOME TAX	0.	0.	223.	226.	228.	230.	232.	234.	236.	238.
NET PROFIT OR (LOSS) AFTER TAX	0.	0.	670.	677.	683.	690.	696.	703.	709.	715.
DIVIDENDS	0.	0.	0.	0.	0.	0.	0.	0.	0.	0.
RETAINED EARNINGS	0.	0.	670.	677.	683.	690.	696.	703.	709.	715.

\*\*\* MINE POLLUTION ASSESSMENT PROJECT. POTOSI \*\*\*  
 INCOME STATEMENTS  
 - BASE CASE A - (US\$, 1000)

YEAR	9	10	11	12	13	14	15
OPERATING INCOME	1142.	1142.	1142.	1142.	1142.	1142.	1142.
TOTAL SALES REVENUE	1142.	1142.	1142.	1142.	1142.	1142.	1142.
SALES TAX ON REVENUE	0.	0.	0.	0.	0.	0.	0.
COST OF SALES	119.	119.	119.	119.	119.	119.	119.
DIRECT COST	0.	0.	0.	0.	0.	0.	0.
INDIRECT COST	-24.	-24.	-24.	-24.	-24.	-24.	-24.
DEPRECIATION AND AMORTIZATION	143.	143.	143.	143.	143.	143.	143.
INC. IN PRODUCT INVENTORY	0.	0.	0.	0.	0.	0.	0.
GROSS PROFIT ON SALES	1023.	1023.	1023.	1023.	1023.	1023.	1023.
SALES EXPENSES	0.	0.	0.	0.	0.	0.	0.
OPERATING PROFIT	1023.	1023.	1023.	1023.	1023.	1023.	1023.
NON-OPERATING EXPENSES	60.	52.	43.	34.	26.	17.	9.
INTEREST ON LONG TERM DEBT	60.	52.	43.	34.	26.	17.	9.
INTEREST ON SHORT TERM DEBT	0.	0.	0.	0.	0.	0.	0.
NET PROFIT OR (LOSS) BEFORE TAX	962.	971.	980.	988.	997.	1005.	1014.
INCOME TAX	241.	243.	245.	247.	249.	251.	253.
NET PROFIT OR (LOSS) AFTER TAX	722.	728.	735.	741.	748.	754.	760.
DIVIDENDS	0.	0.	0.	0.	0.	0.	0.
RETAINED EARNINGS	722.	728.	735.	741.	748.	754.	760.

\*\*\* WINE POLLUTION ASSESSMENT PROJECT. POTOSI \*\*\*  
 LONG TERM DEBT  
 - BASE CASE A - (US\$, 1000)

YEAR	SER. NO	PRINCIPAL	INTEREST	DEBT SERVICE	BALANCE AFT. PAYMENT
-1		0.	0.	0.	1073.
0	1	0.	0.	0.	2146.
1	2	143.	129.	272.	2003.
2	3	143.	120.	263.	1860.
3	4	143.	112.	255.	1717.
4	5	143.	103.	246.	1574.
5	6	143.	94.	237.	1431.
6	7	143.	86.	229.	1288.
7	8	143.	77.	220.	1145.
8	9	143.	69.	212.	1001.
9	10	143.	60.	203.	858.
10	11	143.	52.	195.	715.
11	12	143.	43.	186.	572.
12	13	143.	34.	177.	429.
13	14	143.	26.	169.	286.
14	15	143.	17.	160.	143.
15	16	143.	9.	152.	0.
15	17	143.	9.	152.	0.
TOTAL		2146.	1030.	3176.	0.

\*\*\* MINE POLLUTION ASSESSMENT PROJECT, POTOSI \*\*\*  
 FINANCIAL RATE OF RETURN ('98 FIXED PRICE)  
 - BASE CASE A -  
 (US\$, 1000)

YEAR	FIXED CAPITAL EXPEND.	CHANGE IN WORKING CAPITAL	(1) GROSS CAPITAL EXPENDTR	OPERATING PROFIT	DEPRECIATN	(2) GROSS CASH IN-FLOW	(3) INCOME TAX	(4) BFR-TAX NET IN-FLOW	(5) AFT-TAX NET IN-FLOW
							(2)-(1)	(4)-(3)	(4)-(3)
-1	1008.	0.	1008.	0.	0.	0.	-1008.	-1008.	
0	1008.	0.	1008.	0.	0.	0.	-1008.	-1008.	
1	0.	0.	0.	1023.	143.	1166.	1166.	942.	
2	0.	0.	0.	1023.	143.	1166.	1166.	940.	
3	0.	0.	0.	1023.	143.	1166.	1166.	938.	
4	0.	0.	0.	1023.	143.	1166.	1166.	936.	
5	0.	0.	0.	1023.	143.	1166.	1166.	934.	
6	0.	0.	0.	1023.	143.	1166.	1166.	931.	
7	0.	0.	0.	1023.	143.	1166.	1166.	929.	
8	0.	0.	0.	1023.	143.	1166.	1166.	927.	
9	0.	0.	0.	1023.	143.	1166.	1166.	925.	
10	0.	0.	0.	1023.	143.	1166.	1166.	923.	
11	0.	0.	0.	1023.	143.	1166.	1166.	921.	
12	0.	0.	0.	1023.	143.	1166.	1166.	919.	
13	0.	0.	0.	1023.	143.	1166.	1166.	916.	
14	0.	0.	0.	1023.	143.	1166.	1166.	914.	
15	-0.	0.	-0.	1023.	143.	1166.	1166.	912.	
2016.				15339.	2146.	17485.	3577.	11891.	
							15469.		

INTERNAL RATE OF RETURN

ON (4) BFR-TAX NET IN-FLOW (2)-(1) 46.72 PER CENT  
 ON (5) AFT-TAX NET IN-FLOW (4)-(3) 38.66 PER CENT



FINANCIAL STATEMENTS  
ON  
BASE CASE B

- Production and Sales Plan
- Income Statements
- Long-term Loan Repayment Schedule
- Financial Internal Rate of Return

\*\*\* MINE POLLUTION ASSESSMENT PROJECT. POTOSI \*\*\*  
 PRODUCTION AND SALES PLAN  
 - BASE CASE 8 -  
 (US\$. 1000)

YEAR	-1	0	1	2	3	4	5	6	7	8
WITH RATED CAPACITY (ORE, TPY)	0.0	0.0	438000.	438000.	438000.	438000.	438000.	438000.	438000.	438000.
CAPACITY UTILIZATION	0.0	0.0	1.000	1.000	1.000	1.000	1.000	1.000	1.000	1.000
PRODUCTION (ORE, TPY)	0.0	0.0	438000.	438000.	438000.	438000.	438000.	438000.	438000.	438000.
WITH RATED CAPACITY (PB, TPY)	0.0	0.0	7950.	7950.	7950.	7950.	7950.	7950.	7950.	7950.
CAPACITY UTILIZATION	0.0	0.0	1.000	1.000	1.000	1.000	1.000	1.000	1.000	1.000
SALES VOLUME (PB, TPY)	0.0	0.0	7950.	7950.	7950.	7950.	7950.	7950.	7950.	7950.
UNIT SALES PRICE (\$/T)	0.0	0.0	0.5780	0.5780	0.5780	0.5780	0.5780	0.5780	0.5780	0.5780
SALES REVENUE	0.0	0.0	4595.	4595.	4595.	4595.	4595.	4595.	4595.	4595.
WITH RATED CAPACITY (ZN, TPY)	0.0	0.0	83460.	83460.	83460.	83460.	83460.	83460.	83460.	83460.
CAPACITY UTILIZATION	0.0	0.0	1.000	1.000	1.000	1.000	1.000	1.000	1.000	1.000
SALES VOLUME (ZN, TPY)	0.0	0.0	83460.	83460.	83460.	83460.	83460.	83460.	83460.	83460.
UNIT SALES PRICE (\$/T)	0.0	0.0	0.2460	0.2460	0.2460	0.2460	0.2460	0.2460	0.2460	0.2460
SALES REVENUE	0.0	0.0	20531.	20531.	20531.	20531.	20531.	20531.	20531.	20531.
WITH RATED CAPACITY (SN, TPY)	0.0	0.0	10820.	10820.	10820.	10820.	10820.	10820.	10820.	10820.
CAPACITY UTILIZATION	0.0	0.0	1.000	1.000	1.000	1.000	1.000	1.000	1.000	1.000
SALES VOLUME (SN, TPY)	0.0	0.0	10820.	10820.	10820.	10820.	10820.	10820.	10820.	10820.
UNIT SALES PRICE (\$/T)	0.0	0.0	0.1030	0.1030	0.1030	0.1030	0.1030	0.1030	0.1030	0.1030
SALES REVENUE	0.0	0.0	1114.	1114.	1114.	1114.	1114.	1114.	1114.	1114.
W/O RATED CAPACITY (ORE, TPY)	0.0	0.0	438000.	438000.	438000.	438000.	438000.	438000.	438000.	438000.
CAPACITY UTILIZATION	0.0	0.0	1.000	1.000	1.000	1.000	1.000	1.000	1.000	1.000
PRODUCTION (ORE, TPY)	0.0	0.0	438000.	438000.	438000.	438000.	438000.	438000.	438000.	438000.
W/O RATED CAPACITY (PB, TPY)	0.0	0.0	7460.	7460.	7460.	7460.	7460.	7460.	7460.	7460.
CAPACITY UTILIZATION	0.0	0.0	1.000	1.000	1.000	1.000	1.000	1.000	1.000	1.000
SALES VOLUME (PB, TPY)	0.0	0.0	7460.	7460.	7460.	7460.	7460.	7460.	7460.	7460.
UNIT SALES PRICE (\$/T)	0.0	0.0	-0.5780	-0.5780	-0.5780	-0.5780	-0.5780	-0.5780	-0.5780	-0.5780
SALES REVENUE	0.0	0.0	-4312.	-4312.	-4312.	-4312.	-4312.	-4312.	-4312.	-4312.
W/O RATED CAPACITY (ZN, TPY)	0.0	0.0	81020.	81020.	81020.	81020.	81020.	81020.	81020.	81020.
CAPACITY UTILIZATION	0.0	0.0	1.000	1.000	1.000	1.000	1.000	1.000	1.000	1.000
SALES VOLUME (ZN, TPY)	0.0	0.0	81020.	81020.	81020.	81020.	81020.	81020.	81020.	81020.
UNIT SALES PRICE (\$/T)	0.0	0.0	-0.2460	-0.2460	-0.2460	-0.2460	-0.2460	-0.2460	-0.2460	-0.2460
SALES REVENUE	0.0	0.0	-19931.	-19931.	-19931.	-19931.	-19931.	-19931.	-19931.	-19931.
TOTAL SALES REVENUE	0.0	0.0	1998.	1998.	1998.	1998.	1998.	1998.	1998.	1998.
SALES TAX ON REVENUE	0.0	0.0	0.0	0.0	0.0	0.0	0.0	0.0	0.0	0.0

\*\*\* MINE POLLUTION ASSESSMENT PROJECT, POTOSI \*\*\*  
 PRODUCTION AND SALES PLAN  
 - BASE CASE B -  
 (US\$, 1000)

YEAR	9	10	11	12	13	14	15
WITH RATED CAPACITY (ORE, TPY)	438000.	438000.	438000.	438000.	438000.	438000.	438000.
CAPACITY UTILIZATION	1.000	1.000	1.000	1.000	1.000	1.000	1.000
PRODUCTION (ORE, TPY)	438000.	438000.	438000.	438000.	438000.	438000.	438000.
WITH RATED CAPACITY (PB, TPY)	7950.	7950.	7950.	7950.	7950.	7950.	7950.
CAPACITY UTILIZATION	1.000	1.000	1.000	1.000	1.000	1.000	1.000
SALES VOLUME (PB, TPY)	7950.	7950.	7950.	7950.	7950.	7950.	7950.
UNIT SALES PRICE (\$/T)	0.5780	0.5780	0.5780	0.5780	0.5780	0.5780	0.5780
SALES REVENUE	4595.	4595.	4595.	4595.	4595.	4595.	4595.
WITH RATED CAPACITY (ZN, TPY)	83460.	83460.	83460.	83460.	83460.	83460.	83460.
CAPACITY UTILIZATION	1.000	1.000	1.000	1.000	1.000	1.000	1.000
SALES VOLUME (ZN, TPY)	83460.	83460.	83460.	83460.	83460.	83460.	83460.
UNIT SALES PRICE (\$/T)	0.2460	0.2460	0.2460	0.2460	0.2460	0.2460	0.2460
SALES REVENUE	20531.	20531.	20531.	20531.	20531.	20531.	20531.
WITH RATED CAPACITY (SN, TPY)	10820.	10820.	10820.	10820.	10820.	10820.	10820.
CAPACITY UTILIZATION	1.000	1.000	1.000	1.000	1.000	1.000	1.000
SALES VOLUME (SN, TPY)	10820.	10820.	10820.	10820.	10820.	10820.	10820.
UNIT SALES PRICE (\$/T)	0.1030	0.1030	0.1030	0.1030	0.1030	0.1030	0.1030
SALES REVENUE	1114.	1114.	1114.	1114.	1114.	1114.	1114.
W/O RATED CAPACITY (ORE, TPY)	438000.	438000.	438000.	438000.	438000.	438000.	438000.
CAPACITY UTILIZATION	1.000	1.000	1.000	1.000	1.000	1.000	1.000
PRODUCTION (ORE, TPY)	438000.	438000.	438000.	438000.	438000.	438000.	438000.
W/O RATED CAPACITY (PB, TPY)	7460.	7460.	7460.	7460.	7460.	7460.	7460.
CAPACITY UTILIZATION	1.000	1.000	1.000	1.000	1.000	1.000	1.000
SALES VOLUME (PB, TPY)	7460.	7460.	7460.	7460.	7460.	7460.	7460.
UNIT SALES PRICE (\$/T)	-0.5780	-0.5780	-0.5780	-0.5780	-0.5780	-0.5780	-0.5780
SALES REVENUE	-4312.	-4312.	-4312.	-4312.	-4312.	-4312.	-4312.
W/O RATED CAPACITY (ZN, TPY)	81020.	81020.	81020.	81020.	81020.	81020.	81020.
CAPACITY UTILIZATION	1.000	1.000	1.000	1.000	1.000	1.000	1.000
SALES VOLUME (ZN, TPY)	81020.	81020.	81020.	81020.	81020.	81020.	81020.
UNIT SALES PRICE (\$/T)	-0.2460	-0.2460	-0.2460	-0.2460	-0.2460	-0.2460	-0.2460
SALES REVENUE	-19931.	-19931.	-19931.	-19931.	-19931.	-19931.	-19931.
TOTAL SALES REVENUE	1998.	1998.	1998.	1998.	1998.	1998.	1998.
SALES TAX ON REVENUE	0.	0.	0.	0.	0.	0.	0.

\*\*\* MINE POLLUTION ASSESSMENT PROJECT, POTOSI \*\*\*  
 INCOME STATEMENTS  
 - BASE CASE 8 -  
 (US\$, 1000)

YEAR	-1	0	1	2	3	4	5	6	7	8
OPERATING INCOME	0.	0.	1998.	1998.	1998.	1998.	1998.	1998.	1998.	1998.
TOTAL SALES REVENUE	0.	0.	1998.	1998.	1998.	1998.	1998.	1998.	1998.	1998.
SALES TAX ON REVENUE	0.	0.	0.	0.	0.	0.	0.	0.	0.	0.
COST OF SALES	0.	0.	2090.	2090.	2090.	2090.	2090.	2090.	2090.	2090.
DIRECT COST	0.	0.	0.	0.	0.	0.	0.	0.	0.	0.
INDIRECT COST	0.	0.	-63.	-63.	-63.	-63.	-63.	-63.	-63.	-63.
DEPRECIATION AND AMORTIZATION	0.	0.	2153.	2153.	2153.	2153.	2153.	2153.	2153.	2153.
INC. IN PRODUCT INVENTORY	0.	0.	0.	0.	0.	0.	0.	0.	0.	0.
GROSS PROFIT ON SALES	0.	0.	-92.	-92.	-92.	-92.	-92.	-92.	-92.	-92.
SALES EXPENSES	0.	0.	0.	0.	0.	0.	0.	0.	0.	0.
OPERATING PROFIT	0.	0.	-92.	-92.	-92.	-92.	-92.	-92.	-92.	-92.
NON-OPERATING EXPENSES	0.	0.	1938.	2012.	2093.	2182.	2281.	2389.	2508.	2638.
INTEREST ON LONG TERM DEBT	0.	0.	1938.	1809.	1680.	1550.	1421.	1292.	1163.	1034.
INTEREST ON SHORT TERM DEBT	0.	0.	0.	203.	413.	632.	859.	1097.	1345.	1605.
NET PROFIT OR (LOSS) BEFORE TAX	0.	0.	-2030.	-2104.	-2185.	-2275.	-2373.	-2481.	-2600.	-2731.
INCOME TAX	0.	0.	0.	0.	0.	0.	0.	0.	0.	0.
NET PROFIT OR (LOSS) AFTER TAX	0.	0.	-2030.	-2104.	-2185.	-2275.	-2373.	-2481.	-2600.	-2731.
DIVIDENDS	0.	0.	0.	0.	0.	0.	0.	0.	0.	0.
RETAINED EARNINGS	0.	0.	-2030.	-2104.	-2185.	-2275.	-2373.	-2481.	-2600.	-2731.

\*\*\* NINE POLLUTION ASSESSMENT PROJECT, POTOSI \*\*\*  
 INCOME STATEMENTS  
 - BASE CASE B - (US\$, 1000)

YEAR	9	10	11	12	13	14	15
OPERATING INCOME	1998.	1998.	1998.	1998.	1998.	1998.	1998.
TOTAL SALES REVENUE	0.	0.	0.	0.	0.	0.	0.
SALES TAX ON REVENUE	0.	0.	0.	0.	0.	0.	0.
COST OF SALES	2090.	2090.	2090.	2090.	2090.	2090.	2090.
DIRECT COST	0.	0.	0.	0.	0.	0.	0.
INDIRECT COST	-63.	-63.	-63.	-63.	-63.	-63.	-63.
DEPRECIATION AND AMORTIZATION	2153.	2153.	2153.	2153.	2153.	2153.	2153.
INC. IN PRODUCT INVENTORY	0.	0.	0.	0.	0.	0.	0.
GROSS PROFIT ON SALES	-92.	-92.	-92.	-92.	-92.	-92.	-92.
SALES EXPENSES	0.	0.	0.	0.	0.	0.	0.
OPERATING PROFIT	-92.	-92.	-92.	-92.	-92.	-92.	-92.
NON-OPERATING EXPENSES	2782.	2941.	3115.	3306.	3517.	3749.	4004.
INTEREST ON LONG TERM DEBT	904.	775.	646.	517.	388.	258.	129.
INTEREST ON SHORT TERM DEBT	1878.	2165.	2469.	2789.	3129.	3490.	3874.
NET PROFIT OR (LOSS) BEFORE TAX	-2875.	-3033.	-3207.	-3399.	-3609.	-3841.	-4096.
INCOME TAX	0.	0.	0.	0.	0.	0.	0.
NET PROFIT OR (LOSS) AFTER TAX	-2875.	-3033.	-3207.	-3399.	-3609.	-3841.	-4096.
DIVIDENDS	0.	0.	0.	0.	0.	0.	0.
RETAINED EARNINGS	-2875.	-3033.	-3207.	-3399.	-3609.	-3841.	-4096.

\*\*\* MINE POLLUTION ASSESSMENT PROJECT, POTOSI \*\*\*  
 LONG TERM DEBT  
 - BASE CASE B - (US\$, 1000)

YEAR	SER. NO	PRINCIPAL	INTEREST	DEBT SERVICE	BALANCE AFT. PAYMENT
-1	1	0.	0.	0.	16150.
0	2	0.	0.	0.	32300.
1	3	2153.	1938.	4091.	30147.
2	4	2153.	1809.	3962.	27993.
3	5	2153.	1680.	3833.	25840.
4	6	2153.	1550.	3704.	23687.
5	7	2153.	1421.	3575.	21533.
6	8	2153.	1292.	3445.	19380.
7	9	2153.	1163.	3316.	17227.
8	10	2153.	1034.	3187.	15073.
9	11	2153.	904.	3058.	12920.
10	12	2153.	775.	2929.	10767.
11	13	2153.	646.	2799.	8613.
12	14	2153.	517.	2670.	6460.
13	15	2153.	388.	2541.	4307.
14	16	2153.	258.	2412.	2153.
15	17	2153.	129.	2283.	0.
TOTAL		32300.	15504.	47804.	0.

\*\*\* MINE POLLUTION ASSESSMENT PROJECT, POTOSI \*\*\*  
 FINANCIAL RATE OF RETURN ('98 FIXED PRICE)  
 - BASE CASE B - (US\$, 1000)

YEAR	FIXED CAPITAL EXPEND.	CHANGE IN (1) WORKING CAPITAL	GROSS CAPITAL EXPENDTR	OPERATING PROFIT	DEPRECIATN	GROSS CASH IN-FLOW	INCOME TAX	BFR-TAX NET IN-FLOW (2)-(1)	AFT-TAX NET IN-FLOW (4)-(3)
-1	15175.	0.	15175.	0.	0.	0.	0.	-15175.	-15175.
0	15175.	0.	15175.	0.	0.	0.	0.	-15175.	-15175.
1	0.	0.	0.	-92.	2153.	2061.	0.	2061.	2061.
2	0.	0.	0.	-92.	2153.	2061.	0.	2061.	2061.
3	0.	0.	0.	-92.	2153.	2061.	0.	2061.	2061.
4	0.	0.	0.	-92.	2153.	2061.	0.	2061.	2061.
5	0.	0.	0.	-92.	2153.	2061.	0.	2061.	2061.
6	0.	0.	0.	-92.	2153.	2061.	0.	2061.	2061.
7	0.	0.	0.	-92.	2153.	2061.	0.	2061.	2061.
8	0.	0.	0.	-92.	2153.	2061.	0.	2061.	2061.
9	0.	0.	0.	-92.	2153.	2061.	0.	2061.	2061.
10	0.	0.	0.	-92.	2153.	2061.	0.	2061.	2061.
11	0.	0.	0.	-92.	2153.	2061.	0.	2061.	2061.
12	0.	0.	0.	-92.	2153.	2061.	0.	2061.	2061.
13	0.	0.	0.	-92.	2153.	2061.	0.	2061.	2061.
14	0.	0.	0.	-92.	2153.	2061.	0.	2061.	2061.
15	-0.	0.	-0.	-92.	2153.	2061.	0.	2061.	2061.
	30350.	0.	30350.	-1385.	32300.	30915.	0.	565.	565.

INTERNAL RATE OF RETURN

ON (4) BFR-TAX NET IN-FLOW (2)-(1) 0.22 PER CENT

ON (5) AFT-TAX NET IN-FLOW (4)-(3) 0.22 PER CENT

FINANCIAL STATEMENTS  
ON  
BASE CASE C

- Production and Sales Plan
- Income Statements
- Long-term Loan Repayment Schedule
- Financial Internal Rate of Return



\*\*\* MINE POLLUTION ASSESSMENT PROJECT, POTOSI \*\*\*  
 PRODUCTION AND SALES PLAN  
 - BASE CASE C -  
 (US\$, 1000)

YEAR	-1	0	1	2	3	4	5	6	7	8
RATED CAPACITY (ORE, TPY)	0.	0.	495000.	495000.	495000.	495000.	495000.	495000.	495000.	495000.
CAPACITY UTILIZATION	0.0	0.0	1.000	1.000	1.000	1.000	1.000	1.000	1.000	1.000
PRODUCTION (ORE, TPY)	0.	0.	495000.	495000.	495000.	495000.	495000.	495000.	495000.	495000.
RATED CAPACITY (PB, TPY)	0.0	0.0	7920.	7920.	7920.	7920.	7920.	7920.	7920.	7920.
CAPACITY UTILIZATION	0.	0.	1.000	1.000	1.000	1.000	1.000	1.000	1.000	1.000
PRODUCTION (PB, TPY)	0.	0.	7920.	7920.	7920.	7920.	7920.	7920.	7920.	7920.
INCREASE IN INVENTORY	0.	0.	0.	0.	0.	0.	0.	0.	0.	0.
SALES VOLUME (PB, TPY)	0.0	0.0	7920.	7920.	7920.	7920.	7920.	7920.	7920.	7920.
UNIT SALES PRICE (\$/T)	0.0	0.0	0.7050	0.7050	0.7050	0.7050	0.7050	0.7050	0.7050	0.7050
SALES REVENUE	0.	0.	5584.	5584.	5584.	5584.	5584.	5584.	5584.	5584.
RATED CAPACITY (ZN, TPY)	0.	0.	86630.	86630.	86630.	86630.	86630.	86630.	86630.	86630.
CAPACITY UTILIZATION	0.0	0.0	1.000	1.000	1.000	1.000	1.000	1.000	1.000	1.000
PRODUCTION (ZN, TPY)	0.	0.	86630.	86630.	86630.	86630.	86630.	86630.	86630.	86630.
INCREASE IN INVENTORY	0.	0.	0.	0.	0.	0.	0.	0.	0.	0.
SALES VOLUME (ZN, TPY)	0.0	0.0	86630.	86630.	86630.	86630.	86630.	86630.	86630.	86630.
UNIT SALES PRICE (\$/T)	0.0	0.0	0.2600	0.2600	0.2600	0.2600	0.2600	0.2600	0.2600	0.2600
SALES REVENUE	0.	0.	22524.	22524.	22524.	22524.	22524.	22524.	22524.	22524.
RATED CAPACITY (SN, TPY)	0.	0.	10820.	10820.	10820.	10820.	10820.	10820.	10820.	10820.
CAPACITY UTILIZATION	0.0	0.0	1.000	1.000	1.000	1.000	1.000	1.000	1.000	1.000
PRODUCTION (SN, TPY)	0.	0.	10820.	10820.	10820.	10820.	10820.	10820.	10820.	10820.
INCREASE IN INVENTORY	0.	0.	0.	0.	0.	0.	0.	0.	0.	0.
SALES VOLUME (SN, TPY)	0.0	0.0	10820.	10820.	10820.	10820.	10820.	10820.	10820.	10820.
UNIT SALES PRICE (\$/T)	0.0	0.0	0.1030	0.1030	0.1030	0.1030	0.1030	0.1030	0.1030	0.1030
SALES REVENUE	0.	0.	1114.	1114.	1114.	1114.	1114.	1114.	1114.	1114.
TOTAL SALES REVENUE	0.	0.	29222.	29222.	29222.	29222.	29222.	29222.	29222.	29222.
SALES TAX ON REVENUE	0.	0.	0.	0.	0.	0.	0.	0.	0.	0.

\*\*\* MINE POLLUTION ASSESSMENT PROJECT, POTOSI \*\*\*  
 PRODUCTION AND SALES PLAN  
 - BASE CASE C -  
 (US\$, 1000)

	9	10	11	12	13	14	15
RATED CAPACITY (ORE, TPY)	495000.	495000.	495000.	495000.	495000.	495000.	495000.
CAPACITY UTILIZATION	1.000	1.000	1.000	1.000	1.000	1.000	1.000
PRODUCTION (ORE, TPY)	495000.	495000.	495000.	495000.	495000.	495000.	495000.
RATED CAPACITY (PB, TPY)	7920.	7920.	7920.	7920.	7920.	7920.	7920.
CAPACITY UTILIZATION	1.000	1.000	1.000	1.000	1.000	1.000	1.000
PRODUCTION (PB, TPY)	7920.	7920.	7920.	7920.	7920.	7920.	7920.
INCREASE IN INVENTORY	0.	0.	0.	0.	0.	0.	0.
SALES VOLUME (PB, TPY)	7920.	7920.	7920.	7920.	7920.	7920.	7920.
UNIT SALES PRICE (\$/T)	0.7050	0.7050	0.7050	0.7050	0.7050	0.7050	0.7050
SALES REVENUE	5584.	5584.	5584.	5584.	5584.	5584.	5584.
RATED CAPACITY (ZN, TPY)	86630.	86630.	86630.	86630.	86630.	86630.	86630.
CAPACITY UTILIZATION	1.000	1.000	1.000	1.000	1.000	1.000	1.000
PRODUCTION (ZN, TPY)	86630.	86630.	86630.	86630.	86630.	86630.	86630.
INCREASE IN INVENTORY	0.	0.	0.	0.	0.	0.	0.
SALES VOLUME (ZN, TPY)	86630.	86630.	86630.	86630.	86630.	86630.	86630.
UNIT SALES PRICE (\$/T)	0.2600	0.2600	0.2600	0.2600	0.2600	0.2600	0.2600
SALES REVENUE	22524.	22524.	22524.	22524.	22524.	22524.	22524.
RATED CAPACITY (SN, TPY)	10820.	10820.	10820.	10820.	10820.	10820.	10820.
CAPACITY UTILIZATION	1.000	1.000	1.000	1.000	1.000	1.000	1.000
PRODUCTION (SN, TPY)	10820.	10820.	10820.	10820.	10820.	10820.	10820.
INCREASE IN INVENTORY	0.	0.	0.	0.	0.	0.	0.
SALES VOLUME (SN, TPY)	10820.	10820.	10820.	10820.	10820.	10820.	10820.
UNIT SALES PRICE (\$/T)	0.1030	0.1030	0.1030	0.1030	0.1030	0.1030	0.1030
SALES REVENUE	1114.	1114.	1114.	1114.	1114.	1114.	1114.
TOTAL SALES REVENUE	29222.	29222.	29222.	29222.	29222.	29222.	29222.
SALES TAX ON REVENUE	0.	0.	0.	0.	0.	0.	0.

\*\*\*\* MINE POLLUTION ASSESSMENT PROJECT, POTOSI \*\*\*\*  
 INCOME STATEMENTS  
 - BASE CASE C -  
 (US\$, 1000)

YEAR	-1	0	1	2	3	4	5	6	7	8
OPERATING INCOME	0.	0.	29222.	29222.	29222.	29222.	29222.	29222.	29222.	29222.
TOTAL SALES REVENUE	0.	0.	29222.	29222.	29222.	29222.	29222.	29222.	29222.	29222.
SALES TAX ON REVENUE	0.	0.	0.	0.	0.	0.	0.	0.	0.	0.
COST OF SALES	0.	0.	24083.	24083.	24083.	24083.	24083.	24083.	24083.	24083.
DIRECT COST	0.	0.	17424.	17424.	17424.	17424.	17424.	17424.	17424.	17424.
INDIRECT COST	0.	0.	3211.	3211.	3211.	3211.	3211.	3211.	3211.	3211.
DEPRECIATION AND AMORTIZATION	0.	0.	3448.	3448.	3448.	3448.	3448.	3448.	3448.	3448.
INC. IN PRODUCT INVENTORY	0.	0.	0.	0.	0.	0.	0.	0.	0.	0.
GROSS PROFIT ON SALES	0.	0.	5139.	5139.	5139.	5139.	5139.	5139.	5139.	5139.
SALES EXPENSES	0.	0.	0.	0.	0.	0.	0.	0.	0.	0.
OPERATING PROFIT	0.	0.	5139.	5139.	5139.	5139.	5139.	5139.	5139.	5139.
NON-OPERATING EXPENSES	0.	0.	3103.	2896.	2689.	2483.	2276.	2069.	1862.	1655.
INTEREST ON LONG TERM DEBT	0.	0.	3103.	2896.	2689.	2483.	2276.	2069.	1862.	1655.
INTEREST ON SHORT TERM DEBT	0.	0.	0.	0.	0.	0.	0.	0.	0.	0.
NET PROFIT OR (LOSS) BEFORE TAX	0.	0.	2036.	2243.	2450.	2657.	2863.	3070.	3277.	3484.
INCOME TAX	0.	0.	509.	561.	612.	664.	716.	768.	819.	871.
NET PROFIT OR (LOSS) AFTER TAX	0.	0.	1527.	1682.	1837.	1992.	2148.	2303.	2458.	2613.
DIVIDENDS	0.	0.	0.	0.	0.	0.	0.	0.	0.	0.
RETAINED EARNINGS	0.	0.	1527.	1682.	1837.	1992.	2148.	2303.	2458.	2613.

\*\*\* MINE POLLUTION ASSESSMENT PROJECT. POTOSI \*\*\*  
 INCOME STATEMENTS  
 - BASE CASE C -  
 (US\$, 1000)

YEAR	9	10	11	12	13	14	15
OPERATING INCOME	29222.	29222.	29222.	29222.	29222.	29222.	29222.
TOTAL SALES REVENUE	29222.	29222.	29222.	29222.	29222.	29222.	29222.
SALES TAX ON REVENUE	0.	0.	0.	0.	0.	0.	0.
COST OF SALES	24083.	24083.	24083.	24083.	24083.	24083.	24083.
DIRECT COST	17424.	17424.	17424.	17424.	17424.	17424.	17424.
INDIRECT COST	3211.	3211.	3211.	3211.	3211.	3211.	3211.
DEPRECIATION AND AMORTIZATION	3448.	3448.	3448.	3448.	3448.	3448.	3448.
INC. IN PRODUCT INVENTORY	0.	0.	0.	0.	0.	0.	0.
GROSS PROFIT ON SALES	5139.	5139.	5139.	5139.	5139.	5139.	5139.
SALES EXPENSES	0.	0.	0.	0.	0.	0.	0.
OPERATING PROFIT	5139.	5139.	5139.	5139.	5139.	5139.	5139.
NON-OPERATING EXPENSES	1448.	1241.	1034.	828.	621.	414.	207.
INTEREST ON LONG TERM DEBT	1448.	1241.	1034.	828.	621.	414.	207.
INTEREST ON SHORT TERM DEBT	0.	0.	0.	0.	0.	0.	0.
NET PROFIT OR (LOSS) BEFORE TAX	3691.	3898.	4105.	4312.	4518.	4725.	4932.
INCOME TAX	923.	974.	1026.	1078.	1130.	1181.	1233.
NET PROFIT OR (LOSS) AFTER TAX	2768.	2923.	3079.	3234.	3389.	3544.	3699.
DIVIDENDS	0.	0.	0.	0.	0.	0.	0.
RETAINED EARNINGS	2768.	2923.	3079.	3234.	3389.	3544.	3699.

\*\*\* MINE POLLUTION ASSESSMENT PROJECT, POTOSI \*\*\*  
 LONG TERM DEBT  
 - BASE CASE C - (US\$, 1000)

AMOUNT OF DEBT 51720.  
 INTEREST RATE 6.000 PER CENT/YEAR  
 REPAYMENT 15 YEAR-EQUAL-INSTALLMENT-REPAYMENT (ANNUAL REPAYMENT)

YEAR	SER. NO	PRINCIPAL	INTEREST	DEBT SERVICE	BALANCE AFT. PAYMENT
-1	1	0.	0.	0.	25860.
0	2	0.	0.	0.	51720.
1	3	3448.	3103.	6551.	48272.
2	4	3448.	2896.	6344.	44824.
3	5	3448.	2689.	6137.	41376.
4	6	3448.	2483.	5931.	37928.
5	7	3448.	2276.	5724.	34480.
6	8	3448.	2069.	5517.	31032.
7	9	3448.	1862.	5310.	27584.
8	10	3448.	1655.	5103.	24136.
9	11	3448.	1448.	4896.	20688.
10	12	3448.	1241.	4689.	17240.
11	13	3448.	1034.	4482.	13792.
12	14	3448.	828.	4276.	10344.
13	15	3448.	621.	4069.	6896.
14	16	3448.	414.	3862.	3448.
15	17	3448.	207.	3655.	0.
TOTAL		51720.	24826.	76546.	0.

\*\*\* MINE POLLUTION ASSESSMENT PROJECT POTIOSI \*\*\*  
 FINANCIAL RATE OF RETURN ('98 FIXED PRICE)  
 - BASE CASE C - (US\$, 1000)

YEAR	FIXED CAPITAL EXPEND.	CHANGE IN WORKING CAPITAL	(1) GROSS CAPITAL EXPENDR	OPERATING PROFIT	DEPRECIATION	(2) GROSS CASH IN-FLOW	(3) INCOME TAX	(4) BFR-TAX NET IN-FLOW (2)-(1)	(5) AFT-TAX NET IN-FLOW (4)-(3)
-1	24295.	0.	24295.	0.	0.	0.	0.	-24295.	-24295.
0	24295.	0.	24295.	0.	0.	0.	0.	-24295.	-24295.
1	0.	0.	0.	5139.	3448.	8587.	509.	8587.	8078.
2	0.	0.	0.	5139.	3448.	8587.	561.	8587.	8026.
3	0.	0.	0.	5139.	3448.	8587.	612.	8587.	7975.
4	0.	0.	0.	5139.	3448.	8587.	664.	8587.	7923.
5	0.	0.	0.	5139.	3448.	8587.	716.	8587.	7871.
6	0.	0.	0.	5139.	3448.	8587.	768.	8587.	7820.
7	0.	0.	0.	5139.	3448.	8587.	819.	8587.	7768.
8	0.	0.	0.	5139.	3448.	8587.	871.	8587.	7716.
9	0.	0.	0.	5139.	3448.	8587.	923.	8587.	7664.
10	0.	0.	0.	5139.	3448.	8587.	974.	8587.	7613.
11	0.	0.	0.	5139.	3448.	8587.	1026.	8587.	7561.
12	0.	0.	0.	5139.	3448.	8587.	1078.	8587.	7509.
13	0.	0.	0.	5139.	3448.	8587.	1130.	8587.	7457.
14	0.	0.	0.	5139.	3448.	8587.	1181.	8587.	7406.
15	-0.	0.	-0.	5139.	3448.	8587.	1233.	8587.	7354.
	48590.	0.	48590.	77087.	51720.	128806.	13065.	80217.	67151.

INTERNAL RATE OF RETURN

ON (4) BFR-TAX NET IN-FLOW (2)-(1) 14.26 PER CENT

ON (5) AFT-TAX NET IN-FLOW (4)-(3) 12.59 PER CENT

ANNEX

ECONOMIC ANALYSIS CALCULATION SHEET  
ON  
OVERALL CASE AND SINGLE CASE

- Economic Internal Rate of Return

\*\*\* MINE POLLUTION ASSESSMENT PROJECT, POTOSI \*\*\*  
 ECONOMIC RATE OF RETURN 1 ('98 FIXED PRICE)  
 - OVERALL CASE C - (US\$ 1000)

YEAR	FIXED CAPITAL EXPEND.	OPERATING COST	(1) TOTAL CASH OUT-FLOW	DIRECT BENEFIT	INDIRECT BENEFIT	(2) TOTAL CASH IN-FLOW	(3) INCOME TAX	(4) BFR-TAX NET IN-FLOW (2)-(1)	(5) AFT-TAX NET IN-FLOW (4)-(3)
-1	24295.	0.	24295.	0.	0.	0.	0.	-24295.	-24295.
0	24295.	0.	24295.	0.	0.	0.	0.	-24295.	-24295.
1	0.	20635.	20635.	29222.	0.	29222.	0.	8587.	8587.
2	0.	20635.	20635.	29222.	0.	29222.	0.	8587.	8587.
3	0.	20635.	20635.	29222.	0.	29222.	0.	8587.	8587.
4	0.	20635.	20635.	29222.	0.	29222.	0.	8587.	8587.
5	0.	20635.	20635.	29222.	0.	29222.	0.	8587.	8587.
6	0.	20635.	20635.	29222.	0.	29222.	0.	8587.	8587.
7	0.	20635.	20635.	29222.	0.	29222.	0.	8587.	8587.
8	0.	20635.	20635.	29222.	0.	29222.	0.	8587.	8587.
9	0.	20635.	20635.	29222.	0.	29222.	0.	8587.	8587.
10	0.	20635.	20635.	29222.	0.	29222.	0.	8587.	8587.
11	0.	20635.	20635.	29222.	0.	29222.	0.	8587.	8587.
12	0.	20635.	20635.	29222.	0.	29222.	0.	8587.	8587.
13	0.	20635.	20635.	29222.	0.	29222.	0.	8587.	8587.
14	0.	20635.	20635.	29222.	0.	29222.	0.	8587.	8587.
15	-0.	20635.	20635.	29222.	0.	29222.	0.	8587.	8587.
	48590.	309521.	358110.	438327.	0.	438327.	0.	80217.	80217.

INTERNAL RATE OF RETURN

ON (4) BFR-TAX NET IN-FLOW (2)-(1) 14.26 PER CENT

ON (5) AFT-TAX NET IN-FLOW (4)-(3) 14.26 PER CENT



\*\*\* NINE POLLUTION ASSESSMENT PROJECT, POTOSI \*\*\*  
 ECONOMIC RATE OF RETURN 1 ('98 FIXED PRICE)  
 - OVERALL CASE D-1 - (US\$, 1000)

YEAR	FIXED CAPITAL EXPEND.	OPERATING COST	(1) TOTAL CASH OUT-FLOW	DIRECT BENEFIT	INDIRECT BENEFIT	(2) TOTAL CASH IN-FLOW	(3) INCOME TAX	(4) BFR-TAX NET IN-FLOW (2)-(1)	(5) AFT-TAX NET IN-FLOW (4)-(3)
-1	27545.	0.	27545.	0.	0.	0.	0.	-27545.	-27545.
0	27545.	0.	27545.	0.	0.	0.	0.	-27545.	-27545.
1	0.	21285.	21285.	29222.	1571.	30793.	0.	9508.	9508.
2	0.	21285.	21285.	29222.	1571.	30793.	0.	9508.	9508.
3	0.	21285.	21285.	29222.	1571.	30793.	0.	9508.	9508.
4	0.	21285.	21285.	29222.	1571.	30793.	0.	9508.	9508.
5	0.	21285.	21285.	29222.	1571.	30793.	0.	9508.	9508.
6	0.	21285.	21285.	29222.	1571.	30793.	0.	9508.	9508.
7	0.	21285.	21285.	29222.	1571.	30793.	0.	9508.	9508.
8	0.	21285.	21285.	29222.	1571.	30793.	0.	9508.	9508.
9	0.	21285.	21285.	29222.	1571.	30793.	0.	9508.	9508.
10	0.	21285.	21285.	29222.	1571.	30793.	0.	9508.	9508.
11	0.	21285.	21285.	29222.	1571.	30793.	0.	9508.	9508.
12	0.	21285.	21285.	29222.	1571.	30793.	0.	9508.	9508.
13	0.	21285.	21285.	29222.	1571.	30793.	0.	9508.	9508.
14	0.	21285.	21285.	29222.	1571.	30793.	0.	9508.	9508.
15	-0.	21285.	21285.	29222.	1571.	30793.	0.	9508.	9508.
	55090.	319271.	374360.	438327.	23565.	461892.	0.	87532.	87532.

INTERNAL RATE OF RETURN

ON (4) BFR-TAX NET IN-FLOW (2)-(1) 13.83 PER CENT

ON (5) AFT-TAX NET IN-FLOW (4)-(3) 13.83 PER CENT

\*\*\*\* MINE POLLUTION ASSESSMENT PROJECT, POTOSI \*\*\*\*  
 ECONOMIC RATE OF RETURN 1 ('98 FIXED PRICE)  
 - OVERALL CASE D-2 -  
 (US\$ 1000)

YEAR	FIXED CAPITAL EXPEND.	OPERATING (1) TOTAL CASH OUT-FLOW	DIRECT BENEFIT	INDIRECT BENEFIT	(2) TOTAL CASH IN-FLOW	(3) INCOME TAX	(4) BFR-TAX NET IN-FLOW (2)-(1)	(5) AFT-TAX NET IN-FLOW (4)-(3)
-1	27545.	0.	0.	0.	0.	0.	-27545.	-27545.
0	27545.	0.	0.	0.	0.	0.	-27545.	-27545.
1	0.	21123.	29222.	366.	29588.	0.	8465.	8465.
2	0.	21123.	29222.	366.	29588.	0.	8465.	8465.
3	0.	21123.	29222.	366.	29588.	0.	8465.	8465.
4	0.	21123.	29222.	366.	29588.	0.	8465.	8465.
5	0.	21123.	29222.	366.	29588.	0.	8465.	8465.
6	0.	21123.	29222.	366.	29588.	0.	8465.	8465.
7	0.	21123.	29222.	366.	29588.	0.	8465.	8465.
8	0.	21123.	29222.	366.	29588.	0.	8465.	8465.
9	0.	21123.	29222.	366.	29588.	0.	8465.	8465.
10	0.	21123.	29222.	366.	29588.	0.	8465.	8465.
11	0.	21123.	29222.	366.	29588.	0.	8465.	8465.
12	0.	21123.	29222.	366.	29588.	0.	8465.	8465.
13	0.	21123.	29222.	366.	29588.	0.	8465.	8465.
14	0.	21123.	29222.	366.	29588.	0.	8465.	8465.
15	-0.	21123.	29222.	366.	29588.	0.	8465.	8465.
	55090.	316841.	438327.	5490.	443817.	0.	71887.	71887.

INTERNAL RATE OF RETURN

ON (4) BFR-TAX NET IN-FLOW (2)-(1) 11.78 PER CENT

ON (5) AFT-TAX NET IN-FLOW (4)-(3) 11.78 PER CENT

\*\*\* MINE POLLUTION ASSESSMENT PROJECT, POTOSI \*\*\*  
 ECONOMIC RATE OF RETURN 1('98 FIXED PRICE)  
 - OVERALL CASE E-1 - (US\$ 1000)

YEAR	FIXED CAPITAL EXPEND.	OPERATING (1) COST	TOTAL CASH OUT-FLOW	DIRECT BENEFIT	INDIRECT BENEFIT	TOTAL CASH IN-FLOW	(3) INCOME TAX	(4) BFR-TAX NET IN-FLOW (2)-(1)	(5) AFT-TAX NET IN-FLOW (4)-(3)
-1	27545.	0.	27545.	0.	0.	0.	0.	-27545.	-27545.
0	27545.	0.	27545.	0.	0.	0.	0.	-27545.	-27545.
1	0.	21935.	21935.	29222.	5253.	34475.	0.	12540.	12540.
2	0.	21935.	21935.	29222.	5253.	34475.	0.	12540.	12540.
3	0.	21935.	21935.	29222.	5253.	34475.	0.	12540.	12540.
4	0.	21935.	21935.	29222.	5253.	34475.	0.	12540.	12540.
5	0.	21935.	21935.	29222.	5253.	34475.	0.	12540.	12540.
6	0.	21935.	21935.	29222.	5253.	34475.	0.	12540.	12540.
7	0.	21935.	21935.	29222.	5253.	34475.	0.	12540.	12540.
8	0.	21935.	21935.	29222.	5253.	34475.	0.	12540.	12540.
9	0.	21935.	21935.	29222.	5253.	34475.	0.	12540.	12540.
10	0.	21935.	21935.	29222.	5253.	34475.	0.	12540.	12540.
11	0.	21935.	21935.	29222.	5253.	34475.	0.	12540.	12540.
12	0.	21935.	21935.	29222.	5253.	34475.	0.	12540.	12540.
13	0.	21935.	21935.	29222.	5253.	34475.	0.	12540.	12540.
14	0.	21935.	21935.	29222.	5253.	34475.	0.	12540.	12540.
15	-0.	21935.	21935.	29222.	5253.	34475.	0.	12540.	12540.
	55090.	329020.	384110.	438327.	78795.	517122.	0.	133011.	133011.

INTERNAL RATE OF RETURN

ON (4) BFR-TAX NET IN-FLOW (2)-(1) 19.29 PER CENT  
 ON (5) AFT-TAX NET IN-FLOW (4)-(3) 19.29 PER CENT

\*\*\* MINE POLLUTION ASSESSMENT PROJECT, POTOSI \*\*\*  
 ECONOMIC RATE OF RETURN 1 ('98 FIXED PRICE)  
 - OVERALL CASE E-2 - (US\$ 1000)

YEAR	FIXED CAPITAL EXPEND.	OPERATING (1) TOTAL CASH OUT-FLOW	DIRECT BENEFIT	INDIRECT BENEFIT	(2) TOTAL CASH IN-FLOW	(3) INCOME TAX	(4) BFR-TAX NET IN-FLOW (2)-(1)	(5) AFT-TAX NET IN-FLOW (4)-(3)
-1	27545.	0.	0.	0.	0.	0.	-27545.	-27545.
0	27545.	0.	0.	0.	0.	0.	-27545.	-27545.
1	0.	21285.	29222.	1499.	30721.	0.	9436.	9436.
2	0.	21285.	29222.	1499.	30721.	0.	9436.	9436.
3	0.	21285.	29222.	1499.	30721.	0.	9436.	9436.
4	0.	21285.	29222.	1499.	30721.	0.	9436.	9436.
5	0.	21285.	29222.	1499.	30721.	0.	9436.	9436.
6	0.	21285.	29222.	1499.	30721.	0.	9436.	9436.
7	0.	21285.	29222.	1499.	30721.	0.	9436.	9436.
8	0.	21285.	29222.	1499.	30721.	0.	9436.	9436.
9	0.	21285.	29222.	1499.	30721.	0.	9436.	9436.
10	0.	21285.	29222.	1499.	30721.	0.	9436.	9436.
11	0.	21285.	29222.	1499.	30721.	0.	9436.	9436.
12	0.	21285.	29222.	1499.	30721.	0.	9436.	9436.
13	0.	21285.	29222.	1499.	30721.	0.	9436.	9436.
14	0.	21285.	29222.	1499.	30721.	0.	9436.	9436.
15	-0.	21285.	29222.	1499.	30721.	0.	9436.	9436.
	55090.	319271.	438327.	22485.	460812.	0.	86452.	86452.

INTERNAL RATE OF RETURN

ON (4) BFR-TAX NET IN-FLOW (2)-(1) 13.69 PER CENT

ON (5) AFT-TAX NET IN-FLOW (4)-(3) 13.69 PER CENT

\*\*\* MINE POLLUTION ASSESSMENT PROJECT, POTOSI \*\*\*  
 ECONOMIC RATE OF RETURN 2 ('98 FIXED PRICE)  
 - SINGLE CASE D-1 -  
 (US\$ 1000)

YEAR	FIXED CAPITAL EXPEND.	OPERATING COST	(1) TOTAL CASH OUT-FLOW	BENEFIT AGRICULTURE	BENEFIT BREEDING	(2) TOTAL CASH IN-FLOW	(3) INCOME TAX	(4) BFR-TAX NET IN-FLOW (2)-(1)	(5) AFT-TAX NET IN-FLOW (4)-(3)
-1	3250.	0.	3250.	0.	0.	0.	0.	-3250.	-3250.
0	3250.	0.	3250.	0.	0.	0.	0.	-3250.	-3250.
1	0.	650.	650.	1060.	511.	1571.	0.	921.	921.
2	0.	650.	650.	1060.	511.	1571.	0.	921.	921.
3	0.	650.	650.	1060.	511.	1571.	0.	921.	921.
4	0.	650.	650.	1060.	511.	1571.	0.	921.	921.
5	0.	650.	650.	1060.	511.	1571.	0.	921.	921.
6	0.	650.	650.	1060.	511.	1571.	0.	921.	921.
7	0.	650.	650.	1060.	511.	1571.	0.	921.	921.
8	0.	650.	650.	1060.	511.	1571.	0.	921.	921.
9	0.	650.	650.	1060.	511.	1571.	0.	921.	921.
10	0.	650.	650.	1060.	511.	1571.	0.	921.	921.
11	0.	650.	650.	1060.	511.	1571.	0.	921.	921.
12	0.	650.	650.	1060.	511.	1571.	0.	921.	921.
13	0.	650.	650.	1060.	511.	1571.	0.	921.	921.
14	0.	650.	650.	1060.	511.	1571.	0.	921.	921.
15	-0.	650.	650.	1060.	511.	1571.	0.	921.	921.
	6500.	9750.	16250.	15900.	7665.	23565.	0.	7315.	7315.

INTERNAL RATE OF RETURN

ON (4) BFR-TAX NET IN-FLOW (2)-(1) 10.42 PER CENT  
 ON (5) AFT-TAX NET IN-FLOW (4)-(3) 10.42 PER CENT

\*\*\* MINE POLLUTION ASSESSMENT PROJECT, POTOSI \*\*\*  
 ECONOMIC RATE OF RETURN 2 ('98 FIXED PRICE)  
 - SINGLE CASE D-2 - (US\$ 1000)

YEAR	FIXED CAPITAL EXPEND.	OPERATING COST	(1) TOTAL CASH OUT-FLOW	BENEFIT AGRICULTURE	BENEFIT BREEDING	(2) TOTAL CASH IN-FLOW	(3) INCOME TAX	(4) BFR-TAX NET IN-FLOW	(5) AFT-TAX NET IN-FLOW
							(2)-(1)	(4)-(3)	
-1	3250.	0.	3250.	0.	0.	0.	-3250.	-3250.	-3250.
0	3250.	0.	3250.	0.	0.	0.	-3250.	-3250.	-3250.
1	0.	488.	488.	162.	204.	366.	-122.	-122.	-122.
2	0.	488.	488.	162.	204.	366.	-122.	-122.	-122.
3	0.	488.	488.	162.	204.	366.	-122.	-122.	-122.
4	0.	488.	488.	162.	204.	366.	-122.	-122.	-122.
5	0.	488.	488.	162.	204.	366.	-122.	-122.	-122.
6	0.	488.	488.	162.	204.	366.	-122.	-122.	-122.
7	0.	488.	488.	162.	204.	366.	-122.	-122.	-122.
8	0.	488.	488.	162.	204.	366.	-122.	-122.	-122.
9	0.	488.	488.	162.	204.	366.	-122.	-122.	-122.
10	0.	488.	488.	162.	204.	366.	-122.	-122.	-122.
11	0.	488.	488.	162.	204.	366.	-122.	-122.	-122.
12	0.	488.	488.	162.	204.	366.	-122.	-122.	-122.
13	0.	488.	488.	162.	204.	366.	-122.	-122.	-122.
14	0.	488.	488.	162.	204.	366.	-122.	-122.	-122.
15	-0.	488.	488.	162.	204.	366.	-122.	-122.	-122.
	6500.	7320.	13820.	2430.	3060.	5490.	-8330.	-8330.	-8330.

\*\*\*\*\* IRR CAN NOT BE OBTAINED, BECAUSE OF EXTREMELY HIGH OR LOW \*\*\*\*\*

\*\*\* MINE POLLUTION ASSESSMENT PROJECT, POTOSI \*\*\*  
 ECONOMIC RATE OF RETURN 2('98 FIXED PRICE)  
 - SINGLE CASE E-1 -  
 (US\$ 1000)

YEAR	FIXED CAPITAL EXPEND.	OPERATING COST	TOTAL CASH OUT-FLOW	BENEFIT AGRICULTURE	BENEFIT BREEDING	TOTAL CASH IN-FLOW	INCOME TAX	BFR-TAX NET IN-FLOW	AFT-TAX NET IN-FLOW
			(1)	(2)	(3)	(4)	(5)	(2)-(1)	(4)-(3)
-1	3250.	0.	3250.	0.	0.	0.	0.	-3250.	-3250.
0	3250.	0.	3250.	0.	0.	0.	0.	-3250.	-3250.
1	0.	1300.	1300.	2372.	2881.	5253.	0.	3953.	3953.
2	0.	1300.	1300.	2372.	2881.	5253.	0.	3953.	3953.
3	0.	1300.	1300.	2372.	2881.	5253.	0.	3953.	3953.
4	0.	1300.	1300.	2372.	2881.	5253.	0.	3953.	3953.
5	0.	1300.	1300.	2372.	2881.	5253.	0.	3953.	3953.
6	0.	1300.	1300.	2372.	2881.	5253.	0.	3953.	3953.
7	0.	1300.	1300.	2372.	2881.	5253.	0.	3953.	3953.
8	0.	1300.	1300.	2372.	2881.	5253.	0.	3953.	3953.
9	0.	1300.	1300.	2372.	2881.	5253.	0.	3953.	3953.
10	0.	1300.	1300.	2372.	2881.	5253.	0.	3953.	3953.
11	0.	1300.	1300.	2372.	2881.	5253.	0.	3953.	3953.
12	0.	1300.	1300.	2372.	2881.	5253.	0.	3953.	3953.
13	0.	1300.	1300.	2372.	2881.	5253.	0.	3953.	3953.
14	0.	1300.	1300.	2372.	2881.	5253.	0.	3953.	3953.
15	-0.	1300.	1300.	2372.	2881.	5253.	0.	3953.	3953.
	6500.	19500.	26000.	35580.	43215.	78795.	0.	52795.	52795.

INTERNAL RATE OF RETURN

ON (4) BFR-TAX NET IN-FLOW (2)-(1) 48.77 PER CENT

ON (5) AFT-TAX NET IN-FLOW (4)-(3) 48.77 PER CENT

\*\*\* MINE POLLUTION ASSESSMENT PROJECT, POTOSI \*\*\*  
 ECONOMIC RATE OF RETURN 2 ('98 FIXED PRICE)  
 - SINGLE CASE E-2 -  
 (US\$ 1000)

YEAR	FIXED CAPITAL EXPEND.	OPERATING COST	(1) TOTAL CASH OUT-FLOW	BENEFIT AGRICULTURE	BENEFIT BREEDING	(2) TOTAL CASH IN-FLOW	(3) INCOME TAX	(4) BFR-TAX NET IN-FLOW (2)-(1)	(5) AFT-TAX NET IN-FLOW (4)-(3)
-1	3250.	0.	3250.	0.	0.	0.	0.	-3250.	-3250.
0	3250.	0.	3250.	0.	0.	0.	0.	-3250.	-3250.
1	0.	650.	650.	347.	1152.	1499.	0.	849.	849.
2	0.	650.	650.	347.	1152.	1499.	0.	849.	849.
3	0.	650.	650.	347.	1152.	1499.	0.	849.	849.
4	0.	650.	650.	347.	1152.	1499.	0.	849.	849.
5	0.	650.	650.	347.	1152.	1499.	0.	849.	849.
6	0.	650.	650.	347.	1152.	1499.	0.	849.	849.
7	0.	650.	650.	347.	1152.	1499.	0.	849.	849.
8	0.	650.	650.	347.	1152.	1499.	0.	849.	849.
9	0.	650.	650.	347.	1152.	1499.	0.	849.	849.
10	0.	650.	650.	347.	1152.	1499.	0.	849.	849.
11	0.	650.	650.	347.	1152.	1499.	0.	849.	849.
12	0.	650.	650.	347.	1152.	1499.	0.	849.	849.
13	0.	650.	650.	347.	1152.	1499.	0.	849.	849.
14	0.	650.	650.	347.	1152.	1499.	0.	849.	849.
15	-0.	650.	650.	347.	1152.	1499.	0.	849.	849.
	-----	-----	-----	-----	-----	-----	-----	-----	-----
	6500.	9750.	16250.	5205.	17280.	22485.	0.	6235.	6235.

INTERNAL RATE OF RETURN

ON (4) BFR-TAX NET IN-FLOW (2)-(1) 9.12 PER CENT

ON (5) AFT-TAX NET IN-FLOW (4)-(3) 9.12 PER CENT



## ANNEX (8)

### モデルプラント概念設計資料

## 施設設計（機械）/積算

### 1 調査方針

ポトシ市インヘニオを实地調査し、モデル選鉱場の設計に必要な情報を得ると共に、既存インヘニオの設備的改善に関する情報を入手する。

### 2 調査方法

#### 1)既存インヘニオ調査

既設インヘニオ約42社の選鉱場のうち比較的大きなインヘニオを訪問し实地調査を行うと共に、質問票を送付し、回答を得る。

調査項目を下記に示す。

- ・ 工場規模、操業年数の調査
- ・ 設備機器の調査
- ・ 計装設備の調査
- ・ ユーティリティの調査
- ・ 安全対策の調査
- ・ 作業環境の調査
- ・ その他

#### 2)設備価格調査

- ・ 主要機器の見積を取り寄せる。
- ・ 現地で調達できる資機材の調査を行う。

3)上記調査結果を基に、200t/日モデルプラントの概念設計を行い、設備費を見積もる。

### 3 調査結果

#### 1)既設インヘニオ調査

今回の調査期間が限られていることもあり、ポトシ市にある約42の選鉱場の内から、モデル選鉱場の規模に近い100t/d以上の規模である6社の選鉱場の現地調査をまず行った。

調査を行った6選鉱場を下記に示す。

a) San Miguel	(80 ton/day)
b) Del Sur	(80 ton/day)
c) EMCA	(150 ton/day)
d) Santa Catalina	(80 ton/day)
e) SOMIL	(250 ton/day)
f) LAMBOL	(200 ton/day)

#### (1)設備規模

調査した6大選鉱場の規模は、80～250ton/日であった。250ton/日のインヘニオは、近く370ton/日に規模拡大の予定であるが、世界的にみれば、数千トン/日が趨勢であるにもかかわらず、ポトシの選鉱場はあまりにも小さい。

現在の高品位鉱処理では利益があっても、今後の低品位化にはコストパフォーマンスの点で、対応できないことは必至であろう。

#### (2)操業年数

調査した6インヘニオは、亜鉛 - 鉛選鉱を始めたてから10年程度である。

また、操業開始1年にも満たない新しいインヘニオもある。新規に参入するものがあるということは、まだまだ鉱石品位が高く、十分に Feasibility があるからであろう。しかしながら、最新の工場においても全く公害対策が取られておらず、選鉱尾鉱はリベラ川に排出し、また、精鉱は空き地にて天日乾燥を行っており、周辺土地への汚染は否めない。

#### (3)設備機器

調査したインヘニオの主要機器リストを後に示す。

浮選機を含め主要機器は、ロシア、ポーランド、USA等よりの輸入品である。一部、ボールミル、スパイラル分級機がボリビア製を使っているインヘニオがあった。設備はどこも10年程度しかたっていないのであるが、設備の傷みが激しい。すでに機器の入れ替えを準備している所さえある。これは、機器のメンテナンスをしていない、言い換えれば、メンテナンス方法を知らないのではないかと思われる。

#### (4)計装設備

調査したインヘニオ6社では、計測制御は全く行われていない。ポトシ市の42あるインヘニオのうちの6大インヘニオで、計測制御が行われていないのであるから、インヘニオ全てで行われていないと考えるのが妥当と思われる。

唯一、SOMILにおいて自動エア作動弁が浮選機出口ゲートに使用されていたが、制御は自動ではなく遠隔操作であった。

選鉱条件として重要なpHの管理は、作業員が携帯用のpH計を使って計測し、pH調整剤の添加量をマニュアルで変える方法が、調査した範囲では明らかになった。よって、実際に聴取した結果によって、pHコントロール値は大きな幅があり、最適な条件での作業が行われていないことが考えられる。

#### (5)ユーティリティの調査

水の貴重なこのポトシでは、水のリサイクルは必須であるが、そのリサイクル率は、40~80%（平均60%）と、近代大型選鉱場のリサイクル率90~95%と比較すれば、低い値である。

この原因としては、

- ・ 精鉱の重力沈降、天日乾燥処理（脱水機の不使用）
- ・ 尾鉱の河川への放流
- ・ 不十分な水量・水質管理

中和剤としては、全ての選鉱場にて、石灰（CaO）が安価という理由で採用されている。

使用されている石灰の品質は、CaO 60~80%、有効CaO80%と、かなりの低品位である。不純物による選鉱への影響も今後の課題の1つと考えられる。

#### (6)安全対策

調査したインヘニオ6社の内、高所歩廊に手すりが付いていたのは2社だけであり、しかも、その2社でさえ全ての高所に付いている訳ではない。また、高速回転体のカバーや防護柵も全くない。駆動部のVベルトは、全ての工場で剥き出しの状態であった。

したがって、既設インヘニオは、安全性、作業性への配慮は不十分である。インヘニオでの事故の統計はなく、正確なことは議論できないが、小さな事故を含め事故が多発している話を耳にする。

#### (7)作業環境

作業用通路が全く確保されていないインヘニオが半数あり、更に、設備のメンテナンスにも、不自由であろうと思われるインヘニオが1社あった。鉱石は、野積みであり、空き地があればそこは、鉱石置き場となっている。唯一、LAMBOLが、コンクリートで囲った、ストックヤードを使用している。

精鉱は、SOMIL1社が亜鉛精鉱に脱水機を使用しているが、他は全て重力沈降濃縮-天日乾燥である。この天日乾燥も、空き地を利用して行っているため、通路の確保もできないところが少なくない。また、雨による流出も考えられ、周辺土壌の汚染の原因となる。

## 4 設備価格調査

ボリビア国内での設備機器供給会社9社について業務内容を調査した。

また、ポトシ市におけるローカル・サブコンストラクター7社の会社概要データを手にした。

調査した会社を下記に示す。

分類	会社名	所在地	備考
設備機器	SVDALA-FIMA	CHILI	
//	Electro Mecanica Taunus S.R.L.	La Paz	
//	RICACRUZ INC.	Sant Cruz	
//	ANDEAN INDUSTRIAL SUPPLIES		
//	AGSA GENERAL AGENCY S.A.	La Paz	
//	HANSA INC.	La Paz	
//	ROGHUR INC.	La Paz	
//	VOLCA S.A.	La Paz	
//	CIBO S.A.		
//	LARSA INC.	La Paz	
サブコン	INPROCON LTDA.	Potosi	
//	COMPODER	Potosi	
//	CONVI LTDA	Potosi	
//	CONSTRUCTORA FERNANDEZ VILLEGAS	Potosi	
//	POTOSI DEL SUR	Potosi	
//	CONSTRUCTORA SURI SRL	Potosi	
//	INGSANIT	Potosi	

#### 1) 現地調達資機材の調査

現地調達資機材については、ポトシにて調査すると共に、建設物価本 (PRESUPUESTO & CONSTRUCCION) を入手した。

主要機器は、全てポリビアへ輸入することとなる。主に、アメリカ、ヨーロッパよりの輸入であるが、製作物に関しては、チリ、ペルーより調達可能である。

タンク、コンベヤ等は、数少ないがポリビア国内でも製作が可能である。

建設用鋼材、鋼製及び塩ビ配管、セメント、等は、ポトシにて調達可能である。

ステンレス鋼材、ステンレス配管及び選鉱スラリー用のポリエチレン管は、ポリビア国内では生産されていないが、数カ所のインヘニオが使用しており調達可能である。

#### 5 調査結果に基づく提言

##### 1) モデル選鉱場計画概要

報告書の 6-1-5 項で、提案された選鉱プロセスを、具体的な設備へ展開する。

鉱石を対象とした、200t/日モデル選鉱場のプロセスフローシートを後に示す。

また、廃石及び選鉱尾鉱を対象とした10t/日パイロットプラントのプロセスフローシートを後に示す。

設備計画にあたり、考慮する具体的項目を下記に示す。

- ・ 無公害化 (排水、土壌汚染、作業環境、)
- ・ 処理量、生産量のオンライン管理
- ・ 自動計測・制御システムによる、最適オペレーション条件管理
- ・ 自動計測・制御システムによる品質管理
- ・ 効率的な水リサイクルシステム
- ・ 安全対策
- ・ 効率的な作業エリアの確保

##### 2) 200t/日モデル選鉱場計画

###### (1) 設計緒元

###### a) 鉱石処理能力及び処理物

200 t/日、 セロリコ鉱山鉱石

###### b) 操業条件

24時間連続操業、月25日、年間300日の操業とする。

###### c) 建設場所

サンアントニオ廃滓堆積場 (DCSA) 上部。

### 3)設備概要

200t/日モデルプラントの Process Flow Diagram (B980350-S10001-0)、P&I Diagram (1/4~4/4) (B980350-S01001-0~S01004-0)及び Main Equipment List を添付する。

設備は、鉱石を受入れし破碎・摩鉱する Crushing Section、摩鉱した鉱石スラリーから、鉛、亜鉛を浮選分離する Pb-Zn Flotation Section、鉛、亜鉛除去後のスラリーから酸化錫を浮選分離する SnO<sub>2</sub> Flotation Section、選鉱された、鉛、亜鉛、酸化錫鉱石を濃縮脱水する設備とユーティリティ機器の Concentration Section、に分けている。

#### (1)Crushing Section

セロリコ鉱山より運ばれた鉱石を、選鉱するために、粉碎・摩鉱する設備。

10日分2000トンの鉱石を貯蔵できるストックヤードから運ばれた鉱石は、Crude Ore Bin に1日分を貯蔵する。Crude Ore Bin から定量的に切り出された鉱石は Primary Crusher で破碎され、ふるいにかけてられ、細かい鉱石は Fin Ore Bin に貯められる。篩いのオーバーサイズは、Cone Crusher に送られ破碎された後、再び篩いに戻される。

Fin Ore Bin に貯蔵された鉱石は、定量コンベアにて Ball Mill へ定量供給され、湿式粉碎される。粉碎したスラリーは、サイクロンにて分級され、荒い粒子は再び Ball Mill に戻され、細かいものが鉛 Conditioning Tank に送られる。

#### (2)Pb-Zn Flotation Section

鉛 Conditioning Tank にて、pH調整剤、抑制剤、捕集剤、気泡剤が加えられ、浮選機（粗選）へ送られる。浮選機（粗選）で分別された粗鉛精鉱は、カラム型浮選機（清浄）にて濃度を高め、シェイキングテーブルにて Cu<sub>2</sub>FeSnS<sub>4</sub> 精鉱を比重分離した後、鉛シックナーへ送られる。

浮選機（粗選）の尾鉱は、浮選機（精選）にて残留する鉛鉱石を取り除き、亜鉛 Conditioning Tank へ送られる。浮選された精鉱は、浮選機（粗選）へ戻される。

亜鉛 Conditioning Tank では、pH調整剤、抑制剤、捕集剤、気泡剤、活性剤が加えられ、浮選機（粗選）へ送られる。精鉱は、鉛と同様に、清浄及び Cu<sub>2</sub>FeSnS<sub>4</sub> 精鉱を分離後亜鉛シックナーへ送られる。

浮選機（粗選）の尾鉱は、浮選機（精選）にて残留する亜鉛鉱石を取り除き、FeS<sub>2</sub> Conditioning Tank へ送られる。

#### (3)SnO<sub>2</sub> Flotation Section

FeS<sub>2</sub> Conditioning Tank でpHを調整した後、FeS<sub>2</sub>浮選機にて FeS<sub>2</sub>精鉱を取り除き、更に、磁力選鉱器にて着磁物を取り除く。FeS<sub>2</sub>精鉱は、シックナーで濃縮後脱水され、FeS<sub>2</sub>精鉱として貯蔵される。

尾鉱スラリーは、サイクロンで分級され、荒い粒子は、Ball Mill で再摩鉱し、No.2 Sn サイクロンにてスライム状となったスラリーを分離し、Sn Conditioning Tank へ送られる。

Sn Conditioning Tank では、pH調整剤、抑制剤、捕集剤、気泡剤、分散剤が加えられ、浮選機（粗選）へ送られる。このSn浮選にはマイクロバブルカラム型浮選機を用いる。粗選されたSn精鉱は、2段の清浄工程により濃度を高め、Snシックナーへ送られる。

尾鉱は、スライムと合わせてシックナーで濃縮され、ポンプにてサン・アントニオ堆積場へパイプ輸送される。

#### (4) Concentration Section

鉛、亜鉛及び錫の精鉱は、それぞれシックナーで濃縮された後、脱水機で脱水され、ベルトスケールにて生産量を管理し、ストックヤードへ一時貯蔵された後、売鉱される。

#### (5)電気計装設備

電気は3相10,000volts 50Hz で受電し、3300volts, 380volts 及び計装用100voltsへ変圧する受変電設備を設ける。Ball Mill 等の大容量モータは3300voltsとし、その他小容量モータは、380voltsとする。

計装は、全自動を基本とし、DCS (Distributed Control System) System を導入する。

中央操作室及び各セクションに制御用CRTを設置し、制御、監視、警報システムによりプラント全体の運転状態を常時維持管理できるようにする。  
また、ベルトコンベヤの非常停止、Ball Mill等のオーバーロード警報、高圧力部分の異常警報等、安全管理為の計装もできるだけ取り入れる。

(6)建屋設備

シックナーを除いた Fin Ore Bin 以降の機器は屋内設置とする。建屋は鉄骨製、屋根壁はスレートふきとする。作業環境の為に、粉塵防止の集塵を行い、また、薬液での事故防止の為に、建屋内の換気を十分に考慮した建物とする。

4)設備積算

現地での、機器調達及び建設をベースとして、設備見積を行った。尚、為替レートは¥120/\$として計算している。また、コストエスカレーション、為替変動は考慮していない。

2007/日モデルプラントの建設コストは、14億3千万円である。設備毎のブレイクダウンを下記に示す。

見積工事範囲は、ターンキーベースであるが、現地地盤調査を行っていないため、コストに、整地、土質改良、杭打ち等の費用は含まれていない。また、電力、水道は、プラント近傍にて供給されるものとし、また、建設用道路も十分に整備されているものとしている。その他見積範囲は、フローシート、P&ID、機器リストに記載されているものである。

	設備費	備考
機械設備工事費	8.2億円	
電気設備工事費	3.5億円	
土木建築工事費	2.4億円	
試運転調整費	0.2億円	
合計	14.3億円	

## 200t/d Model Plant Treatment Flow Sheet

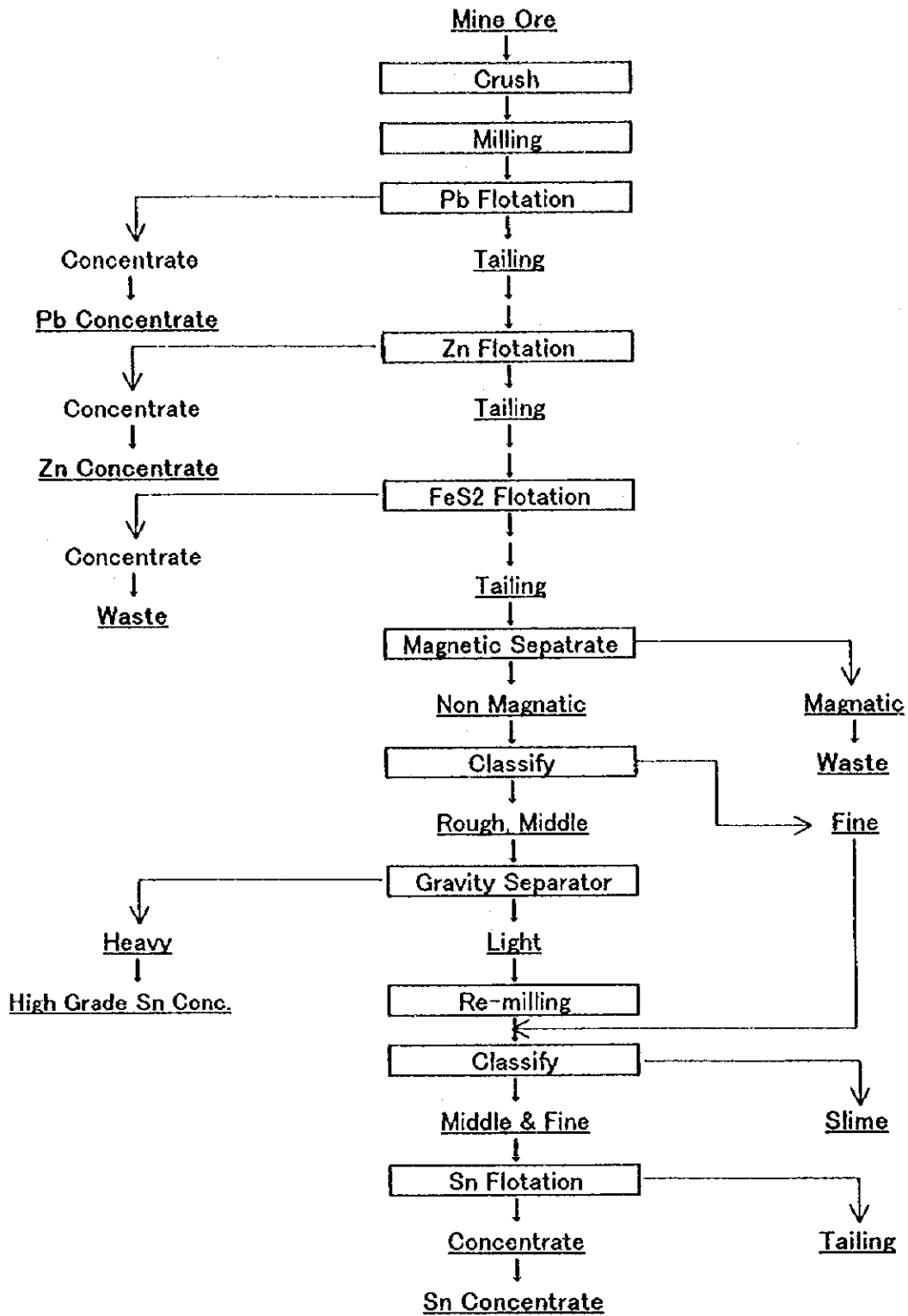
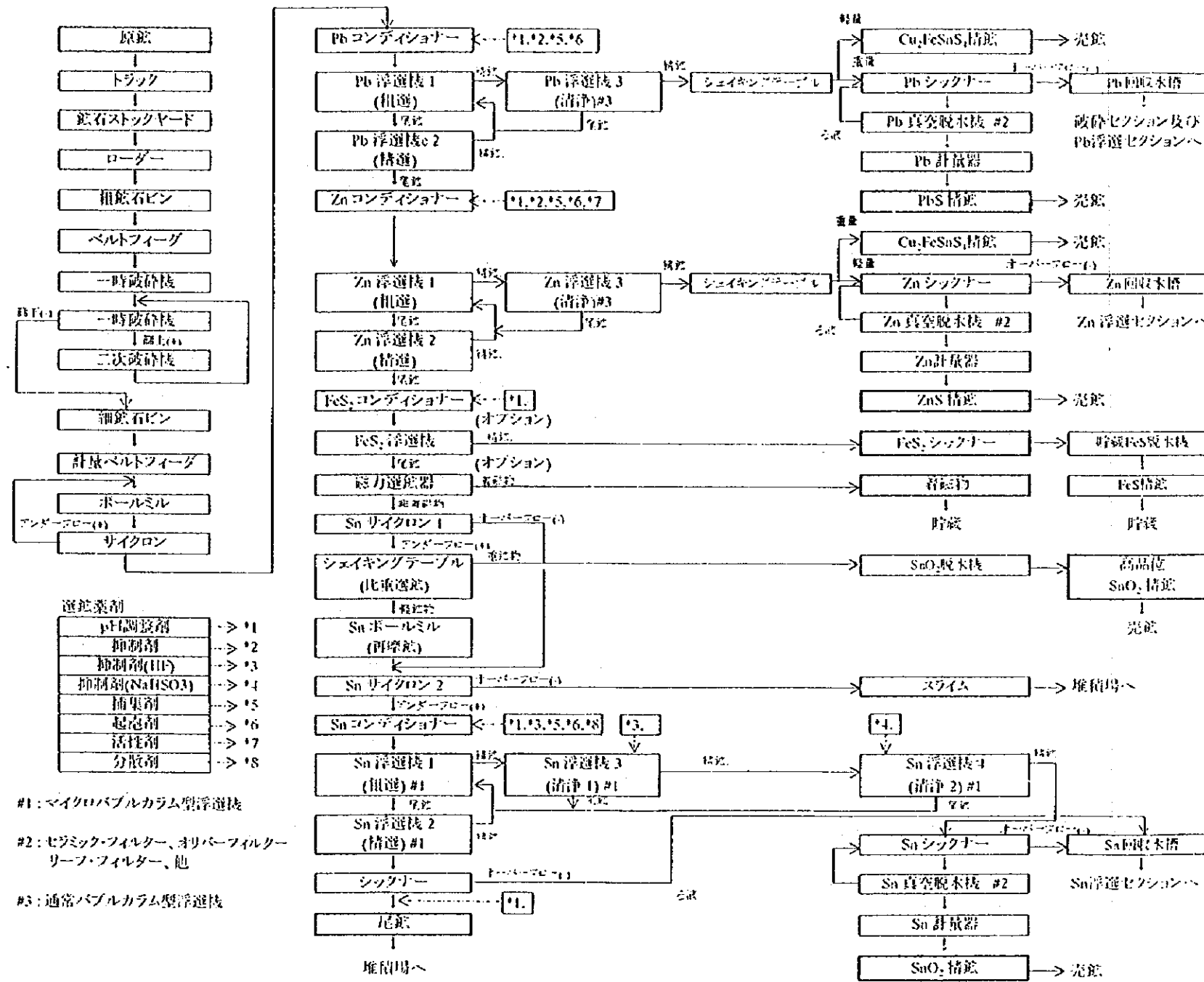






図 4-6-1. 200t/日 モデルプラントプロセスフローシート (原鉱処理)







# 10t/d Model Plant Waste Treatment Flow Sheet

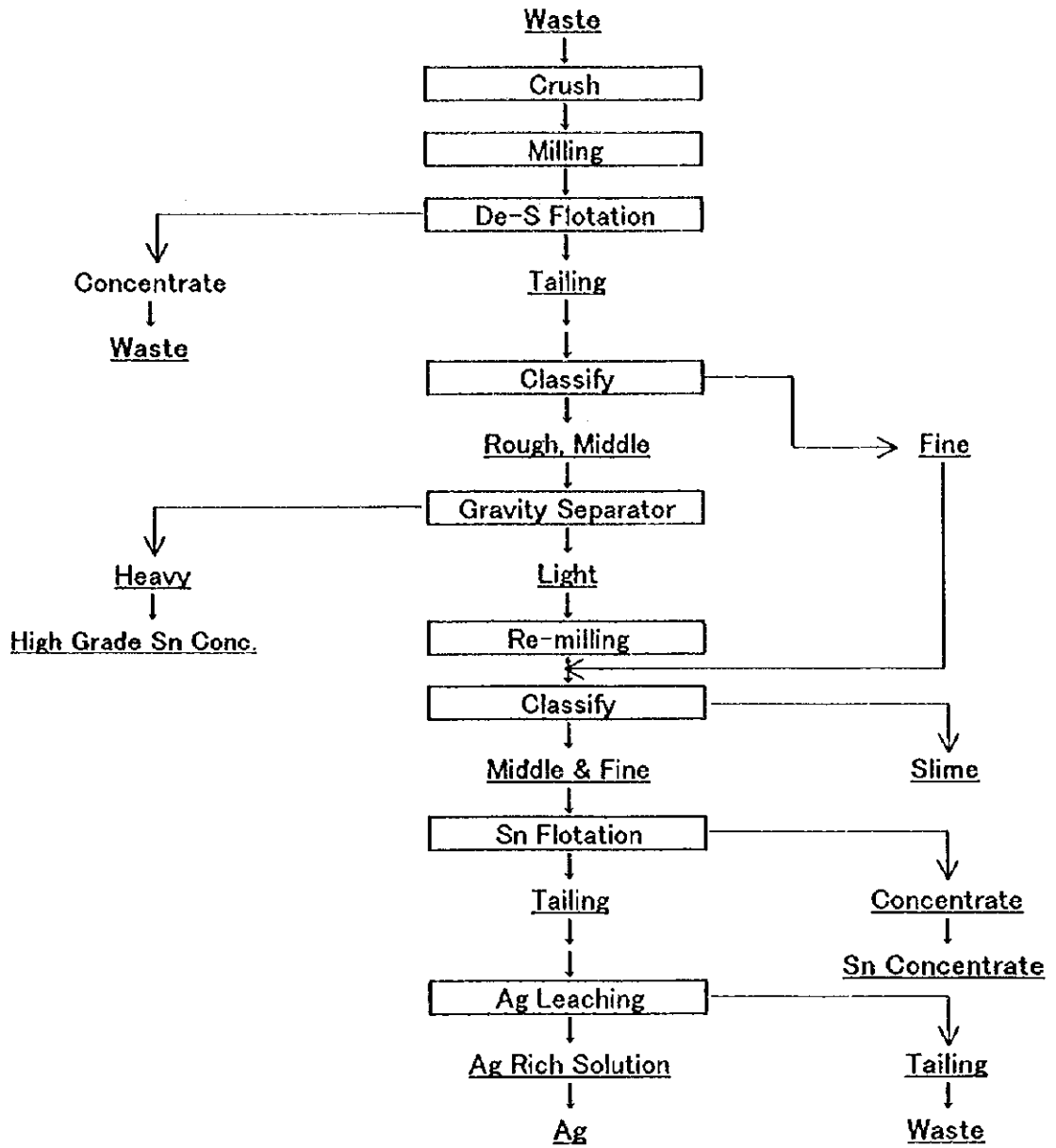
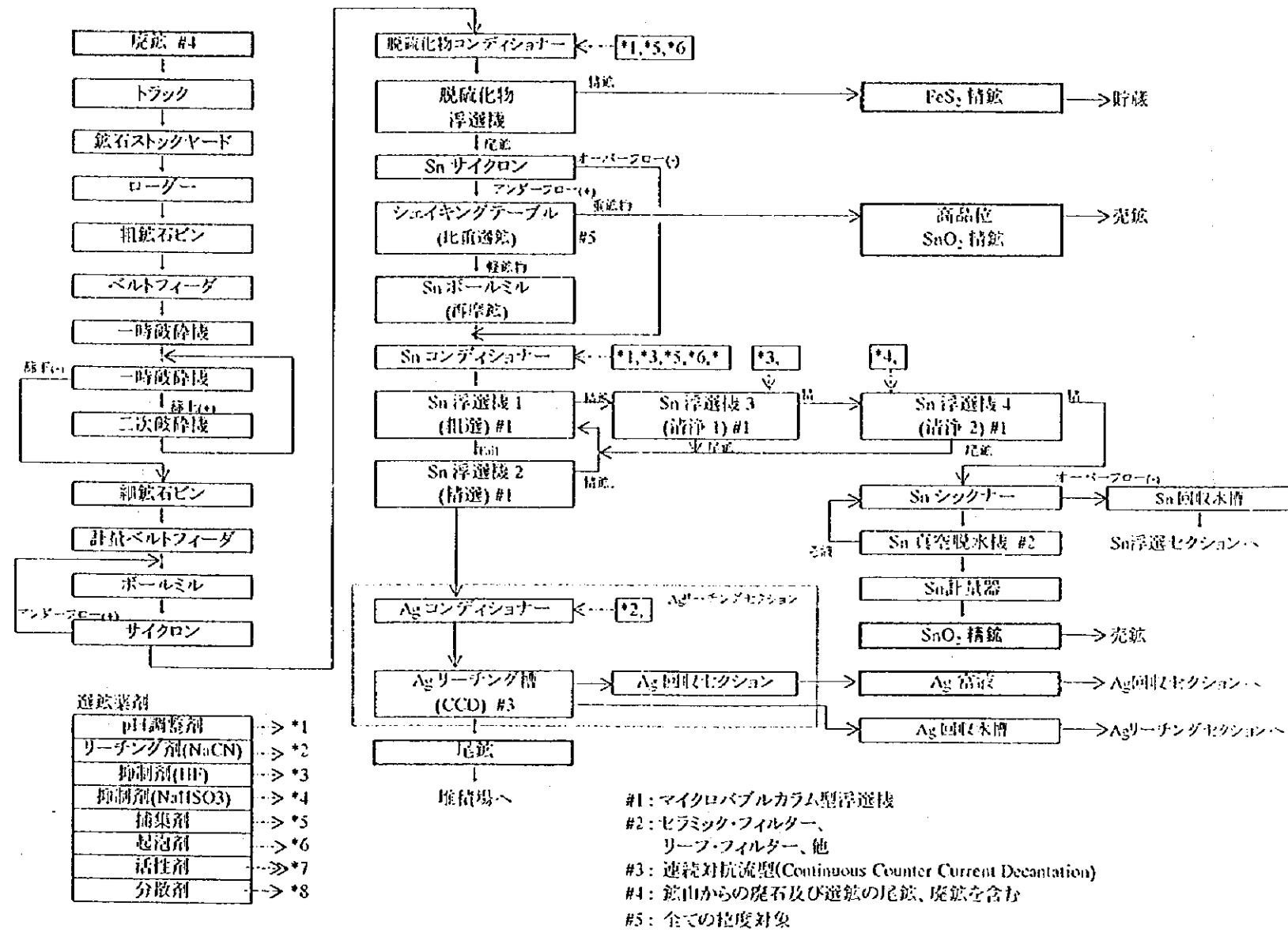






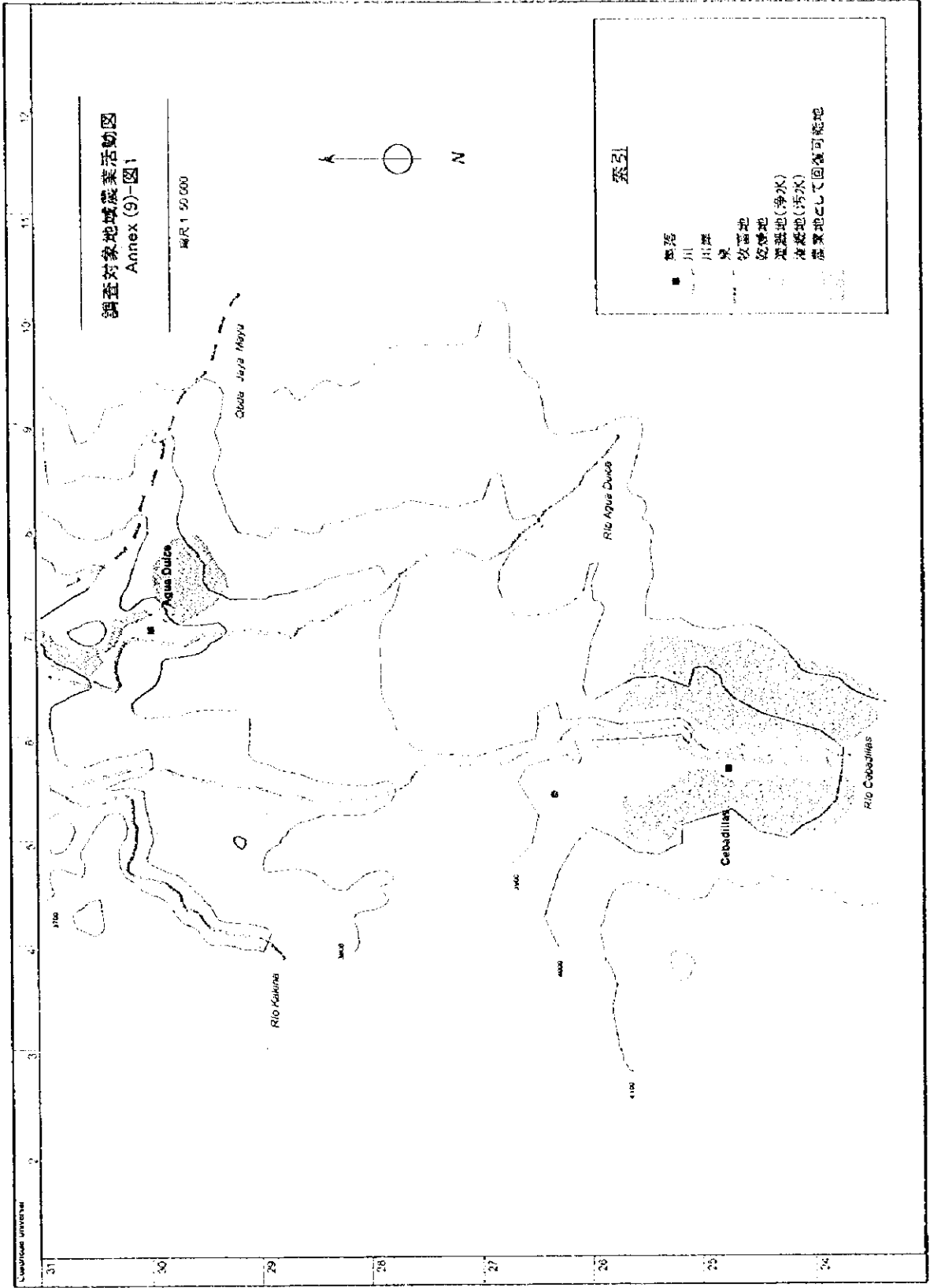
図 4-6-2. 10t/日 モデルプラントプロセスフローシート(廃鉱処理)

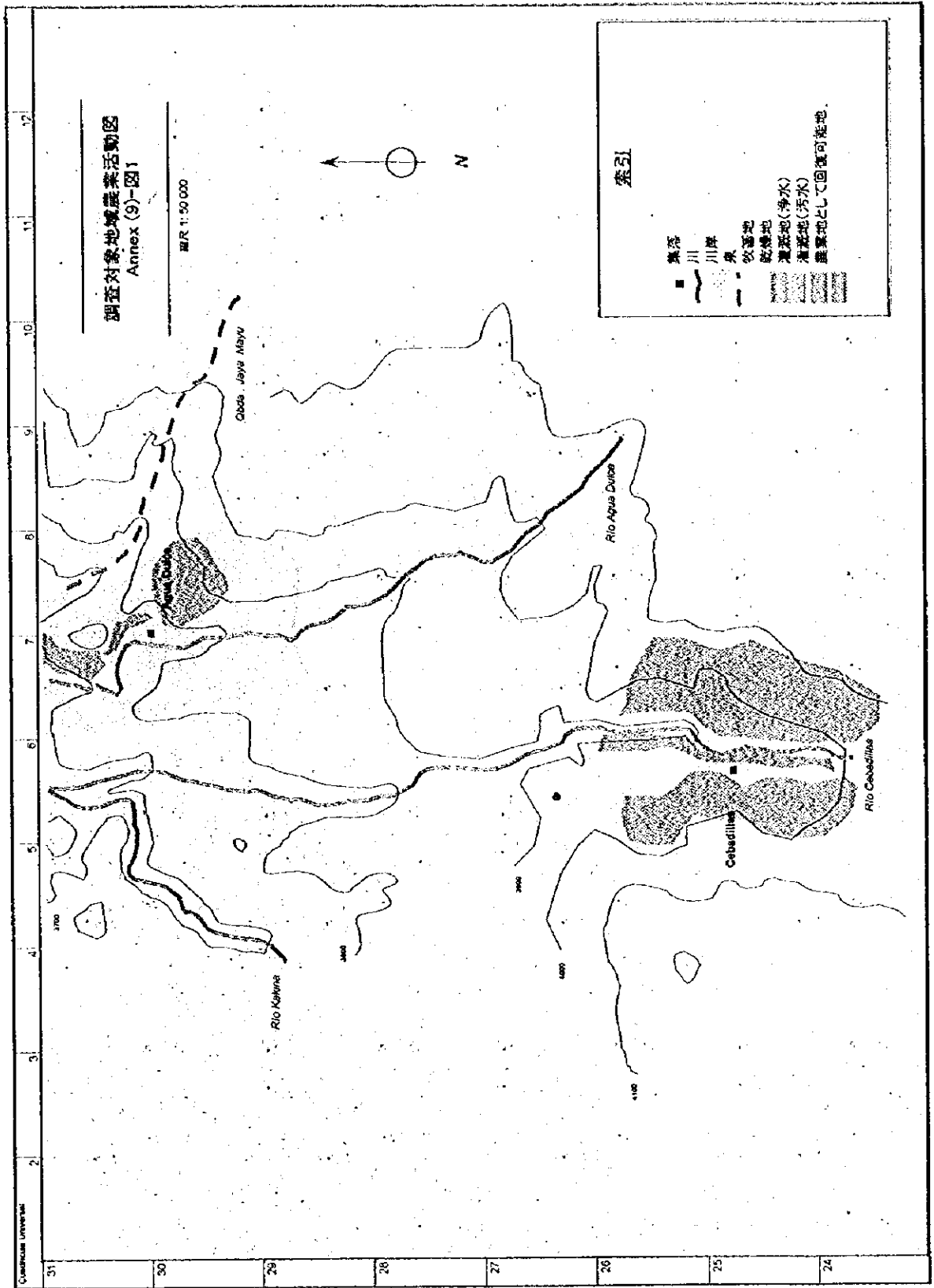


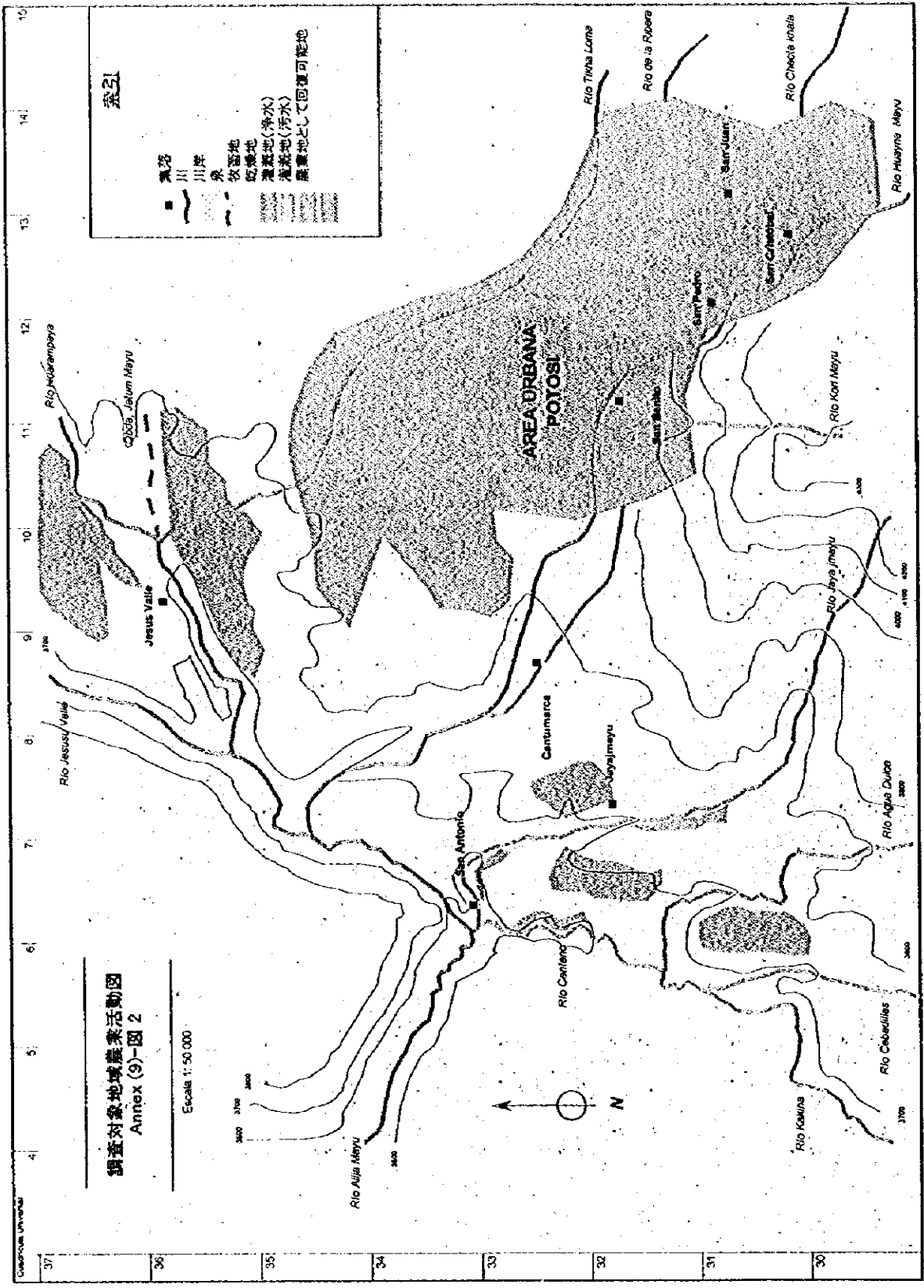
## ANNEX (9)

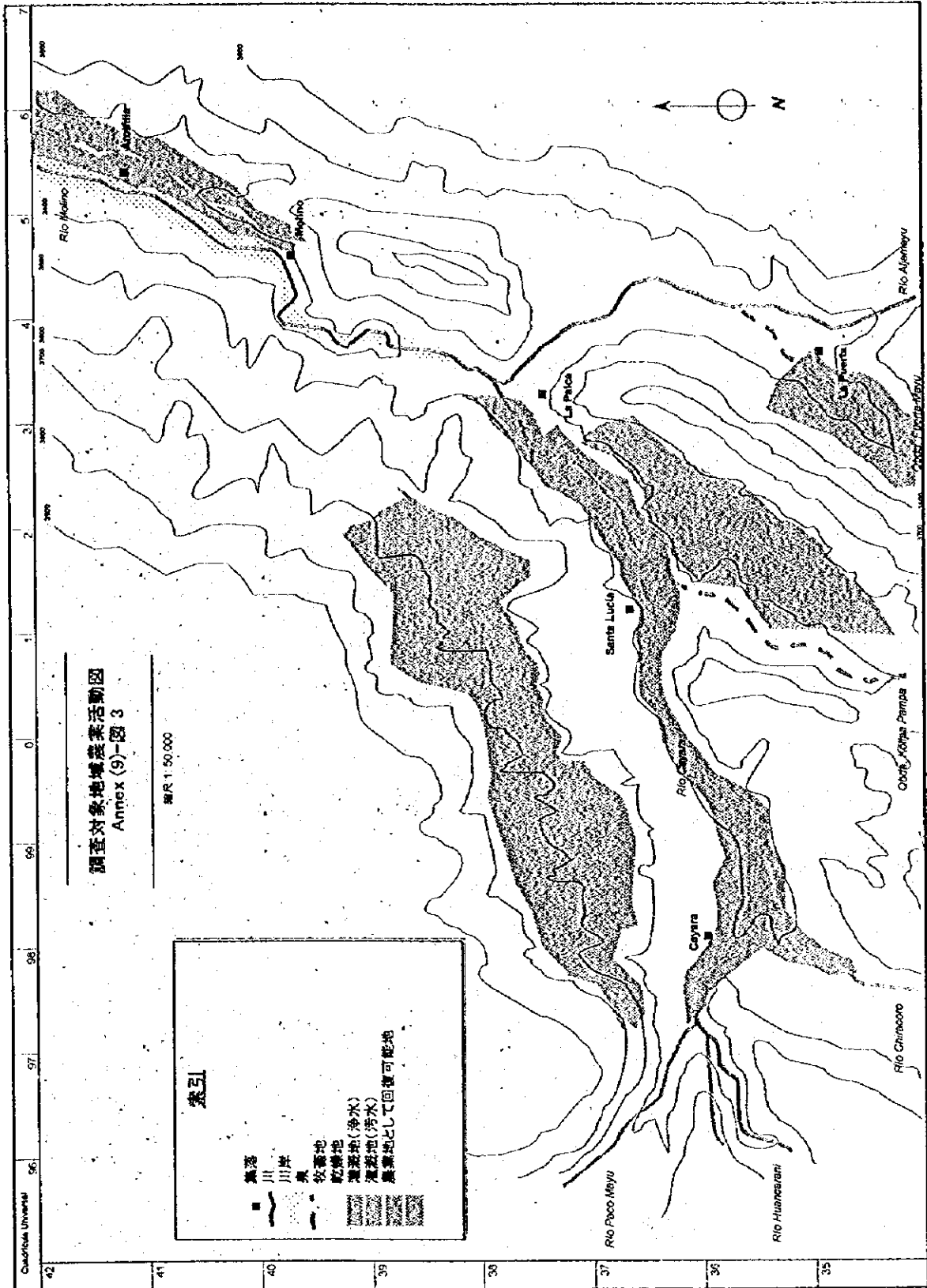
### 調査対象地域農業活動図

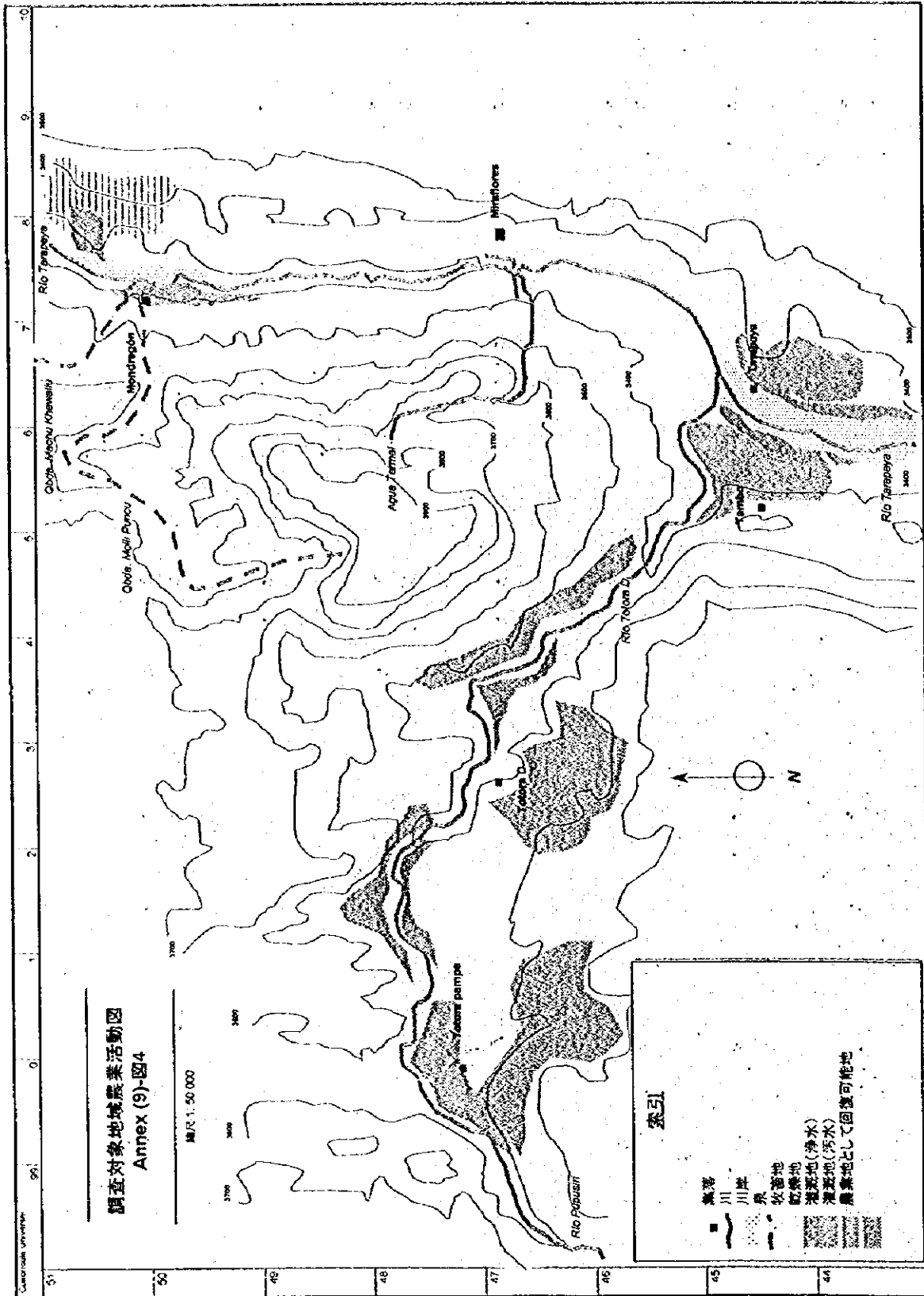


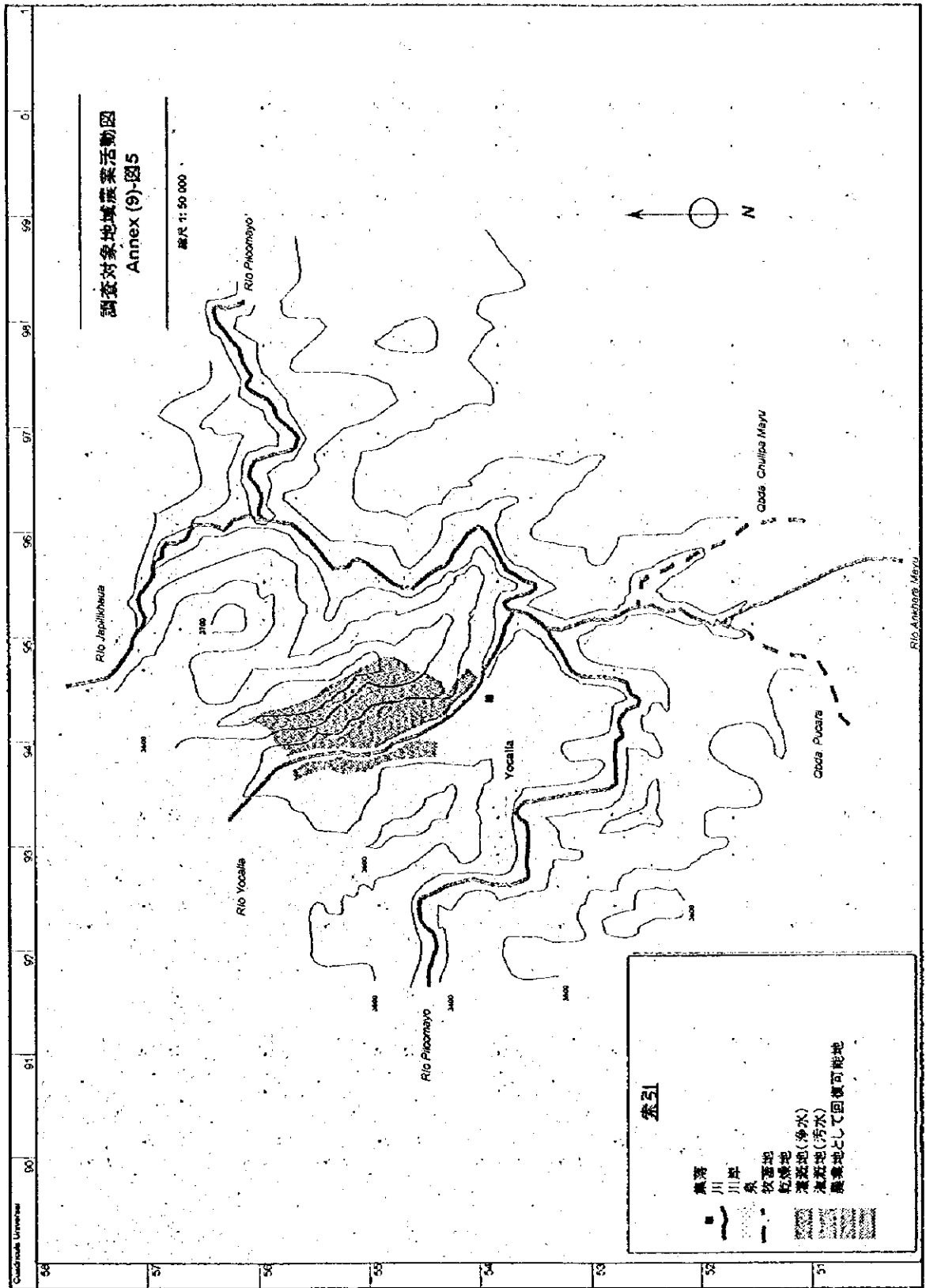






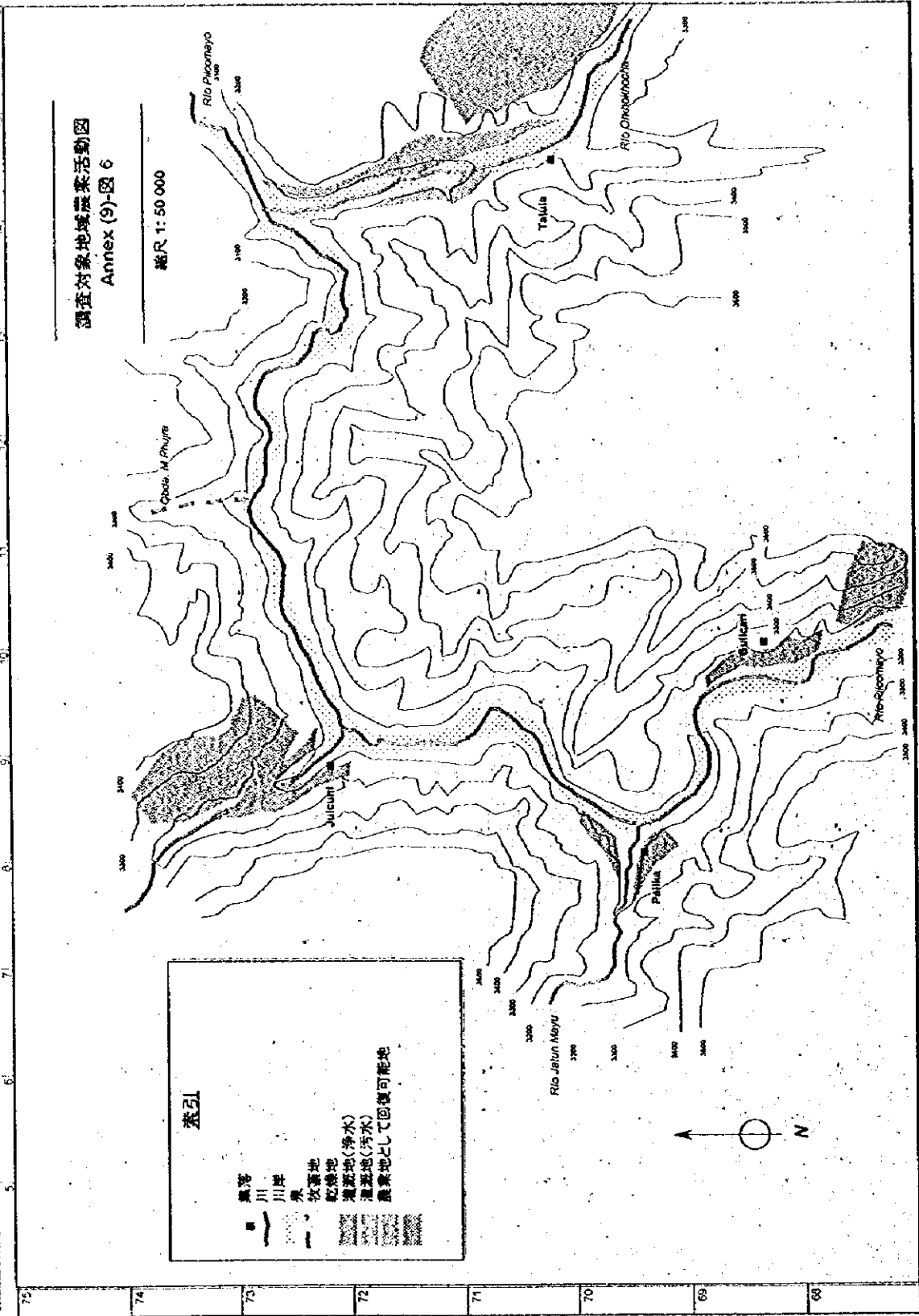






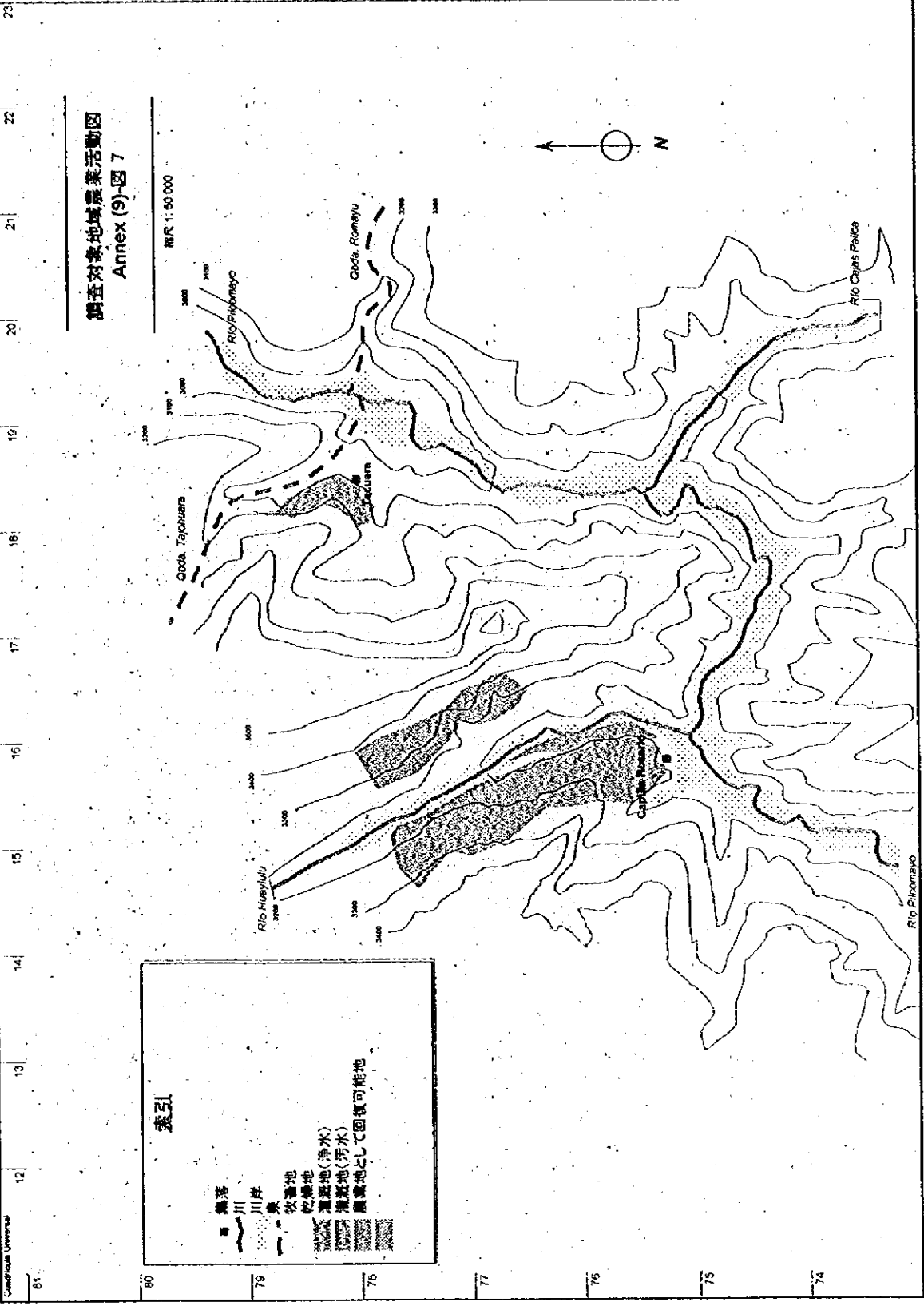
調査対象地域地震震害活動図  
Annex (9)-図 6

縮尺 1: 50 000



**索引**

- 集落
- 川
- 川岸
- 泉
- 牧草地
- 乾燥地
- ▨ 増産地(浄水)
- ▩ 増産地(汚水)
- ▧ 農業地として回復可能地



調查対象地域農業活動図  
Annex (3)-図 7

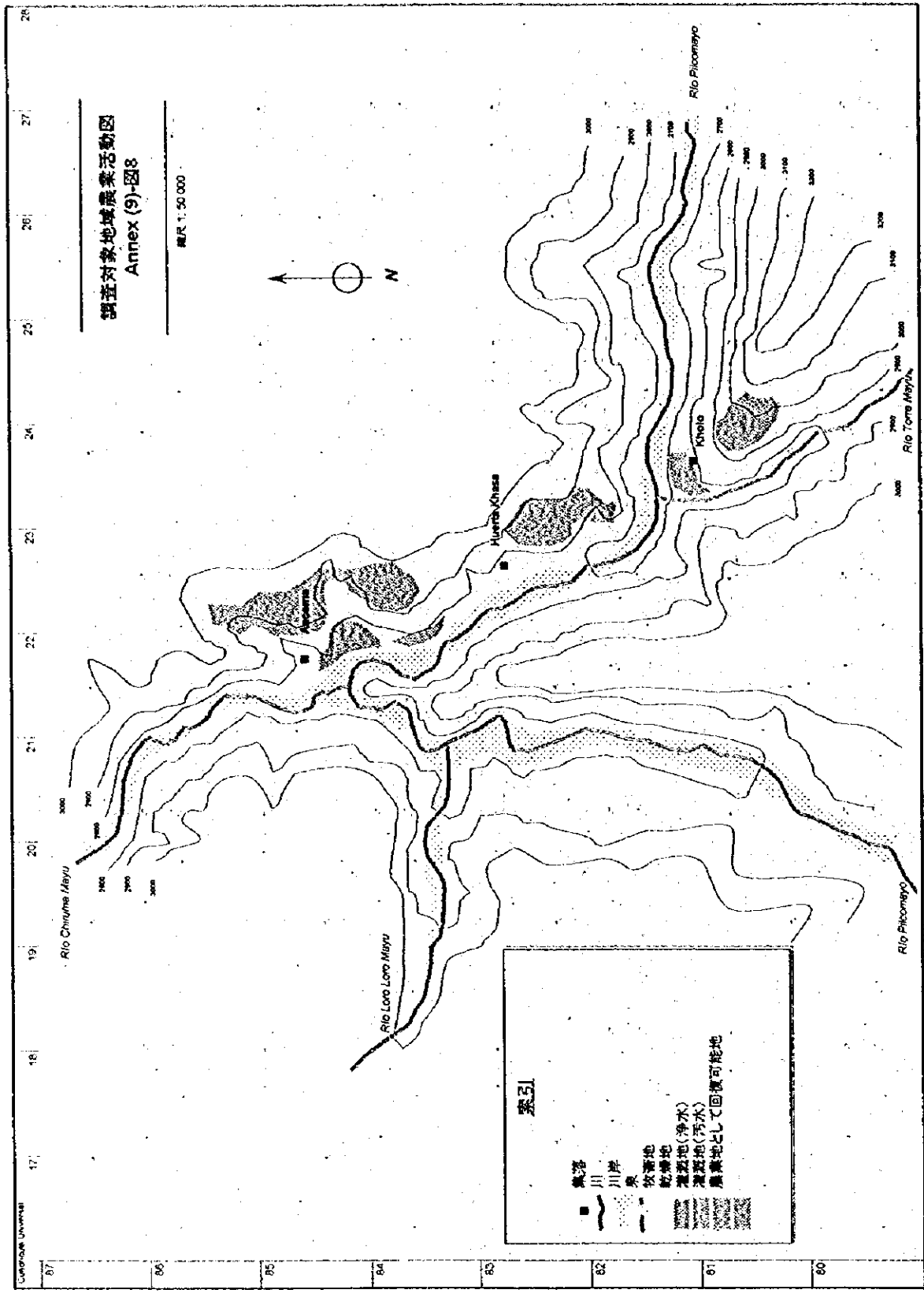
**索引**

- 集落
- 川
- 川岸
- 泉
- 牧草地
- 乾燥地
- ▨ 灌漑地(浄水)
- ▨ 灌漑地(汚水)
- ▨ 農業地として回復可能地

61 12 13 14 15 16 17 18 19 20 21 22 23

80 79 78 77 76 75 74

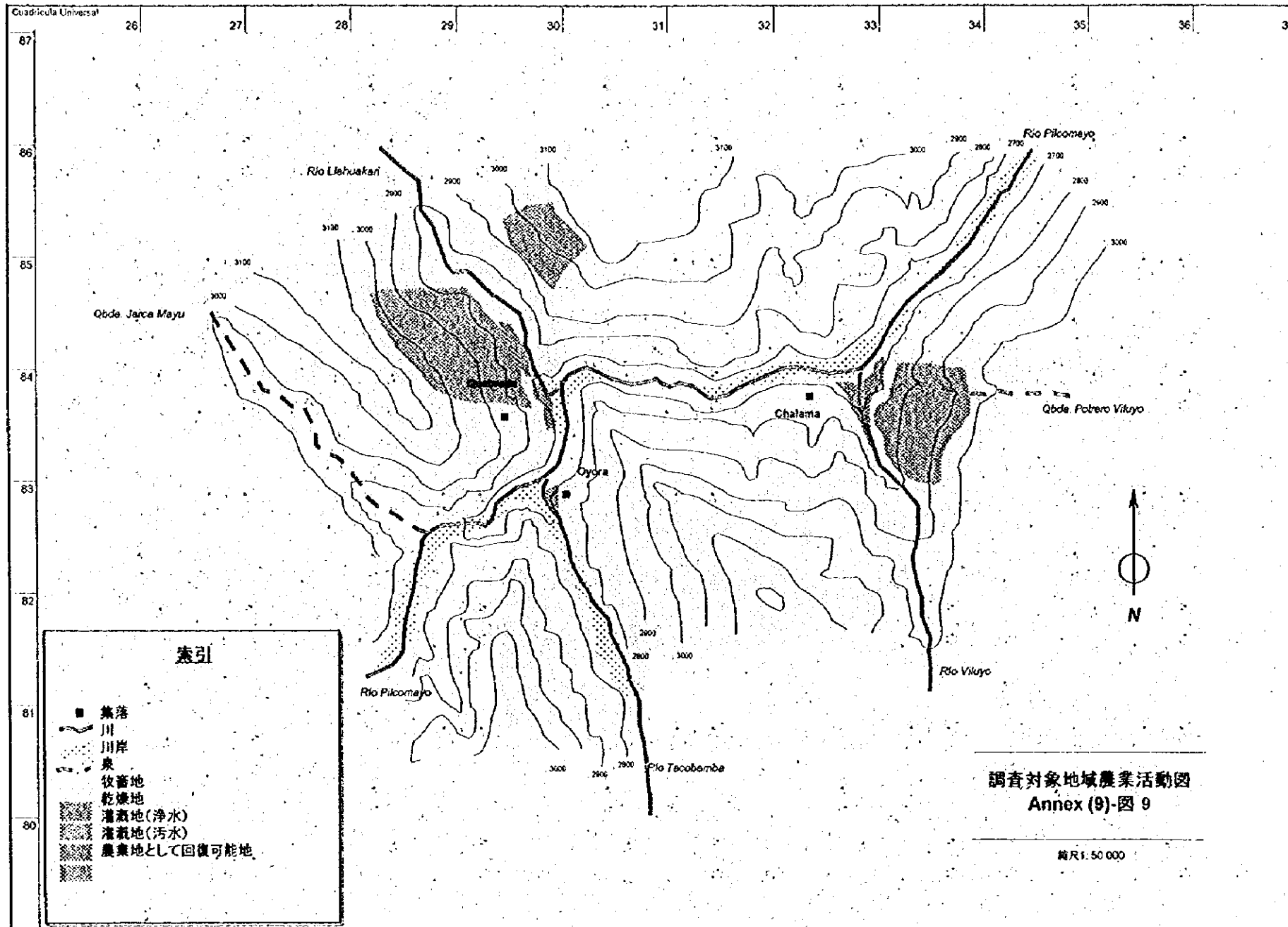




**索引**

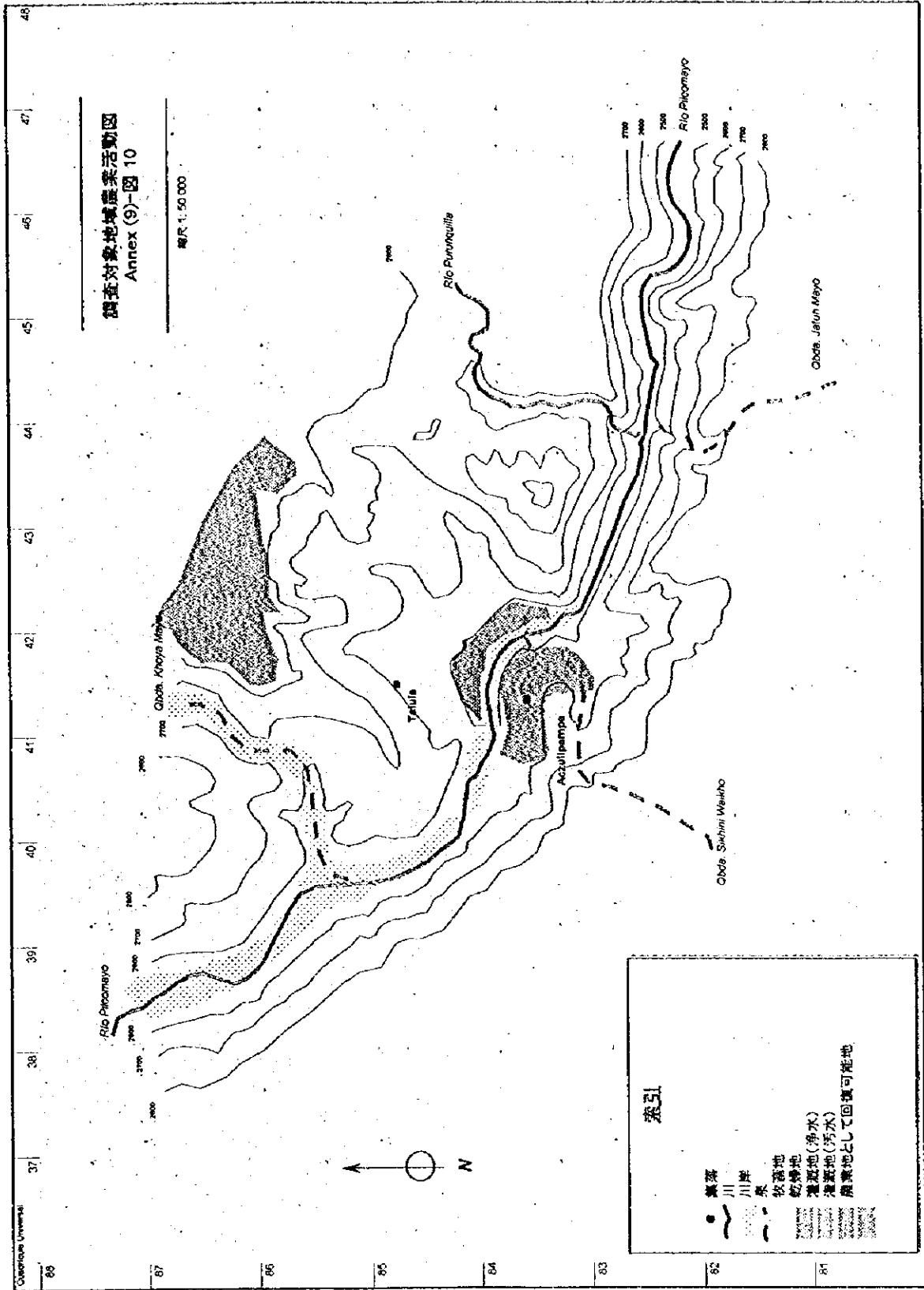
- 集落
- 川
- 川岸
- 泉
- 牧草地
- 乾草地
- 灌漑地(浄水)
- 灌漑地(汚水)
- 農業地として回復可能地







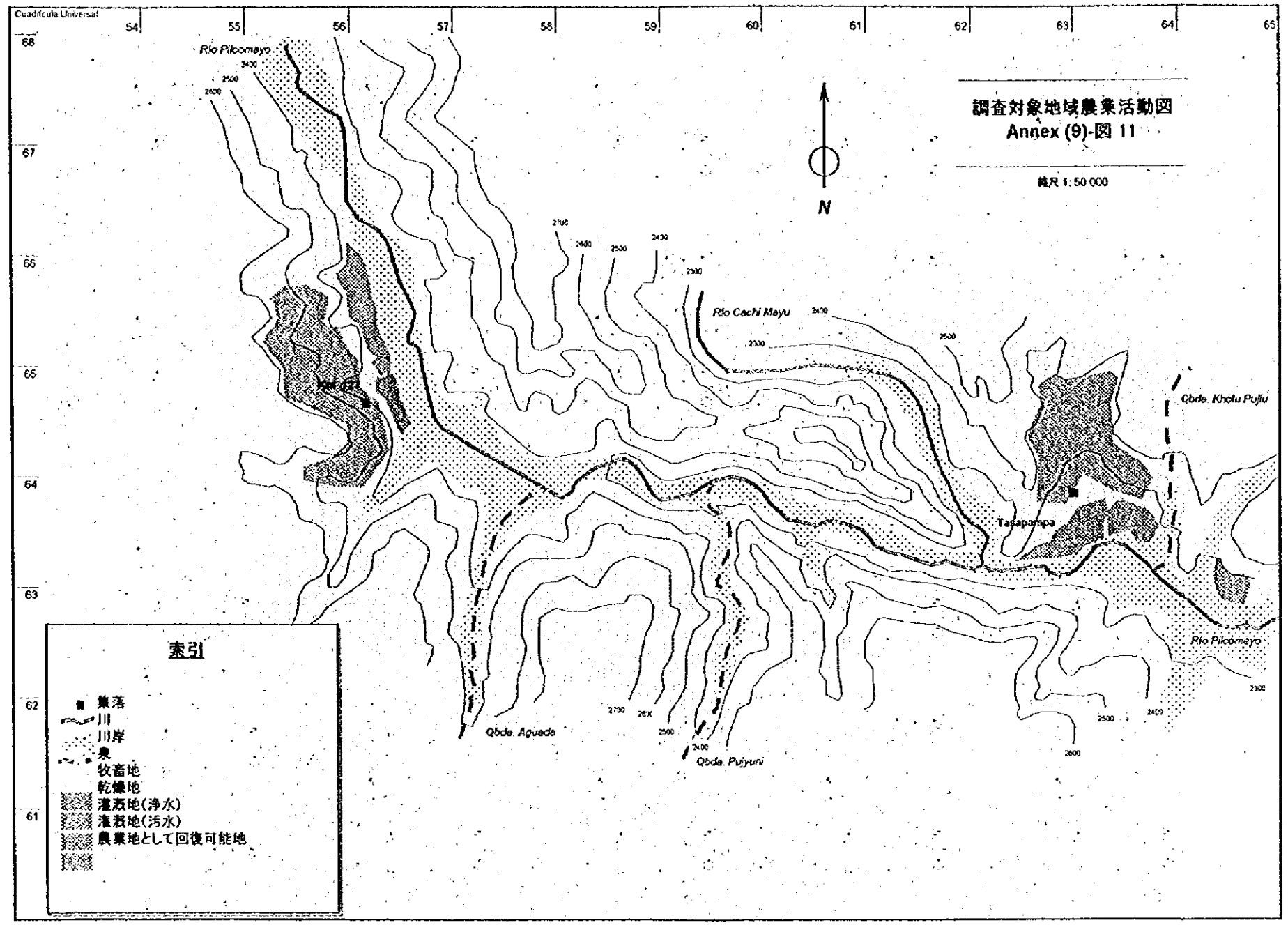






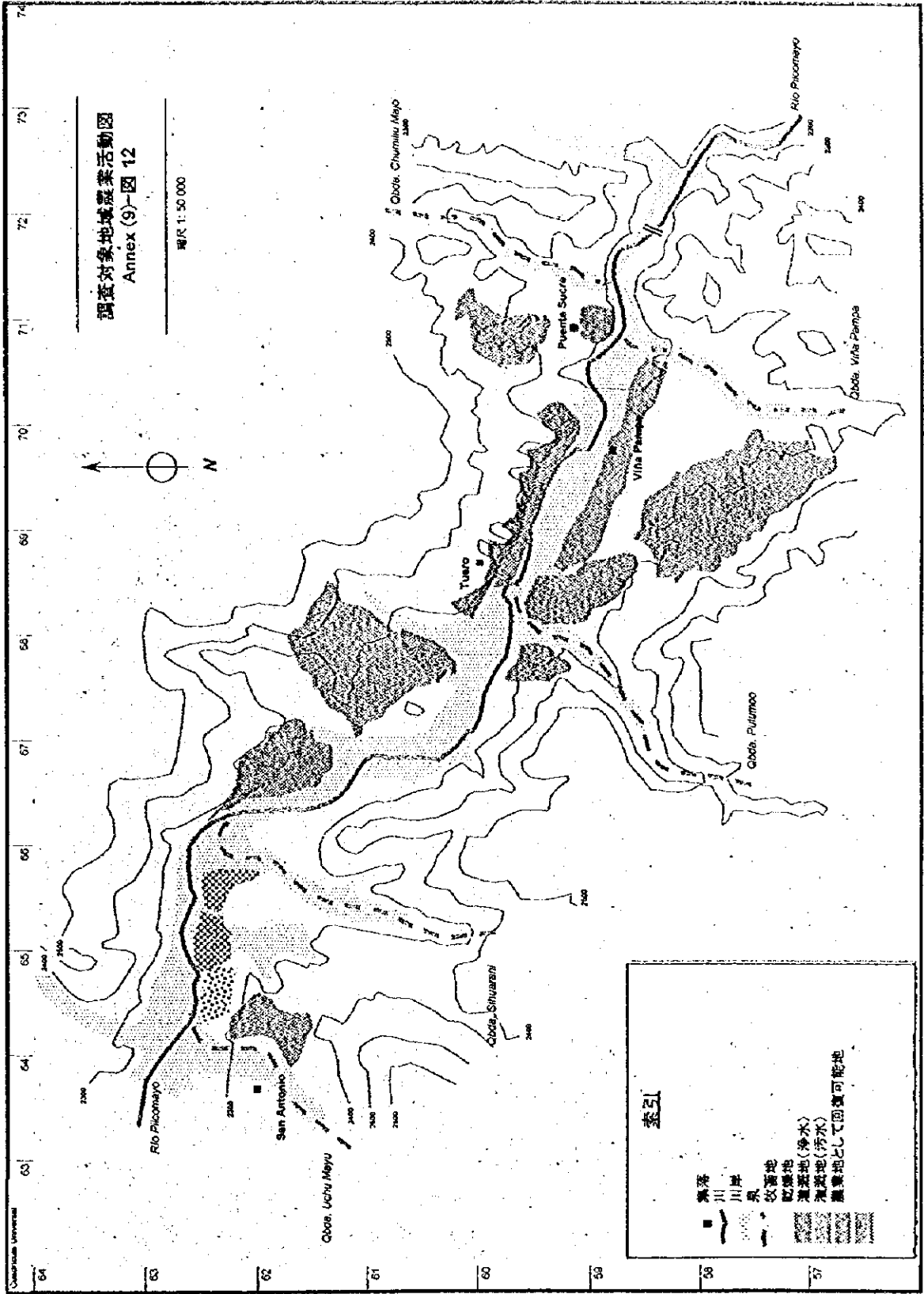


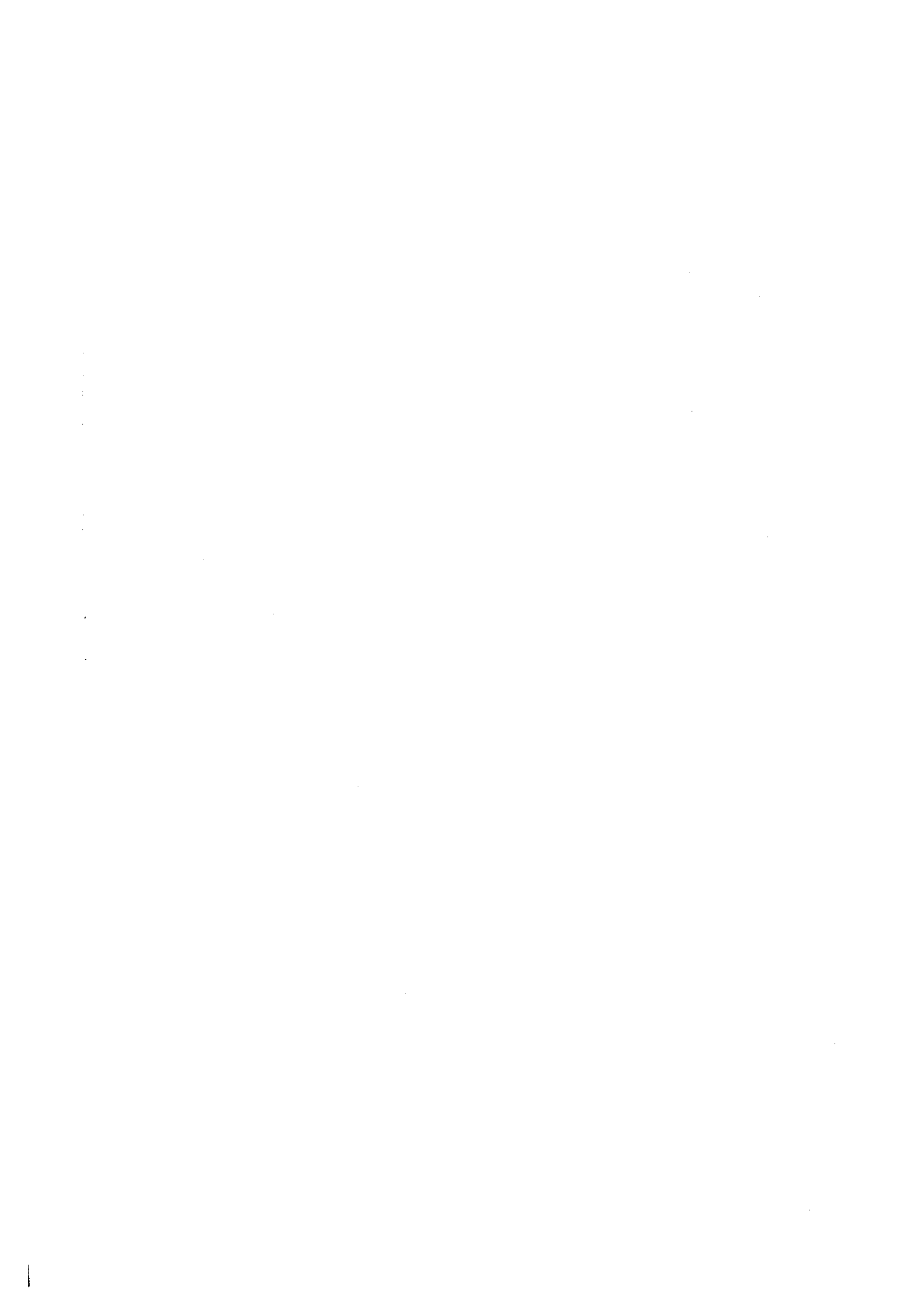




















JICA