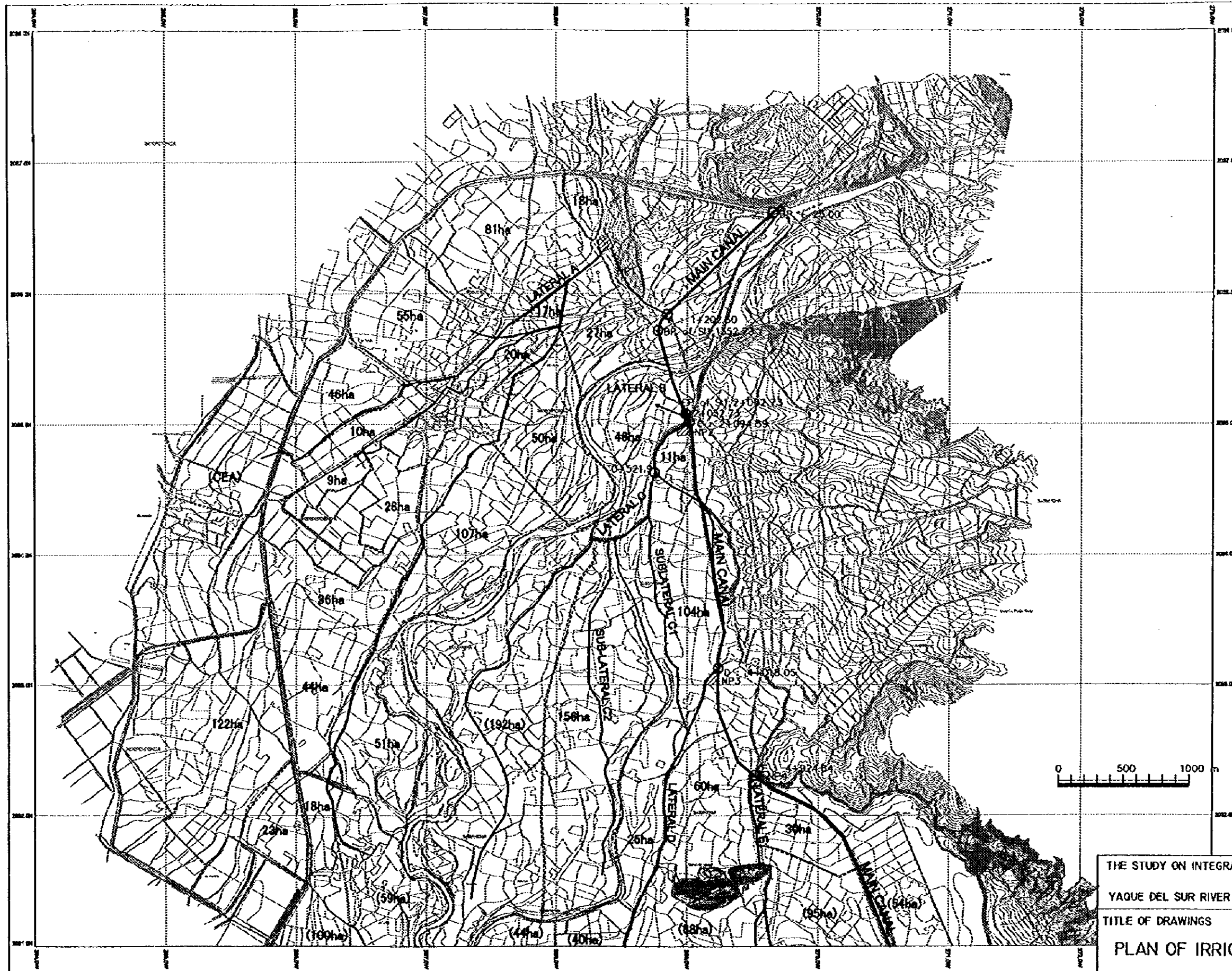
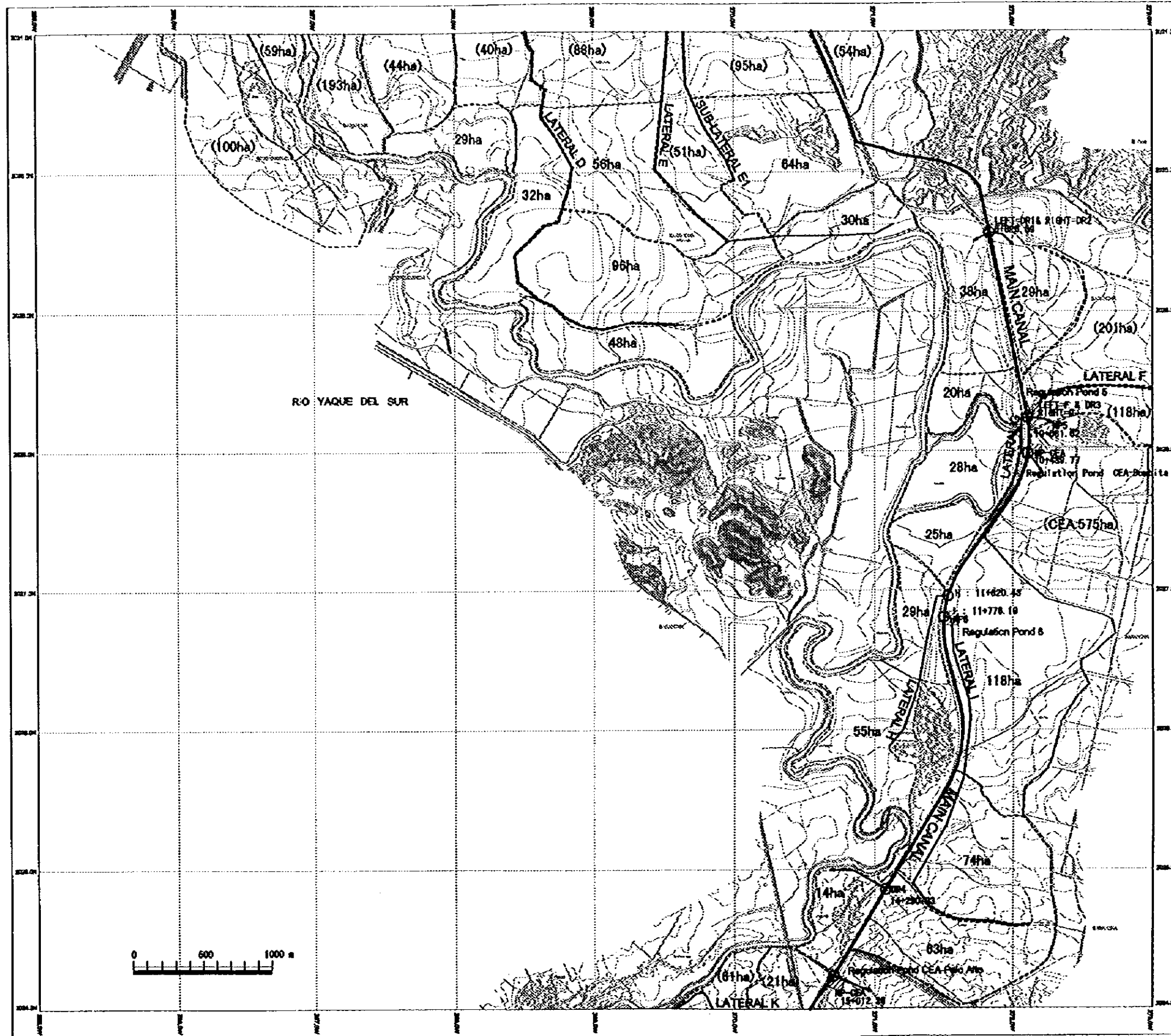


Drawings

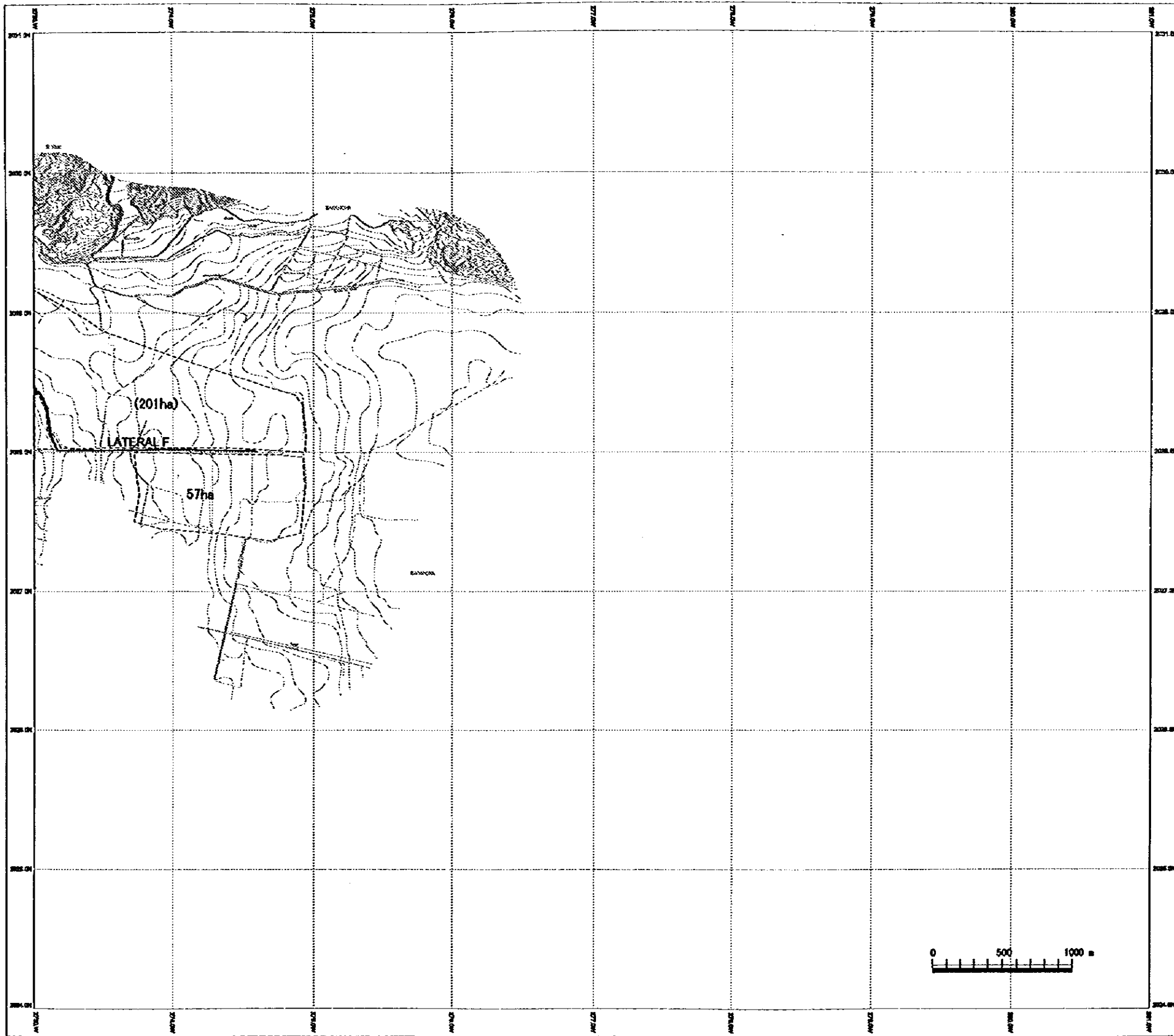


TITLE OF DRAWINGS
PLAN OF IRRIGATION SYSTEM(1/4)

JAPAN INTERNATIONAL COOPERATION AGENCY DWG. NO
4.5.1



THE STUDY ON INTEGRATED RURAL DEVELOPMENT PROJECT	
YAQUE DEL SUR RIVER BASIN IN THE DOMINICAN REPUBLIC	
TITLE OF DRAWINGS	
PLAN OF IRRIGATION SYSTEM(2/4)	
JAPAN INTERNATIONAL COOPERATION AGENCY	DWG. NO 4.5.2



THE STUDY ON INTEGRATED RURAL DEVELOPMENT PROJECT

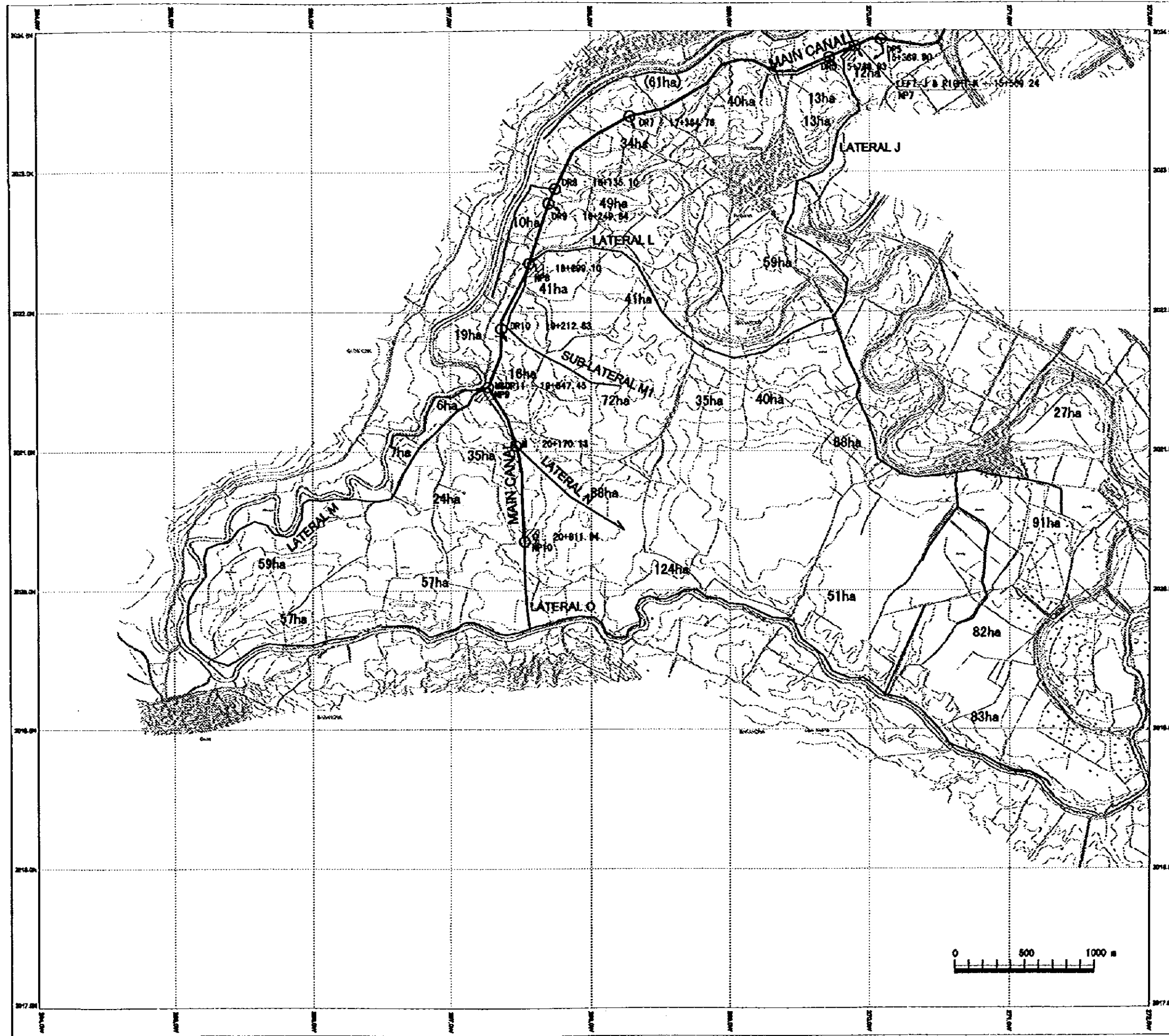
YAUQUE DEL SUR RIVER BASIN IN THE DOMINICAN REPUBLIC

TITLE OF DRAWINGS

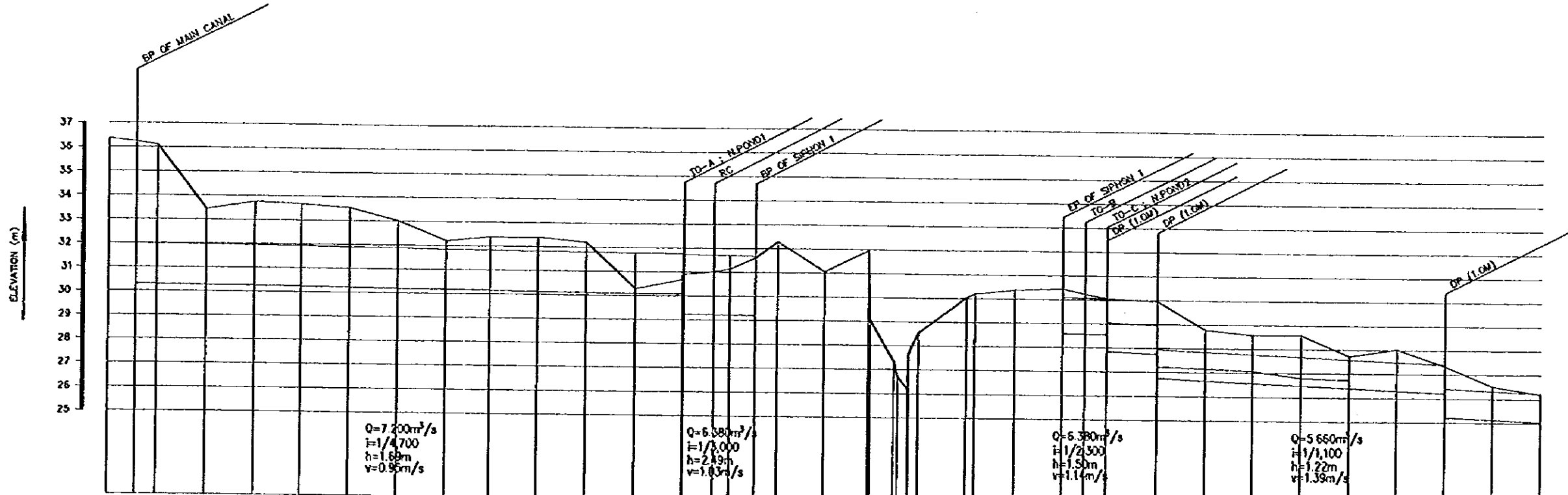
PLAN OF IRRIGATION SYSTEM(3/4)

JAPAN INTERNATIONAL COOPERATION AGENCY

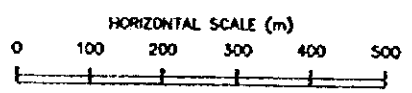
DWG. NO
4.5.3



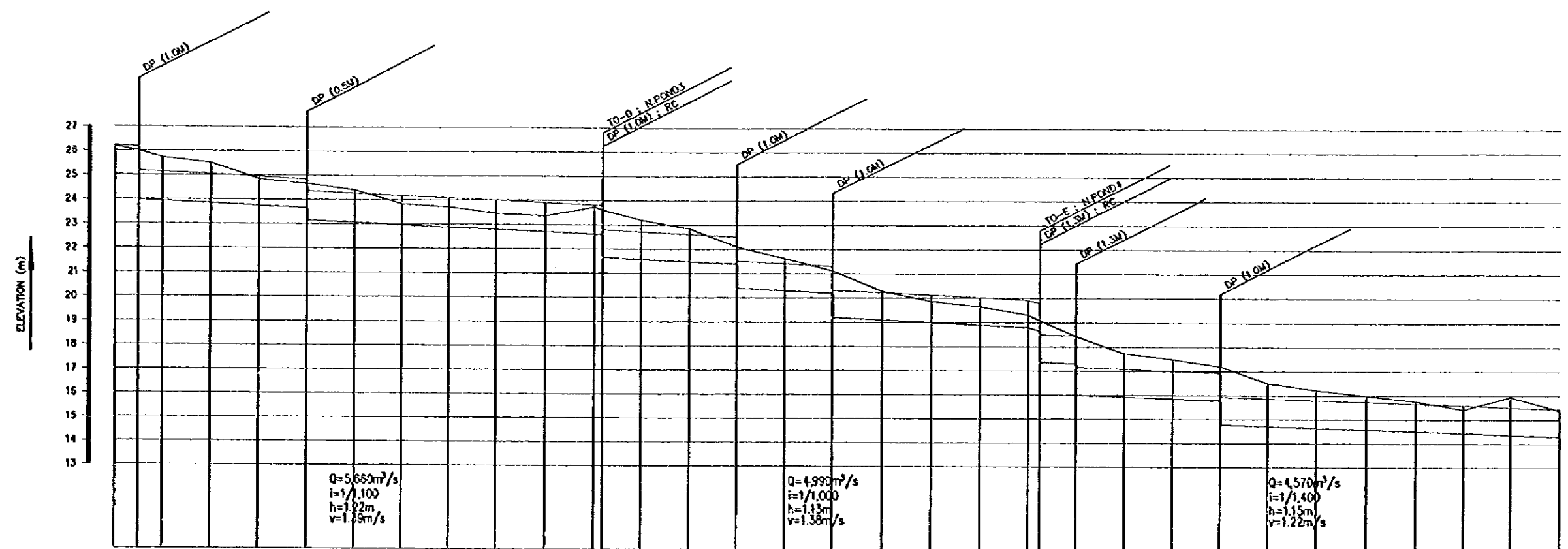
THE STUDY ON INTEGRATED RURAL DEVELOPMENT PROJECT	
YAQUE DEL SUR RIVER BASIN IN THE DOMINICAN REPUBLIC	
TITLE OF DRAWINGS	
PLAN OF IRRIGATION SYSTEM(4/4)	
JAPAN INTERNATIONAL COOPERATION AGENCY	DWG. NO 4.5.4



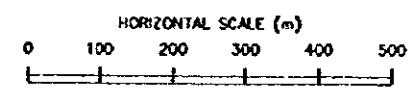
CANAL TYPE	Type A											Type A-1		(sphon I)	Type B-1		Type B-2																				
WATER SURFACE ELEVATION	32	31.99	31.97	31.95	31.93	31.91	31.89	31.88	31.84	31.82	31.8	31.78	31.76	31.74	31.72	31.7	30.09	30.09	30.07	30.05	29.98	29.96	27.95	27.93	27.88	27.86	27.77	27.75	27.5	27.41	26.32	26.23					
CANAL BASE ELEVATION	30.31	30.3	30.28	30.28	30.24	30.22	30.19	30.17	30.16	30.13	30.11	30.09	30.08	30.05	29.2	29.2	26.59	26.59	26.57	26.55	26.55	26.55	26.75	26.75	26.66	26.66	26.57	26.46	26.39	26.3	26.2	25.03					
GROUND SURFACE ELEVATION	36.35	36.23	36.11	33.44	33.76	33.68	33.54	33.02	32.2	30.29	30.29	30.29	30.29	30.85	31.03	31.14	30.82	30.43	30.23	30.05	30.05	28.95	28.78	28.69	28.6	27.74	26.01	27.35	26.31	25.12	26.19						
REDUCED DISTANCE	0	57	100	200	300	400	500	600	700	800	900	1000	1100	1200	1250	1265.01	1300	1300	2002.73	2050	2095	2200	2300	2400	2500	2600	2700	2800	2900	3000							
DISTANCE	0	57	43	100	100	100	100	100	100	100	100	100	100	92	90	2	2	18	100	47.27	45	105	100	100	100	100	100	100	100	100	100						
STATION NO.	0+000.00	0+057.00	0+100.00	0+200.00	0+300.00	0+400.00	0+500.00	0+600.00	0+700.00	0+800.00	0+900.00	1+000.00	1+100.00	1+189.00	1+200.00	1+215.00	1+230.00	1+248.00	1+428.00	1+475.27	1+480.00	1+585.00	1+685.00	1+785.00	1+885.00	1+985.00	2+085.00	2+185.00	2+285.00	2+385.00	2+485.00	2+585.00	2+685.00	2+785.00	2+885.00	2+985.00	3+085.00



THE STUDY ON INTEGRATED RURAL DEVELOPMENT PROJECT
 YAQUE DEL SUR RIVER BASIN IN THE DOMINICAN REPUBLIC
 TITLE OF DRAWINGS
MAIN IRRIGATION CANAL - PROFILE
 (1 / 7)
 JAPAN INTERNATIONAL COOPERATION AGENCY
 DWG. NO
4.5.5

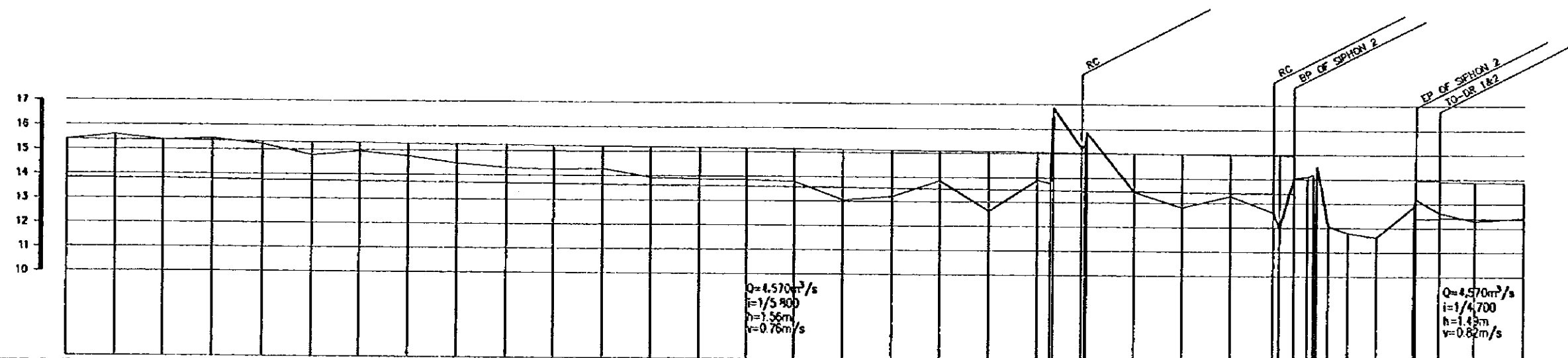


CANAL TYPE	Type B-2										Type B-3										Type B-3															
WATER SURFACE ELEVATION	26.23	26.18	25.14	25.00	24.95	24.86	24.77	24.19	24.09	24	23.91	23.81	23.72	22.89	22.8	22.71	22.62	22.52	21.42	21.32	20.32	20.12	20.02	19.92	18.92	18.82	17.76	17.66	17	15.96	15.79	15.72	15.69	15.58	15.5	15.38
CANAL BASE ELEVATION	25.03	24.98	23.94	23.85	23.75	23.66	23.57	22.98	22.89	22.8	22.71	22.62	22.53	21.59	21.49	21.40	20.30	20.20	20.20	20.10	19.00	18.90	18.80	17.70	17.60	16.54	16.44	15.37	15.20	15.09	14.93	14.83	14.33	14.33	14.33	13.20
GROUND SURFACE ELEVATION	26.19	26	23.73	23.51	24.85	24.67	24.41	23.83	23.72	23.47	23.36	23.26	23.16	23.21	22.85	22.1	21.63	21.13	20.28	19.67	19.65	18.32	18.08	17.72	17.48	17.2	16.51	16.22	15.95	15.78	15.41	15.04	15.04	15.38		
REDUCED DISTANCE	3000	3050	3100	3200	3300	3400	3500	3600	3700	3800	3900	4000	4010	4100	4200	4300	4400	4500	4600	4700	4800	4900	4923	5000	5100	5200	5300	5400	5500	5600	5700	5800	5900	6000		
DISTANCE	0	50	50	100	100	100	100	100	100	100	100	100	10	82	100	100	100	100	100	100	100	25	75	100	100	100	100	100	100	100	100	100	100	100		
STATION NO.	3+000.00	3+050.00	3+100.00	3+200.00	3+300.00	3+400.00	3+500.00	3+600.00	3+700.00	3+800.00	3+900.00	4+000.00	4+010.00	4+100.00	4+200.00	4+300.00	4+400.00	4+500.00	4+600.00	4+700.00	4+800.00	4+900.00	4+923.00	5+000.00	5+100.00	5+200.00	5+300.00	5+400.00	5+500.00	5+600.00	5+700.00	5+800.00	5+900.00	6+000.00		

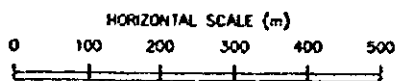


THE STUDY ON INTEGRATED RURAL DEVELOPMENT PROJECT
 YAQUE DEL SUR RIVER BASIN IN THE DOMINICAN REPUBLIC
 TITLE OF DRAWINGS
MAIN IRRIGATION CANAL - PROFILE
 (2 / 7)
 JAPAN INTERNATIONAL COOPERATION AGENCY
 DWG. NO 4.5.6

ELEVATION (m)



CANAL TYPE	Type B-1																			(siphon 2)	Type B-1																					
WATER SURFACE ELEVATION	15.39	15.37	15.38	15.34	15.32	15.3	15.28	15.27	15.25	15.23	15.22	15.2	15.18	15.17	15.13	15.11	15.1	15.08	15.06	15.05	15.04	15.03	15.02	15.01	14.99	14.98	14.96	14.95	14.95	14.95	13.95	13.95	13.95	13.98	13.98	13.98						
CANAL BASE ELEVATION	13.83	13.81	13.8	13.78	13.76	13.76	13.74	13.73	13.69	13.67	13.66	13.64	13.62	13.61	13.59	13.57	13.54	13.53	13.52	13.5	13.49	13.48	13.48	13.48	13.48	13.43	13.43	13.42	13.42	13.42	13.39	13.39	13.39	13.39	13.39	13.39	13.37	13.37	13.37			
GROUND SURFACE ELEVATION	15.38	15.58	15.37	15.44	15.21	14.78	14.84	14.75	14.46	14.29	14.24	14.28	13.92	13.88	13.85	13.79	13.05	13.19	13.85	12.43	13.43	12.61	12.61	12.61	13.28	11.79	11.01	11.01	11.01	12.88	13.18	12.88	12.88	12.88	12.88	12.28	12.42	12.42	12.42	12.42		
REDUCED DISTANCE	6000	6100	6200	6300	6400	6500	6600	6700	6800	6900	7000	7100	7200	7300	7400	7500	7600	7700	7800	7900	8000	8100	8200	8300	8400	8500	8600	8700	8700	8700	8700	8700	8700	8700	8700	8800	8900	9000	9000	9000	9000	9000
DISTANCE	0	100	100	100	100	100	100	100	100	100	100	100	100	100	100	100	100	100	100	100	100	100	100	100	100	100	100	100	100	100	100	100	100	100	100	100	100	100	100	100	100	100
STATION NO.	6+000.00	6+100.00	6+200.00	6+300.00	6+400.00	6+500.00	6+600.00	6+700.00	6+800.00	6+900.00	7+000.00	7+100.00	7+200.00	7+300.00	7+400.00	7+500.00	7+600.00	7+700.00	7+800.00	7+900.00	8+000.00	8+100.00	8+200.00	8+300.00	8+400.00	8+500.00	8+600.00	8+700.00	8+700.00	8+700.00	8+700.00	8+700.00	8+700.00	8+700.00	8+700.00	8+700.00	8+700.00	8+700.00	8+700.00	8+700.00	8+700.00	8+700.00



THE STUDY ON INTEGRATED RURAL DEVELOPMENT PROJECT

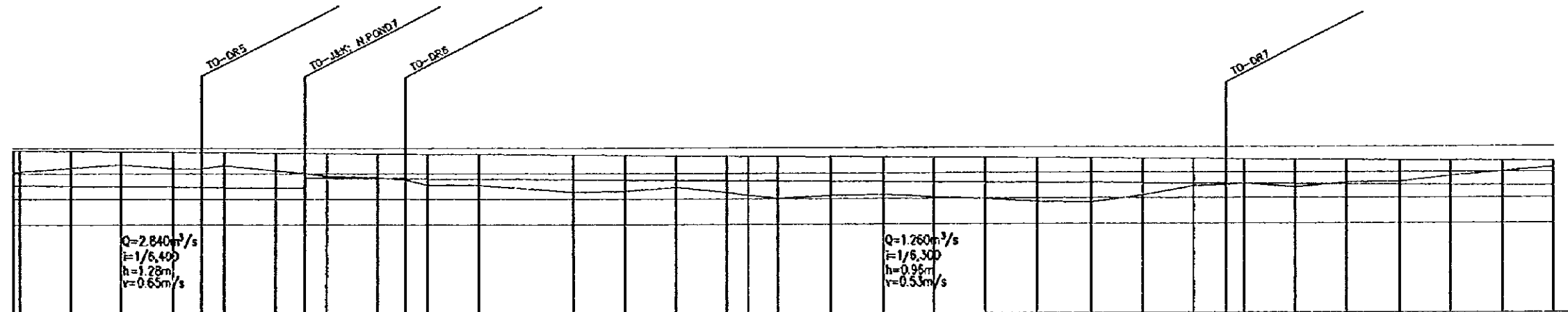
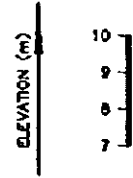
YAQUE DEL SUR RIVER BASIN IN THE DOMINICAN REPUBLIC

TITLE OF DRAWINGS

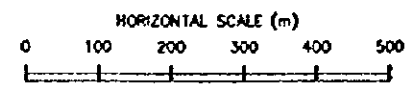
MAIN IRRIGATION CANAL - PROFILE (3 / 7)

JAPAN INTERNATIONAL COOPERATION AGENCY

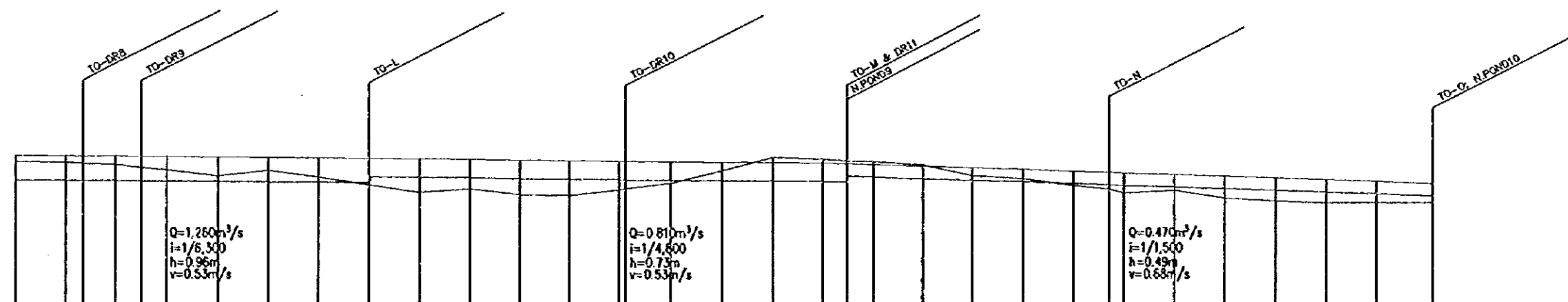
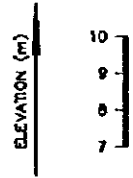
DWG. NO 4,5.7



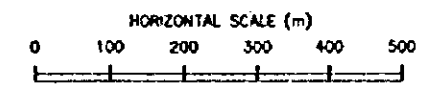
CANAL TYPE	Type B-2										Type C-1																										
WATER SURFACE ELEVATION	8.88	8.87	8.86	8.84	8.83	8.82	8.81	8.80	8.79	8.78	8.72	8.7	8.68	8.67	8.66	8.65	8.64	8.62	8.6	8.59	8.57	8.56	8.54	8.53	8.52	8.51	8.49	8.48	8.46	8.45	8.43	8.41					
CANAL BASE ELEVATION	8.33	8.3	8.28	8.26	8.25	8.24	8.23	8.22	8.21	8.2	8.17	8.15	8.14	8.13	8.12	8.11	8.1	8.09	8.08	8.07	8.06	8.05	8.04	8.03	8.02	8.01	8.0	7.99	7.98	7.97	7.96	7.95					
GROUND SURFACE ELEVATION	8.89	8.21	8.25	8.19	8.19	8.19	8.12	8.01	8.0	8.04	8.27	8.3	8.45	8.25	8.13	8.02	8.12	8.17	8.05	7.98	7.86	7.82	8.09	8.45	8.5	8.55	8.41	8.59	8.63	8.8	8.8	9.02	9.18				
REDUCED DISTANCE	15800	15113	15213	15313	15389.8	15413	15513	15570	15613	15713	15788.83	15813	15913	16000	16100	16200	16300	16400	16440	16500	16600	16700	16800	16900	17000	17100	17200	17300	17364.78	17400	17500	17600	17700	17800	17900	18000	
DISTANCE	0	100	100	100	56.8	43.1	100	57	43	100	55.03	44.17	100	187	100	100	100	40	60	100	100	100	100	100	100	100	64.78	35.24	100	100	100	100	100	100	100		
STATION NO.	15+800.00	15+900.00	16+000.00	16+100.00	16+166.80	16+209.90	16+309.90	16+366.90	16+410.00	16+510.00	16+565.03	16+609.17	16+709.17	16+896.17	17+083.17	17+183.17	17+283.17	17+323.17	17+383.17	17+443.17	17+543.17	17+643.17	17+743.17	17+843.17	17+943.17	18+043.17	18+107.95	18+143.19	18+178.43	18+213.67	18+248.91	18+284.15	18+319.39	18+354.63	18+389.87	18+425.11	18+460.35



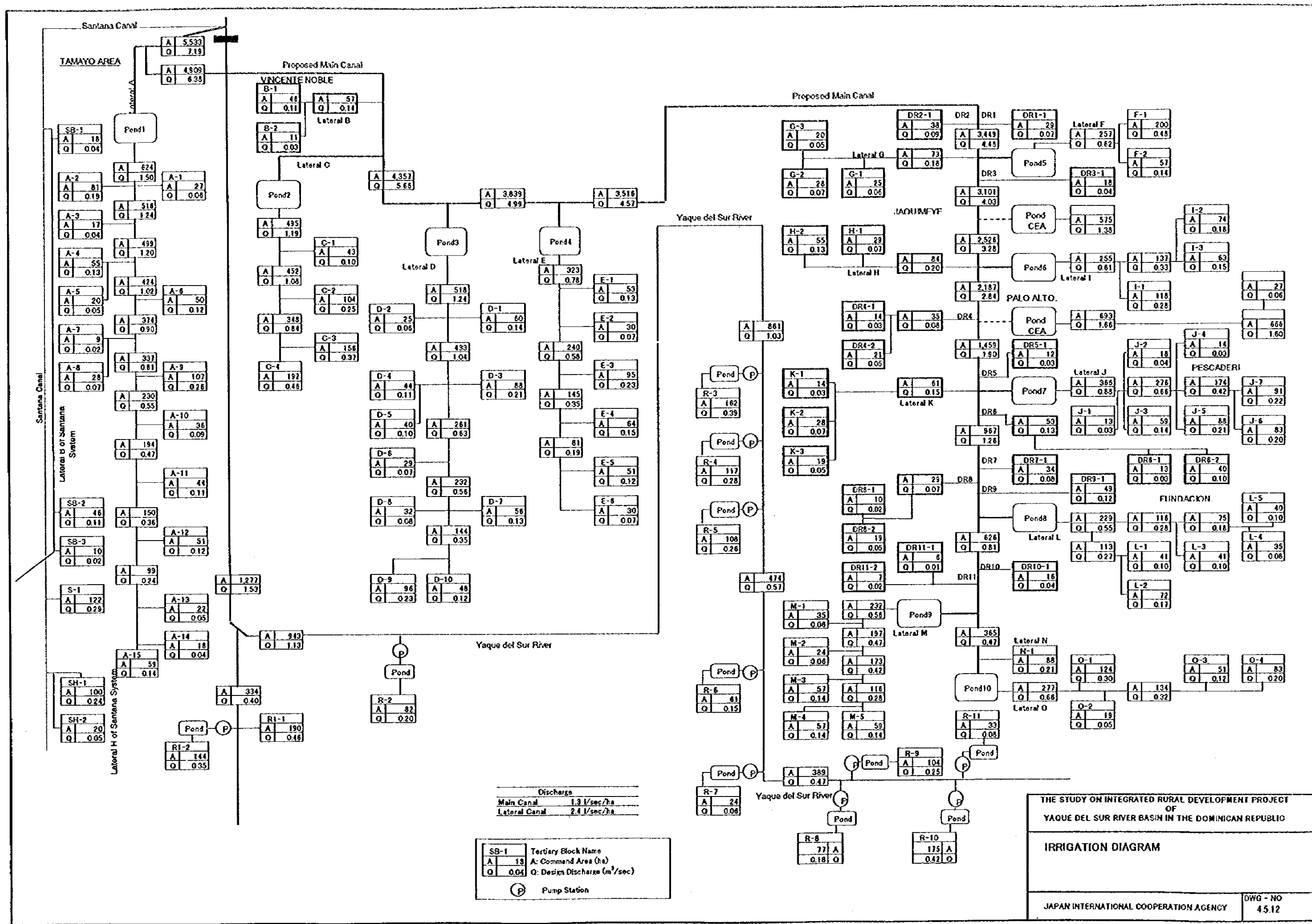
THE STUDY ON INTEGRATED RURAL DEVELOPMENT PROJECT
 YAQUE DEL SUR RIVER BASIN IN THE DOMINICAN REPUBLIC
 TITLE OF DRAWINGS
MAIN IRRIGATION CANAL - PROFILE
 (6/7)
 JAPAN INTERNATIONAL COOPERATION AGENCY DWG. NO
 4.5.10



CANAL TYPE	Type C-1																		Type C-2												Type D											
WATER SURFACE ELEVATION	9.41	9.4	9.39	9.36	9.37	9.37	9.35	9.33	9.32	9.3	9.28	9.28	9.26	9.24	9.22	9.19	9.17	9.15	9.13	9.11	9.1	9.07	9	8.93	8.87	8.8	8.75	8.72	8.67	8.6	8.53	8.47	8.4	8.32								
CANAL BASE ELEVATION	8.43	8.44	8.43	8.42	8.41	8.41	8.39	8.37	8.36	8.35	8.3	8.3	8.28	8.26	8.24	8.22	8.2	8.18	8.15	8.13	8.11	8.1	8.07	8.05	8.03	8.01	7.98	7.96	7.94	7.91	7.88	7.85	7.82	7.78								
GROUND SURFACE ELEVATION	9.18	9.15	9.1	9.07	9.02	9.04	8.61	8.62	8.55	8.23	7.98	8.08	8.06	7.88	7.65	8.02	8.32	8.01	8.04	8.27	9.2	8.18	8.05	8.02	8.51	8.24	8.1	7.84	8.04	7.75	7.62	7.55	7.55	7.58								
REDUCED DISTANCE	18000	18100	18135.1	18200	18249.84	18300	18400	18500	18600	18699.1	19000	18980	19000	19100	19200	19299	19300	19400	19500	19600	19647.45	19700	19800	19900	20000	20100	20170.13	20200	20300	20400	20500	20600	20700	20812								
DISTANCE	0	100	35.1	64.9	49.84	30.36	100	100	100	99.1	100.9	100	100	100	100	12.93	87.37	100	100	100	47.45	52.55	100	100	100	100	70.13	29.87	100	100	100	100	100	112								
STATION NO.	18+000.00	18+100.00	18+135.10	18+200.00	18+249.84	18+300.00	18+400.00	18+500.00	18+600.00	18+699.10	18+800.00	18+900.00	18+980.00	18+999.00	19+000.00	19+022.93	19+100.00	19+200.00	19+300.00	19+400.00	19+447.45	19+500.00	19+600.00	19+700.00	19+800.00	19+900.00	20+000.00	20+100.00	20+170.13	20+200.00	20+300.00	20+400.00	20+500.00	20+600.00	20+700.00	20+812.00						



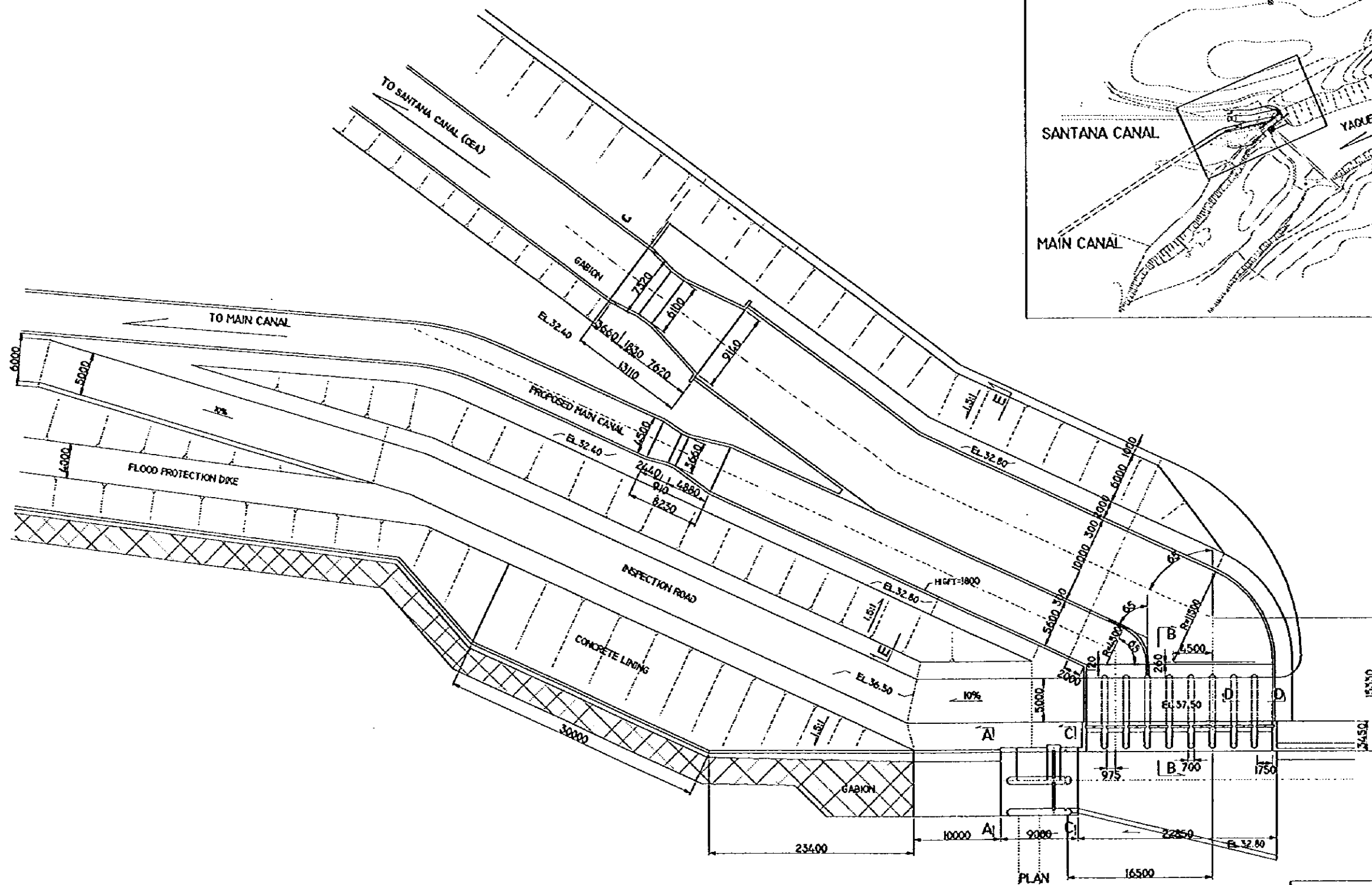
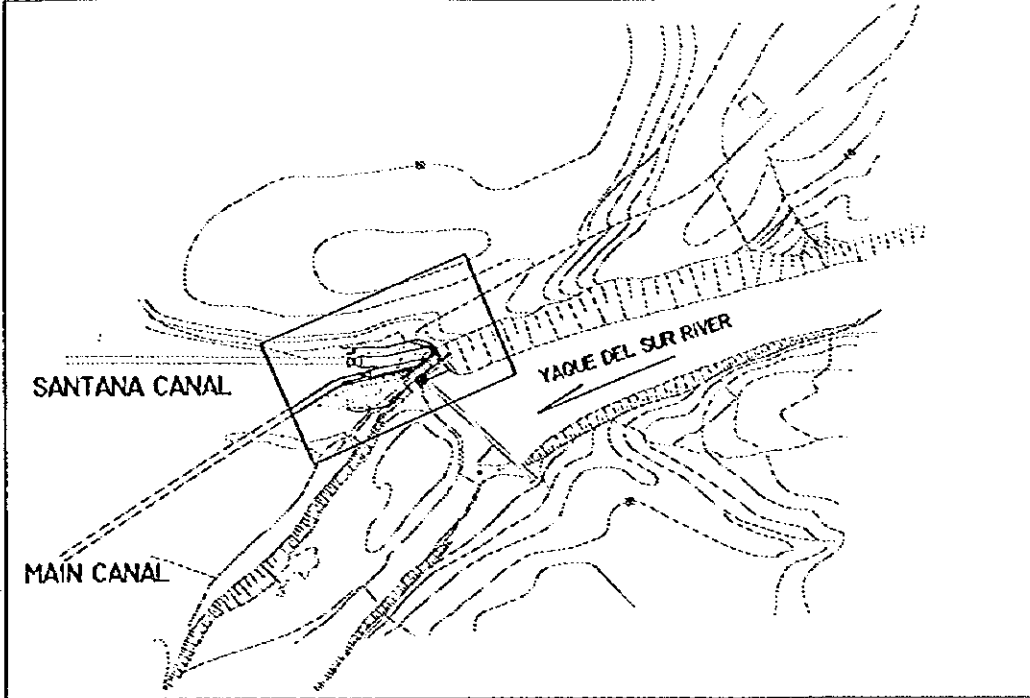
THE STUDY ON INTEGRATED RURAL DEVELOPMENT PROJECT
 YAQUE DEL SUR RIVER BASIN IN THE DOMINICAN REPUBLIC
 TITLE OF DRAWINGS
MAIN IRRIGATION CANAL - PROFILE
 (7 / 7)
 JAPAN INTERNATIONAL COOPERATION AGENCY DWG. NO 4.5.11



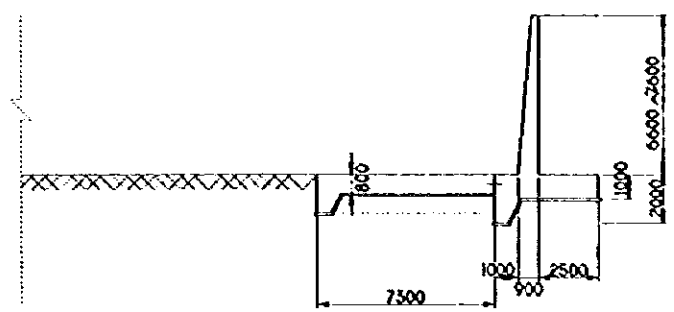
Discharge
 Main Canal 1.3 l/sec/ha
 Lateral Canal 2.4 l/sec/ha

SB-1 Tertiary Block Name
 A 18 Command Area (ha)
 Q 0.04 Design Discharge (m³/sec)
 P Pump Station

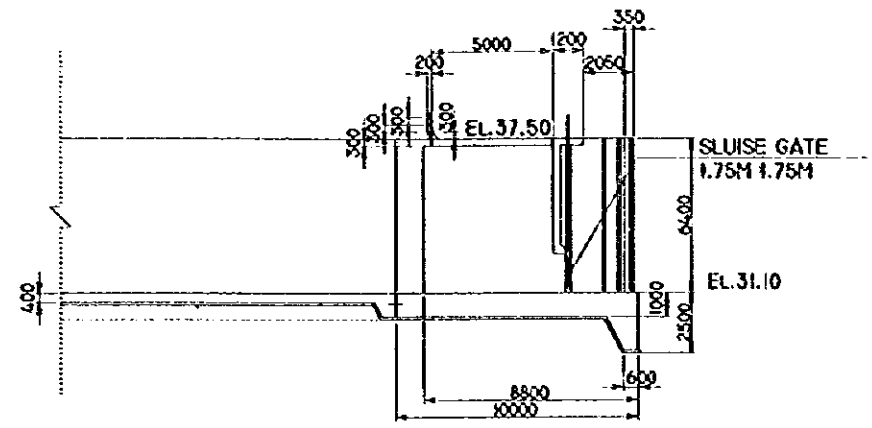
THE STUDY ON INTEGRATED RURAL DEVELOPMENT PROJECT
 OF
 YAQUE DEL SUR RIVER BASIN IN THE DOMINICAN REPUBLIC
 IRRIGATION DIAGRAM
 JAPAN INTERNATIONAL COOPERATION AGENCY DWG - NO 4.5.12



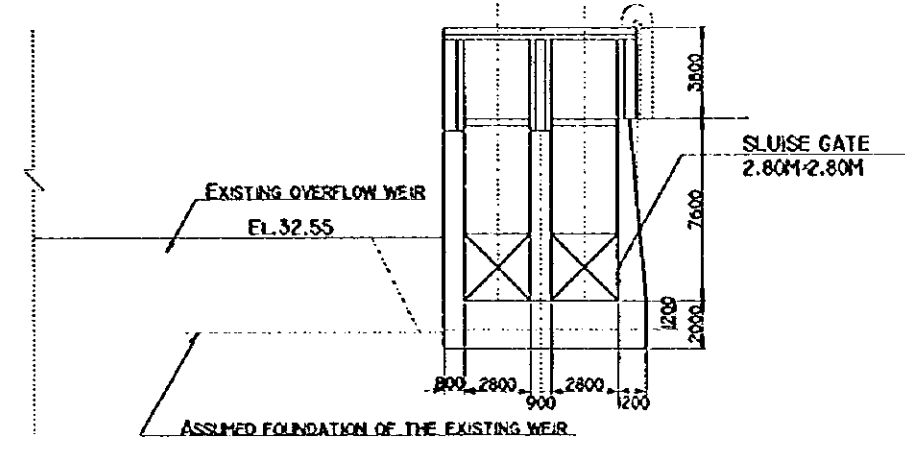
THE STUDY ON INTEGRATED RURAL DEVELOPMENT PROJECT OF YAQUE DEL SUR RIVER BASIN IN THE DOMINICAN REPUBLIC	
TITLE OF DRAWINGS SANTANA HEADWORKS (PLAN)	
JAPAN INTERNATIONAL COOPERATION AGENCY	DWG. NO 4.5.13



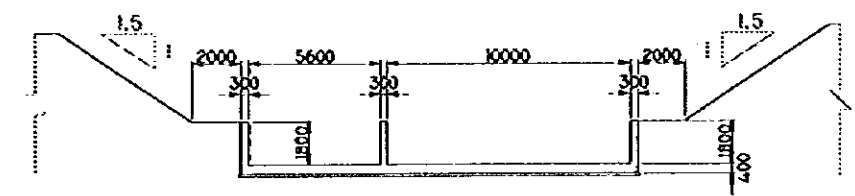
SECTION A-A



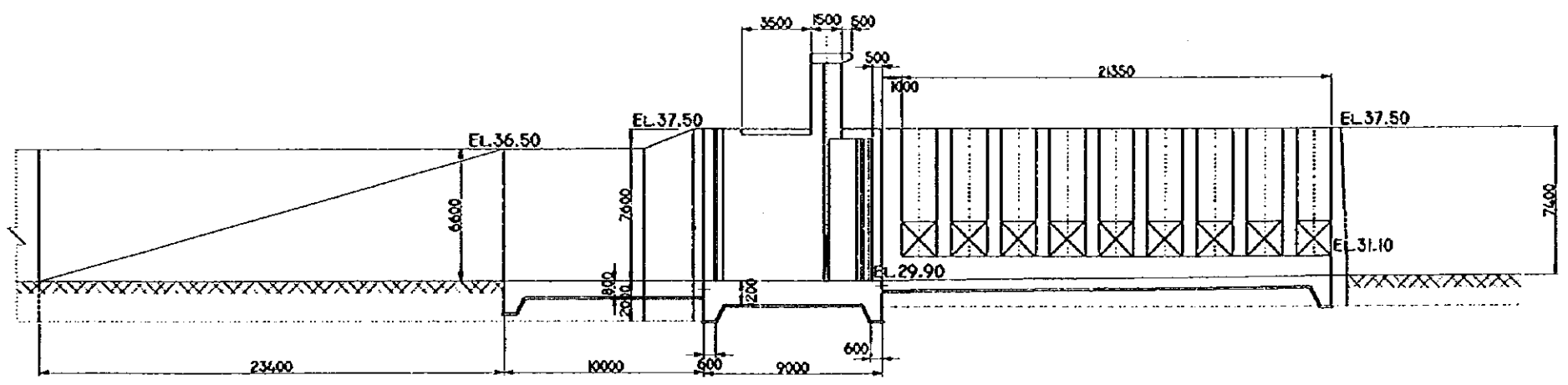
SECTION B-B



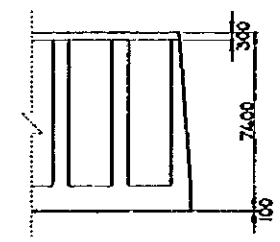
SECTION C-C



SECTION E-E



PROFILE

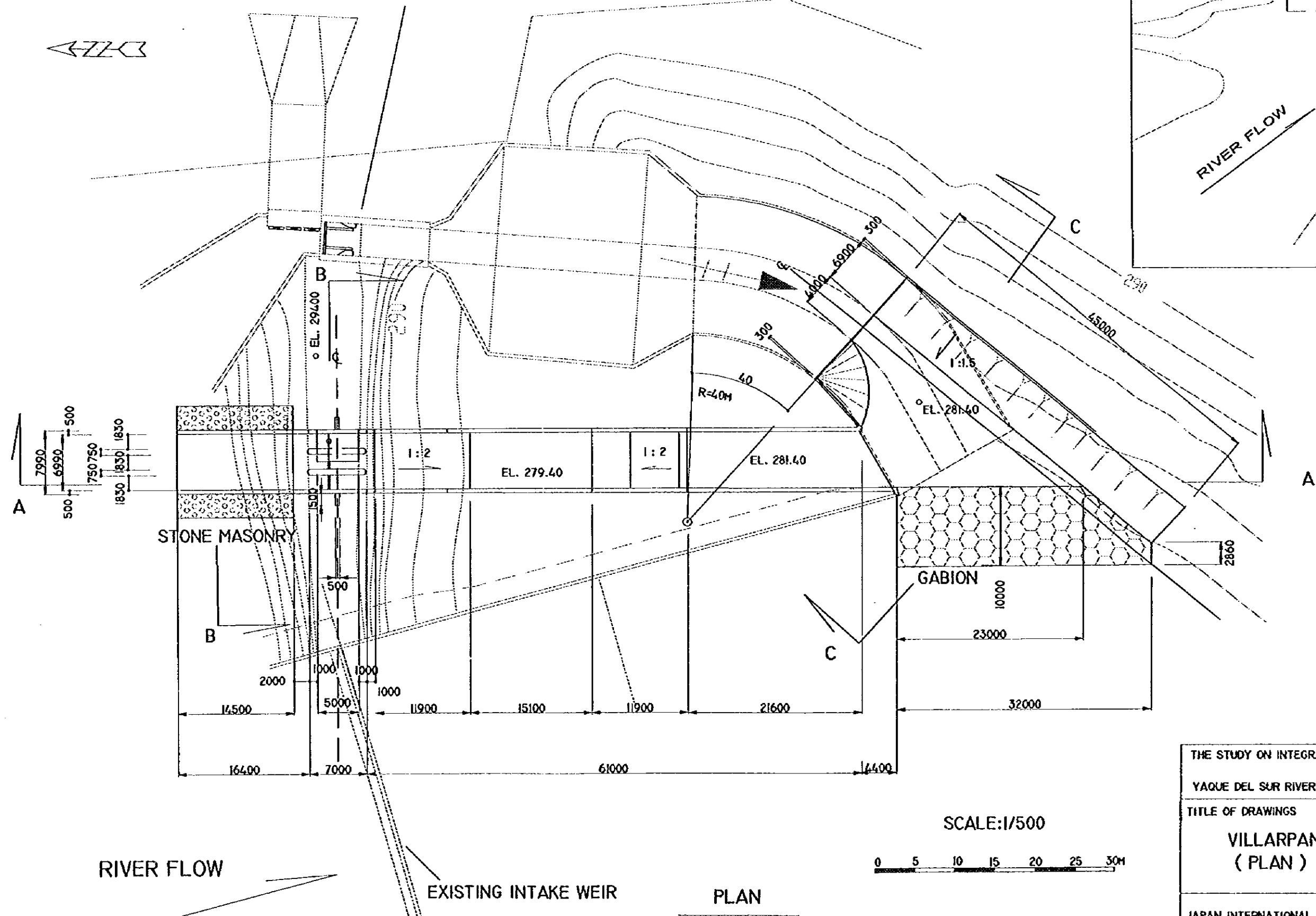
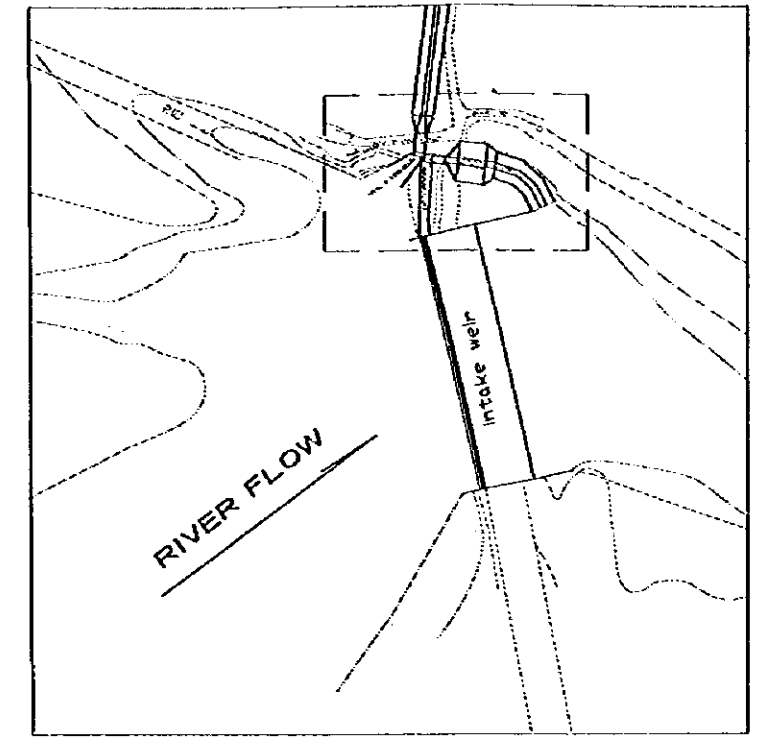


SECTION D-D



THE STUDY ON INTEGRATED RURAL DEVELOPMENT PROJECT	
YAQUE DEL SUR RIVER BASIN IN THE DOMINICAN REPUBLIC	
TITLE OF DRAWINGS	
SANTANA HEADWORKS (PROFILE, SECTION)	
JAPAN INTERNATIONAL COOPERATION AGENCY	OWG. NO 4.5.14

GATE REPAIRING
 SLUICE GATE (3NOS ; B1.83M, H2.50M)
 RADIAL GATE (1NOS ; R=7.20M, W4.00M)

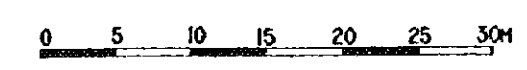


RIVER FLOW

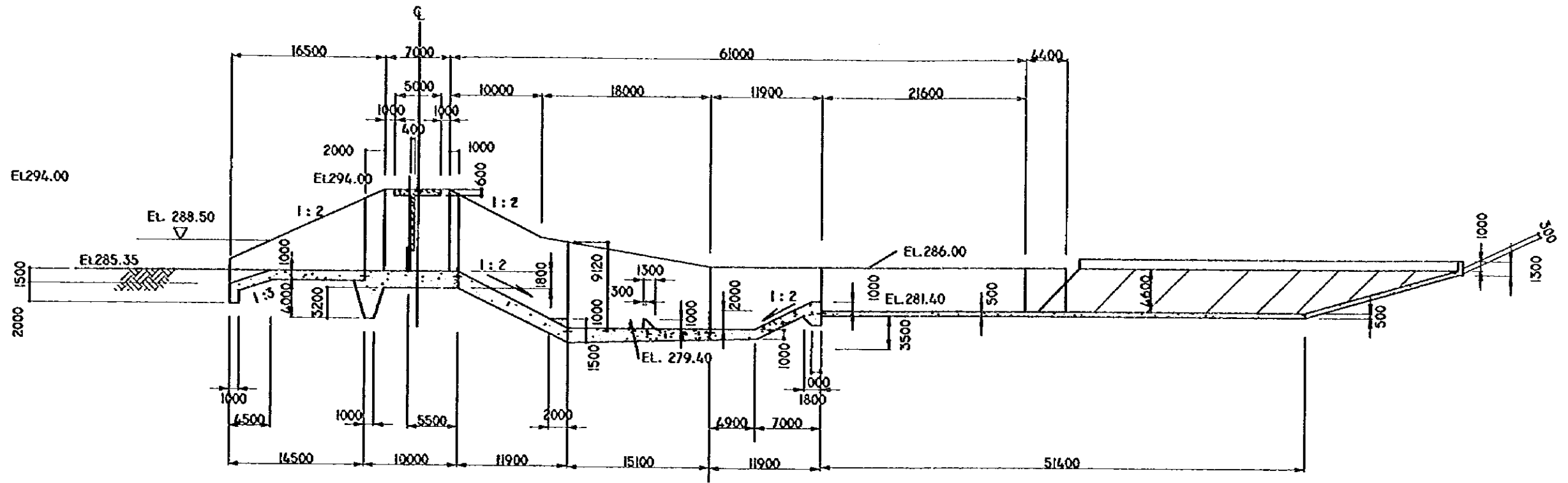
EXISTING INTAKE WEIR

PLAN

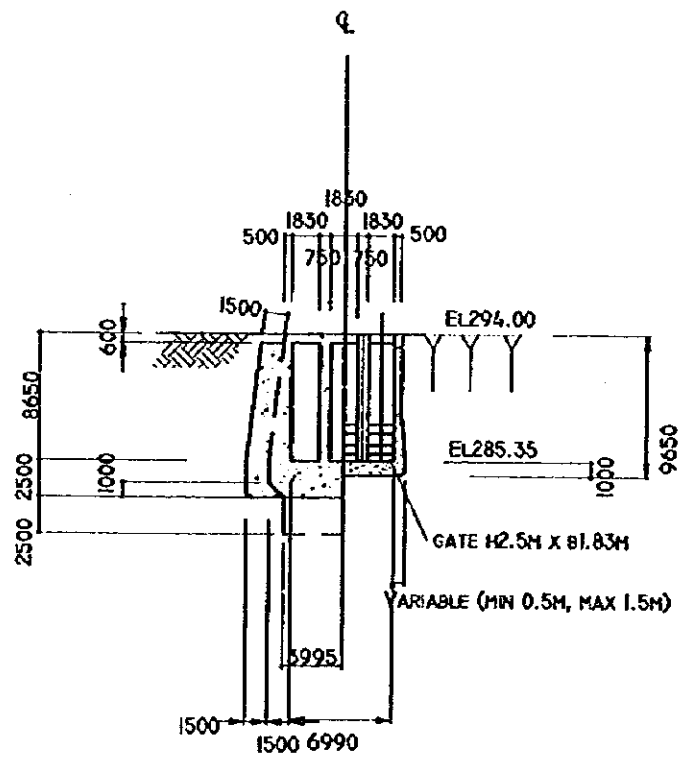
SCALE: 1/500



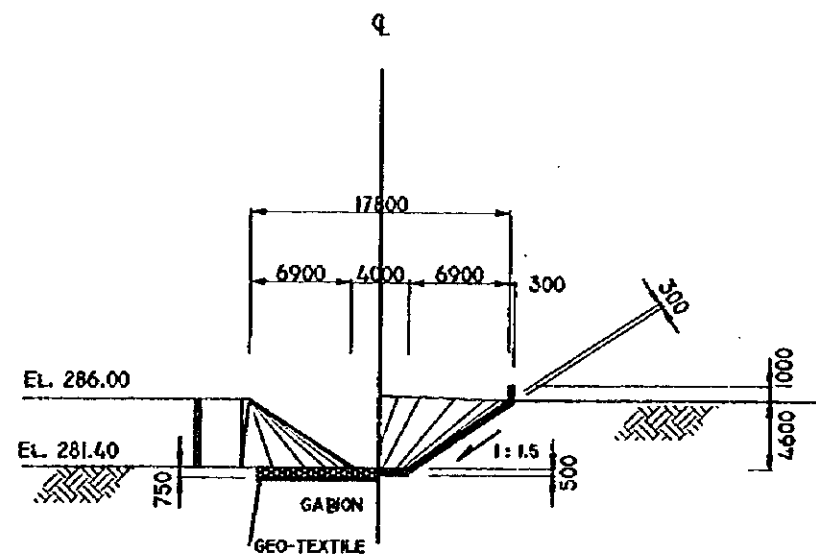
THE STUDY ON INTEGRATED RURAL DEVELOPMENT PROJECT	
YAQUE DEL SUR RIVER BASIN IN THE DOMINICAN REPUBLIC	
TITLE OF DRAWINGS	
VILLARPANDO HEADWORKS (PLAN)	
JAPAN INTERNATIONAL COOPERATION AGENCY	DWG. NO 4.5.15



PROFILE A - A



SECTION B - B

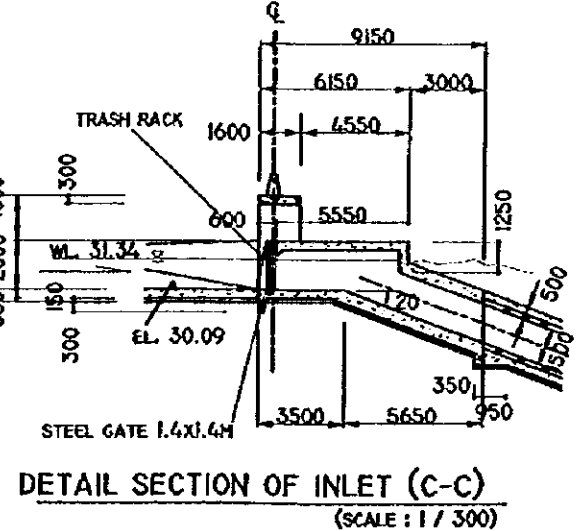
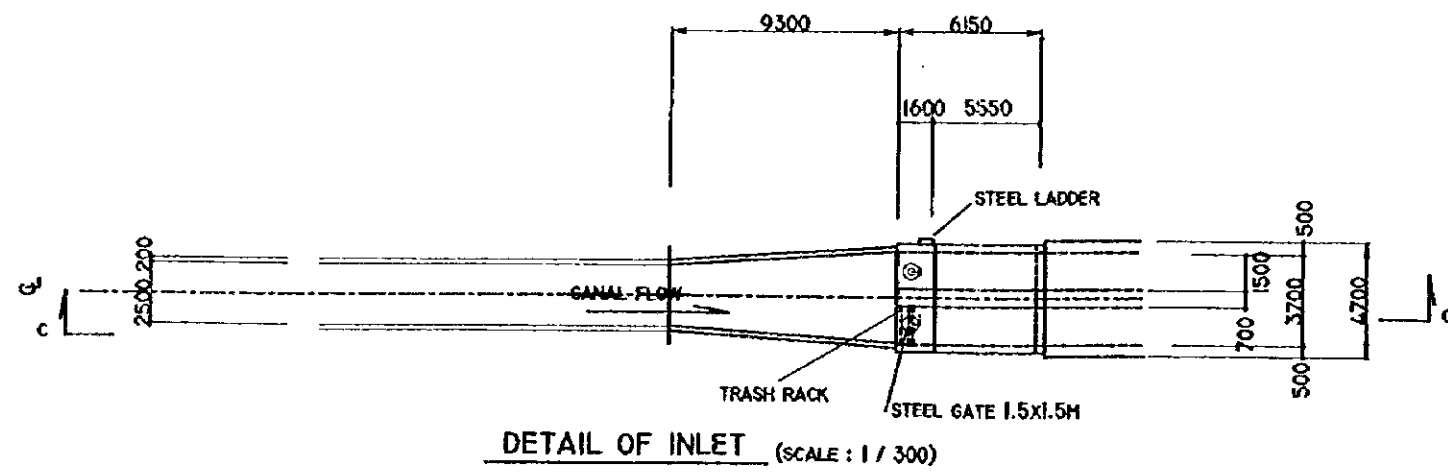
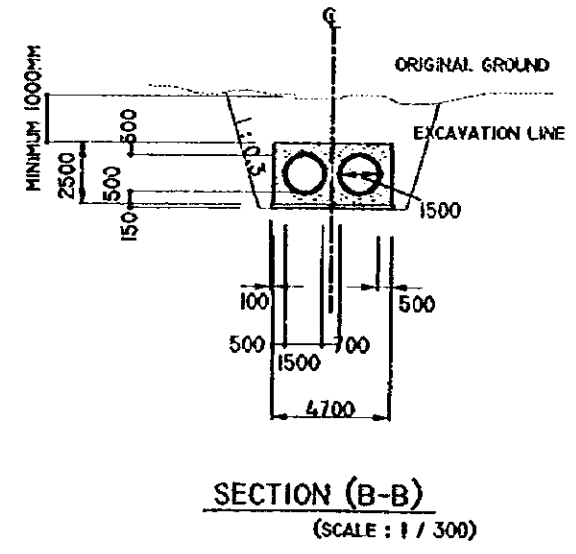
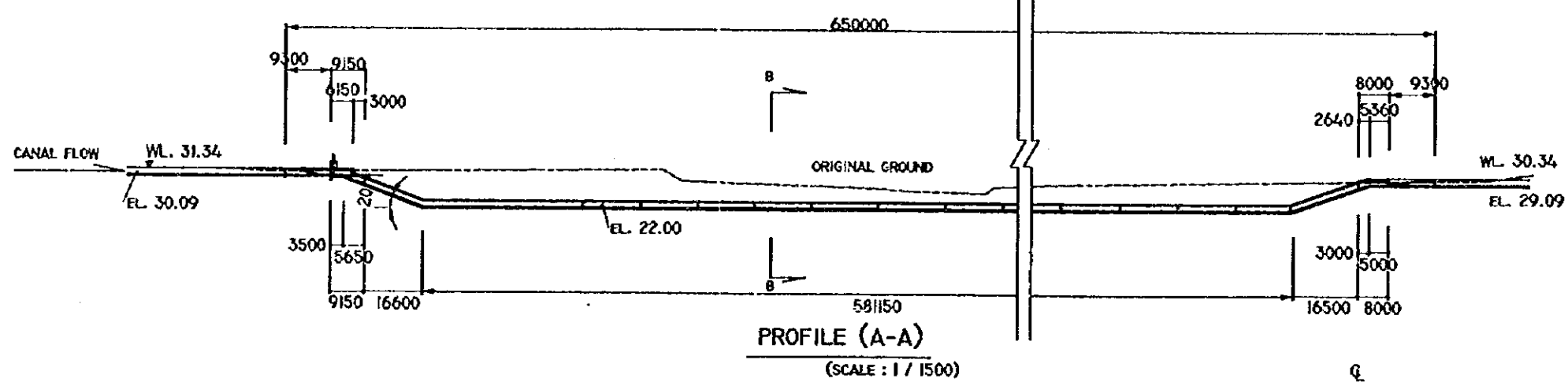
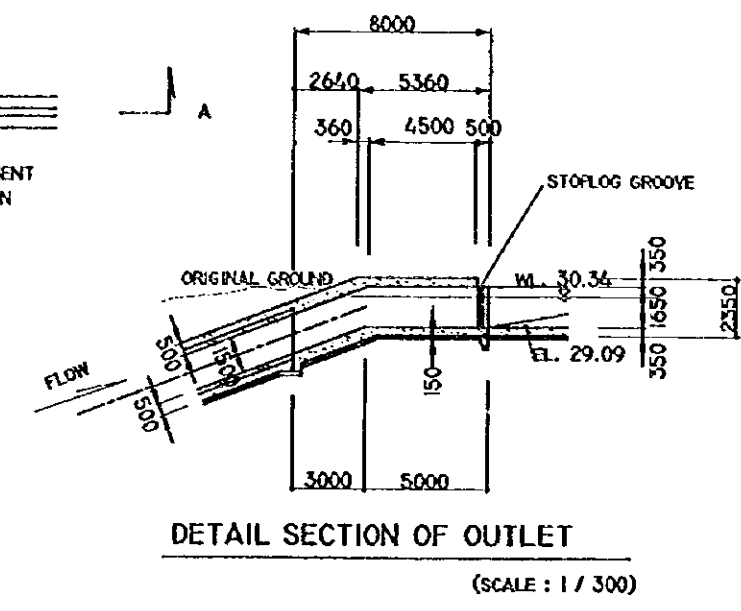
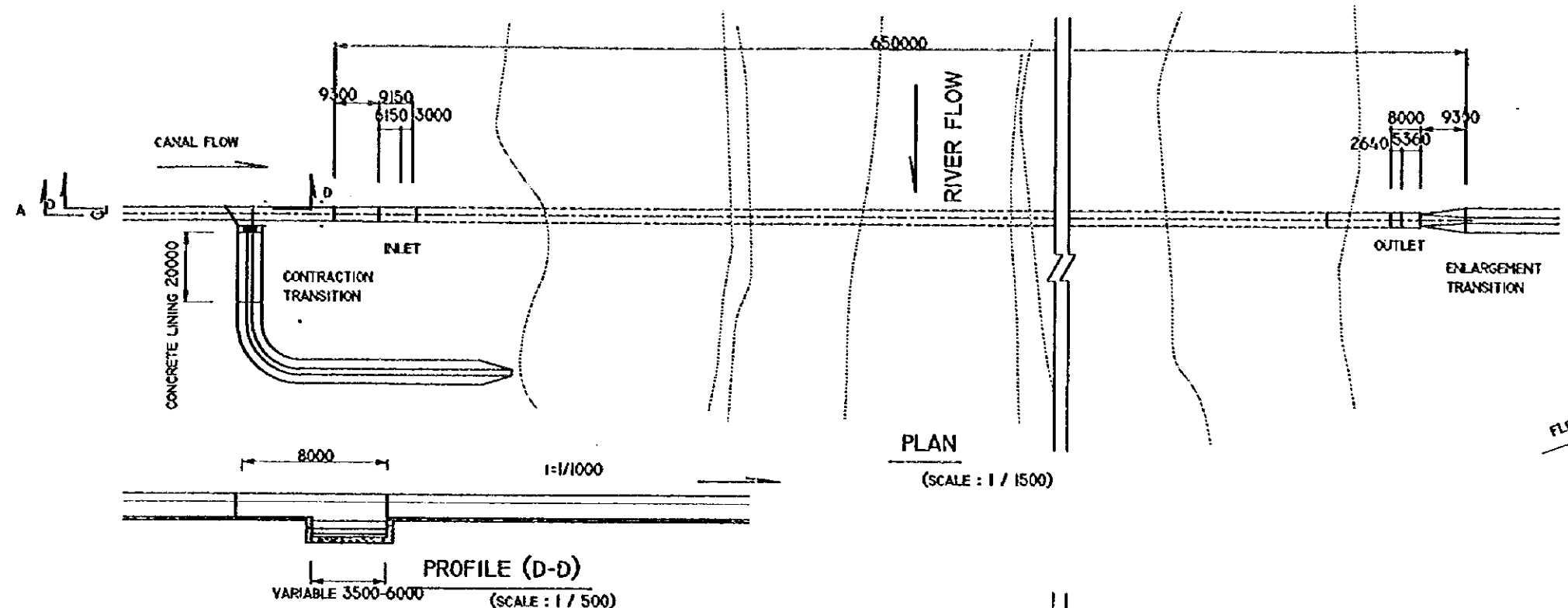


SECTION C - C

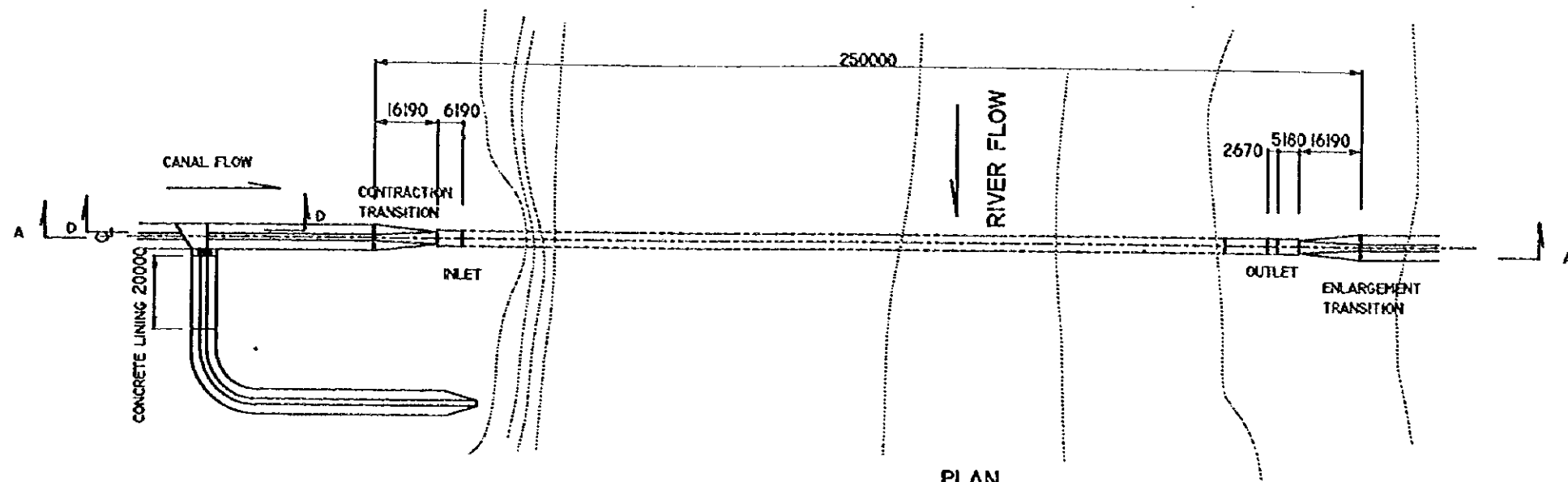
SCALE: 1/500



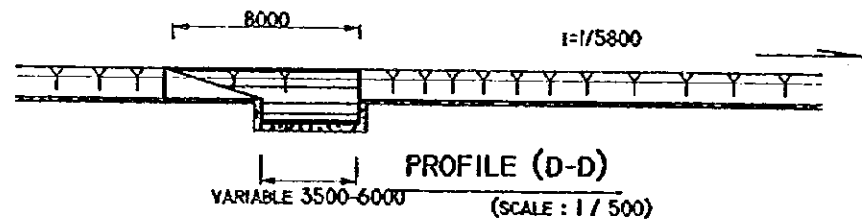
THE STUDY ON INTEGRATED RURAL DEVELOPMENT PROJECT	
YAQUE DEL SUR RIVER BASIN IN THE DOMINICAN REPUBLIC	
TITLE OF DRAWINGS	
VILLARPANDO HEADWORKS (PROFILE, SECTION)	
JAPAN INTERNATIONAL COOPERATION AGENCY	DWG. NO 4.5.16



THE STUDY ON INTEGRATED RURAL DEVELOPMENT PROJECT	
YAQUE DEL SUR RIVER BASIN IN THE DOMINICAN REPUBLIC	
TITLE OF DRAWINGS	
SIPHON I (VICENTE NOBLE - TAMAYO)	
JAPAN INTERNATIONAL COOPERATION AGENCY	DWG. NO 4.5.17

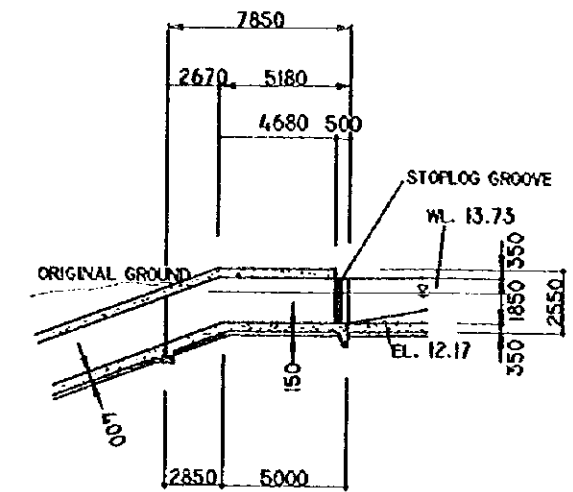


PLAN
(SCALE: 1 / 1500)



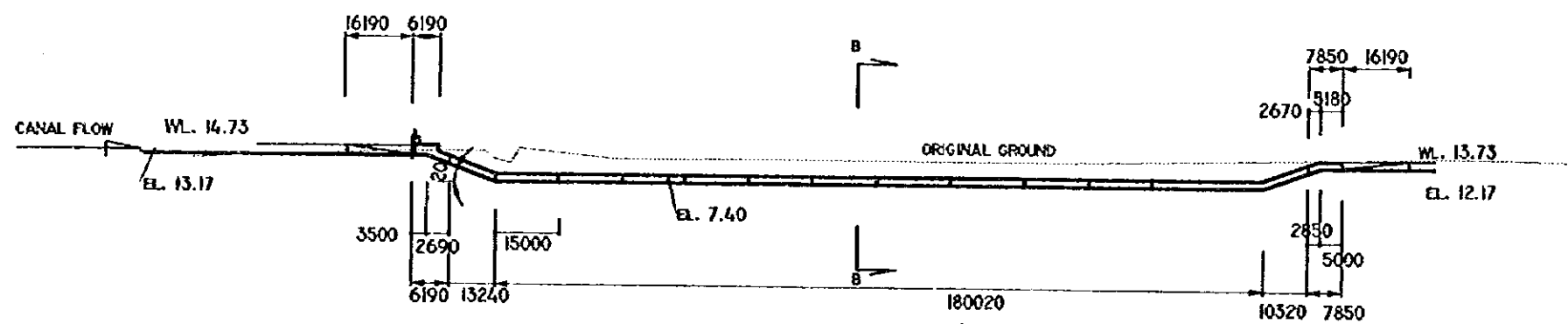
PROFILE (D-D)

(SCALE: 1 / 500)



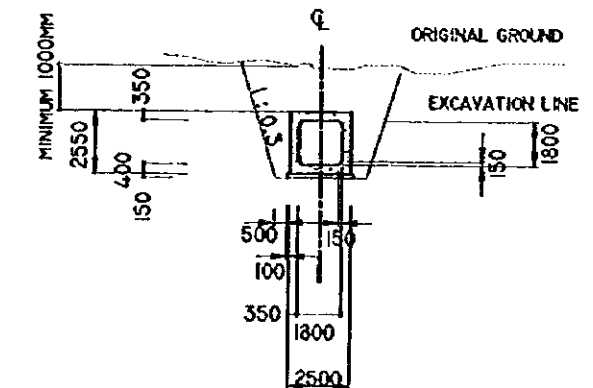
DETAIL SECTION OF OUTLET

(SCALE: 1 / 300)



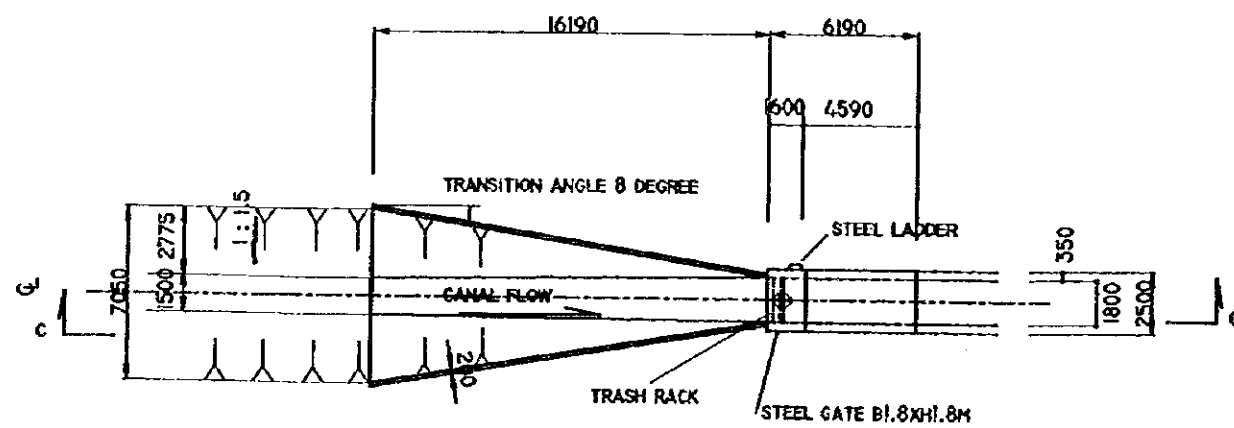
PROFILE (A-A)

(SCALE: 1 / 1500)



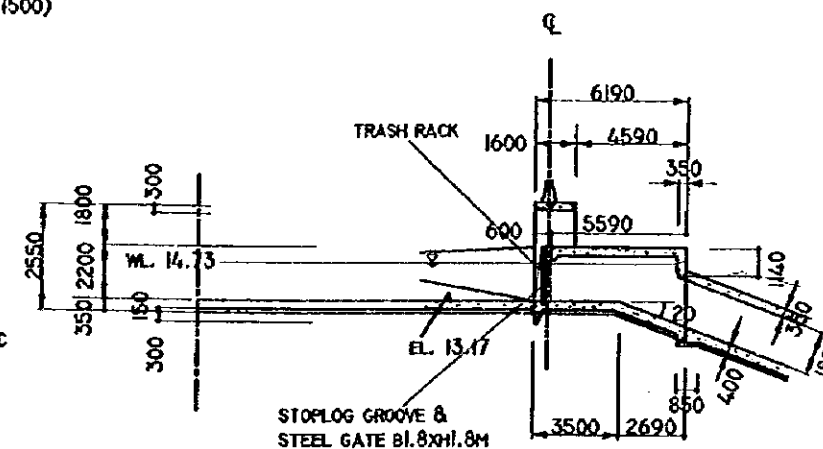
SECTION (B-B)

(SCALE: 1 / 300)



DETAIL OF INLET

(SCALE: 1 / 300)



DETAIL SECTION OF INLET (C-C)

(SCALE: 1 / 300)

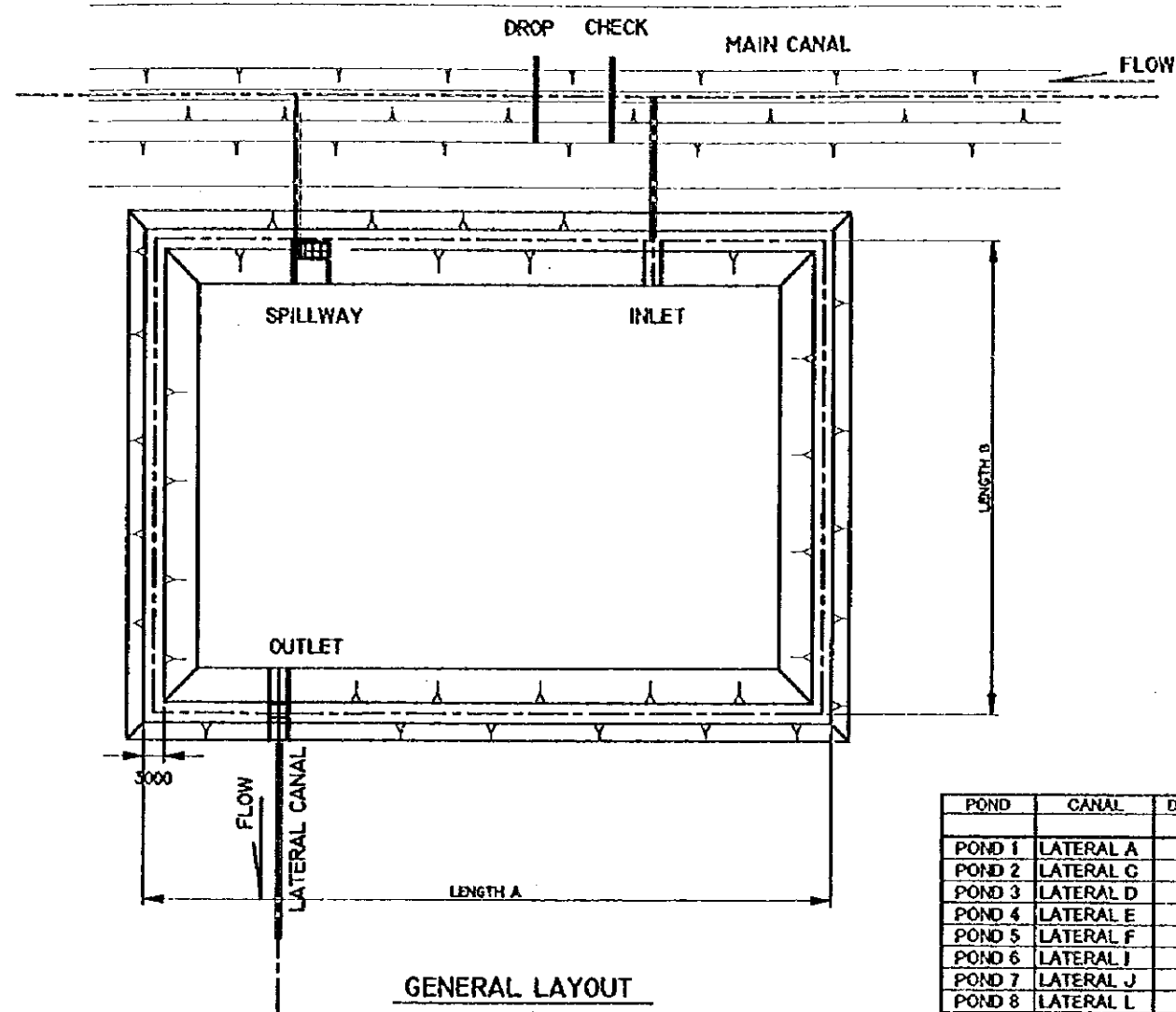
THE STUDY ON INTEGRATED RURAL DEVELOPMENT PROJECT

YAUQUE DEL SUR RIVER BASIN IN THE DOMINICAN REPUBLIC

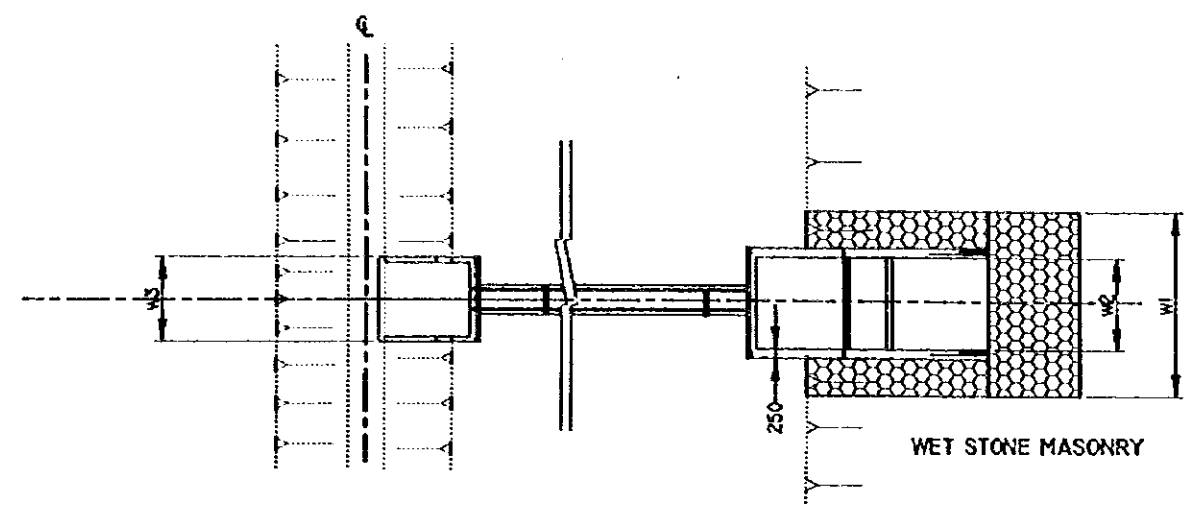
TITLE OF DRAWINGS

SIPHON 2 (CANOA)

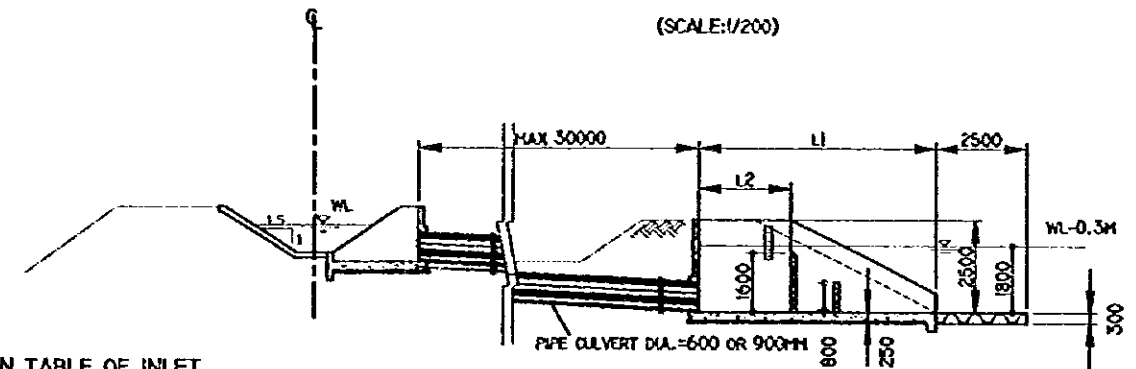
JAPAN INTERNATIONAL COOPERATION AGENCY DWG. NO 4.5.18



GENERAL LAYOUT
(SCALE: 1/1000)



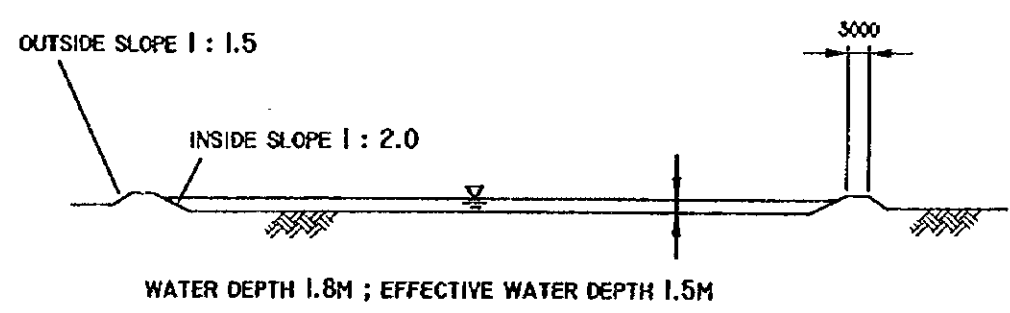
PLAN OF INLET
(SCALE: 1/200)



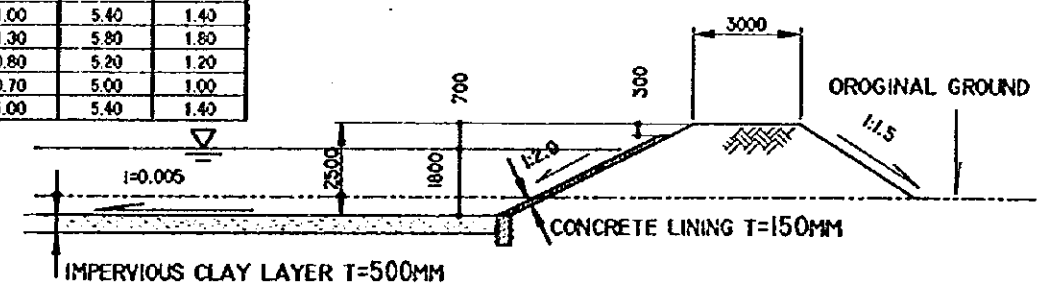
PROFILE OF INLET
(SCALE: 1/200)

DIMENSION TABLE OF INLET

POND	CANAL	DISCHARGE (m ³ /sec)	W1 (m)	W2 (m)	W3 (m)	L1 (m)	L2 (m)
POND 1	LATERAL A	0.820	4.70	2.20	1.50	6.20	2.20
POND 2	LATERAL C	0.745	4.50	2.00	1.40	6.00	2.00
POND 3	LATERAL D	0.745	4.50	2.00	1.40	6.00	2.00
POND 4	LATERAL E	0.447	3.70	1.20	0.80	5.20	1.20
POND 5	LATERAL F	0.596	4.10	1.60	1.10	5.60	1.60
POND 6	LATERAL I	0.522	3.90	1.40	1.00	5.40	1.40
POND 7	LATERAL J	0.871	4.30	1.80	1.30	5.80	1.80
POND 8	LATERAL L	0.447	3.70	1.20	0.80	5.20	1.20
POND 9	LATERAL M	0.373	3.50	1.00	0.70	5.00	1.00
POND 10	LATERAL O	0.522	3.90	1.40	1.00	5.40	1.40



PROFILE OF NIGHT STORAGE POND
(SCALE: 1/1000)

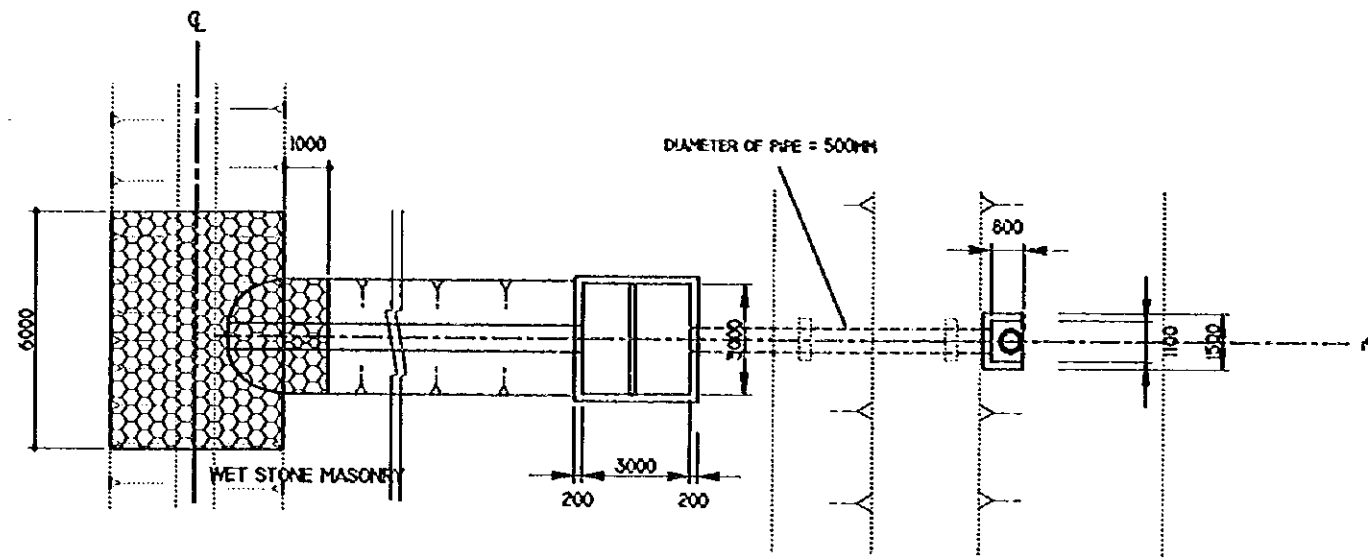


DETAIL OF NIGHT STORAGE POND
(SCALE: 1/200)

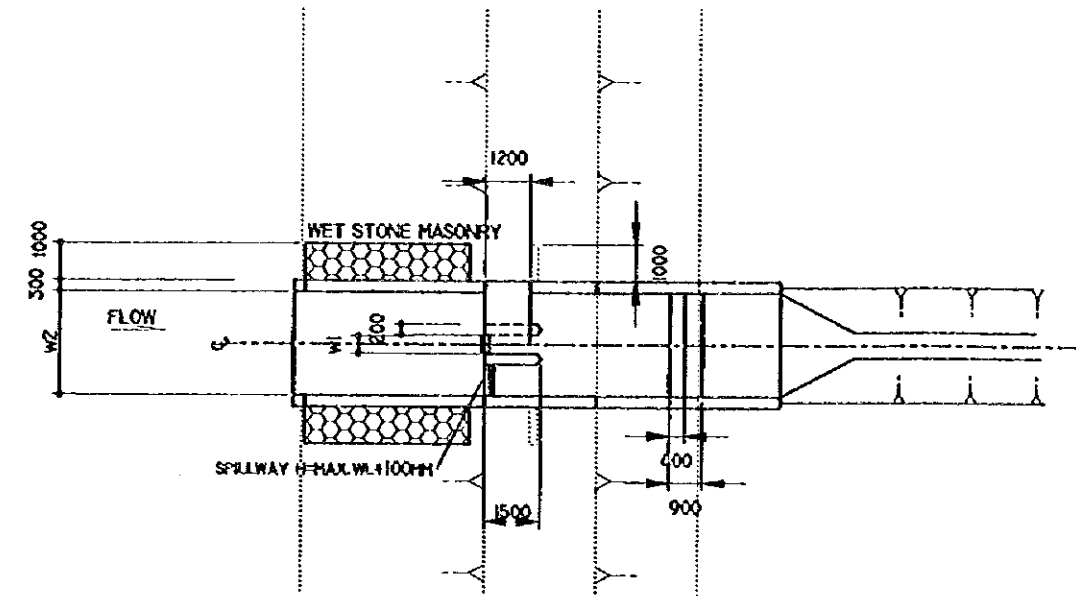
LIST OF PONDS

POND	CANAL	LENGTH A (m)	LENGTH B (m)	TOTAL STORAGE (m ³)	EFFECTIVE STORAGE (m ³)
POND 1	LATERAL A	185	125	48,800	34,400
POND 2	LATERAL C	175	115	43,200	30,400
POND 3	LATERAL D	170	115	40,500	28,500
POND 4	LATERAL E	140	90	25,500	17,800
POND 5	LATERAL F	150	100	32,600	22,900
POND 6	LATERAL I	145	95	29,400	20,600
POND 7	LATERAL J	165	110	38,500	27,100
POND 8	LATERAL L	140	95	27,000	18,900
POND 9	LATERAL M	125	85	20,700	14,400
POND 10	LATERAL O	145	95	28,700	20,100
TOTAL				334,900	235,100

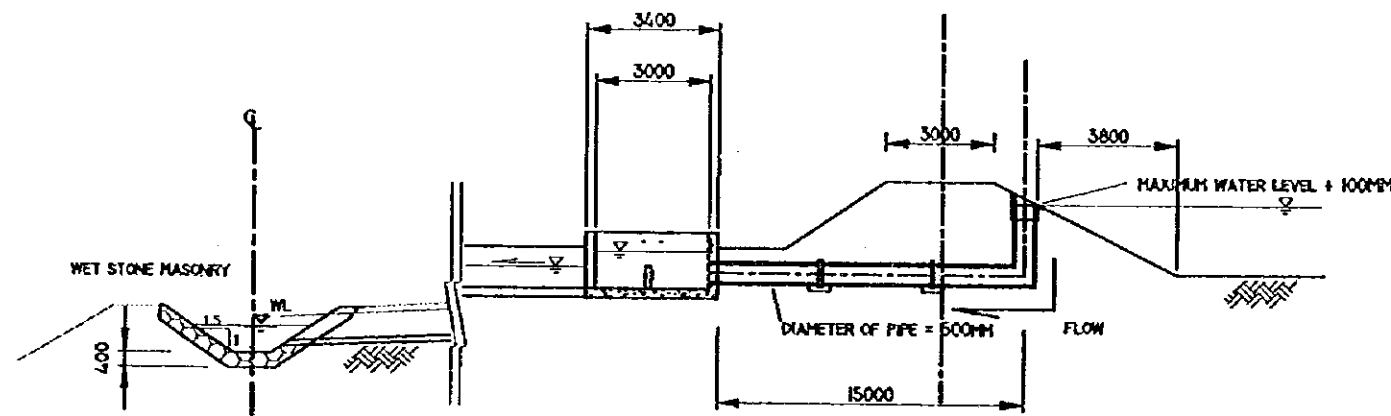
THE STUDY ON INTEGRATED RURAL DEVELOPMENT PROJECT
 YAQUE DEL SUR RIVER BASIN IN THE DOMINICAN REPUBLIC
 TITLE OF DRAWINGS
**NIGHT STORAGE POND
 (GENERAL LAYOUT, INLET)**
 JAPAN INTERNATIONAL COOPERATION AGENCY
 DWG. NO 4.5.19



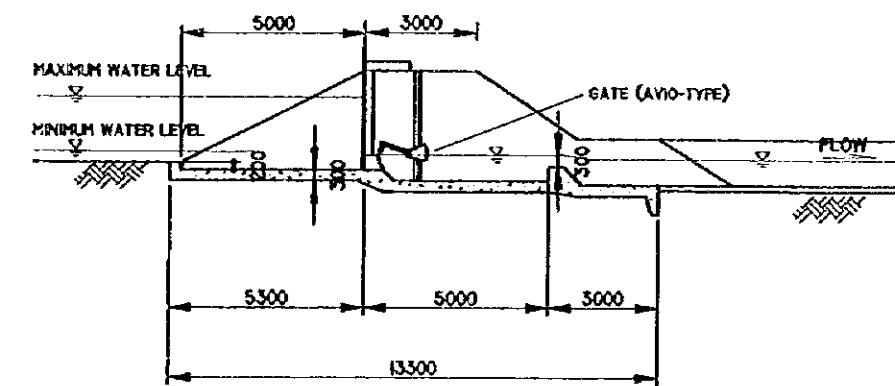
PLAN OF SPILLWAY
(SCALE: 1/200)



PLAN OF OUTLET
(SCALE: 1/200)



PROFILE OF SPILLWAY
(SCALE: 1/200)



PROFILE OF OUTLET
(SCALE: 1/200)

DIMENSION TABLE OF OUTLET

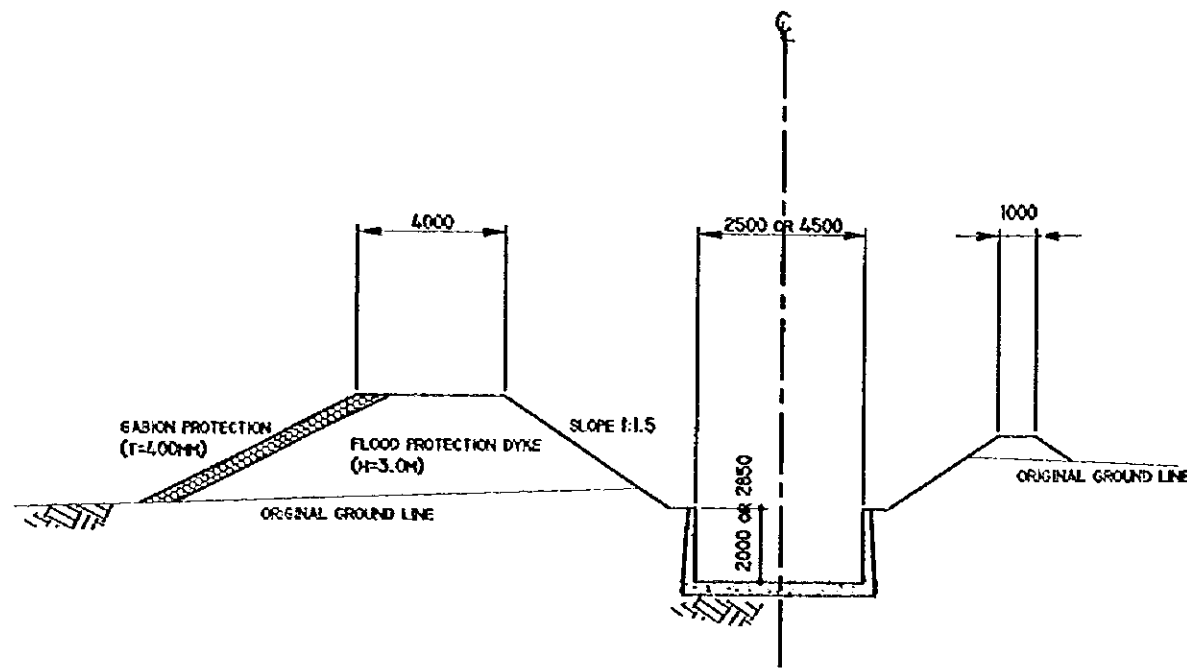
POND	DISCHARGE (m ³ /sec)	W1 (m)	W2 (m)	Off-taking Canal
POND 1	0.820	1.20	3.00	LATERAL A
POND 2	0.745	1.20	2.60	LATERAL C
POND 3	0.745	1.20	2.60	LATERAL D
POND 4	0.447	1.00	2.40	LATERAL E
POND 5	0.598	1.20	2.60	LATERAL F
POND 6	0.522	1.20	2.60	LATERAL I
POND 7	0.671	1.20	2.60	LATERAL J
POND 8	0.447	1.00	2.40	LATERAL L
POND 9	0.373	1.00	2.40	LATERAL M
POND 10	0.522	1.20	2.60	LATERAL O

THE STUDY ON INTEGRATED RURAL DEVELOPMENT PROJECT
YAGUE DEL SUR RIVER BASIN IN THE DOMINICAN REPUBLIC

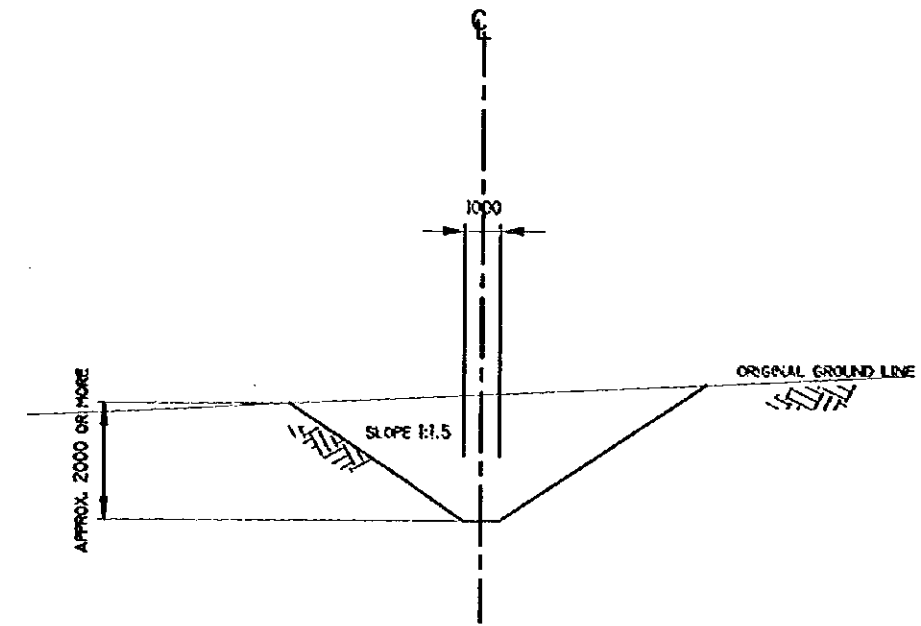
TITLE OF DRAWINGS

NIGHT STORAGE POND
(OUTLET, SPILLWAY)

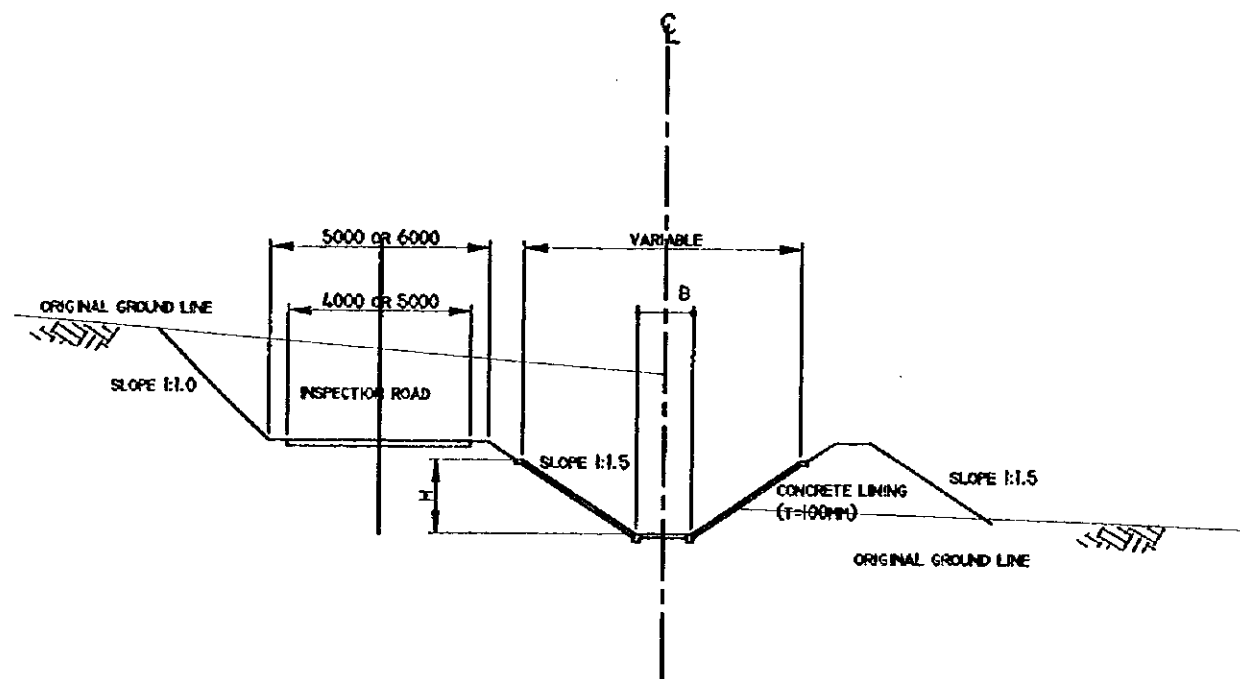
JAPAN INTERNATIONAL COOPERATION AGENCY DWG. NO
4.5.20



TYPICAL CROSS SECTION OF IRRIGATION CANAL
(FLUME TYPE)



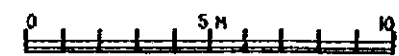
TYPICAL CROSS SECTION OF DRAINAGE CANAL



TYPICAL CROSS SECTION OF IRRIGATION CANAL AND INSPECTION ROAD

DIMENSION TABLE OF IRRIGATION CANAL

Canal Type	CHANAGE		Discharge Q (m ³ /sec)	Width B (m)	Inside slope (1: x)	Canal height H (m)	Remarks
A	+57	1+202	7.200	4.50	0	2.00	Flume
A1	1+202	1+353	6.380	2.50	0	2.85	Flume
B-1	2+003	2+095	6.380	1.50	1.5	1.80	Trapezoidal
B-2	2+095	4+018	5.660	1.50	1.5	1.60	Trapezoidal
B-3	4+018	4+925	4.990	1.50	1.5	1.45	Trapezoidal
B-3	4+925	6+000	4.570	1.50	1.5	1.45	Trapezoidal
B-1	6+000	8+827	4.570	1.50	1.5	1.80	Trapezoidal
B-1	8+827	11+776	4.570	1.50	1.5	1.80	Trapezoidal
B-2	11+620	14+293	2.840	1.50	1.5	1.60	Trapezoidal
B-2	14+293	15+570	2.840	1.50	1.5	1.60	Trapezoidal
C-1	15+570	18+699	1.260	1.00	1.5	1.20	Trapezoidal
C-2	18+699	19+647	0.810	1.00	1.5	0.95	Trapezoidal
D	19+647	20+812	0.470	0.70	1.5	0.70	Trapezoidal



SCALE : 1/200

THE STUDY ON INTEGRATED RURAL DEVELOPMENT PROJECT

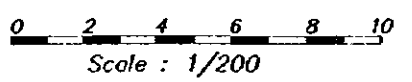
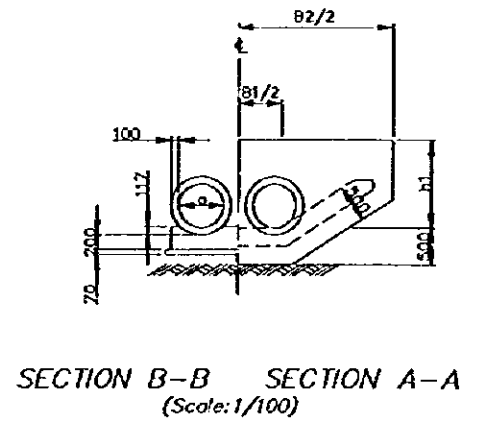
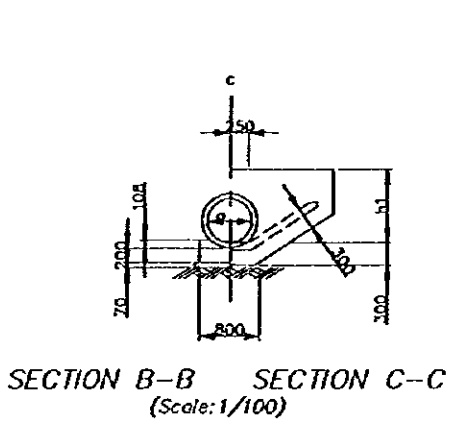
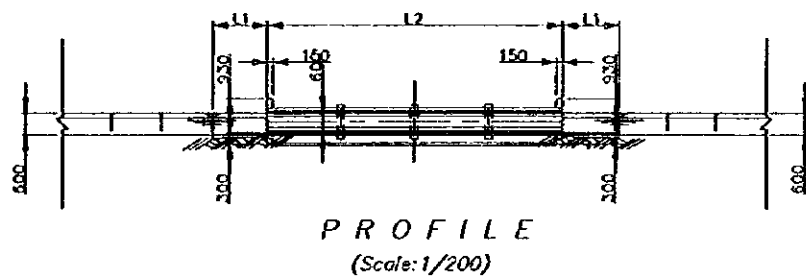
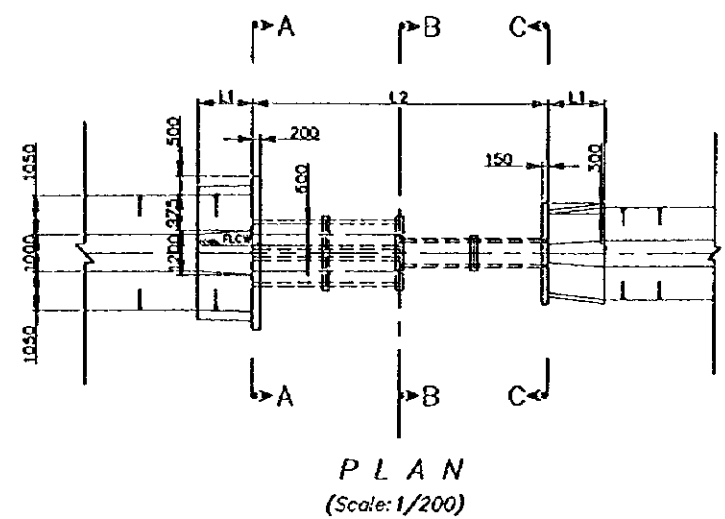
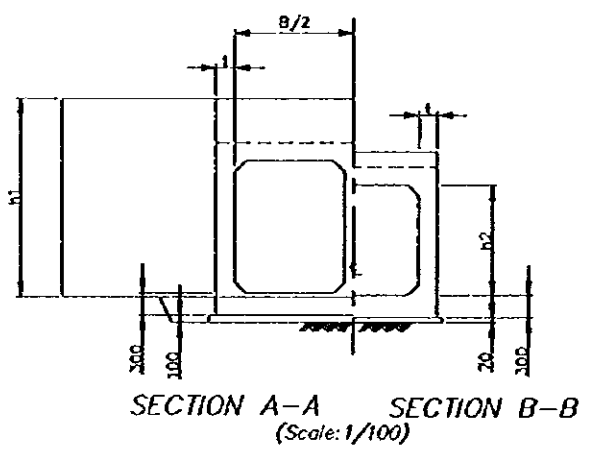
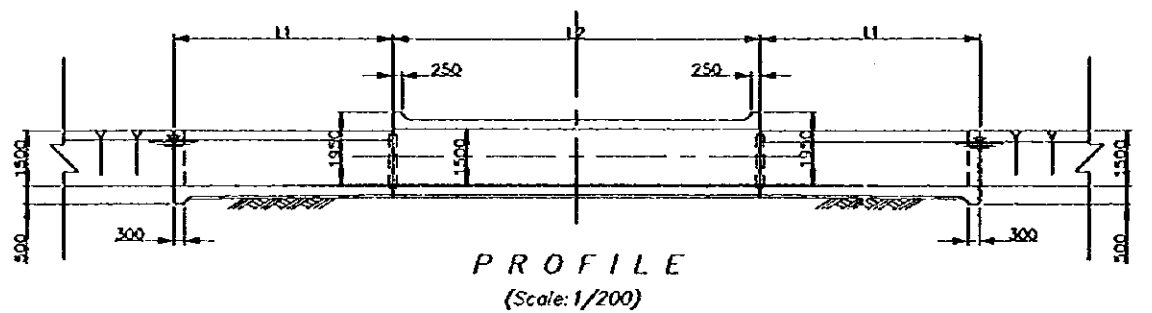
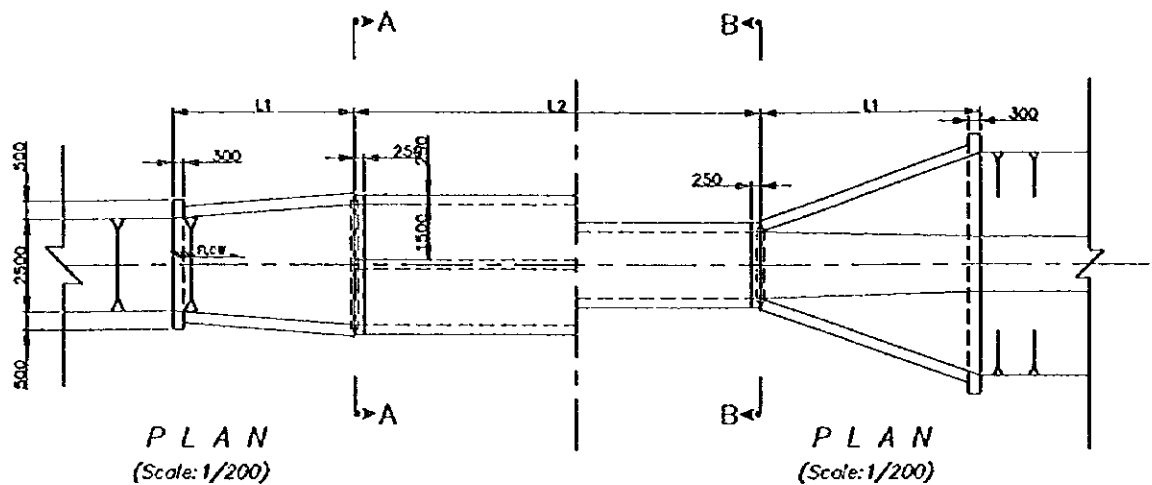
YAQUE DEL SUR RIVER BASIN IN THE DOMINICAN REPUBLIC

TITLE OF DRAWINGS

TYPICAL CROSS SECTION OF CANAL

JAPAN INTERNATIONAL COOPERATION AGENCY

DWG. NO
4.5.21



Box Culvert

	Ebc	B	H	H2	t	L1	L2
A1	2 boxes	15	265	18	0.25	5	12
A2	2 boxes	15	2	15	0.25	6	10
B1	1 box	18	195	15	0.25	6	10
B2	1 box	15	165	12	0.25	5	10

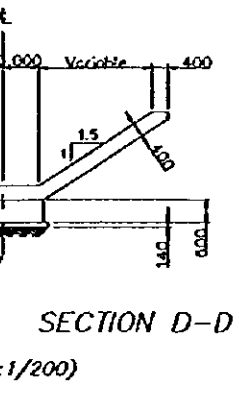
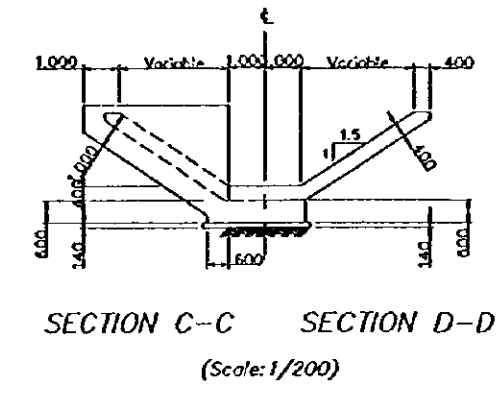
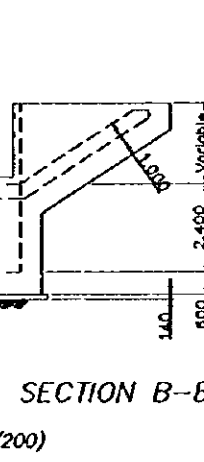
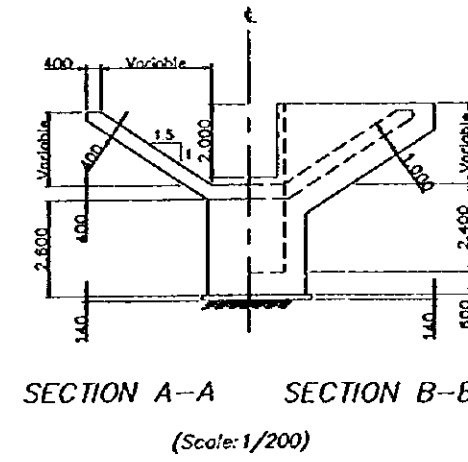
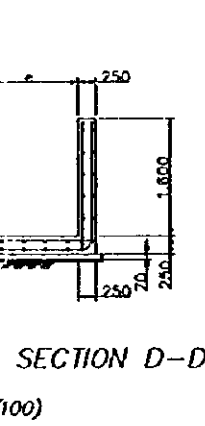
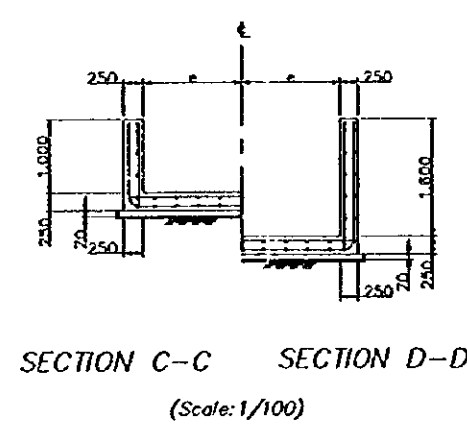
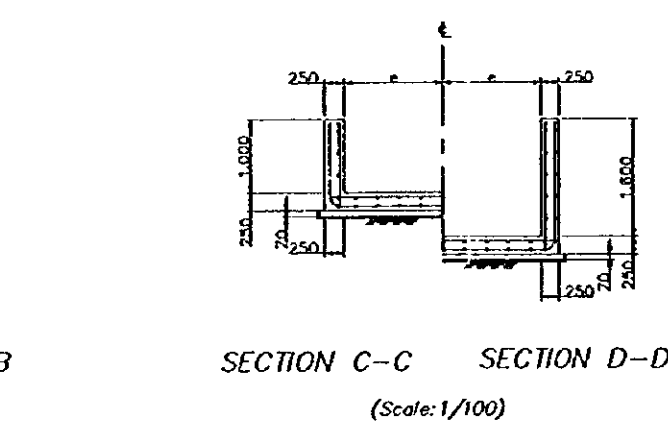
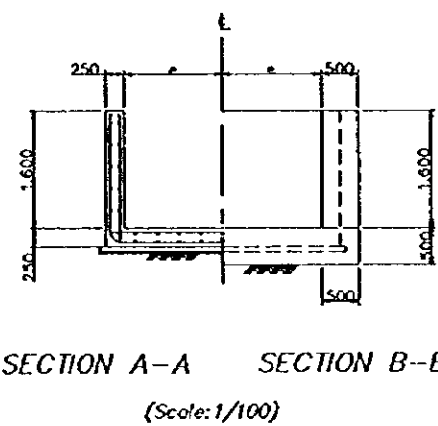
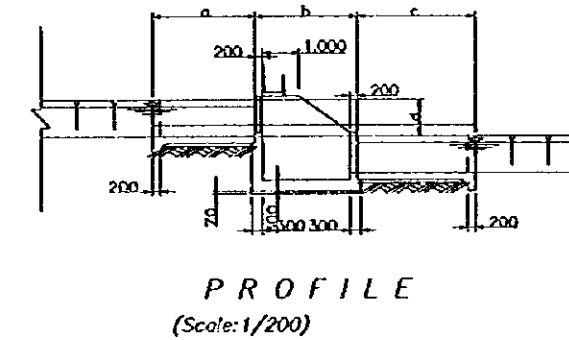
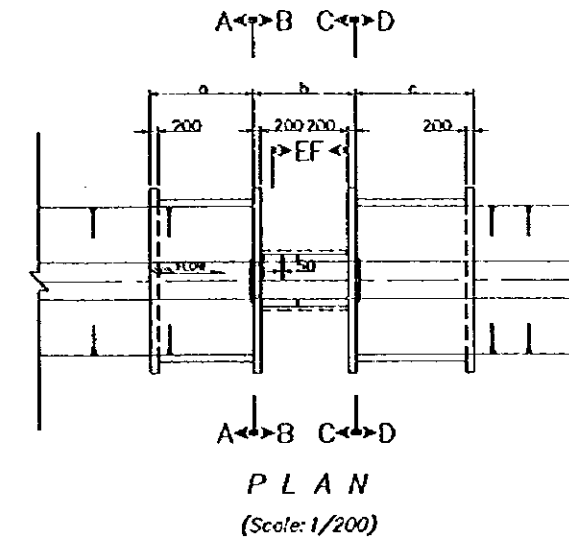
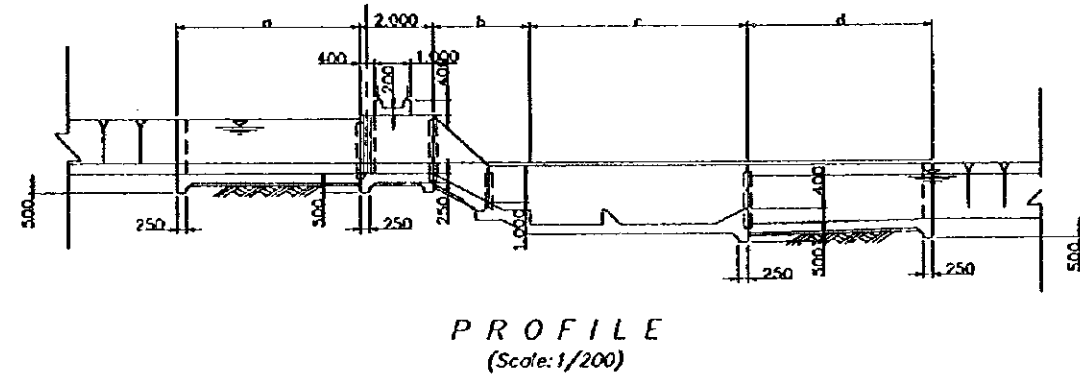
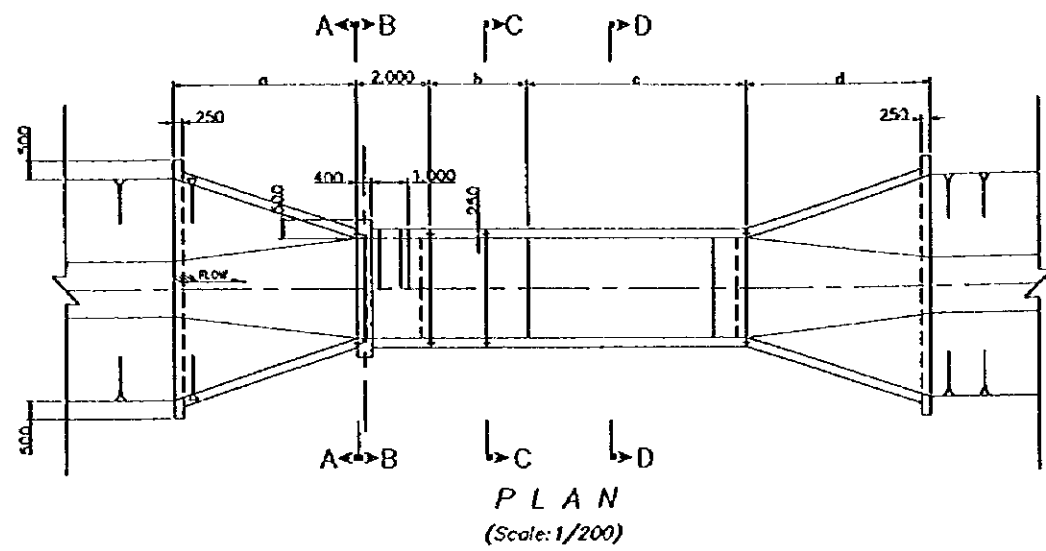
Pipe Culvert

	Pipe	a	B1	B2	h1	h2	L1	L2
O1	2 pipes	0.6	1.2	4.15	1.2	0.5	1.5	8
D1	1 pipe	0.6	0.5	2.75	t	0.3	1.5	8
D2	1 pipe	0.5	0.5	2.75	0.8	0.3	1.5	8

THE STUDY ON INTEGRATED RURAL DEVELOPMENT PROJECT
OF
YAQUE DEL SUR RIVER BASIN IN THE DOMINICAN REPUBLIC

TITLE OF DRAWINGS
**RELATED STRUCTURE
(CULVERT;A1,A2,B1,B2,C1,D1,D2)**

JAPAN INTERNATIONAL COOPERATION AGENCY DWG. NO
4.5.22

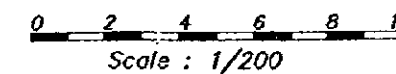


Incline Drop

Type	drop	a	b	c	d	e
A1	1.3	5.00	2.60	6.00	5.00	1.35
A2	1.0	5.00	2.00	6.00	5.00	1.35
A3	0.6	5.00	1.20	6.00	5.00	1.35
A4	1.3	3.00	2.60	5.00	3.00	1.25
A5	1.0	3.00	2.00	5.00	3.00	1.25
A6	0.4	3.00	1.20	5.00	3.00	1.25

Vertical Drop

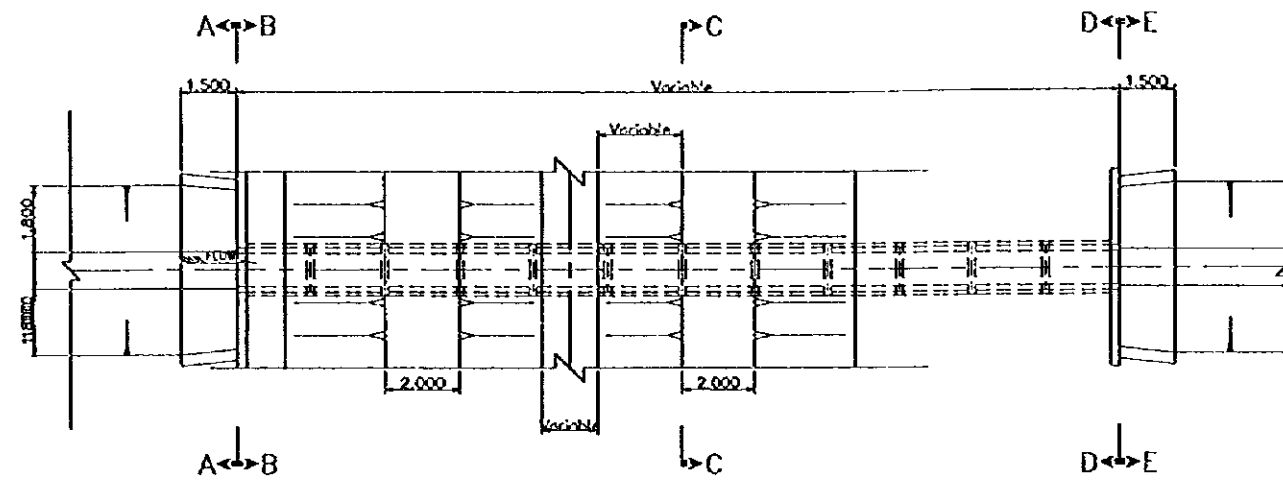
Type	drop	a	b	c
B1	1.0	5.00	2.60	6.00
B2	0.5	5.00	2.00	6.00
B3	1.0	5.00	1.20	6.00
B4	0.5	3.00	2.60	5.00



THE STUDY ON INTEGRATED RURAL DEVELOPMENT PROJECT
OF
YAQUE DEL SUR RIVER BASIN IN THE DOMINICAN REPUBLIC

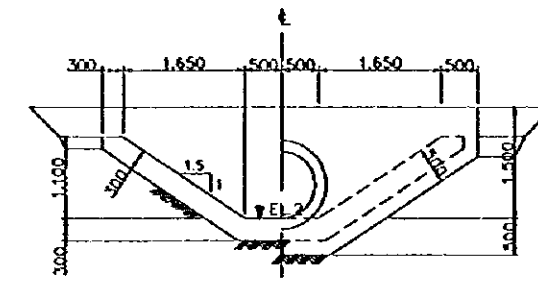
TITLE OF DRAWINGS
**RELATED STRUCTURE
(DROP : A1 - A6, B1 - B4)**

JAPAN INTERNATIONAL COOPERATION AGENCY DWG. NO
4.5.23



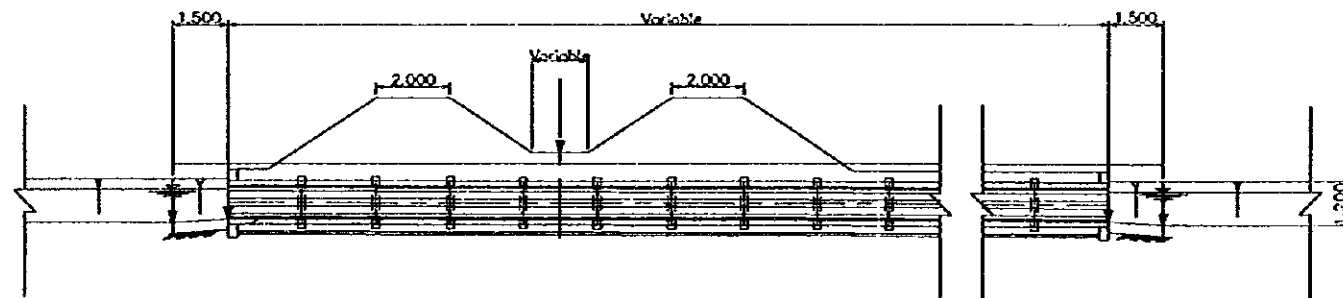
PLAN

(Scale: 1/200)



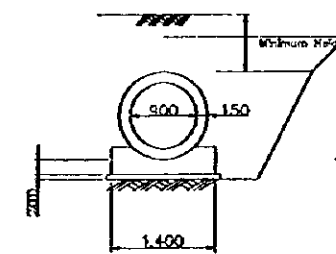
SECTION A-A SECTION B-B

(Scale: 1/100)



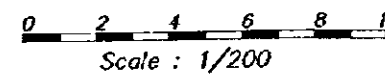
PROFILE

(Scale: 1/200)



SECTION C-C

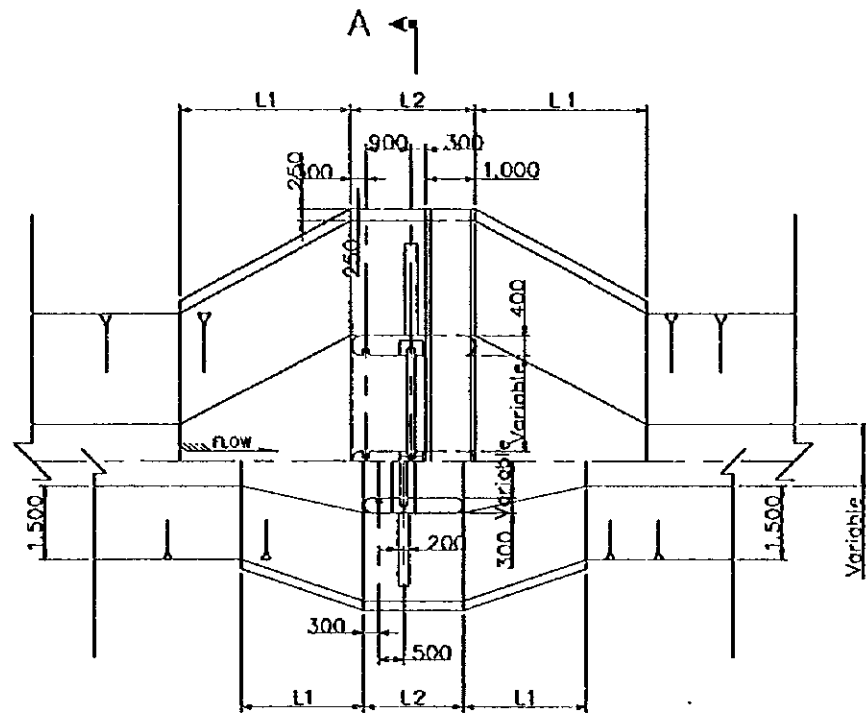
(Scale: 1/100)



THE STUDY ON INTEGRATED RURAL DEVELOPMENT PROJECT OF YAQUE DEL SUR RIVER BASIN IN THE DOMINICAN REPUBLIC	
TITLE OF DRAWINGS RELATED STRUCTURE (CROSS DRAIN)	
JAPAN INTERNATIONAL COOPERATION AGENCY	DWG. NO 4.5.24

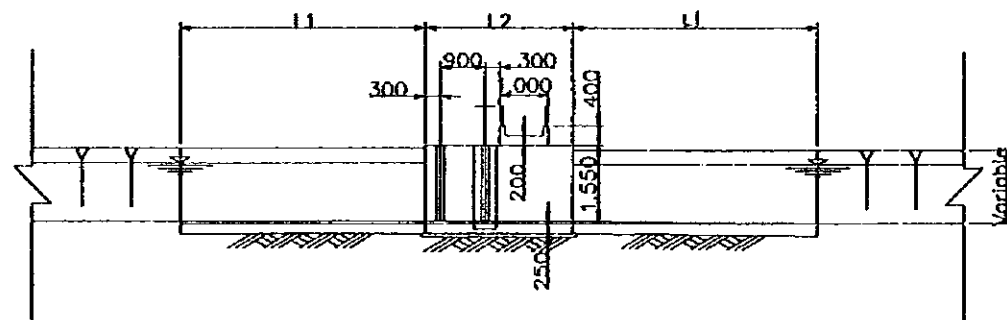
PLAN

(Scale: 1/150)



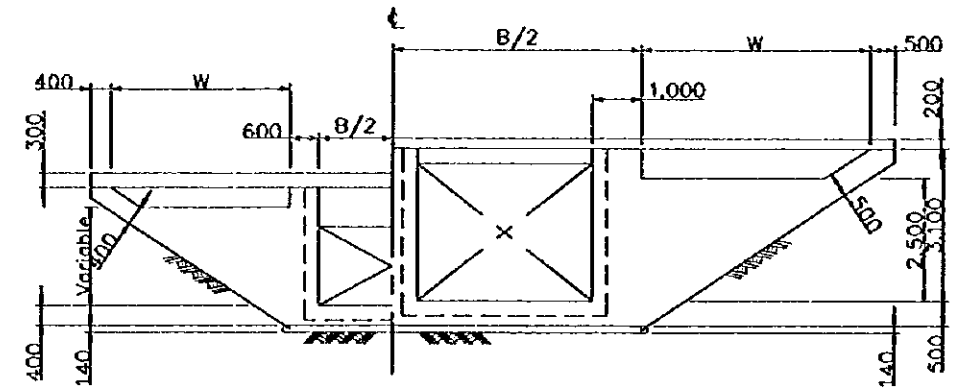
PLAN

(Scale: 1/150)



PROFILE

(Scale: 1/150)

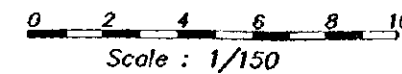


SECTION A-A

(Scale: 1/150)

Check

Type	gate (H*B)	L1	L2	B	w
A1	1.4*1.80	5.00	3.00	2.55	2.35
A2	1.4*1.95	3.50	2.50	2.55	2.35
A3	1.3*1.75	3.30	2.20	2.35	2.35
B1	0.8*1.55	2.50	2.00	2.10	1.80
B2	0.8*1.75	1.70	1.70	1.30	1.35



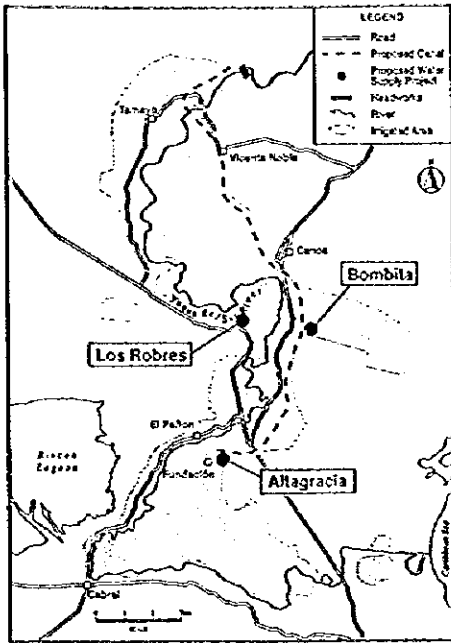
THE STUDY ON INTEGRATED RURAL DEVELOPMENT PROJECT
OF
YAOUE DEL SUR RIVER BASIN IN THE DOMINICAN REPUBLIC

TITLE OF DRAWINGS

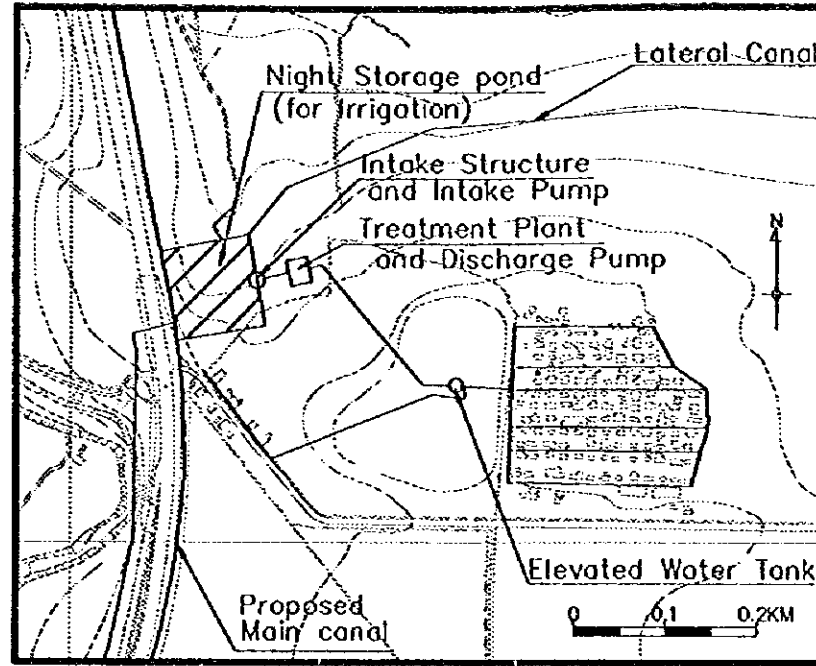
RELATED STRUCTURE

(Check : A1 - A3, B1, B2)

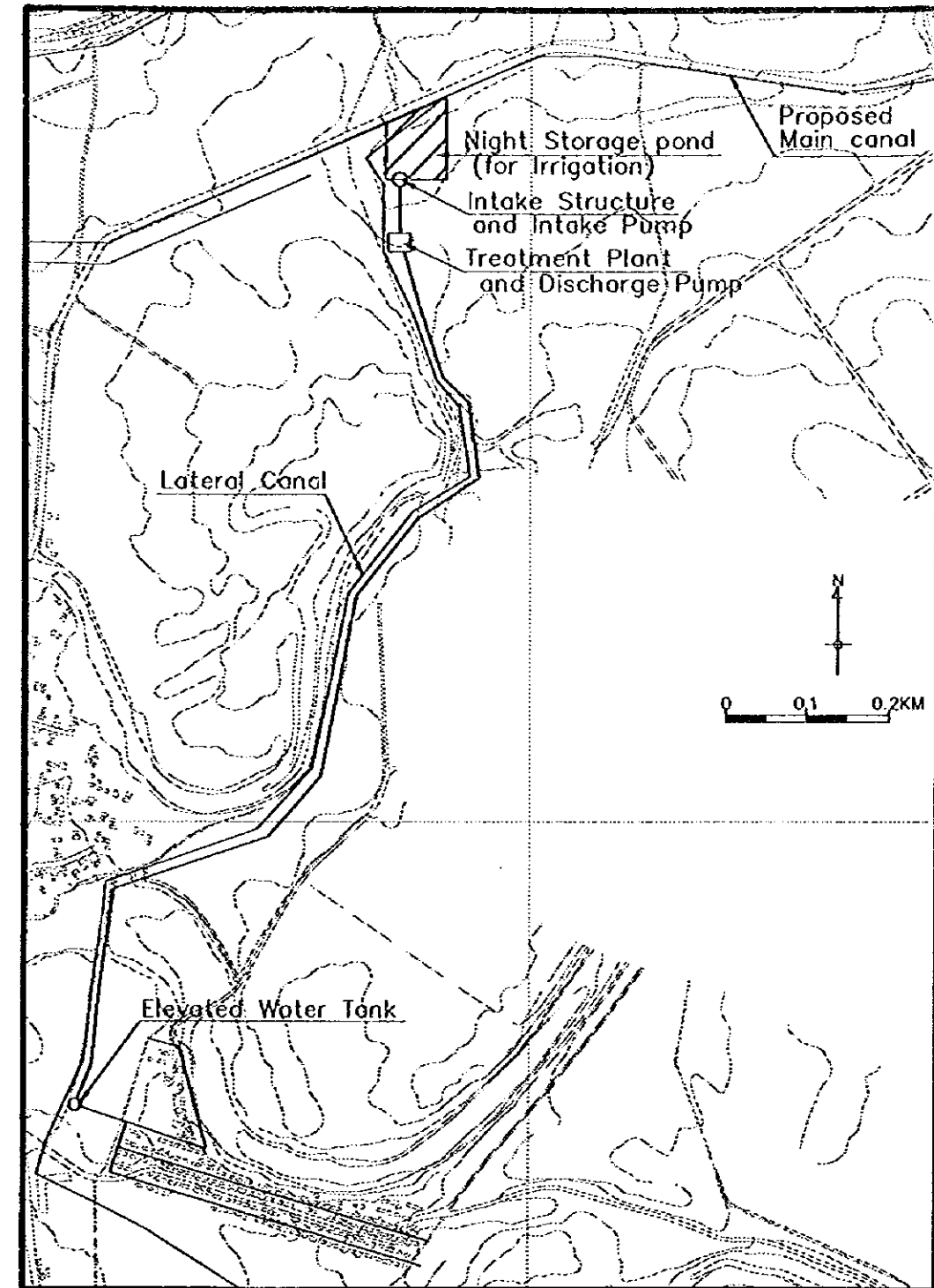
JAPAN INTERNATIONAL COOPERATION AGENCY DWG. NO
4.5.25



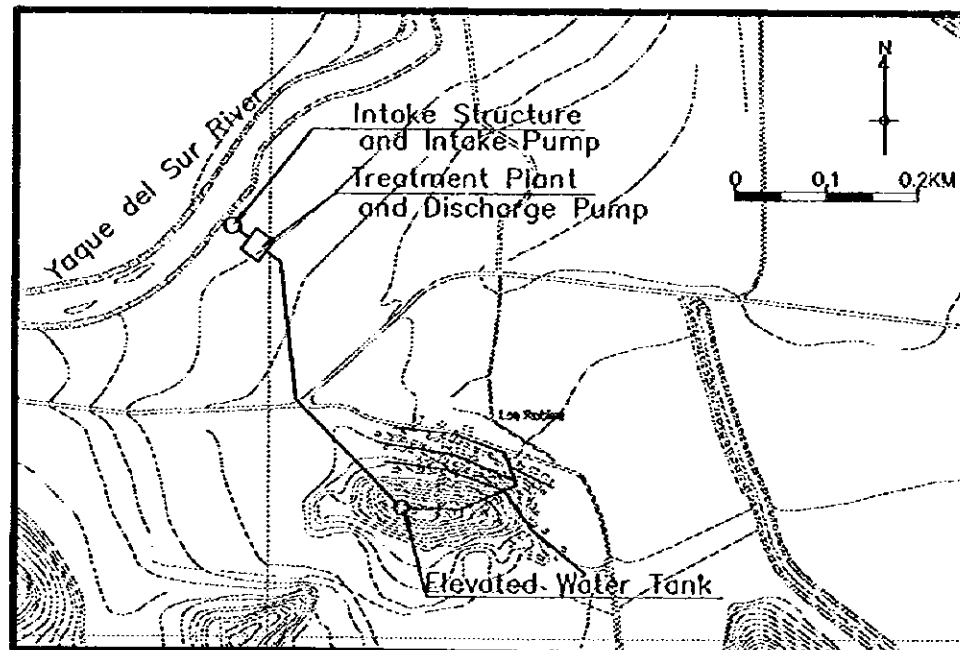
Key Map



Bombita System

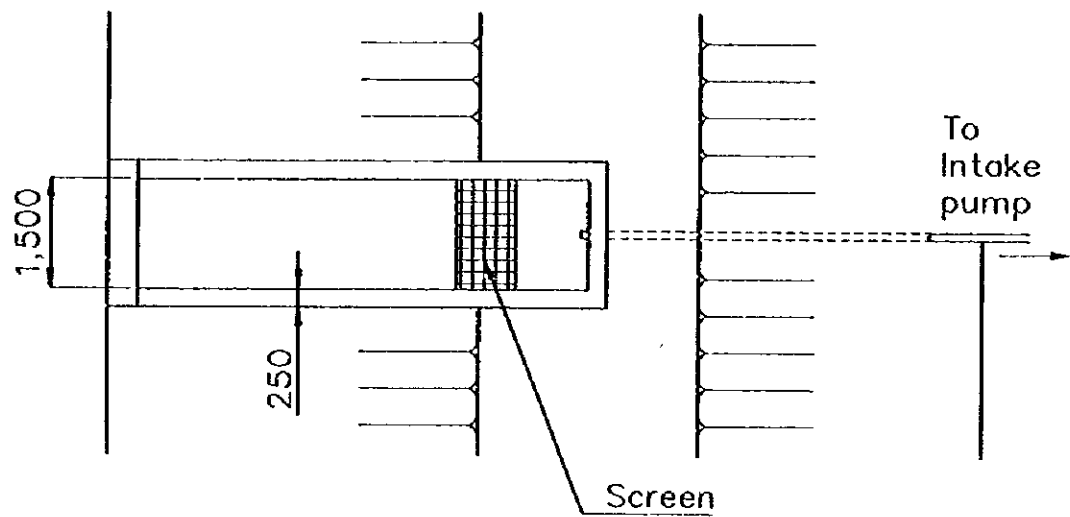
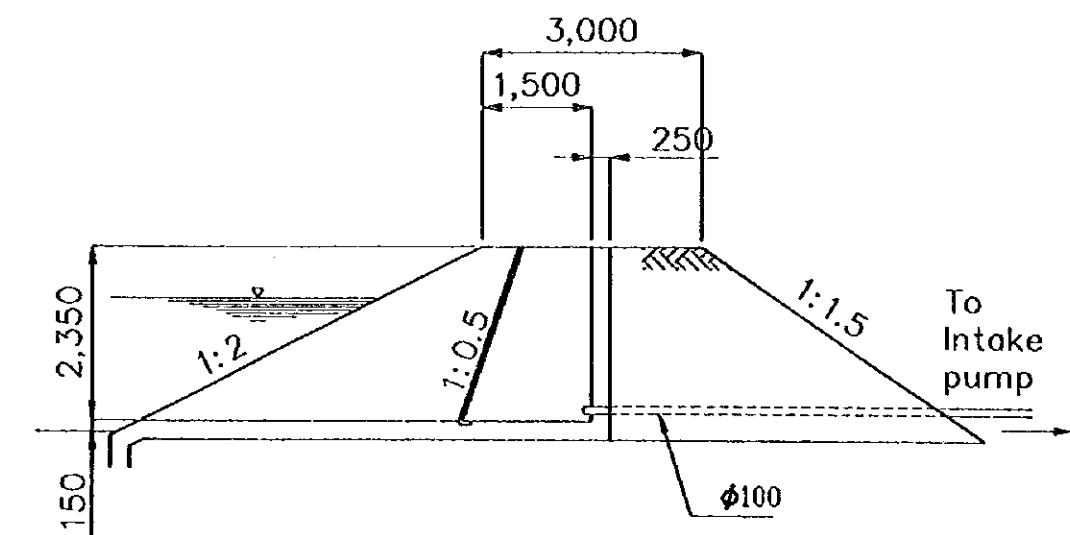


Altigracia System

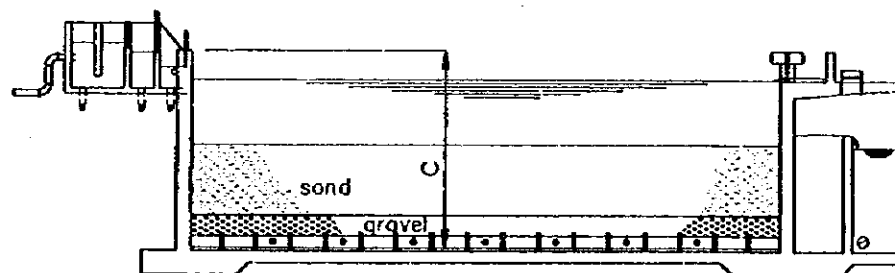
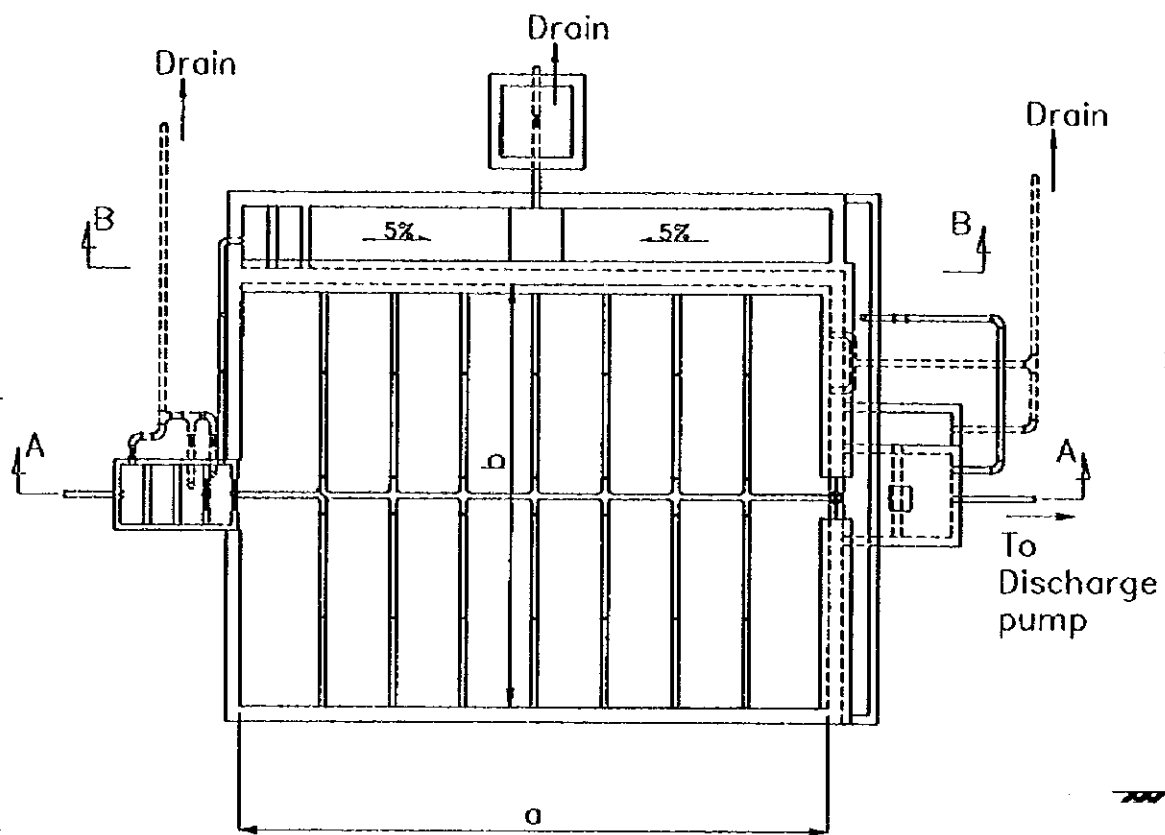
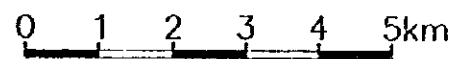


Los Robles System

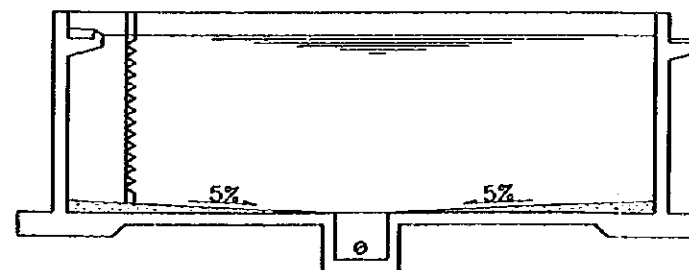
THE STUDY ON INTEGRATED RURAL DEVELOPMENT PROJECT OF YAQUE DEL SUR RIVER BASIN IN THE DOMINICAN REPUBLIC	
TITLE OF DRAWINGS Location Map of Rural Water Supply Sytem	
JAPAN INTERNATIONAL COOPERATION AGENCY	DWG. NO 4.6.1



Intake Structure

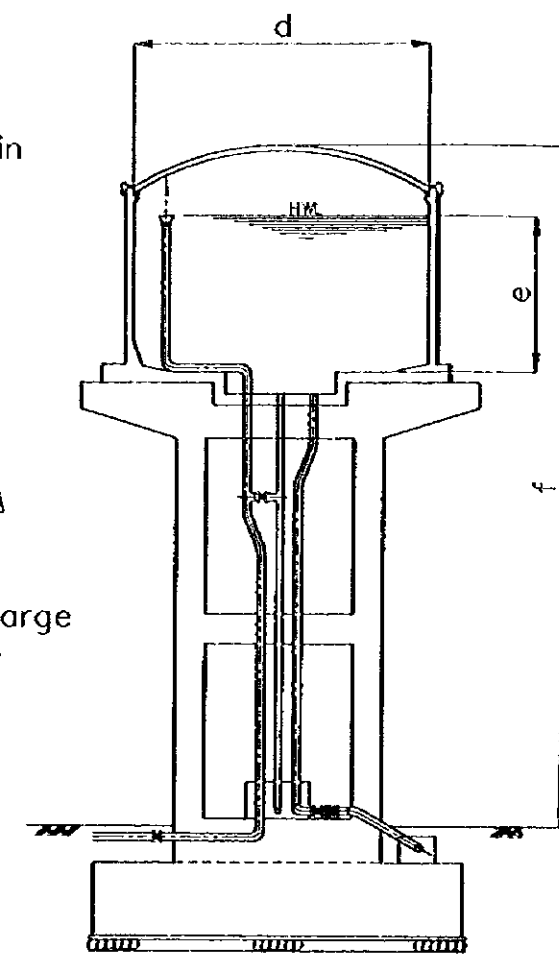


Section A-A



Section B-B

Treatment Plant



Elevated Water Tank



Dimension Table of Rural Water Supply Facilities

	Bombita	Los Robres	Altagracia
a (mm)	10,000	5,000	8,000
b (mm)	7,600	3,800	7,600
c (mm)	2,900	2,900	2,900
d (mm)	8,000	4,500	7,000
e (mm)	4,000	3,000	4,000
f (m)	13.1	11.3	13.5

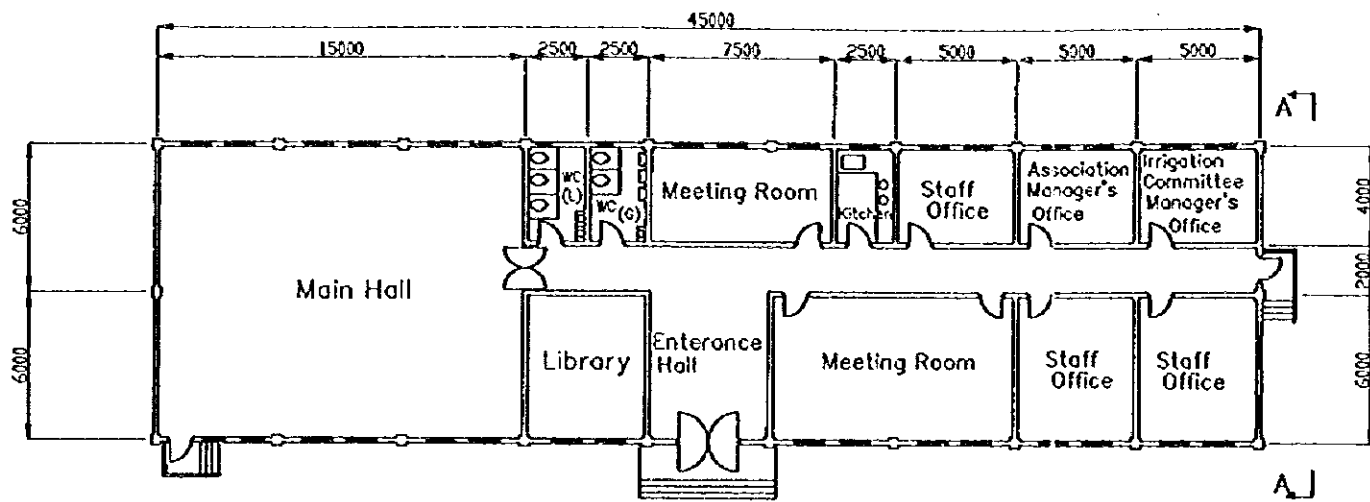
THE STUDY ON INTEGRATED RURAL DEVELOPMENT PROJECT
OF
YAQUE DEL SUR RIVER BASIN IN THE DOMINICAN REPUBLIC

TITLE OF DRAWINGS

FACILITIES OF
RURAL WATER SUPPLY SYSTEM

JAPAN INTERNATIONAL COOPERATION AGENCY DWG. NO
4.6.2

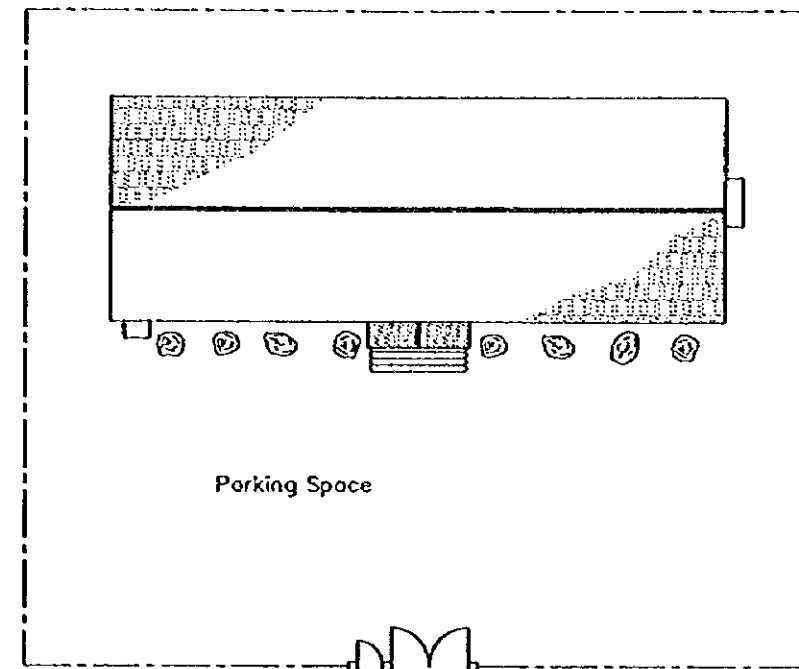
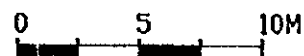
Type A



Floor plan



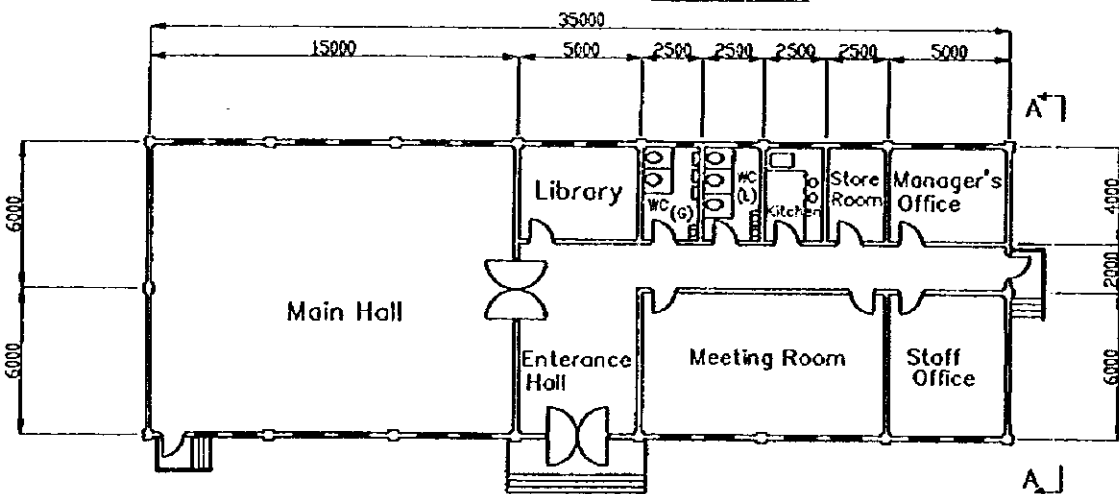
Front Elevation



Parking Space

General Layout

Type B



Floor plan

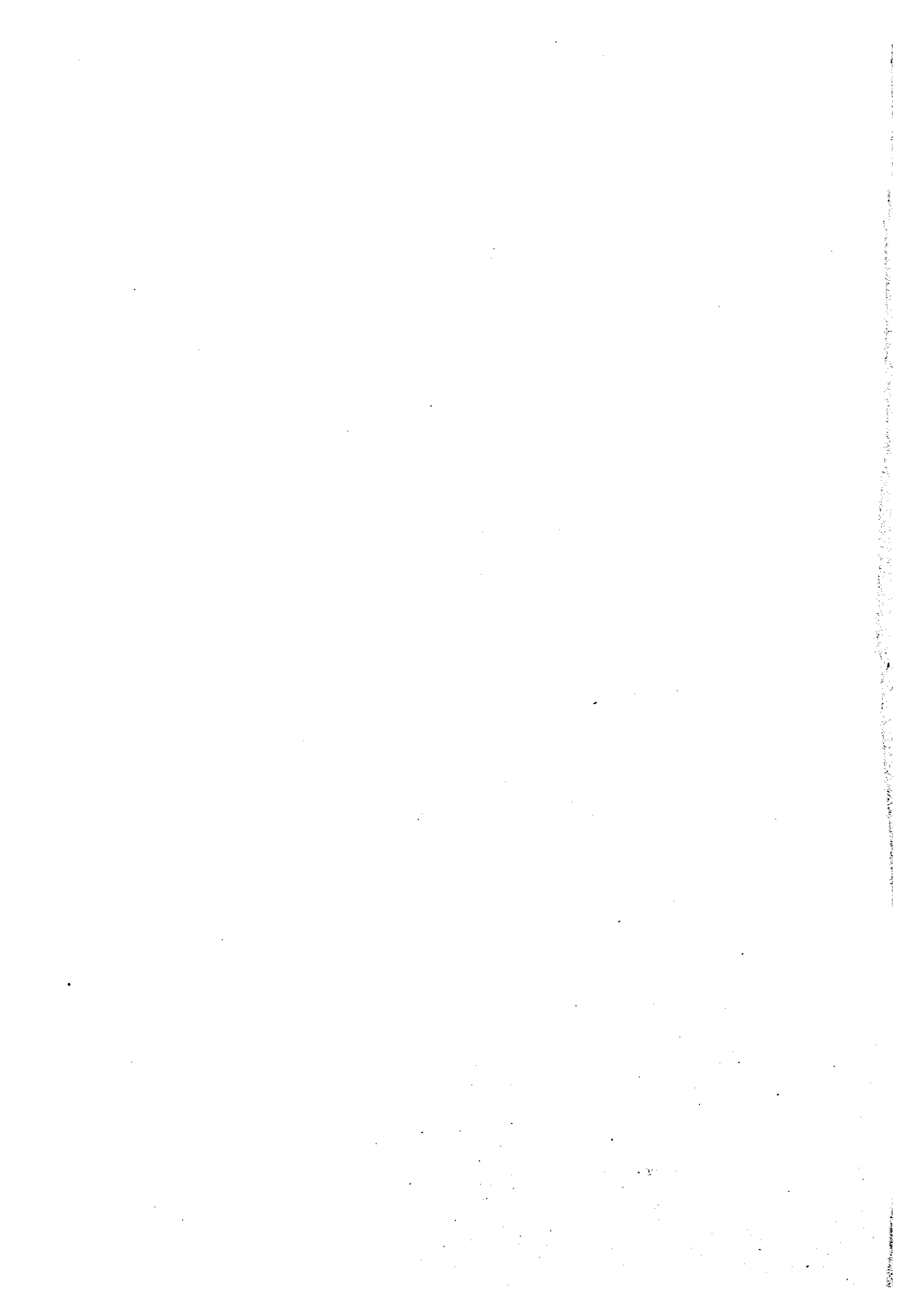


Front Elevation



SECTION A-A

THE STUDY ON INTEGRATED RURAL DEVELOPMENT PROJECT OF YAQUE DEL SUR RIVER BASIN IN THE DOMINICAN REPUBLIC	
TITLE OF DRAWINGS COMMUNITY CENTER	
JAPAN INTERNATIONAL COOPERATION AGENCY	DWG. NO 4.6.3



JICA