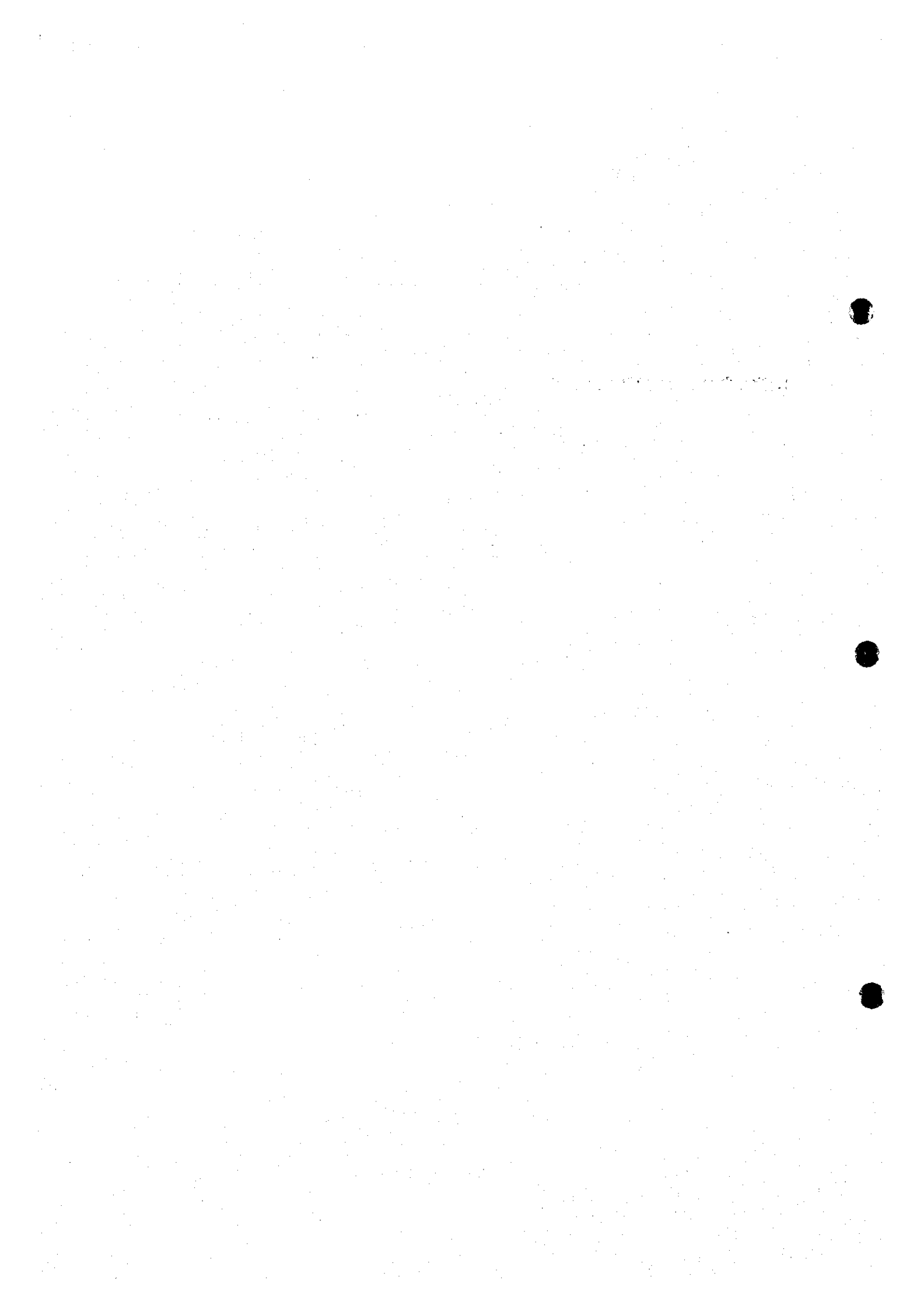


# Sección G

---

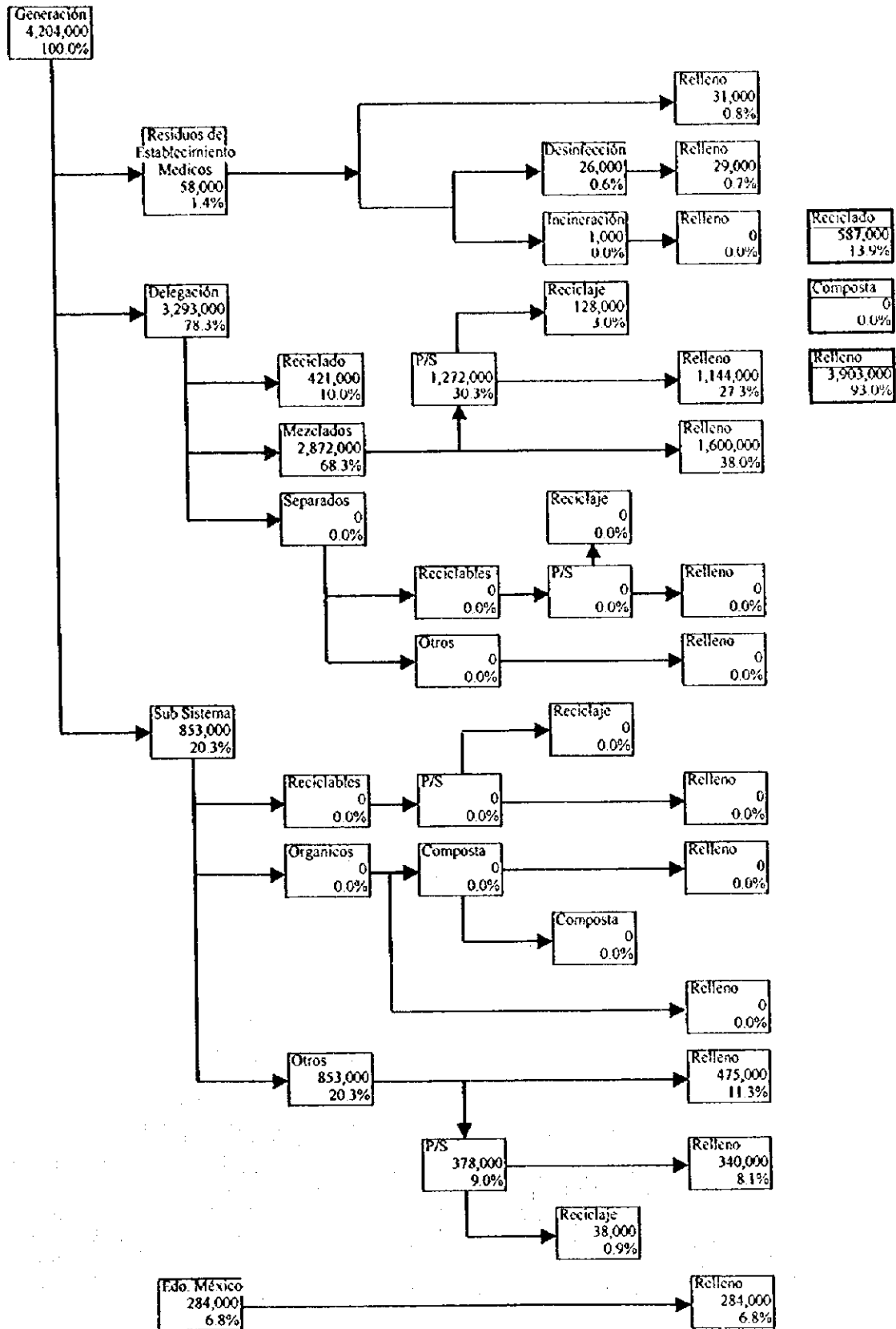
*Cantidad de Generación y  
Flujo de Residuos*



Flujo Propuesto de Residuos

1999

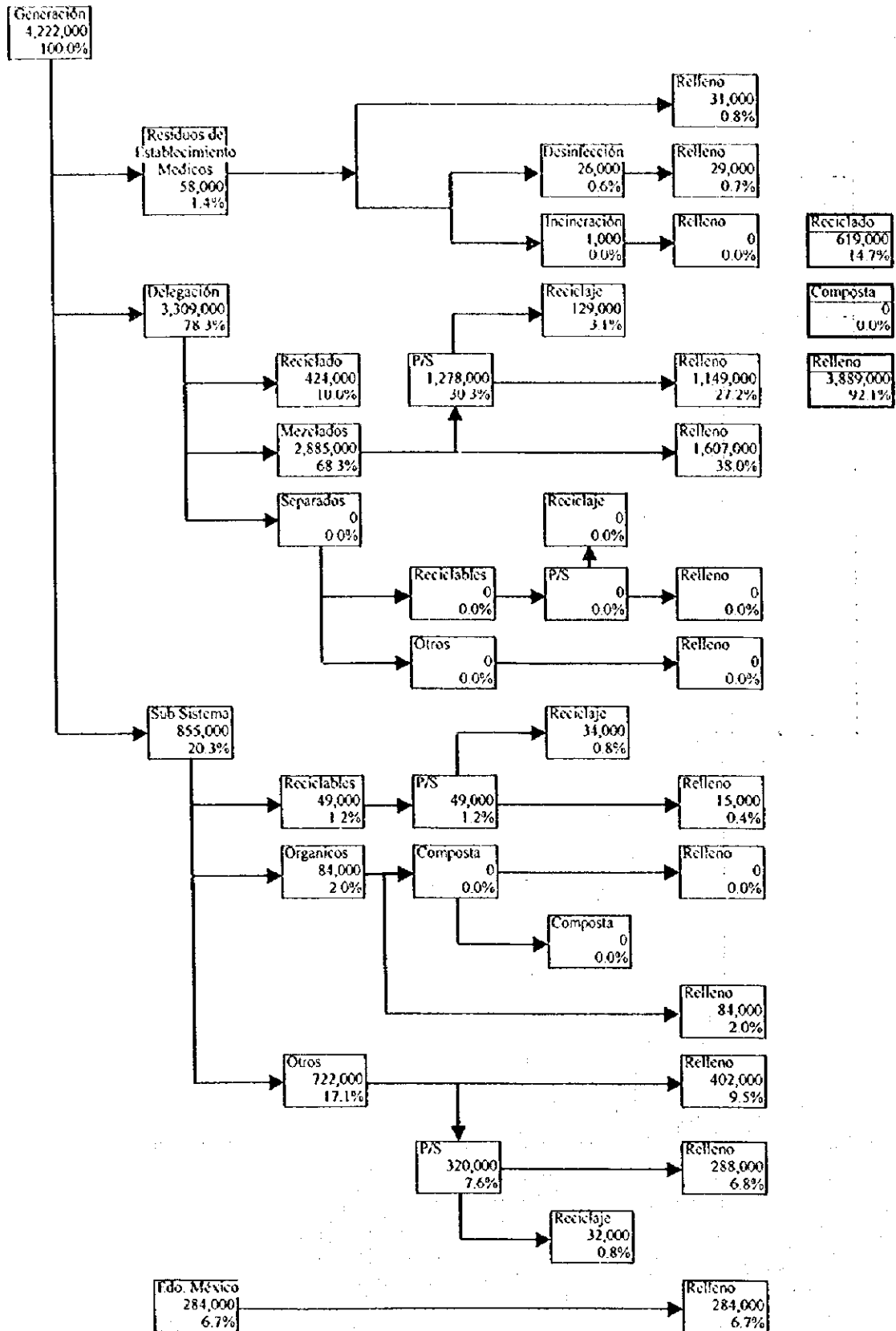
Unidad : ton/año



Flujo Propuesto de Residuos

2000

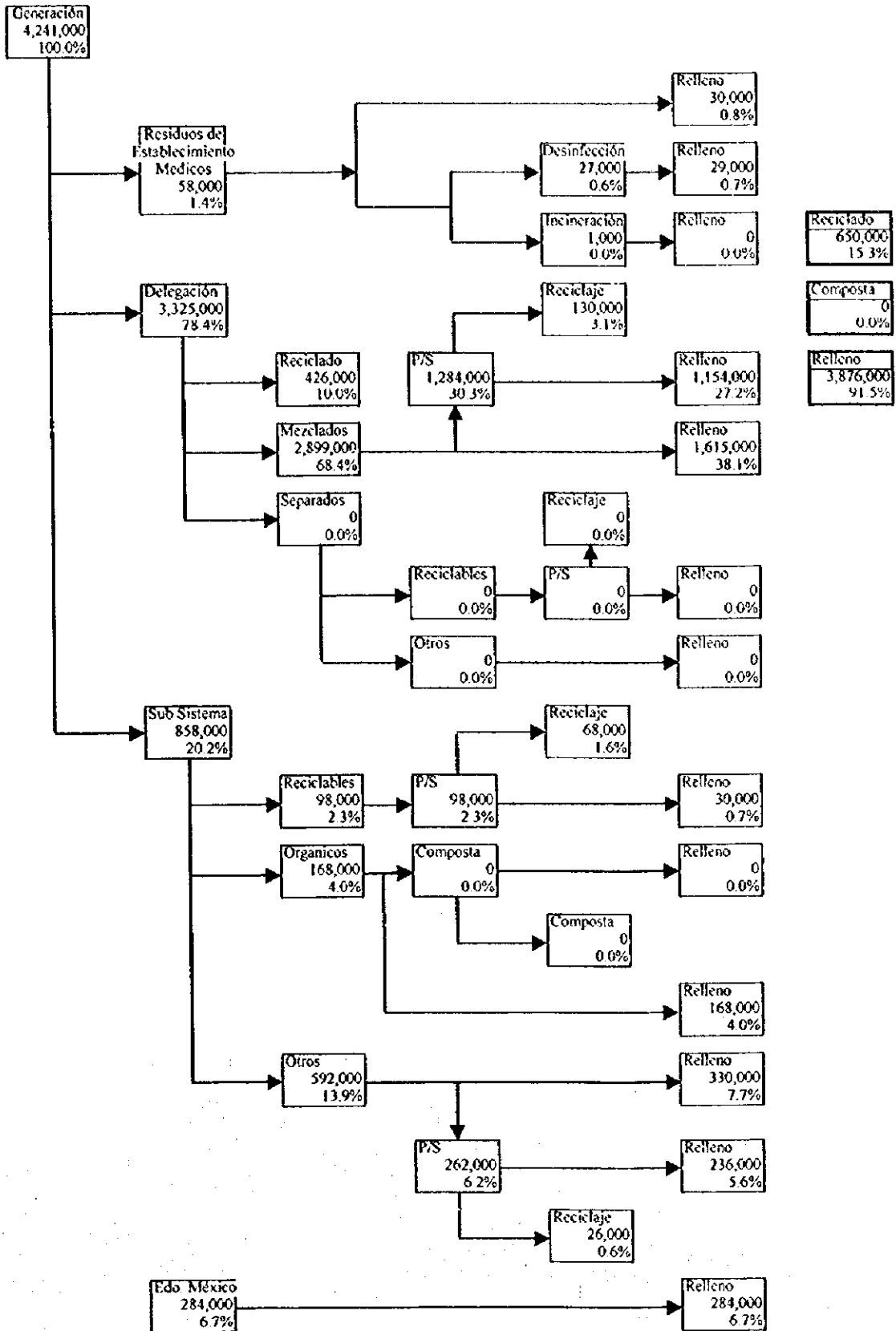
Unidad : ton/año



Flujo Propuesto de Residuos

2001

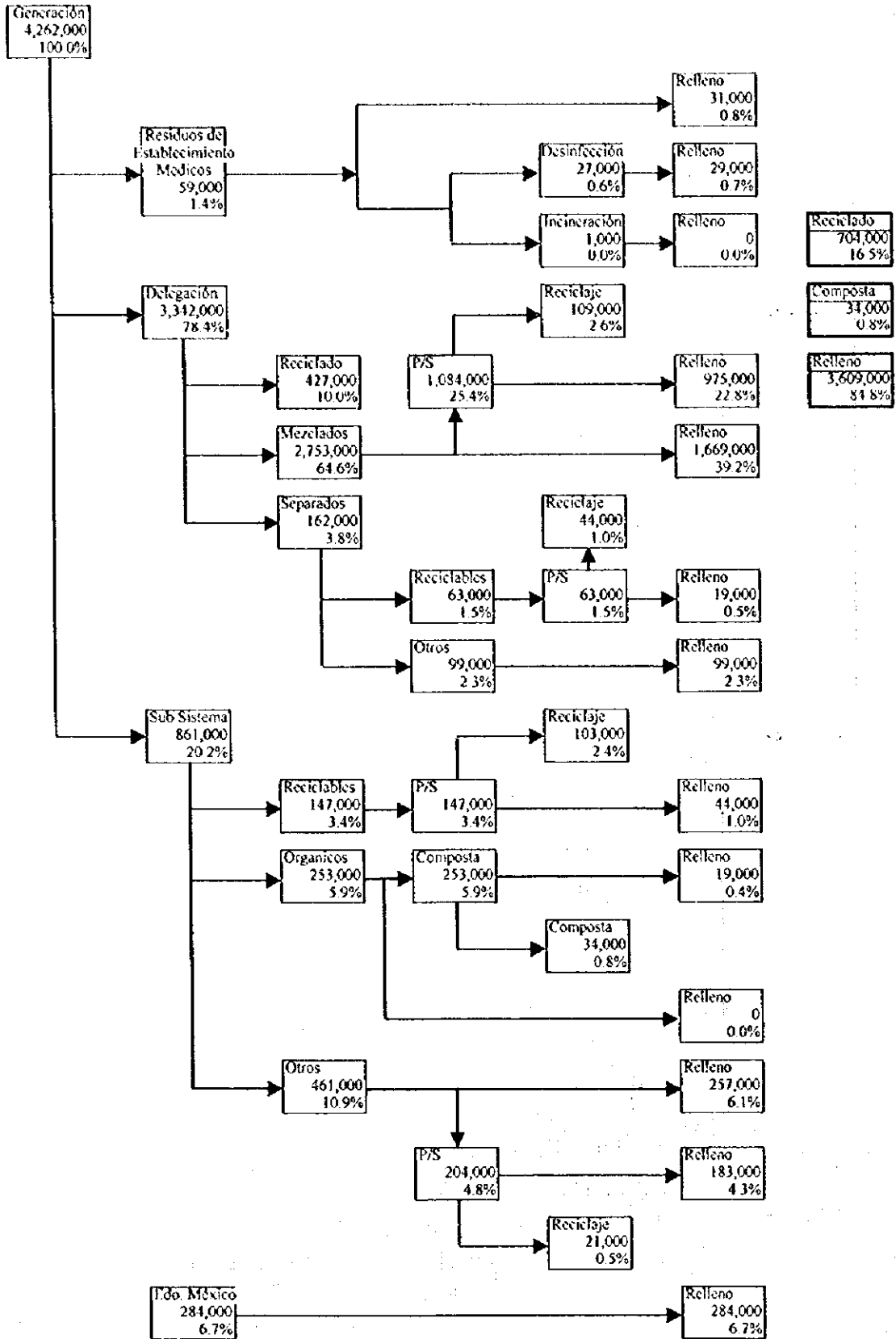
Unidad : ton/año



Flujo Propuesto de Residuos

2002

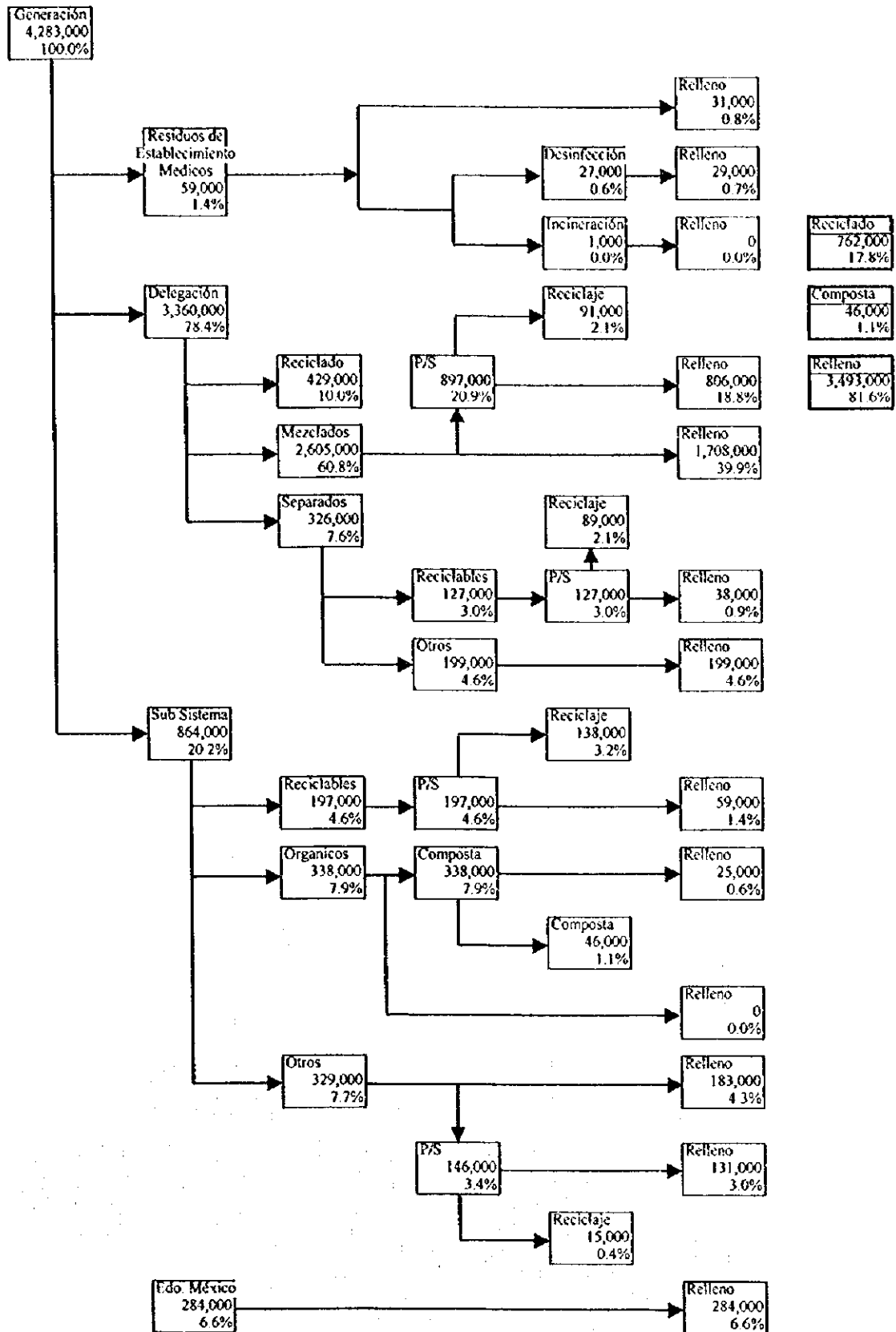
Unidad : ton/año



Flujo Propuesto de Residuos

2003

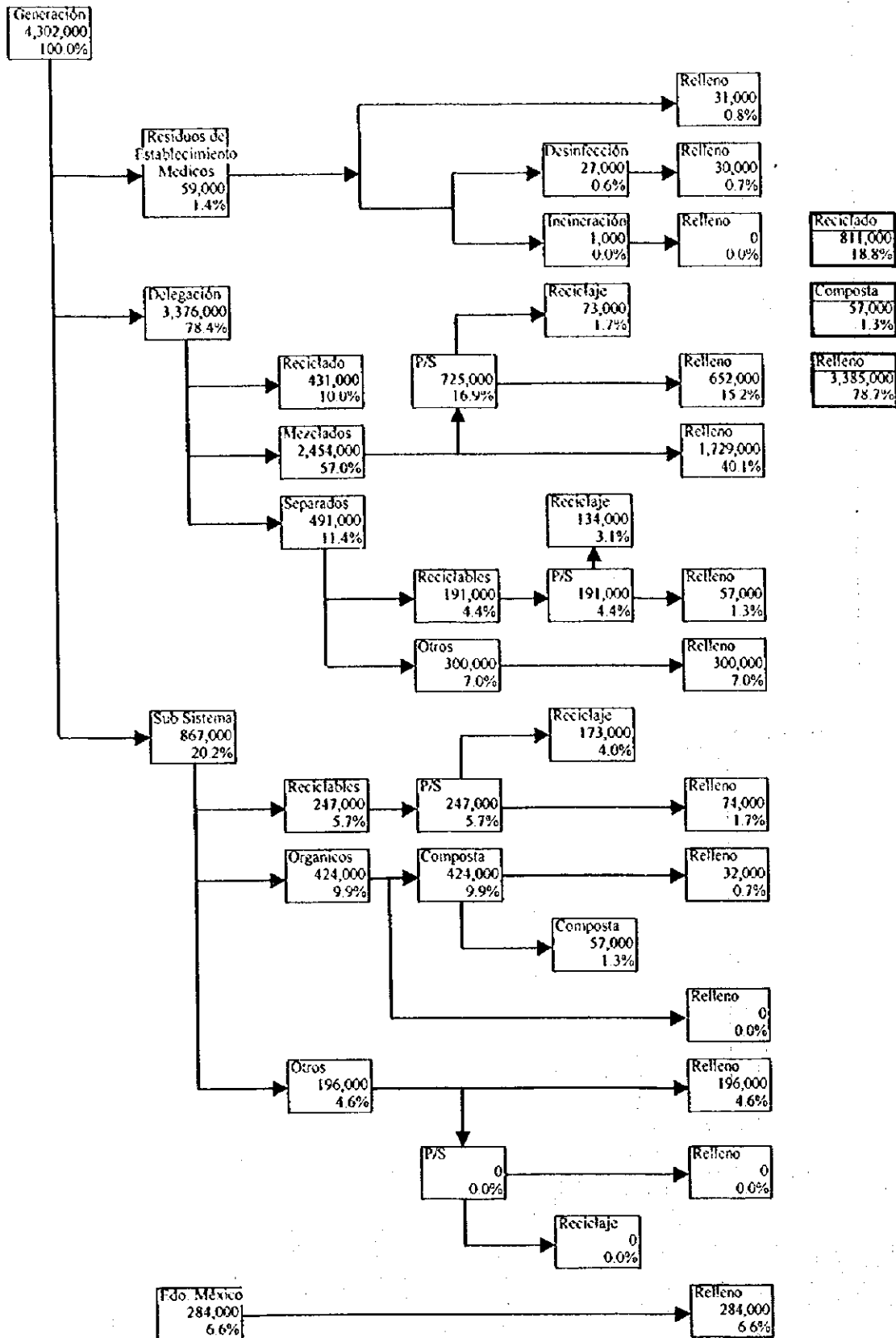
Unidad : ton/año



Flujo Propuesto de Residuos

2004

Unidad : ton/año

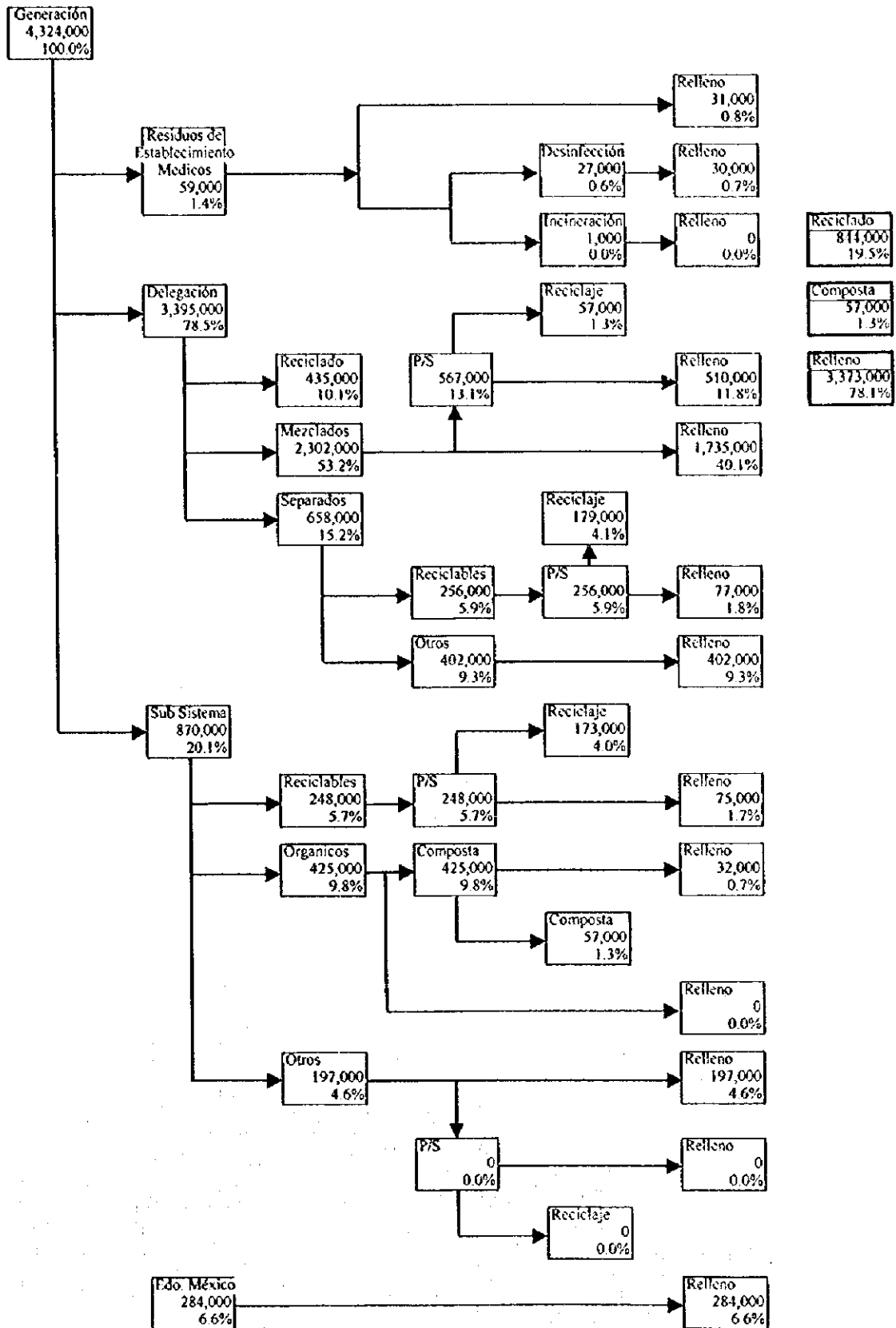




Flujo Propuesto de Residuos

2005

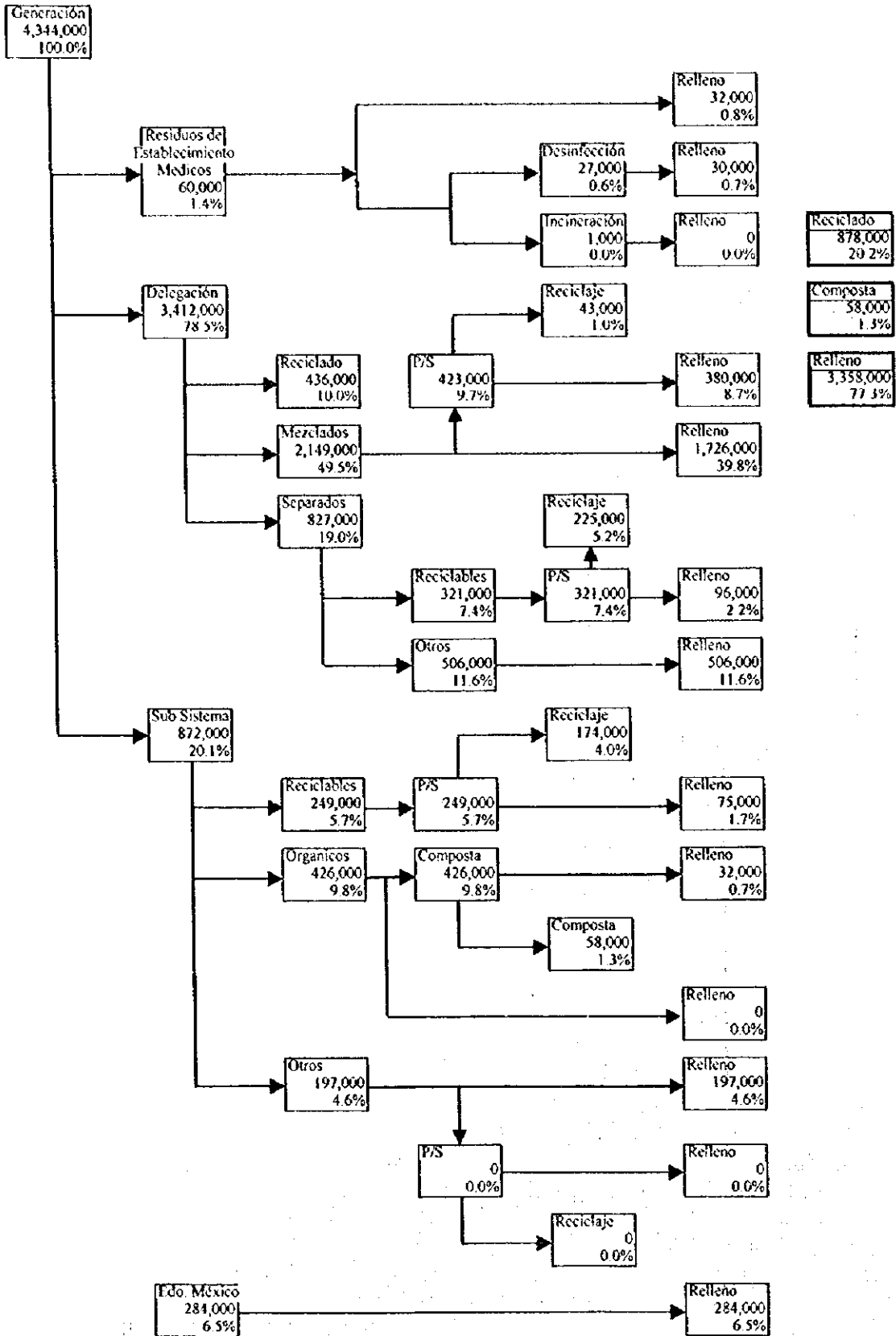
Unidad : ton/año



Flujo Propuesto de Residuos

2006

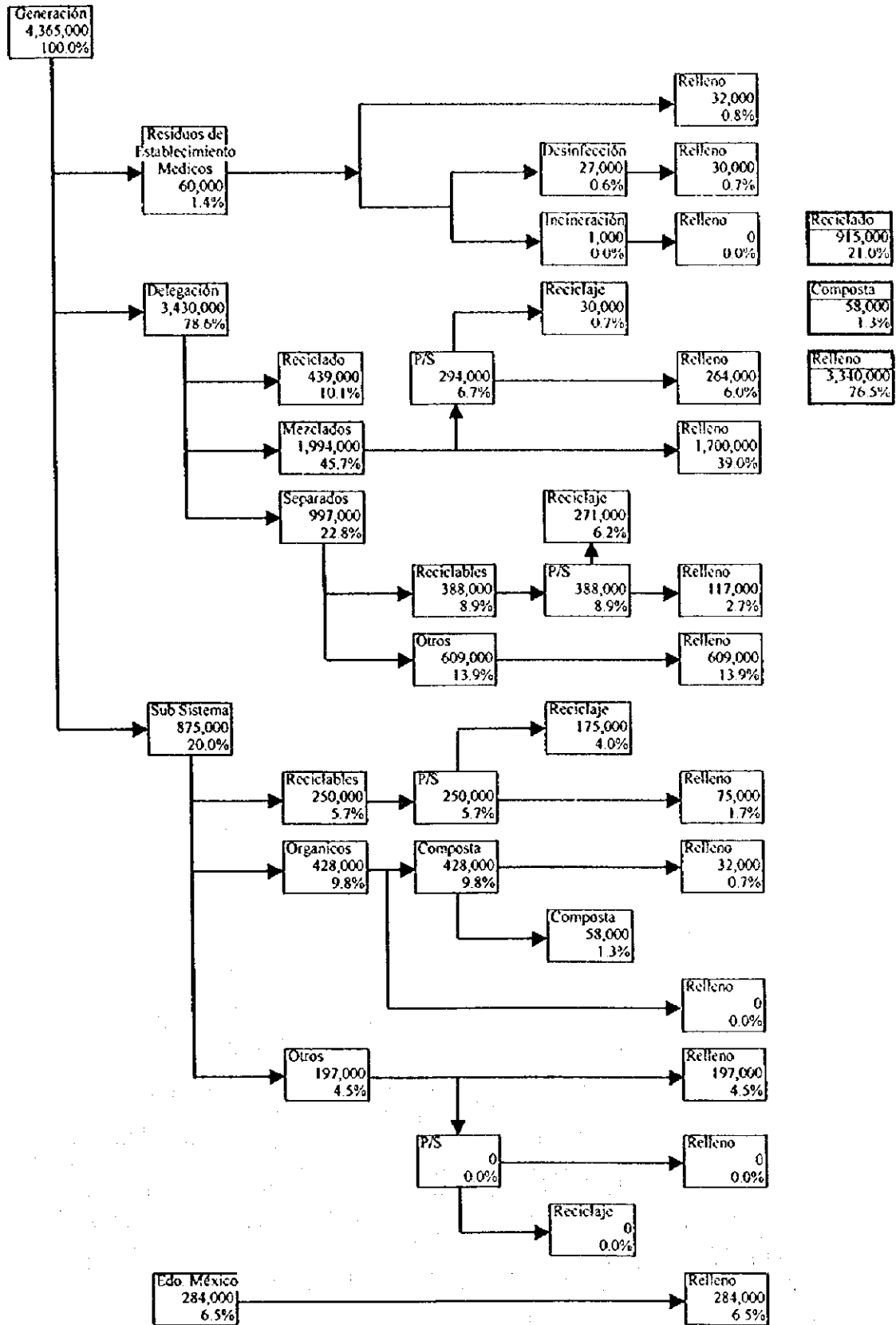
Unidad : ton/año



Flujo Propuesto de Residuos

2007

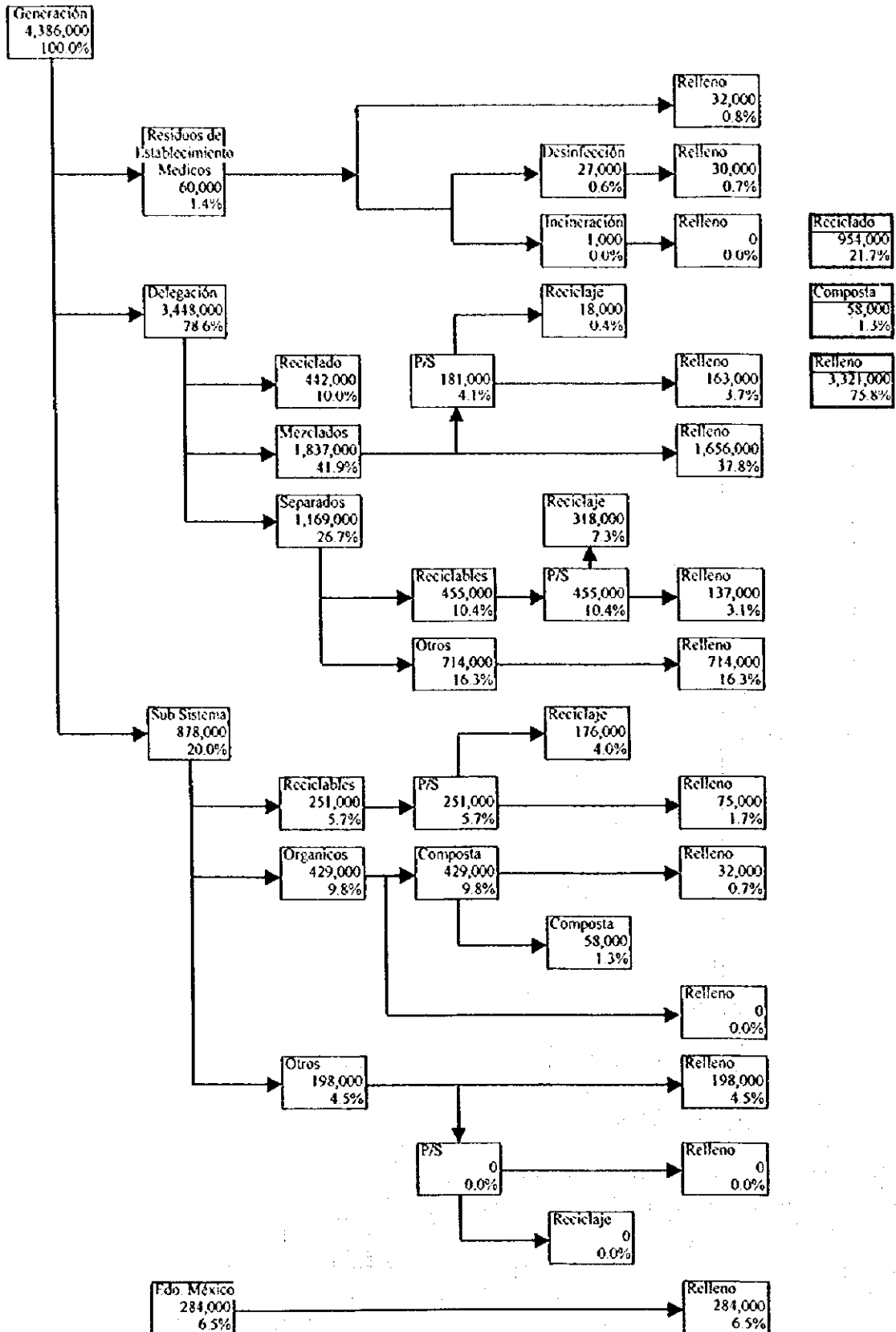
Unidad : ton/año



Flujo Propuesto de Residuos

2008

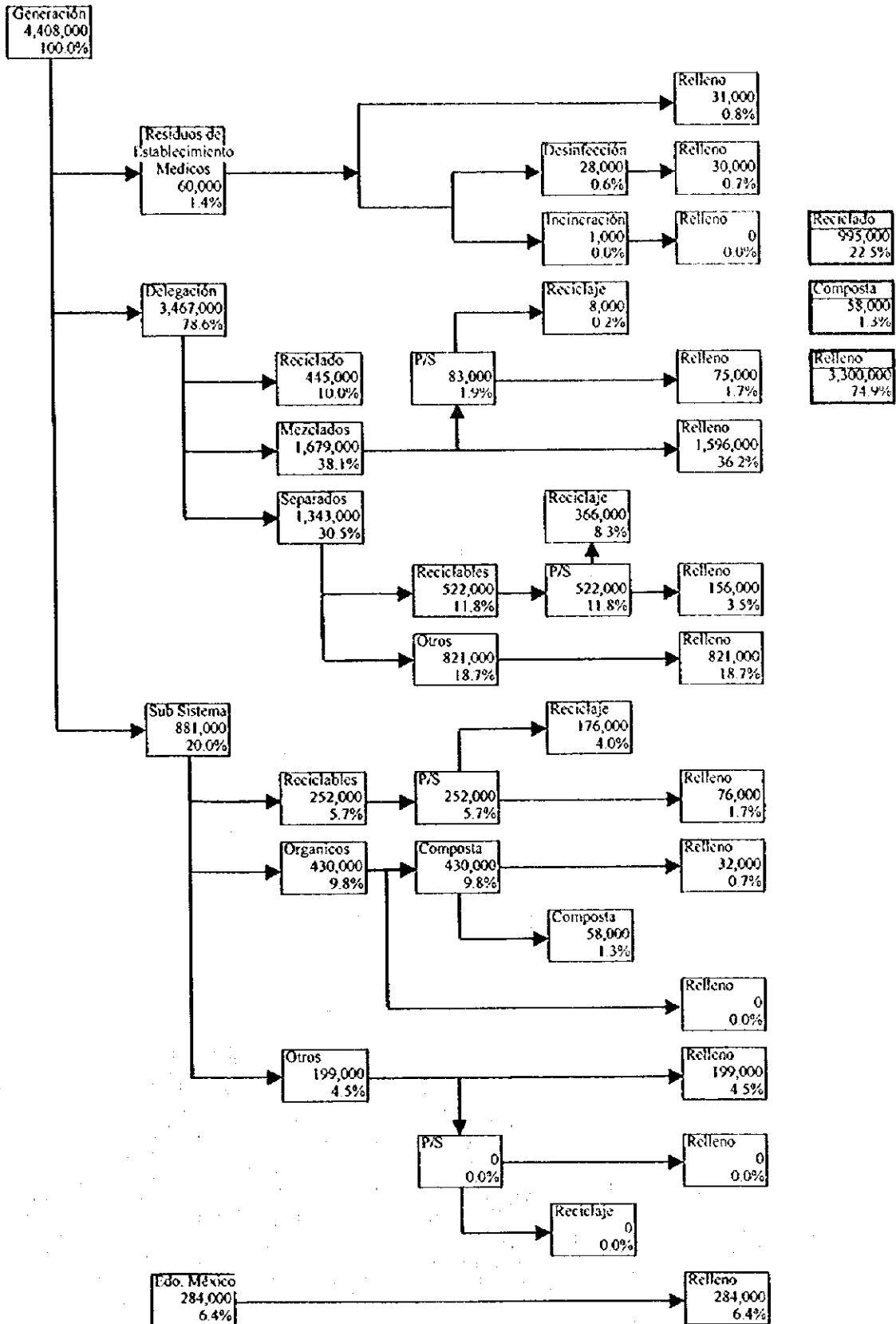
Unidad : ton/año



Flujo Propuesto de Residuos

2009

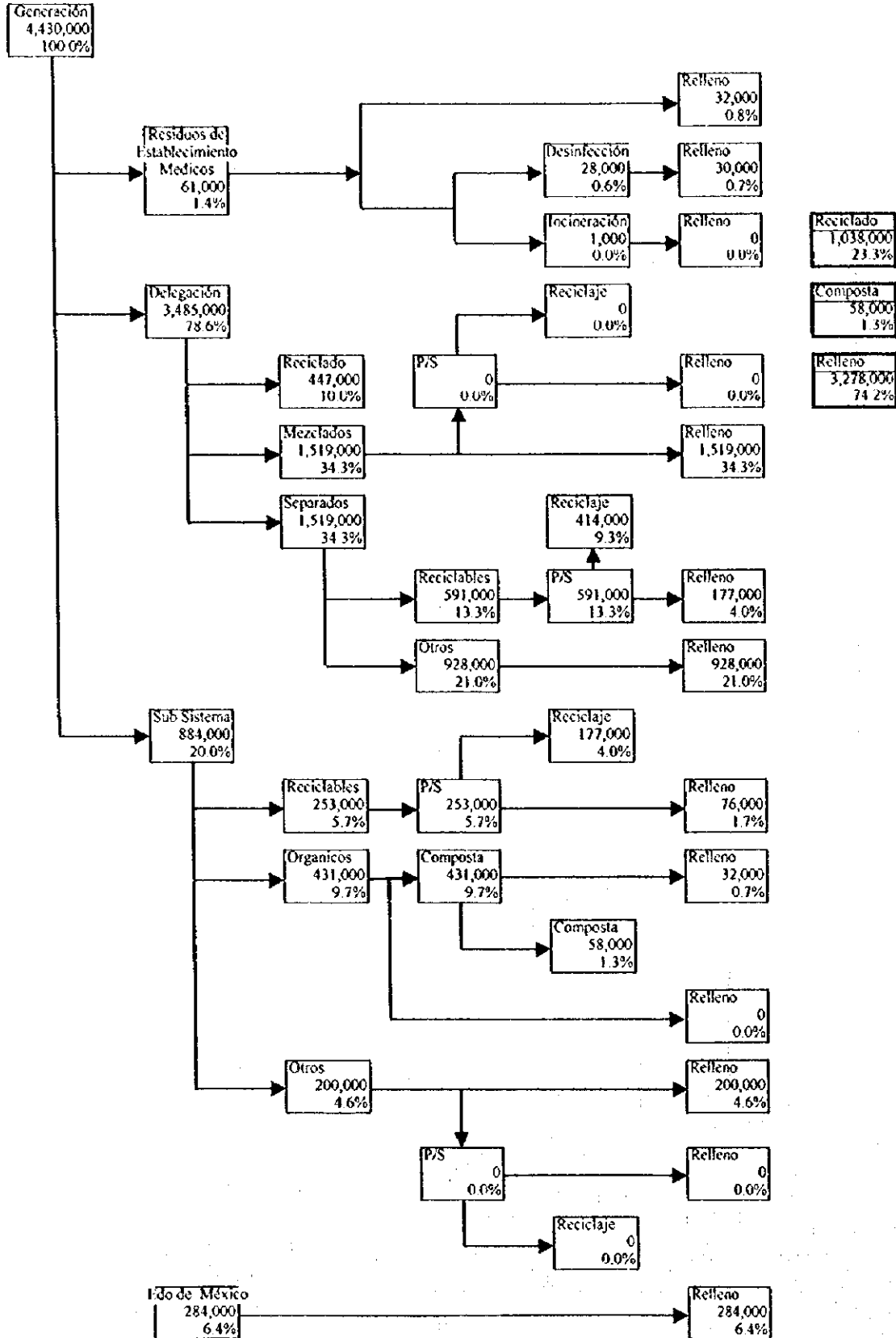
Unidad : ton/año



Flujo Propuesto de Residuos

2010

Unidad : ton/año



### Future Waste Generation Amount (Total)

Year	Population	Total	Domestic		Commercial		Service				Special				Others						
			Household	Market	Commercial	Market	Restaurants and Bar	Sports center and amusement center	Public service	Hotels	Public office	Education center	Hospital	Laboratory	Veterinary	Bus terminal	Air port	Road	Social rehabilitation center	Green Area	Bulky waste
1999	8,653,901	4,204,000	1,946,000	386,000	631,000	386,000	274,000	24,000	62,000	19,000	204,000	56,000	1,000	1,000	5,000	11,000	59,000	2,000	77,000	110,000	80,000
2000	8,697,829	4,222,000	1,956,000	387,000	634,000	387,000	275,000	24,000	62,000	19,000	205,000	56,000	1,000	1,000	5,000	11,000	59,000	2,000	78,000	111,000	80,000
2001	8,746,664	4,241,000	1,967,000	388,000	637,000	388,000	276,000	24,000	63,000	19,000	206,000	57,000	1,000	1,000	5,000	11,000	60,000	2,000	79,000	112,000	81,000
2002	8,795,896	4,262,000	1,976,000	390,000	640,000	390,000	277,000	24,000	63,000	19,000	207,000	57,000	1,000	1,000	5,000	11,000	60,000	2,000	79,000	113,000	81,000
2003	8,845,533	4,283,000	1,989,000	392,000	642,000	392,000	278,000	25,000	64,000	19,000	208,000	58,000	1,000	1,000	5,000	11,000	60,000	2,000	79,000	113,000	82,000
2004	8,895,577	4,302,000	2,010,000	394,000	649,000	394,000	281,000	25,000	64,000	19,000	210,000	58,000	1,000	1,000	5,000	11,000	61,000	2,000	80,000	114,000	82,000
2005	8,946,033	4,324,000	2,022,000	395,000	652,000	395,000	282,000	25,000	65,000	19,000	212,000	58,000	1,000	1,000	5,000	11,000	61,000	2,000	80,000	114,000	83,000
2006	8,996,905	4,344,000	2,033,000	396,000	655,000	396,000	283,000	25,000	65,000	19,000	212,000	58,000	1,000	1,000	5,000	11,000	62,000	2,000	81,000	115,000	83,000
2007	9,048,197	4,365,000	2,045,000	398,000	657,000	398,000	284,000	25,000	65,000	19,000	213,000	59,000	1,000	1,000	5,000	11,000	62,000	2,000	81,000	116,000	84,000
2008	9,099,914	4,386,000	2,045,000	400,000	661,000	400,000	285,000	25,000	65,000	19,000	214,000	59,000	1,000	1,000	5,000	11,000	62,000	2,000	81,000	116,000	84,000
2009	9,152,063	4,408,000	2,059,000	401,000	665,000	401,000	287,000	25,000	65,000	19,000	215,000	60,000	1,000	1,000	5,000	11,000	62,000	2,000	82,000	117,000	84,000
2010	9,205,600	4,430,000	2,069,000	401,000	665,000	401,000	287,000	25,000	65,000	19,000	215,000	60,000	1,000	1,000	5,000	11,000	62,000	2,000	82,000	117,000	84,000

### Pronóstico de Cantidad de Residuos Generados (Total)

Año	Población	Total	Domicilios		Comercios		Servicios		Espaciales				Otras								
			Unifamiliar	Plurifamiliar	Establecimientos Comerciales	Mercados	Restaurants y bares	Centros de Espectáculos y Recreación	Servicio Públicos	Hotels	Oficinas Publicas	Centros Educativos	Unidades Medicas	Laboratorios	Veterinarias	Terminales Terrenos	Terminal Aerea	Validades	Centros de Readaptacion Social	Areas Verdes	Objetos Voluminosos
1999	8,653,901	4,204,000	1,946,000	386,000	631,000	386,000	274,000	24,000	62,000	19,000	204,000	56,000	1,000	1,000	5,000	11,000	59,000	2,000	77,000	110,000	80,000
2000	8,697,829	4,222,000	1,956,000	387,000	634,000	387,000	275,000	24,000	62,000	19,000	205,000	56,000	1,000	1,000	5,000	11,000	59,000	2,000	78,000	111,000	80,000
2001	8,746,664	4,241,000	1,967,000	388,000	637,000	388,000	276,000	24,000	63,000	19,000	206,000	57,000	1,000	1,000	5,000	11,000	60,000	2,000	79,000	112,000	81,000
2002	8,795,896	4,262,000	1,976,000	390,000	640,000	390,000	277,000	24,000	63,000	19,000	207,000	57,000	1,000	1,000	5,000	11,000	60,000	2,000	79,000	113,000	81,000
2003	8,845,533	4,283,000	1,989,000	392,000	642,000	392,000	278,000	25,000	64,000	19,000	208,000	58,000	1,000	1,000	5,000	11,000	60,000	2,000	79,000	113,000	82,000
2004	8,895,577	4,302,000	2,010,000	394,000	649,000	394,000	281,000	25,000	64,000	19,000	210,000	58,000	1,000	1,000	5,000	11,000	61,000	2,000	80,000	114,000	82,000
2005	8,946,033	4,324,000	2,022,000	395,000	652,000	395,000	282,000	25,000	65,000	19,000	212,000	58,000	1,000	1,000	5,000	11,000	61,000	2,000	80,000	114,000	83,000
2006	8,996,905	4,344,000	2,033,000	396,000	655,000	396,000	283,000	25,000	65,000	19,000	212,000	58,000	1,000	1,000	5,000	11,000	62,000	2,000	81,000	115,000	83,000
2007	9,048,197	4,365,000	2,045,000	398,000	657,000	398,000	284,000	25,000	65,000	19,000	213,000	59,000	1,000	1,000	5,000	11,000	62,000	2,000	81,000	116,000	84,000
2008	9,099,914	4,386,000	2,045,000	400,000	661,000	400,000	285,000	25,000	65,000	19,000	214,000	59,000	1,000	1,000	5,000	11,000	62,000	2,000	81,000	116,000	84,000
2009	9,152,063	4,408,000	2,059,000	401,000	665,000	401,000	287,000	25,000	65,000	19,000	215,000	60,000	1,000	1,000	5,000	11,000	62,000	2,000	82,000	117,000	84,000
2010	9,205,600	4,430,000	2,069,000	401,000	665,000	401,000	287,000	25,000	65,000	19,000	215,000	60,000	1,000	1,000	5,000	11,000	62,000	2,000	82,000	117,000	84,000

**Future Waste Generation Amount (Sub-system)**

Year	Population	Service										Special		Others					
		Domestic Household	Commercial	Commercial Market	Restaurant and bar	Sports center and amusement center	Public service	Hotels	Public office	Education center	Hospital	Laboratory	Veterinary	Bus terminal	Air port	Road	Social rehabilitation center	Green Area	Bulky waste
1999	1,405,623	853,000	---	398,000	---	---	---	22,000	---	---	---	---	---	---	---	2,000	77,000	21,000	13,000
2000	1,412,534	855,000	---	399,000	---	---	---	22,000	---	---	---	---	---	---	---	2,000	78,000	21,000	15,000
2001	1,419,774	858,000	---	399,000	---	---	---	22,000	---	---	---	---	---	---	---	2,000	78,000	21,000	16,000
2002	1,427,927	861,000	---	399,000	---	---	---	22,000	---	---	---	---	---	---	---	2,000	79,000	22,000	16,000
2003	1,435,673	864,000	---	400,000	---	---	---	23,000	---	---	---	---	---	---	---	2,000	79,000	22,000	16,000
2004	1,443,400	867,000	---	400,000	---	---	---	23,000	---	---	---	---	---	---	---	2,000	80,000	22,000	16,000
2005	1,451,708	870,000	---	401,000	---	---	---	23,000	---	---	---	---	---	---	---	2,000	80,000	22,000	16,000
2006	1,459,564	872,000	---	401,000	---	---	---	23,000	---	---	---	---	---	---	---	2,000	81,000	22,000	16,000
2007	1,467,489	875,000	---	402,000	---	---	---	23,000	---	---	---	---	---	---	---	2,000	81,000	22,000	16,000
2008	1,475,913	878,000	---	402,000	---	---	---	23,000	---	---	---	---	---	---	---	2,000	81,000	22,000	16,000
2009	1,484,045	881,000	---	403,000	---	---	---	23,000	---	---	---	---	---	---	---	2,000	81,000	22,000	16,000
2010	1,492,430	884,000	---	403,000	---	---	---	23,000	---	---	---	---	---	---	---	2,000	82,000	22,000	16,000

**Pronóstico de Cantidad de Residuos Generados (Sub-Sistema)**

Año	Población	Servicios										Especiales		Otros					
		Domicilios Unifamiliar y Plurfamiliar	Establecimientos Comerciales	Comercios Mercados	Restaurantes y bares	Centros de Espectáculo y Recreación	Servicio Públicos	Hotels	Oficinas Publicas	Centros Educativos	Unidades Medicas	Laboratorios	Veterinarias	Terminales Terrestres	Terminales Area	Viabilidades	Centros de Readaptación Social	Areas Verdes	Objetos Voluminosos
1999	1,405,623	853,000	---	398,000	---	---	---	22,000	---	---	---	---	---	---	---	2,000	77,000	21,000	13,000
2000	1,412,534	855,000	---	399,000	---	---	---	22,000	---	---	---	---	---	---	---	2,000	78,000	21,000	15,000
2001	1,419,774	858,000	---	399,000	---	---	---	22,000	---	---	---	---	---	---	---	2,000	78,000	21,000	16,000
2002	1,427,927	861,000	---	399,000	---	---	---	22,000	---	---	---	---	---	---	---	2,000	79,000	22,000	16,000
2003	1,435,673	864,000	---	400,000	---	---	---	23,000	---	---	---	---	---	---	---	2,000	79,000	22,000	16,000
2004	1,443,400	867,000	---	400,000	---	---	---	23,000	---	---	---	---	---	---	---	2,000	80,000	22,000	16,000
2005	1,451,708	870,000	---	401,000	---	---	---	23,000	---	---	---	---	---	---	---	2,000	80,000	22,000	16,000
2006	1,459,564	872,000	---	401,000	---	---	---	23,000	---	---	---	---	---	---	---	2,000	81,000	22,000	16,000
2007	1,467,489	875,000	---	402,000	---	---	---	23,000	---	---	---	---	---	---	---	2,000	81,000	22,000	16,000
2008	1,475,913	878,000	---	402,000	---	---	---	23,000	---	---	---	---	---	---	---	2,000	81,000	22,000	16,000
2009	1,484,045	881,000	---	403,000	---	---	---	23,000	---	---	---	---	---	---	---	2,000	81,000	22,000	16,000
2010	1,492,430	884,000	---	403,000	---	---	---	23,000	---	---	---	---	---	---	---	2,000	82,000	22,000	16,000



**Future Waste Generation Amount (Delegations)**

Year	Population	Total	Domestic		Commercial		Service			Special				Others								
			Household	Unifamiliar y Plunfamiliar	Commercial	Market	Restauran t and Bar	Sports center and amusement center	Public service	Hotels	Public office	Education center	Hospital	Laboratory	Veterinary	Bus terminal	Air port	Road	Socia rehabilitation center	Green Area	Bulky waste	Demolition waste/small repair
1999	7,248,278	3,293,000	1,628,000	1,713,000	631,000	188,000	274,000	24,000	62,000	19,000	204,000	34,000	---	---	---	11,000	59,000	---	---	---	89,000	65,000
2000	7,285,295	3,309,000	1,638,000	1,713,000	634,000	188,000	275,000	24,000	62,000	19,000	205,000	34,000	---	---	---	11,000	59,000	---	---	---	90,000	65,000
2001	7,320,890	3,325,000	1,646,000	1,713,000	637,000	189,000	276,000	24,000	63,000	19,000	206,000	35,000	---	---	---	11,000	59,000	---	---	---	91,000	65,000
2002	7,357,989	3,342,000	1,654,000	1,713,000	640,000	191,000	277,000	24,000	63,000	19,000	207,000	35,000	---	---	---	11,000	60,000	---	---	---	91,000	65,000
2003	7,409,866	3,356,000	1,666,000	1,713,000	643,000	191,000	278,000	25,000	64,000	19,000	208,000	35,000	---	---	---	11,000	60,000	---	---	---	91,000	66,000
2004	7,452,177	3,370,000	1,674,000	1,713,000	646,000	192,000	279,000	25,000	64,000	19,000	209,000	35,000	---	---	---	11,000	61,000	---	---	---	92,000	66,000
2005	7,494,325	3,385,000	1,684,000	1,713,000	649,000	194,000	282,000	25,000	64,000	19,000	210,000	35,000	---	---	---	11,000	61,000	---	---	---	92,000	67,000
2006	7,537,341	3,412,000	1,694,000	1,713,000	652,000	194,000	283,000	25,000	65,000	19,000	212,000	36,000	---	---	---	11,000	61,000	---	---	---	92,000	67,000
2007	7,580,708	3,443,000	1,704,000	1,713,000	655,000	196,000	284,000	25,000	65,000	19,000	213,000	36,000	---	---	---	11,000	62,000	---	---	---	94,000	68,000
2008	7,624,001	3,467,000	1,713,000	1,713,000	657,000	197,000	284,000	25,000	65,000	19,000	214,000	36,000	---	---	---	11,000	62,000	---	---	---	94,000	68,000
2009	7,668,018	3,487,000	1,725,000	1,713,000	661,000	198,000	285,000	25,000	65,000	19,000	215,000	37,000	---	---	---	11,000	62,000	---	---	---	94,000	68,000
2010	7,713,170	3,485,000	1,713,000	1,713,000	665,000	198,000	287,000	25,000	65,000	19,000	215,000	37,000	---	---	---	11,000	62,000	---	---	---	95,000	68,000

**Pronóstico de Cantidad de Residuos Generados (Delegaciones)**

Año	Población	Total	Domestic		Comerciales		Servicios			Especiales				Otros								
			Unifamiliar y Plunfamiliar	Comerciales	Asstables Comerciales	Comerciales	Restaurantes y bares	Centros de Espectaculo y Recreación	Servicio Publicos	Hotels	Oficinas Publicas	Centros Educativos	Unidades Medicas	Laboratorios	Veterinarias	Terminales Terrestres	Terminal Aerea	Validados	Centros de Readaptacion Social	Areas Verdes	Objetos Voluminosos	NAT de CONST REP Memores
1999	7,248,278	3,293,000	1,628,000	1,713,000	631,000	188,000	274,000	24,000	62,000	19,000	204,000	34,000	---	---	---	11,000	59,000	---	---	---	89,000	65,000
2000	7,285,295	3,309,000	1,638,000	1,713,000	634,000	188,000	275,000	24,000	62,000	19,000	205,000	34,000	---	---	---	11,000	59,000	---	---	---	90,000	65,000
2001	7,320,890	3,325,000	1,646,000	1,713,000	637,000	189,000	276,000	24,000	63,000	19,000	206,000	35,000	---	---	---	11,000	60,000	---	---	---	91,000	65,000
2002	7,357,989	3,342,000	1,654,000	1,713,000	640,000	191,000	277,000	24,000	63,000	19,000	207,000	35,000	---	---	---	11,000	60,000	---	---	---	91,000	65,000
2003	7,409,866	3,356,000	1,666,000	1,713,000	643,000	191,000	278,000	25,000	64,000	19,000	208,000	35,000	---	---	---	11,000	60,000	---	---	---	91,000	66,000
2004	7,452,177	3,370,000	1,674,000	1,713,000	646,000	192,000	279,000	25,000	64,000	19,000	209,000	35,000	---	---	---	11,000	61,000	---	---	---	92,000	66,000
2005	7,494,325	3,385,000	1,684,000	1,713,000	649,000	194,000	282,000	25,000	64,000	19,000	210,000	35,000	---	---	---	11,000	61,000	---	---	---	92,000	67,000
2006	7,537,341	3,412,000	1,694,000	1,713,000	652,000	194,000	283,000	25,000	65,000	19,000	211,000	35,000	---	---	---	11,000	61,000	---	---	---	92,000	67,000
2007	7,580,708	3,430,000	1,704,000	1,713,000	655,000	196,000	284,000	25,000	65,000	19,000	212,000	36,000	---	---	---	11,000	61,000	---	---	---	92,000	67,000
2008	7,624,001	3,443,000	1,713,000	1,713,000	657,000	196,000	284,000	25,000	65,000	19,000	213,000	36,000	---	---	---	11,000	62,000	---	---	---	94,000	68,000
2009	7,668,018	3,467,000	1,725,000	1,713,000	661,000	197,000	285,000	25,000	65,000	19,000	214,000	36,000	---	---	---	11,000	62,000	---	---	---	94,000	68,000
2010	7,713,170	3,485,000	1,713,000	1,713,000	665,000	198,000	287,000	25,000	65,000	19,000	215,000	37,000	---	---	---	11,000	62,000	---	---	---	95,000	68,000

**Future Waste Generation Amount (Medical)**

Year	Population	Total	Domestic			Commercial			Service				Special				Others				
			Household	Commercial	Market	Restaurant and Bar	Sports center and amusement center	Public service	Hotels	Public office	Education center	Hospital	Laboratory	Veterinary	Bus terminal	Air port	Road	Social rehabilitation center	Green Area	Bulky waste	Demolition waste/small repair
1999	58,000	58,000	58,000																		
2000	58,000	58,000	58,000																		
2001	59,000	59,000	59,000																		
2002	59,000	59,000	59,000																		
2003	59,000	59,000	59,000																		
2004	59,000	59,000	59,000																		
2005	59,000	59,000	59,000																		
2006	60,000	60,000	60,000																		
2007	60,000	60,000	60,000																		
2008	60,000	60,000	60,000																		
2009	60,000	60,000	60,000																		
2010	61,000	61,000	61,000																		

**Pronóstico de Cantidad de Residuos Generados (Medico)**

Año	Población	Total	Domicilios			Comercios			Servicios			Especiales			Otros									
			Unifamiliar	Plurifamiliar	Establecimientos Comerciales	Establecimientos Comerciales	Mercedes	Restaurantes y bares	Centros de Espectáculo y Recreación	Servicio Públicos	Hotels	Oficinas Publicas	Centros Educativos	Unidades Medicas	Laboratorios	Volumenarios Terrestres	Terminal Aerea	Validades	Centros de Readaptación Social	Áreas Verdes	Objetos Voluminosos	NAT de CONST-REP Menores		
1999	58,000	58,000	58,000																					
2000	58,000	58,000	58,000																					
2001	58,000	58,000	58,000																					
2002	59,000	59,000	59,000																					
2003	59,000	59,000	59,000																					
2004	59,000	59,000	59,000																					
2005	59,000	59,000	59,000																					
2006	60,000	60,000	60,000																					
2007	60,000	60,000	60,000																					
2008	60,000	60,000	60,000																					
2009	60,000	60,000	60,000																					
2010	61,000	61,000	61,000																					



Generación Total (1997)

Delegación	Domiciliarios			Comercios			Servicios			Especiales			Otros					Total			
	Unifamiliar	Plurifamiliar	Establecimientos Comerciales	Mercedes	Restaurantes y bares	Centros de Espectáculos y Recreación	Servicios Públicos	Fondos	Obras Públicas	Centros Educativos	Unidades Médicas	Laboratorios	Veterinarias	Terminales Toreros	Terminales Aereas	Vialidad	Centros de Readaptación Social		Áreas Verdes	Volumen de Obras	SAAT de CONSTR EP Menores
1 Avitotl-Oaxtepec	424,377	65,719	2,240	2,900	9,636	8,139	0,034	18,461	9,943	15,032	0,178	0,107	2,103	0,000	11,166	0,000	2,868	13,826	11,438	610,184	222,717
2 Arcopuzalco	270,540	69,122	50,075	39,817	6,569	8,036	0,269	26,407	9,862	8,643	0,052	0,060	0,000	0,000	6,155	0,000	4,886	13,652	9,852	515,782	188,260
3 Benito Juárez	21,971	138,603	57,971	64,394	5,027	19,952	1,731	45,347	7,127	19,140	0,501	0,253	0,000	0,000	10,640	0,000	10,754	16,506	11,929	641,848	234,275
4 Coyoteac	433,101	101,115	79,653	41,038	5,339	8,915	2,320	33,897	17,798	3,576	0,247	0,145	2,103	0,000	9,452	0,000	8,619	20,659	15,132	783,889	246,119
5 Guajimalpa	90,761	15,158	12,117	0,254	1,486	1,426	0,034	3,983	2,436	0,962	0,044	0,024	0,000	0,000	3,463	0,000	0,654	3,693	2,662	138,947	50,716
6 Cuautlémoc	311,602	336,321	86,409	162,752	16,268	37,110	29,011	113,534	11,455	26,734	1,414	0,121	4,206	0,000	30,862	2,660	41,259	38,634	27,921	1,501,455	548,031
7 Gustavo A. Madero	748,209	210,904	166,253	101,488	2,284	18,892	0,401	68,341	24,335	23,044	0,406	0,197	2,103	0,000	10,280	0,000	6,653	12,670	9,157	483,451	176,460
8 Ixtacalco	255,054	66,090	40,146	38,926	0,883	2,080	0,269	21,138	7,714	5,305	0,044	0,075	0,000	0,000	17,097	2,777	8,679	67,075	48,475	2,476,195	903,811
9 Ixtapalapa	1,057,832	245,528	807,570	91,235	2,090	19,203	0,388	73,407	24,710	9,530	0,178	0,211	0,000	0,000	3,427	0,000	1,142	5,204	3,761	195,670	71,420
10 M. Contreras	136,421	16,934	15,102	0,102	1,556	1,724	1,017	4,640	2,842	1,667	0,025	0,026	0,000	0,000	19,981	0,000	70,195	15,168	10,962	657,038	239,819
11 Miguel Hidalgo	226,377	109,471	51,234	38,771	8,545	15,684	8,345	39,888	7,441	14,307	0,514	0,095	0,000	0,000	3,118	0,000	0,725	1,971	1,424	76,205	27,815
12 Milpa Alta	46,733	8,632	3,135	4,630	0,693	0,803	0,000	2,955	1,346	0,593	0,000	0,000	0,000	0,000	6,492	0,000	1,670	6,679	4,827	254,069	92,735
13 Tlalhuac	162,839	26,543	12,562	11,652	0,203	2,874	0,000	9,020	3,732	3,050	0,000	0,026	0,000	0,000	0,000	0,000	32,694	16,671	12,048	632,227	238,428
14 Tlalpan	370,033	67,115	67,334	26,841	7,475	5,755	2,336	22,576	8,379	14,275	0,152	0,143	0,000	0,000	28,887	8,699	7,606	22,574	16,314	842,640	307,364
15 V. Carranza	290,284	190,988	108,822	80,778	1,371	10,993	4,621	56,627	7,573	4,750	0,178	0,071	2,103	0,000	6,131	1,375	1,708	9,609	6,944	358,637	130,910
16 Xochimilco	201,221	46,844	38,942	18,751	2,142	3,075	0,000	14,705	5,999	1,146	0,032	0,039	0,000	0,000	159,850	6,233	211,311	299,404	216,380	11,521,968	4,169,018
Total	5,277,355	1,716,767	1,598,557	744,329	65,497	169,274	50,778	555,126	152,506	151,526	3,970	1,660	12,618	28,887	159,850	6,233	211,311	299,404	216,380	11,521,968	4,169,018



Generación Total (2001)

Delegación	Domésticos		Comercios		Servicios		Especiales						Otros					Total				
	Unifamiliar y Plurifamiliar	Establecimientos Comerciales	Mercados	Establecimientos Comerciales	Restaurantes y bares	Centros de Espectáculos y Recreación	Servicios Públicos	Jardines	Oficinas Públicas	Centros Educativos	Unidades Médicas	Laboratorios	Veterinaria	Terminales Ferreas	Terminales Aereas	Vialidad	Centros de Rehabilitación Social		Áreas Verdes	Objetos Voluminosos	SATI de CONSTR EP Menores	tonda
1 Alvaro Obregón	432,024	66,524	7,366	2,951	9,830	8,275	0,034	18,793	10,122	15,301	0,184	0,169	2,103	0,000	11,267	0,000	0,000	8,004	16,111	11,644	620,742	226,571
2 Azcapotzalco	273,337	69,620	50,851	40,224	0,575	8,108	0,269	24,652	9,759	8,724	0,057	0,660	0,000	0,000	6,216	0,000	0,000	4,925	13,768	9,950	521,105	190,203
3 Benito Juárez	234,369	136,832	58,739	65,030	0,077	20,156	1,731	45,801	7,196	19,328	0,307	0,258	0,000	0,000	10,747	0,000	0,000	10,363	16,671	12,048	648,335	236,652
4 Coyoacán	441,520	103,031	81,064	41,827	5,951	9,071	2,320	34,541	18,136	3,647	0,254	0,148	2,191	0,000	9,632	0,000	0,000	8,778	21,337	15,420	798,780	291,555
5 Cuajimalpa	97,197	15,830	12,364	0,280	1,591	1,518	0,034	4,265	2,609	0,660	0,044	0,026	0,000	0,000	3,709	0,000	0,000	0,914	3,944	2,851	148,276	54,121
6 Cuauhtémoc	335,700	340,430	87,641	164,712	16,483	37,578	29,079	114,896	11,592	27,038	1,403	0,122	4,206	0,000	13,041	0,021	6,832	32,954	23,816	2,247,594	485,372	
7 Gustavo A. Madero	751,432	211,096	161,033	101,895	2,293	18,963	0,403	68,816	24,432	23,138	0,406	0,197	2,101	0,000	30,985	2,068	41,428	38,789	28,033	1,307,510	550,241	
8 Iztacalco	256,329	66,336	40,213	39,130	0,868	6,992	0,264	23,254	7,753	5,416	0,044	0,075	0,000	0,000	10,331	0,000	0,000	6,693	12,754	9,203	485,657	177,265
9 Iztapalapa	1,082,048	251,520	807,570	93,321	2,128	19,066	0,388	75,095	25,299	9,746	0,184	0,216	0,000	0,000	17,490	2,840	8,877	68,618	49,580	2,514,802	917,903	
10 M. Contreras	142,392	17,512	15,763	0,102	1,627	1,827	1,017	4,849	2,970	1,776	0,023	0,027	0,000	0,000	3,581	0,000	0,000	1,192	5,438	3,930	204,228	74,543
11 Miguel Hidalgo	259,174	110,879	51,580	59,483	8,647	15,855	3,345	40,366	7,530	14,549	0,520	0,097	0,000	0,000	20,220	0,000	0,000	71,039	15,350	11,094	664,728	242,626
12 Milpa Alta	49,406	9,124	3,278	4,885	0,099	0,837	0,000	3,124	1,417	0,627	0,000	0,000	0,000	3,296	0,000	0,000	0,000	0,814	2,083	1,506	80,501	29,383
13 Tlalhuac	172,678	30,039	13,464	12,339	0,216	3,143	0,000	9,361	3,956	3,237	0,000	0,000	0,000	0,000	6,882	0,000	0,000	1,559	7,080	5,117	369,318	98,101
14 Tlalpan	364,868	69,507	69,872	27,910	7,774	5,966	2,336	23,479	8,714	14,845	0,159	0,148	0,000	0,000	33,375	17,338	0,000	33,375	17,338	12,530	678,821	247,770
15 V. Guerrero	293,403	193,022	109,819	81,669	1,388	10,998	4,421	57,250	7,656	4,805	0,178	0,071	2,103	28,887	8,795	0,000	0,000	7,686	22,822	16,499	851,166	310,676
16 Xochimilco	211,868	49,549	40,808	19,743	2,255	3,230	0,000	13,485	6,316	1,201	0,032	0,041	0,000	0,000	6,456	1,448	1,797	214,276	305,155	220,537	11,619,312	4,241,049
Total	5,387,945	1,743,857	1,612,035	755,301	66,322	171,870	50,846	504,227	155,459	153,998	4,027	1,627	12,618	28,887	162,748	6,377	6,377	214,276	305,155	220,537	11,619,312	4,241,049



Generación Total (2004)

Delegación	Domiciliarios			Comercios			Servicios			Fajerciales			Otros					Total			
	Unifamiliar y Plurfamiliar	Lealtad y otros Comerciales	Mercados	Restaurantes y bares	Centros de Espectáculo y Recreación	Servicios Públicos	Hoteles	Obras Públicas	Centros Educativos	Unidades Médicas	Laboratorios	Veterinarias	Terminales Terrestres	Terminales Aéreas	Viabilidad	Centros de Rehabilitación Social	Áreas Verdes		Objetos Voluminosos	NAT de CONSTRA EP Menores	tonda
1 Alvaro Obregón	438,144	67,786	7,490	3,002	9,965	8,379	0,034	19,051	10,261	15,575	0,134	0,111	0,000	0,000	11,524	0,000	8,113	16,333	11,804	629,769	229,873
2 Acoapuztlan	275,639	70,068	51,034	40,380	8,579	8,175	0,259	24,871	9,446	8,868	0,057	0,061	0,000	0,000	6,271	0,000	4,975	13,891	10,079	325,191	191,094
3 Benito Juárez	216,343	141,369	58,910	65,015	5,122	20,354	1,731	46,209	7,263	19,307	0,514	0,260	0,000	0,000	10,842	0,000	19,983	16,819	12,158	653,476	238,791
4 Coyacacán	449,247	104,894	82,488	42,504	6,056	9,220	2,220	33,132	18,456	3,710	0,254	0,150	2,103	0,000	9,803	0,000	5,937	21,713	15,952	812,739	296,650
5 Cuajimalpa	102,390	17,300	13,542	0,280	1,675	1,388	0,034	4,492	2,748	0,635	0,051	0,027	0,000	0,000	3,906	0,000	0,963	4,154	3,002	156,887	57,264
6 Cuauhtémoc	339,033	343,483	88,197	166,340	16,645	37,921	29,264	116,032	11,707	23,229	0,412	0,199	4,266	0,000	13,171	0,021	6,901	33,290	24,091	1,239,247	429,625
7 Gustavo A. Madero	754,367	212,258	161,819	102,302	2,301	19,035	0,403	69,090	24,529	23,229	0,412	0,199	0,000	0,000	10,454	0,000	41,587	38,943	28,144	1,513,906	552,576
8 Iztacalco	259,495	66,035	40,944	39,588	0,897	7,077	0,299	23,532	7,846	5,482	0,044	0,077	0,000	0,000	12,866	0,000	6,762	12,866	9,313	491,601	179,434
9 Iztapalapa	1,104,273	256,508	807,570	95,255	2,173	20,040	0,588	76,637	25,819	9,944	0,184	0,219	0,000	0,000	17,849	2,899	9,056	20,029	50,608	2,549,648	930,622
10 M. Contreras	145,217	17,745	15,793	0,102	1,655	1,857	1,017	4,937	3,024	1,802	0,025	0,027	0,000	0,000	3,647	0,000	1,211	5,537	4,002	207,598	75,773
11 Miguel Hidalgo	231,451	111,524	52,445	60,069	8,734	16,033	8,362	40,765	7,605	14,686	0,329	0,097	0,000	0,000	20,420	0,000	71,744	15,902	11,203	671,196	244,983
12 Milpa Alta	51,556	9,523	3,405	5,114	0,102	0,866	0,000	3,259	1,478	0,655	0,000	0,003	0,000	0,000	3,440	0,000	0,854	2,174	1,571	84,002	30,961
13 Tlalhuac	181,688	31,429	13,790	13,001	0,223	3,302	0,000	10,066	4,165	3,398	0,000	0,029	0,000	0,000	7,246	0,000	1,636	7,454	5,387	262,818	103,229
14 Tlalpan	396,647	71,922	72,335	28,775	8,014	6,187	2,336	24,201	8,982	15,307	0,165	0,153	0,000	0,000	0,000	0,000	34,407	17,871	12,915	700,237	255,587
15 Y. Carranza	295,962	193,170	111,196	82,407	1,399	10,787	4,421	57,759	7,724	4,845	0,194	0,073	2,101	28,887	8,874	0,000	7,755	23,023	16,940	859,211	313,012
16 Xochimilco	218,224	50,760	41,963	20,328	2,323	3,318	0,000	13,941	6,302	1,217	0,032	0,043	0,000	0,000	6,046	1,490	1,467	10,416	7,527	388,597	141,815
Total	5,479,676	1,768,752	1,622,911	765,322	67,865	174,139	51,148	571,994	157,955	136,085	4,078	1,655	12,618	28,887	165,202	6,436	217,775	310,024	224,053	11,786,603	4,302,110





Generación Total (2010)

Delegación	Domiciliares				Servicios										Especiales					Otros					Total	
	Unifamiliar y Plunifamiliar	Establecimientos Comerciales	Mercados	Restaurantes y bares	Centros de Espectáculos y Recreación	Servicios Públicos	Hoteles	Oficinas Públicas	Centros Educativos	Unidades Médicas	Laboratorios	Veterinarias	Terminales Terrestres	Terminales Aéreas	Visualización de Mapas y Información Social	Centros de Readaptación Social	Áreas Verdes	Objetos Voluminosos	NAI de CONSTR EP Menores	Infancia	Total					
1 Alvaro Obregón	450,666	70,134	7,692	3,074	10,253	8,638	0,034	19,605	15,966	0,190	0,114	2,303	0,000	11,838	0,000	8,351	16,808	12,147	648,216	236,349						
2 Azcapotzalco	240,342	71,548	51,943	41,241	0,589	8,330	0,236	25,236	10,010	0,057	0,061	0,000	0,000	0,377	0,000	5,064	14,122	10,206	534,434	195,068						
3 Benito Juárez	240,303	143,647	59,802	66,709	5,208	20,669	1,748	46,980	19,826	0,320	0,264	0,000	0,000	11,023	0,000	11,141	17,100	12,358	664,742	282,631						
4 Coyoacán	465,142	108,103	83,306	44,066	6,270	9,578	2,320	36,406	19,115	3,839	0,155	2,103	0,000	10,152	0,000	9,255	22,488	16,252	841,018	306,972						
5 Cuajimalpa	113,652	19,194	15,002	0,331	1,861	1,798	0,000	4,986	3,050	0,657	0,031	0,000	0,000	4,336	0,000	1,072	4,611	3,332	174,065	63,334						
6 Cuauhtémoc	345,822	351,083	89,927	169,749	16,988	38,696	30,499	118,416	11,947	27,888	1,477	0,126	4,206	0,000	13,440	0,022	7,040	33,963	24,545	1,283,836	469,130					
7 Gustavo A. Madero	780,329	213,959	162,794	103,116	2,321	19,178	0,403	69,638	24,724	4,412	0,201	2,103	0,000	31,355	2,093	41,915	39,252	28,308	1,525,578	556,836						
8 Iztacalco	285,989	69,230	41,887	40,605	0,921	7,253	0,269	24,133	8,046	0,044	0,078	0,000	10,722	0,000	6,941	13,215	9,551	504,510	194,146							
9 Iztapalapa	1,130,134	266,926	807,370	99,173	2,261	20,962	0,605	79,793	26,882	10,359	0,190	0,230	0,000	18,585	3,078	9,434	72,910	52,093	2,621,025	990,893						
10 M. Contreras	150,974	18,881	16,440	0,102	1,718	1,919	1,017	5,122	3,138	1,875	0,029	0,000	0,000	3,783	0,000	1,261	5,745	4,152	215,881	78,797						
11 Miguel Alemán	236,113	114,516	53,626	61,290	8,912	16,352	8,362	41,603	7,761	14,980	0,333	0,099	0,000	20,839	0,000	73,214	15,820	11,493	683,453	250,190						
12 Milpa Alta	56,179	10,374	3,649	5,572	0,111	0,984	0,000	3,552	1,611	0,711	0,000	0,007	0,000	3,748	0,000	0,000	2,369	1,712	91,312	33,402						
13 Tlalhuac	201,186	35,400	15,614	14,400	0,251	3,688	0,000	11,139	4,609	3,768	0,000	0,032	0,000	8,018	0,000	1,817	8,249	5,962	314,133	114,659						
14 Tlalpán	421,344	76,510	76,764	30,581	8,514	6,343	2,333	25,714	9,543	16,260	0,171	0,163	0,000	0,000	0,000	36,552	18,988	13,723	748,723	271,459						
15 V. Carranza	301,162	197,969	112,715	83,755	1,422	11,003	4,437	58,722	7,853	4,922	0,184	0,075	2,103	28,887	9,021	7,884	23,409	16,918	872,441	318,441						
16 Xochimilco	231,584	54,378	44,717	21,575	2,465	3,516	0,000	16,926	6,904	1,312	0,038	0,044	0,000	7,056	1,562	1,966	11,059	7,993	413,085	150,776						
Total	5,670,651	1,822,054	1,645,455	785,343	70,065	179,049	52,383	588,021	163,136	160,396	4,164	1,709	12,618	28,887	170,313	6,715	223,846	320,108	231,345	12,116,252	4,426,732					



Cantidad de Residuos Reciclables (Recolección Delegacional) (1997)

Delegación	Servicios										Especiales					Otros					Total																						
	Domésticos		Comercios		Restaurantes y bares		Centros de Espectáculos y Recreación		Servicios Públicos		Hoteles		Oficinas Públicas		Centros Educativos		Unidades Médicas		Laboratorios			Viviendas		Terminales Terrestres		Terminal Aérea		Vialidades		Centros de Reciclaje (sin Social)		Áreas Verdes		Objetos Voluminosos		NAT de CONSTR EP Menores		Total					
1 Alvaro Obregón	372,411	65,719	0,000	2,900	9,656	8,139	0,034	18,461	3,353	0,000	0,000	2,103	0,000	0,000	0,000	11,166	0,000	0,000	0,000	0,000	0,000	13,985	10,168	520,035	189,813																		
2 Azcapotzalco	187,965	69,122	21,942	39,817	8,036	8,036	0,260	24,407	6,691	0,000	0,000	0,000	0,000	0,000	0,000	6,155	0,000	0,000	0,000	0,000	0,000	10,352	7,462	352,307	139,725																		
3 Benito Juárez	223,467	138,605	29,154	64,394	5,027	19,952	1,731	45,347	4,395	0,000	0,000	0,000	0,000	0,000	0,000	10,640	0,000	0,000	0,000	0,000	0,000	15,350	11,094	569,134	207,741																		
4 Coyoacán	289,344	101,115	48,642	41,038	5,839	8,915	2,320	33,897	14,195	0,000	0,000	2,103	0,000	0,000	0,000	9,452	0,000	0,000	0,000	0,000	0,000	15,793	11,413	594,066	213,184																		
5 Cuajimalpa	90,761	15,158	6,788	0,254	1,486	1,426	0,034	3,983	1,297	0,000	0,000	0,000	0,000	0,000	0,000	3,463	0,000	0,000	0,000	0,000	0,000	3,496	2,527	130,673	47,696																		
6 Cuauhtémoc	258,002	336,321	23,094	162,752	16,248	37,110	29,011	113,294	7,472	0,000	0,000	2,103	0,000	0,000	0,000	12,887	0,000	0,000	0,000	0,000	0,000	28,498	20,590	1,049,771	383,100																		
7 Gustavo A. Madero	629,829	210,264	79,826	101,488	2,284	18,892	0,403	68,341	14,803	0,000	0,000	0,000	0,000	0,000	0,000	30,862	0,000	0,000	0,000	0,000	0,000	32,564	23,034	1,215,693	443,728																		
8 Iztacalapa	206,766	66,090	19,486	38,926	0,883	6,965	0,269	23,138	4,795	0,000	0,000	0,000	0,000	0,000	0,000	10,280	0,000	0,000	0,000	0,000	0,000	10,597	7,639	395,834	144,487																		
9 Iztapalapa	911,034	245,528	174,078	91,235	2,080	19,203	0,588	71,407	12,912	0,000	0,000	0,000	0,000	0,000	0,000	17,097	0,000	0,000	0,000	0,000	0,000	44,160	31,915	1,623,857	592,706																		
10 M. Contreras	127,154	16,994	9,244	0,102	1,559	1,754	1,017	4,640	1,440	0,000	0,000	0,000	0,000	0,000	0,000	14,983	0,000	0,000	0,000	0,000	0,000	4,727	3,418	175,431	64,032																		
11 Miguel Hidalgo	216,802	109,471	16,456	58,771	8,545	15,684	8,345	39,888	4,752	0,000	0,000	0,000	0,000	0,000	0,000	3,118	0,000	0,000	0,000	0,000	0,000	1,864	1,347	70,938	25,892																		
12 Ntilpa Alta	46,723	8,652	0,076	4,630	0,093	0,801	0,000	2,955	0,689	0,000	0,000	0,000	0,000	0,000	0,000	6,492	0,000	0,000	0,000	0,000	0,000	5,509	3,981	206,946	75,536																		
13 Tlalhuac	132,367	28,543	4,409	11,652	0,203	2,974	0,000	9,020	1,796	0,000	0,000	0,000	0,000	0,000	0,000	0,000	0,000	0,000	0,000	0,000	0,000	14,290	10,327	519,926	189,723																		
14 Tlalpan	313,125	67,115	45,611	26,841	7,475	5,755	2,336	22,576	4,475	0,000	0,000	0,000	0,000	0,000	0,000	8,699	0,000	0,000	0,000	0,000	0,000	18,874	13,640	695,424	253,820																		
15 V. Carranza	260,334	190,988	14,001	80,778	1,371	10,593	4,421	56,627	4,108	0,000	0,000	0,000	0,000	0,000	0,000	2,103	28,887	0,000	0,000	0,000	0,000	0,000	0,000	0,000	0,000	0,000	0,000	0,000	0,000	0,000	0,000	0,000	0,000	0,000	0,000	0,000	0,000	0,000	0,000				
16 Xochimilco	153,115	46,844	17,608	18,751	2,142	3,075	0,000	14,703	3,734	0,000	0,000	0,000	0,000	0,000	0,000	6,131	0,000	0,000	0,000	0,000	0,000	7,501	5,420	279,026	101,848																		
Total	4,419,829	1,716,767	510,415	744,329	65,497	169,274	50,776	555,126	92,907	0,000	0,000	12,613	23,887	159,850	0,000	241,371	174,440	8,942,088	3,263,862																								



Cantidad de Residuos Reciclables (Recolección Delegacional) (2001)

Delegación	Domiciliarios				Servicios										Especiales				Otros				Total toneladas
	Unifamiliar y Plurifamiliar	Establecimientos Comerciales	Mercados	Restaurantes y bares	Centros de Espectáculos y Recreación	Servicios Públicos	Hoteles	Oficinas Publicas	Centros Educativos	Unidades Médicas	Laboratorios	Veterinaria	Terminales y Terrestres	Terminal Aérea	Valdades	Centros de Readaptación Social	Áreas Verdes	Obras Voluminosas	NAT de CONSTR EP, Monumentos	Total			
1 Alvaro Obregón	379,123	66,524	0,000	2,951	9,830	8,275	0,034	18,793	5,450	0,000	0,000	0,000	2,103	0,000	11,367	0,000	0,000	0,000	14,238	10,290	528,978	193,077	
2 Acapulco	189,936	69,620	22,517	40,324	0,575	8,108	0,209	24,052	0,738	0,000	0,000	0,000	0,000	0,000	6,216	0,000	0,000	0,000	10,458	7,558	386,891	141,215	
3 Benito Juárez	225,779	139,832	29,731	68,030	5,077	20,136	1,731	45,801	4,439	0,000	0,000	0,000	0,000	0,000	10,747	0,000	0,000	0,000	15,307	11,207	575,017	209,881	
4 Coyoacán	295,032	103,031	49,793	41,827	5,951	9,071	2,330	34,541	14,465	0,000	0,000	0,000	2,103	0,000	9,632	0,000	0,000	0,000	16,103	11,637	598,506	217,360	
5 Cuajimalpa	97,197	15,830	7,364	0,290	1,591	1,518	0,034	4,265	1,390	0,000	0,000	0,000	0,000	0,000	3,709	0,000	0,000	0,000	3,750	2,711	139,639	50,968	
6 Cuauhtémoc	261,217	340,430	21,669	164,712	10,483	37,578	29,079	114,896	7,851	0,000	0,000	0,000	2,103	0,000	30,985	0,000	0,000	0,000	32,698	23,631	1,220,725	445,585	
7 Gustavo A. Madero	632,578	211,096	80,402	101,895	2,293	18,963	0,403	68,816	14,862	0,000	0,000	0,000	0,000	0,000	10,331	0,000	0,000	0,000	28,843	20,845	1,062,590	387,834	
8 Iztacalco	207,799	66,336	19,487	39,130	0,888	0,999	0,299	23,254	4,620	0,000	0,000	0,000	0,000	0,000	17,490	0,000	0,000	0,000	45,597	32,952	1,658,158	665,228	
9 Iztapalapa	932,408	251,526	174,078	93,321	2,128	19,666	0,388	75,095	13,209	0,000	0,000	0,000	0,000	0,000	3,381	0,000	0,000	0,000	10,651	7,678	397,662	145,147	
10 M. Contreras	132,908	17,512	9,819	0,102	1,627	1,827	1,017	4,849	1,505	0,000	0,000	0,000	0,000	0,000	20,220	0,000	0,000	0,000	4,945	3,574	183,266	66,872	
11 Miguel Hidalgo	219,484	110,879	16,456	59,483	8,647	15,815	8,345	40,366	4,929	0,000	0,000	0,000	0,000	0,000	3,290	0,000	0,000	0,000	13,979	10,100	528,626	192,948	
12 Milpa Alta	49,406	9,124	0,076	4,885	0,099	0,837	0,000	3,124	0,729	0,000	0,000	0,000	0,000	0,000	6,882	0,000	0,000	0,000	1,971	1,425	74,972	27,465	
13 Tlalhuac	140,377	30,039	4,983	12,339	0,216	3,143	0,000	9,361	1,994	0,000	0,000	0,000	0,000	0,000	6,882	0,000	0,000	0,000	5,844	4,224	219,514	80,123	
14 Tlalpala	325,684	69,597	47,914	27,910	7,774	5,966	2,336	23,479	4,654	0,000	0,000	0,000	0,000	0,000	0,000	0,000	0,000	0,000	14,880	10,754	540,858	197,413	
15 V Carranza	503,124	193,022	14,000	81,669	1,388	10,698	4,421	57,250	4,153	0,000	0,000	0,000	2,103	28,887	8,795	0,000	0,000	0,000	19,083	13,791	202,385	256,371	
16 Xochimilco	161,212	49,549	18,750	19,743	2,253	3,230	0,000	15,485	3,931	0,000	0,000	0,000	0,000	0,000	6,456	0,000	0,000	0,000	7,907	5,714	294,241	107,298	
Total	4,513,364	1,743,857	519,051	755,591	66,822	171,870	50,846	504,227	94,939	0,000	0,000	0,000	12,618	28,887	162,748	0,000	0,000	0,000	246,454	178,114	9,108,998	3,324,784	



Cantidad de Residuos Reciclables (Recolección Delegacional) (2004)

Delegación	Domiciliarios			Servicios			Espectáculos						Otros						Total		
	Unifamiliar y Plurifamiliar	Establecimientos Comerciales	Mercados	Restaurantes y bares	Centros de Espectáculos y Recreación	Servicios Públicos	Hoteles	Oficinas Públicas	Centros Educativos	Unidades Médicas	Laboratorios	Vereniamas	Terminales Terrestres	Terminal Aérea	Valiadiade %	Centros de Residuos Ambientales	Áreas Verdes	Objetos Voluminosos		NAT. de CONSTR. EP Menores	Total
1. Alvaro Obregón	384,315	67,780	0,000	3,000	9,965	8,379	0,034	19,051	5,525	0,000	0,000	0,000	2,103	0,000	11,524	0,000	0,000	14,403	10,431	536,748	195,913
2. Aculco	191,495	70,066	22,517	40,380	0,579	8,175	0,269	24,871	6,818	0,000	0,000	0,000	0,000	0,000	6,271	0,000	0,000	10,553	7,627	389,821	142,285
3. Benito Juárez	227,077	141,369	29,730	65,615	5,122	20,354	1,731	46,209	4,479	0,000	0,000	0,000	0,000	0,000	10,942	0,000	0,000	15,647	11,308	580,083	211,730
4. Coahuacán	300,171	104,894	50,945	42,564	6,056	9,220	2,720	33,152	14,720	0,000	0,000	0,000	2,103	0,000	9,803	0,000	0,000	16,395	11,849	608,192	221,260
5. Cuajimalpa	102,290	17,330	7,940	0,280	1,675	1,588	0,034	4,492	1,464	0,000	0,000	0,000	0,000	0,000	3,906	0,000	0,000	3,955	2,858	147,982	54,000
6. Cuauhtémoc	263,814	343,483	21,069	166,340	16,645	37,921	29,364	116,032	7,636	0,000	0,000	0,000	4,206	0,000	13,171	0,000	0,000	29,130	21,032	1,072,463	391,489
7. Gustavo A. Madero	635,040	212,258	80,978	102,102	2,301	19,035	0,402	69,090	14,921	0,000	0,000	0,000	2,103	0,000	31,109	0,000	0,000	32,831	23,727	1,226,098	447,526
8. Iztacalco	210,386	66,935	20,063	39,588	0,897	7,077	0,269	23,532	4,878	0,000	0,000	0,000	0,000	0,000	10,454	0,000	0,000	10,781	7,792	462,652	146,868
9. Iztapalapa	951,663	256,508	174,078	95,255	2,172	20,040	0,588	76,637	13,481	0,000	0,000	0,000	0,000	0,000	17,849	0,000	0,000	46,907	33,900	1,689,079	616,574
10. M. Contreras	133,357	17,745	9,820	0,102	1,655	1,857	1,017	4,937	1,532	0,000	0,000	0,000	0,000	0,000	3,647	0,000	0,000	5,037	3,641	186,147	68,017
11. Miguel Hidalgo	221,665	111,524	17,032	60,069	8,734	10,033	8,362	40,765	4,857	0,000	0,000	0,000	0,000	0,000	20,420	0,000	0,000	14,119	10,263	533,803	194,838
12. Milpa Alta	51,556	9,523	0,076	5,114	0,102	0,866	0,000	3,259	0,760	0,000	0,000	0,000	0,000	0,000	3,460	0,000	0,000	2,052	1,487	78,240	28,558
13. Tlalbac	147,081	31,429	4,985	13,001	0,225	3,302	0,000	10,066	2,064	0,000	0,000	0,000	0,000	0,000	7,246	0,000	0,000	6,157	4,449	230,545	84,149
14. Tlalpan	335,041	71,922	50,217	28,775	8,014	6,187	2,316	24,201	4,797	0,000	0,000	0,000	2,103	28,887	8,874	0,000	0,000	15,352	11,094	558,536	203,866
15. V. Carranza	265,413	195,170	14,577	82,407	1,399	10,787	4,421	57,759	4,190	0,000	0,000	0,000	0,000	0,000	6,946	0,000	0,000	19,254	13,915	709,156	258,842
16. Xochimilco	166,077	50,760	19,335	20,528	2,323	3,318	0,000	15,941	4,047	0,000	0,000	0,000	0,000	0,000	6,046	0,000	0,000	8,145	5,886	302,806	110,524
Total	4,590,341	1,768,752	525,962	765,322	67,965	174,139	51,148	571,094	96,199	0,000	0,000	0,000	12,618	24,887	165,202	0,000	0,000	250,753	181,219	9,259,531	3,276,444





**Cantidad de Residuos Reciclables (Recolección Delegacional) (2010)**

Delegación	Servicios															Especiales					Otros					Total
	Domésticos					Comercios					Servicios					Especiales					Otros					Total
	Unifamiliar y Plunifamiliar	Establecimientos Comerciales	Mercados	Restaurantes y bares	Centros de Esparcimiento y Recreación	Servicios Públicos	Hotels	Oficinas Publicas	Centros Educativos	Unidades Médicas	Laboratorios	Verenamientos	Terrazas y Terrestres	Terminal Aérea	Viabilidad	Centros de Readaptación Social	Áreas Verdes	Objetos Voluminosos	NAT de CONST R EP Menores	ton/día	ton/año					
1. Alvaro Obregón	309,479	70,134	0,000	3,078	10,253	8,638	0,034	19,605	5,685	0,000	0,000	0,000	2,103	0,000	11,858	0,000	0,000	0,000	10,734	552,474	201,053					
2. Azcapotzalco	194,794	71,248	23,094	41,241	0,389	8,350	0,246	25,286	6,932	0,000	0,000	0,000	0,000	0,000	6,377	0,000	0,000	0,000	7,721	3,969,987	144,900					
3. Benito Juárez	231,552	143,647	30,300	66,709	5,208	20,669	1,748	46,980	4,554	0,000	0,000	0,000	0,000	0,000	11,023	0,000	0,000	0,000	11,500	3,693,809	215,280					
4. Coyoacán	310,748	108,305	53,248	44,066	0,270	9,578	2,320	36,466	15,245	0,000	0,000	0,000	0,000	0,000	10,152	0,000	0,000	0,000	12,284	627,722	229,119					
5. Cuajimalpa	113,652	19,194	9,091	0,231	1,861	1,798	0,050	4,986	1,625	0,000	0,000	0,000	0,000	0,000	4,336	0,000	0,000	0,000	3,179	164,502	60,043					
6. Cuauhtémoc	269,057	351,083	24,245	169,749	16,984	38,678	30,499	119,416	7,792	0,000	0,000	0,000	4,206	0,000	13,440	0,000	0,000	0,000	21,488	1,095,394	316,819					
7. Gustavo A. Madero	640,034	213,959	81,354	103,116	2,321	19,178	0,403	69,638	15,040	0,000	0,000	0,000	2,103	0,000	31,355	0,000	0,000	0,000	33,098	23,921	1,235,740	451,045				
8. Iztacalco	215,624	69,230	20,638	40,465	0,921	7,253	0,269	24,133	5,002	0,000	0,000	0,000	0,000	0,000	10,722	0,000	0,000	0,000	7,994	413,452	150,910					
9. Iztapalapa	991,239	266,926	174,078	99,173	2,261	20,862	0,605	79,793	14,036	0,000	0,000	0,000	0,000	0,000	18,385	0,000	0,000	0,000	35,841	1,752,991	639,842					
10. M. Contreras	140,443	18,881	10,395	0,102	1,718	1,919	-1,017	3,122	1,590	0,000	0,000	0,000	0,000	0,000	2,783	0,000	0,000	0,000	3,780	193,981	70,803					
11. Miguel Hidalgo	226,126	114,516	17,608	61,290	8,912	16,352	8,362	41,603	4,937	0,000	0,000	0,000	0,000	0,000	20,839	0,000	0,000	0,000	14,412	1,041,5	311,130					
12. Milpa Alta	56,179	10,374	0,076	3,572	0,111	0,984	0,000	3,532	0,829	0,000	0,000	0,000	0,000	0,000	3,748	0,000	0,000	0,000	2,243	1,621	85,289					
13. Tlalhuac	163,553	35,400	6,137	14,400	0,251	3,688	0,000	11,139	2,218	0,000	0,000	0,000	0,000	0,000	8,018	0,000	0,000	0,000	6,821	4,930	256,555					
14. Tlalpan	356,526	76,510	34,247	30,381	8,514	6,543	2,353	25,714	5,096	0,000	0,000	0,000	0,000	0,000	0,000	0,000	0,000	0,000	11,809	594,233	216,895					
15. V. Carranza	270,104	197,869	14,577	83,755	1,422	11,003	4,407	54,722	4,260	0,000	0,000	0,000	2,103	28,887	9,021	0,000	0,000	0,000	14,149	719,987	262,795					
16. Xochimilco	176,184	54,378	21,003	21,575	2,463	3,516	0,000	16,926	4,297	0,000	0,000	0,000	0,000	0,000	7,056	0,000	0,000	0,000	6,238	322,376	117,642					
<b>Total</b>	<b>4,751,314</b>	<b>1,822,054</b>	<b>540,351</b>	<b>785,343</b>	<b>70,065</b>	<b>179,049</b>	<b>52,383</b>	<b>388,021</b>	<b>99,138</b>	<b>0,000</b>	<b>0,000</b>	<b>0,000</b>	<b>12,618</b>	<b>28,887</b>	<b>170,313</b>	<b>0,000</b>	<b>0,000</b>	<b>0,000</b>	<b>187,000</b>	<b>9,546,884</b>	<b>3,484,613</b>					



Cantidad de Residuos Reciclables (Sub-Sistema) (1997)

Delegación	Domiciliarios				Servicios				Especiales				Otros				Total							
	Unifamiliar y Plurfamiliar	Comercios	Exhibidores Comerciales	Merchados	Restaurantes y bares	Centros de Espectáculos y Recreación	Servicios Públicos	Hoteles	Oficinas Públicas	Centros Educativos	Unidades Médicas	Laboratorios	Veterinarias	Terminales Terrestres	Terminales Aéreas	Valledores	Centros de Recreación Social	Áreas Verdes	Obreros Voluminosos	NAT de CONST R EP Menores	Terrestre	Aérea	Total	
1. Alvaro Obregón	51,966			7,240						4,359						0,000		7,885	1,841	1,33	74,832		27,314	
2. Azcapotzalco	82,575			25,133						2,971						0,000		4,886	3,28	2,37	124,215		45,338	
3. Benito Juárez	8,504			28,817						2,732						0,000		10,754	1,156	0,835	52,798		19,271	
4. Coyoacán	143,257			31,011						3,603						0,000		8,619	5,146	3,719	195,855		71,487	
5. Cuajimalpa	0,000			5,529						1,139						0,000		0,854	0,187	0,135	7,644		2,790	
6. Cuauhtémoc	73,600			63,312						3,963						0,021		6,752	4,065	2,938	194,071		56,455	
7. Gustavo A. Madero	135,386			80,427						9,532						2,069		41,259	6,07	4,387	262,115		95,672	
8. Iztacalco	45,288			20,654						2,919						0,000		6,653	2,073	1,498	82,085		29,961	
9. Iztapalapa	146,178			633,492						11,818						2,777		8,679	22,915	16,36	862,419		307,483	
10. M. Contreras	9,267			5,858						1,402						0,000		1,142	0,477	0,345	18,491		6,749	
11. Miguel Hidalgo	9,575			34,778						2,689						0,000		70,195	1,357	0,981	119,575		43,645	
12. Milpa Alta	0,000			3,059						0,651						0,000		0,775	0,107	0,077	4,669		1,704	
13. Tlalhuac	30,472			8,153						1,936						0,000		1,470	1,17	0,846	44,047		16,077	
14. Tlalpan	56,908			21,723						3,904						0,000		32,094	2,381	1,721	118,731		43,317	
15. V. Cuernavaca	29,950			94,822						3,465						0,000		7,606	3,7	2,674	142,217		51,909	
16. Xochimilco	48,106			21,354						2,265						1,375		1,708	2,108	1,584	78,420		29,623	
Total	857,526			1,088,162						59,599						6,233		-211,311	58,033	41,940	2,322,784		847,816	



Cantidad de Residuos Reciclables (Sub-Sistema) (2001)

Delegación	Servicios										Especiales					Otros					Total		
	Domiciliares			Comercios			Servicios				Centros Educativos		Unidades Médicas	Laboratorios	Veterinarias	Terminales Terrestres	Terminales Aereas	Vialidades	Centros de Recreación Social	Áreas Verdes	Objetos Voluminosos	NAT de CONSTR EP Menores	Tonelada
1 Álvaro Obregón	52,901	7,266							4,622									0,000	8,004	1,873	1,354	76,170	27,802
2 Azcapotzalco	83,401	28,334							3,001									0,000	4,935	3,311	2,392	125,372	45,761
3 Benito Juárez	8,590	29,008							2,759									0,000	10,863	1,164	0,841	53,225	19,427
4 Coyoacán	146,488	31,271							3,671									0,000	8,778	5,234	3,763	190,225	72,717
5 Cuajimalpa	0,000	5,300							1,219									0,000		0,194	0,14	7,967	2,908
6 Cuauhtémoc	74,483	63,972							4,031									0,021	6,832	4,111	2,971	156,421	57,044
7 Gustavo A. Madero	118,854	90,631							9,37									2,068	41,428	6,091	4,402	263,044	96,011
8 Iztacalco	48,530	20,726							2,933									0,000	6,683	2,083	1,505	82,460	30,098
9 Iztapalapa	140,540	633,492							12,09									2,840	8,877	23,021	16,638	846,498	308,972
10 Mi Comunes	9,684	5,944							1,465									0,000	1,192	0,493	0,356	19,124	6,984
11 Miguel Alemán	9,690	35,124							2,721									0,000	71,039	1,371	0,991	120,936	44,142
12 Milpa Alta	0,000	3,202							0,688									0,000	0,814	0,112	0,081	4,897	1,787
13 Tlalhuac	32,301	8,499							2,052									0,000	1,539	1,236	0,893	46,540	16,987
14 Tlalpan	50,184	21,958							4,06									0,000	33,375	2,458	1,776	122,811	44,826
15 V Carranza	30,279	95,818							3,501									0,000	7,686	3,739	2,702	143,727	52,460
16 Xochimilco	50,656	22,139							2,385									1,448	1,797	2,211	1,598	82,234	30,015
Total	874,381	1,092,984							60,820									6,377	214,776	58,701	42,423	2,350,662	857,992



Cantidad de Residuos Reciclables (Sub-Sistema) (2004)

Delegación	Servicios										Especiales					Otros				Total	
	Domiciliares			Comercio			Servicios				Especiales					Otros				Total	
	Unifamiliar y Plurifamiliar	Establecimientos Comerciales	Mercados	Restaurantes y bares	Centros de Espectáculos y Recreación	Servicios Públicos	Hoteles	Oficinas Públicas	Centros Educativos	Unidades Médicas	Laboratorios	Veredas	Terminales Terrestres	Terminal Aerea	Vialidades	Centros de Rehabilitación Social	Áreas Verdes	Objetos Voluminosos	NAT de CONSTR EP Menores	Total	Total
1 Álvaro Obregón	53,629		7,440						4,736							0,000	8,113	1,9	1,373	77,231	28,189
2 Azcapotzalco	84,144		28,517		3,628			3,628								0,000	4,975	3,338	2,412	126,414	46,141
3 Benito Juárez	8,666		29,180		2,784			2,784								0,000	10,965	1,172	8,847	53,612	19,568
4 Coyoacán	149,076		31,523		3,736			3,736								0,000	8,937	3,318	3,863	202,433	73,888
5 Cuajimalpa	0,000		5,622		1,284			1,284								0,000	0,963	0,199	0,144	8,212	2,997
6 Cuauhtémoc	75,219		64,528		4,071			4,071								0,021	6,901	4,15	2,999	157,889	57,629
7 Gustavo A. Madero	119,327		80,841		9,608			9,608								2,076	41,587	6,112	4,417	263,968	96,348
8 Iztacalco	49,109		20,881		2,968			2,968								0,000	6,762	2,105	1,521	83,346	30,621
9 Iztapalapa	152,610		633,492		12,338			12,338								2,899	9,056	23,119	16,708	850,222	310,331
10 M. Contreras	9,860		5,973		1,492			1,492								0,000	1,211	0,5	0,361	19,397	7,080
11 Miguel Alemán	9,786		35,413		2,748			2,748								0,000	71,744	1,383	1	122,074	44,537
12 Milpa Alta	0,000		3,329		0,718			0,718								0,000	0,854	0,117	0,084	5,102	1,862
13 Tlalhuac	34,007		8,803		2,161			2,161								0,000	1,638	1,297	0,938	48,846	17,629
14 Tlalpan	61,006		22,138		4,185			4,185								0,000	34,407	2,519	1,821	126,076	46,038
15 V. Carranza	30,549		96,619		2,534			2,534								0,000	7,755	3,771	2,725	144,953	52,908
16 Xochimilco	52,147		22,628		2,455			2,455								1,490	1,847	2,271	1,641	84,479	30,835
Total	889,135		1,096,969		61,846			61,846								6,486	217,713	59,271	42,834	2,374,254	866,603





Cantidad de Residuos Reciclables (Sub-Sistema) (2010)

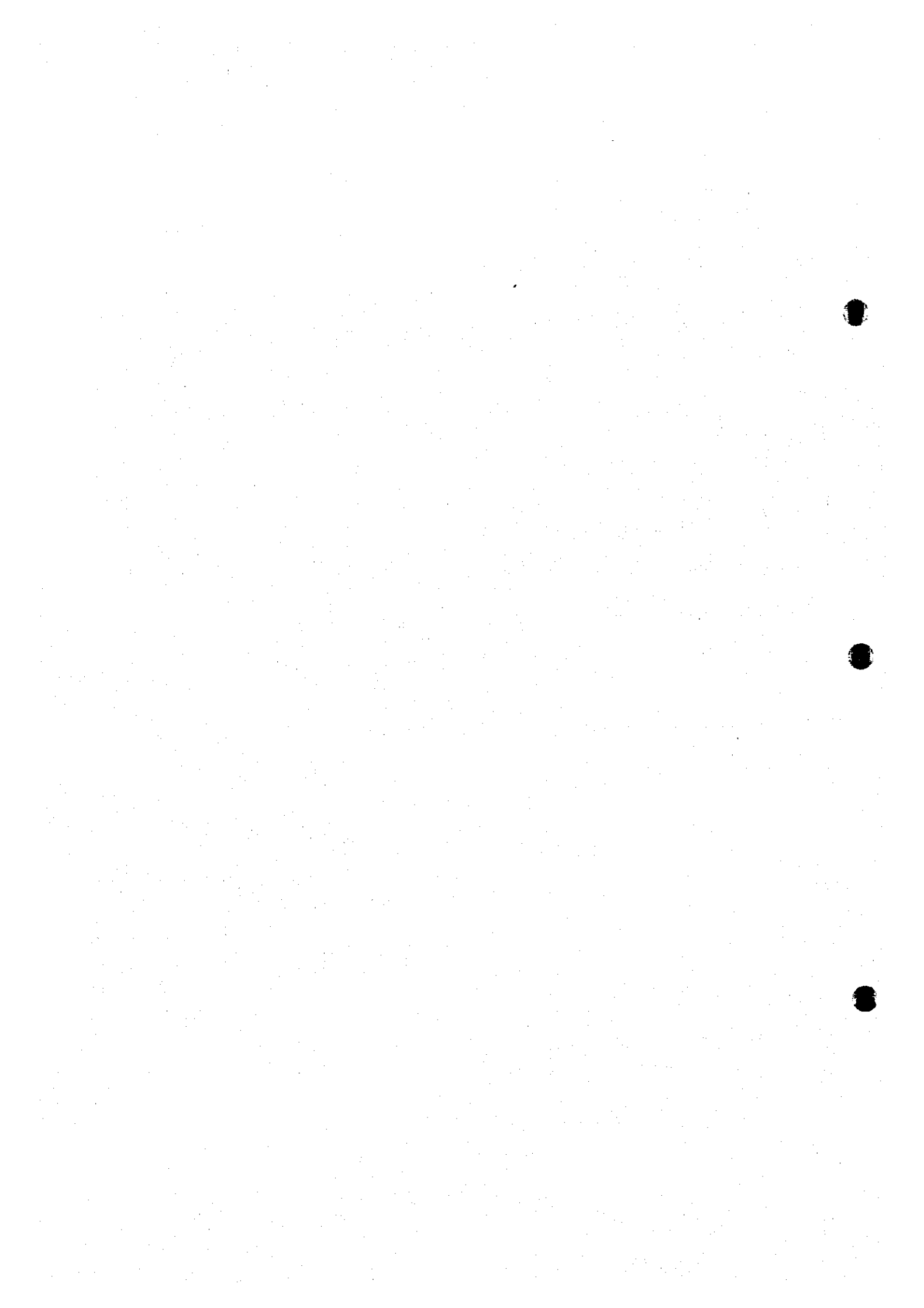
Delegación	Comercios				Servicios				Especiales				Otras				Total					
	Domiciliarios	Unifamiliar y Pluri-familiar	Establecimientos Comerciales	Mercados	Restaurantes y bares de servicio	Centros de Espectáculos y Recreación	Servicios Públicos	Hoteles	Oficinas Públicas	Centros Educativos	Unidades Médicas	Laboratorios	Veterinarias	Terminales Terrestres	Terminal Aérea	Usadas	Centros de Rehabilitación Social	Áreas Verdes	Objetos Voluminosos	NAT de CONST R EP Menores	tonelada	tonelada
1 Alvaro Obregón	55,187			7,692		4,874										0,000	0,000	8,351	1,955	1,413	79,472	29,007
2 Azcapotzalco	85,948			26,831		3,078										0,000	0,000	5,064	3,889	2,489	128,379	46,856
3 Benito Juárez	8,811			29,466		2,831										0,000	0,000	11,141	1,187	9,858	54,323	19,828
4 Coyoacán	194,394			32,058		3,877										0,000	0,000	9,255	5,491	3,968	209,036	76,296
5 Cuajimalpa	0,000			5,911		1,425										0,000	0,000	1,072	0,212	0,153	8,773	3,202
6 Cuauhtémoc	76,765			65,682		4,155										0,022	0,000	7,080	4,231	3,037	160,951	58,747
7 Gustavo A. Madero	120,274			81,245		9,884										2,093	0,000	41,915	6,154	4,487	265,813	97,022
8 Iztacalco	50,365			21,249		3,044										0,000	0,000	6,441	2,154	1,557	85,310	31,128
9 Iztapalapa	158,895			633,492		12,846										3,018	0,000	9,434	23,318	16,852	857,855	313,117
10 M. Contreras	10,231			6,045		1,546										0,000	0,000	1,261	0,514	0,372	19,971	7,299
11 Miguel Hidalgo	9,987			36,018		2,004										0,000	0,000	75,214	1,408	1,018	124,449	45,424
12 Milpa Alta	0,000			3,573		0,782										0,000	0,000	1,817	1,428	1,032	55,778	19,629
13 Tlalhuac	37,633			9,477		2,191										0,000	0,000	36,532	2,448	1,914	132,846	48,907
14 Tlalpan	64,818			22,517		4,447										0,000	0,000	7,884	3,831	2,769	147,273	55,755
15 V. Carranza	31,058			96,138		1,893										0,000	0,000	1,966	2,401	1,735	89,315	32,400
16 Xochimilco	55,370			23,654		2,607										1,582	0,000	223,840	60,446	43,685	2,423,099	806,431
Total	919,337			1,105,698		61,978										6,715	0,000	60,446	223,840	43,685	2,423,099	806,431

# Sección H

---

---

*Datos de Población*



## H Datos de Población

El Cuadro H-1 presenta la información de población y el pronóstico de población de 1990 al 2010, los cuales están oficialmente aprobados por la DGSU.

La población de 1990 se obtuvo redondeando los dos últimos dígitos de los resultados del censo a 100. De manera similar, la población de 1995 fue dada redondeando los dos últimos dígitos de las figuras estimadas. La población de 1997 mostrada en este cuadro fue utilizada para el estudio de la DGSU de 1997.

Cuadro H-1: Pronóstico Poblacional

Delegation	1990	1991	1992	1993	1994	1995	2000	2001	2002	2003	2004	2005	2006	2007	2008	2009	2010
Alvaro Obregon	642,800	650,942	658,580	666,615	674,747	682,900	701,358	709,816	718,273	726,730	735,187	743,644	752,101	760,558	769,015	777,472	785,929
Azcapotzalco	474,700	466,915	459,258	451,726	444,317	437,000	443,729	440,458	437,187	433,916	430,645	427,374	424,103	420,832	417,561	414,290	411,019
Benito Juarez	407,800	400,949	394,213	387,590	381,079	374,700	380,469	377,198	373,927	370,656	367,385	364,114	360,843	357,572	354,301	351,030	347,759
Coyoacan	640,000	650,944	662,075	673,397	684,912	696,800	716,753	726,706	736,659	746,612	756,565	766,518	776,471	786,424	796,377	806,330	816,283
Cuajimalpa	119,700	123,925	128,300	132,829	137,518	142,400	157,888	163,359	168,830	174,301	179,772	185,243	190,714	196,185	201,656	207,127	212,598
Cuahquemoc	595,900	583,207	570,785	558,627	546,729	535,100	544,967	534,834	524,701	514,568	504,435	494,302	484,169	474,036	463,903	453,770	443,637
Gustavo A. Madero	1,268,000	1,256,715	1,245,530	1,234,445	1,223,458	1,212,471	1,223,433	1,214,395	1,205,357	1,196,319	1,187,281	1,178,243	1,169,205	1,160,167	1,151,129	1,142,091	1,133,053
Iztacalco	448,300	441,172	434,157	427,254	420,461	413,800	413,800	413,800	413,800	413,800	413,800	413,800	413,800	413,800	413,800	413,800	413,800
Iztapalapa	1,490,000	1,529,485	1,570,016	1,611,622	1,654,310	1,699,200	1,744,290	1,789,380	1,834,470	1,879,560	1,924,650	1,969,740	2,014,830	2,059,920	2,105,010	2,150,100	2,195,190
M. Contreras	195,000	198,998	203,077	207,240	211,488	215,900	215,900	215,900	215,900	215,900	215,900	215,900	215,900	215,900	215,900	215,900	215,900
Miguel Hidalgo	406,900	398,233	389,751	381,449	373,324	365,300	365,300	365,300	365,300	365,300	365,300	365,300	365,300	365,300	365,300	365,300	365,300
Milpa Alta	63,700	65,611	67,579	69,607	71,695	73,800	73,800	73,800	73,800	73,800	73,800	73,800	73,800	73,800	73,800	73,800	73,800
Tlalhuac	206,700	215,919	224,549	233,608	243,116	257,100	257,100	257,100	257,100	257,100	257,100	257,100	257,100	257,100	257,100	257,100	257,100
Tlalpam	484,900	504,151	524,165	544,975	566,610	589,100	589,100	589,100	589,100	589,100	589,100	589,100	589,100	589,100	589,100	589,100	589,100
V. Carranza	519,600	509,000	498,617	488,445	478,481	468,800	468,800	468,800	468,800	468,800	468,800	468,800	468,800	468,800	468,800	468,800	468,800
Xochimilco	271,200	279,933	288,946	298,251	307,854	317,700	317,700	317,700	317,700	317,700	317,700	317,700	317,700	317,700	317,700	317,700	317,700
Total Del D.F.	8,255,200	8,275,799	8,320,598	8,369,680	8,423,119	8,481,800	8,481,800	8,481,800	8,481,800	8,481,800	8,481,800	8,481,800	8,481,800	8,481,800	8,481,800	8,481,800	8,481,800

Delegation	1996	1997	1998	1999	2000	2001	2002	2003	2004	2005	2006	2007	2008	2009	2010
Alvaro Obregon	685,905	688,923	691,954	694,999	698,057	701,358	704,634	707,946	711,273	714,616	717,975	721,349	724,739	728,145	731,600
Azcapotzalco	438,093	439,188	440,286	441,387	442,490	443,729	444,971	446,217	447,466	448,719	449,975	451,235	452,498	453,765	455,100
Benito Juarez	375,637	376,576	377,517	378,461	379,407	380,469	381,534	382,602	383,673	384,747	385,824	386,904	387,987	389,073	390,200
Coyoacan	699,936	703,086	706,250	709,428	712,620	716,753	720,910	725,091	729,297	733,527	737,781	742,060	746,364	750,693	755,100
Cuajimalpa	144,849	147,340	149,874	152,452	155,074	157,788	160,549	163,359	166,218	169,127	172,087	175,099	178,163	181,281	184,500
Cuahquemoc	536,705	538,315	539,930	541,550	543,175	544,967	546,765	548,569	550,379	552,195	554,017	555,845	557,679	559,519	561,400
Gustavo A. Madero	1,213,412	1,214,625	1,215,840	1,217,056	1,218,273	1,219,857	1,221,443	1,223,031	1,224,621	1,226,213	1,227,807	1,229,403	1,231,001	1,232,601	1,234,300
Iztacalco	413,924	414,048	414,172	414,296	414,420	416,119	417,825	419,538	421,258	422,985	424,719	426,460	428,208	429,964	431,800
Iztapalapa	1,708,206	1,717,259	1,726,360	1,735,510	1,744,708	1,756,572	1,768,517	1,780,543	1,792,651	1,804,841	1,817,114	1,829,470	1,841,910	1,854,435	1,867,100
M. Contreras	218,664	221,463	224,298	227,169	230,077	231,480	232,892	234,313	235,742	237,180	238,627	240,083	241,548	243,021	244,600
Miguel Hidalgo	366,396	367,495	368,597	369,703	370,812	372,036	373,264	374,496	375,732	376,972	378,216	379,464	380,716	381,972	383,500
Milpa Alta	74,826	75,866	76,921	77,990	79,074	80,205	81,352	82,515	83,695	84,892	86,106	87,337	88,586	89,853	91,200
Tlalhuac	200,699	204,349	208,050	211,803	215,608	220,321	225,114	229,989	234,948	239,992	305,122	310,340	315,647	321,045	326,600
Tlalpam	594,873	600,703	606,590	612,535	618,538	624,785	631,095	637,469	643,907	650,410	656,979	663,614	670,317	677,087	684,000
V. Carranza	470,019	471,241	472,466	473,694	474,926	476,303	477,684	479,069	480,458	481,851	483,248	484,649	486,054	487,464	488,900
Xochimilco	322,148	326,658	331,231	335,868	340,570	343,942	347,347	350,786	354,259	357,766	361,308	364,885	368,497	372,145	375,900
Total Del D.F.	8,524,292	8,567,135	8,610,336	8,653,901	8,697,829	8,746,664	8,795,896	8,845,533	8,895,577	8,946,033	8,996,905	9,048,197	9,099,914	9,152,063	9,205,603

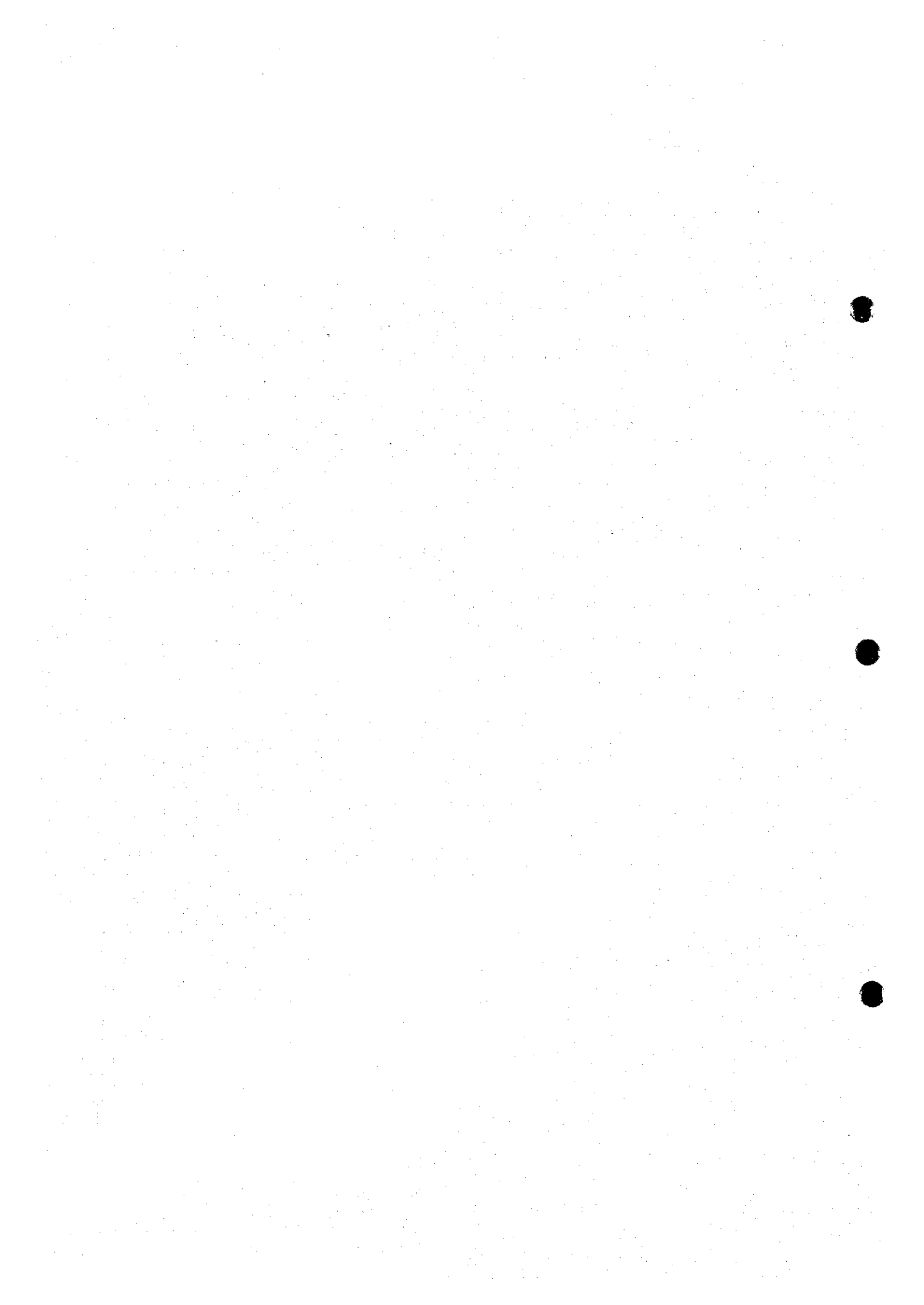
Source: Programa General de Desarrollo Urbano del Distrito Federal Version 1996, DIARIO OFICIAL Lunes 15 de julio de 1996

# Sección I

---

---

## *Análisis de Estabilidad de Talud*





Slope stability

1. **Calculation Method**  
Bishop Method (by micro computer)

2. **Soil condition**

Applied soil conditions for slope stability calculation are as follows.

	Depth (m)	Thickness (m)	Unit Weight (ton/m <sup>3</sup> )	Cohesion (ton/m <sup>2</sup> )	Internal Friction Angle (degree)	Soil
1	+8.0	8.0	1.00	1.0	35	Waste
2	-4.0	4.0	1.23	0.8	1.8	Clay
3	-8.5	4.5	1.16	0.6	2.8	Clay
4	-9.0	0.5	1.40	0	5.0	Sandy silt
5	-17.0	8.0	1.21	1.2	2.0	Clay
6	-26.0	9.0	1.22	1.8	1.5	Clay
7	-26.5	0.5	1.40	0	5.0	Sandy silt
8	-34.5	8.0	1.23	2.0	2.6	Clay
9	-36.0	1.5	1.90	12.0	10.0	Sandy slit
10	-45.0	9.0	1.24	2.6	4.0	Clay

3. **Results of calculations**

Case	Landfill Height	Minimum Safety Factor	Coordinates of the Rotational Slip (m)		Radius of the Rotational Slip(m)	Resist Moment (ton-m)	Slip Moment (ton-m)
			X	Y			
1	+8.00	0.809	15.00	15.00	23.91	1,162.60	1,436.68
2	+16.00	1.173	146.00	16.00	32.37	4,395.99	3,747.21
2-1	+12.00	2.038	138.00	13.00	22.40	1,898.34	931.69
2-2	+16.00	2.093	173.00	62.00	79.00	21,982.59	10,500.69
3	+24.00	1.537	280.00	24.00	41.88	10,129.10	6,588.93
4	+32.00	1.934	411.00	32.00	52.00	20,083.32	10,384.94
5	+40.00	2.453	545.00	40.00	60.00	34,272.27	13,968.88

Slope Stability Analysis (Bishop method)

Etapa V

Case 1 (0 - 8 m elevation)

Minimum safety factor

Center of arc

Radius

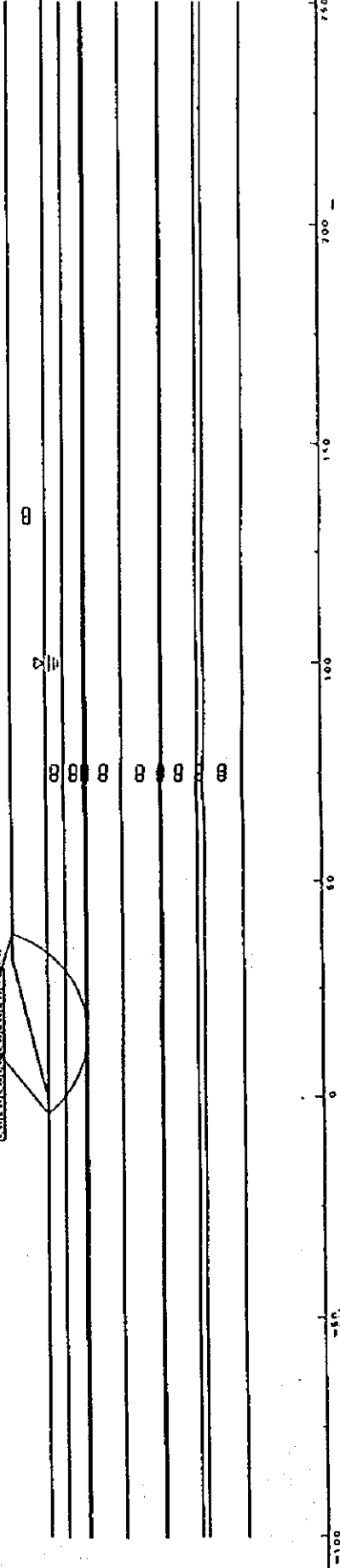
Resist moment

Slip moment

Fs min	0.809
X	15.00 m
Y	15.00 m
R	23.19 m
M <sub>R</sub>	1162.60 tf-m
M <sub>O</sub>	1435.68 tf-m

Layer	Saturated weight (tf/m <sup>3</sup> )	Wet weight (tf/m <sup>3</sup> )	Inter fraction angle (degree)	Cohesion (tf/m <sup>2</sup> )	Liner coefficient
1	1.000	1.000	35.00	1.00	0.00
2	1.230	1.230	1.80	0.80	0.00
3	1.160	1.160	2.80	0.60	0.00
4	1.400	1.400	5.00	0.00	0.00
5	1.210	1.210	2.00	1.20	0.00
6	1.220	1.220	1.50	1.80	0.00
7	1.400	1.400	5.00	0.00	0.00
8	1.230	1.230	2.60	2.00	0.00
9	1.900	1.900	10.00	12.00	0.00
10	1.240	1.240	4.00	2.60	0.00

1	1.00	1.00	1.00	1.00	1.00
2	1.23	1.23	1.23	1.23	1.23
3	1.16	1.16	1.16	1.16	1.16
4	1.40	1.40	1.40	1.40	1.40
5	1.21	1.21	1.21	1.21	1.21
6	1.22	1.22	1.22	1.22	1.22
7	1.40	1.40	1.40	1.40	1.40
8	1.23	1.23	1.23	1.23	1.23
9	1.90	1.90	1.90	1.90	1.90
10	1.24	1.24	1.24	1.24	1.24



case2

Slope Stability Analysis (Bishop method)

Etapa V

Case 2(β - 16 m elevation)

Minimum safety factor

Center of arc

Radius : 1.173 m  
 Resist moment : 146.00 m  
 Slip moment : 16.00 m  
 : 32.37 m  
 : 4395.99 tf-m  
 : 3747.21 tf-m

FS<sub>min</sub> : 1.173

X : 146.00 m

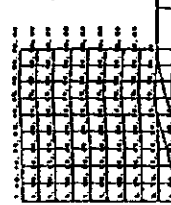
Y : 16.00 m

R : 32.37 m

M<sub>R</sub> : 4395.99 tf-m

M<sub>0</sub> : 3747.21 tf-m

Layer	Saturated weight (tf/m <sup>3</sup> )	Wet weight (tf/m <sup>3</sup> )	Inter friction angle (degree)	Cohesion (tf/m <sup>2</sup> )	Liner coefficient
1	1.000	1.000	35.00	1.00	0.00
2	1.230	1.230	1.80	0.80	0.00
3	1.160	1.160	2.80	0.60	0.00
4	1.400	1.400	5.00	0.00	0.00
5	1.210	1.210	2.00	1.20	0.00
6	1.220	1.220	1.50	1.80	0.00
7	1.400	1.400	5.00	0.00	0.00
8	1.230	1.230	2.60	2.00	0.00
9	1.900	1.900	10.00	12.00	0.00
10	1.240	1.240	4.00	2.60	0.00



0.00 0.00 0.00 0.00



安全率図 (常時)

Slope Stability Analysis (Bishop method)

Etapa V

Case 2-1 (8 - 12 m elevation)

Minimum safety factor

Center of arc

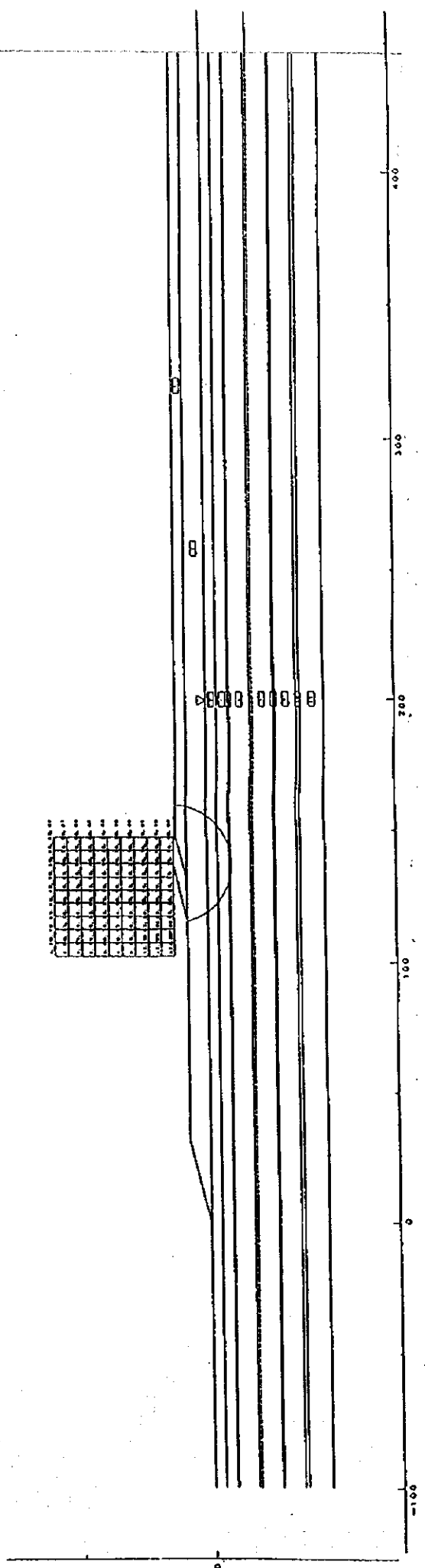
Radius

Resist moment

Slip moment

Fs min : 2.038  
 X : 138.00 m  
 Y : 13.00 m  
 R : 22.40 m  
 MR : 1898.34 t-m  
 Mo : 931.69 t-m

Layer	Saturated weight (t/m <sup>3</sup> )	Wet weight (t/m <sup>3</sup> )	Inter friction angle (degree)	Cohesion (t/m <sup>2</sup> )	Liner coefficient
1	1.000	1.000	35.00	1.00	0.00
2	1.230	1.230	1.80	0.80	0.00
3	1.160	1.160	2.80	0.60	0.00
4	1.400	1.400	5.00	0.00	0.00
5	1.210	1.210	2.00	1.20	0.00
6	1.220	1.220	1.50	1.80	0.00
7	1.400	1.400	5.00	0.00	0.00
8	1.230	1.230	2.60	2.00	0.00
9	1.900	1.900	10.00	12.00	0.00
10	1.240	1.240	4.00	2.60	0.00



Slope Stability Analysis (Bishop method)

Etapa V

Case 2-2 (12 - 16 m elevation)

Minimum safety factor

Center of arc

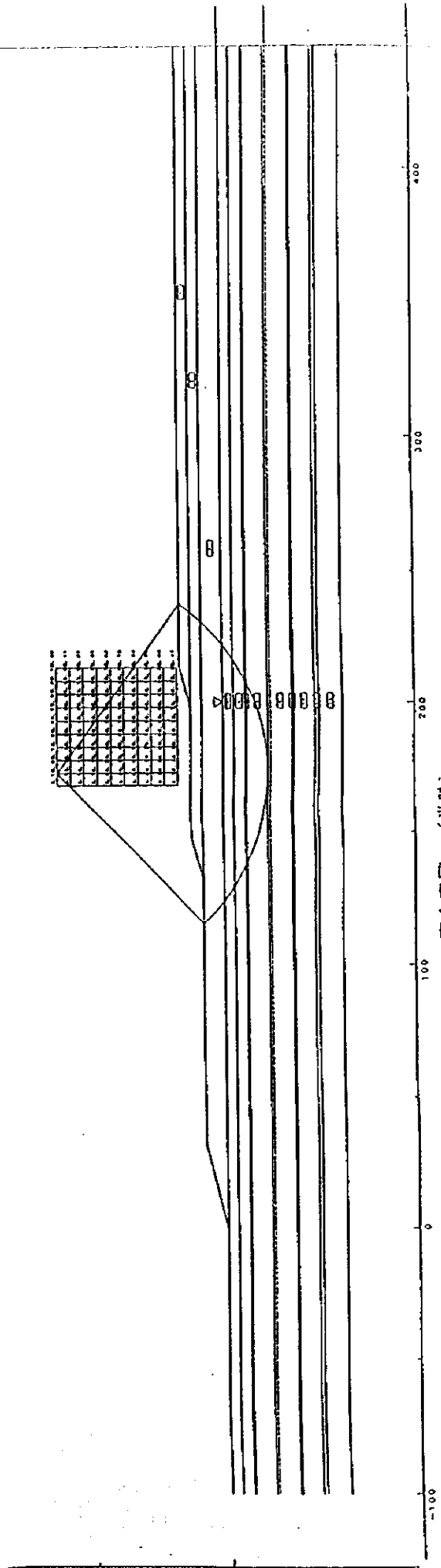
Radius

Resist moment

Slip moment

FS min : 2.093  
 X : 173.00 m  
 Y : 62.00 m  
 R : 79.00 m  
 M<sub>R</sub> : 21982.59 t<sub>f</sub>-m  
 M<sub>o</sub> : 10500.69 t<sub>f</sub>-m

Layer	Saturated weight (t/m <sup>3</sup> )	Wet weight (t/m <sup>3</sup> )	Inter friction angle (degree)	Cohesion (t/m <sup>2</sup> )	Liner coefficient
1	1.000	1.000	35.00	1.00	0.00
2	1.230	1.230	1.80	0.80	0.00
3	1.160	1.160	2.80	0.60	0.00
4	1.400	1.400	5.00	0.00	0.00
5	1.210	1.210	2.00	1.20	0.00
6	1.220	1.220	1.50	1.80	0.00
7	1.400	1.400	5.00	0.00	0.00
8	1.230	1.230	2.60	2.00	0.00
9	1.900	1.900	10.00	12.00	0.00
10	1.240	1.240	4.00	2.60	0.00



Slope Stability Analysis (Bishop method)

Etapa V

Case 3 (16 - 24 m elevation)

Minimum safety factor

Center of arc

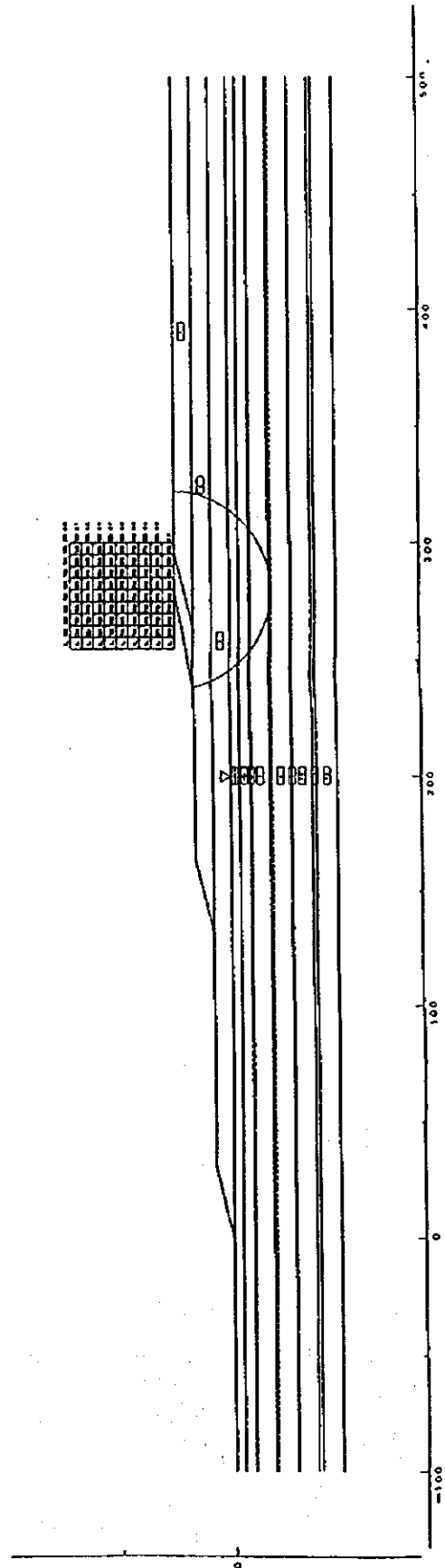
FS min : 1.537  
 X : 280.00 m  
 Y : 24.00 m  
 R : 41.82 m  
 Mr : 10129.10 tf-m  
 Mo : 6588.93 tf-m

Radius

Resist moment

Slip moment

Layer	Saturated weight (tf/m <sup>3</sup> )	Wet weight (tf/m <sup>3</sup> )	Inter fraction angle (degree)	Cohesion (tf/m <sup>2</sup> )	Liner coefficient
1	1.000	1.000	35.00	1.90	0.00
2	1.230	1.230	1.80	0.80	0.00
3	1.160	1.160	2.80	0.60	0.00
4	1.400	1.400	5.00	0.00	0.00
5	1.210	1.210	2.00	1.20	0.00
6	1.220	1.220	1.50	1.80	0.00
7	1.400	1.400	5.00	0.00	0.00
8	1.230	1.230	2.60	2.00	0.00
9	1.900	1.900	10.00	12.00	0.00
10	1.240	1.240	4.00	2.60	0.00



case4

Slope Stability Analysis (Bishop method)

Etapa V

Case 4 (24 - 32 m elevation)

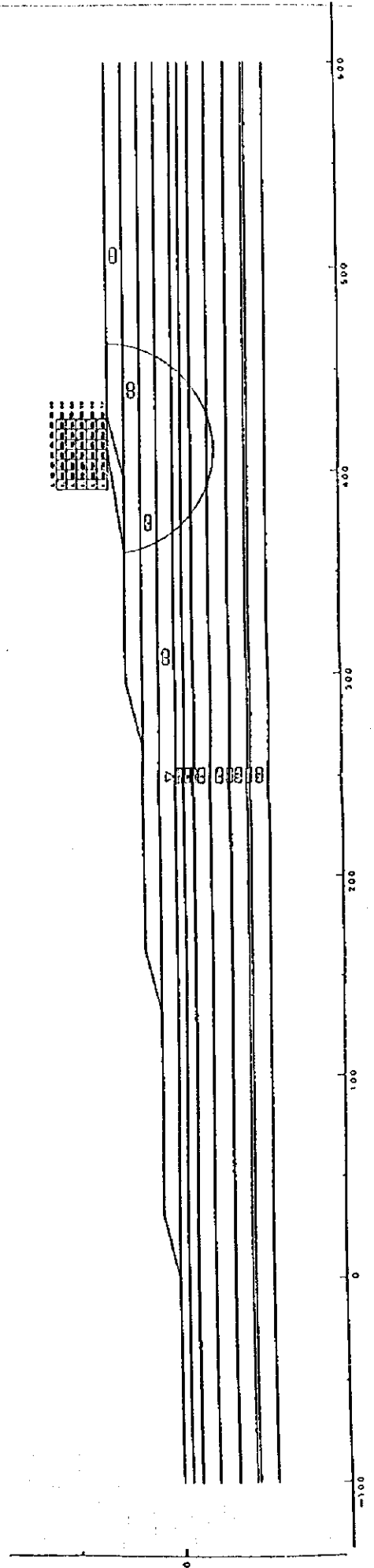
Minimum safety factor

Center of arc

Radius : 1.934  
 Resist moment : 411.00 m  
 Slip moment : 32.00 m  
 : 52.00 m  
 : 20083.32 t-m  
 : 10384.94 t-m

Fs min : 1.934  
 X : 411.00 m  
 Y : 32.00 m  
 R : 52.00 m  
 M<sub>R</sub> : 20083.32 t-m  
 M<sub>0</sub> : 10384.94 t-m

Layer	Saturated weight (t/m <sup>3</sup> )	Wet weight (t/m <sup>3</sup> )	Inter friction angle (degree)	Cohesion (t/m <sup>2</sup> )	Liner coefficient
1	1.000	1.000	35.00	1.00	0.00
2	1.230	1.230	1.80	0.80	0.00
3	1.160	1.160	2.80	0.60	0.00
4	1.400	1.400	5.00	0.00	0.00
5	1.210	1.210	2.00	1.20	0.00
6	1.220	1.220	1.50	1.80	0.00
7	1.400	1.400	5.00	0.00	0.00
8	1.230	1.230	2.60	2.00	0.00
9	1.900	1.900	10.00	12.00	0.00
10	1.240	1.240	4.00	2.60	0.00



Slope Stability Analysis (Bishop method)

Etape V

Case 5 (32 - 40 m elevation)

Minimum safety factor

Center of arc

$F_s$  min : 2.453  
 X : 545.00 m  
 Y : 40.00 m  
 R : 60.00 m  
 $M/R$  : 34272.27 tf-m  
 $M/\sigma$  : 13968.88 tf-m

Radius

Resist moment

Slip moment

Layer	Saturated weight (tf/m <sup>3</sup> )	Wet weight (tf/m <sup>3</sup> )	Inter friction angle (degree)	Cohesion (tf/m <sup>2</sup> )	Liner coefficient
1	1.000	1.000	35.00	1.00	0.00
2	1.230	1.230	1.80	0.80	0.00
3	1.160	1.160	2.80	0.60	0.00
4	1.400	1.400	5.00	0.00	0.00
5	1.210	1.210	2.00	1.20	0.00
6	1.220	1.220	1.50	1.80	0.00
7	1.400	1.400	5.00	0.00	0.00
8	1.230	1.230	2.60	2.00	0.00
9	1.900	1.900	10.00	12.00	0.00
10	1.240	1.240	4.00	2.60	0.00

