

社会開発調査部報告書

1979

JAPAN INTERNATIONAL COOPERATION AGENCY
THE FOREIGN ECONOMIC COOPERATION
MINISTRY OF JAPAN


REPORT SERIES
001
RESEARCH REPORT ON WATER BALANCE STUDY
IN THE MOUNTAINOUS AREA OF THE
MOUNTAINOUS AREA OF THE
MOUNTAINOUS AREA OF THE
MOUNTAINOUS AREA OF THE

RESEARCH REPORT

VOLUME VII
DATA BOOK

RESEARCH REPORT ON WATER BALANCE STUDY

MAY 1979

JICA LIBRARY

J1150855 (3)

THE FOREIGN COOPERATION AGENCY
THE FOREIGN ECONOMIC COOPERATION
MINISTRY OF JAPAN

SSS
JK
00-078

JAPAN INTERNATIONAL COOPERATION AGENCY

THE FORMER YUGOSLAV REPUBLIC OF MACEDONIA
MINISTRY OF DEVELOPMENT

**THE STUDY
ON
INTEGRATED WATER RESOURCES DEVELOPMENT AND
MANAGEMENT MASTER PLAN
IN
THE FORMER YUGOSLAV REPUBLIC MACEDONIA**

FINAL REPORT

**VOLUME VI-2
DATA BOOK**

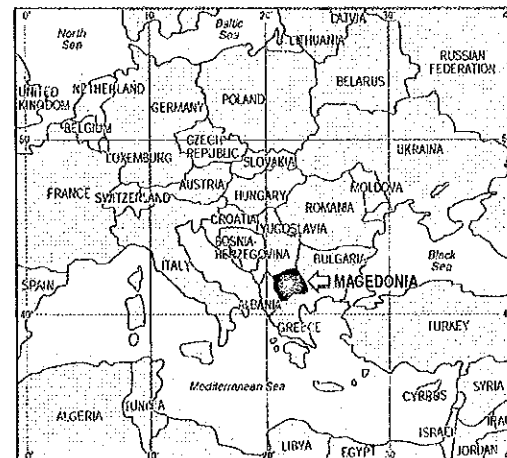
RESULTS OF WATER BALANCE STUDY

MAY 1999

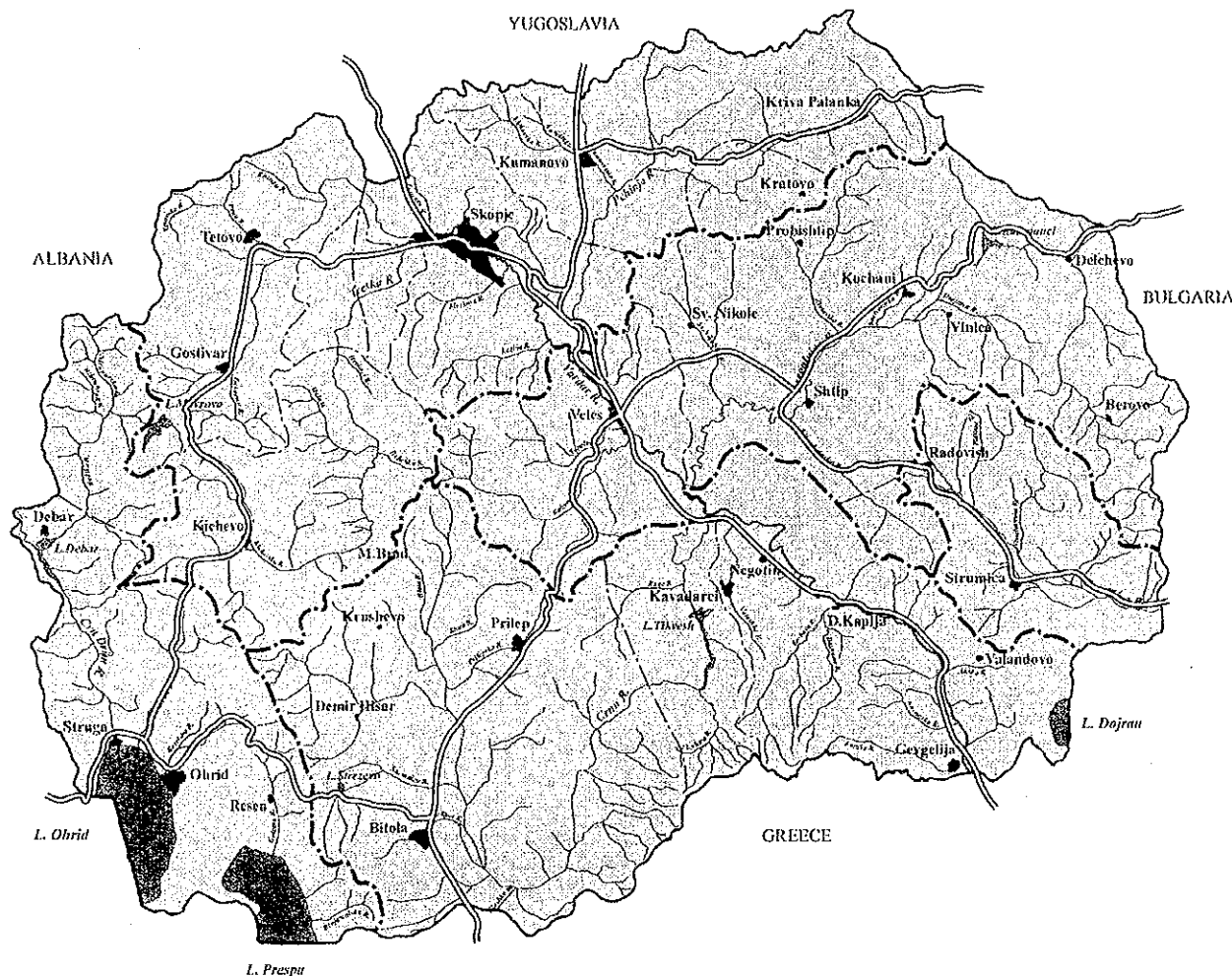
**NIPPON KOEI CO., LTD
KRI INTERNATIONAL CORPORATION**



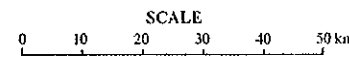
1150855 (3)



KEY MAP



Location Map



JAPAN INTERNATIONAL COOPERATION AGENCY

THE FORMER YUGOSLAV REPUBLIC OF MACEDONIA
MINISTRY OF DEVELOPMENT

THE STUDY
ON
INTEGRATED WATER RESOURCES DEVELOPMENT AND
MANAGEMENT MASTER PLAN
IN
THE FORMER YUGOSLAV REPUBLIC MACEDONIA

FINAL REPORT

VOLUME VI-2
DATA BOOK

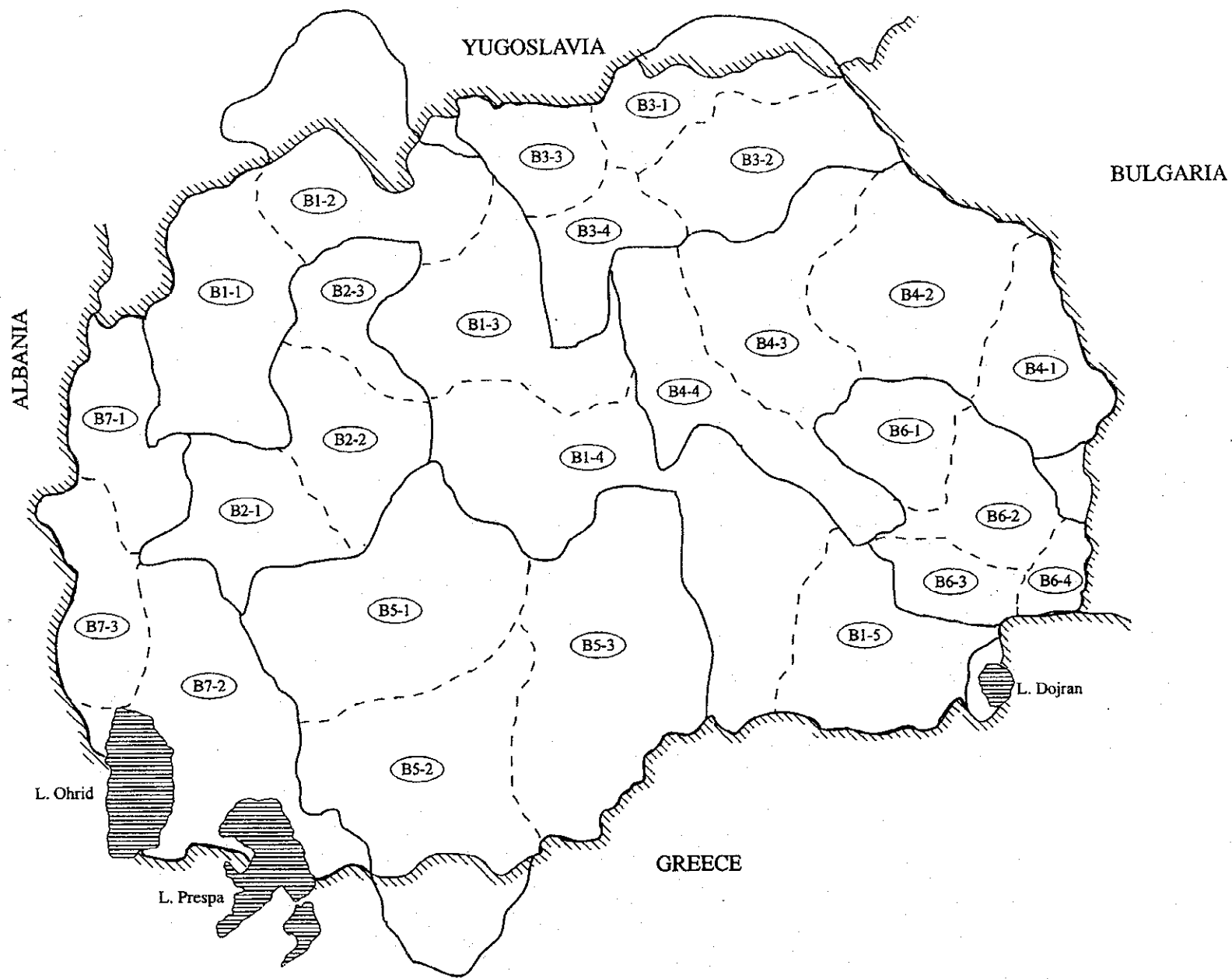
1. Water Balance Study
 - (1) Results of Water Supply and Demand for the Period 1961-1996
 - (i) Based on Current Demand Condition (P4 - P37)
 - (ii) Based on Future Demand Condition (2005) (P38 - P71)
 - (iii) Based on Future Demand Condition (2015) (P72 - P105)
 - (iv) Based on Future Demand Condition (2025) (P106 - P139)
 - (2) Sample of Graph Showing 10-day Water Balance (P140 - P172)
2. Well Inventory (Q1 - Q30)
3. Spring Inventory (R1 - R64)

Table of Contents (1/2)
(Results of Water Balance Study)

Contents	Year	Page	Contents	Year	Page	Contents	Year	Page
Location Map of 26 Sub-basin Considered for Water Balance Study	-	P1	Treska River Basin - B2-3	2005	P47	Crna River Basin - B5	2015	P96
Locations of Water Balance Elements in Each Sub-basin	-	P2	Treska River Basin - B2	2005	P48	Strumica River Basin - B6-1	2015	P97
Schematic Diagram of Water Balance Elements for 7 Major River Basins	-	P3	Pchinja River Basin - B3-1	2005	P49	Strumica River Basin - B6-2	2015	P98
Results of Water Supply and Demand for the Period 1961-1996, Based on the Current Condition	-	P4	Pchinja River Basin - B3-2	2005	P50	Strumica River Basin - B6-3	2015	P99
Vardar River Basin - B1-1	1996	P5	Pchinja River Basin - B3-3	2005	P51	Strumica River Basin - B6-4	2015	P100
Vardar River Basin - B1-2	1996	P6	Pchinja River Basin - B3-4	2005	P52	Strumica River Basin - B6	2015	P101
Vardar River Basin - B1-3	1996	P7	Pchinja River Basin - B3	2005	P53	Cm Drim River Basin - B7-1	2015	P102
Vardar River Basin - B1-4	1996	P8	Bregalnica River Basin - B4-1	2005	P54	Cm Drim River Basin - B7-2	2015	P103
Vardar River Basin - B1-5	1996	P9	Bregalnica River Basin - B4-2	2005	P55	Cm Drim River Basin - B7-3	2015	P104
Vardar River Basin - B1	1996	P10	Bregalnica River Basin - B4-3	2005	P56	Cm Drim River Basin - B7	2015	P105
Treska River Basin - B2-1	1996	P11	Bregalnica River Basin - B4-4	2005	P57	Results of Water Supply and Demand for the Period 1961-1996, Based on the Future Demand Condition (2025)	-	P106
Treska River Basin - B2-2	1996	P12	Bregalnica River Basin - B4	2005	P58	Vardar River Basin - B1-1	2025	P107
Treska River Basin - B2-3	1996	P13	Crna River Basin - B5-1	2005	P59	Vardar River Basin - B1-2	2025	P108
Treska River Basin - B2	1996	P14	Crna River Basin - B5-2	2005	P60	Vardar River Basin - B1-3	2025	P109
Pchinja River Basin - B3-1	1996	P15	Crna River Basin - B5-3	2005	P61	Vardar River Basin - B1-4	2025	P110
Pchinja River Basin - B3-2	1996	P16	Crna River Basin - B5	2005	P62	Vardar River Basin - B1-5	2025	P111
Pchinja River Basin - B3-3	1996	P17	Strumica River Basin - B6-1	2005	P63	Vardar River Basin - B1	2025	P112
Pchinja River Basin - B3-4	1996	P18	Strumica River Basin - B6-2	2005	P64	Treska River Basin - B2-1	2025	P113
Pchinja River Basin - B3	1996	P19	Strumica River Basin - B6-3	2005	P65	Treska River Basin - B2-2	2025	P114
Bregalnica River Basin - B4-1	1996	P20	Strumica River Basin - B6-4	2005	P66	Treska River Basin - B2-3	2025	P115
Bregalnica River Basin - B4-2	1996	P21	Strumica River Basin - B6	2005	P67	Treska River Basin - B2	2025	P116
Bregalnica River Basin - B4-3	1996	P22	Cm Drim River Basin - B7-1	2005	P68	Pchinja River Basin - B3-1	2025	P117
Bregalnica River Basin - B4-4	1996	P23	Cm Drim River Basin - B7-2	2005	P69	Pchinja River Basin - B3-2	2025	P118
Bregalnica River Basin - B4	1996	P24	Cm Drim River Basin - B7-3	2005	P70	Pchinja River Basin - B3-3	2025	P119
Crna River Basin - B5-1	1996	P25	Cm Drim River Basin - B7	2005	P71	Pchinja River Basin - B3-4	2025	P120
Crna River Basin - B5-2	1996	P26	Results of Water Supply and Demand for the Period 1961-1996, Based on the Future Demand Condition (2015)	-	P72	Pchinja River Basin - B3	2025	P121
Crna River Basin - B5-3	1996	P27	Vardar River Basin - B1-1	2015	P73	Bregalnica River Basin - B4-1	2025	P122
Crna River Basin - B5	1996	P28	Vardar River Basin - B1-2	2015	P74	Bregalnica River Basin - B4-2	2025	P123
Strumica River Basin - B6-1	1996	P29	Vardar River Basin - B1-3	2015	P75	Bregalnica River Basin - B4-3	2025	P124
Strumica River Basin - B6-2	1996	P30	Vardar River Basin - B1-4	2015	P76	Bregalnica River Basin - B4-4	2025	P125
Strumica River Basin - B6-3	1996	P31	Vardar River Basin - B1-5	2015	P77	Bregalnica River Basin - B4	2025	P126
Strumica River Basin - B6-4	1996	P32	Vardar River Basin - B1	2015	P78	Crna River Basin - B5-1	2025	P127
Strumica River Basin - B6	1996	P33	Vardar River Basin - B1-1	2015	P79	Crna River Basin - B5-2	2025	P128
Cm Drim River Basin - B7-1	1996	P34	Treska River Basin - B2-1	2015	P80	Crna River Basin - B5-3	2025	P129
Cm Drim River Basin - B7-2	1996	P35	Treska River Basin - B2-2	2015	P81	Crna River Basin - B5	2025	P130
Cm Drim River Basin - B7-3	1996	P36	Treska River Basin - B2-3	2015	P82	Strumica River Basin - B6-1	2025	P131
Cm Drim River Basin - B7	1996	P37	Treska River Basin - B2	2015	P83	Strumica River Basin - B6-2	2025	P132
Results of Water Supply and Demand for the Period 1961-1996, Based on the Future Demand Condition (2005)	-	P38	Pchinja River Basin - B3-1	2015	P84	Strumica River Basin - B6-3	2025	P133
Vardar River Basin - B1-1	2005	P39	Pchinja River Basin - B3-2	2015	P85	Strumica River Basin - B6-4	2025	P134
Vardar River Basin - B1-2	2005	P40	Pchinja River Basin - B3-3	2015	P86	Strumica River Basin - B6	2025	P135
Vardar River Basin - B1-3	2005	P41	Pchinja River Basin - B3-4	2015	P87	Cm Drim River Basin - B7-1	2025	P136
Vardar River Basin - B1-4	2005	P42	Pchinja River Basin - B3	2015	P88	Cm Drim River Basin - B7-2	2025	P137
Vardar River Basin - B1-5	2005	P43	Bregalnica River Basin - B4-1	2015	P89	Cm Drim River Basin - B7-3	2025	P138
Vardar River Basin - B1	2005	P44	Bregalnica River Basin - B4-2	2015	P90	Cm Drim River Basin - B7	2025	P139
Treska River Basin - B2-1	2005	P45	Bregalnica River Basin - B4-3	2015	P91	Sample of Graph Showing 10-days Water Balance	-	P140
Treska River Basin - B2-2	2005	P46	Bregalnica River Basin - B4-4	2015	P92			
			Bregalnica River Basin - B4	2015	P93			
			Crna River Basin - B5-1	2015	P94			
			Crna River Basin - B5-2	2015	P95			
			Crna River Basin - B5-3	2015	P96			

Table of Contents (2/2)
(Sample of Graphs Showing Results of Water Balance Study)

<u>1. 10-Day Water Balance of Demand and Supply for the Following Sub-basins Based on Current Demand (1996) :</u>	<u>Page</u>	<u>2. 10-Day Water Balance of Demand and Supply for the Following Sub-basins Based on Future Demand (2005) :</u>	<u>Page</u>	<u>3. 10-Day Water Balance of Demand and Supply for the Following Sub-basins Based on Future Demand (2015) :</u>	<u>Page</u>	<u>4. 10-Day Water Balance of Demand and Supply for the Following Sub-basins Based on Future Demand (2025) :</u>	<u>Page</u>
1) Vardar River Sub-basin (B1-5) -----	P 141	1) Vardar River Sub-basin (B1-5) -----	P 149	1) Vardar River Sub-basin (B1-5) -----	P 157	1) Vardar River Sub-basin (B1-5) -----	P 165
2) Pchinija River Sub-basin (B3-2) ----	P 142	2) Pchinija River Sub-basin (B3-2) ----	P 150	2) Pchinija River Sub-basin (B3-2) ----	P 158	2) Pchinija River Sub-basin (B3-2) -----	P 166
3) Pchinija River Sub-basin (B3-3) ----	P 143	3) Pchinija River Sub-basin (B3-3) ----	P 151	3) Pchinija River Sub-basin (B3-3) ----	P 159	3) Pchinija River Sub-basin (B3-3) -----	P 167
4) Bregalnica River Sub-basin (B4-2) -	P 144	4) Bregalnica River Sub-basin (B4-2) -	P 152	4) Bregalnica River Sub-basin (B4-2) --	P 160	4) Bregalnica River Sub-basin (B4-2) ---	P 168
5) Crna River Sub-basin (B5-1) -----	P 145	5) Crna River Sub-basin (B5-1) -----	P 153	5) Crna River Sub-basin (B5-1) -----	P 161	5) Crna River Sub-basin (B5-1) -----	P 169
6) Crna River Sub-basin (B5-3) -----	P 146	6) Crna River Sub-basin (B5-3) -----	P 154	6) Crna River Sub-basin (B5-3) -----	P 162	6) Crna River Sub-basin (B5-3) -----	P 170
7) Strumica River Sub-basin (B6-2) ---	P 147	7) Strumica River Sub-basin (B6-2) ----	P 155	7) Strumica River Sub-basin (B6-2) ----	P 163	7) Strumica River Sub-basin (B6-2) -----	P 171
8) Strumica River Sub-basin (B6-3) ---	P 148	8) Strumica River Sub-basin (B6-3) ----	P 156	8) Strumica River Sub-basin (B6-3) ----	P 164	8) Strumica River Sub-basin (B6-3) -----	P 172



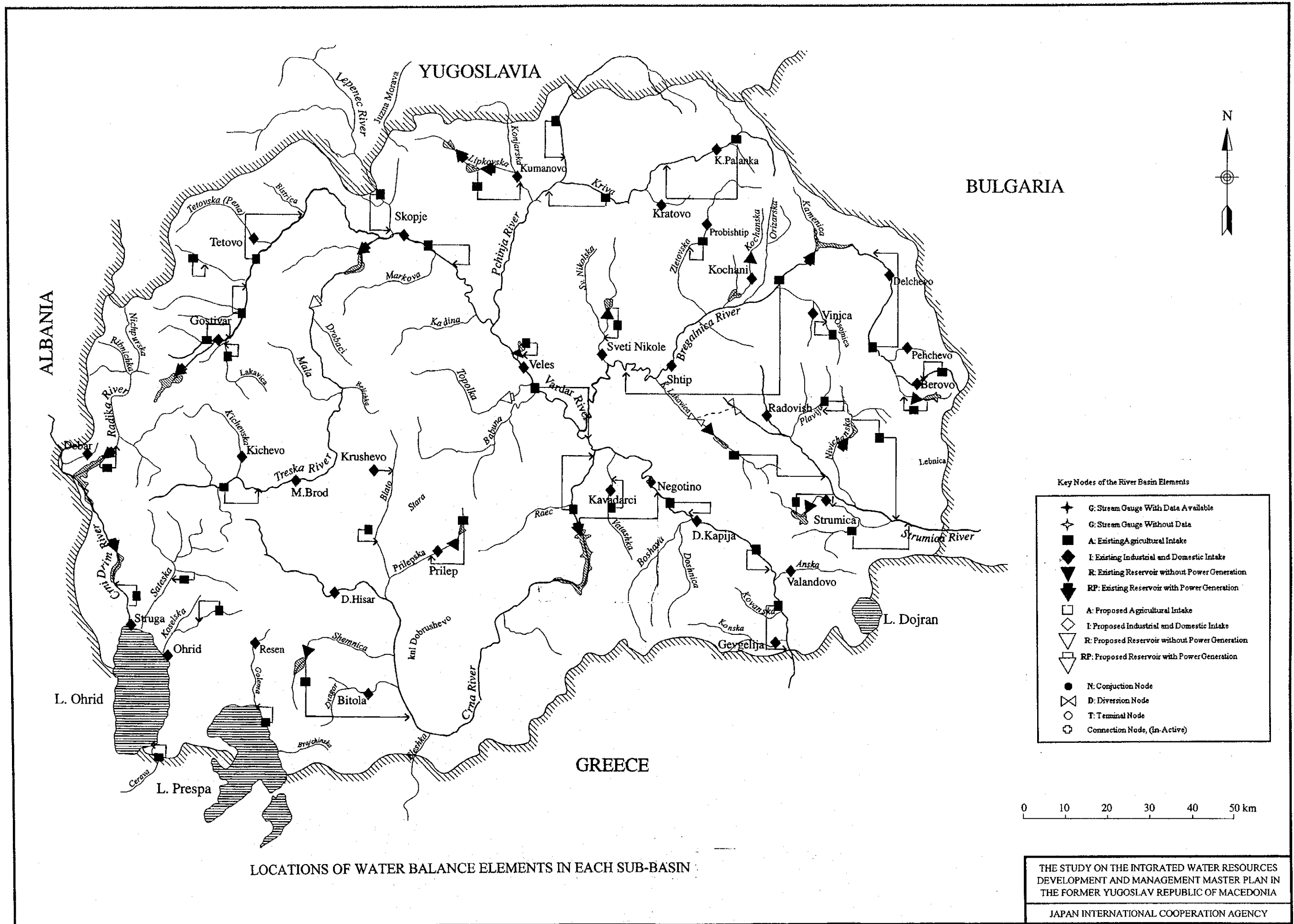
LOCATION MAP OF 26 SUB-BASINS CONSIDERED FOR WATER BALANCE STUDY

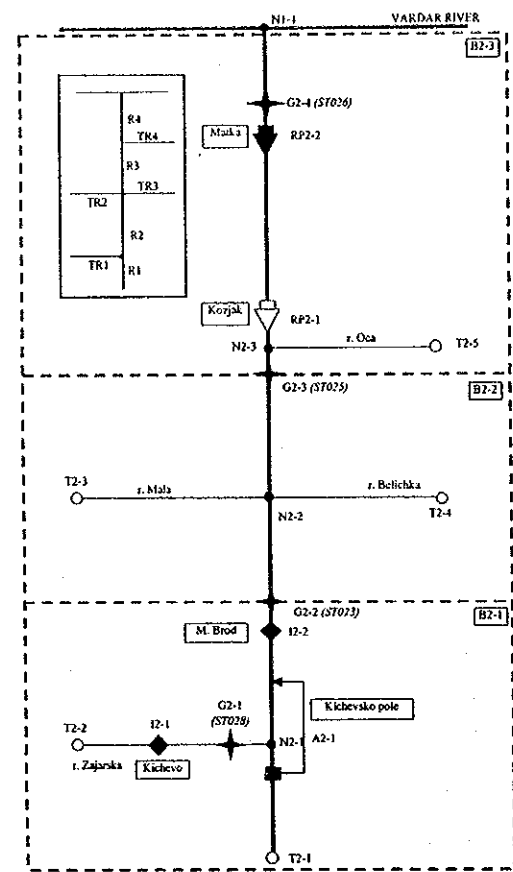


Catchment Area of Sub-basin for Water Balance Study

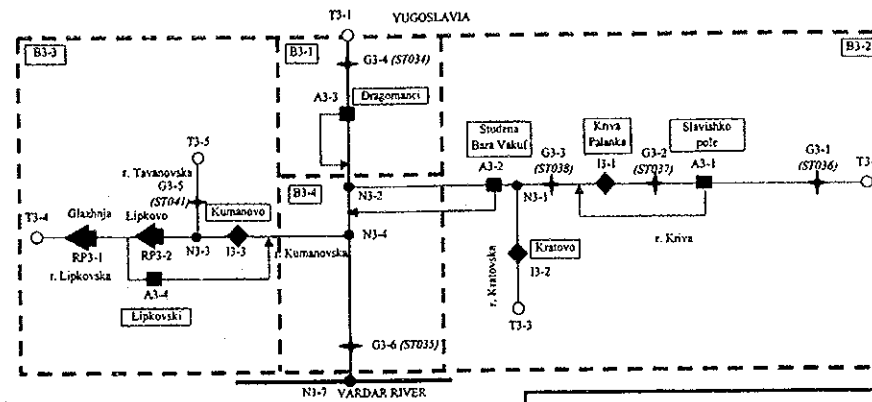
No.	Name of sub-basin	Code	Catchment area		Total (km ²)
			Basin belong to Macedonia (km ²)	Area for trans-basin neighboring countries (km ²)	
1	Vardar mainstream	B1-1	1,083.0		1,083.0
		B1-2	809.0	690.0	1,499.0
		B1-3	1,326.0		1,326.0
		B1-4	2,333.0		2,333.0
		B1-5	1,262.0		1,262.0
Sub-total			6,813.0	690.0	7,503.0
2	Treska	B2-1	886.0		886.0
		B2-2	719.0		719.0
		B2-3	463.0		463.0
Sub-total			2,068.0		2,068.0
3	Pchinja	B3-1	400.1	471.0	871.1
		B3-2	1,003.4		1,003.4
		B3-3	459.8		459.8
		B3-4	509.7		509.7
Sub-total			2,373.0	471.0	2,844.0
4	Bregalnica	B4-1	845.6		845.6
		B4-2	1,768.4		1,768.4
		B4-3	283.0		283.0
		B4-4	1,410.0	-180.0	1,410.0
Sub-total			4,307.0		4,307.0
5	Cma	B5-1	1,618.5		1,618.5
		B5-2	1,451.5	905.0	2,356.5
		B5-3	1,915.0		1,915.0
Sub-total			4,985.0	905.0	5,890.0
6	Strumica	B6-1	520.0	+180.0	520.0
		B6-2	461.0		461.0
		B6-3	350.0		350.0
		B6-4	189.0		189.0
Sub-total			1,520.0		1,520.0
7	Cm Drim	B7-1	751.0	-210.5	751.0
		B7-2	1,801.0		1,801.0
		B7-3	803.0		803.0
Sub-total			3,355.0		3,355.0
Grand total			25,421.0	2,066.0	27,487.0
Others			292.0		
Total			25,713.0 (National territory)		

THE STUDY ON THE INTEGRATED WATER RESOURCES DEVELOPMENT AND MANAGEMENT MASTER PLAN IN THE FORMER YUGOSLAV REPUBLIC OF MACEDONIA
JAPAN INTERNATIONAL COOPERATION AGENCY

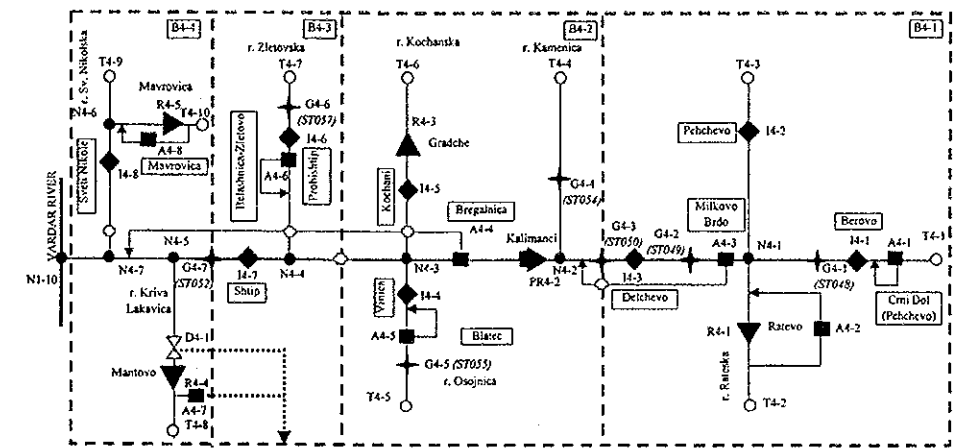




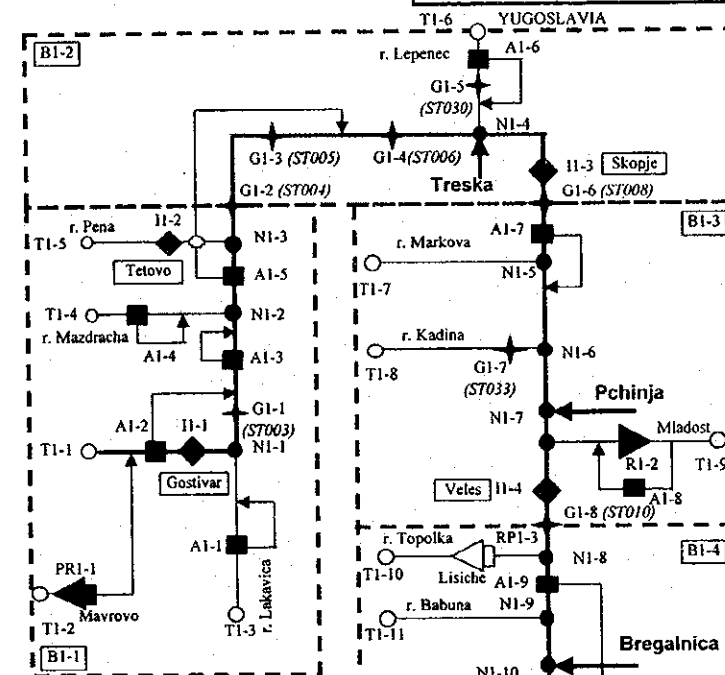
VARDAR RIVER



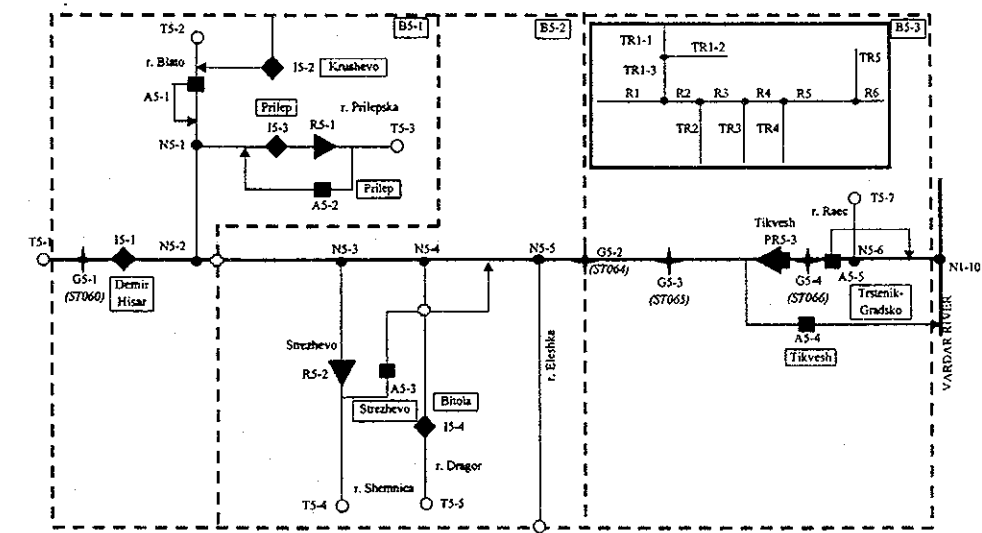
PCHINJA RIVER



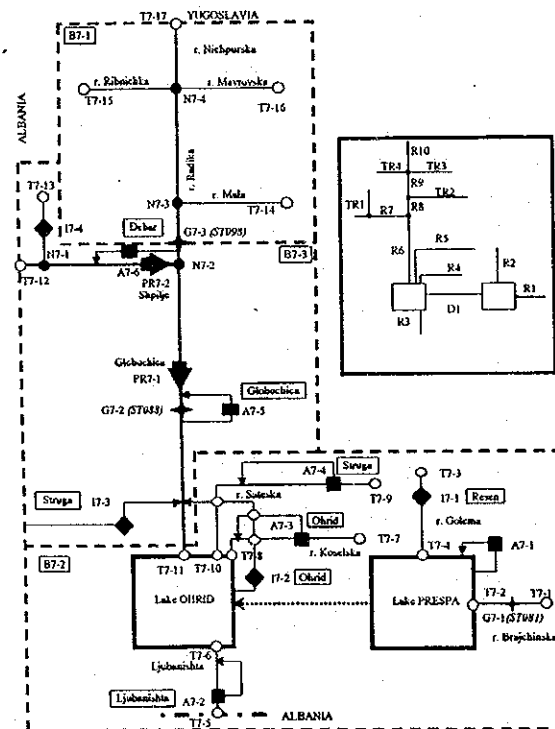
BREGALNICA RIVER



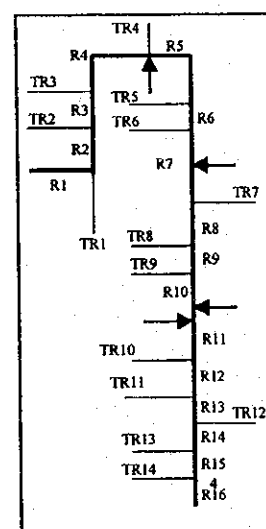
TRESKA RIVER



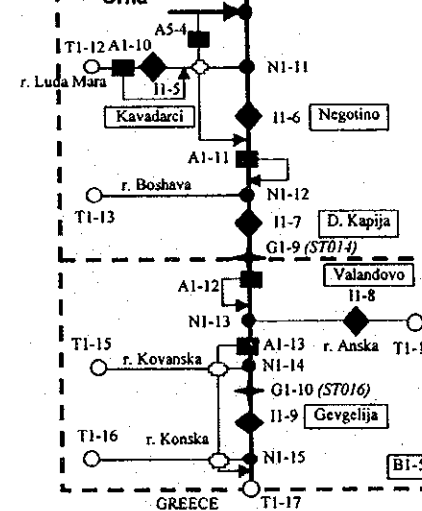
CRNA RIVER



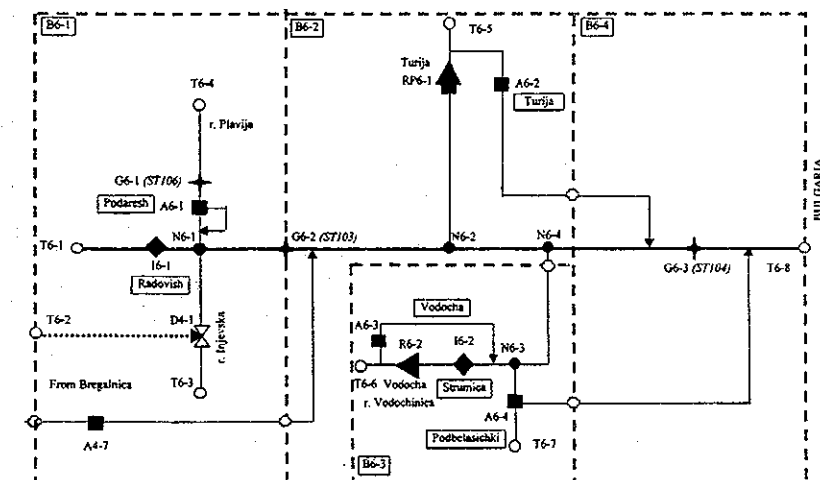
CRN DRIM RIVER



VARDAR MAINSTREAM



STRUMICA RIVER



SCHEMATIC DIAGRAM OF WATER BALANCE ELEMENTS FOR 7 MAJOR RIVER BASINS

THE STUDY ON THE INTEGRATED WATER RESOURCES DEVELOPMENT AND MANAGEMENT MASTER PLAN IN THE FORMER YUGOSLAV REPUBLIC OF MACEDONIA

JAPAN INTERNATIONAL COOPERATION AGENCY

**JAPAN INTERNATIONAL COOPERATION AGENCY
THE FORMER YUGOSLAV REPUBLIC OF MACEDONIA**

**THE STUDY
ON
INTEGRATED WATER RESOURCES DEVELOPMENT AND MANAGEMENT MASTER PLAN
IN
THE FORMER YUGOSLAV REPUBLIC OF MACEDONIA**

WATER BALANCE STUDY

**RESULTS OF WATER SUPPLY AND DEMAND FOR THE PERIOD 1961 – 1996
BASED ON CURRENT DEMAND CONDITION**

AVERAGE MONTHLY WATER BALANCE FOR THE PERIOD 1961-1996 BASED ON CURRENT DEMAND CONDITION (1996)
 VARDAR RIVER BASIN - B1-1

Units: m³/sec

Units: 10³m³

Year	Jan			Feb			Mar			Apr			May			Jun			Jul			Aug			Sep			Oct			Nov			Dec			Average Annual Balance		
	TD	TS	Net	TD	TS	Net	TD	TS	Net	TD	TS	Net	TD	TS	Net	TD	TS	Net	TD	TS	Net	TD	TS	Net	TD	TS	Net	TD	TS	Net	TD	TS	Net	TD	TS	Net	TD	TS	Net
1961	1.14	11.98	10.84	3.23	11.46	8.23	3.27	16.53	13.26	5.33	15.31	9.98	7.06	25.46	18.40	3.65	18.12	14.47	6.29	15.21	8.92	14.50	10.63	3.87	12.82	10.51	2.31	3.39	12.65	9.26	1.38	14.51	13.13	1.07	11.21	10.14	163,682	449,945	286,263
1962	1.18	11.05	9.87	3.83	26.59	22.75	3.77	28.99	25.22	6.94	31.42	24.48	10.14	29.43	19.29	3.32	19.40	16.08	6.75	17.21	10.46	12.64	10.26	2.37	12.29	14.39	2.10	4.01	16.16	12.15	4.23	43.05	38.82	2.40	24.53	22.13	185,341	706,275	520,934
1963	4.17	42.20	38.03	5.30	41.36	36.06	4.58	32.44	27.86	7.71	37.51	29.81	9.26	47.27	38.00	5.19	33.95	28.76	5.92	13.09	7.17	12.27	11.30	0.97	10.91	10.69	0.22	2.90	14.47	11.57	1.34	13.38	12.04	1.86	19.11	17.25	185,094	821,050	635,956
1964	2.03	18.16	16.14	2.92	17.24	14.33	3.36	19.88	16.52	6.25	19.13	12.88	7.41	22.12	14.71	3.48	21.06	17.58	5.46	15.05	9.59	13.86	15.01	1.14	10.80	17.94	7.14	3.00	18.57	15.57	3.56	35.69	32.13	2.75	27.99	25.24	168,133	642,369	474,236
1965	2.36	24.18	21.82	3.43	22.54	19.11	4.87	31.83	26.97	6.82	40.27	33.45	10.32	46.54	36.23	4.53	27.13	22.60	6.99	15.43	8.44	12.91	14.60	1.69	13.45	14.36	0.91	5.22	14.77	9.56	1.28	13.57	12.29	1.76	18.06	16.30	191,631	734,271	542,640
1966	1.76	18.13	16.37	3.75	23.38	19.64	3.51	19.84	16.33	7.01	27.95	20.94	9.90	33.86	23.96	4.53	25.63	21.10	5.22	8.09	2.86	13.81	6.37	7.44	11.60	15.94	4.34	4.35	16.61	12.26	1.93	20.01	18.08	2.44	24.87	22.43	180,926	623,857	442,931
1967	1.82	18.67	16.85	3.90	18.67	14.78	4.52	23.33	18.81	6.53	35.09	28.56	9.80	40.73	30.93	4.39	25.80	21.41	6.00	28.03	22.03	12.89	17.69	4.80	12.98	15.22	2.23	4.62	19.46	14.84	1.97	20.47	18.49	2.20	22.51	20.31	185,637	740,427	554,791
1968	1.74	17.98	16.24	3.19	18.79	15.59	3.45	17.23	13.78	7.29	23.08	15.78	6.47	20.32	13.85	3.23	21.92	18.69	6.68	11.64	4.96	10.93	13.89	2.96	11.69	15.59	3.90	4.24	18.62	14.38	1.78	18.50	16.72	1.58	16.34	14.75	161,417	554,386	392,970
1969	1.05	10.47	9.41	2.85	16.88	14.02	3.15	22.85	19.70	6.14	37.43	31.29	12.53	42.22	29.69	3.20	13.25	10.04	5.16	8.89	3.73	13.33	8.57	4.76	10.98	9.55	1.43	5.40	16.62	11.22	1.22	12.20	10.98	1.64	16.85	15.22	172,786	559,304	386,518
1970	2.58	26.36	23.78	3.80	26.25	22.46	4.46	35.39	30.93	8.61	47.24	38.64	9.57	38.26	28.69	4.83	30.91	26.07	6.61	24.82	18.21	13.92	6.96	6.96	12.15	15.73	3.58	3.11	17.00	13.88	1.84	19.08	17.24	2.01	19.96	17.95	190,484	798,230	607,746
1971	2.62	26.77	24.14	3.43	22.64	19.21	3.64	27.84	24.20	8.54	39.96	31.42	10.15	41.55	31.40	4.70	27.34	22.64	4.97	17.41	12.45	13.46	16.68	3.21	11.16	17.91	6.76	3.60	14.31	10.71	1.29	13.54	12.25	1.24	12.91	11.67	178,318	722,790	544,473
1972	1.18	12.36	11.18	3.22	20.54	17.32	4.12	23.44	19.32	6.67	30.33	23.66	7.59	22.92	15.33	3.02	11.02	7.99	5.33	7.59	2.25	10.79	6.19	4.60	9.17	17.99	8.82	3.44	23.08	19.64	2.16	21.04	18.87	1.66	15.48	13.82	151,295	549,423	398,128
1973	1.13	11.88	10.74	3.49	23.08	19.59	3.07	21.98	18.90	7.13	32.67	25.54	10.93	45.96	35.03	3.29	13.84	10.55	4.49	11.23	6.74	11.21	13.18	1.97	14.33	20.03	5.70	5.79	20.57	14.78	1.82	15.60	13.78	2.39	22.11	19.73	179,073	653,536	474,463
1974	2.80	28.56	25.76	4.88	34.99	30.11	4.65	31.23	26.59	6.71	27.84	21.13	8.57	43.85	35.28	4.72	31.33	26.61	6.79	11.97	5.18	12.80	12.08	0.77	12.90	23.19	10.28	4.34	27.22	22.88	2.75	26.89	24.15	2.40	23.51	21.11	192,567	836,337	643,770
1975	1.89	18.02	16.14	3.01	16.01	12.99	2.56	12.38	9.82	5.59	24.07	18.48	7.30	29.10	21.80	3.49	22.77	19.28	5.82	10.60	4.78	10.90	5.82	5.08	12.11	12.19	0.08	3.51	21.82	18.31	2.25	23.21	20.96	2.14	20.86	18.72	157,005	562,110	405,105
1976	2.05	19.76	17.70	3.55	18.04	14.50	2.81	14.46	11.65	6.29	21.91	15.62	6.63	28.14	21.51	4.19	29.77	25.58	5.13	15.77	10.65	12.69	10.76	1.97	12.10	13.73	1.63	3.98	18.16	14.17	3.70	34.41	30.71	3.79	36.15	32.36	173,428	676,659	503,231
1977	2.41	24.62	22.21	5.07	33.94	28.87	4.77	30.35	25.58	7.35	28.93	21.58	7.99	17.93	9.93	2.96	14.81	11.85	5.18	8.05	2.87	12.34	8.64	3.69	11.04	10.98	0.06	3.59	8.02	4.42	1.56	16.24	14.69	2.41	24.63	22.22	172,800	588,728	415,929
1978	2.41	24.65	22.24	3.47	22.89	19.42	3.25	23.43	20.19	5.73	27.41	21.67	8.63	43.15	34.52	3.72	18.16	14.44	5.88	7.19	1.31	13.26	7.87	5.40	9.16	18.18	9.02	5.26	22.77	17.51	3.18	29.24	26.06	2.83	26.65	23.82	173,109	703,973	530,864
1979	2.92	29.70	26.78	4.96	32.83	27.87	4.11	20.67	16.55	6.29	21.82	15.53	7.23	38.43	31.20	3.65	19.47	15.82	5.85	10.12	4.27	11.31	14.56	3.25	12.60	19.02	6.42	3.24	20.13	16.89	4.05	41.20	37.15	2.41	24.56	22.15	177,838	758,167	580,329
1980	3.27	33.20	29.93	4.72	29.75	25.03	3.81	29.09	25.28	7.73	23.61	15.87	5.94	26.45	20.51	3.95	19.70	15.74	6.32	8.34	2.02	13.91	11.46	2.43	12.71	14.72	2.01	4.11	23.00	18.89	2.89	29.59	26.70	3.16	32.11	28.94	187,991	728,372	540,381
1981	2.22	22.77	20.54	3.18	19.43	16.25	5.74	39.79	34.05	8.61	37.27	28.66	8.03	25.66	17.63	3.89	20.59	16.69	5.72	12.80	7.08	11.88	15.21	3.33	10.84	24.32	13.48	4.65	28.94	24.29	3.82	38.96	35.14	3.96	40.14	36.17	188,057	844,640	656,583
1982	3.45	33.48	30.03	3.84	22.95	19.10	3.36	22.40	19.03	7.76	37.71	29.94	8.06	30.84	22.78	4.82	28.00	23.18	6.06	15.89	9.83	13.55	17.48	3.94	11.93	12.60	0.67	3.34	14.91	11.57	1.20	11.34	10.14	1.62	16.68	15.06	178,828	684,958	506,130
1983	1.95	19.45	17.49	3.21	16.85	13.65	3.18	15.06	11.87	7.88	18.29	10.42	6.99	14.98	7.99	2.70	15.40	12.71	5.20	15.69	10.49	13.49	16.66	3.17	12.25	21.17	8.93	4.66	17.64	12.99	1.86	19.29	17.44	1.90	19.48	17.58	169,147	544,257	375,109
1984	1.98	20.31	18.33	3.29	21.12	17.83	3.53	24.95	21.42	6.65	37.06	30.42	10.88	49.75	38.87	3.61	18.80	15.19	5.70	6.61	0.92	10.78	8.73	2.06	10.73	11.95	1.22	3.93	10.35	6.42	1.65	16.53	14.88	1.66	16.47	14.81	166,874	628,919	462,045
1985	2.24	22.95	20.71	4.47	27.93	23.46	3.61	21.83	18.22	7.63	30.56	22.93	8.70	30.24	21.55	2.89	9.77	6.88	5.78	4.56	1.22	13.89	6.09	7.79	13.20	14.33	1.13	4.68	15.42	10.74	2.10	21.75	19.65	1.86	18.42	16.56	184,170	580,261	396,091
1986	1.70	17.58	15.88	5.32	30.17	24.84	4.80	28.81	24.02	9.05	33.84	24.79	8.90	36.49	27.59	3.51	23.02	19.50	5.57	21.12	15.55	13.92	17.36	3.44	12.70	17.63	4.93	5.12	18.91	13.79	1.82	16.98	15.16	1.85	18.33	16.49	192,511	726,398	533,887
1987	1.73	17.81	16.08	3.84	26.56	22.72	3.61	23.07	19.46	7.02	28.70	21.68	6.96	26.82	19.87	3.35	20.11	16.76	6.66	10.60	3.93	12.65	10.76	1.89	12.05	11.99	0.06	2.79	10.50	7.70	0.93	10.00	9.07	1.13	10.82	9.69	162,608	538,479	375,871
1988	1.38	12.39	11.01	2.99	14.08	11.09	2.60	14.18	11.59	6.51	13.72	7.21	9.49	17.46	7.96	3.08	12.72	9.64	6.11	7.25	1.13	13.76	6.08	7.68	11.77	7.03	4.74	3.24	7.44	4.20	1.02	10.98	9.95	1.59	16.37	14.78	164,676	362,077	197,401
1989	1.21	9.76	8.54	2.76	10.22	7.46	4.31	18.24	13.94	8.10	19.51	11.41	7.75	23.52	15.78	3.27	21.44	18.18	4.94	17.55	12.61	12.98	12.33	0.65	12.21	11.38	0.83	3.34	16.08	12.74	1.38	13.23	11.85	1.40	13.88	12.47	164,965	485,071	320,106
1990	1.76	13.97	12.21	2.85	9.54	6.69	3.98	14.19	10.22	4.26	11.60	7.34	7.88	14.82	6.94	2.79	8.09	5.29	5.19	3.07	2.13	12.81	2.81	10.00	11.67	3.75	7.92	4.											

AVERAGE MONTHLY WATER BALANCE FOR THE PERIOD 1961-1996 BASED ON CURRENT DEMAND CONDITION (1996)
VARDAR RIVER BASIN - B1-2

Units: m³/sec

Units: 10³m³

Year	Jan			Feb			Mar			Apr			May			Jun			Jul			Aug			Sep			Oct			Nov			Dec			Average Annual Balance		
	TD	TS	Net	TD	TS	Net	TD	TS	Net	TD	TS	Net	TD	TS	Net	TD	TS	Net	TD	TS	Net	TD	TS	Net	TD	TS	Net	TD	TS	Net	TD	TS	Net	TD	TS	Net	TD	TS	Net
1961	5.61	50.26	44.66	5.19	49.27	44.08	9.42	63.71	54.29	13.61	60.51	46.90	12.40	92.29	79.89	5.52	49.12	43.60	2.87	28.07	25.20	2.94	22.42	19.47	3.03	23.98	20.95	1.91	23.31	21.40	4.18	42.45	38.27	3.44	37.06	33.61	181,727	1,406,038	1,224,311
1962	1.95	21.46	19.52	1.62	16.32	14.70	17.78	122.45	104.67	18.73	121.15	102.41	10.11	63.81	53.70	4.12	35.44	31.32	1.04	9.27	8.23	1.62	10.33	8.71	1.34	8.32	6.98	2.54	20.49	17.95	21.02	125.29	104.27	16.32	97.91	81.59	254,493	1,690,629	1,436,135
1963	29.54	188.88	159.34	29.52	186.51	156.99	24.55	147.06	122.51	23.54	149.19	125.65	21.55	135.31	113.77	14.79	103.77	88.98	5.25	41.14	35.89	3.69	22.90	19.21	3.83	26.96	23.13	5.28	41.06	35.78	4.95	41.75	36.80	11.35	78.22	66.87	460,948	3,013,872	2,552,924
1964	4.89	36.80	31.91	3.94	33.11	29.17	7.60	54.60	47.00	8.30	55.73	47.44	8.60	65.82	57.22	5.97	52.50	46.53	3.13	26.03	22.90	2.31	15.14	12.83	2.37	20.95	18.59	3.37	33.06	29.69	8.09	59.42	51.33	7.51	55.68	48.17	171,243	1,318,955	1,147,712
1965	6.22	44.27	38.05	4.60	36.76	32.16	12.89	81.99	69.10	14.52	90.95	76.42	17.75	114.82	97.08	9.34	72.64	63.30	2.57	22.24	19.66	2.41	17.18	14.77	2.37	14.07	11.70	1.34	12.93	11.59	1.62	19.72	18.10	5.12	38.38	33.27	209,296	1,466,910	1,257,614
1966	8.05	55.53	47.49	12.62	83.35	70.73	7.97	57.34	49.38	10.85	70.79	59.94	11.02	74.13	63.11	7.40	58.93	51.53	2.16	19.24	17.08	1.53	11.02	9.49	1.38	10.80	9.42	1.05	13.61	12.57	4.20	33.95	29.75	9.07	61.78	52.70	200,345	1,426,839	1,226,494
1967	5.86	45.15	39.29	4.02	34.07	30.05	8.25	58.07	49.82	11.50	76.89	65.39	12.73	85.01	72.27	4.69	42.93	38.24	2.67	25.57	22.89	2.37	16.63	14.26	2.06	15.96	13.90	1.20	15.28	14.08	0.97	15.05	14.08	1.82	17.53	15.70	150,719	1,161,539	1,010,821
1968	2.88	21.80	18.92	5.64	39.39	33.76	4.48	32.98	28.50	6.78	40.61	33.83	5.19	36.13	30.93	6.44	49.15	42.71	1.29	9.25	7.96	0.86	7.62	6.76	1.94	13.73	11.79	1.78	19.15	17.37	2.05	25.20	23.16	3.12	33.10	29.98	109,992	850,421	740,429
1969	3.50	35.42	31.92	8.45	66.83	58.38	13.71	91.68	77.97	15.94	103.74	87.80	15.53	93.50	77.97	4.68	42.52	37.84	2.65	26.84	24.19	2.50	22.12	19.62	2.74	22.44	19.70	1.08	11.48	10.40	0.61	14.10	13.49	4.84	34.77	29.93	197,598	1,465,608	1,268,011
1970	11.35	76.24	64.88	9.83	70.64	60.81	13.98	90.46	76.48	18.01	110.35	92.35	10.12	71.13	61.01	6.12	51.09	44.98	4.59	42.30	37.72	1.95	11.60	9.65	2.32	14.52	12.20	0.97	16.94	15.97	1.29	18.12	16.83	2.12	23.27	21.15	214,201	1,546,573	1,332,372
1971	11.16	84.68	73.52	5.78	52.20	46.42	10.78	83.05	72.27	13.98	94.59	80.62	11.32	79.21	67.89	5.58	47.13	41.55	0.61	8.31	7.71	0.81	4.69	3.88	2.52	24.59	22.06	2.65	24.99	22.34	1.67	22.28	20.61	1.69	21.78	20.09	177,698	1,419,108	1,241,410
1972	1.81	19.28	17.47	4.35	33.73	29.38	6.92	48.13	41.21	9.05	59.42	50.37	6.03	42.02	35.99	1.92	20.36	18.44	1.81	21.16	19.34	1.16	11.38	10.22	2.48	18.82	16.35	5.02	41.35	36.33	5.41	45.53	40.12	3.95	34.02	30.07	129,384	1,024,369	894,985
1973	2.93	27.39	24.46	5.58	41.61	36.04	6.72	52.41	45.68	13.76	88.86	75.10	12.54	79.66	67.12	3.35	28.67	25.32	1.79	19.91	18.13	1.99	16.28	14.29	6.47	40.67	34.20	4.19	34.25	30.06	4.44	43.06	38.62	8.43	62.37	53.94	187,092	1,387,056	1,199,964
1974	7.92	62.08	54.16	9.60	66.92	57.32	9.41	64.92	55.50	10.47	70.30	59.83	15.12	95.29	80.17	7.72	58.94	51.22	3.47	27.46	23.99	2.13	14.81	12.69	2.43	14.79	12.36	3.00	25.18	22.18	4.64	38.67	34.03	3.53	31.61	28.08	205,924	1,479,951	1,274,027
1975	2.94	29.60	26.66	1.98	25.00	23.03	4.80	41.63	36.83	10.19	71.90	61.71	9.00	62.21	53.21	4.54	43.24	38.69	1.65	20.78	19.13	1.37	10.82	9.45	1.59	10.39	8.80	2.06	21.32	19.26	2.40	26.88	24.49	3.29	30.19	26.90	118,733	1,021,143	902,410
1976	2.68	26.17	23.48	3.38	30.29	26.91	4.24	31.56	27.32	7.31	53.97	46.66	8.98	65.15	56.17	8.39	70.98	62.59	3.81	37.22	33.41	2.79	24.61	21.83	3.08	21.32	18.25	2.77	30.56	27.79	8.13	65.77	57.64	13.23	88.64	75.42	178,281	1,415,890	1,237,609
1977	5.88	46.75	40.87	14.39	98.95	84.56	7.58	57.86	50.29	7.08	49.24	42.16	4.70	34.06	29.35	2.18	24.70	22.52	0.78	11.15	10.37	1.07	8.97	7.90	1.12	9.46	8.34	1.28	12.22	10.94	1.92	21.40	19.48	2.84	27.43	24.59	131,728	1,042,516	910,788
1978	2.49	26.33	23.84	7.00	49.98	42.98	9.23	62.31	53.08	14.26	93.54	79.28	18.31	119.15	100.84	6.23	49.87	43.64	1.95	16.24	14.29	1.73	11.09	9.36	2.44	24.73	22.29	1.57	16.97	15.40	1.66	22.93	21.27	4.18	39.51	35.33	184,134	1,380,606	1,196,472
1979	8.81	57.17	48.36	11.52	75.89	64.37	7.32	52.53	45.21	10.74	70.15	59.40	13.28	92.84	79.56	5.27	41.57	36.31	1.84	16.11	14.27	1.28	18.45	17.17	2.68	20.86	18.17	1.00	16.30	15.30	12.82	81.76	68.95	6.20	48.66	42.46	214,485	1,535,240	1,320,755
1980	8.24	62.71	54.47	8.85	67.96	59.11	8.39	56.94	48.55	8.53	52.91	44.38	18.80	122.14	103.34	10.35	78.03	67.68	3.28	26.89	23.61	2.28	15.13	12.84	1.65	11.00	9.35	2.60	23.78	21.17	4.50	35.87	31.37	7.43	55.59	48.16	220,098	1,578,404	1,358,306
1981	4.12	35.75	31.64	5.76	46.73	40.98	16.59	108.97	92.38	13.63	88.66	75.04	8.76	54.36	45.59	3.75	32.37	28.62	1.86	17.90	16.05	1.53	15.56	14.03	2.58	21.56	18.98	4.62	39.80	35.18	5.11	43.72	38.61	13.91	100.48	86.57	213,084	1,570,418	1,357,334
1982	8.91	63.64	54.73	4.23	35.00	30.77	7.65	60.19	52.53	12.54	90.11	77.57	9.20	65.23	56.03	3.89	34.97	31.08	1.30	13.73	12.43	1.32	11.98	10.66	2.00	15.15	13.15	0.77	12.54	11.77	1.50	20.14	18.64	4.31	32.70	28.39	149,337	1,180,315	1,030,978
1983	2.11	21.48	19.37	4.48	34.57	30.09	5.21	40.53	35.33	6.53	42.99	36.46	3.85	29.57	25.72	5.75	50.81	45.06	5.15	45.63	40.48	2.02	15.43	13.41	1.60	15.76	14.16	1.10	12.48	11.38	1.77	18.86	17.09	4.49	35.69	31.20	114,178	942,964	828,785
1984	6.60	45.71	39.11	7.17	51.60	44.43	10.22	72.09	61.86	16.02	102.91	86.89	18.42	115.62	97.20	4.33	38.62	34.29	1.90	18.90	17.00	1.71	17.11	15.40	2.26	16.55	14.29	1.52	14.87	13.36	1.88	22.07	20.19	2.06	20.34	18.28	192,052	1,390,346	1,198,294
1985	4.33	34.19	29.86	5.13	36.60	31.48	8.15	55.31	47.16	11.37	70.77	59.40	10.21	70.55	60.34	3.26	30.94	27.68	1.22	12.84	11.62	1.44	9.21	7.77	1.47	9.88	8.41	0.75	11.21	10.46	6.35	43.93	37.58	4.16	32.41	28.25	149,926	1,083,050	933,124
1986	7.56	52.93	45.37	18.66	113.05	94.39	17.62	108.29	90.67	14.24	83.75	69.51	13.26	86.81	73.55	7.97	63.12	55.14	4.75	42.03	37.28	3.29	21.45	18.16	2.36	14.02	11.66	1.79	18.27	16.48	1.11	16.11	15.00	1.07	15.23	14.16	242,814	1,646,050	1,403,236
1987	3.60	29.89	26.29	7.82	60.40	52.58	6.65	53.67	47.02	13.27	93.02	79.75	11.81	78.69	66.88	4.75	41.52	36.77	2.04	19.06	17.02	1.38	9.62	8.24	1.45	10.41	8.97	0.28	11.39	11.11	0.97	15.24	14.27	2.50	24.01	21.51	146,513	1,158,429	1,011,916
1988	1.45	18.35	16.91	1.89	21.88	19.99	3.78	32.94	29.16	6.43	41.52	35.09	5.67	36.21	30.54	1.65	23.51	21.86	0.46	7.82	7.36	0.70	1.93	1.23	0.48	3.44	2.96	-0.22	5.16	5.38	0.75	13.86	13.11	2.95	24.55	21.60	67,398	599,258	531,860
1989	1.41	16.27	14.86	1.45	18.27	16.82	6.18	48.00	41.82	5.35	40.48	35.13	8.88	64.56	55.68	5.01	45.28	40.27	3.15	31.40	28.25	3.40	23.42	20.03	2.78	18.06	15.28	3.19	30.67	27.48	2.27	23.64	21.36	2.94	28.88	25.94	119,250	1,008,116	888,866
1990	1.65	19.19	17.54	1.40	17.67																																		

AVERAGE MONTHLY WATER BALANCE FOR THE PERIOD 1961-1996 BASED ON CURRENT DEMAND CONDITION (1996)
VARDAR RIVER BASIN - B1-3

Units: m³/sec

Units: 10³ m³

Year	Jan			Feb			Mar			Apr			May			Jun			Jul			Aug			Sep			Oct			Nov			Dec			Average Annual Balance		
	TD	TS	Net	TD	TS	Net	TD	TS	Net	TD	TS	Net	TD	TS	Net	TD	TS	Net	TD	TS	Net	TD	TS	Net	TD	TS	Net	TD	TS	Net	TD	TS	Net	TD	TS	Net	TD	TS	Net
1961	2.79	5.92	3.13	3.89	5.27	1.38	6.42	10.09	3.67	8.90	2.89	6.01	13.16	30.02	16.86	8.83	18.59	9.75	11.16	9.52	-1.64	14.16	7.03	-7.12	12.74	7.52	-5.22	5.77	8.02	2.25	3.38	11.80	8.43	2.39	3.38	0.99	242,597	311,170	68,573
1962	2.75	10.54	7.79	3.61	12.89	9.28	14.68	71.86	57.19	17.51	73.70	56.19	14.29	31.65	17.35	6.87	20.17	13.30	10.67	10.14	-0.53	12.21	2.44	-9.77	11.03	2.56	-8.47	4.40	5.63	1.23	9.51	62.36	52.85	7.62	41.40	33.78	298,466	895,122	596,657
1963	12.24	70.81	58.57	20.13	131.24	111.11	11.66	56.57	44.91	16.24	63.80	47.56	13.05	39.04	25.99	10.49	27.72	17.23	9.21	1.43	-7.78	13.33	5.93	-7.40	11.59	8.58	-3.01	4.30	14.62	10.32	3.15	14.49	11.34	2.19	7.19	5.00	330,721	1,144,170	813,450
1964	2.49	7.71	5.22	3.84	9.87	6.03	6.83	18.04	11.20	9.10	16.90	7.80	11.26	21.50	10.24	9.74	20.87	11.13	7.89	8.06	0.17	11.97	4.09	-7.87	7.74	7.95	0.21	2.74	8.62	5.88	4.63	20.70	16.08	4.43	19.69	15.27	214,276	425,125	210,849
1965	7.28	41.27	33.98	4.10	20.32	16.22	11.74	51.64	39.90	14.01	51.28	37.28	15.67	62.26	46.59	8.74	20.43	11.69	7.74	6.61	-1.13	8.79	2.70	-6.08	12.39	2.23	-10.16	6.15	3.11	-5.04	1.15	3.68	2.53	2.29	9.25	6.96	259,328	712,269	452,941
1966	6.43	28.31	21.88	10.08	49.07	38.98	5.55	21.49	15.95	11.22	27.10	15.88	12.75	21.24	8.49	9.48	28.73	19.25	11.15	7.31	-3.85	14.13	5.18	-8.95	10.26	3.64	-6.62	3.71	2.78	-0.93	2.25	8.90	6.65	3.04	10.35	7.31	259,334	554,932	295,598
1967	3.88	15.62	11.74	4.56	13.48	8.92	6.94	21.38	14.44	9.78	25.43	15.64	11.25	24.75	13.50	6.24	10.02	3.78	6.17	16.49	10.33	12.19	5.05	-7.15	10.16	4.07	-6.08	5.22	3.00	-2.21	1.44	5.52	4.08	2.19	8.91	6.71	207,403	398,459	191,056
1968	2.75	12.05	9.30	4.73	20.36	15.63	6.18	15.06	8.88	8.76	10.26	1.50	5.88	7.22	1.34	5.01	13.63	8.62	11.41	8.32	-3.08	9.25	4.58	-4.67	11.57	4.24	-7.33	5.18	1.11	-4.07	1.67	5.91	4.24	2.34	10.05	7.71	193,700	292,353	98,652
1969	3.44	16.68	13.25	7.92	37.82	29.89	9.89	47.16	37.27	12.51	38.39	25.88	15.29	23.08	7.79	6.97	7.83	0.86	10.38	5.62	-4.76	11.57	5.26	-6.30	12.31	5.00	-7.31	6.25	4.63	-1.62	1.71	3.99	2.28	3.32	18.35	15.03	263,254	554,225	290,971
1970	5.12	20.30	15.18	5.49	20.23	14.75	10.84	41.35	30.51	10.59	18.90	8.31	10.99	20.18	9.19	7.90	15.52	7.61	8.44	13.96	5.52	13.68	4.00	-9.68	11.72	5.71	-6.01	1.88	5.07	3.18	1.96	3.60	1.64	2.81	10.60	7.79	236,954	465,039	228,085
1971	4.73	23.74	19.00	3.97	21.15	17.18	7.27	33.37	26.09	13.88	41.42	27.53	8.53	8.24	-0.29	7.24	10.18	2.95	6.55	8.17	1.62	11.77	5.29	-6.48	9.37	11.81	2.44	5.99	7.47	1.49	2.38	10.21	7.83	2.76	17.47	14.71	218,890	514,555	295,665
1972	2.45	13.64	11.19	3.81	21.80	17.98	6.81	24.08	17.27	7.80	29.61	21.81	11.31	20.61	9.31	6.89	6.20	-0.69	5.51	6.10	0.58	9.70	5.64	-4.06	7.21	17.05	9.85	7.64	39.59	31.94	3.74	16.21	12.47	2.96	12.13	9.17	196,545	551,199	354,653
1973	2.14	8.49	6.35	4.87	25.66	20.79	7.03	34.30	27.26	13.20	50.83	37.63	15.44	30.94	15.49	8.68	12.18	3.50	8.34	13.94	5.59	10.13	8.50	-1.62	14.56	11.86	-2.70	7.16	8.27	1.11	3.05	10.27	7.21	5.02	25.97	20.94	258,247	625,205	366,958
1974	4.03	18.45	14.42	8.99	48.96	39.96	8.11	24.71	16.60	8.76	19.01	10.25	11.43	46.61	35.17	8.89	34.66	25.76	11.95	11.39	-0.56	12.90	2.72	-10.18	8.41	2.07	-6.33	3.90	7.19	3.28	2.48	7.88	5.40	2.01	9.54	7.53	238,101	604,425	366,324
1975	3.24	16.40	13.16	3.13	7.67	4.54	6.61	24.88	18.28	9.95	12.84	2.89	11.09	33.24	22.15	6.85	27.16	20.31	8.43	12.17	3.74	10.88	5.94	-4.94	11.71	4.28	-7.43	4.46	14.24	9.78	3.17	15.66	12.49	4.05	23.86	19.81	216,588	514,083	297,494
1976	3.18	17.20	14.03	3.88	14.56	10.68	6.05	15.42	9.38	9.79	15.17	5.38	8.32	19.89	11.56	8.37	24.57	16.19	6.59	14.92	8.33	13.04	15.38	2.34	13.08	8.87	-4.21	7.68	19.69	12.00	8.48	42.90	34.42	9.86	57.53	47.68	254,829	689,707	434,878
1977	4.76	27.10	22.34	11.09	61.17	50.08	9.48	37.64	28.16	12.19	28.89	16.71	10.56	14.46	3.90	5.40	4.35	1.04	8.71	5.24	-3.48	10.53	3.82	-6.71	12.58	6.35	-6.23	5.83	8.50	2.66	1.87	5.44	3.57	1.35	2.23	0.88	244,583	531,869	287,286
1978	1.66	4.06	2.40	4.37	17.70	13.33	6.72	26.46	19.74	11.32	40.92	29.60	13.02	39.65	26.63	9.18	15.92	6.74	10.03	3.99	-6.04	12.62	2.29	-10.33	7.73	6.11	-1.63	5.57	4.94	-0.63	1.88	5.46	3.58	3.35	18.10	14.74	226,703	481,076	254,373
1979	4.24	20.78	16.54	6.43	25.30	18.86	5.16	13.91	8.75	8.66	15.17	6.51	8.74	9.08	0.34	5.71	6.55	0.84	8.32	5.35	-2.97	8.14	2.37	-5.78	11.21	5.92	-5.29	4.91	7.55	2.64	7.06	48.61	41.55	3.42	20.77	17.35	212,586	470,059	257,473
1980	4.13	19.62	15.49	5.32	21.21	15.88	7.79	32.00	24.21	11.11	27.37	16.27	16.34	65.67	49.33	9.92	23.90	13.99	9.82	3.98	-3.83	11.01	1.73	-9.28	9.54	1.45	-8.09	5.57	14.42	8.85	3.07	14.68	11.62	3.93	19.76	15.83	252,843	637,111	384,268
1981	2.52	12.18	9.66	6.12	33.12	27.00	12.01	60.78	48.77	8.91	24.20	15.28	13.07	15.32	2.25	6.55	10.29	3.74	7.61	6.08	-1.53	10.60	5.83	-4.77	8.10	14.17	6.07	5.70	15.11	9.42	4.84	24.88	20.04	10.33	56.54	46.21	249,776	721,883	472,107
1982	5.41	24.08	18.67	4.92	21.34	16.42	8.69	36.88	28.19	11.28	53.75	42.48	14.72	46.65	31.94	8.03	10.24	2.21	8.94	6.60	-2.33	12.81	4.23	-8.58	12.64	4.60	-8.03	5.37	6.92	1.55	2.35	9.86	7.51	2.68	15.34	12.66	253,565	623,363	369,797
1983	2.55	13.88	11.32	4.14	16.67	12.54	4.66	10.11	5.45	8.93	13.40	4.47	7.03	5.67	-0.37	6.27	26.01	19.74	9.70	29.46	19.76	11.59	5.16	-6.42	9.07	10.21	1.14	6.46	12.45	5.99	1.99	8.37	6.37	4.08	19.15	15.06	198,207	442,011	243,804
1984	2.23	11.02	8.79	7.48	41.67	34.19	8.84	39.41	30.57	13.39	47.72	34.33	15.54	41.57	26.03	6.89	8.44	1.55	9.39	1.20	-8.19	8.89	3.17	-5.72	9.54	3.40	-6.14	5.85	5.57	-0.27	1.45	3.68	2.23	1.41	4.99	3.57	235,591	549,082	313,491
1985	2.63	10.76	8.13	4.23	16.33	12.10	8.65	34.09	25.44	10.34	19.96	9.62	8.69	17.40	8.71	7.05	8.88	1.83	10.86	6.54	-4.32	12.02	4.54	-7.48	12.56	6.70	-5.86	5.22	3.37	-1.85	3.35	18.76	15.42	2.23	8.53	6.30	227,649	403,976	176,327
1986	2.82	14.74	11.92	11.07	58.60	47.53	9.66	41.38	31.73	10.11	32.45	22.34	9.64	22.11	12.47	7.13	11.32	4.19	6.32	6.90	0.58	11.90	2.28	-9.61	12.05	4.06	-8.00	5.59	6.24	0.66	1.74	7.37	5.63	1.40	6.35	4.95	231,830	554,188	322,358
1987	1.60	6.20	4.60	4.10	16.18	12.07	4.53	15.40	10.87	12.72	45.10	32.37	12.92	22.34	9.42	7.68	10.94	3.26	10.74	3.66	-7.08	9.57	2.61	-6.96	11.02	1.66	-9.36	2.88	7.51	4.63	2.48	11.84	9.36	2.14	10.29	8.15	213,555	398,460	184,905
1988	1.71	4.67	2.96	2.36	4.46	2.09	5.00	14.34	9.33	10.41	20.88	10.47	10.09	9.16	-0.93	5.99	5.77	-0.22	9.28	2.42	-6.86	12.84	2.63	-10.22	12.11	2.37	-9.74	4.95	4.65	-0.30	1.63	7.47	5.84	1.93	7.88	5.96	202,957	224,706	21,749
1989	1.84	5.69	3.85	2.48	5.90	3.42	5.93	18.14	12.21	6.55	17.53	10.98	16.36	53.21	36.85	7.36	34.79	27.42	9.35	17.23	7.88	10.90	6.13	-4.76	12.63	4.67	-7.96	6.39	17.80	11.41	3.21	15.33	12.12	2.67	14.10	11.43	222,083	545,665	323,582
1990	2.51	10.33	7.82	3.40	9.15	5.74	5.48	10.46	4.98	7.55	21.56	14.00	11.29	11.96	0.66	7.08	7.38	0.30	9.98	4.89	-5.09	11.06	3.49	-7.56	12.66	3.24	-9.42	4.39	3.07	-1.33	1.52	5.58	4.07	3.11	14.93	11.81	207,477	274,825	67,348
1991	1.94	9.55	7.61	4.51	20.44	15.92																																	

AVERAGE MONTHLY WATER BALANCE FOR THE PERIOD 1961-1996 BASED ON CURRENT DEMAND CONDITION (1996)
VARDAR RIVER BASIN - B1-4

Units: m³/sec

Units: 10³ m³

Year	Jan			Feb			Mar			Apr			May			Jun			Jul			Aug			Sep			Oct			Nov			Dec		
	TD	TS	Net	TD	TS	Net	TD	TS	Net	TD	TS	Net	TD	TS	Net	TD	TS	Net	TD	TS	Net	TD	TS	Net	TD	TS	Net	TD	TS	Net	TD	TS	Net			
1961	9.37	56.75	47.38	16.35	47.24	30.89	23.04	53.29	30.25	48.76	19.14	29.62	40.59	34.61	5.98	33.12	12.45	20.67	55.52	3.53	51.99	80.01	5.92	74.09	71.53	3.98	67.55	23.58	1.02	22.56	5.86	26.17	20.31	4.78	22.76	17.97
1962	6.39	31.36	24.97	14.13	64.10	49.96	58.85	365.31	306.46	65.51	190.63	125.12	70.96	62.43	8.53	25.90	16.06	9.84	53.53	3.77	49.76	72.74	4.29	68.45	64.43	2.67	61.75	18.20	3.17	15.03	44.20	272.83	228.63	35.76	207.68	171.91
1963	65.84	372.67	306.84	103.80	609.69	505.89	58.19	256.03	197.84	87.75	305.37	217.61	71.36	203.96	132.60	55.80	161.83	106.03	49.14	21.09	28.05	73.72	4.33	69.39	60.08	8.99	51.09	15.11	25.93	10.82	7.39	29.46	22.08	18.45	100.76	82.31
1964	7.82	34.43	26.61	13.48	43.00	29.52	26.29	86.91	60.61	47.76	59.19	11.43	42.61	66.13	23.52	39.90	53.01	13.11	41.54	26.41	15.13	65.91	12.42	53.49	43.16	21.31	21.85	11.07	29.41	18.33	19.35	87.04	67.69	15.99	81.54	65.55
1965	19.31	100.28	80.98	13.21	71.40	58.18	49.62	189.65	140.03	66.59	156.10	89.51	62.82	129.95	67.13	36.41	20.24	16.17	44.89	4.19	40.70	55.77	1.91	55.86	73.95	4.11	69.84	32.35	5.48	26.86	2.02	10.11	8.09	6.84	34.01	27.17
1966	22.62	106.13	83.52	32.54	133.91	101.36	20.21	63.25	43.03	53.91	59.16	5.24	65.94	65.41	0.52	37.59	51.22	13.63	54.99	13.15	41.84	76.19	2.92	73.26	59.89	9.25	50.64	17.83	7.04	10.79	4.66	14.64	9.99	22.38	119.13	96.75
1967	14.92	65.34	50.42	17.94	50.24	32.30	28.86	95.79	66.92	51.47	95.66	44.19	57.15	113.04	55.89	29.84	31.16	1.32	25.33	31.36	6.03	70.00	3.14	66.86	58.41	9.66	48.76	23.59	0.89	22.70	2.58	6.70	4.11	7.21	36.53	29.32
1968	8.81	41.49	32.69	30.58	129.81	99.23	25.71	56.99	31.29	50.31	13.12	37.20	30.90	2.07	28.83	22.88	17.71	5.17	60.81	10.72	50.09	51.86	1.63	50.23	62.83	1.52	61.32	27.06	1.27	25.79	2.49	8.54	6.05	3.24	9.64	6.40
1969	12.82	59.31	46.50	22.14	100.18	78.04	31.88	134.29	102.41	54.92	98.93	44.02	82.13	80.55	1.58	34.23	10.92	23.31	53.57	14.95	38.62	66.59	19.99	46.60	70.65	27.21	43.44	35.41	24.00	11.41	4.10	1.40	2.70	5.85	18.32	12.47
1970	12.31	47.21	34.89	13.91	60.76	46.85	29.58	78.22	48.64	56.51	70.67	14.16	48.98	64.37	15.39	32.56	28.45	4.11	37.54	29.64	7.90	78.51	13.56	64.95	68.88	20.96	47.92	9.01	50.23	41.22	7.25	41.70	34.45	2.20	3.42	1.22
1971	8.29	24.68	16.39	5.46	14.84	9.38	15.82	54.93	39.11	57.61	47.53	10.08	49.58	11.44	38.14	35.30	25.73	9.57	35.01	4.00	31.01	65.79	9.45	56.34	43.38	17.06	26.32	28.24	23.41	4.84	5.98	18.92	12.94	3.43	15.42	11.99
1972	5.39	28.14	22.75	8.04	30.98	22.93	23.54	43.24	19.70	35.56	43.66	8.10	57.63	36.40	21.24	37.80	23.41	14.38	30.59	20.71	9.88	54.02	31.68	22.34	39.08	30.00	9.08	17.30	84.43	67.13	12.12	61.33	49.21	9.51	50.20	40.69
1973	6.72	41.72	35.00	17.32	68.69	51.37	25.46	84.82	59.36	65.76	146.47	80.71	74.68	77.59	2.91	42.54	33.31	9.23	39.43	31.45	7.98	56.56	34.15	22.41	85.01	59.64	25.37	38.18	47.89	9.72	10.69	45.14	34.44	18.40	82.66	64.26
1974	14.29	72.90	58.61	29.90	133.99	104.09	38.45	143.59	105.14	50.71	93.45	42.74	48.18	115.09	66.92	29.38	66.24	36.85	60.75	28.26	32.49	75.55	40.87	34.67	57.30	32.52	74.79	17.40	31.80	14.40	8.40	43.73	35.33	6.20	38.44	32.24
1975	7.43	30.26	22.84	10.78	32.43	21.65	19.64	49.00	29.36	53.08	40.20	12.88	45.60	40.95	4.65	21.89	31.36	9.47	38.72	22.19	16.53	63.70	17.73	45.97	67.51	13.55	53.96	15.38	30.31	14.92	8.59	48.52	39.93	8.67	47.07	38.40
1976	5.48	22.00	16.51	10.74	26.28	15.54	19.87	9.50	10.37	47.48	38.68	8.80	41.59	64.50	22.91	35.20	67.14	31.95	31.92	45.96	14.05	64.40	32.85	31.55	73.67	28.34	45.33	24.30	54.66	30.35	24.09	88.59	64.50	34.28	157.60	123.32
1977	16.66	86.26	69.61	29.37	121.03	91.66	23.66	54.35	30.69	51.87	29.48	22.39	52.49	26.65	25.84	32.08	30.04	2.04	49.35	15.15	34.20	61.43	10.05	51.38	64.50	12.03	32.46	29.08	16.32	12.76	3.70	12.93	9.23	4.51	27.64	23.13
1978	3.60	14.77	11.17	10.47	29.67	19.20	14.57	28.77	14.20	43.86	58.23	14.38	53.05	64.17	11.12	43.29	38.33	4.95	57.45	11.39	46.06	74.74	13.27	61.47	40.59	27.81	32.78	29.26	26.66	2.60	10.42	58.16	47.74	10.72	68.89	58.17
1979	13.68	49.04	35.36	21.94	58.66	36.72	18.55	15.09	3.47	47.96	84.90	36.94	54.94	111.05	56.11	35.84	53.72	17.87	50.65	25.16	25.49	46.93	31.78	15.15	64.36	29.98	34.38	16.75	22.92	6.17	26.95	117.34	90.39	17.96	93.77	75.80
1980	21.38	116.13	94.75	29.72	129.78	100.06	26.59	98.54	71.96	56.64	101.48	44.84	66.36	185.94	119.59	51.08	117.40	66.32	57.73	27.93	29.80	69.60	26.40	43.19	61.75	18.47	43.28	23.00	42.55	19.54	11.76	78.64	66.88	17.16	90.26	73.10
1981	14.61	84.34	69.73	25.59	125.30	99.71	52.90	227.91	175.01	60.51	175.23	114.73	73.33	90.01	16.68	34.34	42.59	8.24	43.93	35.85	8.08	57.91	33.41	24.50	49.34	76.54	27.19	21.91	62.64	40.73	14.86	100.41	85.55	29.84	166.56	136.72
1982	26.28	175.59	149.31	18.94	96.29	77.35	27.90	90.55	62.65	41.26	112.60	71.34	68.08	152.85	84.77	46.85	85.24	38.39	51.24	16.15	35.09	67.02	26.86	40.17	71.87	48.59	23.28	24.74	43.93	19.19	8.38	36.42	28.03	8.62	35.82	27.20
1983	8.56	51.65	43.09	14.05	55.85	41.80	21.35	31.23	9.87	51.78	49.35	2.43	41.96	20.50	21.46	21.20	43.66	22.46	36.26	48.61	12.36	69.77	37.66	32.11	52.63	75.69	23.06	29.58	21.16	8.41	5.05	19.97	14.91	18.44	71.75	53.31
1984	21.15	120.66	99.51	38.02	205.74	167.72	38.55	172.19	133.64	63.37	144.17	80.79	78.54	65.78	12.77	37.98	39.49	1.51	54.94	17.60	37.35	48.24	13.84	34.40	58.01	9.84	48.17	31.88	25.18	6.70	6.88	34.72	27.84	6.26	38.34	32.08
1985	9.88	48.75	38.87	13.71	38.27	24.56	17.80	27.80	10.00	47.61	53.27	5.66	41.40	54.16	12.76	35.64	15.39	20.24	57.43	4.23	53.20	71.81	1.97	69.83	71.05	8.30	62.74	28.38	19.61	8.77	9.88	42.98	33.10	10.85	62.58	51.74
1986	10.86	64.00	53.14	44.71	184.36	139.66	45.22	176.82	131.61	58.08	92.80	34.72	47.32	56.86	9.54	39.26	39.14	0.12	37.80	32.24	5.56	77.04	31.82	45.22	76.46	37.99	38.47	33.64	53.16	19.53	7.91	31.06	23.15	4.77	21.47	16.70
1987	6.56	33.42	26.86	14.64	57.05	42.41	19.36	60.89	41.52	67.94	239.35	171.40	64.02	60.51	3.51	38.57	47.93	9.36	59.03	15.29	43.74	62.71	14.42	48.29	69.84	42.85	26.99	10.00	27.85	17.85	6.51	32.35	25.84	6.80	41.04	34.24
1988	5.19	15.79	10.60	8.13	28.04	19.90	14.85	32.45	17.61	50.84	38.58	12.26	59.89	26.14	33.75	29.22	14.17	15.04	53.52	4.89	48.63	76.56	4.85	71.71	66.83	7.69	59.14	22.03	16.04	5.99	5.23	32.47	27.23	7.27	46.83	39.56
1989	6.48	21.06	14.57	8.25	18.40	10.14	21.62	44.78	23.16	34.88	19.74	15.14	45.20	45.01	0.20	16.42	27.67	11.25	36.93	28.36	8.58	66.49	28.57	37.92	68.55	17.98	50.57	20.90	46.72	25.82	5.05	17.11	12.06	5.63	28.67	23.04
1990	7.37	34.71	27.34	8.67	17.17	8.50	20.46	16.40	4.06	32.78	8.77	24.01	56.48	9.64	46.85	36.25	3.96	32.28	52.06	1.10	50.96	60.90	2.25	58.66	67.91	3.15	64.76	24.22	6.74	17.48	2.99	13.97	10.99	7.30	27.17	19.87
1991	6.38	33.23	26.85	15.73	47.28	31.56	26.81	63.85	37.04	37.84	97.39	59.55	63.40	111.99	48.59	45.54	64.97	19.43	31.59	19.23	12.36	57.13	11.11	46.02	56.80	21.04	35.76	28.74	29.59	0.85	6.57	31.12	24.55	5.94	27.56	21.62
1992	6.92	28.32	21.40	12.17	23.41	11.24	14.21	14.63	0.42	31.84	54.85	23.01	50.28	4.91	45.17	30.84	25.17	5.67	56.66	31.13	25.52	77.69	28.53	49.16	65.07	19.15										

AVERAGE MONTHLY WATER BALANCE FOR THE PERIOD 1961-1996 BASED ON CURRENT DEMAND CONDITION (1996)
VARDAR RIVER BASIN - B1-5

Units: m³/sec

Units: 10³m³

Year	Jan			Feb			Mar			Apr			May			Jun			Jul			Aug			Sep			Oct			Nov			Dec		
	TD	TS	Net	TD	TS	Net	TD	TS	Net	TD	TS	Net	TD	TS	Net	TD	TS	Net	TD	TS	Net	TD	TS	Net	TD	TS	Net	TD	TS	Net	TD	TS	Net	TD	TS	Net
1961	0.84	9.05	8.21	1.02	7.91	6.89	2.15	10.89	8.73	0.58	6.40	5.82	3.82	13.02	9.20	3.39	6.44	3.05	5.13	3.33	1.79	7.96	2.00	5.96	6.51	2.00	4.51	0.86	2.00	1.14	0.55	6.11	5.57	0.35	4.10	3.75
1962	0.35	4.10	3.76	0.79	8.56	7.77	5.37	54.49	49.12	5.20	37.67	32.46	6.99	15.17	8.18	3.09	5.74	2.65	5.54	0.77	4.77	7.58	1.67	5.91	5.57	1.39	4.17	0.05	1.26	1.21	4.55	46.16	41.61	3.26	33.22	29.96
1963	6.23	62.92	56.69	9.11	91.75	82.65	4.87	45.04	40.17	8.15	51.29	43.14	5.05	38.52	33.47	5.64	28.88	23.25	5.26	4.33	0.92	7.35	1.17	6.18	4.36	2.22	2.13	0.84	6.23	5.38	0.59	6.52	5.93	1.63	16.93	15.30
1964	0.57	6.33	5.76	0.74	6.93	6.19	1.36	14.39	13.03	3.60	11.60	8.01	2.33	14.02	11.69	2.49	11.26	8.77	4.51	4.22	0.30	7.49	1.38	6.11	2.53	3.49	0.96	1.54	5.60	4.05	1.60	16.69	15.09	1.43	14.93	13.50
1965	1.68	17.39	15.71	1.09	11.61	10.52	3.20	31.61	28.41	3.56	29.99	26.43	8.15	31.46	23.31	4.51	10.57	6.07	6.03	1.56	4.4	7.35	0.57	6.78	6.34	0.31	6.03	1.75	0.37	1.38	0.08	1.42	1.35	0.60	6.58	5.98
1966	1.66	17.21	15.55	3.01	25.20	22.19	1.89	12.68	10.78	4.43	14.94	10.51	5.42	15.89	10.47	4.33	12.93	8.60	5.38	2.55	2.8	4.97	0.23	4.74	2.95	1.04	1.92	1.20	1.31	0.11	0.38	4.41	4.03	1.74	17.99	16.25
1967	1.07	11.00	9.93	1.46	8.22	6.77	3.22	16.27	13.05	4.73	19.65	14.93	4.34	22.64	18.30	2.86	7.58	4.72	3.24	6.75	3.51	3.90	0.98	2.95	4.12	0.68	3.44	1.42	0.60	0.83	0.08	1.49	1.41	0.46	5.19	4.73
1968	0.53	5.96	5.42	2.01	17.23	15.22	2.36	8.79	6.44	4.23	5.34	1.12	3.72	3.25	0.46	1.91	6.85	4.94	6.07	0.72	5.54	6.47	0.88	5.59	6.15	1.36	4.79	1.70	0.75	0.96	0.19	2.51	2.32	0.30	3.59	3.29
1969	0.81	8.76	7.94	1.79	18.54	16.75	2.51	25.82	23.31	4.85	24.10	19.26	5.89	20.27	14.38	3.18	4.11	0.93	4.35	2.33	2.03	7.02	2.29	4.75	4.36	3.10	1.25	2.04	2.37	0.33	0.12	0.70	0.58	0.49	5.46	4.98
1970	1.29	13.48	12.19	1.47	14.24	12.77	2.51	20.86	18.35	4.36	21.03	16.67	3.04	15.82	12.78	3.93	9.16	5.23	5.09	7.66	2.57	7.65	0.35	7.30	5.78	2.39	3.39	1.31	5.56	4.25	0.51	4.90	4.38	0.19	1.63	1.44
1971	0.99	10.19	9.21	0.70	7.67	6.97	1.76	16.33	14.57	4.78	18.71	13.94	4.18	10.57	6.39	4.29	7.63	3.33	4.76	0.53	4.24	7.07	0.40	6.67	5.43	3.81	1.62	1.79	3.69	1.90	0.37	3.18	2.80	0.28	3.43	3.15
1972	0.34	4.01	3.67	0.66	7.30	6.64	1.64	10.42	8.78	1.90	12.79	10.89	4.33	8.76	4.43	3.37	2.79	0.58	4.46	2.25	2.21	5.87	2.19	3.68	2.53	5.03	2.50	1.45	15.28	13.82	1.09	10.93	9.84	0.92	7.77	6.85
1973	0.50	5.58	5.08	1.17	12.40	11.22	1.79	15.77	13.98	5.30	28.06	22.75	7.36	19.76	12.40	3.46	5.43	1.97	5.37	4.31	1.06	5.69	3.88	1.81	7.28	9.77	2.48	2.57	7.69	5.12	1.03	7.99	6.96	1.77	15.74	13.96
1974	1.40	14.65	13.24	2.41	24.73	22.32	2.64	22.73	20.09	3.60	17.45	13.85	5.56	26.29	20.73	4.71	15.55	10.84	6.48	4.56	1.92	8.11	3.72	4.39	5.46	3.92	1.54	0.94	5.77	4.82	0.88	8.29	7.41	0.72	6.92	6.20
1975	0.63	6.05	5.42	0.61	4.76	4.15	1.32	9.34	8.02	4.80	11.41	6.61	5.22	13.03	7.81	1.95	9.01	7.07	4.85	3.25	1.60	6.99	0.76	6.23	5.78	1.20	4.58	1.44	5.40	3.97	0.80	8.01	7.21	0.99	8.77	7.78
1976	0.63	5.15	4.53	0.90	5.55	4.65	0.59	3.76	3.17	3.53	9.53	5.99	3.55	14.22	10.67	3.75	15.67	11.92	4.19	7.97	3.79	4.95	5.00	0.05	5.93	3.89	2.04	2.19	8.87	6.68	2.18	19.51	17.33	3.21	30.12	26.91
1977	1.52	14.91	13.40	3.11	27.69	24.58	2.43	14.47	12.04	4.22	10.19	5.98	2.38	5.93	3.56	1.13	4.05	2.92	5.86	0.69	5.17	4.37	0.70	3.67	5.94	0.53	3.41	1.81	1.23	0.58	0.16	2.30	2.14	0.51	4.84	4.33
1978	0.39	3.65	3.26	0.94	8.60	7.66	1.89	10.63	8.73	3.31	18.38	15.07	3.95	22.89	18.94	4.88	8.80	3.91	6.26	0.95	5.32	5.20	0.49	4.71	3.19	4.34	1.15	1.86	3.80	1.94	0.93	8.16	7.23	1.12	11.82	10.70
1979	1.24	12.17	10.93	1.94	15.69	13.75	1.60	6.83	5.22	3.67	15.63	11.96	5.10	21.45	16.35	4.37	8.70	4.32	6.03	2.37	3.65	4.64	3.39	1.25	5.44	4.24	1.20	1.64	3.37	1.73	2.51	25.12	22.62	1.55	15.21	13.66
1980	2.18	19.51	17.33	2.84	21.18	18.34	2.26	18.04	15.78	4.28	16.94	12.66	4.48	36.03	31.55	6.11	20.24	14.12	5.08	3.39	1.69	7.28	2.17	5.10	3.57	1.28	2.28	1.94	6.98	5.04	1.23	12.37	11.14	1.56	16.19	14.63
1981	1.23	12.00	10.78	2.05	18.82	16.77	4.80	39.68	34.88	5.27	28.70	23.42	6.94	14.97	8.03	3.50	7.18	3.69	6.50	3.93	2.57	4.46	3.67	0.79	5.45	10.20	4.75	1.92	11.17	9.24	1.65	17.19	15.54	3.18	32.46	29.27
1982	2.73	25.90	23.17	1.57	14.02	12.45	2.10	17.39	15.29	2.98	25.64	22.66	7.20	25.78	18.58	5.09	12.34	7.25	3.73	1.94	1.79	1.92	2.74	0.83	5.70	4.74	0.95	0.44	4.48	4.05	0.44	4.43	3.99	0.61	6.66	6.06
1983	0.75	7.24	6.49	1.30	8.96	7.66	1.49	6.31	4.82	3.62	8.97	5.35	3.27	3.74	0.47	1.09	10.13	9.04	5.64	10.47	4.84	7.50	4.15	3.35	4.91	8.85	3.94	1.93	3.06	1.12	0.38	3.33	2.94	1.05	11.13	10.07
1984	1.56	16.19	14.63	2.75	28.18	25.43	2.89	27.06	24.17	4.90	29.33	24.44	7.65	23.54	15.89	4.13	7.14	3.00	6.17	1.15	5.01	6.31	1.01	5.30	5.05	0.90	4.15	1.74	2.30	0.55	0.43	4.36	3.93	0.58	4.66	4.09
1985	0.76	8.24	7.48	1.34	8.49	7.15	1.05	10.44	9.38	4.33	13.92	9.59	3.94	13.70	9.76	4.29	3.18	1.11	6.49	0.50	5.98	7.41	0.52	6.88	6.14	0.65	5.48	1.79	1.67	0.12	0.86	9.30	8.43	1.02	8.76	7.74
1986	1.08	11.44	10.36	4.19	34.66	30.47	3.64	31.63	27.99	5.93	20.61	14.68	4.32	16.63	12.31	3.06	10.20	7.14	6.27	6.84	0.56	7.07	3.96	3.12	5.72	4.03	1.68	2.25	6.28	4.02	0.43	3.82	3.39	0.22	2.83	2.60
1987	0.48	5.37	4.89	1.33	12.51	11.18	1.19	11.81	10.62	5.57	36.62	31.05	5.54	15.27	9.74	3.08	8.62	5.54	6.61	1.78	4.84	6.87	0.48	6.39	6.29	3.37	2.92	0.32	2.42	2.11	0.30	3.62	3.32	0.55	5.26	4.70
1988	0.12	1.83	1.71	0.52	3.52	3.00	1.46	6.01	4.55	3.50	8.05	4.55	4.30	5.53	1.23	3.48	2.32	1.16	5.57	0.41	5.16	7.76	0.51	7.24	6.21	0.80	5.41	0.81	0.61	0.20	0.25	3.16	2.91	0.56	6.18	5.63
1989	0.43	1.98	1.56	0.75	1.98	1.24	1.69	9.47	7.78	2.45	6.34	3.89	5.34	15.07	9.73	2.28	9.47	7.19	4.09	6.08	1.99	7.72	3.72	4.01	6.50	1.92	4.58	0.87	7.72	6.84	0.36	3.60	3.25	0.55	5.19	4.65
1990	0.68	4.47	3.80	0.64	2.06	1.42	1.86	2.69	0.83	1.74	3.88	2.14	4.60	3.06	1.54	3.51	0.93	2.58	5.70	0.57	5.13	5.80	0.29	5.51	5.64	0.41	5.23	1.39	0.49	0.89	0.00	0.64	0.64	0.30	3.00	2.70
1991	0.44	3.26	2.82	0.57	6.39	5.82	1.42	11.73	10.31	2.75	17.22	14.47	5.34	21.50	16.16	4.57	11.32	6.74	2.14	2.15	0.01	6.29	0.52	5.77	4.36	1.10	3.26	1.72	2.42	0.69	0.42	4.86	4.44	0.47	3.61	3.14
1992	0.45	3.34	2.90	0.97	2.50	1.53	1.37	2.69	1.33	2.62	12.13	9.51	3.41	5.17	1.76	1.86	5.46	3.60	4.94	3.46	1.48	7.86	1.22	6.63	5.37	0.59	4.78	0.18	1.02	0.84	0.57	4.60	4.03	0.48	4.76	4.28
1993	0.32	2.61	2.30	0.50	2.70	2.21	1.30	6.18	4.88	4.21	7.56	3.34	3.09	4.90	1.81	2.62	1.15	1.48	6.51	0.75	5.76	7.70	0.81	6.89	5.97	0.72	5.25	0.61	1.86	1.24	0.05	1.11	1.06	0.20	1.17	0.97
1994	0.33	2.71	2.39	0.31	3.80	3.49	1.30	4.65	3.35	2.49	7.56	5.07	5.19	7.77	2.58	4.01	0.88	1.12	5.37	0.79	4.58	7.06	0.60	6.46	5.41	0.73	4.69	0.32	1.31	0.98	0.09	0.36	0.28	0.33	3.06	2.73
1995	0.34	3.98	3.64	0.85																																

AVERAGE MONTHLY WATER BALANCE FOR THE PERIOD 1961-1996 BASED ON CURRENT DEMAND (1996)
VARDAR RIVER BASIN - B1

Units: m³/sec

Units: 10³ m³

Year	Jan			Feb			Mar			Apr			May			Jun			Jul			Aug			Sep			Oct			Nov			Dec			Average Annual Balance		
	TD	TS	Net	TD	TS	Net	TD	TS	Net	TD	TS	Net	TD	TS	Net	TD	TS	Net	TD	TS	Net	TD	TS	Net	TD	TS	Net	TD	TS	Net	TD	TS	Net	TD	TS	Net	TD	TS	Net
1961	19.76	133.97	114.22	29.67	121.14	91.47	44.31	154.51	110.20	77.18	104.25	27.07	77.03	195.39	118.37	54.51	104.72	50.20	80.96	59.67	21.30	119.58	48.00	71.58	106.63	48.00	58.63	35.51	47.00	11.49	15.34	101.05	85.71	12.03	78.50	66.47	1,743,158	3,100,561	1,357,403
1962	12.62	78.52	65.90	23.98	128.45	104.47	100.44	643.10	542.66	113.90	454.57	340.67	112.49	202.49	90.00	43.29	96.81	53.52	77.53	41.17	36.36	106.79	29.00	77.79	94.65	29.33	65.32	29.20	46.71	17.51	83.51	549.69	466.18	65.37	404.74	339.37	2,238,940	7,010,270	4,771,330
1963	118.02	737.49	619.47	167.86	#####	892.70	103.84	537.14	433.29	143.39	607.15	463.76	120.27	464.10	343.82	91.91	356.15	264.24	74.78	81.09	6.31	110.36	45.63	64.73	90.77	57.45	33.33	28.43	102.31	73.88	17.41	105.60	88.19	35.48	222.20	186.72	2,857,713	11,344,822	8,487,109
1964	17.80	103.43	85.63	24.93	110.16	85.23	45.45	193.82	148.37	75.00	162.55	87.55	72.21	189.59	117.38	61.58	158.69	97.12	62.53	79.77	17.23	101.54	48.05	53.49	66.59	71.64	5.05	21.72	95.25	73.53	37.23	219.55	182.32	32.11	199.83	167.73	1,603,626	4,231,015	2,627,388
1965	36.85	227.39	190.54	26.44	162.63	136.19	82.32	386.73	304.41	105.51	368.59	263.09	114.70	385.03	270.33	63.53	151.02	87.49	68.23	50.03	48.20	87.23	36.96	50.27	108.50	35.07	73.42	46.80	36.66	10.14	6.15	48.50	42.35	16.61	106.28	89.67	1,977,320	5,170,779	3,193,459
1966	40.51	225.31	184.80	62.00	314.91	252.91	39.13	174.60	135.47	87.42	199.94	112.52	105.02	210.53	105.50	63.33	177.44	114.11	78.90	50.33	28.57	110.63	25.72	84.90	86.09	40.67	45.42	28.14	41.36	13.22	13.41	81.91	68.50	38.67	234.13	195.45	1,952,441	4,605,573	2,653,132
1967	27.55	155.79	128.23	31.88	124.68	92.80	51.80	214.84	163.04	84.01	252.72	168.71	95.26	286.16	190.90	48.03	117.49	69.46	43.41	108.20	64.80	101.35	43.47	57.88	87.73	45.59	42.15	36.05	39.23	3.18	7.04	49.22	42.18	13.88	90.65	76.77	1,627,755	3,960,698	2,332,942
1968	16.71	99.28	82.57	46.15	225.57	179.42	42.17	131.05	88.88	77.37	92.41	15.04	52.17	68.99	16.82	39.47	109.25	69.78	86.26	40.66	45.60	79.37	28.61	50.76	94.18	36.44	57.74	39.96	40.90	0.94	8.17	60.66	52.49	10.59	72.71	62.13	1,535,897	2,608,891	1,072,994
1969	21.62	130.64	109.02	43.16	240.24	197.08	61.13	321.80	260.67	94.35	302.60	208.25	131.38	259.62	128.24	52.27	78.63	26.37	76.12	58.63	17.49	101.01	58.24	42.77	101.04	67.31	33.73	50.18	59.10	8.92	7.76	32.39	24.63	16.13	93.75	77.62	1,959,950	4,414,083	2,454,133
1970	32.66	183.58	150.92	34.50	192.14	157.64	61.36	266.28	204.92	98.07	268.20	170.13	82.69	209.76	127.07	55.34	135.12	79.78	62.28	118.39	56.11	115.71	36.46	79.24	100.86	59.31	41.54	16.28	94.79	78.51	12.86	87.40	74.54	9.33	58.88	49.55	1,767,565	4,433,143	2,665,577
1971	27.79	170.05	142.26	19.34	118.51	99.16	39.27	215.51	176.24	98.79	242.21	143.43	83.77	151.02	67.25	57.11	118.02	60.90	51.90	38.43	13.47	98.90	36.50	62.40	71.86	75.18	3.32	42.26	73.86	31.61	11.69	68.12	56.43	9.40	71.01	61.60	1,586,549	3,572,849	1,986,300
1972	11.16	77.43	66.27	20.09	114.34	94.25	43.03	149.31	106.28	60.98	175.80	114.81	86.89	130.72	43.83	53.00	63.78	10.78	47.71	57.80	10.09	81.54	57.07	24.46	60.47	88.90	28.43	34.85	203.73	168.87	24.52	155.03	130.52	18.99	119.60	100.60	1,408,090	3,612,000	2,203,910
1973	13.42	95.06	81.64	32.42	171.44	139.02	44.09	209.28	165.19	105.16	346.89	241.73	120.94	253.90	132.95	61.32	93.43	32.11	59.43	80.85	21.42	85.58	75.99	9.59	127.66	141.97	14.31	57.89	118.67	60.78	21.04	122.06	101.02	36.02	208.84	172.83	1,982,772	4,972,433	2,989,661
1974	30.45	196.64	166.19	55.78	309.59	253.81	63.26	287.18	223.92	80.24	228.05	147.81	88.86	327.13	238.27	55.43	206.71	151.28	89.44	83.65	8.80	111.47	74.20	37.27	86.51	76.49	10.01	29.58	97.15	67.57	19.15	125.47	106.32	14.85	110.02	95.17	1,879,229	5,500,920	3,621,691
1975	16.13	100.34	84.21	19.51	85.87	66.36	34.93	137.23	102.31	83.61	160.42	76.81	78.22	178.53	100.31	38.72	133.54	94.82	59.48	69.00	9.52	93.83	41.07	52.76	98.69	41.61	57.07	26.85	93.10	66.25	17.21	122.29	105.08	19.13	130.75	111.61	1,519,687	3,353,377	1,833,689
1976	14.03	90.27	76.25	22.44	94.71	72.28	33.56	74.71	41.15	74.41	139.26	64.86	69.08	191.91	122.82	59.90	208.13	148.23	51.62	121.85	70.23	97.87	88.61	9.26	107.85	76.15	31.70	40.93	131.94	91.01	46.58	251.18	204.60	64.37	370.05	305.68	1,769,387	4,766,080	2,996,693
1977	31.23	199.65	168.42	63.02	342.78	279.76	47.91	194.67	146.76	82.69	146.74	64.04	78.13	99.03	20.90	43.74	77.95	34.21	69.88	40.28	29.61	89.75	32.19	57.55	95.18	39.36	55.82	41.60	46.28	4.68	9.21	58.32	49.11	11.63	86.77	75.14	1,721,060	3,535,547	1,814,487
1978	10.56	73.46	62.91	26.25	128.84	102.59	35.65	151.60	115.95	78.47	238.48	160.01	96.96	289.01	192.05	67.29	131.08	63.79	81.57	39.76	41.89	107.56	35.01	72.55	63.11	81.16	18.05	43.52	75.13	31.61	18.07	123.94	105.88	22.20	164.97	142.77	1,687,960	3,972,126	2,284,165
1979	30.89	168.86	137.97	46.80	208.38	161.58	36.75	109.02	72.27	77.33	207.67	130.34	89.29	272.84	183.56	54.84	130.01	75.16	72.69	59.12	13.56	72.30	70.55	1.76	96.29	80.01	16.27	27.54	70.27	42.73	53.39	314.04	260.66	31.54	202.96	171.42	1,787,544	4,908,535	3,120,991
1980	39.21	251.17	211.97	51.46	269.88	218.42	48.84	234.61	185.78	88.28	222.30	134.02	111.91	436.23	324.32	81.41	259.27	177.86	82.22	70.54	11.68	104.08	56.91	47.17	89.22	46.92	42.30	37.23	110.72	73.49	23.45	171.17	147.72	33.24	213.90	180.65	2,049,090	6,074,644	4,025,554
1981	24.70	167.04	142.34	42.69	243.39	200.70	92.04	477.13	385.09	96.93	354.06	257.13	110.13	200.31	90.18	52.03	113.02	60.99	65.63	76.57	10.94	86.39	73.68	12.71	76.31	146.78	70.48	38.80	157.66	118.85	30.28	225.16	194.88	61.23	396.17	334.94	2,014,417	6,819,528	4,805,111
1982	46.79	322.69	275.90	33.49	189.59	156.09	49.71	227.41	177.70	75.82	319.81	243.99	107.25	321.34	214.08	68.68	170.78	102.11	71.27	54.31	16.96	96.62	63.29	33.32	104.14	85.69	18.43	34.66	82.78	48.12	13.87	82.19	68.32	17.83	107.20	89.37	1,866,570	5,254,174	3,387,604
1983	15.93	113.70	97.77	27.17	132.90	105.73	35.90	103.24	67.34	78.73	133.00	54.27	63.10	74.45	11.36	37.00	146.01	109.01	61.94	149.87	87.93	104.37	79.06	25.31	80.45	131.69	51.23	43.72	66.79	23.07	11.06	69.82	58.76	29.96	157.19	127.23	1,527,556	3,519,179	1,991,623
1984	33.52	213.89	180.37	58.71	348.31	289.61	64.03	335.70	271.67	104.33	361.20	256.87	131.03	296.25	165.22	56.93	112.49	55.55	78.10	45.47	32.63	75.93	43.85	32.07	85.58	42.64	42.94	44.92	58.27	13.36	12.29	81.36	69.07	11.97	84.80	72.82	1,963,022	5,246,785	3,283,764
1985	19.85	124.90	105.05	28.88	127.63	98.75	39.27	149.47	110.19	81.27	188.49	107.22	72.94	186.05	113.12	53.13	68.16	15.03	81.78	28.67	53.11	106.56	22.33	84.23	104.41	39.87	64.54	40.82	51.28	10.46	22.54	136.71	114.18	20.12	130.71	110.58	1,740,690	3,251,046	1,510,356
1986	24.03	160.69	136.66	83.95	420.84	336.89	80.93	386.94	306.01	97.40	263.44	166.04	83.44	218.90	135.46	60.93	146.78	85.85	60.72	109.13	48.41	113.22	76.88	36.35	109.29	77.74	31.55	48.39	102.86	54.47	13.01	75.34	62.33	9.31	64.21	54.90	2,033,786	5,452,946	3,419,160
1987	13.96	92.69	78.73	31.73	172.69	140.96	35.35	164.84	129.49	106.52	442.78	336.26	101.25	203.64	102.39	57.44	129.13	71.69	85.09	50.39	34.71	93.19	37.90	55.29	100.65	70.28	30.37	16.26	59.67	43.41	11.20	73.05	61.86	13.13	91.42	78.30	1,725,671	4,117,319	2,391,648
1988	9.85	53.03	43.18	15.89	71.98	56.08	27.69	99.93	72.24	77.69	122.76	45.06	89.44	94.50	5.06	43.41	58.																						

AVERAGE MONTHLY WATER BALANCE FOR THE PERIOD 1961-1996 BASED ON CURRENT DEMAND CONDITION (1996)
TRESKA RIVER BASIN - B2-1

Units: m³/sec

Units: 10³ m³

Year	Jan			Feb			Mar			Apr			May			Jun			Jul			Aug			Sep			Oct			Nov			Dec			Average Annual Balance		
	TD	TS	Net	TD	TS	Net	TD	TS	Net	TD	TS	Net	TD	TS	Net	TD	TS	Net	TD	TS	Net	TD	TS	Net	TD	TS	Net	TD	TS	Net	TD	TS	Net	TD	TS	Net	TD	TS	Net
1961	0.60	7.15	6.55	0.76	6.81	6.05	1.60	14.36	12.76	1.94	12.30	10.35	2.28	15.75	13.47	0.99	7.21	6.22	0.97	2.42	1.45	1.68	1.22	0.46	1.58	1.32	0.26	0.58	1.95	1.37	0.41	5.09	4.68	0.28	3.85	3.57	35,481	205,853	170,372
1962	0.33	4.38	4.05	0.47	5.89	5.42	2.48	25.52	23.03	3.37	28.43	25.05	2.72	13.62	10.90	0.87	6.54	5.66	1.04	2.75	1.72	1.64	1.51	0.13	1.48	1.86	0.38	0.72	4.25	3.54	3.31	34.29	30.98	2.70	28.06	25.36	54,761	407,202	352,441
1963	4.94	50.55	45.60	5.31	54.30	48.99	3.68	37.36	33.68	4.40	38.51	34.11	4.18	36.79	32.61	2.62	23.09	20.48	1.67	10.91	9.24	2.00	5.69	3.69	1.67	6.20	4.53	1.30	11.29	9.99	1.06	11.38	10.32	2.33	24.35	22.02	91,148	804,600	713,452
1964	0.80	8.92	8.12	0.78	7.97	7.19	1.92	18.31	16.39	2.58	17.77	15.20	1.47	12.58	11.11	1.03	8.55	7.51	0.96	4.41	3.45	1.40	3.35	1.96	1.16	3.97	2.81	0.69	5.27	4.58	1.75	18.50	16.75	1.86	19.66	17.80	42,501	335,058	292,557
1965	1.61	17.20	15.59	0.92	10.43	9.50	4.09	39.36	35.27	4.57	38.56	33.99	4.02	30.43	26.41	1.42	11.05	9.63	1.43	4.96	3.53	1.80	4.59	2.79	1.95	3.75	1.80	1.07	3.67	2.60	0.45	5.67	5.21	1.47	15.84	14.36	64,309	480,821	416,513
1966	2.16	22.69	20.53	3.59	35.73	32.13	1.81	17.92	16.11	2.77	20.44	17.67	2.54	15.34	12.80	0.92	6.58	5.66	1.00	3.97	2.97	1.68	3.14	1.46	1.57	3.65	2.08	0.74	3.93	3.19	0.90	10.20	9.29	1.78	18.93	17.15	55,646	421,240	365,594
1967	1.16	12.48	11.32	0.91	8.65	7.74	1.69	16.23	14.53	2.90	23.11	20.21	2.81	23.03	20.23	1.09	9.46	8.37	0.84	7.31	6.48	1.82	4.11	2.29	1.40	3.14	1.73	0.63	2.73	2.10	0.19	2.92	2.73	0.48	5.89	5.41	41,260	308,570	267,310
1968	0.73	8.36	7.63	1.48	15.55	14.08	1.13	9.58	8.44	2.22	13.39	11.17	1.48	8.58	7.10	1.46	13.69	12.24	1.35	4.16	2.81	1.39	3.41	2.02	1.48	3.07	1.60	0.83	2.78	1.95	0.22	3.35	3.13	0.31	4.20	3.89	36,451	233,605	197,155
1969	0.38	4.88	4.51	1.24	13.54	12.30	2.50	25.65	23.15	3.28	27.55	24.27	3.44	21.25	17.81	1.06	7.04	5.97	1.03	3.60	2.57	1.52	3.08	1.56	1.51	3.17	1.65	0.97	2.65	1.68	0.26	3.09	2.83	1.17	12.82	11.65	47,621	332,604	284,983
1970	2.22	23.30	21.08	2.05	21.52	19.47	2.60	26.45	23.84	4.40	36.55	32.15	2.35	17.37	15.03	1.25	11.52	10.26	1.17	7.12	5.95	1.82	2.99	1.17	1.79	3.19	1.40	0.46	4.41	3.95	0.37	4.88	4.51	0.50	5.89	5.39	54,385	428,156	373,771
1971	1.65	17.60	15.95	0.82	9.28	8.45	2.23	22.72	20.49	3.47	27.20	23.73	2.51	14.35	11.84	1.03	7.00	5.97	0.86	3.11	2.24	1.42	2.53	1.11	0.92	3.61	2.69	0.76	2.86	2.10	0.29	3.43	3.14	0.43	5.33	4.90	42,504	308,484	265,980
1972	0.65	7.60	6.95	1.40	15.20	13.79	2.31	22.01	19.69	2.31	21.75	19.45	2.11	11.38	9.27	0.91	5.53	4.62	0.79	4.86	4.07	1.06	2.73	1.67	1.38	3.68	2.30	0.93	10.58	9.65	0.86	9.33	8.47	0.66	7.40	6.73	39,852	316,344	276,492
1973	0.46	5.70	5.24	1.37	14.57	13.20	1.67	16.79	15.12	4.39	36.27	31.88	3.61	24.78	21.17	0.96	5.99	5.03	1.19	7.69	6.51	1.25	3.45	2.20	2.05	4.64	2.59	1.08	3.75	2.67	0.43	4.49	4.06	1.42	14.74	13.31	51,548	370,322	318,774
1974	1.53	16.38	14.85	2.32	24.43	22.11	2.18	21.12	18.94	3.03	25.16	22.13	3.74	30.48	26.73	1.24	10.27	9.03	1.27	3.61	2.14	1.57	2.68	1.11	1.65	2.80	1.15	0.94	6.91	5.98	1.05	11.42	10.37	0.64	7.48	6.84	54,839	421,290	366,451
1975	0.51	5.85	5.33	0.40	4.86	4.46	0.86	8.49	7.63	2.38	18.25	15.87	1.76	10.45	8.69	0.74	5.81	5.07	0.66	2.79	2.13	1.43	1.78	0.35	1.55	2.08	0.52	0.66	5.08	4.42	0.51	6.26	5.75	0.78	8.86	8.07	31,759	208,804	177,046
1976	0.49	5.85	5.36	0.77	7.60	6.84	1.18	9.70	8.52	2.05	15.28	13.23	1.99	14.63	12.64	1.17	11.94	10.77	0.94	7.17	6.23	1.29	3.53	2.24	1.73	2.98	1.25	0.49	3.97	3.48	1.30	13.18	11.88	2.22	22.72	20.50	40,504	307,314	266,810
1977	1.00	11.09	10.09	3.23	32.24	29.01	1.44	12.69	11.24	1.92	11.48	9.56	1.57	6.72	5.15	0.76	4.26	3.50	1.00	2.24	1.23	1.41	2.29	0.88	1.11	2.33	1.21	0.90	2.63	1.73	0.41	5.27	4.86	0.53	6.39	5.86	39,618	258,198	218,580
1978	0.45	5.61	5.16	1.68	17.02	15.34	2.42	24.91	22.49	2.80	24.27	21.48	3.13	24.26	21.13	1.32	9.43	8.11	1.38	4.70	3.32	1.72	3.23	1.50	0.81	3.89	3.08	0.82	2.93	2.11	0.25	2.96	2.71	0.65	7.59	6.94	45,219	339,088	293,869
1979	1.92	20.27	18.35	2.72	27.20	24.47	1.18	9.91	8.73	3.04	26.93	23.90	2.74	24.91	22.17	1.45	12.01	10.55	1.32	4.74	3.41	0.93	3.32	2.39	1.50	3.65	2.15	0.23	3.29	3.06	2.76	28.79	26.02	1.15	12.57	11.42	54,281	460,293	406,012
1980	1.60	17.07	15.47	1.87	18.63	16.76	1.87	19.26	17.39	2.58	19.37	16.79	4.30	38.76	34.46	1.80	14.56	12.76	1.44	5.32	3.88	1.82	4.07	2.25	1.75	3.77	2.02	0.85	6.38	5.53	0.95	10.66	9.70	1.42	15.30	13.88	57,639	448,774	391,134
1981	0.74	8.48	7.74	1.16	12.83	11.67	3.24	30.06	26.82	2.86	23.83	20.97	2.60	15.46	12.85	0.91	7.51	6.60	0.93	4.04	3.11	1.13	3.38	2.25	1.35	3.55	2.20	1.05	10.69	9.65	0.81	9.21	8.40	2.30	24.13	21.83	49,448	397,014	347,566
1982	1.99	20.97	18.98	0.82	8.24	7.41	1.51	14.64	13.13	2.80	27.60	24.80	2.24	16.12	13.88	1.03	7.16	6.13	1.13	3.33	2.20	1.07	3.02	1.95	1.28	3.09	1.81	0.43	3.26	2.83	0.33	4.07	3.74	1.30	14.14	12.83	41,282	325,642	284,360
1983	0.54	6.33	5.79	1.09	11.68	10.59	1.40	11.22	9.83	2.25	14.49	12.25	1.55	7.87	6.32	1.00	9.64	8.64	1.02	8.02	7.00	1.63	3.49	1.85	1.10	4.33	3.23	0.88	3.55	2.67	0.49	6.07	5.57	1.17	12.79	11.62	36,579	257,873	221,294
1984	1.62	17.26	15.64	1.71	18.25	16.55	2.10	20.18	18.08	3.51	30.72	27.21	4.32	29.39	25.07	0.89	7.22	6.33	1.11	3.87	2.76	1.02	4.00	2.98	1.60	4.37	2.77	1.00	3.68	2.68	0.48	5.55	5.07	0.26	3.48	3.22	50,887	383,586	332,699
1985	1.31	14.21	12.90	1.53	14.81	13.28	2.14	20.72	18.58	2.95	25.22	22.27	2.44	19.35	16.91	0.93	6.80	5.87	1.11	2.88	1.77	1.71	1.57	0.13	1.61	2.39	0.78	0.80	2.72	1.92	2.03	21.42	19.40	0.98	10.71	9.73	50,640	370,137	319,498
1986	1.77	18.80	17.03	4.42	42.81	38.39	4.33	42.88	38.55	3.73	27.73	24.00	2.62	23.22	20.59	1.50	13.57	12.07	1.18	8.81	7.63	1.99	4.40	2.41	1.89	3.63	1.75	0.89	3.39	2.50	0.30	3.58	3.29	0.23	3.14	2.92	64,377	507,940	443,564
1987	1.13	12.38	11.25	1.66	17.79	16.13	1.41	15.37	13.97	3.12	25.89	22.77	2.75	16.12	13.37	0.90	7.55	6.65	1.18	4.35	3.18	1.70	2.53	0.83	1.54	2.02	0.48	0.22	3.15	2.93	0.25	3.70	3.44	0.53	6.34	5.80	42,462	303,745	261,283
1988	0.34	4.34	4.00	0.47	5.48	5.01	0.83	8.55	7.72	1.86	10.60	8.74	2.13	8.01	5.88	0.52	3.63	3.11	1.02	1.46	0.44	1.70	1.26	0.44	1.29	1.83	0.53	0.46	2.22	1.76	0.38	4.91	4.53	0.90	10.08	9.18	30,798	161,610	130,812
1989	0.40	4.50	4.10	0.51	5.76	5.25	1.51	14.12	12.61	1.48	7.27	5.79	1.50	10.40	8.91	0.83	6.03	5.21	0.68	4.98	4.29	1.69	2.76	1.07	1.38	2.71	1.33	0.71	6.44	5.73	0.49	5.90	5.41	0.63	7.23	6.60	30,652	202,491	171,839
1990	0.44	5.06	4.62	0.45	5.27	4.82	0.78	4.98	4.20	1.45	9.05	7.60	1.61	5.98	4.37	0.73	3.75	3.01	0.83	1.98	1.14	1.16	1.50	0.34	1.28	2.09	0.81	0.80	2.36	1.56	0.18	2.94	2.76	0.82	9.25	8.43	27,274	140,452	113,178
1991	0.60	7.15	6.55	0.84	9.59	8.75	2.70	25.10	22.40	2.61	24.99	22.38	3.10	23.25	20.15	1.32	9.50	8.18	0.81	4.28	3.46	0.89	3.25	2.36	1.11	2.62	1.51	0.91	3.77										

AVERAGE MONTHLY WATER BALANCE FOR THE PERIOD 1961-1996 BASED ON CURRENT DEMAND CONDITION (1996)
TRESKA RIVER BASIN - B2-2

Units: m³/sec

Units: 10³ m³

Year	Jan			Feb			Mar			Apr			May			Jun			Jul			Aug			Sep			Oct			Nov			Dec			Average Annual Balance					
	TD	TS	Net	TD	TS	Net	TD	TS	Net	TD	TS	Net	TD	TS	Net	TD	TS	Net	TD	TS	Net	TD	TS	Net	TD	TS	Net	TD	TS	Net	TD	TS	Net	TD	TS	Net	TD	TS	Net			
1961	0.54	5.42	4.87	0.62	6.16	5.54	0.78	7.82	7.04	1.33	13.31	11.98	1.39	13.87	12.48	1.06	10.62	9.56	0.49	4.86	4.38	0.28	2.80	2.52	0.24	2.39	2.15	0.33	3.27	2.94	0.86	8.62	7.76	0.58	5.80	5.22	22,011	220,112	198,101			
1962	0.49	4.87	4.38	0.50	5.03	4.53	1.73	17.30	15.57	2.00	20.02	18.02	1.37	13.68	12.31	0.90	9.03	8.13	0.43	4.27	3.84	0.25	2.49	2.25	0.28	2.79	2.51	0.55	5.53	4.98	3.43	34.34	30.91	2.93	29.33	26.40	38,540	385,403	346,863			
1963	3.25	32.53	29.27	3.78	37.76	33.99	2.84	28.42	25.58	2.86	28.56	25.70	2.76	27.60	24.84	2.06	20.55	18.50	0.67	6.71	6.04	0.60	6.01	5.41	0.57	5.72	5.15	0.71	7.08	6.37	0.52	5.20	4.68	1.04	10.36	9.32	56,114	561,139	505,025			
1964	0.77	7.73	6.96	0.69	6.89	6.20	1.02	10.19	9.17	1.08	10.77	9.70	1.45	14.53	13.07	0.97	9.69	8.72	0.61	6.05	5.45	0.40	4.05	3.64	0.43	4.33	3.89	0.64	6.44	5.79	0.79	7.90	7.11	0.75	7.50	6.75	24,900	248,996	224,096			
1965	0.77	7.69	6.92	0.76	7.63	6.87	0.65	6.48	5.83	0.89	8.89	8.00	2.18	21.80	19.62	1.64	16.43	14.79	0.49	4.90	4.41	0.24	2.44	2.19	0.24	2.38	2.14	0.15	1.48	1.33	0.35	3.50	3.15	0.53	5.27	4.74	23,041	230,412	207,371			
1966	0.74	7.40	6.66	0.68	6.76	6.08	1.07	10.66	9.60	1.45	14.54	13.09	1.74	17.37	15.63	1.64	16.43	14.79	0.33	3.31	2.98	0.15	1.54	1.39	0.18	1.80	1.62	0.20	2.04	1.84	0.64	6.42	5.78	1.29	12.88	11.59	26,218	262,182	235,964			
1967	0.78	7.75	6.98	0.57	5.68	5.11	1.22	12.19	10.97	0.97	9.70	8.73	1.54	15.40	13.86	0.62	6.19	5.57	0.67	6.73	6.06	0.20	2.04	1.84	0.27	2.68	2.41	0.23	2.32	2.08	0.23	2.26	2.03	0.52	5.24	4.71	20,265	202,647	182,382			
1968	0.74	7.37	6.63	0.78	7.77	7.00	0.96	9.62	8.65	1.30	12.95	11.66	1.30	12.96	11.67	1.34	13.39	12.05	0.48	4.83	4.35	0.16	1.65	1.48	0.28	2.76	2.48	0.11	1.12	1.01	0.39	3.93	3.54	0.48	4.79	4.31	21,550	215,498	193,949			
1969	0.57	5.74	5.17	1.19	11.94	10.75	1.60	16.01	14.41	2.18	21.77	19.59	2.73	27.33	24.60	0.68	6.81	6.13	0.19	1.88	1.69	0.15	1.47	1.32	0.17	1.70	1.53	0.15	1.47	1.32	0.11	1.09	0.98	0.69	6.92	6.23	26,991	269,906	242,916			
1970	1.59	15.89	14.30	1.32	13.17	11.85	2.19	21.93	19.73	2.44	24.43	21.99	1.33	13.25	11.93	1.00	9.97	8.97	0.74	7.40	6.66	0.26	2.60	2.34	0.26	2.63	2.37	0.13	1.28	1.16	0.21	2.12	1.91	0.13	1.30	1.17	30,058	300,580	270,522			
1971	1.38	13.76	12.38	0.51	5.15	4.63	0.74	7.39	6.65	1.29	12.86	11.57	1.33	13.27	11.94	0.78	7.84	7.05	0.25	2.54	2.28	0.16	1.57	1.41	0.39	3.88	3.49	0.28	2.76	2.49	0.22	2.22	2.00	0.22	2.20	1.98	19,553	195,526	175,974			
1972	0.18	1.80	1.62	0.33	3.26	2.93	0.39	3.90	3.51	1.31	13.05	11.75	0.74	7.41	6.67	0.43	4.30	3.87	0.40	4.04	3.64	0.33	3.34	3.00	0.47	4.73	4.26	0.80	8.03	7.23	0.76	7.58	6.83	0.66	6.57	5.92	17,628	176,282	158,654			
1973	0.61	6.07	5.47	0.82	8.25	7.42	0.77	7.68	6.91	1.03	10.31	9.28	1.89	18.92	17.03	0.96	9.63	8.67	0.16	1.65	1.48	0.47	4.74	4.26	0.95	9.55	8.59	0.63	6.29	5.66	0.67	6.72	6.05	1.29	12.91	11.61	26,622	266,219	239,597			
1974	0.76	7.61	6.85	1.01	10.08	9.07	0.99	9.86	8.87	0.89	8.92	8.03	1.82	18.21	16.39	1.34	13.42	12.08	0.61	6.10	5.49	0.39	3.93	3.53	0.48	4.82	4.34	0.61	6.07	5.46	0.67	6.67	6.00	0.57	5.65	5.09	26,269	262,687	236,418			
1975	0.39	3.87	3.48	0.36	3.56	3.21	0.69	6.88	6.19	1.23	12.31	11.08	1.66	16.61	14.95	0.67	6.74	6.07	0.32	3.24	2.91	0.20	1.97	1.77	0.14	1.45	1.30	0.44	4.45	4.00	0.49	4.92	4.43	0.44	4.41	3.97	18,251	182,510	164,259			
1976	0.46	4.58	4.12	0.52	5.23	4.70	0.62	6.20	5.58	0.91	9.09	8.18	1.45	14.52	13.06	1.16	11.59	10.43	0.55	5.54	4.99	0.40	4.05	3.64	0.22	2.23	2.00	0.33	3.29	2.96	1.02	10.24	9.22	2.04	20.41	18.37	25,129	251,288	226,160			
1977	0.85	8.50	7.65	1.26	12.56	11.31	1.08	10.75	9.68	1.09	10.91	9.82	0.89	8.86	7.98	0.57	5.66	5.10	0.23	2.26	2.03	0.27	2.72	2.45	0.30	2.97	2.67	0.32	3.21	2.89	0.38	3.80	3.42	0.45	4.48	4.04	19,883	198,825	178,943			
1978	0.26	2.60	2.34	1.00	9.97	8.97	1.47	14.70	13.23	2.52	25.25	22.72	3.15	31.48	28.33	1.03	10.26	9.24	0.29	2.90	2.61	0.20	1.97	1.78	0.38	3.78	3.40	0.23	2.32	2.09	0.24	2.42	2.18	0.43	4.32	3.89	29,024	290,240	261,216			
1979	1.30	13.03	11.73	1.39	13.89	12.50	1.10	10.98	9.88	1.23	12.34	11.11	1.77	17.69	15.92	0.89	8.87	7.98	0.41	4.10	3.69	0.07	0.68	0.61	0.30	3.00	2.70	0.35	3.50	3.15	1.16	11.56	10.40	0.69	6.91	6.22	27,618	276,182	248,564			
1980	0.85	8.54	7.68	0.87	8.75	7.87	0.93	9.31	8.38	1.17	11.71	10.54	2.13	21.27	19.15	1.57	15.69	14.12	0.49	4.91	4.42	0.26	2.56	2.30	0.17	1.67	1.50	0.41	4.09	3.68	0.71	7.08	6.37	1.07	10.74	9.66	27,556	275,555	248,000			
1981	0.41	4.08	3.67	0.76	7.61	6.85	3.05	30.52	27.47	1.66	16.62	14.96	0.94	9.38	8.44	0.89	8.85	7.97	0.36	3.60	3.24	0.30	2.98	2.69	0.42	4.16	3.75	0.48	4.81	4.33	0.73	7.33	6.59	2.30	23.04	20.73	31,877	318,768	286,891			
1982	0.81	8.08	7.27	0.47	4.75	4.27	0.99	9.89	8.90	1.42	14.17	12.75	1.16	11.65	10.48	0.66	6.64	5.97	0.29	2.94	2.65	0.32	3.25	2.92	0.34	3.39	3.05	0.26	2.56	2.30	0.25	2.53	2.28	0.39	3.89	3.50	0.39	3.89	3.50	19,109	191,085	171,977
1983	0.36	3.56	3.20	0.67	6.69	6.02	0.64	6.38	5.75	0.99	9.91	8.92	0.53	5.26	4.73	0.92	9.18	8.26	0.82	8.21	7.39	0.19	1.94	1.75	0.18	1.77	1.59	0.15	1.54	1.38	0.39	3.89	3.50	0.43	4.30	3.87	16,234	162,343	146,109			
1984	0.85	8.52	7.67	1.45	14.50	13.05	1.29	12.90	11.61	2.09	20.89	18.80	2.37	23.68	21.31	0.84	8.41	7.57	0.34	3.41	3.07	0.29	2.91	2.62	0.25	2.53	2.27	0.17	1.71	1.54	0.24	2.45	2.20	0.23	2.28	2.05	27,006	270,062	243,056			
1985	0.29	2.92	2.63	0.59	5.92	5.33	0.97	9.66	8.69	1.55	15.46	13.91	1.35	13.48	12.13	0.59	5.95	5.35	0.29	2.90	2.61	0.20	2.04	1.83	0.10	0.98	0.88	0.07	0.73	0.66	0.41	4.07	3.66	0.62	6.21	5.59	18,224	182,240	164,016			
1986	0.86	8.57	7.71	2.13	21.33	19.20	1.88	18.79	16.91	2.08	20.83	18.75	2.16	21.58	19.42	1.13	11.28	10.16	0.64	6.45	5.80	0.39	3.91	3.52	0.22	2.22	2.00	0.24	2.39	2.15	0.30	2.96	2.66	0.35	3.47	3.12	32,082	320,822	288,740			
1987	0.25	2.52	2.26	0.65	6.50	5.85	0.65	6.55	5.89	1.18	11.78	10.60	1.72	17.21	15.49	0.93	9.29	8.36	0.35	3.47	3.13	0.15	1.54	1.38	0.13	1.29	1.16	0.18	1.81	1.63	0.29	2.92	2.63	0.45	4.53	4.08	17,986	179,862	161,876			
1988	0.29	2.91	2.61	0.30	2.97	2.67	0.65	6.45	5.81	1.21	12.09	10.88	0.96	9.64	8.67	0.35	3.49	3.14	0.22	2.19	1.97	0.19	1.88	1.69	0.09	0.90	0.81	0.08	0.78	0.70	0.11	1.12	1.01	0.39	3.86	3.47	12,512	125,118	112,606			
1989	0.29	2.85	2.57	0.28	2.84	2.56	0.79	7.94	7.14	0.86	8.64	7.78	1.60	15.98	14.38	0.78	7.78	7.00	0.72	7.25	6.52	0.41	4.15	3.73	0.28	2.75	2.48	0.56	5.65	5.08	0.37	3.67	3.30	0.38	3.84	3.45	19,008	190,080	171,072			
1990	0.31	3.11	2.80	0.30	3.00	2.70	0.32	3.21	2.89	0.55	5.49	4.94	0.45	4.48	4.03	0.21	2.07	1.86	0.16	1.64	1.47	0.17	1.74	1.57	0.14	1.42	1.28	0.14	1.40	1.26	0.24	2.38	2.15	0.13	1.33	1.20	8,103	81,029	72,927			
1991	0.22	2.20	1.98	0.34	3.37	3.03	0.77	7.75	6.97	0.91	9.11	8.20	1.57	15.65	14.09	0.94	9.40	8.46	0.27	2.74	2.47	0.17	1.74	1.57	0.14	1.40	1.26	0.09	0.93	0.84	0.42	4.20	3.78	0.22	2.16	1.94	15,723	157,226				

AVERAGE MONTHLY WATER BALANCE FOR THE PERIOD 1961-1996 BAESD ON CURRENT DEMAND CONDITON (1996)
TRESKA RIVER BASIN - B2-3

Units: m³/sec

Units: 10³ m³

Year	Jan			Feb			Mar			Apr			May			Jun			Jul			Aug			Sep			Oct			Nov			Dec			Average Annual Balance		
	TD	TS	Net	TD	TS	Net	TD	TS	Net	TD	TS	Net	TD	TS	Net	TD	TS	Net	TD	TS	Net	TD	TS	Net	TD	TS	Net	TD	TS	Net	TD	TS	Net	TD	TS	Net	TD	TS	Net
1961	0.81	8.05	7.25	0.32	3.23	2.91	2.24	22.38	20.14	5.93	59.26	53.33	1.34	13.35	12.02	0.46	4.58	4.13	0.38	3.79	3.41	0.31	3.14	2.83	0.26	2.63	2.37	0.15	1.47	1.32	0.08	0.80	0.72	0.24	2.36	2.13	32,414	324,140	291,726
1962	0.35	3.54	3.19	0.48	4.78	4.30	2.93	29.34	26.41	2.92	29.22	26.30	1.36	13.55	12.20	0.74	7.44	6.69	0.43	4.32	3.89	0.31	3.12	2.81	0.23	2.30	2.07	0.72	7.24	6.51	3.18	31.77	28.59	2.25	22.55	20.29	41,259	412,588	371,329
1963	3.83	38.26	34.43	3.26	32.56	29.30	4.90	49.03	44.13	3.04	30.38	27.34	2.86	28.57	25.71	1.64	16.37	14.73	0.60	6.00	5.40	0.40	3.99	3.60	0.39	3.87	3.48	0.69	6.92	6.22	0.61	6.10	5.49	1.52	15.25	13.72	61,506	615,059	553,553
1964	1.00	9.96	8.96	0.61	6.09	5.48	0.78	7.79	7.01	0.75	7.52	6.77	0.89	8.92	8.02	0.61	6.06	5.46	0.82	8.19	7.37	0.62	6.15	5.54	0.27	2.70	2.43	0.29	2.88	2.60	1.03	10.33	9.29	0.69	6.90	6.21	21,638	216,379	194,741
1965	0.78	7.82	7.04	0.70	7.05	6.34	1.53	15.27	13.74	1.64	16.37	14.74	1.88	18.78	16.91	0.91	9.13	8.22	0.28	2.79	2.51	0.36	3.57	3.21	0.22	2.21	1.99	0.26	2.64	2.38	0.28	2.83	2.55	0.63	6.33	5.70	24,575	245,748	221,173
1966	0.96	9.65	8.68	1.46	14.63	13.16	0.96	9.59	8.63	1.19	11.89	10.70	1.05	10.52	9.46	0.86	8.56	7.71	0.67	6.70	6.03	0.17	1.67	1.51	0.06	0.59	0.53	0.25	2.48	2.23	0.69	6.92	6.23	1.18	11.80	10.62	24,624	246,236	221,612
1967	0.77	7.74	6.97	0.57	5.71	5.14	1.11	11.09	9.98	1.63	16.26	14.64	1.66	16.63	14.96	0.62	6.22	5.60	0.55	5.49	4.94	0.31	3.10	2.79	0.30	3.02	2.72	0.28	2.81	2.53	0.48	4.78	4.30	0.42	4.22	3.80	22,567	225,667	203,100
1968	0.61	6.08	5.47	0.90	8.96	8.06	0.65	6.46	5.81	0.85	8.52	7.67	0.66	6.56	5.91	0.70	7.01	6.30	0.29	2.89	2.60	0.24	2.42	2.18	0.29	2.88	2.59	0.38	3.79	3.41	0.34	3.44	3.10	0.38	3.78	3.41	16,277	162,772	146,495
1969	0.38	3.79	3.41	0.81	8.15	7.33	2.06	20.55	18.50	1.78	17.78	16.00	1.67	16.68	15.01	0.58	5.83	5.25	0.53	5.31	4.78	0.26	2.58	2.32	0.27	2.71	2.44	0.25	2.49	2.24	0.25	2.53	2.27	0.85	8.53	7.68	25,123	251,227	226,105
1970	1.29	12.94	11.64	0.87	8.69	7.82	1.70	17.05	15.34	1.78	17.79	16.01	1.13	11.31	10.18	0.67	6.68	6.01	0.34	3.37	3.03	0.29	2.88	2.59	0.30	3.01	2.71	0.26	2.55	2.30	0.32	3.20	2.88	0.51	5.13	4.62	24,524	245,236	220,713
1971	1.04	10.39	9.35	0.70	6.98	6.28	1.14	11.35	10.22	1.39	13.95	12.55	1.36	13.60	12.24	0.96	9.63	8.67	0.54	5.43	4.89	0.39	3.92	3.53	0.32	3.18	2.86	0.57	5.68	5.11	0.34	3.44	3.10	0.22	2.20	1.98	23,265	232,654	209,388
1972	0.42	4.21	3.79	0.72	7.21	6.49	0.97	9.68	8.71	1.22	12.16	10.94	0.73	7.32	6.59	0.44	4.35	3.92	0.40	4.05	3.64	0.31	3.11	2.80	0.39	3.88	3.49	0.73	7.26	6.53	0.67	6.70	6.03	0.57	5.72	5.15	19,607	196,073	176,466
1973	0.50	4.98	4.49	0.68	6.78	6.10	0.65	6.53	5.88	1.16	11.63	10.46	0.76	7.58	6.82	0.43	4.27	3.84	0.30	3.04	2.74	0.32	3.25	2.92	0.83	8.32	7.49	0.49	4.90	4.41	0.45	4.51	4.06	0.83	8.25	7.43	19,190	191,899	172,709
1974	0.80	7.95	7.16	1.05	10.52	9.47	1.33	13.27	11.94	1.21	12.11	10.90	1.92	19.21	17.29	1.22	12.21	10.99	0.61	6.14	5.53	0.29	2.90	2.61	0.38	3.77	3.40	0.47	4.66	4.19	0.48	4.83	4.35	0.52	5.21	4.69	26,641	266,413	239,772
1975	0.44	4.45	4.00	0.16	1.61	1.45	0.67	6.74	6.07	1.00	10.05	9.04	1.17	11.69	10.52	0.79	7.86	7.08	0.45	4.54	4.08	0.32	3.16	2.84	0.33	3.28	2.95	0.36	3.58	3.22	0.13	1.29	1.16	0.40	3.97	3.58	16,127	161,270	145,143
1976	0.48	4.81	4.33	0.51	5.10	4.59	0.84	8.36	7.52	0.60	6.00	5.40	0.86	8.62	7.76	0.88	8.85	7.96	0.51	5.13	4.62	0.28	2.81	2.53	0.45	4.46	4.02	0.38	3.82	3.44	0.64	6.42	5.78	1.45	14.47	13.03	20,439	204,390	183,951
1977	0.73	7.29	6.56	1.46	14.63	13.17	0.83	8.35	7.51	0.77	7.74	6.96	0.60	6.03	5.42	0.31	3.14	2.83	0.26	2.62	2.36	0.15	1.50	1.35	0.21	2.09	1.88	0.30	3.04	2.73	0.41	4.13	3.71	0.48	4.78	4.30	16,932	169,318	152,386
1978	0.52	5.16	4.64	0.78	7.80	7.02	0.69	6.92	6.23	1.27	12.73	11.46	1.90	18.99	17.09	0.76	7.59	6.83	0.43	4.33	3.90	0.29	2.93	2.64	0.36	3.61	3.25	0.29	2.86	2.57	0.29	2.88	2.59	0.50	5.03	4.53	20,951	209,507	188,556
1979	1.24	12.38	11.14	1.27	12.67	11.40	1.36	13.57	12.21	1.15	11.54	10.38	1.27	12.69	11.42	0.69	6.91	6.22	0.32	3.19	2.87	0.16	1.56	1.40	0.29	2.91	2.62	0.28	2.75	2.48	2.15	21.54	19.39	0.85	8.49	7.64	28,562	285,624	257,061
1980	0.89	8.85	7.97	0.76	7.57	6.82	1.49	14.86	13.38	1.14	11.39	10.25	2.00	19.98	17.98	1.07	10.73	9.65	0.45	4.50	4.05	0.34	3.36	3.02	0.15	1.50	1.35	0.47	4.72	4.24	0.68	6.82	6.13	0.74	7.37	6.63	26,348	263,476	237,128
1981	0.77	7.66	6.90	0.62	6.23	5.61	0.97	9.73	8.76	1.93	19.31	17.38	1.48	14.76	13.28	0.62	6.22	5.60	0.63	6.26	5.63	0.22	2.17	1.95	0.28	2.77	2.50	0.61	6.15	5.53	0.63	6.32	5.69	0.61	6.08	5.47	24,279	242,785	218,507
1982	1.11	11.09	9.98	0.88	8.84	7.95	0.72	7.16	6.44	1.07	10.66	9.59	1.04	10.38	9.34	0.57	5.69	5.12	0.32	3.17	2.86	0.33	3.29	2.96	0.31	3.14	2.83	0.31	3.05	2.75	0.33	3.29	2.96	0.70	7.02	6.32	19,897	198,966	179,069
1983	0.44	4.37	3.94	0.72	7.18	6.46	0.69	6.93	6.23	0.64	6.39	5.75	0.62	6.17	5.55	0.73	7.33	6.60	0.65	6.47	5.83	0.29	2.90	2.61	0.31	3.12	2.81	0.28	2.79	2.51	0.44	4.39	3.95	0.68	6.75	6.08	16,794	167,937	151,143
1984	0.92	9.23	8.31	0.31	3.11	2.80	1.23	12.26	11.03	1.81	18.12	16.31	1.86	18.59	16.74	0.63	6.27	5.64	0.34	3.44	3.09	0.39	3.89	3.50	0.27	2.72	2.45	0.32	3.18	2.86	0.38	3.77	3.39	0.89	8.90	8.01	24,227	242,269	218,042
1985	0.68	6.77	6.09	0.80	7.96	7.17	1.12	11.16	10.04	1.46	14.56	13.11	1.20	11.97	10.77	0.53	5.32	4.79	0.30	3.01	2.71	0.23	2.30	2.07	0.22	2.22	1.99	0.22	2.24	2.02	0.95	9.54	8.58	0.67	6.70	6.03	21,705	217,051	195,346
1986	1.02	10.16	9.14	2.23	22.33	20.10	2.15	21.51	19.36	1.72	17.17	15.46	1.59	15.93	14.34	0.93	9.33	8.39	0.62	6.15	5.54	0.39	3.85	3.47	0.30	3.04	2.73	0.30	3.01	2.71	0.33	3.26	2.94	0.33	3.29	2.96	30,853	308,535	277,681
1987	0.60	6.03	5.43	0.91	9.14	8.23	0.84	8.36	7.52	1.36	13.57	12.21	1.21	12.13	10.92	0.67	6.67	6.00	0.37	3.69	3.32	0.24	2.44	2.20	0.22	2.19	1.98	0.27	2.74	2.47	0.33	3.29	2.96	0.47	4.70	4.23	19,429	194,288	174,860
1988	0.35	3.50	3.15	0.39	3.90	3.51	0.61	6.06	5.46	0.86	8.61	7.75	0.69	6.94	6.25	0.35	3.46	3.11	0.23	2.31	2.08	0.21	2.14	1.92	0.20	2.00	1.80	0.21	2.09	1.88	0.31	3.10	2.79	0.57	5.71	5.14	12,912	129,121	116,209
1989	0.45	4.49	4.04	0.27	2.69	2.42	0.63	6.29	5.66	0.68	6.82	6.13	1.10	11.00	9.90	0.89	8.88	7.99	0.46	4.61	4.15	0.61	6.10	5.49	0.76	7.63	6.87	0.35	3.48	3.13	0.47	4.74	4.27	0.39	3.89	3.50	18,305	183,050	164,745
1990	0.34	3.39	3.05	0.33	3.27	2.94	0.21	2.07	1.87	0.56	5.65	5.08	0.65	6.50	5.85	0.32	3.22	2.90	0.11	1.07	0.96	0.12	1.15	1.04	0.16	1.55	1.40	0.18	1.78	1.60	0.22	2.16	1.94	0.28	2.80	2.52	8,971	89,715	80,743
1991	0.48	4.85	4.36	0.59	5.90	5.31	1.18	11.82	10.64	1.21	12.14	10.92	1.33	13.29	11.96	0.74	7.43	6.69	0.42	4.17	3.75	0.35	3.52	3.17	0.32	3.24	2.91	0.35	3.47	3.13	0.60	6.00	5.40	0.48	4.80	4.32	20,895	208,954	188,058
1992	0.40	3.96	3																																				

AVERAGE MONTHLY WATER BALANCE FOR THE PERIOD 1961-1996 BASED ON CURRENT DEMAND (1996)
TRESKA RIVER BASIN - B2

Units: m³/sec

Units: 10³ m³

Year	Jan			Feb			Mar			Apr			May			Jun			Jul			Aug			Sep			Oct			Nov			Dec			Average Annual Balance		
	TD	TS	Net	TD	TS	Net	TD	TS	Net	TD	TS	Net	TD	TS	Net	TD	TS	Net	TD	TS	Net	TD	TS	Net	TD	TS	Net	TD	TS	Net	TD	TS	Net	TD	TS	Net	TD	TS	Net
1961	1.95	20.62	18.67	1.70	16.20	14.50	4.62	44.56	39.94	9.20	84.87	75.67	5.00	42.97	37.97	2.51	22.41	19.90	1.83	11.07	9.24	2.28	7.16	4.88	2.08	6.34	4.25	1.06	6.68	5.63	1.36	14.51	13.15	1.09	12.01	10.92	89,906	750,106	660,199
1962	1.17	12.79	11.62	1.45	15.70	14.25	7.15	72.16	65.01	8.30	77.67	69.37	5.44	40.85	35.41	2.52	23.00	20.48	1.89	11.34	9.45	2.20	7.13	4.93	1.99	6.95	4.97	1.99	17.02	15.03	9.93	100.40	90.48	7.88	79.94	72.05	134,560	1,205,193	1,070,633
1963	12.02	121.33	109.31	12.34	124.62	112.27	11.43	114.81	103.38	10.29	97.45	87.16	9.80	92.97	83.17	6.31	60.01	53.71	2.94	23.61	20.67	3.00	15.70	12.69	2.63	15.79	13.16	2.70	25.28	22.58	2.19	22.68	20.49	4.89	49.95	45.07	208,768	1,980,799	1,772,031
1964	2.57	26.61	24.04	2.08	20.95	18.87	3.71	36.28	32.57	4.41	36.07	31.66	3.81	36.02	32.21	2.61	24.30	21.69	2.39	18.65	16.26	2.42	13.55	11.14	1.86	10.99	9.13	1.62	14.59	12.97	3.58	36.73	33.15	3.30	34.06	30.76	89,038	800,433	711,395
1965	3.16	32.71	29.55	2.39	25.10	22.71	6.26	61.11	54.85	7.10	63.83	56.73	8.08	71.02	62.94	3.98	36.61	32.63	2.20	12.65	10.45	2.40	10.60	8.20	2.41	8.35	5.94	1.49	7.79	6.31	1.08	12.00	10.91	2.63	27.44	24.80	111,925	956,981	845,057
1966	3.86	39.74	35.88	5.73	57.11	51.38	3.83	38.17	34.34	5.41	46.87	41.46	5.33	43.23	37.90	3.42	31.57	28.15	2.00	13.98	11.98	2.00	6.35	4.35	1.80	6.03	4.23	1.19	8.46	7.26	2.24	23.54	21.30	4.25	43.61	39.36	106,488	929,658	823,170
1967	2.71	27.98	25.26	2.05	20.04	17.99	4.02	39.50	35.48	5.50	49.07	43.58	6.01	55.06	49.05	2.33	21.87	19.54	2.06	19.54	17.48	2.33	9.25	6.92	1.97	8.83	6.86	1.14	7.85	6.71	0.89	9.95	9.06	1.43	15.34	13.92	84,091	736,883	652,792
1968	2.07	21.81	19.74	3.15	32.28	29.13	2.74	25.65	22.91	4.36	34.86	30.50	3.43	28.10	24.67	3.50	34.09	30.60	2.12	11.88	9.76	1.80	7.48	5.68	2.04	8.71	6.67	1.32	7.70	6.37	0.96	10.73	9.77	1.17	12.77	11.60	74,278	611,875	537,598
1969	1.33	14.41	13.08	3.24	33.63	30.39	6.16	62.21	56.05	7.24	67.10	59.86	7.84	65.26	57.42	2.33	19.68	17.36	1.75	10.78	9.04	1.93	7.13	5.20	1.95	7.57	5.61	1.37	6.61	5.24	0.62	6.71	6.09	2.72	28.27	25.56	99,734	853,738	754,004
1970	5.10	52.13	47.03	4.23	43.38	39.15	6.50	65.42	58.92	8.62	78.77	70.15	4.80	41.94	37.13	2.92	28.17	25.25	2.25	17.89	15.64	2.37	8.47	6.10	2.35	8.84	6.48	0.84	8.24	7.40	0.91	10.20	9.30	1.14	12.32	11.17	108,967	973,973	865,006
1971	4.06	41.75	37.69	2.04	21.40	19.37	4.11	41.47	37.36	6.15	54.01	47.86	5.19	41.22	36.02	2.77	24.47	21.70	1.66	11.07	9.41	1.97	8.02	6.05	1.63	10.68	9.05	1.61	11.30	9.69	0.86	9.09	8.23	0.87	9.74	8.86	85,322	736,664	651,342
1972	1.25	13.61	12.36	2.45	25.66	23.21	3.67	35.58	31.91	4.83	46.96	42.13	3.58	26.11	22.53	1.77	14.18	12.41	1.60	12.96	11.35	1.71	9.18	7.47	2.24	12.29	10.05	2.46	25.87	23.41	2.29	23.61	21.32	1.89	19.70	17.80	77,087	688,699	611,612
1973	1.57	16.76	15.19	2.87	29.60	26.72	3.09	31.00	27.91	6.58	58.21	51.63	6.26	51.28	45.02	2.35	19.89	17.54	1.66	12.38	10.73	2.05	11.44	9.39	3.84	22.51	18.67	2.20	14.94	12.74	1.55	15.72	14.17	3.54	35.89	32.35	97,360	828,440	731,080
1974	3.08	31.94	28.86	4.38	45.03	40.64	4.49	44.25	39.75	5.13	46.19	41.06	4.49	67.90	60.42	3.80	35.91	32.10	2.49	15.65	13.16	2.25	9.51	7.26	2.51	11.39	8.88	2.01	17.64	15.63	2.20	22.92	20.72	1.72	18.34	16.61	107,749	950,390	842,642
1975	1.35	14.17	12.82	0.92	10.04	9.12	2.22	22.11	19.89	4.62	40.61	35.99	4.59	38.75	34.16	2.20	20.41	18.21	1.44	10.57	9.13	1.94	6.90	4.96	2.02	6.81	4.78	1.46	13.11	11.65	1.13	12.48	11.34	1.62	17.24	15.62	66,137	552,584	486,447
1976	1.43	15.23	13.80	1.80	17.93	16.13	2.64	24.26	21.63	3.56	30.37	26.81	4.31	37.77	33.47	3.21	32.37	29.16	2.01	17.85	15.83	1.97	10.39	8.42	2.40	9.67	7.27	1.20	11.08	9.88	2.96	29.84	26.87	5.71	57.60	51.89	86,072	762,992	676,921
1977	2.58	26.87	24.30	5.95	59.43	53.48	3.36	31.79	28.44	3.79	30.13	26.34	3.06	21.61	18.55	1.64	13.07	11.43	1.49	7.12	5.63	1.83	6.51	4.68	1.62	7.39	5.77	1.53	8.88	7.35	1.21	13.20	12.00	1.46	15.65	14.20	76,433	626,341	549,908
1978	1.23	13.37	12.15	3.46	34.78	31.33	4.58	46.54	41.95	6.59	62.25	55.66	8.18	74.73	66.55	3.11	27.29	24.18	2.11	11.94	9.83	2.22	8.13	5.92	1.55	11.28	9.73	1.34	8.11	6.77	0.78	8.26	7.48	1.58	16.94	15.36	95,194	838,835	743,641
1979	4.46	45.68	41.23	5.38	53.75	48.37	3.63	34.45	30.82	5.42	50.81	45.39	5.77	55.29	49.52	3.03	27.78	24.75	2.05	12.03	9.97	1.15	5.56	4.40	2.09	9.57	7.47	0.86	9.55	8.69	6.07	61.89	55.81	2.69	27.97	25.28	110,462	1,022,100	911,638
1980	3.34	34.46	31.13	3.50	34.95	31.45	4.29	43.43	39.14	4.89	42.47	37.58	8.42	80.01	71.59	4.44	40.97	36.54	2.38	14.73	12.35	2.41	9.98	7.57	2.07	6.94	4.87	1.73	15.18	13.45	2.34	24.55	22.21	3.23	33.41	30.18	111,542	987,805	876,262
1981	1.91	20.22	18.31	2.55	26.68	24.13	7.26	70.31	63.05	6.45	59.75	53.30	5.02	39.59	34.57	2.42	22.58	20.16	1.92	13.90	11.99	1.65	8.54	6.89	2.04	10.48	8.44	2.14	21.66	19.51	2.17	22.85	20.68	5.22	53.25	48.04	105,603	958,568	852,964
1982	3.91	40.15	36.23	2.18	21.82	19.64	3.21	31.69	28.48	5.28	52.42	47.14	4.44	38.15	33.70	2.26	19.48	17.22	1.74	9.44	7.70	1.72	9.55	7.83	1.93	9.62	7.69	0.99	8.87	7.88	0.91	9.89	8.98	2.39	25.04	22.64	80,288	715,693	635,406
1983	1.33	14.26	12.93	2.48	25.55	23.07	2.73	24.53	21.81	3.88	30.80	26.92	2.69	19.30	16.60	2.65	26.15	23.50	2.48	22.71	20.22	2.12	8.33	6.21	1.59	9.22	7.63	1.31	7.88	6.56	1.32	14.34	13.03	2.28	23.85	21.57	69,607	588,153	518,546
1984	3.40	35.02	31.62	3.47	35.86	32.39	4.62	45.35	40.73	7.41	69.73	62.31	8.55	71.67	63.12	2.36	21.90	19.54	1.80	10.72	8.92	1.70	10.81	9.11	2.13	9.62	7.49	1.49	8.56	7.08	1.10	11.77	10.67	1.38	14.65	13.28	102,120	895,917	793,797
1985	2.28	23.90	21.62	2.91	28.69	25.78	4.22	41.53	37.31	5.95	55.24	49.29	4.98	44.80	39.81	2.06	18.07	16.01	1.70	8.79	7.09	2.14	5.91	3.77	1.93	5.59	3.65	1.10	5.69	4.59	3.39	35.02	31.64	2.27	23.62	21.35	90,569	769,428	678,860
1986	3.64	37.52	33.88	8.78	86.47	77.68	8.36	83.18	74.82	7.53	65.73	58.20	6.37	60.73	54.35	3.56	34.18	30.62	2.44	21.41	18.97	2.76	12.16	9.40	2.41	8.89	6.48	1.43	8.79	7.37	0.92	9.80	8.89	0.90	9.90	9.00	127,312	1,137,298	1,009,985
1987	1.98	20.93	18.95	3.22	33.43	30.21	2.90	30.28	27.38	5.65	51.24	45.59	5.69	45.46	39.78	2.49	23.51	21.01	1.89	11.51	9.62	2.10	6.51	4.41	1.89	5.50	3.61	0.68	7.70	7.02	0.88	9.91	9.03	1.45	15.56	14.11	79,877	677,896	598,018
1988	0.98	10.74	9.76	1.16	12.35	11.20	2.08	21.06	18.98	3.93	31.30	27.37	3.79	24.58	20.80	1.21	10.57	9.36	1.47	5.96	4.49	2.10	5.28	3.17	1.58	4.73	3.14	0.74	5.09	4.35	0.80	9.13	8.33	1.86	19.65	17.79	56,222	415,849	359,627
1989	1.13	11.85	10.71	1.07	11.29	10.23	2.93	28.35	25.42	3.02	22.73	19.71	4.20	37.38	33.18	2.49	22.69	20.20	1.87	16.84	14.97	2.72	13.00	10.29	2.42	13.10	10.68	1.62	15.57	13.95	1.34	14.31	12.97	1.41	14.96	13.55	67,965	575,622	507,657
1990	1.09	11.55	10.46	1.08	11.53	10.46	1.31	10.26	8.95	2.56	20.19	17.63	2.71	16.96	14.25	1.26	9.04	7.78	1.11	4.68	3.58	1.45	4.39	2.95	1.57	5.06	3.48	1.11	5.54	4.42	0.63	7.48	6.85	1.23	13.38	12.15	44,348	311,196	2

AVERAGE MONTHLY WATER BALANCE FOR THE PERIOD 1961-1996 BASED ON CURRENT DEMAND CONDITION (1996)
PCHINJA RIVER BASIN - B3-1

Units: m³/sec

Units: 10³ m³

Year	Jan			Feb			Mar			Apr			May			Jun			Jul			Aug			Sep			Oct			Nov			Dec			Average Annual Balance		
	TD	TS	Net	TD	TS	Net	TD	TS	Net	TD	TS	Net	TD	TS	Net	TD	TS	Net	TD	TS	Net	TD	TS	Net	TD	TS	Net	TD	TS	Net	TD	TS	Net	TD	TS	Net	TD	TS	Net
1961	0.42	4.15	3.74	0.35	3.36	3.02	0.84	8.20	7.36	0.58	5.23	4.65	1.41	13.69	12.28	0.78	7.42	6.63	0.36	2.80	2.44	0.25	1.32	1.07	0.22	1.13	0.91	0.36	3.26	2.90	0.65	6.43	5.78	0.58	5.80	5.22	17,595	162,731	145,136
1962	0.55	5.46	4.92	0.57	5.65	5.08	1.92	19.18	17.25	1.11	10.68	9.57	0.35	2.63	2.29	0.21	1.78	1.58	0.24	1.57	1.34	0.22	1.12	0.91	0.20	1.06	0.86	0.27	2.45	2.18	0.66	6.63	5.97	0.69	6.90	6.21	18,089	168,798	150,709
1963	1.33	13.34	12.00	1.55	15.51	13.96	0.64	6.23	5.59	1.41	13.67	12.25	0.96	9.04	8.08	0.94	8.91	7.97	0.42	3.47	3.05	0.31	2.04	1.73	0.26	1.66	1.41	0.26	2.50	2.24	0.24	2.35	2.10	0.30	3.02	2.71	22,368	211,842	189,474
1964	0.63	6.31	5.68	0.72	7.14	6.41	0.62	5.96	5.34	0.50	4.59	4.09	1.04	9.88	8.85	0.73	6.77	6.04	0.50	4.44	3.95	0.19	0.95	0.76	0.15	1.00	0.85	0.14	1.40	1.26	0.53	5.23	4.70	0.55	5.48	4.93	16,337	153,344	137,007
1965	0.63	6.32	5.68	0.40	4.04	3.64	0.96	9.44	8.48	1.14	10.92	9.79	1.32	12.76	11.44	0.55	5.10	4.55	0.19	1.35	1.16	0.17	1.01	0.84	0.18	0.73	0.55	0.12	0.71	0.59	0.08	0.82	0.74	0.26	2.59	2.33	15,577	144,628	129,050
1966	0.93	9.34	8.40	1.44	14.31	12.87	0.79	7.81	7.02	1.27	12.16	10.89	0.80	7.27	6.46	0.76	7.21	6.45	0.21	1.28	1.07	0.22	1.02	0.80	0.15	0.62	0.47	0.13	1.06	0.93	0.47	4.68	4.21	0.51	5.13	4.61	19,918	186,303	166,385
1967	0.72	7.12	6.40	0.57	5.62	5.04	1.17	11.49	10.32	1.13	10.92	9.79	0.77	7.13	6.35	0.76	7.31	6.55	0.48	4.60	4.12	0.22	1.25	1.02	0.20	1.25	1.04	0.29	2.50	2.22	0.16	1.58	1.42	0.56	5.59	5.03	18,236	171,990	153,754
1968	0.38	3.83	3.45	0.73	7.26	6.52	0.77	7.43	6.66	0.49	4.35	3.86	0.27	2.29	2.03	0.34	3.18	2.84	0.15	0.68	0.53	0.21	1.42	1.21	0.21	1.16	0.95	0.16	1.22	1.06	0.21	2.08	1.87	0.25	2.55	2.29	10,829	97,059	86,230
1969	0.59	5.87	5.28	1.33	13.27	11.94	1.43	14.24	12.82	1.23	11.79	10.56	0.60	5.00	4.40	0.39	3.47	3.08	0.33	2.56	2.23	0.22	1.34	1.11	0.20	0.95	0.75	0.12	0.68	0.57	0.10	0.96	0.86	0.24	2.44	2.19	17,555	162,160	144,604
1970	0.63	6.31	5.68	0.72	7.17	6.45	1.23	12.14	10.90	0.80	7.48	6.68	1.01	9.59	8.58	0.62	5.79	5.18	0.88	8.41	7.53	0.37	2.55	2.19	0.30	2.09	1.78	0.33	3.26	2.93	0.37	3.62	3.26	0.51	5.15	4.63	20,157	190,681	170,524
1971	1.21	12.12	10.91	0.42	4.19	3.78	1.37	13.66	12.30	1.24	11.77	10.53	0.44	3.83	3.39	0.43	3.89	3.46	0.32	2.75	2.43	0.18	0.83	0.65	0.44	3.74	3.30	0.25	2.10	1.85	0.21	2.08	1.86	0.30	3.02	2.72	17,636	165,817	148,182
1972	0.22	2.21	1.99	0.38	3.79	3.41	0.42	3.89	3.47	0.37	3.43	3.05	0.47	4.03	3.55	0.13	0.83	0.70	0.18	1.46	1.28	0.16	0.86	0.69	0.44	4.08	3.63	1.35	13.50	12.15	0.46	4.61	4.15	0.35	3.54	3.19	12,824	119,772	106,948
1973	0.19	1.94	1.74	0.46	4.49	4.03	0.80	7.90	7.10	1.39	13.54	12.15	0.86	7.69	6.83	0.33	2.76	2.43	0.30	2.48	2.18	0.18	1.02	0.84	0.46	3.52	3.05	0.27	2.25	1.98	0.27	2.61	2.34	0.57	5.72	5.15	15,744	144,913	129,169
1974	0.60	5.98	5.38	1.26	12.56	11.30	1.05	10.34	9.29	0.83	7.91	7.08	1.39	13.74	12.35	0.98	9.59	8.61	0.46	3.74	3.29	0.23	1.25	1.02	0.25	1.89	1.64	0.27	2.49	2.22	0.34	3.36	3.02	0.21	2.06	1.85	20,356	194,144	173,788
1975	0.28	2.74	2.46	0.29	2.79	2.50	0.70	6.87	6.17	0.51	4.52	4.00	0.71	6.61	5.90	0.66	6.40	5.74	0.42	3.71	3.28	0.20	1.19	0.99	0.24	1.42	1.18	0.23	2.16	1.93	0.27	2.64	2.38	0.32	3.22	2.90	12,519	114,736	102,217
1976	0.30	2.94	2.64	0.40	3.97	3.57	0.43	4.08	3.64	0.94	8.86	7.92	0.76	7.27	6.51	0.69	6.53	5.85	0.61	5.85	5.24	0.50	4.06	3.56	0.35	2.43	2.08	0.59	5.55	4.97	1.21	11.95	10.75	1.29	12.88	11.59	20,884	197,954	177,070
1977	0.58	5.76	5.18	1.45	14.47	13.02	1.10	10.74	9.64	0.70	6.45	5.74	0.41	3.42	3.01	0.24	2.12	1.87	0.19	1.20	1.01	0.20	1.15	0.95	0.18	0.81	0.63	0.14	0.96	0.82	0.18	1.80	1.62	0.23	2.28	2.05	14,518	132,568	118,049
1978	0.32	3.23	2.90	0.67	6.63	5.95	0.80	7.90	7.10	1.00	9.62	8.62	0.82	7.60	6.78	0.45	4.00	3.55	0.20	1.21	1.01	0.17	0.63	0.46	0.21	1.56	1.35	0.15	1.11	0.95	0.10	0.98	0.87	0.28	2.84	2.56	13,440	122,566	109,126
1979	0.50	5.02	4.52	0.77	7.65	6.87	0.34	3.18	2.84	0.95	9.12	8.17	0.36	3.05	2.69	0.25	2.08	1.84	0.16	1.05	0.88	0.18	1.12	0.95	0.21	1.13	0.92	0.13	0.96	0.83	0.30	3.05	2.74	0.22	2.17	1.95	11,327	102,552	91,225
1980	0.36	3.56	3.20	0.47	4.62	4.15	0.88	8.60	7.72	0.79	7.33	6.54	1.55	15.16	13.61	0.69	6.47	5.78	0.23	1.51	1.28	0.20	1.07	0.87	0.15	0.75	0.59	0.21	1.85	1.64	0.23	2.34	2.11	0.35	3.51	3.16	15,876	147,186	131,310
1981	0.18	1.77	1.60	0.56	5.54	4.98	1.15	11.27	10.12	0.52	4.85	4.32	0.50	4.11	3.61	0.19	1.54	1.35	0.16	1.06	0.90	0.23	1.51	1.27	0.22	1.68	1.47	0.26	2.37	2.10	0.38	3.77	3.39	1.15	11.46	10.31	14,256	132,018	117,762
1982	0.69	6.89	6.20	0.30	2.93	2.63	0.75	7.31	6.56	1.30	12.80	11.50	1.10	10.34	9.25	0.24	1.94	1.69	0.20	1.34	1.14	0.21	1.08	0.87	0.17	0.64	0.47	0.11	0.80	0.69	0.14	1.37	1.23	0.19	1.90	1.71	14,018	127,910	113,892
1983	0.15	1.53	1.38	0.37	3.67	3.29	0.43	4.15	3.71	0.51	4.53	4.02	0.19	1.36	1.17	0.71	6.95	6.24	0.86	8.26	7.40	0.29	2.03	1.73	0.20	1.39	1.18	0.15	1.06	0.91	0.15	1.45	1.31	0.26	2.58	2.32	11,061	100,937	89,876
1984	0.23	2.27	2.04	0.83	8.19	7.37	1.19	11.83	10.64	1.33	12.86	11.54	0.50	4.08	3.59	0.19	1.43	1.24	0.15	0.69	0.55	0.15	0.83	0.68	0.15	0.76	0.61	0.12	0.80	0.68	0.12	1.12	1.01	0.09	0.94	0.84	13,059	118,748	105,690
1985	0.36	3.64	3.28	0.32	3.14	2.81	1.03	10.23	9.19	1.01	9.57	8.56	0.79	7.47	6.68	0.27	2.22	1.95	0.18	0.92	0.75	0.16	0.56	0.41	0.16	0.52	0.37	0.09	0.51	0.42	0.25	2.51	2.26	0.13	1.31	1.18	12,294	110,410	98,116
1986	0.32	3.20	2.88	1.15	11.32	10.17	1.03	10.14	9.11	0.50	4.54	4.04	0.43	3.76	3.33	0.27	2.25	1.99	0.22	1.75	1.54	0.16	0.60	0.44	0.16	0.65	0.48	0.10	0.64	0.53	0.07	0.62	0.56	0.06	0.61	0.55	11,586	103,938	92,352
1987	0.13	1.31	1.18	0.26	2.55	2.28	0.43	4.25	3.81	0.93	8.95	8.01	0.98	9.09	8.11	0.40	3.54	3.14	0.20	1.20	1.00	0.12	0.44	0.31	0.12	0.31	0.18	0.11	1.01	0.89	0.17	1.72	1.54	0.24	2.37	2.14	10,685	95,184	84,499
1988	0.19	1.93	1.73	0.24	2.31	2.08	0.55	5.34	4.79	0.77	7.21	6.44	0.30	2.26	1.96	0.29	2.48	2.19	0.19	1.21	1.02	0.16	0.45	0.30	0.16	0.61	0.45	0.13	0.96	0.83	0.18	1.76	1.58	0.31	3.07	2.76	8,993	76,710	67,717
1989	0.15	1.43	1.28	0.23	2.25	2.01	0.43	4.04	3.61	0.51	4.78	4.27	1.06	10.00	8.95	0.83	8.27	7.44	0.46	4.08	3.61	0.29	2.06	1.77	0.28	1.76	1.48	0.45	4.25	3.80	0.42	4.19	3.76	0.35	3.53	3.18	14,179	131,246	117,067
1990	0.27	2.63	2.36	0.28	2.69	2.40	0.35	3.19	2.84	0.47	4.33	3.86	0.46	3.82	3.36	0.25	1.99	1.75	0.17	0.86	0.70	0.13	0.37	0.25	0.14	0.34	0.20	0.07	0.39	0.32	0.04	0.42	0.38	0.17	1.74	1.57	7,244	59,046	51,802
1991	0.08	0.76	0.68	0.23	2.25	2.02	0.72	7.04	6.32	1.08	10.54	9.46	1.26	11.93	10.67	0.69	6.48	5.78	0.22	1.89	1.66	0.21	1.18	0.96	0.15	0.66	0.51	0.13	0.93	0.80	0.19	1.92	1.73	0.19	1.88	1.69	13,332	122,950	109,618
1992	0.17	1.61	1.44	0.19	1.76	1.57	0.48	4.63	4.15	1.20	11.83	10.62	0.																										

AVERAGE MONTHLY WATER BALANCE FOR THE PERIOD 1961-1996 BAESD ON CURRENT DEMAND CONDITION (1996)
PCHINJA RIVER BASIN - B3-2

Units: m³/sec

Units: 10³m³

Year	Jan			Feb			Mar			Apr			May			Jun			Jul			Aug			Sep			Oct			Nov			Dec			Average Annual Balance		
	TD	TS	Net	TD	TS	Net	TD	TS	Net	TD	TS	Net	TD	TS	Net	TD	TS	Net	TD	TS	Net	TD	TS	Net	TD	TS	Net	TD	TS	Net	TD	TS	Net	TD	TS	Net	TD	TS	Net
1961	0.30	3.12	2.81	0.30	2.32	2.02	0.52	3.95	3.44	0.87	5.11	4.25	1.06	8.26	7.20	0.66	3.53	2.87	0.83	1.56	0.74	0.95	0.64	0.31	0.83	0.67	0.15	0.34	1.11	0.77	0.31	3.07	2.76	0.39	3.98	3.59			
1962	0.50	4.98	4.49	0.67	6.59	5.92	2.04	20.23	18.18	1.64	13.53	11.89	1.14	6.16	5.02	0.54	3.15	2.61	0.79	1.89	1.10	0.85	0.77	0.08	0.73	0.69	0.04	0.29	1.38	1.09	0.67	6.79	6.12	0.72	7.25	6.54			
1963	1.32	13.27	11.95	1.51	15.21	13.70	0.93	8.31	7.38	1.87	15.75	13.88	1.50	11.40	9.89	1.15	8.39	7.24	0.94	4.14	3.20	1.03	2.28	1.25	0.89	2.68	1.79	0.49	4.00	3.52	0.39	3.66	3.28	0.51	5.20	4.69			
1964	0.29	2.78	2.49	0.39	3.43	3.04	0.59	4.78	4.19	0.69	4.18	3.49	0.92	5.91	4.98	0.71	3.84	3.13	0.65	2.07	1.41	0.88	1.58	0.70	0.60	2.30	1.70	0.44	4.26	3.82	0.64	6.37	5.73	0.59	5.94	5.35			
1965	0.78	7.93	7.15	0.56	5.58	5.02	0.88	7.44	6.56	1.20	9.14	7.94	1.35	10.45	9.09	0.92	5.66	4.74	0.74	3.13	2.38	0.64	1.14	0.50	0.86	0.89	0.03	0.42	1.25	0.83	0.16	1.74	1.58	0.31	3.19	2.88			
1966	0.37	3.75	3.39	0.94	8.94	7.99	0.56	4.96	4.39	0.95	6.28	5.33	1.14	6.43	5.28	1.16	8.60	7.43	1.02	3.47	2.44	1.08	2.33	1.25	0.73	1.07	0.35	0.37	2.28	1.91	0.26	2.65	2.40	0.38	3.88	3.50			
1967	0.39	3.84	3.46	0.43	3.61	3.18	0.63	5.20	4.57	0.88	6.34	5.46	0.90	5.03	4.13	0.56	3.11	2.55	0.61	3.93	3.32	0.89	2.13	1.25	0.69	1.14	0.44	0.37	1.48	1.11	0.15	1.52	1.38	0.18	1.91	1.73			
1968	0.28	2.84	2.57	0.58	5.53	4.95	0.76	6.14	5.38	1.02	6.44	5.42	0.64	4.06	3.42	0.64	5.05	4.41	0.96	2.53	1.56	0.83	3.17	2.35	0.99	3.41	2.42	0.32	0.79	0.47	0.15	1.60	1.45	0.23	2.42	2.19			
1969	0.38	3.92	3.54	0.93	9.36	8.44	1.19	11.69	10.50	1.24	9.58	8.35	1.49	8.03	6.54	0.72	3.57	2.85	0.87	2.45	1.58	0.83	1.38	0.55	0.85	1.34	0.50	0.38	0.82	0.45	0.11	0.93	0.82	0.23	2.36	2.14			
1970	0.39	4.03	3.63	0.45	4.49	4.04	0.97	8.53	7.55	1.07	7.50	6.43	1.13	7.81	6.69	0.78	4.33	3.55	1.07	6.84	5.77	0.96	1.36	0.41	0.76	1.02	0.26	0.23	2.26	2.04	0.34	3.38	3.04	0.37	3.74	3.37			
1971	0.37	3.73	3.37	0.35	3.57	3.22	0.87	8.82	7.95	1.39	9.97	8.58	0.85	4.74	3.89	0.56	2.16	1.60	0.46	1.10	0.64	0.73	0.37	0.36	0.56	0.90	0.35	0.31	0.66	0.34	0.11	0.86	0.75	0.09	0.96	0.87			
1972	0.09	0.98	0.89	0.21	2.15	1.94	0.46	3.12	2.66	0.50	3.19	2.69	0.76	3.06	2.30	0.49	1.34	0.84	0.44	1.56	1.12	0.71	1.48	0.77	0.45	2.35	1.90	0.97	9.81	8.84	0.58	5.74	5.16	0.44	4.37	3.92			
1973	0.52	5.23	4.72	0.82	8.12	7.29	1.05	10.21	9.16	1.88	16.82	14.94	1.59	9.95	8.36	0.83	3.72	2.89	0.65	3.10	2.45	0.79	2.34	1.55	1.18	3.83	2.65	0.73	4.38	3.65	0.50	4.73	4.23	0.78	7.72	6.94			
1974	0.33	3.40	3.07	0.65	6.62	5.97	0.79	6.79	6.00	1.04	8.01	6.97	1.43	12.99	11.56	1.00	8.92	7.93	1.18	5.37	4.19	1.05	2.63	1.58	0.63	1.22	0.59	0.22	1.21	0.98	0.21	2.09	1.88	0.18	1.84	1.67			
1975	0.23	2.19	1.96	0.20	1.44	1.24	0.80	7.12	6.33	0.94	5.42	4.48	1.12	7.95	6.83	0.83	6.96	6.13	0.70	3.41	2.72	0.73	0.95	0.21	0.86	1.96	1.09	0.38	2.87	2.49	0.34	3.35	3.01	0.41	4.04	3.63			
1976	0.22	2.18	1.96	0.34	2.87	2.53	0.47	3.00	2.53	0.85	5.22	4.37	0.83	5.99	5.15	0.78	5.15	4.37	0.55	3.29	2.74	1.19	5.70	4.51	1.01	3.15	2.14	0.82	6.32	5.50	1.06	10.33	9.26	0.89	8.76	7.87			
1977	0.65	6.53	5.88	0.83	7.87	7.04	0.78	6.57	5.79	0.99	6.00	5.01	0.95	5.13	4.18	0.54	2.80	2.26	0.65	1.66	1.01	0.69	0.99	0.30	0.82	0.84	0.02	0.36	1.19	0.83	0.18	1.69	1.51	0.14	1.46	1.32			
1978	0.16	1.55	1.39	0.46	4.24	3.79	0.71	6.09	5.39	1.09	8.53	7.44	1.25	9.03	7.78	0.93	5.02	4.10	0.76	1.03	0.28	0.84	0.64	0.24	0.57	2.29	1.72	0.41	1.72	1.31	0.16	1.40	1.24	0.41	4.15	3.74			
1979	0.64	6.38	5.75	0.78	7.26	6.48	0.48	3.49	3.01	1.26	10.24	8.98	0.83	4.71	3.88	0.55	2.24	1.69	0.61	1.08	0.46	0.60	1.58	0.98	0.76	1.29	0.53	0.33	1.45	1.12	0.52	5.29	4.77	0.38	3.83	3.44			
1980	0.44	4.41	3.97	0.53	4.67	4.15	0.79	7.08	6.28	1.05	7.20	6.15	1.62	14.02	12.40	0.95	6.13	5.18	0.71	1.30	0.59	0.79	0.95	0.16	0.66	1.02	0.36	0.43	2.81	2.38	0.31	3.18	2.87	0.33	3.37	3.04			
1981	0.29	2.92	2.63	0.48	4.73	4.25	1.34	12.26	10.92	0.98	7.15	6.17	1.12	5.28	4.16	0.51	2.30	1.79	0.60	1.79	1.18	0.77	1.56	0.79	0.53	2.28	1.75	0.41	2.44	2.03	0.44	4.48	4.04	1.02	10.28	9.26			
1982	0.68	6.77	6.08	0.41	3.77	3.36	0.76	6.53	5.77	1.19	10.77	9.58	1.25	8.56	7.31	0.73	3.18	2.45	0.67	1.40	0.73	0.86	1.30	0.44	0.80	0.73	0.07	0.32	1.03	0.71	0.25	2.38	2.13	0.30	3.06	2.76			
1983	0.25	2.46	2.21	0.37	3.37	3.00	0.47	3.43	2.96	0.84	4.90	4.07	0.58	2.52	1.94	0.51	4.34	3.83	0.77	4.94	4.17	0.89	2.00	1.11	0.64	1.93	1.29	0.37	1.24	0.87	0.15	1.65	1.49	0.27	2.70	2.43			
1984	0.24	2.52	2.28	0.75	7.22	6.48	0.85	8.00	7.15	1.21	9.39	8.18	1.30	7.16	5.86	0.58	2.01	1.43	0.69	0.66	0.05	0.60	1.15	0.55	0.70	1.35	0.65	0.36	1.01	0.64	0.12	1.09	0.98	0.10	0.96	0.86			
1985	0.20	1.98	1.79	0.35	2.89	2.55	0.73	6.79	6.06	0.89	5.80	4.91	0.78	5.29	4.51	0.55	2.12	1.57	0.71	0.67	0.04	0.76	0.35	0.41	0.81	0.57	0.23	0.31	0.66	0.36	0.20	2.14	1.93	0.17	1.75	1.58			
1986	0.31	3.22	2.91	0.91	8.24	7.32	1.00	8.73	7.73	0.90	6.10	5.20	0.80	4.71	3.91	0.65	2.75	2.10	0.65	2.81	2.16	0.84	1.32	0.48	0.81	0.83	0.02	0.33	0.86	0.53	0.10	0.89	0.79	0.11	1.11	1.00			
1987	0.17	1.77	1.60	0.29	2.54	2.25	0.48	4.50	4.02	1.27	10.12	8.85	1.37	9.24	7.87	0.72	3.57	2.85	0.79	0.98	0.19	0.63	0.50	0.12	0.74	0.70	0.04	0.16	0.90	0.74	0.16	1.49	1.34	0.16	1.65	1.48			
1988	0.16	1.48	1.33	0.18	1.48	1.30	0.51	4.27	3.76	1.20	8.56	7.36	0.87	3.98	3.11	0.43	1.75	1.32	0.66	0.63	0.04	0.87	0.28	0.59	0.79	0.39	0.40	0.29	0.74	0.44	0.12	1.35	1.22	0.16	1.70	1.54			
1989	0.14	1.23	1.09	0.19	1.44	1.25	0.46	2.99	2.54	0.58	3.99	3.41	1.06	6.60	5.55	0.80	7.52	6.73	0.89	5.40	4.51	0.82	1.82	1.00	0.94	1.91	0.96	0.44	2.79	2.35	0.36	3.58	3.22	0.25	2.50	2.25			
1990	0.20	1.85	1.64	0.26	1.99	1.73	0.35	1.77	1.41	0.57	3.65	3.09	0.82	2.77	1.95	0.50	1.18	0.68	0.67	0.33	0.34	0.72	0.34	0.33	0.82	0.38	0.44	0.24	0.48	0.24	0.08	0.77	0.69	0.22	2.33	2.11			
1991	0.13	1.40	1.27	0.33	2.89	2.57	0.55	4.57	4.02	0.94	8.21	7.27	1.61	12.08	10.47	1.09	6.89	5.80	0.55	2.45	1.91	0.83	1.61	0.78	0.67	0.87	0.20	0.43	2.13	1.70	0.32	3.33	3.01	0.22	2.16	1.94			
1992	0.18	1.65	1.47	0.26	1.73	1.46	0.38	2.57	2.19	0.74	6.12	5.38	0.74	2.92	2.18	0.72	4.03	3.30	0.88	2.54	1.66	0.89	0.62	0.26	0.71	0.68	0.02	0.30	0.76	0.47	0.16	1.40	1.24	0.15	1.63	1.47			
1993	0.21	2.07	1.86	0.18	1.53	1.35	0.42	3.44	3.02	0.86	4.74	3.87	0.80	3.07	2.27	0.54	1.25	0.71	0.66	0.19	0.47	0.90	0.19	0.71	0.78	0.27	0.50	0.20	0.52	0.31	0.07	0.84	0.77	0.12	1.32	1.19			
1994	0.15	1.46	1.31	0.16	1.46	1.30	0.34	1.69	1.35	0.58	3.36	2.78	0.82	2.22	1.41	0.42	0.88	0.46	0.46	0.62	0.16	0.83	0.36	0.46	0.75	0.37	0.57	0.28	0.53	0.25	0.08	0.71	0.63	0.08	0.86	0.78			
1995	0.11	1.17	1.06	0.27	2.08	1.81	0.27	1.98	1.70	0.72	3.75	3.03	0.85	4.56	3.71	0.57	1.92	1.36	0.29	1.30	1.02	0.55	1.18	0.63															

AVERAGE MONTHLY WATER BALANCE FOR THE PERIOD 1961-1996 BASED ON CURRENT DEMAND CONDITION (1996)
PCHINJA RIVER BASIN - B3-3

Units: m³/sec

Units: 10³ m³

Year	Jan			Feb			Mar			Apr			May			Jun			Jul			Aug			Sep			Oct			Nov			Dec			Average Annual Balance		
	TD	TS	Net	TD	TS	Net	TD	TS	Net	TD	TS	Net	TD	TS	Net	TD	TS	Net	TD	TS	Net	TD	TS	Net	TD	TS	Net	TD	TS	Net	TD	TS	Net	TD	TS	Net	TD	TS	Net
1961	0.27	1.24	0.97	1.22	1.15	-0.07	2.04	1.78	-0.26	4.87	1.38	-3.49	3.73	3.27	-0.47	3.64	1.40	-2.24	6.93	0.56	-6.37	9.55	0.33	-9.22	8.51	0.32	-8.18	3.18	0.47	-2.71	0.42	1.17	0.75	0.26	1.19	0.93	115,652	36,939	-78,713
1962	0.30	0.84	0.54	0.55	1.02	0.46	1.02	3.93	2.91	4.11	2.91	1.20	6.98	1.14	-5.84	2.53	0.93	-1.60	6.53	0.57	-5.96	8.43	0.37	-8.06	7.63	0.32	-7.32	2.31	0.58	-1.74	0.34	1.83	1.49	0.34	1.95	1.62	106,476	42,465	-64,011
1963	0.44	2.95	2.51	0.56	3.93	3.37	1.83	2.23	0.40	4.14	2.79	-1.35	4.96	1.68	-3.28	3.98	1.60	-2.38	5.91	0.58	-5.33	8.87	0.39	-8.47	7.43	0.45	-6.98	1.44	0.59	-0.85	0.62	0.62	0.00	0.23	0.83	0.60	104,710	48,303	-56,407
1964	0.42	0.51	0.10	0.99	0.99	0.01	1.95	1.59	-0.36	3.72	1.55	-2.17	4.65	1.91	-2.74	4.18	1.37	-2.81	4.47	0.67	-3.80	8.14	0.39	-7.75	4.66	0.50	-4.17	0.58	0.76	0.18	0.43	1.33	0.89	0.28	1.40	1.11	89,375	33,629	-55,746
1965	0.32	1.77	1.45	0.38	1.08	0.70	2.20	2.33	0.12	4.08	2.23	-1.85	4.30	2.41	-1.89	3.81	0.96	-2.85	4.66	0.41	-4.25	5.91	0.35	-5.56	8.65	0.32	-8.33	4.00	0.33	-3.67	0.19	0.39	0.20	0.22	0.77	0.55	100,426	34,669	-65,757
1966	0.35	2.06	1.71	1.13	2.45	1.32	1.33	1.18	-0.15	4.67	1.61	-3.06	6.62	1.14	-5.48	3.51	1.30	-2.21	7.09	0.37	-6.72	9.53	0.46	-9.07	6.97	0.31	-6.67	2.11	0.37	-1.74	0.22	0.68	0.46	0.26	1.16	0.90	113,535	33,909	-79,626
1967	0.42	1.25	0.83	1.25	1.09	-0.16	1.92	1.60	-0.31	3.66	1.64	-2.02	5.11	1.31	-3.80	2.89	0.88	-2.01	2.20	0.95	-1.25	8.21	0.39	-7.82	6.83	0.35	-6.48	3.17	0.38	-2.79	0.24	0.45	0.21	0.21	0.69	0.48	93,568	28,465	-65,103
1968	0.23	0.89	0.65	0.76	1.21	0.45	2.29	1.02	-1.27	4.74	0.84	-3.90	3.11	0.66	-2.45	1.82	0.78	-1.04	7.31	0.32	-6.99	5.95	0.37	-5.58	7.72	0.44	-7.28	3.42	0.39	-3.03	0.22	0.60	0.39	0.22	0.76	0.54	97,956	21,457	-76,498
1969	0.25	1.04	0.79	0.40	2.40	2.00	0.82	2.68	1.86	4.04	2.17	-1.87	8.36	1.12	-7.24	3.81	0.64	-3.13	6.64	0.51	-6.13	7.74	0.39	-7.34	8.36	0.37	-7.99	4.00	0.34	-3.66	0.60	0.42	-0.18	0.23	0.83	0.61	117,286	33,496	-83,790
1970	0.32	1.74	1.42	0.49	1.83	1.34	2.19	2.48	0.29	4.61	1.67	-2.94	4.71	1.78	-2.94	3.50	1.10	-2.40	3.76	1.22	-2.54	9.31	0.46	-8.85	7.72	0.50	-7.23	0.42	0.61	0.19	0.42	0.78	0.36	0.31	0.94	0.63	97,858	39,137	-58,720
1971	0.32	1.39	1.07	0.30	1.02	0.72	0.45	2.26	1.81	5.28	1.83	-3.45	4.77	0.90	-3.87	3.68	0.81	-2.88	3.71	0.44	-3.28	7.99	0.36	-7.63	5.47	0.57	-4.90	3.47	0.49	-2.98	0.60	0.44	-0.16	0.27	0.51	0.24	94,116	28,504	-65,612
1972	0.21	0.62	0.41	0.32	0.87	0.55	2.29	0.94	-1.34	2.74	0.82	-1.91	5.90	0.92	-4.99	4.16	0.47	-3.69	3.17	0.44	-2.73	6.35	0.37	-5.99	3.21	0.87	-2.34	0.43	2.13	1.70	0.48	1.04	0.56	0.41	0.86	0.45	76,903	26,843	-50,060
1973	0.24	0.58	0.34	0.59	1.01	0.42	0.93	1.59	0.66	3.20	2.53	-0.67	7.46	1.55	-5.91	4.73	0.72	-4.01	4.47	0.67	-3.79	6.36	0.47	-5.89	8.99	0.85	-8.15	4.03	0.63	-3.40	0.77	0.70	-0.08	0.48	1.22	0.73	109,561	32,445	-77,115
1974	0.27	1.26	0.99	0.40	2.37	1.97	1.99	1.99	0.00	3.36	1.58	-1.77	2.14	2.57	-0.43	1.83	1.96	-0.13	6.96	0.88	-6.08	8.80	0.47	-8.33	5.47	0.57	-4.90	1.70	0.67	-1.03	0.42	0.82	0.40	0.20	0.60	0.40	86,960	40,837	-46,123
1975	0.47	0.72	0.24	1.03	0.73	-0.31	1.53	1.41	-0.12	5.38	1.02	-4.36	4.27	1.37	-2.90	1.59	1.33	-0.26	4.42	0.88	-3.54	7.16	0.46	-6.70	7.87	0.50	-7.37	1.52	0.70	-0.83	0.45	0.74	0.29	0.37	0.84	0.47	93,505	27,671	-65,835
1976	0.39	0.60	0.21	1.03	1.34	0.32	2.52	0.76	-1.76	4.80	1.79	-3.01	3.54	2.02	-1.52	3.25	2.24	-1.01	2.68	0.92	-1.75	7.53	0.42	-7.10	8.35	0.24	-8.11	2.77	0.80	-1.97	0.92	2.14	1.22	0.62	2.56	1.94	99,499	41,036	-58,463
1977	0.31	0.95	0.63	0.91	1.60	0.69	2.11	1.39	-0.72	5.17	1.08	-4.09	5.65	0.94	-4.71	2.91	0.68	-2.23	5.50	0.42	-5.08	7.07	0.27	-6.80	8.50	0.28	-8.22	3.31	0.34	-2.97	0.41	0.36	-0.05	0.24	0.62	0.38	109,094	23,111	-85,983
1978	0.31	0.51	0.20	0.90	1.54	0.64	1.73	1.95	0.22	3.60	2.86	-0.74	5.10	2.38	-2.72	4.70	1.48	-3.22	6.69	0.27	-6.42	8.84	0.15	-8.70	4.73	0.40	-4.33	3.36	0.45	-2.91	0.60	0.42	-0.18	0.26	1.19	0.93	105,768	35,216	-70,553
1979	0.34	1.26	0.92	1.03	1.01	-0.02	2.04	0.70	-1.35	3.37	1.35	-2.03	5.06	1.54	-3.52	3.13	0.73	-2.40	5.35	0.41	-4.95	5.40	0.36	-5.04	7.42	0.36	-7.06	2.70	0.46	-2.24	0.45	2.97	2.52	0.33	1.10	0.77	94,955	31,714	-63,241
1980	0.47	1.77	1.30	1.18	1.77	0.59	1.68	1.75	0.07	4.59	1.14	-3.45	3.60	3.37	-0.23	4.10	2.11	-1.99	6.52	0.48	-6.05	7.62	0.28	-7.34	6.60	0.28	-6.33	2.25	0.68	-1.57	0.31	0.81	0.50	0.28	1.38	1.10	101,620	40,995	-60,625
1981	0.27	0.87	0.60	0.53	1.48	0.95	2.06	3.02	0.97	3.71	2.18	-1.53	7.48	0.70	-6.78	3.41	0.29	-3.13	4.64	0.23	-4.42	6.90	0.41	-6.49	3.98	0.58	-3.40	2.43	0.99	-1.44	0.32	1.62	1.30	0.43	2.92	2.48	93,738	39,583	-54,155
1982	0.53	1.69	1.16	0.80	1.32	0.52	2.00	2.78	0.78	1.98	1.93	-0.05	5.35	1.58	-3.77	4.42	0.52	-3.90	5.64	0.32	-5.31	8.74	0.25	-8.49	8.66	0.37	-8.29	3.10	0.46	-2.64	0.51	0.61	0.10	0.21	0.71	0.50	108,693	32,493	-76,200
1983	0.29	0.36	0.07	0.78	0.76	-0.03	1.96	0.64	-1.32	4.71	1.20	-3.51	4.31	0.67	-3.65	1.41	1.02	-0.39	3.34	0.66	-2.68	7.58	0.29	-7.29	5.35	0.46	-4.89	3.40	0.55	-2.86	0.22	0.63	0.41	0.37	1.17	0.80	87,427	21,746	-65,680
1984	0.30	1.53	1.23	0.85	2.49	1.64	1.24	2.19	0.95	3.85	2.84	-1.01	7.41	0.99	-6.41	3.95	0.51	-3.44	6.48	0.43	-6.05	6.01	0.56	-5.45	6.43	0.31	-6.12	3.59	0.29	-3.30	0.42	0.43	0.01	0.33	0.43	0.10	105,906	33,741	-72,165
1985	0.31	0.88	0.57	1.06	0.94	-0.12	1.19	1.68	0.49	4.36	1.01	-3.35	3.56	0.82	-2.74	3.97	0.35	-3.67	7.08	0.21	-6.87	8.26	0.14	-8.12	8.49	0.12	-8.36	3.33	0.16	-3.17	0.23	0.78	0.55	0.26	0.47	0.21	109,117	19,621	-89,495
1986	0.26	1.19	0.92	1.75	3.84	2.10	2.04	2.13	0.09	4.04	0.77	-3.27	4.63	0.95	-3.68	3.77	0.61	-3.17	3.54	0.57	-2.97	8.28	0.29	-7.99	8.28	0.24	-8.04	3.38	0.30	-3.08	0.44	0.29	-0.15	0.25	0.34	0.09	105,399	29,880	-75,519
1987	0.20	0.50	0.30	0.94	1.25	0.31	0.89	1.58	0.69	3.72	1.88	-1.84	6.01	1.30	-4.72	4.07	0.67	-3.40	7.22	0.21	-7.01	6.55	0.11	-6.43	7.69	0.12	-7.56	1.23	0.28	-0.95	0.42	0.43	0.01	0.28	0.62	0.34	101,647	23,208	-78,439
1988	0.39	0.61	0.22	0.80	0.58	-0.23	1.55	0.83	-0.72	4.70	0.81	-3.89	6.16	0.53	-5.62	3.43	0.45	-2.98	6.28	0.25	-5.03	8.99	0.10	-8.39	8.48	0.10	-8.38	3.01	0.26	-2.75	0.20	0.48	0.27	0.20	0.54	0.34	114,533	14,345	-100,188
1989	0.55	0.38	-0.17	0.93	0.39	-0.54	2.36	0.94	-1.41	2.56	0.84	-1.72	5.25	1.71	-3.54	0.80	1.42	-0.63	4.55	0.75	-3.80	7.07	0.27	-6.80	8.50	0.27	-8.23	2.40	0.36	-2.03	0.38	0.40	0.02	0.26	0.45	0.19	92,263	21,208	-71,055
1990	0.51	0.39	-0.12	1.16	0.51	-0.65	2.57	0.52	-2.05	3.04	0.55	-2.49	6.62	0.45	-6.17	4.21	0.23	-3.98	6.67	0.10	-6.57	7.63	0.07	-7.57	8.85	0.10	-8.74	2.74	0.15	-2.59	0.32	0.23	-0.09	0.18	0.41	0.23	115,373	9,606	-105,767
1991	0.24	0.54	0.30	0.81	0.98	0.18	1.69	1.21	-0.48	2.11	1.79	-0.31	5.63	2.16	-3.47	4.34	1.15	-3.19	3.04	0.55	-2.49	7.78	0.49	-7.29	6.88	0.47	-6.41	3.07	0.53	-2.54	0.22	0.67	0.45	0.35	0.59	0.24	93,702	28,861	-64,841
1992	0.56	0.47	-0.09	1.41	0.51	-0.91	1.98	0.84	-1.15	2.19	2.64	0.45	5.67	0.78	-4.89	3.72	1.22	-2.50	6.81	0.74	-6.07	9.19	0.38	-8.81															

AVERAGE MONTHLY WATER BALANCE FOR THE PERIOD 1961-1996 BASED ON CURRENT DEMAND CONDITION (1996)
PCHINJA RIVER BASIN - B3-4

Units: m³/sec

Units: 10³m³

Year	Jan			Feb			Mar			Apr			May			Jun			Jul			Aug			Sep			Oct			Nov			Dec			Average Annual Balance						
	TD	TS	Net	TD	TS	Net	TD	TS	Net	TD	TS	Net	TD	TS	Net	TD	TS	Net	TD	TS	Net	TD	TS	Net	TD	TS	Net	TD	TS	Net	TD	TS	Net	TD	TS	Net	TD	TS	Net				
1961	0.88	8.85	7.96	0.92	9.16	8.24	1.24	12.44	11.19	0.80	7.95	7.16	2.78	27.80	25.02	0.69	6.95	6.25	0.03	0.32	0.28	0.00	0.00	0.00	0.00	0.00	0.00	0.00	0.00	0.45	4.53	4.08	0.49	4.93	4.44	21,492	214,924	193,431					
1962	0.00	0.00	0.00	0.11	1.13	1.01	2.04	20.44	18.39	2.01	20.07	18.06	0.61	6.11	5.50	0.64	6.45	5.80	0.15	1.46	1.31	0.05	0.50	0.45	0.00	0.00	0.00	0.09	0.88	0.79	1.27	12.69	11.42	1.41	14.08	12.68	21,721	217,206	195,485				
1963	1.74	17.40	15.66	3.05	30.49	27.44	1.89	18.94	17.04	1.16	11.55	10.40	0.20	2.04	1.83	0.37	3.69	3.32	0.00	0.00	0.00	0.00	0.00	0.00	0.00	0.00	0.00	0.00	0.00	0.00	0.00	0.02	0.15	0.14	0.10	1.02	0.91	22,106	221,056	198,950			
1964	0.00	0.00	0.00	0.24	2.36	2.13	1.12	11.17	10.05	1.29	12.89	11.60	1.06	10.60	9.54	0.69	6.92	6.23	0.04	0.41	0.37	0.00	0.00	0.00	0.05	0.53	0.47	0.28	2.79	2.51	0.58	5.84	5.25	0.71	7.14	6.43	15,720	157,199	141,479				
1965	1.09	10.89	9.80	0.36	3.61	3.25	1.73	17.26	15.54	1.18	11.81	10.62	1.13	11.30	10.17	0.15	1.52	1.37	0.00	0.00	0.00	0.00	0.00	0.00	0.00	0.00	0.00	0.00	0.00	0.00	0.00	0.00	0.00	0.00	0.00	0.00	0.00	0.00	15,263	152,628	137,365		
1966	1.61	16.15	14.53	1.14	11.36	10.22	0.10	1.00	0.90	0.16	1.63	1.47	0.12	1.17	1.05	0.00	0.00	0.00	0.00	0.00	0.00	0.00	0.00	0.00	0.00	0.00	0.00	0.00	0.00	0.00	0.00	0.00	0.00	0.00	0.00	0.00	0.00	0.00	9,896	98,961	89,065		
1967	0.43	4.31	3.88	0.38	3.76	3.38	0.34	3.44	3.10	0.38	3.78	3.41	0.43	4.25	3.83	0.00	0.00	0.00	0.36	3.60	3.24	0.00	0.01	0.01	0.00	0.00	0.00	0.00	0.00	0.00	0.00	0.00	0.00	0.00	0.00	0.00	0.00	0.00	0.00	6,058	60,579	54,521	
1968	0.32	3.18	2.86	0.17	1.70	1.53	0.01	0.06	0.05	0.00	0.00	0.00	0.06	0.64	0.58	0.08	0.85	0.76	0.00	0.00	0.00	0.00	0.00	0.00	0.00	0.00	0.00	0.00	0.00	0.00	0.00	0.00	0.00	0.00	0.00	0.00	0.00	0.00	0.00	2,886	28,862	25,976	
1969	0.22	2.17	1.96	1.15	11.46	10.31	1.29	12.92	11.62	0.90	8.98	8.08	0.14	1.41	1.27	0.00	0.00	0.00	0.00	0.00	0.00	0.00	0.00	0.00	0.00	0.00	0.00	0.00	0.00	0.00	0.00	0.00	0.00	0.00	0.00	0.00	0.00	0.00	0.00	0.00	10,904	109,036	98,133
1970	1.42	14.16	12.74	1.43	14.26	12.84	1.52	15.21	13.69	0.78	7.84	7.06	0.66	6.57	5.92	0.28	2.82	2.54	0.11	1.06	0.95	0.00	0.00	0.00	0.12	1.25	1.12	0.00	0.00	0.00	0.00	0.00	0.00	0.00	0.00	0.00	0.00	0.00	0.00	0.00	17,141	171,415	154,273
1971	0.12	1.18	1.06	0.44	4.39	3.95	0.88	8.85	7.96	0.24	2.40	2.16	0.15	1.50	1.35	0.31	3.15	2.83	0.00	0.00	0.00	0.04	0.39	0.35	0.05	0.54	0.49	0.05	0.47	0.42	0.00	0.00	0.00	0.00	0.00	0.00	0.00	0.00	0.00	0.00	5,924	59,241	53,317
1972	0.23	2.34	2.11	0.37	3.66	3.29	0.38	3.80	3.42	0.25	2.47	2.22	0.32	3.25	2.92	0.12	1.24	1.11	0.00	0.00	0.00	0.01	0.13	0.11	0.31	3.10	2.79	0.57	5.73	5.16	0.20	2.01	1.81	0.17	1.65	1.49	0.17	1.65	1.49	7,615	76,146	68,531	
1973	0.00	0.00	0.00	0.01	0.06	0.05	0.32	3.22	2.90	0.60	6.00	5.40	0.29	2.90	2.61	0.07	0.72	0.65	0.10	0.98	0.88	0.04	0.39	0.35	0.19	1.90	1.71	0.00	0.01	0.00	0.00	0.00	0.00	0.00	0.00	0.00	0.00	0.00	0.00	0.00	4,743	47,426	42,683
1974	0.65	6.52	5.87	1.45	14.52	13.07	1.05	10.53	9.48	0.52	5.20	4.68	1.02	10.17	9.16	0.89	8.92	8.03	0.15	1.48	1.34	0.03	0.34	0.30	0.17	1.75	1.57	0.28	2.78	2.50	0.34	3.36	3.03	0.14	1.41	1.27	0.14	1.41	1.27	17,359	173,593	156,234	
1975	0.22	2.22	2.00	0.31	3.06	2.75	0.43	4.33	3.90	0.20	2.02	1.82	0.31	3.08	2.77	0.37	3.68	3.31	0.26	2.64	2.38	0.08	0.83	0.75	0.03	0.31	0.28	0.23	2.31	2.08	0.16	1.59	1.43	0.20	1.96	1.76	0.20	1.96	1.76	7,264	72,639	65,375	
1976	0.17	1.70	1.53	0.13	1.31	1.18	0.16	1.59	1.43	0.20	2.00	1.80	0.04	0.41	0.37	0.12	1.21	1.09	0.28	2.83	2.54	0.09	0.93	0.84	0.08	0.81	0.73	0.56	5.55	5.00	0.53	5.32	4.79	0.93	9.31	8.38	0.93	9.31	8.38	8,551	85,508	76,957	
1977	0.17	1.66	1.49	1.30	13.01	11.71	0.92	9.17	8.25	0.85	8.47	7.63	0.40	3.96	3.57	0.23	2.27	2.04	0.16	1.59	1.43	0.10	1.03	0.92	0.01	0.10	0.09	0.06	0.61	0.55	0.17	1.67	1.51	0.18	1.77	1.60	0.18	1.77	1.60	11,749	117,490	105,741	
1978	0.11	1.10	0.99	0.08	0.84	0.76	0.14	1.39	1.25	0.40	3.99	3.59	0.34	3.42	3.07	0.05	0.49	0.44	0.00	0.00	0.00	0.00	0.00	0.00	0.13	1.28	1.15	0.02	0.20	0.18	0.04	0.37	0.33	0.26	2.63	2.37	0.26	2.63	2.37	4,073	40,733	36,660	
1979	0.34	3.36	3.03	0.78	7.84	7.06	0.11	1.08	0.97	0.44	4.40	3.96	0.03	0.29	0.26	0.04	0.39	0.35	0.00	0.02	0.02	0.06	0.56	0.50	0.07	0.70	0.63	0.03	0.28	0.25	0.59	5.89	5.30	0.07	0.74	0.66	0.07	0.74	0.66	6,623	66,234	59,611	
1980	0.53	5.32	4.78	0.48	4.76	4.29	0.56	5.58	5.02	0.51	5.08	4.57	1.86	18.65	16.78	0.48	4.80	4.32	0.00	0.01	0.01	0.01	0.08	0.07	0.01	0.08	0.08	0.39	3.86	3.47	0.39	3.86	3.48	0.67	6.65	5.99	0.67	6.65	5.99	15,221	152,214	136,993	
1981	0.23	2.33	2.10	0.85	8.49	7.64	0.65	6.45	5.81	0.08	0.81	0.73	0.25	2.49	2.24	0.23	2.27	2.05	0.12	1.19	1.07	0.07	0.73	0.66	0.66	6.60	5.94	0.20	2.02	1.82	0.88	8.81	7.93	1.75	17.48	15.73	1.75	17.48	15.73	15,468	154,682	139,213	
1982	0.70	7.04	6.34	0.81	8.12	7.31	0.76	7.59	6.84	0.68	6.77	6.09	0.73	7.29	6.56	0.19	1.91	1.71	0.04	0.35	0.32	0.07	0.68	0.61	0.07	0.72	0.65	0.07	0.72	0.65	0.06	0.61	0.54	0.12	1.15	1.04	0.12	1.15	1.04	11,132	111,318	100,186	
1983	0.12	1.16	1.05	0.46	4.62	4.16	0.00	0.00	0.00	0.07	0.70	0.63	0.00	0.00	0.00	0.38	3.83	3.45	0.64	6.35	5.72	0.09	0.85	0.77	0.22	2.17	1.95	0.15	1.55	1.39	0.30	3.03	2.73	0.91	9.11	8.20	0.91	9.11	8.20	8,653	86,535	77,881	
1984	0.03	0.32	0.29	0.44	4.43	3.99	1.05	10.48	9.43	1.03	10.25	9.23	0.03	0.26	0.23	0.03	0.25	0.23	0.02	0.19	0.17	0.00	0.02	0.02	0.00	0.00	0.00	0.02	0.16	0.15	0.04	0.44	0.40	0.02	0.24	0.22	0.02	0.24	0.22	7,012	70,118	63,106	
1985	0.34	3.41	3.07	0.33	3.26	2.93	1.72	17.20	15.48	0.71	7.06	6.36	0.61	6.15	5.53	0.06	0.58	0.52	0.14	1.38	1.24	0.00	0.00	0.00	0.01	0.05	0.05	0.02	0.23	0.21	0.45	4.48	4.03	0.47	4.67	4.20	0.47	4.67	4.20	12,562	125,621	113,059	
1986	0.12	1.19	1.07	0.77	7.70	6.93	0.69	6.87	6.18	0.11	1.06	0.95	0.11	1.11	1.00	0.06	0.58	0.52	0.02	0.25	0.22	0.00	0.00	0.00	0.01	0.13	0.12	0.01	0.09	0.08	0.00	0.00	0.00	0.00	0.00	0.00	0.00	0.00	0.00	0.00	4,919	49,193	44,274
1987	0.15	1.54	1.38	0.48	4.82	4.34	0.70	6.96	6.26	1.09	10.92	9.83	0.52	5.21	4.69	0.07	0.69	0.62	0.03	0.31	0.28	0.06	0.58	0.52	0.06	0.63	0.57	0.02	0.21	0.19	0.16	1.56	1.41	0.09	0.91	0.82	0.09	0.91	0.82	8,901	89,012	80,111	
1988	0.13	1.30	1.17	0.21	2.10	1.89	0.28	2.79	2.51	0.16	1.64	1.47	0.00	0.00	0.00	0.09	0.87	0.79	0.00	0.00	0.00	0.00	0.00	0.00	0.00	0.00	0.00	0.01	0.06	0.05	0.04	0.43	0.39	0.14	1.42	1.28	0.14	1.42	1.28	2,753	27,525	24,773	
1989	0.02	0.15	0.14	0.02	0.18	0.17	0.00	0.03	0.02	0.22	2.16	1.95	2.08	20.76	18.68	0.97	9.68	8.72	0.28	2.77	2.49	0.02	0.22	0.20	0.01	0.08	0.08	0.42	4.22	3.80	0.13	1.32	1.19	0.05	0.52	0.46	0.05	0.52	0.46	10,912	109,118	98,207	
1990	0.08	0.83	0.75	0.21	2.08	1.87	0.22	2.18	1.96	0.27	2.67	2.40	0.22	2.24	2.01	0.00	0.02	0.01	0.00	0.00	0.00	0.00																					

AVERAGE MONTHLY WATER BALANCE FOR THE PERIOD 1961-1996 BASED ON CURRENT DEMAND (1996)
PCHINJA RIVER BASIN - B3

Units: m³/sec

Units: 10³m³

Year	Jan			Feb			Mar			Apr			May			Jun			Jul			Aug			Sep			Oct			Nov			Dec			Average Annual Balance		
	TD	TS	Net	TD	TS	Net	TD	TS	Net	TD	TS	Net	TD	TS	Net	TD	TS	Net	TD	TS	Net	TD	TS	Net	TD	TS	Net	TD	TS	Net	TD	TS	Net	TD	TS	Net	TD	TS	Net
1961	1.87	17.35	15.48	2.79	15.99	13.20	4.64	26.37	21.73	7.11	19.67	12.56	8.98	53.01	44.03	5.77	19.29	13.51	8.15	4.76	3.39	10.75	1.01	9.74	9.55	0.89	8.66	3.88	2.88	1.00	1.82	15.19	13.37	1.72	15.90	14.18	173,770	498,458	324,688
1962	1.35	9.23	7.89	1.91	12.54	10.64	7.03	63.77	56.74	8.87	47.18	38.32	9.08	16.04	6.96	3.92	12.31	8.39	7.71	5.50	2.21	9.54	1.81	7.73	8.56	0.76	7.79	2.97	5.29	2.32	2.94	27.94	25.00	3.15	30.19	27.04	173,715	602,836	429,121
1963	4.83	46.95	42.12	6.67	65.14	58.47	5.29	35.71	30.42	8.58	43.75	35.17	7.63	24.15	16.52	6.43	22.58	16.15	7.28	5.04	2.23	10.21	1.89	8.31	8.57	3.08	5.49	2.19	5.55	3.36	1.26	6.18	4.92	1.14	9.86	8.72	181,653	699,598	517,945
1964	1.34	2.64	1.30	2.34	11.59	9.25	4.27	23.50	19.23	6.20	23.21	17.00	7.68	28.30	20.63	6.31	18.89	12.58	5.66	6.39	0.73	9.21	2.27	6.94	5.47	4.28	1.19	1.45	9.22	7.77	2.18	18.77	16.58	2.13	19.95	17.82	140,586	438,066	297,480
1965	2.83	26.91	24.08	1.70	14.31	12.61	5.78	36.47	30.69	7.60	34.10	26.51	8.11	36.91	28.81	5.44	11.74	6.30	5.59	2.54	3.06	6.72	1.46	5.26	9.69	0.99	8.71	4.54	1.20	3.34	0.44	2.36	1.92	1.04	9.00	7.96	154,159	461,336	307,177
1966	3.27	31.29	28.03	4.65	37.05	32.40	2.78	14.93	12.15	7.06	21.68	14.62	8.68	14.28	5.60	5.43	17.47	12.03	8.33	1.72	6.61	10.91	3.54	7.37	7.84	0.71	7.13	2.61	1.85	0.76	1.03	6.41	5.38	1.68	15.46	13.78	166,581	431,303	264,722
1967	1.95	16.52	14.57	2.63	14.07	11.44	4.05	21.73	17.67	6.05	22.69	16.64	7.21	17.72	10.52	4.21	9.30	5.09	3.66	11.63	7.97	9.32	2.06	7.26	7.73	1.30	6.43	3.83	1.54	2.29	0.54	3.09	2.55	0.97	6.27	5.30	135,170	331,560	196,390
1968	1.21	10.74	9.53	2.24	15.69	13.45	3.82	12.06	8.24	6.25	9.61	3.36	4.08	6.98	2.89	2.88	8.94	6.06	8.43	0.97	7.45	6.99	1.58	5.41	8.91	3.12	5.80	3.91	2.12	1.79	0.74	5.89	5.14	1.01	8.72	7.72	130,825	223,982	93,157
1969	1.44	13.00	11.57	3.80	36.49	32.69	4.73	41.53	36.80	7.40	32.52	25.12	10.59	14.89	4.29	4.92	6.04	1.12	7.84	3.97	3.87	8.79	2.10	6.69	9.41	1.83	7.57	4.49	1.32	3.18	0.87	2.85	1.98	1.15	10.21	9.05	169,621	432,239	262,618
1970	2.76	26.24	23.48	3.09	27.76	24.67	5.91	38.35	32.43	7.27	24.49	17.23	7.51	25.76	18.25	5.18	14.04	8.86	5.81	15.52	9.71	10.63	3.04	7.59	8.91	3.87	5.04	0.98	5.68	4.70	1.21	8.68	7.46	1.40	11.26	9.86	157,251	530,567	373,316
1971	2.02	17.42	15.40	1.51	13.17	11.66	3.57	33.58	30.01	8.15	25.97	17.82	6.21	10.97	4.77	4.99	9.17	4.18	4.49	2.45	2.04	8.93	1.63	7.30	6.52	4.59	1.93	4.08	3.71	0.37	0.92	2.72	1.79	0.66	3.71	3.05	134,917	334,589	199,672
1972	0.75	6.14	5.39	1.28	10.47	9.19	3.54	11.76	8.22	3.86	9.68	5.82	7.47	11.25	3.79	4.91	3.88	1.03	3.79	2.95	0.84	7.23	1.78	5.45	4.41	10.35	5.94	3.32	31.17	27.85	1.73	13.41	11.68	1.38	10.42	9.05	113,177	319,512	206,335
1973	0.95	5.56	4.61	1.88	12.87	10.99	3.10	22.73	19.62	7.07	38.89	31.82	10.19	22.08	11.89	5.97	7.93	1.96	5.52	7.11	1.59	7.37	3.75	3.63	10.83	10.09	0.74	5.04	6.46	1.42	1.55	7.50	5.95	2.05	16.42	14.37	159,460	418,334	258,874
1974	1.85	17.16	15.30	3.76	36.06	32.30	4.89	29.66	24.77	5.74	22.70	16.96	5.98	39.47	33.50	4.70	29.40	24.70	8.76	10.72	1.96	10.11	3.58	1.10	6.53	5.43	4.92	2.47	7.14	4.67	1.31	9.63	8.32	0.72	5.91	5.18	147,250	562,082	414,833
1975	1.20	7.86	6.66	1.83	8.01	6.18	3.46	19.73	16.27	7.03	12.97	5.94	6.41	19.01	12.60	3.44	18.36	14.92	5.80	10.64	4.84	8.18	3.43	4.75	9.00	4.09	4.92	2.36	7.67	5.31	1.22	8.32	7.10	1.30	10.06	8.76	132,802	337,341	204,540
1976	1.08	7.43	6.35	1.90	9.16	7.26	3.58	9.43	5.85	6.79	17.87	11.07	5.18	15.56	10.38	4.84	14.90	10.06	4.12	12.89	8.77	9.31	11.12	1.81	9.79	6.58	3.21	4.73	17.19	12.45	3.72	29.74	26.02	3.72	33.23	29.51	152,305	479,774	327,469
1977	1.70	14.89	13.18	4.49	36.95	32.46	4.91	27.88	22.97	7.71	22.00	14.29	7.40	13.45	6.05	3.92	7.86	3.93	6.50	4.88	1.62	8.07	3.43	4.64	9.51	2.04	7.48	3.86	3.09	0.77	0.94	5.52	4.58	0.79	6.11	5.32	155,017	383,816	228,799
1978	0.90	6.26	5.36	2.11	12.85	10.74	3.38	17.33	13.95	6.08	24.99	18.91	7.51	22.42	14.91	6.12	10.15	4.02	7.64	2.21	3.43	9.85	1.24	8.61	5.63	5.53	0.11	3.94	3.36	0.58	0.90	3.17	2.27	1.21	10.81	9.59	143,323	311,862	168,539
1979	1.82	16.03	14.21	3.37	23.76	20.39	2.97	8.44	5.47	6.02	25.10	19.08	6.28	9.47	3.19	3.97	5.41	1.44	6.13	2.08	4.05	6.24	3.51	2.73	8.45	3.48	4.97	3.19	3.14	0.04	1.87	17.20	15.33	1.00	7.40	6.41	132,951	324,081	191,130
1980	1.80	15.06	13.26	2.65	15.83	13.17	3.91	23.01	19.10	6.93	20.74	13.81	8.64	51.21	42.57	6.22	19.51	13.29	7.47	3.15	4.33	8.62	2.30	6.32	7.43	2.04	5.39	3.27	9.20	5.92	1.25	10.20	8.95	1.63	14.92	13.29	155,060	485,104	330,043
1981	0.97	7.89	6.93	2.42	20.24	17.82	5.19	33.00	27.81	5.30	14.99	9.69	9.35	12.58	3.23	4.35	6.40	2.05	5.52	4.26	1.26	7.98	4.06	3.92	5.39	11.14	5.75	3.30	7.81	4.51	2.01	18.68	16.66	4.35	42.14	37.79	145,451	474,859	329,408
1982	2.62	22.39	19.78	2.32	16.14	13.82	4.27	24.21	19.95	5.14	32.27	27.13	8.42	27.77	19.34	5.58	7.54	1.95	6.54	3.41	3.13	9.88	3.29	6.59	9.70	2.46	7.24	3.61	3.01	0.60	0.96	4.97	4.01	0.82	6.82	6.00	155,170	399,889	244,719
1983	0.81	5.51	4.70	1.99	12.41	10.42	2.87	7.25	4.39	6.12	9.34	3.22	5.08	1.04	4.04	3.01	15.00	11.98	5.61	20.21	14.60	8.85	5.15	3.70	6.41	5.95	0.46	4.07	4.39	0.32	0.82	6.76	5.94	1.81	15.57	13.76	123,001	281,450	158,449
1984	0.80	6.23	5.43	2.86	22.34	19.48	4.34	32.50	28.17	7.41	35.35	27.94	9.23	11.22	2.00	4.74	3.92	0.82	7.34	1.90	5.44	6.76	2.29	4.47	7.28	2.09	5.19	4.09	2.20	1.89	0.69	3.08	2.39	0.55	2.57	2.02	145,392	325,817	180,425
1985	1.21	9.67	8.46	2.05	10.23	8.18	4.68	35.91	31.23	6.96	23.44	16.48	5.75	19.72	13.98	4.85	5.11	0.26	8.11	3.18	4.93	9.18	0.54	8.64	9.45	0.96	8.49	3.75	1.44	2.30	1.14	9.90	8.77	1.03	8.20	7.16	150,734	332,578	181,844
1986	1.02	8.80	7.79	4.57	31.10	26.53	4.76	27.87	23.12	5.55	12.47	6.92	5.97	10.34	4.37	4.74	6.19	1.44	4.44	4.82	0.38	9.28	1.66	7.62	9.27	1.78	7.49	3.82	1.75	2.07	0.61	1.71	1.10	0.42	1.68	1.26	141,121	285,579	144,457
1987	0.65	5.12	4.47	1.98	11.16	9.18	2.50	17.29	14.78	7.01	30.74	23.73	8.89	24.84	15.95	5.26	7.46	2.20	8.24	2.69	5.55	7.36	1.64	5.72	8.61	1.76	6.86	1.52	2.34	0.83	0.91	4.88	3.98	0.77	5.55	4.78	139,196	299,321	160,125
1988	0.87	5.32	4.45	1.44	6.47	5.04	2.89	13.23	10.34	6.85	17.76	10.91	7.32	6.22	1.10	4.23	5.55	1.32	7.14	1.14	6.00	10.01	0.29	9.72	9.44	0.57	8.86	3.44	1.68	1.76	0.55	4.02	3.47	0.81	6.53	5.73	142,492	178,301	35,809
1989	0.85	3.18	2.33	1.37	3.53	2.16	3.25	7.74	4.49	3.86	11.49	7.63	9.44	39.08	29.63	3.40	26.90	23.51	6.18	13.00	6.82	8.20	4.13	4.06	9.73	3.52	6.21	3.72	11.39	7.67	1.29	9.48	8.19	0.91	7.00	6.08	135,294	363,995	228,702
1990	1.07	5.70	4.63	1.91	7.27	5.36	3.49	7.66	4.17	4.34	11.20	6.86	8.13	9.27	1.15	4.96	3.37	1.59	7.50	0.62	6.88	8.48	0.29	8.19	9.81	0.63	9.17	3.10	1.46	1.63	0.59	2.85	2.26	1.29	11.57	10.28	141,672	160,425	18,754
1991	0.64	4.67	4.03	1.99	12.42	10.43	3.32	16.36	13.04	4.72	26.48	21.76	9.17	32.95	23.78	6.19	15.23	9.03	3.82	4.90	1.08	8.87	3.77	5.1															