

**JAPAN INTERNATIONAL COOPERATION AGENCY
MINISTRY OF ENVIRONMENT
THE REPUBLIC OF LITHUANIA**

**STUDY ON THE SEWERAGE SYSTEM IMPROVEMENT
OF
BIRZAI AND SKUODAS TOWN
IN THE REPUBLIC OF LITHUANIA**

**FINAL REPORT
VOLUME IV
(PRELIMINARY DESIGN DRAWINGS)**

SKUODAS TOWN

JICA LIBRARY

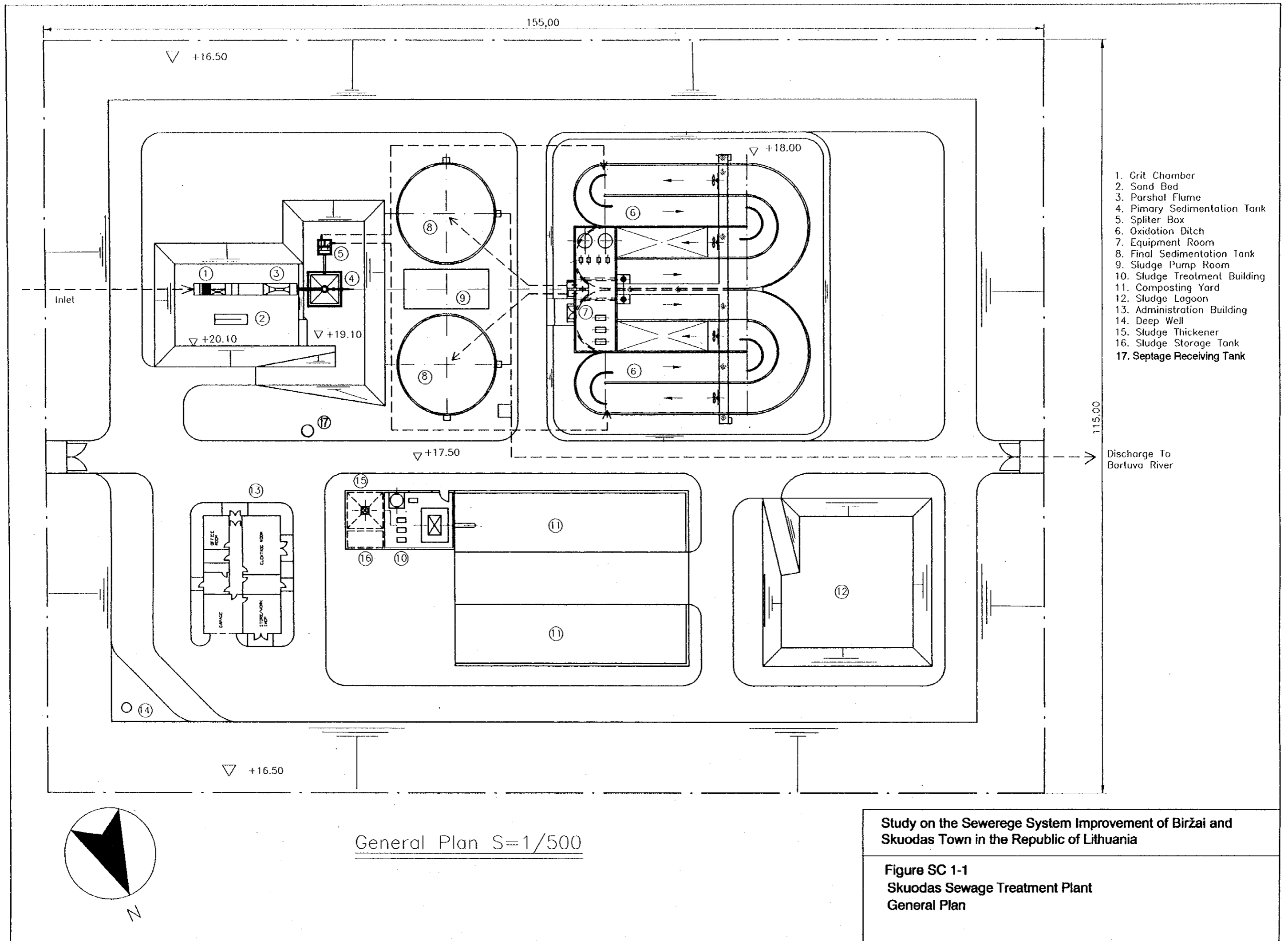


J1149066(1)

FEBRUARY 1999

NIPPON JOGESUIDO SEKKEI CO., LTD.

JR

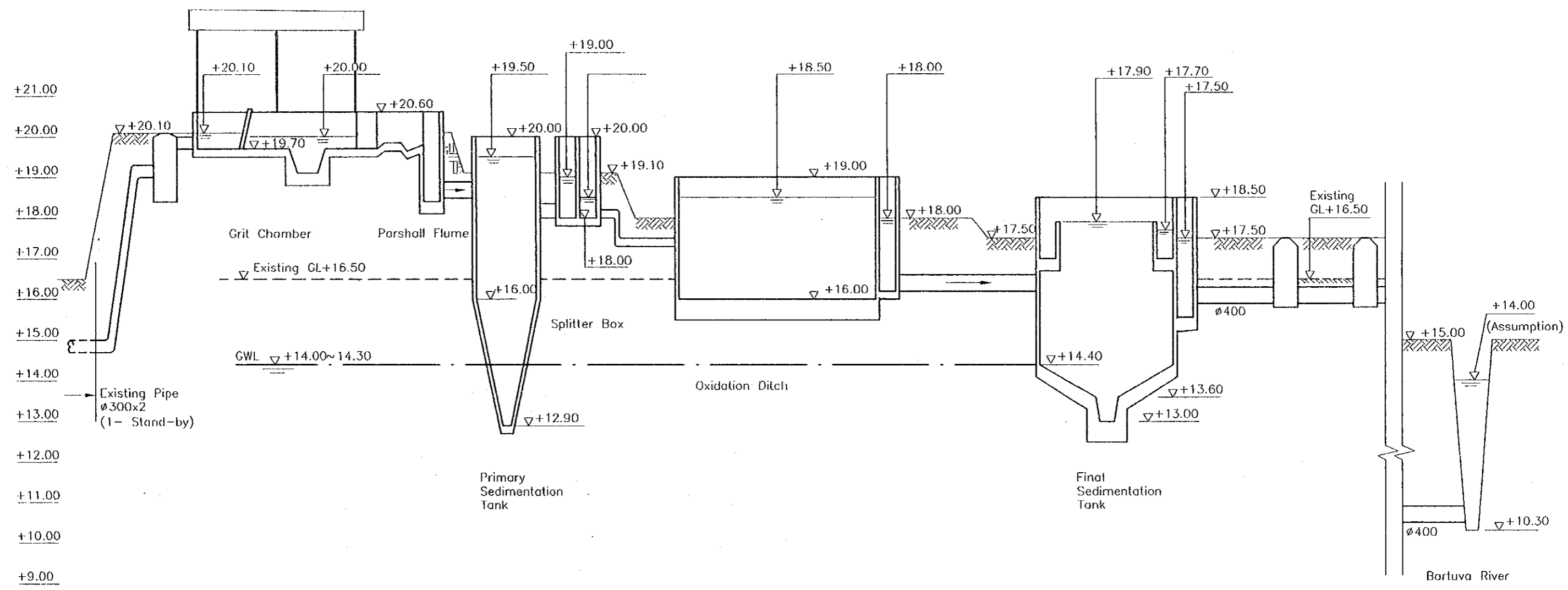


- 1. Grit Chamber
- 2. Sand Bed
- 3. Parshal Flume
- 4. Primary Sedimentation Tank
- 5. Splitter Box
- 6. Oxidation Ditch
- 7. Equipment Room
- 8. Final Sedimentation Tank
- 9. Sludge Pump Room
- 10. Sludge Treatment Building
- 11. Composting Yard
- 12. Sludge Lagoon
- 13. Administration Building
- 14. Deep Well
- 15. Sludge Thickener
- 16. Sludge Storage Tank
- 17. Septage Receiving Tank

General Plan S=1/500

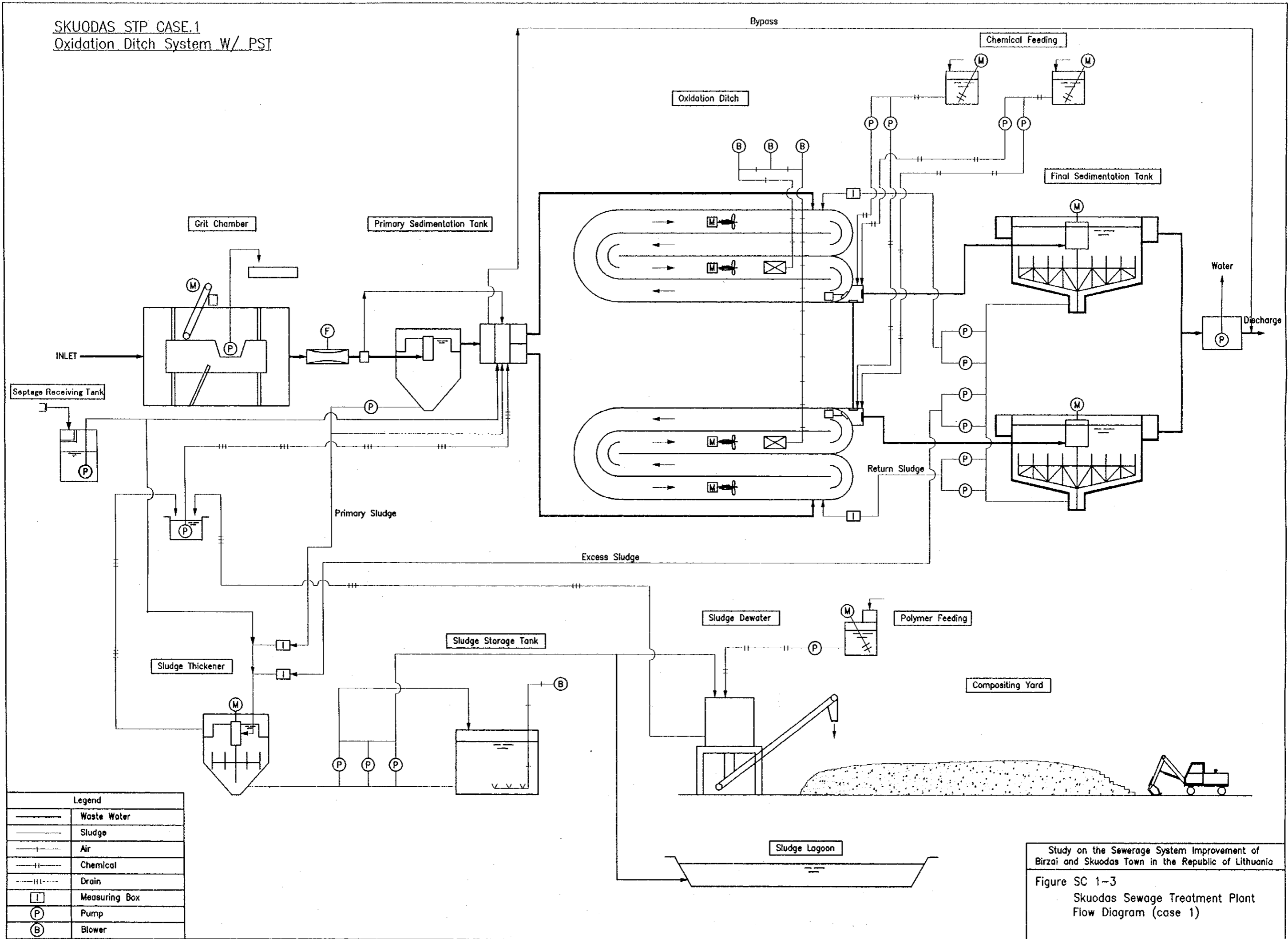
Study on the Sewerage System Improvement of Biržai and Skuodas Town in the Republic of Lithuania

Figure SC 1-1
Skuodas Sewage Treatment Plant
General Plan



Study on the Sewerage System Improvement of Biržai and Skuodas Town in the Republic of Lithuania
 Figure SC 1-2
 Skuodas Sewage Treatment Plant
 Hydraulic Profile

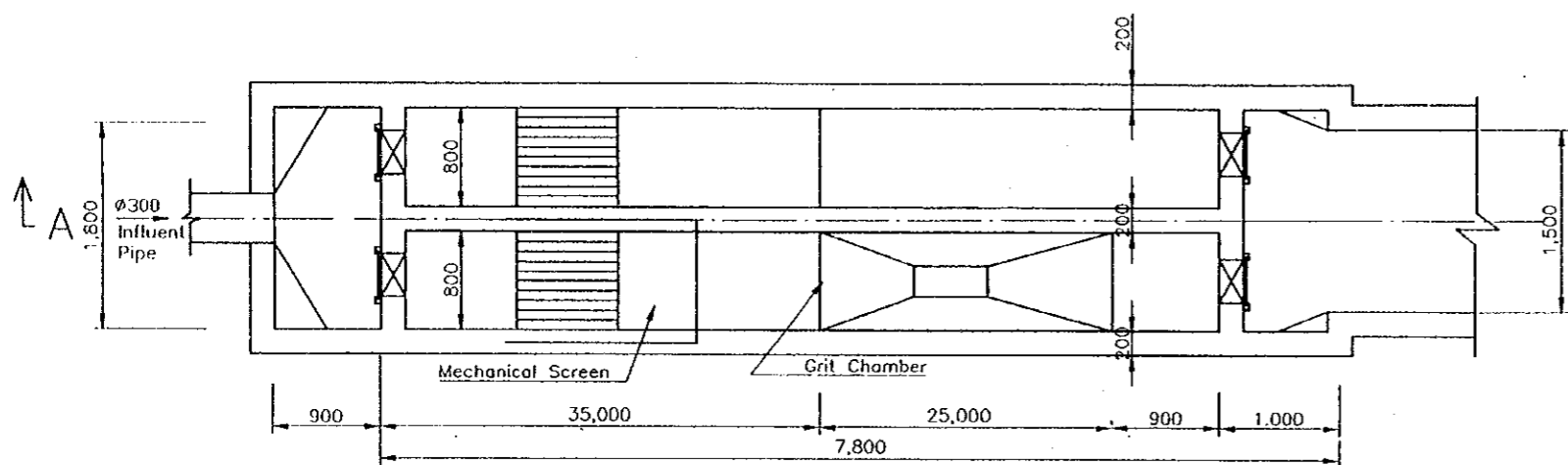
SKUODAS STP CASE.1
Oxidation Ditch System W/ PST



Legend	
	Waste Water
	Sludge
	Air
	Chemical
	Drain
	Measuring Box
	Pump
	Blower

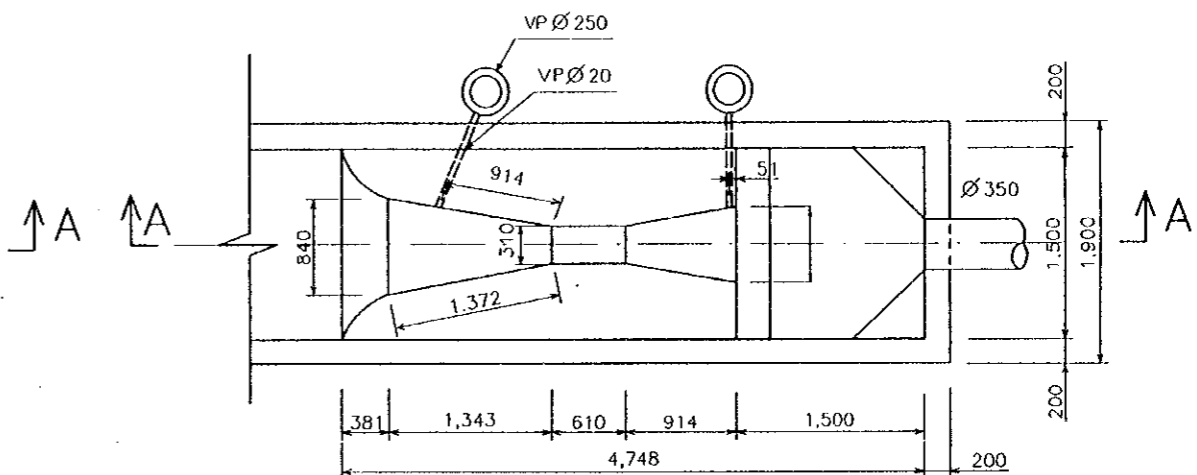
Study on the Sewerage System Improvement of Birzai and Skuodas Town in the Republic of Lithuania
Figure SC 1-3
Skuodas Sewage Treatment Plant
Flow Diagram (case 1)

Grit Chamber

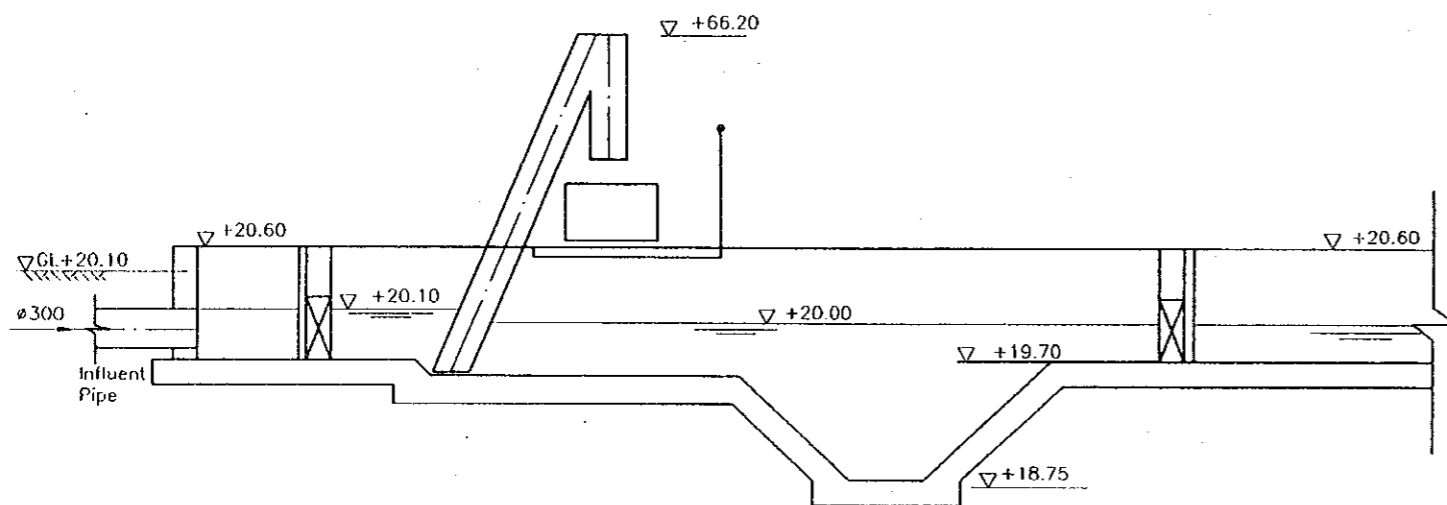


Plan S=1/50

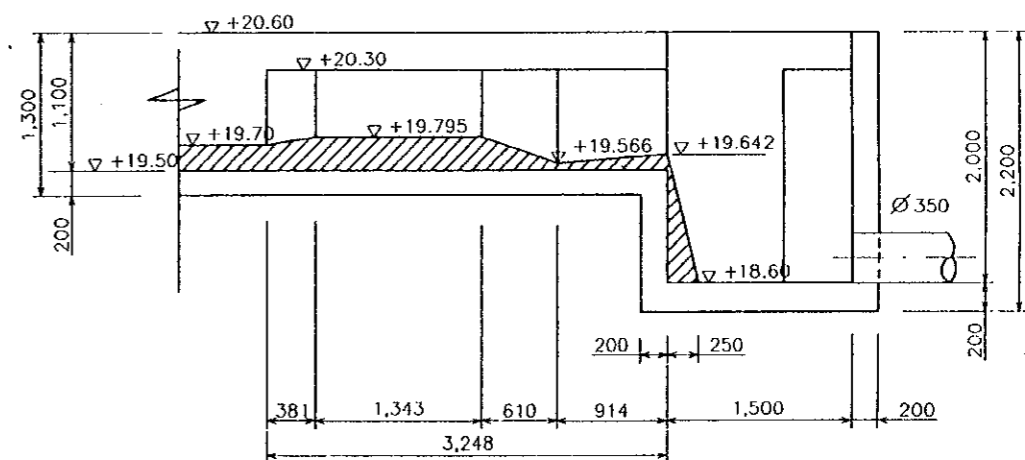
Parshall Flume



Plan S=1/50



Section A-A S=1/50

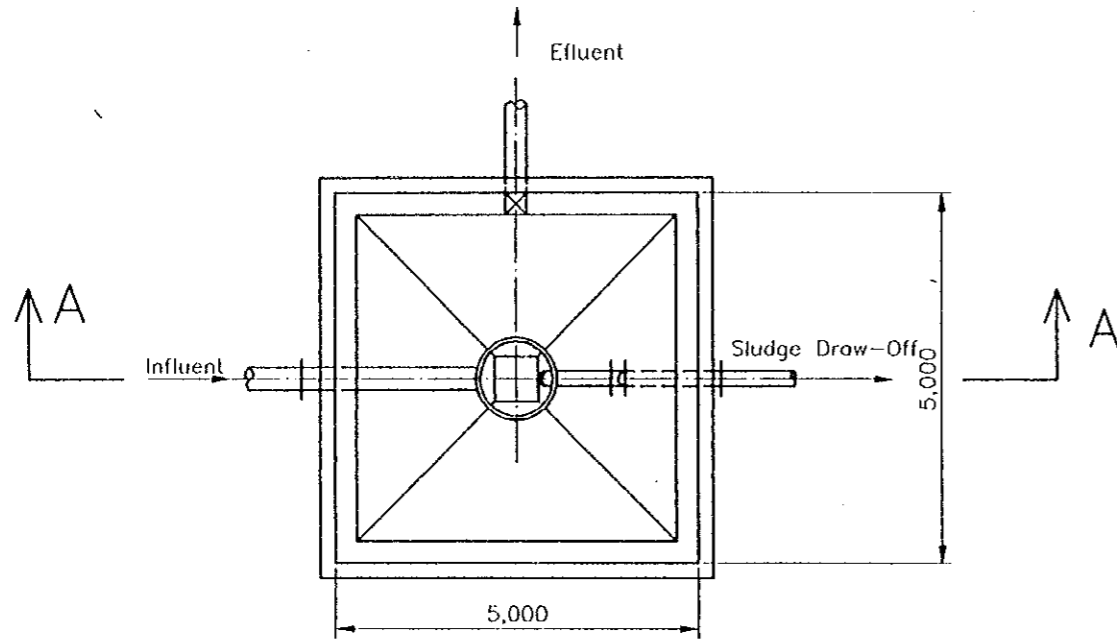


Section A-A S=1/50

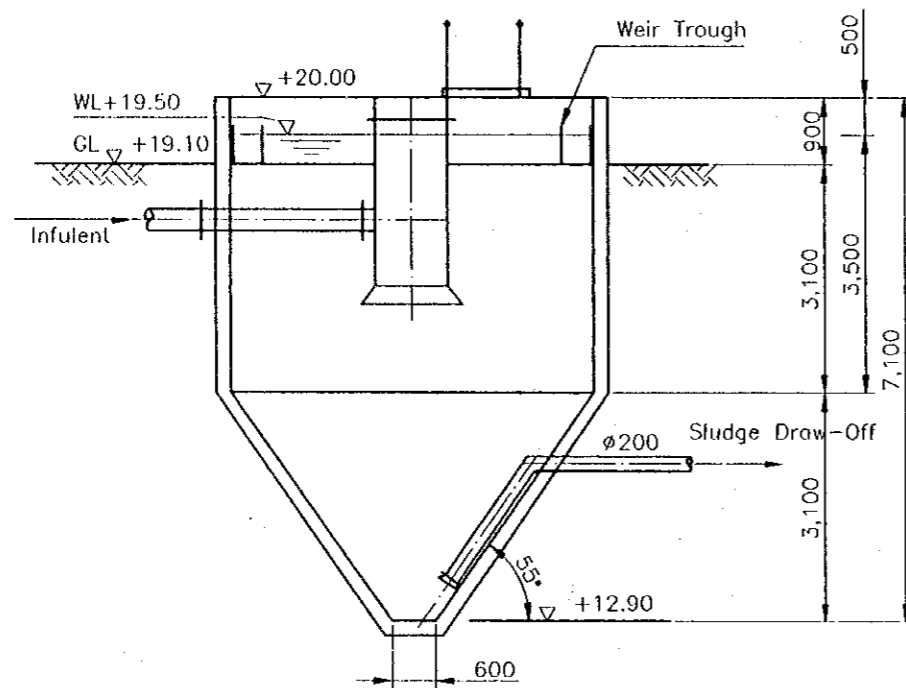
Study on the Sewerage System Improvement of Biržai and Skuodas Town in the Republic of Lithuania

Figure SC 1-4
Skuodas Sewage Treatment Plant
Grit Chamber and Parshall Flume

Primary Sedimentation Tank

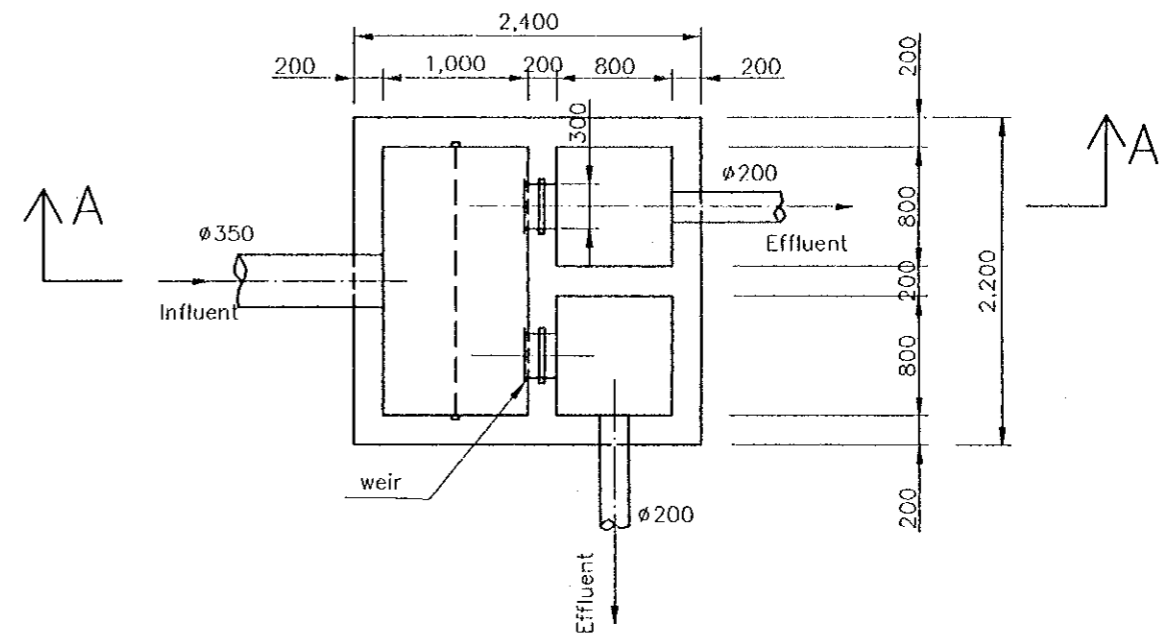


Plan S=1/100

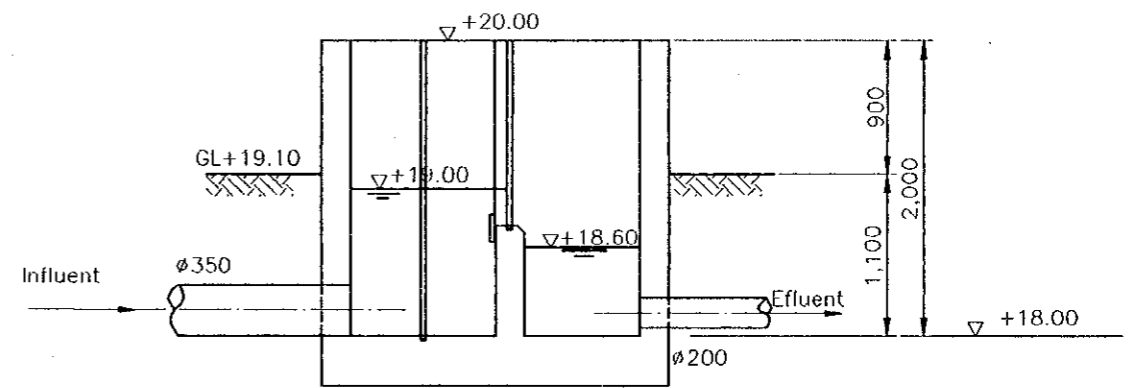


Section A-A S=1/100

Splitter Box



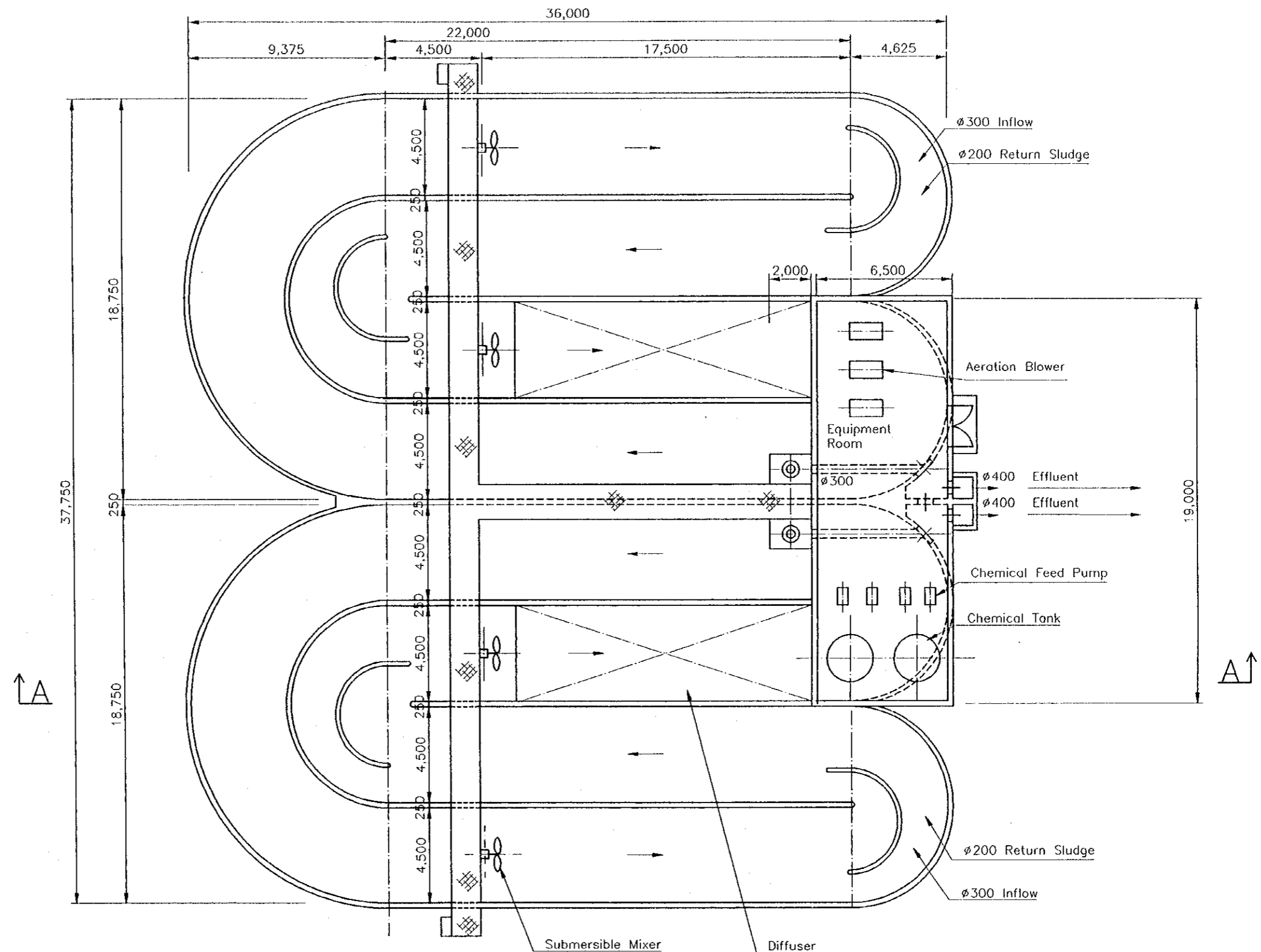
Plan S=1/50



Section A-A S=1/50

Study on the Sewerage System Improvement of Biržai and Skuodas Town in the Republic of Lithuania

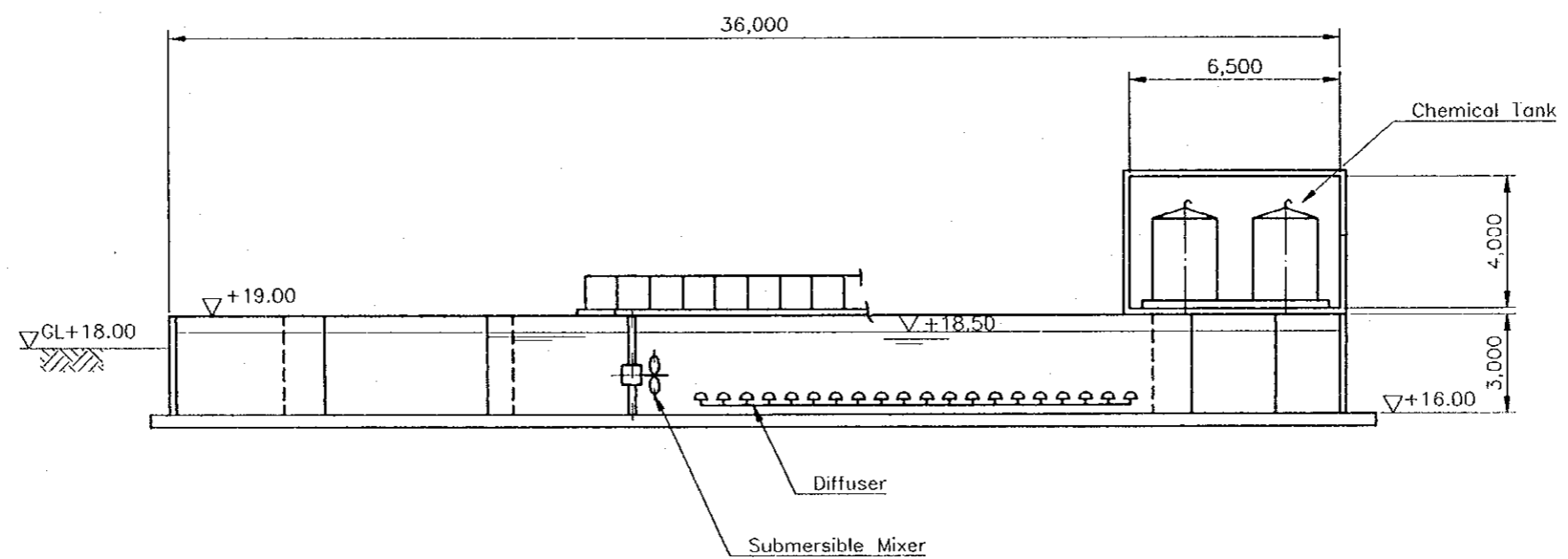
Figure SC 1-5
Skuodas Sewage Treatment Plant
Primary Sedimentation Tank and Splitter Box



Plan S=1/200

Study on the Sewerage System Improvement of Biržai and Skuodas Town in the Republic of Lithuania

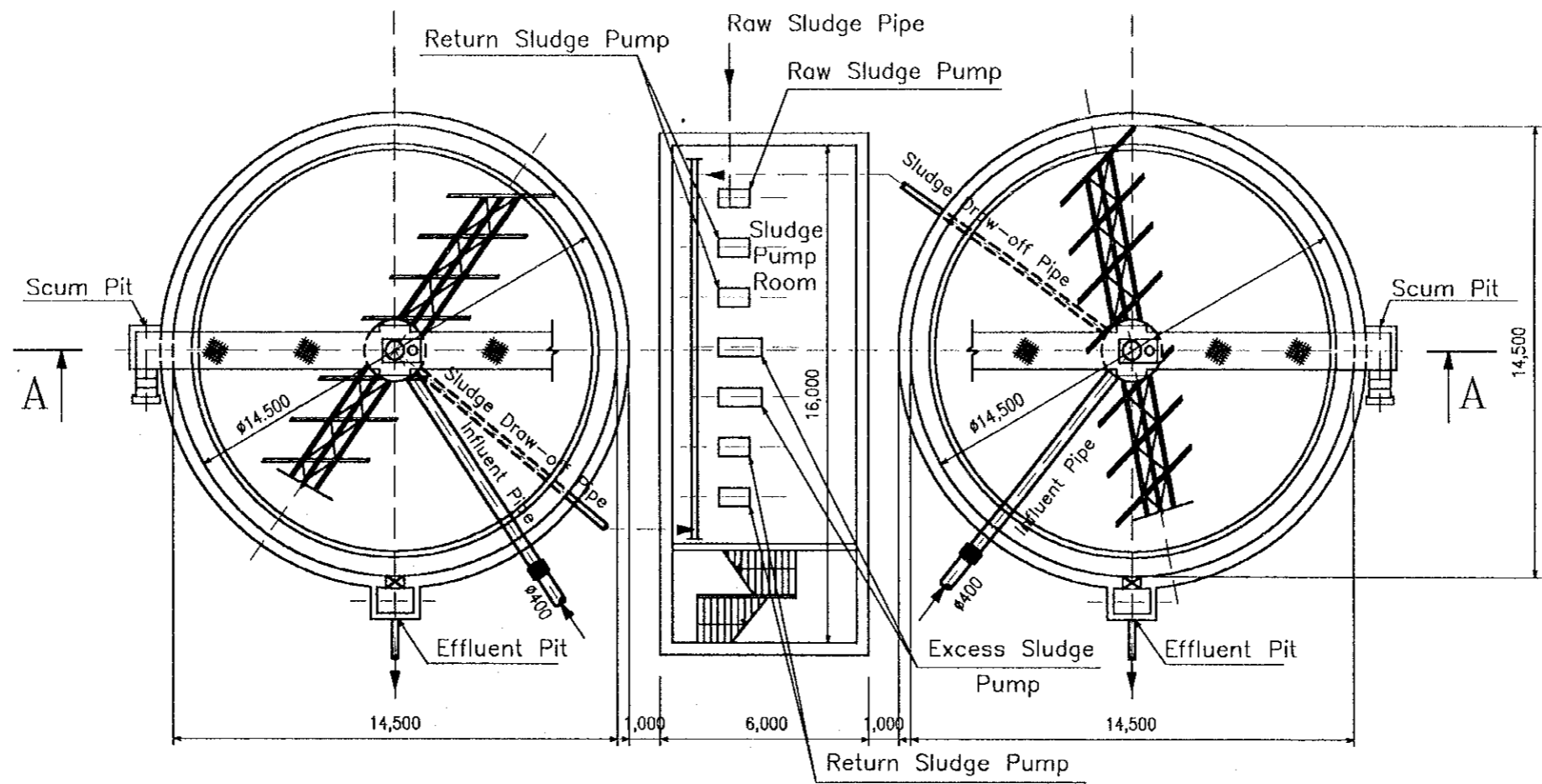
Figure SC 1-6
 Skuodas Sewage Treatment Plant
 Oxidation Ditch and Equipment Room (Plan)



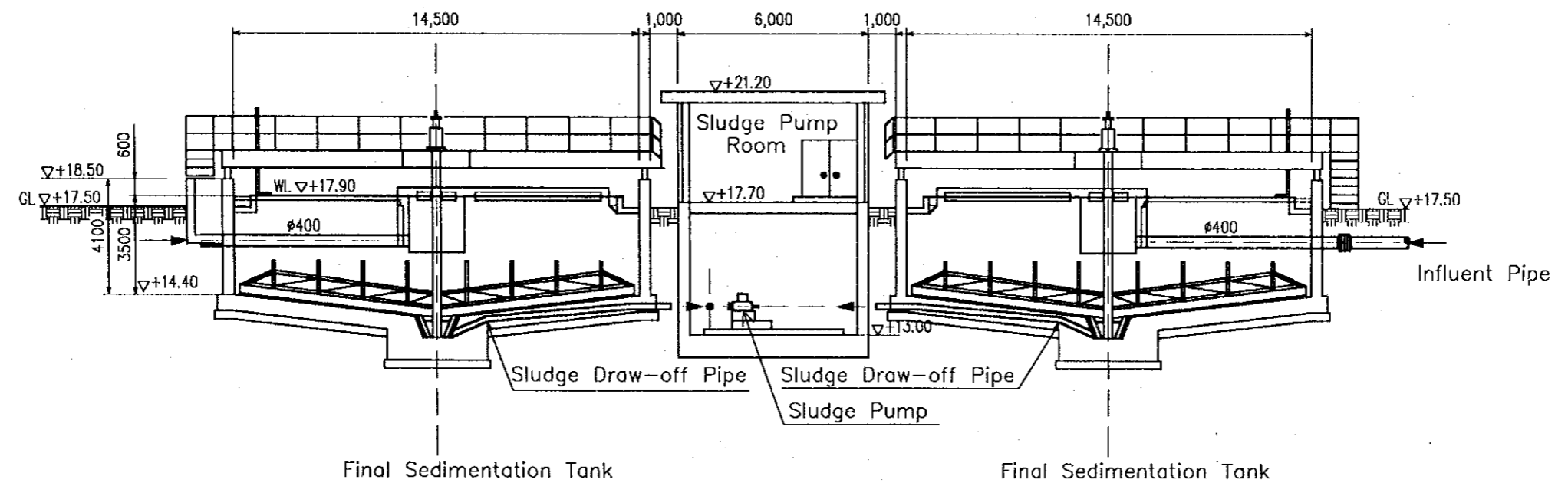
Section A-A S=1/200

Study on the Sewerage System Improvement of Biržai and Skuodas Town in the Republic of Lithuania

Figure SC 1-7
 Skuodas Sewage Treatment Plant
 Oxidation Ditch and Equipment Room
 (Section)



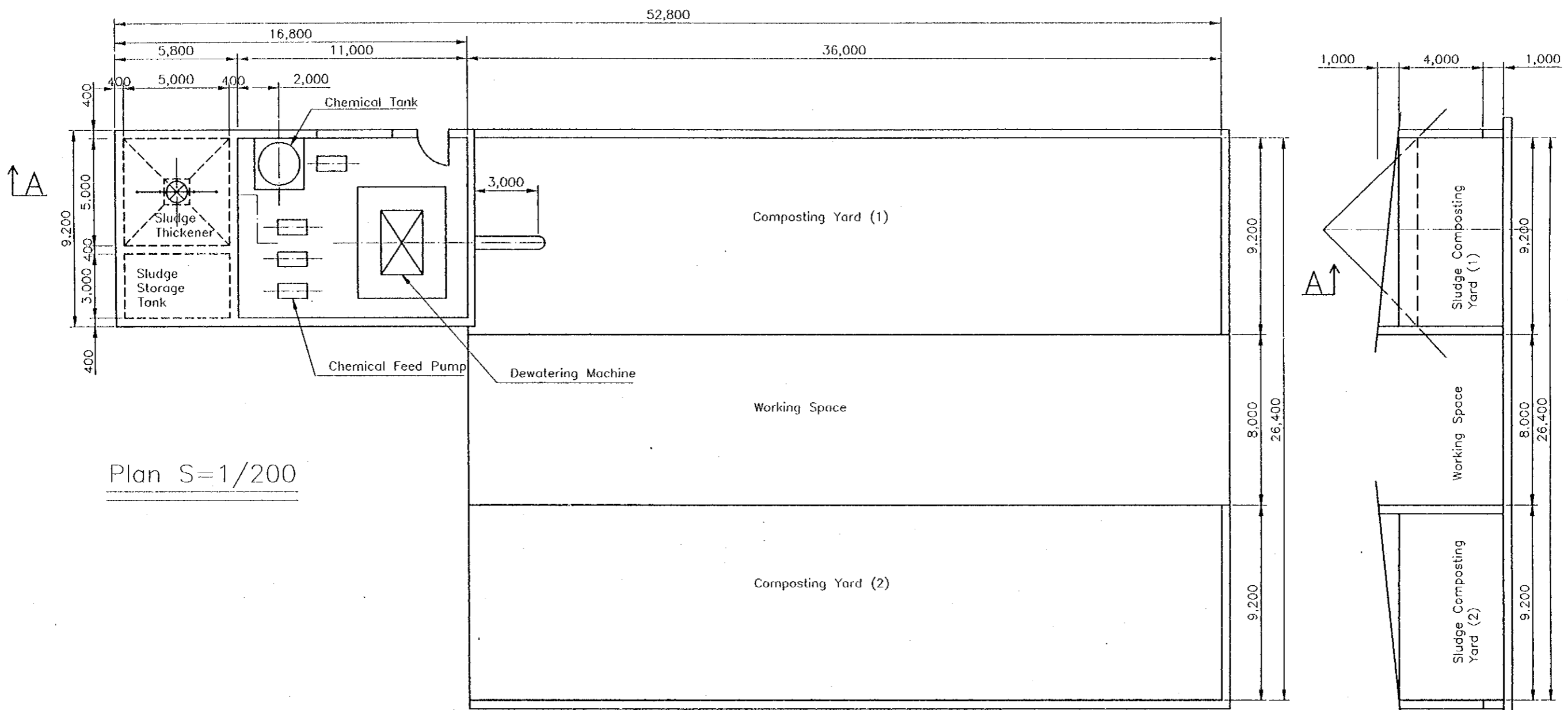
Plan S=1/200



Section A-A S=1/200

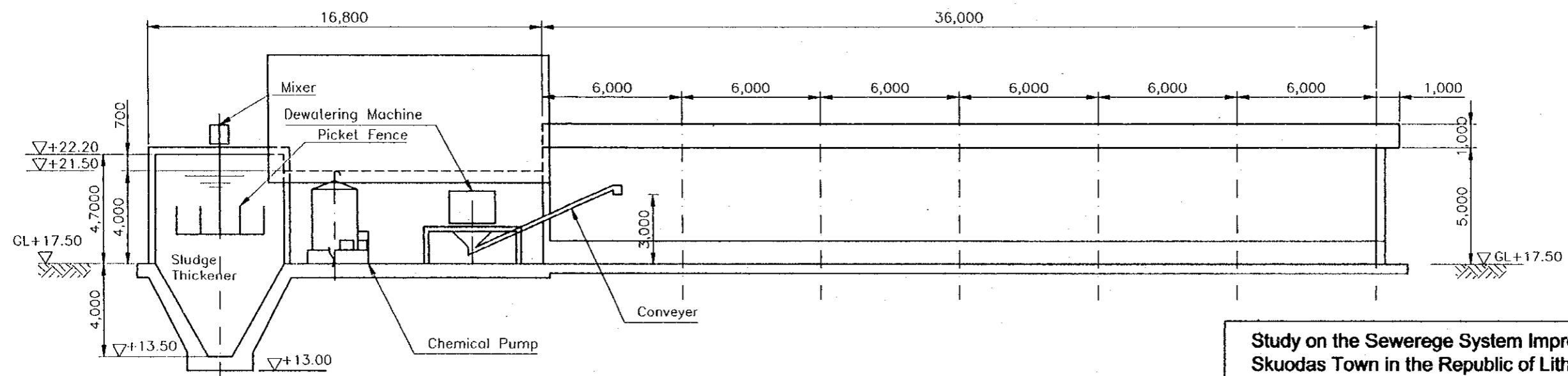
Study on The Sewerage System Improvement of Biržai and Skuodas Town in the Republic of Lithuania

Figure No. SC1-8
 Skuodas Sewage Treatment Plant
 Final Sedimentation Tank and Pump Room (Plan, Section)



Plan S=1/200

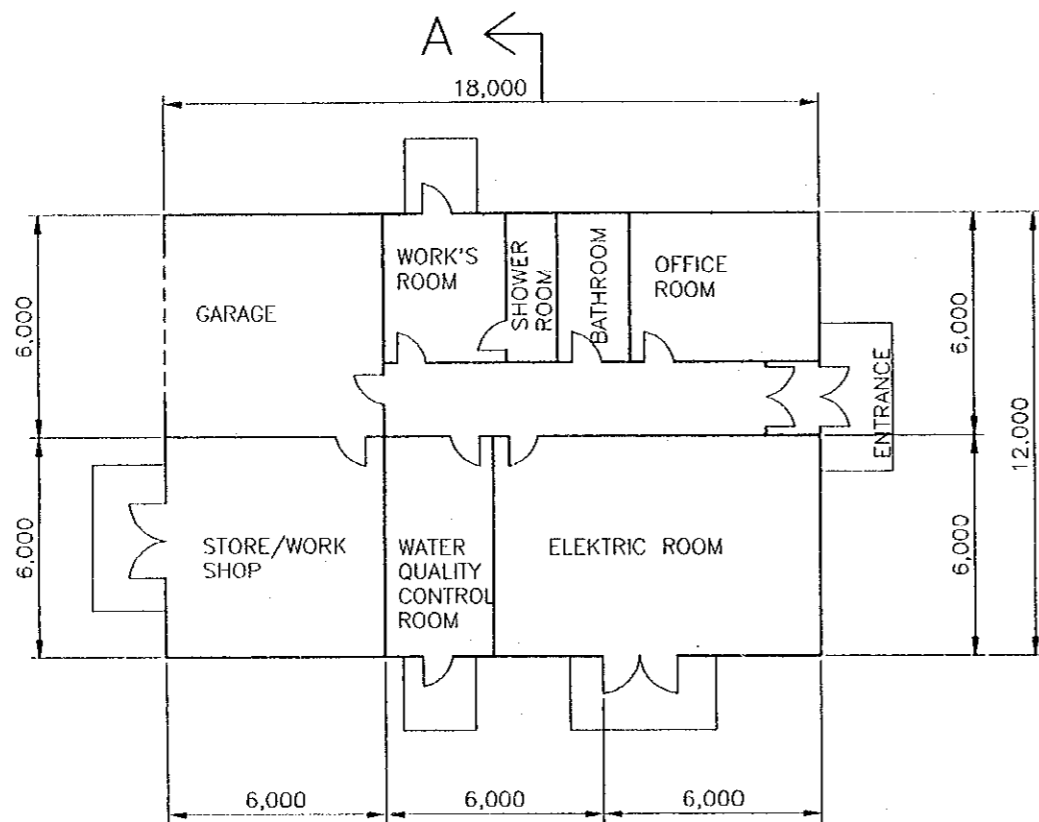
Section B-B S=1/200



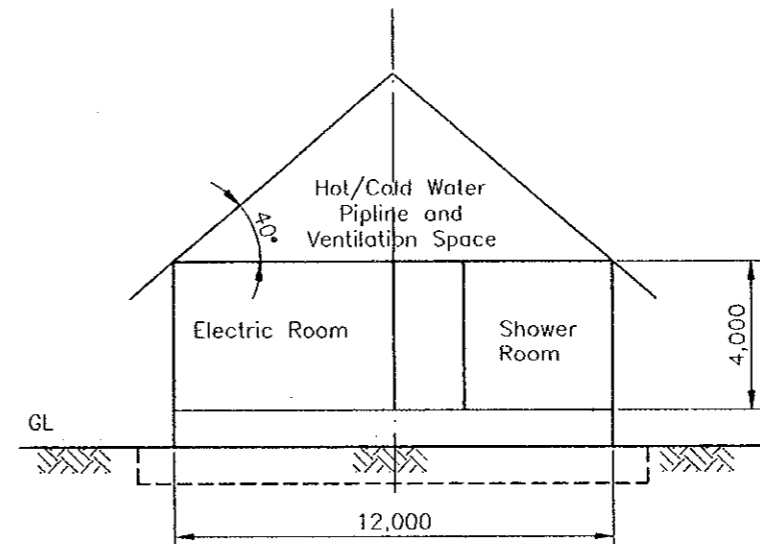
Section A-A S=1/200

Study on the Sewerage System Improvement of Biržai and Skuodas Town in the Republic of Lithuania

Figure SC 1-9
Skuodas Sewage Treatment Plant
Sludge Thickener and Sludge Treatment Building



Plan S=1/200



Section A-A S=1/200

Study on the Sewerege System Improvement of Biržai and
Skuodas Town in the Republic of Lithuania

Figure SC 1-10
Skuodas Sewage Treatment Plant
Administration building



