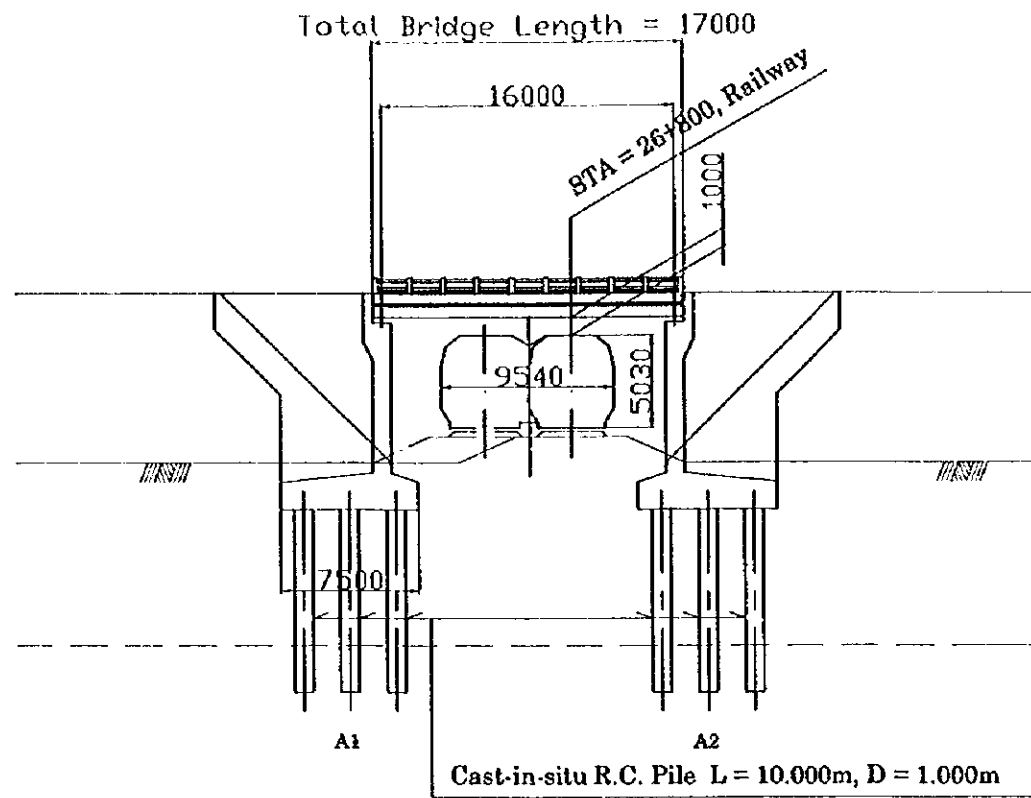
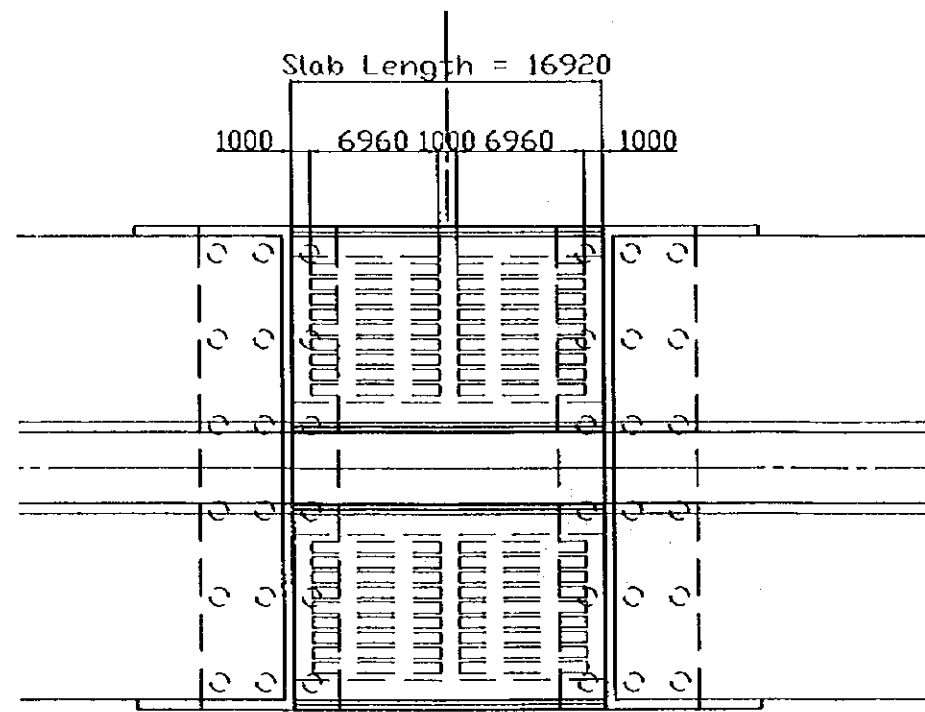


Note: 1. Alignment Details of the intersection is shown in Sheet No. B-2(2/3)

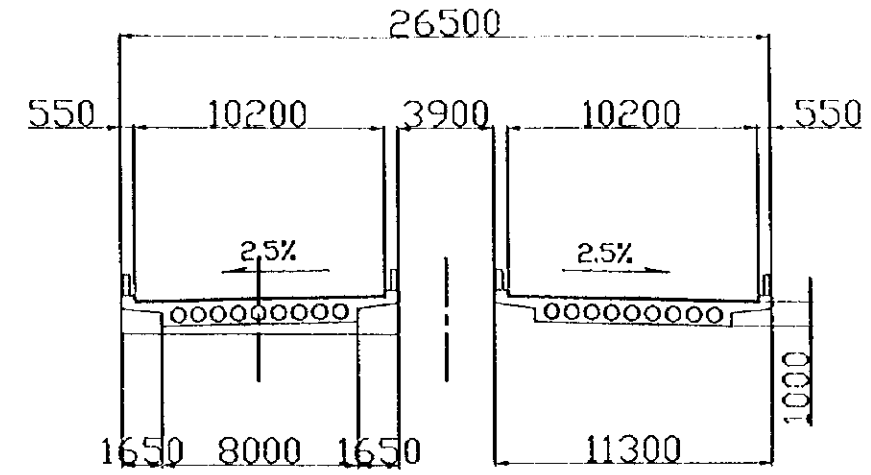




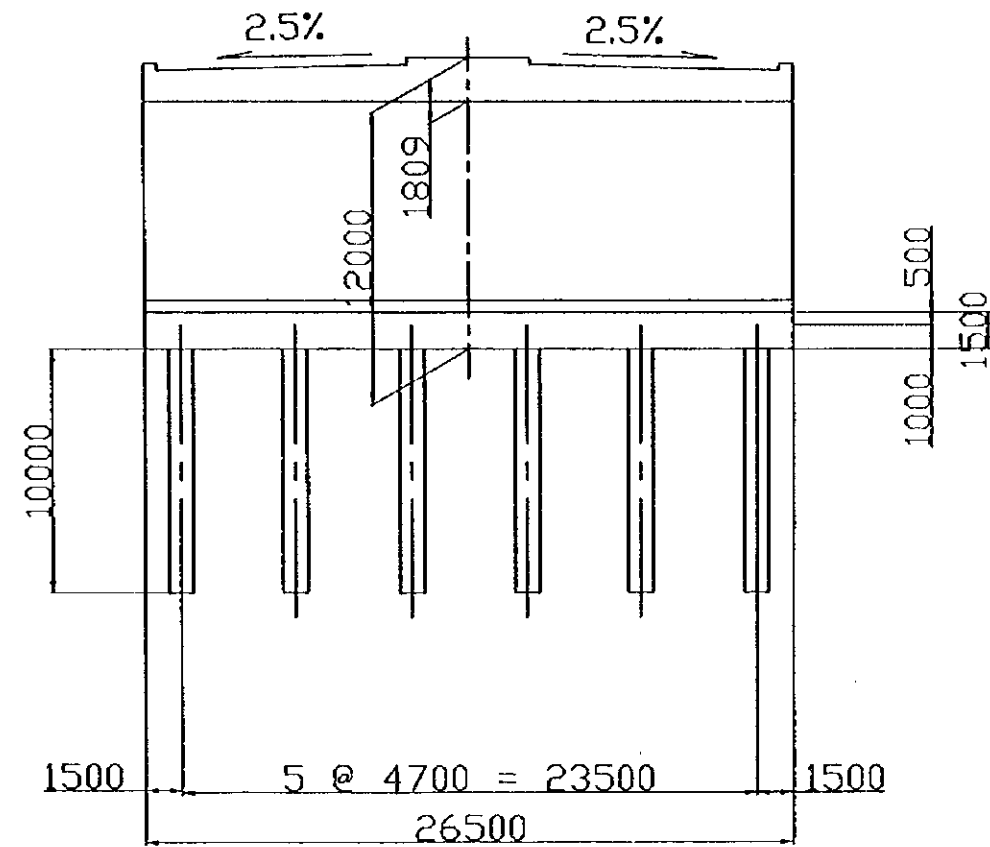
Side View s=1:400



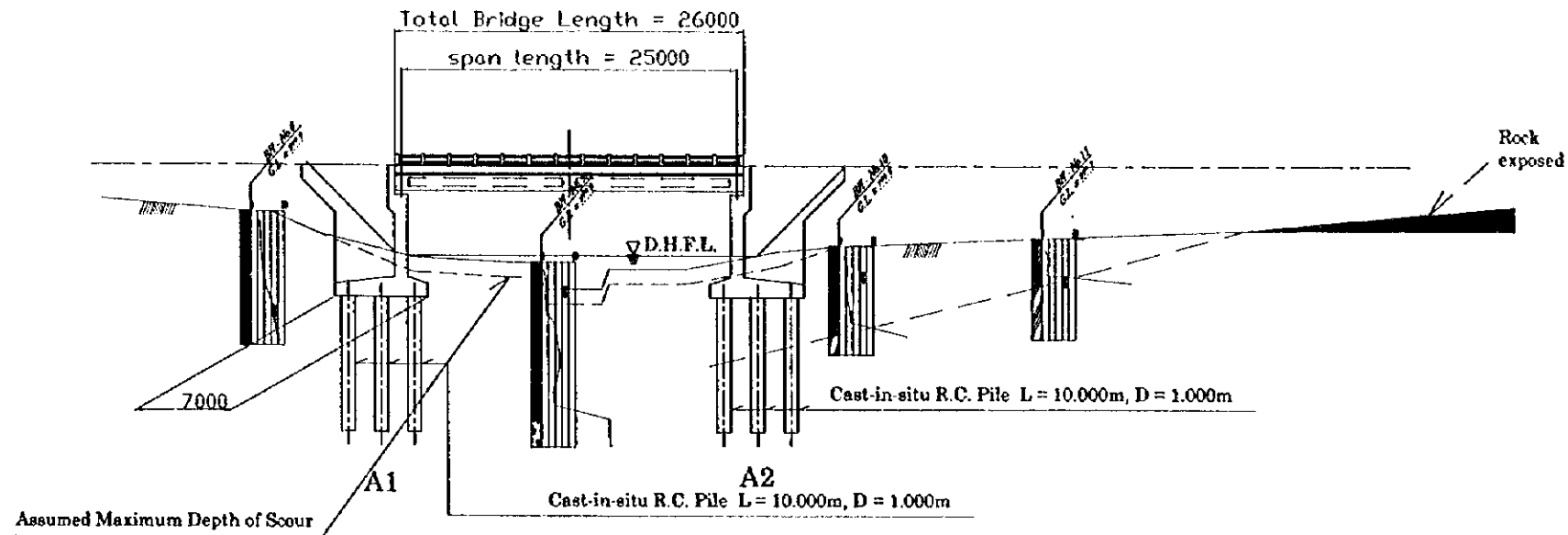
Plan Scale 1:400



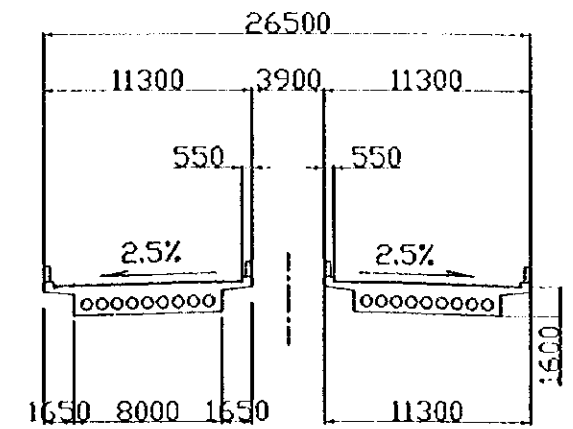
Superstructure Cross Section Scale 1:300  
 (PC Hollow Slab 1 @ 16.0 = 16.0m)



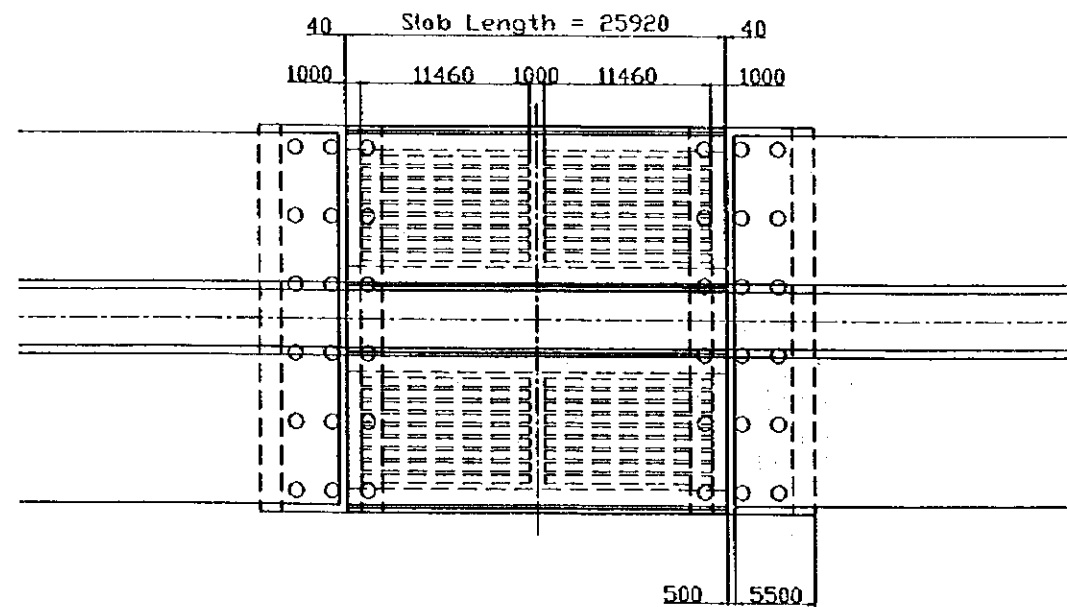
Abutment Scale s=1:300



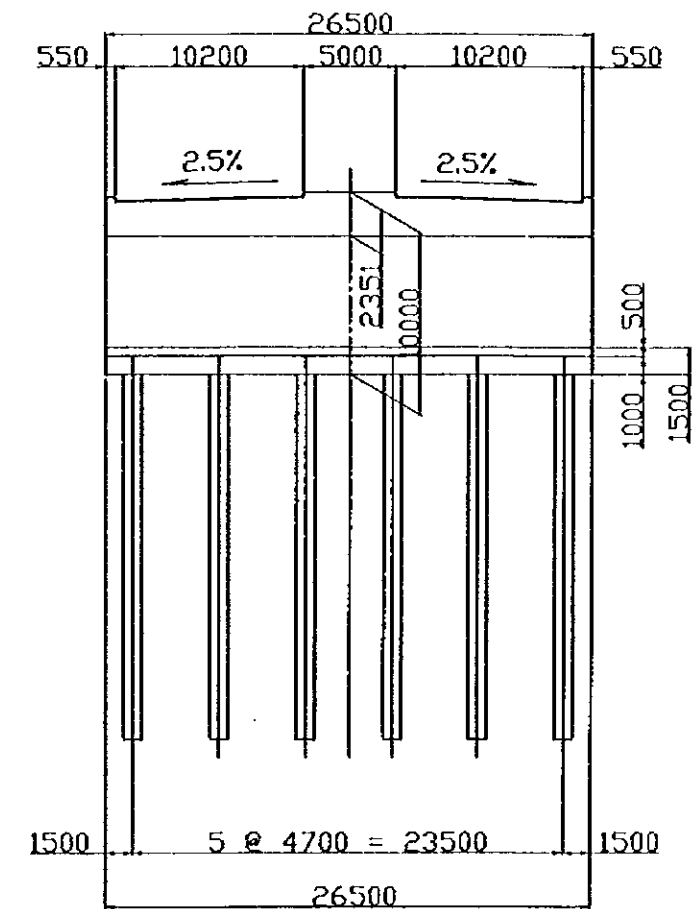
Side View Scale 1:500



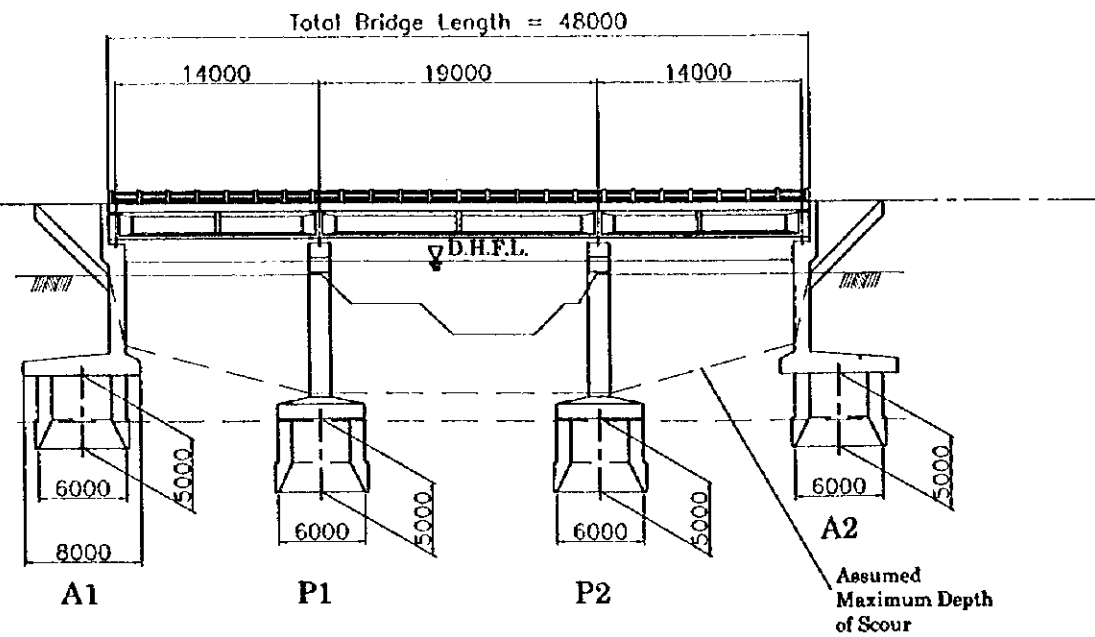
Superstructure Cross Section Scale 1:400  
(PC Hollow Slab 1 @ 25.0 = 25.0m)



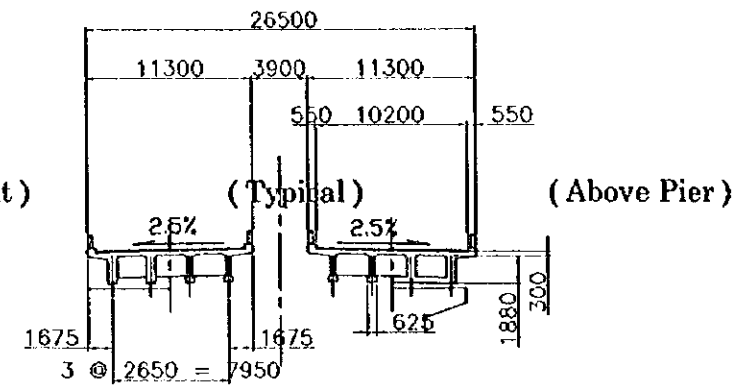
Plan Scale 1:500



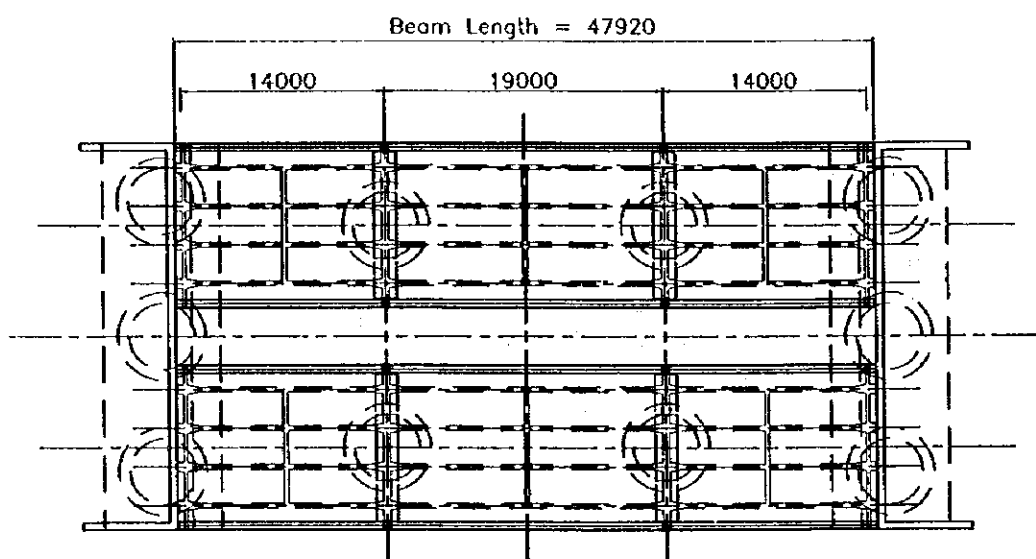
Abutment Scale 1:400



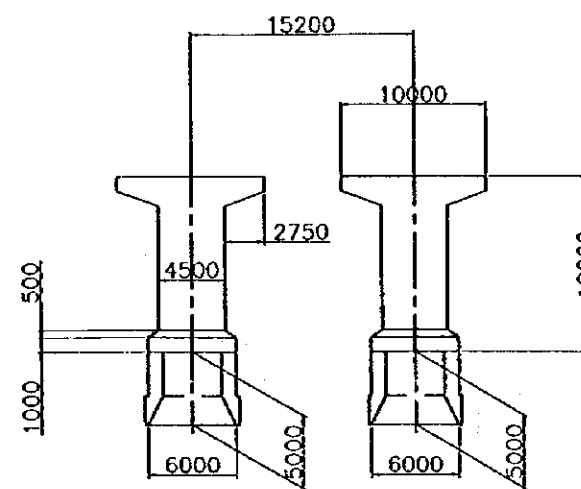
Side View Scale 1:500



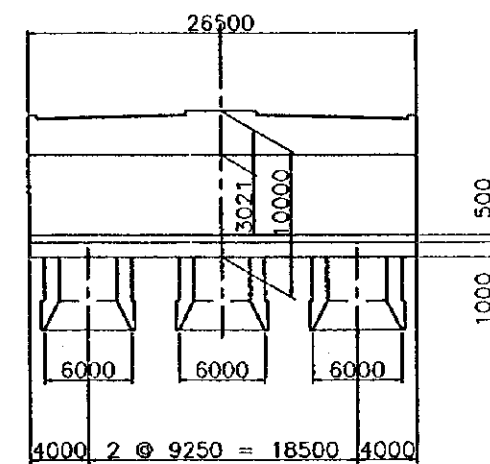
Superstructure Cross Section Scale 1:600  
(R.C.T beam 14.0 + 19.0 + 14.0 = 47.0m)



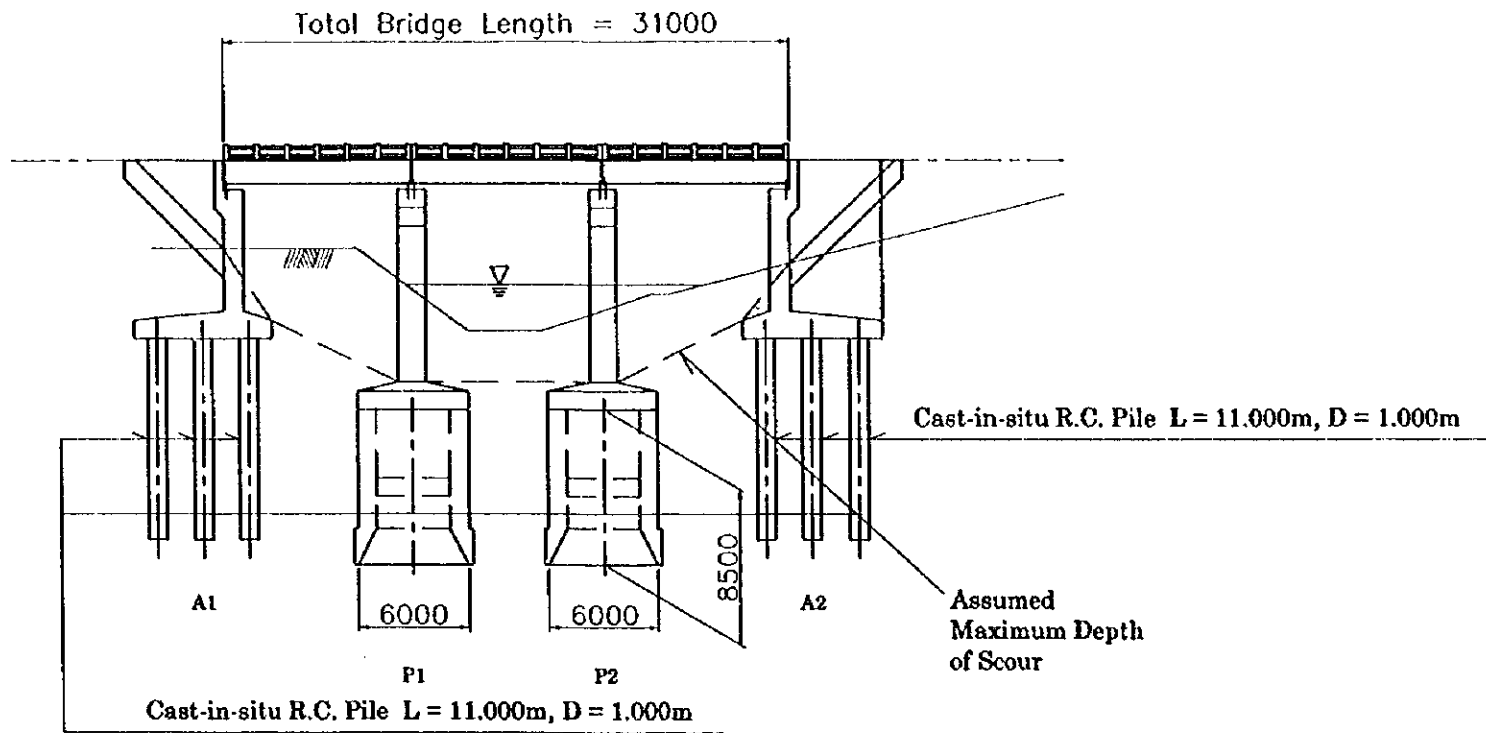
Plan Scale 1:500



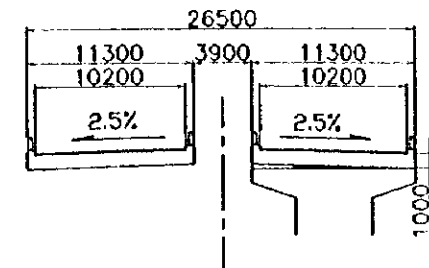
Pier Scale 1:500



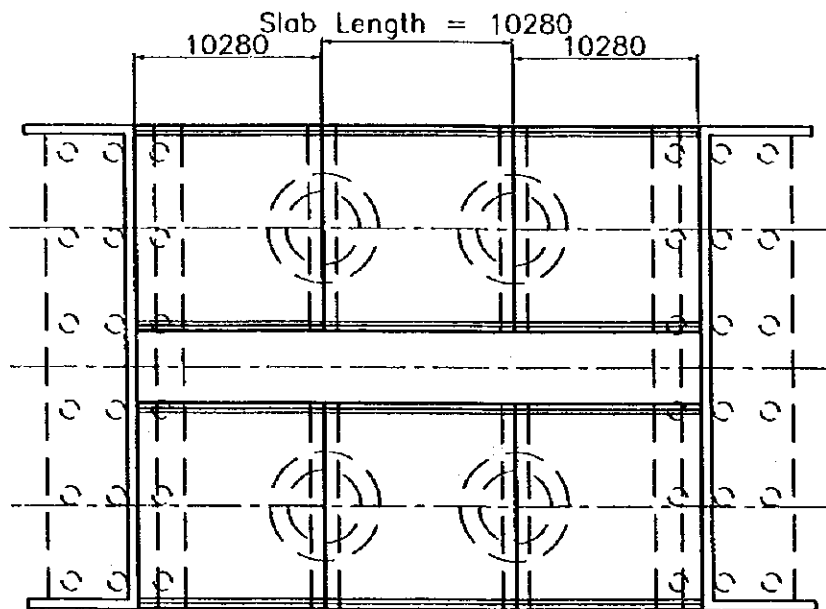
Abutment Scale 1:500



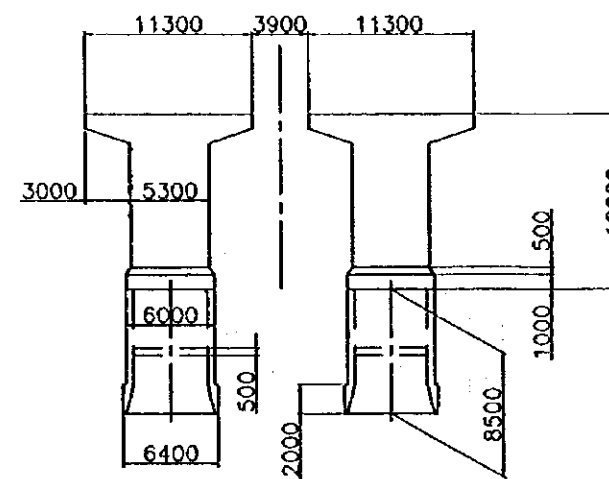
Side View Scale 1:400



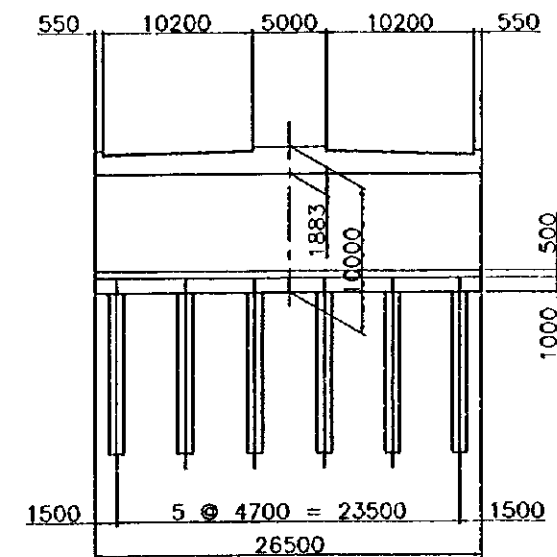
Superstructure Cross Section Scale 1:500  
(RC Slab 3 @ 10.0 = 30.0m)



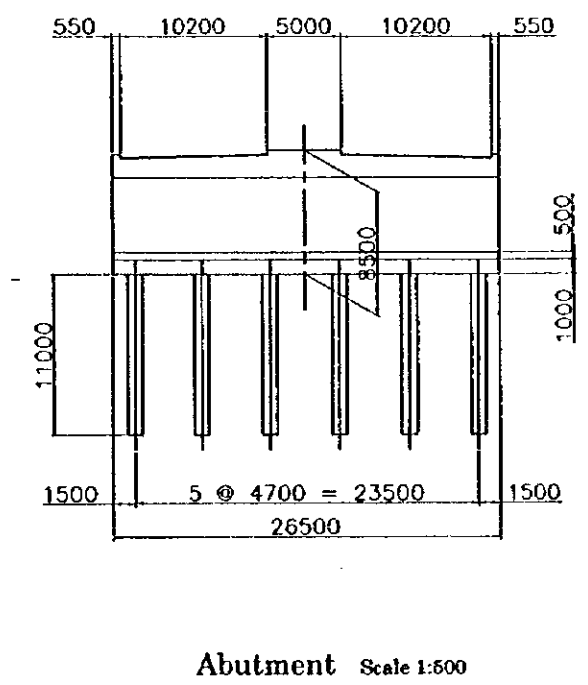
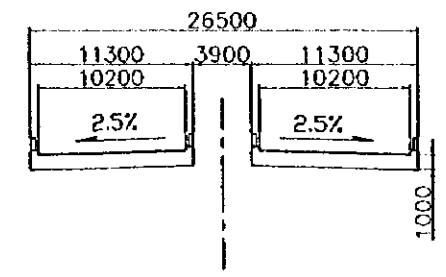
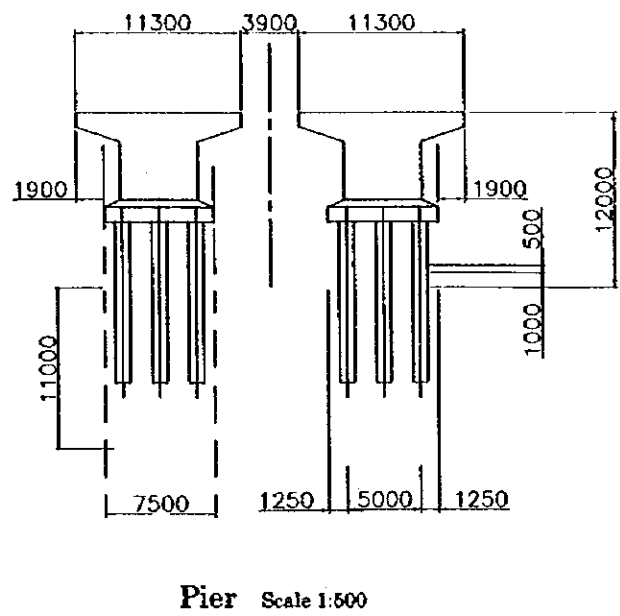
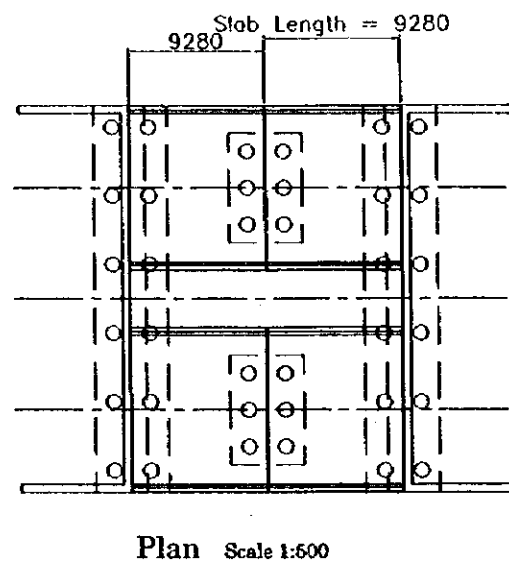
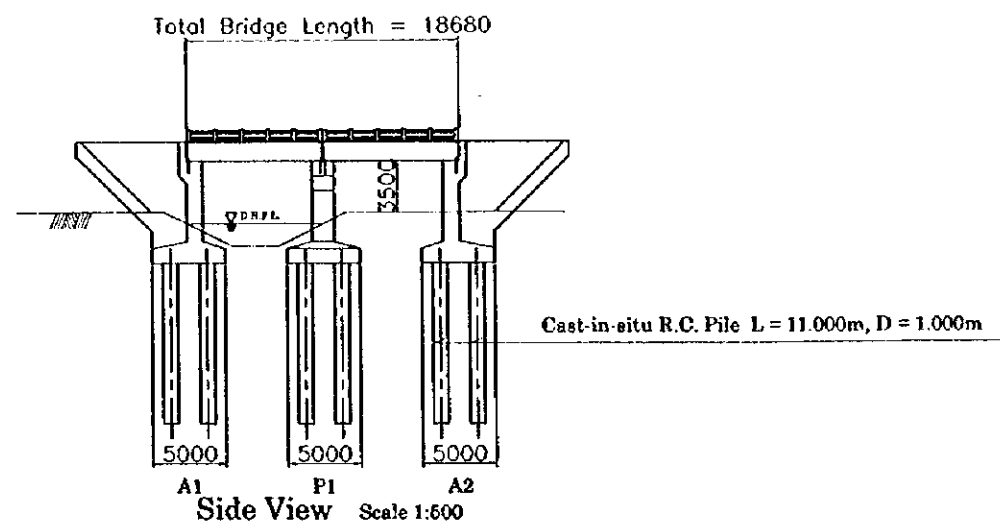
Plan Scale 1:400

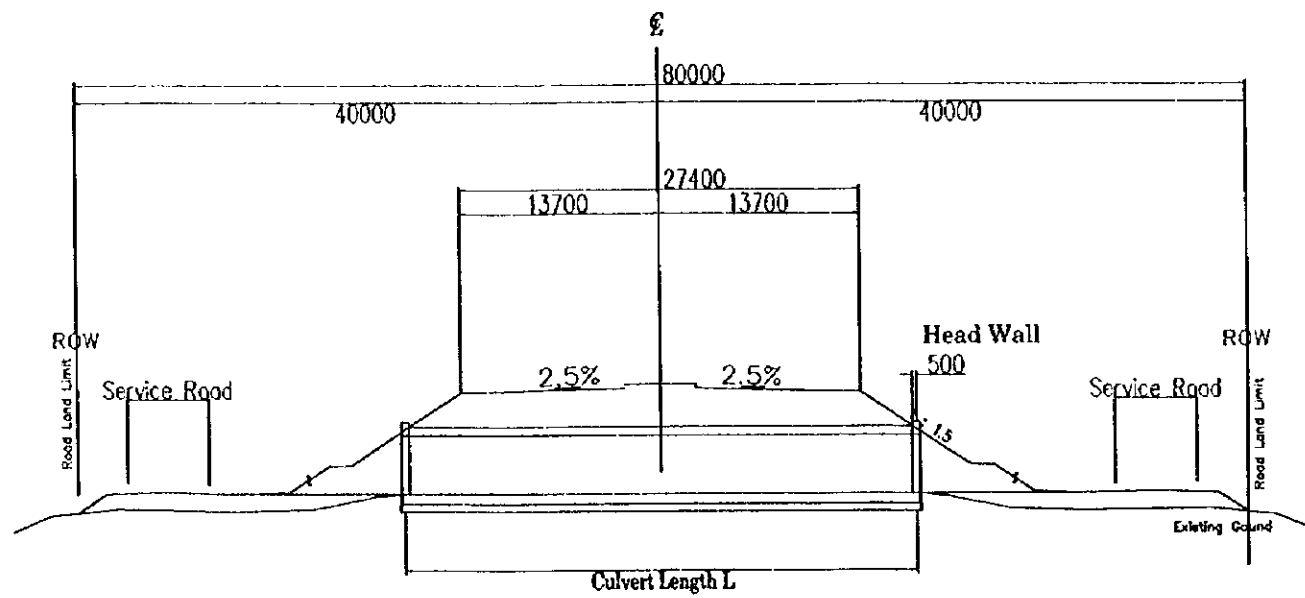


Pier Scale 1:500

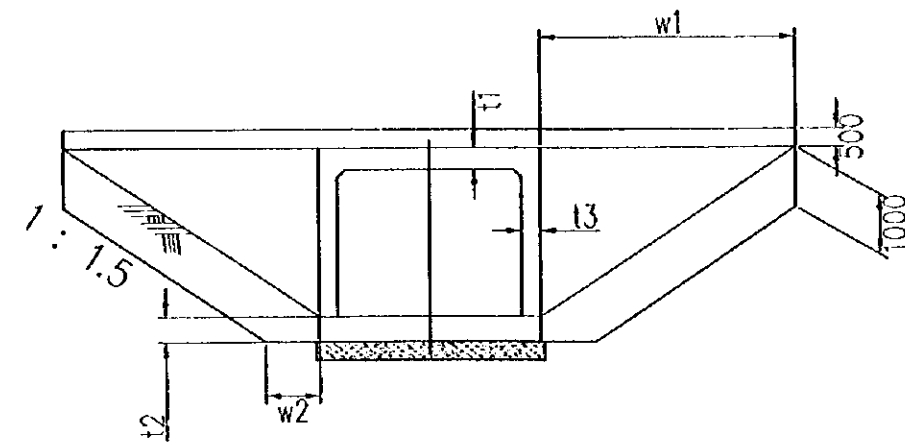


Abutment Scale 1:500





Typical Side View Scale 1:500



Typical Cross Section \* Scale refer to Table below.

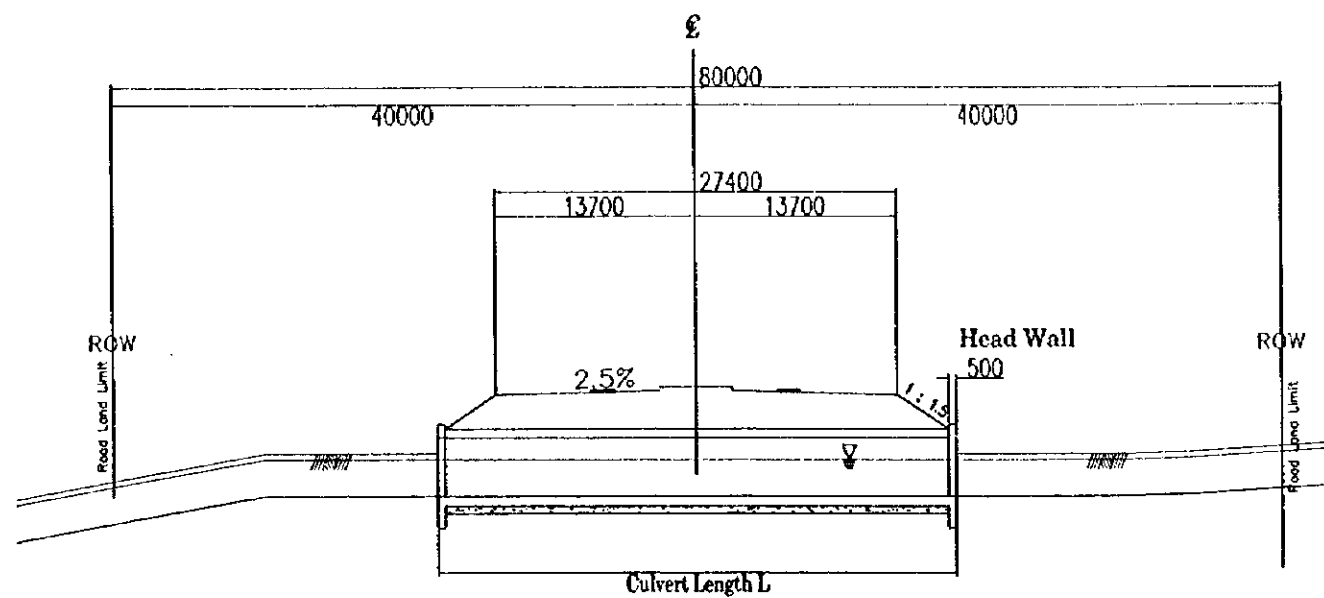
Table. Type and Size of Culvert - Box (RDCB)

(Unit: mm)

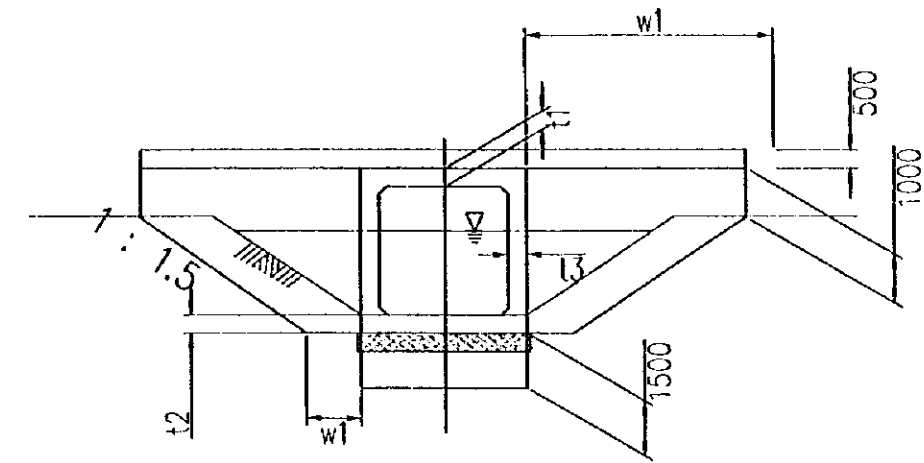
Type of Culvert	Inner Dimension W x H	t1	t2	t3	w1	w2	Length of Culvert L
RDCBL	5,000 x 4,000	600	700	500	7,000	1,000	33,400
RDCBM	4,000 x 3,500	500	600	500	6,000	1,000	33,400
RDCBS	2,500 x 2,500	400	500	400	5,000	2,000	33,400

\* L is in the case that coverage height above upper slab is 2.0m

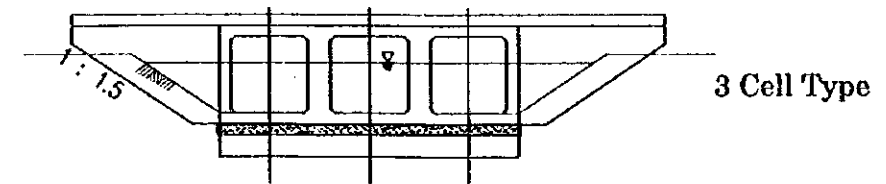




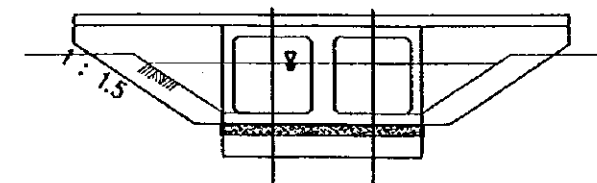
Typical Side View Scale 1:500



Typical Cross Section • Length refer to Table below.



3 Cell Type



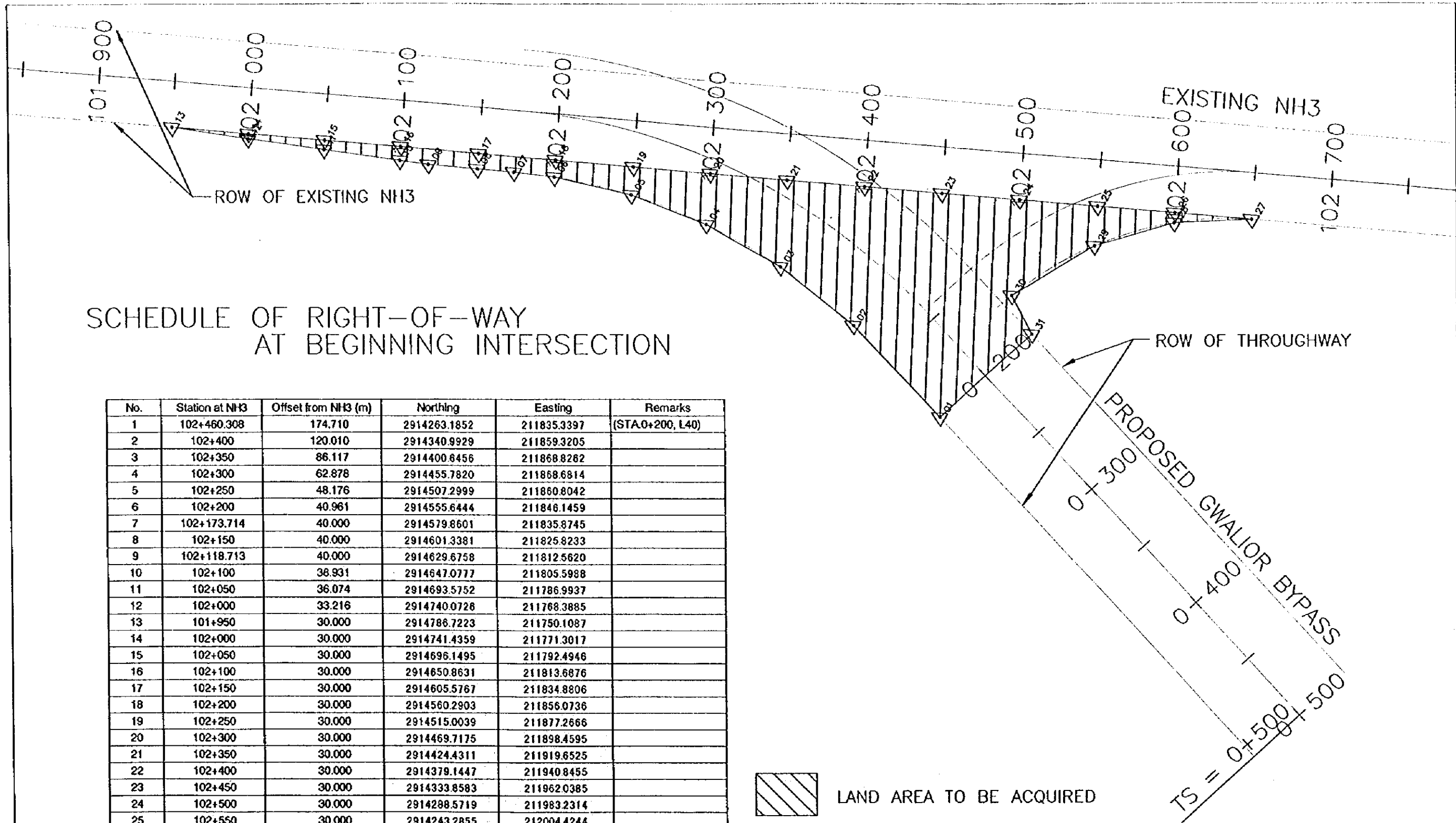
2 Cell Type

Table. Type and Size of Culvert - Box (WCCB)

Type of Culvert	Inner Dimension W x H	t1	t2	t3	w1	w2	Length of Culvert L
WCCBL	3,500 x 3,500	500	600	500	6,000	1,000	33,400
WCCBM	2,500 x 2,500	400	500	400	5,000	2,000	33,400
WCCBS	1,500 x 1,500	300	400	300	3,000	2,000	33,400

(Unit: mm)

\* Number of Internal Cell was defined with Maximum Design Discharge  
 \* Length is in case that coverage height above upper slab is 2.0m.



SCHEDULE OF RIGHT-OF-WAY  
AT BEGINNING INTERSECTION

No.	Station at NH3	Offset from NH3 (m)	Northing	Easting	Remarks
1	102+460.308	174.710	2914263.1852	211835.3397	(STA.0+200, L40)
2	102+400	120.010	2914340.9929	211859.3205	
3	102+350	86.117	2914400.8456	211868.8262	
4	102+300	62.878	2914455.7820	211868.6814	
5	102+250	48.176	2914507.2999	211860.8042	
6	102+200	40.961	2914555.6444	211846.1459	
7	102+173.714	40.000	2914579.8601	211835.8745	
8	102+150	40.000	2914601.3381	211825.8233	
9	102+118.713	40.000	2914629.6758	211812.5620	
10	102+100	38.931	2914647.0777	211805.5988	
11	102+050	36.074	2914693.5752	211786.9937	
12	102+000	33.216	2914740.0728	211768.3885	
13	101+950	30.000	2914788.7223	211750.1087	
14	102+000	30.000	2914741.4359	211771.3017	
15	102+050	30.000	2914696.1495	211792.4946	
16	102+100	30.000	2914650.8631	211813.6876	
17	102+150	30.000	2914605.5767	211834.8806	
18	102+200	30.000	2914560.2903	211856.0736	
19	102+250	30.000	2914515.0039	211877.2666	
20	102+300	30.000	2914469.7175	211898.4595	
21	102+350	30.000	2914424.4311	211919.6525	
22	102+400	30.000	2914379.1447	211940.8455	
23	102+450	30.000	2914333.8583	211962.0385	
24	102+500	30.000	2914288.5719	211983.2314	
25	102+550	30.000	2914243.2855	212004.4244	
26	102+600	30.000	2914197.9991	212025.6174	
27	102+650	30.000	2914152.7127	212046.8104	
28	102+600	36.495	2914195.2461	212019.7345	
29	102+550	55.634	2914232.4201	211981.2066	
30	102+500	91.976	2914262.3029	211927.0982	
31	102+514.636	115.986	2914238.8694	211911.5548	(STA.0+200, R40)

Note: { } is value of the throughway of the proposed Gwalior Bypass



LAND AREA TO BE ACQUIRED

- Note: 1. Details of the intersection is shown in Sheet No. B-4 (1/2)  
2. Alignment of the existing NH-3 was assumed based on the topo-survey.

Coordinates for Land Acquisition in Gwalior Bypass						
STA	Right Offset 40 m		Centreline		Left Offset 40 m	
	Northing	Easting	Northing	Easting	Northing	Easting
See Drawing No. D-1 for the Intersection with Existing NH-3						
0 + 200	2,914,263.1852	211,835.3397	2,914,251.0273	211,873.4473	2,914,238.8694	211,911.5548
0 + 300	2,914,167.9163	211,804.9449	2,914,155.7584	211,843.0525	2,914,143.6005	211,881.1600
0 + 400	2,914,072.6475	211,774.5501	2,914,060.4896	211,812.6577	2,914,048.3317	211,850.7652
0 + 500	2,913,977.3786	211,744.1553	2,913,965.2207	211,782.2629	2,913,953.0628	211,820.3704
0 + 600	2,913,883.0759	211,713.3774	2,913,870.1583	211,751.2342	2,913,857.2407	211,789.0910
0 + 700	2,913,791.5896	211,679.4195	2,913,776.4252	211,716.4335	2,913,761.2608	211,753.4476
0 + 750	2,913,747.3971	211,660.1874	2,913,730.5830	211,696.4818	2,913,713.7689	211,732.7762
0 + 800	2,913,704.3662	211,638.9302	2,913,685.7592	211,674.3390	2,913,667.1521	211,709.7477
0 + 900	2,913,621.7579	211,590.1022	2,913,599.7088	211,623.4764	2,913,577.6597	211,656.8506
1 + 000	2,913,544.4369	211,533.2710	2,913,519.1661	211,564.2773	2,913,493.8953	211,595.2835
1 + 050	2,913,508.0028	211,502.0287	2,913,481.2140	211,531.7332	2,913,454.4251	211,561.4377
1 + 100	2,913,473.0738	211,468.9631	2,913,444.9062	211,497.3635	2,913,416.7385	211,525.7639
1 + 200	2,913,407.2420	211,398.0080	2,913,376.9055	211,424.0789	2,913,346.5690	211,450.1499
1 + 300	2,913,345.9675	211,322.0160	2,913,314.1421	211,346.2469	2,913,282.3166	211,370.4779
1 + 400	2,913,288.0005	211,242.4496	2,913,255.2596	211,265.4286	2,913,222.5187	211,288.4076
1 + 500	2,913,231.8646	211,160.5834	2,913,198.7072	211,182.9572	2,913,165.5498	211,205.3309
1 + 540	2,913,209.5634	211,127.4558	2,913,176.3695	211,149.7754	2,913,143.1757	211,172.0950
1 + 600	2,913,175.9409	211,077.5842	2,913,142.8292	211,100.0257	2,913,109.7175	211,122.4671
1 + 700	2,913,118.5406	210,994.6073	2,913,085.9410	211,017.7863	2,913,053.3415	211,040.9653
1 + 800	2,913,057.9782	210,912.8980	2,913,026.4017	210,937.4524	2,912,994.8251	210,962.0069
1 + 866.6667	2,913,015.0493	210,859.8288	2,912,984.4776	210,885.6236	2,912,953.9059	210,911.4183
1 + 900	2,912,992.6917	210,833.9204	2,912,962.7007	210,860.3881	2,912,932.7097	210,886.8558
2 + 000	2,912,922.2433	210,759.2641	2,912,894.0821	210,787.6709	2,912,865.9210	210,816.0777
2 + 100	2,912,846.9780	210,689.4667	2,912,820.7718	210,719.6864	2,912,794.5656	210,749.9061
2 + 200	2,912,767.2302	210,624.8383	2,912,743.0954	210,656.7367	2,912,718.9605	210,688.6351
2 + 300	2,912,683.3542	210,565.6660	2,912,661.3979	210,599.1014	2,912,639.4417	210,632.5367
2 + 400	2,912,595.7226	210,512.2128	2,912,576.0425	210,547.0366	2,912,556.3623	210,581.8603
2 + 500	2,912,504.7248	210,464.7162	2,912,487.4082	210,500.7736	2,912,470.0917	210,536.8310
2 + 600	2,912,410.7650	210,423.3870	2,912,395.8889	210,460.5179	2,912,381.0129	210,497.6488
2 + 700	2,912,314.2607	210,388.4091	2,912,301.8912	210,426.4485	2,912,289.5218	210,464.4879
2 + 758.8069	2,912,256.4936	210,370.8690	2,912,245.6246	210,409.3640	2,912,234.7556	210,447.8590
2 + 800	2,912,215.6966	210,359.9331	2,912,205.8373	210,398.6989	2,912,195.9780	210,437.4648
2 + 900	2,912,116.1071	210,337.4993	2,912,108.2924	210,376.7285	2,912,100.4778	210,415.9577
3 + 000	2,912,016.2255	210,319.6383	2,912,009.8592	210,359.1284	2,912,003.4928	210,398.6186
3 + 100	2,911,916.4826	210,304.7714	2,911,910.9535	210,344.3874	2,911,905.4245	210,384.0035
3 + 185.4736	2,911,831.5590	210,293.2480	2,911,826.2562	210,332.8950	2,911,820.9533	210,372.5419
3 + 200	2,911,817.1608	210,291.3222	2,911,811.8580	210,330.9692	2,911,806.5552	210,370.6161
3 + 300	2,911,718.0435	210,278.0651	2,911,712.7407	210,317.7121	2,911,707.4378	210,357.3590
3 + 400	2,911,618.9262	210,264.8080	2,911,613.6233	210,304.4549	2,911,608.3205	210,344.1019
3 + 500	2,911,519.8088	210,251.5509	2,911,514.5060	210,291.1978	2,911,509.2031	210,330.8448
3 + 600	2,911,420.6915	210,238.2938	2,911,415.3886	210,277.9407	2,911,410.0858	210,317.5877
3 + 700	2,911,321.5741	210,225.0367	2,911,316.2713	210,264.6836	2,911,310.9684	210,304.3305
3 + 800	2,911,222.4568	210,211.7795	2,911,217.1539	210,251.4265	2,911,211.8511	210,291.0734
3 + 900	2,911,123.3394	210,198.5224	2,911,118.0366	210,238.1694	2,911,112.7337	210,277.8163
4 + 000	2,911,024.2221	210,185.2653	2,911,018.9192	210,224.9122	2,911,013.6164	210,264.5592

Coordinates for Land Acquisition in Gwalior Bypass						
STA	Right Offset 40 m		Centreline		Left Offset 40 m	
	Northing	Easting	Northing	Easting	Northing	Easting
4 + 100	2,910,925.1047	210,172.0082	2,910,919.8019	210,211.6551	2,910,914.4990	210,251.3021
4 + 200	2,910,825.9874	210,158.7511	2,910,820.6845	210,198.3980	2,910,815.3817	210,238.0450
4 + 245.883	2,910,780.5098	210,152.6684	2,910,775.2070	210,192.3153	2,910,769.9041	210,231.9623
4 + 300	2,910,726.9903	210,145.4582	2,910,721.5740	210,185.0898	2,910,716.1578	210,224.7214
4 + 400	2,910,628.8370	210,131.1905	2,910,622.6160	210,170.7038	2,910,616.3950	210,210.2171
4 + 500	2,910,531.9314	210,114.1130	2,910,524.1406	210,153.3470	2,910,516.3497	210,192.5809
4 + 600	2,910,436.7616	210,092.4255	2,910,426.6554	210,131.1277	2,910,416.5492	210,169.8300
4 + 672.549	2,910,369.2158	210,072.8416	2,910,356.9853	210,110.9258	2,910,344.7547	210,149.0101
4 + 700	2,910,344.0459	210,064.4396	2,910,330.9474	210,102.2342	2,910,317.8490	210,140.0288
4 + 800	2,910,254.1329	210,029.0181	2,910,237.9339	210,065.5912	2,910,221.7350	210,102.1644
4 + 900	2,910,167.4802	209,986.2354	2,910,148.2933	210,021.3333	2,910,129.1063	210,056.4312
5 + 000	2,910,084.6894	209,936.3885	2,910,062.6476	209,969.7675	2,910,040.6058	210,003.1465
5 + 100	2,910,006.3350	209,879.8233	2,909,981.5913	209,911.2518	2,909,956.8476	209,942.6803
5 + 200	2,909,932.9608	209,816.9324	2,909,905.6869	209,846.1923	2,909,878.4131	209,875.4521
5 + 300	2,909,865.0760	209,748.1523	2,909,835.4613	209,775.0404	2,909,805.8467	209,801.9286
5 + 352.7	2,909,831.6706	209,709.6956	2,909,800.9040	209,735.2576	2,909,770.1374	209,760.8196
5 + 400	2,909,803.1108	209,673.9358	2,909,771.3880	209,698.3011	2,909,739.6652	209,722.6663
5 + 500	2,909,746.9436	209,594.8103	2,909,713.5150	209,616.7768	2,909,680.0864	209,638.7433
5 + 600	2,909,696.1209	209,511.6749	2,909,661.3637	209,531.4723	2,909,626.6064	209,551.2696
5 + 700	2,909,650.0638	209,425.3487	2,909,614.2958	209,443.2554	2,909,578.5278	209,461.1621
5 + 800	2,909,608.0823	209,336.5217	2,909,571.5677	209,352.8522	2,909,535.0532	209,369.1828
5 + 900	2,909,569.4018	209,245.7699	2,909,532.3592	209,260.8645	2,909,495.3166	209,275.9590
6 + 000	2,909,533.1852	209,153.5746	2,909,495.7967	209,167.7908	2,909,458.4082	209,182.0069
6 + 100	2,909,498.5498	209,060.3453	2,909,460.9713	209,074.0515	2,909,423.3929	209,087.7578
6 + 186.034	2,909,469.3199	208,979.5867	2,909,431.6910	208,993.1538	2,909,394.0620	209,006.7208
6 + 200	2,909,464.5811	208,966.4448	2,909,426.9535	208,980.0155	2,909,389.3259	208,993.5862
6 + 300	2,909,430.3444	208,872.2161	2,909,392.8044	208,886.0272	2,909,355.2644	208,899.8383
6 + 400	2,909,394.8952	208,778.0103	2,909,357.5867	208,792.4351	2,909,320.2782	208,806.8598
6 + 500	2,909,357.2901	208,684.2150	2,909,320.3753	208,699.6195	2,909,283.4605	208,715.0239
6 + 600	2,909,316.5996	208,591.2826	2,909,280.2698	208,608.0202	2,909,243.9399	208,624.7577
6 + 700	2,909,271.9236	208,499.7577	2,909,236.4092	208,518.1622	2,909,200.8948	208,536.5667
6 + 800	2,909,222.4129	208,410.3028	2,909,187.9923	208,430.6799	2,909,153.5717	208,451.0569
6 + 900	2,909,167.2944	208,323.7216	2,909,134.3016	208,346.3375	2,909,101.3089	208,368.9534
7 + 000	2,909,105.9051	208,240.9768	2,909,074.7346	208,266.0449	2,909,043.5642	208,291.1129
7 + 19.367	2,909,093.2445	208,225.4880	2,909,062.4779	208,251.0500	2,909,031.7114	208,276.6120
7 + 100	2,909,037.8861	208,163.2370	2,909,008.9052	208,190.8071	2,908,979.9244	208,218.3773
7 + 200	2,908,963.6280	208,091.4224	2,908,937.0426	208,121.3091	2,908,910.4572	208,151.1958
7 + 300	2,908,883.6500	208,026.0380	2,908,859.6446	208,058.0339	2,908,835.6391	208,090.0298
7 + 400	2,908,798.5072	207,967.5376	2,908,777.2482	208,001.4206	2,908,755.9893	208,035.3036
7 + 500	2,908,708.7904	207,916.3272	2,908,690.4256	207,951.8622	2,908,672.0607	207,987.3971
7 + 529.929	2,908,681.1419	207,902.4723	2,908,663.6689	207,938.4542	2,908,646.1960	207,974.4361
7 + 600	2,908,615.2358	207,872.7475	2,908,599.8019	207,909.6500	2,908,584.3679	207,946.5525
7 + 700	2,908,518.9839	207,836.5560	2,908,506.2190	207,874.4646	2,908,493.4542	207,912.3732
7 + 800	2,908,420.9222	207,806.9378	2,908,410.5047	207,845.5574	2,908,400.0872	207,884.1771
7 + 900	2,908,321.7326	207,782.9801	2,908,313.3102	207,822.0834	2,908,304.8877	207,861.1866
8 + 000	2,908,221.9288	207,763.7170	2,908,215.1291	207,803.1348	2,908,208.3294	207,842.5526

STA		Coordinates for Land Acquisition in Gwalior Bypass					
		Right Offset 40 m		Centreline		Left Offset 40 m	
		Northing	Easting	Northing	Easting	Northing	Easting
8 +	100	2,908,121.8834	207,748.1526	2,908,116.3216	207,787.7640	2,908,110.7598	207,827.3755
8 +	200	2,908,021.8574	207,735.2782	2,908,017.1416	207,774.9992	2,908,012.4258	207,814.7202
8 +	300	2,907,922.0306	207,724.0832	2,907,917.7650	207,763.8551	2,907,913.4994	207,803.6270
8 +	363.262	2,907,859.0406	207,717.4124	2,907,854.8546	207,757.1927	2,907,850.6686	207,796.9731
8 +	400	2,907,822.5046	207,713.5677	2,907,818.3185	207,753.3481	2,907,814.1325	207,793.1285
8 +	500	2,907,723.0537	207,703.1027	2,907,718.8676	207,742.8830	2,907,714.6816	207,782.6634
8 +	600	2,907,623.6027	207,692.6376	2,907,619.4167	207,732.4180	2,907,615.2307	207,772.1983
8 +	700	2,907,524.1518	207,682.1725	2,907,519.9658	207,721.9529	2,907,515.7798	207,761.7333
8 +	800	2,907,424.7009	207,671.7075	2,907,420.5149	207,711.4878	2,907,416.3289	207,751.2682
8 +	900	2,907,325.2500	207,661.2424	2,907,321.0640	207,701.0228	2,907,316.8780	207,740.8031
9 +	000	2,907,225.7991	207,650.7773	2,907,221.6131	207,690.5577	2,907,217.4271	207,730.3381
9 +	100	2,907,126.3482	207,640.3123	2,907,122.1622	207,680.0926	2,907,117.9762	207,719.8730
9 +	200	2,907,026.8973	207,629.8472	2,907,022.7113	207,669.6276	2,907,018.5253	207,709.4079
9 +	221.867	2,907,005.1506	207,627.5588	2,907,000.9646	207,667.3392	2,906,996.7785	207,707.1195
9 +	300	2,906,928.8943	207,618.6695	2,906,923.3618	207,658.2850	2,906,917.8292	207,697.9006
9 +	371.867	2,906,861.7874	207,606.5093	2,906,852.6745	207,645.4573	2,906,843.5615	207,684.4054
9 +	400	2,906,836.3699	207,599.9300	2,906,825.4414	207,638.4082	2,906,814.5129	207,676.8863
9 +	500	2,906,749.1227	207,567.0835	2,906,731.9623	207,603.2155	2,906,714.8018	207,639.3474
9 +	600	2,906,668.5336	207,520.2181	2,906,645.6168	207,553.0026	2,906,622.7000	207,585.7870
9 +	700	2,906,596.8360	207,460.6328	2,906,568.7979	207,489.1611	2,906,540.7598	207,517.6895
9 +	800	2,906,536.0168	207,389.9787	2,906,503.6345	207,413.4603	2,906,471.2522	207,436.9419
9 +	900	2,906,487.7617	207,310.2140	2,906,451.9326	207,327.9982	2,906,416.1035	207,345.7823
10 +	000	2,906,453.4079	207,223.5493	2,906,415.1249	207,235.1431	2,906,376.8420	207,246.7369
10 +	40.1567	2,906,443.7526	207,187.3419	2,906,404.7800	207,196.3495	2,906,365.8074	207,205.3571
10 +	100	2,906,433.4066	207,131.6605	2,906,393.8397	207,137.5309	2,906,354.2729	207,143.4014
10 +	190.157	2,906,423.0910	207,043.9223	2,906,383.2995	207,048.0007	2,906,343.5079	207,052.0791
10 +	200	2,906,422.0427	207,033.9371	2,906,382.2717	207,038.2112	2,906,342.5008	207,042.4854
10 +	300	2,906,408.6133	206,932.8357	2,906,369.1056	206,939.0923	2,906,329.5979	206,945.3488
10 +	400	2,906,390.1476	206,832.5319	2,906,351.0020	206,840.7552	2,906,311.8564	206,848.9785
10 +	500	2,906,366.6919	206,733.2764	2,906,328.0062	206,743.4458	2,906,289.3206	206,753.6153
10 +	600	2,906,338.3049	206,635.3172	2,906,300.1758	206,647.4074	2,906,262.0467	206,659.4977
10 +	700	2,906,305.0573	206,538.8991	2,906,267.5802	206,552.8799	2,906,230.1030	206,566.8607
10 +	800	2,906,267.0325	206,444.2633	2,906,230.3009	206,460.0997	2,906,193.5693	206,475.9361
10 +	900	2,906,224.3253	206,351.6462	2,906,188.4311	206,369.2986	2,906,152.5370	206,386.9510
11 +	000	2,906,177.0426	206,261.2793	2,906,142.0755	206,280.7036	2,906,107.1085	206,300.1279
11 +	100	2,906,125.3025	206,173.3884	2,906,091.3500	206,194.5361	2,906,057.3974	206,215.6838
11 +	200	2,906,069.2344	206,088.1934	2,906,036.3812	206,111.0116	2,906,003.5280	206,133.8297
11 +	300	2,906,008.9783	206,005.9070	2,905,977.3067	206,030.3387	2,905,945.6350	206,054.7703
11 +	400	2,905,944.6850	205,926.7351	2,905,914.2740	205,952.7191	2,905,883.8629	205,978.7031
11 +	500	2,905,876.5151	205,850.8754	2,905,847.4407	205,878.3469	2,905,818.3663	205,905.8183
11 +	559.423	2,905,834.2397	205,807.4443	2,905,805.9942	205,835.7674	2,905,777.7488	205,864.0904
11 +	600	2,905,805.5080	205,778.7914	2,905,777.2626	205,807.1144	2,905,749.0171	205,835.4375
11 +	700	2,905,734.7004	205,708.1778	2,905,706.4549	205,736.5008	2,905,678.2095	205,764.8239
11 +	800	2,905,663.8927	205,637.5642	2,905,635.6473	205,665.8872	2,905,607.4019	205,694.2103
11 +	900	2,905,593.0851	205,566.9506	2,905,564.8397	205,595.2736	2,905,536.5942	205,623.5967
12 +	000	2,905,522.2775	205,496.3370	2,905,494.0320	205,524.6601	2,905,465.7866	205,552.9831

STA		Coordinates for Land Acquisition in Gwalior Bypass					
		Right Offset 40 m		Centreline		Left Offset 40 m	
		Northing	Easting	Northing	Easting	Northing	Easting
12 +	100	2,905,451.4698	205,425.7234	2,905,423.2244	205,454.0465	2,905,394.9790	205,482.3695
12 +	200	2,905,380.6622	205,355.1098	2,905,352.4168	205,383.4329	2,905,324.1713	205,411.7559
12 +	259.288	2,905,338.6821	205,313.2448	2,905,310.4367	205,341.5678	2,905,282.1913	205,369.8909
12 +	300	2,905,309.2734	205,284.3120	2,905,281.4150	205,313.0158	2,905,253.5565	205,341.7195
12 +	400	2,905,235.3946	205,214.9621	2,905,208.5082	205,244.5783	2,905,181.6218	205,274.1946
12 +	500	2,905,159.2456	205,148.1129	2,905,133.3612	205,178.6087	2,905,107.4767	205,209.1045
12 +	600	2,905,080.9110	205,083.8386	2,905,056.0573	205,115.1802	2,905,031.2035	205,146.5217
12 +	700	2,905,000.4778	205,022.2107	2,904,976.6824	205,054.3632	2,904,952.8870	205,086.5156
12 +	800	2,904,918.0354	204,963.2977	2,904,895.3248	204,996.2253	2,904,872.6142	205,029.1529
12 +	900	2,904,833.6754	204,907.1649	2,904,812.0748	204,940.8311	2,904,790.4742	204,974.4973
13 +	000	2,904,747.4915	204,853.8748	2,904,727.0249	204,888.2422	2,904,706.5583	204,922.6096
13 +	100	2,904,659.5795	204,803.4866	2,904,640.2696	204,838.5170	2,904,620.9598	204,873.5474
13 +	200	2,904,570.0370	204,756.0563	2,904,551.9054	204,791.7107	2,904,533.7737	204,827.3652
13 +	300	2,904,478.9636	204,711.6364	2,904,462.0303	204,747.8754	2,904,445.0969	204,784.1143
13 +	400	2,904,386.4604	204,670.2765	2,904,370.7442	204,707.0597	2,904,355.0280	204,743.8428
13 +	500	2,904,292.6301	204,632.0224	2,904,278.1485	204,669.3089	2,904,263.6669	204,706.5954
13 +	600	2,904,197.5771	204,596.9167	2,904,184.3462	204,634.6651	2,904,171.1153	204,672.4135
13 +	700	2,904,101.4068	204,564.9983	2,904,089.4413	204,603.1667	2,904,077.4758	204,641.3351
13 +	800	2,904,004.2263	204,536.3027	2,903,993.5395	204,574.8487	2,903,982.8527	204,613.3947
13 +	900	2,903,906.1434	204,510.8618	2,903,896.7472	204,549.7425	2,903,887.3509	204,588.6233
14 +	000	2,903,807.2671	204,488.7039	2,903,799.1719	204,527.8762	2,903,791.0766	204,567.0484
14 +	100	2,903,707.7073	204,469.8535	2,903,700.9221	204,509.2738	2,903,694.1368	204,548.6941
14 +	200	2,903,607.5745	204,454.3317	2,903,602.1068	204,493.9562	2,903,596.6391	204,533.5808
14 +	300	2,903,506.9801	204,442.1556	2,903,502.8360	204,481.9404	2,903,498.6919	204,521.7251
14 +	400	2,903,406.0358	204,433.3388	2,903,403.2199	204,473.2396	2,903,400.4040	204,513.1404
14 +	447.409	2,903,358.0890	204,430.3357	2,903,355.9040	204,470.2760	2,903,353.7190	204,510.2162
14 +	500	2,903,305.5767	204,427.4629	2,903,303.3917	204,467.4032	2,903,301.2067	204,507.3435
14 +	600	2,903,205.7260	204,422.0004	2,903,203.5410	204,461.9407	2,903,201.3560	204,501.8809
14 +	700	2,903,105.8753	204,416.5379	2,903,103.6903	204,456.4782	2,903,101.5053	204,496.4184
14 +	800	2,903,006.0246	204,411.0754	2,903,003.8396	204,451.0157	2,903,001.6546	204,490.9559
14 +	900	2,902,906.1739	204,405.6129	2,902,903.9889	204,445.5532	2,902,901.8039	204,485.4934
15 +	000	2,902,806.3232	204,400.1504	2,902,804.1382	204,440.0907	2,902,801.9532	204,480.0309
15 +	100	2,902,706.4725	204,394.6879	2,902,704.2875	204,434.6282	2,902,702.1025	204,474.5684
15 +	200	2,902,606.6218	204,389.2254	2,902,604.4368	204,429.1656	2,902,602.2518	204,469.1059
15 +	300	2,902,506.7711	204,383.7629	2,902,504.5861	204,423.7031	2,902,502.4011	204,463.6434
15 +	400	2,902,406.9204	204,378.3004	2,902,404.7354	204,418.2406	2,902,402.5504	204,458.1809
15 +	500	2,902,307.0697	204,372.8379	2,902,304.8847	204,412.7781	2,902,302.6997	204,452.7184
15 +	600	2,902,207.2190	204,367.3754	2,902,205.0340	204,407.3156	2,902,202.8490	204,447.2559
15 +	700	2,902,107.3683	204,361.9129	2,902,105.1833	204,401.8531	2,902,102.9983	204,441.7934
15 +	800	2,902,007.5176	204,356.4504	2,902,005.3326	204,396.3906	2,902,003.1476	204,436.3309
15 +	900	2,901,907.6669	204,350.9878	2,901,905.4819	204,390.9281	2,901,903.2969	204,430.8684
16 +	000	2,901,807.8163	204,345.5253	2,901,805.6313	204,385.4656	2,901,803.4462	204,425.4059



STA	Coordinates for Land Acquisition in Gwalior Bypass					
	Right Offset 40 m		Centreline		Left Offset 40 m	
	Northing	Easting	Northing	Easting	Northing	Easting
16 + 100	2,901,707.9656	204,340.0628	2,901,705.7806	204,380.0031	2,901,703.5956	204,419.9434
16 + 200	2,901,608.1149	204,334.6003	2,901,605.9299	204,374.5406	2,901,603.7449	204,414.4809
16 + 300	2,901,508.2642	204,329.1378	2,901,506.0792	204,369.0781	2,901,503.8942	204,409.0184
16 + 400	2,901,408.4135	204,323.6753	2,901,406.2285	204,363.6156	2,901,404.0435	204,403.5559
16 + 500	2,901,308.5628	204,318.2128	2,901,306.3778	204,358.1531	2,901,304.1928	204,398.0934
16 + 600	2,901,208.7121	204,312.7503	2,901,206.5271	204,352.6906	2,901,204.3421	204,392.6309
16 + 700	2,901,108.8614	204,307.2878	2,901,106.6764	204,347.2281	2,901,104.4914	204,387.1684
16 + 800	2,901,009.0107	204,301.8253	2,901,006.8257	204,341.7656	2,901,004.6407	204,381.7059
16 + 900	2,900,909.1600	204,296.3628	2,900,906.9750	204,336.3031	2,900,904.7900	204,376.2434
17 + 000	2,900,809.3093	204,290.9003	2,900,807.1243	204,330.8406	2,900,804.9393	204,370.7809
17 + 100	2,900,709.4586	204,285.4378	2,900,707.2736	204,325.3781	2,900,705.0886	204,365.3184
17 + 200	2,900,609.6079	204,279.9753	2,900,607.4229	204,319.9156	2,900,605.2379	204,359.8559
17 + 300	2,900,509.7572	204,274.5128	2,900,507.5722	204,314.4531	2,900,505.3872	204,354.3934
17 + 400	2,900,409.9065	204,269.0503	2,900,407.7215	204,308.9906	2,900,405.5365	204,348.9308
17 + 426.031	2,900,383.9140	204,267.6283	2,900,381.7290	204,307.5686	2,900,379.5440	204,347.5089
17 + 500	2,900,308.5197	204,264.9009	2,900,307.8130	204,304.8946	2,900,307.1063	204,344.8884
17 + 600	2,900,206.5330	204,265.6487	2,900,207.8261	204,305.6278	2,900,209.1191	204,345.6068
17 + 700	2,900,104.7112	204,271.4927	2,900,108.0008	204,311.3572	2,900,111.2903	204,351.2217
17 + 800	2,900,003.3087	204,282.4184	2,900,008.5866	204,322.0687	2,900,013.8644	204,361.7190
17 + 900	2,899,902.5791	204,298.3985	2,899,909.8320	204,337.7355	2,899,917.0849	204,377.0724
18 + 000	2,899,802.7739	204,319.3930	2,899,811.9838	204,358.3183	2,899,821.1937	204,397.2436
18 + 100	2,899,704.1428	204,345.3495	2,899,715.2867	204,383.7658	2,899,726.4305	204,422.1821
18 + 200	2,899,606.9322	204,376.2029	2,899,619.9822	204,414.0143	2,899,633.0321	204,451.8257
18 + 300	2,899,511.3852	204,411.8764	2,899,526.3086	204,448.9883	2,899,541.2320	204,486.1002
18 + 400	2,899,417.7405	204,452.2806	2,899,434.5001	204,488.6003	2,899,451.2596	204,524.9199
18 + 500	2,899,326.2322	204,497.3146	2,899,344.7860	204,532.7513	2,899,363.3399	204,568.1879
18 + 600	2,899,237.0890	204,546.8659	2,899,257.3908	204,581.3309	2,899,277.6925	204,615.7959
18 + 700	2,899,150.5338	204,600.8105	2,899,172.5327	204,634.2178	2,899,194.5316	204,667.6251
18 + 800	2,899,066.7828	204,659.0136	2,899,090.4239	204,691.2797	2,899,114.0650	204,723.5458
18 + 900	2,898,986.0454	204,721.3299	2,899,011.2696	204,752.3740	2,899,036.4938	204,783.4182
19 + 000	2,898,908.5235	204,787.6034	2,898,935.2677	204,817.3481	2,898,962.0119	204,847.0928
19 + 100	2,898,834.4107	204,857.6686	2,898,862.6081	204,886.0394	2,898,890.8055	204,914.4103
19 + 200	2,898,763.8924	204,931.3503	2,898,793.4725	204,958.2764	2,898,823.0526	204,985.2025
19 + 210.852	2,898,756.4635	204,939.5561	2,898,786.1893	204,966.3213	2,898,815.9150	204,993.0865
19 + 300	2,898,696.5775	205,003.1568	2,898,725.0811	205,031.2200	2,898,753.5847	205,059.2832
19 + 400	2,898,626.1058	205,071.2431	2,898,653.1712	205,100.6958	2,898,680.2366	205,130.1485
19 + 500	2,898,552.3193	205,135.7222	2,898,577.8789	205,166.4908	2,898,603.4384	205,197.2594
19 + 600	2,898,475.4024	205,196.4329	2,898,499.3922	205,228.4405	2,898,523.3821	205,260.4481
19 + 700	2,898,395.5473	205,253.2235	2,898,417.9075	205,286.3901	2,898,440.2676	205,319.5567
19 + 800	2,898,312.9537	205,305.9520	2,898,333.6283	205,340.1947	2,898,354.3029	205,374.4374
19 + 900	2,898,227.8280	205,354.4867	2,898,246.7654	205,389.7199	2,898,265.7027	205,424.9531
20 + 000	2,898,140.3830	205,398.7062	2,898,157.5357	205,434.8418	2,898,174.6884	205,470.9774

STA	Coordinates for Land Acquisition in Gwalior Bypass					
	Right Offset 40 m		Centreline		Left Offset 40 m	
	Northing	Easting	Northing	Easting	Northing	Easting
20 + 100	2,898,050.8372	205,438.5000	2,898,066.1625	205,475.4477	2,898,081.4877	205,512.3955
20 + 200	2,897,959.4144	205,473.7686	2,897,972.8739	205,511.4362	2,897,986.3334	205,549.1037
20 + 300	2,897,866.3432	205,504.4240	2,897,877.9033	205,542.7171	2,897,889.4634	205,581.0103
20 + 400	2,897,771.8562	205,530.3894	2,897,781.4880	205,569.2125	2,897,791.1197	205,608.0355
20 + 500	2,897,676.1896	205,551.6000	2,897,683.8689	205,590.8559	2,897,691.5483	205,630.1118
20 + 600	2,897,579.5824	205,568.0027	2,897,585.2902	205,607.5934	2,897,590.9980	205,647.1841
20 + 700	2,897,482.2761	205,579.5566	2,897,485.9981	205,619.3831	2,897,489.7200	205,659.2095
20 + 800	2,897,384.5140	205,586.2328	2,897,386.2408	205,626.1955	2,897,387.9677	205,666.1582
20 + 900	2,897,286.5404	205,588.0145	2,897,286.2678	205,628.0136	2,897,285.9951	205,668.0127
21 + 000	2,897,188.6002	205,584.8974	2,897,186.3288	205,624.8329	2,897,184.0574	205,664.7683
21 + 100	2,897,090.9382	205,576.8892	2,897,086.6737	205,616.6612	2,897,082.4092	205,656.4333
21 + 200	2,896,993.7985	205,564.0100	2,896,987.5515	205,603.5192	2,896,981.3046	205,643.0283
21 + 300	2,896,897.4239	205,546.2919	2,896,889.2101	205,585.4395	2,896,880.9963	205,624.5870
21 + 400	2,896,802.0552	205,523.7792	2,896,791.8951	205,562.4673	2,896,781.7350	205,601.1555
21 + 430.492	2,896,773.2121	205,515.9690	2,896,762.4633	205,554.4978	2,896,751.7146	205,593.0265
21 + 500	2,896,706.2606	205,497.2910	2,896,695.5119	205,535.8197	2,896,684.7632	205,574.3485
21 + 600	2,896,609.9388	205,470.4191	2,896,599.1900	205,508.9479	2,896,588.4413	205,547.4766
21 + 700	2,896,513.6169	205,443.5473	2,896,502.8682	205,482.0761	2,896,492.1194	205,520.6048
21 + 800	2,896,417.2950	205,416.6755	2,896,406.5463	205,455.2043	2,896,395.7975	205,493.7330
21 + 900	2,896,320.9731	205,389.8037	2,896,310.2244	205,428.3325	2,896,299.4757	205,466.8612
22 + 000	2,896,224.6512	205,362.9319	2,896,213.9025	205,401.4606	2,896,203.1538	205,439.9894
22 + 100	2,896,128.3293	205,336.0601	2,896,117.5806	205,374.5888	2,896,106.8319	205,413.1176
22 + 200	2,896,032.0074	205,309.1883	2,896,021.2587	205,347.7170	2,896,010.5100	205,386.2458
22 + 300	2,895,935.6856	205,282.3165	2,895,924.9368	205,320.8452	2,895,914.1881	205,359.3740
22 + 400	2,895,839.3637	205,255.4446	2,895,828.6150	205,293.9734	2,895,817.8662	205,332.5022
22 + 500	2,895,743.0418	205,228.5728	2,895,732.2931	205,267.1016	2,895,721.5443	205,305.6303
22 + 600	2,895,646.7199	205,201.7010	2,895,635.9712	205,240.2298	2,895,625.2225	205,278.7585
22 + 700	2,895,550.3980	205,174.8292	2,895,539.6493	205,213.3580	2,895,528.9006	205,251.8867
22 + 800	2,895,454.0761	205,147.9574	2,895,443.3274	205,186.4861	2,895,432.5787	205,225.0149
22 + 900	2,895,357.7542	205,121.0856	2,895,347.0055	205,159.6143	2,895,336.2568	205,198.1431
23 + 000	2,895,261.4324	205,094.2138	2,895,250.6836	205,132.7425	2,895,239.9349	205,171.2713
23 + 100	2,895,165.1105	205,067.3420	2,895,154.3617	205,105.8707	2,895,143.6130	205,144.3995
23 + 200	2,895,068.7886	205,040.4701	2,895,058.0399	205,078.9989	2,895,047.2911	205,117.5277
23 + 300	2,894,972.4667	205,013.5983	2,894,961.7180	205,052.1271	2,894,950.9693	205,090.6558
23 + 400	2,894,876.1448	204,986.7265	2,894,865.3961	205,025.2553	2,894,854.6474	205,063.7840
23 + 500	2,894,779.8229	204,959.8547	2,894,769.0742	204,998.3835	2,894,758.3255	205,036.9122
23 + 600	2,894,683.5010	204,932.9829	2,894,672.7523	204,971.5117	2,894,662.0036	205,010.0404
23 + 700	2,894,587.1792	204,906.1111	2,894,576.4304	204,944.6398	2,894,565.6817	204,983.1686
23 + 800	2,894,490.8573	204,879.2393	2,894,480.1085	204,917.7680	2,894,469.3598	204,956.2968
23 + 900	2,894,394.5354	204,852.3675	2,894,383.7867	204,890.8962	2,894,373.0379	204,929.4250
24 + 000	2,894,298.2135	204,825.4957	2,894,287.4648	204,864.0244	2,894,276.7161	204,902.5532

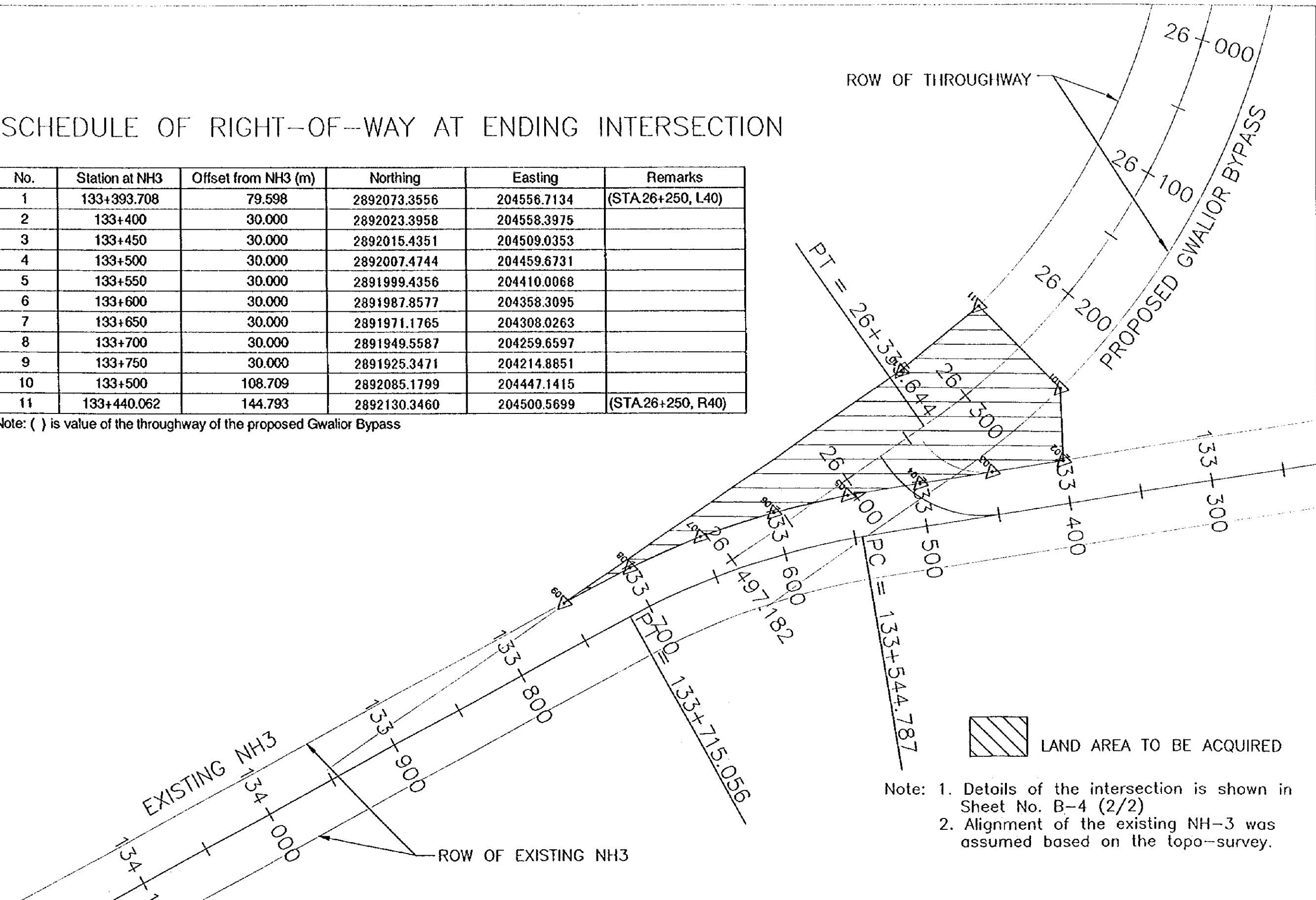
STA		Coordinates for Land Acquisition in Gwalior Bypass					
		Right Offset 40 m		Centreline		Left Offset 40 m	
		Northing	Easting	Northing	Easting	Northing	Easting
24 +	100	2,894,201.8916	204,798.6238	2,894,191.1429	204,837.1526	2,894,180.3942	204,875.6813
24 +	200	2,894,105.5697	204,771.7520	2,894,094.8210	204,810.2808	2,894,084.0723	204,848.8095
24 +	300	2,894,009.2478	204,744.8802	2,893,998.4991	204,783.4090	2,893,987.7504	204,821.9377
24 +	400	2,893,912.9260	204,718.0084	2,893,902.1772	204,756.5372	2,893,891.4285	204,795.0659
24 +	471.149	2,893,844.3939	204,698.8894	2,893,833.6452	204,737.4181	2,893,822.8964	204,775.9469
24 +	500	2,893,815.9922	204,691.1863	2,893,805.8004	204,729.8661	2,893,795.6086	204,768.5458
24 +	600	2,893,716.7502	204,667.6732	2,893,708.5043	204,706.8141	2,893,700.2584	204,745.9549
24 +	700	2,893,616.4571	204,649.1496	2,893,610.1777	204,688.6537	2,893,603.8984	204,728.1577
24 +	800	2,893,515.3636	204,635.6618	2,893,511.0664	204,675.4303	2,893,506.7693	204,715.1988
24 +	900	2,893,413.7222	204,627.2433	2,893,411.4180	204,667.1769	2,893,409.1138	204,707.1105
25 +	000	2,893,311.7871	204,623.9153	2,893,311.4817	204,663.9142	2,893,311.1762	204,703.9130
25 +	49.2733	2,893,261.5302	204,624.1506	2,893,262.2102	204,664.1448	2,893,262.8902	204,704.1391
25 +	100	2,893,210.8108	204,625.0129	2,893,211.4908	204,665.0072	2,893,212.1708	204,705.0014
25 +	200	2,893,110.8253	204,626.7129	2,893,111.5053	204,666.7071	2,893,112.1852	204,706.7013
25 +	300	2,893,010.8397	204,628.4128	2,893,011.5197	204,668.4070	2,893,012.1997	204,708.4013
25 +	400	2,892,910.8542	204,630.1128	2,892,911.5342	204,670.1070	2,892,912.2141	204,710.1012
25 +	500	2,892,810.8686	204,631.8127	2,892,811.5486	204,671.8069	2,892,812.2286	204,711.8011
25 +	600	2,892,710.8831	204,633.5126	2,892,711.5631	204,673.5068	2,892,712.2430	204,713.5011
25 +	700	2,892,610.8975	204,635.2126	2,892,611.5775	204,675.2068	2,892,612.2575	204,715.2010
25 +	800	2,892,510.9120	204,636.9125	2,892,511.5920	204,676.9067	2,892,512.2719	204,716.9009
25 +	845.0577	2,892,465.8608	204,637.6785	2,892,466.5408	204,677.6727	2,892,467.2207	204,717.6669
25 +	900	2,892,415.3757	204,635.7620	2,892,411.6656	204,675.5896	2,892,407.9556	204,715.4172
26 +	000	2,892,325.2322	204,618.1559	2,892,313.6836	204,656.4525	2,892,302.1350	204,694.7491
26 +	100	2,892,240.3834	204,582.9919	2,892,221.4566	204,618.2308	2,892,202.5299	204,653.4697
26 +	200	2,892,164.2119	204,531.6721	2,892,138.6615	204,562.4483	2,892,113.1112	204,593.2246
26 +	250	2,892,130.3460	204,500.5699	2,892,101.8508	204,528.6417	2,892,073.3556	204,556.7134

See Drawing No. D-6 for the Intersection with Existing NH-3

## SCHEDULE OF RIGHT-OF-WAY AT ENDING INTERSECTION

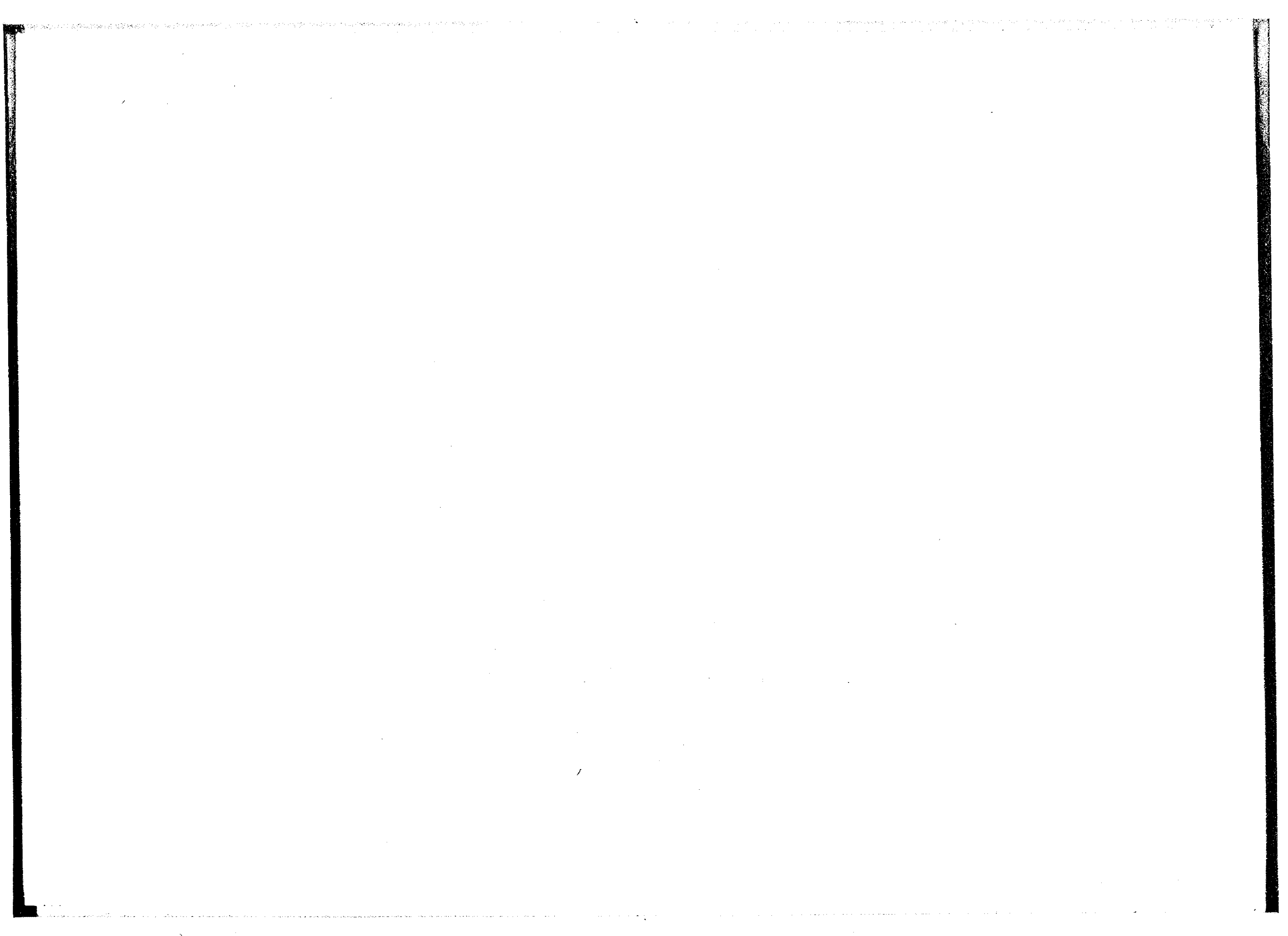
No.	Station at NH3	Offset from NH3 (m)	Northing	Easting	Remarks
1	133+393.708	79.598	2892073.3556	204556.7134	(STA.26+250, L40)
2	133+400	30.000	2892023.3958	204558.3975	
3	133+450	30.000	2892015.4351	204509.0353	
4	133+500	30.000	2892007.4744	204459.6731	
5	133+550	30.000	2891999.4356	204410.0068	
6	133+600	30.000	2891987.8577	204358.3095	
7	133+650	30.000	2891971.1765	204308.0263	
8	133+700	30.000	2891949.5587	204259.6597	
9	133+750	30.000	2891925.3471	204214.8851	
10	133+500	108.709	2892085.1799	204447.1415	
11	133+440.062	144.793	2892130.3460	204500.5699	(STA.26+250, R40)

Note: ( ) is value of the throughway of the proposed Gwalior Bypass



LAND AREA TO BE ACQUIRED

- Note: 1. Details of the intersection is shown in Sheet No. B-4 (2/2)  
 2. Alignment of the existing NH-3 was assumed based on the topo-survey.





JICA