

JAPAN INTERNATIONAL  
COOPERATION AGENCY

MINISTRY OF AGRICULTURE  
AND COOPERATIVES,  
THE UNITED REPUBLIC OF  
TANZANIA

THE FEASIBILITY STUDY  
ON  
LOWER MOSHI INTEGRATED AGRICULTURE  
AND  
RURAL DEVELOPMENT PROJECT  
IN  
THE UNITED REPUBLIC OF TANZANIA

Volume-III

DRAWINGS

LIBRARY  
J 1144734 (9)

JULY 1998

NIPPON KAIKYO CO., LTD.  
PASCO INTERNATIONAL INC.

AFA  
JR  
98-50

MINISTRY OF AGRICULTURE AND  
COOPERATIVES

THE FEASIBILITY STUDY ON LOWER MOSHI INTEGRATED  
AGRICULTURE AND RURAL DEVELOPMENT PROJECT

Volume-III

1998

16  
81  
AFA







1144734(9)

**JAPAN INTERNATIONAL  
COOPERATION AGENCY**

**MINISTRY OF AGRICULTURE  
AND COOPERATIVES,  
THE UNITED REPUBLIC OF  
TANZANIA**

**THE FEASIBILITY STUDY  
ON  
LOWER MOSHI INTEGRATED AGRICULTURE  
AND  
RURAL DEVELOPMENT PROJECT  
IN  
THE UNITED REPUBLIC OF TANZANIA**

**Volume-III**

**DRAWINGS**

**JULY 1998**

**NIPPON KOEI CO., LTD.  
PASCO INTERNATIONAL INC.**



## LIST OF REPORTS

### **Volume I        MAIN REPORT**

### **Volume II       ANNEXES (1/2)**

Annex - A	Meteorology and Hydrology
Annex - B	Geology and Geotechnical Engineering
Annex - C	Photogrammetric Mapping and Topographic Survey
Annex - D	Soil and Land Suitability
Annex - E	Agriculture
Annex - F	Agro-economy
Annex - G	Institutional Development
Annex - H	Farmers' Interview, Women in Development and Public Meeting
Annex - I	Environmental Study

### **ANNEXES (2/2)**

Annex - J	Water Source Development
Annex - K	Irrigation and Drainage
Annex - L	Rural Infrastructure Development
Annex - M	Small-Scale Hydropower Development
Annex - N	O&M and Water Management
Annex - O	Project Implementation and Cost Estimate
Annex - P	Project Evaluation

### **Volume III       DRAWINGS**

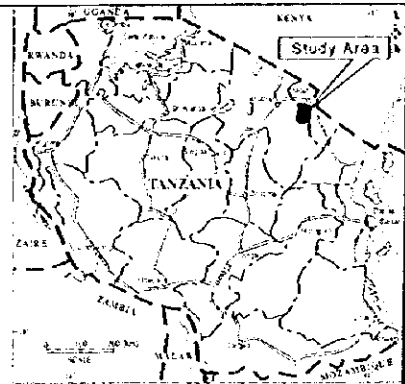
## CURRENCY EQUIVALENT (as of December 1997)

One U.S. Dollar (US\$1) =Six Hundreds Twenty Tanzanian Shilling (Tsh.620)  
=One Hundred Twenty Five Japanese Yen (¥ 125)

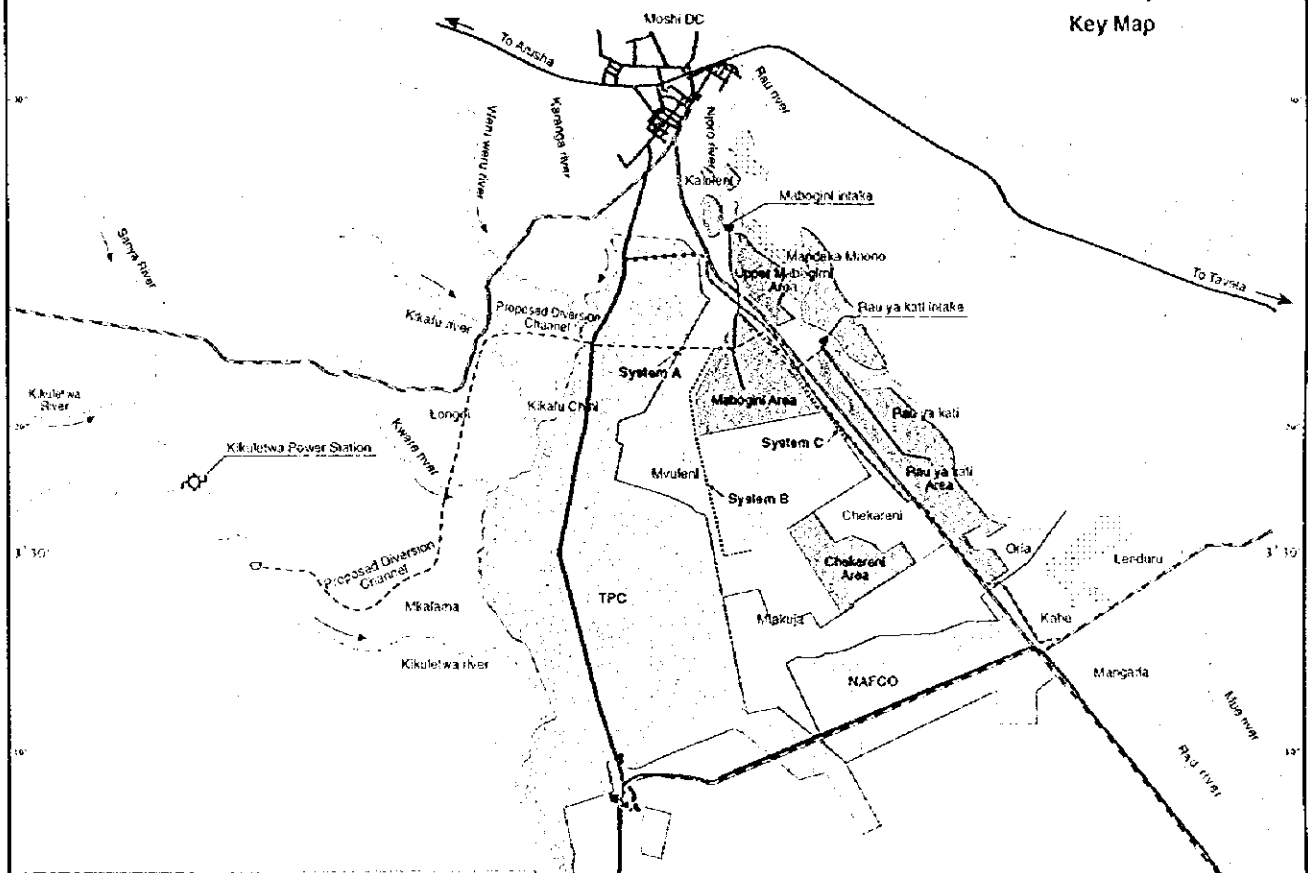




# LOCATION MAP



Key Map



LEGEND	
	Existing intake weir
	Existing main irrigation canal
	Proposed main irrigation canal
	Proposed Head works
	Proposed Diversion channel
	Forest
	Trunk road
	Railway
	Trunk farm road
	Rivers
Study Area	
	Existing Lower Moshi Project Area
	Expanded Area
	New Extension Area


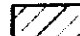
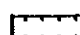







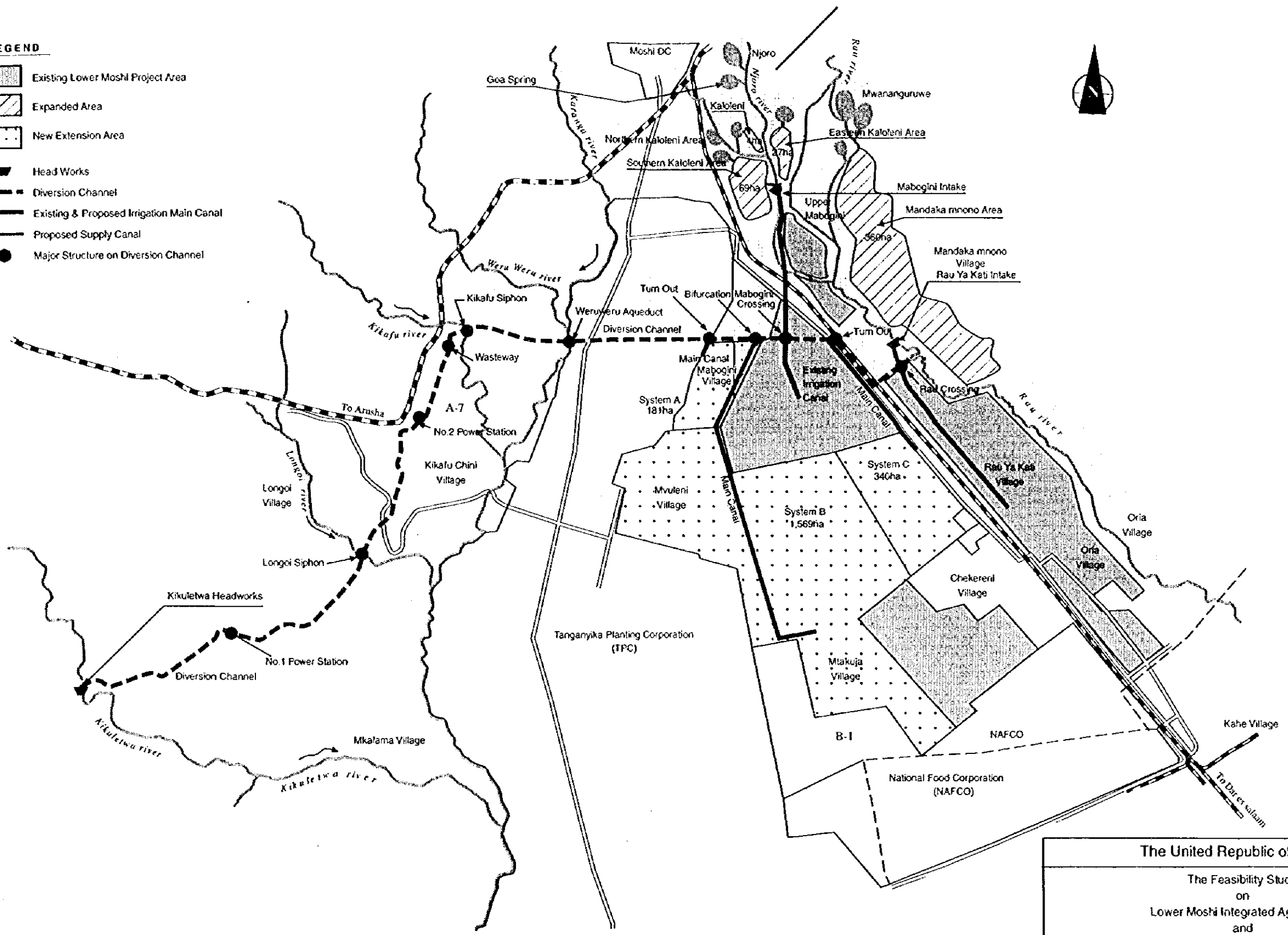
**THE FEASIBILITY STUDY  
ON  
LOWER MOSHI INTEGRATED AGRICULTURE  
AND  
RURAL DEVELOPMENT PROJECT  
IN  
THE UNITED REPUBLIC OF TANZANIA**

**LIST OF DRAWINGS**

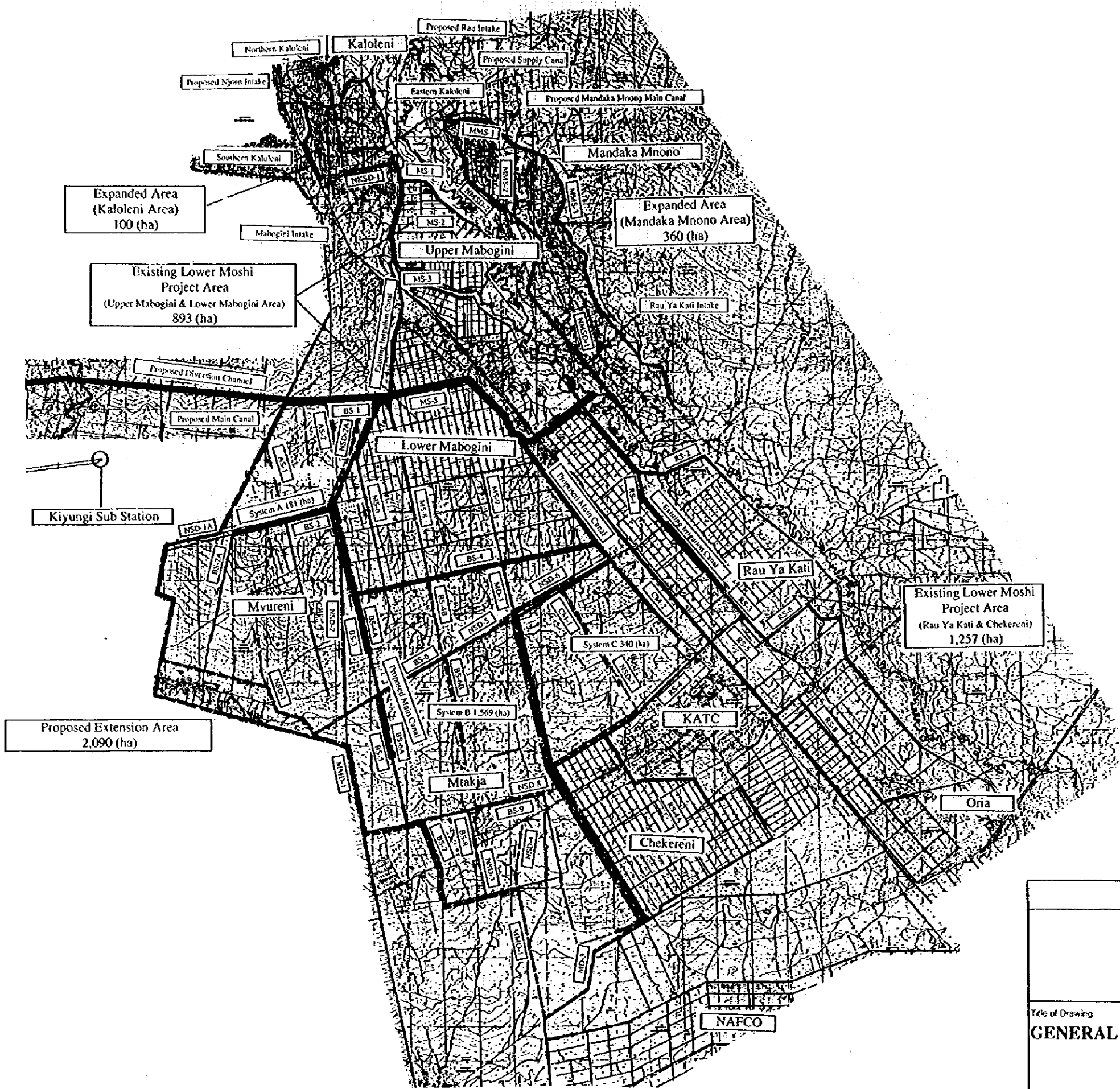
PLATE NO.	TITLE	PLATE NO.	TITLE
<b>GENERAL</b>		<b>IRRIGATION CANAL SYSTEM</b>	
1	General Map	43	Extension Area: Main Canal for System B, Profile(1/7)
2	General Layout	44	Extension Area: Main Canal for System B, Profile(2/7)
3	Irrigation Diagram of Existing Lower Moshi Project and New Extension Areas	45	Extension Area: Main Canal for System B, Profile(3/7)
4	Irrigation Diagram of Existing Lower Moshi Project Area	46	Extension Area: Main Canal for System B, Profile(4/7)
5	Irrigation Diagram of Expanded Area	47	Extension Area: Main Canal for System B, Profile(5/7)
<b>HEADWORKS</b>		48	Extension Area: Main Canal for System B, Profile(6/7)
6	General Layout	49	Extension Area: Main Canal for System B, Profile(7/7)
7	Elevation and Section	50	Extension Area: Main Canal for System C, Profile(1/2)
8	Temporary Diversion Plan	51	Extension Area: Main Canal for System C, Profile(2/2)
9	Intake Structure	52	Rehabilitation Plan, Drainage Canal and Farm Road at Existing Area
<b>DIVERSION CHANNEL</b>		53	Related Structure: Typical Cross Sections of Canal
10	Profile (1/22)	54	Related Structure: Check Drop
11	Profile (2/22)	55	Related Structure: Turnout
12	Profile (3/22)	56	Related Structure: Turnout for Existing Mabogini System, Plan
13	Profile (4/22)	57	Related Structure: Turnout for Existing Mabogini System, Profiles and Sections
14	Profile (5/22)	58	Related Structure: Turnout for Existing Rau System
15	Profile (6/22)	59	Related Structure: Type-A and Type-B for Division Box
16	Profile (7/22)	60	Related Structure: Type-A and Type-B for Culvert
17	Profile (8/22)	61	Related Structure: Spillway and Metal Works
18	Profile (9/22)	<b>DRAINAGE CANAL SYSTEM</b>	
19	Profile (10/22)	62	Typical Cross Sections and Junction Structure
20	Profile (11/22)	63	Type-A and Type-B for Drainage Culvert
21	Profile (12/22)	64	Cross Drain
22	Profile (13/22)	<b>FARM ROAD</b>	
23	Profile (14/22)	65	Typical Cross Sections
24	Profile (15/22)	<b>RURAL INFRASTRUCTURE</b>	
25	Profile (16/22)	66	Water Facility for Domestic Use
26	Profile (17/22)	67	Livestock Trough
27	Profile (18/22)	<b>MISCELLANEOUS WORKS</b>	
28	Profile (19/22)	68	Flood Dike and Causeway at Rau River
29	Profile (20/22)	<b>HYDROPOWER STATION</b>	
30	Profile (21/22)	69	General Layout of No.1 Station
31	Profile (22/22)	70	General Layout of No.2 Station
32	Related Structure: Typical Cross Sections of Diversion Channel		
33	Related Structure: Longoi Siphon		
34	Related Structure: Kikafu Siphon		
35	Related Structure: Weruweru Aqueduct		
36	Related Structure: Kikafu Wasteway		
37	Related Structure: Bifurcation		
38	Related Structure: Crossing Structure for Mabogini Crossing Structure		
39	Related Structure: Outlet Structure at Rau River		
40	Related Structure: No.1 Chute		
41	Related Structure: No.2 Chute		
42	Related Structure: Footpath		

**LEGEND**

-  Existing Lower Moshi Project Area
-  Expanded Area
-  New Extension Area
-  Head Works
-  Diversion Channel
-  Existing & Proposed Irrigation Main Canal
-  Proposed Supply Canal
-  Major Structure on Diversion Channel



The United Republic of Tanzania	
The Feasibility Study on Lower Moshi Integrated Agriculture and Rural Development Project	
Title of Drawing	GENERAL
General Map	
Japan International Cooperation Agency	



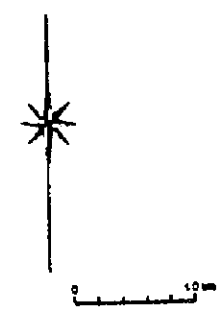
Expanded Area  
(Kaloleni Area)  
100 (ha)

Existing Lower Moshi  
Project Area  
(Upper Mabogini & Lower Mabogini Area)  
893 (ha)

Expanded Area  
(Mandaka Mnono Area)  
360 (ha)

Existing Lower Moshi  
Project Area  
(Rau Ya Kati & Chekereni)  
1,257 (ha)

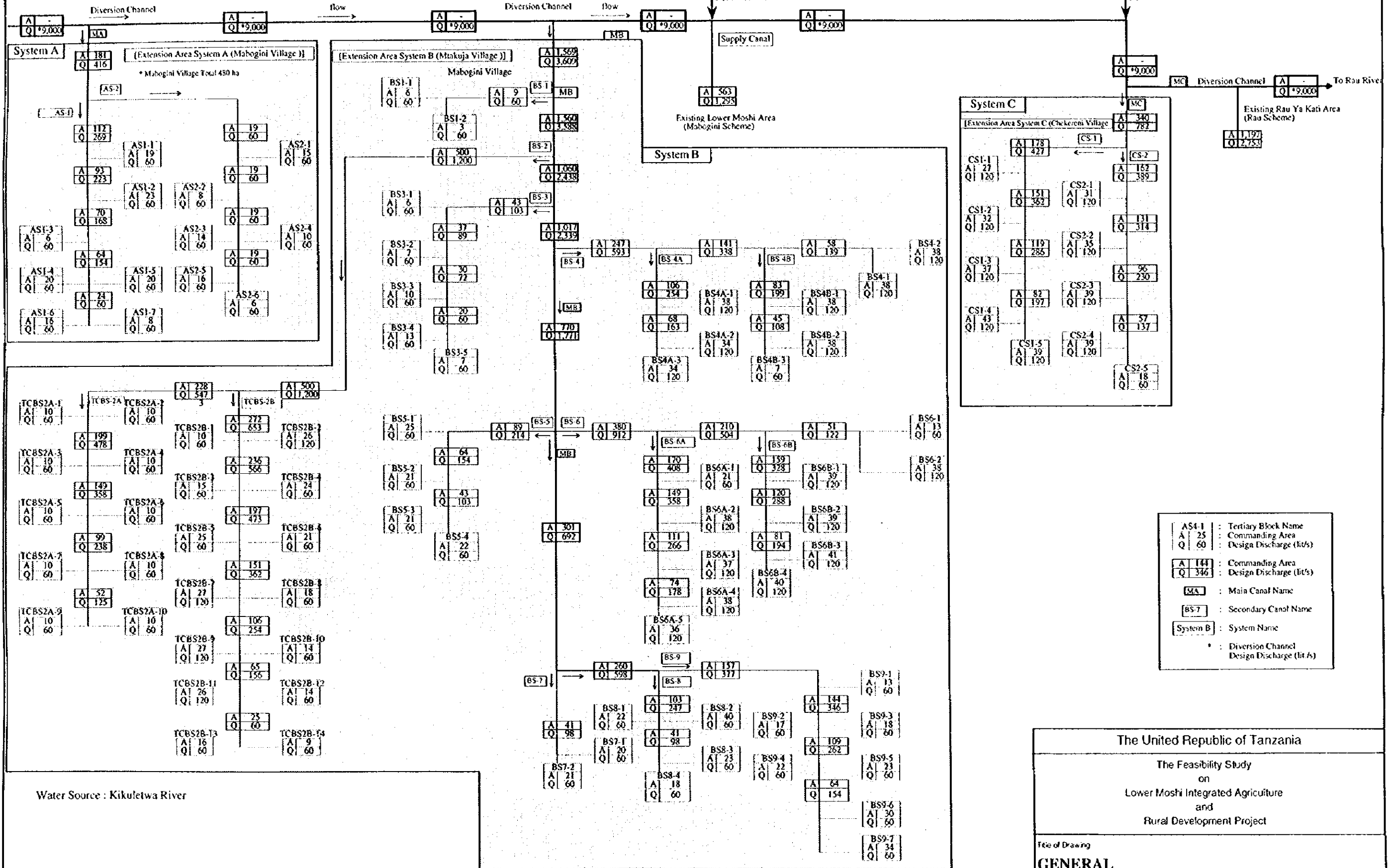
Proposed Extension Area  
2,090 (ha)



LEGEND	
-----	Village Boundary
-----	Project Area Boundary
-----	Secondary Irrigation Canal
-----	Main Irrigation Canal
-----	Diversion Channel
-----	Secondary Drainage Canal
-----	Main Drainage Canal

The United Republic of Tanzania	
The Feasibility Study on Lower Moshi Integrated Agriculture and Rural Development Project	
Title of Drawing <b>GENERAL</b>	<b>General Layout</b>
Japan International Cooperation Agency	

From Kikuletwa Headworks



Water Source : Kikuletwa River

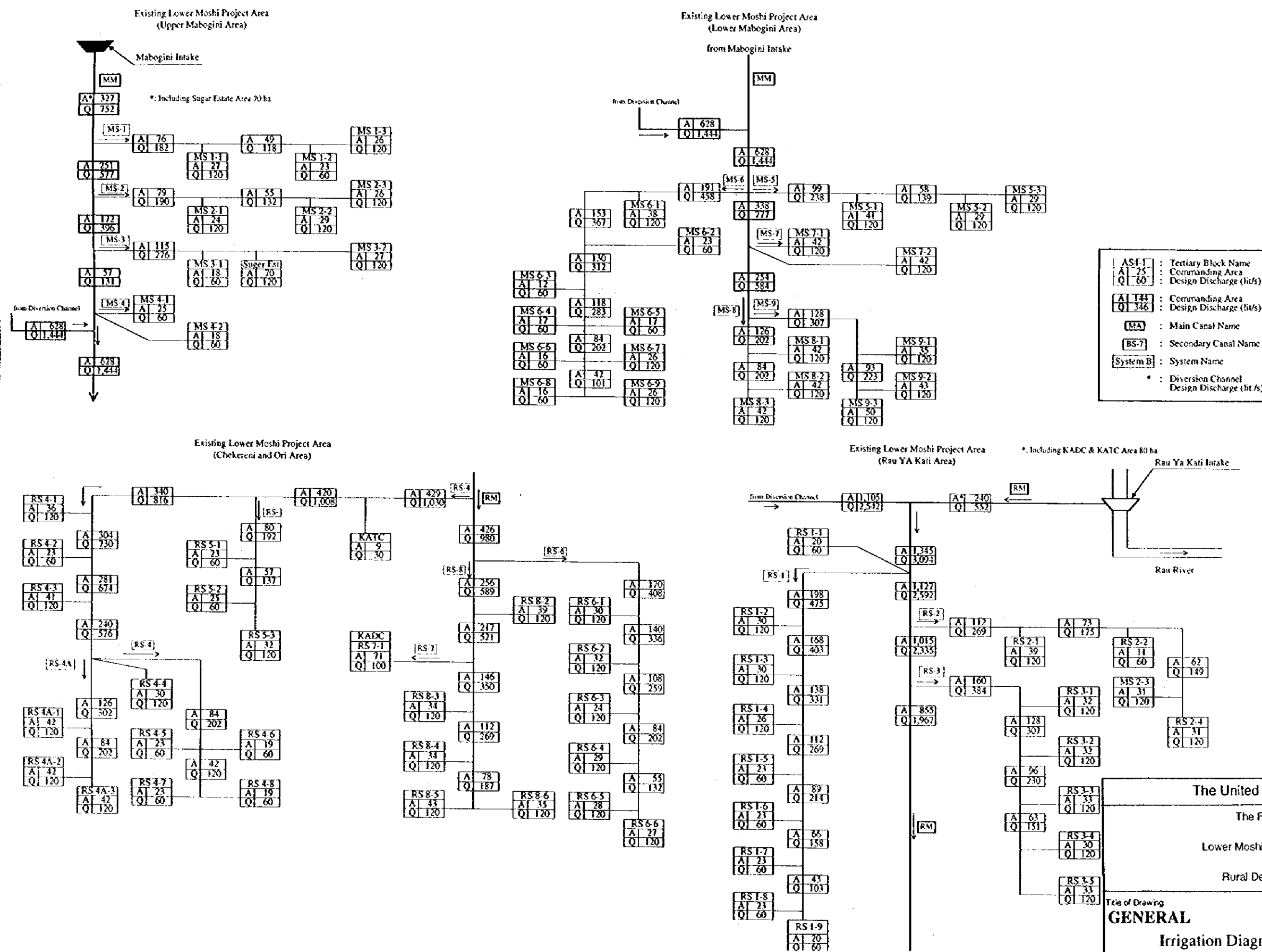
AS4-1	:	Tertiary Block Name
A 25	:	Commanding Area
Q 60	:	Design Discharge (lit/s)
A 144	:	Commanding Area
Q 346	:	Design Discharge (lit/s)
MA	:	Main Canal Name
BS-7	:	Secondary Canal Name
System B	:	System Name
*	:	Diversion Channel Design Discharge (lit/s)

The United Republic of Tanzania

The Feasibility Study  
on  
Lower Moshi Integrated Agriculture  
and  
Rural Development Project

Title of Drawing  
**GENERAL**  
Irrigation Diagram of Existing Lower Moshi  
Project and New Extension Area

Japan International Cooperation Agency



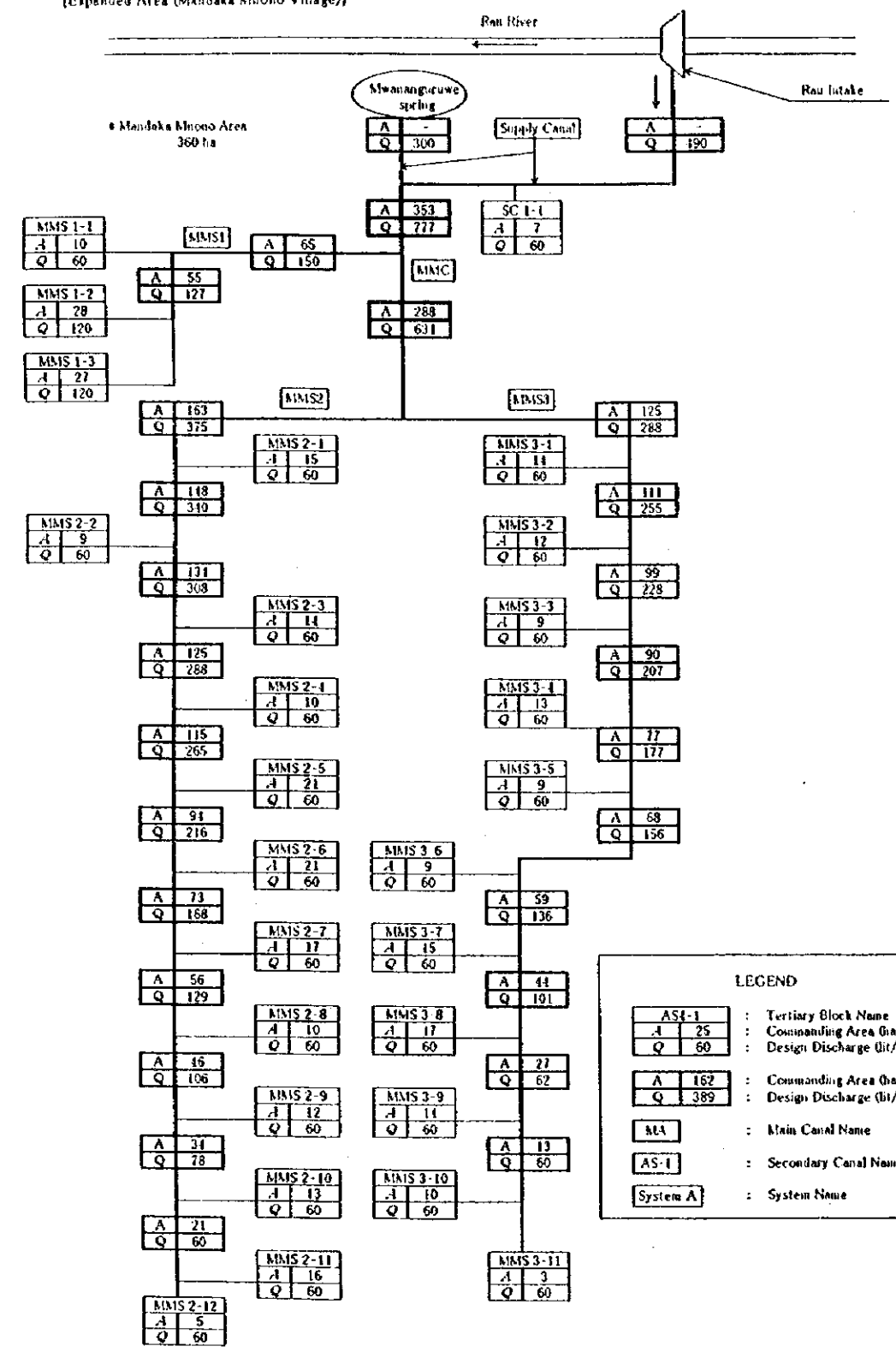
The United Republic of Tanzania

The Feasibility Study  
on  
Lower Moshi Integrated Agriculture  
and  
Rural Development Project

Title of Drawing  
**GENERAL**  
Irrigation Diagram of Existing Lower  
Moshi Project Area

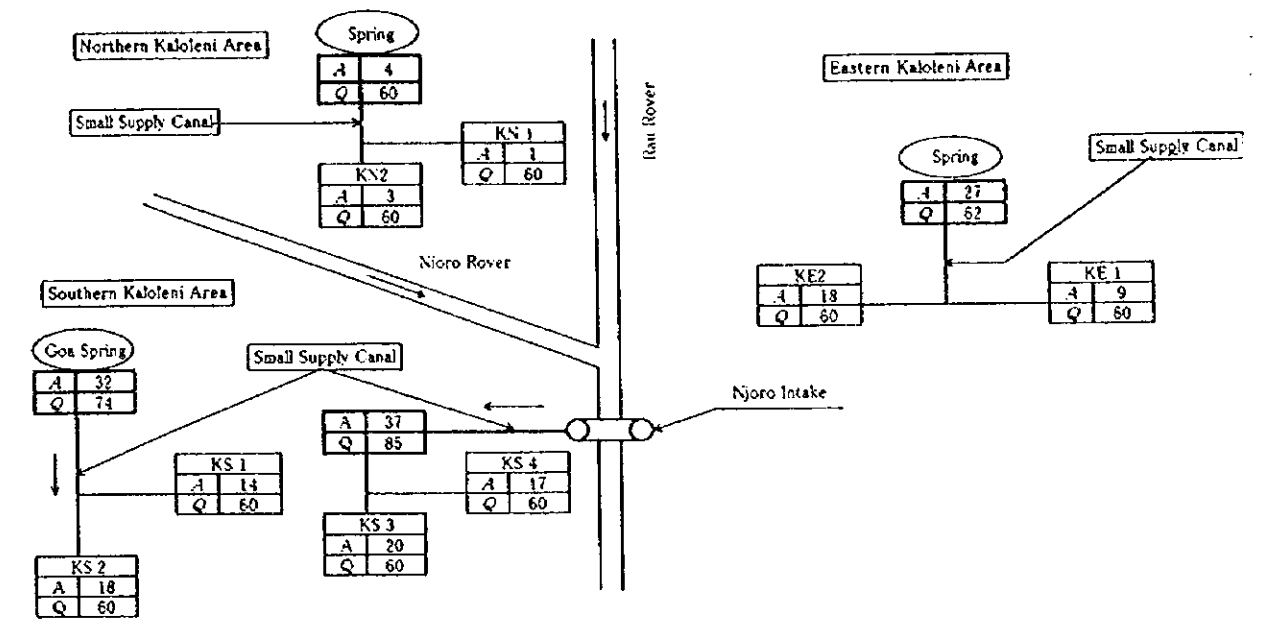
Japan International Cooperation Agency

[Expanded Area (Mandaka Mnono Village)]



Mandaka Mnono System

[Expanded Area (Kaloleni Ward)]



Kaloleni System

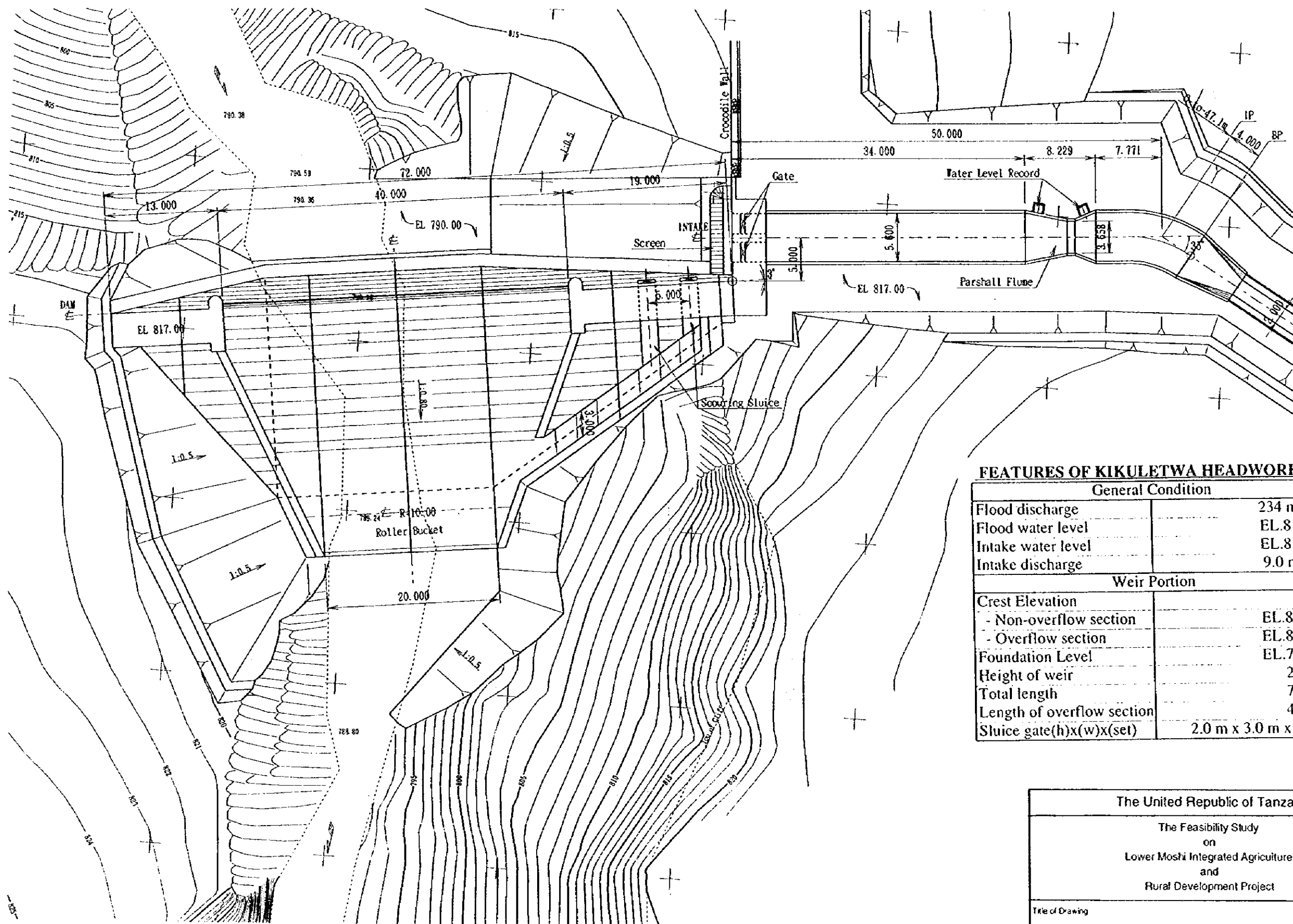
The United Republic of Tanzania

The Feasibility Study  
on  
Lower Moshi Integrated Agriculture  
and  
Rural Development Project

Title of Drawing  
**GENERAL**

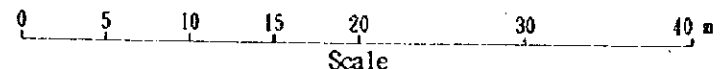
Irrigation Diagram of Expanded Area

Japan International Cooperation Agency



**FEATURES OF KIKULETWA HEADWORKS**

General Condition	
Flood discharge	234 m <sup>3</sup> /sec
Flood water level	EL.816.00
Intake water level	EL.813.90
Intake discharge	9.0 m <sup>3</sup> /sec
Weir Portion	
Crest Elevation	
- Non-overflow section	EL.817.00
- Overflow section	EL.814.00
Foundation Level	EL.789.00
Height of weir	28.0 m
Total length	72.0 m
Length of overflow section	40.0 m
Sluice gate(h)x(w)x(set)	2.0 m x 3.0 m x 2 sets



The United Republic of Tanzania

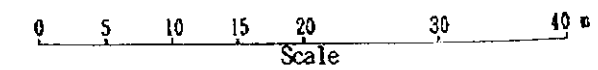
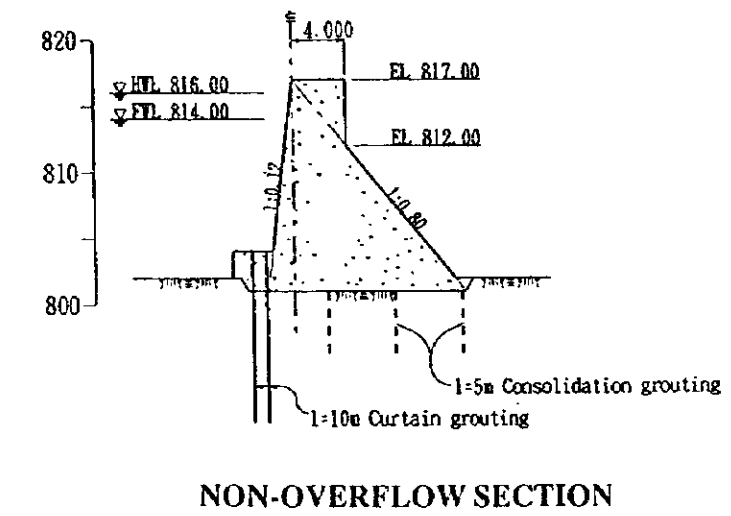
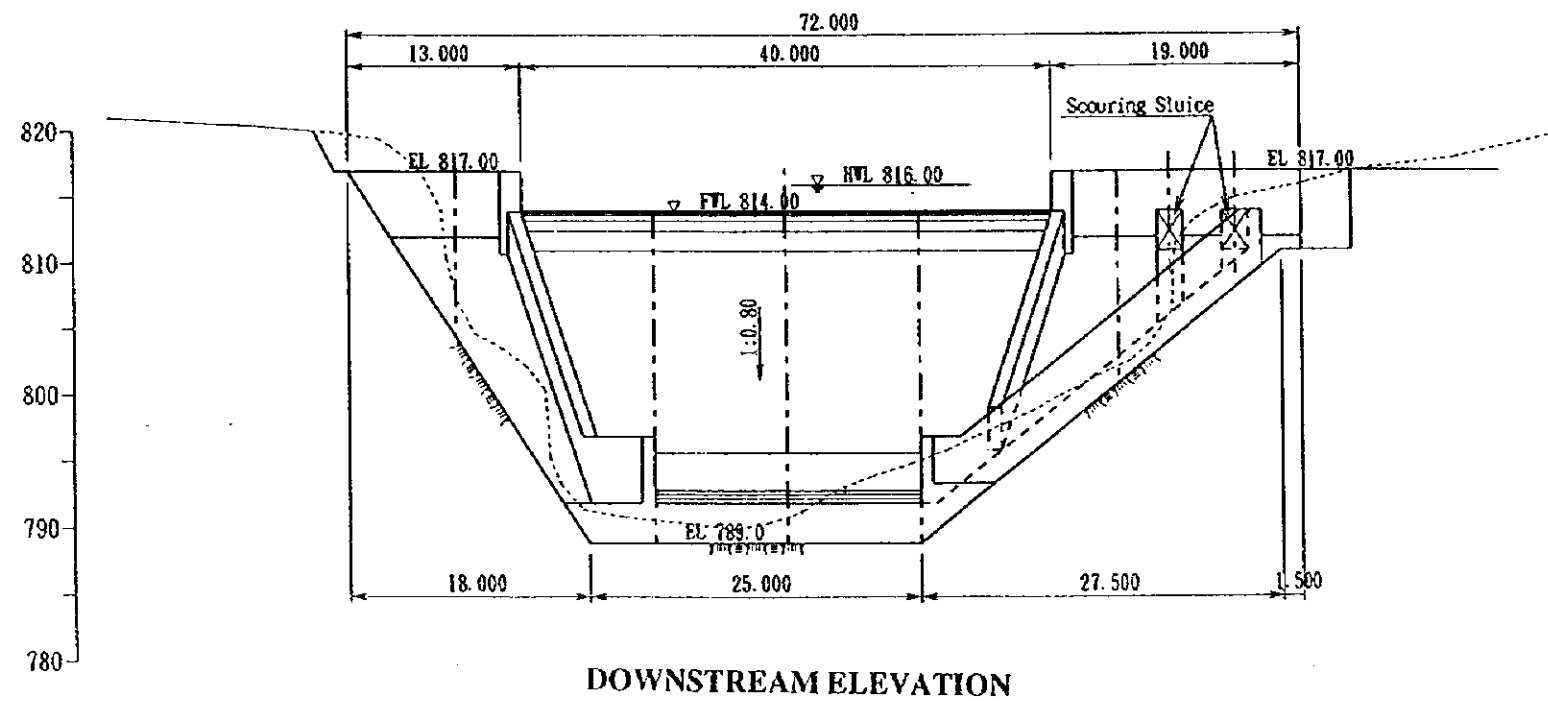
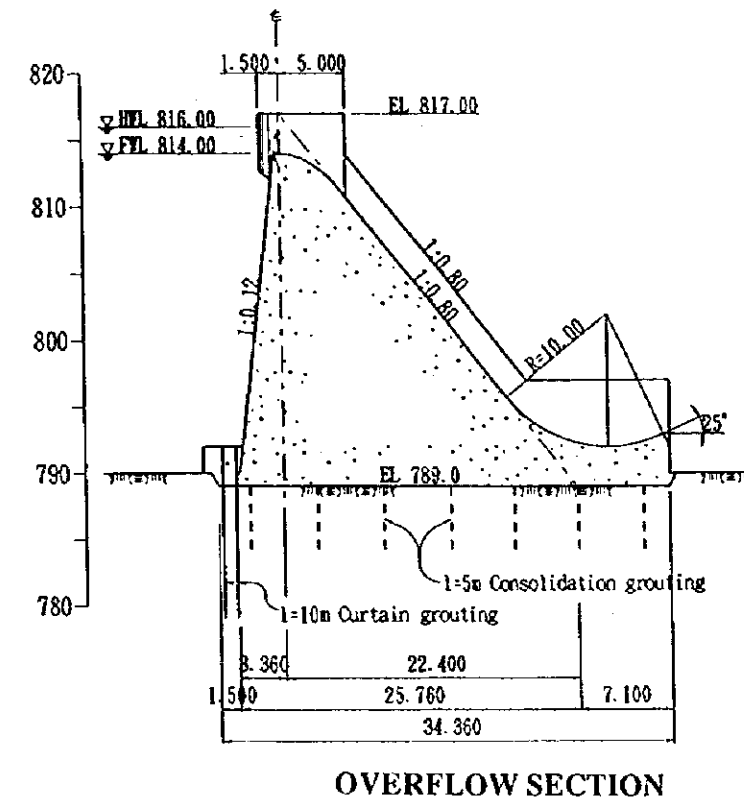
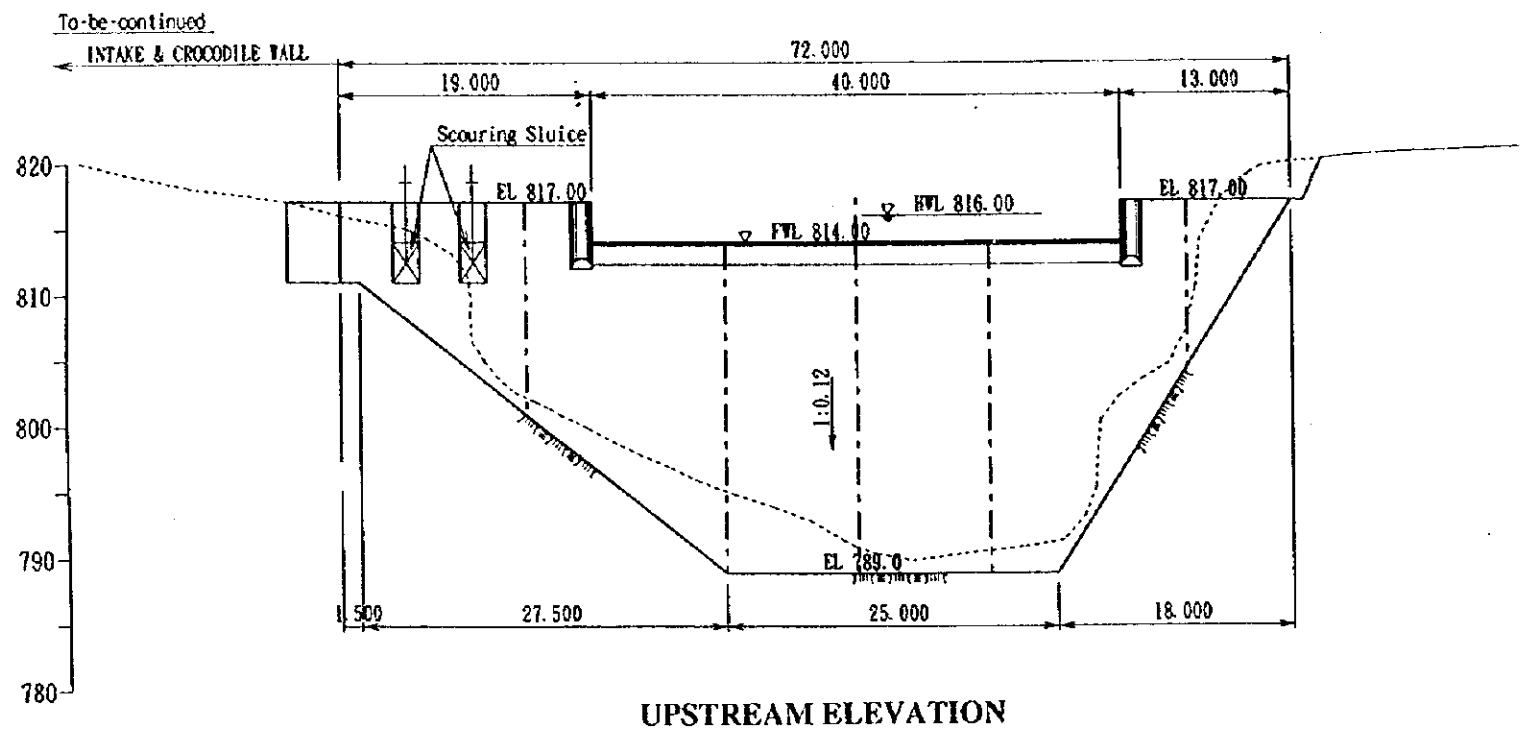
The Feasibility Study  
on  
Lower Moshi Integrated Agriculture  
and  
Rural Development Project

Title of Drawing  
**HEADWORKS**

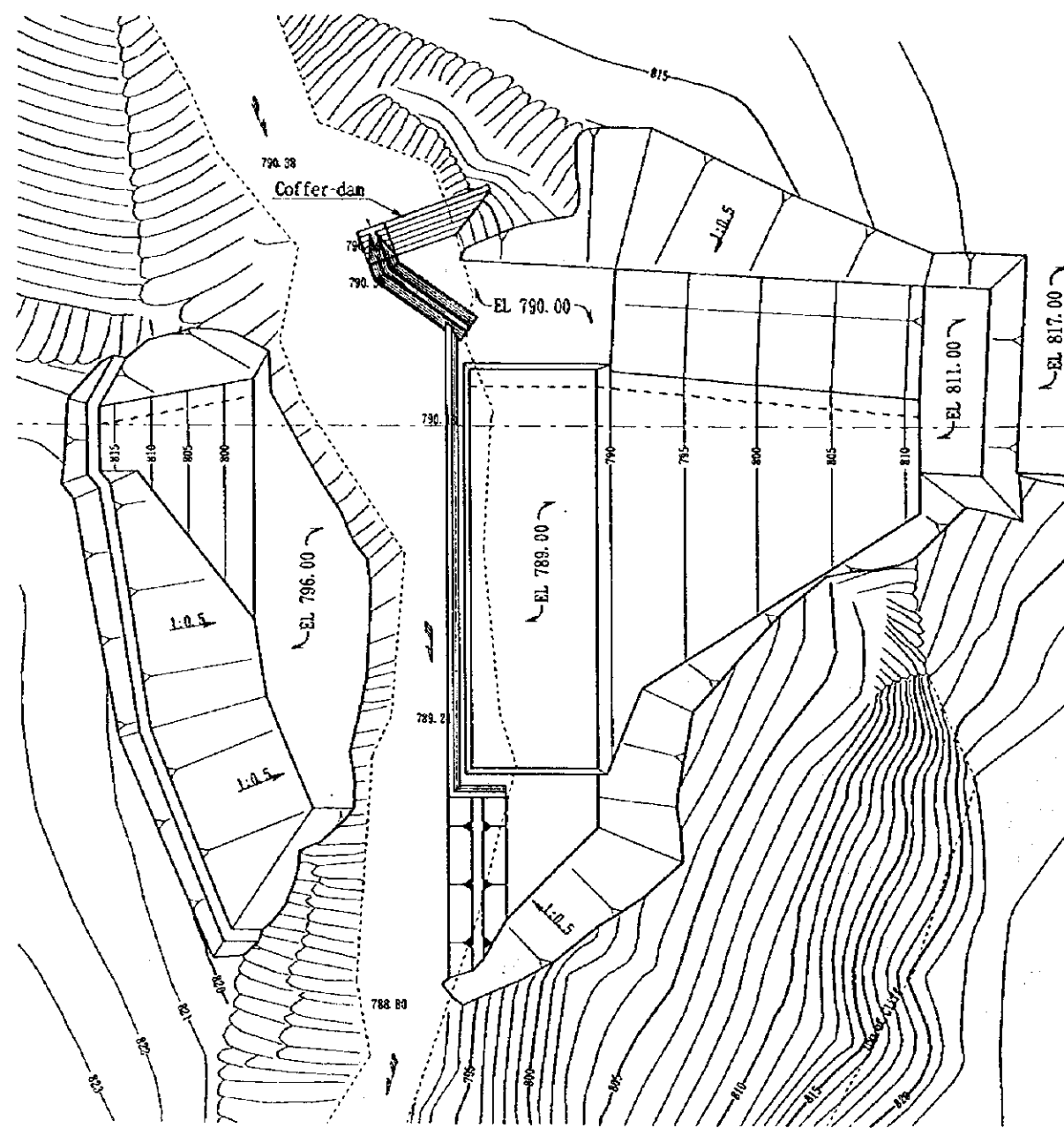
General Layout

Japan International Cooperation Agency

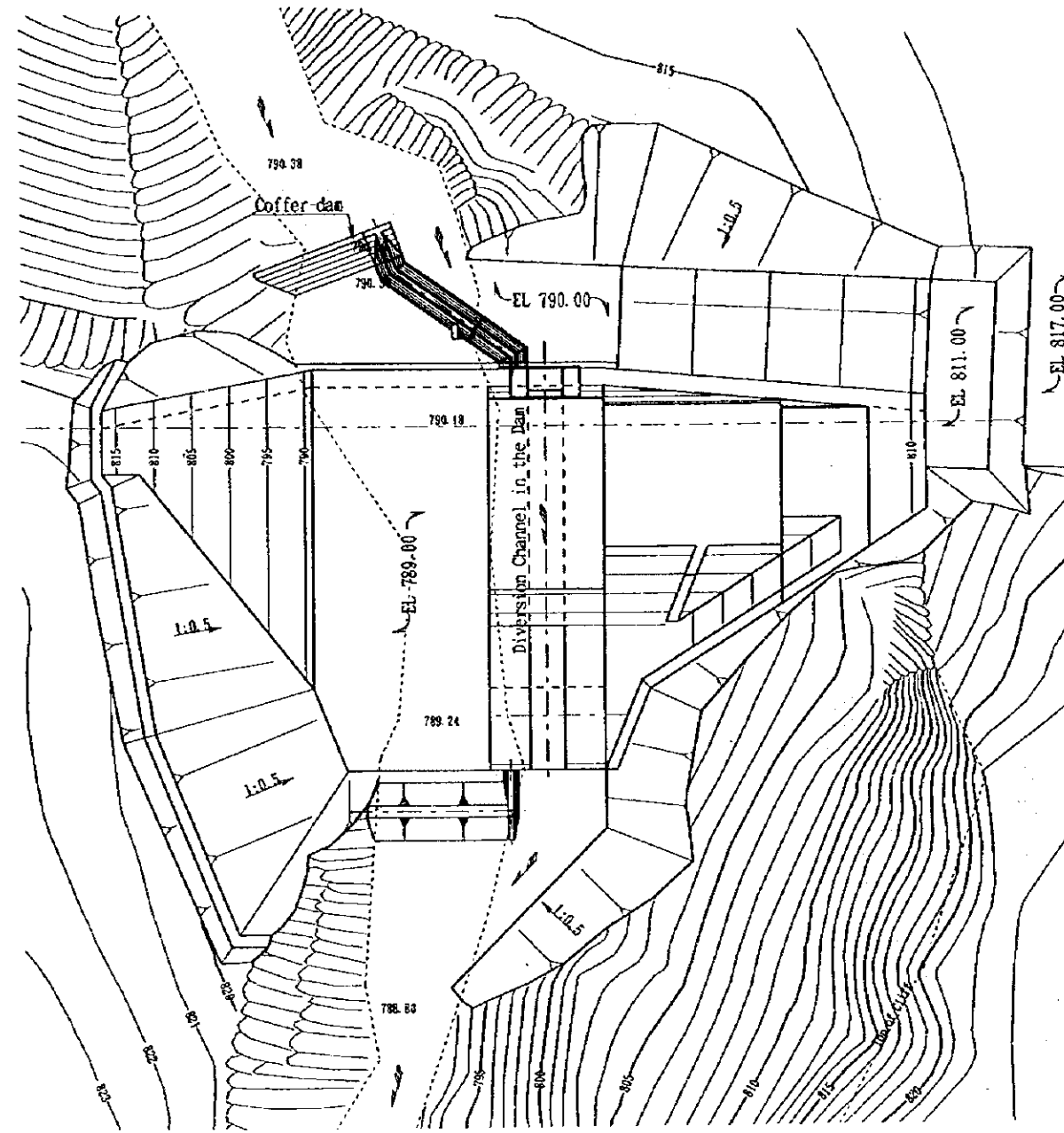




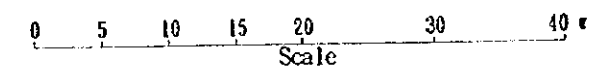
The United Republic of Tanzania
The Feasibility Study on Lower Moshi Integrated Agriculture and Rural Development Project
Title of Drawing <b>HEADWORKS</b>  Elevation and Section
Japan International Cooperation Agency



Primary Diversion Work

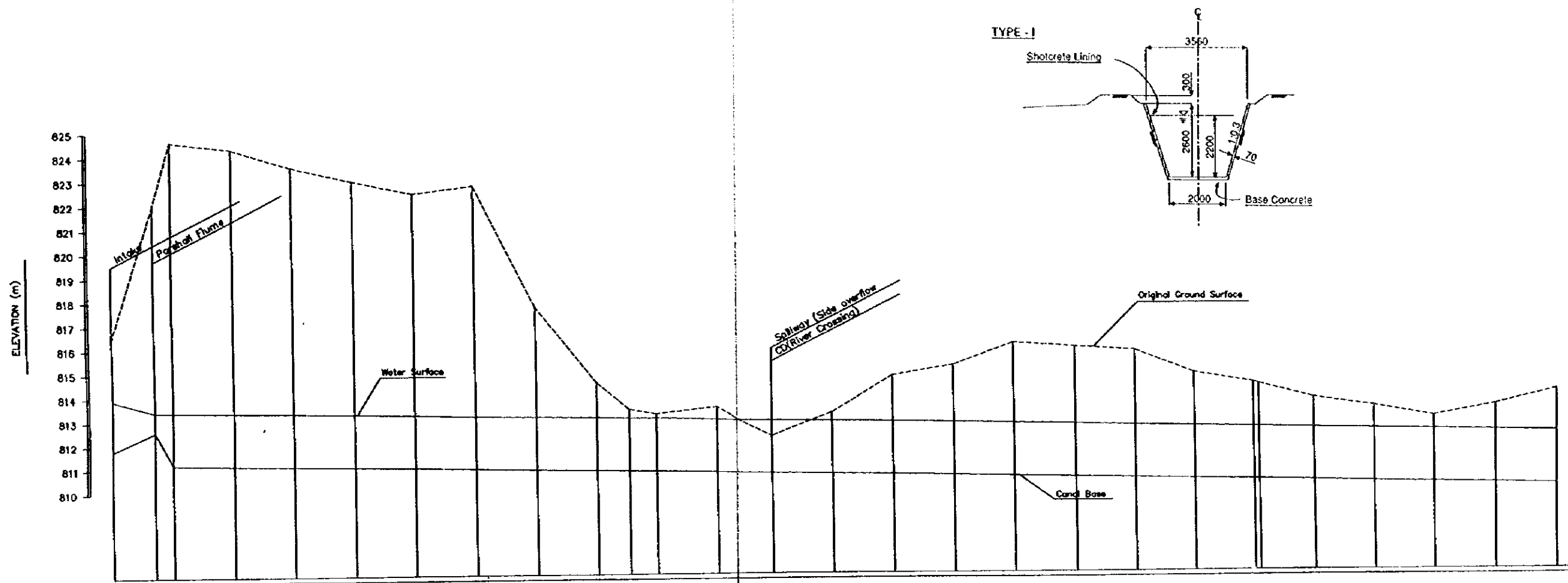


Secondary Diversion Work

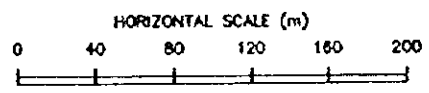


The United Republic of Tanzania
The Feasibility Study on Lower Moshi Integrated Agriculture and Rural Development Project
Title of Drawing <b>HEADWORKS</b> Temporary Diversion Plan
Japan International Cooperation Agency





CANAL TYPE	Type-I																											
WATER SURFACE ELEVATION	813.9	813.4	813.4	813.35	813.3	813.25	813.2	813.15	813.1	813.05	813.02	813	812.95	812.9	812.85	812.8	812.75	812.7	812.65	812.6	812.55	812.5	812.5	812.45	812.4	812.35	812.3	812.25
CANAL BASE ELEVATION	811.8	812.38	811.2	811.15	811.1	811.05	811	810.95	810.9	810.85	810.82	810.8	810.75	810.7	810.65	810.6	810.55	810.5	810.45	810.4	810.35	810.3	810.3	810.25	810.2	810.15	810.1	810.05
GROUND SURFACE ELEVATION	818.5	822	824.63	824.32	823.54	822.95	822.42	822.78	817.68	814.51	813.35	813.18	813.46	812.24	813.2	814.71	813.12	818.03	813.86	815.7	814.78	814.35	814.3	813.71	813.34	812.9	813.37	813.98
REDUCED DISTANCE	0	35	50	100	150	200	250	300	350	400	427.38	450	500	550	600	650	700	750	800	850	900	920	954.38	1000	1050	1100	1150	1200
DISTANCE	0	35	15	50	50	50	50	50	50	50	27.38	22.61	50	50	50	50	50	50	50	50	50	4.38	40.62	50	50	50	50	
STATION NO.	0	+35	+50	Sta.1	+40	Sta.2	+60	Sta.3	+50	Sta.4	PI	+80	Sta.5	+80	Sta.6	+80	Sta.7	+80	Sta.8	+90	Sta.9	+90	PI	Sta.10	+80	Sta.11	+80	Sta.12

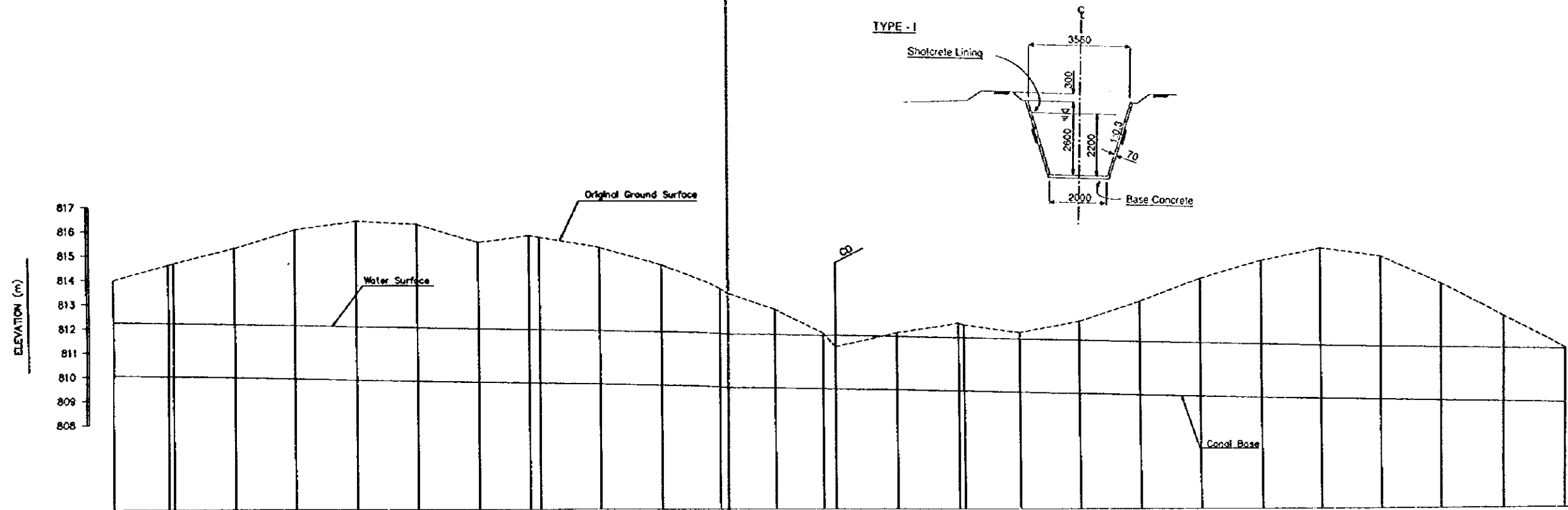


The United Republic of Tanzania

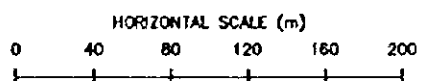
The Feasibility Study  
on  
Lower Moshi Integrated Agriculture  
and  
Rural Development Project

Title of Drawing  
**DIVERSION CHANNEL**  
Profile(1/22)

Japan International Cooperation Agency



CANAL TYPE	Type-I																										
WATER SURFACE ELEVATION	812.25	812.2	812.15	812.1	812.05	812	811.95	811.91	811.87	811.85	811.8	811.75	811.7	811.65	811.6	811.55	811.5	811.45	811.4	811.35	811.3	811.25	811.2	811.15	811.1	811.05	
CANAL BASE ELEVATION	810.05	810	809.95	809.9	809.85	809.8	809.75	809.7	809.7	809.65	809.6	809.55	809.5	809.45	809.4	809.35	809.3	809.25	809.2	809.15	809.1	809.05	809	808.95	808.9	808.85	
GROUND SURFACE ELEVATION	813.98	813.88	815.28	816.04	816.39	816.28	815.51	815.77	815.7	815.27	814.86	813.81	812.74	811.75	811.75	812.14	811.76	812.23	813.06	814.01	814.75	815.26	814.91	813.76	812.43	811.1	
REDUCED DISTANCE	1200	1243.88	1300	1350	1400	1450	1500	1541.13	1530	1600	1650	1700	1750	1788.74	1800	1850	1900	1904.38	2000	2050	2100	2150	2200	2250	2300	2350	2400
DISTANCE	0	43.88	50	50	50	50	50	41.13	8.87	50	50	50	50	38.74	10.26	50	50	4.36	50	50	50	50	50	50	50	50	
STATION NO.	Sta. 12+00	Sta. 12+43.88	Sta. 13+00	Sta. 13+50	Sta. 14+00	Sta. 14+50	Sta. 15+00	Sta. 15+41.13	Sta. 15+50	Sta. 16+00	Sta. 16+50	Sta. 17+00	Sta. 17+50	Sta. 17+88.74	Sta. 18+00	Sta. 18+50	Sta. 19+00	Sta. 19+04.38	Sta. 20+00	Sta. 20+50	Sta. 21+00	Sta. 21+50	Sta. 22+00	Sta. 22+50	Sta. 23+00	Sta. 23+50	Sta. 24+00

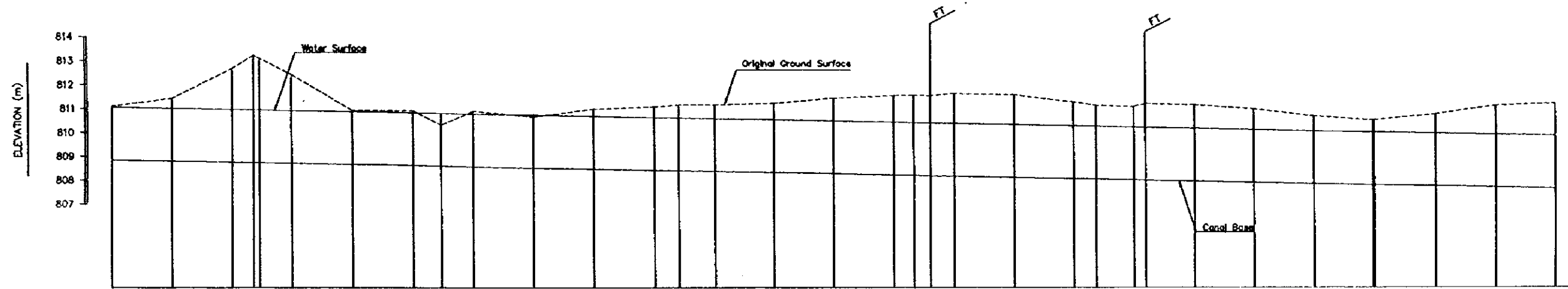
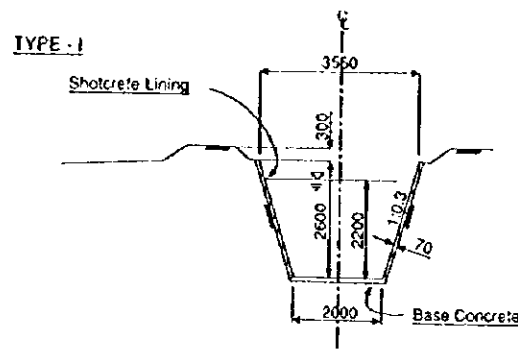


The United Republic of Tanzania

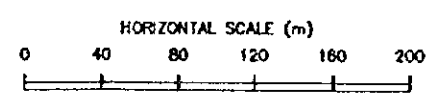
The Feasibility Study  
on  
Lower Moshi Integrated Agriculture  
and  
Rural Development Project

Title of Drawing  
**DIVERSION CHANNEL**  
Profile(2/22)

Japan International Cooperation Agency



CANAL TYPE	Type-I																															
WATER SURFACE ELEVATION	811.05	811	810.95	810.93	810.9	810.85	810.8	810.78	810.75	810.7	810.65	810.6	810.58	810.55	810.5	810.45	810.4	810.38	810.36	810.34	810.29	810.24	810.22	810.18	810.16	810.12	810.07	810.02	809.92	809.87	809.82	
CANAL BASE ELEVATION	808.85	808.8	808.75	808.73	808.7	808.65	808.6	808.58	808.55	808.5	808.45	808.4	808.38	808.35	808.3	808.25	808.2	808.18	808.16	808.14	808.09	808.04	808.02	807.98	807.96	807.92	807.87	807.82	807.72	807.67	807.62	
GROUND SURFACE ELEVATION	811.1	811.42	812.47	813.2	812.4	810.91	810.89	810.28	810.87	810.83	810.85	811.04	811.12	811.13	811.15	811.4	811.5	811.52	811.5	811.6	811.53	811.23	811.08	811.04	811.15	811.11	810.94	810.84	810.72	811.08	811.16	
REDUCED DISTANCE	2400	2450	2500	2516	2550	2600	2650	2673.22	2700	2750	2800	2850	2869.82	2900	2950	3000	3080	3086.32	3080	3100	3150	3200	3218.48	3250	3290	3300	3350	3400	3448.75	3500	3550	3600
DISTANCE	0	50	90	18	26.78	50	50	23.22	26.78	50	50	50	19.82	30.18	50	50	50	16.32	13.68	20	50	50	18.48	31.5	10	40	50	50	48.75	50	50	50
STATION NO.	+66		Na.25	+18	+56	Na.28	+60	Pa	Na.27	+80	Na.29	+80	Pa	Na.29	+80	Na.30	+80	Pa	+80	Na.31	+80	Na.32	Pa	+80	Na.33	+80	Na.34	Pa	Na.35	+80	Na.36	



The United Republic of Tanzania

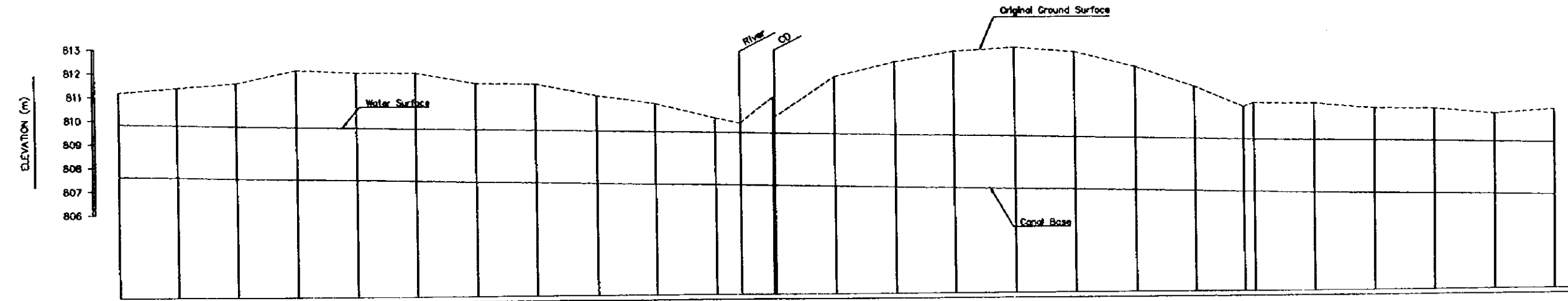
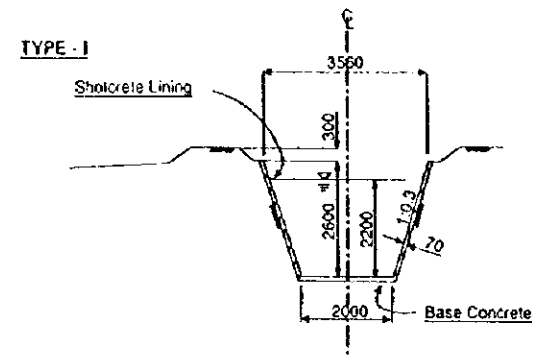
The Feasibility Study  
on  
Lower Moshi Integrated Agriculture  
and  
Rural Development Project

---

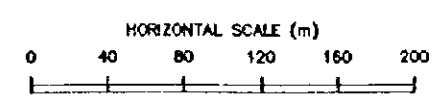
Title of Drawing  
**DIVERSION CHANNEL**  
Profile(3/22)

---

Japan International Cooperation Agency



CANAL TYPE	Type-I																										
WATER SURFACE ELEVATION	809.82	809.77	809.72	809.67	809.62	809.57	809.52	809.47	809.42	809.37	809.32	809.27	809.22	809.17	809.12	809.07	809.02	808.97	808.92	808.87	808.82	808.77	808.72	808.67	808.62		
CANAL BASE ELEVATION	807.82	807.57	807.52	807.47	807.42	807.37	807.32	807.27	807.22	807.17	807.12	807.07	807.02	806.97	806.92	806.87	806.82	806.77	806.72	806.67	806.62	806.57	806.52	806.47	806.42		
GROUND SURFACE ELEVATION	811.16	811.34	811.53	812.07	811.84	811.82	811.44	811.41	810.8	810.55	809.92	809.7	809.3	810.23	812.25	812.84	812.58	811.95	811.1	810.25	810.39	810.35	810.12	810.06	809.84	810.01	
REDUCED DISTANCE	3600	3650	3700	3750	3800	3850	3900	3950	4000	4050	4100	4121	4140.31	4150	4200	4250	4300	4350	4400	4450	4500	4550	4600	4650	4700	4750	4800
DISTANCE	0	50	50	50	50	50	50	50	50	50	50	21	27.31	41.50	50	50	50	50	50	41.23	8.77	50	50	50	50	50	
STATION NO.	+00	No.37	+50	No.38	+00	No.39	+50	No.40	+00	No.41	+21	PI3	+1.89	No.42	+50	No.43	+00	No.44	+50	No.45	PI4	+00	No.46	+50	No.47	+50	No.48



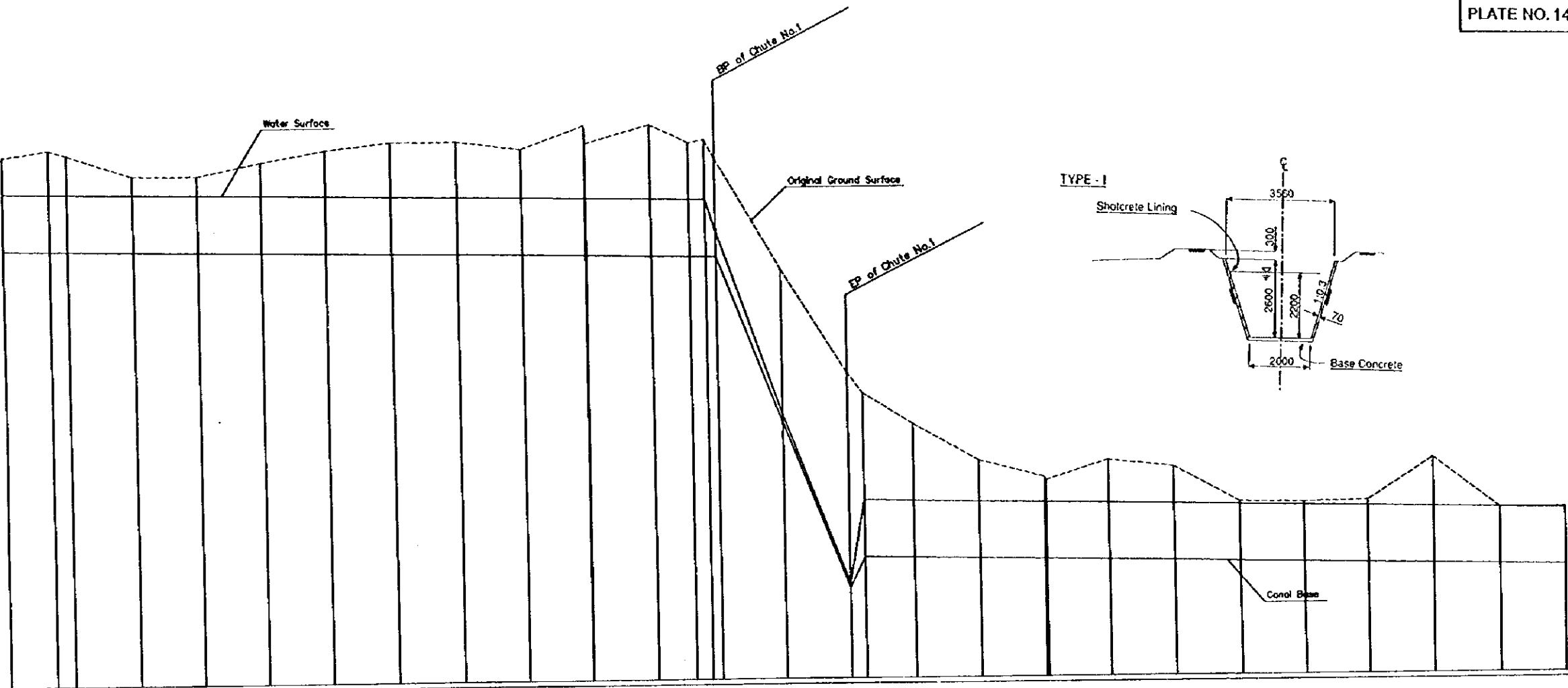
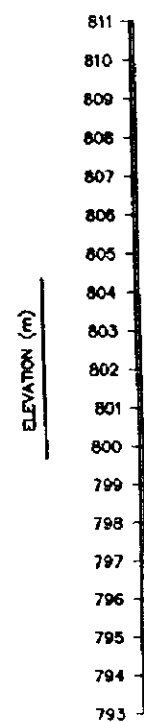
The United Republic of Tanzania

The Feasibility Study  
on  
Lower Moshi Integrated Agriculture  
and  
Rural Development Project

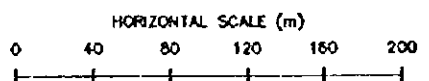
Title of Drawing  
**DIVERSION CHANNEL**

Profile(4/22)

Japan International Cooperation Agency



CANAL TYPE	Type-I															Chute										Type-I														
WATER SURFACE ELEVATION	808.62	808.56	808.57	808.52	808.47	808.42	808.37	808.32	808.27	808.22	808.17	808.12	808.08	808.03	807.98	796.74	793.18	796.4	796.31	796.26	796.21	796.16	796.11	796.06	796.01	795.96	795.91	795.86												
CANAL BASE ELEVATION	806.42	806.38	806.37	806.32	806.27	806.22	806.17	806.12	806.07	806.02	805.97	805.92	805.88	805.83	805.78	795.44	793	794.19	794.11	794.06	794.01	793.96	793.91	793.86	793.81	793.76	793.71	793.66												
GROUND SURFACE ELEVATION	810.01	810.27	810.08	809.24	808.21	808.7	810.13	810.41	810.4	810.08	810.98	810.28	810.28	810.36	809.63	805.36	801.33	800.55	799.35	797.9	797.23	797.11	796.22	796.18	796.22	796.18	796.22	796.18												
REDUCED DISTANCE	4800	4836.36	4850	4800	4850	5000	5050	5100	5150	5200	5248.36	5300	5330	5342.36	5350	5400	5450	5482	5500	5550	5600	5601.52	5650	5700	5750	5800	5850	5900	5950	6000										
DISTANCE	0	36.36	13.64	50	50	50	50	50	50	50	48.36	50	30	12.36	7.62	50	50	12	50	50	1.52	48.48	50	50	50	50	50	50	50											
STATION NO.	PI18 +00	Sta.49	+00	Sta.50	+00	Sta.51	+00	Sta.52	+00	Sta.53	+00	Sta.54	+00	PI17 +7.62	Sta.55	+00	Sta.56	+00	Sta.57	+00	PI18 Sta.58 +1.52	+00	Sta.59	+00	Sta.60	+00	Sta.61	+00	Sta.62	+00										



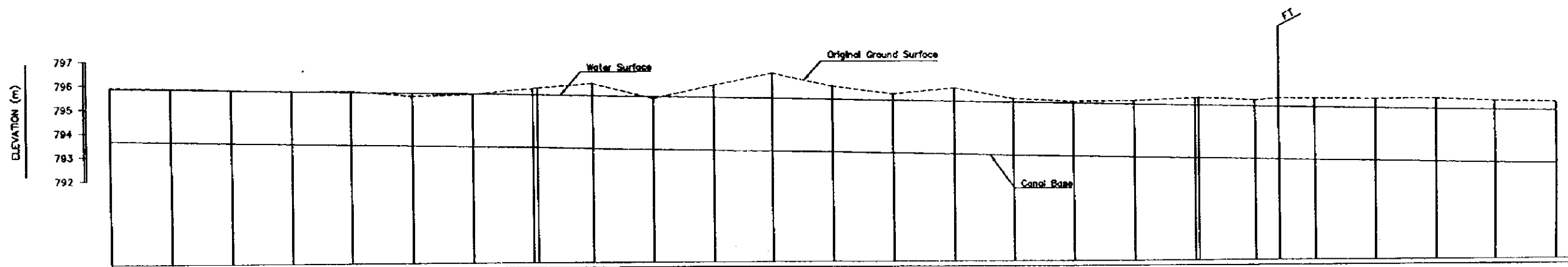
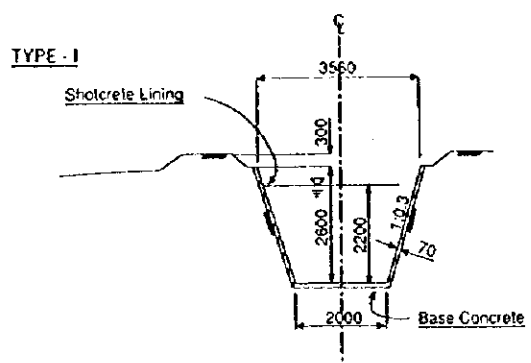
The United Republic of Tanzania

The Feasibility Study  
on  
Lower Moshi Integrated Agriculture  
and  
Rural Development Project

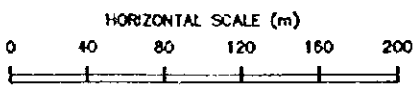
Title of Drawing  
**DIVERSION CHANNEL**  
Profile(5/22)

Japan International Cooperation Agency





CANAL TYPE	Type-I																								
WATER SURFACE ELEVATION	795.85	795.81	795.76	795.71	795.66	795.61	795.56	795.51	795.46	795.41	795.36	795.31	795.26	795.21	795.16	795.11	795.06	795.01	794.96	794.91	794.86	794.81	794.76	794.71	794.66
CANAL BASE ELEVATION	793.66	793.61	793.56	793.51	793.46	793.41	793.36	793.31	793.26	793.21	793.16	793.11	793.06	793.01	792.96	792.91	792.86	792.81	792.76	792.71	792.66	792.61	792.56	792.51	792.46
GROUND SURFACE ELEVATION	795.9	795.85	795.78	795.7	795.63	795.56	795.49	795.42	795.35	795.28	795.21	795.14	795.07	795.01	794.94	794.87	794.81	794.74	794.67	794.61	794.54	794.47	794.41	794.34	794.27
REDUCED DISTANCE	0	50	50	50	50	50	50	50	50	50	50	50	50	50	50	50	50	50	50	50	50	50	50	50	
DISTANCE	0	50	100	150	200	250	300	350	400	450	500	550	600	650	700	750	800	850	900	950	1000	1050	1100	1150	
STATION NO.	+	01	02	03	04	05	06	07	08	09	10	11	12	13	14	15	16	17	18	19	20	21	22	23	

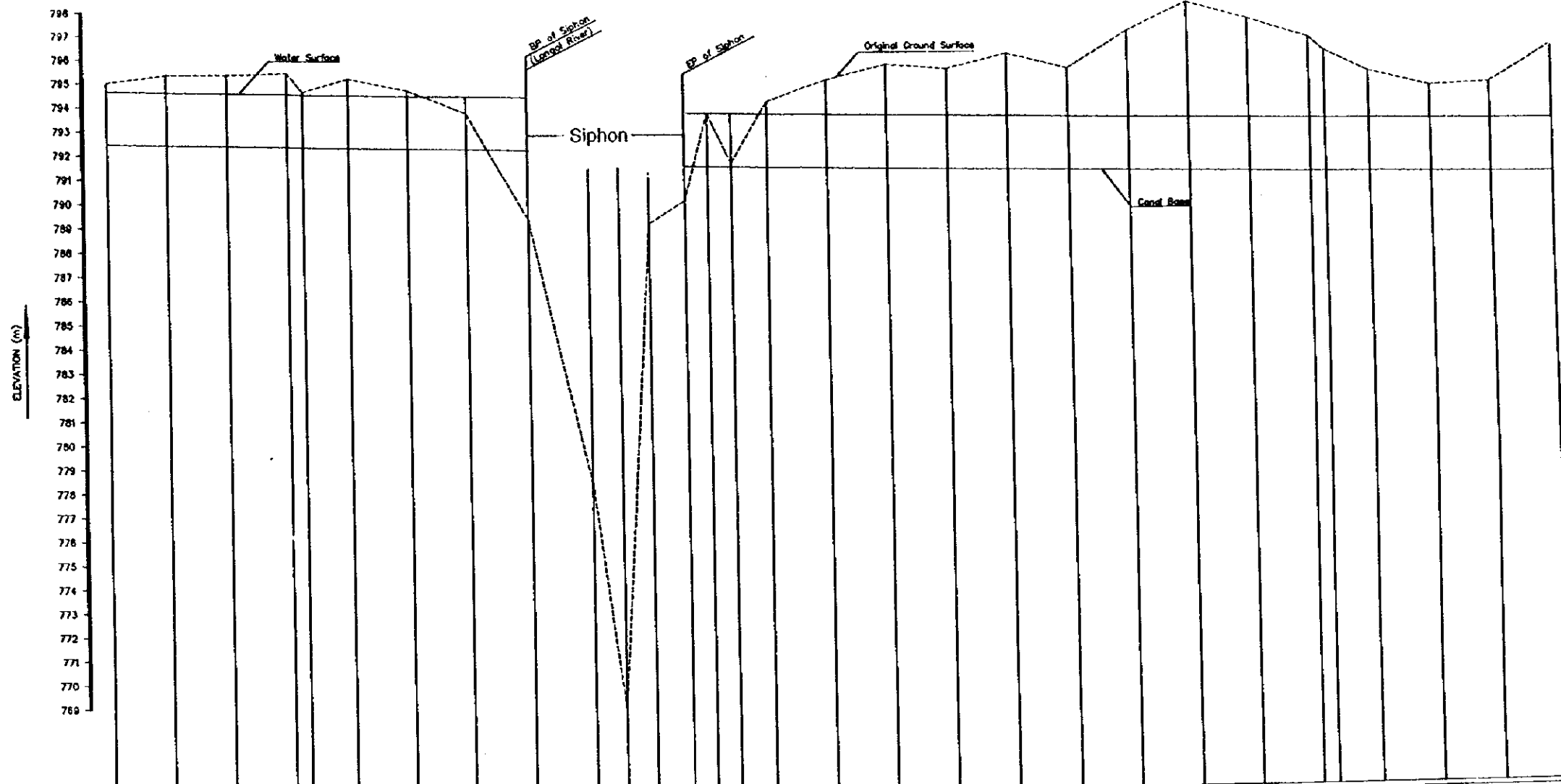


The United Republic of Tanzania

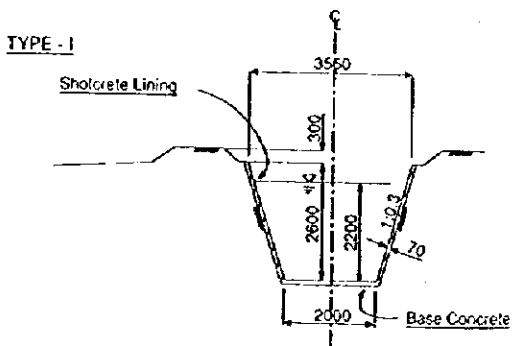
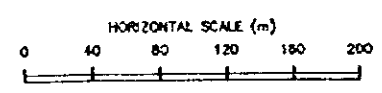
The Feasibility Study  
on  
Lower Moshi Integrated Agriculture  
and  
Rural Development Project

Title of Drawing  
**DIVERSION CHANNEL**  
Profile(6/22)

Japan International Cooperation Agency



CANAL TYPE	Type-I																										
WATER SURFACE ELEVATION	794.85	794.9	794.88	794.5	794.48	794.45	794.4	794.35	794.3	794.03	793.99	793.96	793.9	793.8	793.53	793.43	793.36	793.33	793.26	793.23	793.18	793.13	793.06	793.05	793.03	792.98	792.88
CANAL BASE ELEVATION	792.48	792.41	792.38	792.37	792.3	792.27	792.21	792.18	792.1	791.84	791.77	791.67	791.4	791.38	791.33	791.28	791.23	791.16	791.08	791.03	790.96	790.83	790.8	790.78	790.75	790.68	790.58
GROUND SURFACE ELEVATION	793.01	793.33	793.33	793.4	794.48	795.16	795.18	795.27	795.1	774.91	789	798.08	790	793.99	791.9	791.9	791.9	791.9	791.9	791.9	791.9	791.9	791.9	791.9	791.9	791.9	791.9
REDUCED DISTANCE	0	50	50	50	12.24	37.48	00	00	00	00	25	25	30	20	20	30	00	50	50	50	50	50	50	13.21	33.79	00	50
DISTANCE	0	50	100	150	162.24	200	200	250	250	250	275	300	330	350	380	410	460	510	560	610	660	710	723.21	757	791	841	
STATION NO.	+0	+0.73	+1	+1.5	+1.74	+2	+2.28	+2.57	+2.85	+3.14	+3.43	+3.72	+4	+4.29	+4.58	+4.87	+5.16	+5.45	+5.74	+6	+6.23	+6.47	+6.71	+6.95	+7.19	+7.43	



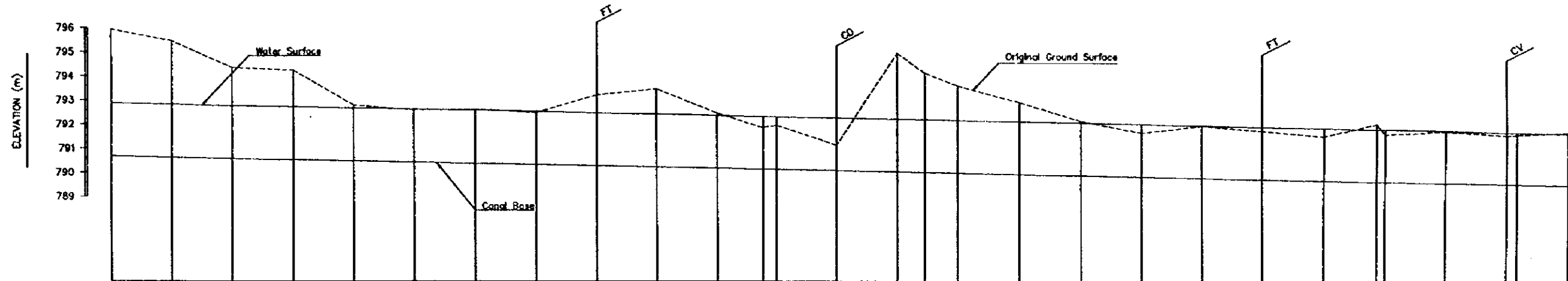
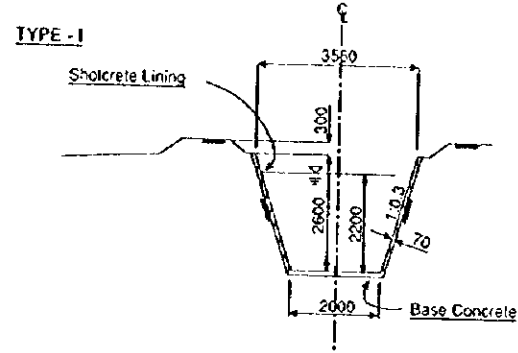
The United Republic of Tanzania

The Feasibility Study  
on  
Lower Moshi Integrated Agriculture  
and  
Rural Development Project

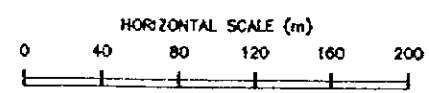
Title of Drawing  
**DIVERSION CHANNEL**

Profile(7/22)

Japan International Cooperation Agency



CANAL TYPE	Type-I																											
WATER SURFACE ELEVATION	792.88	792.83	792.78	792.73	792.68	792.63	792.58	792.53	792.48	792.41	792.38	792.32	792.27	792.21	792.19	792.10	792.11	792.06	792.01	791.98	791.9	791.85	791.8	791.75	791.67	791.66	791.62	
CANAL BASE ELEVATION	790.68	790.63	790.58	790.53	790.48	790.43	790.38	790.33	790.28	790.23	790.18	790.14	790.13	790.08	790.03	790	789.98	789.93	789.88	789.83	789.78	789.73	789.68	789.63	789.58	789.53	789.48	
GROUND SURFACE ELEVATION	793.83	793.48	794.36	794.34	792.8	792.8	792.82	792.48	793.21	793.48	792.48	791.86	791.98	791.13	794.85	794.12	793.6	792.81	792.13	791.86	791.94	791.74	791.51	792.02	791.55	791.57	791.07	
REDUCED DISTANCE	0	50	50	50	50	50	50	50	50	50	50	36.92	8950	9000	50	22.78	27.22	50	50	50	50	50	42.85	50	50	50	41.74	
DISTANCE	0	50	50	50	50	50	50	50	50	50	50	36.92	8950	9000	50	22.78	27.22	50	50	50	50	50	42.85	50	50	50	41.74	
STATION NO.	8400	8450	8500	8550	8600	8650	8700	8750	8800	8850	8900	8933	8950	9000	9050	9072.78	9100	9150	9200	9250	9300	9350	9400	9442.85	9450	9500	9550	9600



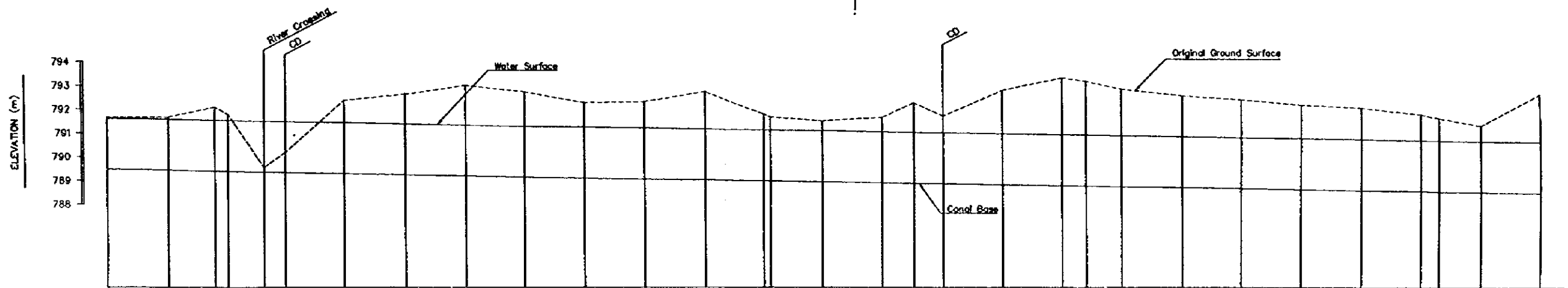
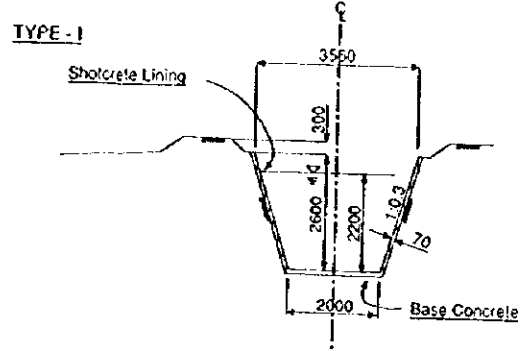
The United Republic of Tanzania

The Feasibility Study  
on  
Lower Moshi Integrated Agriculture  
and  
Rural Development Project

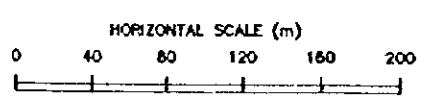
*Title of Drawing*  
**DIVERSION CHANNEL**

Profile(8/22)

Japan International Cooperation Agency



CANAL TYPE	Type - I																																		
WATER SURFACE ELEVATION	791.62	791.57	791.53	791.52	791.48	791.47	791.42	791.37	791.32	791.27	791.23	791.19	791.15	791.11	791.11	791.07	791.03	791	790.99	790.95	790.91	790.87	790.83	790.79	790.75	790.71	790.67	790.63	790.59	790.55	790.51	790.47	790.43	790.39	
CANAL BASE ELEVATION	789.48	789.43	789.39	789.38	789.34	789.33	789.28	789.23	789.18	789.13	789.09	789.05	789.01	788.97	788.96	788.93	788.89	788.86	788.84	788.81	788.78	788.77	788.75	788.73	788.71	788.69	788.65	788.61	788.57	788.53	788.49	788.45	788.41	788.37	788.33
GROUND SURFACE ELEVATION	791.87	791.87	792.09	791.79	789.54	790.18	792.58	792.82	792.89	792.72	792.28	792.3	792.72	791.77	791.66	791.48	791.84	792.25	791.7	792.78	793.3	793.15	792.83	792.85	792.38	792.16	792.04	791.76	791.6	791.29	792.81	792.81	792.81	792.81	
REDUCED DISTANCE	0	50	9680.63	9700	9731.67	9750	9800	9850	9900	9950	10000	10050	10100	10150	10166.71	10200	10250	10275.98	10300	10350	10400	10420	10450	10500	10550	10600	10650	10700	10714.82	10750	10800	10850	10900		
DISTANCE	0	50	36.83	11.17	31.67	18.33	50	50	50	50	50	50	50	50	6.71	44.29	50	25.98	24.02	50	50	20	30	50	50	50	50	14.82	35.18	50	50	50	50		
STATION NO.	970	977	977.07	978.17	980	985	990	995	1000	1005	1010	1015	1020	1022	1025	1027.59	1030	1032	1035	1040	1042	1045	1050	1055	1060	1065	1070	1071.48	1075	1080	1085	1090			



The United Republic of Tanzania

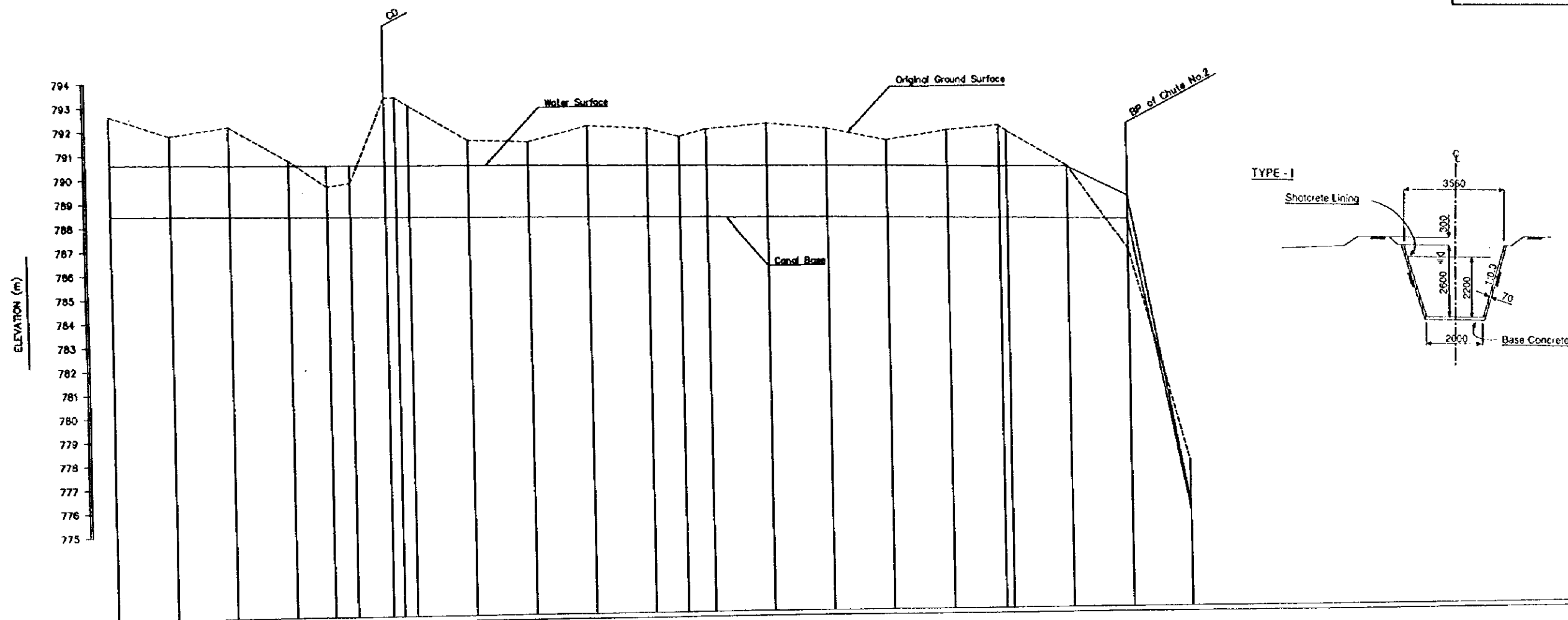
The Feasibility Study  
on  
Lower Moshi Integrated Agriculture  
and  
Rural Development Project

---

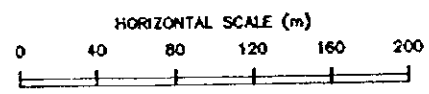
Title of Drawing  
**DIVERSION CHANNEL**  
  
Profile(9/22)

---

Japan International Cooperation Agency



CANAL TYPE	Type-I																	Chute						
WATER SURFACE ELEVATION	790.56	790.55	790.51	790.47	790.44	790.43	790.4	790.38	790.39	790.35	790.31	790.27	790.23	790.2	790.19	790.15	790.11	790.07	790.03	789.98	789.95	788.74	776.81	
CANAL BASE ELEVATION	788.45	788.41	788.37	788.33	788.3	788.28	788.26	788.25	788.25	788.21	788.17	788.13	788.09	788.06	788.05	788.01	787.97	787.93	787.89	787.86	787.83	787.77	775.55	
GROUND SURFACE ELEVATION	792.51	791.77	792.12	790.68	789.57	789.71	793.22	793.22	792.86	791.41	791.29	791.92	791.77	791.41	791.7	791.9	791.85	791.13	791.32	791.46	791.46	790	788.33	777.57
REDUCED DISTANCE	10800	10850	10900	10950	10980.84	11000	11030	11036.25	11050	11100	11150	11200	11250	11276.9	11300	11350	11400	11450	11500	11543.38	11550	11600	11650	11700
DISTANCE	0	50	50	50	30.84	18.08	30	6.25	10.75	50	50	50	50	26.9	23.1	50	50	50	50	43.38	6.25	50	50	50
STATION NO.	0+00	0+05	0+10	0+15	0+21	0+29	0+33	0+40	0+50	0+55	0+60	0+65	0+70	0+76.9	0+80	0+85	0+90	0+95	0+100	0+104.38	0+110	0+115	0+120	0+125

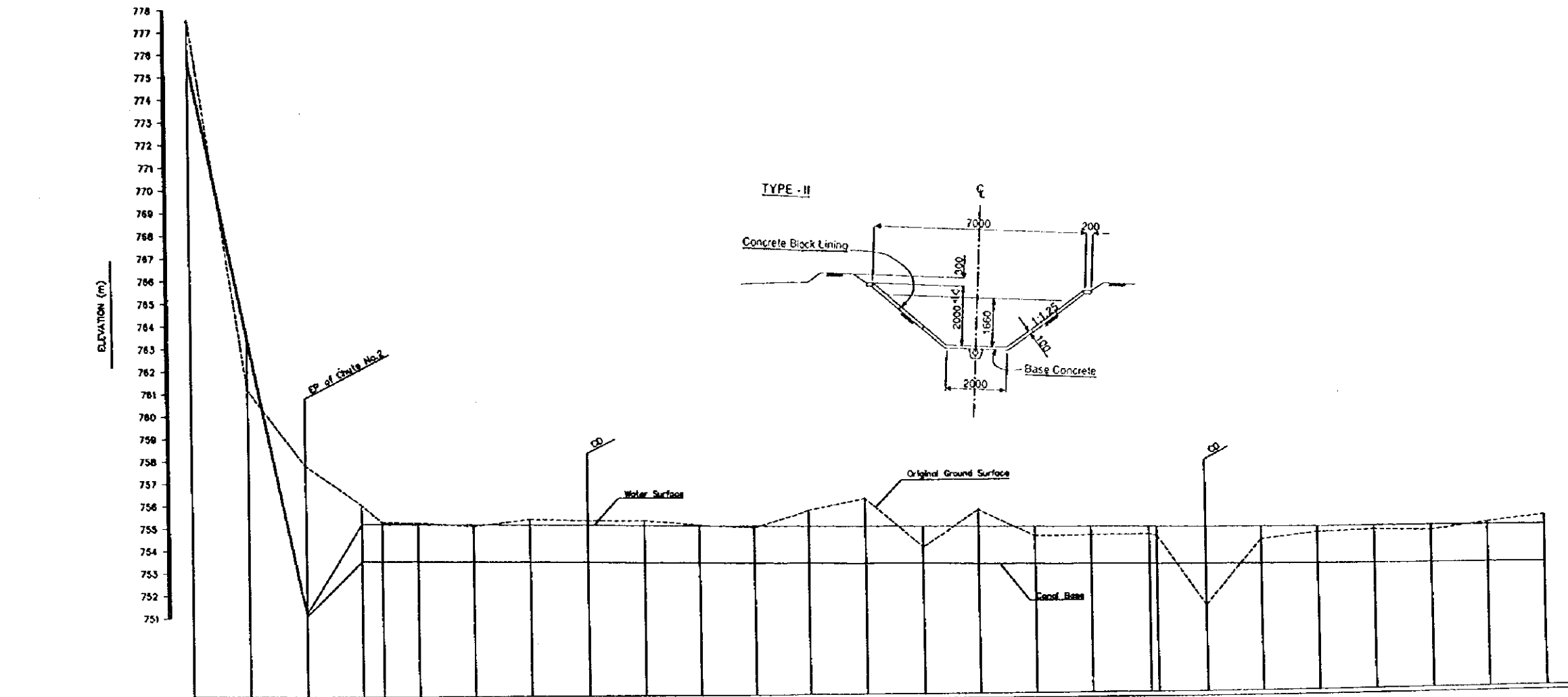


The United Republic of Tanzania

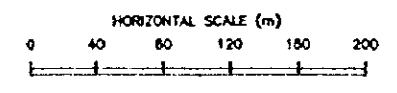
The Feasibility Study  
on  
Lower Moshi Integrated Agriculture  
and  
Rural Development Project

Title of Drawing  
**DIVERSION CHANNEL**  
Profile(10/22)

Japan International Cooperation Agency



CANAL TYPE	○ Chute	Type-II																																		○				
WATER SURFACE ELEVATION	775.59	775.59	763.33	763.34	761.22	756.32	755.27	755.28	755.27	755.33	755.33	755.36	755.42	755.43	755.43	755.48	755.48	755.52	755.52	755.53	755.53	755.56	755.56	755.57	755.57	755.58	755.58	755.60	755.60	755.62	755.62	755.64	755.64	755.66	755.66	755.67	755.67	755.68		
CANAL BASE ELEVATION	775.59	775.59	763.33	763.34	761.22	756.32	755.27	755.28	755.27	755.33	755.33	755.36	755.42	755.43	755.43	755.48	755.48	755.52	755.52	755.53	755.53	755.56	755.56	755.57	755.57	755.58	755.58	755.60	755.60	755.62	755.62	755.64	755.64	755.66	755.66	755.67	755.67	755.68	755.68	
GROUND SURFACE ELEVATION	777.57	761.19	767.81	766.07	766.07	765.28	765.28	765.28	765.27	765.32	765.32	765.36	765.43	765.43	765.48	765.48	765.52	765.52	765.53	765.53	765.56	765.56	765.57	765.57	765.58	765.58	765.60	765.60	765.62	765.62	765.64	765.64	765.66	765.66	765.67	765.67	765.68	765.68	765.69	
REDUCED DISTANCE	0	50	11800	11850	11850	11850	11850	11850	11900	11900	11900	11950	11950	11950	12000	12000	12050	12050	12100	12100	12150	12150	12200	12200	12250	12250	12300	12300	12350	12350	12400	12400	12450	12450	12500	12500	12550	12550	12600	
DISTANCE	0	50	80	50	18.31	31.68	50	80	50	50	80	50	50	80	50	50	50	50	50	50	50	50	50	50	50	50	50	50	50	50	50	50	50	50	50	50	50	50	50	
STATION NO.	No.117	118	No.118	119	120	No.120	121	No.121	122	No.122	123	No.123	124	No.124	125	No.125	126	No.126	127	No.127	128	No.128	129	No.129	130	No.130	131	No.131	132	No.132	133	No.133	134	No.134	135	No.135	136	No.136	137	No.137



The United Republic of Tanzania

The Feasibility Study  
on  
Lower Moshi Integrated Agriculture  
and  
Rural Development Project

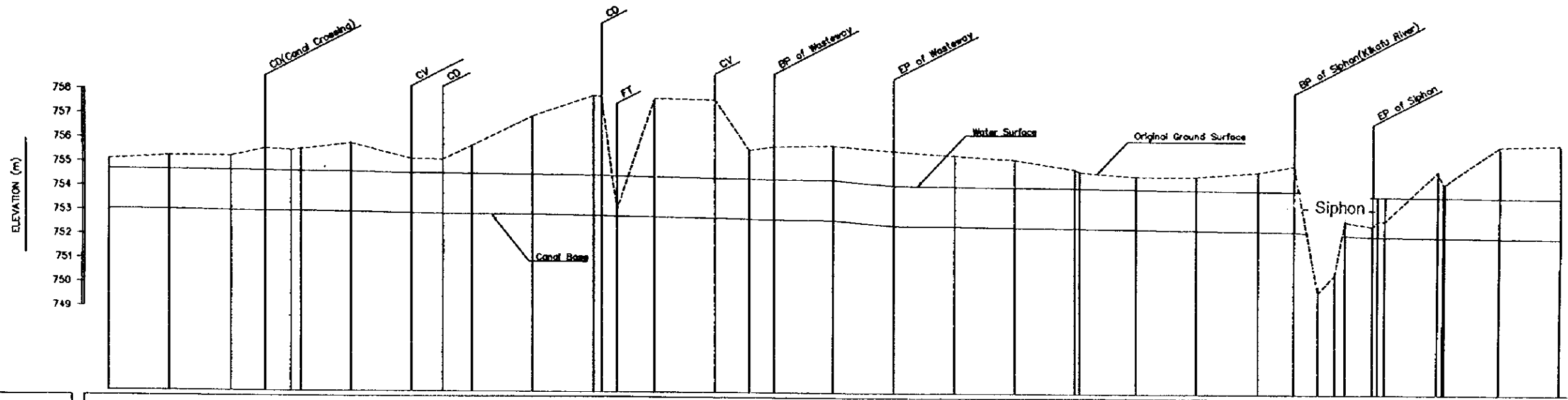
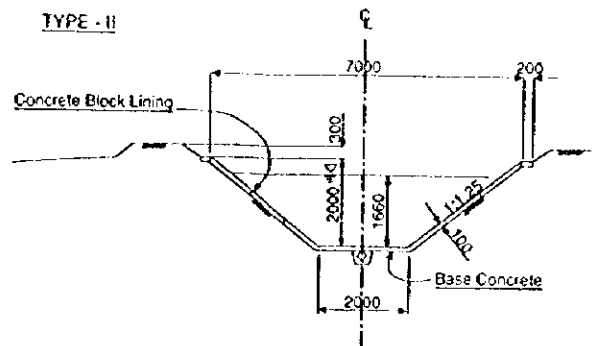
---

Title of Drawing  
**DIVERSION CHANNEL**

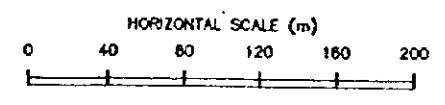
Profile(11/22)

---

Japan International Cooperation Agency



CANAL TYPE	Type-II																												
WATER SURFACE ELEVATION	754.89	754.87	754.84	754.83	754.82	754.81	754.81	754.49	754.48	754.44	754.42	754.37	754.35	754.34	754.32	754.09	754.07	753.99	753.97	753.94	753.93	753.87	753.82	753.81	753.81	753.85			
CANAL BASE ELEVATION	753.03	753.01	752.98	752.97	752.96	752.95	752.83	752.83	752.82	752.76	752.76	752.71	752.68	752.68	752.68	752.43	752.41	752.33	752.31	752.28	752.27	752.21	752.16	752.14	752.04	752.04	751.99		
GROUND SURFACE ELEVATION	755.1	755.24	755.23	755.35	755.47	755.52	755.76	756.9	757.75	758.05	757.65	757.81	755.55	753.7	753.7	755.52	755.35	754.92	754.94	754.73	753	752.74	752.57	752.54	752.49	752.49	753.87		
REDUCED DISTANCE	12000	12850	13000	13028	13050	13058.05	13100	13150	13176	13200	13250	13300	13426	13450	13500	13550	13600	13650	13700	13750	13800	13850	13914	13923	13955	14000	14100		
DISTANCE	0	50	50	28	22	8.05	41.85	50	28	24	50	50	12.76	22	50	50	50	50	46.35	50	50	30	20	14	9	22	44	50	
STATION NO.	+00	No.130	+28	+50	1937	No.131	+60	+78	No.132	+90	No.133	+18	+30	No.134	+28	+50	No.135	+90	No.137	+50	No.138	+50	No.138	+15	+23	139	No.140	+60	No.141



The United Republic of Tanzania

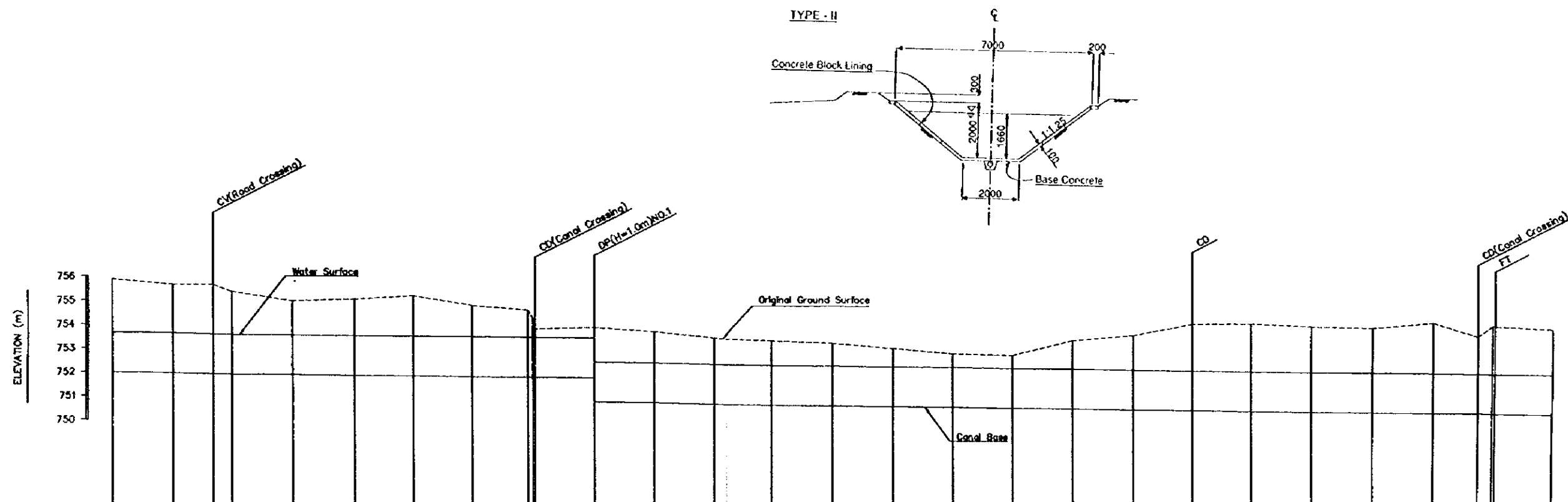
The Feasibility Study  
on  
Lower Moshi Integrated Agriculture  
and  
Rural Development Project

---

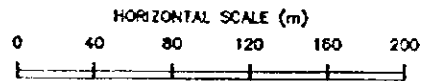
Title of Drawing  
**DIVERSION CHANNEL**  
Profile(12/22)

---

Japan International Cooperation Agency



CANAL TYPE	Type-II																																																		
WATER SURFACE ELEVATION	753.85	753.83	753.86	753.87	753.85	753.82	753.81	753.80	753.79	753.78	753.77	753.76	753.75	753.74	753.73	753.72	753.71	753.70	753.69	753.68	753.67	753.66	753.65	753.64	753.63	753.62	753.61	753.60	753.59	753.58	753.57	753.56	753.55	753.54	753.53	753.52	753.51	753.50													
CANAL BASE ELEVATION	751.89	751.87	751.92	751.91	751.88	751.86	751.85	751.84	751.83	751.82	751.81	751.80	751.79	751.78	751.77	751.76	751.75	751.74	751.73	751.72	751.71	751.70	751.69	751.68	751.67	751.66	751.65	751.64	751.63	751.62	751.61	751.60	751.59	751.58	751.57	751.56	751.55	751.54	751.53	751.52	751.51	751.50									
GROUND SURFACE ELEVATION	753.87	753.85	753.85	753.86	753.87	753.88	753.89	753.90	753.91	753.92	753.93	753.94	753.95	753.96	753.97	753.98	753.99	754.00	754.01	754.02	754.03	754.04	754.05	754.06	754.07	754.08	754.09	754.10	754.11	754.12	754.13	754.14	754.15	754.16	754.17	754.18	754.19	754.20	754.21	754.22	754.23	754.24	754.25	754.26	754.27	754.28	754.29	754.30			
REDUCED DISTANCE	14100	14150	14184	14200	14250	14300	14350	14400	14450	14500	14550	14600	14650	14700	14750	14800	14850	14900	14950	15000	15050	15100	15150	15200	15250	15300	15350	15400	15450	15500	15550	15600	15650	15700	15750	15800	15850	15900	15950	16000	16050	16100	16150	16200	16250	16300	16350	16400			
DISTANCE	0	50	34	16	50	50	50	50	50	50	50	50	50	50	50	50	50	50	50	50	50	50	50	50	50	50	50	50	50	50	50	50	50	50	50	50	50	50	50	50	50	50	50	50	50	50	50	50	50	50	
STATION NO.		440	444	448	450	455	460	465	470	475	480	485	490	495	500	505	510	515	520	525	530	535	540	545	550	555	560	565	570	575	580	585	590	595	600	605	610	615	620	625	630	635	640	645	650	655	660	665	670	675	680



The United Republic of Tanzania

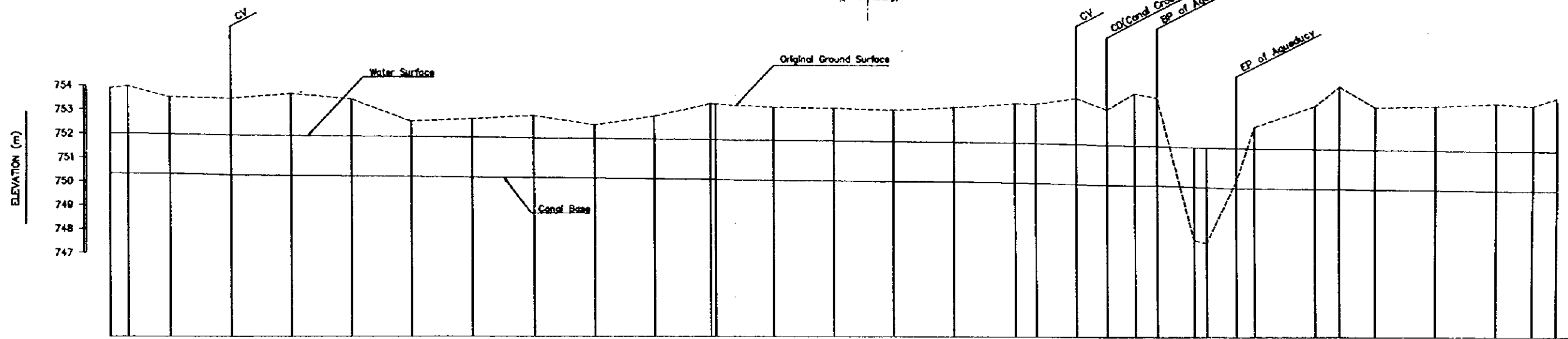
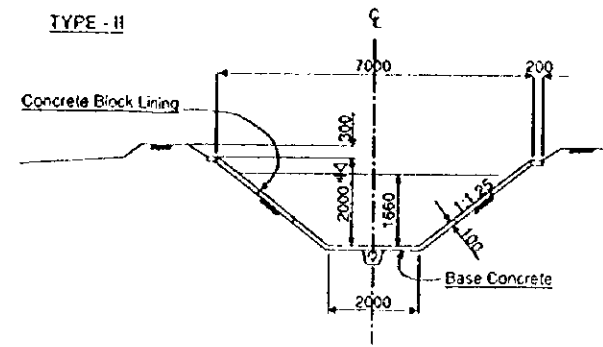
The Feasibility Study  
on  
Lower Moshi Integrated Agriculture  
and  
Rural Development Project

Title of Drawing  
**DIVERSION CHANNEL**

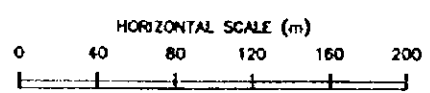
Profile(13/22)

Japan International Cooperation Agency





CANAL TYPE	Type-II																															
WATER SURFACE ELEVATION	751.99	751.98	751.96	751.91	751.88	751.86	751.83	751.81	751.78	751.76	751.73	751.71	751.68	751.66	751.63	751.61	751.58	751.56	751.53	751.51	751.5	751.48	751.44	751.42	751.38	751.36	751.33	751.31	751.28	751.27	751.26	
CANAL BASE ELEVATION	750.33	750.32	750.3	750.25	750.22	750.2	750.17	750.15	750.12	750.1	750.07	750.05	750.02	750	749.97	749.95	749.92	749.9	749.87	749.85	749.84	749.83	749.78	749.76	749.74	749.72	749.7	749.65	749.61	749.58	749.56	
GROUND SURFACE ELEVATION	753.89	753.98	753.5	753.44	753.63	753.4	752.47	752.58	752.71	752.32	752.68	752.18	753.07	753.02	752.94	753.05	753.21	753.2	753.46	753	753.68	753.5	747.55	747.44	750	752.29	753.15	753.15	753.15	753.28	753.15	753.47
REDUCED DISTANCE	15300	15314.52	15330	15400	15460	15500	15550	15600	15650	15700	15750	15800	15850	15900	15950	16000	16050	16100	16126	16150	16168	16200	16210.38	16235	16250	16300	16320	16350	16400	16450	16480	16500
DISTANCE	0	14.52	35.48	50	50	50	50	50	50	50	50	50	50	50	50	50	50	50	26	24	19	31	10.38	24.84	15	50	20	30	50	50	20	
STATION NO.	Sta. 182	40	Sta. 184	40	Sta. 185	40	Sta. 186	40	Sta. 187	40	Sta. 188	40	Sta. 189	40	Sta. 190	40	Sta. 191	40	48	44	45	Sta. 192	10.38	48	40	Sta. 193	20	40	Sta. 194	40	Sta. 195	



The United Republic of Tanzania

The Feasibility Study  
on  
Lower Moshi Integrated Agriculture  
and  
Rural Development Project

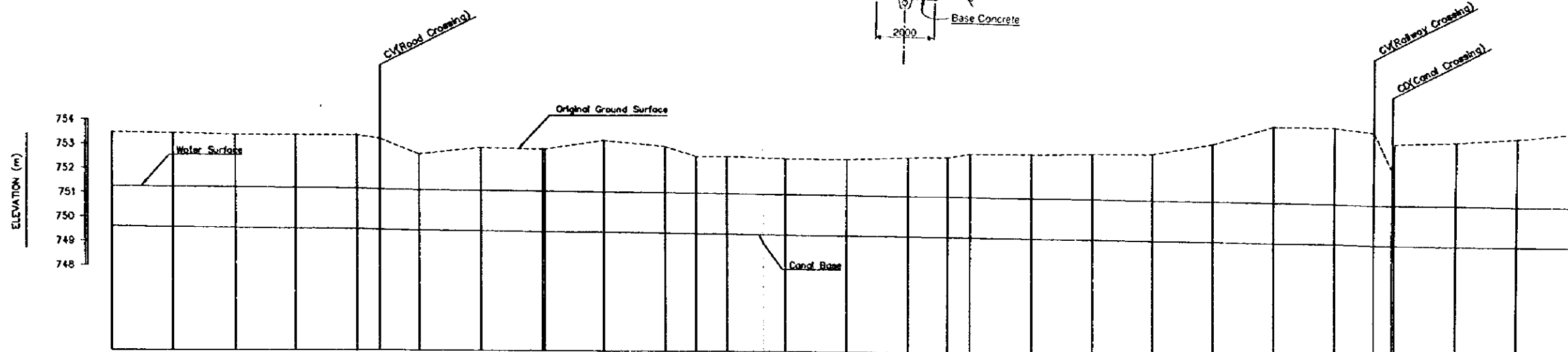
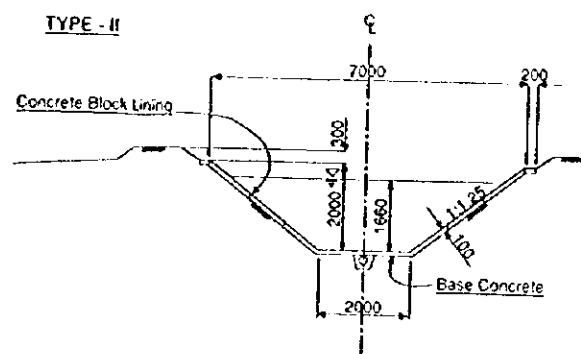
---

Title of Drawing  
**DIVERSION CHANNEL**

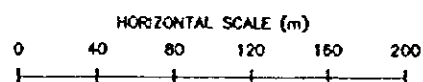
Profile(14/22)

---

Japan International Cooperation Agency



CANAL TYPE	Type-II																												
WATER SURFACE ELEVATION	751.28	751.23	751.21	751.18	751.16	751.12	751.11	751.08	751.03	751.03	750.95	750.93	750.9	750.89	750.88	750.85	750.83	750.8	750.78	750.75	750.73	750.68	750.67	750.65	750.62	750.6			
CANAL BASE ELEVATION	748.6	748.57	748.55	748.52	748.5	748.46	748.44	748.42	748.37	748.34	748.29	748.27	748.24	748.23	748.22	748.19	748.17	748.14	748.12	748.09	748.07	748.02	748.01	748.0	748.0	748.0	748.0		
GROUND SURFACE ELEVATION	753.47	753.42	753.37	753.35	753.34	753.2	752.96	752.84	753.14	752.8	752.5	752.41	752.40	752.5	752.65	752.65	752.7	752.71	753.14	753.86	753.86	753.86	753.8	753.8	753.8	753.42	753.85		
REDUCED DISTANCE	16500	16550	16600	16650	16700	16716.15	16750	16800	16850	16875	16900	16950	17000	17050	17100	17150	17182	17200	17250	17300	17350	17400	17450	17500	17532.65	17550	17600	17650	17700
DISTANCE	0	50	50	50	50	16.15	31.85	50	1.88	48.07	50	25	25	50	50	50	32	18	50	50	50	50	50	50	32.65	15.35	50	50	50
STATION NO.	+60	No. 166	+60	No. 167	+60	+60	No. 168	+60	No. 169	+60	+60	No. 170	+60	No. 171	+60	+60	No. 172	+60	No. 173	+60	No. 174	+60	No. 175	+60	No. 176	+60	No. 177		

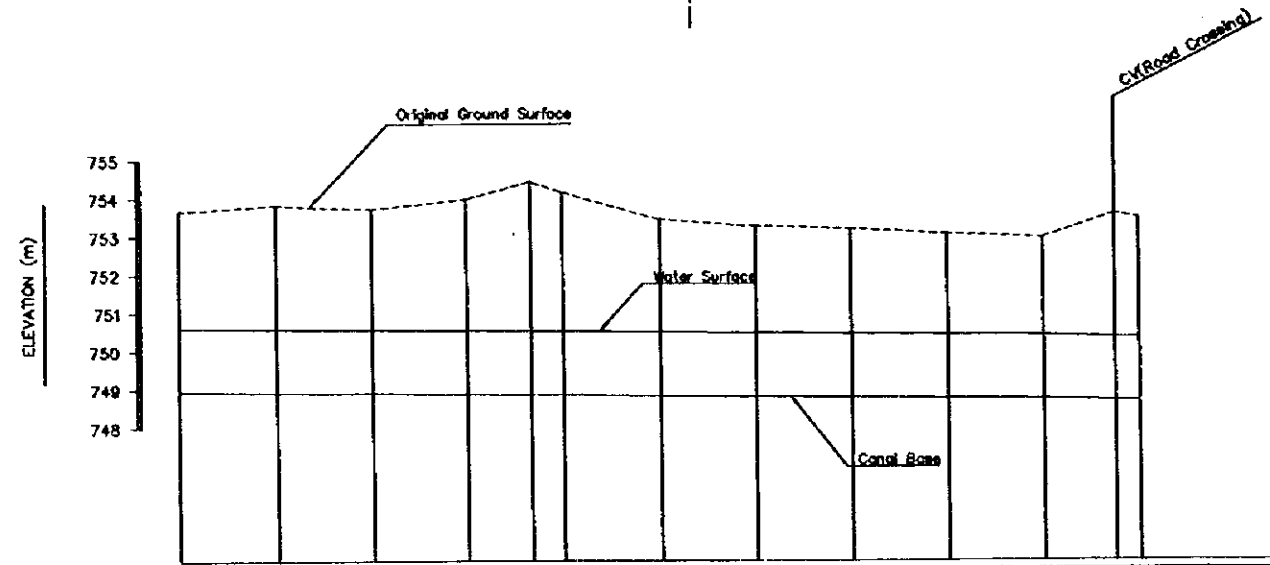
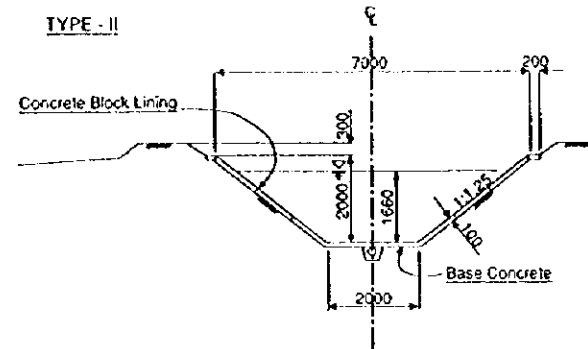


The United Republic of Tanzania

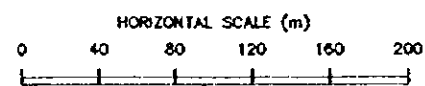
The Feasibility Study  
on  
Lower Moshi Integrated Agriculture  
and  
Rural Development Project

Title of Drawing  
**DIVERSION CHANNEL**  
Profile(15/22)

Japan International Cooperation Agency



CANAL TYPE	Type-II												
WATER SURFACE ELEVATION	750.8	750.57	750.55	750.52	750.51	750.5	750.47	750.45	750.42	750.4	750.37	750.32	750.32
CANAL BASE ELEVATION	748.94	748.91	748.89	748.86	748.85	748.84	748.81	748.78	748.76	748.74	748.71	748.66	748.66
GROUND SURFACE ELEVATION	753.65	753.6	753.7	753.85	754.4	754.12	753.41	753.23	753.16	753.02	752.92	753.64	753.43
REDUCED DISTANCE	17700	17750	17800	17850	17883	17900	17950	18000	18050	18100	18150	18187.15	18200
DISTANCE	0	50	50	50	33	17	50	50	50	50	50	37.15	12.85
STATION NO.		+30	Sta. 178	+40	+43	Sta. 178	+40	Sta. 180	+40	Sta. 181	+40	+47.15	Sta. 182



The United Republic of Tanzania

The Feasibility Study  
on  
Lower Moshi Integrated Agriculture  
and  
Rural Development Project

---

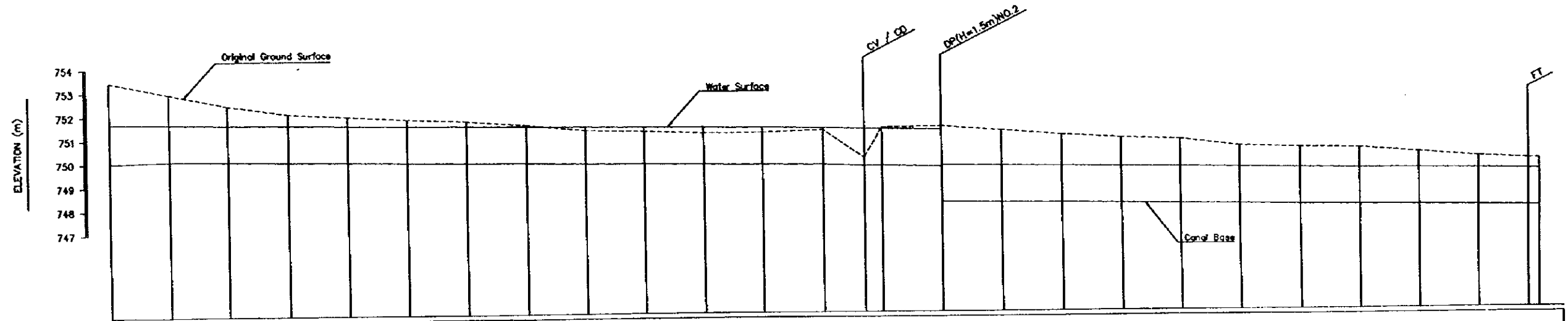
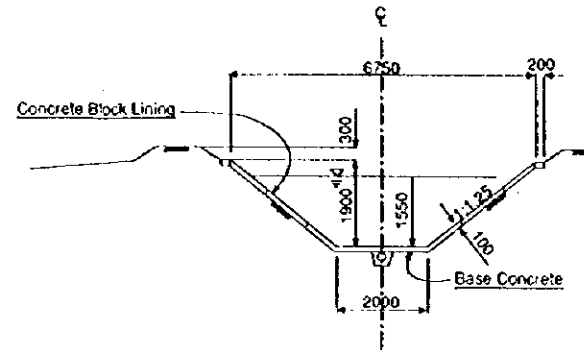
Title of Drawing  
**DIVERSION CHANNEL**

Profile(16/22)

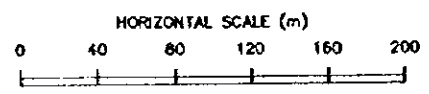
---

Japan International Cooperation Agency

TYPE - III



CANAL TYPE	Type-III																													
WATER SURFACE ELEVATION	751.67	751.64	751.6	751.57	751.54	751.5	751.47	751.44	751.4	751.37	751.34	751.3	751.27	751.22	751.21	751.17	751.12	749.84	749.81	749.78	749.74	749.7	749.64	749.51	749.47	749.44	749.41	749.37	749.33	749.33
CANAL BASE ELEVATION	750.01	750.09	750.05	750.02	749.99	749.95	749.92	749.89	749.85	749.82	749.79	749.75	749.72	749.67	749.66	749.62	749.57	749.51	749.48	749.45	749.42	749.38	749.34	749.31	749.27	749.24	749.21	749.17	749.13	749.13
GROUND SURFACE ELEVATION	753.43	752.92	752.42	752.06	751.82	751.79	751.68	751.5	751.25	751.19	751.1	751.1	751.15	750	751.27	751.3	751.12	750.92	750.76	750.7	750.32	750.27	750.27	750.4	750.32	750.27	750.08	749.88	749.83	749.78
REDUCED DISTANCE	18200	18250	18300	18350	18400	18450	18500	18550	18600	18650	18700	18750	18800	18835	18850	18900	18950	19000	19050	19100	19150	19200	19250	19300	19350	19400	19400	19400	19400	
DISTANCE	12.85	50	50	50	50	50	50	50	50	50	50	50	50	35	15	50	50	50	50	50	50	50	50	50	50	50	50	41.23	0.77	
STATION NO.	No. 182	+50	No. 183	+50	No. 184	+50	No. 185	+50	No. 186	+50	No. 187	+50	No. 188	+50	No. 189	+50	No. 190	+50	No. 191	+50	No. 192	+50	No. 193	+50	No. 194	+50	+61.23	No. 194		



The United Republic of Tanzania

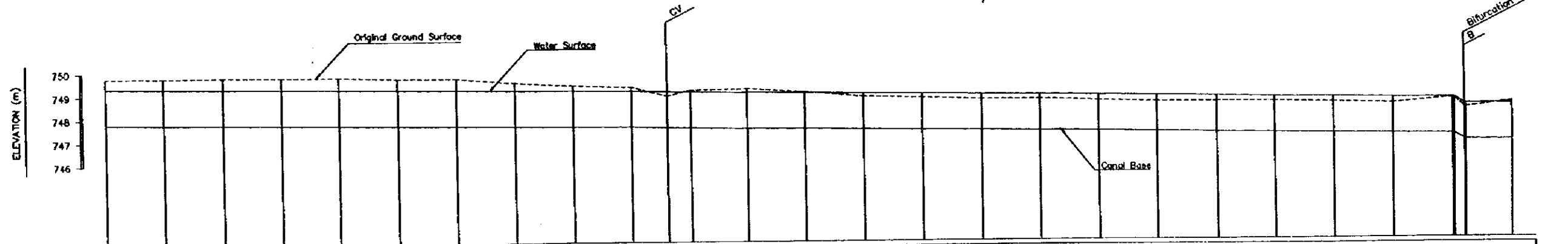
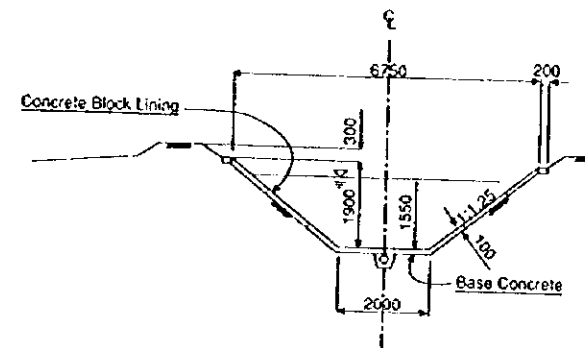
The Feasibility Study  
on  
Lower Moshi Integrated Agriculture  
and  
Rural Development Project

Title of Drawing  
**DIVERSION CHANNEL**

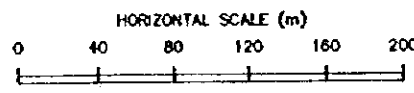
Profile(17/22)

Japan International Cooperation Agency

TYPE - III



CANAL TYPE	Type - III																															
WATER SURFACE ELEVATION	748.33	748.29	748.28	748.23	748.19	748.16	748.13	748.09	748.06	748.03	748.86	748.88	748.83	748.85	748.6	748.78	748.73	748.7	748.66	748.63	748.6	748.56	748.53	748.5	748.43	748.4	748.37	748.35	748.32	748.29	748.25	748.23
CANAL BASE ELEVATION	747.78	747.74	747.71	747.68	747.64	747.61	747.58	747.54	747.51	747.48	747.36	747.31	747.28	747.25	747.21	747.18	747.15	747.11	747.08	747.05	747.01	746.98	746.95	746.91	746.88	746.85	746.82	746.79	746.76	746.73	746.7	746.67
GROUND SURFACE ELEVATION	748.77	748.75	748.75	748.73	748.73	748.64	748.63	748.42	748.28	748.19	748.83	748.72	748.68	748.58	748.57	748.49	748.43	748.44	748.37	748.37	748.3	748.27	748.25	748.23	748.19	748.17	748.15	748.13	748.11	748.09	748.07	748.05
REDUCED DISTANCE	0	50	50	50	50	50	50	50	50	50	50	50	50	50	50	50	50	50	50	50	50	50	50	50	50	50	50	50	50	50	50	
DISTANCE	0	50	100	150	200	250	300	350	400	450	500	550	600	650	700	750	800	850	900	950	1000	1050	1100	1150	1200	1250	1300	1350	1400	1450	1500	
STATION NO.		185	186	187	188	189	190	191	192	193	194	195	196	197	198	199	200	201	202	203	204	205	206	207	208	209	210	211	212	213	214	



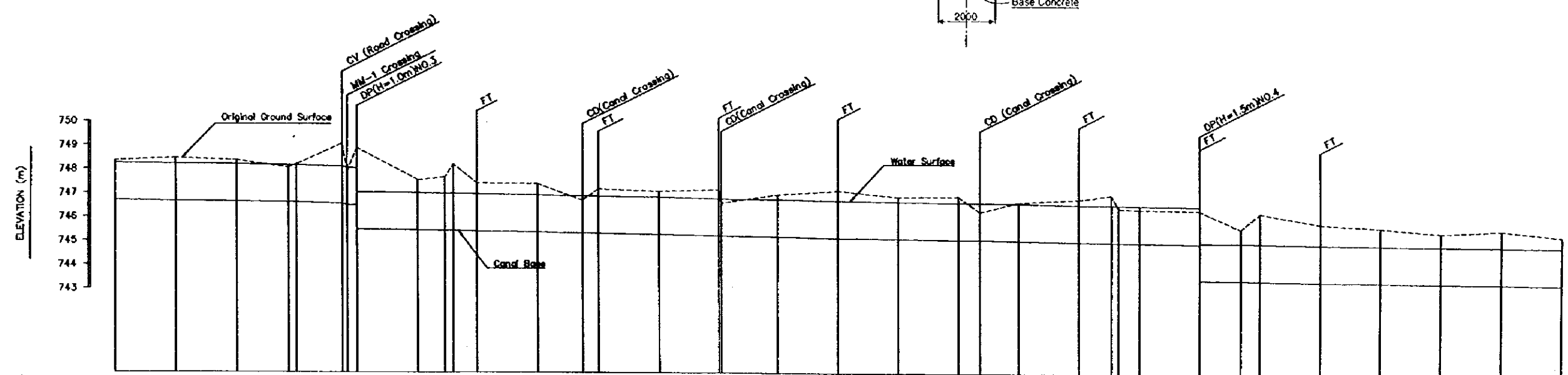
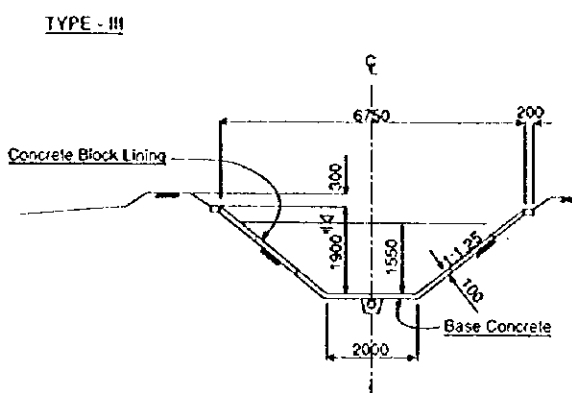
The United Republic of Tanzania

The Feasibility Study  
on  
Lower Moshi Integrated Agriculture  
and  
Rural Development Project

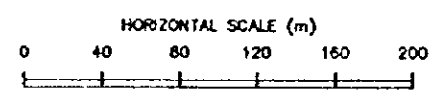
Title of Drawing  
**DIVERSION CHANNEL**

Profile(18/22)

Japan International Cooperation Agency



CANAL TYPE	Type-III																																
WATER SURFACE ELEVATION	748.35	748.21	748.18	748.13	748.09	748.04	748.00	747.99	747.98	747.97	747.96	747.95	747.94	747.93	747.92	747.91	747.90	747.89	747.88	747.87	747.86	747.85	747.84	747.83	747.82	747.81	747.80	747.79	747.78	747.77			
CANAL BASE ELEVATION	746.7	746.06	746.63	746.6	746.54	746.44	746.99	746.99	746.99	746.99	746.99	746.99	746.99	746.99	746.99	746.99	746.99	746.99	746.99	746.99	746.99	746.99	746.99	746.99	746.99	746.99	746.99	746.99	746.99	746.99			
GROUND SURFACE ELEVATION	748.33	748.43	748.33	748.09	748.05	747.85	747.85	747.85	747.85	747.85	747.85	747.85	747.85	747.85	747.85	747.85	747.85	747.85	747.85	747.85	747.85	747.85	747.85	747.85	747.85	747.85	747.85	747.85	747.85	747.85			
REDUCED DISTANCE	20800	20850	20700	20760	20760	20800	20850	20875	20880	20900	20950	20987	21000	21050	21100	21150	21200	21250	21300	21318	21350	21400	21433	21450	21500	21534	21550	21600	21650	21700	21750	21800	
DISTANCE	0	50	50	43.57	20760	30	20800	23	20880	20	20900	50	37	13	50	50	48	50	50	50	18	32	50	27	17	50	34	16	50	50	50	50	50
STATION NO.	+80	No. 207	198	+80	+80	No. 208	+80	+75	+80	No. 209	+80	+87	No. 210	+80	No. 211	+80	No. 212	+80	No. 213	+18	+80	No. 214	+33	+80	No. 215	+33	+80	No. 216	+80	No. 217	+80	No. 218	



The United Republic of Tanzania

The Feasibility Study  
on  
Lower Moshi Integrated Agriculture  
and  
Rural Development Project

---

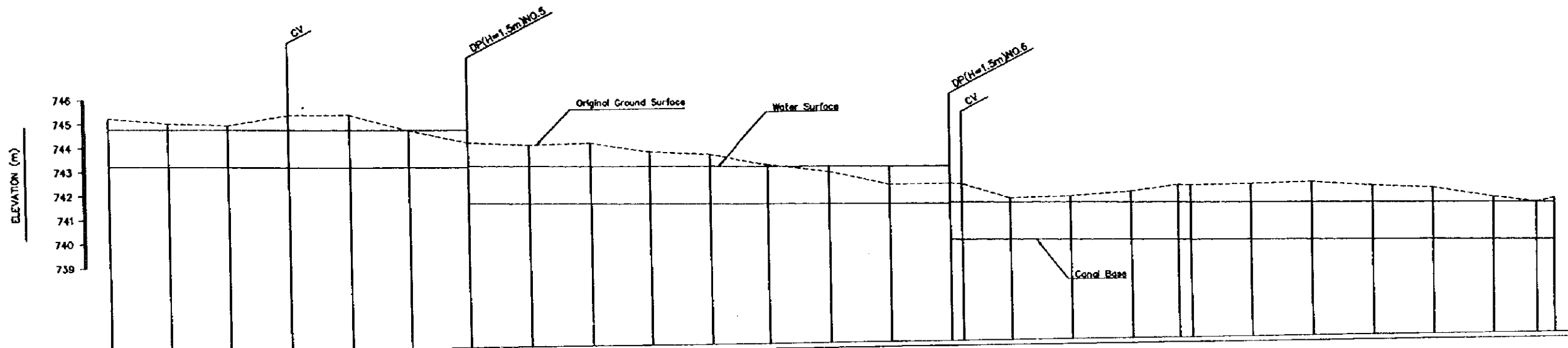
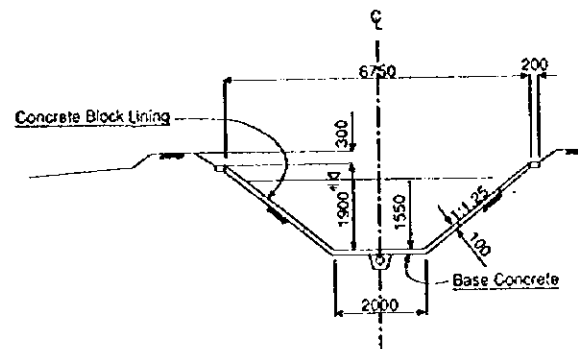
Title of Drawing  
**DIVERSION CHANNEL**

Profile(19/22)

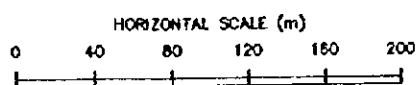
---

Japan International Cooperation Agency

TYPE - III



CANAL TYPE	Type-III																								
WATER SURFACE ELEVATION	744.76	744.72	744.68	744.63	744.59	744.55	744.51	744.47	744.43	744.39	744.35	744.31	744.27	744.23	744.19	744.15	744.11	744.07	744.03	743.99	743.95	743.91	743.87	743.83	743.79
CANAL BASE ELEVATION	743.21	743.17	743.14	743.10	743.04	743.01	742.98	742.94	742.90	742.86	742.82	742.78	742.74	742.70	742.66	742.62	742.58	742.54	742.50	742.46	742.42	742.38	742.34	742.30	742.26
GROUND SURFACE ELEVATION	745.22	744.98	744.87	744.83	745.23	744.85	744.81	744.77	744.73	744.69	744.65	744.61	744.57	744.53	744.49	744.45	744.41	744.37	744.33	744.29	744.25	744.21	744.17	744.13	744.09
REDUCED DISTANCE	21800	21850	21900	21950	22000	22050	22100	22150	22200	22250	22300	22350	22400	22450	22500	22550	22600	22650	22700	22750	22800	22850	22900	22950	
DISTANCE	0	50	100	150	200	250	300	350	400	450	500	550	600	650	700	750	800	850	900	950	1000	1050	1100	1150	
STATION NO.	+	No. 218	No. 219	No. 220	No. 221	No. 222	No. 223	No. 224	No. 225	No. 226	No. 227	No. 228	No. 229	No. 230	No. 231	No. 232	No. 233	No. 234	No. 235	No. 236	No. 237	No. 238	No. 239	No. 240	



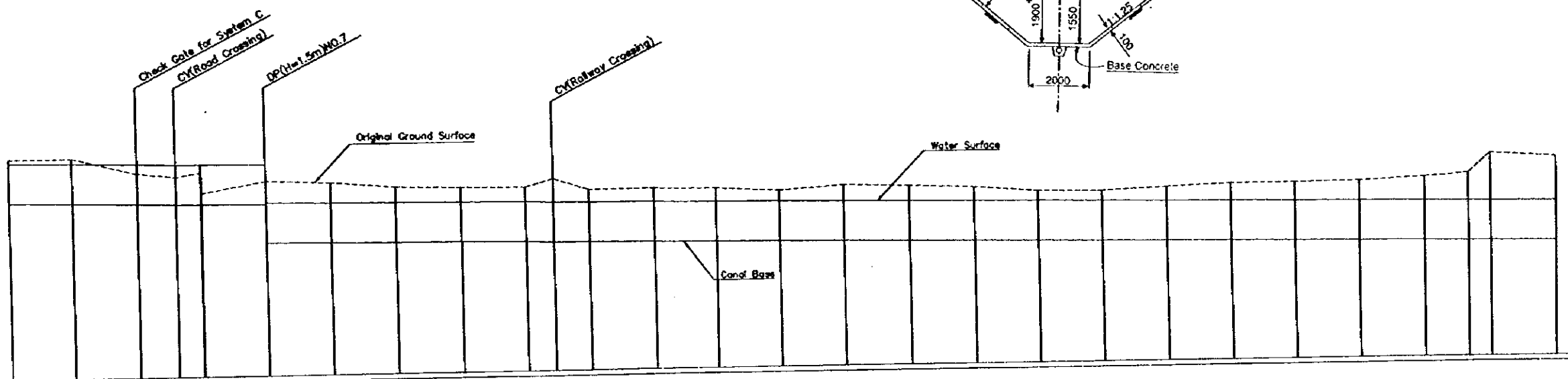
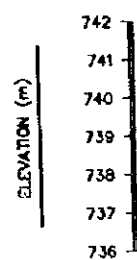
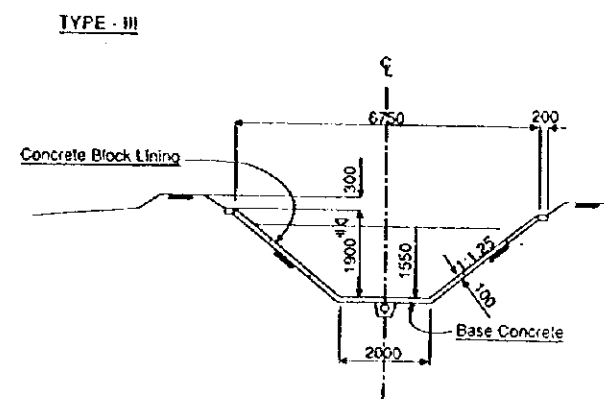
The United Republic of Tanzania

The Feasibility Study  
on  
Lower Moshi Integrated Agriculture  
and  
Rural Development Project

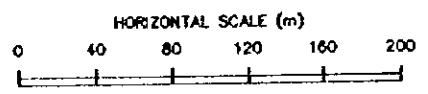
Title of Drawing  
**DIVERSION CHANNEL**

**Profile(20/22)**

Japan International Cooperation Agency

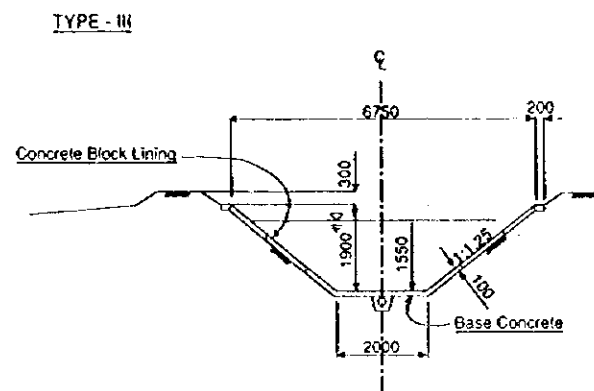
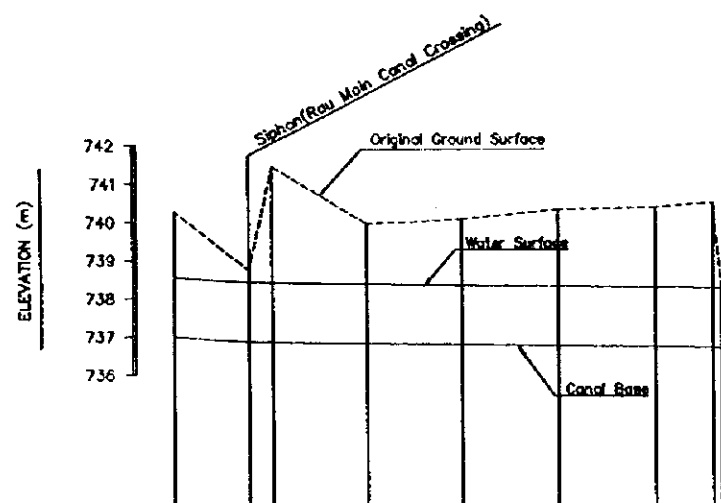


CANAL TYPE	Type-III																			
WATER SURFACE ELEVATION	740.81	740.86	740.83	740.78	740.77	740.74	739.74	739.17	738.87	738.87	738.84	738.84	738.81	738.81	738.77	738.74	738.71	738.67	738.64	738.54
CANAL BASE ELEVATION	739.36	739.35	739.28	739.23	739.22	739.18	738.18	737.62	737.59	737.55	737.53	737.53	737.52	737.52	737.52	737.51	737.49	737.48	737.48	737.48
GROUND SURFACE ELEVATION	741.08	741.08	740.47	740.31	740.48	740.08	739.89	739.77	739.71	739.87	739.88	739.84	739.84	739.81	739.81	739.81	739.81	739.81	739.81	739.81
REDUCED DISTANCE	2000	23050	23100	23130.18	23138.68	23200	23250	23300	23350	23400	23421.02	23450	23500	23550	23600	23650	23700	23750	23800	23850
DISTANCE	0	50	50	30.18	88.5	50	50	50	50	50	21.82	28.38	50	50	50	50	50	50	50	50
STATION NO.	+80	No. 231	+80	+80	+80	No. 232	+80	No. 233	+80	No. 234	+80	+80	No. 235	+80	No. 236	+80	No. 237	+80	No. 238	+80

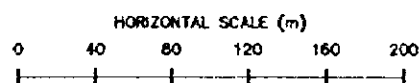


The United Republic of Tanzania  
 The Feasibility Study  
 on  
 Lower Moshi Integrated Agriculture  
 and  
 Rural Development Project  
 Title of Drawing  
**DIVERSION CHANNEL**  
 Profile(21/22)  
 Japan International Cooperation Agency





CANAL TYPE	Type-III						
WATER SURFACE ELEVATION	738.54	738.41	738.4	738.37	738.33	738.3	738.27
CANAL BASE ELEVATION	736.96	736.86	736.85	736.82	736.78	736.75	736.72
GROUND SURFACE ELEVATION	740.28	738.74	741.44	738.64	740.06	740.3	740.36
REDUCED DISTANCE	24200	24237.92	24250	24300	24350	24400	24450
DISTANCE	0	37.82	12.08	50	50	50	50
STATION NO.		+37.82	+50	No. 243	+50	No. 244	+50



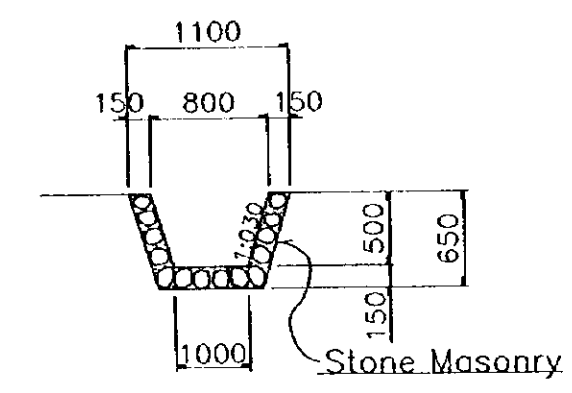
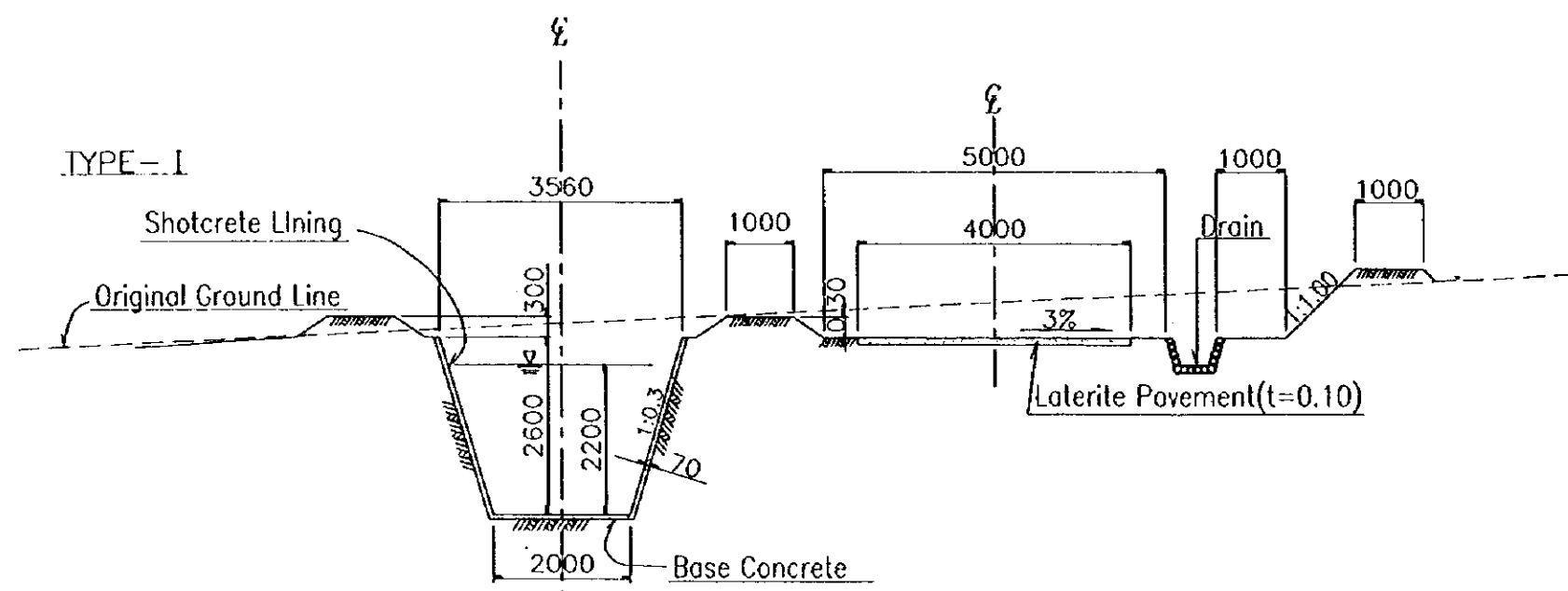
The United Republic of Tanzania

The Feasibility Study  
on  
Lower Moshi Integrated Agriculture  
and  
Rural Development Project

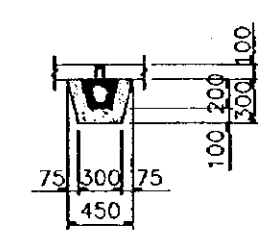
Title of Drawing  
**DIVERSION CHANNEL**

Profile(22/22)

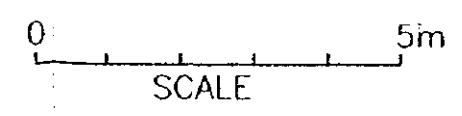
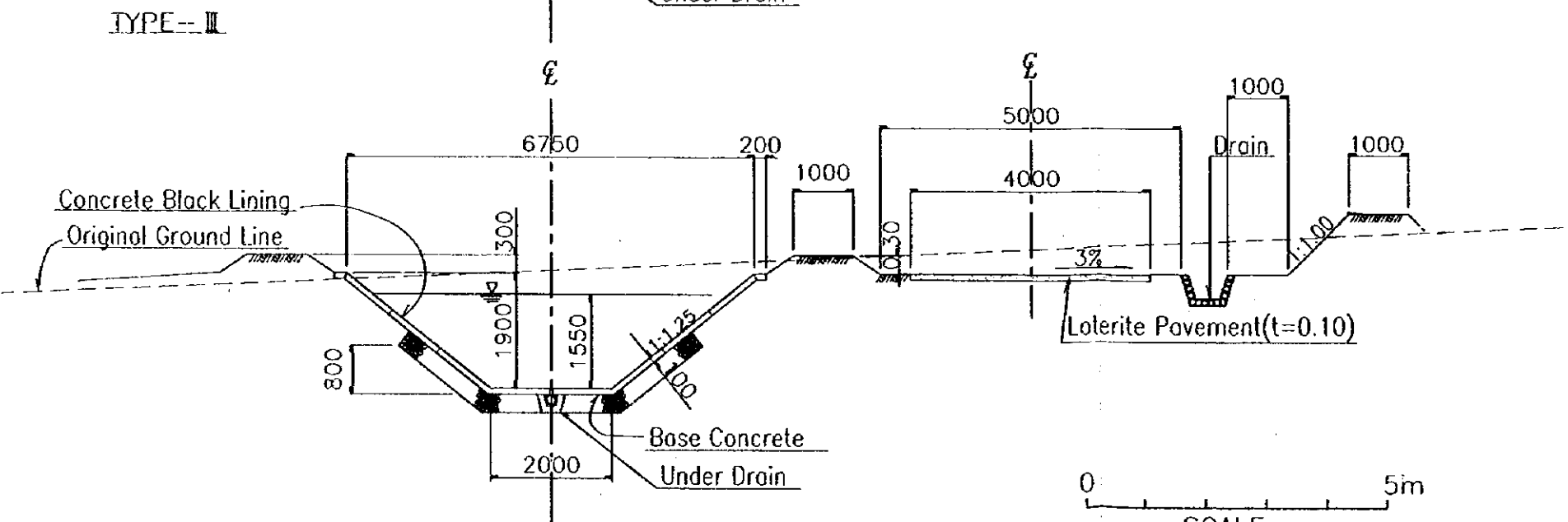
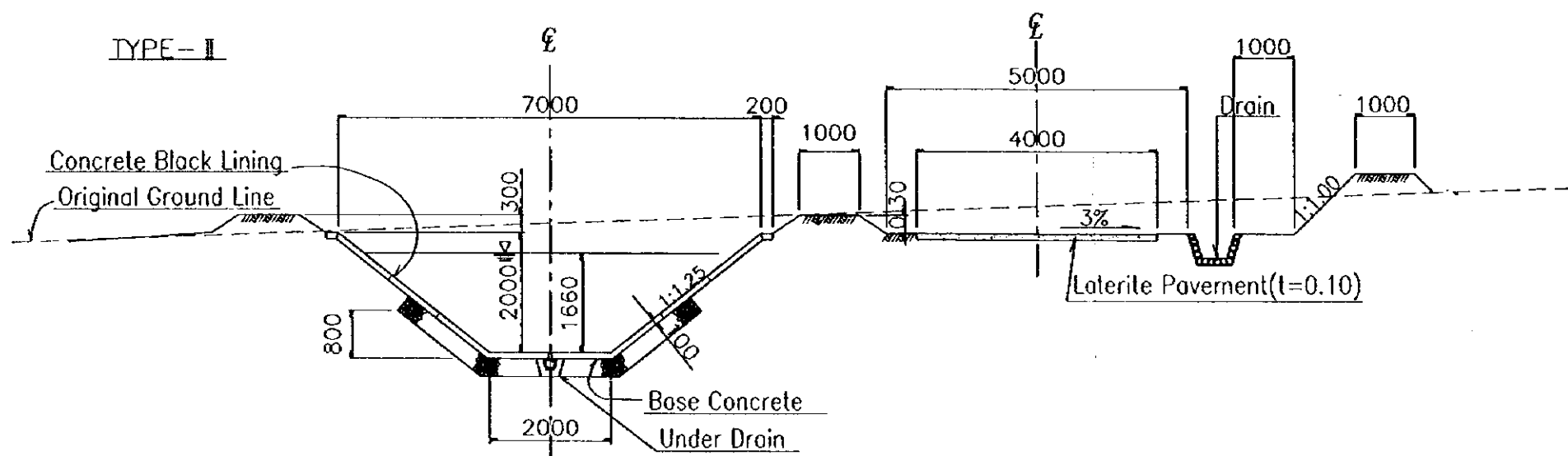
Japan International Cooperation Agency



Drain Detail



Under Drain



The United Republic of Tanzania
The Feasibility Study on Lower Moshi Integrated Agriculture and Rural Development Project
Title of Drawing <b>DIVERSION CHANNEL</b> Related Structure: Typical Cross Sections of Diversion Channel
Japan International Cooperation Agency