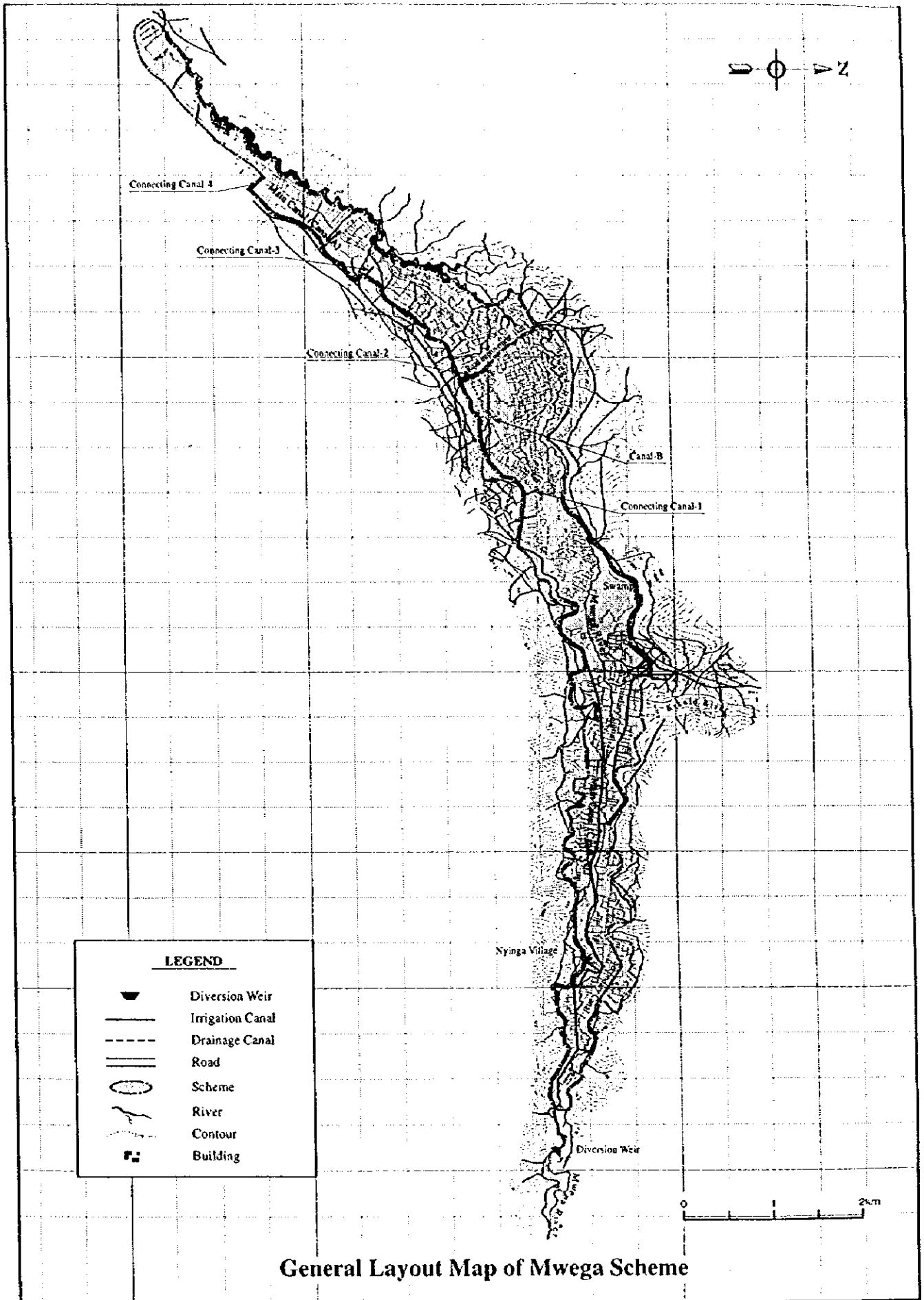


**DIVISION-5**

**THE STUDY  
ON  
THE SMALLHOLDER IRRIGATION PROJECTS  
IN  
CENTRAL WAMI RIVER BASIN**

**FEASIBILITY STUDY  
ON  
MWEGA SCHEME**



LEGEND	
	Diversion Weir
	Irrigation Canal
	Drainage Canal
	Road
	Scheme
	River
	Contour
	Building

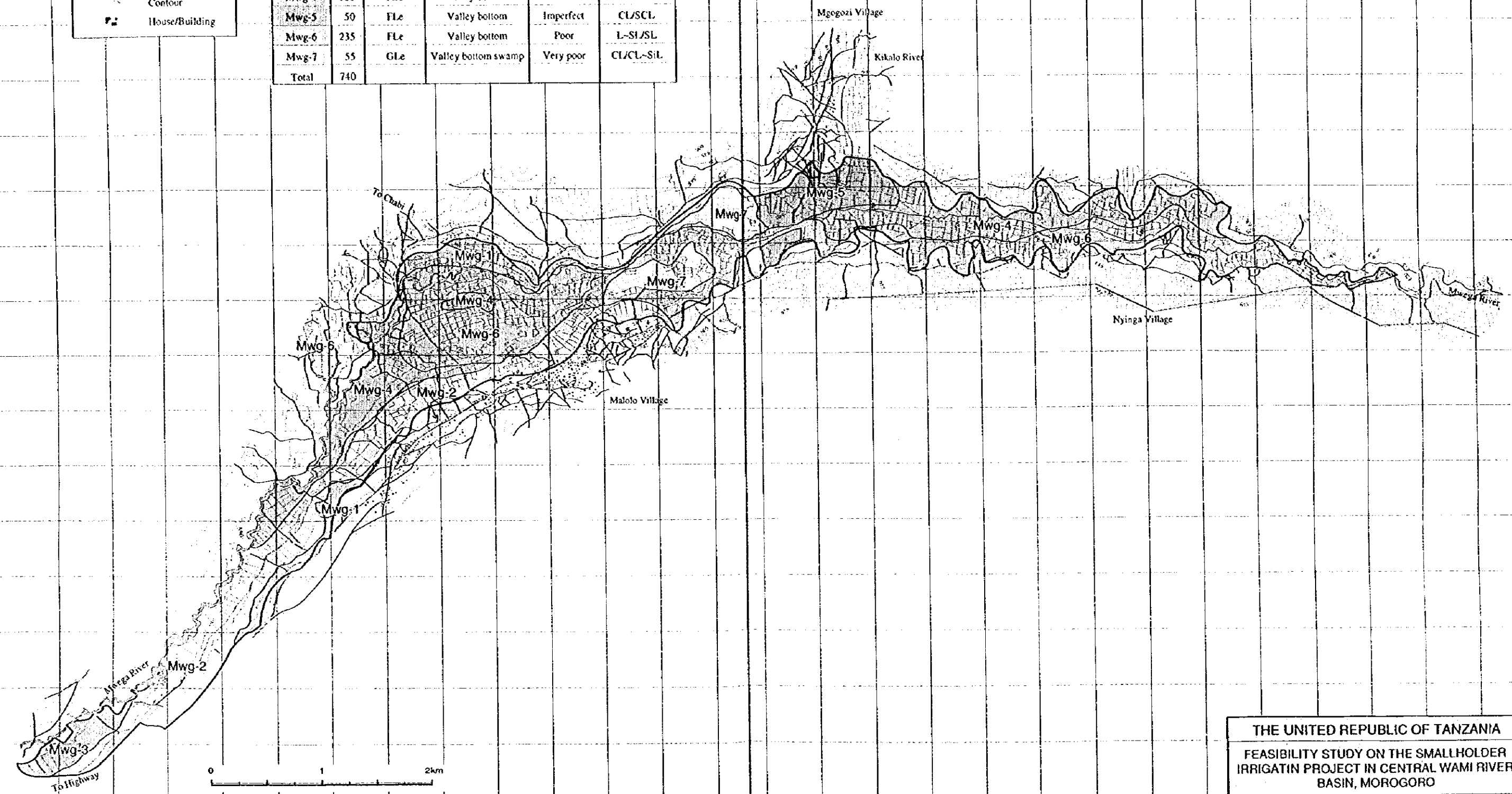
**General Layout Map of Mwega Scheme**



**LEGEND**

- Road
- River
- Farm Land
- Contour
- House/Building

	Area (ha)	Soil unit	Land Form	Drainability	Soil Texture
Mwg-1	50	CMe(stony)	Colluvial slope	Excessive	I/SL
Mwg-2	165	FLe	Higher river terrace	Excessive	L-SL/SL
Mwg-3	25	FLe	Lower river terrace	Well	CL/CL
Mwg-4	160	FLe	Valley bottom	Well	SI/SL
Mwg-5	50	FLe	Valley bottom	Imperfect	CL/SCL
Mwg-6	235	FLe	Valley bottom	Poor	L-SI/SL
Mwg-7	55	GLe	Valley bottom swamp	Very poor	CL/CL-SIL
Total	740				



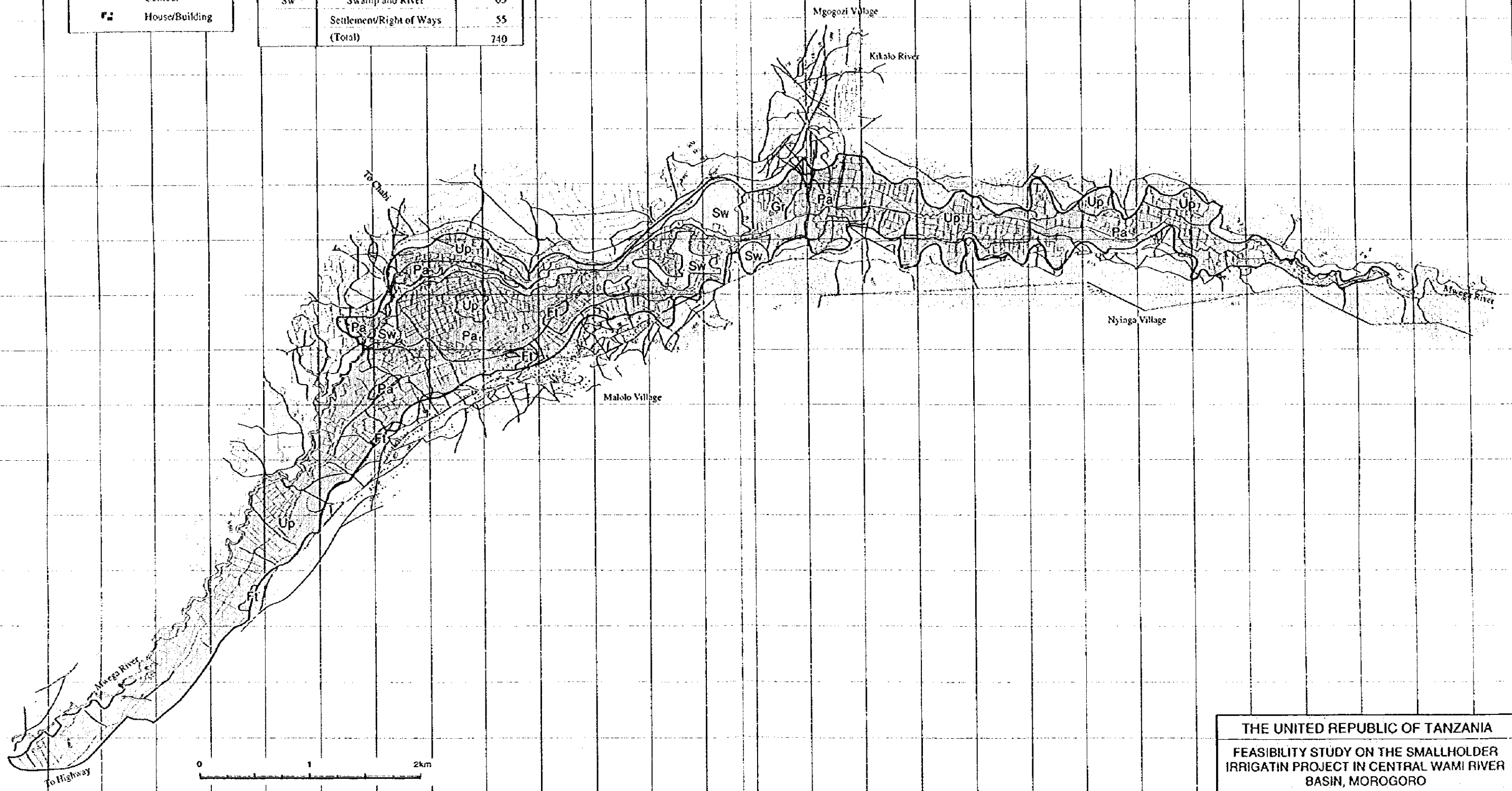
THE UNITED REPUBLIC OF TANZANIA			
FEASIBILITY STUDY ON THE SMALLHOLDER IRRIGATION PROJECT IN CENTRAL WAMI RIVER BASIN, MOROGORO			
TITLE OF DRAWING		MWEGA SCHEME	
SOIL MAP			
Date		Drawing No.	501
JAPAN INTERNATIONAL COOPERATION AGENCY			



**LEGEND**

	Road
	River
	Farm Land
	Contour
	House/Building

Symbol	Land Use	Area (ha)
Pa	Paddy Land	210
Up	Upland Crops	340
Gr	Grassland	35
Fl	Forest and Tree Crops	35
Sw	Swamp and River	65
	Settlement/Right of Ways (Total)	55
		740



THE UNITED REPUBLIC OF TANZANIA			
FEASIBILITY STUDY ON THE SMALLHOLDER IRRIGATION PROJECT IN CENTRAL WAMI RIVER BASIN, MOROGORO			
TITLE OF DRAWING		MWEGA SCHEME	
		PRESENT LAND USE MAP	
Date		Drawing No.	502
JAPAN INTERNATIONAL COOPERATION AGENCY			



**LEGEND**

- Road
- River
- Farm Land
- Contour
- House/Building

Land Suitability			
For Paddy Rice		For Upland Crops	
Land Class	Area (ha)	Land Class	Area (ha)
SR1	0	SU1	25
SR2	310	SU2	425
SR3	160	SU3	235
NR	270	Nu	55
<b>Total</b>	<b>740</b>	<b>Total</b>	<b>740</b>

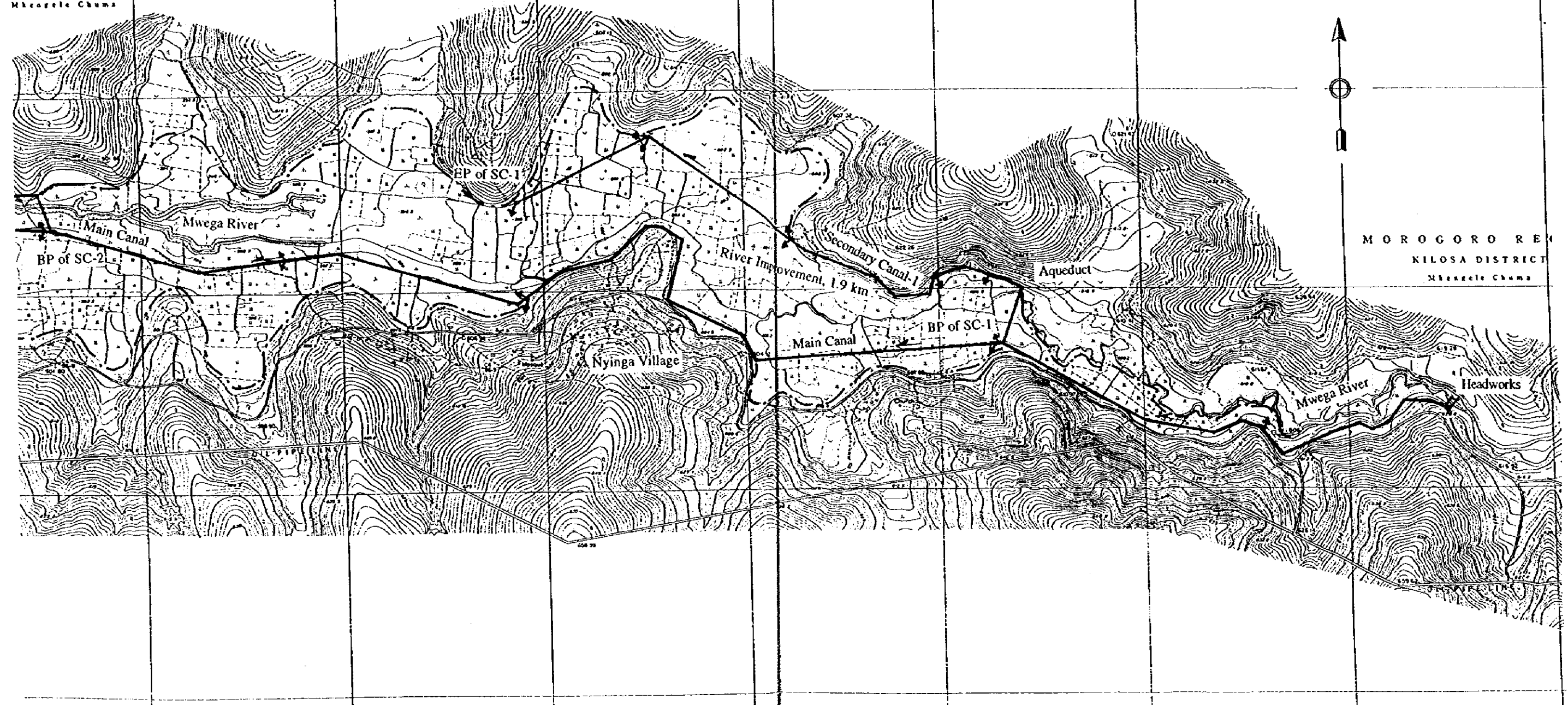
Land Subclass	
NRrwe	For Paddy Rice
SU3ae	For Upland Crops



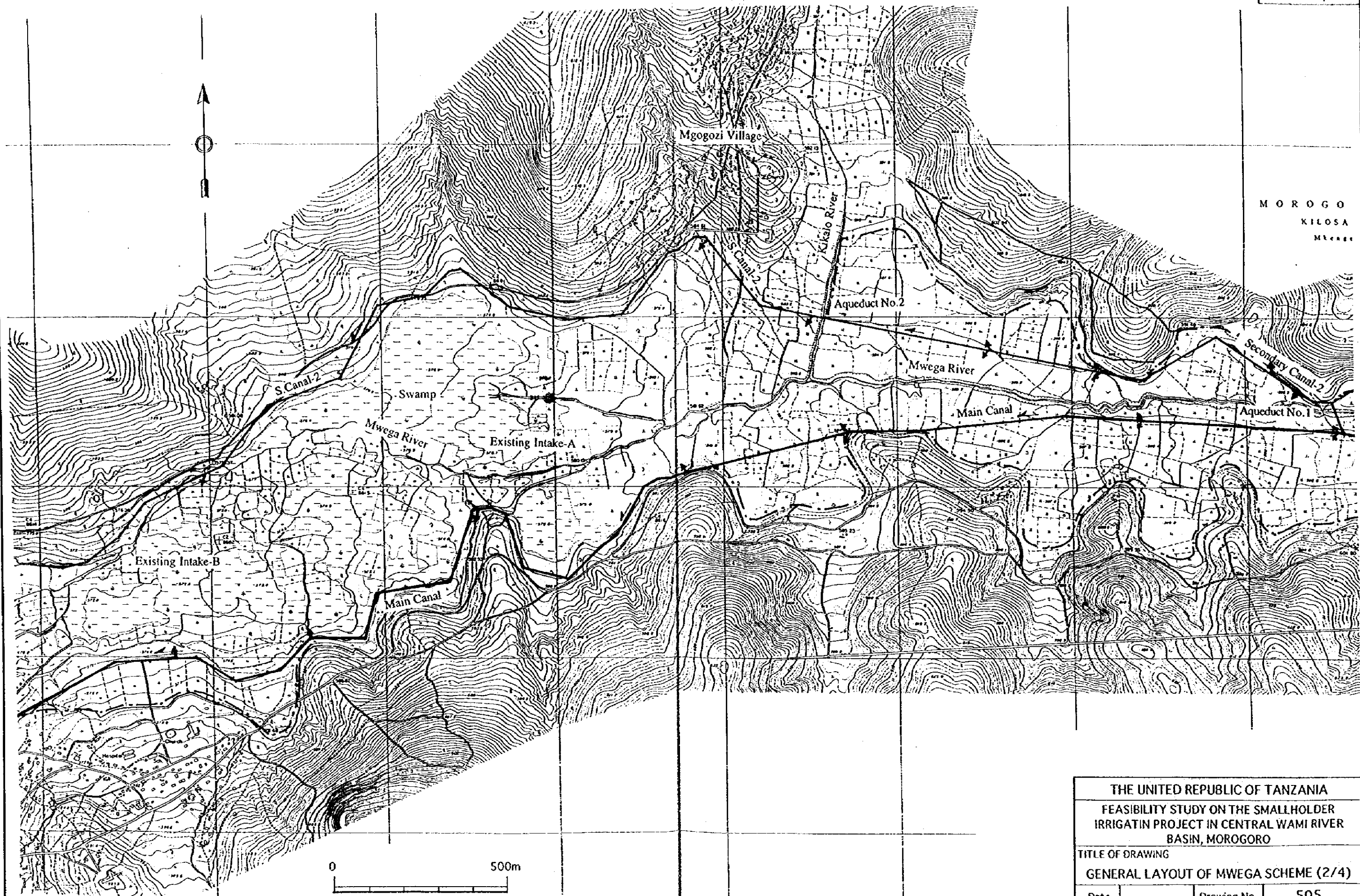
THE UNITED REPUBLIC OF TANZANIA			
FEASIBILITY STUDY ON THE SMALLHOLDER IRRIGATION PROJECT IN CENTRAL WAMI RIVER BASIN, MOROGORO			
TITLE OF DRAWING		MWEGA SCHEME	
IRRIGATION SUITABILITY MAP			
Date		Drawing No.	503
JAPAN INTERNATIONAL COOPERATION AGENCY			

G O R O R E G E N  
L O S A D I S T R I C T  
M w e g e l e C h u m a

M O R O G O R O R E G E N  
K I L O S A D I S T R I C T  
M w e g e l e C h u m a

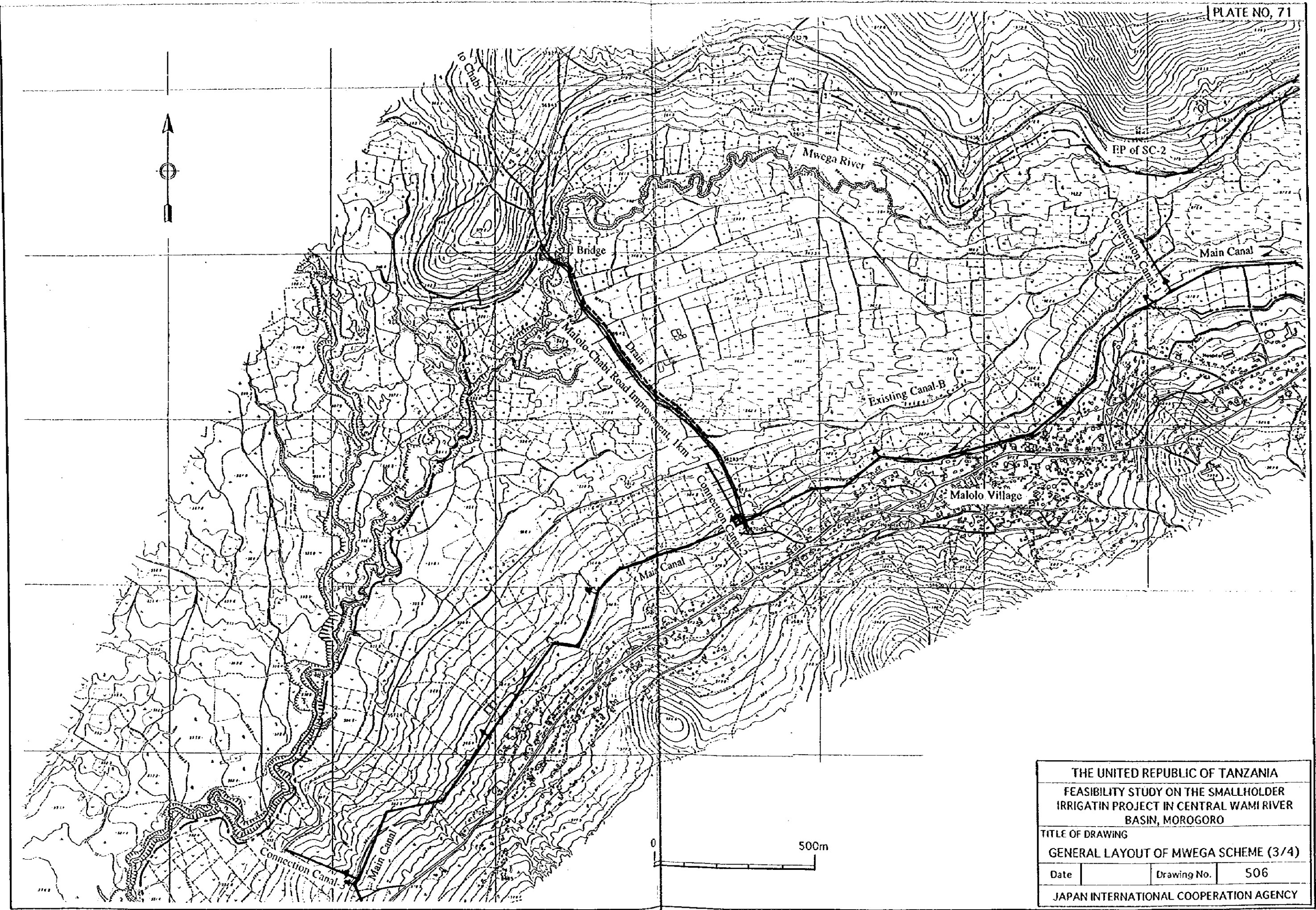


THE UNITED REPUBLIC OF TANZANIA			
FEASIBILITY STUDY ON THE SMALLHOLDER IRRIGATION PROJECT IN CENTRAL WAMI RIVER BASIN, MOROGORO			
TITLE OF DRAWING			
GENERAL LAYOUT OF MWEGA SCHEME (1/4)			
Date		Drawing No.	504
JAPAN INTERNATIONAL COOPERATION AGENCY			



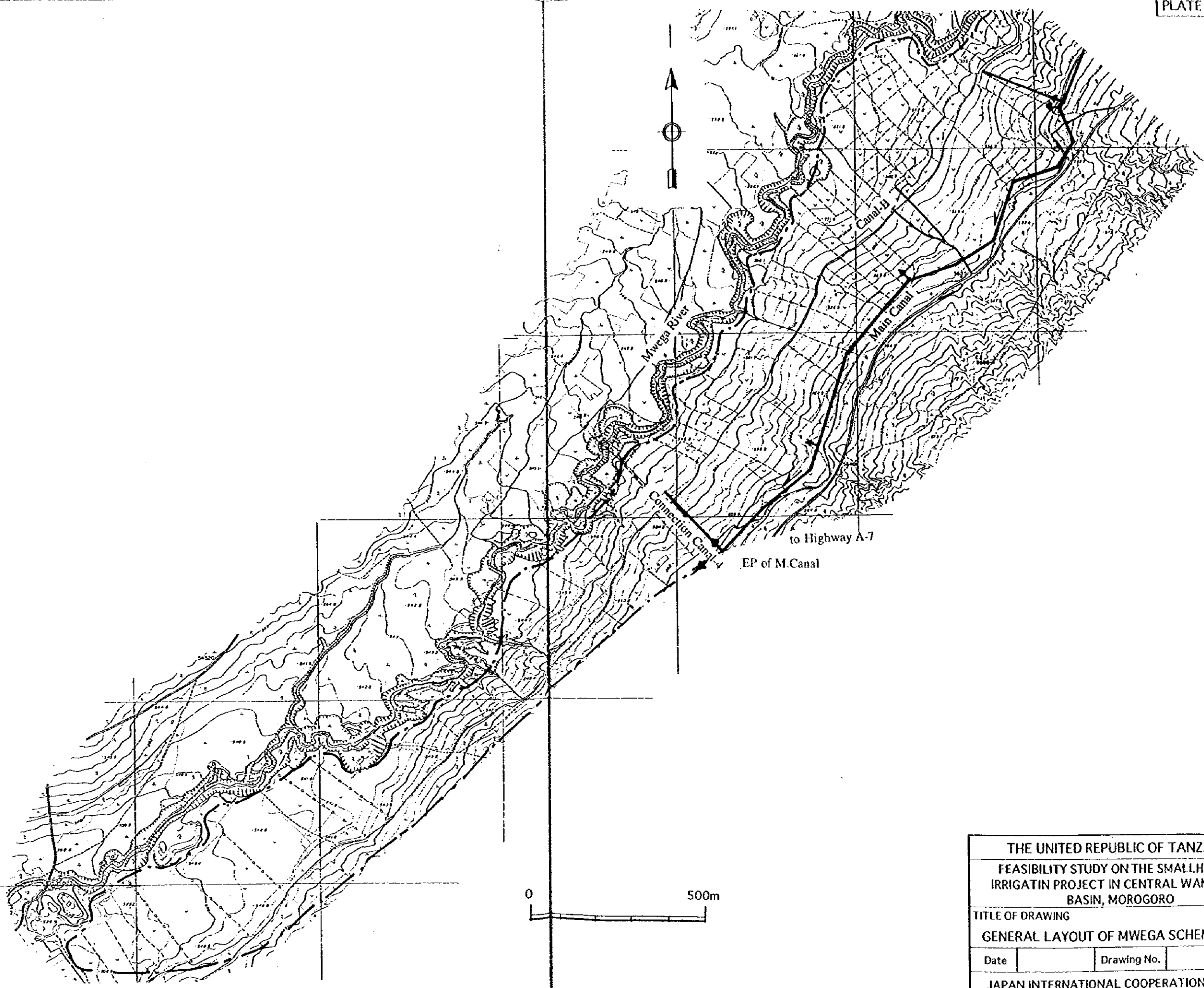
MOROGO  
KILOSA  
Mkara

THE UNITED REPUBLIC OF TANZANIA			
FEASIBILITY STUDY ON THE SMALLHOLDER IRRIGATION PROJECT IN CENTRAL WAMI RIVER BASIN, MOROGORO			
TITLE OF DRAWING			
GENERAL LAYOUT OF MWEGA SCHEME (2/4)			
Date		Drawing No.	505
JAPAN INTERNATIONAL COOPERATION AGENCY			

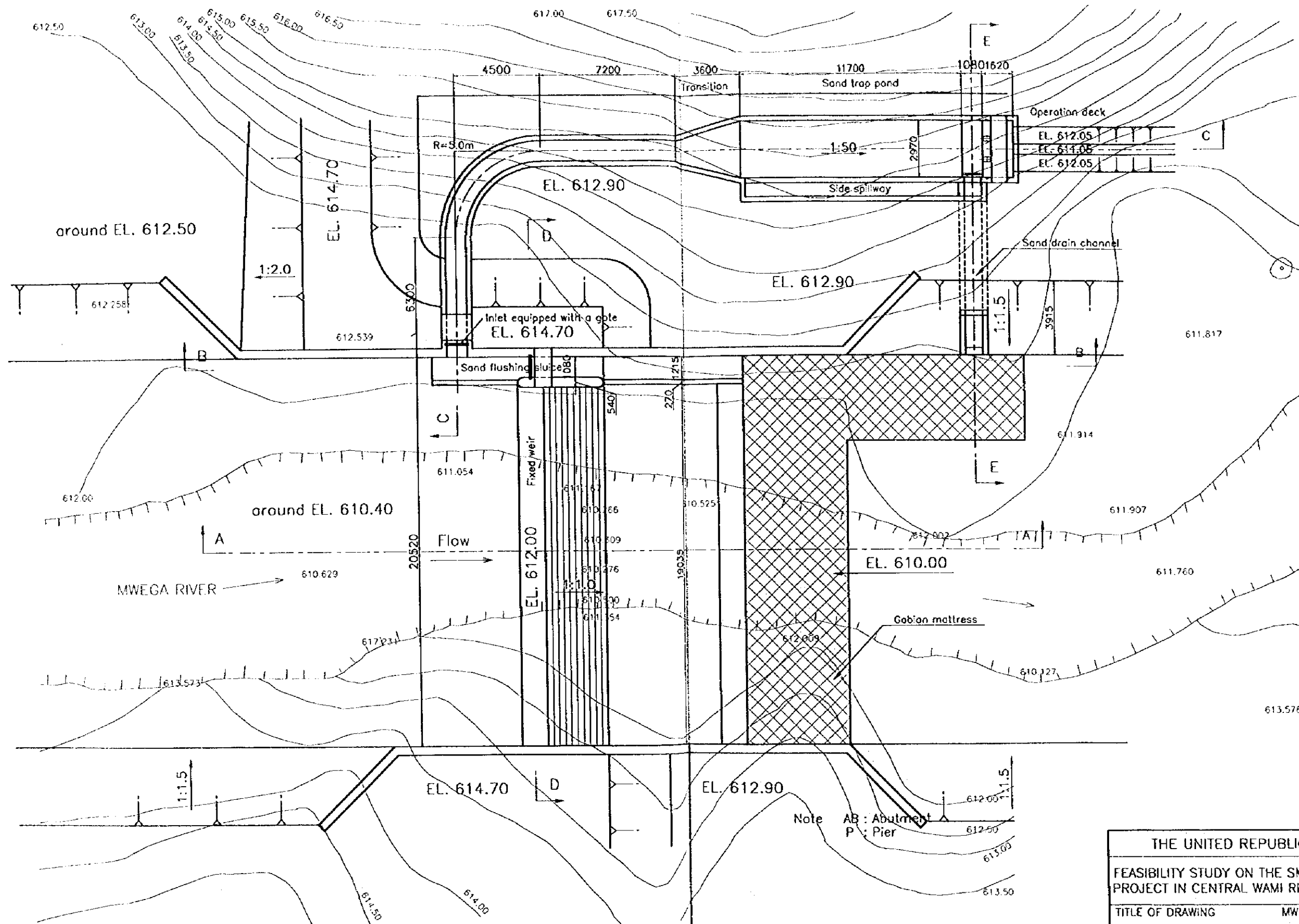


THE UNITED REPUBLIC OF TANZANIA			
FEASIBILITY STUDY ON THE SMALLHOLDER IRRIGATION PROJECT IN CENTRAL WAMI RIVER BASIN, MOROGORO			
TITLE OF DRAWING			
GENERAL LAYOUT OF MWEGA SCHEME (3/4)			
Date		Drawing No.	506
JAPAN INTERNATIONAL COOPERATION AGENCY			

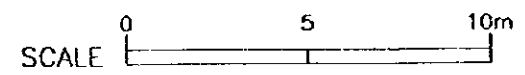




THE UNITED REPUBLIC OF TANZANIA		
FEASIBILITY STUDY ON THE SMALLHOLDER IRRIGATION PROJECT IN CENTRAL WAMI RIVER BASIN, MOROGORO		
TITLE OF DRAWING		
GENERAL LAYOUT OF MWEGA SCHEME (4/4)		
Date	Drawing No.	507
JAPAN INTERNATIONAL COOPERATION AGENCY		

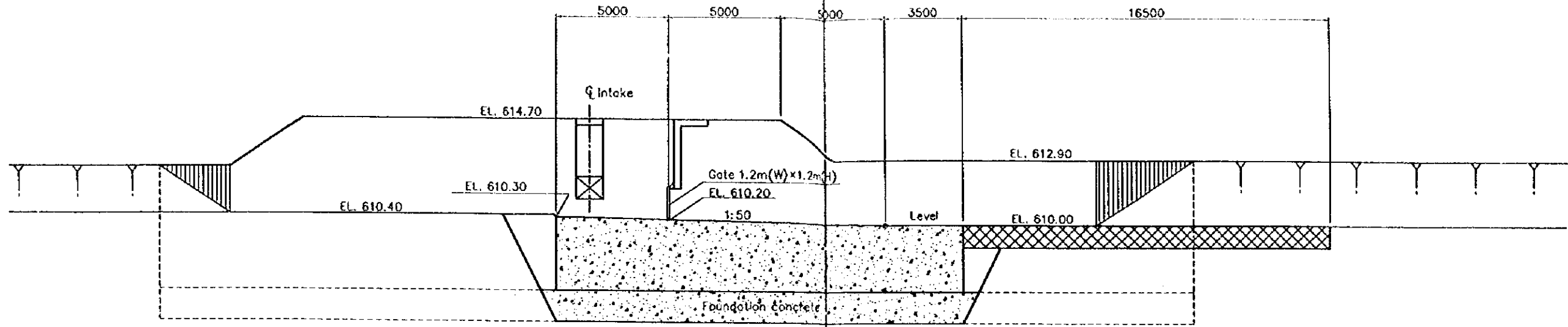


PLAN

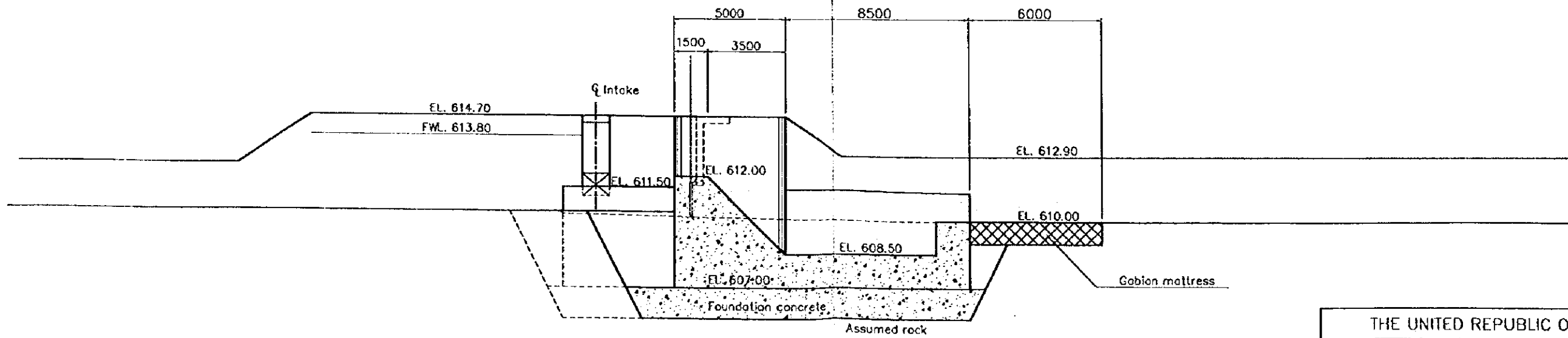


Note  
 AB : Abutment  
 P : Pier

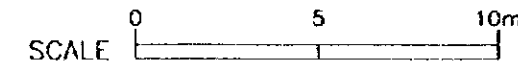
THE UNITED REPUBLIC OF TANZANIA			
FEASIBILITY STUDY ON THE SMALLHOLDER IRRIGATION PROJECT IN CENTRAL WAMI RIVER BASIN, MOROGORO			
TITLE OF DRAWING		MWEGA SCHEME	
MWEGA HEADWORKS(1/3)			
Date		Drawing No.	508
JAPAN INTERNATIONAL COOPERATION AGENCY			



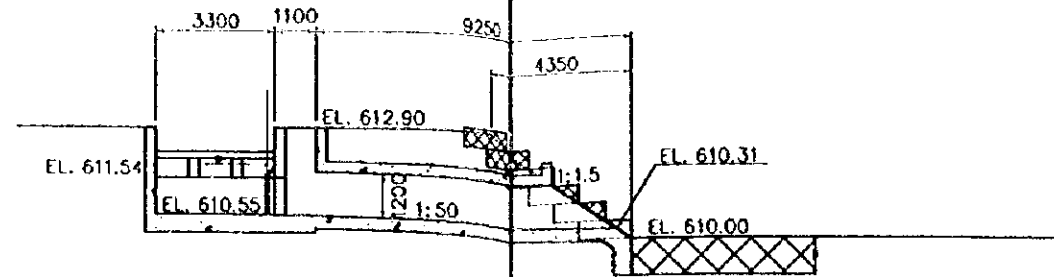
SECTION OF SAND FLUSHING SLUICE  
( B-B Section )



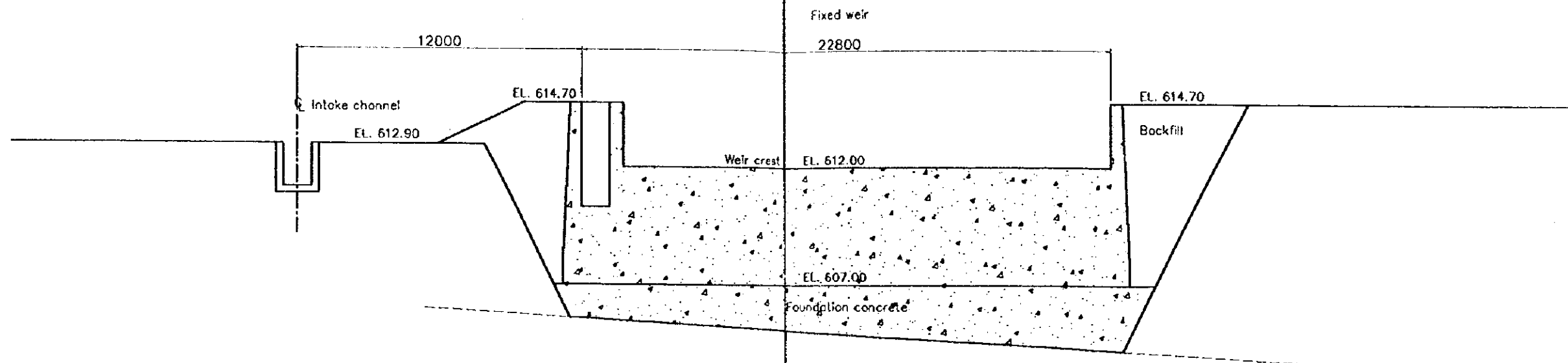
SECTION OF FIXED WEIR  
( A-A Section )



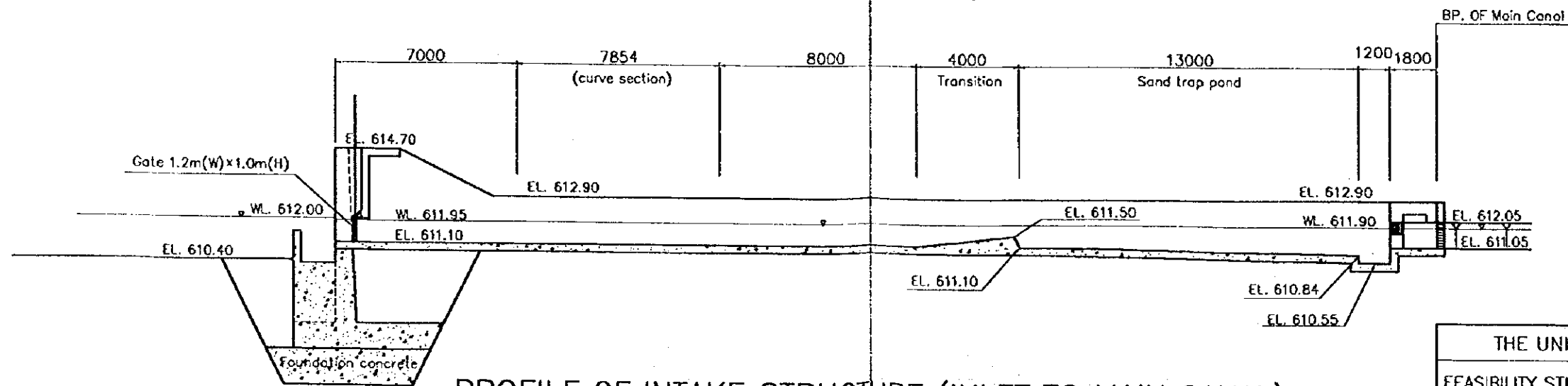
THE UNITED REPUBLIC OF TANZANIA			
FEASIBILITY STUDY ON THE SMALLHOLDER IRRIGATION PROJECT IN CENTRAL WAMI RIVER BASIN, MOROGORO			
TITLE OF DRAWING		MWEGA SCHEME	
MWEGA HEADWORKS(2/3)			
Date		Drawing No.	509
JAPAN INTERNATIONAL COOPERATION AGENCY			



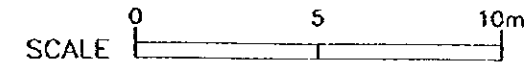
PROFILE OF SAND FLUSHING CHANNEL FROM SAND TRAP POND  
( E-E Section )



LONGITUDINAL SECTION OF FIXED WEIR  
( D-D Section )



PROFILE OF INTAKE STRUCTURE (INLET TO MAIN CANAL)  
( C-C Section )

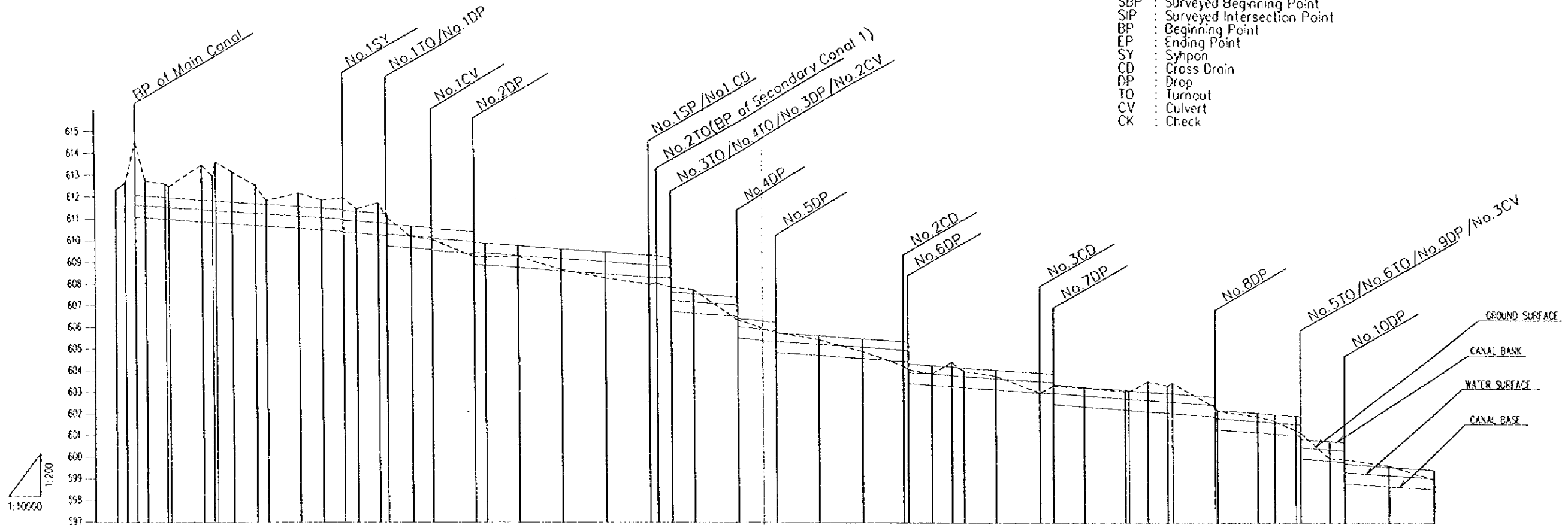


THE UNITED REPUBLIC OF TANZANIA			
FEASIBILITY STUDY ON THE SMALLHOLDER IRRIGATION PROJECT IN CENTRAL WAMI RIVER BASIN, MOROGORO			
TITLE OF DRAWING		MWEGA SCHEME	
MWEGA HEADWORKS(3/3)			
Date		Drawing No.	510
JAPAN INTERNATIONAL COOPERATION AGENCY			

Main canal (1/5)

ABBREVIATIONS

- SBP : Surveyed Beginning Point
- SIP : Surveyed Intersection Point
- BP : Beginning Point
- EP : Ending Point
- SY : Syphon
- CD : Cross Drain
- DP : Drop
- TO : Turnout
- CV : Culvert
- CK : Check



CANAL TYPE	Q=0.88 B=0.80 I=1/700 h=0.55 H=1.00 V=1.17										Q=0.78 B=0.80 I=1/700 h=0.52 H=0.90 V=1.13																			
CANAL BANK ELEVATION	612.05	611.50	611.05	610.50	610.05	609.50	609.05	608.50	608.05	607.50	607.05	606.50	606.05	605.50	605.05	604.50	604.05	603.50	603.05	602.50	602.05	601.50	601.05	600.50	600.05	599.50	599.05	598.50	598.05	597.50
WATER SURFACE ELEVATION	611.57	611.02	610.47	609.92	609.37	608.82	608.27	607.72	607.17	606.62	606.07	605.52	604.97	604.42	603.87	603.32	602.77	602.22	601.67	601.12	600.57	600.02	599.47	598.92	598.37	597.82	597.27	596.72	596.17	595.62
CANAL BASE ELEVATION	611.05	610.50	610.05	609.50	609.05	608.50	608.05	607.50	607.05	606.50	606.05	605.50	605.05	604.50	604.05	603.50	603.05	602.50	602.05	601.50	601.05	600.50	600.05	599.50	599.05	598.50	598.05	597.50	597.05	596.50
GROUND SURFACE ELEVATION	614.50	613.70	612.90	612.10	611.30	610.50	609.70	608.90	608.10	607.30	606.50	605.70	604.90	604.10	603.30	602.50	601.70	600.90	600.10	599.30	598.50	597.70	596.90	596.10	595.30	594.50	593.70	592.90	592.10	591.30
REDUCED DISTANCE	0.00	22.45	44.90	67.35	89.80	112.25	134.70	157.15	179.60	202.05	224.50	246.95	269.40	291.85	314.30	336.75	359.20	381.65	404.10	426.55	448.50	470.45	492.40	514.35	536.30	558.25	580.20	602.15	624.10	
DISTANCE	0.00	22.45	44.90	67.35	89.80	112.25	134.70	157.15	179.60	202.05	224.50	246.95	269.40	291.85	314.30	336.75	359.20	381.65	404.10	426.55	448.50	470.45	492.40	514.35	536.30	558.25	580.20	602.15	624.10	
STATION NO.	SBP	0+22.45	0+44.90	0+67.35	0+89.80	0+112.25	0+134.70	0+157.15	0+179.60	0+202.05	0+224.50	0+246.95	0+269.40	0+291.85	0+314.30	0+336.75	0+359.20	0+381.65	0+404.10	0+426.55	0+448.50	0+470.45	0+492.40	0+514.35	0+536.30	0+558.25	0+580.20	0+602.15	0+624.10	

THE UNITED REPUBLIC OF TANZANIA

FEASIBILITY STUDY ON THE SMALLHOLDER IRRIGATION PROJECT IN CENTRAL WAMI RIVER BASIN, MOROGORO

TITLE OF DRAWING MWEGA SCHEME

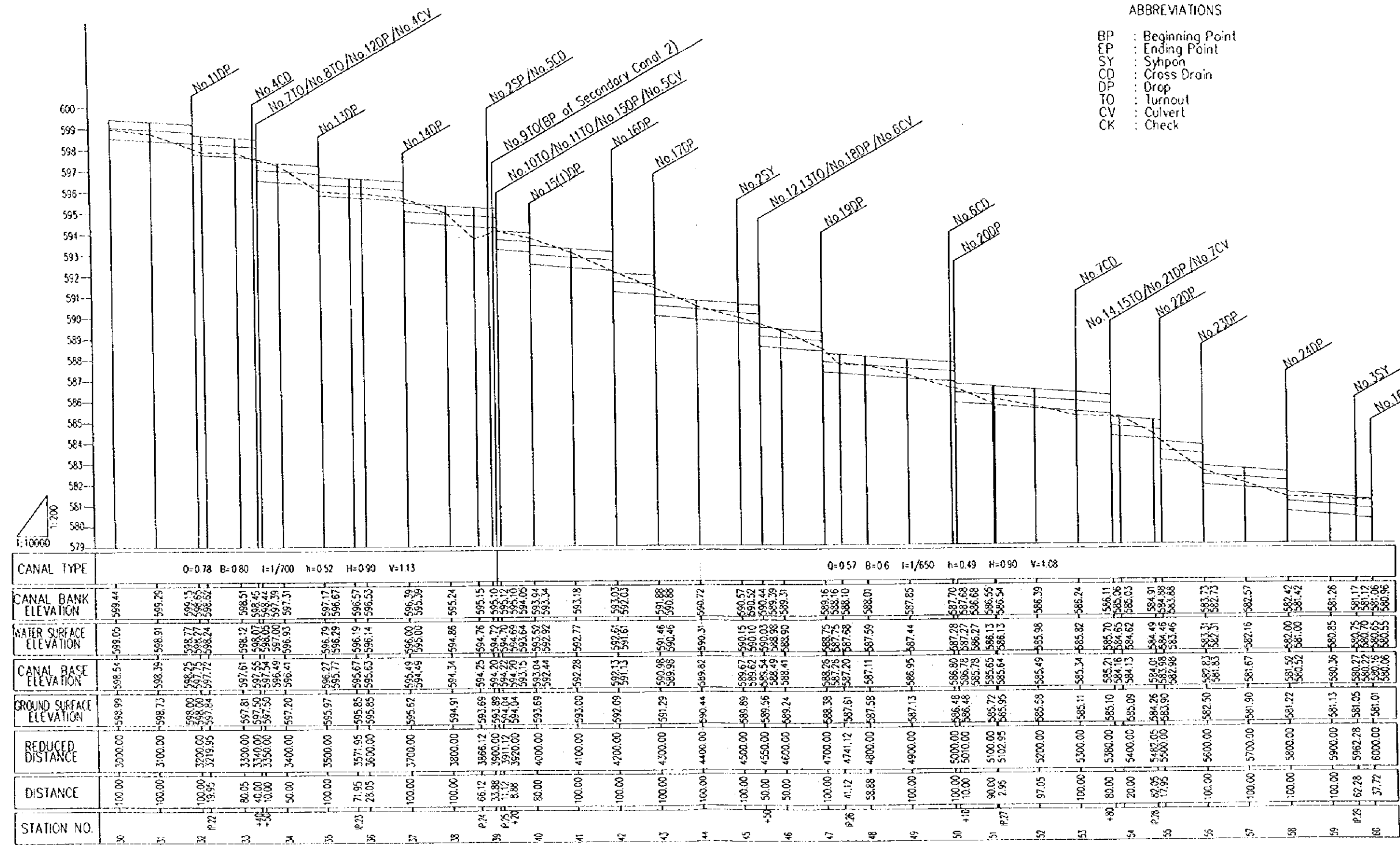
PROFILE OF MAIN CANAL (1)

Date	Drawing No.	511
------	-------------	-----

JAPAN INTERNATIONAL COOPERATION AGENCY

Main canal (2/5)

ABBREVIATIONS  
 BP : Beginning Point  
 EP : Ending Point  
 SY : Syphon  
 CD : Cross Drain  
 DP : Drop  
 TO : Turnout  
 CV : Culvert  
 CK : Check

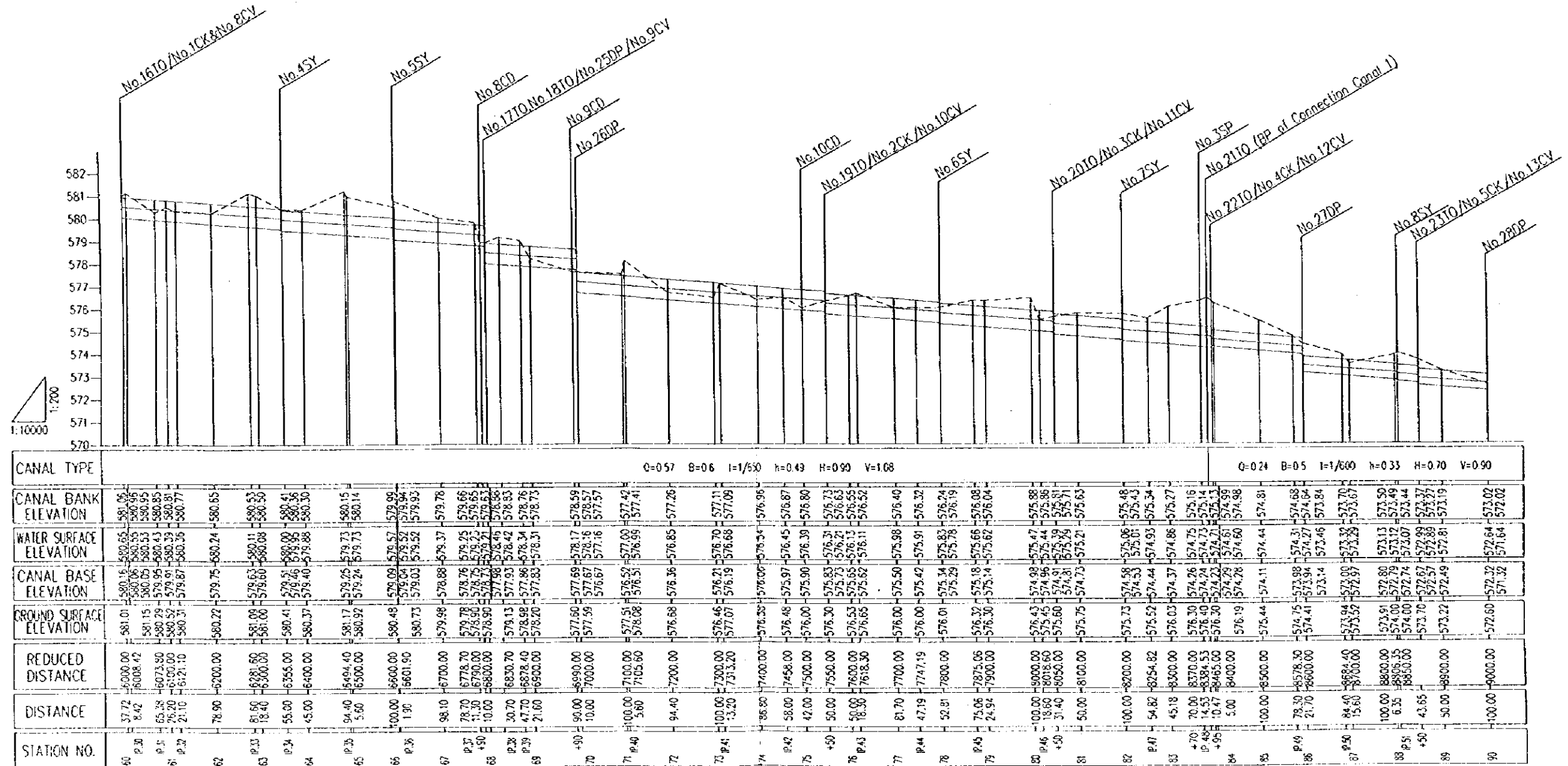


THE UNITED REPUBLIC OF TANZANIA  
 FEASIBILITY STUDY ON THE SMALLHOLDER IRRIGATION PROJECT IN CENTRAL WAMI RIVER BASIN, MOROGORO  
 TITLE OF DRAWING MWEGA SCHEME  
 PROFILE OF MAIN CANAL (2)  
 Date Drawing No. 512  
 JAPAN INTERNATIONAL COOPERATION AGENCY

Main canal (3/5)

ABBREVIATIONS

- SY : Syphon
- CD : Cross Drain
- DP : Drop
- TO : Turnout
- CV : Culvert
- CK : Check



CANAL TYPE	Q=0.57 B=0.6 I=1/50 n=0.43 H=0.90 V=1.08										Q=0.24 B=0.5 I=1/60 n=0.33 H=0.70 V=0.90									
CANAL BANK ELEVATION	581.05	580.65	580.65	580.65	580.65	580.65	580.65	580.65	580.65	580.65	580.65	580.65	580.65	580.65	580.65	580.65	580.65	580.65	580.65	580.65
WATER SURFACE ELEVATION	581.05	580.65	580.65	580.65	580.65	580.65	580.65	580.65	580.65	580.65	580.65	580.65	580.65	580.65	580.65	580.65	580.65	580.65	580.65	580.65
CANAL BASE ELEVATION	581.05	580.65	580.65	580.65	580.65	580.65	580.65	580.65	580.65	580.65	580.65	580.65	580.65	580.65	580.65	580.65	580.65	580.65	580.65	580.65
GROUND SURFACE ELEVATION	581.01	580.15	580.05	580.05	580.05	580.05	580.05	580.05	580.05	580.05	580.05	580.05	580.05	580.05	580.05	580.05	580.05	580.05	580.05	580.05
REDUCED DISTANCE	0.00	6000.00	6008.42	6013.90	6020.00	6026.00	6032.00	6038.00	6044.00	6050.00	6056.00	6062.00	6068.00	6074.00	6080.00	6086.00	6092.00	6098.00	6104.00	6110.00
DISTANCE	37.2	8.42	65.28	76.20	81.10	86.00	90.90	95.80	100.70	105.60	110.50	115.40	120.30	125.20	130.10	135.00	139.90	144.80	149.70	154.60
STATION NO.	60	61	62	63	64	65	66	67	68	69	70	71	72	73	74	75	76	77	78	79

THE UNITED REPUBLIC OF TANZANIA

FEASIBILITY STUDY ON THE SMALLHOLDER IRRIGATION PROJECT IN CENTRAL WAMI RIVER BASIN, MOROGORO

TITLE OF DRAWING: MWEGA SCHEME

PROFILE OF MAIN CANAL (3)

Date	Drawing No.	513
------	-------------	-----

JAPAN INTERNATIONAL COOPERATION AGENCY

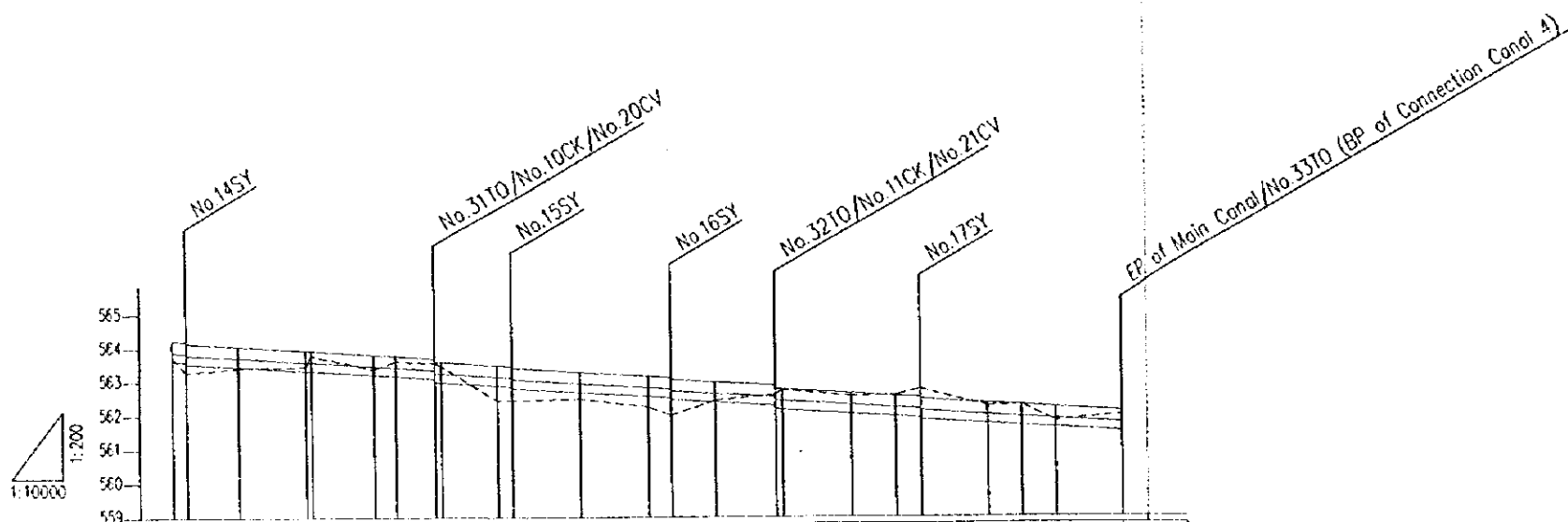




Main canal (5/5)

ABBREVIATIONS

- BP : Beginning Point
- EP : End Point
- SY : Syphon
- CD : Cross Drain
- DP : Drop
- TO : Turnout
- CV : Culvert
- CK : Check



Q=0.09 B=0.3 I=1/800 h=0.26 H=0.6 V=0.64

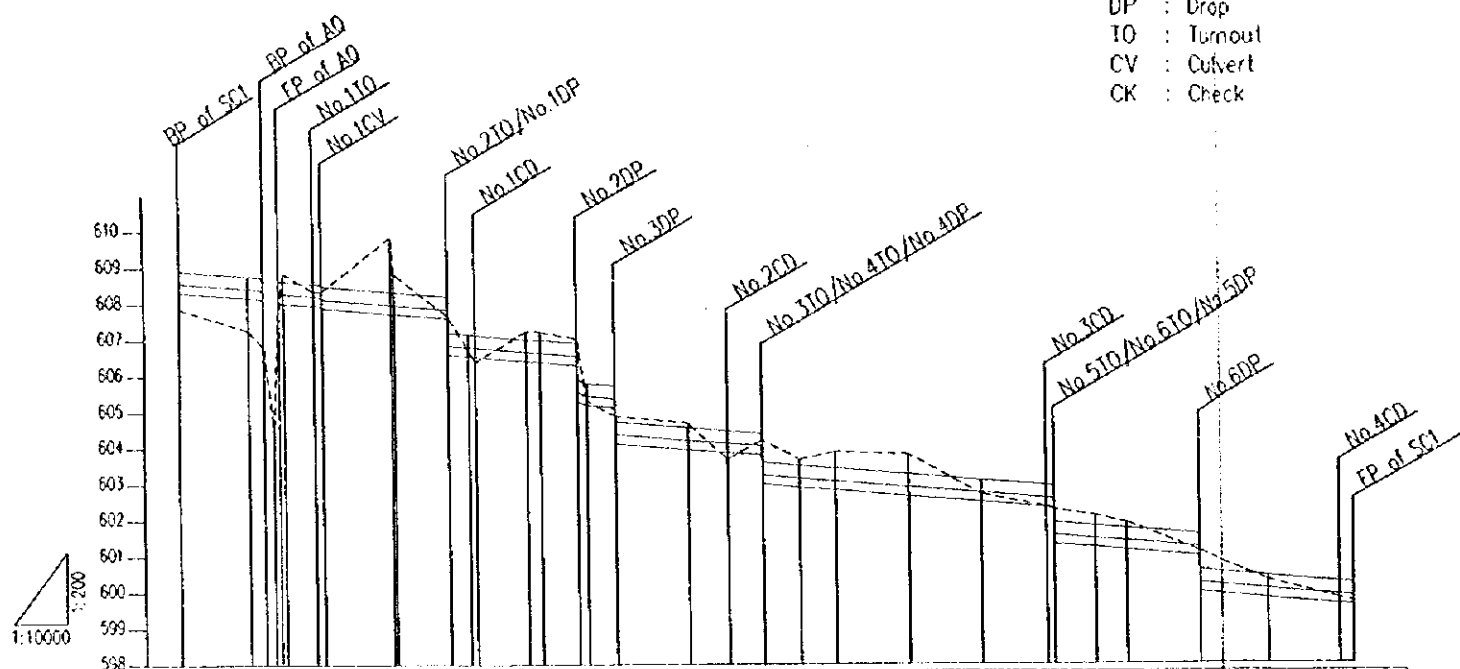
STATION NO.	DISTANCE	REDUCED DISTANCE	GROUND SURFACE ELEVATION	CANAL BASE ELEVATION	WATER SURFACE ELEVATION	CANAL BANK ELEVATION
120	0.00	0.00	563.30	563.30	563.88	564.20
121	79.00	79.00	563.42	563.46	563.72	564.06
122	100.00	100.00	563.46	563.33	563.59	563.91
123	92.00	12331.80	563.37	563.21	563.47	563.81
124	58.20	12360.00	563.55	563.09	563.35	563.69
125	79.30	12479.30	562.45	562.88	563.14	563.48
126	100.00	12600.00	562.44	562.81	563.07	563.41
127	100.00	12700.00	562.25	562.56	562.82	563.16
128	65.70	12800.00	562.43	562.28	562.64	562.98
129	90.00	12890.00	562.60	562.27	562.53	562.87
130	106.00	13000.00	562.54	562.03	562.29	562.63
131	63.56	13063.56	562.58	561.95	562.21	562.55
132	100.00	13200.00	562.75	561.81	562.17	562.51
133	96.00	13396.00	561.98	561.49	561.75	562.09

THE UNITED REPUBLIC OF TANZANIA			
FEASIBILITY STUDY ON THE SMALLHOLDER IRRIGATION PROJECT IN CENTRAL WAMI RIVER BASIN, MOROGORO			
TITLE OF DRAWING		MWECA SCHEME	
PROFILE OF MAIN CANAL (5)			
Date		Drawing No.	515
JAPAN INTERNATIONAL COOPERATION AGENCY			

Secondary canal 1

ABBREVIATIONS

- BP : Beginning Point
- EP : End Point
- AO : Aqueduct
- SY : Syphon
- CD : Cross Drain
- DP : Drop
- TO : Turnout
- CV : Culvert
- CK : Check



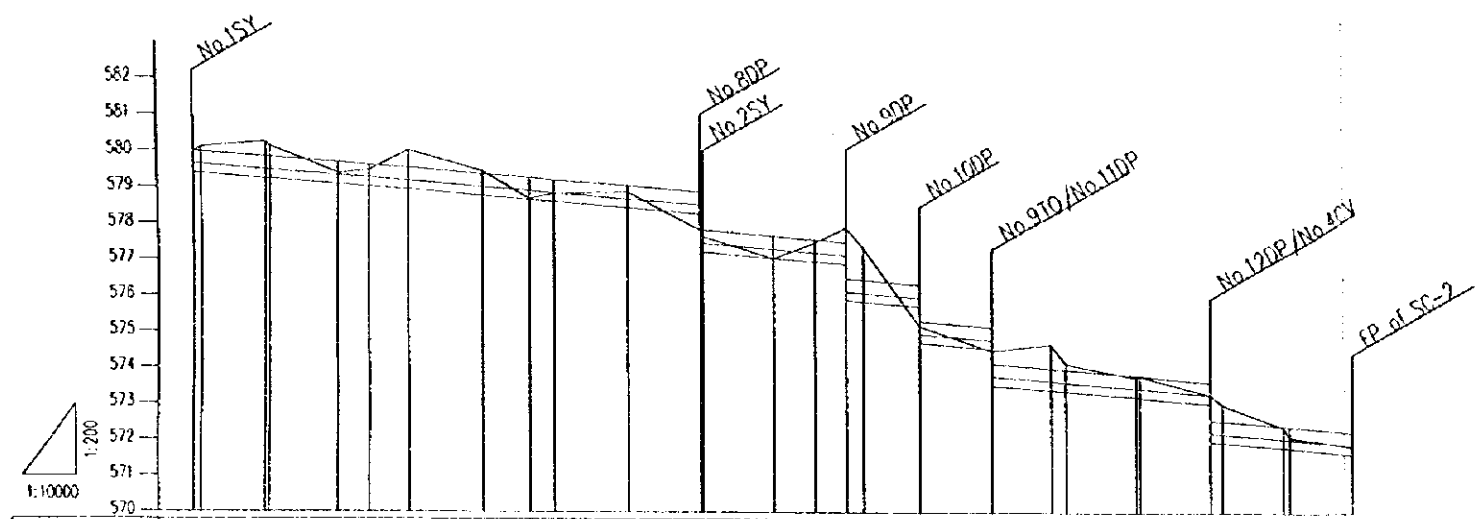
CANAL TYPE	Q=0.1 B=0.30 I=1/600 n=0.25 H=0.60 V=0.72																																																																																																																																																																																																																																																																																																																																																																																																																																																																																																																																																																																																																																																																																																																																																																																																																																																																																																									
CANAL BANK ELEVATION	609.07	608.92	608.75	608.72	608.57	608.40	608.37	608.26	608.61	608.01	607.98	607.81	607.91	607.86	607.70	607.85	607.94	608.29	607.57	607.82	608.17	606.51	606.78	607.13	606.51	606.76	607.11	606.39	606.64	606.89	606.19	606.54	603.85	604.10	604.45	604.03	604.38	603.58	603.23	603.58	603.14	603.49	603.06	603.41	602.89	603.24	602.73	603.08	602.58	602.93	602.56	602.91	601.56	601.91	601.47	601.82	601.39	601.74	600.98	601.23	601.58	600.24	600.59	599.88	600.24	599.86	600.21																																																																																																																																																																																																																																																																																																																																																																																																																																																																																																																																																																																																																																																																																																																																																																																																																																							
WATER SURFACE ELEVATION	608.47	608.32	608.15	608.12	607.97	607.94	607.83	608.18	607.53	607.50	607.35	607.45	607.55	607.65	607.50	607.65	607.75	608.10	607.38	607.63	607.98	606.52	606.79	607.14	606.52	606.77	607.12	606.40	606.65	607.00	605.28	605.53	605.88	603.78	604.03	604.38	603.58	603.23	603.58	603.14	603.49	603.06	603.41	602.89	603.24	602.73	603.08	602.58	602.93	602.56	602.91	601.56	601.91	601.47	601.82	601.39	601.74	600.98	601.23	601.58	600.24	600.59	599.88	600.24	599.86	600.21																																																																																																																																																																																																																																																																																																																																																																																																																																																																																																																																																																																																																																																																																																																																																																																																																																								
CANAL BASE ELEVATION	608.47	608.32	608.15	608.12	607.97	607.94	607.83	608.18	607.53	607.50	607.35	607.45	607.55	607.65	607.50	607.65	607.75	608.10	607.38	607.63	607.98	606.52	606.79	607.14	606.52	606.77	607.12	606.40	606.65	607.00	605.28	605.53	605.88	603.78	604.03	604.38	603.58	603.23	603.58	603.14	603.49	603.06	603.41	602.89	603.24	602.73	603.08	602.58	602.93	602.56	602.91	601.56	601.91	601.47	601.82	601.39	601.74	600.98	601.23	601.58	600.24	600.59	599.88	600.24	599.86	600.21																																																																																																																																																																																																																																																																																																																																																																																																																																																																																																																																																																																																																																																																																																																																																																																																																																								
GROUND SURFACE ELEVATION	607.87	607.75	607.60	607.50	607.40	607.30	607.20	607.10	607.00	606.90	606.80	606.70	606.60	606.50	606.40	606.30	606.20	606.10	606.00	605.90	605.80	605.70	605.60	605.50	605.40	605.30	605.20	605.10	605.00	604.90	604.80	604.70	604.60	604.50	604.40	604.30	604.20	604.10	604.00	603.90	603.80	603.70	603.60	603.50	603.40	603.30	603.20	603.10	603.00	602.90	602.80	602.70	602.60	602.50	602.40	602.30	602.20	602.10	602.00	601.90	601.80	601.70	601.60	601.50	601.40	601.30	601.20	601.10	601.00	600.90	600.80	600.70	600.60	600.50	600.40	600.30	600.20	600.10	600.00	599.90	599.80	599.70	599.60	599.50	599.40	599.30	599.20	599.10	599.00	598.90	598.80	598.70	598.60	598.50	598.40	598.30	598.20	598.10	598.00	597.90	597.80	597.70	597.60	597.50	597.40	597.30	597.20	597.10	597.00	596.90	596.80	596.70	596.60	596.50	596.40	596.30	596.20	596.10	596.00	595.90	595.80	595.70	595.60	595.50	595.40	595.30	595.20	595.10	595.00	594.90	594.80	594.70	594.60	594.50	594.40	594.30	594.20	594.10	594.00	593.90	593.80	593.70	593.60	593.50	593.40	593.30	593.20	593.10	593.00	592.90	592.80	592.70	592.60	592.50	592.40	592.30	592.20	592.10	592.00	591.90	591.80	591.70	591.60	591.50	591.40	591.30	591.20	591.10	591.00	590.90	590.80	590.70	590.60	590.50	590.40	590.30	590.20	590.10	590.00	589.90	589.80	589.70	589.60	589.50	589.40	589.30	589.20	589.10	589.00	588.90	588.80	588.70	588.60	588.50	588.40	588.30	588.20	588.10	588.00	587.90	587.80	587.70	587.60	587.50	587.40	587.30	587.20	587.10	587.00	586.90	586.80	586.70	586.60	586.50	586.40	586.30	586.20	586.10	586.00	585.90	585.80	585.70	585.60	585.50	585.40	585.30	585.20	585.10	585.00	584.90	584.80	584.70	584.60	584.50	584.40	584.30	584.20	584.10	584.00	583.90	583.80	583.70	583.60	583.50	583.40	583.30	583.20	583.10	583.00	582.90	582.80	582.70	582.60	582.50	582.40	582.30	582.20	582.10	582.00	581.90	581.80	581.70	581.60	581.50	581.40	581.30	581.20	581.10	581.00	580.90	580.80	580.70	580.60	580.50	580.40	580.30	580.20	580.10	580.00	579.90	579.80	579.70	579.60	579.50	579.40	579.30	579.20	579.10	579.00	578.90	578.80	578.70	578.60	578.50	578.40	578.30	578.20	578.10	578.00	577.90	577.80	577.70	577.60	577.50	577.40	577.30	577.20	577.10	577.00	576.90	576.80	576.70	576.60	576.50	576.40	576.30	576.20	576.10	576.00	575.90	575.80	575.70	575.60	575.50	575.40	575.30	575.20	575.10	575.00	574.90	574.80	574.70	574.60	574.50	574.40	574.30	574.20	574.10	574.00	573.90	573.80	573.70	573.60	573.50	573.40	573.30	573.20	573.10	573.00	572.90	572.80	572.70	572.60	572.50	572.40	572.30	572.20	572.10	572.00	571.90	571.80	571.70	571.60	571.50	571.40	571.30	571.20	571.10	571.00	570.90	570.80	570.70	570.60	570.50	570.40	570.30	570.20	570.10	570.00	569.90	569.80	569.70	569.60	569.50	569.40	569.30	569.20	569.10	569.00	568.90	568.80	568.70	568.60	568.50	568.40	568.30	568.20	568.10	568.00	567.90	567.80	567.70	567.60	567.50	567.40	567.30	567.20	567.10	567.00	566.90	566.80	566.70	566.60	566.50	566.40	566.30	566.20	566.10	566.00	565.90	565.80	565.70	565.60	565.50	565.40	565.30	565.20	565.10	565.00	564.90	564.80	564.70	564.60	564.50	564.40	564.30	564.20	564.10	564.00	563.90	563.80	563.70	563.60	563.50	563.40	563.30	563.20	563.10	563.00	562.90	562.80	562.70	562.60	562.50	562.40	562.30	562.20	562.10	562.00	561.90	561.80	561.70	561.60	561.50	561.40	561.30	561.20	561.10	561.00	560.90	560.80	560.70	560.60	560.50	560.40	560.30	560.20	560.10	560.00	559.90	559.80	559.70	559.60	559.50	559.40	559.30	559.20	559.10	559.00	558.90	558.80	558.70	558.60	558.50	558.40	558.30	558.20	558.10	558.00	557.90	557.80	557.70	557.60	557.50	557.40	557.30	557.20	557.10	557.00	556.90	556.80	556.70	556.60	556.50	556.40	556.30	556.20	556.10	556.00	555.90	555.80	555.70	555.60	555.50	555.40	555.30	555.20	555.10	555.00	554.90	554.80	554.70	554.60	554.50	554.40	554.30	554.20	554.10	554.00	553.90	553.80	553.70	553.60	553.50	553.40	553.30	553.20	553.10	553.00	552.90	552.80	552.70	552.60	552.50	552.40	552.30	552.20	552.10	552.00	551.90	551.80	551.70	551.60	551.50	551.40	551.30	551.20	551.10	551.00	550.90	550.80	550.70	550.60	550.50	550.40	550.30	550.20	550.10	550.00	549.90	549.80	549.70	549.60	549.50	549.40	549.30	549.20	549.10	549.00	548.90	548.80	548.70	548.60	548.50	548.40	548.30	548.20	548.10	548.00	547.90	547.80	547.70	547.60	547.50	547.40	547.30	547.20	547.10	547.00	546.90	546.80	546.70	546.60	546.50	546.40	546.30	546.20	546.10	546.00	545.90	545.80	545.70	545.60	545.50	545.40	545.30	545.20	545.10	545.00	544.90	544.80	544.70	544.60	544.50	544.40	544.30	544.20	544.10	544.00	543.90	543.80	543.70	543.60	543.50	543.40	543.30	543.20	543.10	543.00	542.90	542.80	542.70	542.60	542.50	542.40	542.30	542.20	542.10	542.00	541.90	541.80	541.70	541.60	541.50	541.40	541.30	541.20	541.10	541.00	540.90	540.80	540.70	540.60	540.50	540.40	540.30	540.20	540.10	540.00	539.90	539.80	539.70	539.60	539.50	539.40	539.30	539.20	539.10	539.00	538.90	538.80	538.70	538.60	538.50	538.40	538.30	538.20	538.10	538.00	537.90	537.80	537.70	537.60	537.50	537.40	537.30	537.20	537.10	537.00	536.90	536.80	536.70	536.60	536.50	536.40	536.30	536.20	536.10	536.00	535.90	535.80	535.70	535.60	535.50	535.40	535.30	535.20	535.10	535.00	534.90	534.80	534.70	534.60	534.50	534.40	534.30	534.20	534.10	534.00	533.90	533.80	533.70	533.60	533.50	533.40	533.30	533.20	533.10	533.00	532.90	532.80	532.70	532.60	532.50	532.40	532.30	532.20	532.10	532.00	531.90	531.80	531.70	531.60	531.50	531.40	531.30	531.20	531.10	531.00	530.90	530.80	530.70	530.60	530.50	530.40	530.30	530.20	530.10	530.00	529.90	529.80	529.70	529.60	529.50	529.40	529.30	529.20	529.10	529.00	528.90	528.80	528.70	528.60	528.50	528.40	528.30	528.20	528.10	528.00	527.90	527.80	527.70	527.60	527.50	527.40	527.30	527.20	527.10	527.00	526.90	526.80	526.70	526.60	526.50	526.40	526.30	526.20	526.10	526.00	525.90	525.80	525.70	525.60	525.50	525.40	525.30	525.20	525.10	525.00	524.90	524.80	524.70	524.60	524.50	524.40	524.30	524.20	524.10	524.00	523.90	523.80	523.70	523.60	523.50	523.40	523.30	523.20	523.10	523.00	522.90	522.80	522.70	522.60	522.50	522.40	522.30	522.20	522.10	522.00	521.90	521.80	521.70	521.60	521.50	521.40	521.30	521.20	521.10	521.00	520.90	520.80	520.70	520.60	5



Secondary canal 2 (2/2)

ABBREVIATIONS

- SY : Syphon
- CD : Cross Drain
- DP : Drop
- TO : Turnout
- CV : Culvert
- CK : Check



CANAL TYPE	Q=0.12 B=0.4 I=1/600 n=0.25 H=0.6 V=0.75	
CANAL BANK ELEVATION	580.04	572.22
WATER SURFACE ELEVATION	579.65	571.87
CANAL BASE ELEVATION	578.44	570.66
GROUND SURFACE ELEVATION	579.96	571.84
REDUCED DISTANCE	3030.00	4630.00
DISTANCE	3.05	4637.32
STATION NO.	30	46

THE UNITED REPUBLIC OF TANZANIA

FEASIBILITY STUDY ON THE SMALLHOLDER IRRIGATION PROJECT IN CENTRAL WAMI RIVER BASIN, MOROGORO

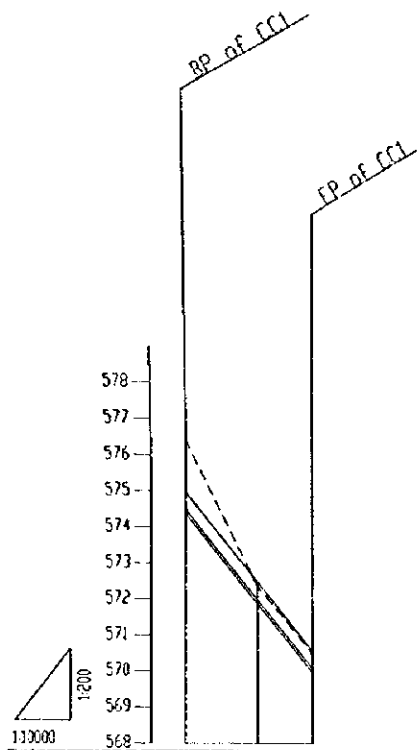
TITLE OF DRAWING MWEGA SCHEME

PROFILE OF SECONDARY CANAL 2 (2)

Date		Drawing No.	518
------	--	-------------	-----

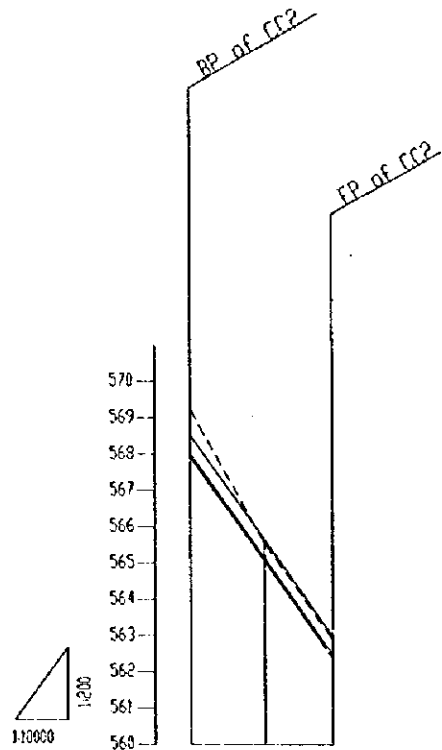
JAPAN INTERNATIONAL COOPERATION AGENCY

Connection canal 1



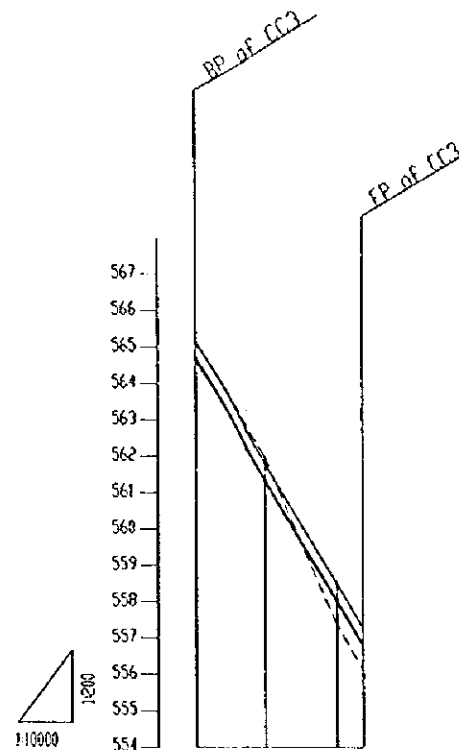
CANAL TYPE	O=0.15 B=0.4 I=1/40 n=0.02 H=0.50 V=2.00		
CANAL BANK ELEVATION	574.97	572.47	570.55
WATER SURFACE ELEVATION	574.49	571.99	570.07
CANAL BASE ELEVATION	574.37	571.87	569.95
GROUND SURFACE ELEVATION	576.40	572.34	570.48
REDUCED DISTANCE	0.00	100.00	176.50
DISTANCE	0.00	100.00	76.60
STATION NO.	BP	1	EP

Connection canal 2



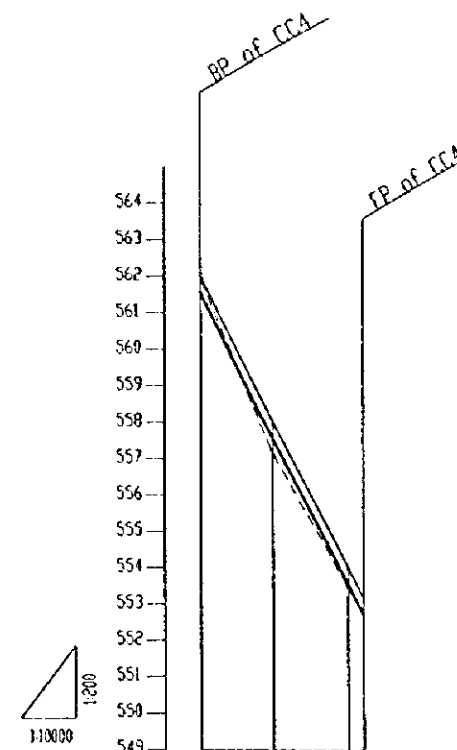
CANAL TYPE	O=0.08 B=0.5 I=1/25 n=0.09 H=0.5 V=1.80		
CANAL BANK ELEVATION	568.52	565.66	562.98
WATER SURFACE ELEVATION	568.01	565.15	562.47
CANAL BASE ELEVATION	567.92	565.06	562.38
GROUND SURFACE ELEVATION	569.25	565.35	562.90
REDUCED DISTANCE	0.00	100.00	194.00
DISTANCE	0.00	100.00	94.00
STATION NO.	BP	1	EP

Connection canal 3



CANAL TYPE	O=0.03 B=0.4 I=1/30 n=0.05 H=0.4 V=1.50		
CANAL BANK ELEVATION	565.16	561.82	558.49
WATER SURFACE ELEVATION	564.71	561.38	558.04
CANAL BASE ELEVATION	564.66	561.32	557.99
GROUND SURFACE ELEVATION	565.10	562.80	556.12
REDUCED DISTANCE	0.00	100.00	236.00
DISTANCE	0.00	100.00	36.00
STATION NO.	BP	1	EP

Connection canal 4



CANAL TYPE	O=0.04 B=0.4 I=1/25 n=0.06 H=0.4 V=1.70		
CANAL BANK ELEVATION	562.03	558.03	554.00
WATER SURFACE ELEVATION	561.59	557.59	553.59
CANAL BASE ELEVATION	561.53	557.53	553.53
GROUND SURFACE ELEVATION	561.98	557.18	552.76
REDUCED DISTANCE	0.00	100.00	221.00
DISTANCE	0.00	100.00	21.00
STATION NO.	BP	1	EP

ABBREVIATIONS

BP : Beginning Point  
EP : End Point

THE UNITED REPUBLIC OF TANZANIA

FEASIBILITY STUDY ON THE SMALLHOLDER IRRIGATION PROJECT IN CENTRAL WAMI RIVER BASIN, MOROGORO

TITLE OF DRAWING MWEGA SCHEME

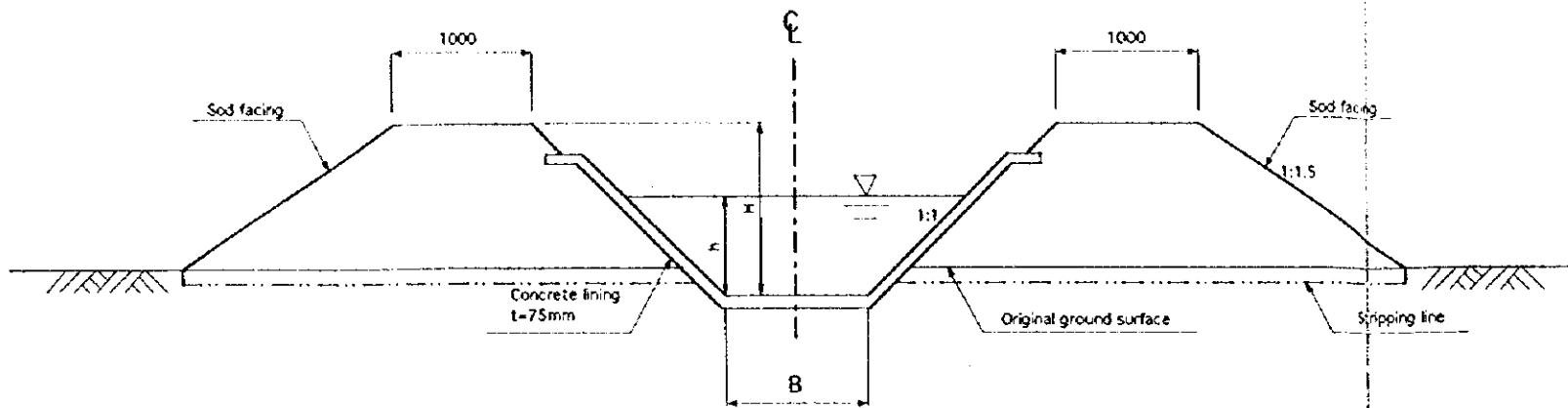
PROFILE OF CONNECTION CANALS

Date Drawing No. 519

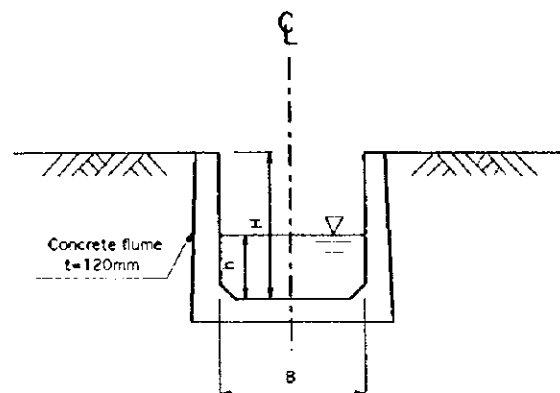
JAPAN INTERNATIONAL COOPERATION AGENCY



CONCRETE LINING CANAL



FLUME CANAL



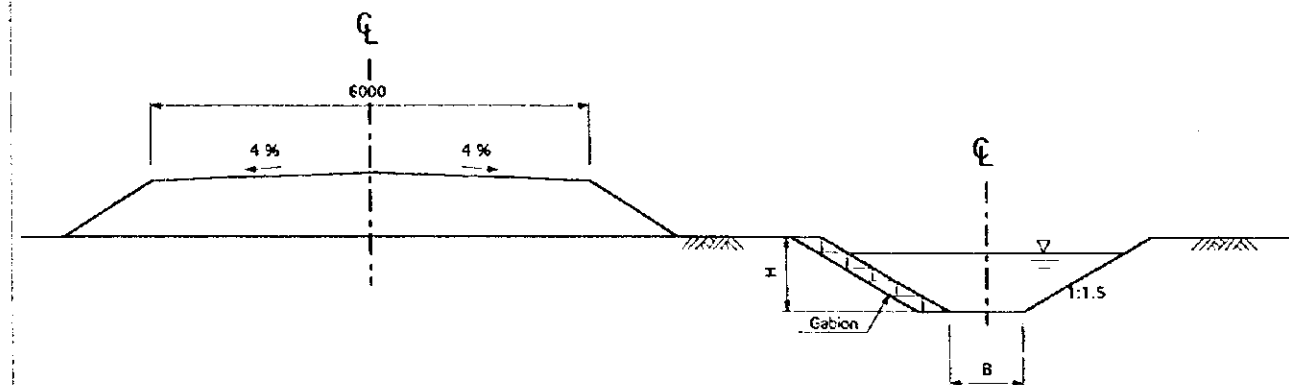
IRRIGATION CANAL

(Unit: m)

Name of Canal	Name of Reaches	L (km)	Q (m <sup>3</sup> /sec)	B	H	h	i (1/x)	V (m/sec)	Remark
Main canal	Reaches-1	1.20	0.88	0.80	1.00	0.55	700	1.17	Concrete Lining type
	Reaches-2	2.70	0.78	0.80	0.90	0.52	700	1.13	Concrete Lining type
	Reaches-3	4.50	0.57	0.60	0.90	0.49	650	1.08	Concrete Lining type
	Reaches-4	1.60	0.24	0.50	0.70	0.33	600	0.90	Concrete Lining type
	Reaches-5	0.45	0.16	0.40	0.60	0.29	600	0.81	Concrete Lining type
	Reaches-6	1.25	0.16	0.40	0.60	0.31	800	0.73	Concrete Lining type
	Reaches-7	1.70	0.09	0.30	0.60	0.26	800	0.64	Concrete Lining type
Secondary Canal -1	Whole Reaches	1.60	0.10	0.30	0.60	0.25	600	0.72	Concrete Lining type
Secondary Canal -2	Reaches-1	0.80	0.17	0.40	0.60	0.30	600	0.82	Concrete Lining type
	Reaches-2	0.30	0.17	0.60	0.50	0.17	85	1.65	Flume type
	Reaches-3	0.10	0.17	0.40	0.60	0.30	600	0.82	Concrete Lining type
	Reaches-4	0.50	0.12	0.40	0.60	0.30	1200	0.58	Concrete Lining type
	Reaches-5	3.00	0.12	0.40	0.60	0.25	600	0.75	Concrete Lining type
Connection Canal -1		0.18	0.15	0.60	0.50	0.12	40	2.00	Flume type
Connection Canal -2		0.19	0.08	0.50	0.50	0.09	35	1.80	Flume type
Connection Canal -3		0.24	0.03	0.40	0.40	0.05	30	1.50	Flume type
Connection Canal -4		0.22	0.04	0.40	0.40	0.06	25	1.70	Flume type

L: length, Q: design discharge, B: bottom width, H: canal height, h: water depth,  
i: canal gradient, V: flow velocity in roughness coefficient of 0.015.

MALOLO - CHABI ROAD AND SIDE DRAIN  
(EARTHEN ROAD & CANAL)



MALOLO-CHABI ROAD AND SIDE DRAIN

(Unit: m)

Name of Road/ Side Drain	L (km)	Q (m <sup>3</sup> /sec)	B	H	i (1/x)	V (m/sec)	Remark
Malolo - Chabi - Road	1.07	-	-	-	0-33	-	Average of Embankment Height : 0.85m
Side Drain	0.70	6.00	4.00	1.30	450	1.21	Earthen type

L: length, Q: design discharge, B: bottom width, H: canal height,  
i: road / canal gradient, V: flow velocity in roughness coefficient of 0.030.

THE UNITED REPUBLIC OF TANZANIA

FEASIBILITY STUDY ON THE SMALLHOLDER IRRIGATION PROJECT IN CENTRAL WAMI RIVER BASIN, MOROGORO

TITLE OF DRAWING MWEGA SCHEME  
TYPICAL CROSS SECTION OF CANAL, MALOLO - CHABI ROAD AND SIDE DRAIN

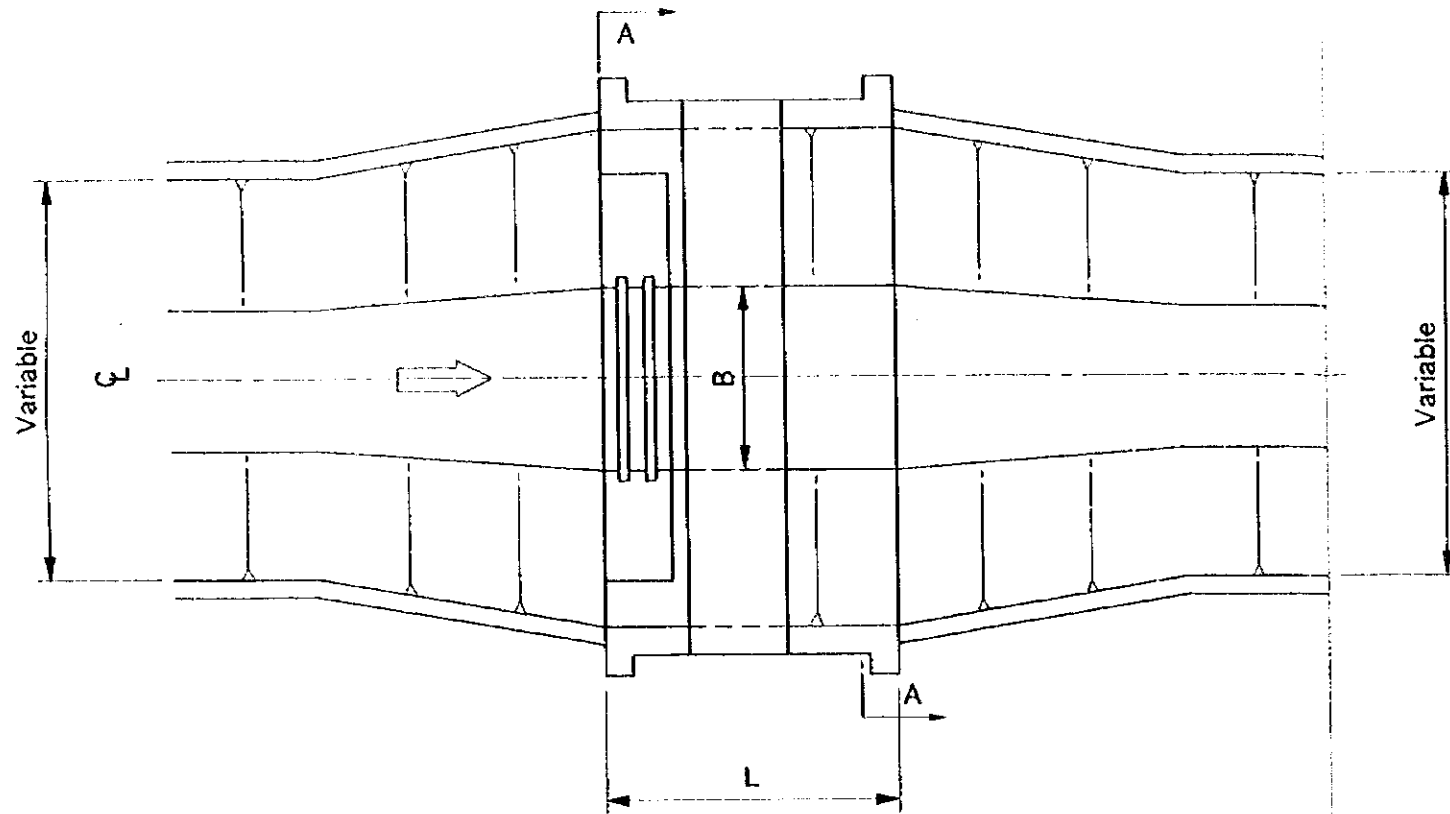
Date \_\_\_\_\_ Drawing No. 521

JAPAN INTERNATIONAL COOPERATION AGENCY

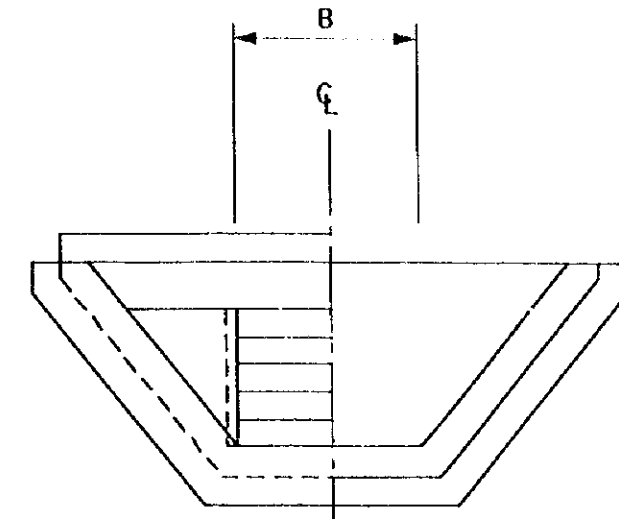




# CHECK



PLAN



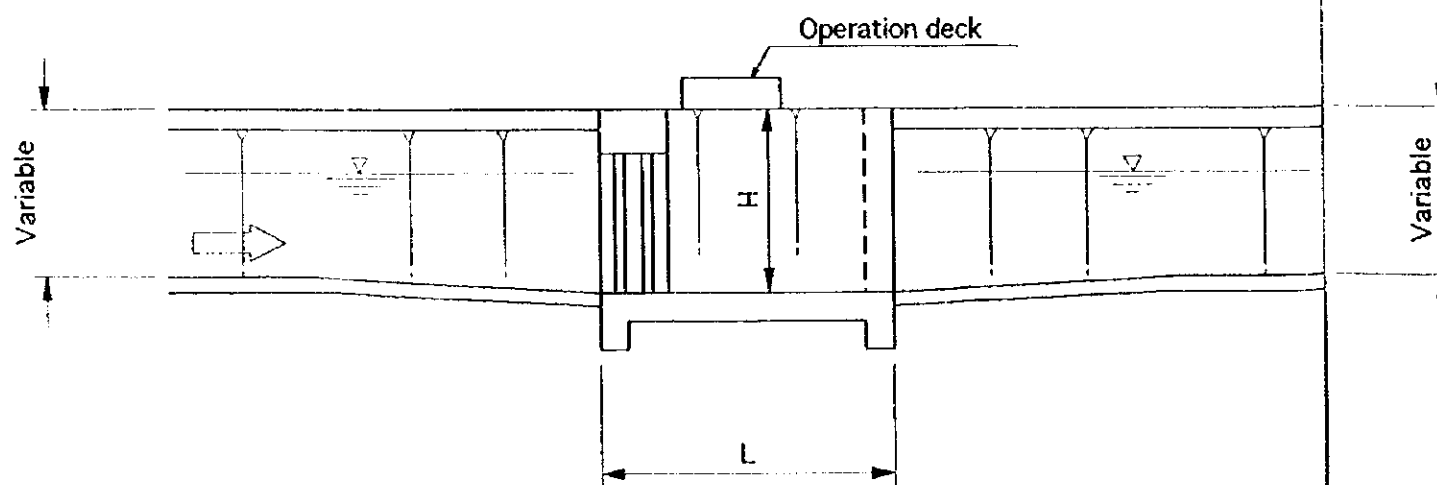
SECTION A-A

DIMENSION OF CHECK

(Unit:m)

Name of Canal	Name of Structure	Sta. No.	Qi (m <sup>3</sup> /sec)	H	B	L
Main Canal	No.1 Check	No.60	0.57	0.90	0.90	1.35
	No.2 Check	No.75+50.00	0.57	0.90	0.90	1.35
	No.3 Check	No.80+50.00	0.57	0.90	0.90	1.35
	No.4 Check	No.83+95.00	0.24	0.90	0.90	1.35
	No.5 Check	No.88+50.00	0.24	0.70	0.70	1.05
	No.6 Check	No.94+50.00	0.24	0.70	0.70	1.05
	No.7 Check	No.100+10.00	0.16	0.60	0.60	0.90
	No.8 Check	No.104+50.00	0.16	0.60	0.60	0.90
	No.9 Check	No.110+10.00	0.16	0.70	0.60	1.05
	No.10 Check	No.123+90.00	0.092	0.60	0.60	0.90
	No.11 Check	No.128+90.00	0.092	0.60	0.60	0.90
SC-2	No.1 Check	No.12	0.12	0.60	0.60	0.90
	No.2 Check	No.22	0.12	0.60	0.60	0.90

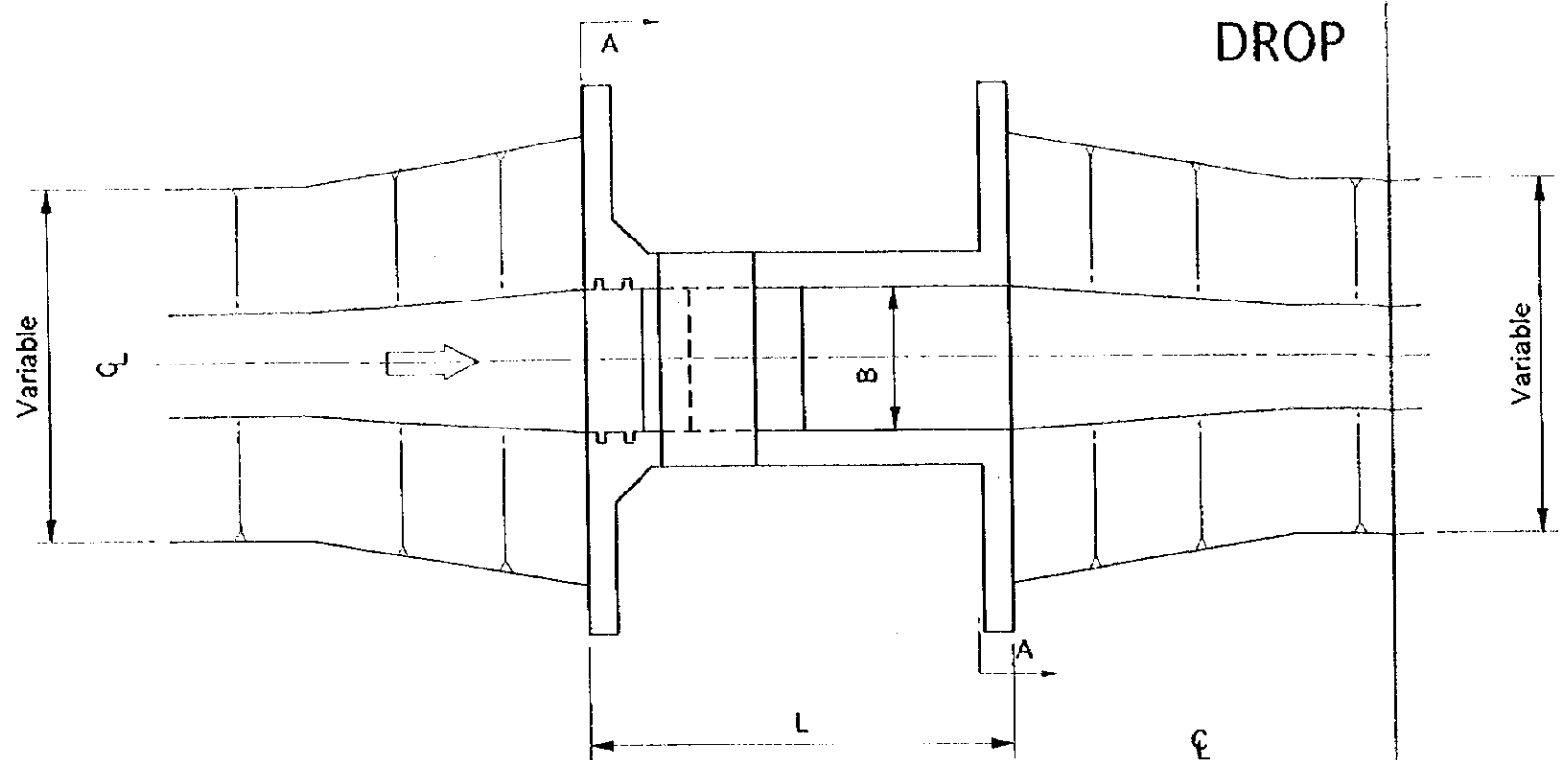
Qi : design discharge



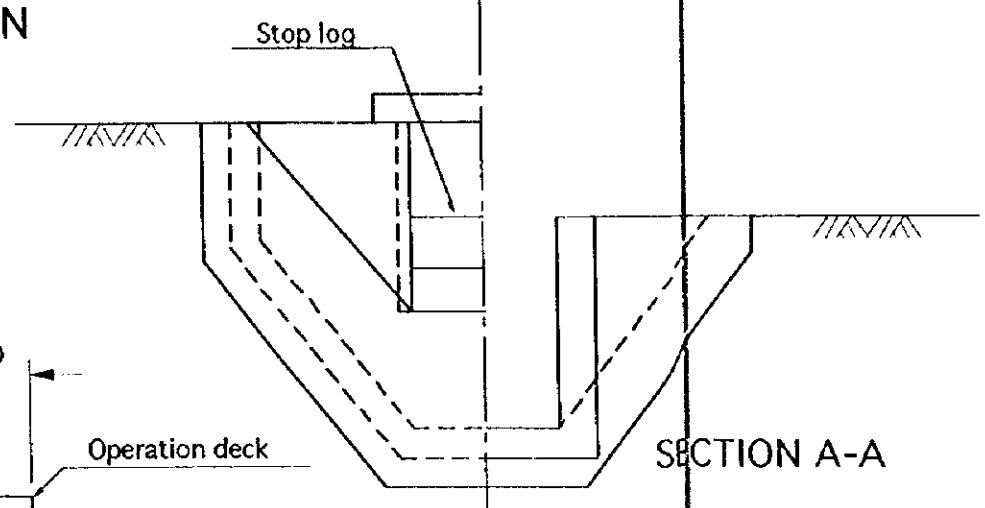
PROFILE

THE UNITED REPUBLIC OF TANZANIA			
FEASIBILITY STUDY ON THE SMALLHOLDER IRRIGATION PROJECT IN CENTRAL WAMI RIVER BASIN, MOROGORO			
TITLE OF DRAWING		MWEGA SCHEME	
		CHECK	
Date		Drawing No.	523
JAPAN INTERNATIONAL COOPERATION AGENCY			

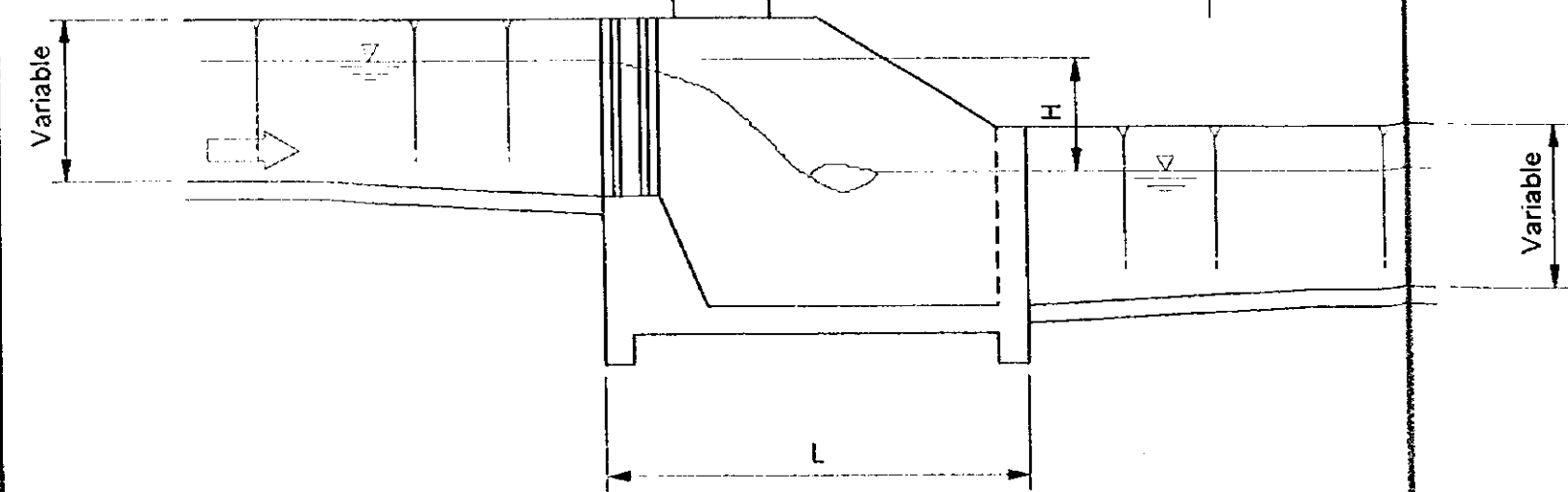
DROP



PLAN



SECTION A-A



PROFILE

DIMENSION OF DROP

(Unit m)

Name of Canal	Name of structure	Sta. No.	Qi (m <sup>3</sup> /sec)	H	L	B
Main Canal	No.1 Drop	No.6	0.88	0.50	1.50	1.20
	No.2 Drop	No.8	0.88	1.00	3.00	1.20
	No.3 Drop	No.12+50.00	0.78	1.00	3.00	1.20
	No.4 Drop	No.14	0.78	1.00	3.00	1.20
	No.5 Drop	No.15	0.78	0.50	1.50	1.20
	No.6 Drop	No.18	0.78	1.00	3.00	1.20
	No.7 Drop	IP.15	0.78	1.00	3.00	1.20
	No.8 Drop	No.25	0.78	0.60	1.80	1.20
	No.9 Drop	No.27	0.78	1.00	3.00	1.20
	No.10 Drop	No.28	0.78	1.00	3.00	1.20
	No.11 Drop	No.32	0.78	0.50	1.50	1.20
	No.12 Drop	No.33+50.00	0.78	1.00	3.00	1.20
	No.13 Drop	No.35	0.78	0.50	1.50	1.20
	No.14 Drop	No.37	0.78	1.00	3.00	1.20
	No.15 Drop	No.39+20.00	0.57	1.00	3.00	0.90
	No.16 Drop	No.42	0.57	1.00	3.00	0.90
	No.17 Drop	No.43	0.57	1.00	3.00	0.90
	No.19 Drop	No.47	0.57	1.00	3.00	0.90
	No.20 Drop	No.50+10.00	0.57	1.00	3.00	0.90
	No.21 Drop	No.53+80.00	0.57	1.00	3.00	0.90
	No.23 Drop	No.56	0.57	1.00	3.00	0.90
	No.24 Drop	No.58	0.57	1.00	3.00	0.90
	No.25 Drop	No.68	0.57	0.70	2.10	0.90
	No.26 Drop	No.70	0.57	1.00	3.00	0.90
	No.27 Drop	No.86	0.24	0.80	2.40	0.70
No.28 Drop	No.90	0.24	1.00	3.00	0.70	
No.29 Drop	No.91	0.24	1.00	3.00	0.70	
No.30 Drop	No.93	0.24	0.50	1.50	0.70	
No.31 Drop	No.117+10.00	0.24	0.50	1.50	0.70	
SC-1	No.1 Drop	No.3+71.60	0.10	0.50	1.50	0.50
	No.2 Drop	No.5+50.00	0.10	1.00	3.00	0.50
	No.3 Drop	No.6	0.10	1.00	3.00	0.50
SC-2	No.4 Drop	No.8	0.10	0.60	1.80	0.50
	No.5 Drop	No.12	0.10	1.00	3.00	0.50
	No.6 Drop	No.14	0.10	1.00	3.00	0.50
	No.1 Drop	No.3	0.17	1.00	3.00	0.60
	No.2 Drop	No.5	0.17	1.00	3.00	0.60
	No.3 Drop	No.8	0.17	1.00	3.00	0.60
	No.4 Drop	No.17	0.12	1.00	3.00	0.60
	No.5 Drop	No.20	0.12	1.00	3.00	0.60
	No.6 Drop	No.21	0.12	0.80	2.40	0.60
	No.7 Drop	IP.10	0.12	1.00	3.00	0.60
	No.8 Drop	No.37	0.12	1.00	3.00	0.60
	No.9 Drop	No.39	0.12	1.00	3.00	0.60
No.10 Drop	No.40	0.12	1.00	3.00	0.60	
No.11 Drop	No.41	0.12	1.00	3.00	0.60	
No.12 Drop	No.44	0.12	1.00	3.00	0.60	

Qi : design discharge

**THE UNITED REPUBLIC OF TANZANIA**

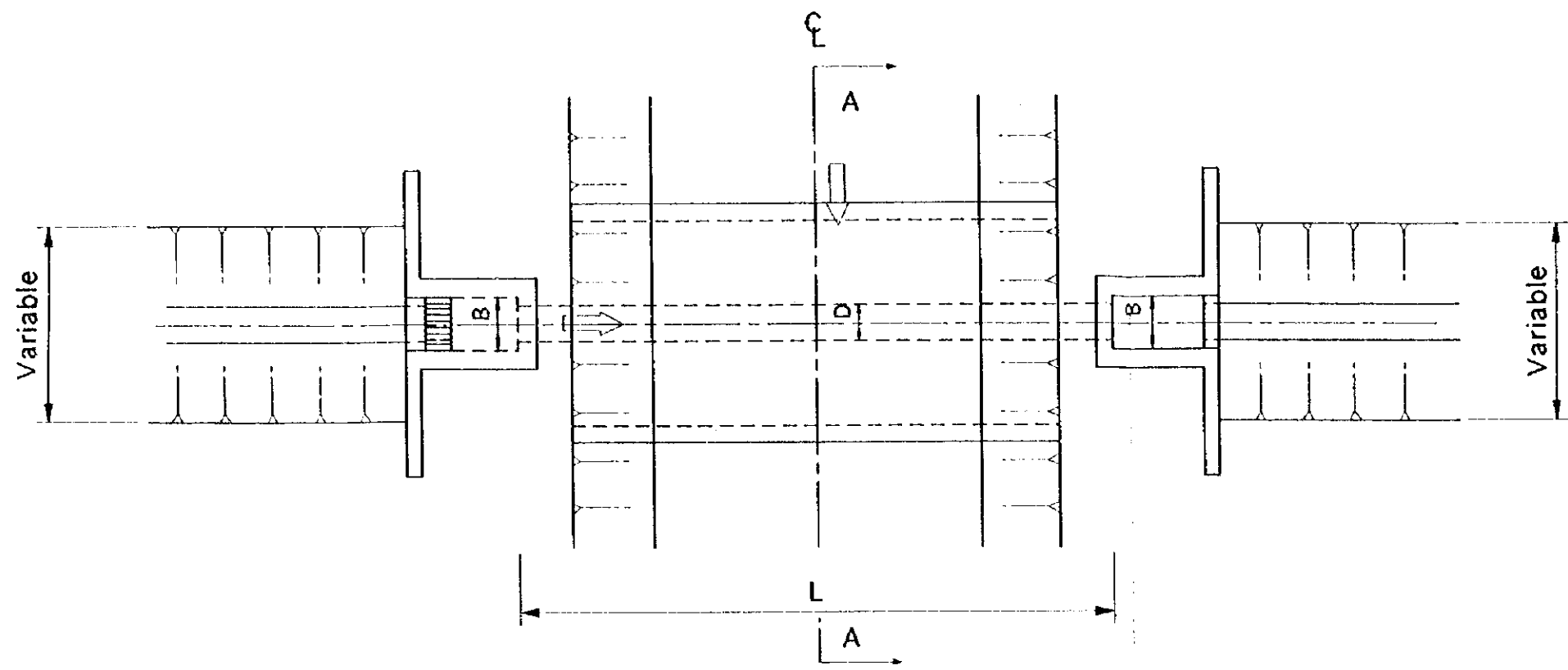
FEASIBILITY STUDY ON THE SMALLHOLDER IRRIGATION PROJECT IN CENTRAL WAMI RIVER BASIN, MOROGORO

TITLE OF DRAWING      MWEGA SCHEME  
**DROP**

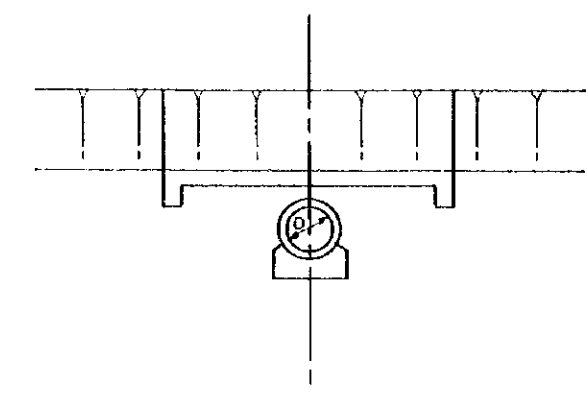
Date		Drawing No.	524
------	--	-------------	-----

JAPAN INTERNATIONAL COOPERATION AGENCY

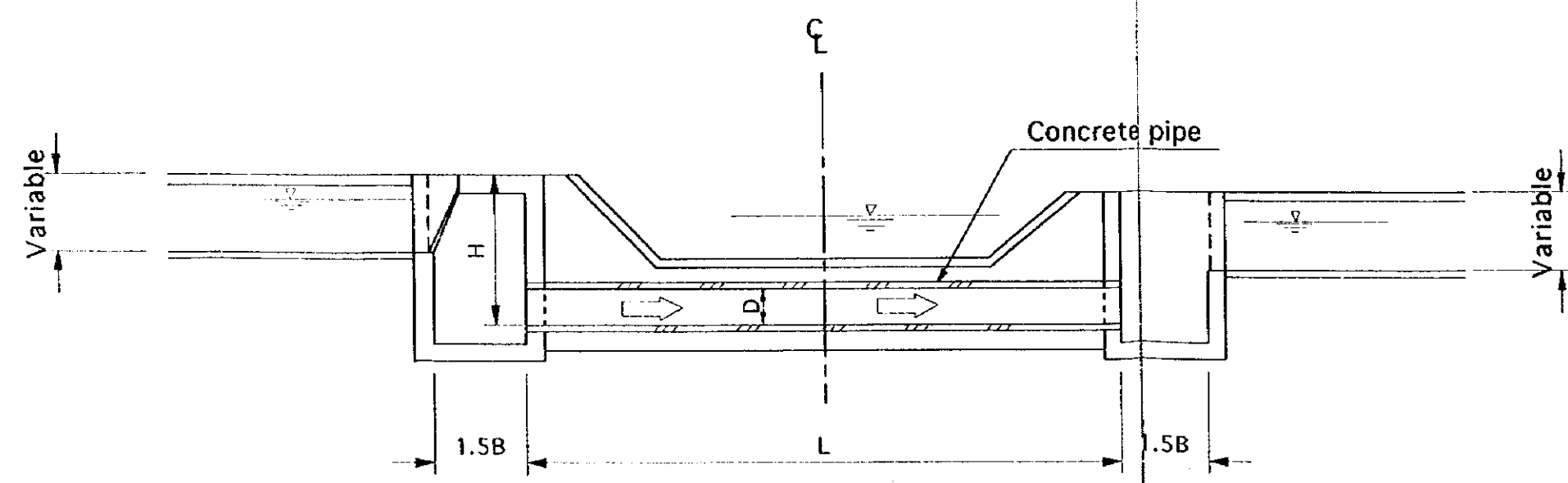
# SYPHON



PLAN



SECTION A-A



PROFILE

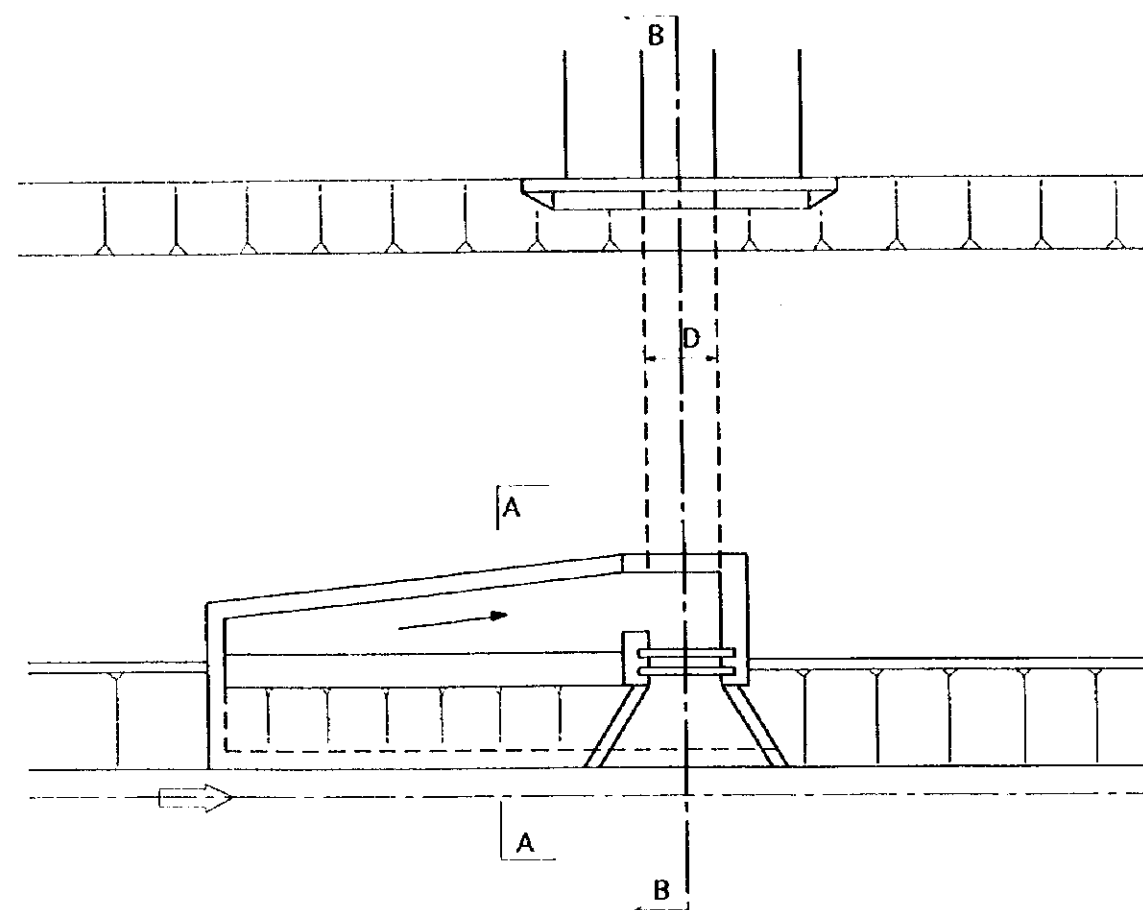
DIMENSION OF SYPHON

(Unit m)								
Name of Canal	Name of Structure	Sta. No	Qd (m <sup>3</sup> /sec)	Qf (m <sup>3</sup> /sec)	L	D	B	H
Main Canal	No 1 Syphon	No 5	0.88	0.90	5.00	1.00	1.30	2.50
	No 2 Syphon	No 45	0.57	2.00	5.00	0.80	1.10	2.30
	No 3 Syphon	IP 29	0.57	1.30	5.00	0.80	1.10	2.30
	No 4 Syphon	IP 34	0.57	1.30	5.00	0.80	1.10	2.30
	No 5 Syphon	No 66	0.57		5.00	0.80	1.10	2.30
	No 6 Syphon	No 78	0.57	36.00	5.00	0.80	1.10	2.30
	No 7 Syphon	No 82	0.57		5.00	0.80	1.10	2.30
	No 8 Syphon	IP 51	0.24		10.00	0.60	0.90	2.10
	No 9 Syphon	No 91-60.00	0.24		20.00	0.60	0.90	2.10
	No 10 Syphon	No 98	0.24	4.00	10.00	0.60	0.90	2.10
	No 11 Syphon	No 104	0.16	4.20	10.00	0.50	0.80	2.00
	No 12 Syphon	No 108	0.16	2.30	5.00	0.50	0.80	2.00
	No 13 Syphon	No 114-89.00	0.16	5.50	10.00	0.50	0.80	2.00
	No 14 Syphon	IP 69	0.092	2.70	5.00	0.50	0.80	2.00
	No 15 Syphon	No 125	0.092		5.00	0.50	0.80	2.00
	No 16 Syphon	IP 73	0.092		5.00	0.50	0.80	2.00
	No 17 Syphon	No 131	0.092		5.00	0.50	0.80	2.00
SC-2	No 1 Syphon	No 30	0.12	1.20	5.00	0.50	0.80	2.00
	No 2 Syphon	No 37-32.68	0.12	3.40	10.00	0.50	0.80	2.00

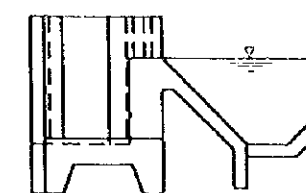
Qd: design discharge  
Qf: design flood discharge

THE UNITED REPUBLIC OF TANZANIA			
FEASIBILITY STUDY ON THE SMALLHOLDER IRRIGATION PROJECT IN CENTRAL WAMI RIVER BASIN, MOROGORO			
TITLE OF DRAWING		MWEGA SCHEME	
SYPHON			
Date		Drawing No.	525
JAPAN INTERNATIONAL COOPERATION AGENCY			

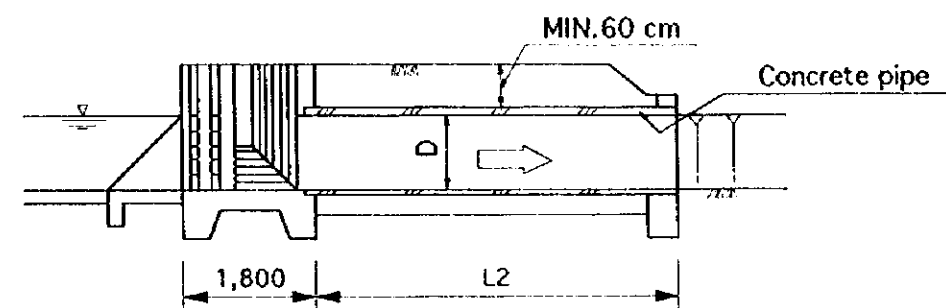
# SPILLWAY



PLAN



SECTION A-A



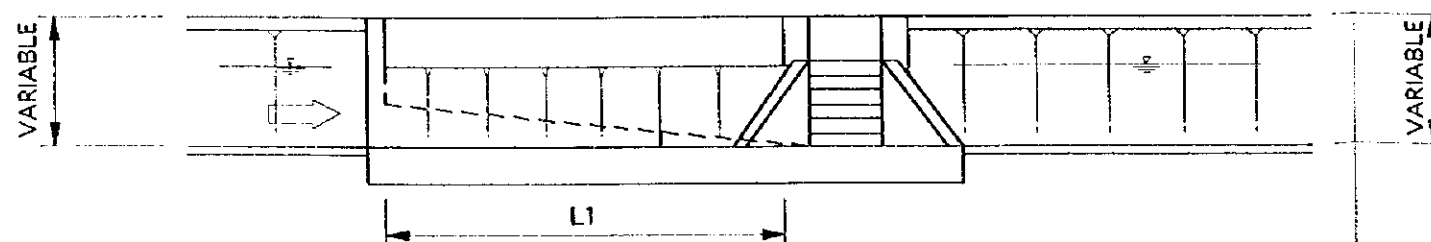
SECTION B-B

## DIMENSION OF SPILLWAY

(Unit:m)

Name of Canal	Name of Structure	Sta. No.	Qi (m <sup>3</sup> /sec)	L1	L2	D
Main Canal	No.1 Side Spillway	No.12	0.10	3.00	1.50	0.80
	No.2 Side Spillway	No.39	0.17	3.00	1.50	0.80
	No.3 Side Spillway	No.83+70.00	0.15	3.00	1.50	0.80
	No.4 Side Spillway	No.99+84.00	0.08	3.00	1.50	0.80

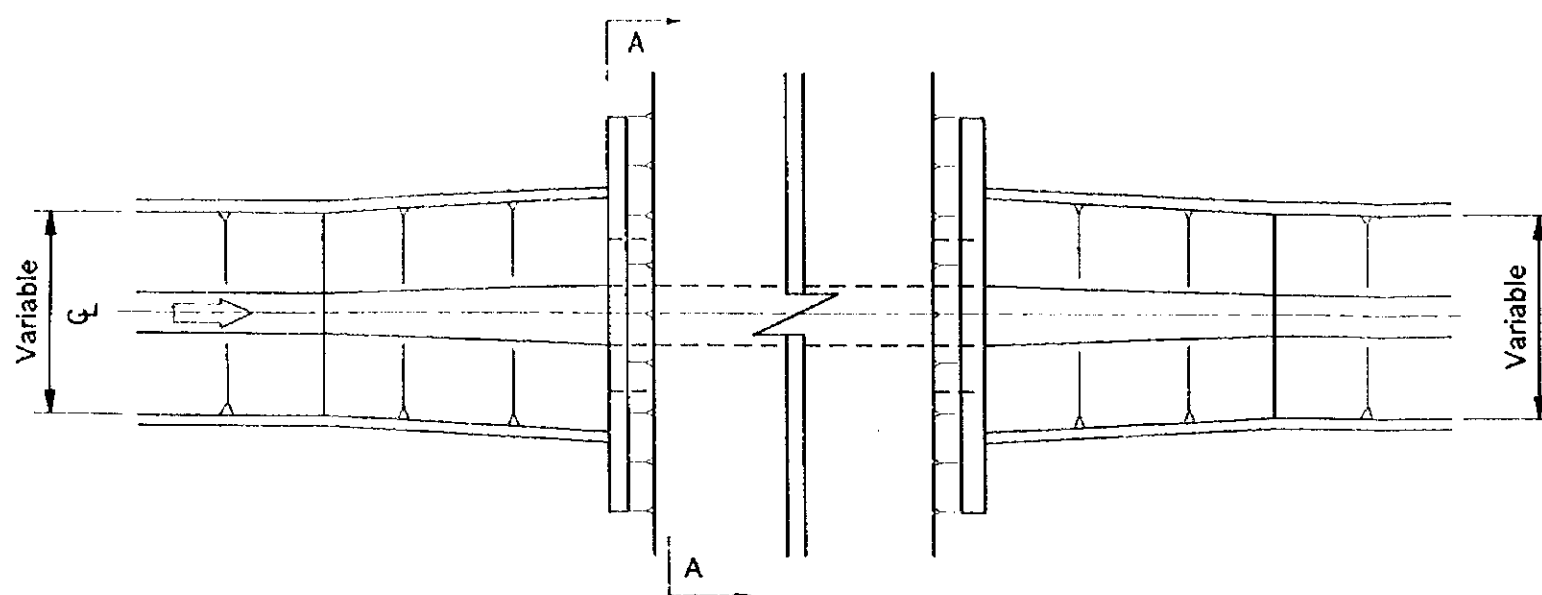
Qi : design discharge



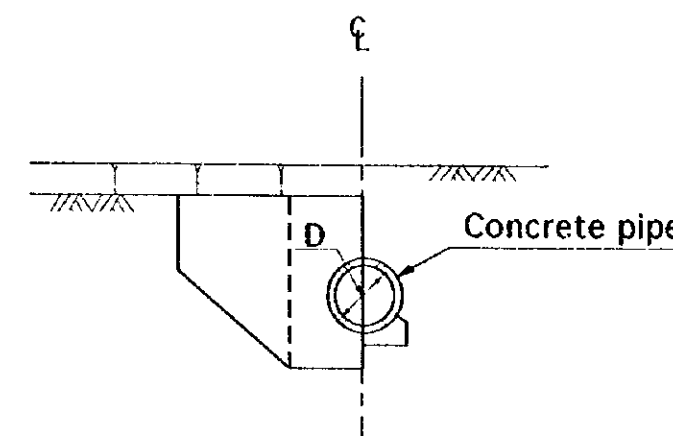
PROFILE

THE UNITED REPUBLIC OF TANZANIA			
FEASIBILITY STUDY ON THE SMALLHOLDER IRRIGATION PROJECT IN CENTRAL WAMI RIVER BASIN, MOROGORO			
TITLE OF DRAWING		MWEGA SCHEME	
SPILLWAY			
Date		Drawing No.	526
JAPAN INTERNATIONAL COOPERATION AGENCY			

# CULVERT



PLAN



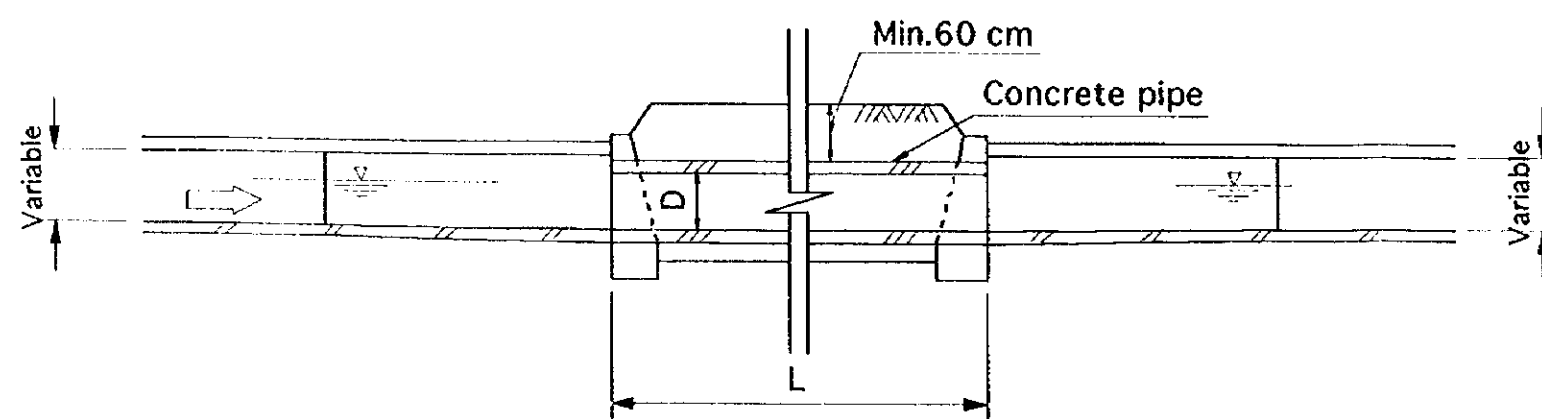
SECTION A-A

DIMENSION OF CULVERT

(Unit:m)						
Name of Canal	Name of Structure	Sta. No.	Qi (m <sup>3</sup> /sec)	L	D	Remarks
Main Canal	No.1 CV to No.4 CV	BP. - No.39	0.88 - 0.78	4.00	1.00	
	No.5 CV to No.11 CV	No.39 - No.83+84.53	0.57	4.00	0.90	
	No.12 CV to No.18 CV*	No.83+84.53 - No.117	0.24 - 0.16	4.00	0.60	
	No.15 CV	No.99+94.00	0.24	6.00	0.60	Malolo-Chabi Road
	No.19 CV to No.21 CV	No.117 - EP.	0.09	4.00	0.50	
SC-1	No.1 CV	No.2	0.10	4.00	0.50	
SC-2	No.1 CV	No.1+17.00	0.17	4.00	0.60	
	No.2 CV	No.12	0.12	4.00	0.50	
	No.3 CV	No.19+30.00	0.12	6.00	0.50	
	No.4 CV	No.44	0.12	4.00	0.50	

\*: except No.15 CV

Qi : design canal discharge



PROFILE

THE UNITED REPUBLIC OF TANZANIA

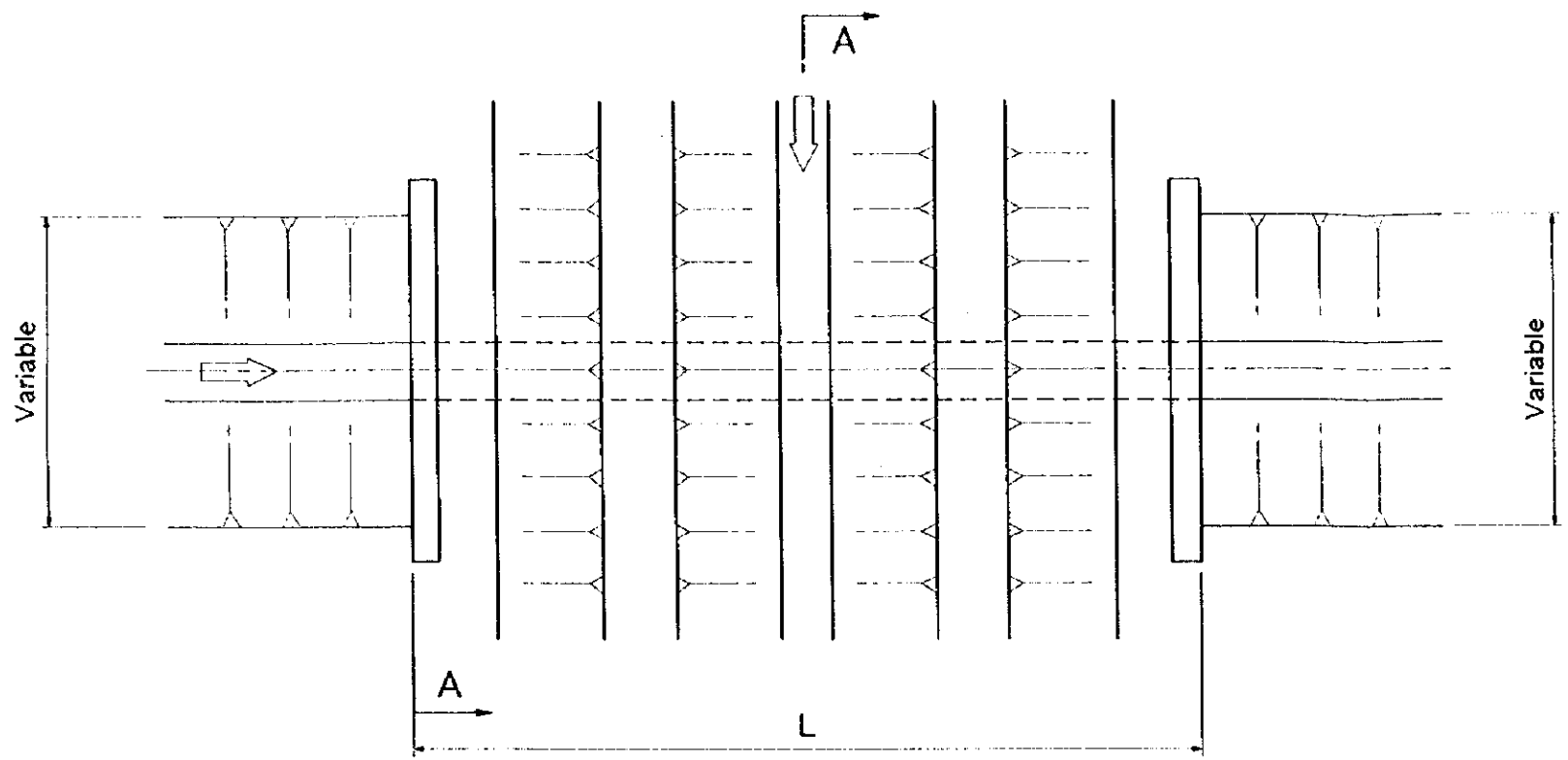
FEASIBILITY STUDY ON THE SMALLHOLDER IRRIGATION PROJECT IN CENTRAL WAMI RIVER BASIN, MOROGORO

TITLE OF DRAWING MWEGA SCHEME  
CULVERT

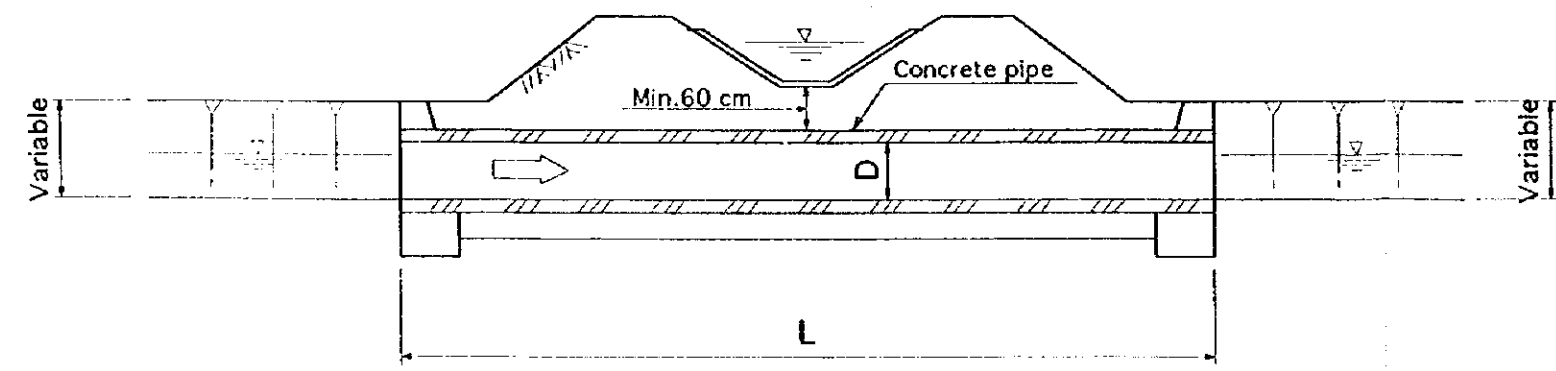
Date Drawing No. 527

JAPAN INTERNATIONAL COOPERATION AGENCY

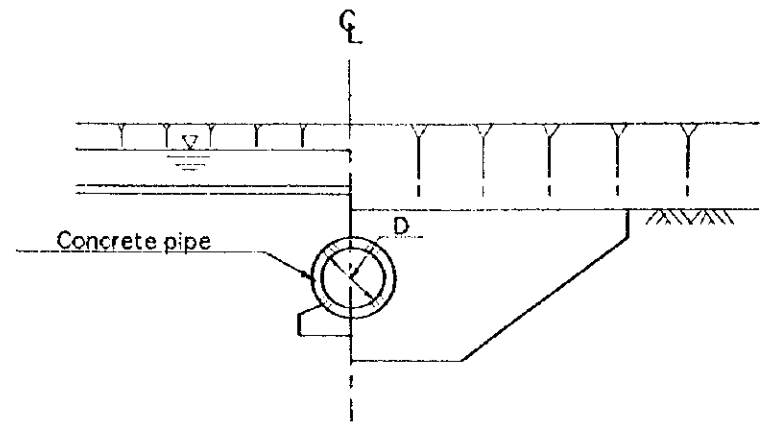
# CROSS DRAIN



PLAN



PROFILE



SECTION A-A

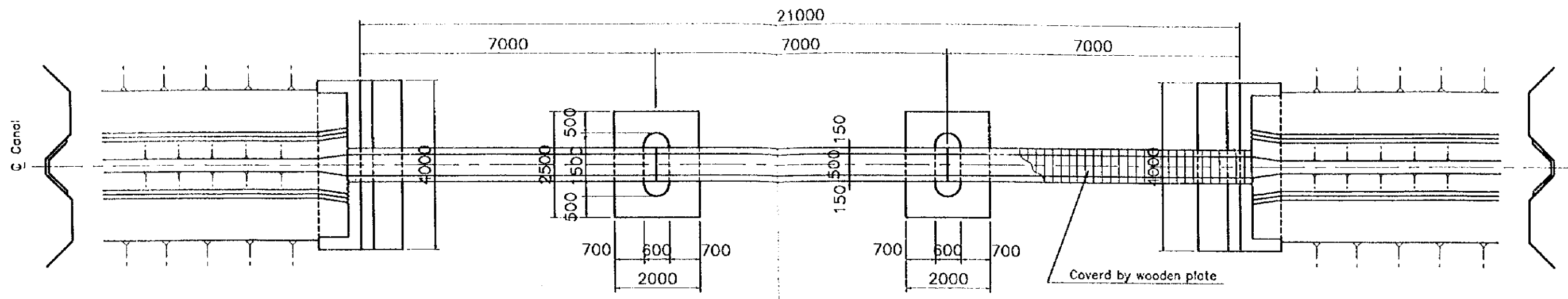
DIMENSION OF CROSS DRAIN

(Unit: m)

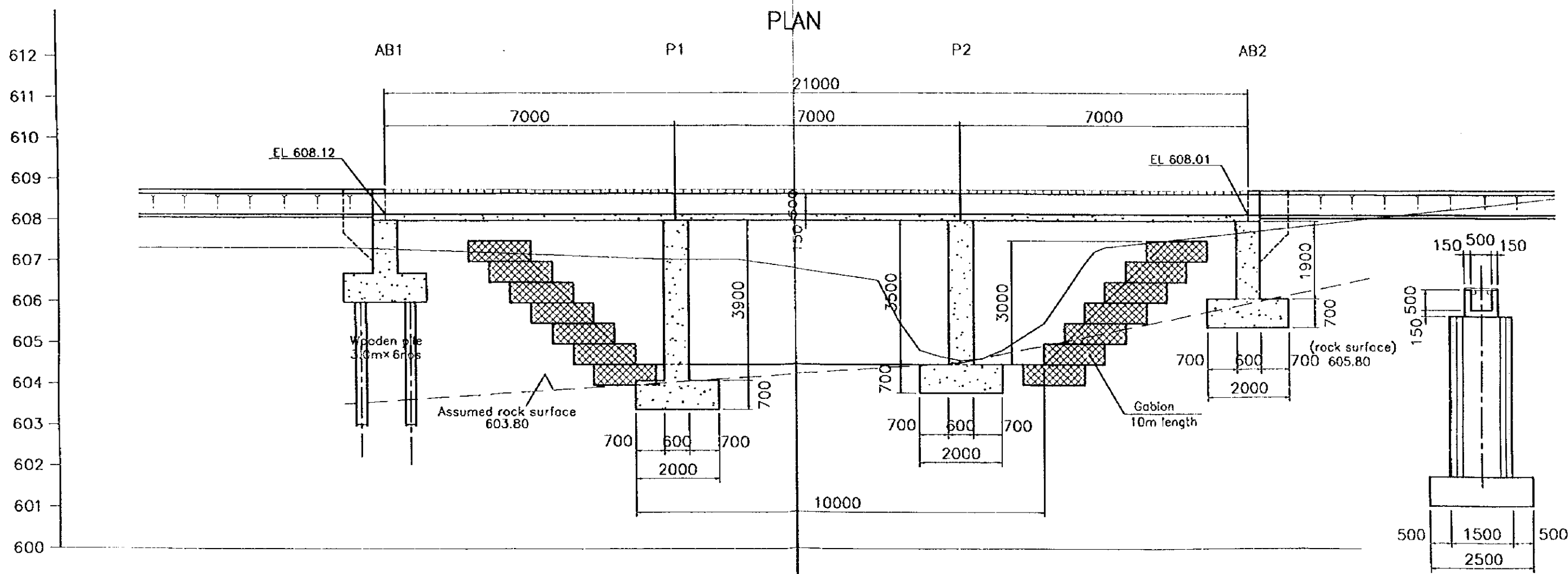
Name of Canal	Name of Structure	Sta. No.	Qi (m <sup>3</sup> /sec)	Qf (m <sup>3</sup> /sec)	L	D
Main Canal	No.1 Cross Drain	No.12	0.88	0.40	10.00	1.00
	No.2 Cross Drain	No.17+90.00	0.78	2.40	9.00	1.00 x 2
	No.3 Cross Drain	No.21	0.78	0.80	9.00	1.00
	No.4 Cross Drain	No.33+40.00	0.78	0.80	9.00	1.00
	No.5 Cross Drain	No.39	0.78	2.20	9.00	1.00 x 2
	No.6 Cross Drain	No.50	0.57	1.20	9.00	1.20
	No.7 Cross Drain	No.53	0.57	1.30	9.00	1.20
	No.8 Cross Drain	No.67+90.00	0.57	1.30	9.00	1.00
	No.9 Cross Drain	No.69+90.00	0.57	1.30	9.00	1.00
	No.10 Cross Drain	No.75	0.57	1.30	9.00	1.00
SC-1	No.1 Cross Drain	No.4+8.70	0.10	0.90	7.00	1.00
	No.2 Cross Drain	No.7+54.40	0.10	0.90	7.00	1.00
	No.3 Cross Drain	No.11+90.00	0.10	0.70	7.00	1.00
	No.4 Cross Drain	No.16	0.10	0.80	7.00	1.00
SC-2	No.1 Cross Drain	No.4+87.40	0.17	0.70	7.00	1.00
	No.2 Cross Drain	No.13	0.12	0.80	7.00	1.00
	No.3 Cross Drain	No.20+90.00	0.12	0.50	7.00	1.00
	No.4 Cross Drain	No.25+30.00	0.12	1.20	7.00	1.00 x 2

Qi: design canal discharge  
Qf: design flood discharge

THE UNITED REPUBLIC OF TANZANIA			
FEASIBILITY STUDY ON THE SMALLHOLDER IRRIGATION PROJECT IN CENTRAL WAMI RIVER BASIN, MOROGORO			
TITLE OF DRAWING		MWEGA SCHEME	
CROSS DRAIN			
Date		Drawing No.	528
JAPAN INTERNATIONAL COOPERATION AGENCY			

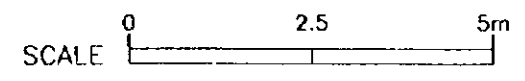


PLAN

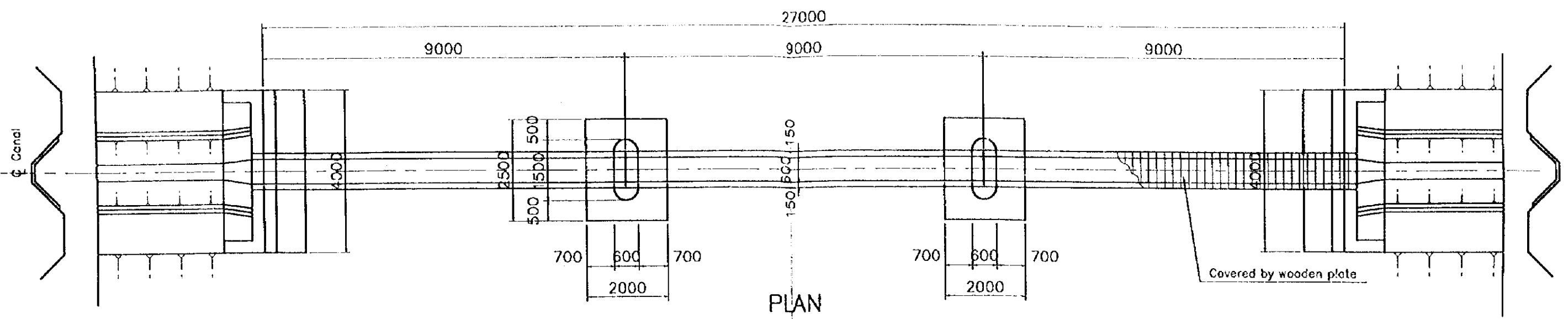


PROFILE

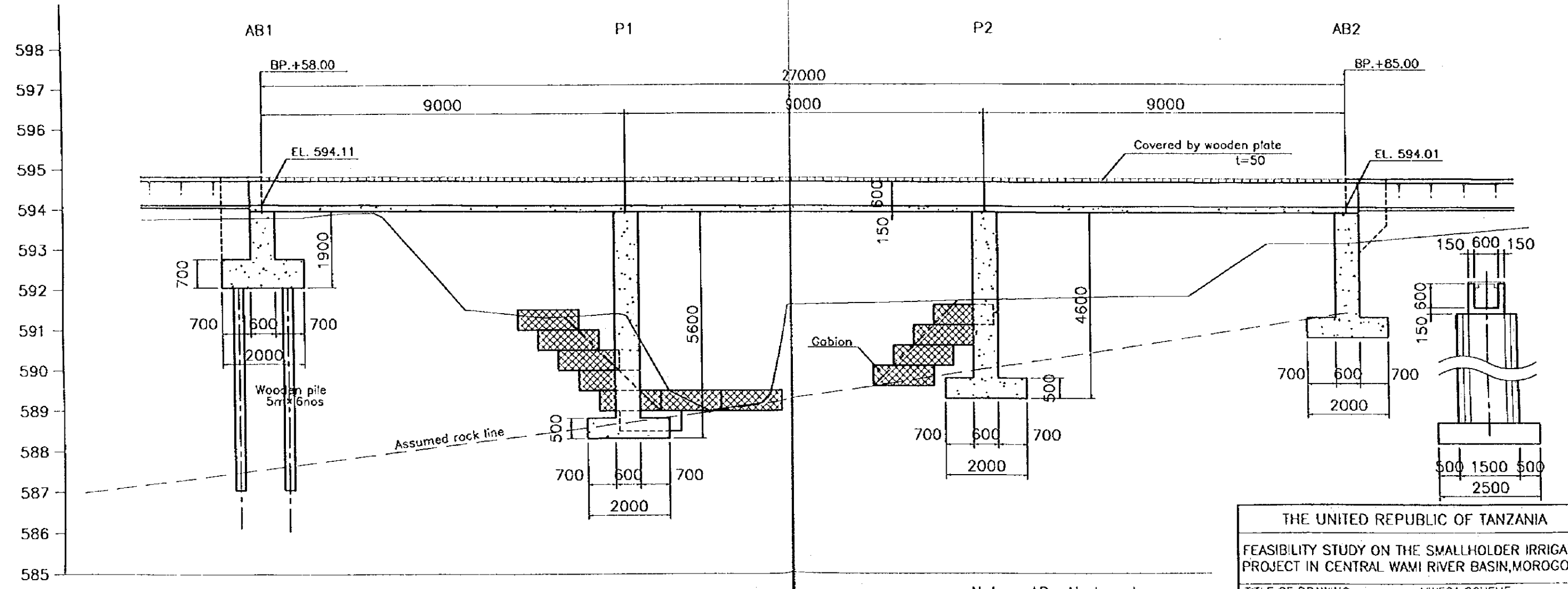
Note AB : Abutment  
P : Pier



THE UNITED REPUBLIC OF TANZANIA			
FEASIBILITY STUDY ON THE SMALLHOLDER IRRIGATION PROJECT IN CENTRAL WAMI RIVER BASIN, MOROGORO			
TITLE OF DRAWING		MWEGA SCHEME	
AQUEDUCT ON SC-1			
Date		Drawing No.	529
JAPAN INTERNATIONAL COOPERATION AGENCY			

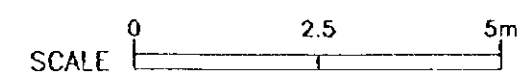


PLAN



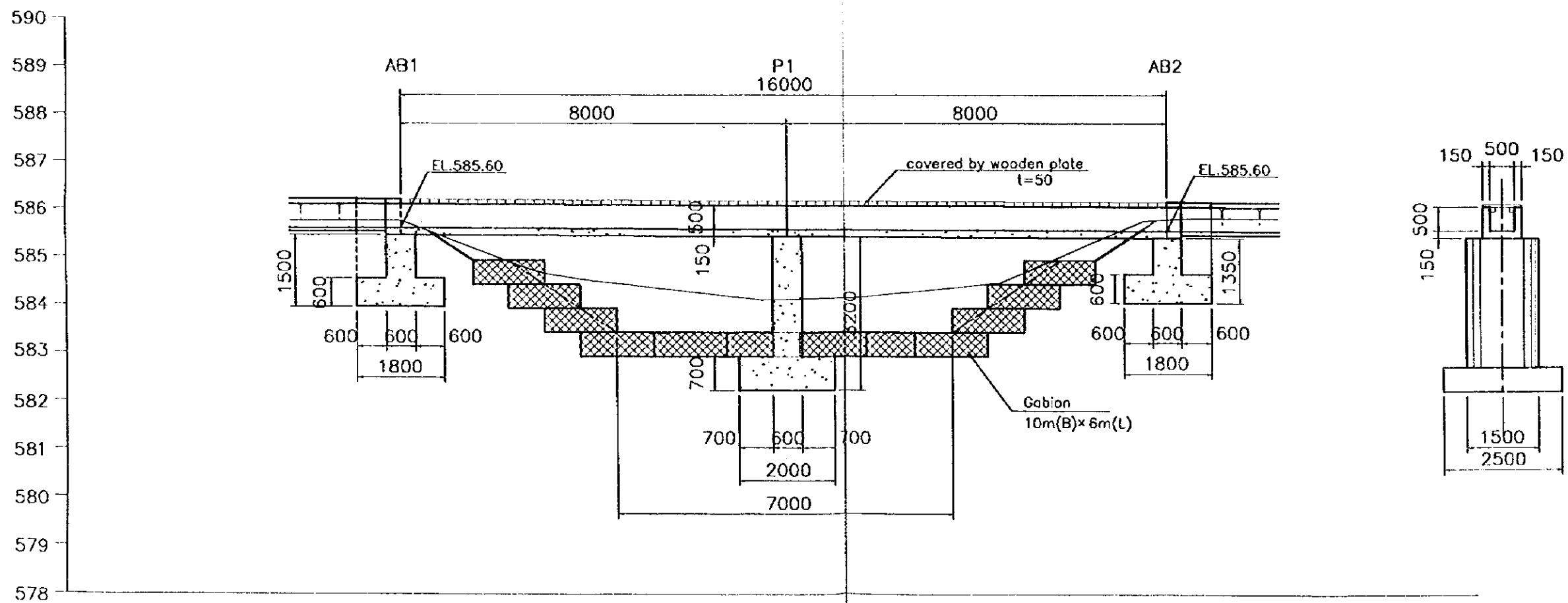
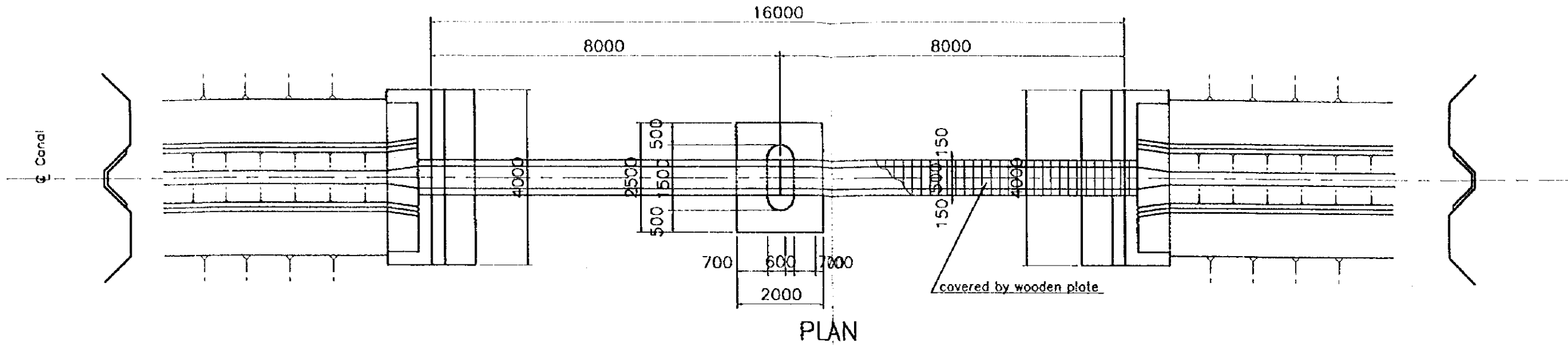
PROFILE

Note AB : Abutment  
P : Pier



THE UNITED REPUBLIC OF TANZANIA			
FEASIBILITY STUDY ON THE SMALLHOLDER IRRIGATION PROJECT IN CENTRAL WAMI RIVER BASIN, MOROGORO			
TITLE OF DRAWING		MWEGA SCHEME	
AQUEDUCT NO.1 ON SC-2			
Date		Drawing No.	530
JAPAN INTERNATIONAL COOPERATION AGENCY			



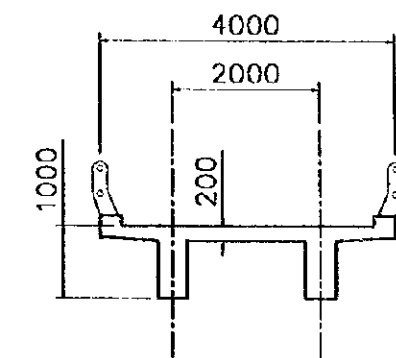
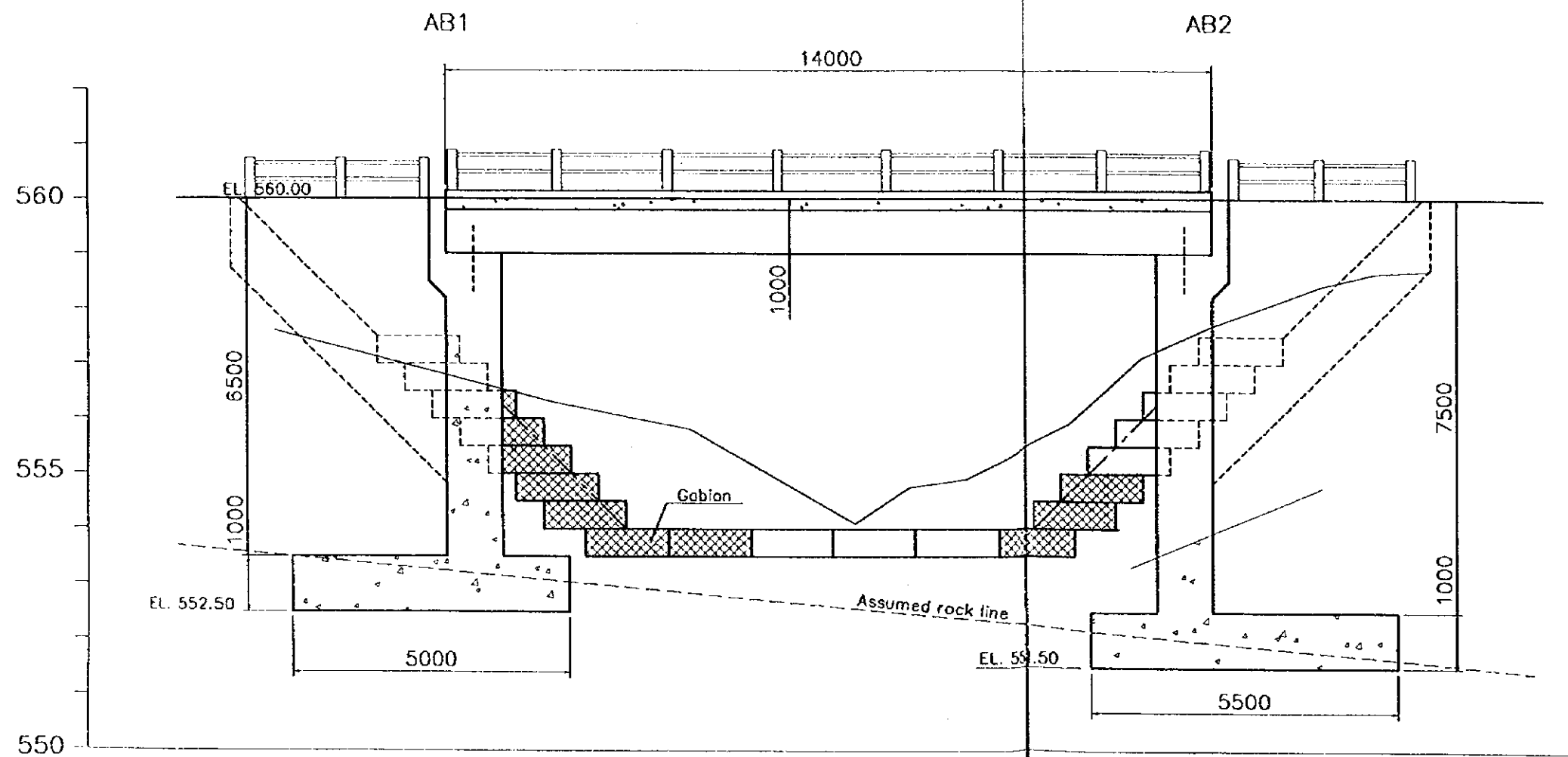
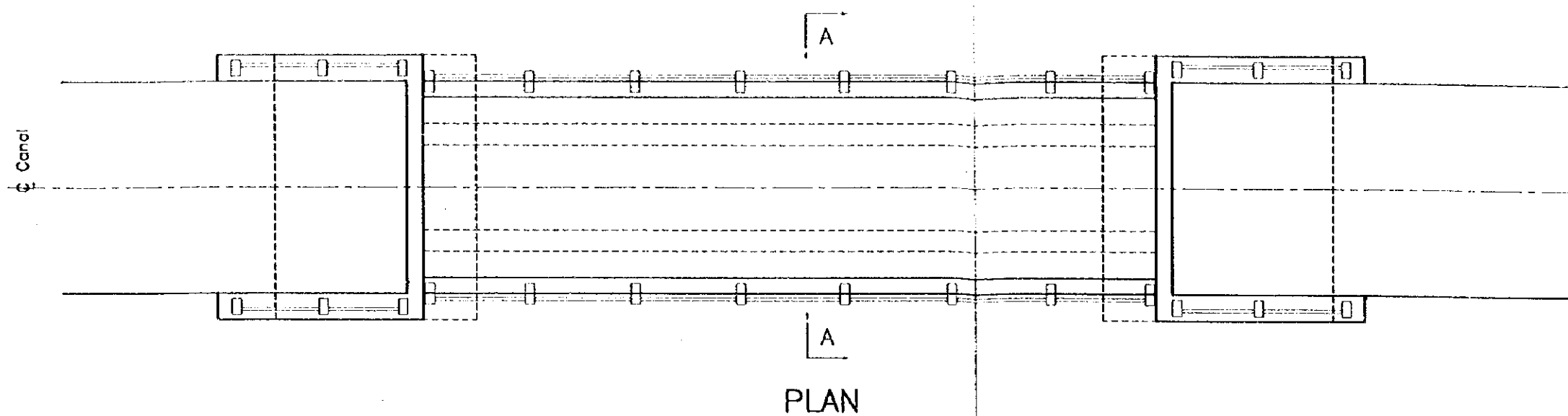


PROFILE

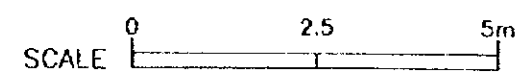
Note AB : Abutment  
P : Pier



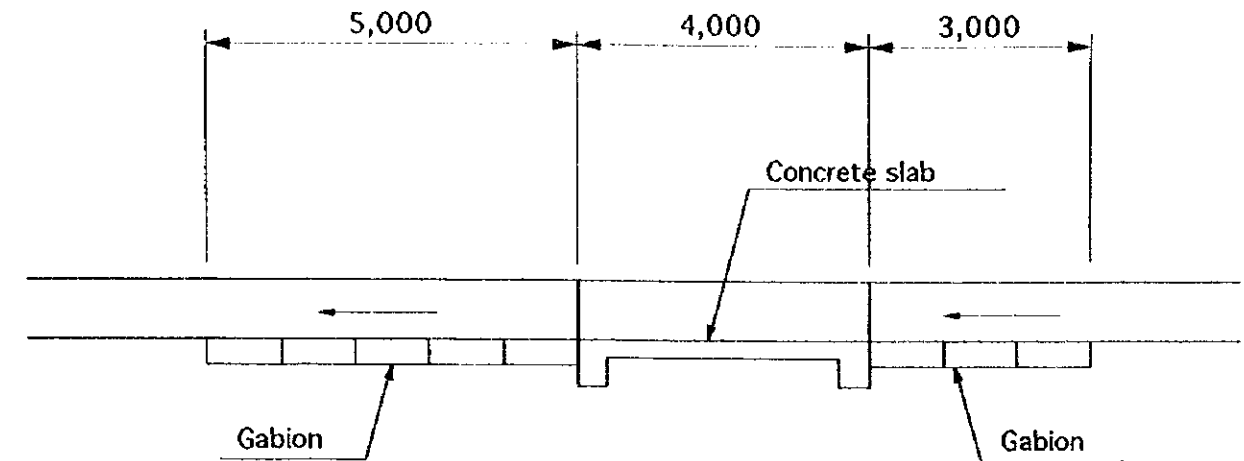
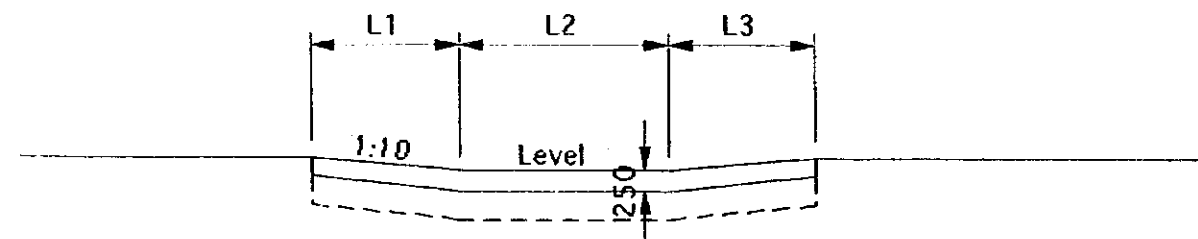
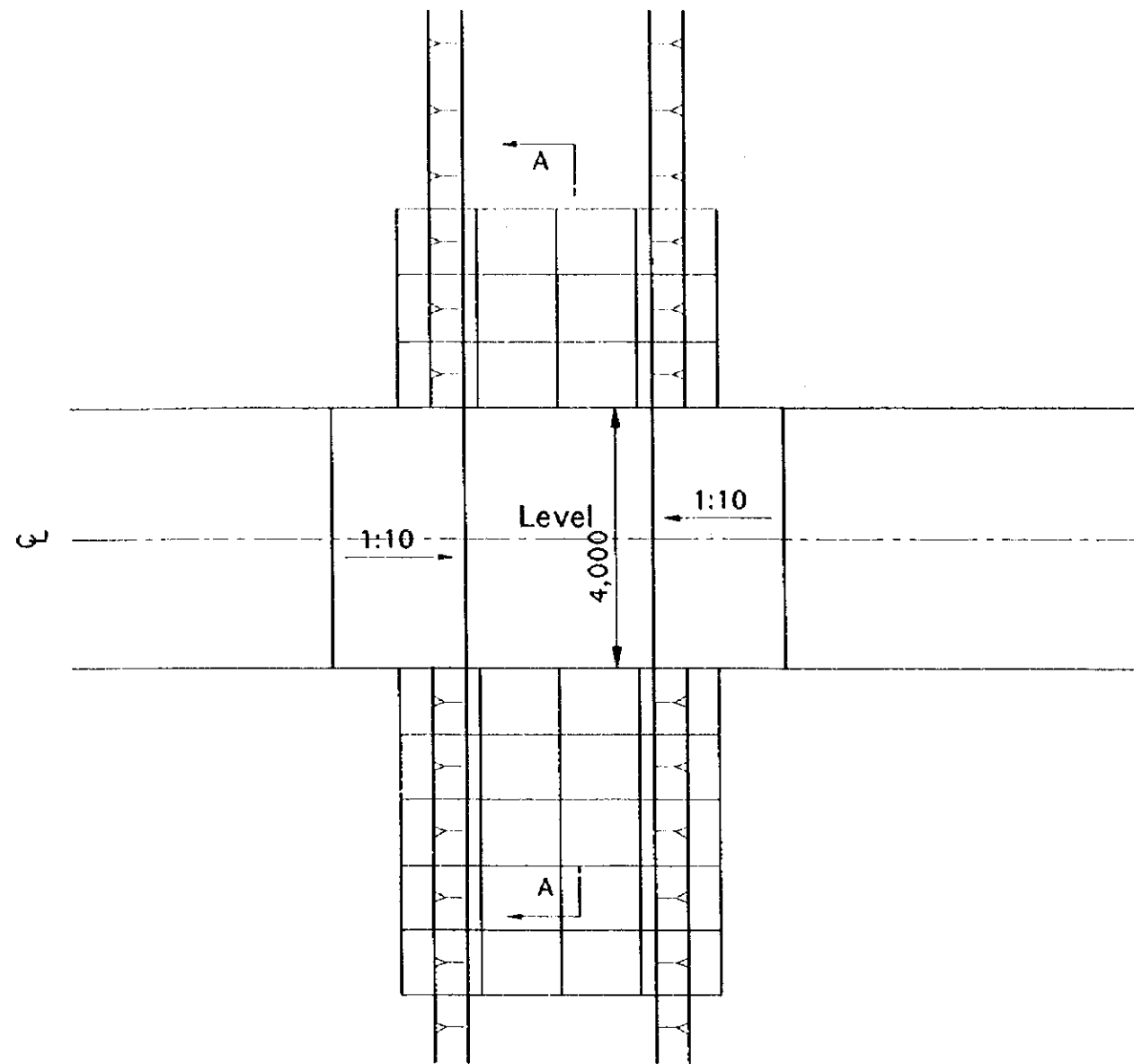
THE UNITED REPUBLIC OF TANZANIA			
FEASIBILITY STUDY ON THE SMALLHOLDER IRRIGATION PROJECT IN CENTRAL WAMI RIVER BASIN, MOROGORO			
TITLE OF DRAWING		MWEGA SCHEME	
AQUEDUCT NO.2 ON SC-2			
Date		Drawing No.	531
JAPAN INTERNATIONAL COOPERATION AGENCY			



Note AB : Abutment  
P : Pier



THE UNITED REPUBLIC OF TANZANIA			
FEASIBILITY STUDY ON THE SMALLHOLDER IRRIGATION PROJECT IN CENTRAL WAMI RIVER BASIN, MOROGORO			
TITLE OF DRAWING		MWEGA SCHEME	
BRIDGE PROVIDED ACROSS MWEGA RIVER		ON CHABI-MALOLO ROAD	
Date		Drawing No.	532
JAPAN INTERNATIONAL COOPERATION AGENCY			



DIMENSION OF CAUSEWAY

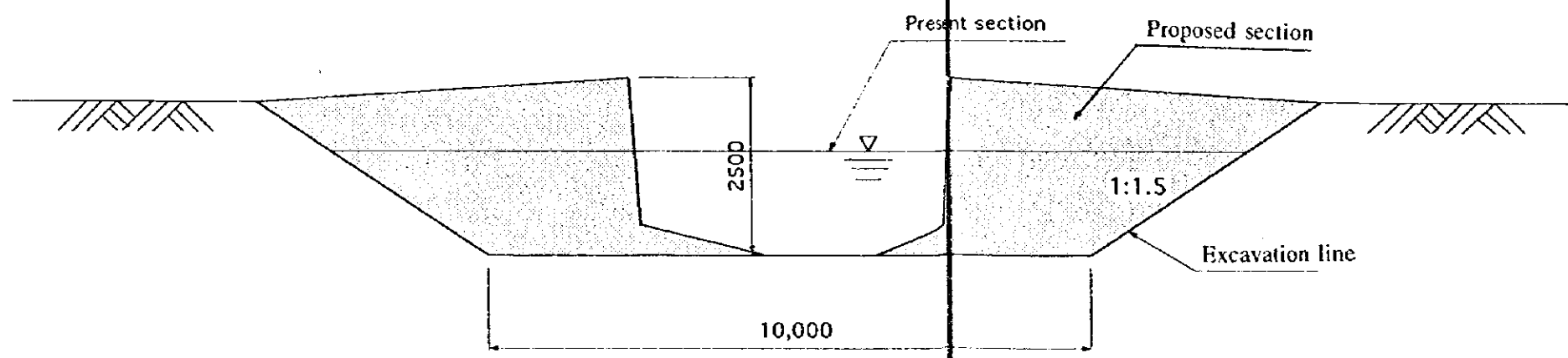
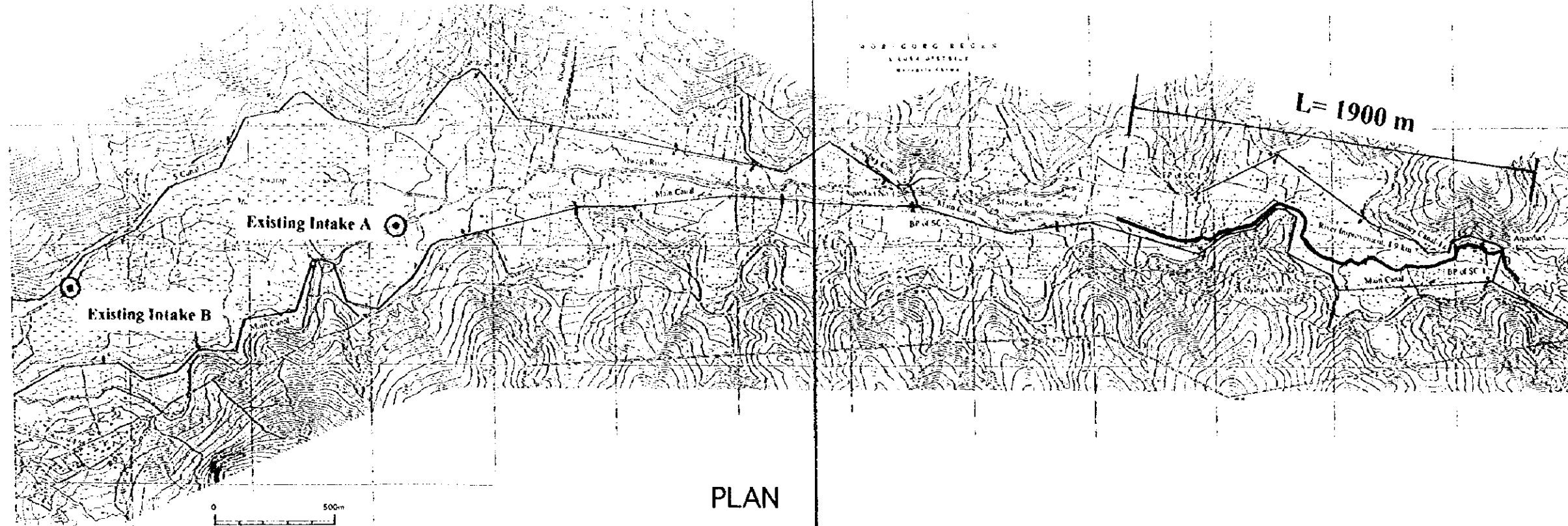
(Unit:m)

Causeway	L1	L2	L3	Distance from A-7
No,1	10.00	14.00	10.00	0.4 km
No,2	8.00	6.00	8.00	0.8 km
No,3	8.00	6.00	8.00	1.4 km
No,4	5.00	5.00	5.00	5.8 km
No,5	5.00	5.00	5.00	6.8 km

Note : These causeway structures are provided on the access road from A-7 highway to Malolo

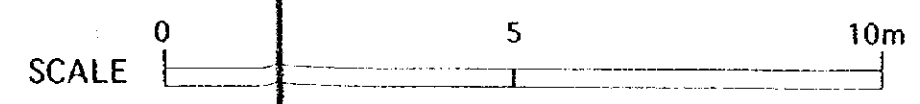
THE UNITED REPUBLIC OF TANZANIA			
FEASIBILITY STUDY ON THE SMALLHOLDER IRRIGATION PROJECT IN CENTRAL WAMI RIVER BASIN, MOROGORO			
TITLE OF DRAWING		MWEGA SCHEME	
CAUSEWAY			
Date		Drawing No.	533
JAPAN INTERNATIONAL COOPERATION AGENCY			

# RIVER IMPROVEMENT



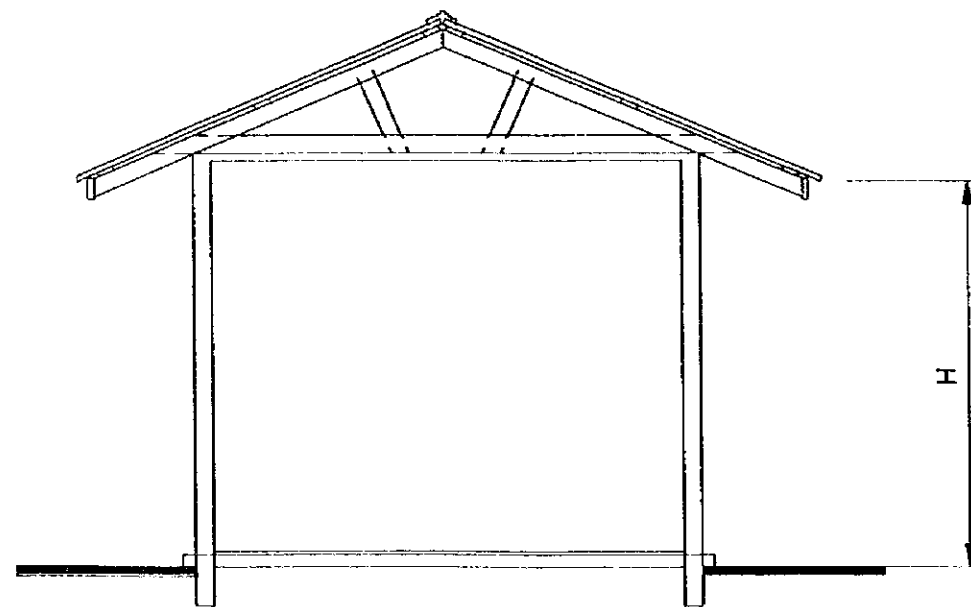
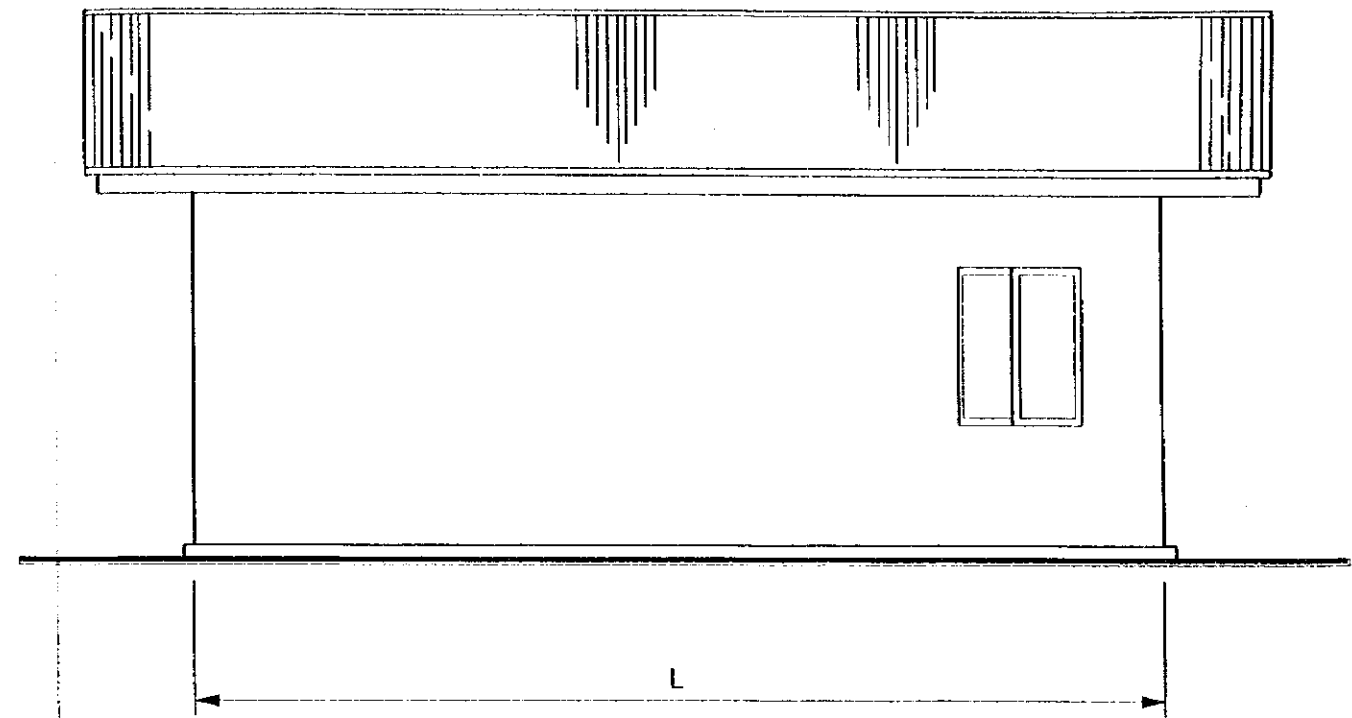
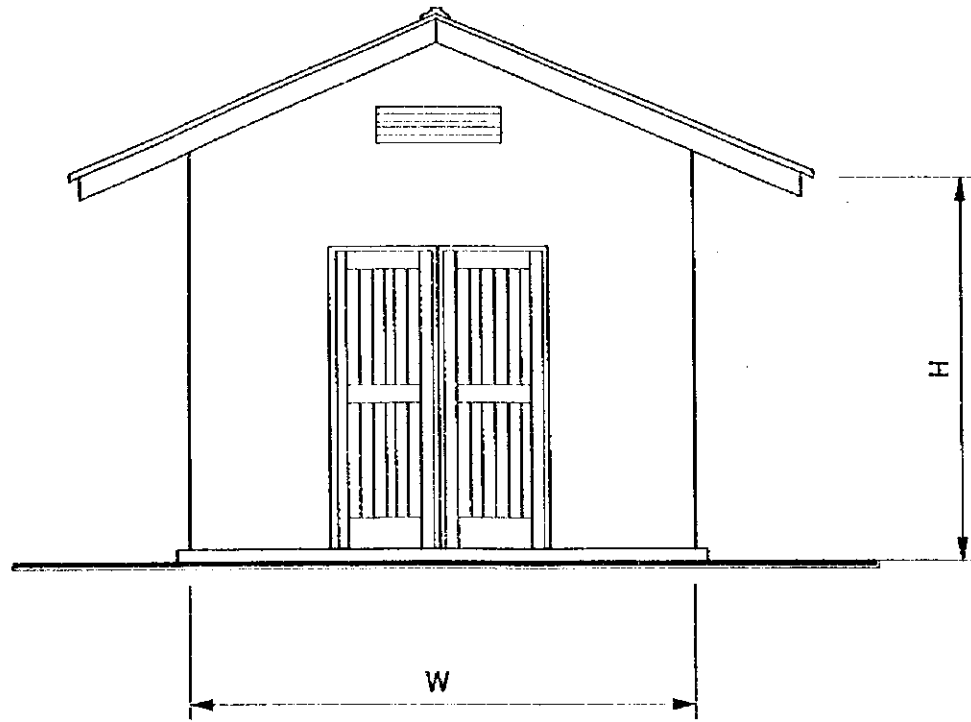
Note : Existing Intake A&B should be removed.

## TYPICAL CROSS SECTION



THE UNITED REPUBLIC OF TANZANIA			
FEASIBILITY STUDY ON THE SMALLHOLDER IRRIGATION PROJECT IN CENTRAL WAMI RIVER BASIN, MOROGORO			
TITLE OF DRAWING MWEGA SCHEME			
RIVER IMPROVEMENT			
Date		Drawing No.	534
JAPAN INTERNATIONAL COOPERATION AGENCY			

# STORAGE & WUG OFFICE



(Unit: m)

ITEM	L	W	H
STORAGE	22.00	15.00	3.00
WUG OFFICE	20.00	10.00	3.00

THE UNITED REPUBLIC OF TANZANIA			
FEASIBILITY STUDY ON THE SMALLHOLDER IRRIGATION PROJECT IN CENTRAL WAMI RIVER BASIN, MOROGORO			
TITLE OF DRAWING		MWEGA SCHEME	
STORAGE & WUG OFFICE			
Date		Drawing No.	535
JAPAN INTERNATIONAL COOPERATION AGENCY			







JICA