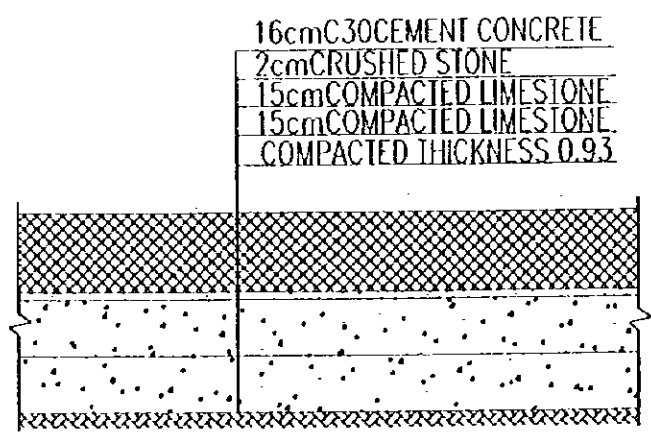
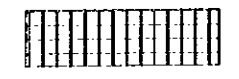
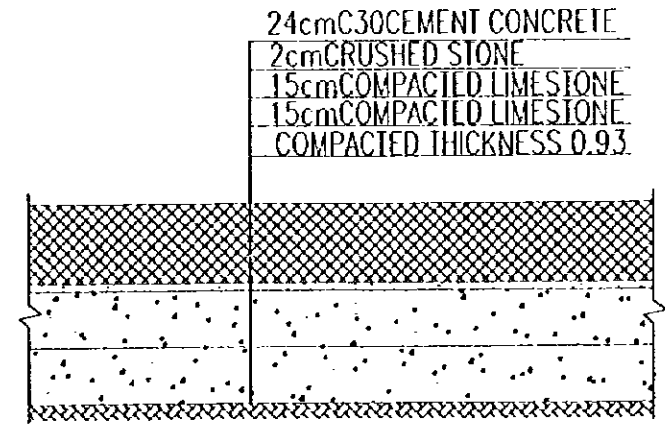


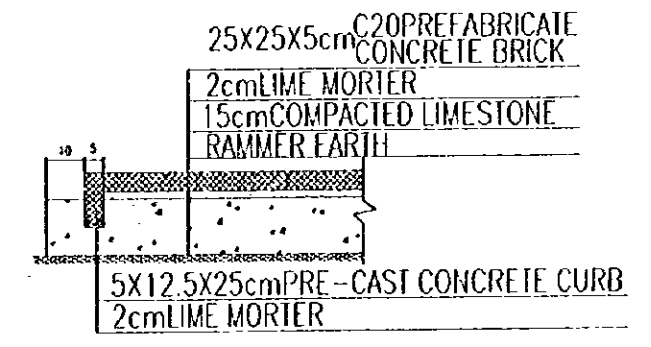
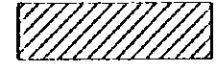
PAVEING FOR FIRE-FIGHTING TRACK
ROAD OF LIFE SERVICE GARAGE



PAVEING FOR TRAINING SITE



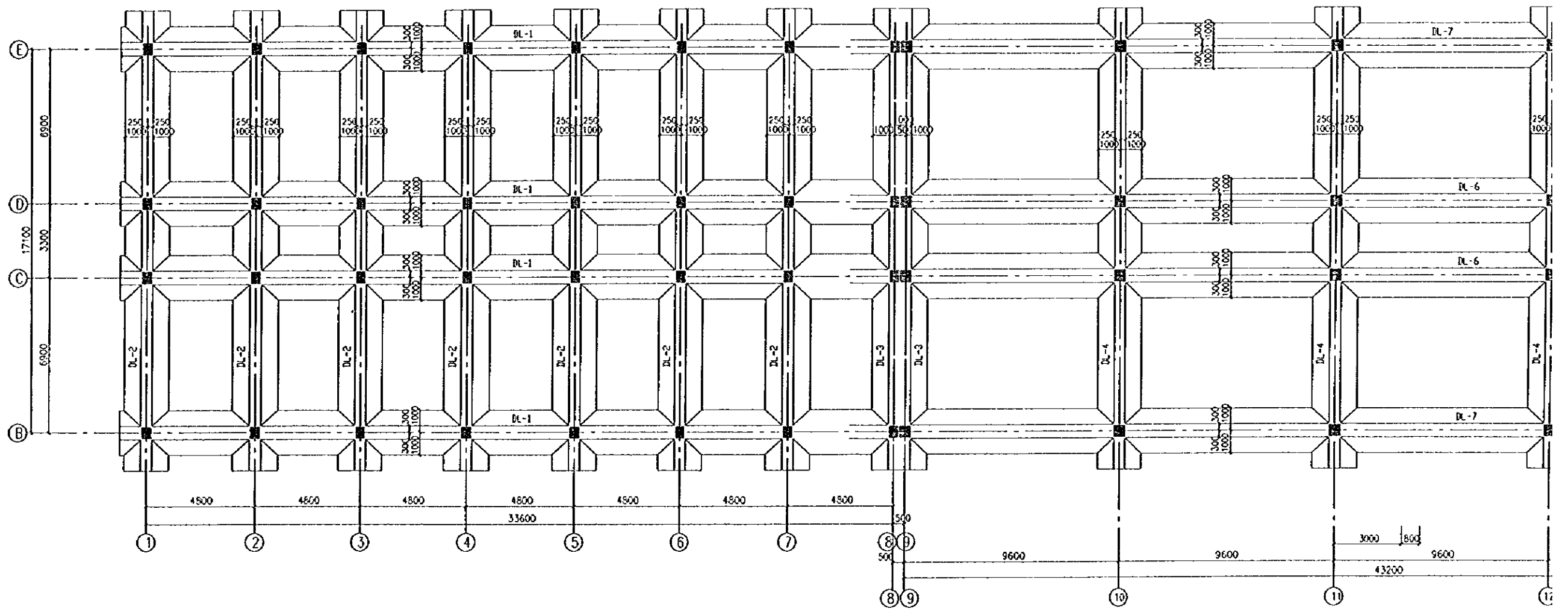
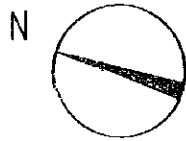
PAVEING FOR TRAINING SITE



PAVEING FOR SIDEWALK



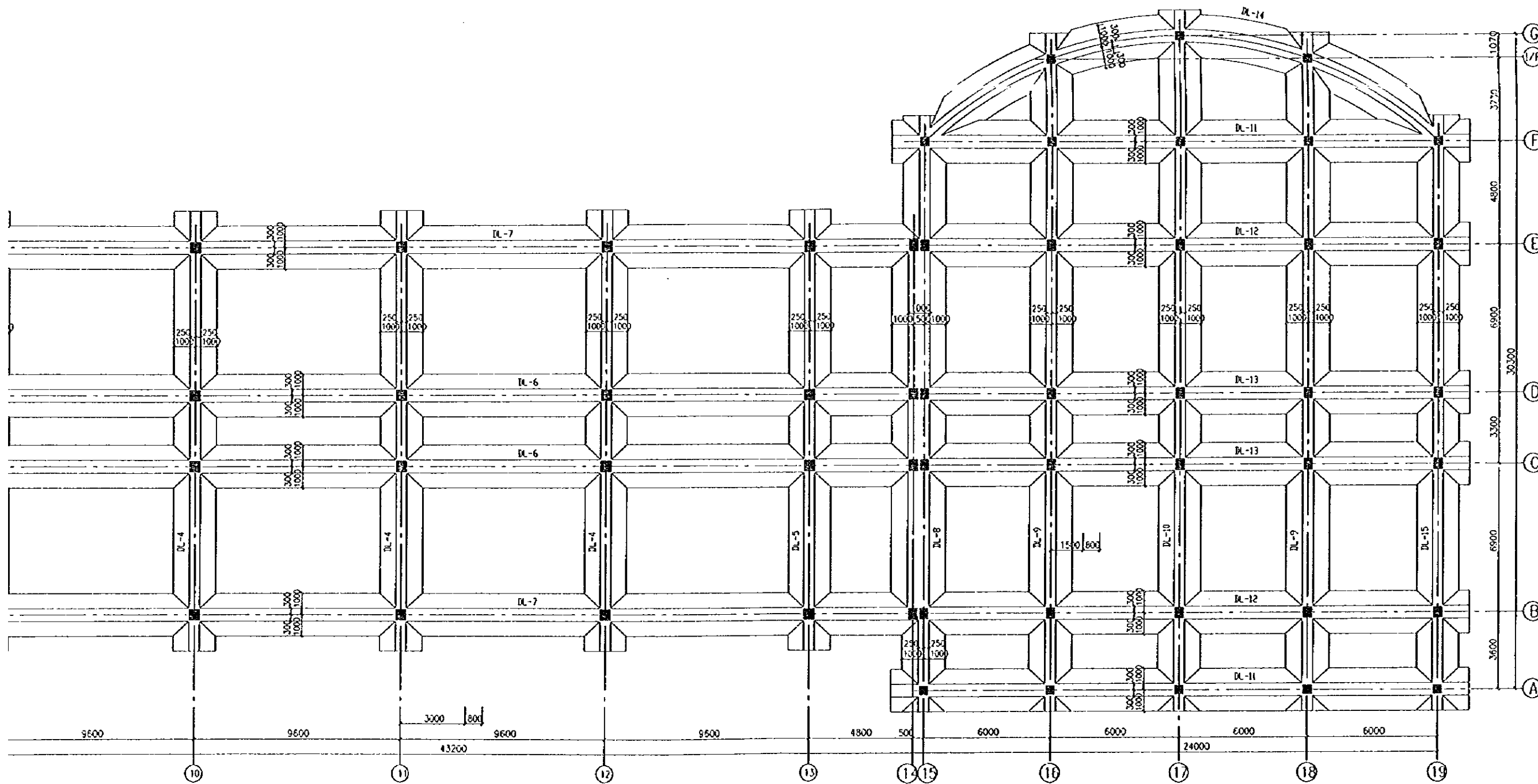
PEOPLE'S REPUBLIC OF CHINA		
SHANGHAI PUDONG INTERNATIONAL AIRPORT PROJECT		SEPTEMBER 1997
PAVING		
SCALE	NON SCALE	DWG 41-A16
JAPAN INTERNATIONAL COOPERATION AGENCY		



PLAN LAYOUT OF FOUNDATION BEAMS

Note:

1. For this project, 10 000 equals to absolute elevation 4350.
2. The seismic intensity of this project is 7 base load-bearing capacity st. 2-1 layer brick yellow silty clay will be the bearing course and check
3. Material
 others C25 backbone C10 plain concrete.
 Reinforcing steel : --- refers to Grade II, ---- refers to Grade I
 partition: exterior partition: 240 thick perforated clay bricks
 interior partition: 200 thick macroporous bricks

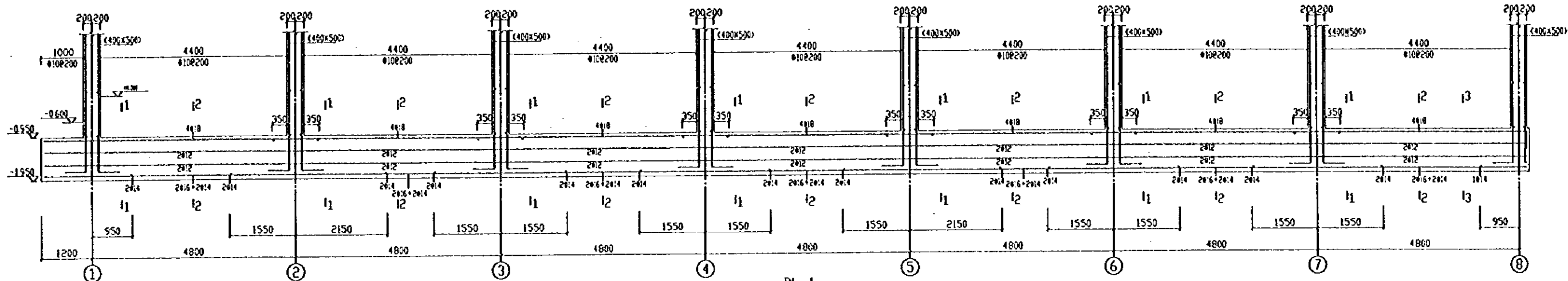


PLAN LAYOUT OF FOUNDATION BEAMS

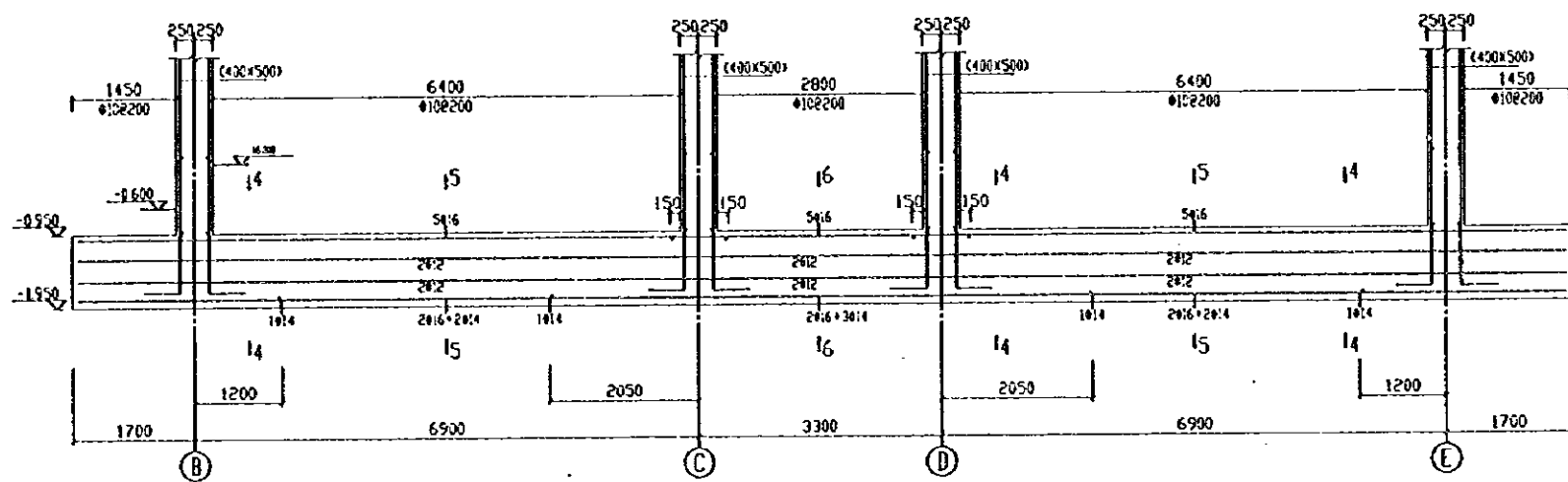
Note:

1. For this project, 10.000 equals to absolute elevation 4.950.
2. The seismic intensity of this project is 7 base load-bearing capacity standard value=90kpa.
2-1 layer brown yellow sily clay will be the bearing course and check the foundation subsoil after excavation.
3. Material:
others C25 bedcourse C10 plain concrete.
Reinforcing steel :----relates to Grade II,-----relates to Grade I
partitions: exterior partition: 240thick perforated clay bricks
interior partition: 200thick macroporous bricks
4. Concrete protection layer thickness: 35mm for columns and beams under 10.000.
25mm for columns and beams above 10.000,15mm for slab.
5. construction of damp-proof course:
1:2 cement mortar plus 5% waterproofing powder,elevation:-0.060
6. See 03329 for seismic construction.
7. Foundation construction should coordinate with drawings of water,electric and telecommunication, and pay attention
8. upper and lower parts of main bar in upright of door frame shall go 50d each into frame beam and foundation beam

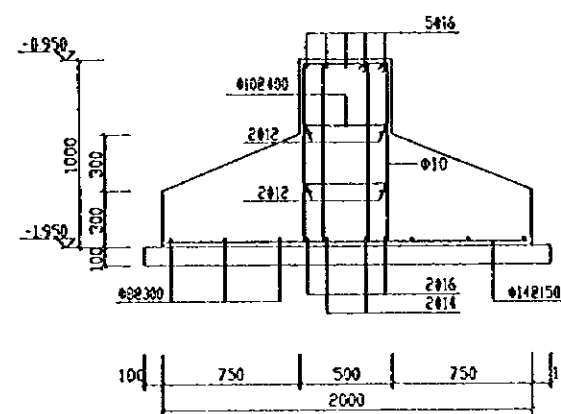
PEOPLE'S REPUBLIC OF CHINA	
SHANGHAI PUDONG INTERNATIONAL AIRPORT PROJECT	SEPTEMBER 1997
FOUNDATION PLAN	
SCALE	DWG 41-S1
JAPAN INTERNATIONAL COOPERATION AGENCY	



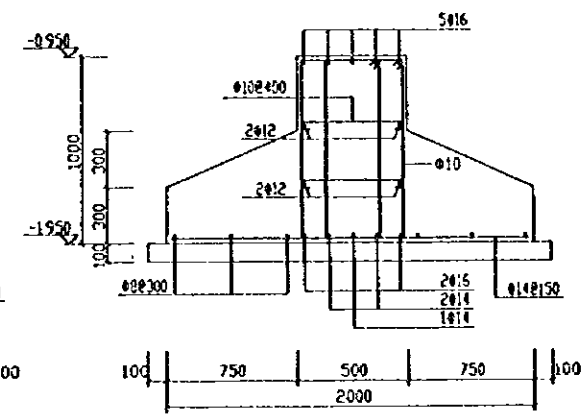
DL-1



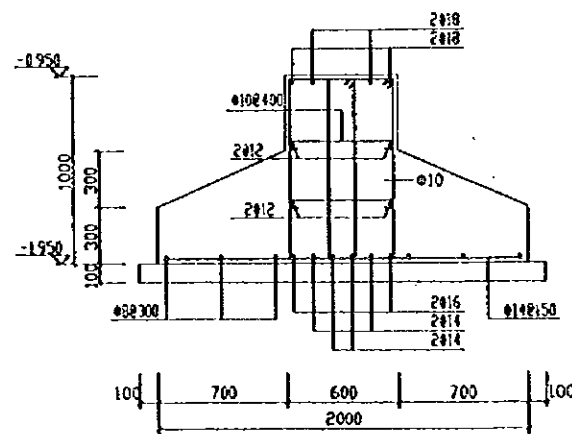
DL-2



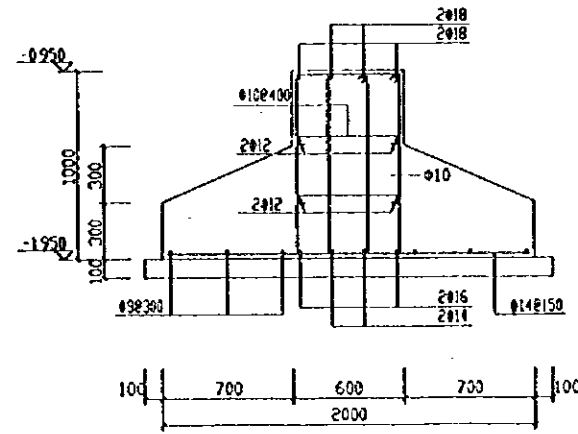
5-5



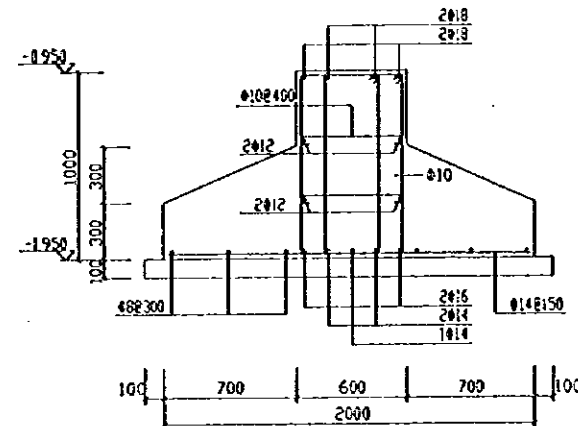
6-6



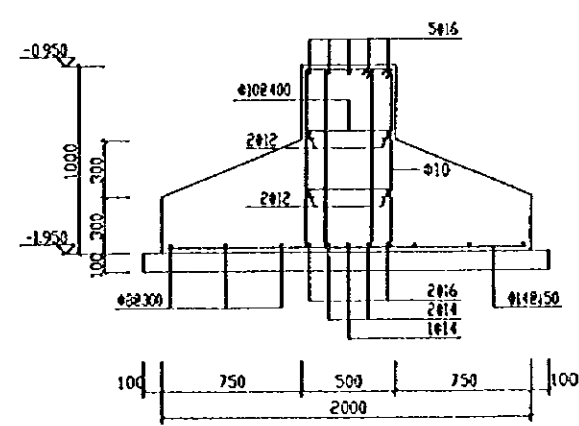
1-1



2-2

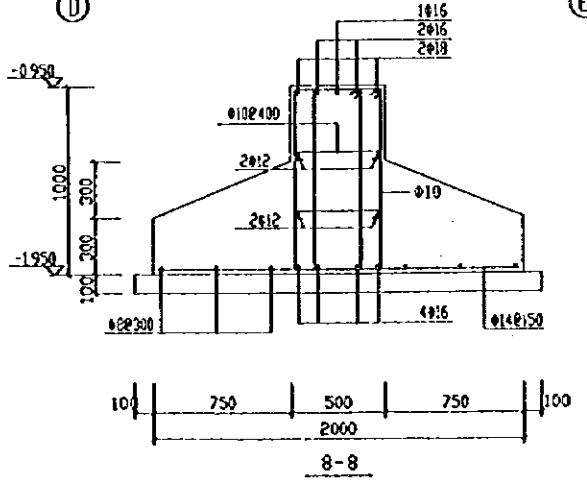
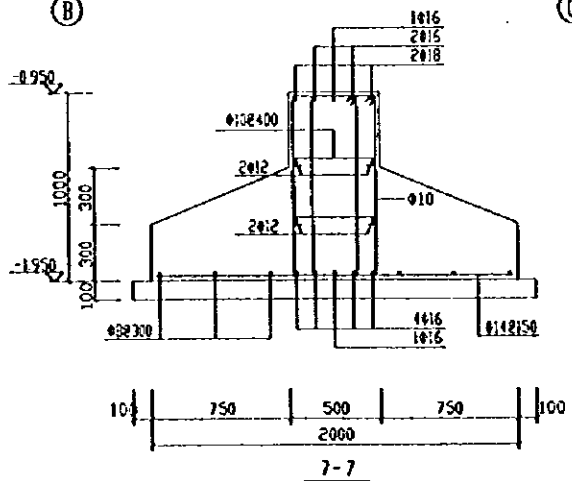
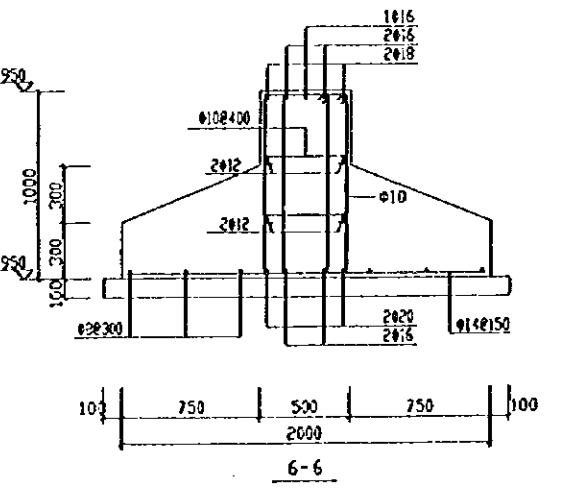
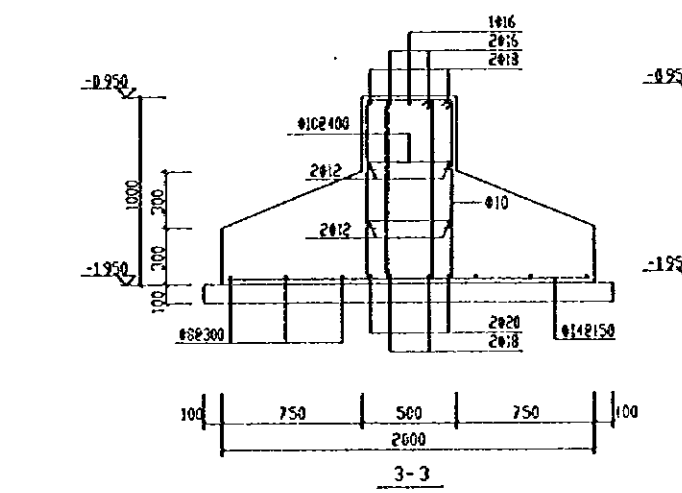
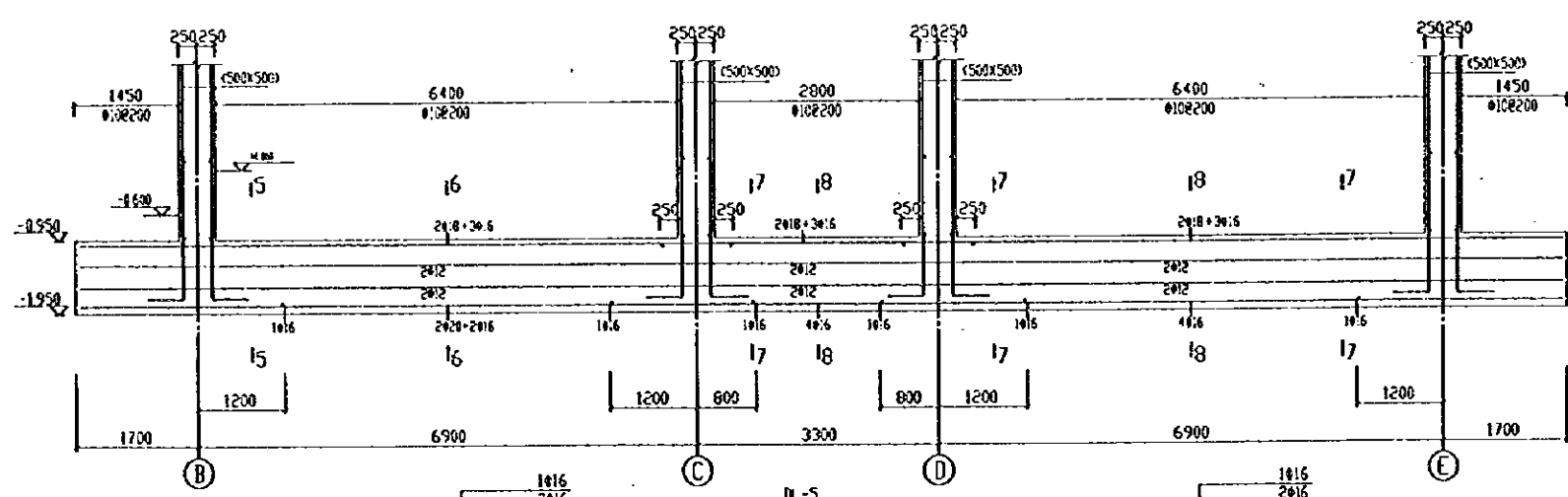
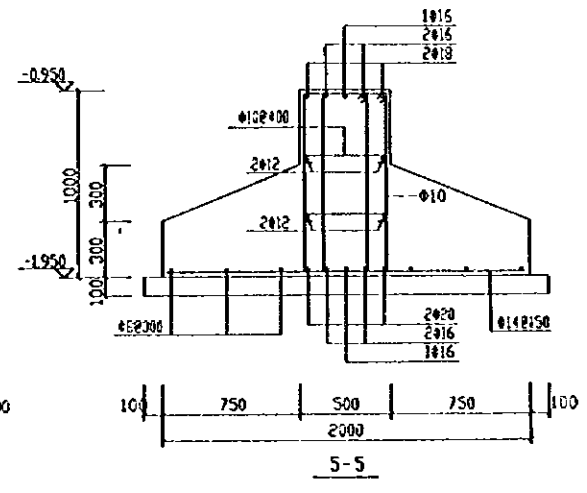
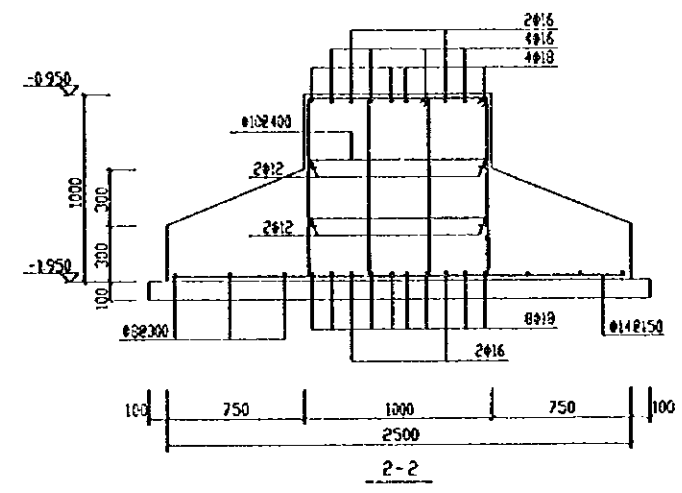
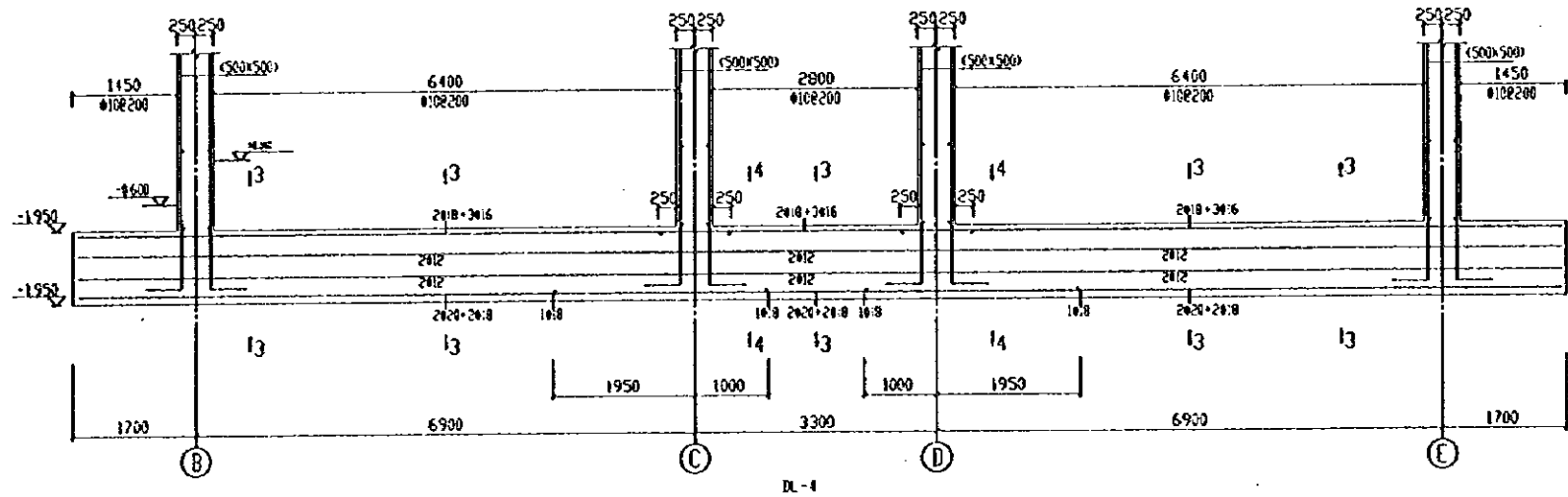
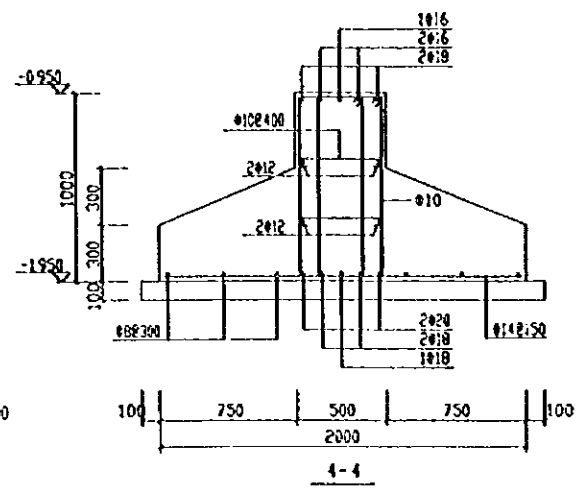
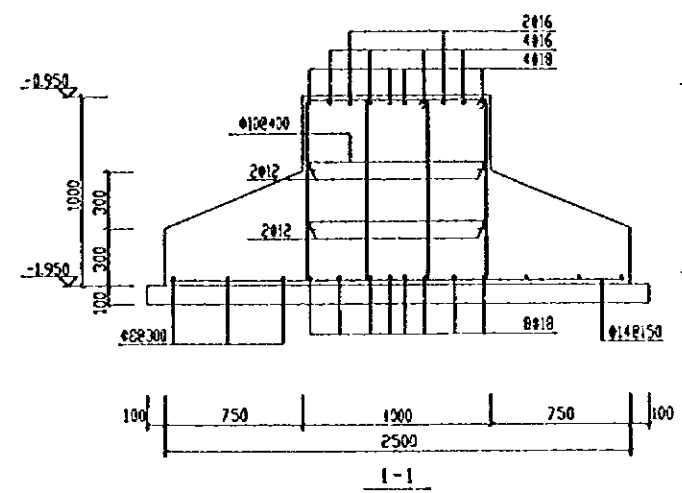
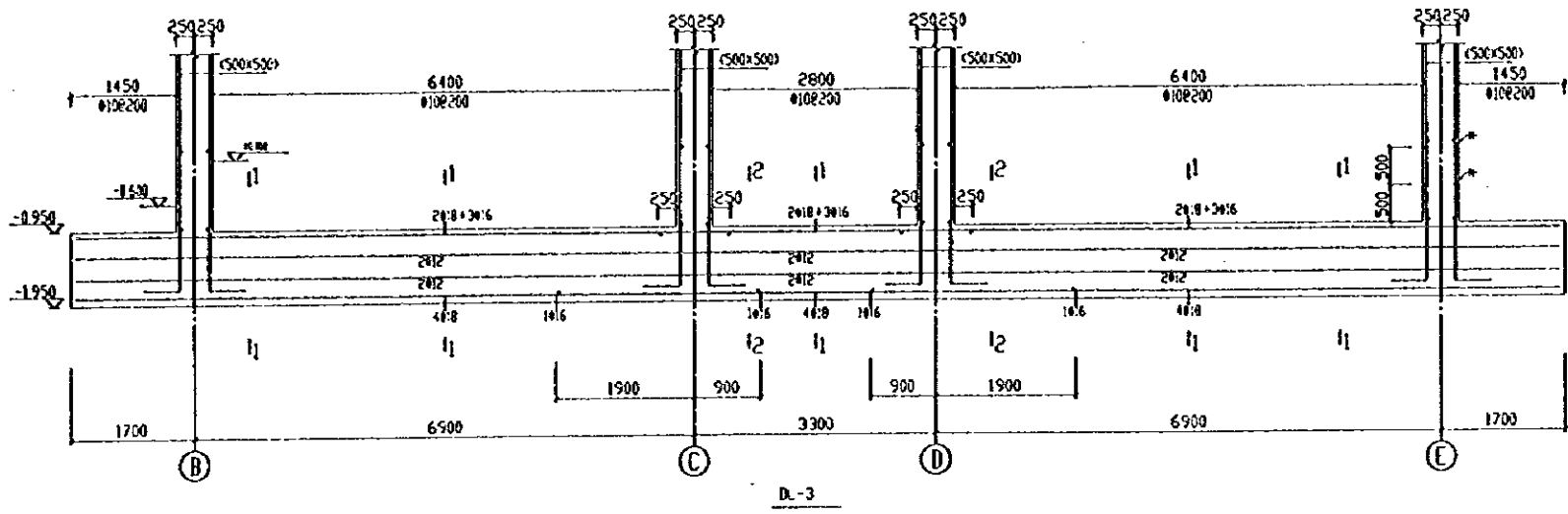


3-3

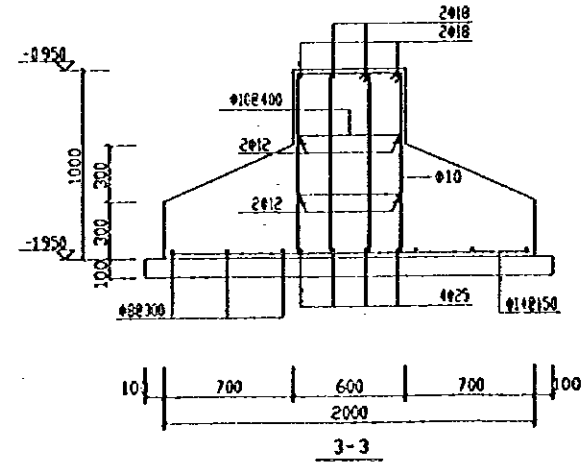
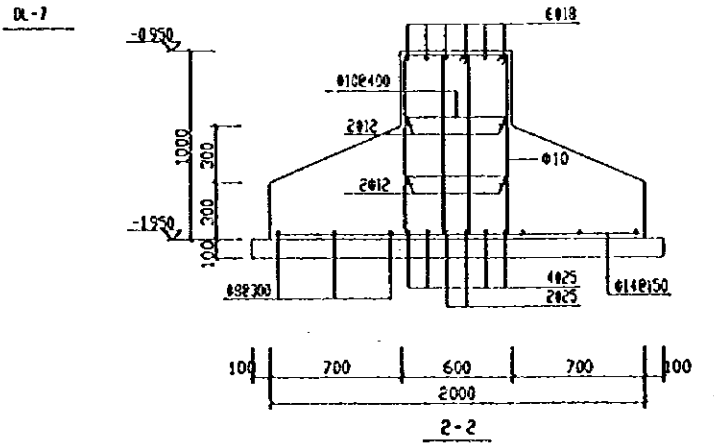
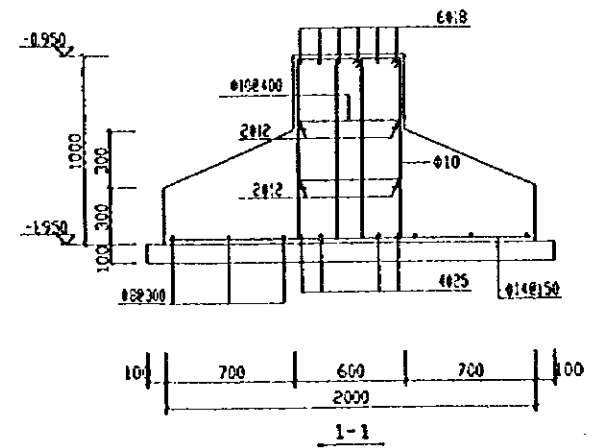
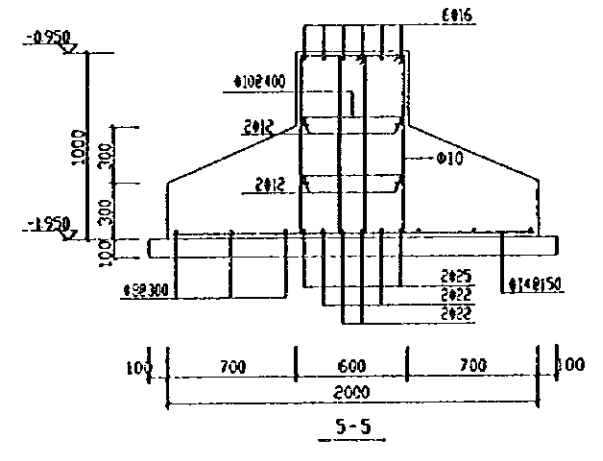
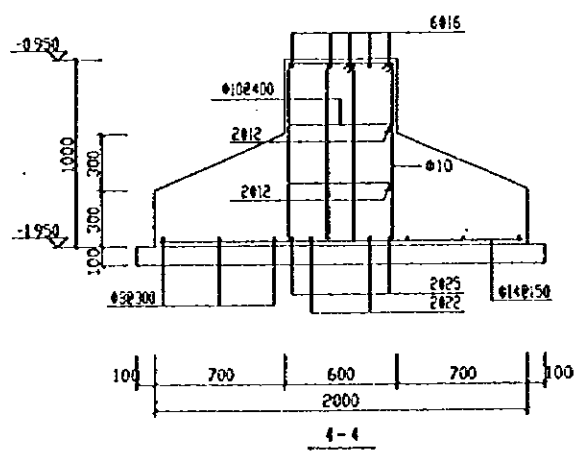
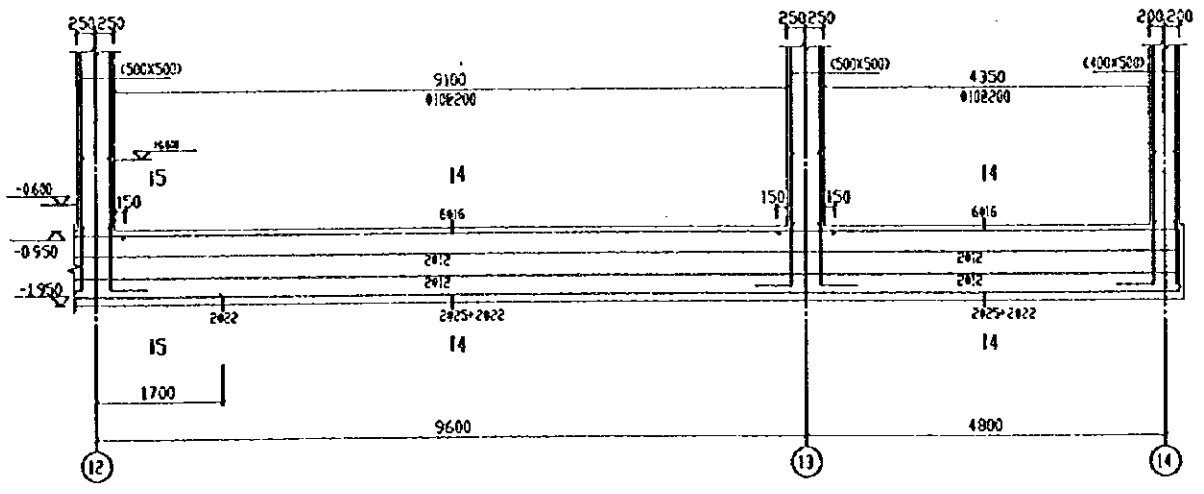
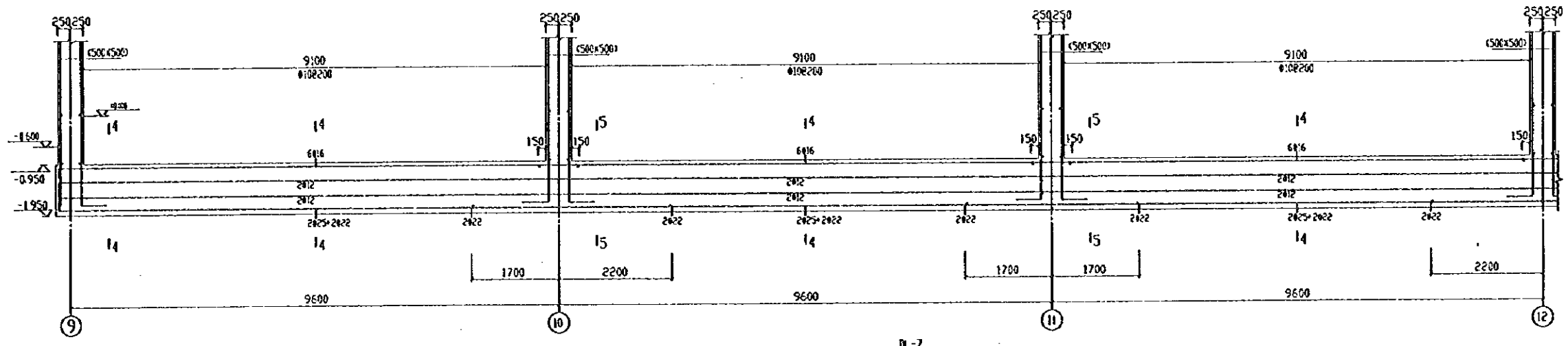
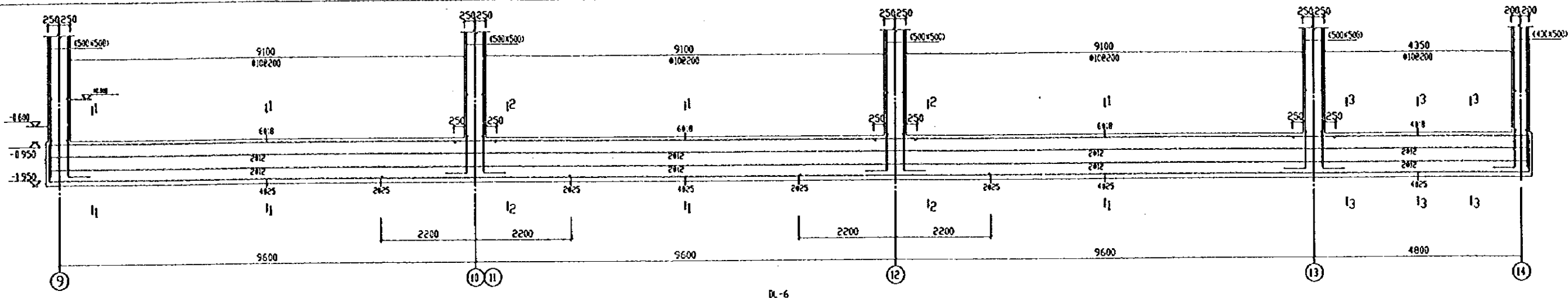


4-4

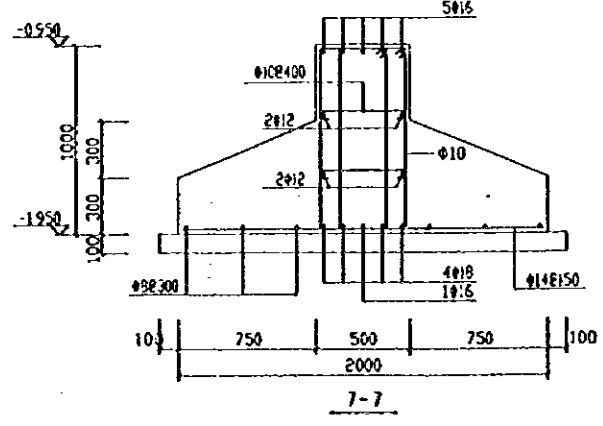
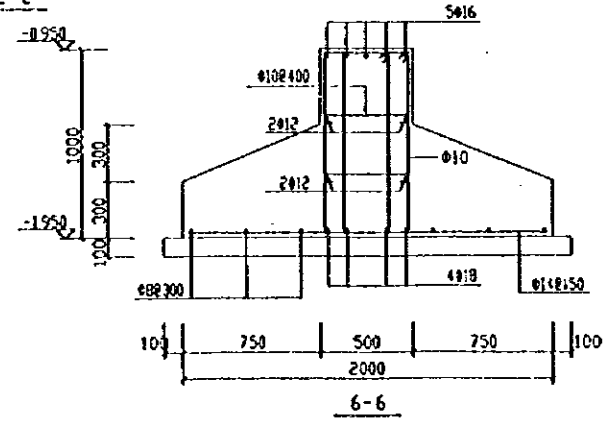
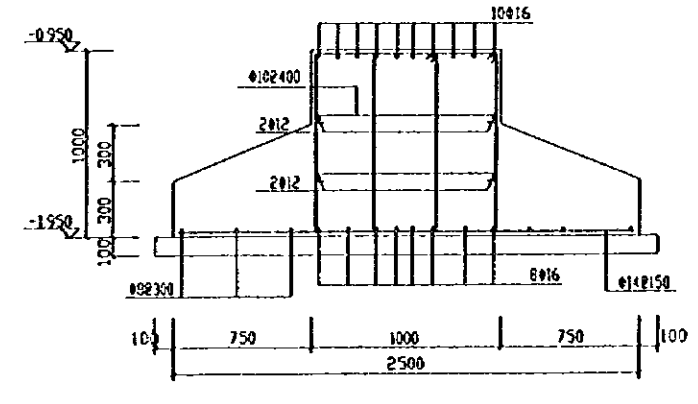
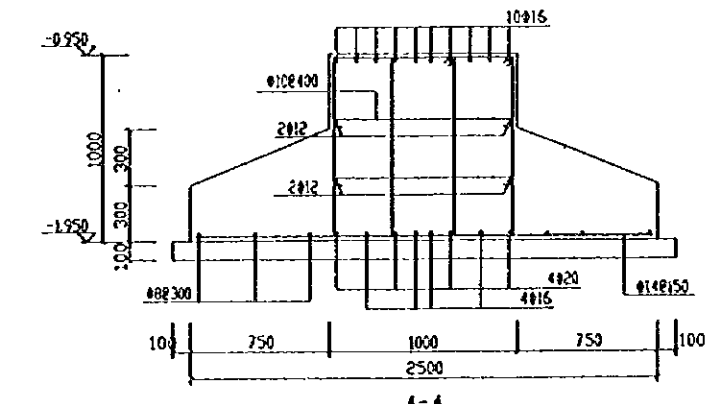
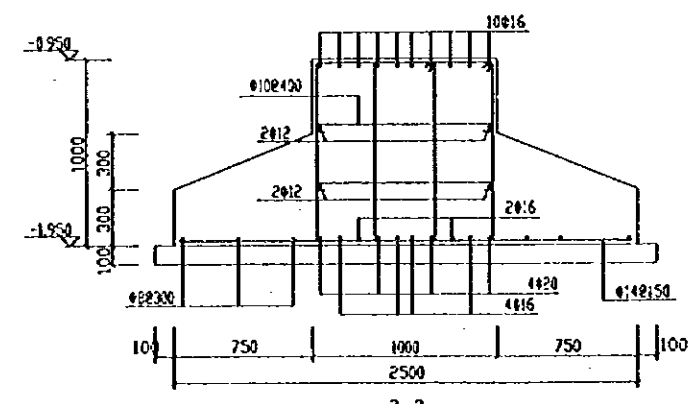
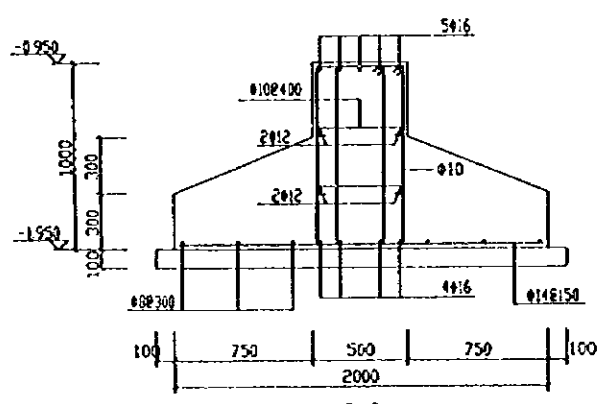
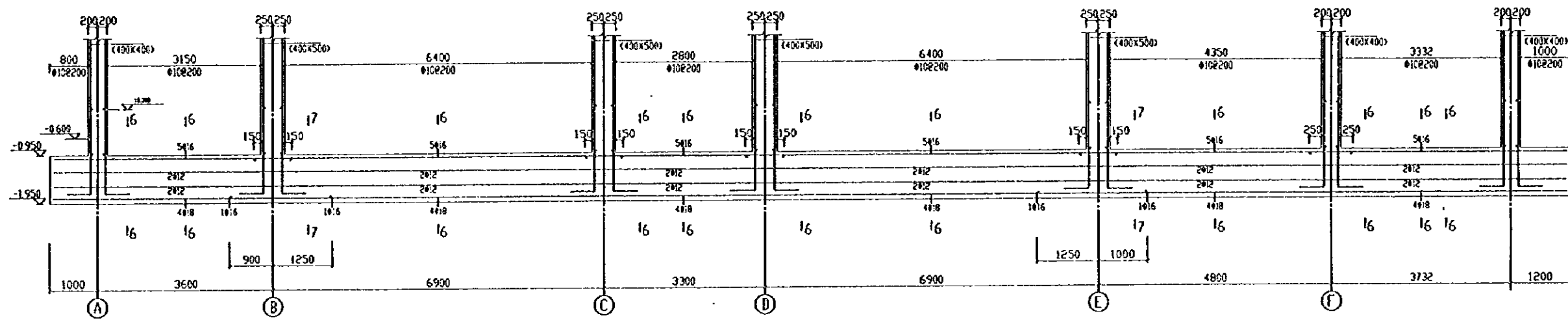
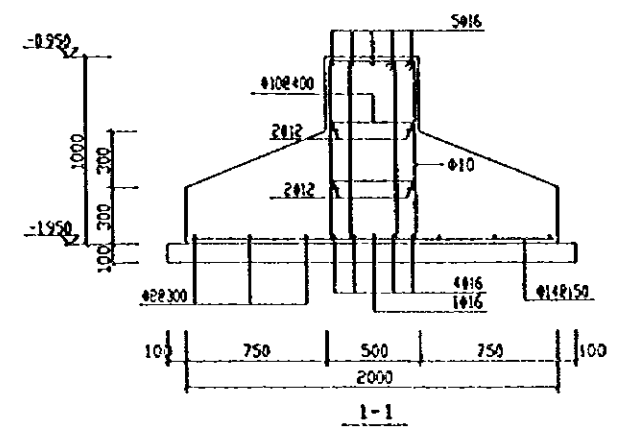
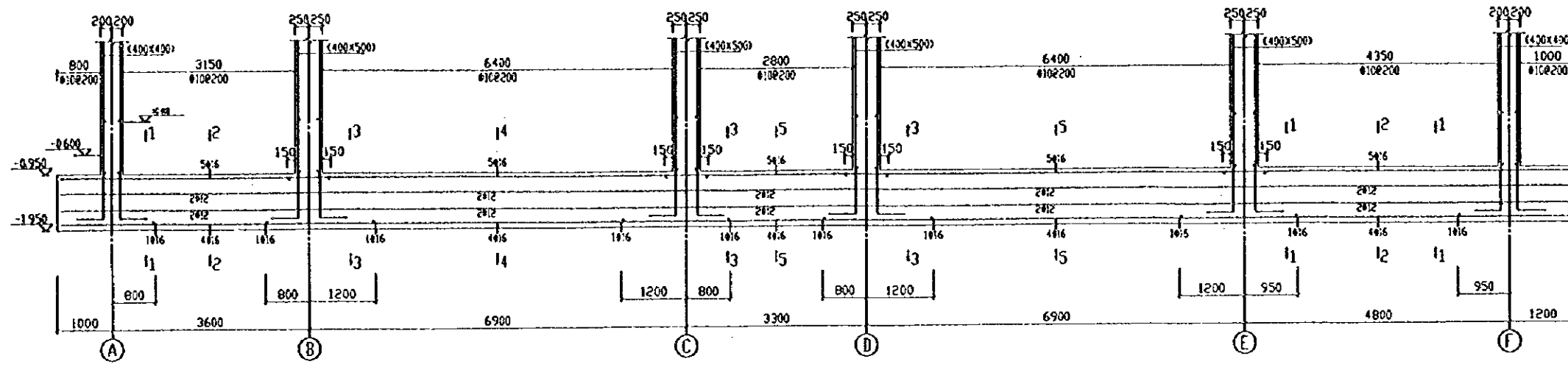
PEOPLE'S REPUBLIC OF CHINA	
SHANGHAI PUDONG INTERNATIONAL AIRPORT PROJECT	SEPTEMBER 1997
FOUNDATION REINFORCEMENT DETAILS (1)	
SCALE	DWG 41-S2
JAPAN INTERNATIONAL COOPERATION AGENCY	



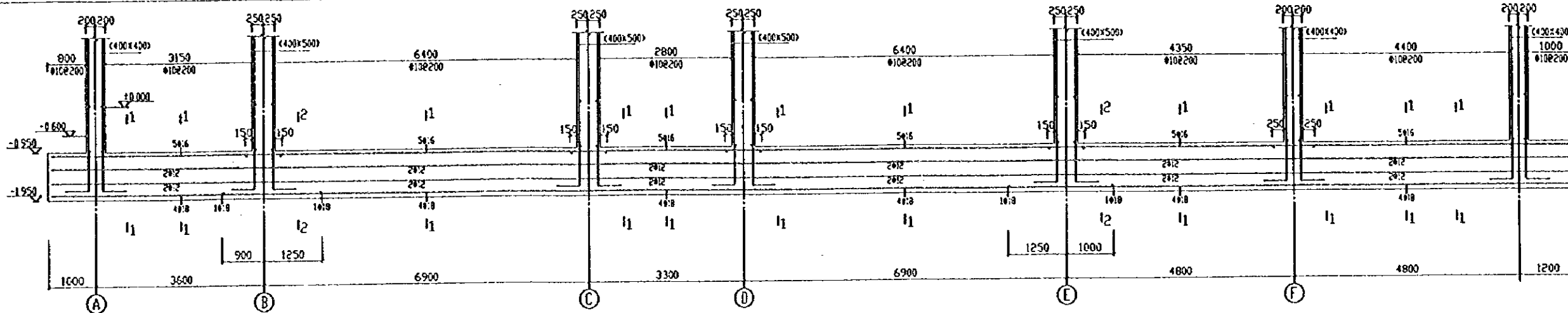
PEOPLE'S REPUBLIC OF CHINA	
SHANGHAI PUDONG INTERNATIONAL AIRPORT PROJECT	SEPTEMBER 1997
FOUNDATION REINFORCEMENT DETAILS (2)	
SCALE 1:50	DWG 41-SJ
JAPAN INTERNATIONAL COOPERATION AGENCY	



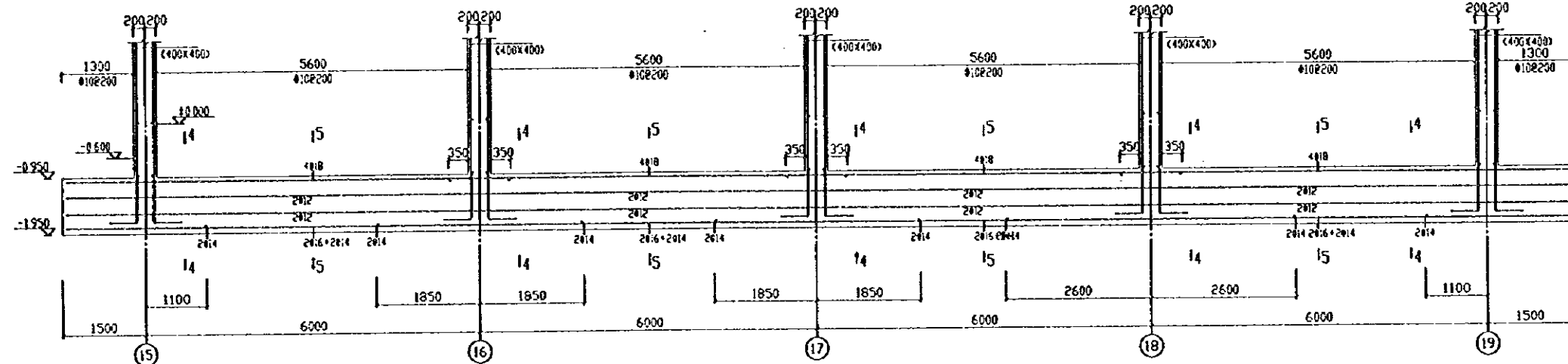
PEOPLE'S REPUBLIC OF CHINA	
SHANGHAI PUDONG INTERNATIONAL AIRPORT PROJECT	SEPTEMBER 1997
FOUNDATION REINFORCEMENT DETAILS (3)	
SCALE 1:50	DWG 41-54
JAPAN INTERNATIONAL COOPERATION AGENCY	



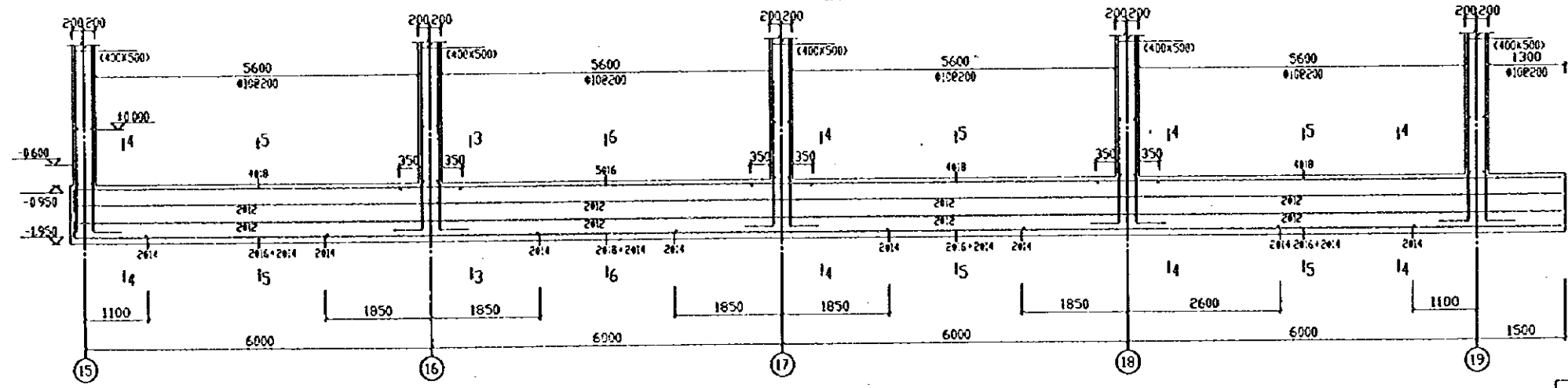
PEOPLE'S REPUBLIC OF CHINA	
SHANGHAI PUDONG INTERNATIONAL AIRPORT PROJECT	SEPTEMBER 1997
FOUNDATION REINFORCEMENT DETAILS (4)	
SCALE	1:50 1:75 1:100
JAPAN INTERNATIONAL COOPERATION AGENCY	



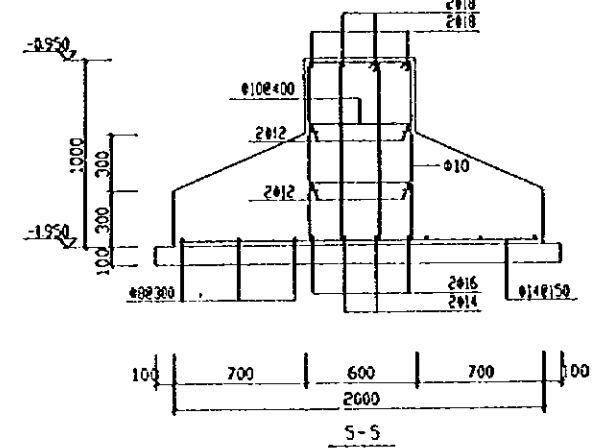
DL-10



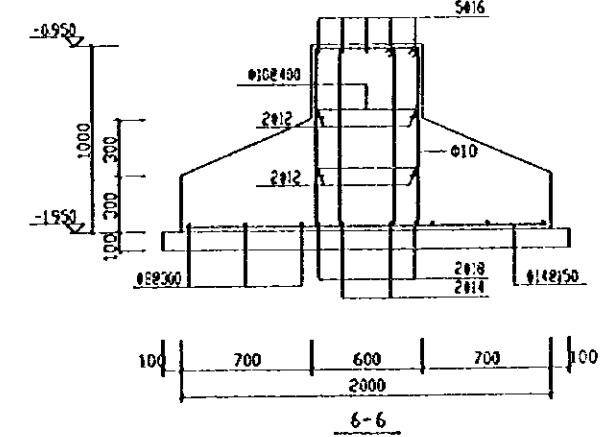
DL-11



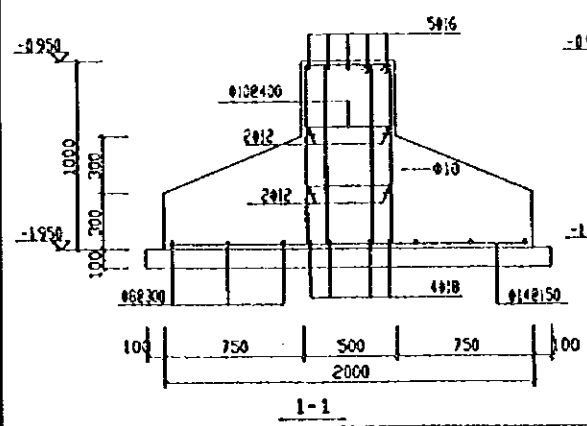
DL-12



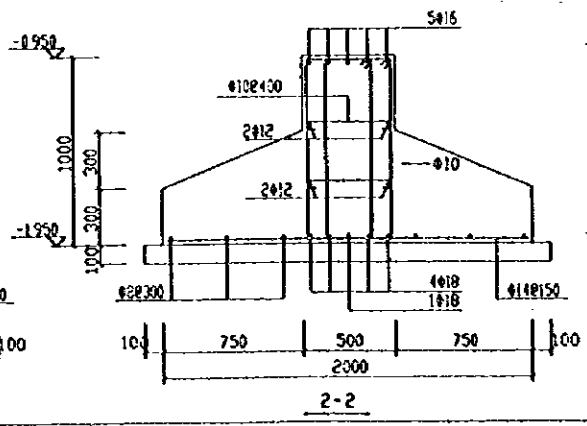
S-5



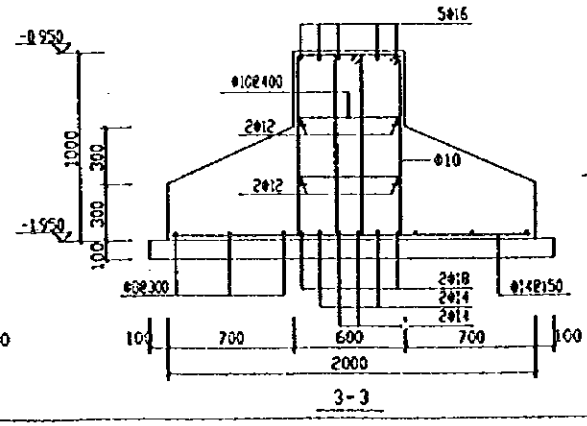
S-6



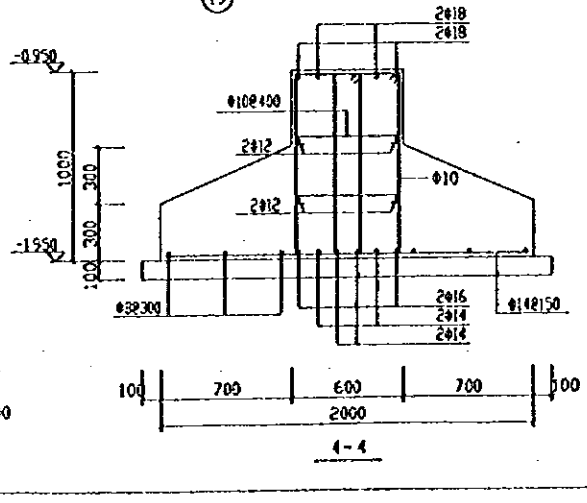
1-1



2-2

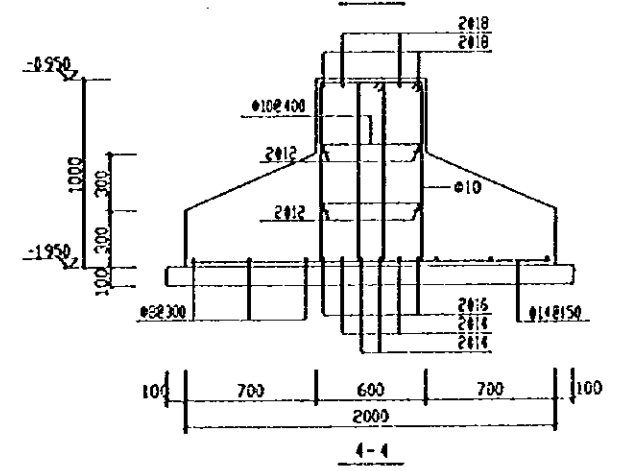
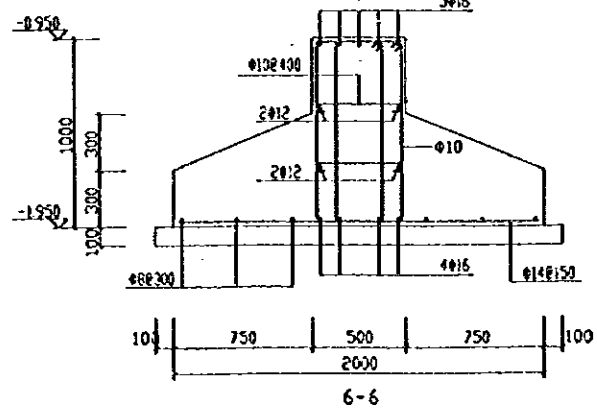
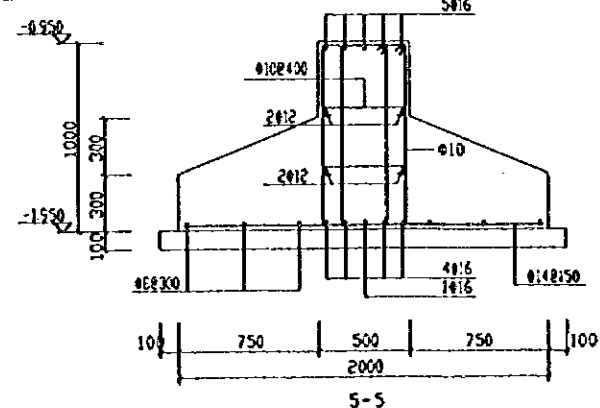
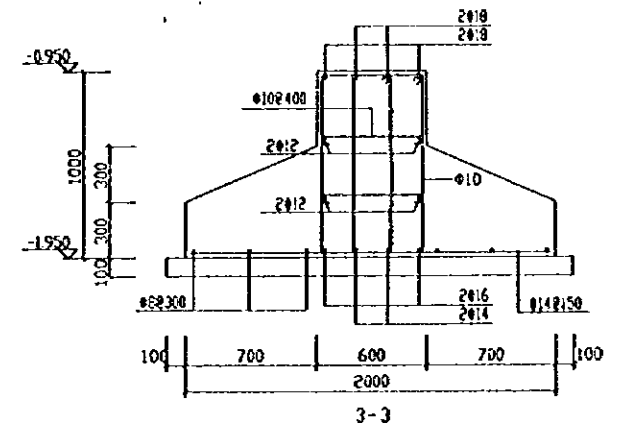
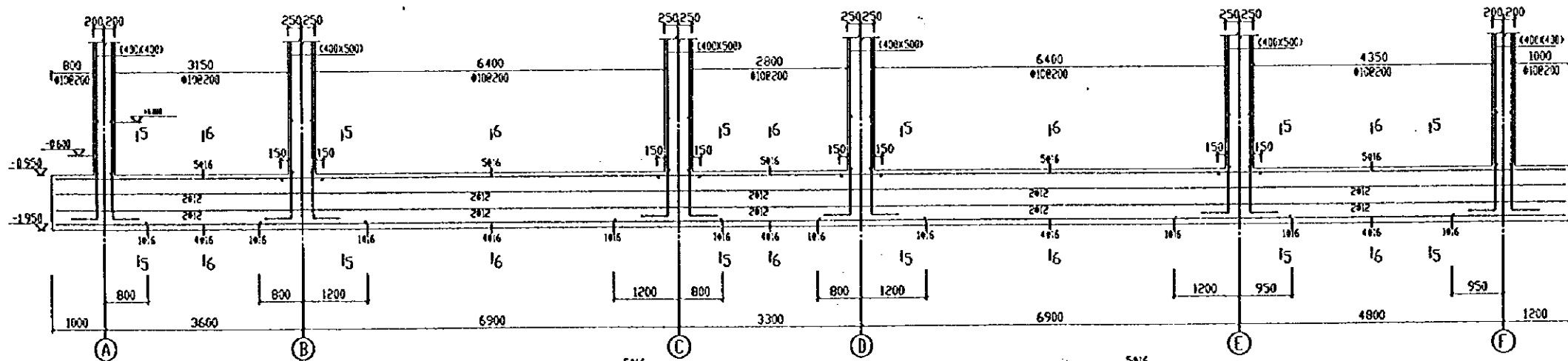
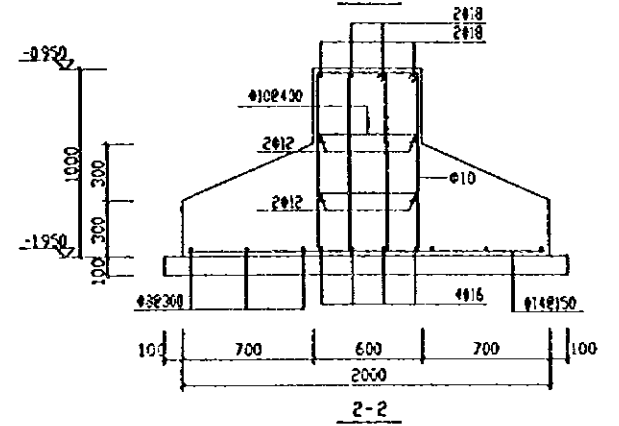
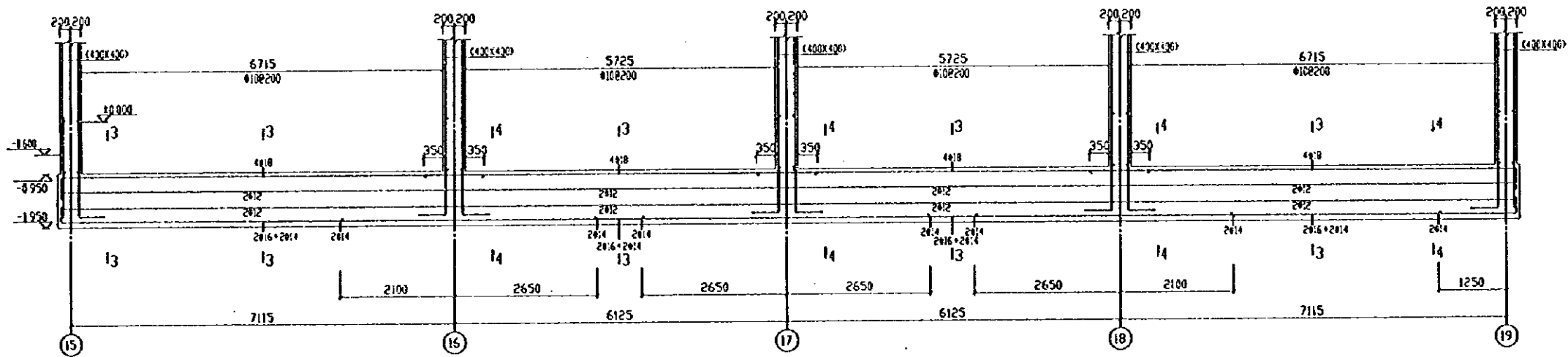
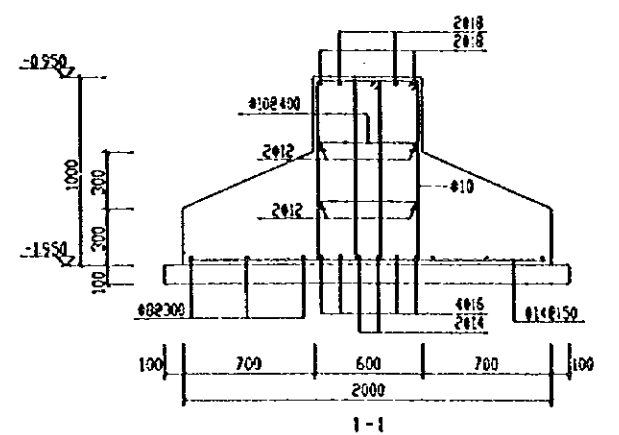
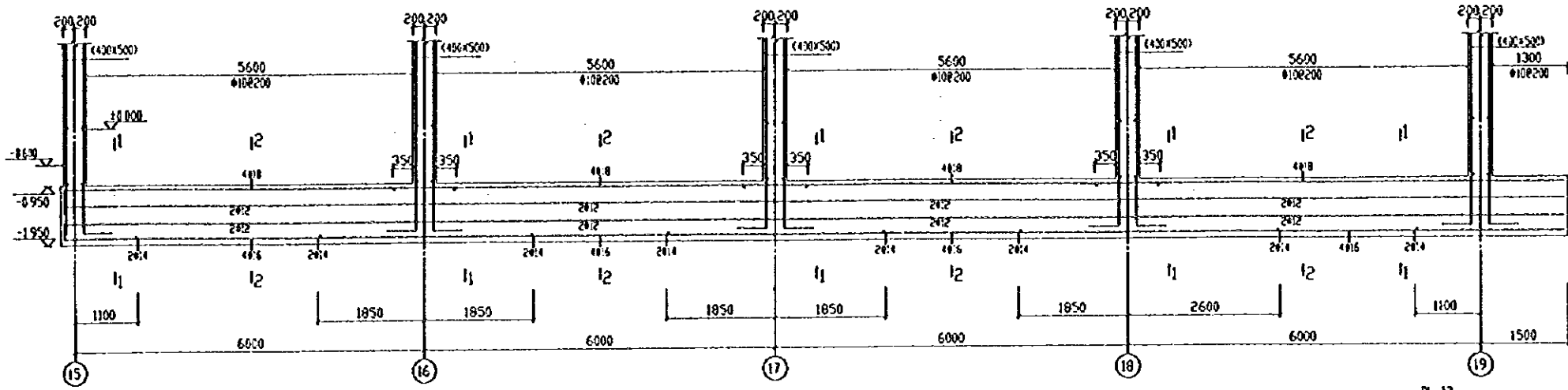


3-3

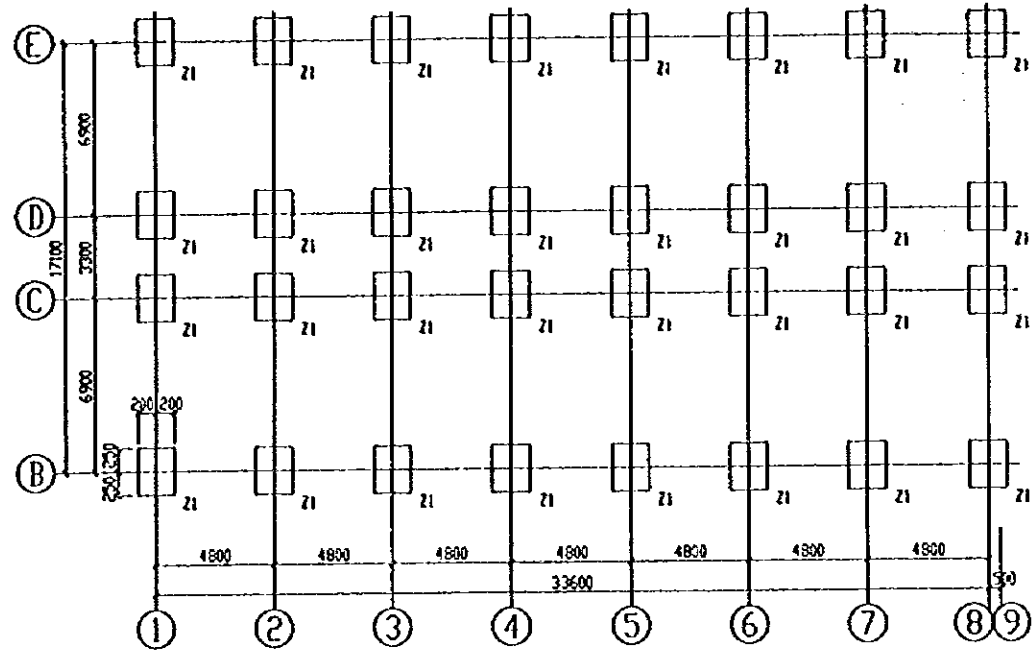


4-4

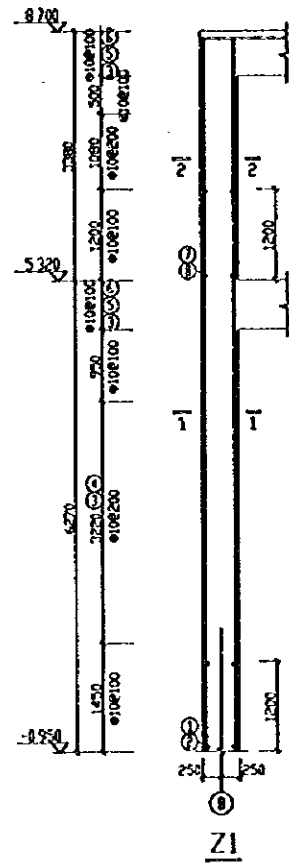
PEOPLE'S REPUBLIC OF CHINA
 SHANGHAI PUDONG INTERNATIONAL AIRPORT PROJECT | SEPTEMBER 1997
 FOUNDATION REINFORCEMENT DETAILS (S)
 SCALE 1:50 1:25 1:10
 JAPAN INTERNATIONAL COOPERATION AGENCY
 DWG 41-S6



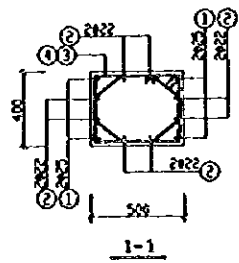
PEOPLE'S REPUBLIC OF CHINA	
SHANGHAI PUDONG INTERNATIONAL AIRPORT PROJECT	SEPTEMBER 1997
FOUNDATION REINFORCEMENT DETAILS (6)	
SCALE	DWG #1-S7
JAPAN INTERNATIONAL COOPERATION AGENCY	



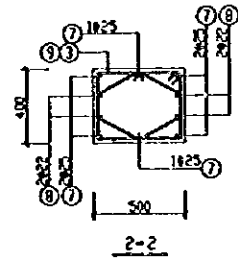
COLUMN ① - ⑧ PLAN LAYOUT



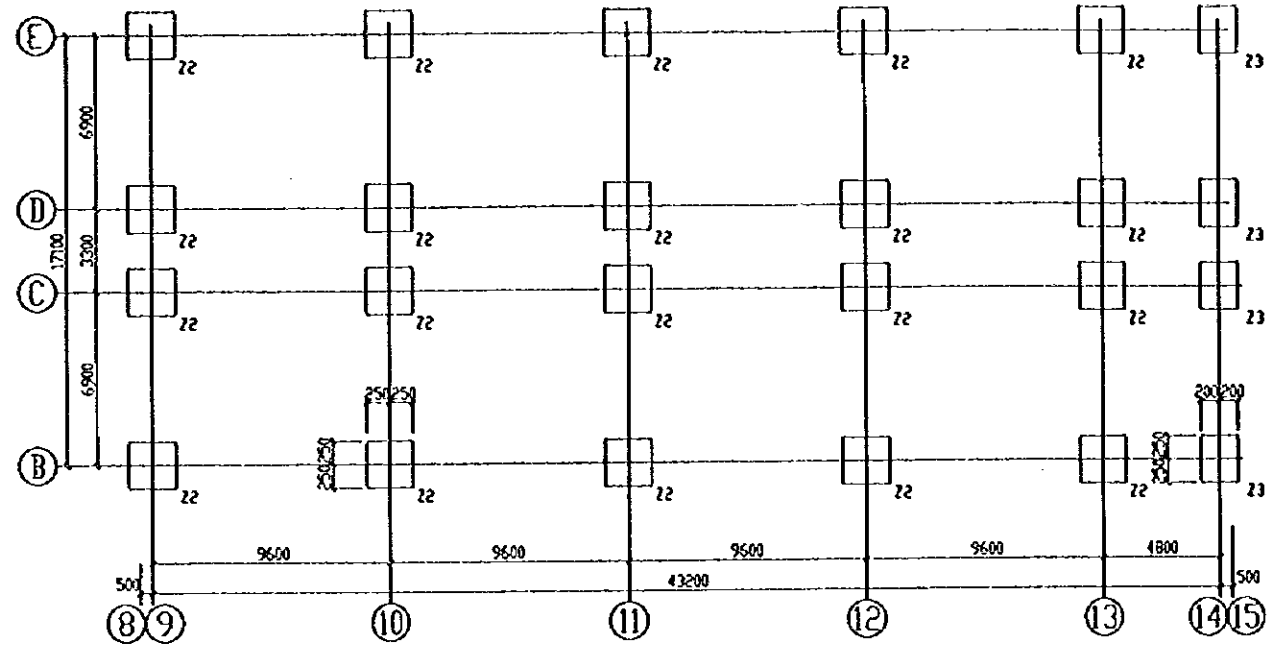
Z1



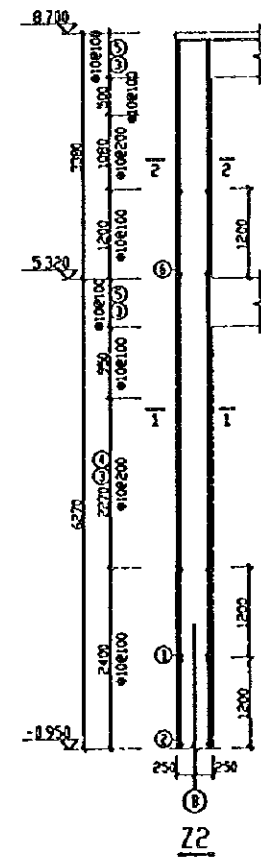
1-1



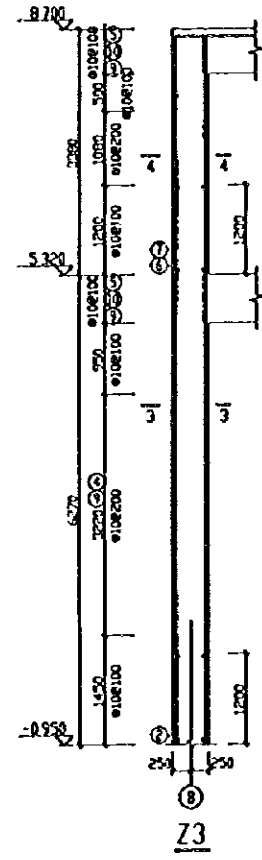
2-2



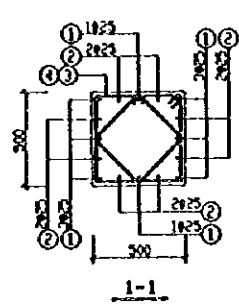
COLUMN ⑨ - ⑭ PLAN LAYOUT



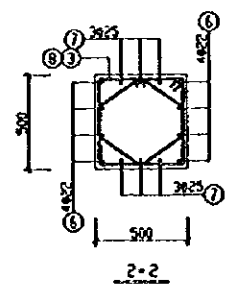
Z2



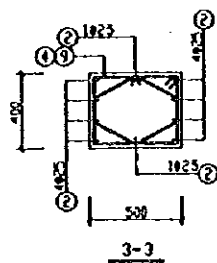
Z3



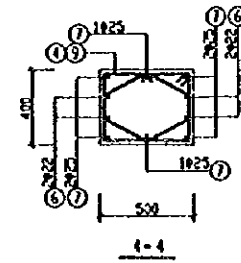
1-1



2-2

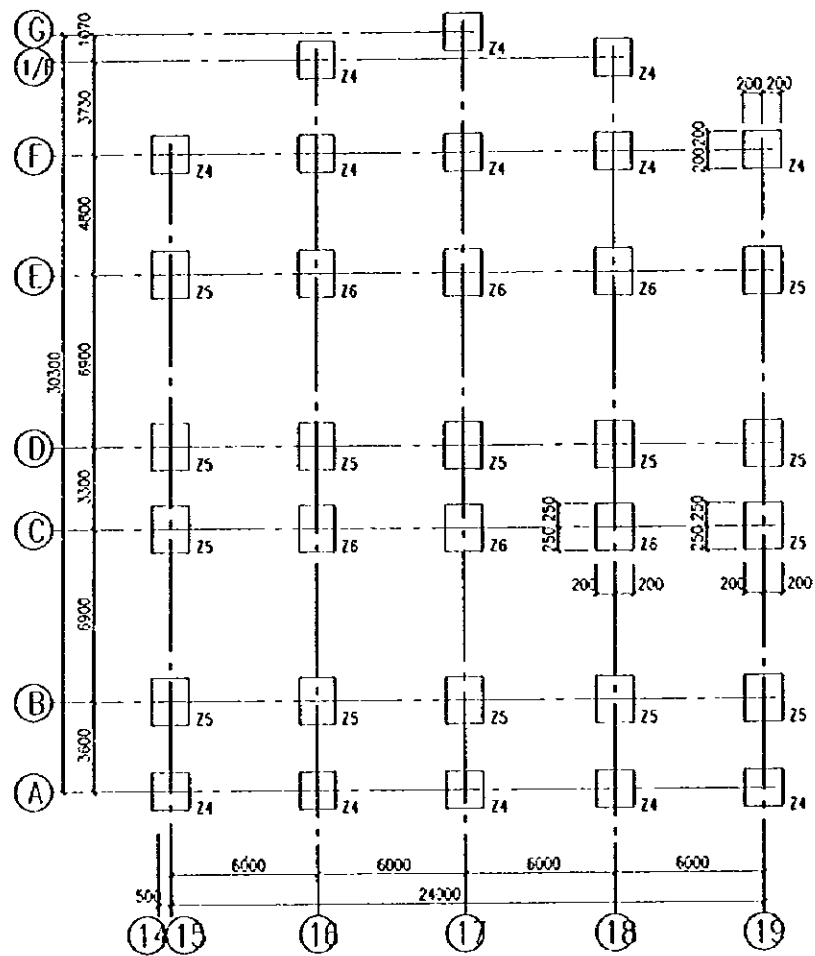


3-3

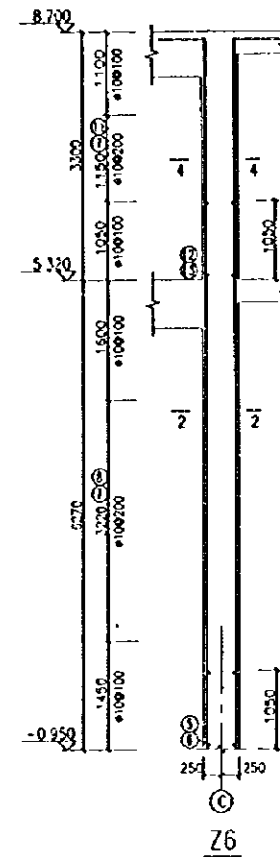
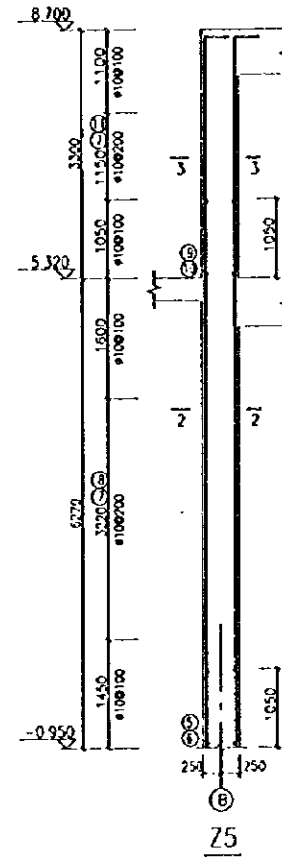
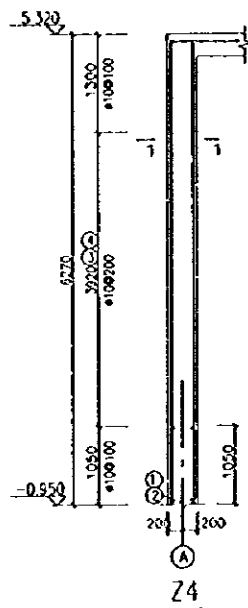
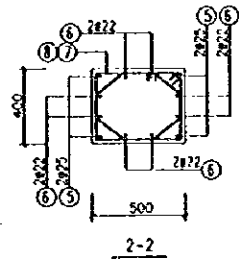
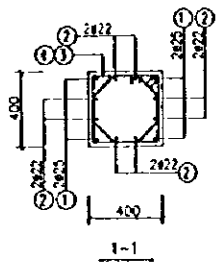


1-4

PEOPLE'S REPUBLIC OF CHINA	
SHANGHAI PUDONG INTERNATIONAL AIRPORT PROJECT	SEPTEMBER 1997
COLUMN LAYOUT 1/2 ①~⑭ AND REINFORCEMENT DETAILS	
SCALE	1:200
DWC 11-58	
JAPAN INTERNATIONAL COOPERATION AGENCY	

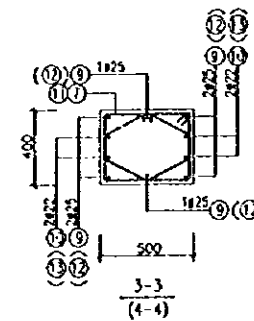


COLUMN 15~19 PLAN LAYOUT

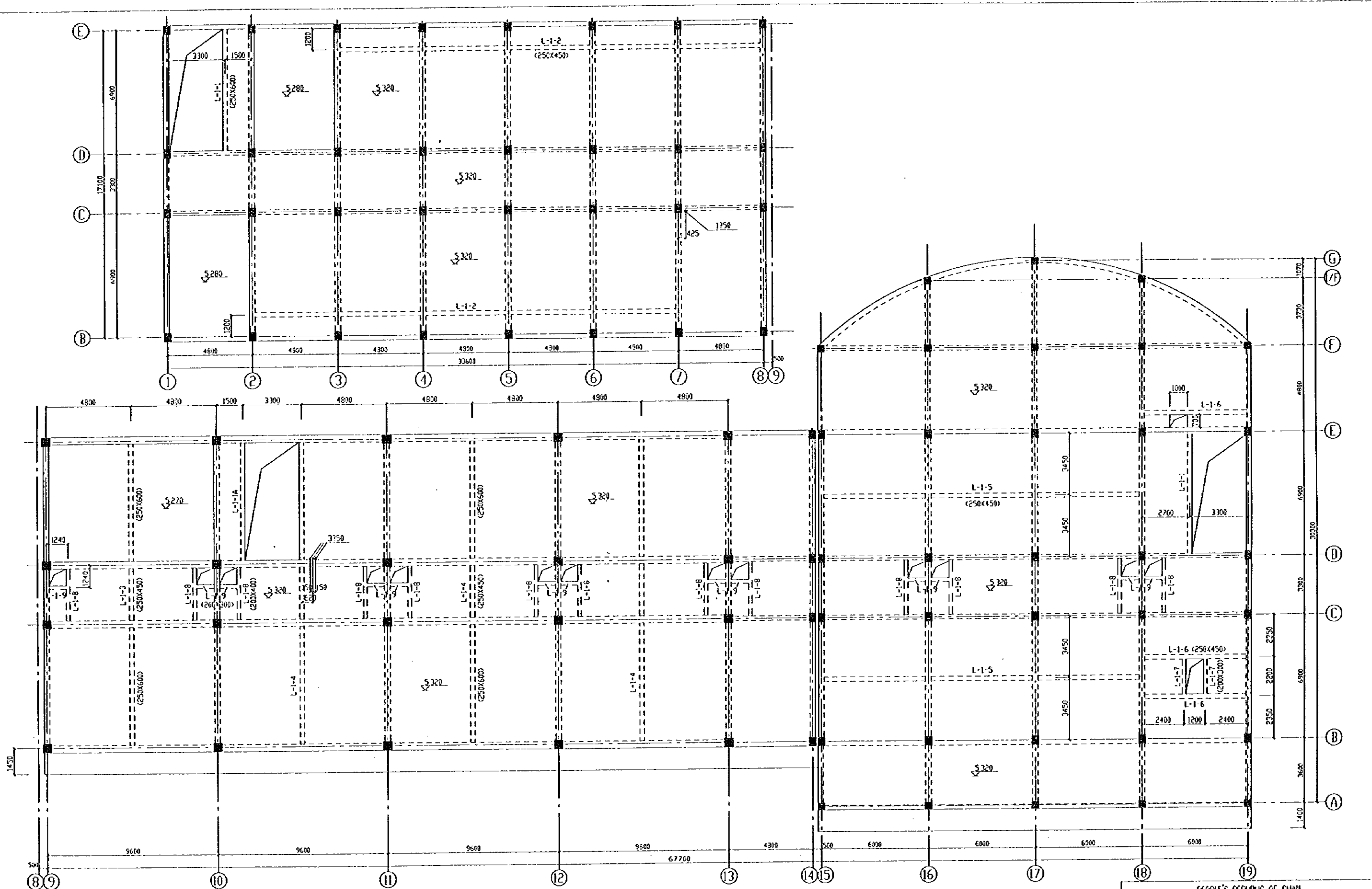


Beam Reinforcing Steel Table

No	Sketch	Speci- fication	Length	Number	Weight
①		#25	6240	4	
②		#22	6240	8	
③		#10	1640	42	
④		#10	1400	42	
⑤		#25	7320	8	
⑥		#22	7320	16	
⑦		#10	1640	140	
⑧		#10	1570	83	
⑨		#25	3600	6	
⑩		#22	3600	4	
⑪		#10	1520	52	
⑫		#25	3300	6	
⑬		#22	3300	4	

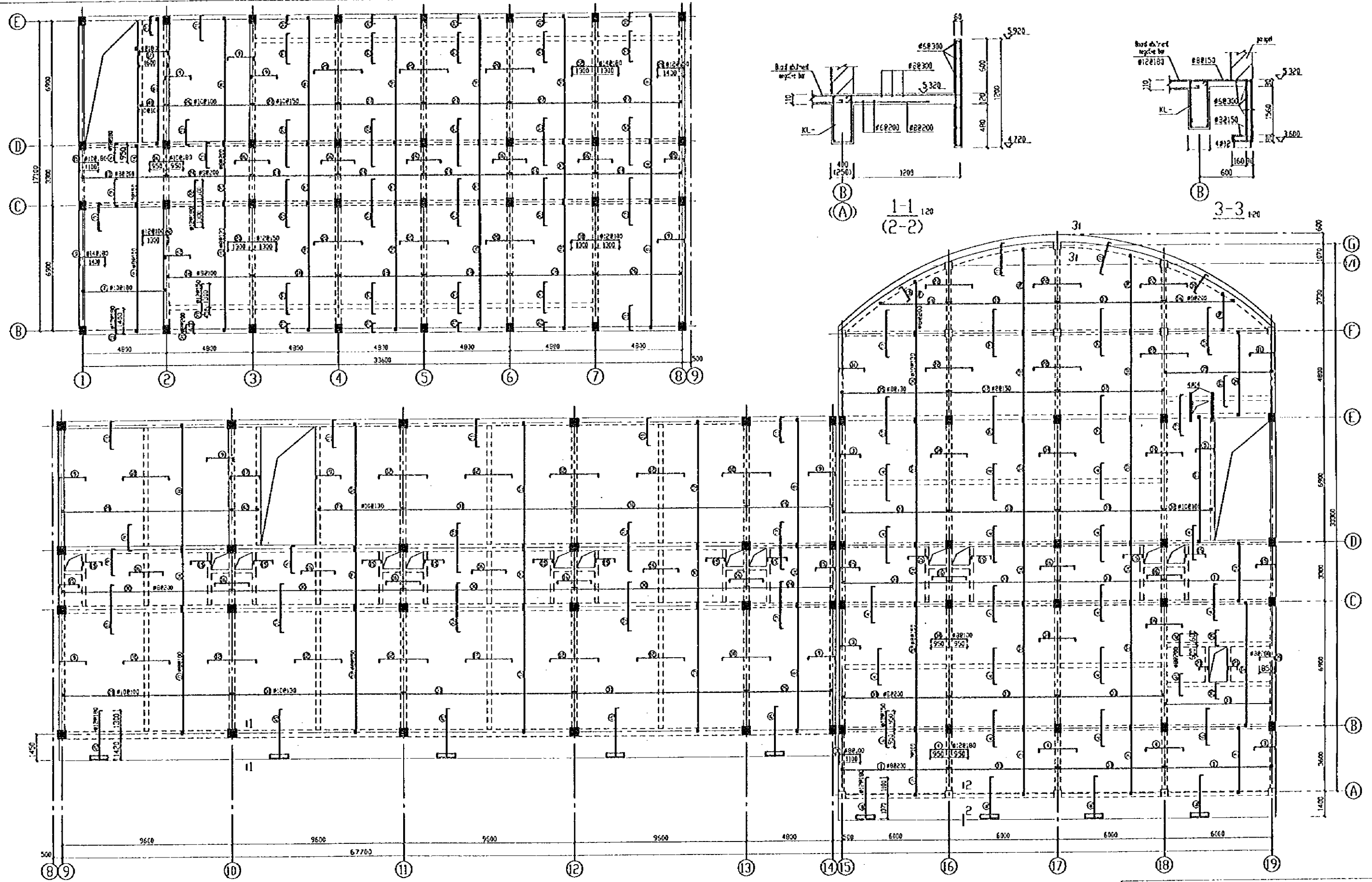


PEOPLE'S REPUBLIC OF CHINA	
SHANGHAI PUDONG INTERNATIONAL AIRPORT PROJECT	SEPTEMBER 1997
COLUMN LAYOUT 1/2 15~19 AND DETAILS	
SCALE	DWG 41-59
JAPAN INTERNATIONAL COOPERATION AGENCY	



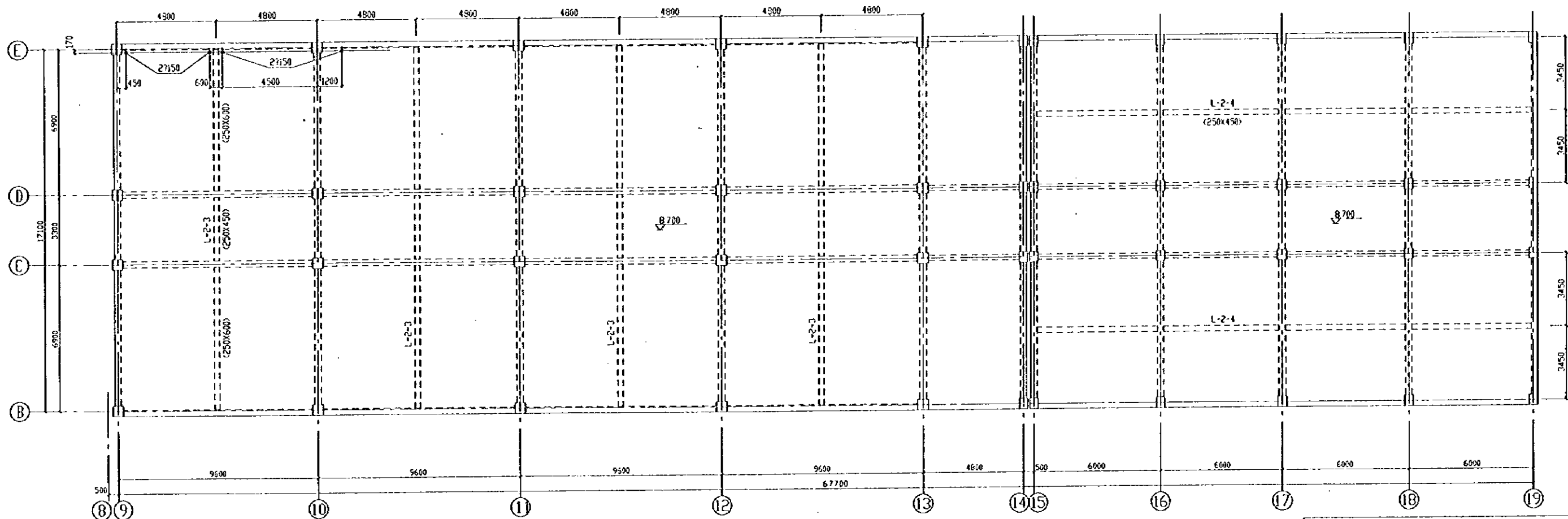
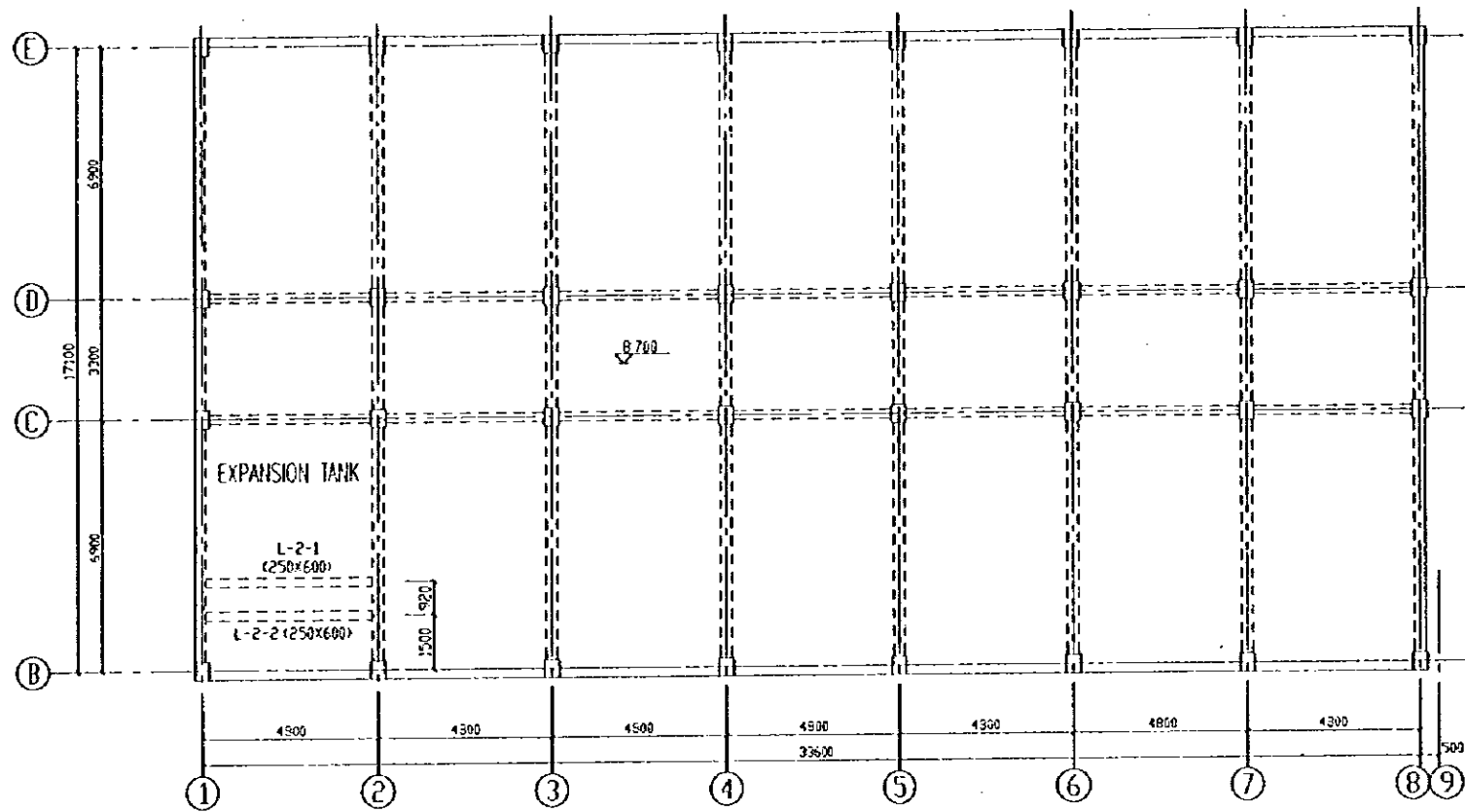
1ST FLOOR PLAN LAYOUT

PEOPLE'S REPUBLIC OF CHINA	
SHANGHAI PUDONG INTERNATIONAL AIRPORT PROJECT	SEPTEMBER 1997
1ST FLOOR GIRDER AND BEAM PLAN	
SCALE	1:100
DWG 41-S10	
JAPAN INTERNATIONAL COOPERATION AGENCY	



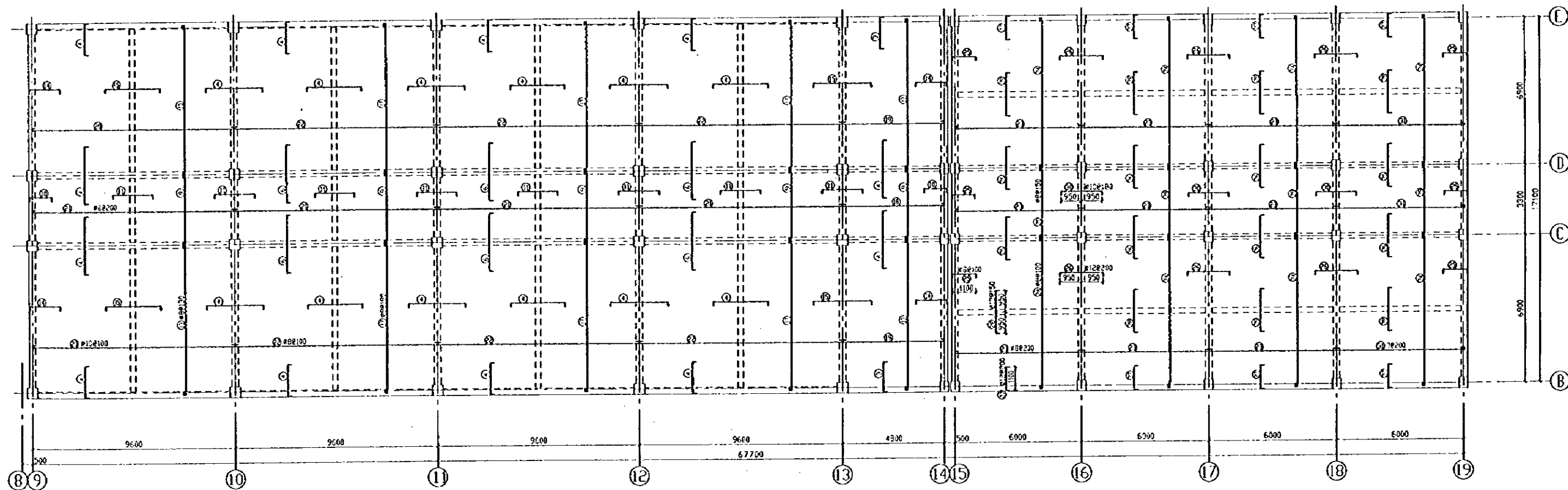
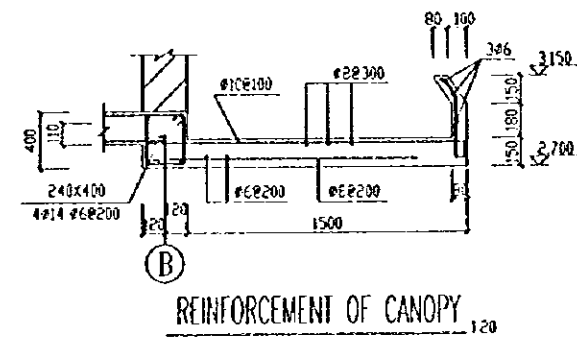
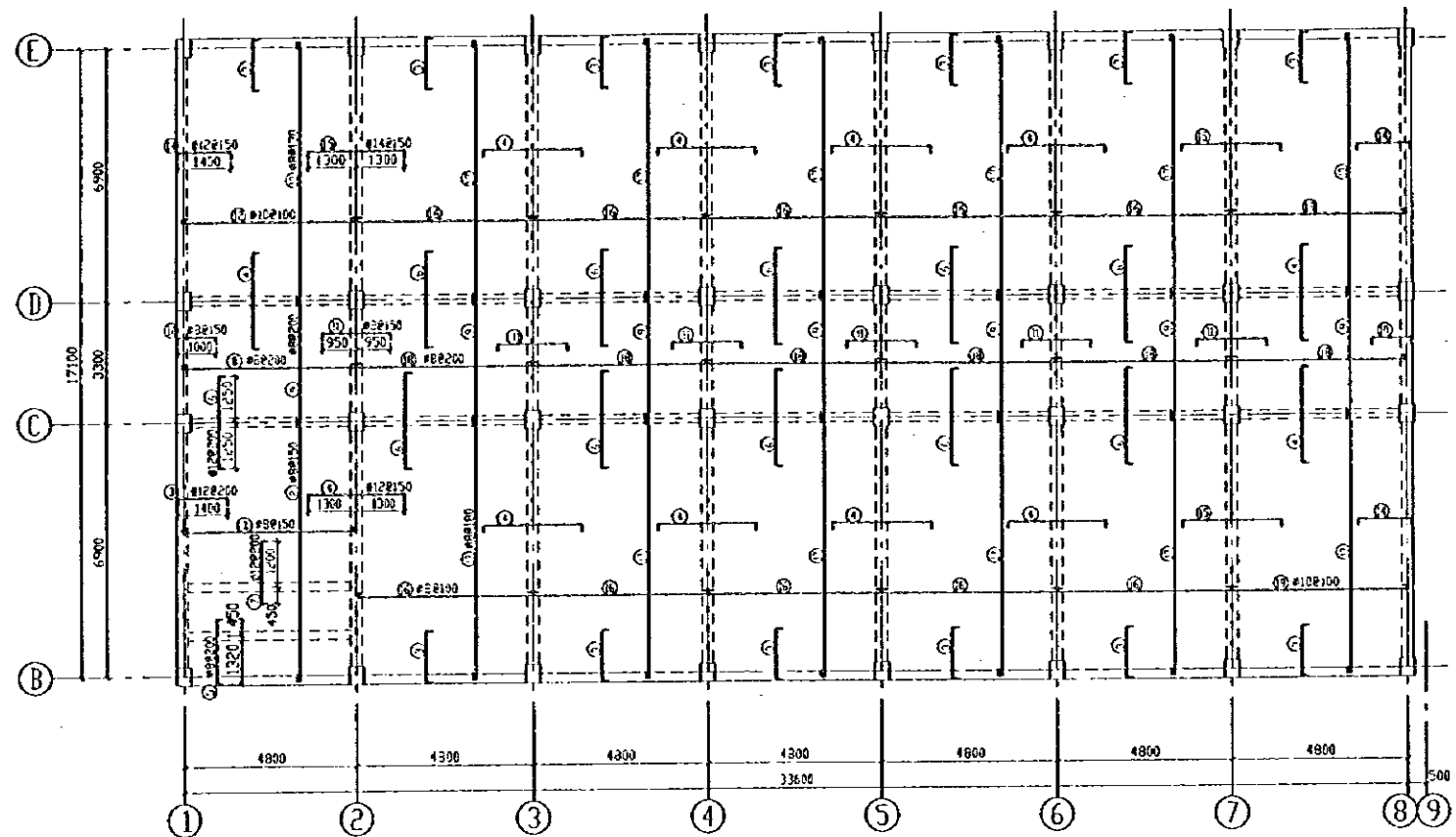
1ST FLOOR STRUCTURAL PLAN
CH-11049

PEOPLE'S REPUBLIC OF CHINA	
SHANGHAI PUDONG INTERNATIONAL AIRPORT PROJECT	SEPTEMBER 1997
1st FLOOR REINFORCEMENT PLAN	
SCALE 1:200	DWG 41-S11
JAPAN INTERNATIONAL COOPERATION AGENCY	



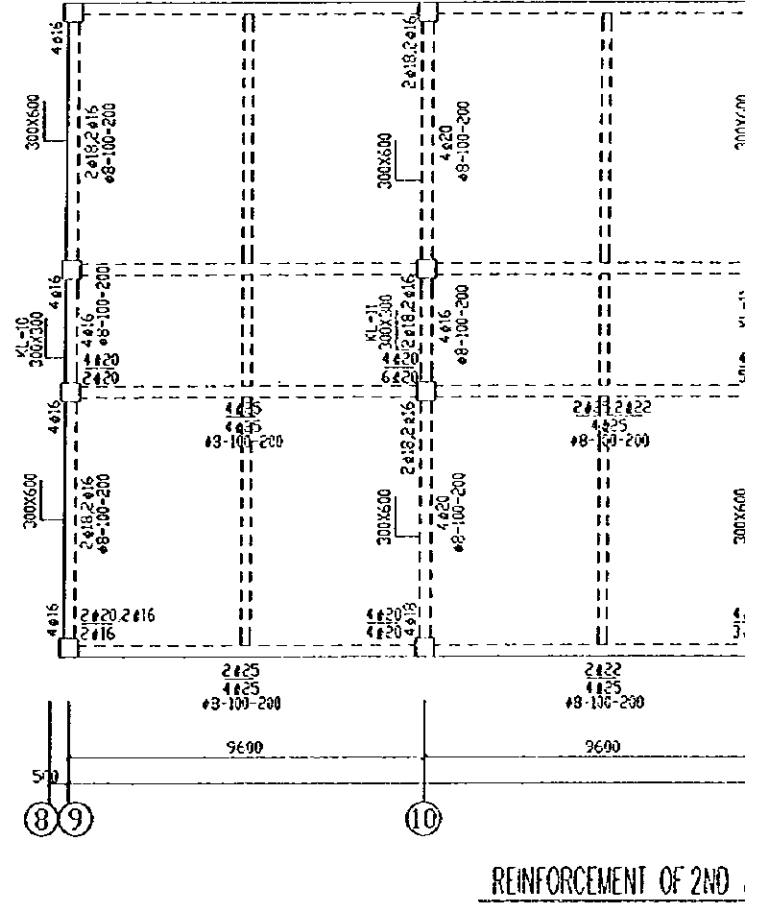
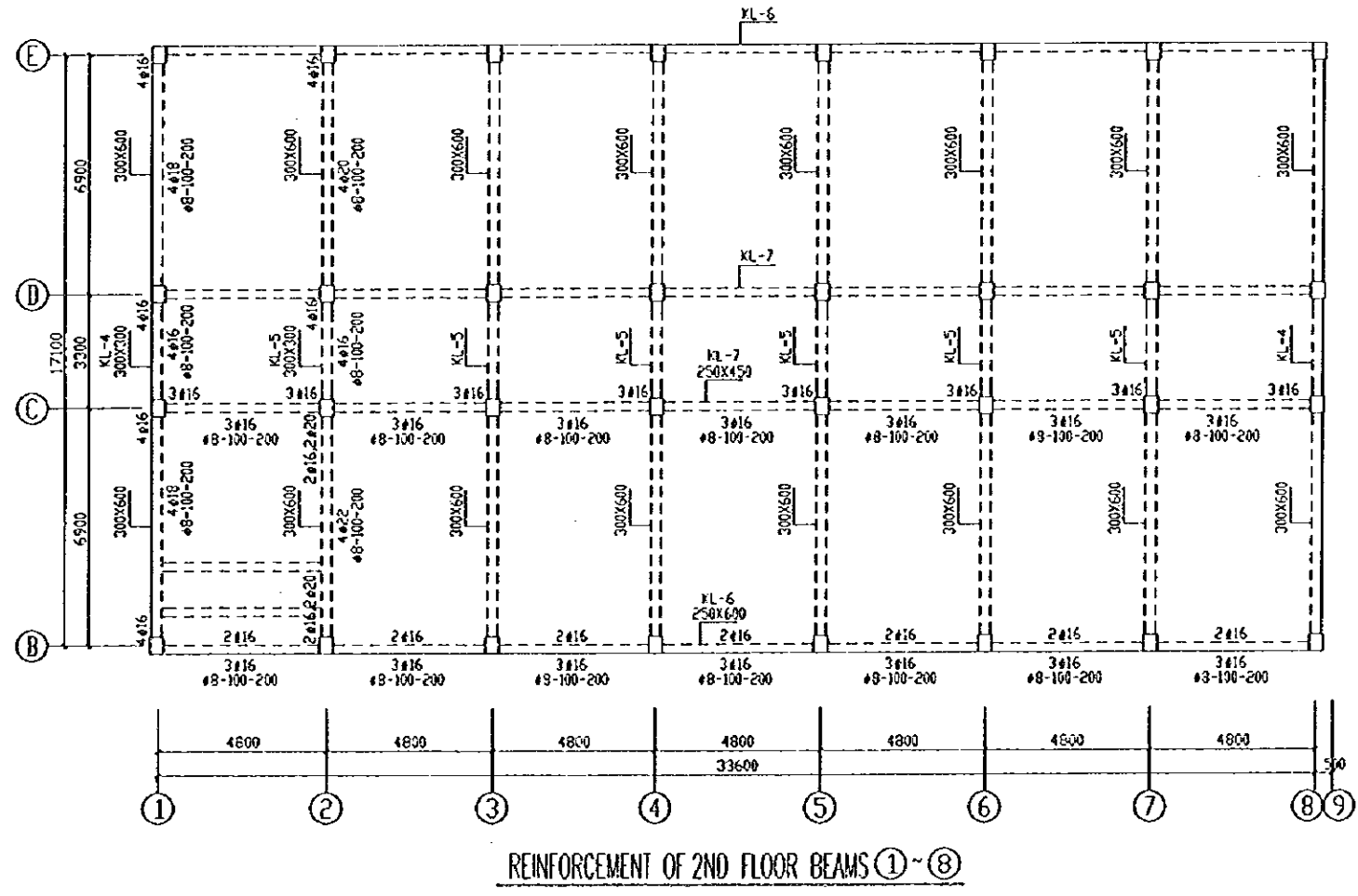
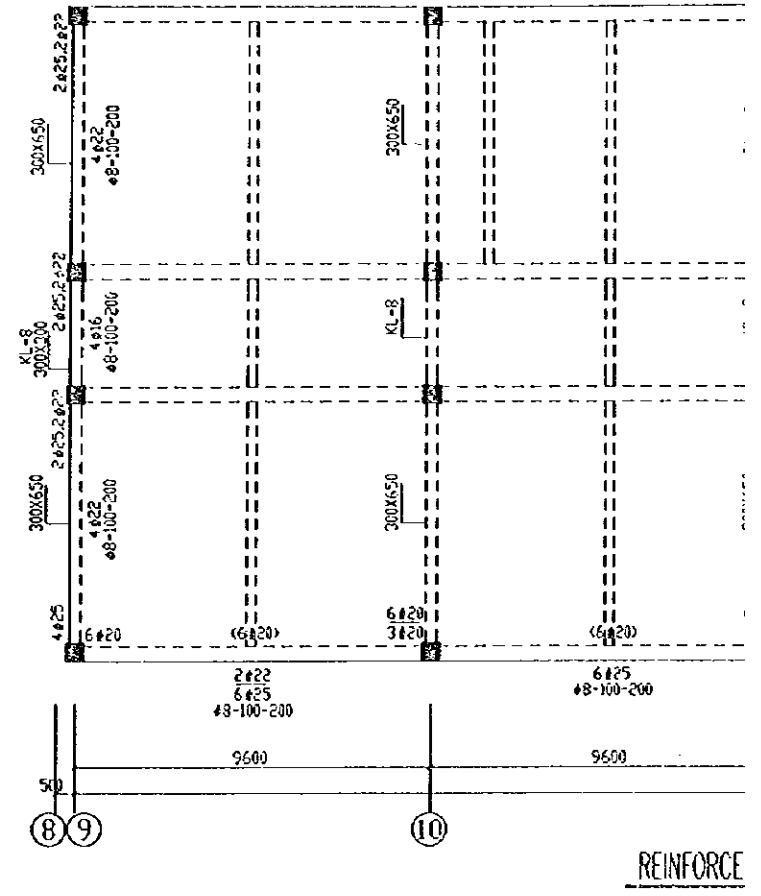
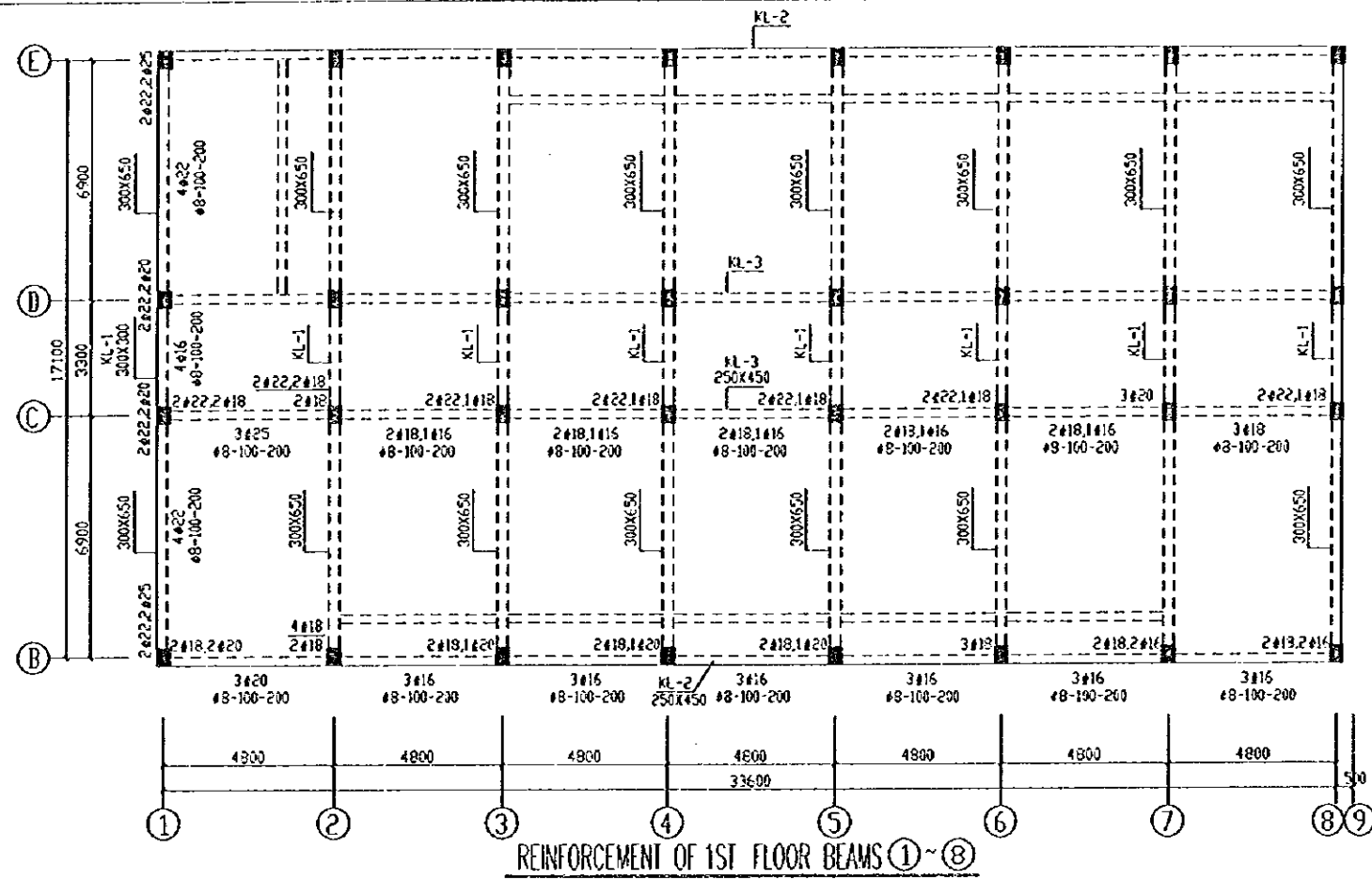
ROOF PLAN LAYOUT

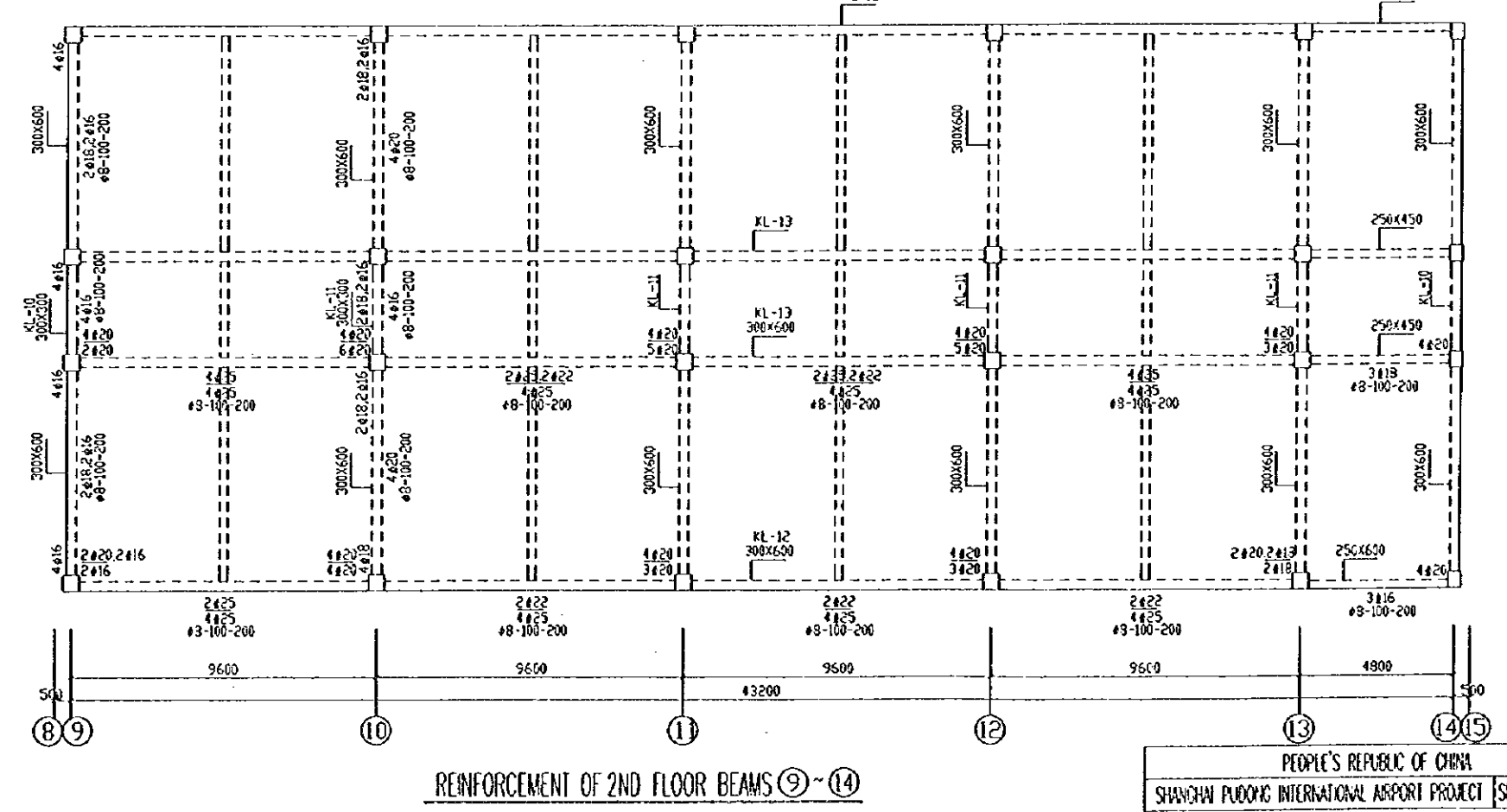
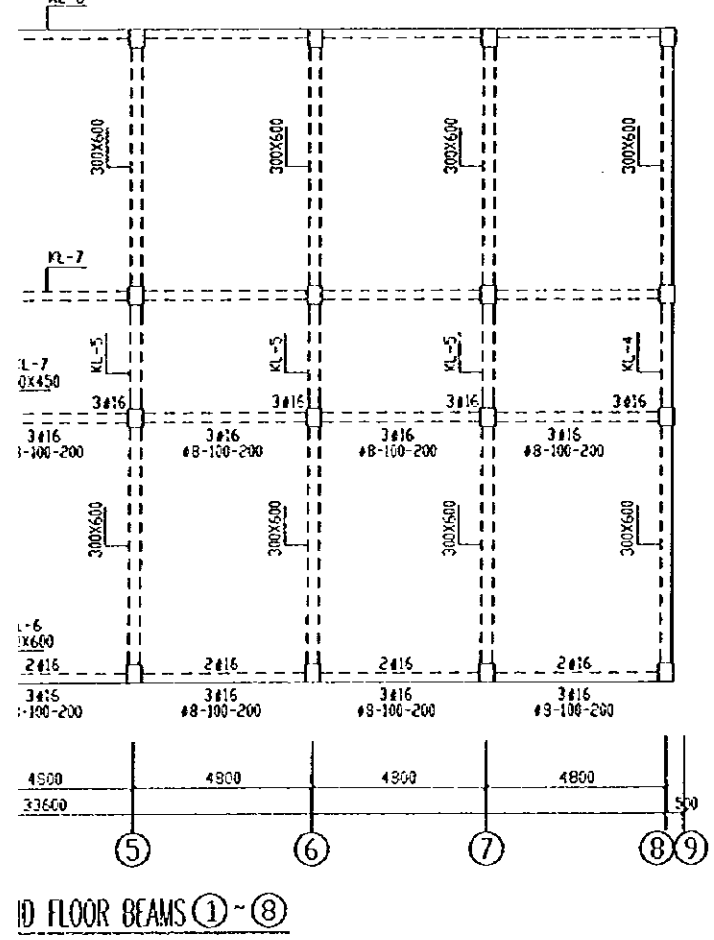
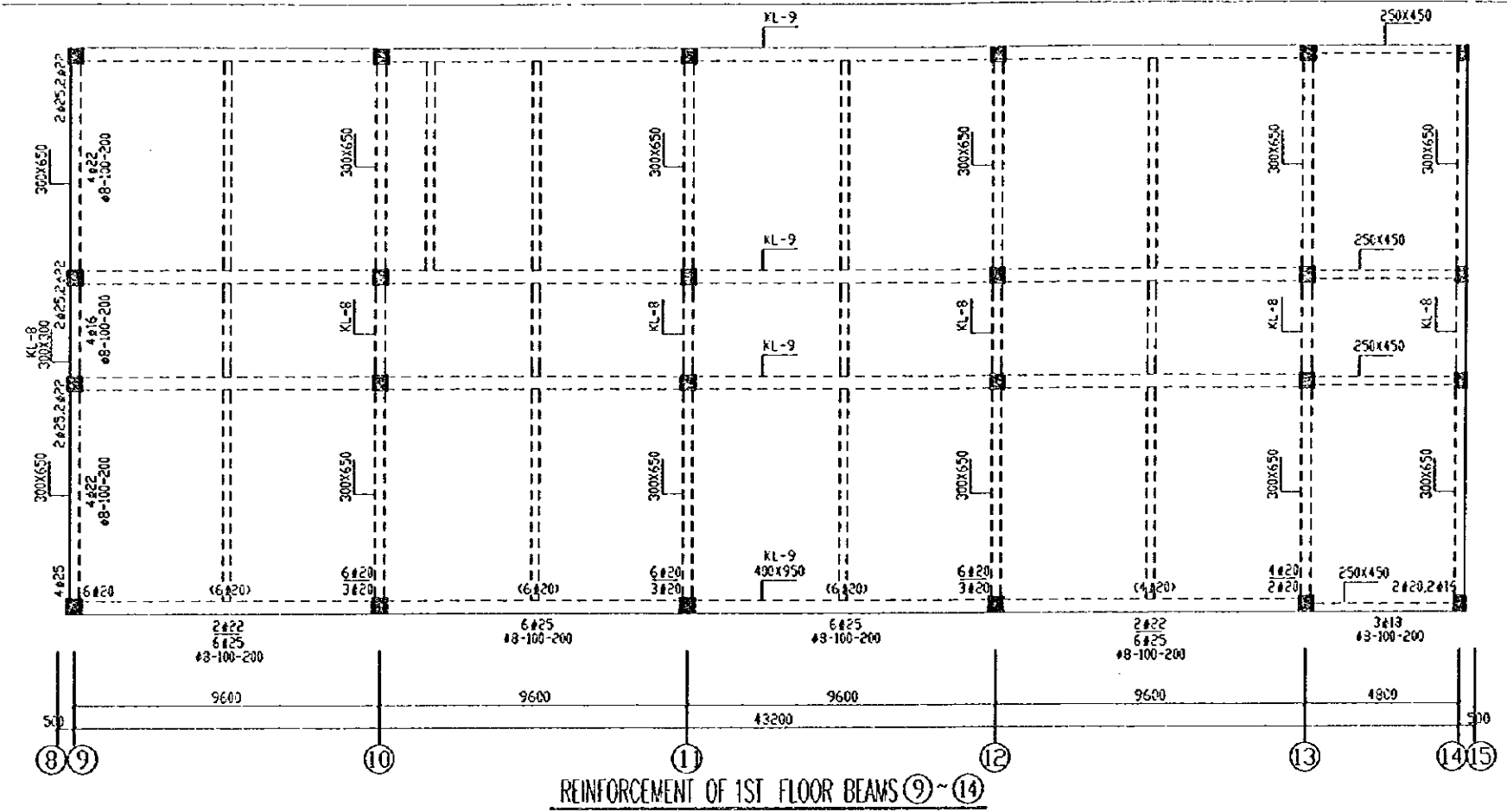
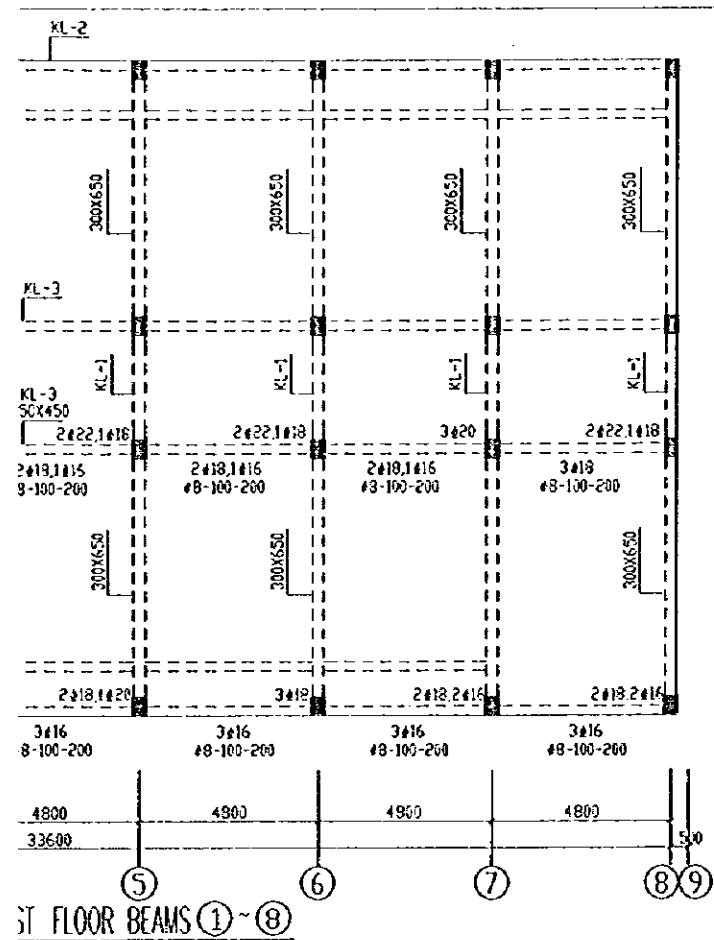
PEOPLE'S REPUBLIC OF CHINA	
SHANGHAI PUDONG INTERNATIONAL AIRPORT PROJECT	SEPTEMBER 1997
ROOF ORDER AND BEAM PLAN	
SCALE 0 10 25 50	DWG 41-S12
JAPAN INTERNATIONAL COOPERATION AGENCY	



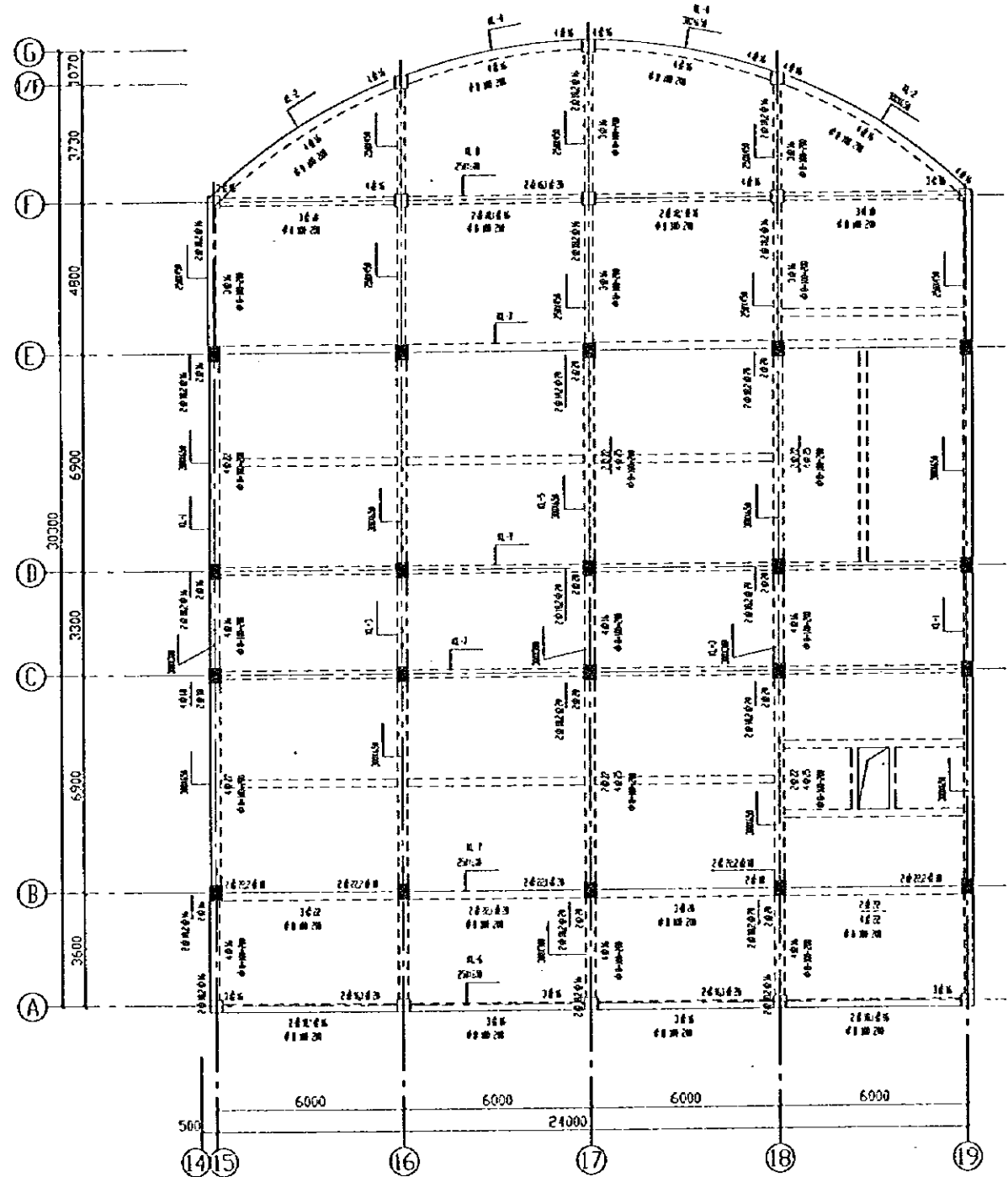
ROOF STRUCTURAL PLAN
(1-110421)

PEOPLE'S REPUBLIC OF CHINA	
SHANGHAI PUDONG INTERNATIONAL AIRPORT PROJECT	SEPTEMBER 1997
ROOF REINFORCEMENT PLAN	
SCALE 1:100	DWG 41-513
JAPAN INTERNATIONAL COOPERATION AGENCY	

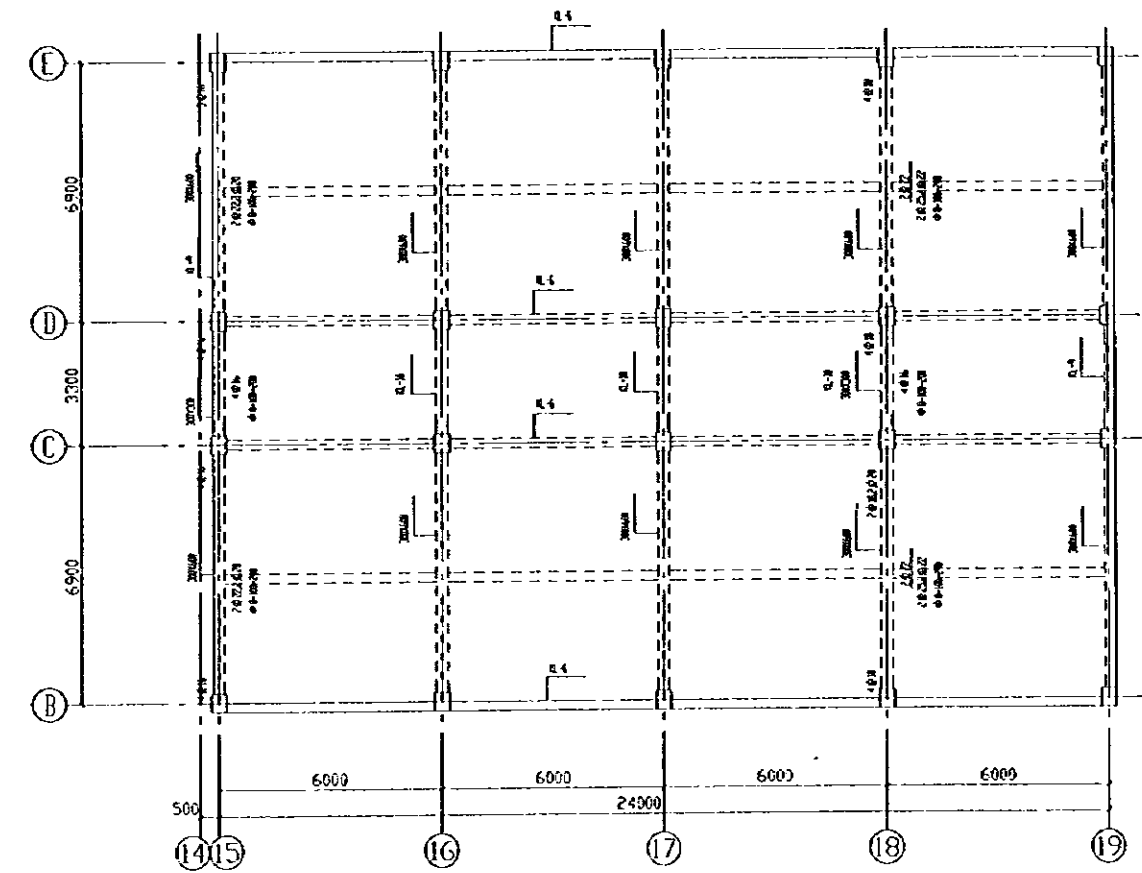




PEOPLE'S REPUBLIC OF CHINA	
SHANGHAI PUDONG INTERNATIONAL AIRPORT PROJECT SEPTEMBER 1997	
1st FLOOR 2nd FLOOR ORDER AND BEAM REINFORCEMENT DETAIL 1/2	
SCALE	DWG 41-S14
JAPAN INTERNATIONAL COOPERATION AGENCY	

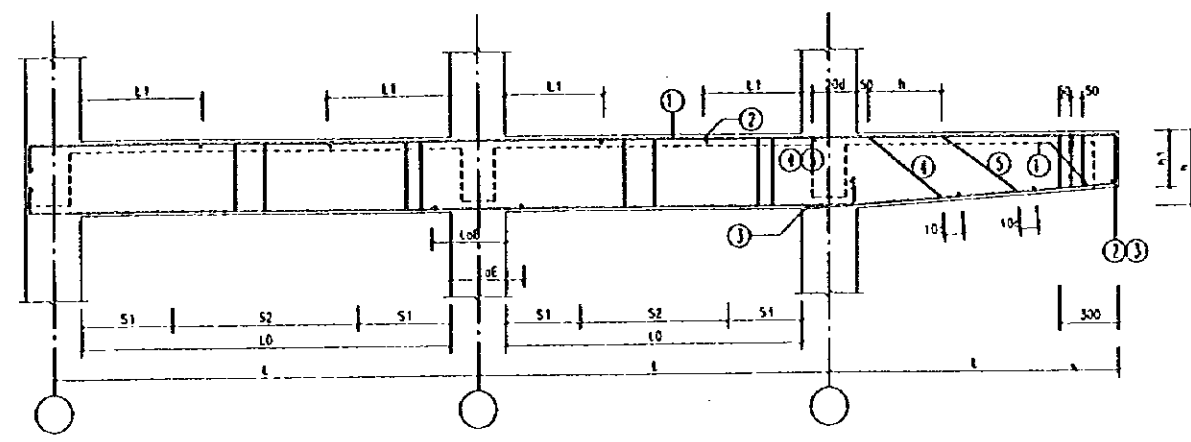


REINFORCEMENT OF 1ST FLOOR BEAMS (15) - (19)

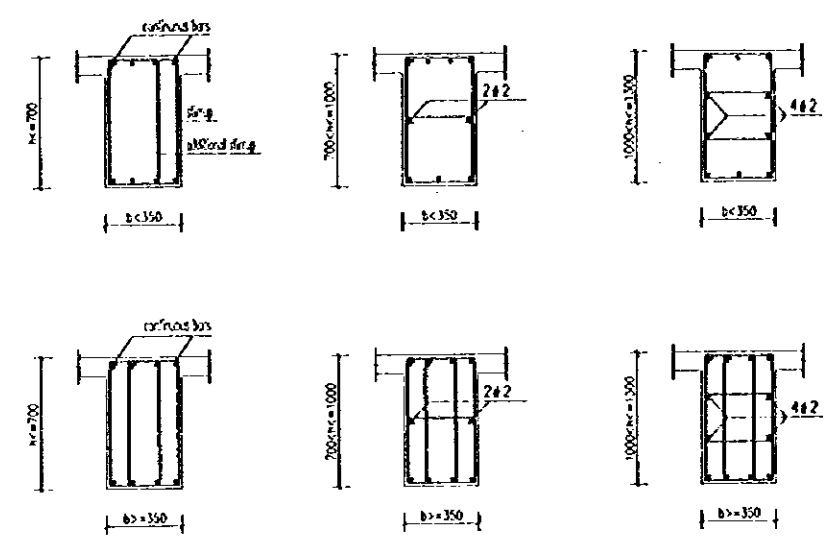


REINFORCEMENT OF 2ND FLOOR BEAMS (15) - (19)

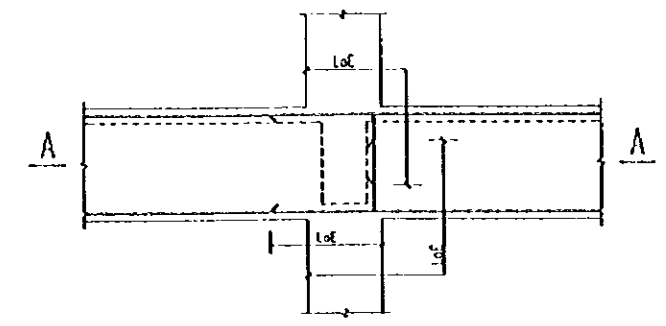
PEOPLE'S REPUBLIC OF CHINA	
SHANGHAI PUDONG INTERNATIONAL AIRPORT PROJECT	SEPTEMBER 1997
1st FLOOR, 2nd FLOOR GIRDER AND BEAM REINFORCEMENT DETAIL 2/2	
SCALE	1:25
JAPAN INTERNATIONAL COOPERATION AGENCY	



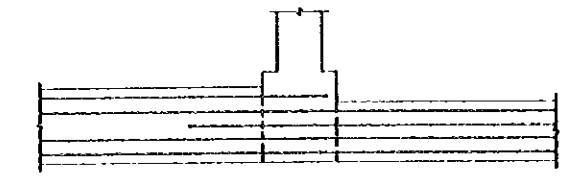
REBAR LAYOUT ELEVATION FOR CONNECTING BAR OF WIDE/NARROW BEAM



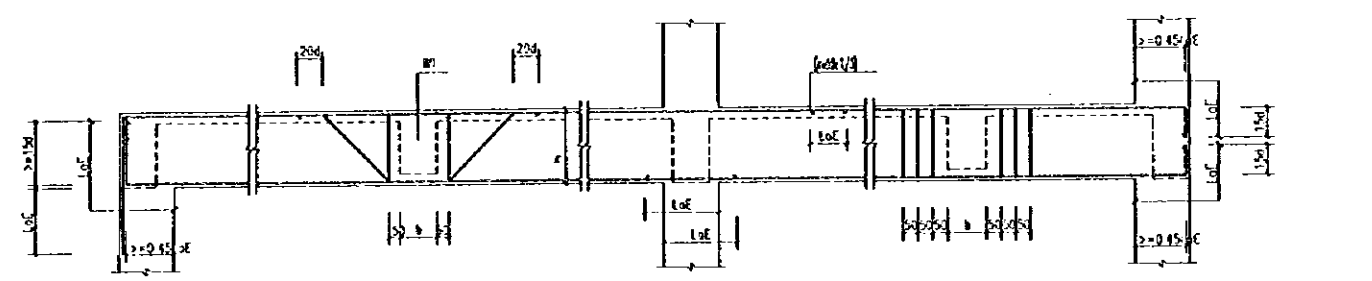
sectional construction



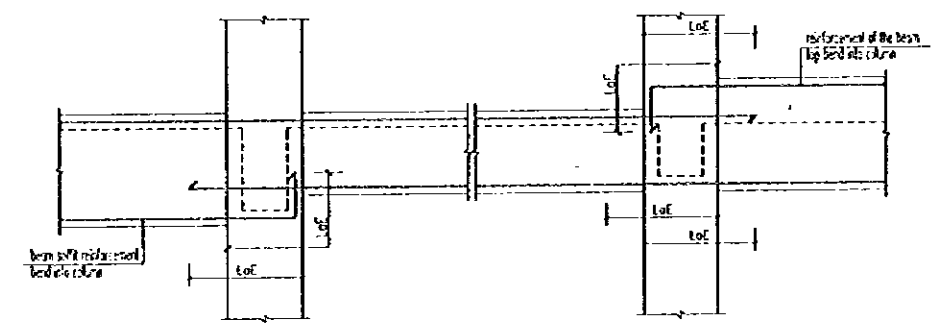
FRAME BEAM REBAR ELEVATION SKETCH MAP



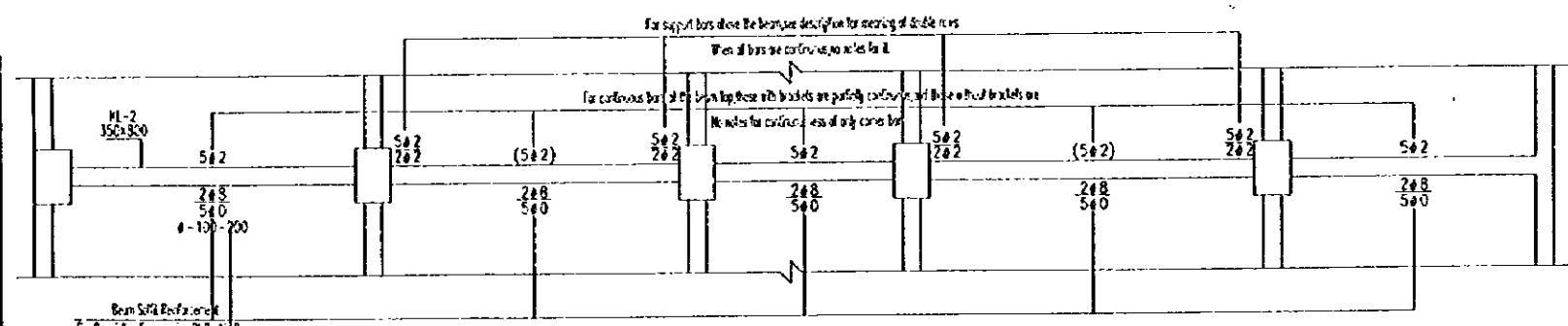
A-A (BAR ARRANGEMENT OF COONNECTING OF WIDE/NARROW BEAMS)



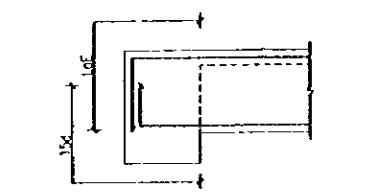
end joints of frame top Signal Of Hanged Bar $h < 800, a = 45$
 $h > 800, a = 60$ Support Joint In The Middle Of Frame Signal Of Dense Hoop Reinforcement
 Used For Secondary Beam, # Beam End Joints Of The Middle Layer Of Frame



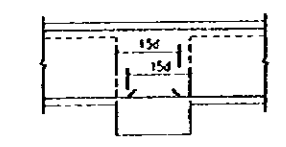
BAR ARRANGEMENT WHEN THE HEIGHT OF NEIGHBOR BEAMS DIFFERENT



LEGENDS FOR REBAR PLAN OF BEAMS



SIDE SUPPORT CONSTRUCTION OF SECONDARY BEAM

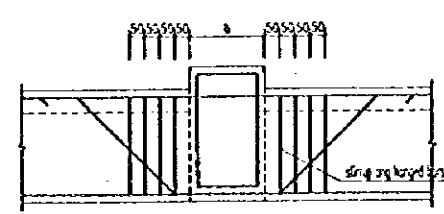


MIDDLE SUPPORT CONSTRUCTION OF SECONDARY BEAM

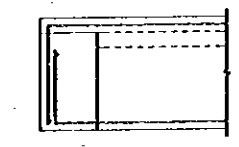
Note:

1. Corner hoop above frame beam shall be jointed among different spans on the same floor
 2. The length of hooping of frame beam in dense area s1 shall be 1.5 times of the beam height.
 3. Diameter of tie bar is equal to that of hooping, and spacing is 2 times of hooping space.
 4. Cutting point of the bar above frame beam Ll adopts 10/4.
 5. Number of hoop reinforcement. 4 hoops for ≥ 350 mm beam width.
2 hoops for < 350 mm beam width
- Add more hoops and other auxiliary measures when bearing bars is more than 3 on each floor.

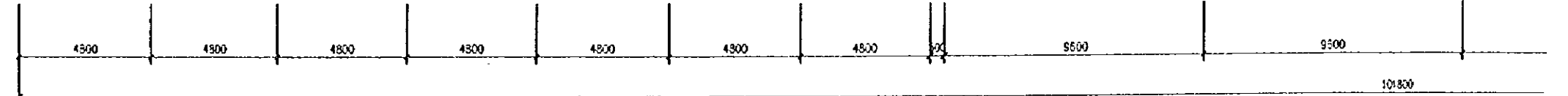
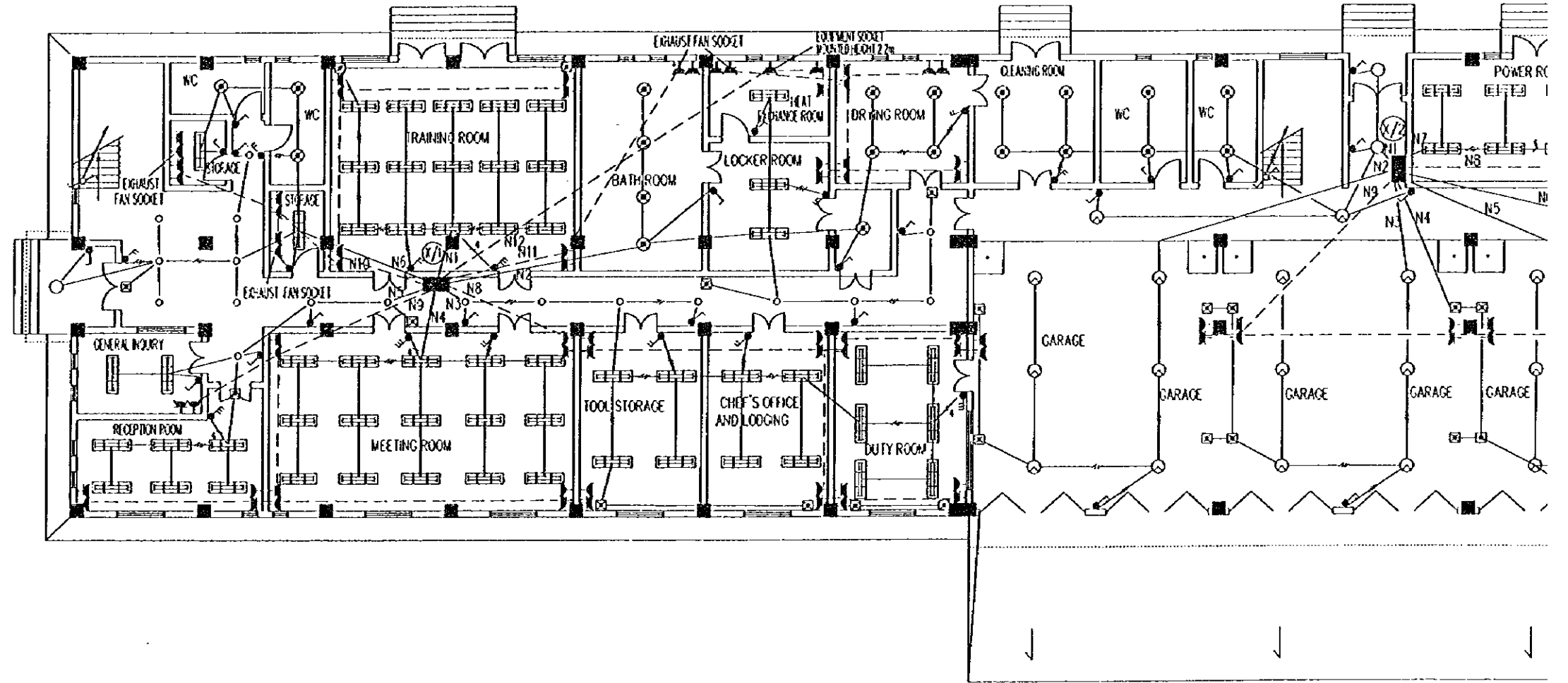
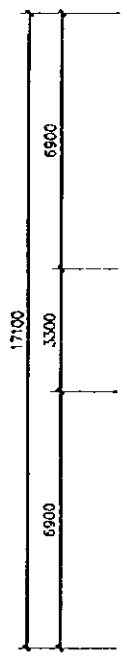
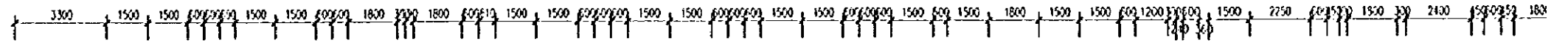
Concrete	strength class	Reinforcement	Diameter								
			32	30	28	25	22	20	18	16	14
C20	2		1280	1200	1120	1000	880	800	720	640	560
C25	2		1120	1050	980	880	770	700	630	560	500
>C30	2		960	900	840	750	660	600	540	480	400



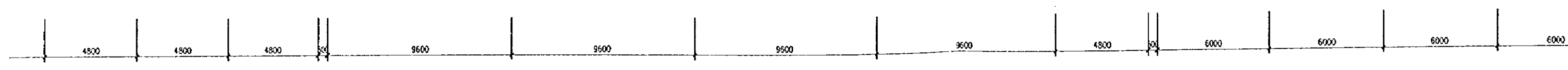
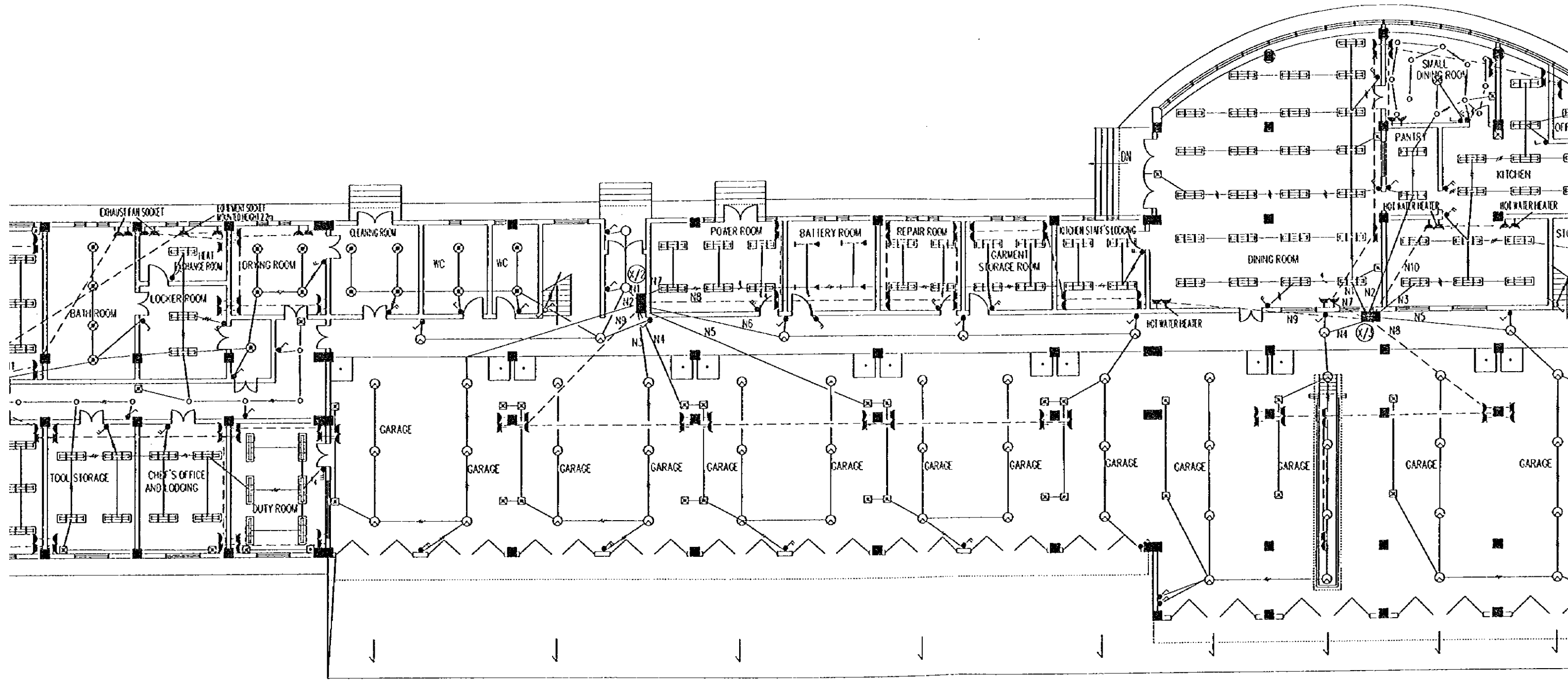
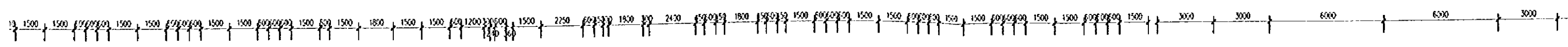
JOINT STRUCTURE OF UPSTAND BEAM



SUPPORT JOINT OF UPSTAND BEAM

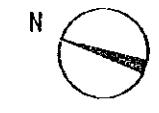
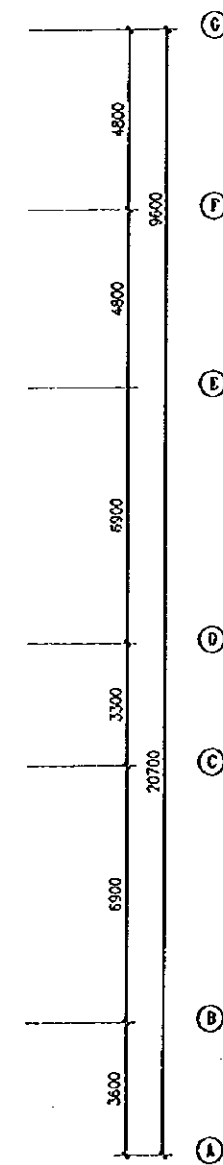
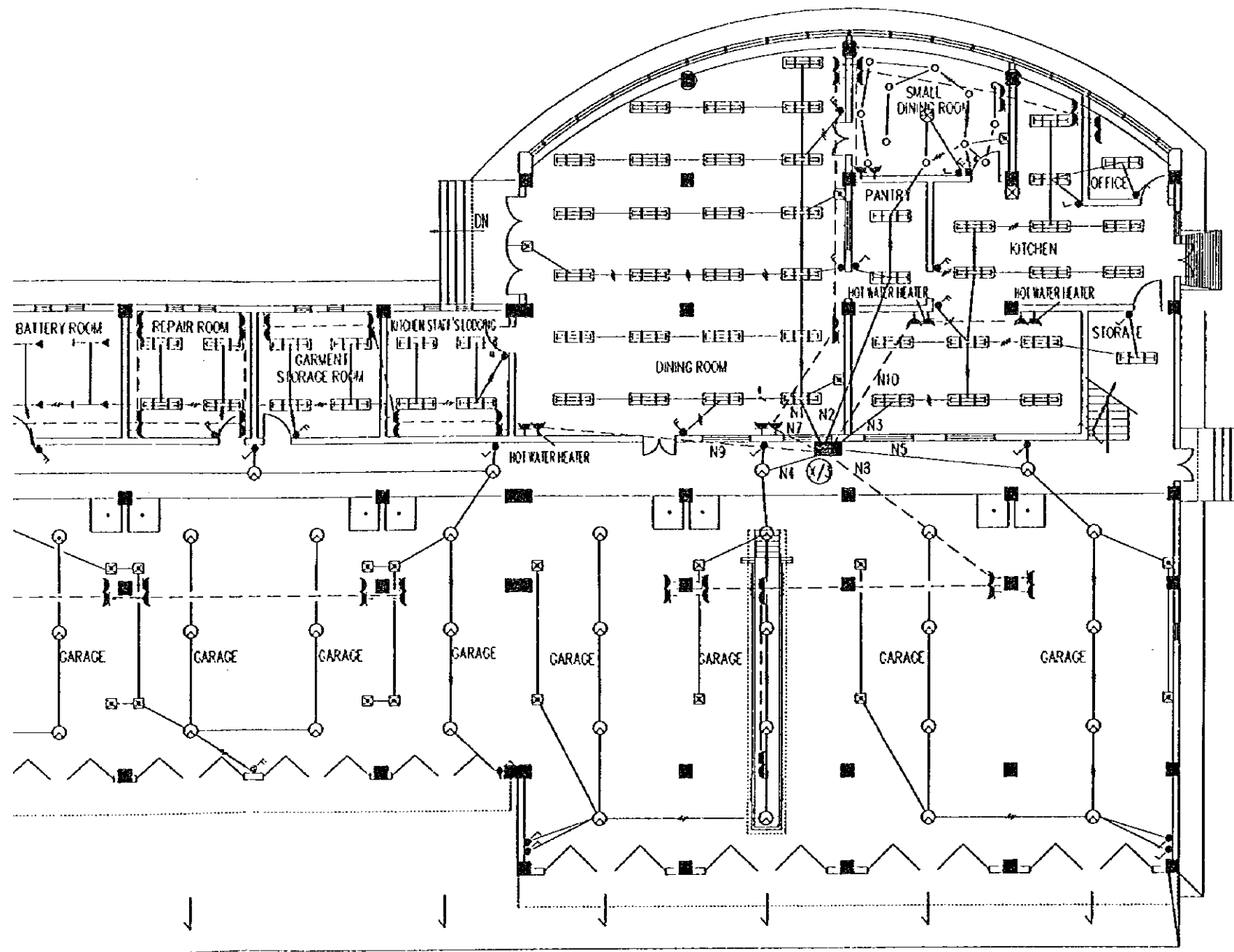
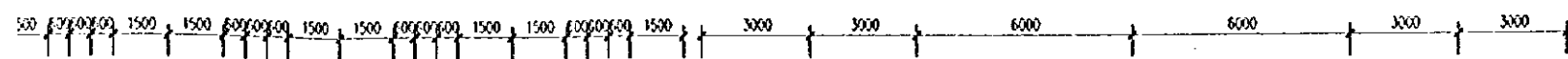


1 2 3 4 5 6 7 8 9 10



101800

- 5
- 6
- 7
- 8
- 9
- 10
- 11
- 12
- 13
- 14
- 15
- 16
- 17
- 18
- 19

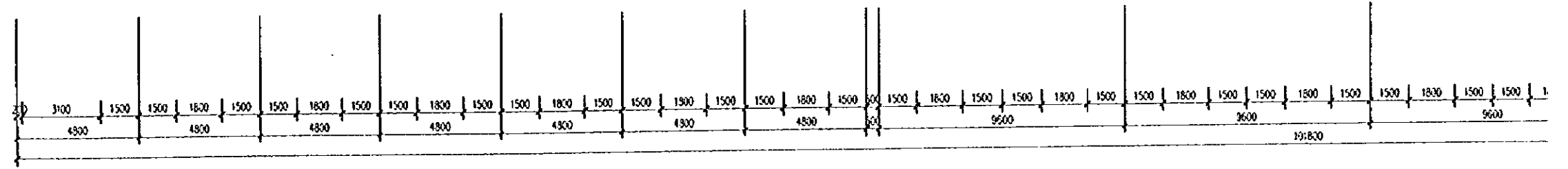
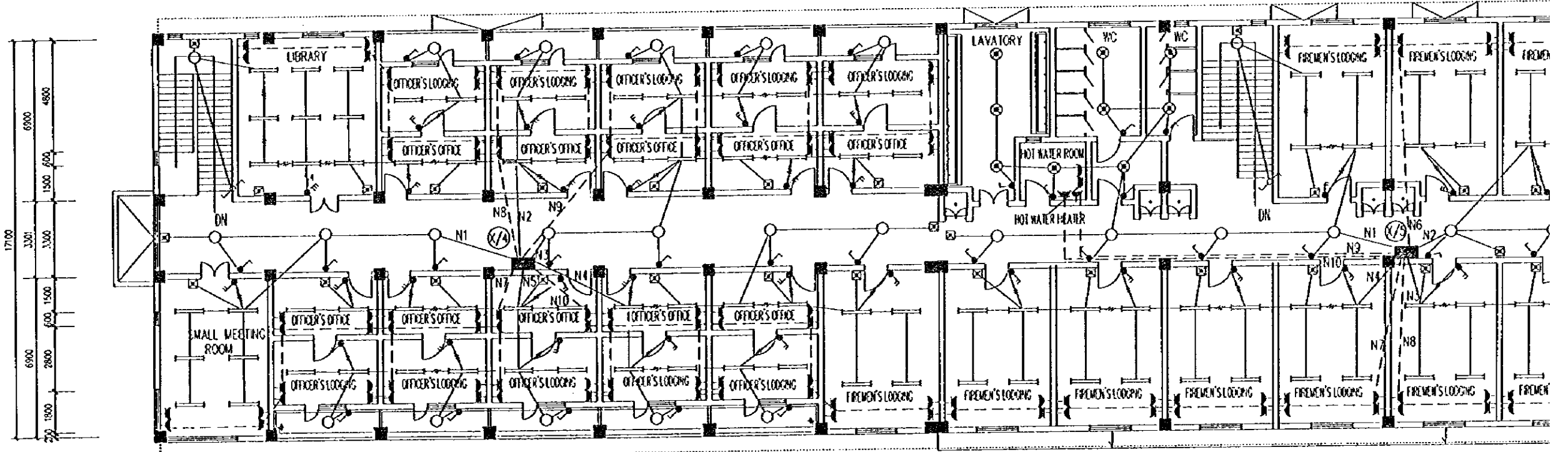
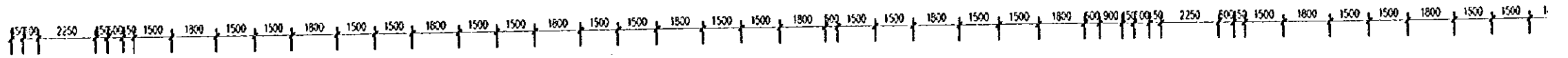


23		ELECTRIC	G25	m	25
22		ELECTRIC	G15	m	3000
21		CABLE	BV-500V 6mm ²	m	75
20		CABLE	BV-500V 4mm ²	m	3500
19		CABLE	BV-500V 2.5mm ²	m	3500
18	⊗	WATER AND DUST PROOF OVERHEAD LIGHT	HXD 217A 1X40W		20
17	⊗	MULTI-LAMP	HXD 243-4 4X40W		1
16	⊗	HANGING-UP INDUSTRIAL LAMP	HGC 125-B 1X250W		50
15	○	TUBE-SHAPED LIGHT	HZD 120B 1X40W		30
14	○	CIRCULAR OVERHEAD LIGHT	HXD 233A 1X60W		3
13	◀	BLAST FLUORESENT	YB 3e-40 1x40W		4
12	▬▬▬	TWO TUBE FLUORESENT	HYG 329-2C 2X40W		99
11	▬▬▬	ONE TUBE FLUORESENT	HYG 329-1C 1X40W		18
10	⊠	EMERGENCY LIGHT	HJD 211		41
9	⊠	DOUBLE-CONTROL SWITCH	250V 10A		3
8	⊠	THREE SWITCH	250V 10A		6
7	⊠	TWO SWITCH	250V 10A		22
6	⊠	ONE SWITCH	250V 10A		36
5	⊠	SOCKET WITH SWITCH	250V 10A		3
4	⊠	WATER PROOF SOCKET	250V 15A		3
3	⊠	WATER PROOF SOCKET	250V 10A		1
2	⊠	SOCKET	250V 10A		63
1	⊠	LIGHTING RECEPTACLE DISTRIBUTION BOX	PXT(R)-4		3
NO.	SYMBOL	NAME	SPECIFICATION	UNIT	QUANTITY

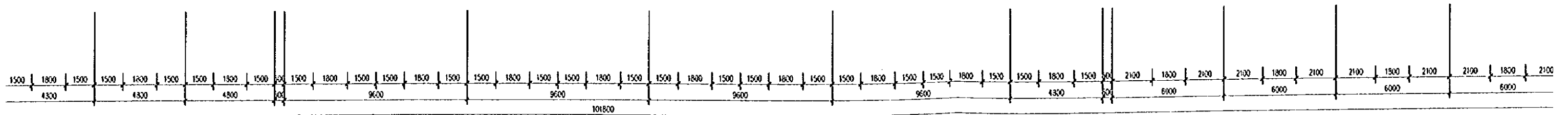
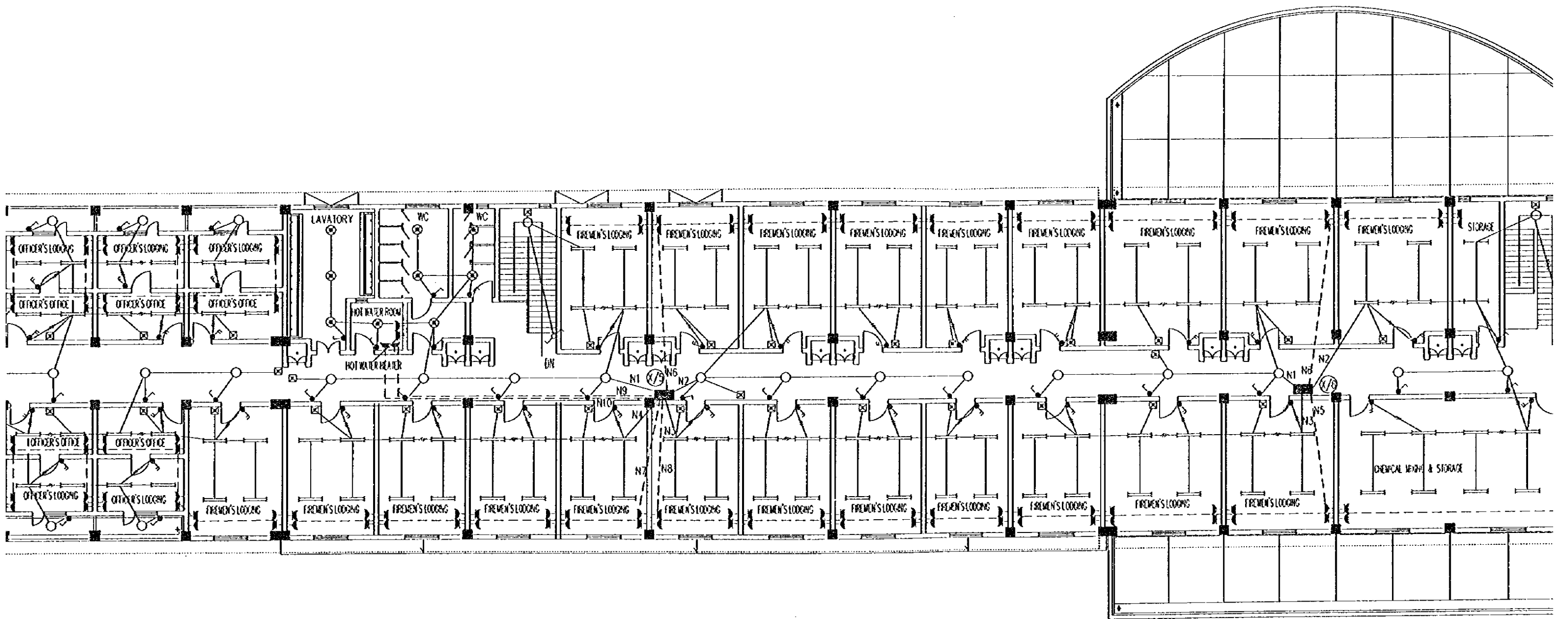
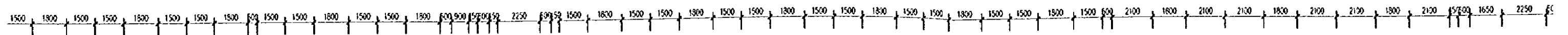
FACILITIES AND MATERIALS

PEOPLE'S REPUBLIC OF CHINA
 SHANGHAI PUDONG INTERNATIONAL AIRPORT PROJECT | SEPTEMBER 1997
 1st FLOOR LIGHTING PLAN
 SCALE 1:25
 DWG 41-E1
 JAPAN INTERNATIONAL COOPERATION AGENCY

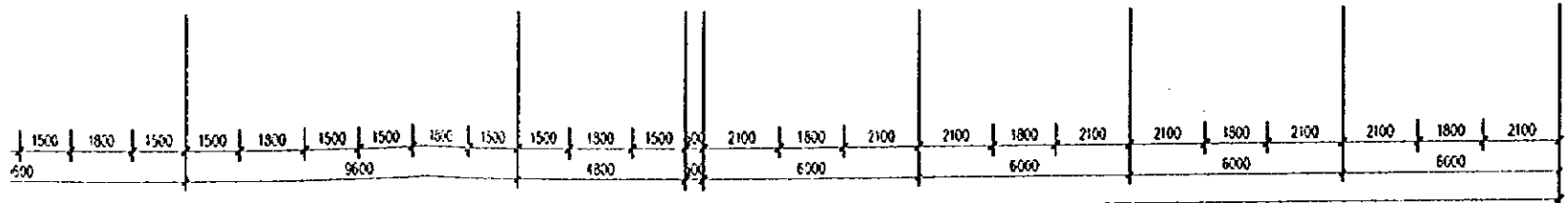
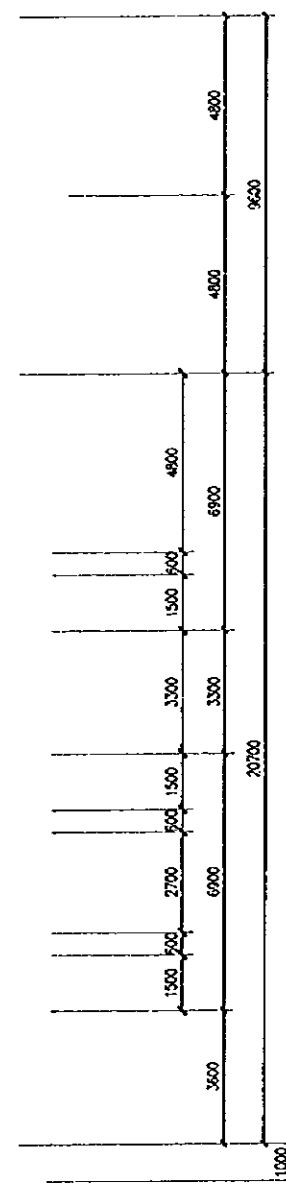
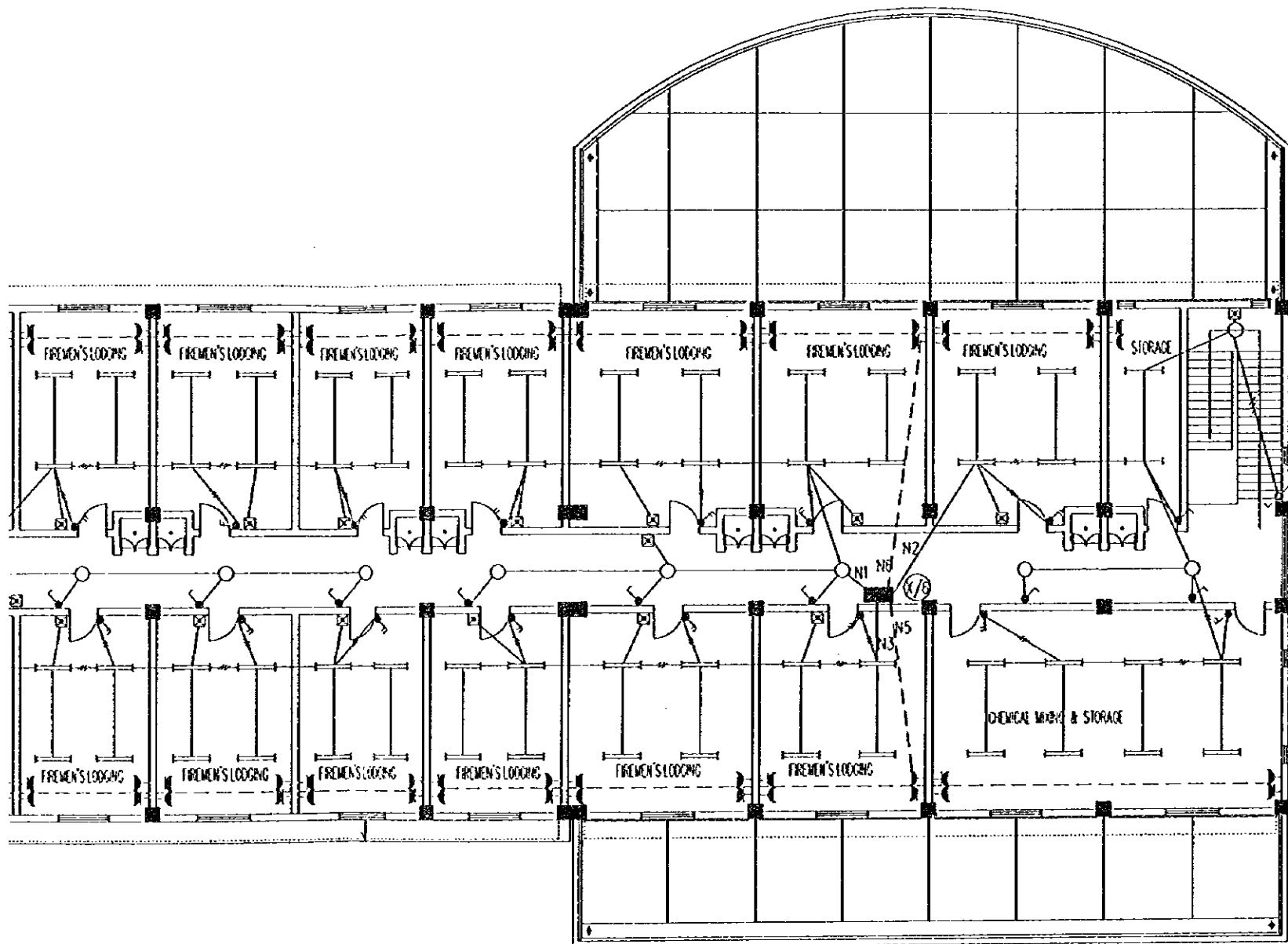
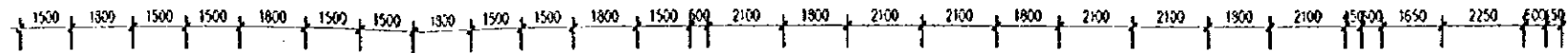




- ①
- ②
- ③
- ④
- ⑤
- ⑥
- ⑦
- ⑧
- ⑨
- ⑩
- ⑪



- 6
- 7
- 8
- 9
- 10
- 11
- 12
- 13
- 14
- 15
- 16
- 17
- 18

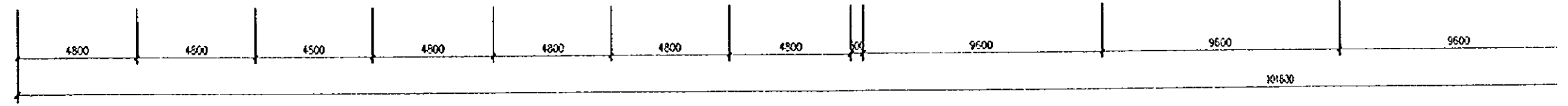
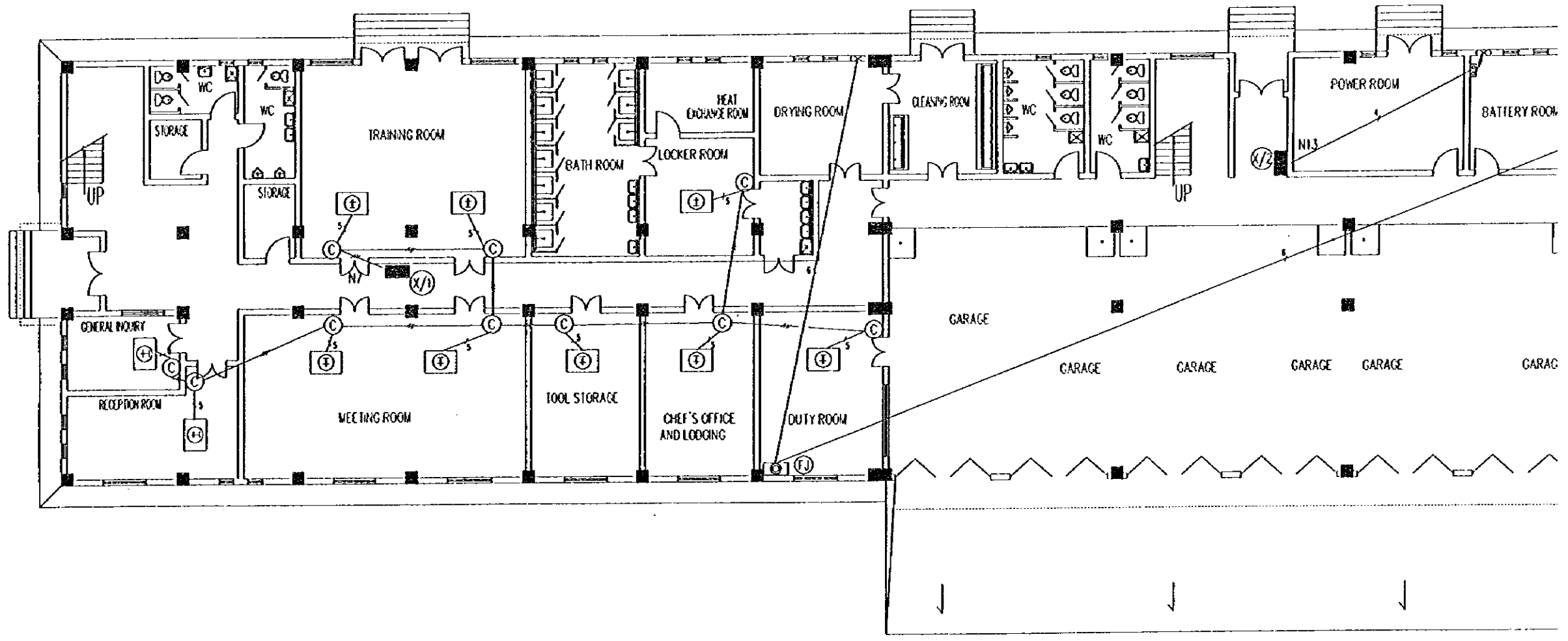
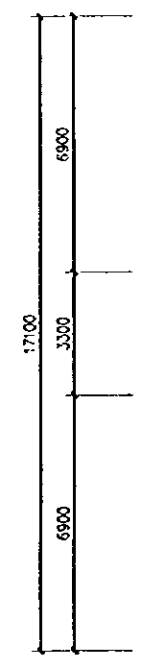
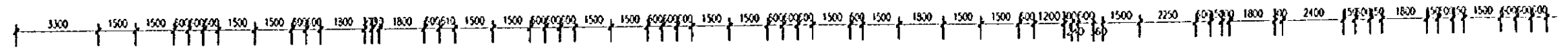


12 13 14 15 16 17 18 19

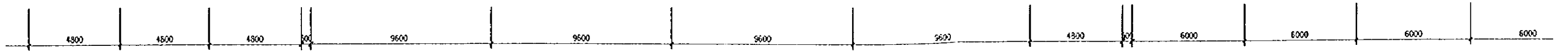
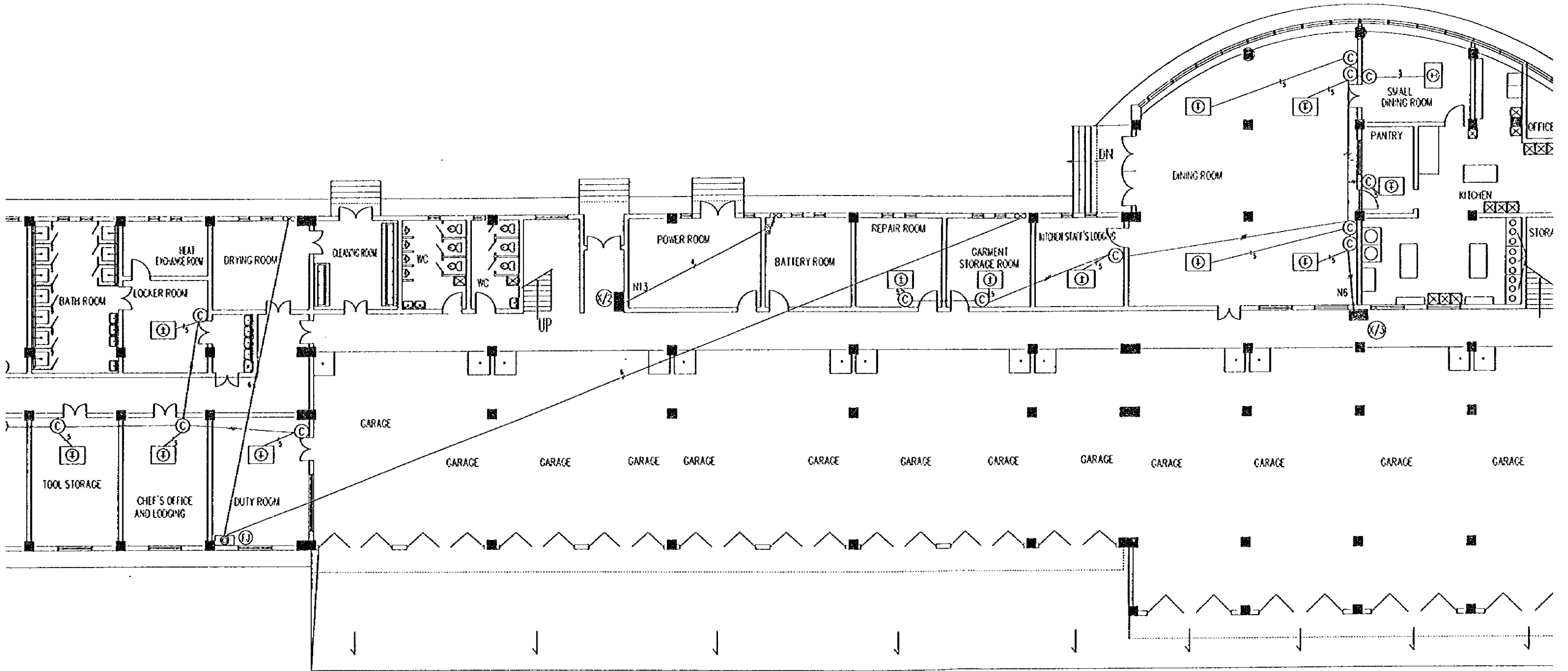
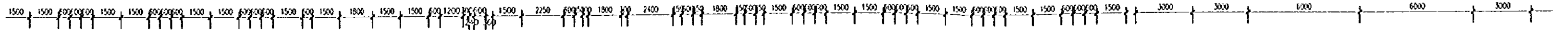
16		ELECTRIC	G25	m	50
16		ELECTRIC	G15	m	3000
15		CABLE	BV-500V 6mm ²	m	150
14		CABLE	BV-500V 4mm ²	m	3500
13		CABLE	BV-500V 2.5 mm ²	m	3500
12	☐	WATER PROOF SOCKET	250V 15A		2
11	☐	SOCKET	250V 10A		89
10	☐	DOUBLE-CONTROL SWITCH	250V 10A		3
9	☐	THREE SWITCH	250V 10A		1
8	☐	TWO SWITCH	250V 10A		44
7	☐	ONE SWITCH	250V 10A		36
6	☐	FLUORESENT	HYG 28-2 2X40W		147
5	☐	FLUORESENT	HYG 28-1C 1X40W		2
4	○	CIRCULAR OVERHEAD LIGHT	HXD 233A 1X40W		33
3	⊗	WATER AND DUST PROOF OVERHEAD LIGHT	HXD 217A 1X40W		9
2	☒	EMERGENCY LIGHT	HJD 211		42
1	☐	LIGHTING/RECEPTACLE DISTRIBUTION BOX	PXT(R)-4		3
NO.	SYMBOL	NAME	SPECIFICATION	UNIT	QUANTITY

FACILITIES AND MATERIALS

PEOPLE'S REPUBLIC OF CHINA	
SHANGHAI PUDONG INTERNATIONAL AIRPORT PROJECT	SEPTEMBER 1997
2nd FLOOR LIGHTING PLAN	
SCALE	DWG 41-E2
JAPAN INTERNATIONAL COOPERATION AGENCY	

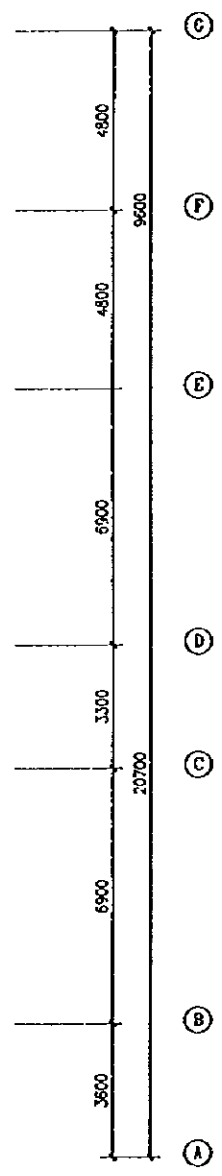
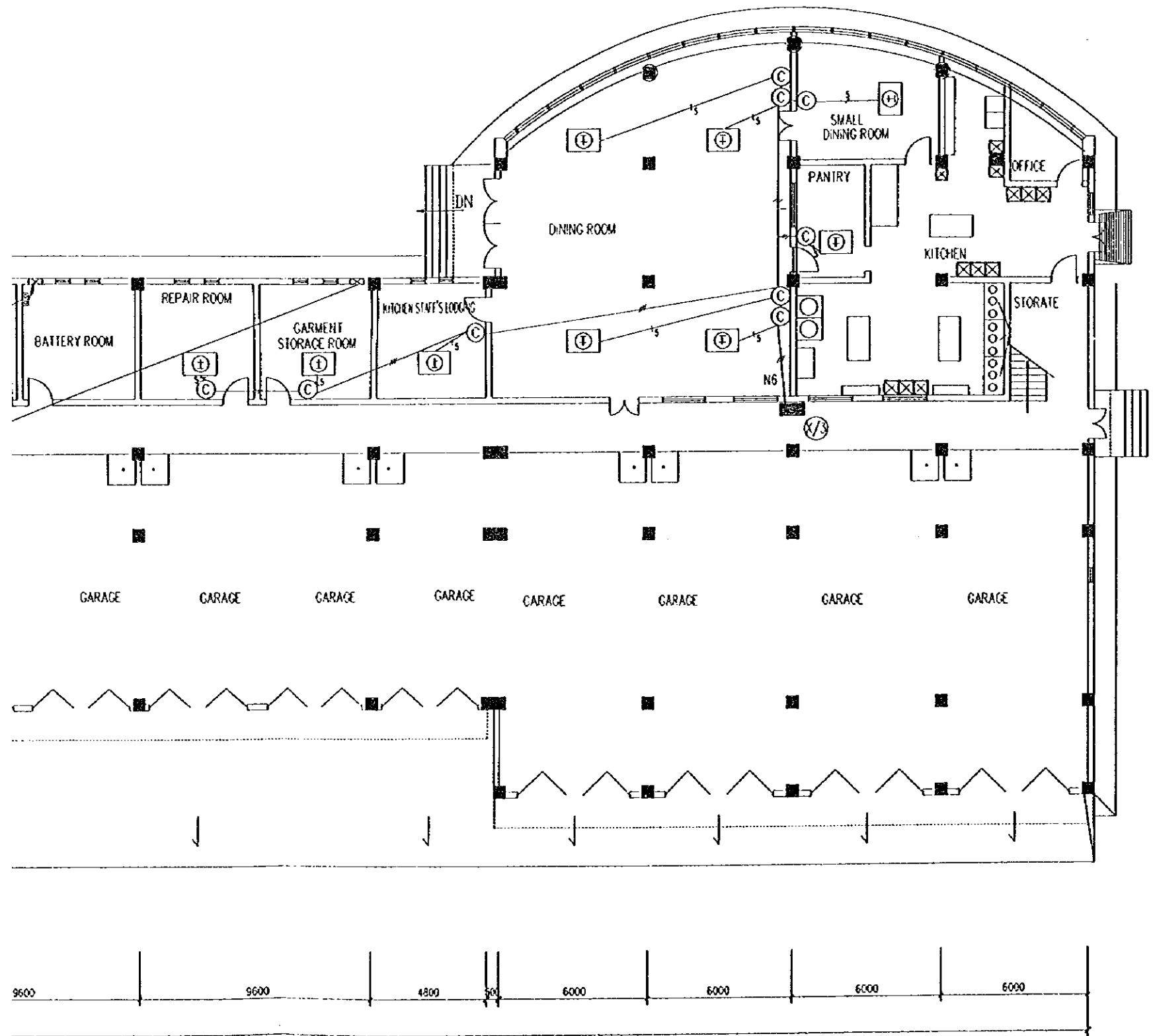
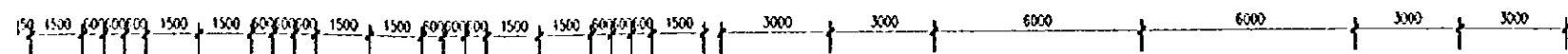


- ①
- ②
- ③
- ④
- ⑤
- ⑥
- ⑦
- ⑧
- ⑨
- ⑩
- ⑪



101800

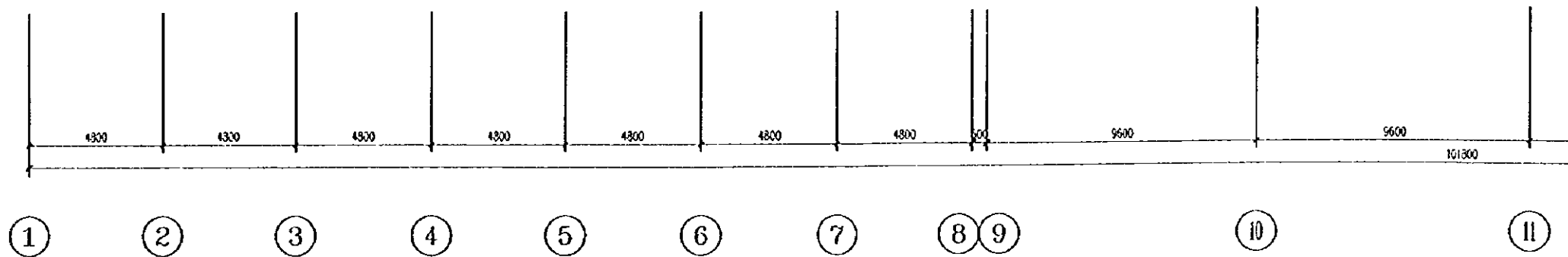
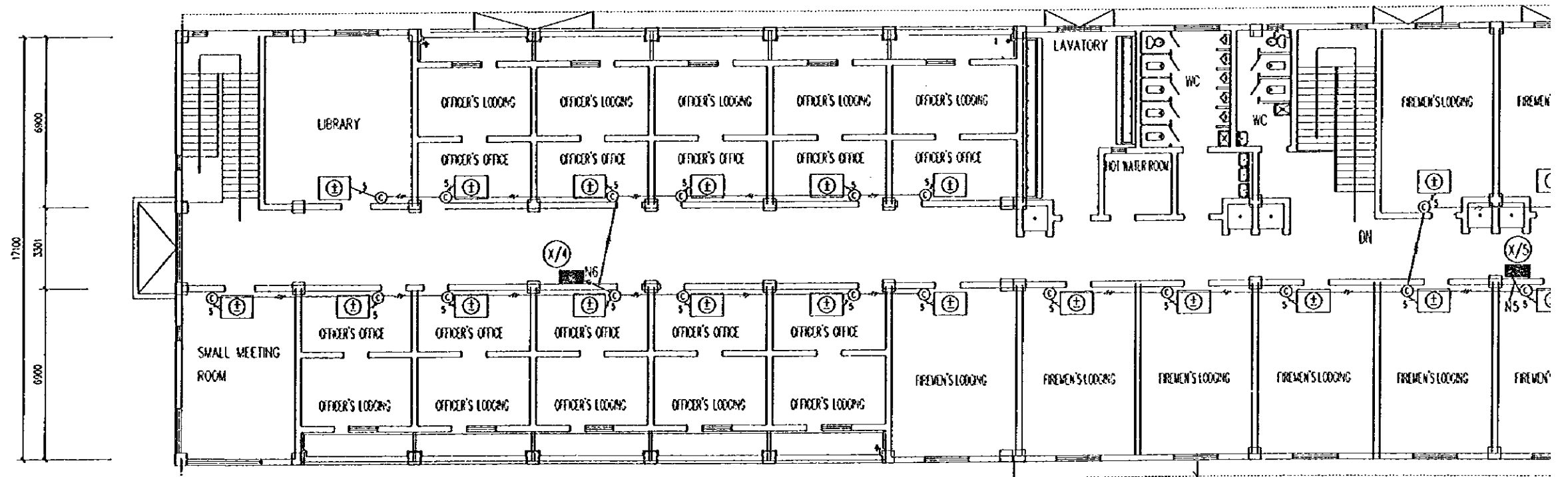
- 5
- 6
- 7
- 8 9
- 10
- 11
- 12
- 13
- 14 15
- 16
- 17
- 18

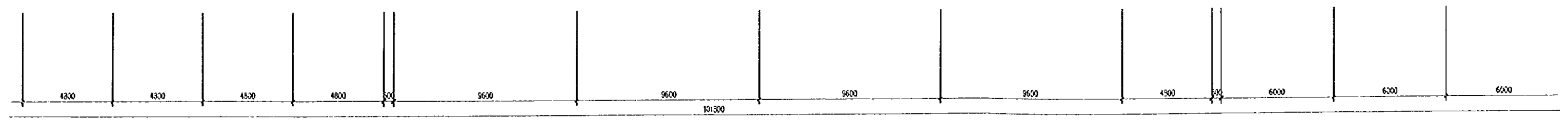
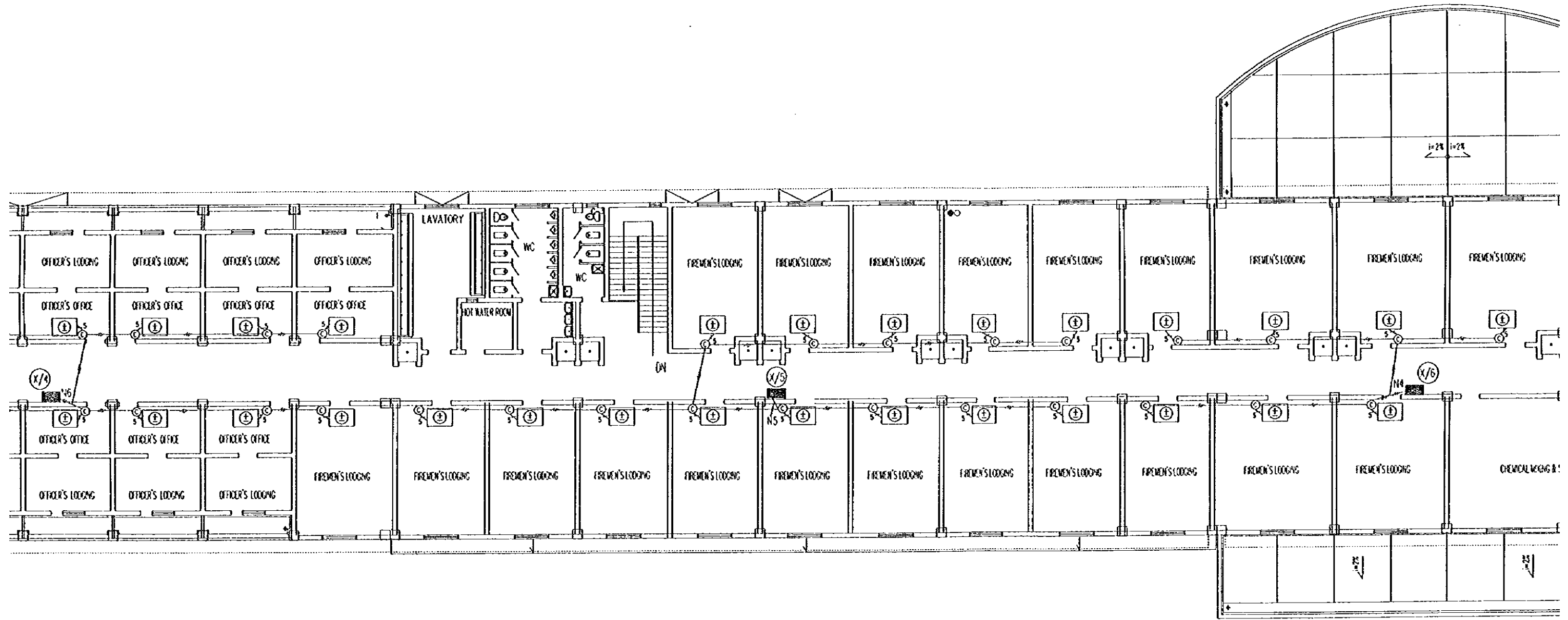


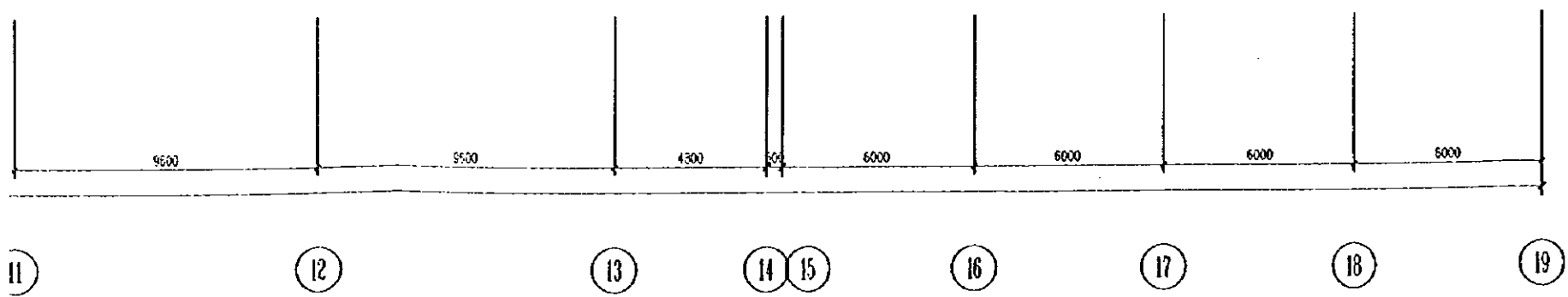
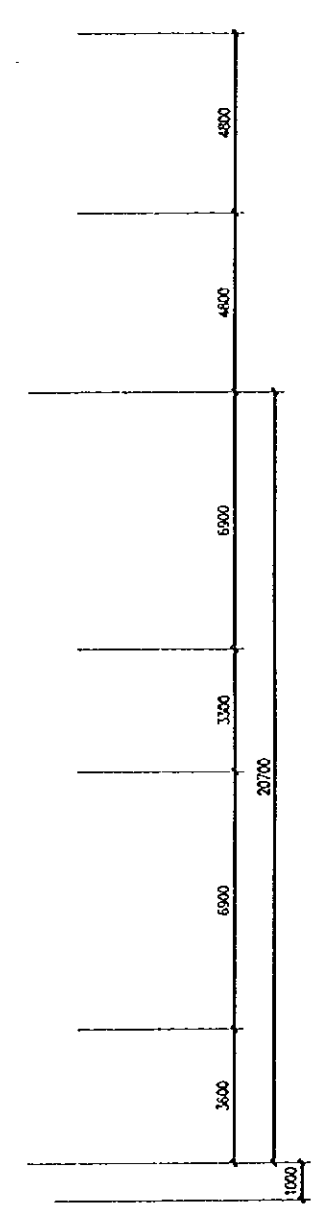
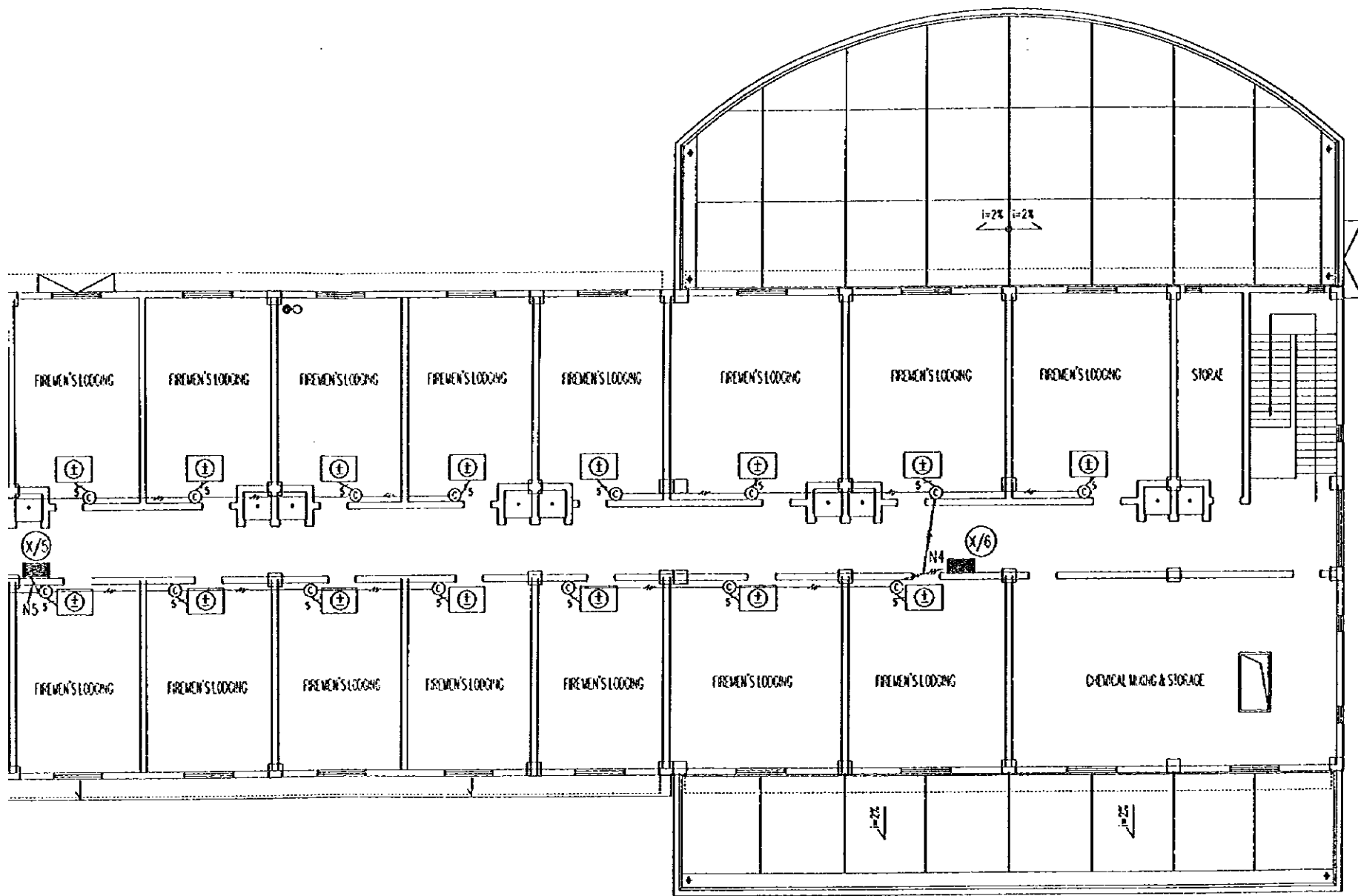
11		ELECTRIC PIPE	G25	m	100
10		ELECTRIC PIPE	G15	m	400
9		POWER SUPPLY CABLE	VV-1KV 3X6+1X4	m	200
8		CABLE	BV-500V 4mm ²	m	50
7		CABLE	BV-500V 2.5mm ²	m	1000
6	⊙	THREE SPEED SWITCH	MANUFACTURE COMPLETE SETS OF EQUIPMENT WITH FAN COIL UNIT		19
5	⊙	FAN COIL UNIT	SELECTED BY HVAC		19
4	∞	EXHAUST FAN	SELECTED BY HVAC		3
3	⊙	BLAST AXIAL FAN CONTROL BUTTON	380V 5A		1
2	⊙	EXHAUST FAN POWER CONTROL BUTTON	KNOWING COMPLETE SITUATION WITH FAN COIL UNIT TO BE DESIGN		1
1	⊙	LIGHTING/RECEPTACLE DISTRIBUTION	SEE 1ST LIGHTING PLAN		3
NO.	SYMBOL	NAME	SPECIFICATION	UNIT	QUANTITY

FACILITIES AND MATERIALS

PEOPLE'S REPUBLIC OF CHINA	
SHANGHAI PUDONG INTERNATIONAL AIRPORT PROJECT	SEPTEMBER 1997
1st FLOOR F. C. U. POWER SUPPLY PLAN	
SCALE	DWG 41-E3
JAPAN INTERNATIONAL COOPERATION AGENCY	



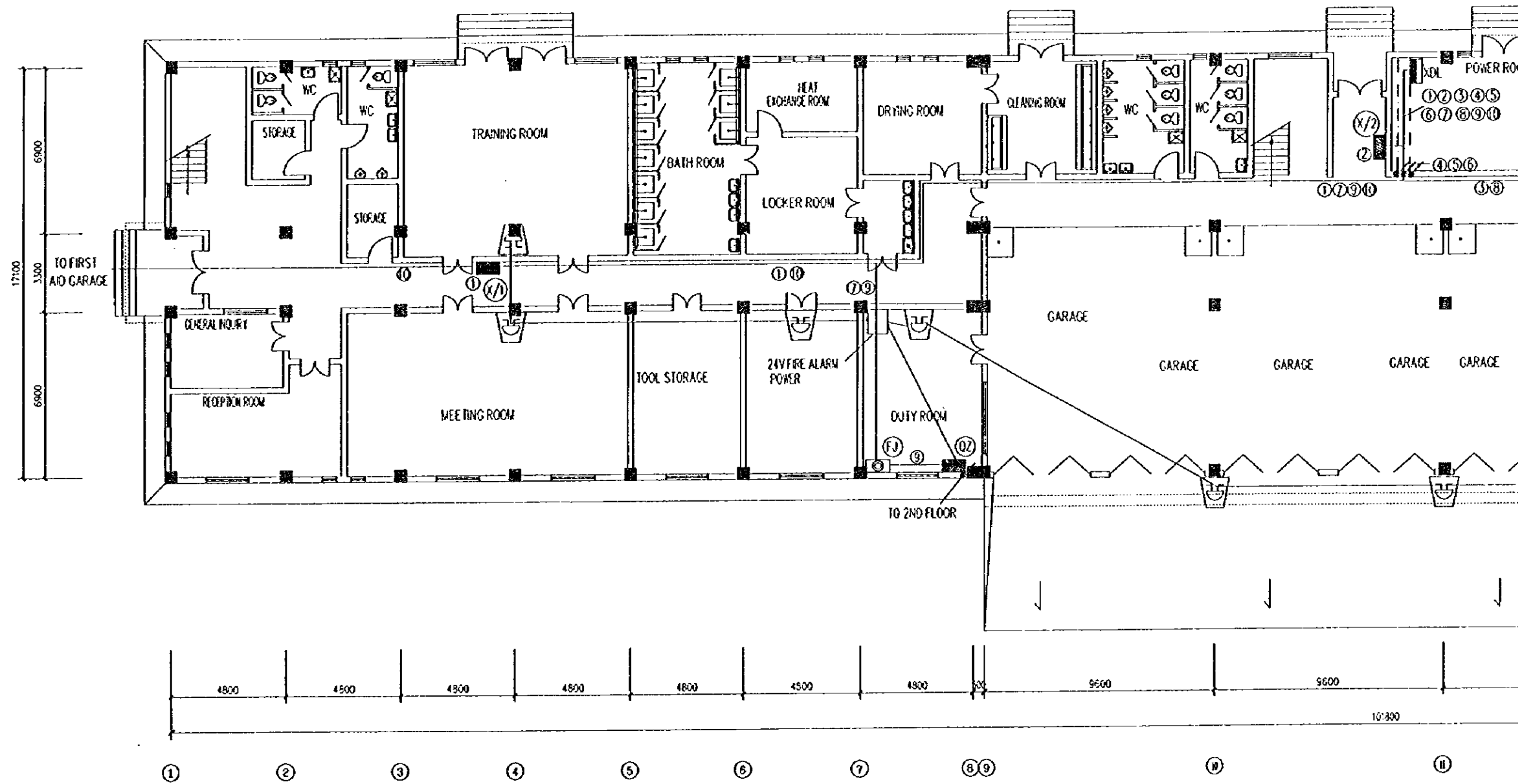




4		ELECTRIC PIPE	G15	m	400
3		CABLE	BV-500V 2.5mm ²	m	1000
2	(C)	THREE SPEED SWITCH	MANUFACTURE COMPLETE SETS OF EQUIPMENT WITH FAN COIL UNIT		33
1	(C)	FAN COIL UNIT	SEE HVAC DIAGRAM		33
NO.	SYMBOL	NAME	SPECIFICATION	UNIT	QUANTITY

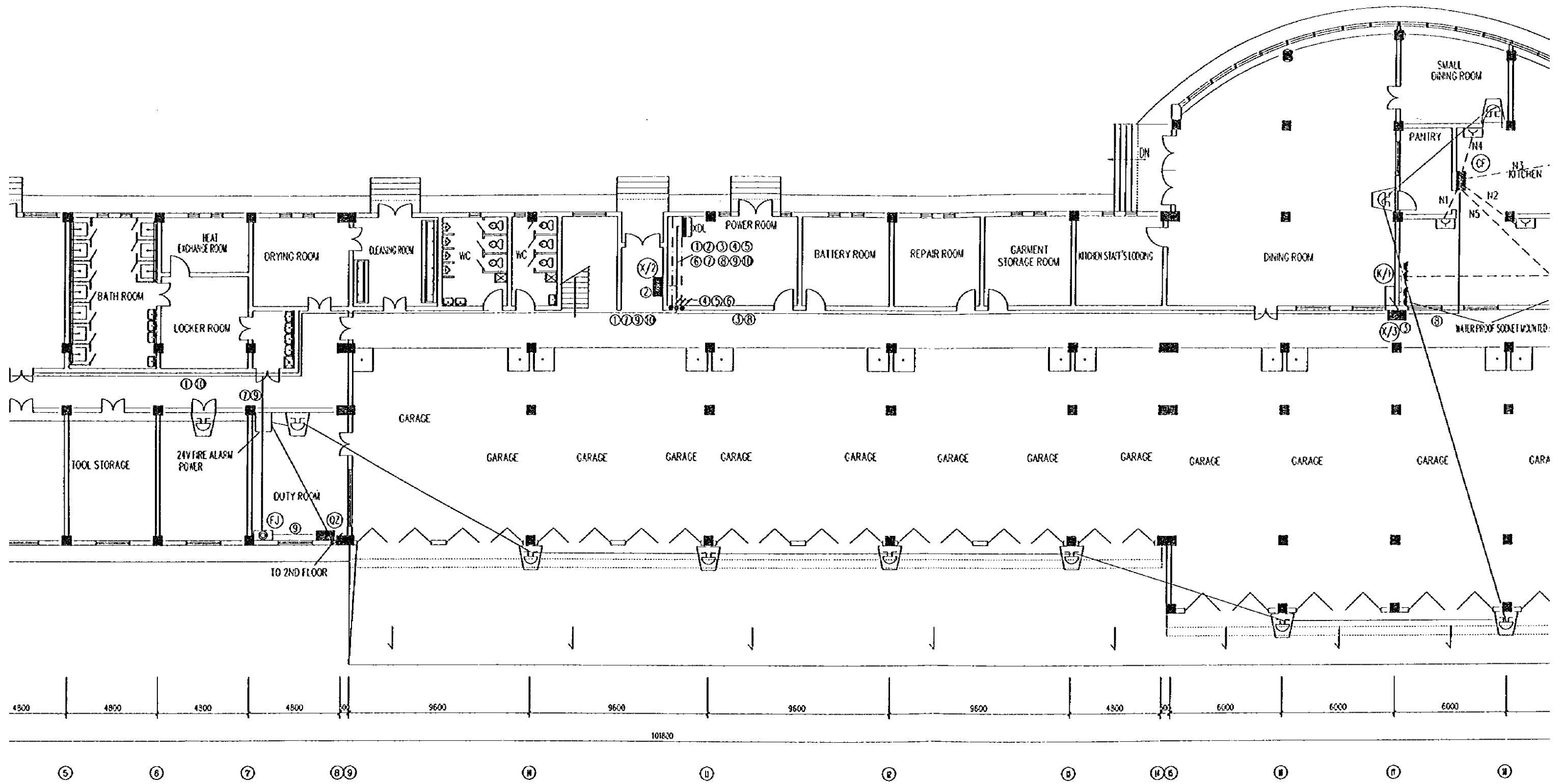
FACILITIES AND MATERIALS

PEOPLE'S REPUBLIC OF CHINA
SHANGHAI PUDONG INTERNATIONAL AIRPORT PROJECT | SEPTEMBER 1997
2nd FLOOR F. C. U. POWER SUPPLY PLAN
SCALE DWG 41-E4
JAPAN INTERNATIONAL COOPERATION AGENCY



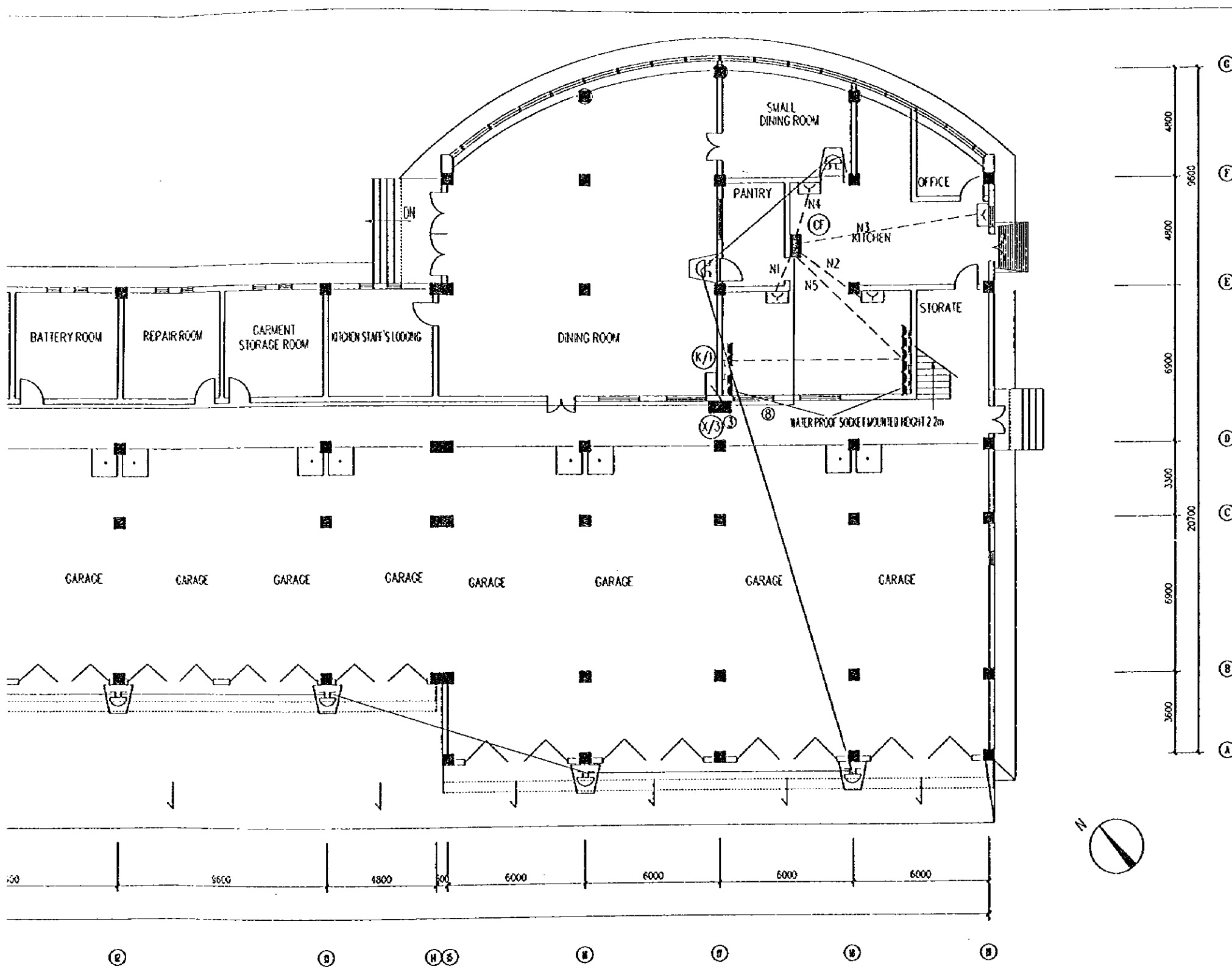
CABLE NO.	CABLE LAID UNDERGROUND		CABLE TYPE	QUANTITY	ELECTRIC PIPE		REMARKS
	FROM	TO			TYPE	QUANTITY	
①	POWER PANEL CIRCUIT-11	1ST FLOOR LIGHTING/RECEPTION DISTRIBUTION BOX (X/1)	VV-1KV 3X6+1X4	60	G40	55	
②	POWER PANEL CIRCUIT-12	1ST FLOOR LIGHTING/RECEPTION DISTRIBUTION BOX (X/2)	VV-1KV 3X6+1X4	10	G40	5	
③	POWER PANEL CIRCUIT-13	1ST FLOOR LIGHTING/RECEPTION DISTRIBUTION BOX (X/3)	VV-1KV 3X16+1X10	50	G50	45	
④	POWER PANEL CIRCUIT-14	1ST FLOOR LIGHTING/RECEPTION DISTRIBUTION BOX (X/4)	VV-1KV 3X6+1X4	65	G40	55	
⑤	POWER PANEL CIRCUIT-15	1ST FLOOR LIGHTING/RECEPTION DISTRIBUTION BOX (X/5)	VV-1KV 3X25+1X16	30	G50	25	

CABLE NO.	CABLE LAID UNDERGROUND		REMARKS
	FROM	TO	
⑥	POWER PANEL CIRCUIT-16	2ND FLOOR LIGHTING/RECEPTION DISTRIBUTION BOX (X/6)	VV
⑦	POWER PANEL CIRCUIT-17	1ST FLOOR LIGHTING/RECEPTION DISTRIBUTION BOX (FJ)	VV
⑧	POWER PANEL CIRCUIT-18	1ST FLOOR KITCHEN DISTRIBUTION BOX (CF)	VV
⑨	POWER PANEL CIRCUIT-19	ENTRANCE LIGHTING DISTRIBUTION BOX (OZ)	VV
⑩	POWER PANEL CIRCUIT-110	FIRST AID GARAGE DISTRIBUTION BOX (CR)	VV



IND	CABLE TYPE	QUANTITY	ELECTRIC PIPE		REMARKS
			TYPE	QUANTITY	
NO. OF PANEL 1 BOX (X/1)	VV-1KV 3X6+1X4	60	G40	55	
NO. OF PANEL 1 BOX (X/2)	VV-1KV 3X6+1X4	10	G40	5	
NO. OF PANEL 1 BOX (X/3)	VV-1KV 3X16+1X10	50	G50	45	
NO. OF PANEL 1 BOX (X/4)	VV-1KV 3X6+1X4	65	G40	55	
NO. OF PANEL 1 BOX (X/5)	VV-1KV 3X25+1X16	30	G50	25	

CABLE NO.	CABLE LAID UNDERGROUND		CABLE TYPE	QUANTITY	ELECTRIC PIPE		REMARKS
	FROM	TO			TYPE	QUANTITY	
⑥	POWER PANEL CIRCUIT-16	2ND FLOOR ELECTRICAL CONTROL DISTRIBUTION BOX (X/3)	VV-1KV 3X6+1X4	65	G40	55	
⑦	POWER PANEL CIRCUIT-17	1ST FLOOR ELECTRICAL CONTROL DISTRIBUTION BOX (FJ)	VV-1KV 3X16+1X10	50	G50	45	
⑧	POWER PANEL CIRCUIT-18	1ST FLOOR ELECTRICAL CONTROL DISTRIBUTION BOX (CF)	VV-1KV 3X25+1X16	60	G50	55	
⑨	POWER PANEL CIRCUIT-19	ENTRANCE ELECTRICAL CONTROL DISTRIBUTION BOX (QZ)	VV-1KV 3X6+1X4	60	G40	55	
⑩	POWER PANEL CIRCUIT-110	FIRST AID GARAGE ELECTRICAL CONTROL DISTRIBUTION BOX (CK)	VV-1KV 3X25+1X16	100	G50	95	

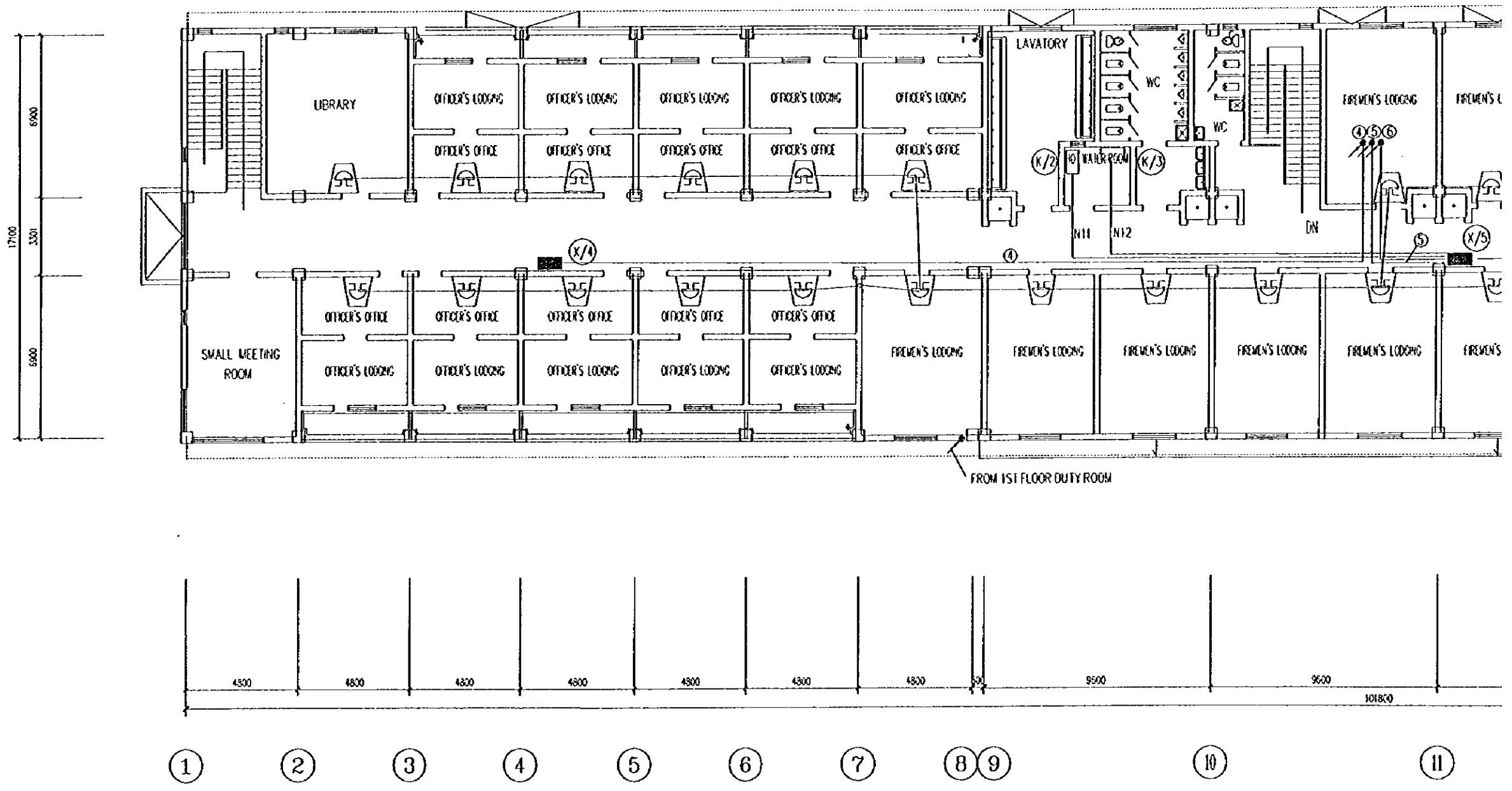


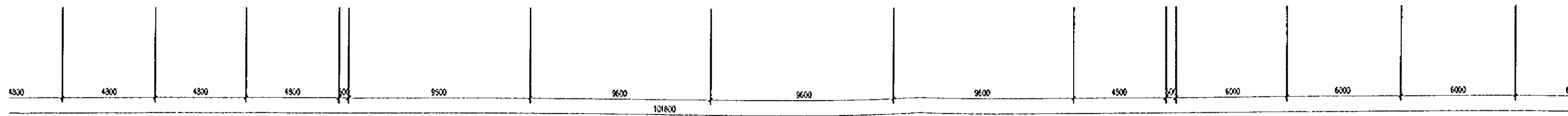
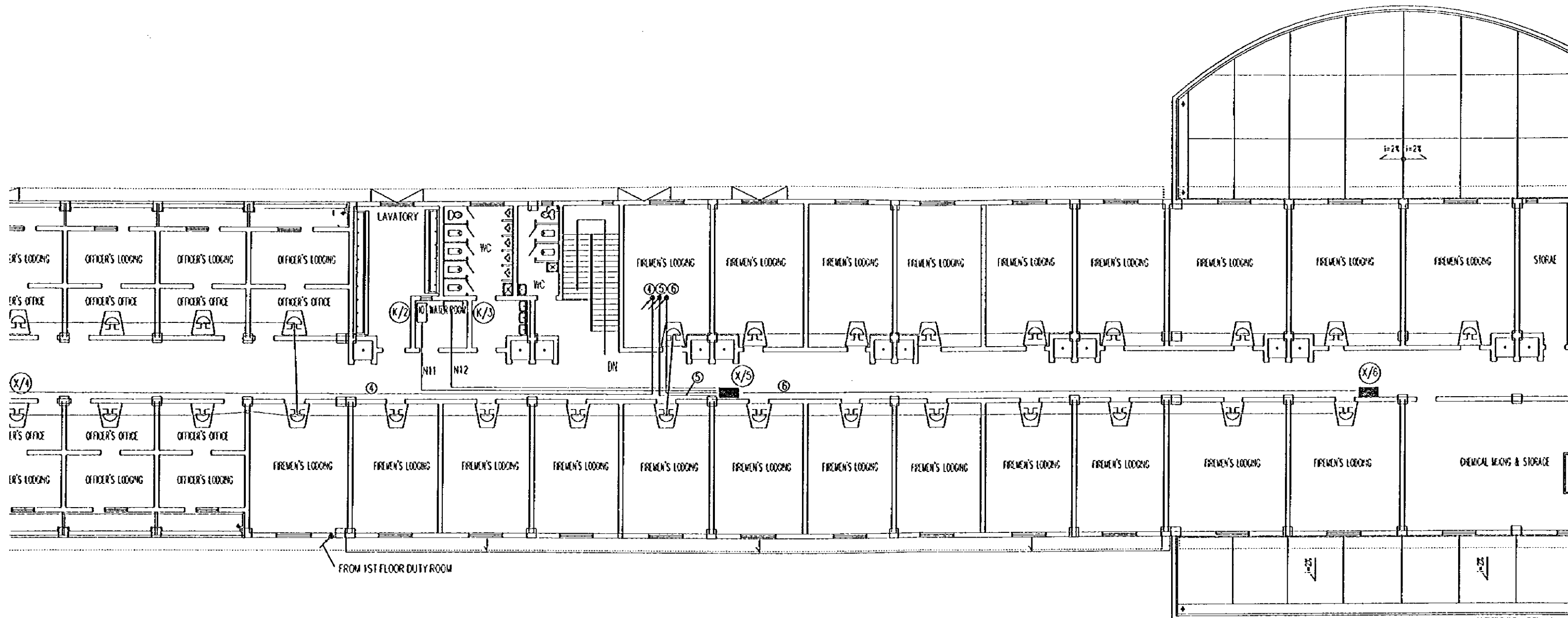
10		ELECTRIC PIPE	G25	m	30
9		ELECTRIC PIPE	G15	m	200
8		CABLE	BV-500V 10mm ²	m	120
7		FLEXIBLE CABLE	RV-2X1.5mm ²	m	400
6	⚡	WATER PROOF SOCKET	250V 10A		5
5	⊞	SOCKET BOX	XRZ301-6-16		4
4	⊞	BOILING WATER POWER PANEL	XXL-54		1
3	⊞	LIGHTING RECEPTACLE DISTRIBUTION BOX	PXT(R)-3		1
2	⊞	LIGHTING RECEPTACLE DISTRIBUTION BOX	PXT(R)-4		1
1	⊞	FIRE ALARM CONTROL POWER	24V		1
	⊞	FIRE SOUND AND SHIRE ALARM	HX100		12
NO.	SYMBOL	NAME	SPECIFICATION	UNIT	QUANTITY

FACILITIES AND MATERIALS

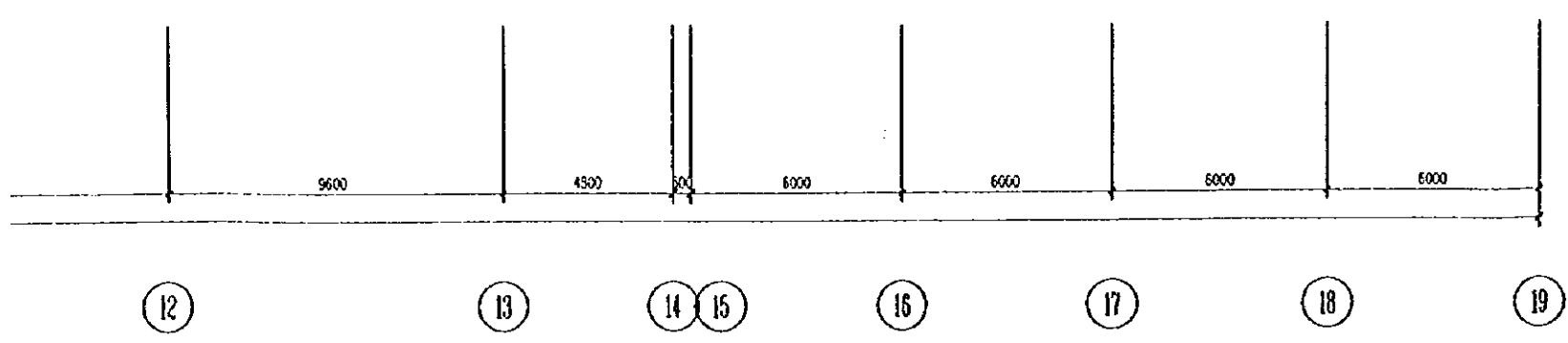
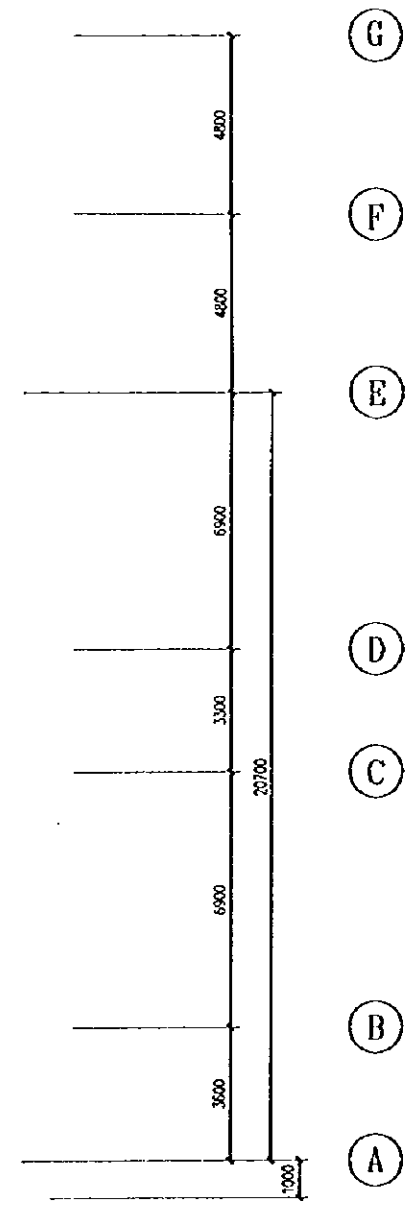
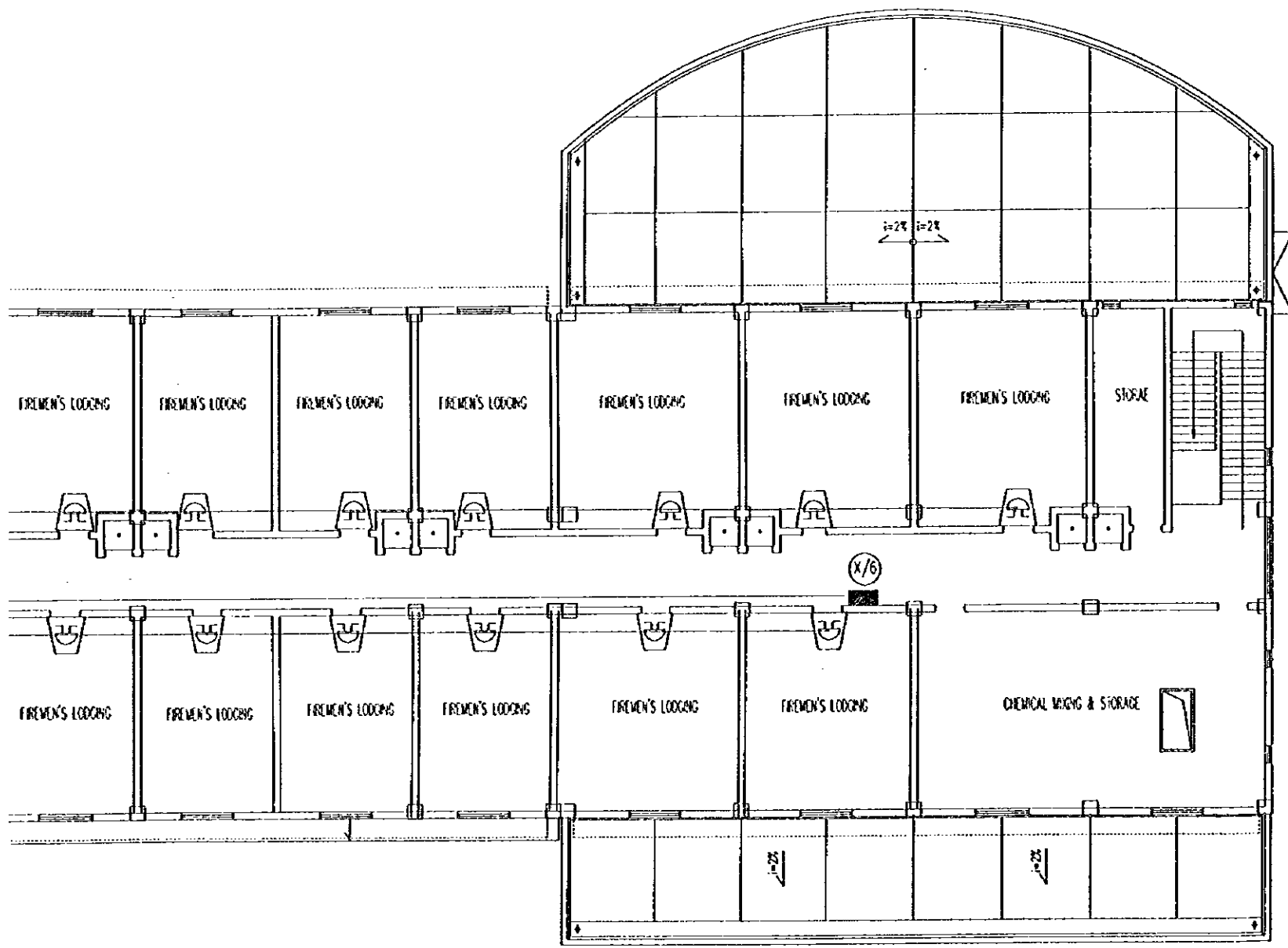
BLE TYPE	QUANTITY	ELECTRIC PIPE		REMARKS
		TYPE	QUANTITY	
3X6+1X4	65	G40	55	
3X16+1X10	50	G50	45	
3X25+1X16	60	G50	55	
3X6+1X4	60	G40	55	
3X25+1X16	100	G50	95	

PEOPLE'S REPUBLIC OF CHINA
 SHANGHAI PUDONG INTERNATIONAL AIRPORT PROJECT | SEPTEMBER 1997
 1st FLOOR FIRE ALARM AND POWER DISTRIBUTION PLAN
 SCALE 1:100
 DWG 41-ES
 JAPAN INTERNATIONAL COOPERATION AGENCY





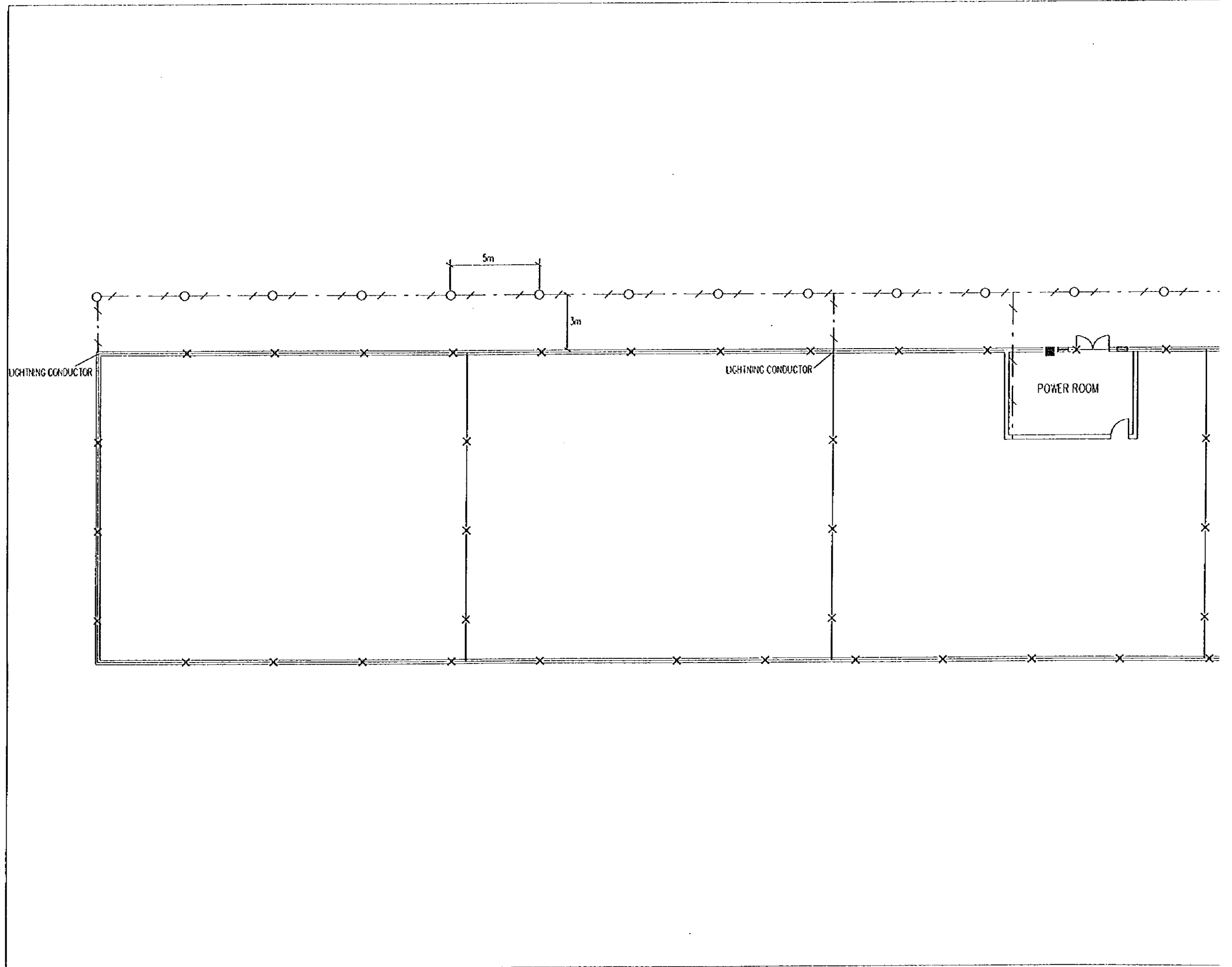
- 5
- 6
- 7
- 8
- 9
- 10
- 11
- 12
- 13
- 14
- 15
- 16
- 17
- 18

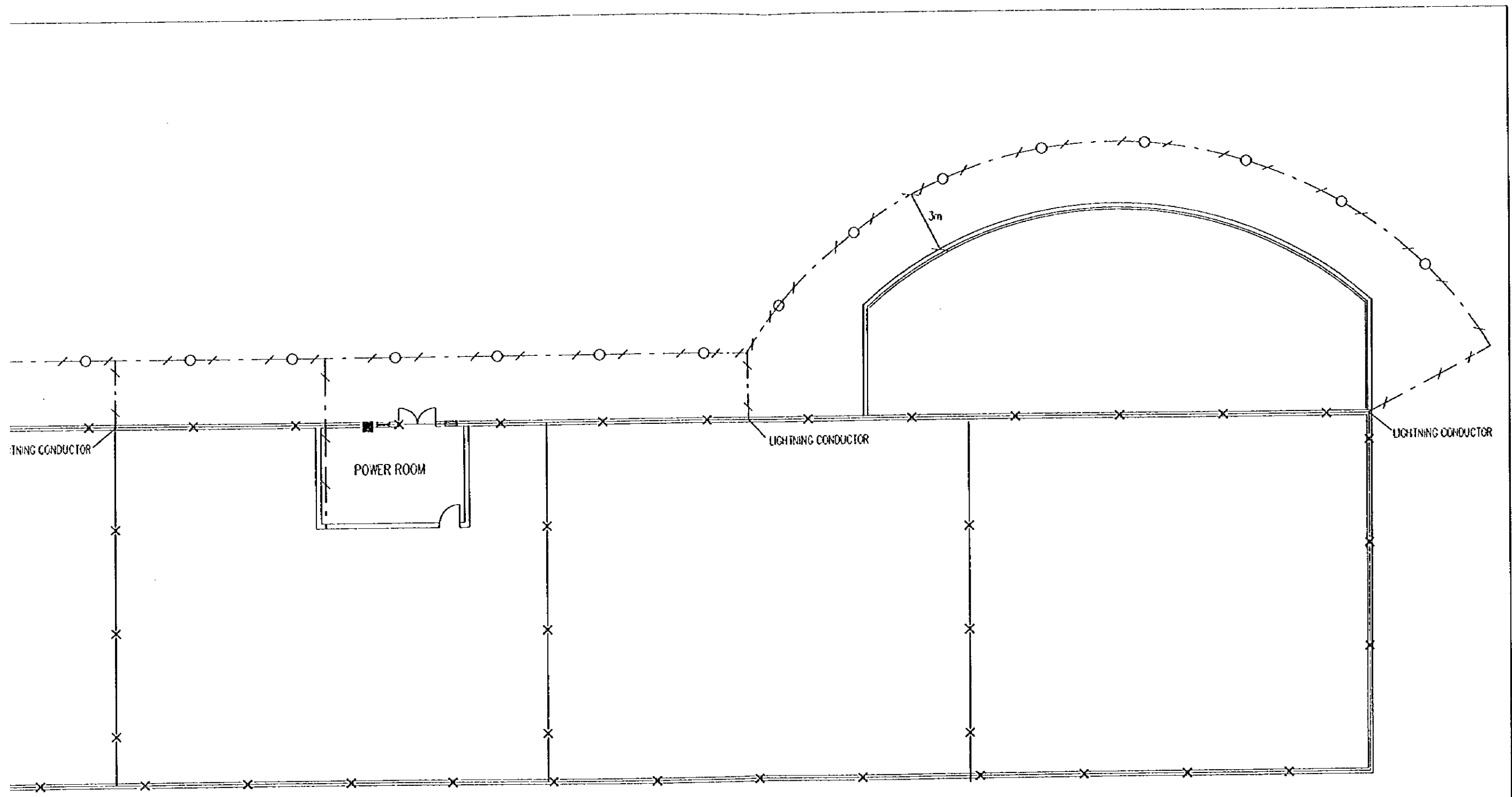


NO.	SYMBOL	NAME	SPECIFICATION	UNIT	QUANTITY
6		ELECTRIC PIPE	G25	m	50
5		ELECTRIC PIPE	G15	m	250
4		CABLE	BV-500V 10mm ²	m	200
3		FLEXIBLE CABLE	RV-2X1.5mm ²	m	500
2	□	BOILING WATER POWER PANEL	XXL-54		2
1	⊗	FIRE SOUND AND SHIRE ALARM	HX100		32

FACILITIES AND MATERIALS

PEOPLE'S REPUBLIC OF CHINA
 SHANGHAI PUDONG INTERNATIONAL AIRPORT PROJECT (SEPTEMBER 1997)
 2ND FLOOR FIRE ALARM AND POWER DISTRIBUTION PLAN
 SCALE 1:1000
 DRG 41-E6
 JAPAN INTERNATIONAL COOPERATION AGENCY






3	---	LIGHTNING DISCHARGE WIRE	φ8	m	320
2	○	GROUNDING ELECTRODE	L 50X50X5X250		23
1	-x-	EARTH WIRE	40X4	m	200
NO.	SYMBOL	NAME	SPECIFICATION	UNIT	QUANTITY

FACILITIES AND MATERIALS

PEOPLE'S REPUBLIC OF CHINA

SHANGHAI PUDONG INTERNATIONAL AIRPORT PROJECT | SEPTEMBER 1997

LIGHTNING DISCHARGE AND GROUNDING PLAN

SCALE  | DWG 41-E7

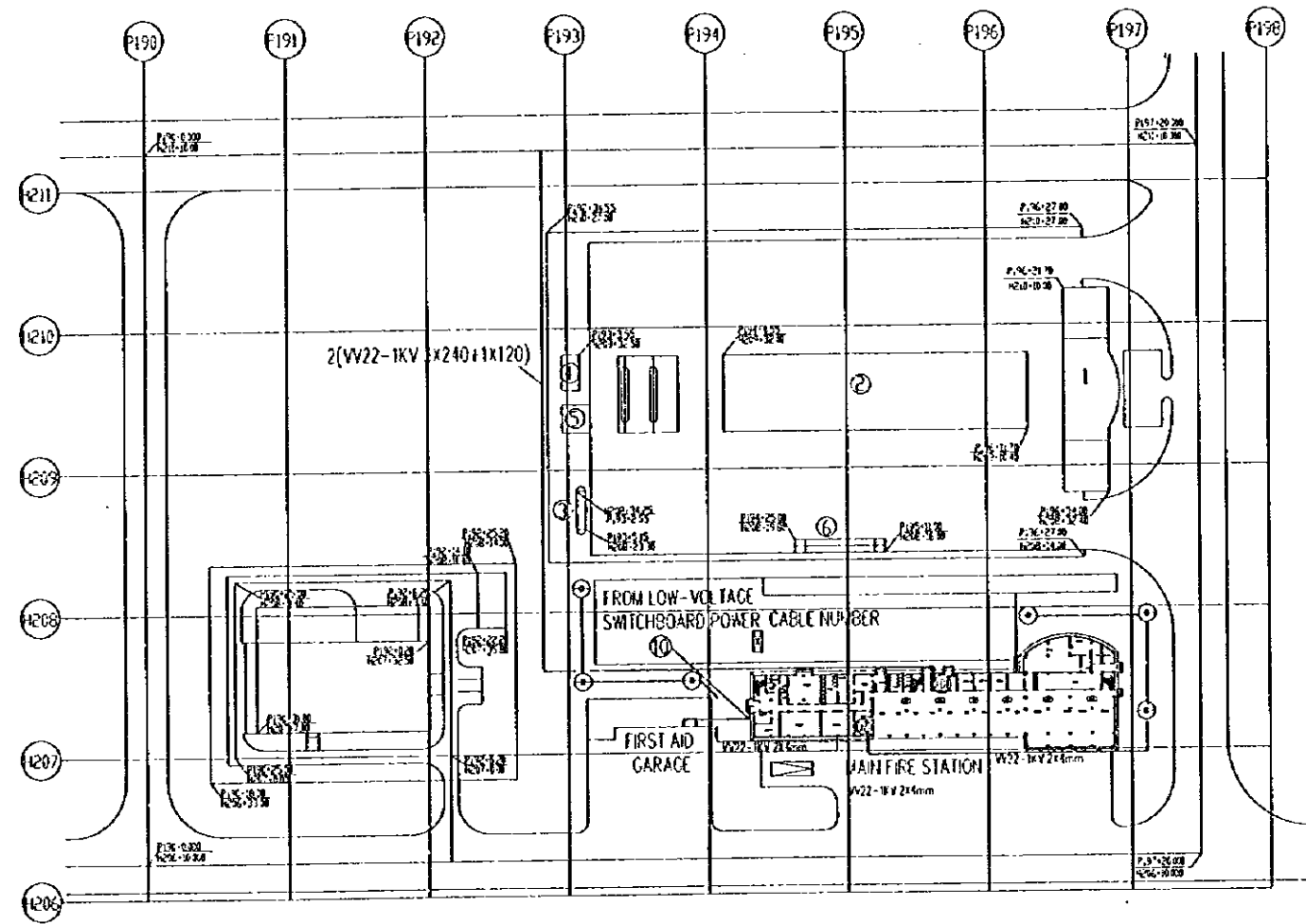
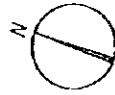
JAPAN INTERNATIONAL COOPERATION AGENCY

FROM POWER PANEL	XDL-L1	XDL-L2	XDL-L3	XDL-L4
PANEL NO.	(X/1)	(X/2)	(X/3)	(X/4)
PANEL TYPE	PXT(R)-4-3X4/1C	PXT(R)-4-3X5/1C	PXT(R)-4-3X5/1C	PXT(R)-4-3X4/1C
WIRING PLAN				
CIRCUIT NO.	N1-N12	N1-N12	N1-N12	N1-N12
PHASE ORDER	A B C A B C A B C	A B C A B C A B C	A B C A B C A B C	A B C A B C A B C
USAGE	LIGHTING, CONDITIONING, SOCKET	LIGHTING, SOCKET, STANDBY, FAN	LIGHTING, CONDITIONING, SOCKET, HOT WATER HEATER, STANDBY	LIGHTING, CONDITIONING, SOCKET, STANDBY
LOAD (KW)	1.2, 0.76, 1.28, 1.2, 0.68, 0.54, 1.28, 0.9, 0.7, 0.7, 0.8, 3	0.94, 1.5, 1.5, 1.5, 1.5, 1.5, 1.5, 1.5, 1.5, 1.5, 1.0, 0.8	0.06, 0.92, 0.72, 1.12, 2.25, 2.5, 2.4, 0.7, 0.6, 3, 3, 10	0.68, 1.56, 1.26, 1.2, 1.14, 1.14, 1.2, 1.0, 1.2, 1.2
CABLE	BY-500V, 2.5mm ² , 4mm ² , 6mm ²	2.5mm ² , 4mm ² , 2.5mm ²	2.5mm ² , 4mm ² , 6mm ² , 10mm ²	2.5mm ² , 4mm ²
ELECTRIC PIPE	G15, G25	G15	G15, G25	G15
REMARK	MAIN FIRE STATION WEST PART LIGHTING (1ST FLOOR)	MAIN FIRE STATION MIDDLE PART LIGHTING (2ND FLOOR)	MAIN FIRE STATION EAST PART LIGHTING (1ST FLOOR)	MAIN FIRE STATION WEST PART LIGHTING (2ND FLOOR)

FROM POWER PANEL	(X/3)-N11	(X/5)-N11	(X/5)-N12
PANEL NO.	(K/1)	(K/2)	(K/3)
PANEL TYPE	XXL-54-07	XXL-54-07	XXL-54-07
WIRING PLAN			
CAPACITY	10KW	10KW	10KW
CABLE	XV-500V 4X4mm ²	XV-500V 4X4mm ²	XV-500V 4X4mm ²
REMARK	MAIN FIRE STATION (1ST FLOOR)	MAIN FIRE STATION (2ND FLOOR)	MAIN FIRE STATION (2ND FLOOR)

POWER DISTRIBUTION SWITCH BOARD TYPE	XL-51-16
DIMENSION (WxHxD)	700X350X1700
SWITCH BOARD NO.	XDL
MAIN WIRING PLAN	
CIRCUIT NO.	L1-L12
LOAD (KW)	10, 12, 27, 12, 35, 6, 24, 40, 8, 40
USAGE	LIGHTING, LIGHTING, LIGHTING, LIGHTING, LIGHTING, LIGHTING, EXHAUST FAN, KITCHEN, ENVIRONMENT LIGHTING, FIRST AID CABINET, STAND-BY
CABLE TYPE	VV-1KV
ELECTRIC PIPE	G40, G40, G50, G40, G50, G40, G50, G50, G40, G50
CABLE LENGH (m)	60, 10, 50, 65, 30, 65, 50, 60, 60, 100
FUSING SWITCH HRJ-200/3	2
AIR CIRCUIT BREAKER D720-100	4
MCCB	C45N
CURRENT TRANSFORMER LW21-05	400/5X6
FUSE AM1-10	6
VOLTMETER JE96	0-450VX2
AMPERE METER JE96	0-450AX2
WATT-HOUR METER D1862	2
REMARK	MAIN FIRE STATION

FROM POWER PANEL	XDL-L5	XDL-L6	XDL-L8	XDL-L9
PANEL NO.	(X/5)	(X/6)	(CF)	(OZ)
PANEL TYPE	PXT(R)-4-3X6/1C	PXT(R)-4-3X3/1C	PXT(R)-4-3X4/1C	PXT(R)-3-3X2/1C
WIRING PLAN				
CIRCUIT NO.	N1-N14	N1-N9	N1-N7	N1-N6
PHASE ORDER	A B C A B C A B C A B C A B C A B C	A B C A B C A B C	A B C A B C A B C	A B C A B C A B C
USAGE	LIGHTING, CONDITIONING, AIR, SOCKET, HOT WATER HEATER, STANDBY	LIGHTING, AIR, CONDITIONING, SOCKET, STANDBY	SOCKET BOX, SOCKET, STANDBY	SOCKET, STANDBY
LOAD (KW)	1.3, 1.2, 1.28, 1.28, 1.12, 1.0, 0.8, 0.8, 3, 3, 10, 10	1.14, 1.22, 0.9, 0.72, 0.8, 0.8	10, 10, 10, 10, 0.8	1.6, 2.4, 3.2
CABLE	BY-500V, 2.5mm ² , 4mm ² , 6mm ² , 10mm ²	2.5mm ² , 4mm ²	10mm ² , 4mm ²	VV22-1KV 2X4mm ²
ELECTRIC PIPE	G15, G25	G15	G25, G15	LAID UNDER UNPAVED GROUND
REMARK	MAIN FIRE STATION WEST PART LIGHTING (2ND FLOOR)	MAIN FIRE STATION WEST PART LIGHTING (2ND FLOOR)	MAIN FIRE STATION KITCHEN	MAIN FIRE STATION ENVIRONMENT LIGHTING



NO.	SYMBOL	NAME	SPECIFICATION	UNIT	QUANTITY	REMARKS
3		Power Intake Cable	VV22-1KV 3X240+1X120mm ²	m	270	
2		Power Intake Cable	VV22-1KV 2X4mm ²	m	600	
1	⊙	Environment Lighting	11J3791C(FOUR) 4X200W	lot	6	

FACILITIES AND MATERIALS

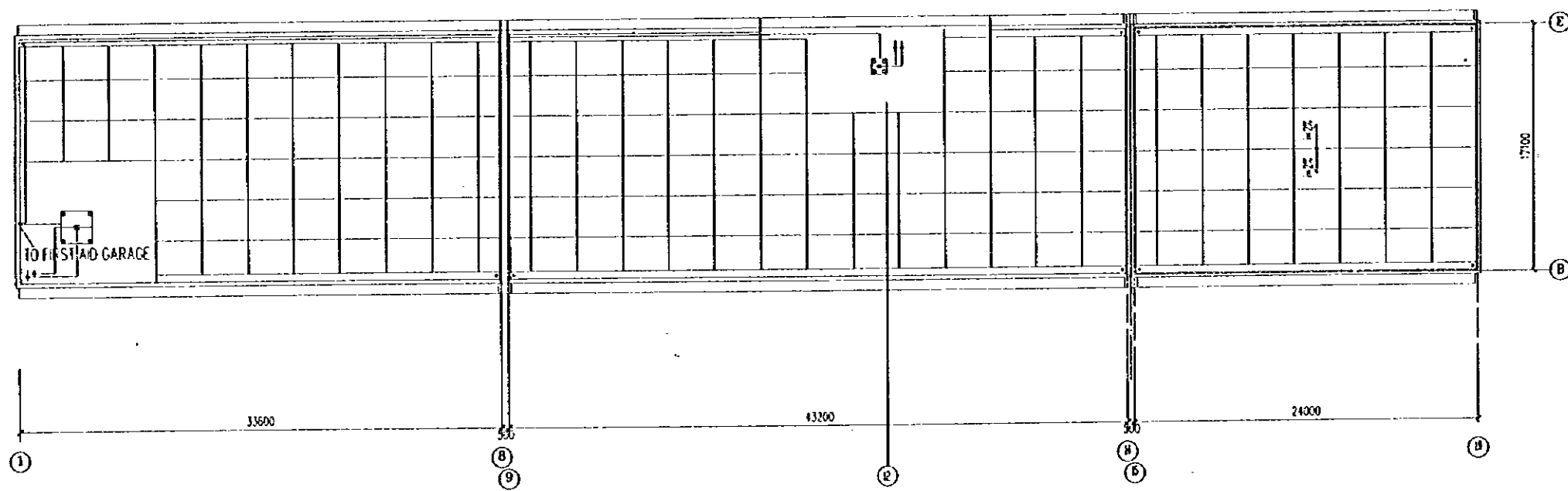
PEOPLE'S REPUBLIC OF CHINA

SHANGHAI PUDONG INTERNATIONAL AIRPORT PROJECT | SEPTEMBER 1997

POWER SUPPLY SYSTEM SITE PLAN AND ENVIRONMENT LIGHTING

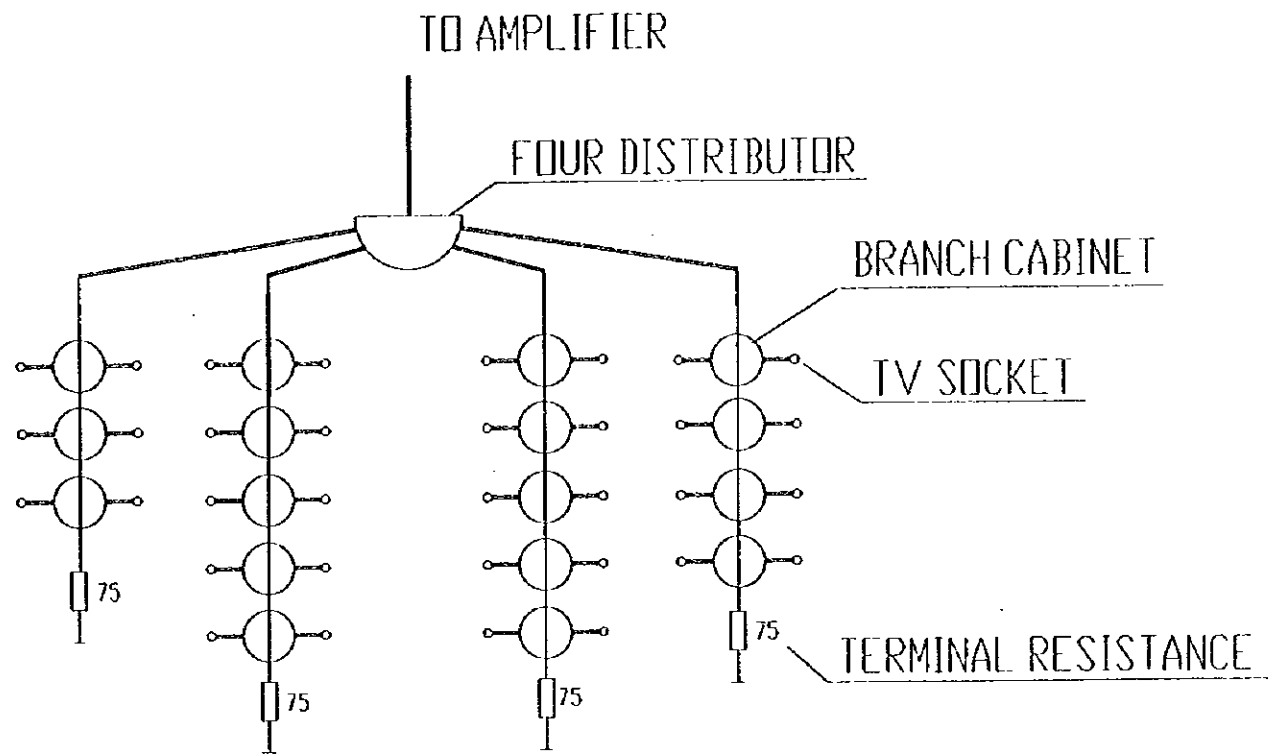
SCALE: 1:1000 | DWG 41-E9

JAPAN INTERNATIONAL COOPERATION AGENCY

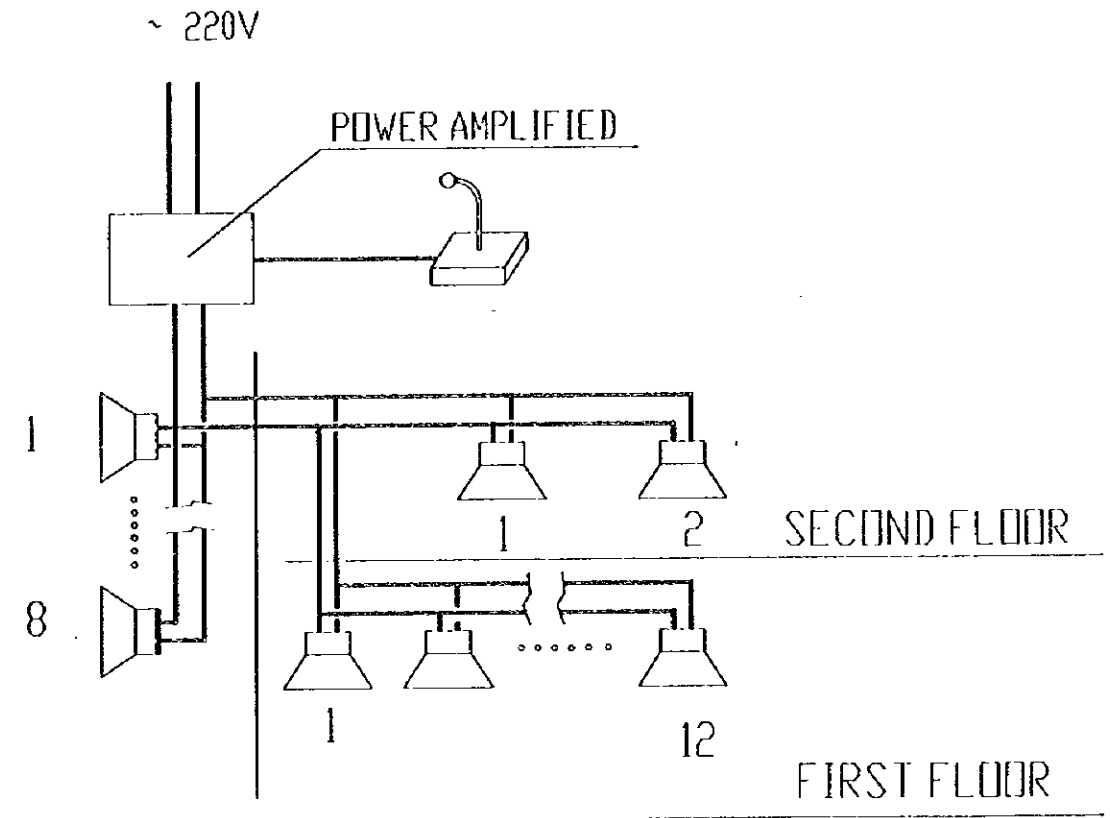


NO.	SYMBOL	NAME	SPECIFICATION	UNIT	QUANTITY
2		ELECTRIC	G15	m	120
1		FLEXIBLE CABLE	RV-2X1.5mm ²	m	120

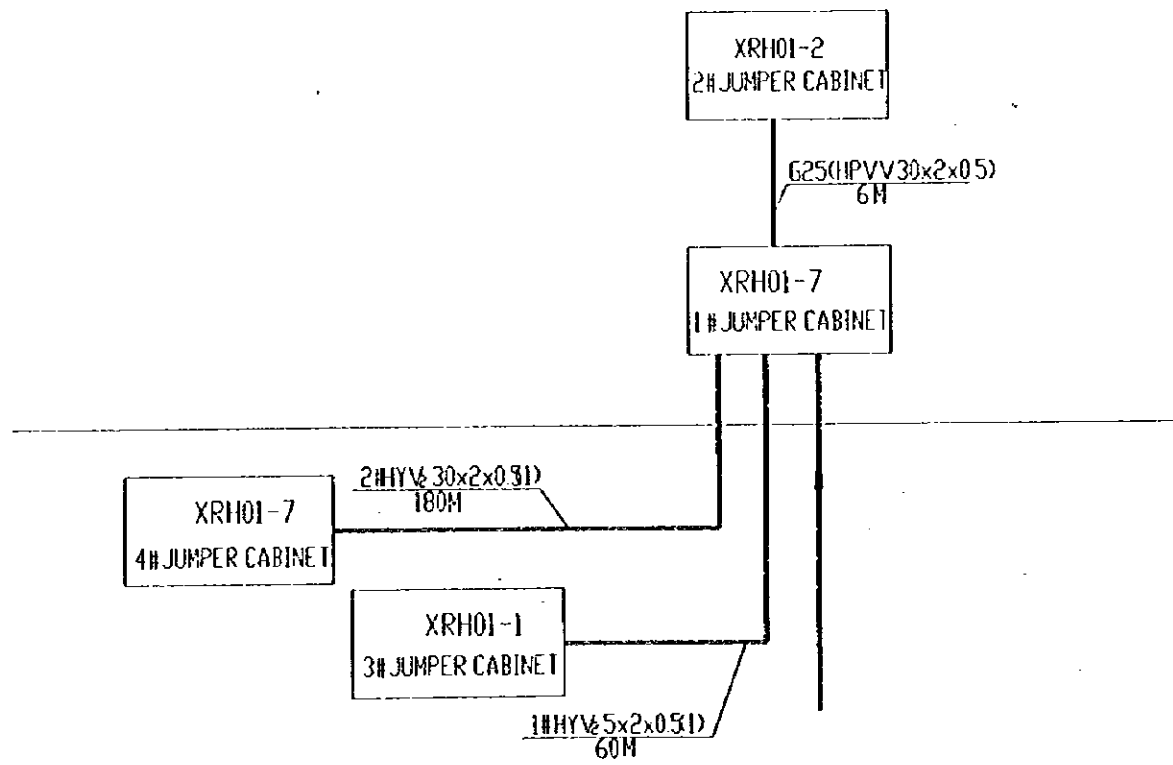
FACILITIES AND MATERIALS	
PEOPLE'S REPUBLIC OF CHINA	
SHANGHAI PUDONG INTERNATIONAL AIRPORT PROJECT	SEPTEMBER 1997
EXPANSION WATER TANK POWER SUPPLY PLAN	
SCALE 1:200	DWG 41-E10
JAPAN INTERNATIONAL COOPERATION AGENCY	



TV SYSTEM DIAGRAM

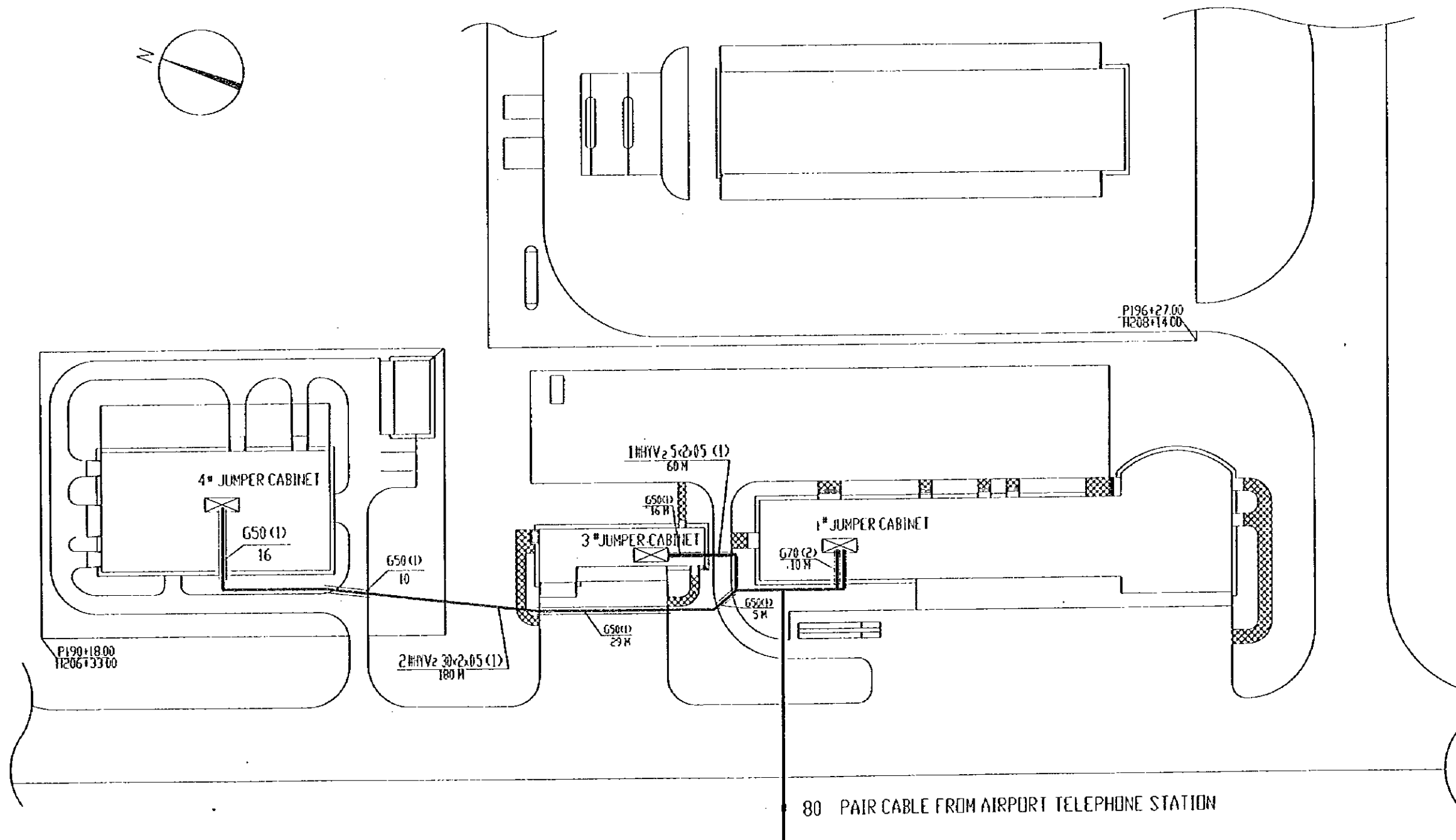


SYSTEM DIAGRAM OF BROADCASTING

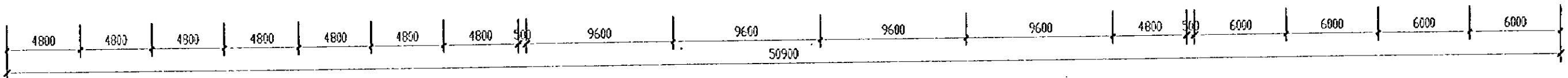
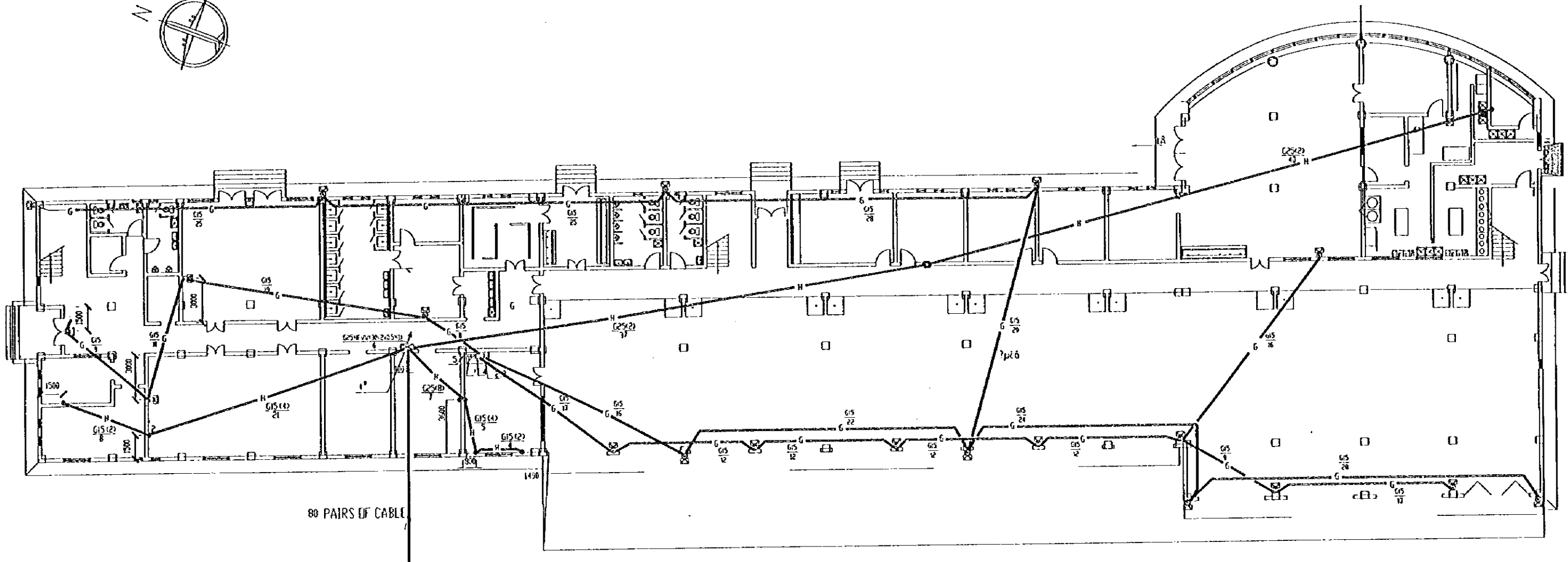
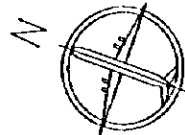


SYSTEM DIAGRAM OF TELEPHONE

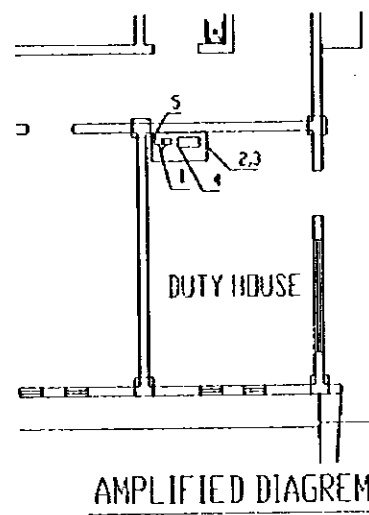
PEOPLE'S REPUBLIC OF CHINA	
SHANGHAI PUDONG INTERNATIONAL AIRPORT PROJECT	SEPTEMBER 1997
SYSTEM DIAGRAM OF TELEPHONE BROADCASTING AND TELEVISION	
NO SCALE	DWG 41-EC1
JAPAN INTERNATIONAL COOPERATION AGENCY	



PEOPLE'S REPUBLIC OF CHINA	
SHANGHAI PUDONG INTERNATIONAL AIRPORT PROJECT	SEPTEMBER 1997
CABLE WIRING DIAGRAM OF OUTDOOR AND BUILDINGS	
SCALE	DWG 41-EE2
JAPAN INTERNATIONAL COOPERATION AGENCY	



PLANE WIRING DIAGRAM IN THE 1st FLOOR

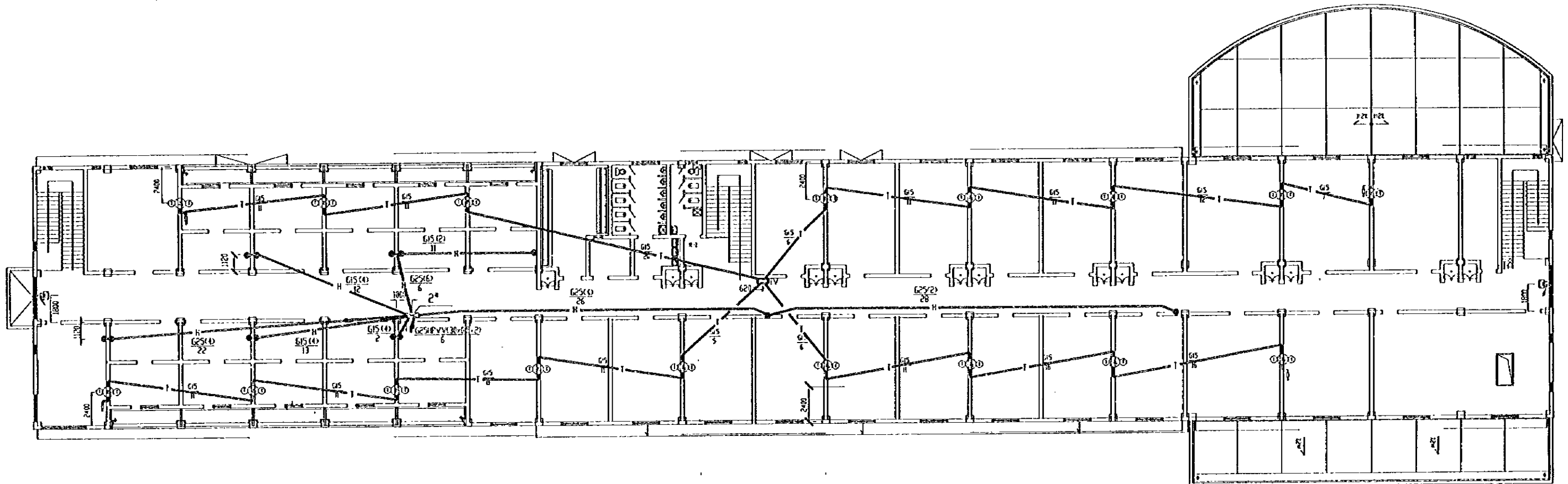
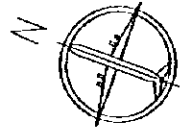


- NOTE:
- 1. VHF RX-TX
 - 2,3. DESK AND UPS
 - 4. POWER AMPLIFIER
 - 5. STEEL PIPE

LEGEND

- ☒ FUMPER CABINET
- OUTLET CONNECTION UNIT
- ☐ TV CABINET
- ⊗ TWO BRANCH BOX OF TV
- ⊙ TV SOCKET
- ⊠ LOUD-SPEAKER
- ⊙ BROADCAST SOCKET
- H- TELEPHONE LINE
- T- TV LINE
- G- BROADCAST LINE

PEOPLE'S REPUBLIC OF CHINA	
SHANGHAI PUDONG INTERNATIONAL AIRPORT PROJECT	SEPTEMBER 1997
1st FLOOR TELEPHONE BROADCAST AND TV PLAN	
SCALE 1:500	DWG 41-EC3
JAPAN INTERNATIONAL COOPERATION AGENCY	

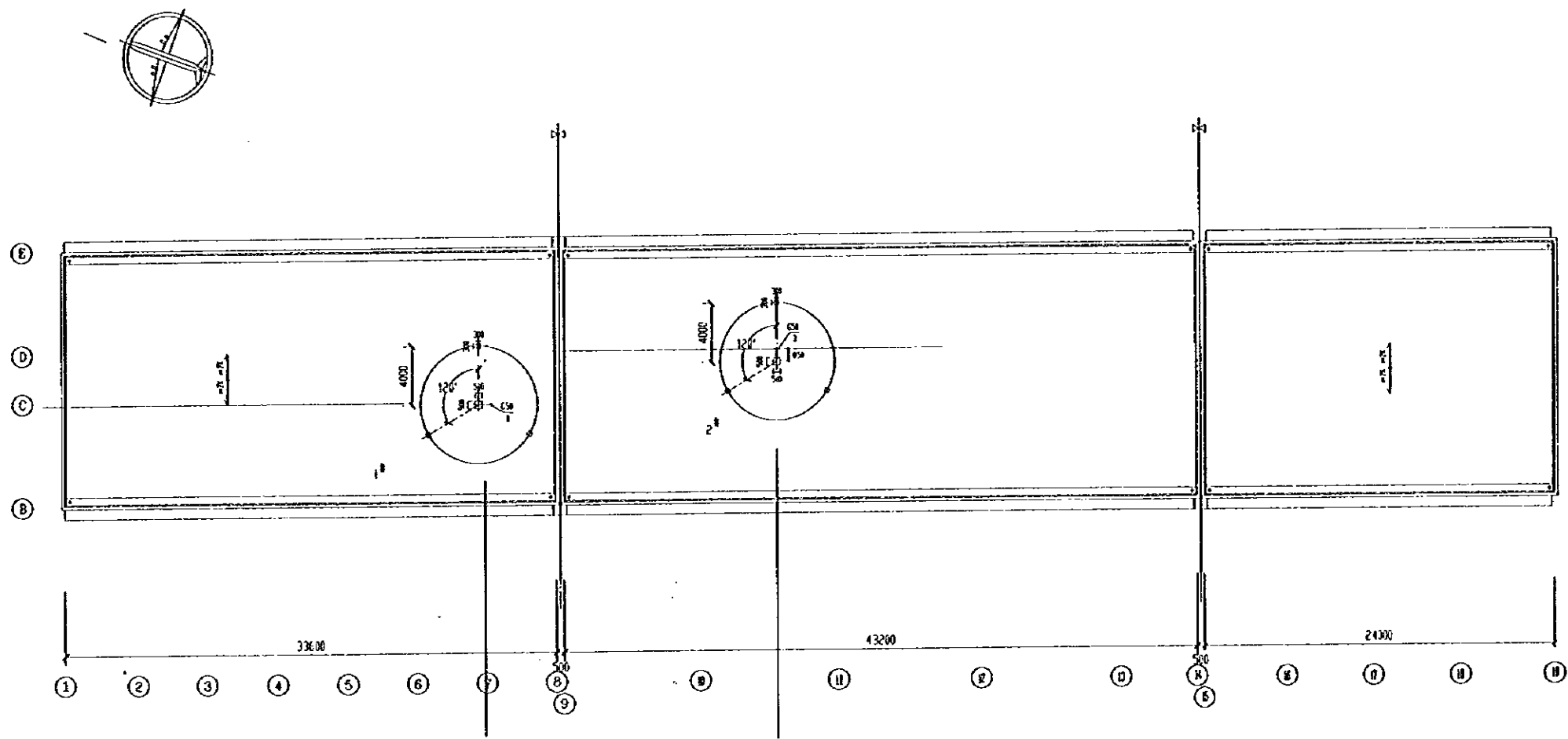


PLANE WIRING DIAGRAM IN THE 2nd FLOOR

LEGEND

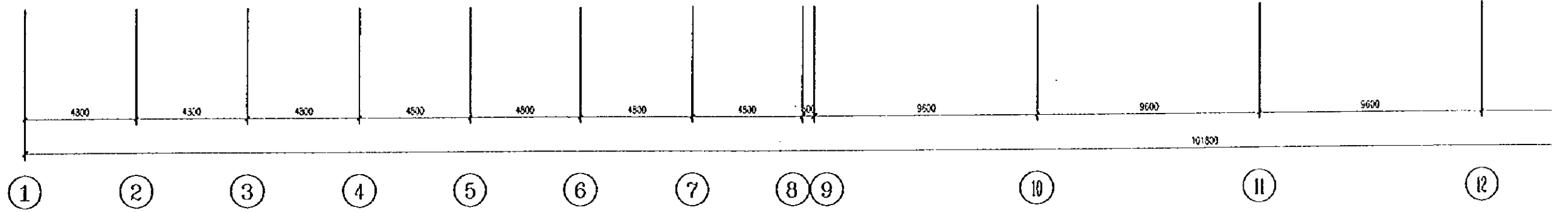
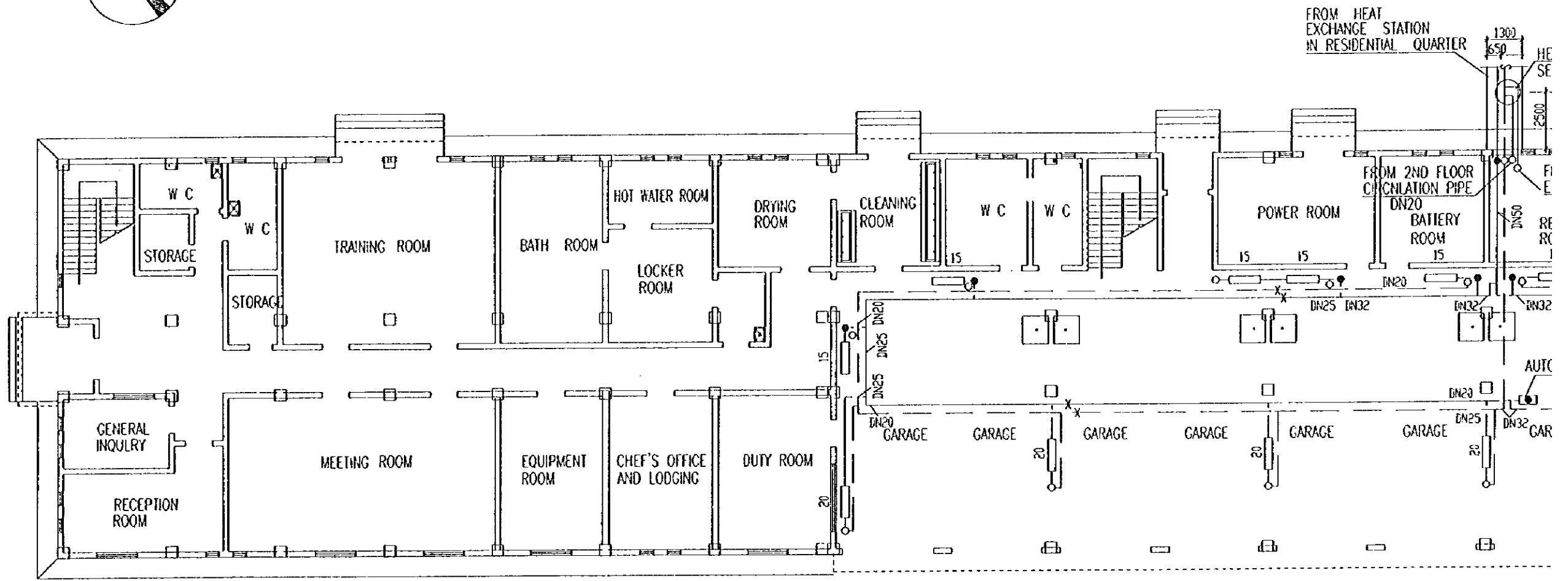
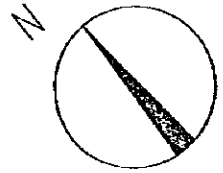
- ☒ FURNITURE CABINET
- OUTLET CONNECTION UNIT
- ⊞ TV CABINET
- ⊞ TWO BRANCH BOX OF TV
- ⊞ TV SOCKET
- ⊞ LOUD-SPEAKER
- ⊞ BROADCAST SOCKET
- H— TELEPHONE LINE
- I— TV LINE
- G— BROADCAST LINE

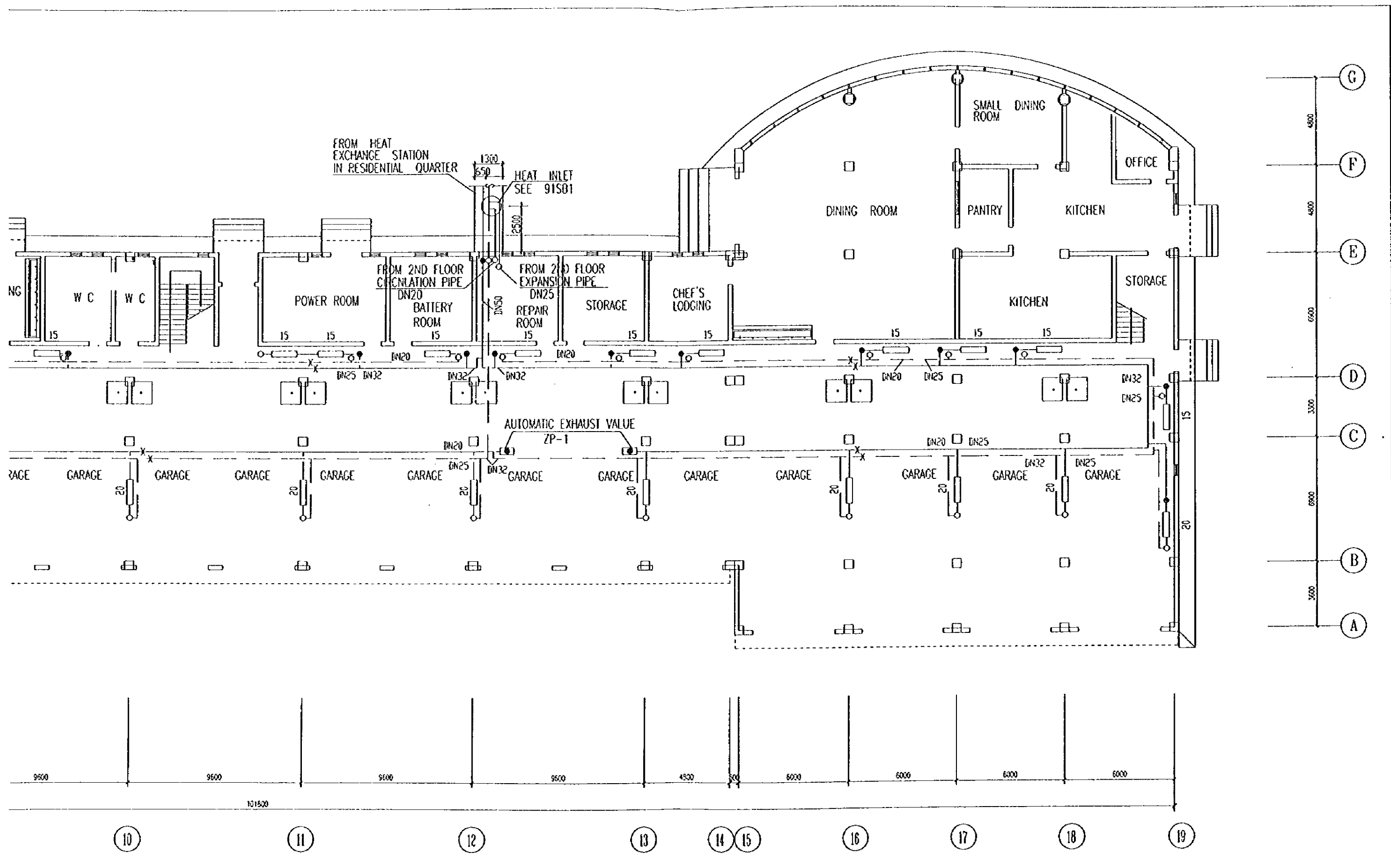
PEOPLE'S REPUBLIC OF CHINA	
SHANGHAI PUOONG INTERNATIONAL AIRPORT PROJECT	SEPTEMBER 1957
2nd FLOOR TELEPHONE BROADCAST AND TV PLAN	
SCALE 1:100	DWG. 41-EC4
JAPAN INTERNATIONAL COOPERATION AGENCY	



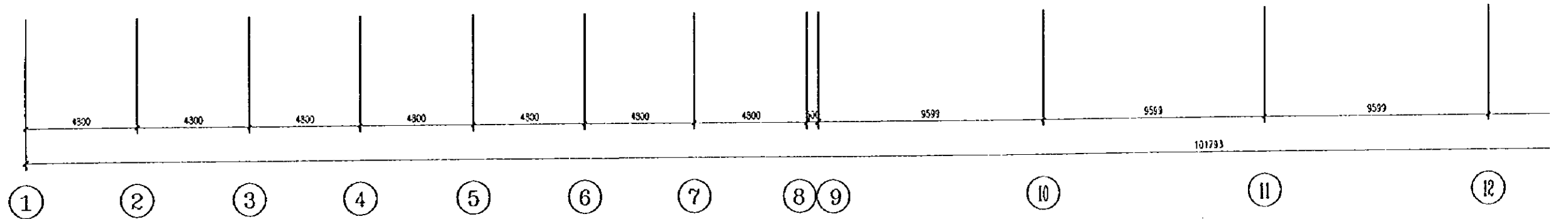
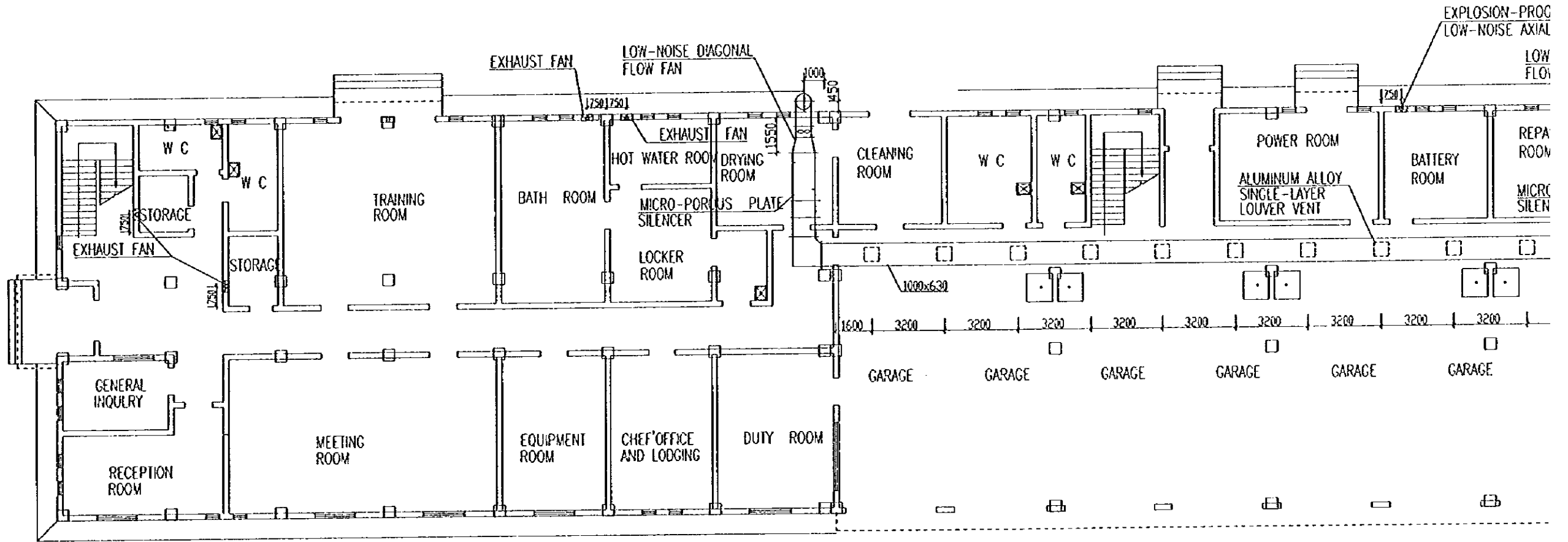
PLANE DIAGRAM OF THE FOUNDATION OF ANTENNA ON THE ROOF

PEOPLE'S REPUBLIC OF CHINA	
SHANGHAI PUDONG INTERNATIONAL AIRPORT PROJECT	SEPTEMBER 1997
PLAN OF THE FOUNDATION OF ANTENNA	
SCALE 1:1000	DWG 41-E05
JAPAN INTERNATIONAL COOPERATION AGENCY	

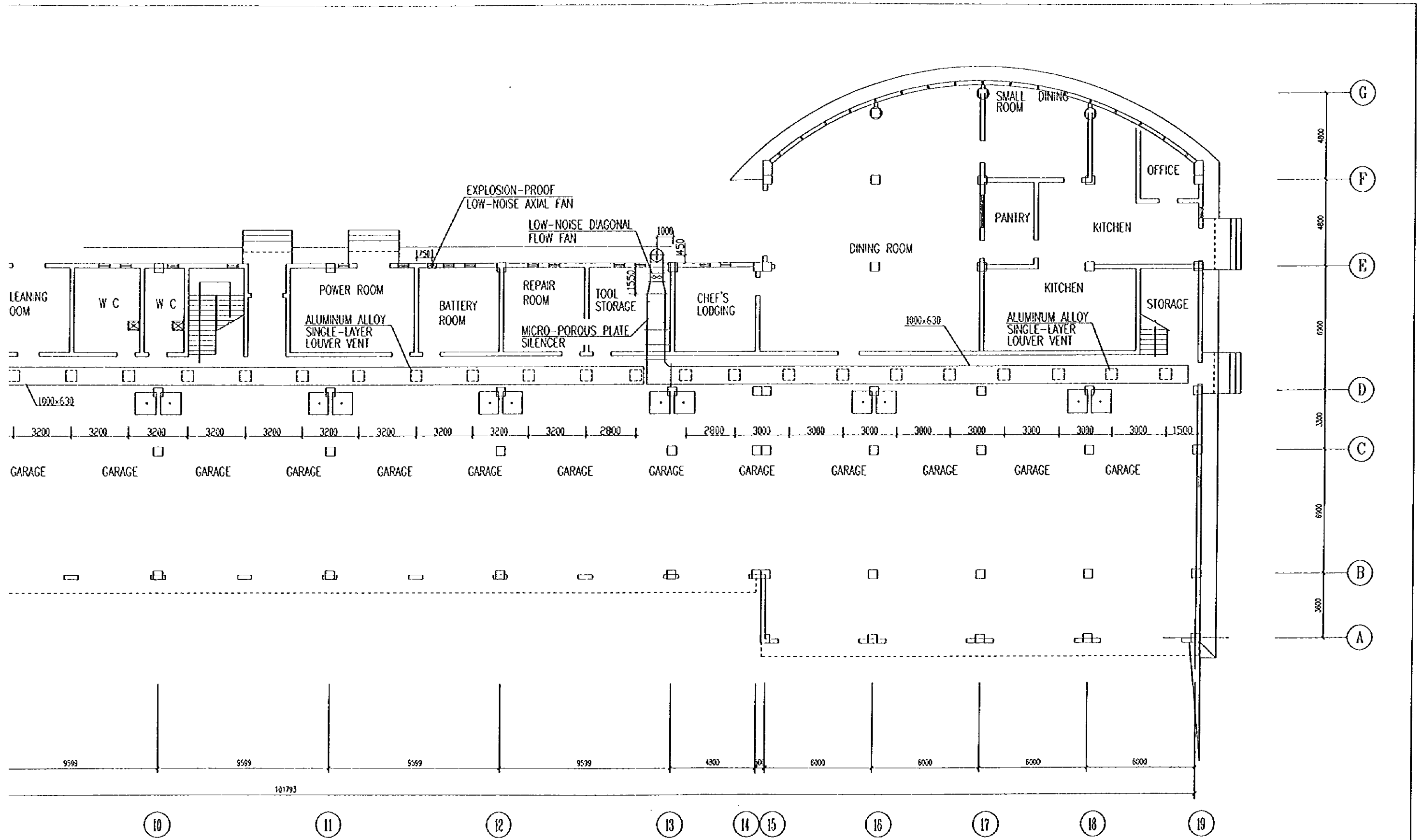




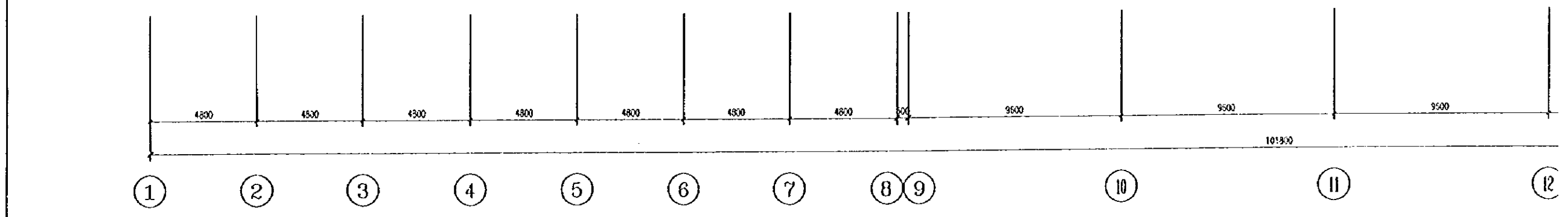
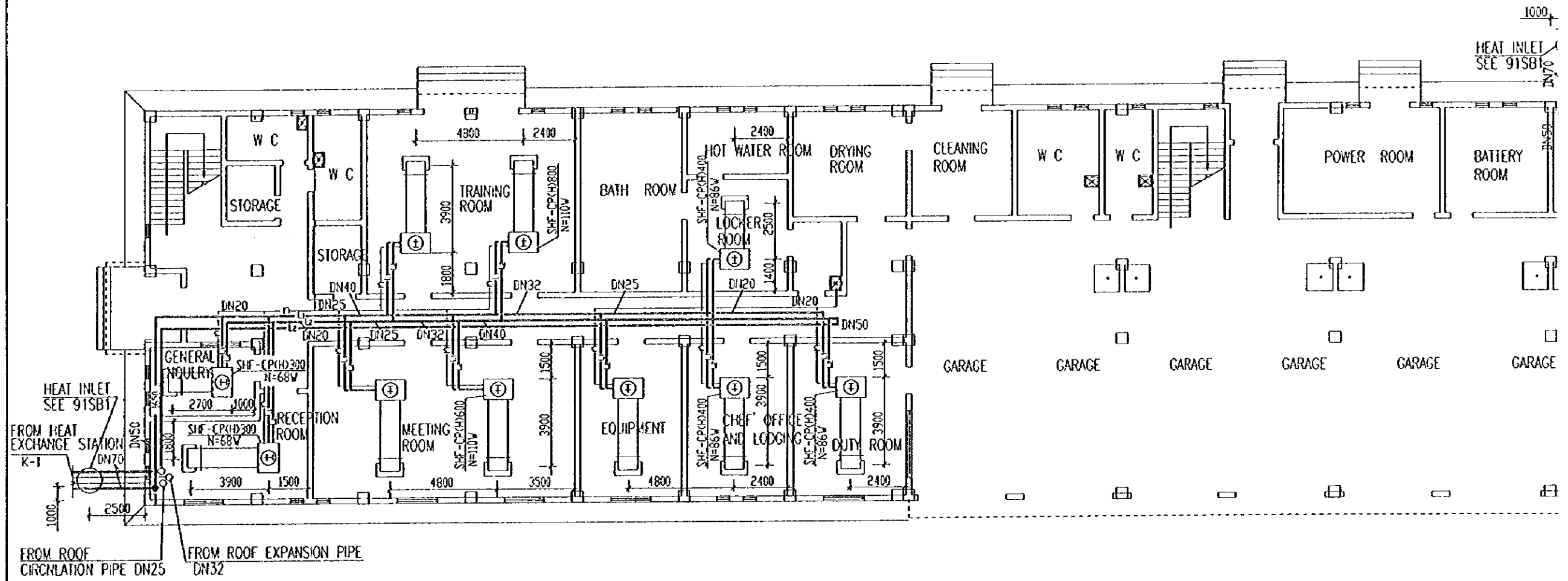
PEOPLE'S REPUBLIC OF CHINA	
SHANGHAI PUDONG INTERNATIONAL AIRPORT PROJECT	SEPTEMBER 1997
1st FLOOR HEATING PLAN	
SCALE 1:200	DWG 41-41
JAPAN INTERNATIONAL COOPERATION AGENCY	

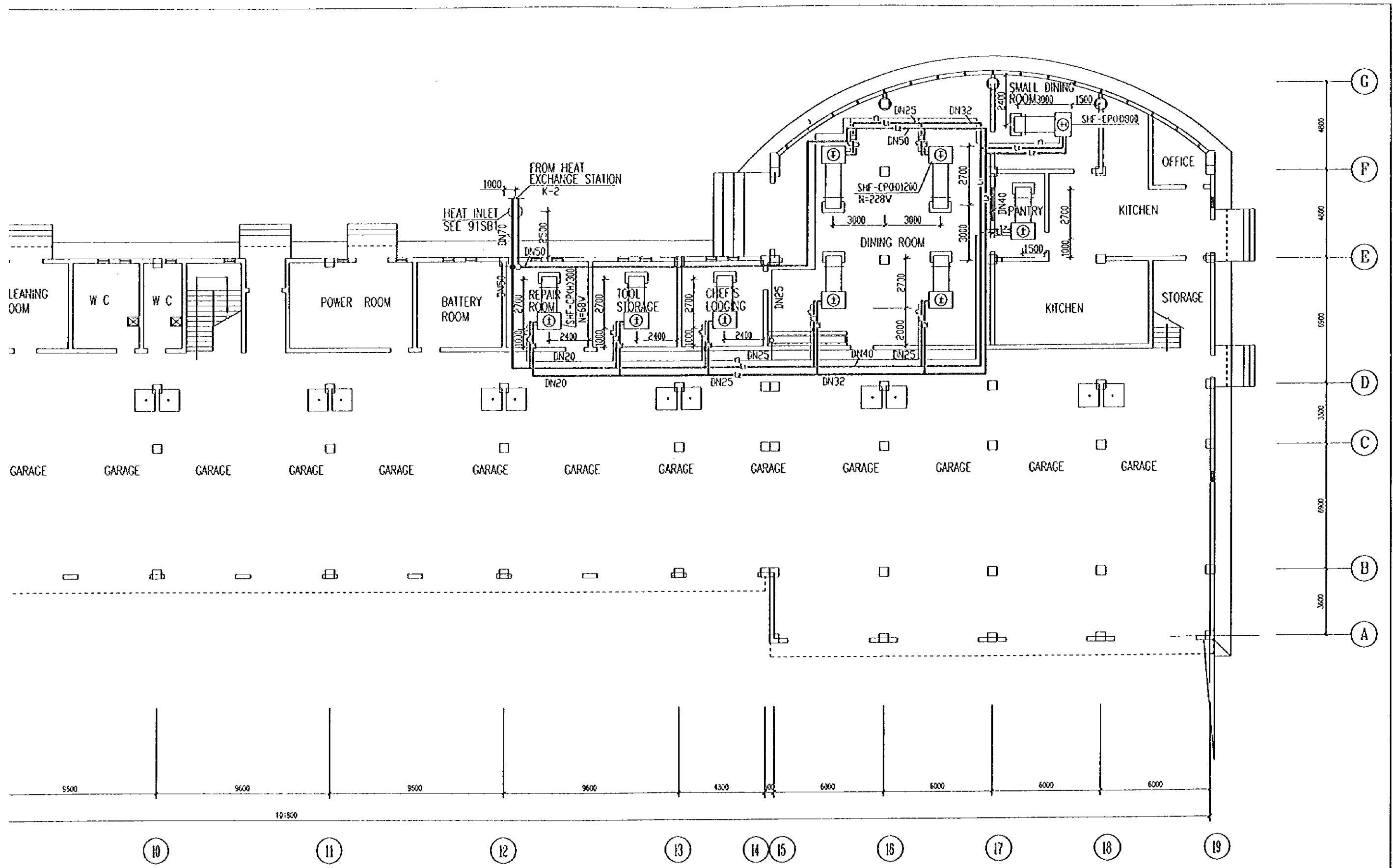


1:250

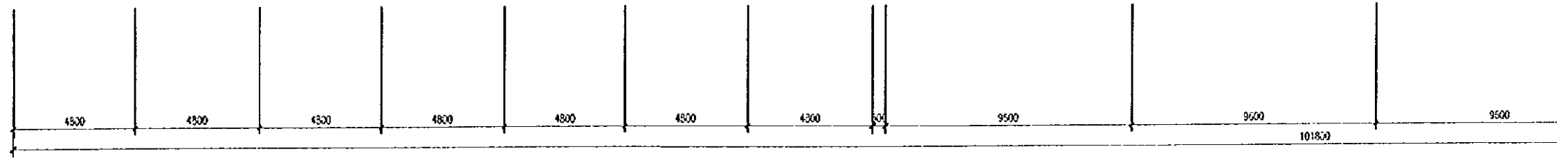
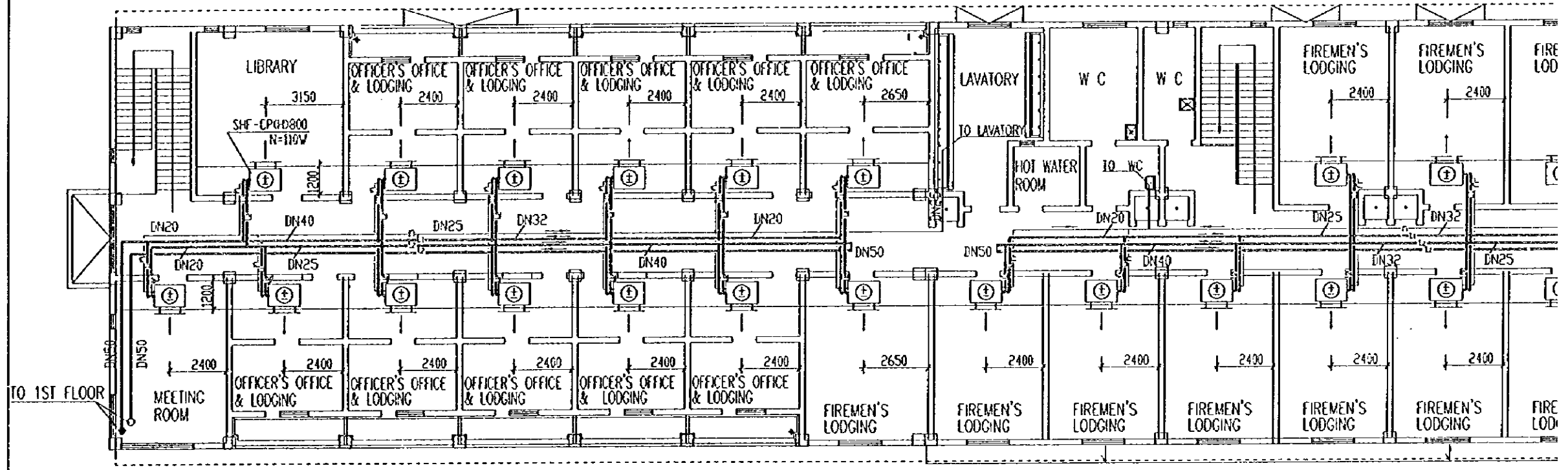


PEOPLE'S REPUBLIC OF CHINA	
SHANGHAI PUDONG INTERNATIONAL AIRPORT PROJECT	SEPTEMBER 1997
1st FLOOR EXHAUST PLAN	
SCALE 1:100	DWG 41-M2
JAPAN INTERNATIONAL COOPERATION AGENCY	

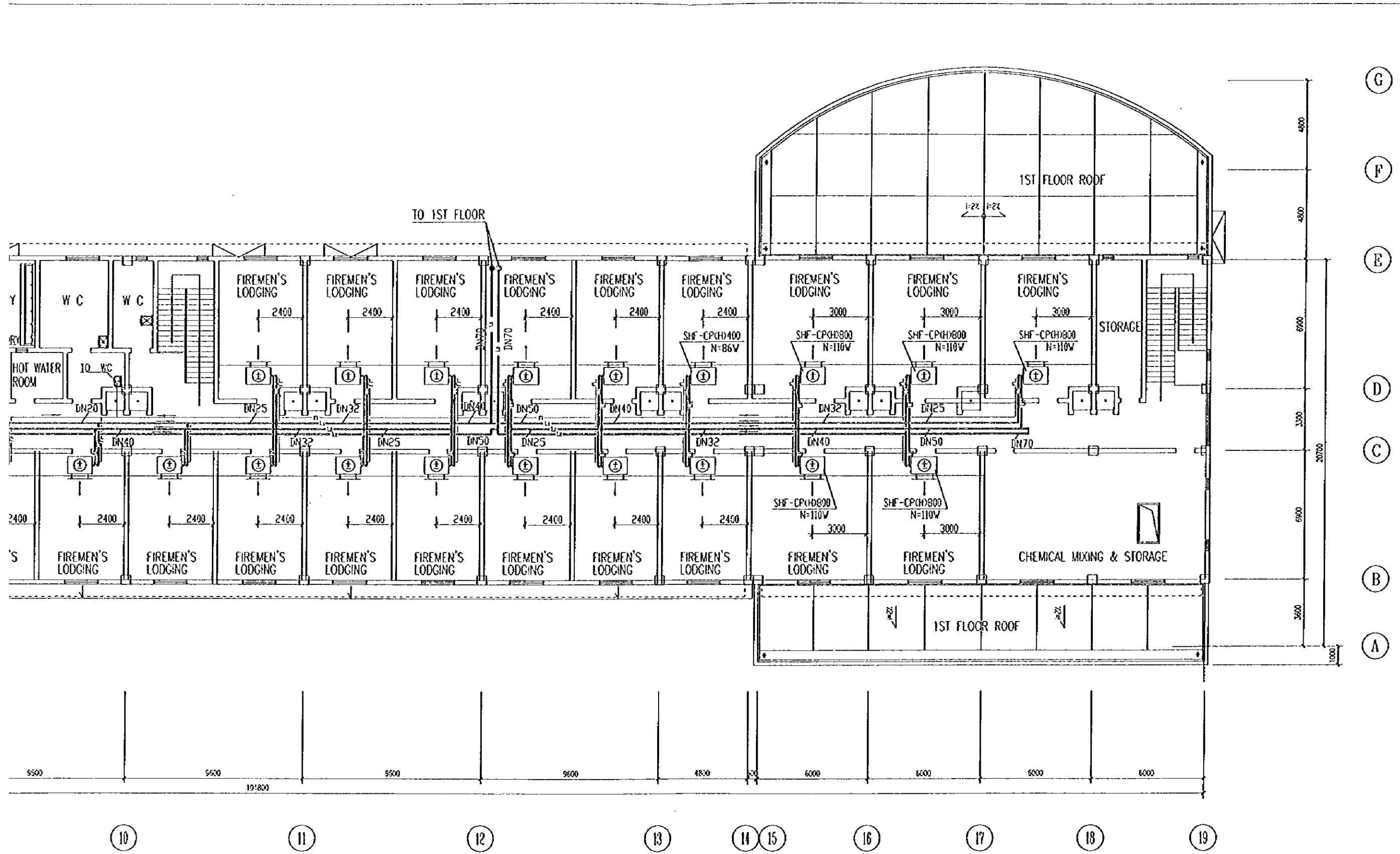




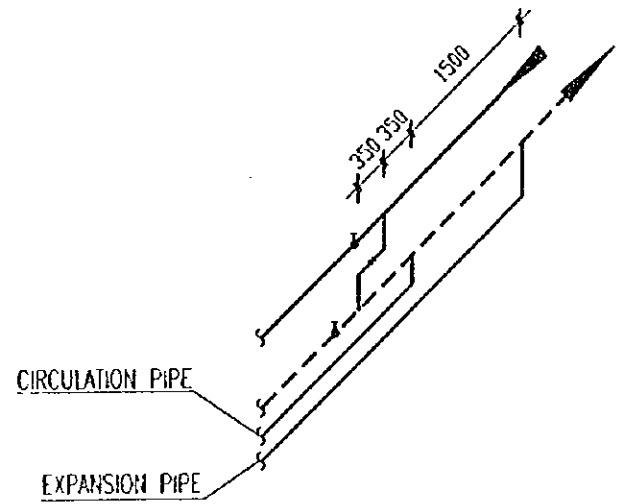
PEOPLE'S REPUBLIC OF CHINA	
SHANGHAI PUDONG INTERNATIONAL AIRPORT PROJECT	SEPTEMBER 1997
1st FLOOR AC PLAN	
SCALE	0 10 25 50m
DWS 41-M3	
JAPAN INTERNATIONAL COOPERATION AGENCY	



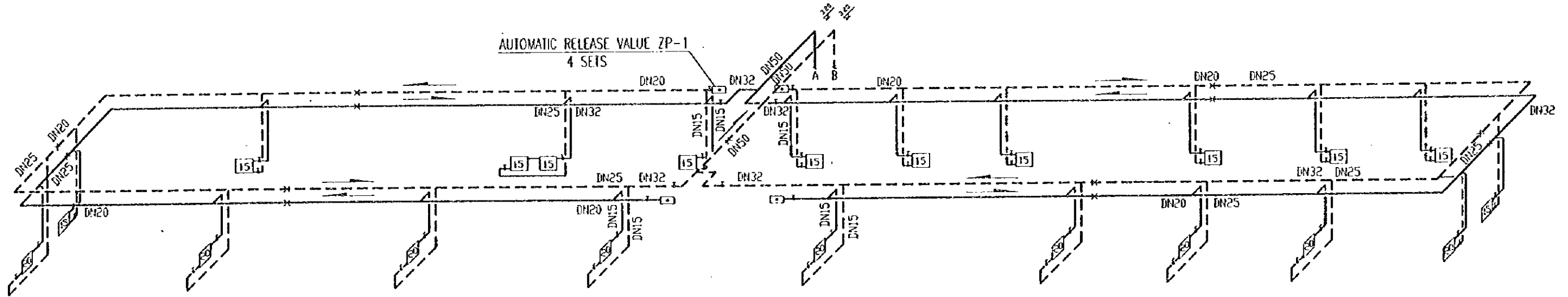
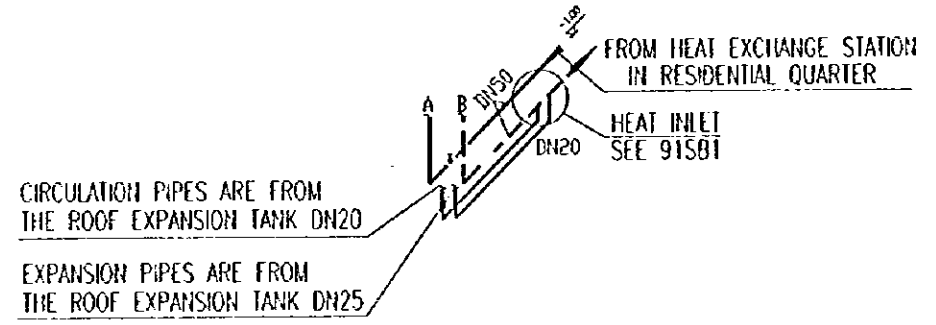
- 1
- 2
- 3
- 4
- 5
- 6
- 7
- 8
- 9
- 10
- 11



PEOPLE'S REPUBLIC OF CHINA	
SHANGHAI FUDONG INTERNATIONAL AIRPORT PROJECT	SEPTEMBER 1997
2nd FLOOR AC PLAN	
SCALE	DWG 41-NA
JAPAN INTERNATIONAL COOPERATION AGENCY	



THE INSTALLATION DETAIL OF THE HEAT INLETS OF THE EXPANSION PIPE AND CIRCULATION PIPE



NOTE : 95 °C-70 °C HOT WATER IS USED FOR HEAT SUPPLY, HOT WATER FROM HEAT EXCHANGE STATION IN RESIDENTIAL QUARTER.

PEOPLE'S REPUBLIC OF CHINA	
SHANGHAI PUDONG INTERNATIONAL AIRPORT PROJECT	SEPTEMBER 1997
HEATING SYSTEM DIAGRAM	
SCALE 0 10 20 30m	DWG 41-W5
JAPAN INTERNATIONAL COOPERATION AGENCY	