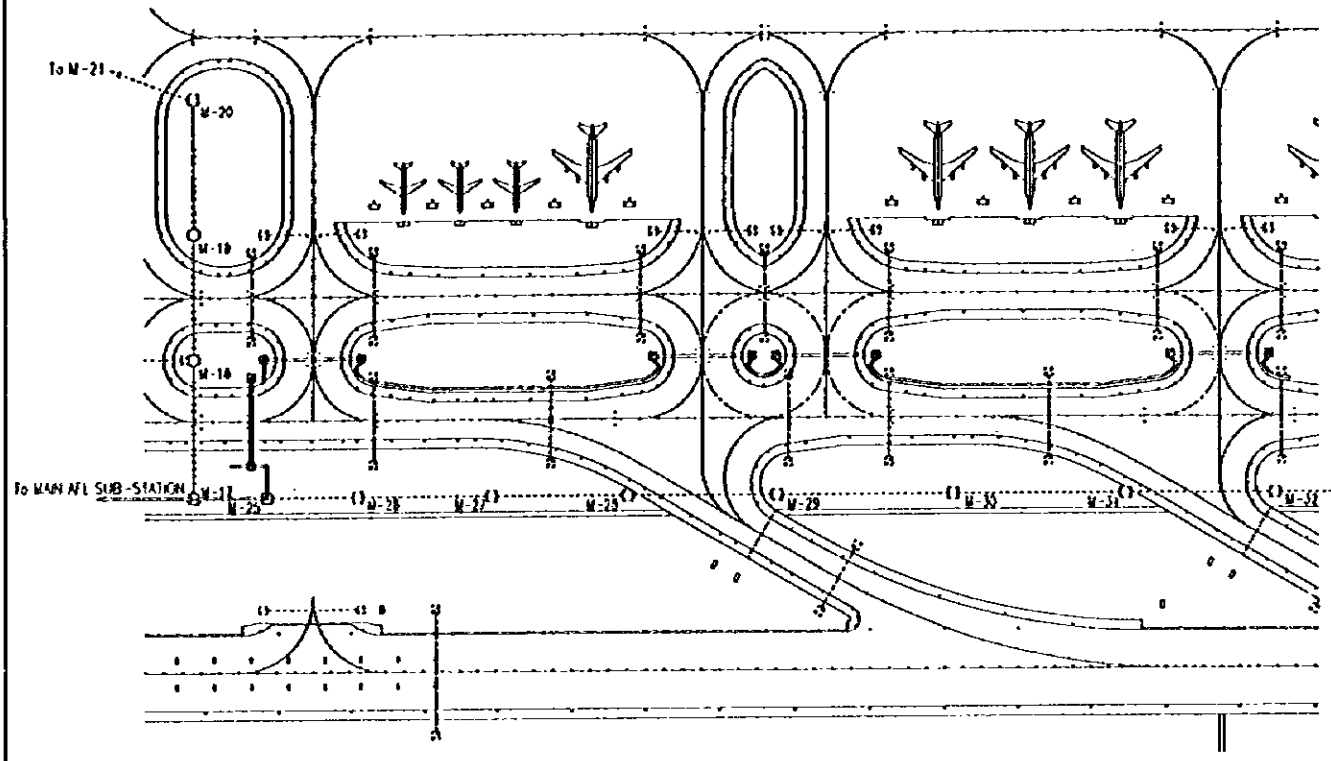
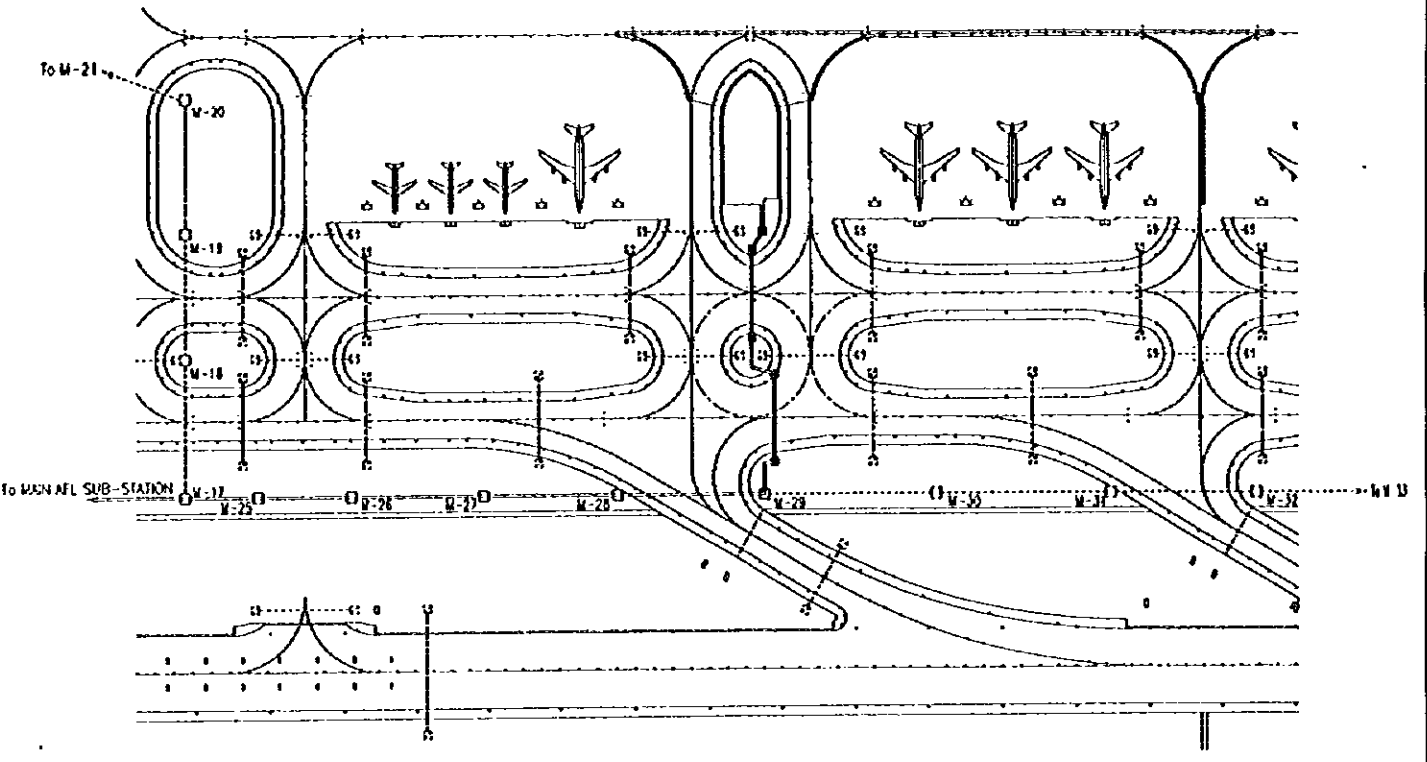


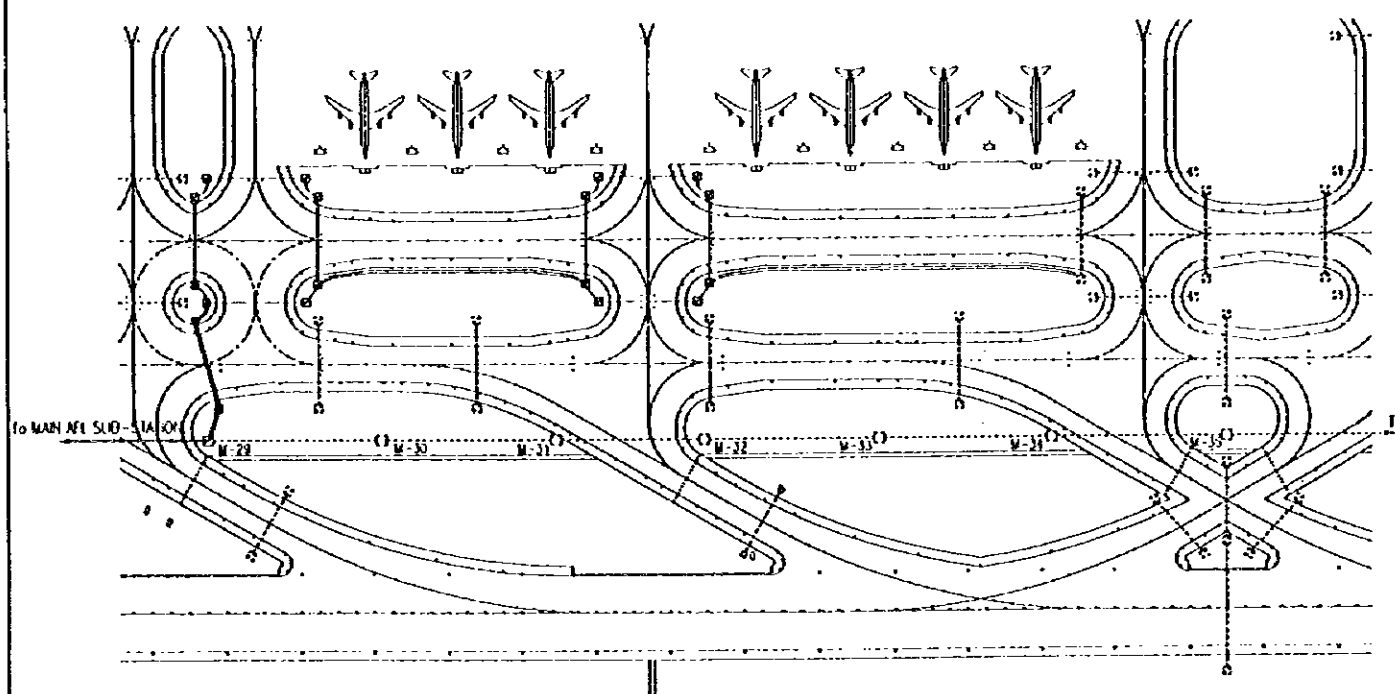
PEOPLE'S REPUBLIC OF CHINA	
SHANGHAI PUDONG INTERNATIONAL AIRPORT PROJECT	SEPTEMBER 1997
WIRING DIAGRAM AND TYPICAL INSTALLATION PLAN OF TCIL (1/5)	
SCALE 1/5000	ENG-137
JAPAN INTERNATIONAL COOPERATION AGENCY	



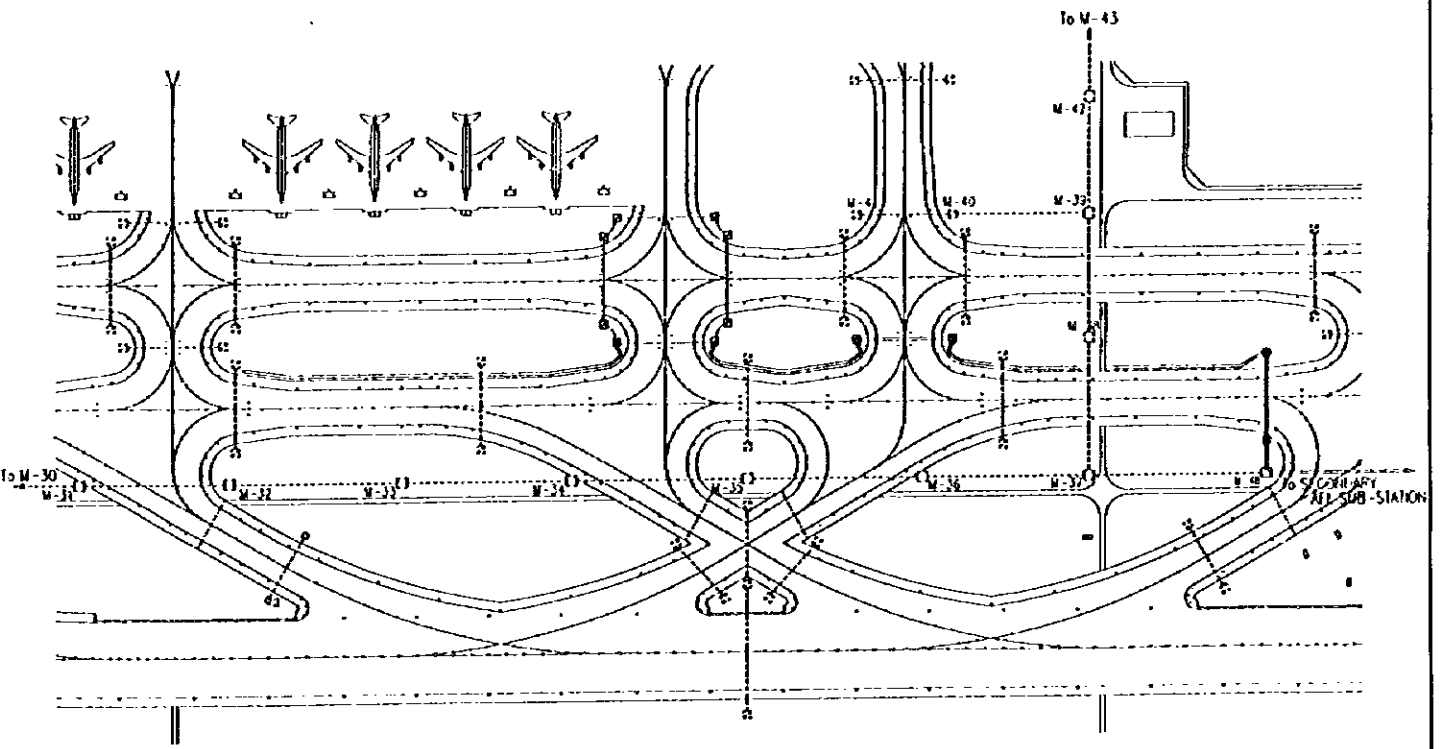
TCU - 5



TCU - 6

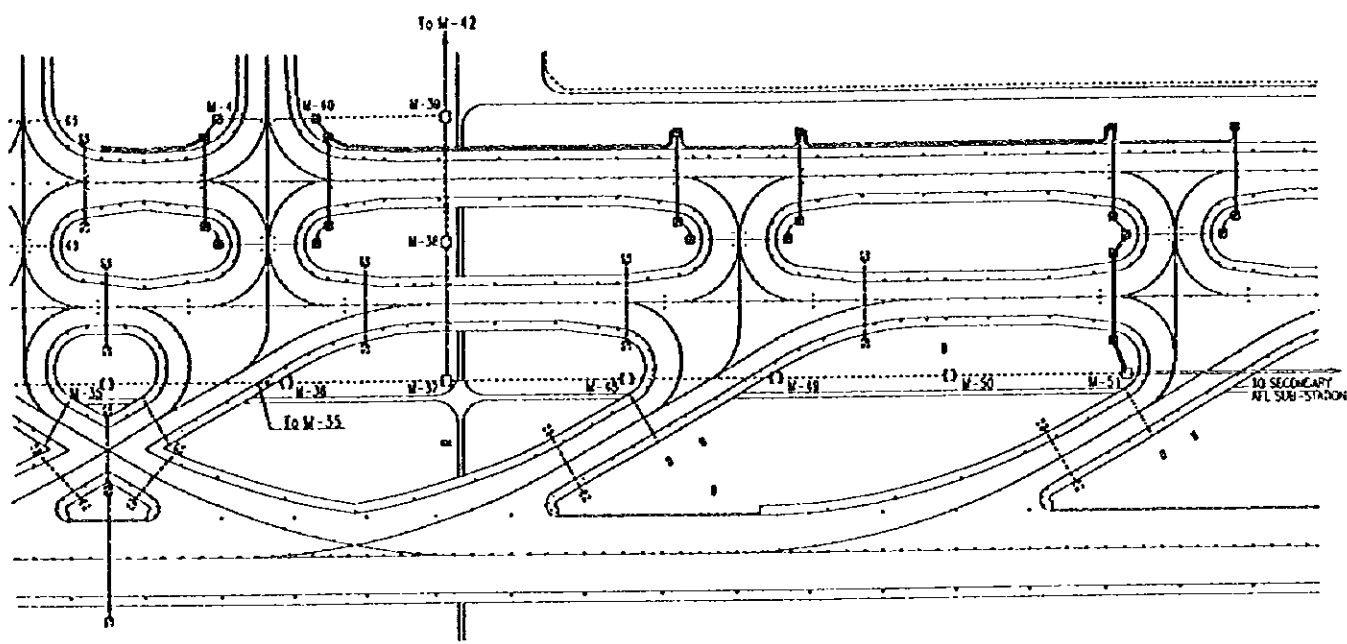


TCU - 7

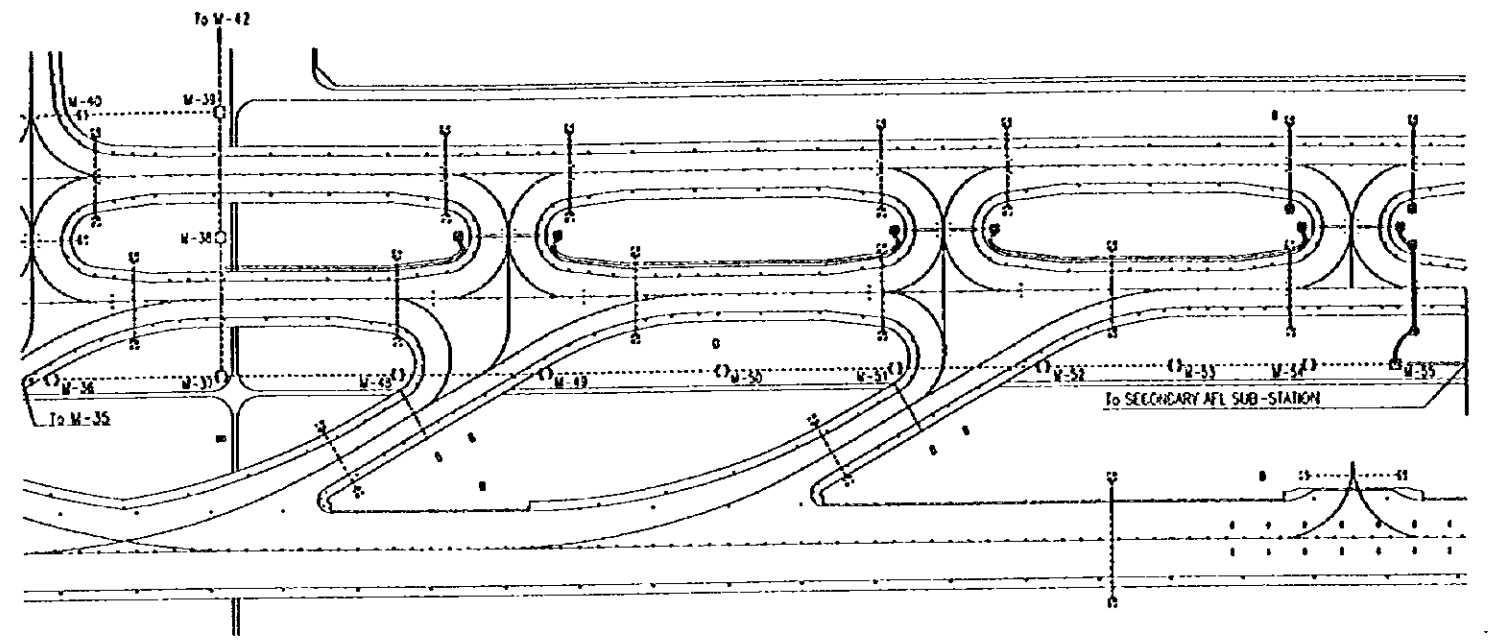


TCU - 8

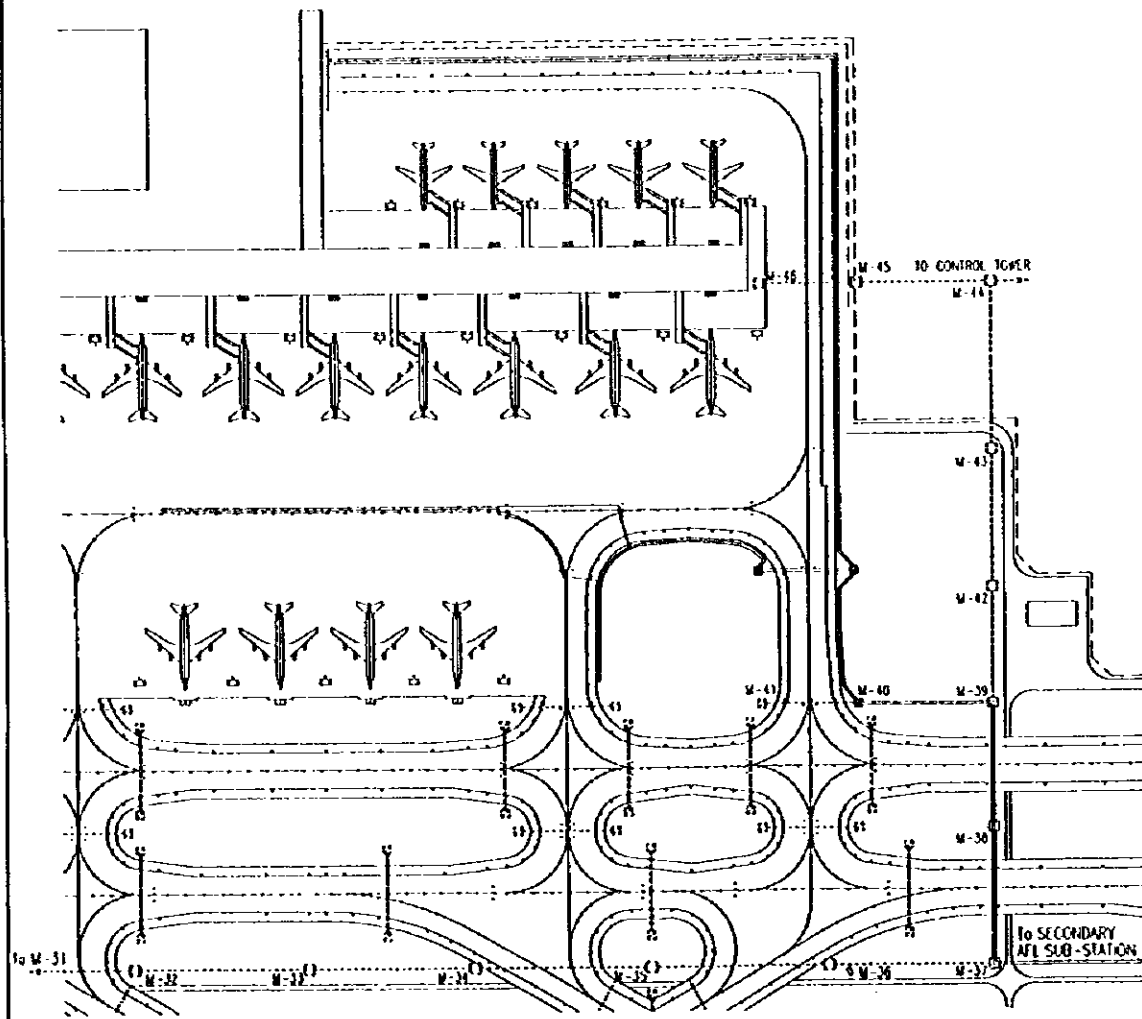
PEOPLE'S REPUBLIC OF CHINA	
SHANGHAI PUDONG INTERNATIONAL AIRPORT PROJECT	SEPTEMBER 1997
WIRING DIAGRAM AND TYPICAL INSTALLATION PLAN OF TCU(2/5)	
SCALE 1/3000	DWG-138
JAPAN INTERNATIONAL COOPERATION AGENCY	



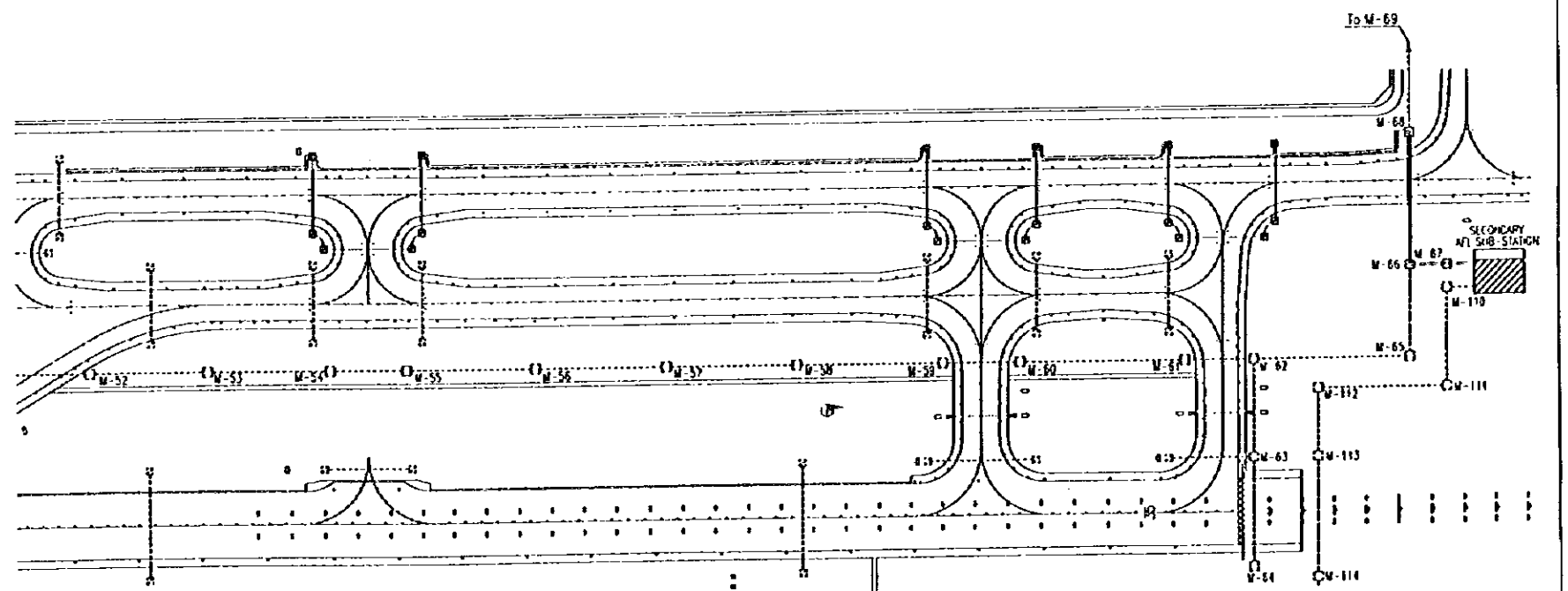
ICLL - 10



ICLL - 11

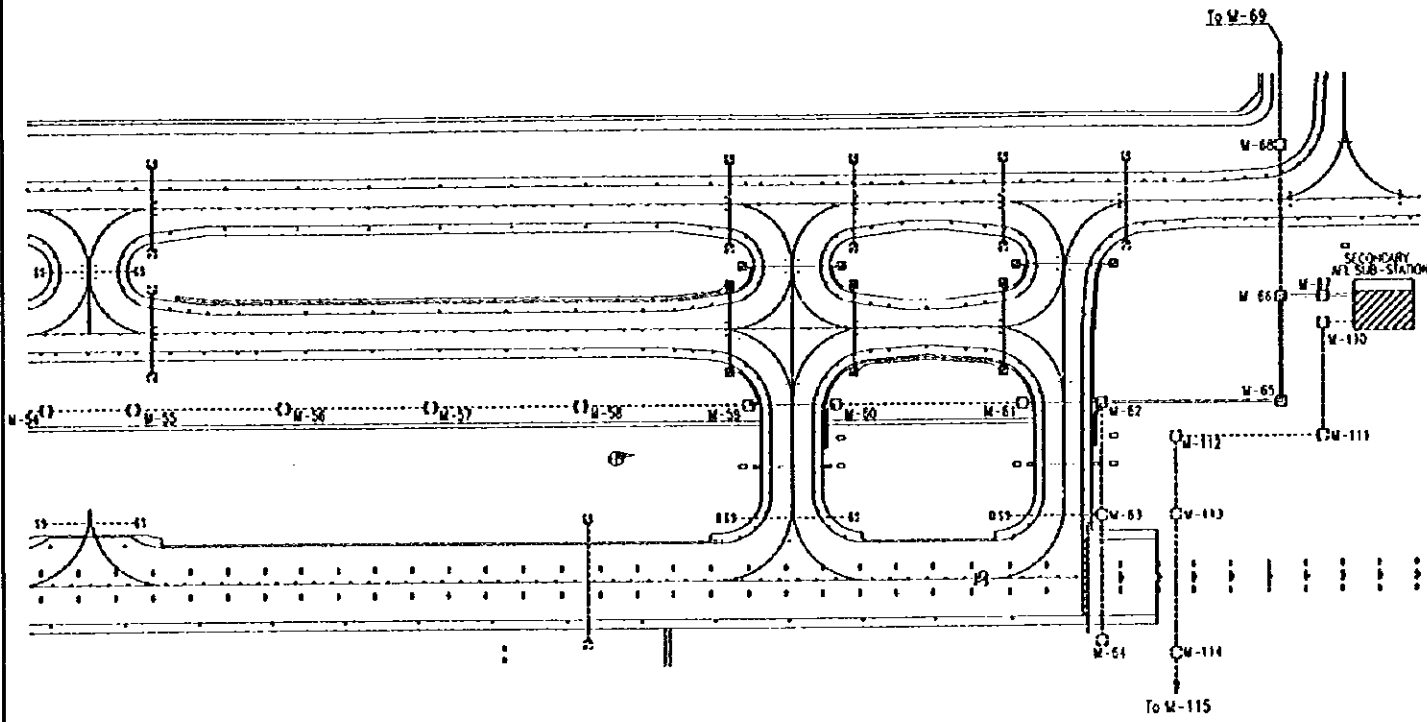


ICLL - 9

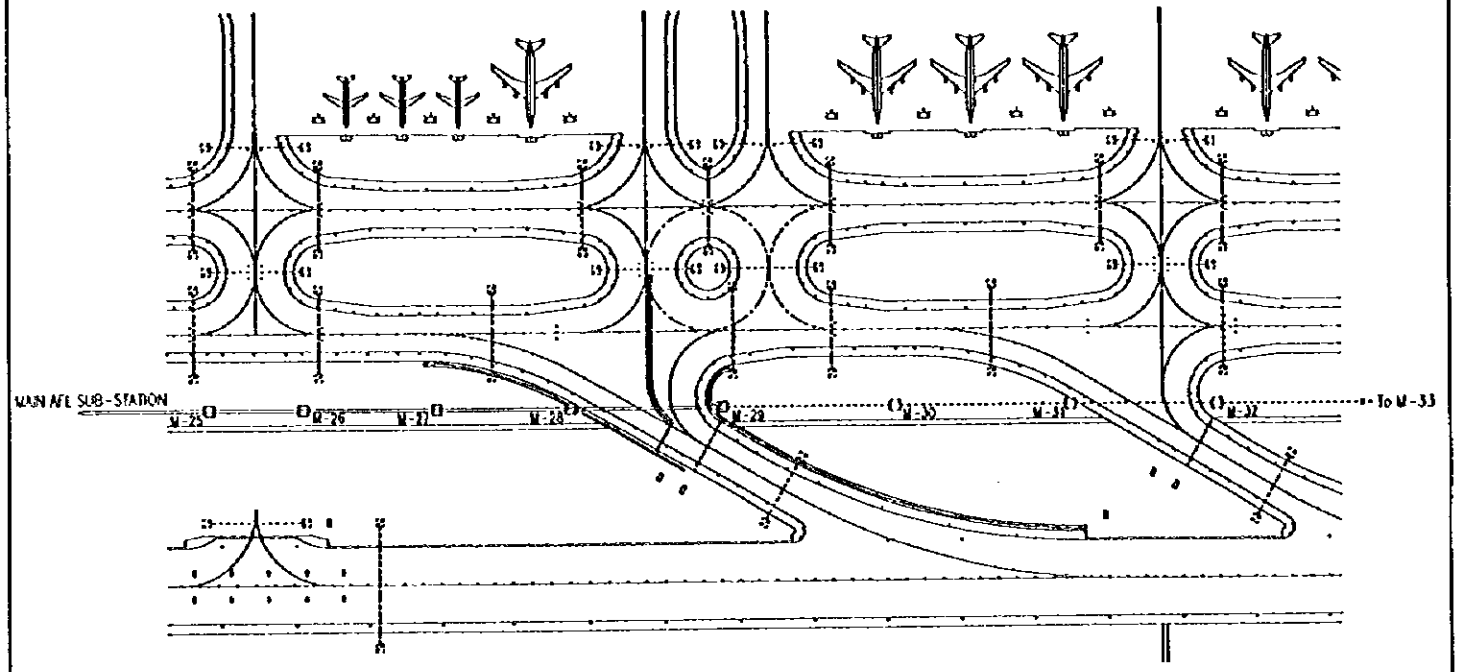


ICLL - 12

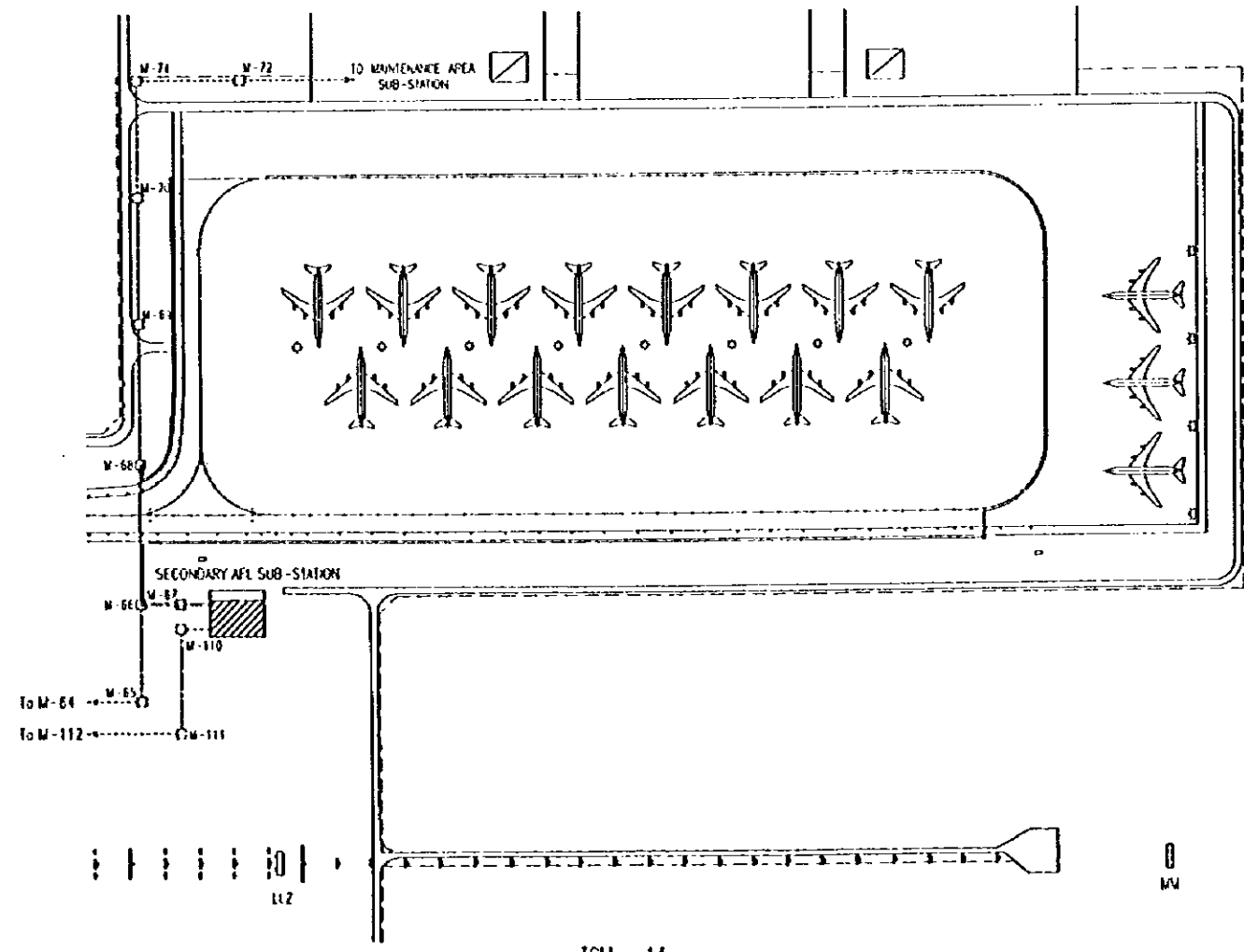
PEOPLE'S REPUBLIC OF CHINA	
SHANGHAI PUDONG INTERNATIONAL AIRPORT PROJECT	SEPTEMBER 1997
WIRING DIAGRAM AND TYPICAL INSTALLATION PLAN OF ICLL(3/5)	
SCALE 1/3000	DWG2-139
JAPAN INTERNATIONAL COOPERATION AGENCY	



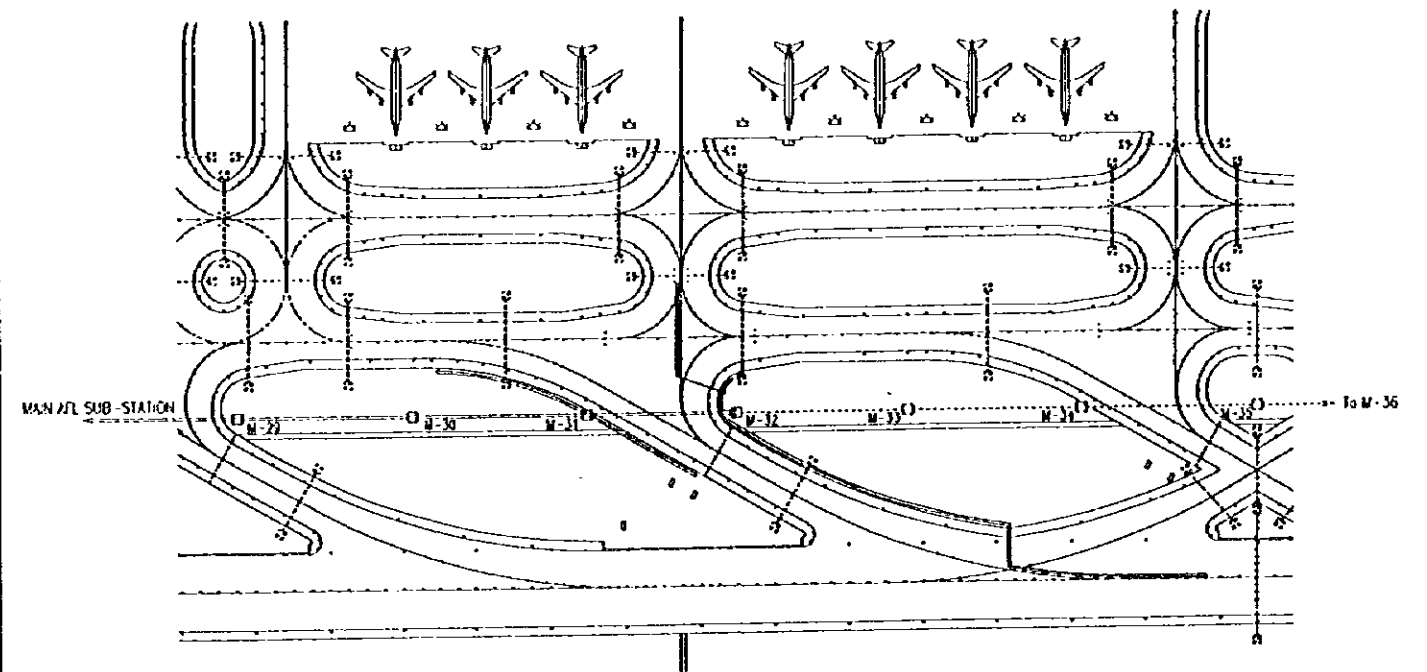
TOLL - 13



HSTCLL - 1

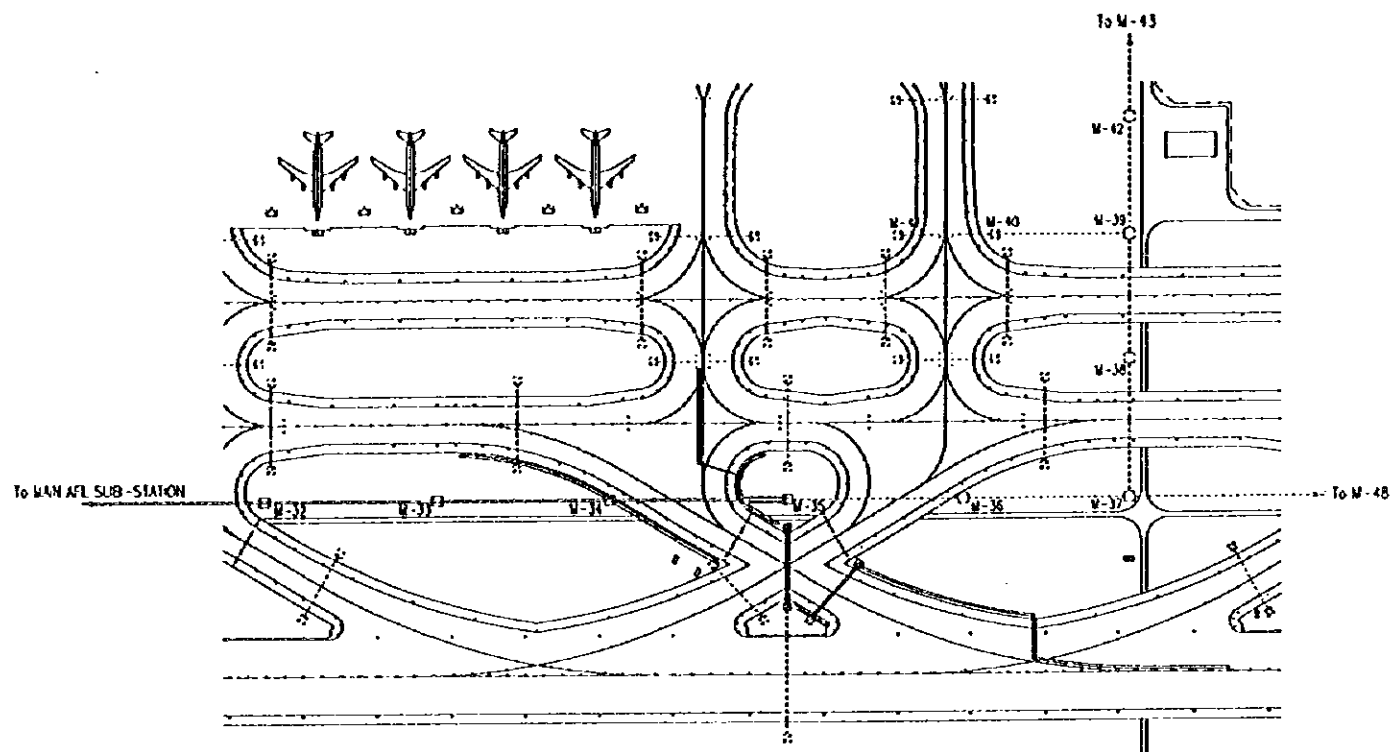


TOLL - 14

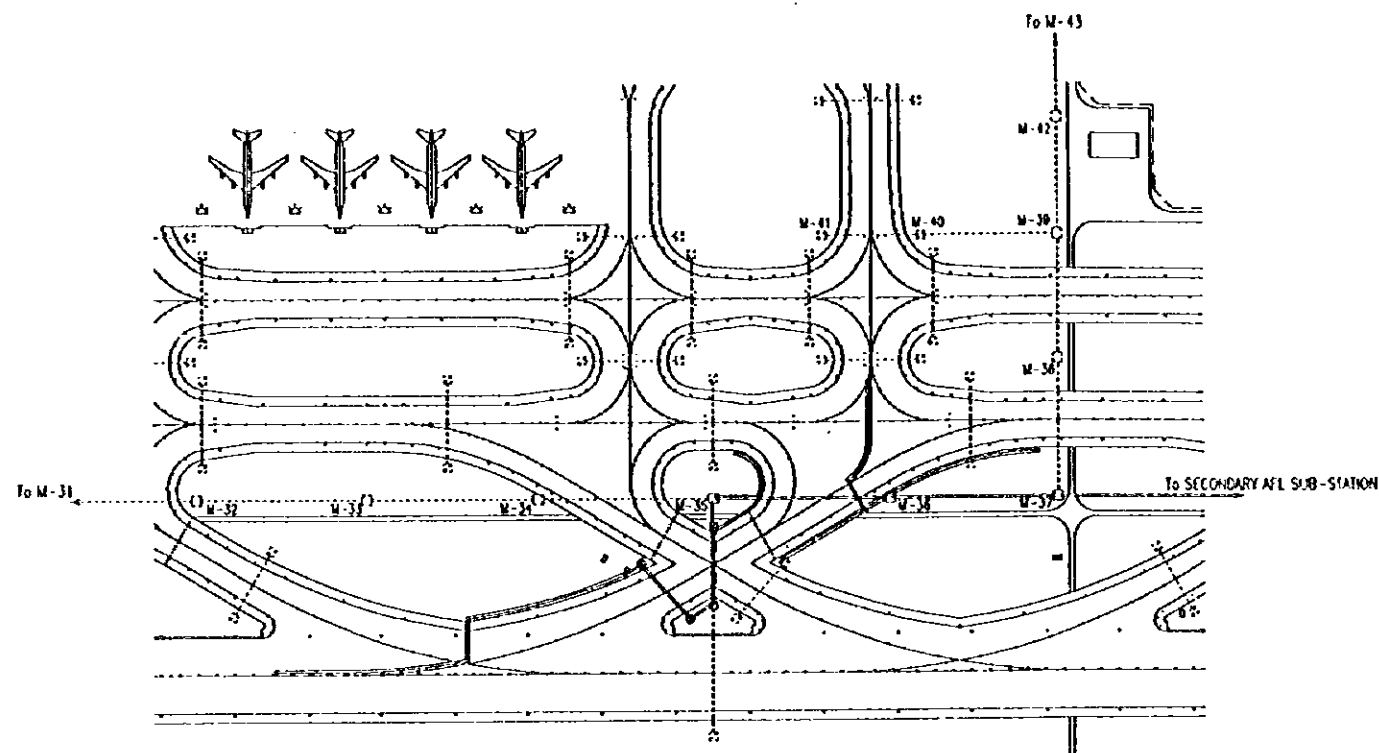


HSTCLL - 2

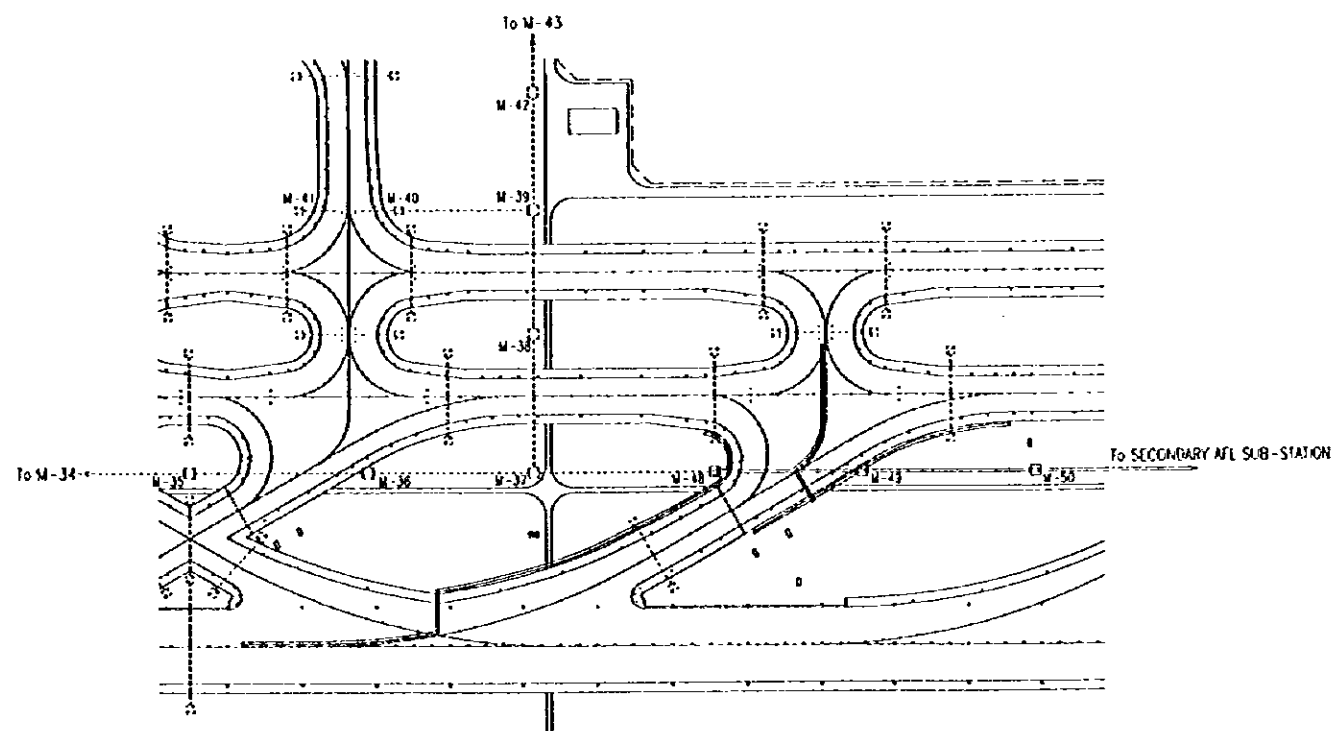
PEOPLE'S REPUBLIC OF CHINA	
SHANGHAI PUDONG INTERNATIONAL AIRPORT PROJECT	SEPTEMBER 1997
WIRING DIAGRAM AND TYPICAL INSTALLATION PLAN OF TOLL(4/5)	
SCALE 1/3000	DWG2-L40
JAPAN INTERNATIONAL COOPERATION AGENCY	



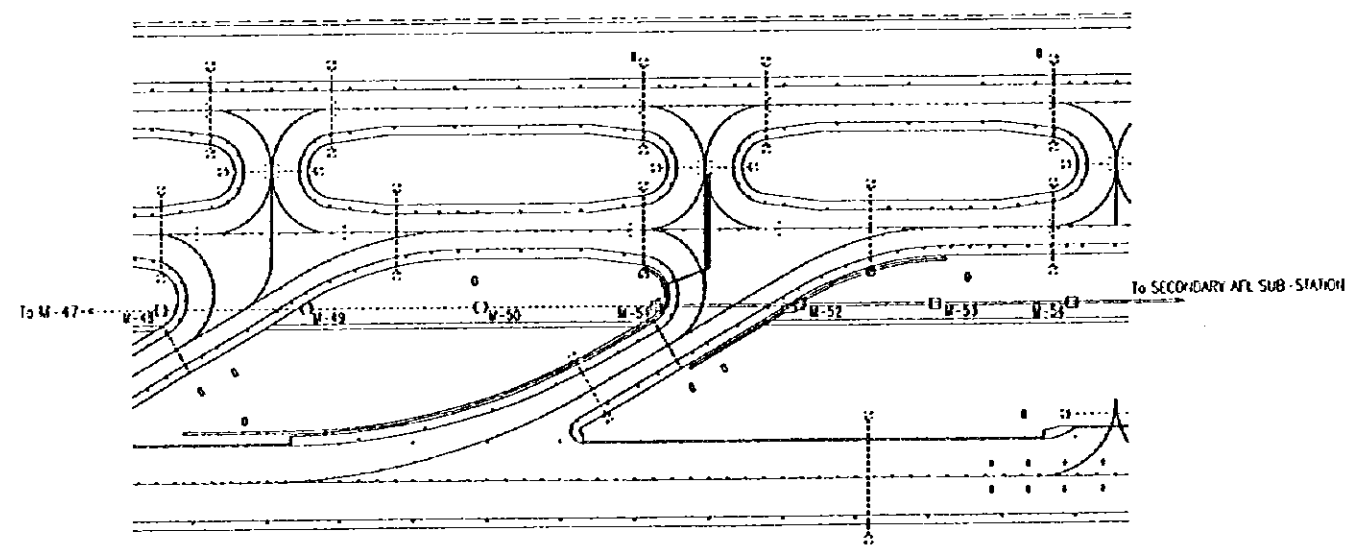
HSTCLL - 3



HSTCLL - 4

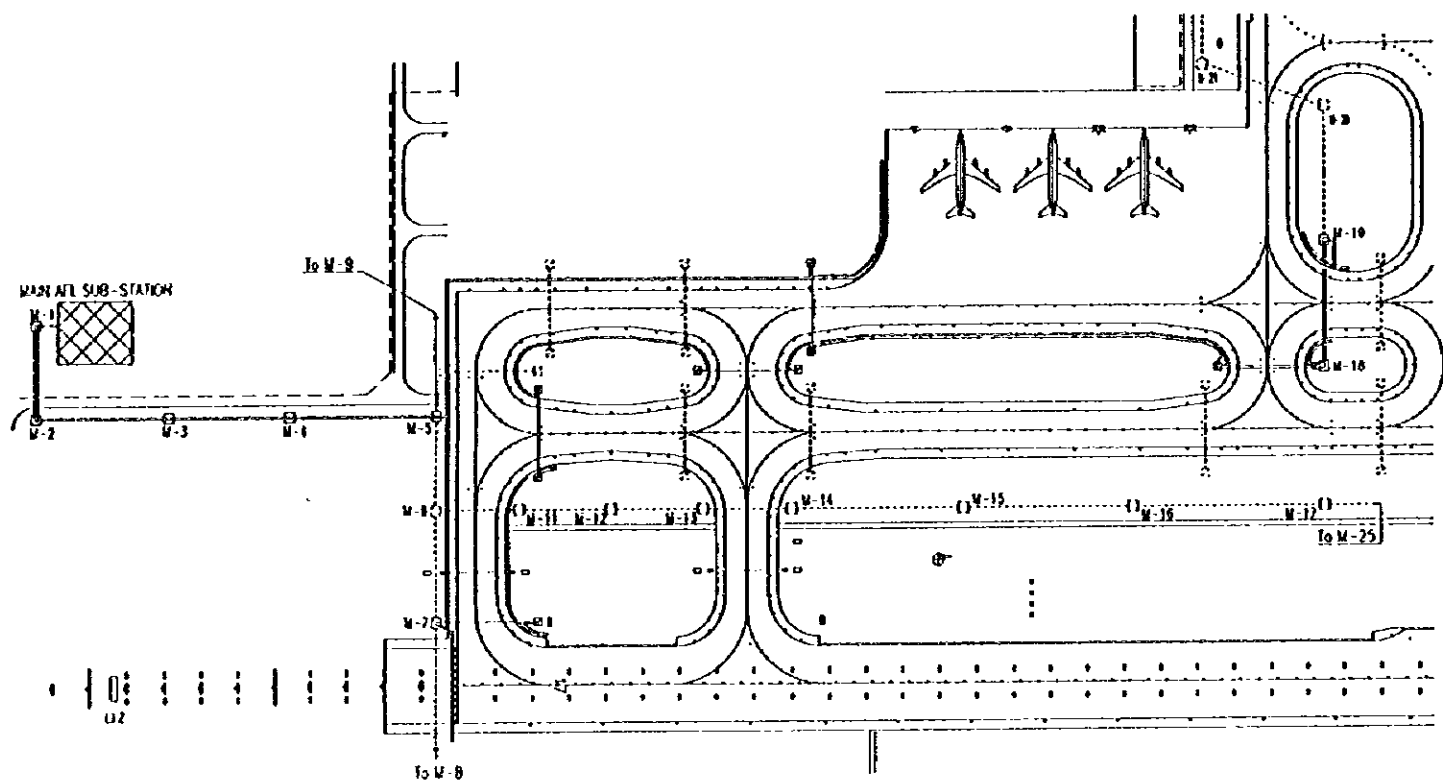


HSTCLL - 5

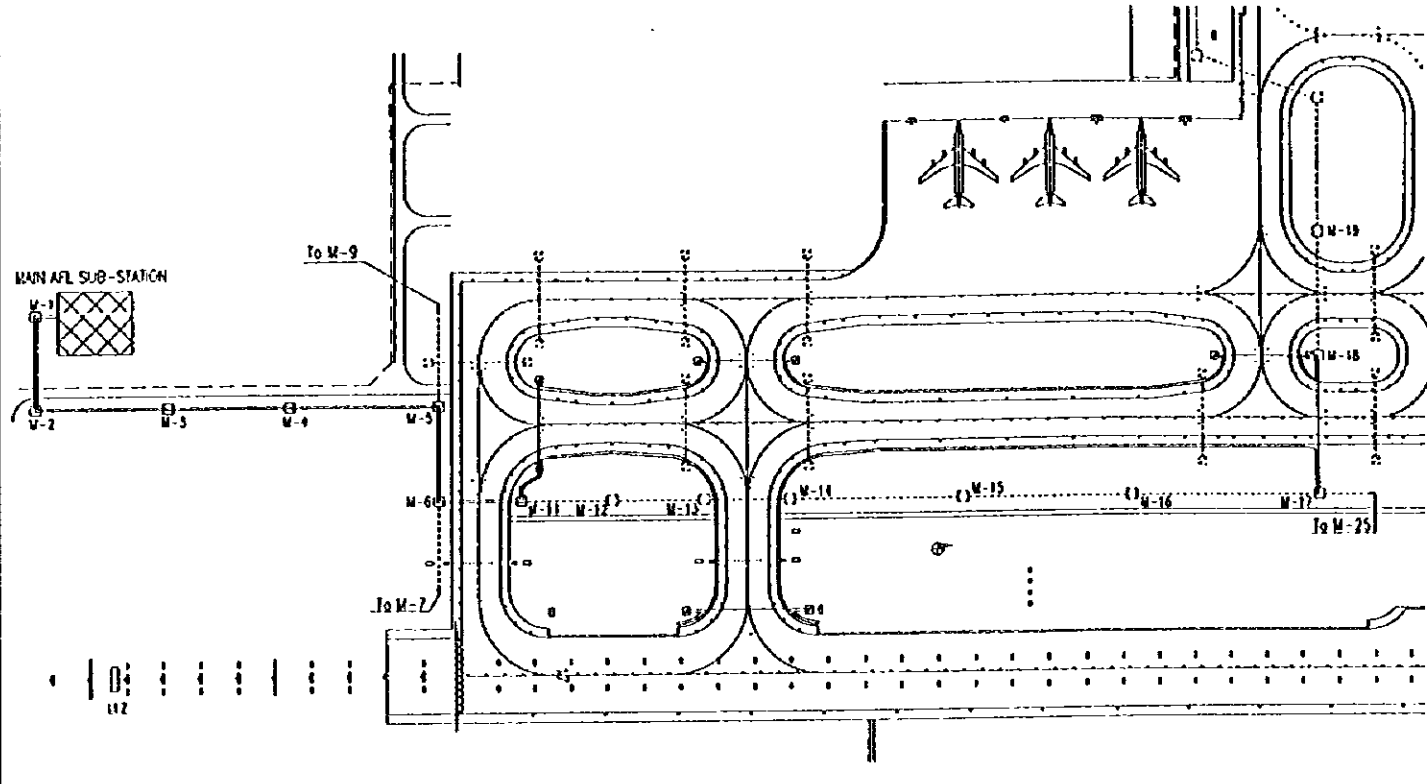


HSTCLL - 6

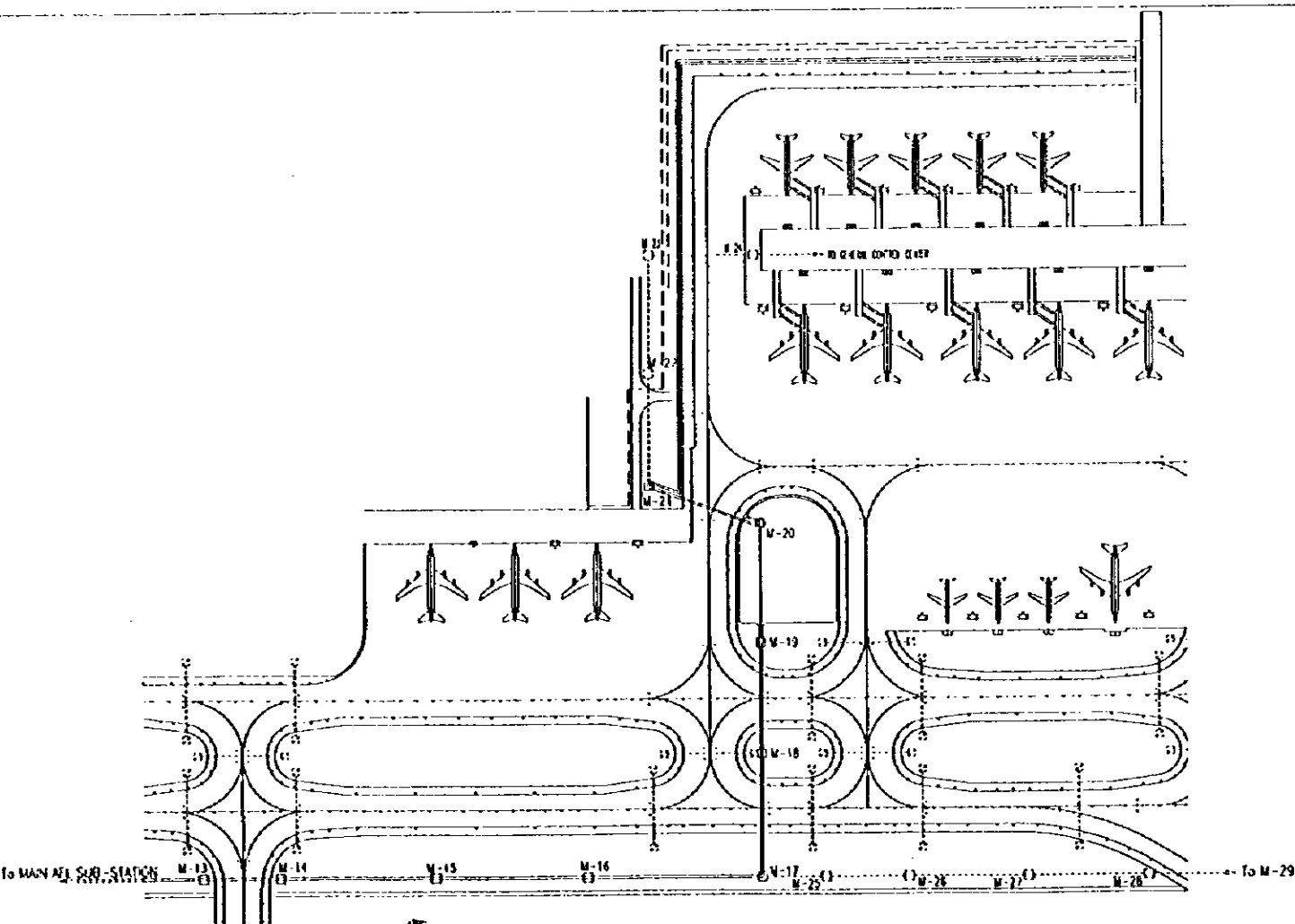
PEOPLE'S REPUBLIC OF CHINA	
SHANGHAI PUDONG INTERNATIONAL AIRPORT PROJECT	SEPTEMBER 1997
WIRING DIAGRAM AND TYPICAL INSTALLATION PLAN OF TOLL(S/S)	
SCALE 1/3000	DWG2-L41
JAPAN INTERNATIONAL COOPERATION AGENCY	



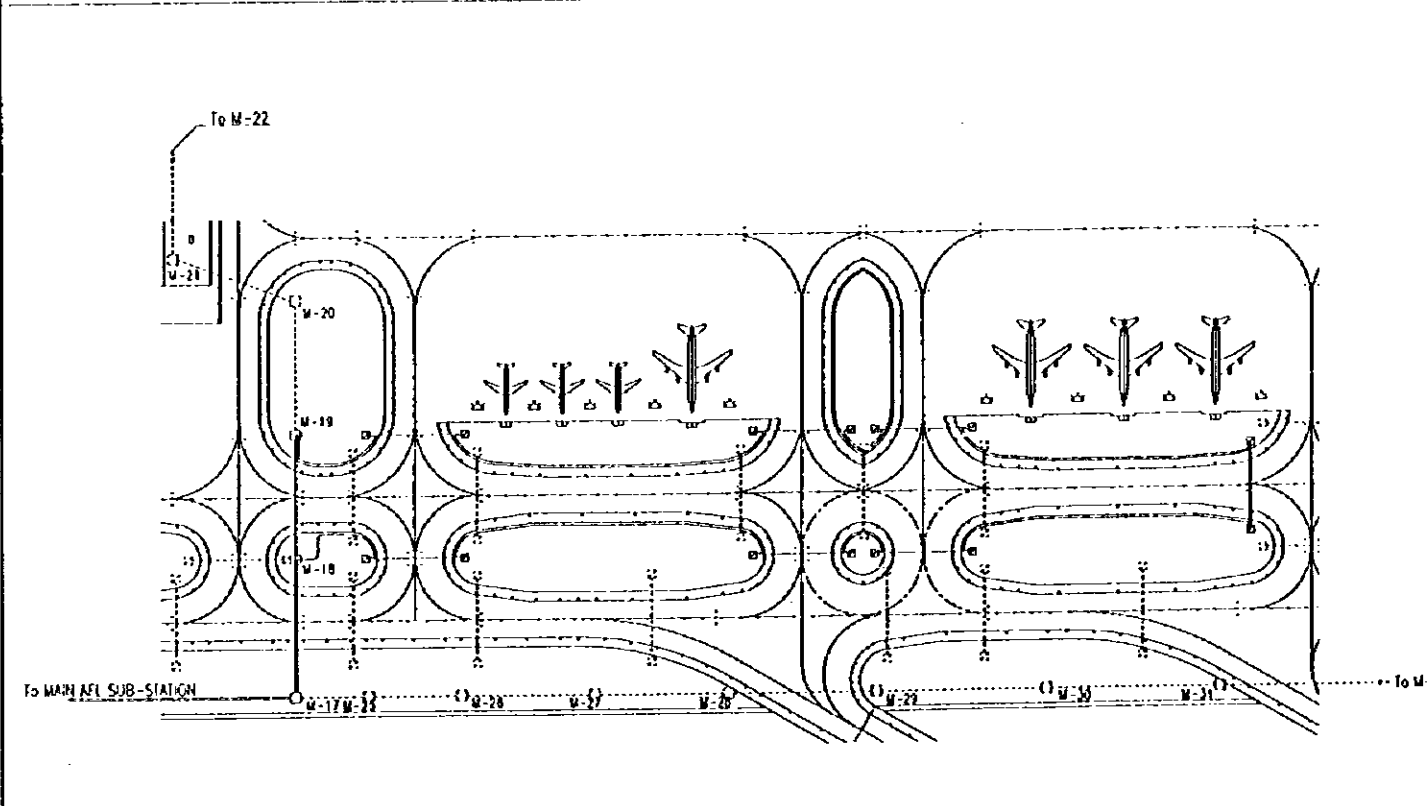
TWYL - 1



TWYL - 2

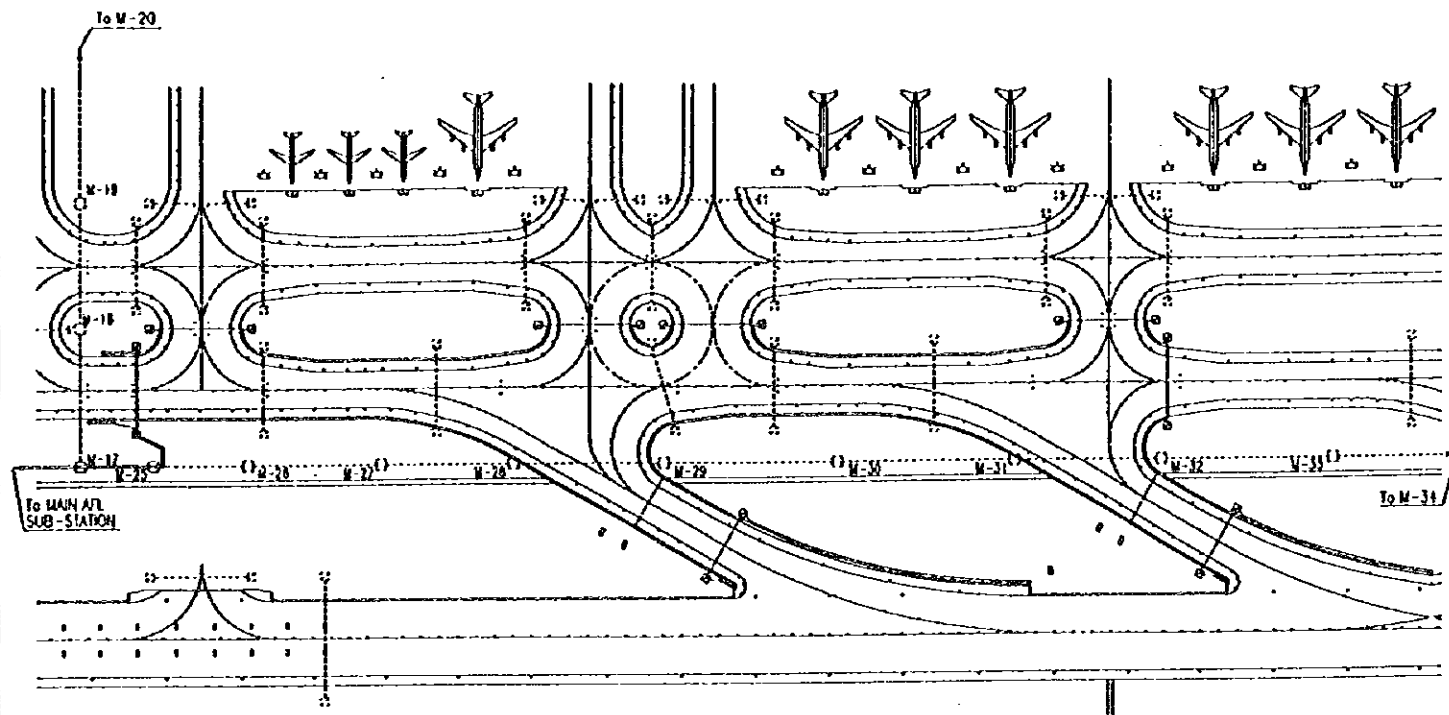


TWYL - 3

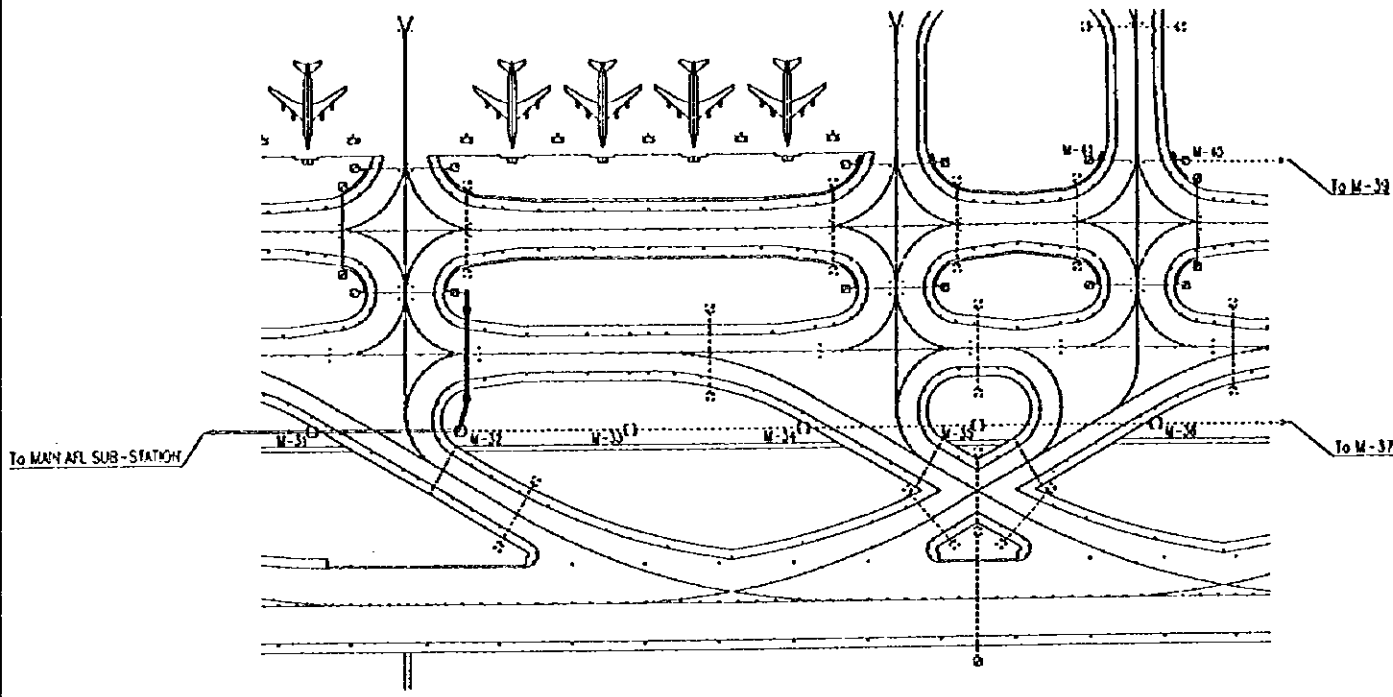


TWYL - 4

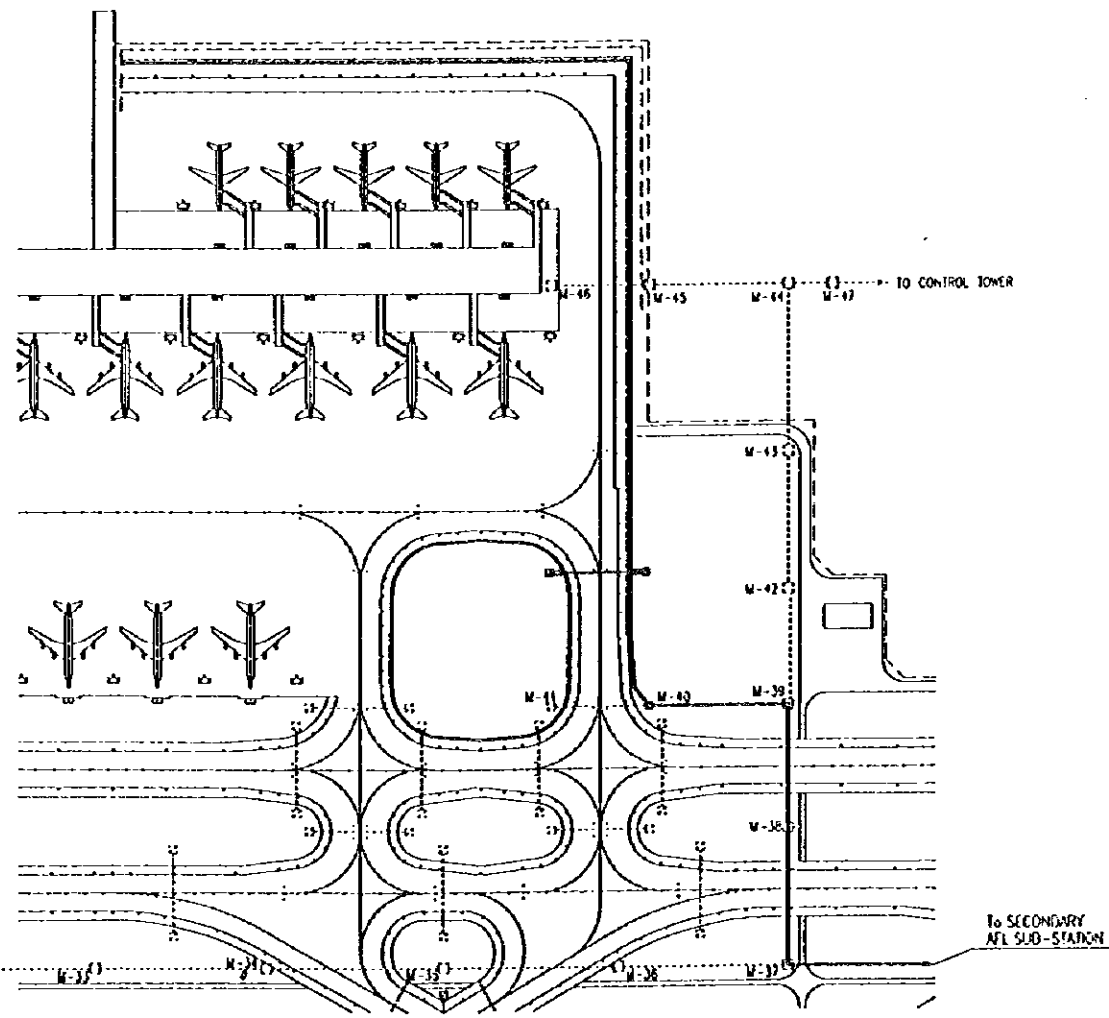
PEOPLE'S REPUBLIC OF CHINA	
SHANGHAI FUDONG INTERNATIONAL AIRPORT PROJECT	SEPTEMBER 1997
WIRING DIAGRAM AND TYPICAL INSTALLATION PLAN OF TWYL(1/5)	
SCALE 1/3000	DWG2-142
JAPAN INTERNATIONAL COOPERATION AGENCY	



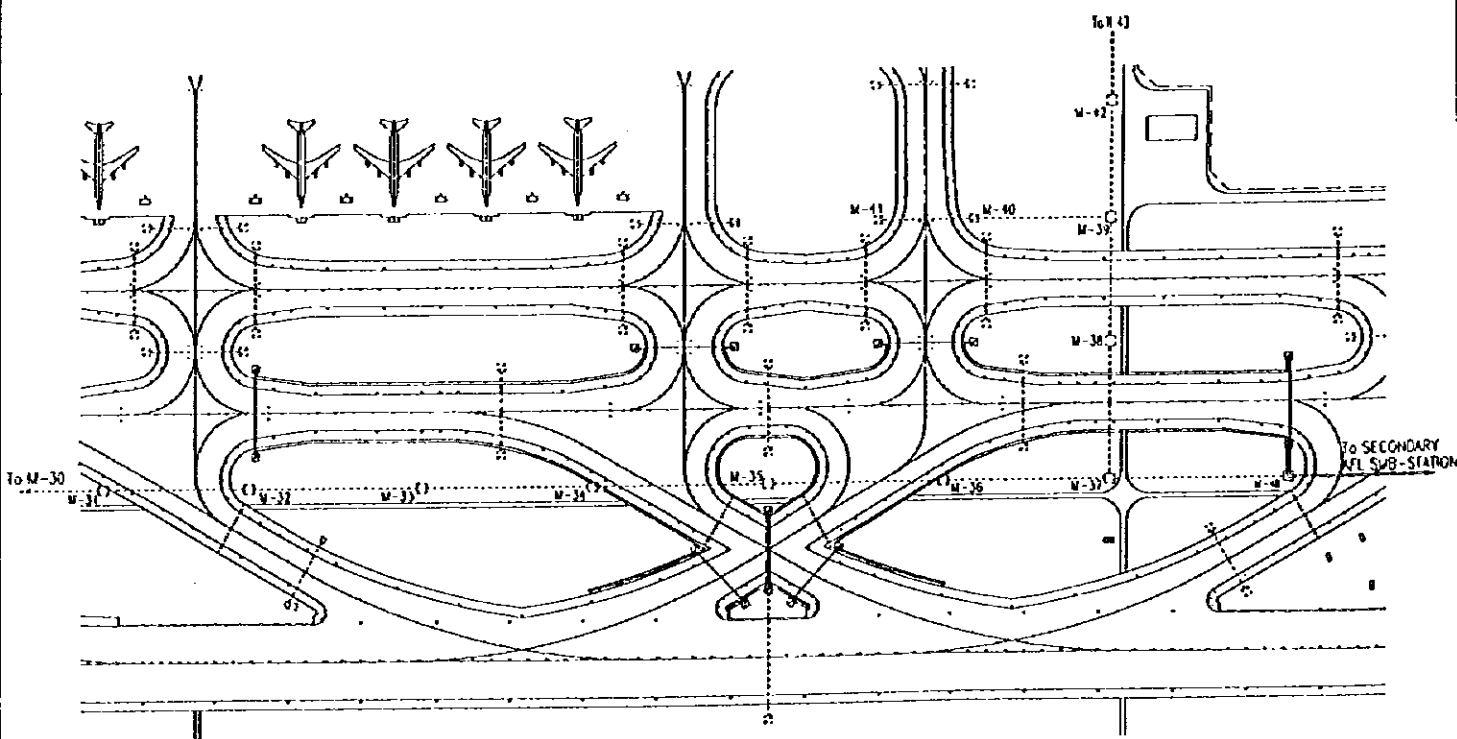
TWYL - 5



TWYL - 6

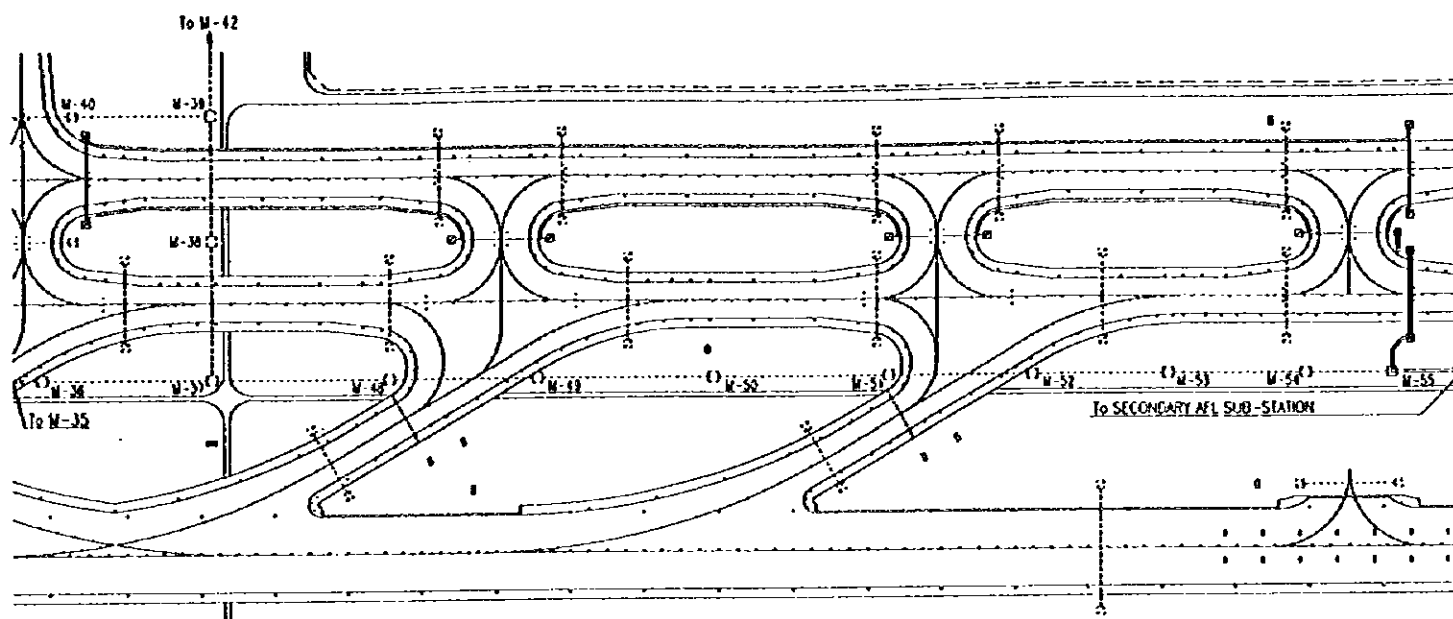


TWYL - 8

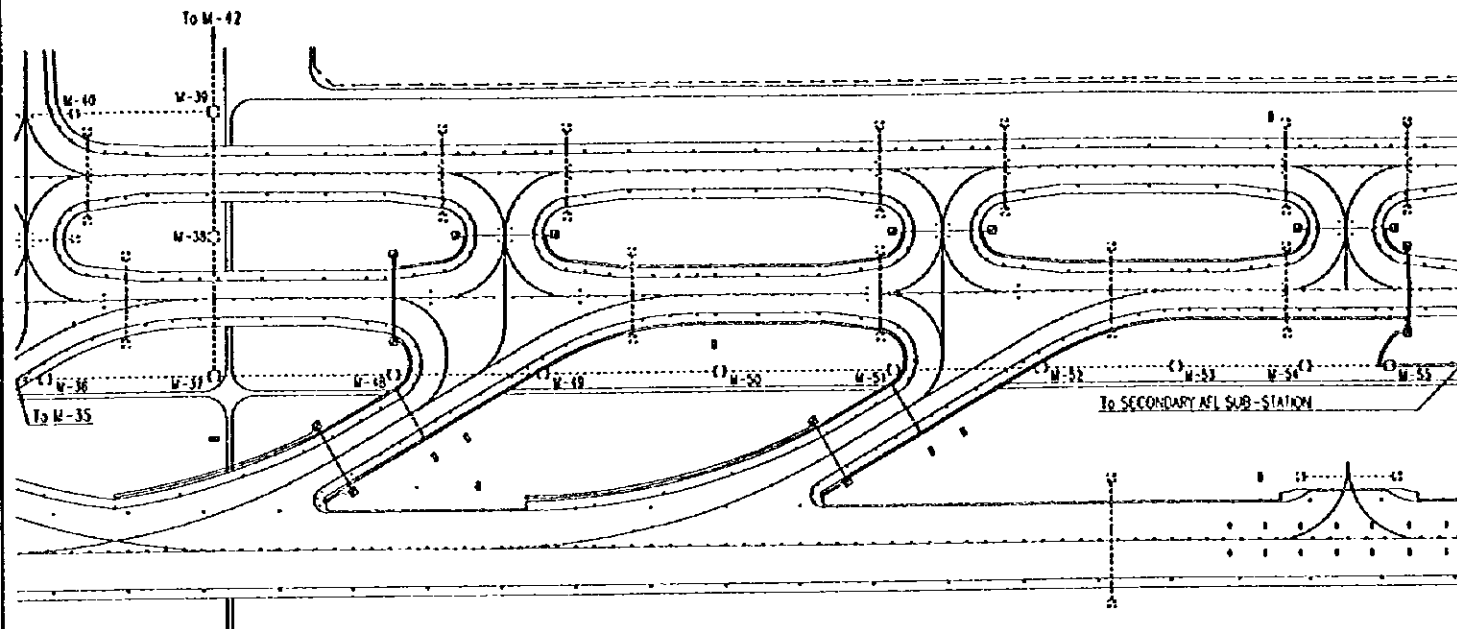


TWYL - 7

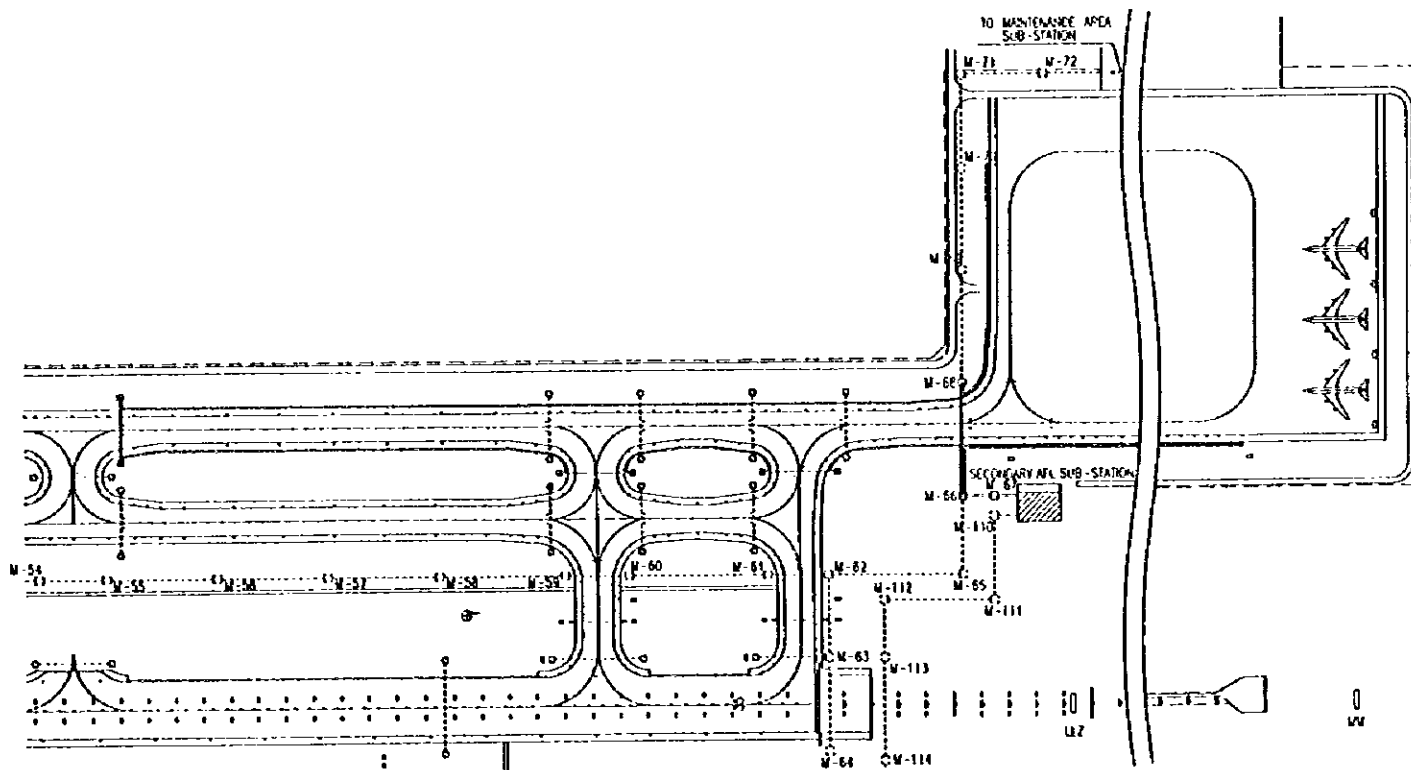
PEOPLE'S REPUBLIC OF CHINA	
SHANGHAI PUDONG INTERNATIONAL AIRPORT PROJECT	SEPTEMBER 1997
WIRING DIAGRAM AND TYPICAL INSTALLATION PLAN OF TWYL(2/3)	
SCALE 1/3000	DWG2-L43
JAPAN INTERNATIONAL COOPERATION AGENCY	



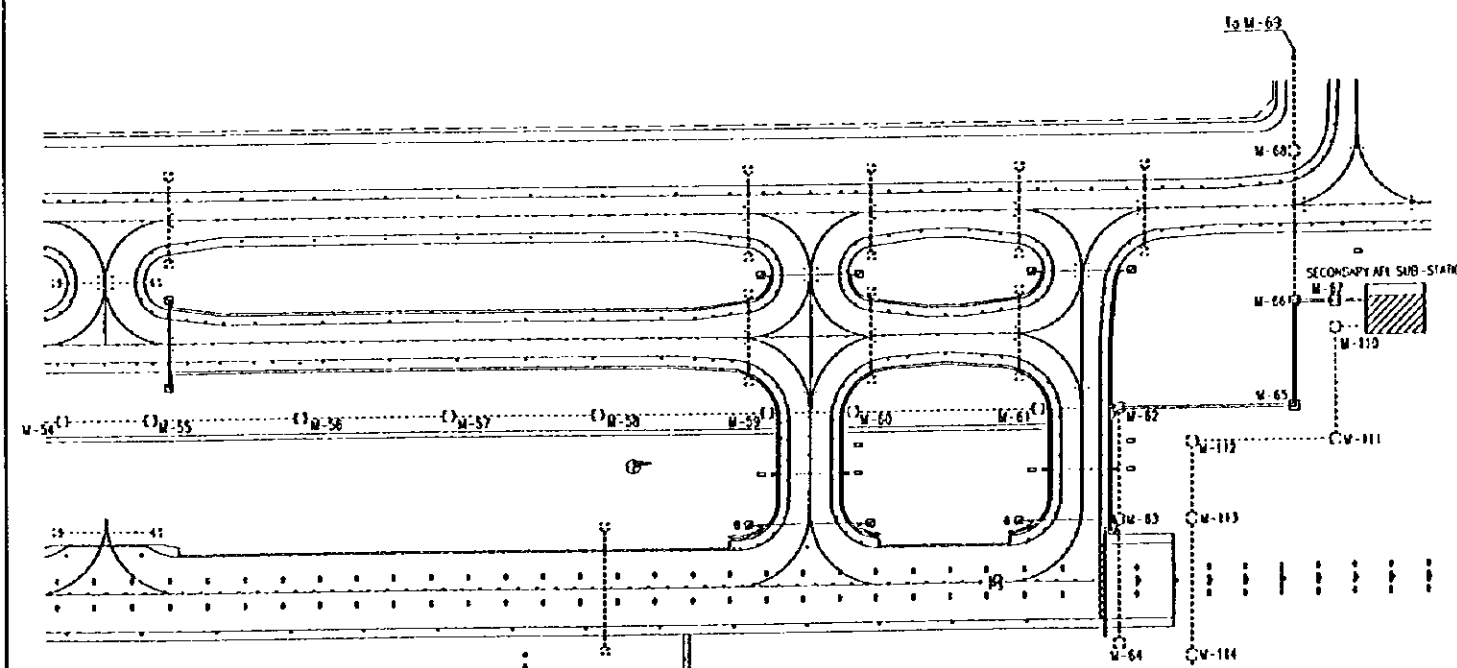
TWYL - 9



TWYL - 10

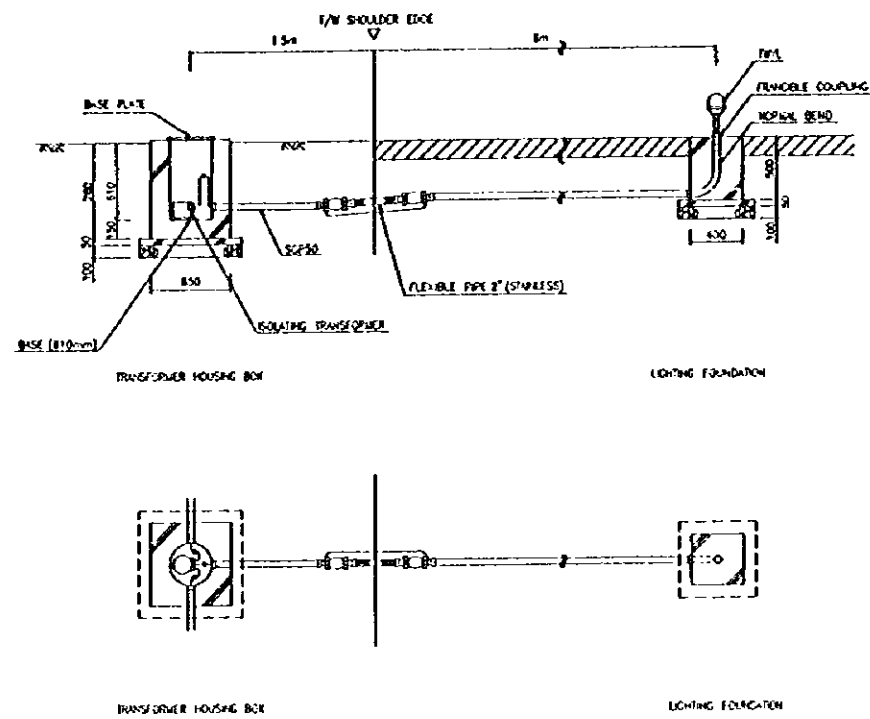


TWYL - 12. S= 1/4,000

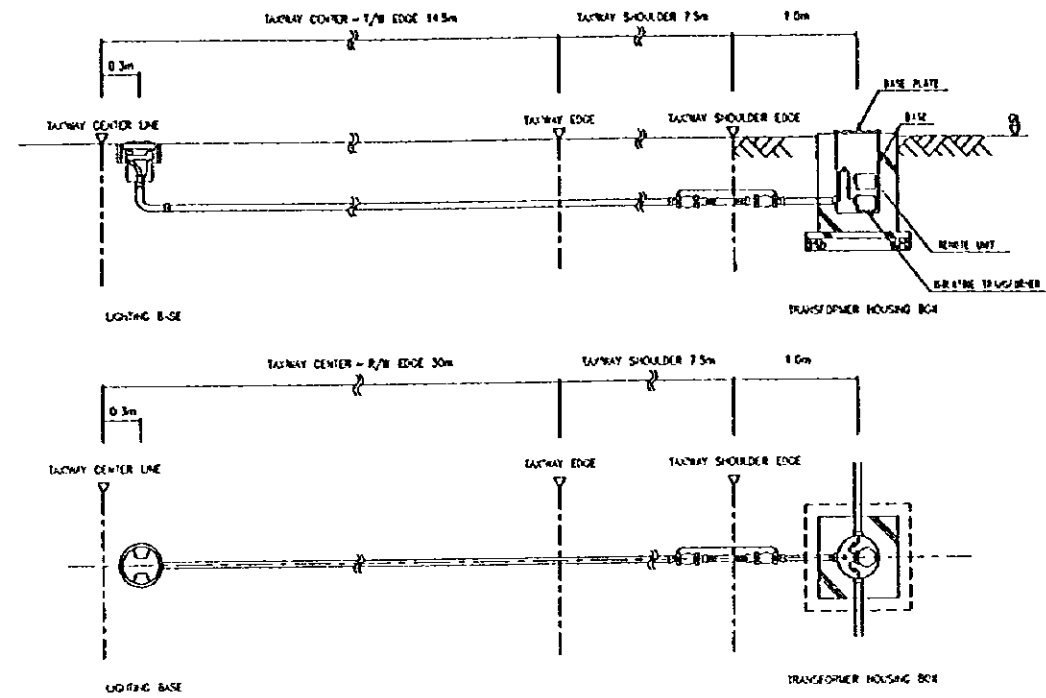


TWYL - 11

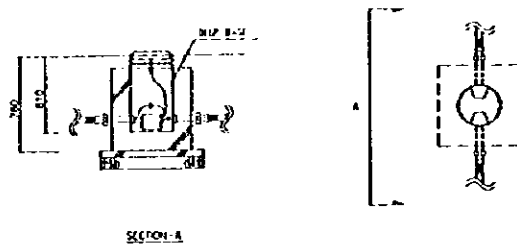
PEOPLE'S REPUBLIC OF CHINA	
SHANGHAI PUDONG INTERNATIONAL AIRPORT PROJECT	SEPTEMBER 1997
WIRING DIAGRAM AND TYPICAL INSTALLATION PLAN OF TWYL (3/3)	
SCALE 1/3000	DWG-144
JAPAN INTERNATIONAL COOPERATION AGENCY	



TYPICAL INSTALLATION PLAN OF TAXIWAY EDGE LIGHTS SCALE 1/30

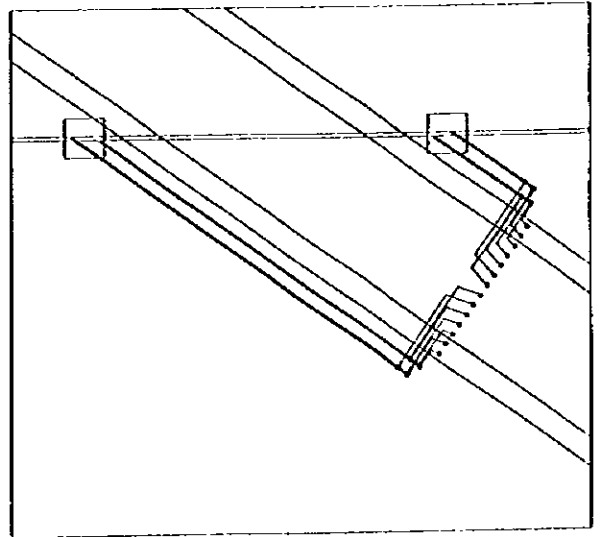
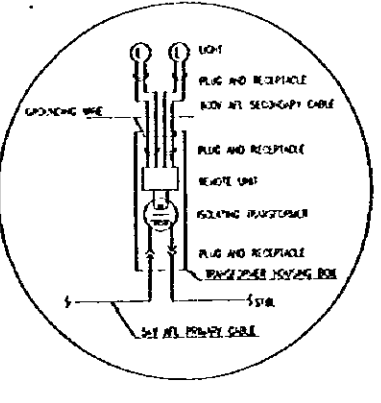
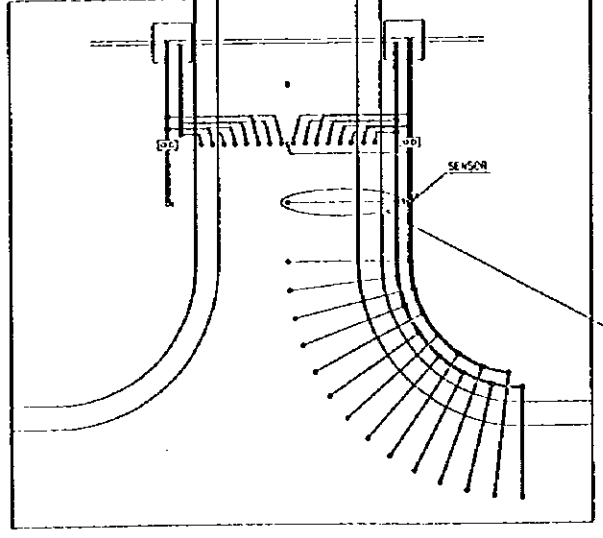
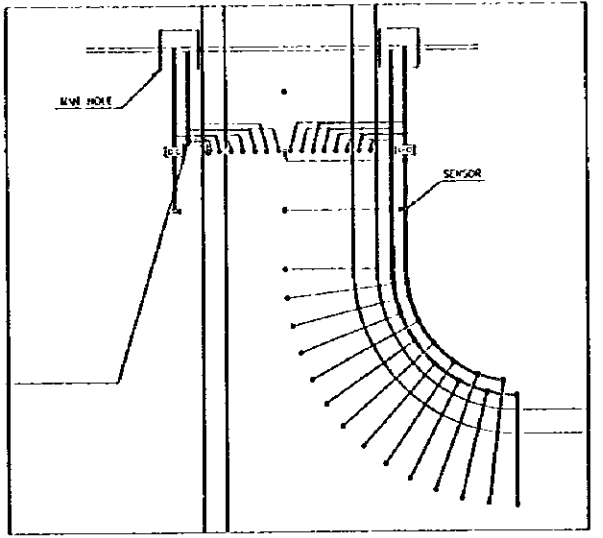
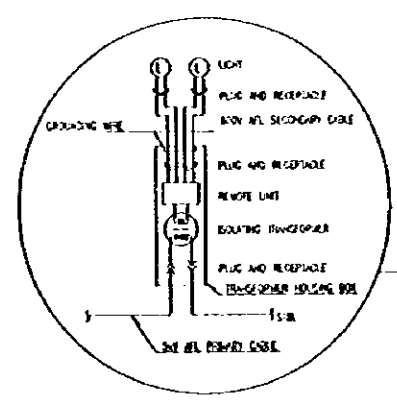
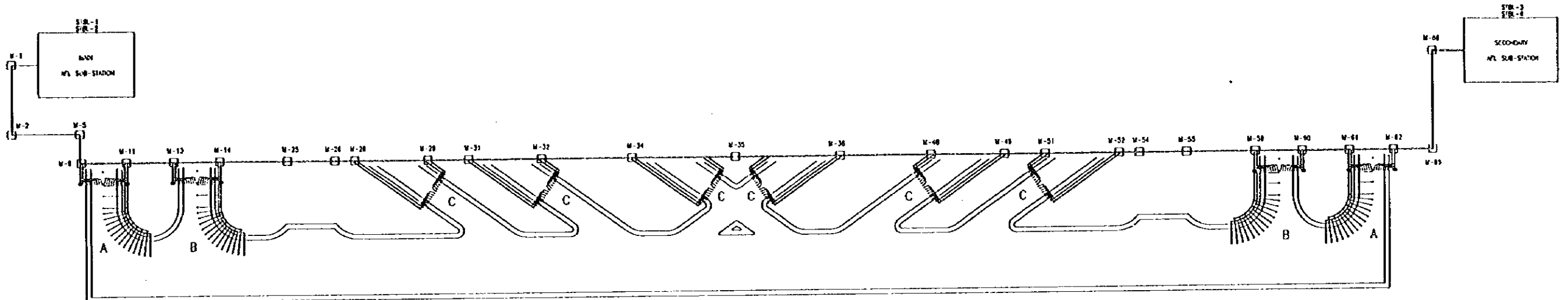


TYPICAL INSTALLATION PLAN OF TAXIWAY CENTER LINE LIGHTS SCALE 1/30



TYPICAL INSTALLATION PLAN OF TAXIWAY CENTER LINE LIGHTS
LOCATED APRON PAVEMENT PORTION SCALE 1/20

PEOPLE'S REPUBLIC OF CHINA	
SHANGHAI PUDONG INTERNATIONAL AIRPORT PROJECT	SEPTEMBER 1997
TYPICAL INSTALLATION PLAN OF TCCL AND TWYL	
SCALE 1/30	ONG2-L45
JAPAN INTERNATIONAL COOPERATION AGENCY	



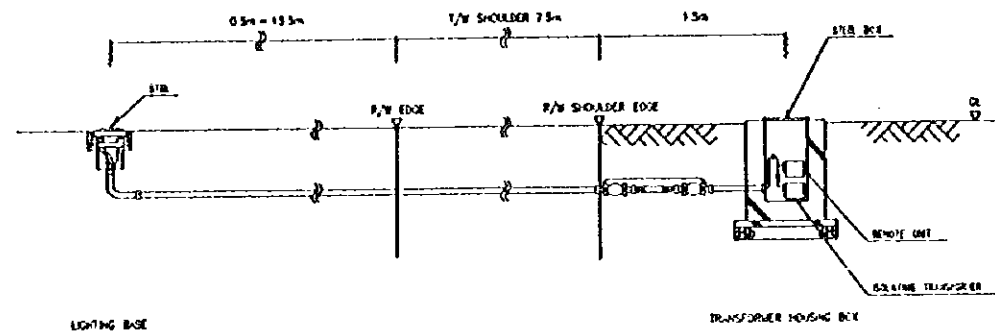
DETAIL-A

DETAIL-B

DETAIL-C

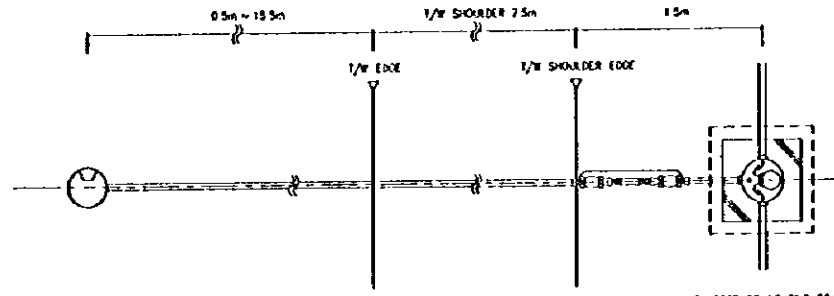
WIRING DIAGRAM OF STOP BARS

PEOPLE'S REPUBLIC OF CHINA	
SHANGHAI PUDONG INTERNATIONAL AIRPORT PROJECT	SEPTEMBER 1997
WIRING DIAGRAM OF STBL AND RUNWAY GUARD LIGHTS	
SCALE: NON SCALE	DWG-2-L46
JAPAN INTERNATIONAL COOPERATION AGENCY	



LIGHTING BASE

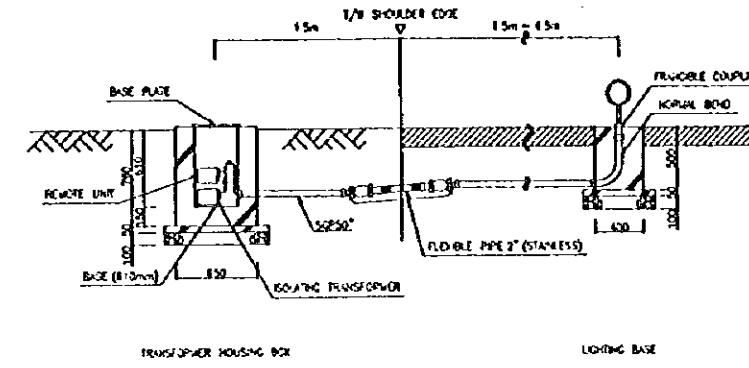
TRANSFORMER HOUSING BOX



LIGHTING BASE

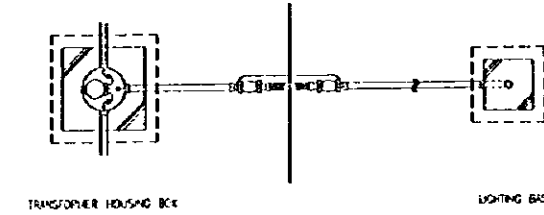
TRANSFORMER HOUSING BOX

TYPICAL INSTALLATION PLAN OF SURFACE-TYPE
STOP BAR SCALE 1/30



TRANSFORMER HOUSING BOX

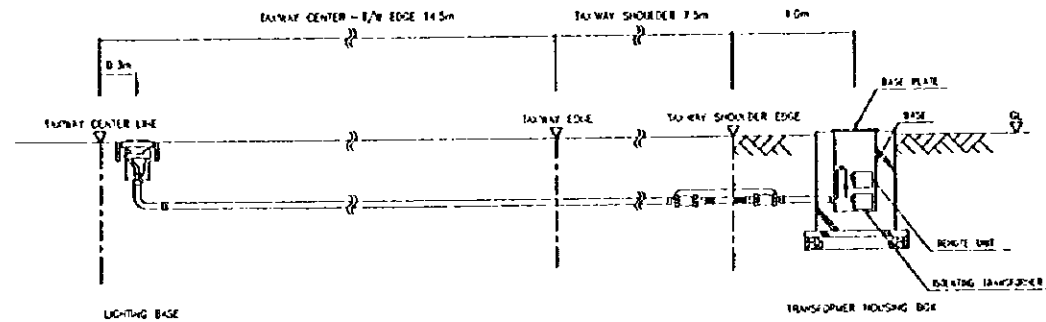
LIGHTING BASE



TRANSFORMER HOUSING BOX

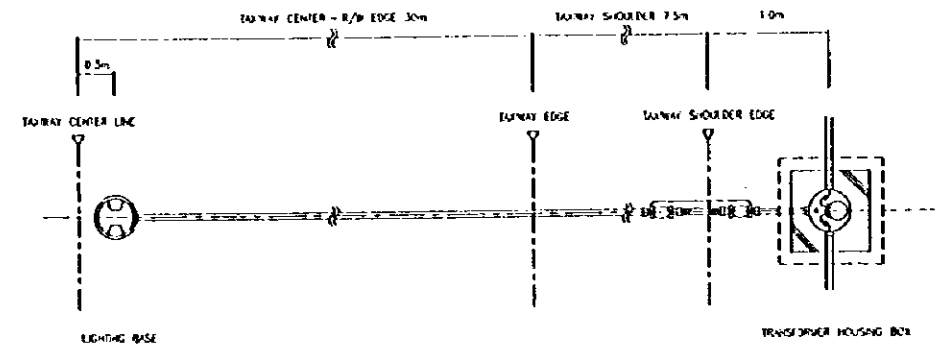
LIGHTING BASE

TYPICAL INSTALLATION PLAN OF ELEVATED-TYPE
STOP BAR SCALE 1/30



LIGHTING BASE

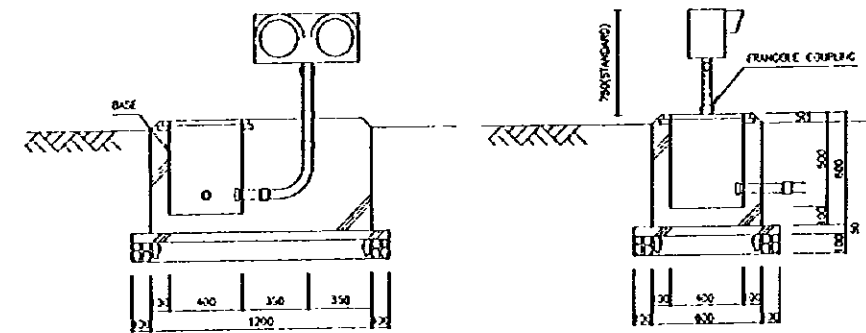
TRANSFORMER HOUSING BOX



LIGHTING BASE

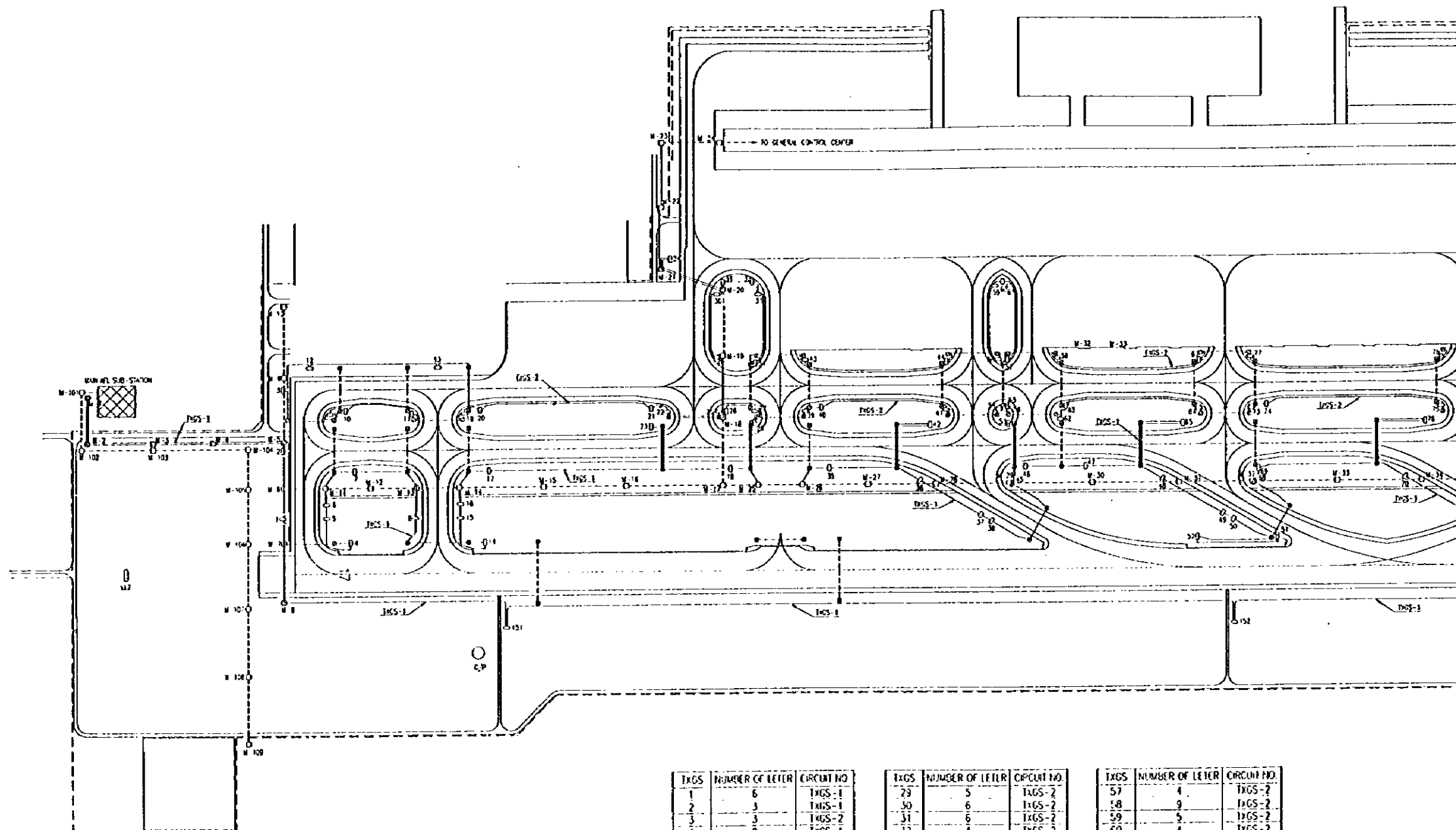
TRANSFORMER HOUSING BOX

TYPICAL INSTALLATION PLAN OF TAXIWAY CENTER LINE LIGHTS
LOCATED CLOSER TO THE R/W THAN TO THE STBL SCALE 1/30

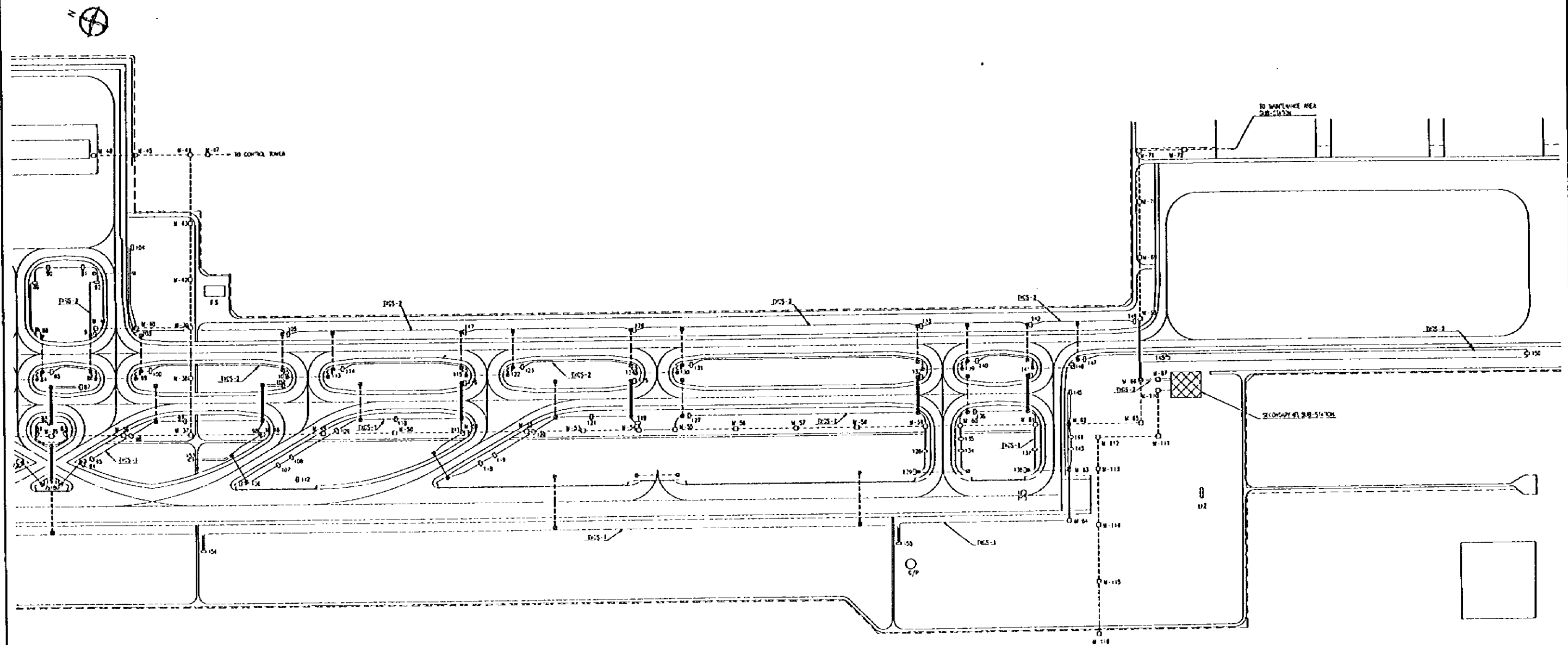


TYPICAL INSTALLATION PLAN OF RUNWAY GUARD LIGHTS SCALE 1/30

PEOPLE'S REPUBLIC OF CHINA	
SHANGHAI PUDONG INTERNATIONAL AIRPORT PROJECT	SEPTEMBER 1997
TYPICAL INSTALLATION PLAN OF STBL AND RUNWAY GUARD LIGHTS	
SCALE 1/20, 1/30	DWG2-L47
JAPAN INTERNATIONAL COOPERATION AGENCY	

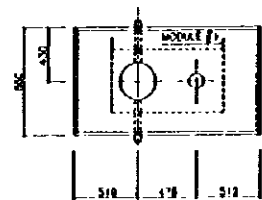
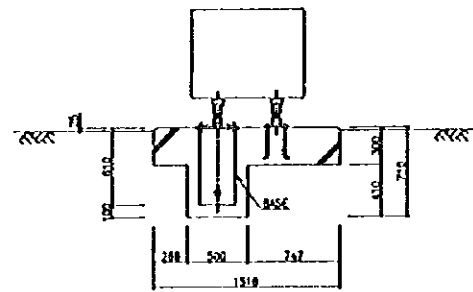


TXGS	NUMBER OF LEITER	CIRCUIT NO.	TXGS	NUMBER OF LEITER	CIRCUIT NO.	TXGS	NUMBER OF LEITER	CIRCUIT NO.
1	6	TXGS-1	29	5	TXGS-2	57	4	TXGS-2
2	3	TXGS-1	30	6	TXGS-2	58	9	TXGS-2
3	3	TXGS-2	31	6	TXGS-2	59	5	TXGS-2
4	3	TXGS-1	32	4	TXGS-2	60	4	TXGS-2
5	6	TXGS-1	33	5	TXGS-2	61	5	TXGS-2
6	3	TXGS-1	34	6	TXGS-2	62	9	TXGS-2
7	8	TXGS-1	35	8	TXGS-1	63	5	TXGS-2
8	6	TXGS-1	36	5	TXGS-1	64	9	TXGS-2
9	4	TXGS-2	37	9	TXGS-1	65	4	TXGS-2
10	3	TXGS-2	38	7	TXGS-1	66	5	TXGS-2
11	3	TXGS-2	39	4	TXGS-2	67	7	TXGS-2
12	3	TXGS-2	40	6	TXGS-2	68	7	TXGS-1
13	4	TXGS-2	41	9	TXGS-2	69	4	TXGS-1
14	2	TXGS-1	42	4	TXGS-2	70	5	TXGS-1
15	6	TXGS-1	43	8	TXGS-2	71	9	TXGS-1
16	3	TXGS-1	44	7	TXGS-2			
17	4	TXGS-1	45	7	TXGS-1	73	5	TXGS-2
18	6	TXGS-1	46	4	TXGS-1	74	7	TXGS-2
19	4	TXGS-2	47	4	TXGS-1	75	9	TXGS-2
20	3	TXGS-2	48	5	TXGS-1	76	4	TXGS-2
21	9	TXGS-2	49	7	TXGS-1	77	9	TXGS-2
22	5	TXGS-2	50	9	TXGS-1	78	7	TXGS-2
23	4	TXGS-2	51	3	TXGS-1			
24	6	TXGS-2	52	3	TXGS-1	151	4	TXGS-1
25	5	TXGS-2	53	4	TXGS-1	152	4	TXGS-1
26	9	TXGS-2	54	5	TXGS-2			
27	8	TXGS-2	55	7	TXGS-2			
28	8	TXGS-2	56	5	TXGS-2			

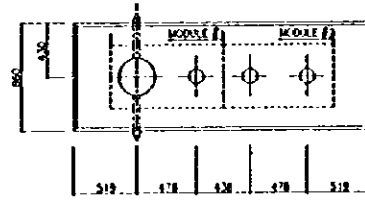
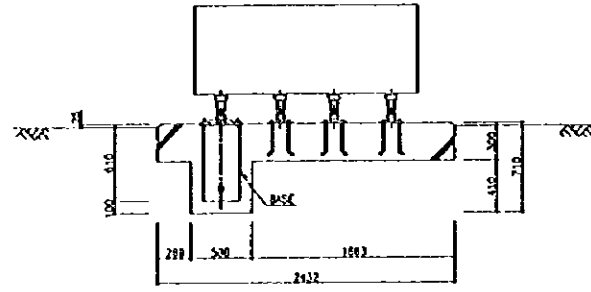


TXGS	NUMBER OF LETTER	CIRCUIT NO	TXGS	NUMBER OF LETTER	CIRCUIT NO	TXGS	NUMBER OF LETTER	CIRCUIT NO
72	7	TXGS-1	105	4	TXGS-2	133	3	TXGS-2
79	3	TXGS-1	106	3	TXGS-1	134	6	TXGS-1
80	3	TXGS-1	107	7	TXGS-1	135	3	TXGS-1
81	7	TXGS-1	108	9	TXGS-1	136	4	TXGS-1
82	4	TXGS-1	109	5	TXGS-1	137	6	TXGS-1
83	7	TXGS-1	110	4	TXGS-1	138	2	TXGS-1
84	5	TXGS-1	111	7	TXGS-1	139	4	TXGS-2
85	7	TXGS-2	112	3	TXGS-1	140	3	TXGS-2
86	9	TXGS-2	113	5	TXGS-2	141	8	TXGS-2
87	4	TXGS-2	114	4	TXGS-2	142	6	TXGS-2
88	9	TXGS-2	115	5	TXGS-2	143	5	TXGS-1
89	5	TXGS-2	116	4	TXGS-2	144	3	TXGS-1
90	4	TXGS-2	117	4	TXGS-2	145	3	TXGS-1
91	6	TXGS-2	118	7	TXGS-1	146	4	TXGS-2
92	6	TXGS-2	119	9	TXGS-1	147	5	TXGS-2
93	7	TXGS-2	120	5	TXGS-1	148	4	TXGS-2
94	7	TXGS-1	121	4	TXGS-1	149	5	TXGS-2
95	9	TXGS-1	122	5	TXGS-2	150	3	TXGS-2
96	5	TXGS-1	123	4	TXGS-2			
97	4	TXGS-1	124	4	TXGS-2	153	4	TXGS-1
98	7	TXGS-1	125	4	TXGS-2	154	4	TXGS-1
99	5	TXGS-2	126	3	TXGS-2	155	4	TXGS-1
100	7	TXGS-2	127	4	TXGS-1			
101	5	TXGS-2	128	6	TXGS-1			
102	4	TXGS-2	129	2	TXGS-1			
103	9	TXGS-2	130	4	TXGS-2			
104	6	TXGS-2	131	3	TXGS-2			
			132	4	TXGS-2			

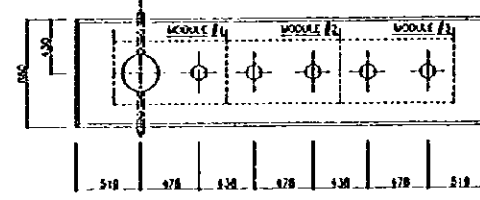
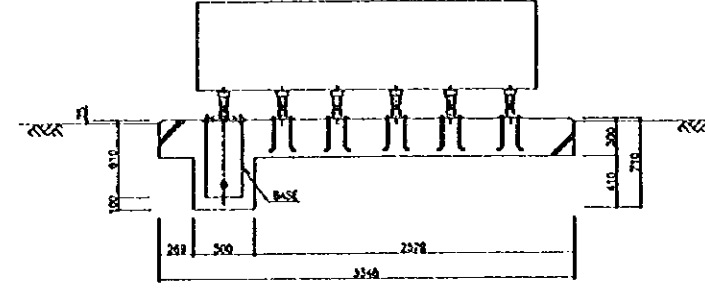
PEOPLE'S REPUBLIC OF CHINA
 SHANGHAI PUDONG INTERNATIONAL AIRPORT PROJECT | SEPTEMBER 1997
 WIRING DIAGRAM OF TXGS(2/2)
 SCALE 1/1000 | DWG-149
 JAPAN INTERNATIONAL COOPERATION AGENCY



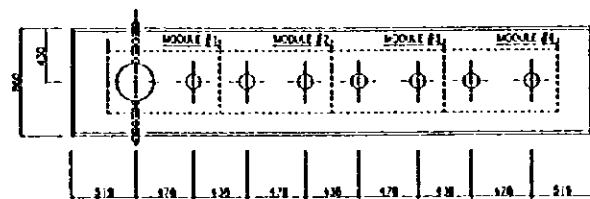
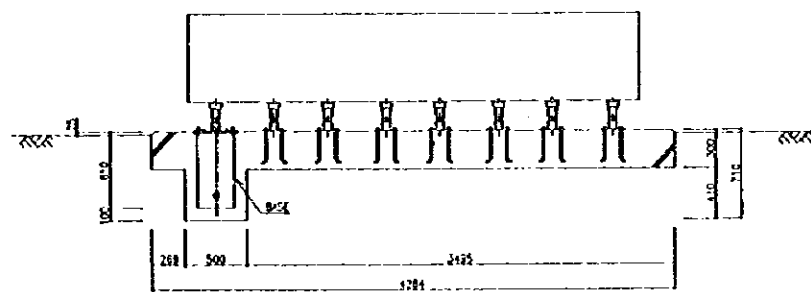
1MODULE



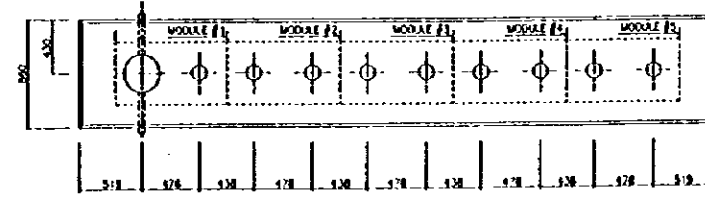
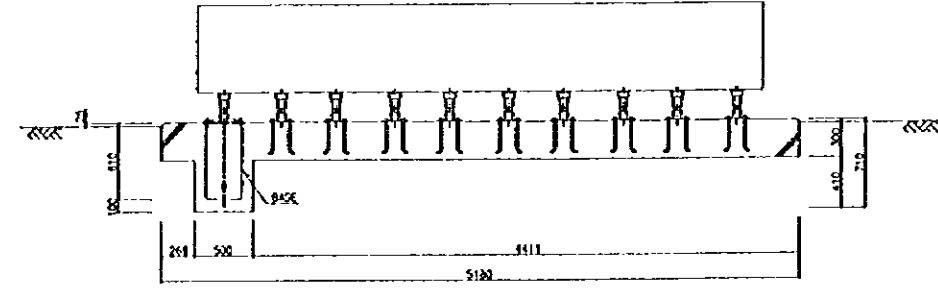
2MODULES



3MODULES

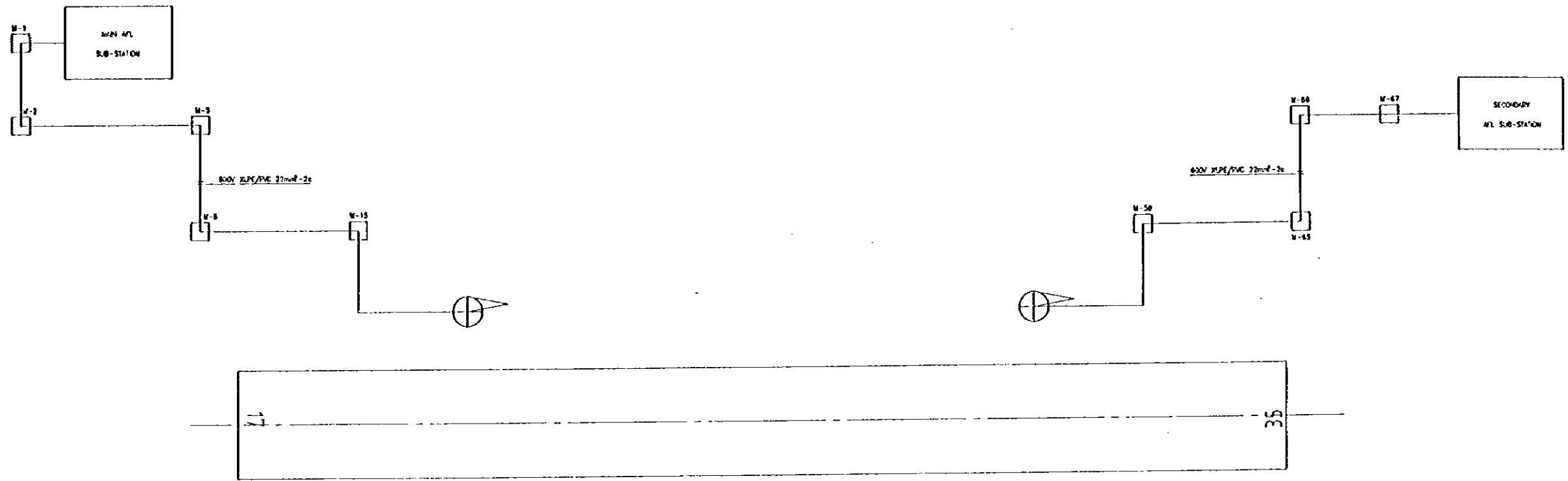


4MODULES

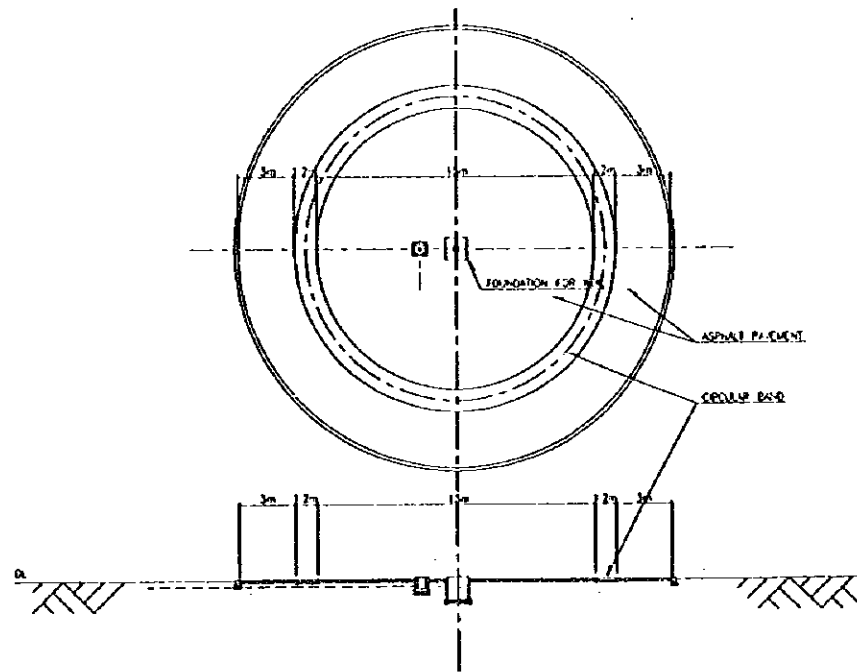


5MODULES

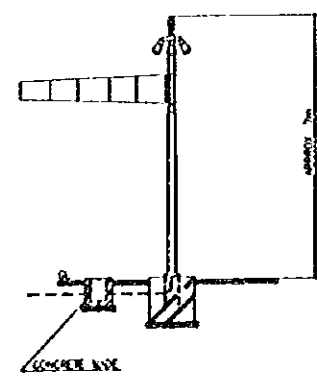
PEOPLE'S REPUBLIC OF CHINA	
SHANGHAI PUDONG INTERNATIONAL AIRPORT PROJECT	SEPTEMBER 1997
TYPICAL INSTALLATION PLAN OF TXGS	
SCALE 1/30	DWG2-150
JAPAN INTERNATIONAL COOPERATION AGENCY	



CABLING OF WIND DIRECTION INDICATOR LIGHTS

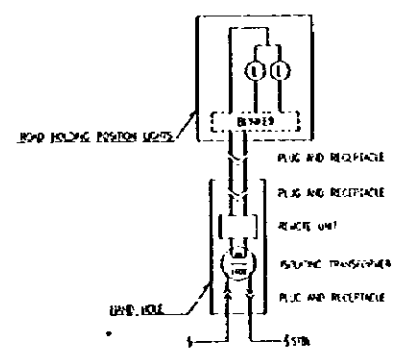
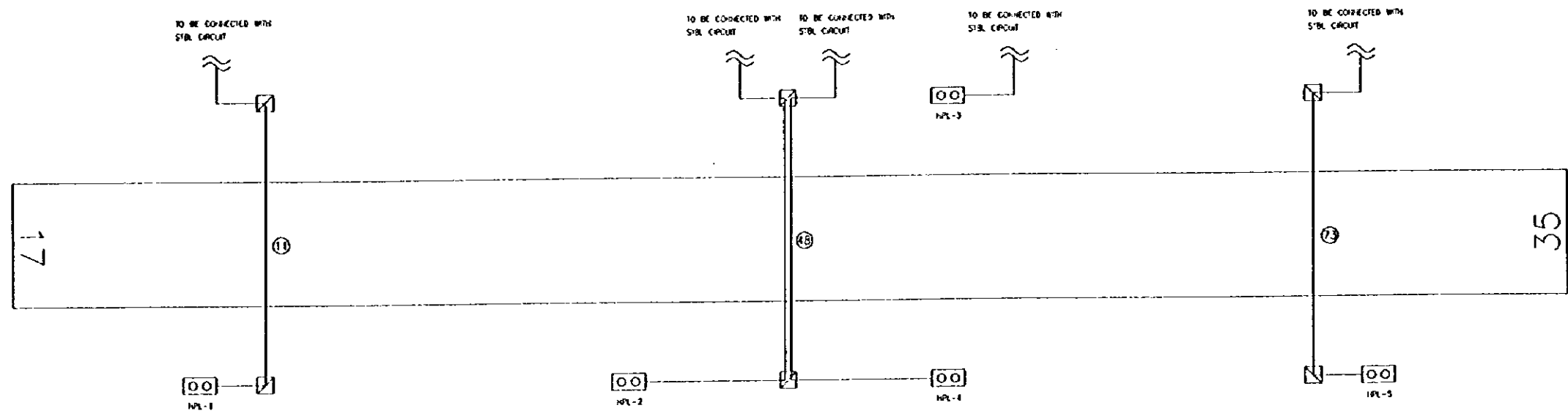


PLAN AND SECTIONAL PLAN OF WIND CONE SCALE: 1/200

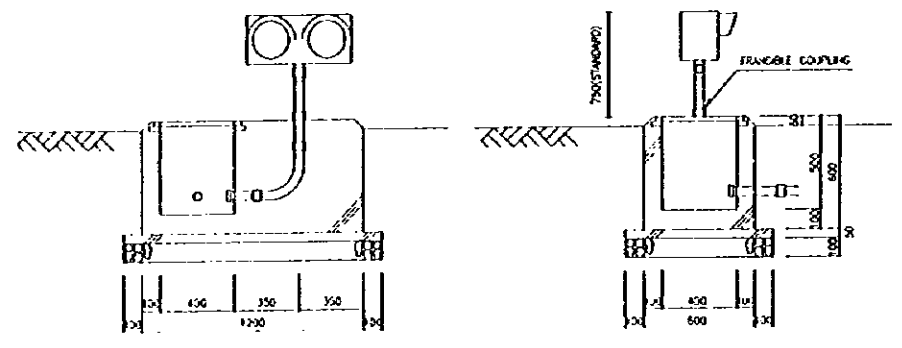


SECTIONAL PLAN OF WDIL SCALE: 1/100

PEOPLE'S REPUBLIC OF CHINA	
SHANGHAI PUDONG INTERNATIONAL AIRPORT PROJECT	SEPTEMBER 1997
CABLING AND INSTALLATION PLAN OF WDIL	
SCALE 1/100, 1/200	DWG2-151
JAPAN INTERNATIONAL COOPERATION AGENCY	



WIRING DIAGRAM OF ROAD-HOLDING POSITION LIGHTS



TYPICAL INSTALLATION PLAN OF ROAD-HOLDING POSITION LIGHTS SCALE 1/20

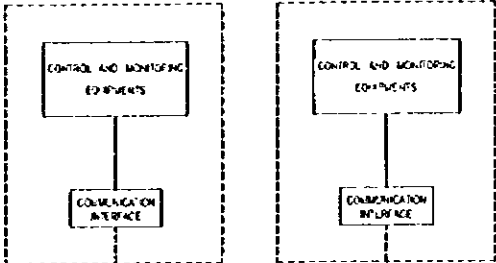
PEOPLE'S REPUBLIC OF CHINA	
SHANGHAI PUDONG INTERNATIONAL AIRPORT PROJECT	SEPTEMBER 1997
WIRING DIAGRAM AND TYPICAL INSTALLATION PLAN OF ROAD-HOLDING POSITION LIGHTS	
SCALE 1/30	DWG2-152
JAPAN INTERNATIONAL COOPERATION AGENCY	

MAIN AFL SUB-STATION

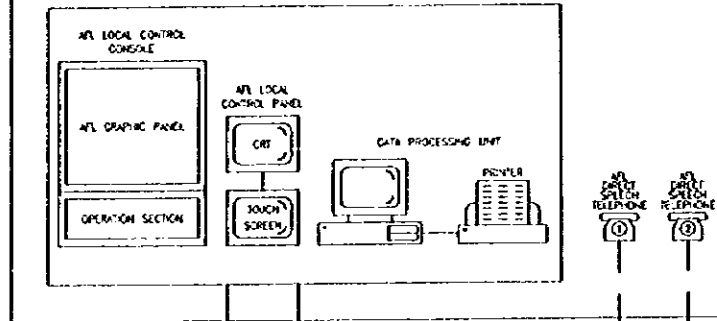
CONTROL TOWER

AFL SUB-STATION (IN FUTURE)

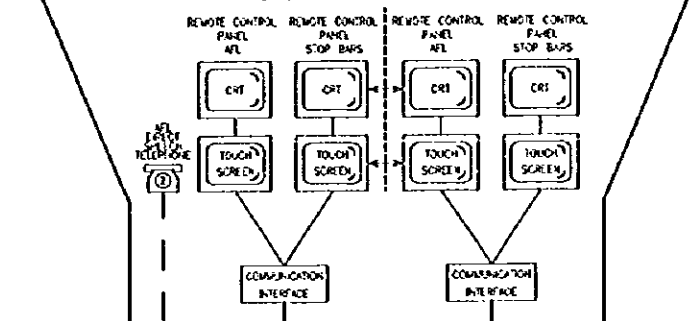
AFL SUB-STATION (IN FUTURE)



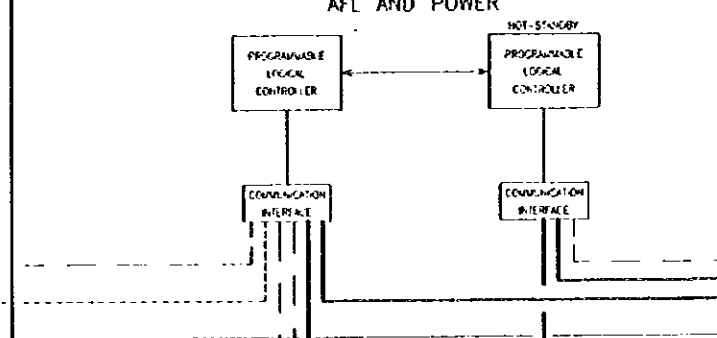
CONTROL ROOM



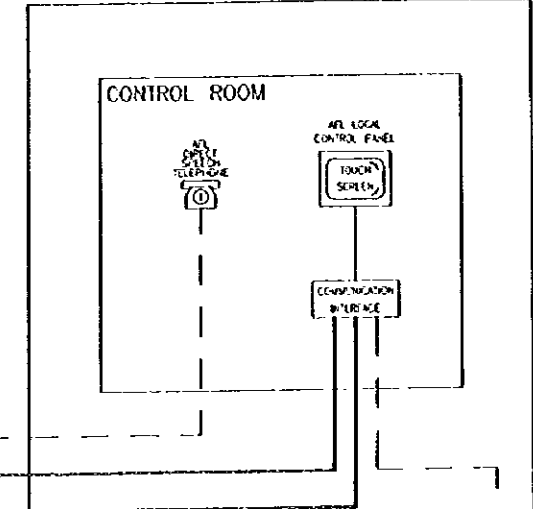
VFR ROOM



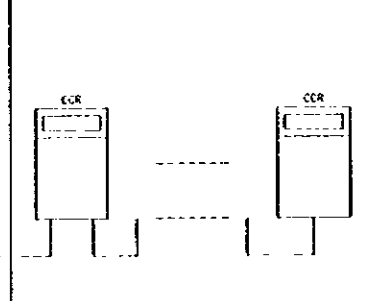
COMPUTER ROOM



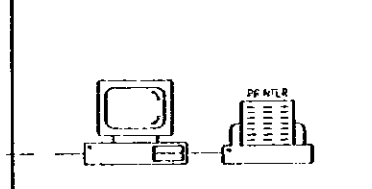
SECONDARY AFL SUB-STATION



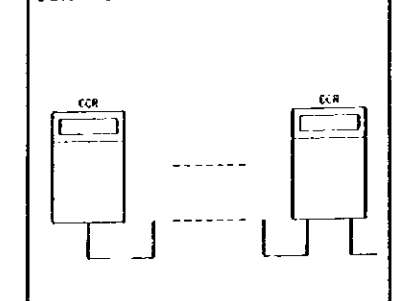
CCR ROOM



MAINTENANCE ROOM

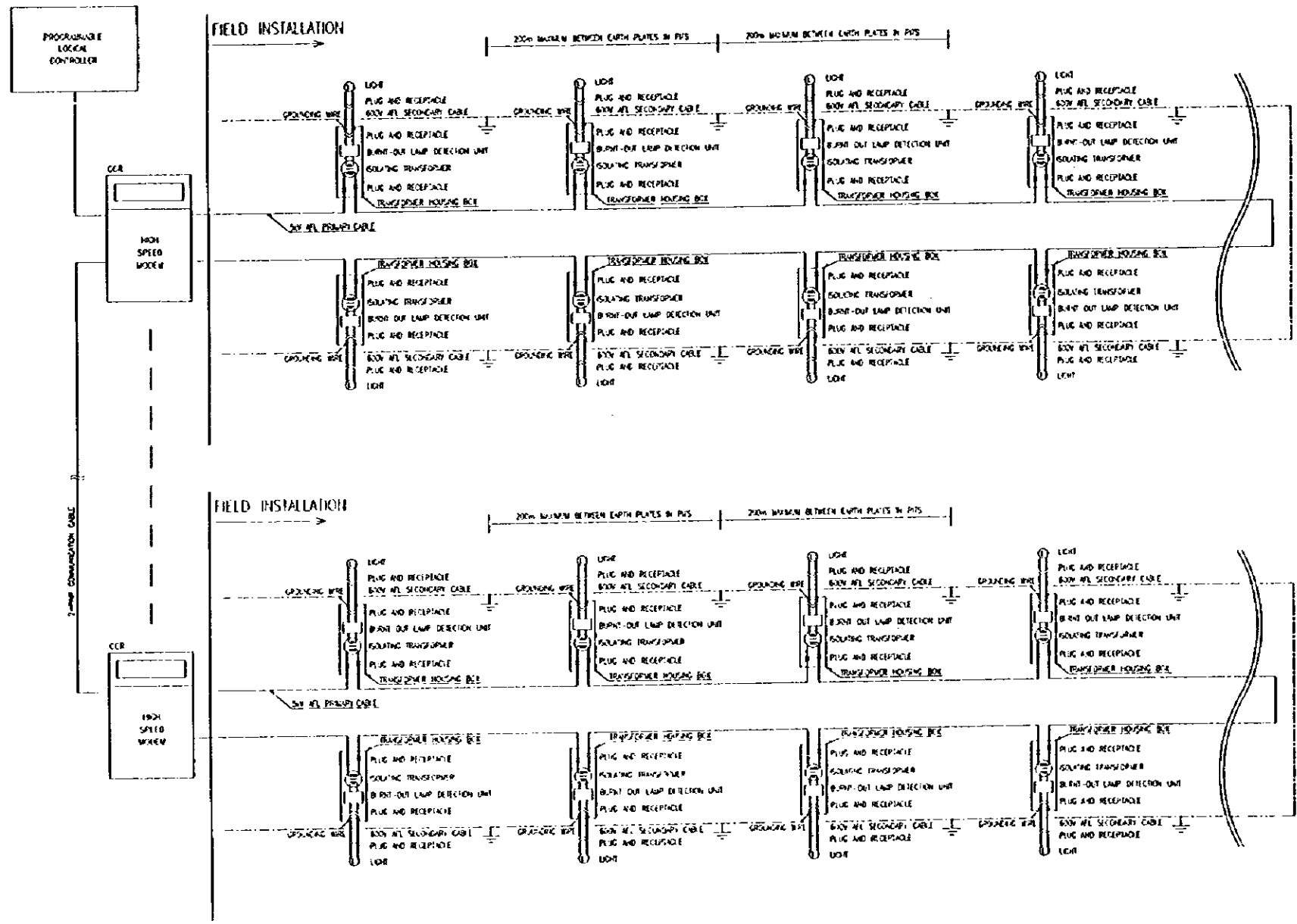


CCR ROOM

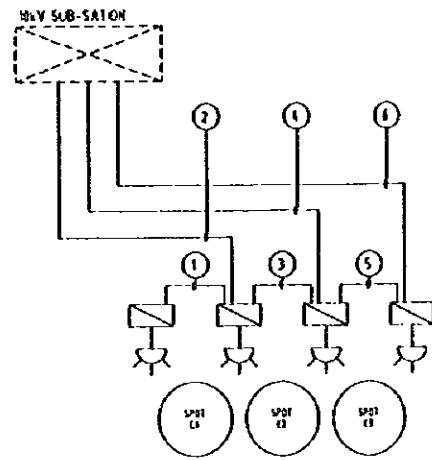


- : COMMUNICATION CABLE
- : OPTICAL FIBER CABLE
- - - : EXTENSIBLE IN FUTURE

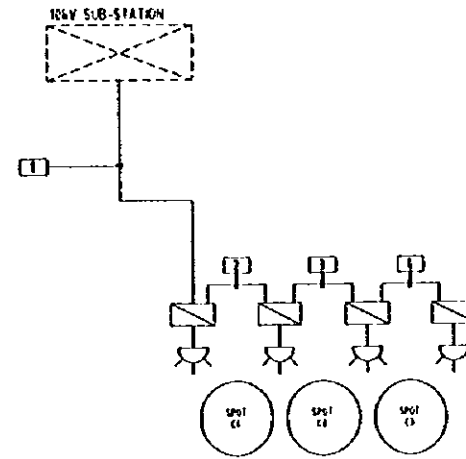
PEOPLE'S REPUBLIC OF CHINA	
SHANGHAI PUDONG INTERNATIONAL AIRPORT PROJECT	SEPTEMBER 1997
SCHEMATIC CONNECTION DIAGRAM OF AFL CONTROL AND MONITORING SYSTEM	
SCALE NON SCALE	DWG2-153
JAPAN INTERNATIONAL COOPERATION AGENCY	



PEOPLE'S REPUBLIC OF CHINA
 SHANGHAI PUDONG INTERNATIONAL AIRPORT PROJECT | SEPTEMBER 1997
 SCHEMATIC DIAGRAM OF BURNT-OUT
 LAMP POSITION DETECTION SYSTEM
 SCALE: NONE SCALE | DWG2-154
 JAPAN INTERNATIONAL COOPERATION AGENCY



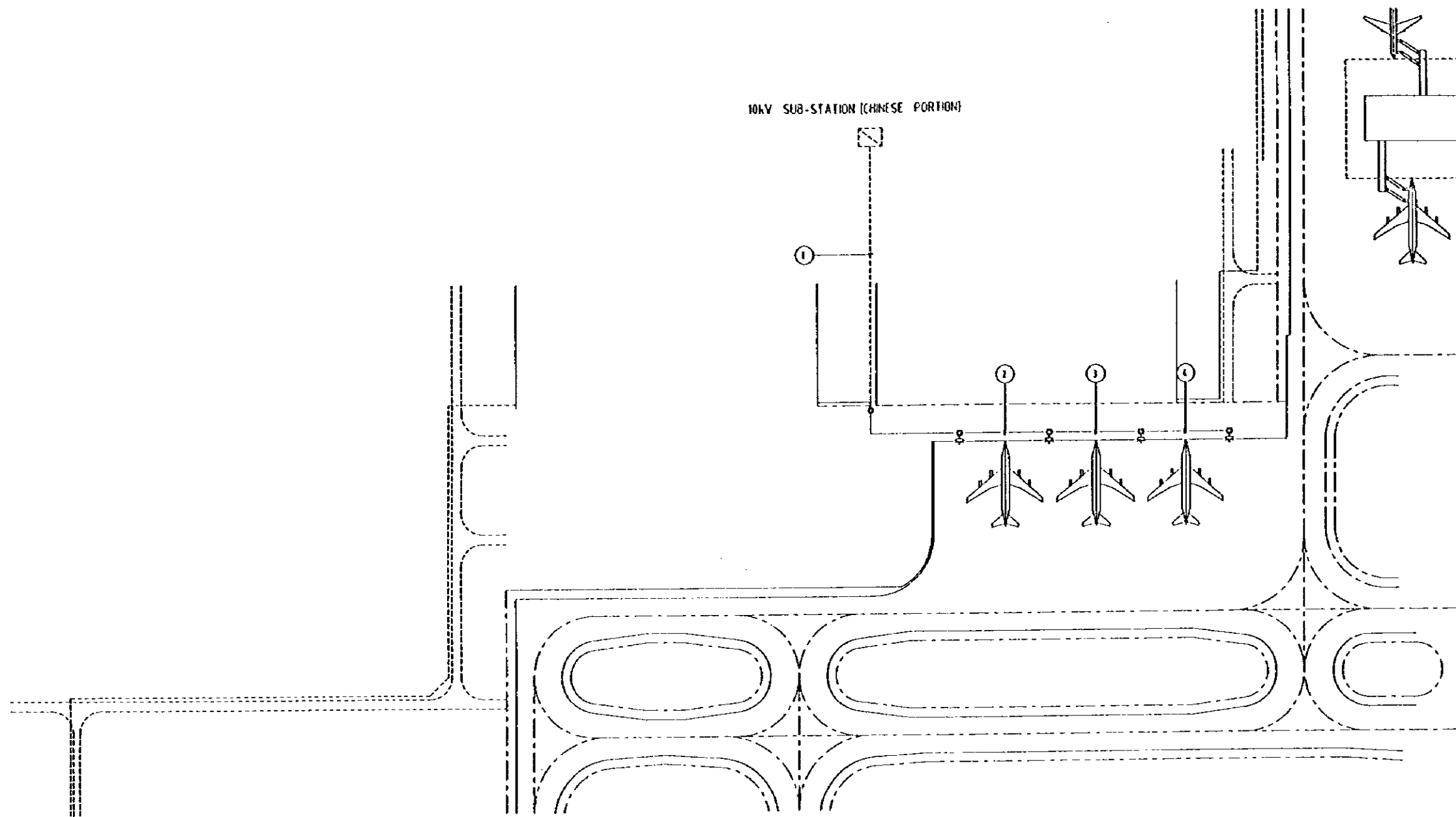
CONNECTION DIAGRAM OF FLO (POWER FROM COMMERCIAL SUPPLY AND STAND-BY GENERATOR)



CONNECTION DIAGRAM OF FLO (POWER FOR MAINTENANCE AND OBSTRUCTION LIGHT)

No.	POWER FROM COMMERCIAL SUPPLY CABLE SIZE	BACK UP POWER FROM STAND-BY GENERATOR CABLE SIZE	SPOT No.
①	600V XLPE/PVC 10mm ² 3c	SAME AS THE LEFT	E1
②	600V XLPE/PVC 10mm ² 3c	DITTO	
③	600V XLPE/PVC 10mm ² 3c	DITTO	
④	600V XLPE/PVC 25mm ² 3c	DITTO	
⑤	600V XLPE/PVC 10mm ² 3c	DITTO	
⑥	600V XLPE/PVC 25mm ² 3c	DITTO	

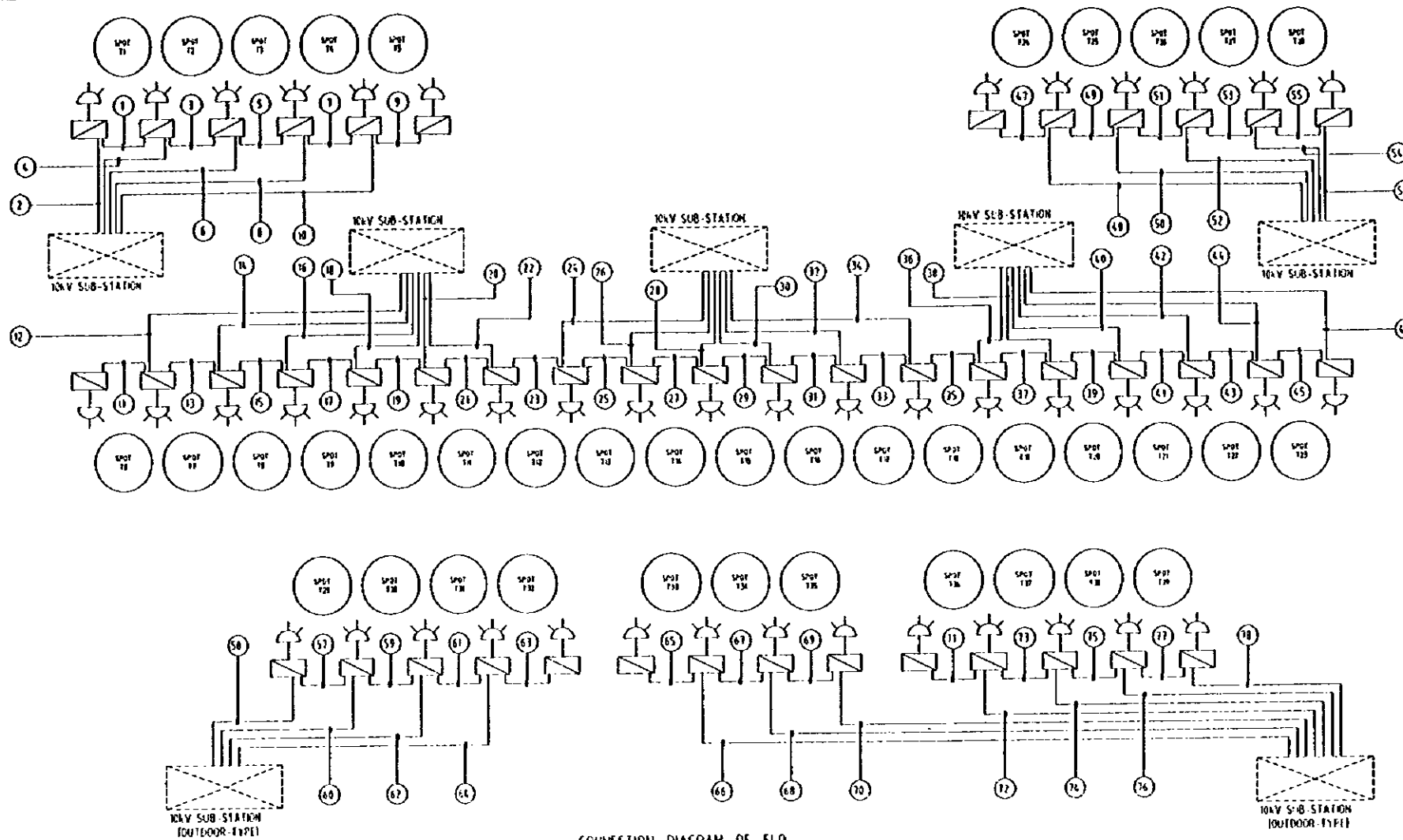
No.	POWER FOR MAINTENANCE CABLE SIZE	POWER FOR OBSTRUCTION LIGHT CABLE SIZE	SPOT No.
①	600V XLPE/PVC 25mm ² 3c	600V XLPE/PVC 10mm ² 2c	E1
②	DITTO	600V XLPE/PVC 4mm ² 2c	
③	DITTO	DITTO	
④	DITTO	DITTO	



10KV SUB-STATION (CHINESE PORTION)

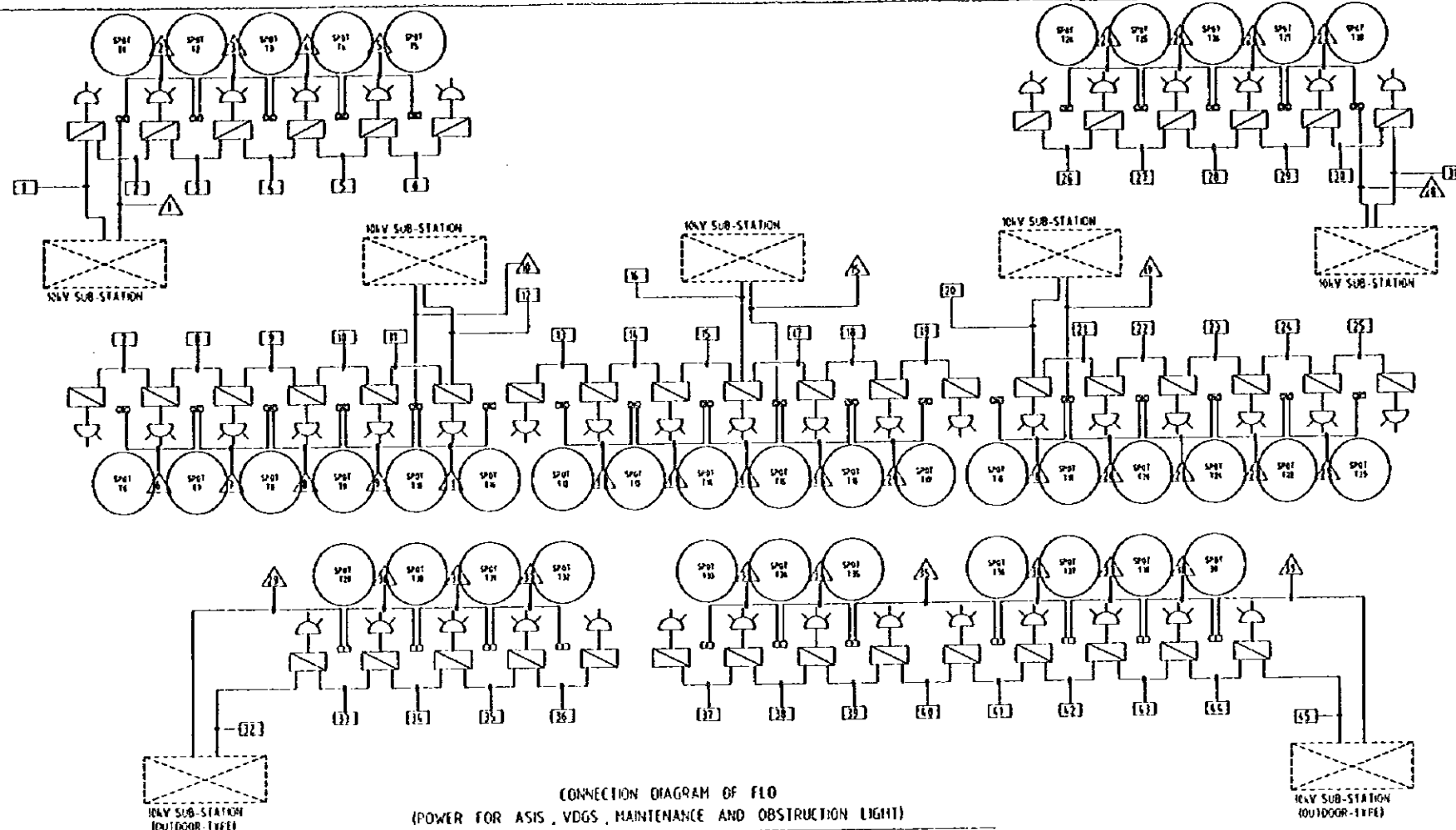
No	PIPE SIZE
①	φEP01x7
②	φEP01x7
③	φEP01x6
④	φEP01x5

PEOPLE'S REPUBLIC OF CHINA	
SUNYUAN PUDDING INTERNATIONAL AIRPORT PROJECT	SEPTEMBER 1997
LAYOUT AND PIPING OF TLO (CARGO AREA)	
SCALE 1/20,1/2000	DWG2-156
JAPAN INTERNATIONAL COOPERATION AGENCY	



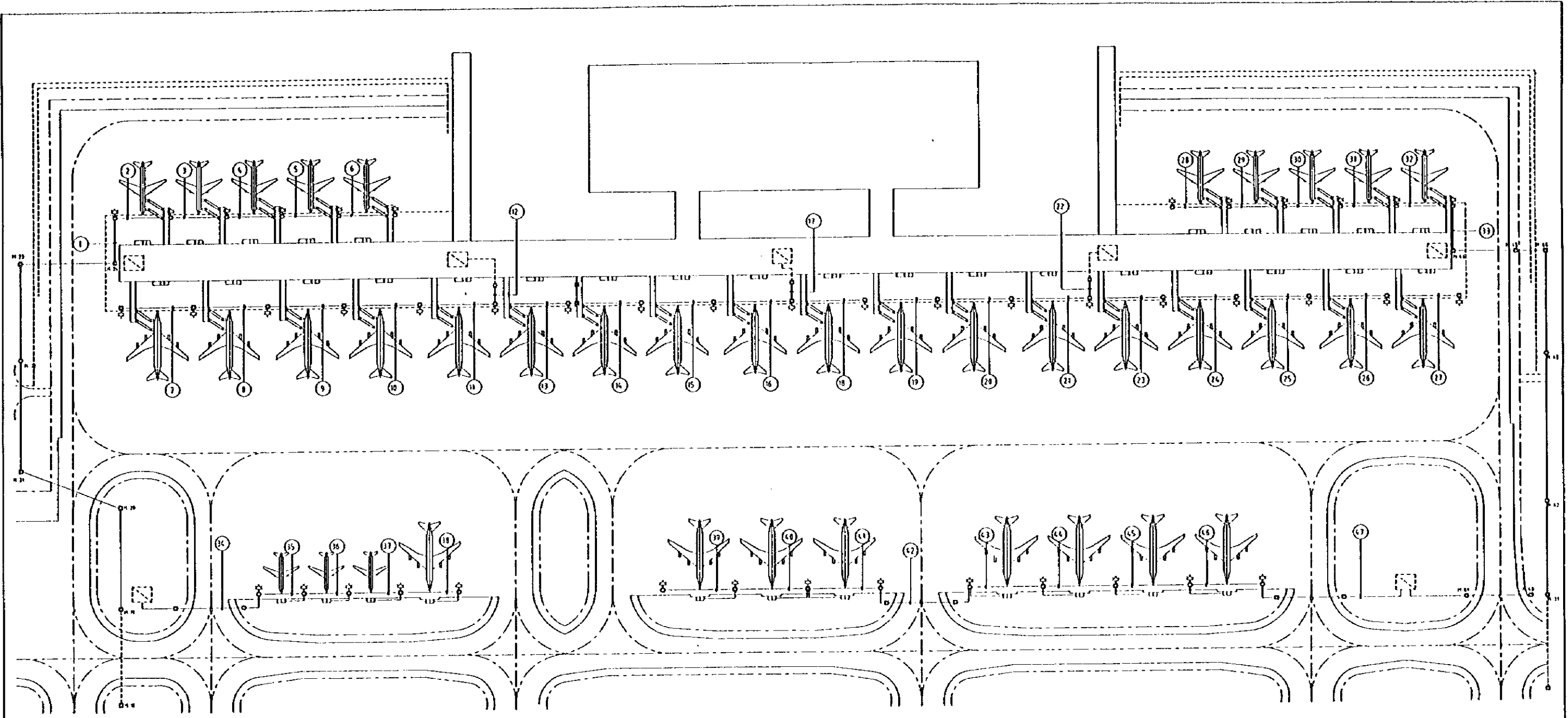
CONNECTION DIAGRAM OF FLO
(POWER FROM COMMERCIAL SUPPLY AND STAND-BY GENERATOR)

No	POWER FROM	CABLE SIZE	SPOT No	No	POWER FROM	CABLE SIZE	SPOT No	No	POWER FROM	CABLE SIZE	SPOT No
	COMMERCIAL SUPPLY				BACK-UP POWER FROM STAND-BY GENERATOR				COMMERCIAL SUPPLY		
1	600V XLPE/PVC 10mm 4c		11	1	600V XLPE/PVC 10mm 4c		114	1	600V XLPE/PVC 10mm 4c		127
2	600V XLPE/PVC 10mm 4c	D110		2	600V XLPE/PVC 10mm 4c	D110		2	600V XLPE/PVC 10mm 4c	D110	128
3	600V XLPE/PVC 10mm 4c	D110		3	600V XLPE/PVC 10mm 4c	D110		3	600V XLPE/PVC 10mm 4c	D110	129
4	600V XLPE/PVC 10mm 4c	D110		4	600V XLPE/PVC 10mm 4c	D110		4	600V XLPE/PVC 10mm 4c	D110	130
5	600V XLPE/PVC 10mm 4c	D110		5	600V XLPE/PVC 10mm 4c	D110		5	600V XLPE/PVC 10mm 4c	D110	131
6	600V XLPE/PVC 10mm 4c	D110		6	600V XLPE/PVC 10mm 4c	D110		6	600V XLPE/PVC 10mm 4c	D110	132
7	600V XLPE/PVC 10mm 4c	D110		7	600V XLPE/PVC 10mm 4c	D110		7	600V XLPE/PVC 10mm 4c	D110	133
8	600V XLPE/PVC 10mm 4c	D110		8	600V XLPE/PVC 10mm 4c	D110		8	600V XLPE/PVC 10mm 4c	D110	134
9	600V XLPE/PVC 10mm 4c	D110		9	600V XLPE/PVC 10mm 4c	D110		9	600V XLPE/PVC 10mm 4c	D110	135
10	600V XLPE/PVC 10mm 4c	D110		10	600V XLPE/PVC 10mm 4c	D110		10	600V XLPE/PVC 10mm 4c	D110	136
11	600V XLPE/PVC 10mm 4c	D110		11	600V XLPE/PVC 10mm 4c	D110		11	600V XLPE/PVC 10mm 4c	D110	137
12	600V XLPE/PVC 10mm 4c	D110		12	600V XLPE/PVC 10mm 4c	D110		12	600V XLPE/PVC 10mm 4c	D110	138
13	600V XLPE/PVC 10mm 4c	D110		13	600V XLPE/PVC 10mm 4c	D110		13	600V XLPE/PVC 10mm 4c	D110	139
14	600V XLPE/PVC 10mm 4c	D110		14	600V XLPE/PVC 10mm 4c	D110		14	600V XLPE/PVC 10mm 4c	D110	
15	600V XLPE/PVC 10mm 4c	D110		15	600V XLPE/PVC 10mm 4c	D110		15	600V XLPE/PVC 10mm 4c	D110	
16	600V XLPE/PVC 10mm 4c	D110		16	600V XLPE/PVC 10mm 4c	D110		16	600V XLPE/PVC 10mm 4c	D110	
17	600V XLPE/PVC 10mm 4c	D110		17	600V XLPE/PVC 10mm 4c	D110		17	600V XLPE/PVC 10mm 4c	D110	
18	600V XLPE/PVC 10mm 4c	D110		18	600V XLPE/PVC 10mm 4c	D110		18	600V XLPE/PVC 10mm 4c	D110	
19	600V XLPE/PVC 10mm 4c	D110		19	600V XLPE/PVC 10mm 4c	D110		19	600V XLPE/PVC 10mm 4c	D110	
20	600V XLPE/PVC 10mm 4c	D110		20	600V XLPE/PVC 10mm 4c	D110		20	600V XLPE/PVC 10mm 4c	D110	
21	600V XLPE/PVC 10mm 4c	D110		21	600V XLPE/PVC 10mm 4c	D110		21	600V XLPE/PVC 10mm 4c	D110	
22	600V XLPE/PVC 10mm 4c	D110		22	600V XLPE/PVC 10mm 4c	D110		22	600V XLPE/PVC 10mm 4c	D110	
23	600V XLPE/PVC 10mm 4c	D110		23	600V XLPE/PVC 10mm 4c	D110		23	600V XLPE/PVC 10mm 4c	D110	
24	600V XLPE/PVC 10mm 4c	D110		24	600V XLPE/PVC 10mm 4c	D110		24	600V XLPE/PVC 10mm 4c	D110	



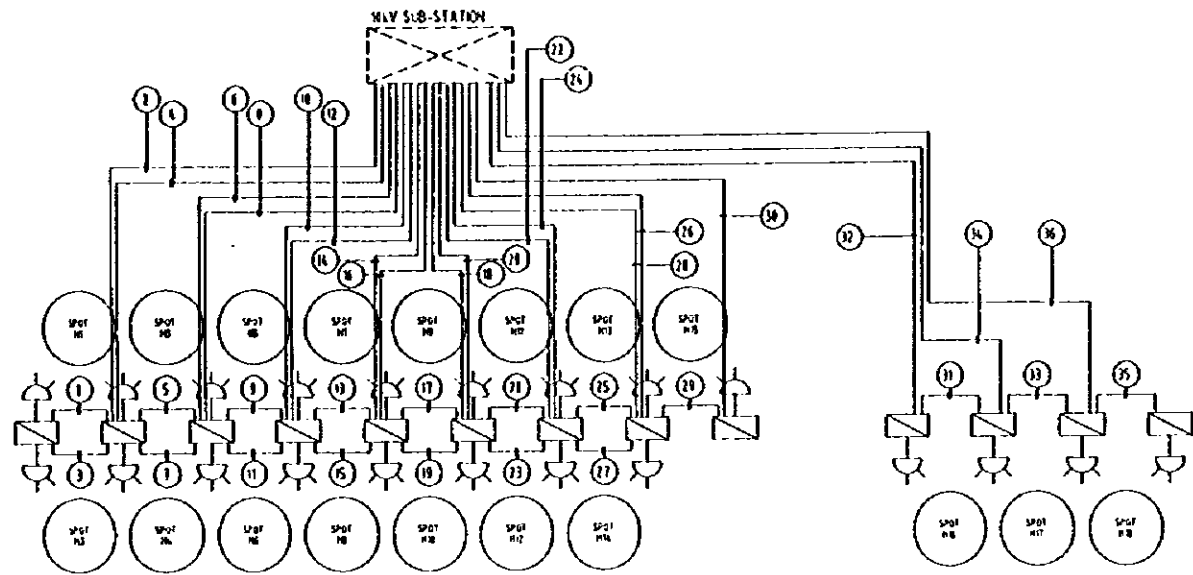
CONNECTION DIAGRAM OF F10
(POWER FOR ASIS, VDGS, MAINTENANCE AND OBSTRUCTION LIGHT)

No	POWER FOR MAINTENANCE CABLE SIZE	POWER FOR OBSTRUCTION LIGHT CABLE SIZE	SPOT No	No	POWER FOR MAINTENANCE CABLE SIZE	POWER FOR OBSTRUCTION LIGHT CABLE SIZE	SPOT No	No	POWER FOR ASIS CABLE SIZE	POWER FOR VDGS CABLE SIZE	SPOT No	No	POWER FOR ASIS CABLE SIZE	POWER FOR VDGS CABLE SIZE	SPOT No
011	600V XLPE/PVC 25mm-2c	600V XLPE/PVC 10mm-2c		027	600V XLPE/PVC 25mm-3c	600V XLPE/PVC 4mm-2c		043	600V XLPE/PVC 15mm-2c	600V XLPE/PVC 25mm-2c		111	600V XLPE/PVC 16mm-2c	600V XLPE/PVC 16mm-2c	120
012	0110	0110		028	0110	0110		044	0110	600V XLPE/PVC 10mm-2c		112	0110		121
013	0110	600V XLPE/PVC 6mm-2c		029	0110	600V XLPE/PVC 10mm-2c		045	600V XLPE/PVC 10mm-2c	0110		113	600V XLPE/PVC 10mm-2c		122
014	0110	600V XLPE/PVC 4mm-2c		030	0110	600V XLPE/PVC 10mm-2c		046	0110	0110		114	0110		123
015	0110	0110		031	0110	0110		047	0110	0110		115	0110		124
016	0110	0110		032	0110	600V XLPE/PVC 6mm-2c		048	0110	0110		116	0110		125
017	0110	0110		033	0110	600V XLPE/PVC 4mm-2c		049	0110	0110		117	0110		126
018	0110	0110		034	0110	0110		050	0110	0110		118	0110		
019	0110	0110		035	0110	0110		051	600V XLPE/PVC 16mm-2c	600V XLPE/PVC 25mm-2c		119	600V XLPE/PVC 25mm-2c		
020	0110	600V XLPE/PVC 8mm-2c		036	0110	0110		052	0110	600V XLPE/PVC 10mm-2c		120	600V XLPE/PVC 25mm-2c		
021	0110	600V XLPE/PVC 10mm-2c		037	0110	0110		053	600V XLPE/PVC 10mm-2c	0110		121	0110		
022	0110	0110		038	0110	0110		054	0110	0110		122	0110		
023	0110	600V XLPE/PVC 4mm-2c		039	0110	0110		055	0110	0110		123	0110		
024	0110	600V XLPE/PVC 6mm-2c		040	0110	0110			0110	600V XLPE/PVC 16mm-2c		124	0110		
025	0110	0110		041	0110	600V XLPE/PVC 6mm-2c			600V XLPE/PVC 16mm-2c	600V XLPE/PVC 25mm-2c					
026	0110	0110		042	0110	0110			600V XLPE/PVC 16mm-2c	600V XLPE/PVC 25mm-2c					
027	0110	0110		043	0110	600V XLPE/PVC 10mm-2c			600V XLPE/PVC 10mm-2c	600V XLPE/PVC 16mm-2c					
028	0110	0110		044	0110	0110			0110	0110					
029	0110	600V XLPE/PVC 10mm-2c		045	0110	600V XLPE/PVC 10mm-2c			0110	0110					
030	0110	600V XLPE/PVC 4mm-2c		046	0110	0110			0110	0110					
031	0110	0110		047	0110	0110			0110	0110					
032	0110	0110		048	0110	0110			600V XLPE/PVC 16mm-2c	600V XLPE/PVC 25mm-2c					
033	0110	0110		049	0110	600V XLPE/PVC 10mm-2c			600V XLPE/PVC 10mm-2c	600V XLPE/PVC 16mm-2c					
034	0110	0110		050	0110	0110			0110	0110					
035	0110	0110		051	0110	0110			0110	0110					
036	0110	600V XLPE/PVC 10mm-2c		052	0110	600V XLPE/PVC 10mm-2c			0110	0110					
037	0110	0110		053	0110	0110			0110	0110					
038	0110	0110							600V XLPE/PVC 16mm-2c	600V XLPE/PVC 25mm-2c					
039	0110	600V XLPE/PVC 8mm-2c							0110	0110					
040	0110	600V XLPE/PVC 4mm-2c							0110	0110					
041	0110	0110							0110	0110					
042	0110	0110							0110	0110					
043	0110	0110							0110	0110					
044	0110	0110							0110	0110					
045	0110	0110							0110	0110					
046	0110	0110							0110	0110					
047	0110	0110							0110	0110					
048	0110	0110							0110	0110					
049	0110	0110							0110	0110					
050	0110	0110							0110	0110					
051	0110	0110							0110	0110					
052	0110	0110							0110	0110					
053	0110	0110							0110	0110					

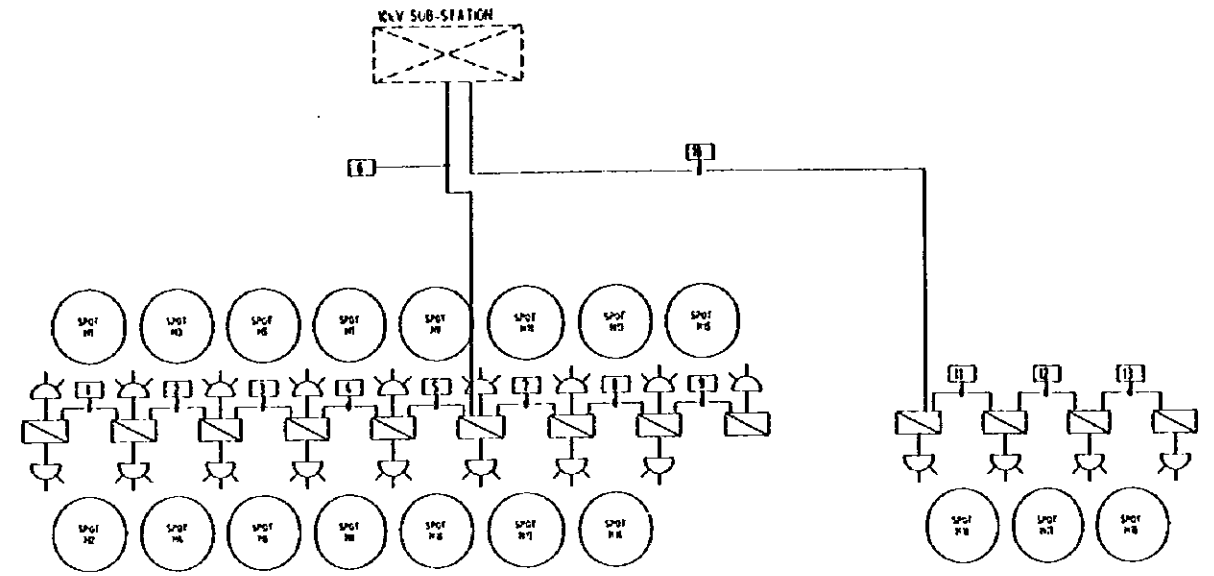


No	PIPE SIZE	No	PIPE SIZE	No	PIPE SIZE	No	PIPE SIZE
1	HEP001x8	16	HEP001x6	31	HEP001x7	46	HEP001x10
2	HEP001x7	17	HEP001x9	32	HEP001x8	47	HEP001x10
3	HEP001x7	18	HEP001x7	33	HEP001x8		
4	HEP001x6	19	HEP001x8	34	HEP001x5		
5	HEP001x5	20	HEP001x5	35	HEP001x5		
6	HEP001x4	21	HEP001x3	36	HEP001x3		
7	HEP001x4	22	HEP001x9	37	HEP001x3		
8	HEP001x5	23	HEP001x9	38	HEP001x3		
9	HEP001x4	24	HEP001x8	39	HEP001x3		
10	HEP001x7	25	HEP001x7	40	HEP001x3		
11	HEP001x8	26	HEP001x6	41	HEP001x5		
12	HEP001x9	27	HEP001x5	42	HEP001x6		
13	HEP001x4	28	HEP001x4	43	HEP001x6		
14	HEP001x4	29	HEP001x5	44	HEP001x8		
15	HEP001x5	30	HEP001x6	45	HEP001x8		

PEOPLE'S REPUBLIC OF CHINA
 SHANGHAI PUDONG INTERNATIONAL AIRPORT PROJECT | SEPTEMBER 1997
 LAYOUT AND PIPING OF T10 (TERMINAL AREA)
 SCALE 1/2000 | DWG 2-150
 JAPAN INTERNATIONAL COOPERATION BANK



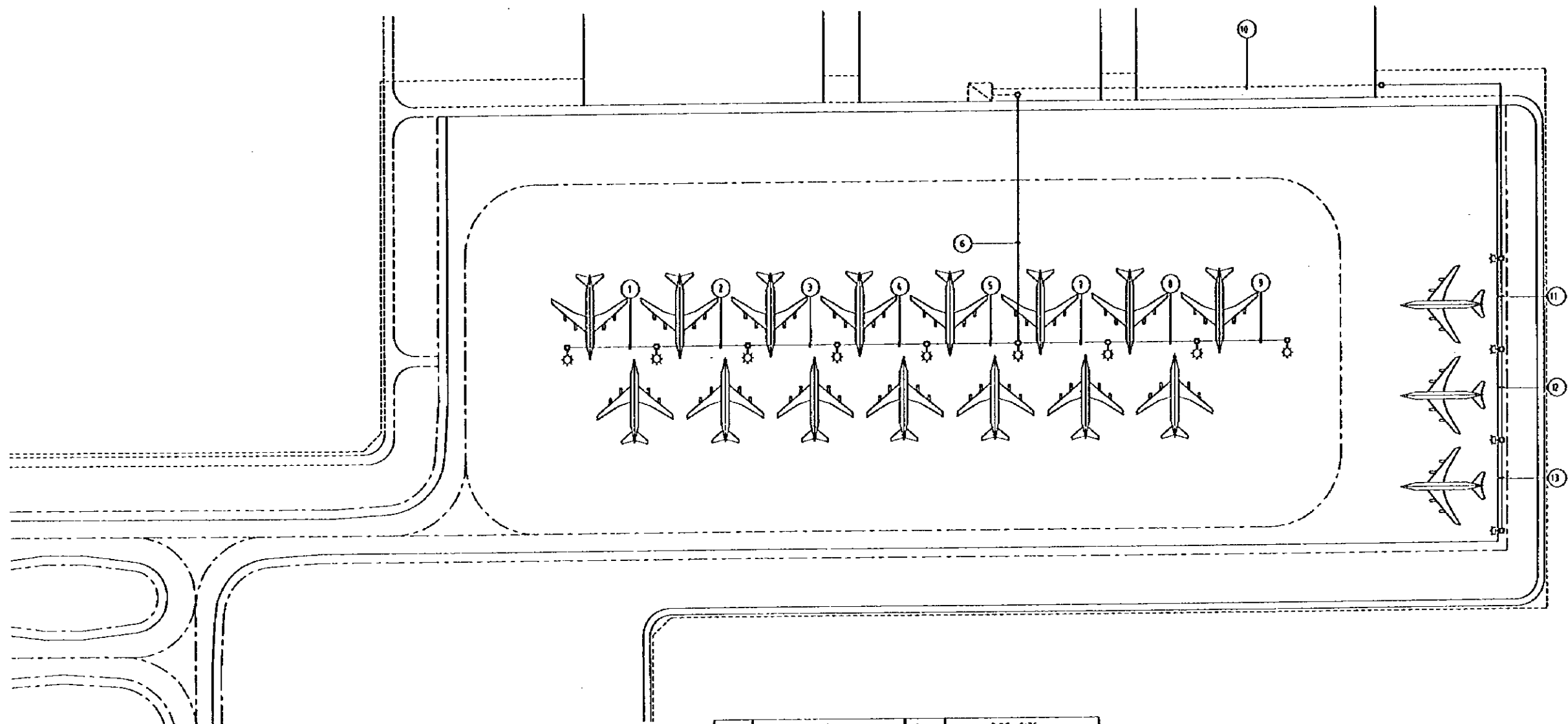
CONNECTION DIAGRAM OF FLO (POWER FROM COMMERCIAL SUPPLY AND STAND-BY GENERATOR)



CONNECTION DIAGRAM OF FLO (POWER FOR MAINTENANCE AND OBSTRUCTION LIGHT)

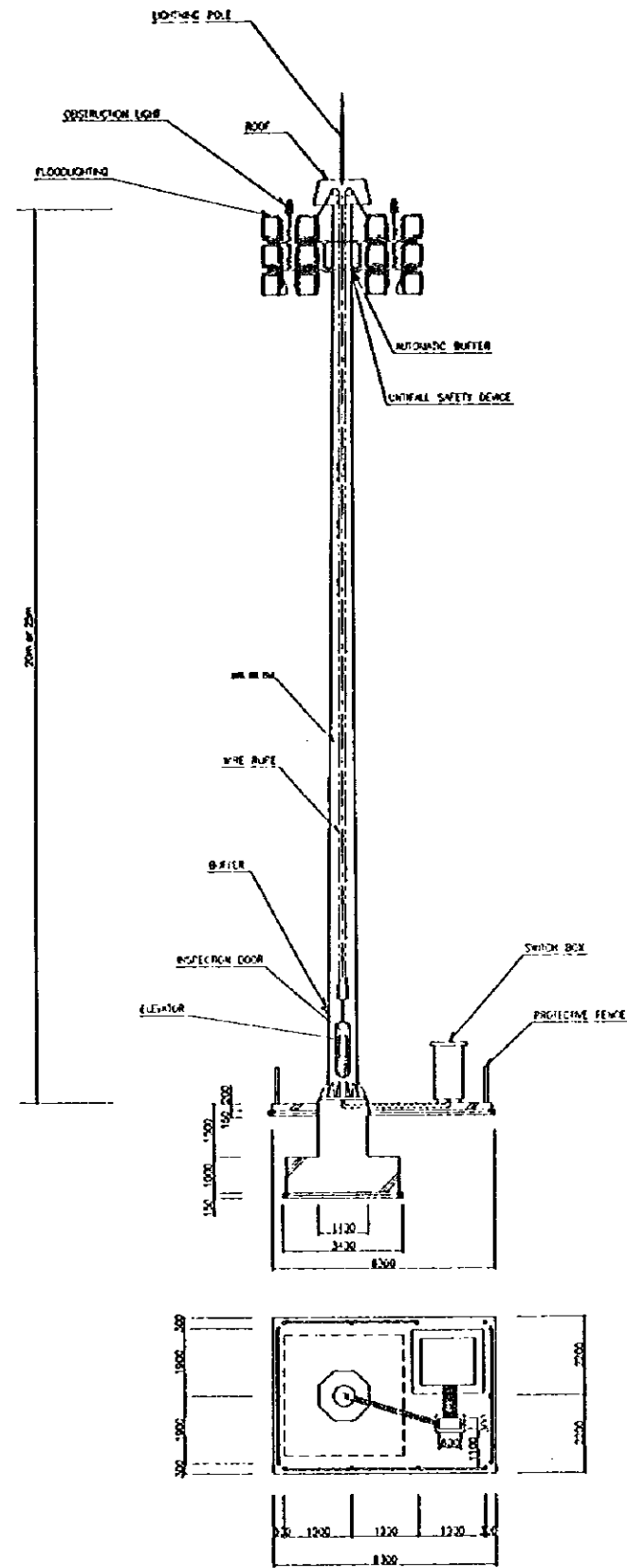
No	POWER FROM COMMERCIAL SUPPLY CABLE SIZE	BACK UP POWER FROM STAND-BY GENERATOR CABLE SIZE	SPOT No	No	POWER FROM COMMERCIAL SUPPLY CABLE SIZE	BACK UP POWER FROM STAND-BY GENERATOR CABLE SIZE	SPOT No
1	600V XLPE/PVC 10mm 4c ²	SAME AS THE LEFT	M1	25	600V XLPE/PVC 10mm 4c ²	SAME AS THE LEFT	M13
2	600V XLPE/PVC 25mm 4c ²	DITTO	M2	26	600V XLPE/PVC 25mm 4c ²	DITTO	M14
3	600V XLPE/PVC 10mm 4c ²	DITTO	M3	27	600V XLPE/PVC 10mm 4c ²	DITTO	M15
4	600V XLPE/PVC 25mm 4c ²	DITTO	M4	28	600V XLPE/PVC 25mm 4c ²	DITTO	M16
5	600V XLPE/PVC 10mm 4c ²	DITTO	M5	29	600V XLPE/PVC 10mm 4c ²	DITTO	M17
6	600V XLPE/PVC 10mm 4c ²	DITTO	M6	30	600V XLPE/PVC 25mm 4c ²	DITTO	M18
7	600V XLPE/PVC 10mm 4c ²	DITTO	M7	31	600V XLPE/PVC 10mm 4c ²	DITTO	
8	600V XLPE/PVC 10mm 4c ²	DITTO	M8	32	600V XLPE/PVC 25mm 4c ²	DITTO	
9	600V XLPE/PVC 10mm 4c ²	DITTO	M9	33	600V XLPE/PVC 10mm 4c ²	DITTO	
10	600V XLPE/PVC 10mm 4c ²	DITTO	M10	34	600V XLPE/PVC 25mm 4c ²	DITTO	
11	600V XLPE/PVC 10mm 4c ²	DITTO	M11	35	600V XLPE/PVC 10mm 4c ²	DITTO	
12	600V XLPE/PVC 10mm 4c ²	DITTO	M12	36	600V XLPE/PVC 25mm 4c ²	DITTO	

No	POWER FOR MAINTENANCE CABLE SIZE	POWER FOR OBSTRUCTION LIGHT CABLE SIZE	SPOT No
11	600V XLPE/PVC 25mm 3c ²	600V XLPE/PVC 6mm 2c ²	
12	DITTO	DITTO	
13	DITTO	DITTO	
14	DITTO	DITTO	
15	DITTO	600V XLPE/PVC 10mm 2c ²	
16	DITTO	600V XLPE/PVC 16mm 2c ²	
17	DITTO	600V XLPE/PVC 10mm 2c ²	
18	DITTO	600V XLPE/PVC 4mm 2c ²	
19	DITTO	DITTO	
20	DITTO	600V XLPE/PVC 16mm 2c ²	
21	DITTO	600V XLPE/PVC 4mm 2c ²	
22	DITTO	DITTO	
23	DITTO	DITTO	

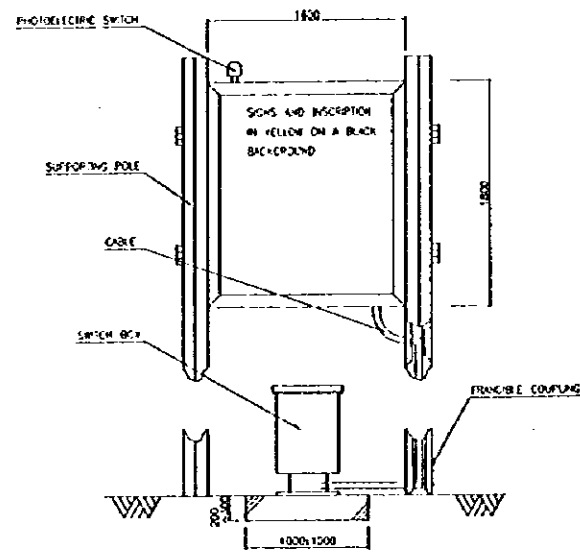


No	PIPE SIZE	No	PIPE SIZE
①	IFEP001x5	⑪	IFEP001x6
②	IFEP001x7	⑫	IFEP001x5
③	IFEP001x9	⑬	IFEP001x4
④	IFEP001x11		
⑤	IFEP001x13		
⑥	IFEP001x18		
⑦	IFEP001x10		
⑧	IFEP001x8		
⑨	IFEP001x4		
⑩	IFEP001x4		

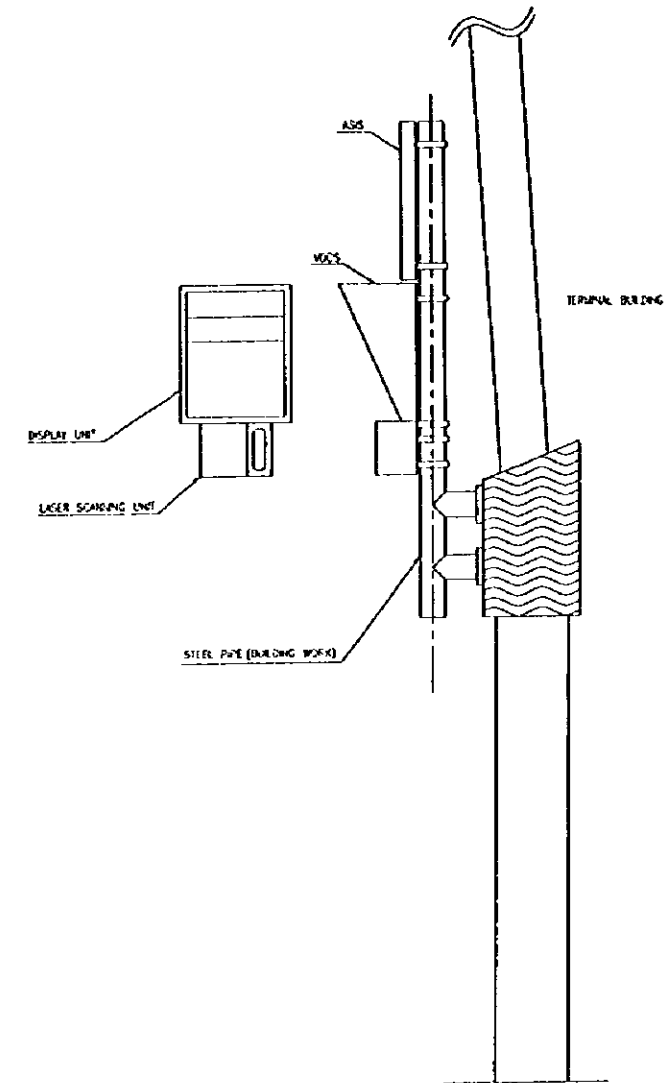
PEOPLE'S REPUBLIC OF CHINA
 SHANGHAI PUDONG INTERNATIONAL AIRPORT PROJECT | SEPTEMBER 1997
 LAYOUT AND PIPING OF FLO (MAINTENANCE AREA)
 SCALE 1/2000 | DWG2-L61
 JAPAN INTERNATIONAL COOPERATION AGENCY



TYPICAL INSTALLATION PLAN OF APRON FLOODLIGHTING SCALE 1/100

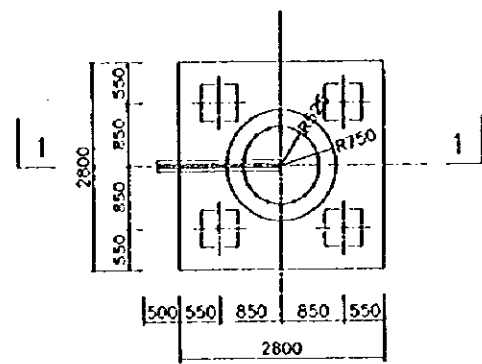


TYPICAL INSTALLATION PLAN OF AIRCRAFT STAND IDENTIFICATION SIGNS (SELFSTANDING TYPE) SCALE 1/20

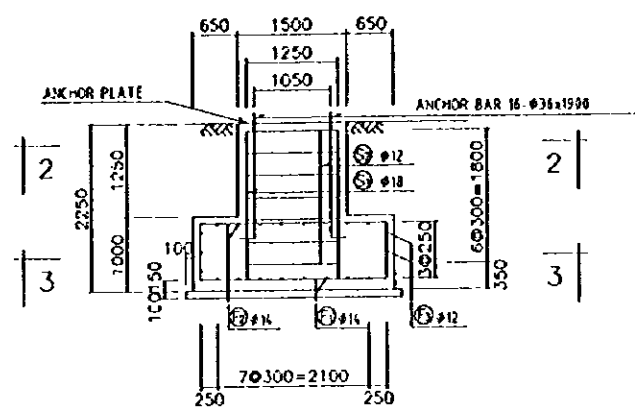


TYPICAL INSTALLATION PLAN OF VISUAL DOCKING GUIDANCE SYSTEM AND AIRCRAFT STAND IDENTIFICATION SIGNS SCALE 1/20

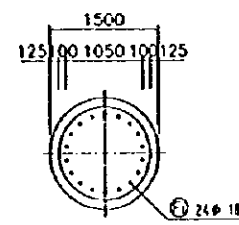
PEOPLE'S REPUBLIC OF CHINA	
SHANGHAI PUDONG INTERNATIONAL AIRPORT PROJECT	SEPTEMBER 1997
TYPICAL INSTALLATION PLAN OF FLO, ASIS AND VOGS	
SCALE : 1/30, 1/100	DWG2-162
JAPAN INTERNATIONAL COOPERATION AGENCY	



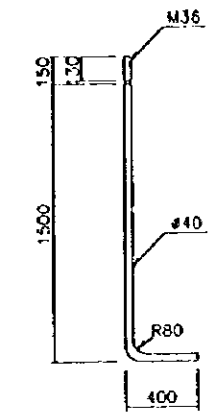
BASIC MAP
S=1/50



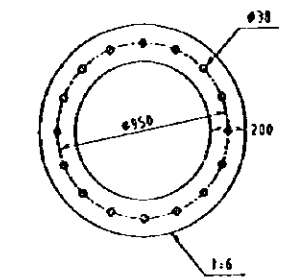
1-1
S=1/50



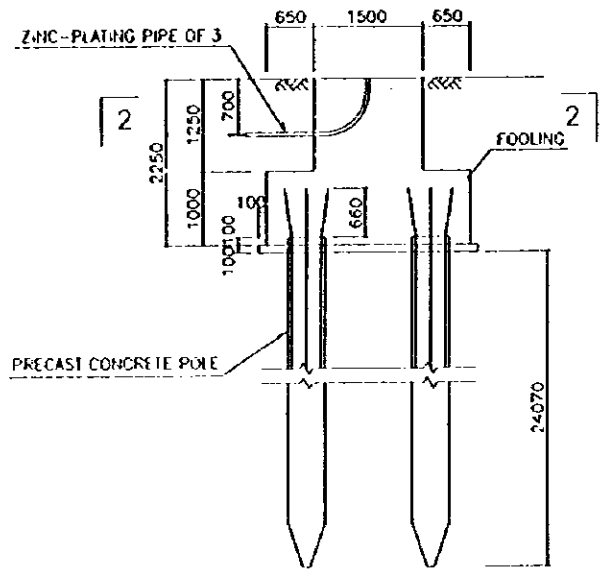
2-2
S=1/50



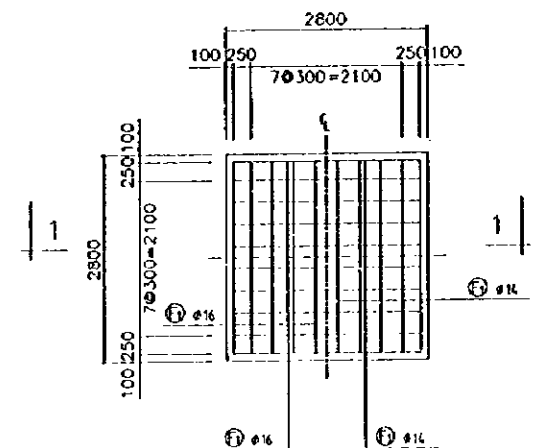
ANCHOR BOLT
S=1/20



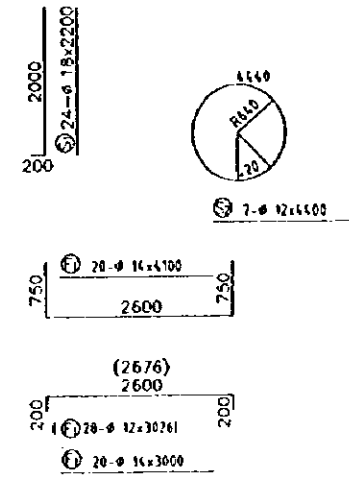
ANCHOR PLATE
S=1/20



BASIC SECTION
S=1/50



3-3
S=1/50



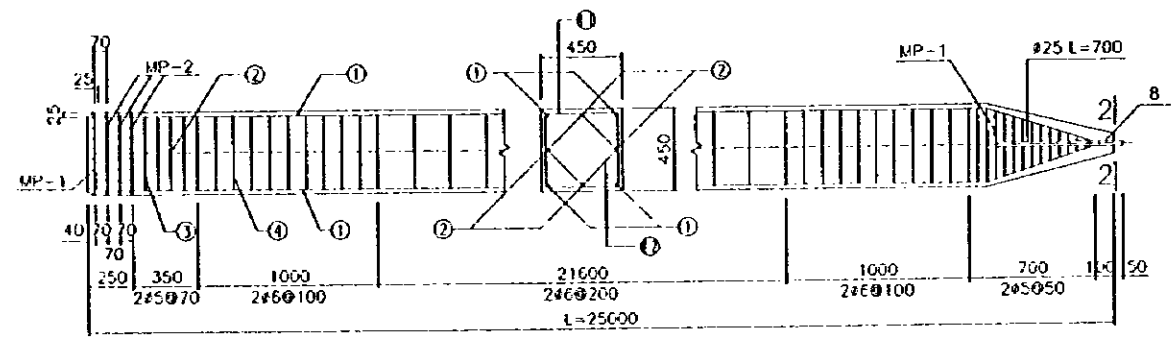
REINFORCEMENT OF FOOTING
S=1/50

CODE	D	ENG. (m)	NUMBER	MECH. WEIGHT (kg/m)	MECH. WEIGHT (kg)	NOTE
S ₁	#18	2200	24	1.938	4.326	105.5
S ₂	#12	4400	7	0.888	1.943	27.6
F ₁	#14	4100	20	1.268	4.953	99.1
F ₂	#14	2600	20	1.268	3.141	82.8
F ₃	#12	2626	8	0.888	2.332	18.7
	#18					105.5
	#14					161.9
	#12					46.3
TOTAL						313.7

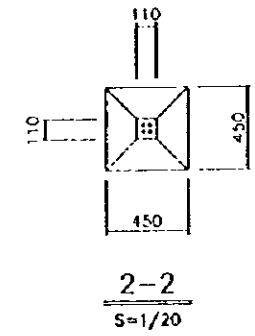
CODE	D	ENG. (m)	NUMBER	MECH. WEIGHT (kg/m)	MECH. WEIGHT (kg)	NOTE
MP-1	#20	2420	4	6.16	24.6	
MP-2	#18	2420	4	4.94	19.4	
MP-3	#16	1860	5	0.73	3.7	
MP-4	#14	1290	5	0.51	2.6	
MP-5	#12	1860	1.36	0.41	56.1	
MP-6	#10	1290	1.36	0.29	39.8	
MP-7	#8	1860	1.6	0.39	6.3	
MP-8	#6	420	16.3	0.18	2.8	
MP-9	#5	390	8	0.09	0.8	
MP-10	#25	700	1	2.7	2.7	
TOTAL					55.3	

VOLUME OF CONCRETE (PILE): 4.93m³ (C30)

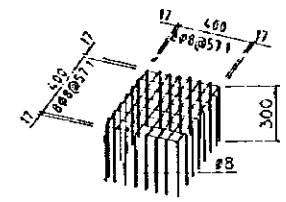
MATERIAL	SPECIFICATION	UNIT	QUANTITY	NOTE
REINFORCEMENT	GRADE	kg	313.7	
CONCRETE	C20	m ³	10.9	
CONCRETE	C10	m ³	0.78	
ZINC PLATING PIPE	#36 x 2100	m	3.0	
ANCHOR BOLT	#36 x 2100	m	1.6	
ANCHOR PLATE	1-6	m	1	



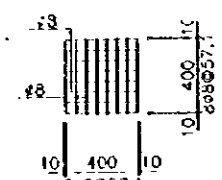
DETAILS OF PILE
S=1/20



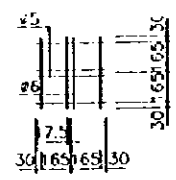
2-2
S=1/20



MP-1
S=1/20



MP-2
S=1/20

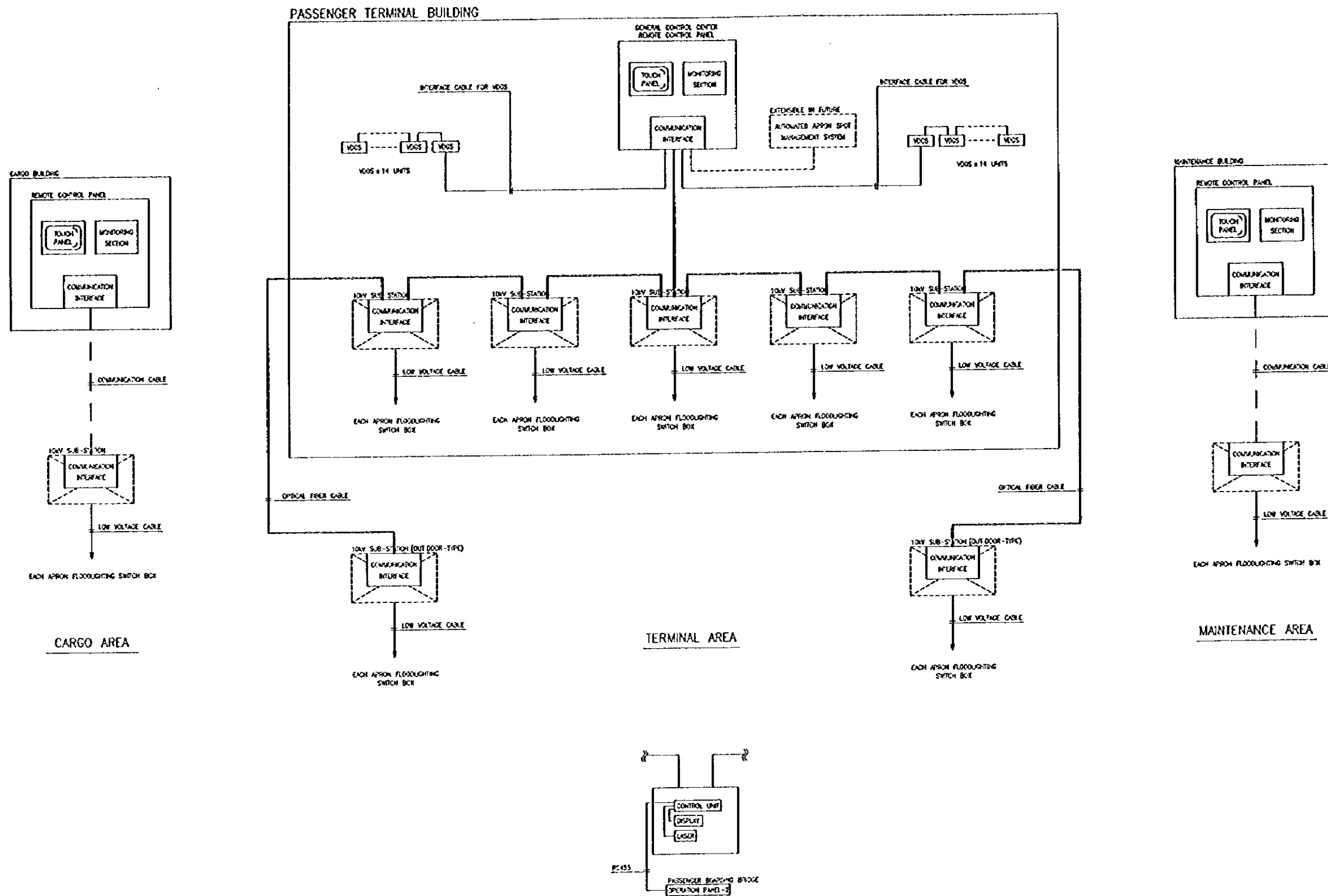


MP-3
S=1/20

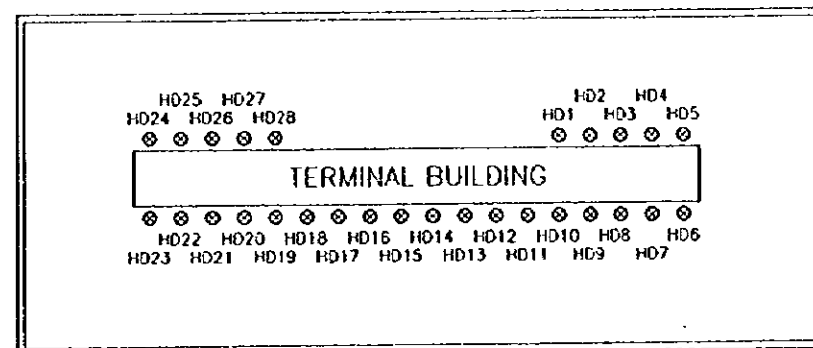
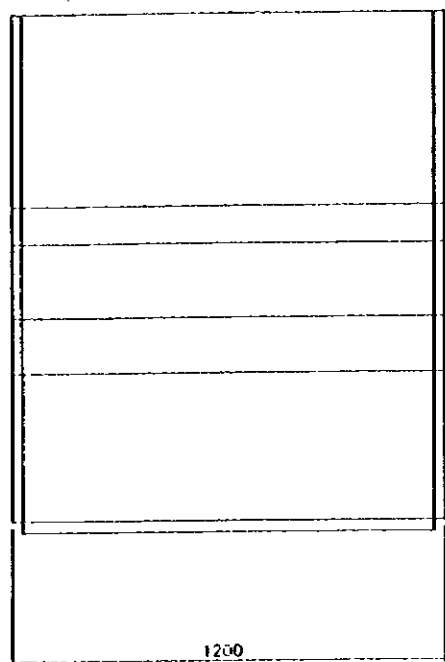
NOTE

- 1 UNIT mm
- 2 THE LOCATION OF THE FOOTING FOUNDATION ARE DETERMINED AS LAYOUT PLAN OF APRON FLOODLIGHT AND MAINTENANCE ELECTRICITY.
- 3 THE PRECAST PILES SPECIFICATION IS REFERENCED AS:
 - PRECAST REINFORCED CONCRETE PILES JSJ1-89--18156368

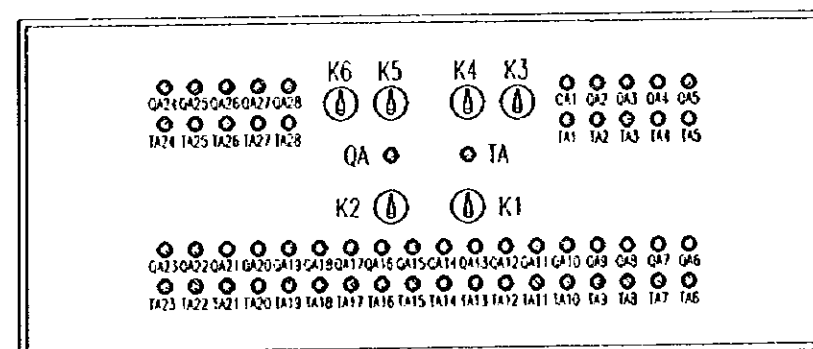
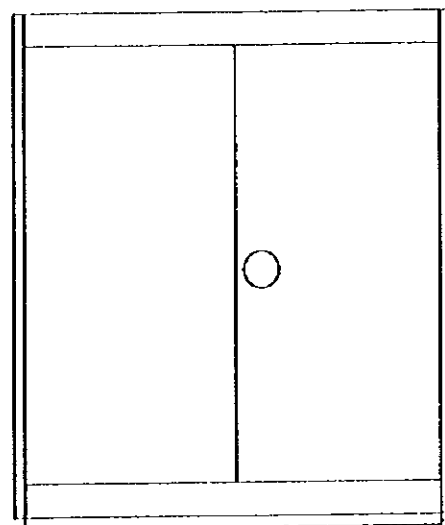
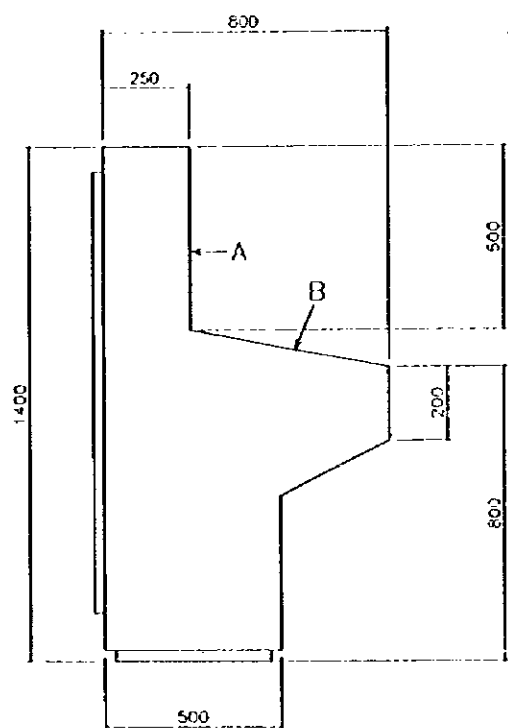
PEOPLE'S REPUBLIC OF CHINA
SHANGHAI PUDONG INTERNATIONAL AIRPORT PROJECT | SEPTEMBER 1997
FOUNDATION OF APRON FLOODLIGHTING
SCALE: NON SCALE | DWG2-163
JAPAN INTERNATIONAL COOPERATION AGENCY



PEOPLE'S REPUBLIC OF CHINA	
SHANGHAI PUDONG INTERNATIONAL AIRPORT PROJECT	SEPTEMBER 1997
SCHEMATIC DIAGRAM OF AFL CONTROL AND MONITORING SYSTEM BETWEEN BUILDINGS	
SCALE: NON SCALE	DWG-164
JAPAN INTERNATIONAL COOPERATION AGENCY	

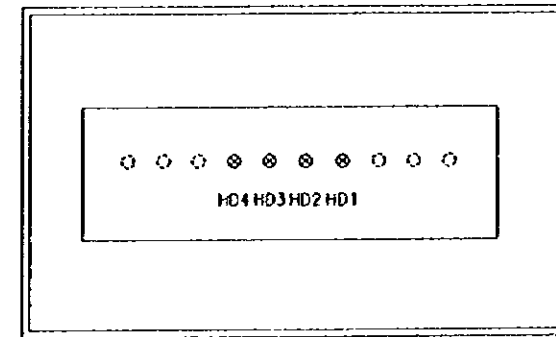
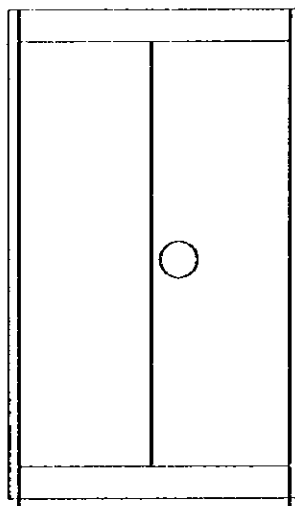
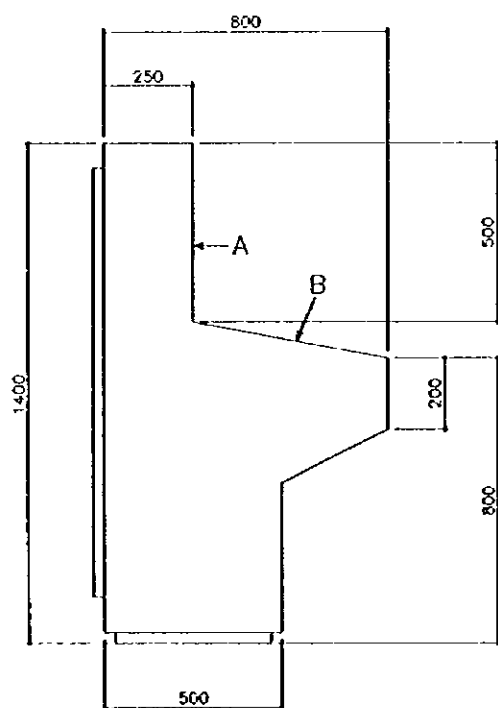
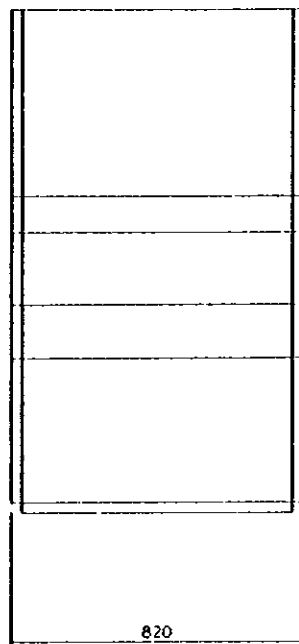


LAYOUT OF A SIDE OF BOARD

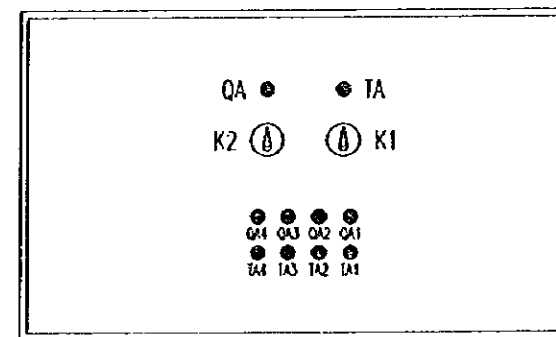


LAYOUT OF B SIDE OF BOARD

PEOPLE'S REPUBLIC OF CHINA	
SHANGHAI PUDONG INTERNATIONAL AIRPORT PROJECT	SEPTEMBER 1997
EXTERIOR DIAGRAM OF CENTRALIZED CONTROL PLATFORM OF APRON (FLOODLIGHT)	
SCALE: NON SCALE	CWG2-1.65
JAPAN INTERNATIONAL COOPERATION AGENCY	

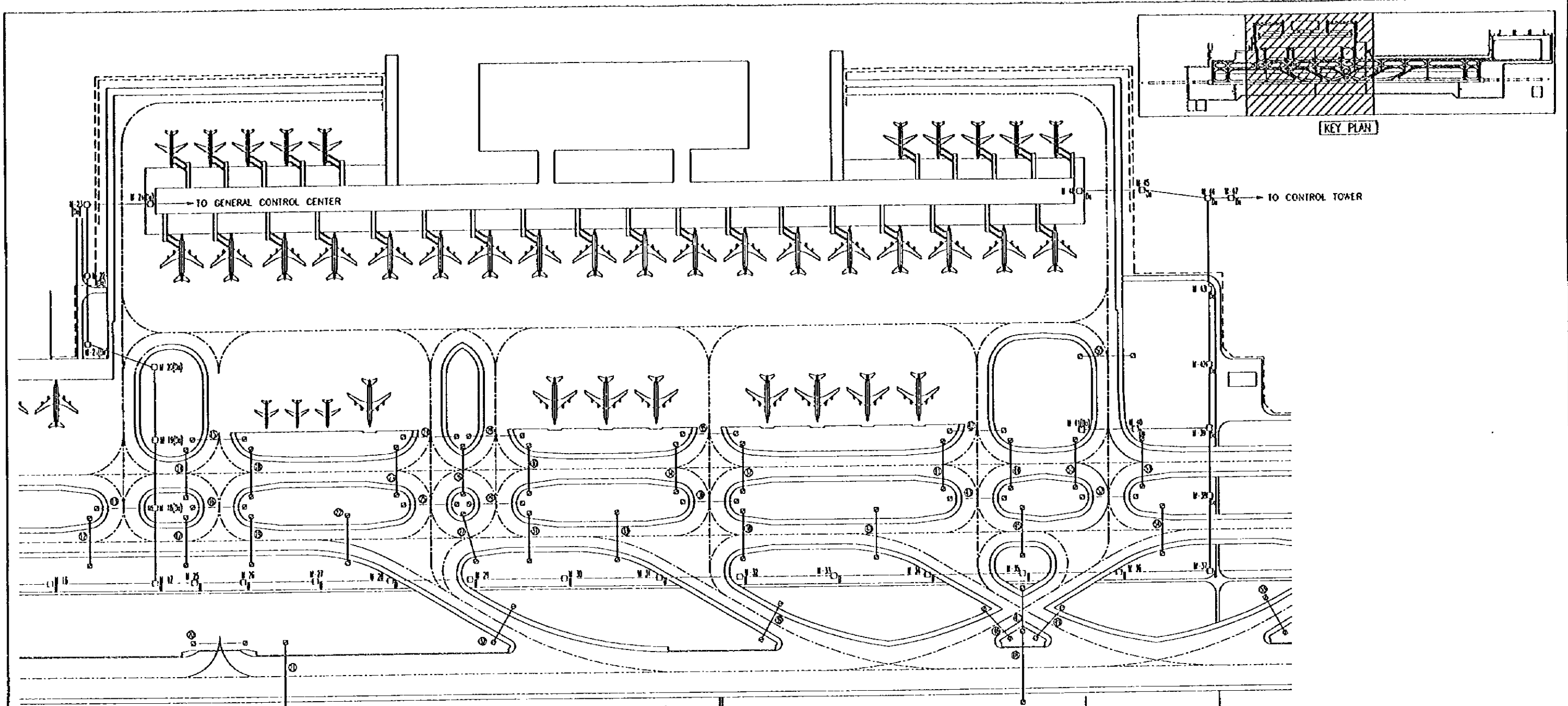


LAYOUT OF A SIDE OF BOARD



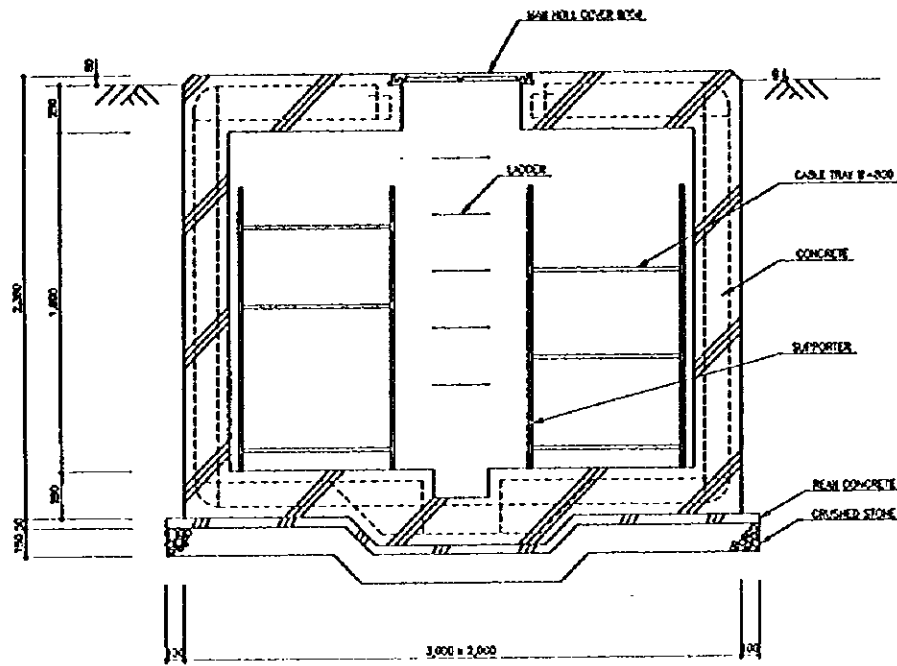
LAYOUT OF B SIDE OF BOARD

PEOPLE'S REPUBLIC OF CHINA	
SHANGHAI PUDONG INTERNATIONAL AIRPORT PROJECT	SEPTEMBER 1997
EXTERIOR DIAGRAM OF CENTRALIZED CONTROL PLATFORM OF CARCO APRON FLOODLIGHTING	
SCALE NON SCALE	DWG2-166
JAPAN INTERNATIONAL COOPERATION AGENCY	

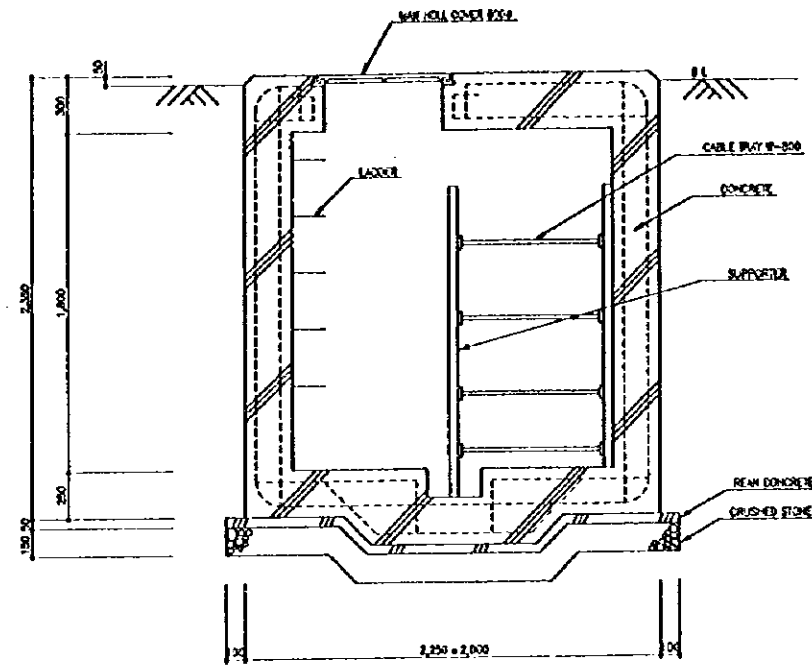


PIPING FOR MAIN DUCT		PIPING FOR CROSSING RUNWAY AND TAXIWAY	
1000-1	1000-2	1000-1	1000-2
1000-3	1000-4	1000-3	1000-4
1000-5	1000-6	1000-5	1000-6
1000-7	1000-8	1000-7	1000-8
1000-9	1000-10	1000-9	1000-10
1000-11	1000-12	1000-11	1000-12
1000-13	1000-14	1000-13	1000-14
1000-15	1000-16	1000-15	1000-16
1000-17	1000-18	1000-17	1000-18
1000-19	1000-20	1000-19	1000-20
1000-21	1000-22	1000-21	1000-22
1000-23	1000-24	1000-23	1000-24
1000-25	1000-26	1000-25	1000-26
1000-27	1000-28	1000-27	1000-28
1000-29	1000-30	1000-29	1000-30
1000-31	1000-32	1000-31	1000-32
1000-33	1000-34	1000-33	1000-34
1000-35	1000-36	1000-35	1000-36
1000-37	1000-38	1000-37	1000-38
1000-39	1000-40	1000-39	1000-40
1000-41	1000-42	1000-41	1000-42
1000-43	1000-44	1000-43	1000-44
1000-45	1000-46	1000-45	1000-46
1000-47	1000-48	1000-47	1000-48
1000-49	1000-50	1000-49	1000-50
1000-51	1000-52	1000-51	1000-52
1000-53	1000-54	1000-53	1000-54
1000-55	1000-56	1000-55	1000-56
1000-57	1000-58	1000-57	1000-58
1000-59	1000-60	1000-59	1000-60
1000-61	1000-62	1000-61	1000-62
1000-63	1000-64	1000-63	1000-64
1000-65	1000-66	1000-65	1000-66
1000-67	1000-68	1000-67	1000-68
1000-69	1000-70	1000-69	1000-70
1000-71	1000-72	1000-71	1000-72
1000-73	1000-74	1000-73	1000-74
1000-75	1000-76	1000-75	1000-76
1000-77	1000-78	1000-77	1000-78
1000-79	1000-80	1000-79	1000-80
1000-81	1000-82	1000-81	1000-82
1000-83	1000-84	1000-83	1000-84
1000-85	1000-86	1000-85	1000-86
1000-87	1000-88	1000-87	1000-88
1000-89	1000-90	1000-89	1000-90
1000-91	1000-92	1000-91	1000-92
1000-93	1000-94	1000-93	1000-94
1000-95	1000-96	1000-95	1000-96
1000-97	1000-98	1000-97	1000-98
1000-99	1000-100	1000-99	1000-100

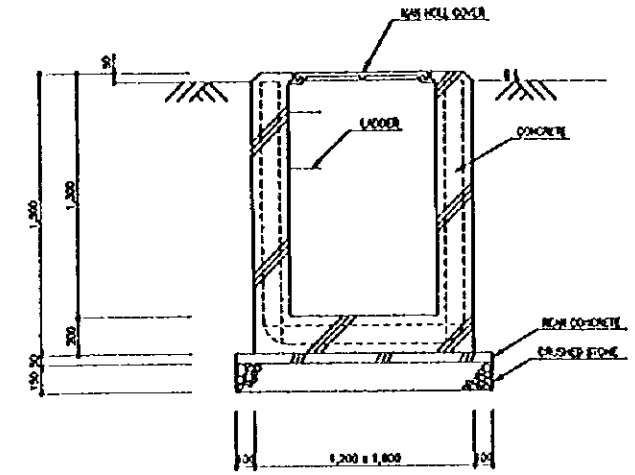
PEOPLE'S REPUBLIC OF CHINA
 SHANGHAI PUDONG INTERNATIONAL AIRPORT PROJECT | SEPTEMBER 1997
 PIPING PLAN (2/4)
 SCALE 1/3000 | DWG-168
 JAPAN INTERNATIONAL COOPERATION AGENCY



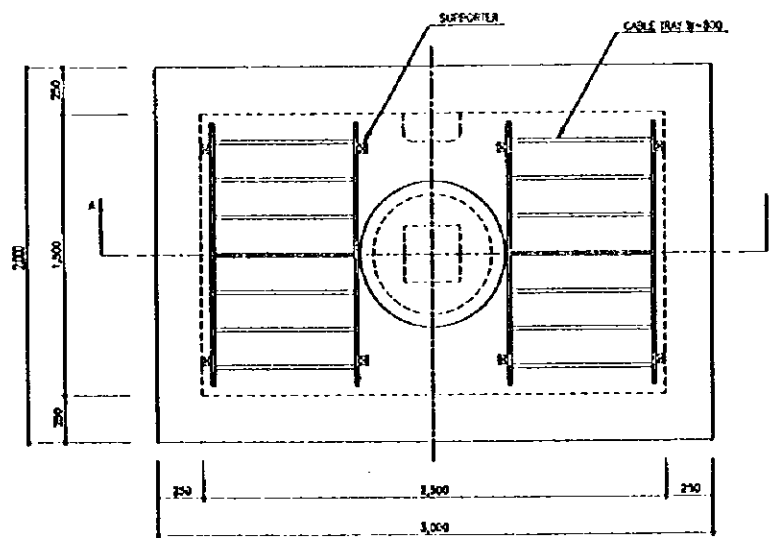
SECTION A-A'



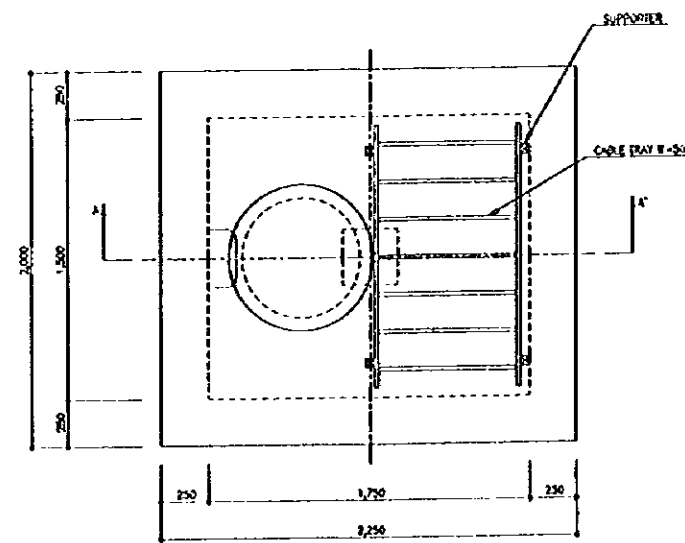
SECTION A-A'



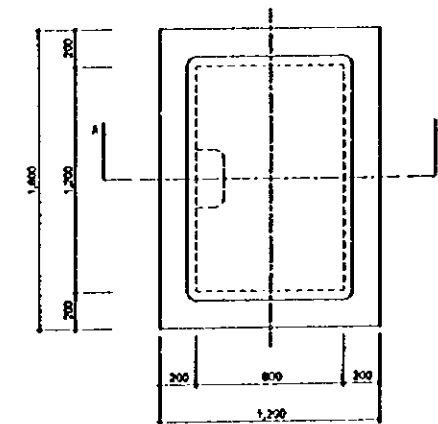
SECTION A-A'



MAN HOLE A TYPE

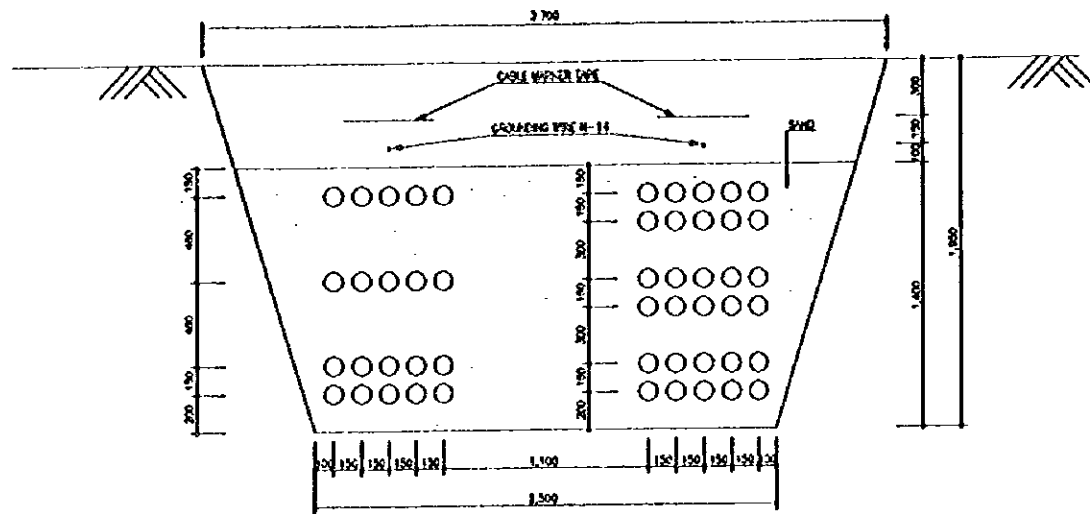


MAN HOLE B TYPE

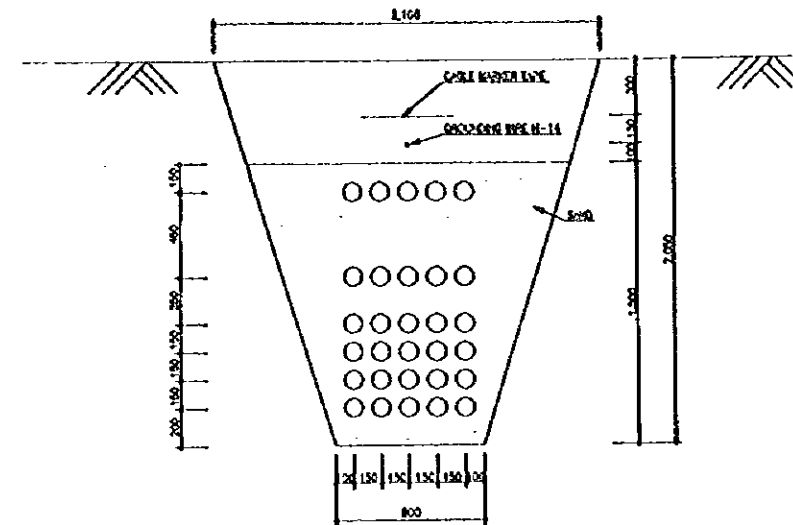


MAN HOLE D-o TYPE

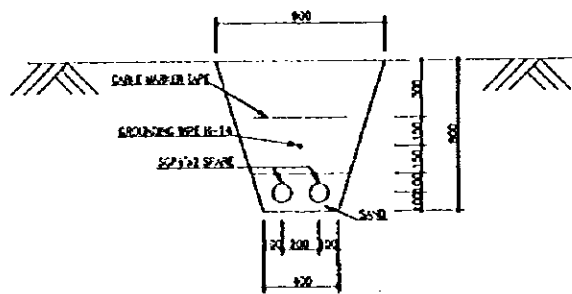
PEOPLE'S REPUBLIC OF CHINA	
SHANGHAI PUDONG INTERNATIONAL AIRPORT PROJECT	SEPTEMBER 1997
DETAILS OF MAN HOLES	
SHEET 1/20	DWG2-L71
JAPAN INTERNATIONAL COOPERATION AGENCY	



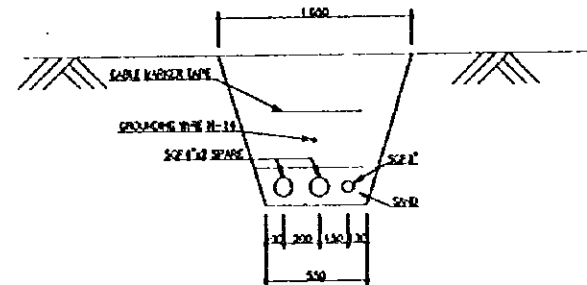
MAIN DUCT PART (FEP80x40or50)



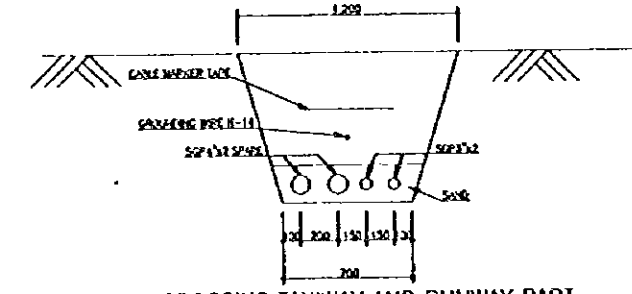
MAIN DUCT PART (FEP80x20or30)



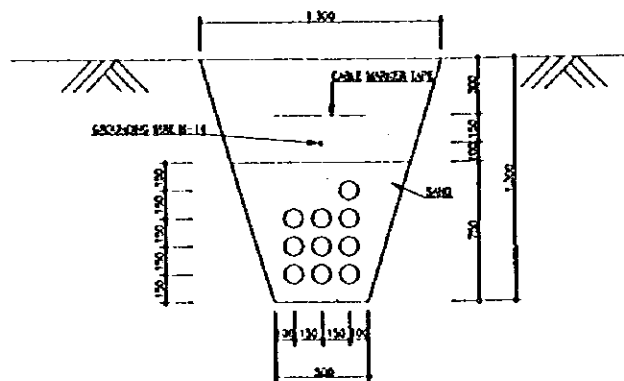
CROSSING TAXIWAY AND RUNWAY PART (SGP100x2)



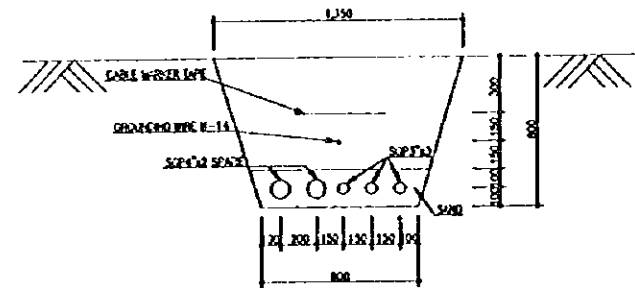
CROSSING TAXIWAY AND RUNWAY PART (SGP100x2+SGP80x1)



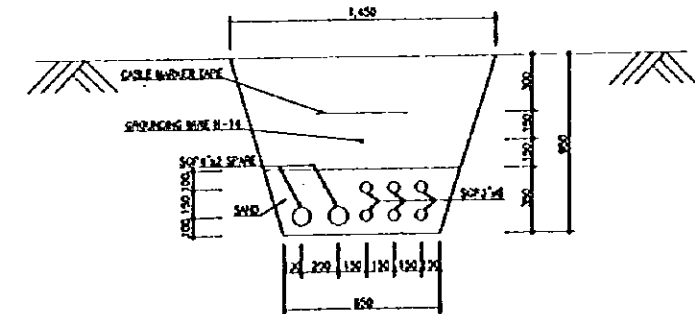
CROSSING TAXIWAY AND RUNWAY PART (SGP100x2+SGP80x2)



MAIN DUCT PART (FEP80x5or10)

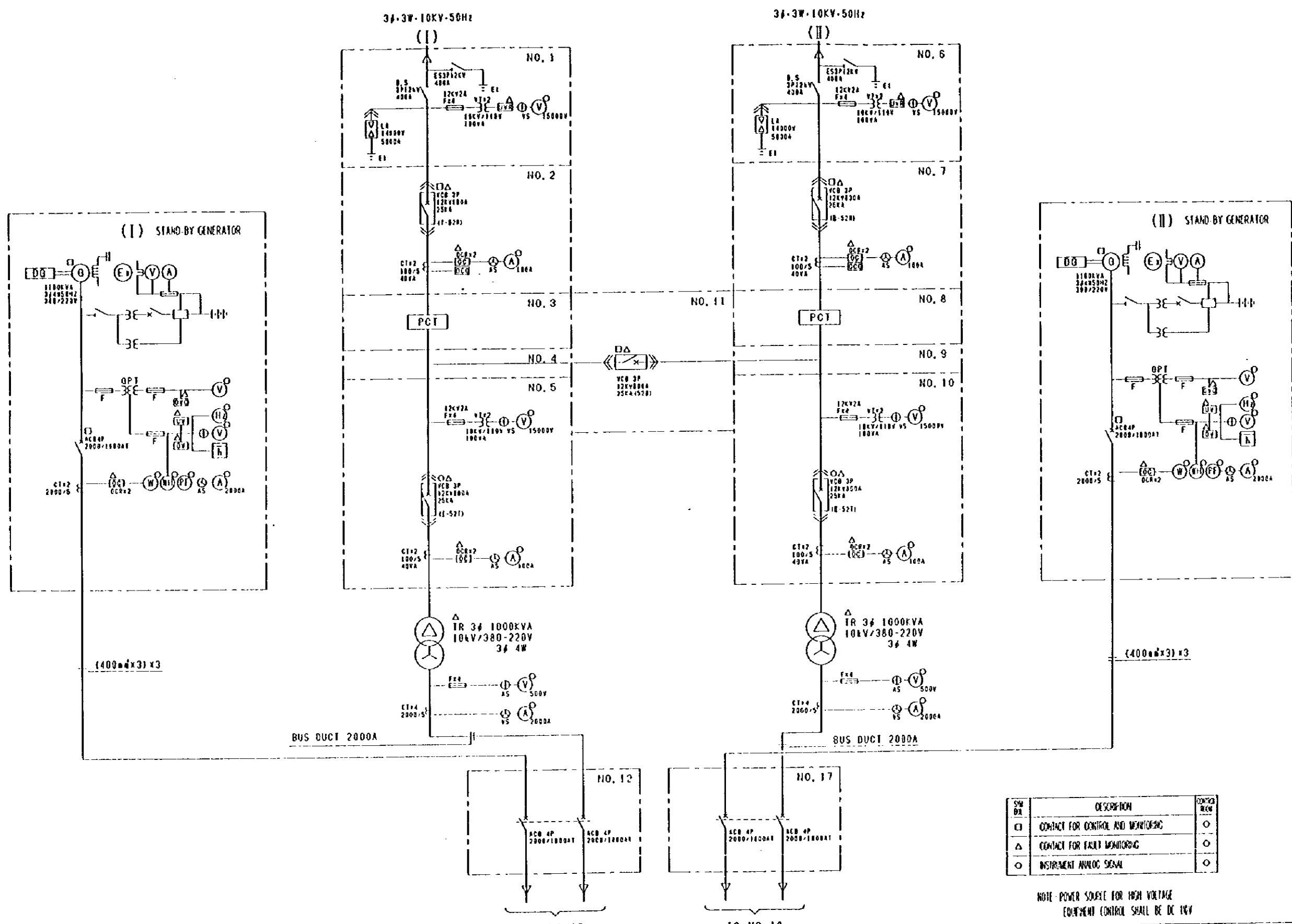


CROSSING TAXIWAY AND RUNWAY PART (SGP100x2+SGP80x3)



CROSSING TAXIWAY AND RUNWAY PART (SGP100x2+SGP80x4~6)

PEOPLE'S REPUBLIC OF CHINA	
SHANGHAI PUDONG INTERNATIONAL AIRPORT PROJECT	SEPTEMBER 1997
SECTIONAL DETAILS OF EXTERNAL PIPING	
SCALE 1/20	ENC2-172
JAPAN INTERNATIONAL COOPERATION AGENCY	

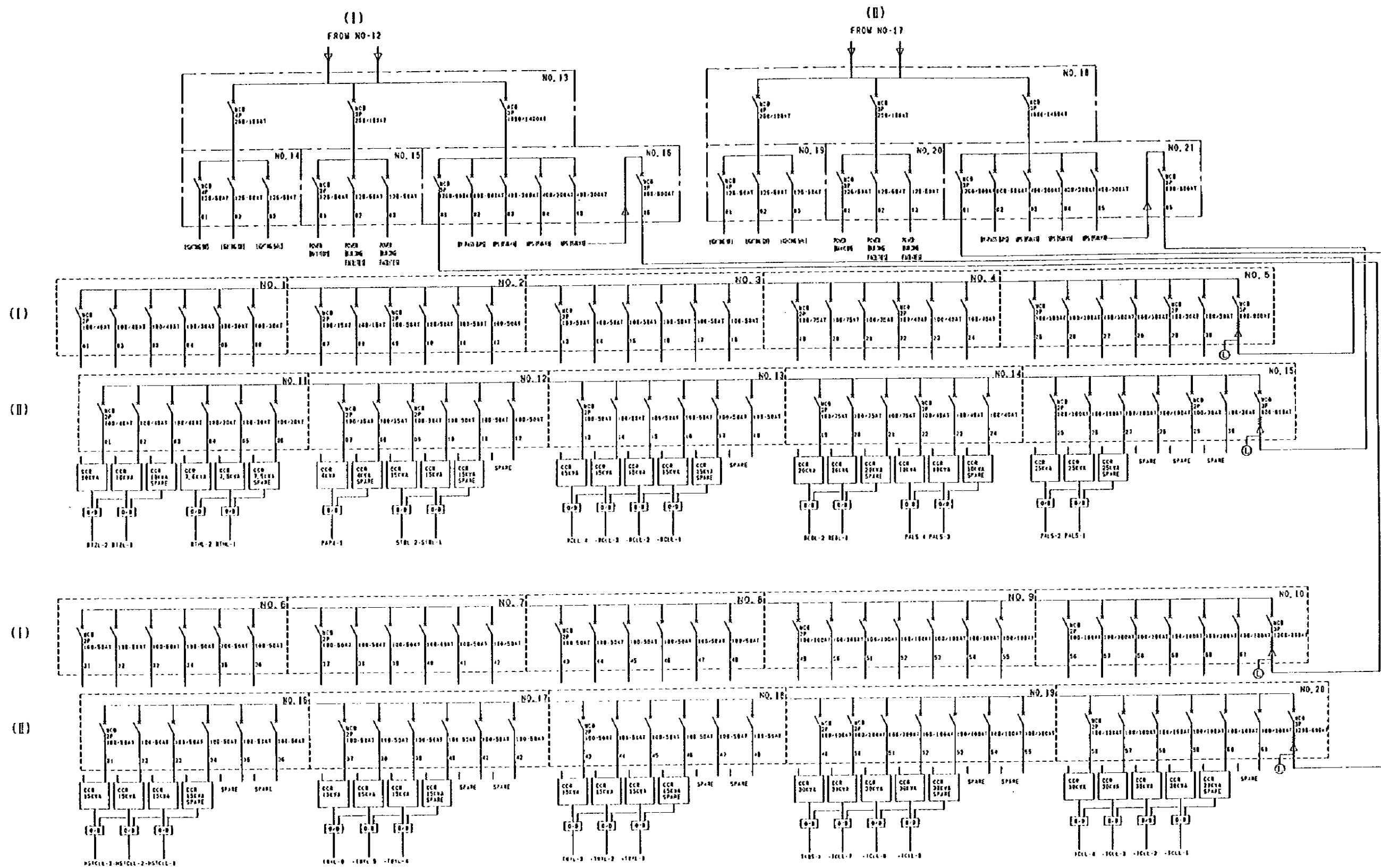


SYM OR	DESCRIPTION	CONTR REMARK
□	CONTACT FOR CONTROL AND MONITORING	○
△	CONTACT FOR FAULT MONITORING	○
○	INSTRUMENT ANALOG SIGNAL	○

NOTE - POWER SOURCE FOR HIGH VOLTAGE
EQUIPMENT CONTROL SHALL BE DC 18V

MAIN AFL SUB-STATION
(R/W 17)

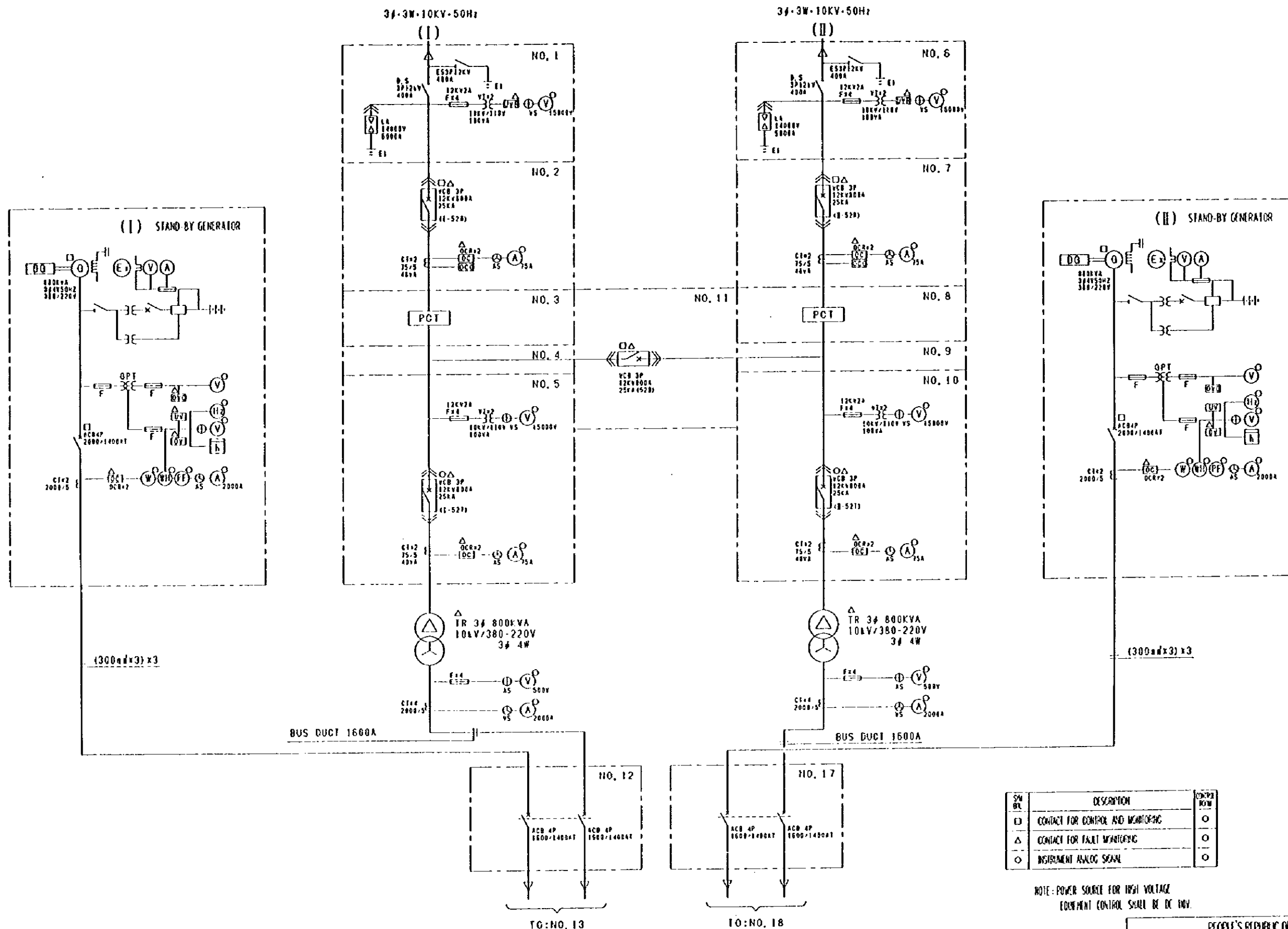
100000



⊙ : POWER INDICATOR LAMP

MAIN AFL SUB-STATION
(R/W 17)

PEOPLE'S REPUBLIC OF CHINA	
SHANGHAI PUDDING INTERNATIONAL AIRPORT PROJECT	SEPTEMBER 1997
POWER SYSTEM SINGLE LINE DIAGRAM OF MAIN AFL SUB-STATION (2/2)	
SCALE: NONE SCALE	DWG: E2
JAPAN INTERNATIONAL COOPERATION AGENCY	

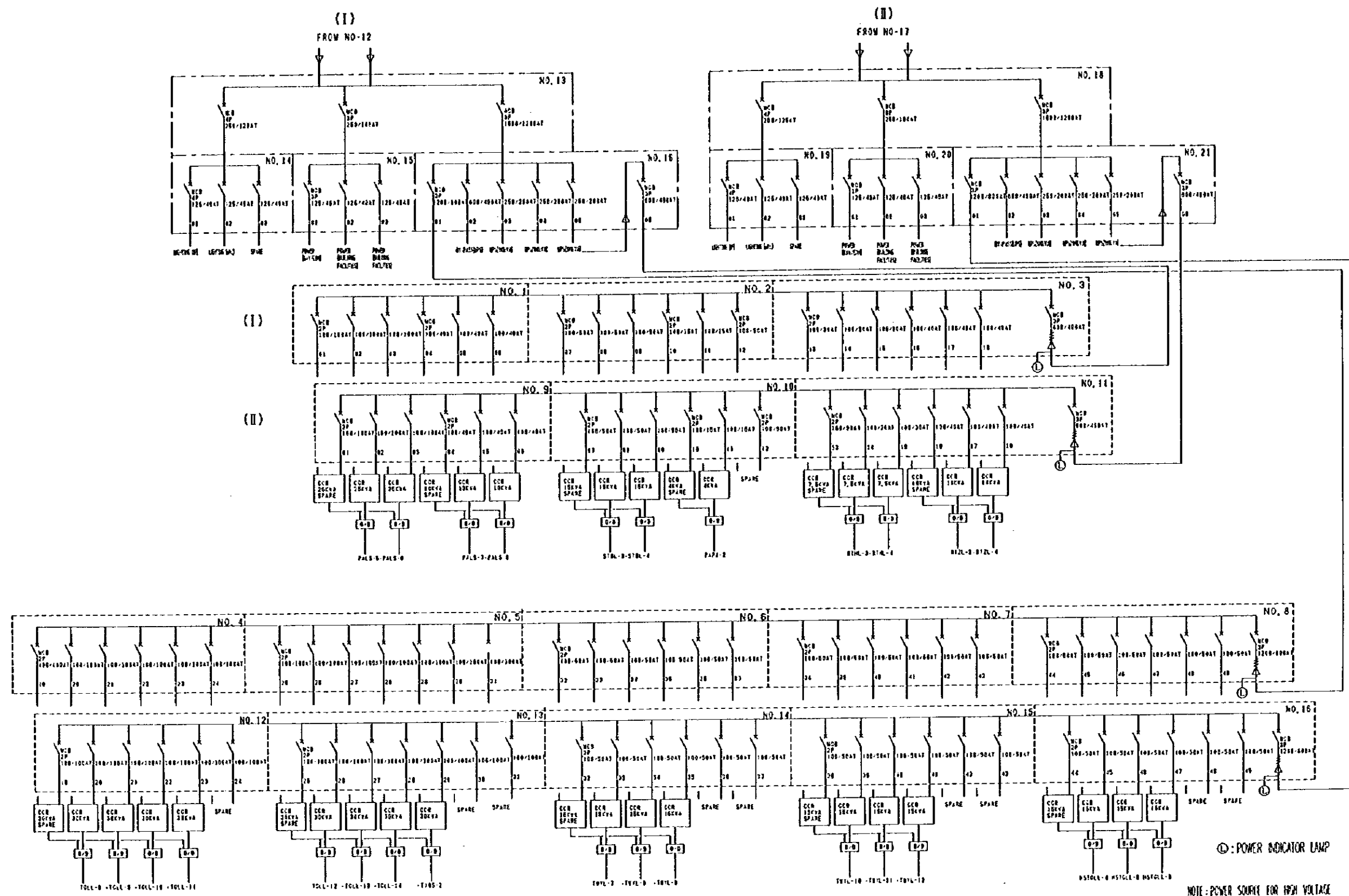


SYMBOL	DESCRIPTION	CONTACT ROW
□	CONTACT FOR CONTROL AND MONITORING	○
△	CONTACT FOR FAULT MONITORING	○
○	INSTRUMENT ANALOG SIGNAL	○

NOTE: POWER SOURCE FOR HIGH VOLTAGE EQUIPMENT CONTROL SHALL BE DC 110V.

SECONDARY AFL SUB-STATION (R/W 35)

PEOPLE'S REPUBLIC OF CHINA
 SHANGHAI PUDONG INTERNATIONAL AIRPORT PROJECT | SEPTEMBER 1997
 POWER SYSTEM SINGLE LINE DIAGRAM OF SECONDARY AFL SUB-STATION (1/2)
 SCALE: NON SCALE | DWG: E-3
 JAPAN INTERNATIONAL COOPERATION AGENCY



SECONDARY AFL SUB-STATION
(R/W 35)

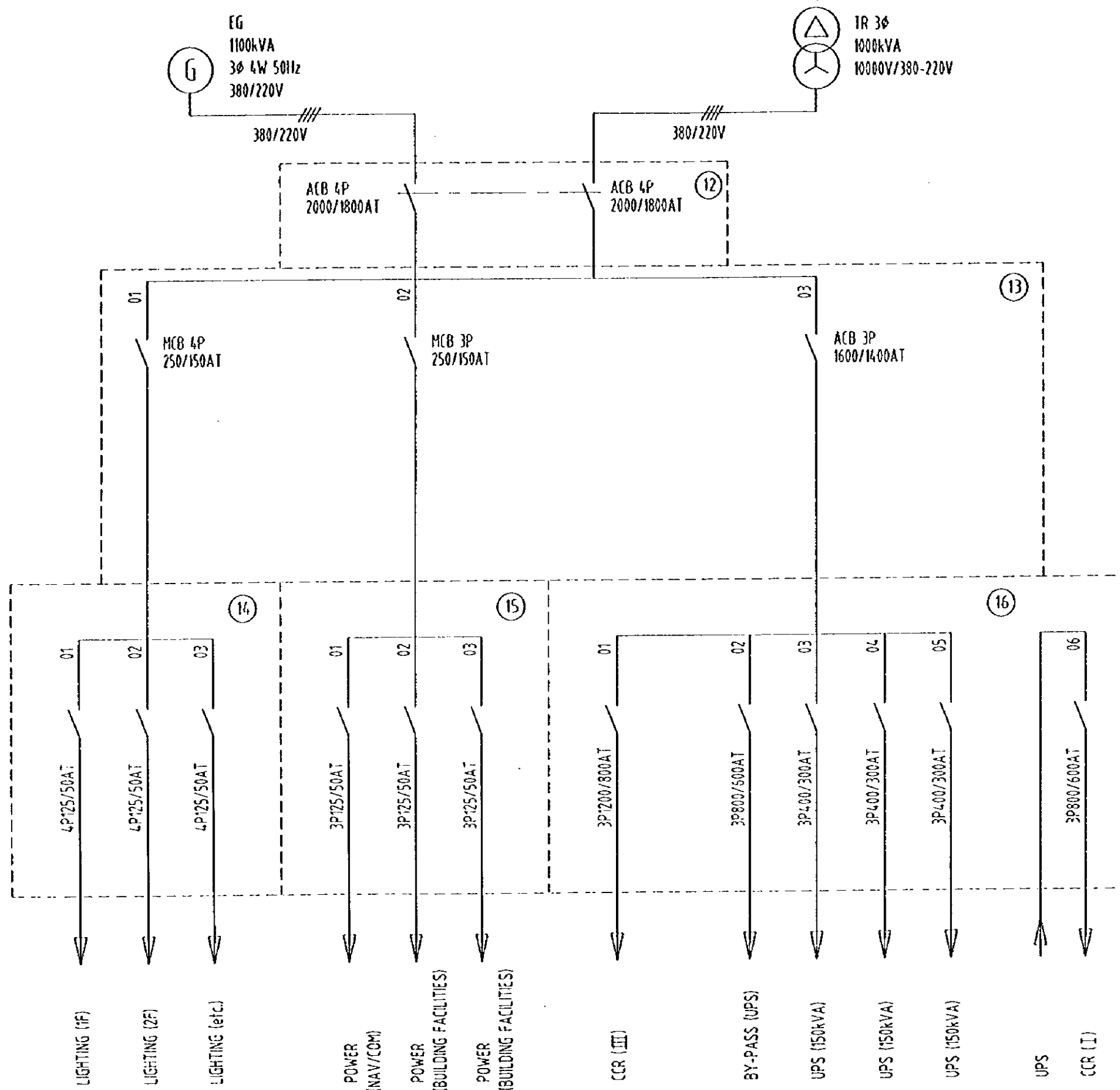
PEOPLE'S REPUBLIC OF CHINA	
SHANGHAI PUDONG INTERNATIONAL AIRPORT PROJECT	SEPTEMBER 1997
POWER SYSTEM SINGLE LINE DIAGRAM OF SECONDARY AFL SUB-STATION(2/2)	
SCALE: NON SCALE	OWS2-E4
JAPAN INTERNATIONAL COOPERATION AGENCY	

PANEL NO.	NO.1	NO.2	NO.3	NO.4	NO.5	NO.	NO.11	NO.
TYPE								
(1) (10KV) DIAGRAM								
OBJECT	RECEIVE	VCB(1-52R)	PCT	VCB(52B)	TR(1000KVA)		(1)(11)	
VCB		12KV800A(25KA)			12KV800A(25KA)		12KV800A(25KA)	
DS	3P12KV 400A				VCB(1-52R)			
ARRESTERS	14,000V							
VI	10KV/110V(100VA)				10KV/110V(100VA)			
CT		100/5(40VA)			100/5(40VA)			
V-METER	0-15,000V				0-15,000			
A-METER		0-100A			0-100A			
EARTHING SWITCH								

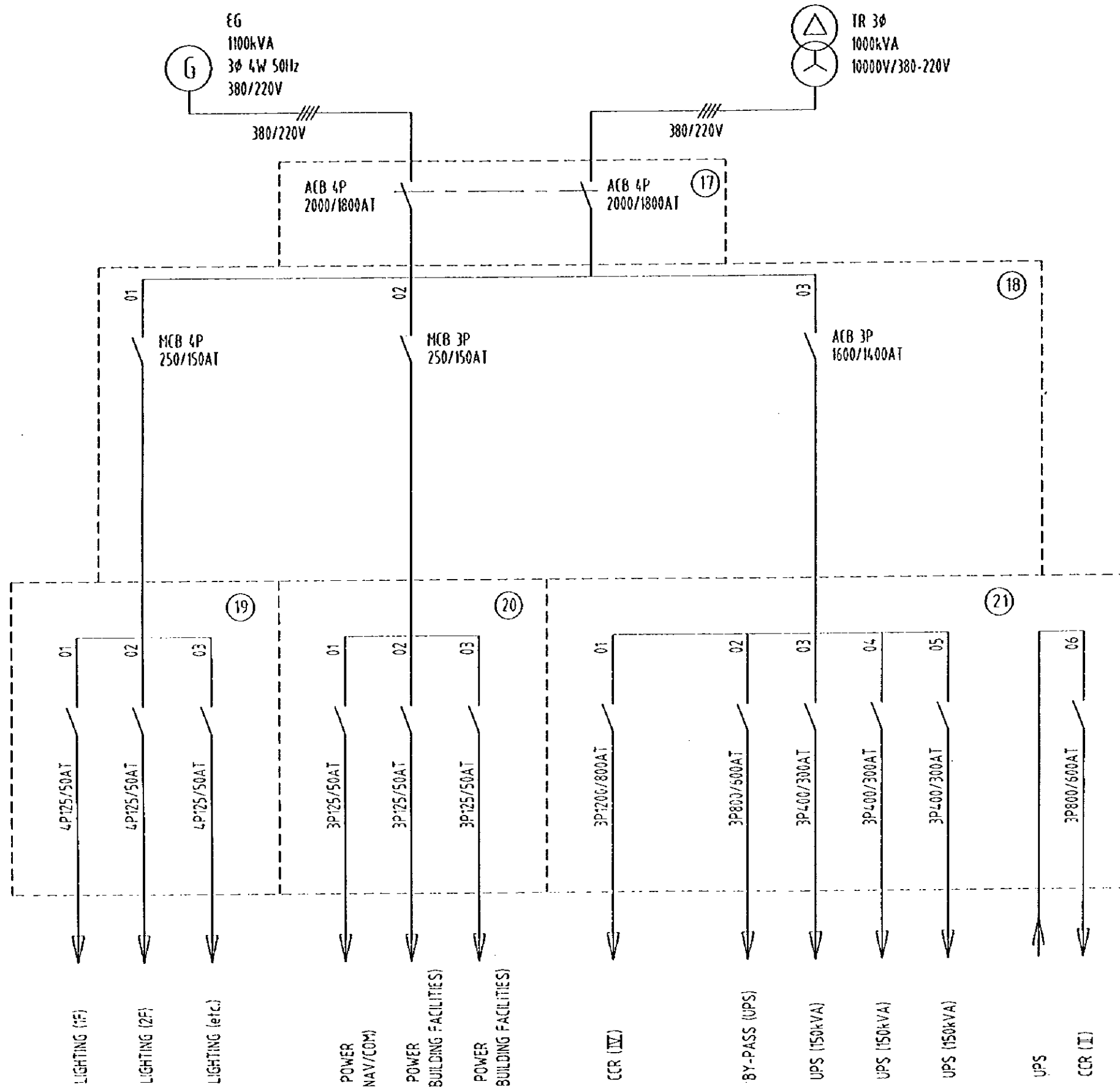
PEOPLE'S REPUBLIC OF CHINA
 SHANGHAI PUDONG INTERNATIONAL AIRPORT PROJECT | SEPTEMBER 1997
 PRIMARY POWER LINE DIAGRAM FOR WAN AFE SUB-STATION (1/2)
 SCALE: NON-SCALE | DWG2-15
 JAPAN INTERNATIONAL COOPERATION AGENCY

PANEL NO.	NO.6	NO.7	NO.8	NO.9	NO.10	NO.	NO.	NO.
TYPE								
(II) (10KV) DIAGRAM								
OBJECT	RECEIVE	VCB(II-52R)	PCT	VCB(52B)	TR(1000KVA)			
VCB		12KV800A(25KA)			12KV800A(25KA)			
DS	3P12KV 400A				VCB(II-52T)			
ARRESTERS	14,000V							
VT	10KV/110V(100VA)				10KV/110V(100VA)			
CT		100/5(40VA)			100/5(40VA)			
V-METER	0-15,000V				0-15,000			
A-METER		0-100A			0-100A			
EARTHING SWITCH								

PEOPLE'S REPUBLIC OF CHINA
SHANGHAI PUDONG INTERNATIONAL AIRPORT PROJECT | SEPTEMBER 1997
PRIMARY POWER LINE DIAGRAM FOR MAIN AIL SUB-STATION (2/2)
SCALE: NON SCALE | DWG2-E6
JAPAN INTERNATIONAL COOPERATION AGENCY



PEOPLE'S REPUBLIC OF CHINA	
SHANGHAI PUDONG INTERNATIONAL AIRPORT PROJECT	SEPTEMBER 1997
SECONDARY POWER LINE DIAGRAM FOR WAN ATL SUB-STATION (1/6)	
SCALE: NON SCALE	DWG2-E7
JAPAN INTERNATIONAL COOPERATION AGENCY	



PEOPLE'S REPUBLIC OF CHINA	
SHANGHAI PUDONG INTERNATIONAL AIRPORT PROJECT	SEPTEMBER 1997
SECONDARY POWER LINE DIAGRAM FOR WAN AEL SUB-STATION (2/6)	
SCALE NON SCALE	EWG2-EB
JAPAN INTERNATIONAL COOPERATION AGENCY	

PANEL NO	NO1						NO2						NO3						NO4						NO5						
(I)	380V																														
DIAGRAM																															
NO.	01	02	03	04	05	06	07	08	09	10	11	12	13	14	15	16	17	18	19	20	21	22	23	24	25	26	27	28	29	30	
OBJECT	CCR	CCR	CCR	CCR	CCR	CCR	CCR	CCR	CCR	CCR	CCR	SPARE	CCR	CCR	CCR	CCR	CCR	SPARE	CCR	CCR	CCR	CCR	CCR	CCR	CCR	CCR	CCR	SPARE	SPARE	SPARE	FROM SWITCHGEAR PANEL NO.16
LOAD (KVA)	10KVA	10KVA	10KVA (SPARE)	7.5KVA	7.5KVA	7.5KVA (SPARE)	4KVA	4KVA (SPARE)	15KVA	15KVA	15KVA (SPARE)		15KVA	15KVA	15KVA	15KVA	15KVA (SPARE)		20KVA	20KVA	20KVA (SPARE)	10KVA	10KVA	10KVA (SPARE)	25KVA	25KVA	25KVA (SPARE)				
LOAD NAME	RTZL-2	RTZL-1	RTZL-1~2	RTHL-2	RTHL-1	RTHL-1~2	PAP-1	PAP-1	STBL-2	STBL-1	STBL-1~2		RCLL-4	RCLL-3	RCLL-2	RCLL-1	RCLL-1~4		REDL-2	REDL-1	REDL-1~2	PALS-4	PALS-3	PALS-3~4	PALS-2	PALS-1	PALS-1~2				
CABLE SIZE	600V XLPE/PVC 5mm ² - 2c	600V XLPE/PVC 5mm ² - 2c	600V XLPE/PVC 5mm ² - 2c	600V XLPE/PVC 5mm ² - 2c	600V XLPE/PVC 5mm ² - 2c	600V XLPE/PVC 6mm ² - 2c	600V XLPE/PVC 4mm ² - 2c	600V XLPE/PVC 4mm ² - 2c	600V XLPE/PVC 10mm ² - 2c	600V XLPE/PVC 10mm ² - 2c	600V XLPE/PVC 10mm ² - 2c		600V XLPE/PVC 10mm ² - 2c	600V XLPE/PVC 10mm ² - 2c	600V XLPE/PVC 10mm ² - 2c	600V XLPE/PVC 10mm ² - 2c	600V XLPE/PVC 10mm ² - 2c		600V XLPE/PVC 16mm ² - 2c	600V XLPE/PVC 16mm ² - 2c	600V XLPE/PVC 16mm ² - 2c	600V XLPE/PVC 5mm ² - 2c	600V XLPE/PVC 6mm ² - 2c	600V XLPE/PVC 5mm ² - 2c	600V XLPE/PVC 16mm ² - 2c	600V XLPE/PVC 16mm ² - 2c	600V XLPE/PVC 16mm ² - 2c				(600V XLPE/PVC 150mm ² - 3c) x 2

PEOPLE'S REPUBLIC OF CHINA
SHANGHAI PUDONG INTERNATIONAL AIRPORT PROJECT (SEPTEMBER 1997)
SECONDARY POWER LINE DIAGRAM FOR MAIN AIR SUB-STATION (3/6)
SCALE: NON SCALE DWG-ES
JAPAN INTERNATIONAL COOPERATION AGENCY

PANEL NO.	NO.6						NO.7						NO.8						NO.9						NO.10							
ID	III																															
DIAGRAM																																
NO.	31	32	33	34	35	36	37	38	39	40	41	42	43	44	45	46	47	48	49	50	51	52	53	54	55	56	57	58	59	60	61	FROM SWITCHGEAR PANEL NO.16
OBJECT	CCR	CCR	CCR	CCR	SPARE	SPARE	CCR	CCR	CCR	CCR	SPARE	SPARE	CCR	CCR	CCR	CCR	SPARE	SPARE	CCR	CCR	CCR	CCR	CCR	SPARE	SPARE	CCR	CCR	CCR	CCR	CCR	SPARE	
LOAD (KVA)	15KVA	15KVA	15KVA	15KVA (SPARE)			15KVA	15KVA	15KVA	15KVA (SPARE)			15KVA	15KVA	15KVA	15KVA (SPARE)			30KVA	30KVA	30KVA	30KVA	30KVA (SPARE)			30KVA	30KVA	30KVA	30KVA	30KVA (SPARE)		
LOAD NAME	HSTCLL-3	HSTCLL-2	HSTCLL-1	HSTCLL-1~3			TWYL-6	TWYL-5	TWYL-4	TWYL-4~6			TWYL-3	TWYL-2	TWYL-1	TWYL-1~3			TXGS-1	TCLL-7	TCLL-6	TCLL-5	TCLL-5~7 -TXGS-1			TCLL-4	TCLL-3	TCLL-2	TCLL-1	TCLL-1~4		
CABLE SIZE	600V XLPE/PVC 10mm ² - 2c	600V XLPE/PVC 10mm ² - 2c	600V XLPE/PVC 10mm ² - 2c	600V XLPE/PVC 10mm ² - 2c			600V XLPE/PVC 10mm ² - 2c	600V XLPE/PVC 10mm ² - 2c	600V XLPE/PVC 10mm ² - 2c	600V XLPE/PVC 10mm ² - 2c			600V XLPE/PVC 10mm ² - 2c	600V XLPE/PVC 10mm ² - 2c	600V XLPE/PVC 10mm ² - 2c	600V XLPE/PVC 10mm ² - 2c			600V XLPE/PVC 25mm ² - 2c	600V XLPE/PVC 25mm ² - 2c	600V XLPE/PVC 25mm ² - 2c	600V XLPE/PVC 25mm ² - 2c	600V XLPE/PVC 25mm ² - 2c			600V XLPE/PVC 25mm ² - 2c	600V XLPE/PVC 25mm ² - 2c	600V XLPE/PVC 25mm ² - 2c	600V XLPE/PVC 25mm ² - 2c	600V XLPE/PVC 25mm ² - 2c		1600V XLPE/PVC 240mm ² - 3c) x 2

PEOPLE'S REPUBLIC OF CHINA
SHANGHAI PUDONG INTERNATIONAL AIRPORT PROJECT | SEPTEMBER 1997
SECONDARY POWER LINE DIAGRAM FOR MAIN AFL SUB-STATION (4/6)
SCALE: NON SCALE | DWG-2-E10
JAPAN INTERNATIONAL COOPERATION AGENCY

PANEL NO.	NO.11						NO.12						NO.13						NO.14						NO.15																							
(A)	380V																																															
DIAGRAM																																																
NO.																																																
OBJECT																																																
LOAD (KVA)																																																
LOAD NAME																																																
CABLE SIZE																																																
01	CCR	10KVA	0/D	RTZL-2	600V XLPE/PVC 6mm ² -2c																																											
02	CCR	10KVA	0/D	RTZL-1	600V XLPE/PVC 6mm ² -2c																																											
03	CCR	10KVA (SPARE)	0/D	RTZL-1~2	600V XLPE/PVC 6mm ² -2c																																											
04	CCR	75KVA	0/D	RTHL-2	600V XLPE/PVC 6mm ² -2c																																											
05	CCR	75KVA	0/D	RTHL-1	600V XLPE/PVC 6mm ² -2c																																											
06	CCR	75KVA (SPARE)	0/D	RTHL-1~2	600V XLPE/PVC 6mm ² -2c																																											
07	CCR	4KVA	0/D	PAP1-1	600V XLPE/PVC 4mm ² -2c																																											
08	CCR	4KVA (SPARE)	0/D	PAP1-1	600V XLPE/PVC 4mm ² -2c																																											
09	CCR	15KVA	0/D	STBL-2	600V XLPE/PVC 10mm ² -2c																																											
10	CCR	15KVA	0/D	STBL-1	600V XLPE/PVC 10mm ² -2c																																											
11	CCR	15KVA (SPARE)	0/D	STBL-1~2	600V XLPE/PVC 10mm ² -2c																																											
12	SPARE																																															
13	CCR	15KVA	0/D	RCLL-4	600V XLPE/PVC 10mm ² -2c																																											
14	CCR	15KVA	0/D	RCLL-3	600V XLPE/PVC 10mm ² -2c																																											
15	CCR	15KVA	0/D	RCLL-2	600V XLPE/PVC 10mm ² -2c																																											
16	CCR	15KVA	0/D	RCLL-1	600V XLPE/PVC 10mm ² -2c																																											
17	CCR	15KVA (SPARE)	0/D	RCLL-1~4	600V XLPE/PVC 10mm ² -2c																																											
18	SPARE																																															
19	CCR	20KVA	0/D	REDL-2	600V XLPE/PVC 16mm ² -2c																																											
20	CCR	20KVA	0/D	REDL-1	600V XLPE/PVC 16mm ² -2c																																											
21	CCR	20KVA (SPARE)	0/D	REDL-1~2	600V XLPE/PVC 16mm ² -2c																																											
22	CCR	10KVA	0/D	PALS-4	600V XLPE/PVC 6mm ² -2c																																											
23	CCR	10KVA	0/D	PALS-3	600V XLPE/PVC 6mm ² -2c																																											
24	CCR	10KVA (SPARE)	0/D	PALS-3~4	600V XLPE/PVC 6mm ² -2c																																											
25	CCR	25KVA	0/D	PALS-2	600V XLPE/PVC 16mm ² -2c																																											
26	CCR	25KVA	0/D	PALS-1	600V XLPE/PVC 16mm ² -2c																																											
27	CCR	25KVA (SPARE)	0/D	PALS-1~2	600V XLPE/PVC 16mm ² -2c																																											
28	SPARE																																															
29	SPARE																																															
30	SPARE																																															
					FROM SWITCHGEAR PANEL NO.21																																											

PEOPLE'S REPUBLIC OF CHINA
SHANGHAI PUDONG INTERNATIONAL AIRPORT PROJECT | SEPTEMBER 1997
SECONDARY POWER LINE DIAGRAM FOR MAIN AFE SUB-STATION (5/6)
SCALE: NON SCALE | DWG2-E11
JAPAN INTERNATIONAL COOPERATION AGENCY

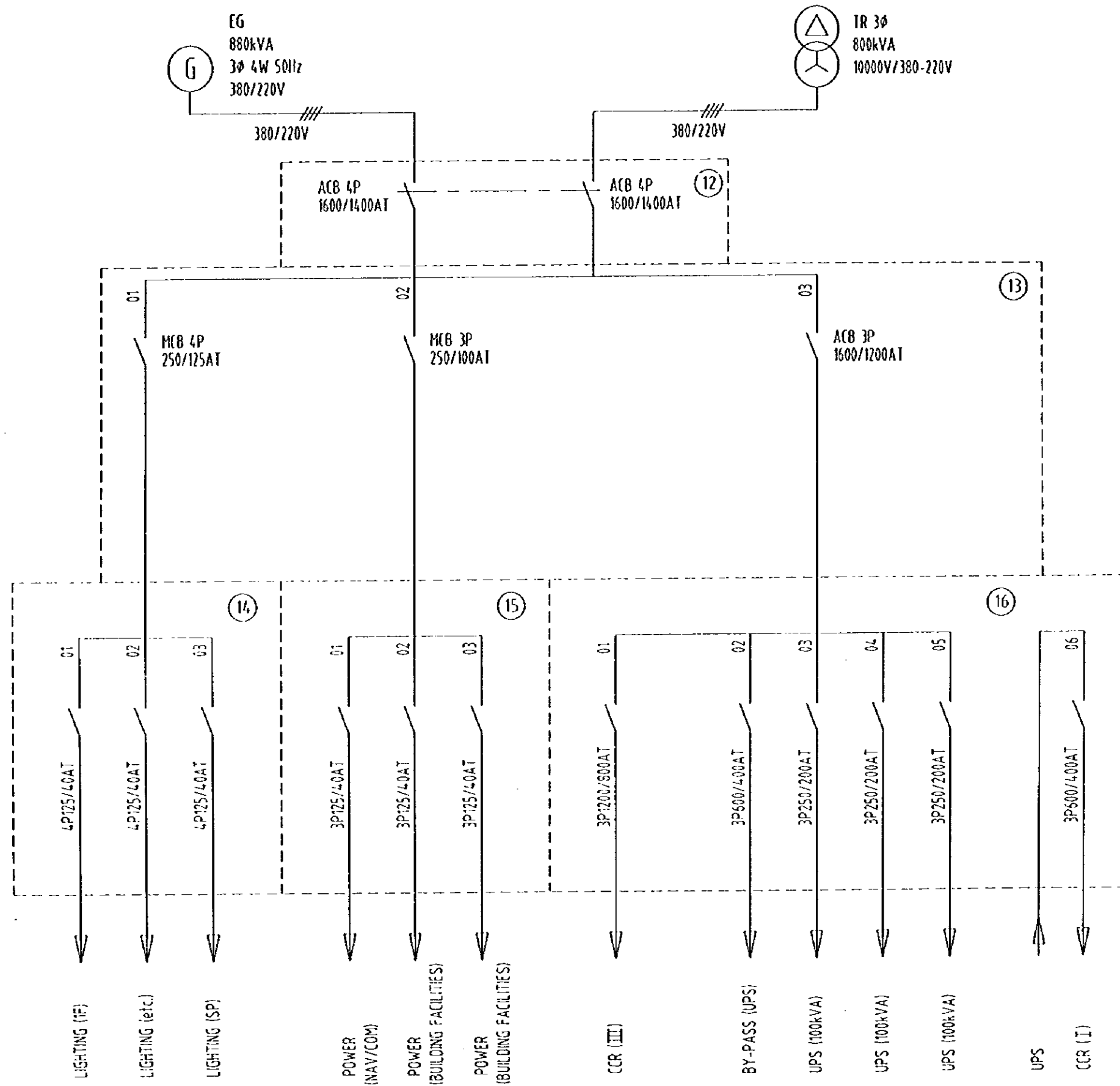
PANEL NO.	NO.16					NO.17					NO.18					NO.19					NO.20											
ID	380V																															
DIAGRAM	//																															
NO	31	32	33	34	35	36	37	38	39	40	41	42	43	44	45	46	47	48	49	50	51	52	53	54	55	56	57	58	59	60	61	FROM SWITCHGEAR PANEL NO.21
OBJECT	CCR	CCR	CCR	CCR	SPARE	SPARE	CCR	CCR	CCR	CCR	SPARE	SPARE	CCR	CCR	CCR	CCR	CCR	SPARE	CCR	CCR	CCR	CCR	CCR	SPARE	SPARE	CCR	CCR	CCR	CCR	CCR	SPARE	
LOAD (KVA)	15KVA	15KVA	15KVA	15KVA (SPARE)			15KVA	15KVA	15KVA	15KVA (SPARE)			15KVA	15KVA	15KVA	15KVA (SPARE)			30KVA	30KVA	30KVA	30KVA	30KVA (SPARE)			30KVA	30KVA	30KVA	30KVA	30KVA (SPARE)		
LOAD NAME	HSTCLL-3	HSTCLL-2	HSTCLL-1	HSTCLL-1~3			TWYL-6	TWYL-5	TWYL-4	TWYL-4~6			TWYL-3	TWYL-2	TWYL-1	TWYL-1~3			TXGS-1	TCLL-7	TCLL-6	TCLL-5	TCLL-5~7			TCLL-4	TCLL-3	TCLL-2	TCLL-1	TCLL-1~4		
CABLE SIZE	600V XLPE/PVC 10mm ² - 2c	600V XLPE/PVC 10mm ² - 2c	600V XLPE/PVC 10mm ² - 2c	600V XLPE/PVC 10mm ² - 2c			600V XLPE/PVC 10mm ² - 2c	600V XLPE/PVC 10mm ² - 2c	600V XLPE/PVC 10mm ² - 2c	600V XLPE/PVC 10mm ² - 2c			600V XLPE/PVC 10mm ² - 2c	600V XLPE/PVC 10mm ² - 2c	600V XLPE/PVC 10mm ² - 2c	600V XLPE/PVC 10mm ² - 2c			600V XLPE/PVC 25mm ² - 2c	600V XLPE/PVC 25mm ² - 2c	600V XLPE/PVC 25mm ² - 2c	600V XLPE/PVC 25mm ² - 2c	600V XLPE/PVC 25mm ² - 2c			600V XLPE/PVC 25mm ² - 2c	600V XLPE/PVC 25mm ² - 2c	600V XLPE/PVC 25mm ² - 2c	600V XLPE/PVC 25mm ² - 2c	600V XLPE/PVC 25mm ² - 2c		1600V XLPE/PVC 240mm ² - 3c) x 2

PANEL NO.	NO.1	NO.2	NO.3	NO.4	NO.5	NO.	NO.11	NO.
TYPE								
(1) (10KV) DIAGRAM								
OBJECT	RECEVE	VCB [I-52R]	PCT	VCB [52B]	IR (800KVA)		(1)(0)	
VCB		12KV 800A (25KA)			12KV 800A (25KA)		12KV 800A (25KA)	
DS	3P 12KV 400A				VCB [I-52I]			
ARRESTERS	14,000V							
VT	10KV/110V (100VA)				10KV/110V (100VA)			
CT		75/5 (40VA)			75/5 (40VA)			
V-METER	0-15,000V				0-15,000V			
A-METER		0-75A			0-75A			
EARTHING SWITCH								

PEOPLE'S REPUBLIC OF CHINA	
SHANGHAI PUDONG INTERNATIONAL AIRPORT PROJECT	SEPTEMBER 1997
PRIMARY POWER LINE DIAGRAM FOR SECONDARY A11 SUB-STATION (1/2)	
SCALE NON SCALE	DWG2-E13
JAPAN INTERNATIONAL COOPERATION AGENCY	

PANEL NO.	NO.6	NO.7	NO.8	NO.9	NO.10	NO.	NO.	NO.
TYPE								
(10KV) DIAGRAM								
OBJECT	RECEIVE	VCB(11-52R)	PCT	VCB(52B)	TR(800KVA)			
VCB		12KV800A(25KA)			12KV800A(25KA)			
DS	3P12KV 400A				VCB(11-52T)			
ARRESTERS	24KV							
VT	10KV/110V(100VA)				10KV/110V(100VA)			
CT		75/5(40VA)			75/5(40VA)			
V-METER	0-15,000V				0-15,000V			
A-METER		0-75A			0-75A			
EARTHING SWITCH								

PEOPLE'S REPUBLIC OF CHINA	
SHANGHAI PUDONG INTERNATIONAL AIRPORT PROJECT	SEPTEMBER 1997
PRIMARY POWER LINE DIAGRAM FOR SECONDARY AEL SUB-STATION (2/2)	
SCALE NON SCALE	DWG2-E14
JAPAN INTERNATIONAL COOPERATION AGENCY	



PEOPLE'S REPUBLIC OF CHINA	
SHANGHAI PUDONG INTERNATIONAL AIRPORT PROJECT	SEPTEMBER 1997
SECONDARY POWER LINE DIAGRAM FOR SECONDARY ATL SUB-STATION (1/6)	
SCALE NON SCALE	DWG2-E15
JAPAN INTERNATIONAL COOPERATION AGENCY	