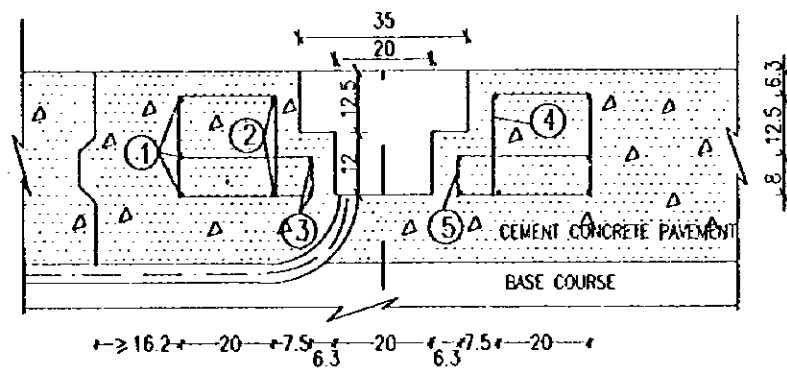


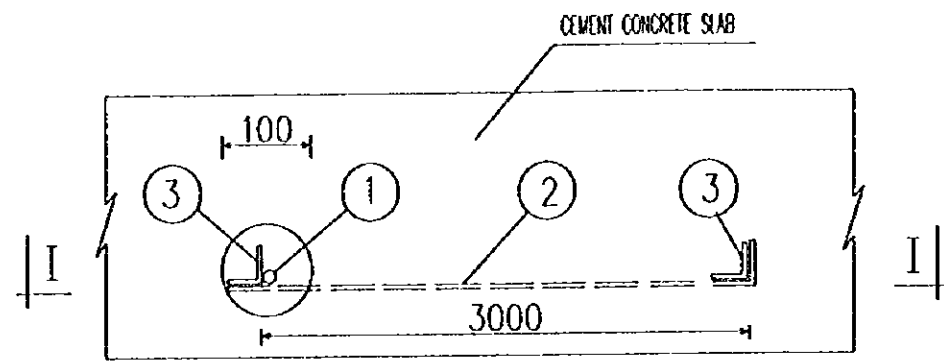
REINFORCEMENT ARRANGEMENT PLAN



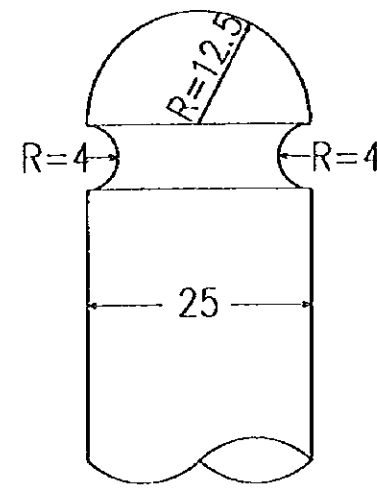
A-A SECTION

NO.	SHAPE (cm)	DIAMETER (mm)	LENGTH (cm)	No's	TOTAL LENGTH (m)	UNIT WEIGHT (kg/m)	TOTAL WEIGHT (kg)	REMARKS
①		$\phi 10$	307.7	3	9.231	0.617	5.70	$\phi 10 = 9.62\text{KG}$ $\phi 8 = 9.15\text{KG}$
②		$\phi 10$	182.0	2	3.640	0.617	2.25	
③		$\phi 10$	134.9	2	2.698	0.617	1.67	
④		$\phi 8$	101.4	12	12.168	0.395	4.81	
⑤		$\phi 8$	91.4	12	10.986	0.395	4.34	

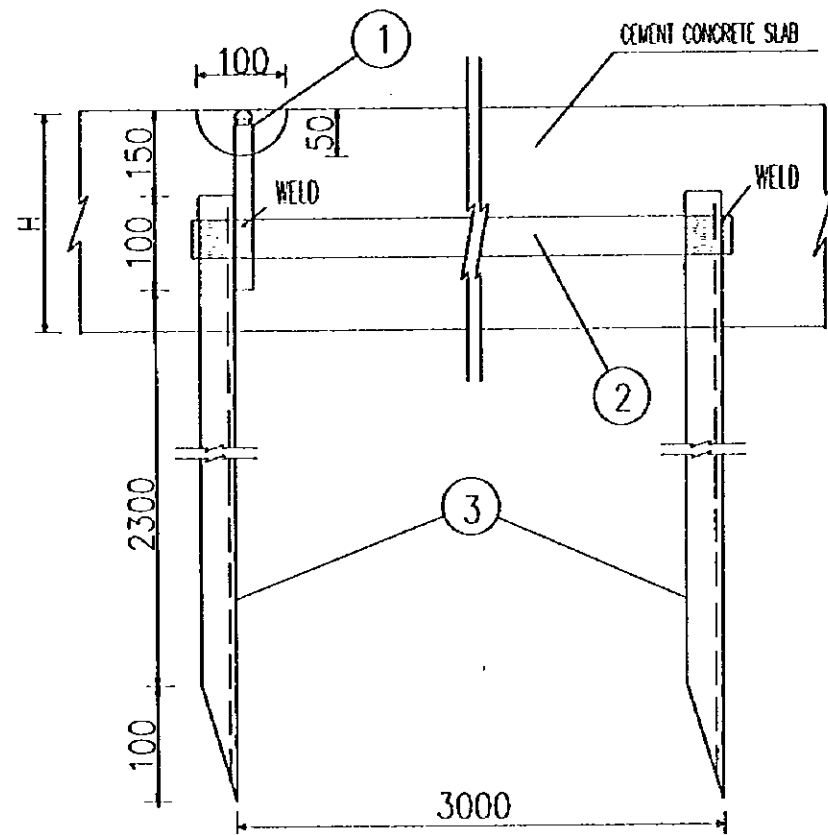
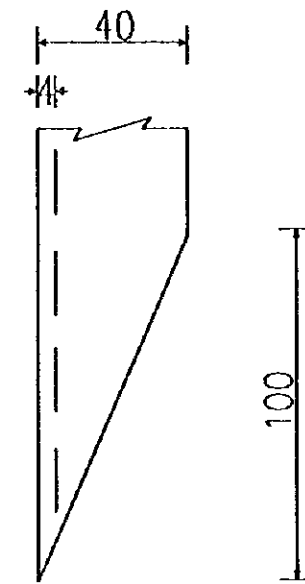
PEOPLE'S REPUBLIC OF CHINA		
SHANGHAI PUDONG INTERNATIONAL AIRPORT PROJECT	SEPTEMBER 1997	
REINFORCEMENT STANDARD FOR LIGHTING FACILITIES		
SCALE	NON SCALE	DWG1-P12
JAPAN INTERNATIONAL COOPERATION AGENCY		



ARRANGEMENT PLAN



DETAIL ①, ③



I-I SECTION

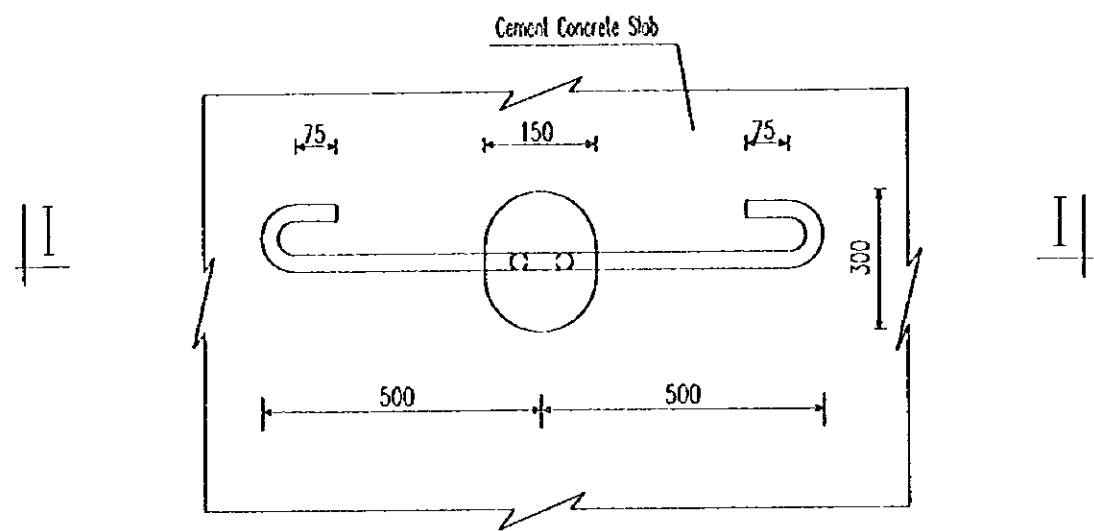
MATERIAL LIST OF ONE UNIT

NO'S	MATERIALS (mm)	SHAPE	LENGTH (mm)	WEIGHT (kg)	MATERIAL OF ONE UNIT		
					NO'S	LENGTH (m)	WEIGHT (kg)
①	φ 25	—	250	0.96	1	0.25	0.96
②	-40X4	—	3082	3.88	1	3.082	3.88
③	L40X40X4	—	2500	6.05	2	5	12.1

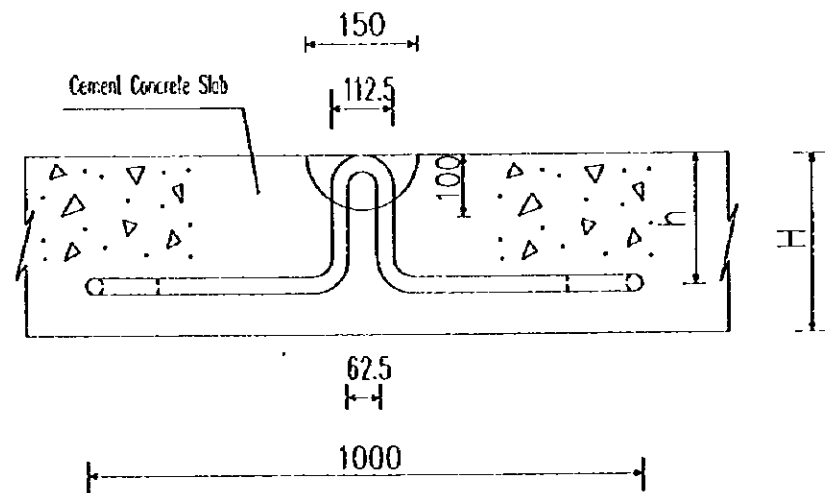
NOTE

1. Unit is millimeter except mentioned.

PEOPLE'S REPUBLIC OF CHINA	
SHANGHAI PUDONG INTERNATIONAL AIRPORT PROJECT	SEPTEMBER 1997
STANDARD DETAILS FOR EARTHING	
SCALE	NO SCALE DWG1-P13
JAPAN INTERNATIONAL COOPERATION AGENCY	



Arrangement Plan



I-I SECTION

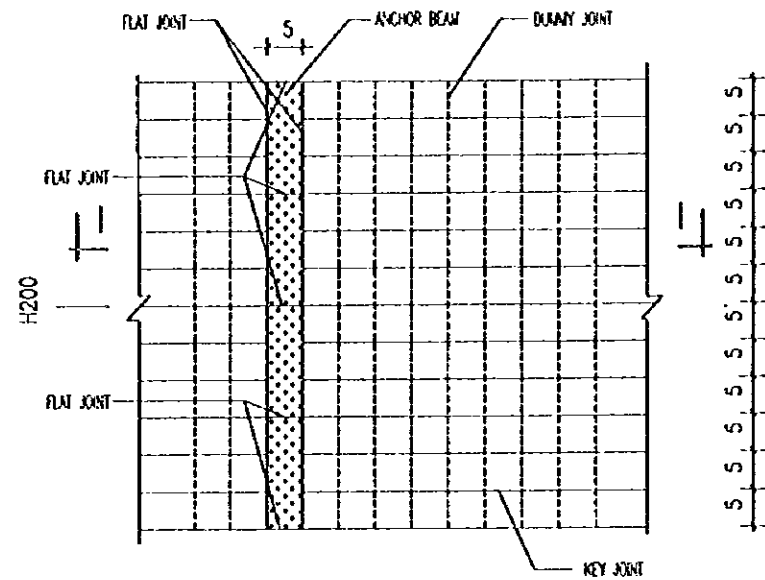
List of Anchor

Thickness of Slab H	h	Diameter	Length of One Unit	Weight of One Unit (kg)
>260	210	25	1660	6.39

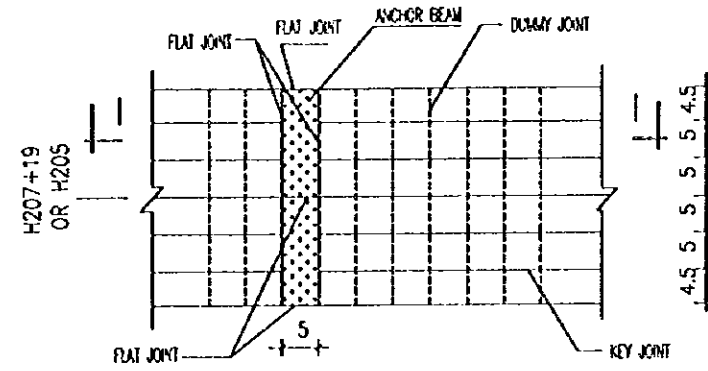
NOTE

Unit : mm

PEOPLE'S REPUBLIC OF CHINA	
SHANGHAI PUDONG INTERNATIONAL AIRPORT PROJECT	SEPTEMBER 1997
STANDARD DETAIL OF ANCHOR	
SCALE	NO SCALE DWG1-P14
JAPAN INTERNATIONAL COOPERATION AGENCY	

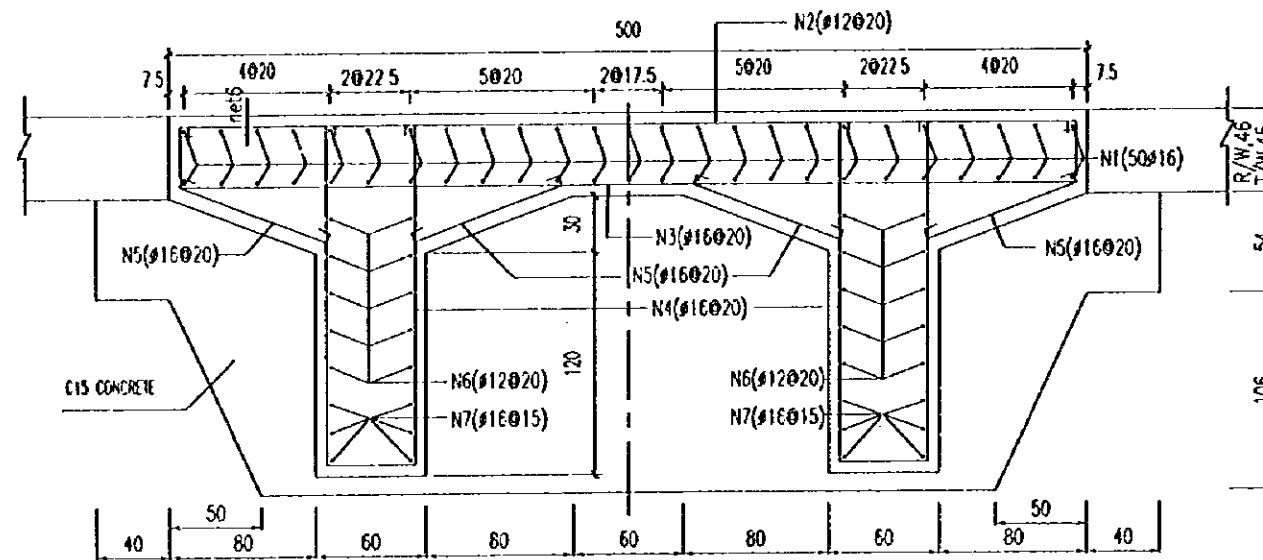


PLAN OF ARRANGEMENT (RUNWAY)  
(UNIT: M; SCALE :1:500)



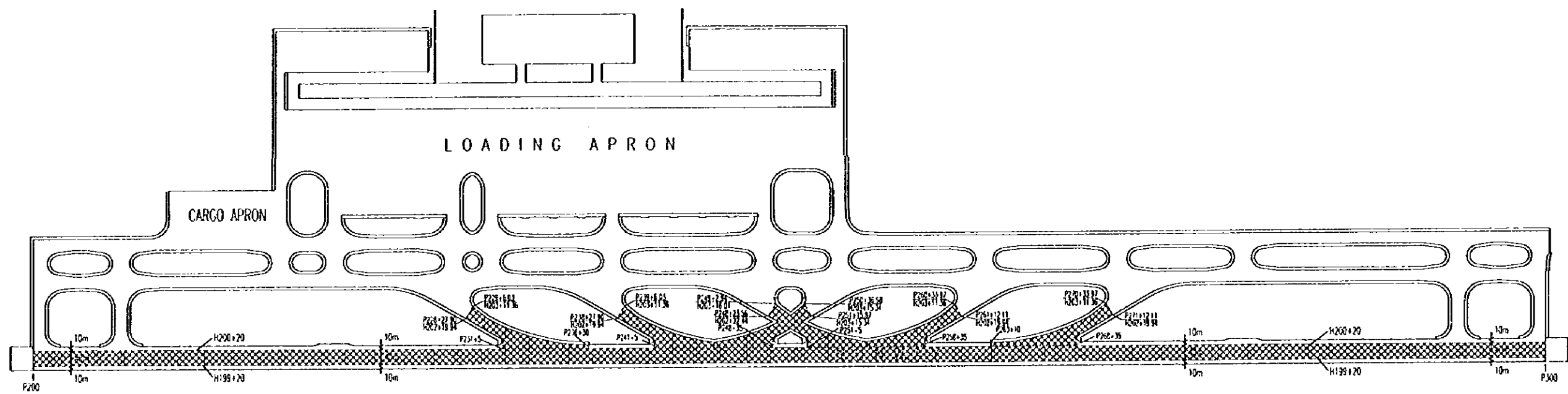
PLAN OF ARRANGEMENT (TAXIWAY)  
(UNIT: M; SCALE :1:500)

QUANTITIES FOR EACH METER LONG	
EXCAVATION (m <sup>3</sup> )	4.76
CONCRETE (f=5.5MPa) (m <sup>3</sup> )	2.28
C15 CONCRETE (m <sup>3</sup> )	5.61
REINFORCING BAR	
φ16 (kg)	240
φ12 (kg)	41

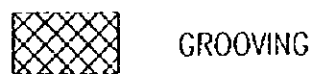


CROSS SECTION OF REINFORCEMENT (I—I)  
(UNIT: CM; SCALE :1:20)

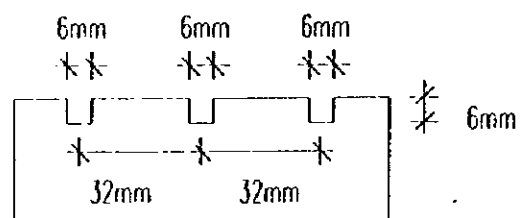
PEOPLE'S REPUBLIC OF CHINA	
SHANGHAI PUDONG INTERNATIONAL AIRPORT PROJECT	SEPTEMBER 1997
DETAILS FOR REINFORCEMENT OF ANCHOR BEAM	
SCALE	AS SHOWN
DWC1-P15	
JAPAN INTERNATIONAL COOPERATION AGENCY	



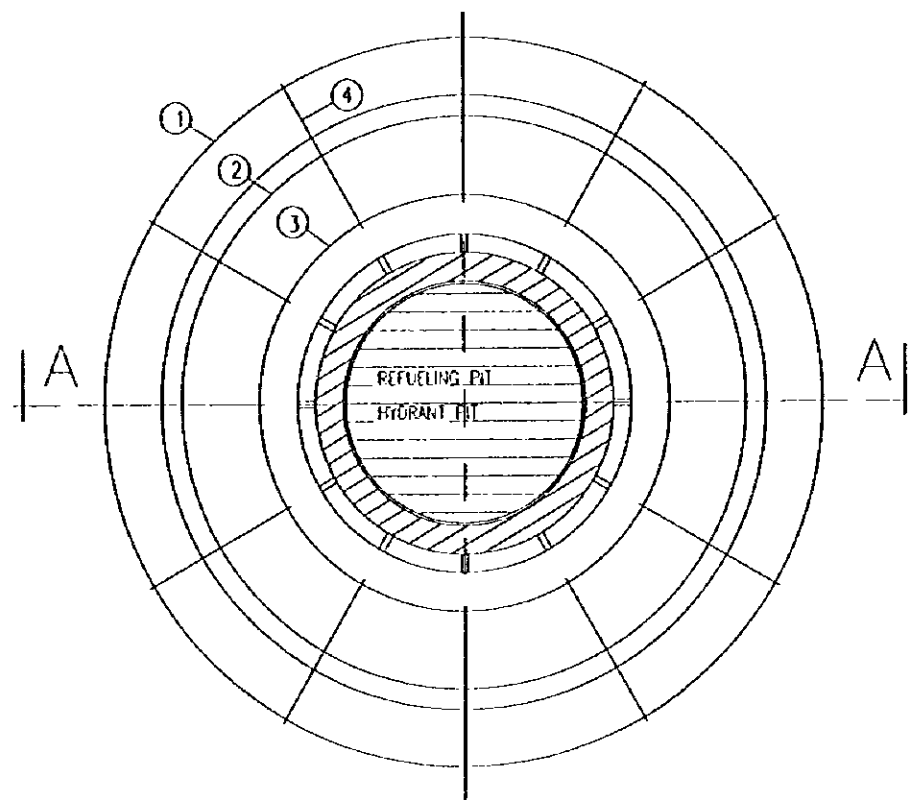
LEGEND :



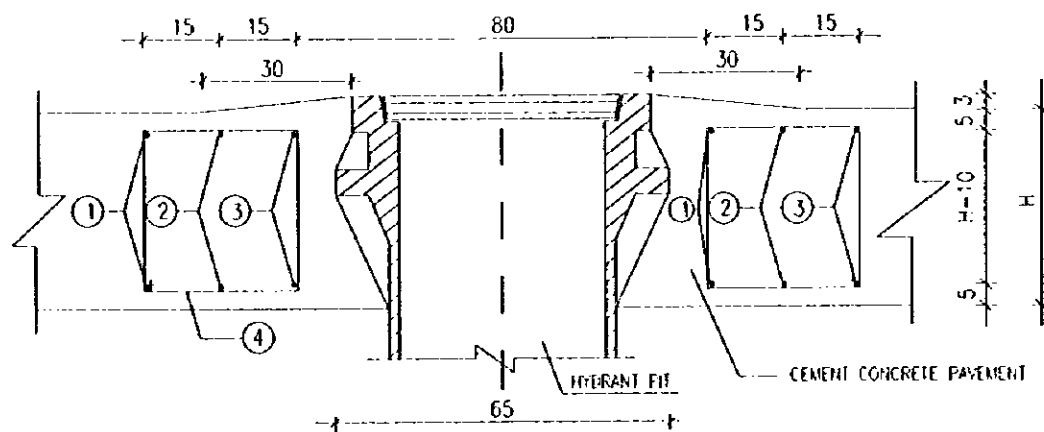
DETAIL OF GROOVING :



PEOPLE'S REPUBLIC OF CHINA	
SHANGHAI PUDONG INTERNATIONAL AIRPORT PROJECT	SEPTEMBER 1997
PLAN OF ARRANGEMENT FOR GROOVING AND BRUSH FINISH	
SCALE	DWG1-P16
JAPAN INTERNATIONAL COOPERATION AGENCY	



REINFORCEMENT ARRANGEMENT PLAN



A-A SECTION

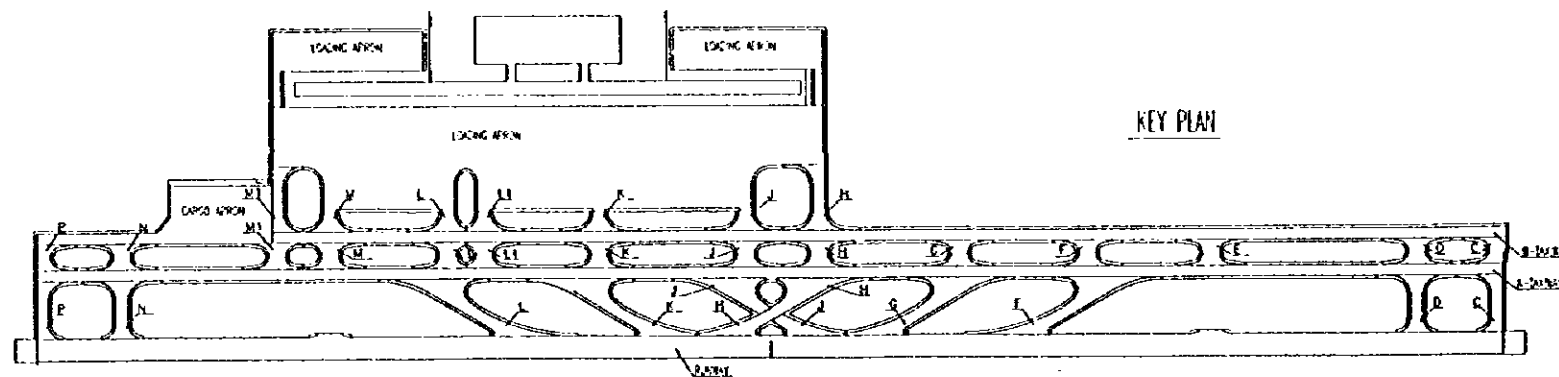
Reinforcement Bar List

REINFORCEMENT	No	SHAPE (cm)	DIAMETER (mm)	LENGTH (cm)	No's	TOTAL LENGTH (m)	UNIT WEIGHT (kg/m)	TOTAL WEIGHT (kg)	SUB TOTAL (kg)
QUANTITIES OF PIT	①		Ø10	449.9	2	9.00	0.617	5.55	13.17
	②		Ø10	355.4	2	7.11	0.617	4.39	
	③		Ø10	261.4	2	5.23	0.617	3.23	
	④		Ø8	66 + 2H	12	7.92 + 0.24H	0.395	3.13 + 0.09H	3.13 + 0.09H
REINFORCEMENT VOLUME OF N PITS	Ø10					13.17N (kg)		TOTAL REINFORCEMENT VOLUME (Kg)	
	Ø8					(3.13 + 0.09H)N (kg)		(16.30 + 0.09H)N	

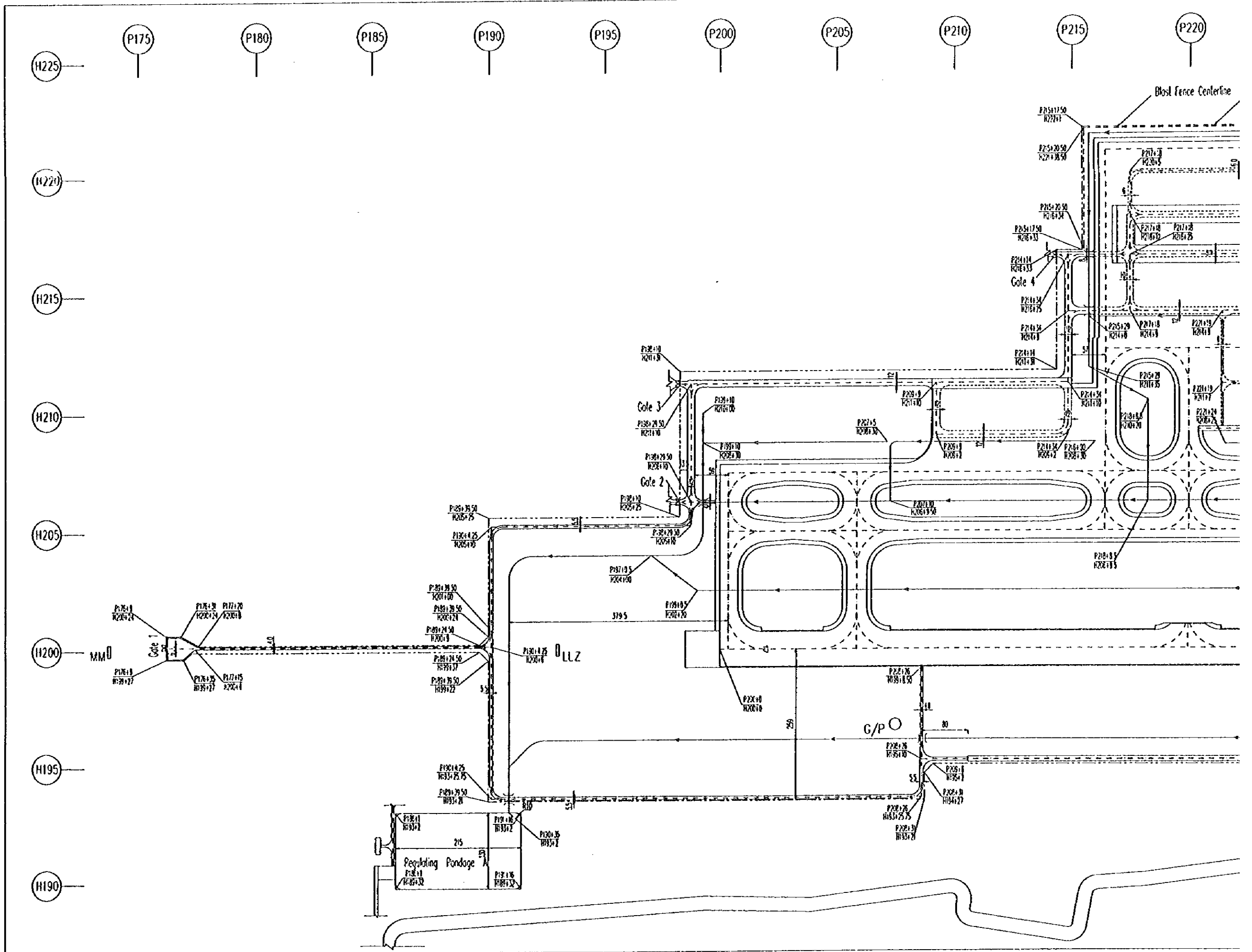
PEOPLE'S REPUBLIC OF CHINA		
SHANGHAI PUDONG INTERNATIONAL AIRPORT PROJECT   SEPTEMBER 1997		
REINFORCEMENT STANDARD FOR HYDRANT PIT		
SCALE	NON SCALE	DWG-P17
JAPAN INTERNATIONAL COOPERATION AGENCY		

## QUANTITIES OF PAVEMENT

No	NAME ITEM	CEMENT CONCRETE AND BASE COURSE ( M <sup>2</sup> )																																CEMENT CONCRETE 4.5 MPa				PRECAST CONCRETE BLOCK					
		CEMENT CONCRETE 5.0 MPa																								CEMENT CONCRETE 4.5 MPa				PRECAST CONCRETE BLOCK													
		H=46CM		H=45CM		H=42CM		H=39CM		H=37CM		H=35CM		H=32CM		H=46-39CM		H=45-37CM		H=45-32CM		H=42-39CM		H=42-37CM		H=42-35CM		H=42-32CM		H=39-32CM		H=26CM		H=16CM		H=12CM		PRECAST CONCRETE BLOCK					
CONC-RETE	BASE	CONC-RETE	BASE	CONC-RETE	BASE	CONC-RETE	BASE	CONC-RETE	BASE	CONC-RETE	BASE	CONC-RETE	BASE	CONC-RETE	BASE	CONC-RETE	BASE	CONC-RETE	BASE	CONC-RETE	BASE	CONC-RETE	BASE	CONC-RETE	BASE	CONC-RETE	BASE	CONC-RETE	BASE	CONC-RETE	BASE	CONC-RETE	BASE	CONC-RETE	BASE	CONC-RETE	BASE	CONC-RETE	BASE				
1	RUNWAY	55800	52945	4300	5050	69600	69600	1903	2008	22703	25042	3490	3400	16675	18346	1500	1500	25300	25300																								
2	LOADING APRON			322817	323338			76614	72472					45825	48589																												
3	CARGO APRON			30168	30378									4355	4309																												
4	A-TAXIWAY			116000	117795																																						
5	B-TAXIWAY			116290	118360																																						
6	C-TAXIWAY			9504	10783																																						
7	D-TAXIWAY			12502	12924																																						
8	E-TAXIWAY			5050	5226																																						
9	F-TAXIWAY			5050	5226					13051	13430																																
10	G-TAXIWAY			5050	5226					12983	13286																																
11	H-TAXIWAY			12804	13234							12930	13293																														
12	J-TAXIWAY			8313	8628							11979	12344																														
13	K-TAXIWAY			8313	8628					12583	13288																																
14	L-TAXIWAY			8024	8263					13091	13430																																
15	LI-TAXIWAY			8024	8260																																						
16	M-TAXIWAY			2239	2503																																						
17	MI-TAXIWAY			11742	12104																																						
18	N-TAXIWAY			12502	12924																																						
19	P-TAXIWAY			10932	11361																																						
20	OVERRUN																																										
AREA TOTAL SUM (M <sup>2</sup> )		55800	52945	716644	725732	69600	69600	78517	79490	74851	78474	28369	29037	67465	71244	1500	1500	25300	25300	8532	9460	4266	4740	13210	13255	750	750	4075	4075	1700	1700	33350	33350	3800	3810	20430	21380	23768	27912	151255	162370	3006	3324
VOLUME TOTAL SUM (M <sup>3</sup> )		25668	30211	322430	331885	29232	37584	30622	42919	27635	42376	5930	15080	21666	38472	638	810	10500	13662	3429	5120	1707	2563	5088	7158	304	405	1610	2201	655	918	12340	18503	1349	2058	5312	7629	3794	8932	18156	51959	301	1197



PEOPLE'S REPUBLIC OF CHINA	
SHANGHAI PUDONG INTERNATIONAL AIRPORT PROJECT	SEPTEMBER 1997
QUANTITIES OF PAVEMENT	
SCALE	NON SCALE DWG1-P18
JAPAN INTERNATIONAL COOPERATION AGENCY	





P205

P210

P215

P220

P225

P230

P235

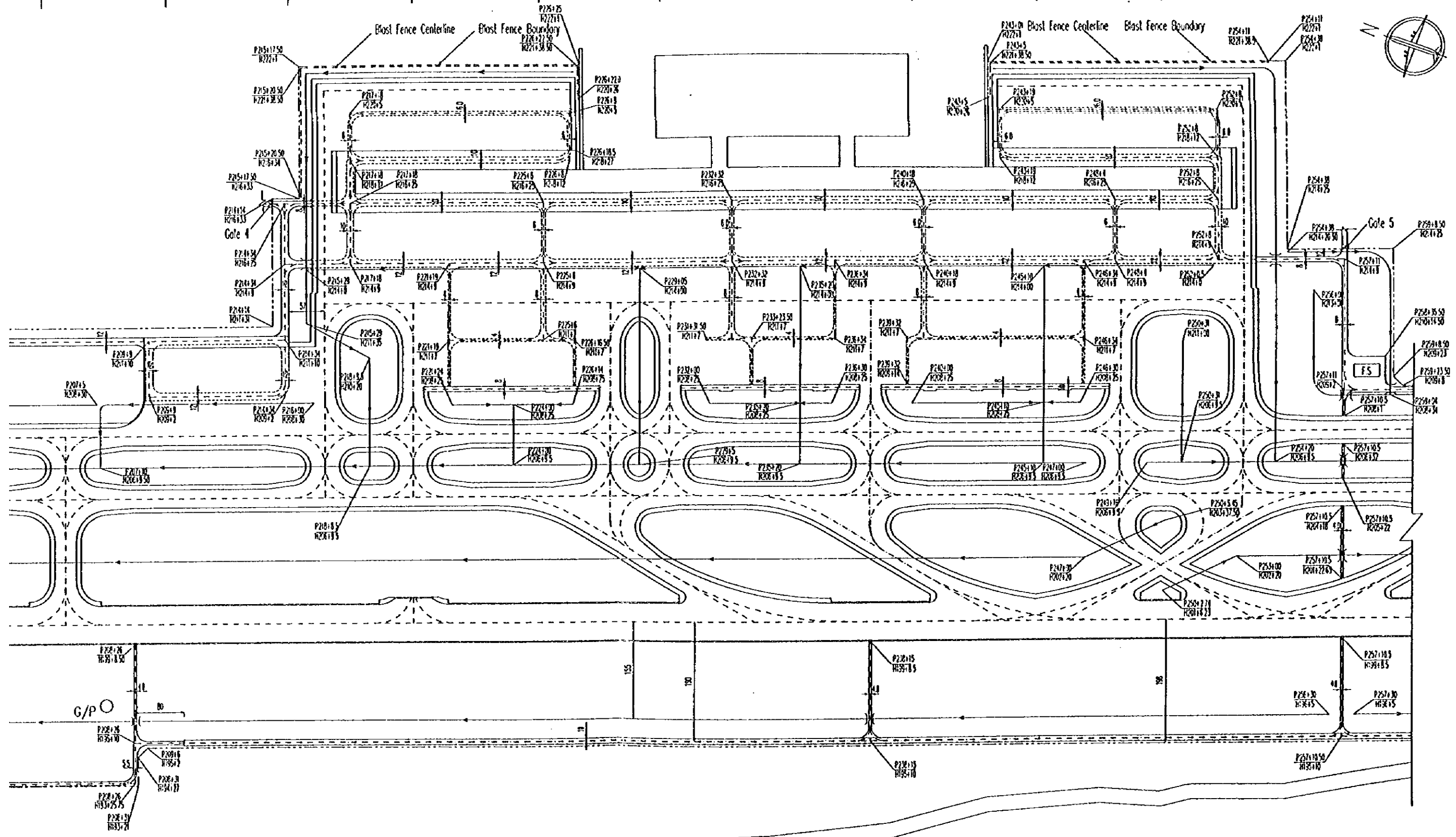
P240

P245

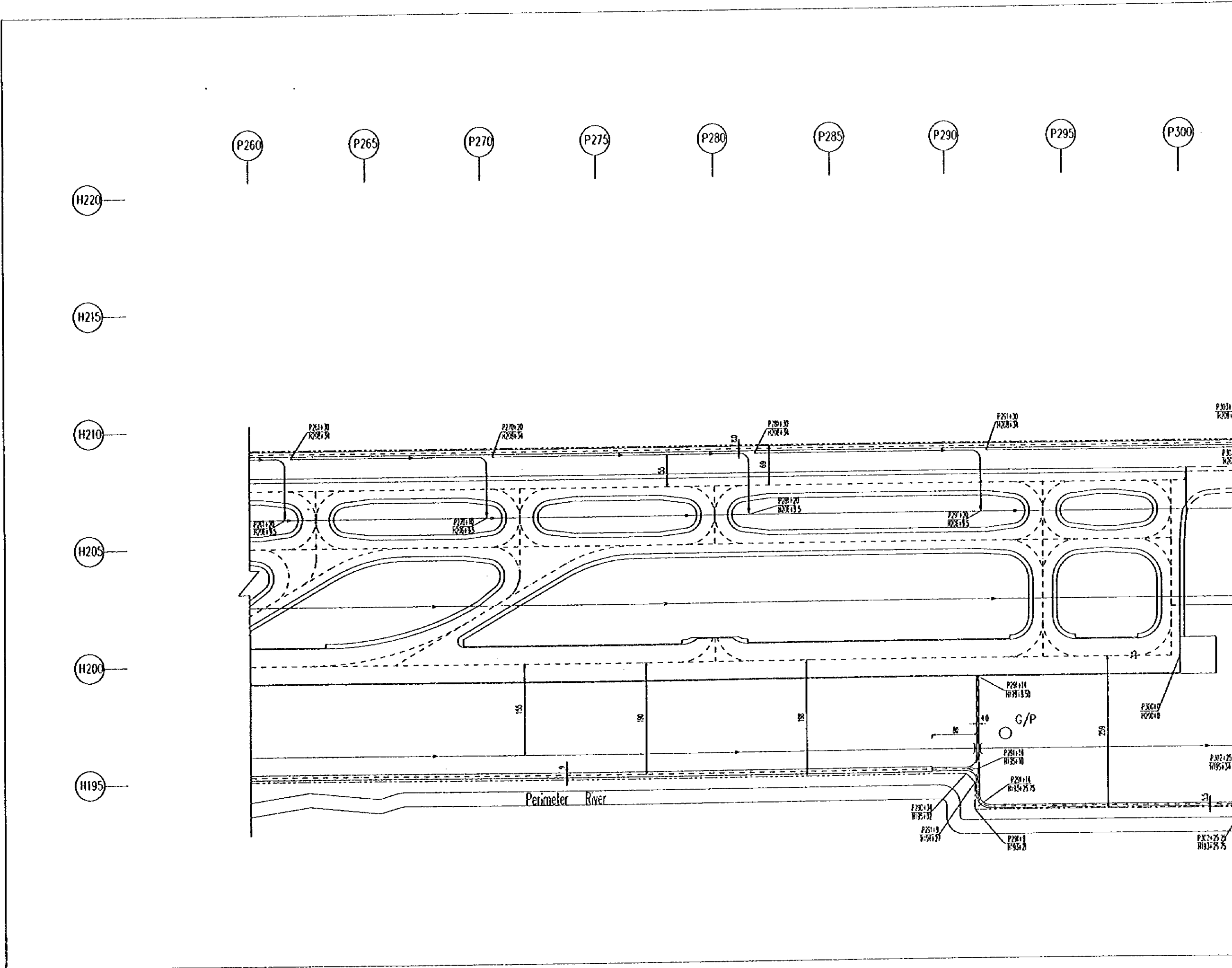
P250

P255

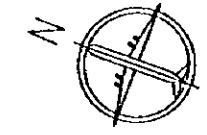
P260



PEOPLE'S REPUBLIC OF CHINA	
SHANGHAI PUDONG INTERNATIONAL AIRPORT PROJECT	SEPTEMBER 1997
PLAN FOR SUPPLEMENT FACILITIES OF AIRFIELD	
SCALE	0 25 50m 100m 150m DWG1-R1(1/2)
JAPAN INTERNATIONAL COOPERATION AGENCY	

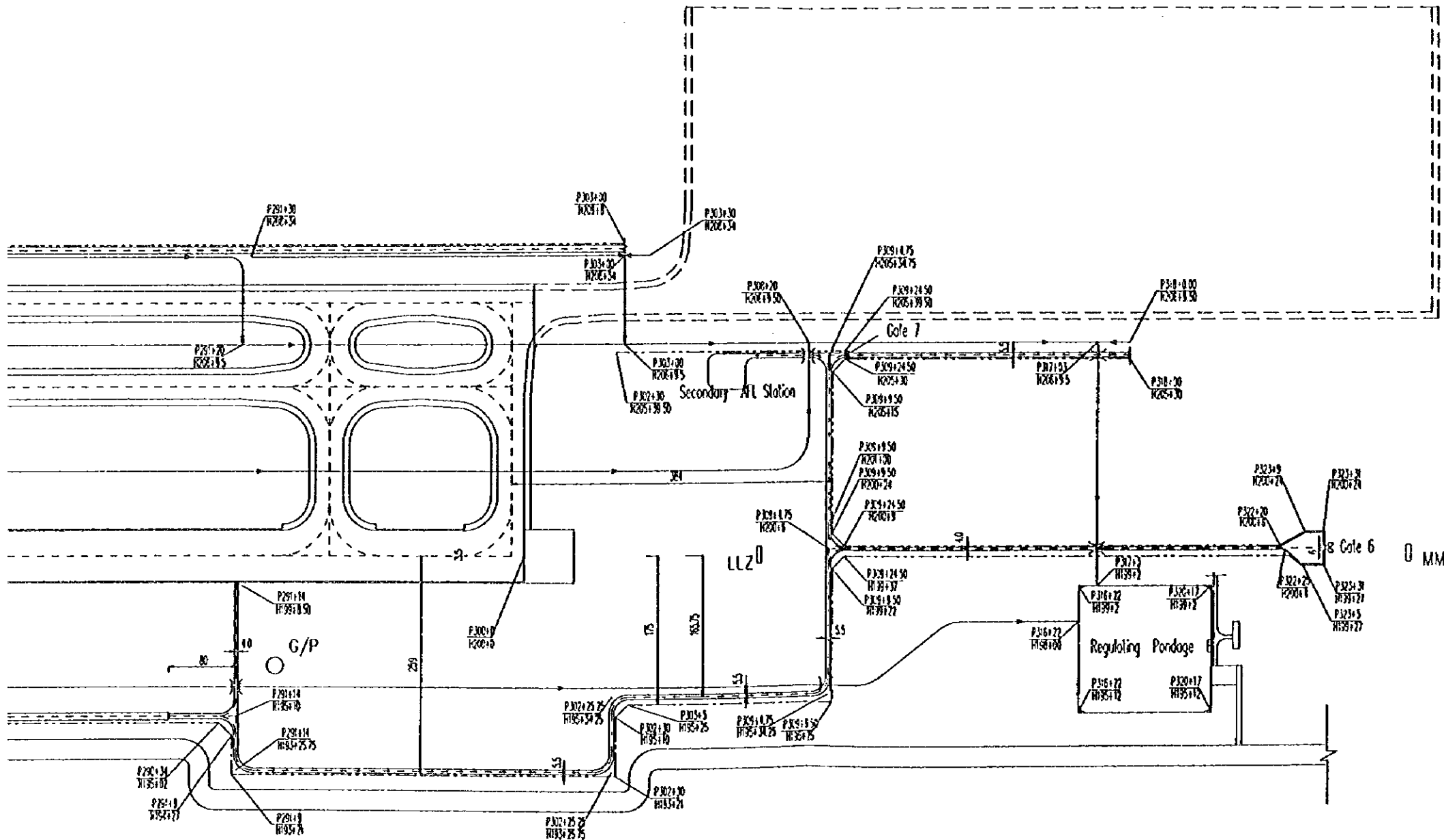


P285      P290      P295      P300      P305      P310      P315      P320      P325



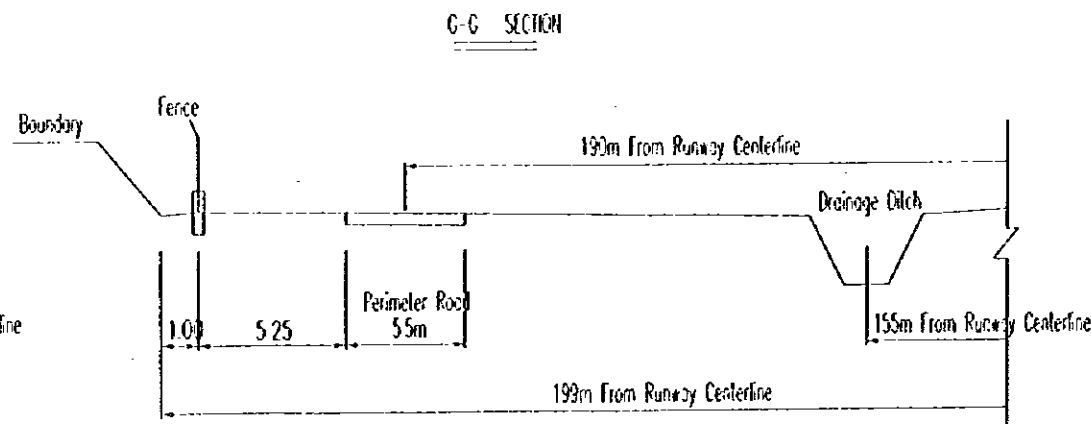
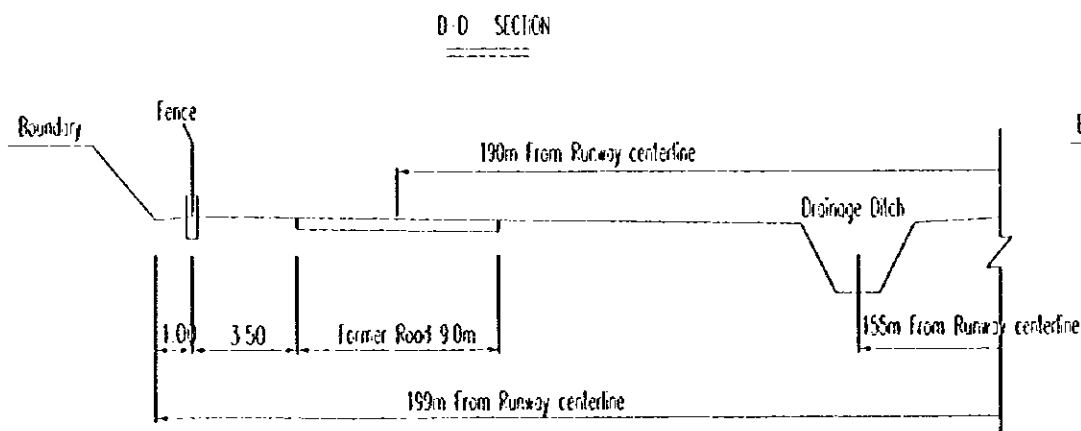
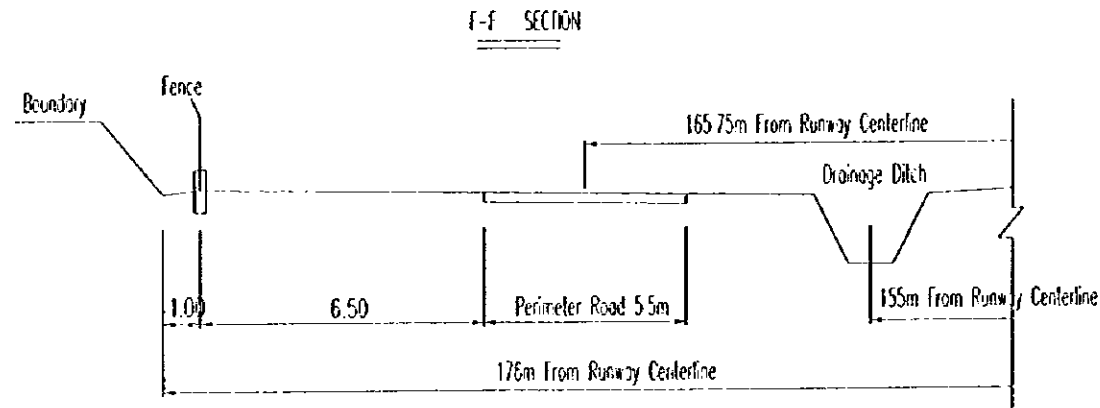
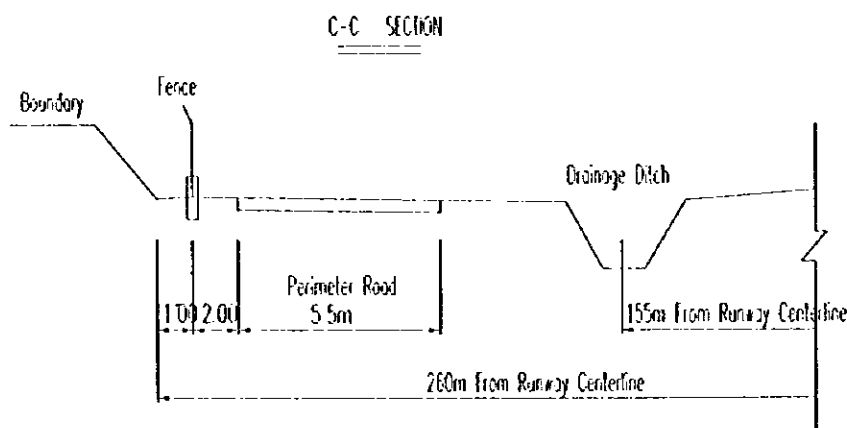
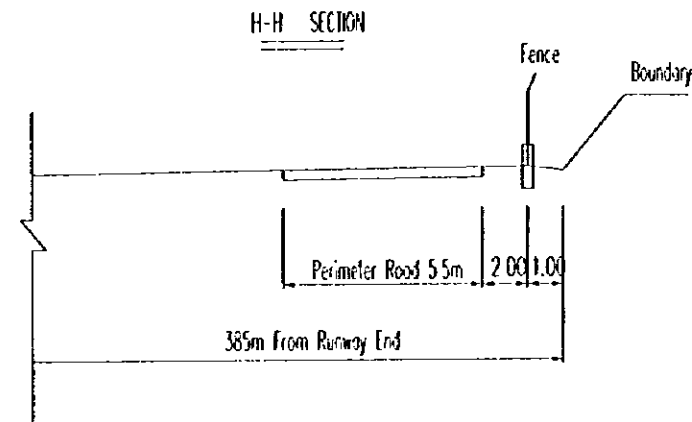
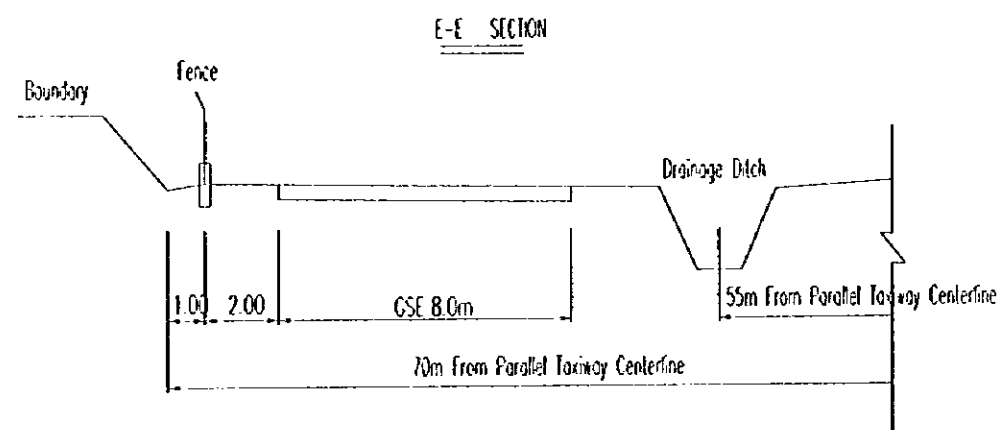
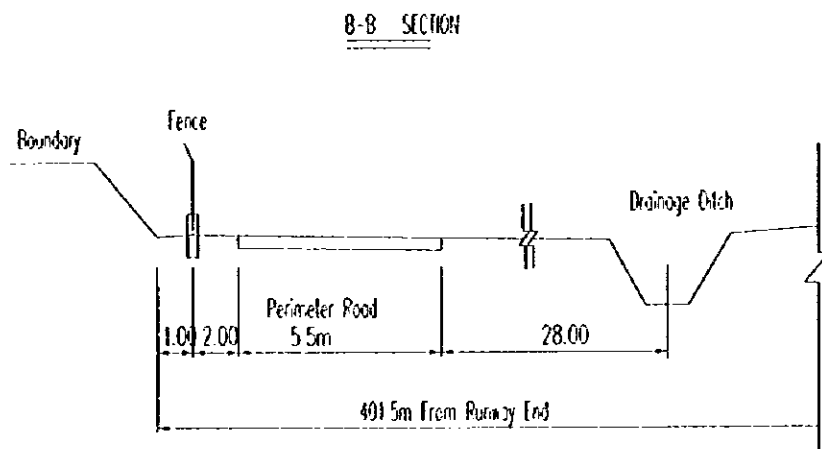
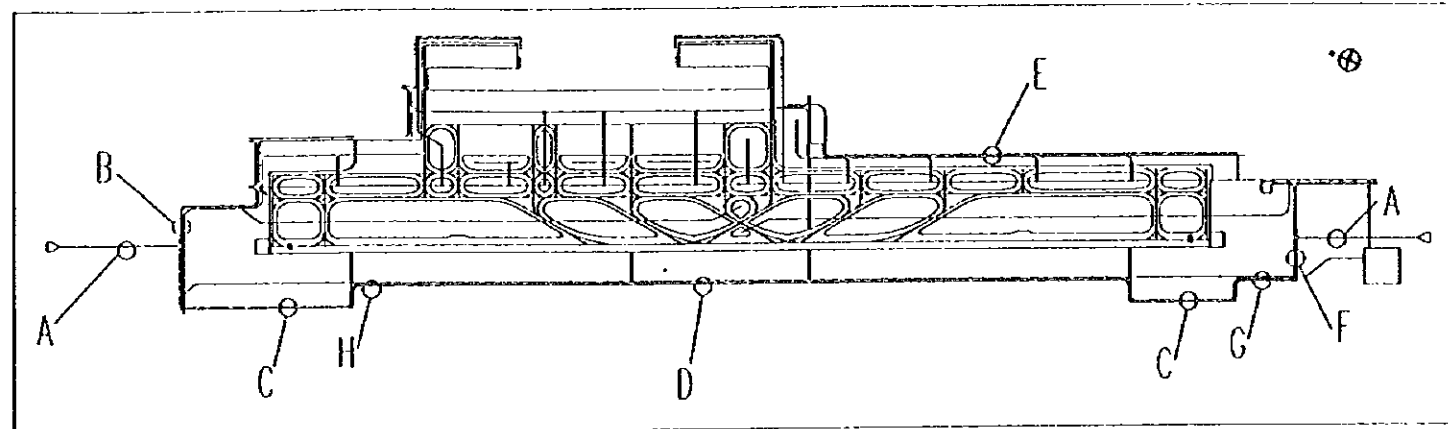
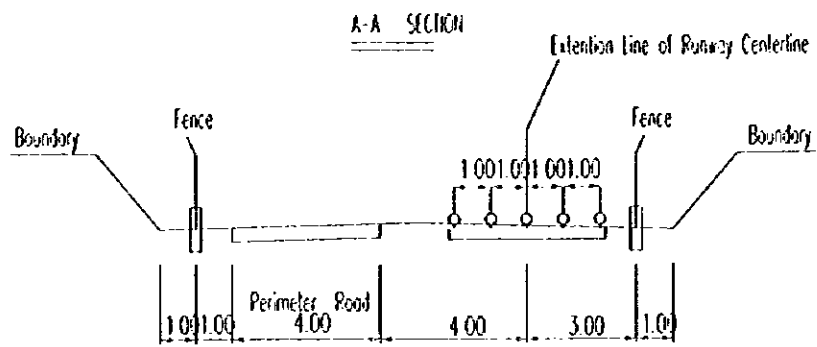
NOTE

1. Scale ; 1:3000 , Unit ; meter .
2. Pavement plan is shown in "DWG1-P1" .
3. Structure of gate 1,6,7 are shown in "DWG1-R9" .
4. Legend ;



- Pavement line
- Shoulder line
- Drainage line
- RC Culvert with Covers Passing Through Road .
- - - - Blast Fence
- - - - Centerline of Pavement
- Road Pavement line
- ..... GSE Road on Pavement
- - - - Steel Fence
- - - - Brick Fence
- - - - Gate of Fence

PEOPLE'S REPUBLIC OF CHINA	
SHANGHAI PUDONG INTERNATIONAL AIRPORT PROJECT	SEPTEMBER 1997
PLAN FOR SUPPLEMENT FACILITIES OF AIRFIELD	
SCALE	1:10 25 50m 100m 150m DWG1-R1(2/2)
JAPAN INTERNATIONAL COOPERATION AGENCY	



**NOTE**

1. Unit is meter except mentioned.
2. Plan location of each section is shown above.
3. Type of drainage line is shown in "DWG1-D1".

PEOPLE'S REPUBLIC OF CHINA	
SHANGHAI PUDONG INTERNATIONAL AIRPORT PROJECT	SEPTEMBER 1997
CROSS SECTION OF SUPPLEMENT FACILITIES OF AIRFIELD	
SCALE	No Scale DWG1-R2
JAPAN INTERNATIONAL COOPERATION AGENCY	

P175 P180 P185 P190 P195 P200 P205 P210 P215 P220 P225

H220

H215

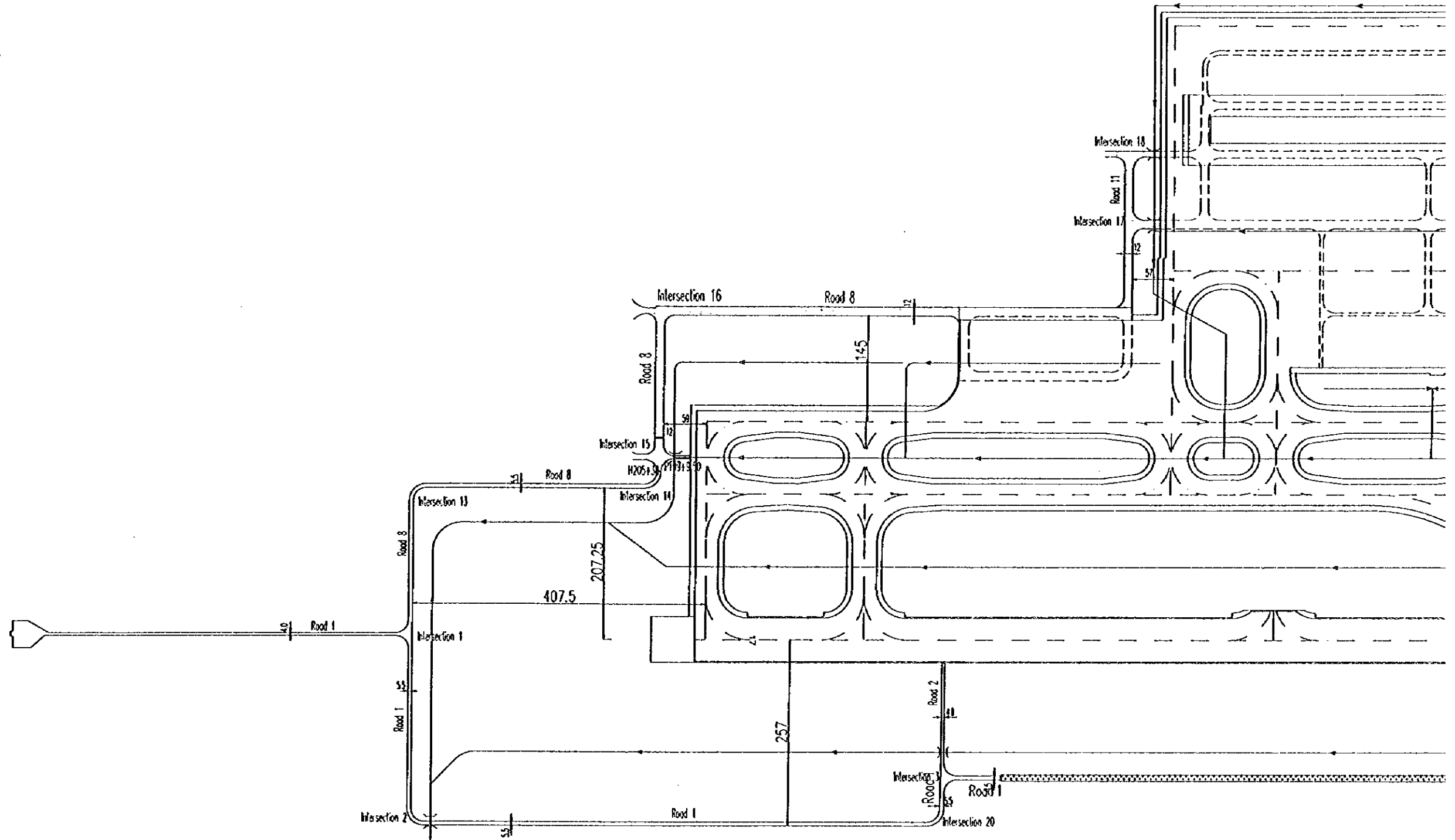
H210

H205

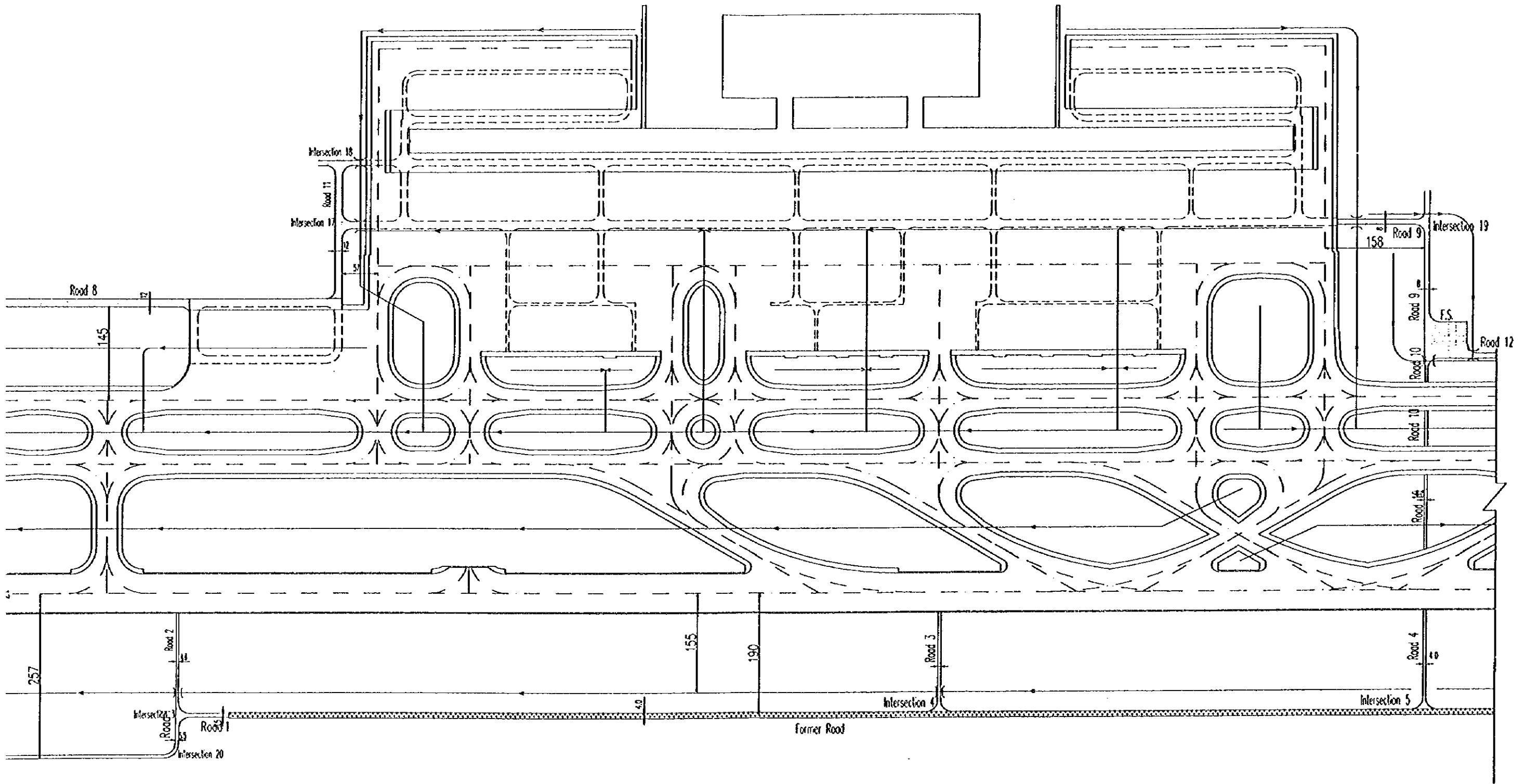
H200

H195

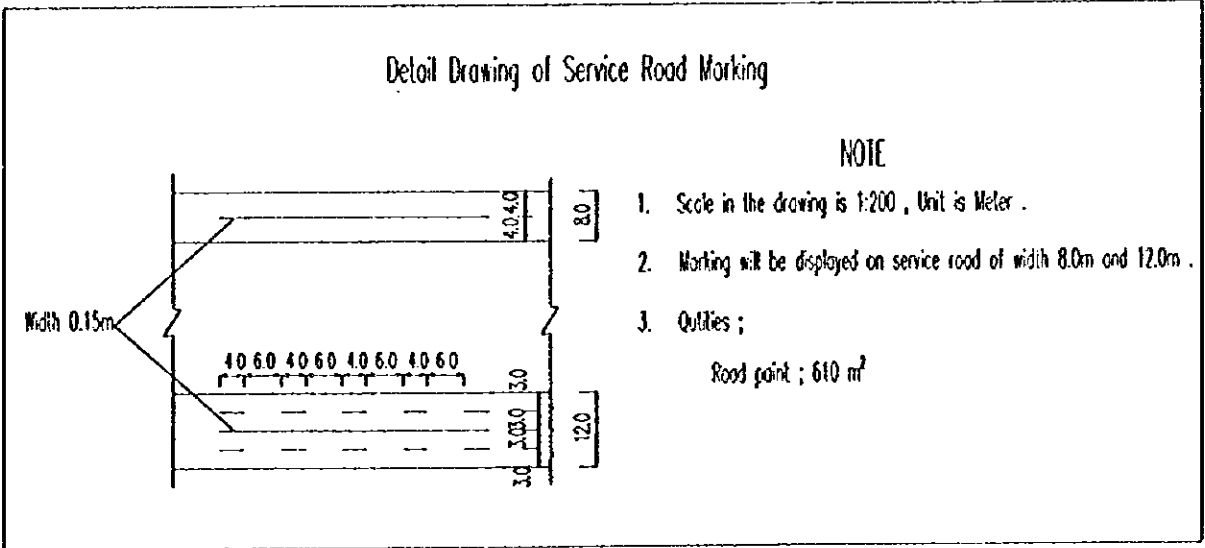
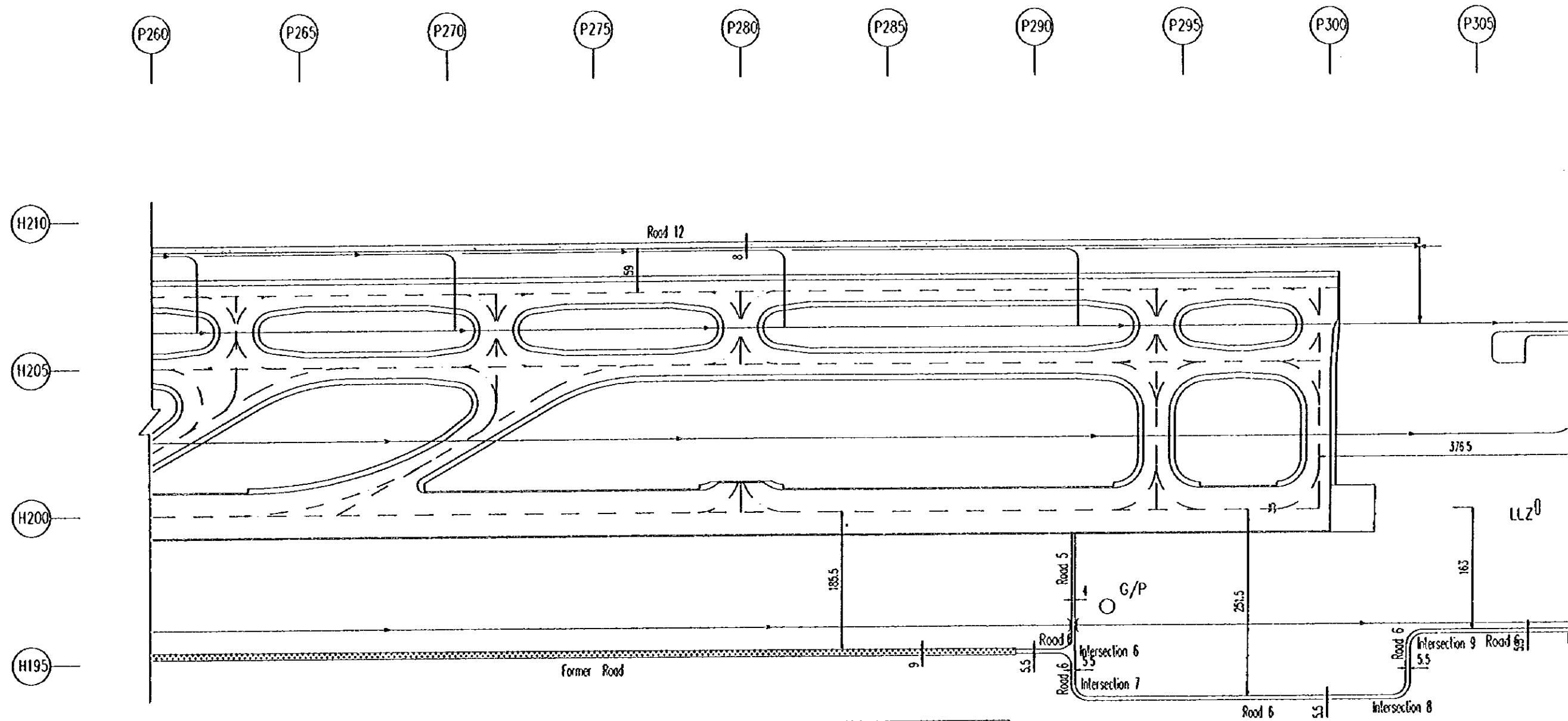
H190

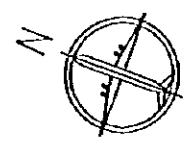


P205 P210 P215 P220 P225 P230 P235 P240 P245 P250 P255 P260



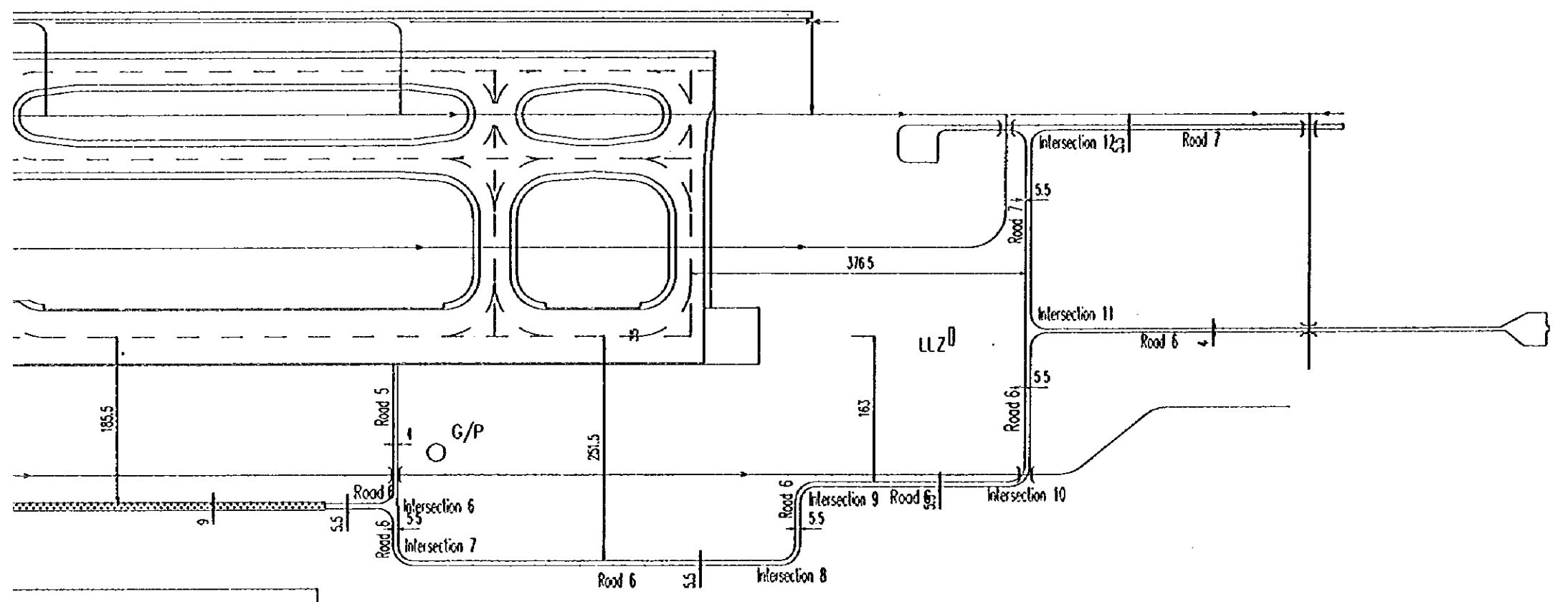
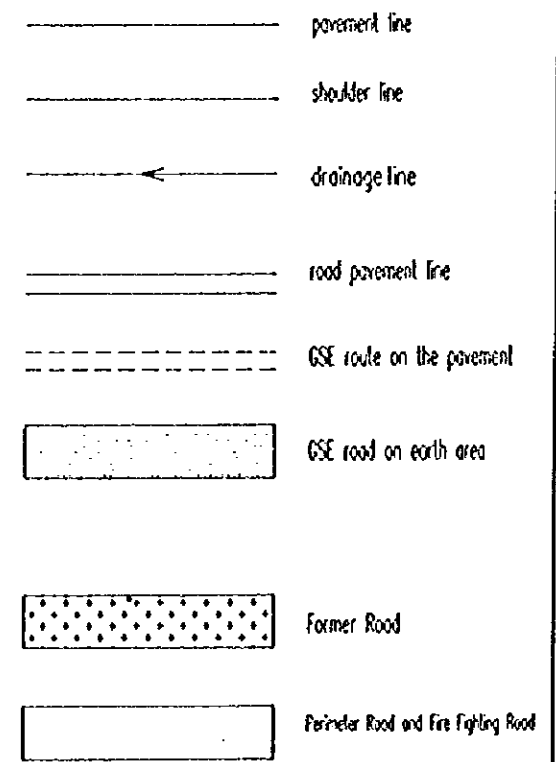
PEOPLE'S REPUBLIC OF CHINA	
SHANGHAI PUDONG INTERNATIONAL AIRPORT PROJECT	SEPTEMBER 1997
PLAN FOR ROAD PAVEMENT STRUCTURE OF AIRFIELD	
SCALE	1:10 1:25 1:50 1:100 1:200 DWG-R3(1/2)
JAPAN INTERNATIONAL COOPERATION AGENCY	





NOTE

1. Scale ; 1:3000 , Unit ; m .
2. Legend ;

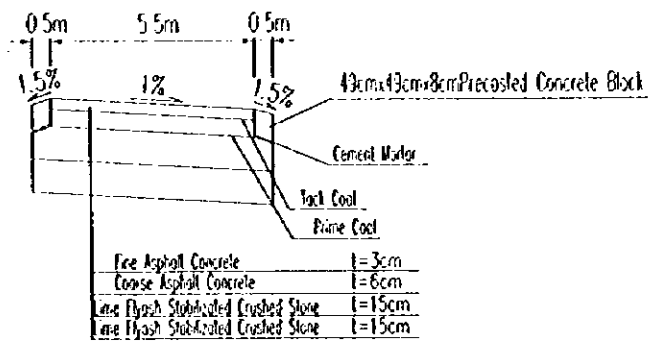


NOTE  
 Drawing is 1:200 , Unit is Meter .  
 is displayed on service road of width 8.0m and 12.0m .  
 Area : 610 m<sup>2</sup>

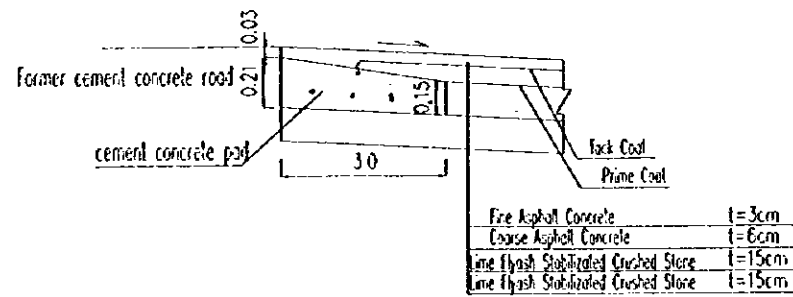
PEOPLE'S REPUBLIC OF CHINA	
SHANGHAI PUDONG INTERNATIONAL AIRPORT PROJECT	SEPTEMBER 1997
PLAN FOR ROAD PAVEMENT STRUCTURE OF AIRFIELD	
SCALE	DWG1-RJ(2/2)
JAPAN INTERNATIONAL COOPERATION AGENCY	



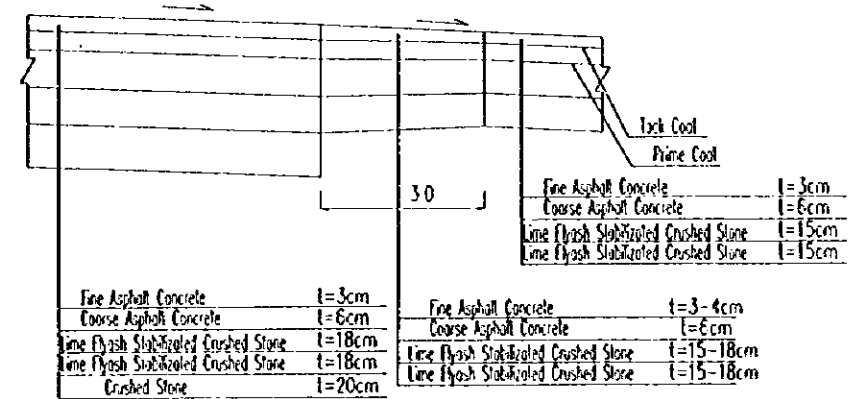
PERIMETER ROAD



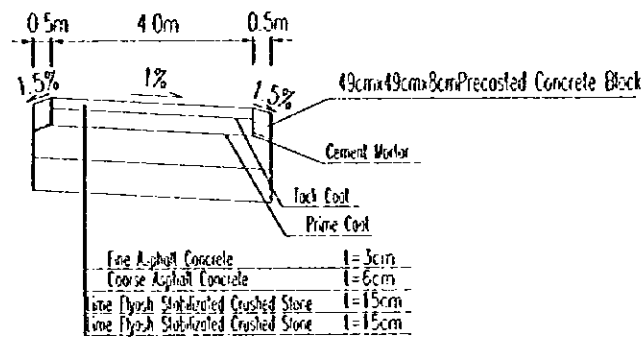
Longitudinal Section of Connection Between Perimeter Road And Former Road



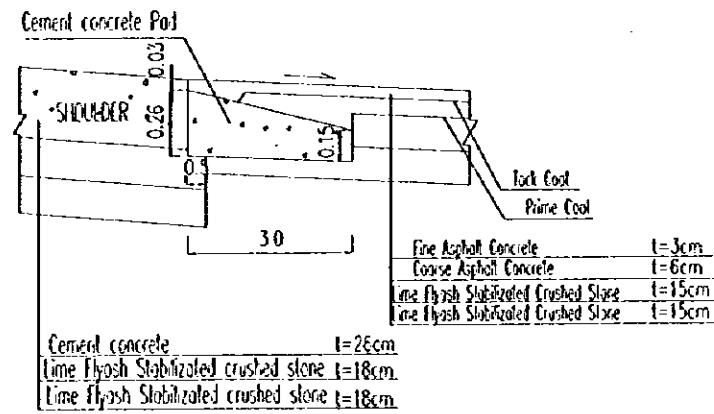
Longitudinal Section of Connection Between Perimeter Road And GSE



FIRE FIGHTING ROAD



Longitudinal Section of Connection Between Perimeter Road Fire Fighting Road and Shoulder

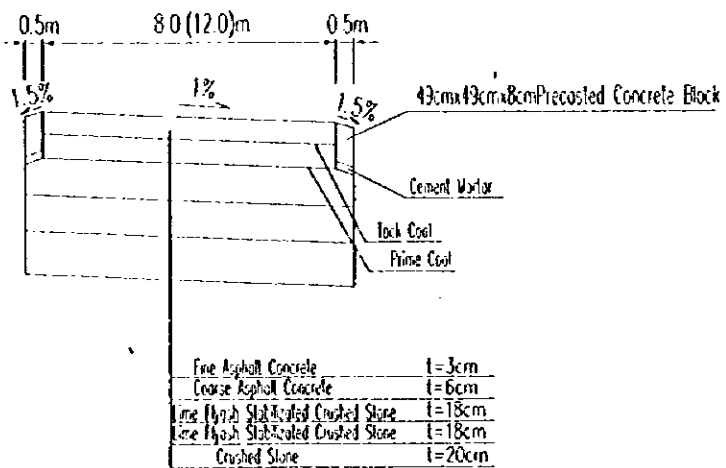


NOTE

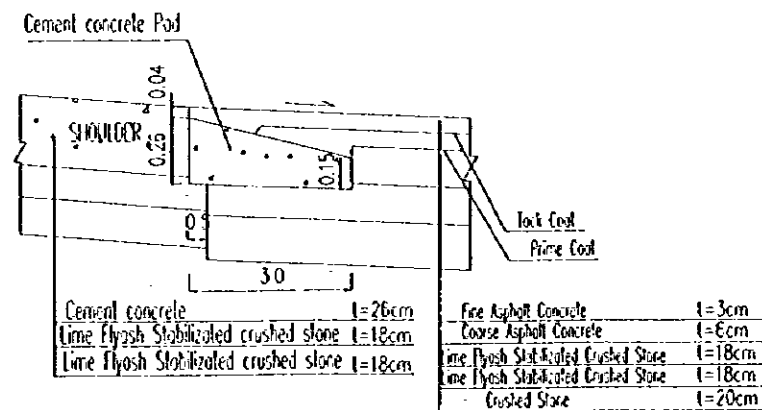
- Unit is meter except mentioned.
- Design requirement of lime flyash stabilized crushed stone is as follows:

Name/Item	Composition	Degree of Compaction	Compression Strength (7d)
Upper Base Course	Lime Flyash Crushed Stone	≥0.97	≥0.6MPa
Lower Base Course	Lime Flyash Crushed Stone	≥0.95	≥0.5MPa

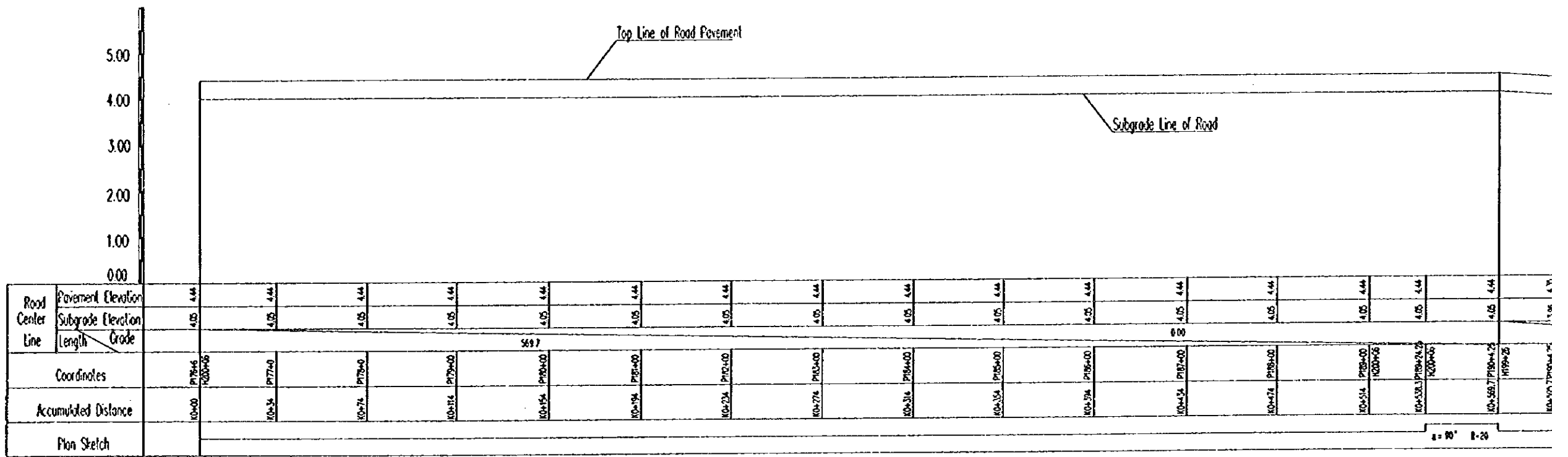
GSE ROAD



Longitudinal Section of Connection Between GSE Road And Shoulder



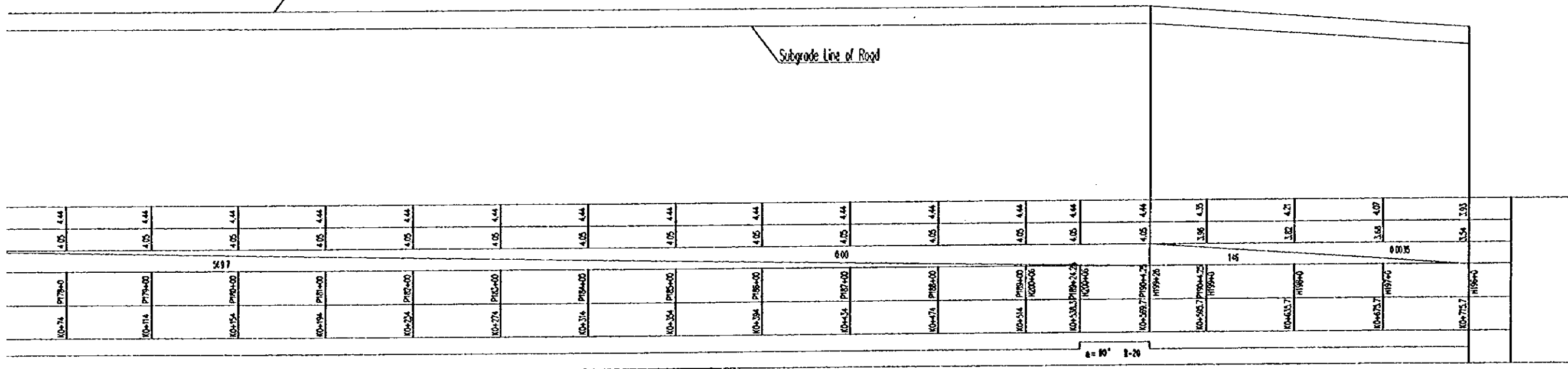
PEOPLE'S REPUBLIC OF CHINA	
SHANGHAI PUDONG INTERNATIONAL AIRPORT PROJECT	SEPTEMBER 1997
SERVICE ROAD STRUCTURE DRAWING OF AIRFIELD	
SCALE	NO SCALE DWG1-R4
JAPAN INTERNATIONAL COOPERATION AGENCY	



(Unit : m)

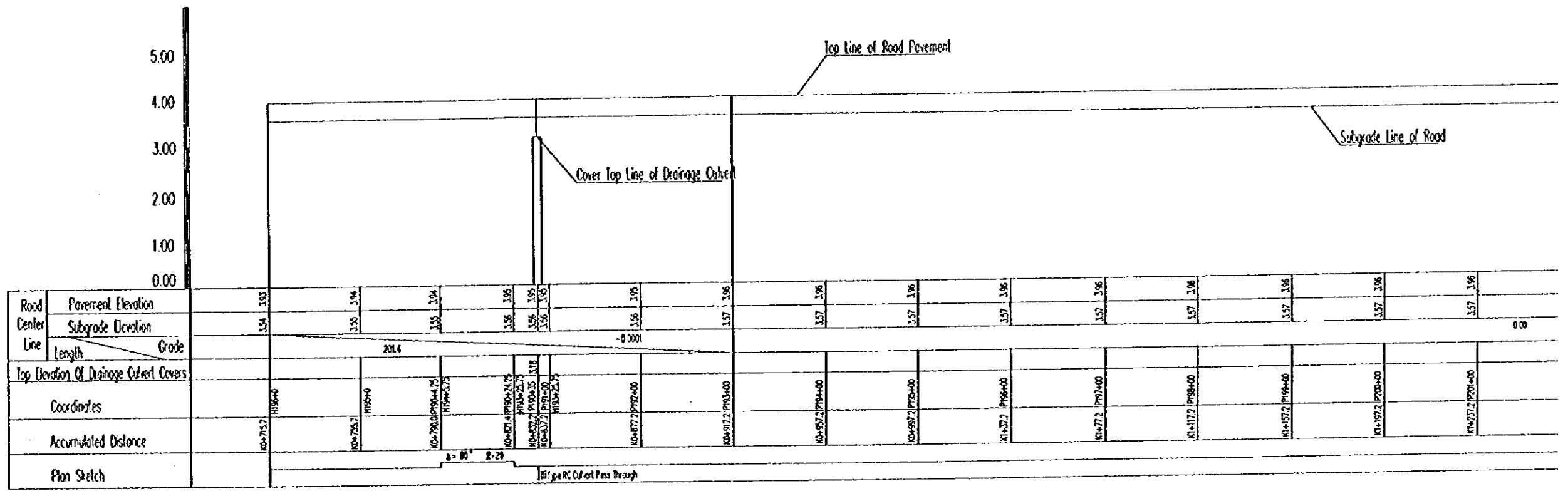
Top Line of Road Pavement

Subgrade Line of Road

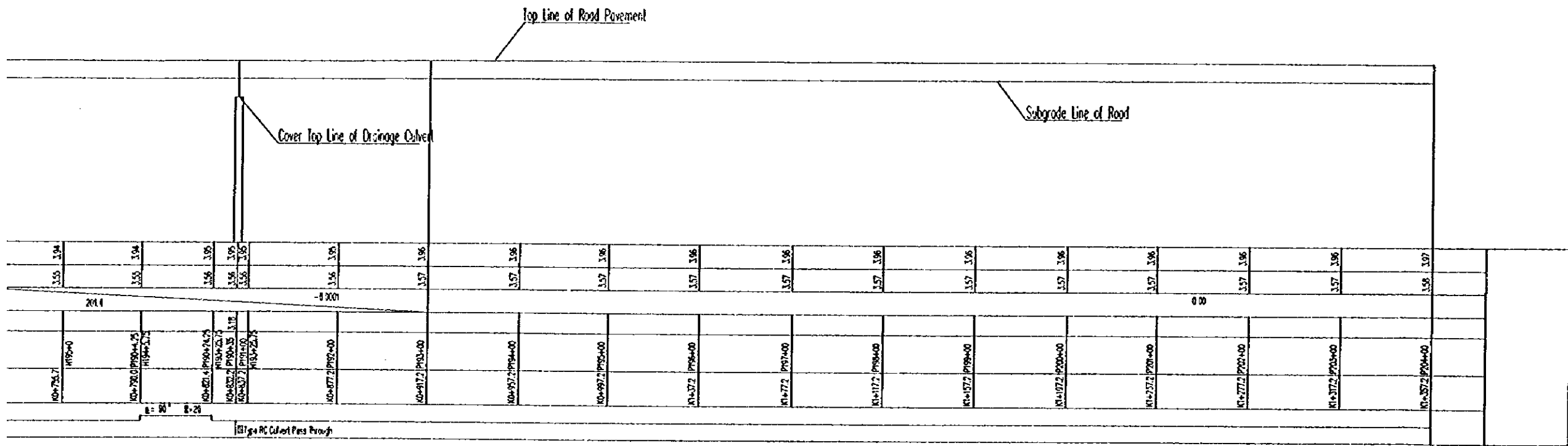


(Unit: m)

PEOPLE'S REPUBLIC OF CHINA		
SHANGHAI PUDONG INTERNATIONAL AIRPORT PROJECT   SEPTEMBER 1997		
ROAD 1 PROFILE		
SCALE	H: 1:1000	V: 1:50
DWG1-R5-01(1/3)		
JAPAN INTERNATIONAL COOPERATION AGENCY		

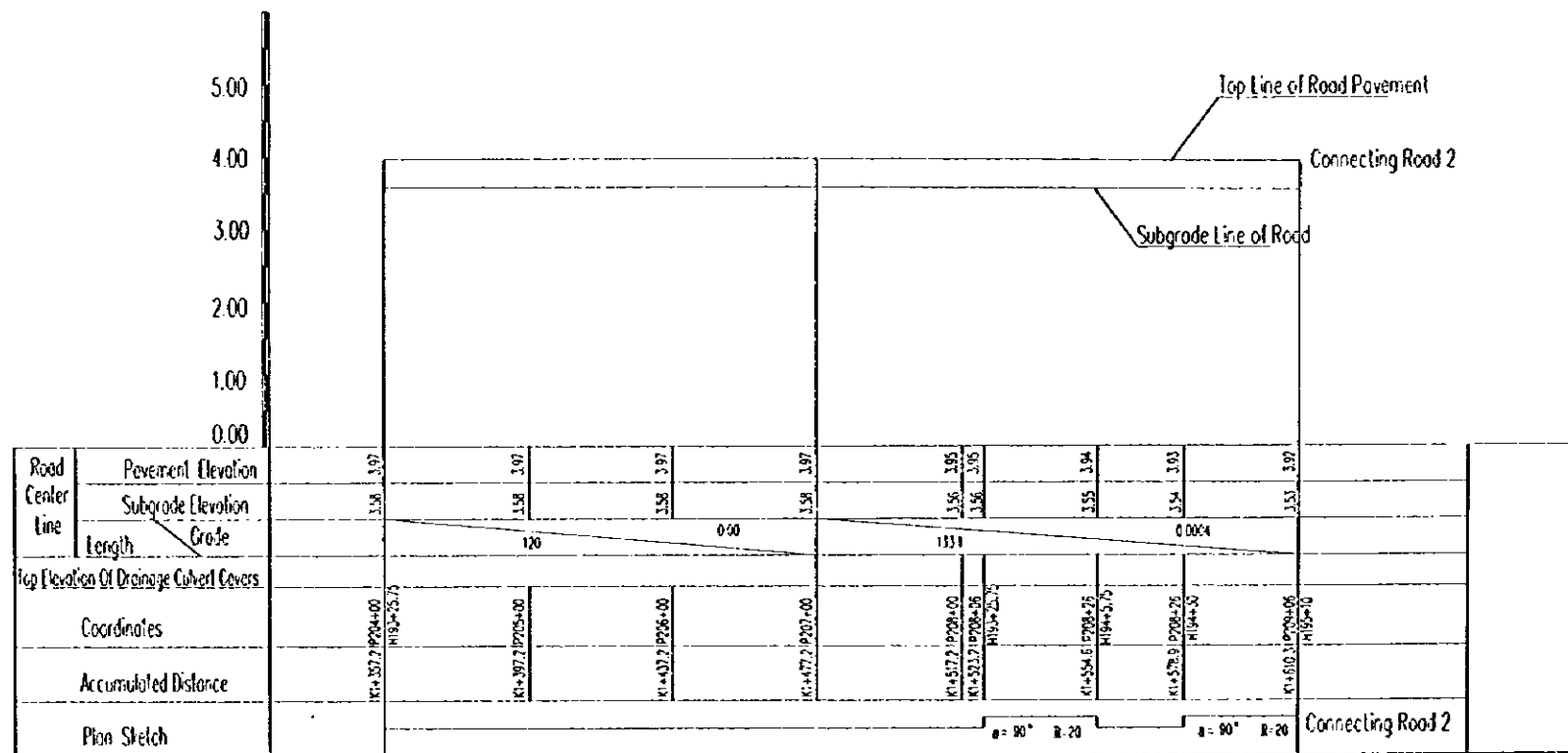


( Unit : m )



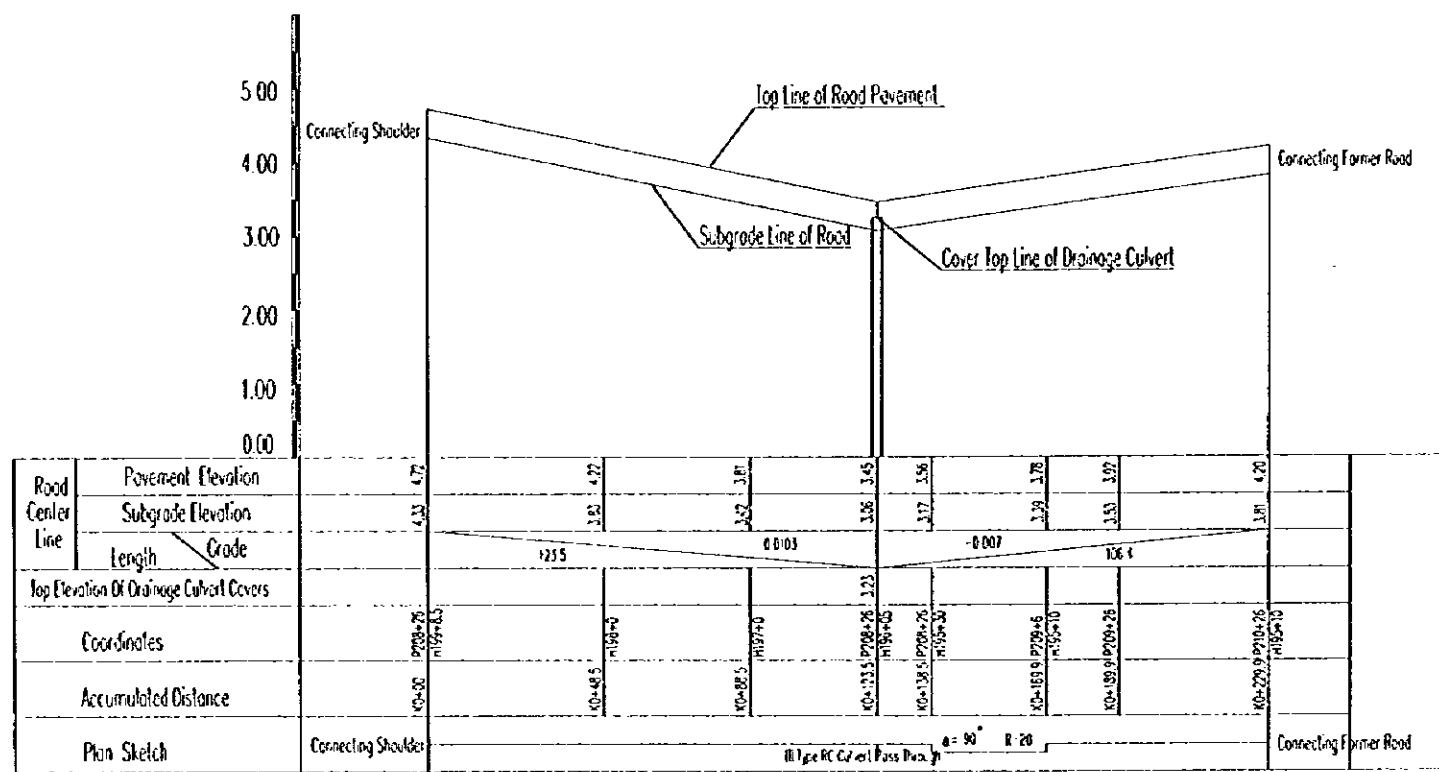
( Unit : m )

PEOPLE'S REPUBLIC OF CHINA			
SHANGHAI FUDONG INTERNATIONAL AIRPORT PROJECT   SEPTEMBER 1997			
ROAD 1 PROFILE			
SCALE	H: 1:1000	V: 1:50	DWG1-RS-01(2/3)
JAPAN INTERNATIONAL COOPERATION AGENCY			

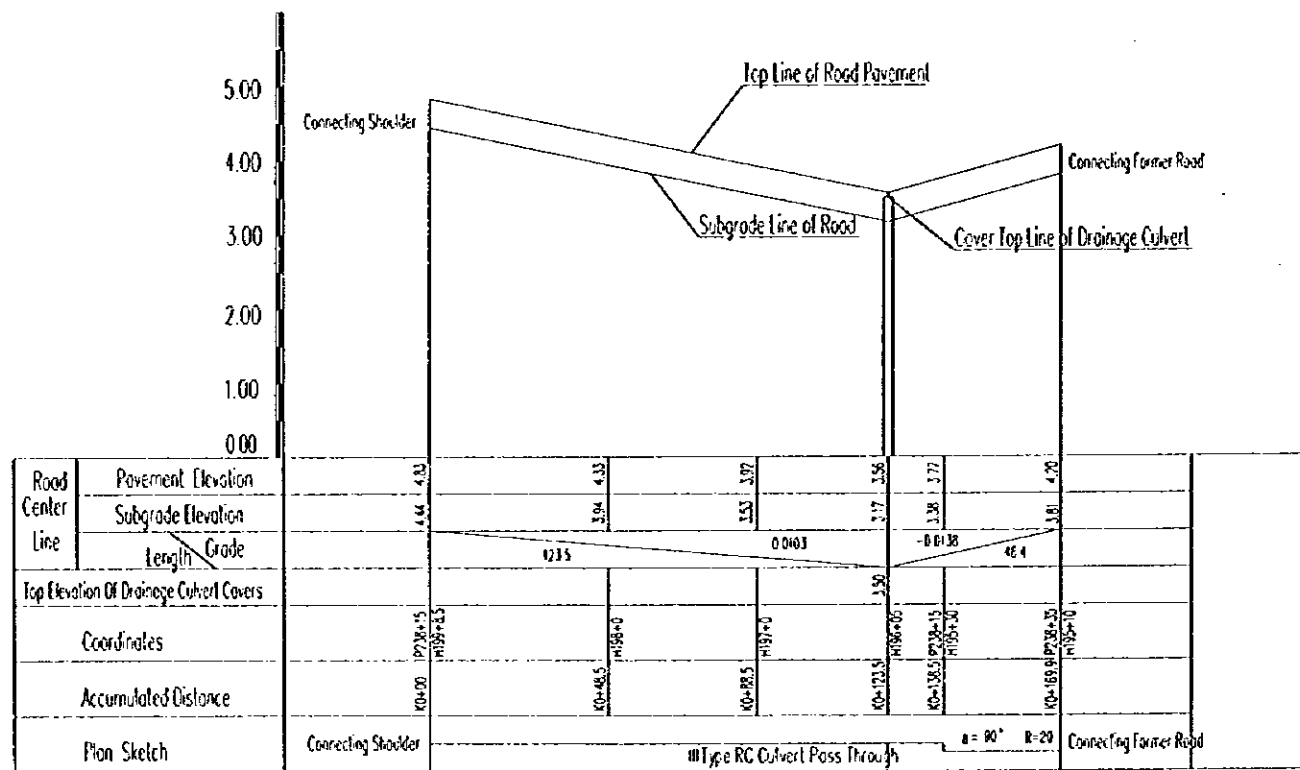


(Unit: m)

PEOPLE'S REPUBLIC OF CHINA		
SHANGHAI PUDONG INTERNATIONAL AIRPORT PROJECT	SEPTEMBER 1997	
ROAD 1 PROFILE		
SCALE	H: 1:1000	V: 1:50
DWG1-RS-01(3/3)		
JAPAN INTERNATIONAL COOPERATION AGENCY		



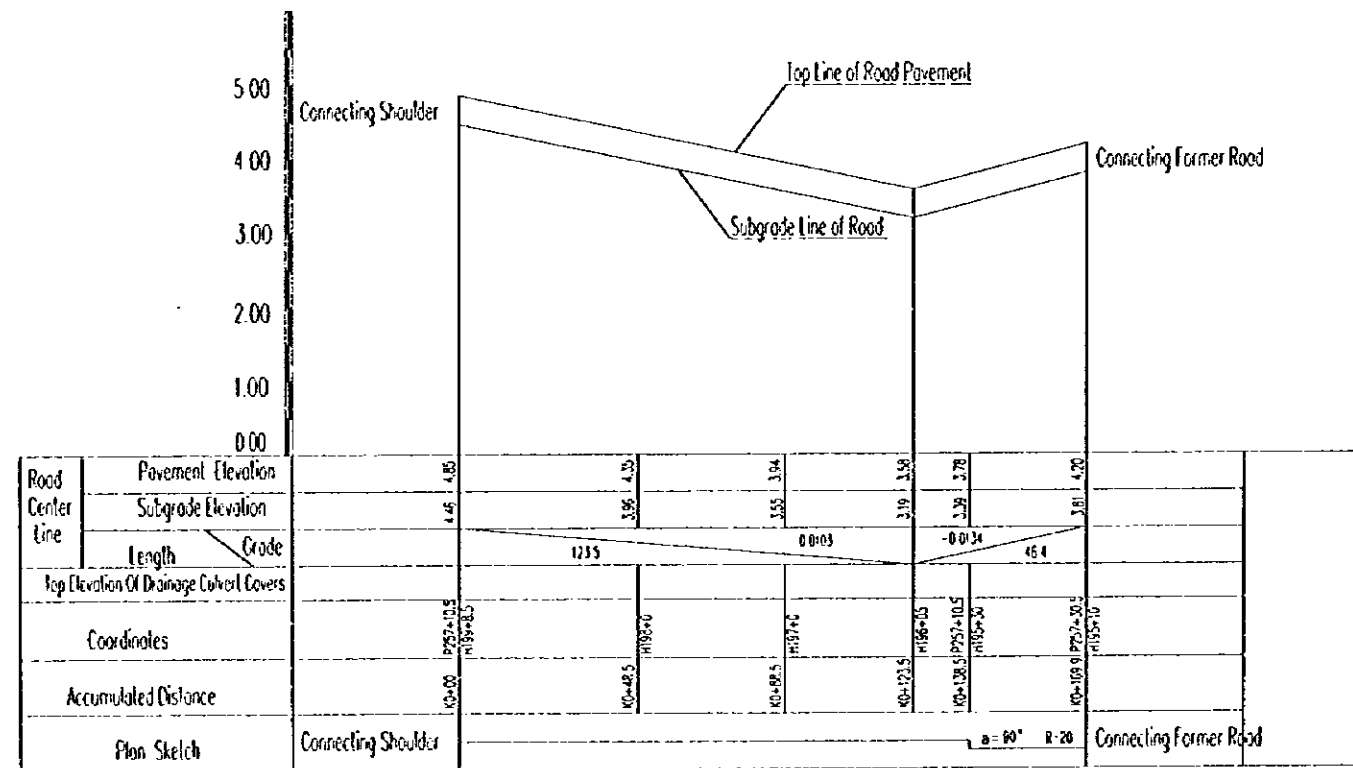
PEOPLE'S REPUBLIC OF CHINA		
SHANGHAI PUDONG INTERNATIONAL AIRPORT PROJECT		SEPTEMBER 1997
ROAD 2 PROFILE		
SCALE	H: 1: 1000	V: 1: 50
		DWG1-RS-02
JAPAN INTERNATIONAL COOPERATION AGENCY		



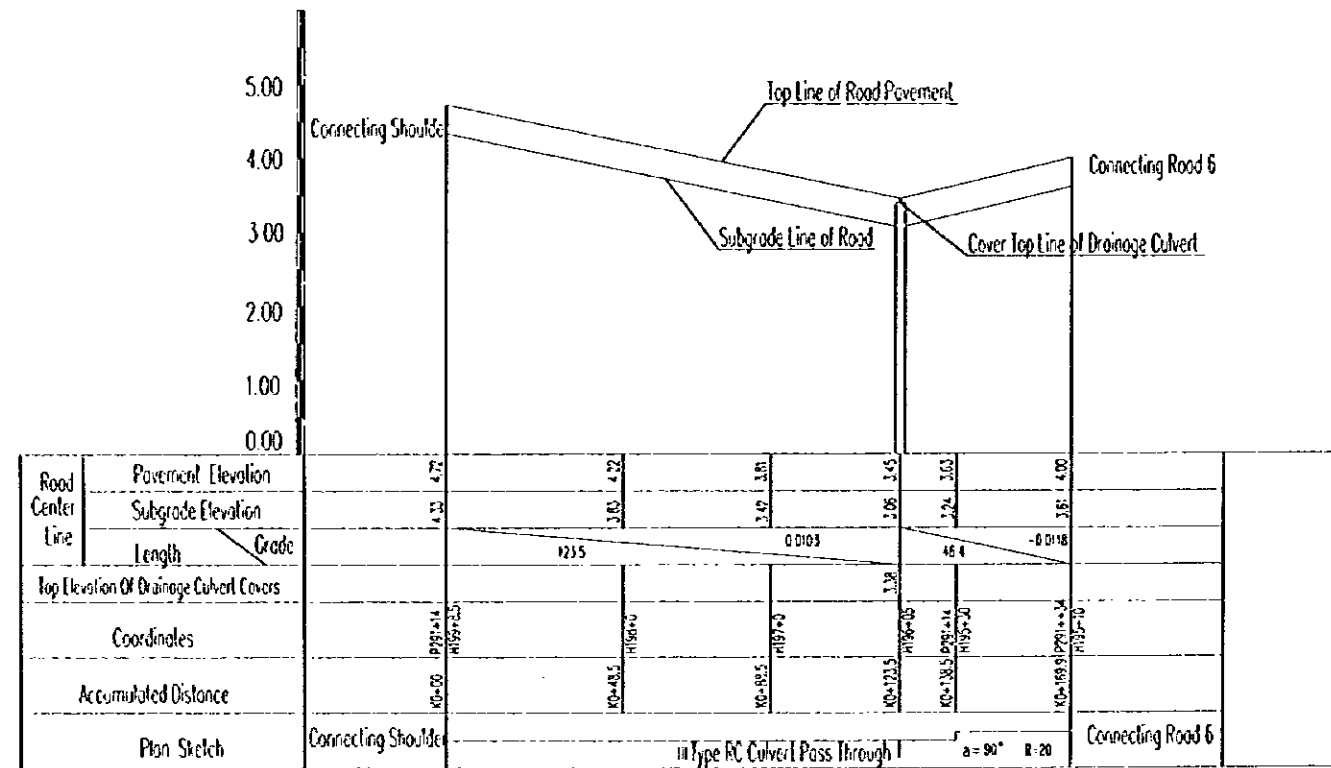
(Unit : m)

PEOPLE'S REPUBLIC OF CHINA			
SHANGHAI PUDONG INTERNATIONAL AIRPORT PROJECT			SEPTEMBER 1997
ROAD 3 PROFILE			
SCALE	H: 1:1000	V: 1:50	DWG1-R5-03
JAPAN INTERNATIONAL COOPERATION AGENCY			



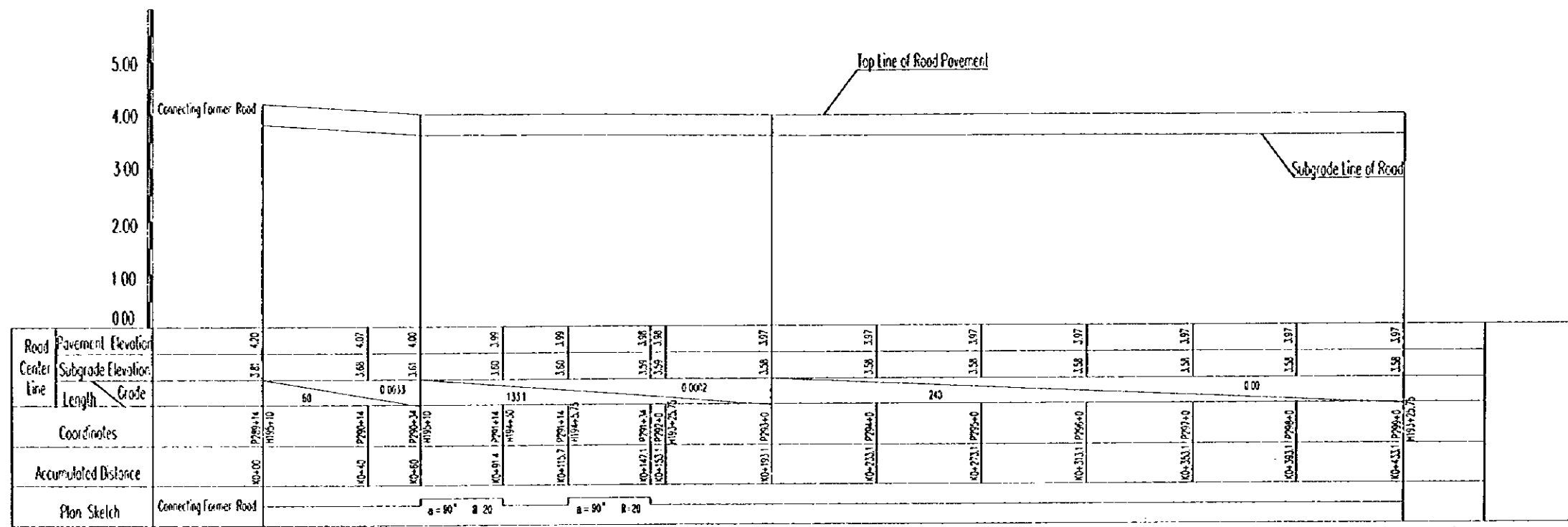


PEOPLE'S REPUBLIC OF CHINA		
SHANGHAI PUDONG INTERNATIONAL AIRPORT PROJECT	SEPTEMBER 1997	
ROAD 4 PROFILE		
SCALE	H: 1: 1000	V: 1: 50
JAPAN INTERNATIONAL COOPERATION AGENCY		DWG1-R5-04



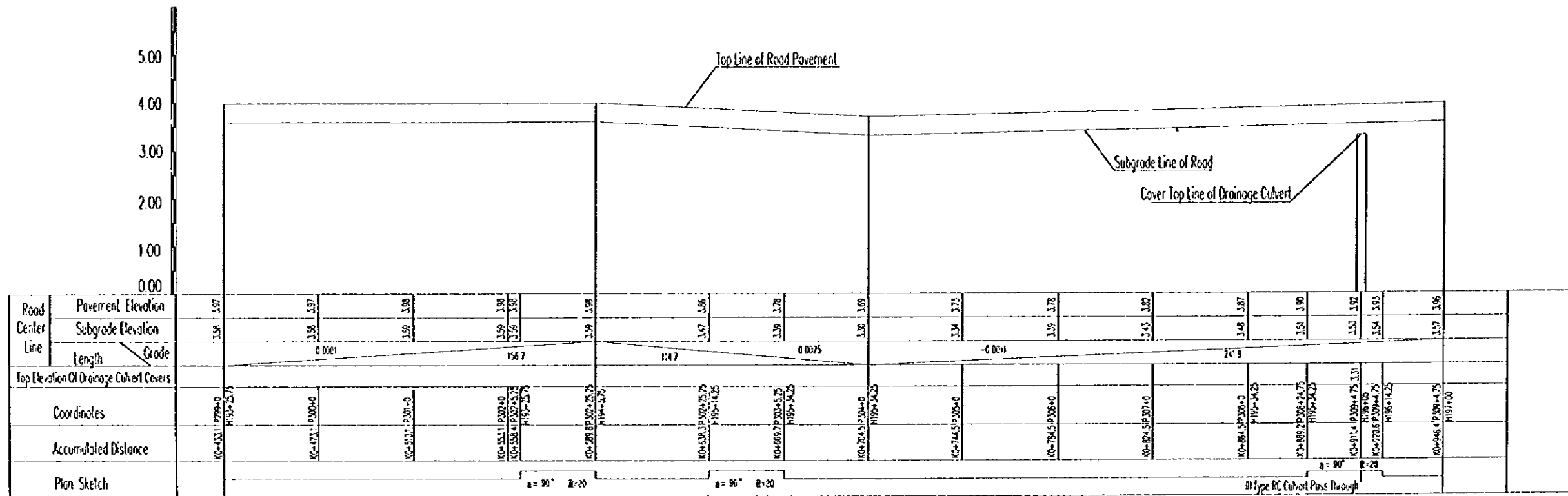
(Unit: m)

PEOPLE'S REPUBLIC OF CHINA			
SHANGHAI PUDONG INTERNATIONAL AIRPORT PROJECT			SEPTEMBER 1997
ROAD 5 PROFILE			
SCALE	H: 1: 1000	V: 1: 50	DWG: R5-05
JAPAN INTERNATIONAL COOPERATION AGENCY			



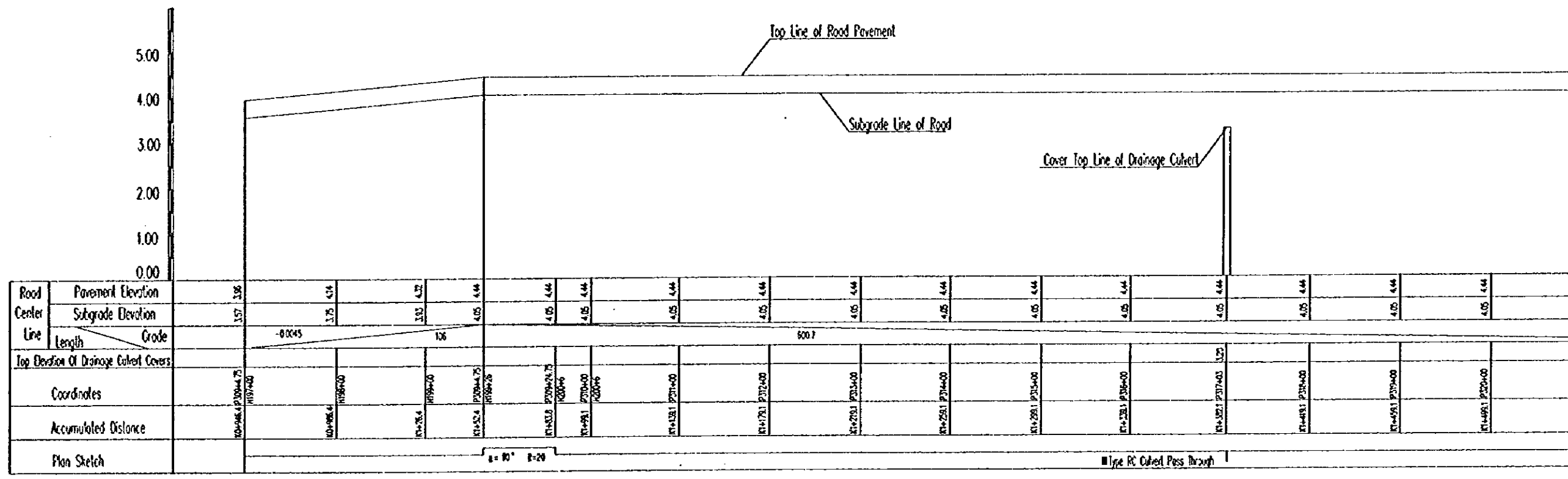
(Unit: m)

PEOPLE'S REPUBLIC OF CHINA		
SHANGHAI PUDONG INTERNATIONAL AIRPORT PROJECT		SEPTEMBER 1997
ROAD 6 PROFILE		
SCALE	H: 1: 1000 V: 1: 50	DWG1-RS-06(1/3)
JAPAN INTERNATIONAL COOPERATION AGENCY		

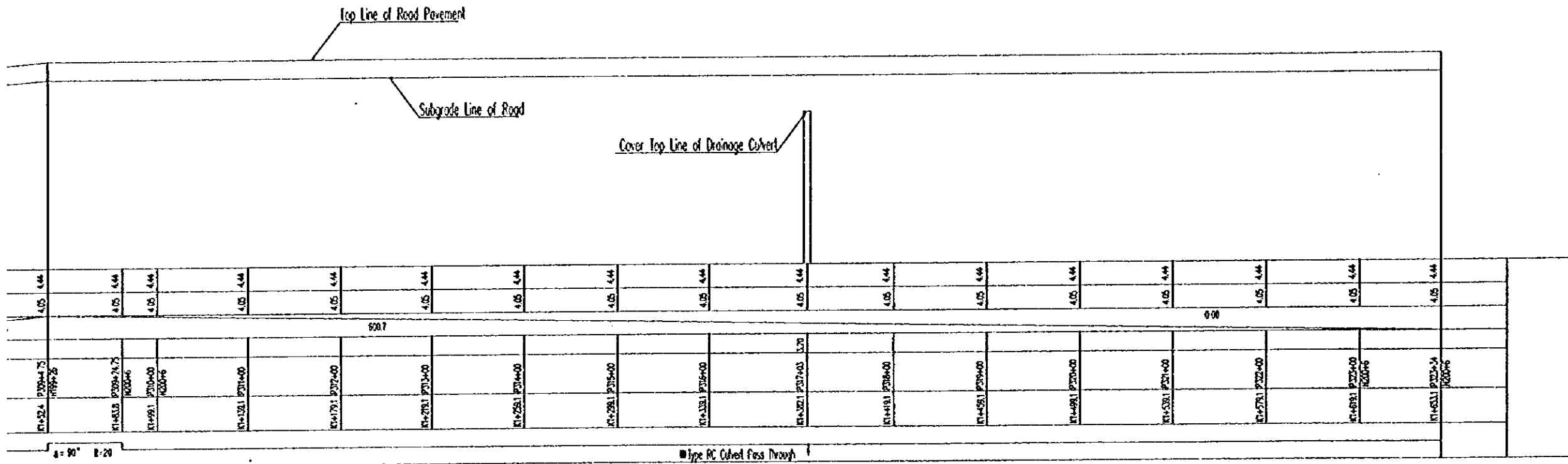


(Unit: m)

PEOPLE'S REPUBLIC OF CHINA			
SHANGHAI PUDONG INTERNATIONAL AIRPORT PROJECT			SEPTEMBER 1997
ROAD 6 PROFILE			
SCALE	H: 1: 1000	V: 1: 50	EWG1-R5-06(2/3)
JAPAN INTERNATIONAL COOPERATION AGENCY			

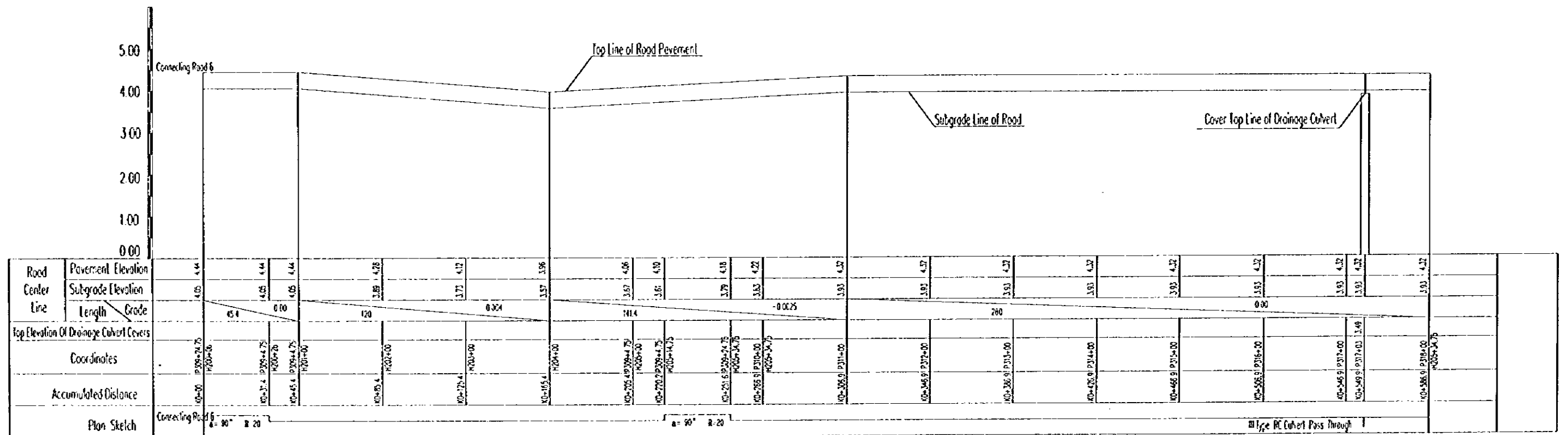


( Unit : m )



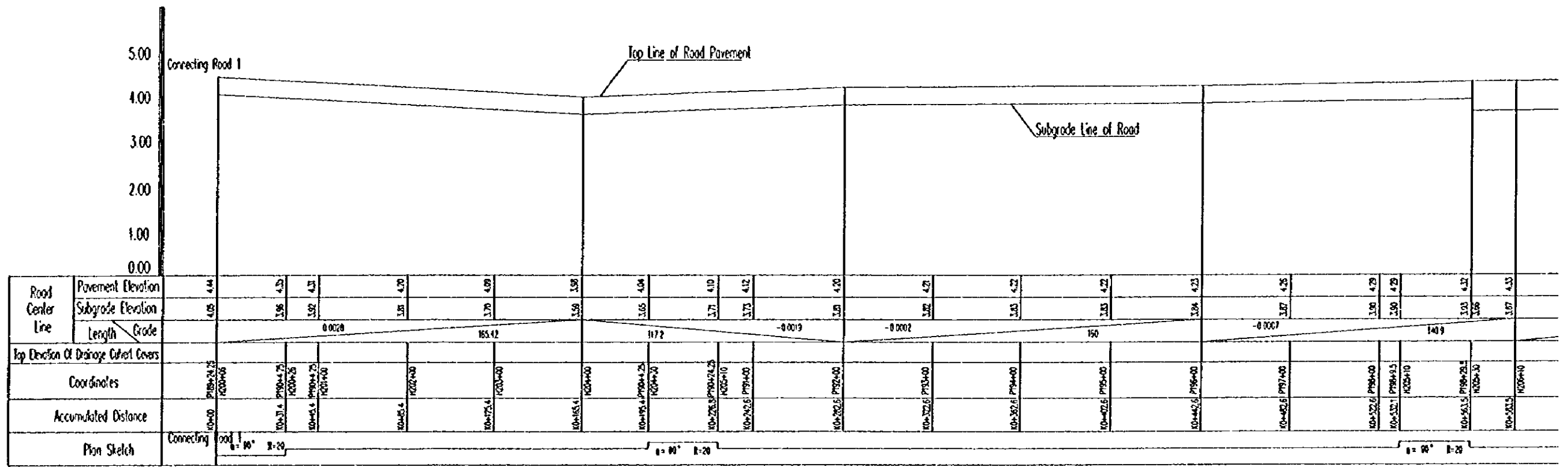
( Unit : m )

PEOPLE'S REPUBLIC OF CHINA		
SHANGHAI PUDONG INTERNATIONAL AIRPORT PROJECT		SEPTEMBER 1997
ROAD 6 PROFILE		
SCALE	H: 1:1000	V: 1:50
DNG1-RS-06(3/3)		
JAPAN INTERNATIONAL COOPERATION AGENCY		



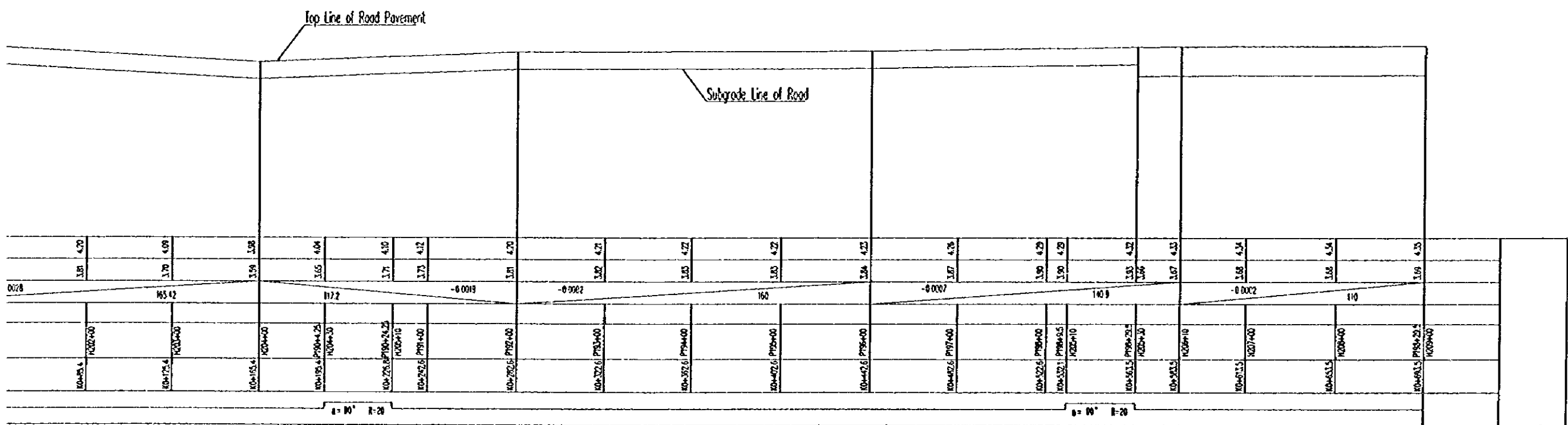
(Unit: m)

PEOPLE'S REPUBLIC OF CHINA			
SHANGHAI PUOING INTERNATIONAL AIRPORT PROJECT			SEPTEMBER 1997
ROAD 7 PROFILE			
SCALE	H: 1: 1000	V: 1: 50	DWG1-R5-07
JAPAN INTERNATIONAL COOPERATION AGENCY			



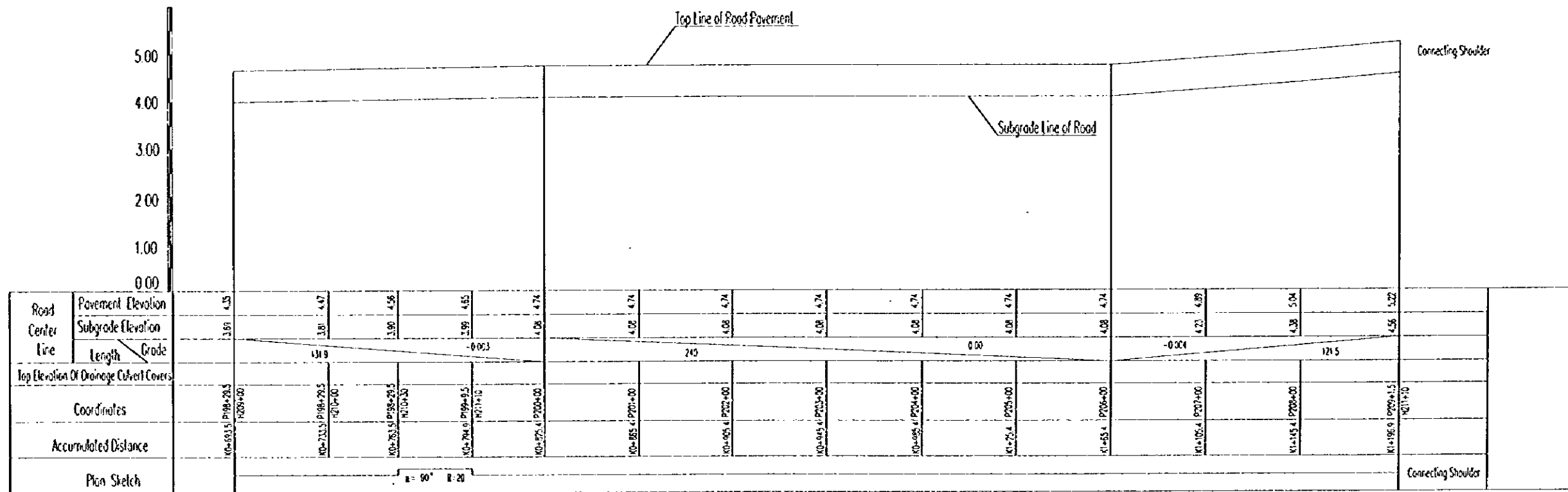
( Unit : m )





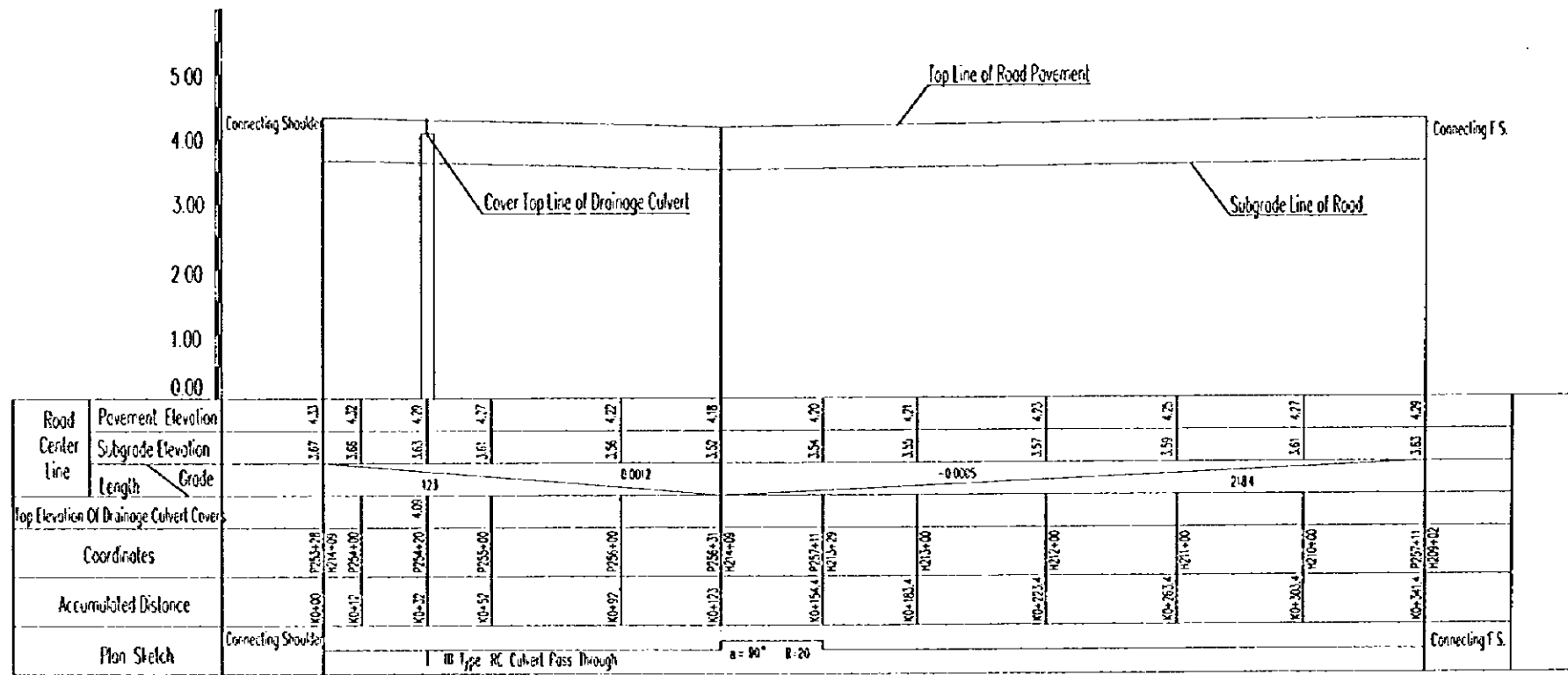
(Unit: m)

PEOPLE'S REPUBLIC OF CHINA		
SHANGHAI PUDONG INTERNATIONAL AIRPORT PROJECT		SEPTEMBER 1997
ROAD 8 PROFILE		
SCALE	H: 1:1000	V: 1:50
DWG1-RS-08(1/2)		
JAPAN INTERNATIONAL COOPERATION AGENCY		



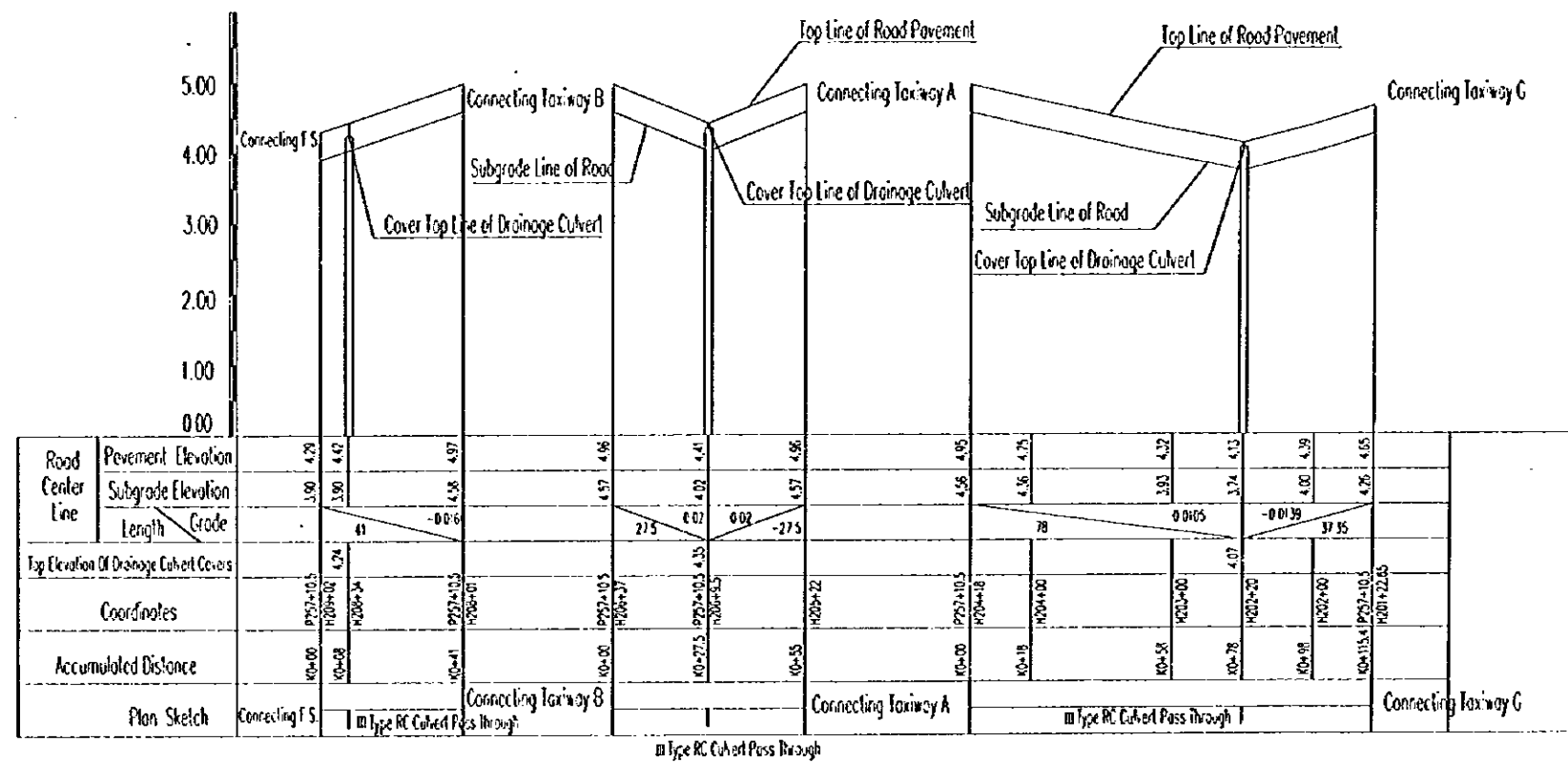
(Unit: m)

PEOPLE'S REPUBLIC OF CHINA		
SHANGHAI PUDONG INTERNATIONAL AIRPORT PROJECT	SEPTEMBER 1997	
ROAD 8 PROFILE		
SCALE	H: 1:1000	V: 1:50
DWG1-R5-08(2/2)		
JAPAN INTERNATIONAL COOPERATION AGENCY		



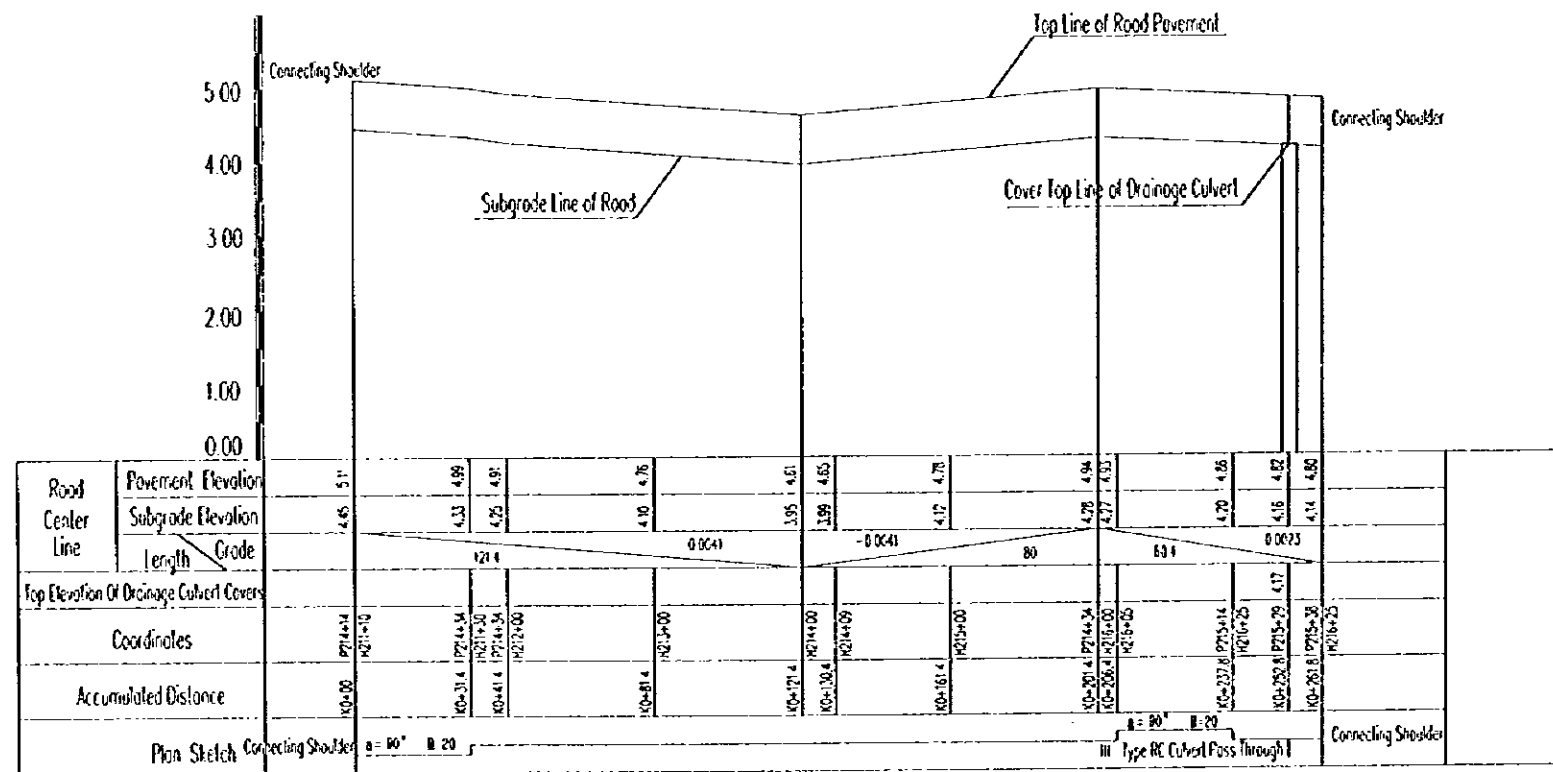
(Unit: m)

PEOPLE'S REPUBLIC OF CHINA			
SHANGHAI PUDONG INTERNATIONAL AIRPORT PROJECT			SEPTEMBER 1997
ROAD 9 PROFILE			
SCALE	H: 1: 1000	V: 1: 50	DWG1-R5-09
JAPAN INTERNATIONAL COOPERATION AGENCY			



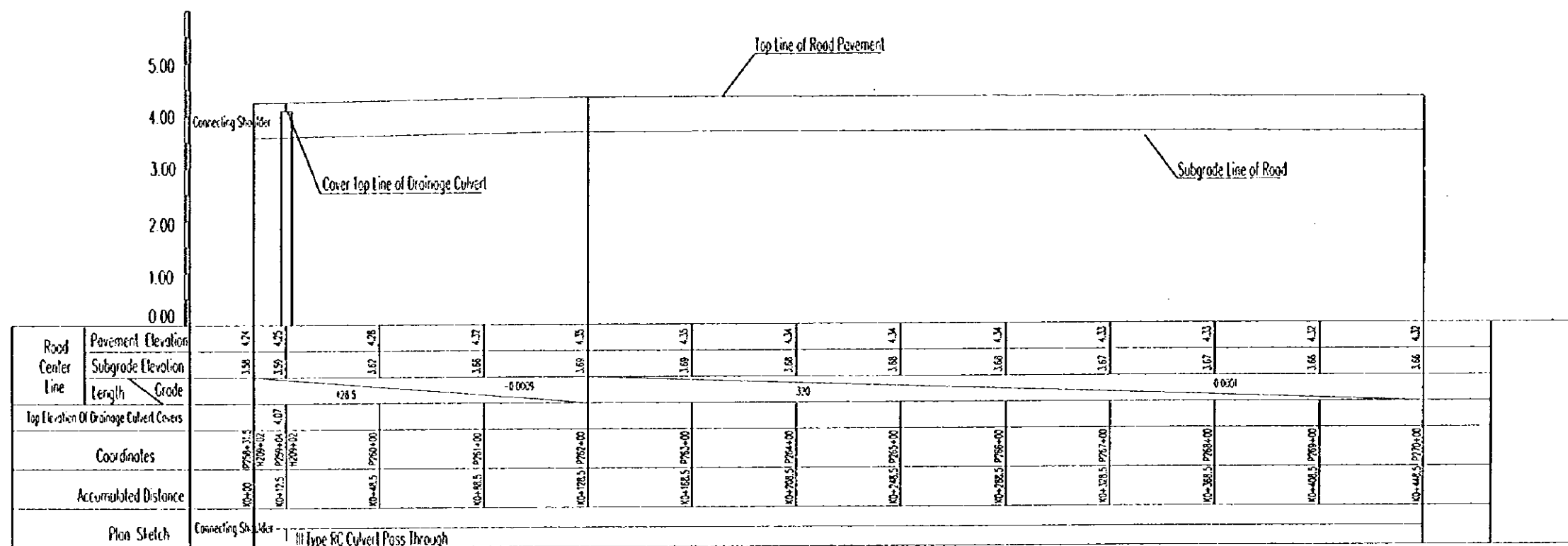
(Unit : m)

PEOPLE'S REPUBLIC OF CHINA		
SHANGHAI PUDONG INTERNATIONAL AIRPORT PROJECT	SEPTEMBER 1997	
ROAD 10 PROFILE		
SCALE	1:1000	Y: 1:50
DWG1-R5-10		
JAPAN INTERNATIONAL COOPERATION AGENCY		



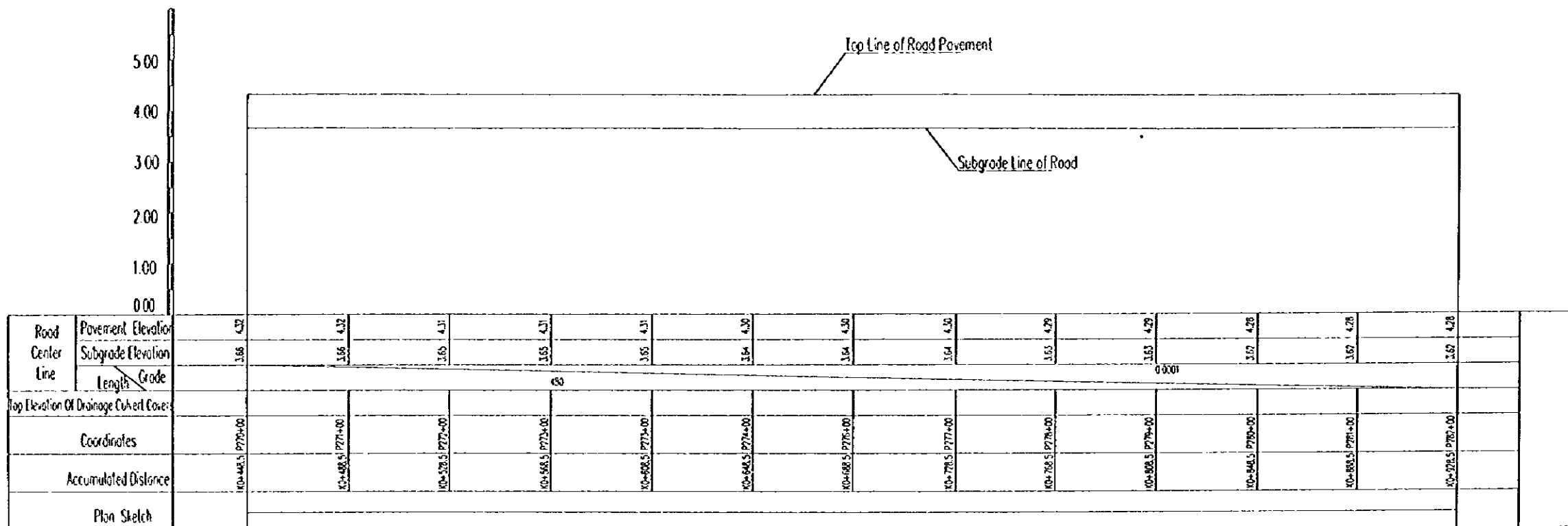
(Unit: m)

PEOPLE'S REPUBLIC OF CHINA			
SHANGHAI PUDONG INTERNATIONAL AIRPORT PROJECT			SEPTEMBER 1997
ROAD 11 PROFILE			
SCALE	H: 1:1000	V: 1:50	DWG1-RS-11
JAPAN INTERNATIONAL COOPERATION AGENCY			



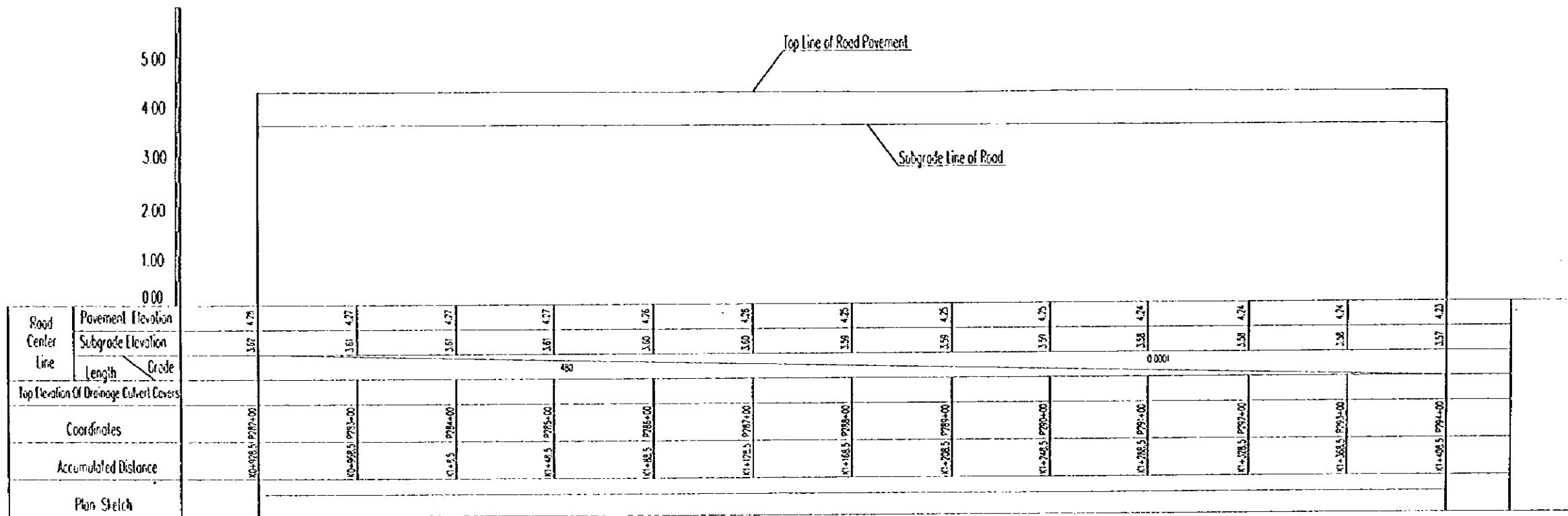
(Unit : m)

PEOPLE'S REPUBLIC OF CHINA			
SHANGHAI PUDONG INTERNATIONAL AIRPORT PROJECT			SEPTEMBER 1997
ROAD 12 PROFILE			
SCALE	H: 1:1000	V: 1:50	DWG1-RS-12(1/4)
JAPAN INTERNATIONAL COOPERATION AGENCY			



(Unit: m)

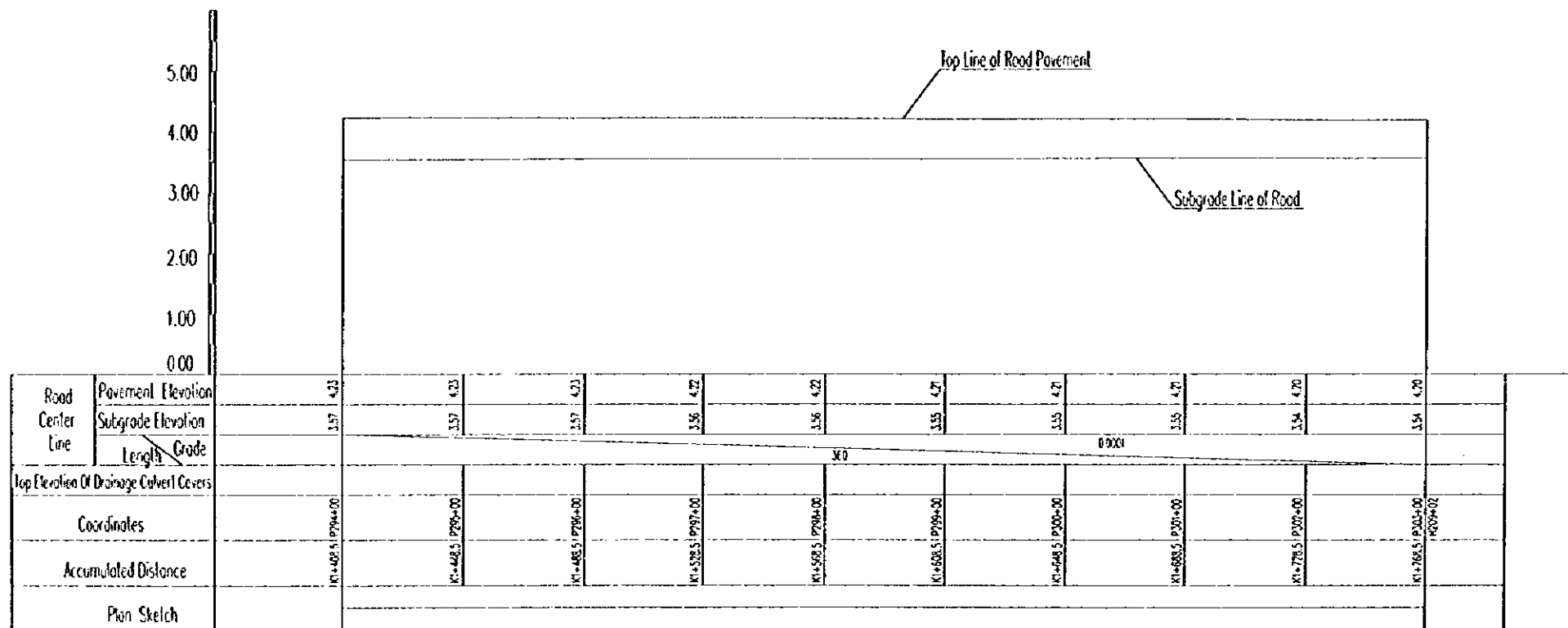
PEOPLE'S REPUBLIC OF CHINA		
SHANGHAI PUDONG INTERNATIONAL AIRPORT PROJECT	SEPTEMBER 1997	
ROAD 12 PROFILE		
SCALE	H: 1: 1000	V: 1: 50
DWG1-R5-12(2/4)		
JAPAN INTERNATIONAL COOPERATION AGENCY		



(Unit: m)

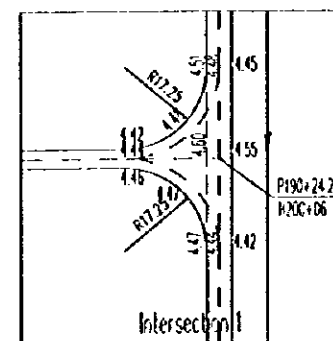
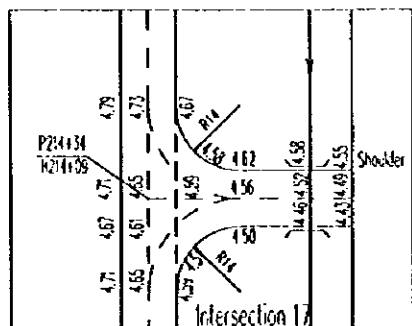
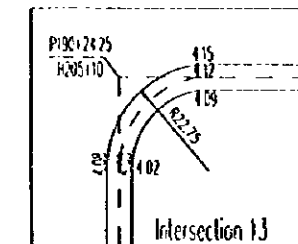
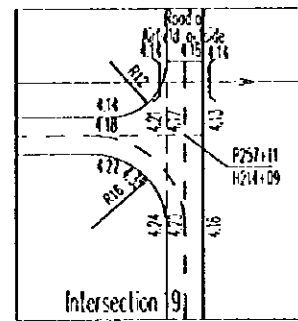
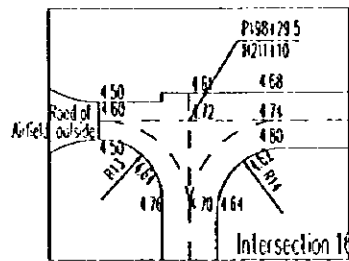
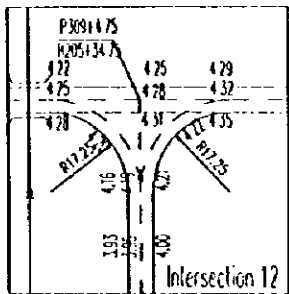
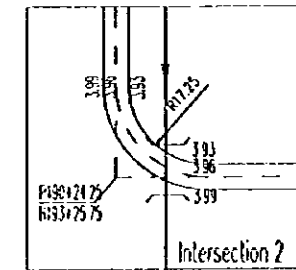
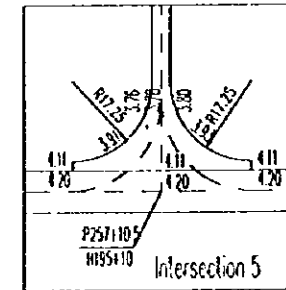
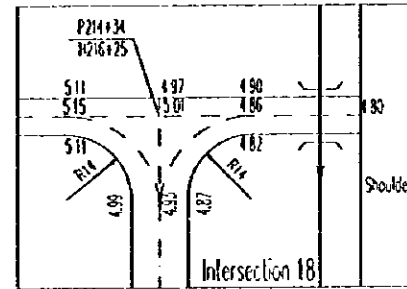
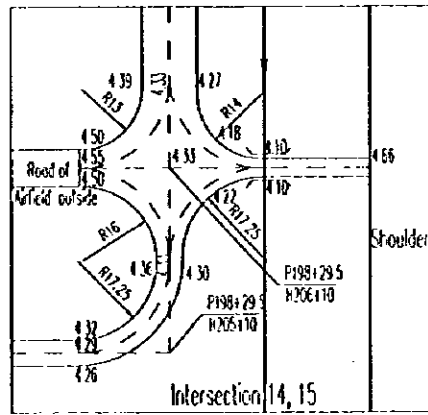
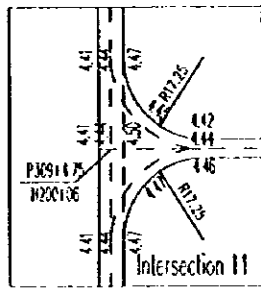
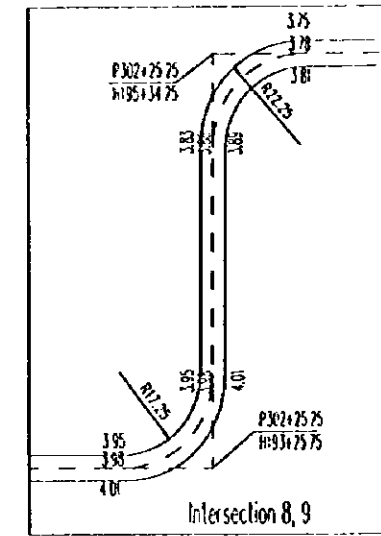
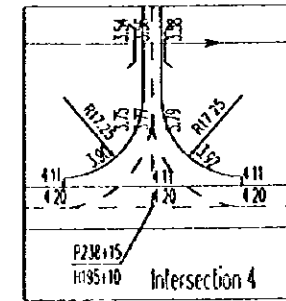
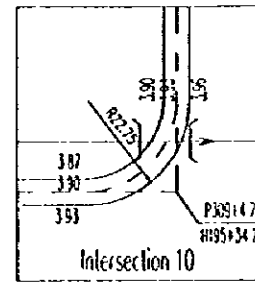
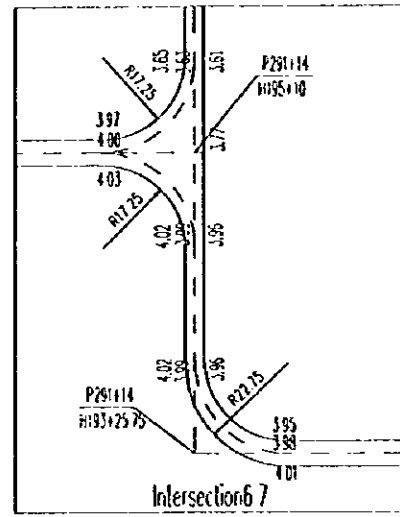
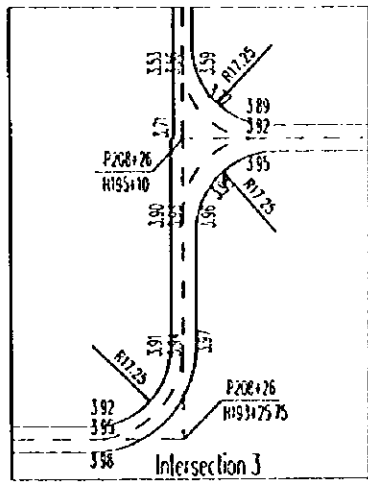
PEOPLE'S REPUBLIC OF CHINA		
SHANGHAI PUDONG INTERNATIONAL AIRPORT PROJECT		SEPTEMBER 1997
ROAD 12 PROFILE		
SCALE	1:1000	V. 1:50
		DWG1-R5-12(3/4)
JAPAN INTERNATIONAL COOPERATION AGENCY		





(Unit: m)

PEOPLE'S REPUBLIC OF CHINA			
SHANGHAI PUDONG INTERNATIONAL AIRPORT PROJECT			SEPTEMBER 1997
ROAD 12 PROFILE			
SCALE	H: 1:1000	V: 1:50	DWG1-RS-12(1/4)
JAPAN INTERNATIONAL COOPERATION AGENCY			

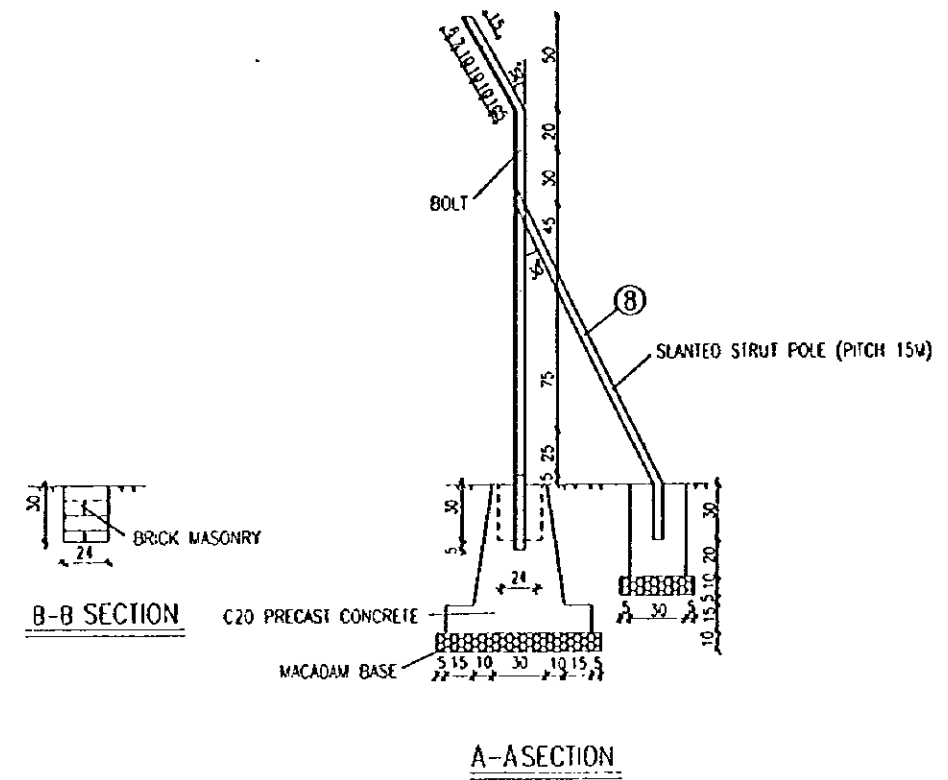
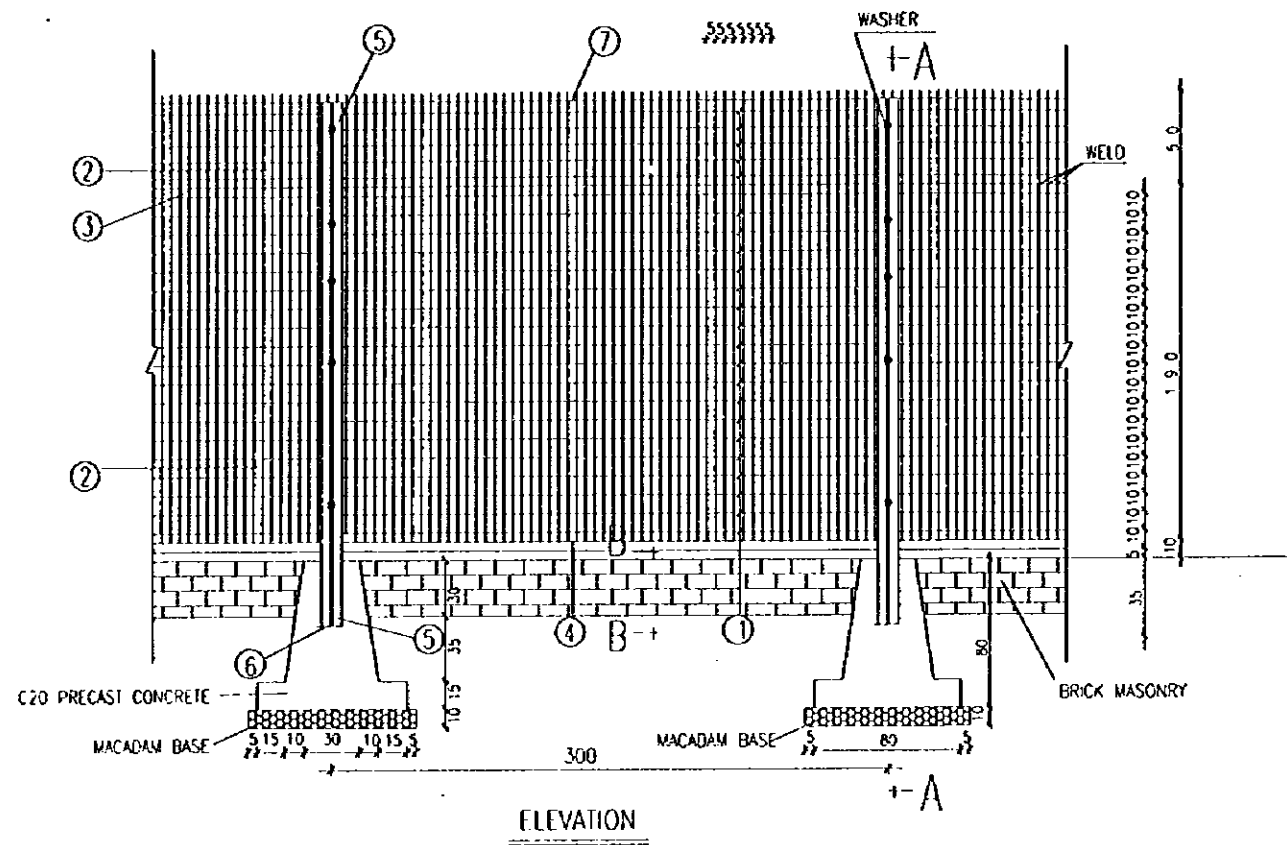


NOTE

- Scale in the drawing is 1:800,  
Unit is meter except mentioned.
- Plan location of all Road Intersection is shown in "DWG1-R1".
- Legend:

- Road Pavement Line
- - - - Road Center Line
- )-(- Drainage Culvert Passing Through Road
- - - - Subsidiary Line

PEOPLE'S REPUBLIC OF CHINA	
SHANGHAI PUDONG INTERNATIONAL AIRPORT PROJECT	SEPTEMBER 1997
ELEVATION DESIGN OF SERVICE ROAD INTERSECTION OF AIRFIELD	
SCALE	DWG1-R6
JAPAN INTERNATIONAL COOPERATION AGENCY	



QUANTITIES OF MATERIAL

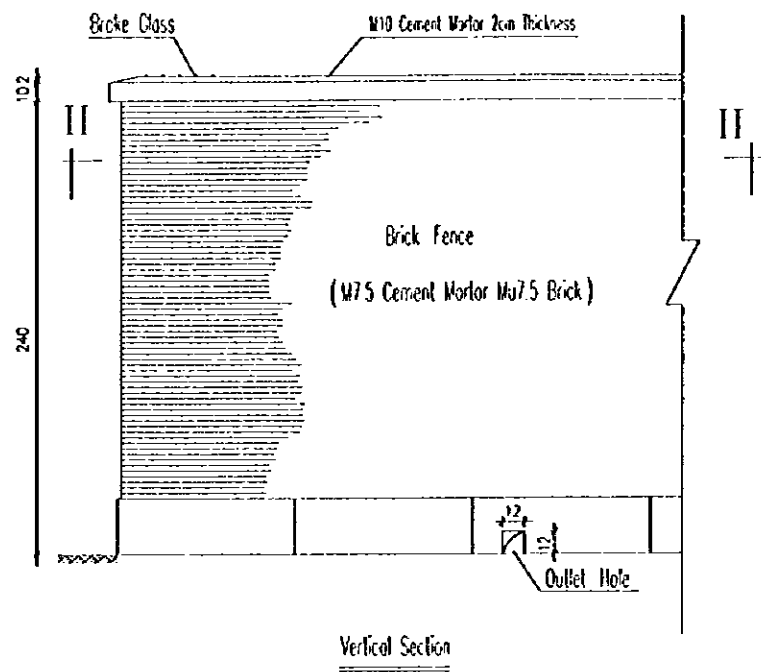
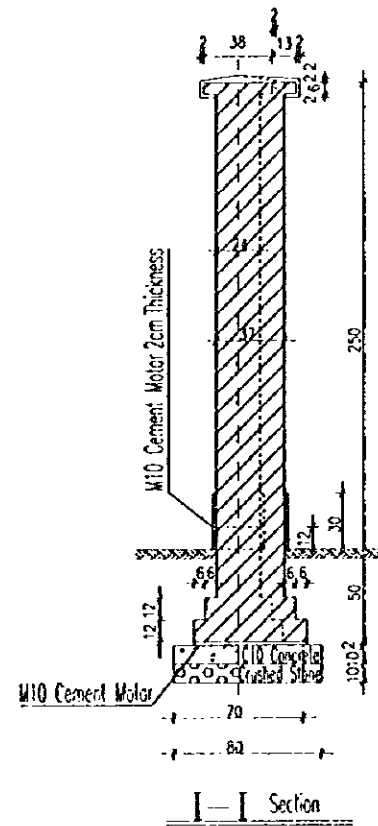
UNIT: EACH 3m

No.	FORM (cm)	SHAPE (mm)	LENGTH (cm)	No's	TOTAL LENGTH (m)	UNIT WEIGHT (kg/m)	TOTAL WEIGHT (kg)	STEEL	
								SHAPE (mm)	TOTAL WEIGHT (kg)
STEEL MATERIAL	①	298.5	∅ 5	298.5	23	68.66	0.154	∅ 5	32.97
	②	246.5	∅ 5	246.5	59	145.44	0.154	L50x50x5	33.35
	③	298.5	-70x5 (150)	298.5	1	2.985	2.75	-8	0.31
	④	293.5	150x50x5	298.5	1	2.985	3.77	∅ 20	7.39
	⑤	293	150x50x5	293.0	2	5.86	3.77	-70x5 (150)	8.21
	⑥	7	-8	7x7	1	0.0049m <sup>2</sup>	62.8 kg/m <sup>2</sup>	BOLT	4
	⑦	293.5	∅ 20	298.5	1	2.99	2.47	NUT	4
							SPRING COLLAR	8	
	BOLT	M16x50	GB5-76	4					
	NUT	M16	GB41-76	4					
	SPRING COLLAR	M16	GB33-76	8					
	CEMENT CONCRETE (m <sup>3</sup> )		0.2		EXCAVATION (m <sup>3</sup> )		2.65		
	BRICK MASONRY (m <sup>3</sup> )		0.192		BACK FILL (m <sup>3</sup> )		2.18		
	MACADAM BASE (m <sup>3</sup> )		0.081						

QUANTITIES OF MATERIAL (SLANTED STRUT POLE)

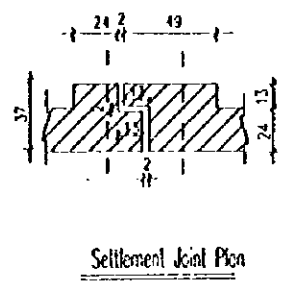
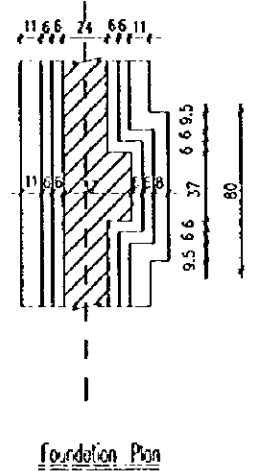
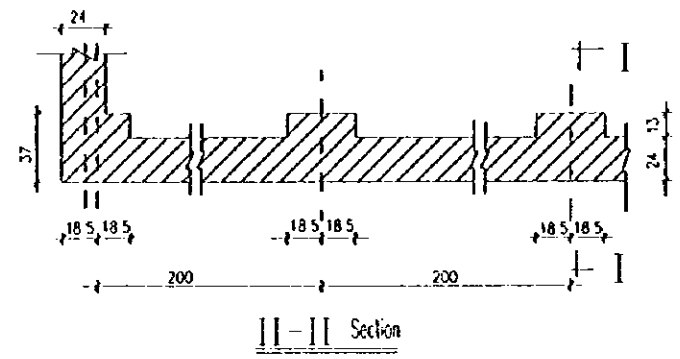
UNIT: EACH 15m

No.	FORM (cm)	SHAPE (mm)	LENGTH (cm)	No's	TOTAL LENGTH (m)	UNIT WEIGHT (kg/m)	TOTAL WEIGHT (kg)
STEEL MATERIAL	⑧	293	L50x50x5	204	1	2.04	3.77
		BOLT	M16x50	GB5-76	1		
		NUT	M16	GB41-76	1		
		SPRING COLLAR	M16	GB33-76	2		
	CEMENT CONCRETE (m <sup>3</sup> )		0.045		EXCAVATION (m <sup>3</sup> )		0.438
	MACADAM BASE (m <sup>3</sup> )		0.016		BACK FILL (m <sup>3</sup> )		0.377



Main Quantities of Brick Fence Per 2m

Title	Unit	Quantities
Mu7.5 Bricks	m <sup>3</sup>	1.68
C10 Concrete	m <sup>3</sup>	0.15
Crushed Stone	m <sup>3</sup>	0.15
Excavation of Earth	m <sup>3</sup>	2.97
Embanking of Earth	m <sup>3</sup>	2.28



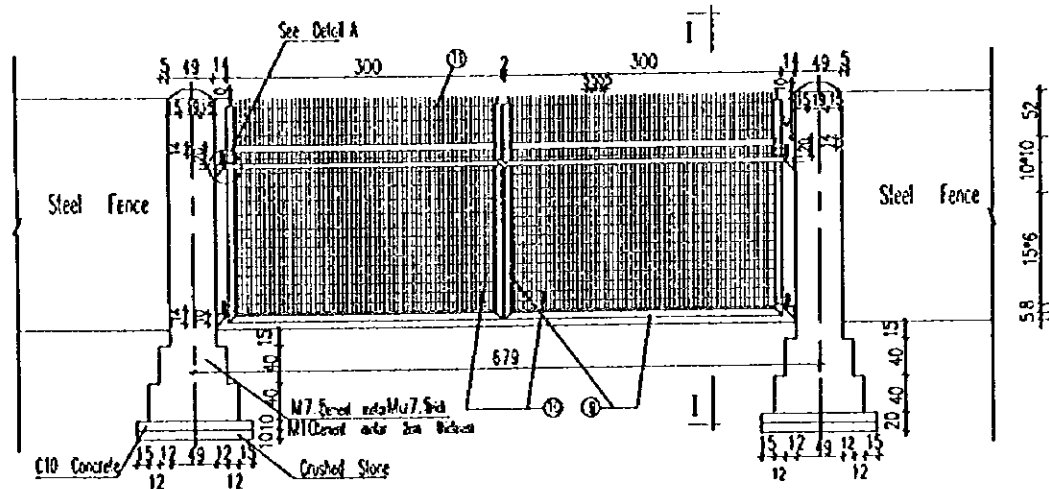
NOTE

1. Scale : cm.
2. Location of brick fence is shown in "DWG1-P1".

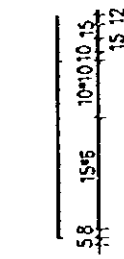
PEOPLE'S REPUBLIC OF CHINA	
SHANGHAI PUDONG INTERNATIONAL AIRPORT PROJECT	SEPTEMBER 1997
BRICK FENCE STRUCTURE DRAWING	
SCALE	NO Scale DWG1-B8
JAPAN INTERNATIONAL COOPERATION AGENCY	

Materials List of Each Steel Fence Gate

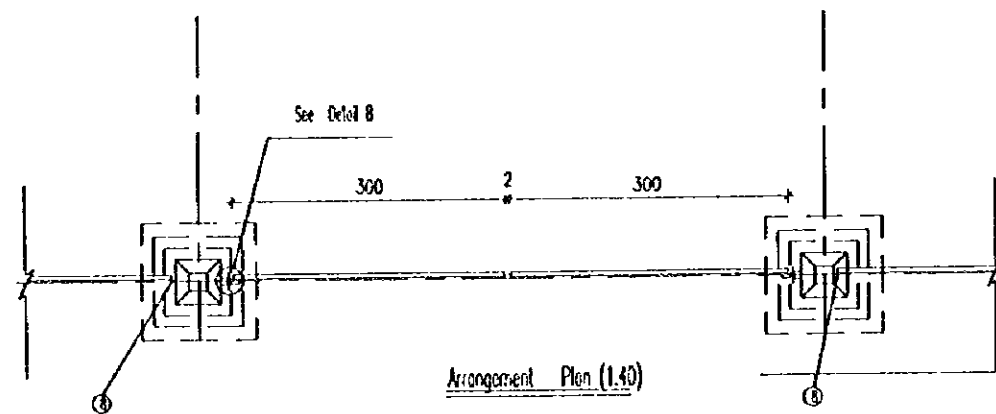
No.	Dimensions	Length (cm)	No's	Total Length (m)	Weight Per Meter (kg)	Total Weight (kg)	Volume (m <sup>3</sup> )
①	L75X50X5	21	4	0.84	4.808	4.04	
②	Ø24 Screw Bolt	120	4				
③	Ø24 Screw Nut	H=1.9	4				
④	Ø24 Nut Color H Hexes		4				
⑤	-100X8	12	4	0.48	6.280	3.01	
⑥	L140X140X10	7.5	4	0.30	21.488	6.45	
⑦	-140X6	20	4	0.80	6.594	5.28	
⑧	Ø10	79.5	8	6.36	0.617	3.92	
⑨	-70X16	24	4	0.96	8.790	8.44	
⑩	Ø10	48.5	4	1.94	0.617	1.20	
⑪	L75X50X5	21.43		21.43	4.808	103.04	
⑫	Ø5					70.18	
⑬	Ø20					14.82	
	Brick						2.46
	C10 Concrete						0.33
	Crushed Stone						0.33



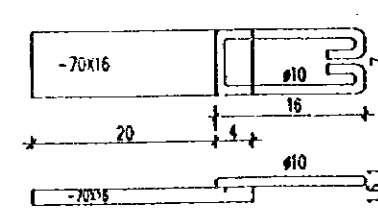
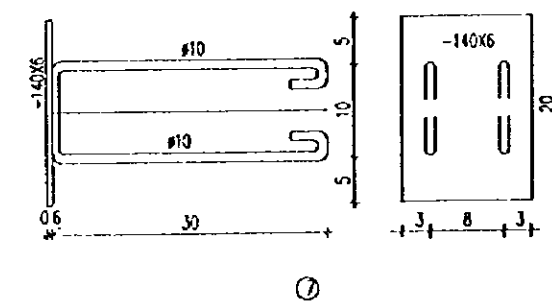
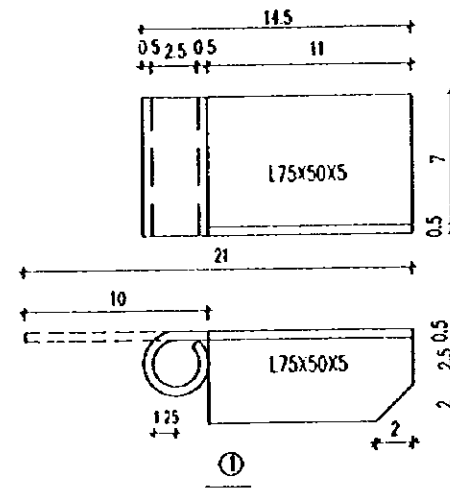
Elevation Drawing



I-I (1:40)



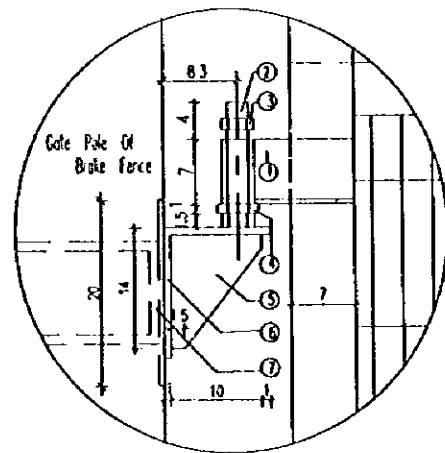
Arrangement Plan (1:40)



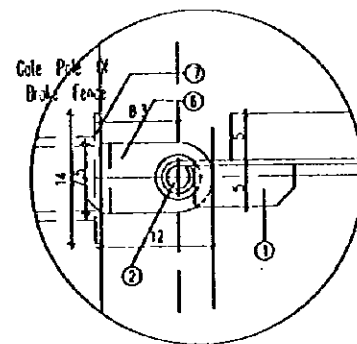
③

NOTE

1. Unit is meter except mentioned.
2. Location of fence gate is detailed in 'DWG1-P1'.

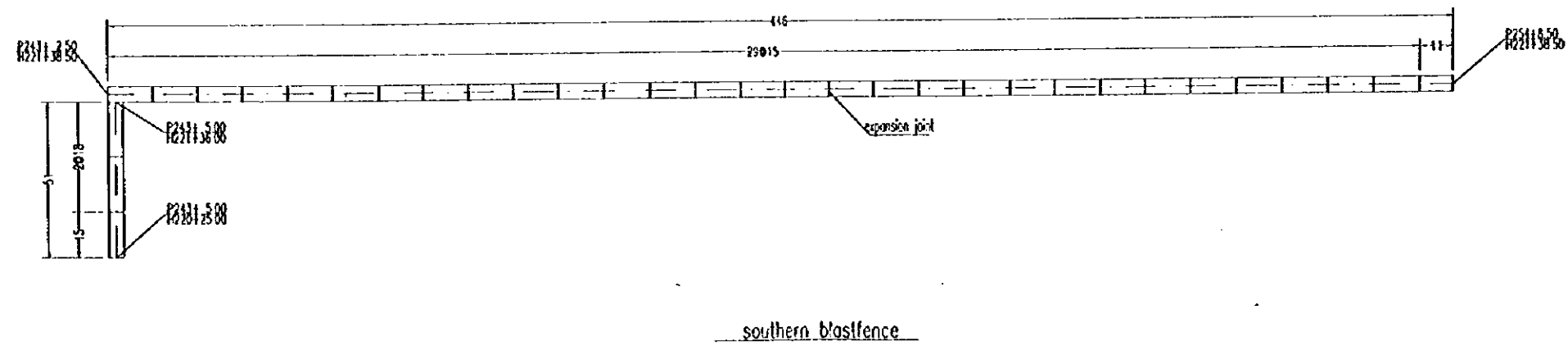
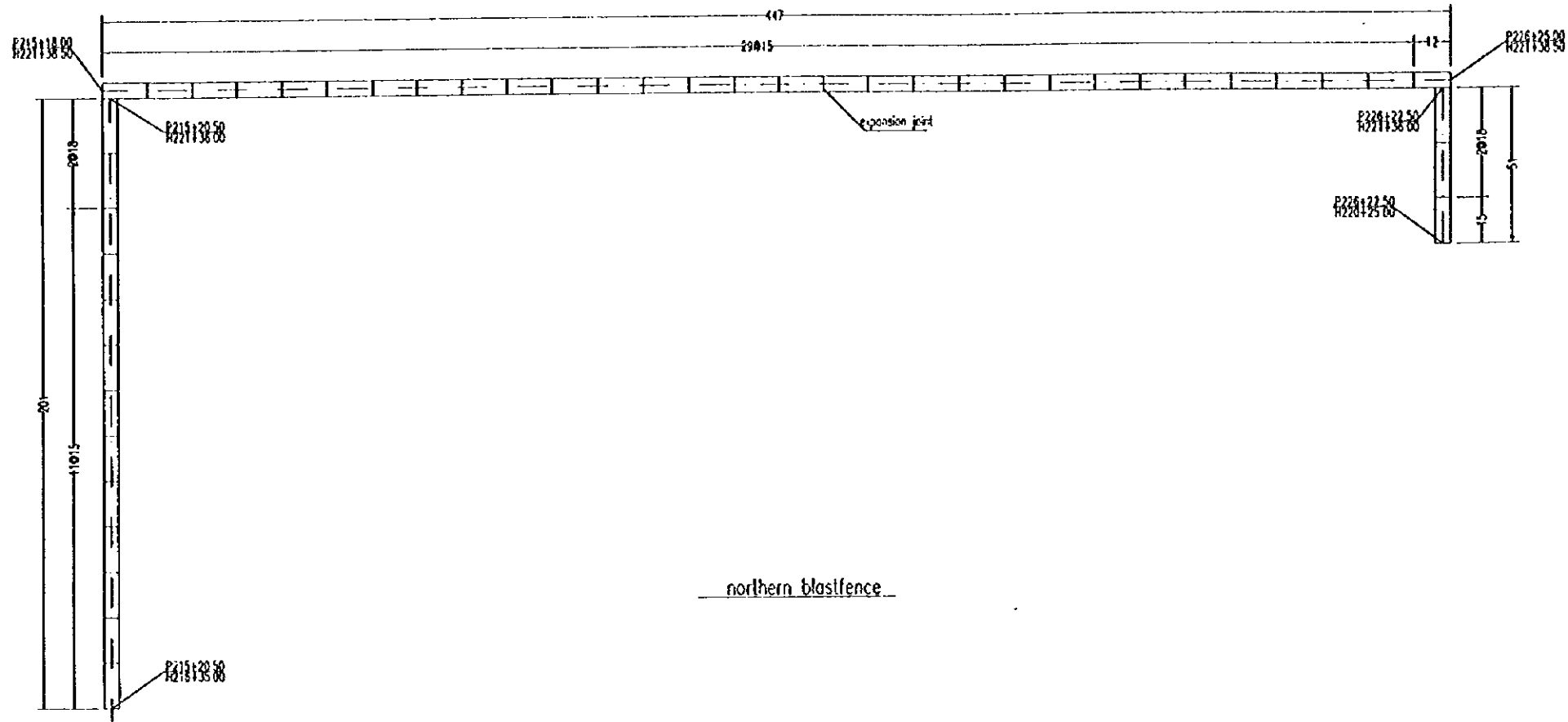


Detail A (1:4)



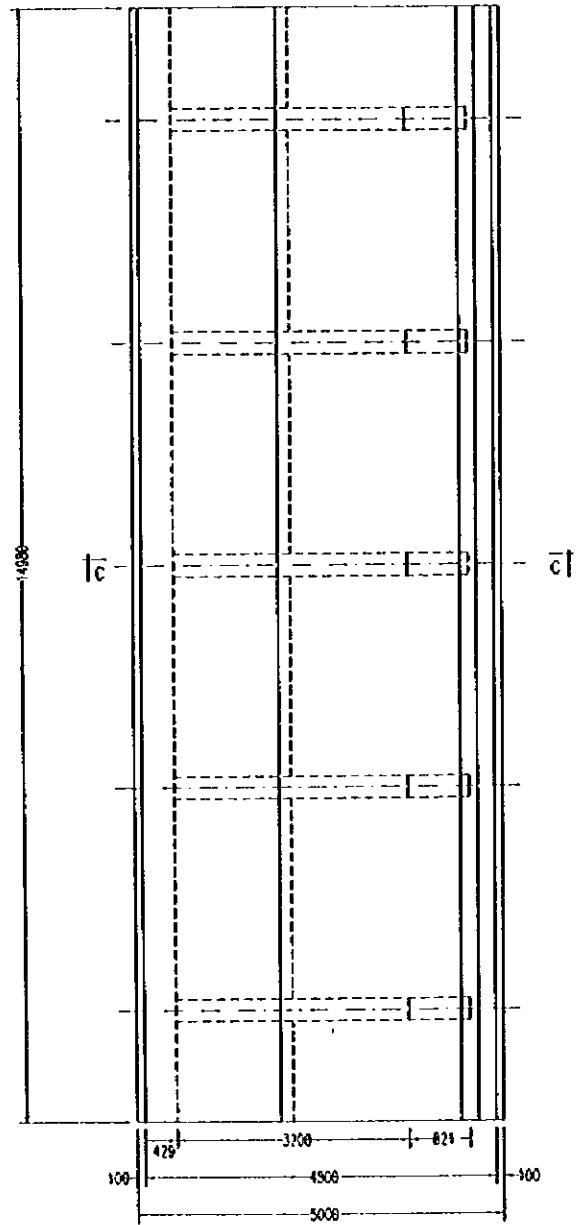
Detail B (1:4)

PEOPLE'S REPUBLIC OF CHINA			
SHANGHAI PUDONG INTERNATIONAL AIRPORT PROJECT		SEPTEMBER 1997	
FENCE GATE STRUCTURE		DRAWING	
SCALE	No Scale	DWG1-R9	
JAPAN INTERNATIONAL COOPERATION AGENCY			

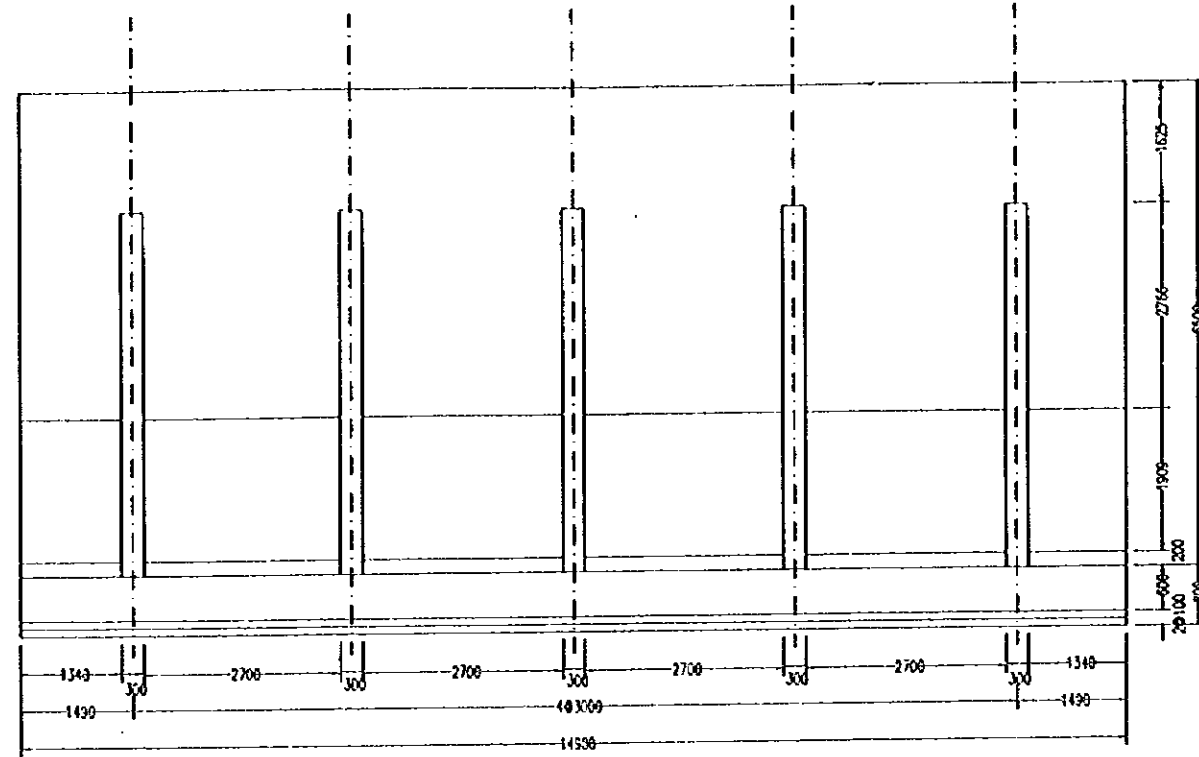


Note:  
1 Unit: meter.

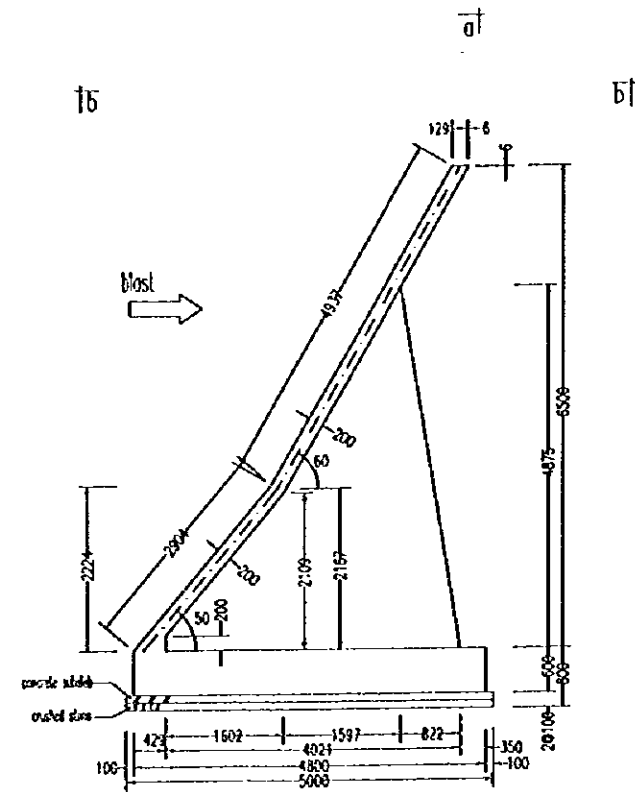
PEOPLE'S REPUBLIC OF CHINA		
SHANGHAI PUDONG INTERNATIONAL AIRPORT PROJECT		SEPTEMBER 1997
PLAN OF BLAST FENCE		
SCALE	H=1000 V=1000	CWSI-R10
JAPAN INTERNATIONAL COOPERATION AGENCY		



b - b

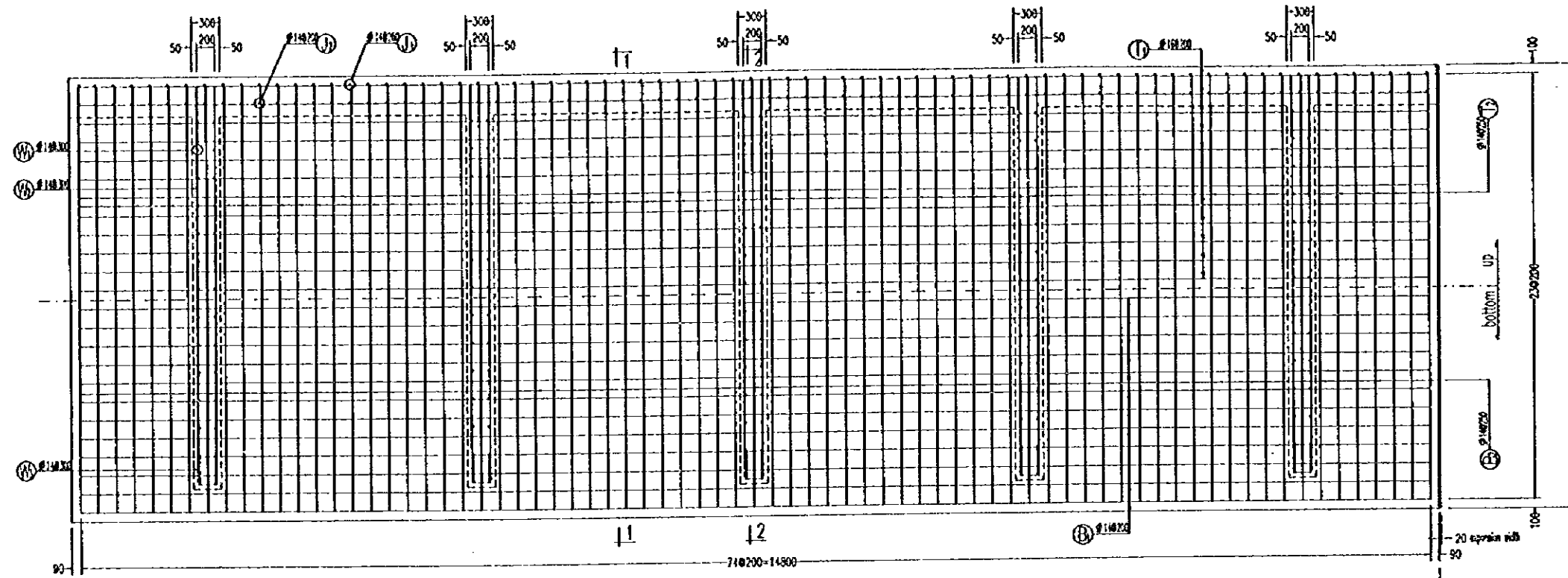


a - a

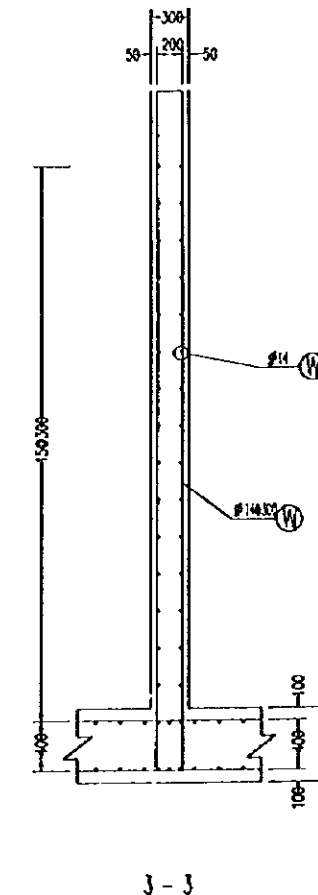
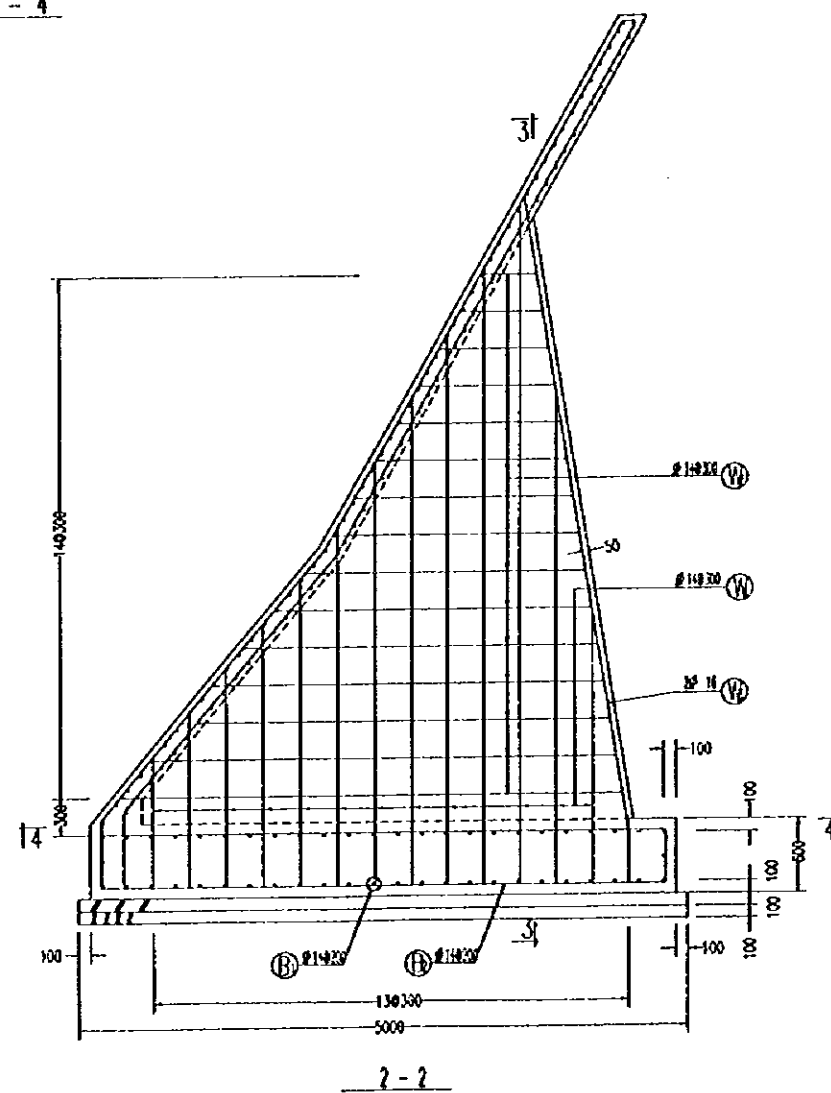
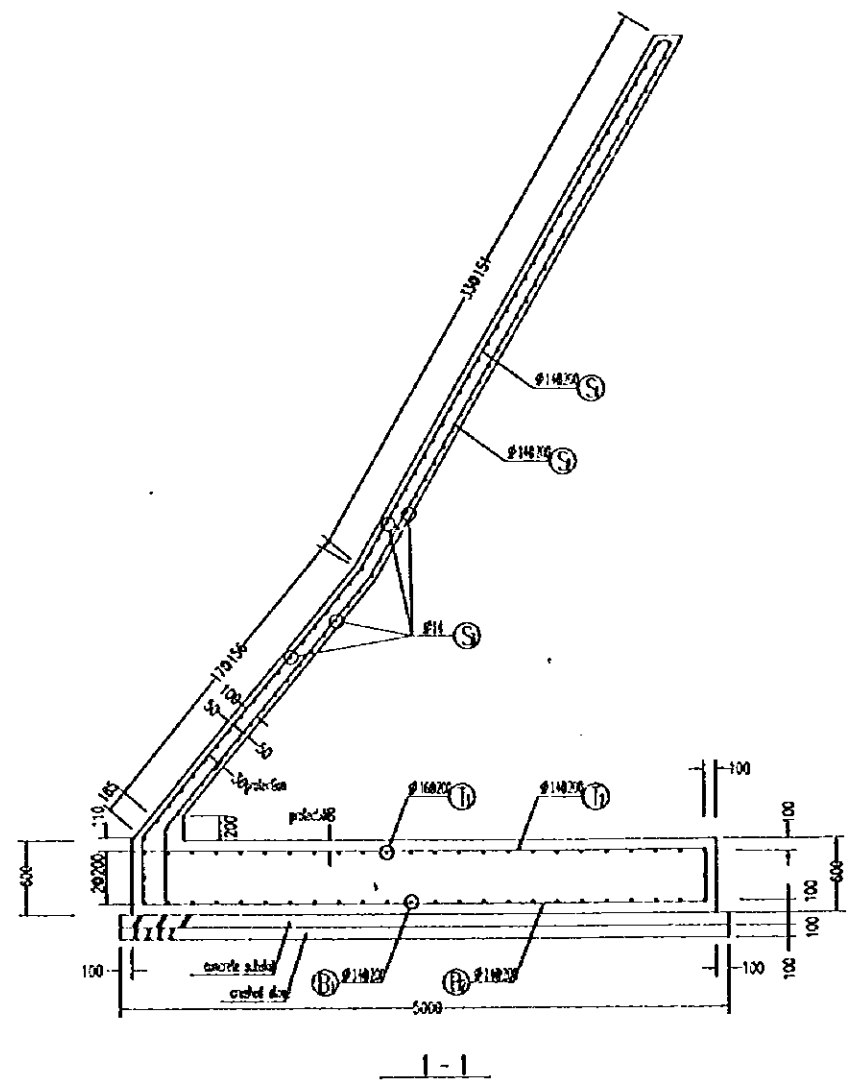


c - c

PEOPLE'S REPUBLIC OF CHINA	
SHANGHAI PUDONG INTERNATIONAL AIRPORT PROJECT   SEPTEMBER 1997	
STRUCTURE OF BLAST FENCE (1/3)	
SCALE	H=50, V=50   DWG1-R11(1/3)
JAPAN INTERNATIONAL COOPERATION AGENCY	

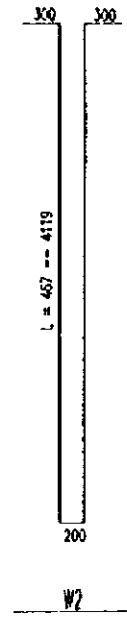
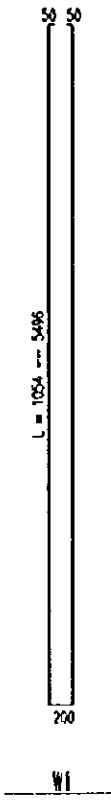
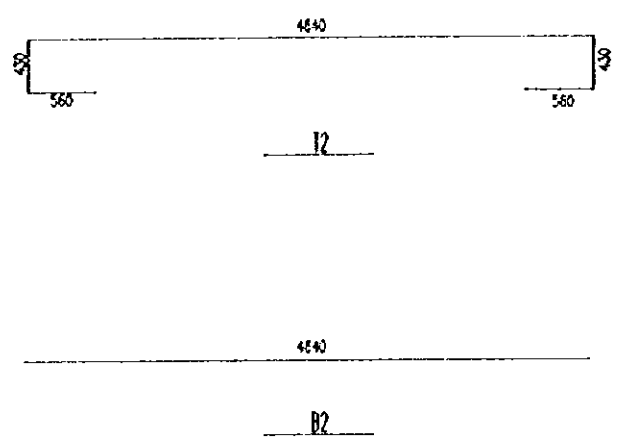


4 - 4



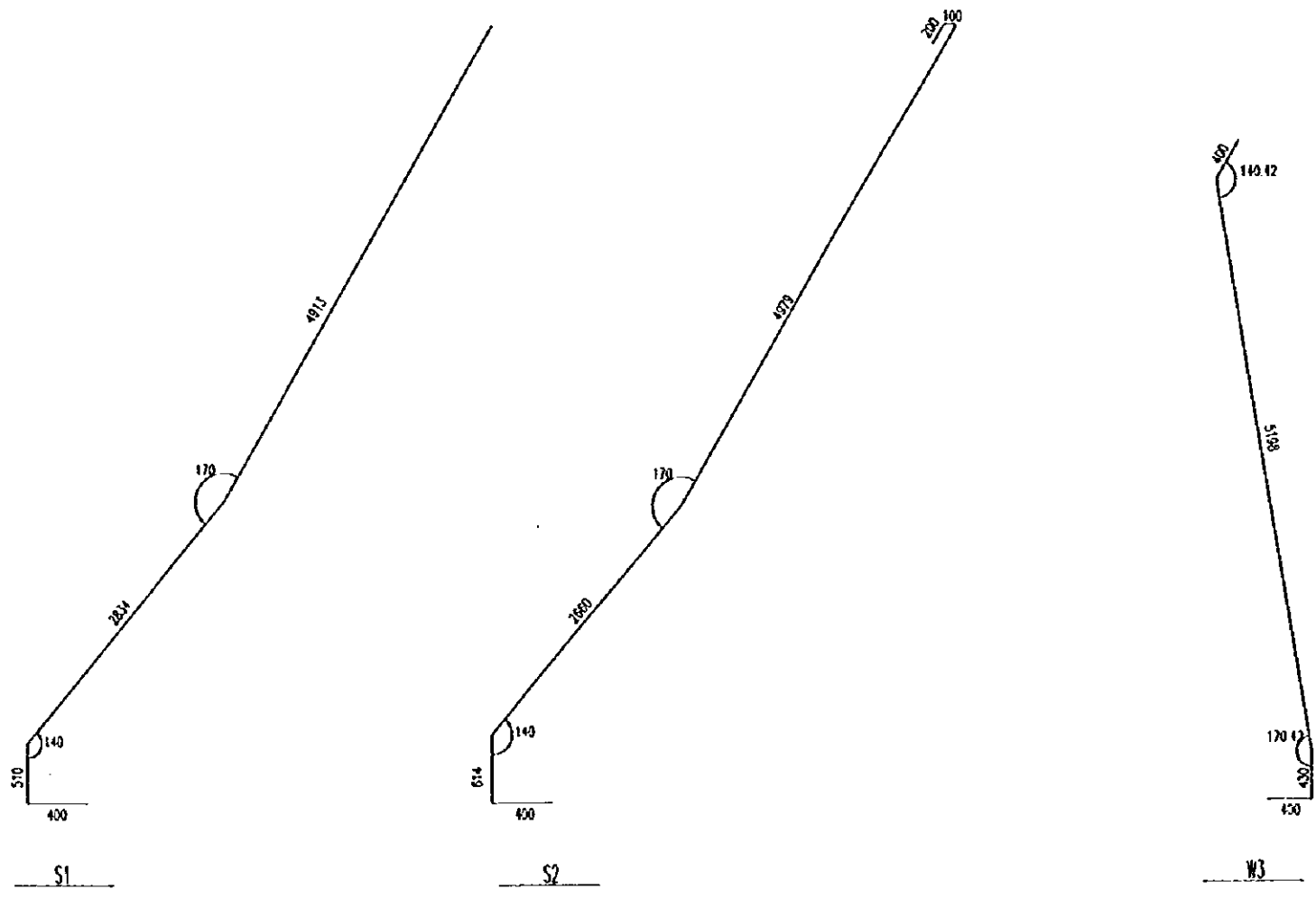
PEOPLE'S REPUBLIC OF CHINA	
SHANGHAI PUDONG INTERNATIONAL AIRPORT PROJECT	SEPTEMBER 1997
STRUCTURE OF BLAST FENCE (2/3)	
SCALE	H=30, V=30 DWG1-R11(2/3)
JAPAN INTERNATIONAL COOPERATION AGENCY	





quantities of reinforcement ( 1 block )

code	specification	length ( m )	weight ( kg/m )	number	weight ( kg )	note
⊙ <sub>T1</sub>	∅ 16	14.8	1.578	24	560.5	
⊙ <sub>T2</sub>	∅ 14	6.62	1.208	85	679.7	
⊙ <sub>B1</sub>	"	14.8	1.208	26	464.8	
⊙ <sub>B2</sub>	"	4.64	1.208	85	476.4	
⊙ <sub>S1</sub>	"	8.657	1.208	75	784.3	
⊙ <sub>S2</sub>	"	8.953	1.208	75	811.1	
⊙ <sub>S3</sub>	"	14.8	1.208	103	1841.5	
⊙ <sub>W1</sub>	"	6.478	1.208	65	508.7	average length
⊙ <sub>W2</sub>	"	5.132	1.208	75	465.0	
⊙ <sub>W3</sub>	∅ 16	6.428	1.578	10	101.4	
total					6693	



quantities of material (length of 1196m)

material	specification	quantity	unit	note
blast wall	C25	1896	m <sup>3</sup>	
reinforcing web	"	1128	"	
footing foundation	"	3444	"	
concrete subslab	C10	598	"	
crushed stone		598	"	
reinforcement	Grade II	534,000	kg	

- Note:
1. Unit: mm.
  2. The location of blast fence is determined as <<location of airside civil works>>.
  3. Long-term's proof stress of earth >  $\sigma_r = 50 \text{ kN/m}^2$ .

Main Quantities of Supplement Facilities of Airfield

NO.	Items	Materials Quantities	Area of Road Pavement ( m <sup>2</sup> )		Area of Base Course ( m <sup>2</sup> )			Fence And Blast Fence			
			Fine Concrete		Coarse Concrete		Lime Flyash Stabilized Crushed Stone	Lime Flyash Stabilized Crushed Stone	Crushed Stone	Numbers	Length m
			3CM	4CM	6CM	18CM	15CM	20CM			
1	Perimeter Road And Fire Fighting Road		29666		29666		69915				
2	GSE Route			30059	30059		66671		33335		
3	Steel Fence									10890	
4	Brick Fence									2092	
5	Gate (Width 6m)									3	
6	Gate (Width 8m)									4	
7	Blast Fence									1198	
	Total Area ( m <sup>2</sup> )		29666	30059	59725		66671	69915	33335		
	Total Volume( m <sup>3</sup> )		890	1203	3584		12001	10487	6667		

Main Material Quantities of Supplement Facilities of Airfield

NO.	Items	Materials Quantities	Content ( m <sup>2</sup> )	Asphalt (ton)	Cement (ton)	Lime (ton)	Flyash (ton)	Crushed Stone			Sand ( m <sup>3</sup> )	Chip ( m <sup>3</sup> )	Reinforce Bar and Steel Frame			Brick (thousand Block)	Road Paint (ton)	
								0.5-2cm ( m <sup>3</sup> )	2-4cm ( m <sup>3</sup> )	0.5-5cm ( m <sup>3</sup> )			<φ10 (ton)	>φ10 (ton)	Steel Frame (ton)			
1	Pavement	3cm Fine Asphalt Concrete	29666	178						142	957	1051						
2		4cm Fine Asphalt Concrete	30059	181						144	974	1070					0.37	
3		6cm Coarse Asphalt Concrete	59725	394					537	1538		2396	1252					
4	Base Course	18cm Lime Flyash Stabilized Crushed Stone	66671			1001	1201											
5		18cm Lime Flyash Stabilized Crushed Stone	69915			1047	1256											
6		Tack Coat	59725	24														
7	Course	Prime Coat	59725	48														
8		20cm Crushed Stone	33335							6667								
9		Steel Fence (m)	10890		250				95	539		379		119.7	27	157.6		
10	Fence	Brick Fence (m)	2092													1046		
11		Gate (NO'S)	7															
12	Blast Fence	Upper Structure (m)	1198											52.8	781.9			
13		Foundation	C25 Concrete Foundation (m <sup>3</sup> )	3460		1158					3208	1675						
14			C10 Concrete Foundation (m <sup>3</sup> )	601		175					551	331			165.0	2.0		
15		Crushed Stone (m <sup>3</sup> )	601							601								
	Total				825	1583	2048	2457	632	2077	27277	6715	3373	119.7	217.8	941.5	1046	0.37

.)

.)

.)

JICA