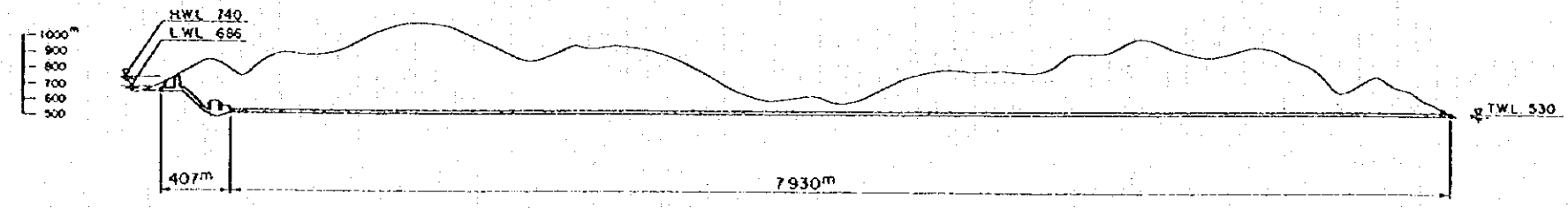
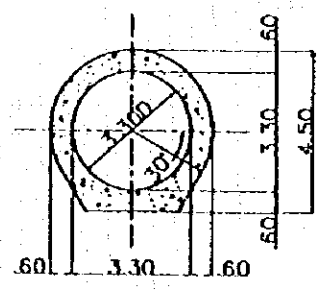


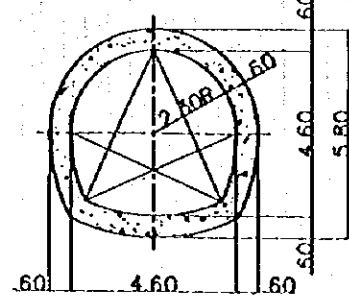
PROFILE



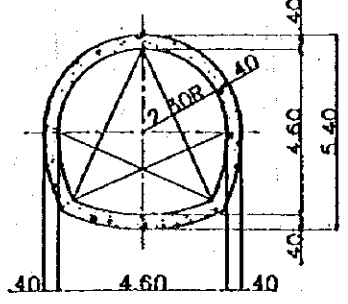
Bayram PENSTOCK



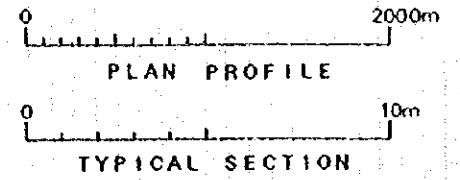
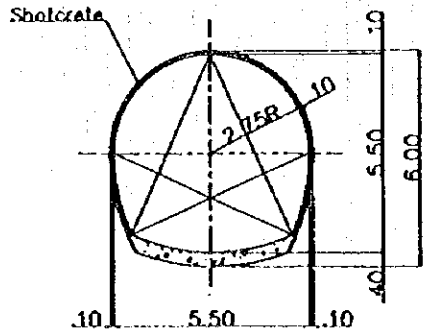
TYPE 1



TYPICAL SECTION TAILRACE TYPE 2



TYPE 3



CORUH - BERTA HYDROELECTRIC POWER DEVELOPMENT PROJECT

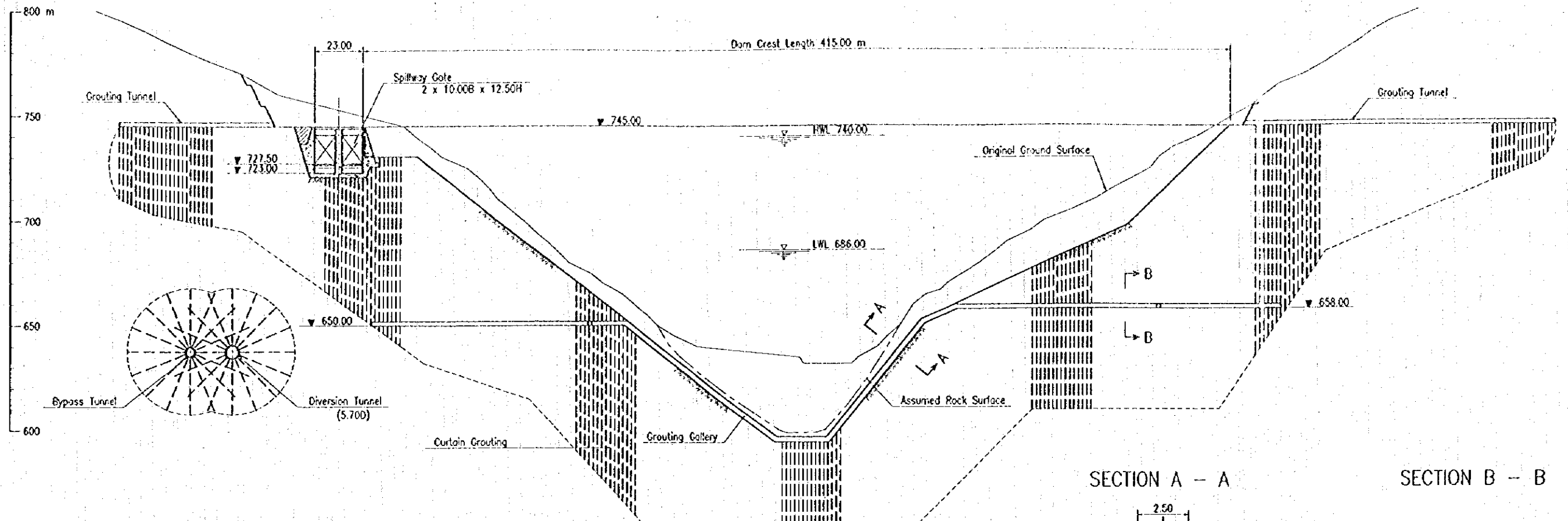
Bayram Project  
Water Way  
Plan and Profile

Figure 6

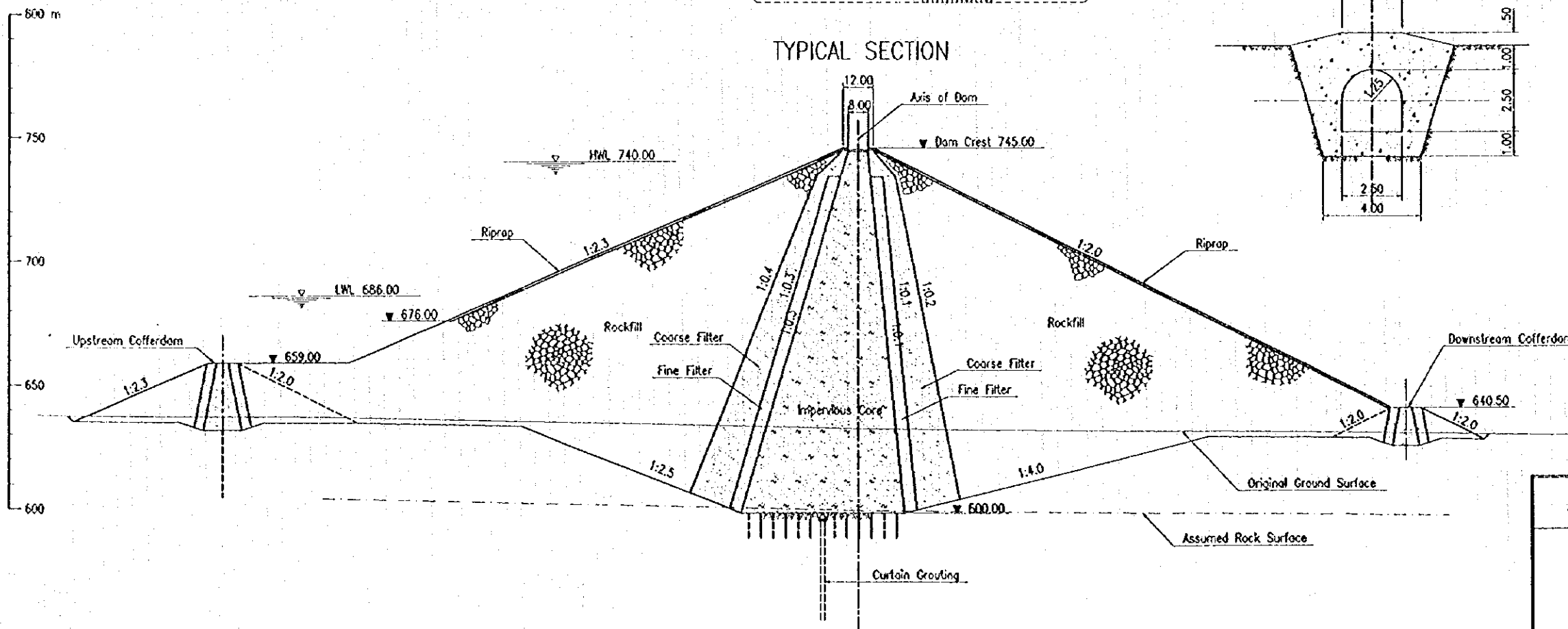




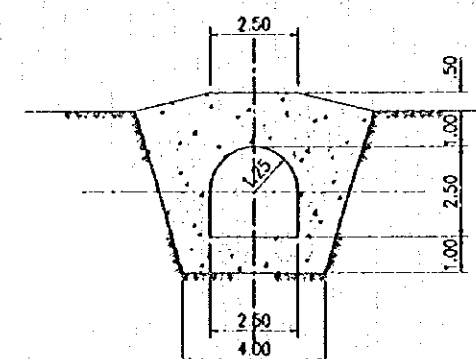
# PROFILE



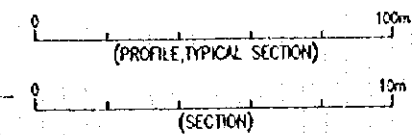
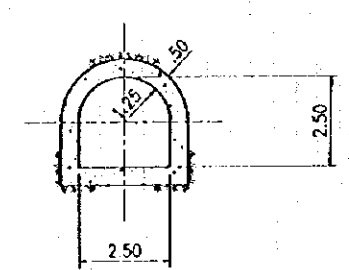
# TYPICAL SECTION



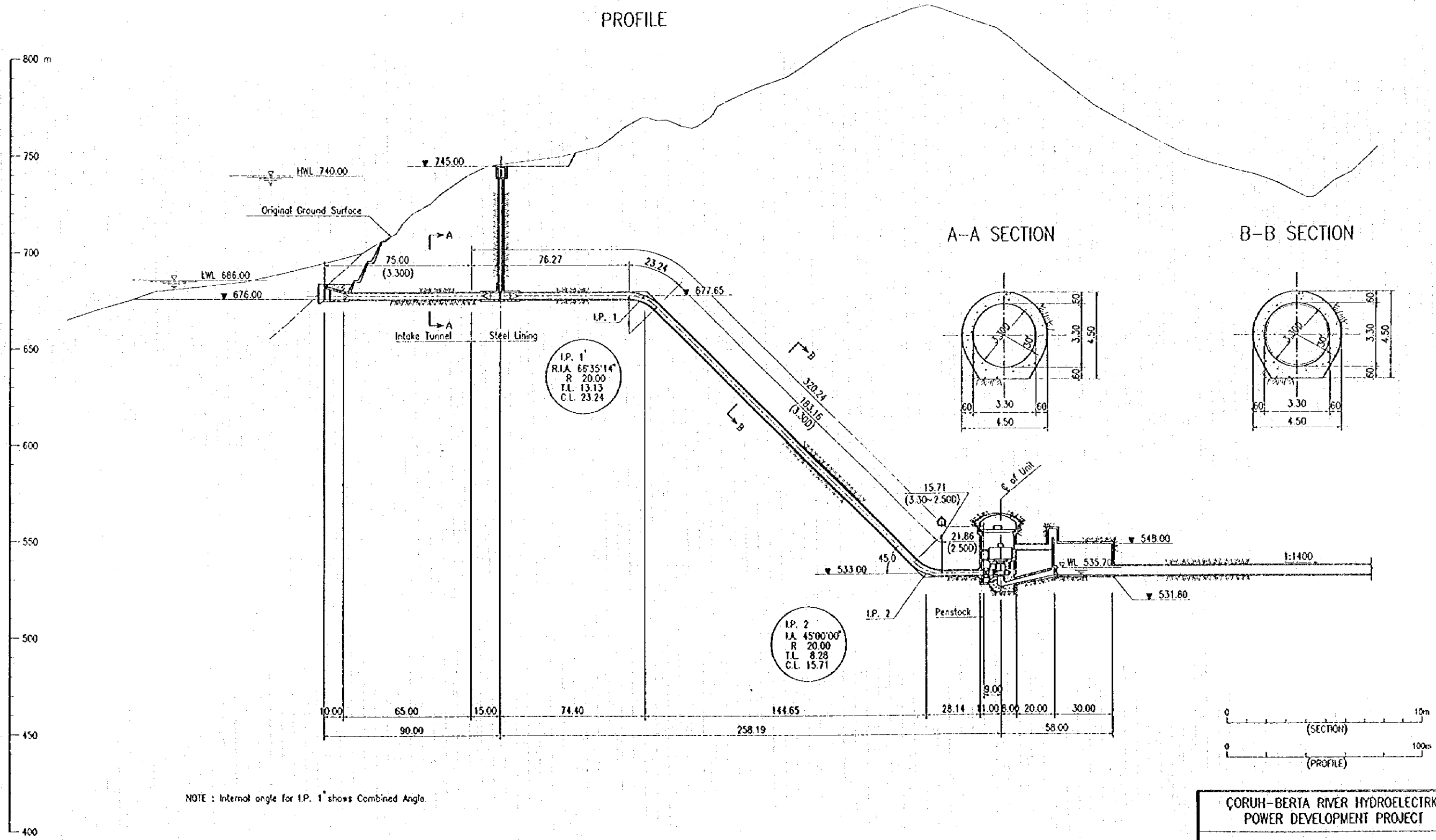
# SECTION A - A



# SECTION B - B



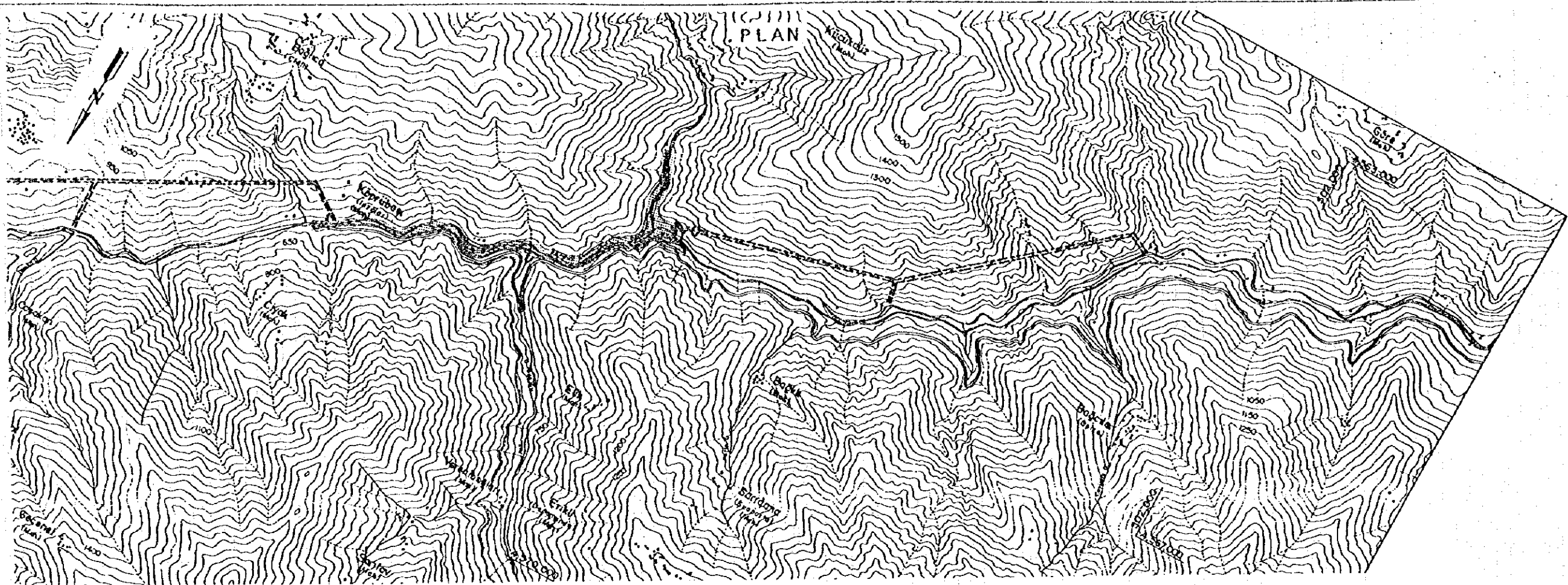
ÇORUH-BERTA RIVER HYDROELECTRIC  
 POWER DEVELOPMENT PROJECT  
 BAYRAM PROJECT  
 DAM  
 PROFILE AND SECTION  
 Figure 8



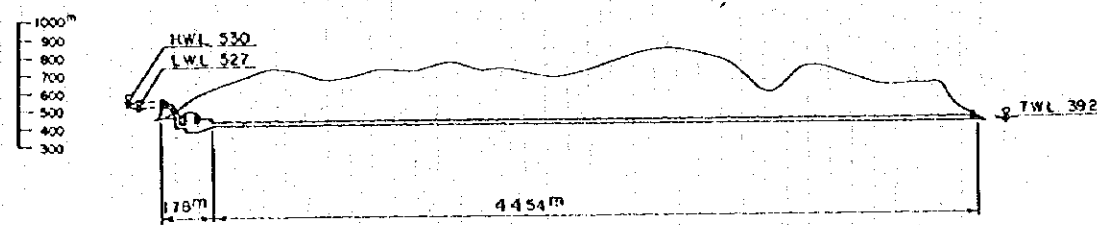
ÇORUH-BERTA RIVER HYDROELECTRIC  
POWER DEVELOPMENT PROJECT

BAYRAM PROJECT  
PENSTOCK AND POWERHOUSE  
PROFILE AND SECTION

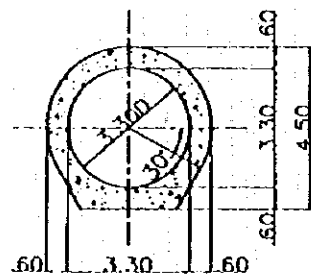
Figure 9



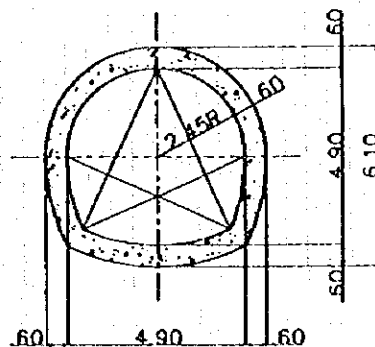
PROFILE



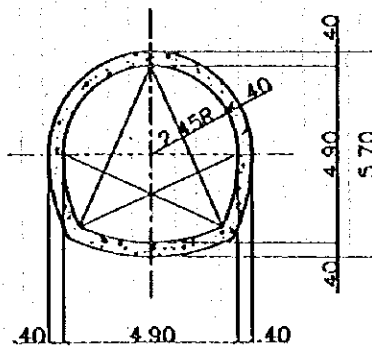
Bağlık PENSTOCK



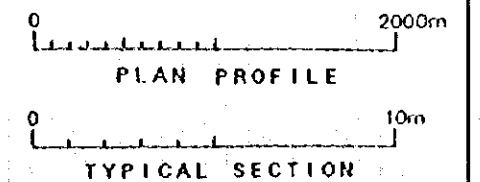
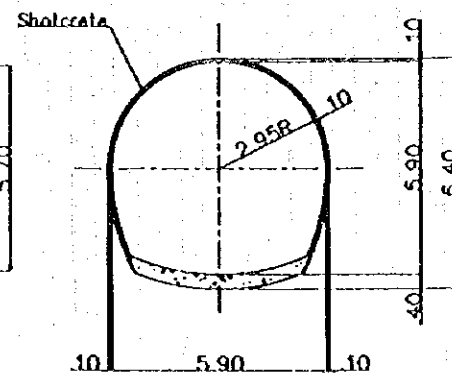
TYPE 1



TYPICAL SECTION  
TAILRACE  
TYPE 2



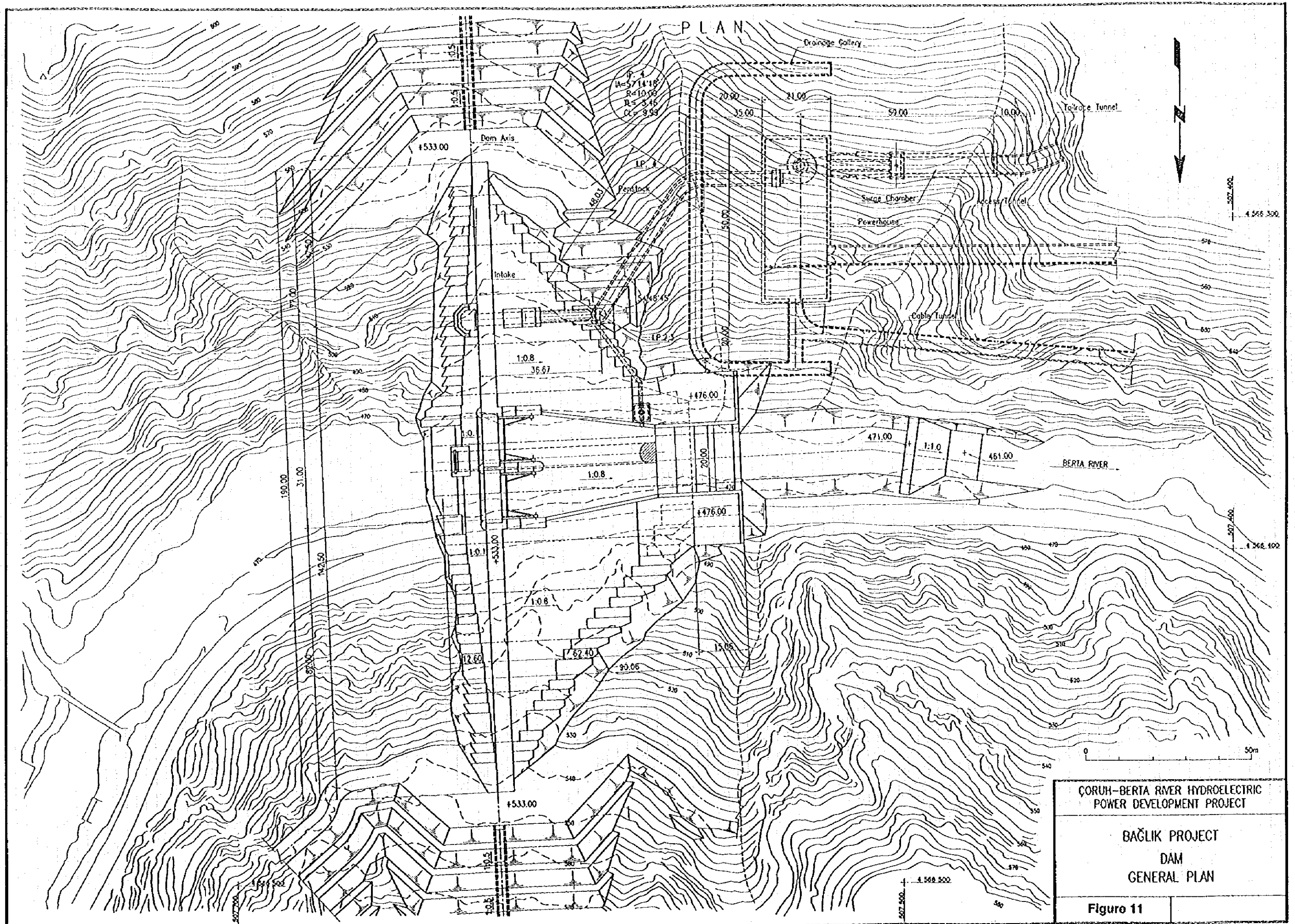
TYPE 3

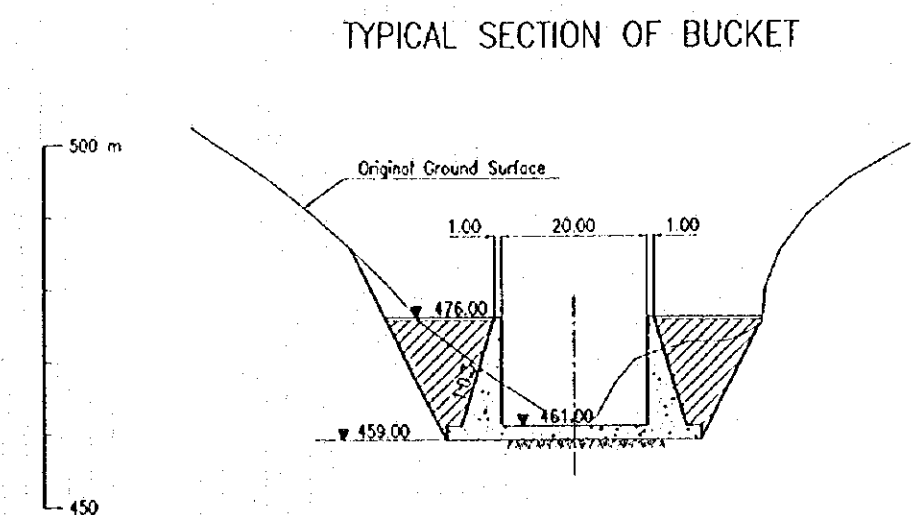
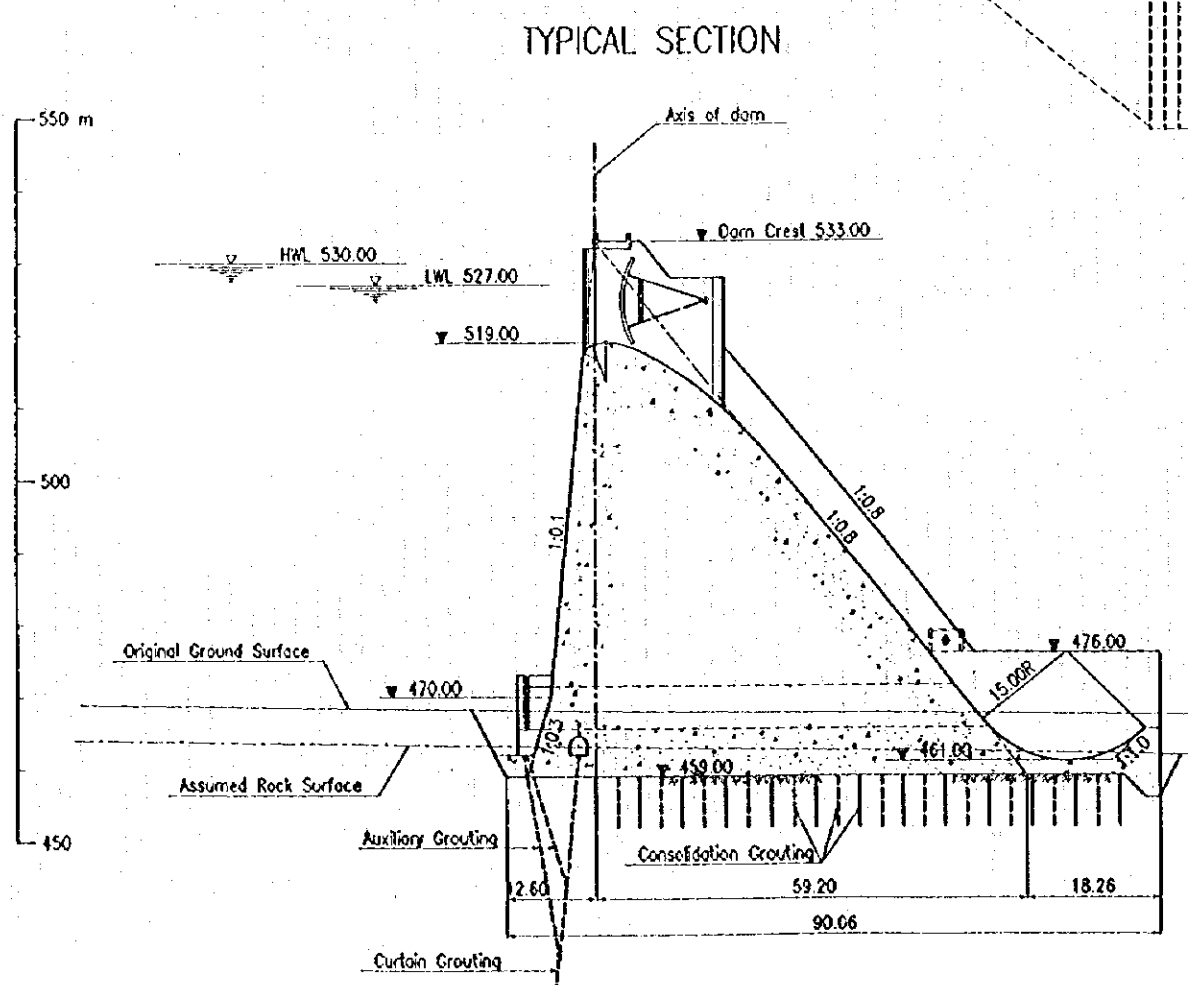
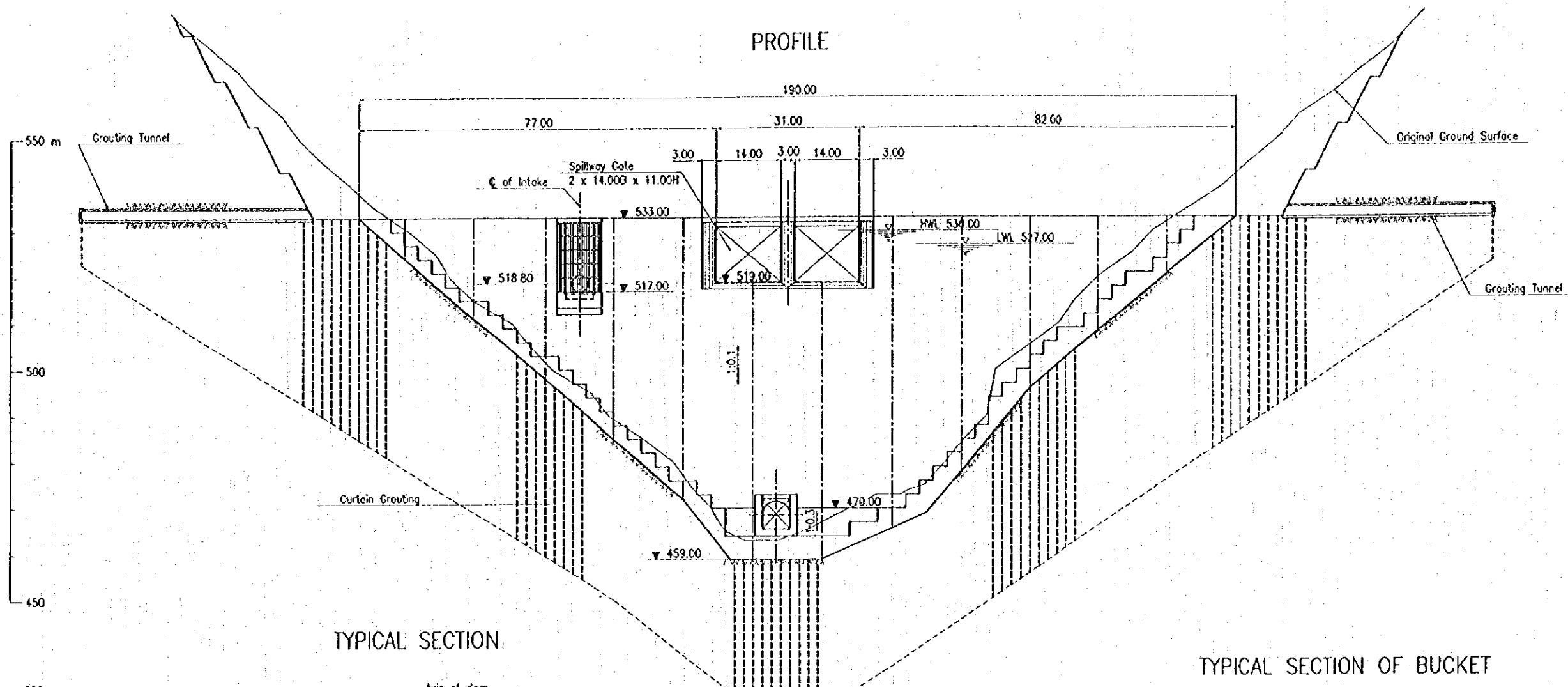


CORUH - BERTA HYDROELECTRIC  
POWER DEVELOPMENT PROJECT

Bağlık Project  
Water Way  
Plan and Profile

Figure 10





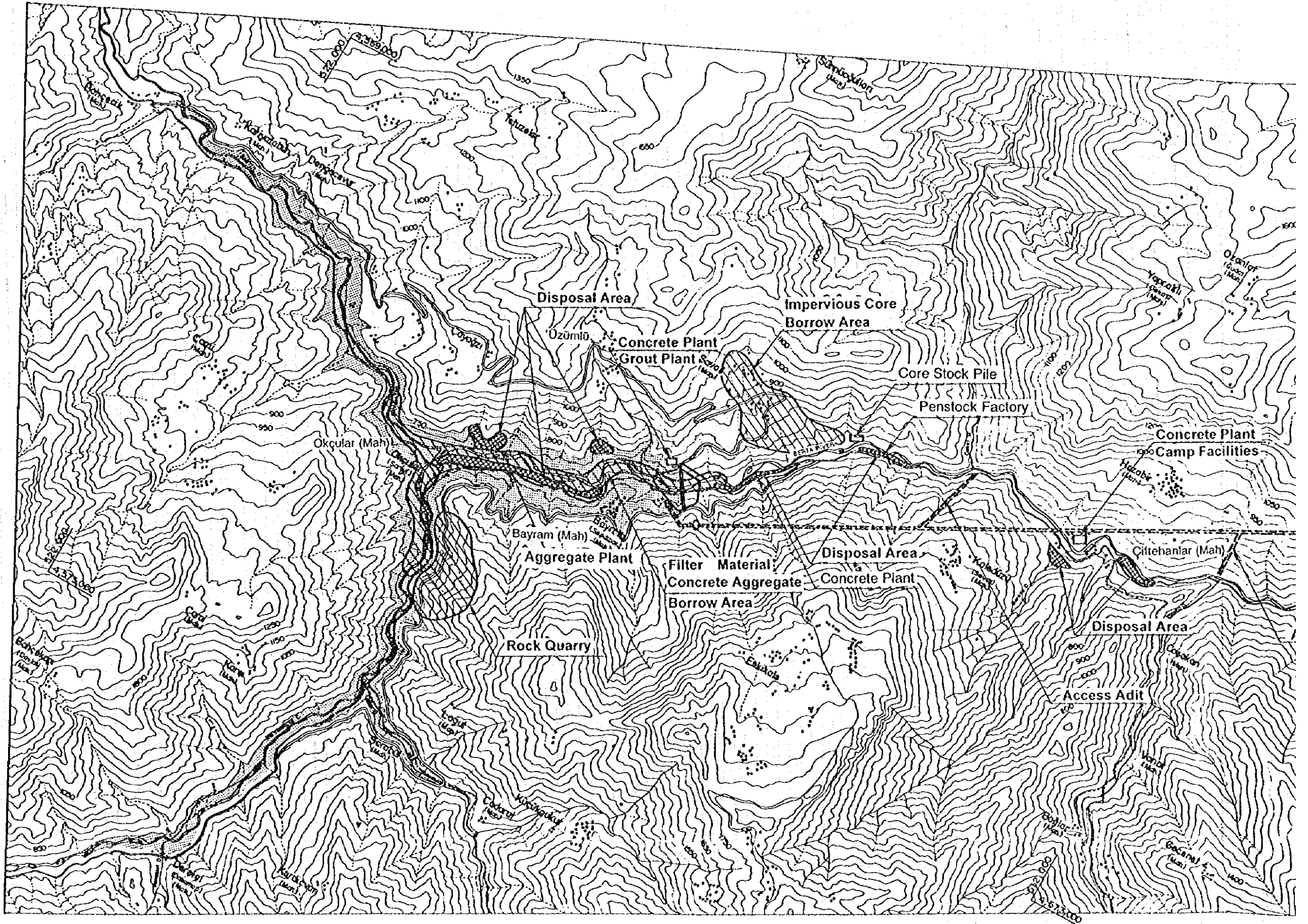
ÇORUH-BERTA RIVER HYDROELECTRIC  
POWER DEVELOPMENT PROJECT

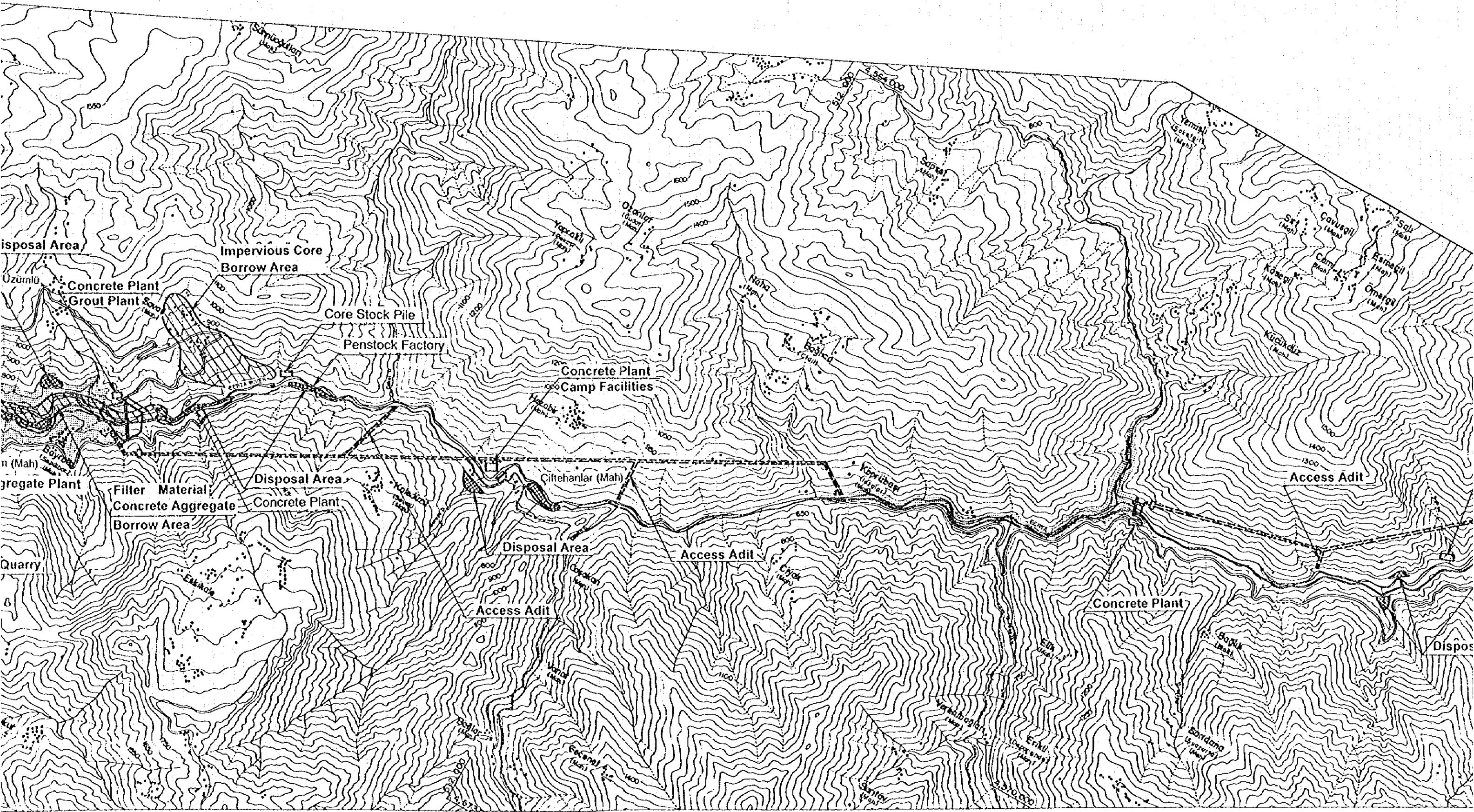
BAĞLIK PROJECT  
DAM  
PROFILE AND SECTION

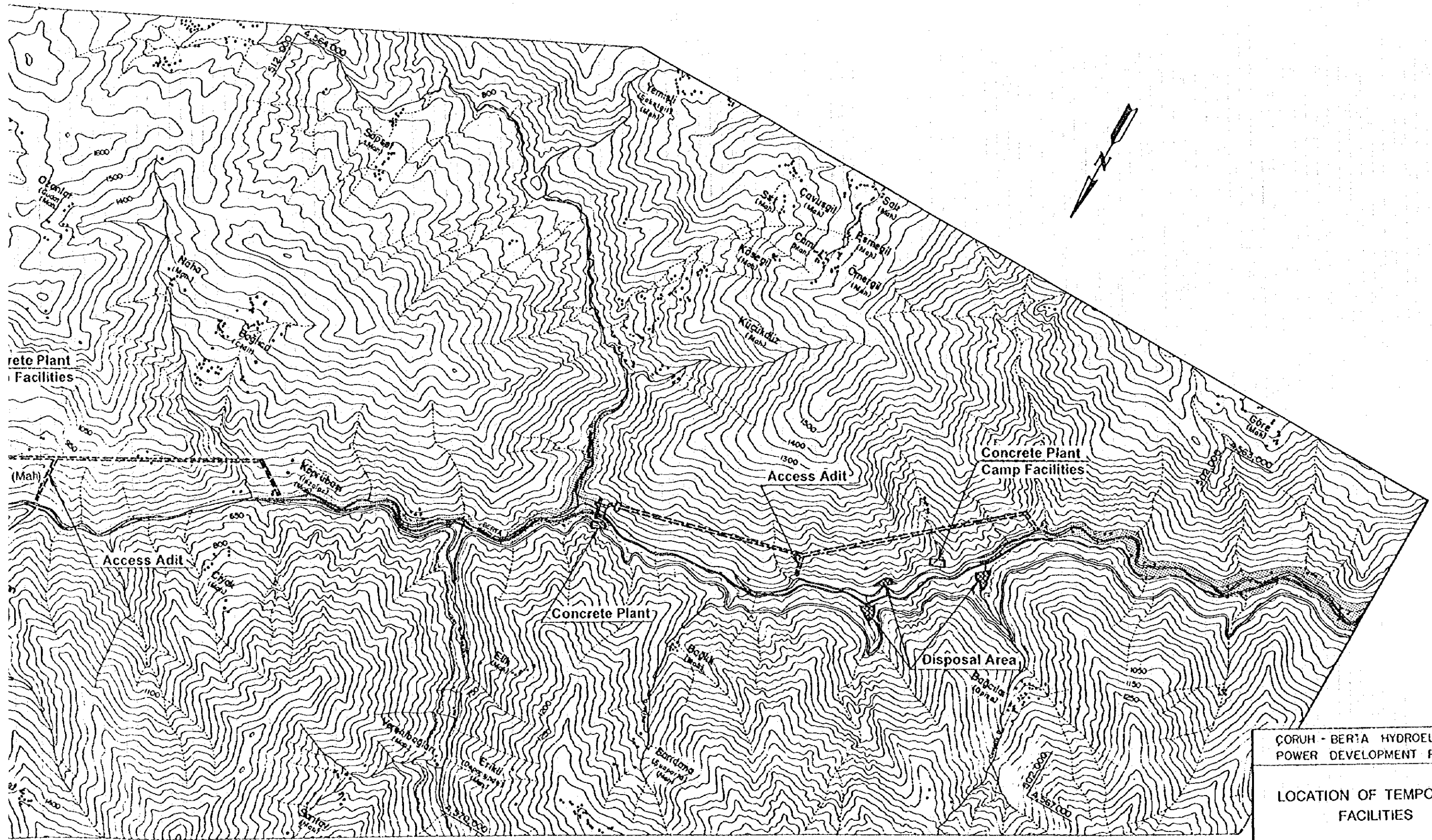
Figure 12







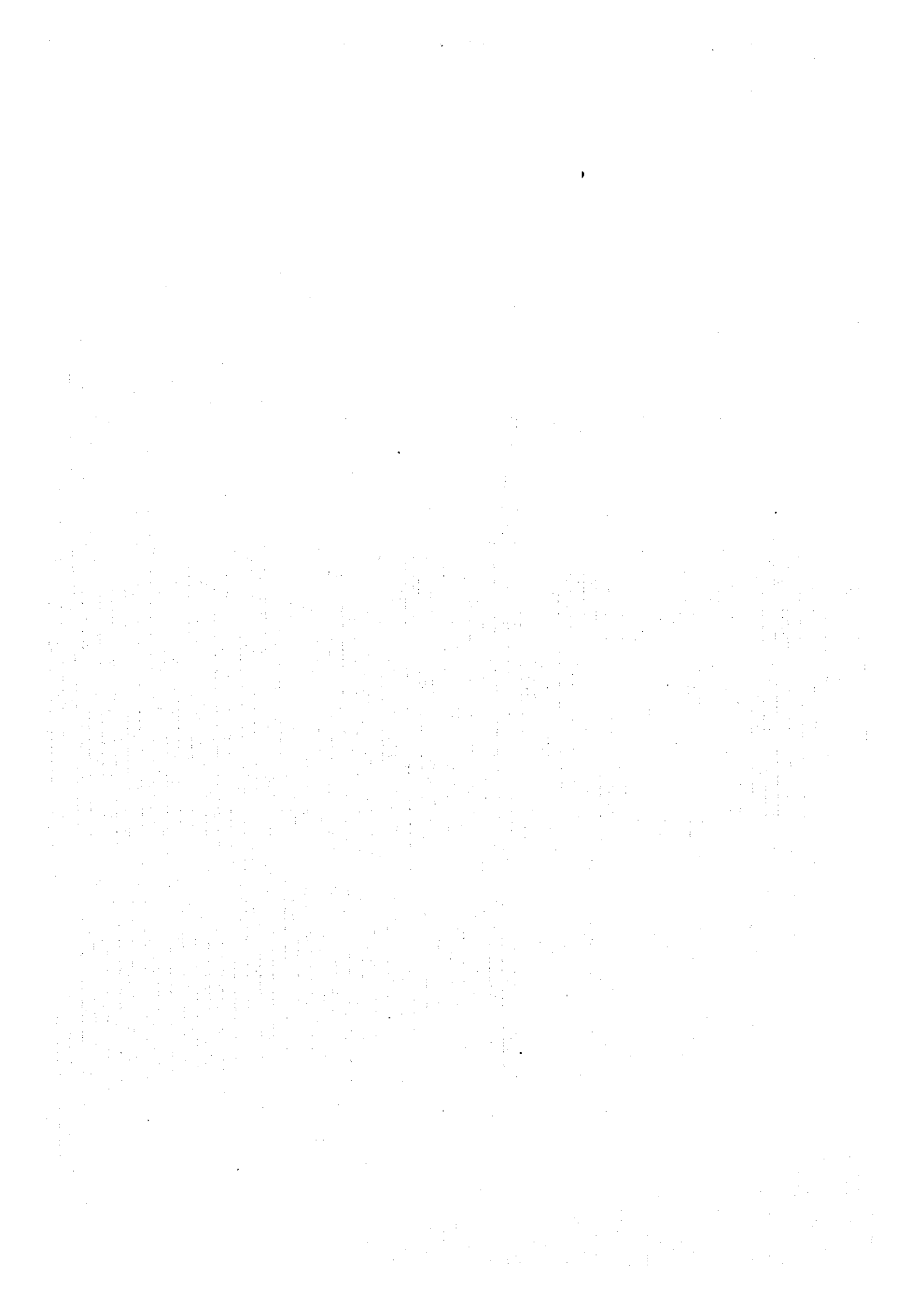




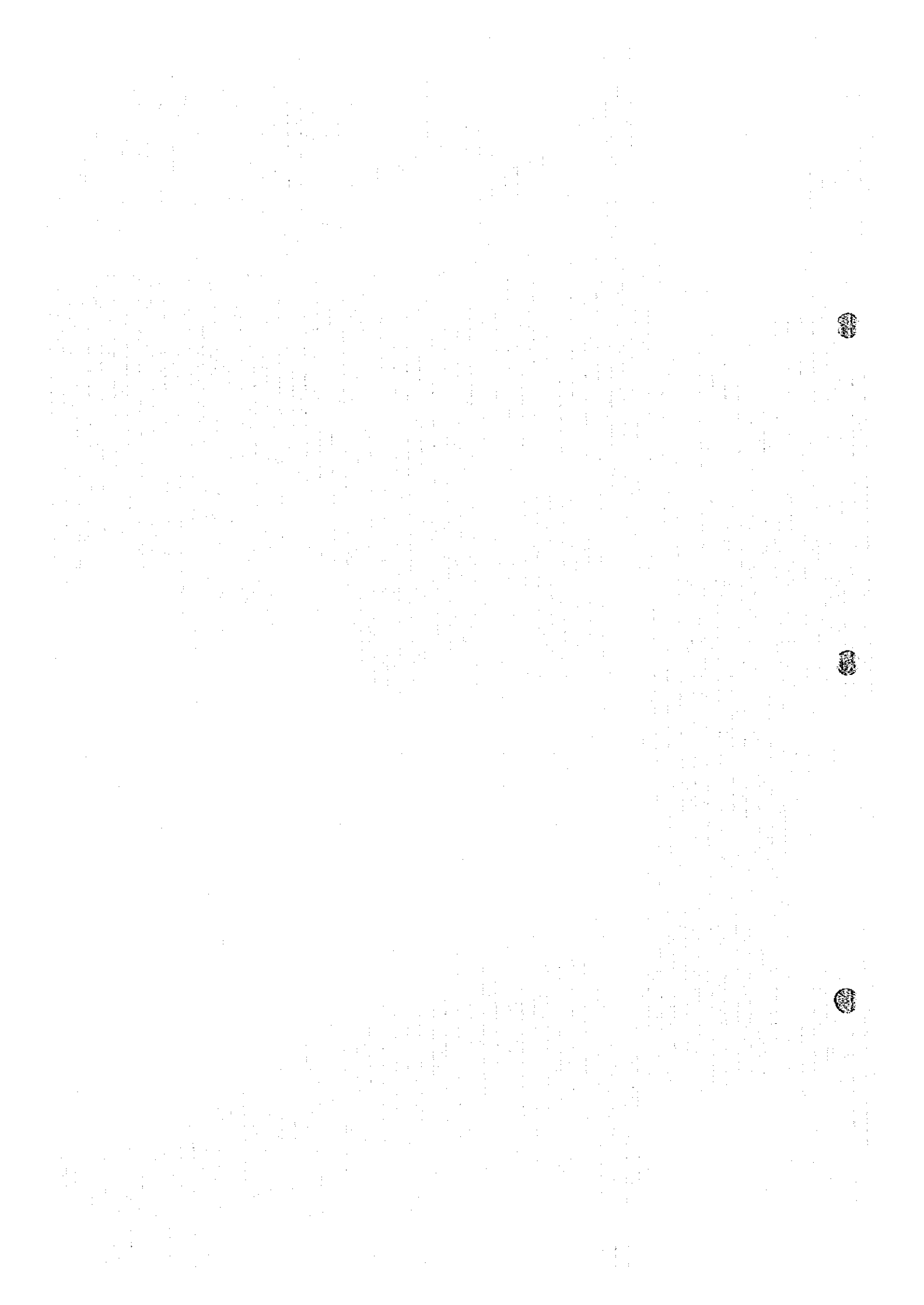
ÇORUH - BERT'A HYDROELECTRIC  
POWER DEVELOPMENT PROJECT

LOCATION OF TEMPORARY  
FACILITIES

Figure 14











JICA