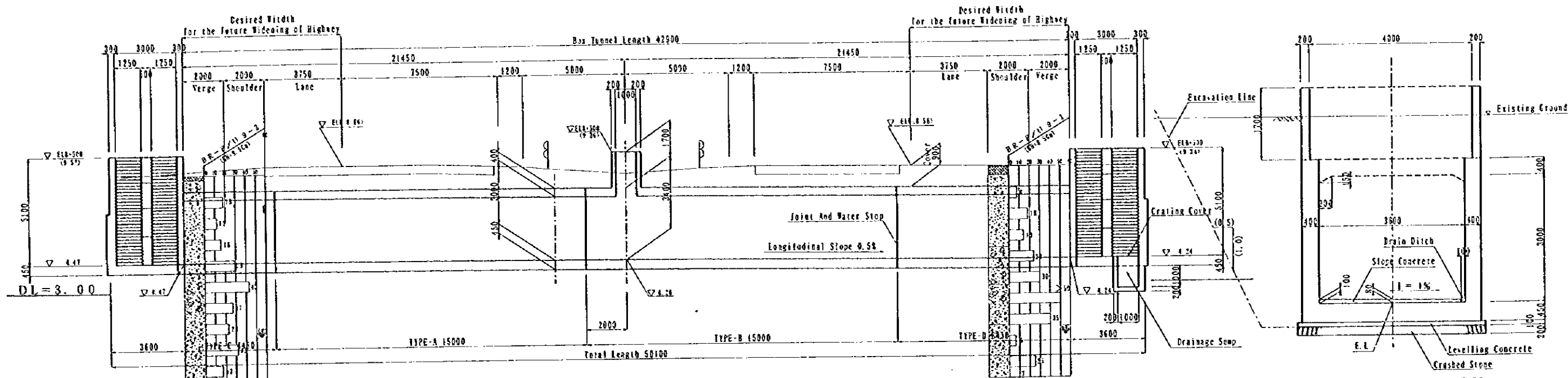
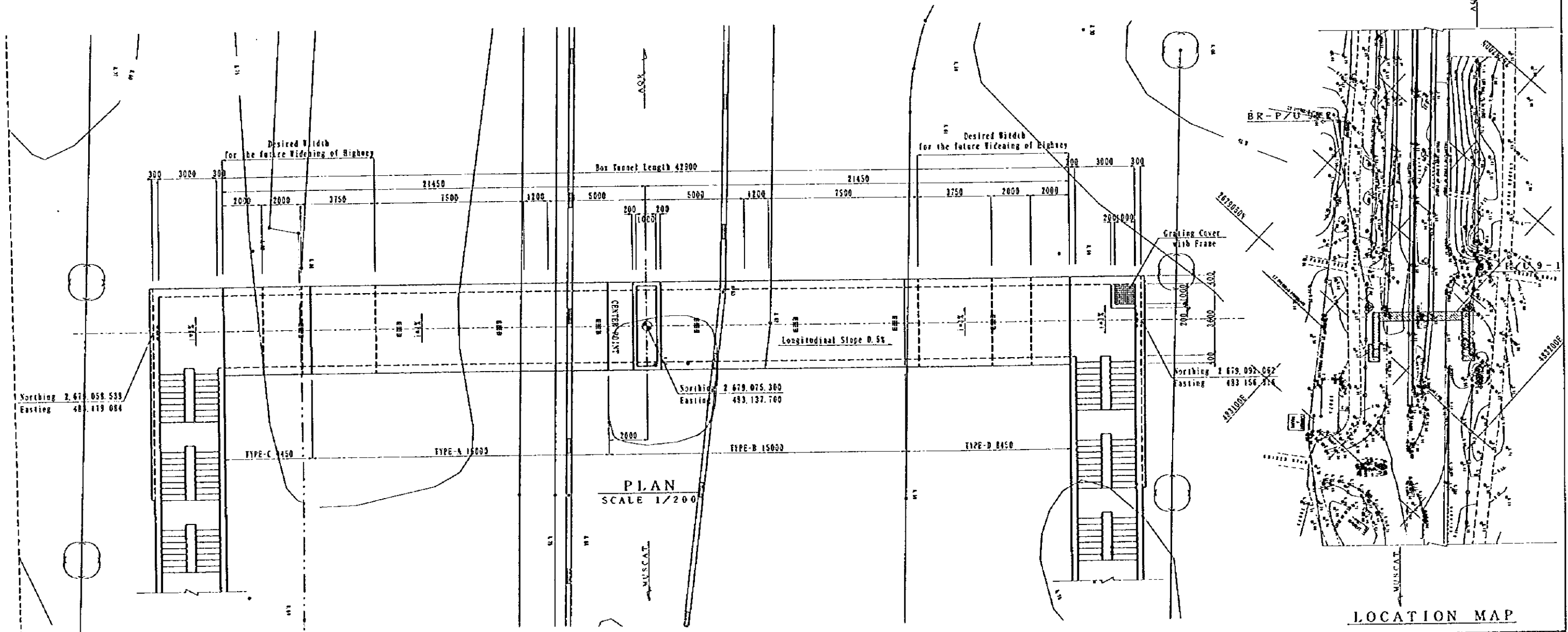


Majaz A' Sulhira
PEDESTRIAN UNDERPASS



LONGITUDINAL SECTION
SCALE 1/200

CROSS SECTION
SCALE 1/100



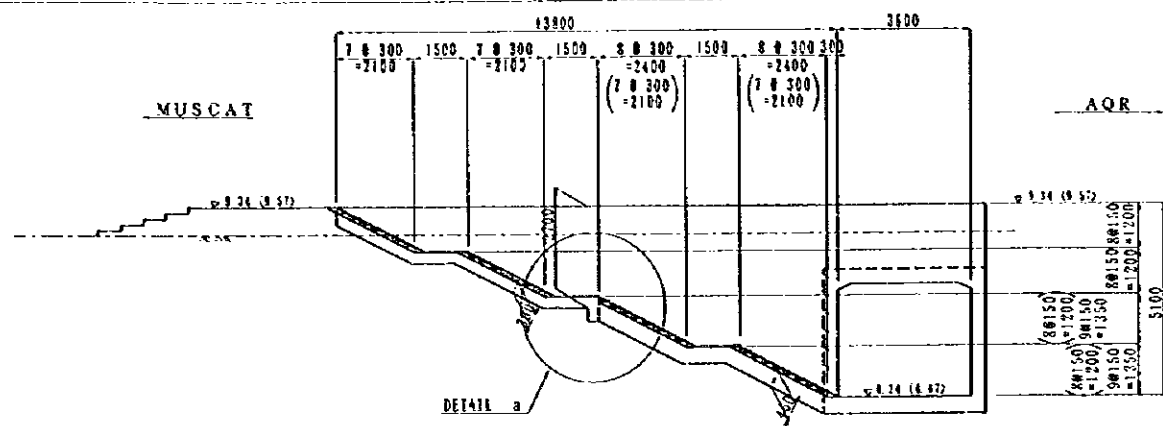
PLAN
SCALE 1/200

LOCATION MAP

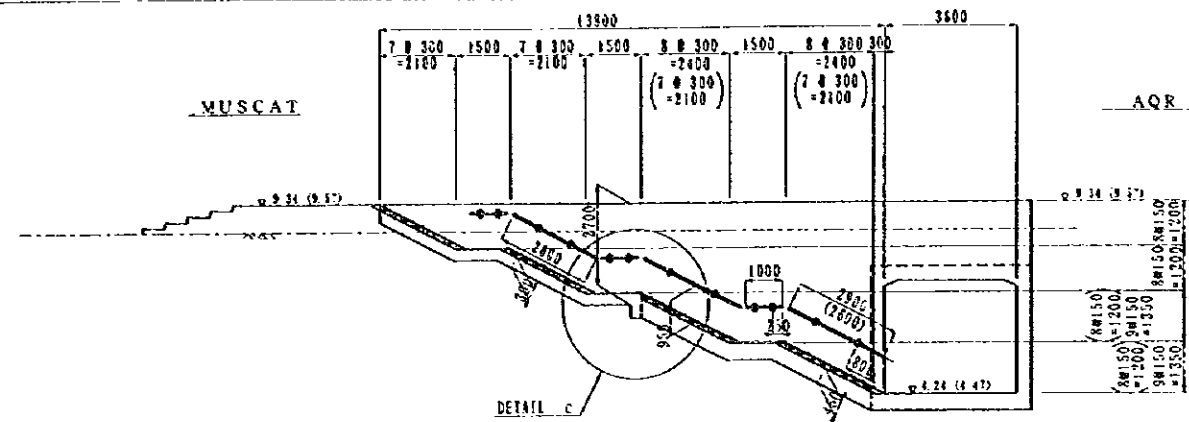
NOTES:

JAPAN INTERNATIONAL COOPERATION AGENCY
(JICA)
JICA STUDY TEAM
PACIFIC CONSULTANTS INTERNATIONAL
PERUYAMA CONSULTANTS INTERNATIONAL

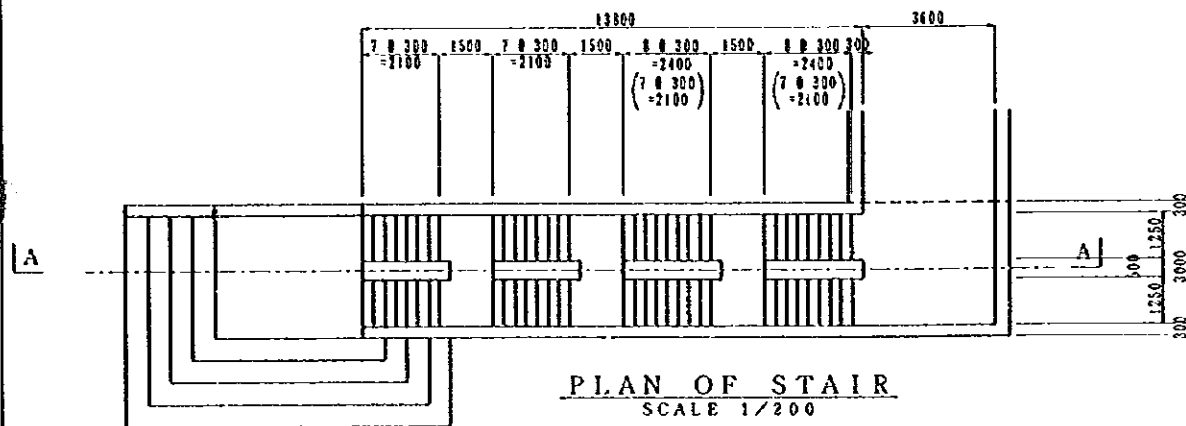
CLIENT : MINISTRY OF COMMUNICATIONS, DIRECTORATE GENERAL OF ROADS
PROJECT : D/D ON ROAD DEVELOPMENT PROJECT ON BATINAH HIGHWAY
TITLE : P/U-9. MAJAZ A' SUGHRA GENERAL VIEW (I)
DATE : _____ DWG NO. P - 1



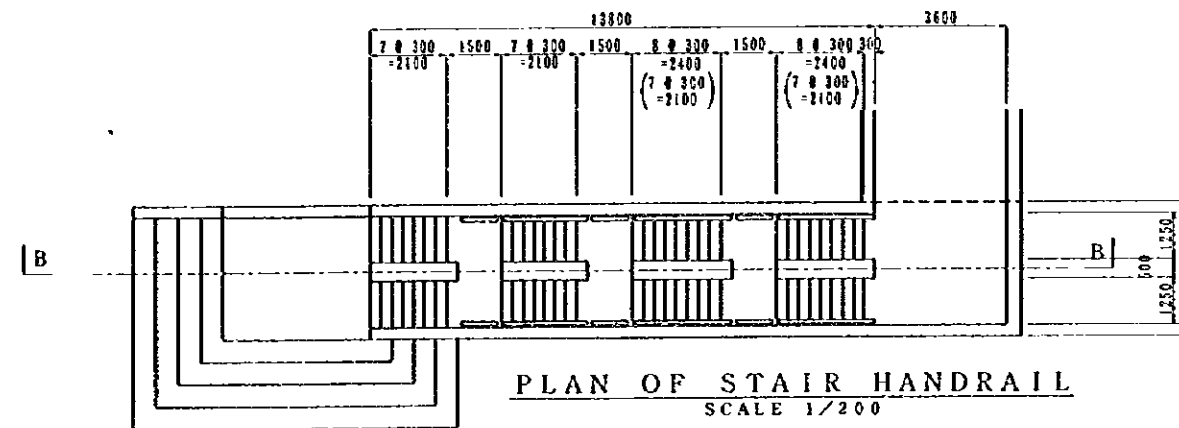
STAIR (SECTION A-A)
SCALE 1/200



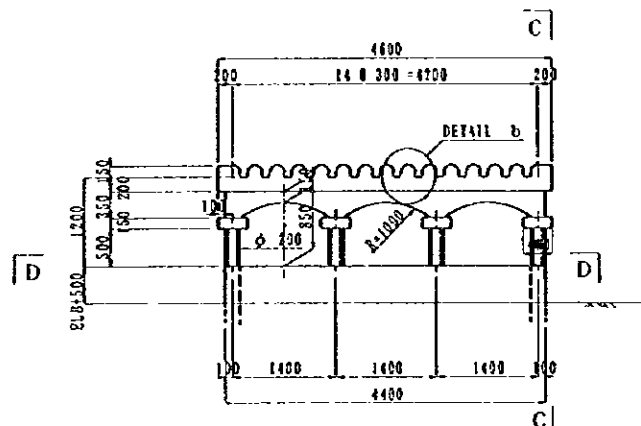
STAIR HANDRAIL (SECTION B-B)
SCALE 1/200



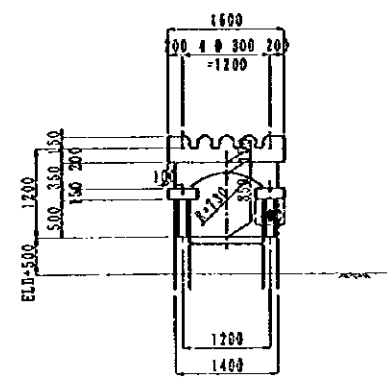
PLAN OF STAIR
SCALE 1/200



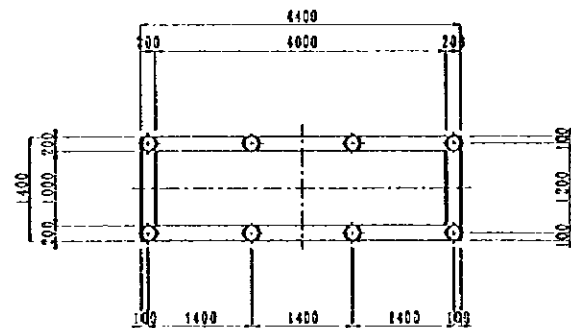
PLAN OF STAIR HANDRAIL
SCALE 1/200



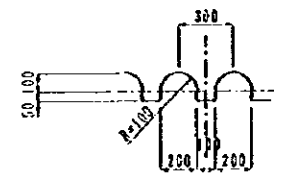
SIDE ELEVATION
SCALE 1/100



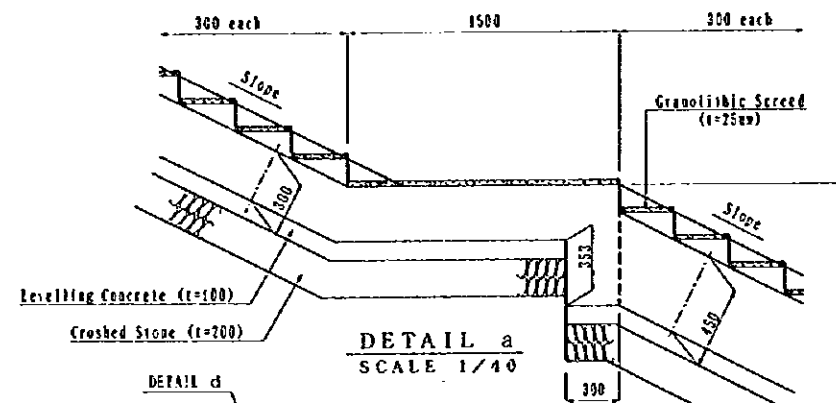
SECTION C-C
SCALE 1/100



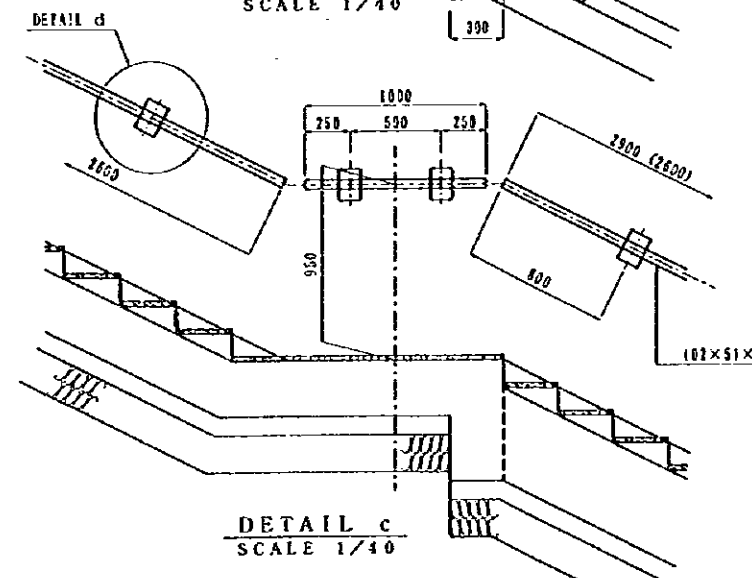
SECTION D-D
SCALE 1/100



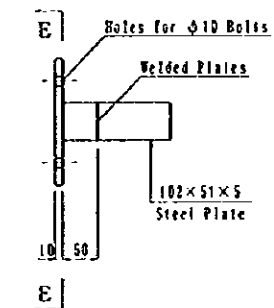
DETAIL b
SCALE 1/40



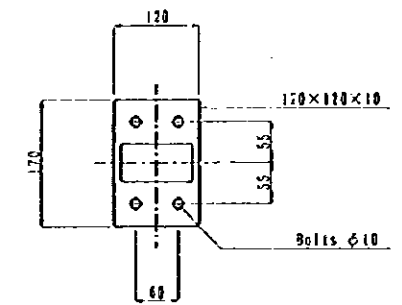
DETAIL a
SCALE 1/40



DETAIL c
SCALE 1/40



DETAIL d
SCALE 1/10



SECTION E-E
SCALE 1/10

CANOPY ON LIGHT WELL

NOTES: Dimensions of () value are for inland stair.

JAPAN INTERNATIONAL COOPERATION AGENCY
(JICA)

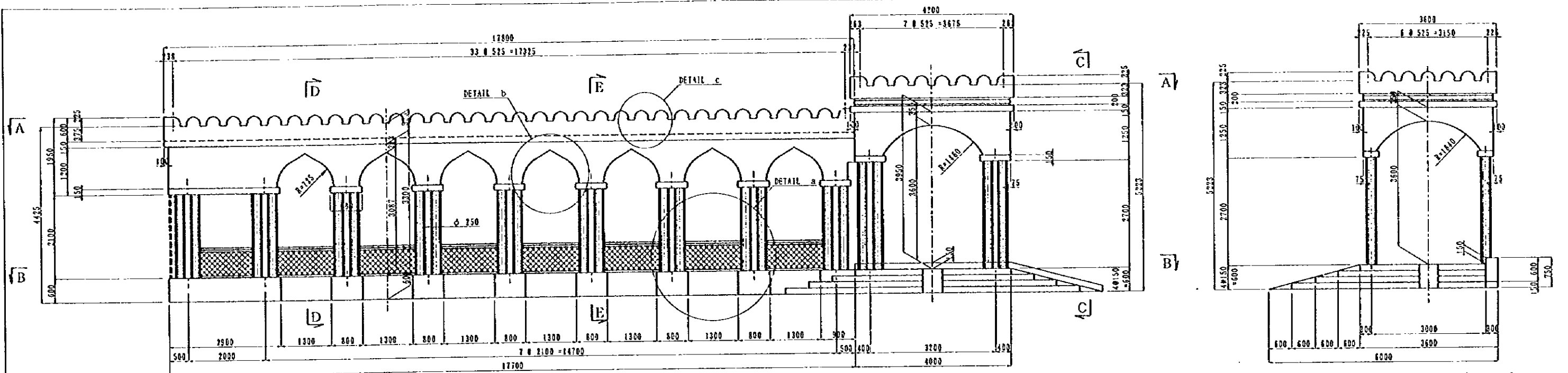
JICA STUDY TEAM
PACIFIC CONSULTANTS INTERNATIONAL
FLRYAMA CONSULTANTS INTERNATIONAL

CLIENT : MINISTRY OF COMMUNICATIONS, DIRECTORATE GENERAL OF ROADS

PROJECT : D/D ON ROAD DEVELOPMENT PROJECT ON BATINAH HIGHWAY

TITLE : P/U-9, MAJAZ A' SUGHRA GENERAL VIEW (2)

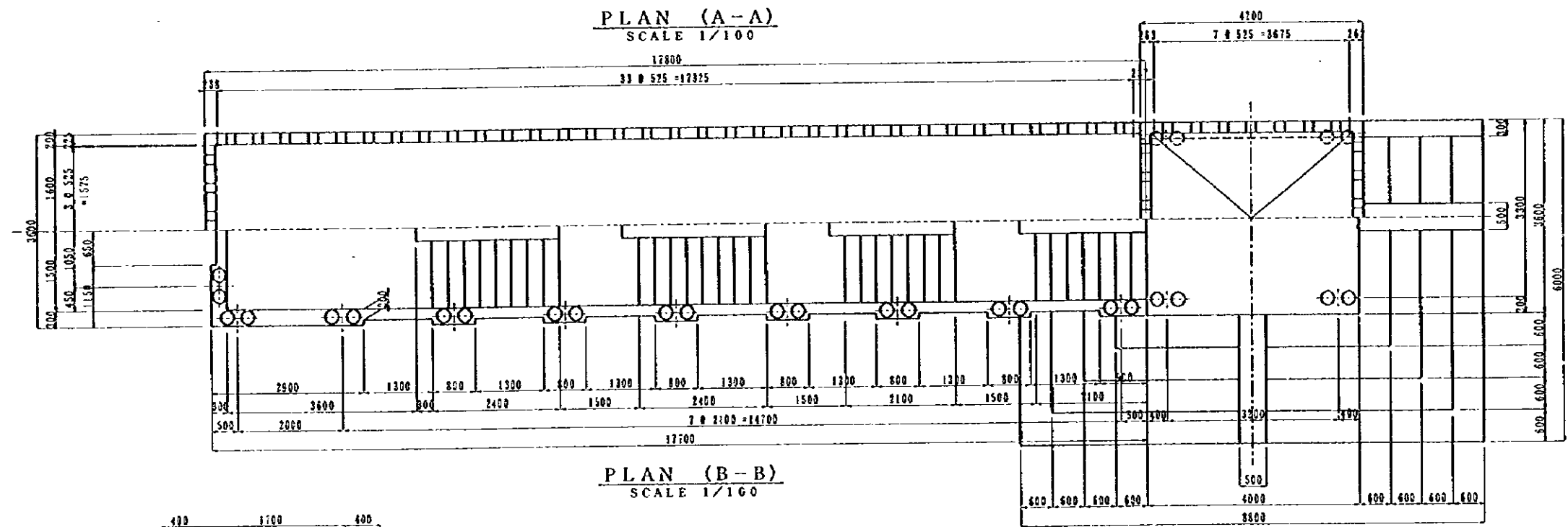
DATE : _____ DWG NO. P-2



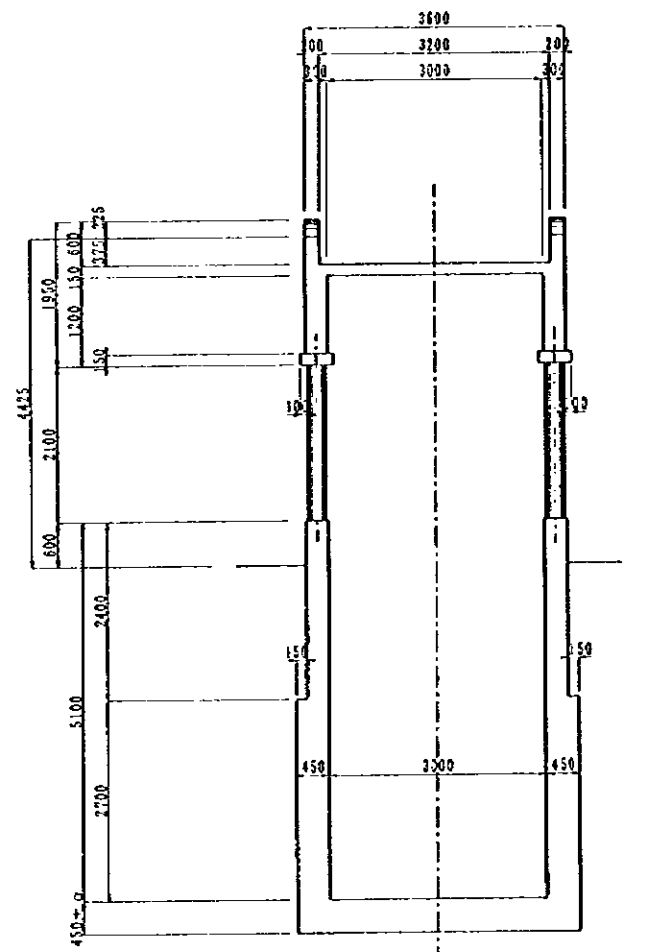
PROFILE OF CANOPY
SCALE 1/100

ENTRANCE (C-C)
SCALE 1/100

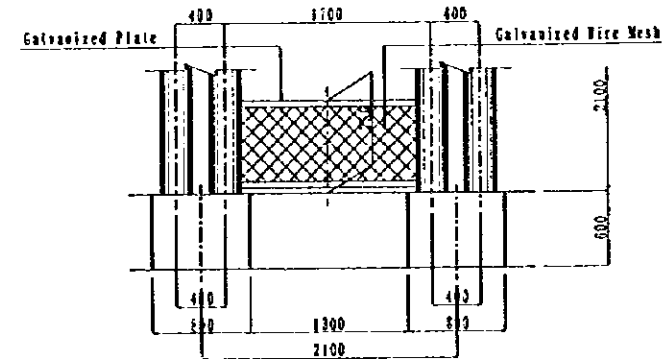
PLAN (A-A)
SCALE 1/100



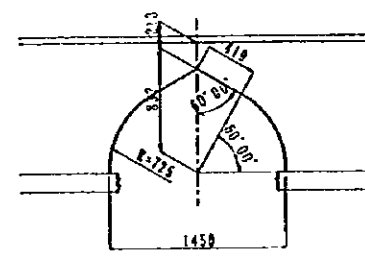
PLAN (B-B)
SCALE 1/100



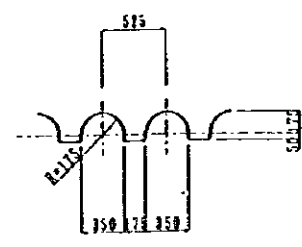
CROSS SECTION D-D
SCALE 1/100



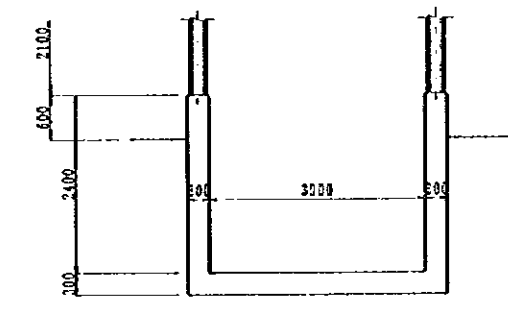
DETAIL a
SCALE 1/60



DETAIL b
SCALE 1/60



DETAIL c
SCALE 1/60

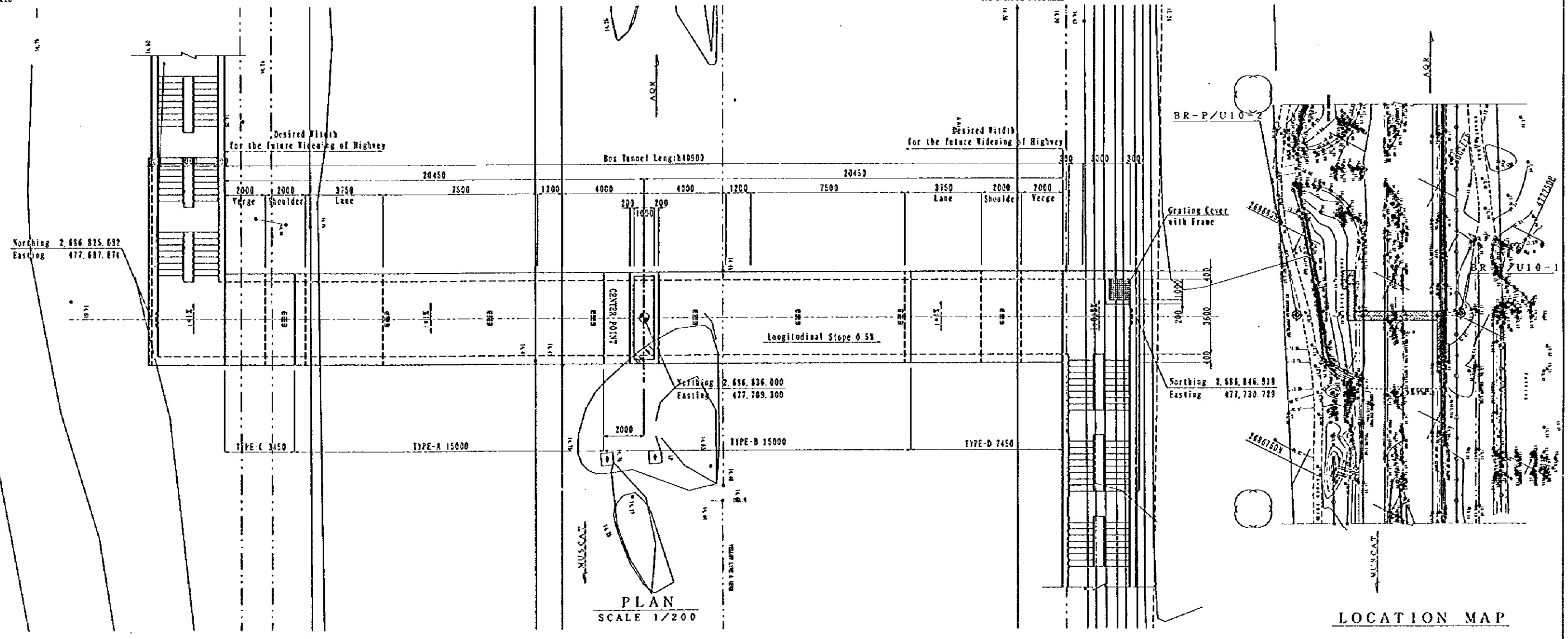
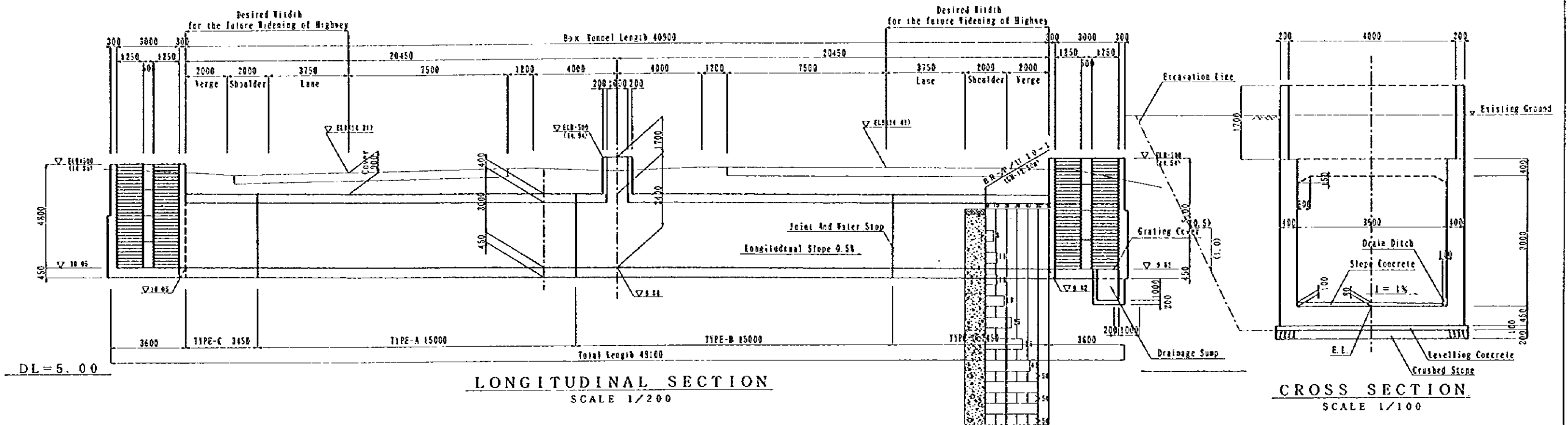


CROSS SECTION E-E
SCALE 1/100

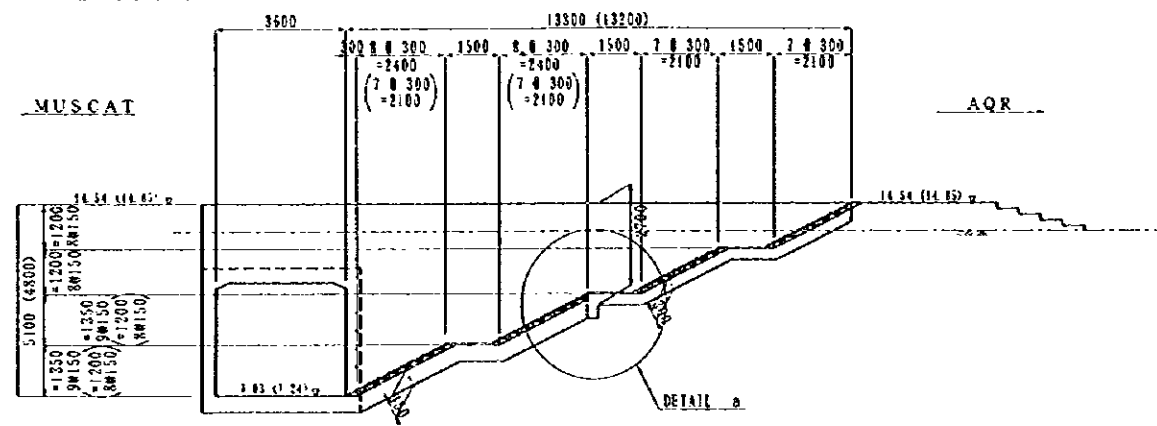
NOTES:

JAPAN INTERNATIONAL COOPERATION AGENCY (JICA)	CLIENT :	MINISTRY OF COMMUNICATIONS, DIRECTORATE GENERAL OF ROADS
	PROJECT :	D/D ON ROAD DEVELOPMENT PROJECT ON BATINAH HIGHWAY
	TITLE :	P/U-9, MAJAZ A' SUGHRA GENERAL VIEW (3)
	DATE :	DWG NO. P- 3

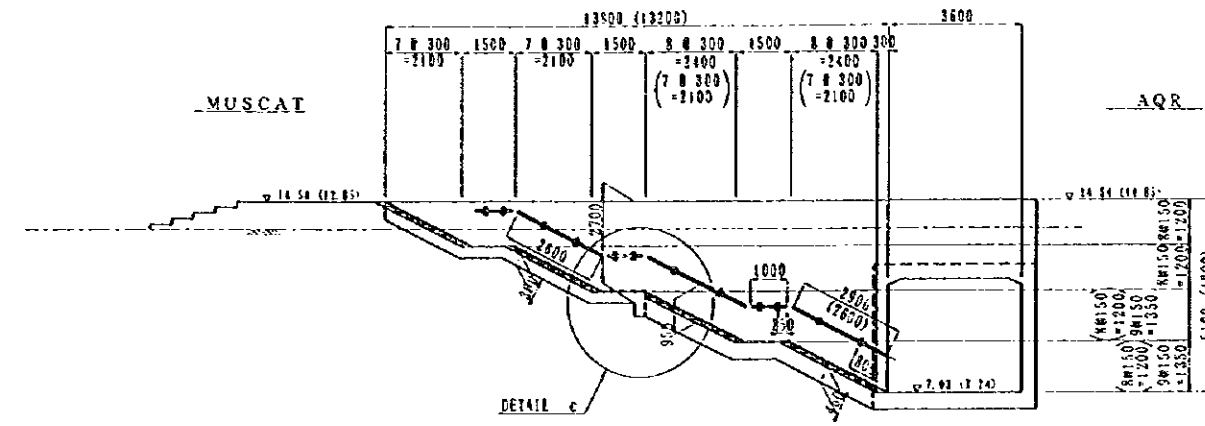
Khor A' Siyabi
PEDESTRIAN UNDERPASS



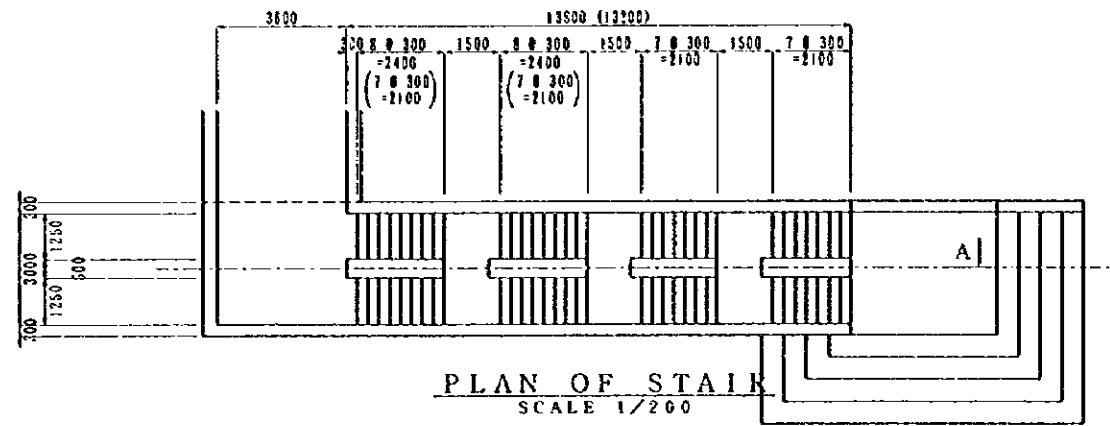
NOTES:	JAPAN INTERNATIONAL COOPERATION AGENCY (JICA)	CLIENT : MINISTRY OF COMMUNICATIONS, DIRECTORATE GENERAL OF ROADS
	JICA STUDY TEAM PACIFIC CONSULTANTS INTERNATIONAL FLUKYAMA CONSULTANTS INTERNATIONAL	PROJECT : D/D ON ROAD DEVELOPMENT PROJECT ON BATINAH HIGHWAY
		TITLE : P/U-10, KHOR A' SIYABI GENERAL VIEW (I)
		DATE : _____ DRC NO. P - 1



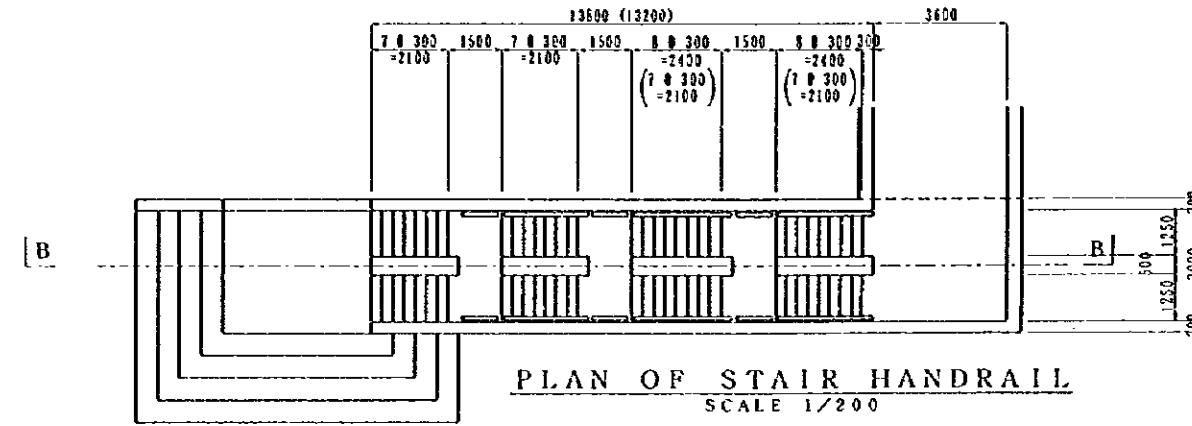
STAIR (SECTION A-A)
SCALE 1/200



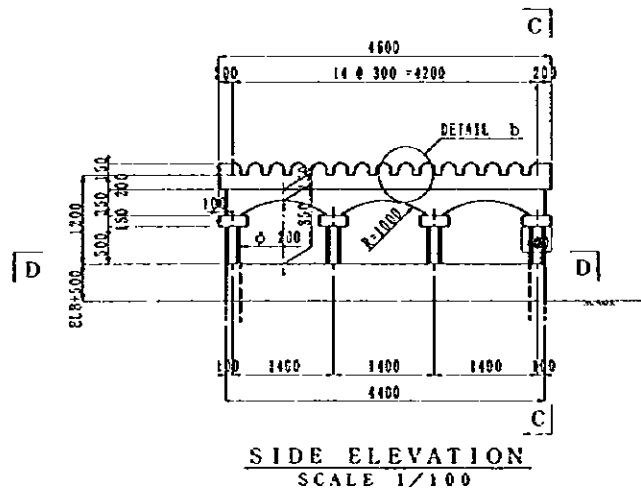
STAIR HANDRAIL (SECTION B-B)
SCALE 1/200



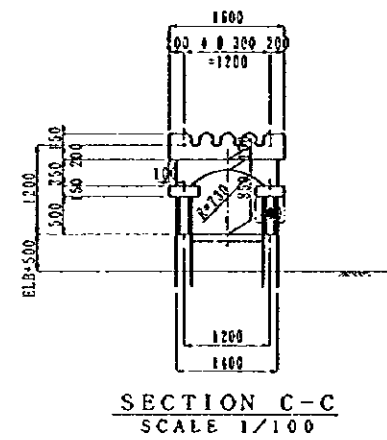
PLAN OF STAIR
SCALE 1/200



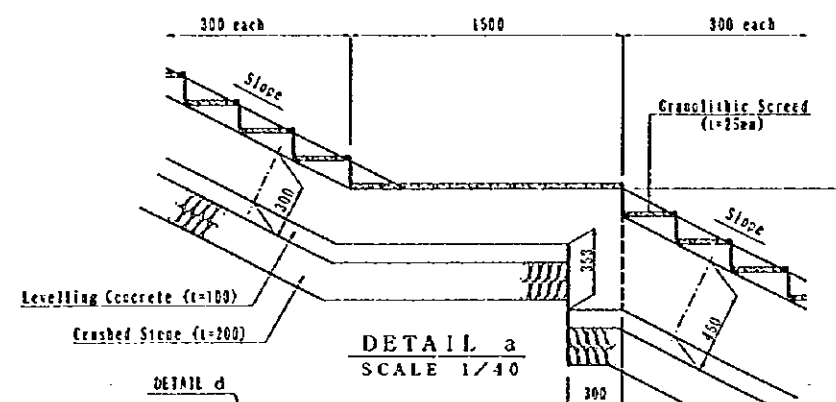
PLAN OF STAIR HANDRAIL
SCALE 1/200



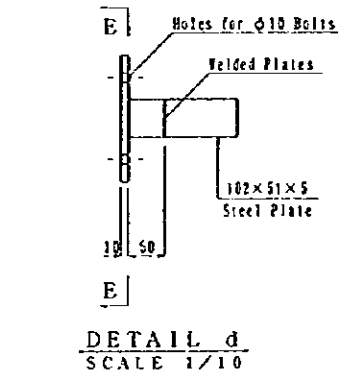
SIDE ELEVATION
SCALE 1/100



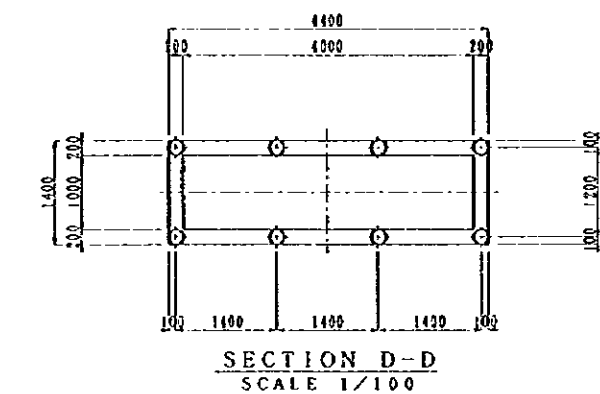
SECTION C-C
SCALE 1/100



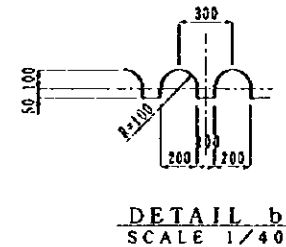
DETAIL a
SCALE 1/40



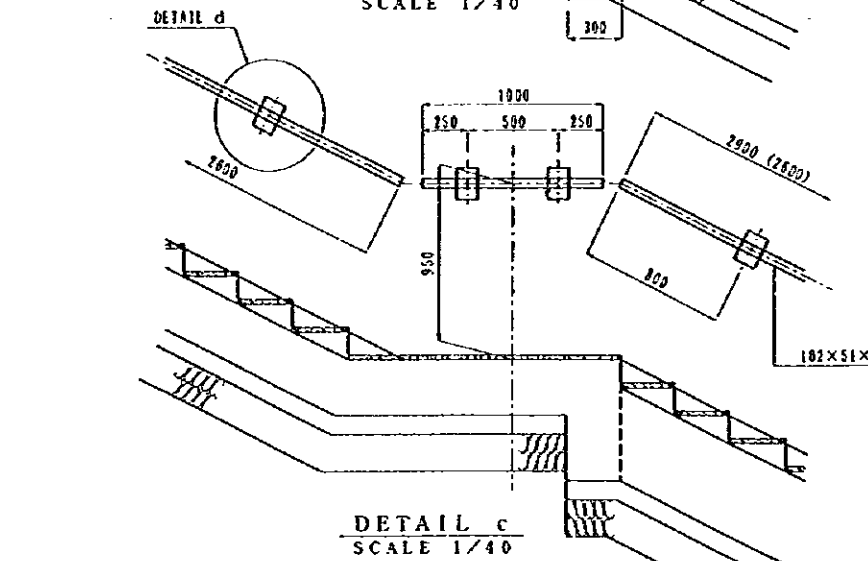
DETAIL d
SCALE 1/10



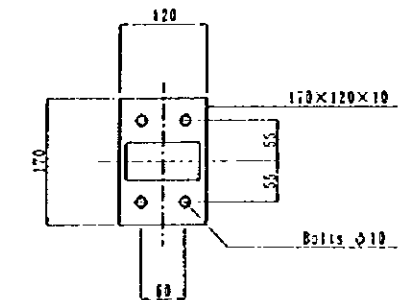
SECTION D-D
SCALE 1/100



DETAIL b
SCALE 1/40



DETAIL c
SCALE 1/40

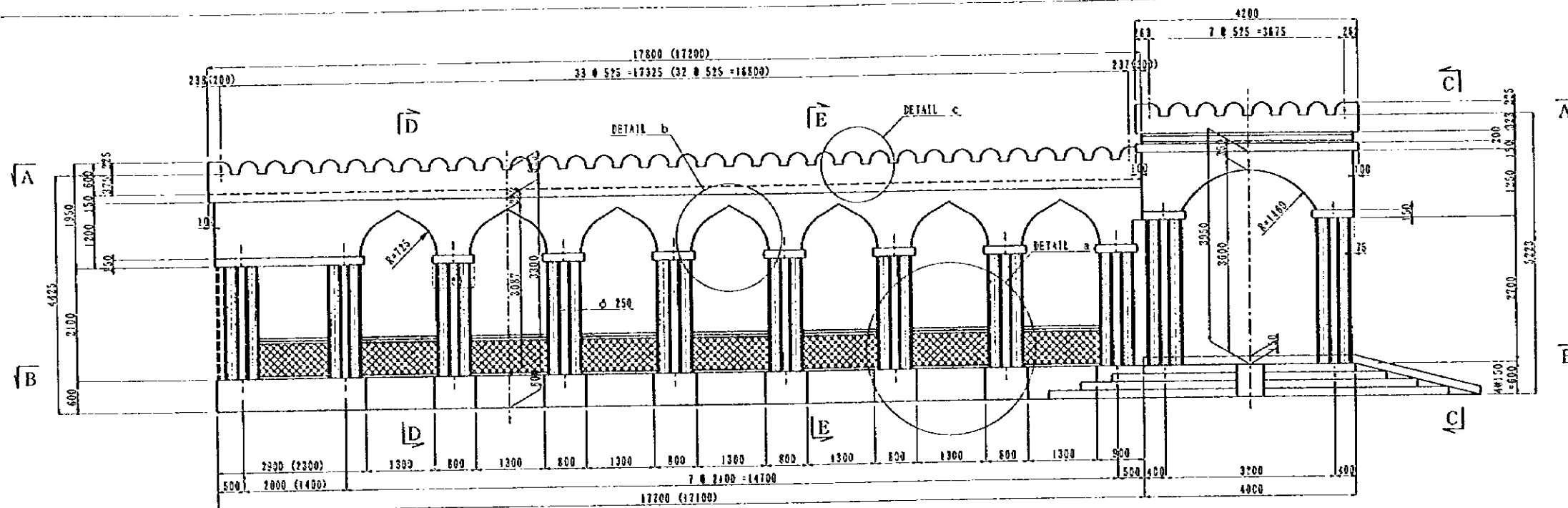


SECTION E-E
SCALE 1/10

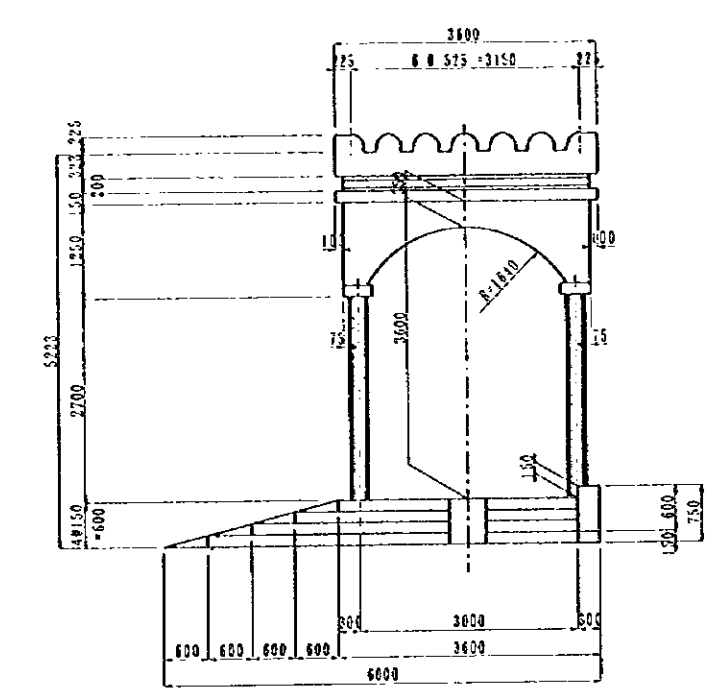
NOTES: Dimensions of () value are for inland stair.

JAPAN INTERNATIONAL COOPERATION AGENCY
(JICA)
JICA STUDY TEAM
PACIFIC CONSULTANTS INTERNATIONAL
FURUYAMA CONSULTANTS INTERNATIONAL

CLIENT : MINISTRY OF COMMUNICATIONS, DIRECTORATE GENERAL OF ROADS
PROJECT : D/D ON ROAD DEVELOPMENT PROJECT OF BATINAH HIGHWAY
TITLE : P/U-10, KHOR A' SIYABI GENERAL VIEW (2)
DATE :
DWG. NO. P - 2

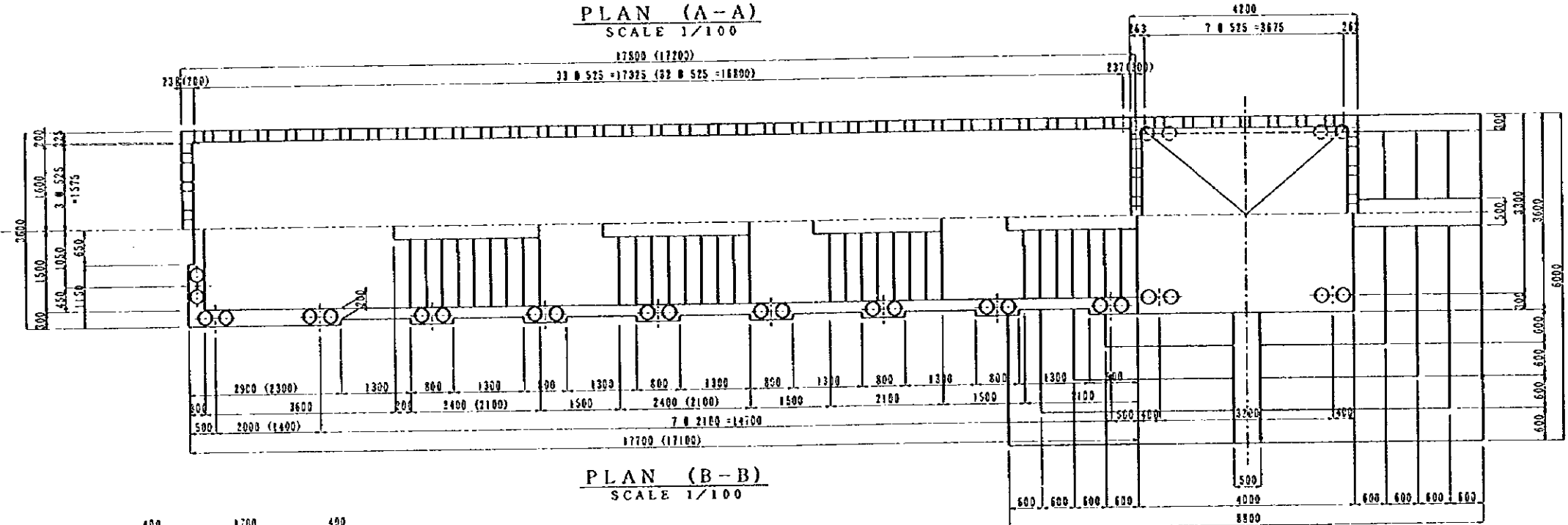


PROFILE OF CANOPY
SCALE 1/100

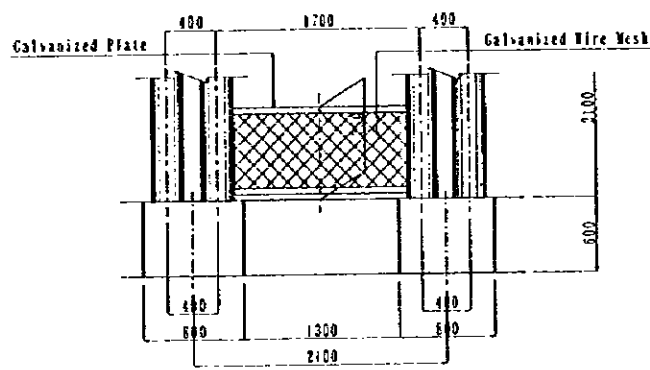


ENTRANCE (C-C)
SCALE 1/100

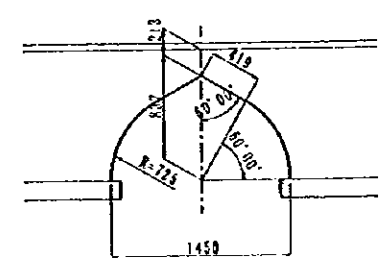
PLAN (A-A)
SCALE 1/100



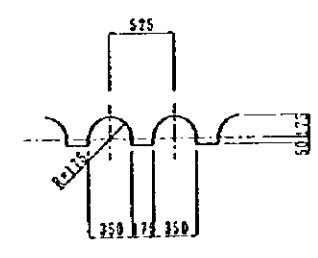
PLAN (B-B)
SCALE 1/100



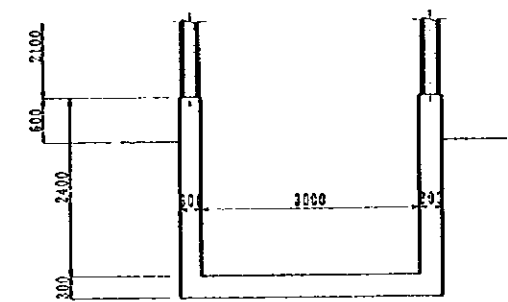
DETAIL a
SCALE 1/60



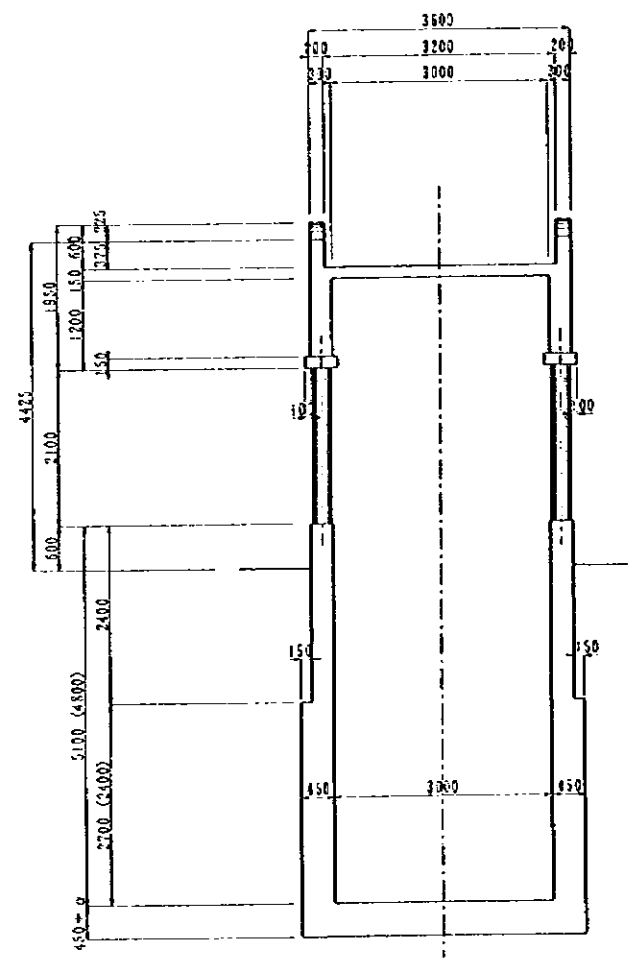
DETAIL b
SCALE 1/60



DETAIL c
SCALE 1/60



CROSS SECTION E-E
SCALE 1/100



CROSS SECTION D-D
SCALE 1/100

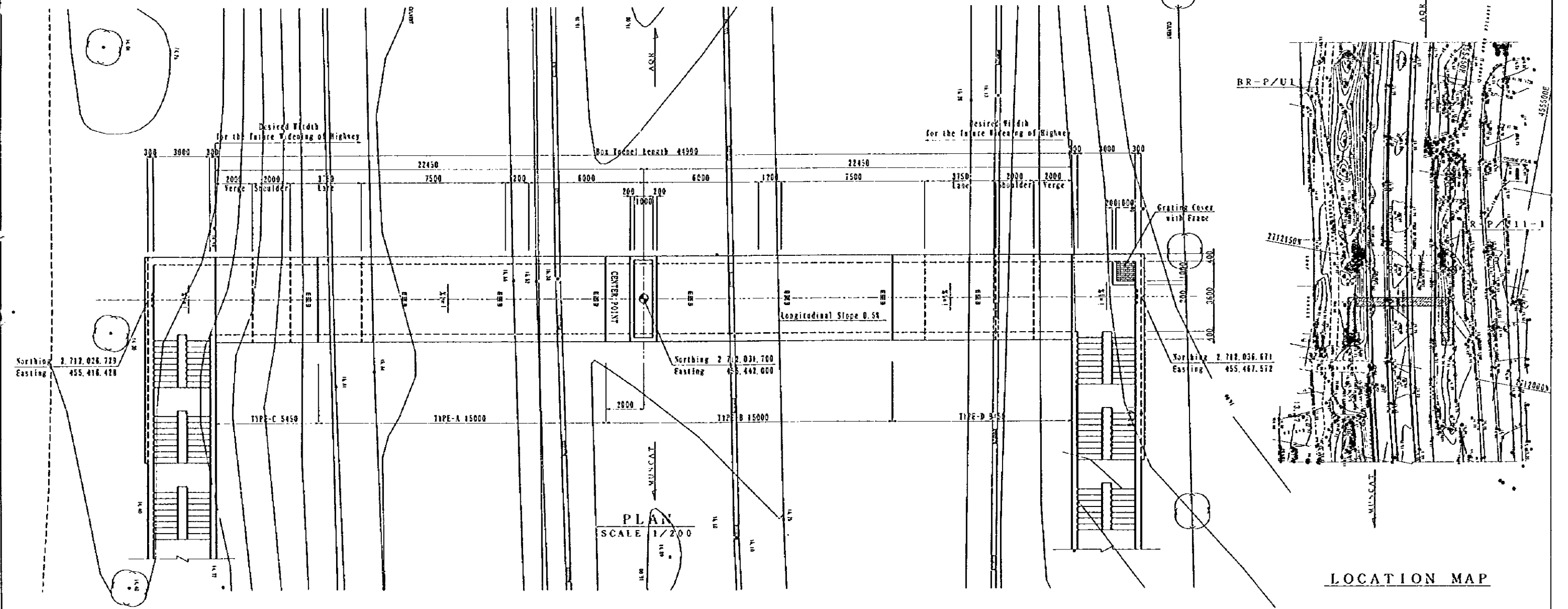
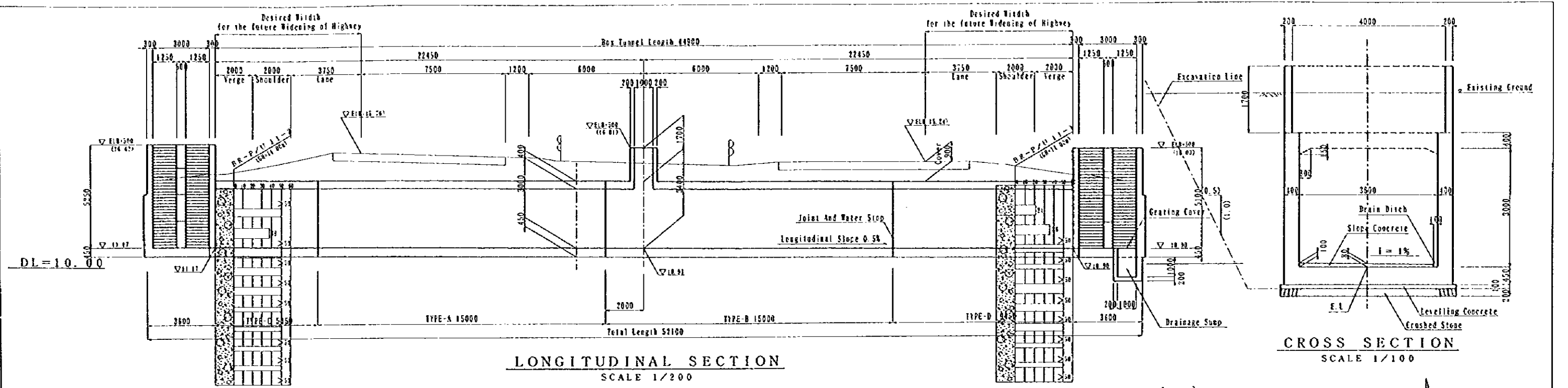
NOTES: Dimensions of () value are for inland stair.

JAPAN INTERNATIONAL COOPERATION AGENCY
(JICA)
JICA STUDY TEAM
PACIFIC CONSULTANTS INTERNATIONAL
FURUYAMA CONSULTANTS INTERNATIONAL

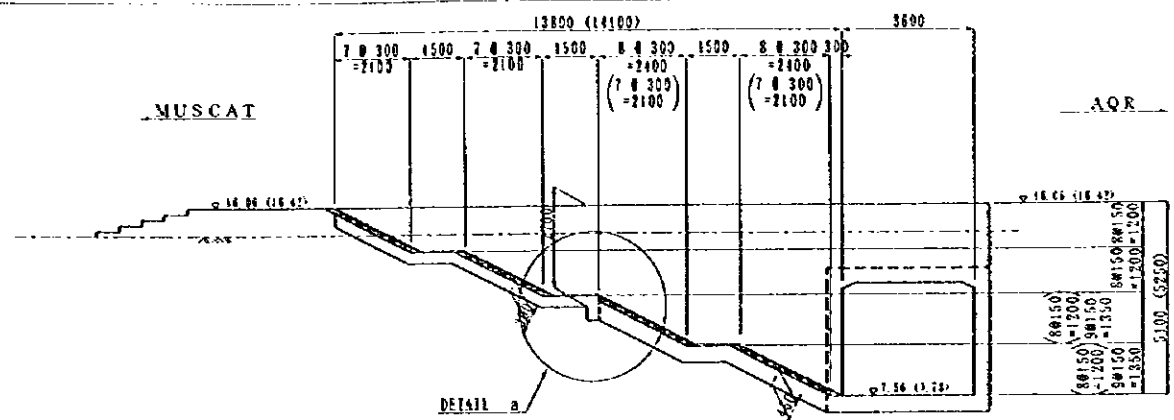
CLIENT : MINISTRY OF COMMUNICATIONS, DIRECTORATE GENERAL OF ROADS
PROJECT : D/O ON ROAD DEVELOPMENT PROJECT ON BATINAH HIGHWAY
TITLE : P/U-10, KHOR A' SIYABI GENERAL VIEW (3)
DATE :
DWG NO. P - 3

Liwa

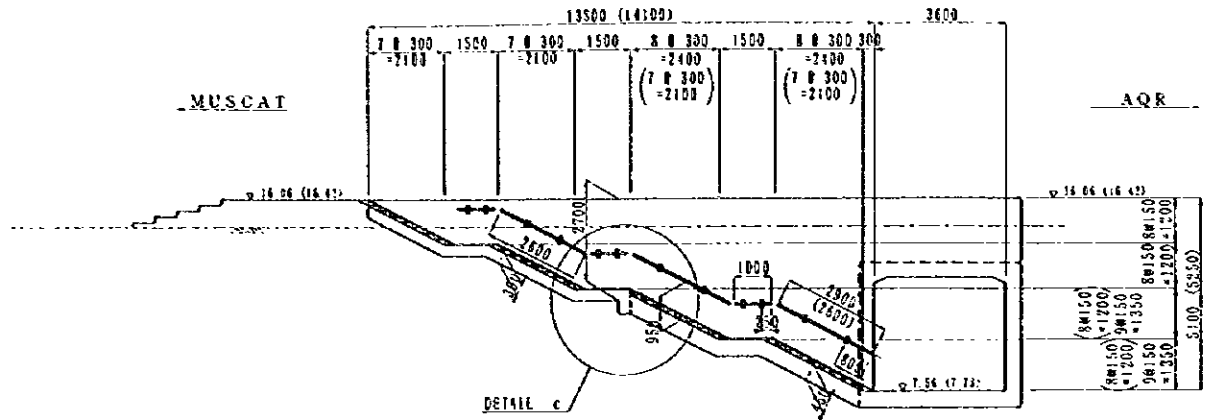
PEDESTRIAN UNDERPASS



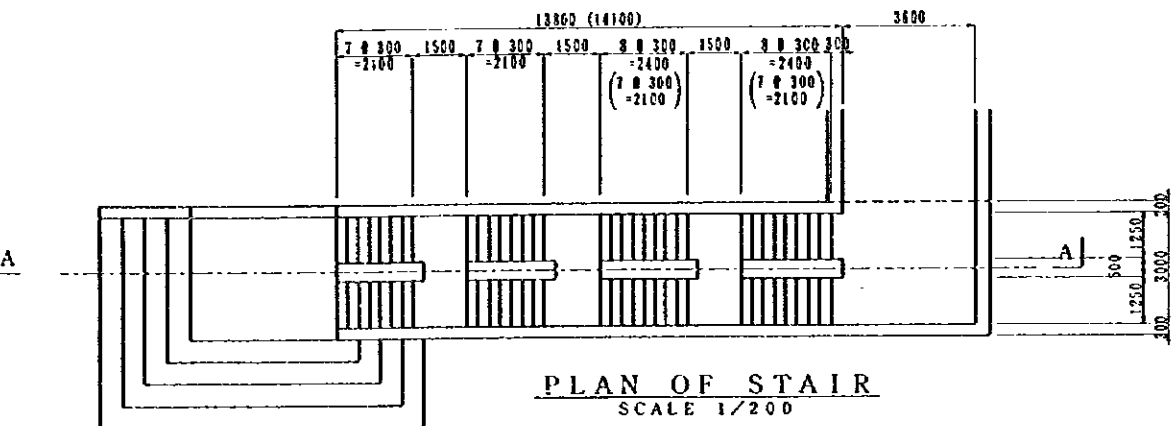
NOTES:	JAPAN INTERNATIONAL COOPERATION AGENCY (JICA)	CLIENT : MINISTRY OF COMMUNICATIONS, DIRECTORATE GENERAL OF ROADS
	JICA STUDY TEAM PACIFIC CONSULTANTS INTERNATIONAL FLUYANA CONSULTANTS INTERNATIONAL	PROJECT : D/D ON ROAD DEVELOPMENT PROJECT ON BATINAH HIGHWAY
		TITLE : P/U-11, LIWA GENERAL VIEW (I)
		DATE : DWG NO. P - 1



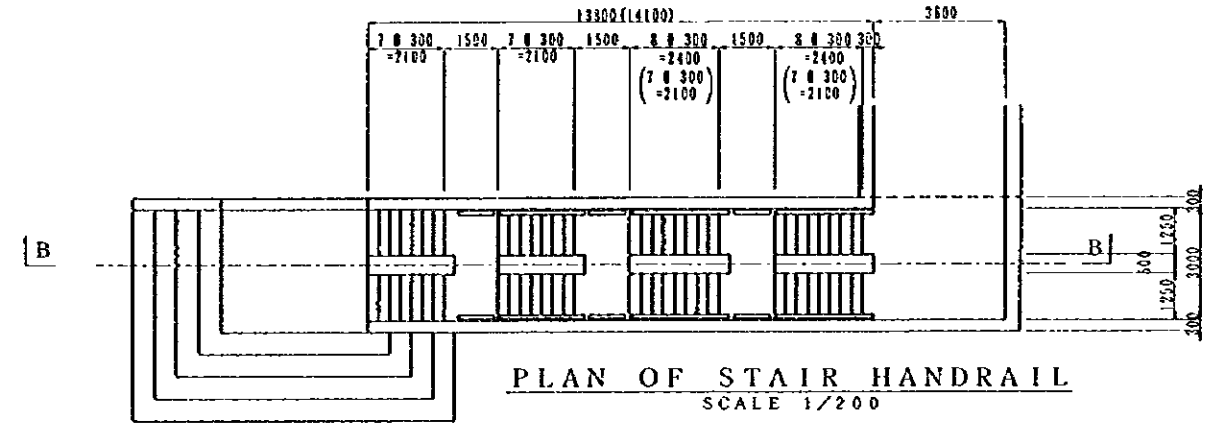
STAIR (SECTION A-A)
SCALE 1/200



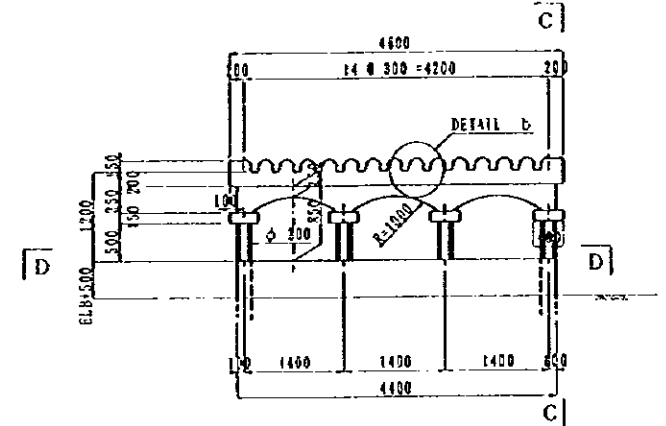
STAIR HANDRAIL (SECTION B-B)
SCALE 1/200



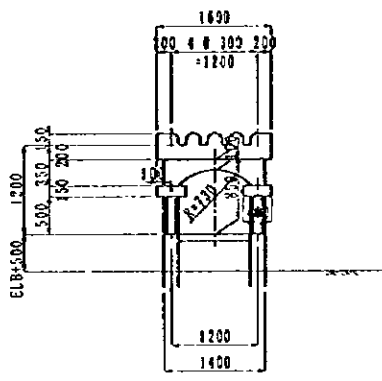
PLAN OF STAIR
SCALE 1/200



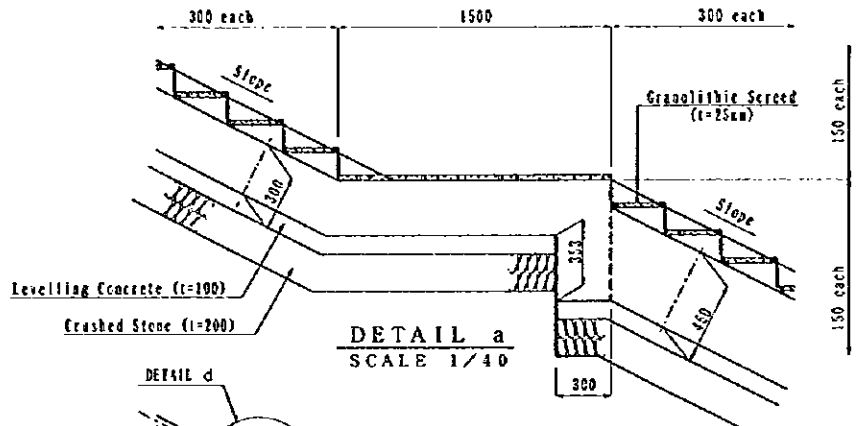
PLAN OF STAIR HANDRAIL
SCALE 1/200



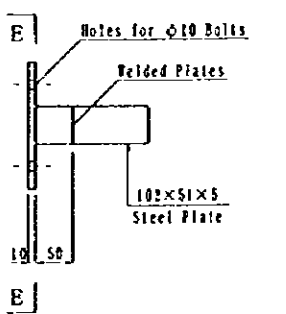
SIDE ELEVATION
SCALE 1/100



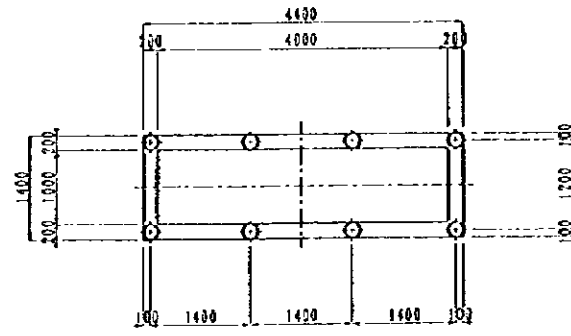
SECTION C-C
SCALE 1/100



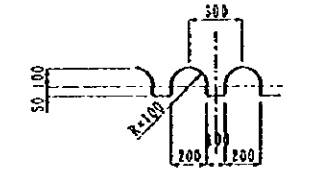
DETAIL a
SCALE 1/40



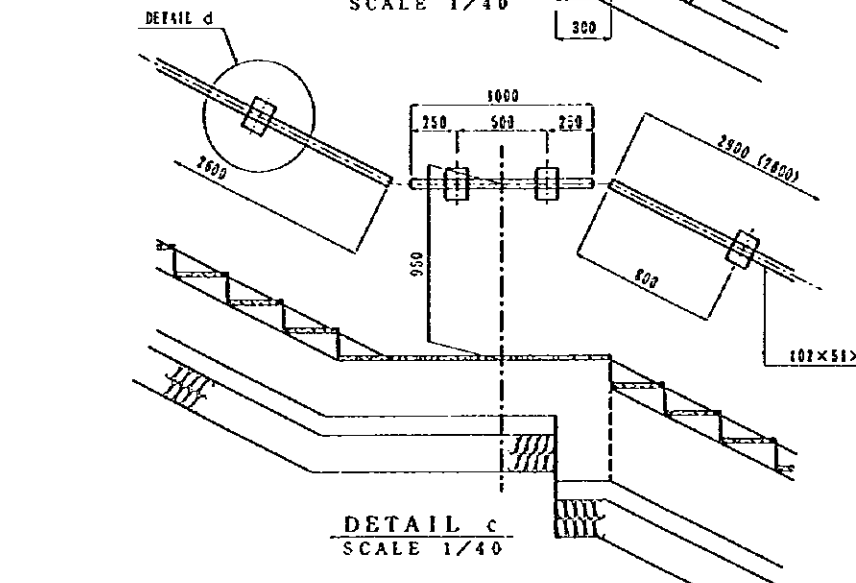
DETAIL d
SCALE 1/10



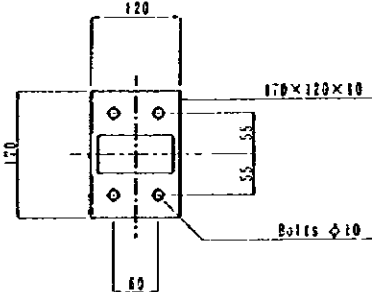
SECTION D-D
SCALE 1/100



DETAIL b
SCALE 1/40



DETAIL c
SCALE 1/40



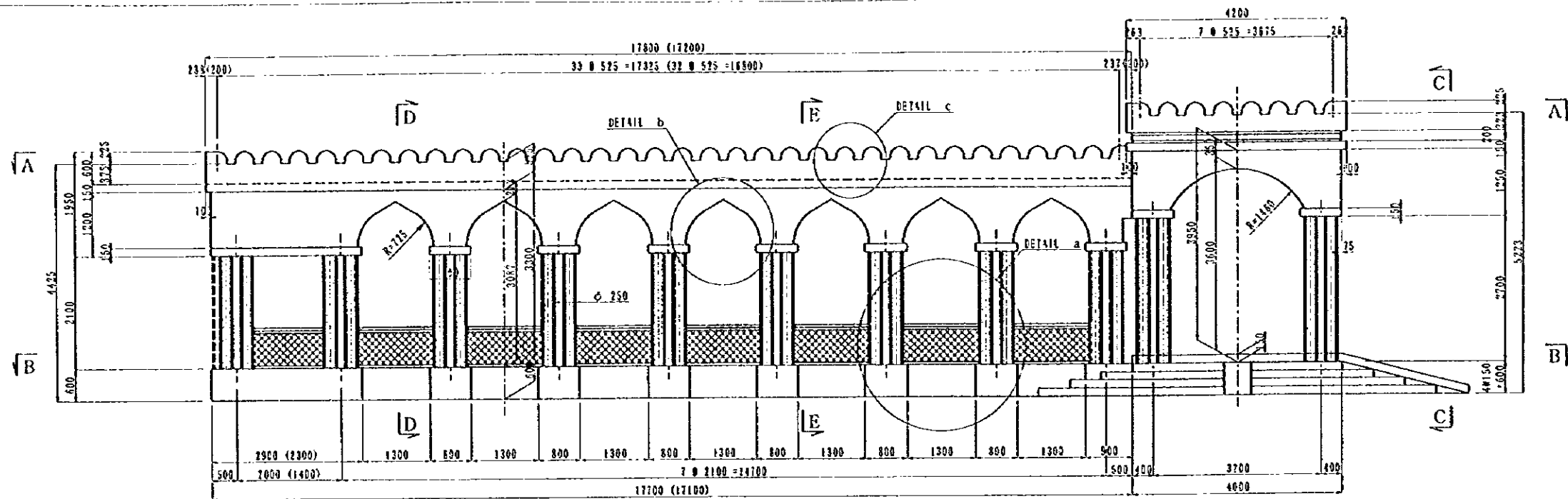
SECTION E-E
SCALE 1/10

CANOPY ON LIGHT WELL

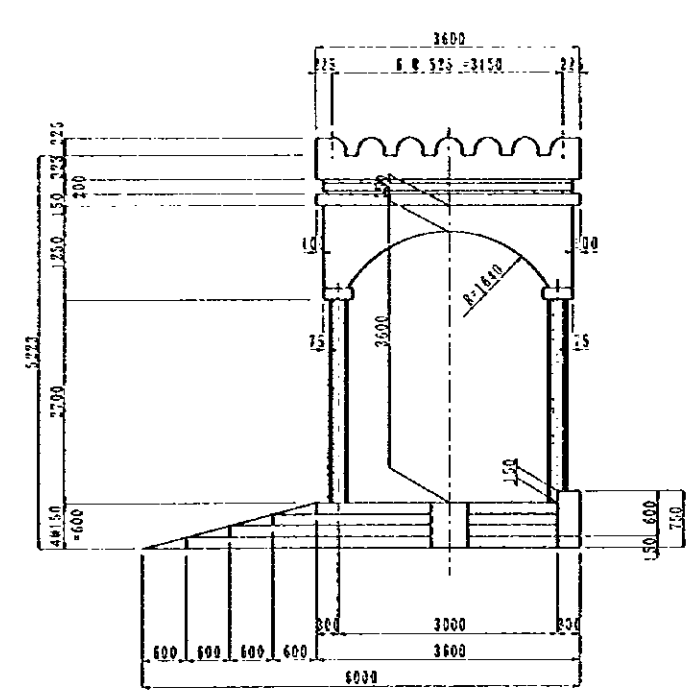
NOTES: Dimensions of () value are for inland stair.

JAPAN INTERNATIONAL COOPERATION AGENCY
(JICA)
JICA STUDY TEAM
PACIFIC CONSULTANTS INTERNATIONAL
PERLYANA CONSULTANTS INTERNATIONAL

CLIENT : MINISTRY OF COMMUNICATIONS, DIRECTORATE GENERAL OF ROADS
PROJECT : D/D ON ROAD DEVELOPMENT PROJECT ON BATINAH HIGHWAY
TITLE : P/U-11, LIWA GENERAL VIEW (2)
DATE :
DWG NO. P-2

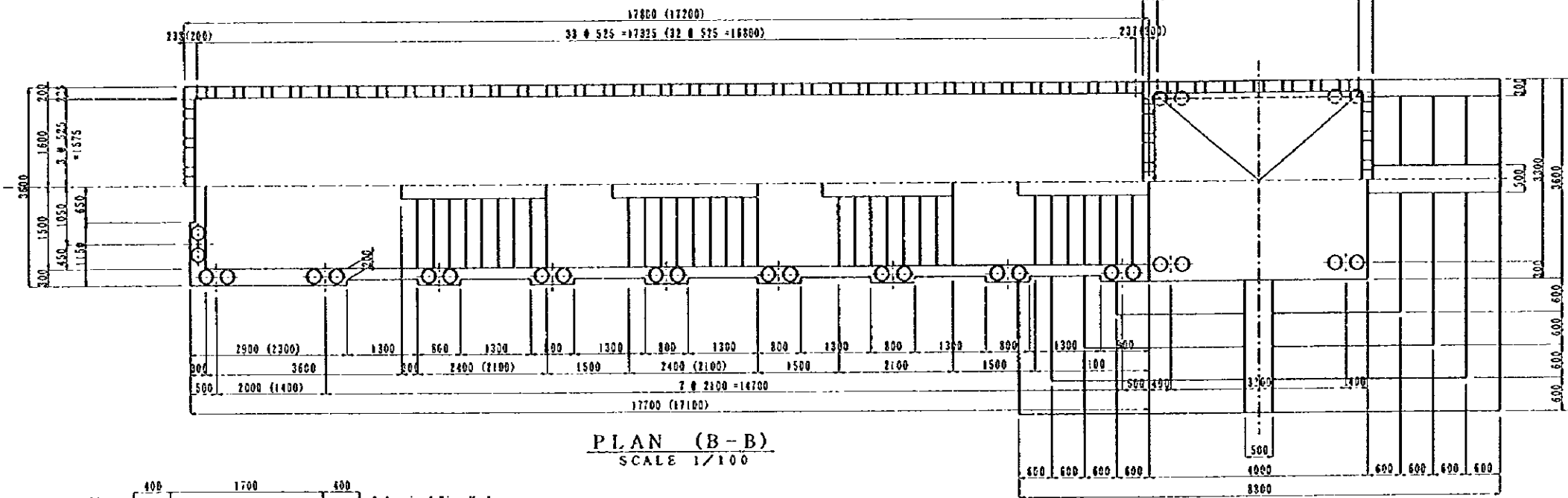


PROFILE OF CANOPY
SCALE 1/100

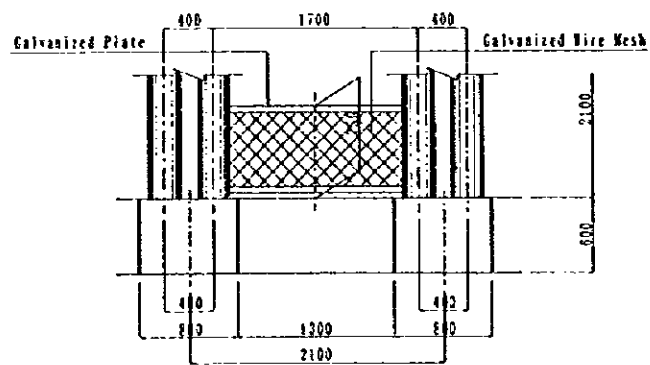


ENTRANCE (C-C)
SCALE 1/100

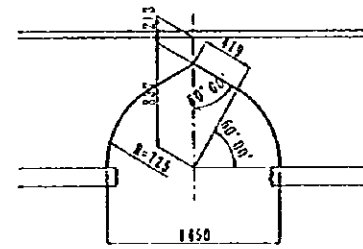
PLAN (A-A)
SCALE 1/100



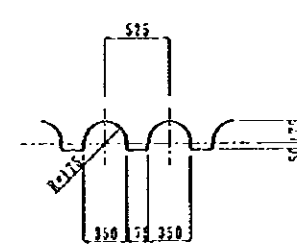
PLAN (B-B)
SCALE 1/100



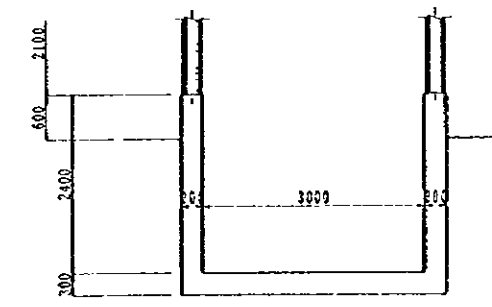
DETAIL a
SCALE 1/60



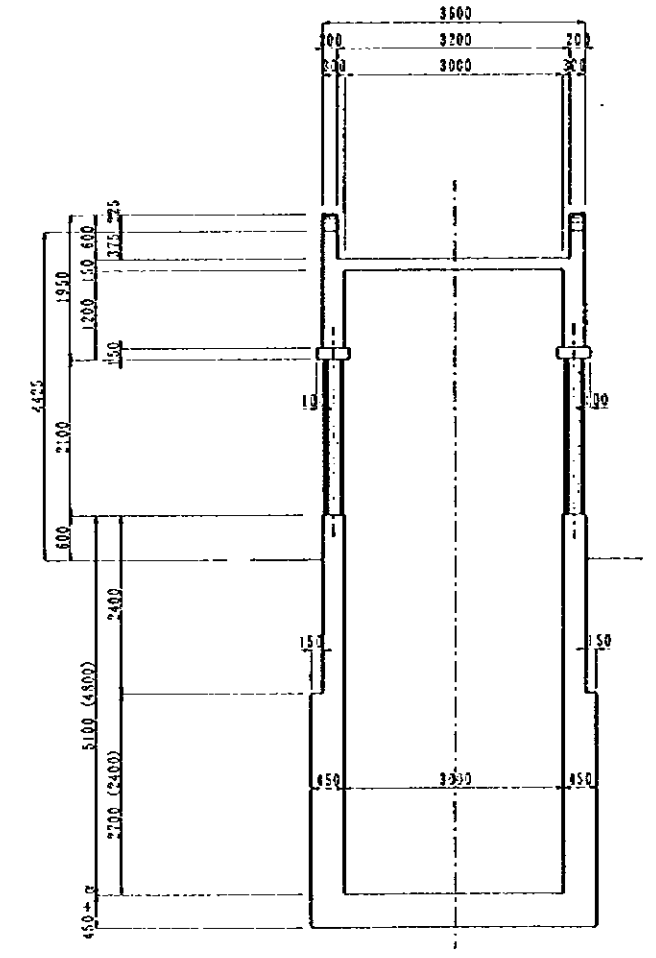
DETAIL b
SCALE 1/60



DETAIL c
SCALE 1/60



CROSS SECTION E-E
SCALE 1/100



CROSS SECTION D-D
SCALE 1/100

NOTES: Dimensions of () value are for inland stair.

JAPAN INTERNATIONAL COOPERATION AGENCY
(JICA)

JICA STUDY TEAM
PACIFIC CONSULTANTS INTERNATIONAL
FUJYAMA CONSULTANTS INTERNATIONAL

CLIENT : MINISTRY OF COMMUNICATIONS, DIRECTORATE GENERAL OF ROADS

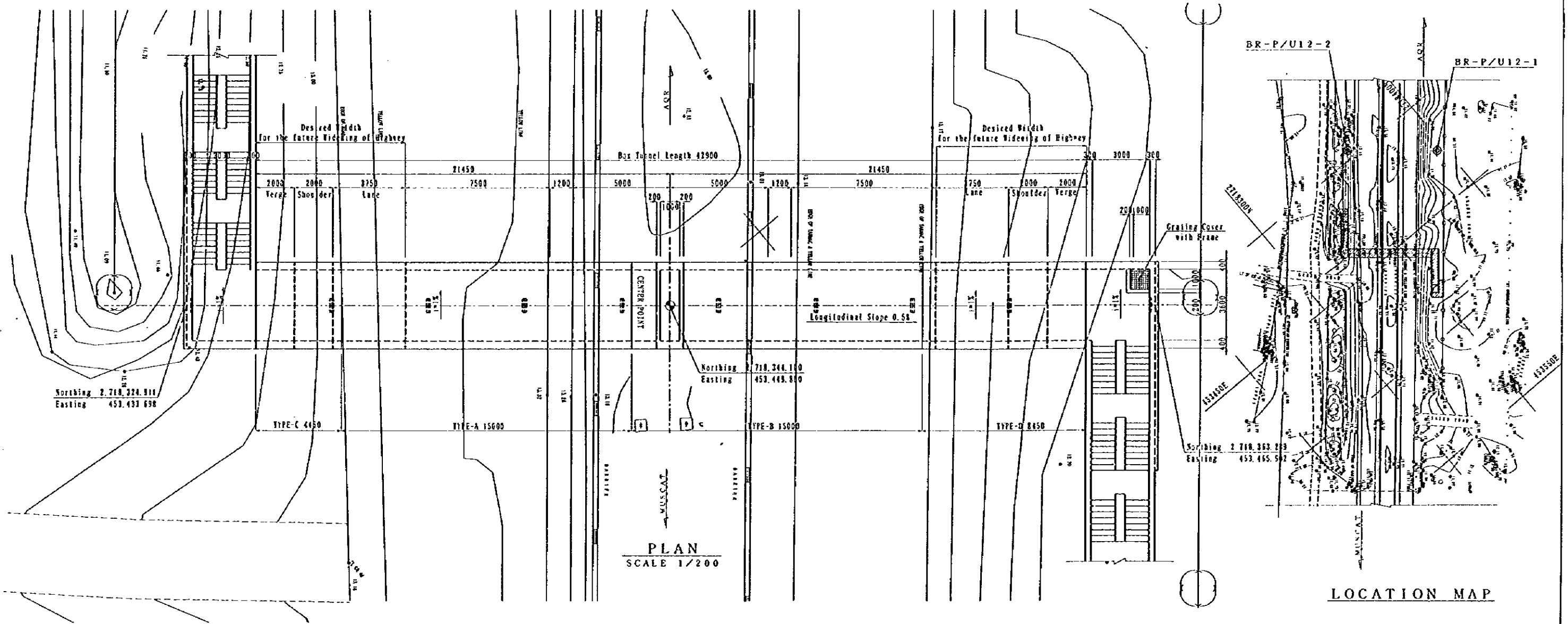
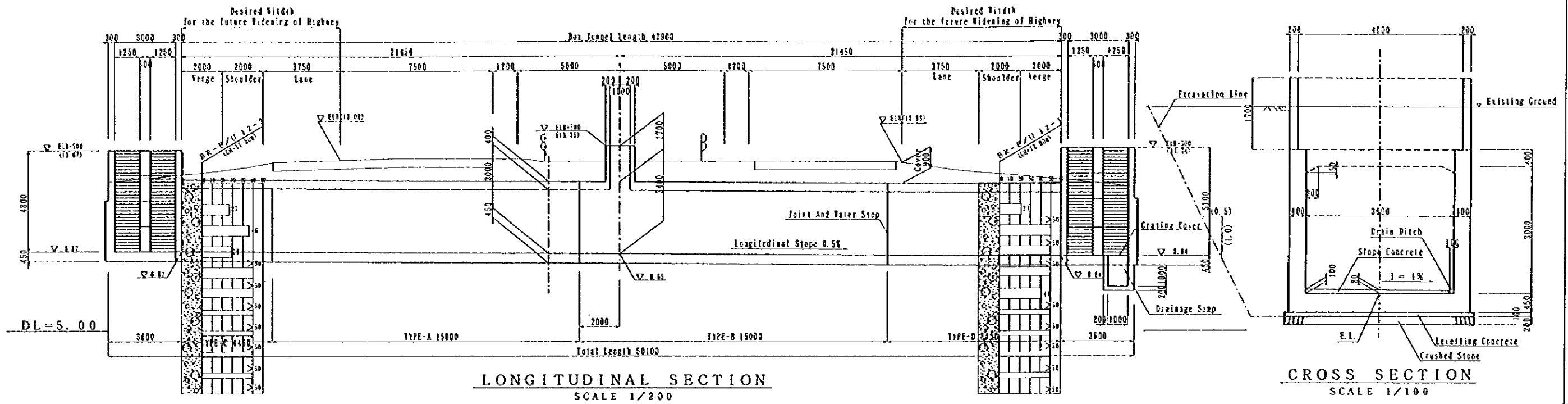
PROJECT : D/D ON ROAD DEVELOPMENT PROJECT ON BATINAH HIGHWAY

TITLE : P/U-11, LIWA GENERAL VIEW (3)

DATE : _____ DWG NO. P-3

Amr Bani Sa'd

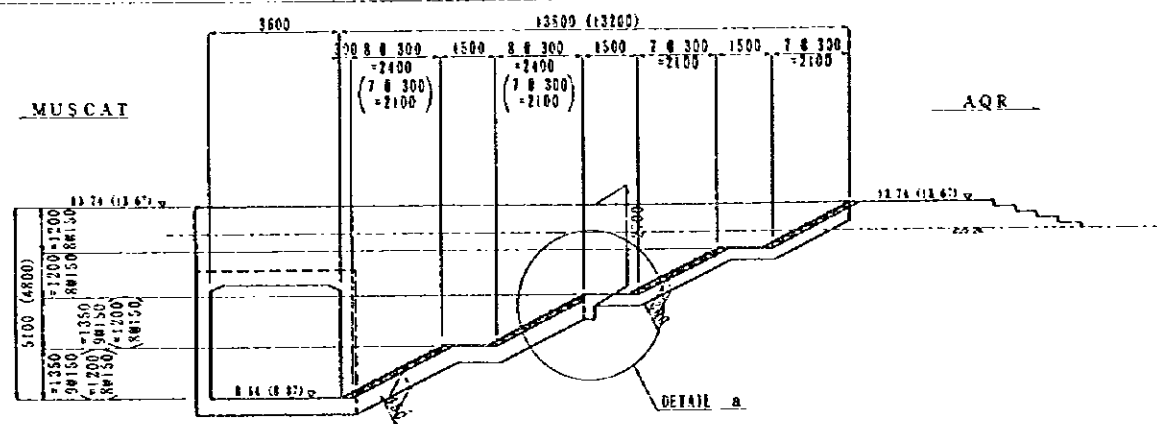
PEDESTRIAN UNDERPASS



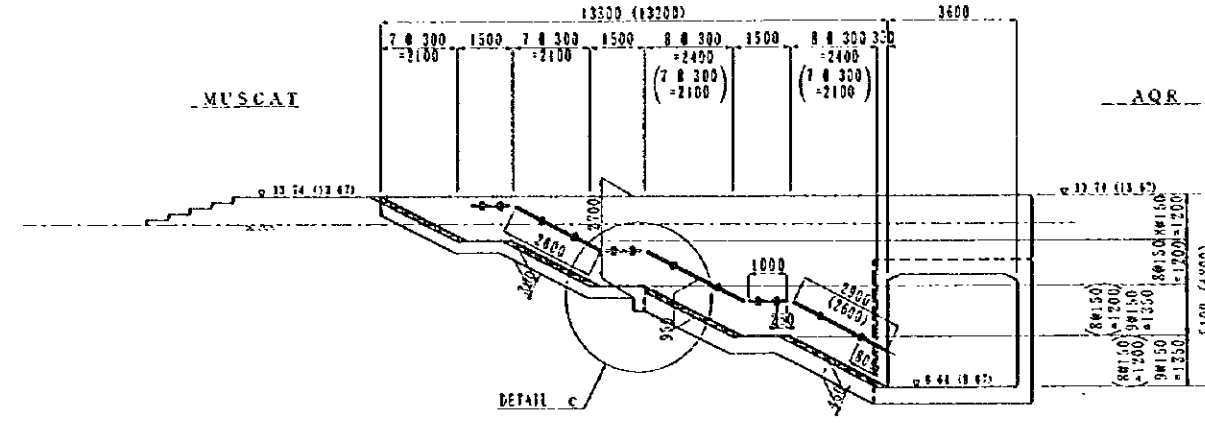
NOTES:

JAPAN INTERNATIONAL COOPERATION AGENCY
(JICA)
JICA STUDY TEAM
PACIFIC CONSULTANTS INTERNATIONAL
FLUKYAMA CONSULTANTS INTERNATIONAL

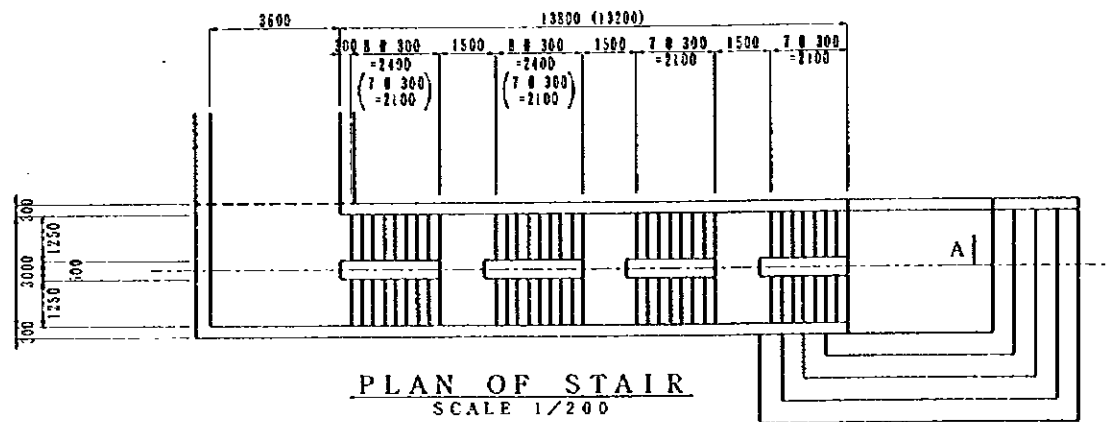
CLIENT : MINISTRY OF COMMUNICATIONS, DIRECTORATE GENERAL OF ROADS
PROJECT : D/D ON ROAD DEVELOPMENT PROJECT ON BATINAH HIGHWAY
TITLE : P/U-12, ASRAR BASTI SA'D GENERAL VIEW (I)
DATE : _____
DWG NO. P - 1



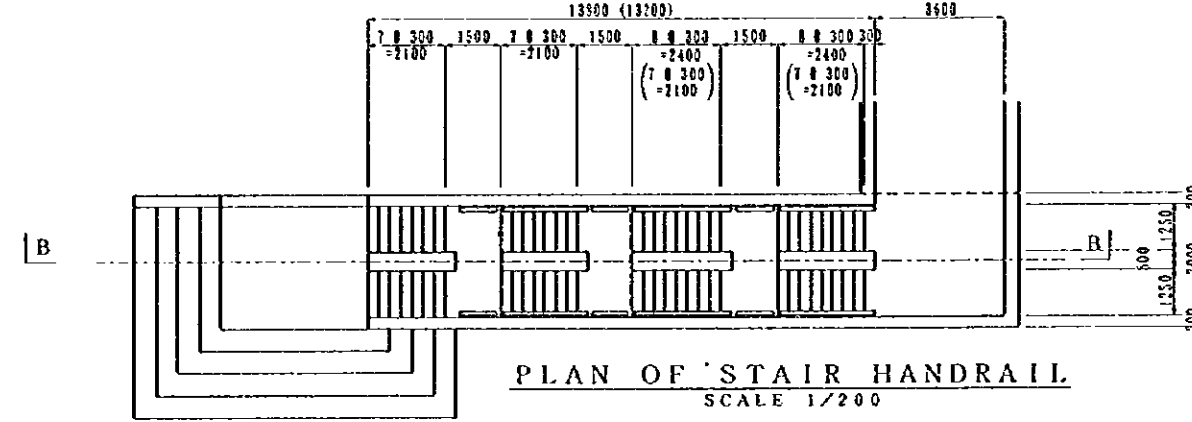
STAIR (SECTION A-A)
SCALE 1/200



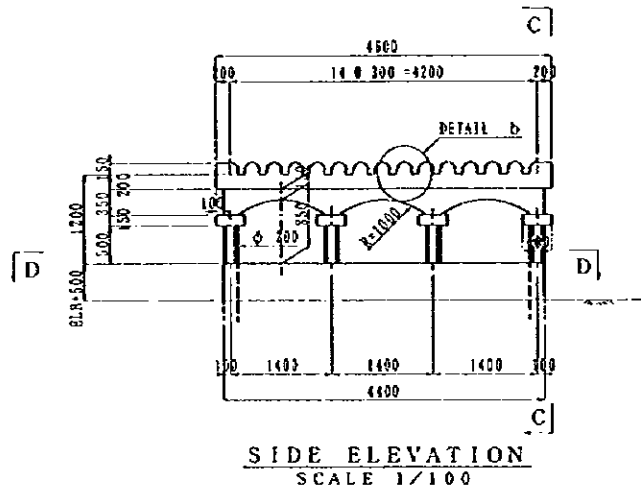
STAIR HANDRAIL (SECTION B-B)
SCALE 1/200



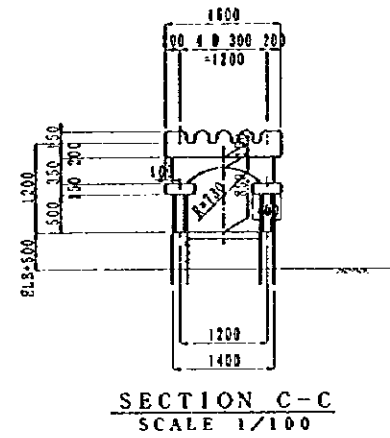
PLAN OF STAIR
SCALE 1/200



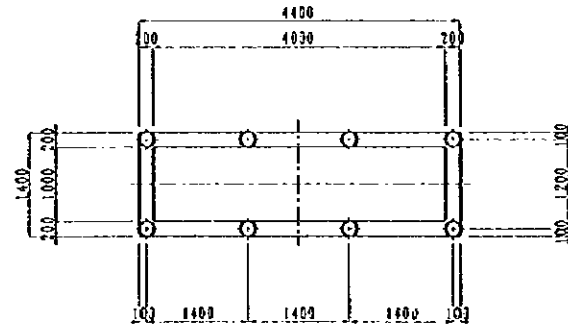
PLAN OF STAIR HANDRAIL
SCALE 1/200



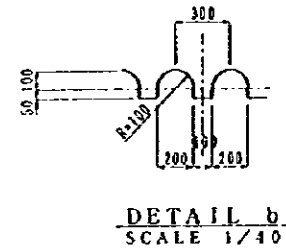
SIDE ELEVATION
SCALE 1/100



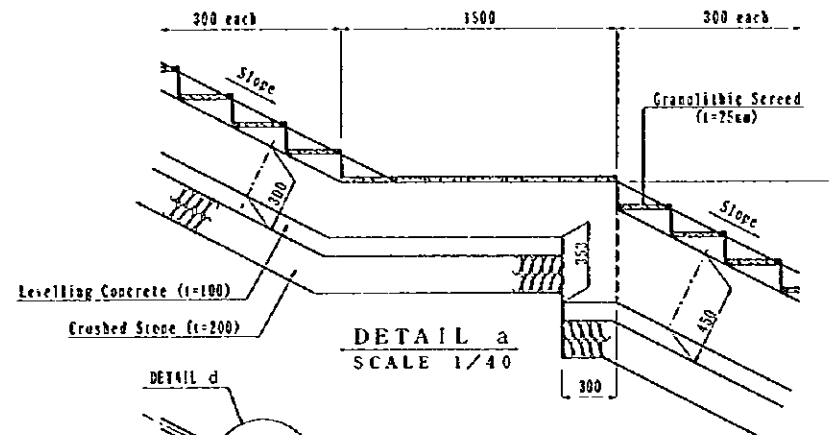
SECTION C-C
SCALE 1/100



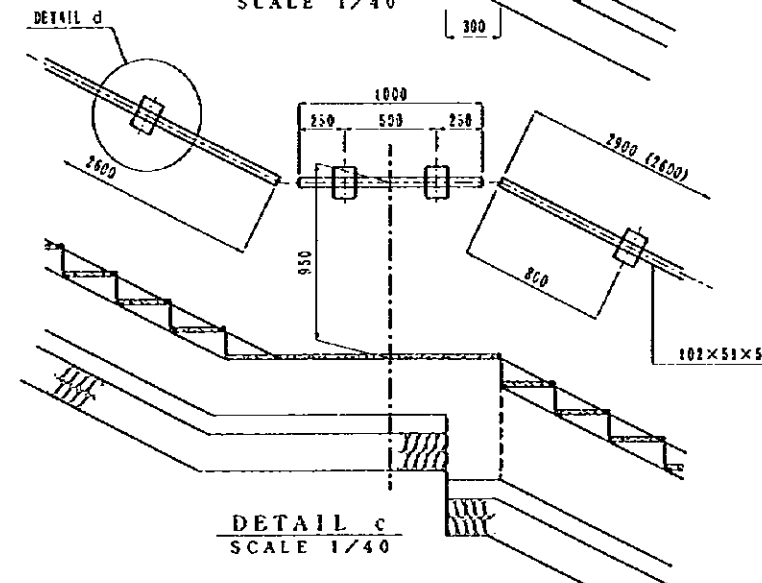
SECTION D-D
SCALE 1/100



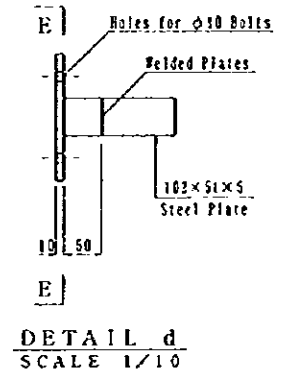
DETAIL b
SCALE 1/40



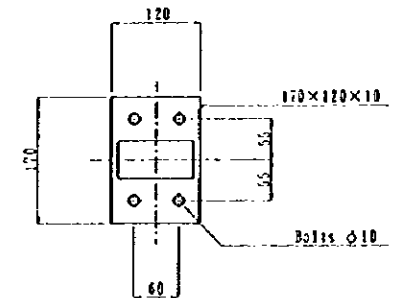
DETAIL a
SCALE 1/40



DETAIL c
SCALE 1/40



DETAIL d
SCALE 1/10



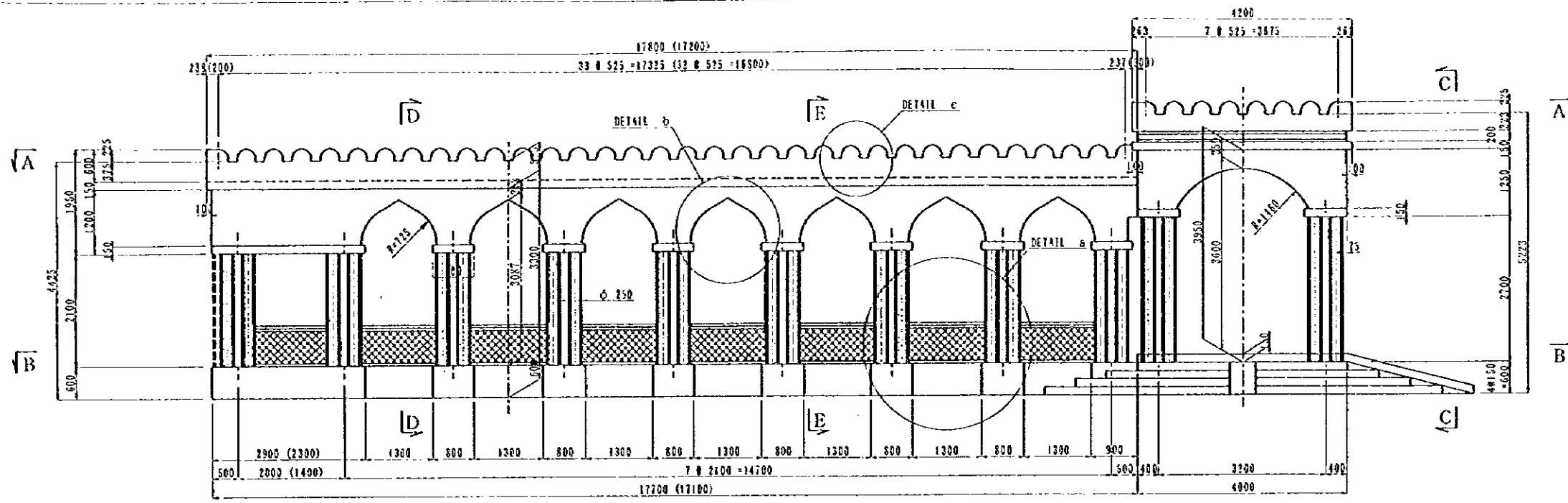
SECTION E-E
SCALE 1/10

CANOPY ON LIGHT WELL

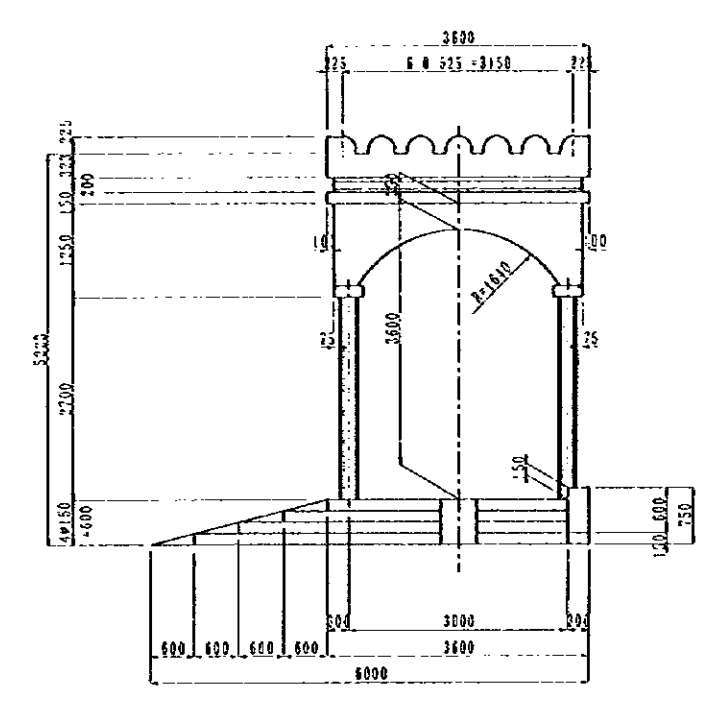
NOTES: Dimensions of () value are for inland stair.

JAPAN INTERNATIONAL COOPERATION AGENCY
(JICA)
JICA STUDY TEAM
PACIFIC CONSULTANTS INTERNATIONAL
FERLYAMA CONSULTANTS INTERNATIONAL

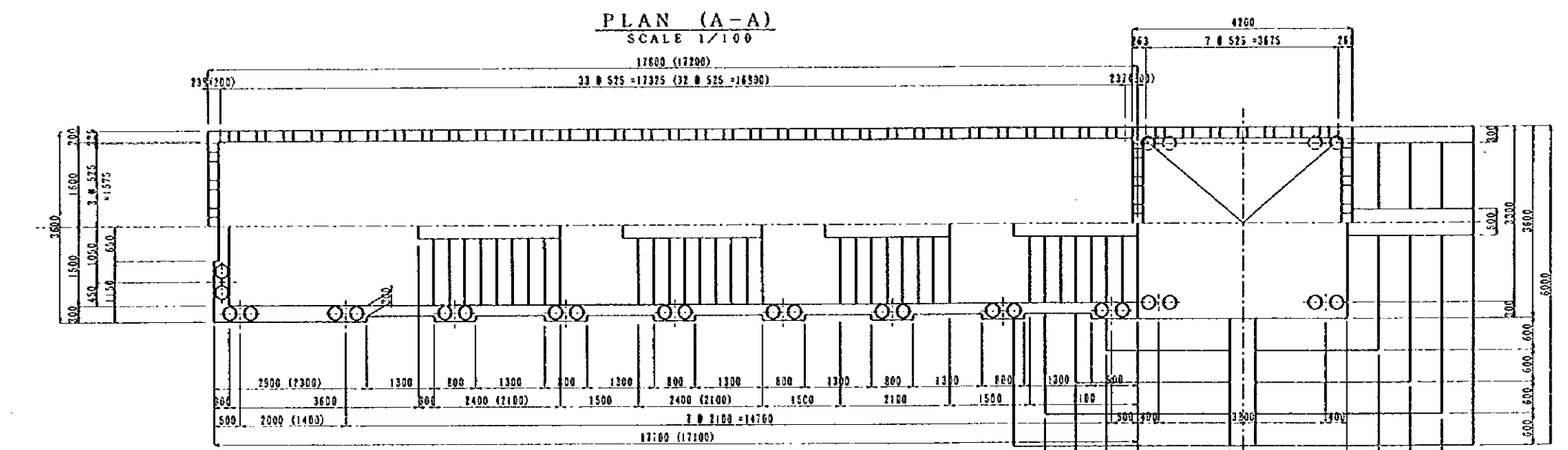
CLIENT : MINISTRY OF COMMUNICATIONS, DIRECTORATE GENERAL OF ROADS
PROJECT : D/D ON ROAD DEVELOPMENT PROJECT ON BATINAH HIGHWAY
TITLE : P/U-12, ASRAR BANI SA'D GENERAL VIEW (2)
DATE : _____
DWG NO. : 1 - 2



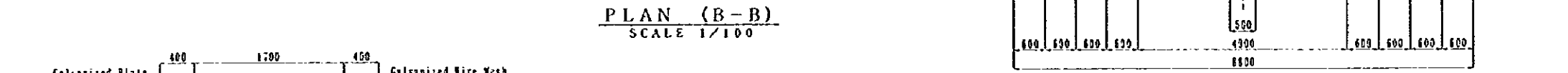
PROFILE OF CANOPY
SCALE 1/100



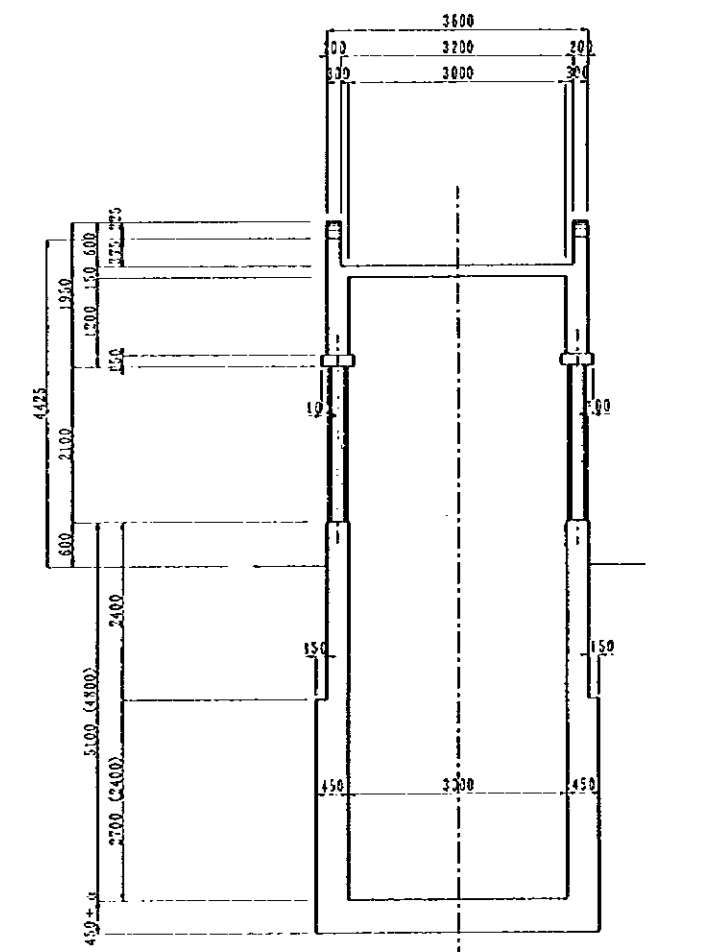
ENTRANCE (C-C)
SCALE 1/100



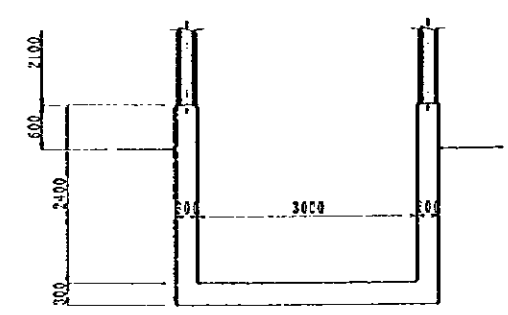
PLAN (A-A)
SCALE 1/100



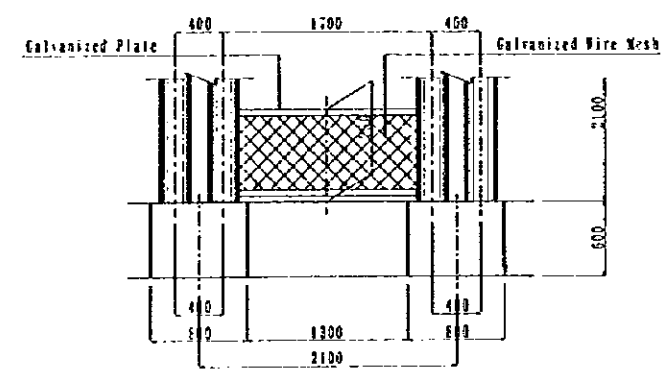
PLAN (B-B)
SCALE 1/100



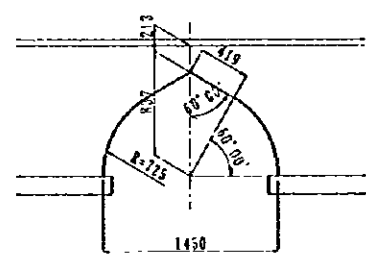
CROSS SECTION D-D
SCALE 1/100



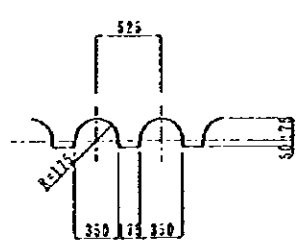
CROSS SECTION E-E
SCALE 1/100



DETAIL a
SCALE 1/60



DETAIL b
SCALE 1/60



DETAIL c
SCALE 1/60

NOTES: Dimensions of () value are for inland stair.

JAPAN INTERNATIONAL COOPERATION AGENCY (JICA) JICA STUDY TEAM PACIFIC CONSULTANTS INTERNATIONAL FURUYAMA CONSULTANTS INTERNATIONAL	CLIENT : MINISTRY OF COMMUNICATIONS, DIRECTORATE GENERAL OF ROADS
	PROJECT : D/D ON ROAD DEVELOPMENT PROJECT ON BATINAH HIGHWAY
DATE	TITLE : P/U-12, ASRAR BANI SA'D GENERAL VIEW (3)
	DWG NO. P-3



JICA