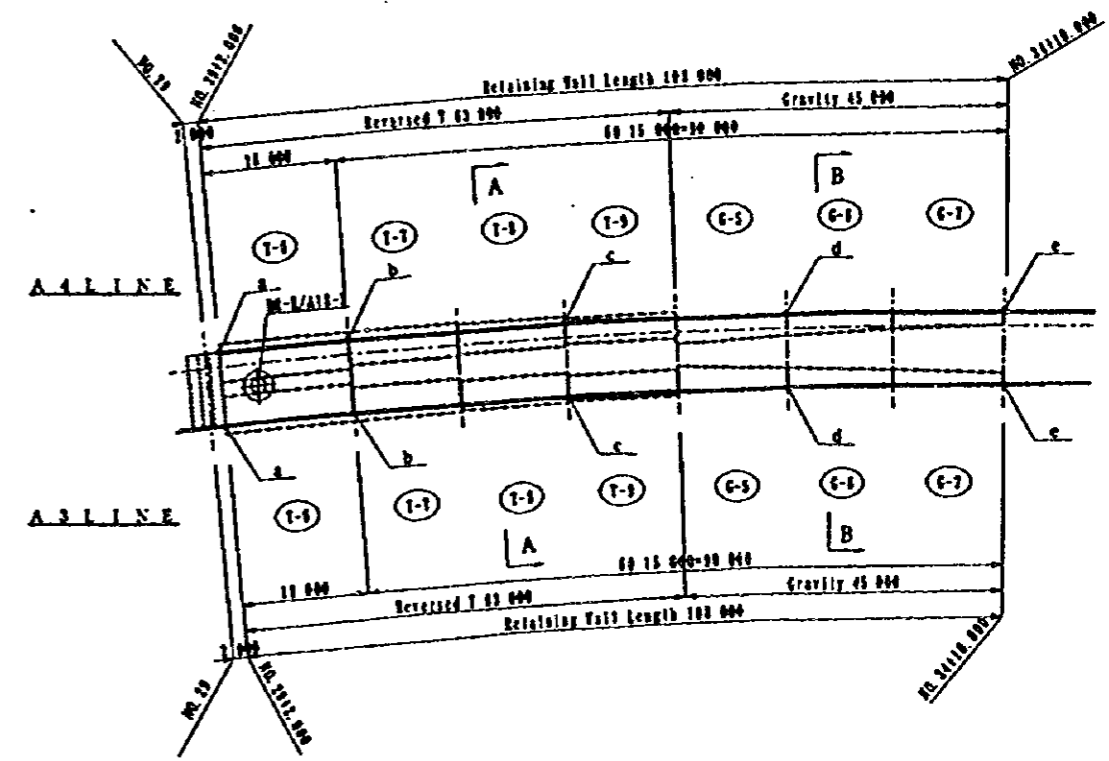
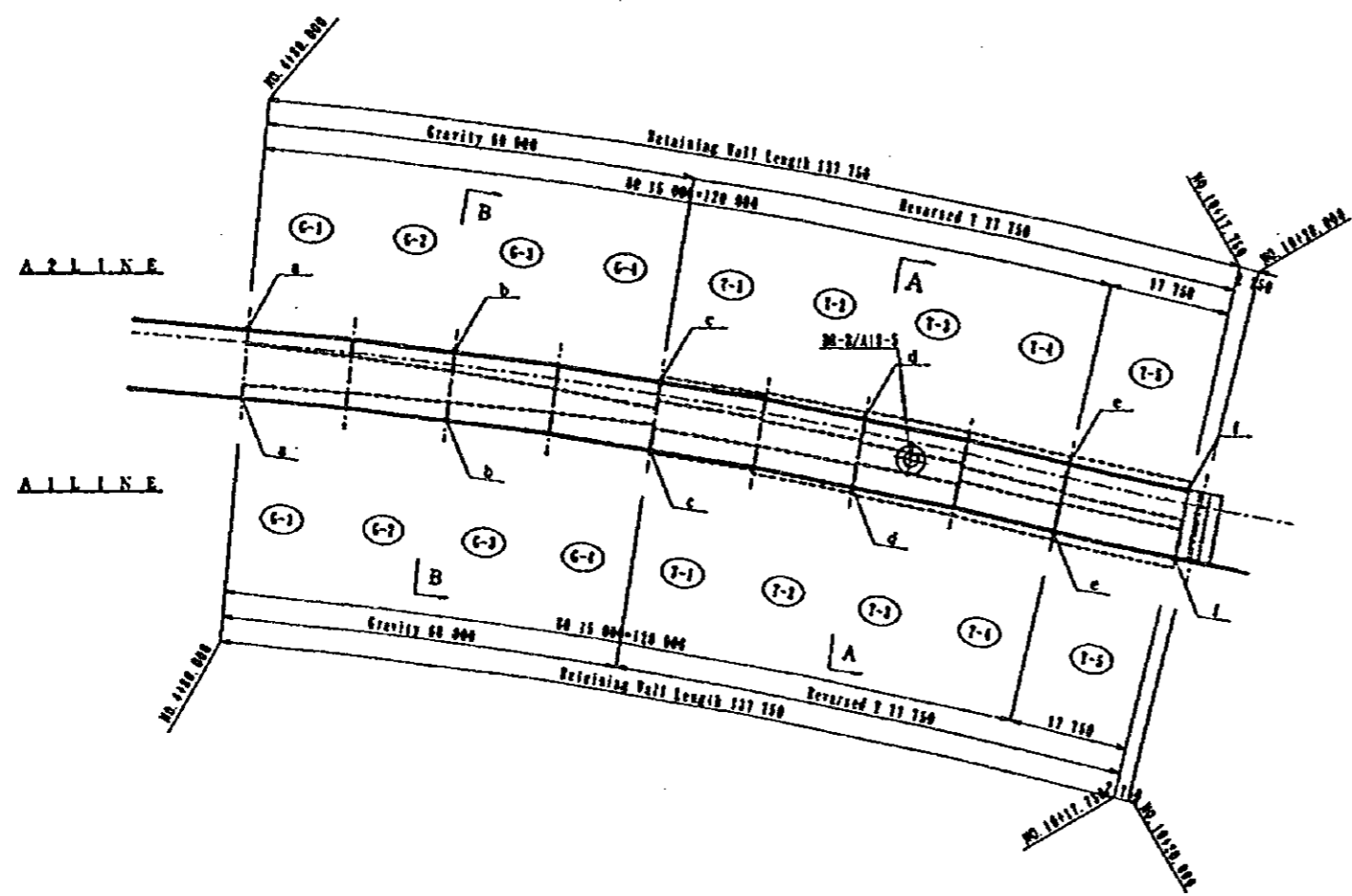


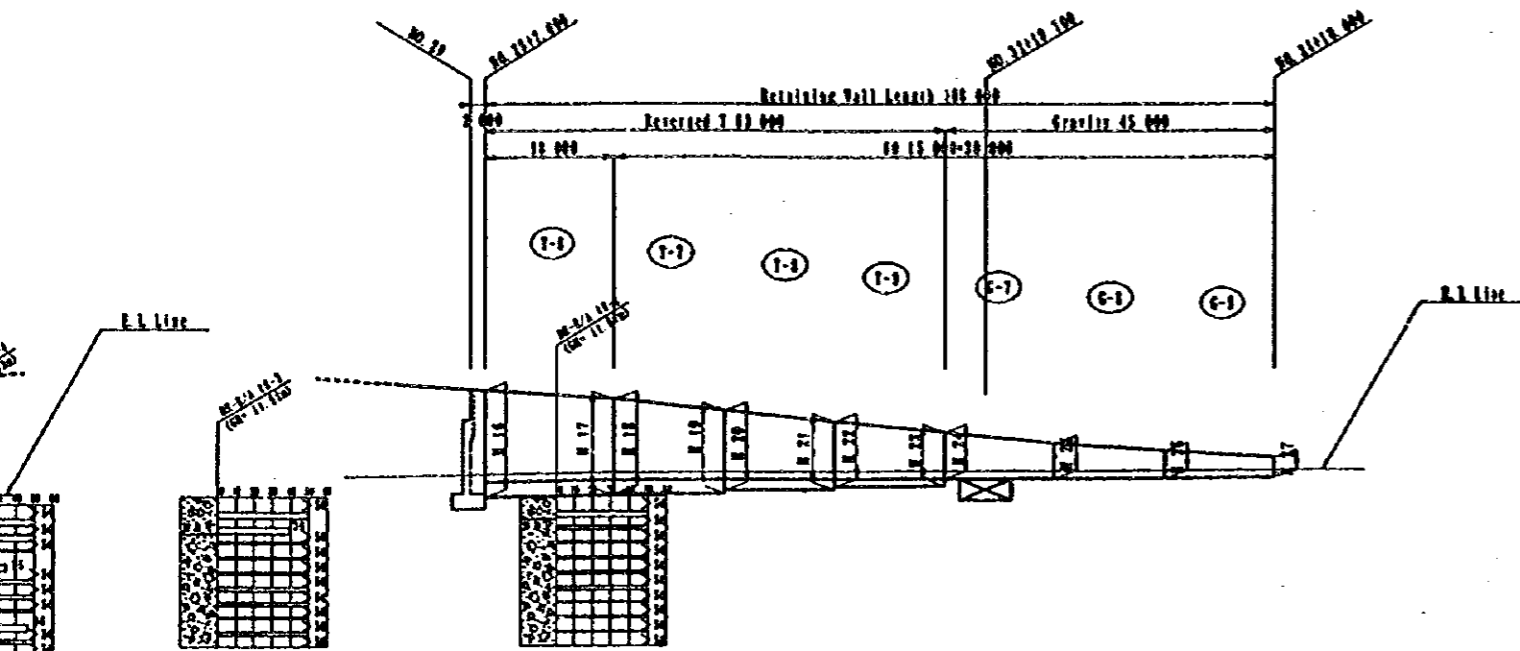
DL=0.00

SIDE VIEW
H=1/1000
V=1/500

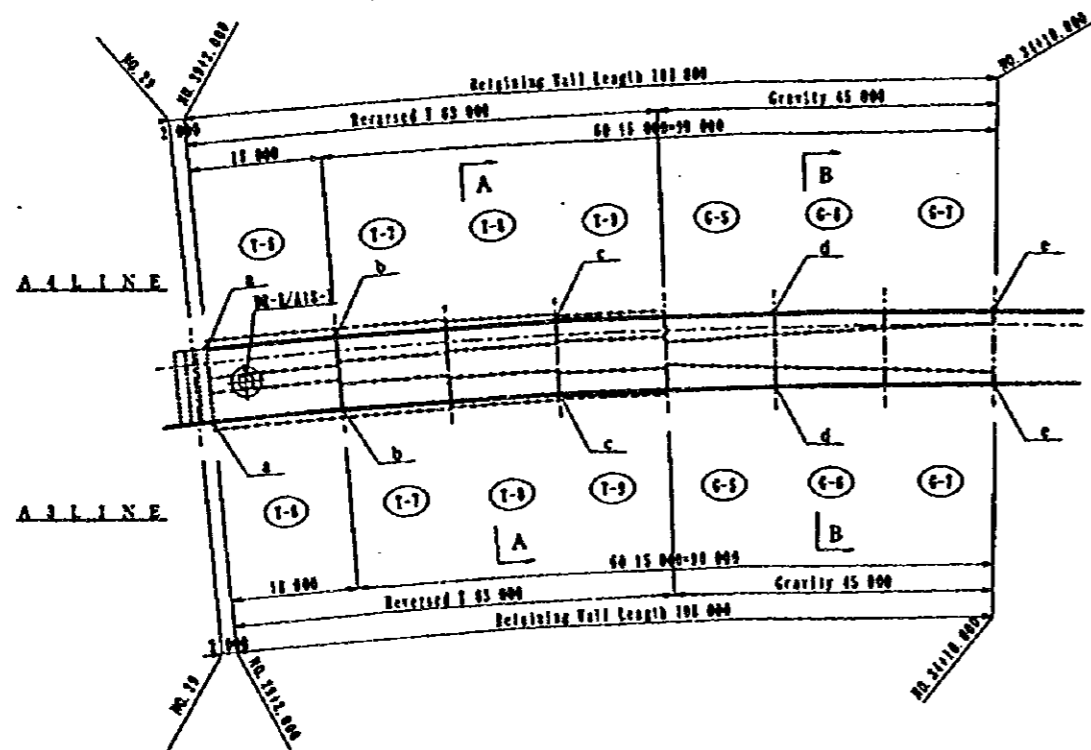


PLAN
5-1/1000

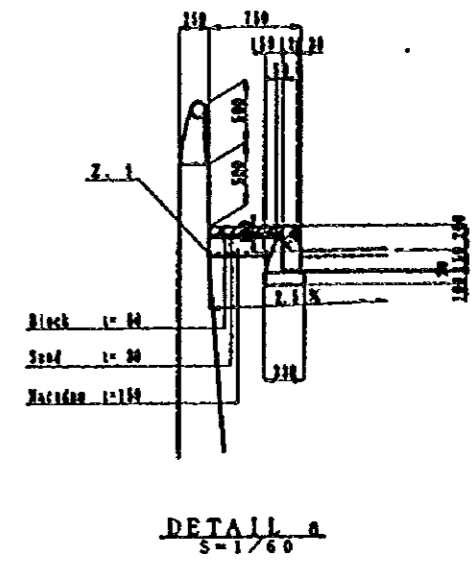
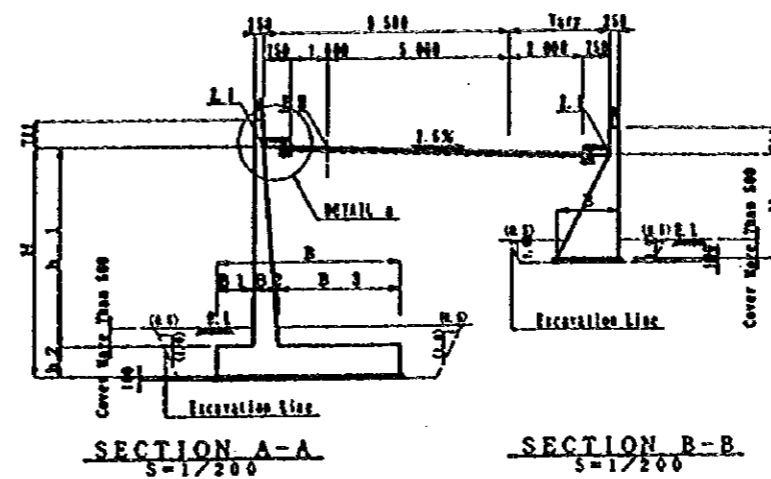
NOTES:



SIDE VIEW
H=1/1000
V=1/500



PLAN
S=1/1000



Reversed T

MARK TYPE	H	h 1	h 2	B	B 1	B 2	B 3
A 2 LINE	T-1	8+4 464	3 964	500	3 500	600	2 430
		7+5 158	4 658				509 2 391
	T-2	8+5 358	4 658	700	4 000	800	557 2 643
		9+6 051	5 351				603 2 597
	T-3	10+6 251	5 351	900	4 500	1 000	645 2 855
A 1 LINE	T-4	11+6 980	6 080	1 000	5 000	1 000	699 2 801
		12+7 080	6 080				729 3 271
	T-5	13+7 908	6 808	1 100	5 500	1 200	765 3 215
		14+8 008	6 808				819 3 490
	T-6	15+8 772	7 672				881 3 419
A 4 LINE	T-1	8+4 207	3 707	500	3 500	600	456 2 444
		7+4 976	4 476				499 2 481
	T-2	8+5 175	4 475	700	4 000	800	545 2 655
		9+6 123	5 243				596 2 604
	T-3	10+6 143	5 243	900	4 500	1 000	637 2 863
A 3 LINE	T-4	11+6 980	6 080	1 000	5 000	1 000	699 2 801
		12+7 080	6 080				729 3 271
	T-5	13+7 916	6 916	1 100	5 500	1 200	765 3 215
		14+8 016	6 916				819 3 481
	T-6	15+8 120	6 020				910 3 390

Gravity

MARK TYPE	H	B
A 2 LINE	G-1	8+2 215 1 292
		7+2 559 1 459
	G-2	8+2 903 1 686
		7+3 434 1 912
A 1 LINE	G-1	8+1 951 1 421
		7+2 295 1 627
	G-2	8+2 639 1 833
		7+3 173 2 154
G-3	8+3 173 2 154	
G-4	7+3 707 2 474	

Reversed T

MARK TYPE	H	h 1	h 2	B	B 1	B 2	B 3
A 4 LINE	T-6	11+7 769	6 769	1 000	5 000	1 000	783 3 218
		12+8 071	5 871				711 3 289
	T-7	13+8 771	5 871	900	4 500	1 000	683 2 817
		14+9 973	5 073				624 2 876
	T-8	15+9 773	5 073	700	4 000	800	585 2 815
A 3 LINE	T-9	16+9 974	4 274	500	3 500	600	532 2 868
		17+4 117	3 617				479 2 421
	T-6	11+7 514	6 514	1 000	5 000	1 000	762 3 288
		12+8 611	5 611				691 3 309
	T-7	13+8 511	5 611	900	4 500	1 000	664 2 836
A 3 LINE	T-8	14+8 556	4 856	700	4 000	800	603 2 892
		15+9 556	4 856				570 2 630
	T-9	16+9 599	4 099	500	3 500	600	520 2 680
		17+4 599	3 399				478 2 422
	T-6	11+3 888	3 388				436 2 462

Gravity

MARK TYPE	H	B
A 4 LINE	G-5	11+3 617 2 420
		11+2 989 2 025
	G-6	11+2 427 1 706
A 3 LINE	G-7	11+1 894 1 386
	G-5	11+3 388 2 283
G-6	11+2 676 1 856	
G-7	11+2 353 1 542	
G-8	11+1 629 1 065	

JAPAN INTERNATIONAL COOPERATION AGENCY (JICA)
JICA STUDY TEAM
PACIFIC CONSULTANTS INTERNATIONAL
SECTAMA CONSULTANTS INTERNATIONAL

CLIENT : MINISTRY OF COMMUNICATIONS, DIRECTORATE GENERAL OF ROADS
PROJECT : D/D ON ROAD DEVELOPMENT PROJECT ON BATINAH HIGHWAY
TITLE : R/A-18, AQR GENERAL VIEW FOR WALL (1)-1
DATE :
DWG NO. W-1

Point		a	b	c	d	e	f
A L I N E	N	+2742804.89888	+2742822.61680	+2742857.40655	+2742888.15436	+2742907.96140	+2742924.86106
	E	+443540.74743	+443526.68390	+443511.73731	+443945.92456	+443479.43635	+443468.74124
	Z	13.361	14.049	15.117	16.653	18.326	19.430
A 2 L I N E	N	+2742810.16910	+2742836.65672	+2742862.66139	+2742888.15436	+2742913.21700	+2742930.11534
	E	+443549.26507	+443535.20235	+443520.24662	+443504.43442	+443487.94680	+443477.24962
	Z	13.625	14.313	15.374	16.761	18.218	19.191
A S L I N E	N	+2743361.63812	+2743334.39512	+2743306.78481	+2743278.83242	+2743260.02007	
	E	+443294.63747	+443307.19735	+443318.92774	+443329.81790	+443336.60626	
	Z	14.049	15.096	16.519	18.031	19.039	
A 4 L I N E	N	+2743364.96161	+2743337.70660	+2743310.08860	+2743282.13236	+2743263.31932	
	E	+443304.13335	+443316.66720	+443328.37953	+443339.25986	+443346.04633	
	Z	14.314	15.379	16.694	18.291	19.289	

NOTES:

JAPAN INTERNATIONAL COOPERATION AGENCY
(JICA)

JICA STUDY TEAM
PACIFIC CONSULTANTS INTERNATIONAL
FUKUYAMA CONSULTANTS INTERNATIONAL

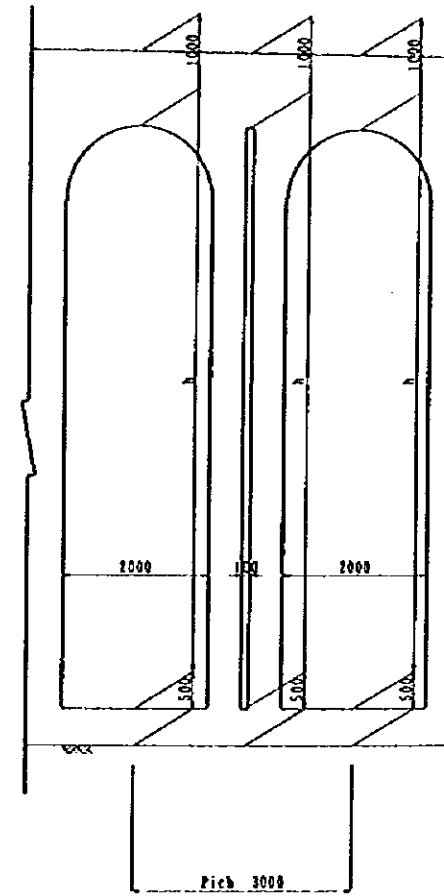
CLIENT : MINISTRY OF COMMUNICATIONS, DIRECTORATE GENERAL OF ROADS

PROJECT : D/D ON ROAD DEVELOPMENT PROJECT ON BATINAH HIGHWAY

TITLE : R/A-18. AQR GENERAL VIEW FOR WALL (1)-2

DATE : Dwg No. W-2

		T-7				
		a - a		b - b		
A I L I N E	Ha1	6 771	Hb1	5 937		
	Ha2	5 871	Hb2	5 073		
	Ha3	230250 = 5 750	Hb3	200250 = 5 000		
	Ha4	140250 = 3 500	Hb4	110250 = 2 750		
	Ha5	121	Hb5	73		
	Ba1	683	Bb1	624		
	Ba2	2 817	Bb2	2 876		
	Ba3	433	Bb3	374		
A I L I N E	Ba4	20301.0 = 602	Bb4	20271.5 = 543		
	Ba5	20164.0 = 328	Bb5	20193.5 = 387		
	Ba6	80300 = 2 400	Bb6	80300 = 2 400		
	Ba7	550	Bb7	491		
	Ba8	20190 = 380	Bb8	20219.5 = 439		
	T-7					
			a - a		b - b	
	A I L I N E	Ha1	6 511	Hb1	5 755	
Ha2		5 611	Hb2	4 855		
Ha3		220250 = 5 500	Hb3	190250 = 4 750		
Ha4		130250 = 3 250	Hb4	100250 = 2 500		
Ha5		111	Hb5	105		
Ba1		684	Bb1	608		
Ba2		2 836	Bb2	2 892		
Ba3		414	Bb3	358		
A I L I N E	Ba4	20291.5 = 583	Bb4	20263.5 = 527		
	Ba5	20173.5 = 347	Bb5	20201.5 = 403		
	Ba6	80300 = 2 400	Bb6	80300 = 2 400		
	Ba7	531	Bb7	475		
	Ba8	20199.5 = 399	Bb8	20227.5 = 455		



Slit Shape in Front of Wall
(Thickness t=30 mm)

NOTES:

JAPAN INTERNATIONAL COOPERATION AGENCY
(JICA)

JICA STUDY TEAM
PACIFIC CONSULTANTS INTERNATIONAL
ELUYAMA CONSULTANTS INTERNATIONAL

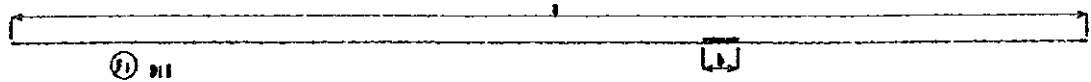
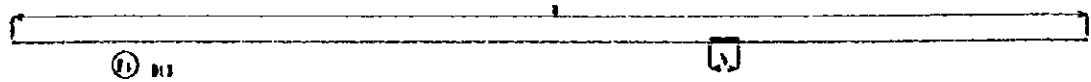
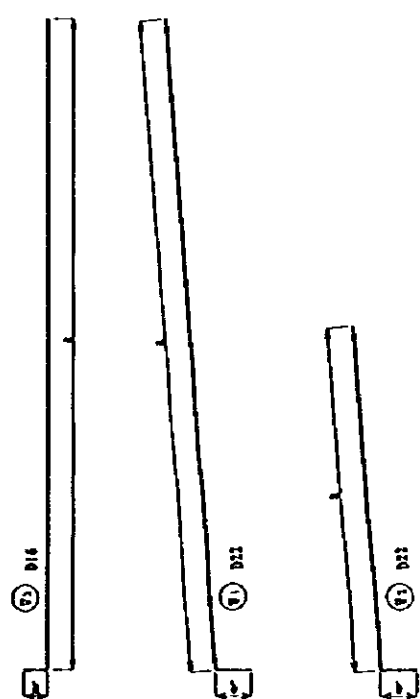
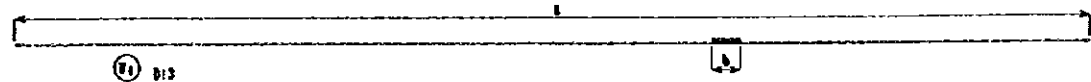
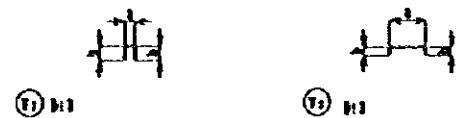
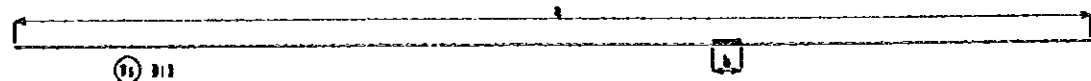
CLIENT : MINISTRY OF COMMUNICATIONS, DIRECTORATE GENERAL OF ROADS

PROJECT : D/D ON ROAD DEVELOPMENT PROJECT ON BATINAH HIGHWAY

TITLE : R/A-18, AQR RE-BAR ARRANGEMENT (5)

DATE

DWG NO. W-23



REIN. NO.	φ (mm)	LENGTH (m)	a	b	c
T 7					
1	D 22	6 570	6 589~5 740	330	---
2	"	3 290	2 950	330	---
3	D 16	6 470	6 571~5 370	240	---
4	D 13	15 190	14 800	390	---
5	"	7 200	2 244~11 517	390	---
6	"	15 270	14 800	390	---
7	"	500	110	195	---
8	"	610	504~195	111	---
F 1					
1	D 22	4 170	3 470	700	---
2	D 13	1 660	1 460	195	---
3	D 16	1 850	1 300	200	---
4	"	3 570	3 330	240	---
5	"	15 280	14 800	490	---
6	D 13	15 190	14 800	390	---
7	"	15 190	14 800	390	---
8	"	1 360	720	270	111
9	"	1 370	732	282	111

REIN. NO.	φ (mm)	LENGTH (m)	a	b	c
T 7					
1	D 22	6 290	6 318~5 570	330	---
2	"	3 290	2 950	330	---
3	D 16	6 480	6 511~5 555	240	---
4	D 13	15 190	14 800	390	---
5	"	7 480	2 178~11 904	390	---
6	"	15 260	14 810	390	---
7	"	500	110	195	---
8	"	610	545~210	111	---
F 1					
1	D 22	4 190	3 487	700	---
2	D 13	1 670	1 460	195	---
3	D 16	1 840	1 300	200	---
4	"	3 570	3 330	240	---
5	"	15 280	14 800	490	---
6	D 13	15 190	14 800	390	---
7	"	15 190	14 800	390	---
8	"	1 360	720	270	111
9	"	1 370	732	282	111

NOTES:

JAPAN INTERNATIONAL COOPERATION AGENCY (JICA)

JICA STUDY TEAM
PACIFIC CONSULTANTS INTERNATIONAL
FUKUYAMA CONSULTANTS INTERNATIONAL

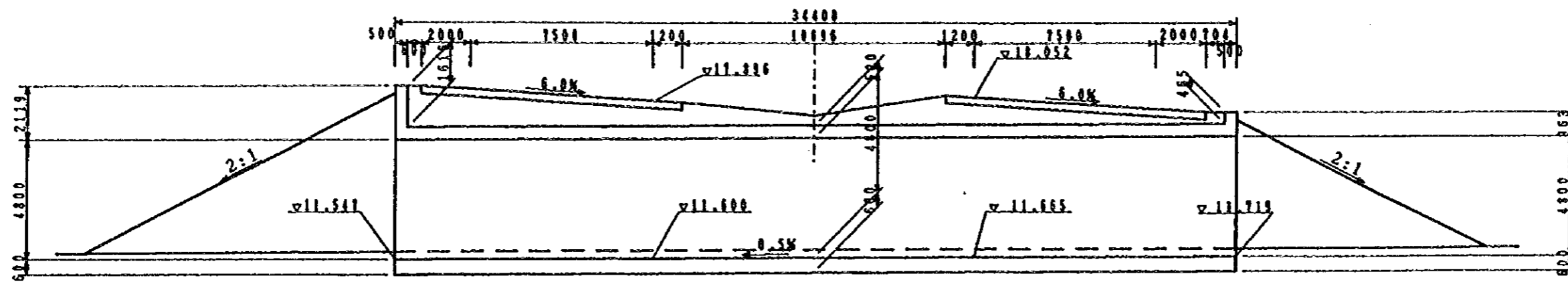
CLIENT : MINISTRY OF COMMUNICATIONS, DIRECTORATE GENERAL OF ROADS

PROJECT : D/D ON ROAD DEVELOPMENT PROJECT ON BATINAH HIGHWAY

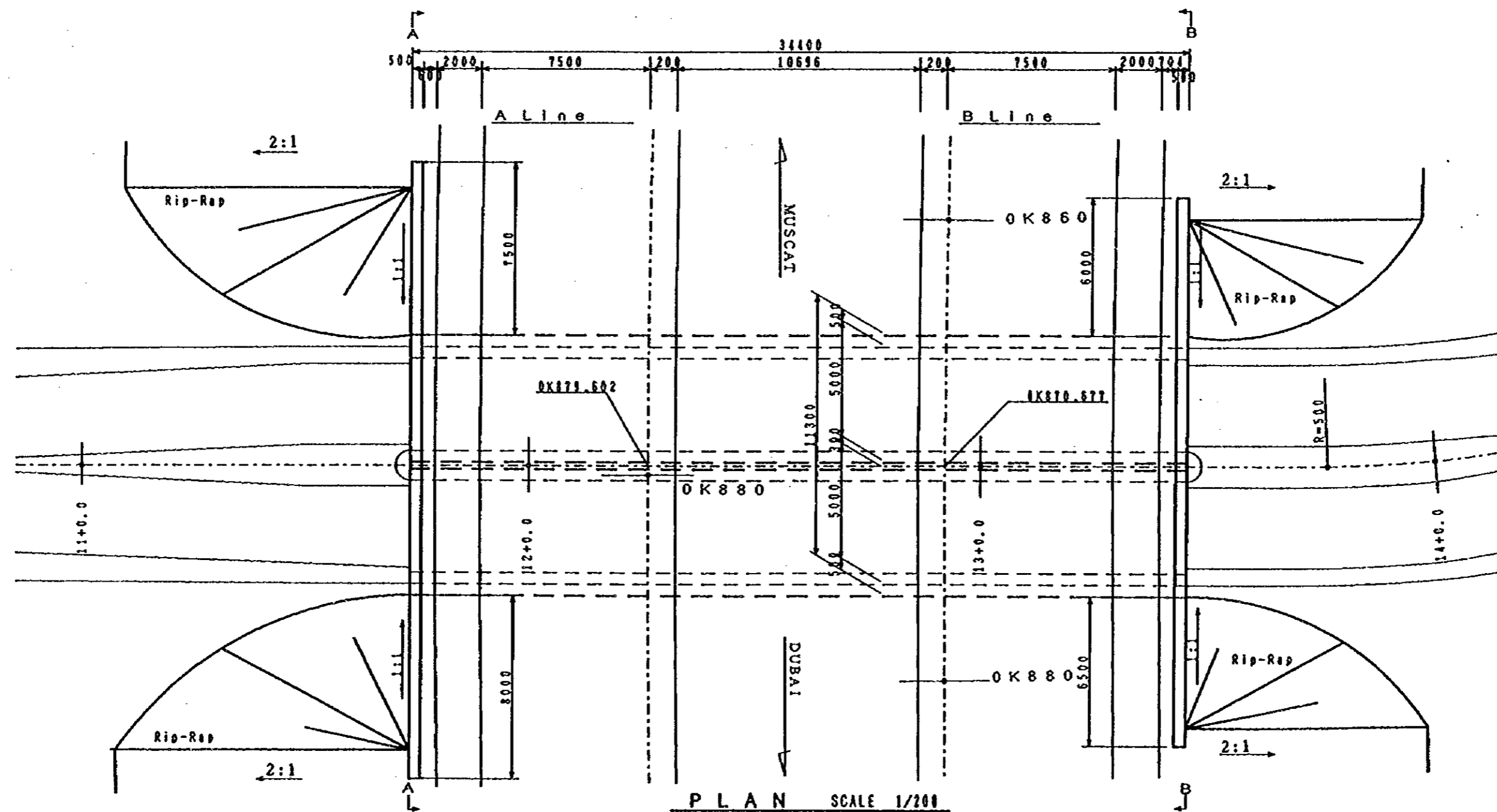
TITLE : R/A-18. AQR RE-BAR ARRANGEMENT (6)

DATE

DWG NO. W-24

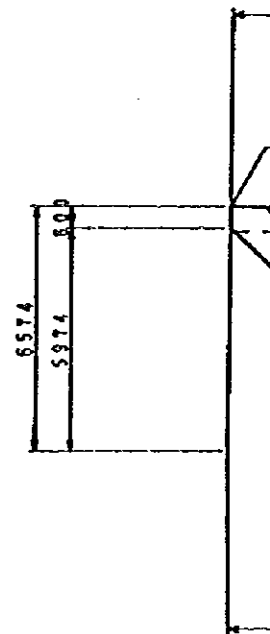
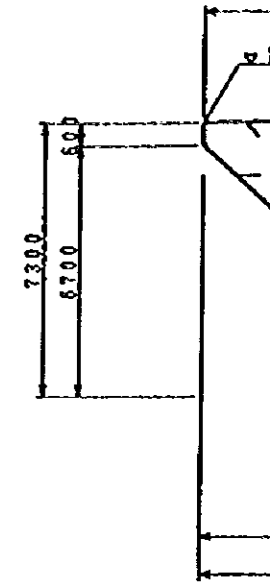


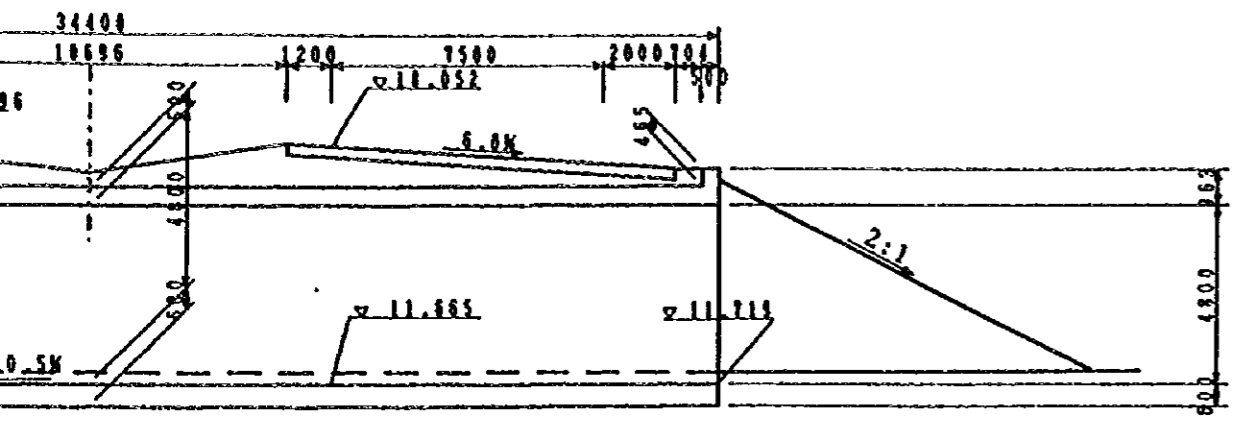
LONGITUDINAL SECTION SCALE 1/200



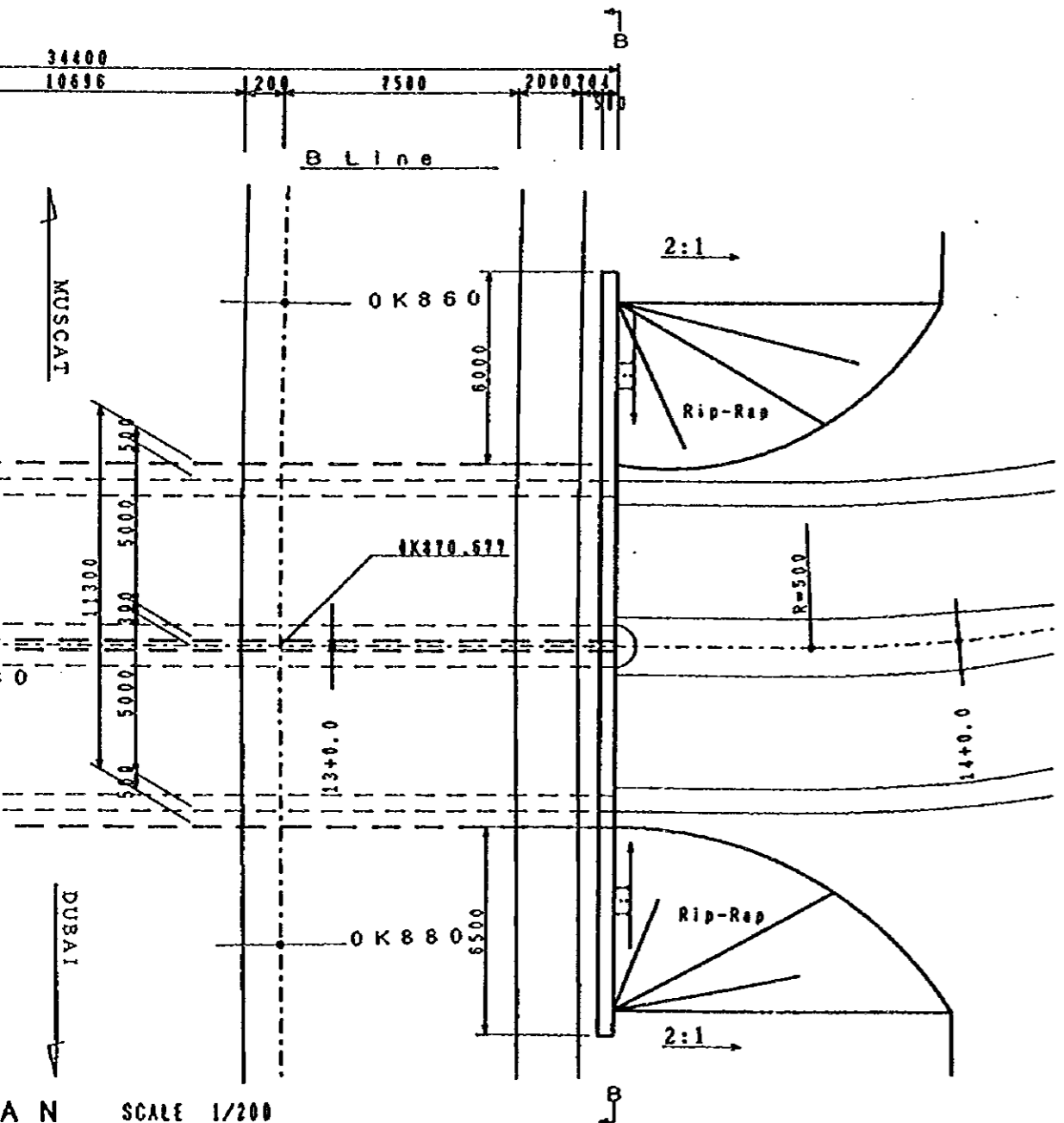
PLAN SCALE 1/200

NOTES:

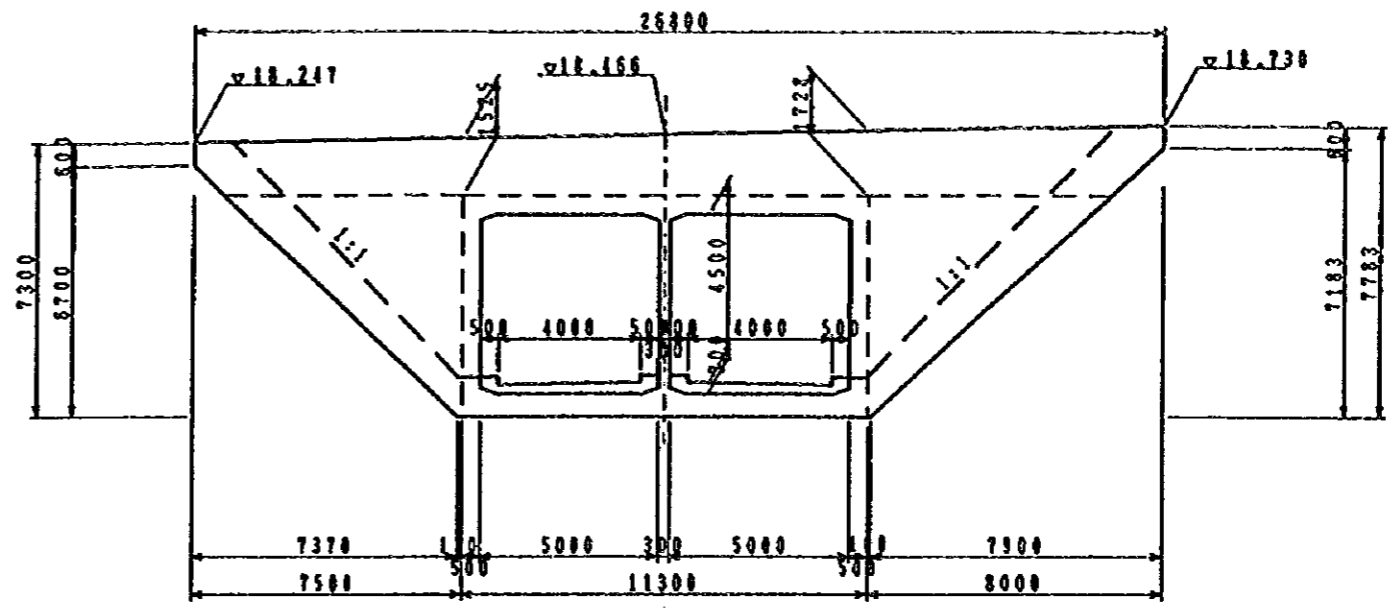




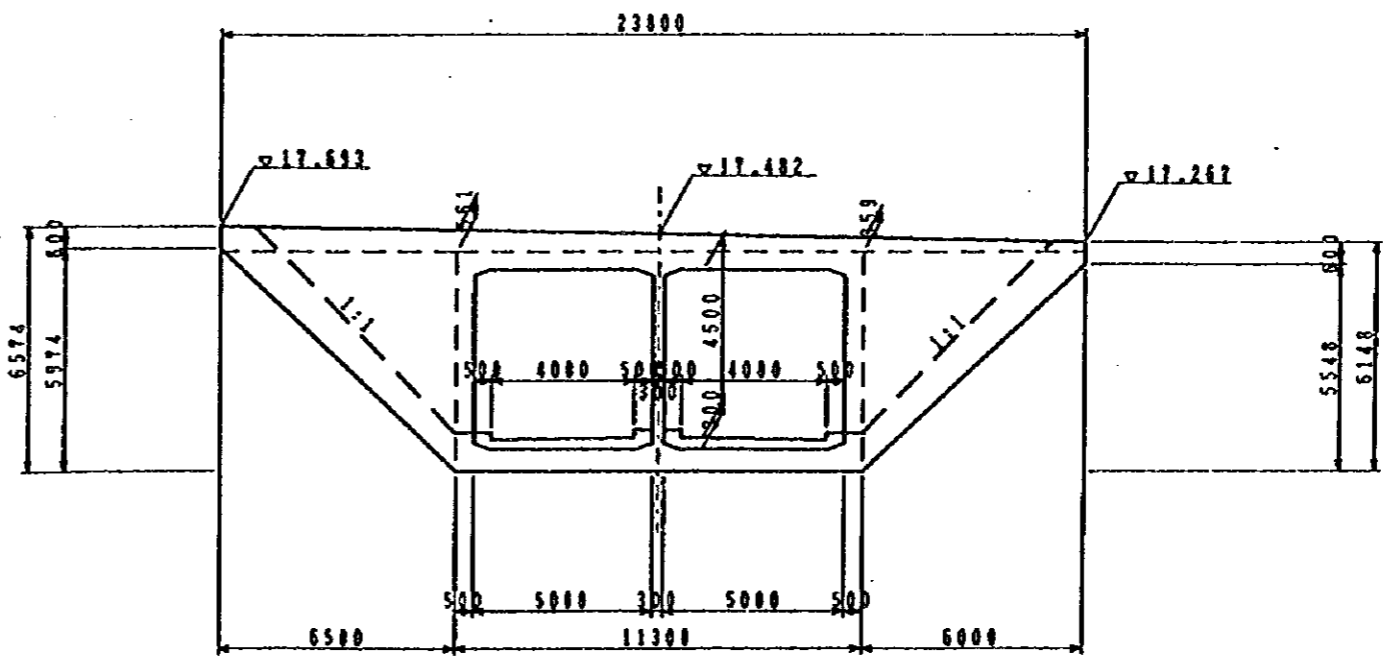
LONGITUDINAL SECTION SCALE 1/200



A N SCALE 1/200



A-A SCALE 1/200



B-B SCALE 1/200

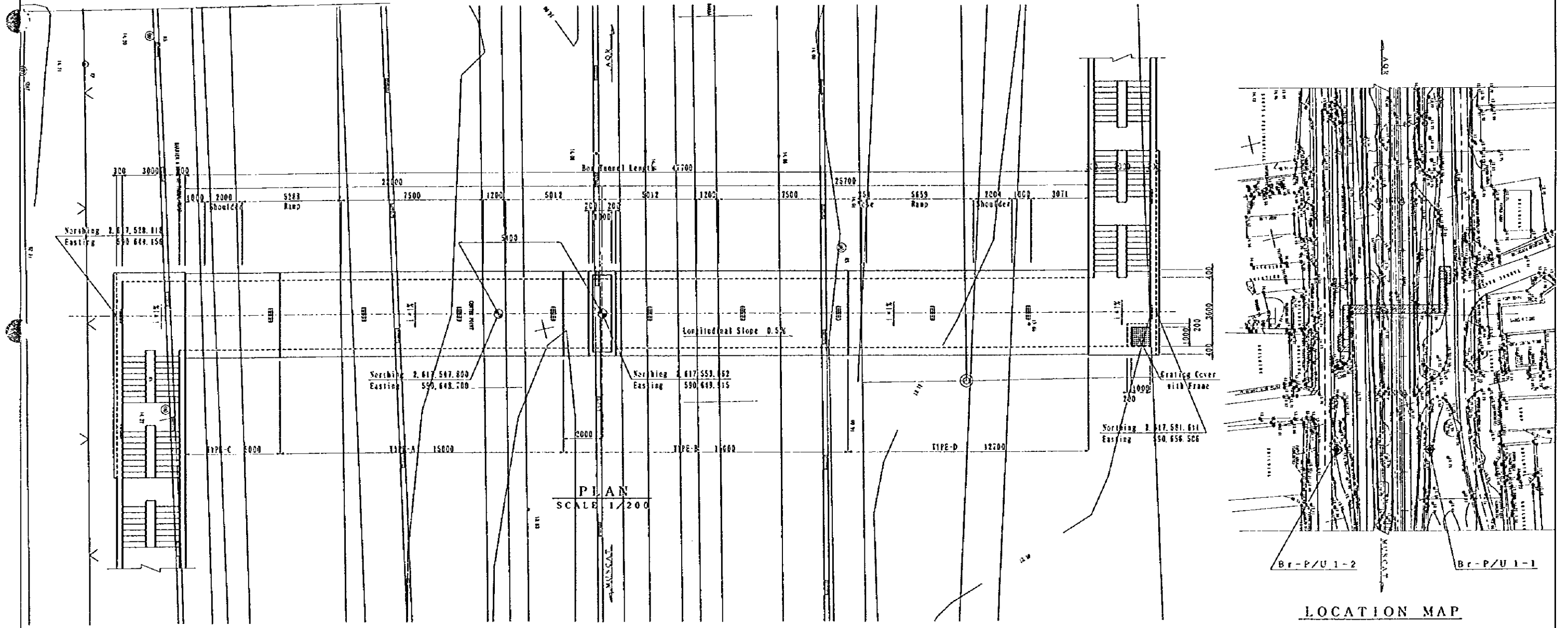
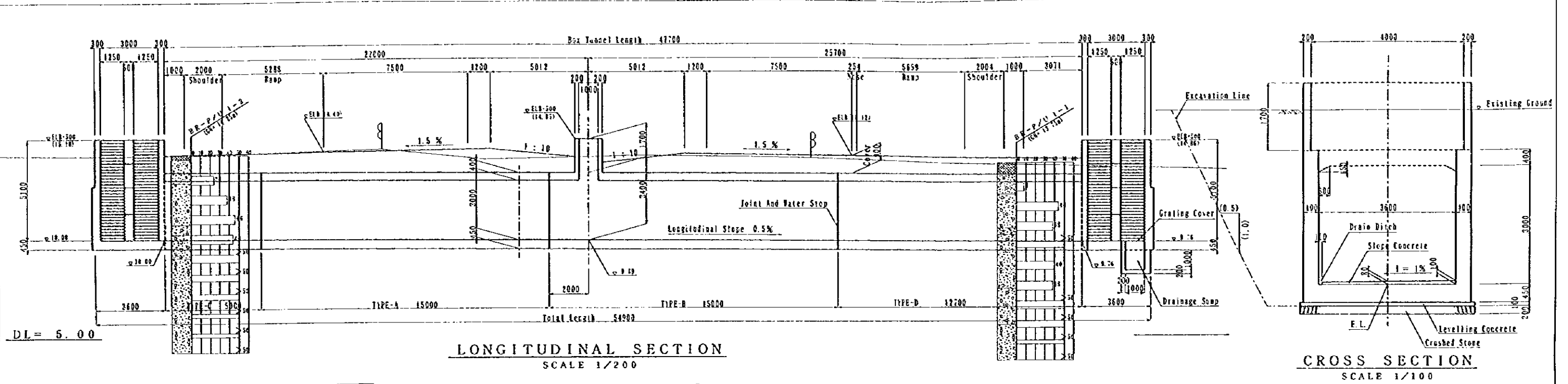
JAPAN INTERNATIONAL COOPERATION AGENCY (JICA)	CLIENT: MINISTRY OF COMMUNICATIONS, DIRECTORATE GENERAL OF ROADS
JICA STUDY TEAM PACIFIC CONSULTANTS INTERNATIONAL	PROJECT: DID ON ROAD DEVELOPMENT PROJECT ON BATINAH HIGHWAY
FUKUYAMA CONSULTANTS INTERNATIONAL	TITLE: R/A-18 AQR GENERAL VIEW FOR BOX CULVERT
DATE	DWGNO. C-1

PEDESTRIAN UNDERPASSES

- P/U- 1 Barka Pedestrian Underpass**
- P/U- 2 Al Billah Pedestrian Underpass**
- P/U- 3 A'Tareef Pedestrian Underpass**
- P/U- 4 Al Qarat Pedestrian Underpass**
- P/U- 5 A'Tharmad Pedestrian Underpass**
- P/U- 6 A'Suweiq Pedestrian Underpass**
- P/U- 7 Al Khadra Pedestrian Underpass**
- P/U- 8 Qarih Pedestrian Underpass**
- P/U- 9 Majaz A'Sughra Pedestrian Underpass**
- P/U- 10 Khor A'Siyabi Pedestrian Underpass**
- P/U- 11 Liwa Pedestrian Underpass**
- P/U- 12 Asrar Bani Sa'd Pedestrian Underpass**

Barba

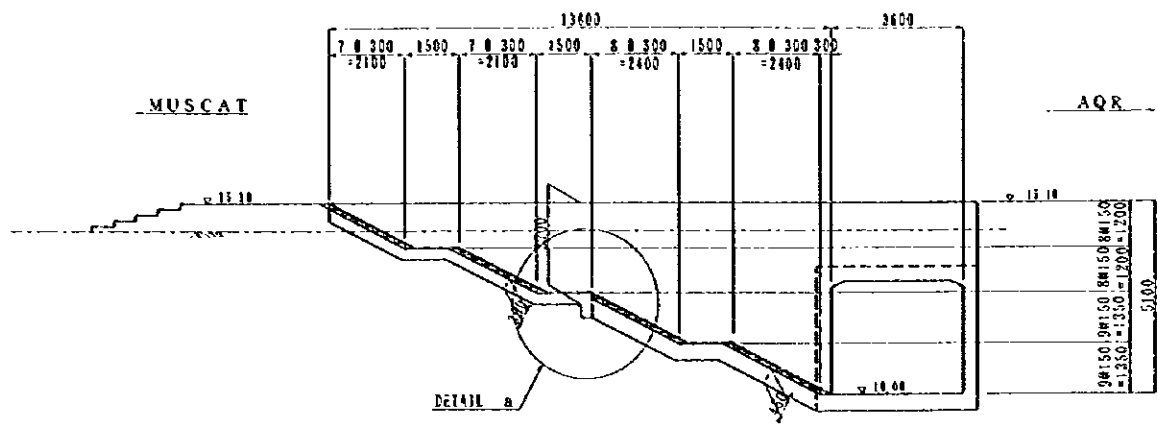
PEDESTRIAN UNDRPASS



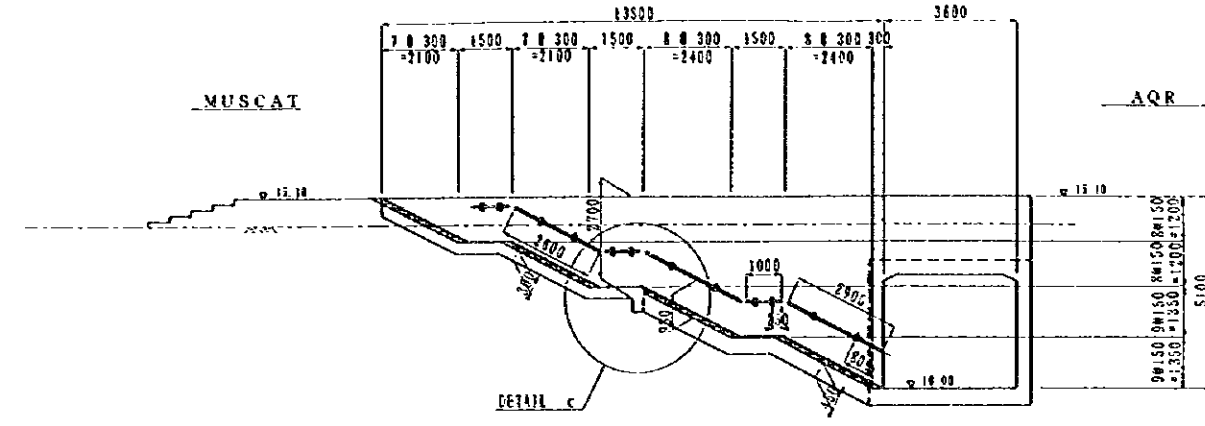
NOTES:

JAPAN INTERNATIONAL COOPERATION AGENCY
(JICA)
JICA STUDY TEAM
PACIFIC CONSULTANTS INTERNATIONAL
FUKUYAMA CONSULTANTS INTERNATIONAL

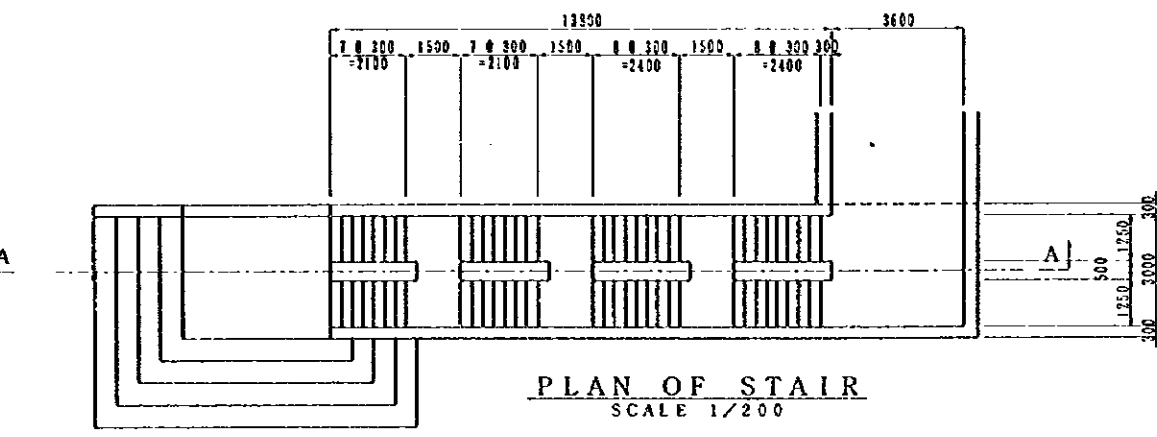
CLIENT : MINISTRY OF COMMUNICATIONS, DIRECTORATE GENERAL OF ROADS
PROJECT : D/D ON ROAD DEVELOPMENT PROJECT ON BATINAH HIGHWAY
TITLE : P/U-1, BARKA GENERAL VIEW (1)
DATE : _____
DWG NO. P-1



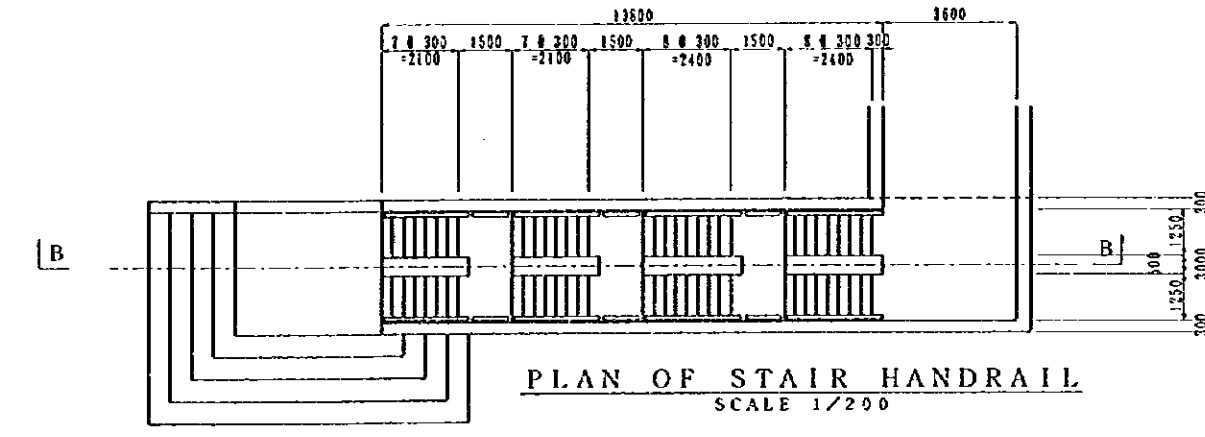
STAIR (SECTION A-A)
SCALE 1/200



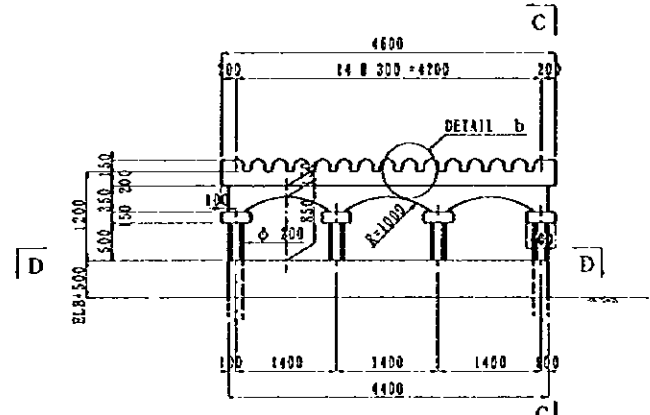
STAIR HANDRAIL (SECTION B-B)
SCALE 1/200



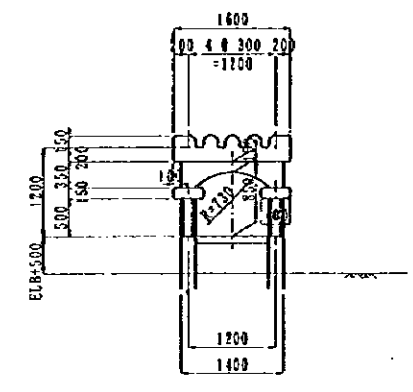
PLAN OF STAIR
SCALE 1/200



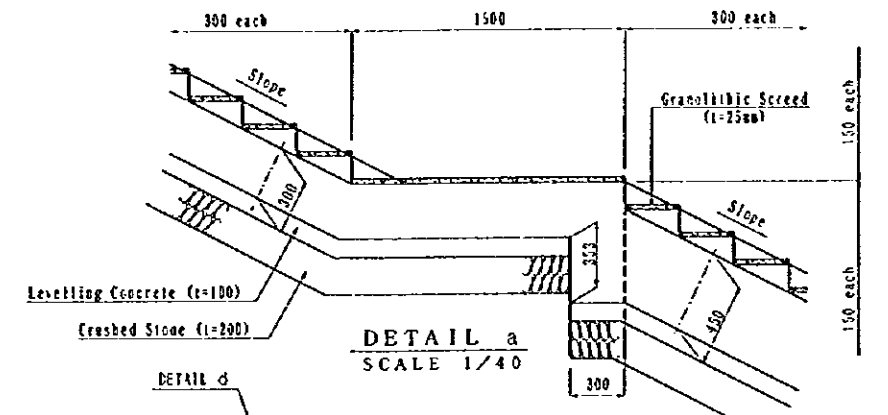
PLAN OF STAIR HANDRAIL
SCALE 1/200



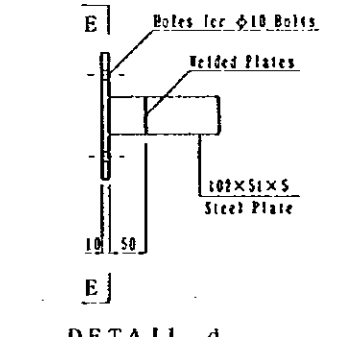
SIDE ELEVATION
SCALE 1/100



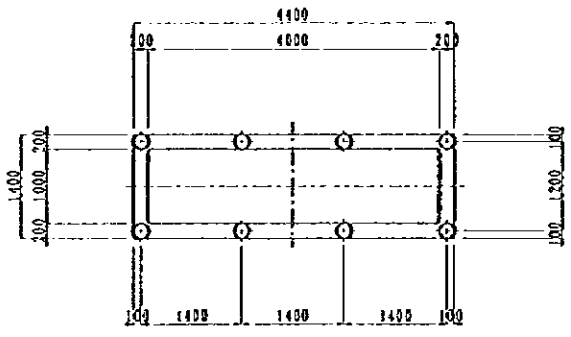
SECTION C-C
SCALE 1/100



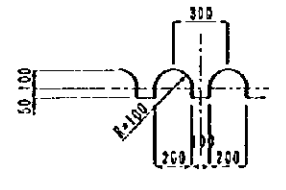
DETAIL a
SCALE 1/40



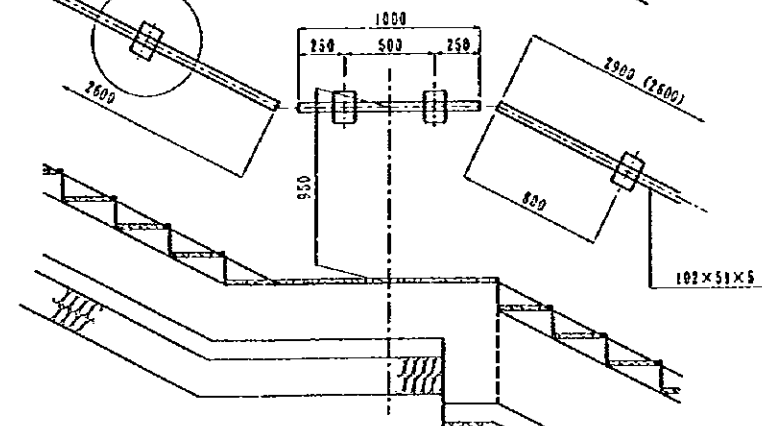
DETAIL d
SCALE 1/10



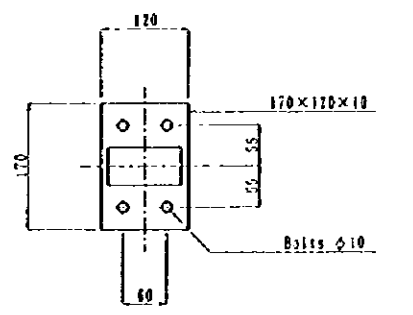
SECTION D-D
SCALE 1/100



DETAIL b
SCALE 1/40



DETAIL c
SCALE 1/40



SECTION E-E
SCALE 1/10

CANOPY ON LIGHT WELL

NOTES: Dimensions of () value are for inland stair.

JAPAN INTERNATIONAL COOPERATION AGENCY
(JICA)

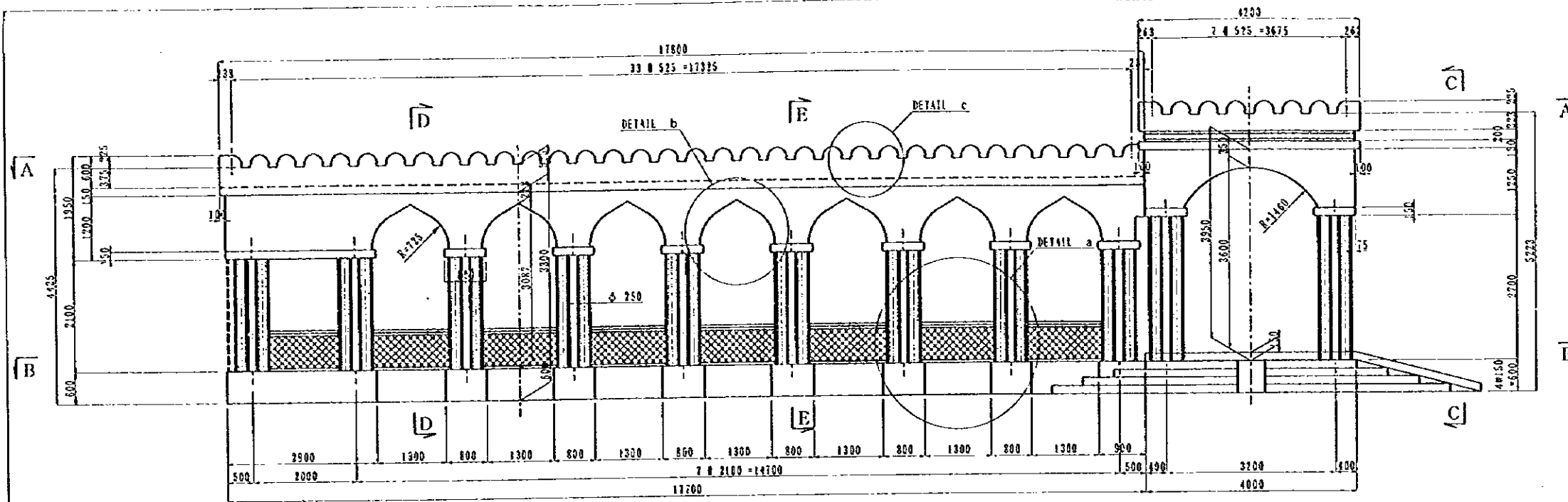
JICA STUDY TEAM
PACIFIC CONSULTANTS INTERNATIONAL
FUKUYAMA CONSULTANTS INTERNATIONAL

CLIENT : MINISTRY OF COMMUNICATIONS, DIRECTORATE GENERAL OF ROADS

PROJECT : D/D ON ROAD DEVELOPMENT PROJECT ON BATINAH HIGHWAY

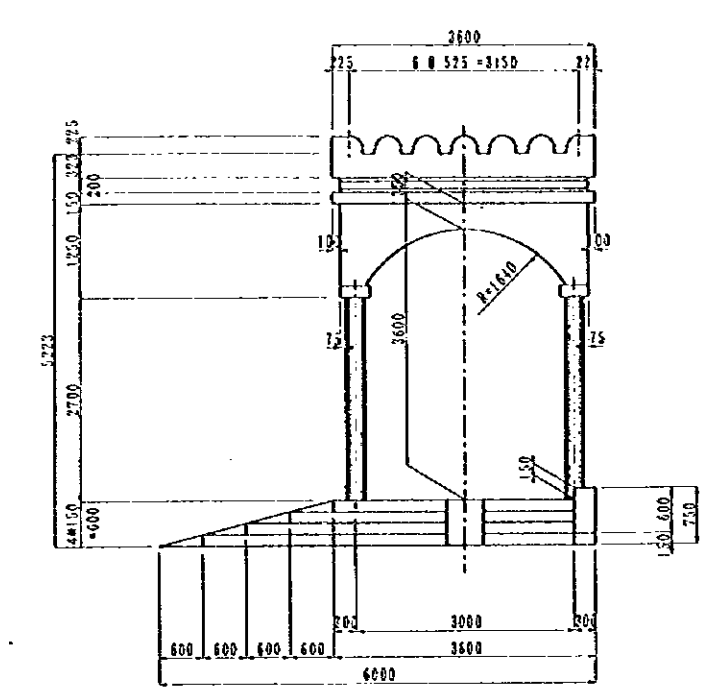
TITLE : P/U-1. BARKA GENERAL VIEW (2)

DATE : _____ DWG. NO. P-2

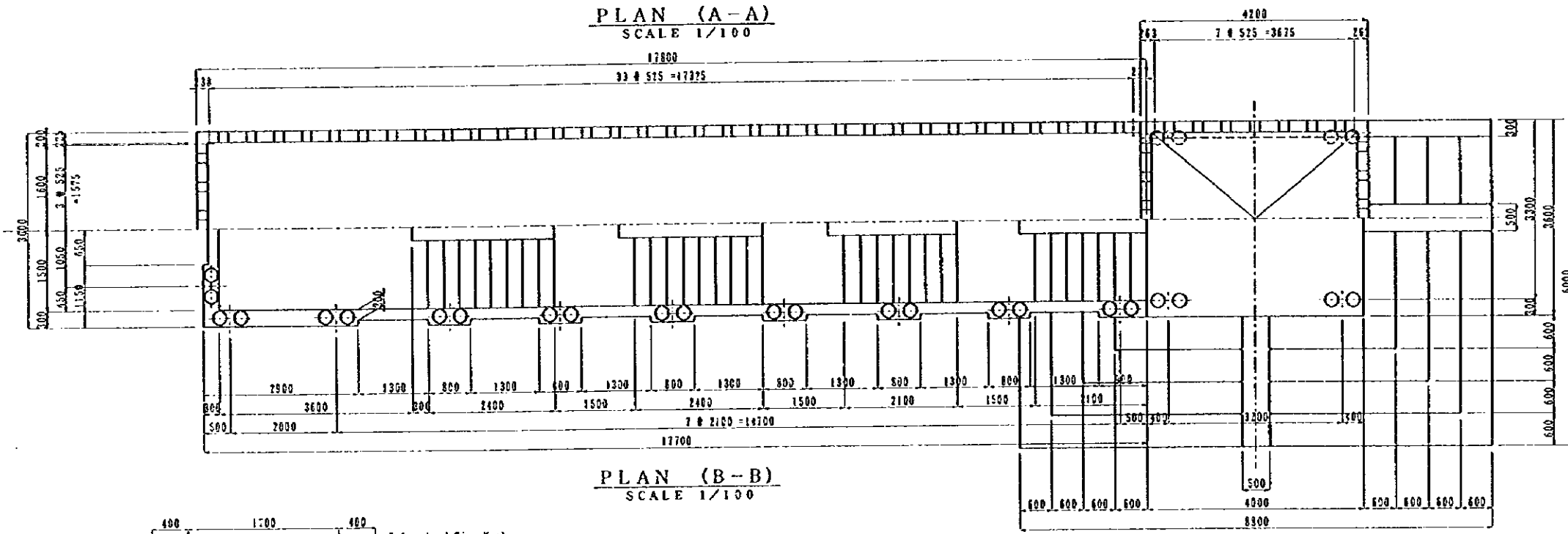


PROFILE OF CANOPY
SCALE 1/100

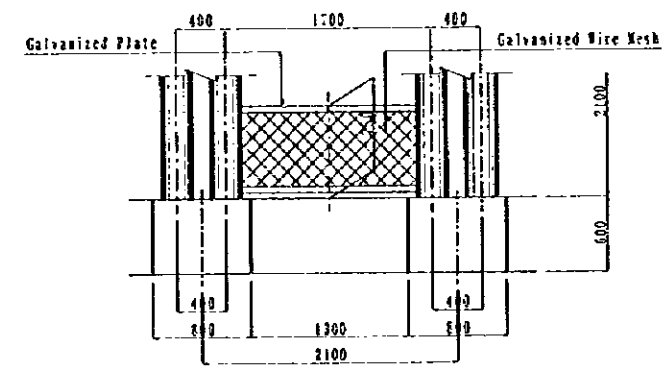
PLAN (A-A)
SCALE 1/100



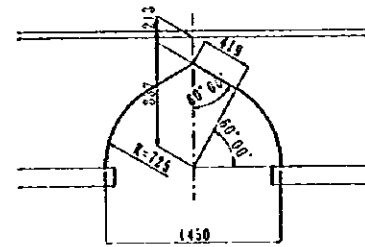
ENTRANCE (C-C)
SCALE 1/100



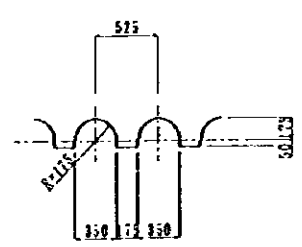
PLAN (B-B)
SCALE 1/100



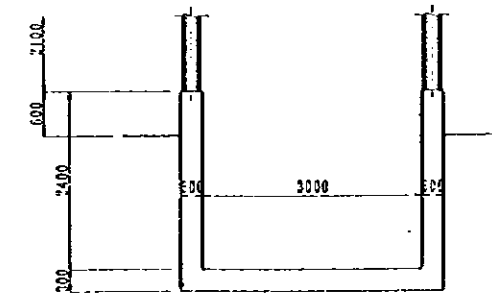
DETAIL a
SCALE 1/60



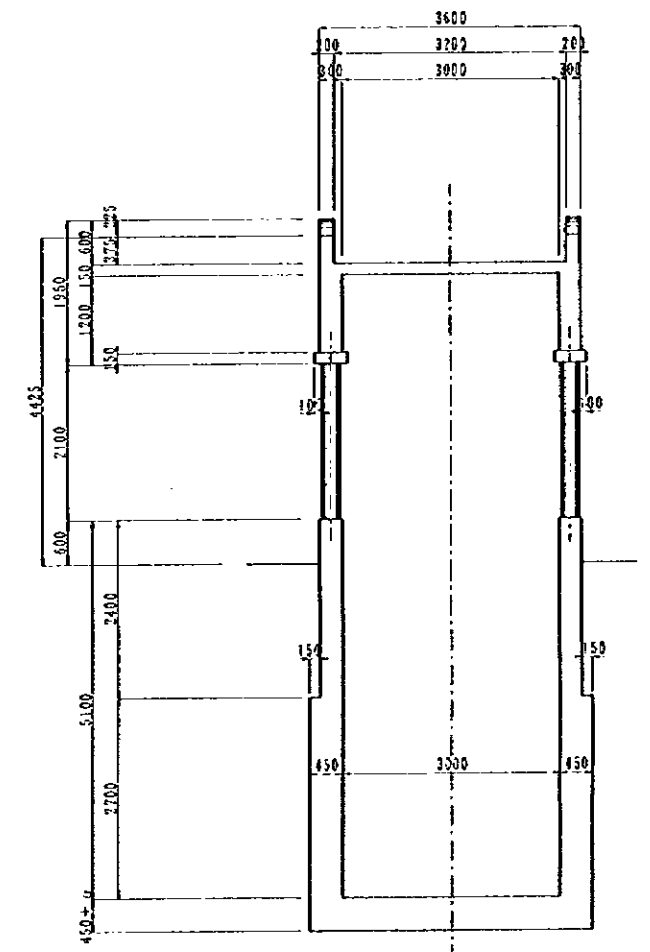
DETAIL b
SCALE 1/60



DETAIL c
SCALE 1/60



CROSS SECTION E-E
SCALE 1/100



CROSS SECTION D-D
SCALE 1/100

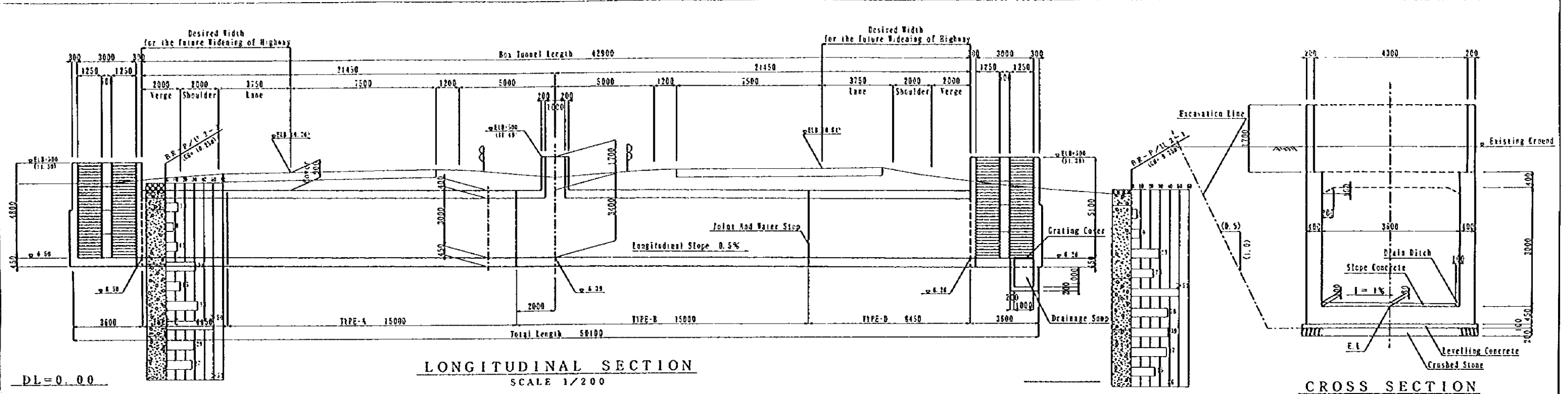
NOTES:

JAPAN INTERNATIONAL COOPERATION AGENCY
(JICA)
JICA STUDY TEAM
PACIFIC CONSULTANTS INTERNATIONAL
ELUCYAMA CONSULTANTS INTERNATIONAL

CLIENT : MINISTRY OF COMMUNICATIONS, DIRECTORATE GENERAL OF ROADS
PROJECT : D/D ON ROAD DEVELOPMENT PROJECT ON BATINAH HIGHWAY
TITLE : P/U-1, BARKA GENERAL VIEW (3)
DATE :
DWG NO. P-3

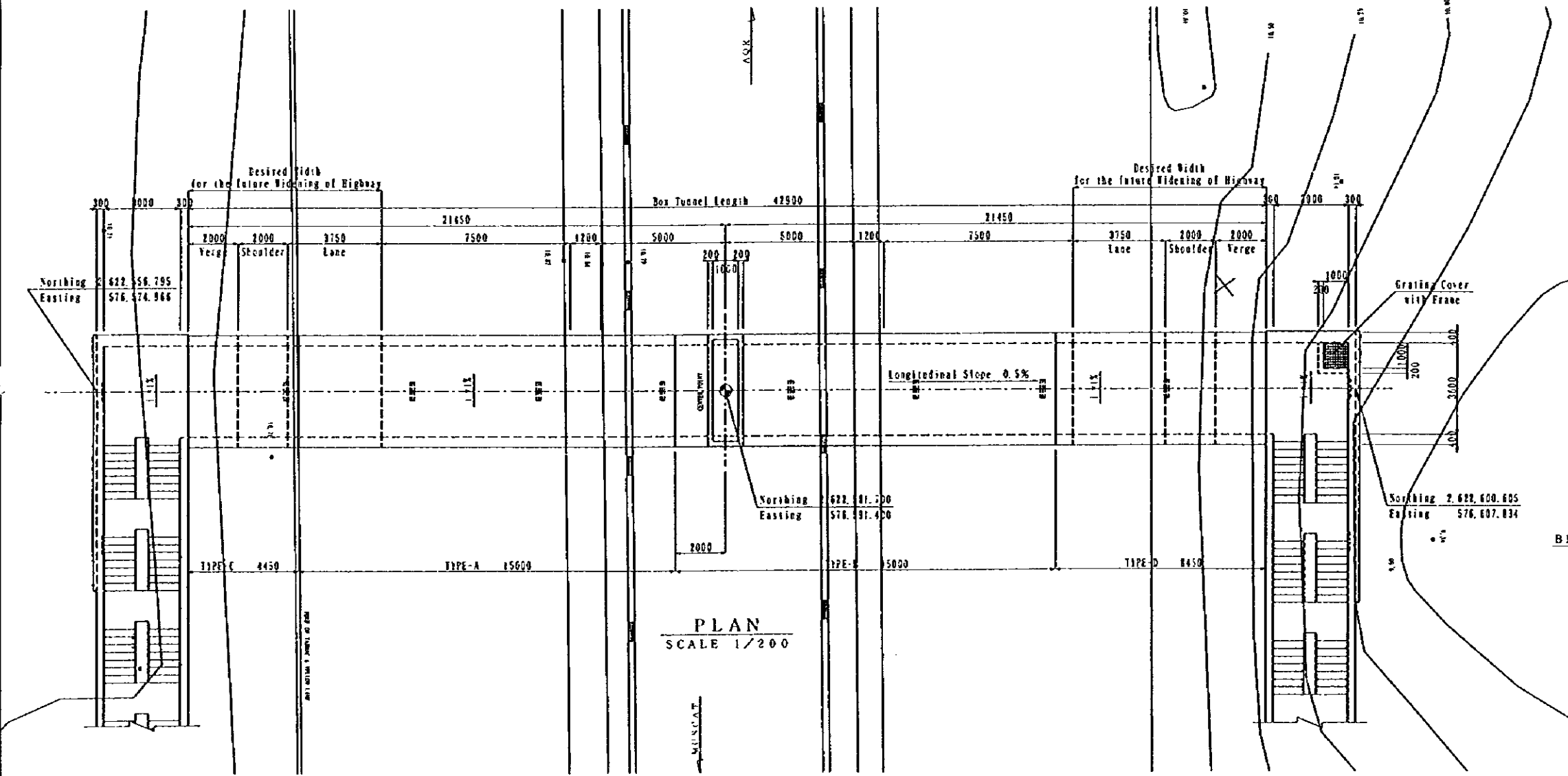
Al Billah

PEDESTRIAN UNDRPASS

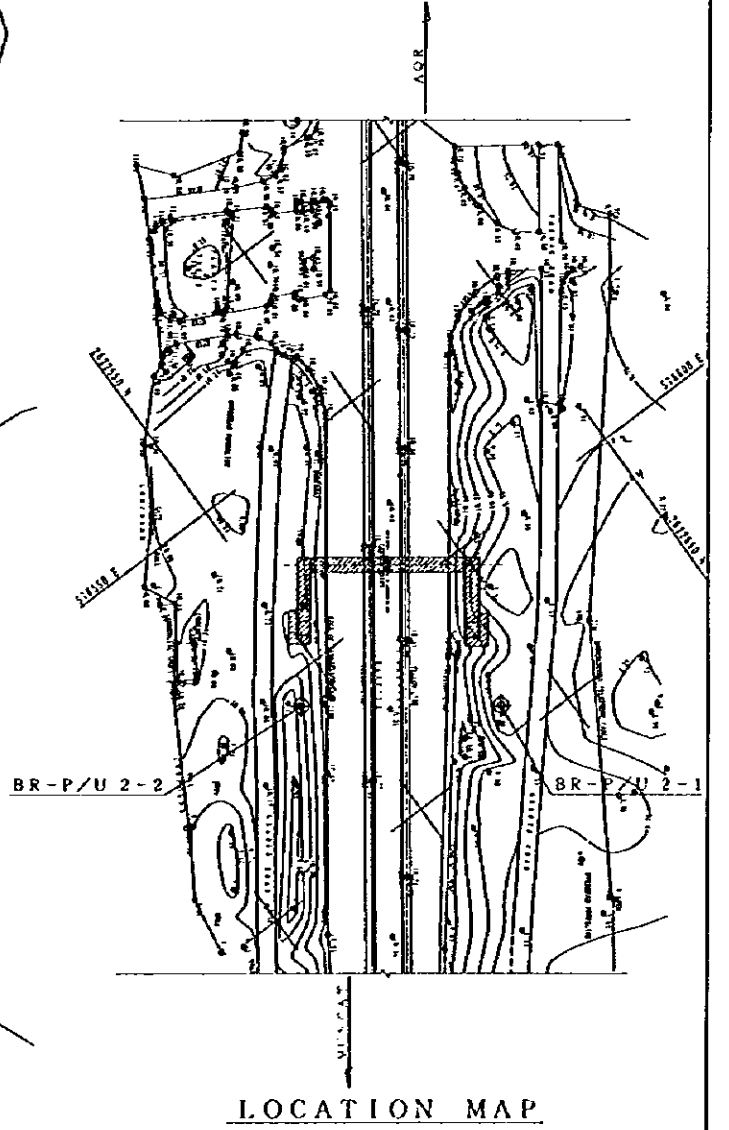


LONGITUDINAL SECTION
SCALE 1/200

CROSS SECTION
SCALE 1/100

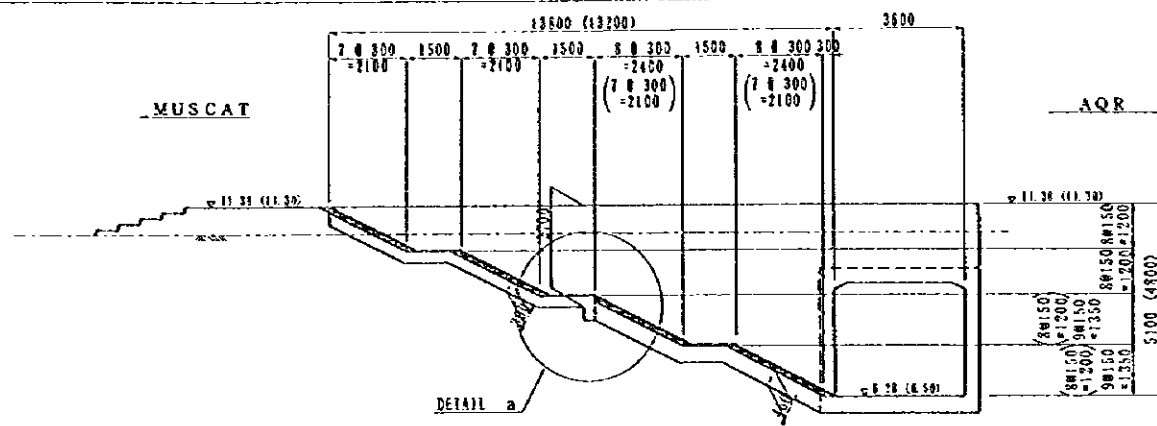


PLAN
SCALE 1/200

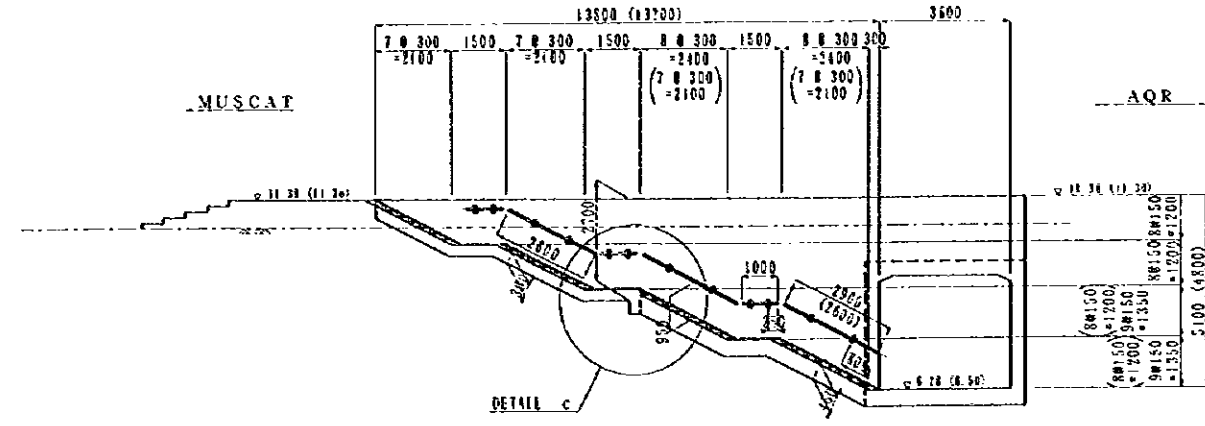


LOCATION MAP

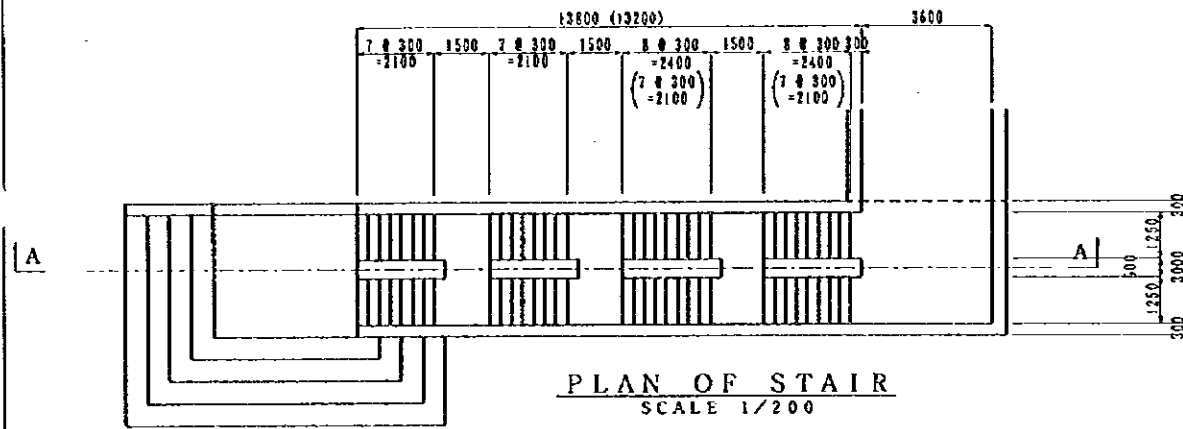
NOTES:	JAPAN INTERNATIONAL COOPERATION AGENCY (JICA)	CLIENT : MINISTRY OF COMMUNICATIONS, DIRECTORATE GENERAL OF ROADS
	JICA STUDY TEAM PACIFIC CONSULTANTS INTERNATIONAL PUNJAMA CONSULTANTS INTERNATIONAL	PROJECT : D/D ON ROAD DEVELOPMENT PROJECT ON BATINAH HIGHWAY
		TITLE : P/U-2, AL BILLAH GENERAL VIEW (1)
		DATE : _____ DWG NO. P-1



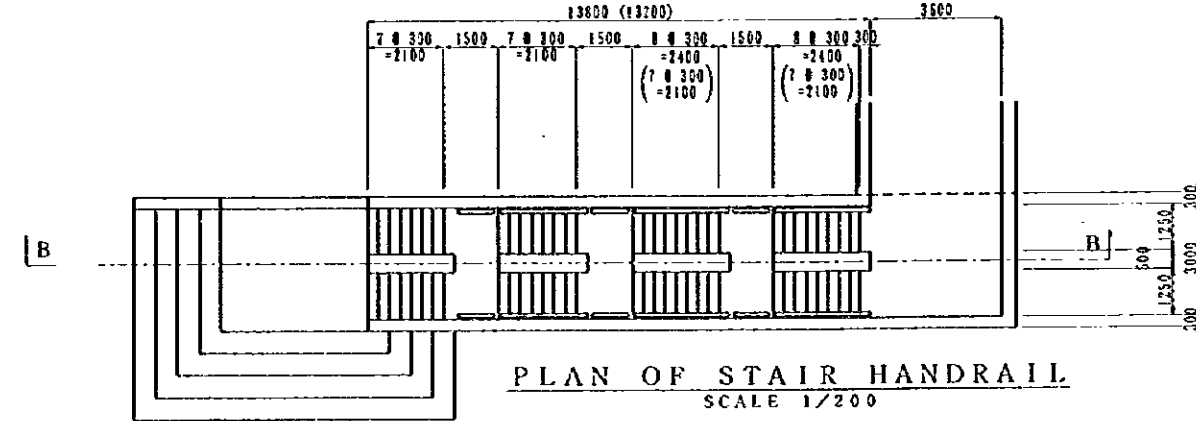
STAIR (SECTION A-A)
SCALE 1/200



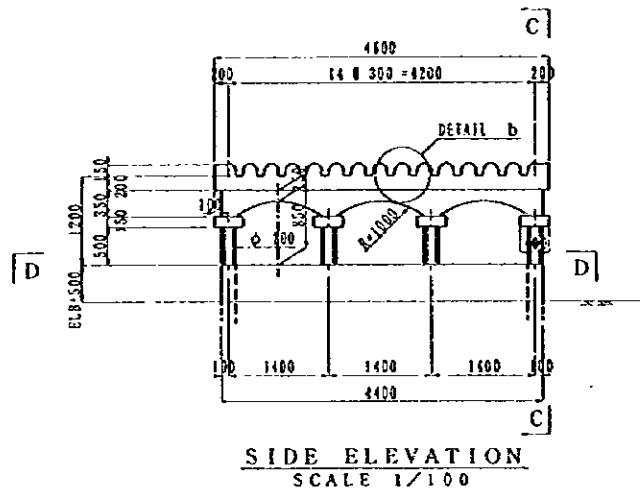
STAIR HANDRAIL (SECTION B-B)
SCALE 1/200



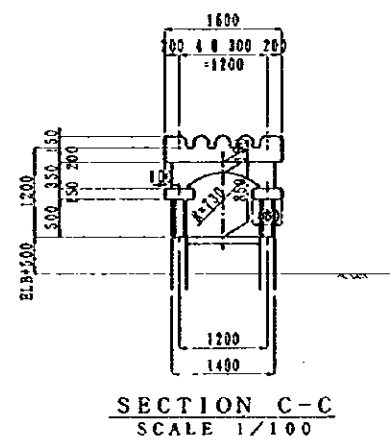
PLAN OF STAIR
SCALE 1/200



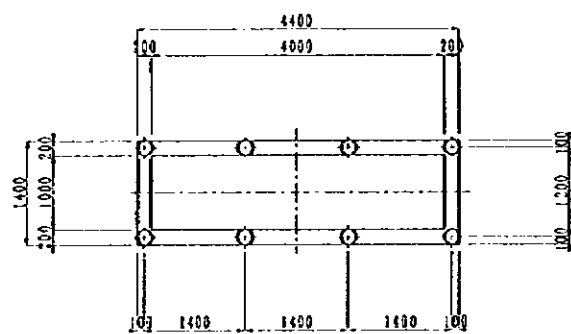
PLAN OF STAIR HANDRAIL
SCALE 1/200



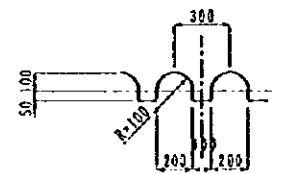
SIDE ELEVATION
SCALE 1/100



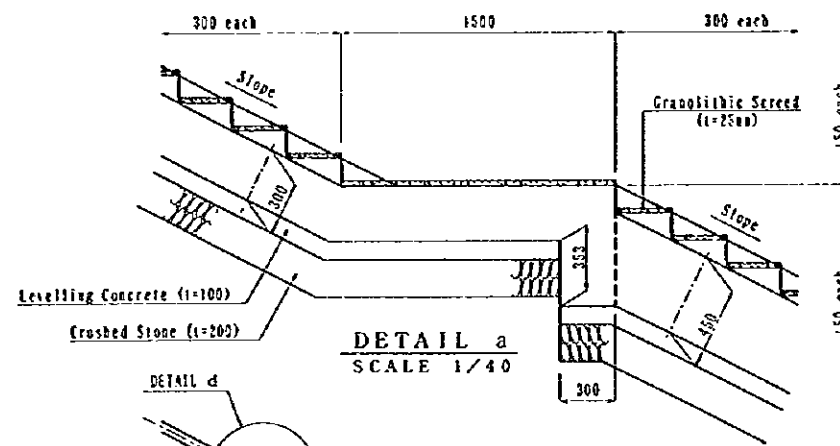
SECTION C-C
SCALE 1/100



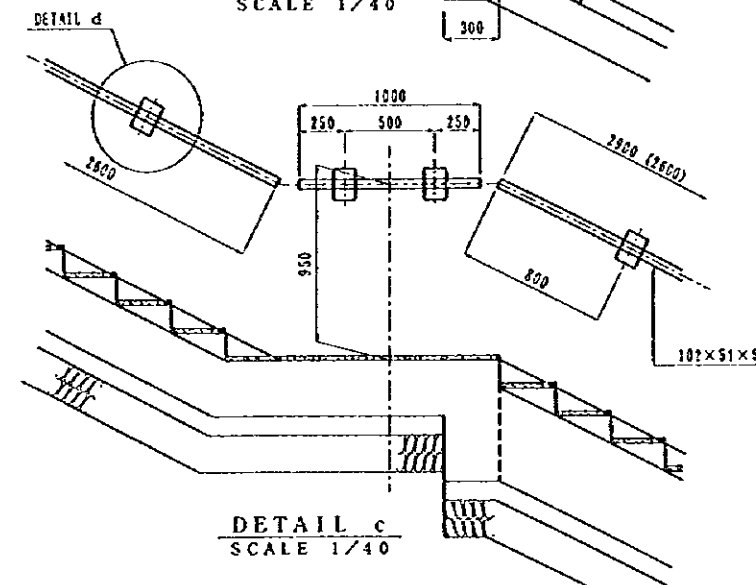
SECTION D-D
SCALE 1/100



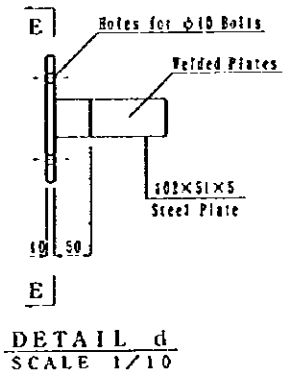
DETAIL b
SCALE 1/40



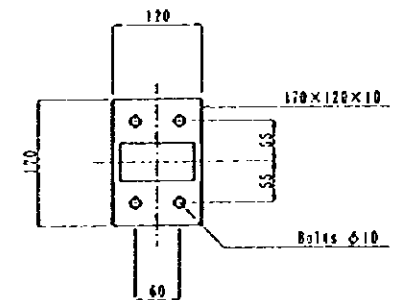
DETAIL a
SCALE 1/40



DETAIL c
SCALE 1/40



DETAIL d
SCALE 1/10



SECTION E-E
SCALE 1/10

NOTES: Dimensions of () value are for inland stair.

JAPAN INTERNATIONAL COOPERATION AGENCY
(JICA)

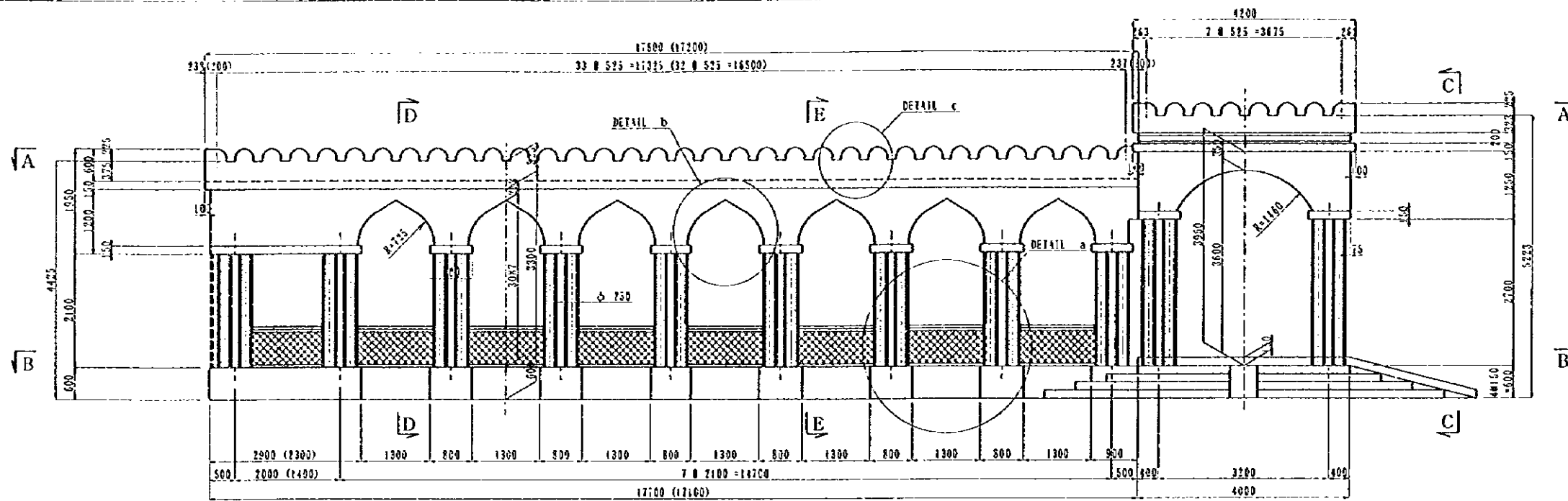
JICA STUDY TEAM
PACIFIC CONSULTANTS INTERNATIONAL
FURUYAMA CONSULTANTS INTERNATIONAL

CLIENT : MINISTRY OF COMMUNICATIONS, DIRECTORATE GENERAL OF ROADS

PROJECT : D/D ON ROAD DEVELOPMENT PROJECT ON BATINAH HIGHWAY

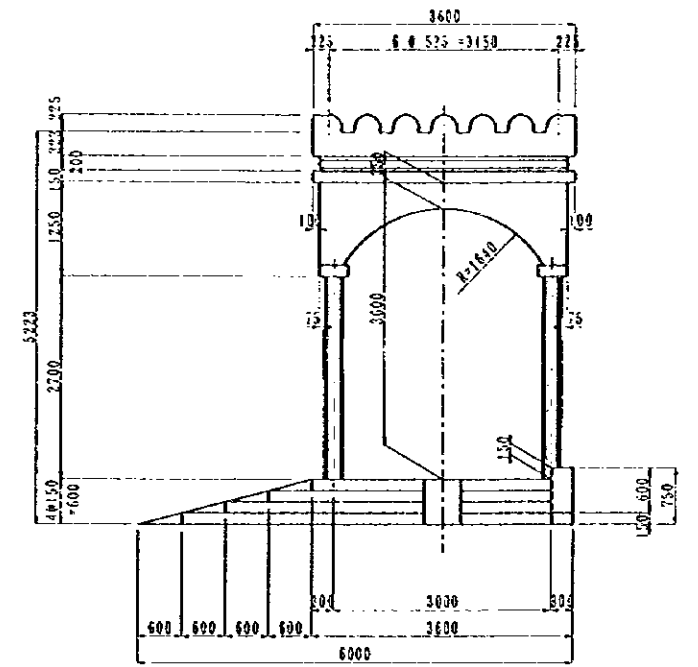
TITLE : P/U-2, AL BILLAH GENERAL VIEW (2)

DATE : _____ DWG NO. P-2

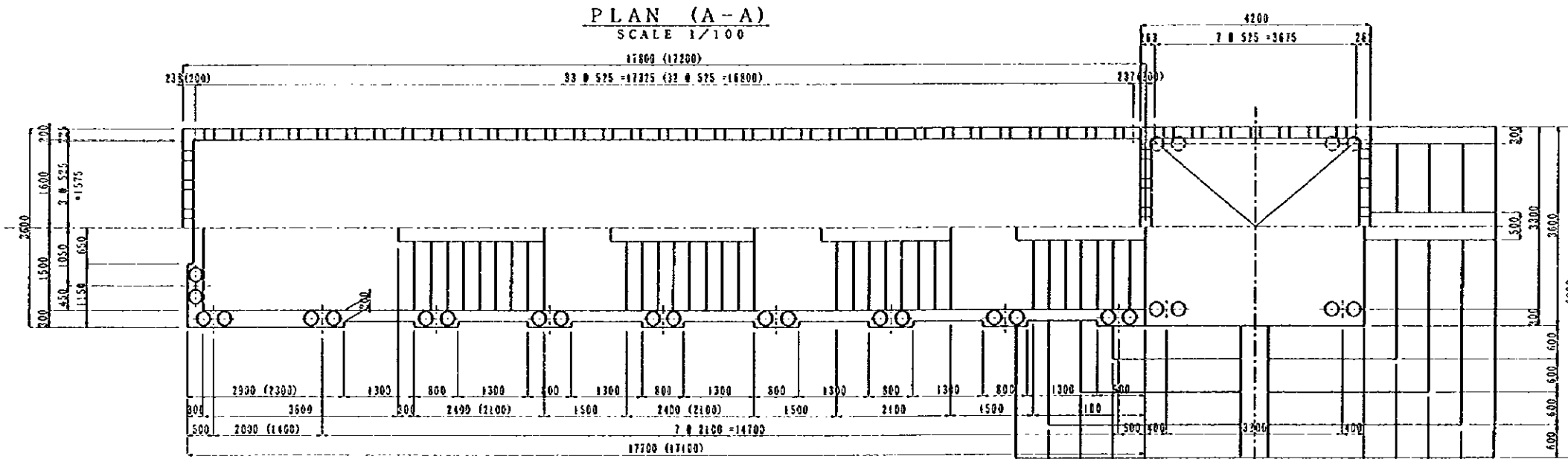


PROFILE OF CANOPY
SCALE 1/100

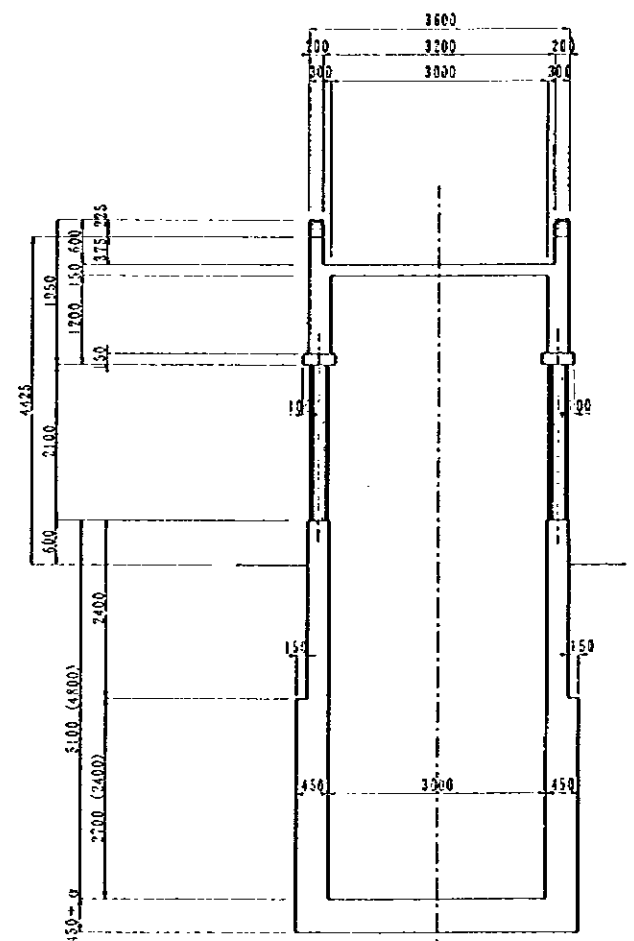
PLAN (A-A)
SCALE 1/100



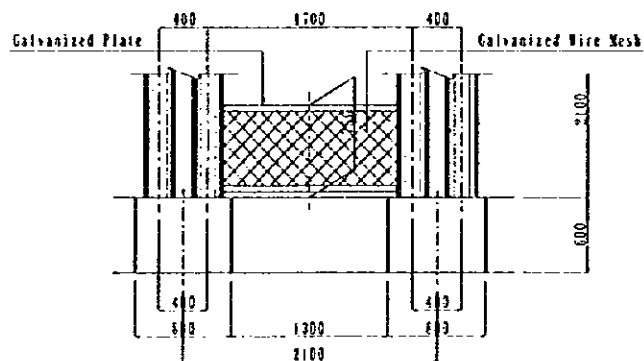
ENTRANCE (C-C)
SCALE 1/100



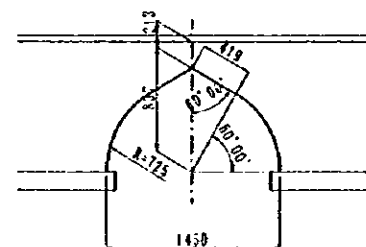
PLAN (B-B)
SCALE 1/100



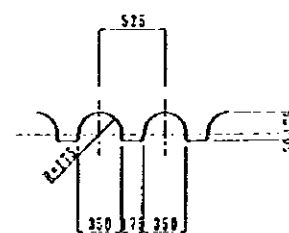
CROSS SECTION D-D
SCALE 1/100



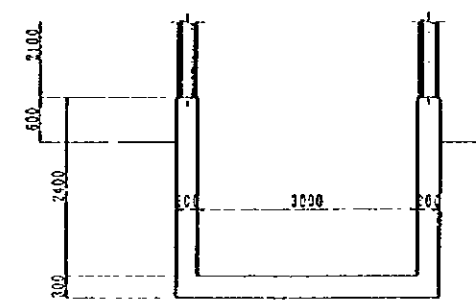
DETAIL a
SCALE 1/60



DETAIL b
SCALE 1/60



DETAIL c
SCALE 1/60



CROSS SECTION E-E
SCALE 1/100

NOTES: Dimensions of () value are for inland stair.

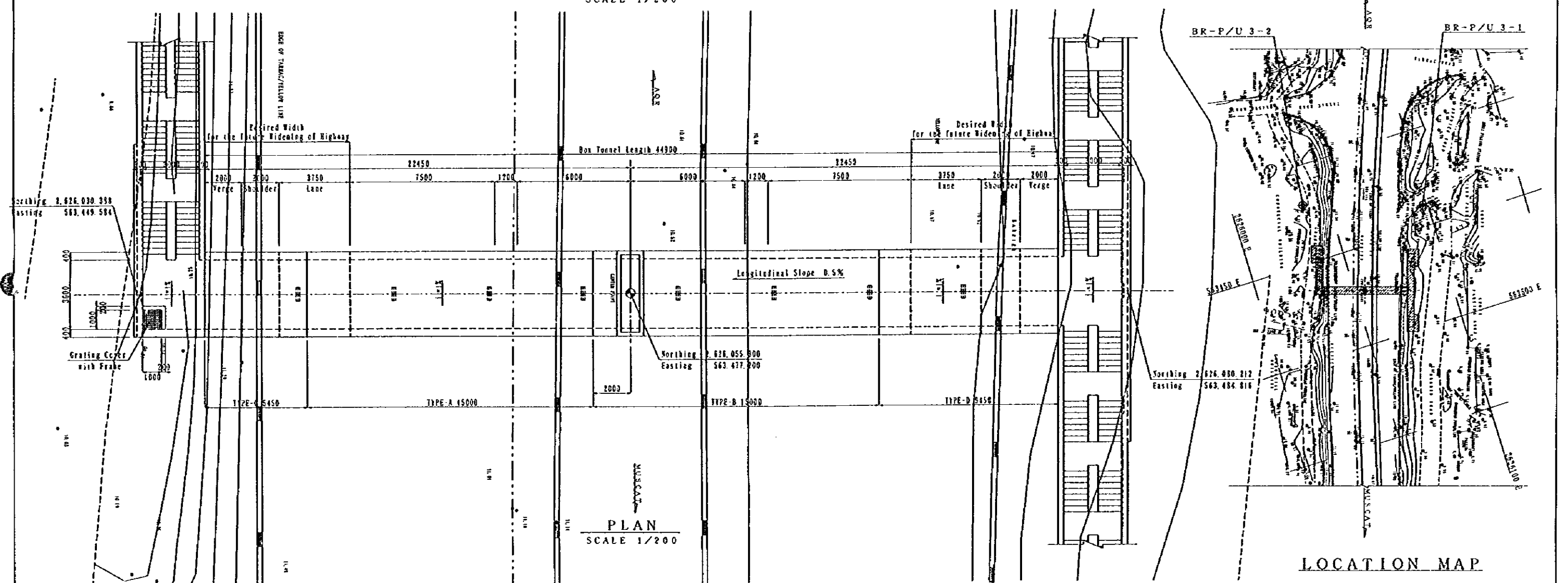
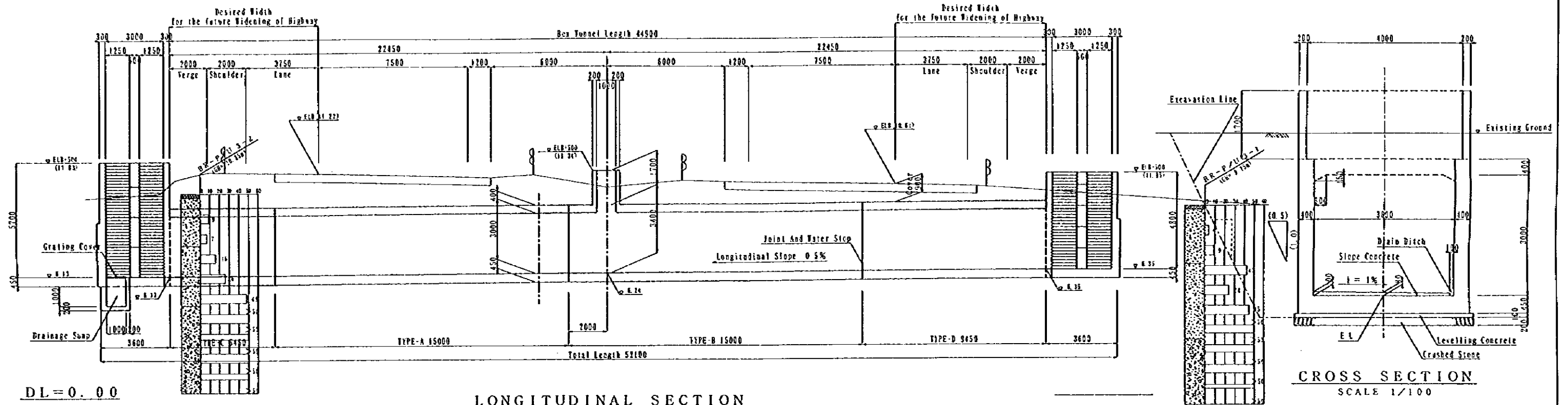
JAPAN INTERNATIONAL COOPERATION AGENCY
(JICA)

JICA STUDY TEAM
PACIFIC CONSULTANTS INTERNATIONAL
FLORIANA CONSULTANTS INTERNATIONAL

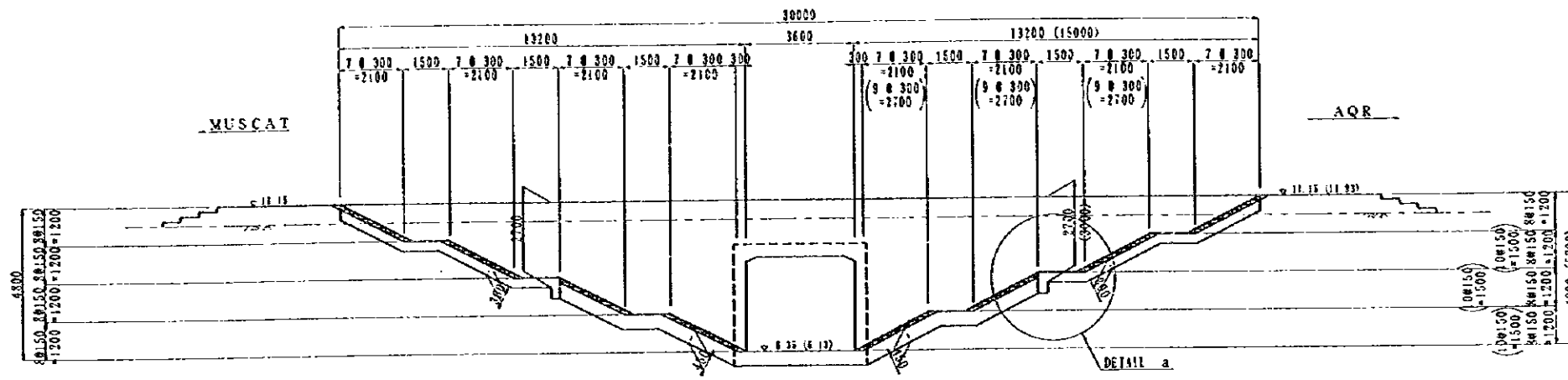
CLIENT : MINISTRY OF COMMUNICATIONS, DIRECTORATE GENERAL OF ROADS
PROJECT : D/D ON ROAD DEVELOPMENT PROJECT ON BATINAH HIGHWAY
TITLE : P/U-2, AL BILLAH GENERAL VIEW (3)
DATE : _____ DWG NO. P 3

A' Tareef

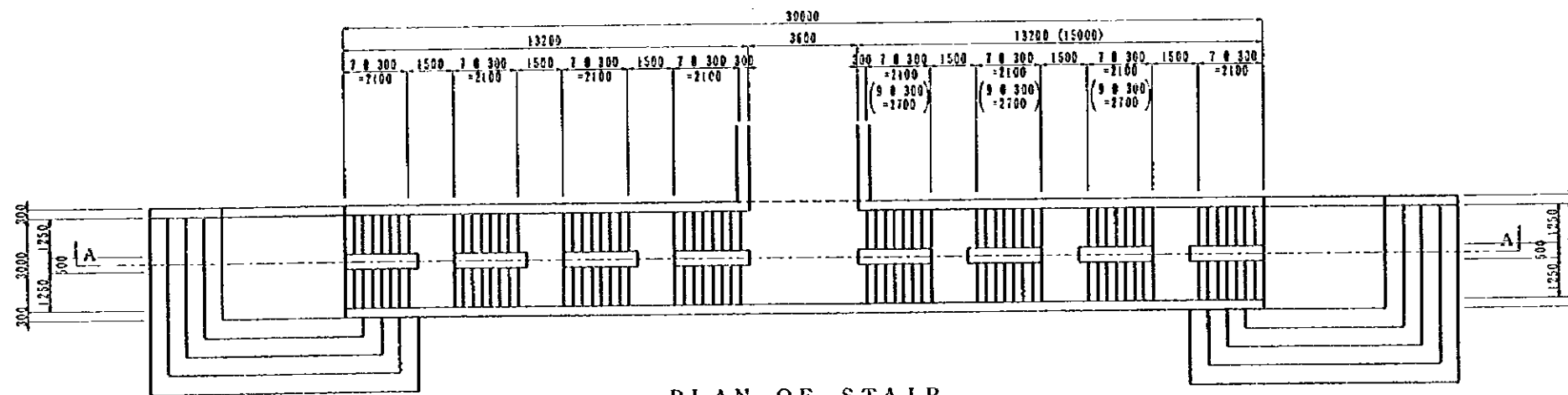
PEDESTRIAN UNDRPASS



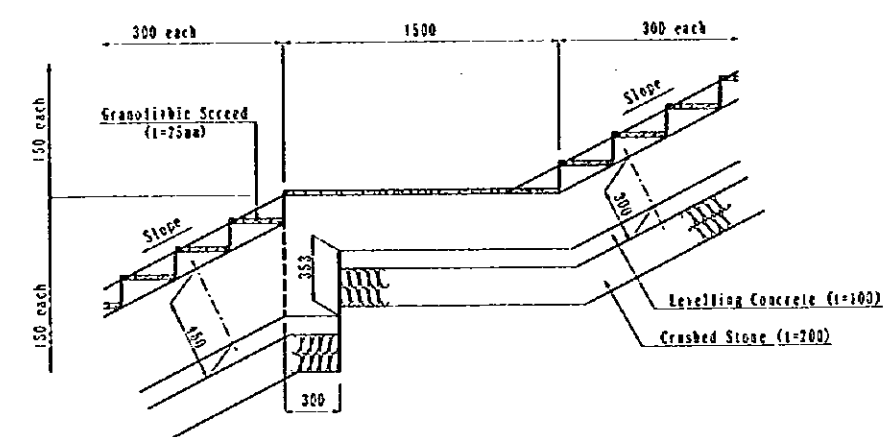
NOTES:	JAPAN INTERNATIONAL COOPERATION AGENCY (JICA)	CLIENT : MINISTRY OF COMMUNICATIONS, DIRECTORATE GENERAL OF ROADS
	JICA STUDY TEAM PACIFIC CONSULTANTS INTERNATIONAL FLUJYAMA CONSULTANTS INTERNATIONAL	PROJECT : D/D ON ROAD DEVELOPMENT PROJECT ON BATINAH HIGHWAY
		TITLE : P/U-3, A' TAREEF GENERAL VIEW (1)
		DATE : _____ DWG NO. P-- 1



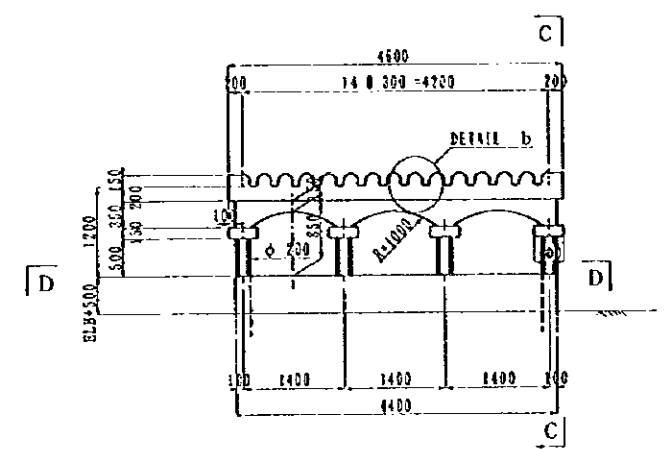
STAIR (SECTION A-A)
SCALE 1/200



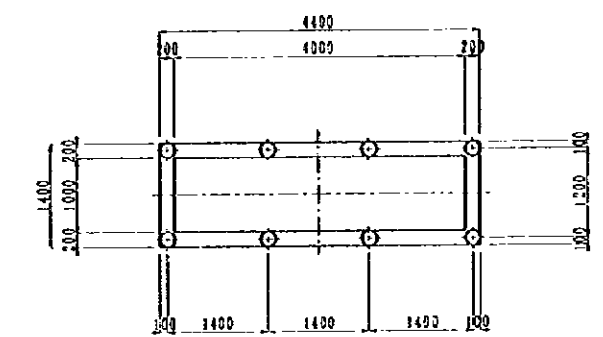
PLAN OF STAIR
SCALE 1/200



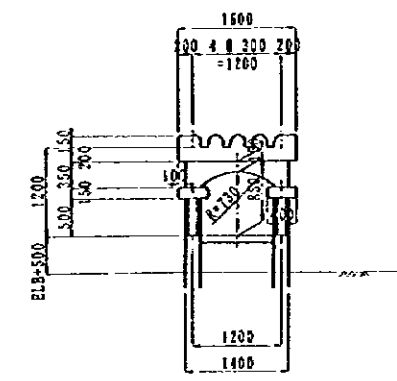
DETAIL a
SCALE 1/40



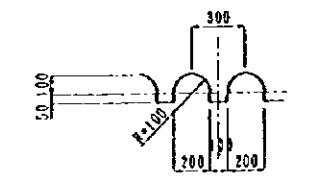
SIDE ELEVATION
SCALE 1/100



SECTION D-D
SCALE 1/100



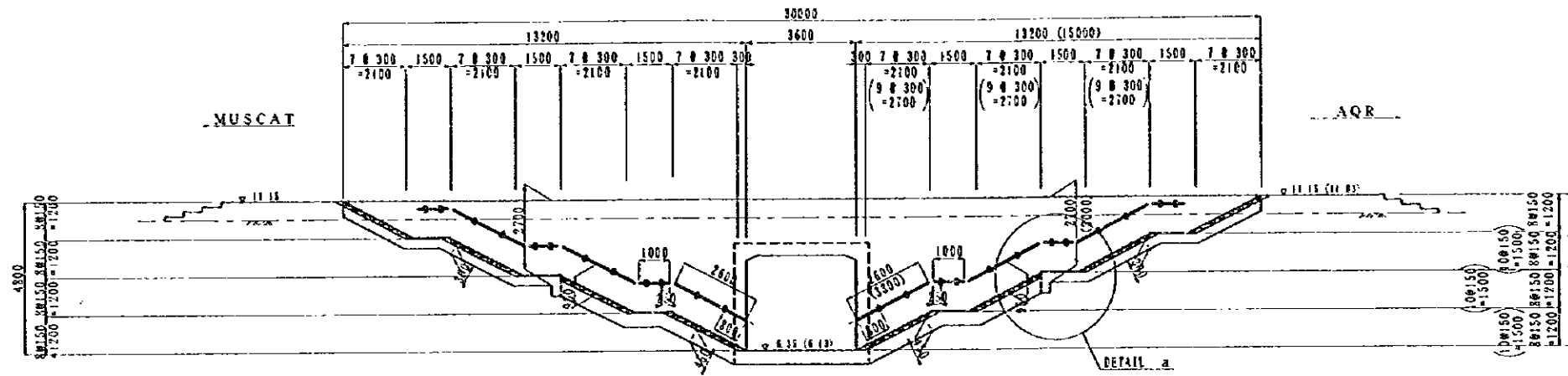
SECTION B-B
SCALE 1/100



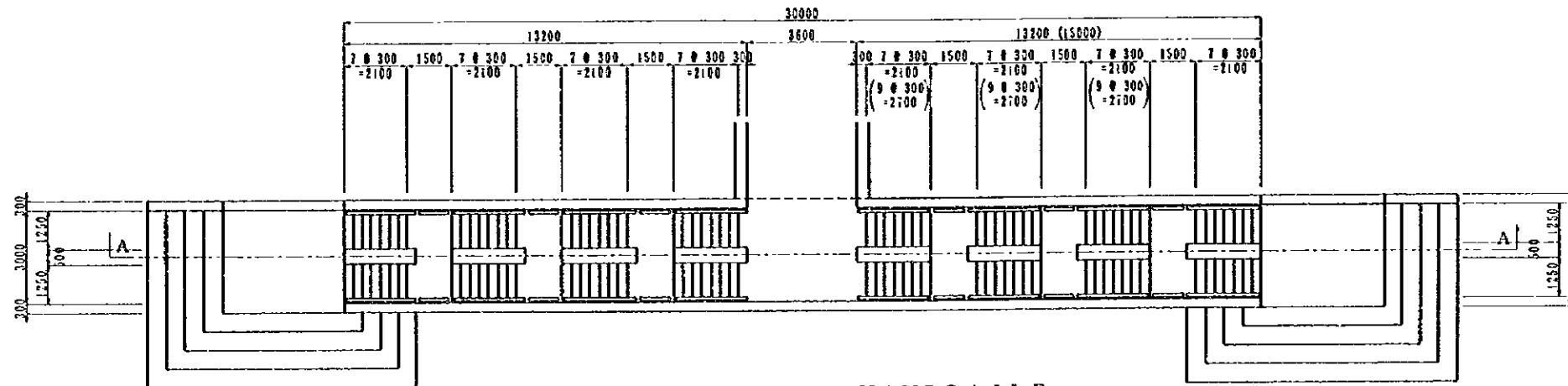
DETAIL b
SCALE 1/40

CANOPY ON LIGHT WELL

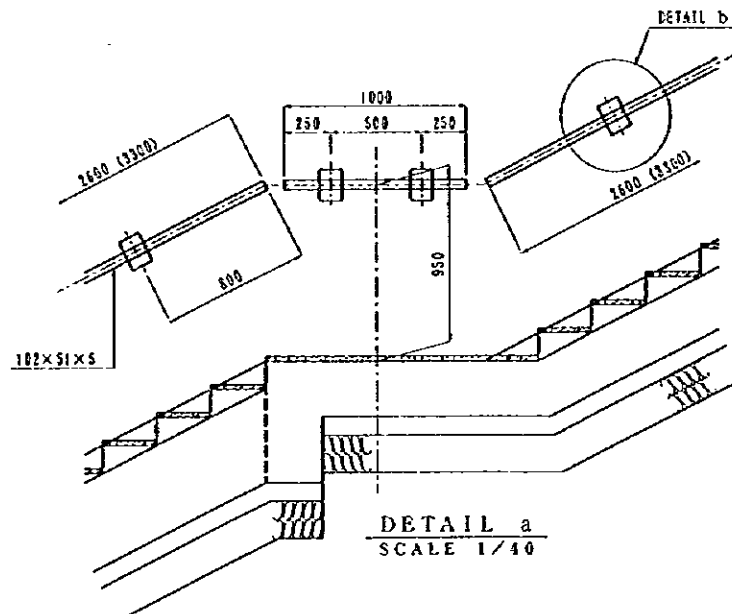
NOTES: Dimensions of () value are for inland stair.	JAPAN INTERNATIONAL COOPERATION AGENCY (JICA)	CLIENT : MINISTRY OF COMMUNICATIONS, DIRECTORATE GENERAL OF ROADS
	JICA STUDY TEAM PACIFIC CONSULTANTS INTERNATIONAL ELRYAMA CONSULTANTS INTERNATIONAL	PROJECT : D/D ON ROAD DEVELOPMENT PROJECT ON BATINAH HIGHWAY
		TITLE : P/U-3, A' TAREEF GENERAL VIEW (2)
		DATE : _____
		DWG NO. P - 2



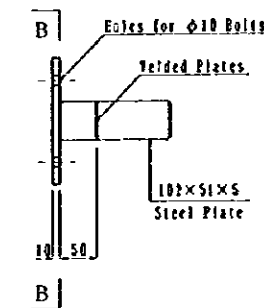
STAIR HANDRAILE (SECTION A-A)
SCALE 1/200



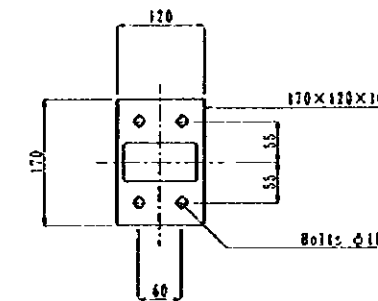
PLAN OF STAIR HANDRAILE
SCALE 1/200



DETAIL a
SCALE 1/40



DETAIL b
SCALE 1/10

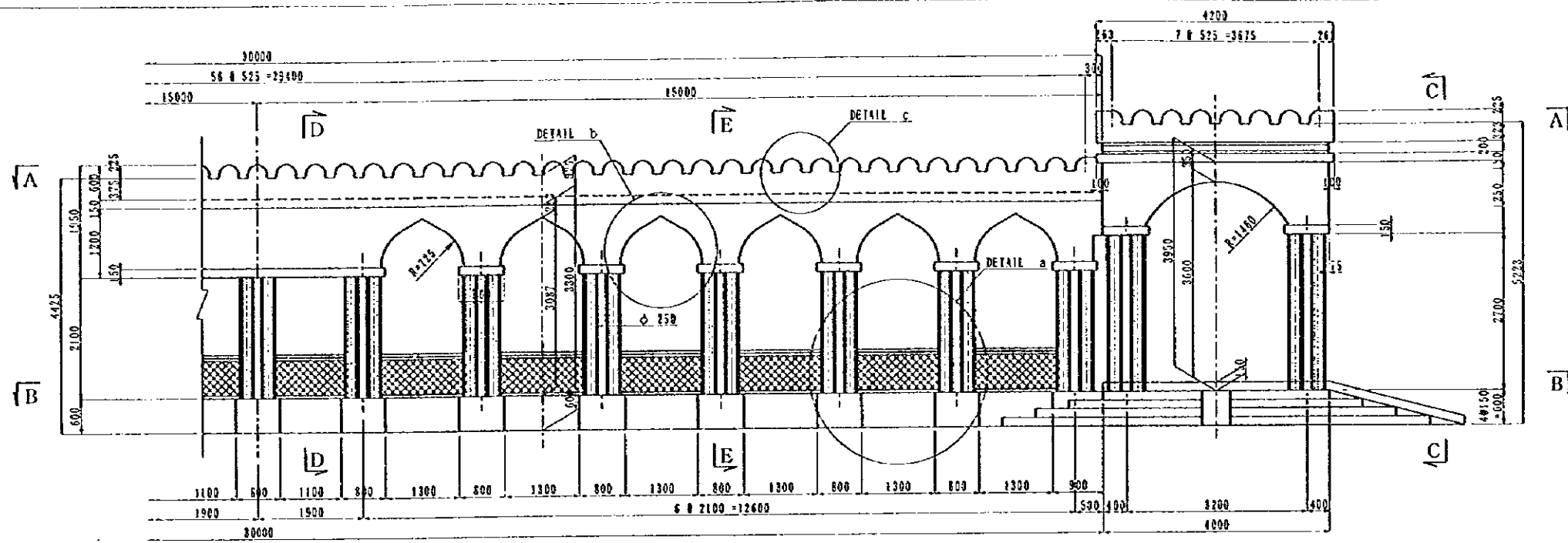


SECTION B-B
SCALE 1/10

NOTES: Dimensions of () value are for inland stair.

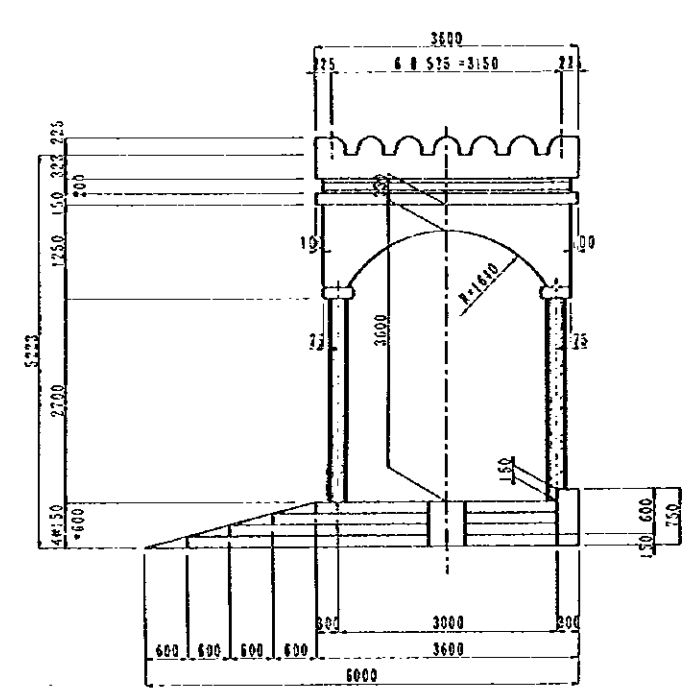
JAPAN INTERNATIONAL COOPERATION AGENCY
(JICA)
JICA STUDY TEAM
PACIFIC CONSULTANTS INTERNATIONAL
FLKRYAMA CONSULTANTS INTERNATIONAL

CLIENT : MINISTRY OF COMMUNICATIONS, DIRECTORATE GENERAL OF ROADS
PROJECT : D/D ON ROAD DEVELOPMENT PROJECT ON BATINAH HIGHWAY
TITLE : P/U-3, A' TAREEF GENERAL VIEW (3)
DATE : DNG NO. P. 3

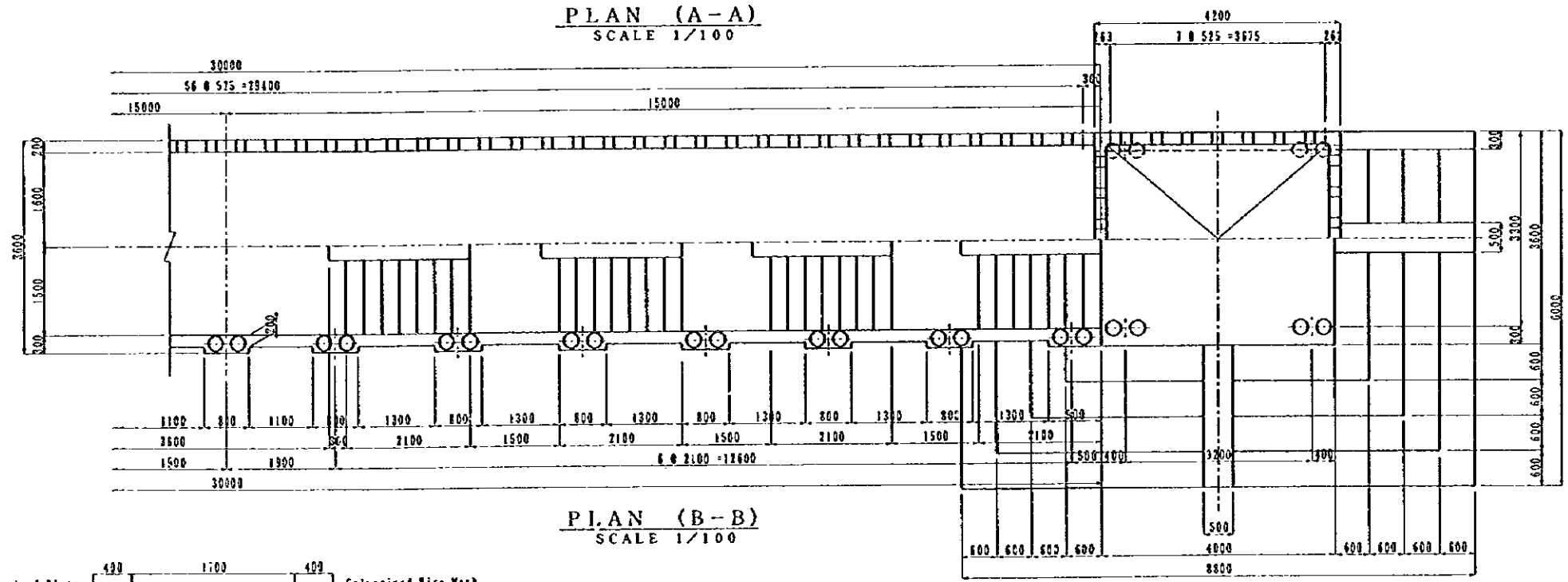


PROFILE OF CANOPY
SCALE 1/100

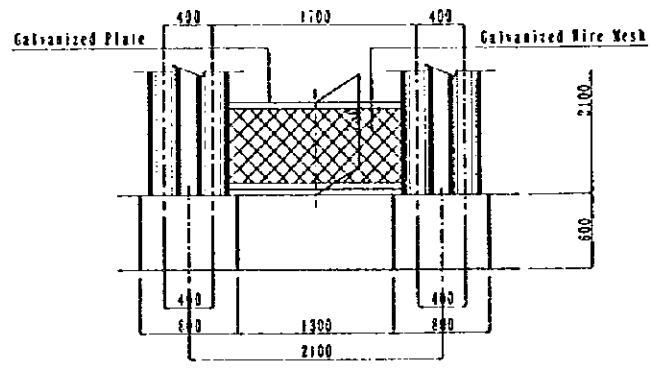
PLAN (A-A)
SCALE 1/100



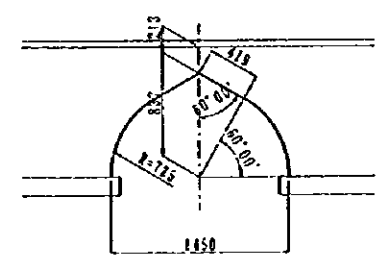
ENTRANCE (C-C)
SCALE 1/100



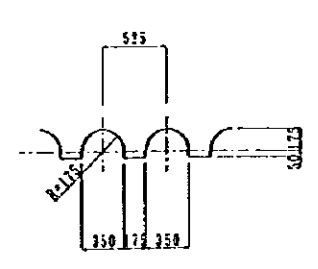
PLAN (B-B)
SCALE 1/100



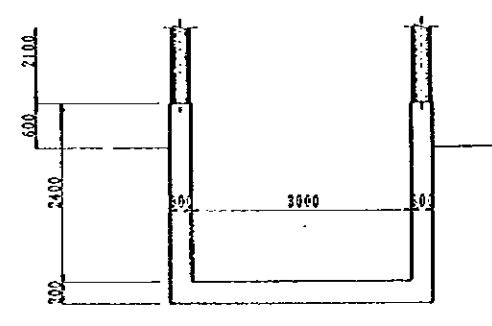
DETAIL a
SCALE 1/60



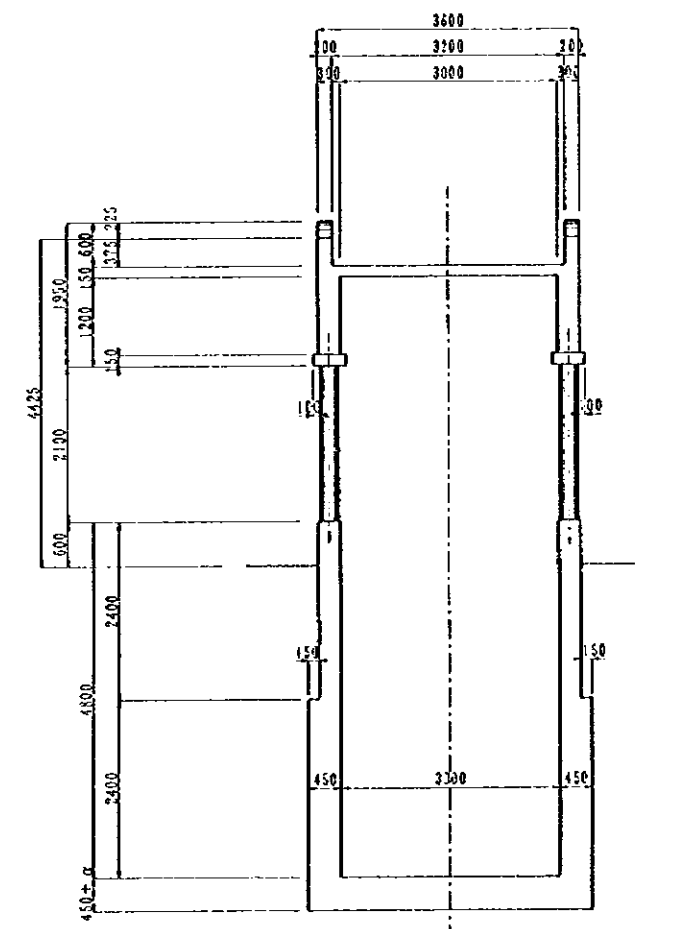
DETAIL b
SCALE 1/60



DETAIL c
SCALE 1/60



CROSS SECTION E-E
SCALE 1/100

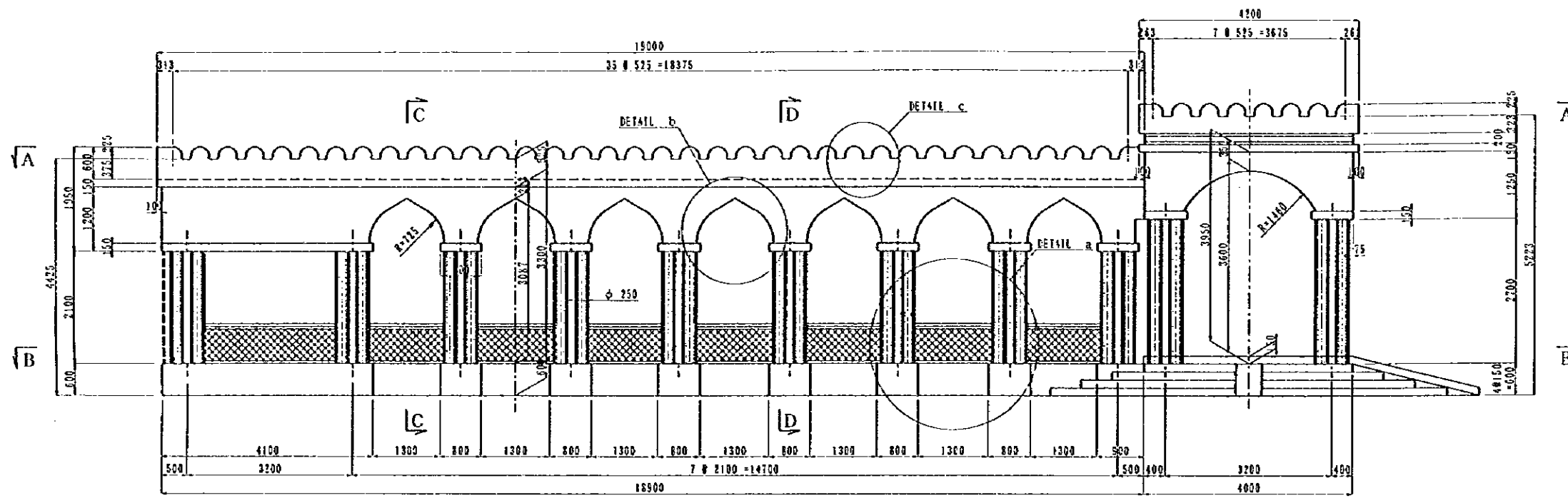


CROSS SECTION D-D
SCALE 1/100

NOTES:

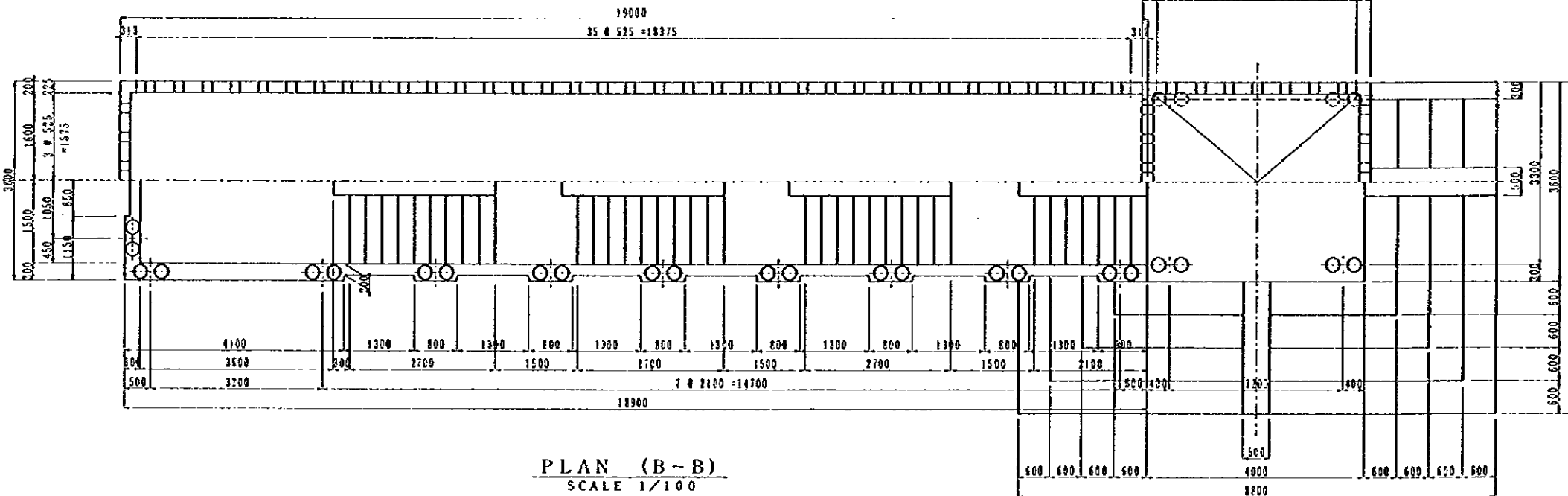
JAPAN INTERNATIONAL COOPERATION AGENCY
(JICA)
JICA STUDY TEAM
PACIFIC CONSULTANTS INTERNATIONAL
FLUKYAMA CONSULTANTS INTERNATIONAL

CLIENT : MINISTRY OF COMMUNICATIONS, DIRECTORATE GENERAL OF ROADS
PROJECT : D/O ON ROAD DEVELOPMENT PROJECT ON BATINAH HIGHWAY
TITLE : P/U-3, A' TAREEF GENERAL VIEW (4)
DATE :
DWG NO. P-4

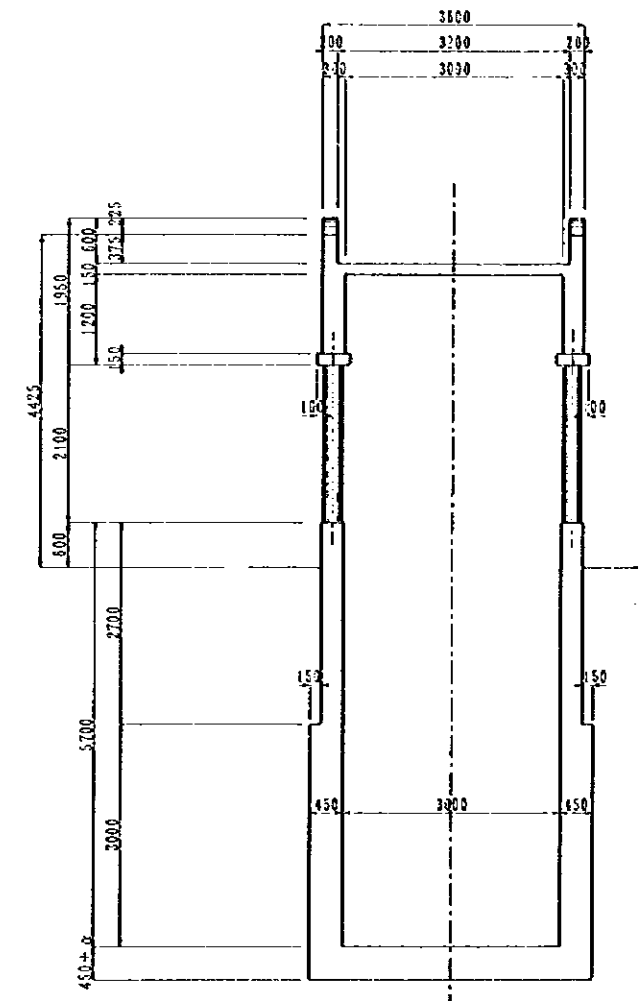


PROFILE OF CANOPY
SCALE 1/100

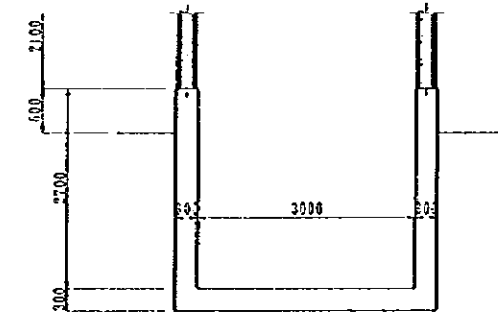
PLAN (A-A)
SCALE 1/100



PLAN (B-B)
SCALE 1/100



CROSS SECTION C-C
SCALE 1/100



CROSS SECTION D-D
SCALE 1/100

NOTES:

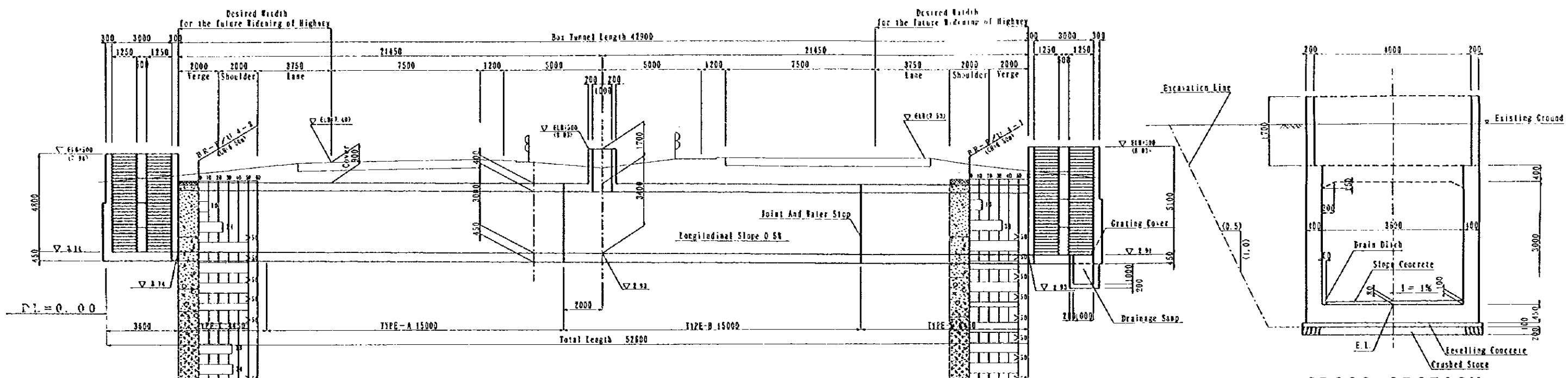
JAPAN INTERNATIONAL COOPERATION AGENCY
(JICA)

JICA STUDY TEAM
PACIFIC CONSULTANTS INTERNATIONAL
FUJIKAWA CONSULTANTS INTERNATIONAL

CLIENT : MINISTRY OF COMMUNICATIONS, DIRECTORATE GENERAL OF ROADS
PROJECT : D/D ON ROAD DEVELOPMENT PROJECT ON BATINAH HIGHWAY
TITLE : P/U-3, A' TAREEF GENERAL VIEW (S)
DATE : [] Dwg No. 1 - 5

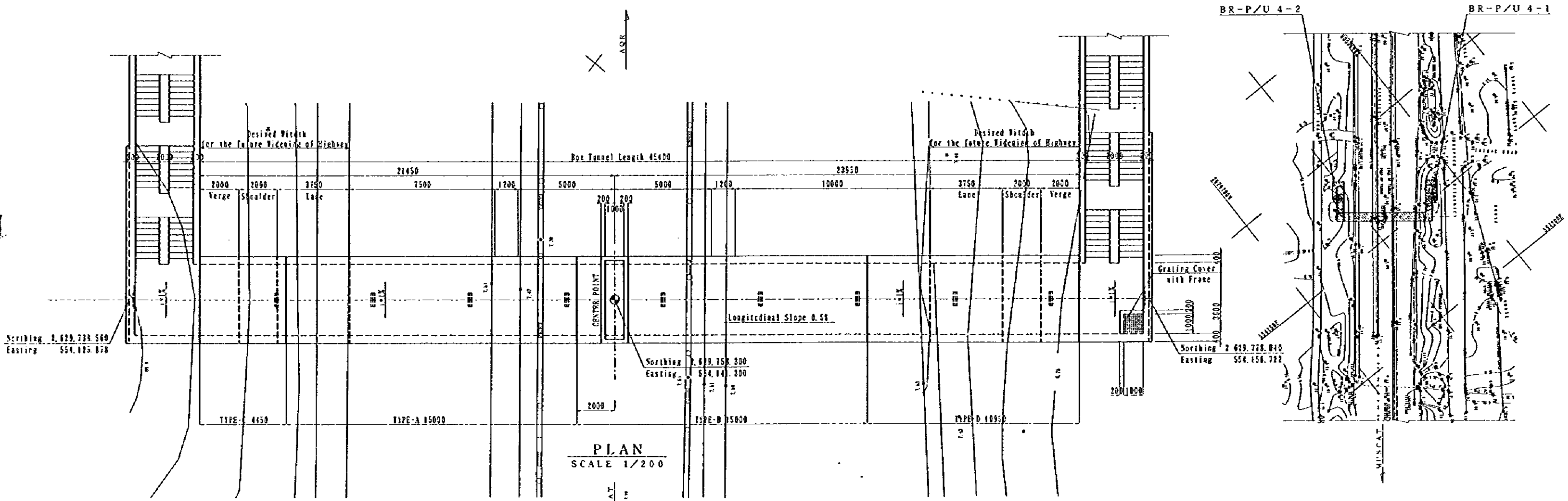
Al Qarat

PEDESTRIAN UNDERPASS



LONGITUDINAL SECTION
SCALE 1/200

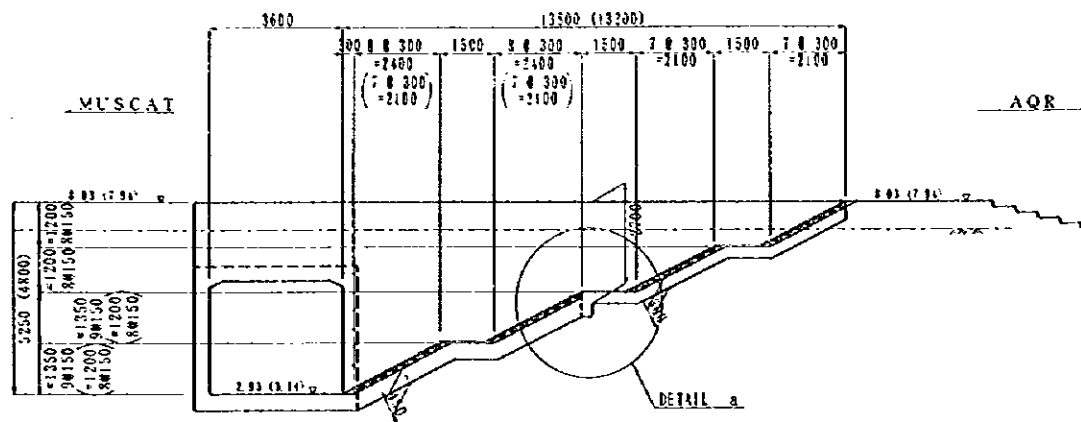
CROSS SECTION
SCALE 1/100



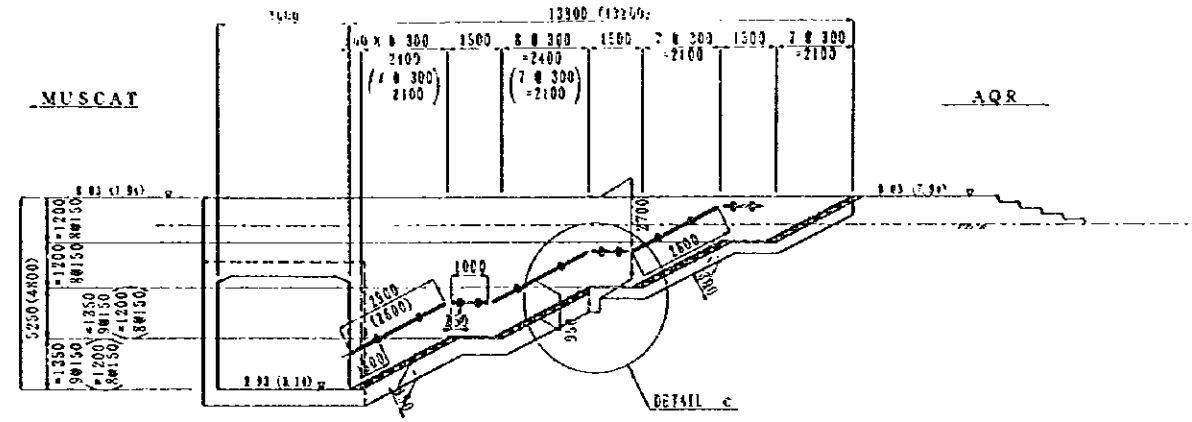
PLAN
SCALE 1/200

LOCATION MAP

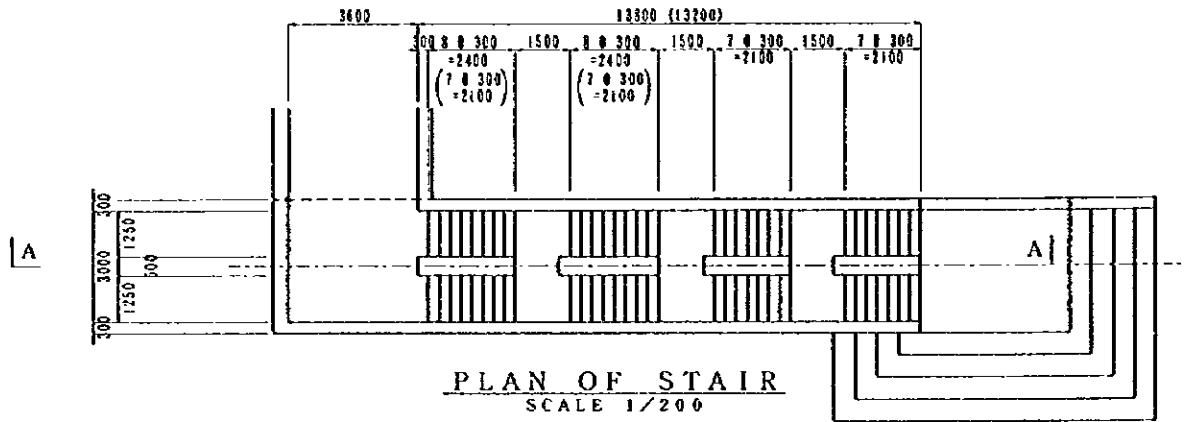
NOTES:	JAPAN INTERNATIONAL COOPERATION AGENCY (JICA)	CLIENT : MINISTRY OF COMMUNICATIONS, DIRECTORATE GENERAL OF ROADS
	JICA STUDY TEAM PACIFIC CONSULTANTS INTERNATIONAL FLUKYAMA CONSULTANTS INTERNATIONAL	PROJECT : D/D ON ROAD DEVELOPMENT PROJECT ON BATINAH HIGHWAY
		TITLE : P/U-4, AL QARAT GENERAL VIEW (I)
		DATE : _____ Dwg No. P-1



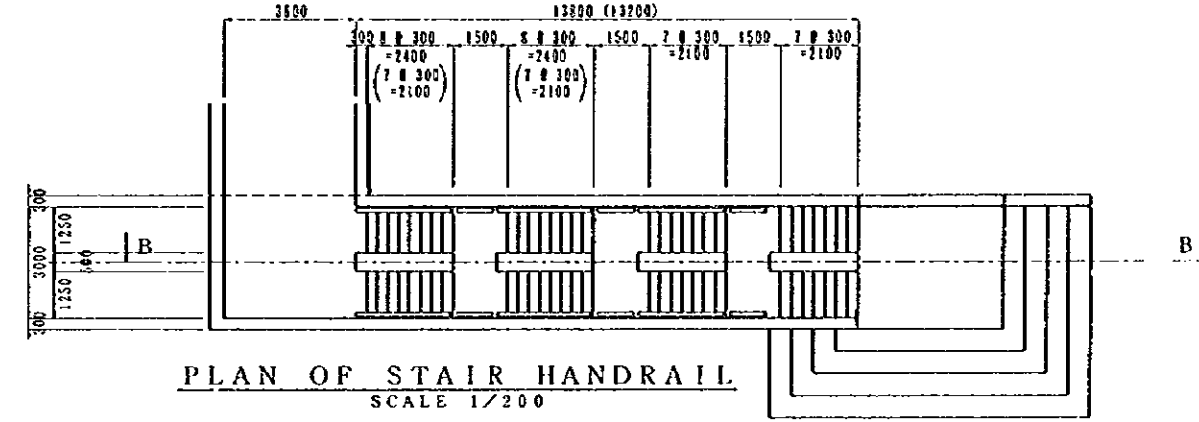
STAIR (SECTION A-A)
SCALE 1/200



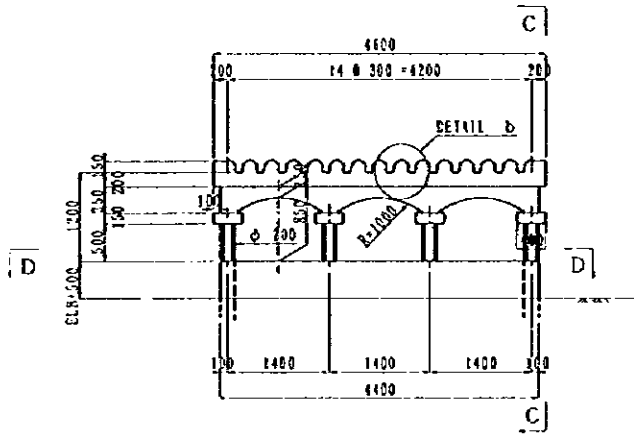
STAIR HANDRAIL (SECTION B-B)
SCALE 1/200



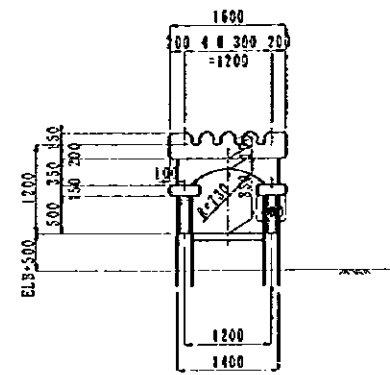
PLAN OF STAIR
SCALE 1/200



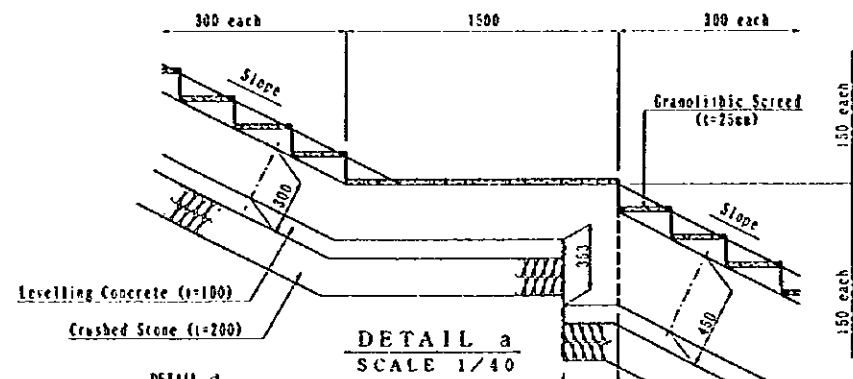
PLAN OF STAIR HANDRAIL
SCALE 1/200



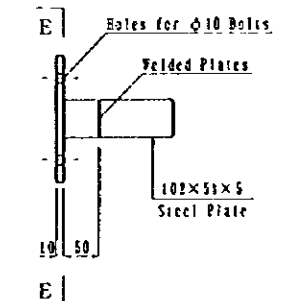
SIDE ELEVATION
SCALE 1/100



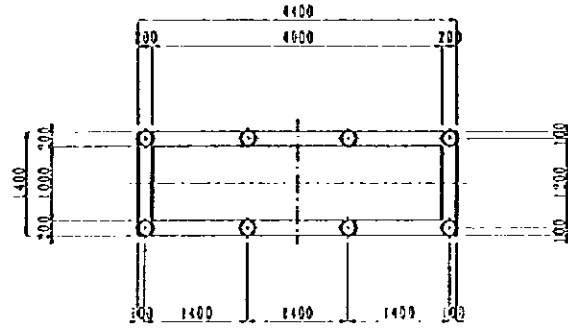
SECTION C-C
SCALE 1/100



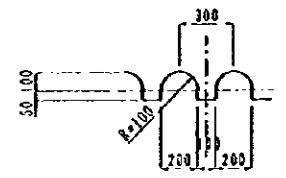
DETAIL a
SCALE 1/40



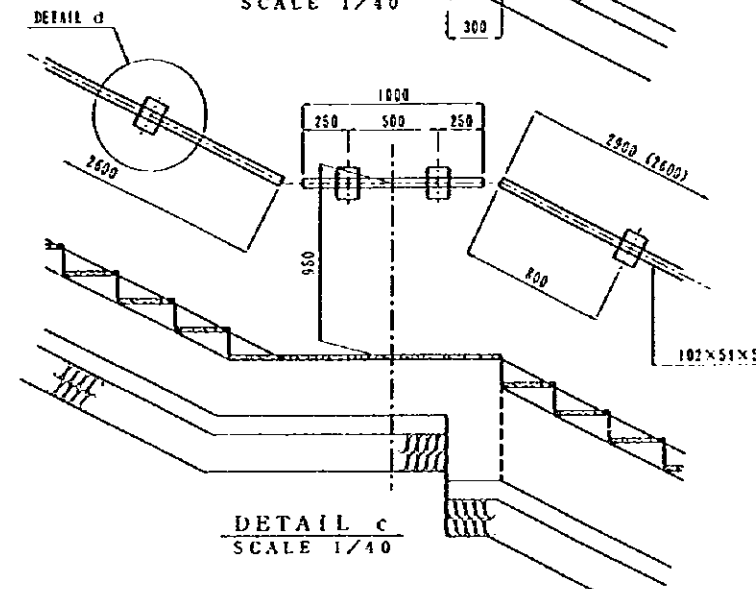
DETAIL d
SCALE 1/10



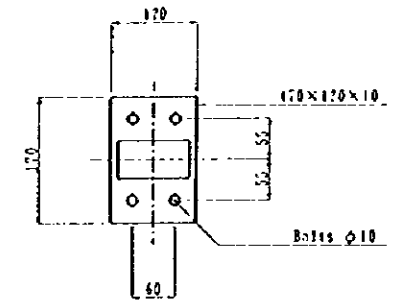
SECTION D-D
SCALE 1/100



DETAIL b
SCALE 1/40



DETAIL c
SCALE 1/40



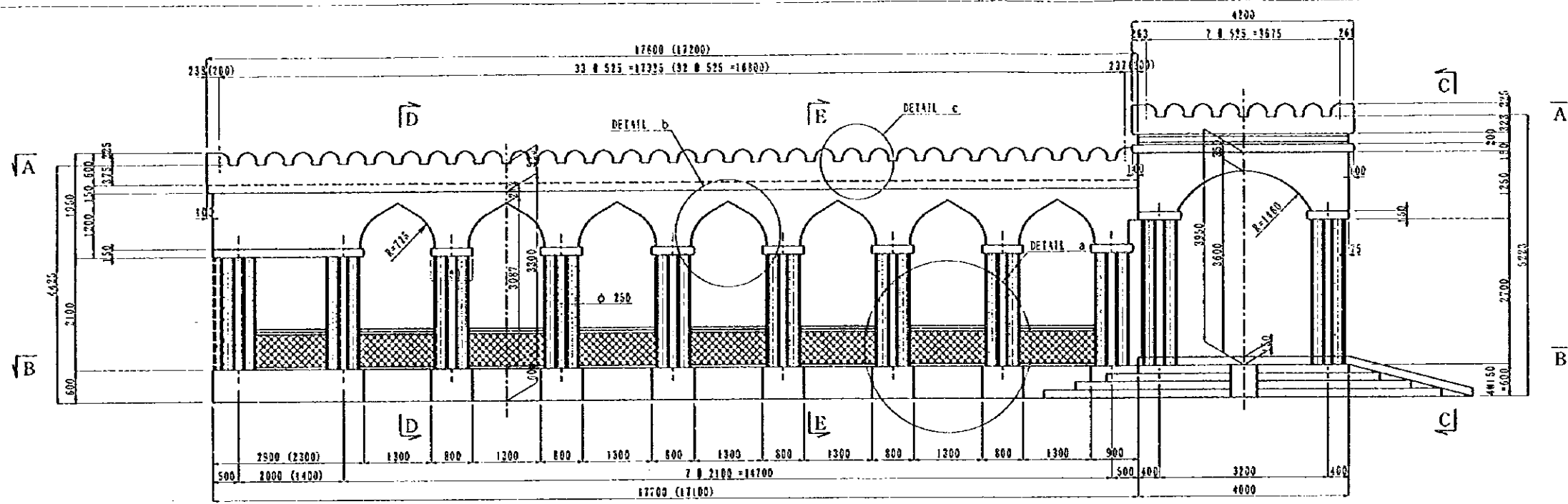
SECTION E-E
SCALE 1/10

CANOPY ON LIGHT WELL

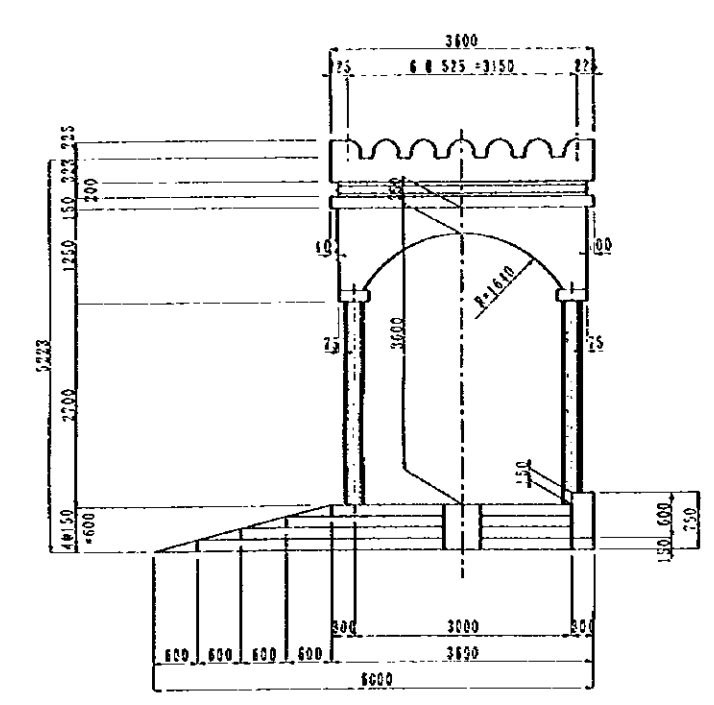
NOTES: Dimensions of () value are for inland stair.

JAPAN INTERNATIONAL COOPERATION AGENCY
(JICA)
JICA STUDY TEAM
PACIFIC CONSULTANTS INTERNATIONAL
FUKUYAMA CONSULTANTS INTERNATIONAL

CLIENT : MINISTRY OF COMMUNICATIONS, DIRECTORATE GENERAL OF ROADS
PROJECT : D/D ON ROAD DEVELOPMENT PROJECT ON BATINAH HIGHWAY
TITLE : P/U-4, AL QARAT GENERAL VIEW (2)
DATE :
DWG NO. P-2

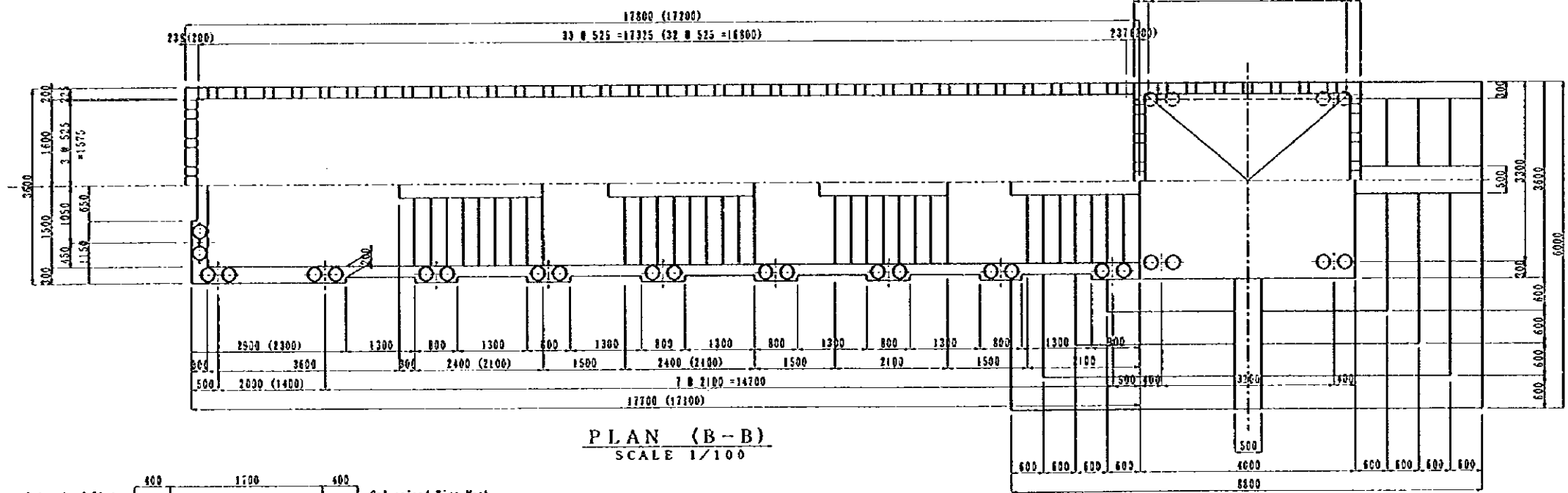


PROFILE OF CANOPY
SCALE 1/100

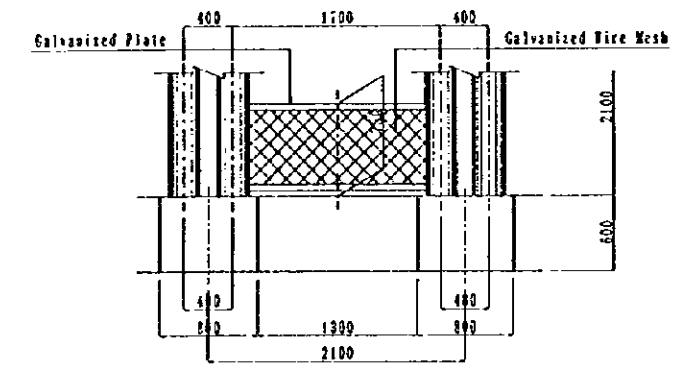


ENTRANCE (C-C)
SCALE 1/100

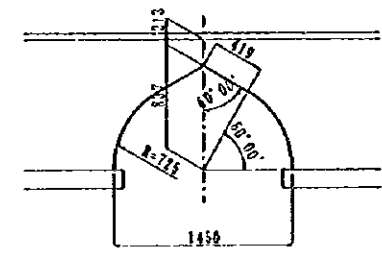
PLAN (A-A)
SCALE 1/100



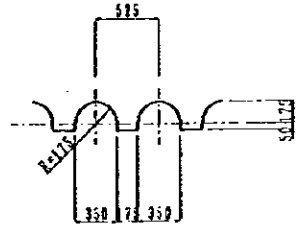
PLAN (B-B)
SCALE 1/100



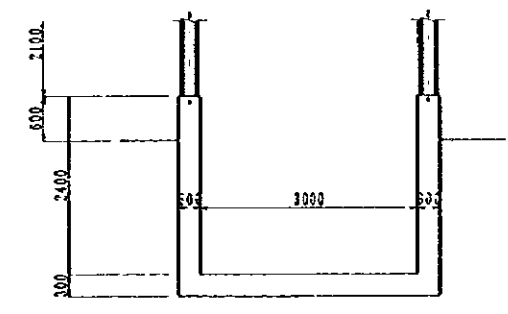
DETAIL a
SCALE 1/60



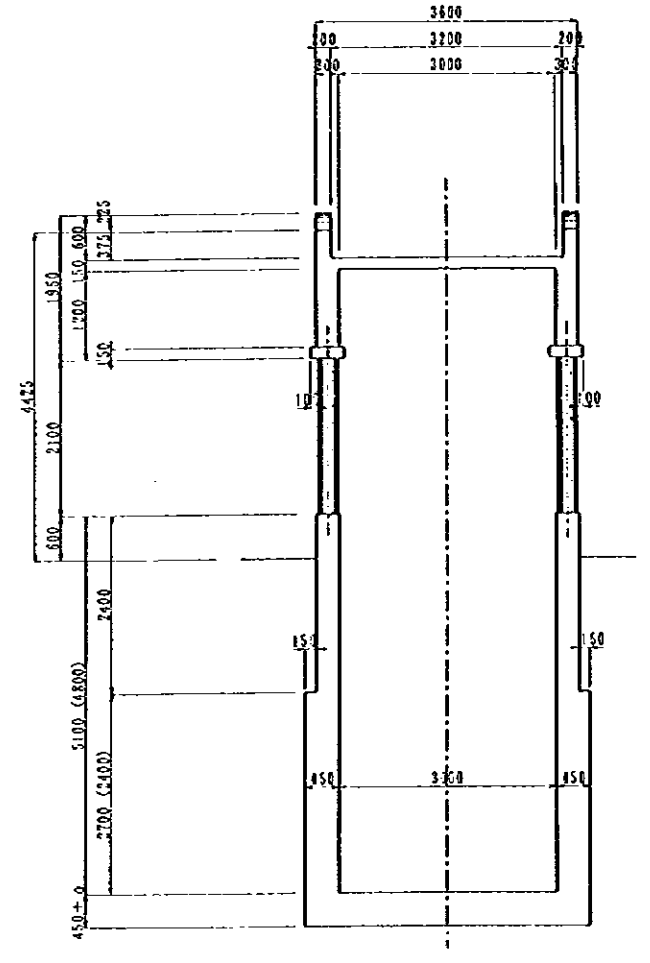
DETAIL b
SCALE 1/60



DETAIL c
SCALE 1/60



CROSS SECTION E-E
SCALE 1/100



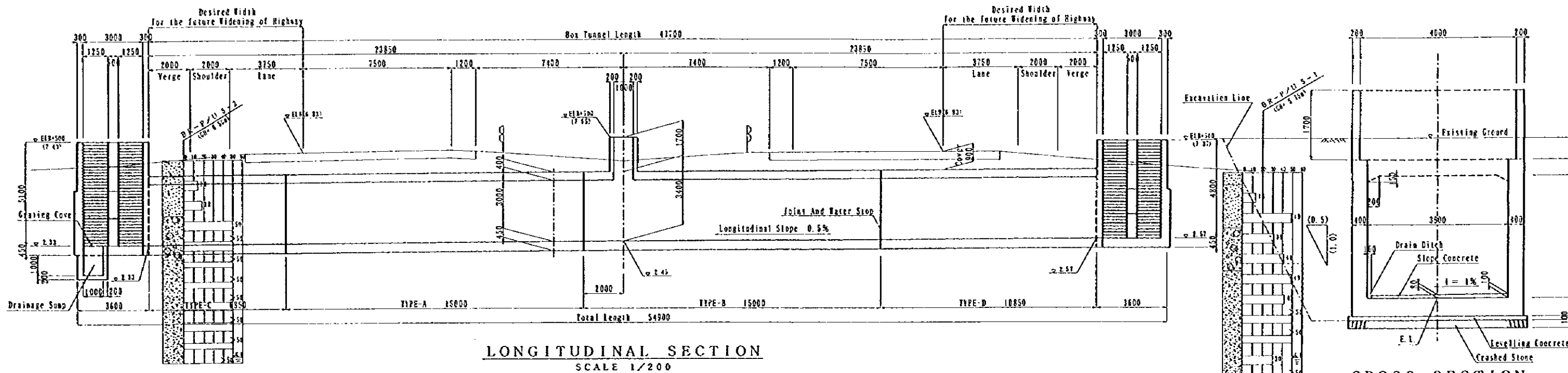
CROSS SECTION D-D
SCALE 1/100

NOTES: Dimensions of () value are for inlaid stair.

JAPAN INTERNATIONAL COOPERATION AGENCY (JICA) JICA STUDY TEAM PACIFIC CONSULTANTS INTERNATIONAL FURUYAMA CONSULTANTS INTERNATIONAL	CLIENT : MINISTRY OF COMMUNICATIONS, DIRECTORATE GENERAL OF ROADS
	PROJECT : D/D ON ROAD DEVELOPMENT PROJECT ON BATINAH HIGHWAY
	TITLE : P/U-4. AL QARAT GENERAL VIEW (3)
	DATE : _____ DWG NO. P-3

A'Tharomad

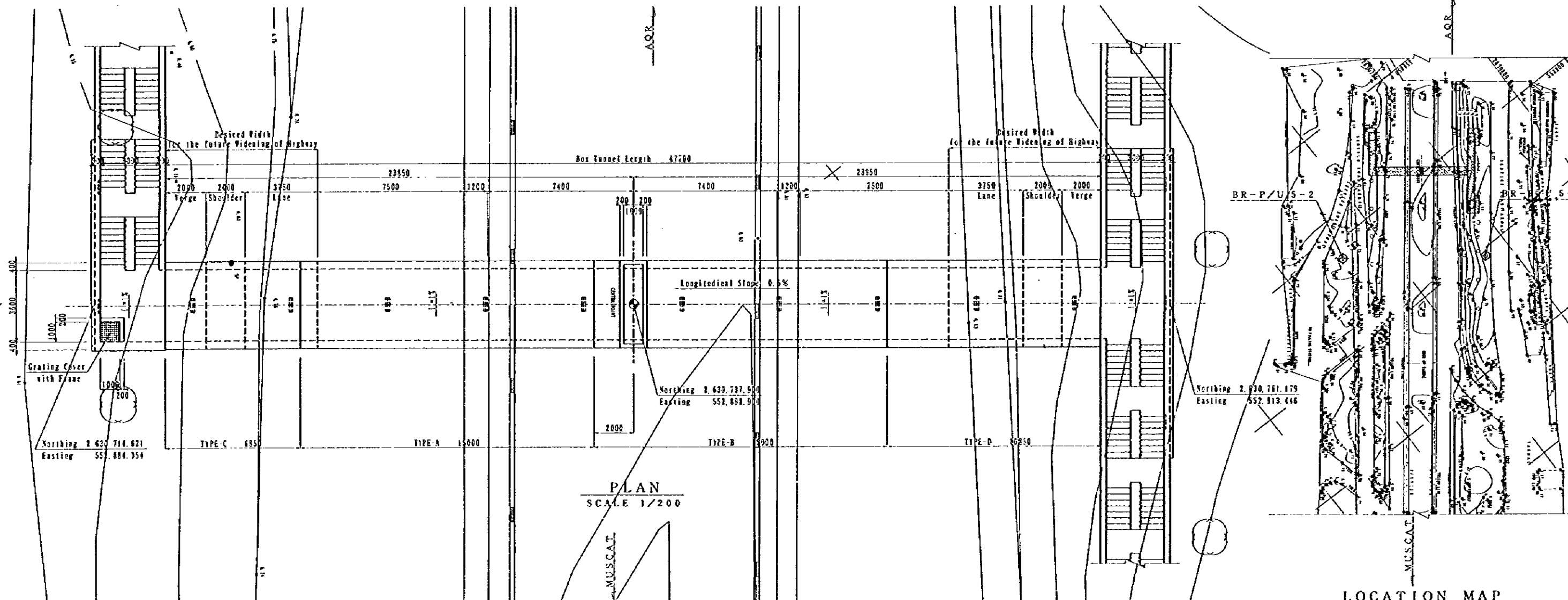
PEDESTRIAN UNDRPASS



LONGITUDINAL SECTION
SCALE 1/200

CROSS SECTION
SCALE 1/100

DL = -5.00



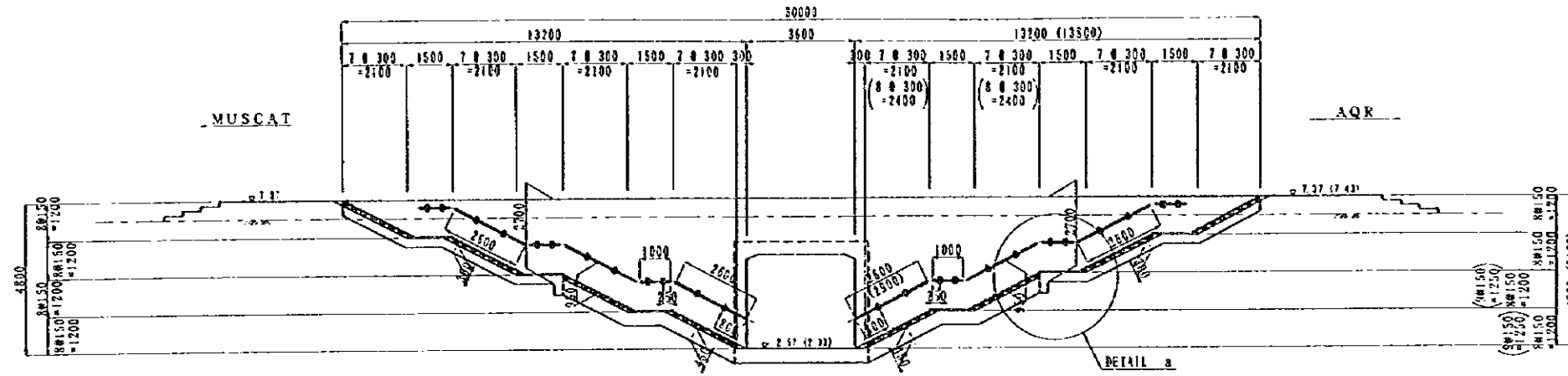
PLAN
SCALE 1/200

LOCATION MAP

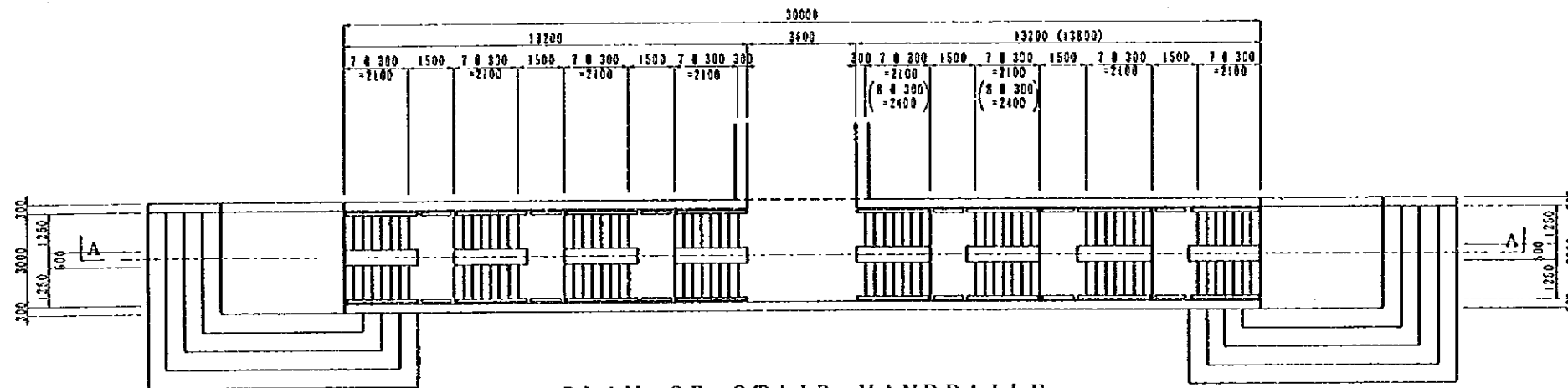
NOTES:

JAPAN INTERNATIONAL COOPERATION AGENCY
(JICA)
JICA STUDY TEAM
PACIFIC CONSULTANTS INTERNATIONAL
FUKUYAMA CONSULTANTS INTERNATIONAL

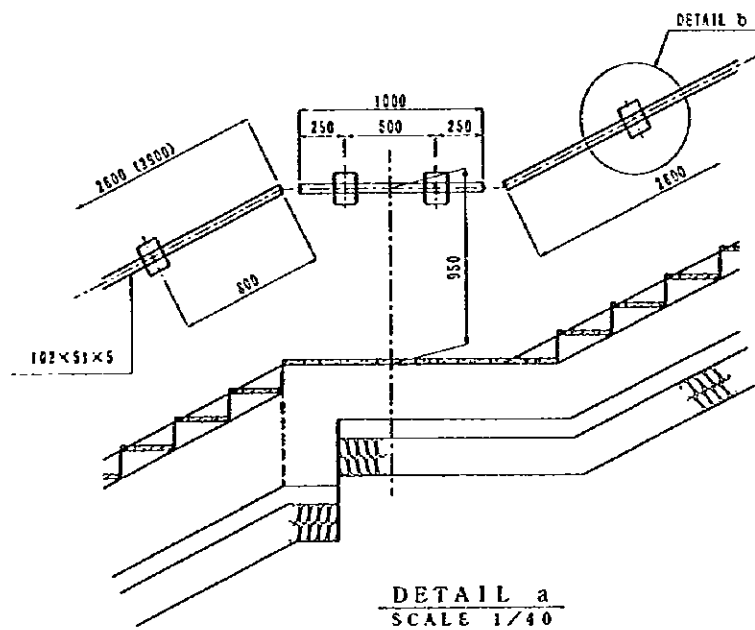
CLIENT : MINISTRY OF COMMUNICATIONS, DIRECTORATE GENERAL OF ROADS
PROJECT : D/D ON ROAD DEVELOPMENT PROJECT ON BATINAH HIGHWAY
TITLE : P/U-5, A' THARMAD GENERAL VIEW (1)
DATE : _____ DWG NO. 1 - 1



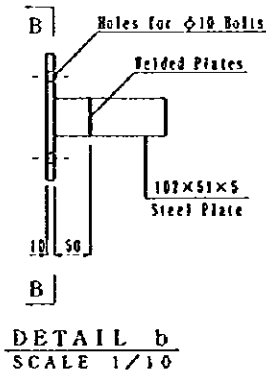
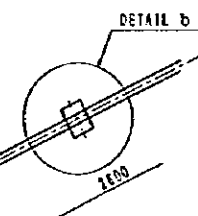
STAIR HANDRAILE (SECTION A-A)
SCALE 1/200



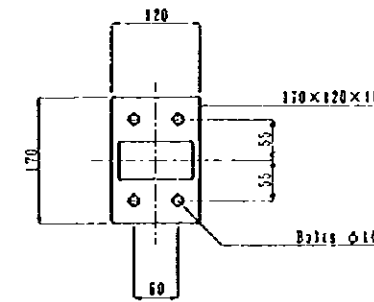
PLAN OF STAIR HANDRAILE
SCALE 1/200



DETAIL a
SCALE 1/40



DETAIL b
SCALE 1/10



SECTION B-B
SCALE 1/10

NOTES: Dimensions of () value are for inland stair.

JAPAN INTERNATIONAL COOPERATION AGENCY
(JICA)

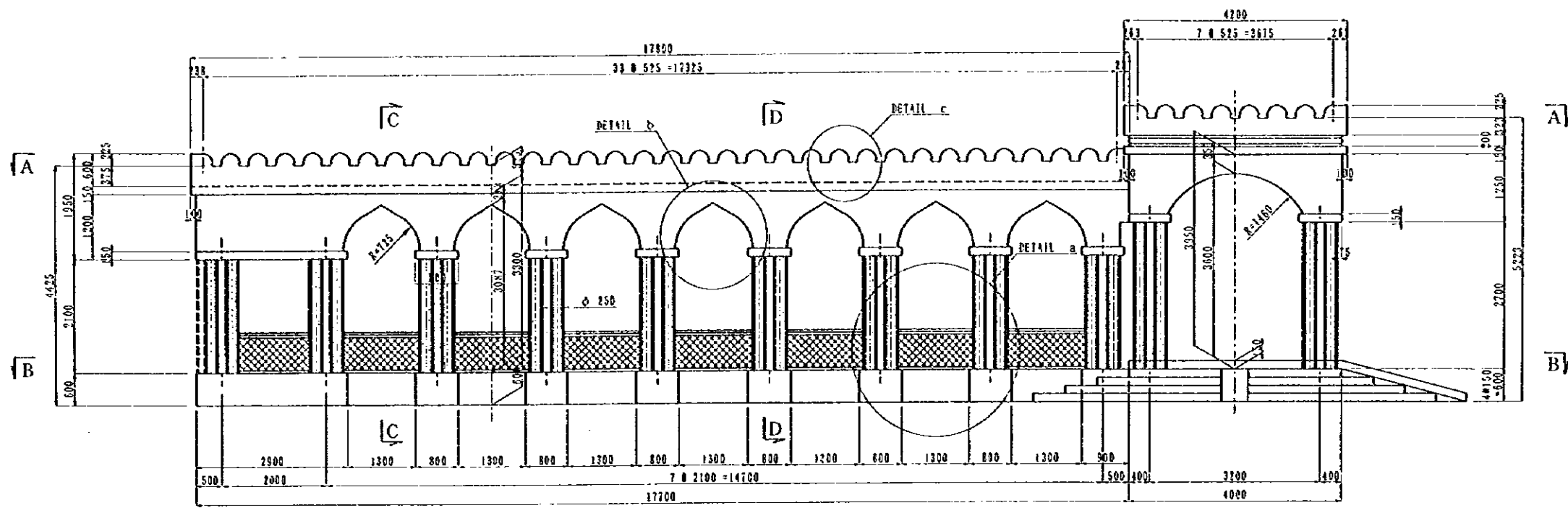
JICA STUDY TEAM
PACIFIC CONSULTANTS INTERNATIONAL
FUKUYAMA CONSULTANTS INTERNATIONAL

CLIENT : MINISTRY OF COMMUNICATIONS, DIRECTORATE GENERAL OF ROADS

PROJECT : D/D ON ROAD DEVELOPMENT PROJECT ON BATINAH HIGHWAY

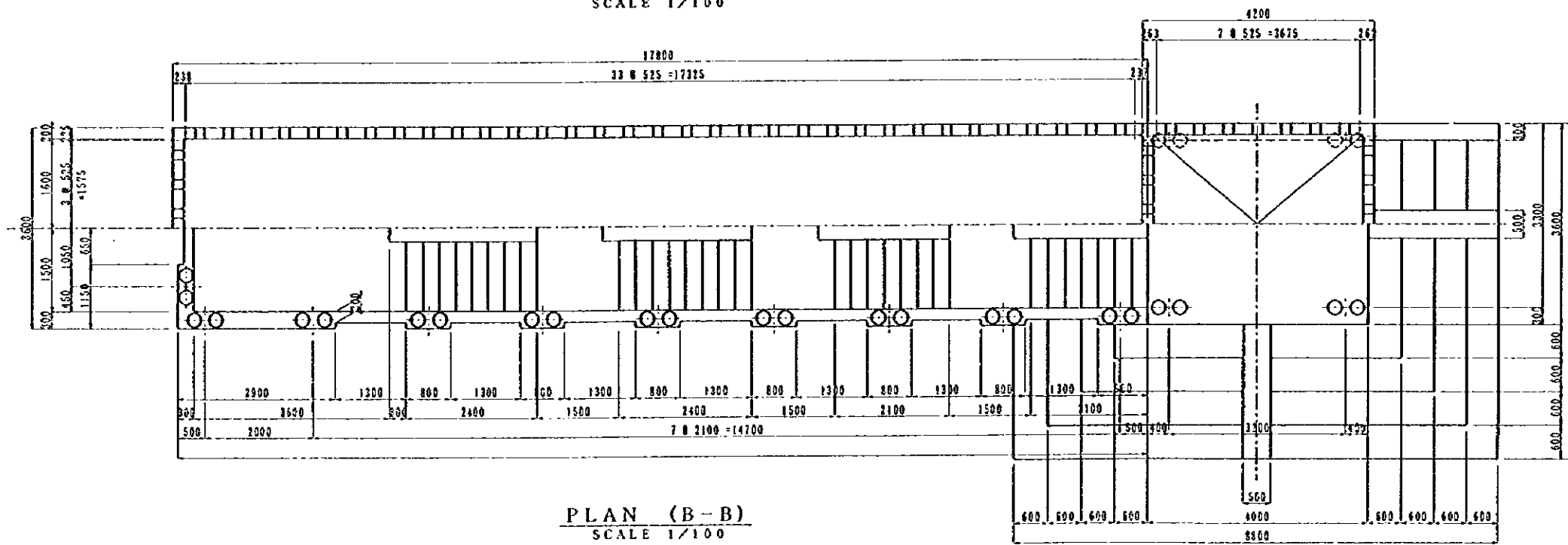
TITLE : P/U-5. A' THARMAD GENERAL VIEW (3)

DATE : _____ DWG NO. P 3

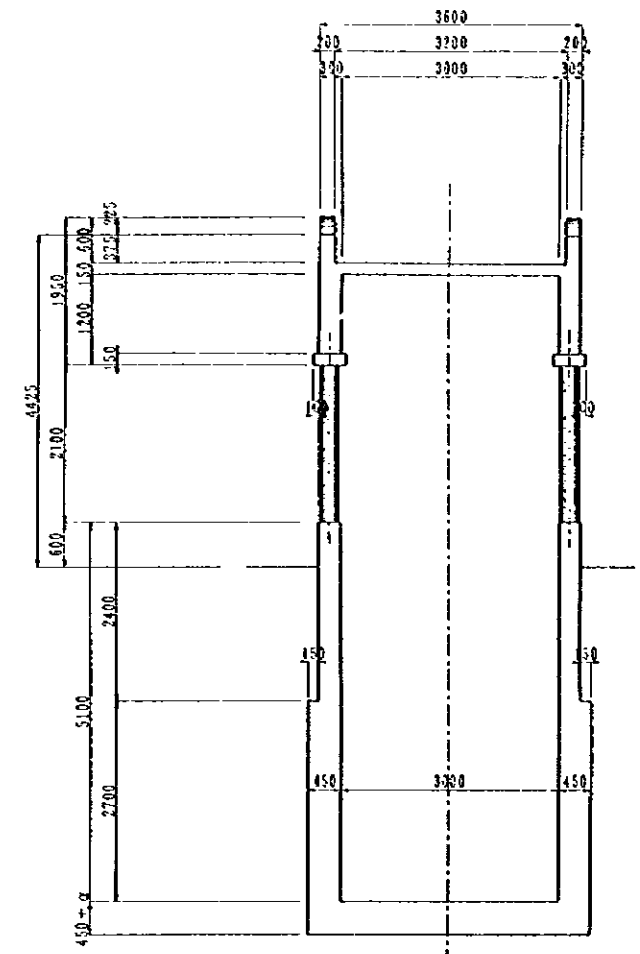


PROFILE OF CANOPY
SCALE 1/100

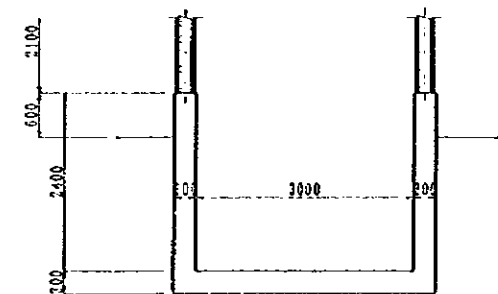
PLAN (A-A)
SCALE 1/100



PLAN (B-B)
SCALE 1/100



CROSS SECTION C-C
SCALE 1/100



CROSS SECTION D-D
SCALE 1/100

NOTES:

JAPAN INTERNATIONAL COOPERATION AGENCY
(JICA)

JICA STUDY TEAM
PACIFIC CONSULTANTS INTERNATIONAL
FUKUYAMA CONSULTANTS INTERNATIONAL

CLIENT : MINISTRY OF COMMUNICATIONS, DIRECTORATE GENERAL OF ROADS

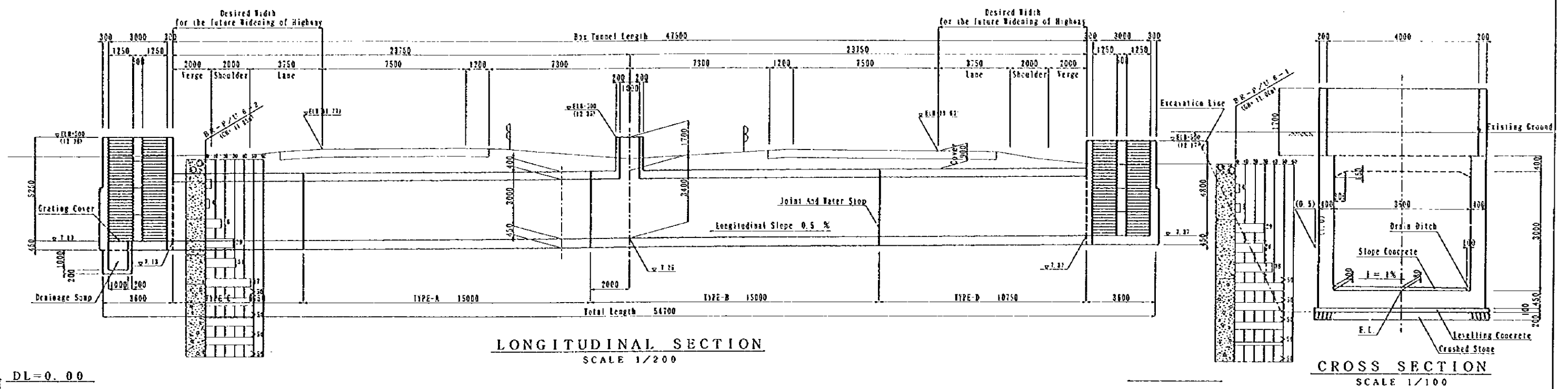
PROJECT : D/D ON ROAD DEVELOPMENT PROJECT ON BATINAH HIGHWAY

TITLE : P/U-5, A' THARMAD GENERAL VIEW (S)

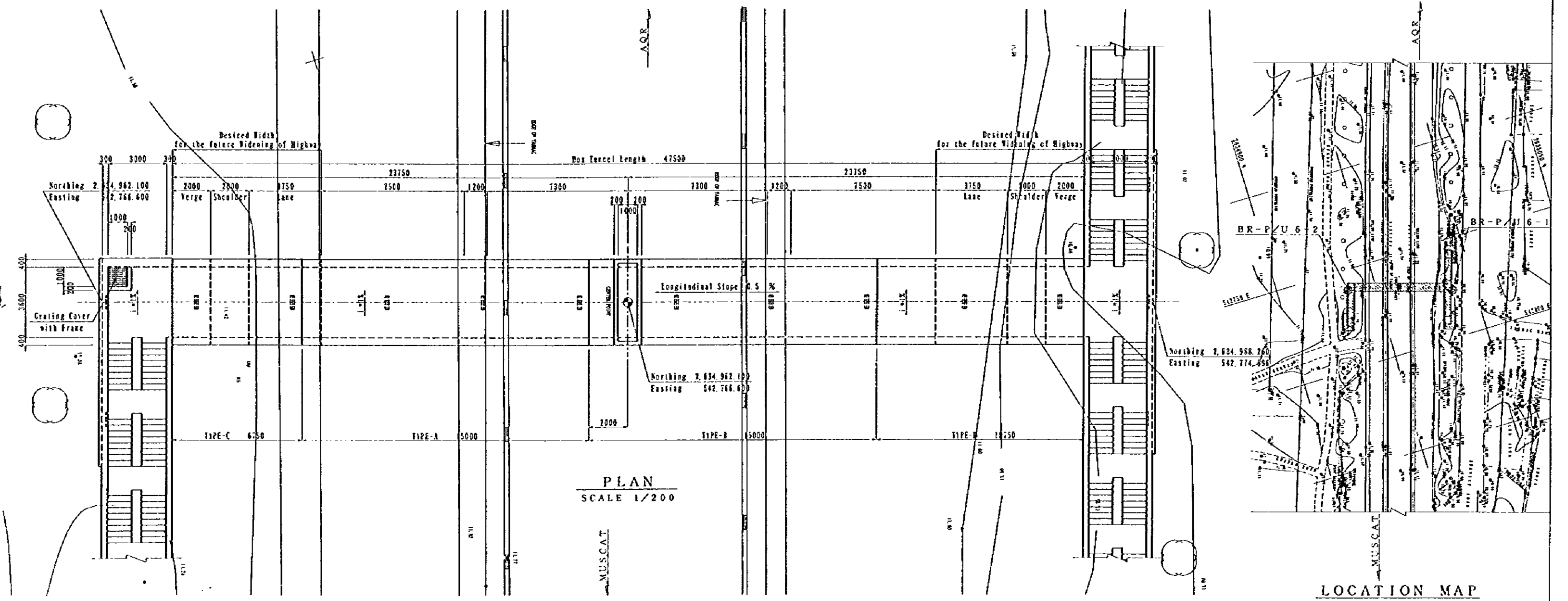
DATE : _____ DTG NO. P-5

A' Suweig

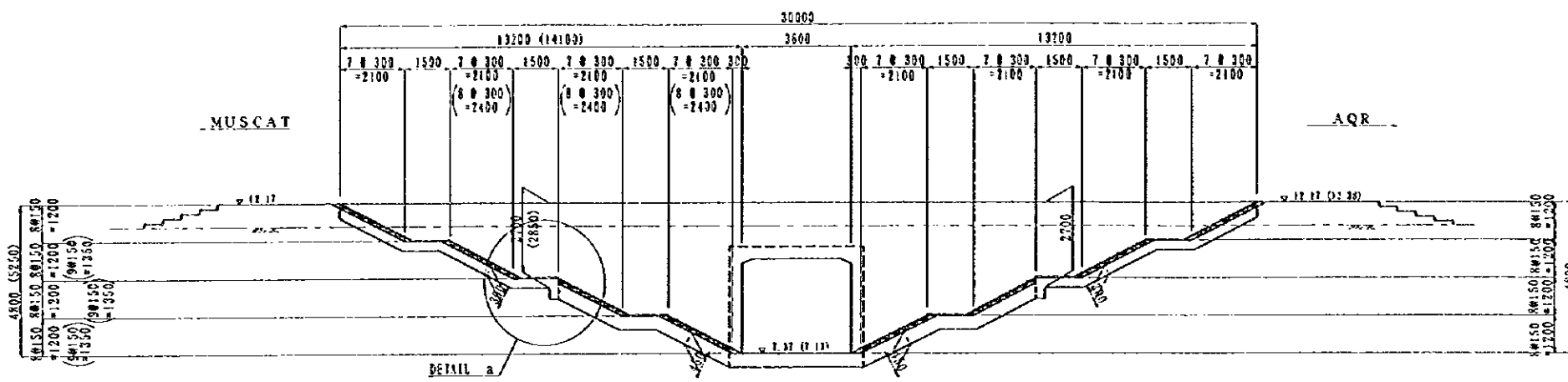
PEDESTRIAN UNDRPASS



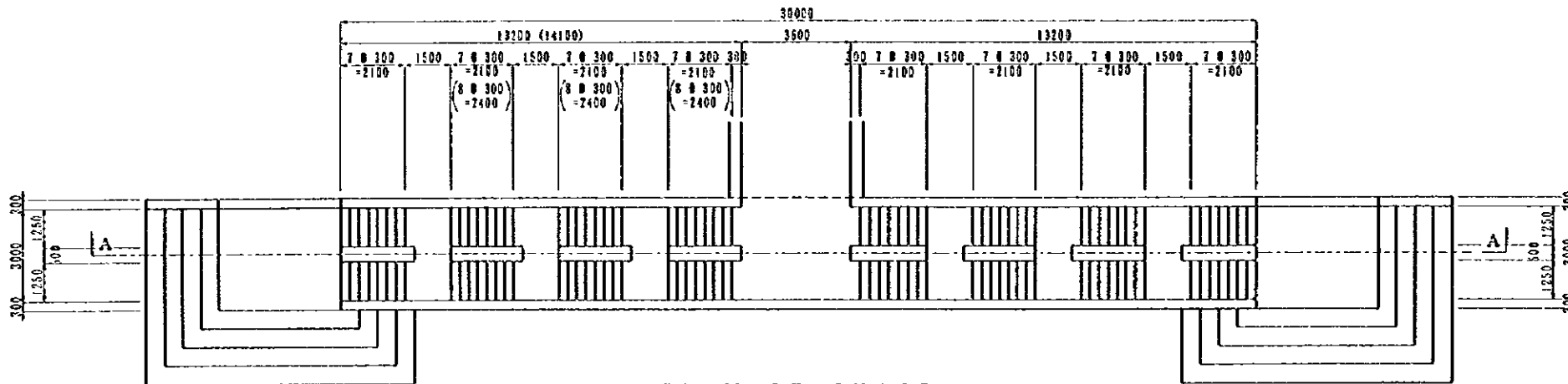
DL=0.00



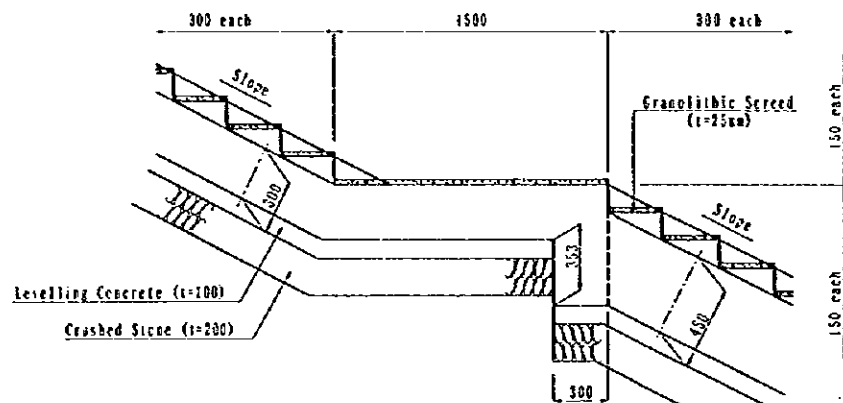
NOTES:	JAPAN INTERNATIONAL COOPERATION AGENCY (JICA)	CLIENT :	MINISTRY OF COMMUNICATIONS, DIRECTORATE GENERAL OF ROADS
	JICA STUDY TEAM	PROJECT :	D/D ON ROAD DEVELOPMENT PROJECT ON BATINAH HIGHWAY
	PACIFIC CONSULTANTS INTERNATIONAL	TITLE :	P/U-6. A' SUWAIQ GENERAL VIEW (1)
	FURUYAMA CONSULTANTS INTERNATIONAL	DATE	DWG NO. P-1



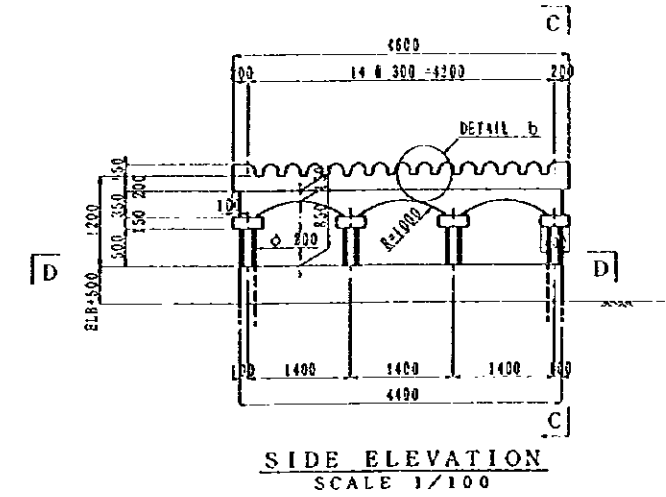
STAIR (SECTION A-A)
SCALE 1/200



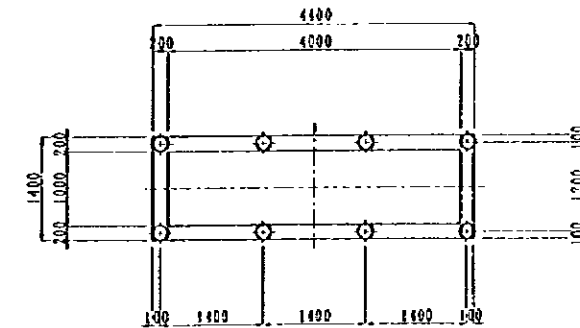
PLAN OF STAIR
SCALE 1/200



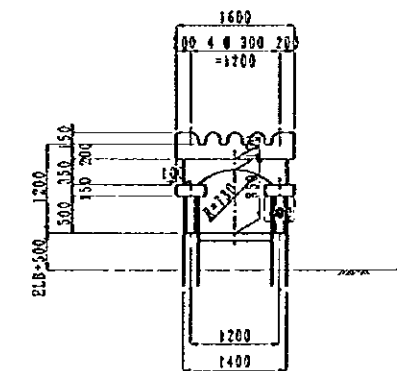
DETAIL a
SCALE 1/40



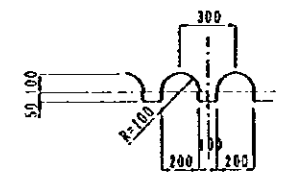
SIDE ELEVATION
SCALE 1/100



SECTION D-D
SCALE 1/100



SECTION B-B
SCALE 1/100



DETAIL b
SCALE 1/40

CANOPY ON LIGHT WELL

NOTES: Dimensions of () value are for inland stair.

JAPAN INTERNATIONAL COOPERATION AGENCY
(JICA)

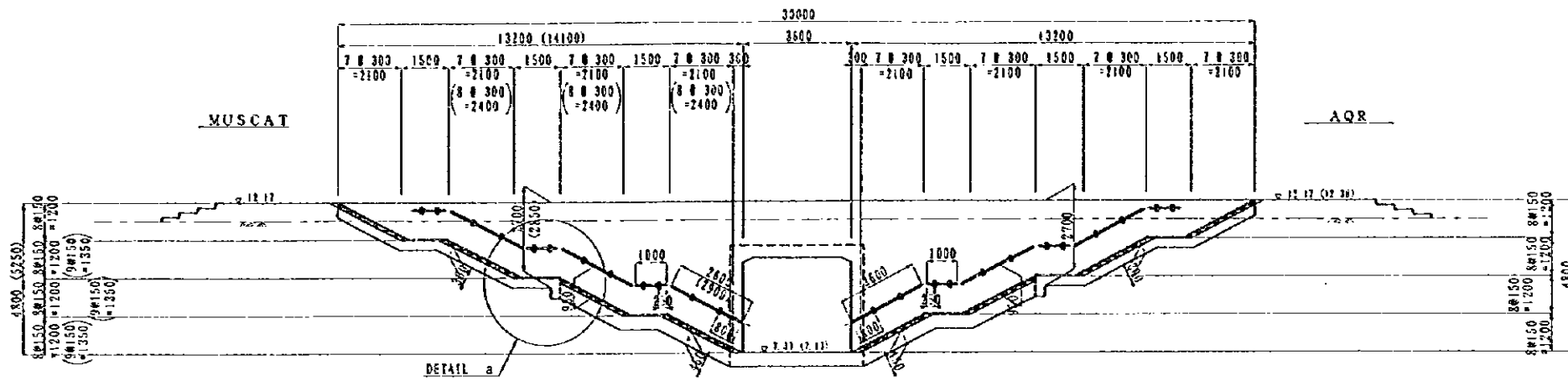
JICA STUDY TEAM
PACIFIC CONSULTANTS INTERNATIONAL
FURUYAMA CONSULTANTS INTERNATIONAL

CLIENT : MINISTRY OF COMMUNICATIONS, DIRECTORATE GENERAL OF ROADS

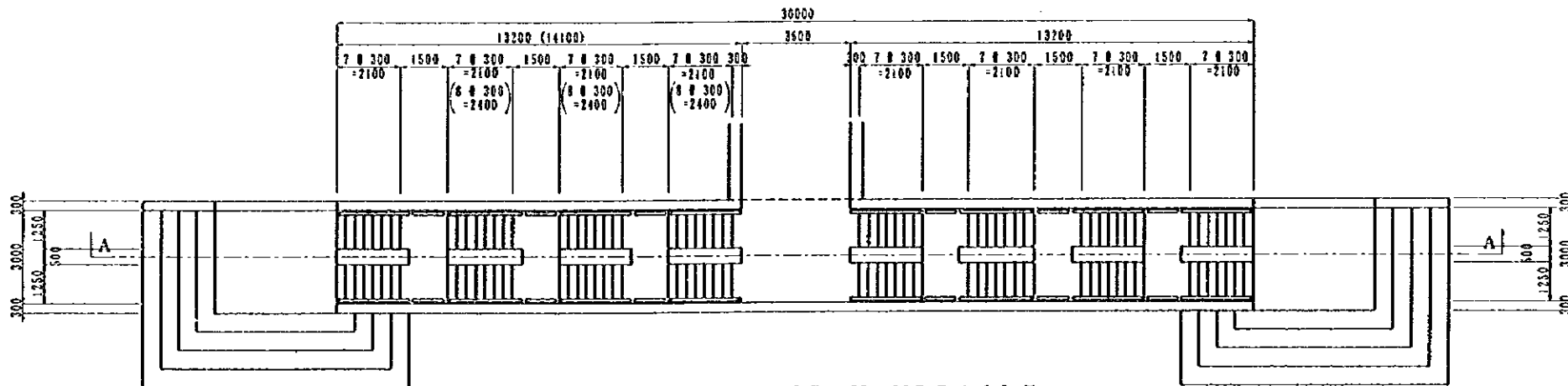
PROJECT : D/D ON ROAD DEVELOPMENT PROJECT ON BATINAH HIGHWAY

TITLE : P/U-6, A' SUWAIQ GENERAL VIEW (2)

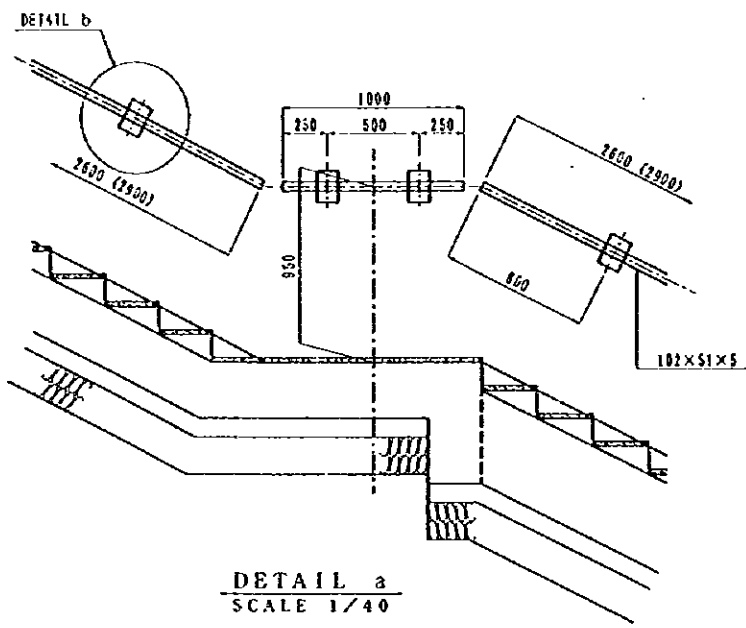
DATE : _____ DWG NO. P-2



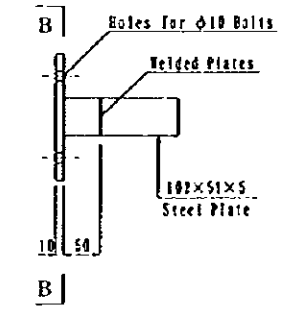
STAIR HANDRAILE (SECTION A-A)
SCALE 1/200



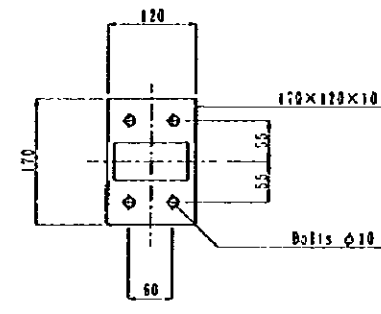
PLAN OF STAIR HANDRAILE
SCALE 1/200



DETAIL a
SCALE 1/40



DETAIL b
SCALE 1/10

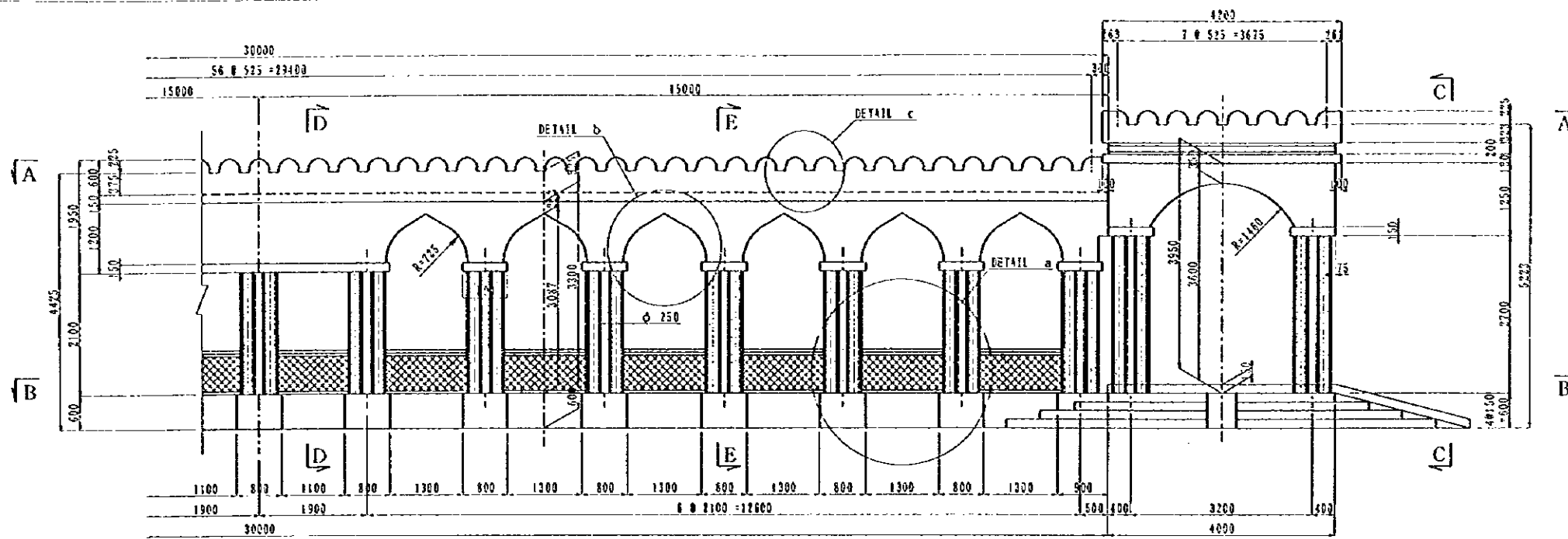


SECTION B-B
SCALE 1/10

NOTES: Dimensions of () value are for inland stair.

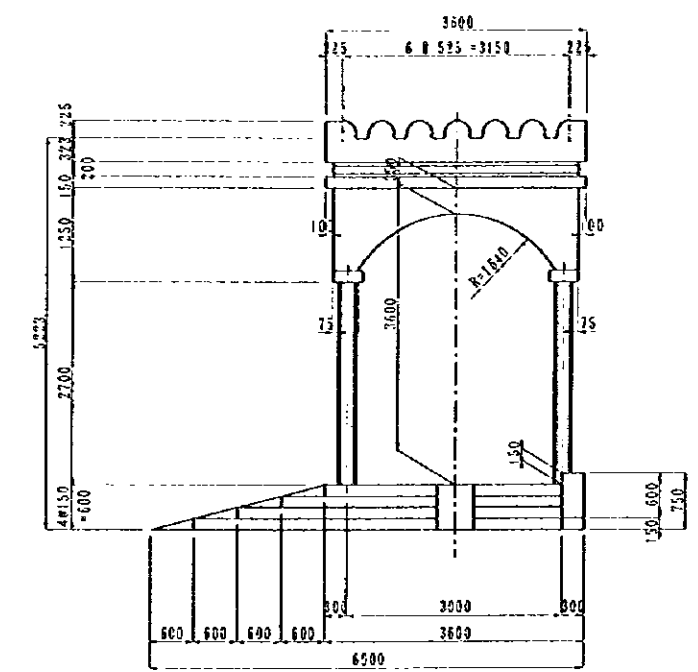
JAPAN INTERNATIONAL COOPERATION AGENCY
(JICA)
JICA STUDY TEAM
PACIFIC CONSULTANTS INTERNATIONAL
FUKUYAMA CONSULTANTS INTERNATIONAL

CLIENT : MINISTRY OF COMMUNICATIONS, DIRECTORATE GENERAL OF ROADS
PROJECT : D/D ON ROAD DEVELOPMENT PROJECT ON BATINAH HIGHWAY
TITLE : P/U-6, A' SUWAIQ GENERAL VIEW (3)
DATE : _____ DWG NO. P-3

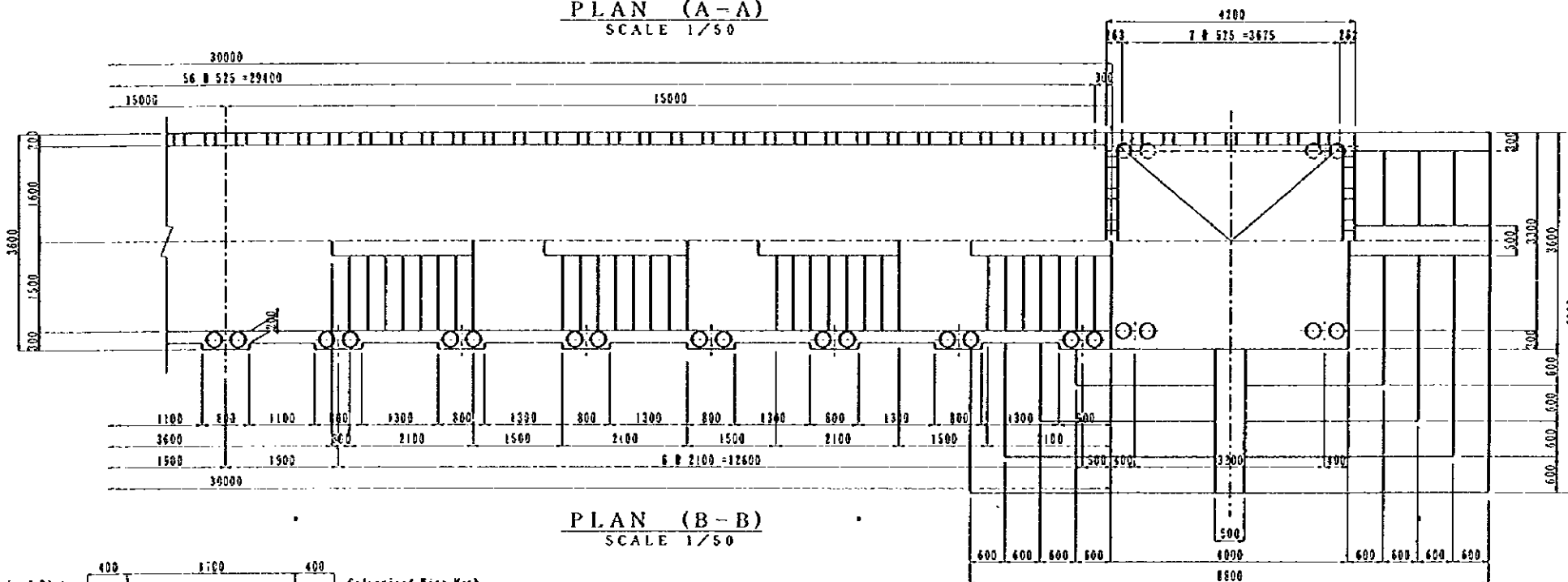


PROFILE OF CANOPY
SCALE 1/50

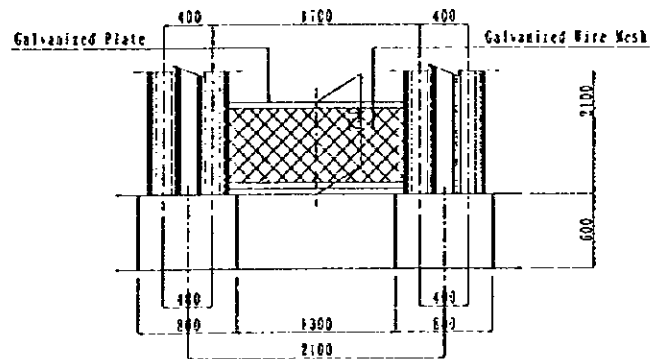
PLAN (A-A)
SCALE 1/50



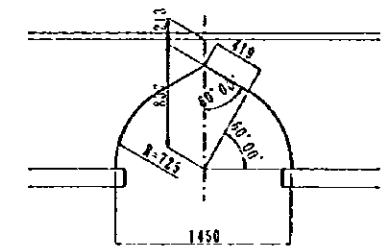
ENTRANCE (C-C)
SCALE 1/50



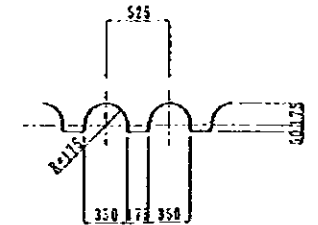
PLAN (B-B)
SCALE 1/50



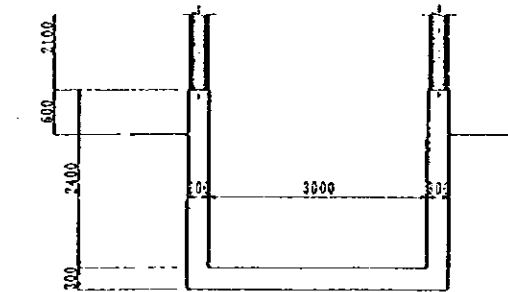
DETAIL a
SCALE 1/30



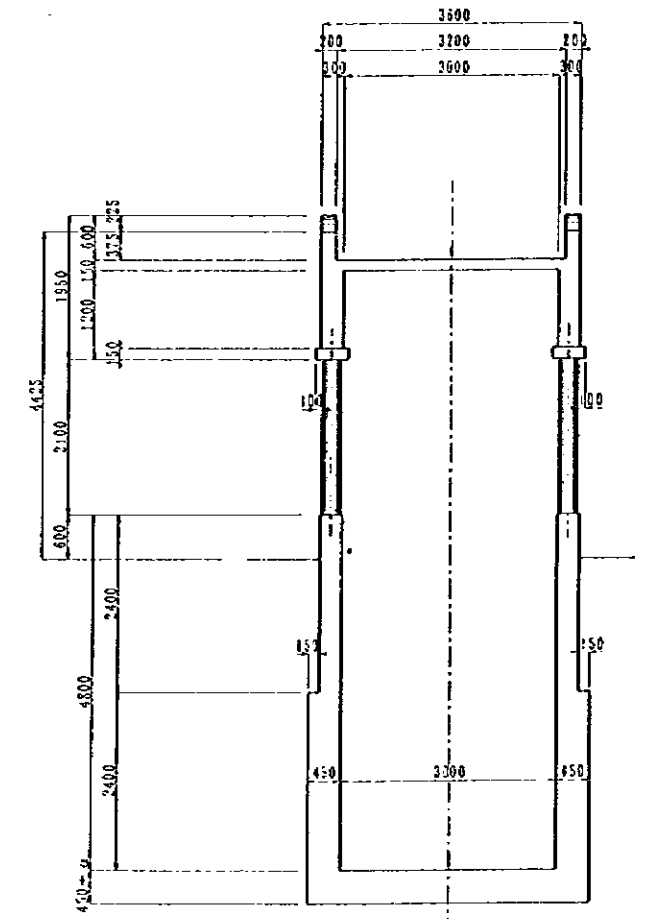
DETAIL b
SCALE 1/30



DETAIL c
SCALE 1/30

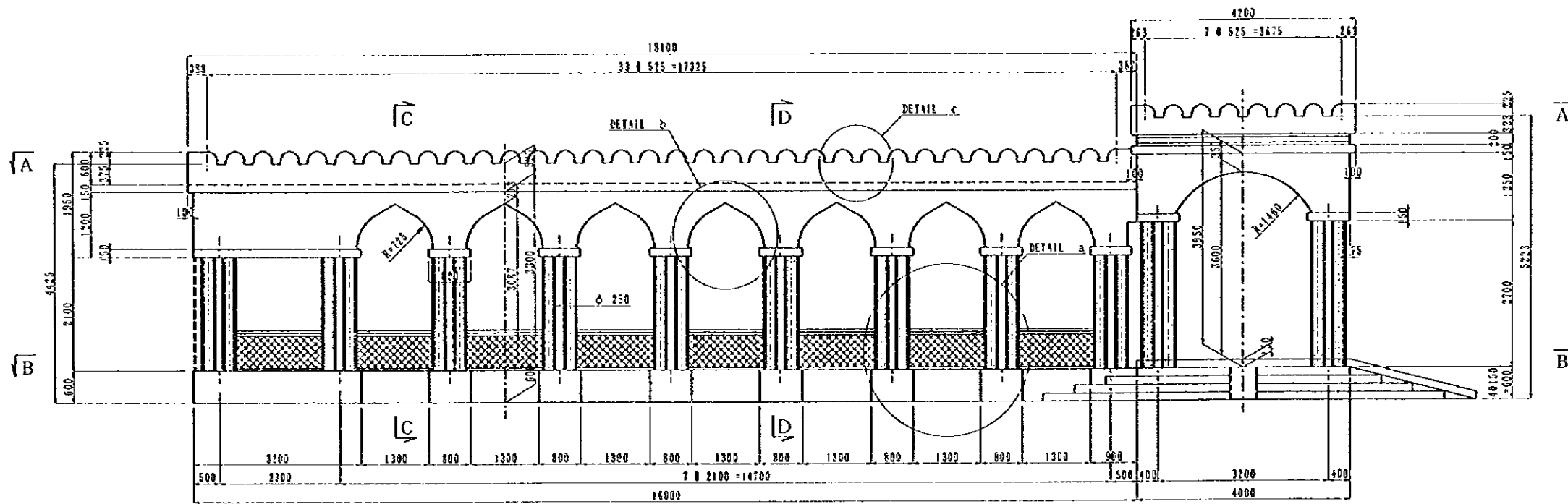


CROSS SECTION E-E
SCALE 1/50



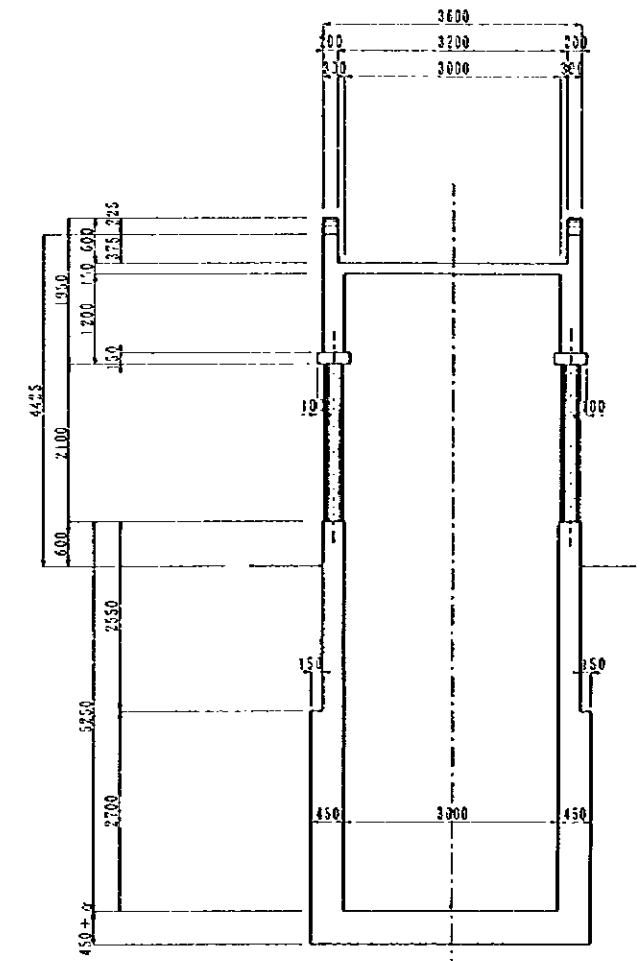
CROSS SECTION D-D
SCALE 1/50

NOTES:	JAPAN INTERNATIONAL COOPERATION AGENCY (JICA)	CLIENT : MINISTRY OF COMMUNICATIONS, DIRECTORATE GENERAL OF ROADS
	JICA STUDY TEAM PACIFIC CONSULTANTS INTERNATIONAL FUKUYAMA CONSULTANTS INTERNATIONAL	PROJECT : D/D ON ROAD DEVELOPMENT PROJECT ON BATINAH HIGHWAY
		TITLE : P/U-6. A' SUWAIQ GENERAL VIEW (1)
		DATE : _____ DWG NO. P-4

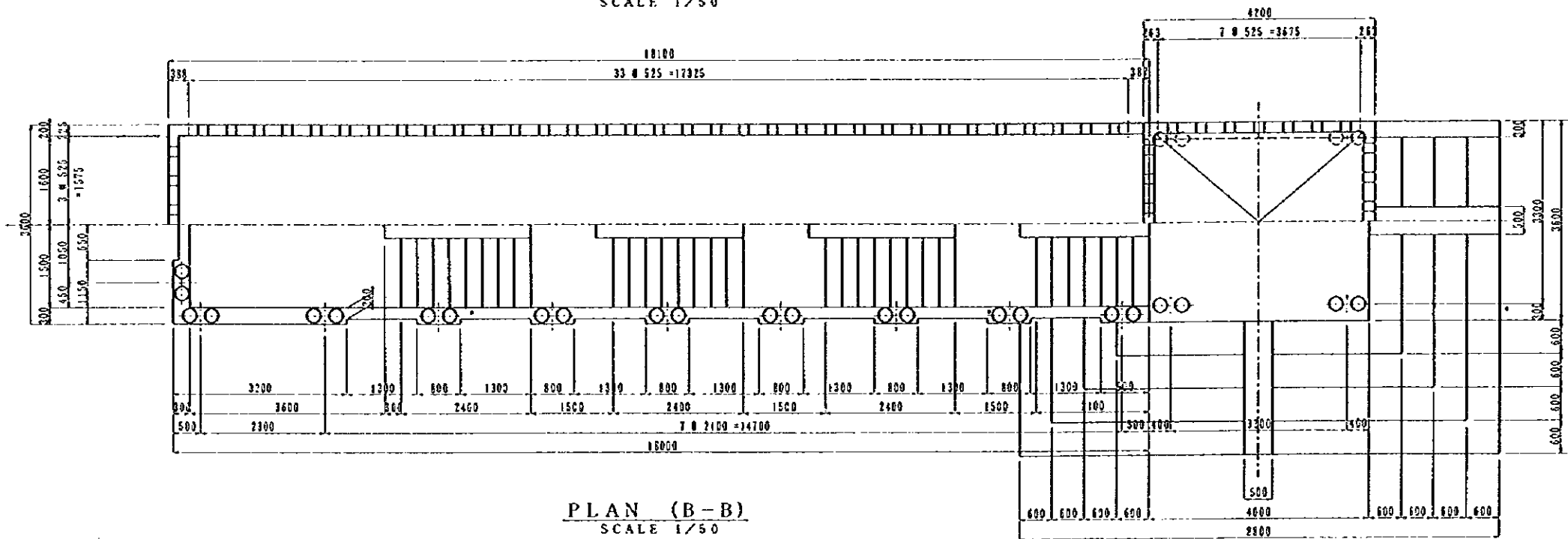


PROFILE OF CANOPY
SCALE 1/50

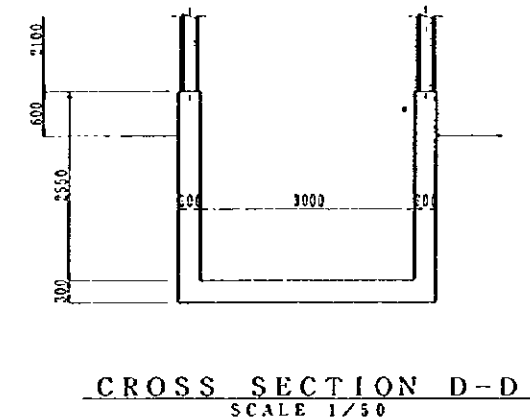
PLAN (A-A)
SCALE 1/50



CROSS SECTION C-C
SCALE 1/50



PLAN (B-B)
SCALE 1/50



CROSS SECTION D-D
SCALE 1/50

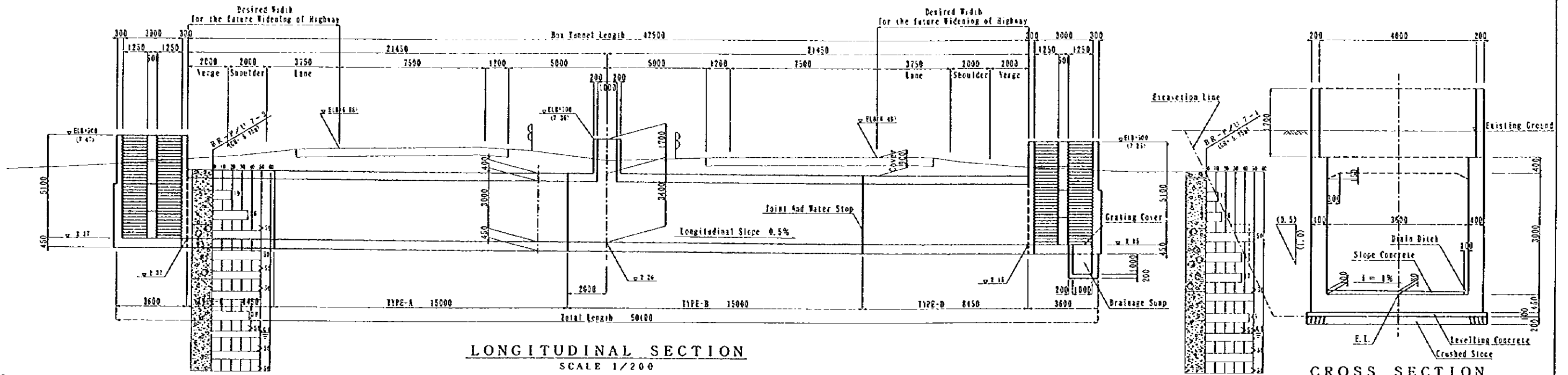
NOTES:

JAPAN INTERNATIONAL COOPERATION AGENCY
(JICA)
JICA STUDY TEAM
PACIFIC CONSULTANTS INTERNATIONAL
FLUJANA CONSULTANTS INTERNATIONAL

CLIENT : MINISTRY OF COMMUNICATIONS, DIRECTORATE GENERAL OF ROADS
PROJECT : D/D ON ROAD DEVELOPMENT PROJECT ON BATINAH HIGHWAY
TITLE : P/U-6, A' SUWAIQ GENERAL VIEW (5)
DATE :
DWG NO. P-5

Al Khadra

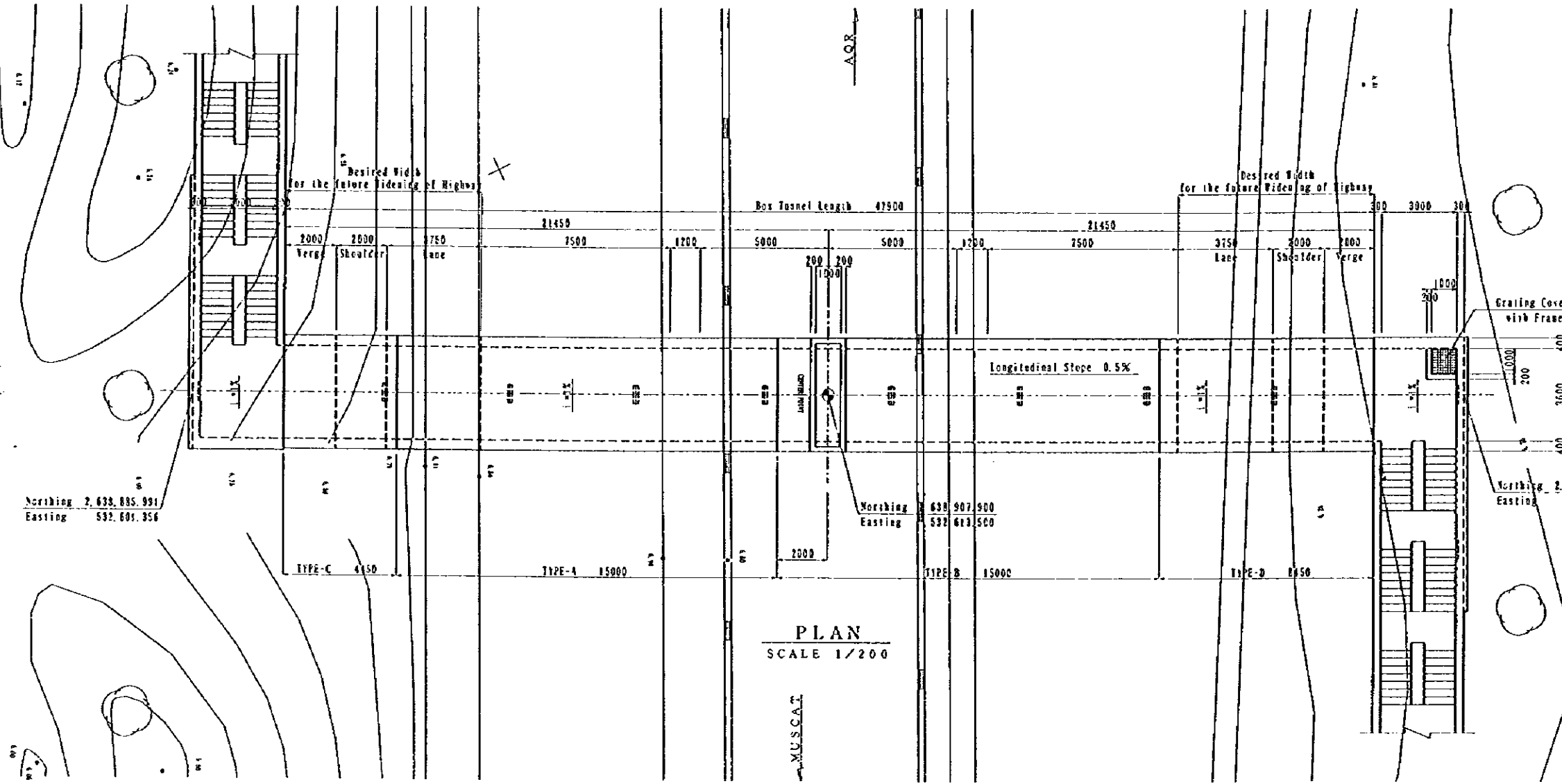
PEDESTRIAN UNDRPASS



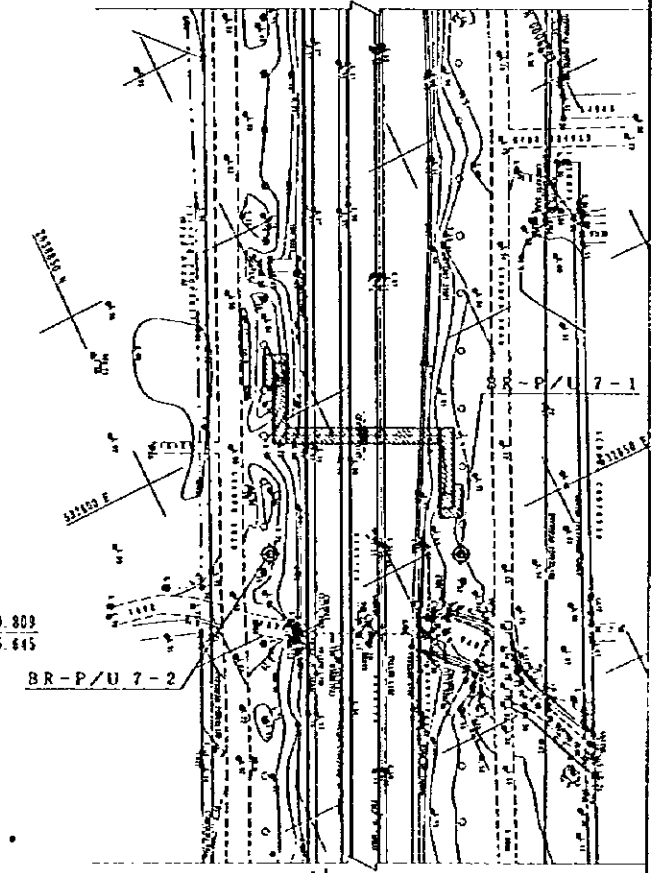
LONGITUDINAL SECTION
SCALE 1/200

CROSS SECTION
SCALE 1/100

DL = -5.00

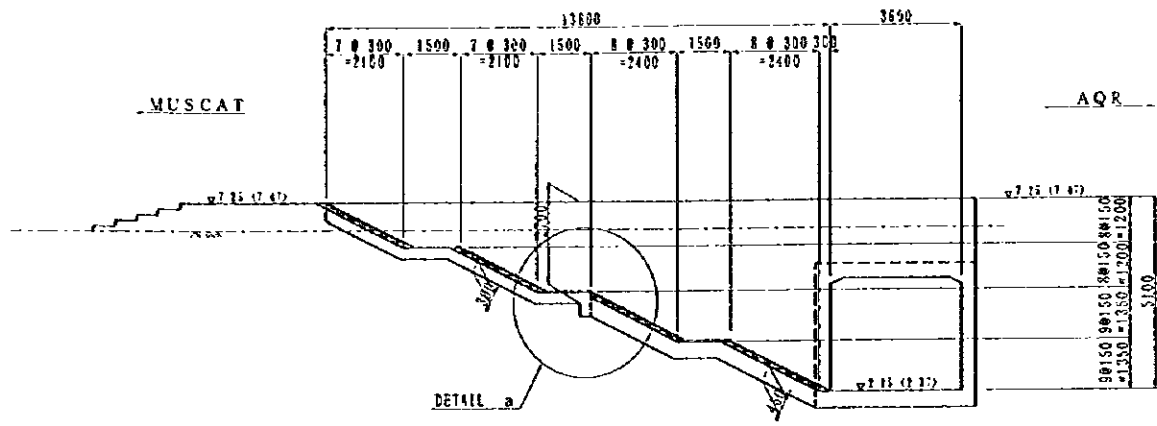


PLAN
SCALE 1/200

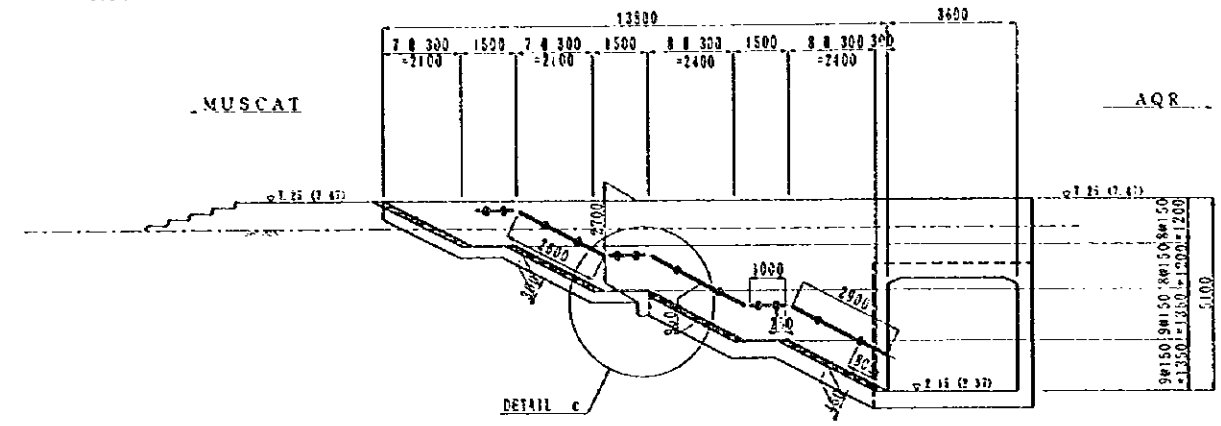


LOCATION MAP

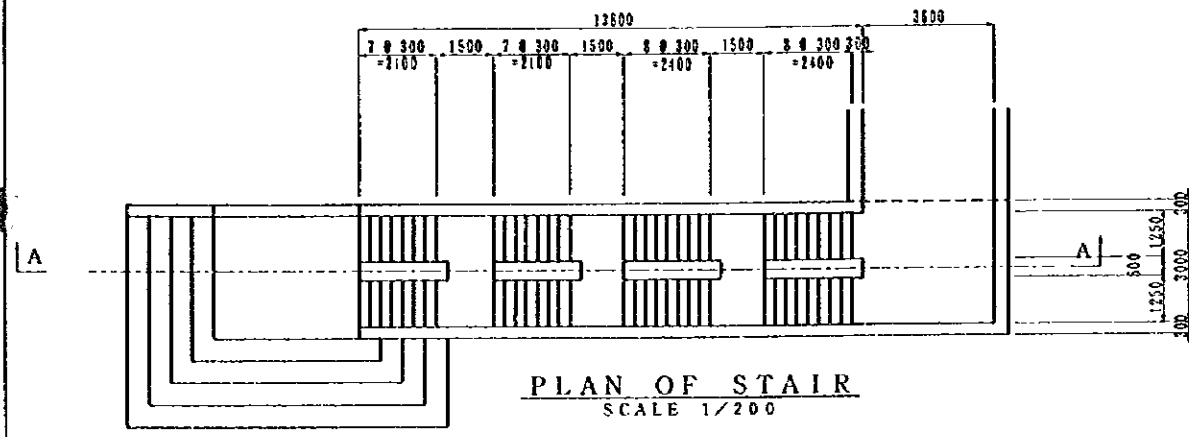
NOTES:	JAPAN INTERNATIONAL COOPERATION AGENCY (JICA)	CLIENT : MINISTRY OF COMMUNICATIONS, DIRECTORATE GENERAL OF ROADS
	JICA STUDY TEAM PACIFIC CONSULTANTS INTERNATIONAL FUJIKAWA CONSULTANTS INTERNATIONAL	PROJECT : D/D ON ROAD DEVELOPMENT PROJECT ON BATISAH HIGHWAY
		TITLE : P/U-7, AL KHADRA GENERAL VIEW (1)
		DATE : D/C NO. P-1



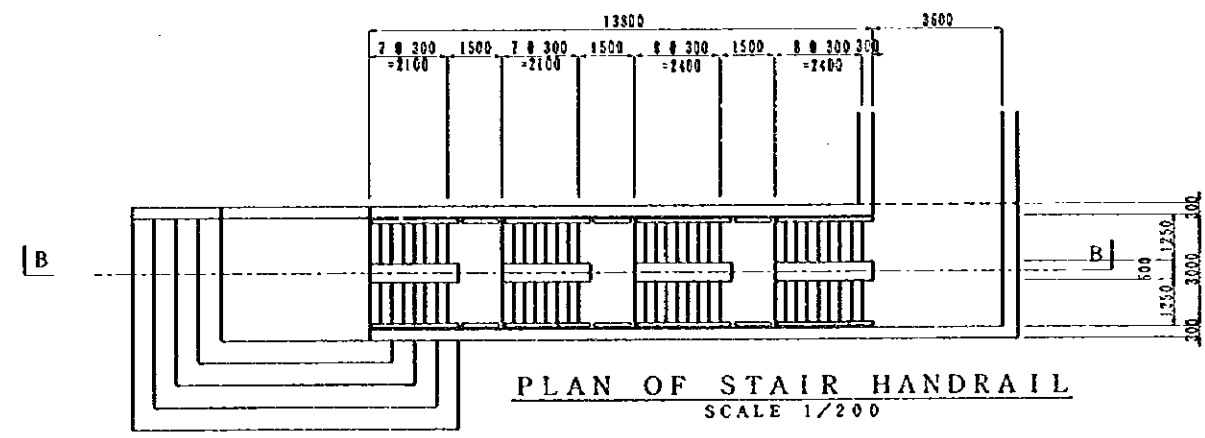
STAIR (SECTION A-A)
SCALE 1/200



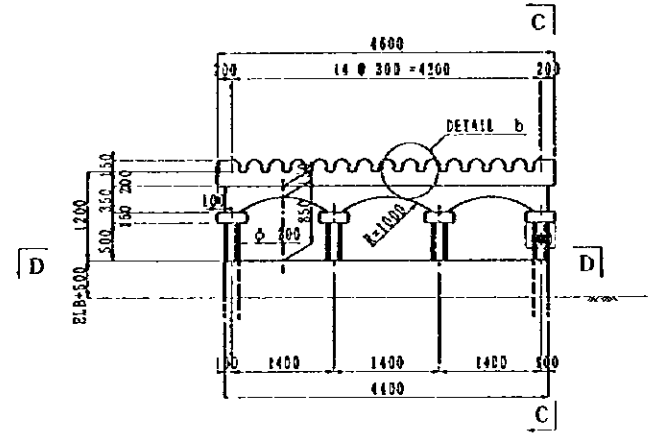
STAIR HANDRAIL (SECTION B-B)
SCALE 1/200



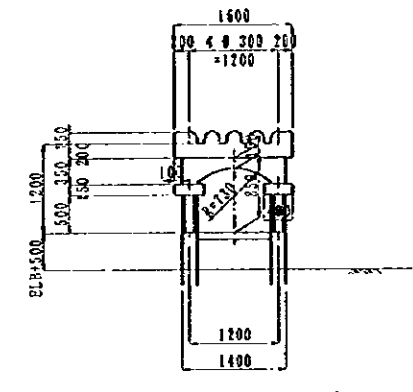
PLAN OF STAIR
SCALE 1/200



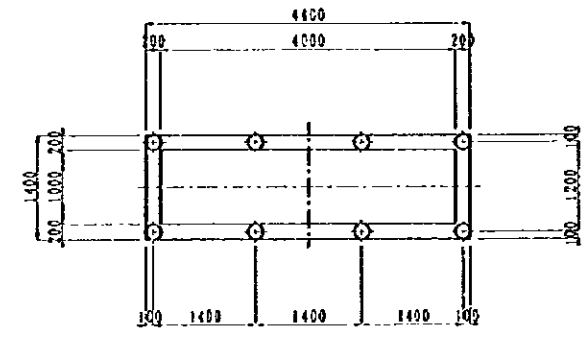
PLAN OF STAIR HANDRAIL
SCALE 1/200



SIDE ELEVATION
SCALE 1/100

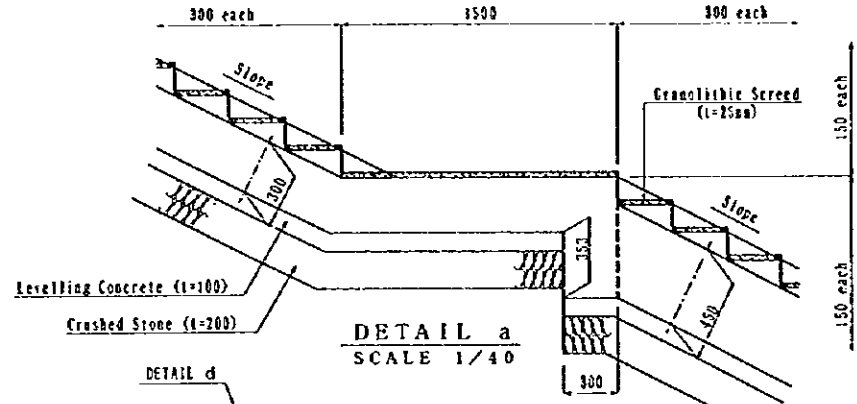


SECTION C-C
SCALE 1/100

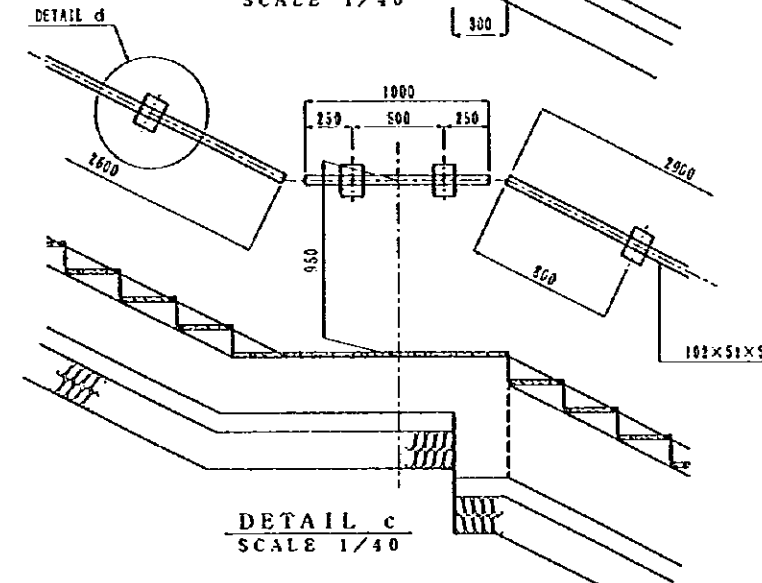


SECTION D-D
SCALE 1/100

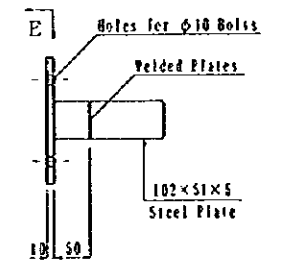
CANOPY ON LIGHT WELL



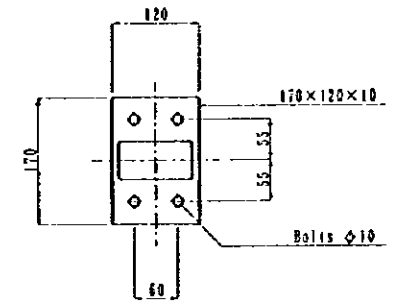
DETAIL a
SCALE 1/40



DETAIL c
SCALE 1/40



DETAIL d
SCALE 1/10

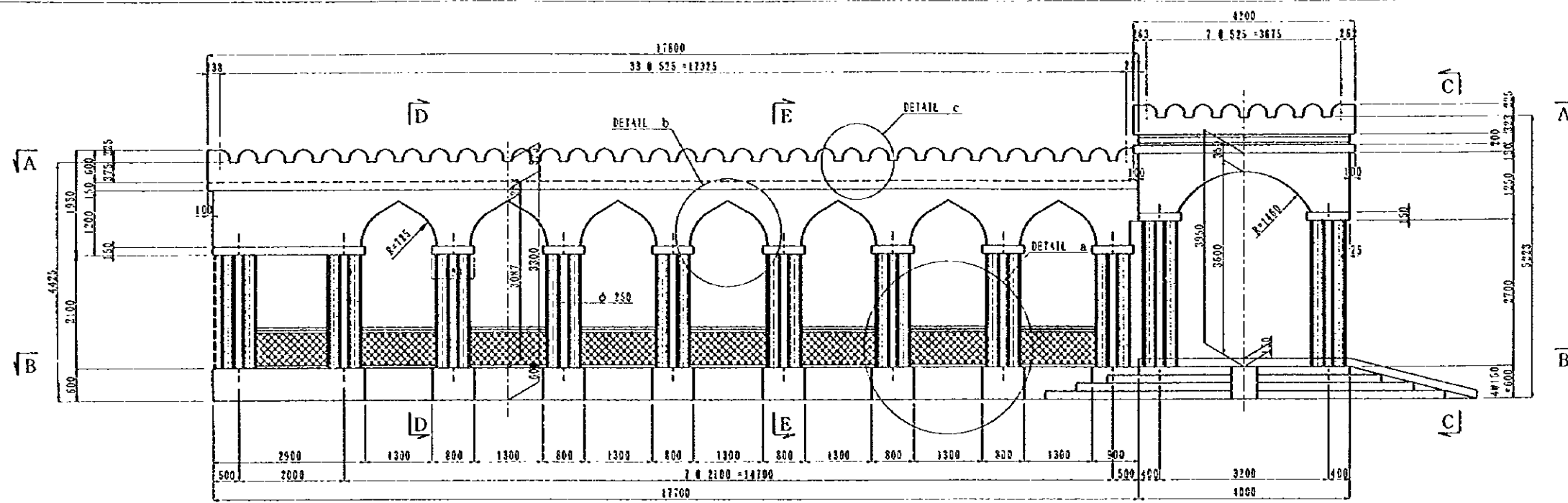


SECTION E-E
SCALE 1/10

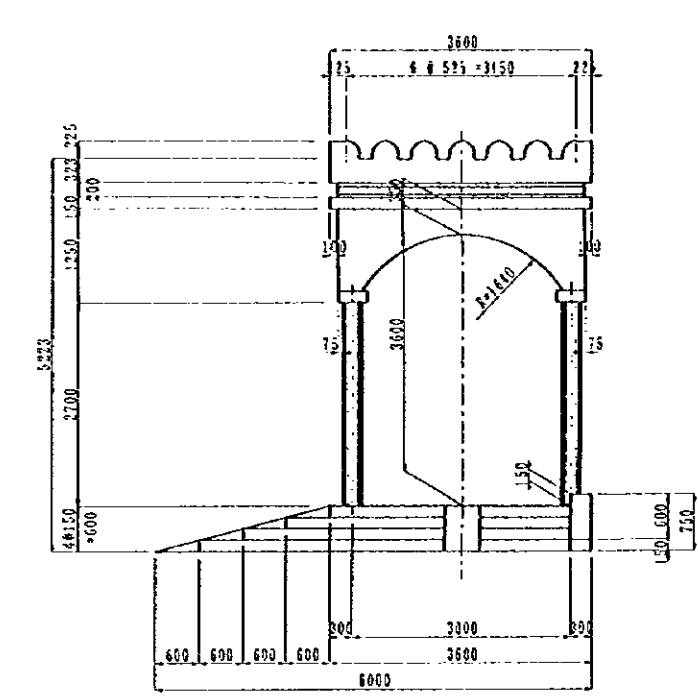
NOTES: Dimensions of () value are for inland stair.

JAPAN INTERNATIONAL COOPERATION AGENCY
(JICA)
JICA STUDY TEAM
PACIFIC CONSULTANTS INTERNATIONAL
FURUYAMA CONSULTANTS INTERNATIONAL

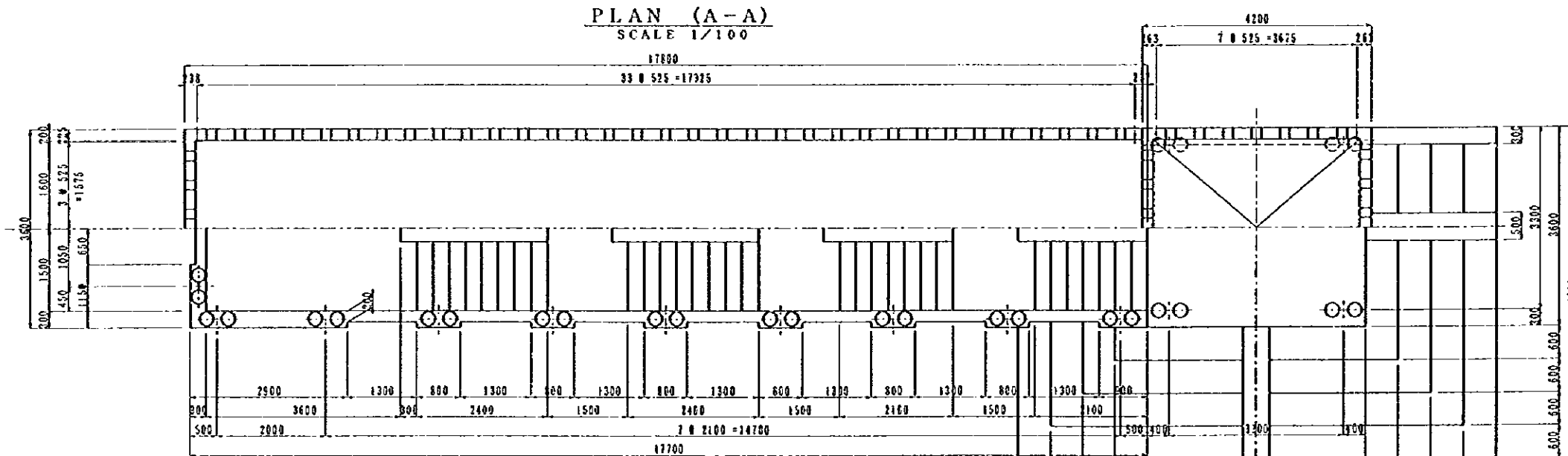
CLIENT : MINISTRY OF COMMUNICATIONS, DIRECTORATE GENERAL OF ROADS
PROJECT : D/D ON ROAD DEVELOPMENT PROJECT ON BATINAH HIGHWAY
TITLE : P/U-7, AL AHADRA GENERAL VIEW (2)
DATE :
DTG NO. P-2



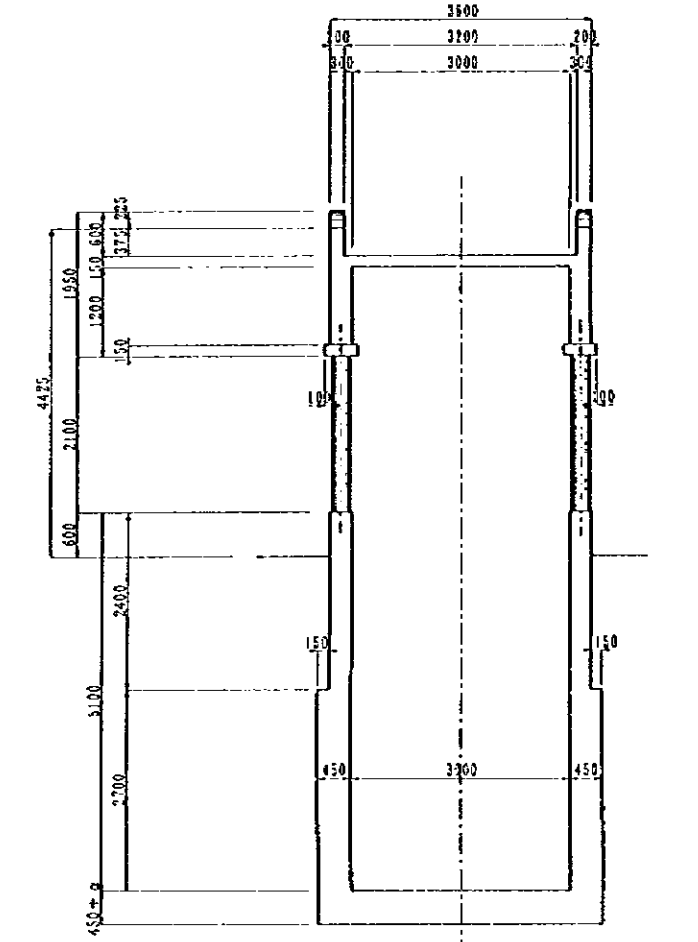
PROFILE OF CANOPY
SCALE 1/100



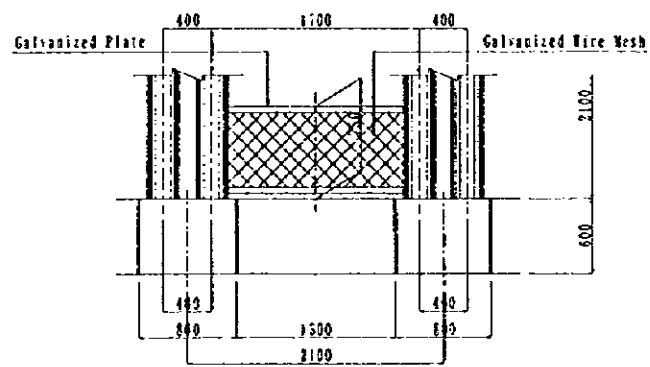
ENTRANCE (C-C)
SCALE 1/100



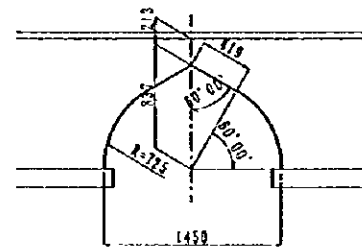
PLAN (A-A)
SCALE 1/100



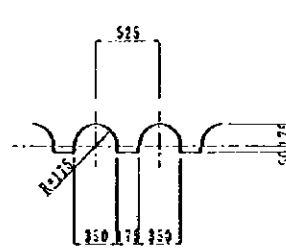
CROSS SECTION D-D
SCALE 1/100



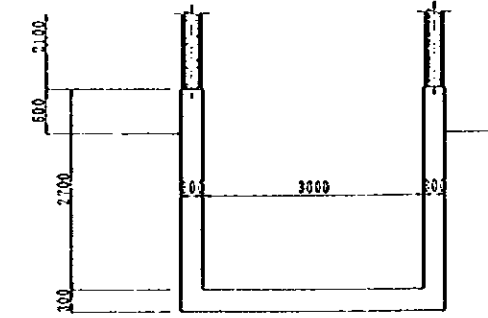
DETAIL a
SCALE 1/60



DETAIL b
SCALE 1/60



DETAIL c
SCALE 1/60



CROSS SECTION E-E
SCALE 1/100

NOTES: Dimensions of () value are for inland stair.

JAPAN INTERNATIONAL COOPERATION AGENCY
(JICA)

JICA STUDY TEAM
PACIFIC CONSULTANTS INTERNATIONAL
FUJIKAWA CONSULTANTS INTERNATIONAL

CLIENT : MINISTRY OF COMMUNICATIONS, DIRECTORATE GENERAL OF ROADS

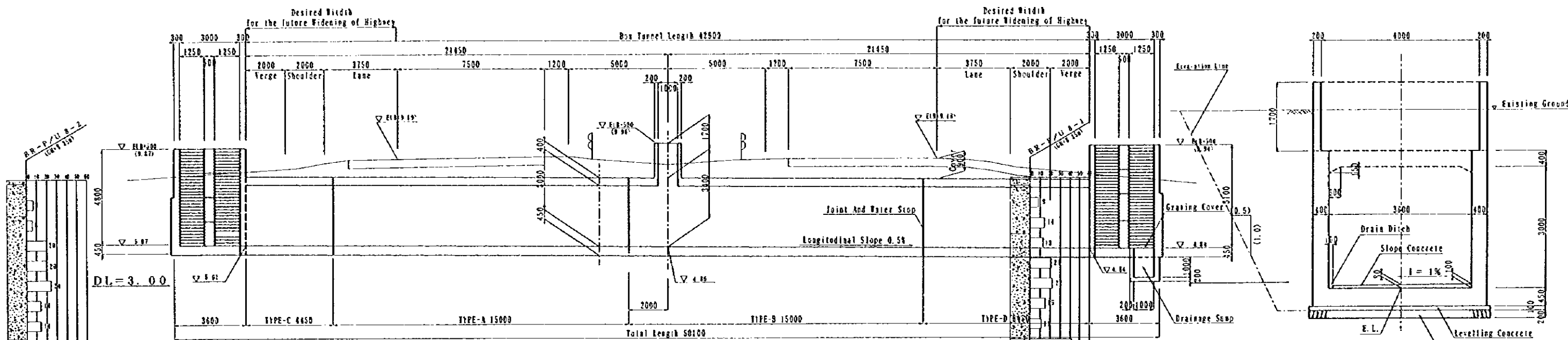
PROJECT : D/D ON ROAD DEVELOPMENT PROJECT ON BATINAH HIGHWAY

TITLE : P/U-7, AL KHADRA GENERAL VIEW (3)

DATE : DWG NO. P-3

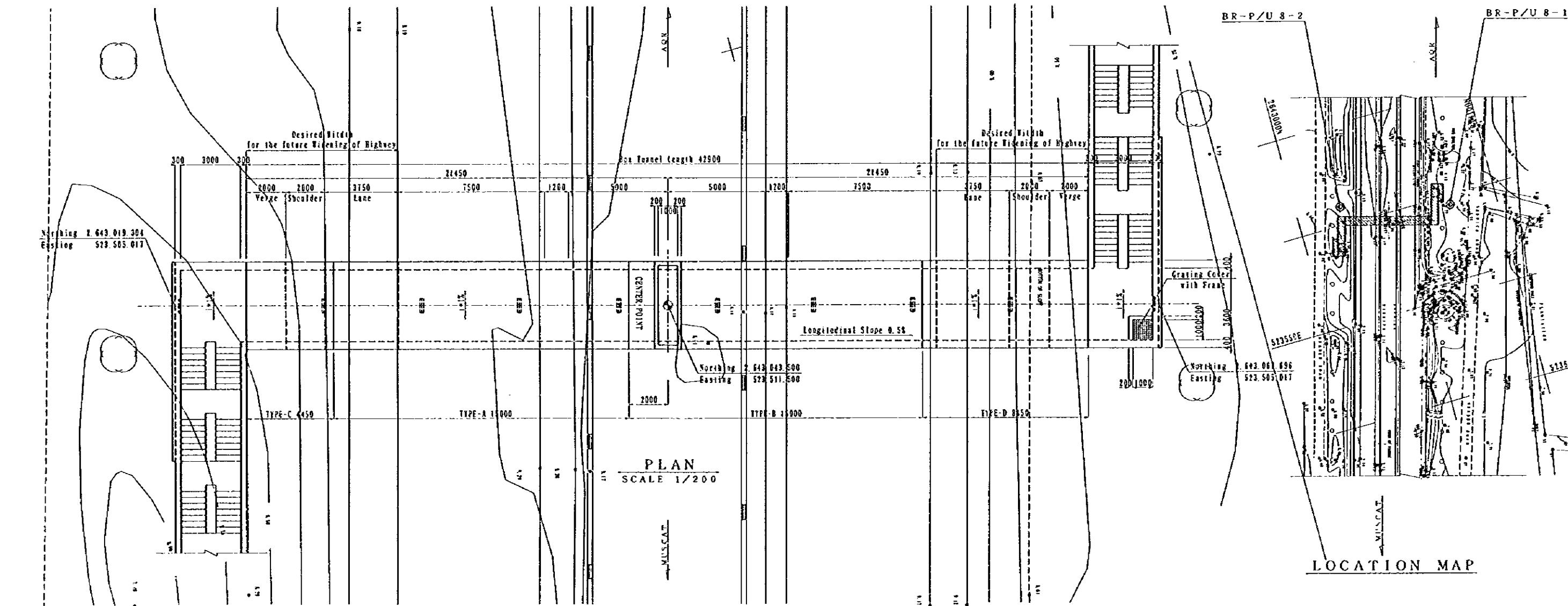
Qarib

PEDESTRIAN UNDERPASS



LONGITUDINAL SECTION
SCALE 1/200

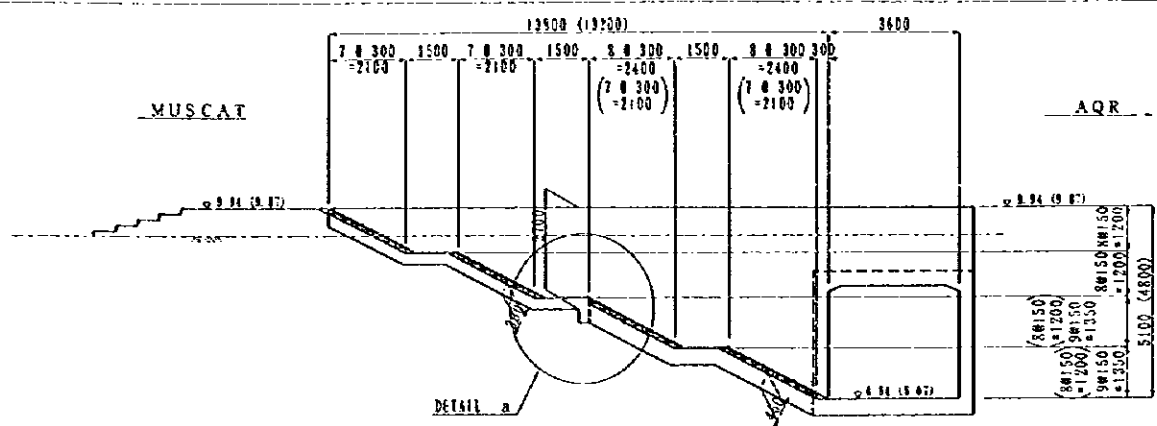
CROSS SECTION
SCALE 1/100



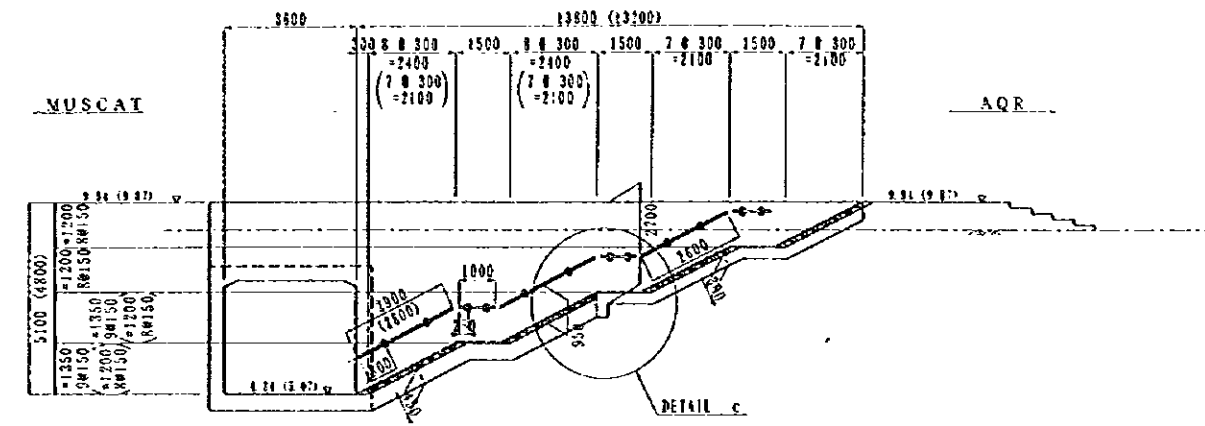
PLAN
SCALE 1/200

LOCATION MAP

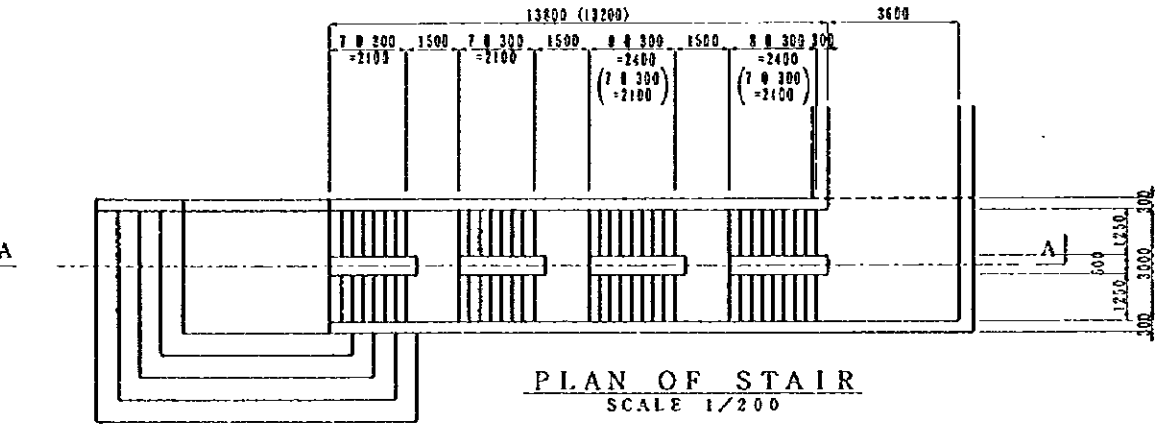
NOTES:	JAPAN INTERNATIONAL COOPERATION AGENCY (JICA)	CLIENT : MINISTRY OF COMMUNICATIONS, DIRECTORATE GENERAL OF ROADS
	JICA STUDY TEAM	PROJECT : D/D ON ROAD DEVELOPMENT PROJECT ON BATINAH HIGHWAY
	PACIFIC CONSULTANTS INTERNATIONAL	TITLE : P/U-8, QARIH GENERAL VIEW (1)
	FUKUYAMA CONSULTANTS INTERNATIONAL	DATE : _____ DWG NO. P - 1



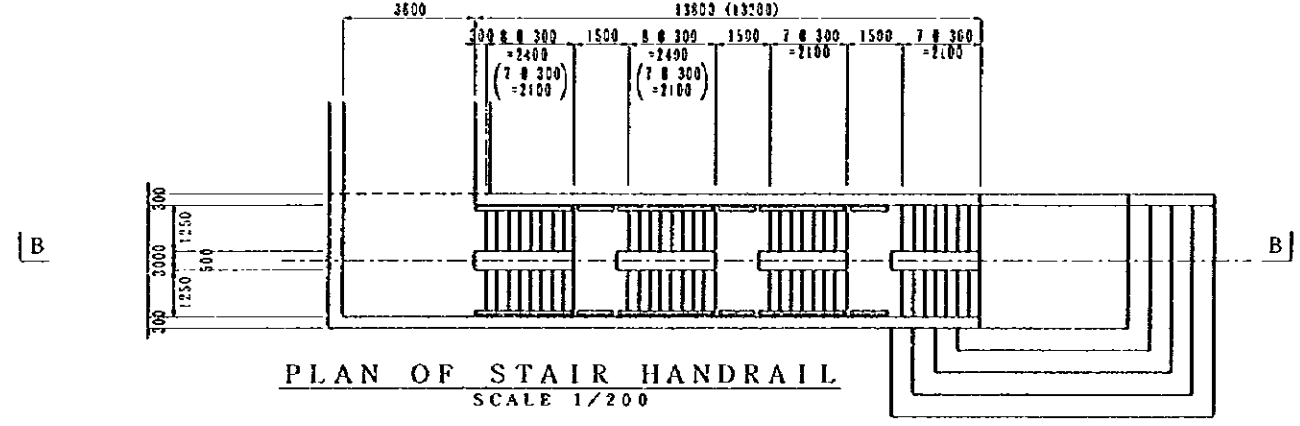
STAIR (SECTION A-A)
SCALE 1/200



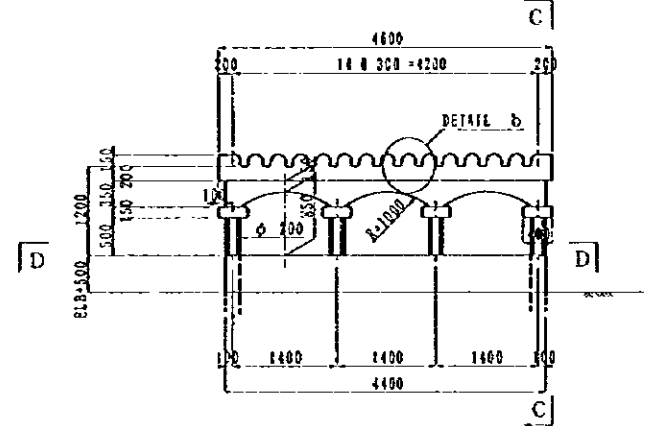
STAIR HANDRAIL (SECTION B-B)
SCALE 1/200



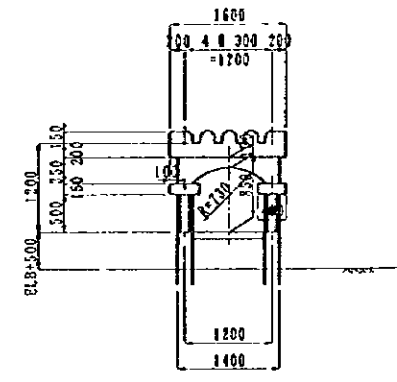
PLAN OF STAIR
SCALE 1/200



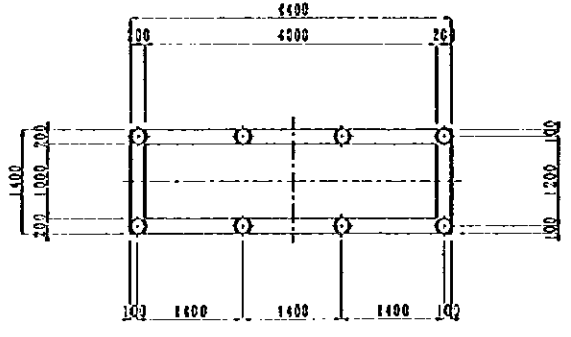
PLAN OF STAIR HANDRAIL
SCALE 1/200



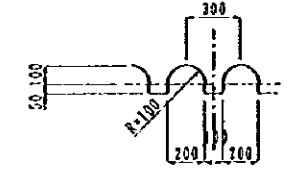
SIDE ELEVATION
SCALE 1/100



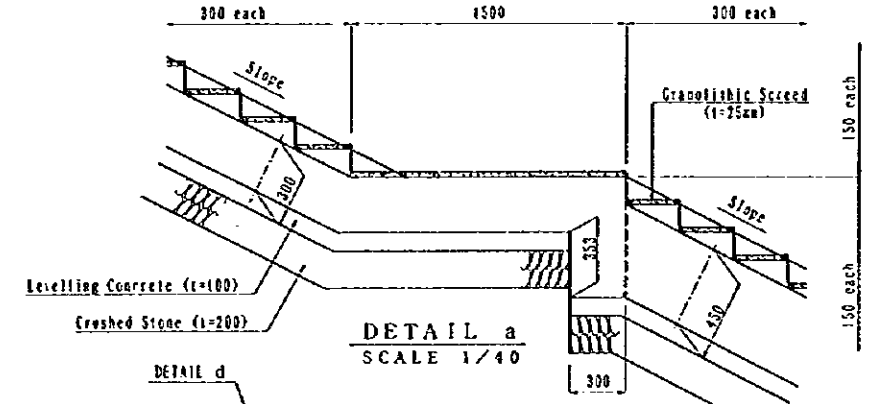
SECTION C-C
SCALE 1/100



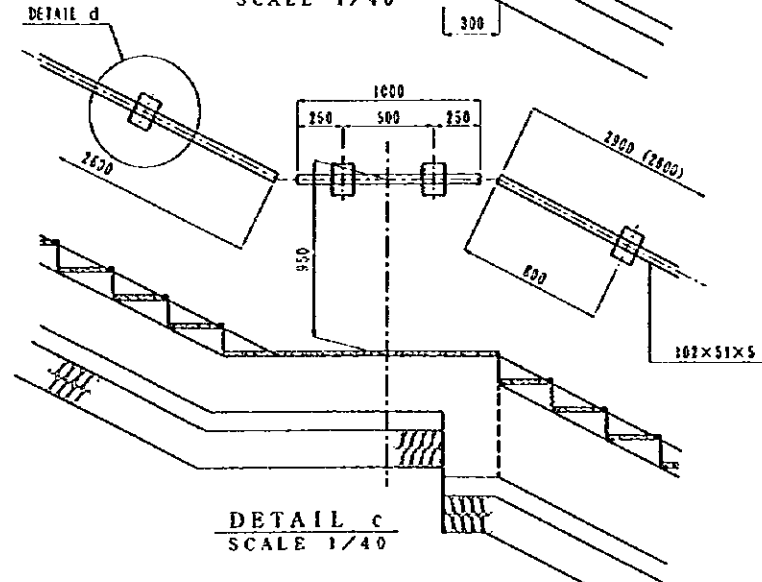
SECTION D-D
SCALE 1/100



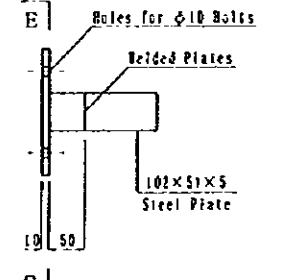
DETAIL b
SCALE 1/40



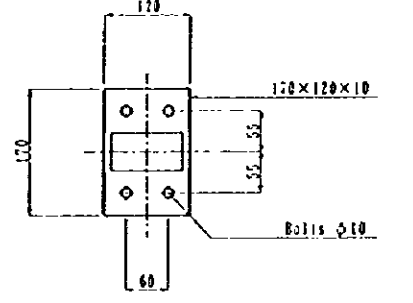
DETAIL a
SCALE 1/40



DETAIL c
SCALE 1/40



DETAIL d
SCALE 1/10

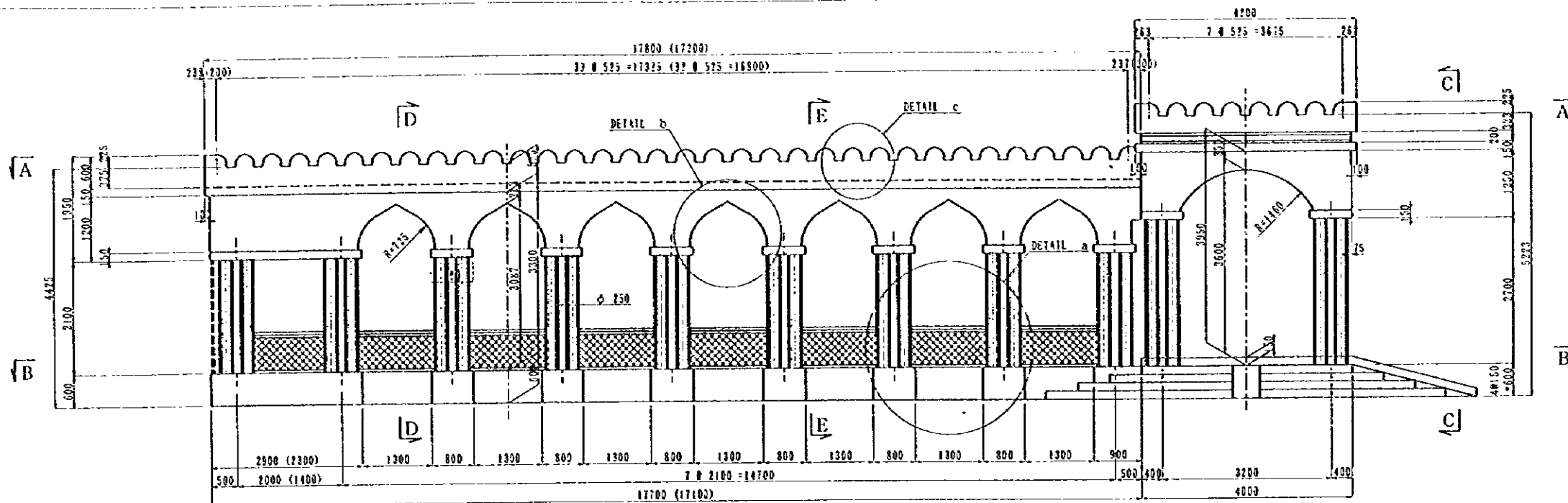


SECTION E-E
SCALE 1/10

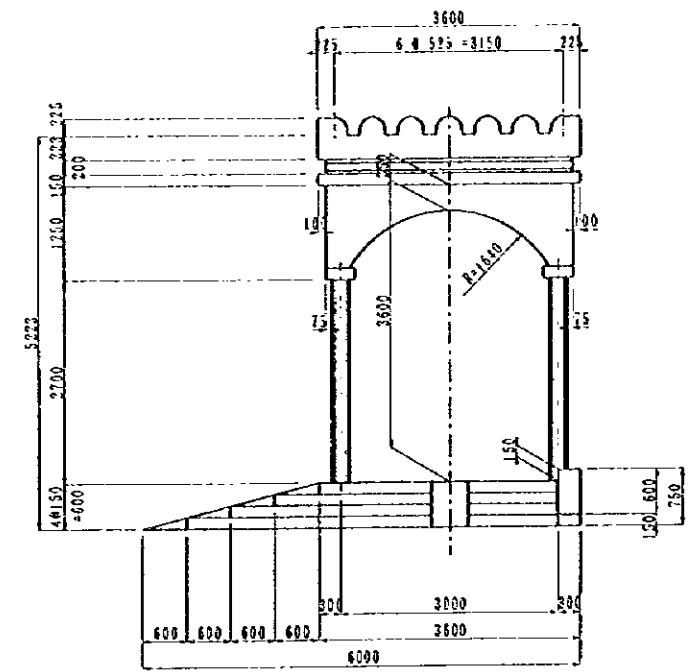
CANOPY ON LIGHT WELL

NOTES: Dimensions of () value are for inland stair.

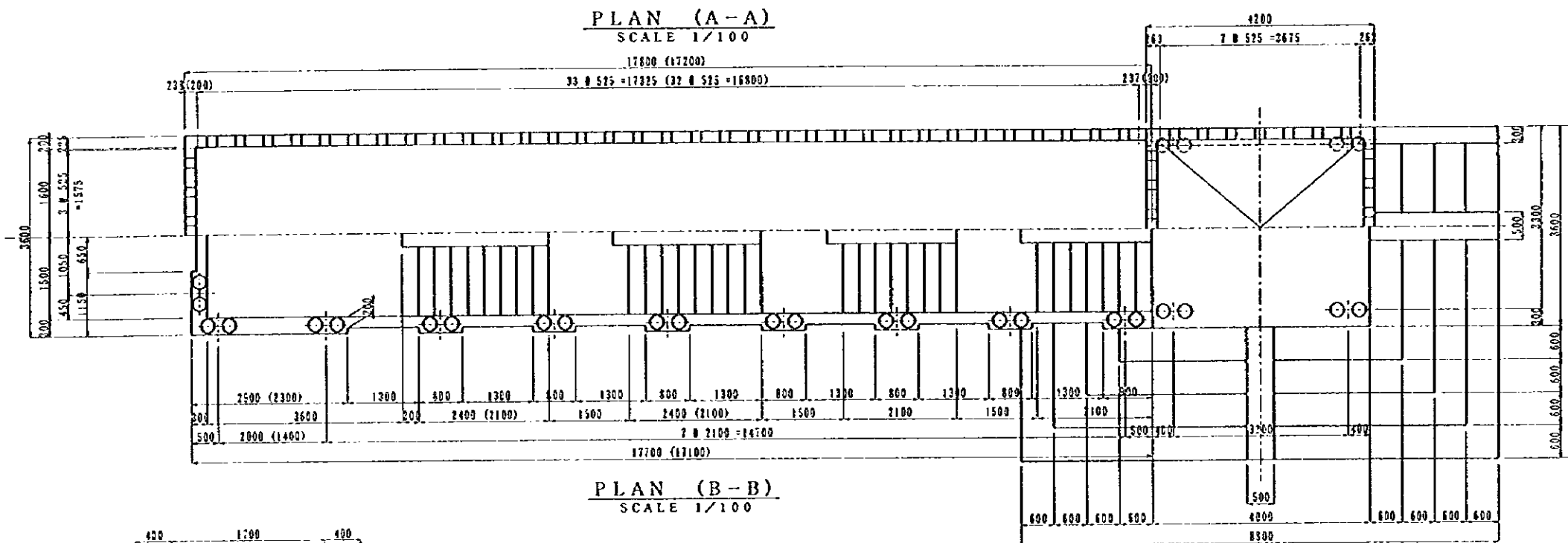
JAPAN INTERNATIONAL COOPERATION AGENCY (JICA) JICA STUDY TEAM PACIFIC CONSULTANTS INTERNATIONAL FURUYAMA CONSULTANTS INTERNATIONAL	CLIENT : MINISTRY OF COMMUNICATIONS, DIRECTORATE GENERAL OF ROADS
	PROJECT : D/D ON ROAD DEVELOPMENT PROJECT ON BATINAH HIGHWAY
	TITLE : P/U-8, QARIH GENERAL VIEW (2)
	DATE : _____ DWG NO. 1 - C



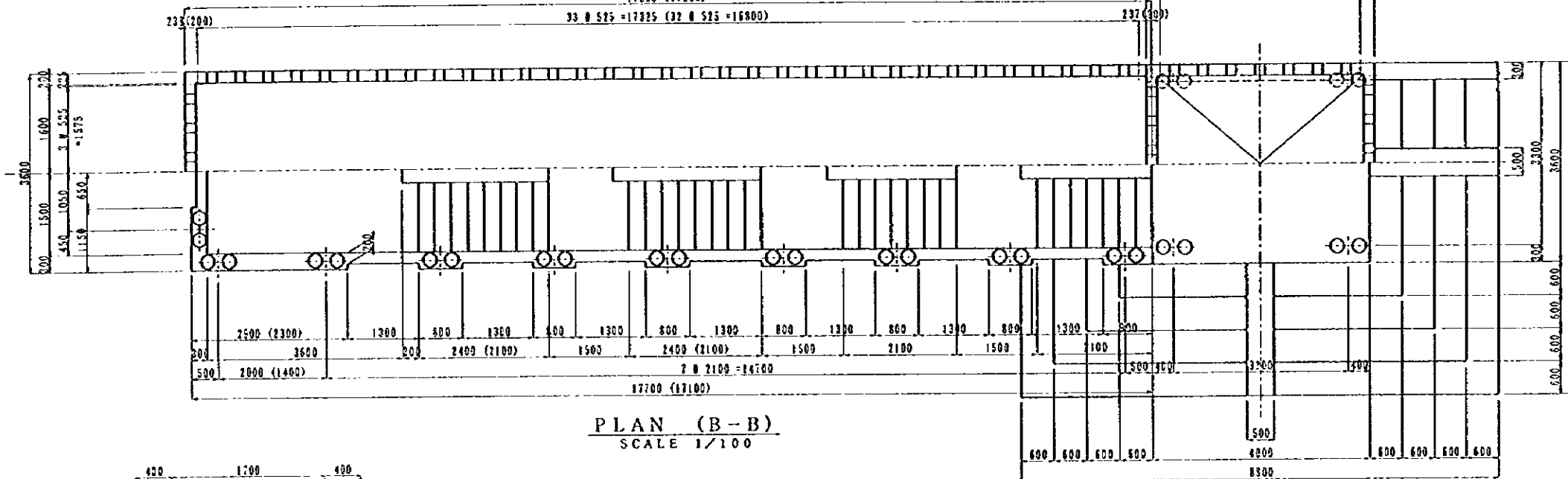
PROFILE OF CANOPY
SCALE 1/100



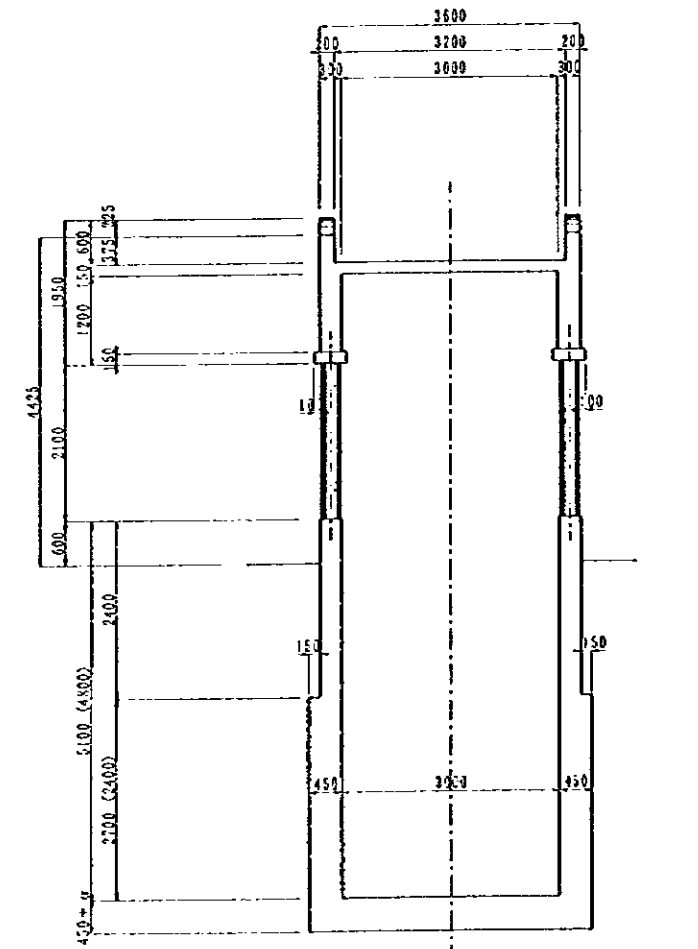
ENTRANCE (C-C)
SCALE 1/100



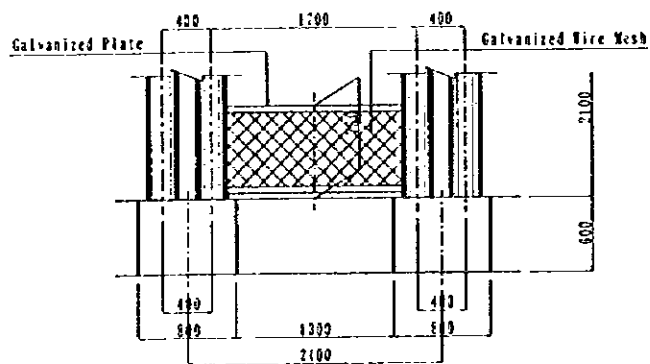
PLAN (A-A)
SCALE 1/100



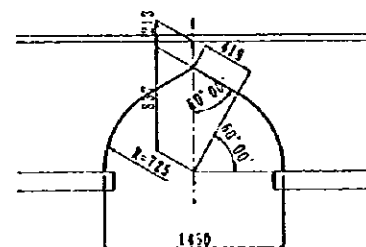
PLAN (B-B)
SCALE 1/100



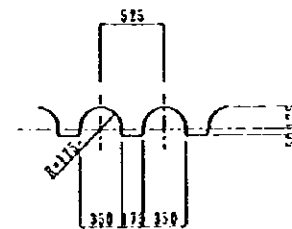
CROSS SECTION D-D
SCALE 1/100



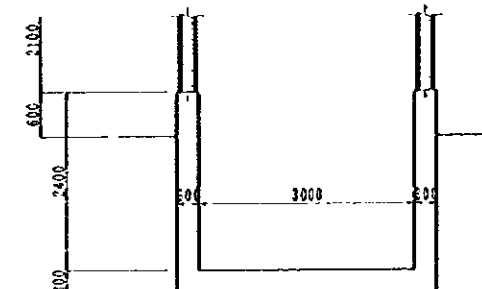
DETAIL a
SCALE 1/60



DETAIL b
SCALE 1/60



DETAIL c
SCALE 1/60



CROSS SECTION E-E
SCALE 1/100

NOTES: Dimensions of () value are for inland stair.

JAPAN INTERNATIONAL COOPERATION AGENCY
(JICA)

JICA SILDY TEAM
PACIFIC CONSULTANTS INTERNATIONAL
FKUYAMA CONSULTANTS INTERNATIONAL

CLIENT : MINISTRY OF COMMUNICATIONS, DIRECTORATE GENERAL OF ROADS
PROJECT : D/D ON ROAD DEVELOPMENT PROJECT ON BATINAH HIGHWAY
TITLE : P/U-8, QARH GENERAL VIEW (3)
DATE : _____ DWG NO. 1 - 5