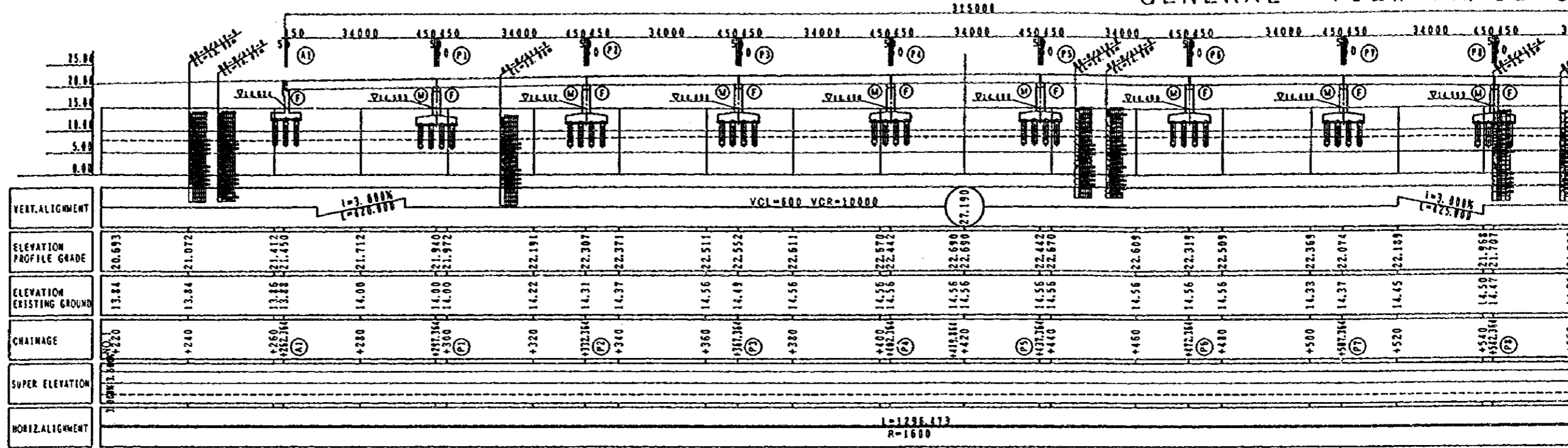
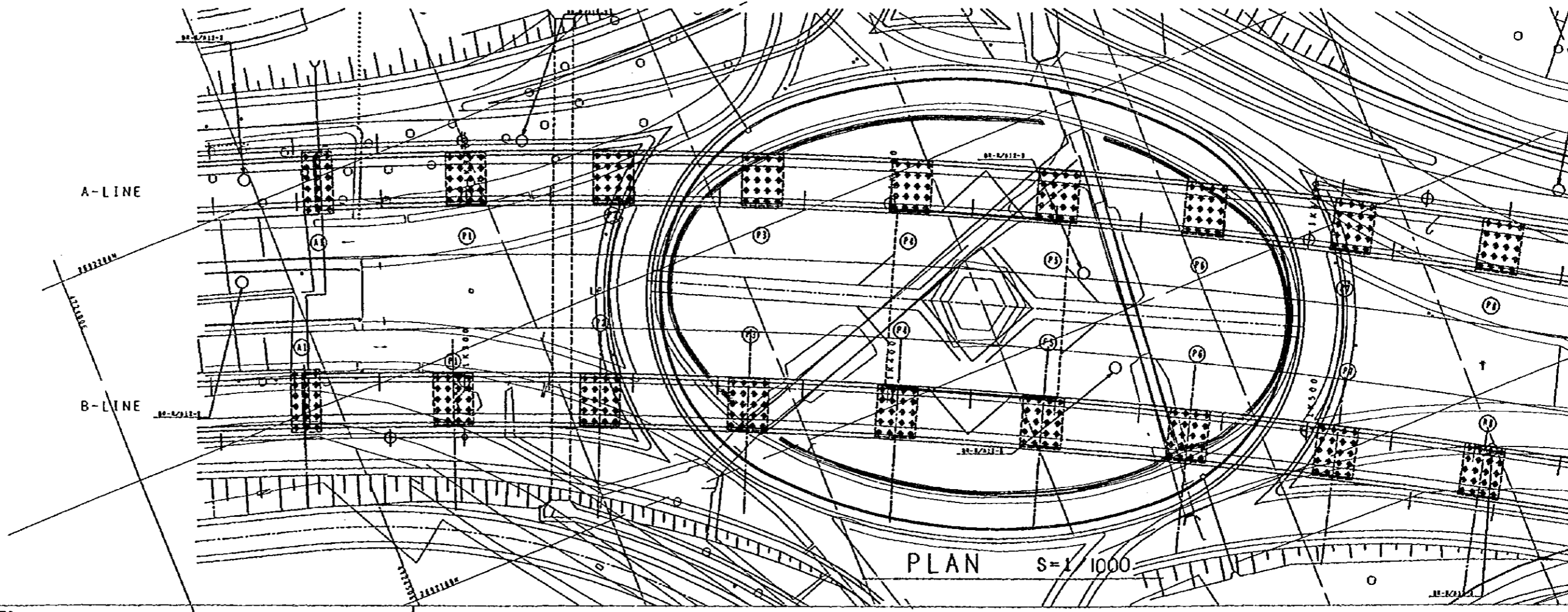


GENERAL VIEW RA/12 S



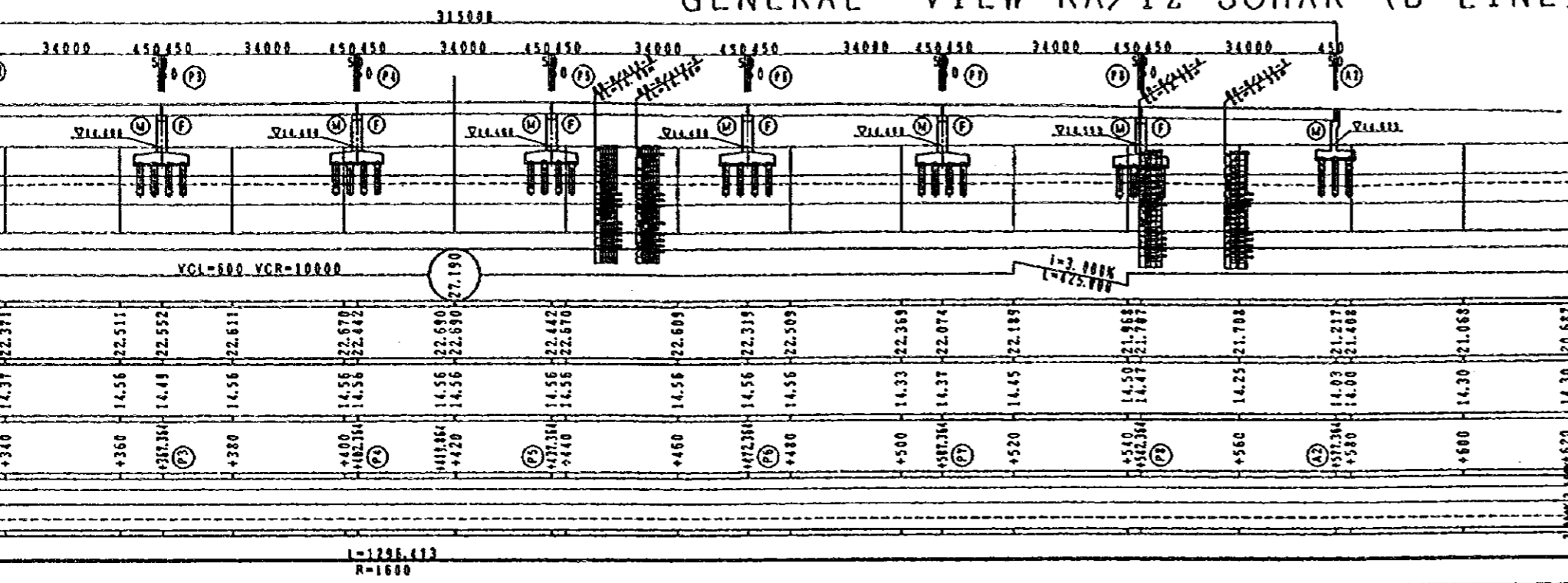
PROFILE (B-LINE) S=1/1000



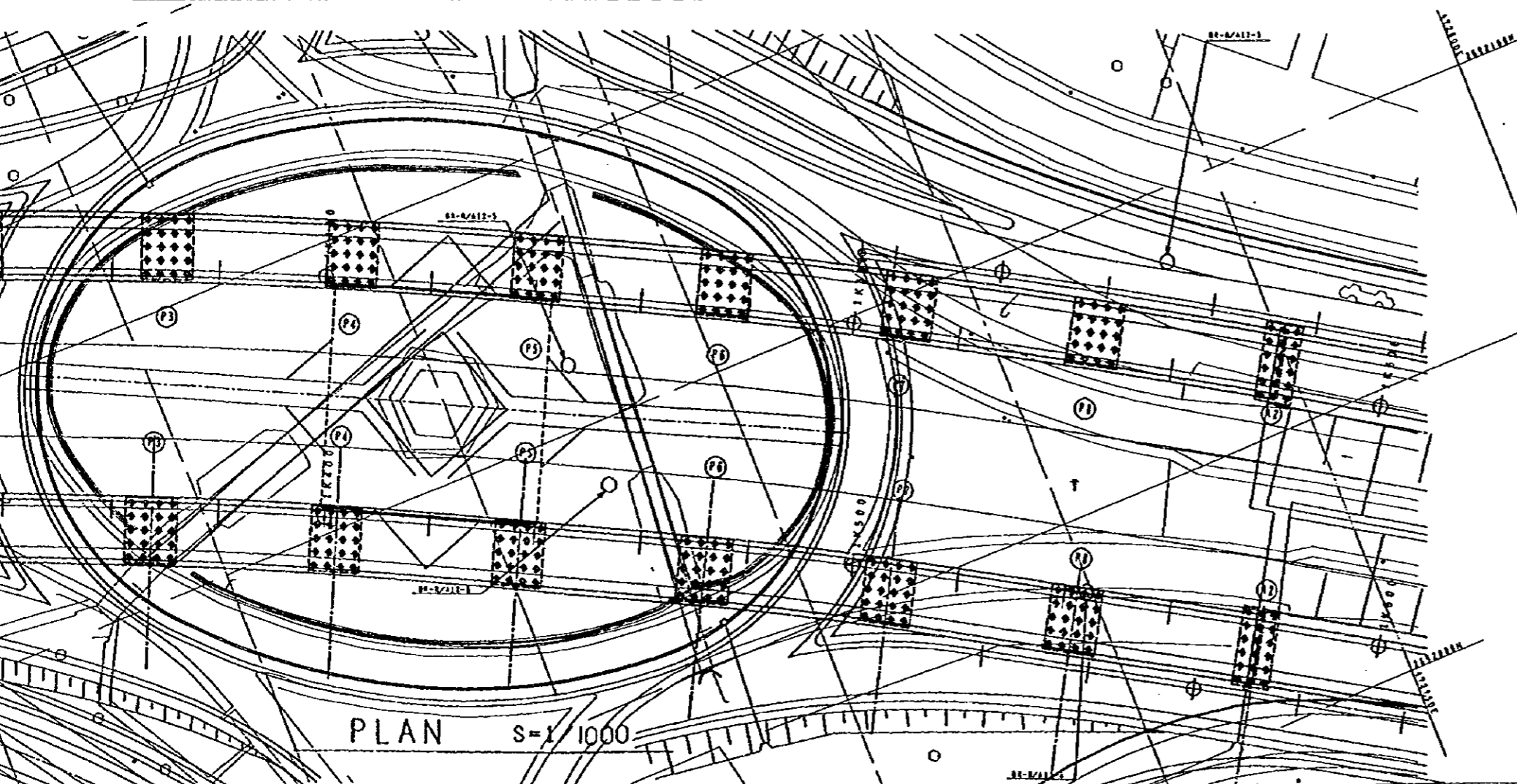
PLAN S=1/1000

NOTES:

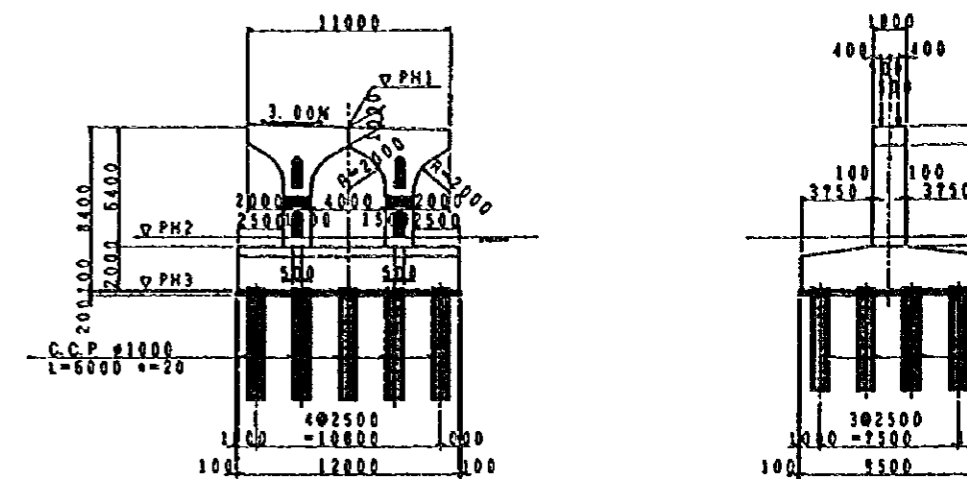
GENERAL VIEW RA/12 SOHAR (B-LINE)



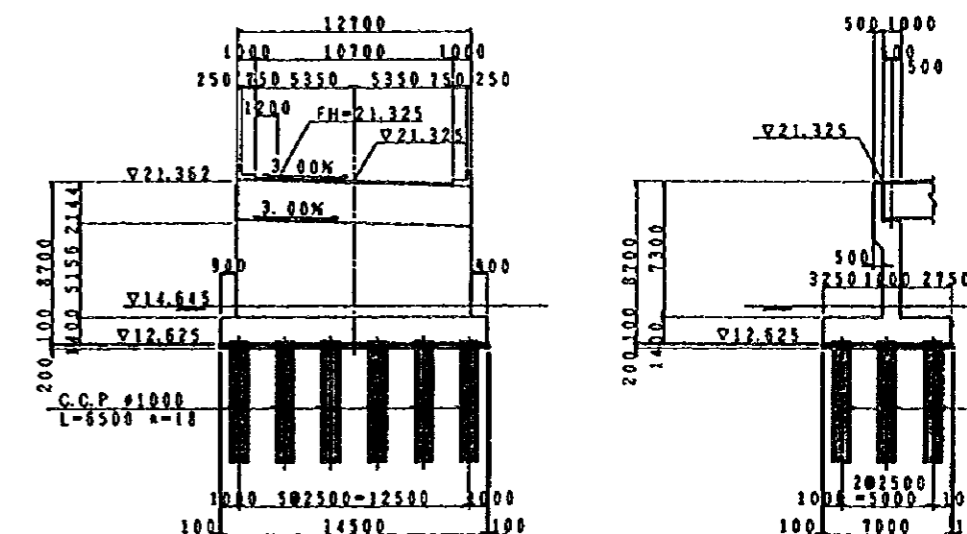
PROFILE (B-LINE) S=1/1000



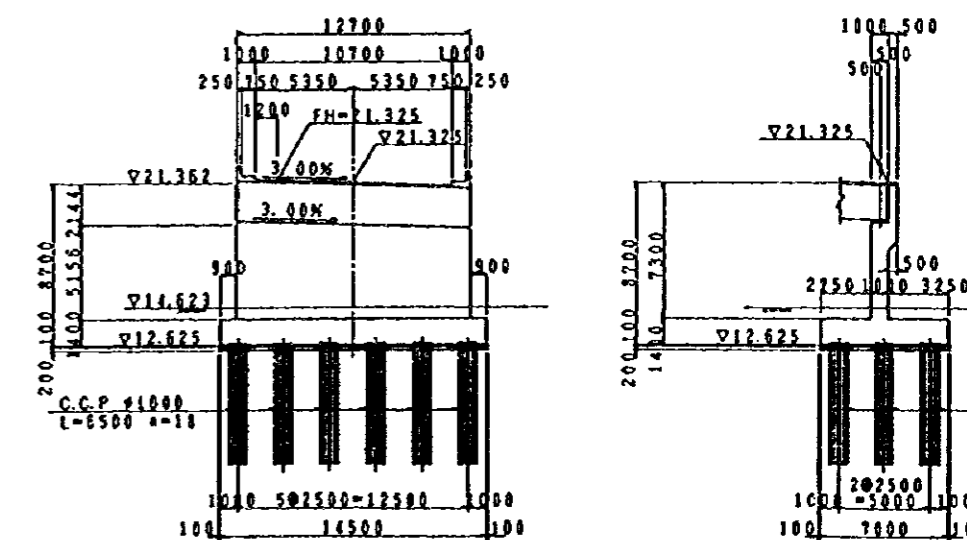
PLAN S=1/1000



SECTION OF PIERS S=1/400

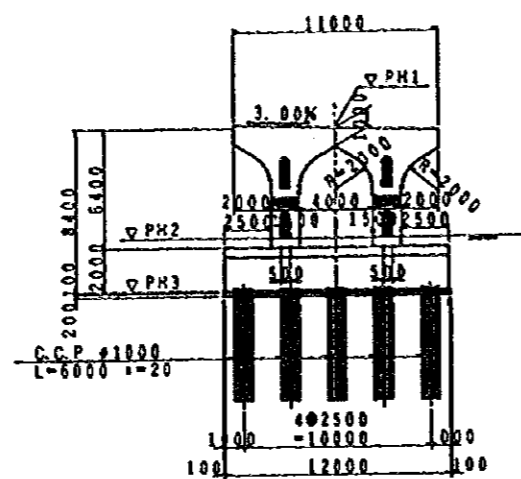
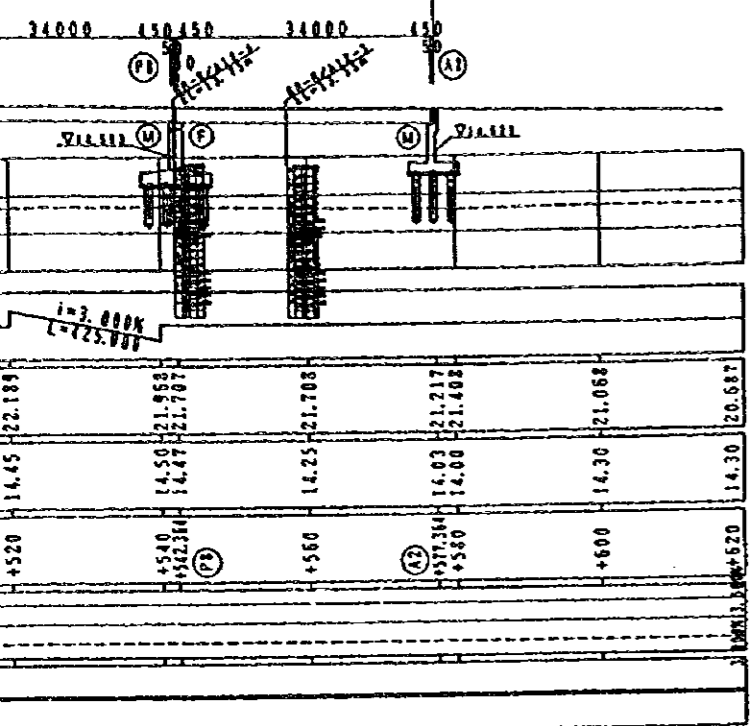


SECTION OF A1 ABUTMENT S=1/400

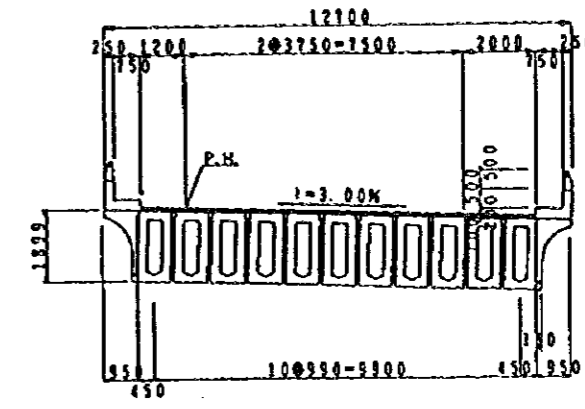
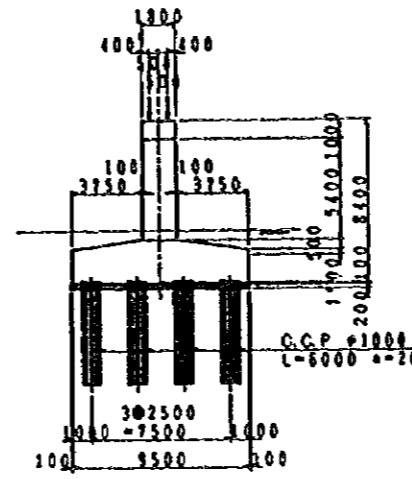


SECTION OF A2 ABUTMENT S=1/400

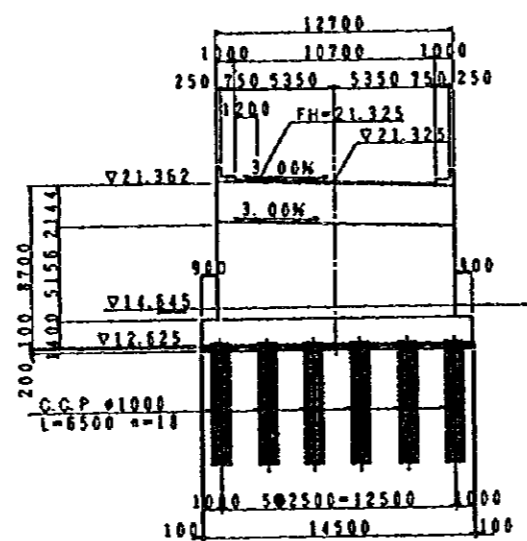
RA/12 SOHAR (B-LINE)



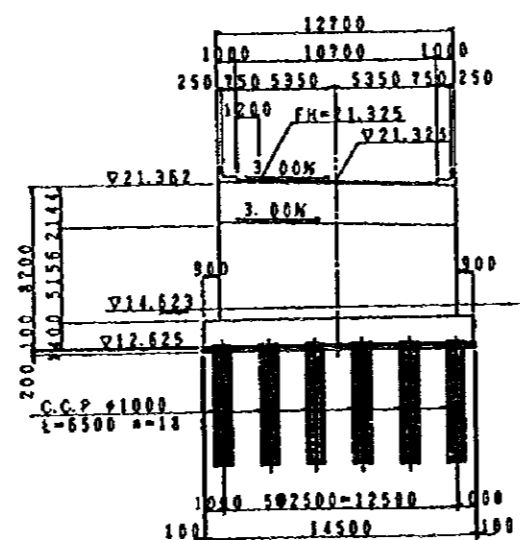
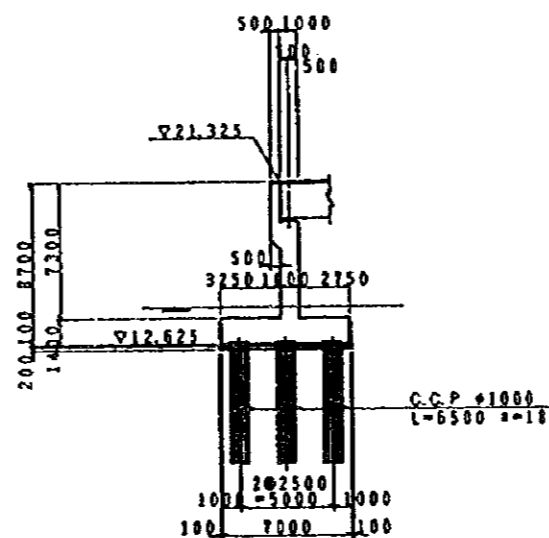
SECTION OF PIERS S=1/400



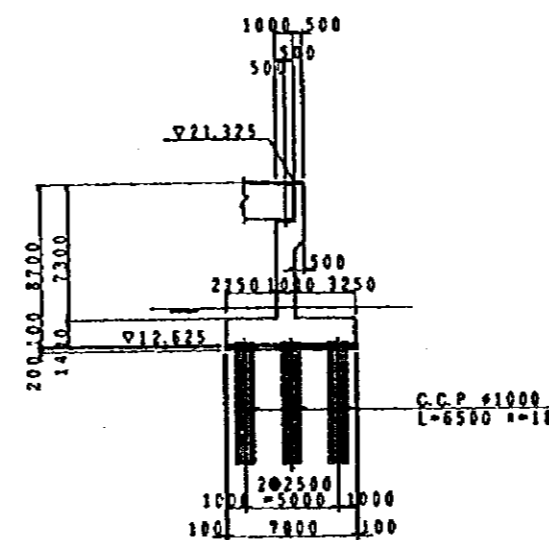
SECTION OF PC BOX GIRDER S=1/200



SECTION OF A1 ABUTMENT S=1/400

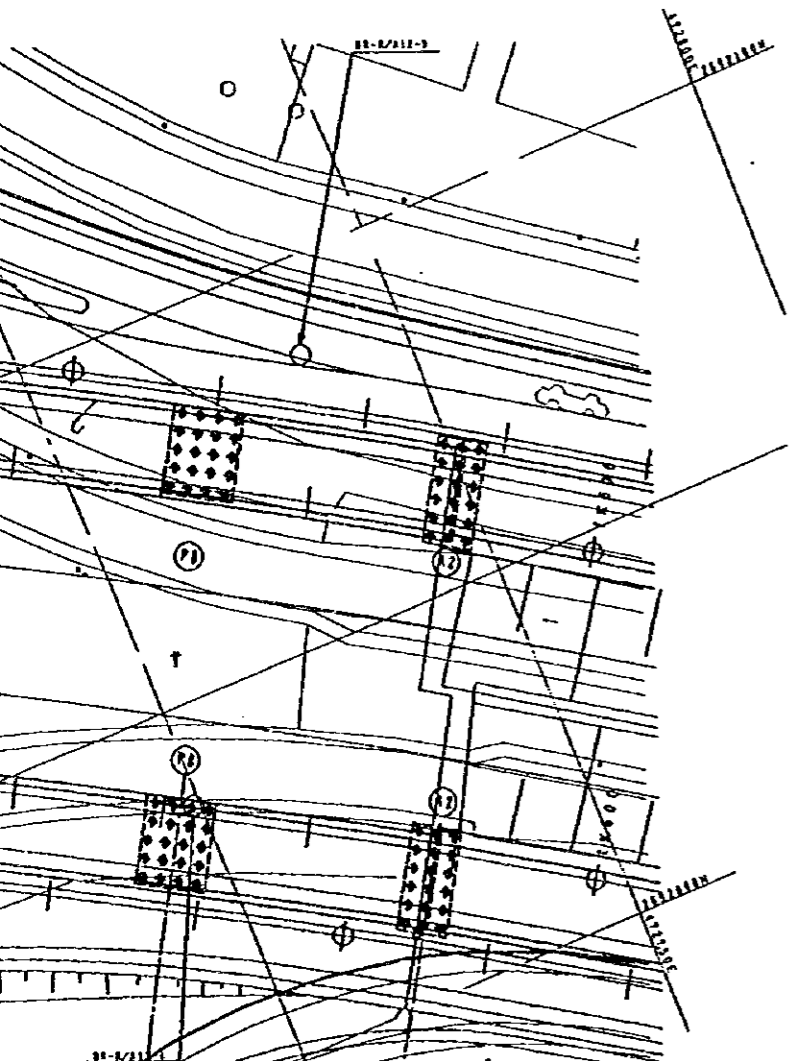


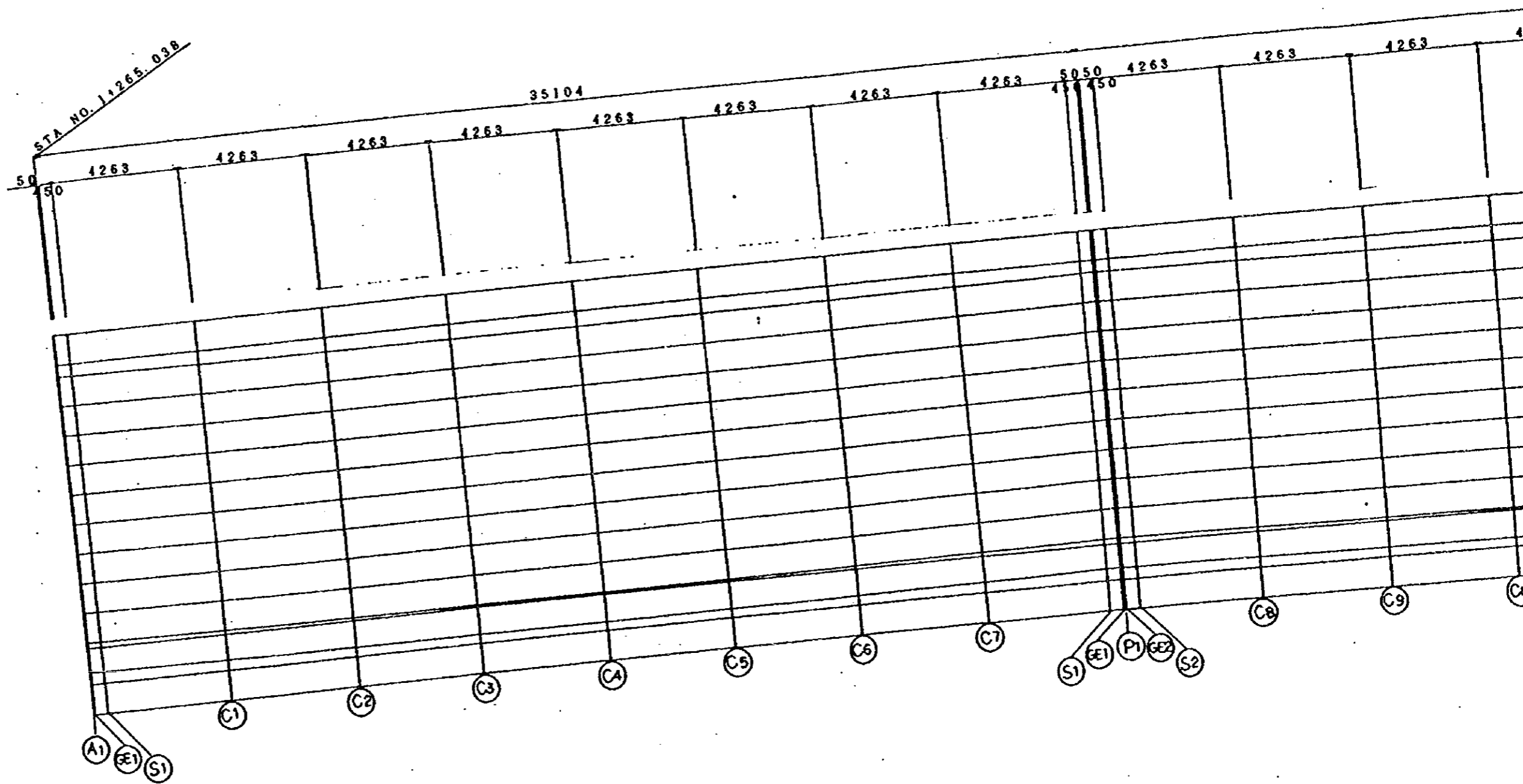
SECTION OF A2 ABUTMENT S=1/400



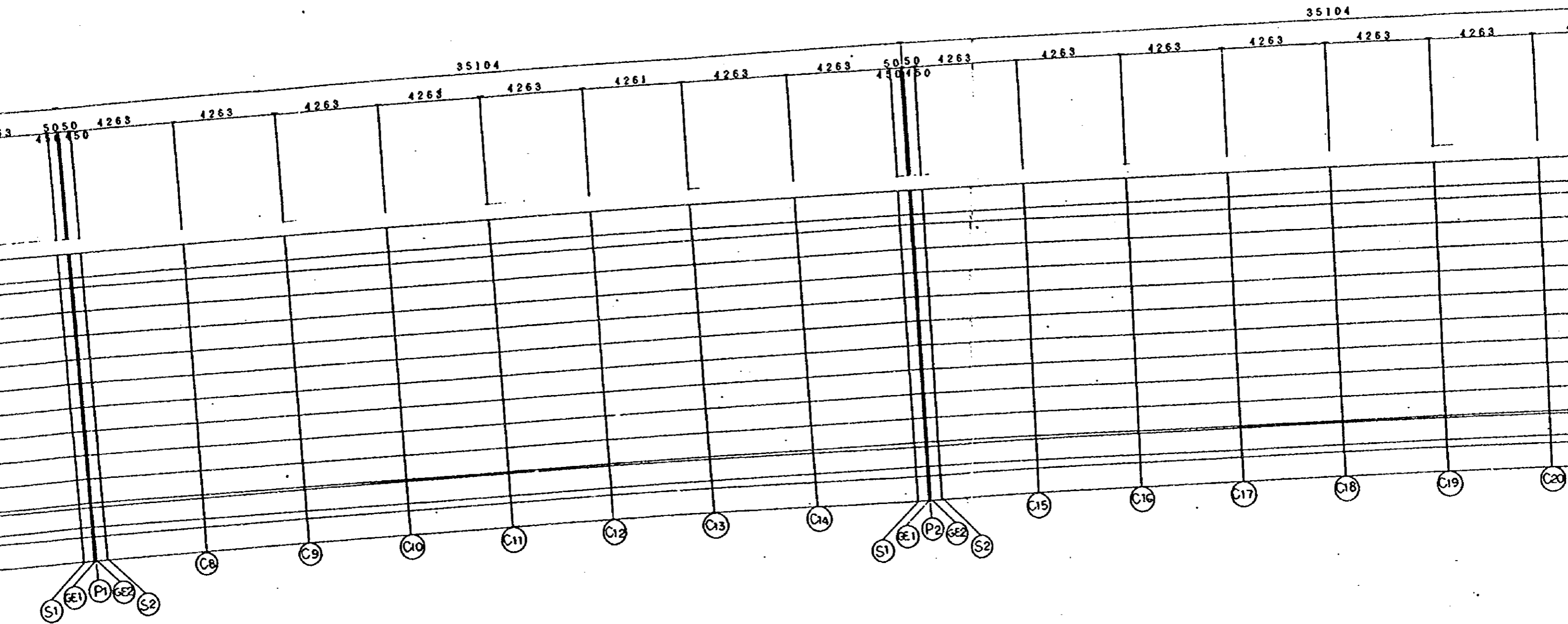
LIST OF PIER ELEVATION

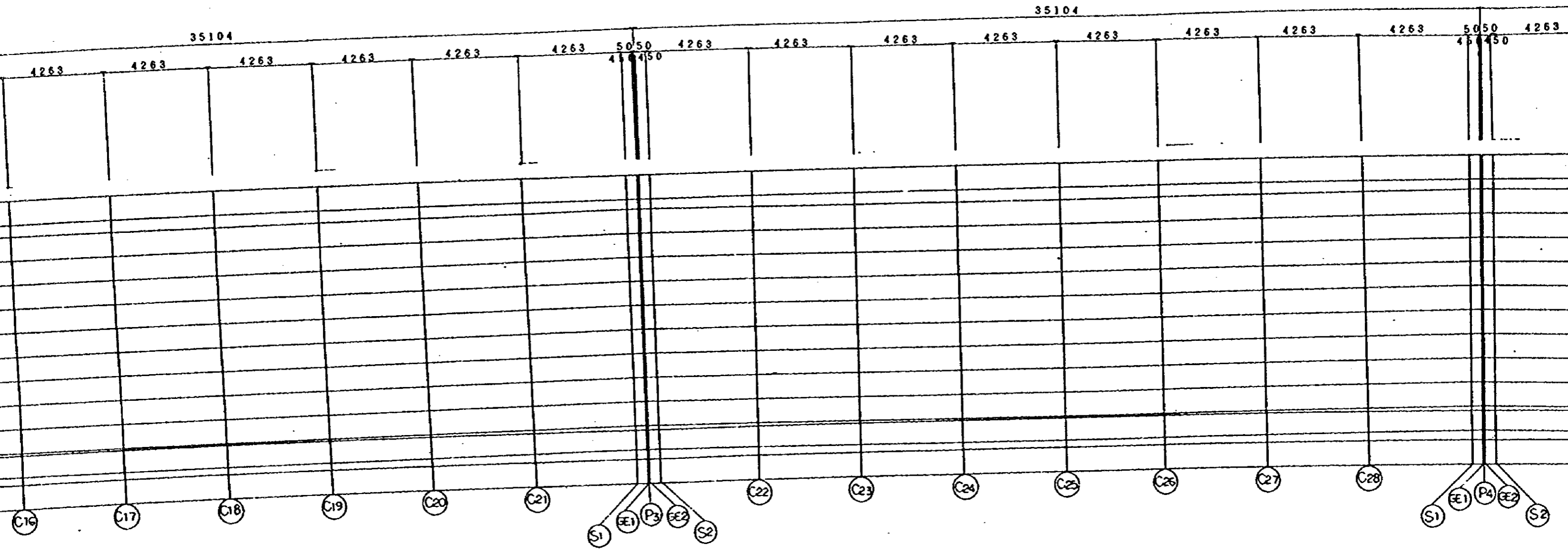
	PH1	PH2	PH3
P1	19.653	14.605	11.253
P2	20.021	14.566	11.621
P3	20.266	14.490	11.866
P4	20.388	14.490	11.988
P5	20.388	14.490	11.988
P6	20.266	14.490	11.866
P7	20.021	14.564	11.621
P8	19.653	14.593	11.253





NOTES:



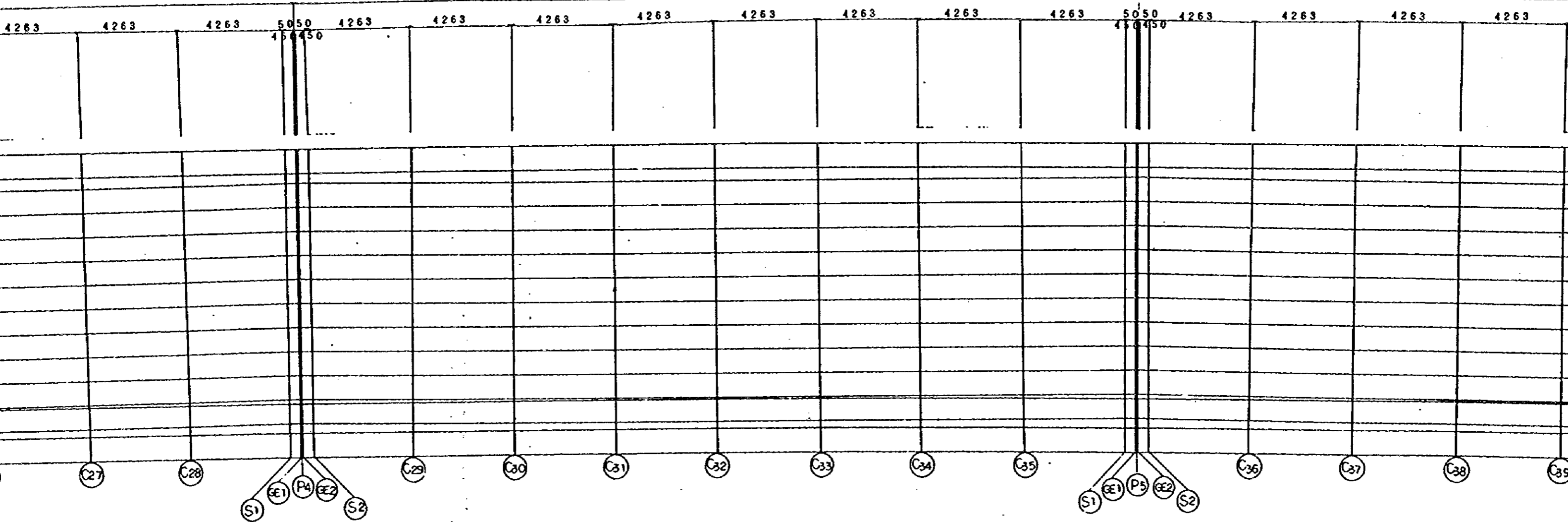


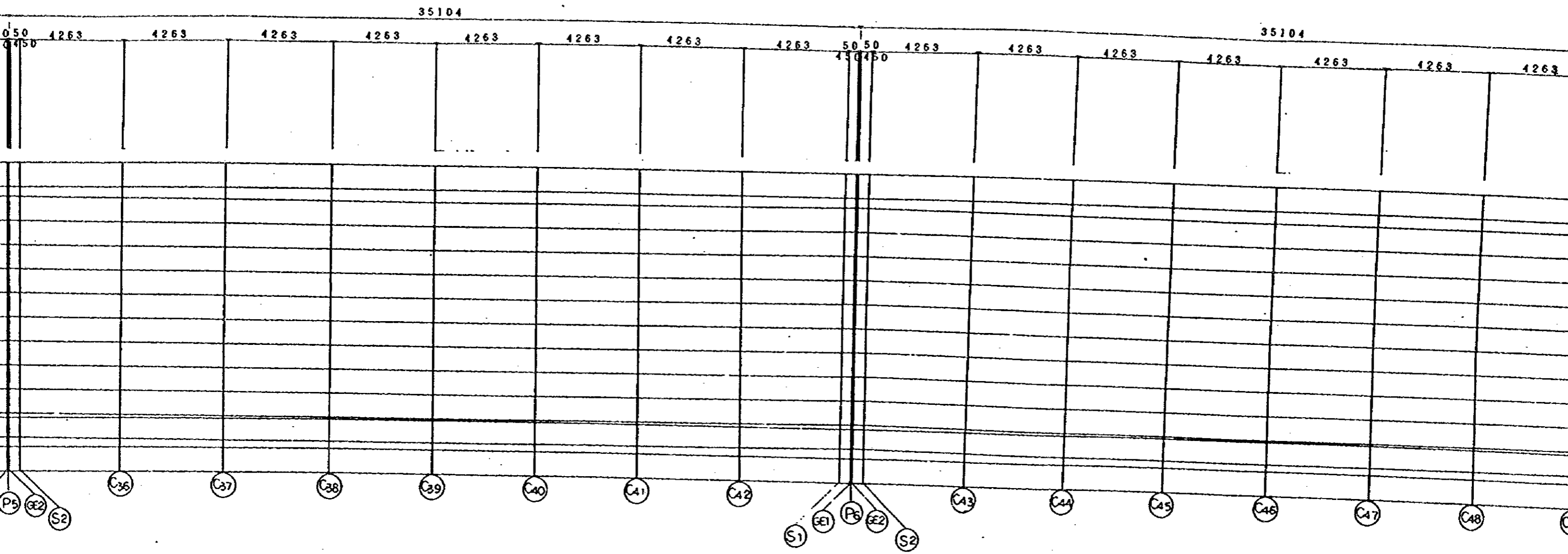
R/A-12 SOHAR

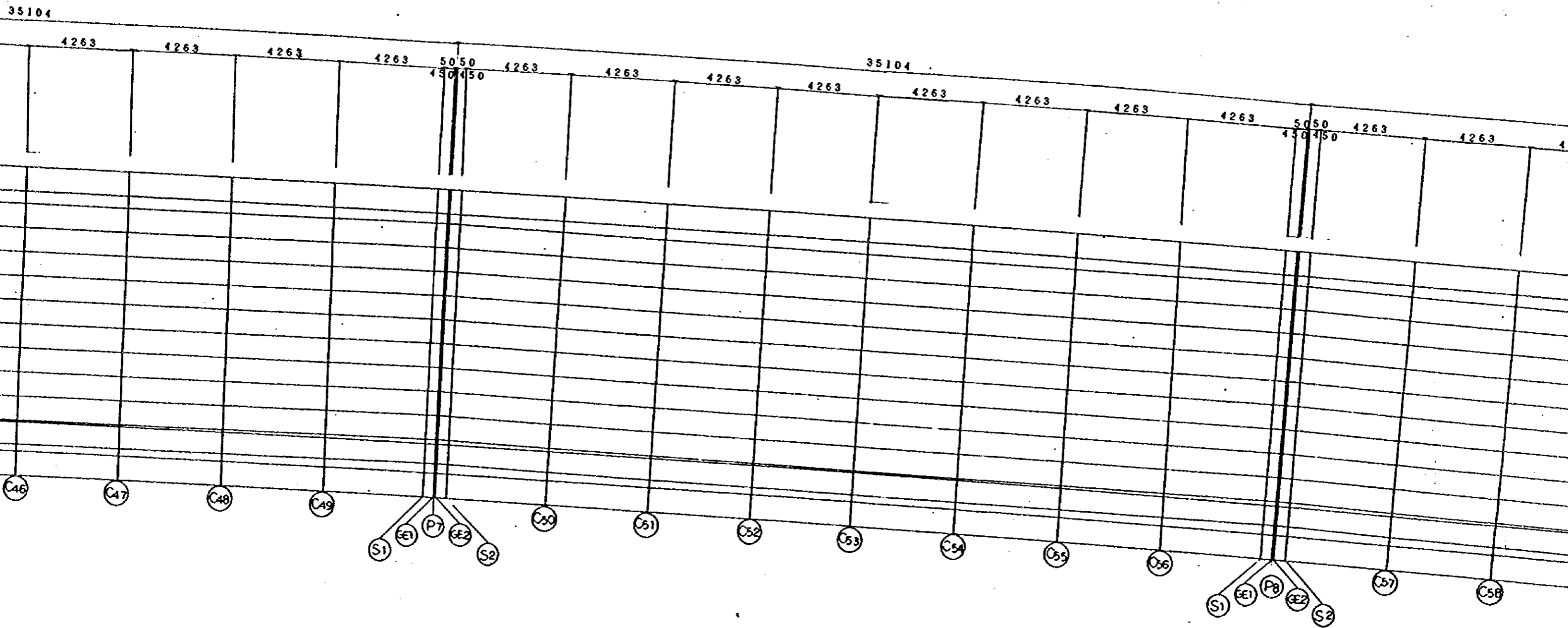
A-LINE

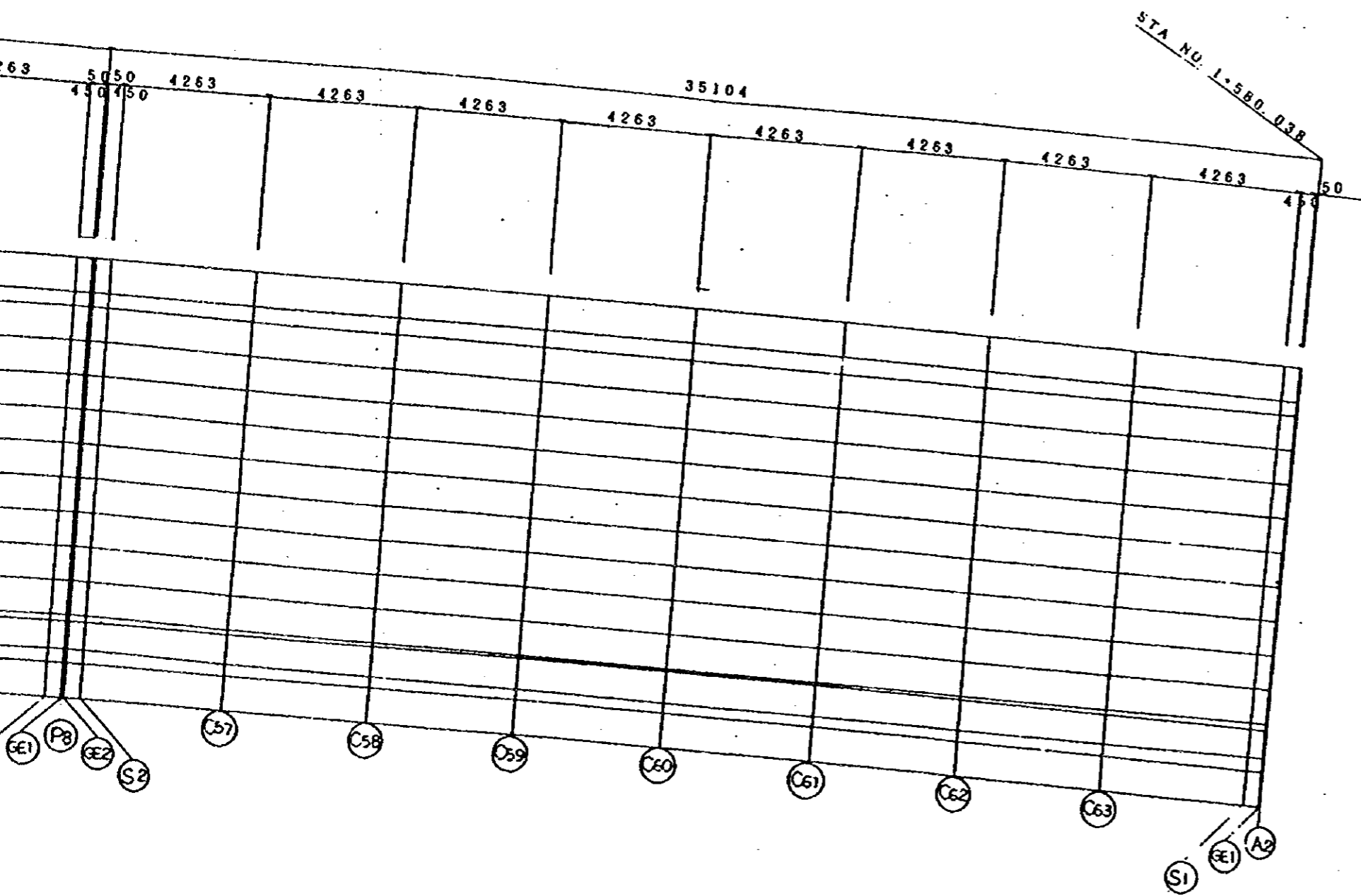
35104

35

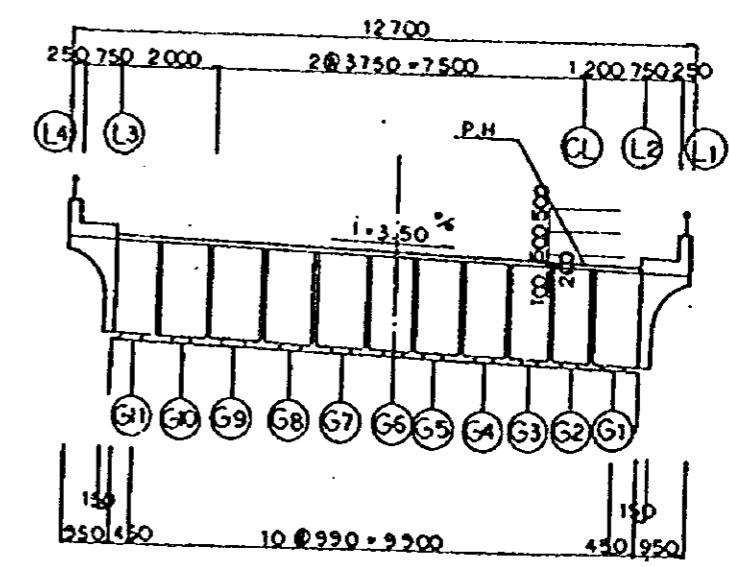








A-LINE



JAPAN INTERNATIONAL COOPERATION AGENCY (JICA) JICA STUDY TEAM PACIFIC CONSULTANTS INTERNATIONAL FUKUYAMA CONSULTANTS INTERNATIONAL	CLIENT: MINISTRY OF COMMUNICATIONS, DIRECTORATE GENERAL OF ROADS PROJECT: D/D ON ROAD DEVELOPMENT PROJECT ON BATINAH HIGHWAY	
	TITLE DATE	FRAMING PLAN RA/12 AT A-LINE DWGNO. B-3

SOHAR(A)

SECTION		A1	A1-GE1	A1-S1	C4	P1-S1	P1-GE1	P1	P1-GE2	P1-S2	O11	P2-S1
STATION		1 + 265.0380	1 + 265.0880	1 + 265.5380	1 + 282.5380	1 + 298.5380	1 + 299.9880	1 + 300.0380	1 + 300.0880	1 + 300.5380	1 + 317.5380	1 + 334.5380
L4	X	-0.7128	-0.6632	-0.216	16.8188	33.8745	34.3228	34.3726	34.4224	34.8707	51.9455	69.036
	Y	6.3099	6.3155	6.3659	8.1797	9.7884	9.8258	9.8302	9.8345	9.8738	11.2611	12.441
	Z	21.4842	21.485	21.492	21.7445	21.9631	21.9736	21.9742	21.9748	21.9803	22.1732	22.3373
L3	X	-0.6006	-0.5509	-0.1037	16.9187	33.9619	34.4102	34.46	34.5098	34.9581	52.0205	69.0985
	Y	5.3162	5.3218	5.3723	7.1847	8.7902	8.8296	8.834	8.8384	8.8776	10.2639	11.443
	Z	21.5492	21.55	21.557	21.8095	22.0331	22.0386	22.0392	22.0398	22.0453	22.2382	22.4023
G6(PIER CENTER)	X	0	0.0498	0.4976	17.4637	34.43	34.8777	34.9275	34.9774	35.4261	52.4296	69.433
	Y	0	0.005	0.05	1.7523	3.4546	3.4995	3.5045	3.5082	3.5419	4.8196	6.0972
	Z	21.3619	21.3627	21.3696	21.6184	21.8456	21.8513	21.8519	21.8525	21.8578	22.0472	22.2148
CL	X	0.4659	0.5156	0.9628	17.8671	34.7921	35.2403	35.2902	35.34	35.7883	52.7323	69.6918
	Y	-4.1237	-4.1181	-4.0677	-2.2679	-0.6734	-0.634	-0.6297	-0.6253	-0.586	0.7906	1.9615
	Z	21.2167	21.2175	21.2245	21.477	21.7005	21.7061	21.7067	21.7073	21.7128	21.9057	22.0698
L2	X	0.6006	0.6503	1.0975	17.9869	34.8969	35.3452	35.395	35.4448	35.8931	52.8222	69.7688
	Y	-5.3161	-5.3105	-5.2601	-3.4619	-1.8688	-1.8294	-1.8251	-1.8207	-1.7815	-0.406	0.7638
	Z	21.1747	21.1755	21.1826	21.435	21.6585	21.6641	21.6647	21.6653	21.6708	21.8637	22.0278
L1	X	0.7129	0.7626	1.2097	18.0867	34.9843	35.4326	35.4824	35.5322	35.9805	52.8971	69.8292
	Y	-6.3098	-6.3042	-6.2538	-4.4569	-2.865	-2.8256	-2.8212	-2.8169	-2.7776	-1.4032	-0.2342
	Z	21.0397	21.0405	21.0476	21.3	21.5235	21.5291	21.5297	21.5303	21.5358	21.7287	21.8928

NOTES:

	P1	P1-GE2	P1-S2	C11	P2-S1	P2-GE1	P2	P2-GE2	P2-S2	C18	P3-S1	P3-GE1	P3	P3-GE2	P3-S2	C25	P4-S1	P4-GE1	P4	P4-GE2	P4-S2
80	1 + 300.0380	1 + 300.0880	1 + 300.5380	1 + 317.5380	1 + 334.5380	1 + 334.9880	1 + 335.0380	1 + 335.0880	1 + 335.5380	1 + 352.5380	1 + 369.5380	1 + 369.9880	1 + 370.0380	1 + 370.0880	1 + 370.5380	1 + 387.5380	1 + 404.5380	1 + 404.9880	1 + 405.0380	1 + 405.0880	1 + 405.5380
28	34.3726	34.4224	34.8707	51.9455	69.036	69.4851	69.535	69.5849	70.0341	87.1383	104.2529	104.7026	104.7525	104.8025	105.2522	122.3751	139.5031	139.9531	140.0031	140.0531	140.5031
58	9.8302	9.8345	9.8738	11.2611	12.441	12.4692	12.4723	12.4754	12.5035	13.4635	14.2158	14.2328	14.2347	14.2365	14.2533	14.7855	15.1098	15.1155	15.1161	15.1167	15.1173
36	21.9742	21.9748	21.9803	22.1732	22.3373	22.3413	22.3417	22.3421	22.346	22.4795	22.5841	22.5864	22.5867	22.5869	22.5893	22.6632	22.7083	22.7091	22.7092	22.7093	22.7094
02	34.46	34.5098	34.8581	52.0205	69.0985	69.5476	69.5975	69.6474	70.0965	87.1882	104.2904	104.7401	104.79	104.84	105.2897	122.4001	139.5156	139.9658	140.0156	140.0656	140.5156
96	8.834	8.8384	8.8776	10.2639	11.443	11.4711	11.4743	11.4774	11.5054	12.4648	13.2165	13.2335	13.2354	13.2372	13.254	13.7859	14.1099	14.1156	14.1162	14.1168	14.1174
86	22.0392	22.0398	22.0453	22.2382	22.4023	22.4063	22.4067	22.4071	22.411	22.5445	22.6491	22.6514	22.6517	22.6519	22.6543	22.7282	22.7733	22.7741	22.7742	22.7743	22.7744
77	34.9275	34.9774	35.4261	52.4296	69.433	69.8818	69.9316	69.9816	70.4311	87.4611	104.4912	104.9407	104.9906	105.0406	105.4905	122.5365	139.5826	140.0325	140.0825	140.1325	140.5825
95	3.5045	3.5082	3.5419	4.8196	6.0972	6.131	6.1347	6.1372	6.1597	7.0119	7.8641	7.8866	7.8891	7.8904	7.9016	8.3279	8.7541	8.7654	8.7666	8.7666	8.7667
13	21.8519	21.8525	21.8578	22.0472	22.2148	22.219	22.2194	22.2199	22.2236	22.3534	22.4616	22.4642	22.4644	22.4647	22.4668	22.5372	22.5858	22.5868	22.5869	22.587	22.5871
03	35.2902	35.34	35.7883	52.7323	69.6918	70.141	70.1909	70.2408	70.6899	87.663	104.6466	105.0962	105.1462	105.1962	105.6459	122.6375	139.6344	140.0844	140.1344	140.1844	140.6344
34	-0.6297	-0.6253	-0.586	0.7906	1.9615	1.9897	1.9928	1.9959	2.024	2.9767	3.7232	3.7402	3.742	3.7439	3.7607	4.2888	4.6106	4.6163	4.6169	4.6176	4.6183
61	21.7067	21.7073	21.7128	21.9057	22.0698	22.0737	22.0742	22.0746	22.0785	22.212	22.3165	22.3189	22.3192	22.3194	22.3218	22.3957	22.4408	22.4416	22.4417	22.4418	22.4419
52	35.395	35.4448	35.8931	52.8222	69.7663	70.2159	70.2658	70.3157	70.7648	87.723	104.6915	105.1412	105.1912	105.2412	105.6908	122.6675	139.6494	140.0994	140.1494	140.1994	140.6494
94	-1.8251	-1.8207	-1.7815	-0.406	0.7638	0.792	0.7952	0.7983	0.8263	1.7782	2.5241	2.541	2.5429	2.5448	2.5615	3.0892	3.4107	3.4164	3.417	3.4177	3.4183
41	21.6647	21.6653	21.6708	21.8637	22.0278	22.0317	22.0322	22.0326	22.0366	22.17	22.2745	22.2769	22.2772	22.2774	22.2798	22.3537	22.3988	22.3996	22.3997	22.3998	22.3999
26	35.4824	35.5322	35.9805	52.8971	69.8292	70.2784	70.3283	70.3782	70.8273	87.773	104.729	105.1787	105.2287	105.2786	105.7283	122.6925	139.6619	140.1119	140.1619	140.2119	140.6619
56	-2.8212	-2.8169	-2.7776	-1.4032	-0.2342	-0.206	-0.2029	-0.1998	-0.1717	0.7794	1.5248	1.5417	1.5436	1.5455	1.5623	2.0895	2.4108	2.4165	2.4171	2.4177	2.4183
91	21.5297	21.5303	21.5358	21.7287	21.8928	21.8967	21.8972	21.8976	21.9016	22.035	22.1395	22.1419	22.1422	22.1424	22.1448	22.2187	22.2638	22.2646	22.2647	22.2648	22.2649

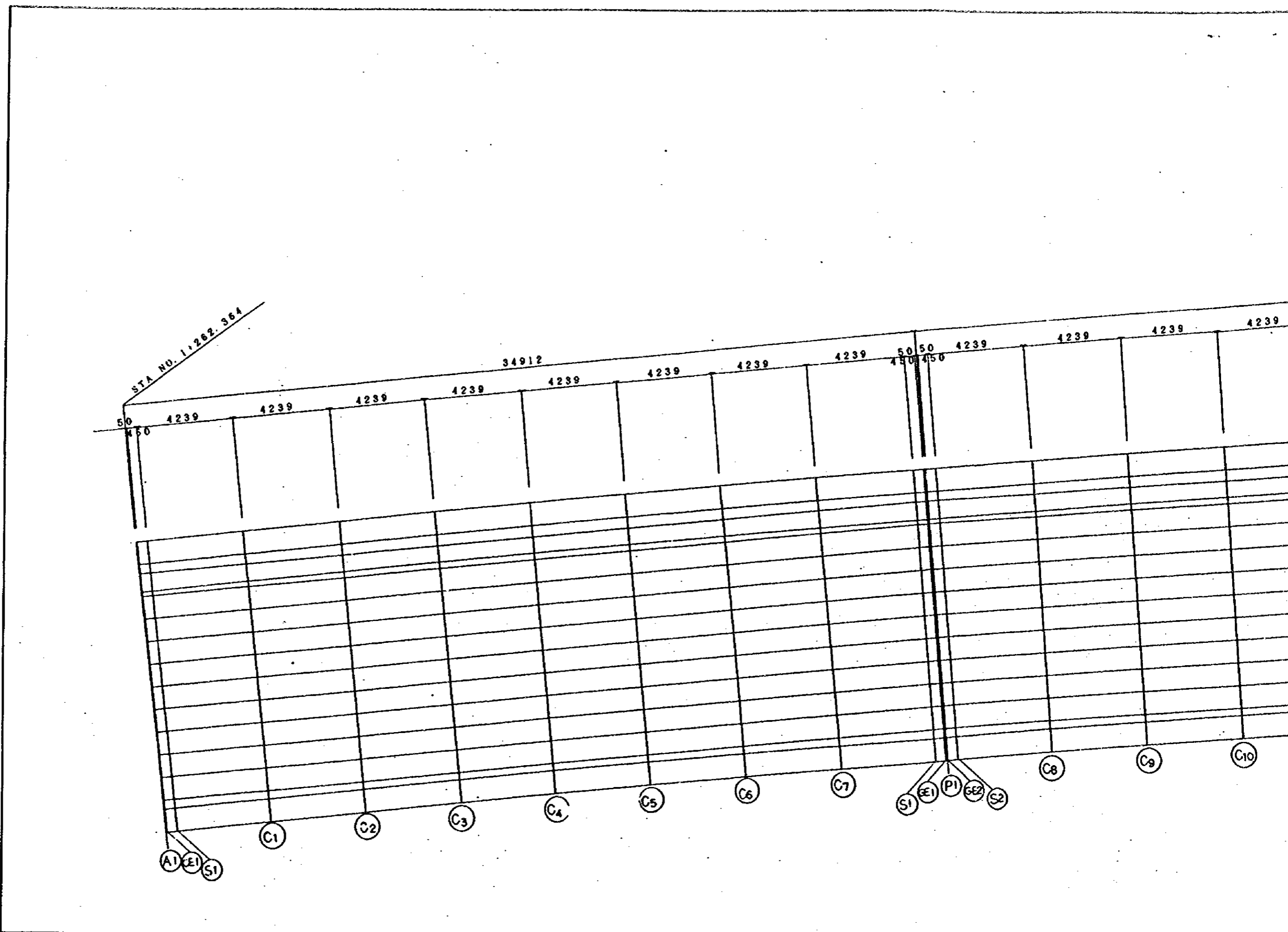
FRAMING PLAN AT RA/12 SOHAR (A-LINE)

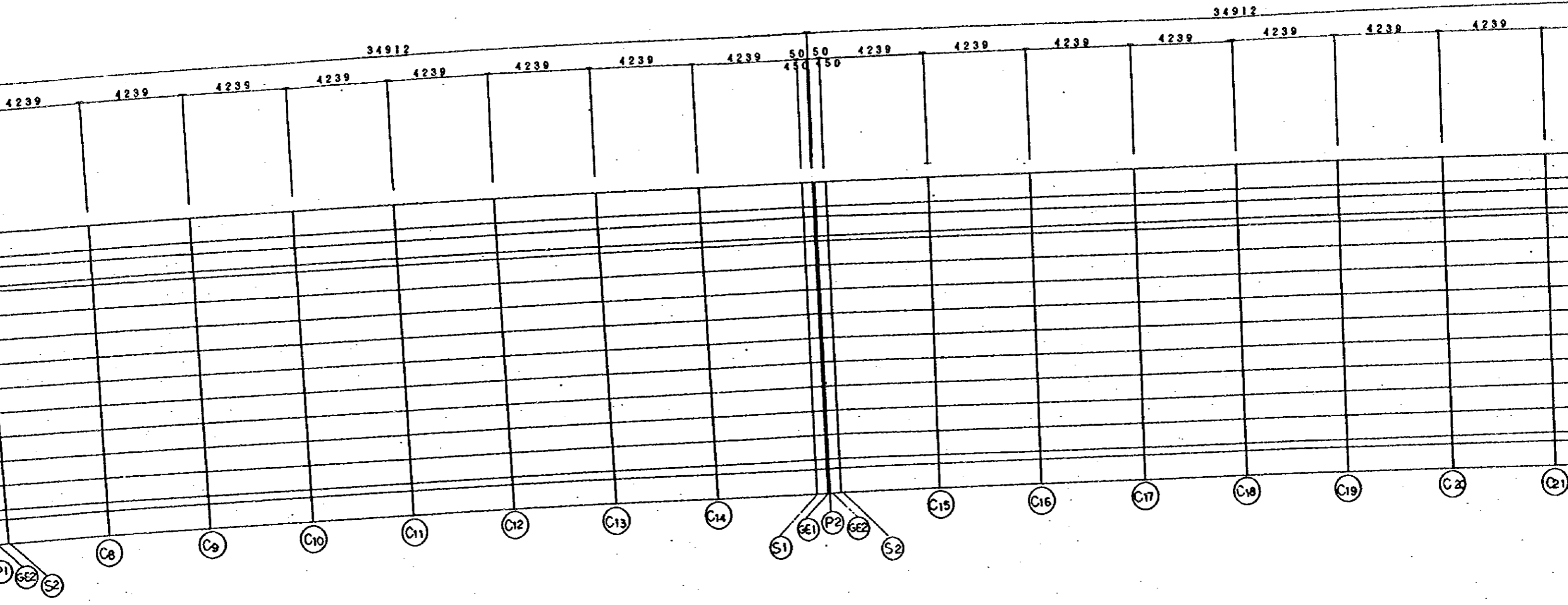
C25	P4-S1	P4-GE1	P4	P4-GE2	P4-S2	C32	P5-S1	P5-GE1	P5	P5-GE2	P5-S2	C39	P6-S1	P6-GE1	P6	P6-GE2	P6-S2	C46	P7-S1	P7-GE1
+ 387.5380	+ 404.5380	+ 404.9880	+ 405.0380	+ 405.0880	+ 405.5380	+ 422.5380	+ 439.5380	+ 439.9880	+ 440.0380	+ 440.0880	+ 440.5380	+ 457.5380	+ 474.5380	+ 474.9880	+ 475.0380	+ 475.0880	+ 475.5380	+ 492.5380	+ 509.5380	+ 509.9880
122.3751	139.5031	139.9531	140.0031	140.0531	140.5031	157.6339	174.7647	175.2147	175.2647	175.3147	175.7647	192.8927	210.0156	210.4653	210.5153	210.5652	211.0149	228.1295	245.2337	245.6829
14.7855	15.1098	15.1155	15.1161	15.1167	15.1223	15.2263	15.1223	15.1167	15.1161	15.1155	15.1098	14.7856	14.2533	14.2365	14.2347	14.2328	14.2158	13.4636	12.5035	12.4754
22.6632	22.7083	22.7091	22.7092	22.7093	22.71	22.7245	22.71	22.7093	22.7092	22.7091	22.7083	22.6633	22.5893	22.5869	22.5867	22.5864	22.5841	22.4795	22.346	22.3421
122.4001	139.5156	139.9656	140.0156	140.0656	140.5156	157.6339	174.7522	175.2022	175.2522	175.3022	175.7522	192.8677	209.9781	210.4278	210.4778	210.5277	210.9774	228.0795	245.1713	245.6204
13.7859	14.1099	14.1156	14.1162	14.1168	14.1224	14.2263	14.1224	14.1168	14.1162	14.1156	14.1099	13.7859	13.254	13.2372	13.2354	13.2335	13.2165	12.4648	11.5054	11.4774
22.7282	22.7733	22.7741	22.7742	22.7743	22.775	22.7895	22.775	22.7743	22.7742	22.7741	22.7733	22.7283	22.6543	22.6519	22.6517	22.6514	22.6491	22.5445	22.411	22.4071
122.5365	139.5826	140.0325	140.0825	140.1325	140.5825	157.6339	174.6853	175.1353	175.1853	175.2353	175.6852	192.7312	209.7773	210.2272	210.2772	210.3271	210.7766	227.8066	244.8367	245.2862
8.3279	8.7541	8.7654	8.7666	8.7666	8.7666	8.7666	8.7666	8.7666	8.7666	8.7654	8.7541	8.3279	7.9016	7.8904	7.8891	7.8866	7.8641	7.0119	6.1597	6.1372
22.5372	22.5858	22.5868	22.5869	22.587	22.5876	22.5984	22.5876	22.587	22.5869	22.5868	22.5858	22.5372	22.4668	22.4647	22.4644	22.4642	22.4616	22.3534	22.2236	22.2199
122.6375	139.6344	140.0844	140.1344	140.1844	140.6343	157.6339	174.6335	175.0834	175.1334	175.1834	175.6334	192.6302	209.6219	210.0716	210.1216	210.1716	210.6212	227.6047	244.5779	245.027
4.2888	4.6106	4.6163	4.6169	4.6176	4.6231	4.7263	4.6231	4.6176	4.6169	4.6163	4.6106	4.2888	3.7607	3.7439	3.7421	3.7402	3.7232	2.9767	2.024	1.996
22.3957	22.4408	22.4416	22.4417	22.4418	22.4425	22.457	22.4426	22.4418	22.4417	22.4416	22.4408	22.3958	22.3218	22.3194	22.3192	22.3189	22.3166	22.212	22.0786	22.0746
122.6675	139.6494	140.0994	140.1494	140.1994	140.6493	157.6339	174.6185	175.0684	175.1184	175.1684	175.6184	192.6002	209.577	210.0266	210.0766	210.1266	210.5763	227.5447	244.503	244.9521
3.0892	3.4107	3.4164	3.417	3.4177	3.4232	3.5263	3.4232	3.4177	3.417	3.4164	3.4107	3.0892	2.5616	2.5448	2.5429	2.541	2.5241	1.7782	0.8263	0.7983
22.3537	22.3988	22.3996	22.3997	22.3998	22.4006	22.415	22.4006	22.3998	22.3997	22.3996	22.3988	22.3538	22.2798	22.2774	22.2772	22.2769	22.2745	22.17	22.0366	22.0326
122.6925	139.6619	140.1119	140.1619	140.2119	140.6618	157.6339	174.606	175.0559	175.1059	175.1559	175.6059	192.5752	209.5395	209.9892	210.0391	210.0891	210.5388	227.4948	244.4405	244.8896
2.0895	2.4108	2.4165	2.4171	2.4177	2.4233	2.5263	2.4233	2.4177	2.4171	2.4165	2.4108	2.0895	1.5623	1.5455	1.5436	1.5417	1.5248	0.7794	-0.1717	-0.1998
22.2187	22.2638	22.2646	22.2647	22.2648	22.2656	22.28	22.2656	22.2648	22.2647	22.2646	22.2638	22.2188	22.1448	22.1424	22.1422	22.1419	22.1395	22.035	21.9016	21.8976

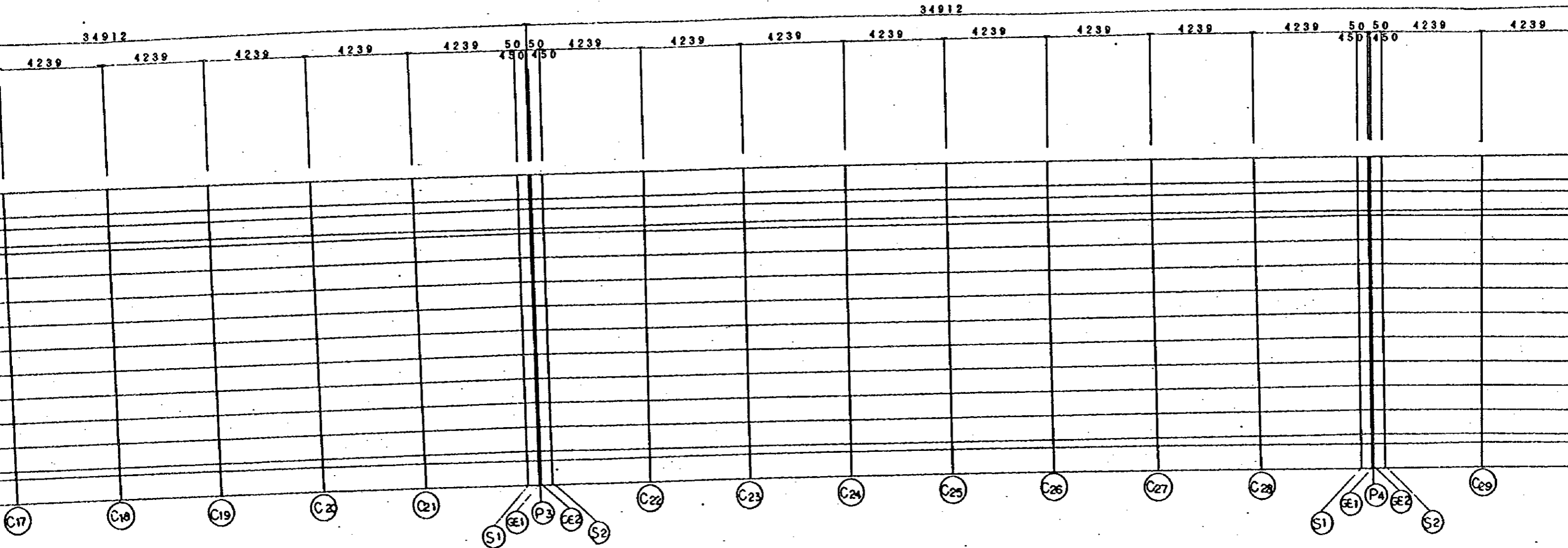
E2	P6-S2	C46	P7-S1	P7-GE1	P7	P7-GE2	P7-S2	C53	P8-S1	P8-GE1	P8	P8-GE2	P8-S2	C60	A2-S1	A2-GE1	A2
0880	1 + 475.5380	1 + 492.5380	1 + 509.5380	1 + 509.9880	1 + 510.0380	1 + 510.0880	1 + 510.5380	1 + 527.5380	1 + 544.5380	1 + 544.9880	1 + 545.0380	1 + 545.0880	1 + 545.5380	1 + 562.5380	1 + 579.5380	1 + 579.9880	1 + 580.0380
5652	211.0149	228.1295	245.2337	245.6829	245.7328	245.7827	246.2318	263.3222	280.3971	280.8454	280.8952	280.945	281.3933	298.4489	315.4838	315.931	315.9806
2328	14.2158	13.4636	12.5035	12.4754	12.4723	12.4692	12.441	11.2611	9.8738	9.8346	9.8302	9.8258	9.7864	8.1797	6.3659	6.3155	6.3099
5864	22.5841	22.4795	22.346	22.3421	22.3417	22.3413	22.3373	22.1733	21.9803	21.9748	21.9742	21.9736	21.9681	21.7445	21.492	21.485	21.4842
5277	210.9774	228.0795	245.1713	245.6204	245.6703	245.7202	246.1693	263.2473	280.3097	280.758	280.8078	280.8576	281.3059	298.3491	315.3715	315.8187	315.8684
2335	13.2165	12.4648	11.5054	11.4774	11.4743	11.4712	11.443	10.264	8.8776	8.8384	8.834	8.8296	8.7902	7.1847	5.3723	5.3218	5.3162
6514	22.6491	22.5445	22.411	22.4071	22.4067	22.4063	22.4023	22.2383	22.0453	22.0398	22.0392	22.0386	22.0331	21.8095	21.557	21.55	21.5492
3271	210.7766	227.8066	244.8367	245.2862	245.3362	245.386	245.8348	262.8382	279.8417	280.2904	280.3403	280.3901	280.8378	297.804	314.7702	315.218	315.2678
8866	7.8641	7.0119	6.1597	6.1372	6.1347	6.131	6.0973	4.8198	3.5419	3.5082	3.5045	3.4995	3.4546	1.7523	0.05	0.005	0
4642	22.4616	22.3534	22.2236	22.2199	22.2194	22.219	22.2148	22.0472	21.8578	21.8525	21.8519	21.8513	21.8456	21.6184	21.3696	21.3627	21.3619
1716	210.6212	227.6047	244.5779	245.027	245.0769	245.1268	245.576	262.5355	279.4795	279.9278	279.9776	280.0275	280.4757	297.4007	314.305	314.7522	314.8019
7402	3.7232	2.9767	2.024	1.996	1.9928	1.9897	1.9615	0.7907	-0.588	-0.6253	-0.6296	-0.634	-0.6734	-2.2679	-4.0677	-4.1181	-4.1237
3189	22.3166	22.212	22.0786	22.0746	22.0742	22.0737	22.0698	21.9058	21.7128	21.7073	21.7067	21.7061	21.7006	21.477	21.2246	21.2175	21.2167
1266	210.5763	227.5447	244.503	244.9521	245.002	245.0519	245.501	262.4456	279.3747	279.823	279.8728	279.9226	280.3709	297.2809	314.1703	314.6175	314.6672
2541	2.5241	1.7782	0.8263	0.7983	0.7952	0.792	0.7639	-0.406	-1.7814	-1.8207	-1.8251	-1.8294	-1.8688	-3.4619	-5.2601	-5.3105	-5.3161
2769	22.2745	22.17	22.0366	22.0326	22.0322	22.0317	22.0278	21.8638	21.6708	21.6653	21.6647	21.6641	21.6585	21.435	21.1826	21.1755	21.1747
0891	210.5388	227.4948	244.4405	244.8896	244.9395	244.9894	245.4386	262.3706	279.2873	279.7356	279.7854	279.8352	280.2835	297.181	314.0581	314.5052	314.5549
5417	1.5248	0.7794	-0.1717	-0.1998	-0.2029	-0.206	-0.2342	-1.4032	-2.7776	-2.8169	-2.8212	-2.8256	-2.865	-4.4569	-6.2538	-6.3042	-6.3098
1419	22.1395	22.035	21.9016	21.8976	21.8972	21.8967	21.8928	21.7288	21.5358	21.5303	21.5297	21.5291	21.5235	21.3	21.0476	21.0405	21.0397

A2
+ 580.0380
315.9806
6.3099
21.4842
315.8684
5.3162
21.5492
315.2678
0
21.3619
314.8019
-4.1237
21.2167
314.6672
-5.3161
21.1747
314.5549
-6.3098
21.0397

JAPAN INTERNATIONAL COOPERATION AGENCY (JICA) JICA STUDY TEAM PACIFIC CONSULTANTS INTERNATIONAL FUJUYAMA CONSULTANTS INTERNATIONAL	CLIENT: MINISTRY OF COMMUNICATIONS, DIRECTORATE GENERAL OF ROADS	
	PROJECT: B/B ON ROAD DEVELOPMENT PROJECT ON BATEMAN HIGHWAY	
	TITLE CO-ORDINATE LIST RA/12 AT A-LINE	
	DATE	DWGNO. B-4





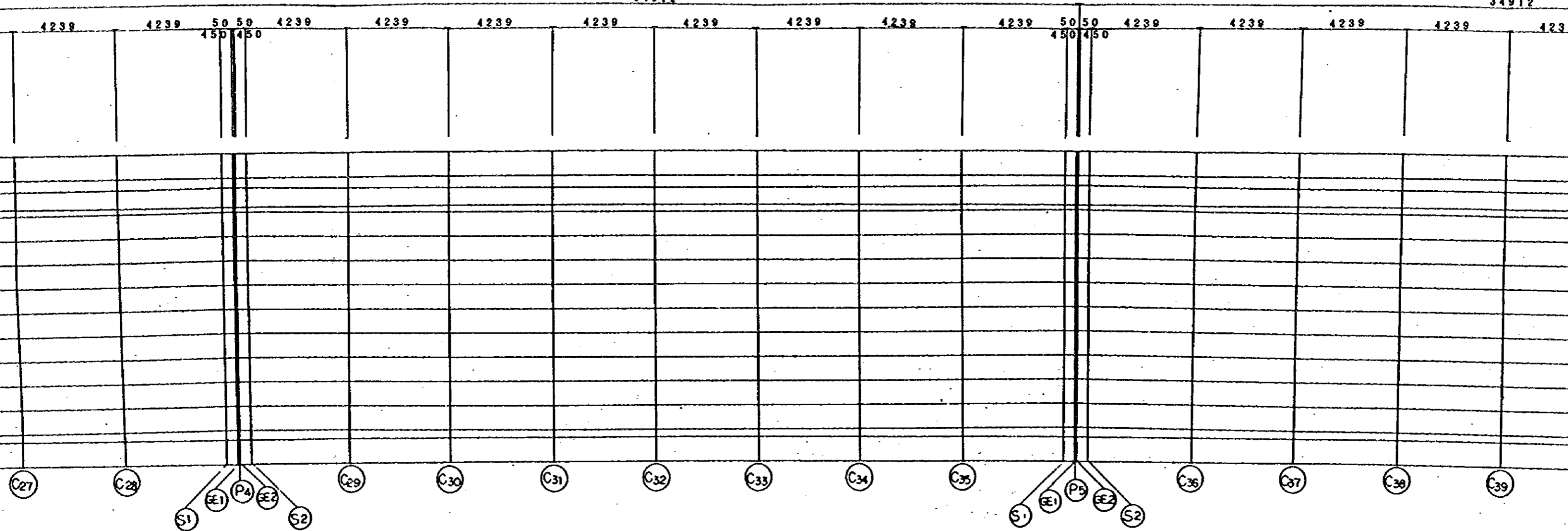


R/A-12 SOHAR

B-LINE

34912

34912



34912

34912.

4239

4239

4239

4239

4239

4239

4239

50 50
45D 450

4239

4239

4239

4239

4239

4239

4239

4239

C36

C37

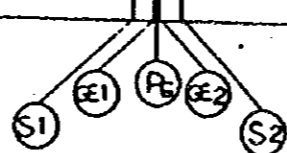
C38

C39

C40

C41

C42



C43

C44

C45

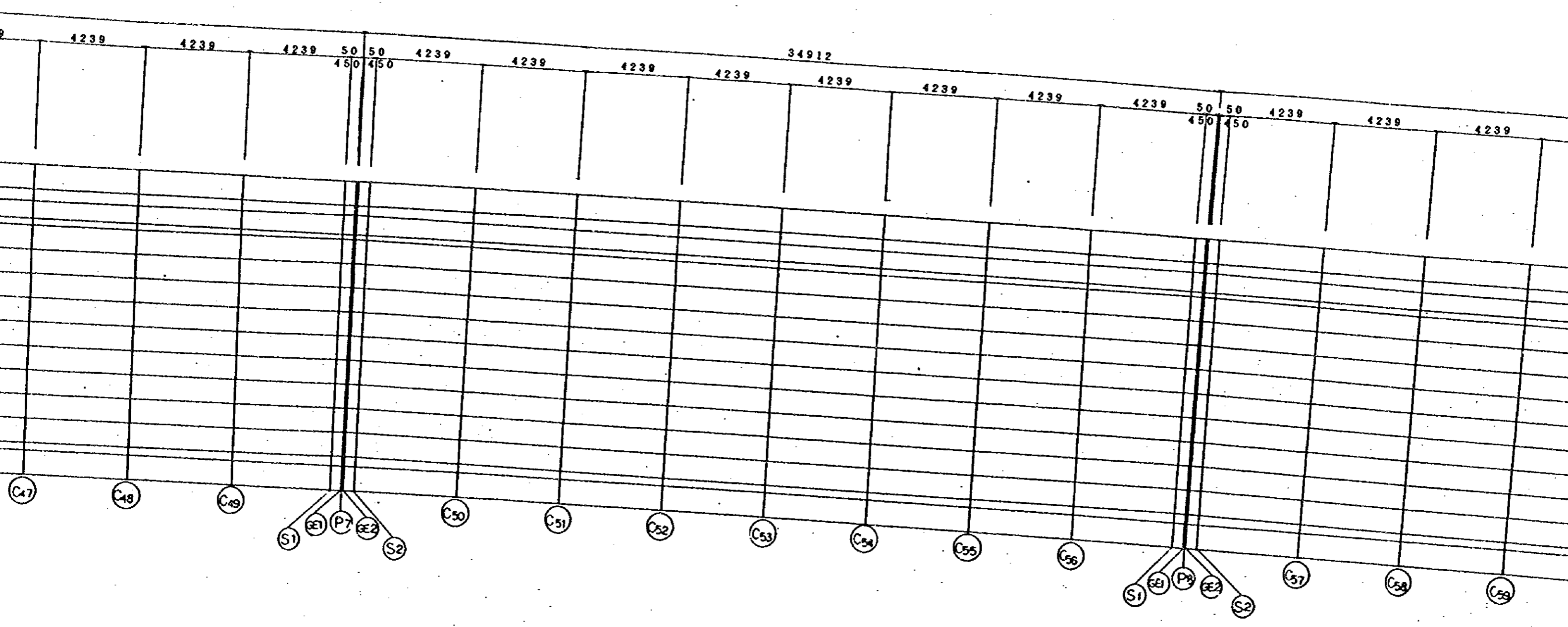
C46

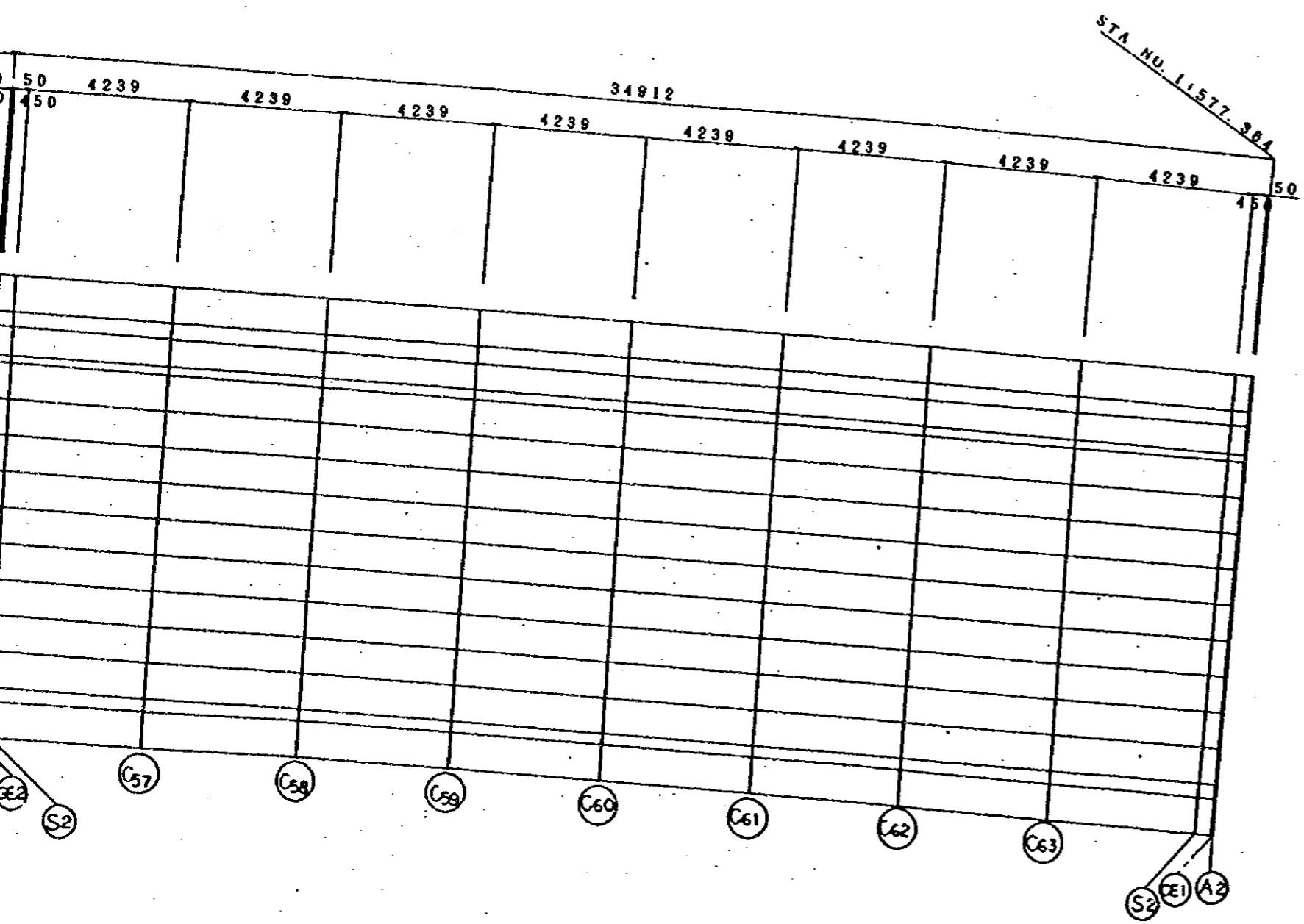
C47

C48

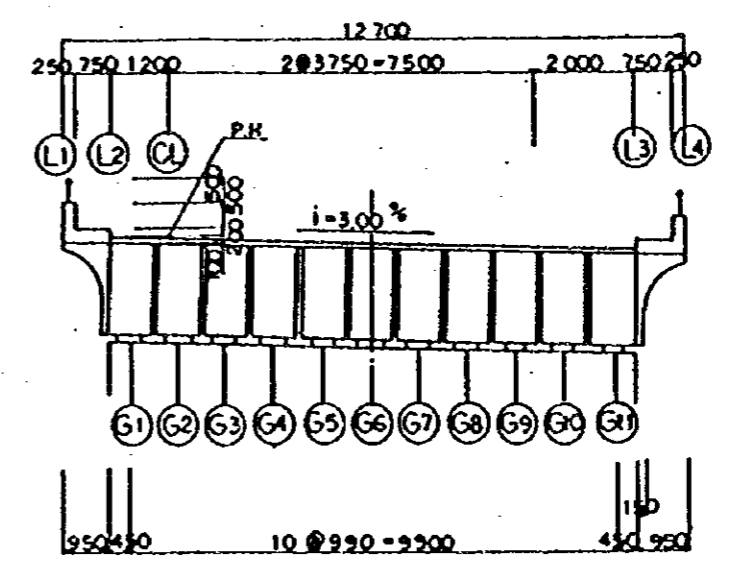
C49







B-LINE



JAPAN INTERNATIONAL COOPERATION AGENCY (JICA) JICA STUDY TEAM PACIFIC CONSULTANTS INTERNATIONAL FUKUYAMA CONSULTANTS INTERNATIONAL	CLIENT: MINISTRY OF COMMUNICATIONS, DIRECTORATE GENERAL OF ROADS	
	PROJECT: D/D ON ROAD DEVELOPMENT PROJECT ON BATINAH HIGHWAY	
	TITLE: FRAMING PLAN RA/11 AT B-LINE	
	DATE:	DWGNO. B-5

SOHAR(B)

SECTION		A1	A1-GE1	A1-S1	C4	P1-S1	P1-GE1	P1	P1-GE2	P1-S2	C11	P2-S1	P2-GE1	P2	P2-
STATION		1 + 262.3640	1 + 262.4140	1 + 262.8640	1 + 279.8640	1 + 296.8640	1 + 297.3140	1 + 297.3640	1 + 297.4140	1 + 297.8640	1 + 314.8640	1 + 331.8640	1 + 332.3140	1 + 332.3640	1 + 332.3640
L1	X	-0.624	-0.5743	-0.1265	16.8242	33.7908	34.2395	34.2893	34.3392	34.7878	51.769	68.762	69.2114	69.2613	69.2613
	Y	6.3193	6.3242	6.3683	7.9461	9.3437	9.3782	9.382	9.3858	9.4202	10.6268	11.6529	11.6776	11.6803	11.6803
	Z	21.4157	21.4165	21.4235	21.676	21.8996	21.9051	21.9057	21.9063	21.9118	22.1047	22.2688	22.2727	22.2732	22.2732
L2	X	-0.5258	-0.476	-0.0282	16.9116	33.8673	34.3159	34.3658	34.4156	34.8643	51.8346	68.8167	69.266	69.3159	69.3159
	Y	5.3241	5.329	5.3732	6.9499	8.3466	8.3811	8.3849	8.3888	8.4231	9.629	10.6544	10.6791	10.6818	10.6818
	Z	21.4857	21.4865	21.4935	21.746	21.9696	21.9751	21.9757	21.9763	21.9818	22.1747	22.3388	22.3427	22.3432	22.3432
CL	X	-0.4078	-0.3581	0.0898	17.0165	33.959	34.4077	34.4576	34.5074	34.9561	51.9133	68.8823	69.3316	69.3815	69.3815
	Y	4.1299	4.1348	4.179	5.7545	7.1501	7.1846	7.1884	7.1923	7.2268	8.4315	9.4562	9.4809	9.4836	9.4836
	Z	21.4497	21.4505	21.4575	21.71	21.9335	21.9391	21.9397	21.9403	21.9458	22.1387	22.3028	22.3067	22.3072	22.3072
G6(PIER CENTER)	X	0	0.0498	0.4981	17.3875	34.2789	34.7252	34.775	34.8249	35.274	52.1917	69.1094	69.5585	69.6084	69.6084
	Y	0	0.0044	0.0437	1.5253	3.0069	3.0462	3.0506	3.0539	3.0834	4.1952	5.307	5.3366	5.3398	5.3398
	Z	21.3252	21.326	21.3329	21.5826	21.8089	21.8146	21.8152	21.8158	21.8212	22.0114	22.1781	22.1822	22.1827	22.1827
L3	X	0.5258	0.5756	1.0234	17.8467	34.6857	35.1344	35.1842	35.2341	35.6828	52.5363	69.4016	69.8509	69.9008	69.9008
	Y	-5.3241	-5.3192	-5.275	-3.7091	-2.322	-2.2875	-2.2837	-2.2799	-2.2456	-1.048	-0.0296	-0.0049	-0.0022	-0.0022
	Z	21.1647	21.1655	21.1726	21.425	21.6485	21.6541	21.6547	21.6553	21.6608	21.8537	22.0178	22.0217	22.0222	22.0222
L4	X	0.6241	0.6739	1.1217	17.9341	34.7622	35.2108	35.2607	35.3106	35.7592	52.6018	69.4562	69.9056	69.9555	69.9555
	Y	-6.3193	-6.3143	-6.2702	-4.7053	-3.3191	-3.2846	-3.2808	-3.277	-3.2426	-2.0459	-1.0281	-1.0034	-1.0007	-1.0007
	Z	21.0347	21.0355	21.0426	21.295	21.5185	21.5241	21.5247	21.5253	21.5308	21.7237	21.8878	21.8917	21.8922	21.8922

NOTE:

S2	C11	P2-S1	P2-GE1	P2	P2-GE2	P2-S2	C18	P3-S1	P3-GE1	P3	P3-GE2	P3-S2	C25	P4-S1	P4-GE1	P4	P4-GE2	P4-S2	C32	P5-S1	P5
7.8640	1 + 314.8640	1 + 331.8640	1 + 332.3140	1 + 332.3640	1 + 332.4140	1 + 332.8640	1 + 349.8640	1 + 366.8640	1 + 367.3140	1 + 367.3640	1 + 367.4140	1 + 367.8640	1 + 384.8640	1 + 401.8640	1 + 402.3140	1 + 402.3640	1 + 402.4140	1 + 402.8640	1 + 419.8640	1 + 436.8640	1 + 4
7878	51.769	68.762	69.2114	69.2613	69.3112	69.7605	86.764	103.7755	104.2252	104.2752	104.3252	104.7749	121.7928	138.8143	139.2642	139.3142	139.3642	139.8142	156.8379	173.8617	17
4202	10.6268	11.6529	11.6776	11.6803	11.6831	11.7076	12.5425	13.1967	13.2115	13.2132	13.2148	13.2295	13.6923	13.9742	13.9792	13.9798	13.9803	13.9852	14.0756	13.9852	1
9118	22.1047	22.2688	22.2727	22.2732	22.2736	22.2775	22.411	22.5156	22.5179	22.5182	22.5184	22.5208	22.5947	22.6398	22.6406	22.6407	22.6408	22.6415	22.656	22.6415	2
8643	51.8346	68.8167	69.266	69.3159	69.3659	69.8152	86.8078	103.8083	104.258	104.308	104.358	104.8077	121.8145	138.8252	139.2752	139.3252	139.3752	139.8251	156.8379	173.8507	17
4231	9.629	10.6544	10.6791	10.6818	10.6846	10.7091	11.5435	12.1972	12.2121	12.2137	12.2154	12.23	12.6925	12.9743	12.9793	12.9798	12.9804	12.9852	13.0756	12.9852	1
9818	22.1747	22.3388	22.3427	22.3432	22.3436	22.3475	22.481	22.5856	22.5879	22.5882	22.5884	22.5908	22.6647	22.7098	22.7106	22.7107	22.7108	22.7115	22.726	22.7115	2
9561	51.9133	68.8823	69.3316	69.3815	69.4315	69.8808	86.8603	103.8476	104.2974	104.3474	104.3973	104.8471	121.8407	138.8383	139.2883	139.3383	139.3883	139.8383	156.8379	173.8376	17
2266	8.4315	9.4562	9.4809	9.4836	9.4864	9.5109	10.3446	10.9979	11.0127	11.0144	11.016	11.0307	11.4928	11.7744	11.7794	11.7799	11.7805	11.7853	11.8756	11.7853	1
9458	22.1387	22.3028	22.3067	22.3072	22.3076	22.3115	22.445	22.5495	22.5519	22.5522	22.5524	22.5548	22.6287	22.6738	22.6746	22.6747	22.6748	22.6755	22.69	22.6756	2
5.274	52.1917	69.1094	69.5585	69.6084	69.6583	70.1079	87.0459	103.984	104.4335	104.4835	104.5335	104.9834	121.9336	138.8838	139.3337	139.3837	139.4337	139.8837	156.8379	173.7922	17
0834	4.1952	5.307	5.3366	5.3398	5.342	5.3617	6.1032	6.8447	6.8644	6.8666	6.8677	6.8775	7.2484	7.6192	7.6291	7.6302	7.6302	7.6302	7.6302	7.6302	7.6302
8212	22.0114	22.1781	22.1822	22.1827	22.1831	22.1869	22.3176	22.4249	22.4274	22.4277	22.4279	22.4301	22.5014	22.5491	22.5501	22.5502	22.5503	22.5509	22.5626	22.5509	2
6828	52.5363	69.4016	69.8509	69.9008	69.9507	70.4001	87.2757	104.1593	104.609	104.659	104.709	105.1588	122.0485	138.9422	139.3922	139.4422	139.4922	139.9422	156.8379	173.7337	17
2456	-1.048	-0.0296	-0.0049	-0.0022	0.0006	0.0251	0.8537	1.503	1.5178	1.5195	1.5211	1.5358	1.9951	2.2749	2.2799	2.2805	2.281	2.2859	2.3756	2.2859	
6608	21.8537	22.0178	22.0217	22.0222	22.0226	22.0266	22.16	22.2845	22.2669	22.2672	22.2675	22.2698	22.3437	22.3888	22.3896	22.3897	22.3898	22.3906	22.405	22.3906	22
7592	52.6018	69.4562	69.9056	69.9555	70.0054	70.4547	87.3195	104.1921	104.6419	104.6918	104.7418	105.1916	122.0704	138.9532	139.4031	139.4531	139.5031	139.9531	156.8379	173.7228	17
2426	-2.0459	-1.0281	-1.0034	-1.0007	-0.9979	-0.9734	-0.1453	0.5035	0.5184	0.52	0.5217	0.5363	0.9953	1.275	1.28	1.2805	1.2811	1.2859	1.3756	1.2859	1
5308	21.7237	21.8878	21.8917	21.8922	21.8926	21.8966	22.03	22.1345	22.1369	22.1372	22.1375	22.1398	22.2137	22.2588	22.2596	22.2597	22.2598	22.2606	22.275	22.2606	22

FRAMING PLAN AT RA/12 SOHAR (B-LINE)

E1	P4	P4-GE2	P4-S2	C32	P5-S1	P5-GE1	P5	P5-GE2	P5-S2	C39	P6-S1	P6-GE1	P6	P6-GE2	P6-S2	C46	P7-S1	P7-GE1	P7	P7-GE2	P7
3140	1 + 402.3840	1 + 402.4140	1 + 402.8640	1 + 419.8640	1 + 436.8640	1 + 437.3140	1 + 437.3640	1 + 437.4140	1 + 437.8840	1 + 454.8840	1 + 471.8640	1 + 472.3140	1 + 472.3640	1 + 472.4140	1 + 472.8640	1 + 489.8640	1 + 506.8640	1 + 507.3140	1 + 507.3640	1 + 507.4140	1 + 507.4640
2642	139.3142	139.3642	139.8142	156.8379	173.8617	174.3116	174.3616	174.4116	174.8616	191.8833	208.901	209.3507	209.4007	209.4507	209.9004	226.9118	243.9153	244.3647	244.4146	244.4645	244.5144
2792	13.9798	13.9803	13.9852	14.0756	13.9852	13.9803	13.9798	13.9792	13.9742	13.6923	13.2295	13.2148	13.2132	13.2116	13.1967	12.5425	11.7076	11.6831	11.6804	11.6776	11.6748
2406	22.6407	22.6408	22.6415	22.656	22.6415	22.6408	22.6407	22.6406	22.6398	22.5948	22.5208	22.5184	22.5182	22.5179	22.5156	22.411	22.2775	22.2736	22.2732	22.2727	22.2722
2752	139.3252	139.3752	139.8251	156.8379	173.8507	174.3007	174.3507	174.4007	174.8507	191.8614	208.8681	209.3179	209.3679	209.4179	209.8676	226.8681	243.8607	244.31	244.3599	244.4098	244.4597
2793	12.9798	12.9804	12.9852	13.0756	12.9852	12.9804	12.9799	12.9793	12.9743	12.6925	12.2301	12.2154	12.2137	12.2121	12.1973	11.5435	10.7091	10.6846	10.6819	10.6791	10.6763
27106	22.7107	22.7108	22.7115	22.726	22.7115	22.7108	22.7107	22.7106	22.7098	22.6648	22.5908	22.5884	22.5882	22.5879	22.5856	22.481	22.3475	22.3436	22.3432	22.3427	22.3422
2883	139.3383	139.3883	139.8383	156.8379	173.8376	174.2876	174.3376	174.3876	174.8376	191.8351	208.8288	209.2785	209.3285	209.3785	209.8282	226.8156	243.7951	244.2444	244.2943	244.3443	244.3942
27794	11.7799	11.7805	11.7853	11.8756	11.7853	11.7805	11.7799	11.7794	11.7744	11.4928	11.0307	11.016	11.0144	11.0127	10.9979	10.3446	9.5109	9.4864	9.4837	9.4809	9.4781
2746	22.6747	22.6748	22.6755	22.69	22.6756	22.6748	22.6747	22.6746	22.6738	22.6288	22.5548	22.5524	22.5522	22.5519	22.5496	22.445	22.3116	22.3076	22.3072	22.3067	22.3062
2337	139.3837	139.4337	139.8837	156.8379	173.7922	174.2422	174.2922	174.3422	174.7921	191.7423	208.6925	209.1424	209.1924	209.2423	209.6919	226.6299	243.5679	244.0175	244.0675	244.1174	244.1673
2291	7.6302	7.6302	7.6302	7.6302	7.6302	7.6302	7.6302	7.6291	7.6192	7.2484	6.8776	6.8677	6.8666	6.8644	6.8447	6.1032	5.3617	5.342	5.3399	5.3366	5.3333
2501	22.5502	22.5503	22.5509	22.5626	22.5509	22.5503	22.5502	22.5501	22.5491	22.5014	22.4301	22.4279	22.4277	22.4274	22.4249	22.3176	22.1869	22.1831	22.1827	22.1822	22.1817
2922	139.4422	139.4922	139.9422	156.8379	173.7337	174.1837	174.2337	174.2837	174.7337	191.6273	208.5171	208.9669	209.0169	209.0668	209.5168	226.4001	243.2758	243.7251	243.7751	243.825	243.8749
2799	2.2805	2.281	2.2859	2.3756	2.2859	2.281	2.2805	2.2799	2.2749	1.9951	1.5358	1.5211	1.5195	1.5179	1.503	0.8537	0.0251	0.0006	-0.0021	-0.0049	-0.0077
2896	22.3897	22.3898	22.3906	22.405	22.3906	22.3898	22.3897	22.3896	22.3888	22.3438	22.2698	22.2675	22.2672	22.2669	22.2645	22.16	22.0266	22.0226	22.0222	22.0217	22.0212
2031	139.4531	139.5031	139.9531	156.8379	173.7228	174.1727	174.2227	174.2727	174.7227	191.6055	208.4843	208.9341	208.984	209.034	209.4838	226.3564	243.2211	243.6705	243.7204	243.7703	243.8202
1.28	1.2805	1.2811	1.2859	1.3756	1.2859	1.2811	1.2806	1.28	1.275	0.9953	0.5364	0.5217	0.52	0.5184	0.5035	-0.1453	-0.9734	-0.9979	-1.0007	-1.0034	-1.0061
2596	22.2597	22.2598	22.2606	22.275	22.2606	22.2598	22.2597	22.2596	22.2588	22.2138	22.1398	22.1375	22.1372	22.1369	22.1345	22.03	21.8968	21.8926	21.8922	21.8917	21.8912

	P7-S1	P7-GE1	P7	P7-GE2	P7-S2	C53	P8-S1	P8-GE1	P8	P8-GE2	P8-S2	C60	A2-S1	A2-GE1	A2
89.8640	1 + 506.8640	1 + 507.3140	1 + 507.3640	1 + 507.4140	1 + 507.8640	1 + 524.8640	1 + 541.8640	1 + 542.3140	1 + 542.3640	1 + 542.4140	1 + 542.8640	1 + 559.8640	1 + 576.8640	1 + 577.3140	1 + 577.3640
6.9118	243.9153	244.3647	244.4146	244.4645	244.9138	261.9068	278.888	279.3367	279.3866	279.4364	279.8851	296.8516	313.8023	314.2502	314.2999
2.5425	11.7076	11.6831	11.6804	11.6776	11.653	10.6268	9.4202	9.3859	9.382	9.3782	9.3437	7.9461	6.3684	6.3242	6.3193
22.411	22.2775	22.2736	22.2732	22.2727	22.2688	22.1048	21.9118	21.9063	21.9057	21.9051	21.8996	21.676	21.4235	21.4165	21.4157
6.8681	243.8607	244.31	244.3599	244.4098	244.8592	261.8413	278.8115	279.2602	279.3101	279.3599	279.8086	296.7642	313.704	314.1519	314.2016
1.5435	10.7091	10.6846	10.6819	10.6791	10.6545	9.629	8.4231	8.3888	8.385	8.3811	8.3466	6.95	5.3732	5.3291	5.3241
22.481	22.3475	22.3436	22.3432	22.3427	22.3388	22.1748	21.9818	21.9763	21.9757	21.9751	21.9696	21.746	21.4935	21.4865	21.4857
6.8156	243.7951	244.2444	244.2943	244.3443	244.7936	261.7626	278.7197	279.1684	279.2183	279.2681	279.7168	296.6593	313.5861	314.0339	314.0837
0.3446	9.5109	9.4864	9.4837	9.4809	9.4562	8.4316	7.2266	7.1923	7.1885	7.1847	7.1502	5.7545	4.179	4.1349	4.1299
22.445	22.3116	22.3076	22.3072	22.3067	22.3028	22.1388	21.9458	21.9403	21.9397	21.9391	21.9336	21.71	21.4576	21.4505	21.4497
6.6299	243.5679	244.0175	244.0675	244.1174	244.5664	261.4842	278.4019	278.851	278.9009	278.9507	279.399	296.2883	313.1777	313.626	313.6758
6.1032	5.3617	5.342	5.3399	5.3366	5.3071	4.1952	3.0834	3.0539	3.0506	3.0463	3.0069	1.5253	0.0437	0.0044	0
22.3176	22.1869	22.1831	22.1827	22.1822	22.1781	22.0114	21.8212	21.8158	21.8152	21.8146	21.8089	21.5826	21.3329	21.326	21.3252
6.4001	243.2758	243.7251	243.7751	243.825	244.2743	261.1396	277.9931	278.4418	278.4917	278.5415	278.9902	295.8292	312.6525	313.1003	313.1501
0.8537	0.0251	0.0006	-0.0021	-0.0049	-0.0296	-1.048	-2.2455	-2.2799	-2.2837	-2.2875	-2.322	-3.7091	-5.275	-5.3191	-5.3241
22.16	22.0266	22.0226	22.0222	22.0217	22.0178	21.8538	21.6608	21.6553	21.6547	21.6541	21.6485	21.425	21.1726	21.1655	21.1647
6.3564	243.2211	243.6705	243.7204	243.7703	244.2196	261.074	277.9166	278.3653	278.4152	278.465	278.9137	295.7418	312.5542	313.002	313.0518
0.1453	-0.9734	-0.9979	-1.0007	-1.0034	-1.0281	-2.0458	-3.2426	-3.2769	-3.2808	-3.2846	-3.3191	-4.7053	-6.2702	-6.3143	-6.3192
22.03	21.8966	21.8926	21.8922	21.8917	21.8878	21.7238	21.5308	21.5253	21.5247	21.5241	21.5185	21.295	21.0428	21.0355	21.0347

	A2-S1	A2-GE1	A2
10	1 + 576.8640	1 + 577.3140	1 + 577.3540
6	313.8023	314.2502	314.2999
1	6.3684	6.3242	6.3193
6	21.4235	21.4165	21.4157
2	313.704	314.1519	314.2016
5	5.3732	5.3291	5.3241
6	21.4935	21.4865	21.4857
3	313.5861	314.0339	314.0837
5	4.179	4.1349	4.1299
1	21.4576	21.4505	21.4497
3	313.1777	313.626	313.6758
3	0.0437	0.0044	0
6	21.3329	21.326	21.3252
2	312.6525	313.1003	313.1501
1	-5.275	-5.3191	-5.3241
5	21.1728	21.1655	21.1647
8	312.5542	313.002	313.0518
3	-6.2702	-6.3143	-6.3192
5	21.0426	21.0355	21.0347

JAPAN INTERNATIONAL COOPERATION AGENCY
(JICA)

JICA STUDY TEAM
PACIFIC CONSULTANTS INTERNATIONAL
FUKUYAMA CONSULTANTS INTERNATIONAL

CLIENT: MEMPHIS
PROJECT: D/B OF
TITLE CO-OP
DATE

JAPAN INTERNATIONAL COOPERATION AGENCY
(JICA)

JICA STUDY TEAM
PACIFIC CONSULTANTS INTERNATIONAL
FUKUYAMA CONSULTANTS INTERNATIONAL

CLIENT: MINISTRY OF COMMUNICATIONS, DIRECTORATE GENERAL OF ROADS

PROJECT: B/B ON ROAD DEVELOPMENT PROJECT ON BATHAN HIGHWAY

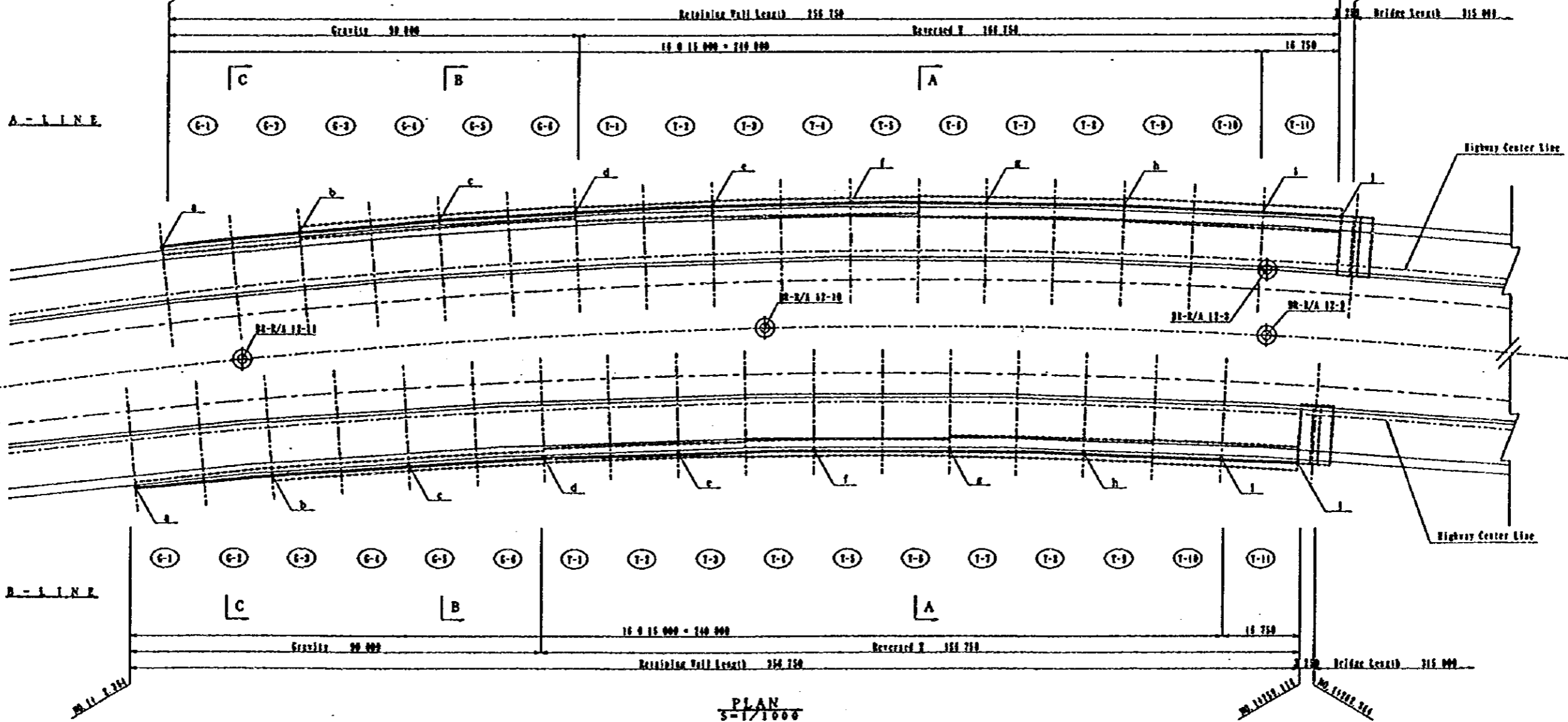
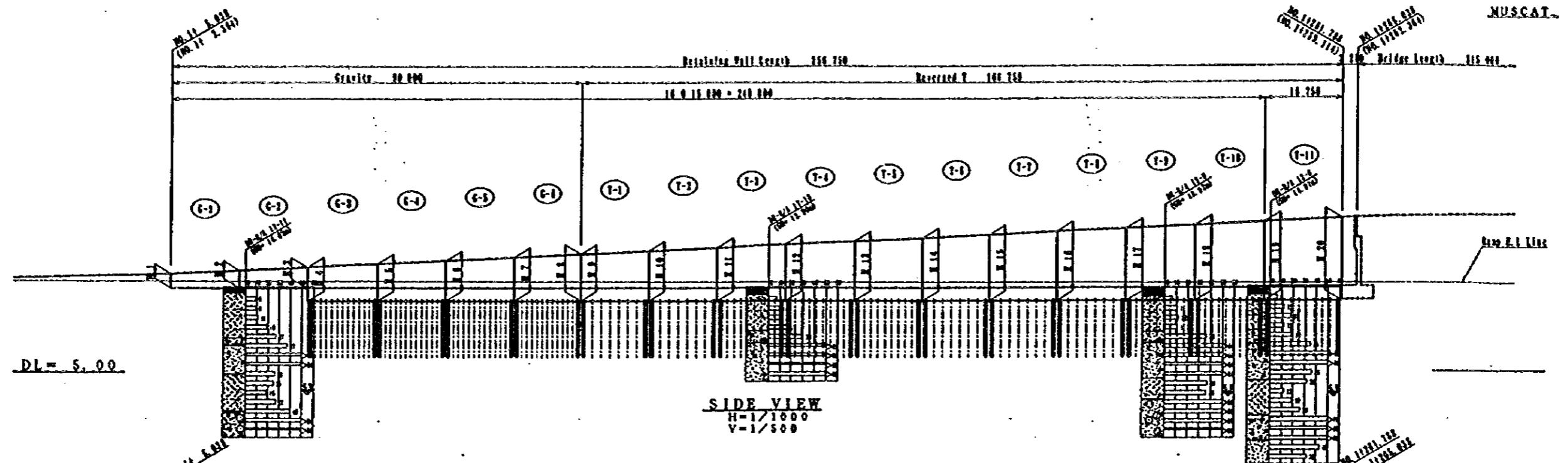
TITLE CO-ORDINATE LIST RA/12 AT B-LINE

DATE

SWCNO.

B-6

MUSCAT.



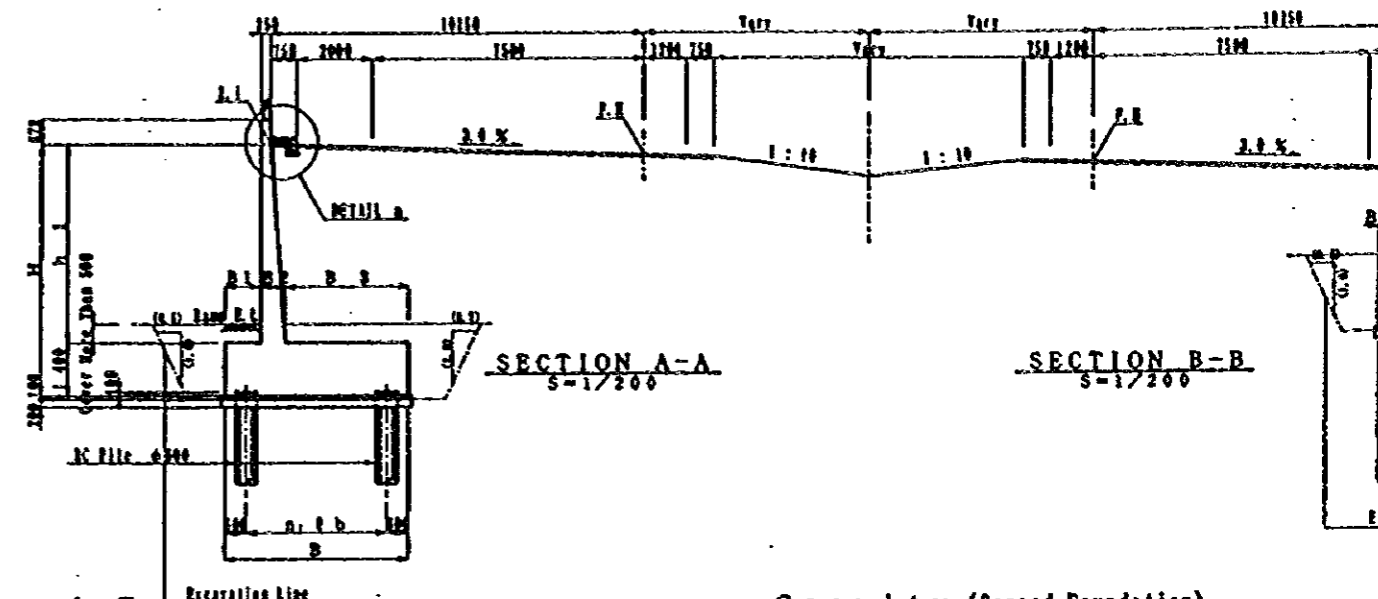
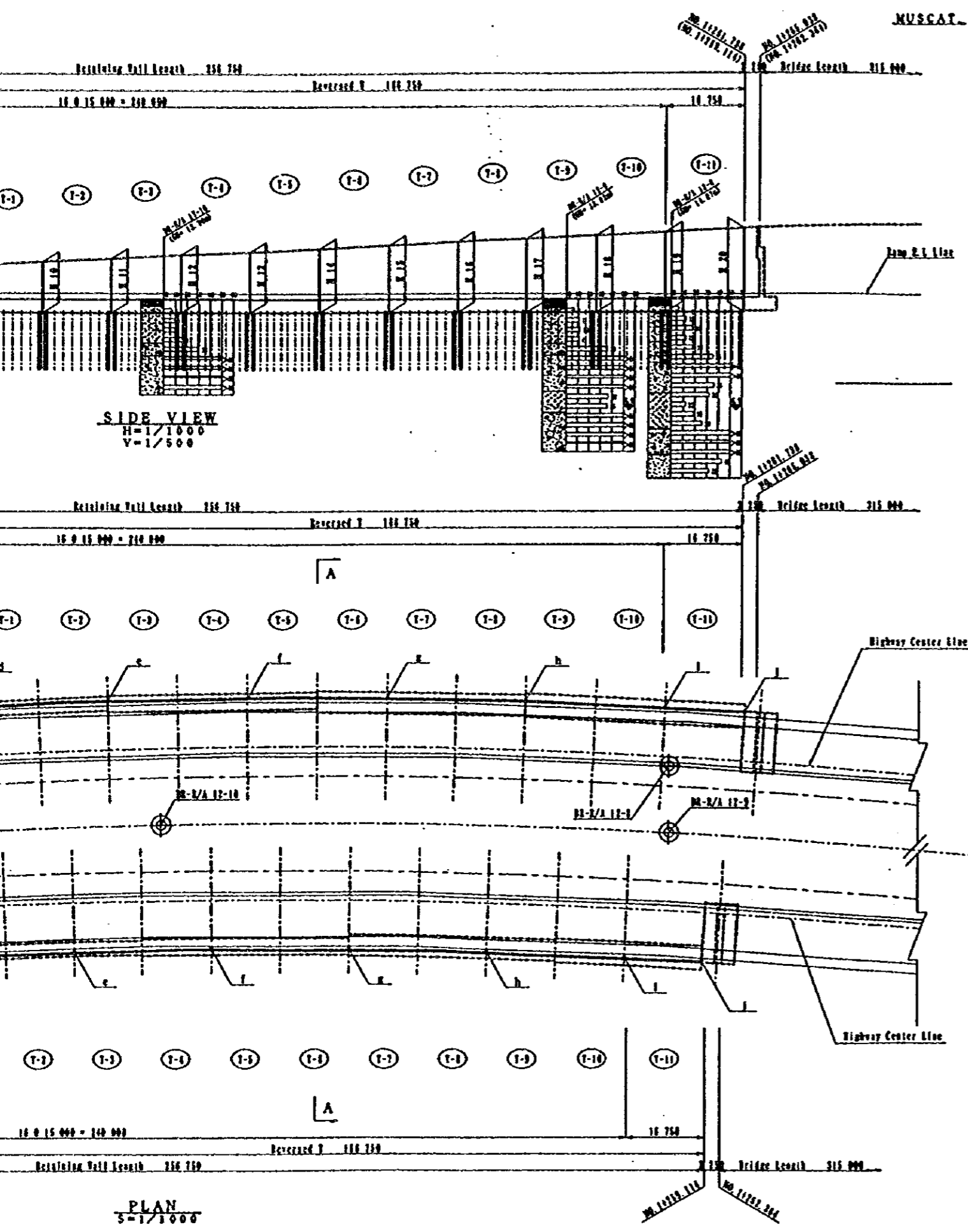
NOTES:

Revers

MARK TYPE	REVERSE
T-1	10
T-2	11
T-3	12
T-4	13
T-5	14
T-6	15
T-7	16
T-8	17
T-9	18
T-10	19
T-11	20
T-1	21
T-2	22
T-3	23
T-4	24
T-5	25
T-6	26
T-7	27
T-8	28
T-9	29
T-10	30
T-11	31

List O

Reversed
T 1 ~ T
T 3 ~ T
T 6 ~ T
T 9 ~ T
T 11
Gravity



Reversed T

MARK TYPE	H	h 1	B	B 1	B 2	B 3	
A L I N E	T-1	8-5 017	3 617	3 000	800	525	1 675
	T-2	10-5 438	4 038			557	1 643
	T-3	11-5 859	4 459	3 500	1 000	589	1 611
	T-4	13-6 279	4 879			608	1 592
	T-5	15-6 698	5 298			642	1 558
	T-6	17-7 073	5 673	4 500	1 200	676	1 524
	T-7	19-7 447	6 047			706	1 494
	T-8	21-7 778	6 378			723	1 477
	T-9	23-8 109	6 709	5 000	1 500	754	1 446
	T-10	25-8 396	6 996			782	1 418
	T-11	28-8 980	7 580			809	1 391
B L I N E	T-1	8-4 529	3 129	3 000	800	488	1 712
	T-2	10-4 963	3 563			529	1 690
	T-3	11-5 377	3 977			563	1 647
	T-4	13-5 805	4 405	3 500	1 000	586	1 615
	T-5	15-6 232	4 832			604	1 596
	T-6	17-6 614	5 214			639	1 562
	T-7	19-6 996	5 596	4 500	1 200	669	1 531
	T-8	21-7 323	6 033			710	1 484
	T-9	23-7 670	6 270			744	1 456
	T-10	25-7 961	6 561	5 000	1 500	773	1 427
	T-11	28-8 534	7 134			797	1 403

Gravity (Spread Foundation)

MARK TYPE	H	B	U h	U B	
A	G-1	8-1 873	1 444	600	3 444
	G-2	1-2 098	1 587		3 687
B	G-1	8-1 395	1 139	600	3 139
	G-2	1-1 608	1 276		3 276
E	G-1	1-1 820	1 410		3 410

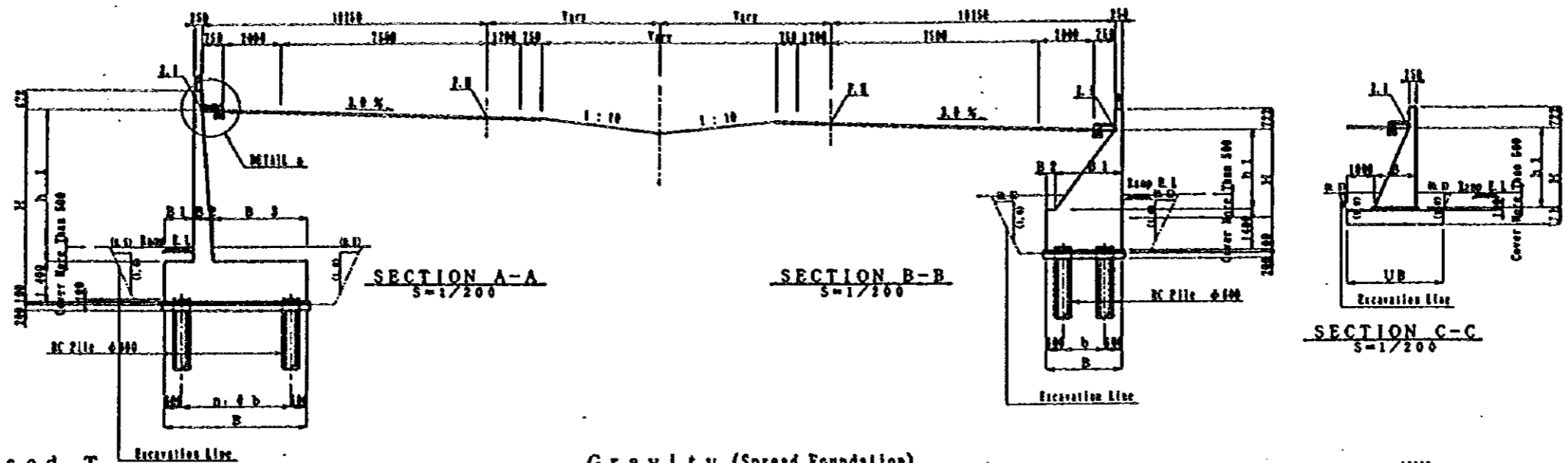
Gravity (Pile Foundation)

MARK TYPE	H	h 1	B	B 1	B 2	
A	G-3	8-4 723	2 323	2 700	1 508	1 192
	G-4	5-4 014	2 614		1 666	1 048
	G-5	6-4 305	2 905		1 824	981
B	G-3	1-4 661	3 261		2 016	1 245
	G-4	1-5 017	3 617		2 209	1 408
	G-5	8-4 329	3 129	2 700	1 236	1 464
E	G-1	1-3 515	2 115		1 396	1 719
	G-2	6-3 810	2 410		1 555	1 855
	G-3	1-4 170	2 770		1 750	2 020
	G-4	8-4 529	3 129		1 945	2 184

List Of Foundation

	A - LINE					B - LINE				
	Reversed T	n. #	w.	n. l. w.	n	Reversed T	n. #	w.	n. l. w.	n
T 1 ~ T 2	10 1 800	675	7 0 1 950	16	6 000	T 1 ~ T 2	10 1 800	675	7 0 1 950	16
T 3 ~ T 4	10 2 300	750	9 0 1 500	20		T 4 ~ T 6	10 2 300	750	9 0 1 500	20
T 5 ~ T 8	20 1 650	675	7 0 1 950	24		T 7 ~ T 9	20 1 650	675	7 0 1 950	24
T 9 ~ T 10	20 1 900	750	9 0 1 500	30		T 10	20 1 900	750	9 0 1 500	30
T 11	20 1 900	725	9 0 1 700	30		T 11	20 1 900	725	9 0 1 700	30
Gravity	10 1 500	600	12 0 1 150	13	6 000	Gravity	10 1 500	600	12 0 1 150	13

JAPAN INTERNATIONAL COOPERATION AGENCY (JICA)
 CLIENT PROJECT
 JICA STUDY TEAM
 PACIFIC CONSULTANTS INTERNATIONAL
 FUKUYAMA CONSULTANTS INTERNATIONAL
 TITLE
 DATE



Reversed T

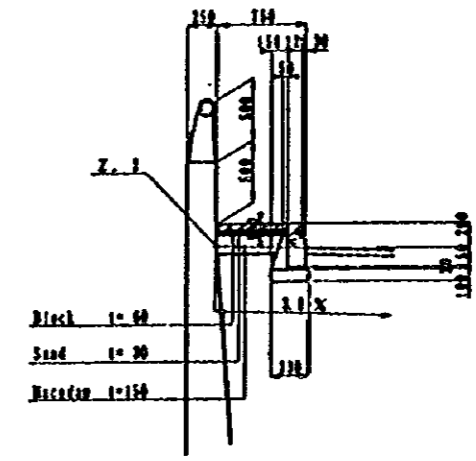
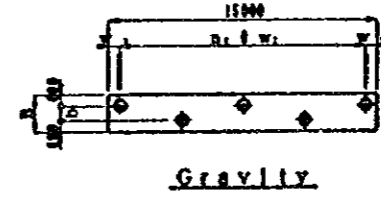
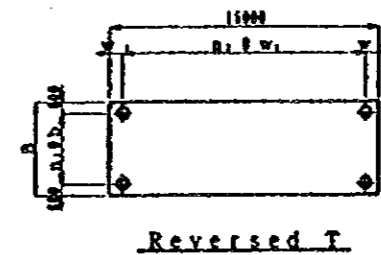
MARK TYPE	H	h 1	B	B 1	B 2	B 3	
A L I N E	T-1	8-6 017	3 617	3 000	800	525	1 675
	T-2	10-6 438	4 038			557	1 643
	T-3	11-6 859	4 459			589	1 613
	T-4	12-6 279	4 879	3 500	1 000	608	1 892
	T-5	13-6 698	5 298			642	1 858
	T-6	14-7 073	5 673			676	1 824
	T-7	15-7 447	6 047	4 500	1 200	723	2 877
	T-8	16-7 778	6 378			754	2 846
	T-9	17-8 109	6 709			782	2 818
	T-10	17-8 109	6 709	5 000	1 500	809	2 491
	T-11	18-8 529	7 129			824	2 676
B L I N E	T-1	10-4 953	3 653	3 000	800	520	1 680
	T-2	11-5 377	3 977			553	1 647
	T-3	12-5 805	4 405			585	1 615
	T-4	13-6 232	4 832	3 500	1 000	604	1 896
	T-5	14-6 614	5 214			638	1 862
	T-6	15-6 996	5 596			669	1 831
	T-7	16-7 333	6 033	4 500	1 200	716	2 884
	T-8	17-7 670	6 270			744	2 856
	T-9	18-7 961	6 561			773	2 827
	T-10	18-7 961	6 561	5 000	1 500	797	2 503
	T-11	19-8 251	6 851			811	2 689
T-11	20-8 534	7 134			834	2 664	
T-11	20-8 534	7 134			860	2 640	

Gravity (Spread Foundation)

MARK TYPE	H	B	U h	U B
A-1	8-1 873	1 444	600	3 444
A-2	10-2 098	1 587		3 587
A-3	12-2 323	1 731		3 731
B-1	11-1 395	1 139	600	3 139
B-2	13-1 608	1 275		3 275
B-3	15-1 820	1 410		3 410

Gravity (Pile Foundation)

MARK TYPE	H	h 1	B	B 1	B 2
A-1	8-3 723	2 323	2 700	1 500	1 192
A-2	10-4 014	2 614		1 656	1 034
A-3	12-4 305	2 905		1 824	876
B-1	11-4 661	3 281		2 018	684
B-2	13-5 017	3 637		2 209	491
B-3	14-5 220	3 820	2 700	1 236	1 464
B-4	16-5 515	4 115		1 396	1 394
B-5	18-5 810	4 410		1 555	1 145
B-6	17-4 170	2 770		1 750	950
B-7	19-4 529	3 129		1 945	755



List Of Foundation

A - LINE						B - LINE					
Reversed T	n, 0, b	w.	n, 0, w.	a	L (m)	Reversed T	n, 0, b	w.	n, 0, w.	a	L (m)
T 1 ~ T 2	1 0 1 800	675	7 0 1 950	16	6 000	T 1 ~ T 2	1 0 1 800	675	7 0 1 950	16	6 000
T 3 ~ T 5	1 0 2 300	750	9 0 1 500	20		T 4 ~ T 6	1 0 2 300	750	9 0 1 500	20	
T 6 ~ T 8	2 0 1 650	675	7 0 1 950	24		T 7 ~ T 9	2 0 1 650	675	7 0 1 950	24	
T 9 ~ T 10	2 0 1 900	750	9 0 1 500	30		T 10	2 0 1 900	750	9 0 1 500	30	
T 11	2 0 1 900	725	9 0 1 700	30		T 11	2 0 1 900	725	9 0 1 700	30	
Gravity	1 0 1 500	400	12 0 1 150	13	6 000	Gravity	1 0 1 500	400	12 0 1 150	13	6 000

JAPAN INTERNATIONAL COOPERATION AGENCY (JICA)

JICA STUDY TEAM
PACIFIC CONSULTANTS INTERNATIONAL
FUJITAMA CONSULTANTS INTERNATIONAL

CLIENT : MINISTRY OF COMMUNICATIONS, DIRECTORATE GENERAL OF ROADS

PROJECT : D/D ON ROAD DEVELOPMENT PROJECT ON BATINAH HIGHWAY

TITLE : R/A-12, SOHAR GENERAL VIEW FOR WALL (I)-1

DATE : _____ DWG NO. W-1

Point	a	b	c	d	e	f	g	h	i	j	
A L I N E	N	+2692267.71918	+2692262.81093	+2692257.27426	+2692251.11169	+2692244.32599	+2692236.92024	+2692228.89780	+2692220.26228	+2692211.01761	+2692204.51812
	E	+472214.71436	+472244.30955	+472273.79364	+472303.15328	+472332.37520	+472361.44616	+472390.35302	+472419.08269	+472447.62217	+472466.53645
	Z	15.835	16.285	16.867	17.579	18.421	19.260	20.009	20.671	21.243	21.576
B L I N E	N	+2692217.35643	+2692211.33421	+2692204.75851	+2692197.63165	+2692189.95619	+2692181.73485	+2692172.97056	+2692163.66644	+2692153.82581	+2692146.96905
	E	+472190.76346	+472220.15234	+472249.42234	+472278.56308	+472307.56410	+472336.41515	+472365.10592	+472393.62621	+472421.96585	+472440.75360
	Z	15.348	15.773	16.363	17.082	17.930	18.785	19.549	20.223	20.804	21.142

NOTES:

JAPAN INTERNATIONAL COOPERATION AGENCY
(JICA)

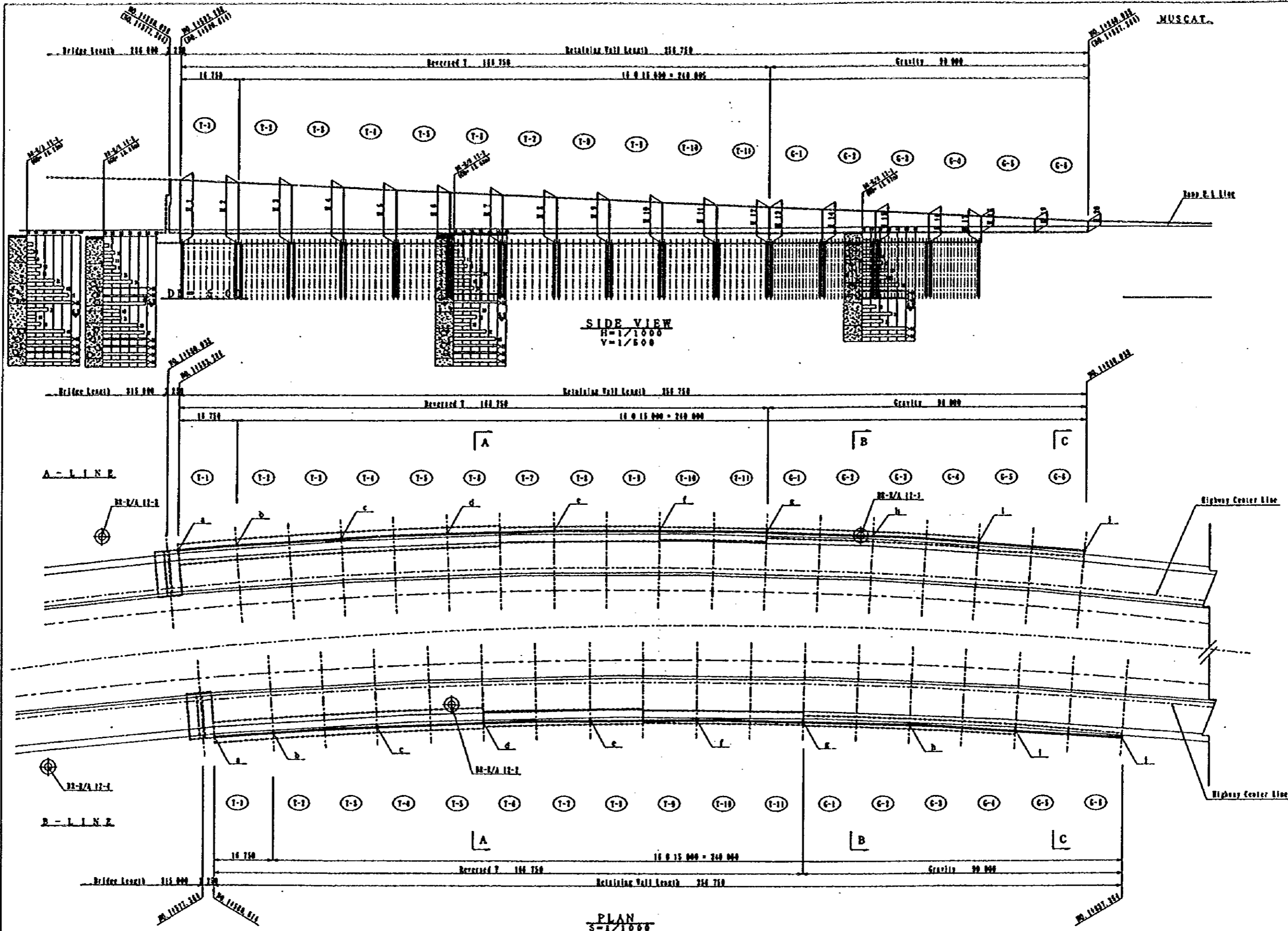
JICA STUDY TEAM
PACIFIC CONSULTANTS INTERNATIONAL
PURYAMA CONSULTANTS INTERNATIONAL

CLIENT : MINISTRY OF COMMUNICATIONS, DIRECTORATE GENERAL OF ROADS

PROJECT : D/D ON ROAD DEVELOPMENT PROJECT ON BATINAH HIGHWAY

TITLE : R/A-12. SOHAR GENERAL VIEW FOR WALL (1)-2

DATE : DWG NO. W-2



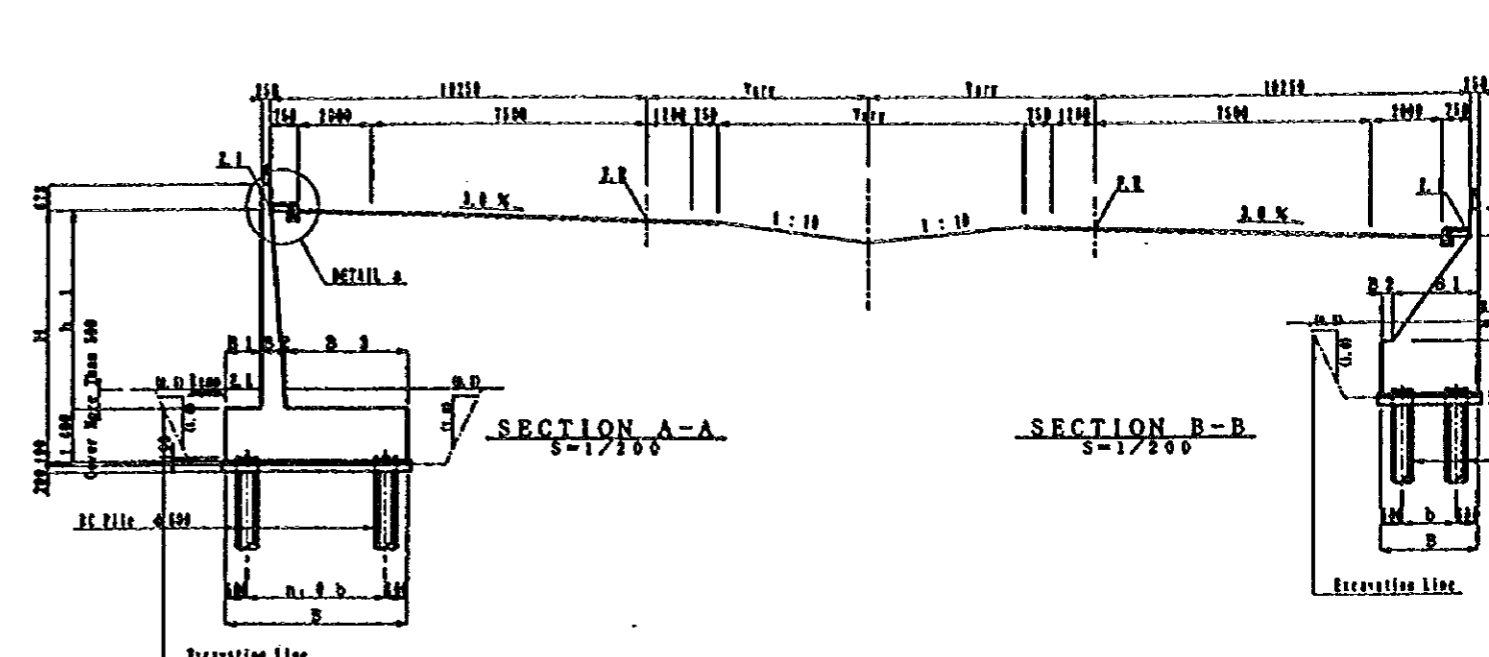
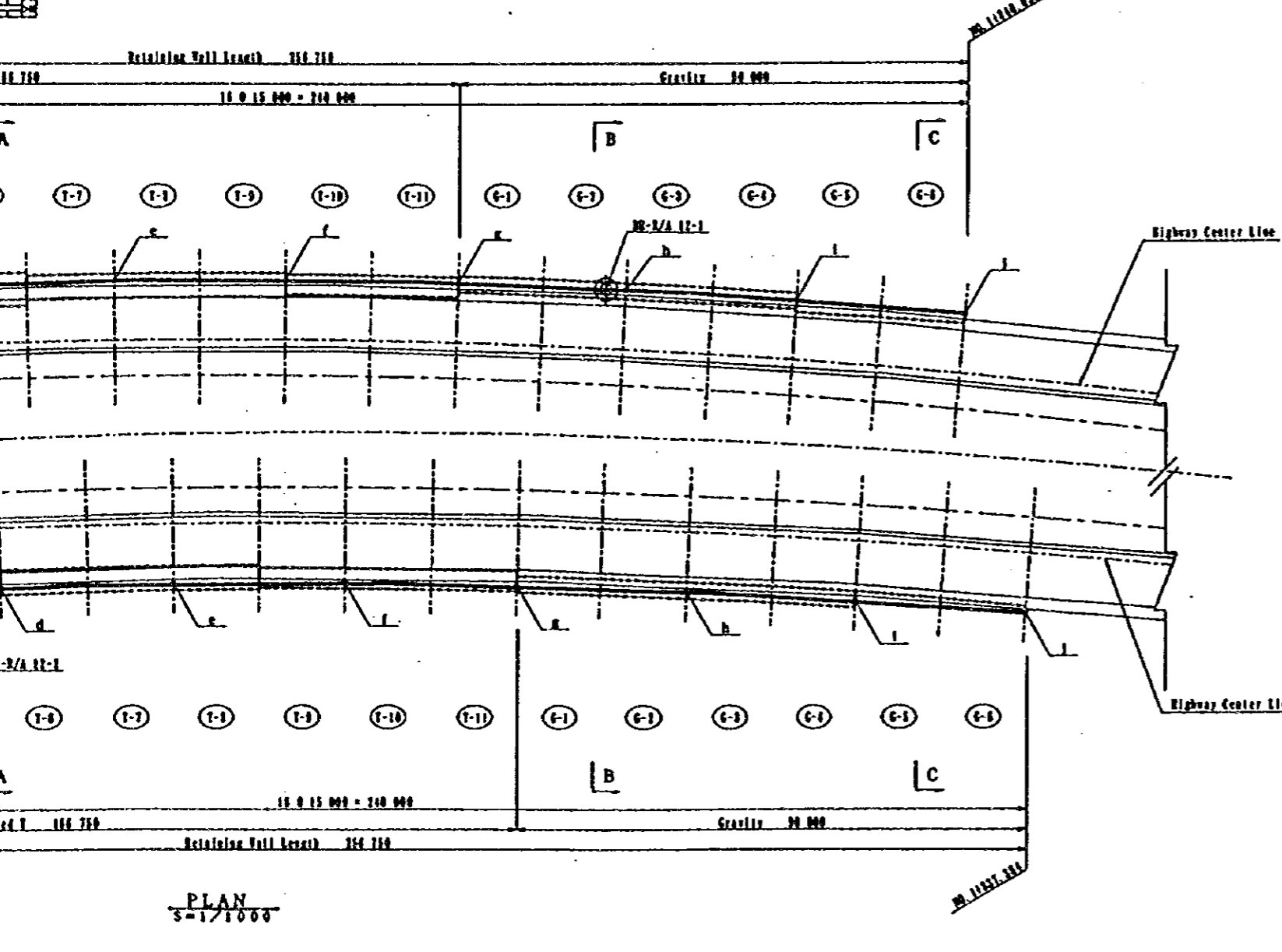
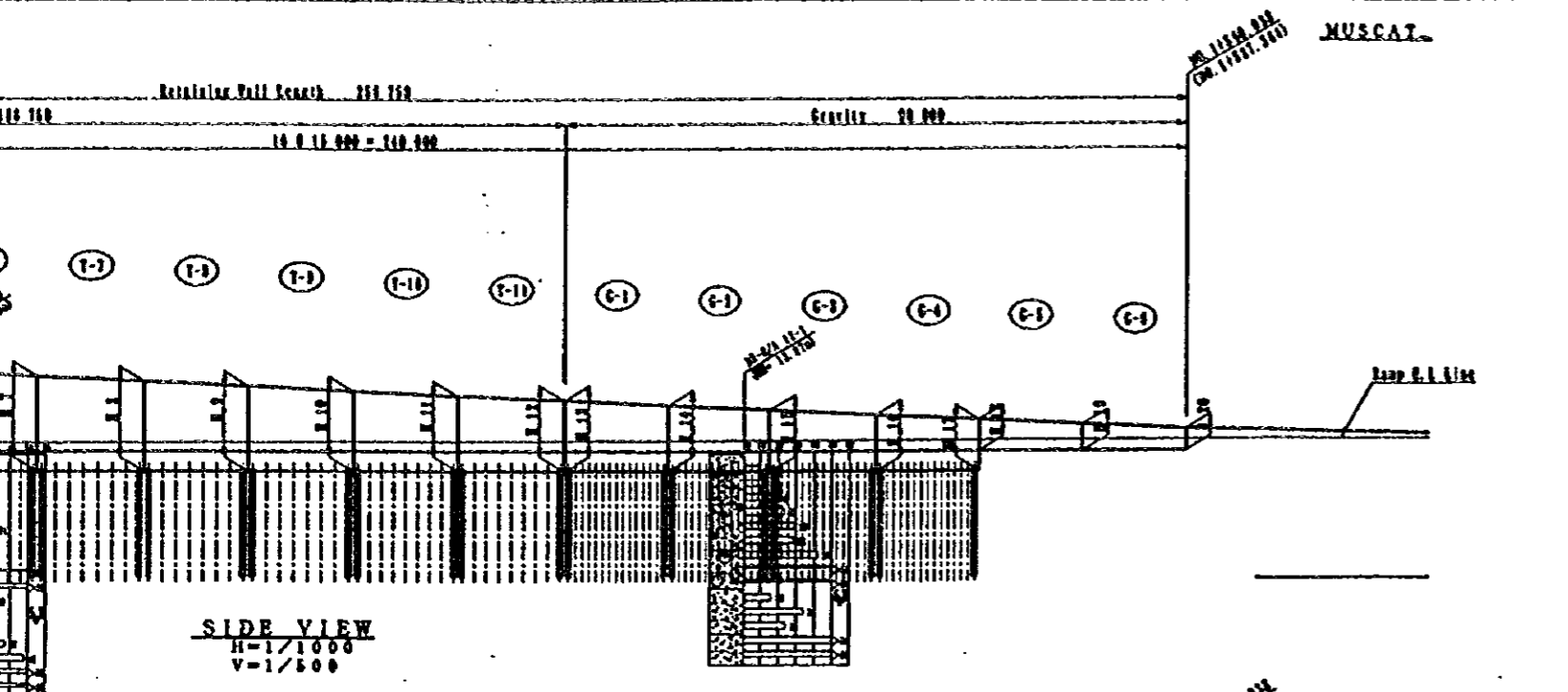
Revers

MARK TYPE	MARK
A	T-1
I	T-2
L	T-3
I	T-4
N	T-5
E	T-6
	T-7
	T-8
	T-9
	T-10
	T-11
B	T-1
I	T-2
L	T-3
I	T-4
N	T-5
E	T-6
	T-7
	T-8
	T-9
	T-10
	T-11

List O

Reversed	T 1
	T 2 ~ T
	T 4 ~ T
	T 7 ~ T
	T 10 ~ T
	Gravily

NOTES:



Reversed T

MARK TYPE	H	h 1	B	B 1	B 2	B 3	
A I L I N E	T-1	11-8 912	7 512	5 700	1 500	892	3 308
	T-2	1-8 633	7 233			869	3 331
	T-3	3-8 347	6 947			844	3 366
	T-4	6-8 061	6 661			820	3 380
	T-5	6-7 730	6 330	5 700	1 500	895	3 295
	T-6	6-7 399	6 009			778	3 422
	T-7	6-7 025	5 625			750	3 450
	T-8	7-7 025	5 625			719	3 481
	T-9	9-6 650	5 250	4 200	1 000	702	2 498
	T-10	9-6 233	4 831			672	2 528
	T-11	10-5 813	4 411			638	2 562
B I L I N E	T-1	11-4 971	3 571	3 500	800	586	2 114
	T-2	11-5 391	3 991			554	2 146
	T-3	11-4 971	3 571			522	2 178
	T-4	11-4 586	7 186	5 700	1 500	865	3 335
	T-5	2-8 303	6 903			840	3 360
	T-6	3-8 013	6 613			816	3 384
	T-7	4-7 722	6 322	5 700	1 500	801	3 399
	T-8	5-7 385	5 985			777	3 423
	T-9	6-7 048	5 648			749	3 451
	T-10	6-6 666	5 266	4 200	1 000	721	3 479
	T-11	8-6 284	4 884			678	3 527
E	T-1	9-5 867	4 457			642	3 558
	T-2	10-5 429	4 029	3 500	800	608	3 592
	T-3	11-5 003	3 603			589	3 111
	T-4	11-4 576	3 176			557	3 143
	T-5					524	2 176
	T-6					492	2 208

Gravity (Pile Foundation)

MARK TYPE	H	h 1	B	B 1	
A I L I N E	G-1	11-4 971	3 571	2 800	2 283
	G-2	10-4 619	3 219		3 083
	G-3	15-4 264	2 866		1 882
	G-4	10-3 982	2 582		1 720
B I L I N E	G-1	11-4 576	3 176	2 800	2 059
	G-2	10-4 209	2 809		1 850
	G-3	15-3 842	2 442		1 641
	G-4	10-3 534	2 134		1 465
E	G-1	12-3 226	1 826		1 290

Gravity (Spread Foundation)

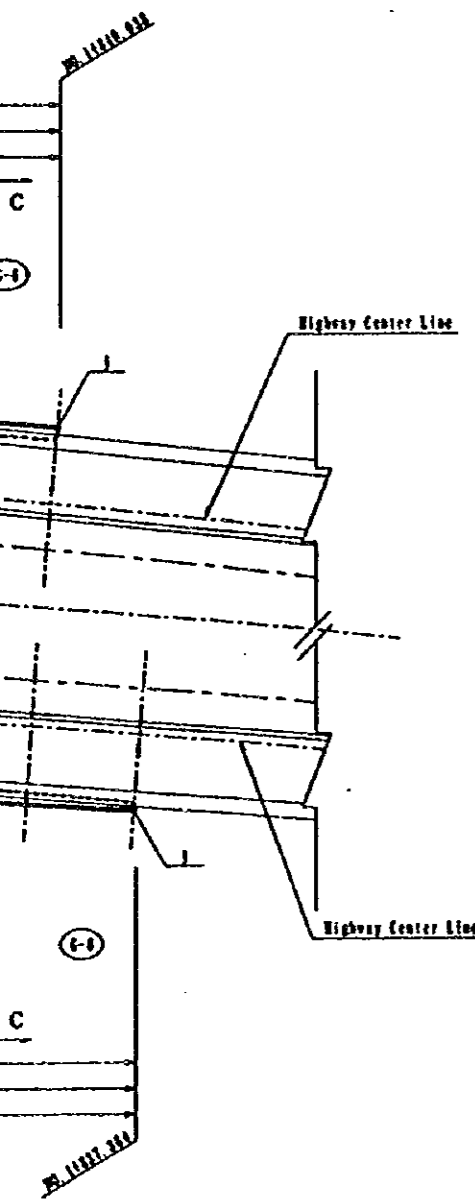
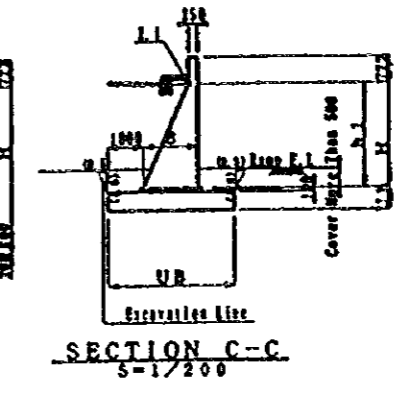
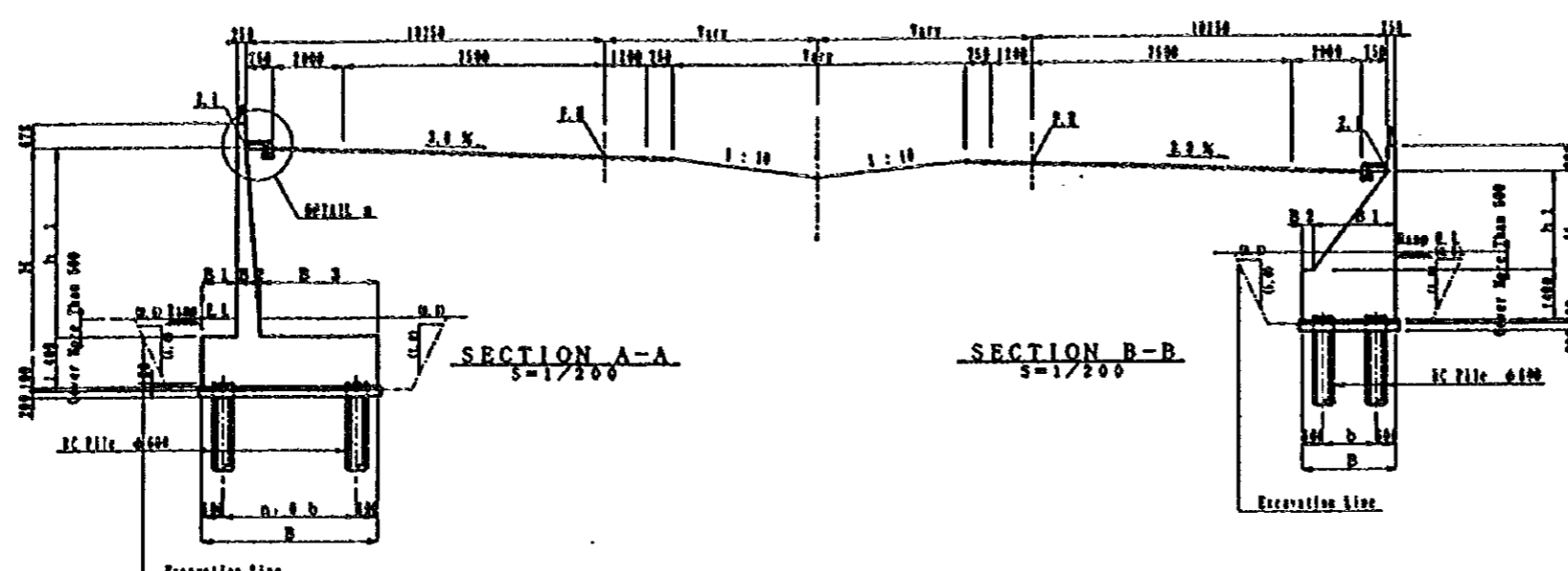
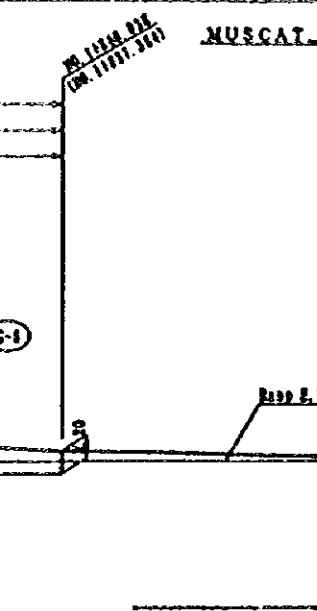
MARK TYPE	H	B	U h	U B	
A I L I N E	G-5	11-2 298	1 715	1 500	3 715
	G-6	15-2 083	1 578		3 578
B I L I N E	G-5	10-1 867	1 440		3 440
	G-6	11-1 828	1 414	1 500	3 414
E	G-5	15-1 578	1 256		3 256
	G-6	10-1 329	1 097		3 097

List Of Foundation

	A - LINE					B - LINE							
	Reversed T	n, nb	w.	n, nw.	n	L (m)	Reversed T	n, nb	w.	n, nw.	n	L (m)	
T 1	3	0 1 500	725	9	0 1 700	40	7 500	T 1	3	0 1 500	725	9	0 1 700
T 2 ~ T 3	3	0 1 500	750	9	0 1 500	40		T 2	3	0 1 500	750	9	0 1 500
T 4 ~ T 6	3	0 1 500	600	8	0 1 725	36		T 3 ~ T 5	3	0 1 500	600	8	0 1 725
T 7 ~ T 9	2	0 1 500	675	7	0 1 950	24		T 6 ~ T 8	3	0 1 500	675	7	0 1 950
T 10 ~ T 11	1	0 2 300	600	8	0 1 725	18		T 9 ~ T 11	1	0 2 300	600	8	0 1 725
Gravity	1	0 1 600	640	14	0 980	15	7 500	Gravity	1	0 1 600	640	14	0 980

JAPAN INTERNATIONAL COOPERATION AGENCY (JICA)
 JICA STUDY TEAM
 PACIFIC CONSULTANTS INTERNATIONAL
 FUKUYAMA CONSULTANTS INTERNATIONAL

CLIENT :
 PROJECT :
 TITLE :
 DATE :



Reversed T

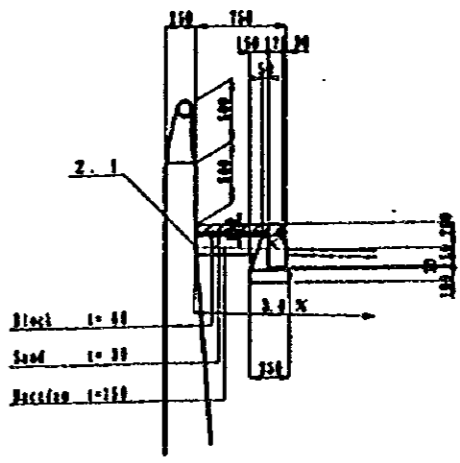
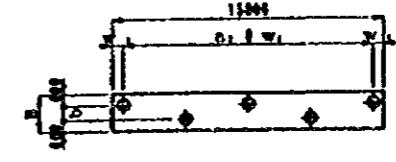
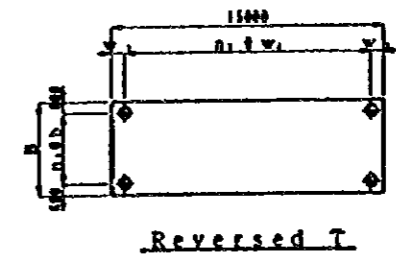
MARK TYPE	H	h 1	B	B 1	B 2	B 3	
A	1-1	8 912	7 512	5 700	1 500	892	3 308
	1-2	8 633	7 233			862	3 331
	1-3	8 347	6 947			844	3 356
	1-4	8 061	6 661			820	3 380
	1-5	7 730	6 330			805	3 395
	1-6	7 399	5 999			778	3 422
	1-7	7 025	5 625			750	3 450
	1-8	6 650	5 250			719	3 481
	1-9	6 231	4 831			702	3 498
	1-10	5 811	4 411			672	3 528
E	1-11	5 391	3 991	638	3 562		
	1-12	4 971	3 571	604	3 596		
	1-13	4 551	3 151	566	3 630		
B	1-1	8 912	7 512	5 700	1 500	892	3 308
	1-2	8 633	7 233			862	3 331
	1-3	8 347	6 947			844	3 356
	1-4	8 061	6 661			820	3 380
	1-5	7 730	6 330			805	3 395
	1-6	7 399	5 999			778	3 422
	1-7	7 025	5 625			750	3 450
	1-8	6 650	5 250			719	3 481
	1-9	6 231	4 831			702	3 498
	1-10	5 811	4 411			672	3 528
E	1-11	5 391	3 991	638	3 562		
	1-12	4 971	3 571	604	3 596		
	1-13	4 551	3 151	566	3 630		
L	1-1	8 912	7 512	5 700	1 500	892	3 308
	1-2	8 633	7 233			862	3 331
	1-3	8 347	6 947			844	3 356
	1-4	8 061	6 661			820	3 380
	1-5	7 730	6 330			805	3 395
	1-6	7 399	5 999			778	3 422
	1-7	7 025	5 625			750	3 450
	1-8	6 650	5 250			719	3 481
	1-9	6 231	4 831			702	3 498
	1-10	5 811	4 411			672	3 528
E	1-11	5 391	3 991	638	3 562		
	1-12	4 971	3 571	604	3 596		
	1-13	4 551	3 151	566	3 630		
N	1-1	8 912	7 512	5 700	1 500	892	3 308
	1-2	8 633	7 233			862	3 331
	1-3	8 347	6 947			844	3 356
	1-4	8 061	6 661			820	3 380
	1-5	7 730	6 330			805	3 395
	1-6	7 399	5 999			778	3 422
	1-7	7 025	5 625			750	3 450
	1-8	6 650	5 250			719	3 481
	1-9	6 231	4 831			702	3 498
	1-10	5 811	4 411			672	3 528
E	1-11	5 391	3 991	638	3 562		
	1-12	4 971	3 571	604	3 596		
	1-13	4 551	3 151	566	3 630		
E	1-1	8 912	7 512	5 700	1 500	892	3 308
	1-2	8 633	7 233			862	3 331
	1-3	8 347	6 947			844	3 356
	1-4	8 061	6 661			820	3 380
	1-5	7 730	6 330			805	3 395
	1-6	7 399	5 999			778	3 422
	1-7	7 025	5 625			750	3 450
	1-8	6 650	5 250			719	3 481
	1-9	6 231	4 831			702	3 498
	1-10	5 811	4 411			672	3 528
E	1-11	5 391	3 991	638	3 562		
	1-12	4 971	3 571	604	3 596		
	1-13	4 551	3 151	566	3 630		

Gravity (Pile Foundation)

MARK TYPE	H	h 1	B	B 1	B 2	
A	1-1	4 971	3 571	2 800	2 283	517
	1-2	4 619	3 219		2 083	717
	1-3	4 266	2 866		1 882	918
	1-4	3 913	2 513		1 720	1 080
B	1-1	4 576	3 176	2 800	2 059	741
	1-2	4 209	2 809		1 850	950
	1-3	3 842	2 442		1 641	1 159
	1-4	3 474	2 074		1 465	1 335
E	1-1	3 226	1 826	2 800	1 290	1 510
	1-2	2 859	1 459		1 082	1 720
	1-3	2 492	1 092		873	1 919
	1-4	2 125	725		664	2 118

Gravity (Spread Foundation)

MARK TYPE	H	B	U h	U B	
A	1-1	2 296	3 715	1 500	3 715
	1-2	2 083	3 502		3 502
B	1-1	1 827	3 440	1 500	3 440
	1-2	1 614	3 227		3 227
E	1-1	1 578	3 256	1 500	3 256
	1-2	1 365	3 043		3 043



List Of Foundation

Reversed T	A - LINE					L (m)	Reversed T	B - LINE					L (m)
	n.s.w.	w.	n.s.w.	n	n			n.s.w.	w.	n.s.w.	n	n	
T 1	3 01 500	725	9 01 700	40	40	7 500	T 1	3 01 500	725	9 01 700	40	40	7 500
T 2 ~ T 3	3 01 500	750	9 01 500	40	40		T 2	3 01 500	750	9 01 500	40	40	
T 4 ~ T 6	3 01 500	600	8 01 725	36	36		T 3 ~ T 5	3 01 500	600	8 01 725	36	36	
T 7 ~ T 9	2 01 500	675	7 01 950	24	24		T 6 ~ T 8	2 01 500	675	7 01 950	24	24	
T 10 ~ T 11	1 02 300	600	8 01 725	18	18		T 9 ~ T 11	1 02 300	600	8 01 725	18	18	
Gravity	1 01 600	640	14 0 980	15	15	7 500	Gravity	1 01 600	640	14 0 980	15	15	7 500

JAPAN INTERNATIONAL COOPERATION AGENCY (JICA)
 JICA STUDY TEAM
 PACIFIC CONSULTANTS INTERNATIONAL
 FUJITAMA CONSULTANTS INTERNATIONAL

CLIENT : MINISTRY OF COMMUNICATIONS, DIRECTORATE GENERAL OF ROADS
 PROJECT : D/D ON ROAD DEVELOPMENT PROJECT ON BATINAH HIGHWAY
 TITLE : R/A-12, SOHAR GENERAL VIEW FOR WALL (2)-1
 DATE :
 DVC NO. W-20

Point	a	b	c	d	e	f	g	h	i	j	
A L I N E	N	+2692066.62690	+2692055.83150	+2692039.19345	+2692022.02818	+2692004.34345	+2691986.14726	+2691967.44786	+2691948.25370	+2691928.57346	+2691908.41606
	E	+ 472751.57194	+ 472768.40799	+ 472793.37079	+ 472817.97403	+ 47842.20658	+ 472866.05747	+ 472889.51591	+ 472912.57128	+ 472935.21315	+ 472957.43128
	Z	21.576	21.243	20.671	20.009	19.260	18.421	17.581	16.876	16.308	15.877
B L I N E	N	+269009.74085	+2691999.12746	+2691962.80963	+2691946.01969	+2691948.76362	+2691931.04756	+2691912.87783	+2691894.26088	+2691875.20335	+2691855.71203
	E	+ 472721.48510	+ 472798.43652	+ 472763.60996	+ 472788.47099	+ 472813.01078	+ 472837.22059	+ 472861.09178	+ 472884.61587	+ 472907.78447	+ 472930.58933
	Z	21.142	20.804	20.222	19.550	18.785	17.930	17.070	16.343	15.728	15.230

NOTES:

JAPAN INTERNATIONAL COOPERATION AGENCY
(JICA)

JICA STUDY TEAM
PACIFIC CONSULTANTS INTERNATIONAL
FERRYAMA CONSULTANTS INTERNATIONAL

CLIENT : MINISTRY OF COMMUNICATIONS, DIRECTORATE GENERAL OF ROADS

PROJECT : D/D ON ROAD DEVELOPMENT PROJECT ON BATINAH HIGHWAY

TITLE : R/A-12, SOHAR GENERAL VIEW FOR WALL (2)-2

DATE : _____ DNG NO. W-21