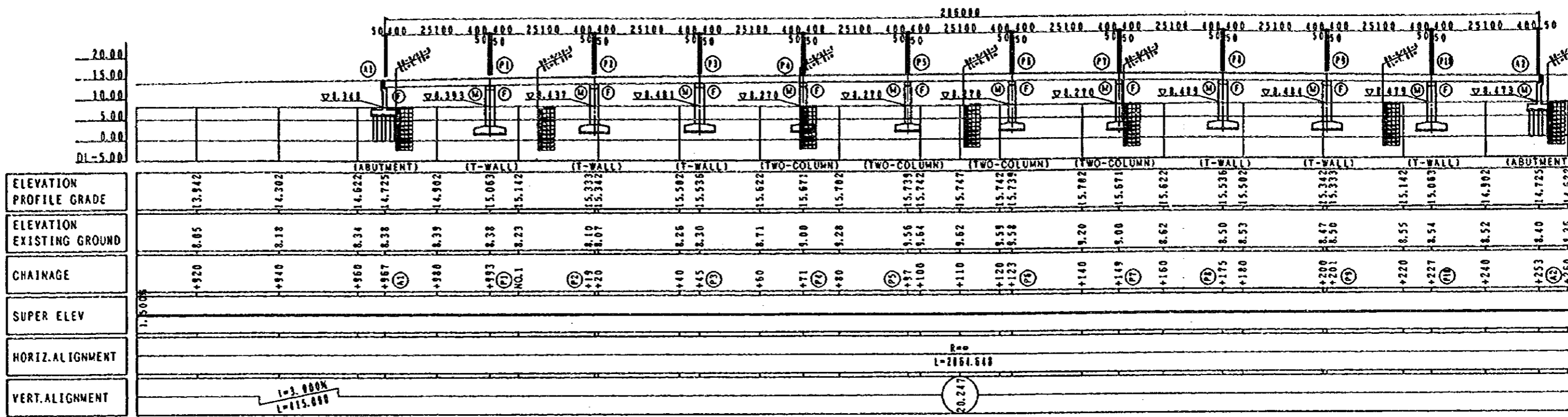
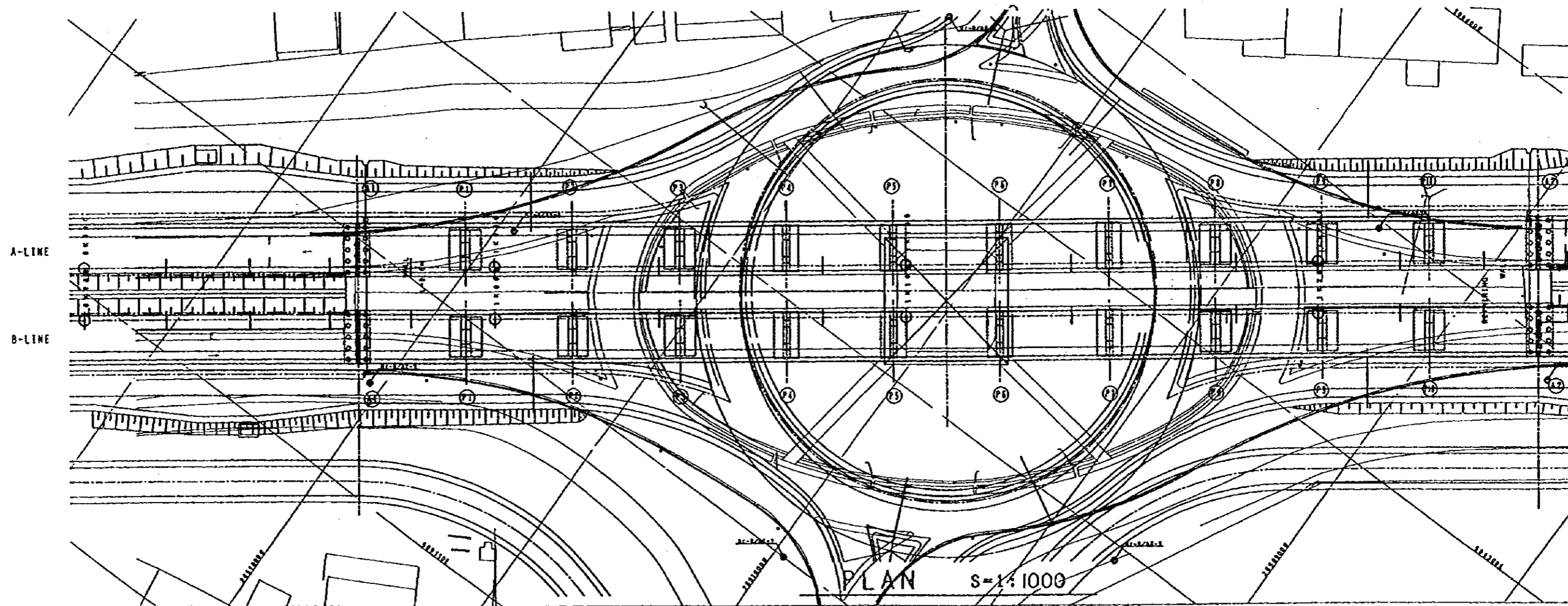


GENERAL VIEW RA/08 AL K

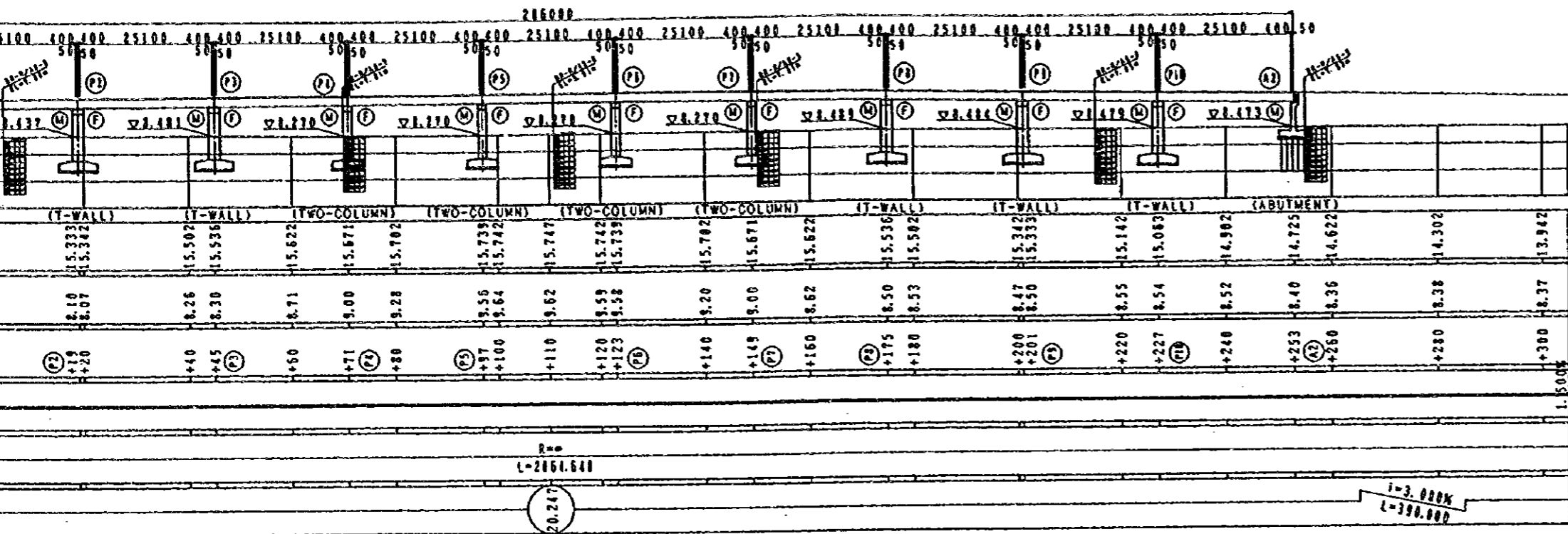


PROFILE (A-LINE) S=1:1000

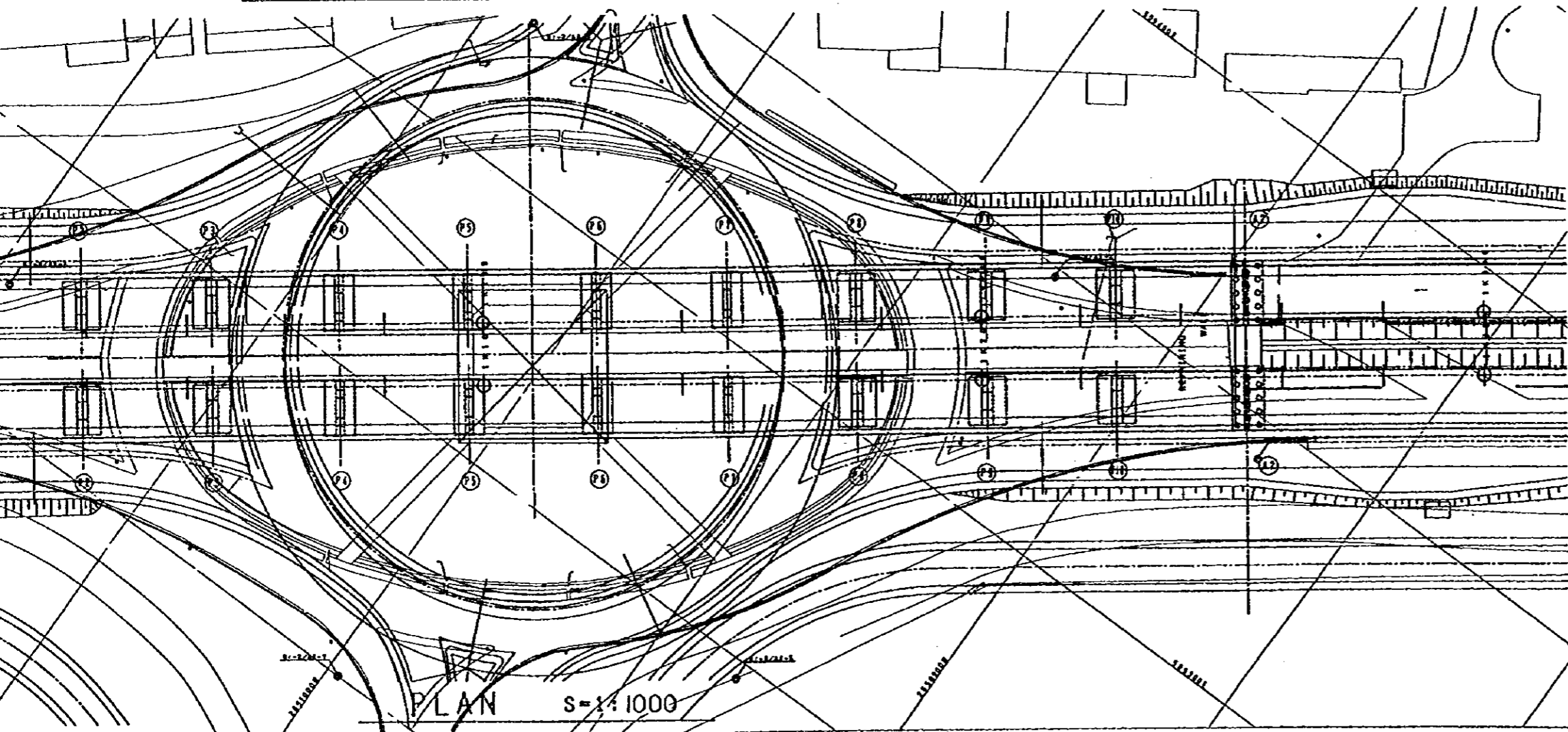


NOTES:

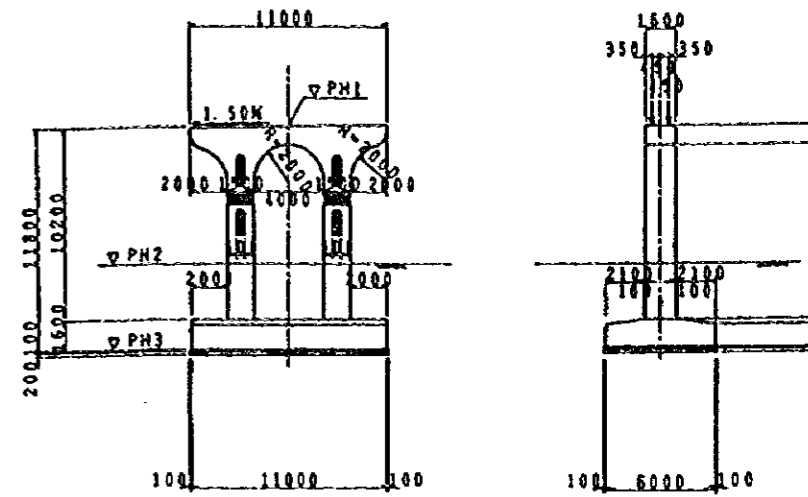
GENERAL VIEW RA/08 AL KHABURAH (A-LINE)



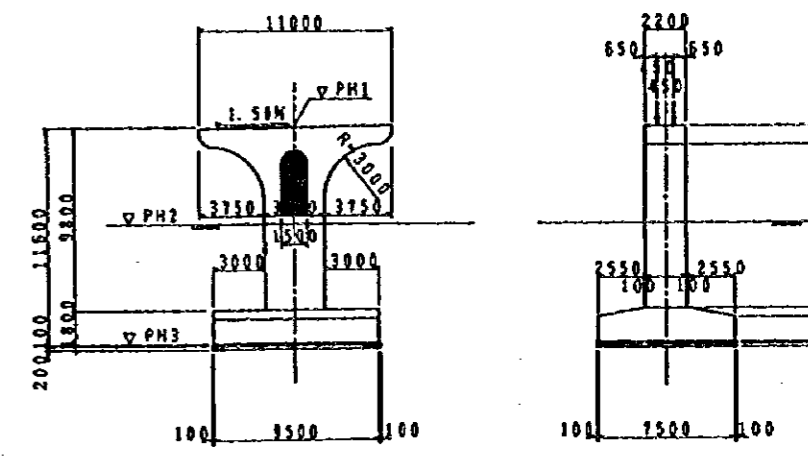
PROFILE (A-LINE) S=1:1000



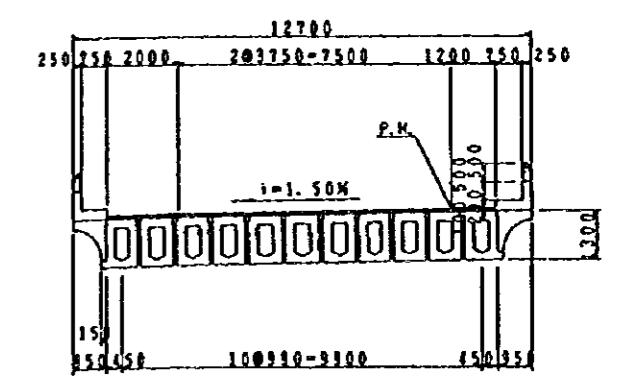
PLAN S=1:1000



SECTION OF PIERS (Two Column) S=1:400

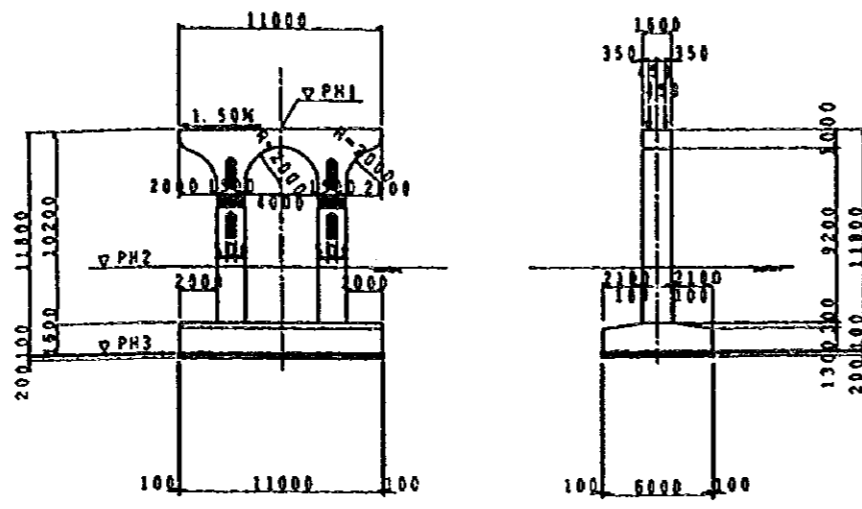
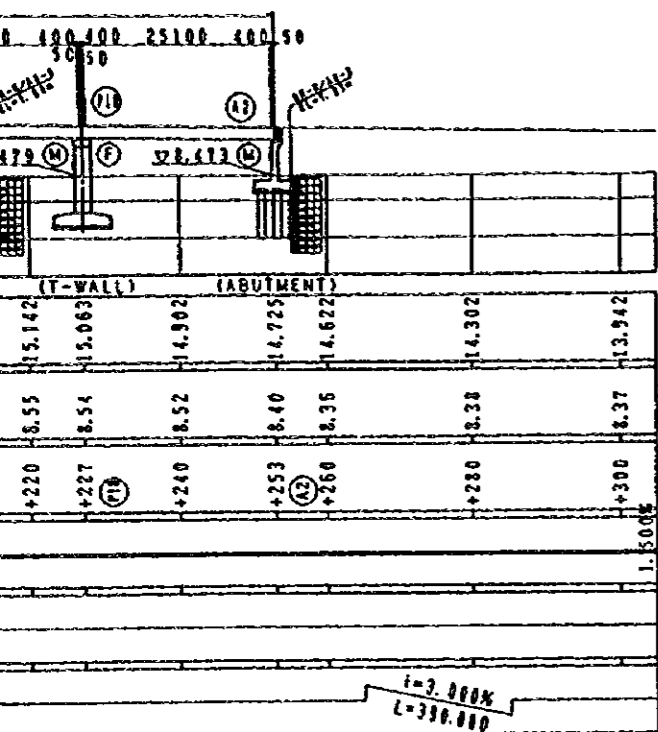


SECTION OF PIERS (T-Wall) S=1:400

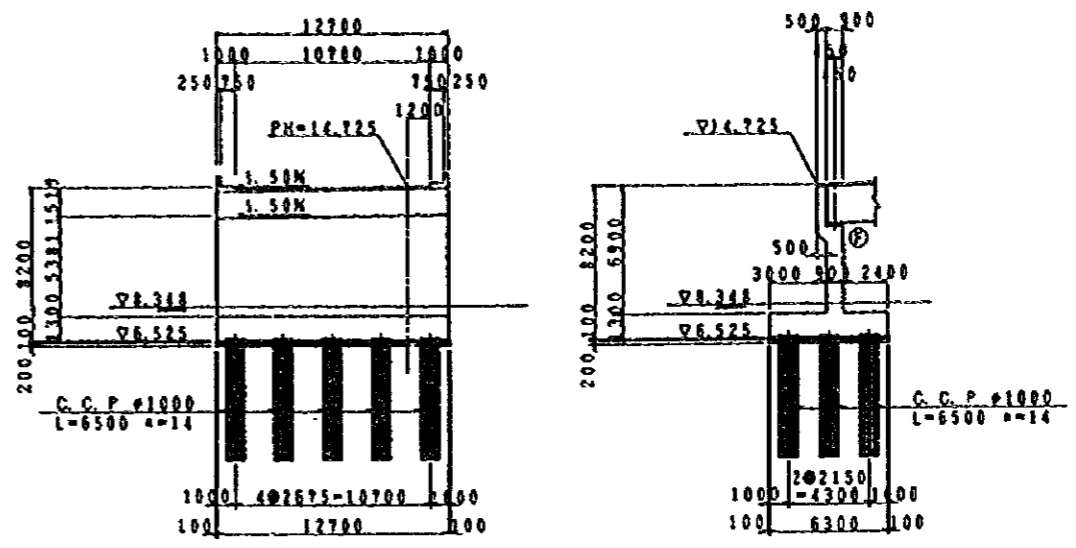


SECTION OF PC BOX GIRDER S=1:200

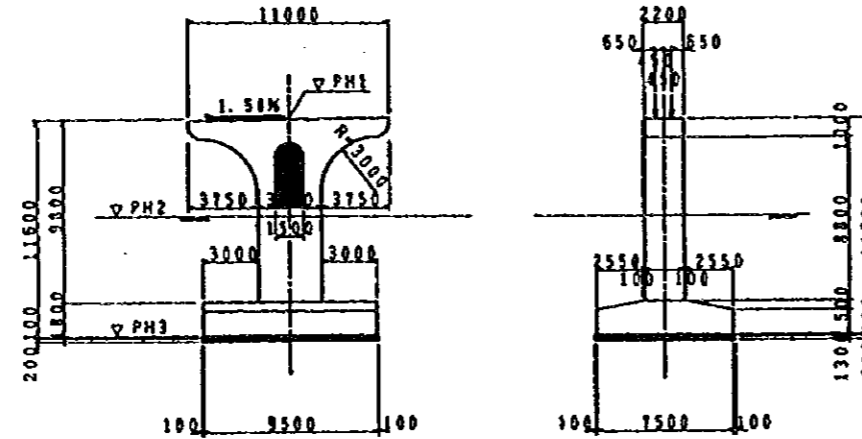
A/08 AL KHABURAH (A-LINE)



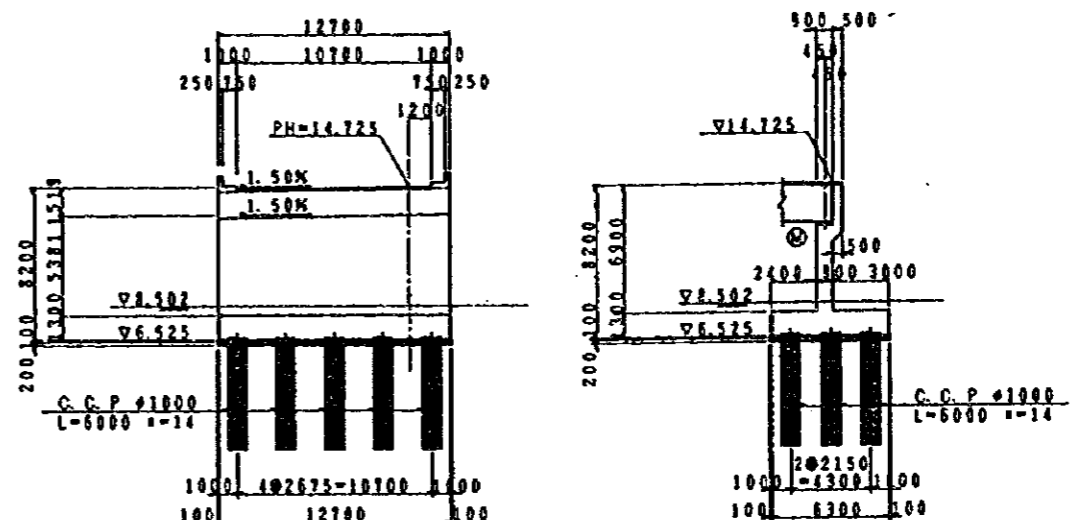
SECTION OF PIERS (Two Column) S=1:400



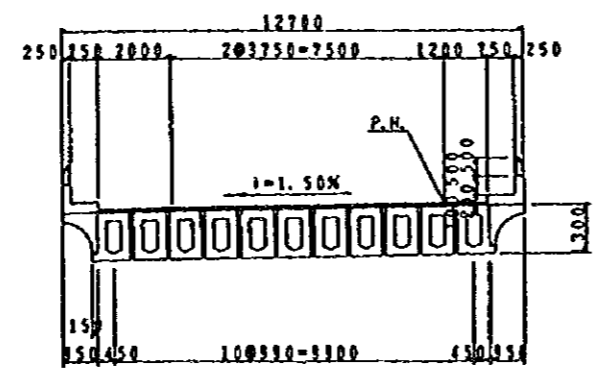
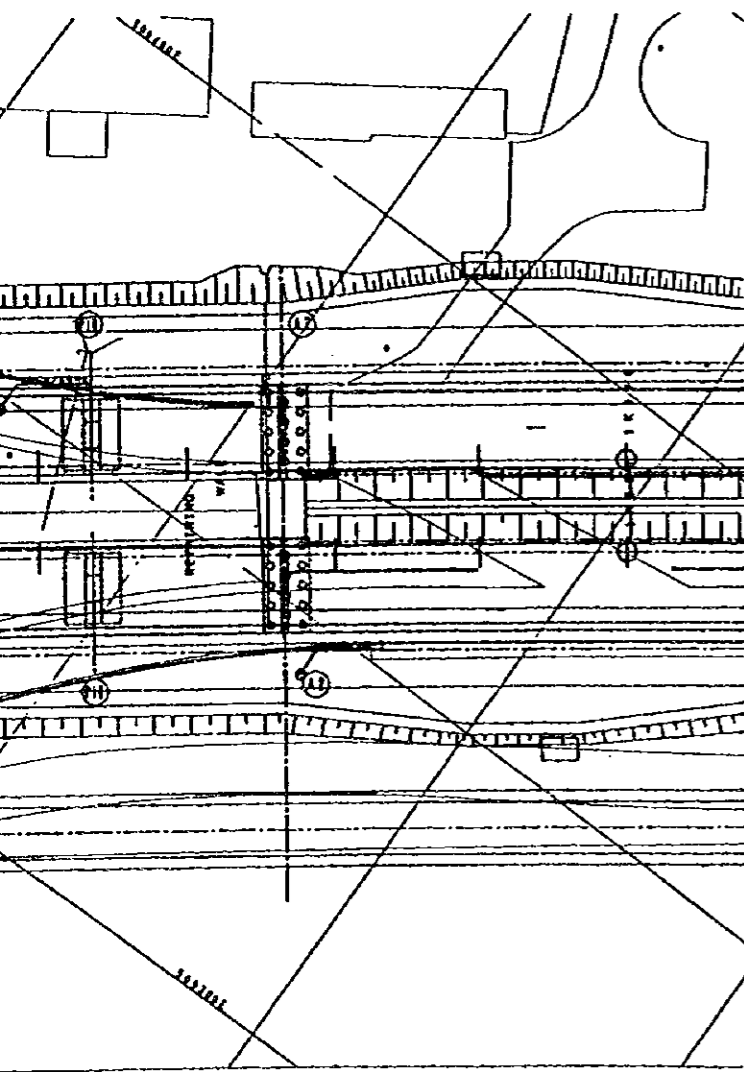
SECTION OF A1 ABUTMENT S=1:400



SECTION OF PIERS (T-Wall) S=1:400



SECTION OF A2 ABUTMENT S=1:400

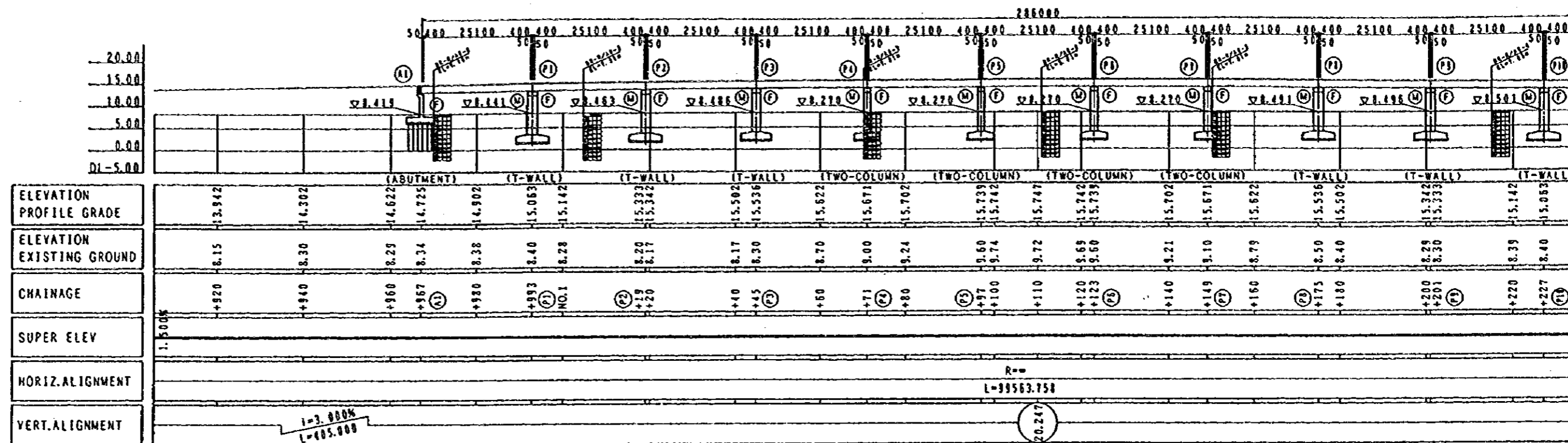


SECTION OF PC BOX GIRDER S=1:200

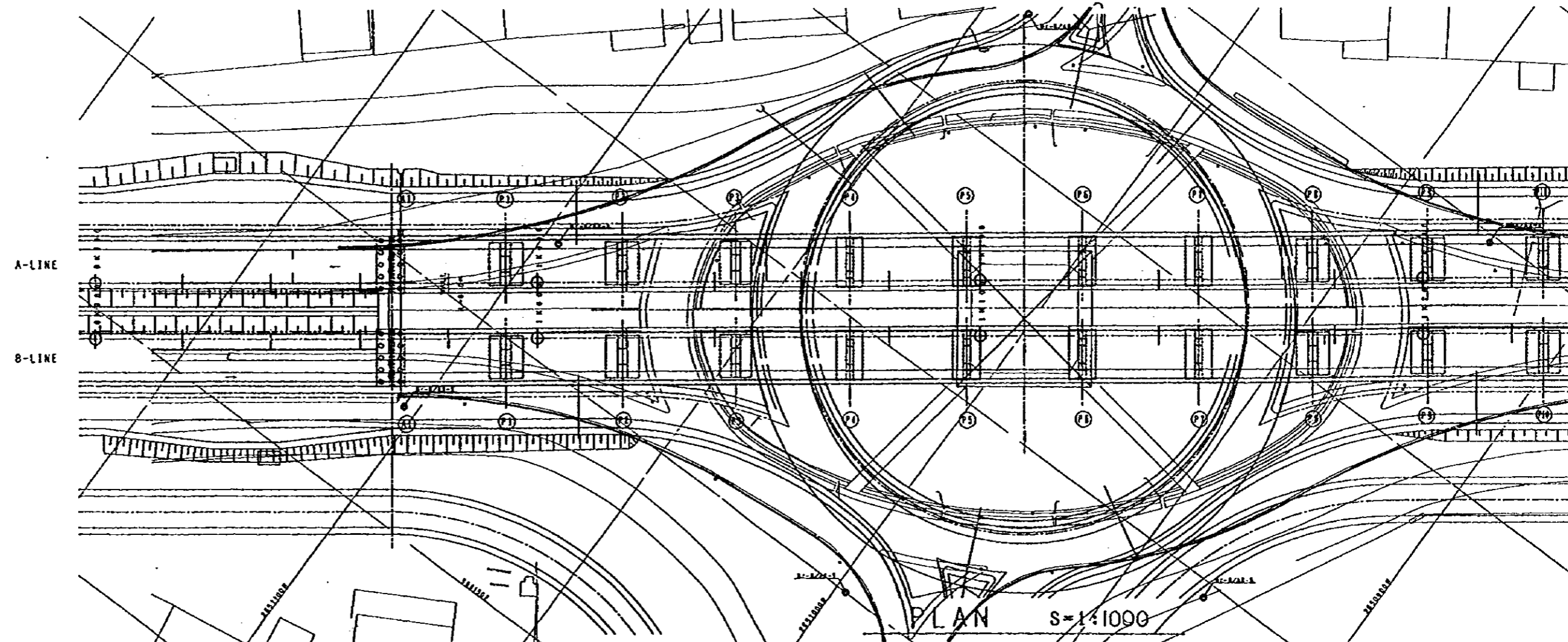
LIST OF PIER ELEVATION

	PH1	PH2	PH3	REMARKS
P1	13.465	8.393	1.865	T-Wall
P2	13.736	8.437	2.136	"
P3	13.939	8.481	2.339	"
P4	14.074	8.270	2.274	Two Column
P5	14.341	8.270	2.341	"
P6	14.341	8.270	2.341	"
P7	14.074	8.270	2.274	"
P8	13.939	8.491	2.339	T-Wall
P9	13.736	8.495	2.136	"
P10	13.465	8.499	1.865	"

JAPAN INTERNATIONAL COOPERATION AGENCY (JICA)	CLIENT: MINISTRY OF COMMUNICATIONS, DIRECTORATE GENERAL OF ROADS
JICA STUDY TEAM	PROJECT: D/D ON ROAD DEVELOPMENT PROJECT ON BATINAH HIGHWAY
PACIFIC CONSULTANTS INTERNATIONAL	TITLE: GENERAL VIEW RA/ ALKHABURAH (A-LINE)
YUKUYAMA CONSULTANTS INTERNATIONAL	DATE: _____ DWGNO. B-1

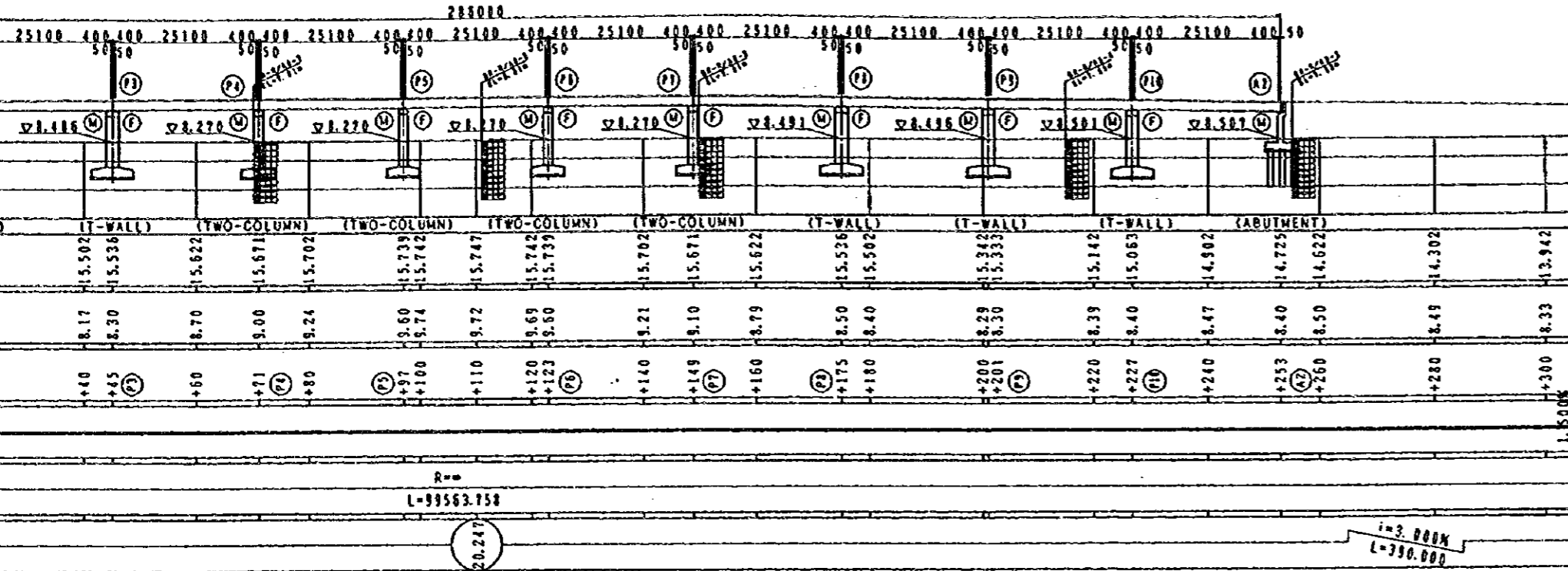


PROFILE (B-LINE) S=1:1000

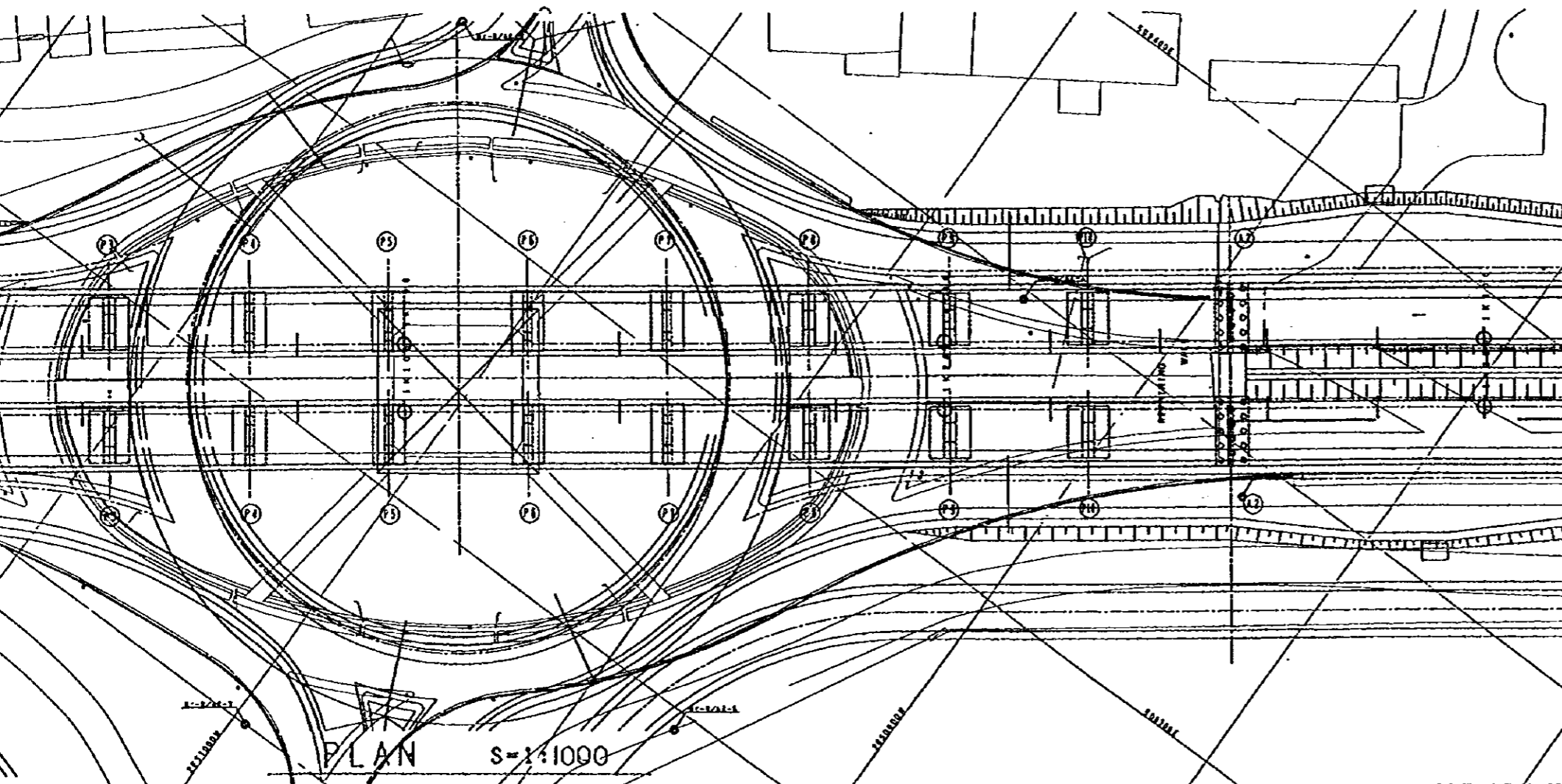


NOTES:

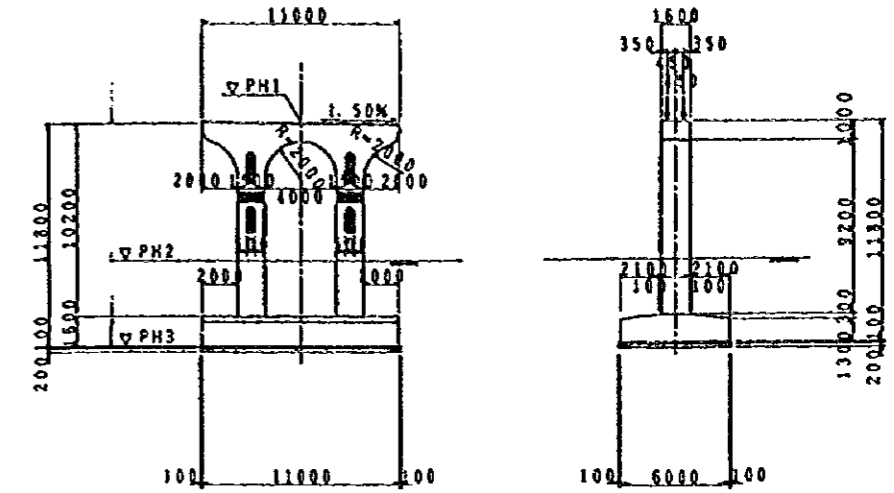
GENERAL VIEW RA/08 AL KHABURAH (B-LINE)



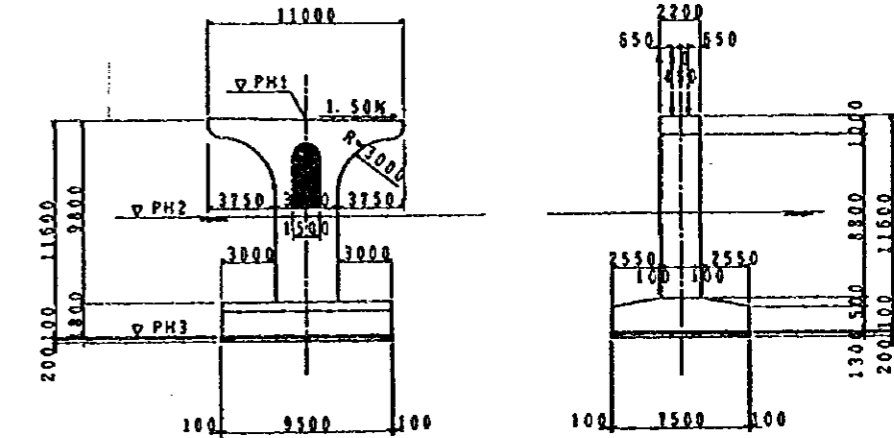
PROFILE (B-LINE) S=1:1000



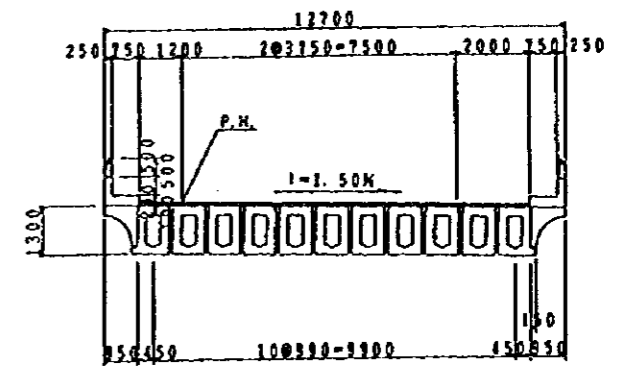
PLAN S=1:1000



SECTION OF PIERS (Two Column) S=1:400

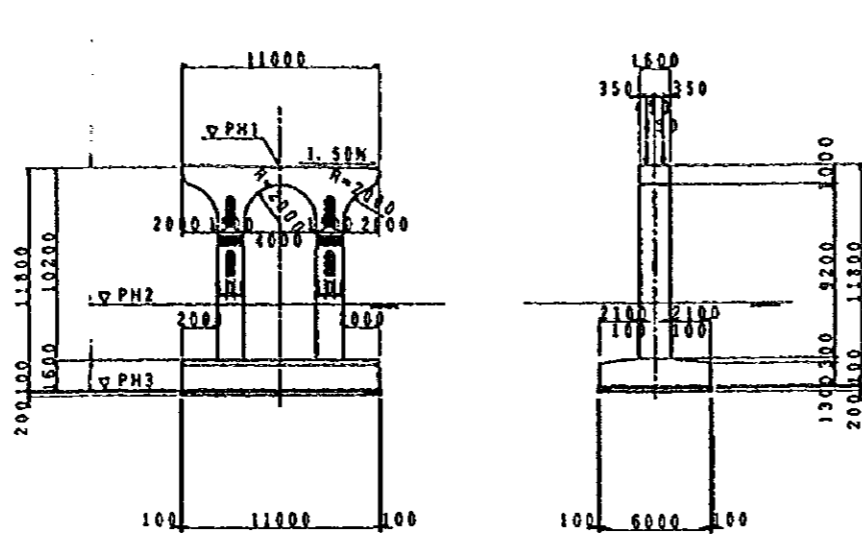
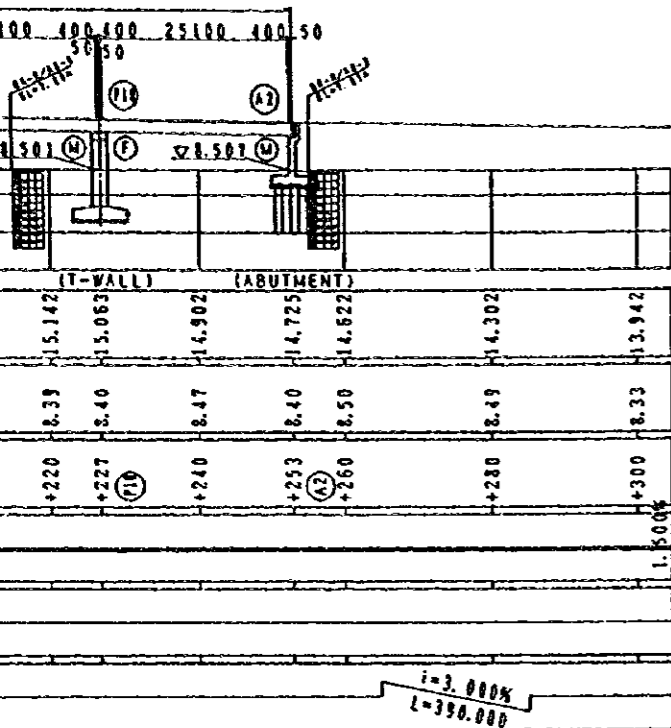


SECTION OF PIERS (T-Wall) S=1:400

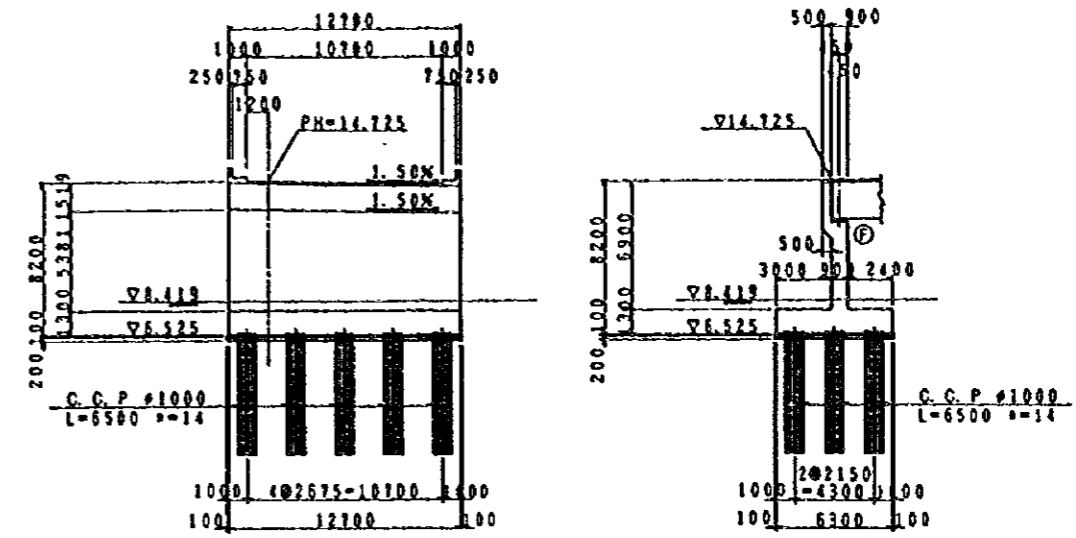


SECTION OF PC BOX GIRDER S=1:200

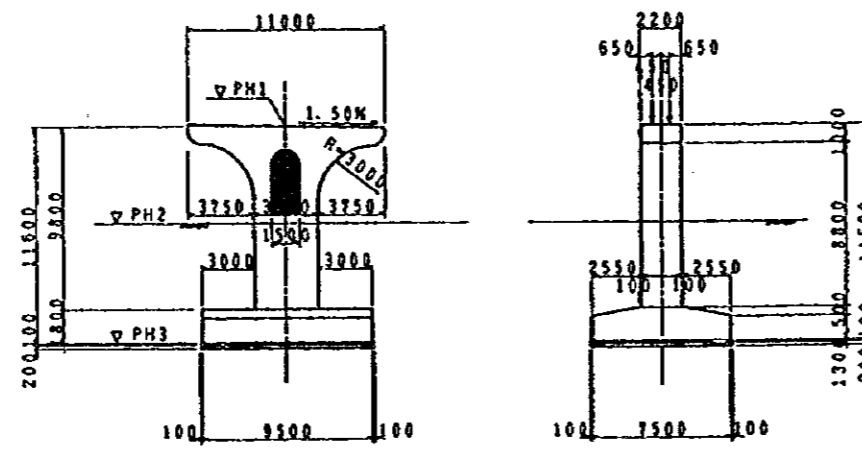
RA/08 AL KHABURAH (B-LINE)



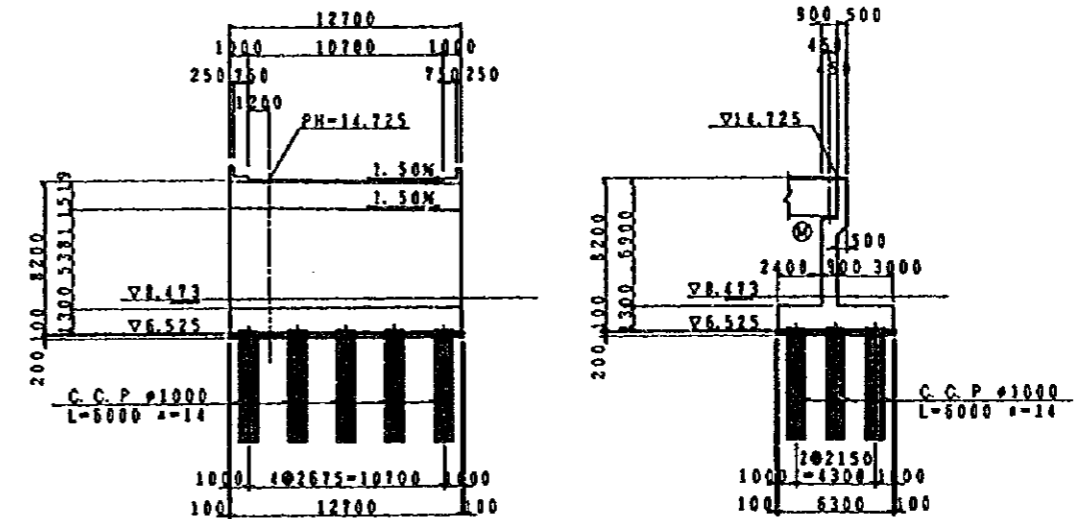
SECTION OF PIERS (Two Column) S=1:400



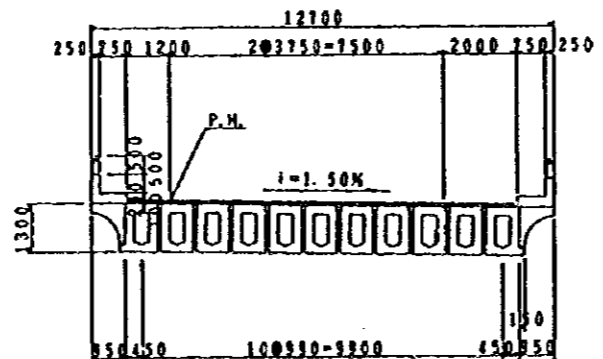
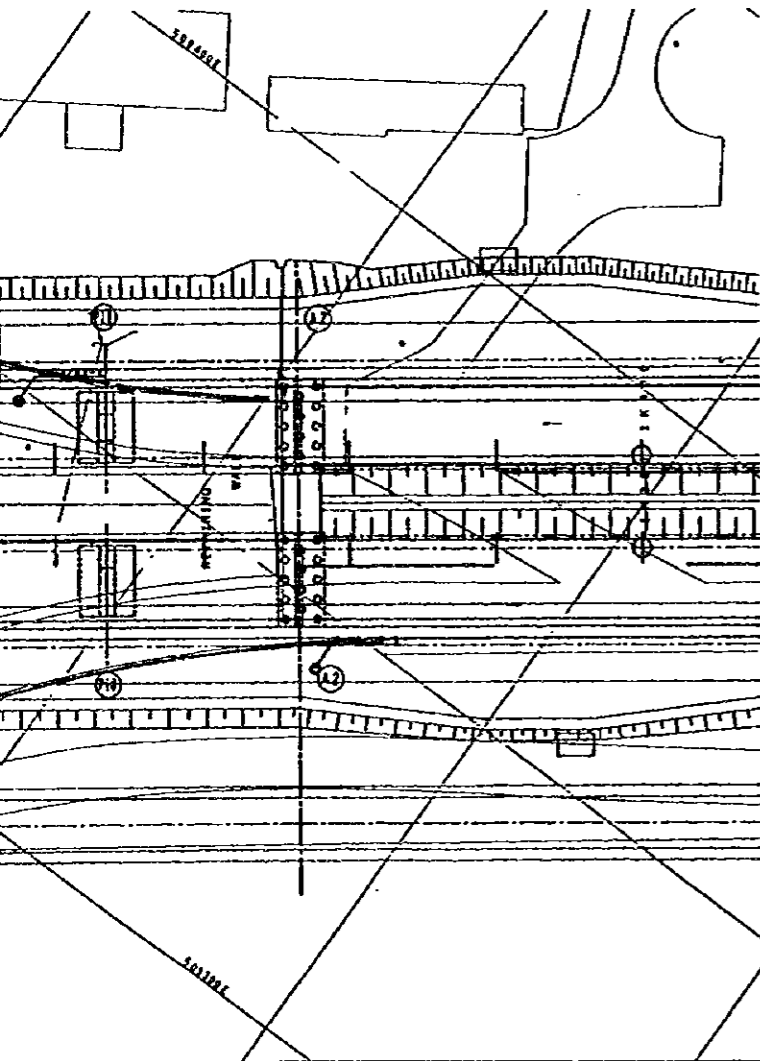
SECTION OF A1 ABUTMENT S=1:400



SECTION OF PIERS (T-Wall) S=1:400



SECTION OF A2 ABUTMENT S=1:400

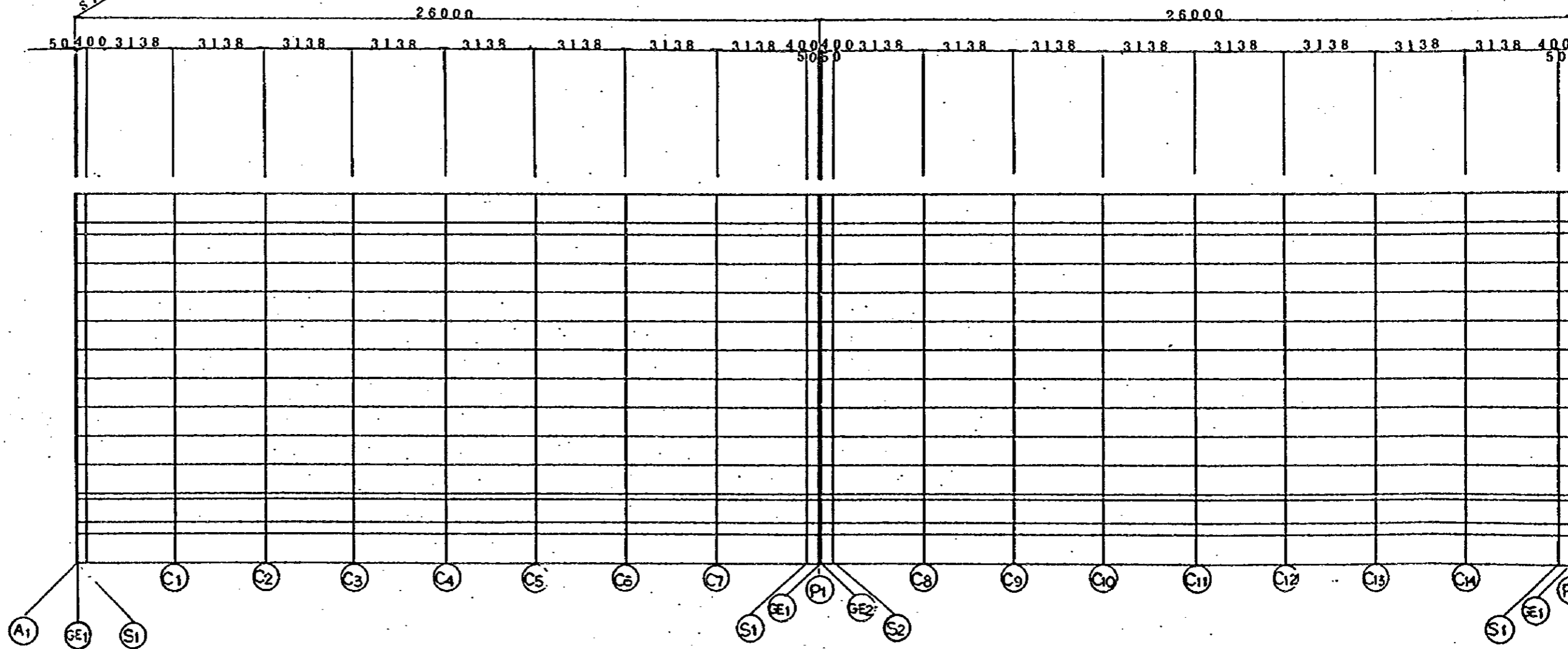


SECTION OF PG BOX GIRDER S=1:200

LIST OF PIER ELEVATION

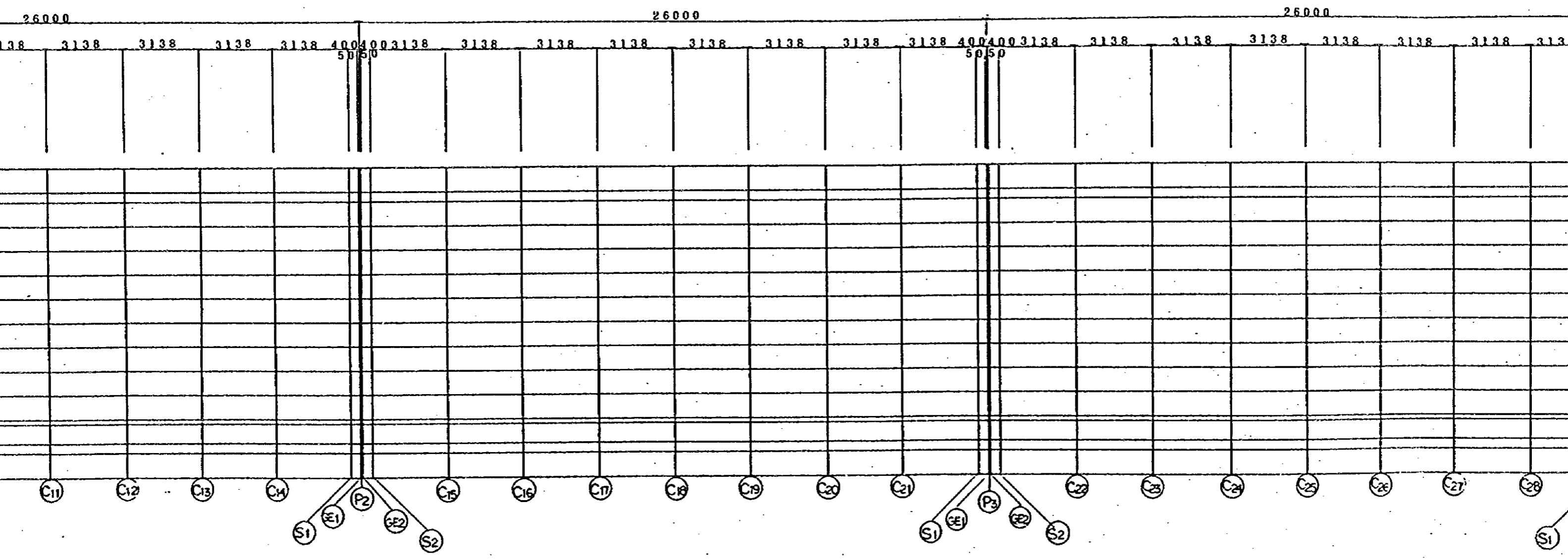
	PH1	PH2	PH3	REMARKS
P1	13.465	8.443	1.865	T-Wall
P2	13.736	8.463	2.136	"
P3	13.938	8.486	2.399	"
P4	14.074	8.270	2.274	Two Column
P5	14.141	8.270	2.341	"
P6	14.141	8.270	2.341	"
P7	14.074	8.270	2.274	"
P8	13.939	8.489	2.399	T-Wall
P9	13.736	8.484	2.136	"
P10	13.465	8.479	1.865	"

STA NO. 0+967.000

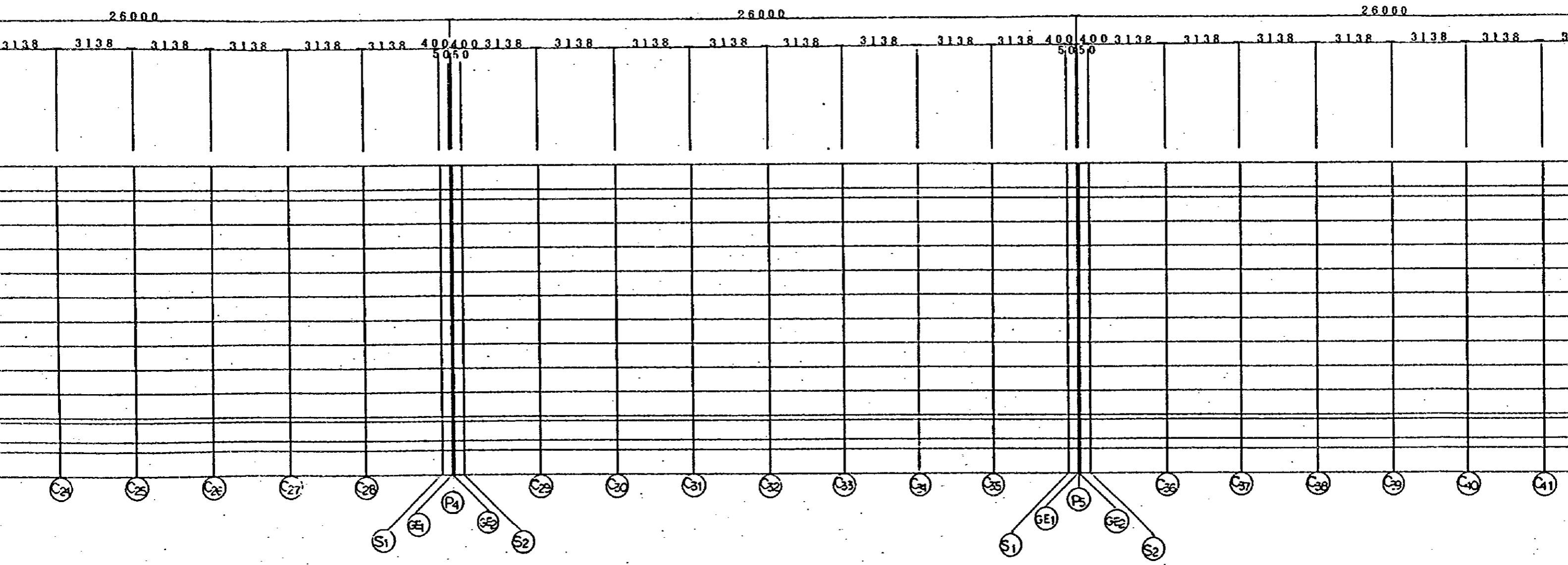


NOTES:

59

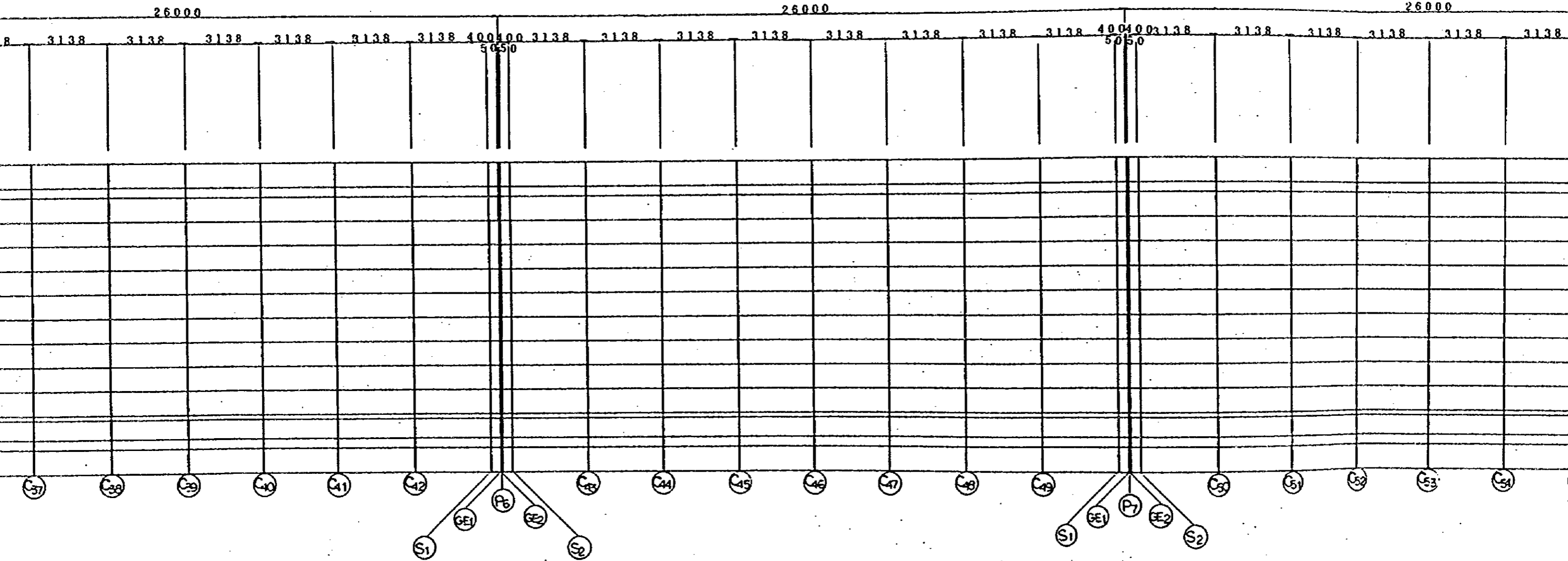


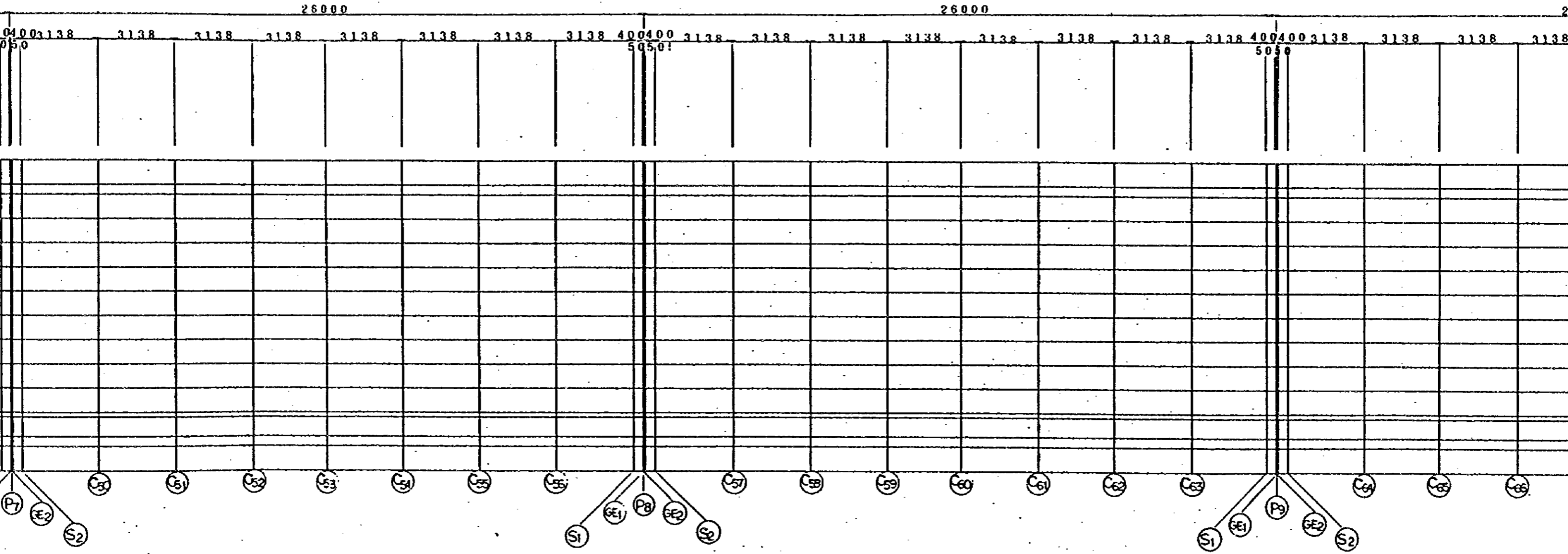
RA/08



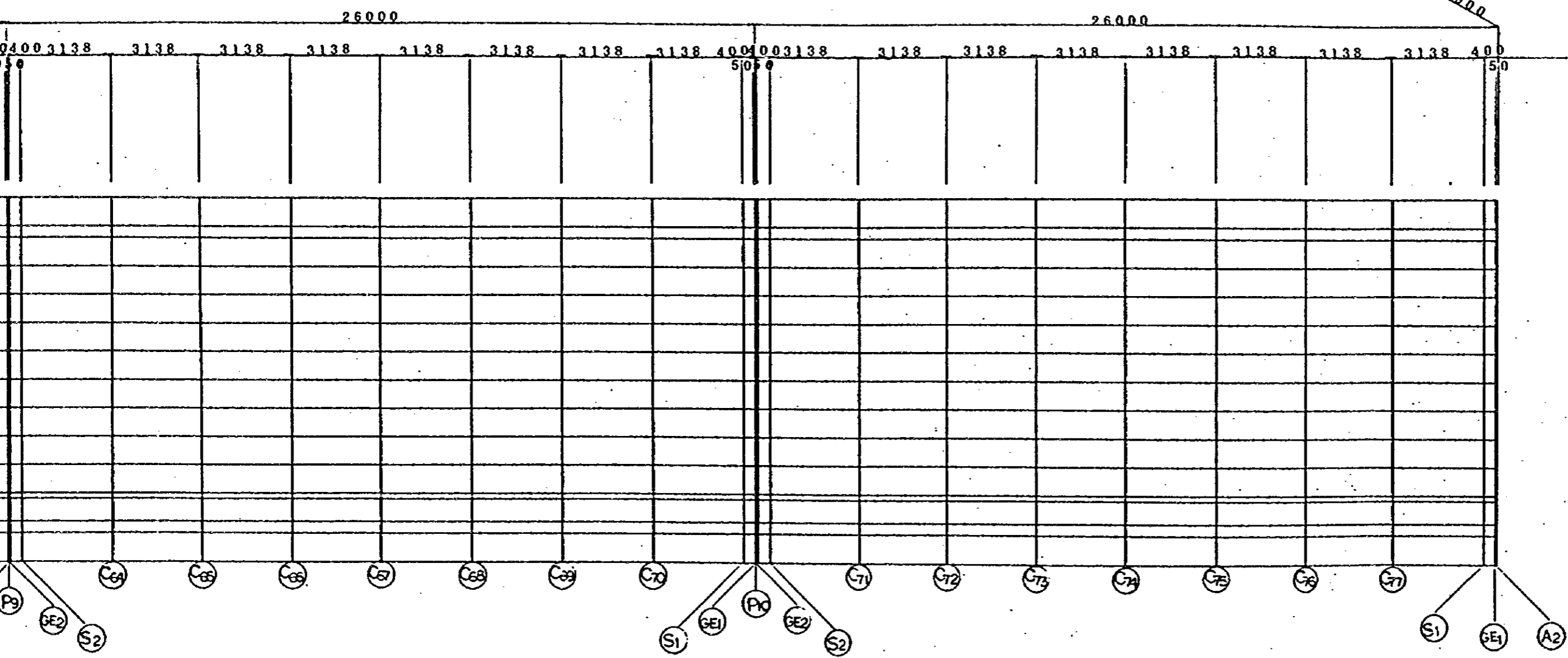
RA/08 - AI KHABURAH

A - LINE

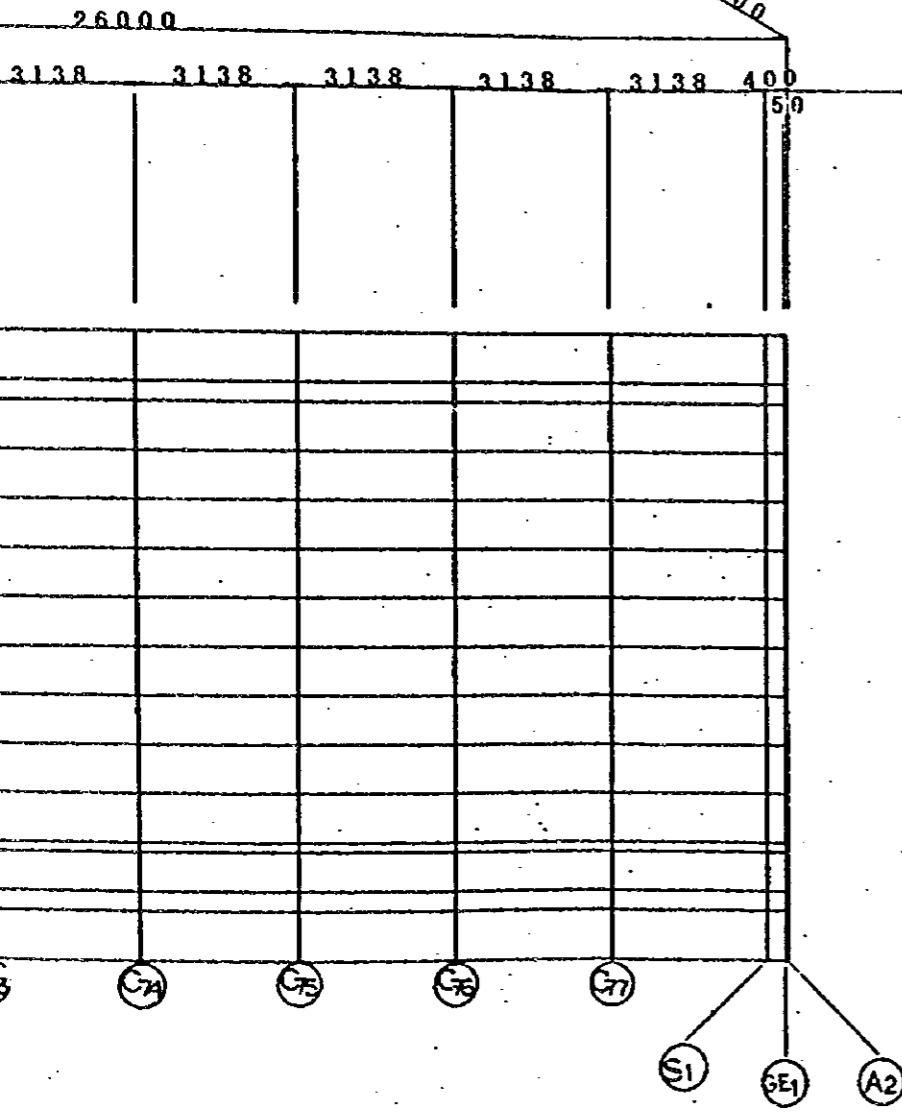




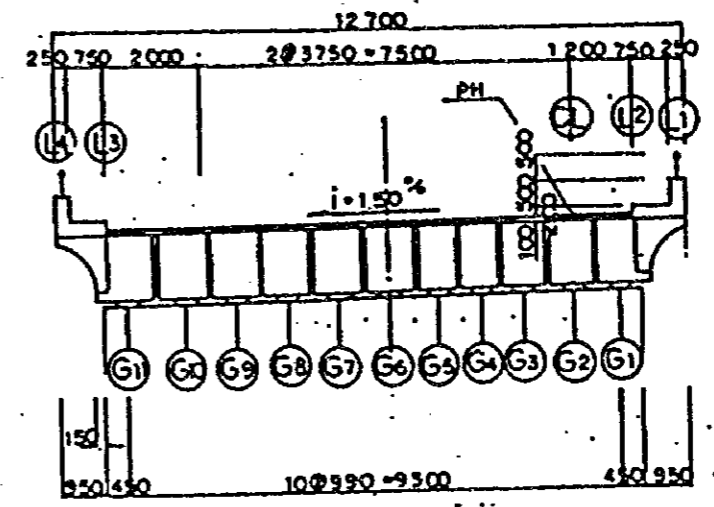
STA NO. 1+253.000



STA NO. 1+253.000



A - LINE



JAPAN INTERNATIONAL COOPERATION AGENCY (JICA)	CLIENT: MINISTRY OF COMMUNICATIONS, DIRECTORATE GENERAL OF ROADS	
	PROJECT: D/D ON ROAD DEVELOPMENT PROJECT ON BATINAH HIGHWAY	
JICA STUDY TEAM PACIFIC CONSULTANTS INTERNATIONAL FUKUYAMA CONSULTANTS INTERNATIONAL	TITLE FRAMING PLAN RAWS AT A-LINE	DATE
	DWGNO.	B-3

AL KHABURAH(A)

SECTION		A1	A1-GE1	A1-S1	C4	P1-S1	P1-GE1	P1	P1-GE2	P1-S2	C11	P2-S1	P2-GE1	P2	P2-GE2
STATION		0 + 987.0000	0 + 967.0500	0 + 967.4500	0 + 980.0000	0 + 992.6500	0 + 992.9500	0 + 993.0000	0 + 993.0500	0 + 993.4500	1 + 6.0000	1 + 18.5500	1 + 18.9500	1 + 19.0000	1 + 19.0500
L4	X	0	0.05	0.45	13	25.55	25.95	26	26.05	26.45	39	51.55	51.95	52	52.05
	Y	6.35	6.35	6.35	6.35	6.35	6.35	6.35	6.35	6.35	6.35	6.35	6.35	6.35	6.35
	Z	14.467	14.4678	14.4735	14.6445	14.7998	14.8045	14.8051	14.8056	14.8103	14.9487	15.0713	15.075	15.0754	15.0759
L3	X	0	0.05	0.45	13	25.55	25.95	26	26.05	26.45	39	51.55	51.95	52	52.05
	Y	5.35	5.35	5.35	5.35	5.35	5.35	5.35	5.35	5.35	5.35	5.35	5.35	5.35	5.35
	Z	14.582	14.5828	14.5885	14.7595	14.9148	14.9195	14.92	14.9206	14.9253	15.0637	15.1863	15.19	15.1904	15.1909
G6(PIER CENTER)	X	0	0.05	0.45	13	25.55	25.95	26	26.05	26.45	39	51.55	51.95	52	52.05
	Y	0	0	0	0	0	0	0	0	0	0	0	0	0	0
	Z	14.6623	14.663	14.6687	14.8397	14.995	14.9997	15.0003	15.0009	15.0056	15.144	15.2666	15.2702	15.2707	15.2712
CL	X	0	0.05	0.45	13	25.55	25.95	26	26.05	26.45	39	51.55	51.95	52	52.05
	Y	-4.15	-4.15	-4.15	-4.15	-4.15	-4.15	-4.15	-4.15	-4.15	-4.15	-4.15	-4.15	-4.15	-4.15
	Z	14.7245	14.7253	14.731	14.902	15.0573	15.062	15.0626	15.0631	15.0678	15.2062	15.3288	15.3325	15.333	15.3334
L2	X	0	0.05	0.45	13	25.55	25.95	26	26.05	26.45	39	51.55	51.95	52	52.05
	Y	-5.35	-5.35	-5.35	-5.35	-5.35	-5.35	-5.35	-5.35	-5.35	-5.35	-5.35	-5.35	-5.35	-5.35
	Z	14.7425	14.7433	14.749	14.92	15.0753	15.08	15.0806	15.0811	15.0858	15.2242	15.3468	15.3505	15.351	15.3514
L1	X	0	0.05	0.45	13	25.55	25.95	26	26.05	26.45	39	51.55	51.95	52	52.05
	Y	-6.35	-6.35	-6.35	-6.35	-6.35	-6.35	-6.35	-6.35	-6.35	-6.35	-6.35	-6.35	-6.35	-6.35
	Z	14.6575	14.6583	14.664	14.835	14.9903	14.995	14.9955	14.9961	15.0008	15.1392	15.2618	15.2655	15.2659	15.2664

NOTES:

	C11	P2-S1	P2-GE1	P2	P2-GE2	P2-S2	C18	P3-S1	P3-GE1	P3	P3-GE2	P3-S2	C25	P4-S1	P4-GE1	P4	P4-GE2	P4-S2	C32	P5-S1	P5-GE
1500	1+ 6.0000	1+ 18.5500	1+ 18.9500	1+ 19.0000	1+ 19.0500	1+ 19.4500	1+ 32.0000	1+ 44.5500	1+ 44.9500	1+ 45.0000	1+ 45.0500	1+ 45.4500	1+ 58.0000	1+ 70.5500	1+ 70.9500	1+ 71.0000	1+ 71.0500	1+ 71.4500	1+ 84.0000	1+ 98.5500	1+ 98.5500
6.45	39	51.55	51.95	52	52.05	52.45	65	77.55	77.95	78	78.05	78.45	91	103.55	103.95	104	104.05	104.45	117	129.55	129.55
6.35	6.35	6.35	6.35	6.35	6.35	6.35	6.35	6.35	6.35	6.35	6.35	6.35	6.35	6.35	6.35	6.35	6.35	6.35	6.35	6.35	6.35
103	14.9487	15.0713	15.075	15.0754	15.0759	15.0795	15.1853	15.2753	15.2779	15.2782	15.2786	15.2812	15.3543	15.4117	15.4133	15.4134	15.4136	15.4152	15.4557	15.4805	15.4805
6.45	39	51.55	51.95	52	52.05	52.45	65	77.55	77.95	78	78.05	78.45	91	103.55	103.95	104	104.05	104.45	117	129.55	129.55
5.35	5.35	5.35	5.35	5.35	5.35	5.35	5.35	5.35	5.35	5.35	5.35	5.35	5.35	5.35	5.35	5.35	5.35	5.35	5.35	5.35	5.35
253	15.0637	15.1863	15.19	15.1904	15.1909	15.1945	15.3003	15.3903	15.3929	15.3932	15.3936	15.3962	15.4693	15.5267	15.5283	15.5284	15.5286	15.5302	15.5707	15.5955	15.5955
6.45	39	51.55	51.95	52	52.05	52.45	65	77.55	77.95	78	78.05	78.45	91	103.55	103.95	104	104.05	104.45	117	129.55	129.55
0	0	0	0	0	0	0	0	0	0	0	0	0	0	0	0	0	0	0	0	0	0
056	15.144	15.2666	15.2702	15.2707	15.2712	15.2748	15.3805	15.4706	15.4732	15.4735	15.4738	15.4764	15.5495	15.6069	15.6085	15.6087	15.6089	15.6104	15.6509	15.6757	15.6757
6.45	39	51.55	51.95	52	52.05	52.45	65	77.55	77.95	78	78.05	78.45	91	103.55	103.95	104	104.05	104.45	117	129.55	129.55
4.15	-4.15	-4.15	-4.15	-4.15	-4.15	-4.15	-4.15	-4.15	-4.15	-4.15	-4.15	-4.15	-4.15	-4.15	-4.15	-4.15	-4.15	-4.15	-4.15	-4.15	-4.15
678	15.2062	15.3288	15.3325	15.333	15.3334	15.337	15.4428	15.5328	15.5354	15.5357	15.5361	15.5387	15.6118	15.6692	15.6708	15.671	15.6711	15.6727	15.7132	15.738	15.738
6.45	39	51.55	51.95	52	52.05	52.45	65	77.55	77.95	78	78.05	78.45	91	103.55	103.95	104	104.05	104.45	117	129.55	129.55
5.35	-5.35	-5.35	-5.35	-5.35	-5.35	-5.35	-5.35	-5.35	-5.35	-5.35	-5.35	-5.35	-5.35	-5.35	-5.35	-5.35	-5.35	-5.35	-5.35	-5.35	-5.35
0858	15.2242	15.3468	15.3505	15.351	15.3514	15.355	15.4608	15.5508	15.5534	15.5538	15.5541	15.5567	15.6298	15.6872	15.6888	15.6889	15.6891	15.6907	15.7312	15.756	15.756
6.45	39	51.55	51.95	52	52.05	52.45	65	77.55	77.95	78	78.05	78.45	91	103.55	103.95	104	104.05	104.45	117	129.55	129.55
6.35	-6.35	-6.35	-6.35	-6.35	-6.35	-6.35	-6.35	-6.35	-6.35	-6.35	-6.35	-6.35	-6.35	-6.35	-6.35	-6.35	-6.35	-6.35	-6.35	-6.35	-6.35
008	15.1392	15.2618	15.2655	15.2659	15.2664	15.27	15.3758	15.4658	15.4684	15.4687	15.4691	15.4717	15.5448	15.6022	15.6038	15.6039	15.6041	15.6057	15.6462	15.671	15.671

FRAMING PLAN AT RA/08 AL KHABURAH (A-LINE)

P4	P4-GE2	P4-S2	C32	P5-S1	P5-GE1	P5	P5-GE2	P5-S2	C39	P6-S1	P6-GE1	P6	P6-GE2	P6-S2	C46	P7-S1	P7-GE1	P7	P7-GE2	P7-S2
+ 71.0000	+ 71.0500	+ 71.4500	+ 84.0000	+ 96.5500	+ 96.9500	+ 97.0000	+ 97.0500	+ 97.4500	+ 110.0000	+ 122.5500	+ 122.9500	+ 123.0000	+ 123.0500	+ 123.4500	+ 136.0000	+ 148.5500	+ 148.9500	+ 149.0000	+ 149.0500	+ 149.4500
104	104.05	104.45	117	129.55	129.95	130	130.05	130.45	143	155.55	155.95	156	156.05	156.45	169	181.55	181.95	182	182.05	182.45
6.35	6.35	6.35	6.35	6.35	6.35	6.35	6.35	6.35	6.35	6.35	6.35	6.35	6.35	6.35	6.35	6.35	6.35	6.35	6.35	6.35
15.4134	15.4136	15.4152	15.4557	15.4805	15.481	15.4811	15.4811	15.4816	15.4895	15.4816	15.4811	15.4811	15.481	15.4805	15.4557	15.4152	15.4136	15.4135	15.4133	15.4117
104	104.05	104.45	117	129.55	129.95	130	130.05	130.45	143	155.55	155.95	156	156.05	156.45	169	181.55	181.95	182	182.05	182.45
5.35	5.35	5.35	5.35	5.35	5.35	5.35	5.35	5.35	5.35	5.35	5.35	5.35	5.35	5.35	5.35	5.35	5.35	5.35	5.35	5.35
15.5284	15.5286	15.5302	15.5707	15.5955	15.596	15.5961	15.5961	15.5966	15.6045	15.5966	15.5961	15.5961	15.596	15.5955	15.5707	15.5302	15.5286	15.5285	15.5283	15.5267
104	104.05	104.45	117	129.55	129.95	130	130.05	130.45	143	155.55	155.95	156	156.05	156.45	169	181.55	181.95	182	182.05	182.45
0	0	0	0	0	0	0	0	0	0	0	0	0	0	0	0	0	0	0	0	0
15.6087	15.6089	15.6104	15.6509	15.6757	15.6762	15.6763	15.6764	15.6769	15.6847	15.6769	15.6764	15.6763	15.6762	15.6757	15.6509	15.6104	15.6089	15.6087	15.6085	15.6069
104	104.05	104.45	117	129.55	129.95	130	130.05	130.45	143	155.55	155.95	156	156.05	156.45	169	181.55	181.95	182	182.05	182.45
-4.15	-4.15	-4.15	-4.15	-4.15	-4.15	-4.15	-4.15	-4.15	-4.15	-4.15	-4.15	-4.15	-4.15	-4.15	-4.15	-4.15	-4.15	-4.15	-4.15	-4.15
15.671	15.6711	15.6727	15.7132	15.738	15.7385	15.7386	15.7386	15.7391	15.747	15.7391	15.7386	15.7385	15.7385	15.738	15.7132	15.6727	15.6711	15.671	15.6708	15.6692
104	104.05	104.45	117	129.55	129.95	130	130.05	130.45	143	155.55	155.95	156	156.05	156.45	169	181.55	181.95	182	182.05	182.45
-5.35	-5.35	-5.35	-5.35	-5.35	-5.35	-5.35	-5.35	-5.35	-5.35	-5.35	-5.35	-5.35	-5.35	-5.35	-5.35	-5.35	-5.35	-5.35	-5.35	-5.35
15.6889	15.6891	15.6907	15.7312	15.756	15.7565	15.7565	15.7566	15.7571	15.765	15.7571	15.7566	15.7565	15.7565	15.756	15.7312	15.6907	15.6891	15.6889	15.6888	15.6872
104	104.05	104.45	117	129.55	129.95	130	130.05	130.45	143	155.55	155.95	156	156.05	156.45	169	181.55	181.95	182	182.05	182.45
-6.35	-6.35	-6.35	-6.35	-6.35	-6.35	-6.35	-6.35	-6.35	-6.35	-6.35	-6.35	-6.35	-6.35	-6.35	-6.35	-6.35	-6.35	-6.35	-6.35	-6.35
15.6039	15.6041	15.6057	15.6462	15.671	15.6715	15.6715	15.6716	15.6721	15.68	15.6721	15.6716	15.6715	15.6715	15.671	15.6462	15.6057	15.6041	15.6039	15.6038	15.6022

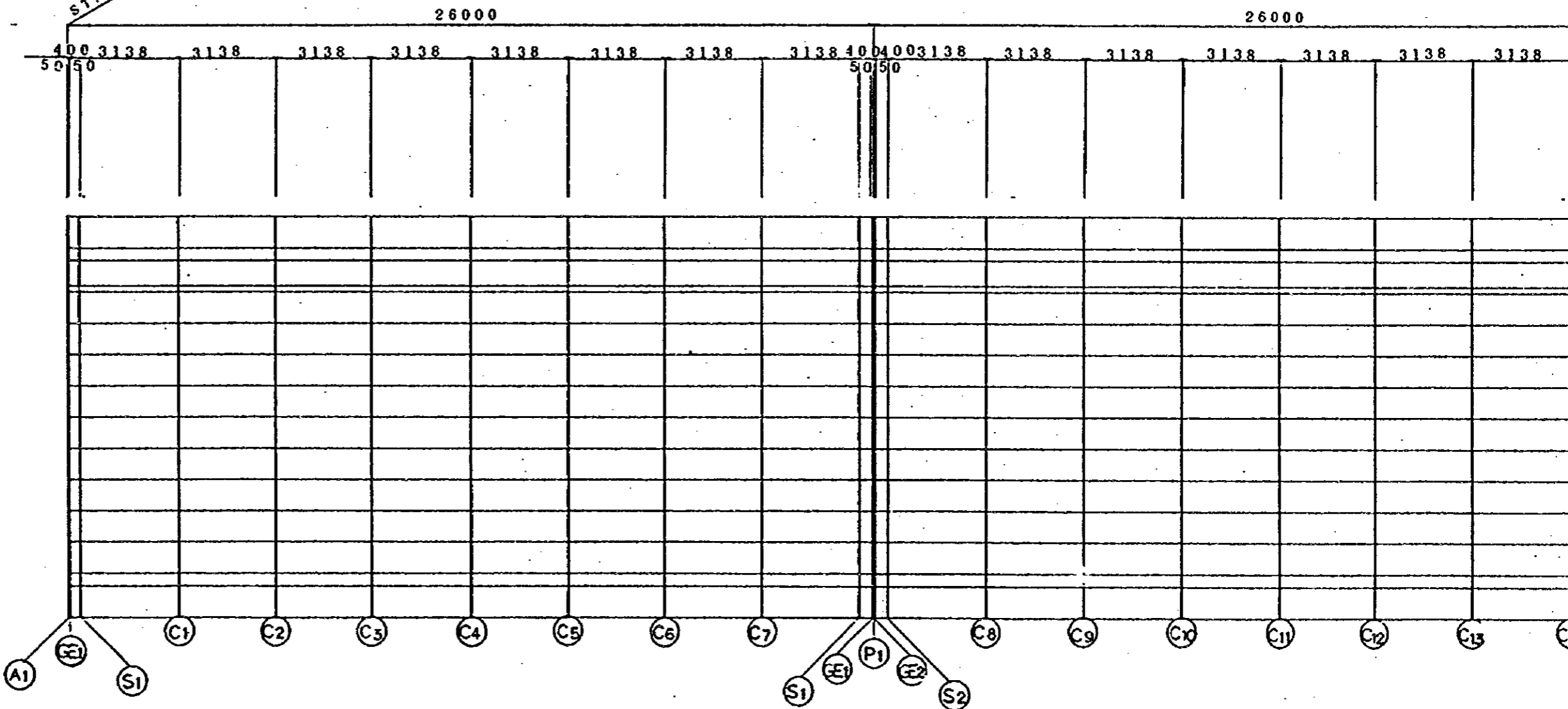
S1	P7-GE1	P7	P7-GE2	P7-S2	C53	P8-S1	P8-GE1	P8	P8-GE2	P8-S2	C60	P9-S1	P9-GE1	P9	P9-GE2	P9-S2	C67	P10-S1	P10-GE1	P10	P10
15500	1 + 148.9500	1 + 149.0000	1 + 149.0500	1 + 149.4500	1 + 162.0000	1 + 174.5500	1 + 174.9500	1 + 175.0000	1 + 175.0500	1 + 175.4500	1 + 188.0000	1 + 200.5500	1 + 200.9500	1 + 201.0000	1 + 201.0500	1 + 201.4500	1 + 214.0000	1 + 226.5500	1 + 226.9500	1 + 227.0000	1 + 227.0000
181.55	181.95	182	182.05	182.45	195	207.55	207.95	208	208.05	208.45	221	233.55	233.95	234	234.05	234.45	247	259.55	259.95	260	260
6.35	6.35	6.35	6.35	6.35	6.35	6.35	6.35	6.35	6.35	6.35	6.35	6.35	6.35	6.35	6.35	6.35	6.35	6.35	6.35	6.35	6.35
15.4152	15.4136	15.4135	15.4133	15.4117	15.3543	15.2812	15.2786	15.2783	15.2779	15.2753	15.1853	15.0795	15.0759	15.0754	15.075	15.0713	14.9487	14.8103	14.8056	14.805	14.805
181.55	181.95	182	182.05	182.45	195	207.55	207.95	208	208.05	208.45	221	233.55	233.95	234	234.05	234.45	247	259.55	259.95	260	260
5.35	5.35	5.35	5.35	5.35	5.35	5.35	5.35	5.35	5.35	5.35	5.35	5.35	5.35	5.35	5.35	5.35	5.35	5.35	5.35	5.35	5.35
15.5302	15.5286	15.5285	15.5283	15.5267	15.4693	15.3962	15.3936	15.3933	15.3929	15.3903	15.3003	15.1945	15.1909	15.1904	15.19	15.1863	15.0637	14.9253	14.9206	14.92	14.92
181.55	181.95	182	182.05	182.45	195	207.55	207.95	208	208.05	208.45	221	233.55	233.95	234	234.05	234.45	247	259.55	259.95	260	260
0	0	0	0	0	0	0	0	0	0	0	0	0	0	0	0	0	0	0	0	0	0
15.6104	15.6089	15.6087	15.6085	15.6069	15.5495	15.4764	15.4738	15.4735	15.4732	15.4706	15.3805	15.2748	15.2712	15.2707	15.2702	15.2666	15.1439	15.0056	15.0009	15.0003	15.0003
181.55	181.95	182	182.05	182.45	195	207.55	207.95	208	208.05	208.45	221	233.55	233.95	234	234.05	234.45	247	259.55	259.95	260	260
-4.15	-4.15	-4.15	-4.15	-4.15	-4.15	-4.15	-4.15	-4.15	-4.15	-4.15	-4.15	-4.15	-4.15	-4.15	-4.15	-4.15	-4.15	-4.15	-4.15	-4.15	-4.15
15.6727	15.6711	15.671	15.6708	15.6692	15.6118	15.5387	15.5361	15.5358	15.5354	15.5328	15.4428	15.337	15.3334	15.3329	15.3325	15.3288	15.2062	15.0678	15.0631	15.0625	15.0625
181.55	181.95	182	182.05	182.45	195	207.55	207.95	208	208.05	208.45	221	233.55	233.95	234	234.05	234.45	247	259.55	259.95	260	260
-5.35	-5.35	-5.35	-5.35	-5.35	-5.35	-5.35	-5.35	-5.35	-5.35	-5.35	-5.35	-5.35	-5.35	-5.35	-5.35	-5.35	-5.35	-5.35	-5.35	-5.35	-5.35
15.6907	15.6891	15.6889	15.6888	15.6872	15.6298	15.5567	15.5541	15.5538	15.5534	15.5508	15.4608	15.355	15.3514	15.351	15.3505	15.3468	15.2242	15.0858	15.0811	15.0805	15.0805
181.55	181.95	182	182.05	182.45	195	207.55	207.95	208	208.05	208.45	221	233.55	233.95	234	234.05	234.45	247	259.55	259.95	260	260
-6.35	-6.35	-6.35	-6.35	-6.35	-6.35	-6.35	-6.35	-6.35	-6.35	-6.35	-6.35	-6.35	-6.35	-6.35	-6.35	-6.35	-6.35	-6.35	-6.35	-6.35	-6.35
15.6057	15.6041	15.6039	15.6038	15.6022	15.5448	15.4717	15.4691	15.4687	15.4684	15.4658	15.3758	15.27	15.2664	15.2659	15.2655	15.2618	15.1392	15.0008	14.9961	14.9955	14.9955

	P9-S1	P9-GE1	P9	P9-GE2	P9-S2	C67	P10-S1	P10-GE1	P10	P10-GE2	P10-S2	C74	A2-S1	A2-GE1	A2
000	1 + 200.5500	1 + 200.9500	1 + 201.0000	1 + 201.0500	1 + 201.4500	1 + 214.0000	1 + 226.5500	1 + 226.9500	1 + 227.0000	1 + 227.0500	1 + 227.4500	1 + 240.0000	1 + 252.5500	1 + 252.9500	1 + 253.0000
21	233.55	233.95	234	234.05	234.45	247	259.55	259.95	260	260.05	260.45	273	285.55	285.95	286
35	6.35	6.35	6.35	6.35	6.35	6.35	6.35	6.35	6.35	6.35	6.35	6.35	6.35	6.35	6.35
53	15.0795	15.0759	15.0754	15.075	15.0713	14.9487	14.8103	14.8056	14.805	14.8045	14.7998	14.6445	14.4735	14.4678	14.4671
21	233.55	233.95	234	234.05	234.45	247	259.55	259.95	260	260.05	260.45	273	285.55	285.95	286
35	5.35	5.35	5.35	5.35	5.35	5.35	5.35	5.35	5.35	5.35	5.35	5.35	5.35	5.35	5.35
03	15.1945	15.1909	15.1904	15.19	15.1863	15.0637	14.9253	14.9206	14.92	14.9195	14.9148	14.7595	14.5885	14.5828	14.582
21	233.55	233.95	234	234.05	234.45	247	259.55	259.95	260	260.05	260.45	273	285.55	285.95	286
0	0	0	0	0	0	0	0	0	0	0	0	0	0	0	0
05	15.2748	15.2712	15.2707	15.2702	15.2666	15.1439	15.0056	15.0009	15.0003	14.9997	14.995	14.8397	14.6687	14.663	14.6623
21	233.55	233.95	234	234.05	234.45	247	259.55	259.95	260	260.05	260.45	273	285.55	285.95	286
15	-4.15	-4.15	-4.15	-4.15	-4.15	-4.15	-4.15	-4.15	-4.15	-4.15	-4.15	-4.15	-4.15	-4.15	-4.15
428	15.337	15.3334	15.3329	15.3325	15.3288	15.2062	15.0678	15.0631	15.0625	15.062	15.0573	14.902	14.731	14.7253	14.7246
21	233.55	233.95	234	234.05	234.45	247	259.55	259.95	260	260.05	260.45	273	285.55	285.95	286
5.35	-5.35	-5.35	-5.35	-5.35	-5.35	-5.35	-5.35	-5.35	-5.35	-5.35	-5.35	-5.35	-5.35	-5.35	-5.35
608	15.355	15.3514	15.351	15.3505	15.3468	15.2242	15.0858	15.0811	15.0805	15.08	15.0753	14.92	14.749	14.7433	14.7426
21	233.55	233.95	234	234.05	234.45	247	259.55	259.95	260	260.05	260.45	273	285.55	285.95	286
6.35	-6.35	-6.35	-6.35	-6.35	-6.35	-6.35	-6.35	-6.35	-6.35	-6.35	-6.35	-6.35	-6.35	-6.35	-6.35
758	15.27	15.2664	15.2659	15.2655	15.2618	15.1392	15.0008	14.9961	14.9955	14.995	14.9903	14.835	14.664	14.6583	14.6575

	P10	P10-GE2	P10-S2	C74	A2-S1	A2-GE1	A2
00	1 + 227.0000	1 + 227.0500	1 + 227.4500	1 + 240.0000	1 + 252.5500	1 + 252.9500	1 + 253.0000
05	260	260.05	260.45	273	285.55	285.95	286
05	6.35	6.35	6.35	6.35	6.35	6.35	6.35
06	14.805	14.8045	14.7998	14.6445	14.4735	14.4678	14.4671
05	260	260.05	260.45	273	285.55	285.95	286
05	5.35	5.35	5.35	5.35	5.35	5.35	5.35
06	14.92	14.9195	14.9148	14.7595	14.5885	14.5828	14.582
05	260	260.05	260.45	273	285.55	285.95	286
0	0	0	0	0	0	0	0
09	15.0003	14.9997	14.995	14.8397	14.6687	14.663	14.6623
05	260	260.05	260.45	273	285.55	285.95	286
15	-4.15	-4.15	-4.15	-4.15	-4.15	-4.15	-4.15
31	15.0625	15.062	15.0573	14.902	14.731	14.7253	14.7246
05	260	260.05	260.45	273	285.55	285.95	286
35	-5.35	-5.35	-5.35	-5.35	-5.35	-5.35	-5.35
11	15.0805	15.08	15.0753	14.92	14.749	14.7433	14.7426
05	260	260.05	260.45	273	285.55	285.95	286
35	-6.35	-6.35	-6.35	-6.35	-6.35	-6.35	-6.35
61	14.9955	14.995	14.9903	14.835	14.664	14.6583	14.6575

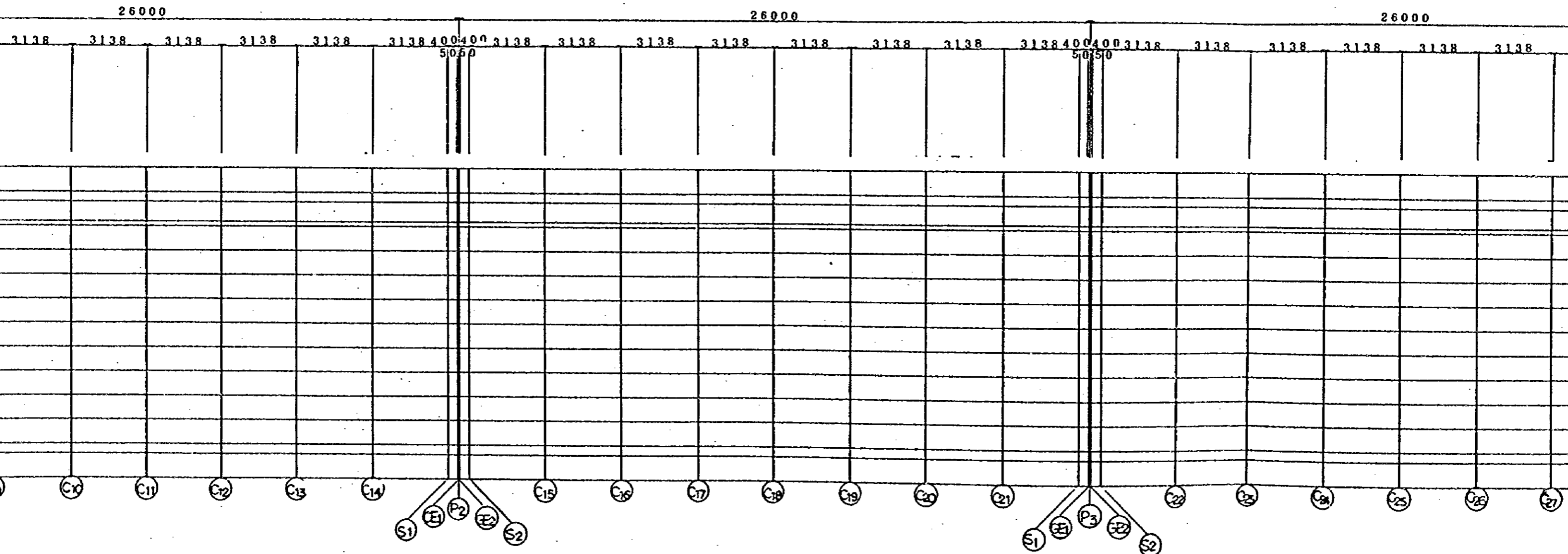
JAPAN INTERNATIONAL COOPERATION AGENCY (JICA) JICA STUDY TEAM PACIFIC CONSULTANTS INTERNATIONAL FUKUYAMA CONSULTANTS INTERNATIONAL	CLIENT: MINISTRY OF COMMUNICATIONS, DIRECTORATE GENERAL OF ROADS	
	PROJECT: B/D ON ROAD DEVELOPMENT PROJECT ON BATHAN HIGHWAY	
	TITLE: CO-ORDINATE LIST RA/08 AT A-LINE	
DATE	DWGNO.	B-4

STA NO. 0+987.000

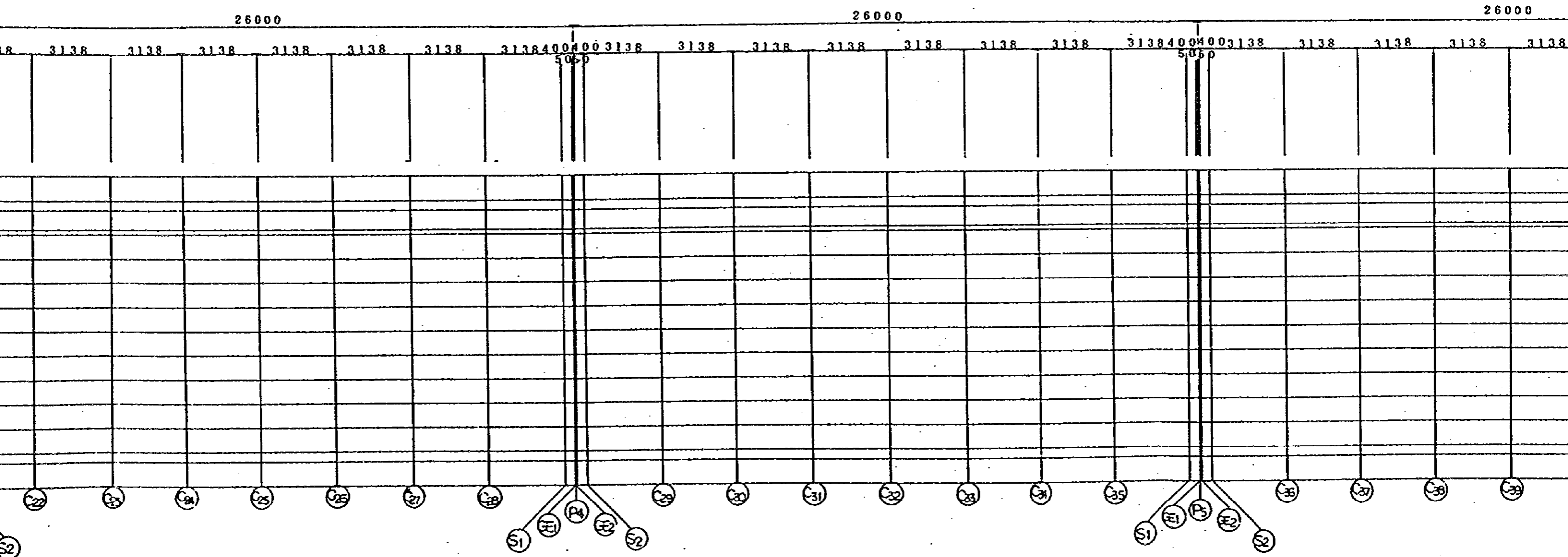


NOTES:

61



RA/08 — AI KHABURAH
BLINE

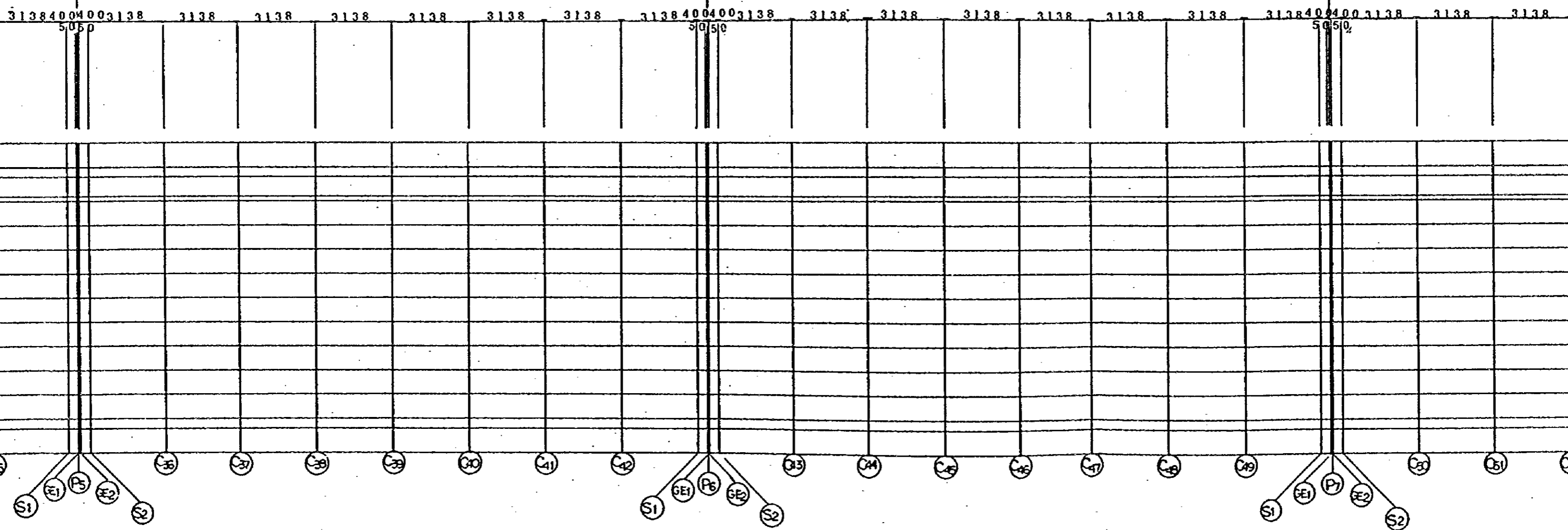


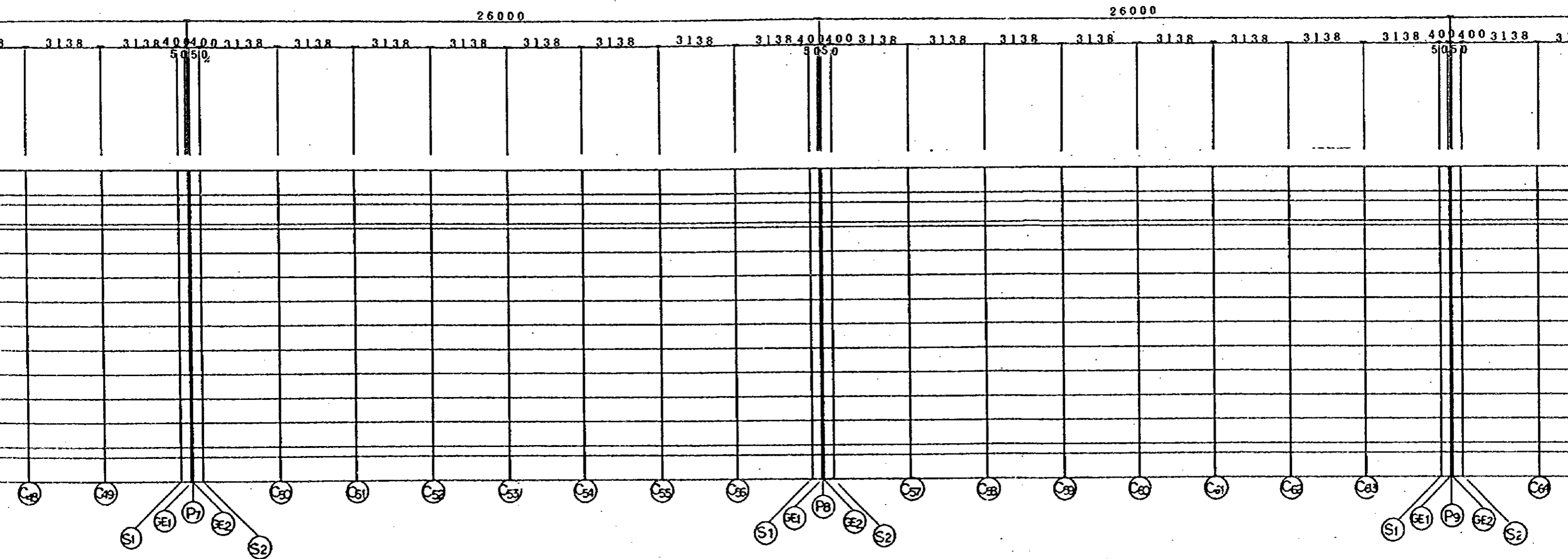
- A I K H A B U R A H

B L I N E

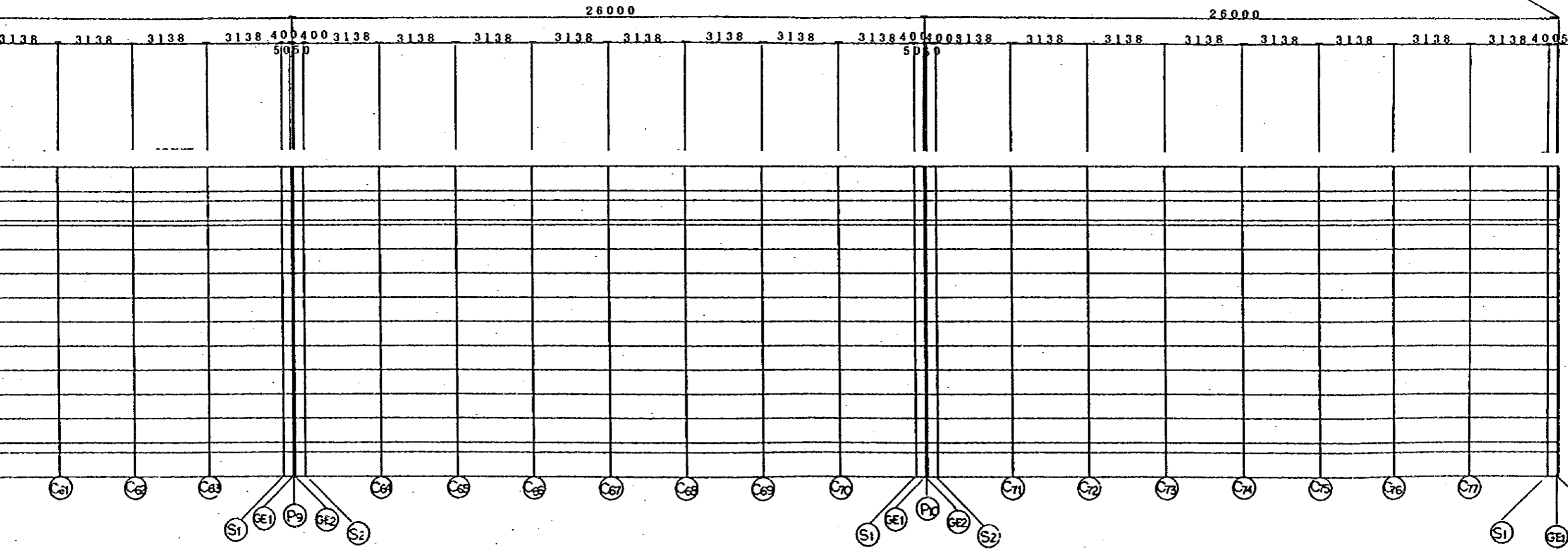
26000

26000

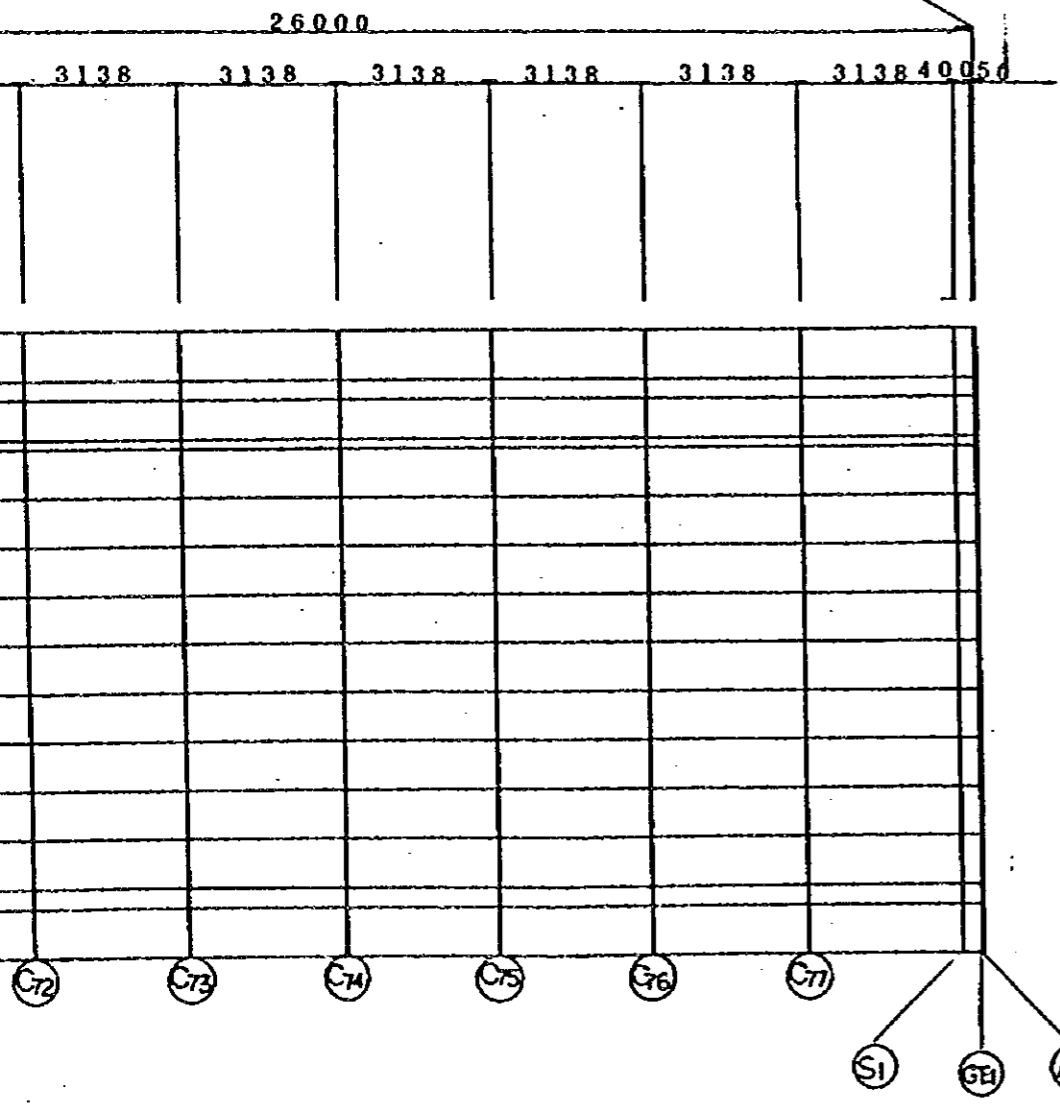




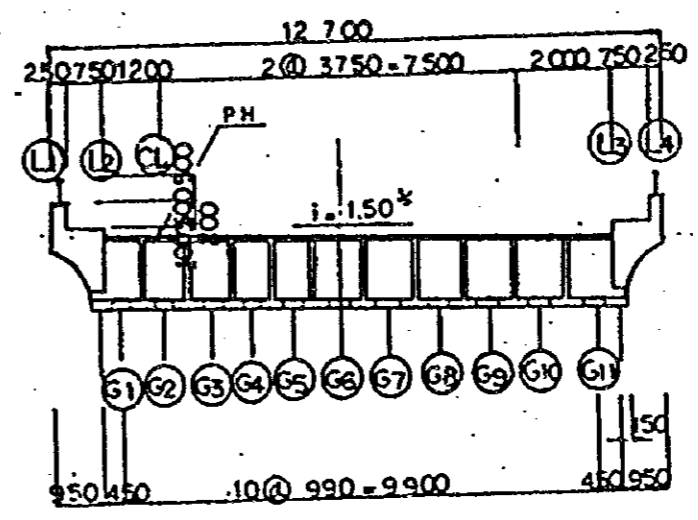
STA NO. 1+253.000



STA NO. 1+253.000



B - LINE



JAPAN INTERNATIONAL COOPERATION AGENCY (JICA) JICA STUDY TEAM PACIFIC CONSULTANTS INTERNATIONAL FUKUYAMA CONSULTANTS INTERNATIONAL	CLIENT: MINISTRY OF COMMUNICATIONS, DIRECTORATE GENERAL OF ROADS PROJECT: D/D ON ROAD DEVELOPMENT PROJECT ON BATINAH HIGHWAY	
	TITLE DATE	FRAMING PLAN RA/W AT B-LINE DWGNO. B-5

AL KHABURAH(B)

SECTION		A1	A1-GE1	A1-S1	C4	PI-S1	PI-GE1	PI	PI-GE2	PI-S2	C11	P2-S1	P2-GE1
STATION		0 + 967.0000	0 + 967.0500	0 + 967.4500	0 + 980.0000	0 + 992.5500	0 + 992.9500	0 + 993.0000	0 + 993.0500	0 + 993.4500	1 + 6.0000	1 + 18.5500	1 + 18.9500
L1	X	0	0.05	0.45	13	25.55	25.95	26	26.05	26.45	39	51.55	51.95
	Y	6.35	6.35	6.35	6.35	6.35	6.35	6.35	6.35	6.35	6.35	6.35	6.35
	Z	14.6576	14.6583	14.664	14.835	14.9903	14.995	14.9956	14.9961	15.0008	15.1392	15.2618	15.2655
L2	X	0	0.05	0.45	13	25.55	25.95	26	26.05	26.45	39	51.55	51.95
	Y	5.35	5.35	5.35	5.35	5.35	5.35	5.35	5.35	5.35	5.35	5.35	5.35
	Z	14.7425	14.7433	14.749	14.92	15.0753	15.08	15.0806	15.0811	15.0858	15.2242	15.3468	15.3505
CL	X	0	0.05	0.45	13	25.55	25.95	26	26.05	26.45	39	51.55	51.95
	Y	4.15	4.15	4.15	4.15	4.15	4.15	4.15	4.15	4.15	4.15	4.15	4.15
	Z	14.7246	14.7253	14.731	14.902	15.0573	15.062	15.0626	15.0631	15.0678	15.2062	15.3288	15.3325
G6(PIER CENTER)	X	0	0.05	0.45	13	25.55	25.95	26	26.05	26.45	39	51.55	51.95
	Y	0	0	0	0	0	0	0	0	0	0	0	0
	Z	14.6623	14.663	14.6687	14.8397	14.995	14.9997	15.0003	15.0009	15.0056	15.144	15.2666	15.2702
L3	X	0	0.05	0.45	13	25.55	25.95	26	26.05	26.45	39	51.55	51.95
	Y	-5.35	-5.35	-5.35	-5.35	-5.35	-5.35	-5.35	-5.35	-5.35	-5.35	-5.35	-5.35
	Z	14.582	14.5828	14.5885	14.7595	14.9148	14.9195	14.9201	14.9206	14.9253	15.0637	15.1863	15.19
L4	X	0	0.05	0.45	13	25.55	25.95	26	26.05	26.45	39	51.55	51.95
	Y	-6.35	-6.35	-6.35	-6.35	-6.35	-6.35	-6.35	-6.35	-6.35	-6.35	-6.35	-6.35
	Z	14.467	14.4678	14.4735	14.6445	14.7998	14.8045	14.8051	14.8056	14.8103	14.9487	15.0713	15.075

NOTES:

-GE1	P1	P1-GE2	P1-S2	G11	P2-S1	P2-GE1	P2	P2-GE2	P2-S2	G18	P3-S1	P3-GE1	P3	P3-GE2	P3-S2	G25	P4-S1	P4-GE1	P4	P4-GE2	P4-S2
92.9500	93.0000	93.0500	93.4500	6.0000	18.5500	18.9500	19.0000	19.0500	19.4500	32.0000	44.5500	44.9500	45.0000	45.0500	45.4500	58.0000	70.5500	70.9500	71.0000	71.0500	71.0500
25.95	26	26.05	26.45	39	51.55	51.95	52	52.05	52.45	65	77.55	77.95	78	78.05	78.45	91	103.55	103.95	104	104.05	104.05
6.35	6.35	6.35	6.35	6.35	6.35	6.35	6.35	6.35	6.35	6.35	6.35	6.35	6.35	6.35	6.35	6.35	6.35	6.35	6.35	6.35	6.35
14.995	14.9956	14.9961	15.0008	15.1392	15.2618	15.2655	15.266	15.2664	15.27	15.3758	15.4658	15.4684	15.4687	15.4691	15.4717	15.5448	15.6022	15.6038	15.6039	15.6041	15.6041
25.95	26	26.05	26.45	39	51.55	51.95	52	52.05	52.45	65	77.55	77.95	78	78.05	78.45	91	103.55	103.95	104	104.05	104.05
5.35	5.35	5.35	5.35	5.35	5.35	5.35	5.35	5.35	5.35	5.35	5.35	5.35	5.35	5.35	5.35	5.35	5.35	5.35	5.35	5.35	5.35
15.08	15.0808	15.0811	15.0858	15.2242	15.3468	15.3505	15.351	15.3514	15.355	15.4608	15.5508	15.5534	15.5537	15.5541	15.5567	15.6298	15.6872	15.6888	15.6889	15.6891	15.6891
25.95	26	26.05	26.45	39	51.55	51.95	52	52.05	52.45	65	77.55	77.95	78	78.05	78.45	91	103.55	103.95	104	104.05	104.05
4.15	4.15	4.15	4.15	4.15	4.15	4.15	4.15	4.15	4.15	4.15	4.15	4.15	4.15	4.15	4.15	4.15	4.15	4.15	4.15	4.15	4.15
15.062	15.0626	15.0631	15.0678	15.2062	15.3288	15.3325	15.333	15.3334	15.337	15.4428	15.5328	15.5354	15.5358	15.5361	15.5387	15.6118	15.6692	15.6708	15.671	15.6711	15.6711
25.95	26	26.05	26.45	39	51.55	51.95	52	52.05	52.45	65	77.55	77.95	78	78.05	78.45	91	103.55	103.95	104	104.05	104.05
0	0	0	0	0	0	0	0	0	0	0	0	0	0	0	0	0	0	0	0	0	0
14.9997	15.0003	15.0009	15.0056	15.144	15.2666	15.2702	15.2707	15.2712	15.2748	15.3805	15.4706	15.4732	15.4735	15.4738	15.4764	15.5495	15.6069	15.6085	15.6087	15.6089	15.6089
25.95	26	26.05	26.45	39	51.55	51.95	52	52.05	52.45	65	77.55	77.95	78	78.05	78.45	91	103.55	103.95	104	104.05	104.05
-5.35	-5.35	-5.35	-5.35	-5.35	-5.35	-5.35	-5.35	-5.35	-5.35	-5.35	-5.35	-5.35	-5.35	-5.35	-5.35	-5.35	-5.35	-5.35	-5.35	-5.35	-5.35
14.9195	14.9201	14.9208	14.9253	15.0637	15.1863	15.19	15.1905	15.1909	15.1945	15.3003	15.3903	15.3929	15.3932	15.3936	15.3962	15.4693	15.5267	15.5283	15.5284	15.5286	15.5286
25.95	26	26.05	26.45	39	51.55	51.95	52	52.05	52.45	65	77.55	77.95	78	78.05	78.45	91	103.55	103.95	104	104.05	104.05
-6.35	-6.35	-6.35	-6.35	-6.35	-6.35	-6.35	-6.35	-6.35	-6.35	-6.35	-6.35	-6.35	-6.35	-6.35	-6.35	-6.35	-6.35	-6.35	-6.35	-6.35	-6.35
14.8045	14.8051	14.8056	14.8103	14.9487	15.0713	15.075	15.0755	15.0759	15.0795	15.1853	15.2753	15.2779	15.2782	15.2786	15.2812	15.3543	15.4117	15.4133	15.4135	15.4136	15.4136

FRAMING PLAN AT RA/08 AL KHABURAH (B-LINE)

P3-S2	C25	P4-S1	P4-GE1	P4	P4-GE2	P4-S2	C32	P5-S1	P5-GE1	P5	P5-GE2	P5-S2	C39	P6-S1	P6-GE1	P6	P6-GE2	P6-S2	C46	P7-S1
1 + 45.4500	1 + 58.0000	1 + 70.5500	1 + 70.9500	1 + 71.0000	1 + 71.0500	1 + 71.4500	1 + 84.0000	1 + 96.5500	1 + 96.9500	1 + 97.0000	1 + 97.0500	1 + 97.4500	1 + 110.0000	1 + 122.5500	1 + 122.9500	1 + 123.0000	1 + 123.0500	1 + 123.4500	1 + 136.0000	1 + 148.5500
78.45	91	103.55	103.95	104	104.05	104.45	117	129.55	129.95	130	130.05	130.45	143	155.55	155.95	156	156.05	156.45	169	181.5
6.35	6.35	6.35	6.35	6.35	6.35	6.35	6.35	6.35	6.35	6.35	6.35	6.35	6.35	6.35	6.35	6.35	6.35	6.35	6.35	6.35
15.4717	15.5448	15.6022	15.6038	15.6039	15.6041	15.6057	15.6462	15.671	15.6715	15.6715	15.6716	15.6721	15.68	15.6721	15.6716	15.6715	15.6715	15.671	15.6462	15.605
78.45	91	103.55	103.95	104	104.05	104.45	117	129.55	129.95	130	130.05	130.45	143	155.55	155.95	156	156.05	156.45	169	181.5
5.35	5.35	5.35	5.35	5.35	5.35	5.35	5.35	5.35	5.35	5.35	5.35	5.35	5.35	5.35	5.35	5.35	5.35	5.35	5.35	5.35
15.5587	15.6298	15.6872	15.6888	15.6889	15.6891	15.6907	15.7312	15.756	15.7566	15.7566	15.7566	15.7571	15.765	15.7571	15.7566	15.7566	15.7565	15.756	15.7312	15.690
78.45	91	103.55	103.95	104	104.05	104.45	117	129.55	129.95	130	130.05	130.45	143	155.55	155.95	156	156.05	156.45	169	181.5
4.15	4.15	4.15	4.15	4.15	4.15	4.15	4.15	4.15	4.15	4.15	4.15	4.15	4.15	4.15	4.15	4.15	4.15	4.15	4.15	4.15
15.5387	15.6118	15.6692	15.6708	15.671	15.6711	15.6727	15.7132	15.738	15.7385	15.7386	15.7386	15.7391	15.747	15.7391	15.7386	15.7385	15.7385	15.738	15.7132	15.672
78.45	91	103.55	103.95	104	104.05	104.45	117	129.55	129.95	130	130.05	130.45	143	155.55	155.95	156	156.05	156.45	169	181.5
0	0	0	0	0	0	0	0	0	0	0	0	0	0	0	0	0	0	0	0	0
15.4784	15.5495	15.6069	15.6085	15.6087	15.6089	15.6104	15.651	15.6757	15.6762	15.6763	15.6764	15.6769	15.6847	15.6769	15.6764	15.6763	15.6762	15.6757	15.6509	15.610
78.45	91	103.55	103.95	104	104.05	104.45	117	129.55	129.95	130	130.05	130.45	143	155.55	155.95	156	156.05	156.45	169	181.5
-5.35	-5.35	-5.35	-5.35	-5.35	-5.35	-5.35	-5.35	-5.35	-5.35	-5.35	-5.35	-5.35	-5.35	-5.35	-5.35	-5.35	-5.35	-5.35	-5.35	-5.35
15.3962	15.4693	15.5267	15.5283	15.5284	15.5286	15.5302	15.5707	15.5955	15.596	15.5961	15.5961	15.5966	15.6045	15.5966	15.5961	15.5961	15.596	15.5955	15.5707	15.530
78.45	91	103.55	103.95	104	104.05	104.45	117	129.55	129.95	130	130.05	130.45	143	155.55	155.95	156	156.05	156.45	169	181.5
-6.35	-6.35	-6.35	-6.35	-6.35	-6.35	-6.35	-6.35	-6.35	-6.35	-6.35	-6.35	-6.35	-6.35	-6.35	-6.35	-6.35	-6.35	-6.35	-6.35	-6.35
15.2812	15.3543	15.4117	15.4133	15.4135	15.4136	15.4152	15.4557	15.4805	15.481	15.4811	15.4811	15.4816	15.4895	15.4816	15.4811	15.4811	15.481	15.4805	15.4557	15.415

URAH (B-LINE)

P6-S1	P6-GE1	P6	P6-GE2	P6-S2	C46	P7-S1	P7-GE1	P7	P7-GE2	P7-S2	C53	P8-S1	P8-GE1	P8	P8-GE2	P8-S2	C60	P9-S1	P9-GE1	P9
1 + 122.5500	1 + 122.9500	1 + 123.0000	1 + 123.0500	1 + 123.4500	1 + 136.0000	1 + 148.5500	1 + 148.9500	1 + 149.0000	1 + 149.0500	1 + 149.4500	1 + 162.0000	1 + 174.5500	1 + 174.9500	1 + 175.0000	1 + 175.0500	1 + 175.4500	1 + 188.0000	1 + 200.5500	1 + 200.9500	1 + 201.0000
155.55	155.95	156	156.05	156.45	169	181.55	181.95	182	182.05	182.45	195	207.55	207.95	208	208.05	208.45	221	233.55	233.95	234
6.35	6.35	6.35	6.35	6.35	6.35	6.35	6.35	6.35	6.35	6.35	6.35	6.35	6.35	6.35	6.35	6.35	6.35	6.35	6.35	6.35
15.6721	15.6716	15.6715	15.6715	15.671	15.6462	15.6057	15.6041	15.6039	15.6038	15.6022	15.5448	15.4717	15.4691	15.4687	15.4684	15.4658	15.3758	15.27	15.2664	15.265
155.55	155.95	156	156.05	156.45	169	181.55	181.95	182	182.05	182.45	195	207.55	207.95	208	208.05	208.45	221	233.55	233.95	234
5.35	5.35	5.35	5.35	5.35	5.35	5.35	5.35	5.35	5.35	5.35	5.35	5.35	5.35	5.35	5.35	5.35	5.35	5.35	5.35	5.35
15.7571	15.7566	15.7566	15.7565	15.756	15.7312	15.6907	15.6891	15.6889	15.6888	15.6872	15.6298	15.5567	15.5541	15.5537	15.5534	15.5508	15.4608	15.355	15.3514	15.35
155.55	155.95	156	156.05	156.45	169	181.55	181.95	182	182.05	182.45	195	207.55	207.95	208	208.05	208.45	221	233.55	233.95	234
4.15	4.15	4.15	4.15	4.15	4.15	4.15	4.15	4.15	4.15	4.15	4.15	4.15	4.15	4.15	4.15	4.15	4.15	4.15	4.15	4.15
15.7391	15.7386	15.7385	15.7385	15.738	15.7132	15.6727	15.6711	15.6709	15.6708	15.6692	15.6118	15.5387	15.5361	15.5357	15.5354	15.5328	15.4428	15.337	15.3334	15.332
155.55	155.95	156	156.05	156.45	169	181.55	181.95	182	182.05	182.45	195	207.55	207.95	208	208.05	208.45	221	233.55	233.95	234
0	0	0	0	0	0	0	0	0	0	0	0	0	0	0	0	0	0	0	0	0
15.6769	15.6764	15.6763	15.6762	15.6757	15.6509	15.6104	15.6089	15.6087	15.6085	15.6069	15.5496	15.4764	15.4738	15.4735	15.4732	15.4706	15.3806	15.2748	15.2712	15.270
155.55	155.95	156	156.05	156.45	169	181.55	181.95	182	182.05	182.45	195	207.55	207.95	208	208.05	208.45	221	233.55	233.95	234
-5.35	-5.35	-5.35	-5.35	-5.35	-5.35	-5.35	-5.35	-5.35	-5.35	-5.35	-5.35	-5.35	-5.35	-5.35	-5.35	-5.35	-5.35	-5.35	-5.35	-5.35
15.5966	15.5961	15.5961	15.596	15.5955	15.5707	15.5302	15.5286	15.5284	15.5283	15.5267	15.4693	15.3962	15.3936	15.3933	15.3929	15.3903	15.3003	15.1945	15.1909	15.190
155.55	155.95	156	156.05	156.45	169	181.55	181.95	182	182.05	182.45	195	207.55	207.95	208	208.05	208.45	221	233.55	233.95	234
-6.35	-6.35	-6.35	-6.35	-6.35	-6.35	-6.35	-6.35	-6.35	-6.35	-6.35	-6.35	-6.35	-6.35	-6.35	-6.35	-6.35	-6.35	-6.35	-6.35	-6.35
15.4816	15.4811	15.4811	15.481	15.4805	15.4557	15.4152	15.4136	15.4134	15.4133	15.4117	15.3543	15.2812	15.2786	15.2783	15.2779	15.2753	15.1853	15.0795	15.0759	15.075

P8-GE2	P8-S2	C60	P9-S1	P9-GE1	P9	P9-GE2	P9-S2	C67	P10-S1	P10-GE1	P10	P10-GE2	P10-S2	C74	A2-S1	A2-GE1	A2
1 + 175.0500	1 + 175.4500	1 + 188.0000	1 + 200.5500	1 + 200.9500	1 + 201.0000	1 + 201.0500	1 + 201.4500	1 + 214.0000	1 + 226.5500	1 + 226.9500	1 + 227.0000	1 + 227.0500	1 + 227.4500	1 + 240.0000	1 + 252.5500	1 + 252.9500	1 + 253.0000
208.05	208.45	221	233.55	233.95	234	234.05	234.45	247	259.55	259.95	260	260.05	260.45	273	285.55	285.95	286
6.35	6.35	6.35	6.35	6.35	6.35	6.35	6.35	6.35	6.35	6.35	6.35	6.35	6.35	6.35	6.35	6.35	6.35
15.4684	15.4658	15.3758	15.27	15.2664	15.2659	15.2655	15.2618	15.1392	15.0008	14.9961	14.9955	14.995	14.9903	14.835	14.664	14.6583	14.6575
208.05	208.45	221	233.55	233.95	234	234.05	234.45	247	259.55	259.95	260	260.05	260.45	273	285.55	285.95	286
5.35	5.35	5.35	5.35	5.35	5.35	5.35	5.35	5.35	5.35	5.35	5.35	5.35	5.35	5.35	5.35	5.35	5.35
15.5534	15.5508	15.4608	15.355	15.3514	15.351	15.3505	15.3468	15.2242	15.0858	15.0811	15.0805	15.08	15.0753	14.92	14.749	14.7433	14.7425
208.05	208.45	221	233.55	233.95	234	234.05	234.45	247	259.55	259.95	260	260.05	260.45	273	285.55	285.95	286
4.15	4.15	4.15	4.15	4.15	4.15	4.15	4.15	4.15	4.15	4.15	4.15	4.15	4.15	4.15	4.15	4.15	4.15
15.5354	15.5328	15.4428	15.337	15.3334	15.3329	15.3325	15.3288	15.2082	15.0678	15.0631	15.0625	15.062	15.0573	14.902	14.731	14.7253	14.7245
208.05	208.45	221	233.55	233.95	234	234.05	234.45	247	259.55	259.95	260	260.05	260.45	273	285.55	285.95	286
0	0	0	0	0	0	0	0	0	0	0	0	0	0	0	0	0	0
15.4732	15.4706	15.3806	15.2748	15.2712	15.2707	15.2702	15.2666	15.1439	15.0056	15.0009	15.0003	14.9997	14.995	14.8398	14.6687	14.663	14.6623
208.05	208.45	221	233.55	233.95	234	234.05	234.45	247	259.55	259.95	260	260.05	260.45	273	285.55	285.95	286
-5.35	-5.35	-5.35	-5.35	-5.35	-5.35	-5.35	-5.35	-5.35	-5.35	-5.35	-5.35	-5.35	-5.35	-5.35	-5.35	-5.35	-5.35
15.3929	15.3903	15.3003	15.1945	15.1909	15.1905	15.19	15.1863	15.0637	14.9253	14.9206	14.92	14.9195	14.9148	14.7595	14.5885	14.5828	14.582
208.05	208.45	221	233.55	233.95	234	234.05	234.45	247	259.55	259.95	260	260.05	260.45	273	285.55	285.95	286
-6.35	-6.35	-6.35	-6.35	-6.35	-6.35	-6.35	-6.35	-6.35	-6.35	-6.35	-6.35	-6.35	-6.35	-6.35	-6.35	-6.35	-6.35
15.2779	15.2753	15.1853	15.0795	15.0759	15.0754	15.075	15.0713	14.9487	14.8103	14.8056	14.805	14.8045	14.7998	14.6445	14.4735	14.4678	14.467

	P10	P10-GE2	P10-S2	C74	A2-S1	A2-GE1	A2
00	1 + 227.0000	1 + 227.0500	1 + 227.4500	1 + 240.0000	1 + 252.5500	1 + 252.9500	1 + 253.0000
95	260	260.05	260.45	273	285.55	285.95	286
35	6.35	6.35	6.35	6.35	6.35	6.35	6.35
61	14.9955	14.995	14.9903	14.835	14.664	14.6583	14.6575
95	260	260.05	260.45	273	285.55	285.95	286
35	5.35	5.35	5.35	5.35	5.35	5.35	5.35
11	15.0805	15.08	15.0753	14.92	14.749	14.7433	14.7425
95	260	260.05	260.45	273	285.55	285.95	286
15	4.15	4.15	4.15	4.15	4.15	4.15	4.15
31	15.0625	15.062	15.0573	14.902	14.731	14.7253	14.7245
95	260	260.05	260.45	273	285.55	285.95	286
0	0	0	0	0	0	0	0
09	15.0003	14.9997	14.995	14.8398	14.6687	14.663	14.6623
95	260	260.05	260.45	273	285.55	285.95	286
35	-5.35	-5.35	-5.35	-5.35	-5.35	-5.35	-5.35
06	14.92	14.9195	14.9148	14.7595	14.5885	14.5828	14.582
95	260	260.05	260.45	273	285.55	285.95	286
35	-6.35	-6.35	-6.35	-6.35	-6.35	-6.35	-6.35
56	14.805	14.8045	14.7998	14.6445	14.4735	14.4678	14.467

JAPAN INTERNATIONAL COOPERATION AGENCY
(JICA)

JICA STUDY TEAM
PACIFIC CONSULTANTS INTERNATIONAL
FUKUYAMA CONSULTANTS INTERNATIONAL

CLIENT: MINISTRY OF COMMUNICATIONS, DIRECTORATE GENERAL OF ROADS

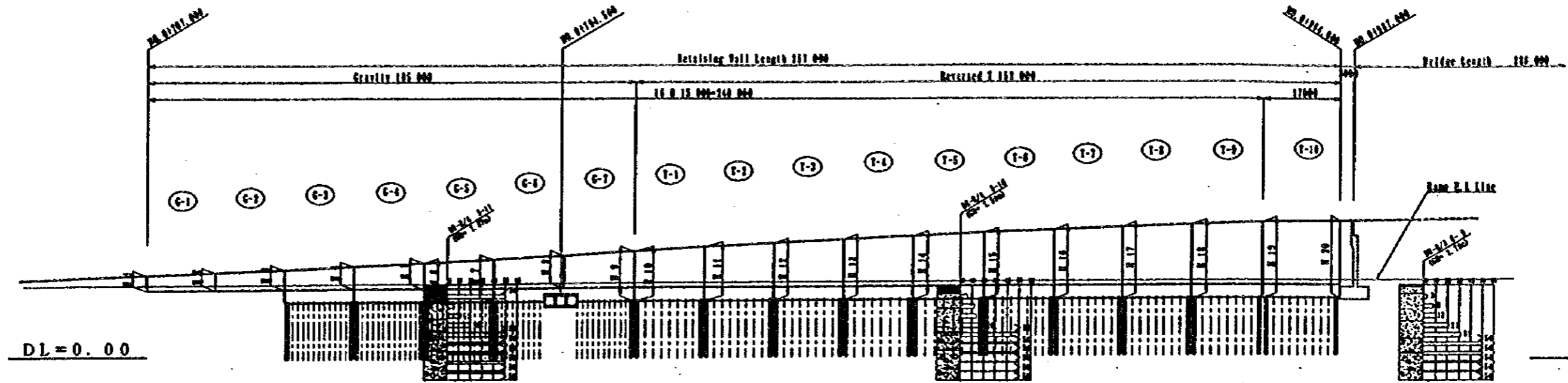
PROJECT: B/D ON ROAD DEVELOPMENT PROJECT ON BATHUAN HIGHWAY

TITLE CO-ORDINATE LIST RA/RS AT B-LINE

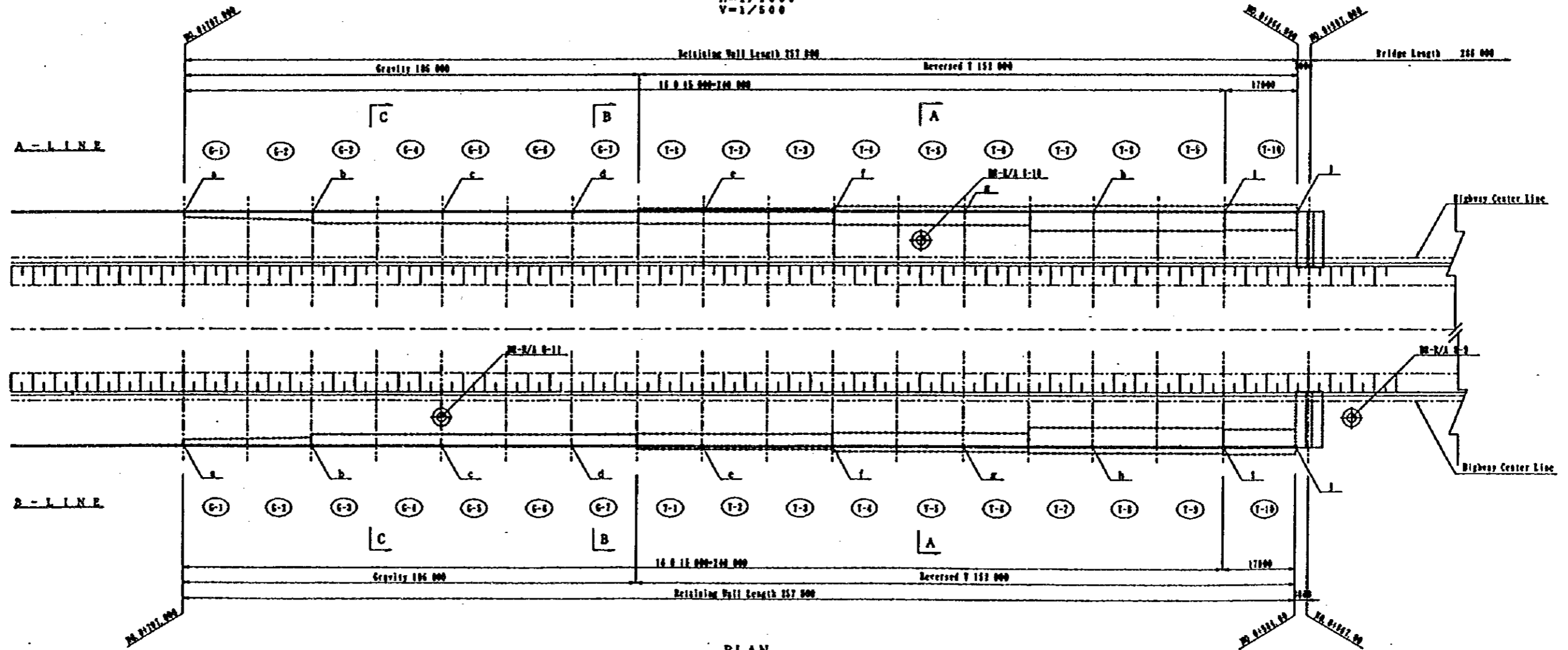
DATE

FIG. NO.

B-6

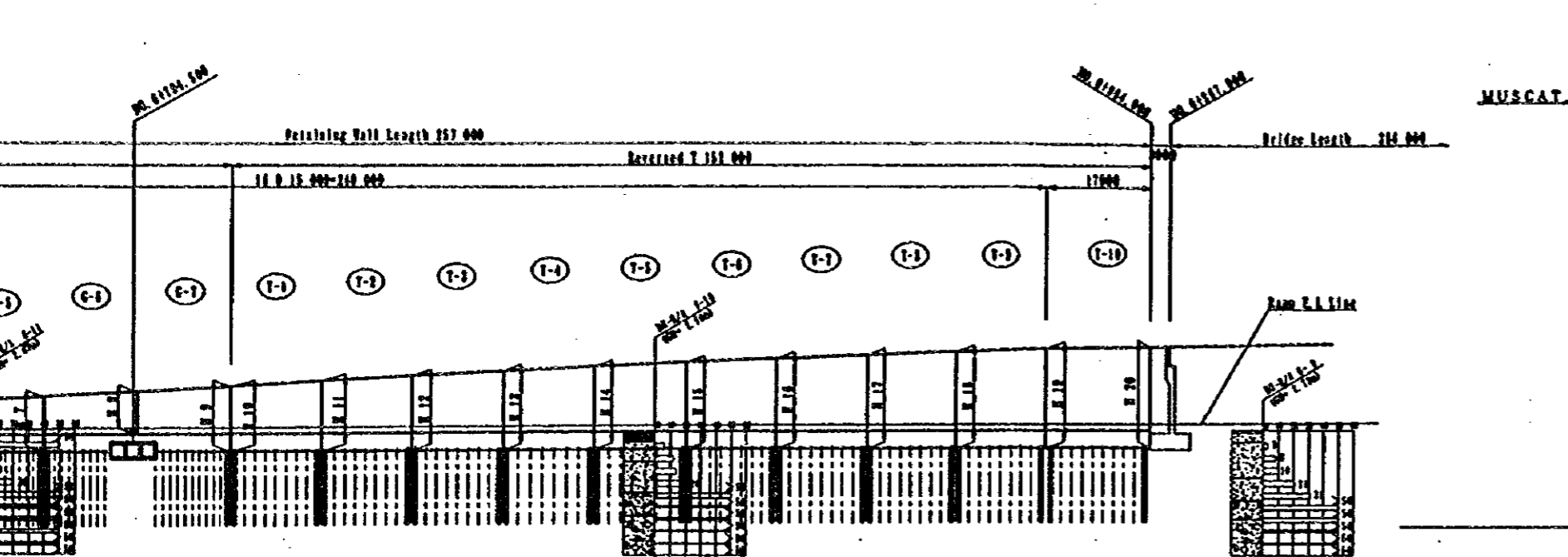


SIDE VIEW
H=1/1000
V=1/500

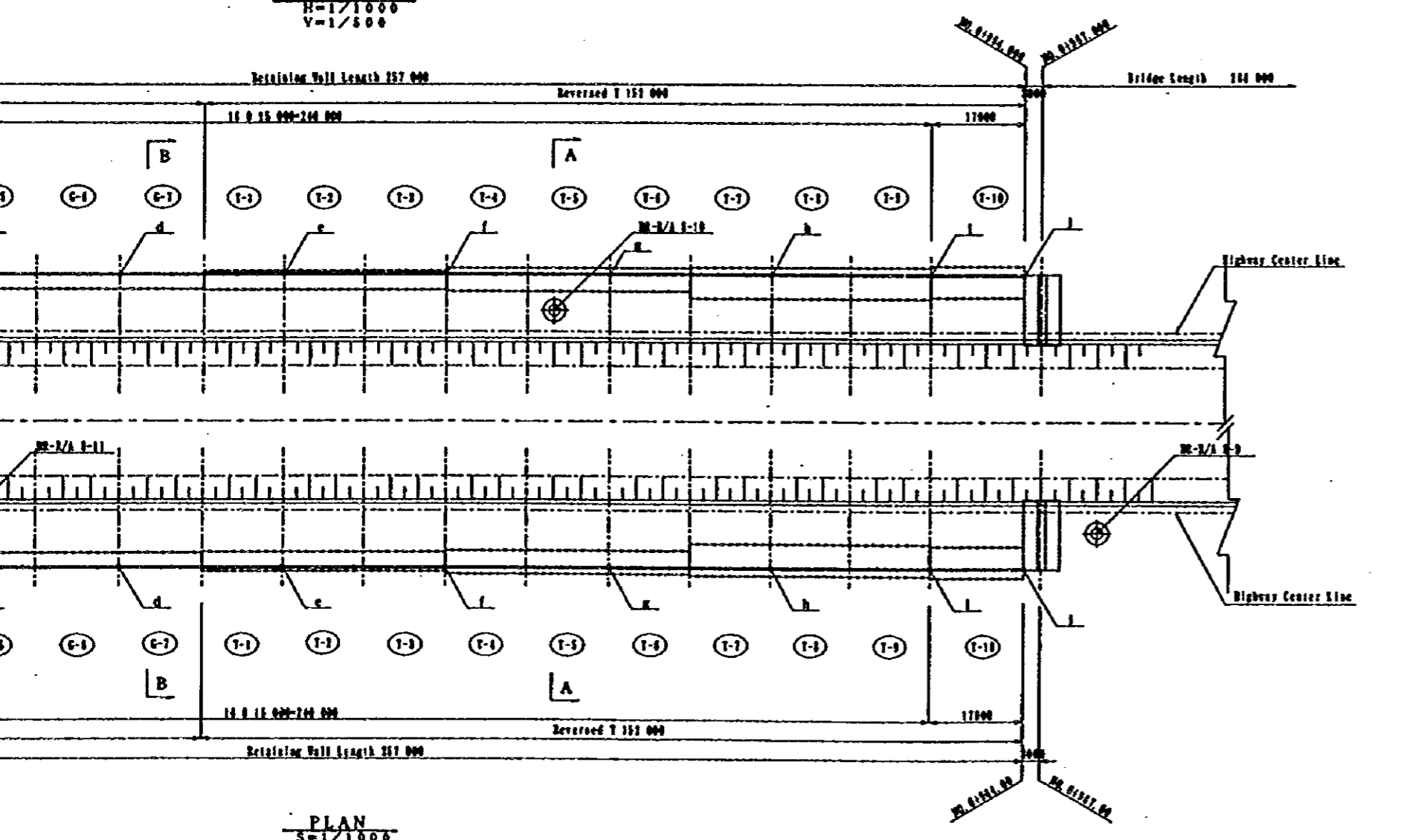


PLAN
S=1/1000

NOTES:

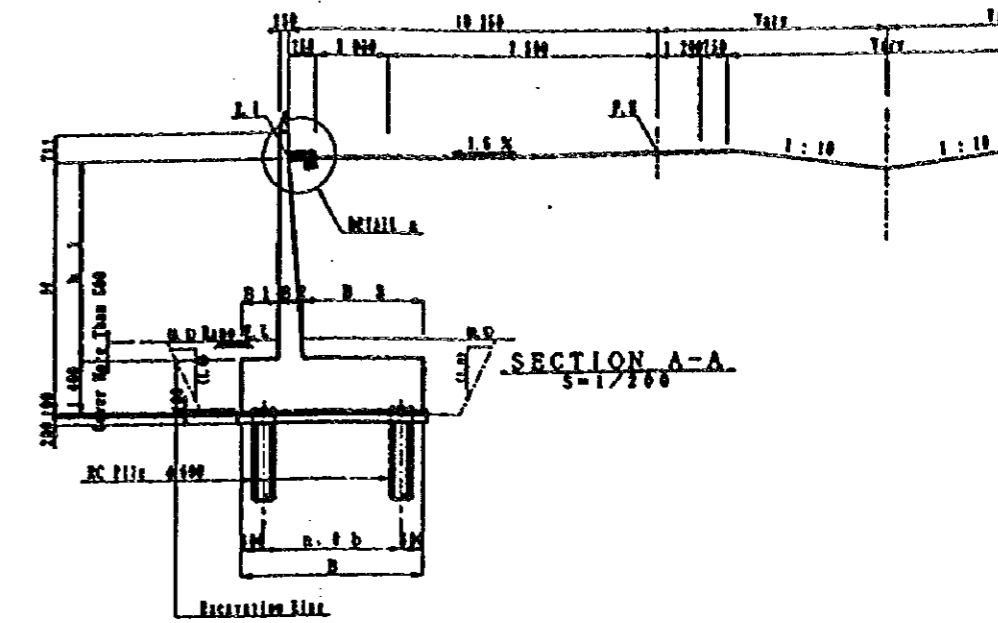


SIDE VIEW
H=1/1000
V=1/500



PLAN
S=1/1000

MUSCAT.



SECTION A-A
S=1/200

Reversed T

MARK TYPE	H	h 1	B	B 1	B 2	B 3
A I L I N E	T-1	11-4 753	3 363	3 000	800	606 1 695
	T-2	11-5 189	3 789			538 1 662
	T-3	11-5 501	4 211			569 1 631
	T-4	11-5 502	4 502	3 500	1 000	600 1 600
	T-5	11-6 350	4 950			619 1 581
	T-6	11-6 350	4 950			648 1 552
	T-7	11-6 707	5 307			677 1 523
	T-8	11-7 019	5 619	4 500	1 200	702 1 708
	T-9	11-7 331	5 931			718 2 582
	T-10	11-7 500	6 192			744 2 556
B I L I N E	T-1	11-7 865	6 465	5 000	1 500	768 2 534
	T-2	11-8 153	6 733			789 2 511
	T-3	11-8 523	7 023	3 000	800	803 2 497
	T-4	11-8 259	7 359			826 2 674
	T-5	11-8 661	7 661			810 1 690
	T-6	11-8 661	7 661			860 1 631
	T-7	11-8 063	7 663	3 500	1 000	874 1 626
	T-8	11-8 420	8 020			906 1 596
	T-9	11-8 420	8 020			825 1 675
	T-10	11-8 777	8 377			853 1 847
C I L I N E	T-1	11-9 089	8 689	4 500	1 200	862 1 818
	T-2	11-9 401	9 001			707 1 793
	T-3	11-9 558	9 298			723 2 577
	T-4	11-9 935	9 535			750 2 556
	T-5	11-9 935	9 535			772 2 528
	T-6	11-9 203	9 803	5 000	1 500	794 2 508
	T-7					809 2 491
	T-8					832 2 668
	T-9					
	T-10					

Gravity (Sored)

MARK TYPE	H	h
A I L I N E	G-1	H=1 436 1
	G-2	H=1 722 1
B I L I N E	G-1	H=1 561 1
	G-2	H=1 823 1

Gravity (Pile F)

MARK TYPE	H	h
A I L I N E	G-3	H=3 408 2
	G-4	H=3 763 2
	G-5	H=4 098 2
	G-6	H=4 502 2
	G-7	H=4 507 3
	G-8	H=5 348 2
	G-9	H=5 484 2
B I L I N E	G-4	H=3 810 2
	G-5	H=4 135 2
	G-6	H=4 525 2
	G-7	H=4 935 3
	G-8	H=5 352 2
	G-9	H=5 352 2
	G-10	H=5 352 2

List Of Foundation

A - LINE							
Reversed T	n. 0 b	w.	n. 0 w.	n	L (m)	Reversed T	n. 0 b
T 1 ~ T 3	1 0 1 800	675	7 0 1 950	16	6 000	T 1 ~ T 3	1 0 1 800
T 4 ~ T 6	1 0 2 300	750	9 0 1 500	20		T 4 ~ T 6	1 0 2 300
T 7 ~ T 9	2 0 1 650	675	7 0 1 950	24		T 7 ~ T 9	2 0 1 650
T 10	2 0 1 900	725	9 0 1 700	30		T 10	2 0 1 900
Gravity	1 0 1 500	600	12 0 1 150	13	6 000	Gravity	1 0 1 500

MUSCAT

Bridge Length 134.000

Span E.L. Size

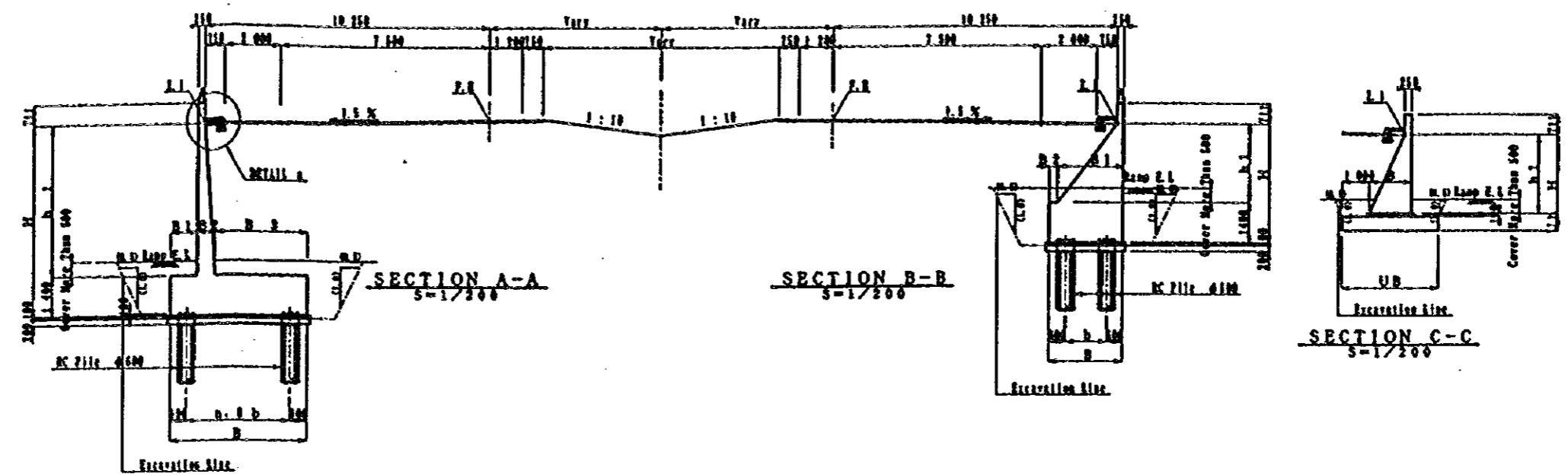
RC Pile 400mm

Bridge Length 134.000

Highway Center Line

RC Pile 400

Highway Center Line



Reversed T

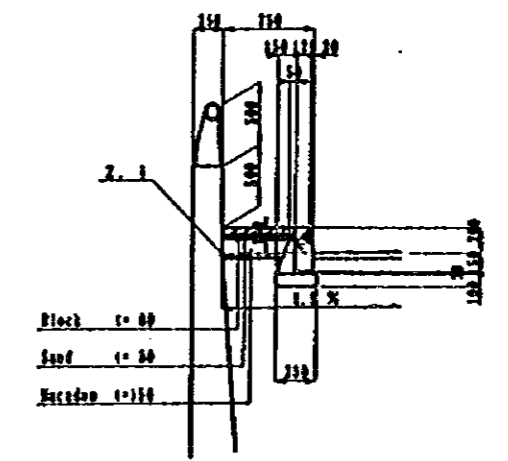
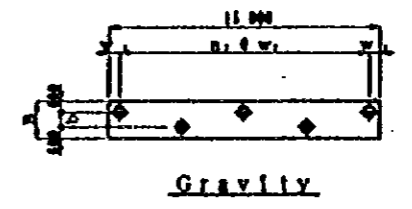
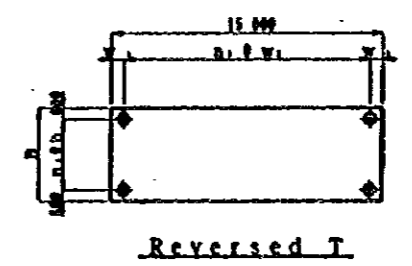
MARK TYPE	H	h 1	B	B 1	B 2	B 3
A I L I N E	T-1	11-6 753	3 353	3 000	800	505 1 695
	T-2	11-6 100	3 789			538 1 682
	T-3	12-5 591	4 191			569 1 631
	T-4	12-5 593	4 593	3 500	1 000	600 1 600
	T-5	14-6 350	4 950			639 1 381
	T-6	14-6 350	4 950			648 1 852
	T-7	15-6 707	5 307			677 1 823
	T-8	16-7 019	5 619	4 500	1 200	702 1 798
	T-9	17-7 333	5 931			718 2 582
	T-10	18-7 598	6 198			744 2 558
B I L I N E	T-1	19-7 555	6 455	5 000	1 500	766 2 534
	T-2	20-8 133	6 733			789 2 511
	T-3	21-4 023	3 423	3 000	800	803 2 697
	T-4	21-4 023	3 423			826 2 674
	T-5	21-5 259	3 859			810 1 890
	T-6	22-5 601	4 261			869 1 631
	T-7	22-5 603	4 663	3 500	1 000	874 1 826
	T-8	23-6 420	5 020			805 1 595
	T-9	23-6 777	5 377			825 1 875
	T-10	24-7 089	5 689	4 500	1 300	859 1 847
G R A V I T Y	T-1	11-6 753	3 353			662 1 638
	T-2	11-6 100	3 789			707 1 793
	T-3	12-5 591	4 191			723 2 577
	T-4	12-5 593	4 593			750 2 556
	T-5	14-6 350	4 950			772 2 528
	T-6	14-6 350	4 950			794 2 506
	T-7	15-6 707	5 307			809 2 691
	T-8	16-7 019	5 619			832 2 668
	T-9	17-7 333	5 931			
	T-10	18-7 598	6 198			

Gravity (Spread Foundation)

MARK TYPE	H	B	U h	U B	
A I L I N E	G-1	11-6 436	1 112	1 500	3 112
	G-2	11-6 722	1 283		3 283
B I L I N E	G-1	12-2 008	1 488		3 488
	G-2	12-1 561	1 187	1 500	3 187
G R A V I T Y	G-1	12-1 823	1 344		3 344
	G-2	12-2 084	1 500		3 500

Gravity (Pile Foundation)

MARK TYPE	H	h 1	B	B 1	B 2	
A I L I N E	G-1	11-6 408	2 008	2 800	1 392	1 408
	G-2	11-6 753	2 353		1 589	1 211
	G-3	12-4 094	2 698		1 786	1 018
	G-4	12-4 593	3 103		2 016	784
	G-5	12-5 507	3 507		2 246	555
	G-6	12-5 348	3 948		2 496	304
B I L I N E	G-1	12-4 484	2 084	2 800	1 436	1 364
	G-2	12-5 810	2 410		1 621	1 179
	G-3	12-4 138	2 738		1 806	994
	G-4	12-4 525	3 125		2 028	2 025
	G-5	12-4 916	3 515		2 250	550
	G-6	12-5 352	3 952		2 499	301



List Of Foundation

	A - LINE					B - LINE							
	Reversed T	n. of	w.	n. of w.	L (m)	Reversed T	n. of	w.	n. of w.	L (m)			
T 1 ~ T 3	10	1 800	675	7 0 1 950	16	6 000	T 1 ~ T 3	10	1 800	675	7 0 1 950	16	6 000
T 4 ~ T 6	10	2 300	750	9 0 1 500	20		T 4 ~ T 6	10	2 300	750	9 0 1 500	20	
T 7 ~ T 9	20	1 650	675	7 0 1 950	24		T 7 ~ T 9	20	1 650	675	7 0 1 950	24	
T 10	20	1 900	725	9 0 1 700	30		T 10	20	1 900	725	9 0 1 700	30	
Gravity	10	1 500	600	12 0 1 150	13	6 000	Gravity	10	1 500	600	12 0 1 150	13	6 000

JAPAN INTERNATIONAL COOPERATION AGENCY (JICA)
 CLIENT : MINISTRY OF COMMUNICATIONS, DIRECTORATE GENERAL OF ROADS
 PROJECT : D/D ON ROAD DEVELOPMENT PROJECT ON BATINAH HIGHWAY
 JICA STUDY TEAM
 PACIFIC CONSULTANTS INTERNATIONAL
 FUKUYAMA CONSULTANTS INTERNATIONAL
 TITLE : R/A-8, AL KHABURAH GENERAL VIEW FOR WALL (I)-1
 DATE :
 DWG NO. W-1

Point	a	b	c	d	e	f	g	h	i	j	
A L I N E	N	+2651340.58191	+2651324.48514	+2651292.38117	+2651268.28081	+2651244.18044	+2651220.08007	+2651195.97970	+2651171.87933	+2651147.77897	+2651131.71206
	E	+ 509044.78435	+ 509062.64974	+ 509080.51514	+ 509098.38053	+ 509116.24592	+ 509134.11132	+ 509151.97671	+ 509169.84210	+ 509187.70749	+ 509199.61776
	Z	8.636	9.208	9.898	10.707	11.589	12.393	13.107	13.731	14.265	14.571
B L I N E	N	+2651320.98971	+2651296.88934	+2651272.78897	+2651248.68860	+2651224.58823	+2651200.48787	+2651176.38750	+2651152.28713	+2651128.18676	+2651112.11985
	E	+ 509018.35422	+ 509036.21961	+ 509054.08500	+ 509071.95039	+ 509089.81579	+ 509107.68118	+ 509125.54657	+ 509143.41196	+ 509161.27735	+ 509173.18761
	Z	8.761	9.284	9.935	10.715	11.589	12.393	13.107	13.731	14.265	14.541

NOTES:

JAPAN INTERNATIONAL COOPERATION AGENCY
(JICA)

JICA STUDY TEAM
PACIFIC CONSULTANTS INTERNATIONAL
FLUYAMA CONSULTANTS INTERNATIONAL

CLIENT : MINISTRY OF COMMUNICATIONS, DIRECTORATE GENERAL OF ROADS
PROJECT : D/D ON ROAD DEVELOPMENT PROJECT ON BATINAH HIGHWAY
TITLE : R/A-8, AL KHABURAH GENERAL VIEW FOR WALL (1)-2
DATE :
DWG NO. W-2