

資料 5

その他のデータ

- 添付資料 1 現地調査開始時M/M
- 添付資料 2 基本設計概要書説明時M/M
- 添付資料 3 農民組織実行委員会設立通知
- 添付資料 4 農民組織規定 (案)
- 添付資料 5 モング郡郡長からの事業協力同意書
- 添付資料 6 西部州 P.S.からの事業協力同意書
- 添付資料 7 土地収用確認書
- 添付資料 8 土地配分確認書
- 添付資料 9 水利権確認書
- 添付資料 10 ラテライト採取許可書

MINUTES OF DISCUSSIONS
ON
THE BASIC DESIGN STUDY ON THE PROJECT
FOR
MONGU RURAL DEVELOPMENT IN THE REPUBLIC OF ZAMBIA

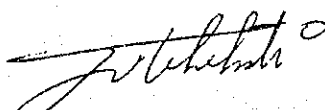
Based on the results of the Preliminary Study, the Japan International Cooperation Agency (JICA) decided to conduct a Basic Design Study on the Project for Mongu Rural Development (hereinafter referred to as "the Project"), and entrusted the study to the Japan International Cooperation Agency (JICA).

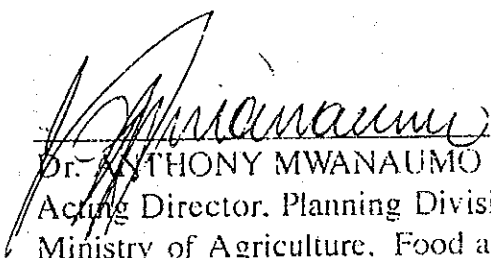
JICA sent to the Republic of Zambia the Basic Design Study Team (hereinafter referred to as "the Team"), which is headed by Mr. JUNJI TAKAHASHI, Development Specialist, Institute for International Cooperation, JICA, and is scheduled to stay in the country from September 3 to October 3, 1996.

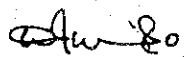
The Team held a series of discussions with officials concerned of the Government of Zambia and conducted field surveys at the study area.

In the course of the discussions and field surveys, both parties have confirmed the main items described on the attached sheets. The Team will proceed to further work and prepare the Basic Design Study report.

Lusaka, September 10, 1996


Mr. JUNJI TAKAHASHI
Leader,
Basic Design Study Team,
JICA


Dr. ANTHONY MWANAUMO
Acting Director, Planning Division,
Ministry of Agriculture, Food and Fisheries,
The Republic of Zambia


Mr. WALUBITA IMAKANDO
Principal Economist (ETC),
Ministry of Finance and Economical
Development,
The Republic of Zambia

ATTACHMENT

1. Objective

The objective of the Project is to increase incomes and improve the living condition of the small scale farmers in the project area, through the improvement of agricultural and social infrastructure.

2. Proposed Project Areas

The project sites are Yeta block, Mongu district, Western province.

3. Responsible and Executing Agency

Responsible agency of the Project is the Ministry of Agriculture, Food and Fisheries (hereinafter referred to as "MAFF") and executing agency is the Department of Agriculture, Western Province.

4. Items requested by the Government of Zambia

After discussions with the Team, the items described in ANNEX-I were finally requested by the Government of Zambia.

The final components of the Project, however, will be decided after further studies based on the information collected.

5. Japan's Grant Aid System

- (1) The Government of Zambia has understood the Japan's Grant Aid system as described in ANNEX-II and explained by the Team.
- (2) Government of Zambia will take the necessary measures described in ANNEX-III for the smooth implementation of the Project, on condition that the Japan's Grant Aid is extended to the Project.

6. Schedule of the Study

- (1) The consultants members of the Team will proceed to further studies in Zambia until October 3, 1996.
- (2) JICA will prepare a draft basic design report and dispatch a mission in order to explain its contents around November 1996.
- (3) In case that the contents of the draft basic design report are accepted in principle, JICA will complete the basic design study report and send it to the Government of Zambia around February 1997.

7. Other Relevant Issues

- (1) Operation and Maintenance Organizations of the Facilities

The responsible organizations for the operation and maintenance of the facilities constructed by the Project are shown in the ANNEX - IV.

(2) Farmers Group

Farmers group shall be organized by the beneficiaries of the Project. The group will be responsible for the operation and maintenance of the irrigation facilities constructed by the Project. The Department of Agriculture, Western Province shall take the initiative to organize the group and report the organization structure, members and activities of the group to the draft basic design explanation team which will be dispatched in late November.

(3) Land Acquisition

The Department of Agriculture will explain the details of the Project to the people in the Project area and will obtain the Induna's or village headmen's consent on the Project implementation and land acquisition by the letter. The letter will be submitted to the Team by the end of September 1996.

(4) Land Sharing

The Department of Agriculture will confirm the land sharing plan in the Project area and submit it to the Team by the end of September 1996.

(5) Water Right

The Water right will be secured by the local authority in consultation with the Department of Agriculture in a written document. The Department of Agriculture shall submit the document to the draft basic design explanation team which will be dispatched in late November.

(6) Government's Support

- 1) MAFF will allocate necessary budget for smooth implementation of the Project.
- 2) MAFF will deploy sufficient personnel to the Project in order to support beneficiaries for smooth maintenance, operation and extension activities.

(7) Farmers' Participation

The Construction of tertiary canals will be carried out by the beneficiaries.

(8) Technical Cooperation

Department of Agriculture, Western Province will assign counterparts to the Japanese expert(s) and Japanese volunteer(s) when they will be dispatched.

JT

[Handwritten signature]

AM

ANNEX-I

Development Plan	Item	Description	Priority
Road	Feeder Road A	1 line, L=1.7 km, Gravel Pavement	B
	Feeder Road B	1 line, L=2.2 km, Gravel Pavement	A
	Village Road	up to B.P. of Peripheral Road	B
		from B.P. of Peripheral Road	A
	Peripheral Road	1 line, L=6.0 km, Gravel Pavement	A
	Maintenance Road	3 lines, L=2.9 km, Gravel Pavement	A
	Field Road	15 lines, L=10.7 km, Sand Pavement	A
Others	Cross Culvert	A	
Irrigation	Main Canal	1 line, L=2.3 km, Cement Block Lining	A
	Secondary Canal	15 lines, L=10.4 km, Cement Block Lining	A
	Sand Trap	Embarkment, Intake Works, Spillway N=2, Connection Canal	A
	Bypass Canal	L=0.4 km, Earth Canal, Cross Culvert N=1	A
	Land Reclamation and Levelling		A
	Others	Division Works N=8	A
Drainage	Main Canal	2 lines, L=12.0 km, Earth Canal	A
	Lateral Canal	15 lines, L=9.9 km, Earth Canal	A
Agro-processing	Small Scale Rice Mills, Small Scale Hammer Mills	at Sefula and Namaenya	A
Inland Fisheries	Fish Culture Facility	Fish Ponds	C
Extension	Multipurpose Conference Room	at Sefula	A
Marketing	Marketing Facilities	Expansion and Renovation of existing Market House, Warehouse	A
Boreholes		at Sefula, Namaenya and Mutuwambwa	A

JT

AM

ANNEX II

ON JAPAN'S GRANT AID PROGRAM

1. Japan's Grant Aid Procedures

- (1) The Japan's Grant Aid Program is executed by the following procedures.
- **Application** (request made by a recipient country)
 - **Study** (Preliminary Study / Basic Design Study conducted by JICA)
 - **Appraisal & Approval** (Appraisal by the Government of Japan and Approval by the Cabinet of Japan)
 - **Determination of Implementation** (Exchange of Notes between both Governments)
 - **Implementation** (Implementation of the Project)
- (2) Firstly, an application or a request for a project made by the recipient country is examined by the Government of Japan (the Ministry of Foreign Affairs) to see whether or not it is suitable for Japan's Grand Aid. If the request is deemed suitable, the Government of Japan entrusts a study on the request to JICA (Japan International Cooperation Agency).

Secondly, JICA conducts the Study (Basic Design Study), using a Japanese consulting firm. If the background and objective of the requested project are not clear, a Preliminary Study is conducted prior to a Basic Design Study.

Thirdly, the Government of Japan appraises to see whether or not the Project is suitable for Japan's Grant Aid Program, based on the Basic Design Study report prepared by JICA and the results are then submitted for approval by the Cabinet.

Fourthly, the Project approved by the Cabinet becomes official when pledged by the Exchange of Notes signed by both Governments.

Finally, for the implementation of the Project, JICA assists the recipient country in preparing contracts and so on.

2. Contents of the Study

(1) Contents of the Study

The purpose of the Study (Preliminary Study / Basic Design Study) conducted on a project requested by JICA is to provide a basic document necessary for appraisal of the project by the Japanese Government. The contents of the Study are as follows:

JT

[Handwritten signature]

AM

- a) to confirm background, objectives, benefits of the project and also institutional capacity of agencies concerned of the recipient country necessary for project implementation,
- b) to evaluate appropriateness of the Project for the Grant Aid Scheme from a technical, social and economical point of view,
- c) to confirm items agreed on by both parties concerning a basic concept of the project,
- d) to prepare a basic design of the project,
- e) to estimate cost involved in the project.

Final project components are subject to approval by the Government of Japan and therefore may differ from an original request.

Implementing the project, the Government of Japan requests the recipient country to take necessary measures involved which are itemized on Exchange of Notes.

(2) Selecting (a) Consulting Firm(s)

For smooth implementation of the study, JICA uses (a) consulting firm(s) registered. JICA selects (a) firm(s) through proposals submitted by firms which are interested. The firm(s) selected carry(ies) out a Basic Design Study and write(s) a report, based upon terms of reference made by JICA.

The consulting firm(s) used for the study is(are) recommended by JICA to a recipient country after Exchange of Notes, in order to maintain technical consistency and also to avoid possible undue delay in implementation caused if a new selection process is repeated.

(3) Status of a Preliminary Study in the Grant Aid Program

A Preliminary Study is conducted during the second step of a project formulation & preparation as mentioned above.

A result of the study will be utilized in Japan to decide if the Project is to be suitable for a Basic Design Study.

Based on the result of the Basic Design Study, the Government would proceed to the stage of decision making process (appraisal and approval).

It is important to notice that at the stage of Preliminary Study, no commitment is made by the Japanese side concerning the realization of the Project in the scheme of Grant Aid Program.

3. Japan's Grant Aid Scheme

(1) What is Grant Aid?

The Grant Aid Program provides a recipient country with non reimbursable funds needed to procure facilities, equipment and services for

economic and social development of the country under the following principles in accordance with relevant laws and regulations of Japan. The Grant Aid is not in a form of donation or such.

(2) Exchange of Notes (E/N)

The Japan's Grant Aid is extended in accordance with the Exchange of Notes by both Governments, in which the objectives of the Project, period of execution, conditions and amount of the Grant, etc. are confirmed.

(3) "The period of the Grant Aid" means one Japanese fiscal year which the Cabinet approves the Project for. Within the fiscal year, all procedure such as Exchange of Notes, concluding a contract with (a) consulting firm(s) and (a) contractor(s) and a final payment to them must be completed.

(4) Under the Grant, in principle, products and services of origins of Japan or the recipient country are to be purchased.

When the two Governments deem it necessary, the Grant may be used for the purchase of products or services of a third country origin.

However the prime contractors, namely, consulting, contractor and procurement firms, are limited to "Japanese nationals". (The term "Japanese nationals" means Japanese physical persons or Japanese juridical persons controlled by Japanese physical persons.)

(5) Necessity of the "Verification"

The Government of the recipient country or its designated authority will conclude into contracts in Japanese yen with Japanese nationals. Those contracts shall be verified by the Government of Japan. The "Verification" is deemed necessary to secure accountability to Japanese tax payers.

(6) Undertakings required to the Government of the recipient country

In the implementation of the Grant Aid, the recipient country is required to undertake necessary measures such as the following:

- a) to secure land necessary for the sites of the project and to clear and level the land prior to commencement of the construction work,
- b) to provide facilities for distribution of electricity, water supply and drainage and other incidental facilities in and around the sites,
- c) to secure buildings prior to the installation work in case the Project is providing equipment,
- d) to ensure all the expenses and prompt execution for unloading, customs clearance at the port of disembarkation and internal transportation of the products purchased under the Grant Aid,
- e) to exempt Japanese nationals from customs duties, internal taxes and

other fiscal levies which will be imposed in the recipient country with respect to the supply of the products and services under the Verified Contracts,

- f) to accord Japanese nationals whose services may be required in connection with the supply of the products and services under the Verified Contracts, such facilities as may be necessary for their entry into the recipient country and stay therein for the performance of their work.

(7) Proper Use

The recipient country is required to maintain and use facilities constructed and equipment purchased under the Grant Aid properly and effectively and to assign staff necessary for their operation and maintenance as well as to bear all expenses other than those to be borne by the Grant Aid.

(8) Re-export

The products purchased under the Grant Aid shall not be re-exported from the recipient country.

(9) Banking Arrangement (B/A)

- a) The Government of the recipient country or its designated authority shall open an account in the name of the Government of the recipient country in an authorized foreign exchange bank in Japan (hereinafter referred to as "the Bank"). The Government of Japan will execute the Grant Aid by making payments in Japanese yen to cover the obligations incurred by Government of the recipient country or its designated authority under the contracts verified.
- b) The payments will be made when payment requests are presented by the Bank to the Government of Japan under an Authorization to pay issued by the Government of the recipient country or its designated authority.

ST

WA

A.M

ANNEX-III

NECESSARY MEASURES TO BE TAKEN BY THE GOVERNMENT OF ZAMBIA IN CASE JAPAN'S GRANT AID IS EXTENDED.

1. To provide data and information necessary for the Project.
2. To secure the site for the Project.
3. To bear two kinds of commissions to the Japanese foreign exchange bank for its banking services based upon the Banking Arrangement (B/A) namely,
 - the advising commission of the "Authorization to Pay (A/P)" and
 - the payment commission.
4. To ensure prompt unloading, tax exemption, and customs clearance at the port of disembarkation in Zambia and prompt internal transportation therein of the materials and equipment for the project purchased under the Grant Aid.
5. To exempt Japanese nationals or a staff from a third country engaged in the project from customs duties, internal taxes and other fiscal levies which may be imposed in Zambia with respect to the supply of the products and services under the verified contracts.
6. To accord Japanese nationals or a staff from a third country whose services may be required in connection with supply of the products and services under the verified contracts, such facilities as may be necessary for their entry into Zambia and stay therein for the performance of their work.
7. To provide necessary permissions, licenses, and other authorization for implementing the Project, if necessary.
8. To assign appropriate budget and staff members for proper and effective operation and maintenance of the facilities constructed under the Project.
9. To maintain and use properly and effectively the facilities constructed and equipment provided under the Project;
10. To bear all the expenses other than those to be borne by the Grant Aid within the scope of the Project.

JT



AM

ANNEX-IV

Development Plan	Item	O/M Organization
Road	Feeder Road A	The Department of Road and District Council
	Feeder Road B	
	Village Road	
	Peripheral Road	
	Maintenance Road	
	Field Road	Farmers Group with the financial and technical assistance of the Department of Agriculture
Irrigation	Main Canal	Farmers Group with the financial and technical assistance of the Department of Agriculture
	Secondary Canal	
	Sand Trap	
	Bypass Canal	
	Others	
Drainage	Main Canal	Farmers Group with the financial and technical assistance of the Department of Agriculture
	Lateral Canal	
Agro-processing	Small Scale Rice Mills, Small Scale Hammer Mills	Farmers Group with the financial and technical assistance of the Department of Agriculture
Inland Fisheries	Fish Culture Facility	The Department of Fisheries
Extension	Multipurpose Conference Room	The Department of Agriculture
Marketing	Marketing Facilities	The Department of Marketing / District Council
Boreholes		The Department of Agriculture / The Department of Water Affairs

JT



A10

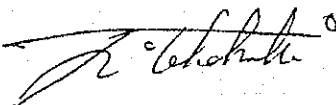
**MINUTES OF DISCUSSIONS
ON
THE BASIC DESIGN STUDY ON THE PROJECT
FOR
MONGU RURAL DEVELOPMENT IN THE REPUBLIC OF ZAMBIA
(EXPLANATION ON THE DRAFT BASIC DESIGN)**

In September 1996, the Japan International Cooperation Agency (JICA) dispatched the Basic Design Study Team on the Project for Mongu Rural Development (hereinafter referred to as "the Project") to the Republic of Zambia. After the assessment of the data and information obtained through the study, JICA has prepared the Draft Basic Design on the Project.

In order to explain and consult with the officials concerned of the Government of Zambia on the components of the Draft Basic Design, JICA sent to the Republic of Zambia a Study Team (hereinafter referred to as "the Team") headed by Mr. JUNJI TAKAHASHI, Development Specialist, Institute for International Cooperation, JICA, which is scheduled to stay in the country from November 19 to November 28, 1996.

As a result of the discussions held between the Team and the officials concerned of the Government of Zambia, both parties have confirmed the main items described on the attached sheets.

Lusaka, November 26, 1996



Mr. JUNJI TAKAHASHI
Leader,
Draft Basic Design Explanation Team,
JICA



Mr. A. K. BANDA
Director, Planning Division,
Ministry of Agriculture, Food and
Fisheries,
The Republic of Zambia



Mr. RICHARD M. CHIZYUKA
Assistant Director (ETC),
Ministry of Finance and Economic
Development,
The Republic of Zambia

ATTACHMENT

1. Components of the Draft Basic Design

The Government of Zambia has agreed and accepted in principle the components of the Draft Basic Design proposed by the Team.

2. Japan's Grant Aid System

- (1) The Government of Zambia has understood the Japan's Grant Aid system as described in ANNEX-I through the explanation made by the Team.
- (2) The Government of Zambia will take the necessary measures described in ANNEX-II for the smooth implementation of the Project, on condition that the Japan's Grant Aid is extended to the Project.

3. Schedule of the Study

JICA will complete the final report in accordance with the confirmed items, and send it to the Government of Zambia by March 1997.

4. Other Relevant Issues

- (1) Operation and Maintenance Organization of the Facilities

The Government of Zambia has confirmed the responsible organization for the operation and maintenance of the facilities constructed by the Project as shown in ANNEX-III.

- (2) Government's Support

Ministry of Agriculture, Food and Fisheries has confirmed the allocation of necessary funds and deployment of sufficient personnel for smooth implementation of the Project.

- (3) Banking Arrangement (B/A)

Ministry of Agriculture, Food and Fisheries and Ministry of Finance and Economic Development have agreed to prepare B/A after immediately the Exchange of Notes.

- (4) Land Acquisition and Land Sharing

Local authority should take the responsibility for land acquisition and sharing of the Project.

- (5) Water Right for the Project

The water right for the Project has been secured by the local authority in consultation with the Department of Agriculture in a written document.

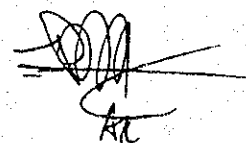
- (6) Farmer's Group

Farmer's group has been organized by the beneficiaries of the Project. The group should be responsible for the operation and maintenance of the irrigation / drainage facilities, field road and agro-processing facilities with the assistance of the Department of Agriculture, Western Province.

- (7) Tertiary Canal

Both sides confirmed that tertiary canals be constructed by the farmer's group.

29



Handwritten signature and initials, possibly 'AR'.

ANNEX-I

ON JAPAN'S GRANT AID PROGRAM

1. Japan's Grant Aid Procedures

(1) The Japan's Grant Aid Program is executed by the following procedures.

- Application (request made by a recipient country)
- Study (Preliminary Study / Basic Design Study conducted by JICA)
- Appraisal & Approval (Appraisal by the Government of Japan and Approval by the Cabinet of Japan)
- Determination of Implementation (Exchange of Notes between both Governments)
- Implementation (Implementation of the Project)

(2) Firstly, an application or a request for a project made by the recipient country is examined by the Government of Japan (the Ministry of Foreign Affairs) to see whether or not it is suitable for Japan's Grant Aid. If the request is deemed suitable, the Government of Japan entrusts a study on the request to JICA (Japan International Cooperation Agency).

Secondly, JICA conducts the Study (Basic Design Study), using a Japanese consulting firm. If the background and objective of the requested project are not clear, a Preliminary Study is conducted prior to a Basic Design Study.

Thirdly, the Government of Japan appraises to see whether or not the Project is suitable for Japan's Grant Aid Program, based on the Basic Design Study report prepared by JICA and the results are then submitted for approval by the Cabinet.

Fourthly, the Project approved by the Cabinet becomes official when pledged by the Exchange of Notes signed by both Governments.

Finally, for the implementation of the Project, JICA assists the recipient country in preparing contracts and so on.

2. Contents of the Study

(1) Contents of the Study

The purpose of the Study (Preliminary Study / Basic Design Study) conducted on a project requested by JICA is to provide a basic document necessary for appraisal of the project by the Japanese Government. The contents of the Study are as follows:

(2)


Ak

- a) to confirm background, objectives, benefits of the project and also institutional capacity of agencies concerned of the recipient country necessary for project implementation,
- b) to evaluate appropriateness of the Project for the Grant Aid Scheme from a technical, social and economical point of view,
- c) to confirm items agreed on by both parties concerning a basic concept of the project,
- d) to prepare a basic design of the project,
- e) to estimate cost involved in the project.

Final project components are subject to approval by the Government of Japan and therefore may differ from an original request.

Implementing the project, the Government of Japan requests the recipient country to take necessary measures involved which are itemized on Exchange of Notes.

(2) Selecting (a) Consulting Firm(s)

For smooth implementation of the study, JICA uses (a) consulting firm(s) registered. JICA selects (a) firm(s) through proposals submitted by firms which are interested. The firm(s) selected carry(ies) out a Basic Design Study and write(s) a report, based upon terms of reference made by JICA.

The consulting firm(s) used for the study is(are) recommended by JICA to a recipient country after Exchange of Notes, in order to maintain technical consistency and also to avoid possible undue delay in implementation caused if a new selection process is repeated.

(3) Status of a Preliminary Study in the Grant Aid Program

A Preliminary Study is conducted during the second step of a project formulation & preparation as mentioned above.

A result of the study will be utilized in Japan to decide if the Project is to be suitable for a Basic Design Study.

Based on the result of the Basic Design Study, the Government would proceed to the stage of decision making process (appraisal and approval).

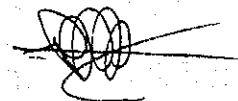
It is important to notice that at the stage of Preliminary Study, no commitment is made by the Japanese side concerning the realization of the Project in the scheme of Grant Aid Program.

3. Japan's Grant Aid Scheme

(1) What is Grant Aid?

The Grant Aid Program provides a recipient country with non reimbursable funds needed to procure facilities, equipment and services for economic and social development of the

(II)


AIC

country under the following principles in accordance with relevant laws and regulations of Japan. The Grant Aid is not in a form of donation or such.

(2) Exchange of Notes (E/N)

The Japan's Grant Aid is extended in accordance with the Exchange of Notes by both Governments, in which the objectives of the Project, period of execution, conditions and amount of the Grant, etc. are confirmed.

(3) "The period of the Grant Aid" means one Japanese fiscal year which the Cabinet approves the Project for. Within the fiscal year, all procedure such as Exchange of Notes, concluding a contract with (a) consulting firm(s) and (a) contractor(s) and a final payment to them must be completed.

(4) Under the Grant, in principle, products and services of origins of Japan or the recipient country are to be purchased.

When the two Governments deem it necessary, the Grant may be used for the purchase of products or services of a third country origin.

However the prime contractors, namely, consulting, contractor and procurement firms, are limited to "Japanese nationals". (The term "Japanese nationals" means Japanese physical persons or Japanese juridical persons controlled by Japanese physical persons.)

(5) Necessity of the "Verification"

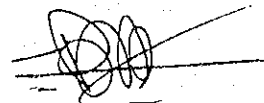
The Government of the recipient country or its designated authority will conclude into contracts in Japanese yen with Japanese nationals. Those contracts shall be verified by the Government of Japan. The "Verification" is deemed necessary to secure accountability to Japanese tax payers.

(6) Undertakings required to the Government of the recipient country

In the implementation of the Grant Aid, the recipient country is required to undertake necessary measures such as the following:

- a) to secure land necessary for the sites of the project and to clear and level the land prior to commencement of the construction work,
- b) to provide facilities for distribution of electricity, water supply and drainage and other incidental facilities in and around the sites,
- c) to secure buildings prior to the installation work in case the Project is providing equipment,
- d) to ensure all the expenses and prompt execution for unloading, customs clearance at the port of disembarkation and internal transportation of the products purchased under the Grant Aid,

(J)



AL

- e) to exempt Japanese nationals from customs duties, internal taxes and other fiscal levies which will be imposed in the recipient country with respect to the supply of the products and services under the Verified Contracts,
- f) to accord Japanese nationals whose services may be required in connection with the supply of the products and services under the Verified Contracts, such facilities as may be necessary for their entry into the recipient country and stay therein for the performance of their work.

(7) Proper Use

The recipient country is required to maintain and use facilities constructed and equipment purchased under the Grant Aid properly and effectively and to assign staff necessary for their operation and maintenance as well as to bear all expenses other than those to be borne by the Grant Aid.

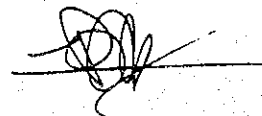
(8) Re-export

The products purchased under the Grant Aid shall not be re-exported from the recipient country.

(9) Banking Arrangement (B/A)

- a) The Government of the recipient country or its designated authority shall open an account in the name of the Government of the recipient country in an authorized foreign exchange bank in Japan (hereinafter referred to as "the Bank"). The Government of Japan will execute the Grant Aid by making payments in Japanese yen to cover the obligations incurred by Government of the recipient country or its designated authority under the contracts verified.
- b) The payments will be made when payment requests are presented by the Bank to the Government of Japan under an Authorization to pay issued by the Government of the recipient country or its designated authority.

(79)

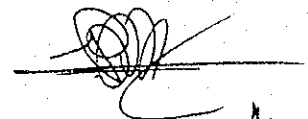

AIC

ANNEX-II

NECESSARY MEASURES TO BE TAKEN BY THE GOVERNMENT OF ZAMBIA IN CASE JAPAN'S GRANT AID IS EXTENDED.

1. To provide data and information necessary for the Project.
2. To secure the site for the Project.
3. To bear two kinds of commissions to the Japanese foreign exchange bank for its banking services based upon the Banking Arrangement (B/A) namely,
 - the advising commission of the "Authorization to Pay (A/P)" and
 - the payment commission.
4. To ensure prompt unloading, tax exemption, and customs clearance at the port of disembarkation in Zambia and prompt internal transportation therein of the materials and equipment for the project purchased under the Grant Aid.
5. To exempt Japanese nationals or a staff from a third country engaged in the project from customs duties, internal taxes and other fiscal levies which may be imposed in Zambia with respect to the supply of the products and services under the verified contracts.
6. To accord Japanese nationals or a staff from a third country whose services may be required in connection with supply of the products and services under the verified contracts, such facilities as may be necessary for their entry into Zambia and stay therein for the performance of their work.
7. To provide necessary permissions, licenses, and other authorization for implementing the Project, if necessary.
8. To assign appropriate budget and staff members for proper and effective operation and maintenance of the facilities constructed under the Project.
9. To maintain and use properly and effectively the facilities constructed and equipment provided under the Project;
10. To bear all the expenses other than those to be borne by the Grant Aid within the scope of the Project.


(11)


AL

ANNEX-III Operation and Maintenance Organization of the Project

Development Plan	Item	O/M Organization
Road	Feeder Road	The Department of Road and District Council
	Village Road	
	Peripheral Road	
	Maintenance Road	
	Field Road	Farmer's Group with the financial and technical assistance of the Department of Agriculture
Irrigation	Main Canal	Farmer's Group with the financial and technical assistance of the Department of Agriculture
	Secondary Canal	
	Sand Trap	
	Bypass Canal	
	Others	
Drainage	Main Canal	Farmer's Group with the financial and technical assistance of the Department of Agriculture
	Lateral Canal	
Agro-processing	Rice mill, Hammer mill	Farmer's Group with the financial and technical assistance of the Department of Agriculture
	Others	
Extension	Conference Room	The Department of Agriculture
	Others	
Marketing	Marketing Facilities	The Department of Marketing / District Council
Rural Water Supply	Water Supply Facilities	The Department of Agriculture / The Department of Water Affairs

(5)


ALC

添付資料 3

Sefula Water Users Group,
P/A Sefula,
MONGU.

15th September, 1996

The Project Manager,
Mongu Rural Development Project,
P.O. Box 910067,
MONGU.

Dear Sir,

Attached is a list of names of the Sefula Water User's Group Executive Committee members, and also the names of the group.

The constitution of farmers' groups will be prepared very shortly to assist the group.

Yours faithfully,


C.K. Namuyamba
CHAIRMAN

Encl.

CKM/imm..

- (a) Name of the Farmers Group: Sefula Water User's Group
- (b) Location of the Site: 15 Kilometres of Mongu Township and down the Sefula Market.
- (c) Source of Water Supply: Perennial water flow from Sefula Canal.
- (d) Aim: To carryout smooth operation and maintenance of irrigation and drainage canals, field roads and Agro-processing facilities after implimentation of Mongu Rural Development Project.

EXECUTIVE COMMITTEE MEMBERS:

- | | | | |
|----|----------------------|---|----------------|
| 1. | C.K. Namuyamba (Mr.) | - | Chairman |
| 2. | Moyo (Mr.) | - | Vice Chairman |
| 3. | J.N. Kakoma (Mr.) | - | Secretary |
| 4. | Matea Numbwa (Mr.) | - | Vice Secretary |
| 5. | K. Kazi (Mr.) | - | Treasurer |
| 6. | L.M. Silimba | - | Vice Treasurer |

COMMITTEE MEMBERS

- | | |
|----|----------------------|
| 1. | K. Sishekanu (Mr.) |
| 2. | C.J. Millinga (Miss) |

Sefula Water User's Group

Constitution

Article 1:

Name of the group shall be:-
Sefula Water User's group. (Here in)
After refers to as the group.

Article 2:

Aims and objectives:-

To carry out smooth operation and maintainance of
Irrigation and drainage Canals, Field roads and
Agro-processing facilities, as to the drawn group
structure.

Article 3:

Membership:-

(a) Membership is open to any beneficiary person who happens
to belong under the Scheme.

(b) Members of the group may be terminated by:-

1. Written resignation by any member
2. Expulsion by the Executive Committee.

If in the opinion continued membership prejudicial
to aims and objectives of the group.

(c) Subscription:-

Every beneficiary will be asked to pay a certain amount of
money which will assist in maintainance, and the amount will
be decided by the Executive Committee.

(d) The group shall keep a membership Register in accordance with
the regulations stipulated by the Executive Committee.

Article 4:-

The group shall have Executive Committee as follows:-

1. Chairman
2. Vice Chairman
3. Secretary
4. Vice Secretary
5. Treasure
6. Vice Treasurer and
7. Fair other Trustee members.

Functions of the Executive Committee

- (a) The chairman will chair and guide all the Meetings of the Committee.
- (b) The Secretary will take minutes of every Meeting
The Secretary will be responsible for correspondance dealings with the Policy issues of the group.

The Treasurer

Will take charge of all financial issues in the group concerning the accounting and auditing of the books.

- (b) He shall be directly responsible to Executive Committee.

Article 5:

Elections:-

Office bearers and other elected members on the executive Committee shall be elected by annual general meetings, subject to the following conditions:-

- (a) Any member may be re-elected on post in the Executive Committee.
- (b) The Vote shall be secret ballot and a successful Candidate shall obtain a single majority.

Article 6:

Meetings:

- (a) The group shall hold Annual general meetings at the end of each year.
- (b) The group shall keep records of all proceedings of their meetings
- (c) The Executive Committee shall hold regular meetings as it deems neccessary.
- (d) Any extra-ordinary general Meeting may be called by Executive Committee when necessary.

Article 7:

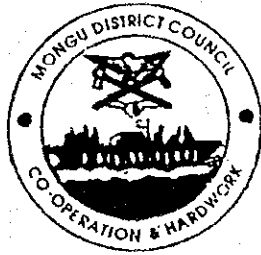
Finance and Audit

- (a) All funds raised by the group shall be applied absolutely towards the promotion of the objectives of the group.
- (b) The books of Account shall be audited annually and when ever necessary.

Article 8:

The consitution may be amended by annual general meeting of the group provided there is a quorum and that it is approved by 2/3 majority of the present by voting.





MONGU DISTRICT COUNCIL

All correspondence to be addressed to the Council Secretary
Telephone: 221016/221017

P.O. Box 910026,
MONGU, ZAMBIA

REF

24th September, 1996.

The Project Manager,
Mongu Rural Development Project,
P.O. BOX 910067,
MONGU.

Dear Sir,

AGREEMENT FOR IMPLEMENTATION OF MONGU RURAL DEVELOPMENT PROJECT.

Mongu Municipal Council would like to register its support for the Basic design Study of the Project and appreciates the efforts of the design Team of JICA to implement it as soon as possible so that the Community in the project area can benefit from it.

May I confirm the Council's willingness to render every possible assistance to JICA in order to ensure the smooth operation and maintenance of the project facilities.

Lastly, may I wish the JICA Team a peaceful and pleasant stay in Mongu District.

Yours Faithfully,

ELIJAH W: LUNGOWE
TOWN CLERK
MONGU MUNICIPAL COUNCIL
MONGU.

- cc: The Permanent Secretary,
Western Province,
Box 910021,
MONGU.
- cc: The Provincial Agricultural Officer,
MONGU.
- cc: His Worship the Mayor,
Mongu Municipal Council,
Box 910026,
MONGU.

/plm...*

添付資料 6

Telephone: 221001/2

Telegrams:



In reply please quote
WP/72/8/16
No.....

REPUBLIC OF ZAMBIA

OFFICE OF THE PRESIDENT

PROVINCIAL ADMINISTRATION
WESTERN PROVINCE
P.O. BOX 910021
MONGU

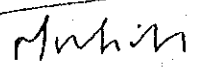
23rd September, 1996

The Project Manager,
Mongu Rural Development Project,
P.O. Box 910067,
MONGU

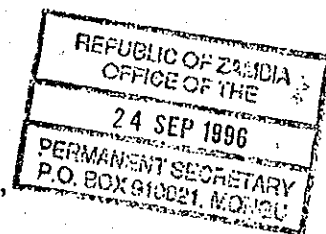
re: AGREEMENT: IMPLEMENTATION OF MONGU RURAL
DEVELOPMENT PROJECT

My office supports and is agreeable to the contents of minutes of the discussions on the Basic Design Study of the Project. This office supports the move to get the project off the ground as quickly as possible. The efforts of the design team in this venture is recognised and appreciated.

2. This office would like to see this project implemented as quickly as possible so that the farmers can benefit from these efforts. I therefore urge you to extend our appreciation to JICA. This office will assist in the smooth operation and maintenance of project facilities which will be constructed by JICA. This will be done through the relevant Departments namely Agriculture, Water Affairs, Roads and Mongu District Council who will be the main actors.


T. Muliokela
PERMANENT SECRETARY
WESTERN PROVINCE

c.c. The Provincial Agricultural Officer,
Western Province,
MONGU



SIPAI VILLAGE,
P.A. SEFULA,
MONGU.

20th September, 1996.

The Project Manager,
Basic Design Study Team,
Mongu Rural Development Project,
MONGU.

Dear Sir,

re: LAND ACQUISITION - PROPOSED PROJECT AREA

I do here confirm the above mentioned subject that all the beneficiaries have agreed and that their land be used or utilised by the said project 'Mongu Rural Development Project'.

The Land is meant for the Secondary Canals and Field Road leading to the beneficiaries fields.

I further agree that should there be a land dispute, the under signed and other villagers concerned will settle the matter internally or traditionally.

Yours faithfully,

Induna Namutwi
Namutwi
SILALO INDUNA.

SIPAI VILLAGE
P.A. SEFULA
MONGU


20th Sept. 1996

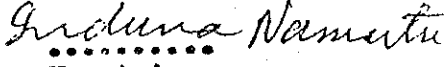
The Project Manager
Basic Design Study Team
Mongu Rural Development Project
MONGU

Dear Sir

RE: LAND SHARING

Whilst the land acquisition formalities have been done in the proposed study area through our group we therefore, the under signed Executive Committee Members of Sefula users group, do here agree that the land sharing system is already in existance in our area as per the minutes of discussions on the Basic design study, of 10th September 1996.


.....
C.K. Namuyamba
CHAIRMAN


.....
Namutwi
SILALO INDUNA



REPUBLIC OF ZAMBIA

DEPARTMENT OF AGRICULTURE

P.O. BOX 910067,
MONGU.

20th September, 1996.

The Project manager,
Basic Design Study Team,
On the Project for
Mongu Rural Development.

re: PERMISSION FOR SEFULA STREAM WATER USE.

We the undersigned herein called Department of Agriculture Representative and the Silalo Induna, under the auspices of the Barotse Royal Establishment and the Mongu Council do agree that the development in Yeta Block should be encouraged. As such, measures be taken not to allow persons, individual farmers, company to implement another irrigation project or any industrial water use which will draw surface water from the stream, other than the proposed Mongu Rural Development Project since the baseflow of water is only sufficient for Domestic and Gardening. Water use along the stream will not disturb the design requirement. Therefore the practice will continue as it has always been.

Signed

Induna Namutwi

Chief Namutwi
SILALO INDUNA

Signed

M.M. Chinda

MR. M.H. CHINDA
DEPARTMENT OF AGRICULTURE
REPRESENTATIVE
(PRINC. AGRIC. OFFICER)

DEPARTMENT OF AGRICULTURE
P.O. BOX 910067
MONGU

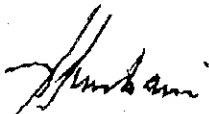
9th December 1996

AKIRA
MR. IWAMOTO
TAIYO CONSULTANTS CO, LTD
JAPAN

Dear Sir,

RE: LATERITE GRAVEL FROM MIULWE

Attached is a letter from the Induna where the gravel is found,
Mihlwe (Silimwa area). The project has been given a 90 ahead as
per plan.



L. Liyembani
DIST. AGRICULTURAL OFFICER

LL/dnk**

c/o Department of Agriculture,
P.O. Box 910067,
MONGU.

6th December, 1996

The Project Manager,
Mongu Rural Development Project,
C/o Department of Agriculture,
P.O. Box 910067,
MONGU.

Dear Sir,

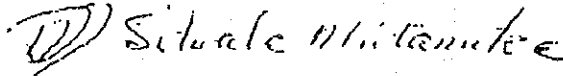
RE: LATERITE GRAVEL FROM SILI MUA

Following your request through the District Agricultural Officer - Mongu, to use the laterite gravel from my area - Silimwa to construct gravel roads in the Sefula project area starting next year, I do hereby grant your project permission to go ahead as per your plan.

The gravel you will get from the area does not carry any cost since the development you are bringing is for the benefit of the people and the country as a whole.

Please notify us when the exercise starts.

Yours faithfully,

 Silwale Mutanuka

MR. SILWALE MUTANUKA
INDUNA ILWALE
SILIMWA AREA

/imm***

資料 6

参考資料リスト

参考資料リスト

図面集

c/o Department of Agriculture,
P.O. Box 910067,
MONGU.

6th December, 1996

The Project Manager,
Mongu Rural Development Project,
C/o Department of Agriculture,
P.O. Box 910067,
MONGU.

Dear Sir,

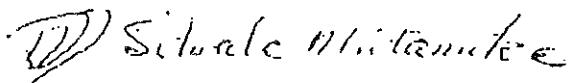
RE: LATERITE GRAVEL FROM SILI MWA

Following your request through the District Agricultural Officer - Mongu, to use the laterite gravel from my area - Silimwa to construct gravel roads in the Sefula project area starting next year, I do hereby grant your project permission to go ahead as per your plan.

The gravel you will get from the area does not carry any cost since the development you are bringing is for the benefit of the people and the country as a whole.

Please notify us when the exercise starts.

Yours faithfully,

 Silwale Mutanuka

MR. SILWALE MUTANUKA
INDUNA ILWALE
SILIMWA AREA

/imm***

資料 6

参考資料リスト

参考資料リスト

図面集

参考資料リスト

資料名	発行年	発行者
Agricultural Sector Investment Programme(ASIP) - Sub-Programme - (Extension & Information / Agricultural Training / Research / Animal Production & Health / Irrigation / Farm Power and Mechanization / Marketing and Trade / Fisheries / Standards / Land Use & Administration / Food Security & Nutrition / Policy and Planning / New Production Development / Privatisation)	1994	Ministry of Agriculture, Food and Fisheries, Zambia
Public Investment Programme 1992-1995 in Zambia	1992	Office of the President
Western Province Provincial Medium Term Development Plan 1991-1996 (Final Draft)	1991	The Provincial Council
Review of Adaptive Research Planning Team(ARPT) Technical Research 1984 - 1992	1993	Ministry of Agriculture, Food and Fisheries, Zambia
State of the art 1990-1993 ARPT-WT	1993	Adaptive Research Planning Team, Western Province
Status of Agronomy Research in the Wetlands Target Area	1989	MAFF, ARPT-WP
Country Profile	1992	Central Statistical Office
1990 Census of Population, Housing and Agriculture	1992	Central Statistical Office
The Census of 1990 in Western Province Table 1~Table 3	1994	Central Statistical Office
Selected Socio-Economic Indications 1992	1993	Central Statistical Office
Social Dimensions of Adjustment Priority Survey II 1993 Tabulation Report	1994	Central Statistical Office

参考資料リスト

資料名	発行年	発行者
National Census of Agriculture (1990/1992) Census Report (Part I)	1994	Central Statistical Office
Irrigation Action Plan Draft Report		MAFF Department of Agriculture
Small Holder Irrigation Training Workshop		MAFF Department of Agriculture
Recommendations on Road Design Standards Pavement Design Guide	1994	Road Department
Recommendations on Road Design Standards Geometric Design of Rural Road	1994	Road Department
Standard Specifications for Roads and Bridges	1994	Road Department
Soils of the Mongu Area	1986	Soil Survey Unit, Western Province
Annual Report of the Extension Branch 1983-84	1985	Ministry of Agriculture, Food and Fisheries, Zambia
Department of Marketing and Co-operative Mongu District	1993	Ministry of Agriculture, Food and Fisheries, Zambia
Department of Marketing and Co-operative Western Province	1993	Ministry of Agriculture, Food and Fisheries, Zambia
The Cattle Population of Western Province, Zambia on the Basis of the Annual Livestock Census 1987, 1988, 1989	1990	MAFF, Department of Veterinary and Tsetse Control Services

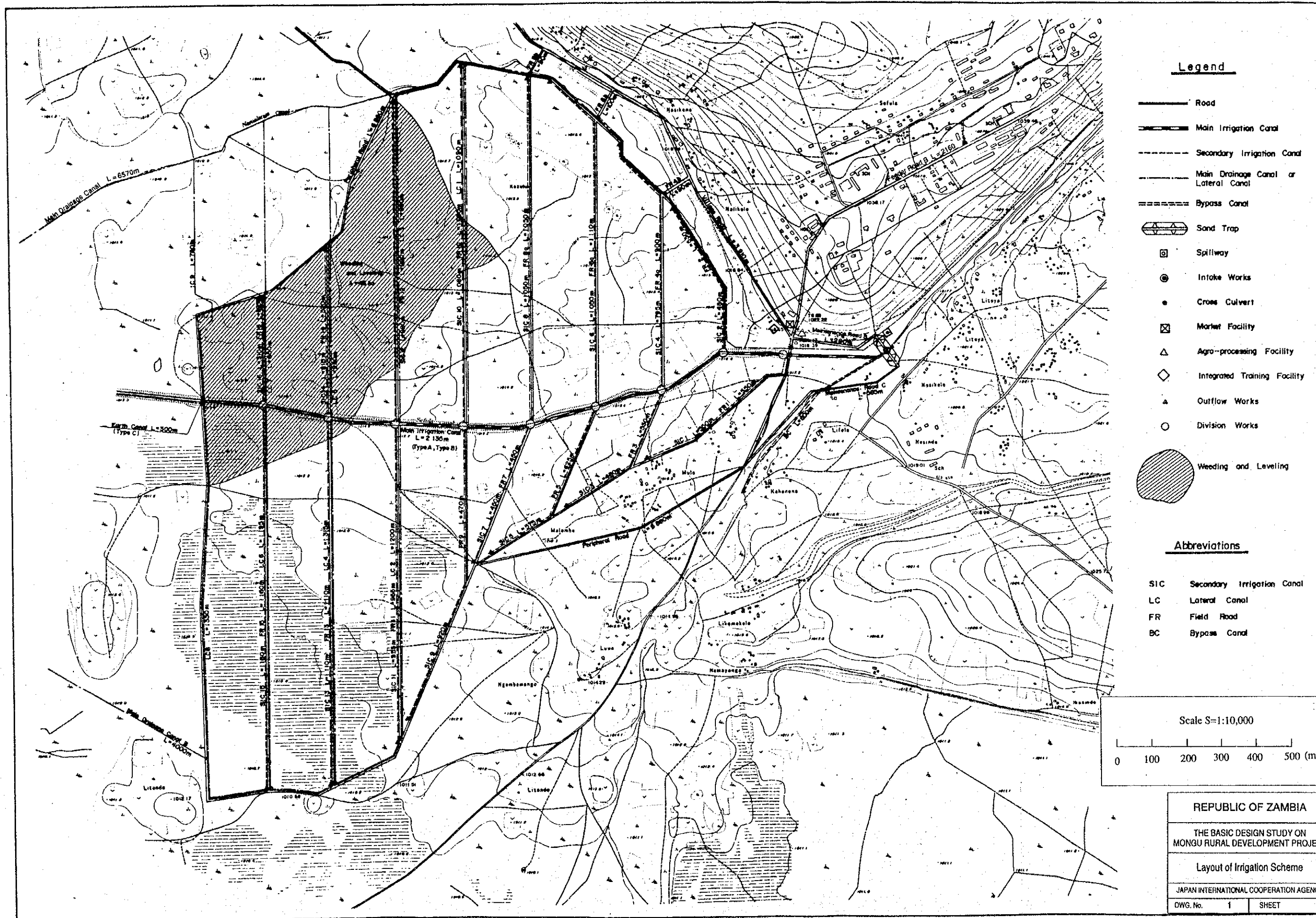
参考資料リスト

資料名	発行年	発行者
Cattle manure in the Farming Systems of Western Province: Practices and Possibilities	1990	MAFF, ARPT-WP
Cattle Production in the Wetlands of Western Province	1992	MAFF, ARPT-WP
Gender Issues within the Netherlands Funded Development Projects in the Western Province of Zambia. A Mission Report	1992	Pan African Institute for Development East and Southern Africa
Report of a Survey on Agricultural Production Constraints of Women Farmers in Senanga-West (Zambia)	1993	MAFF & ARPT-WP
Women Farmers : The Need to Recognize their needs	1990	Department of Agriculture, Mongu, Western Province
Map of Zambia (Mongu) 1:50,000 / 1:100,000	1988 1987	Zambia Government
Geographical Map of Western Province 1 : 1,000,000	1981	Zambia Government

添 付 図 面

LIST OF DRAWINGS

Drawing No.	Title of Drawings	図面タイトル
1	Layout of Irrigation Scheme	灌漑計画平面図
2	Long Section of Main Irrigation Canal (1/5)	幹線用水路縦断面図 (1/5)
3	Long Section of Main Irrigation Canal (2/5)	幹線用水路縦断面図 (2/5)
4	Long Section of Main Irrigation Canal (3/5)	幹線用水路縦断面図 (3/5)
5	Long Section of Main Irrigation Canal (4/5)	幹線用水路縦断面図 (4/5)
6	Long Section of Main Irrigation Canal (5/5)	幹線用水路縦断面図 (5/5)
7	Canal Standard Cross Section	水路標準断面図
8	Sand Trap (1/2)	沈砂池構造図 (1/2)
9	Sand Trap (2/2)	沈砂池構造図 (2/2)
10	Out Flow Works, Division Works (Type A)	流末工、分水工(Type A)構造図
11	Division Works (Type B)	分水工(Type B)構造図
12	Roads Standard Cross Section	道路標準断面図
13	Layout of Road Plan (1/3)	道路計画平面図 (1/3)
14	Layout of Road Plan (2/3)	道路計画平面図 (2/3)
15	Layout of Road Plan (3/3)	道路計画平面図 (3/3)
16	Cross Culvert	横断工構造図
17	Appurtenant Facilities of Roads	道路付帯工構造図
18	Site Layout Plan of Facilities	施設配置図
19	Extension Facility (1/3)	普及施設 (1/3)
20	Extension Facility (2/3)	普及施設 (2/3)
21	Extension Facility (3/3)	普及施設 (3/3)
22	Agro-processing Facility	農産加工施設
23	Market House	マーケット施設
24	Internal Finishing Schedule External Finishing Schedule	仕上げ表
25	Water Supply Facility (1/2)	農村給水施設 (1/2)
26	Water Supply Facility (2/2)	農村給水施設 (2/2)

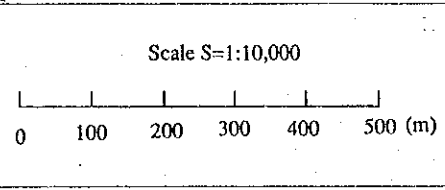


Legend

- Road
- Main Irrigation Canal
- - - - Secondary Irrigation Canal
- Main Drainage Canal or Lateral Canal
- ==== Bypass Canal
- ⊠ Sand Trap
- ⊠ Spillway
- ⊙ Intake Works
- Cross Culvert
- ⊠ Market Facility
- △ Agro-processing Facility
- ◇ Integrated Training Facility
- ▲ Outflow Works
- Division Works
- ⊘ Weeding and Leveling

Abbreviations

- SIC Secondary Irrigation Canal
- LC Lateral Canal
- FR Field Road
- BC Bypass Canal



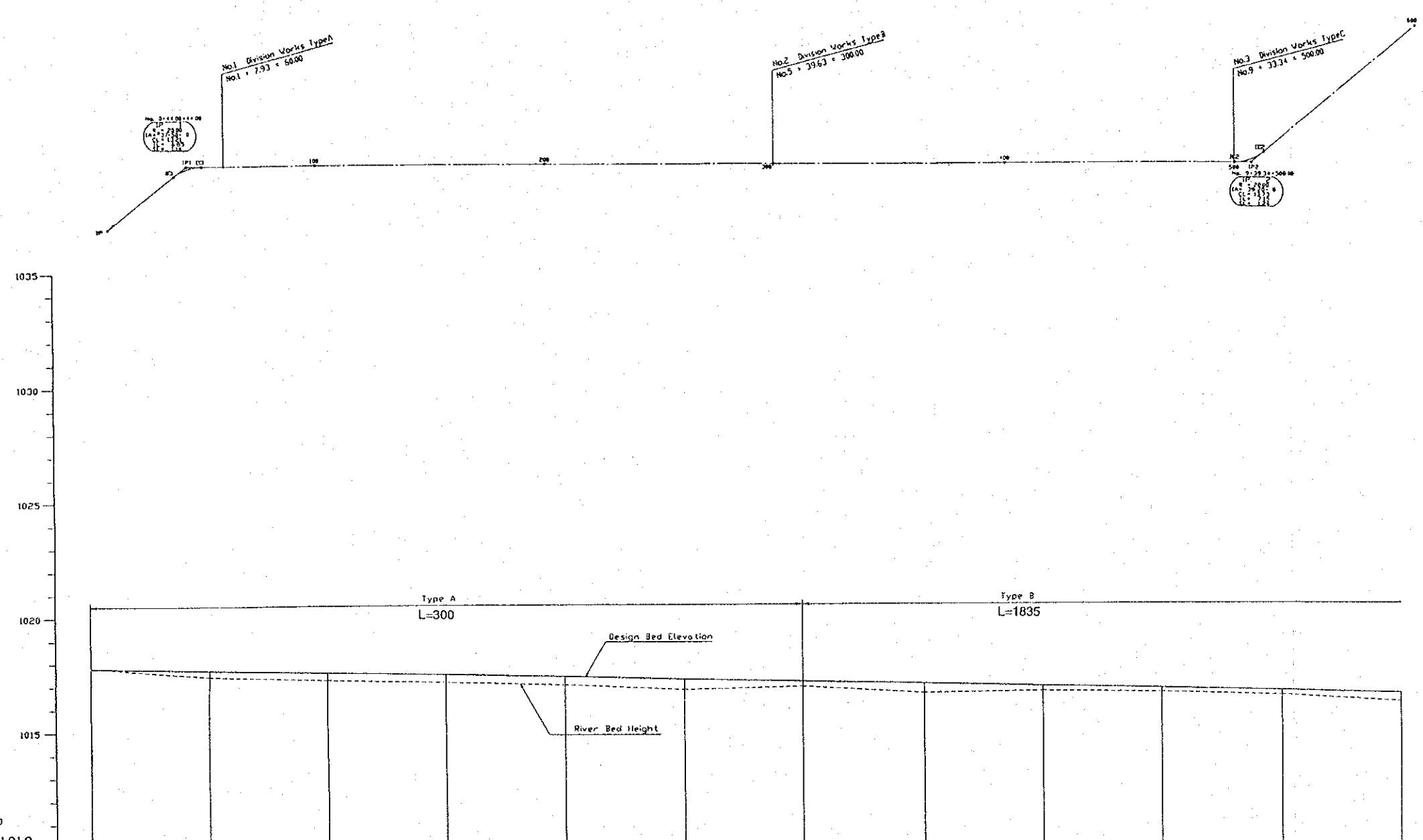
REPUBLIC OF ZAMBIA

THE BASIC DESIGN STUDY ON MONGU RURAL DEVELOPMENT PROJECT

Layout of Irrigation Scheme

JAPAN INTERNATIONAL COOPERATION AGENCY

DWG. No. 1 SHEET



1:100
1:1000
D L=1010

SLOPE	1:17.82											
DESIGN BED ELEVATION	1017.82	1017.71	1017.59	1017.48	1017.37	1017.25	1017.14	1017.03	1016.91	1016.80	1016.69	1016.57
RIVER BED HEIGHT	1017.82	1017.43	1017.25	1017.13	1017.00	1016.78	1016.51	1016.60	1016.68	1015.61	1016.48	1016.20
DISTANCE	0.00	52.07	104.15	156.22	208.29	260.37	312.44	364.51	416.59	468.66	520.73	572.80
STATION NUMBER	NO. 0 (SP)	NO. 1	NO. 2	NO. 3	NO. 4	NO. 5	NO. 6	NO. 7	NO. 8	NO. 9	NO. 10	NO. 11

Main Irrigation Canal

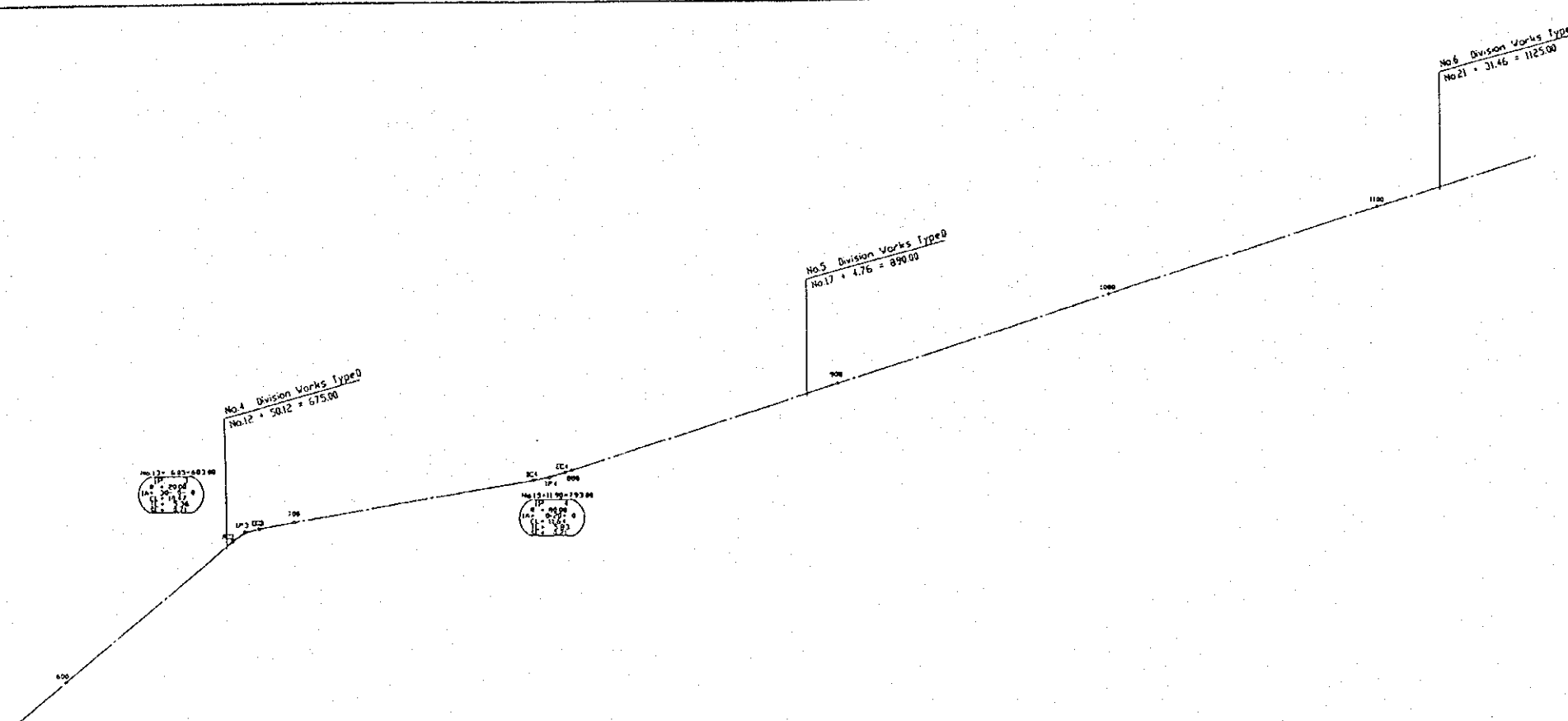
REPUBLIC OF ZAMBIA

THE BASIC DESIGN STUDY ON
MONGU RURAL DEVELOPMENT PROJECT

Long Section of Main Irrigation Canal

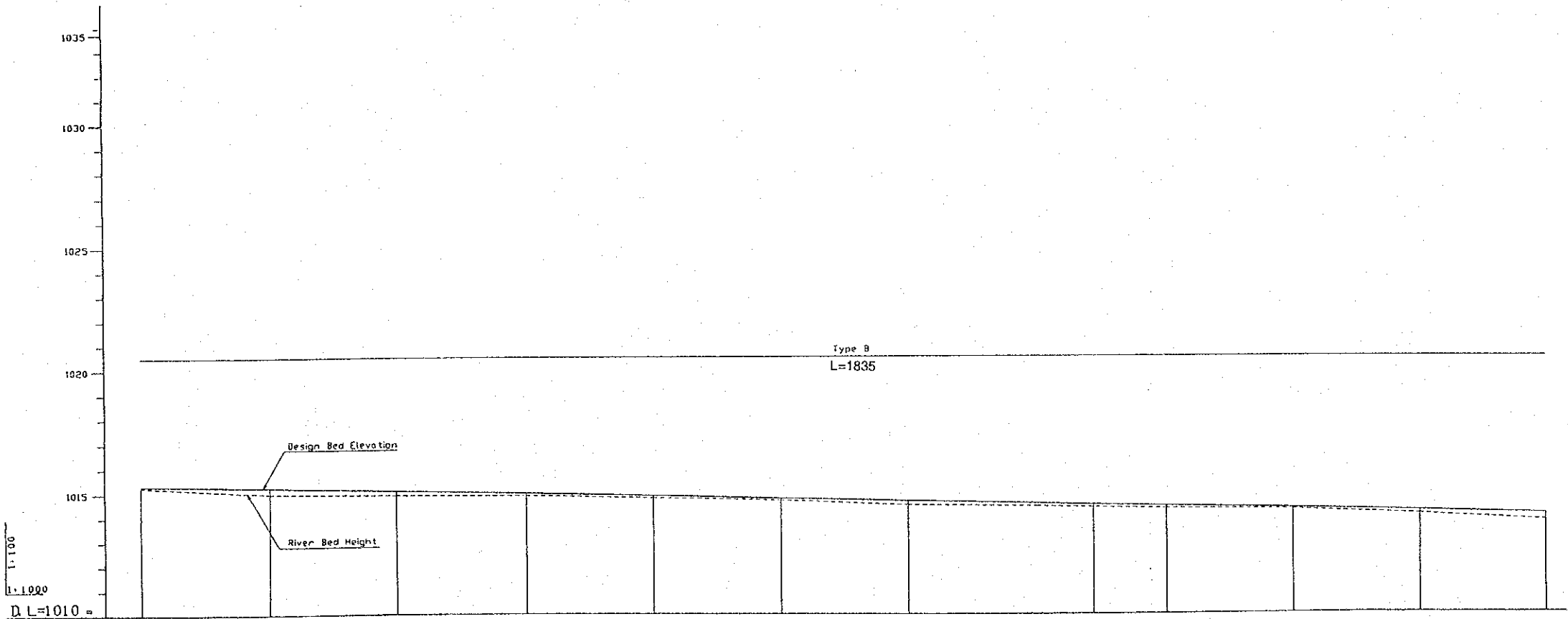
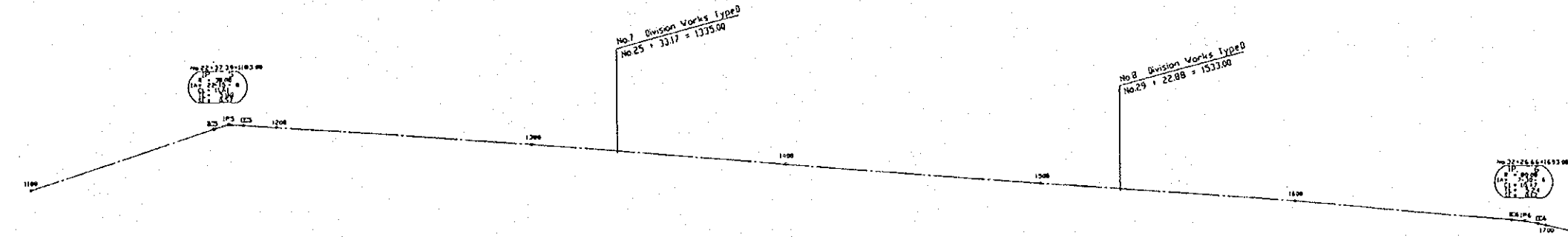
JAPAN INTERNATIONAL COOPERATION AGENCY

DWG. No. 2 SHEET 1 of 5



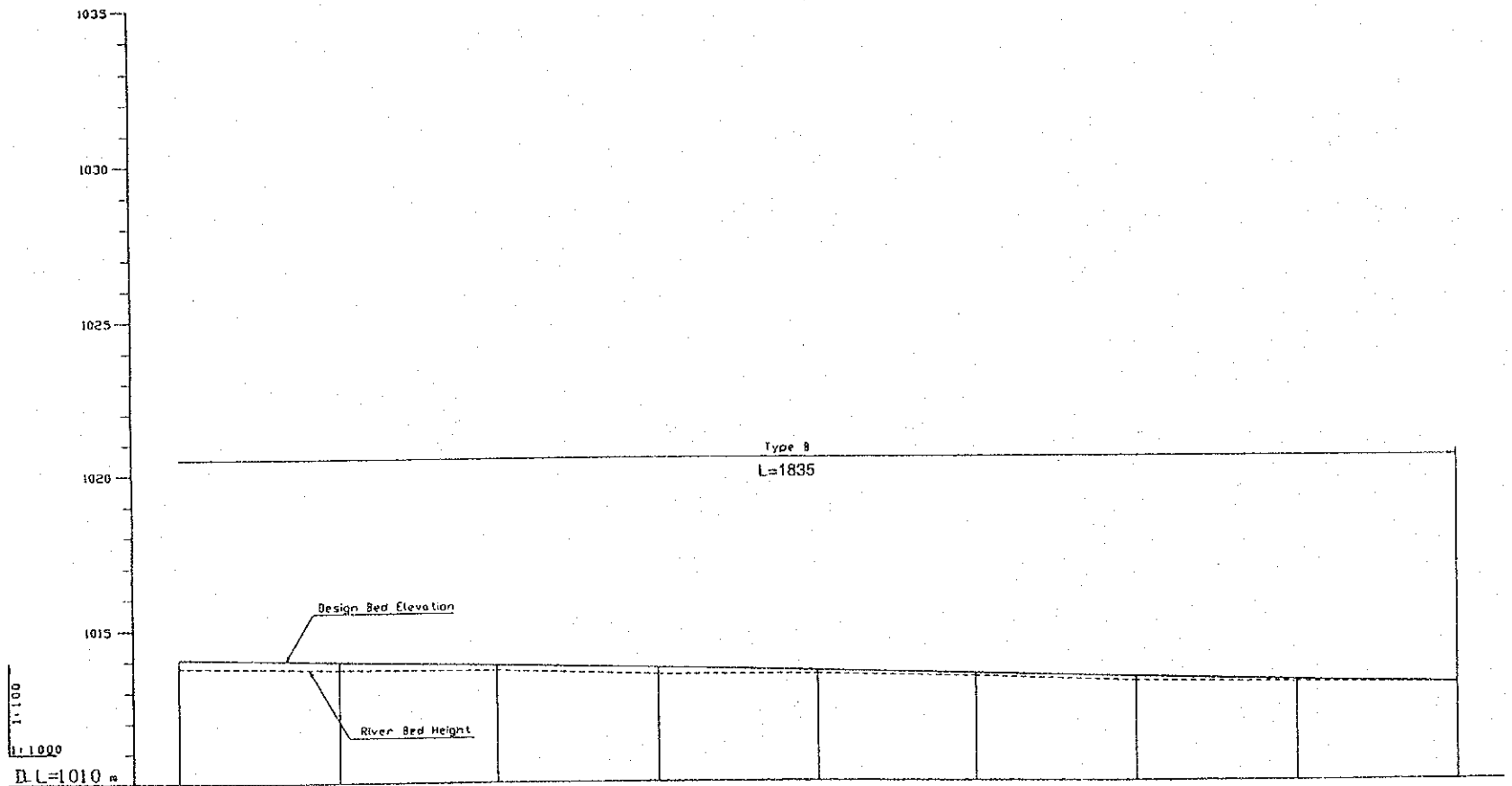
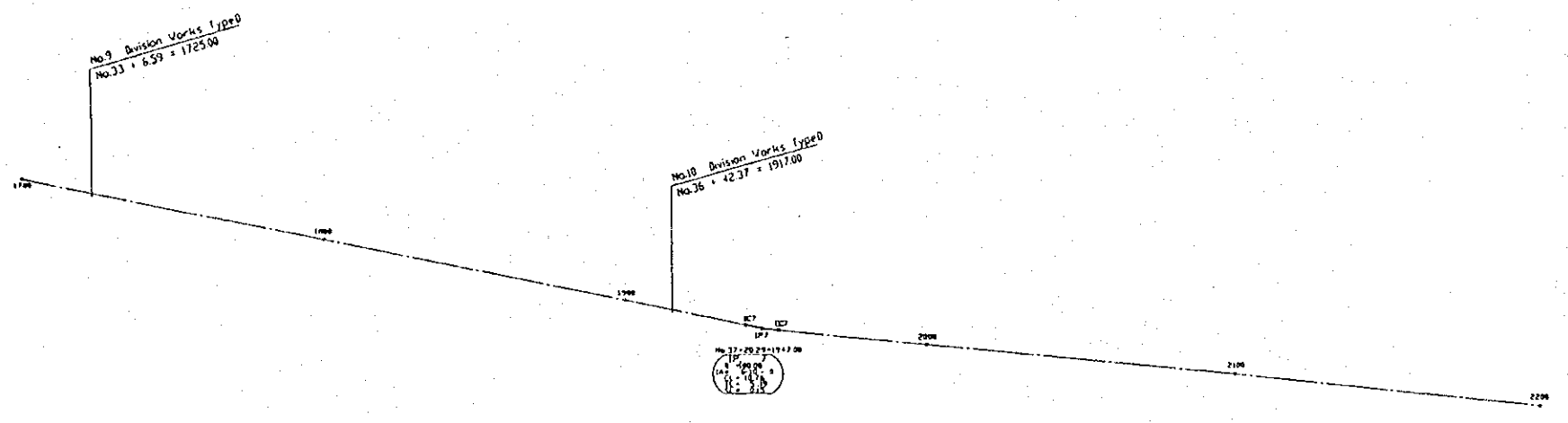
Main Irrigation Canal

REPUBLIC OF ZAMBIA	
THE BASIC DESIGN STUDY ON MONGU RURAL DEVELOPMENT PROJECT	
Long Section of Main Irrigation Canal	
JAPAN INTERNATIONAL COOPERATION AGENCY	
DWG. No. 3	SHEET 2 of 5



SLOPE	$\frac{1}{460}$ $\frac{1}{2435.00}$											
DESIGN BED ELEVATION	1015.33	1015.22	1015.10	1014.99	1014.88	1014.76	1014.65	1014.54	1014.42	1014.31	1014.20	1014.08
RIVER BED HEIGHT	1015.26	1014.96	1014.91	1014.88	1014.78	1014.67	1014.45	1014.41	1014.31	1014.24	1014.05	1013.79
DISTANCE	145.61	1197.68	1249.76	1301.83	1353.90	1405.98	1458.05	1510.12	1562.20	1614.27	1666.34	1718.41
STATION NUMBER	NO. 22	NO. 23	NO. 24	NO. 25	NO. 26	NO. 27	NO. 28	NO. 29	NO. 30	NO. 31	NO. 32	NO. 33

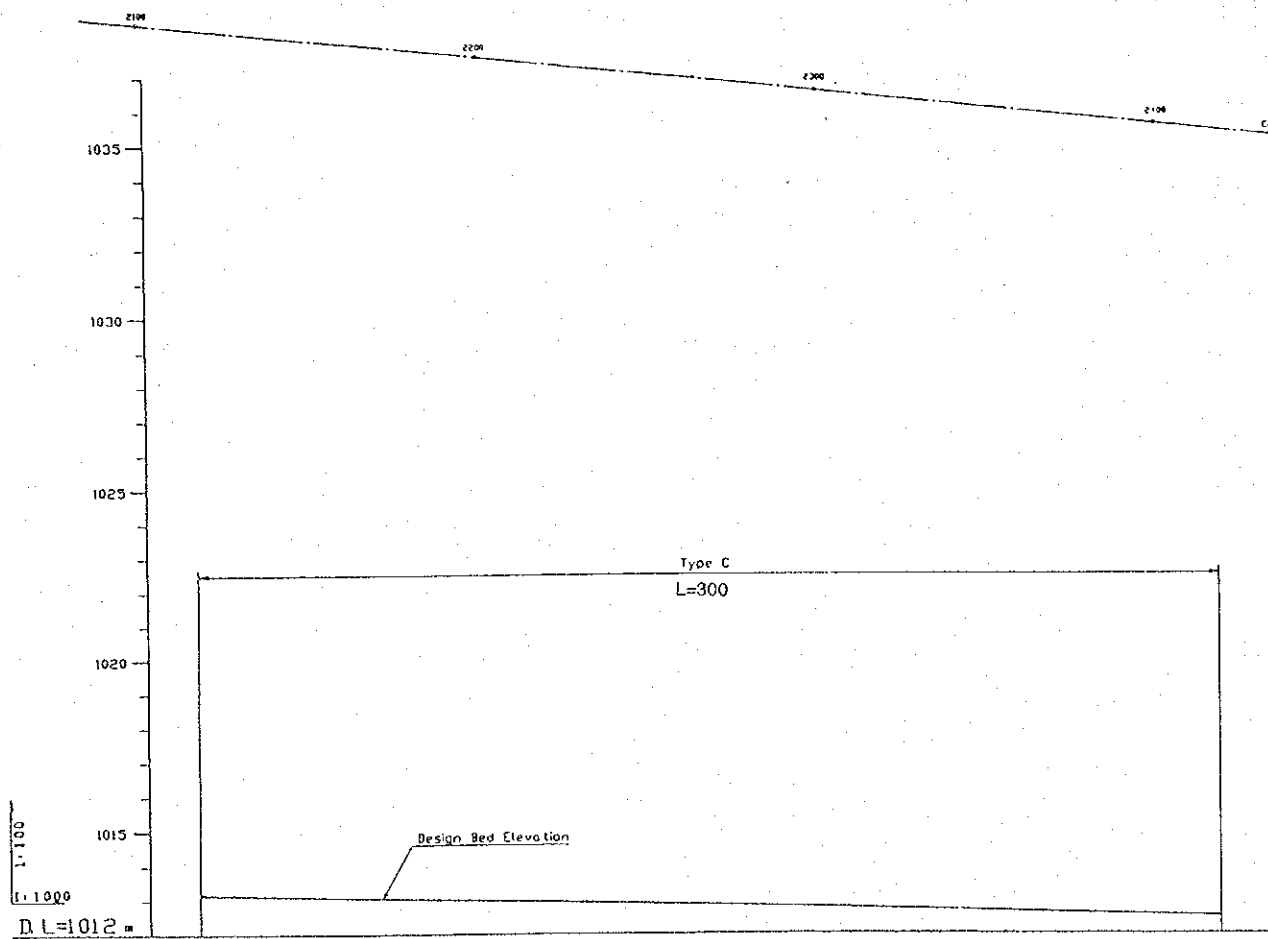
Main Irrigation Canal



SLOPE	1:1000 L=2435.00									
DESIGN BED ELEVATION	1014.08	1013.97	1013.86	1013.74	1013.63	1013.52	1013.40	1013.29	1013.18	1013.06
RIVER BED HEIGHT	1013.79	1013.71	1013.68	1013.51	1013.51	1013.41	1013.26	1013.21	1013.14	1013.06
DISTANCE	1718.41	1770.49	1822.56	1874.63	1926.71	1978.78	2030.85	2082.93	2135.00	2187.07
STATION NUMBER	NO. 33	NO. 34	NO. 35	NO. 36	NO. 37	NO. 38	NO. 39	NO. 40	NO. 41	NO. 42

Main Irrigation Canal

REPUBLIC OF ZAMBIA	
THE BASIC DESIGN STUDY ON MONGU RURAL DEVELOPMENT PROJECT	
Long Section of Main Irrigation Canal	
JAPAN INTERNATIONAL COOPERATION AGENCY	
DWG. No. 5	SHEET 4 of 5

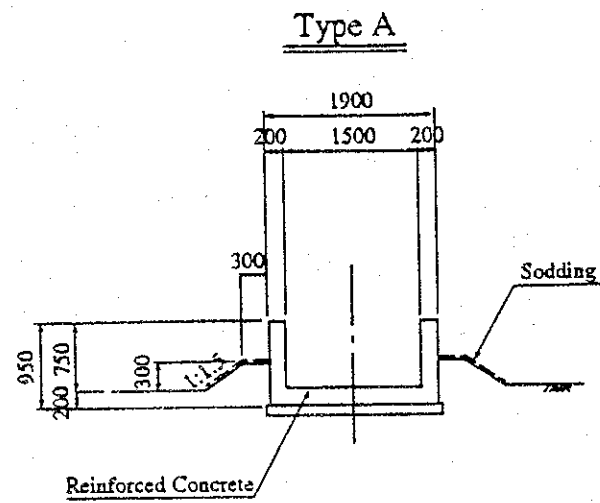


SLOPE		
DESIGN BED ELEVATION	1013.16	1012.33
RIVER BED HEIGHT	1013.14	
DISTANCE	2435.00	2435.00
STATION NUMBER	NO 41	(C.P.)

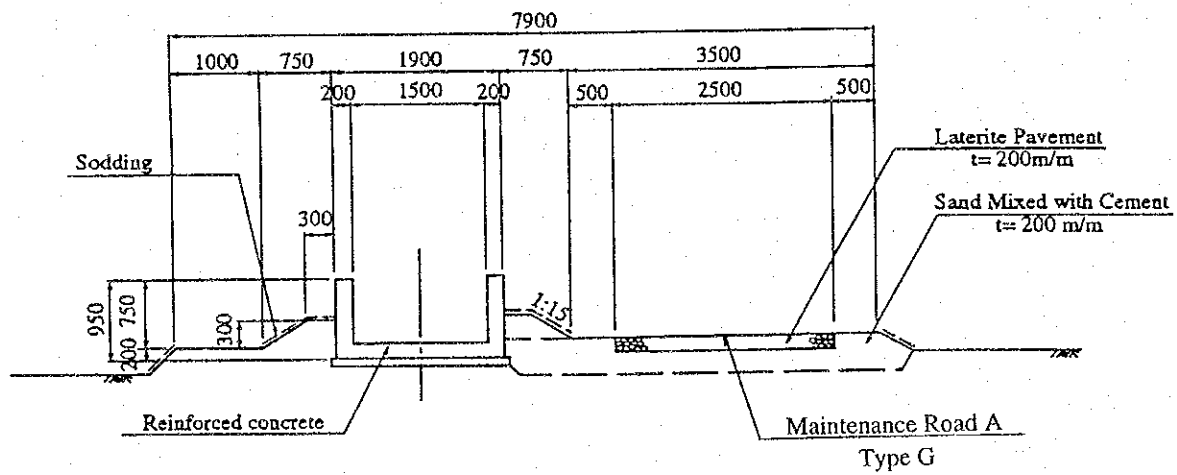
Main Irrigation Canal

REPUBLIC OF ZAMBIA	
THE BASIC DESIGN STUDY ON MONGU RURAL DEVELOPMENT PROJECT	
Long Section of Main Irrigation Canal	
JAPAN INTERNATIONAL COOPERATION AGENCY	
DWG. No. 6	SHEET 5 of 5

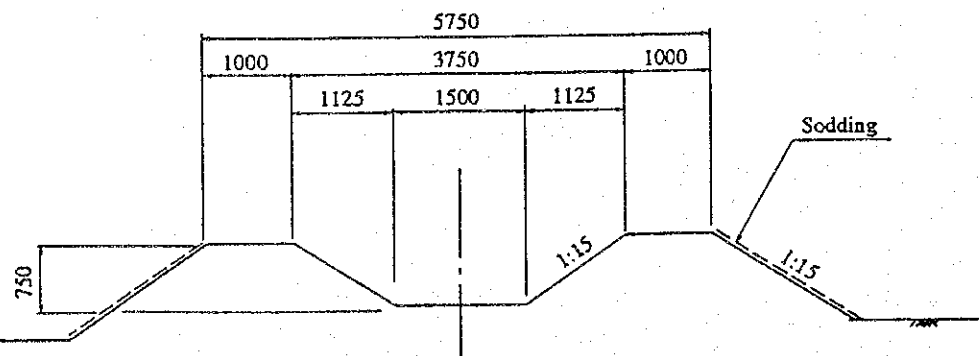
Main Irrigation Canal



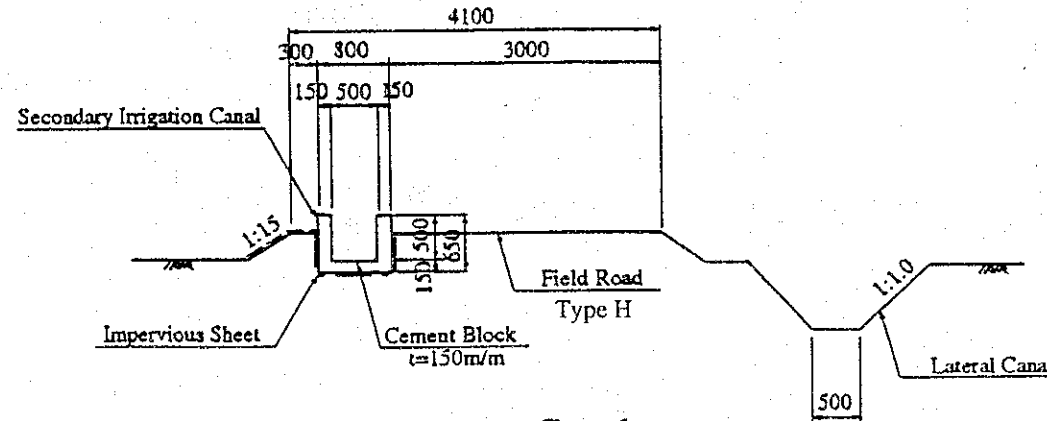
Type B



Type C

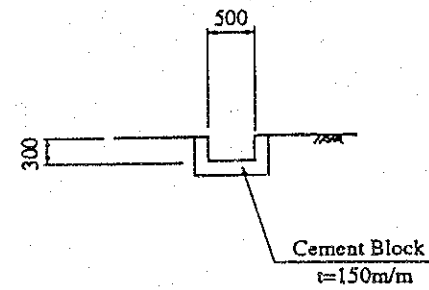


Secondary Irrigation Canal, Lateral Canal

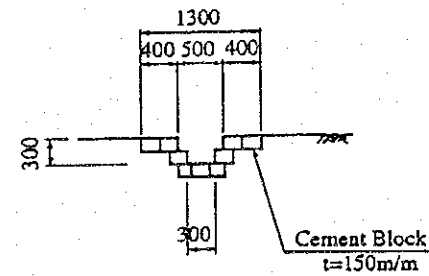


Bypass Canal

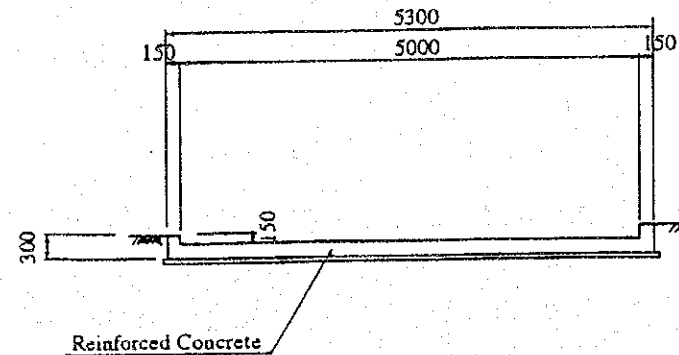
Type A



Type B

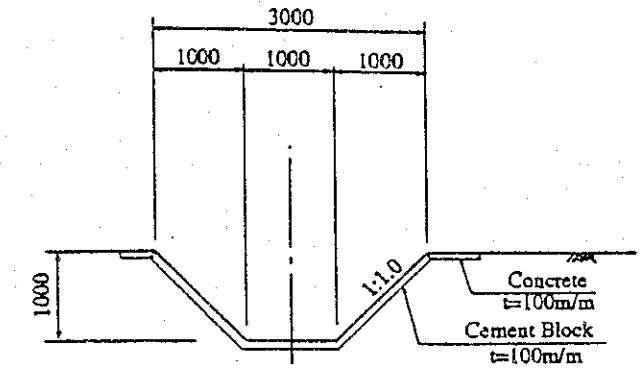


Type C

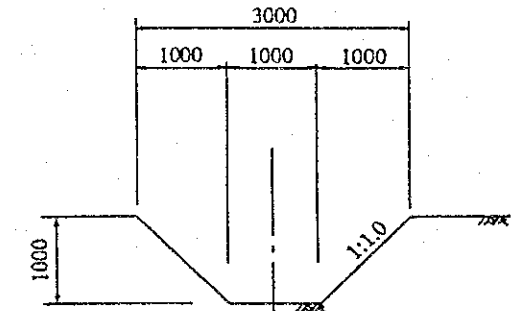


Main Drainage Canal

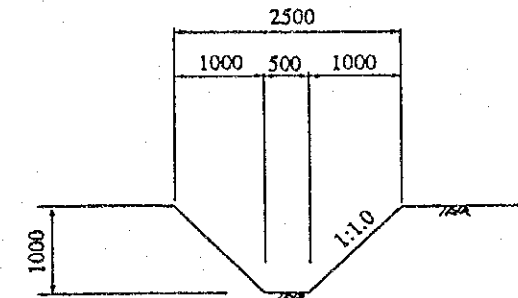
Type A



Type B

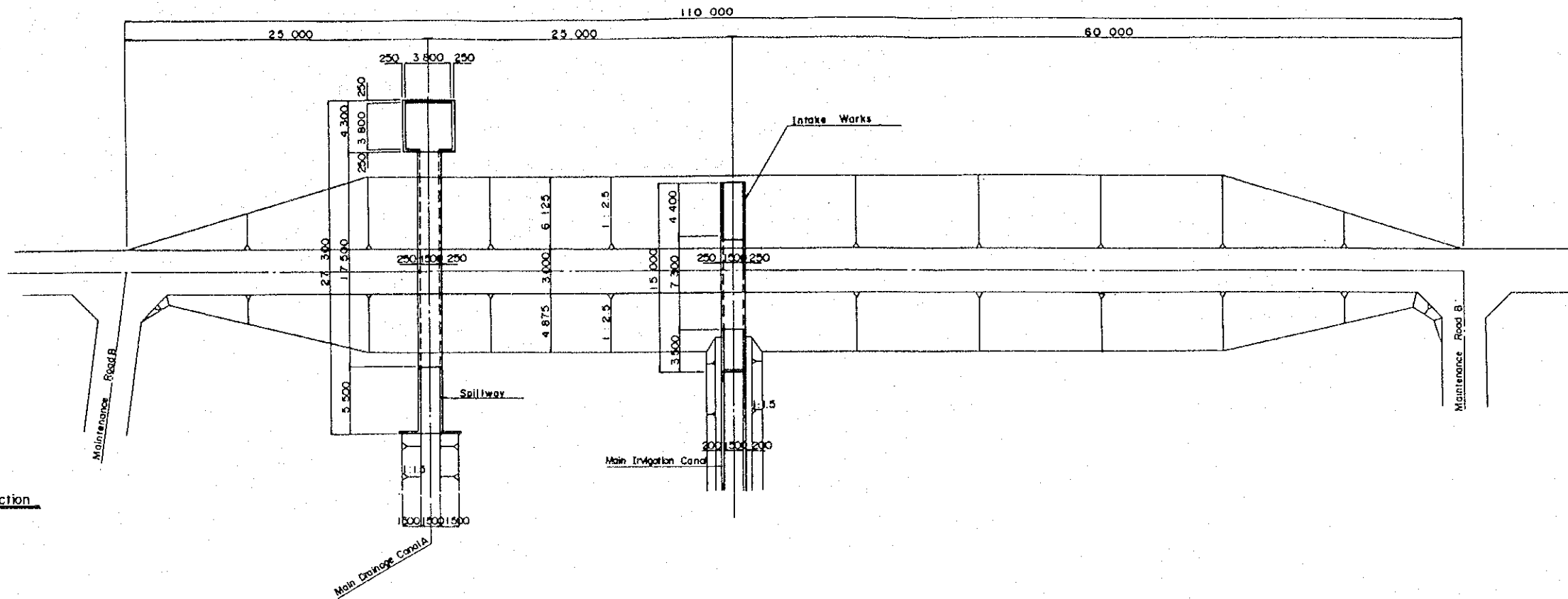


Type C

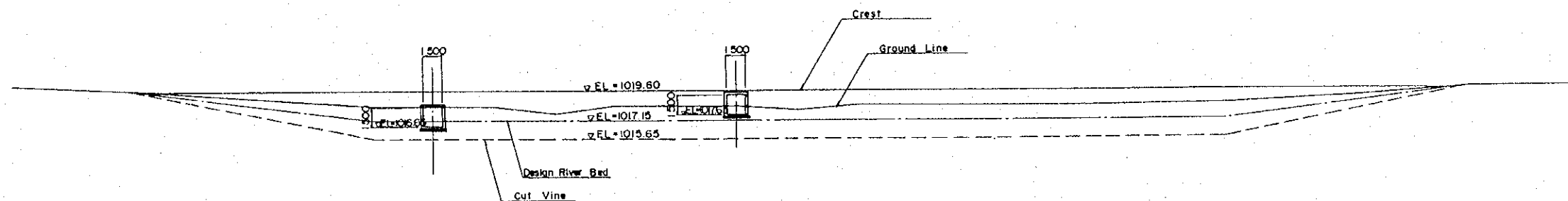


REPUBLIC OF ZAMBIA		
THE BASIC DESIGN STUDY ON MONGU RURAL DEVELOPMENT PROJECT		
Canal Standard Cross Section		
JAPAN INTERNATIONAL COOPERATION AGENCY		
DWG. No.	7	SHEET

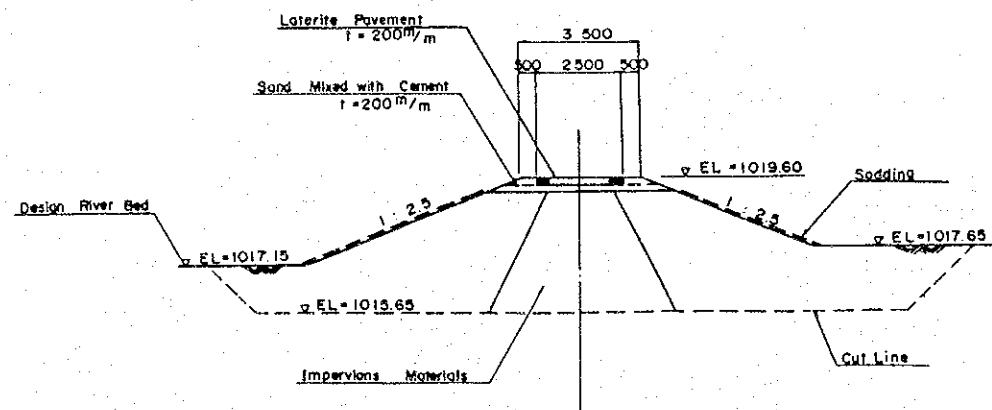
General Plan



A - A Section

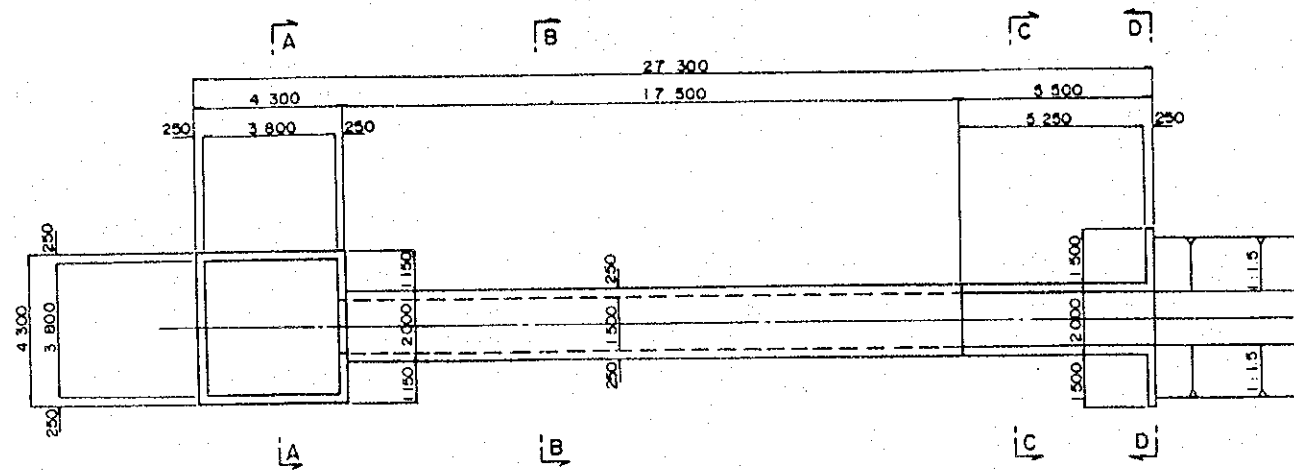


Standard Cross Section

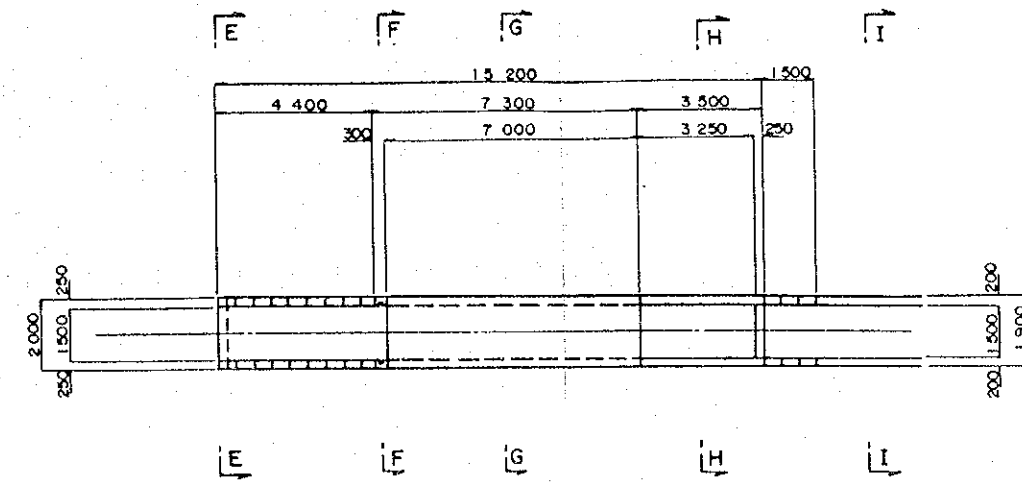


REPUBLIC OF ZAMBIA	
THE BASIC DESIGN STUDY ON MONGU RURAL DEVELOPMENT PROJECT	
Sand Trap	
JAPAN INTERNATIONAL COOPERATION AGENCY	
DWG. No. 8	SHEET 1 of 2

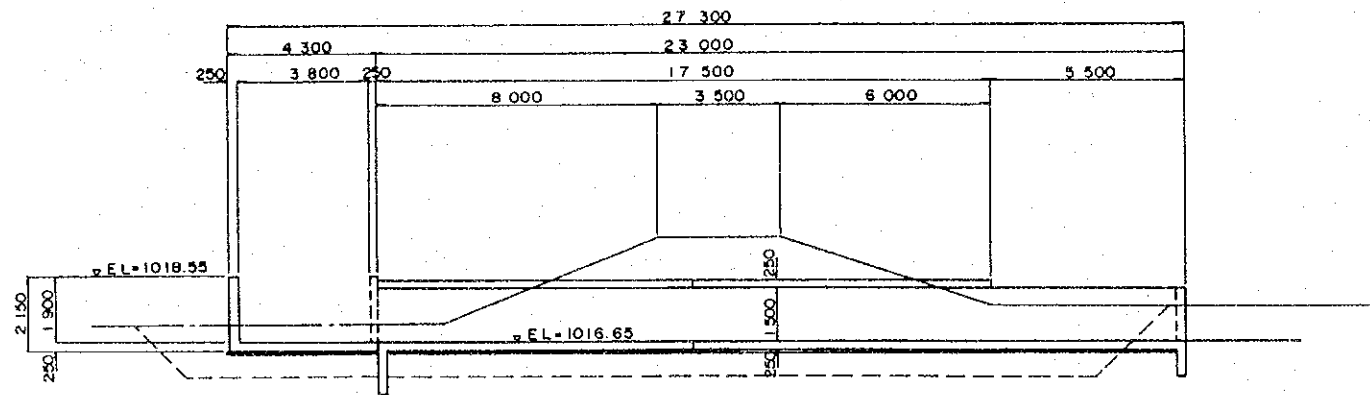
Plan of Spillway



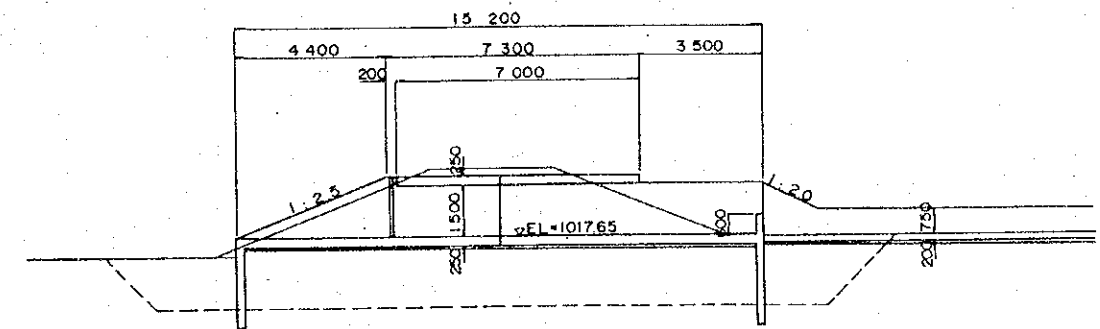
Plan of Intake Works



Cross Section of Spillway



Cross Section of Intake Works



A - A

B - B

C - C

D - D

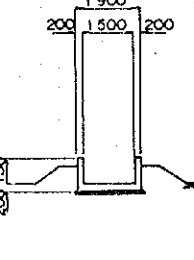
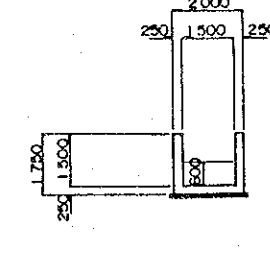
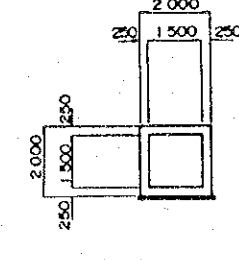
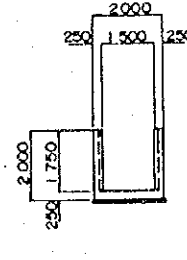
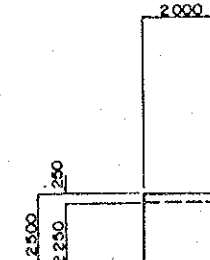
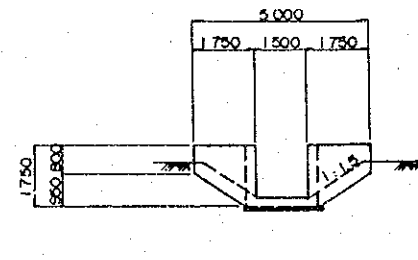
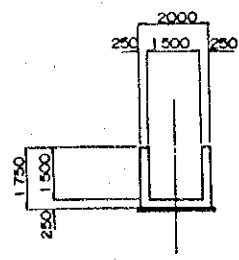
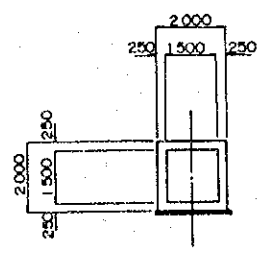
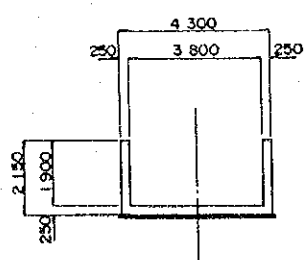
E - E

F - F

G - G

H - H

I - I



REPUBLIC OF ZAMBIA	
THE BASIC DESIGN STUDY ON MONGU RURAL DEVELOPMENT PROJECT	
Sand Trap	
JAPAN INTERNATIONAL COOPERATION AGENCY	
DWG. No. 9	SHEET 2 of 2

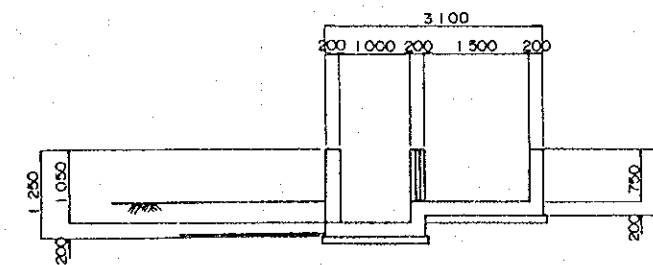
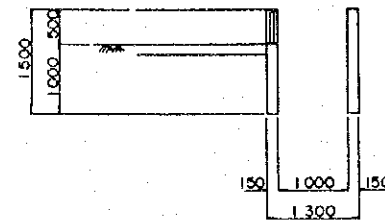
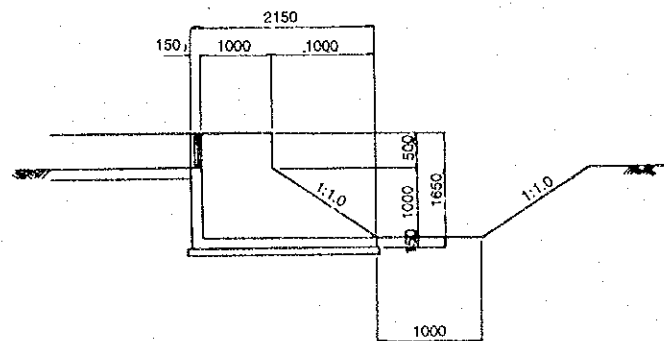
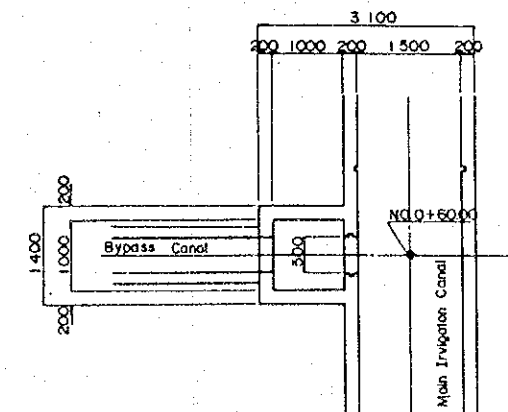
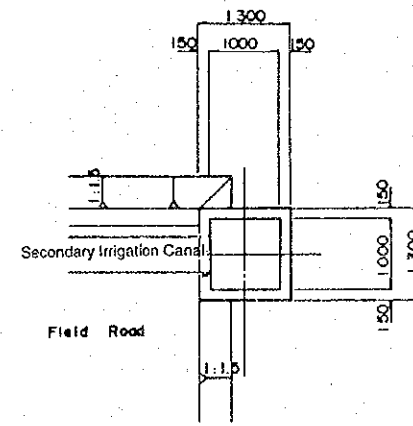
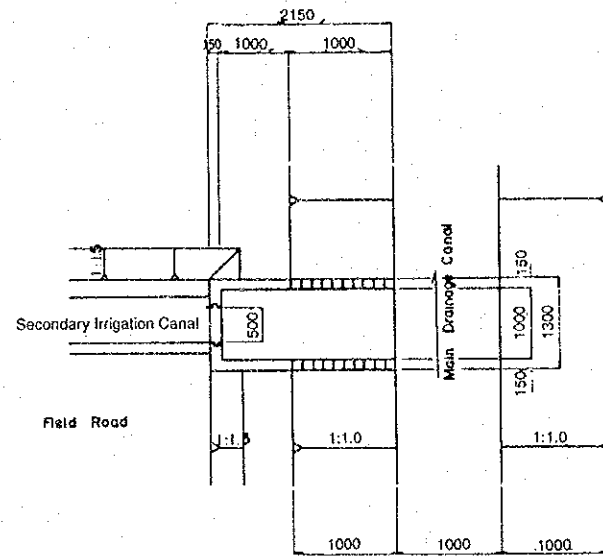
Outflow Works

NO.1 Division Works

(Type A)

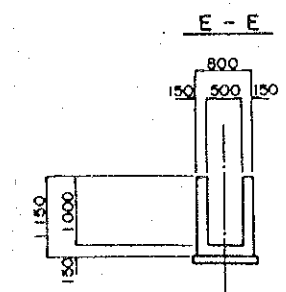
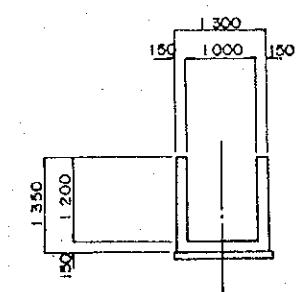
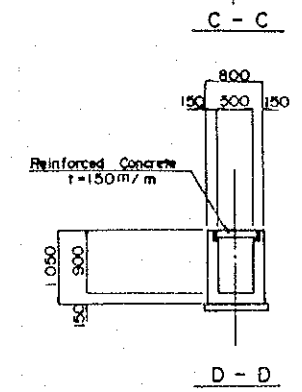
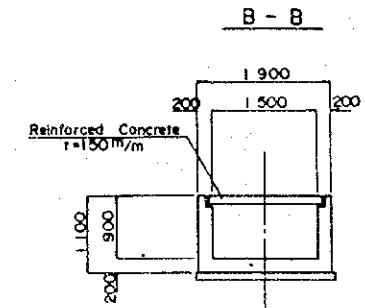
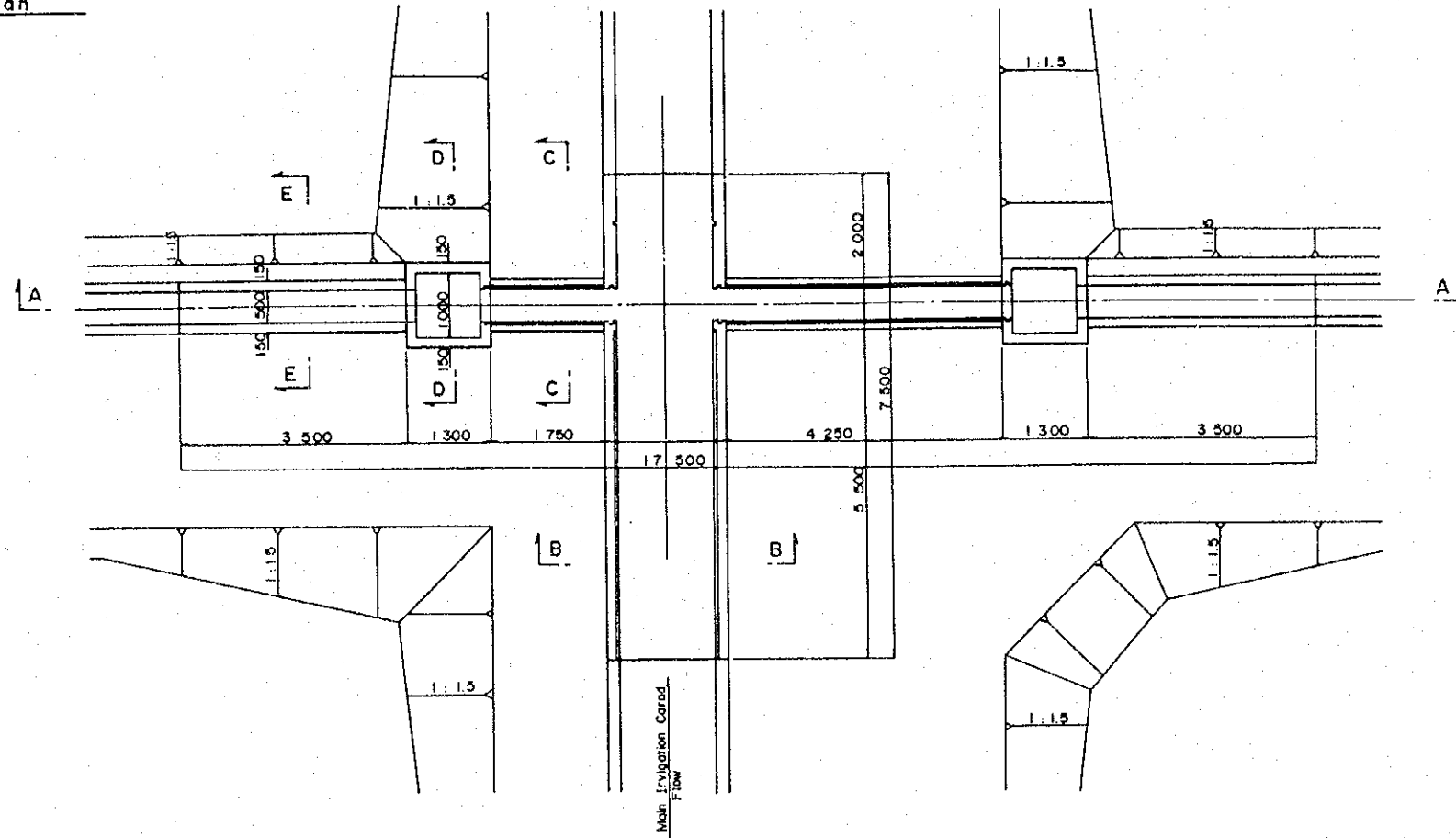
Type A

Type B



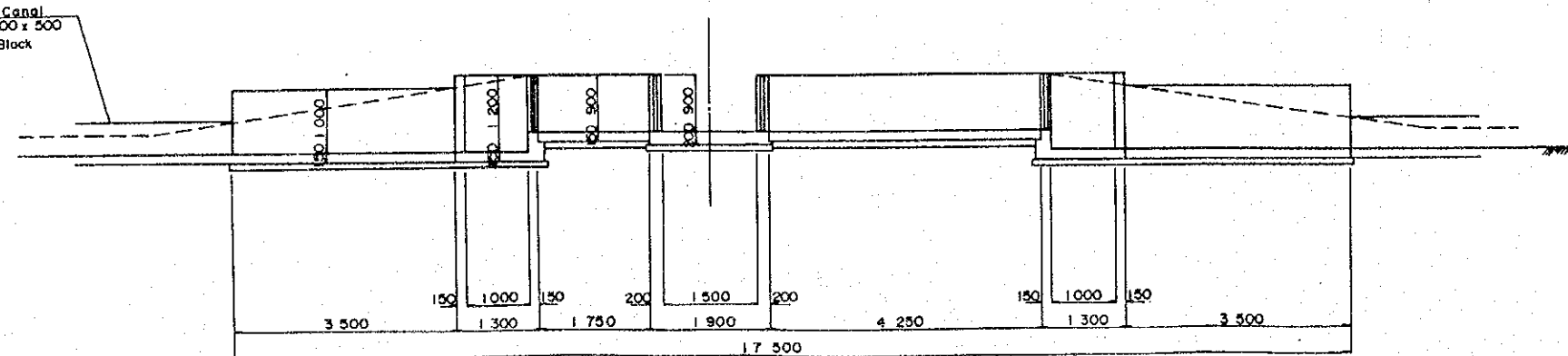
REPUBLIC OF ZAMBIA	
THE BASIC DESIGN STUDY ON MONGU RURAL DEVELOPMENT PROJECT	
Out Flow Works, Division Works (Type A)	
JAPAN INTERNATIONAL COOPERATION AGENCY	
DWG. No. 10	SHEET

Plan



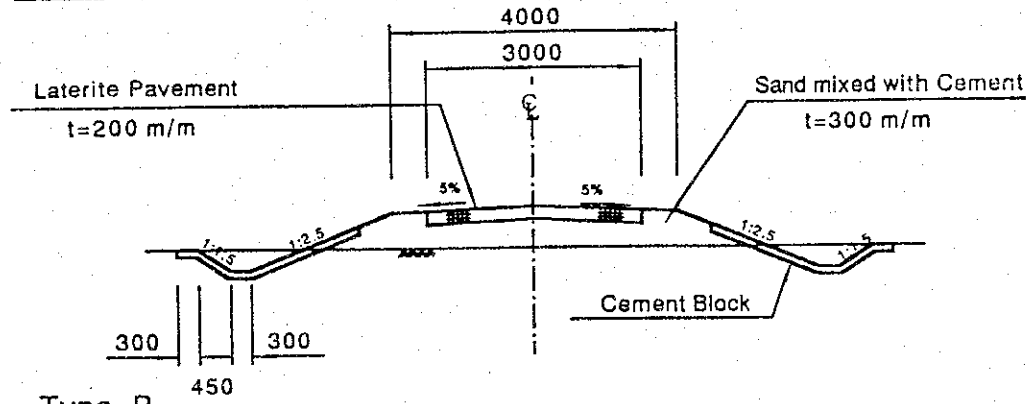
A - A

Secondary Canal
B x H = 500 x 500
Cement Block

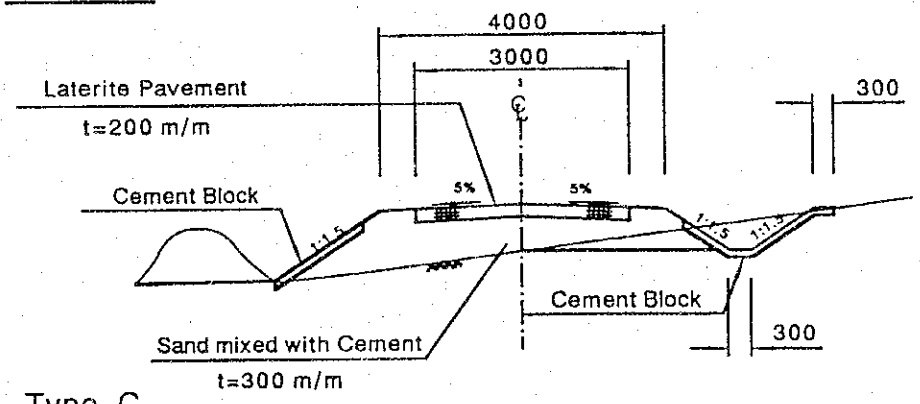


REPUBLIC OF ZAMBIA	
THE BASIC DESIGN STUDY ON MONGU RURAL DEVELOPMENT PROJECT	
Out Flow Works, Division Works (Type B)	
JAPAN INTERNATIONAL COOPERATION AGENCY	
DWG. No. 11	SHEET

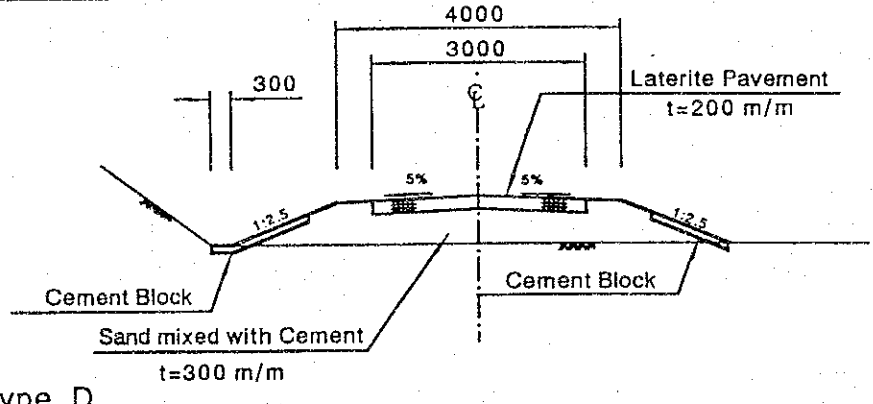
Type A



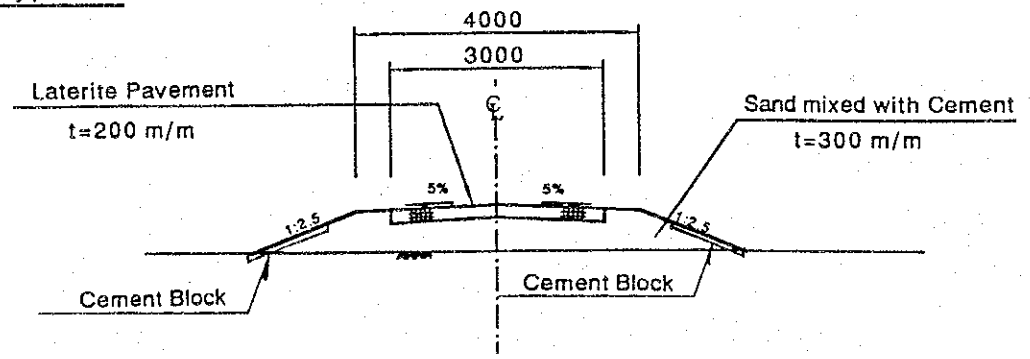
Type B



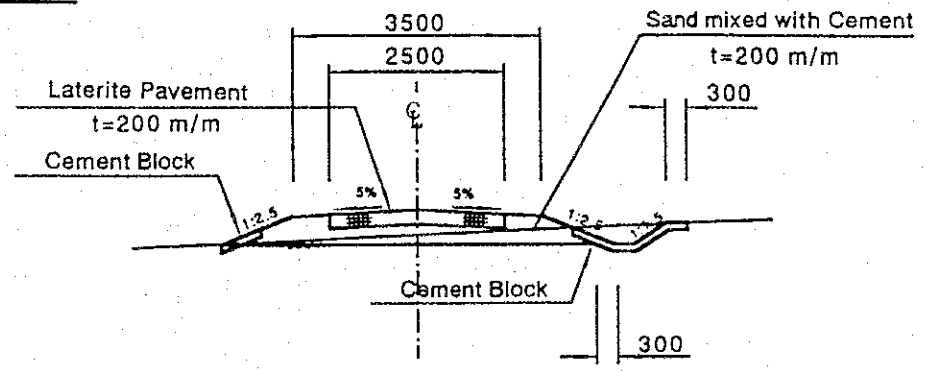
Type C



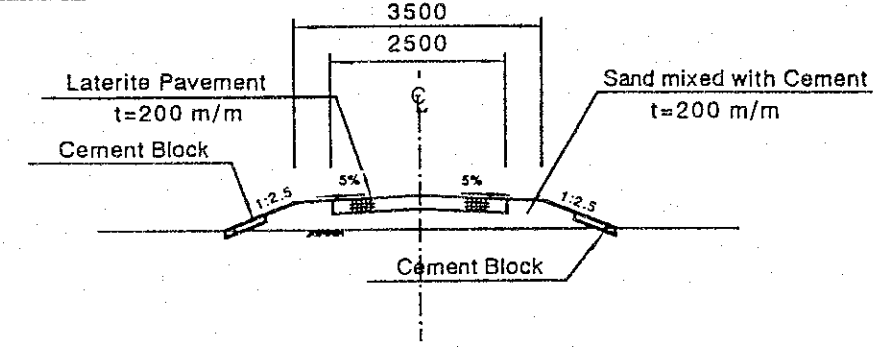
Type D



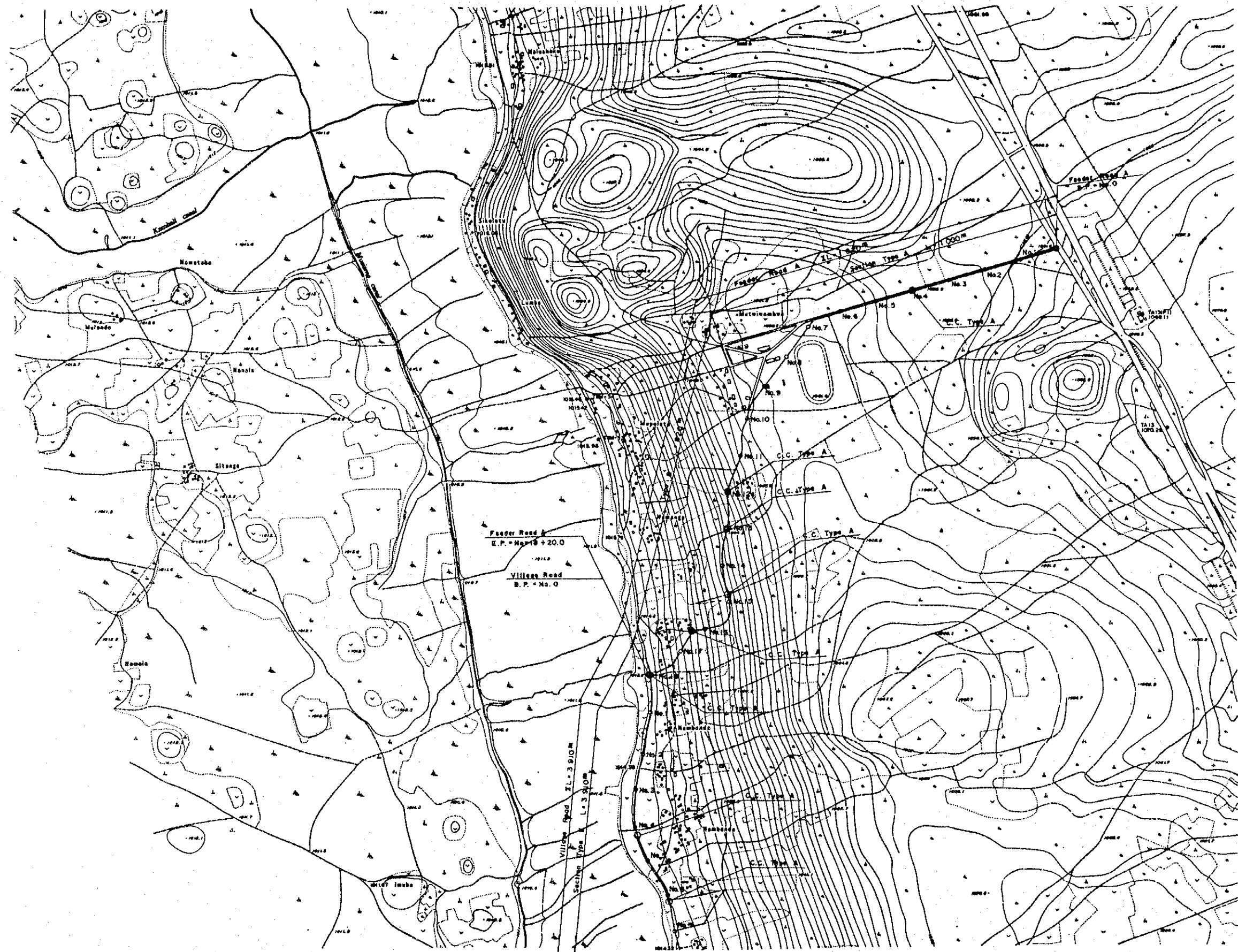
Type E



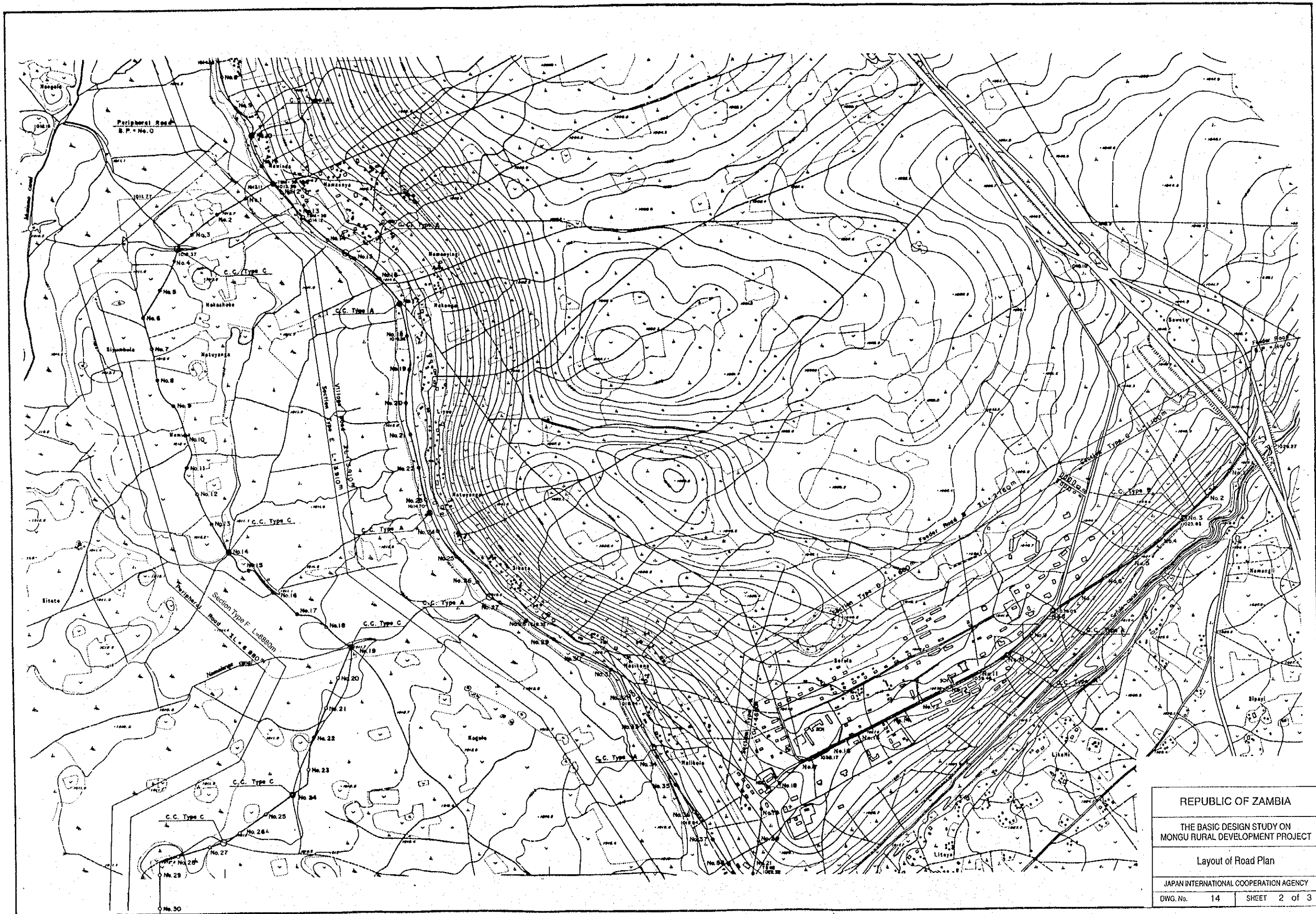
Type F



REPUBLIC OF ZAMBIA	
THE BASIC DESIGN STUDY ON MONGU RURAL DEVELOPMENT PROJECT	
Roads Standard Cross Section	
JAPAN INTERNATIONAL COOPERATION AGENCY	
DWG. No. 12	SHEET



REPUBLIC OF ZAMBIA	
THE BASIC DESIGN STUDY ON MONGU RURAL DEVELOPMENT PROJECT	
Layout of Road Plan	
JAPAN INTERNATIONAL COOPERATION AGENCY	
DWG. No. 13	SHEET 1 of 3



REPUBLIC OF ZAMBIA	
THE BASIC DESIGN STUDY ON MONGU RURAL DEVELOPMENT PROJECT	
Layout of Road Plan	
JAPAN INTERNATIONAL COOPERATION AGENCY	
DWG. No. 14	SHEET 2 of 3

Maintenance Road A
E.P. = No. 18+35.0

Maintenance Road A L=1835m
(Section Type G)

Maintenance Road A
B.P. = No. 0

Maintenance Road B
IL = 280m
(Section Type E)

Maintenance Road B
B.P. = No. 0

Maintenance Road C
B.P. = No. 0

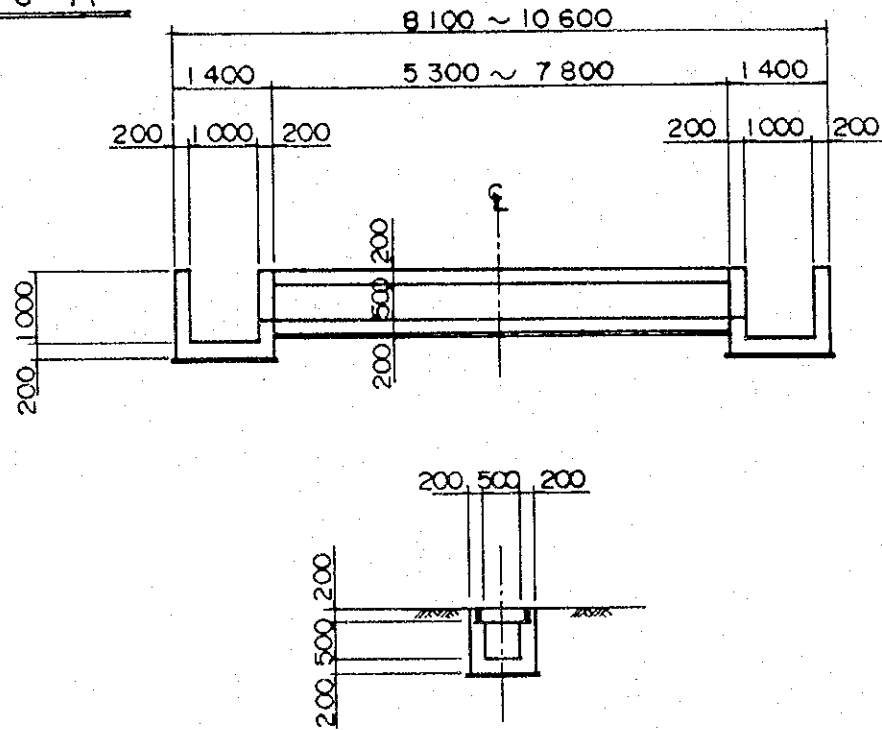


Section Type F L=6880m

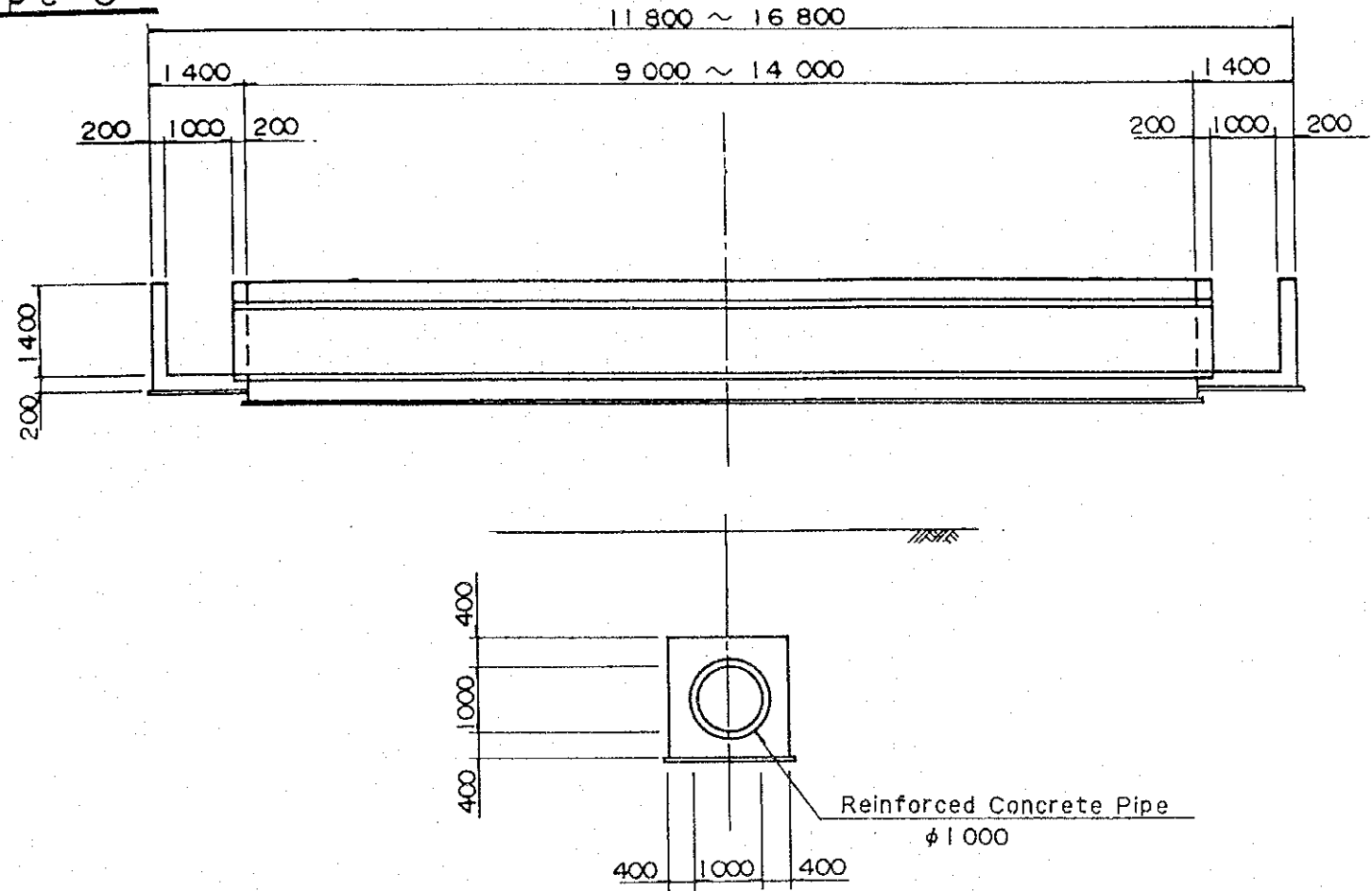
Peripheral Road IL = 680m

REPUBLIC OF ZAMBIA	
THE BASIC DESIGN STUDY ON MONGU RURAL DEVELOPMENT PROJECT	
Layout of Road Plan	
JAPAN INTERNATIONAL COOPERATION AGENCY	
DWG. No. 15	SHEET 3 of 3

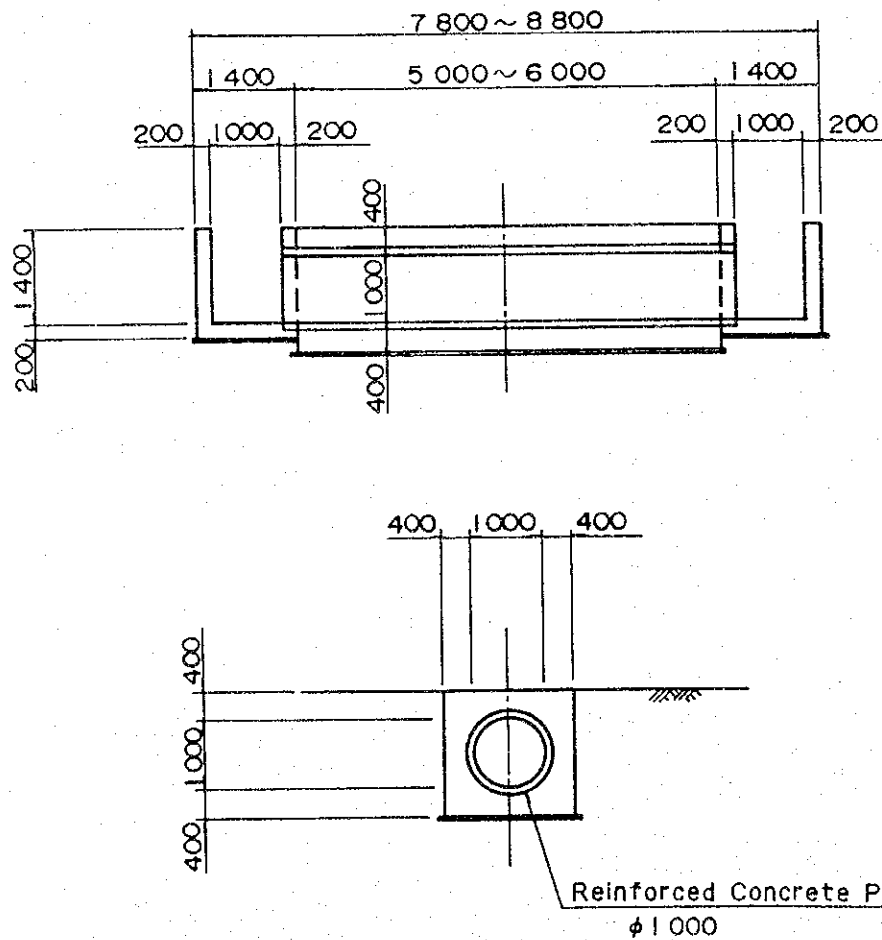
Type A



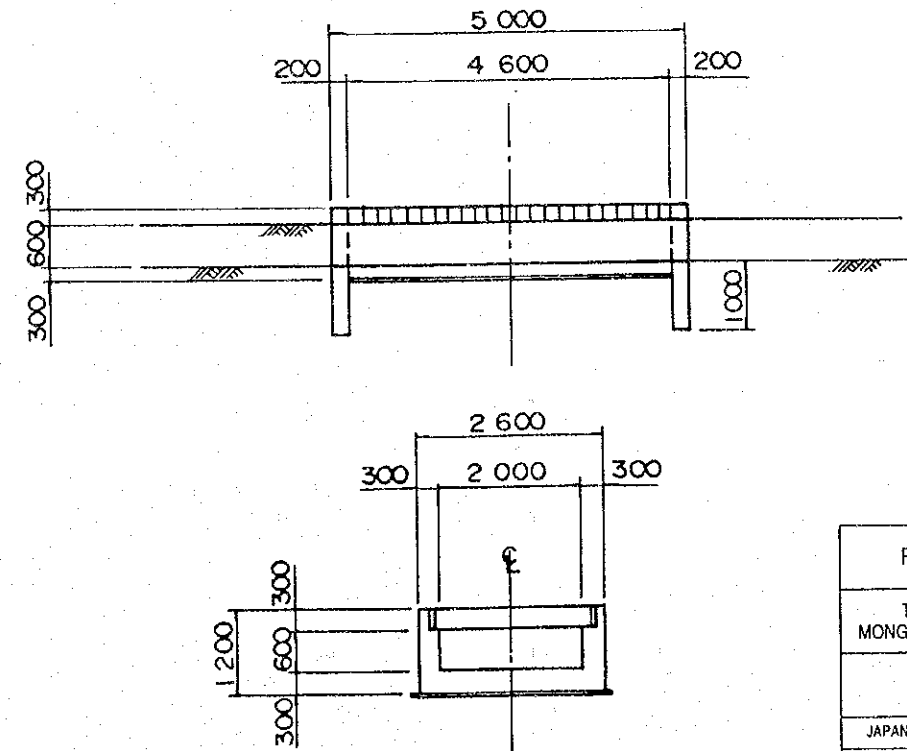
Type C



Type B



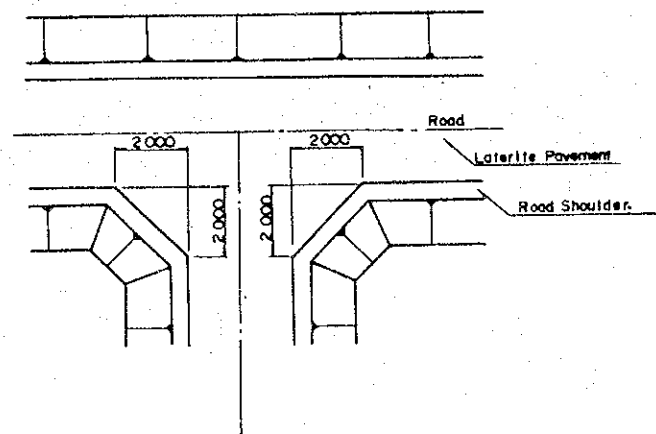
Type D



REPUBLIC OF ZAMBIA	
THE BASIC DESIGN STUDY ON MONGU RURAL DEVELOPMENT PROJECT	
Cross Culvert	
JAPAN INTERNATIONAL COOPERATION AGENCY	
DWG. No. 16	SHEET

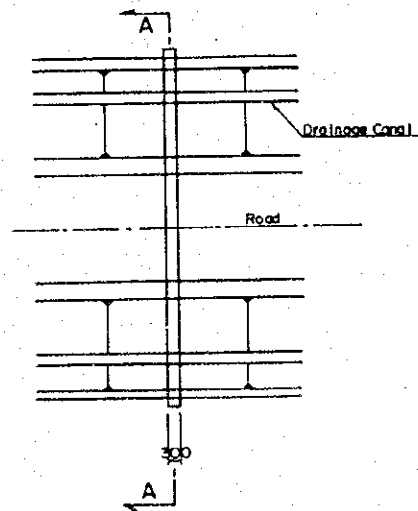
Intersection Type-A

Plan



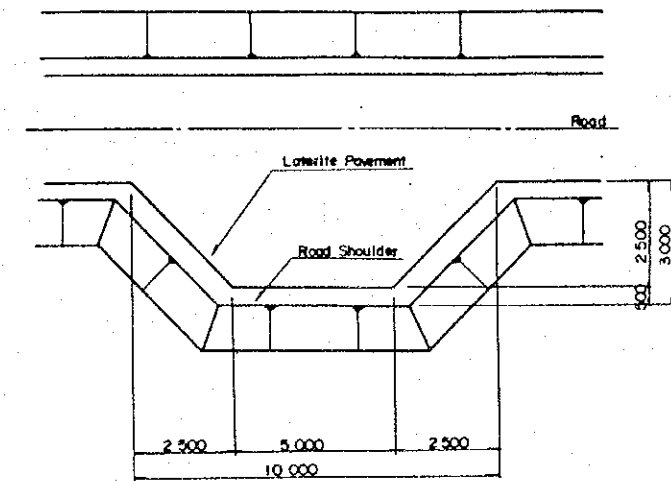
Cut Off Wall

Plan



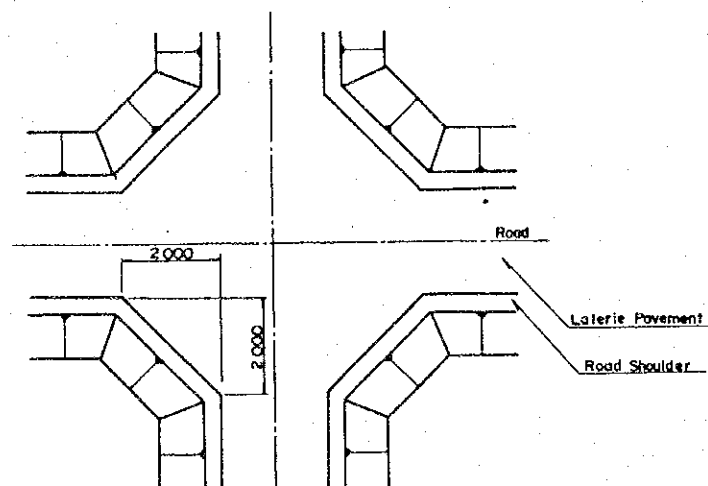
Turnout

Plan

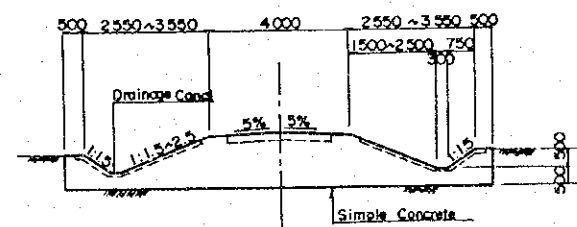


Intersection Type-B

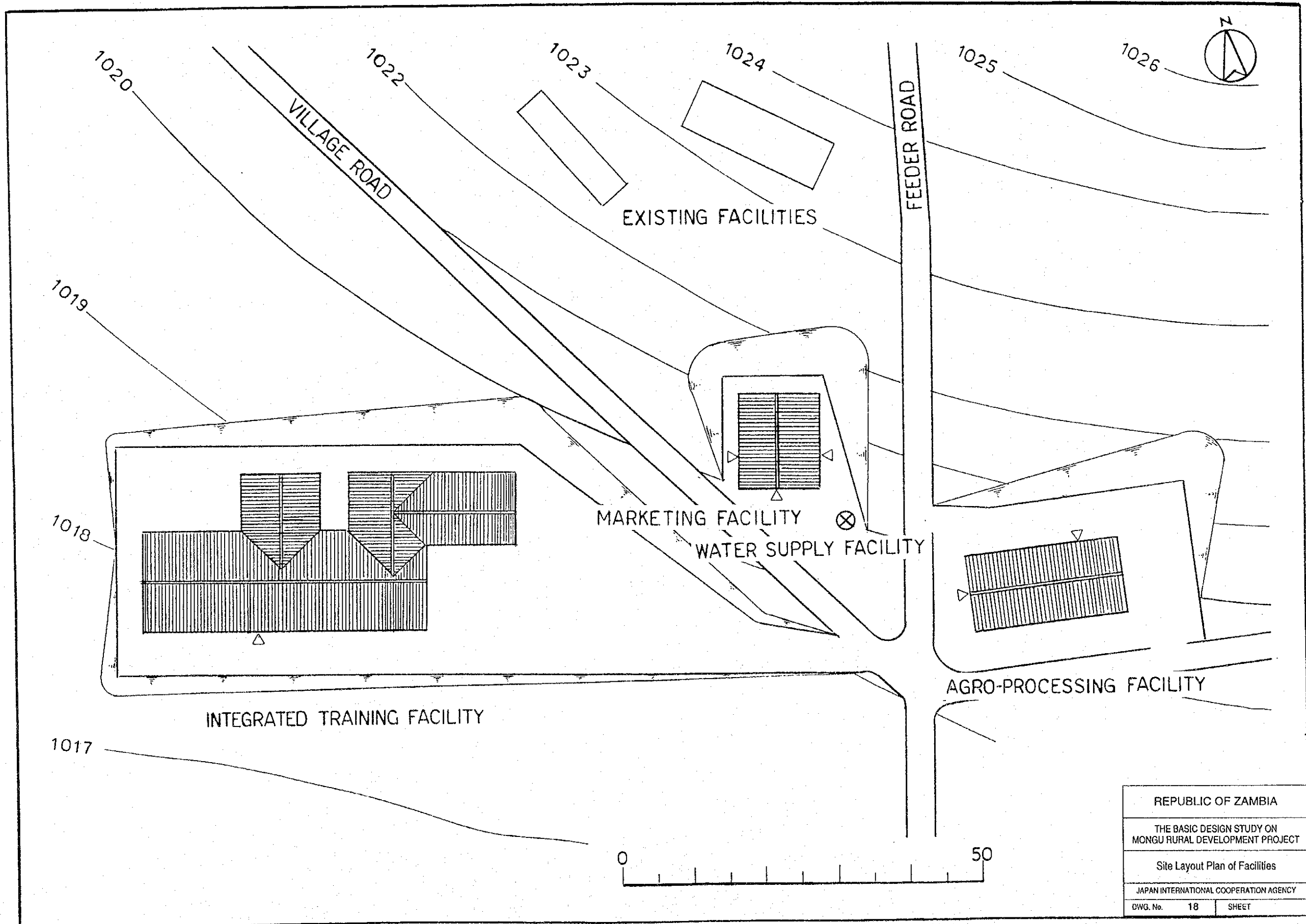
Plan



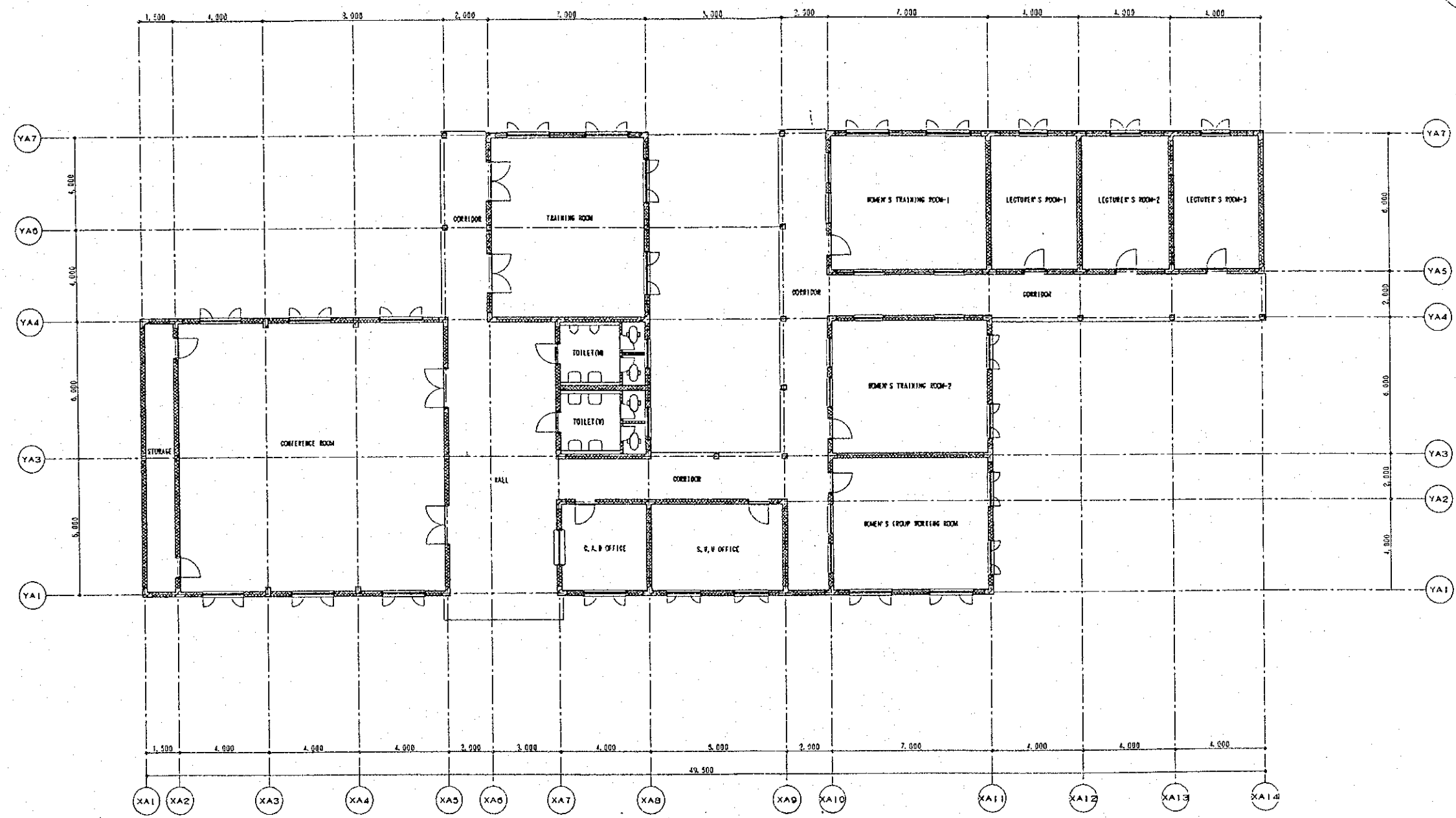
A - A



REPUBLIC OF ZAMBIA	
THE BASIC DESIGN STUDY ON MONGU RURAL DEVELOPMENT PROJECT	
Appurtenant Facilities of Roads	
JAPAN INTERNATIONAL COOPERATION AGENCY	
DWG. No. 17	SHEET

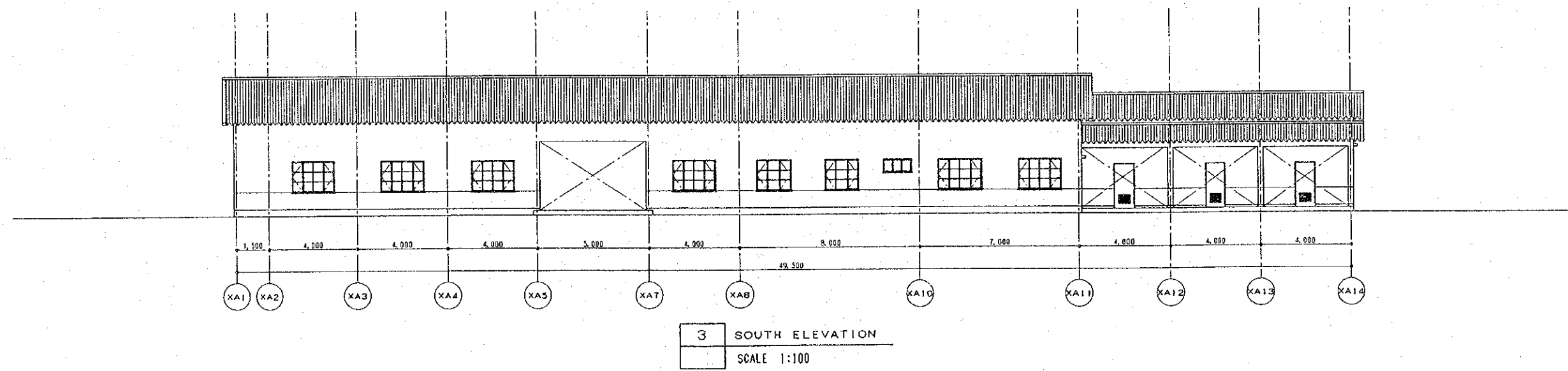
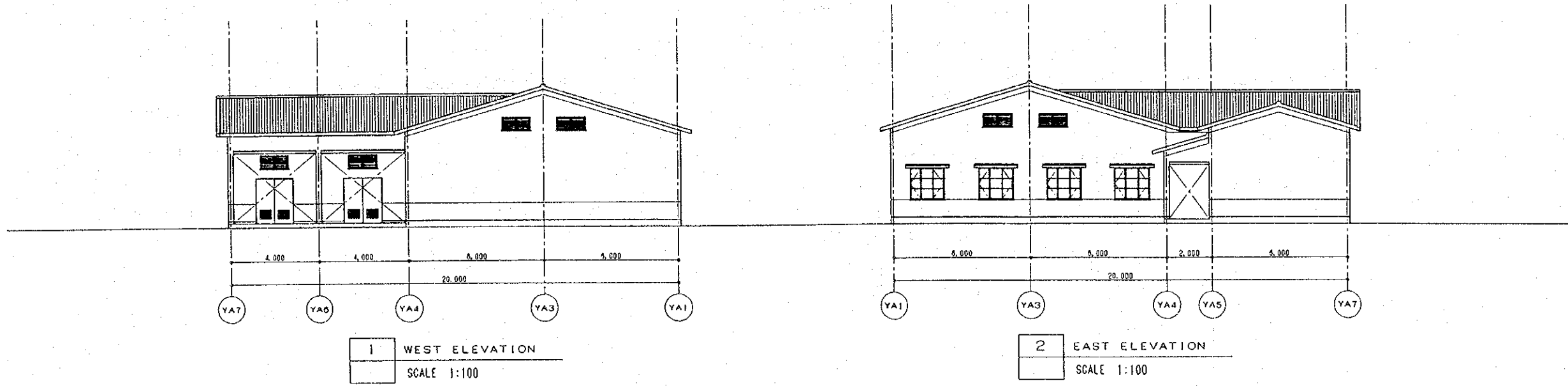


REPUBLIC OF ZAMBIA	
THE BASIC DESIGN STUDY ON MONGU RURAL DEVELOPMENT PROJECT	
Site Layout Plan of Facilities	
JAPAN INTERNATIONAL COOPERATION AGENCY	
DWG. No. 18	SHEET

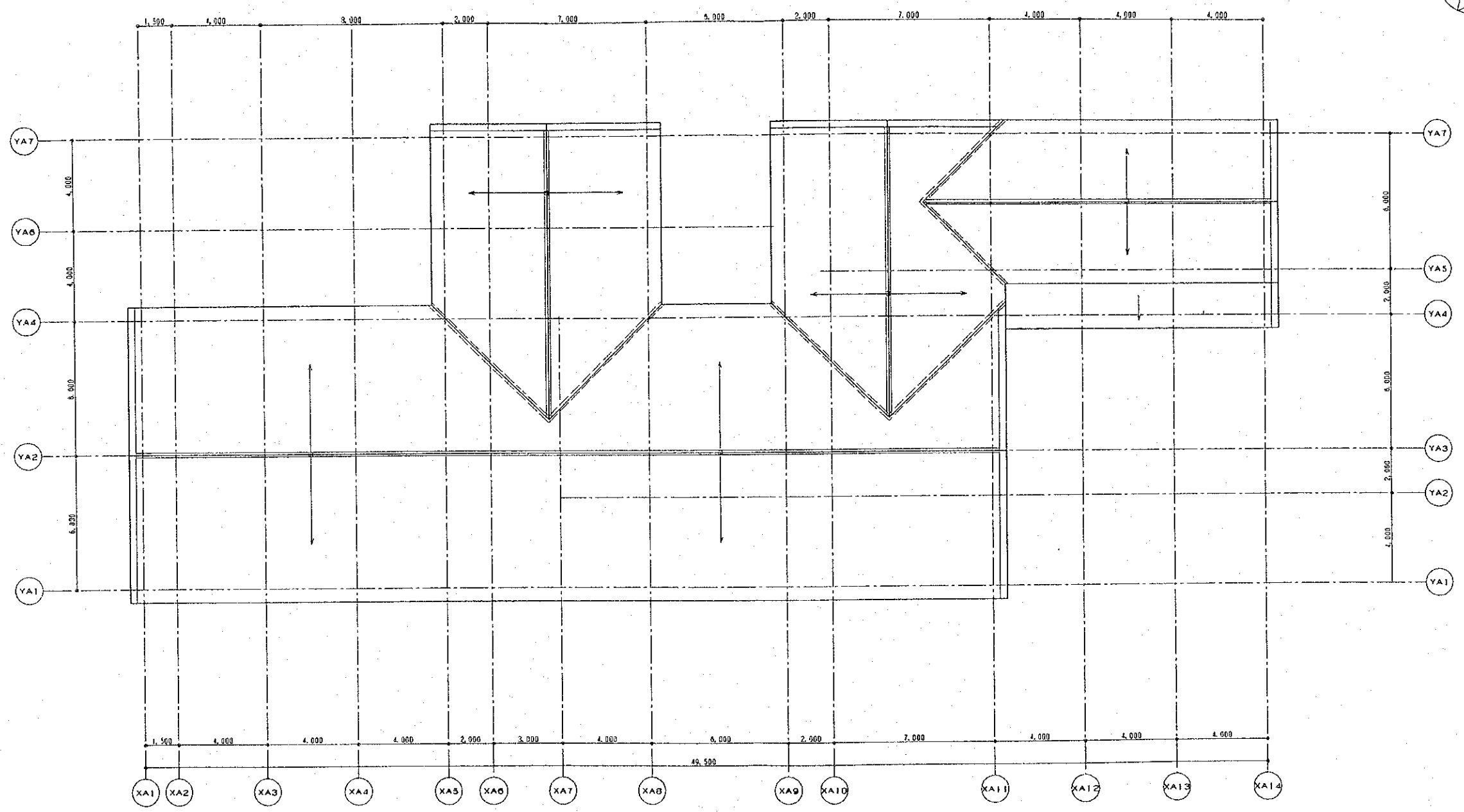


| GROUND FLOOR PLAN
 | SCALE 1:100

REPUBLIC OF ZAMBIA	
THE BASIC DESIGN STUDY ON MONGU RURAL DEVELOPMENT PROJECT	
Extension Facility	
JAPAN INTERNATIONAL COOPERATION AGENCY	
DWG. No. 19	SHEET 1 of 3

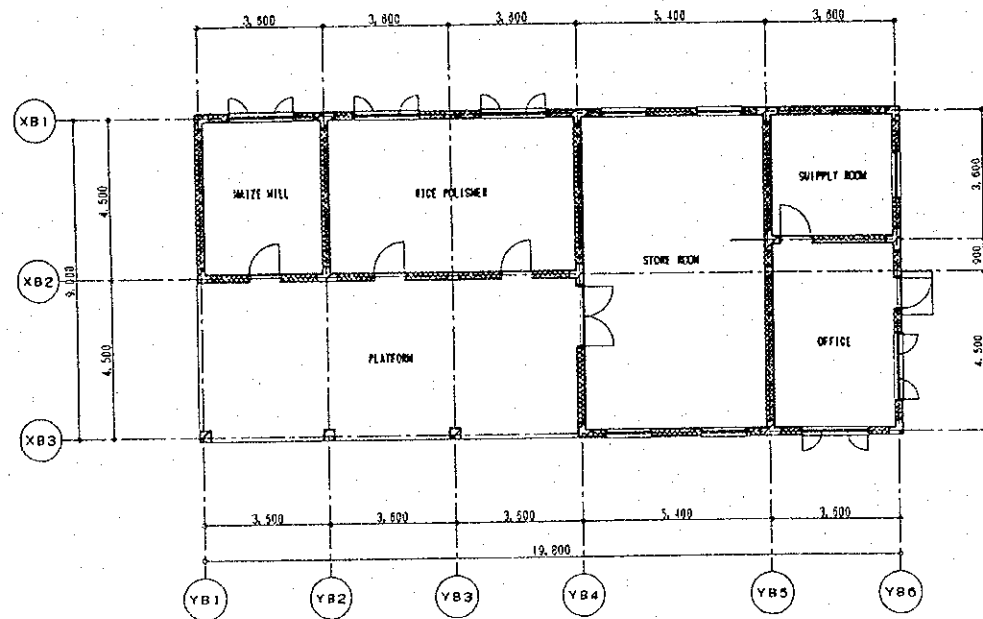
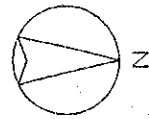


REPUBLIC OF ZAMBIA	
THE BASIC DESIGN STUDY ON MONGU RURAL DEVELOPMENT PROJECT	
Extension Facility	
JAPAN INTERNATIONAL COOPERATION AGENCY	
DWG. No. 20	SHEET 2 of 3

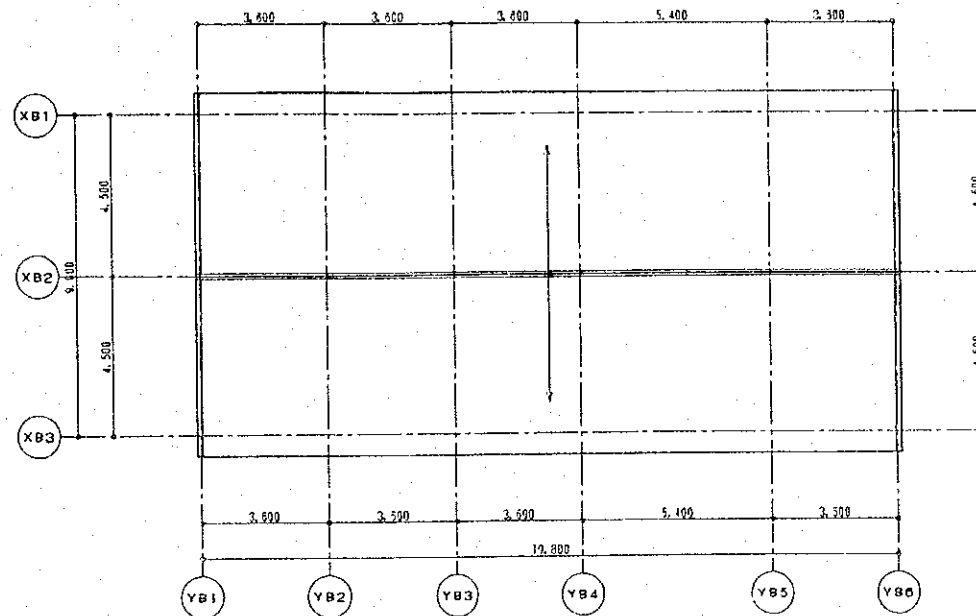


I ROOF PLAN
SCALE 1:100

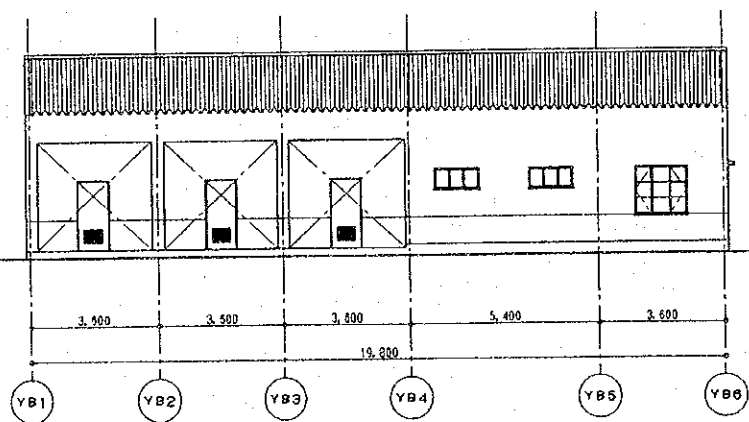
REPUBLIC OF ZAMBIA	
THE BASIC DESIGN STUDY ON MONGU RURAL DEVELOPMENT PROJECT	
Extension Facility	
JAPAN INTERNATIONAL COOPERATION AGENCY	
DWG. No. 21	SHEET 3 of 3



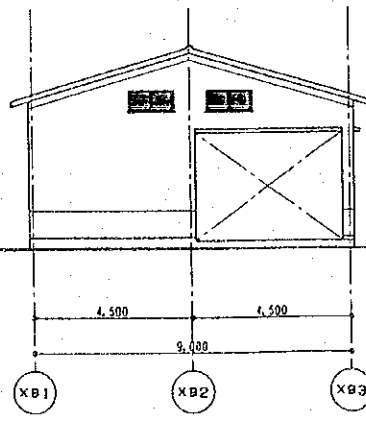
1 GROUND FLOOR PLAN
SCALE 1:100



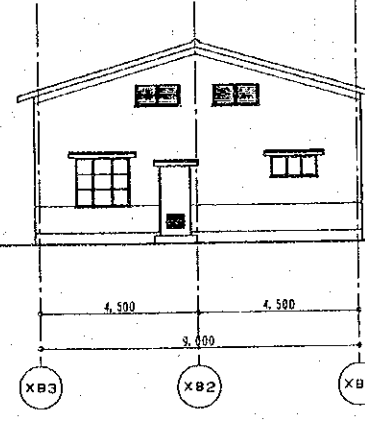
2 ROOF PLAN
SCALE 1:100



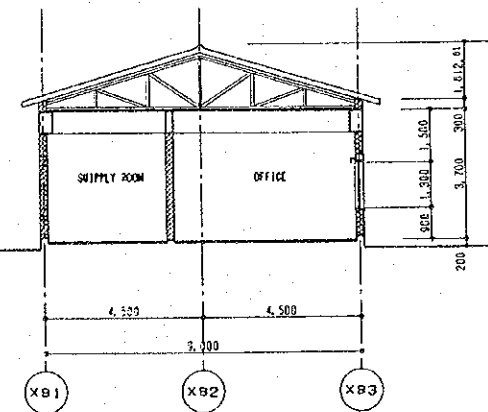
3 EAST ELEVATION
SCALE 1:100



4 SOUTH ELEVATION
SCALE 1:100

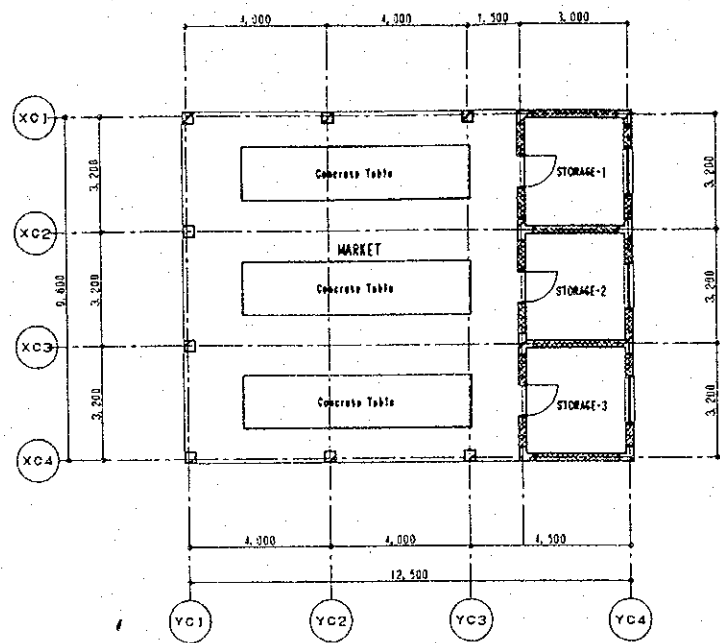


5 NORTH ELEVATION
SCALE 1:100

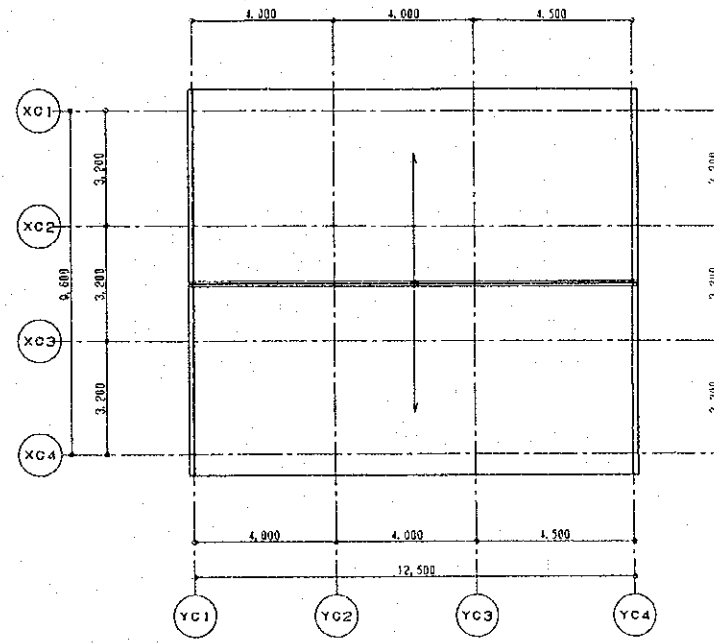


6 SECTION
SCALE 1:100

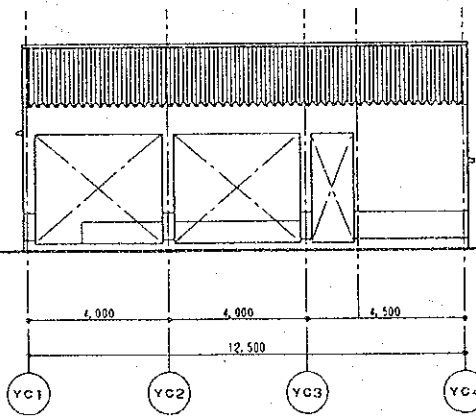
REPUBLIC OF ZAMBIA	
THE BASIC DESIGN STUDY ON MONGU RURAL DEVELOPMENT PROJECT	
Agro-processing Facility	
JAPAN INTERNATIONAL COOPERATION AGENCY	
OWG. No. 22	SHEET



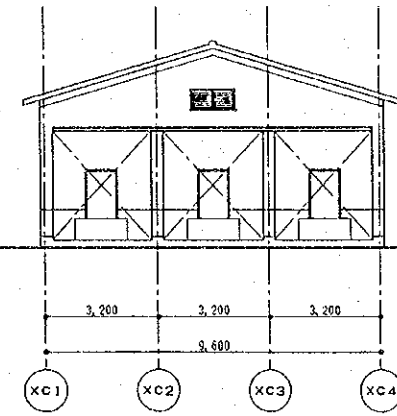
1 GROUND FLOOR PLAN
SCALE 1:100



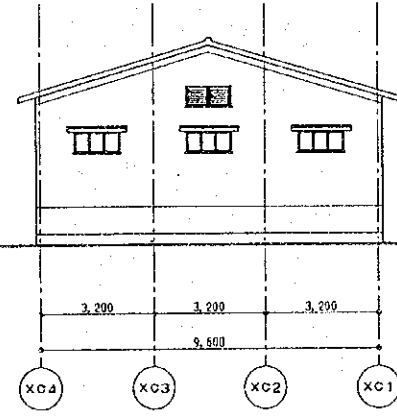
2 ROOF PLAN
SCALE 1:100



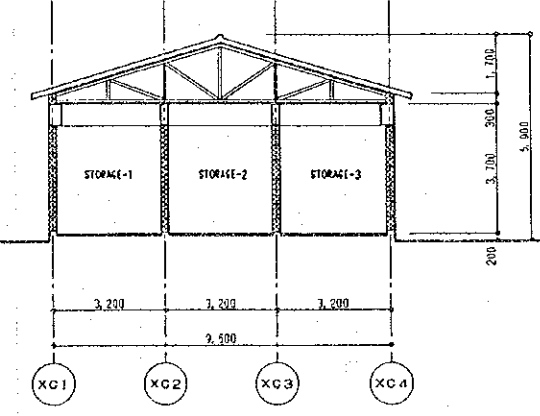
3 EAST ELEVATION
SCALE 1:100



4 SOUTH ELEVATION
SCALE 1:100



5 NORTH ELEVATION
SCALE 1:100



6 SECTION
SCALE 1:100

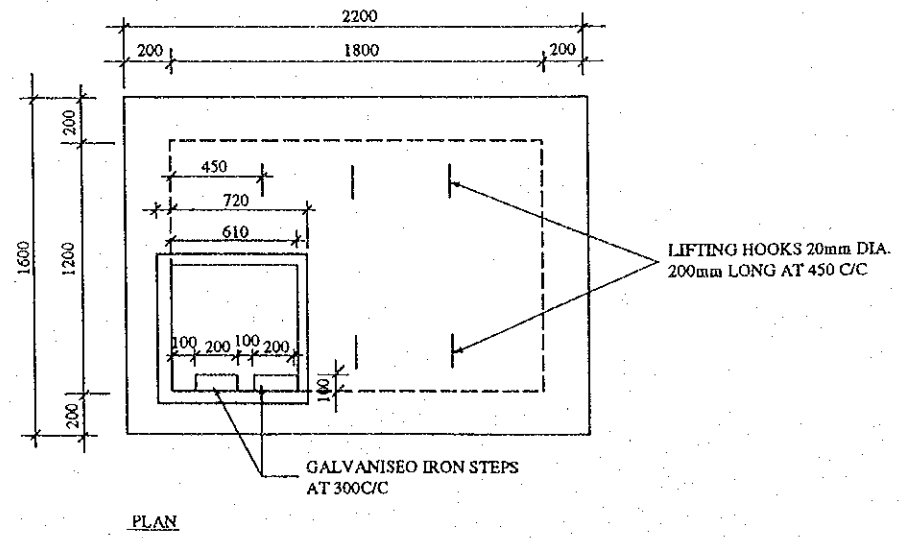
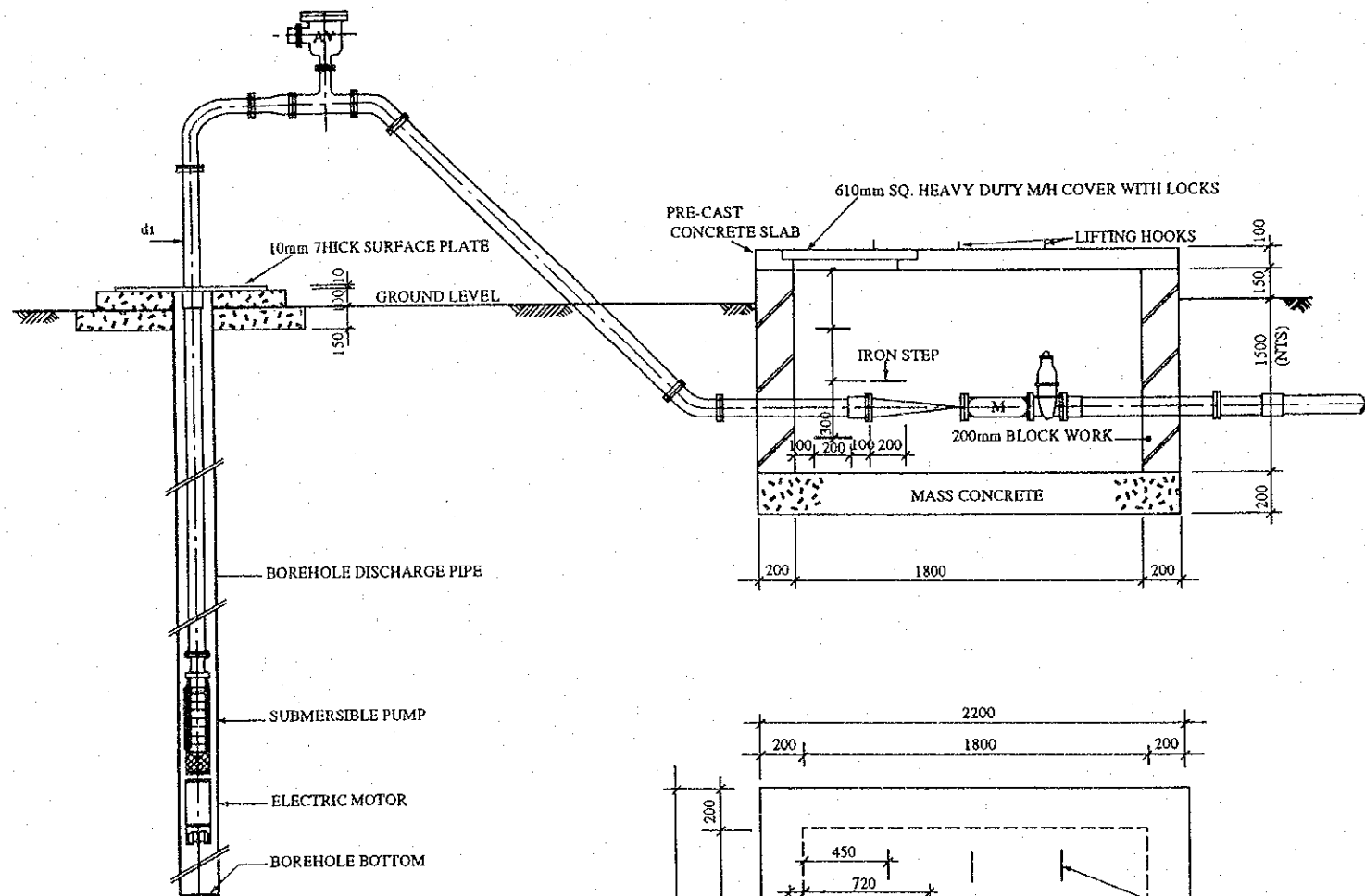
REPUBLIC OF ZAMBIA	
THE BASIC DESIGN STUDY ON MONGU RURAL DEVELOPMENT PROJECT	
Market House	
JAPAN INTERNATIONAL COOPERATION AGENCY	
DWG. No.	23 SHEET

DESCRIPTION	FLOOR										UNDER LAYER					BASE H=100						WAINSCOT						WALL					CEILING					REMARKS	
	CEMENT MORTAR STEEL TROWEL FINISH HARDNER FIN. ON CEMENT MORTAR (S. T)									CONC. SLAB LEVEL	AEP ON CEMENT MORTAR (S. T) 20mm	CEMENT MORTAR (S. T) 20mm	HEIGHT					AEP ON CEMENT MORTAR (S. T) 20mm	CEMENT MORTAR (S. T) 20mm	CORRUGATED ASBESTOS SHEET AEP ON FAIR FACED CONCRETE MINERAL FIBER ACOUSTIC TILE MOISTURE RESISTANT ACOUSTIC CEILING BOARD				WOODEN BLIND BOX SOP	SUSPENDED CEILING HEIGHT														
	1	2	3	4	5	6	7	8	9	1	2	3	4	1	2	3	4	5	6	1	2	3	4	1	2	3	4	5	1	2	3	4	5	1	2	3	4	5	
FL ROOM NAME																																							
GF <INTEGRATED TRAINING FACILITY>																																							
CONFERENCE ROOM	○										± 0	-50	○												○					○									
STORAGE	○										± 0	-50	○																	○									
HALL	○										± 0	-50	○												○														
CORRIDOR	○										± 0	-50	○												○														
TRAINING ROOM	○										± 0	-50	○												○														
TOILET (M), (W)	○										-100	-150																											MIRROR
C. A. D OFFICE	○										± 0	-50	○												○														RECEPTION COUNTER
S. W. V OFFICE	○										± 0	-50	○												○														
WOMEN'S TRAINING ROOM-1, 2	○										± 0	-50	○												○														
WOMEN'S GROUP WORKING ROOM	○										± 0	-50	○												○														
LECTURER'S ROOM-1-3	○										± 0	-50	○												○														
<MILLING MACHINE BLDG.>																																							
PLATFORM	○										± 0	-50	○												○														
MAIZE MILL	○										± 0	-50	○												○														
RICE POLISHER	○										± 0	-50	○												○														
STORE ROOM	○										± 0	-50	○												○														
SUIPLY ROOM	○										± 0	-50	○												○														
OFFICE	○										± 0	-50	○																	○									
<MARKET HOUSE>																																							
MARKET	○										± 0	-50	○												○														CONCRETE TABLE
STORAGE-1-3	○										± 0	-50	○												○														

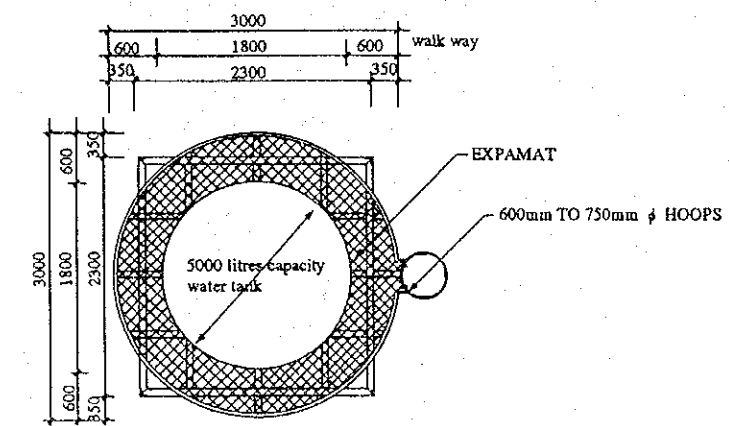
<EXTERNAL FINISHING SCHEDULE>
 ROOF : CORRUGATED ASBESTOS SHEET
 WALL : HOLLOW CONCRETE BLOCK 200mm W/ AEP ON CEMENT MORTAR 20mm
 SKRTING: CEMENT MORTAR (S, T) 30mm
 DOOR : STEEL DOOR
 WINDOW: STEEL SASH
 GLAZING: FLOAT CLEAR GLASS 6mm

REPUBLIC OF ZAMBIA
 THE BASIC DESIGN STUDY ON
 MONGU RURAL DEVELOPMENT PROJECT
 Internal Finishing Schedule
 External finishing schedule
 JAPAN INTERNATIONAL COOPERATION AGENCY
 DWG. No. 24 SHEET

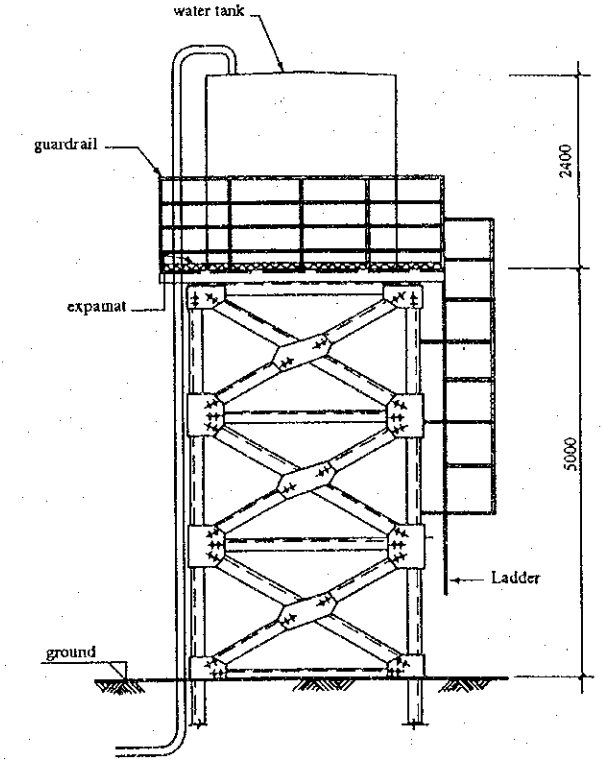
MANHOLE COVER DETAILS



PLAN OF ELEVATED WATER TANK

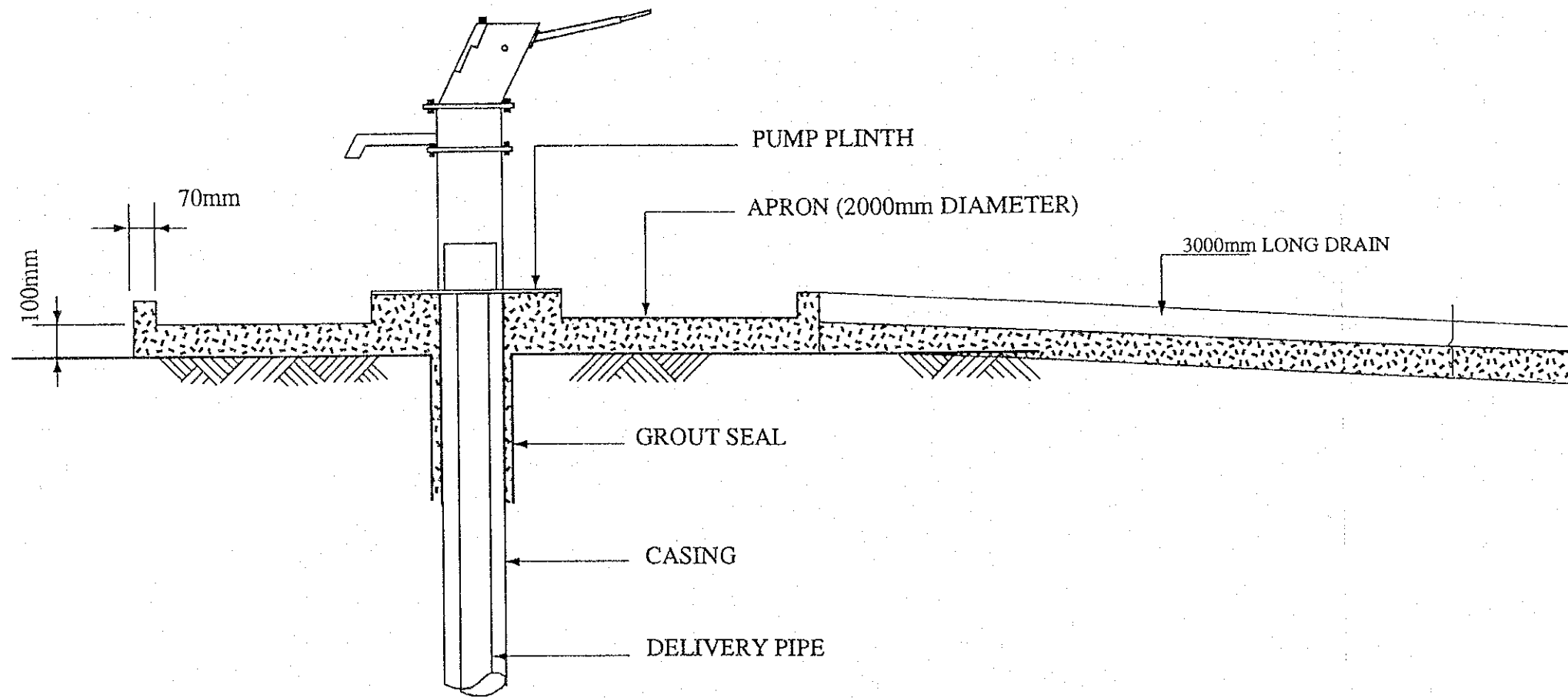


SIDE ELEVATION OF ELEVATED WATER TANK

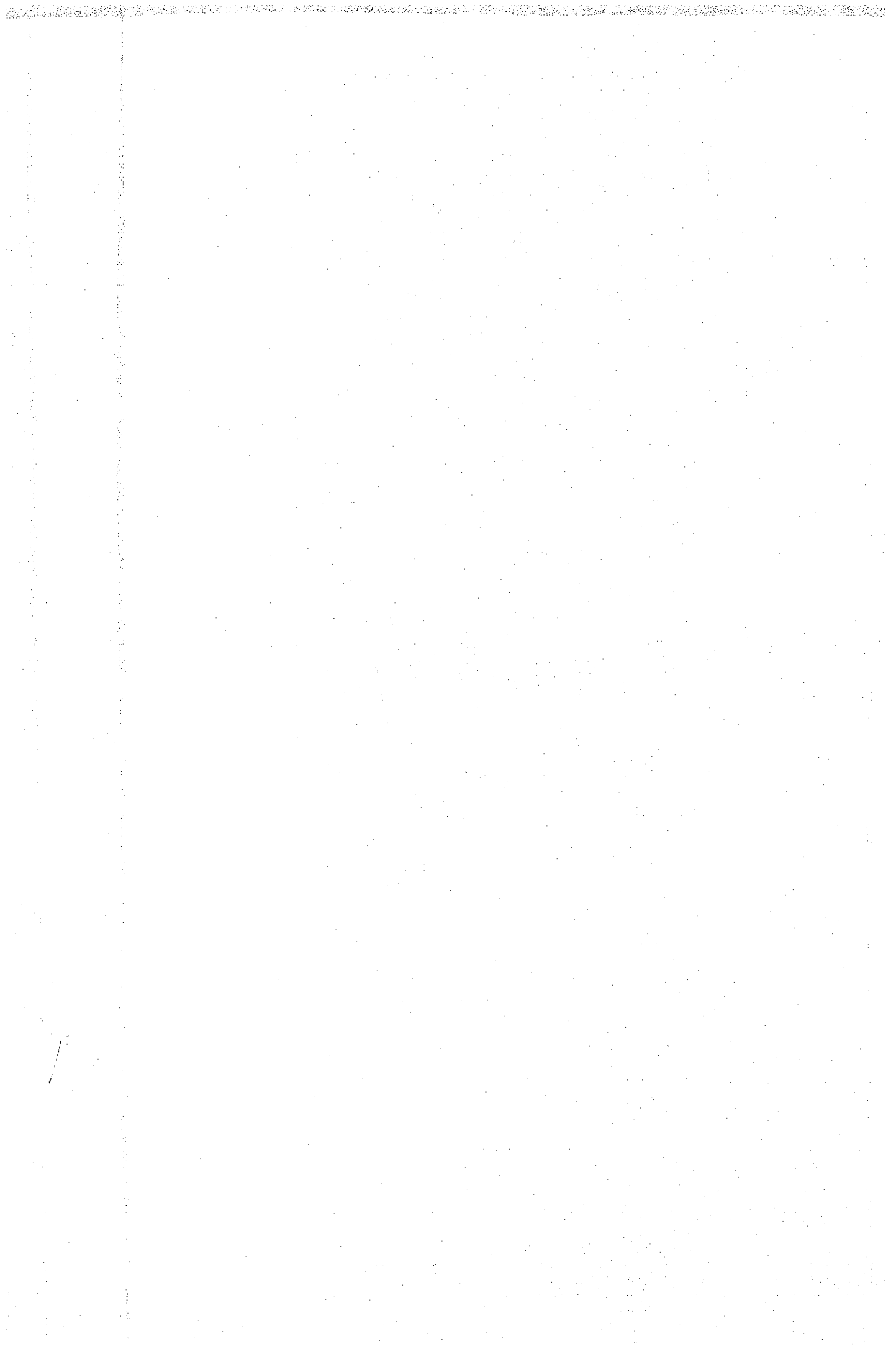


REPUBLIC OF ZAMBIA	
THE BASIC DESIGN STUDY ON MONGU RURAL DEVELOPMENT PROJECT	
Water Supply Facility	
JAPAN INTERNATIONAL COOPERATION AGENCY	
DWG.No. 25	SHEET 1 of 2

SECTION THROUGH APRON & DRAIN



REPUBLIC OF ZAMBIA	
THE BASIC DESIGN STUDY ON MONGU RURAL DEVELOPMENT PROJECT	
Water Supply Facility	
JAPAN INTERNATIONAL COOPERATION AGENCY	
DWG. No. 26	SHEET 2 of 2



JICA