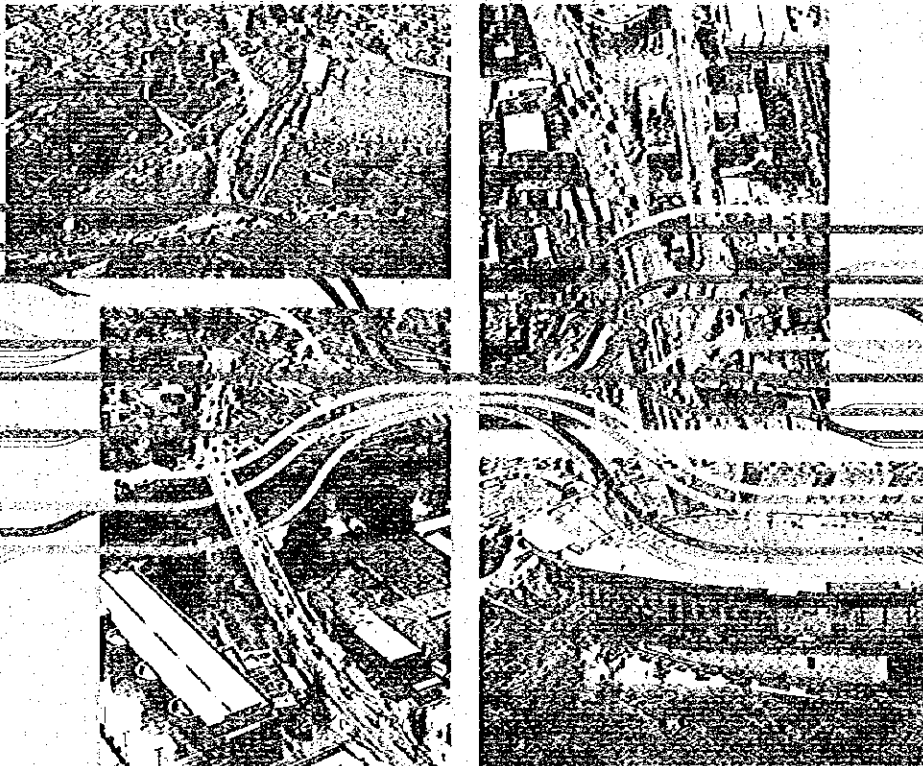


Tegucigalpa Municipality of The Central District
The Republic of Honduras

THE TEGUCIGALPA URBAN TRANSPORT STUDY

FINAL REPORT DRAWINGS

VOLUME 3



NOVEMBER 1996

JICA LIBRARY



J 1134018 [9]

ORIENTAL CONSULTANTS COMPANY LIMITED
CENTRAL CONSULTANT INCORPORATED

SSF

JR

96-127 (3/4)

Japan International Cooperation Agency (JICA)

Tegucigalpa Municipality of The Central District
The Republic of Honduras

**THE TEGUCIGALPA
URBAN TRANSPORT STUDY**

**FINAL REPORT
DRAWINGS**

VOLUME 3

NOVEMBER 1996

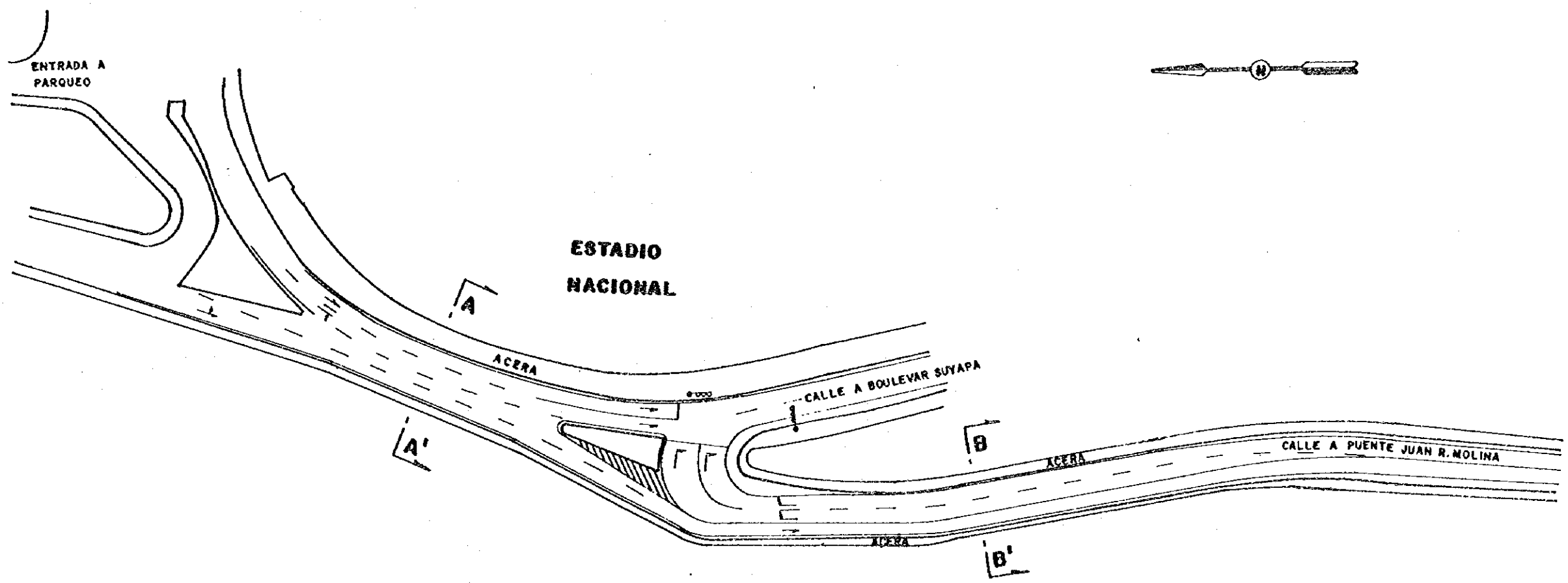
ORIENTAL CONSULTANTS COMPANY LIMITED
CENTRAL CONSULTANT INCORPORATED

TABLE OF CONTENTS

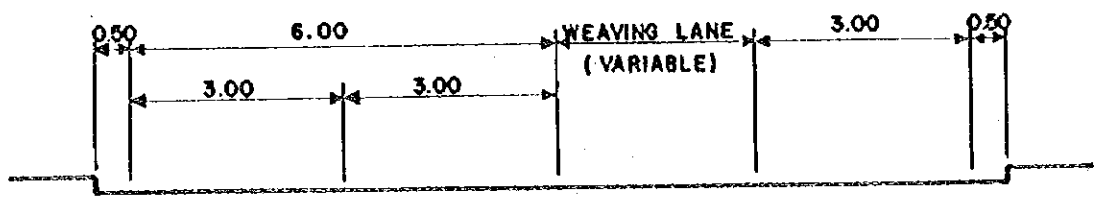
PROJECT NAME	SHEET N ^o
PROJECT - 1	1
PROJECT - 2	2
PROJECT - 3	3
PROJECT - 4	4
PROJECT - 5	5
PROJECT - 6-1	6-9
PROJECT - 6-2	10-14
PROJECT - 7	15-16
PROJECT - 8	17-21
PROJECT - 9	22-24
PROJECT - 10	25-27
PROJECT - 11-1	28-31
PROJECT - 11-2	28,32-37
PROJECT - 12	38-40

PROJECT NAME	SHEET N ^o
PROJECT - 13	41 - 43
PROJECT - 14	44 - 46
PROJECT - 15	47 - 51
PROJECT - 16	52 - 54
PROJECT - 20	55
PROJECT - 21	56
PROJECT - 22	56
PROJECT - 23	57
PROJECT - 24	57
PROJECT - 25	58
PROJECT - 26	58
PROJECT - 27	59
PROJECT - 28	60

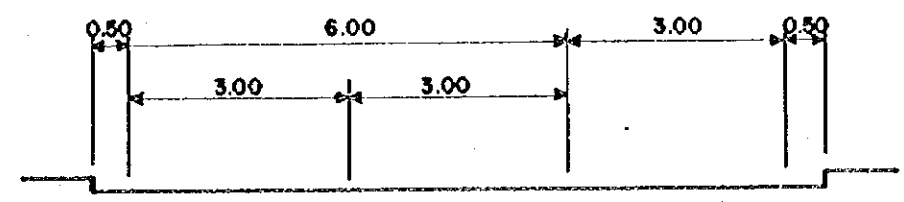


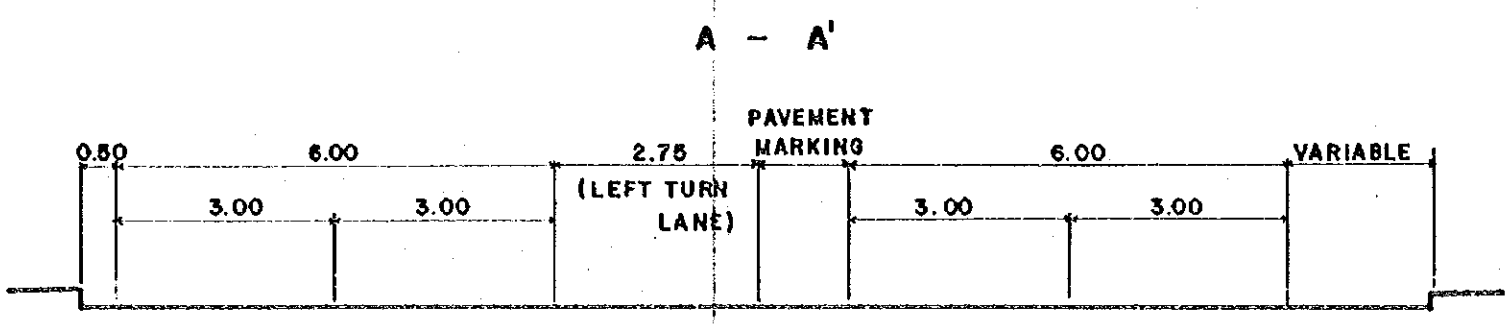
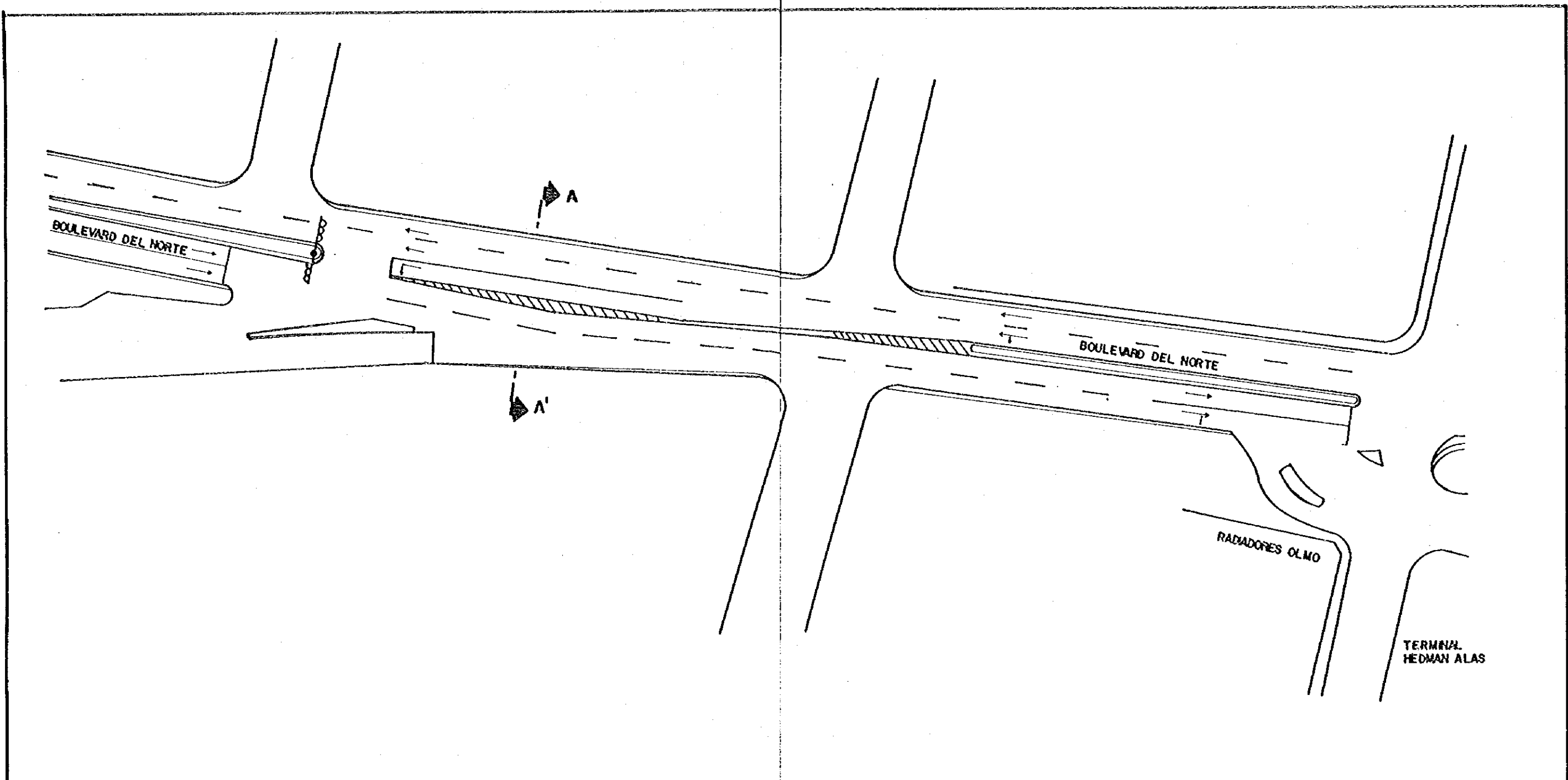


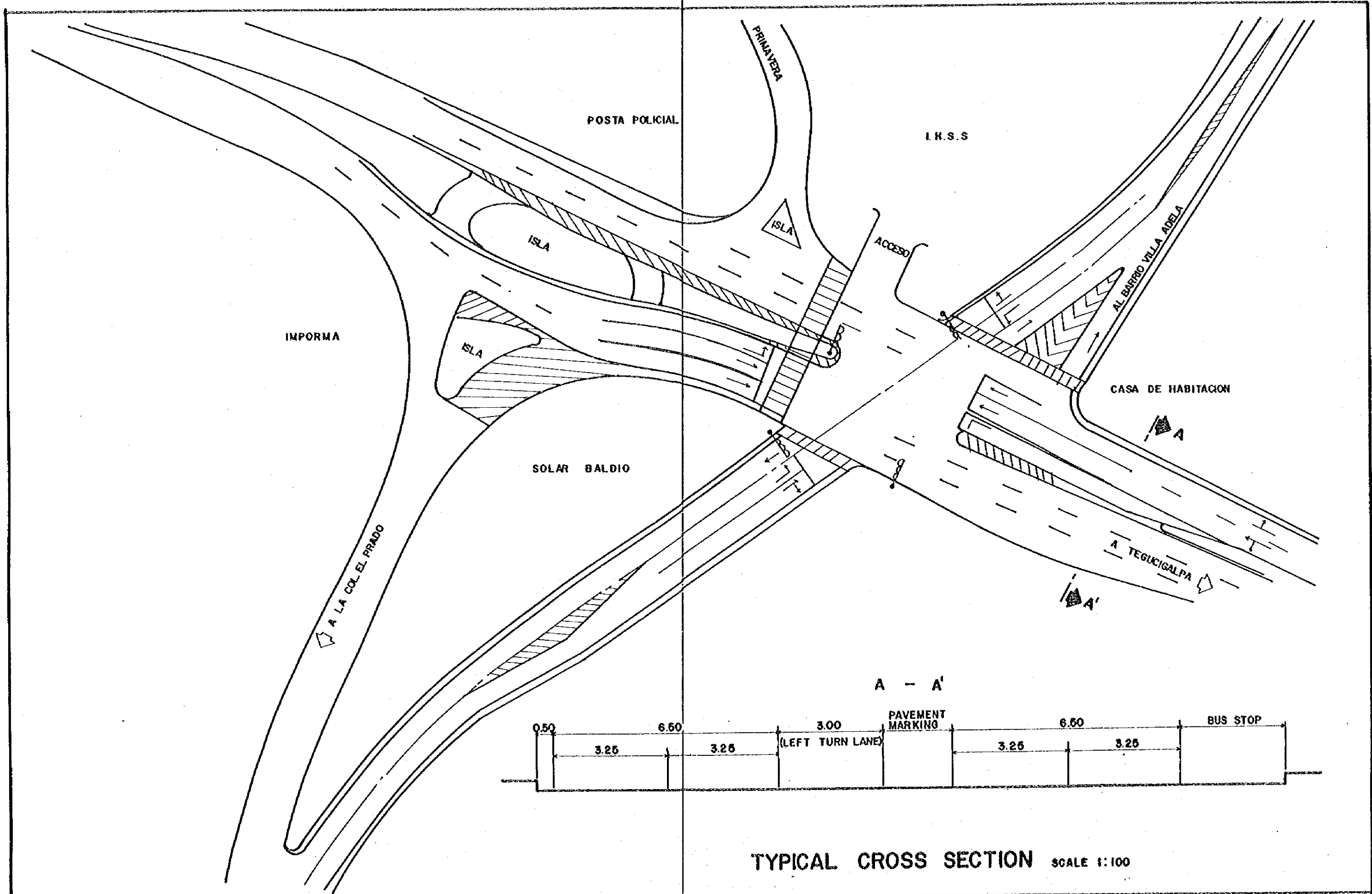
A-A'



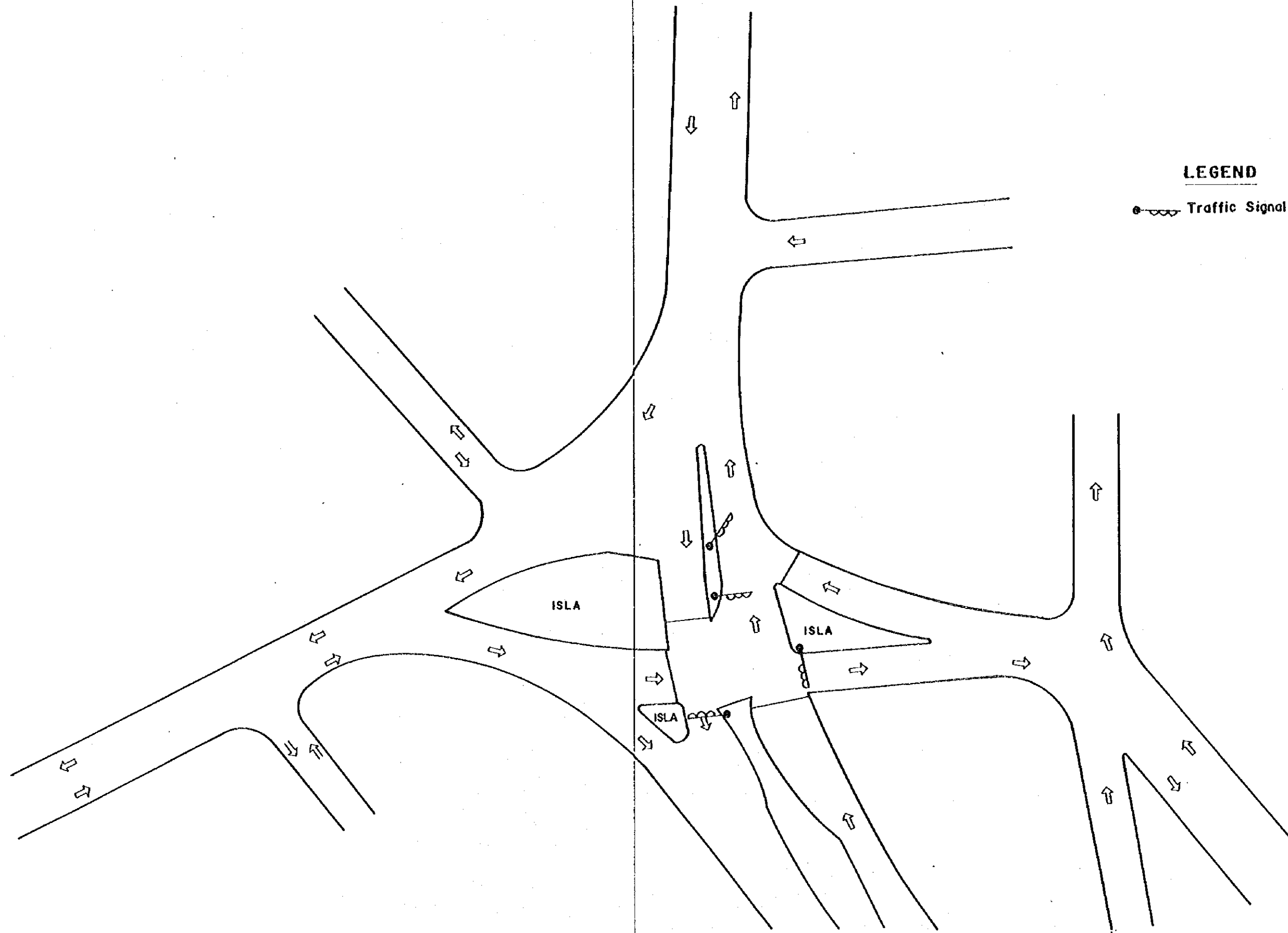
B-B'

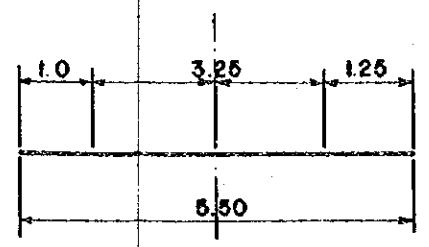
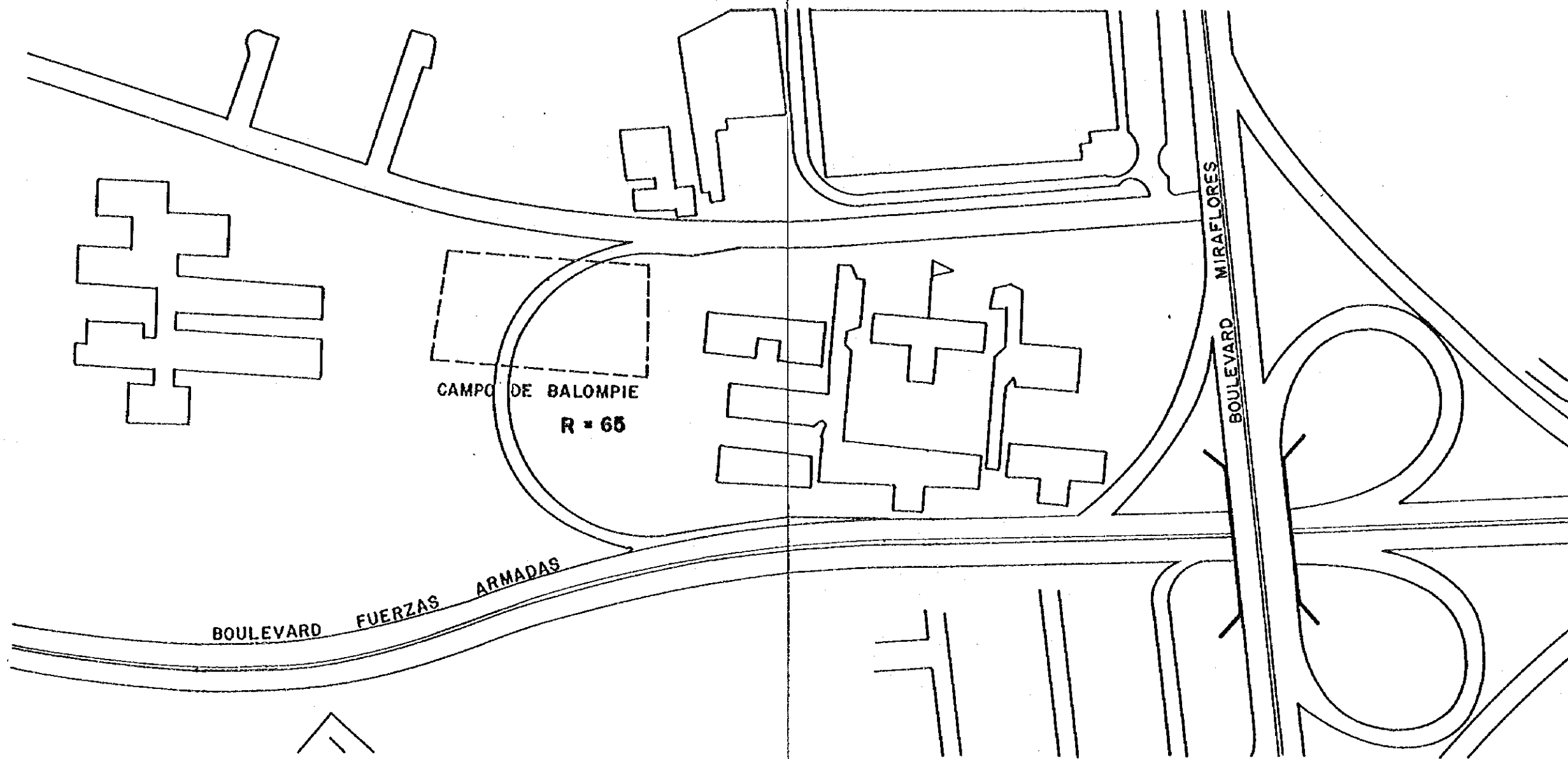




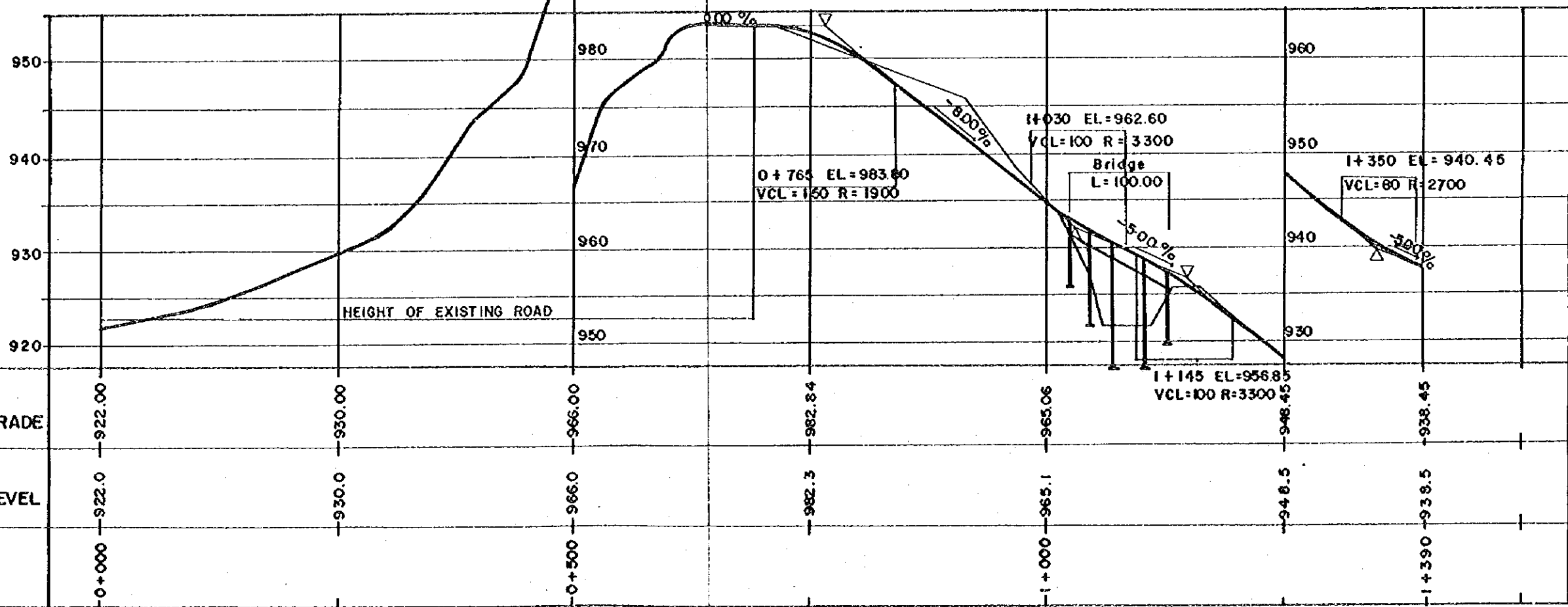
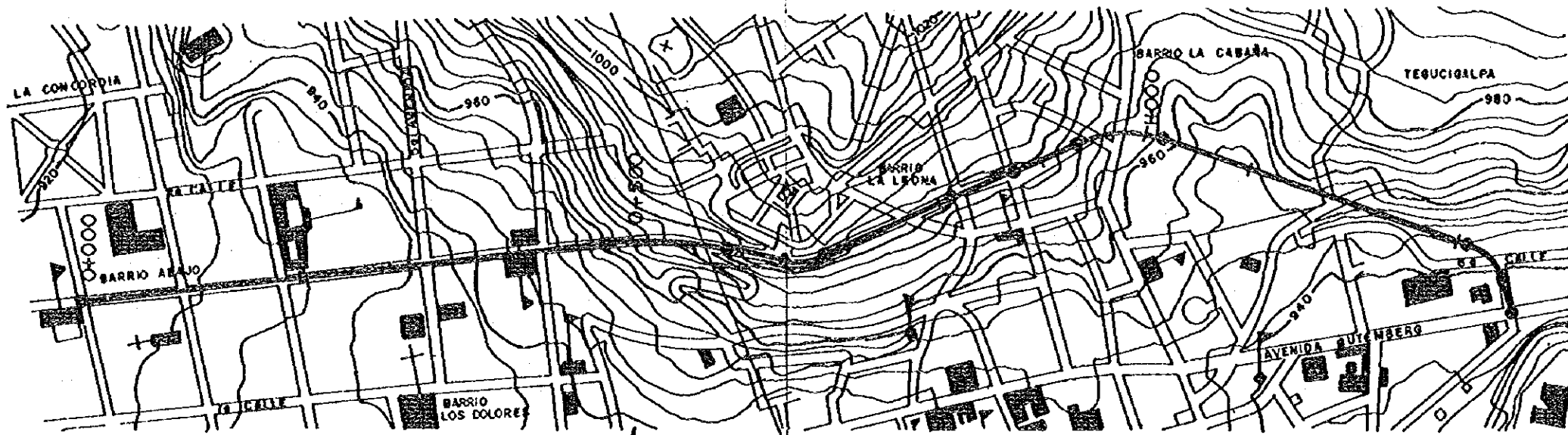


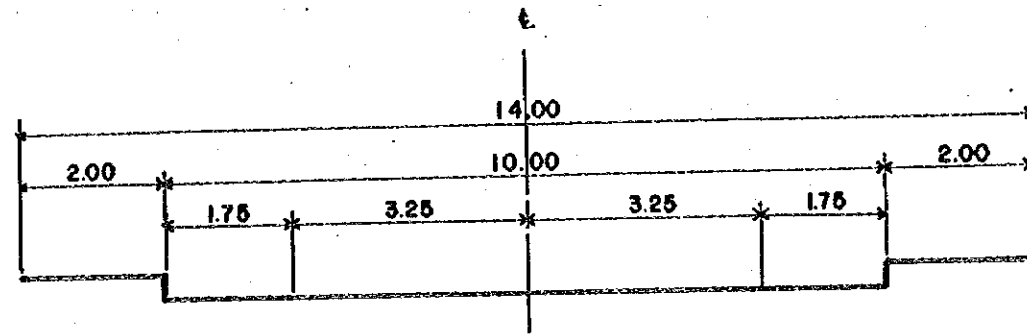
TYPICAL CROSS SECTION SCALE 1:100



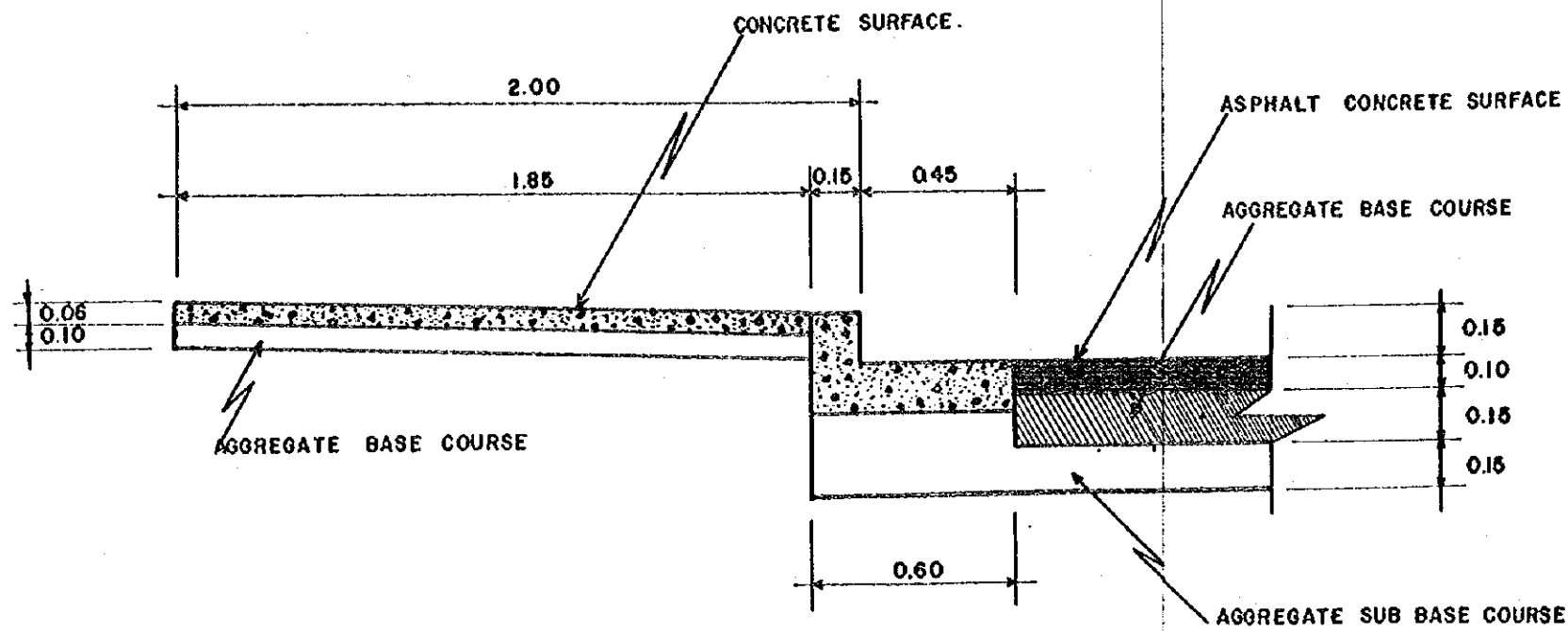


SCALE 1:100

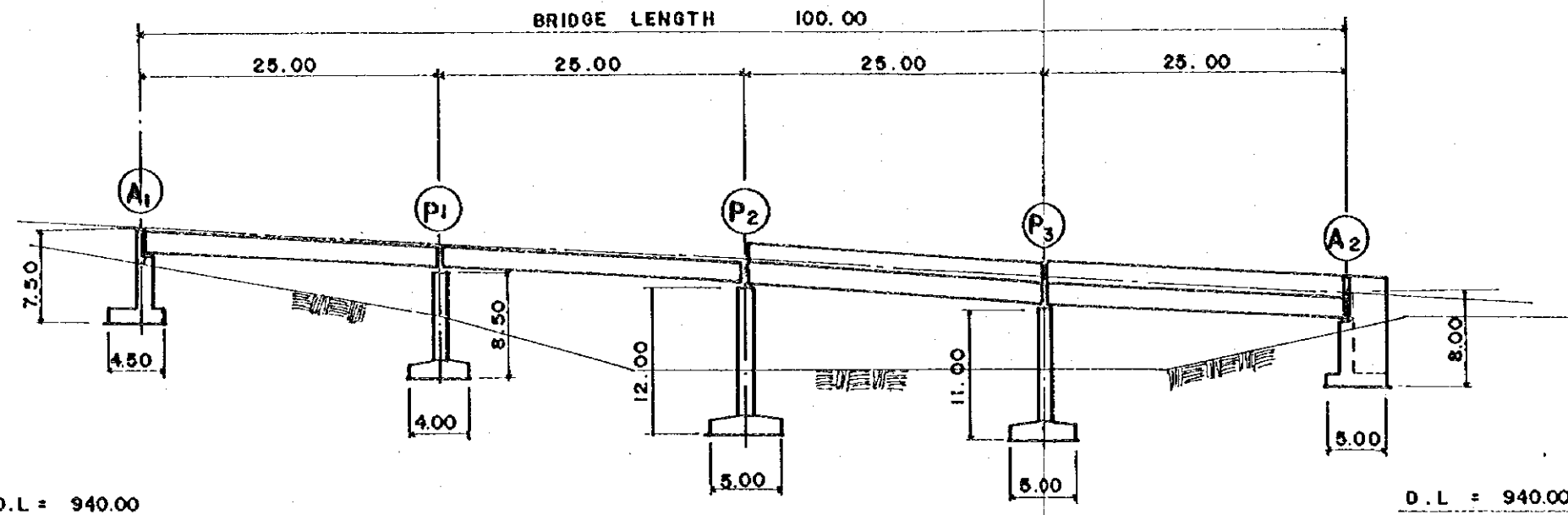




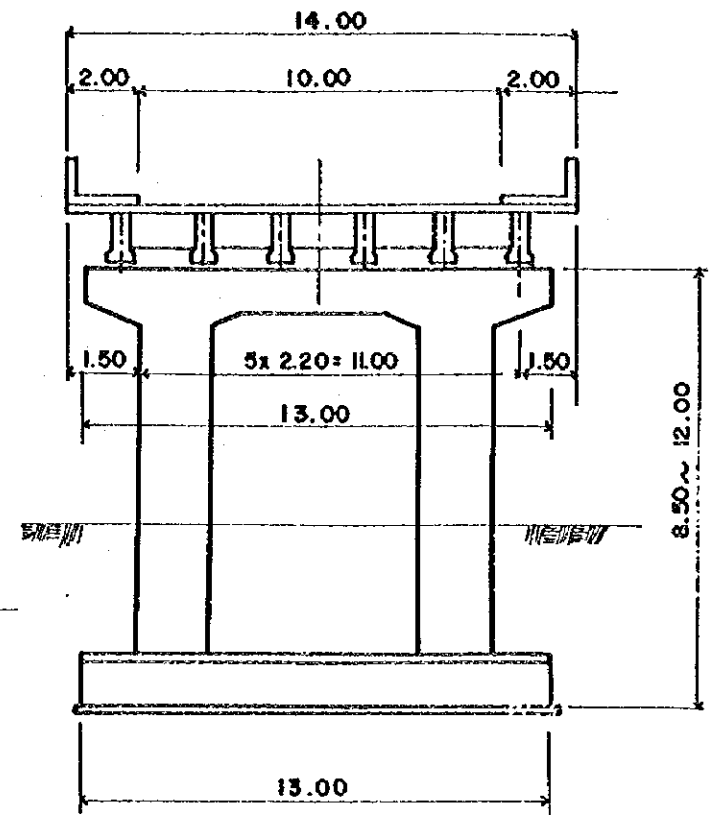
TYPICAL CROSS SECTION SCALE 1:100



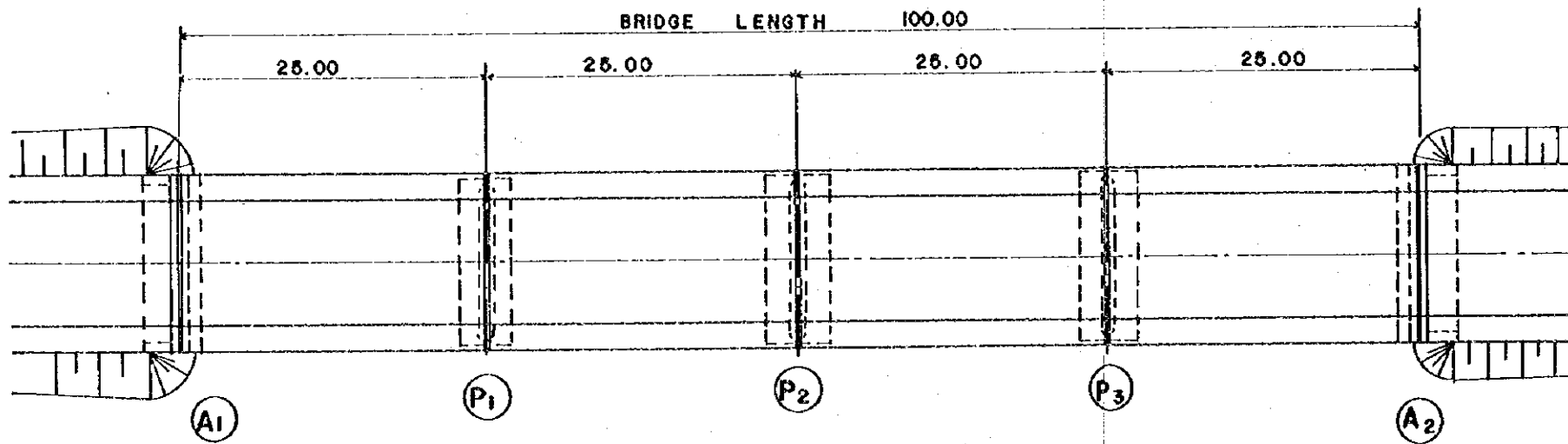
PAVEMENT STRUCTURE AND SIDEWALK SCALE 1:20



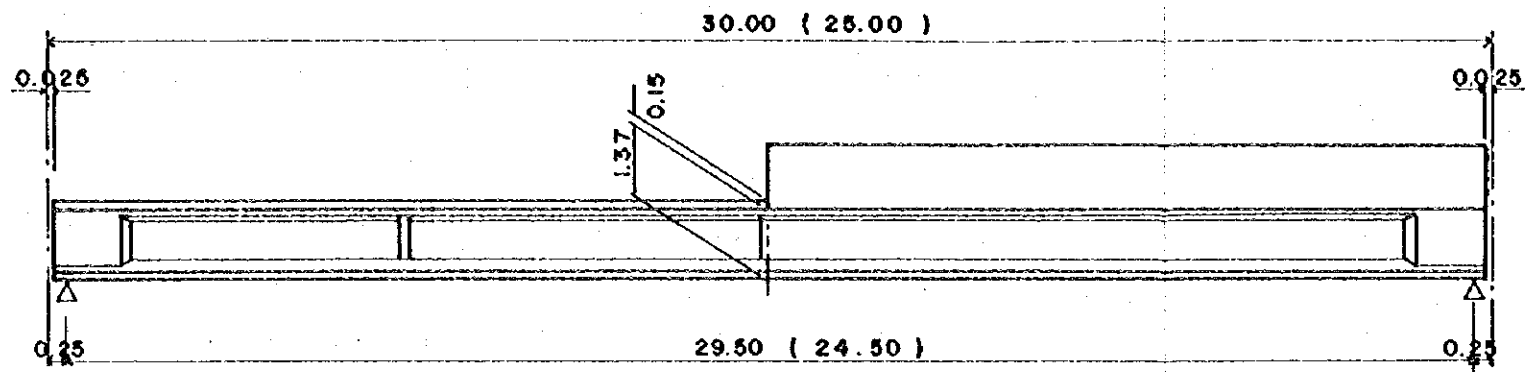
ELEVATION SCALE 1:500



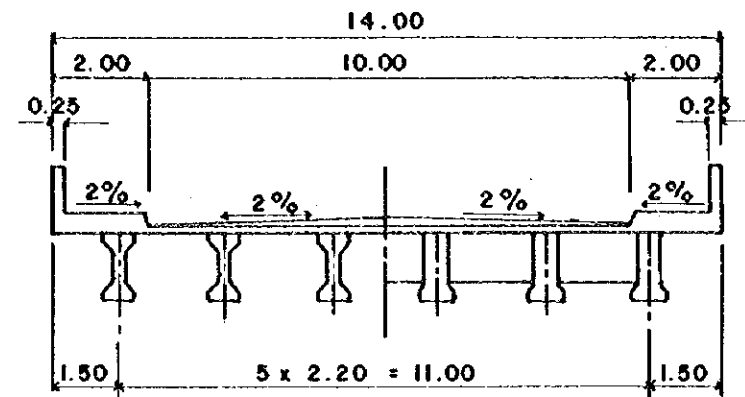
CROSS SECTION SCALE 1:200



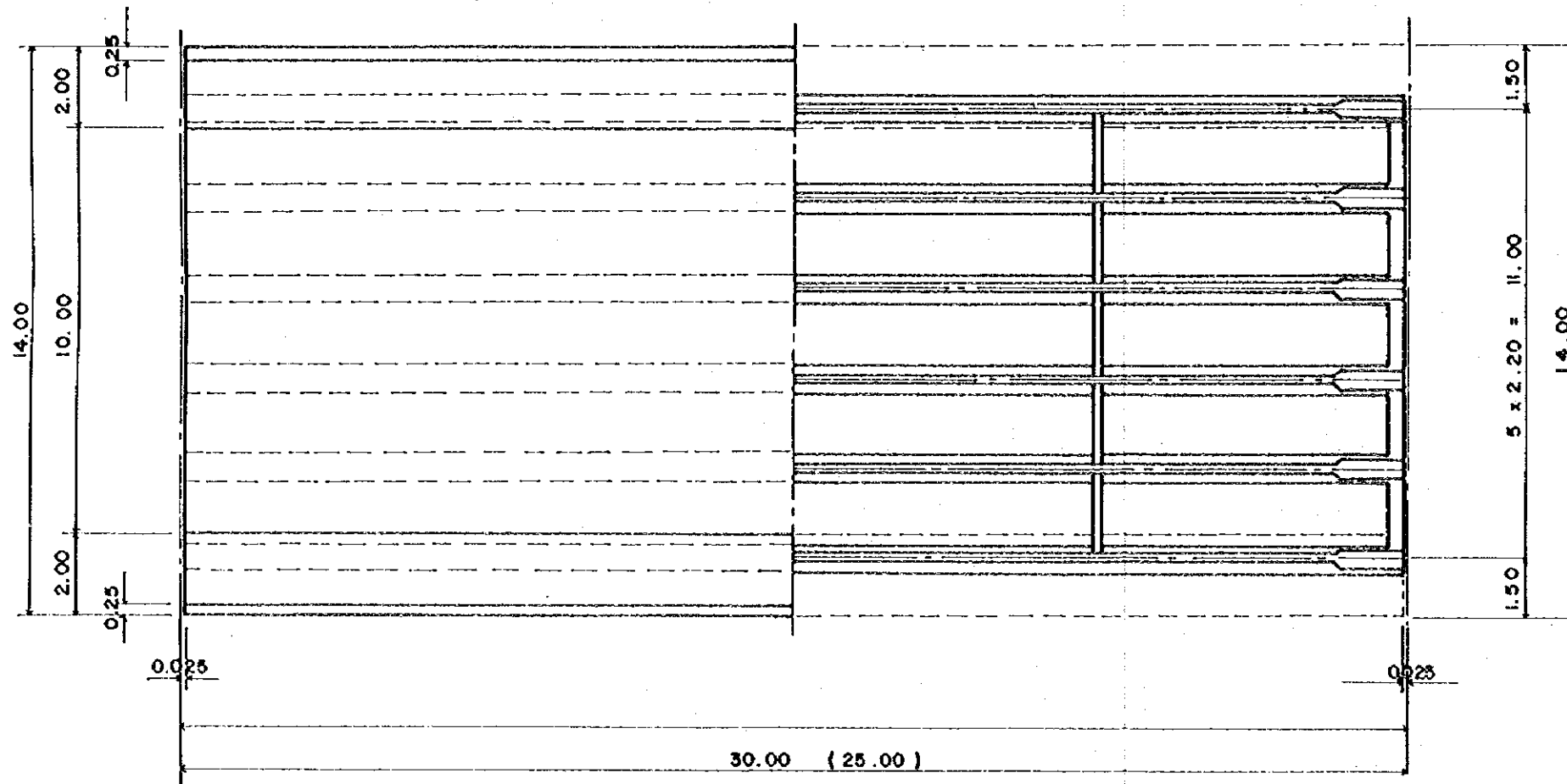
PLAN SCALE 1:500



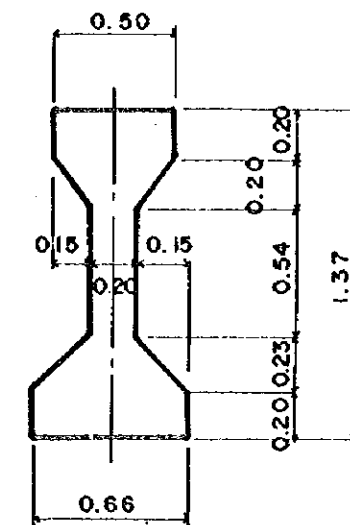
ELEVATION SCALE 1:150



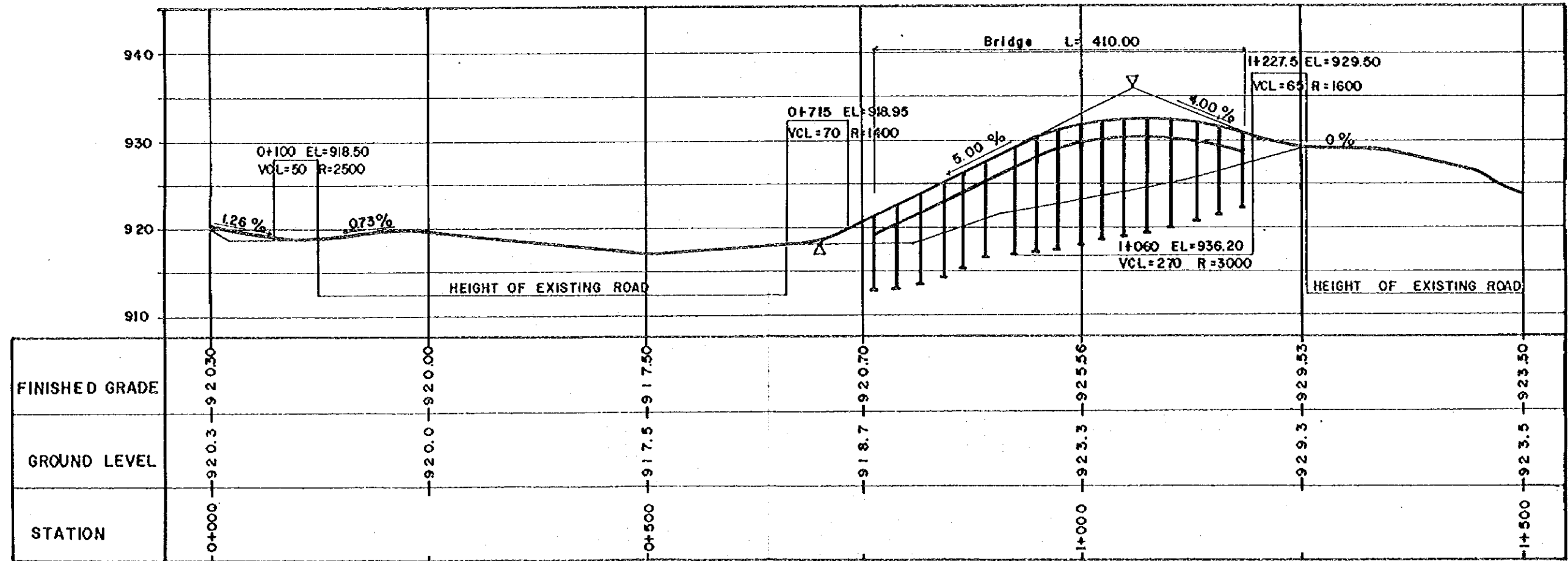
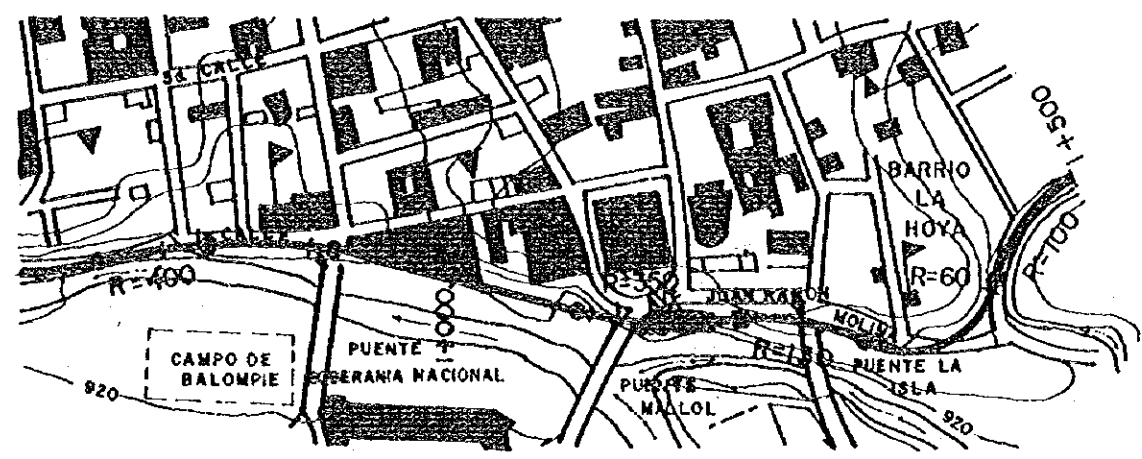
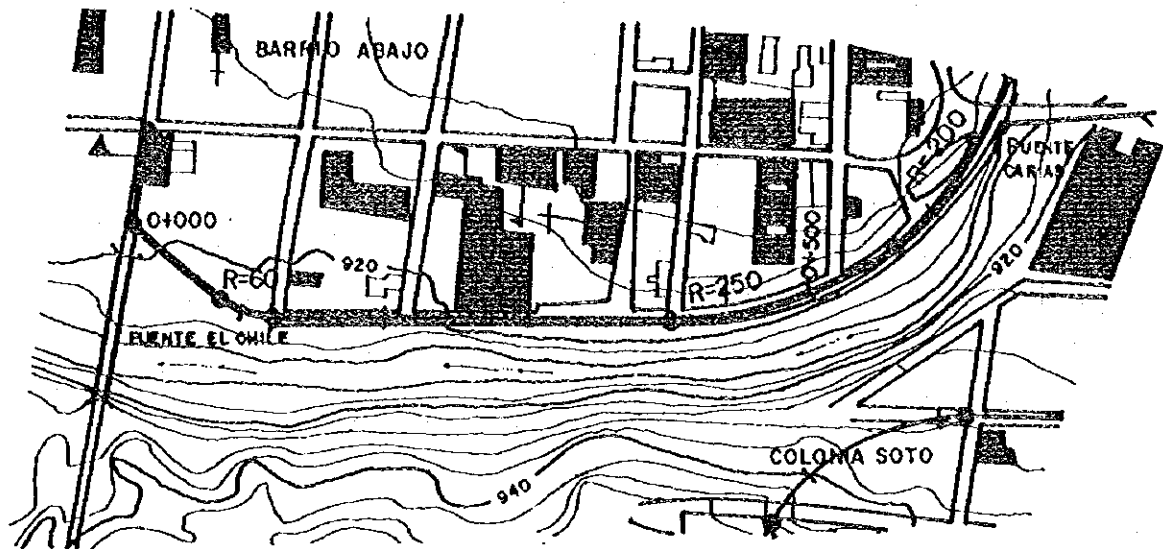
TYPICAL CROSS SECTION SCALE 1:50

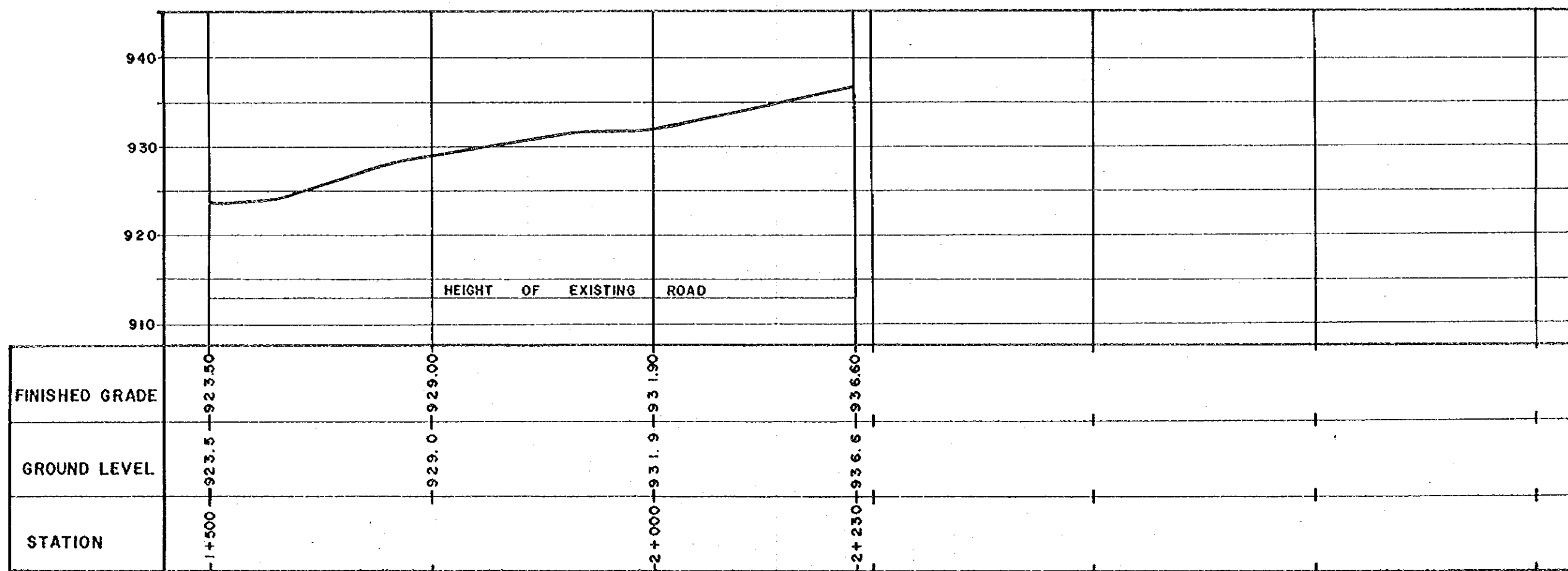
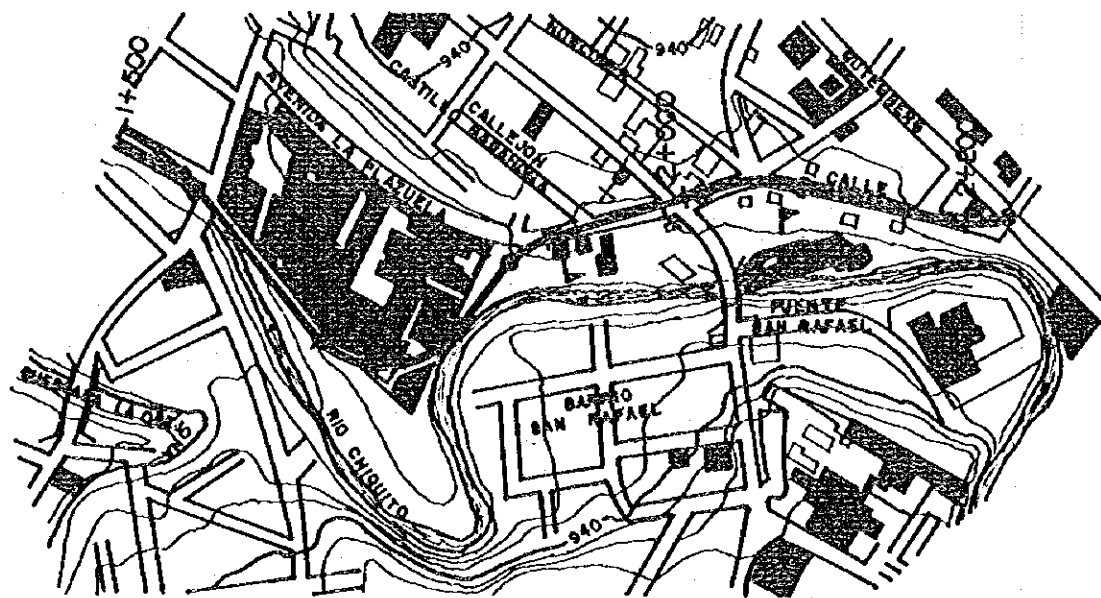


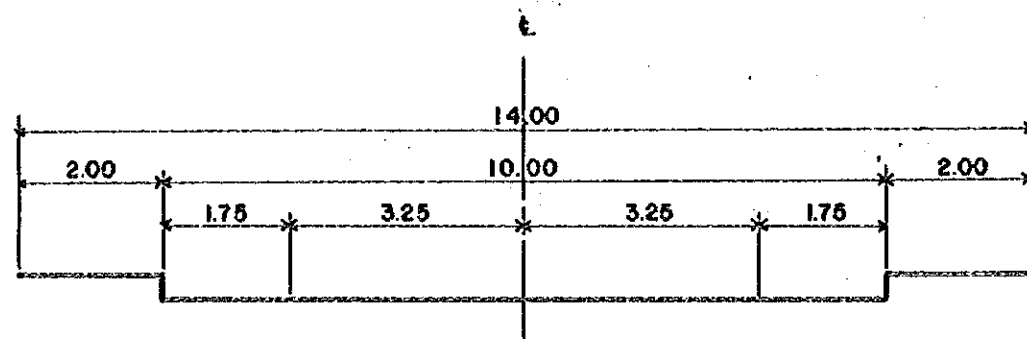
PLAN SCALE 1:150



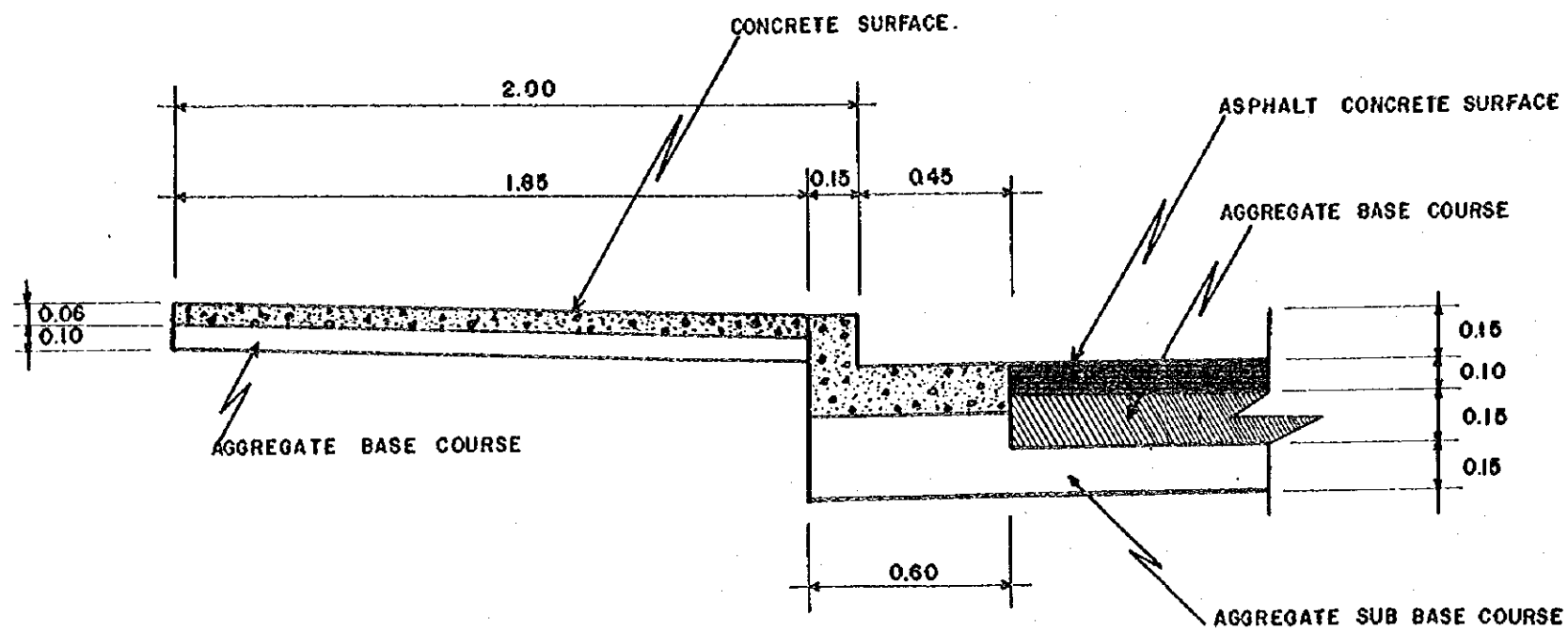
DIMENSION OF GIRDER SCALE 1:30







TYPICAL CROSS SECTION SCALE 1:100



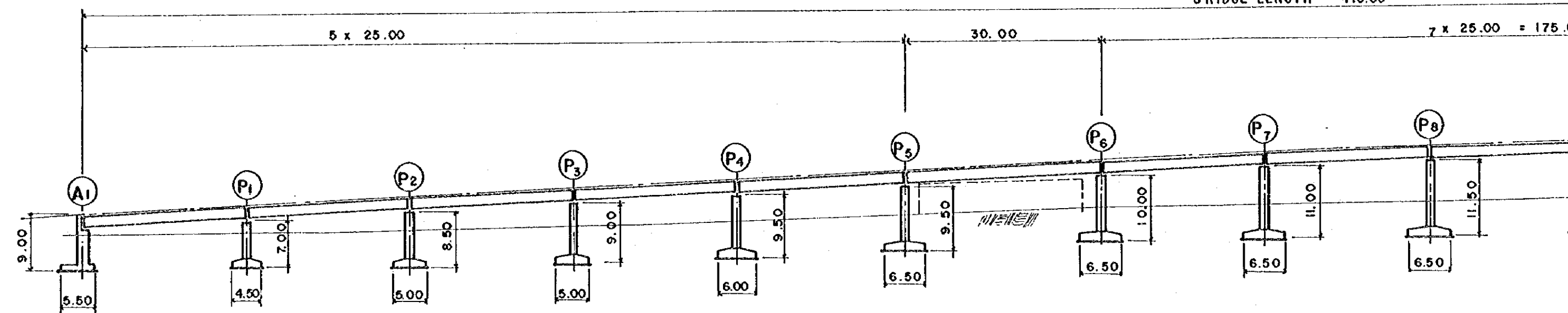
PAVEMENT STRUCTURE AND SIDEWALK SCALE 1:20

BRIDGE LENGTH 410.00

5 x 25.00

30.00

7 x 25.00 = 175.0



ELEVATION SCALE 1:600

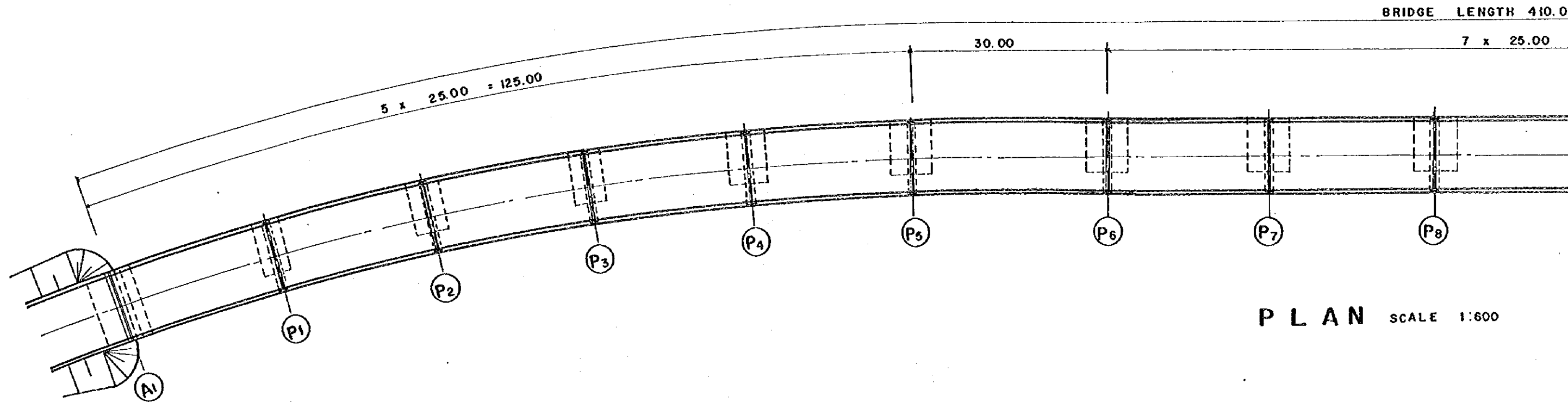
DL = 900.00

BRIDGE LENGTH 410.0

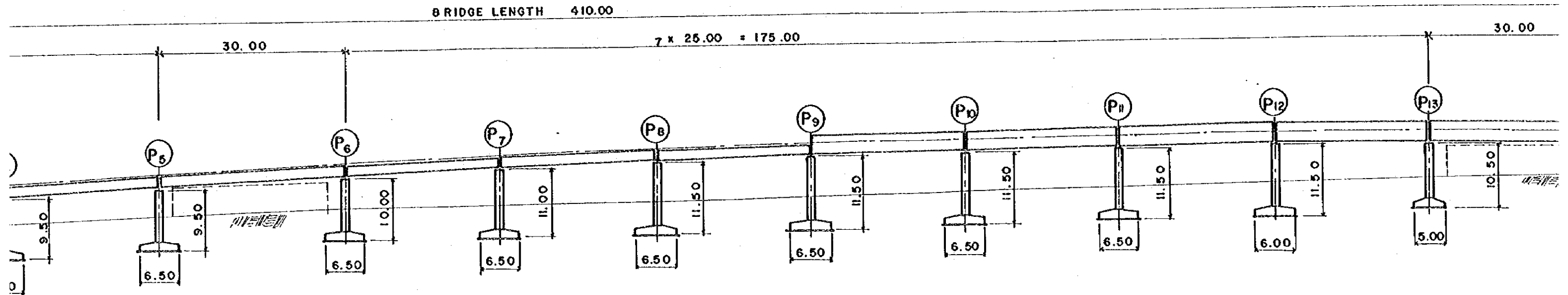
7 x 25.00

5 x 25.00 = 125.00

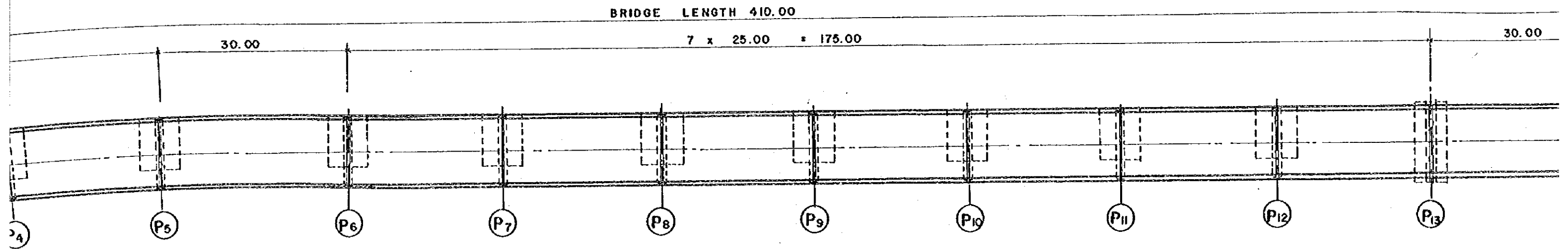
30.00



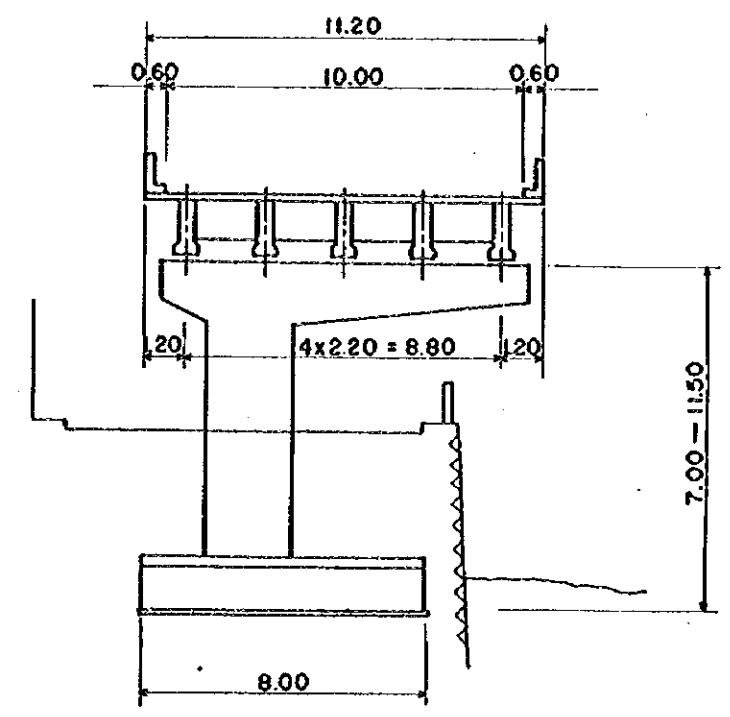
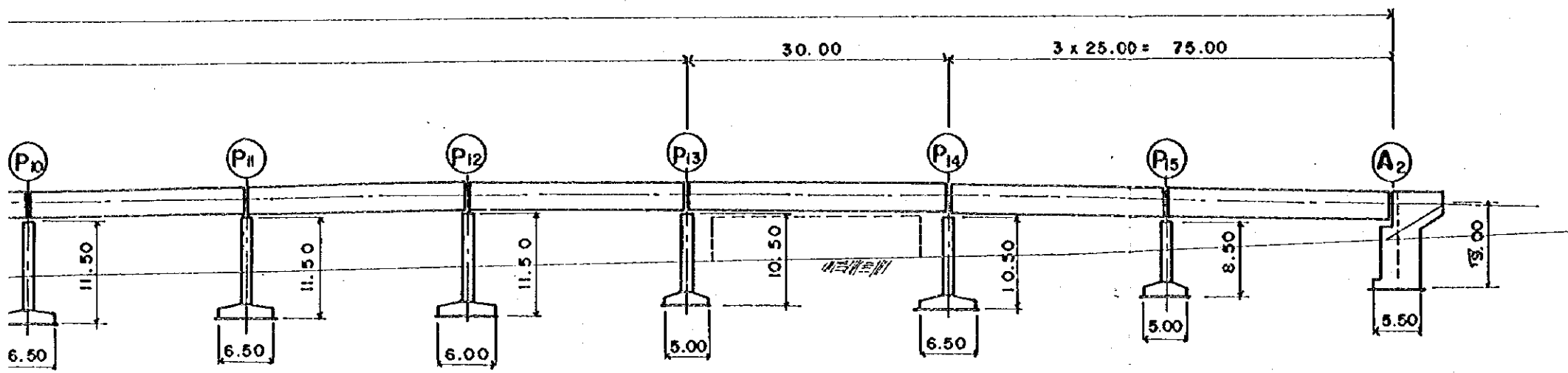
PLAN SCALE 1:600



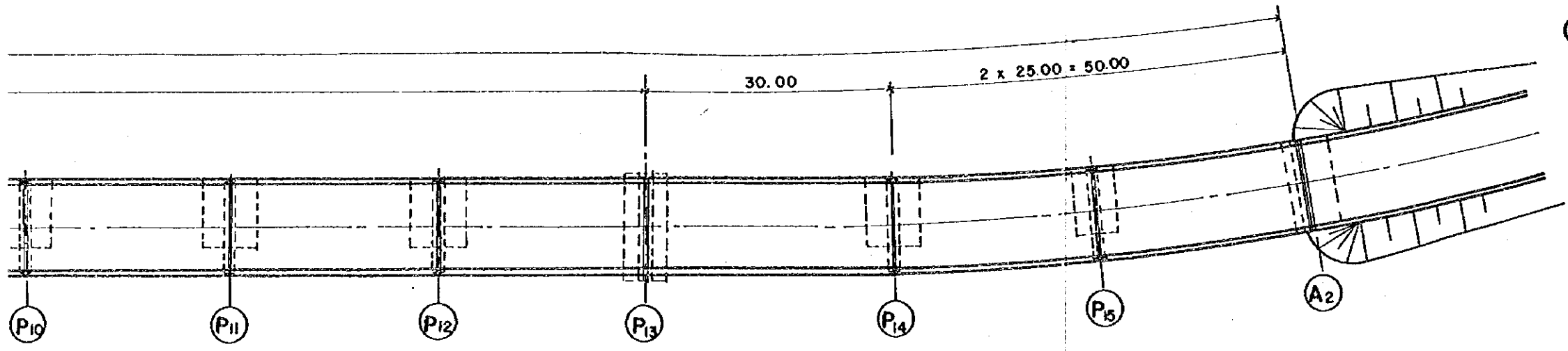
ELEVATION SCALE 1:600



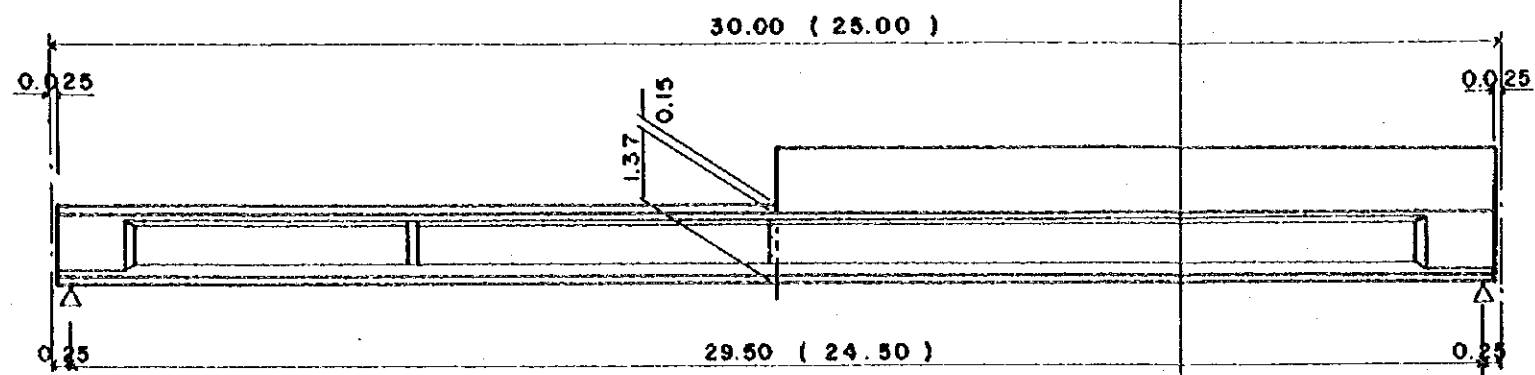
PLAN SCALE 1:600



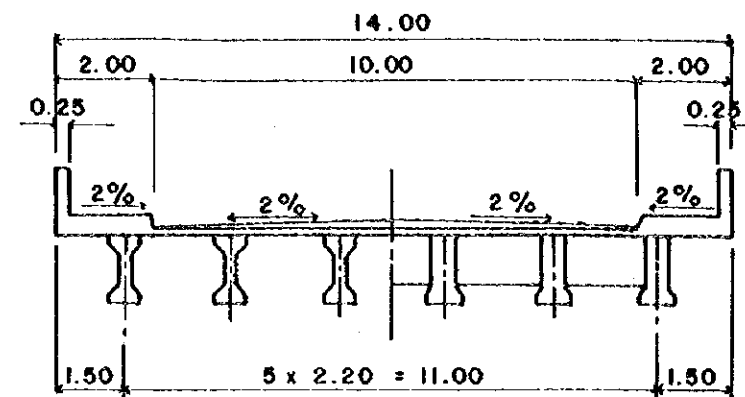
CROSS SECTION SCALE 1:200



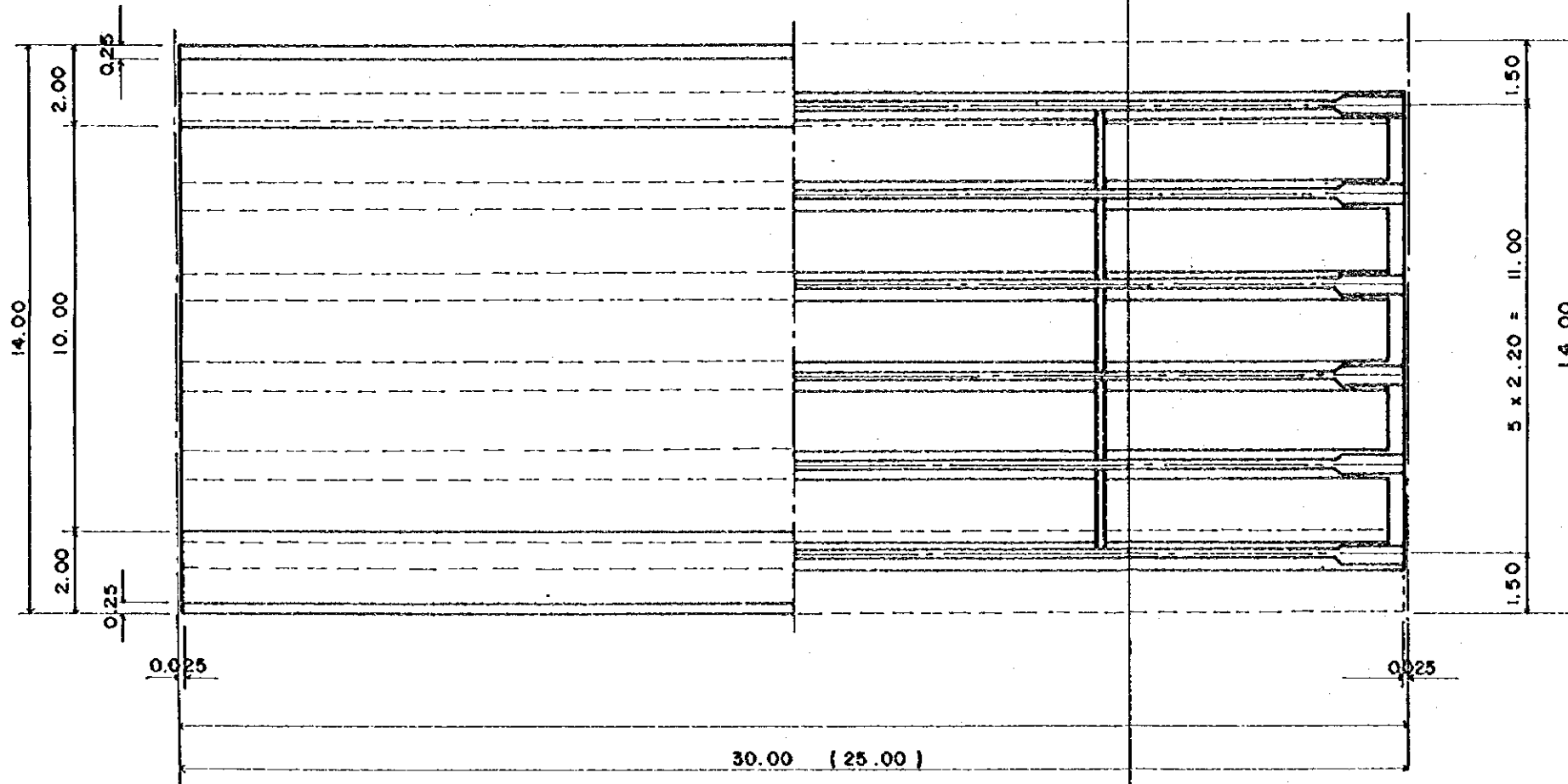
OF PROJECT -6-2	SCALE	1:200 , 1:600	SHEET No.
			13



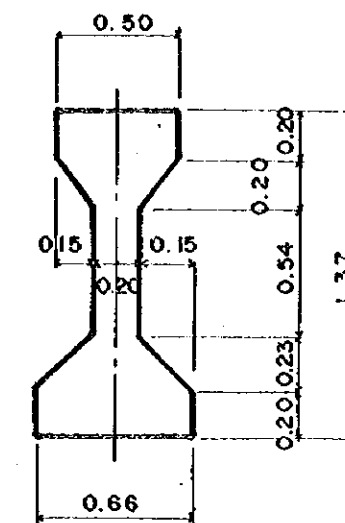
ELEVATION SCALE 1:150



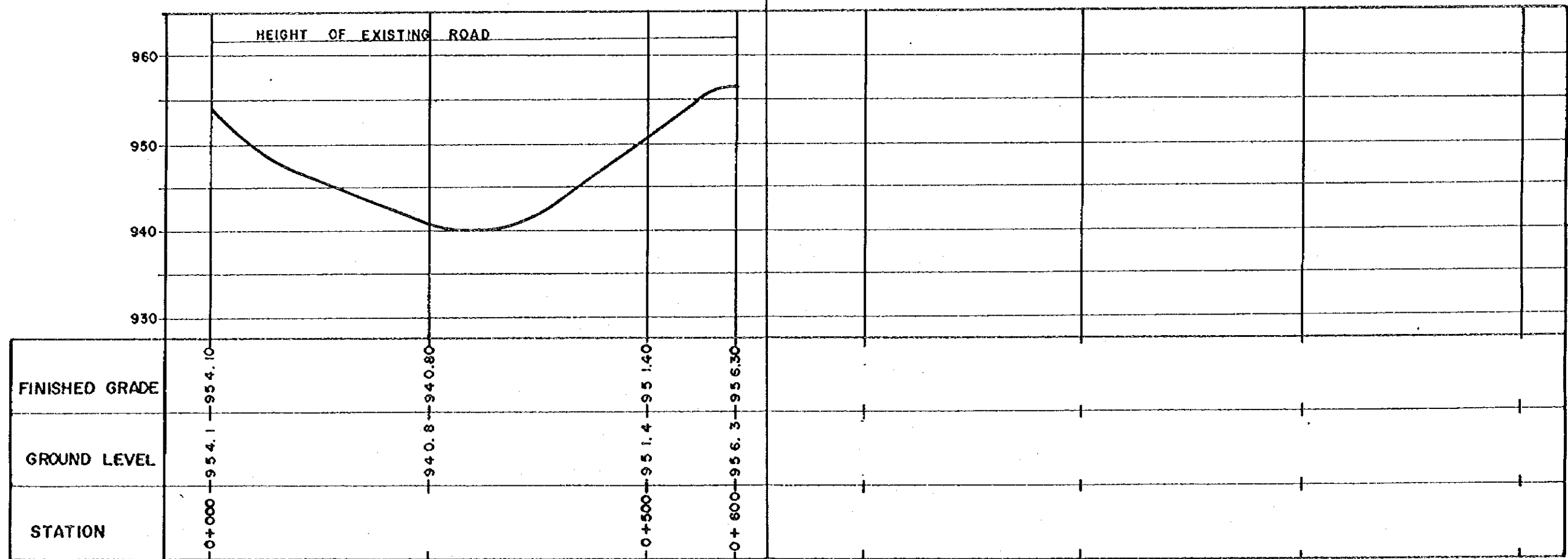
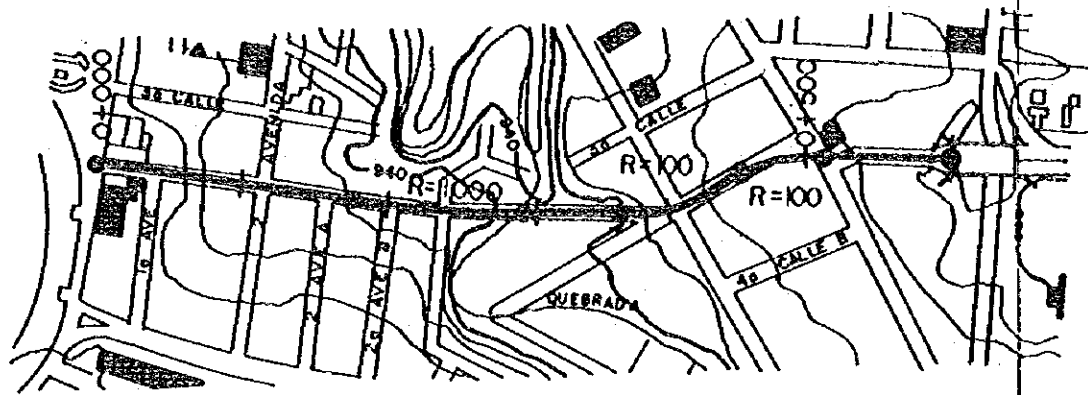
TYPICAL CROSS SECTION SCALE 1:50

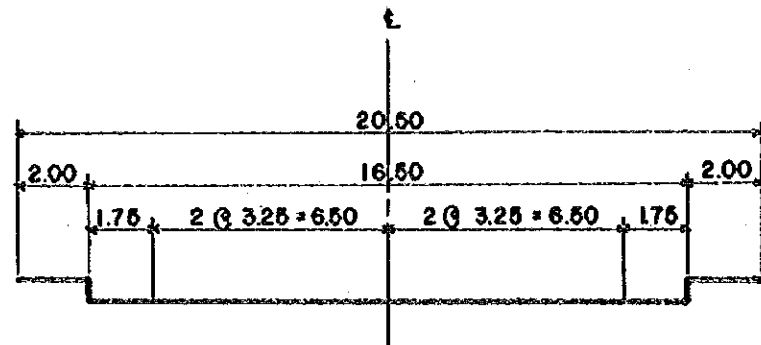


PLAN SCALE 1:150

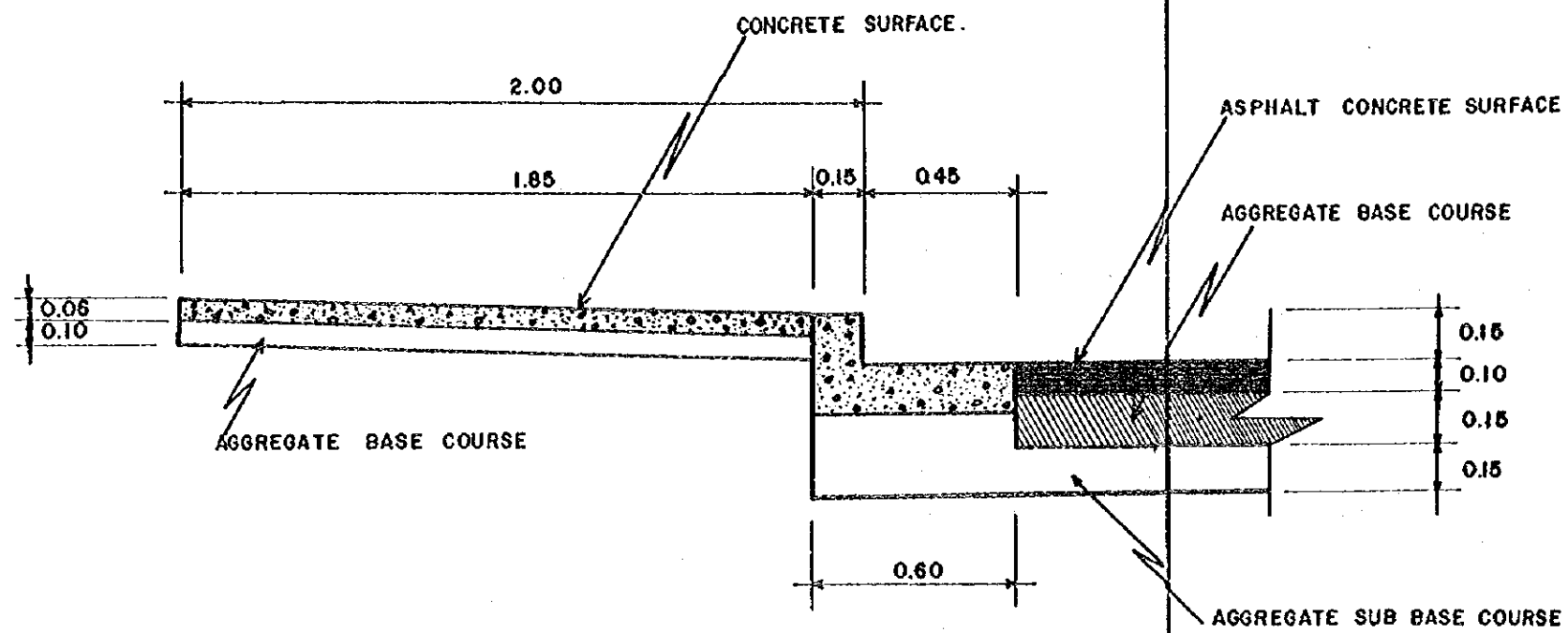


DIMENSION OF GIRDER SCALE 1:30

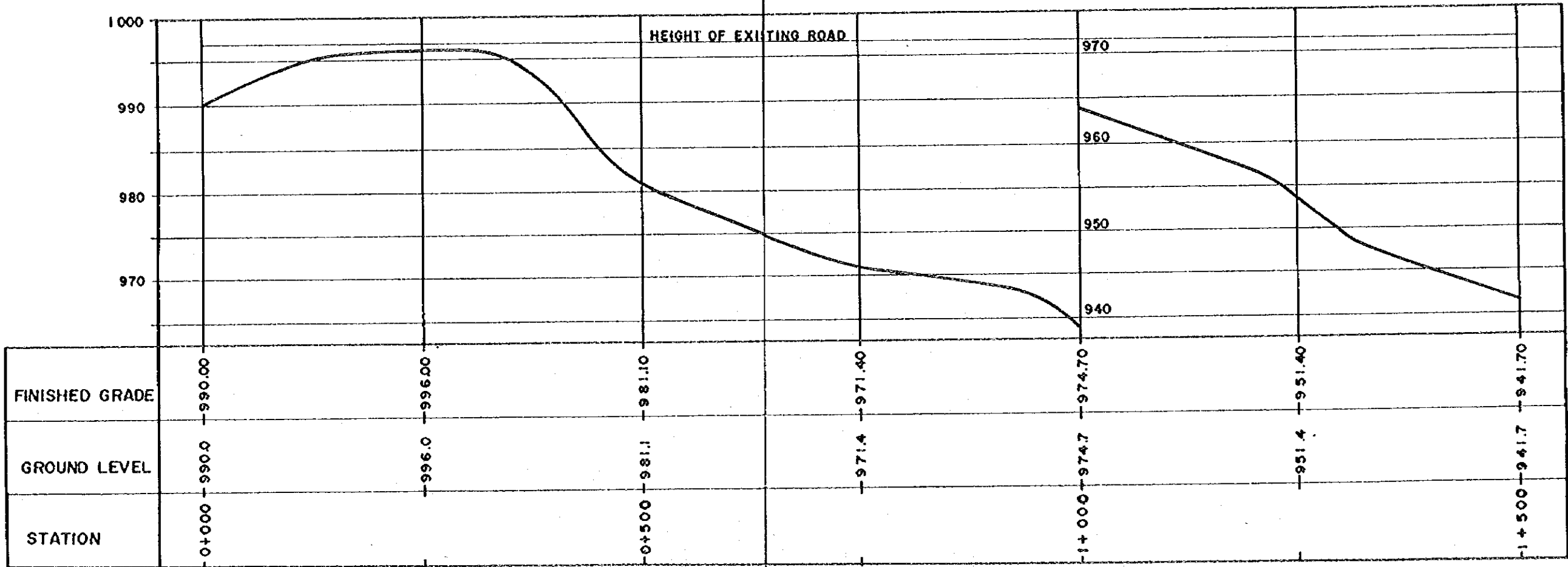
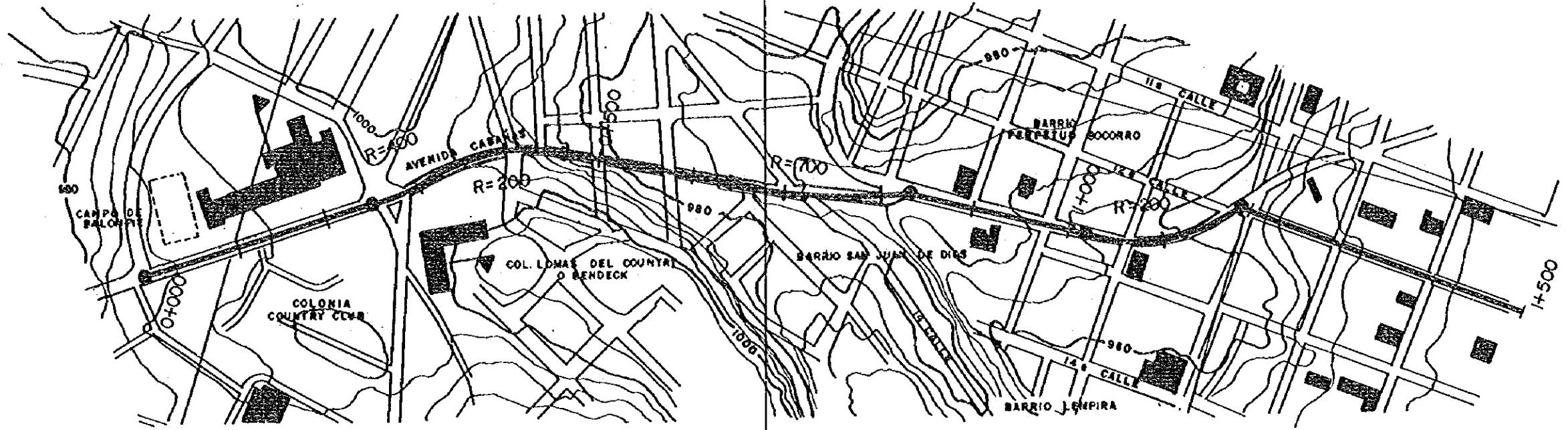


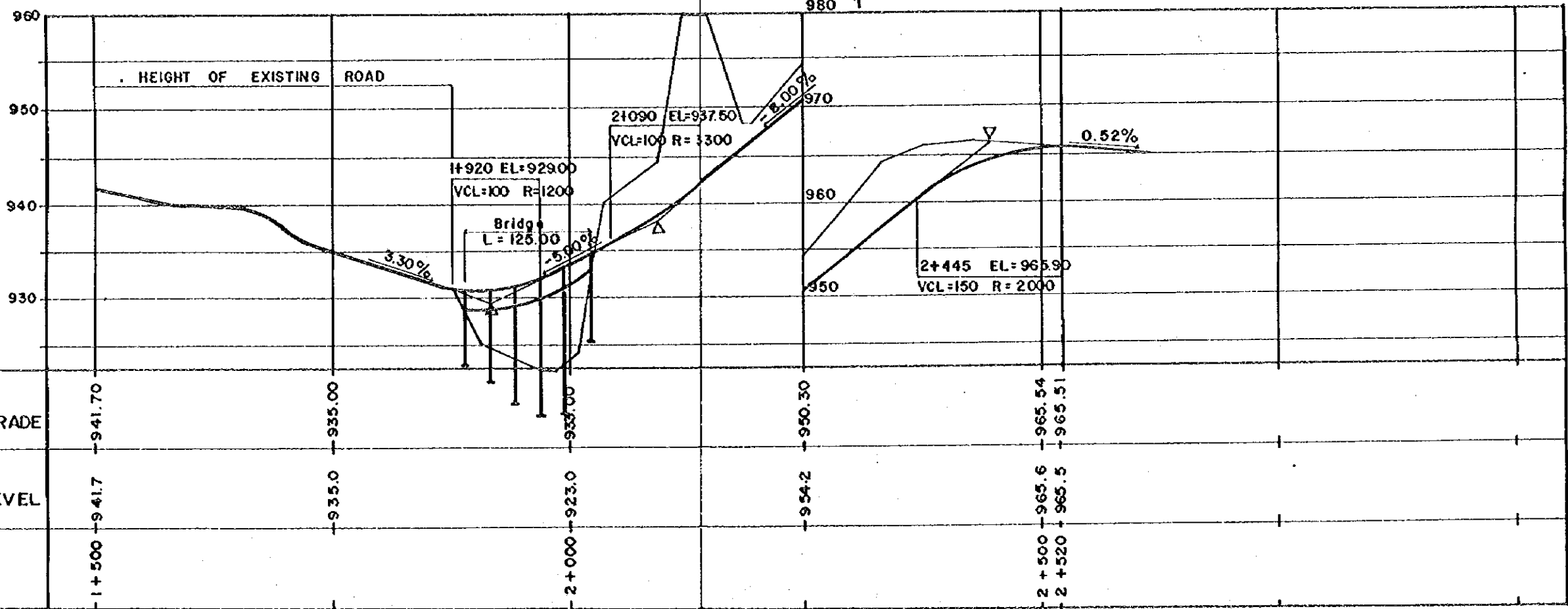
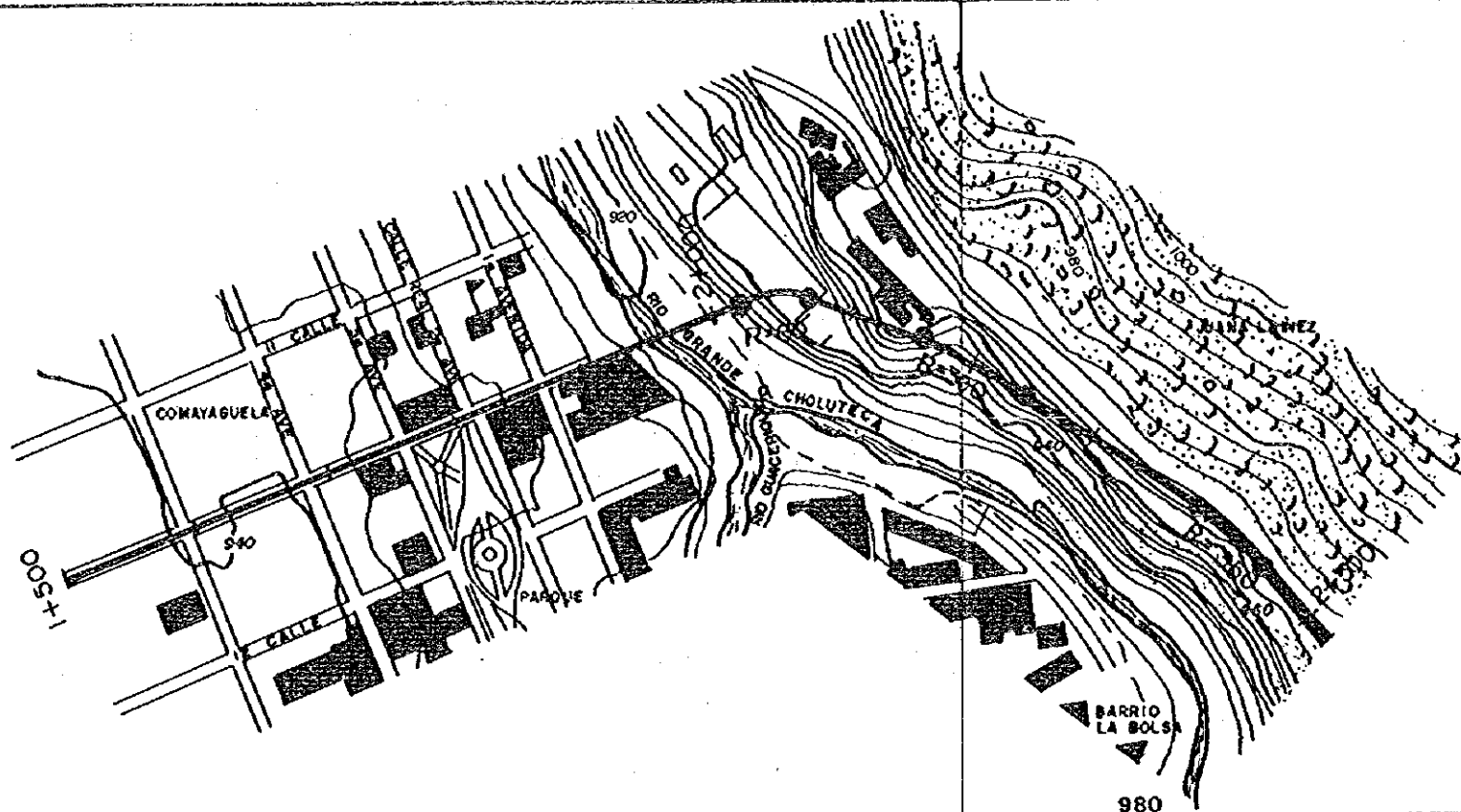


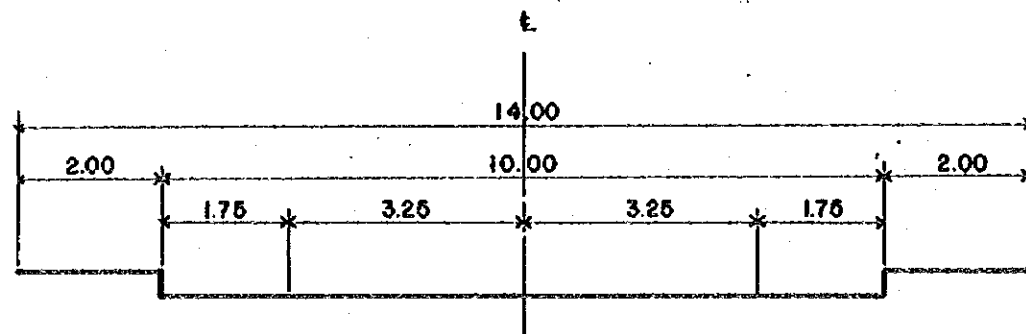
TYPICAL CROSS SECTION SCALE 1:200



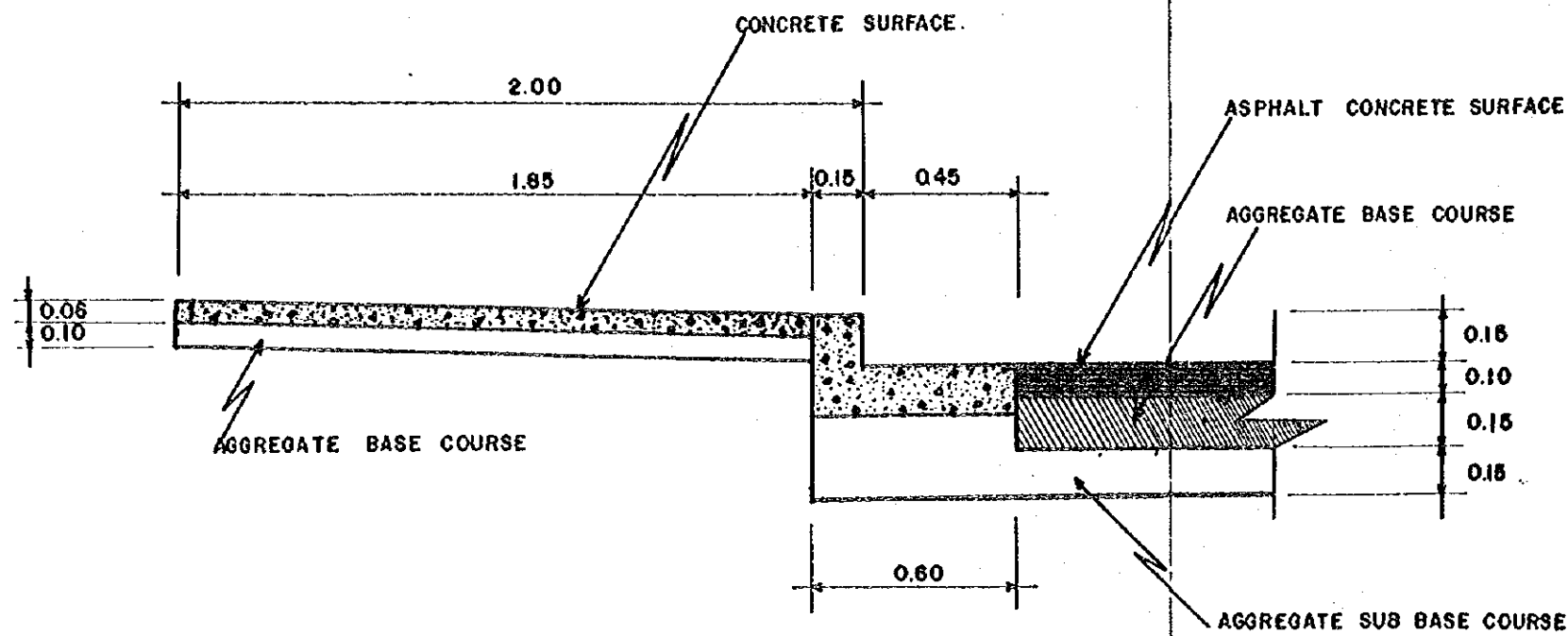
PAVEMENT STRUCTURE AND SIDEWALK SCALE 1:20



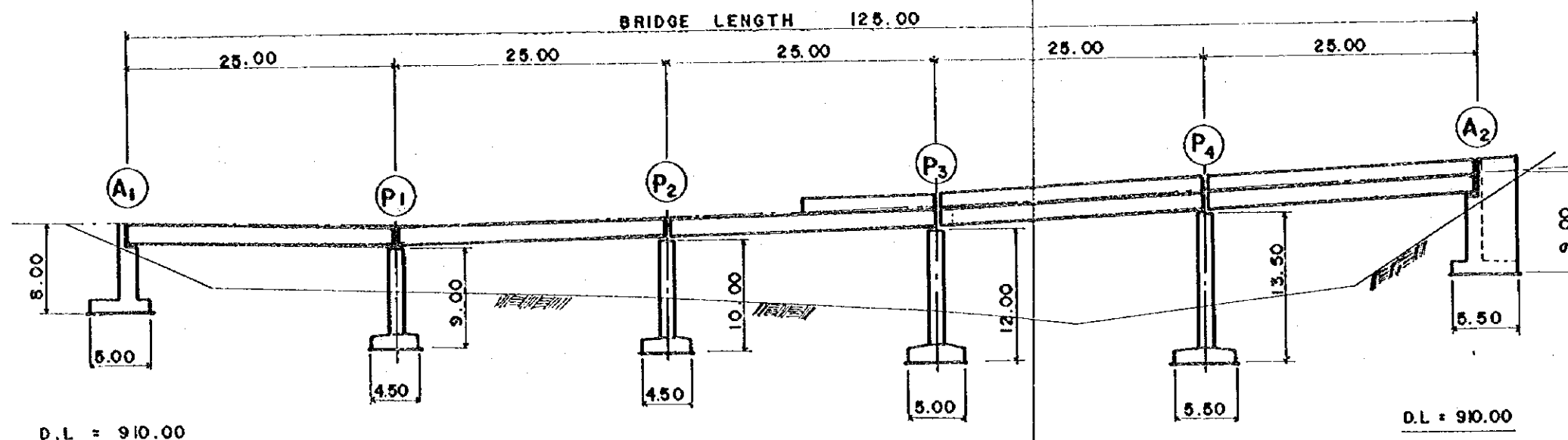




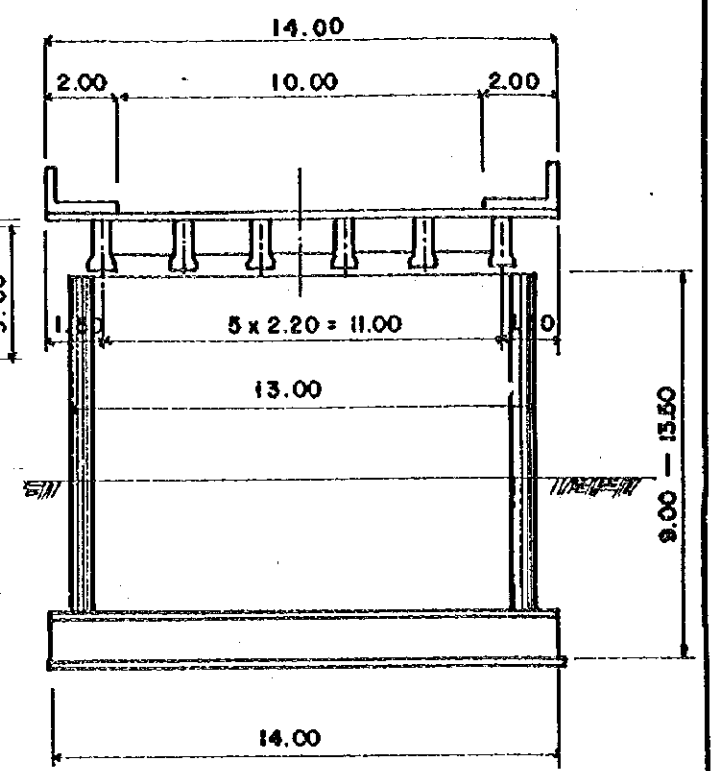
TYPICAL CROSS SECTION SCALE 1:100



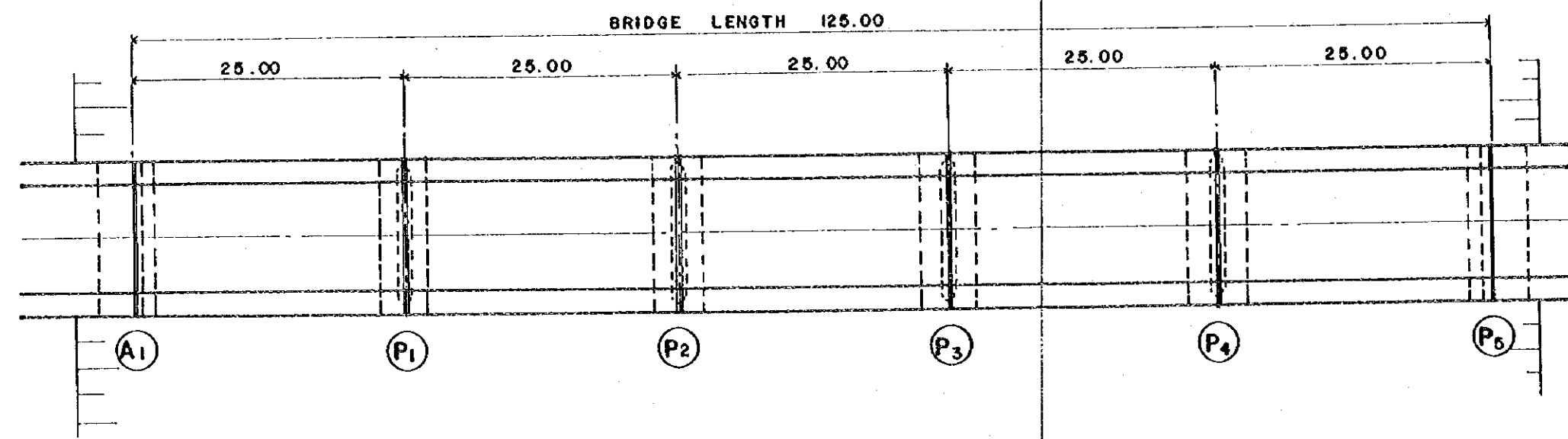
PAVEMENT STRUCTURE AND SIDEWALK SCALE 1:20



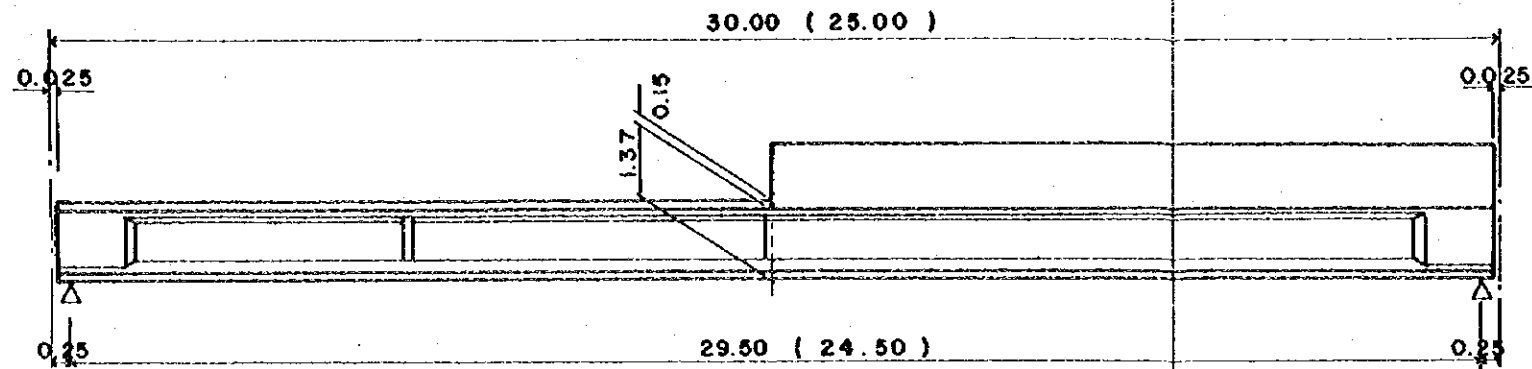
ELEVATION SCALE 1:500



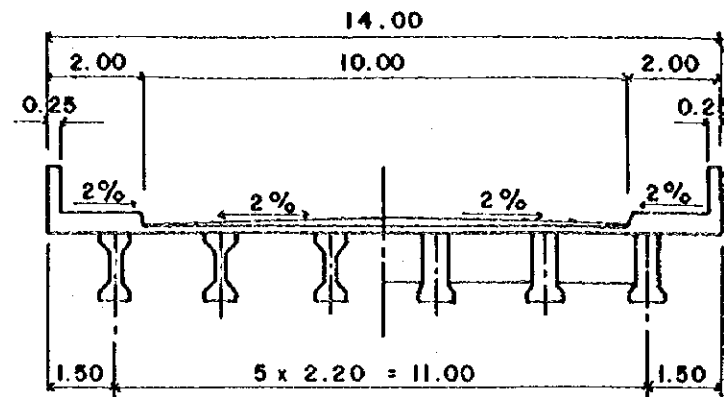
CROSS SECTION SCALE 1:200



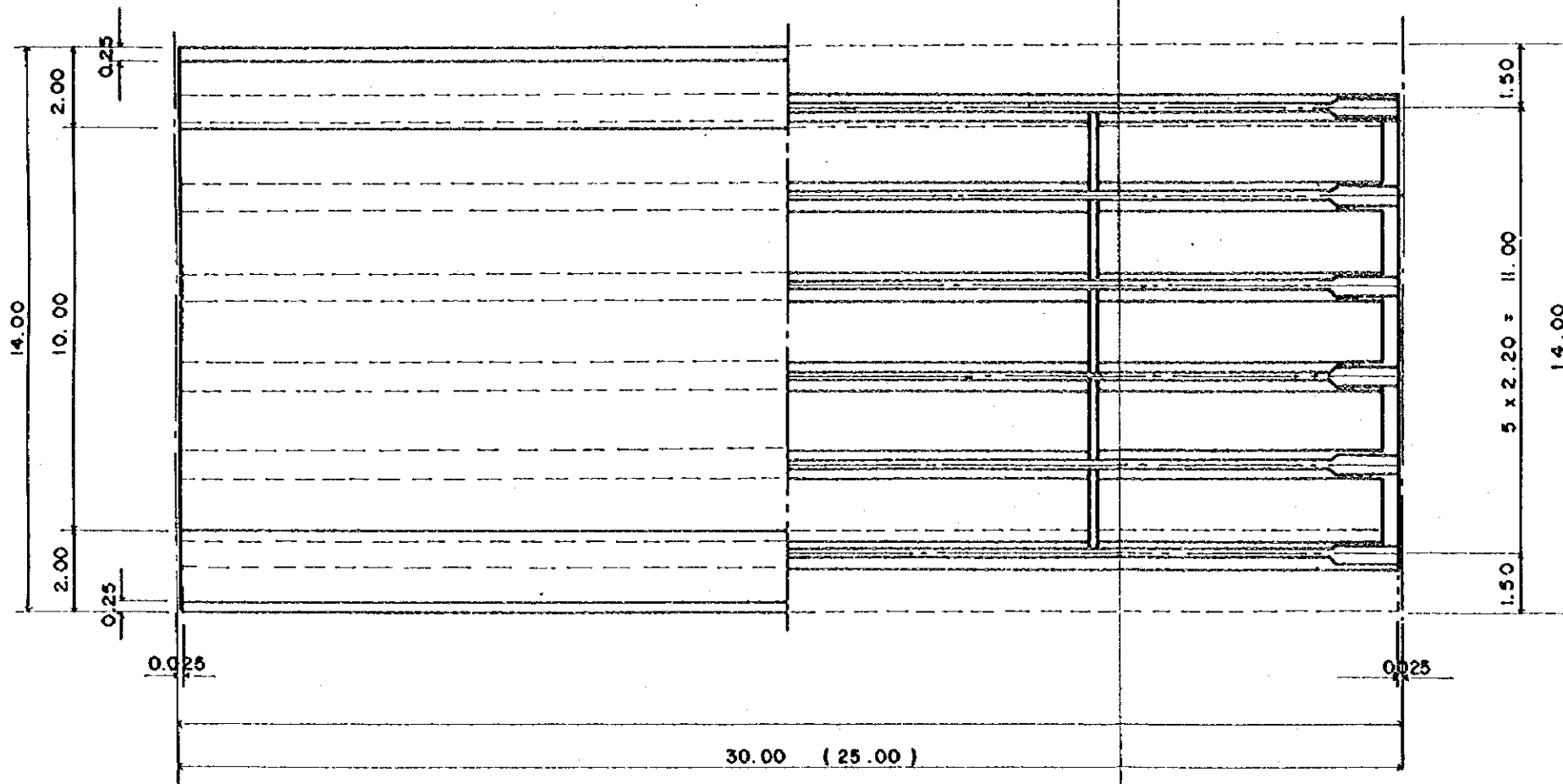
PLAN SCALE 1:500



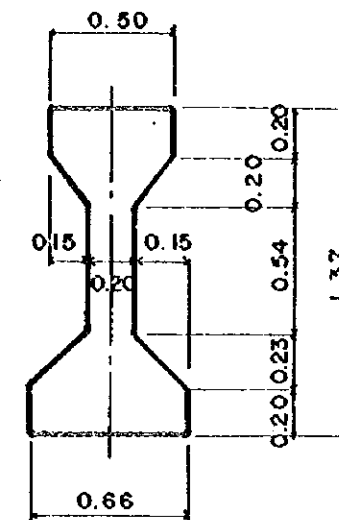
ELEVATION SCALE 1:150



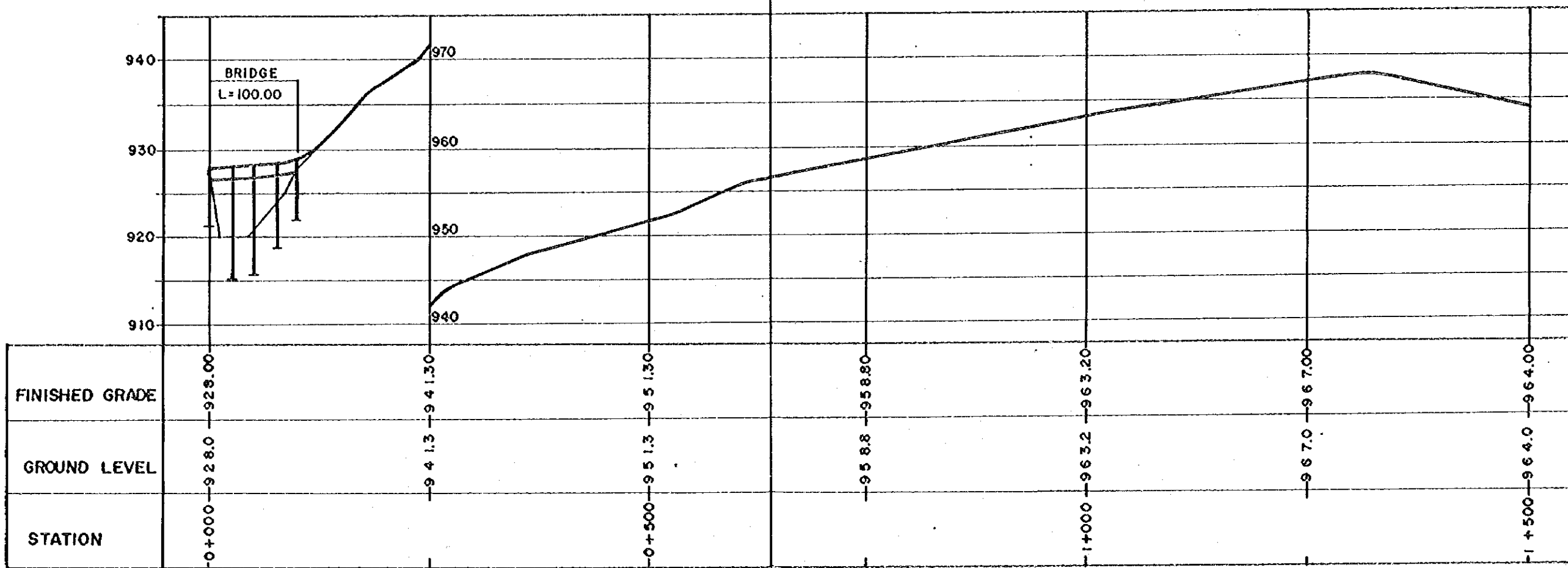
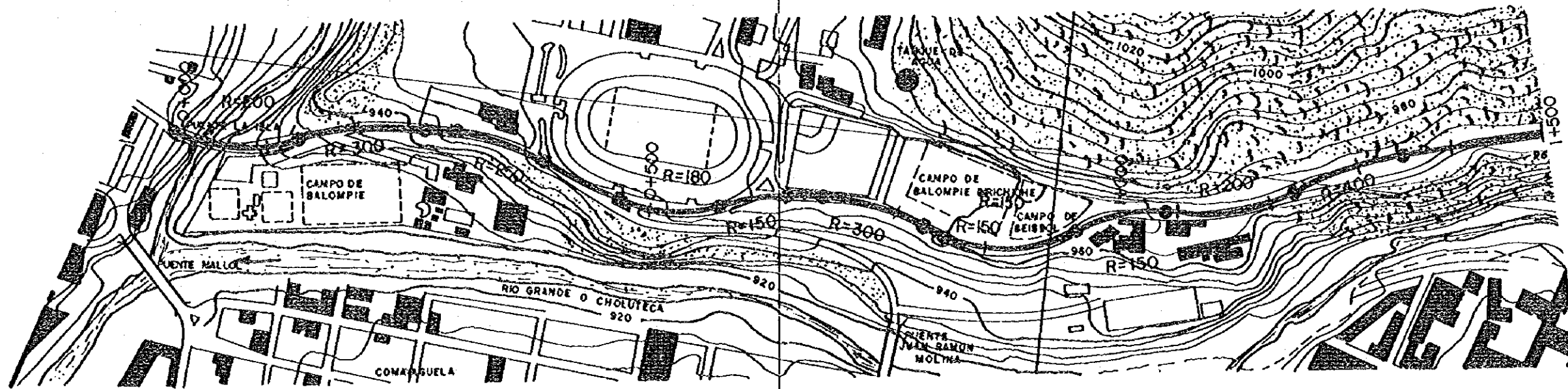
TYPICAL CROSS SECTION SCALE 1:50

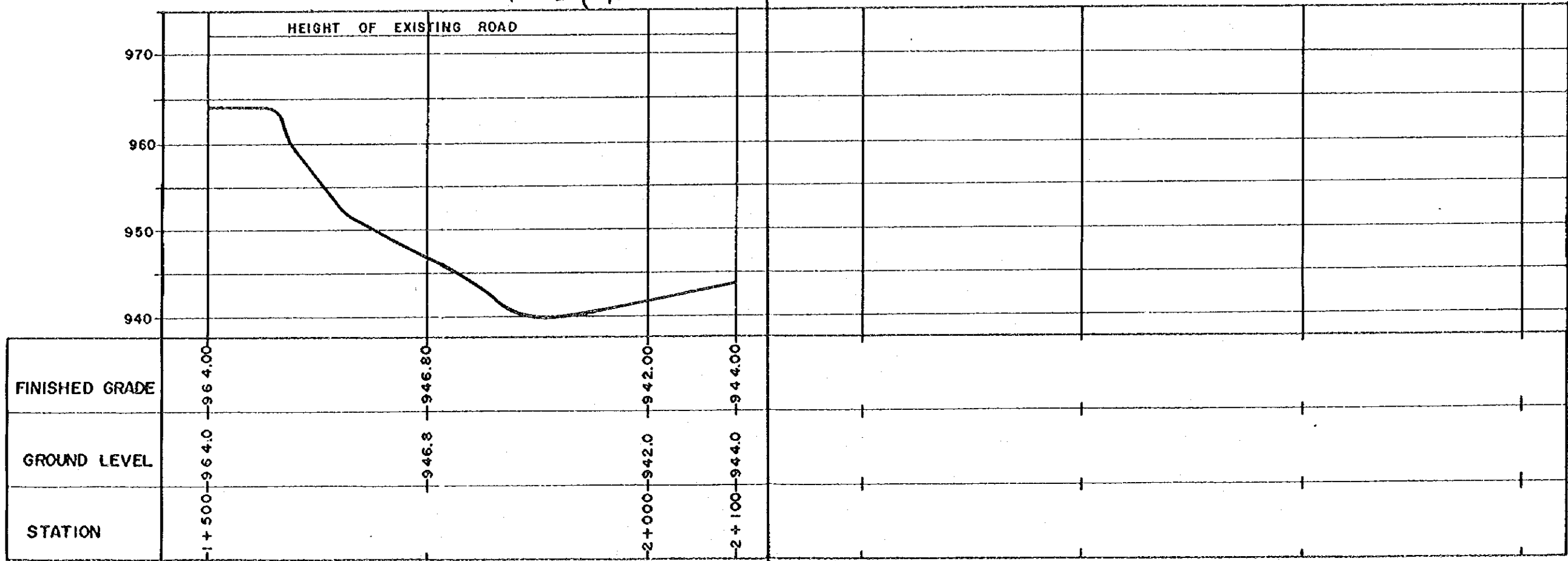
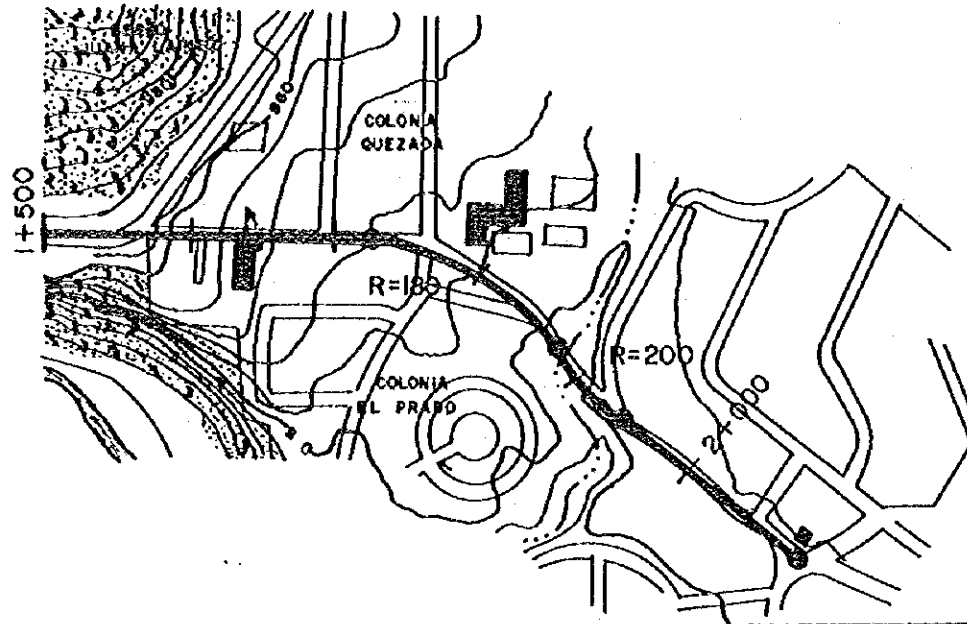


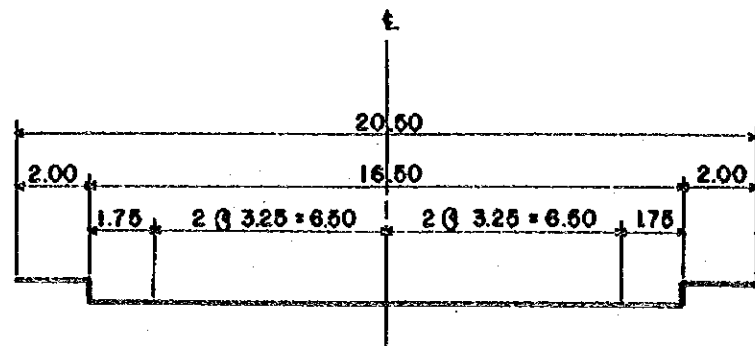
PLAN SCALE 1:150



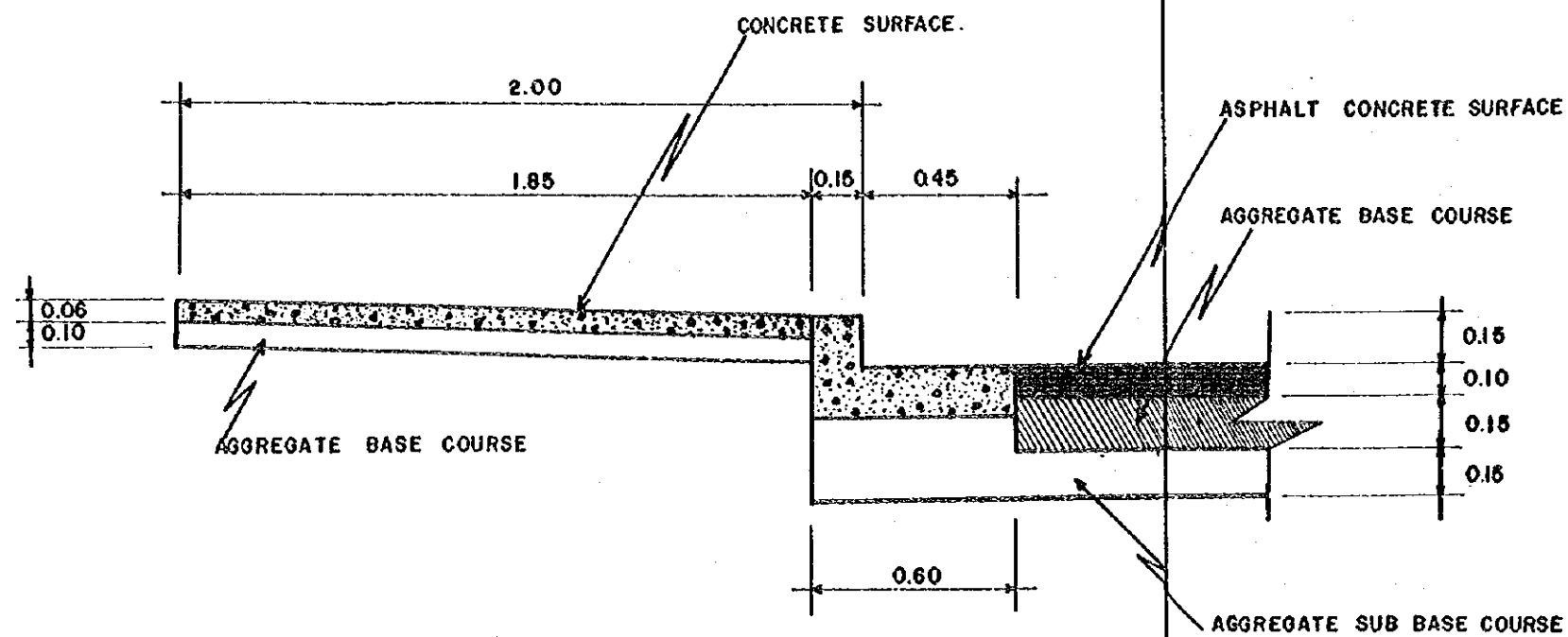
DIMENSION OF GIRDER SCALE 1:30



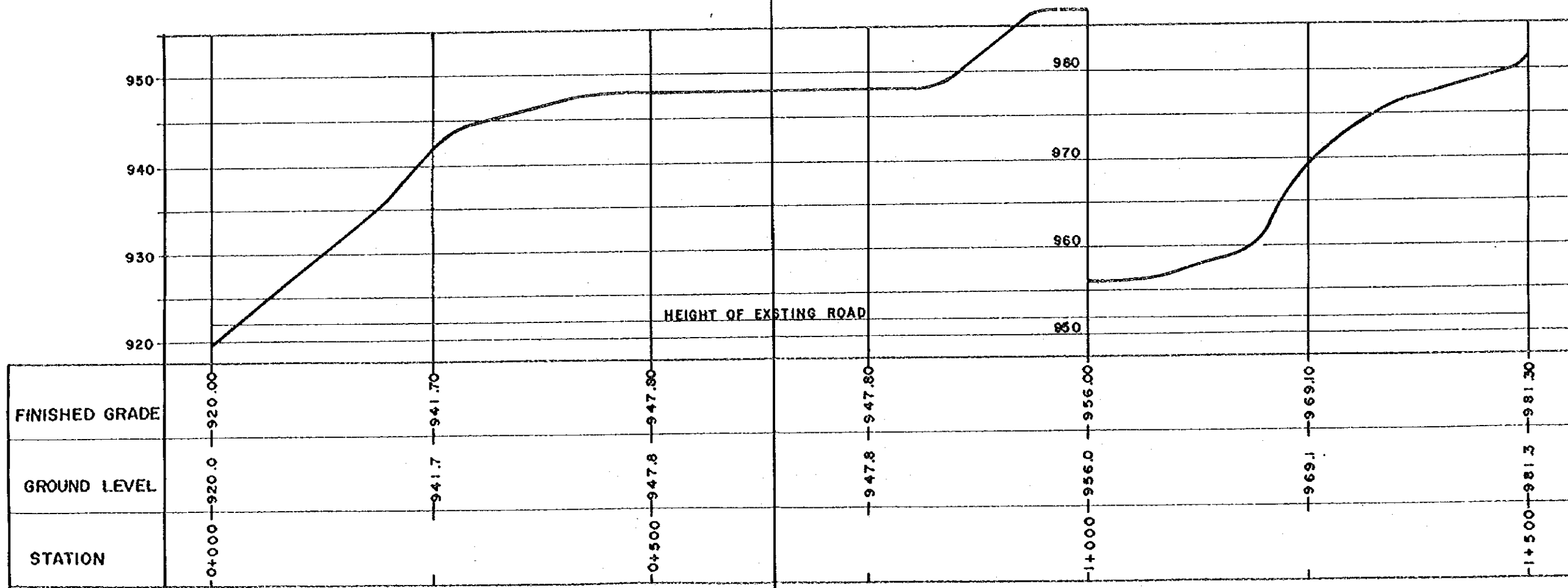
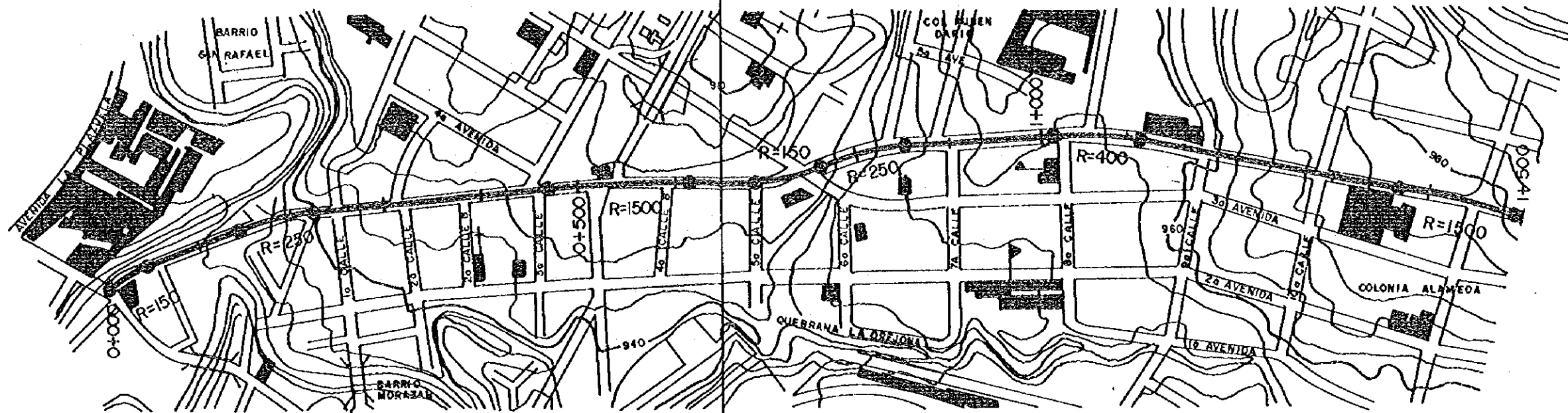


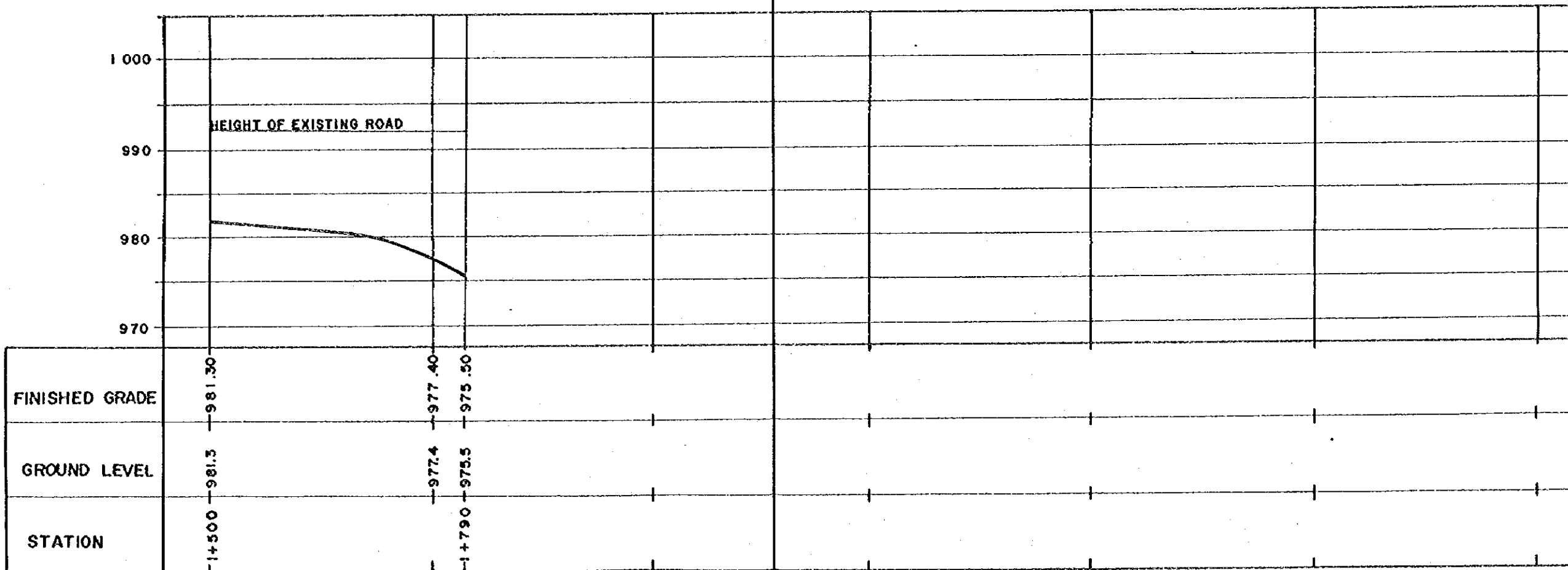
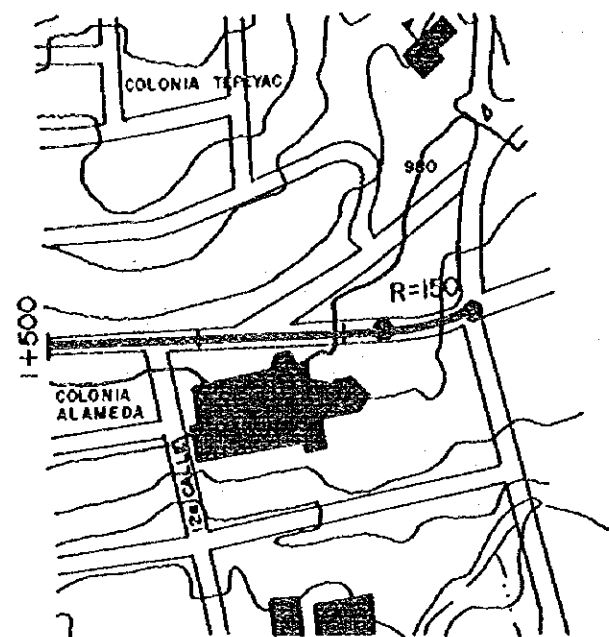


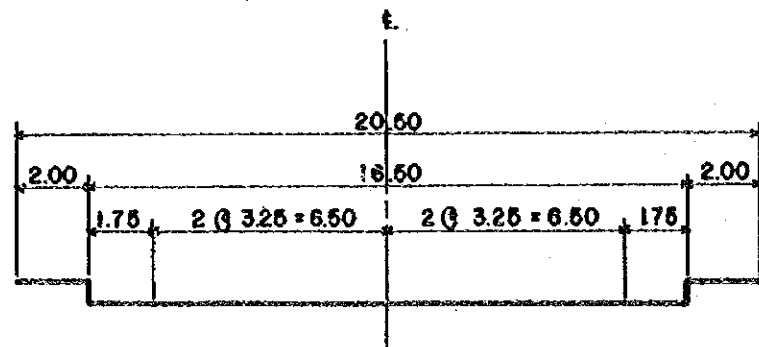
TYPICAL CROSS SECTION SCALE 1:200



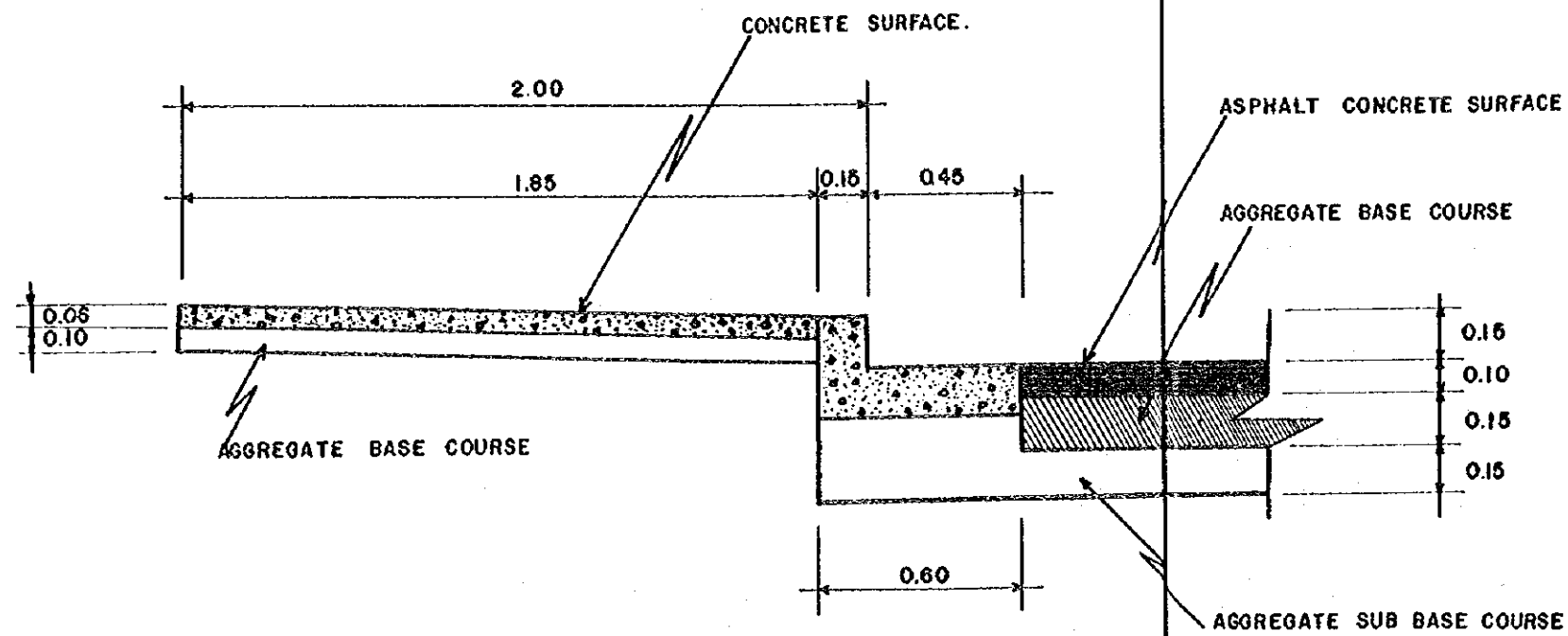
PAVEMENT STRUCTURE AND SIDEWALK SCALE 1:20



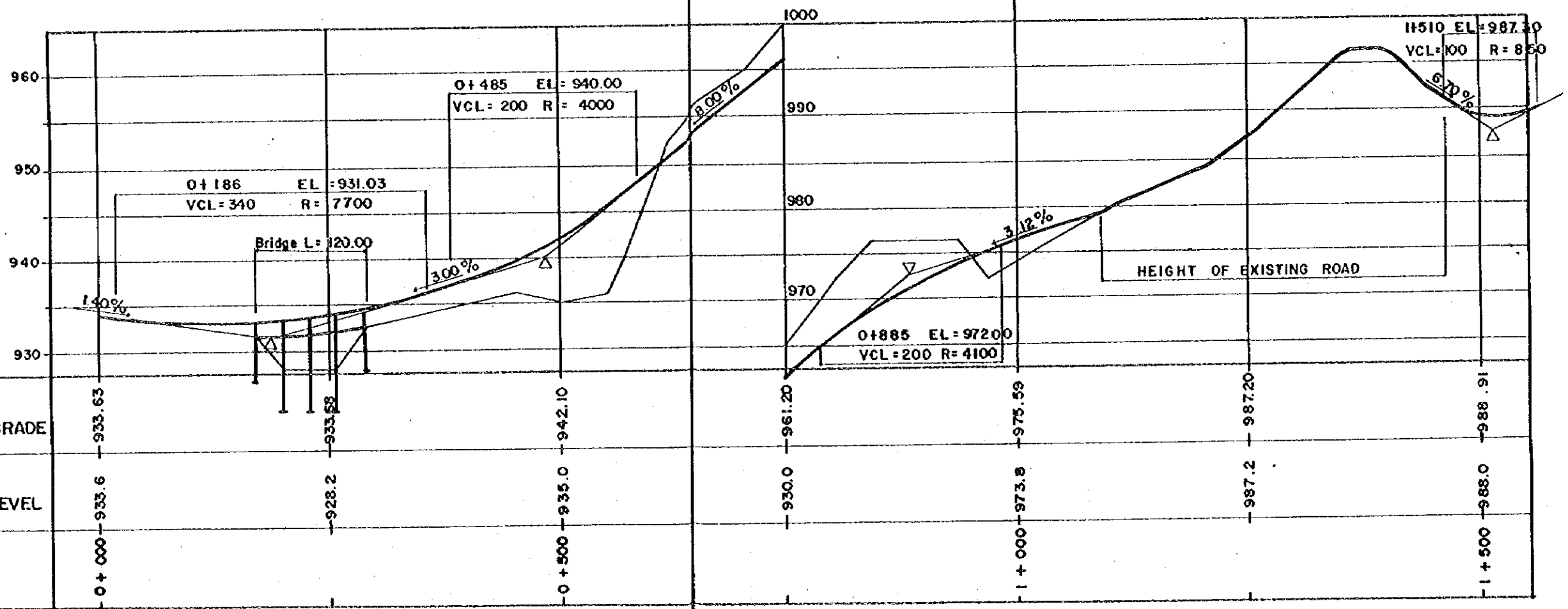
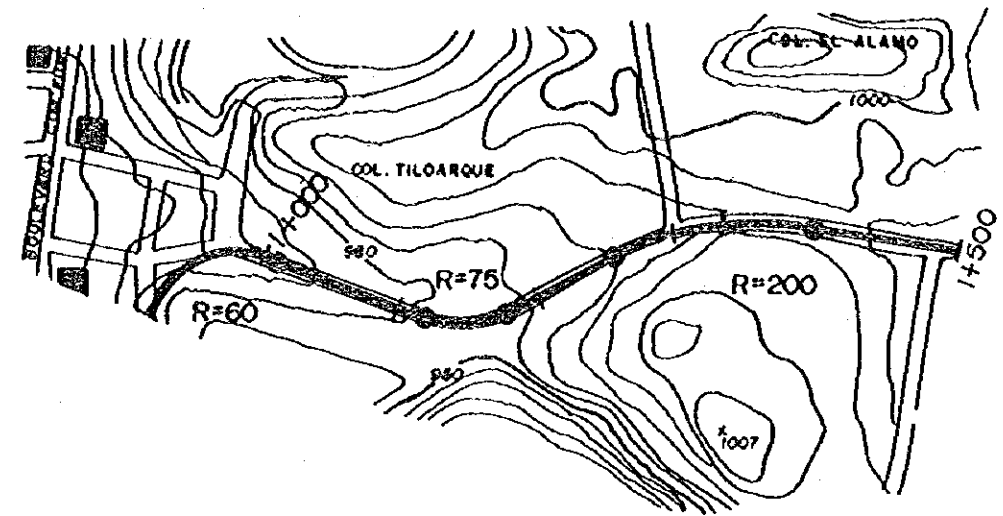
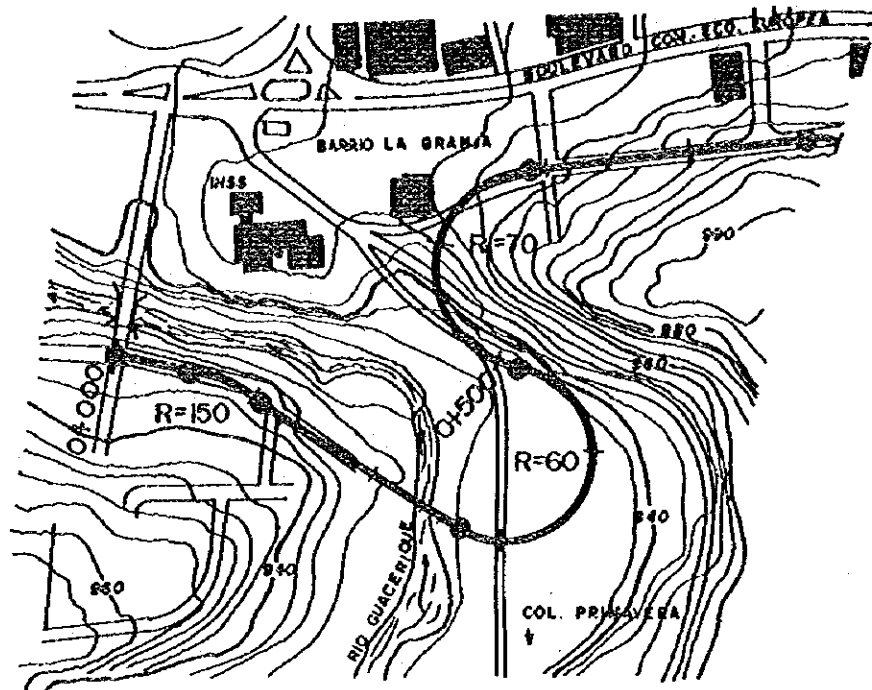


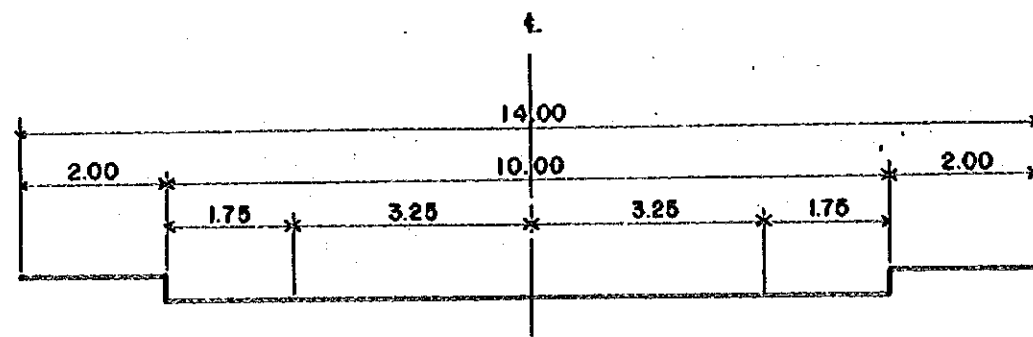


TYPICAL CROSS SECTION SCALE 1:200

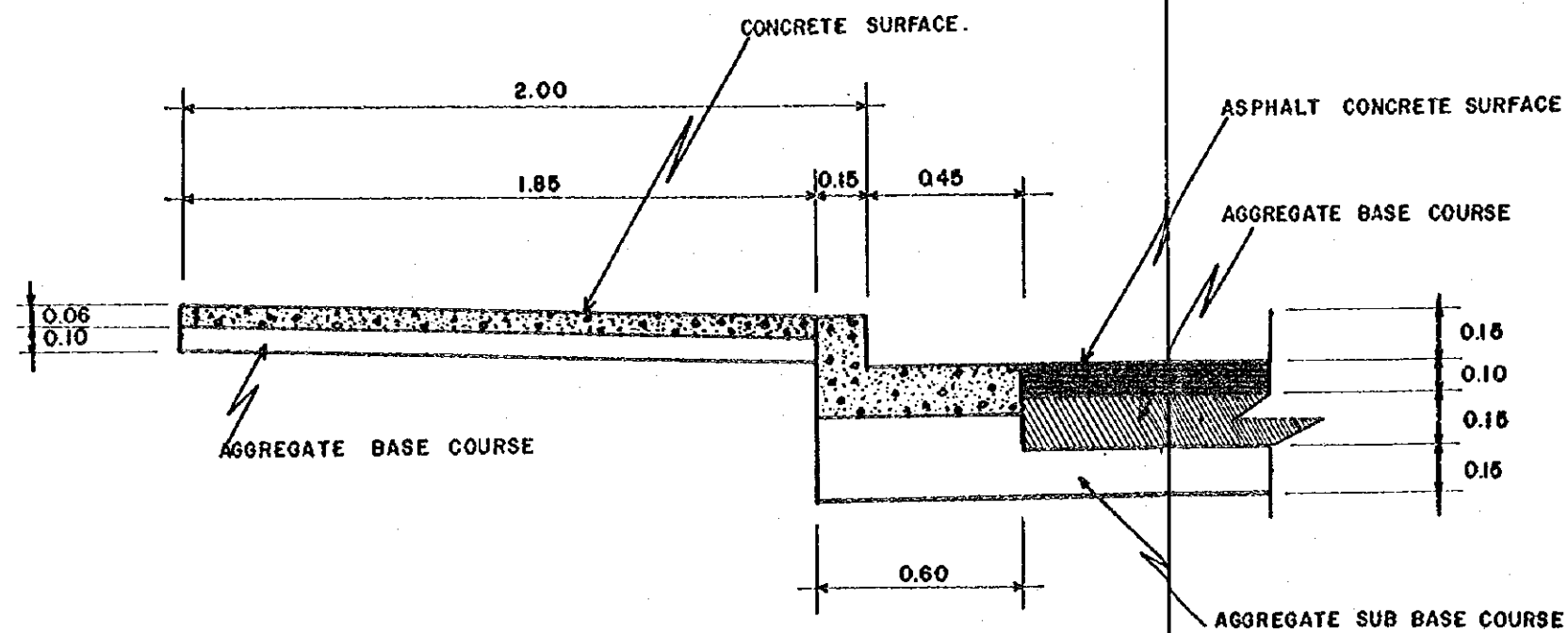


PAVEMENT STRUCTURE AND SIDEWALK SCALE 1:20

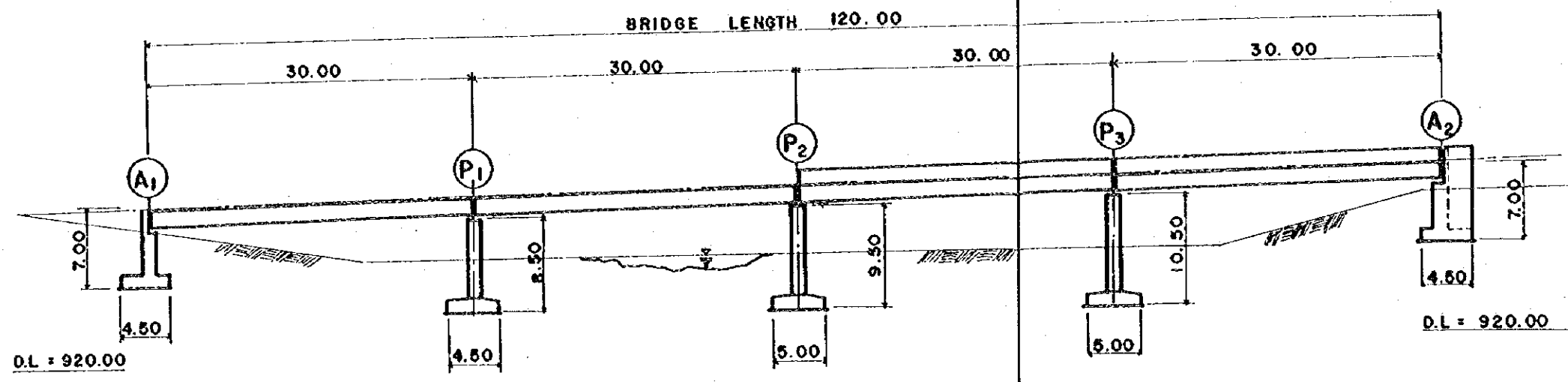




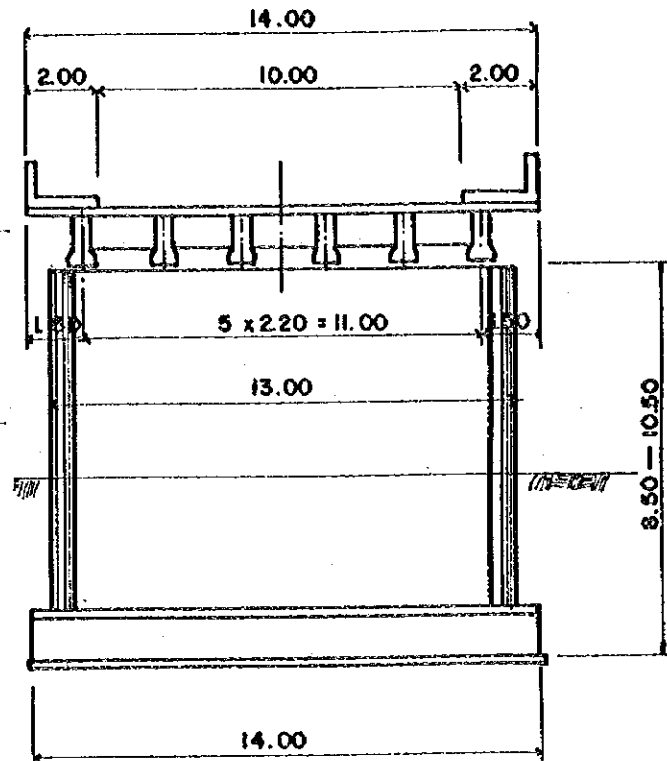
TYPICAL CROSS SECTION SCALE 1:100



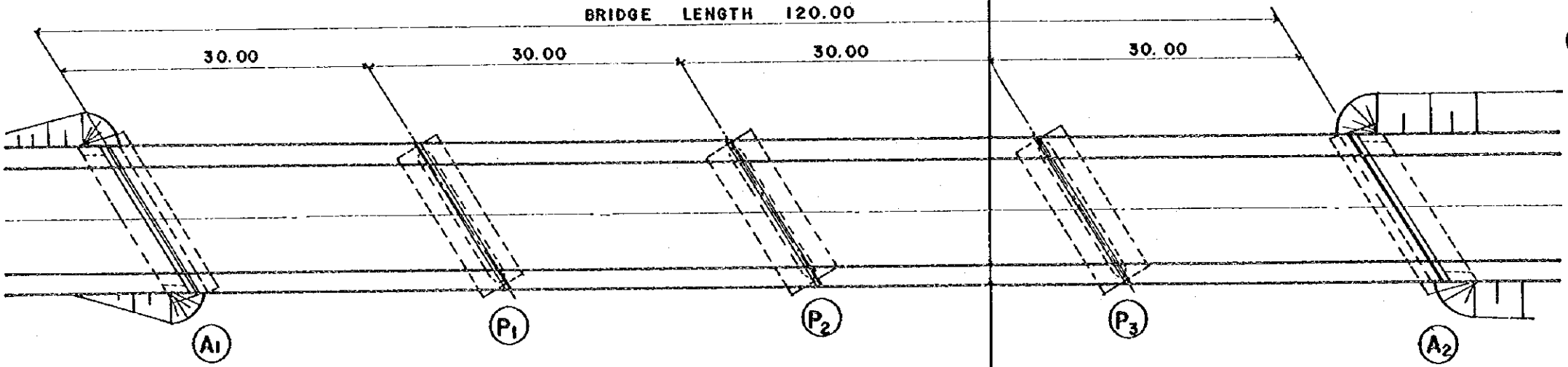
PAVEMENT STRUCTURE AND SIDEWALK SCALE 1:20



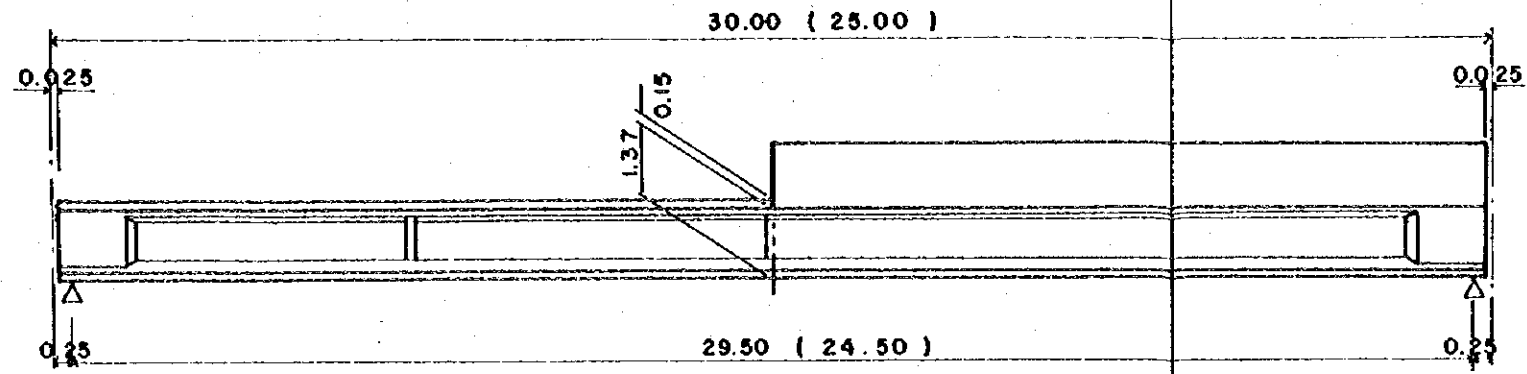
ELEVATION SCALE 1:500



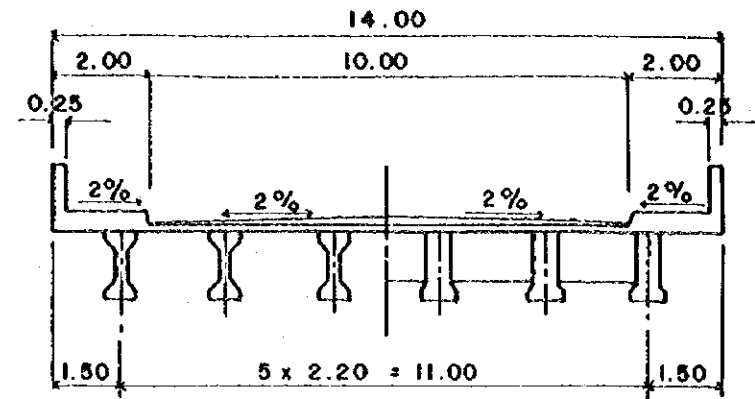
CROSS SECTION SCALE 1:200



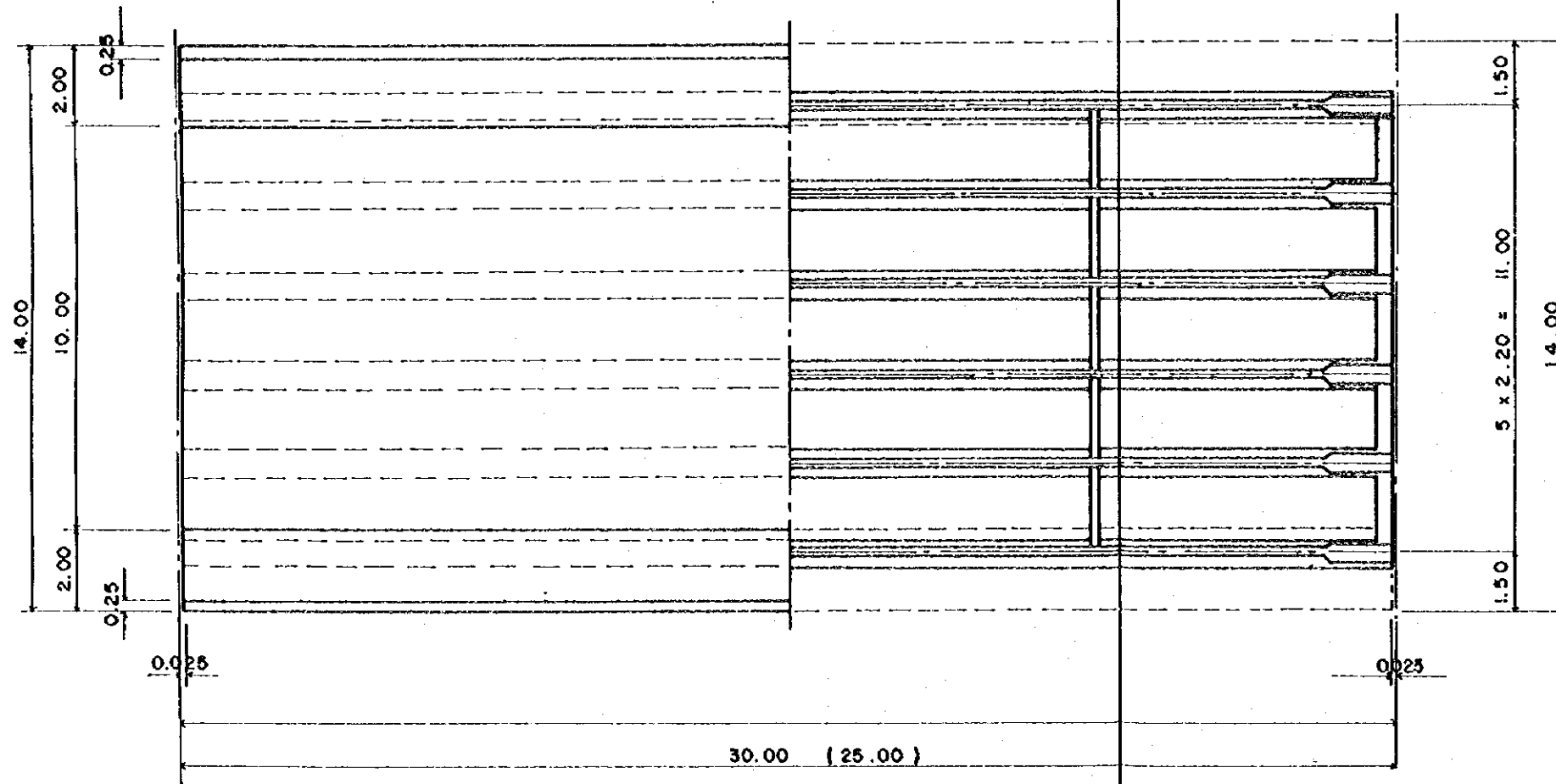
PLAN SCALE 1:500



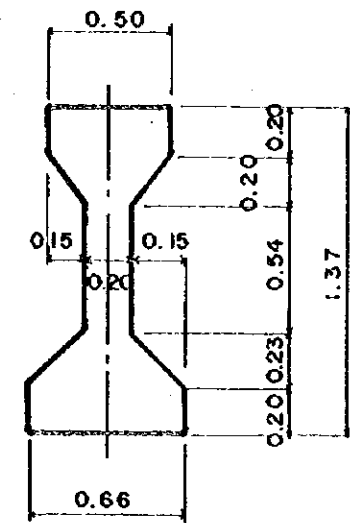
ELEVATION SCALE 1:150



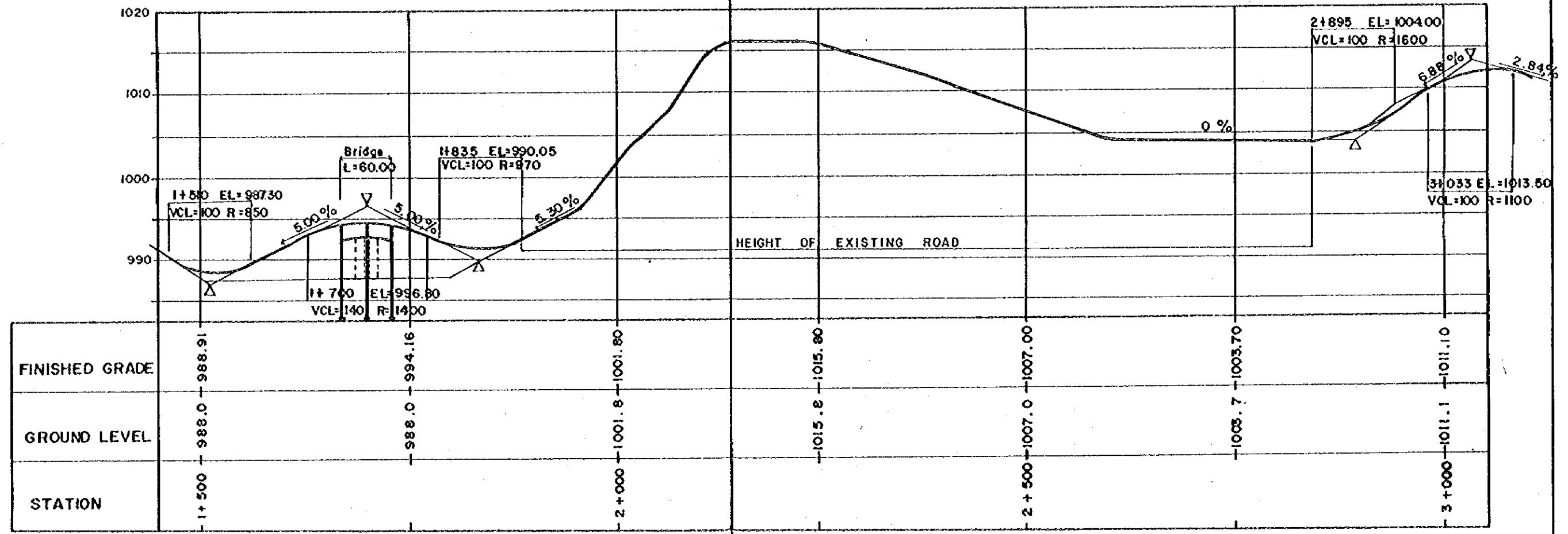
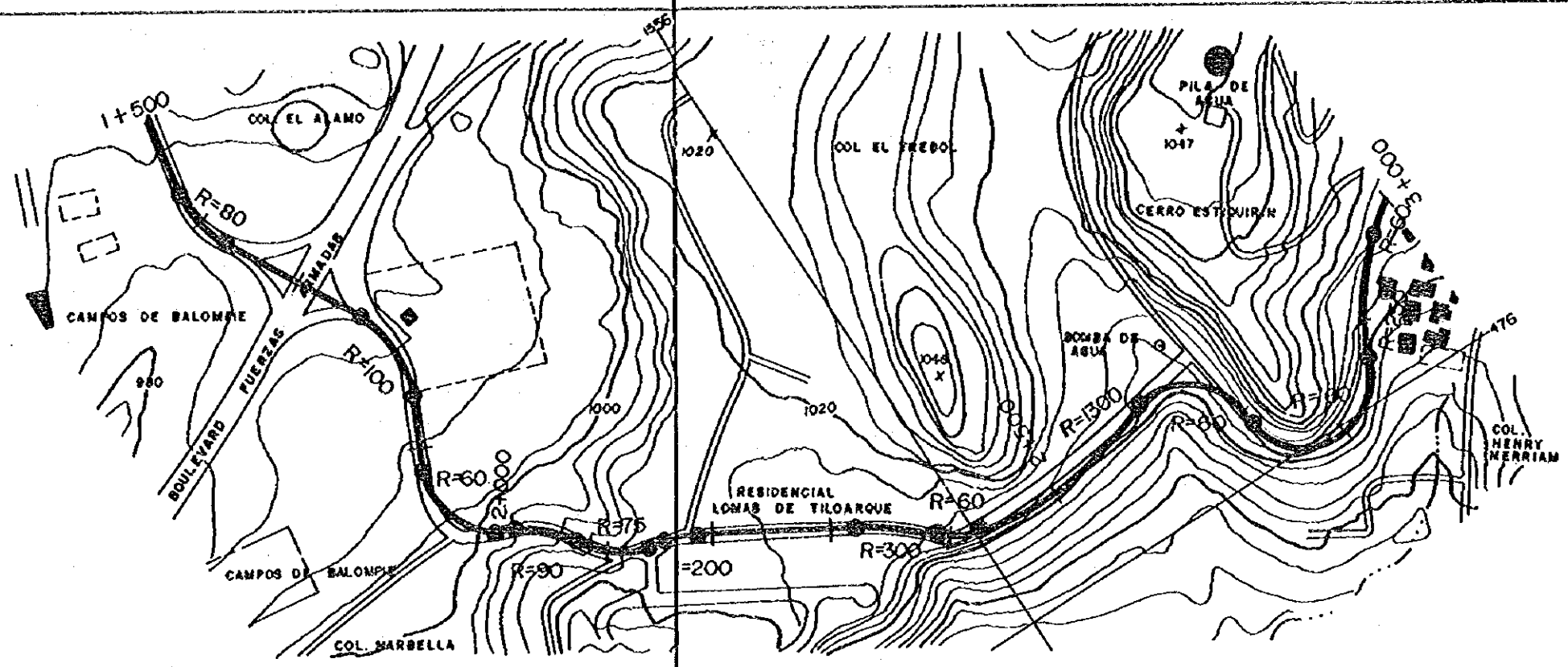
TYPICAL CROSS SECTION SCALE 1:50

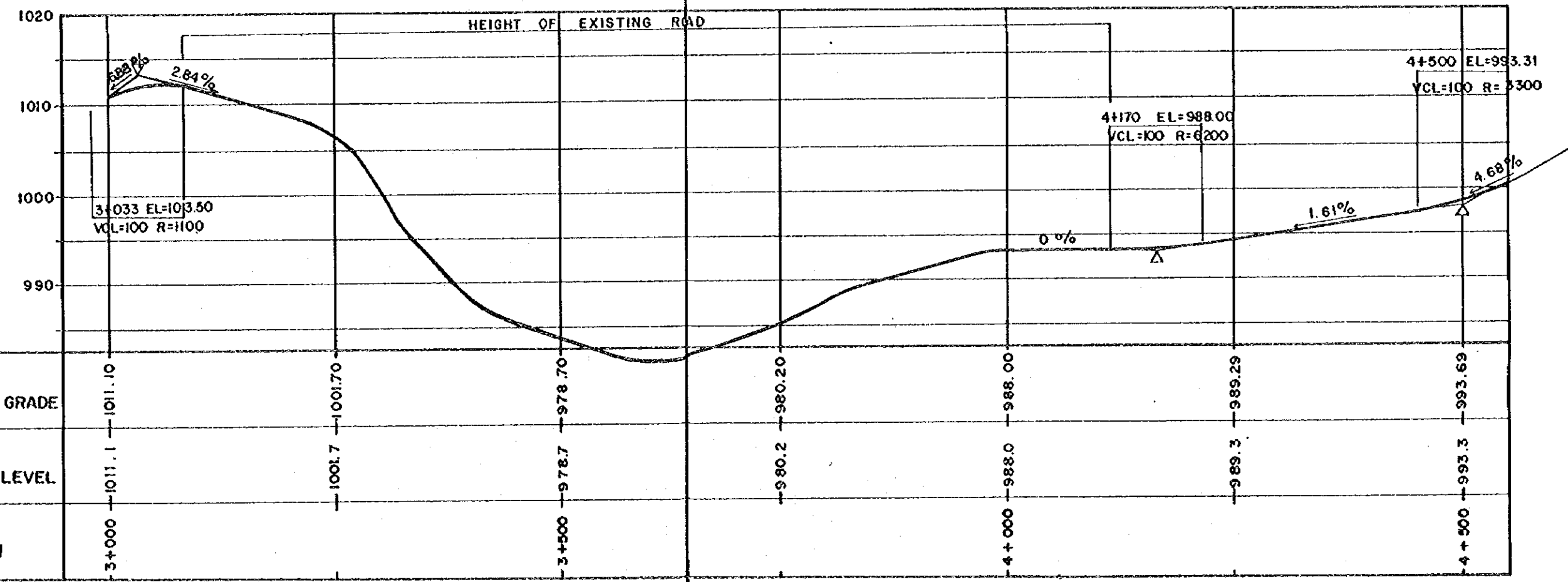
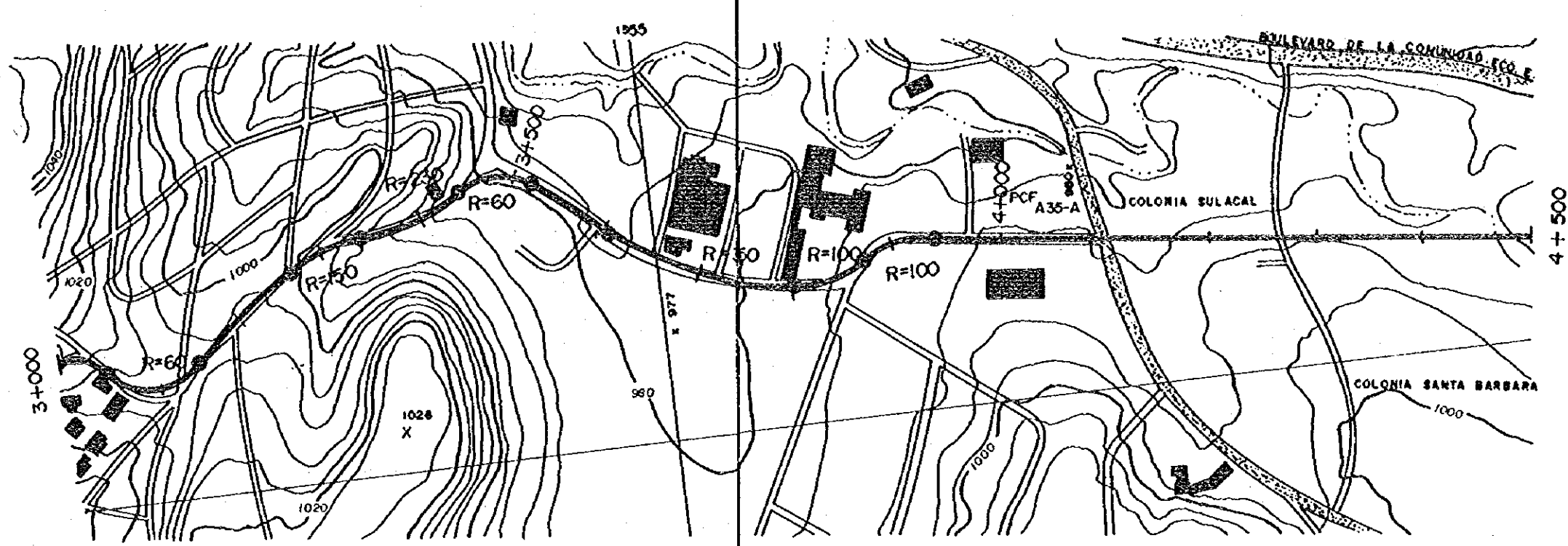


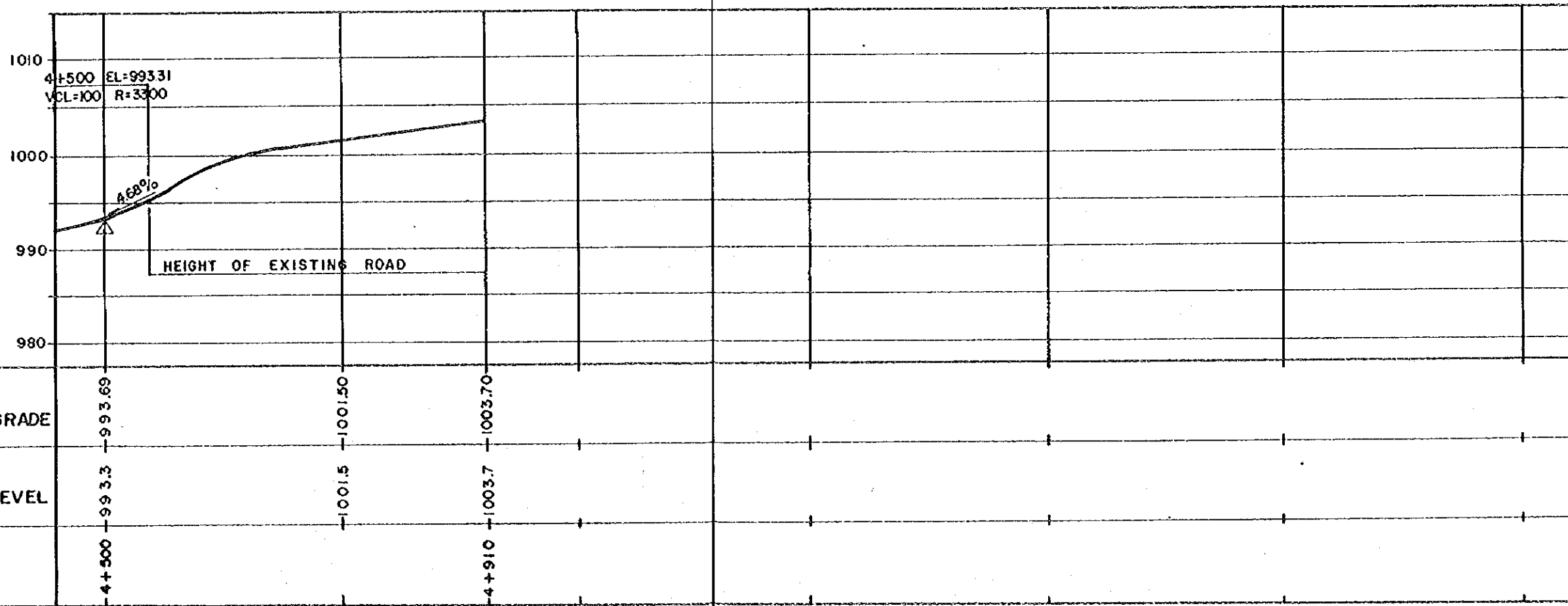
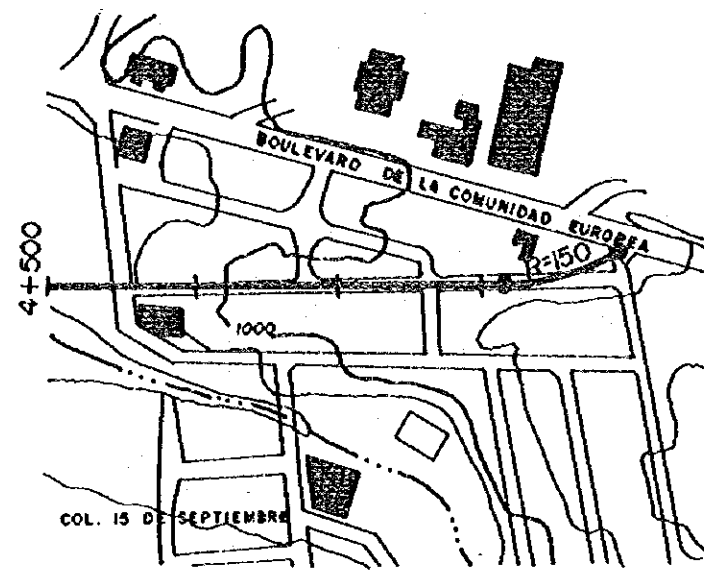
PLAN SCALE 1:150

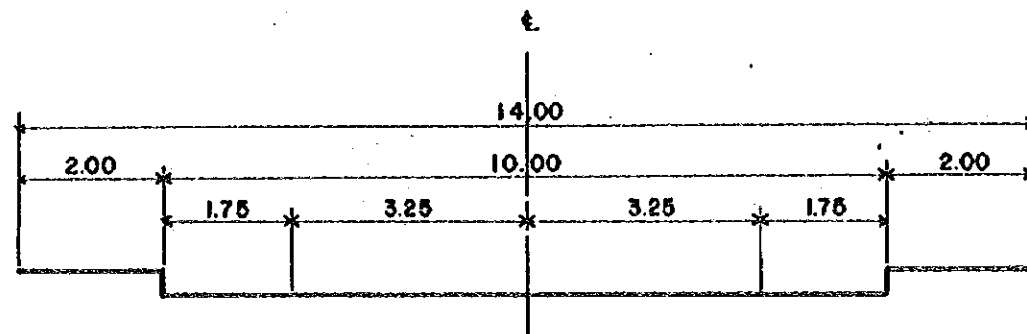


DIMENSION OF GIRDER SCALE 1:30

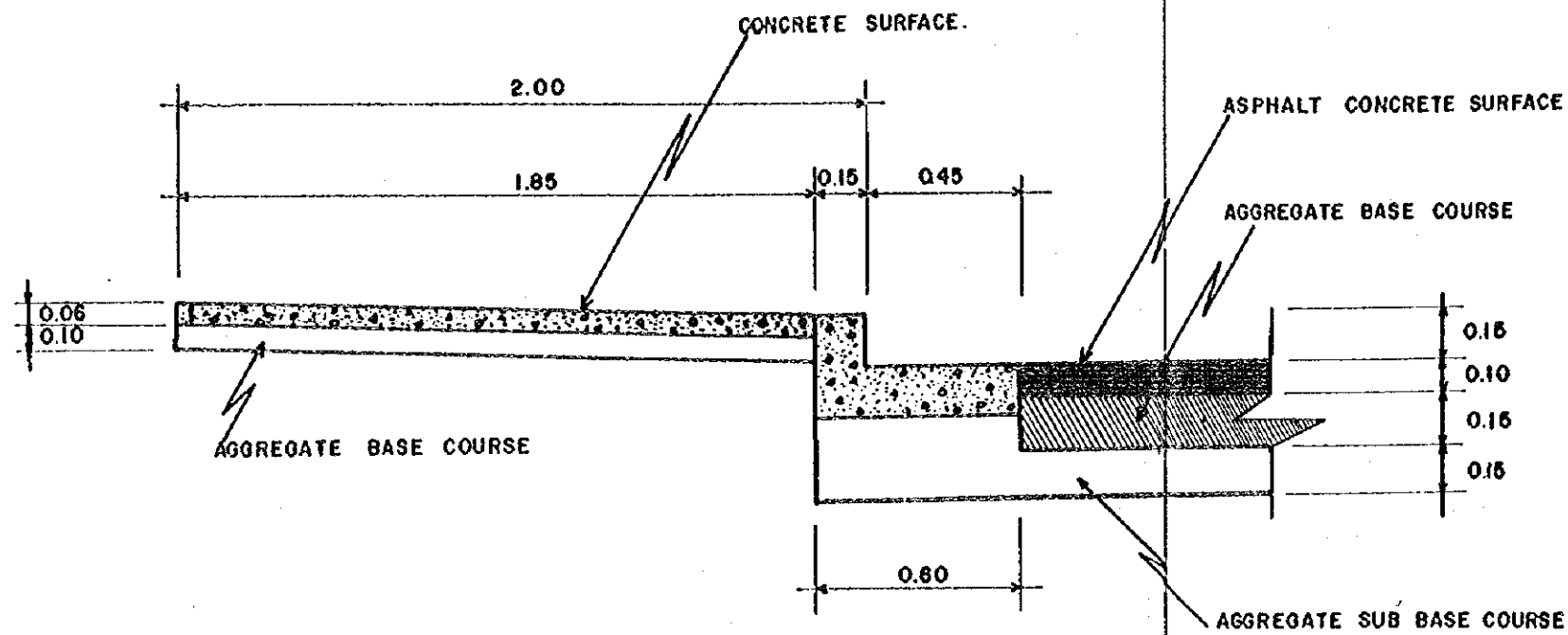




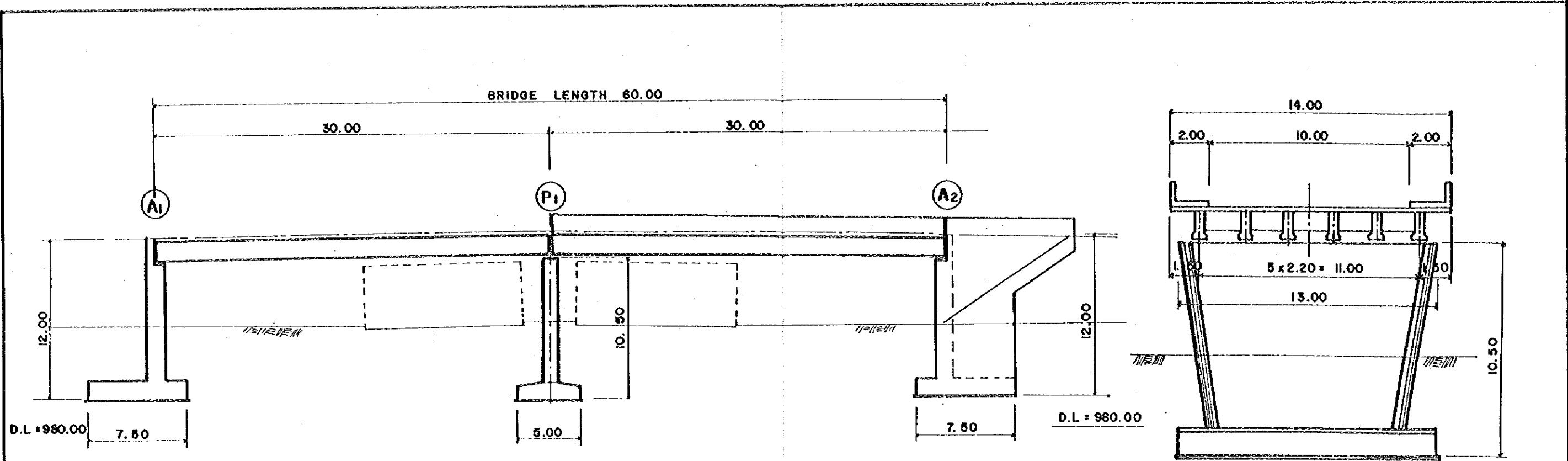




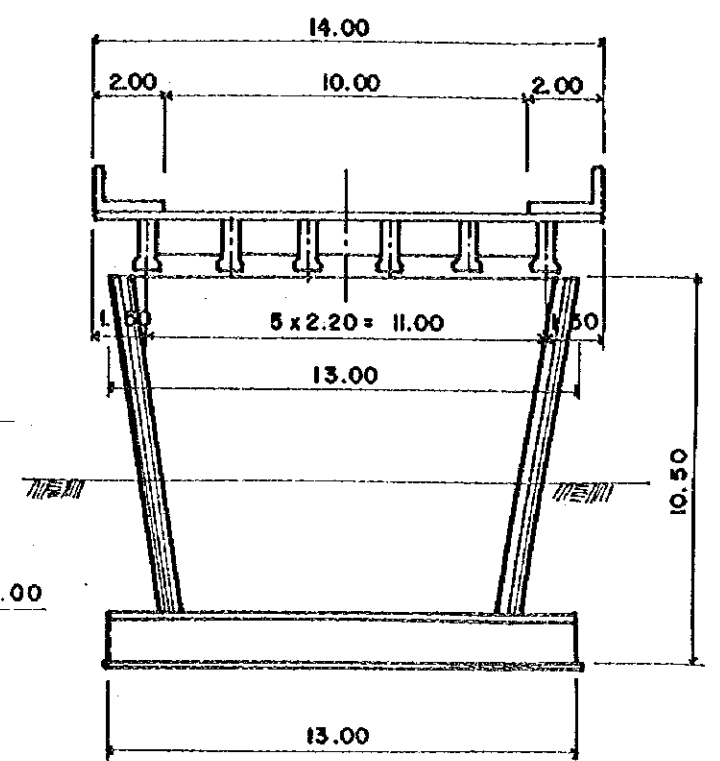
TYPICAL CROSS SECTION SCALE 1:100



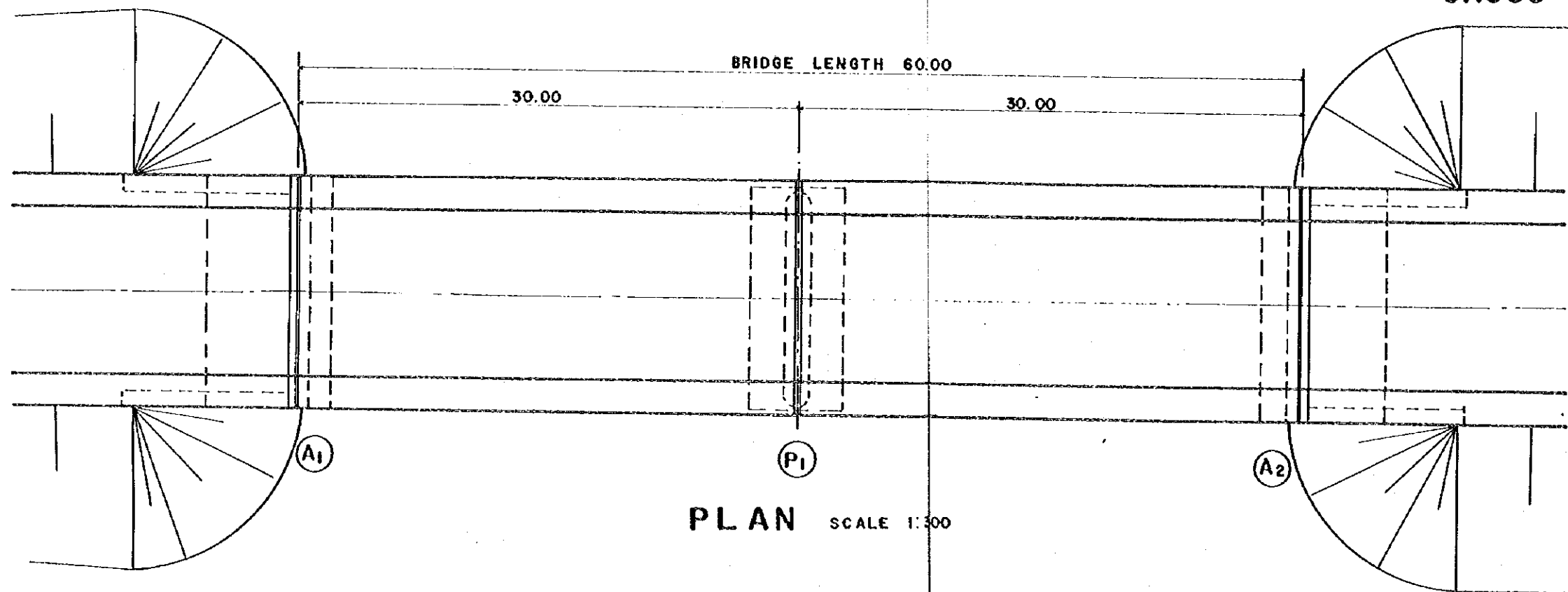
PAVEMENT STRUCTURE AND SIDEWALK SCALE 1:20



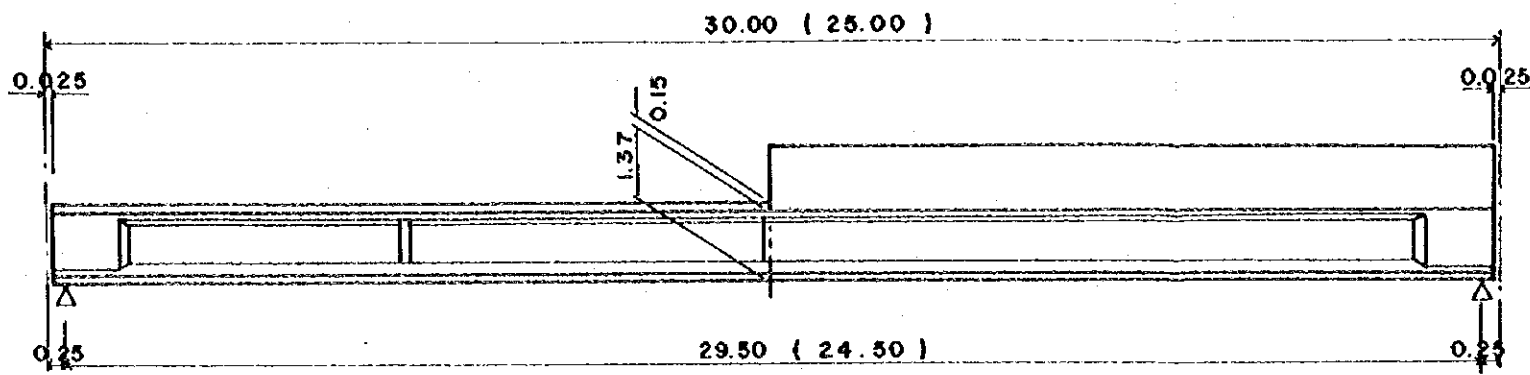
ELEVATION SCALE 1:300



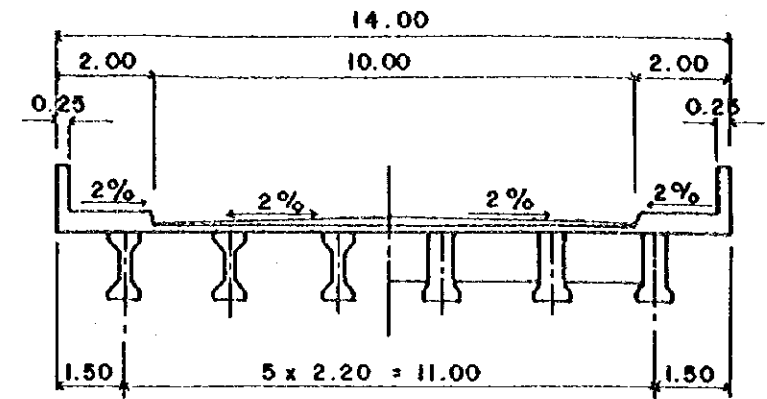
CROSS SECTION SCALE 1:200



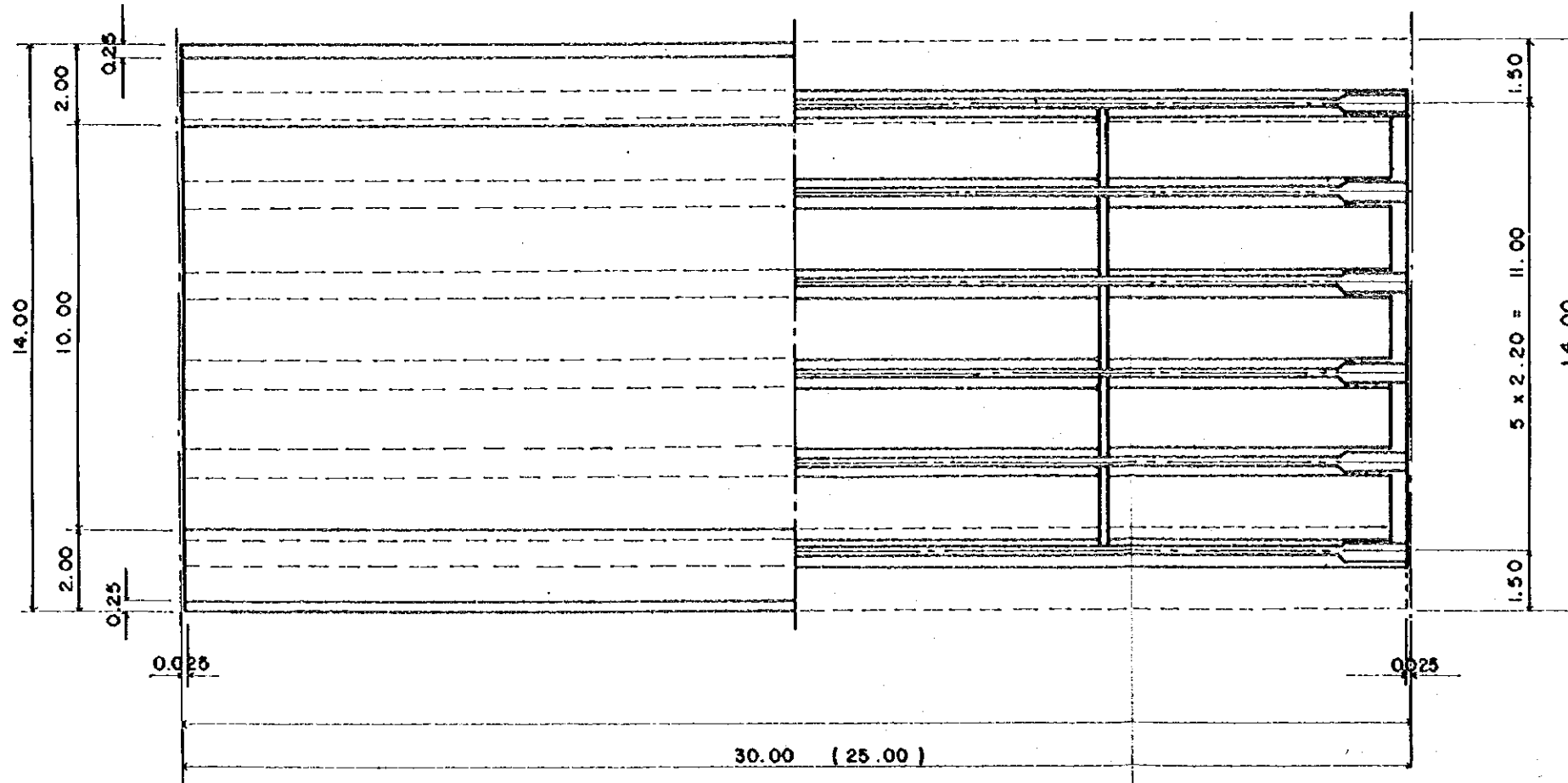
PLAN SCALE 1:300



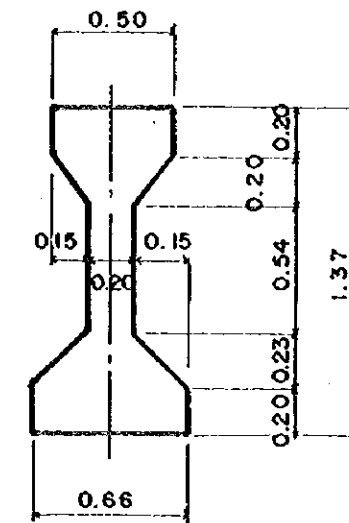
ELEVATION SCALE 1:150



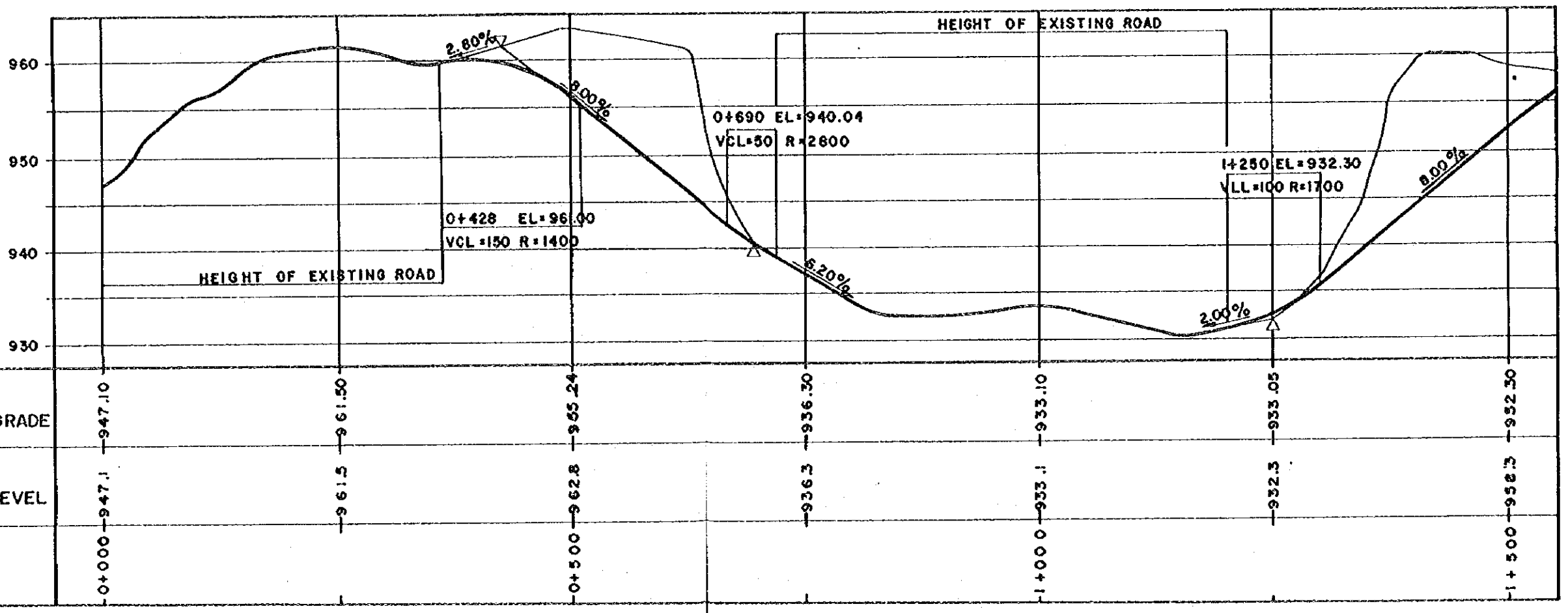
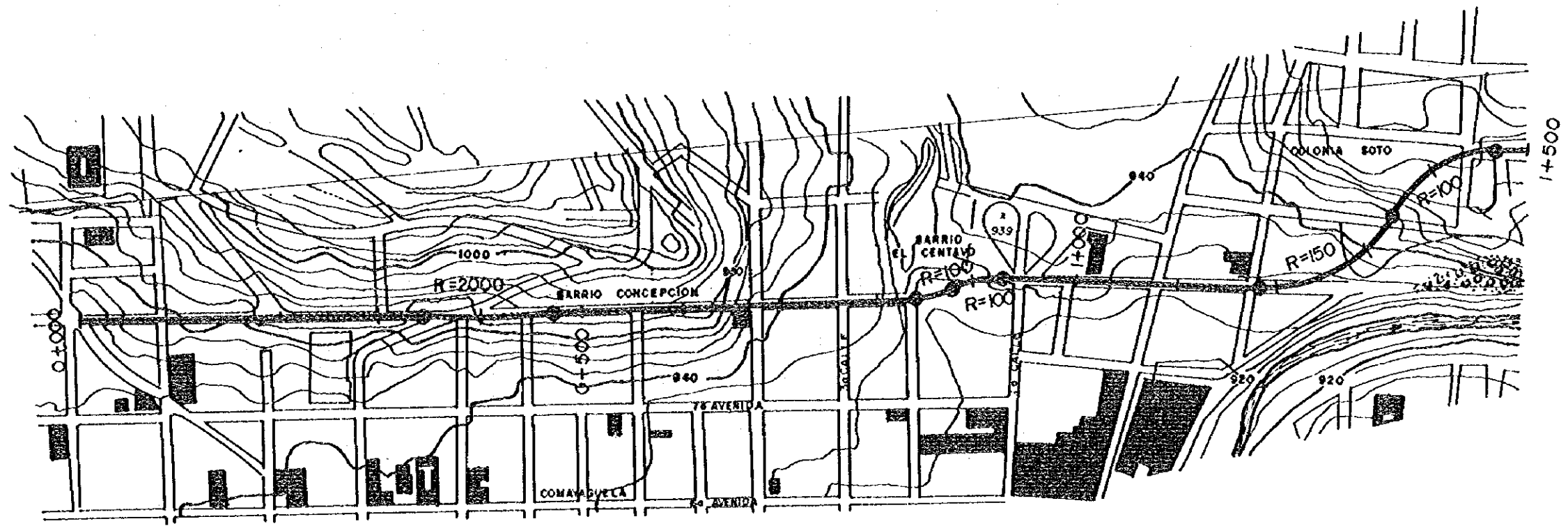
TYPICAL CROSS SECTION SCALE 1:50

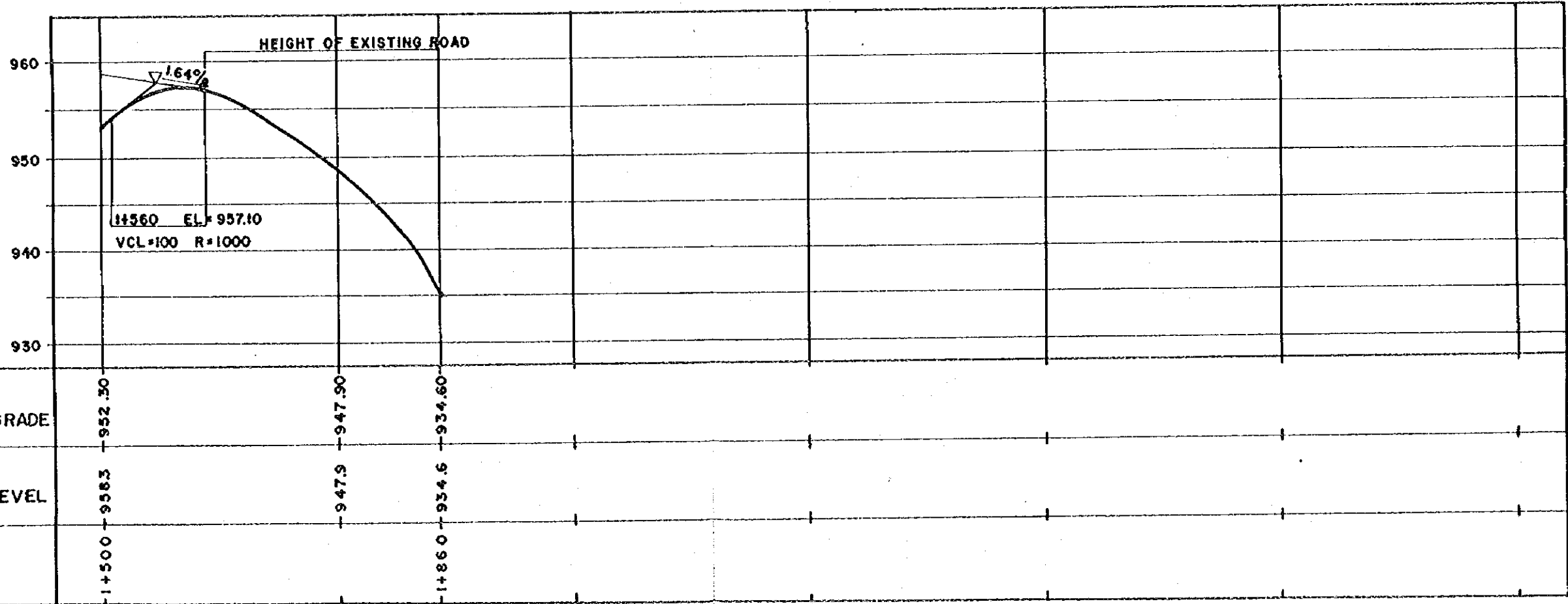
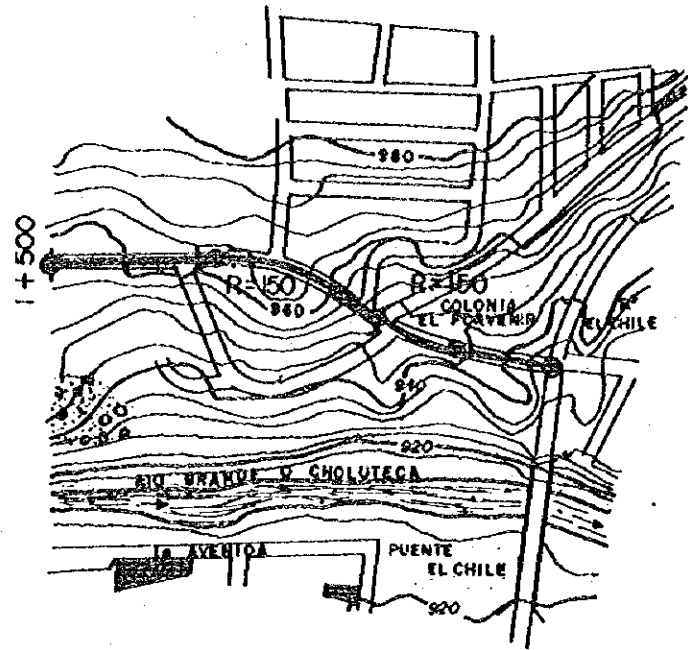


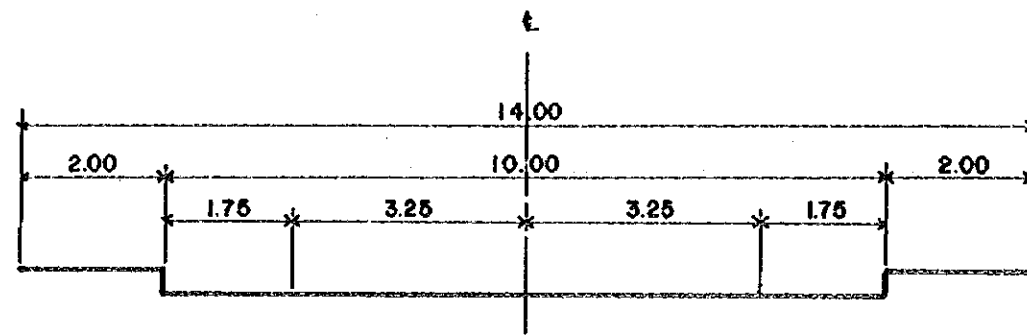
PLAN SCALE 1:150



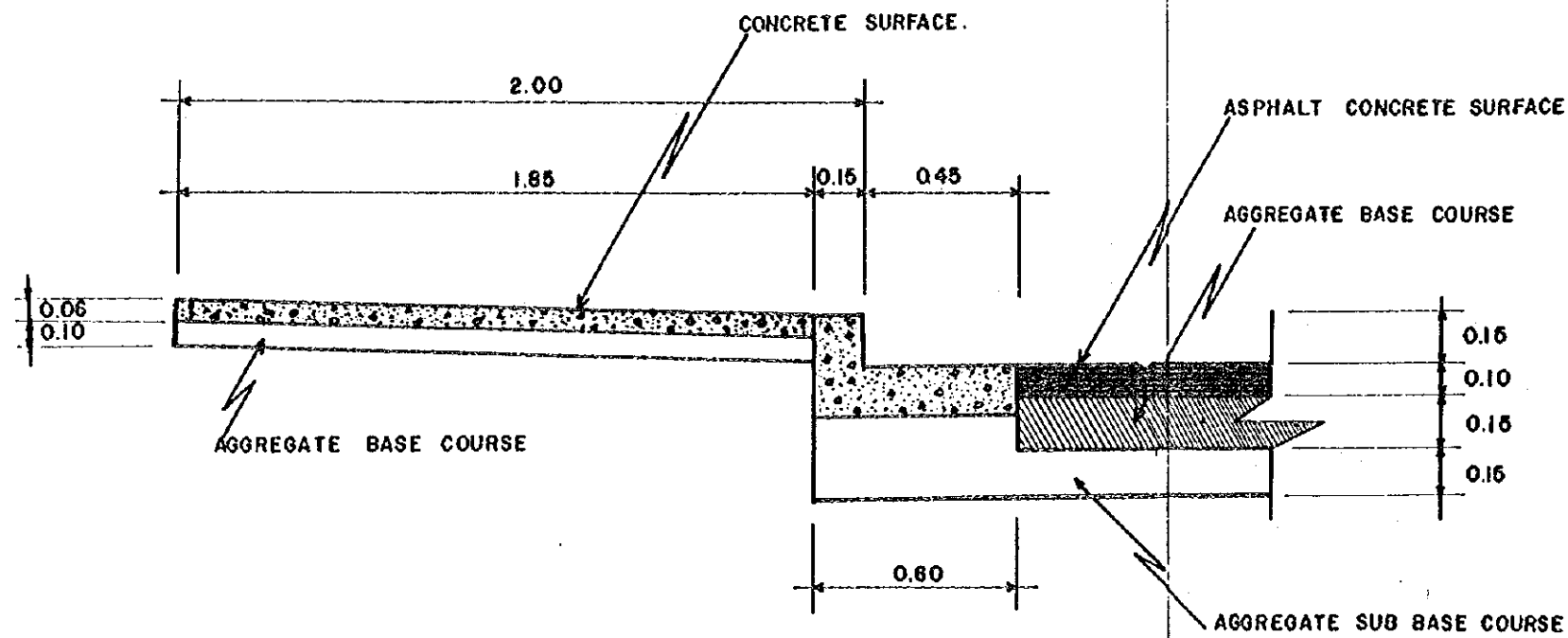
DIMENSION OF GIRDER SCALE 1:30



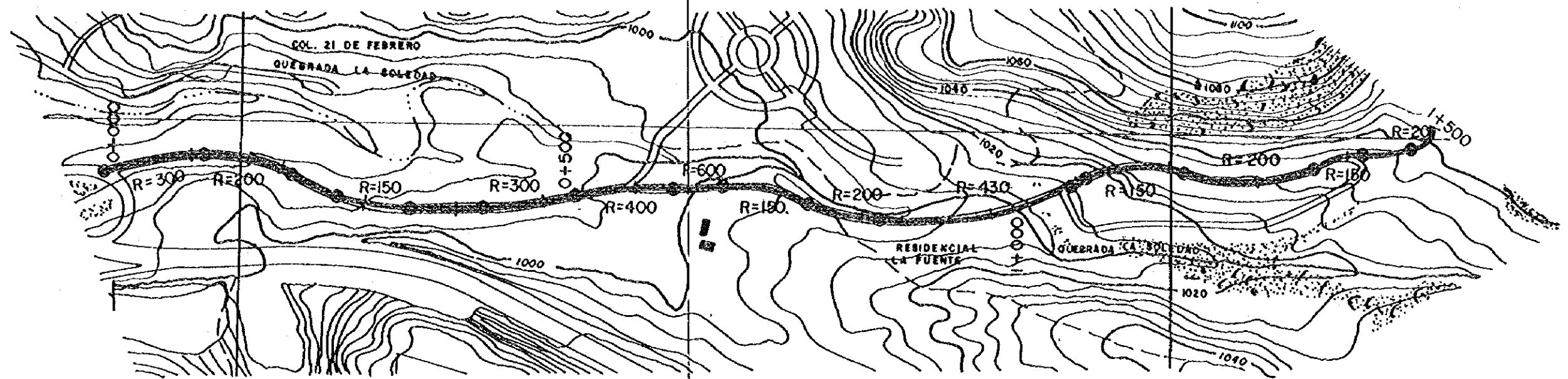




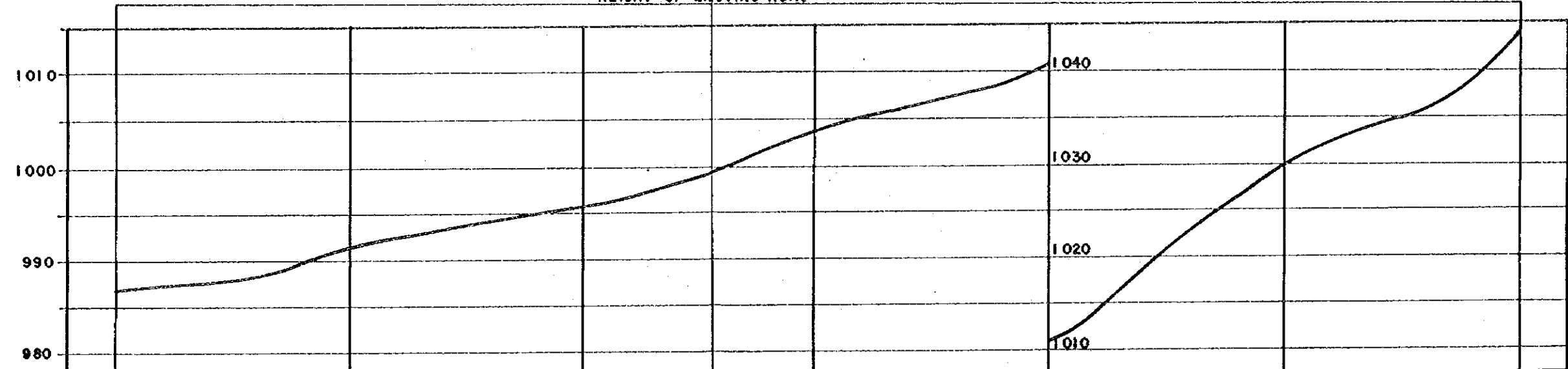
TYPICAL CROSS SECTION SCALE 1:100



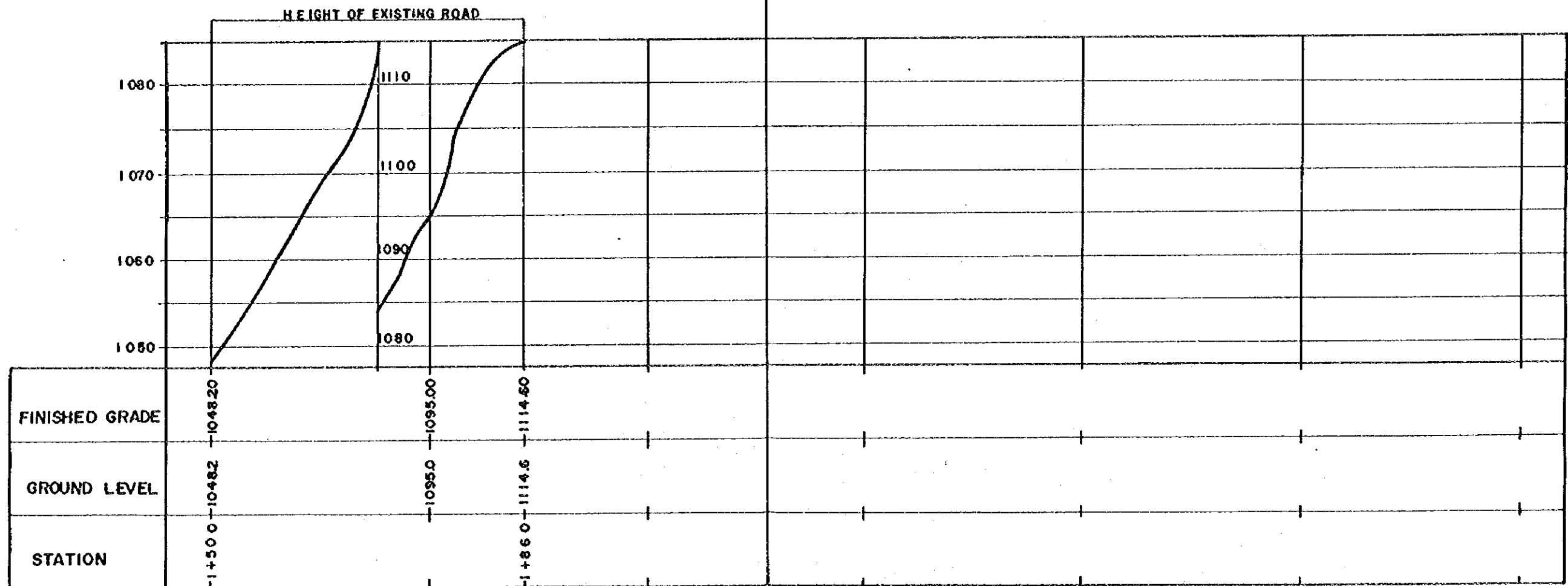
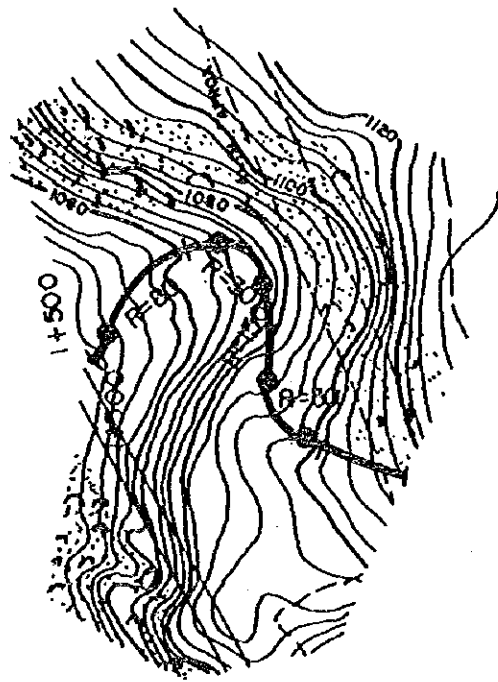
PAVEMENT STRUCTURE AND SIDEWALK SCALE 1:20

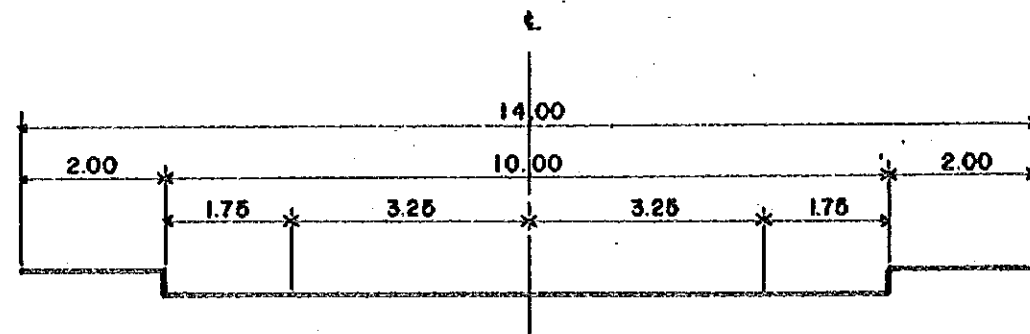


HEIGHT OF EXISTING ROAD

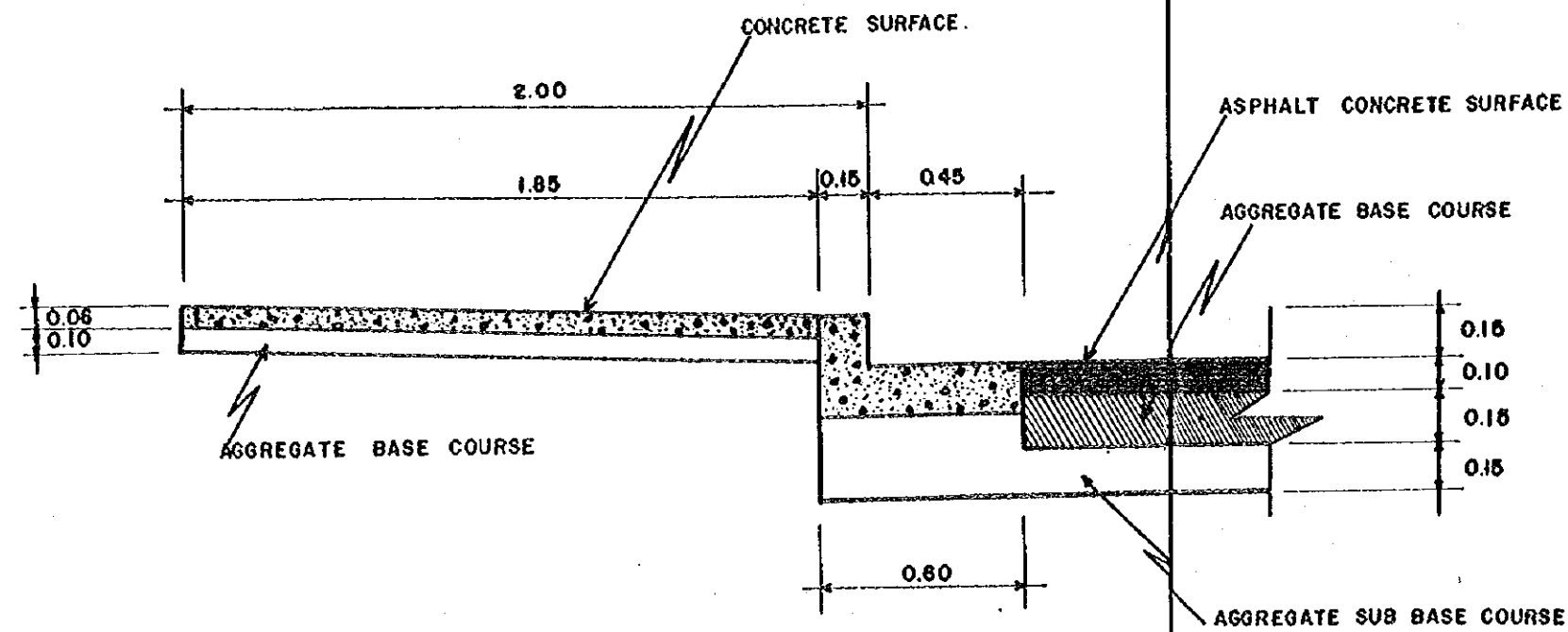


FINISHED GRADE	986.90	991.00	996.00	1004.00	1011.00	1029.80	1044.00
GROUND LEVEL	986.9	991.0	996.0	1004.0	1011.0	1029.8	1044.0
STATION	0+000	0+500	1+000	1+500			

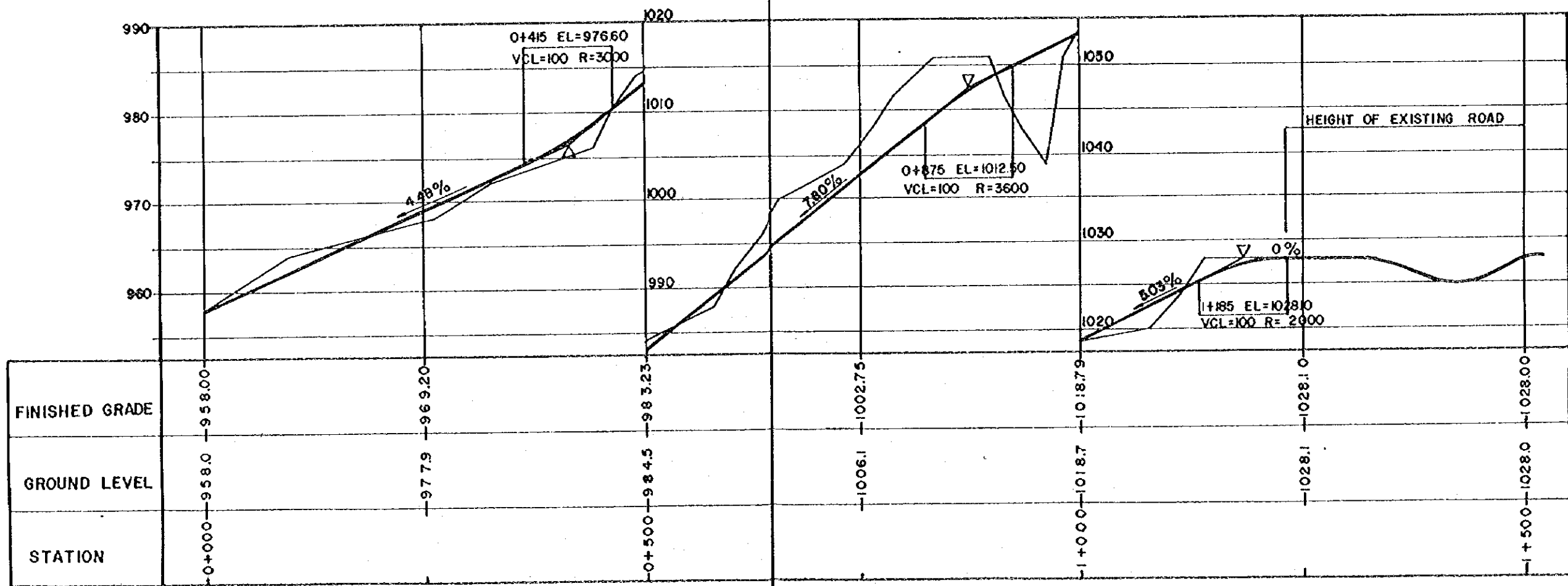
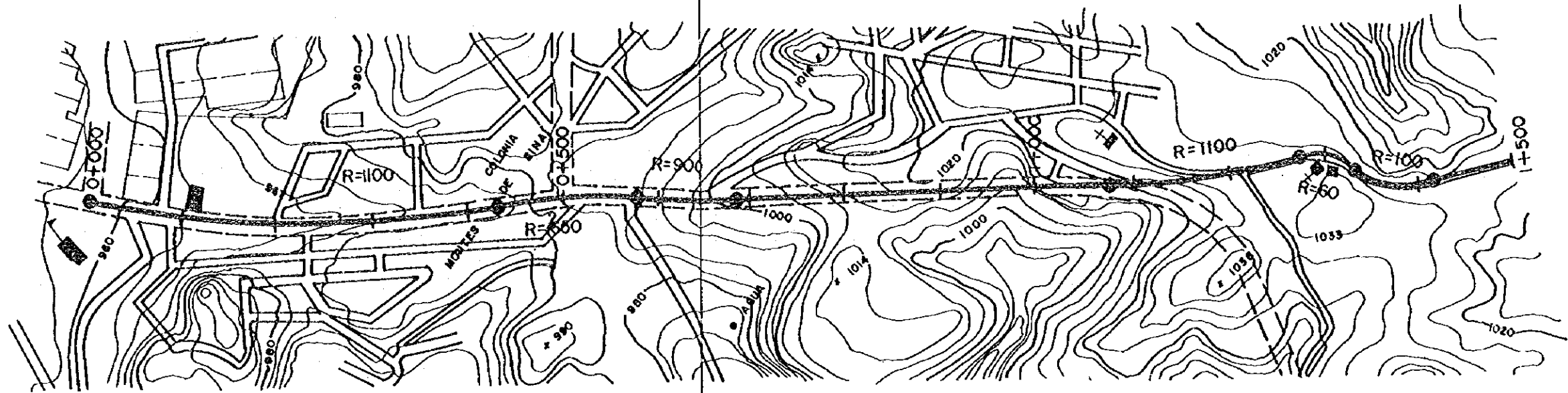


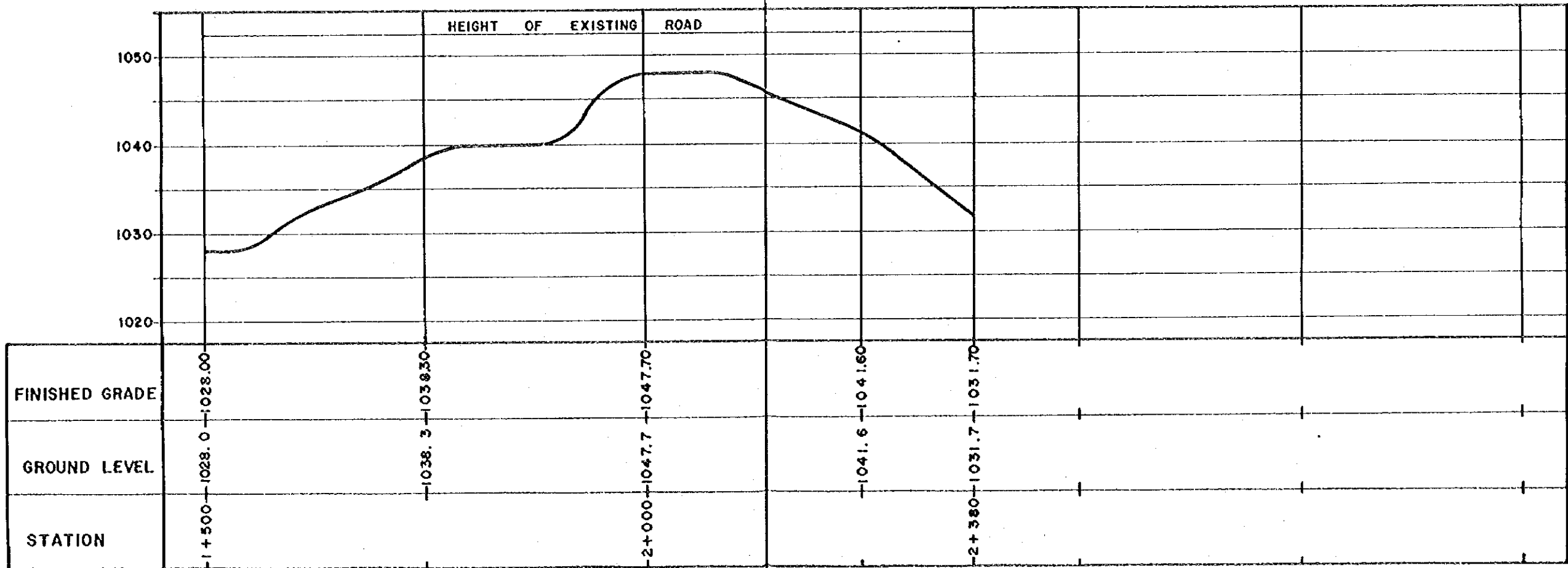
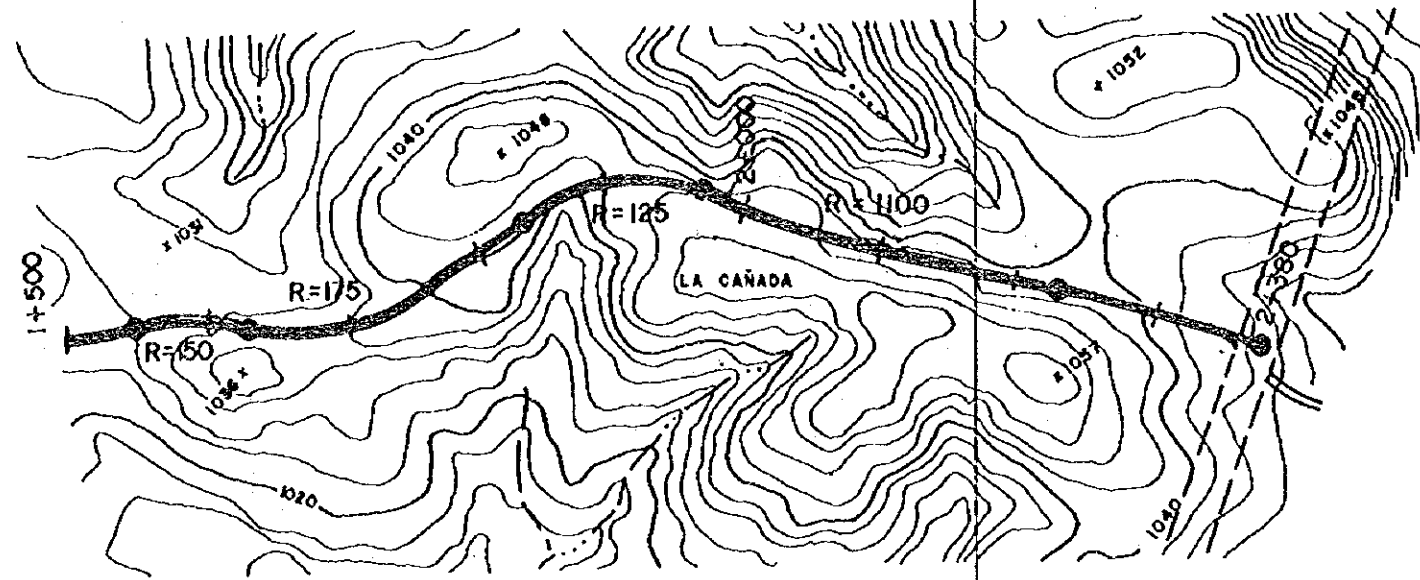


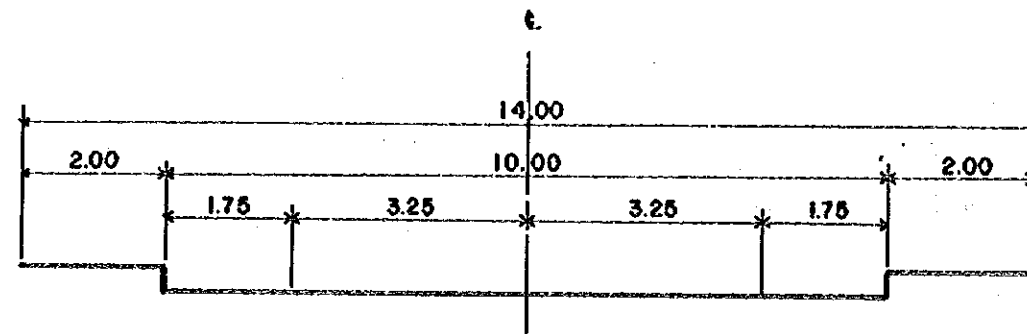
TYPICAL CROSS SECTION SCALE 1:100



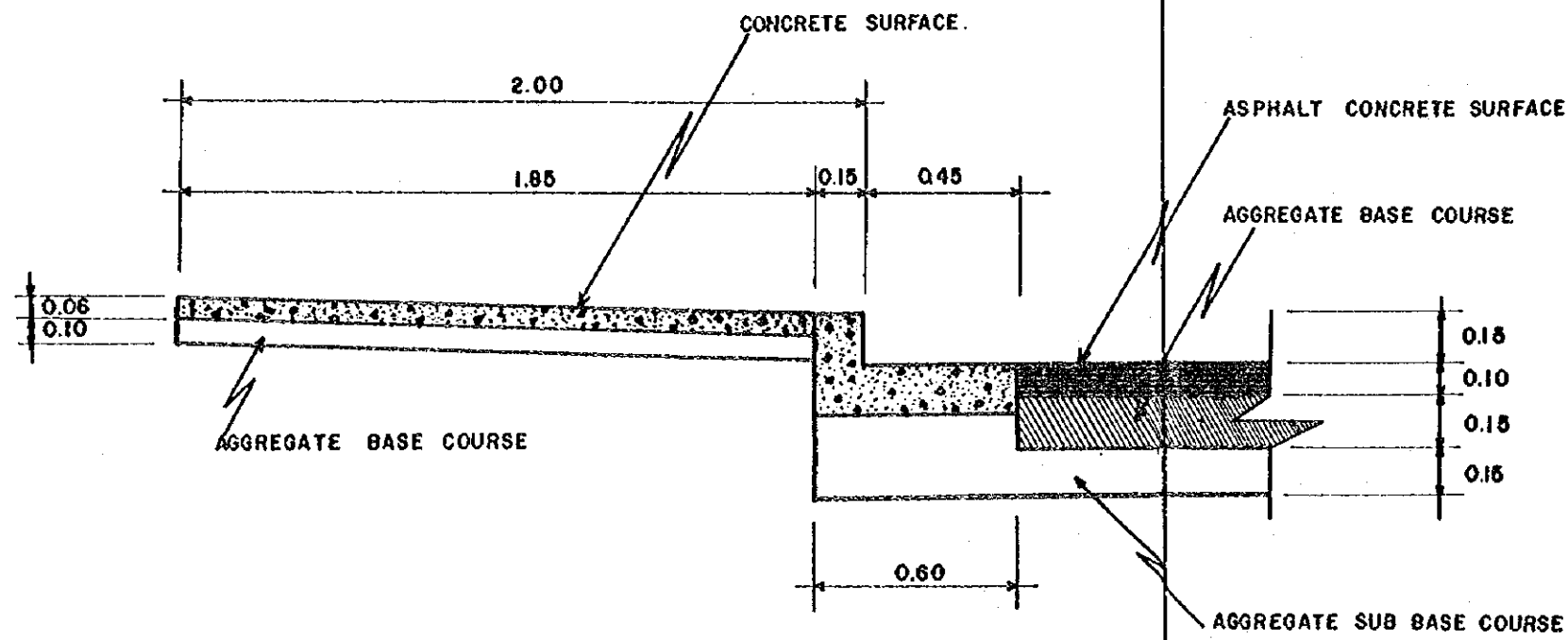
PAVEMENT STRUCTURE AND SIDEWALK SCALE 1:20



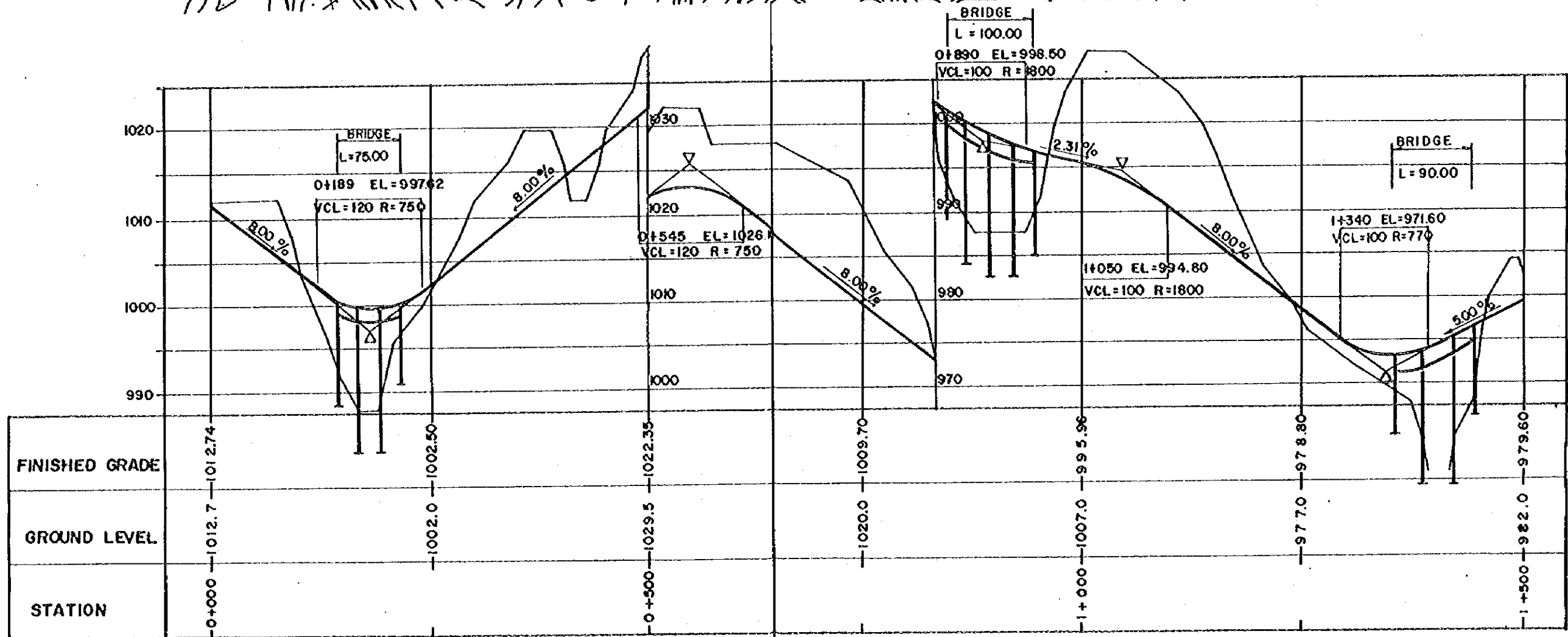
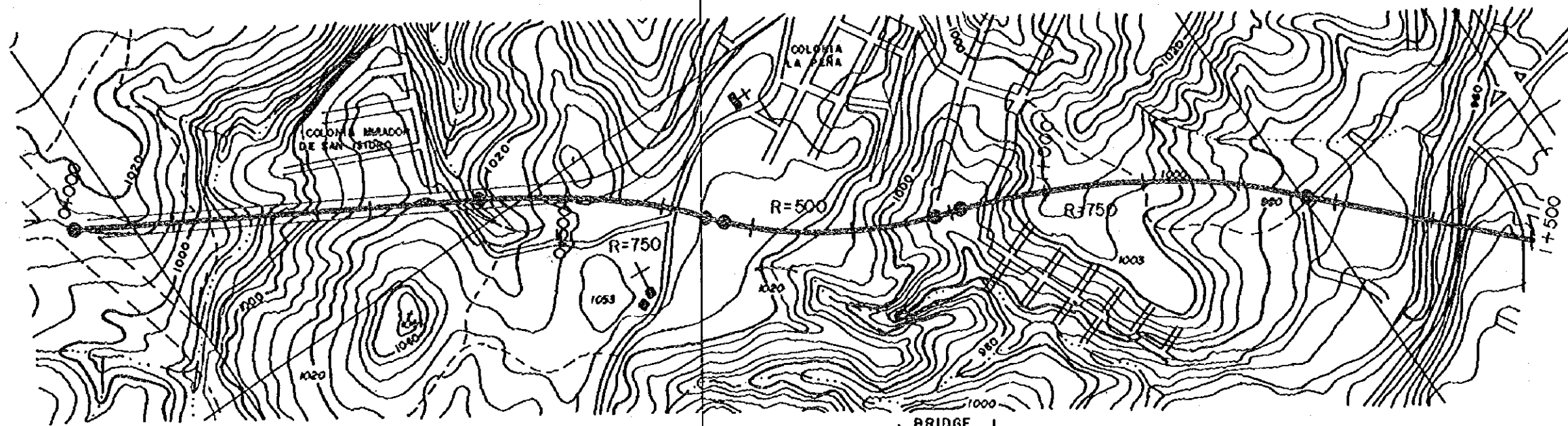


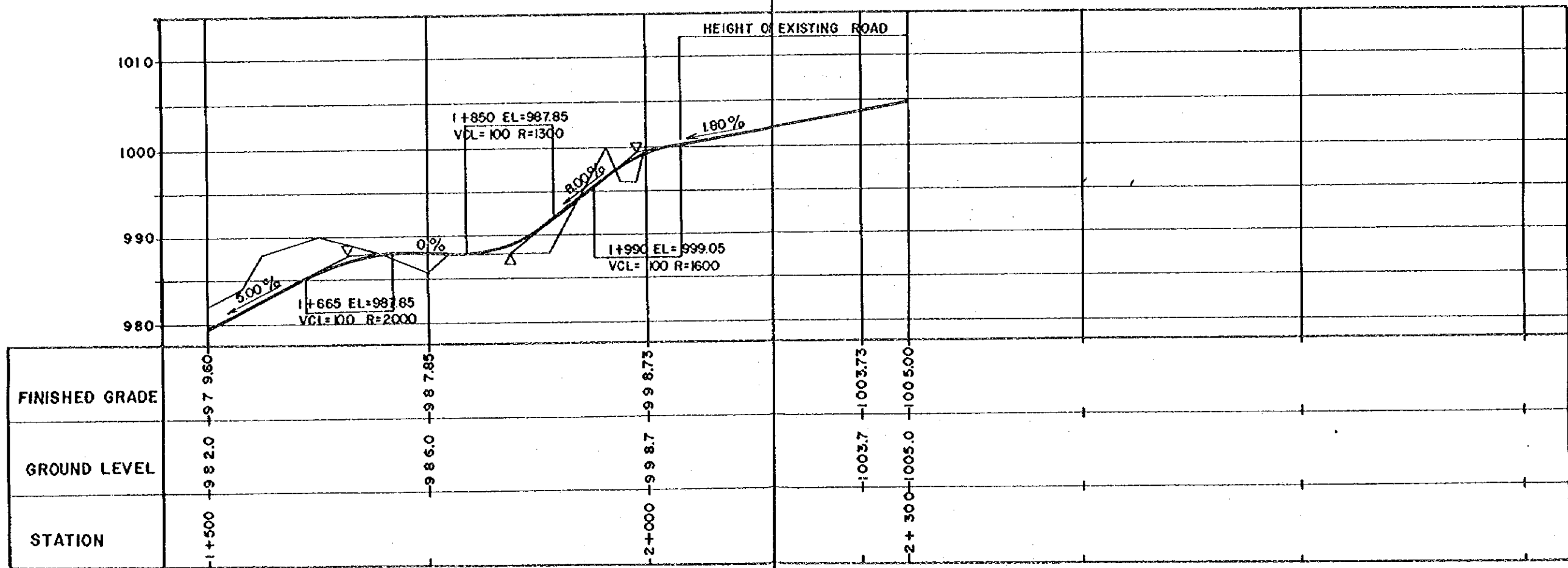
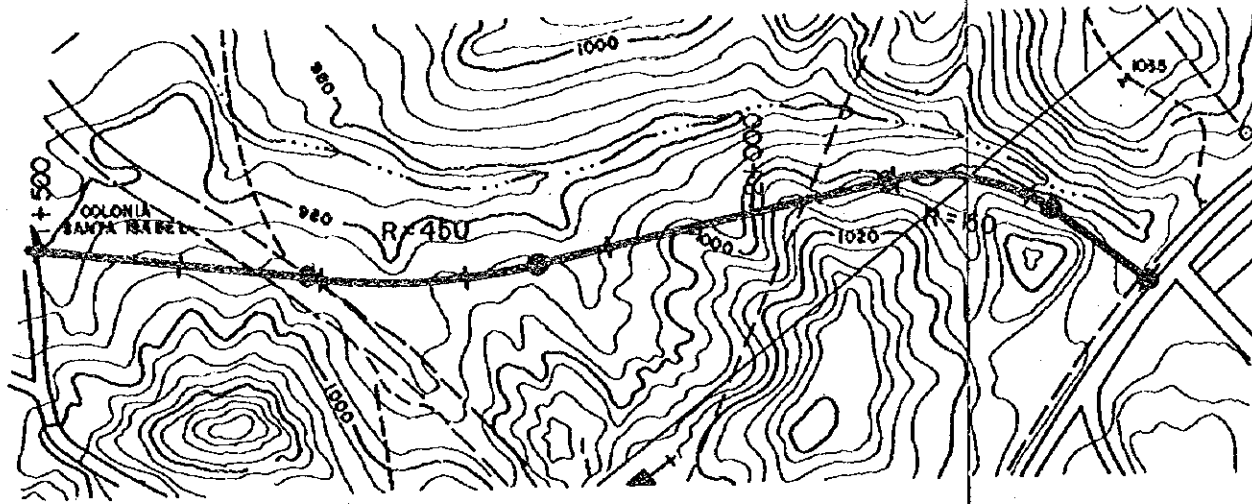


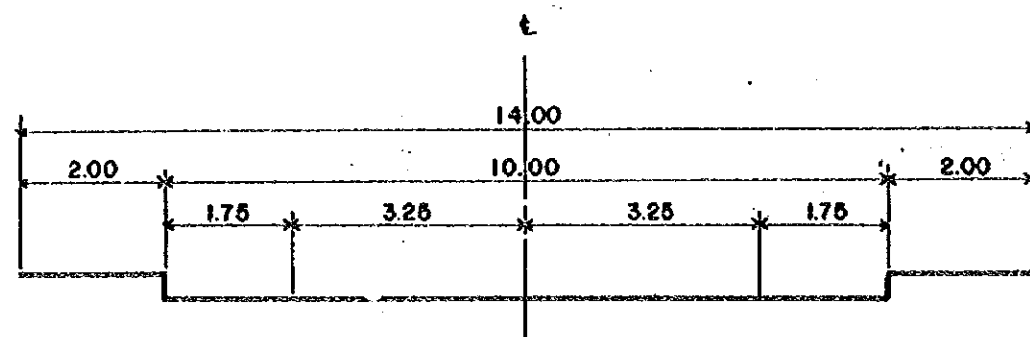
TYPICAL CROSS SECTION SCALE 1:100



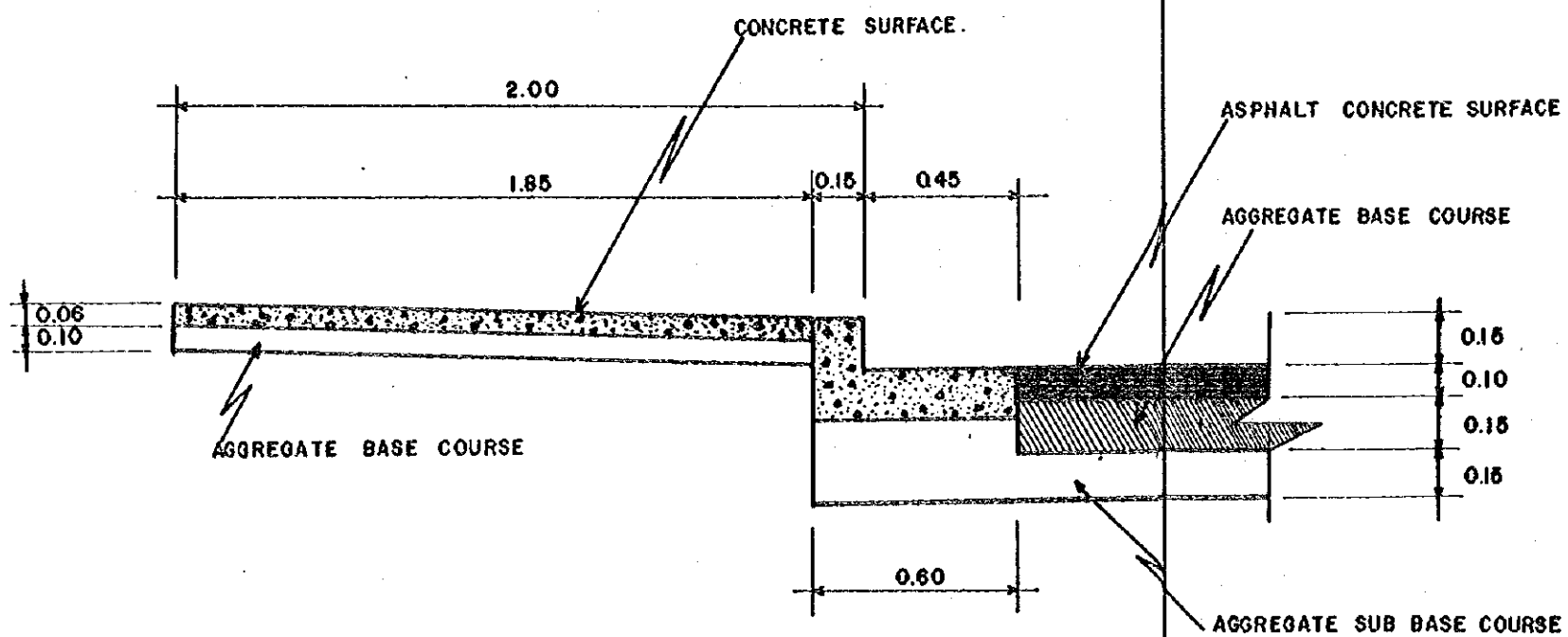
PAVEMENT STRUCTURE AND SIDEWALK SCALE 1:20



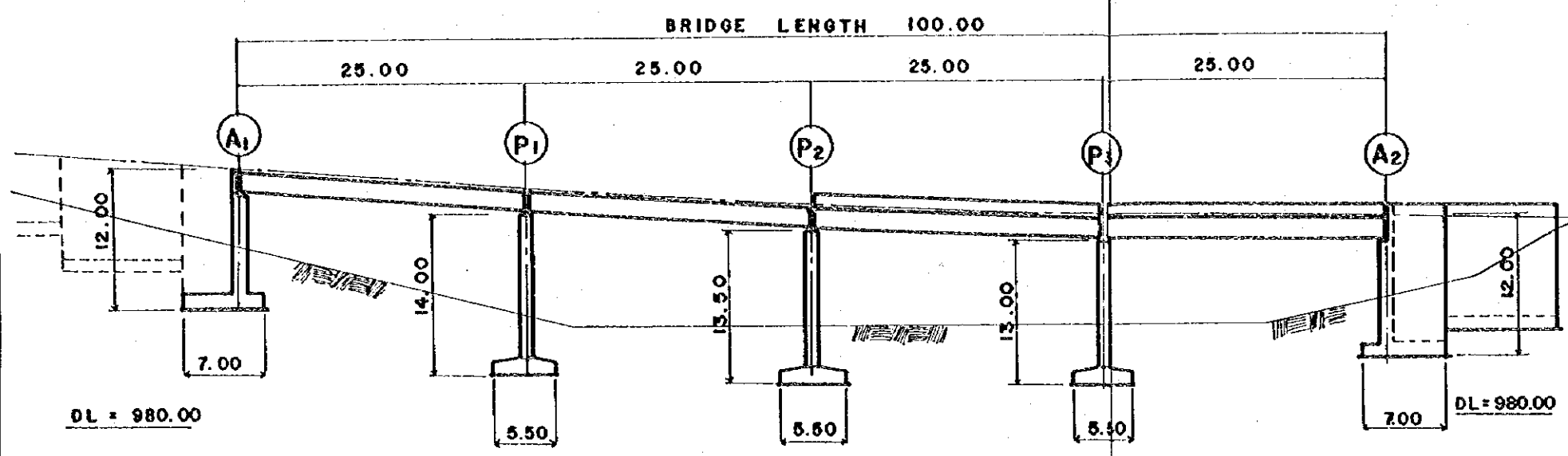




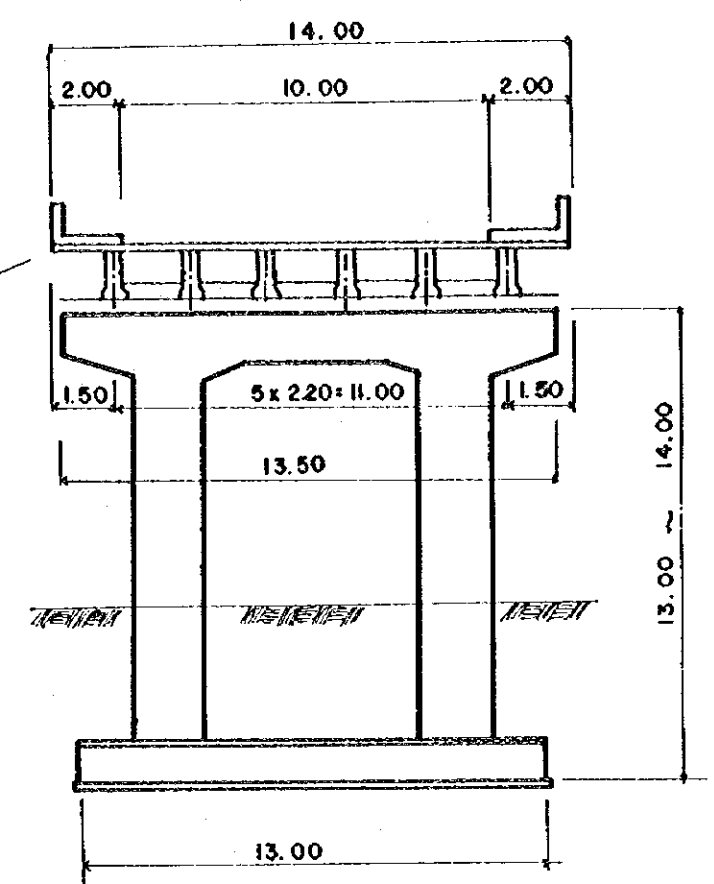
TYPICAL CROSS SECTION SCALE 1:100



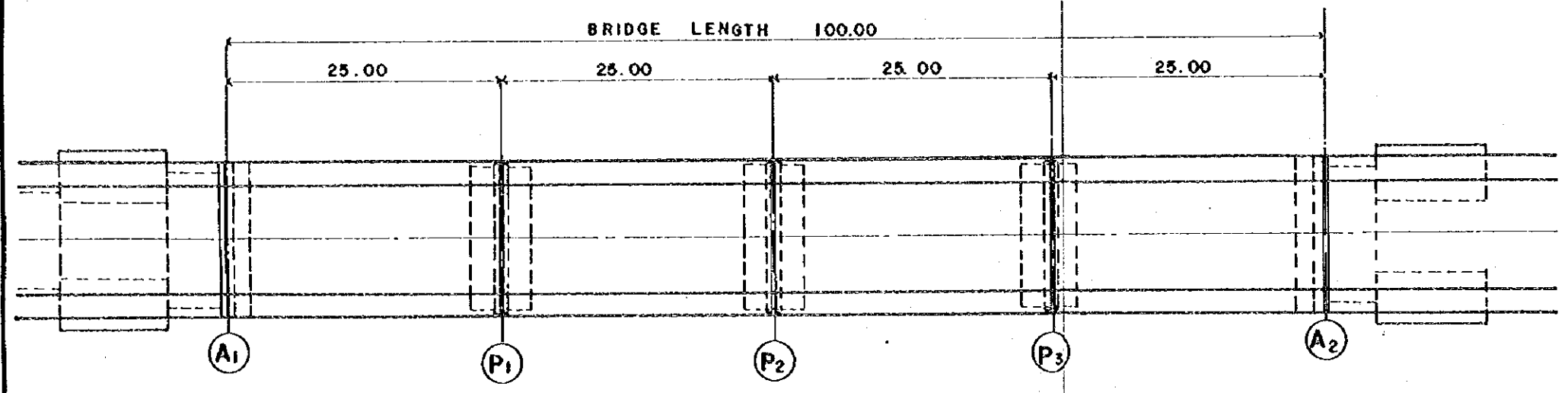
PAVEMENT STRUCTURE AND SIDEWALK SCALE 1:20



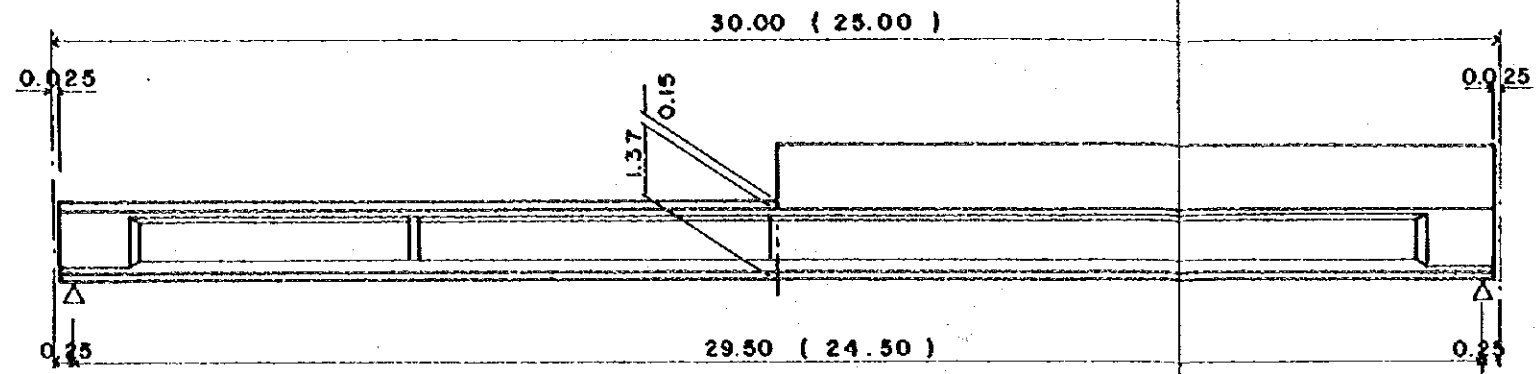
ELEVATION SCALE 1:500



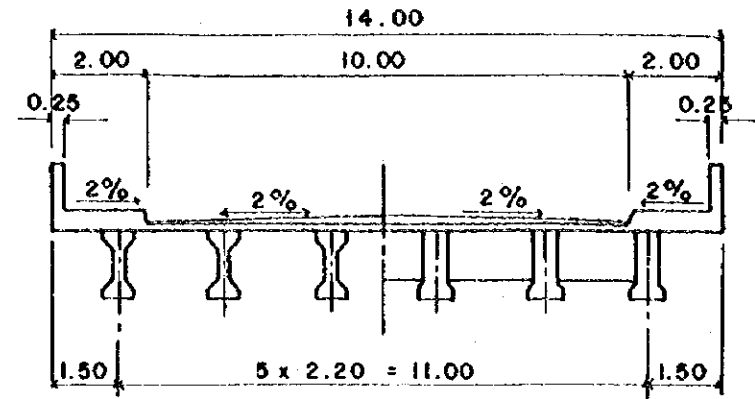
CROSS SECTION SCALE 1:200



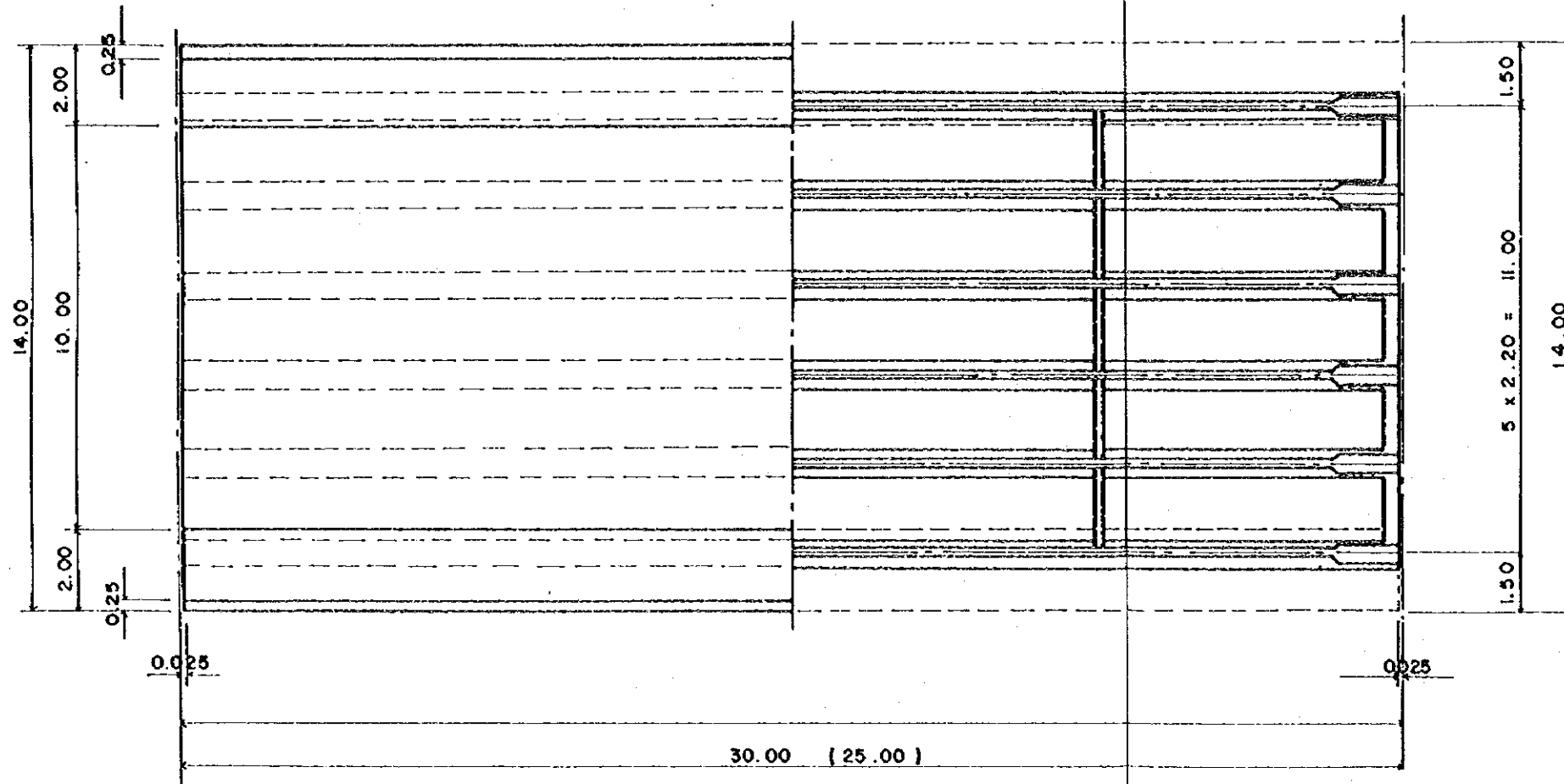
PLAN SCALE 1:500



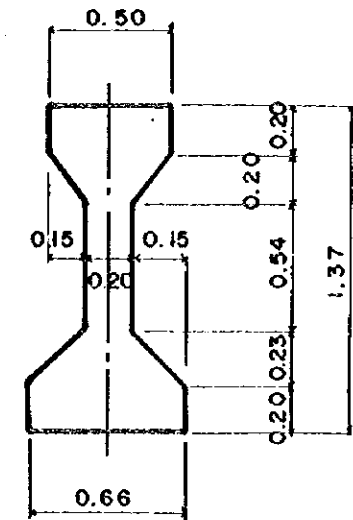
ELEVATION SCALE 1:150



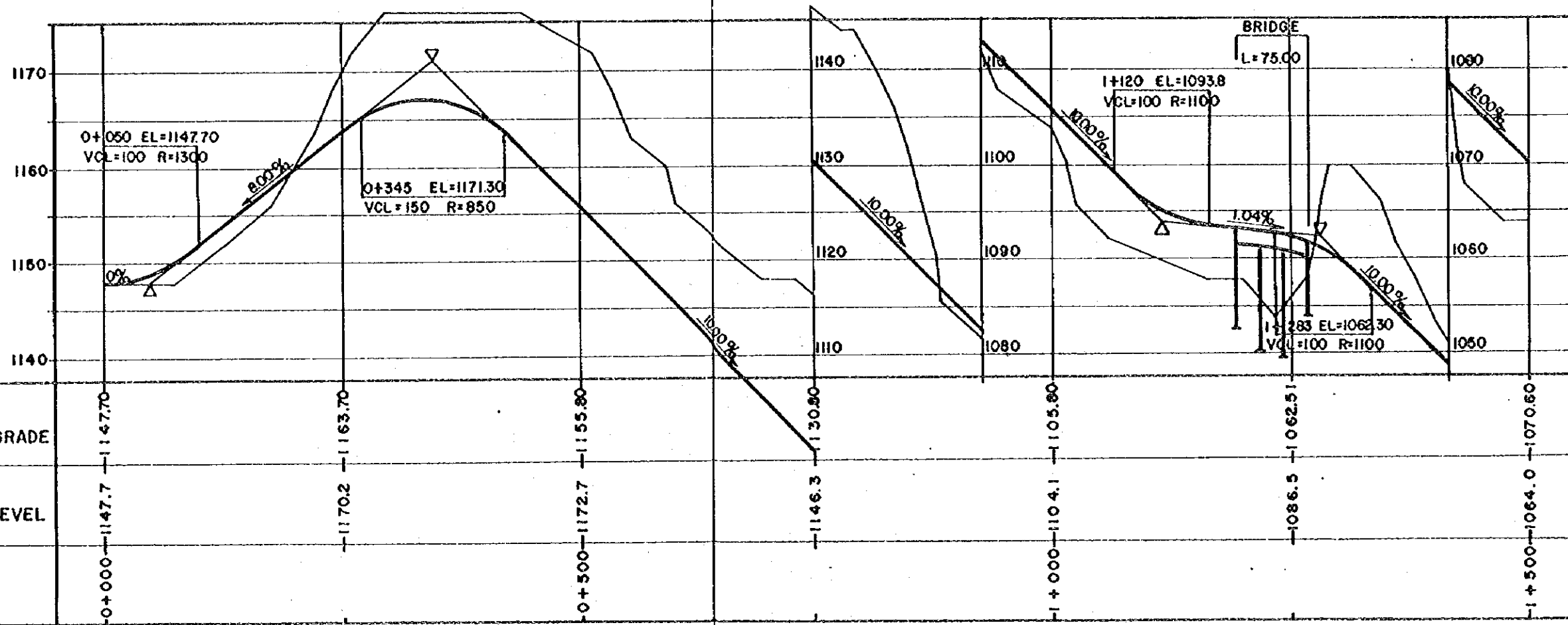
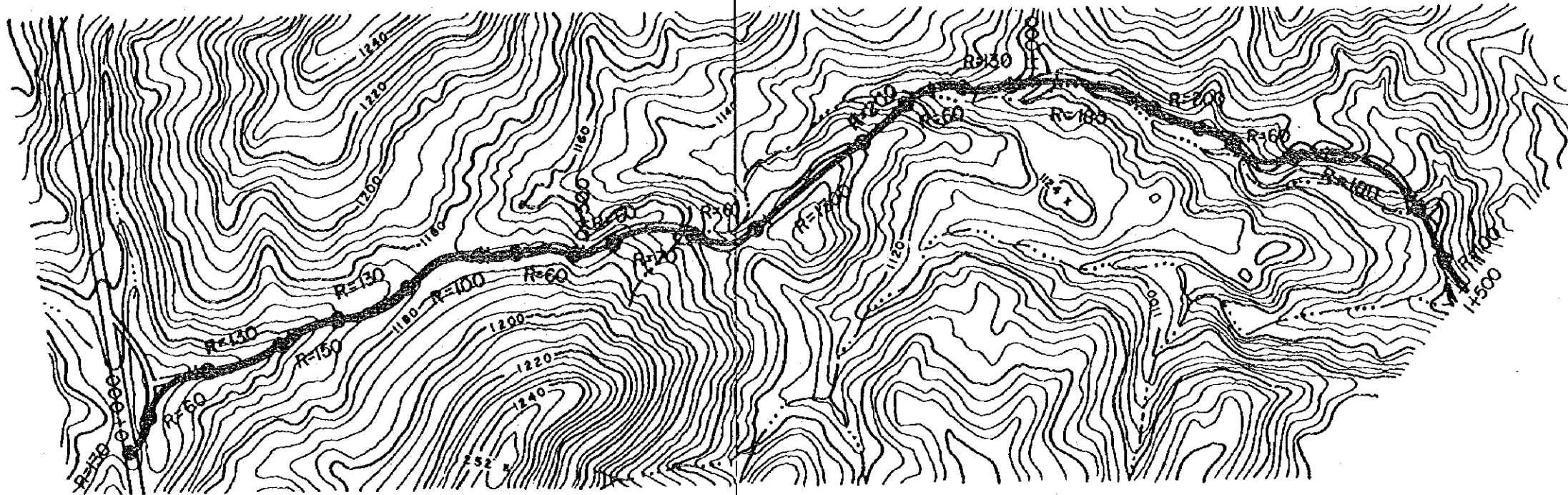
TYPICAL CROSS SECTION SCALE 1:50

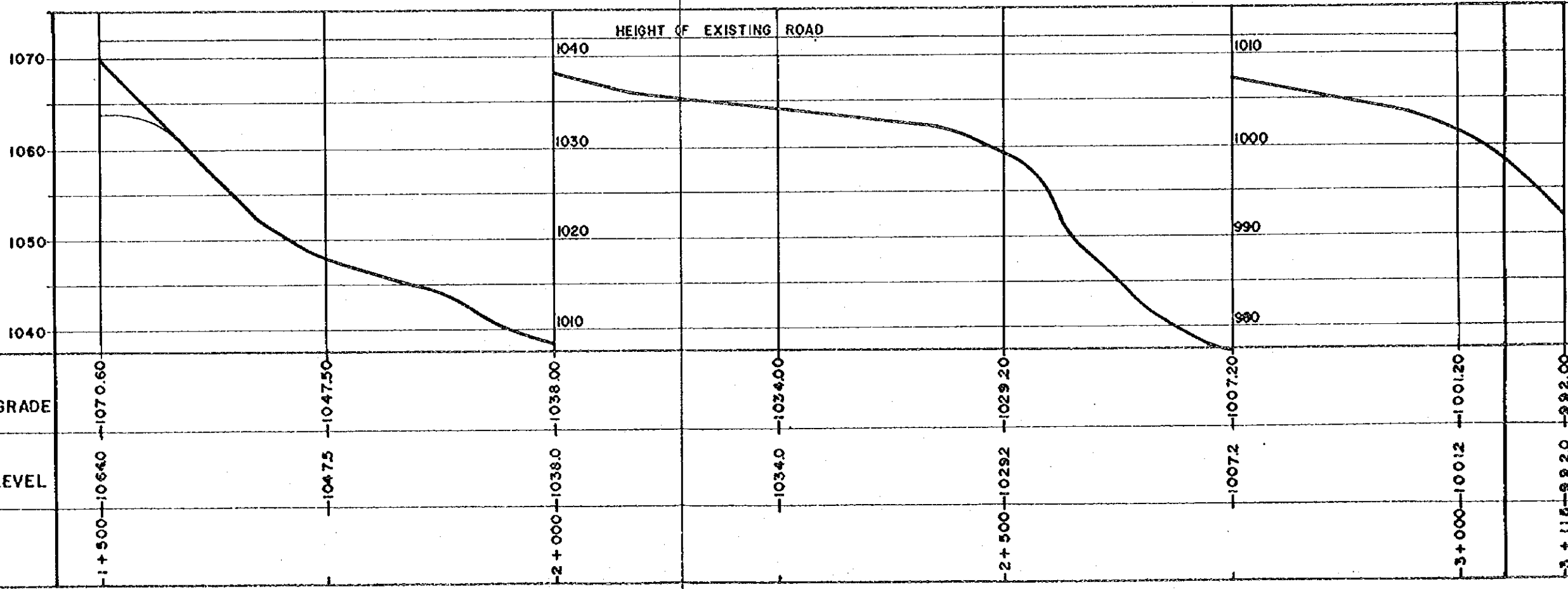
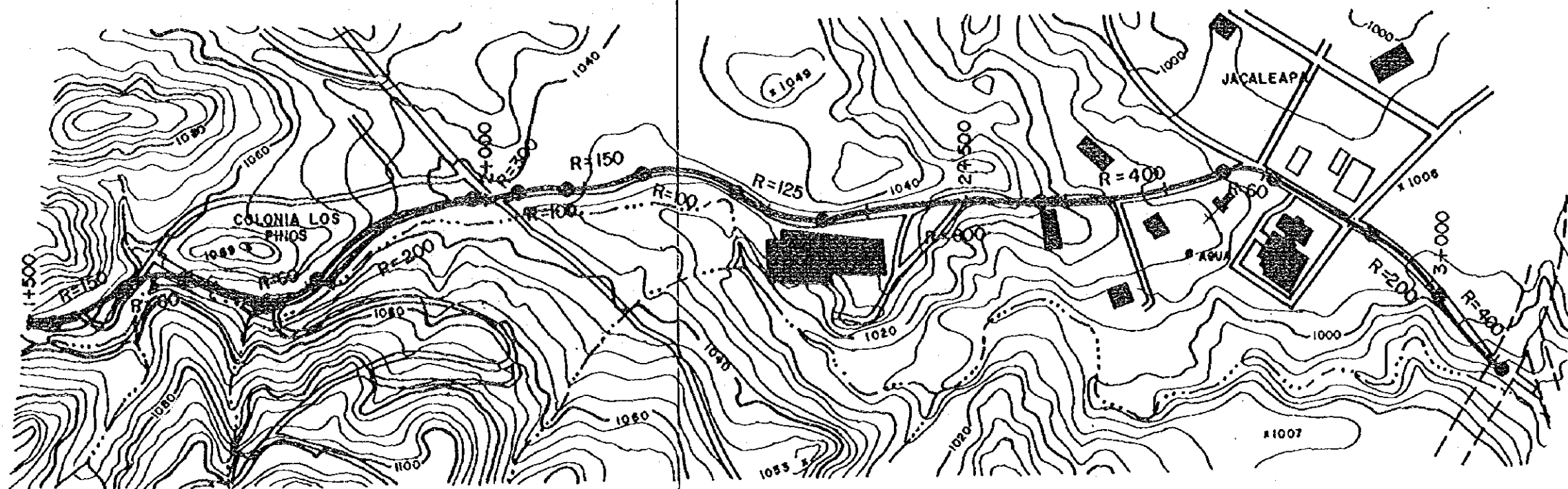


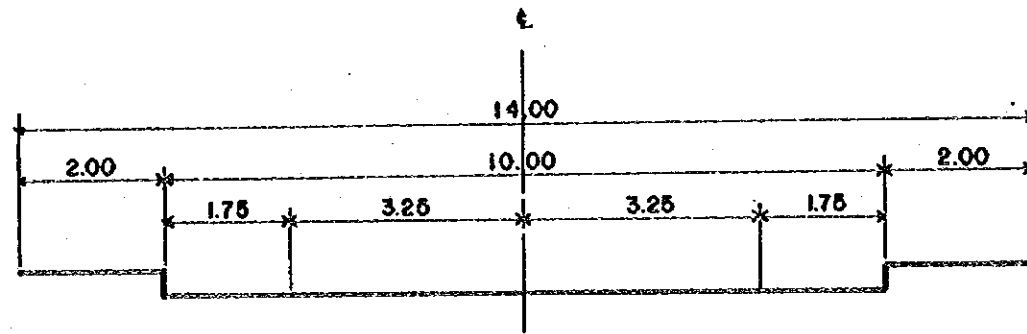
PLAN SCALE 1:150



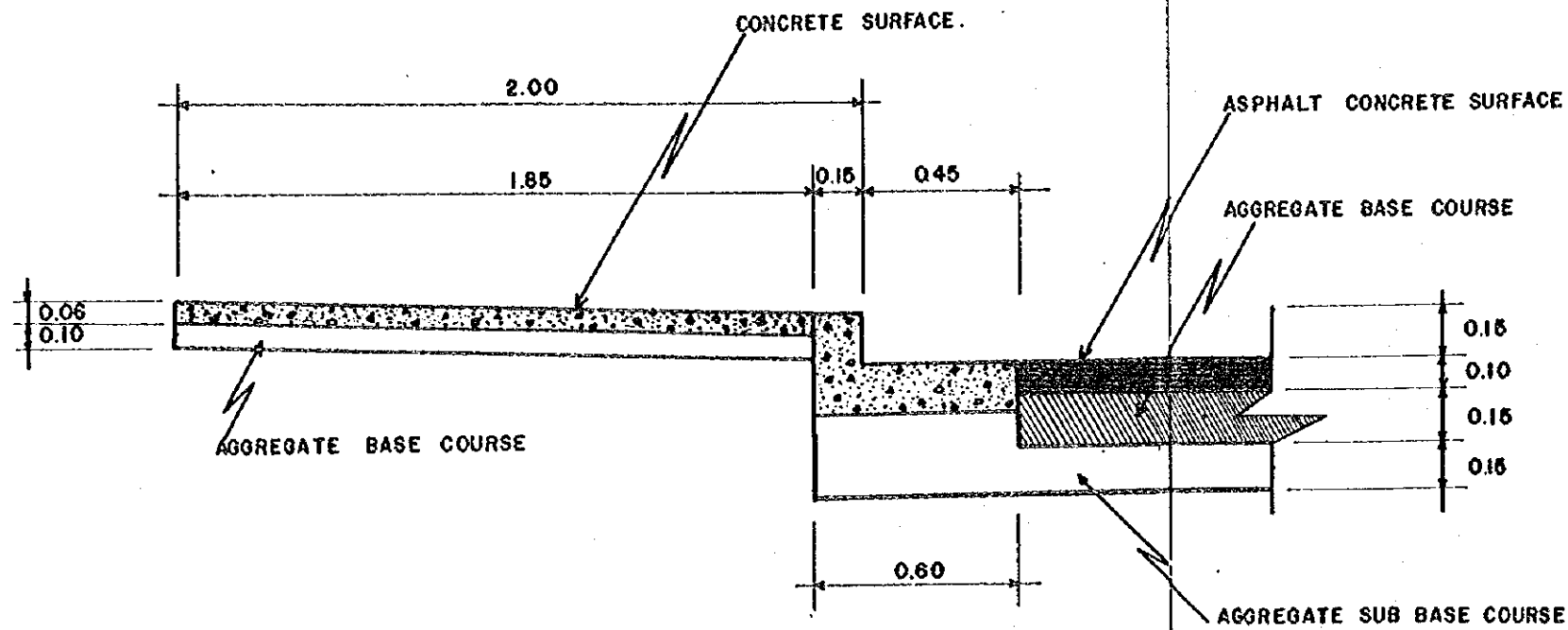
DIMENSION OF GIRDER SCALE 1:30



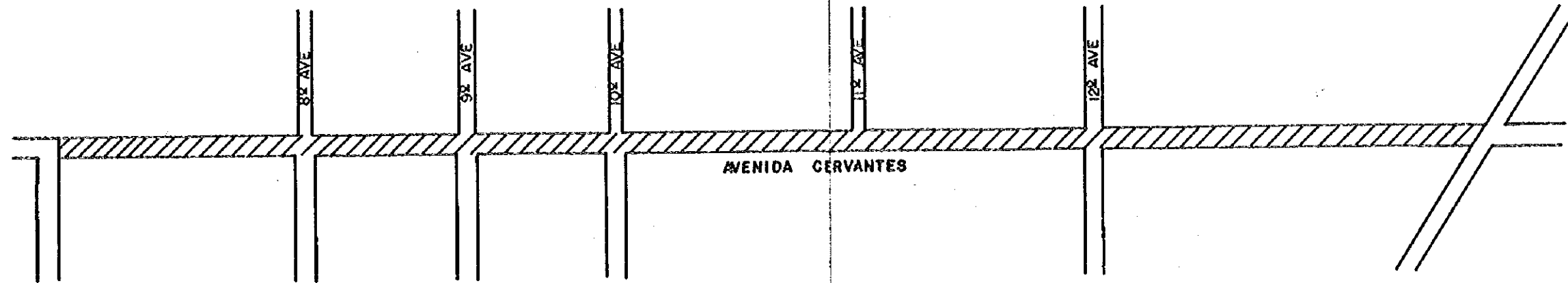




TYPICAL CROSS SECTION SCALE 1:100

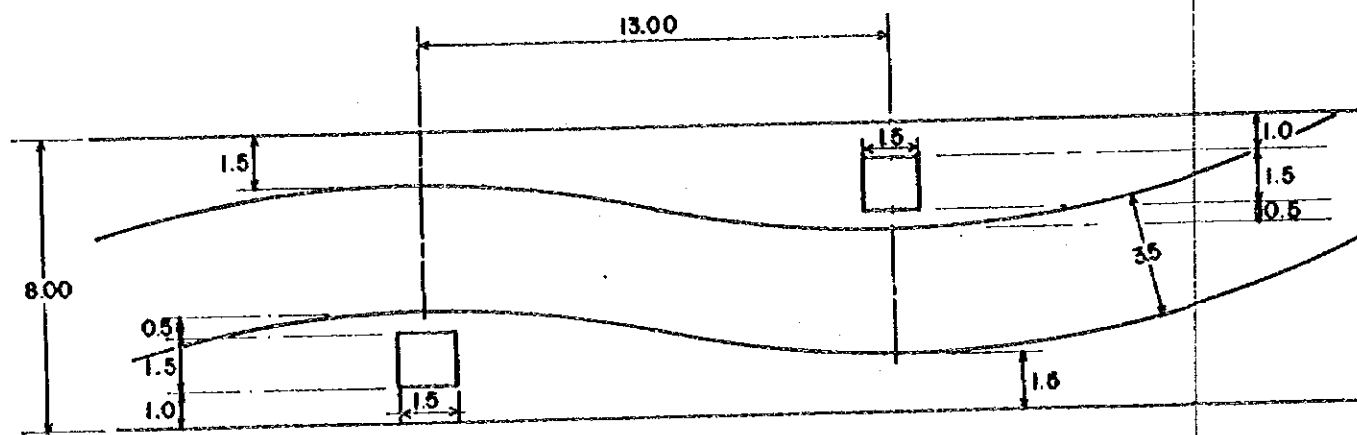


PAVEMENT STRUCTURE AND SIDEWALK SCALE 1:20



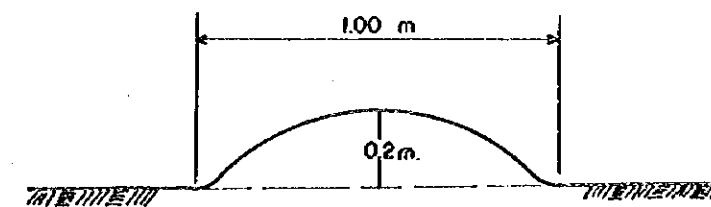
PLAN

SCALE 1:2000



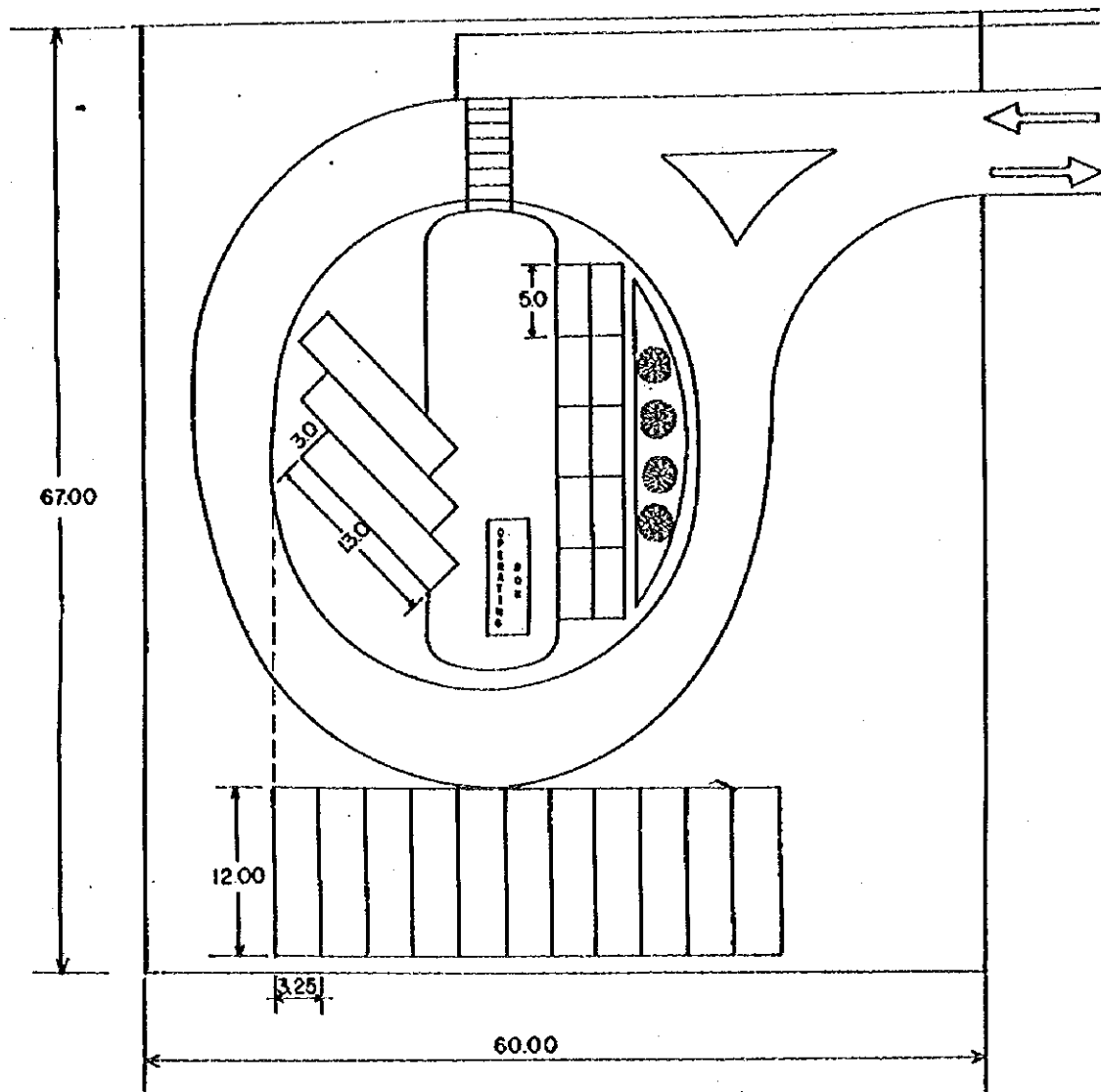
SCALE : 1:200

LAYOUT

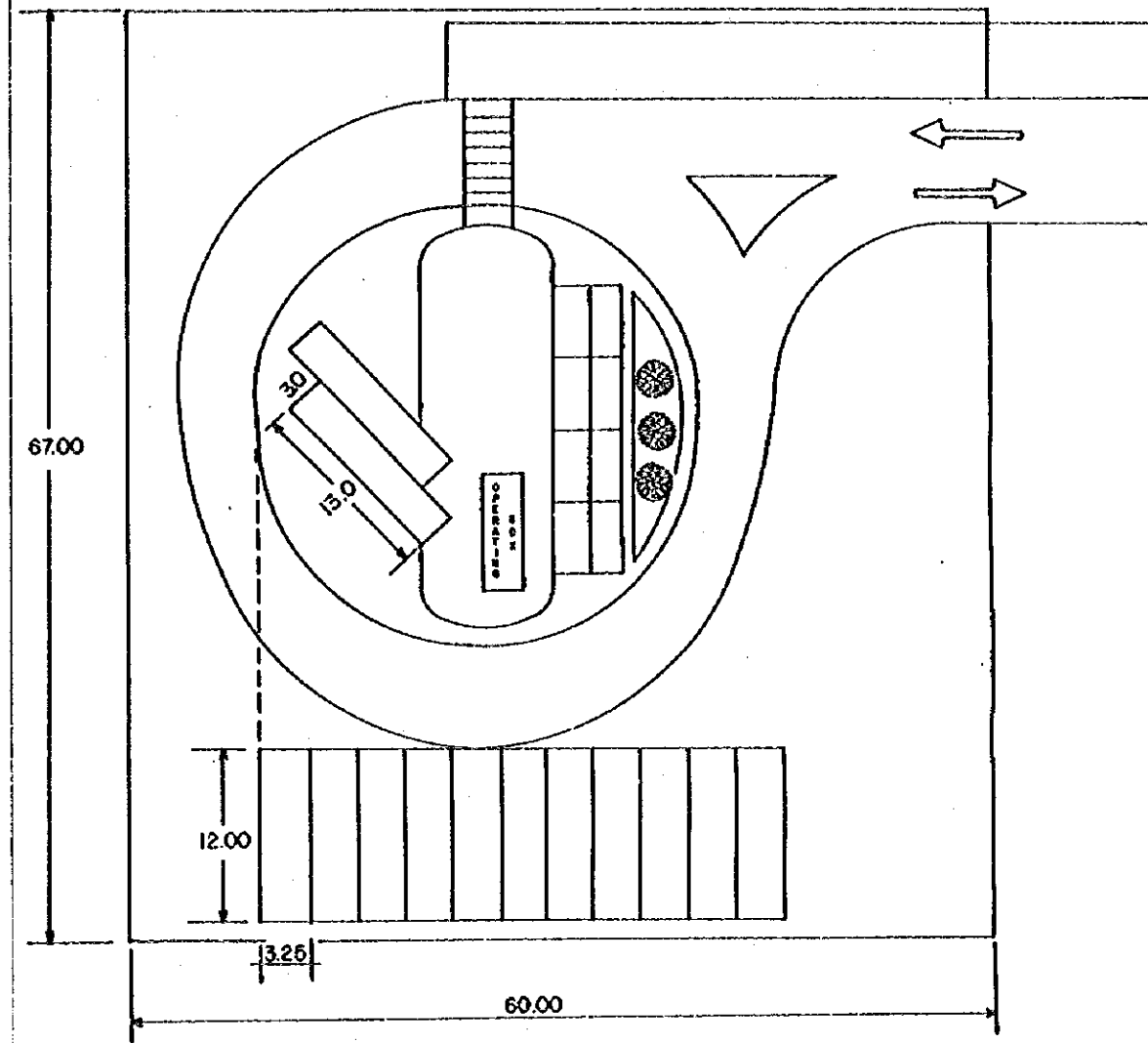


SCALE 1:20

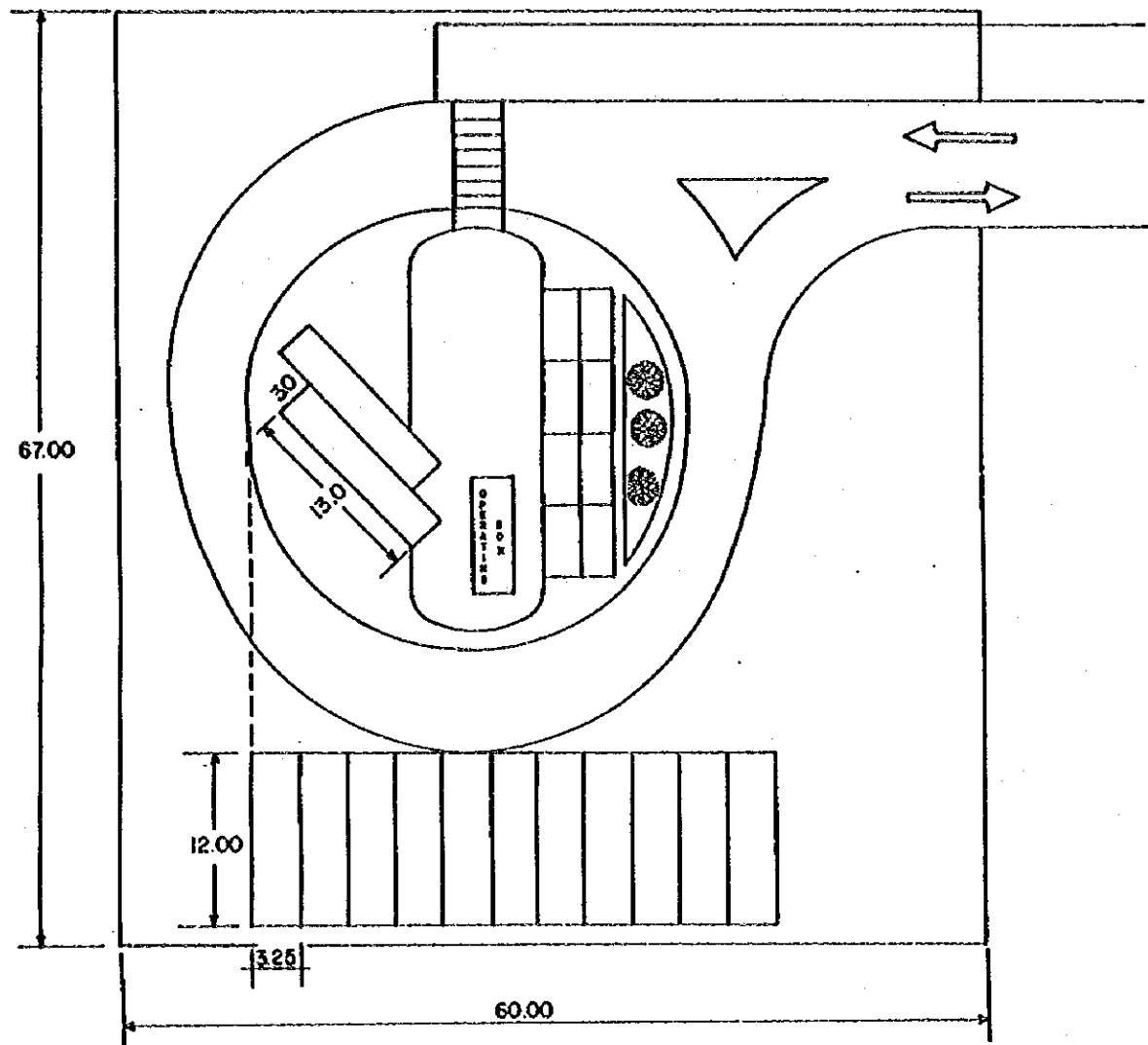
DETAIL OF HUMP



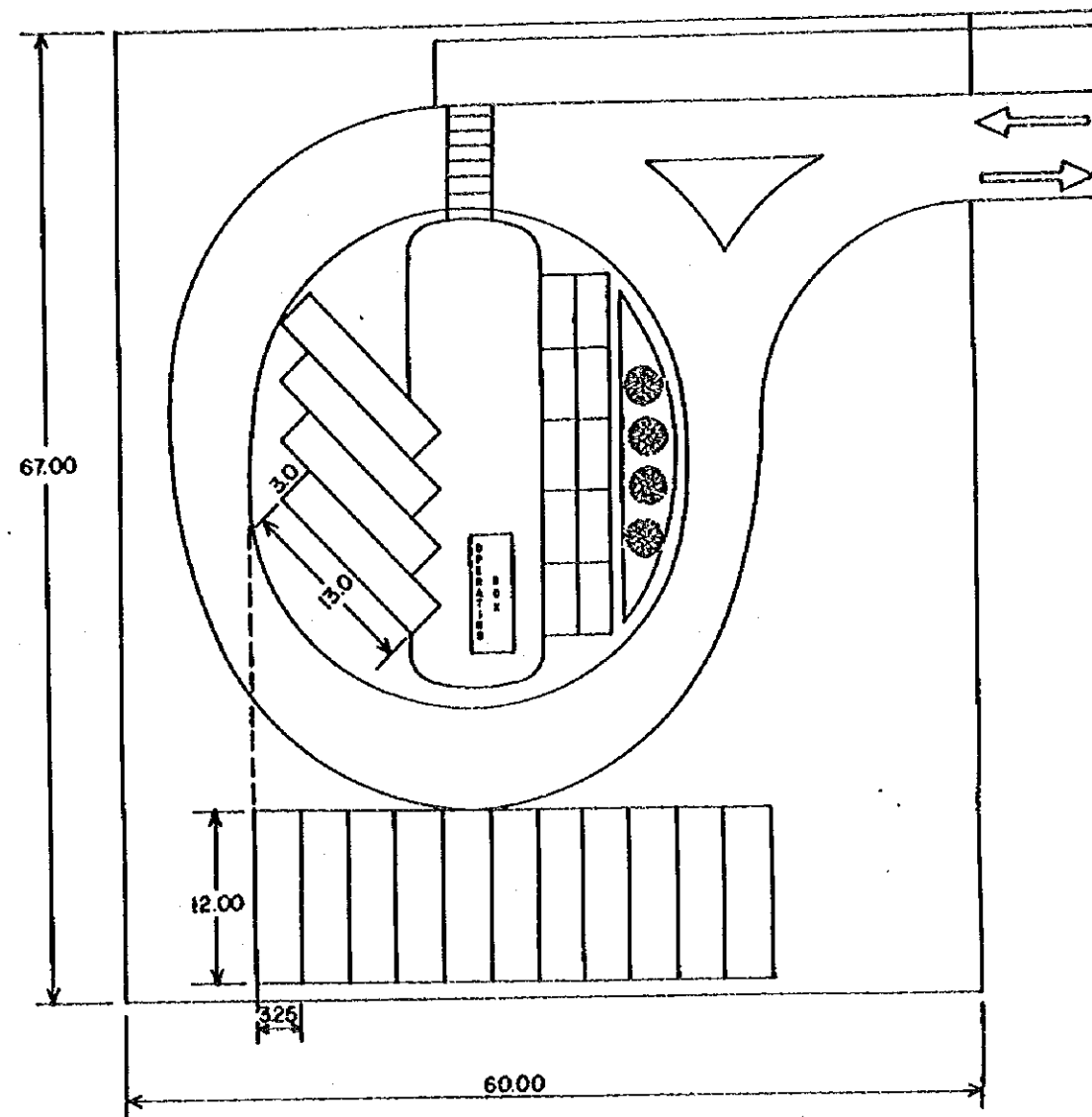
PROJECT-21



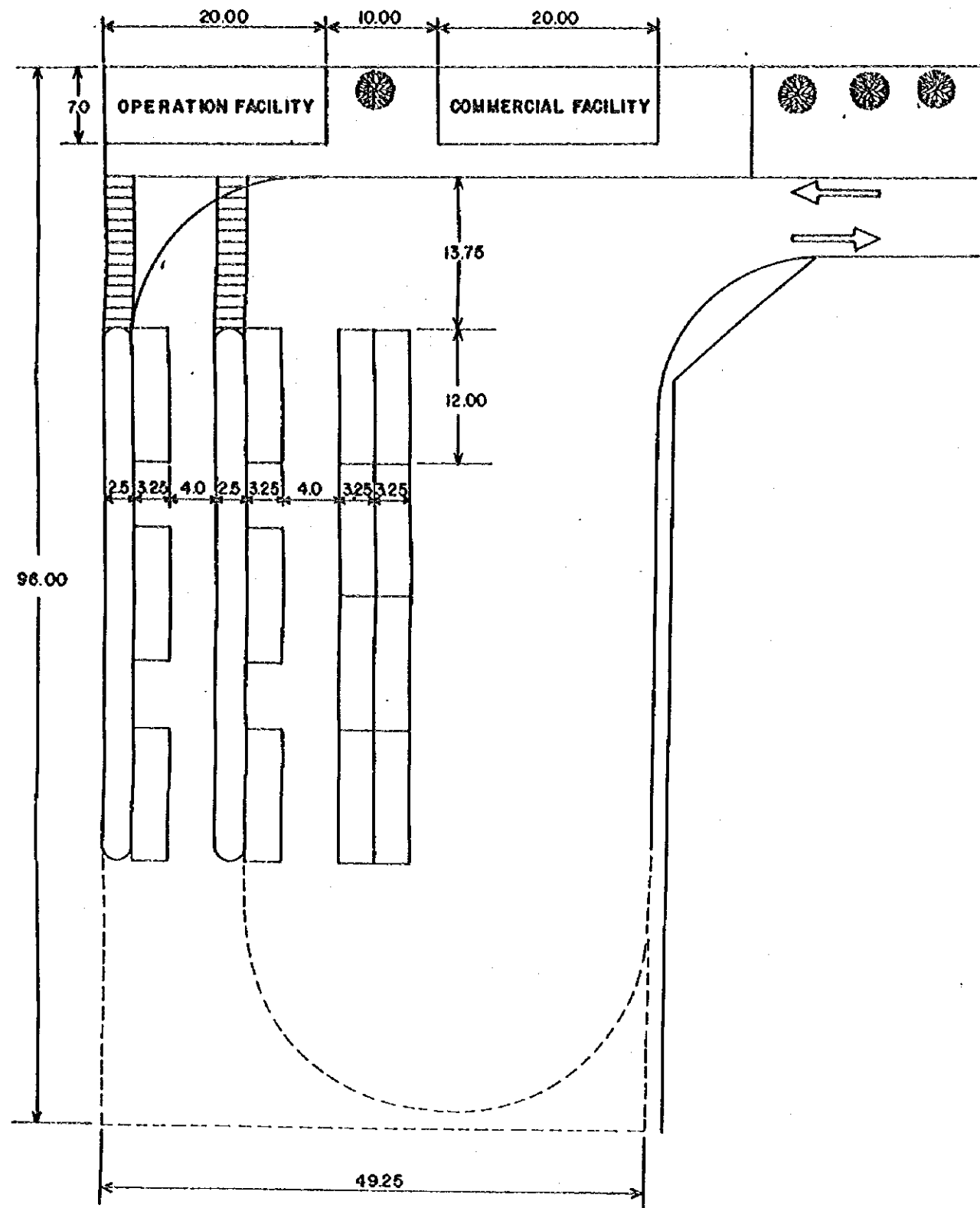
PROJECT-22



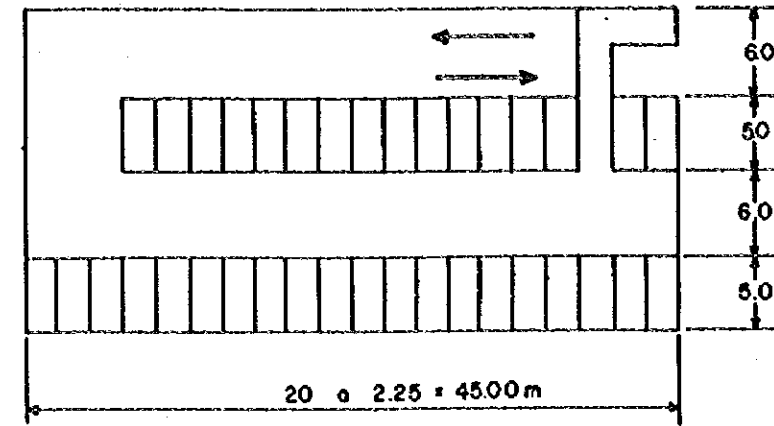
PROJECT - 23



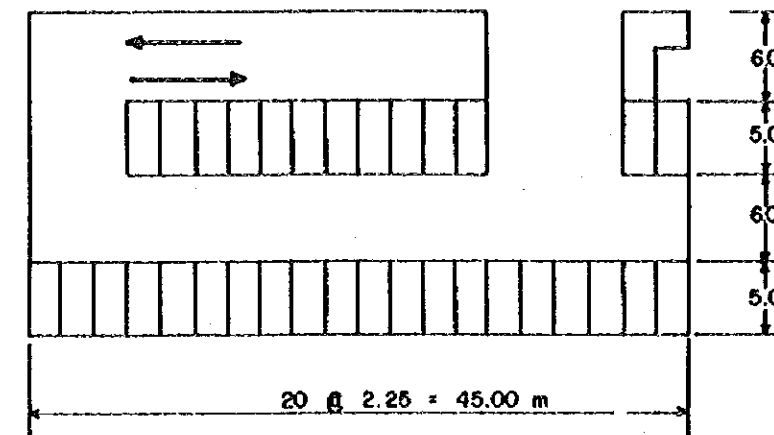
PROJECT-24



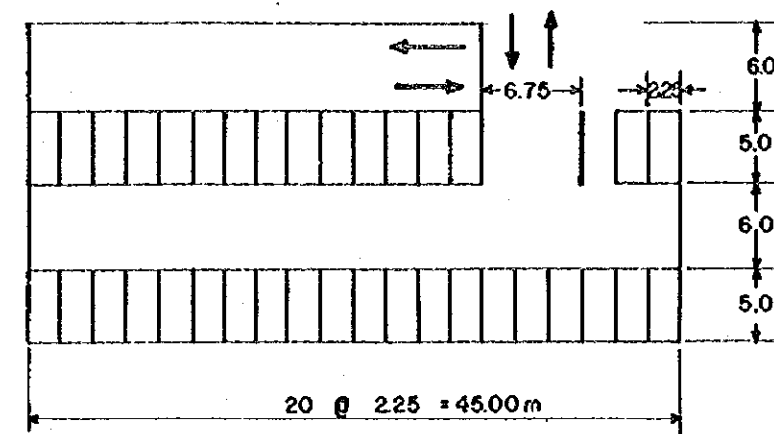
PROJECT - 25 SCALE 1:500



3 FLOOR



2 FLOOR



1 FLOOR

PROJECT - 26 SCALE 1:500