

CHAPTER A7

PRELIMINARY DESIGN  
OF  
PLANNED TRANSMISSION SYSTEM FACILITIES



1944

1944

1944



## Chapter A7

### Preliminary Design of Planned Transmission System Facilities

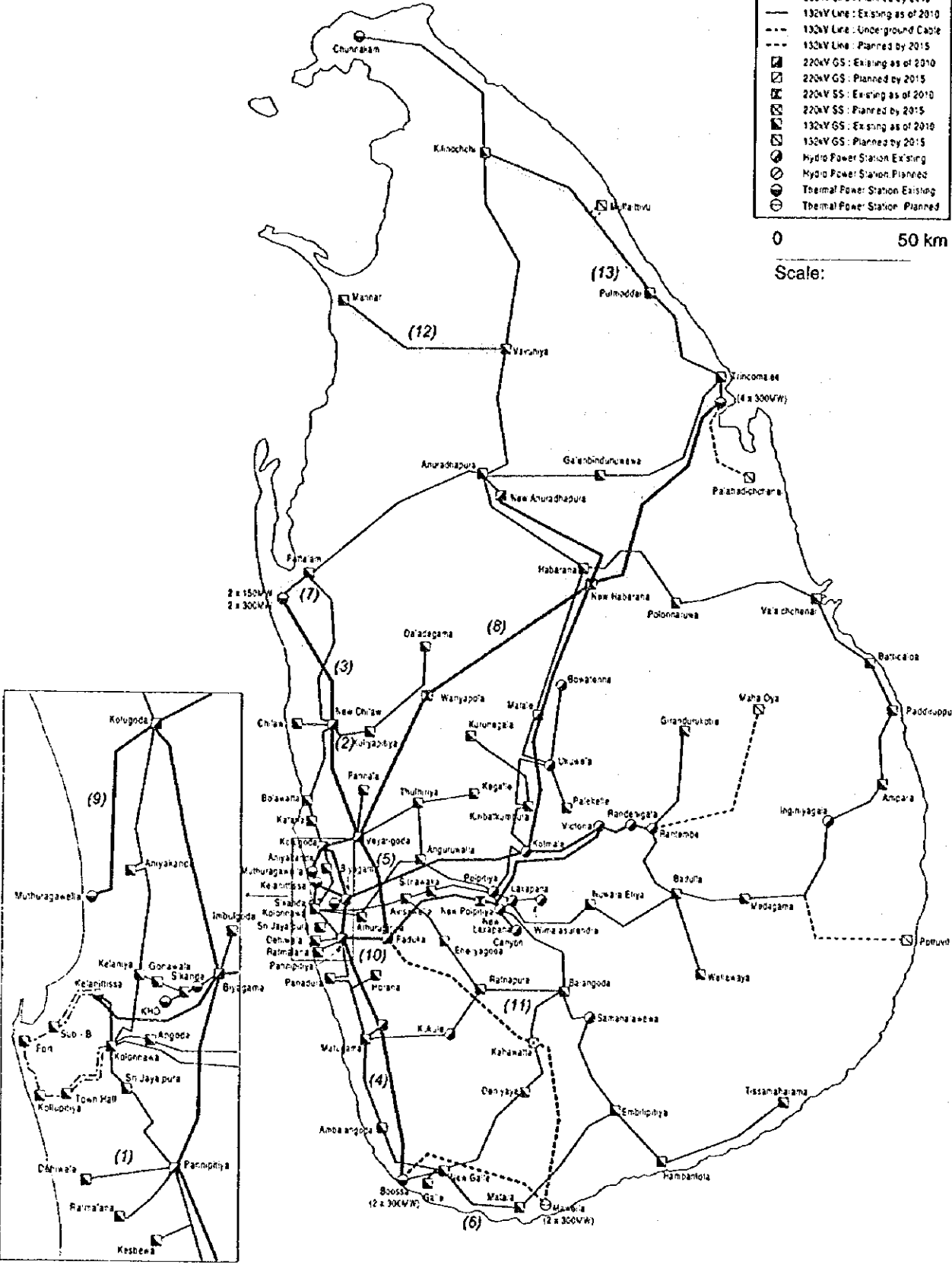
#### A7.1 Transmission Line Routes

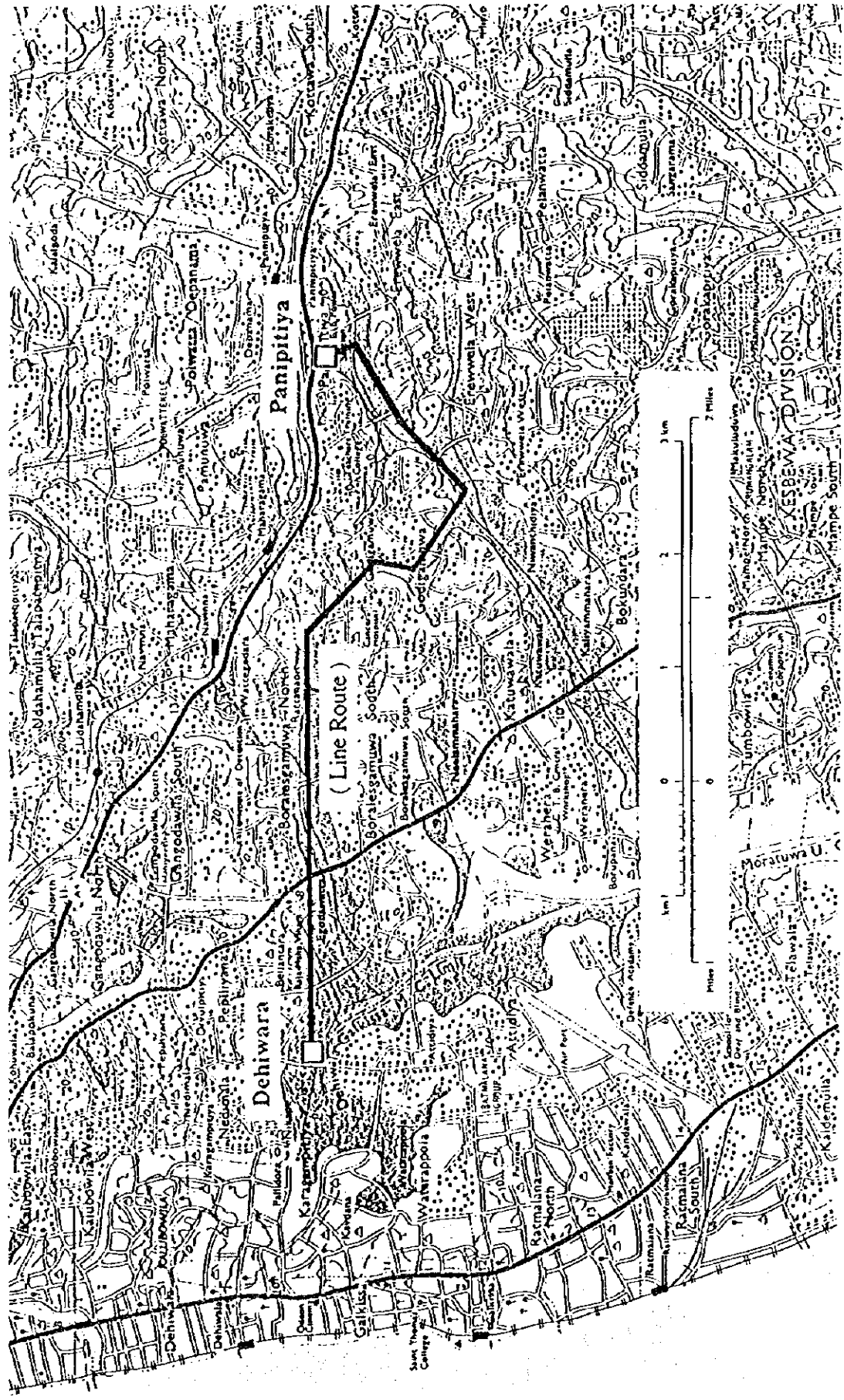
Ref. No.	Line Route		
Fig. 7.1	Planned Transmission Line Routes		
Fig. 7.1 - 1	Pannipitiya	—	Dehiwala
Fig. 7.1 - 2	New Chilaw	—	Kuliyapitiya
Fig. 7.1 - 3	Puttalam PS	—	Veyangoda
Fig. 7.1 - 4	Pannipitiya	—	New Galle
Fig. 7.1 - 5	Veyangoda	—	New Padukka
Fig. 7.1 - 6	New Galle	—	Matara
Fig. 7.1 - 7	Puttalam PS	—	Puttalam GS
Fig. 7.1 - 8	Trincomalee	—	Veyangoda
Fig. 7.1 - 9	Muthuragawella	—	Kotugoda
Fig. 7.1 - 10	Pannipitiya	—	New Padukka
Fig. 7.1 - 11	Ratnapura	—	Balangoda
Fig. 7.1 - 12	Vavunia	—	Mannar
Fig. 7.1 - 13	Trincomalee	—	Kilinochchi

- Legend**
- 220kV Line : Existing as of 2010
  - - - 220kV Line : Planned by 2015
  - · - · 132kV Line : Existing as of 2010
  - · - · 132kV Line : Under-ground Cable
  - · - · 132kV Line : Planned by 2015
  - 220kV GS : Existing as of 2010
  - 220kV GS : Planned by 2015
  - ⊠ 220kV SS : Existing as of 2010
  - ⊠ 220kV SS : Planned by 2015
  - ⊠ 132kV GS : Existing as of 2010
  - ⊠ 132kV GS : Planned by 2015
  - ⊙ Hydro Power Station Existing
  - ⊙ Hydro Power Station Planned
  - ⊙ Thermal Power Station Existing
  - ⊙ Thermal Power Station Planned

0 50 km

Scale:



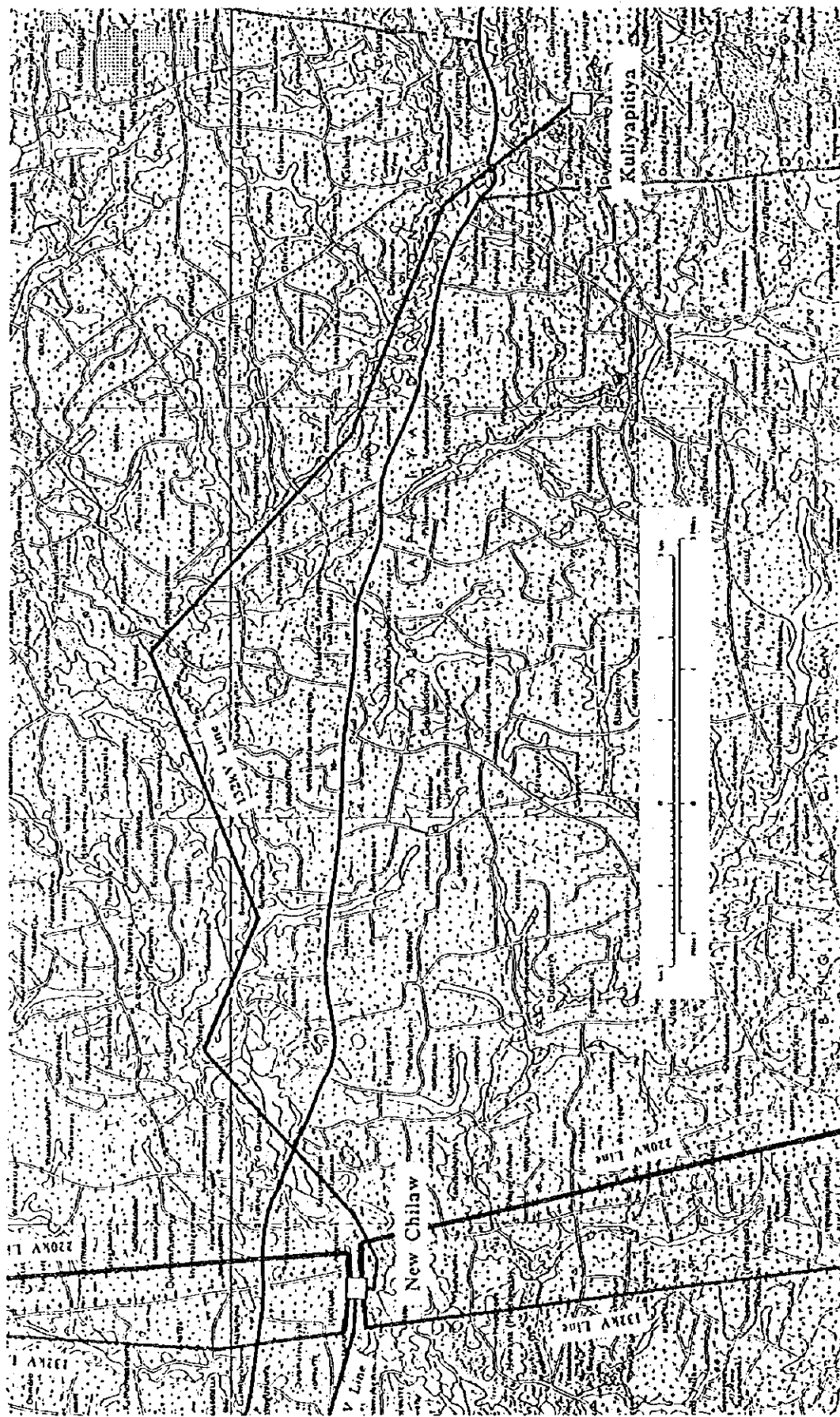


**CEYLON  
ELECTRICITY  
BOARD**

JAPAN INTERNATIONAL  
COOPERATION AGENCY  
NIPPON KOGI CO., LTD.  
Consulting Engineer

MASTER PLAN STUDY  
FOR DEVELOPMENT OF THE TRANSMISSION SYSTEM  
OF THE CEYLON ELECTRICITY BOARD  
IN THE DEMOCRATIC SOCIALIST REPUBLIC OF SRI LANKA

TITLE  
**Fig. A7.1 - 1**  
**Transmission Line Route**  
**Panipitiya - Dehiwala**

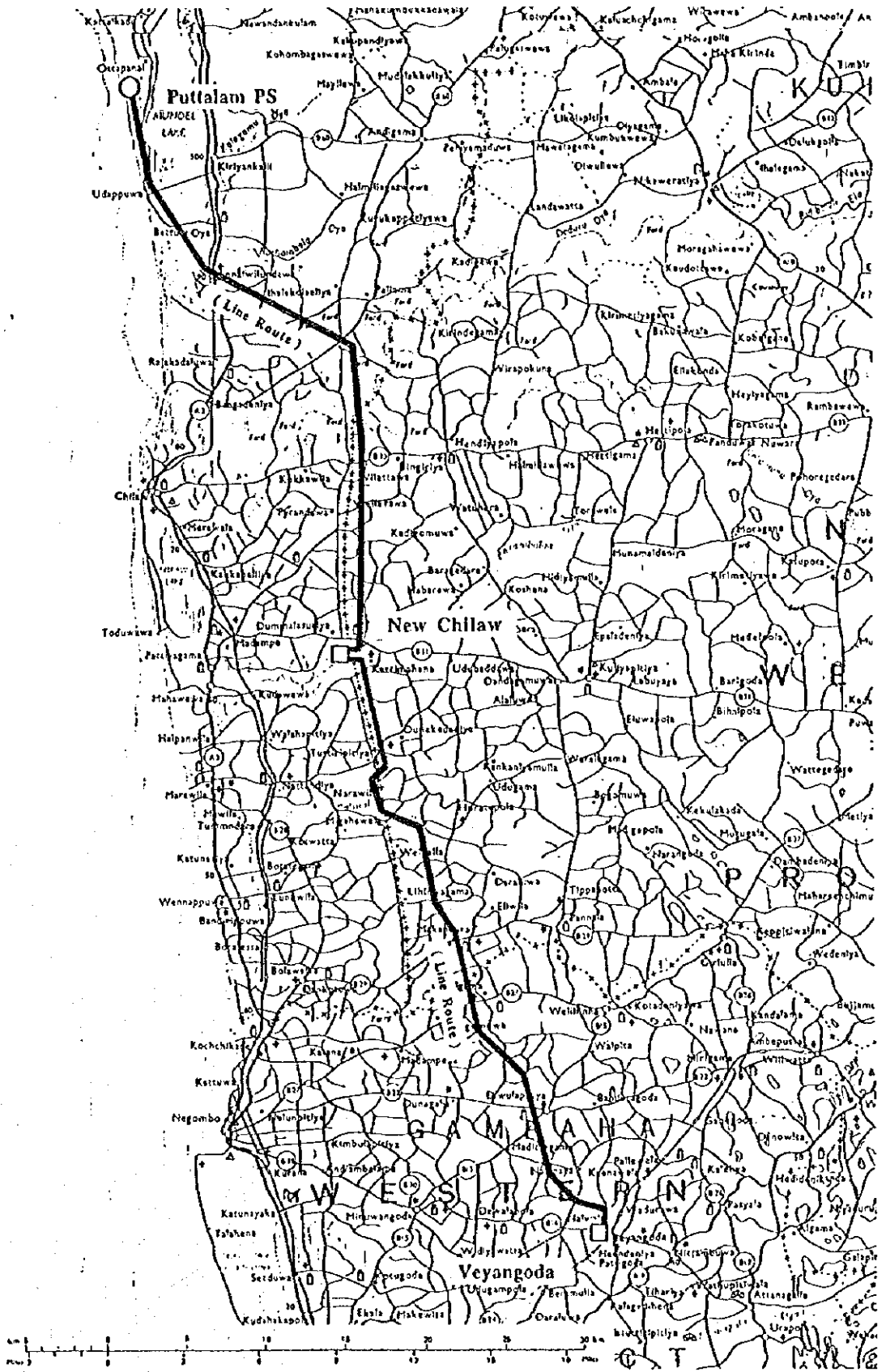


**Fig. A7.1 - 2**  
**Transmission Line Route**  
**New Chilaw - Kuliyaipitiya**

**MASTER PLAN STUDY**  
**FOR DEVELOPMENT OF THE TRANSMISSION SYSTEM**  
**OF THE CEYLON ELECTRICITY BOARD**  
**IN THE DEMOCRATIC SOCIALIST REPUBLIC OF SRI LANKA**

**JAPAN INTERNATIONAL**  
**COOPERATION AGENCY**  
**NIIPPON KOKAI CO., LTD.**  
**Consulting Engineer**

**CEYLON**  
**ELECTRICITY**  
**BOARD**

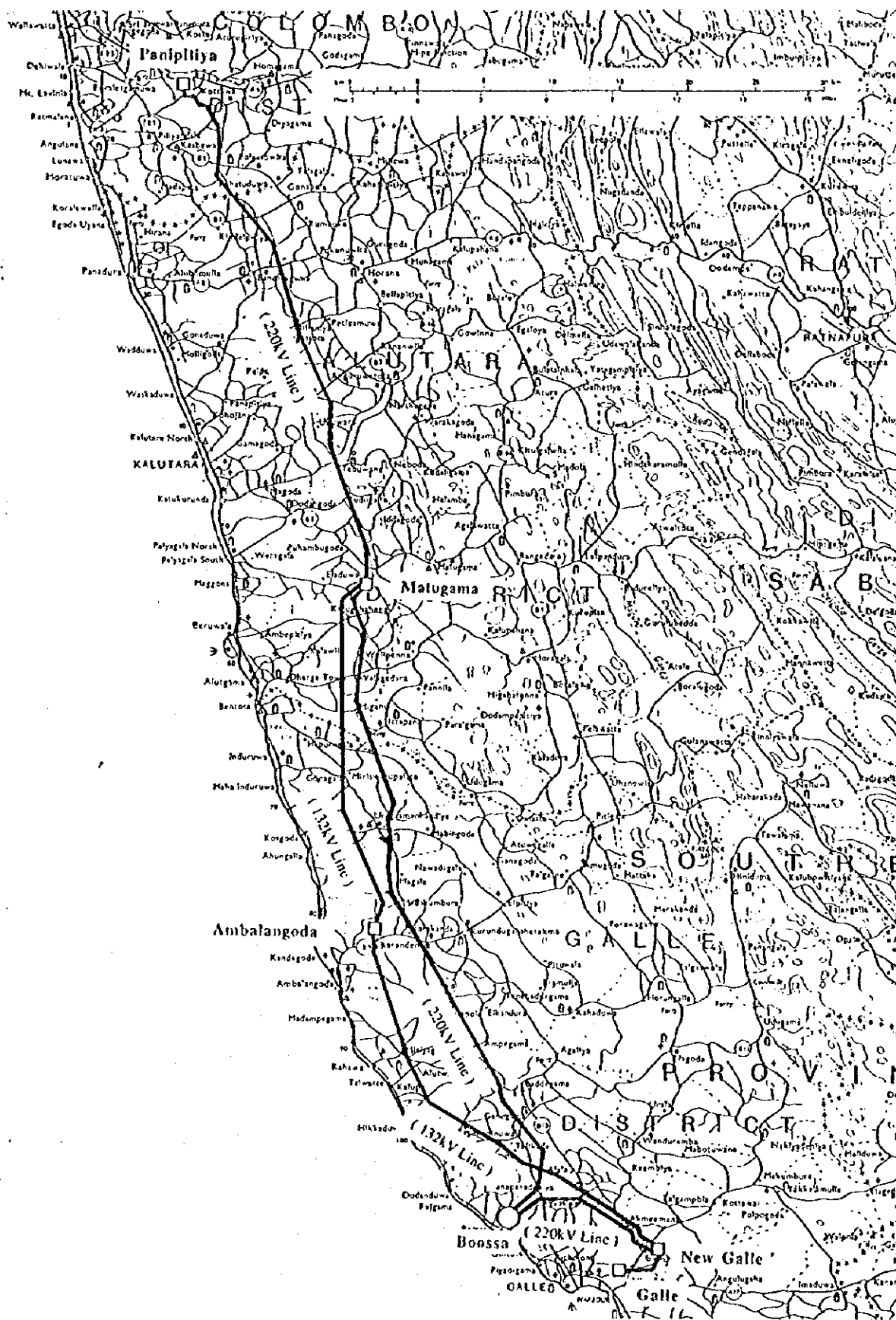


**CEYLON  
ELECTRICITY  
BOARD**

**JAPAN INTERNATIONAL  
COOPERATION AGENCY**  
**NIPPON KOEI CO., LTD.**  
Consulting Engineer

**MASTER PLAN STUDY  
FOR DEVELOPMENT OF THE TRANSMISSION SYSTEM  
OF THE CEYLON ELECTRICITY BOARD  
IN THE DEMOCRATIC SOCIALIST REPUBLIC OF SRI LANKA**

**TITLE** **Fig. A7.1 - 3**  
**Transmission Line Route  
Puttalam PS - Veyangoda**



**CEYLON  
ELECTRICITY  
BOARD**

**JAPAN INTERNATIONAL  
COOPERATION AGENCY**  
**NIPPON KOEI CO., LTD.**  
Consulting Engineer

**MASTER PLAN STUDY  
FOR DEVELOPMENT OF THE TRANSMISSION SYSTEM  
OF THE CEYLON ELECTRICITY BOARD  
IN THE DEMOCRATIC SOCIALIST REPUBLIC OF SRI LANKA**

**TITLE**  
**Fig. A7.1 - 4**  
**Transmission Line Route  
Pannipitiya - New Galle**



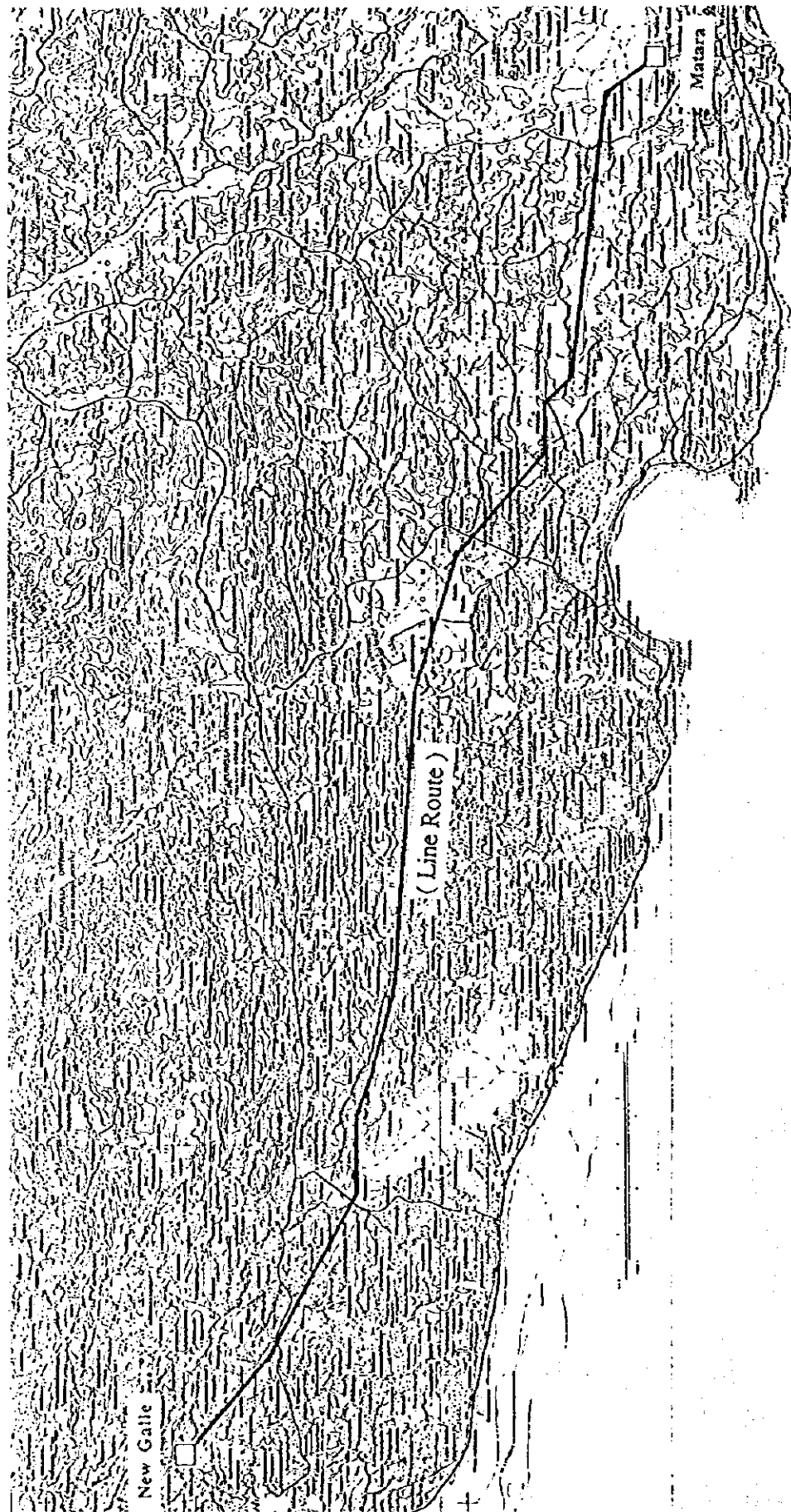


**CEYLON  
ELECTRICITY  
BOARD**

**JAPAN INTERNATIONAL  
COOPERATION AGENCY**  
**NIPPON KOEI CO., LTD.**  
Consulting Engineer

**MASTER PLAN STUDY  
FOR DEVELOPMENT OF THE TRANSMISSION SYSTEM  
OF THE CEYLON ELECTRICITY BOARD  
IN THE DEMOCRATIC SOCIALIST REPUBLIC OF SRI LANKA**

**TITLE** **Fig. A7.1 - 5**  
**Transmission Line Route  
Veyangoda - New Padukka**



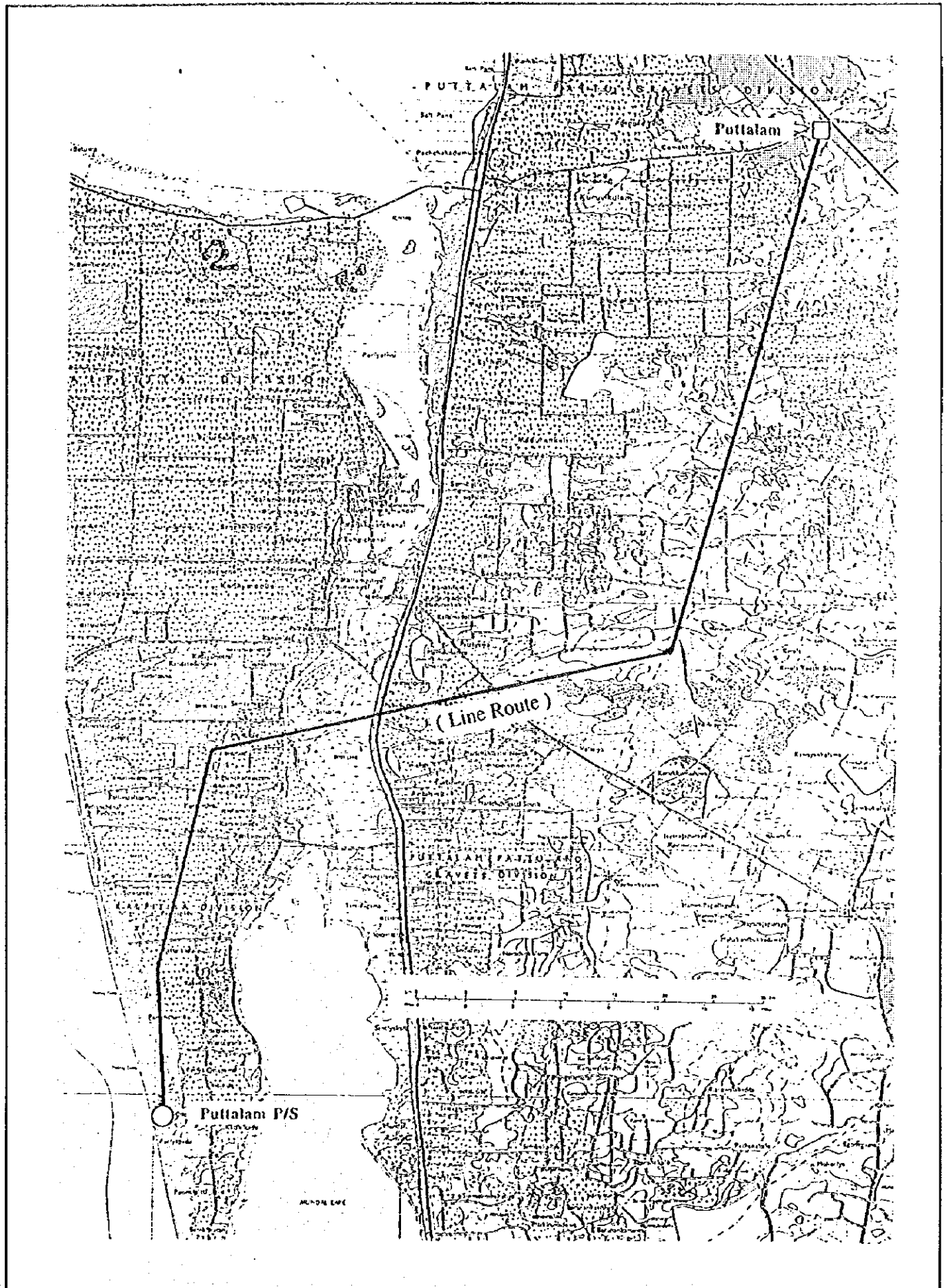
**CEYLON  
ELECTRICITY  
BOARD**

JAPAN INTERNATIONAL  
COOPERATION AGENCY  
NIPPON KOEI CO., LTD.  
*Consulting Engineer*

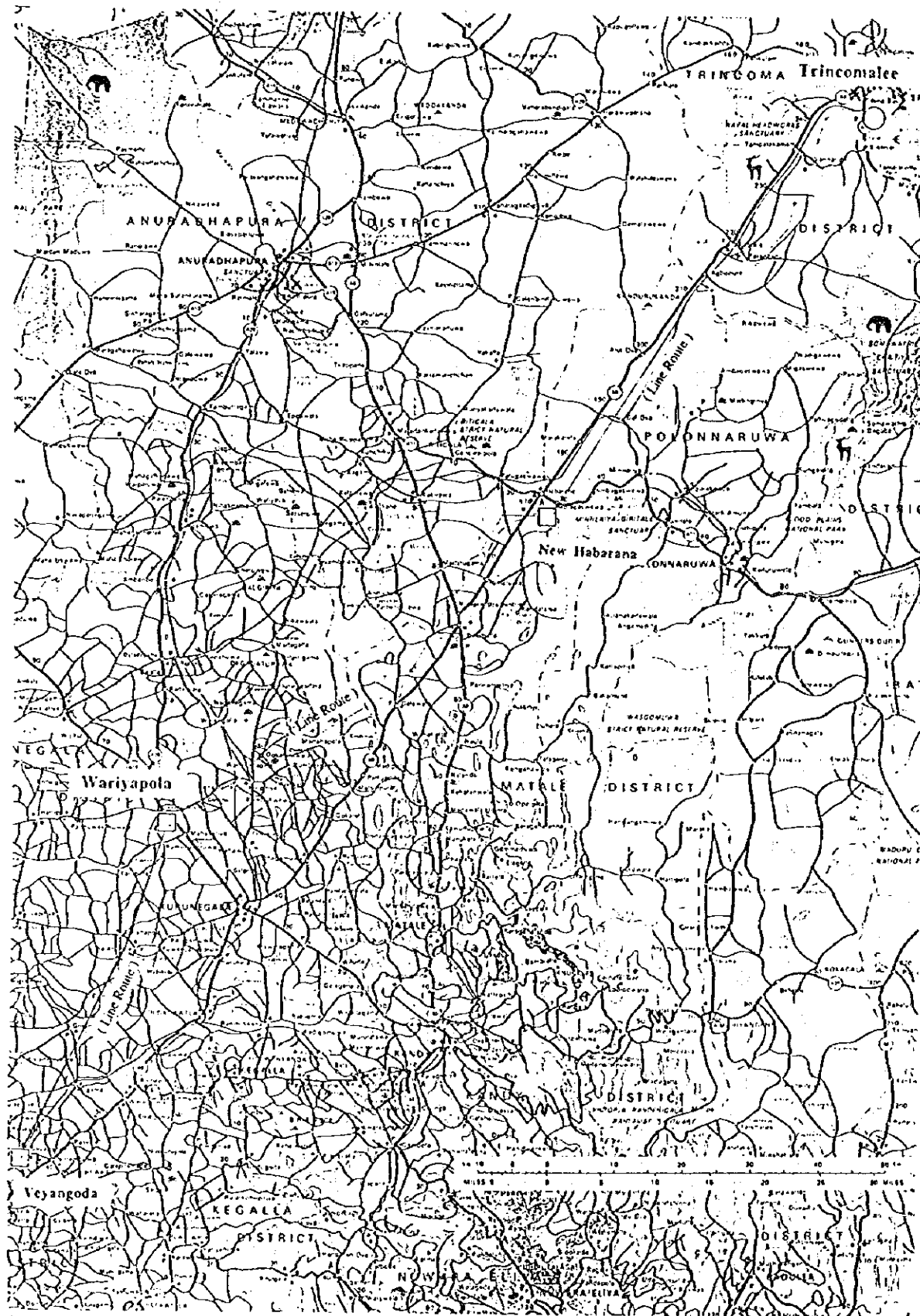
MASTER PLAN STUDY  
FOR DEVELOPMENT OF THE TRANSMISSION SYSTEM  
OF THE CEYLON ELECTRICITY BOARD  
IN THE DEMOCRATIC SOCIALIST REPUBLIC OF SRI LANKA

TITLE

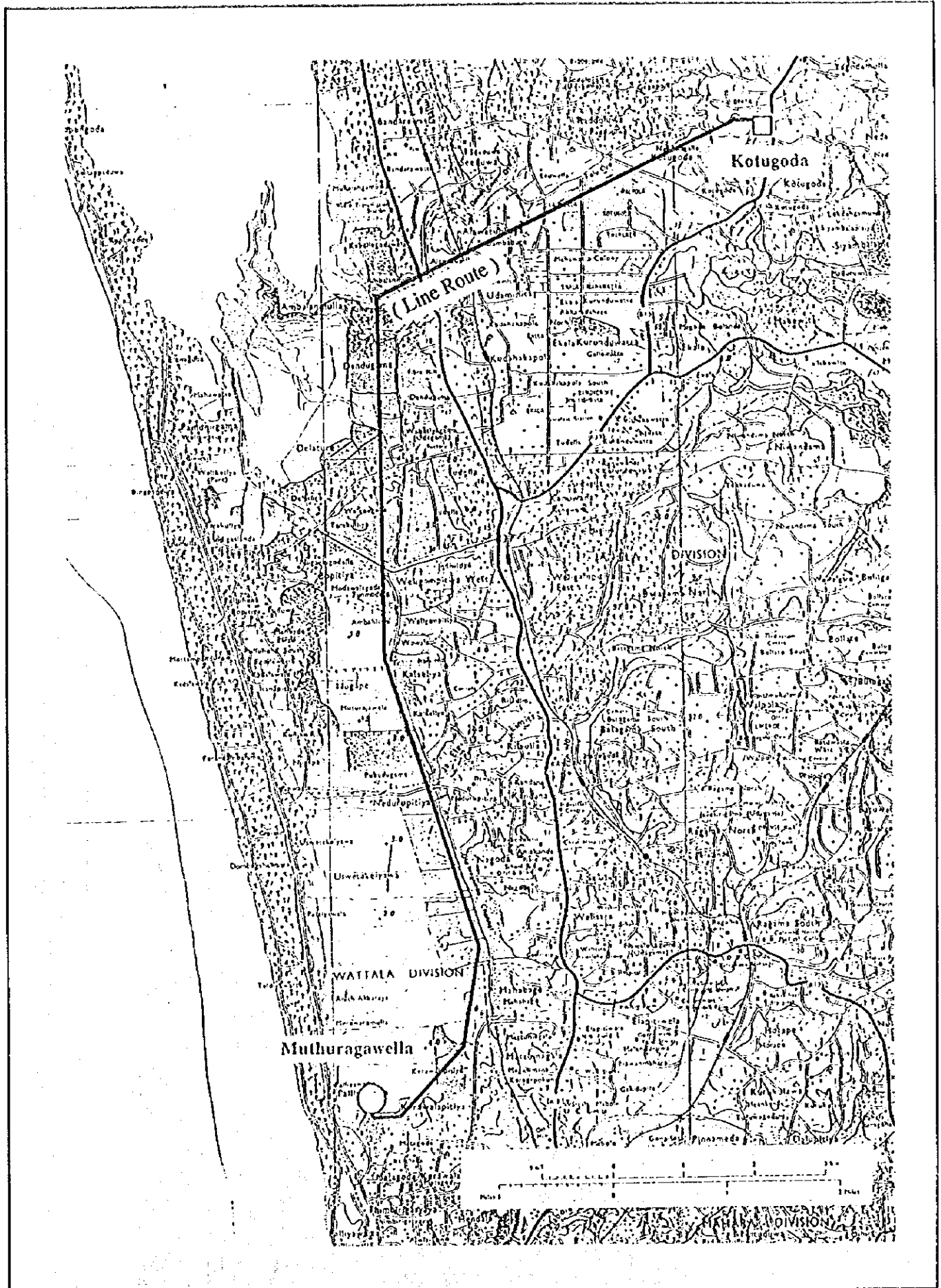
**Fig. A7.1 - 6  
Transmission Line Route  
New Galle - Matara**



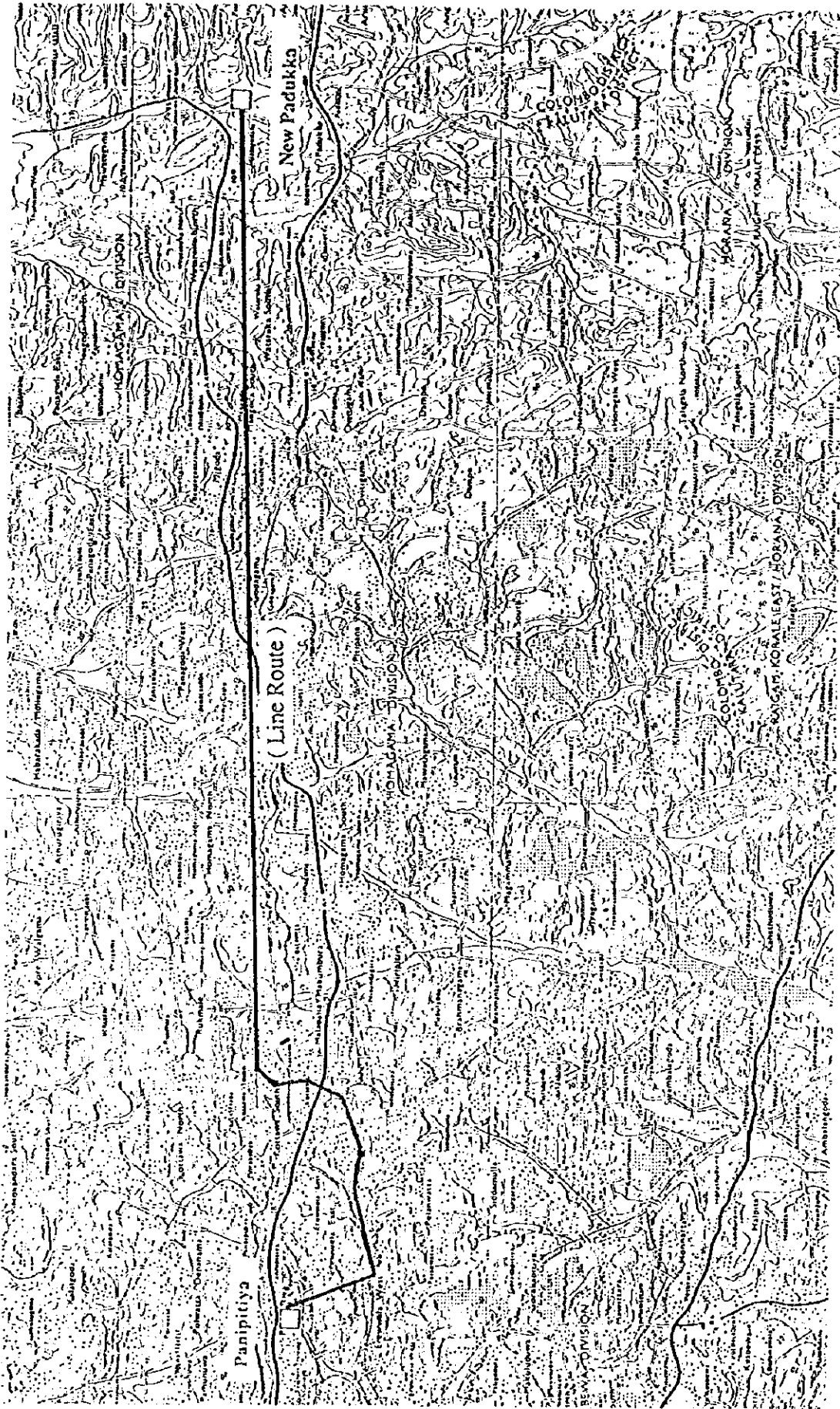
<p><b>CEYLON ELECTRICITY BOARD</b></p>	<p>JAPAN INTERNATIONAL COOPERATION AGENCY  NIPPON KOEI CO., LTD. Consulting Engineer</p>	<p>MASTER PLAN STUDY FOR DEVELOPMENT OF THE TRANSMISSION SYSTEM OF THE CEYLON ELECTRICITY BOARD IN THE DEMOCRATIC SOCIALIST REPUBLIC OF SRI LANKA</p>	<p>TITLE <b>Fig. A7.1 - 7</b>  Transmission Line Route Puttalam P/S - Puttalam G S/S</p>
--	--	---	--



<b>CEYLON ELECTRICITY BOARD</b>	<b>JAPAN INTERNATIONAL COOPERATION AGENCY</b>  <b>NIPPON KOEI CO. LTD.</b> Consulting Engineer	<b>MASTER PLAN STUDY FOR DEVELOPMENT OF THE TRANSMISSION SYSTEM OF THE CEYLON ELECTRICITY BOARD IN THE DEMOCRATIC SOCIALIST REPUBLIC OF SRI LANKA</b>	<b>TITLE</b> <b>Fig. A7.1 - 8</b> <b>Transmission Line Route Trincomalee - Veyangoda</b>
---	---	---	--



<p><b>CEYLON ELECTRICITY BOARD</b></p>	<p><b>JAPAN INTERNATIONAL COOPERATION AGENCY</b>   <b>NIPPON KOEI CO., LTD.</b>          Consulting Engineer</p>	<p><b>MASTER PLAN STUDY FOR DEVELOPMENT OF THE TRANSMISSION SYSTEM OF THE CEYLON ELECTRICITY BOARD IN THE DEMOCRATIC SOCIALIST REPUBLIC OF SRI LANKA</b></p>	<p><b>TITLE</b>      <b>Fig. A7.1 - 9</b>   <b>Transmission Line Route Muthuragawella - Kotugoda</b></p>
--	--	--	--



**CEYLON  
ELECTRICITY  
BOARD**

JAPAN INTERNATIONAL  
COOPERATION AGENCY  
NIPPON KOFI CO., LTD.  
Consulting Engineer

MASTER PLAN STUDY  
FOR DEVELOPMENT OF THE TRANSMISSION SYSTEM  
OF THE CEYLON ELECTRICITY BOARD  
IN THE DEMOCRATIC SOCIALIST REPUBLIC OF SRI LANKA

FIG. A7.1 - 10  
Transmission Line Route  
Panipitiya - New Padukka

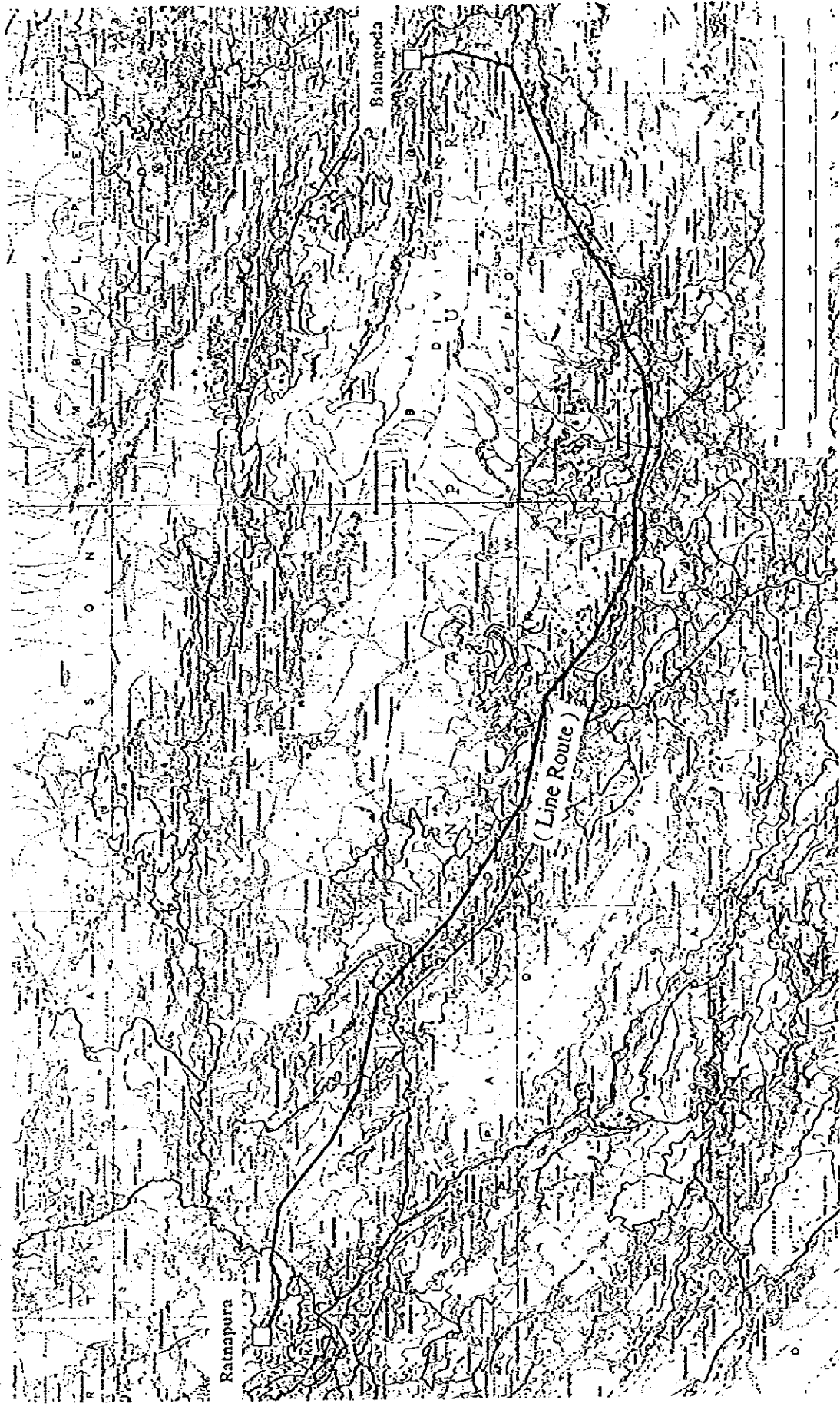


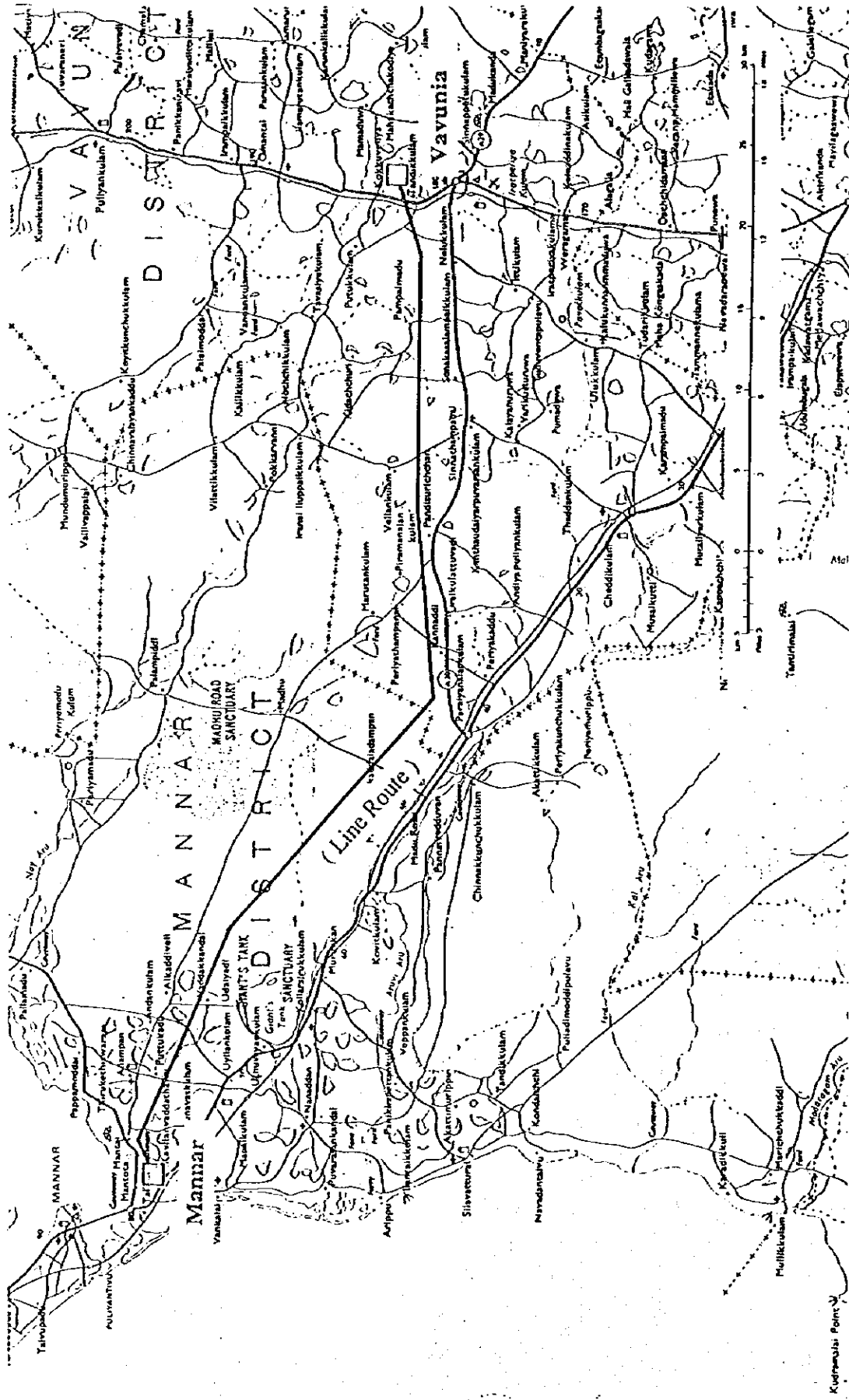
Fig. A7.1 - 11

Transmission Line Route  
Ratnapura - Balangoda

TITLE  
MASTER PLAN STUDY  
FOR DEVELOPMENT OF THE TRANSMISSION SYSTEM  
OF THE CEYLON ELECTRICITY BOARD  
IN THE DEMOCRATIC SOCIALIST REPUBLIC OF SRI LANKA

JAPAN INTERNATIONAL  
COOPERATION AGENCY  
NIPPON KOEI CO., LTD.  
Consulting Engineer

CEYLON  
ELECTRICITY  
BOARD



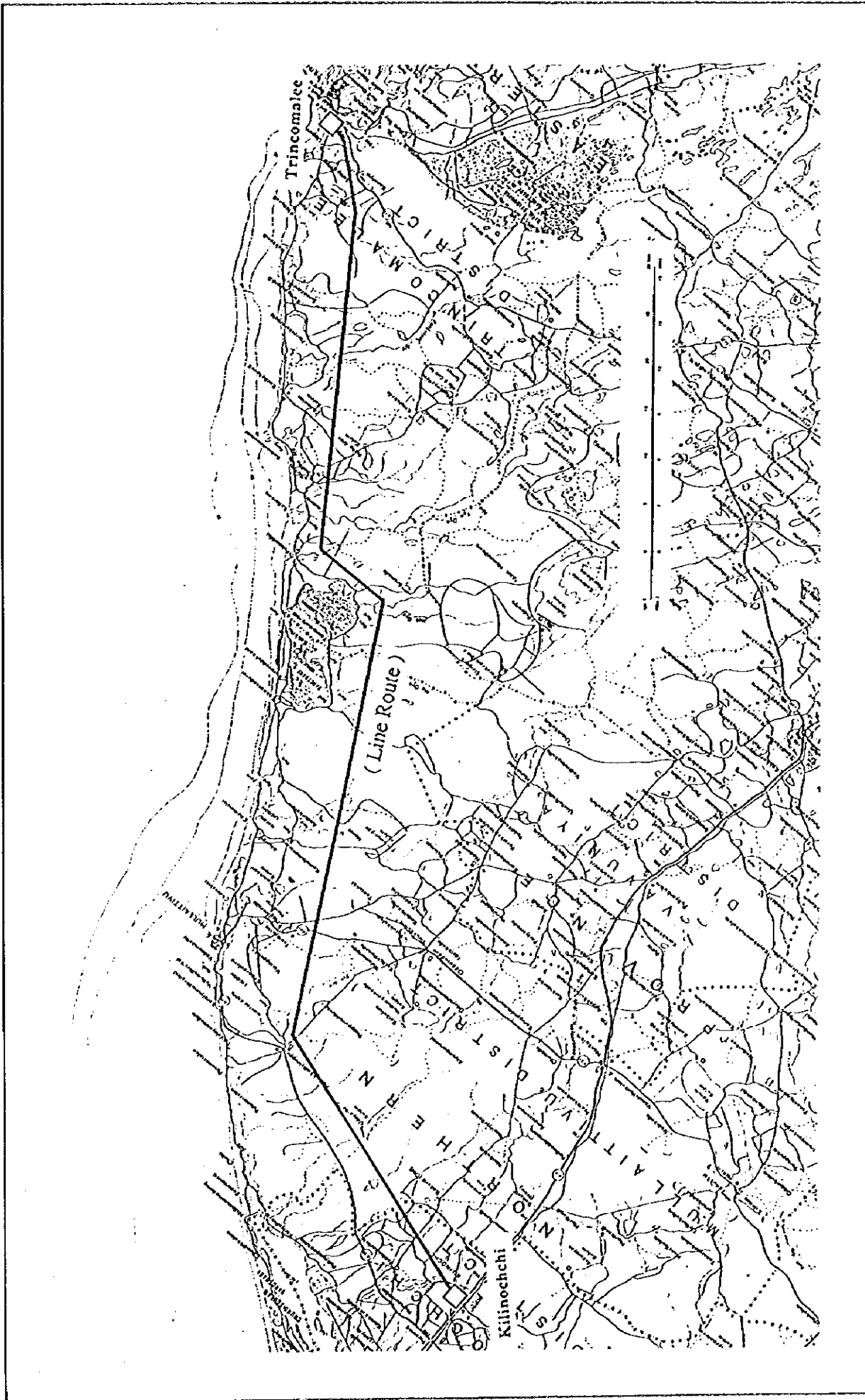
**CEYLON  
ELECTRICITY  
BOARD**

JAPAN INTERNATIONAL  
COOPERATION AGENCY  
NIPPON KOGI CO., LTD.  
Consulting Engineer

MASTER PLAN STUDY  
FOR DEVELOPMENT OF THE TRANSMISSION SYSTEM  
OF THE CEYLON ELECTRICITY BOARD  
IN THE DEMOCRATIC SOCIALIST REPUBLIC OF SRI LANKA

Fig. A7.1 - 12  
Transmission Line Route  
Vavunia - Mannar





<p><b>CEYLON ELECTRICITY BOARD</b></p>	<p>JAPAN INTERNATIONAL COOPERATION AGENCY NIPPON KOEI CO., LTD. Consulting Engineer</p>	<p>MASTER PLAN STUDY FOR DEVELOPMENT OF THE TRANSMISSION SYSTEM OF THE CEYLON ELECTRICITY BOARD IN THE DEMOCRATIC SOCIALIST REPUBLIC OF SRI LANKA</p>	<p>TITLE <b>Fig. A7.1 - 13</b> Transmission Line Route Trincomalee - Kilinochchi</p>
--	---	---	--



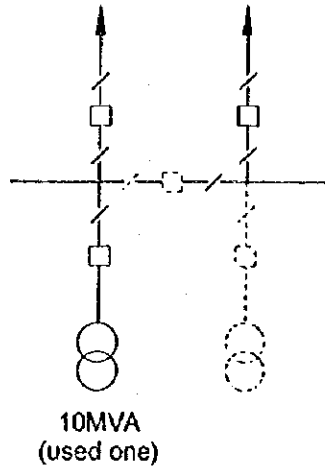
## A7.2 Substations and Switching Stations

Ref. No.	Site and One Line Diagram
Fig. A7.2 - 1	Small Size Grid Substation
Fig. A7.2 - 2	Ambalangoda Substation
Fig. A7.2 - 3	Angoda Substation
Fig. A7.2 - 4	Anguruwella Substation
Fig. A7.2 - 5	Aniyakanda Substation
Fig. A7.2 - 6	Athurugiriya Substation
Fig. A7.2 - 7	B Substation
Fig. A7.2 - 8	Balangoda Substation
Fig. A7.2 - 9	Dehiwala Substation
Fig. A7.2 - 10	Eheliyagoda Substation
Fig. A7.2 - 11	Gonawala Substation
Fig. A7.2 - 12	Hambantota Substation
Fig. A7.2 - 13	Horana Substation
Fig. A7.2 - 14	Imbulgoda Substation
Fig. A7.2 - 15	Katana Substation
Fig. A7.2 - 16	Kegalle Substation
Fig. A7.2 - 17	Kelaniya Substation
Fig. A7.2 - 18	Kesbewa Substation
Fig. A7.2 - 19	Kolonnawa Substation
Fig. A7.2 - 20	Kotugoda Substation
Fig. A7.2 - 21	Kuliyapitiya Substation
Fig. A7.2 - 22	Matale Substation
Fig. A7.2 - 23	Matugama Substation
Fig. A7.2 - 24	New Chilaw Substation
Fig. A7.2 - 25	New Galle Substation
Fig. A7.2 - 26	New Habarana Switching Station
Fig. A7.2 - 27	New Padukka Switching Station
Fig. A7.2 - 28	New Polpitiya Switching Station
Fig. A7.2 - 29	Palekelle Substation
Fig. A7.2 - 30	Pannala Substation
Fig. A7.2 - 31	Pannipitiya Substation
Fig. A7.2 - 32	Polonnaruwa Substation
Fig. A7.2 - 33	Ratnapura Substation
Fig. A7.2 - 34	Sapugaskanda Substation
Fig. A7.2 - 35	Sri Jaya'pura Substation
Fig. A7.2 - 36	Thulhiriya Substation
Fig. A7.2 - 37	Town Hall Substation
Fig. A7.2 - 38	Vavunia Substation
Fig. A7.2 - 39	Veyangoda Substation
Fig. A7.2 - 40	Wariyapola Switching Station

**(I) Two Circuits Receiving and One Transformer**

Applicable Substations

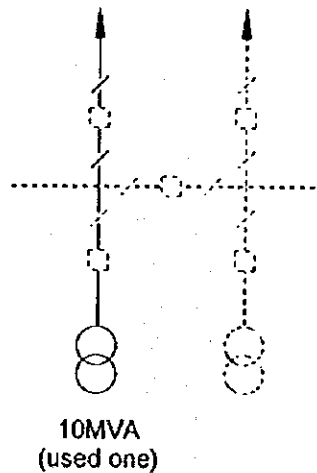
- 1) Medagama
- 2) Paddiruppu
- 3) Galenbindunuwewa
- 4) Pulmoddai
- 5) Batticaloa
- 6) Mullattivu



**(II) One Circuit Receiving and One Transformer**

Applicable Substations

- 1) Mannar
- 2) Daladegama
- 3) Girandurukotre
- 4) Wellawaya
- 5) Tissamaharama
- 6) Palattadichchenai
- 7) Maha Oya

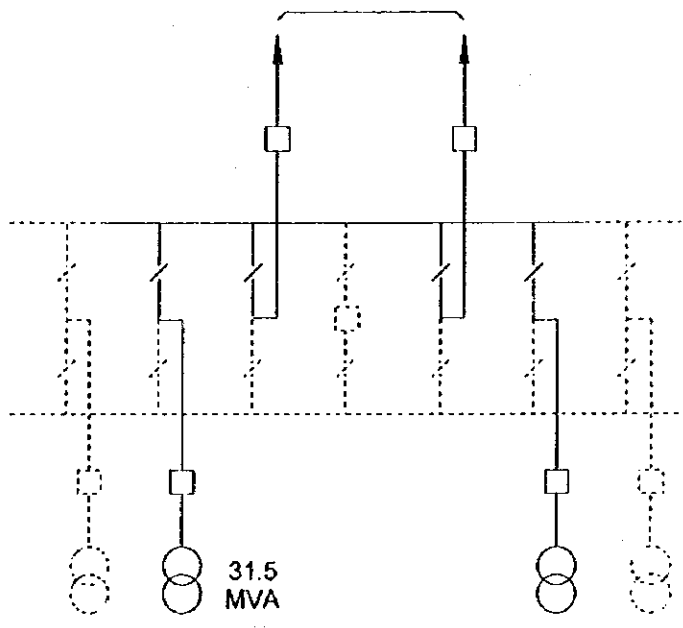


**Notes**

- (I) Circuit breaker is installed at the sending end only.



Matugama - New Galle Line  
(Single Pai - connection)



**Notes**

(I) Proposed Extension Plan

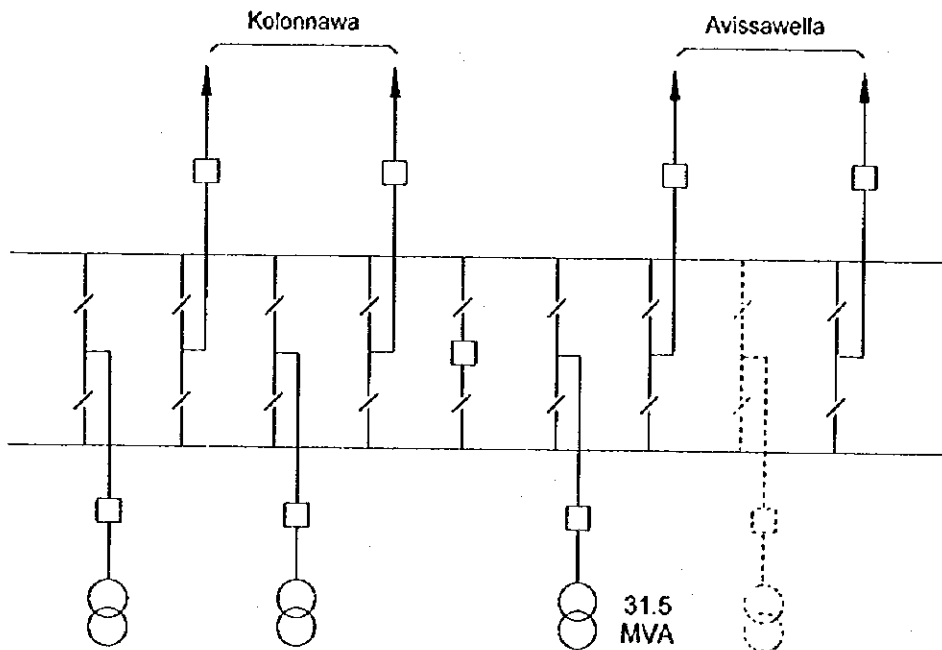
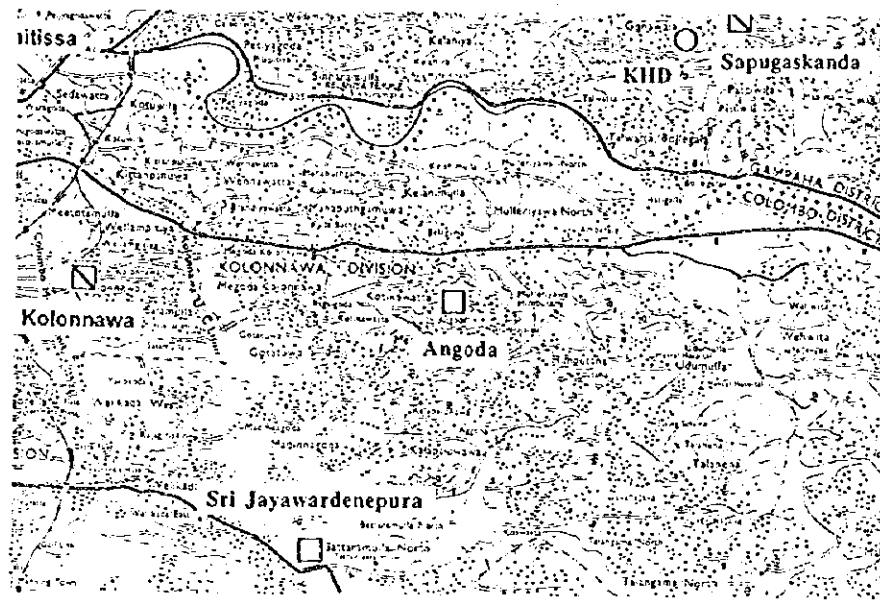
(II) Others

-Not shaded : up to 2005

(a) Initially, single bus system

-Dotted line : up to 2015 or after

<b>CEYLON ELECTRICITY BOARD</b>	JAPAN INTERNATIONAL COOPERATION AGENCY	MASTER PLAN STUDY FOR DEVELOPMENT OF THE TRANSMISSION SYSTEM OF THE CEYLON ELECTRICITY BOARD IN THE DEMOCRATIC SOCIALIST REPUBLIC OF SRI LANKA	TITLE <b>Fig. A7.2 - 2</b> <b>Site &amp; One-Line Diagram of Ambalangoda Substation</b>
	NIPPON KOEI CO., LTD. Consulting Engineer		

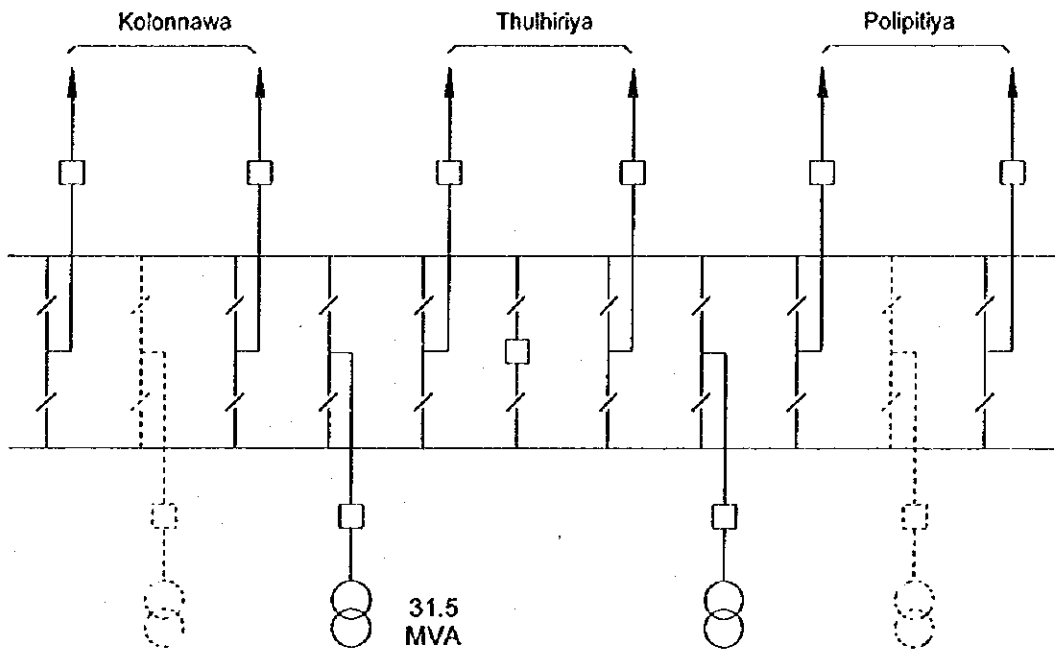


**Notes**

**(I) Proposed Extension Plan**

- Not shaded : up to 2010
- Dotted line : up to 2015 or after

<b>CEYLON ELECTRICITY BOARD</b>	JAPAN INTERNATIONAL COOPERATION AGENCY	MASTER PLAN STUDY FOR DEVELOPMENT OF THE TRANSMISSION SYSTEM OF THE CEYLON ELECTRICITY BOARD IN THE DEMOCRATIC SOCIALIST REPUBLIC OF SRI LANKA	TITLE <b>Fig. A7.2 - 3</b> Site & One-Line Diagram of Angoda Substation
	NIPPON KOEI CO., LTD. Consulting Engineer		

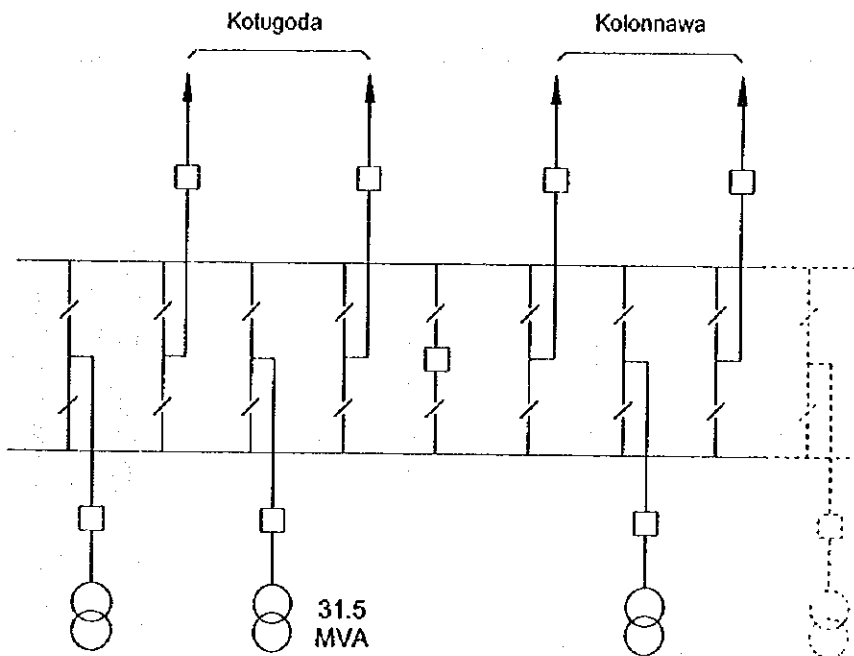


**Notes**

**(I) Proposed Extension Plan**

- Not shaded : up to 2010
- Dotted line : up to 2015 or after

<b>CEYLON ELECTRICITY BOARD</b>	JAPAN INTERNATIONAL COOPERATION AGENCY	MASTER PLAN STUDY FOR DEVELOPMENT OF THE TRANSMISSION SYSTEM OF THE CEYLON ELECTRICITY BOARD IN THE DEMOCRATIC SOCIALIST REPUBLIC OF SRI LANKA	TITLE <b>Fig. A7.2 - 4</b> Site & One-Line Diagram of Anguruwella Substation
	NIPPON KOEI CO., LTD. Consulting Engineer		



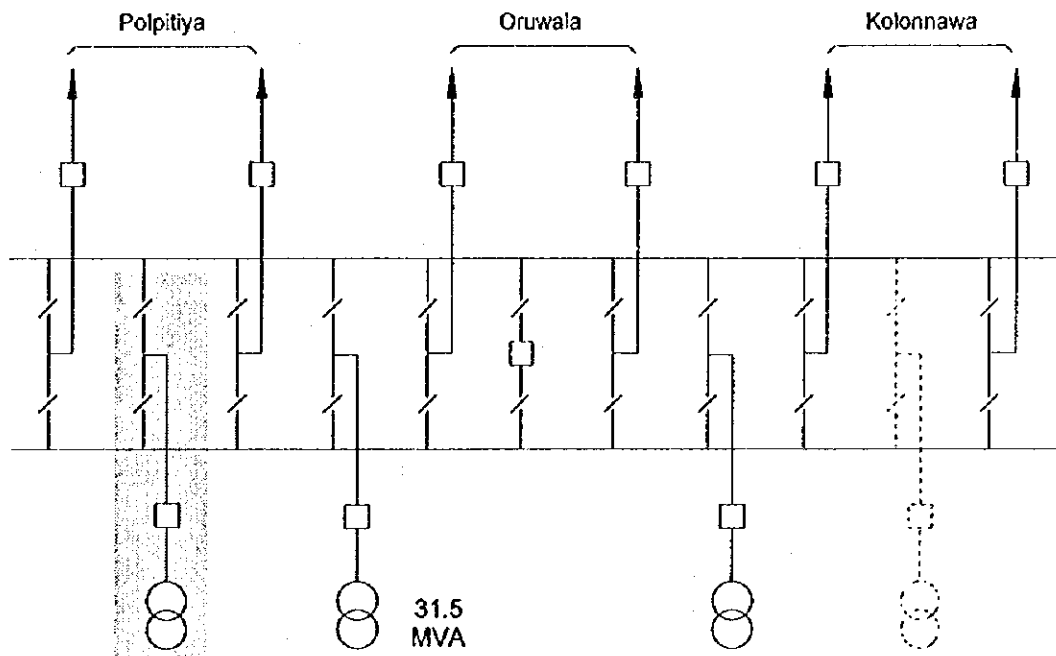
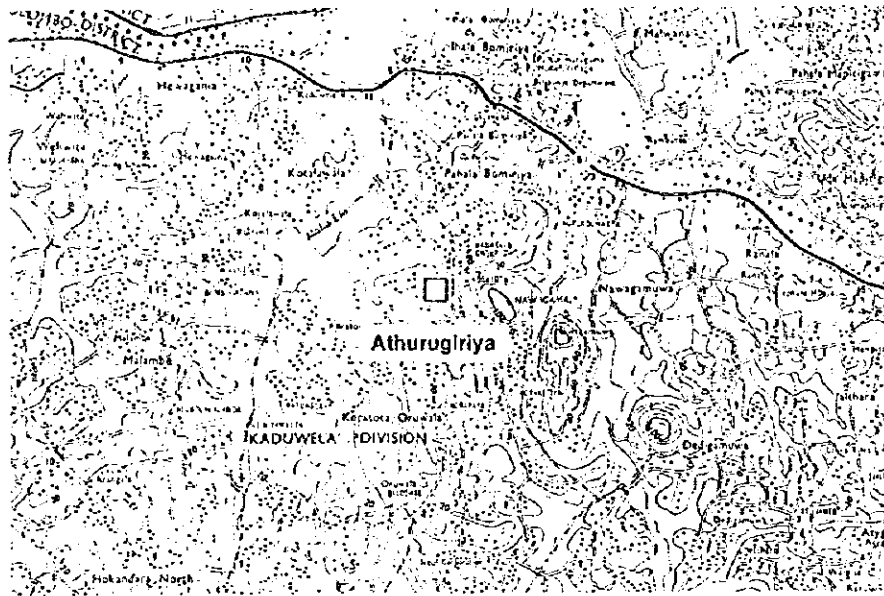
**Notes**

**(I) Proposed Extension Plan**

- Not shaded : up to 2000
- Dotted line : up to 2010
- Dotted line : up to 2015 or after

<b>CEYLON ELECTRICITY BOARD</b>	JAPAN INTERNATIONAL COOPERATION AGENCY	MASTER PLAN STUDY FOR DEVELOPMENT OF THE TRANSMISSION SYSTEM OF THE CEYLON ELECTRICITY BOARD IN THE DEMOCRATIC SOCIALIST REPUBLIC OF SRI LANKA	TITLE <b>Fig. A7.2 - 5</b> Site & One-Line Diagram of Aniyakanda Substation
	NIPPON KOEI CO., LTD. Consulting Engineer		



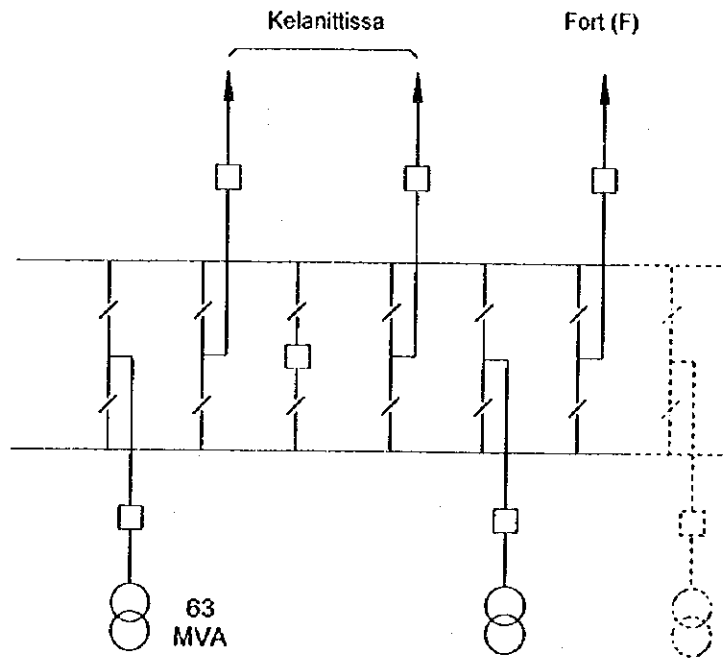
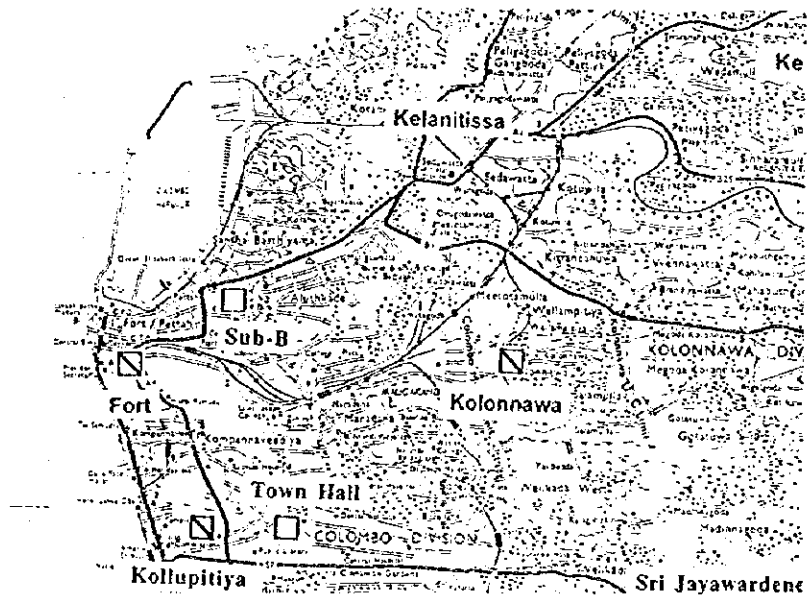


**Notes**

**(I) Proposed Extension Plan**

- Not shaded : up to 2000
- Dashed line : up to 2010
- Dotted line : up to 2015 or after

<b>CEYLON ELECTRICITY BOARD</b>	JAPAN INTERNATIONAL COOPERATION AGENCY	MASTER PLAN STUDY	TITLE <b>Fig. A7.2 - 6</b> <b>Site &amp; One-Line Diagram of Athurugiriya Substation</b>
	NIPPON KOEI CO., LTD. Consulting Engineer	FOR DEVELOPMENT OF THE TRANSMISSION SYSTEM OF THE CEYLON ELECTRICITY BOARD IN THE DEMOCRATIC SOCIALIST REPUBLIC OF SRI LANKA	



**Notes**

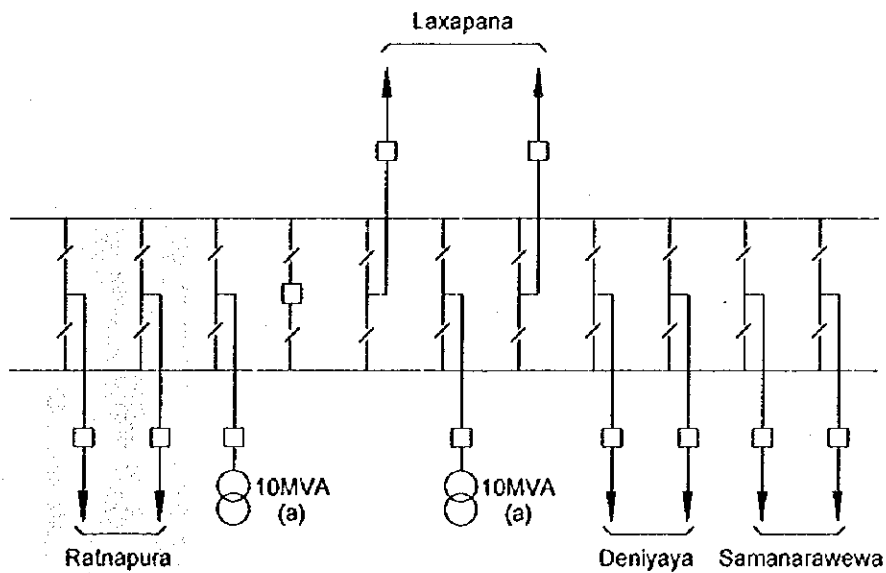
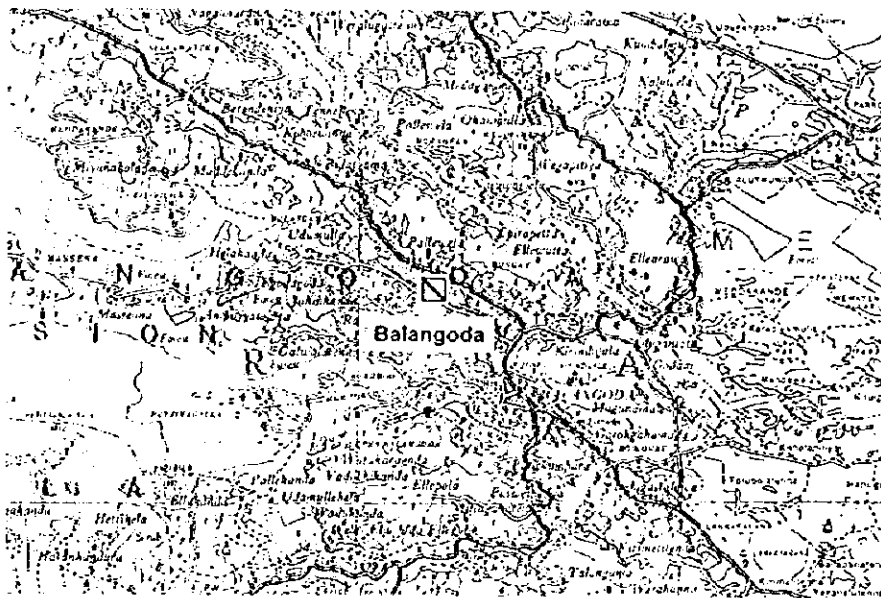
**(I) Proposed Extension Plan**

- Not shaded : up to 2010
- Dotted line : up to 2015 or after

**(II) Others**

- (a) A transformer bay for future extension shall be provided together with other equipment.
- (b) GIS

<b>CEYLON ELECTRICITY BOARD</b>	JAPAN INTERNATIONAL COOPERATION AGENCY	MASTER PLAN STUDY FOR DEVELOPMENT OF THE TRANSMISSION SYSTEM OF THE CEYLON ELECTRICITY BOARD IN THE DEMOCRATIC SOCIALIST REPUBLIC OF SRI LANKA	TITLE <b>Fig. A7.2 - 7</b> Site & One-Line Diagram of B Substation
	NIPPON KOEI CO., LTD. Consulting Engineer		



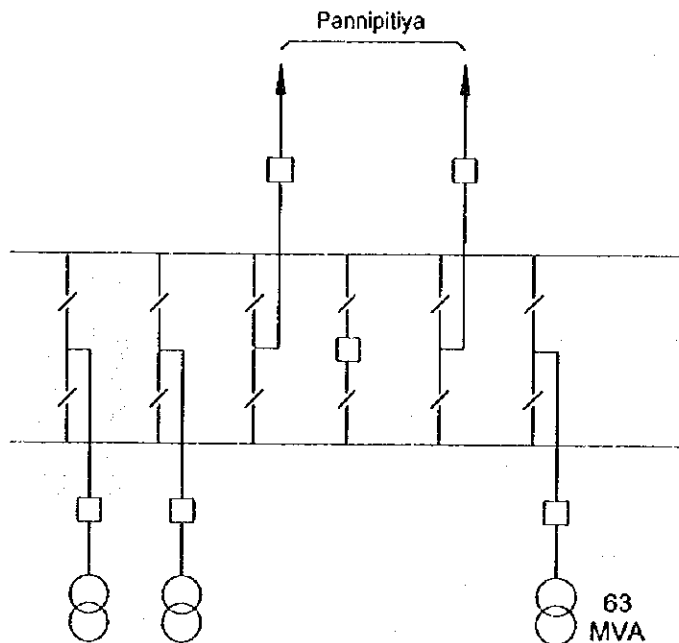
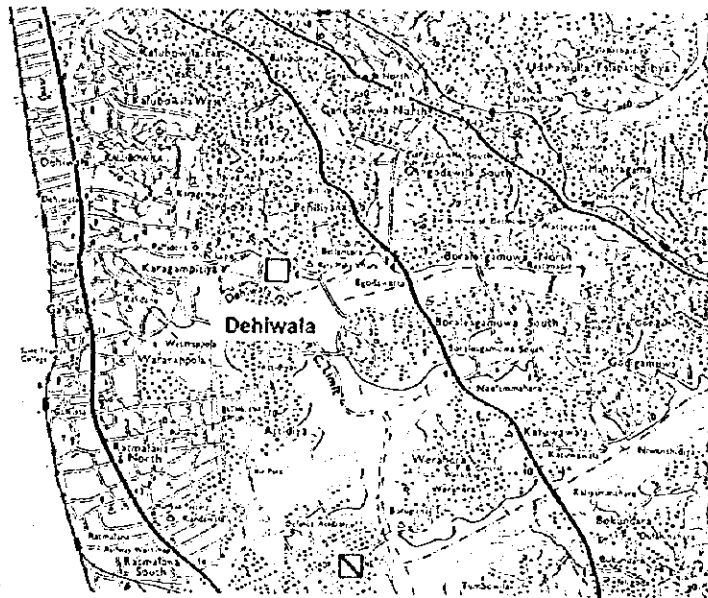
(I) Proposed Extension Plan

- Not shaded : Existing
- [shaded symbol] : up to 2000

(II) Others

- (a) Existing 10MVA transformers are planned to be replaced with 31.5MVA under PSDP.

<b>CEYLON ELECTRICITY BOARD</b>	JAPAN INTERNATIONAL COOPERATION AGENCY	MASTER PLAN STUDY FOR DEVELOPMENT OF THE TRANSMISSION SYSTEM OF THE CEYLON ELECTRICITY BOARD IN THE DEMOCRATIC SOCIALIST REPUBLIC OF SRI LANKA	TITLE <b>Fig. A7.2 - 8</b> Site & One-Line Diagram of Balangoda Substation
	NIPPON KOEI CO., LTD. Consulting Engineer		



**Notes**

**(I) Proposed Extension Plan**

- Not shaded : up to 2000

- : up to 2010

**(II) Others**

(a) Pannipitiya - Dehiwala line :  
220kV construction

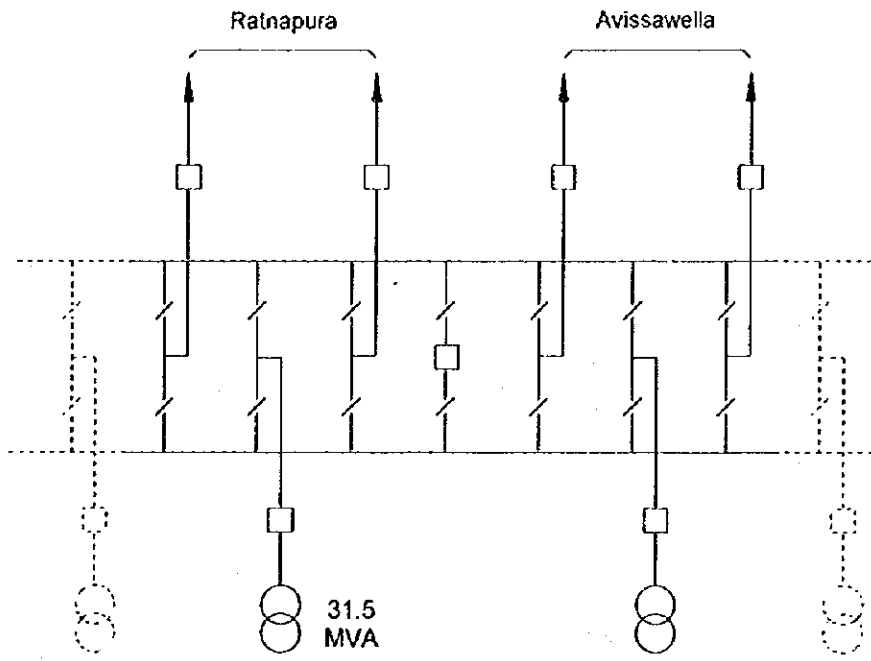
**CEYLON  
ELECTRICITY  
BOARD**

**JAPAN INTERNATIONAL  
COOPERATION AGENCY**  
**NIPPON KOEI CO., LTD.**  
Consulting Engineer

**MASTER PLAN STUDY  
FOR DEVELOPMENT OF THE TRANSMISSION SYSTEM  
OF THE CEYLON ELECTRICITY BOARD  
IN THE DEMOCRATIC SOCIALIST REPUBLIC OF SRI LANKA**

TITLE

**Fig. A7.2 - 9**  
**Site & One-Line Diagram of  
Dehiwala Substation**

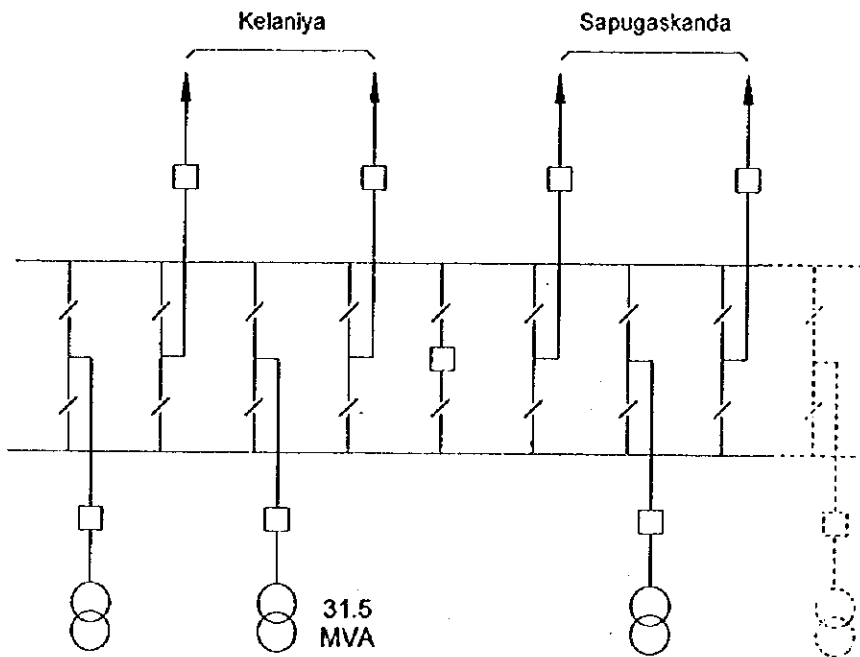
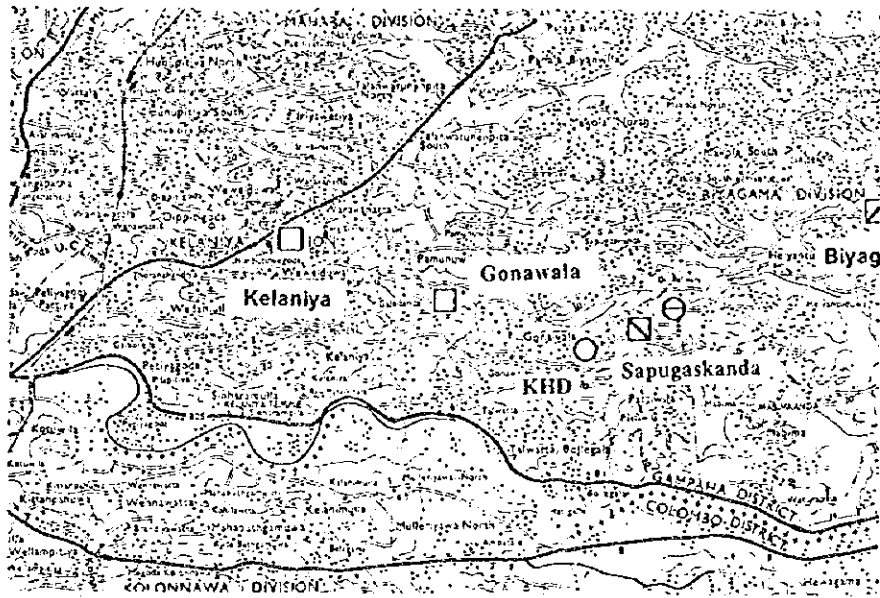


**Notes**

**(I) Proposed Extension Plan**

- Not shaded : up to 2010
- Dotted line : up to 2015 or after

<b>CEYLON ELECTRICITY BOARD</b>	JAPAN INTERNATIONAL COOPERATION AGENCY	MASTER PLAN STUDY FOR DEVELOPMENT OF THE TRANSMISSION SYSTEM OF THE CEYLON ELECTRICITY BOARD IN THE DEMOCRATIC SOCIALIST REPUBLIC OF SRI LANKA	TITLE <b>Fig. A7.2 - 10</b> Site & One-Line Diagram of Eheliyagoda Substation
	NIPPON KOEI CO., LTD. Consulting Engineer		

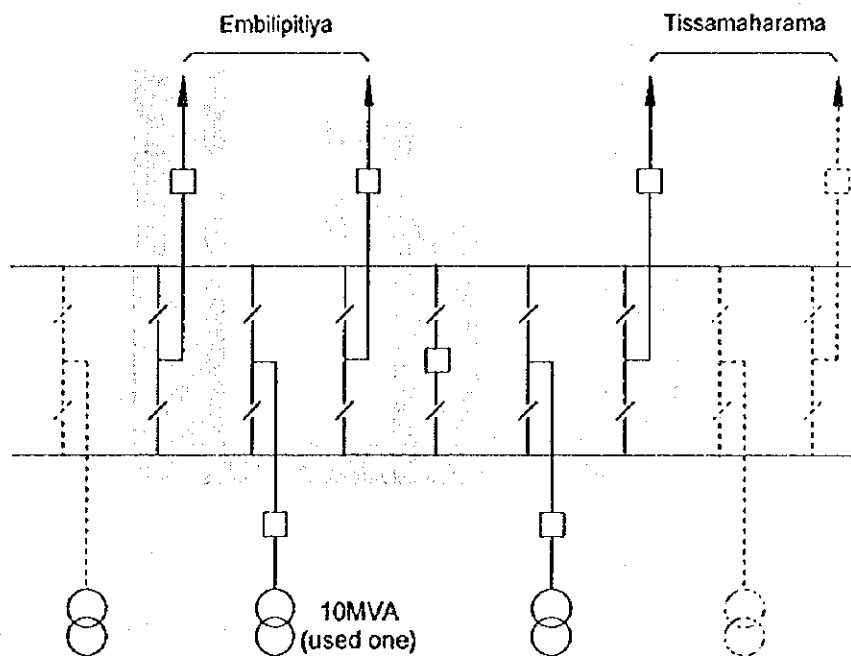
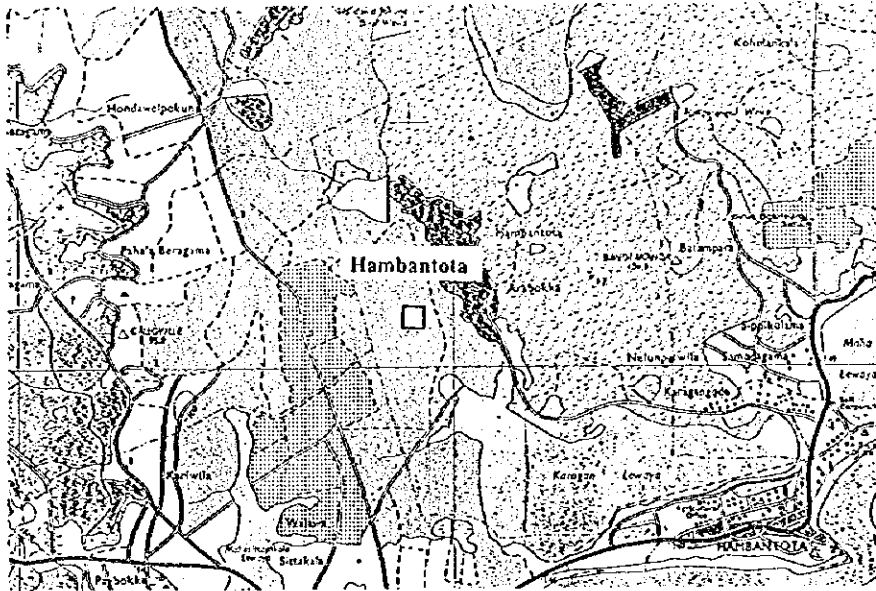


**Notes**

**(I) Proposed Extension Plan**

- Not shaded : up to 2005
- Dotted line : up to 2010

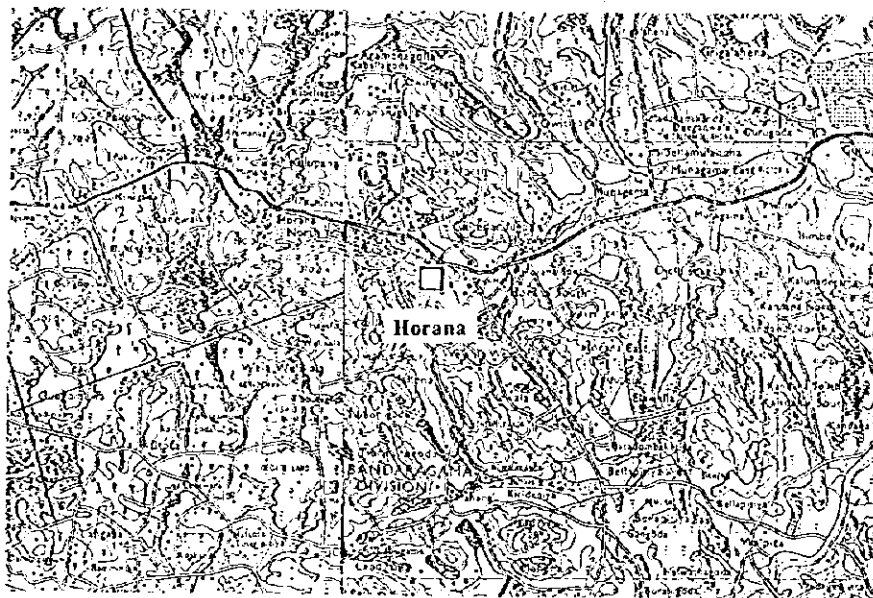
<b>CEYLON ELECTRICITY BOARD</b>	JAPAN INTERNATIONAL COOPERATION AGENCY	MASTER PLAN STUDY FOR DEVELOPMENT OF THE TRANSMISSION SYSTEM OF THE CEYLON ELECTRICITY BOARD IN THE DEMOCRATIC SOCIALIST REPUBLIC OF SRI LANKA	TITLE <b>Fig. A7.2 - II</b> Site & One-Line Diagram of Gonawala Substation
	NIPPON KOEI CO., LTD. Consulting Engineer		



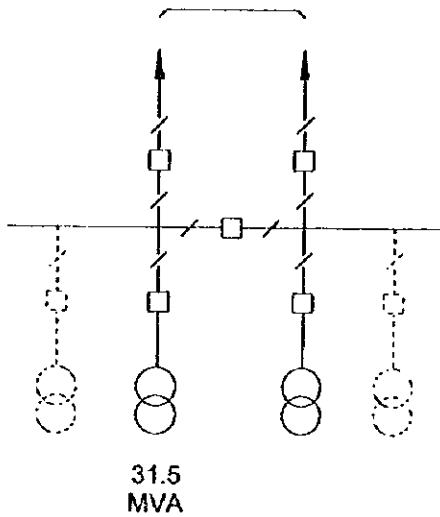
**Notes**

- (I) Proposed Extension Plan
- Not shaded : up to 2005
  - Dashed line : up to 2010
  - Dotted line : up to 2015 or after

<b>CEYLON ELECTRICITY BOARD</b>	JAPAN INTERNATIONAL COOPERATION AGENCY	MASTER PLAN STUDY FOR DEVELOPMENT OF THE TRANSMISSION SYSTEM OF THE CEYLON ELECTRICITY BOARD IN THE DEMOCRATIC SOCIALIST REPUBLIC OF SRI LANKA	TITLE <b>Fig. A7.2 - 12</b> <b>Site &amp; One-Line Diagram of Hambantota Substation</b>
	NIPPON KOEI CO., LTD. Consulting Engineer		



Pannipitiya - Matugama Line  
(Single Pai - connection or Double T - off)



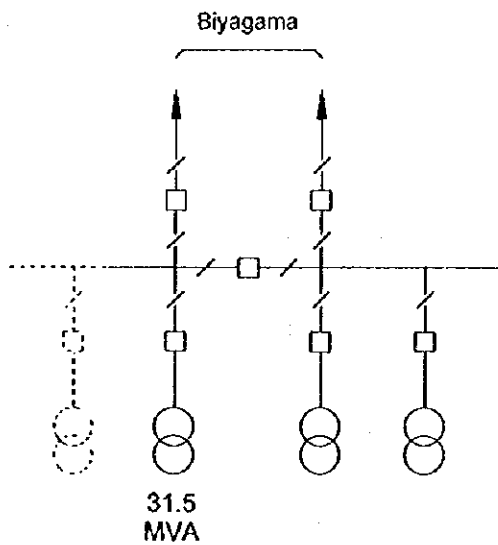
Notes

(I) Proposed Extension Plan

- Not shaded : up to 2005
- Dotted line : up to 2010 or after

<b>CEYLON ELECTRICITY BOARD</b>	JAPAN INTERNATIONAL COOPERATION AGENCY	MASTER PLAN STUDY FOR DEVELOPMENT OF THE TRANSMISSION SYSTEM OF THE CEYLON ELECTRICITY BOARD IN THE DEMOCRATIC SOCIALIST REPUBLIC OF SRI LANKA	TITLE <b>Fig. A7.2 - 13</b> Site & One-Line Diagram of Horana Substation
	NIPPON KOEI CO., LTD. Consulting Engineer		





**Notes**

**(I) Proposed Extension Plan**

- Not shaded : up to 2010
- Dotted line : up to 2015 or after

**(II) Others**

- (a) T/L bays at Biyagama for 132kV line Pannipitiya line are available.

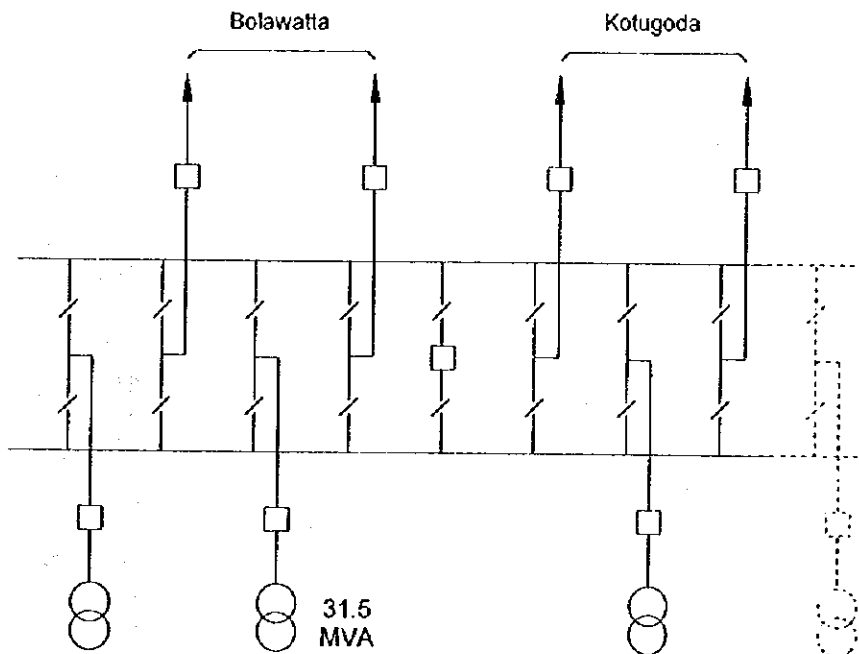
**CEYLON  
ELECTRICITY  
BOARD**

**JAPAN INTERNATIONAL  
COOPERATION AGENCY**  
**NIPPON KOEI CO., LTD.**  
Consulting Engineer

**MASTER PLAN STUDY  
FOR DEVELOPMENT OF THE TRANSMISSION SYSTEM  
OF THE CEYLON ELECTRICITY BOARD  
IN THE DEMOCRATIC SOCIALIST REPUBLIC OF SRI LANKA**

TITLE

**Fig. A7.2 - 14**  
**Site & One-Line Diagram of**  
**Imbulgoda Substation**



**Notes**

**(I) Proposed Extension Plan**

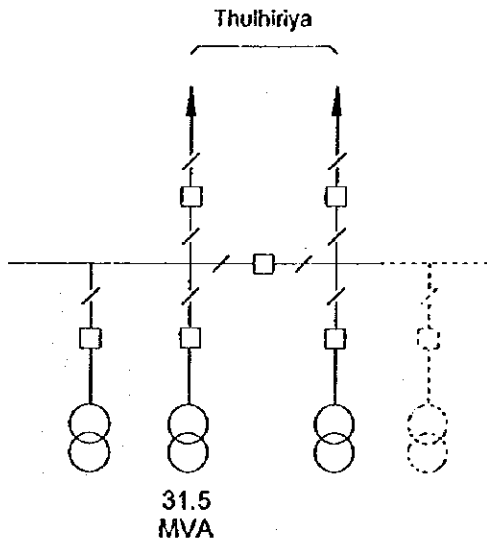
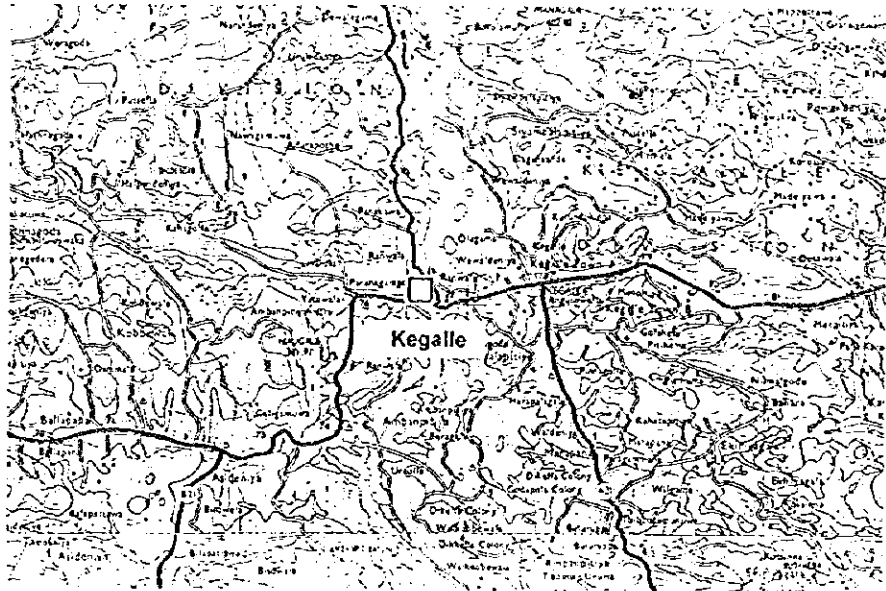
- Not shaded : up to 2005
- ..... : up to 2010
- Dotted line : up to 2015 or after

**CEYLON  
ELECTRICITY  
BOARD**

**JAPAN INTERNATIONAL  
COOPERATION AGENCY**  
**NIPPON KOEI CO., LTD.**  
Consulting Engineer

**MASTER PLAN STUDY  
FOR DEVELOPMENT OF THE TRANSMISSION SYSTEM  
OF THE CEYLON ELECTRICITY BOARD  
IN THE DEMOCRATIC SOCIALIST REPUBLIC OF SRI LANKA**

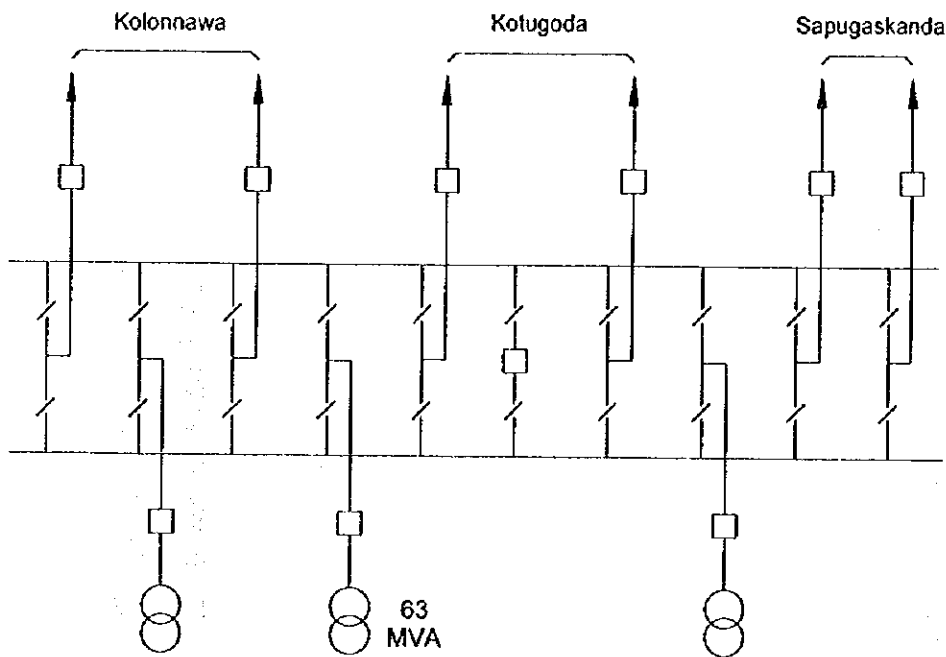
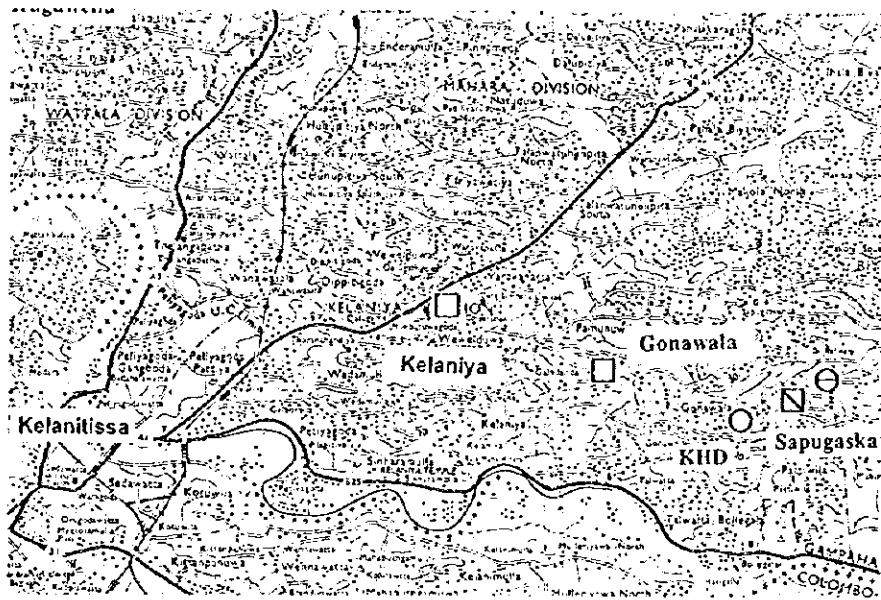
**TITLE** **Fig. A7.2 - 15**  
**Site & One-Line Diagram of  
Katana Substation**



**Notes**

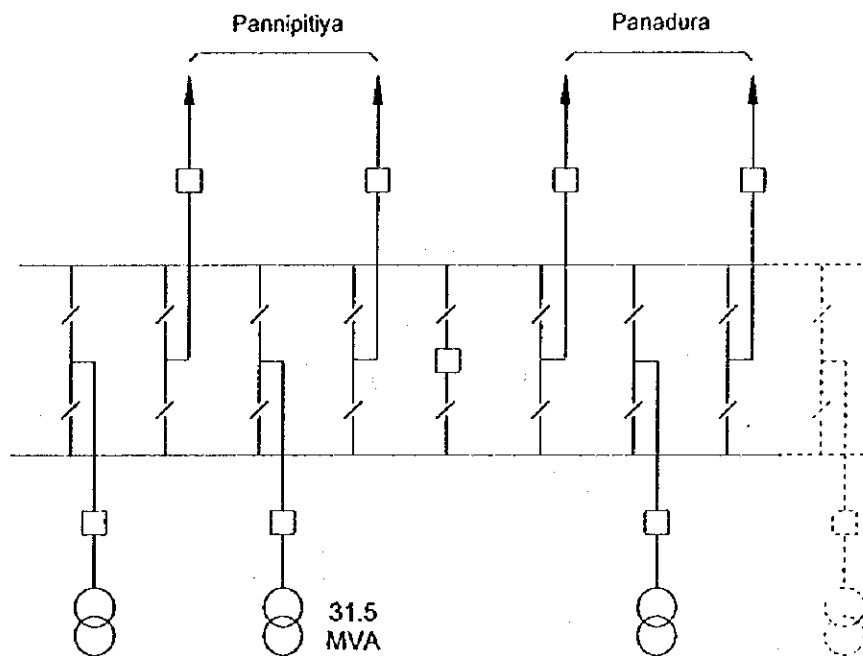
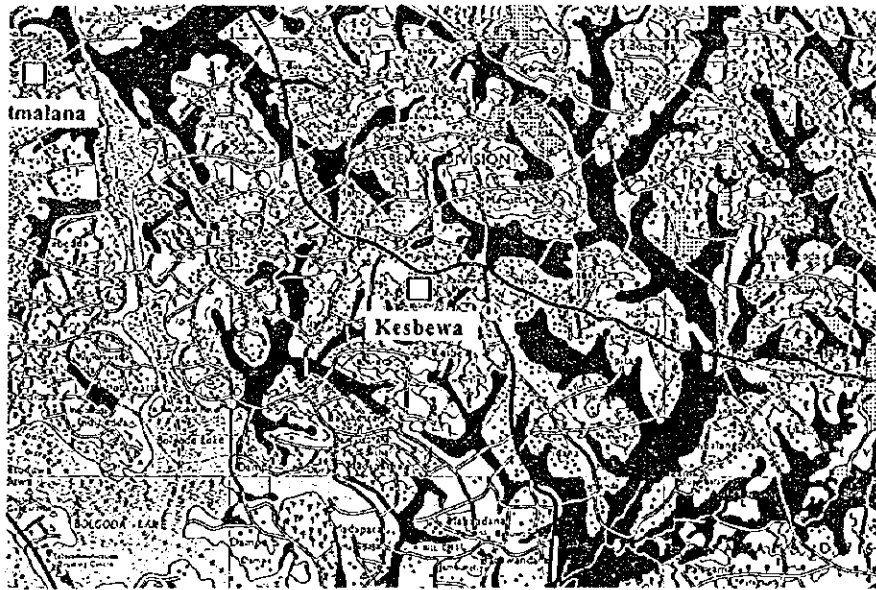
- (I) Proposed Extension Plan
- Not shaded : up to 2005
  - : up to 2010
  - Dotted line : up to 2015 or after

<b>CEYLON ELECTRICITY BOARD</b>	JAPAN INTERNATIONAL COOPERATION AGENCY	MASTER PLAN STUDY FOR DEVELOPMENT OF THE TRANSMISSION SYSTEM OF THE CEYLON ELECTRICITY BOARD IN THE DEMOCRATIC SOCIALIST REPUBLIC OF SRI LANKA	TITLE <b>Fig. A7.2 - 16 Site &amp; One-Line Diagram of Kegalle Substation</b>
	NIPPON KOEI CO., LTD. Consulting Engineer		



- Notes**
- (I) Proposed Extension Plan
    - Not shaded : up to 2000
    - [Symbol] : up to 2010
  - (II) Others
    - (a) GIS is recommendable taking land acquisition problems into consideration.

<b>CEYLON ELECTRICITY BOARD</b>	JAPAN INTERNATIONAL COOPERATION AGENCY	MASTER PLAN STUDY FOR DEVELOPMENT OF THE TRANSMISSION SYSTEM OF THE CEYLON ELECTRICITY BOARD IN THE DEMOCRATIC SOCIALIST REPUBLIC OF SRI LANKA	TITLE <b>Fig. A7.2 - 17</b> Site & One-Line Diagram of Kelaniya Substation
	NIPPON KOEI CO., LTD. Consulting Engineer		



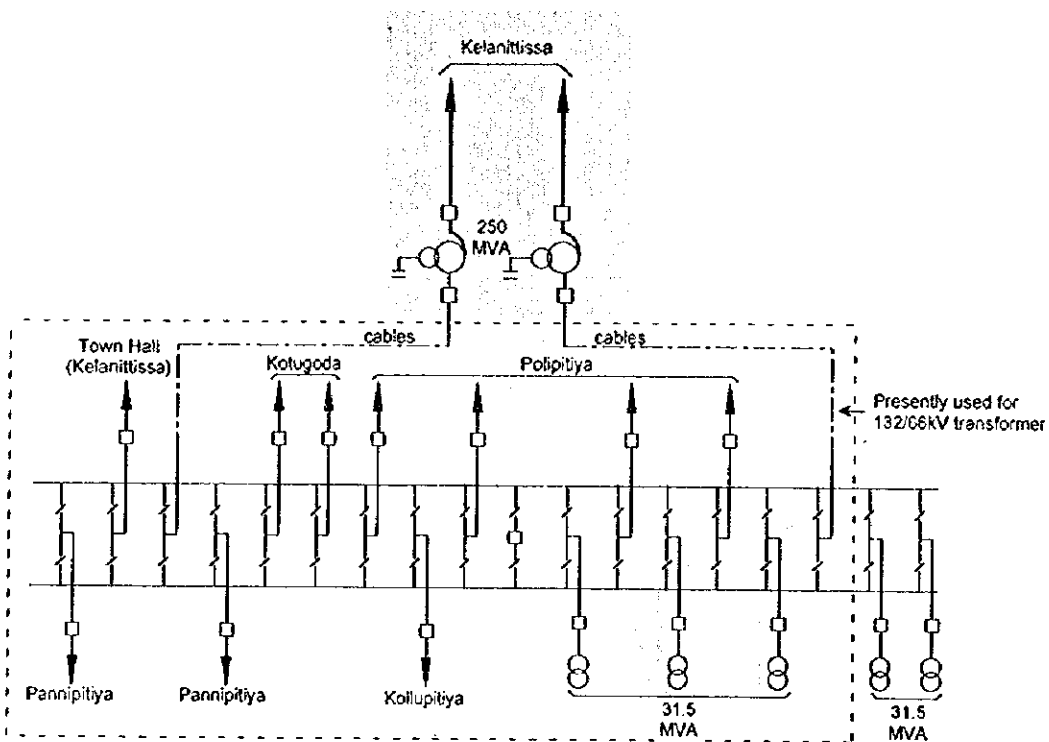
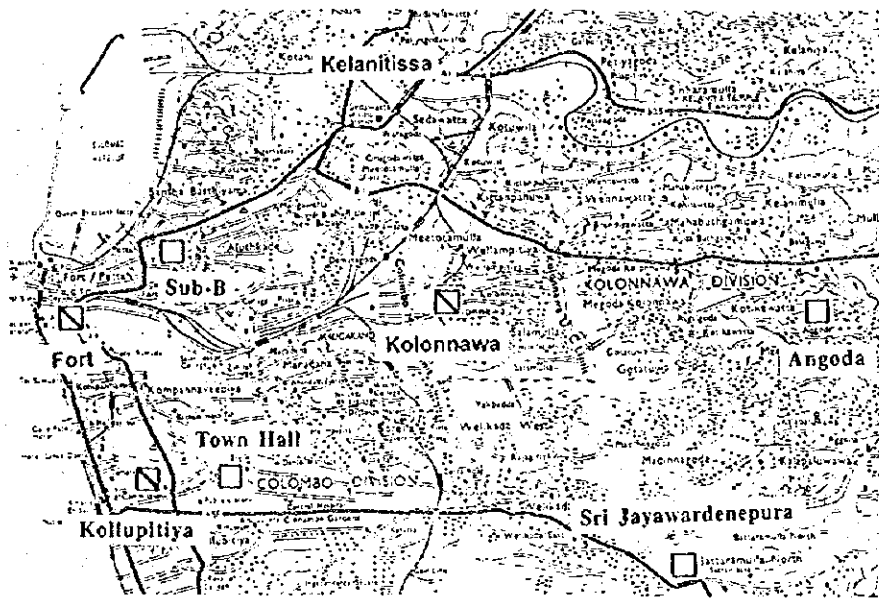
**Notes**

(I) Proposed Extension Plan

- Not shaded : up to 2010

- Dotted line : up to 2015 or after

<b>CEYLON ELECTRICITY BOARD</b>	JAPAN INTERNATIONAL COOPERATION AGENCY	MASTER PLAN STUDY FOR DEVELOPMENT OF THE TRANSMISSION SYSTEM OF THE CEYLON ELECTRICITY BOARD IN THE DEMOCRATIC SOCIALIST REPUBLIC OF SRI LANKA	TITLE <b>Fig. A7.2 - 18</b> Site & One-Line Diagram of Kesbewa Substation
	NIPPON KOEI CO., LTD. Consulting Engineer		



**Notes**

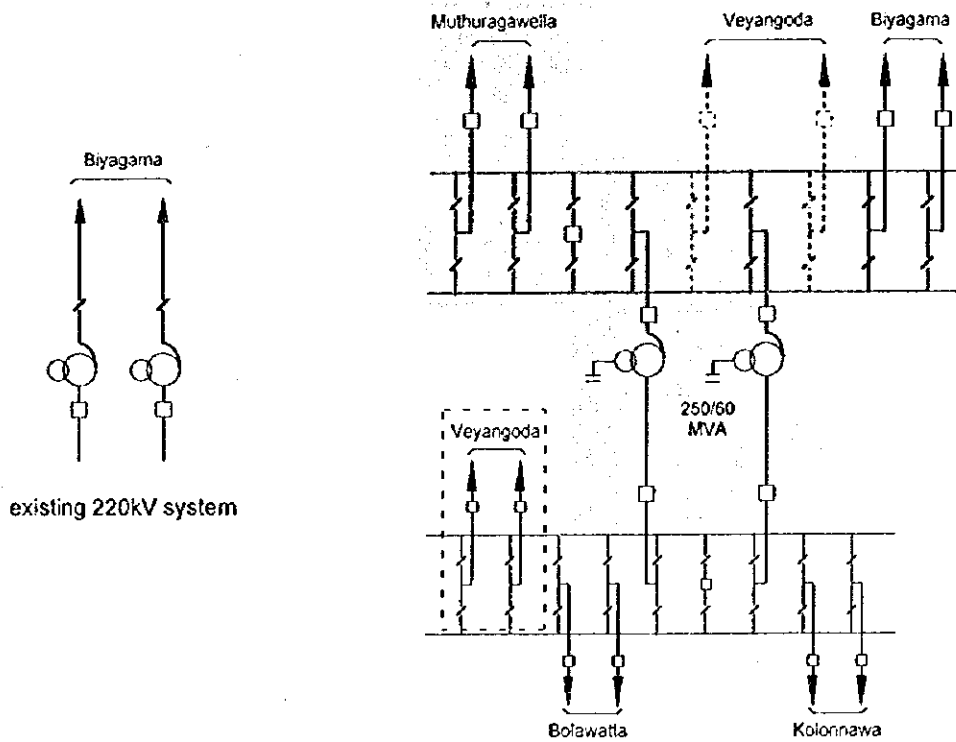
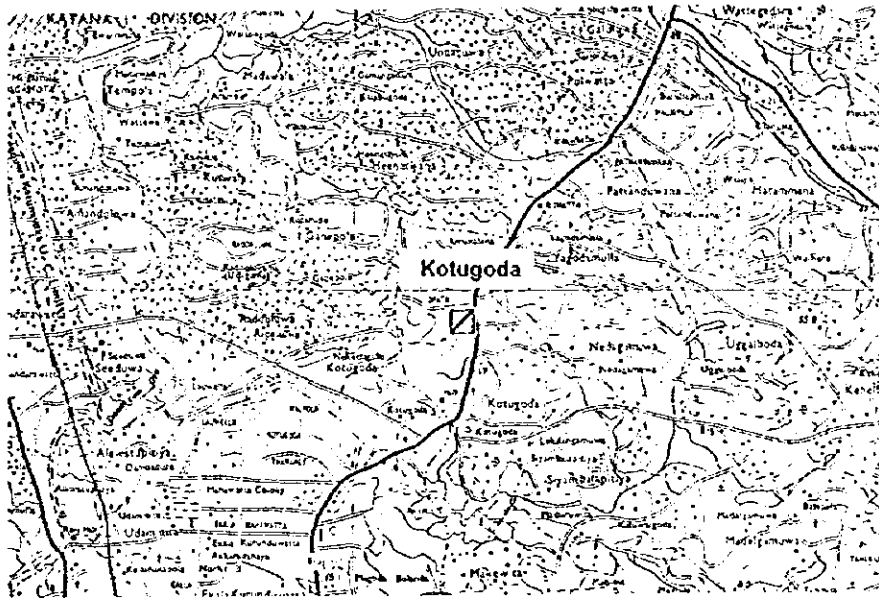
**(I) Proposed Extension Plan**

- No shaded : Existing
- [shaded box] : Existing, but renovated up to 2000
- [shaded box] : up to 2005

**(II) Other**

- (a) 220kV switchgears : GIS

<b>CEYLON ELECTRICITY BOARD</b>	JAPAN INTERNATIONAL COOPERATION AGENCY	MASTER PLAN STUDY FOR DEVELOPMENT OF THE TRANSMISSION SYSTEM OF THE CEYLON ELECTRICITY BOARD IN THE DEMOCRATIC SOCIALIST REPUBLIC OF SRI LANKA	TITLE <b>Fig. A7.2 - 19</b> Site & One-Line Diagram of Kolonnawa Substation
	NIPPON KOEI CO., LTD. Consulting Engineer		

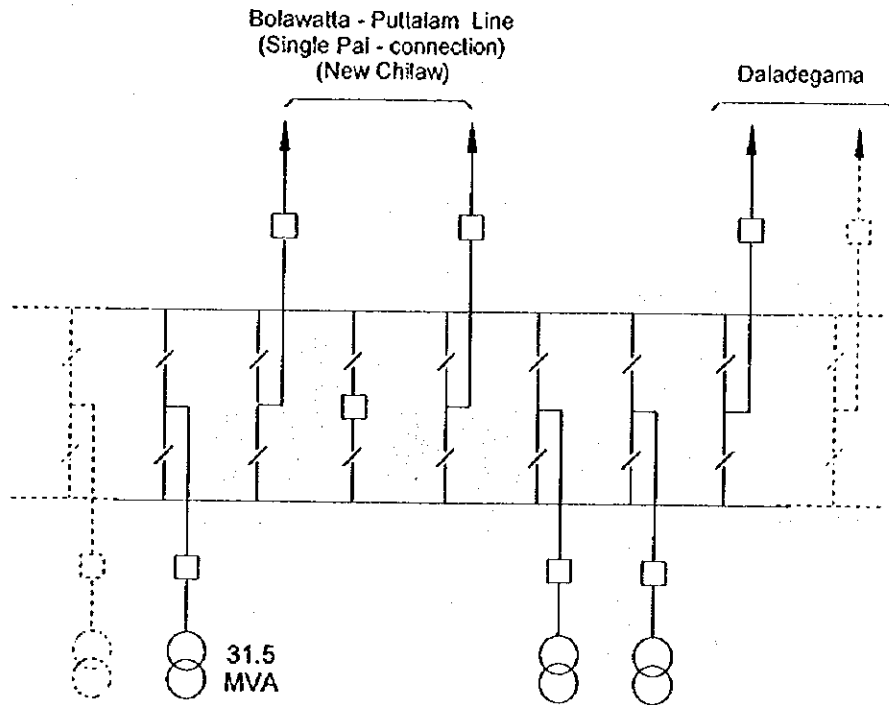
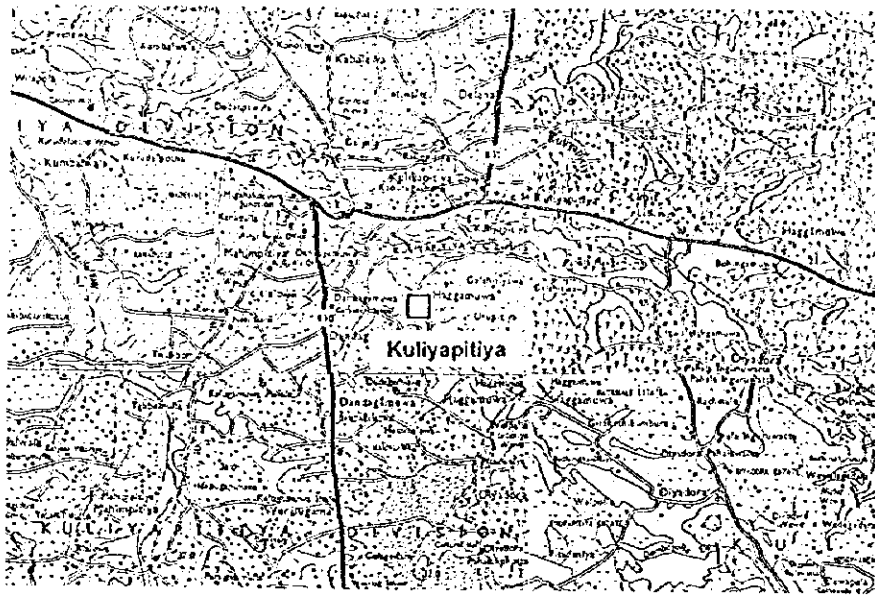


**Notes**

**(I) Proposed Extension Plan**

- Not shaded : existing
- [Dashed line] : up to 2000 (including removal of transformers)
- Dotted line : up to 2005
- [Dotted line with square] : under ADB

<b>CEYLON ELECTRICITY BOARD</b>	JAPAN INTERNATIONAL COOPERATION AGENCY	MASTER PLAN STUDY FOR DEVELOPMENT OF THE TRANSMISSION SYSTEM OF THE CEYLON ELECTRICITY BOARD IN THE DEMOCRATIC SOCIALIST REPUBLIC OF SRI LANKA	TITLE <b>Fig. A7.2 - 20</b> Site & One-Line Diagram of Kotugoda Substation
	NIPPON KOEI CO., LTD. Consulting Engineer		



**Notes**

**(I) Proposed Extension Plan**

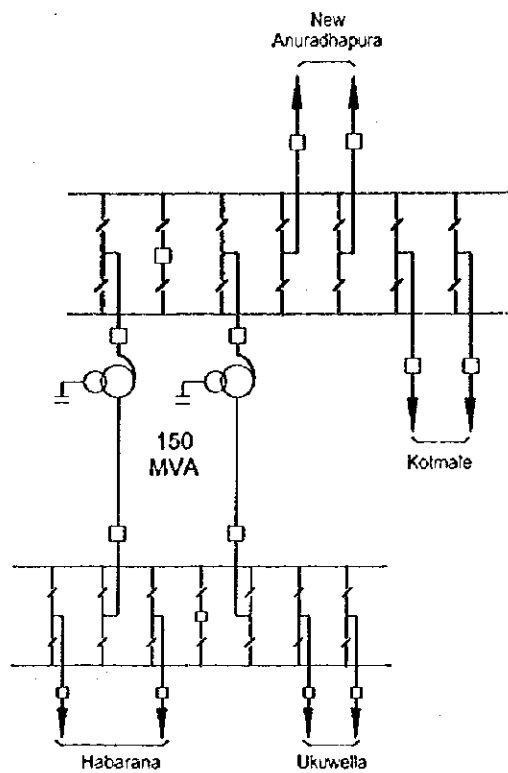
- Not shaded : up to 2005
- : up to 2010
- Dotted line : up to 2015 or after

**(II) Others**

- (a) Initially, single bus system

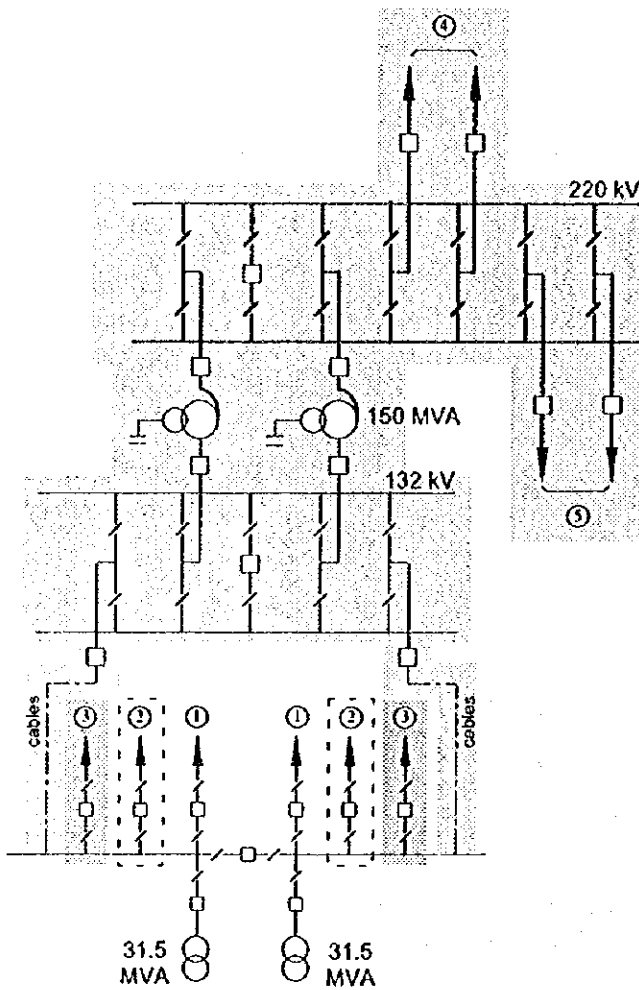
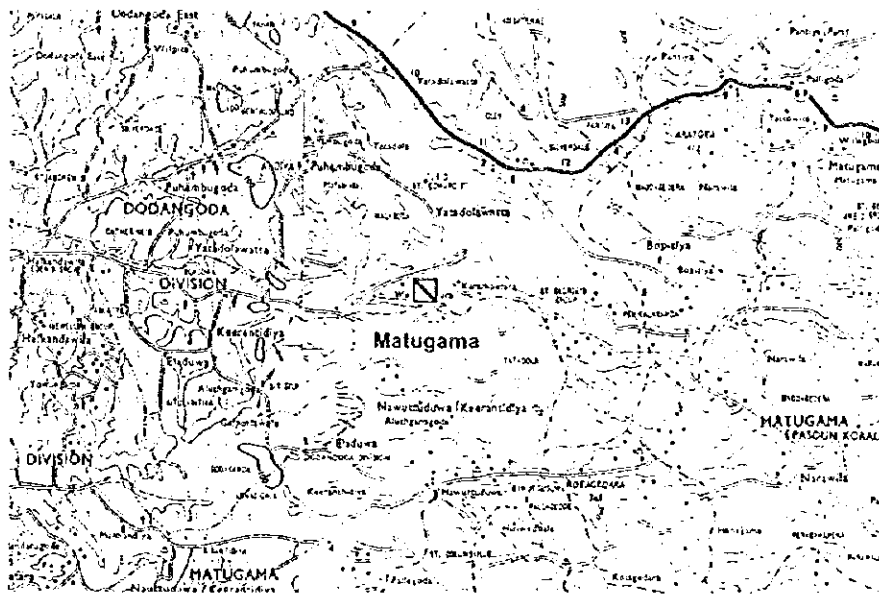
<b>CEYLON ELECTRICITY BOARD</b>	JAPAN INTERNATIONAL COOPERATION AGENCY  NIPPON KOEI CO., LTD. Consulting Engineer	MASTER PLAN STUDY FOR DEVELOPMENT OF THE TRANSMISSION SYSTEM OF THE CEYLON ELECTRICITY BOARD IN THE DEMOCRATIC SOCIALIST REPUBLIC OF SRI LANKA	TITLE <b>Fig. A7.2 - 21</b> <b>Site &amp; One-Line Diagram of Kuliya Substation</b>
---	---	---	---





**Notes** (I) Proposed Extension Plan  
 - Not shaded : up to 2010

<b>CEYLON ELECTRICITY BOARD</b>	JAPAN INTERNATIONAL COOPERATION AGENCY	MASTER PLAN STUDY FOR DEVELOPMENT OF THE TRANSMISSION SYSTEM OF THE CEYLON ELECTRICITY BOARD IN THE DEMOCRATIC SOCIALIST REPUBLIC OF SRI LANKA	TITLE <b>Fig. A7.2 - 22</b> Site & One-Line Diagram of Matala Substation
	NIPPON KOEI CO., LTD. Consulting Engineer		



**Notes**

(I) Transmission Line

- ① Panadura
- ② New Galle
- ③ Kukule
- ④ Pannipitiya
- ⑤ Boossa

(II) Proposed Extension Plan

- Not shaded : Existing
- [Dashed Box] : up to 2000
- [Stippled Box] : up to 2005
- [Cross-hatched Box] : up to 2010

(III) Other

(a) Alternative Plan :

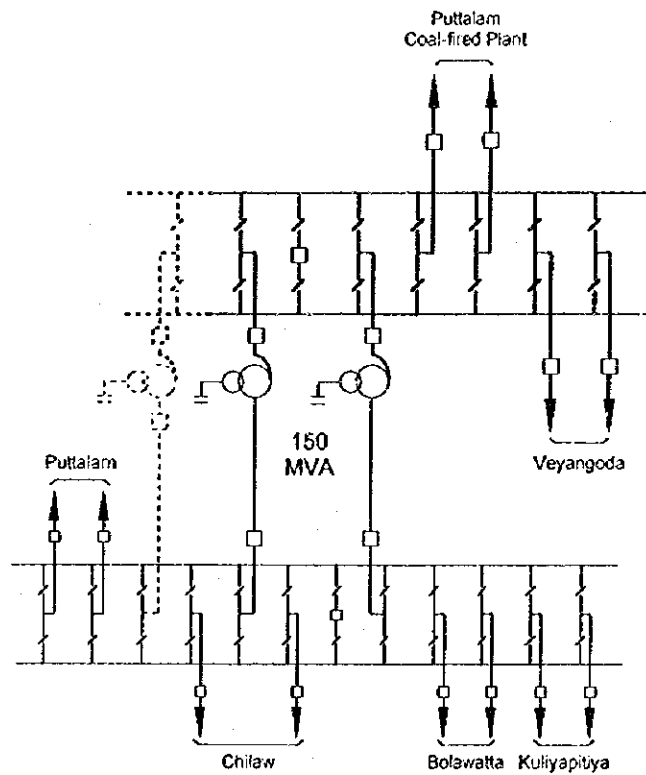
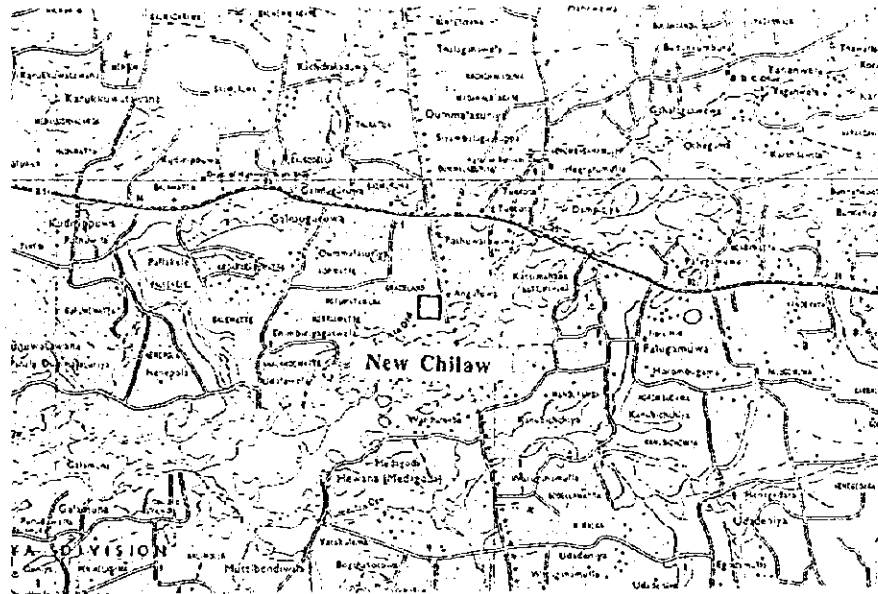
The existing and planned facilities up to 2005 are moved to a new 220/132kV substation completely for easy operation.

**CEYLON  
ELECTRICITY  
BOARD**

**JAPAN INTERNATIONAL  
COOPERATION AGENCY**  
  
**NIPPON KOEI CO., LTD.**  
Consulting Engineer

**MASTER PLAN STUDY  
FOR DEVELOPMENT OF THE TRANSMISSION SYSTEM  
OF THE CEYLON ELECTRICITY BOARD  
IN THE DEMOCRATIC SOCIALIST REPUBLIC OF SRI LANKA**

**TITLE** **Fig. A7.2 - 23**  
**Site & One-Line Diagram of  
Matugama Substation**

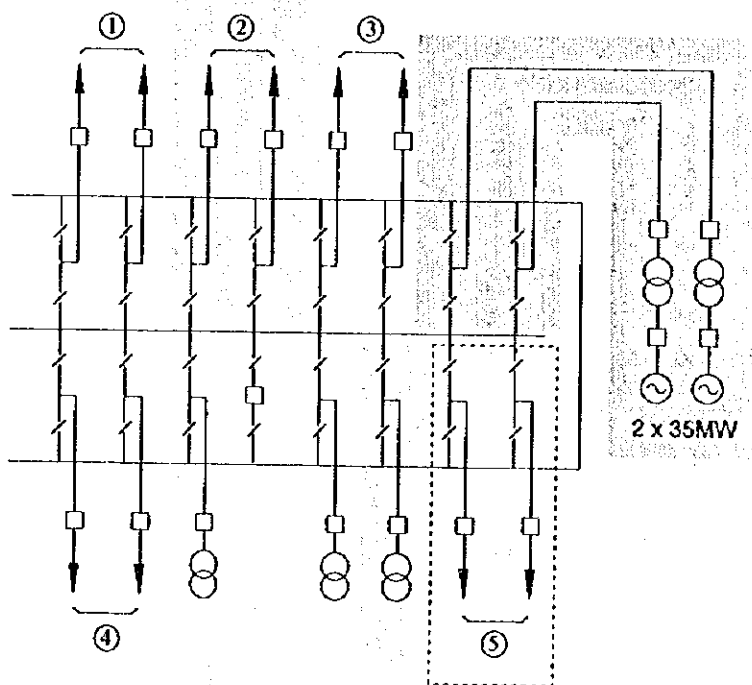


**Notes**

**(I) Proposed Extension Plan**

- Not shaded : up to 2005
- Dotted line : up to 2015 or after

<b>CEYLON ELECTRICITY BOARD</b>	JAPAN INTERNATIONAL COOPERATION AGENCY	MASTER PLAN STUDY FOR DEVELOPMENT OF THE TRANSMISSION SYSTEM OF THE CEYLON ELECTRICITY BOARD IN THE DEMOCRATIC SOCIALIST REPUBLIC OF SRI LANKA	TITLE <b>Fig. A7.2 - 24</b> <b>Site &amp; One-Line Diagram of New Chilaw Substation</b>
	NIPPON KOEI CO., LTD. Consulting Engineer		



**Notes**

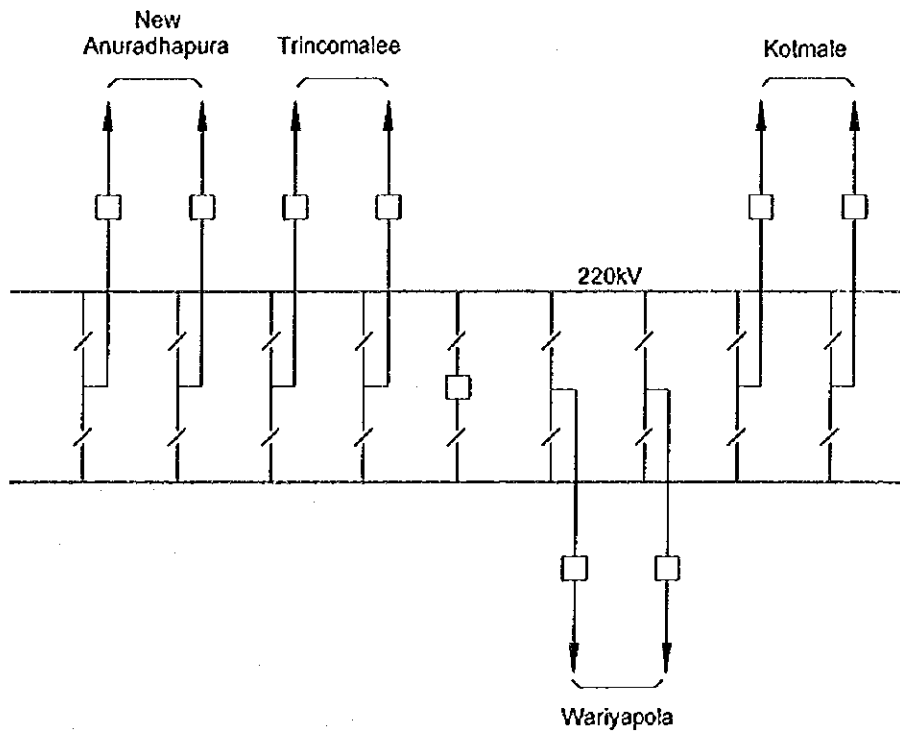
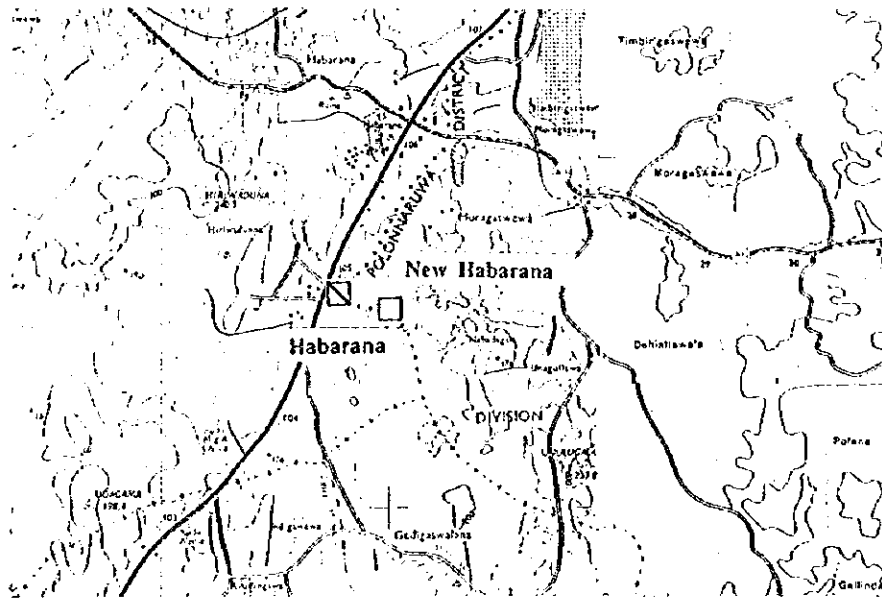
**(I) Transmission Line**

- ① Deniyaya Line
- ② Matara Line
- ③ Galle Line
- ④ Matugama Line
- ⑤ Boossa Line

**(II) Proposed Extension Plan**

- Not shaded : up to 2000
- : up to 2005
- [dotted] : up to 2010
- [stippled] : by another project

<b>CEYLON ELECTRICITY BOARD</b>	JAPAN INTERNATIONAL COOPERATION AGENCY	MASTER PLAN STUDY FOR DEVELOPMENT OF THE TRANSMISSION SYSTEM OF THE CEYLON ELECTRICITY BOARD IN THE DEMOCRATIC SOCIALIST REPUBLIC OF SRI LANKA	TITLE <b>Fig. A7.2 - 25</b> Site & One-Line Diagram of New Galle Substation
	NIPPON KOEI CO., LTD. Consulting Engineer		

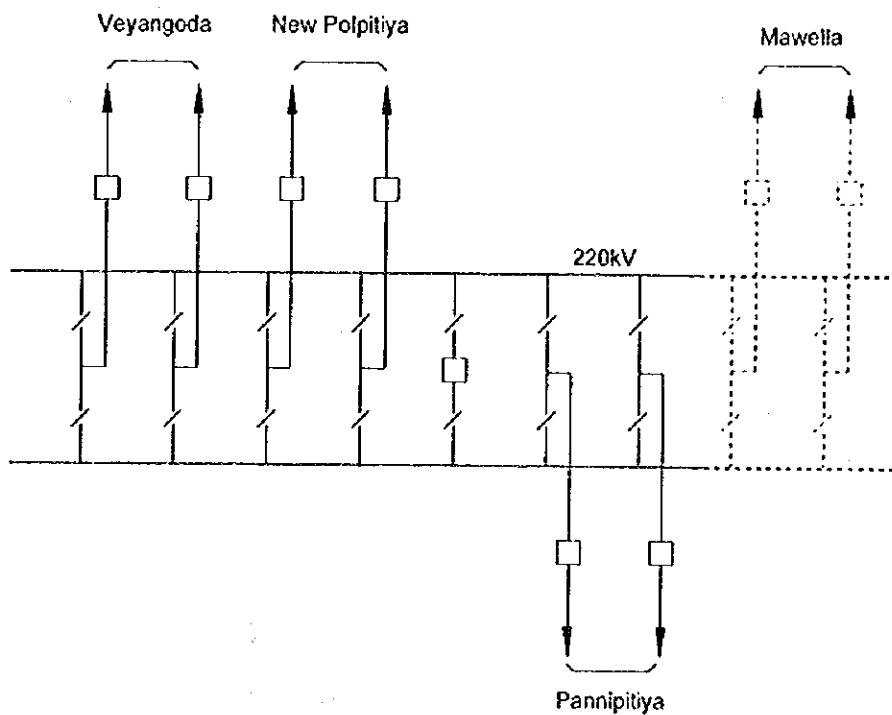
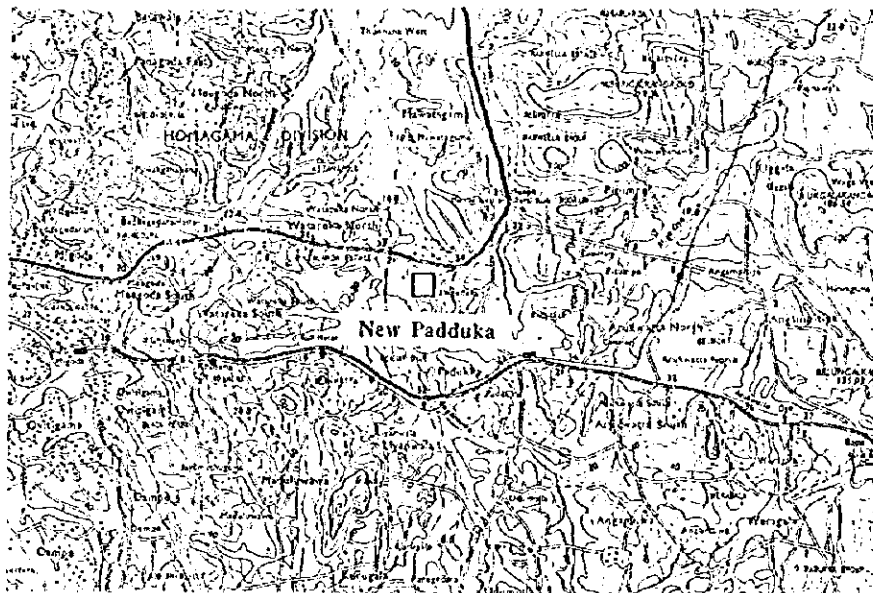


**Notes**

(i) Proposed Extension Plan

- Not shaded : up to 2010

<b>CEYLON ELECTRICITY BOARD</b>	<b>JAPAN INTERNATIONAL COOPERATION AGENCY</b>	<b>MASTER PLAN STUDY FOR DEVELOPMENT OF THE TRANSMISSION SYSTEM OF THE CEYLON ELECTRICITY BOARD IN THE DEMOCRATIC SOCIALIST REPUBLIC OF SRI LANKA</b>	<b>TITLE</b> <b>Fig. A7.2 - 26</b> <b>Site &amp; One-Line Diagram of New Habarana Switching Station</b>
	<b>NIPPON KOEI CO., LTD.</b> Consulting Engineer		



**Notes**

**(I) Proposed Extension Plan**

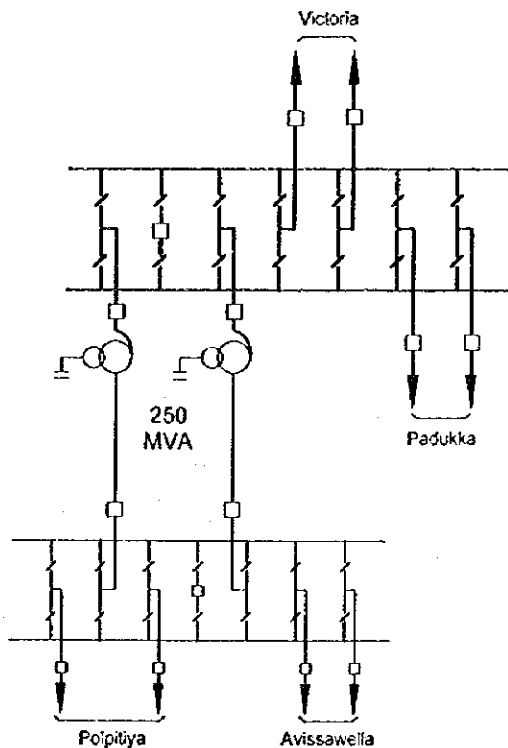
- Not shaded : up to 2010
- Dotted line : up to 2015

**CEYLON  
ELECTRICITY  
BOARD**

**JAPAN INTERNATIONAL  
COOPERATION AGENCY**  
**NIPPON KOEI CO., LTD.**  
Consulting Engineer

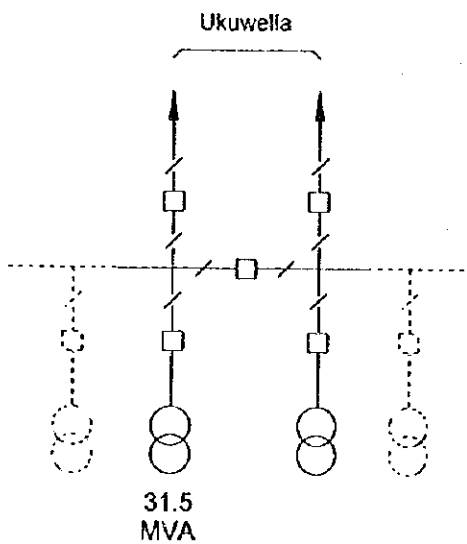
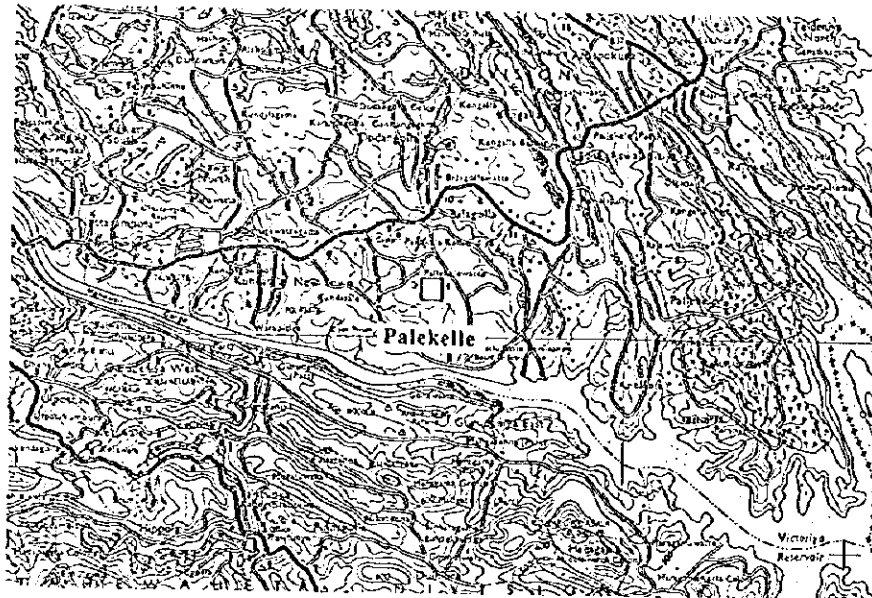
**MASTER PLAN STUDY  
FOR DEVELOPMENT OF THE TRANSMISSION SYSTEM  
OF THE CEYLON ELECTRICITY BOARD  
IN THE DEMOCRATIC SOCIALIST REPUBLIC OF SRI LANKA**

**TITLE** **Fig. A7.2 - 27**  
**Site & One-Line Diagram of  
New Padukka Switching Station**



**Notes** (I) Proposed Extension Plan  
 - No shaded : up to 2010

<b>CEYLON ELECTRICITY BOARD</b>	JAPAN INTERNATIONAL COOPERATION AGENCY	MASTER PLAN STUDY FOR DEVELOPMENT OF THE TRANSMISSION SYSTEM OF THE CEYLON ELECTRICITY BOARD IN THE DEMOCRATIC SOCIALIST REPUBLIC OF SRI LANKA	TITLE <b>Fig. A7.2 - 28</b> Site & One-Line Diagram of New Polpitiya Switching Station
	NIPPON KOEI CO., LTD. Consulting Engineer		



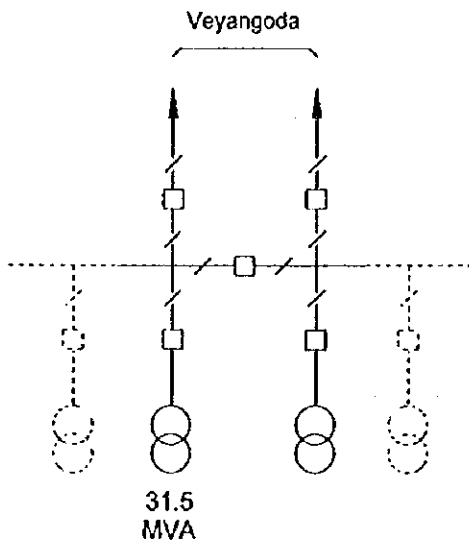
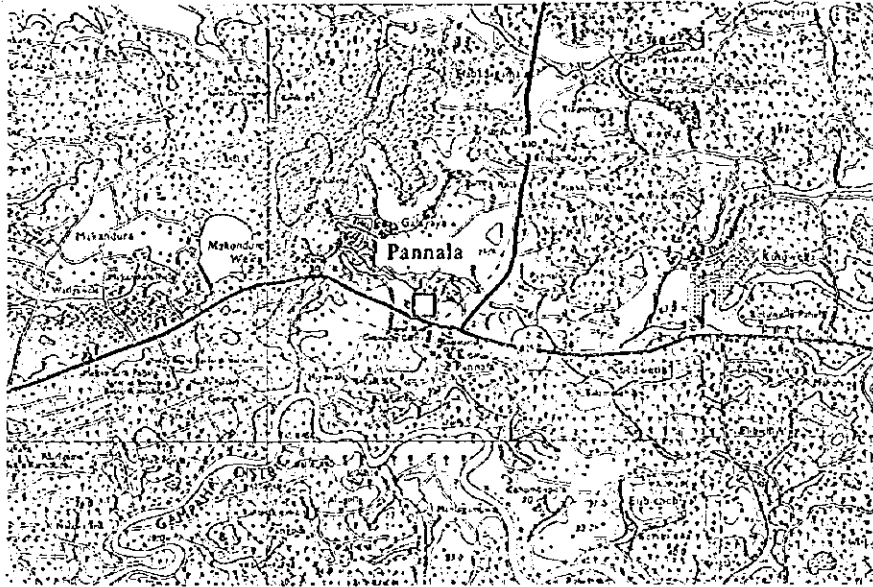
**Notes**

**(I) Proposed Extension Plan**

- Not shaded : up to 2005
- Dotted line : up to 2015 or after

<b>CEYLON ELECTRICITY BOARD</b>	JAPAN INTERNATIONAL COOPERATION AGENCY	MASTER PLAN STUDY FOR DEVELOPMENT OF THE TRANSMISSION SYSTEM OF THE CEYLON ELECTRICITY BOARD IN THE DEMOCRATIC SOCIALIST REPUBLIC OF SRI LANKA	TITLE <b>Fig. A7.2 - 29</b> Site & One-Line Diagram of Palekelle Substation
	NIPPON KOEI CO., LTD. Consulting Engineer		

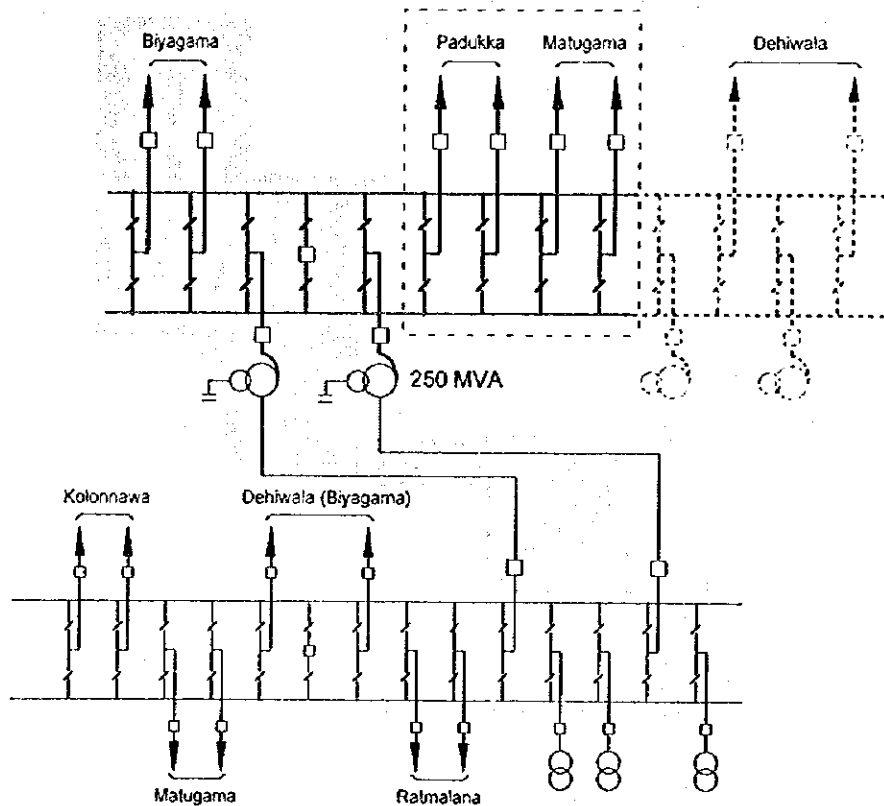
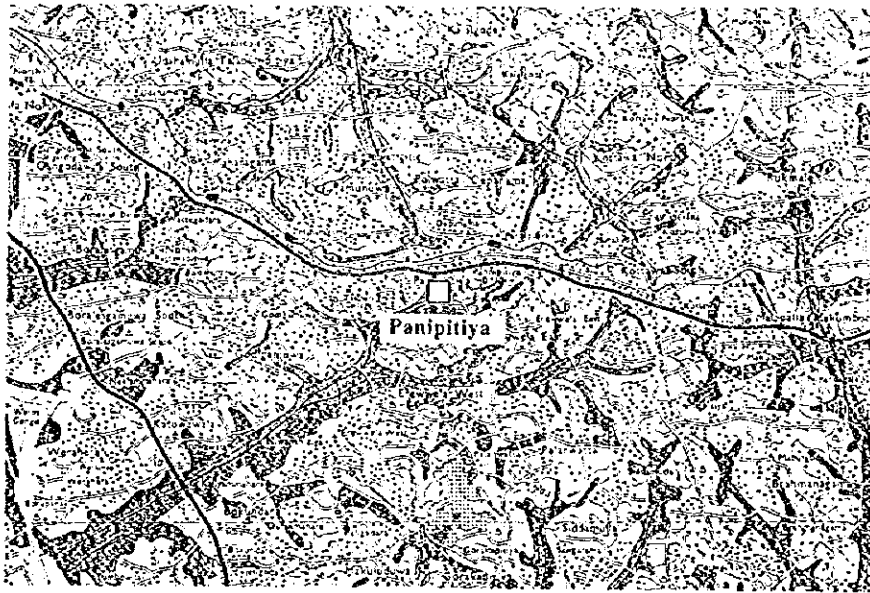




**Notes**

- (I) Proposed Extension Plan
  - Not shaded : up to 2010
  - Doted line : up to 2015 or after
- (II) Others
  - (a) T/L bays at Veyangoda for Kotugoda line are available.

<b>CEYLON ELECTRICITY BOARD</b>	JAPAN INTERNATIONAL COOPERATION AGENCY	MASTER PLAN STUDY FOR DEVELOPMENT OF THE TRANSMISSION SYSTEM OF THE CEYLON ELECTRICITY BOARD IN THE DEMOCRATIC SOCIALIST REPUBLIC OF SRI LANKA	TITLE <b>Fig. A7.2 - 30</b> Site & One-Line Diagram of Pannala Substation
	NIPPON KOEI CO., LTD. Consulting Engineer		



**Notes**

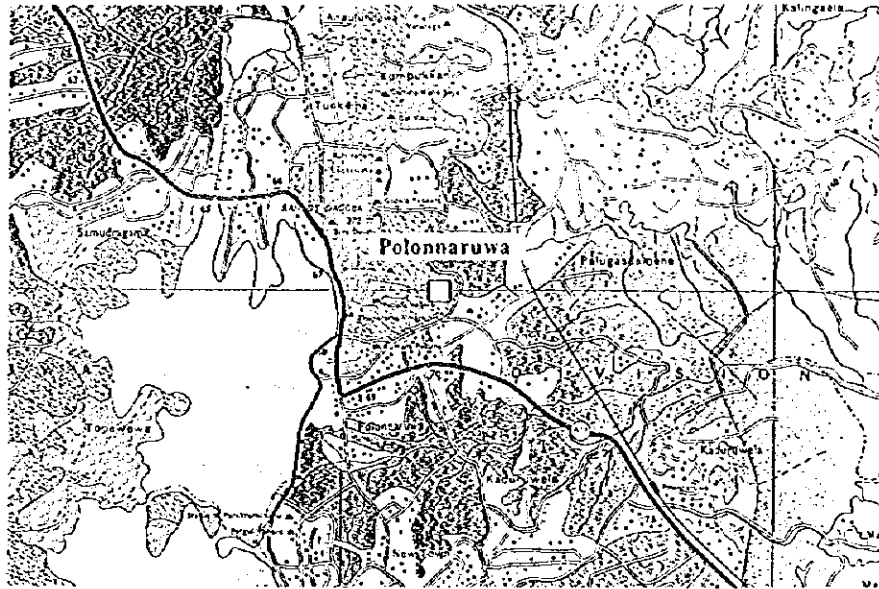
**(I) Proposed Extension Plan**

- Not shaded : existing
- Dashed line : up to 2000
- Dotted line : up to 2010
- Dash-dot line : up to 2015 or after

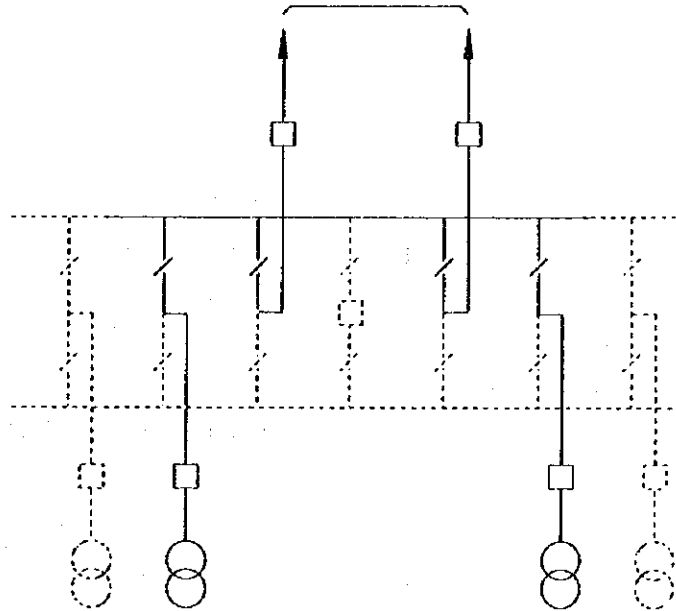
**(II) Others**

- (a) Existing 132kV transformers and 33kV switchgears shall be moved when upgraded to 220kV.
- (b) Existing 132kV Biyagama line bay is available for Dehiwala line.

<b>CEYLON ELECTRICITY BOARD</b>	JAPAN INTERNATIONAL COOPERATION AGENCY	MASTER PLAN STUDY FOR DEVELOPMENT OF THE TRANSMISSION SYSTEM OF THE CEYLON ELECTRICITY BOARD IN THE DEMOCRATIC SOCIALIST REPUBLIC OF SRI LANKA	TITLE <b>Fig. A7.2 - 31</b> <b>Site &amp; One-Line Diagram of Pannipitiya Substation</b>
	NIPPON KOEI CO., LTD. Consulting Engineer		



Habarana - Valaichchenai Line  
(Single Pai - connection)



**Notes**

**(I) Proposed Extension Plan**

- Not shaded : up to 2005
- Dotted line : up to 2010 or after

**(II) Others**

- (a) Presently used transformers at Kurunegala are available.

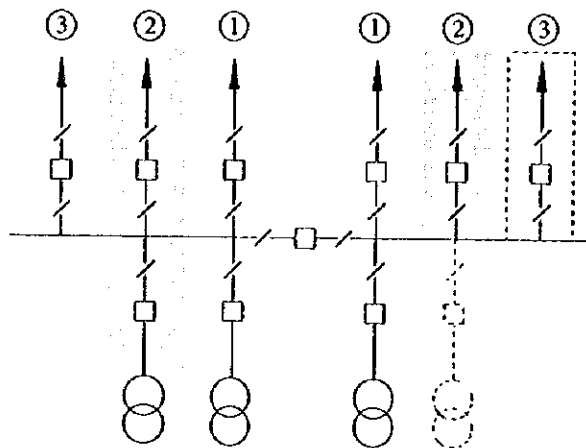
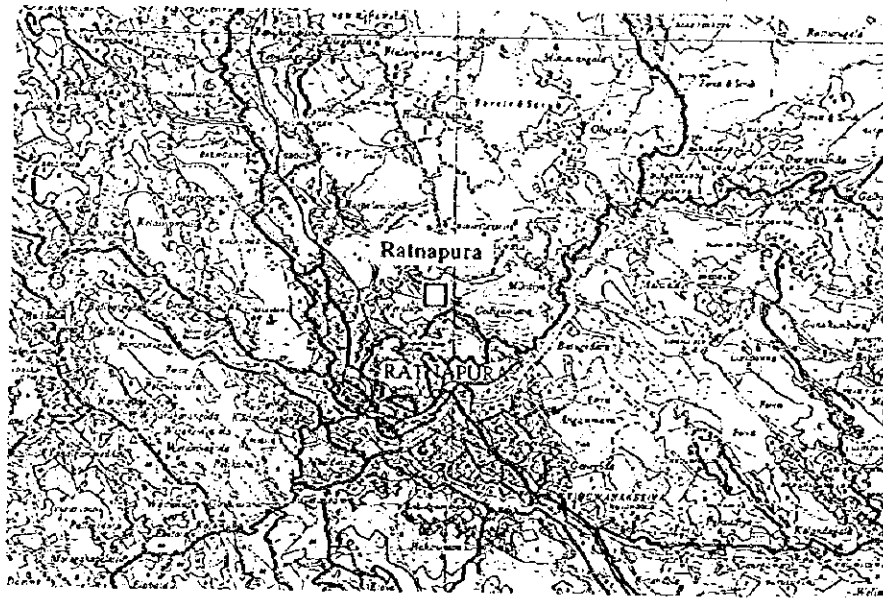
**CEYLON  
ELECTRICITY  
BOARD**

**JAPAN INTERNATIONAL  
COOPERATION AGENCY**  
**NIPPON KOEI CO., LTD.**  
Consulting Engineer

**MASTER PLAN STUDY  
FOR DEVELOPMENT OF THE TRANSMISSION SYSTEM  
OF THE CEYLON ELECTRICITY BOARD  
IN THE DEMOCRATIC SOCIALIST REPUBLIC OF SRI LANKA**

**TITLE**

**Fig. A7.2 - 32  
Site & One-Line Diagram of  
Polonnaruwa Substation**



**Notes**

**(I) Transmission Line**

- ① Balangoda
- ② Kukule
- ③ Eheliyagoda

**(II) Proposed Extension Plan**

- Not shaded : up to 2000
- Hatched : up to 2005
- Dotted : up to 2010
- Dotted line : up to 2015 or after

**(III) Others**

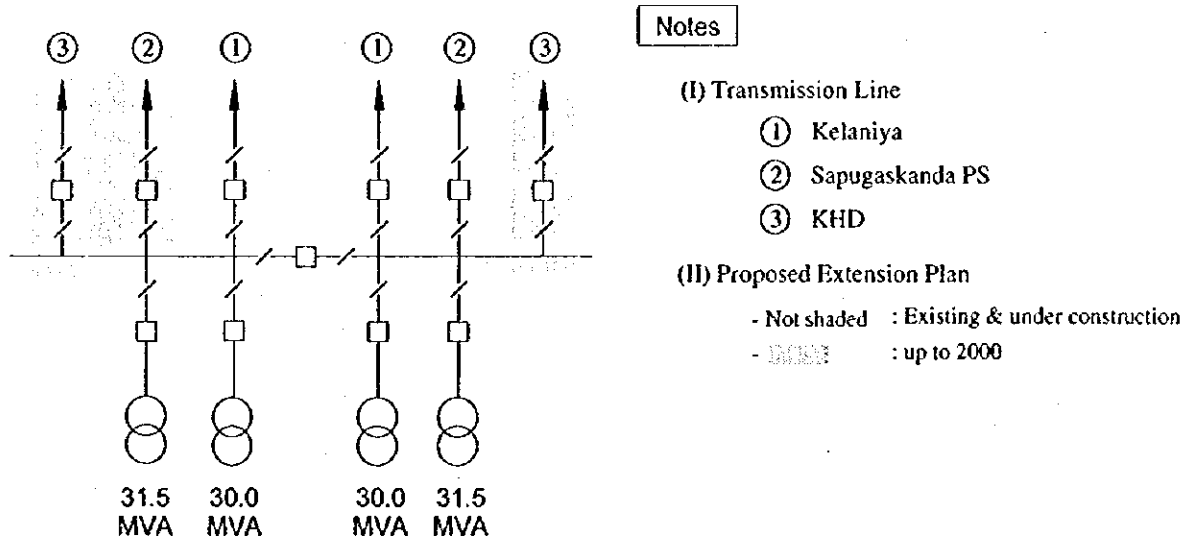
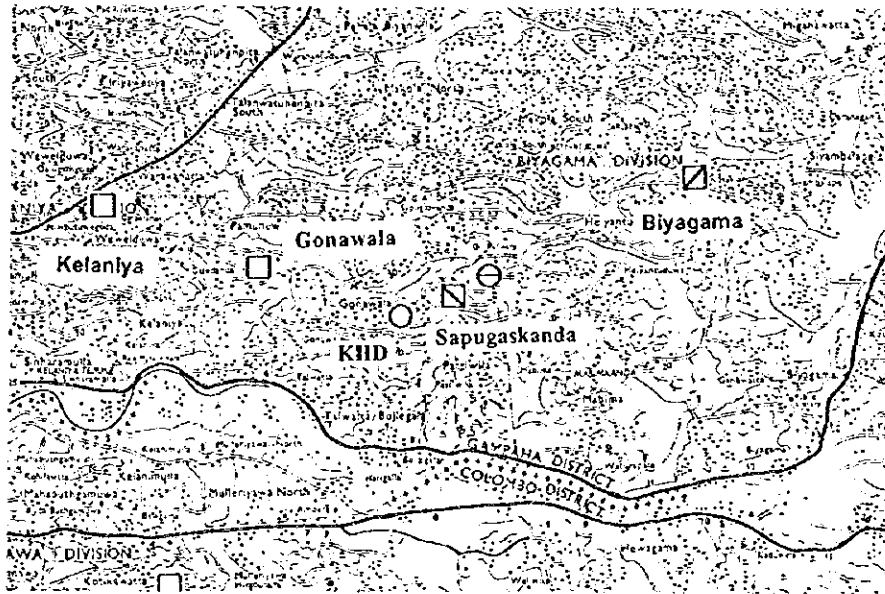
Bus arrangement is subject to the available land space

**CEYLON  
ELECTRICITY  
BOARD**

**JAPAN INTERNATIONAL  
COOPERATION AGENCY**  
**NIPPON KOEI CO., LTD.**  
Consulting Engineer

**MASTER PLAN STUDY  
FOR DEVELOPMENT OF THE TRANSMISSION SYSTEM  
OF THE CEYLON ELECTRICITY BOARD  
IN THE DEMOCRATIC SOCIALIST REPUBLIC OF SRI LANKA**

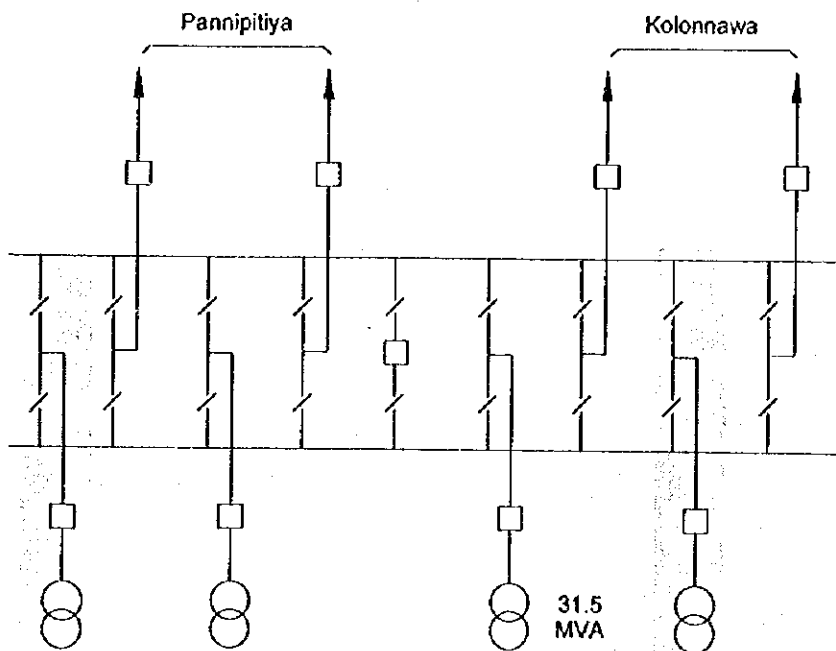
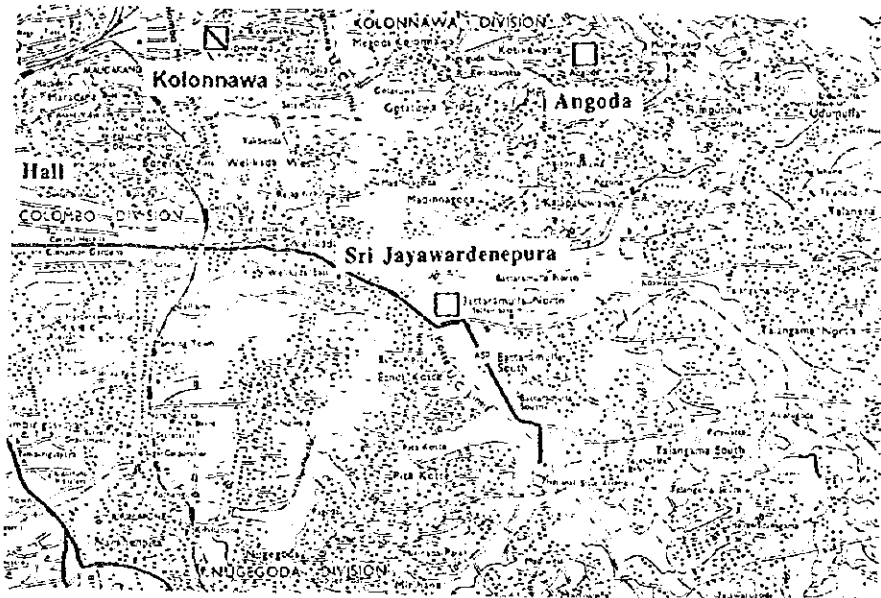
**TITLE** **Fig. A7.2 - 33**  
**Site & One-Line Diagram of  
Ratnapura Substation**



**Notes**

- (I) Transmission Line
  - ① Kelaniya
  - ② Sapugaskanda PS
  - ③ KHD
- (II) Proposed Extension Plan
  - Not shaded : Existing & under construction
  - ~~Shaded~~ : up to 2000

<b>CEYLON ELECTRICITY BOARD</b>	JAPAN INTERNATIONAL COOPERATION AGENCY	MASTER PLAN STUDY FOR DEVELOPMENT OF THE TRANSMISSION SYSTEM OF THE CEYLON ELECTRICITY BOARD IN THE DEMOCRATIC SOCIALIST REPUBLIC OF SRI LANKA	TITLE <b>Fig. A7.2 - 34</b>
	NIPPON KOEI CO., LTD. Consulting Engineer		<b>Site &amp; One-Line Diagram of Sapugaskanda Substation</b>

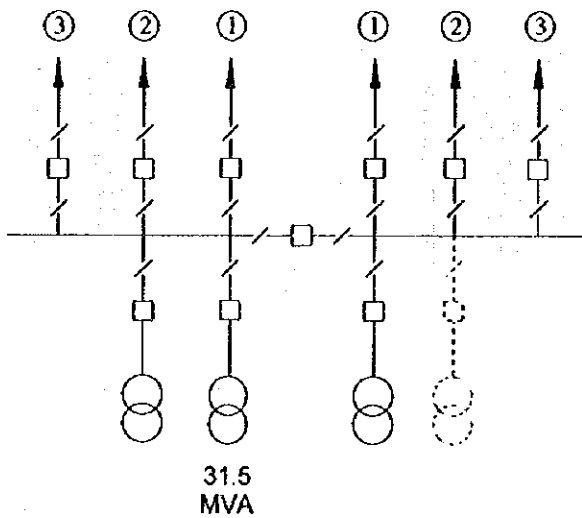
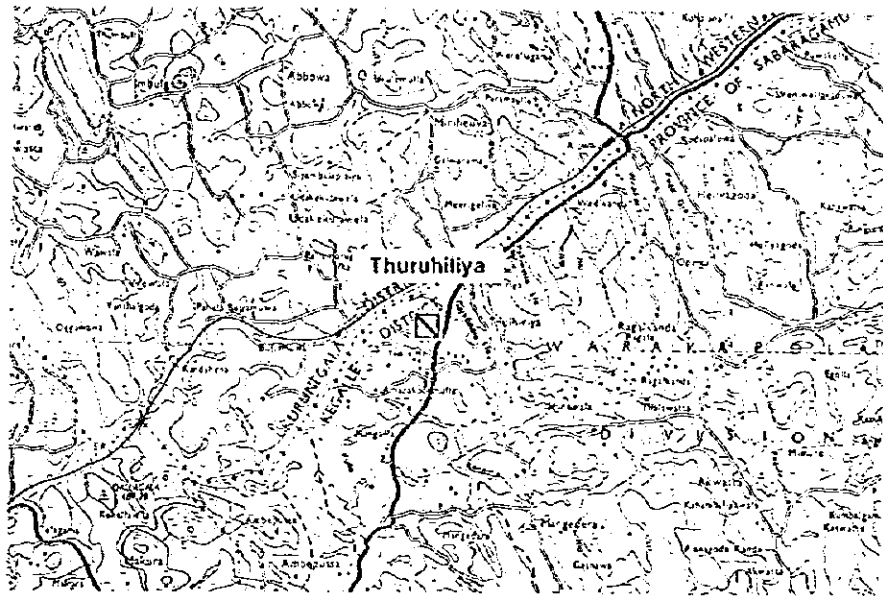


**Notes**

**(I) Proposed Extension Plan**

- Not shaded : up to 2000
- [Hatched Pattern] : up to 2005

<b>CEYLON ELECTRICITY BOARD</b>	JAPAN INTERNATIONAL COOPERATION AGENCY	MASTER PLAN STUDY FOR DEVELOPMENT OF THE TRANSMISSION SYSTEM OF THE CEYLON ELECTRICITY BOARD IN THE DEMOCRATIC SOCIALIST REPUBLIC OF SRI LANKA	TITLE <b>Fig. A7.2 - 35</b> <b>Site &amp; One-Line Diagram of Sri Jaya'pura Substation</b>
	NIPPON KOEI CO., LTD. Consulting Engineer		



**Notes**

(I) Transmission Line

- ① Aguruwella
- ② Veyangoda
- ③ Kegalle

(II) Proposed Extension Plan

- Not shaded : Existing & Committed
- Dotted line : up to 2010
- Dotted line : up to 2015 or after

(III) Others

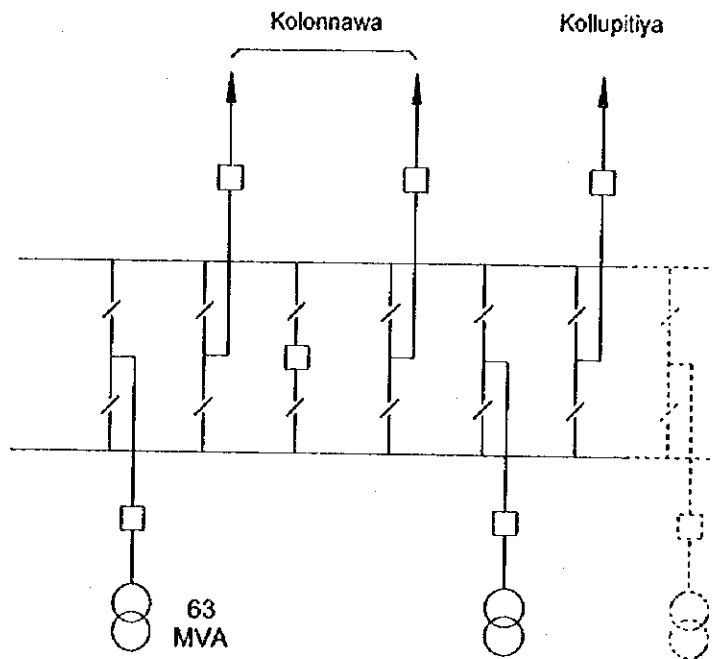
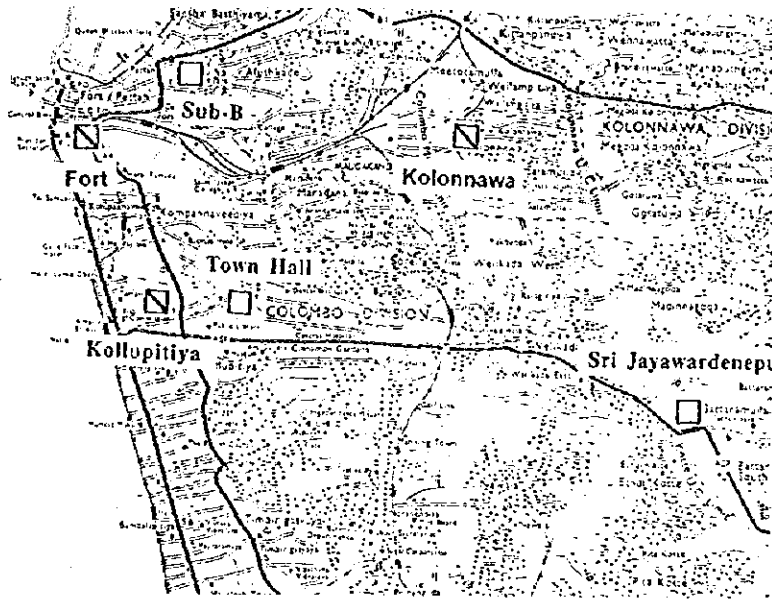
- (a) Bus section circuit breaker is not presently provided.

**CEYLON  
ELECTRICITY  
BOARD**

**JAPAN INTERNATIONAL  
COOPERATION AGENCY**  
  
**NIPPON KOEI CO., LTD.**  
Consulting Engineer

**MASTER PLAN STUDY  
FOR DEVELOPMENT OF THE TRANSMISSION SYSTEM  
OF THE CEYLON ELECTRICITY BOARD  
IN THE DEMOCRATIC SOCIALIST REPUBLIC OF SRI LANKA**

**TITLE**  
**Fig. A7.2 - 36**  
**Site & One-Line Diagram of  
Thuruhiya Substation**



**Notes**

**(I) Proposed Extension Plan**

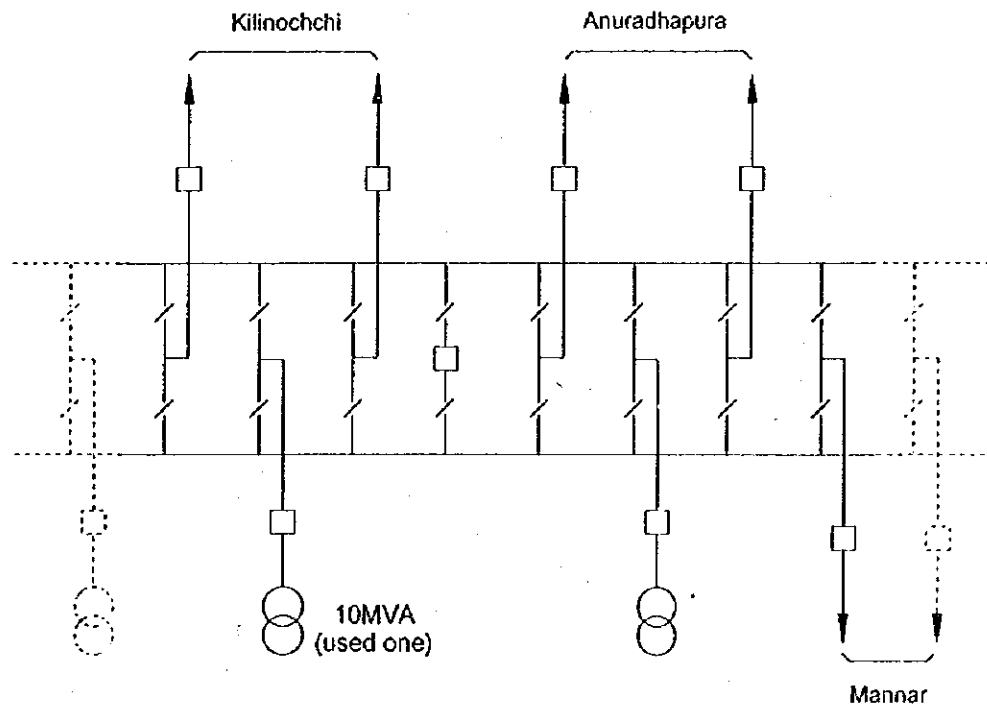
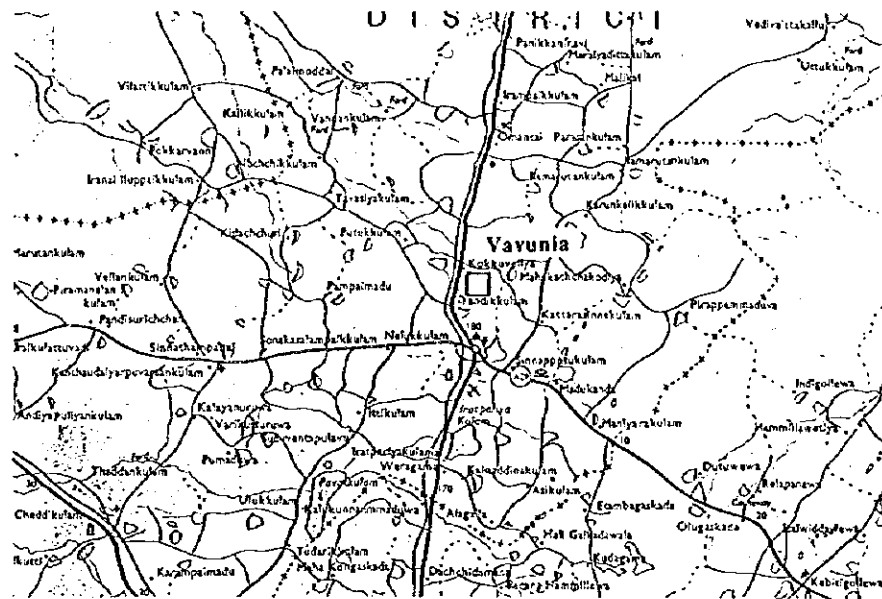
- Not shaded : up to 2010
- Dotted line : up to 2015 or after

**(II) Others**

- (a) A transformer bay for future extension shall be provided when newly constructed.

<b>CEYLON ELECTRICITY BOARD</b>	JAPAN INTERNATIONAL COOPERATION AGENCY	MASTER PLAN STUDY FOR DEVELOPMENT OF THE TRANSMISSION SYSTEM OF THE CEYLON ELECTRICITY BOARD IN THE DEMOCRATIC SOCIALIST REPUBLIC OF SRI LANKA	TITLE <b>Fig. A7.2 - 37</b> Site & One-Line Diagram of Town Hall Substation
	NIPPON KOEI CO., LTD. Consulting Engineer		



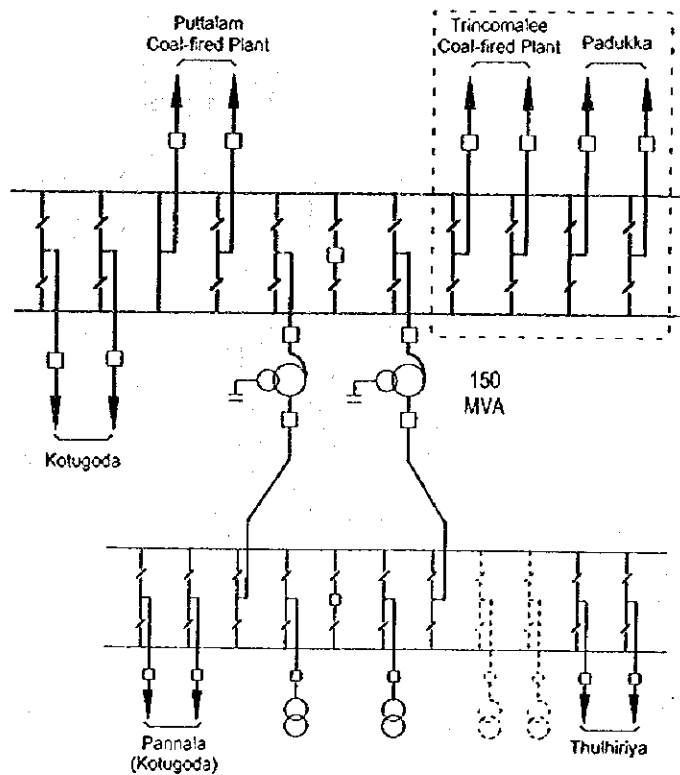
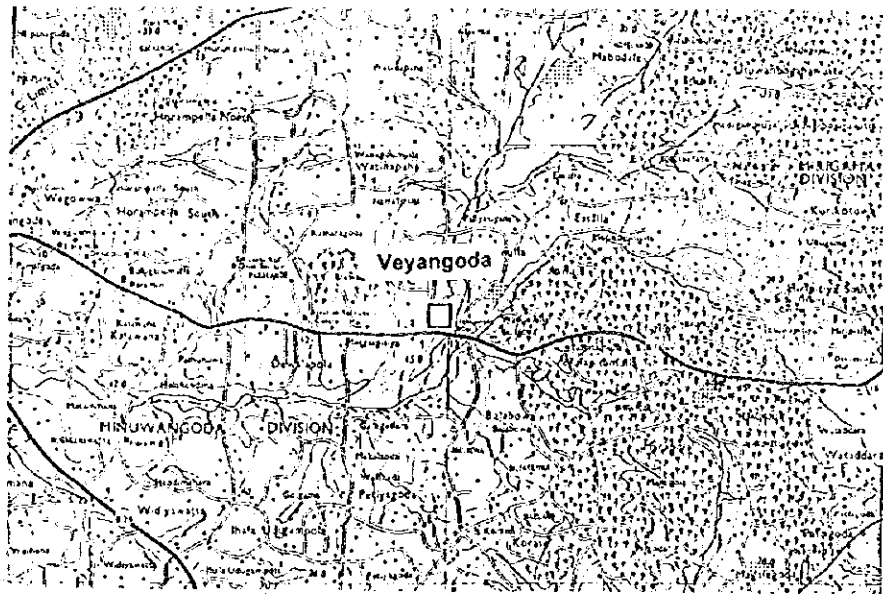


**Notes**

**(I) Proposed Extension Plan**

- Not shaded : up to 2005
- Dashed line : up to 2010
- Dotted line : up to 2015 or after

<b>CEYLON ELECTRICITY BOARD</b>	JAPAN INTERNATIONAL COOPERATION AGENCY	MASTER PLAN STUDY FOR DEVELOPMENT OF THE TRANSMISSION SYSTEM OF THE CEYLON ELECTRICITY BOARD IN THE DEMOCRATIC SOCIALIST REPUBLIC OF SRI LANKA	TITLE <b>Fig. A7.2 - 38</b> Site & One-Line Diagram of Yavunia Substation
	NIPPON KOEI CO., LTD. Consulting Engineer		



**Notes**

**(I) Proposed Extension Plan**

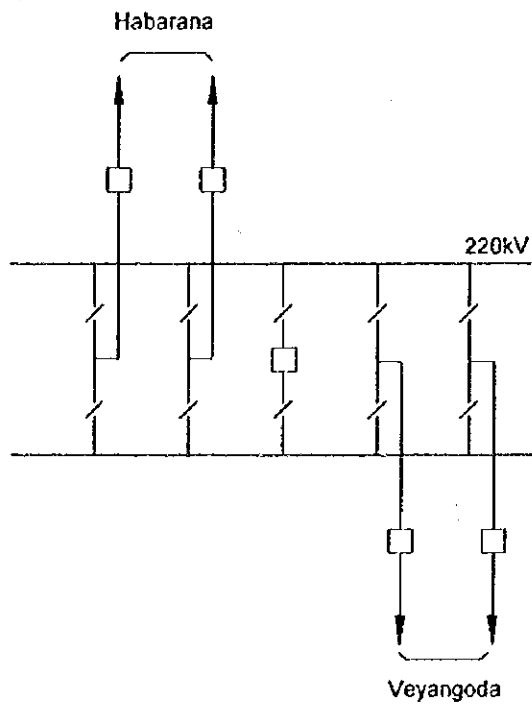
- Not shaded : under SPSEP (ADB)
- [Solid line] : up to 2005
- [Dashed line] : up to 2010
- [Dotted line] : up to 2015 or after

**CEYLON  
ELECTRICITY  
BOARD**

**JAPAN INTERNATIONAL  
COOPERATION AGENCY**  
  
**NIPPON KOEI CO., LTD.**  
Consulting Engineer

**MASTER PLAN STUDY  
FOR DEVELOPMENT OF THE TRANSMISSION SYSTEM  
OF THE CEYLON ELECTRICITY BOARD  
IN THE DEMOCRATIC SOCIALIST REPUBLIC OF SRI LANKA**

**TITLE** **Fig. A7.2 - 39**  
**Site & One-Line Diagram of  
Veyangoda Substation**



Notes

(I) Proposed Extension Plan

- Not shaded : up to 2010

**CEYLON  
ELECTRICITY  
BOARD**

**JAPAN INTERNATIONAL  
COOPERATION AGENCY**

**NIPPON KOEI CO., LTD.**  
Consulting Engineer

**MASTER PLAN STUDY  
FOR DEVELOPMENT OF THE TRANSMISSION SYSTEM  
OF THE CEYLON ELECTRICITY BOARD  
IN THE DEMOCRATIC SOCIALIST REPUBLIC OF SRI LANKA**

**TITLE Fig. A7.2 - 40  
Site & One-Line Diagram of  
Wariyapola Switching Sstation**