

Fig. 4.3.1 Hazard Map of Namtar / Tilar

LEGEND

Motorable road with bridge		Forest area	
Track with foot bridge		Land slide	
House		Contour	
Isolated tree, Bamboo		Spot height	
River with steep banks		Bench mark	
Khola, Kholsi		Cliff	
Gablon wall		Water-mill	
Rocks, Boulders		Trigonometrical control point	

LEGEND:

HAZARD ZONE:

LAND SLIDE

- Hi-Hazard(L-A)
- Middle-Hazard(L-B)
- Low-Hazard(L-C)

FAILURE

- Low-Hazard(F-C)

DEBRIS FLOW

- Hi-Hazard(D-A)

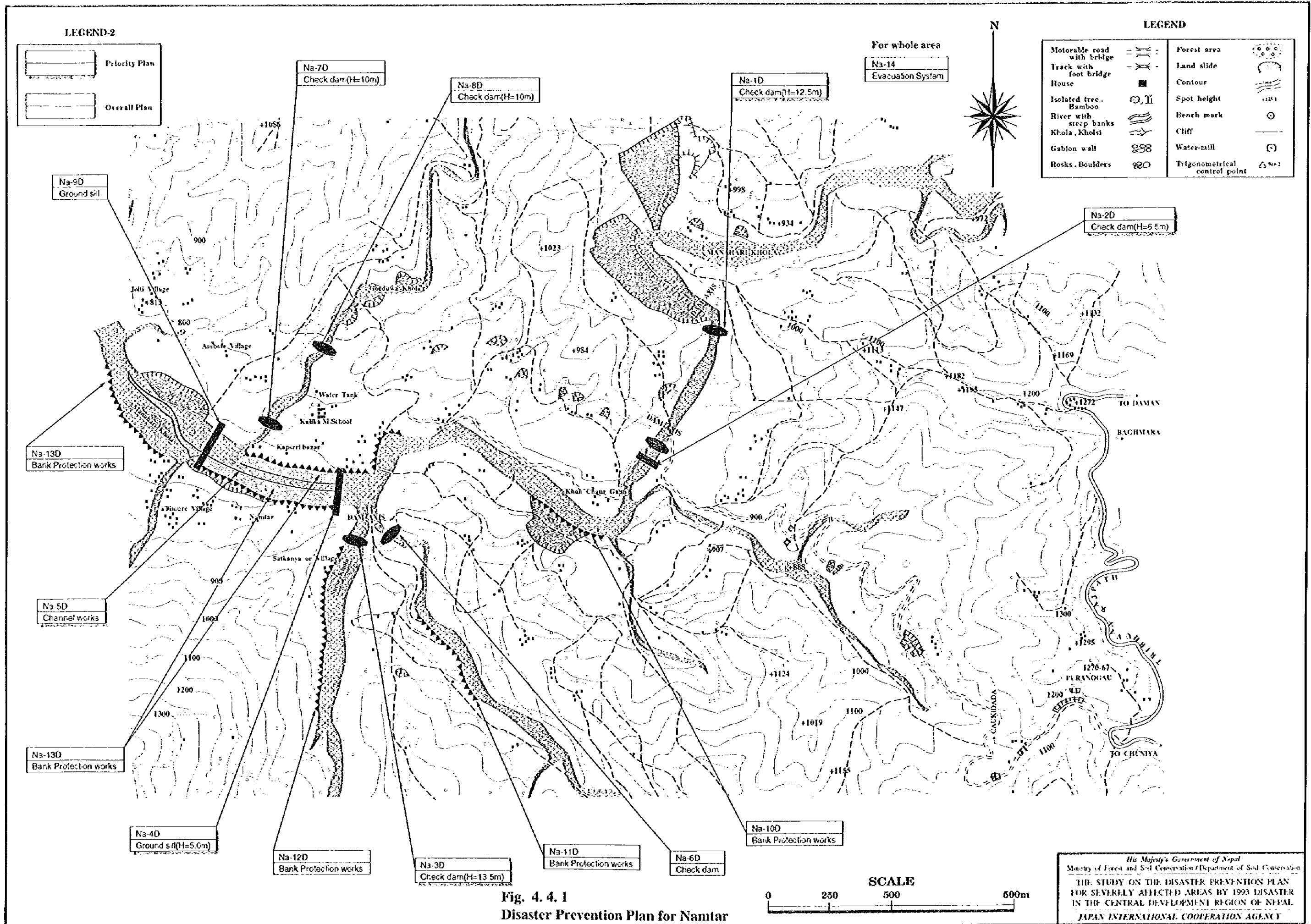
WASH OUT

- Hi-Hazard(W-A)
- Middle-Hazard(W-B)
- Low Hazard(W-C)

Safety Area
(Land form is limited on the terrace surface)

Sediment deposit by the debris flow or the flood flow

His Majesty's Government of Nepal
 Ministry of Forest and Soil Conservation/Department of Soil Conservation
 THE STUDY ON THE DISASTER PREVENTION PLAN FOR SEVERELY AFFECTED AREAS BY 1993 DISASTER IN THE CENTRAL DEVELOPMENT REGION OF NEPAL
 JAPAN INTERNATIONAL COOPERATION AGENCY



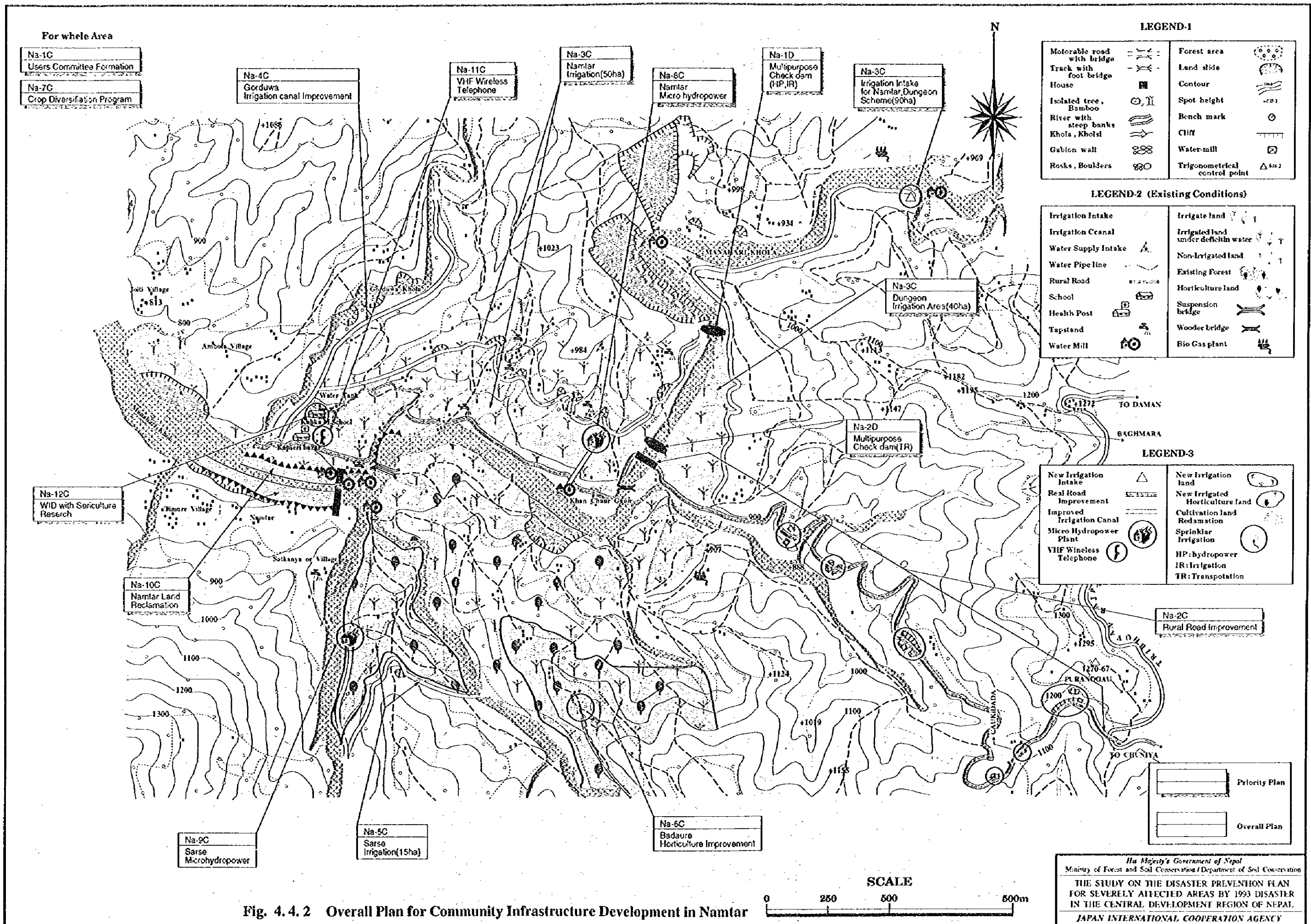


Fig. 4.4.2 Overall Plan for Community Infrastructure Development in Namtar

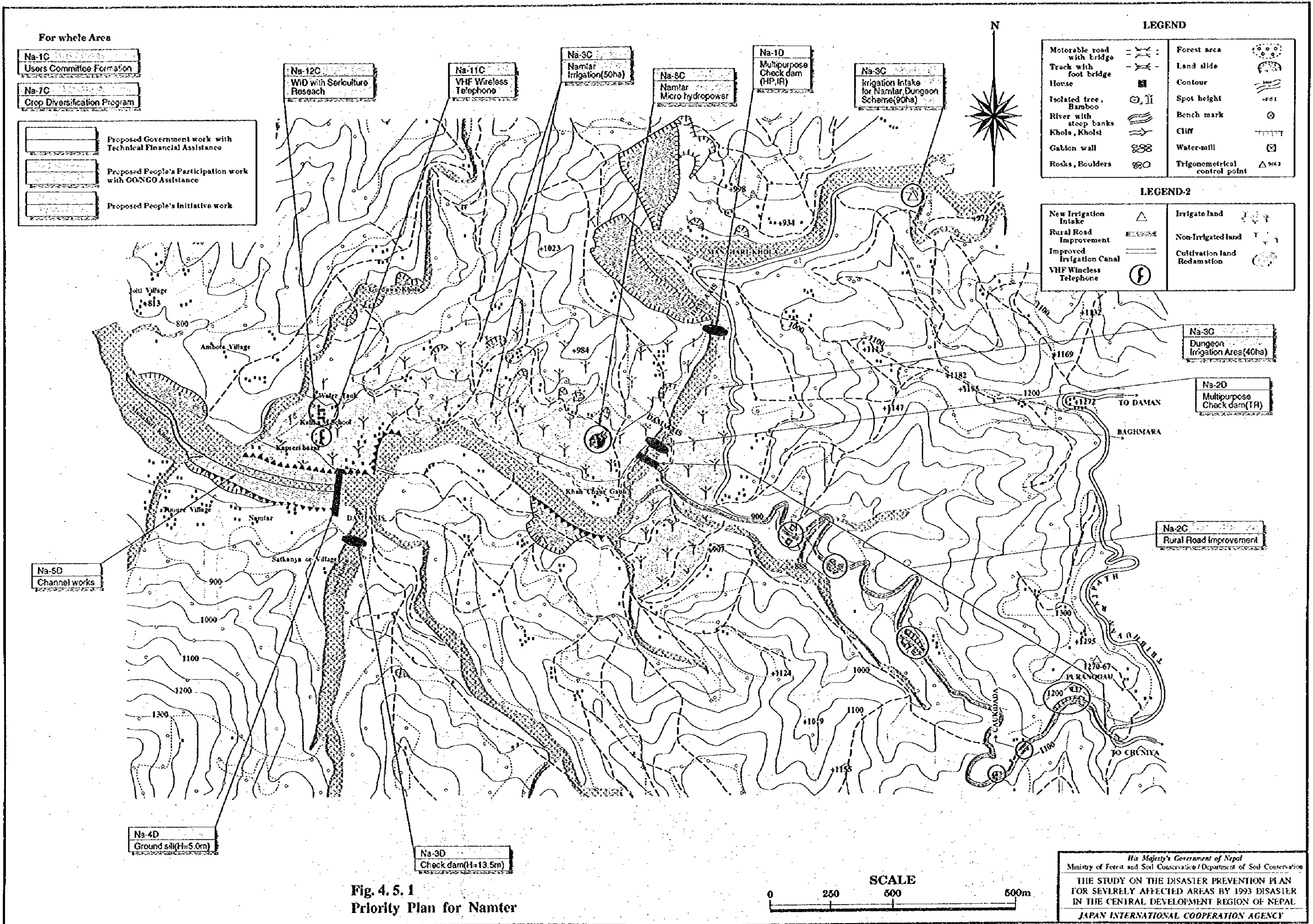


Fig. 4.5.1
Priority Plan for Namter

His Majesty's Government of Nepal
 Ministry of Forest and Soil Conservation / Department of Soil Conservation
 THE STUDY ON THE DISASTER PREVENTION PLAN
 FOR SEVERELY AFFECTED AREAS BY 1993 DISASTER
 IN THE CENTRAL DEVELOPMENT REGION OF NEPAL
 JAPAN INTERNATIONAL COOPERATION AGENCY

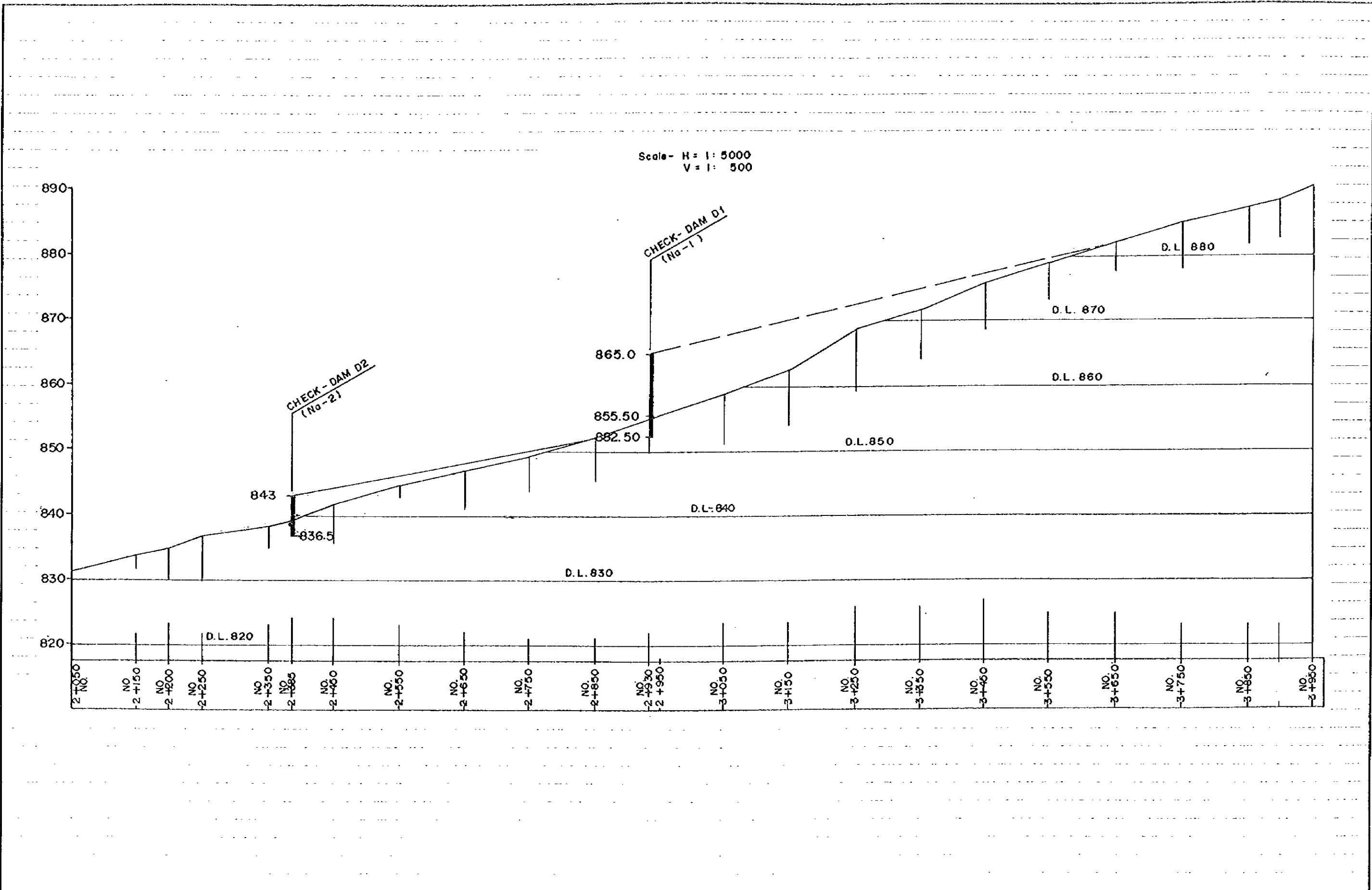


Fig. 4.5.2
Longitudinal Profile of Manhari Khola
at the Upstream Check Dam Sites

His Majesty's Government of Nepal
Ministry of Forest and Soil Conservation/Department of Soil Conservation
THE STUDY ON THE DISASTER PREVENTION PLAN
FOR SEVERELY AFFECTED AREAS BY 1993 DISASTER
IN THE CENTRAL DEVELOPMENT REGION OF NEPAL
JAPAN INTERNATIONAL COOPERATION AGENCY

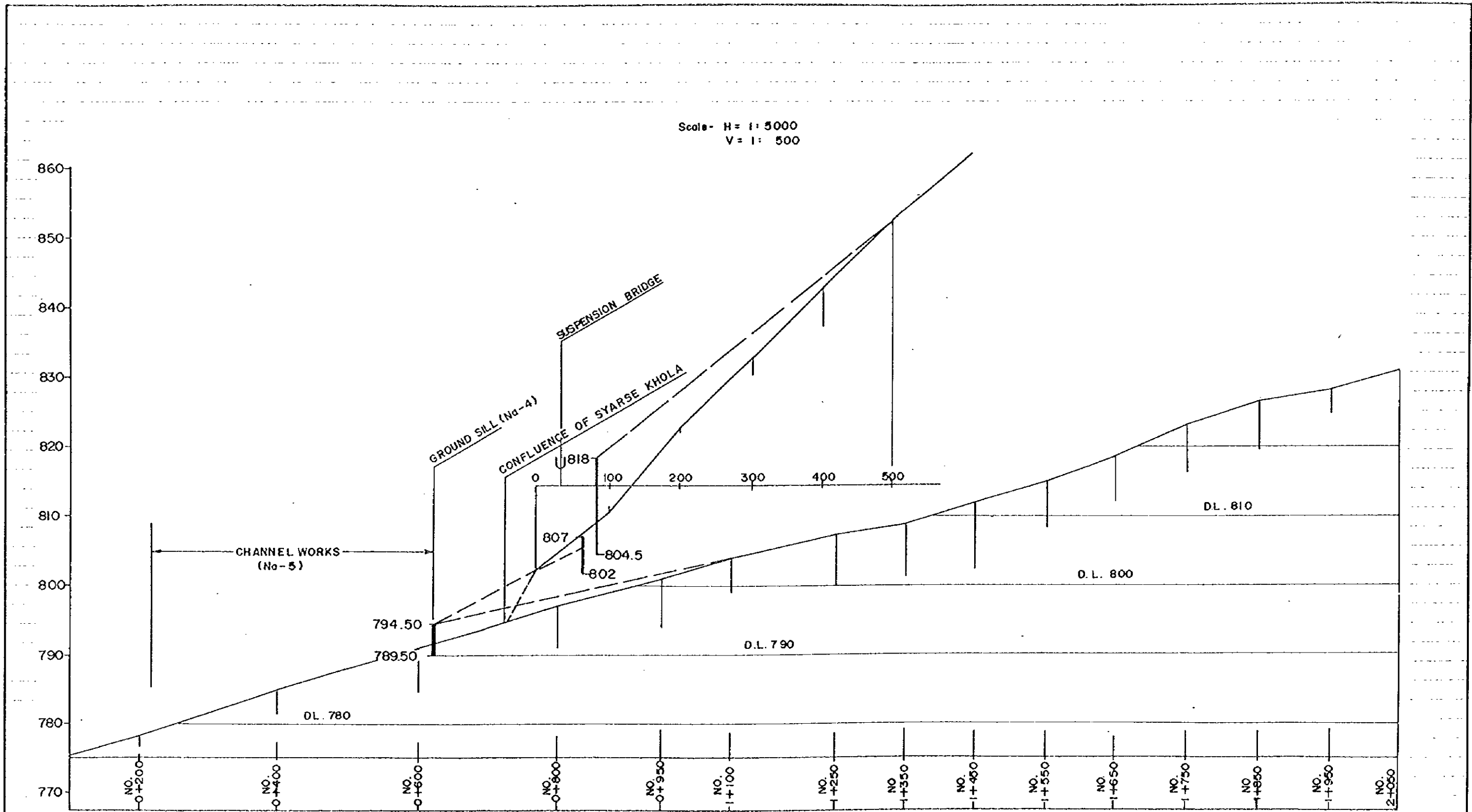
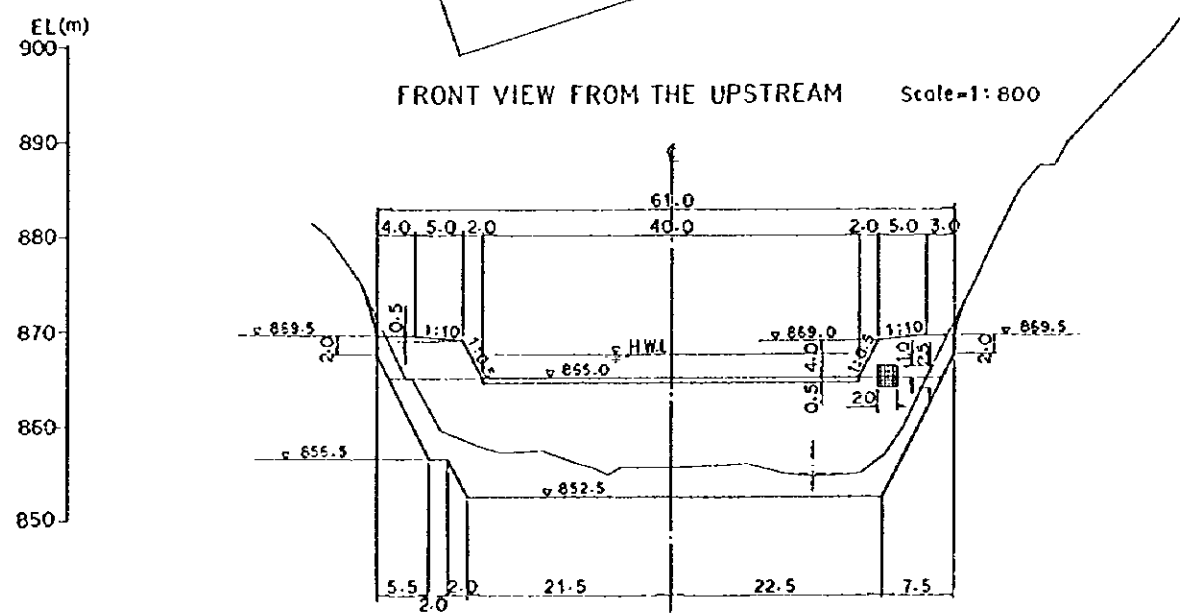
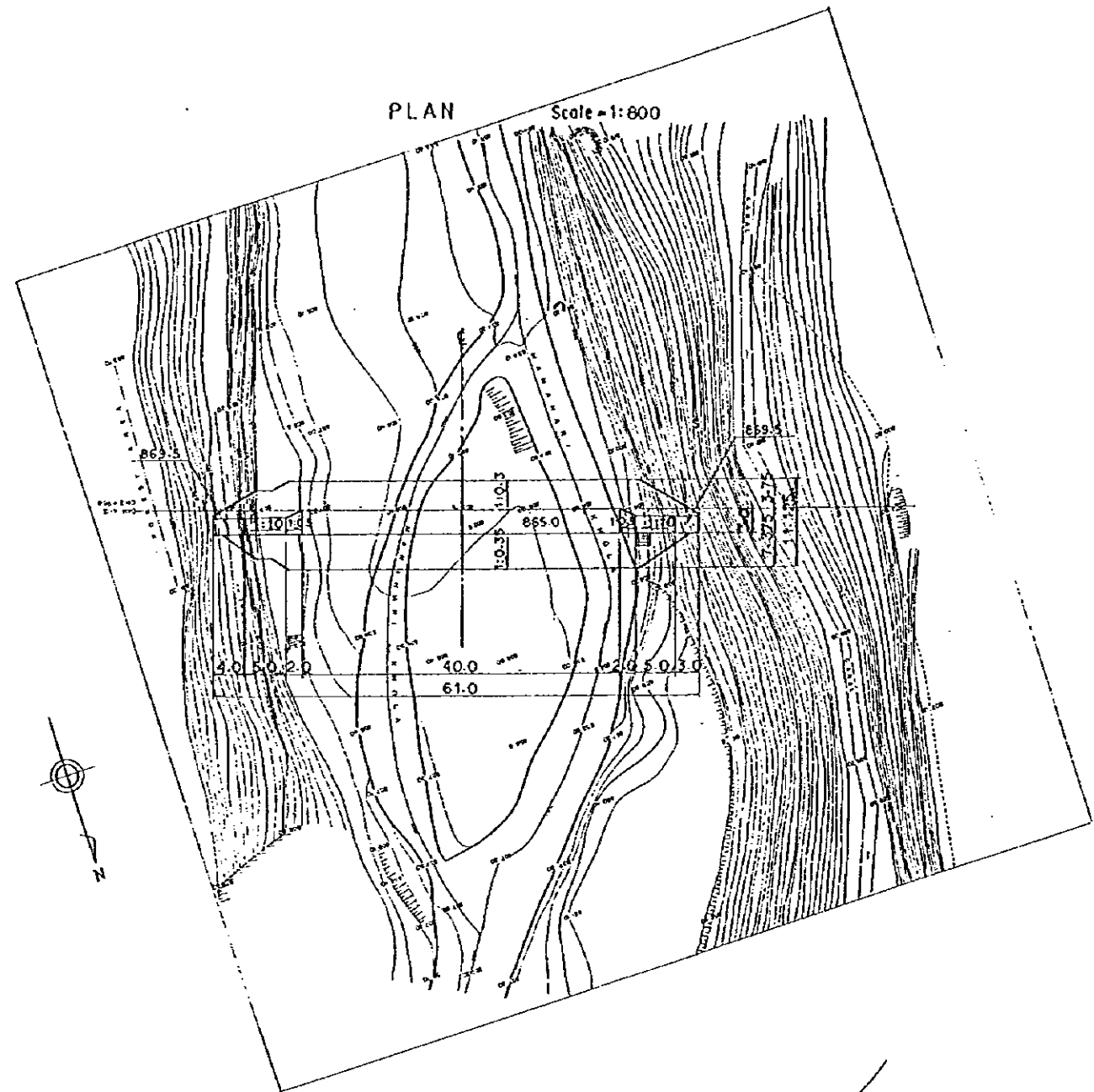


Fig. 4.5.3
Designed Longitudinal Profile at
Namtar Community

His Majesty's Government of Nepal
Ministry of Forest and Soil Conservation/Department of Soil Conservation
THE STUDY ON THE DISASTER PREVENTION PLAN
FOR SEVERELY AFFECTED AREAS BY 1993 DISASTER
IN THE CENTRAL DEVELOPMENT REGION OF NEPAL
JAPAN INTERNATIONAL COOPERATION AGENCY



TYPICAL CROSS SECTION Scale = 1:400

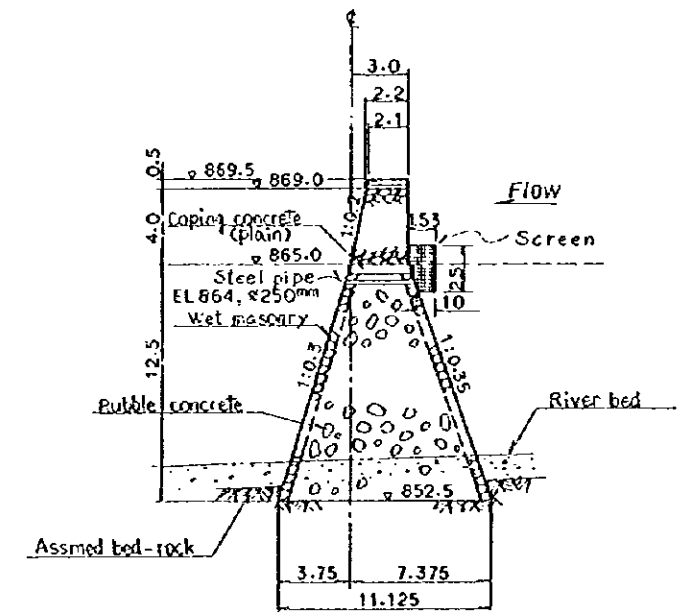
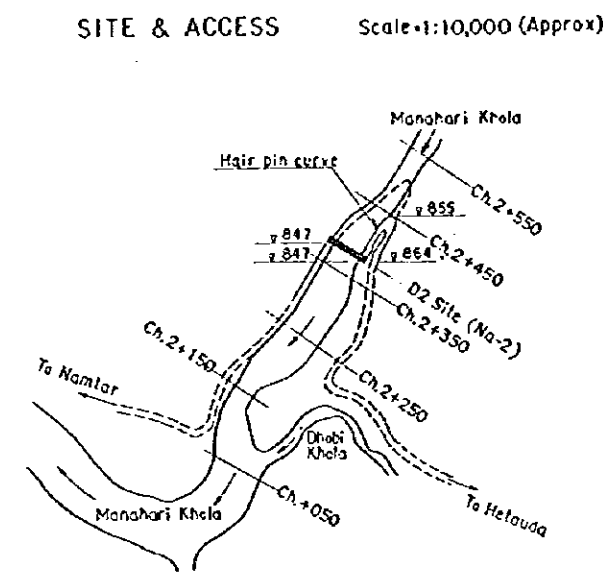
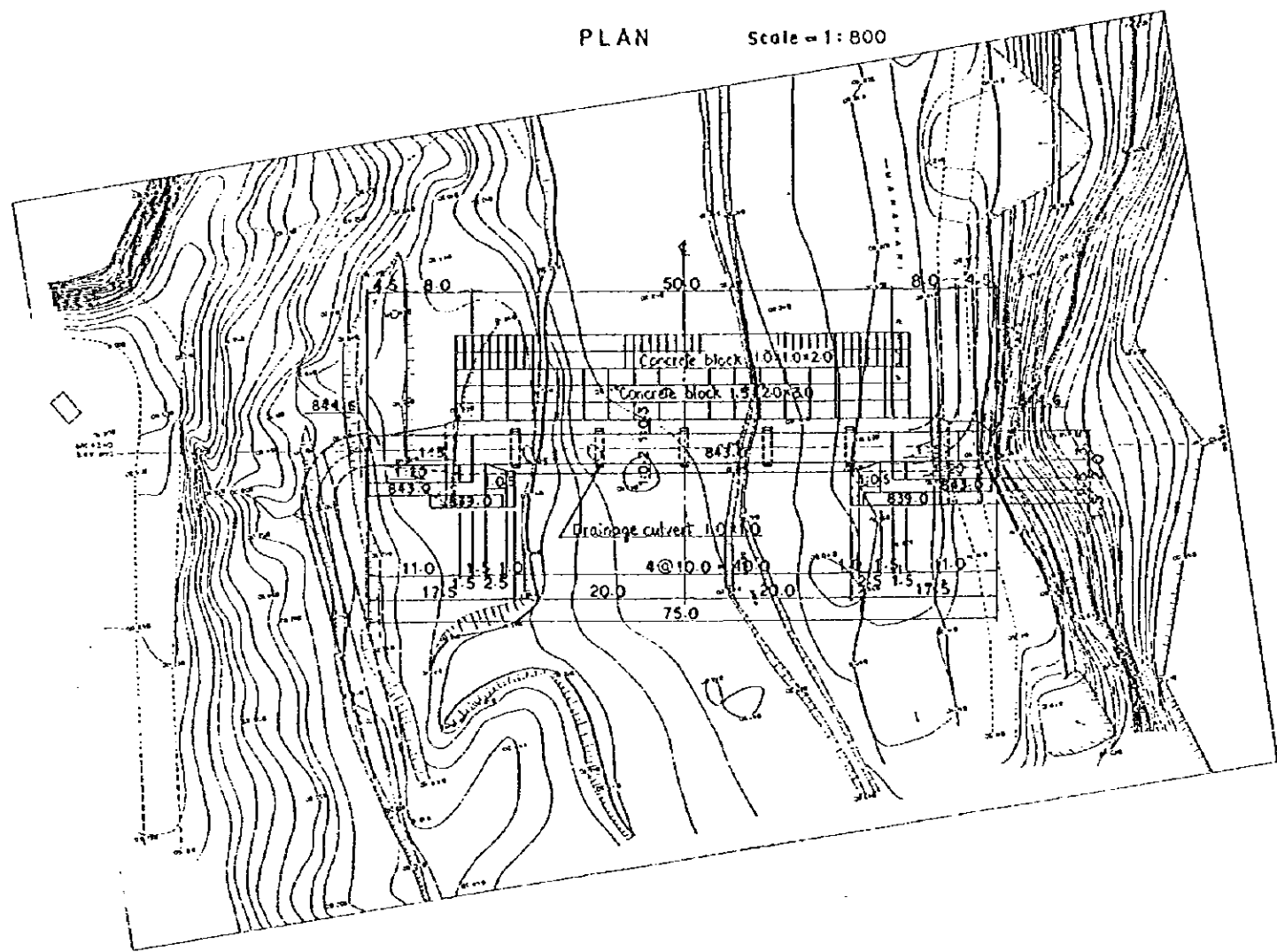
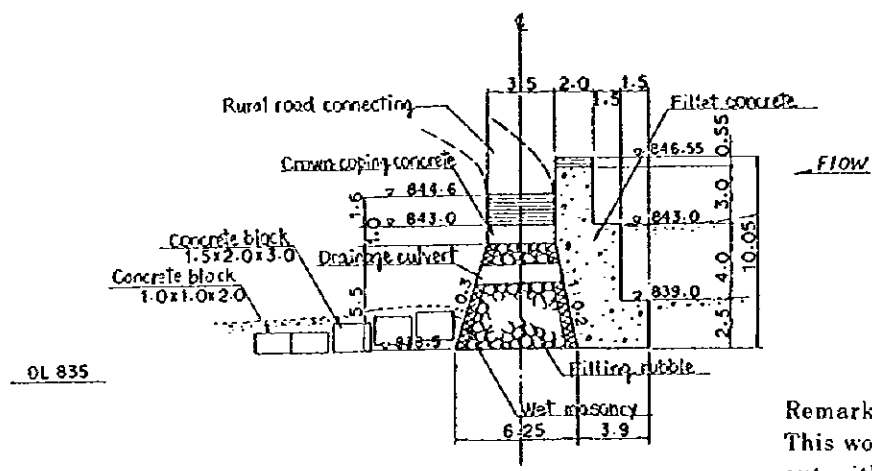


Fig. 4.5.4
Check Dam Na-1 in Namtar/Tilar CDDP

His Majesty's Government of Nepal
Ministry of Forest and Soil Conservation/Department of Soil Conservation
THE STUDY ON THE DISASTER PREVENTION PLAN
FOR SEVERELY AFFECTED AREAS BY 1973 DISASTER
IN THE CENTRAL DEVELOPMENT REGION OF NEPAL
JAPAN INTERNATIONAL COOPERATION AGENCY



TYPICAL CROSS SECTION Scale = 1: 400



Remarks:
This work is to be carried out with ICB basis.

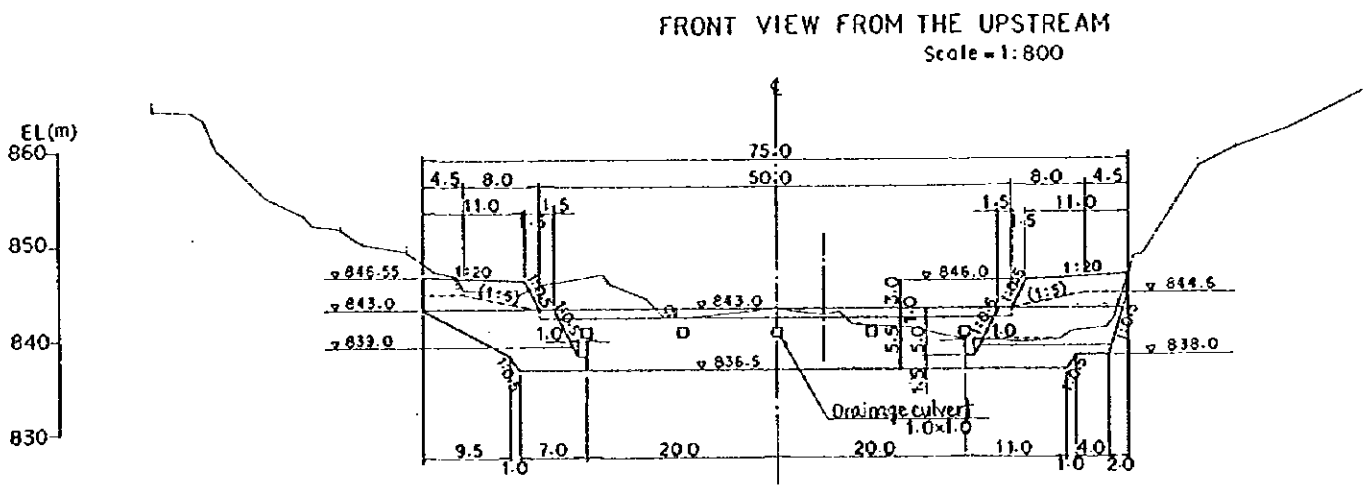
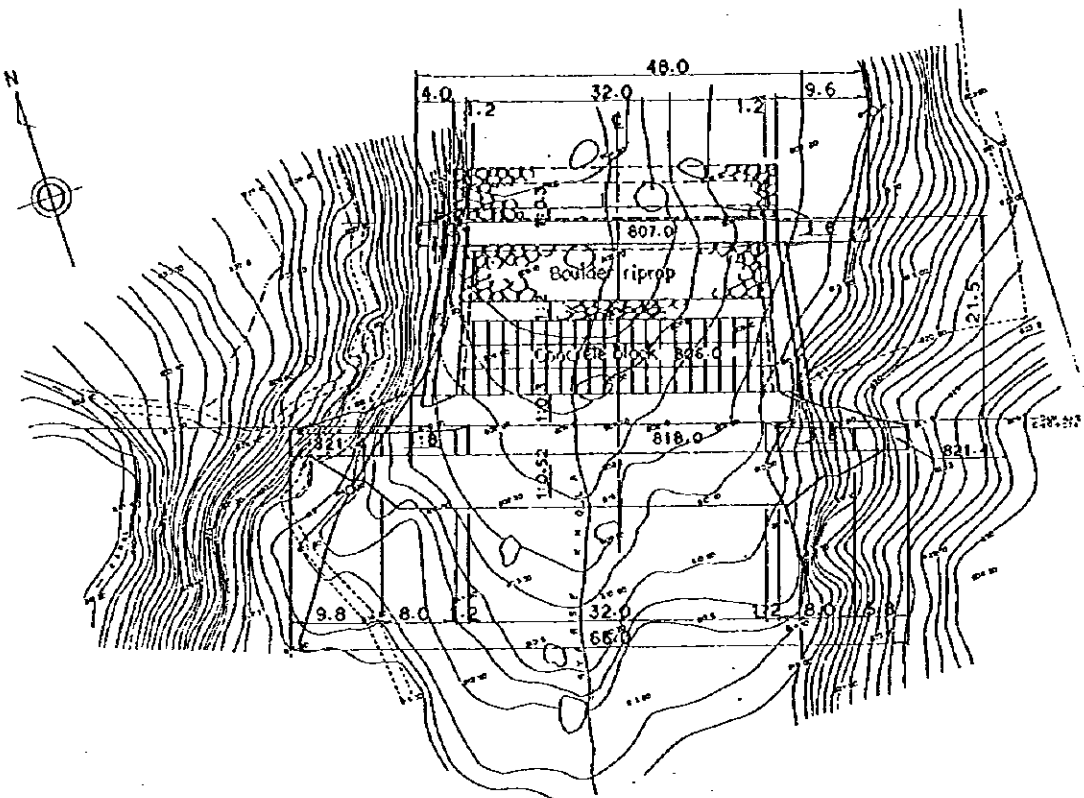


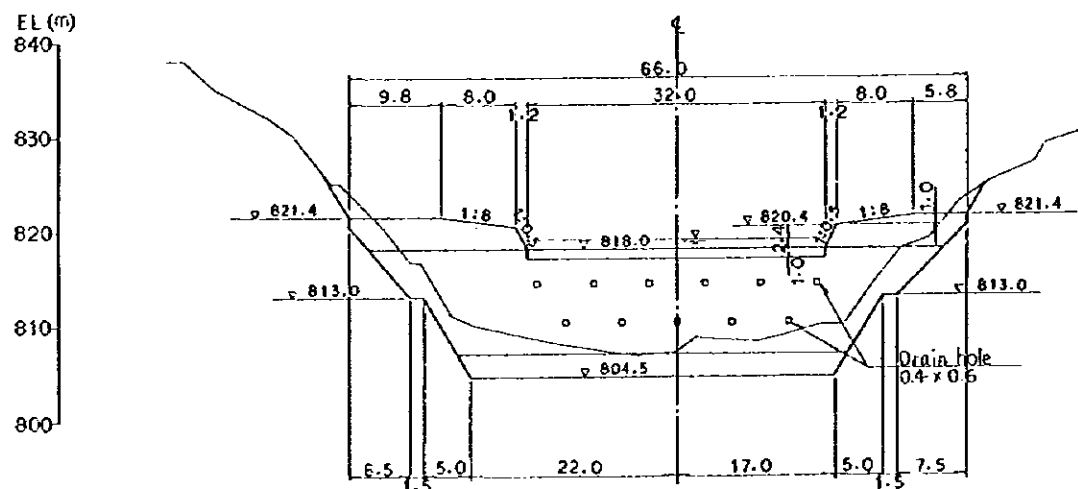
Fig. 4.5.5
Check Dam Na-2 in Namtar/Filar CDDP

His Majesty's Government of Nepal
Ministry of Forest and Soil Conservation/Department of Soil Conservation
THE STUDY ON THE DISASTER PREVENTION PLAN FOR SEVERELY AFFECTED AREAS BY 1993 DISASTER IN THE CENTRAL DEVELOPMENT REGION OF NEPAL
JAPAN INTERNATIONAL COOPERATION AGENCY

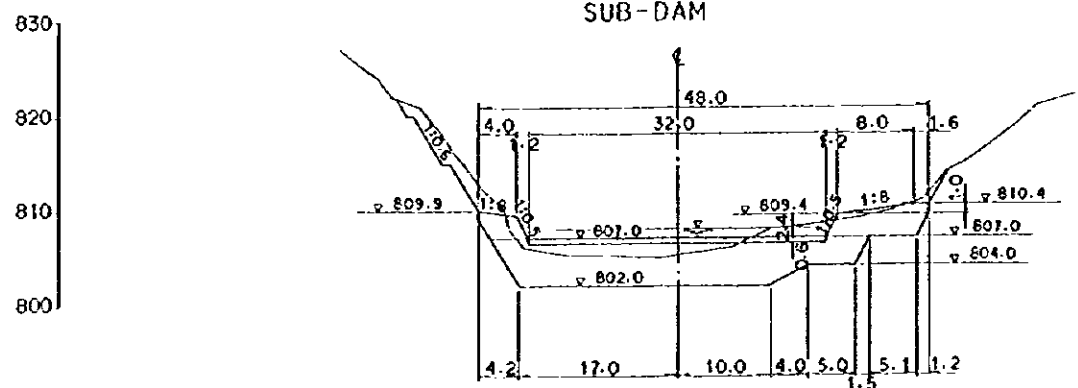
PLAN Scale = 1:800



FRONT VIEW FROM THE UPSTREAM. Scale=1:800
MAIN-DAM



SUB-DAM



TYPICAL CROSS SECTION Scale = 1:400

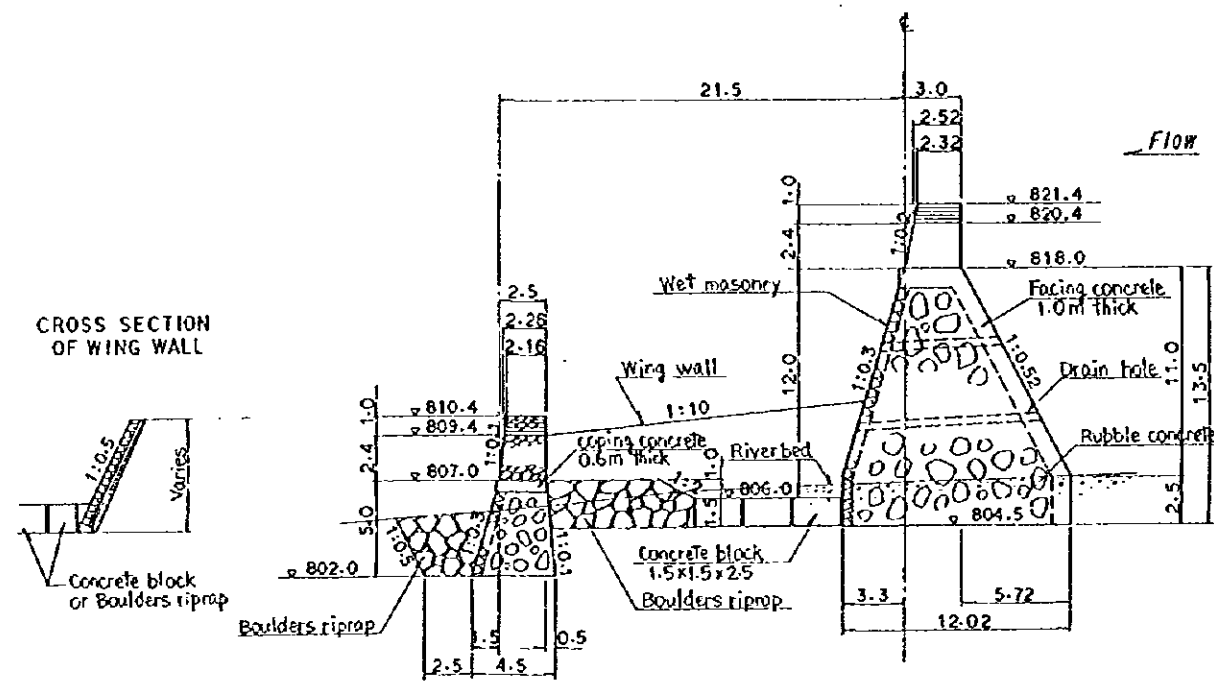
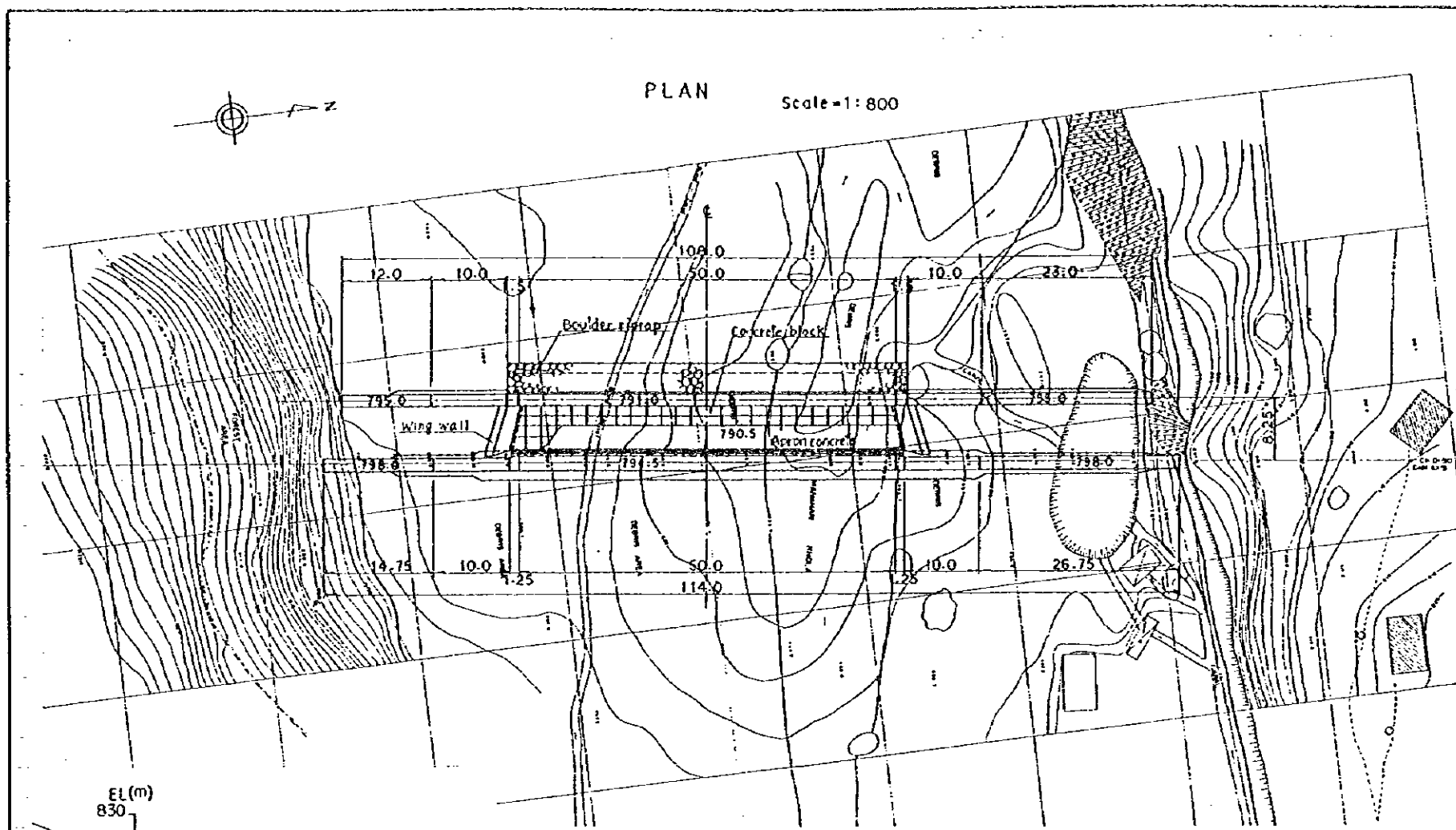
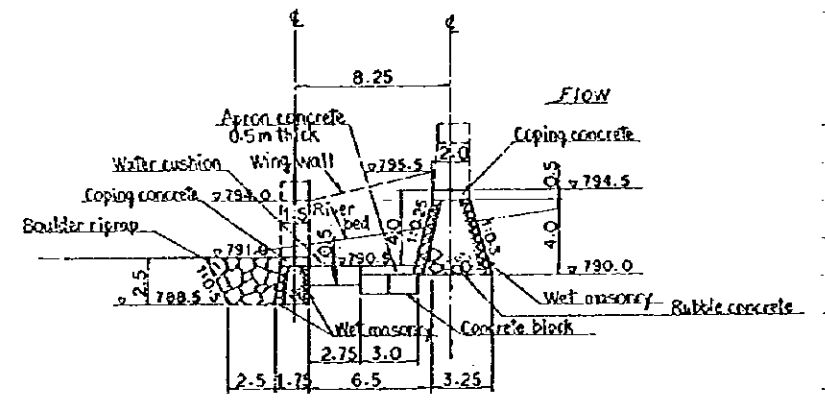


Fig. 4.5.6
Check Dam Na-3 in Namtar/Tilar CDPP

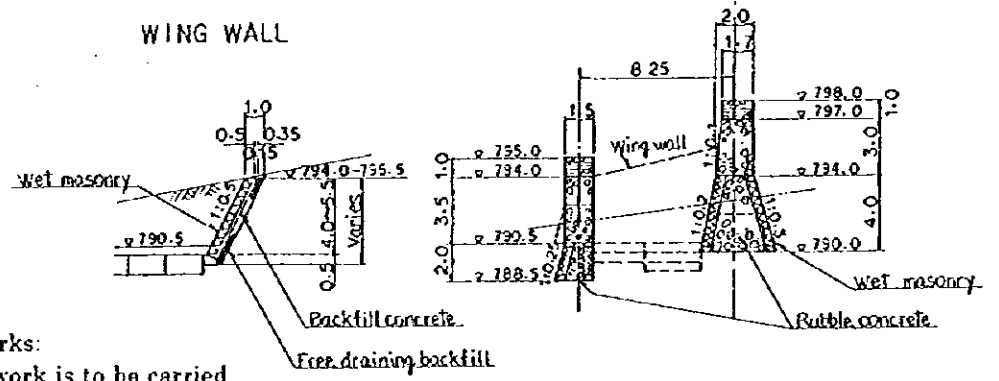
His Majesty's Government of Nepal
Ministry of Forest and Soil Conservation-Department of Soil Conservation
THE STUDY ON THE DISASTER PREVENTION PLAN
FOR SEVERELY AFFECTED AREAS BY 1973 DISASTER
IN THE CENTRAL DEVELOPMENT REGION OF NEPAL
JAPAN INTERNATIONAL COOPERATION AGENCY



TYPICAL CROSS SECTION OVERFLOW SECTION Scale = 1:400

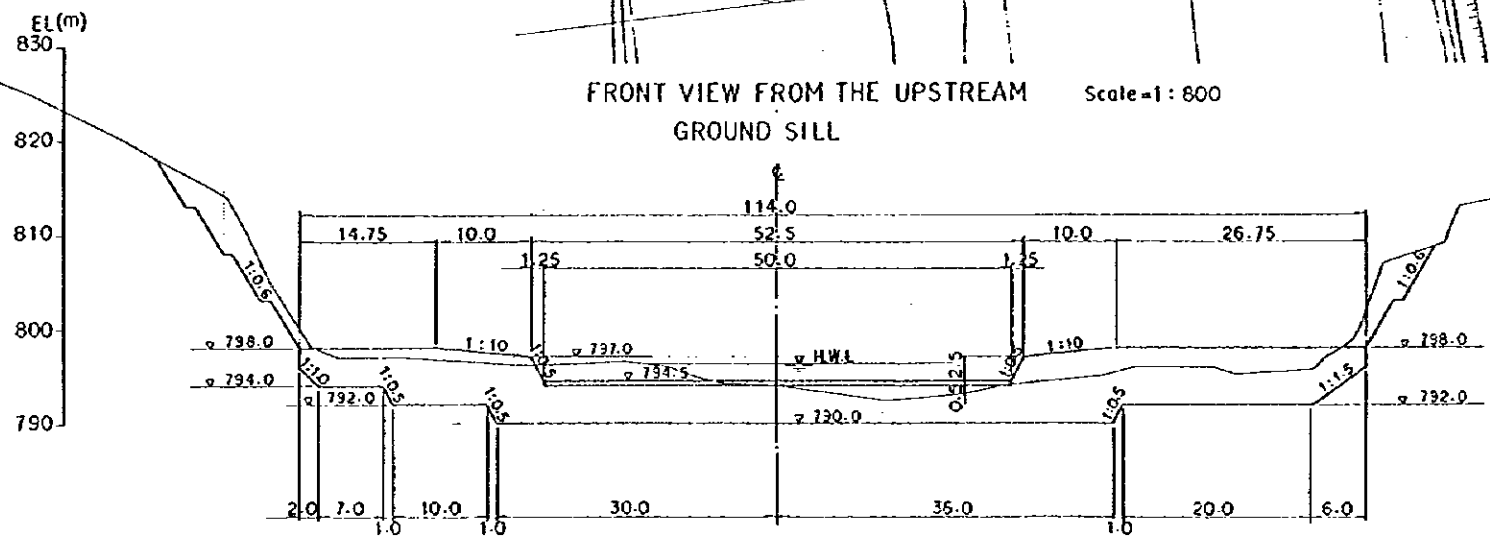


NON OVERFLOW SECTION



Remarks:
This work is to be carried out with ICB basis.

FRONT VIEW FROM THE UPSTREAM GROUND SILL Scale=1:800



SUB DAM

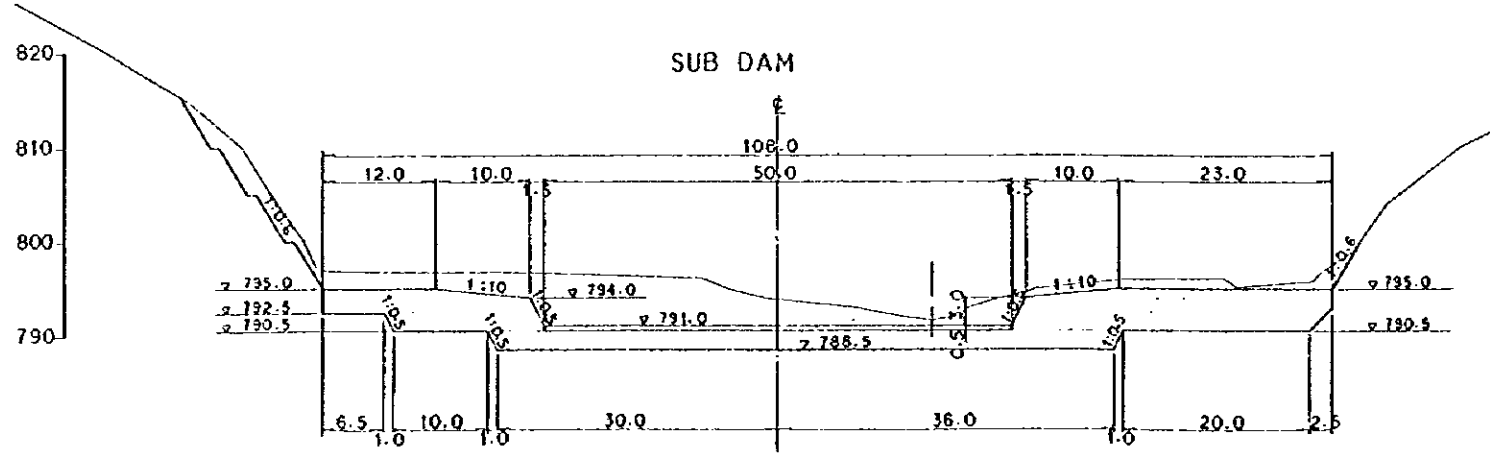


Fig. 4.5.7
Check Dam Na-4 in Namtar/Tilar CDDP

His Majesty's Government of Nepal
Ministry of Forest and Soil Conservation/Department of Soil Conservation
THE STUDY ON THE DISASTER PREVENTION PLAN
FOR SEVERELY AFFECTED AREAS BY 1993 DISASTER
IN THE CENTRAL DEVELOPMENT REGION OF NEPAL
JAPAN INTERNATIONAL COOPERATION AGENCY

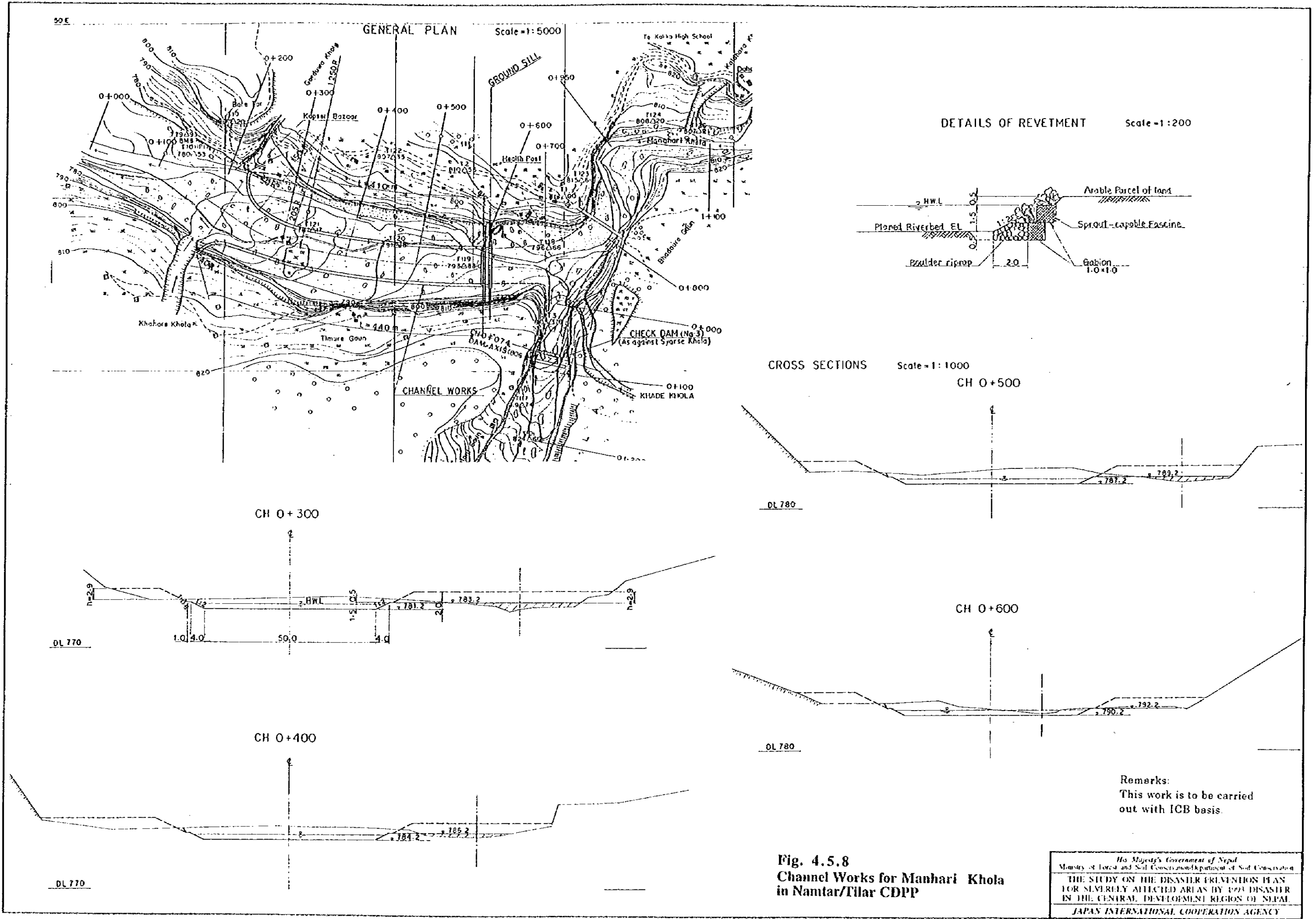


Fig. 4.5.8
Channel Works for Manhari Khola
in Namtar/Tilar CDPP

His Majesty's Government of Nepal
Ministry of Forest and Soil Conservation/Department of Soil Conservation
THE STUDY ON THE DISASTER PREVENTION PLAN
FOR SEVERELY AFFECTED AREAS BY 1973 DISASTER
IN THE CENTRAL DEVELOPMENT REGION OF NEPAL
JAPAN INTERNATIONAL COOPERATION AGENCY

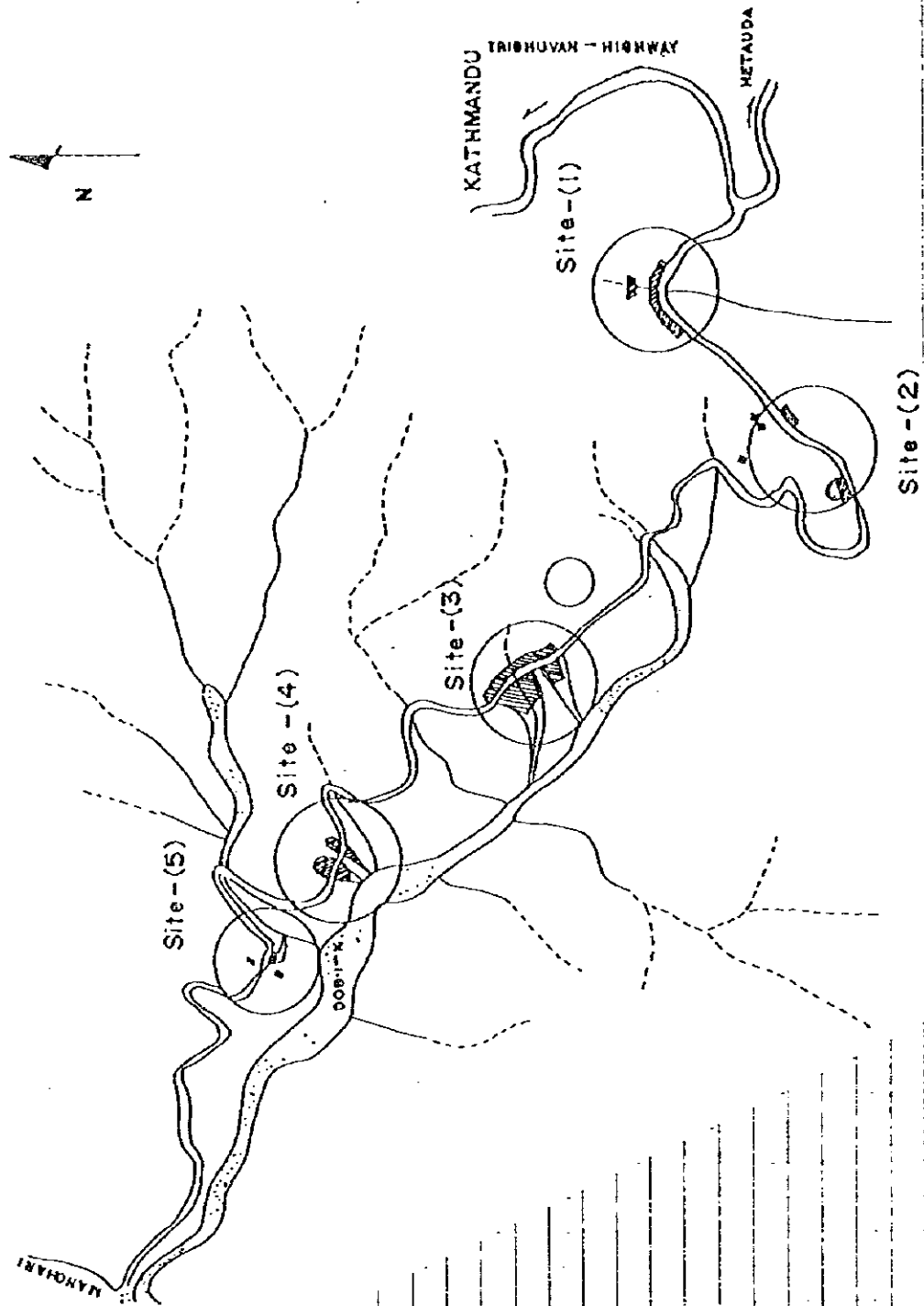


Fig. 4.5.9
General Layout for Rural Road in
Namtar

His Majesty's Government of Nepal
 Ministry of Forest and Soil Conservation/Department of Soil Conservation
THE STUDY ON THE DISASTER PREVENTION PLAN
FOR SEVERELY AFFECTED AREAS BY 1973 DISASTER
IN THE CENTRAL DEVELOPMENT REGION OF NEPAL
 JAPAN INTERNATIONAL COOPERATION AGENCY

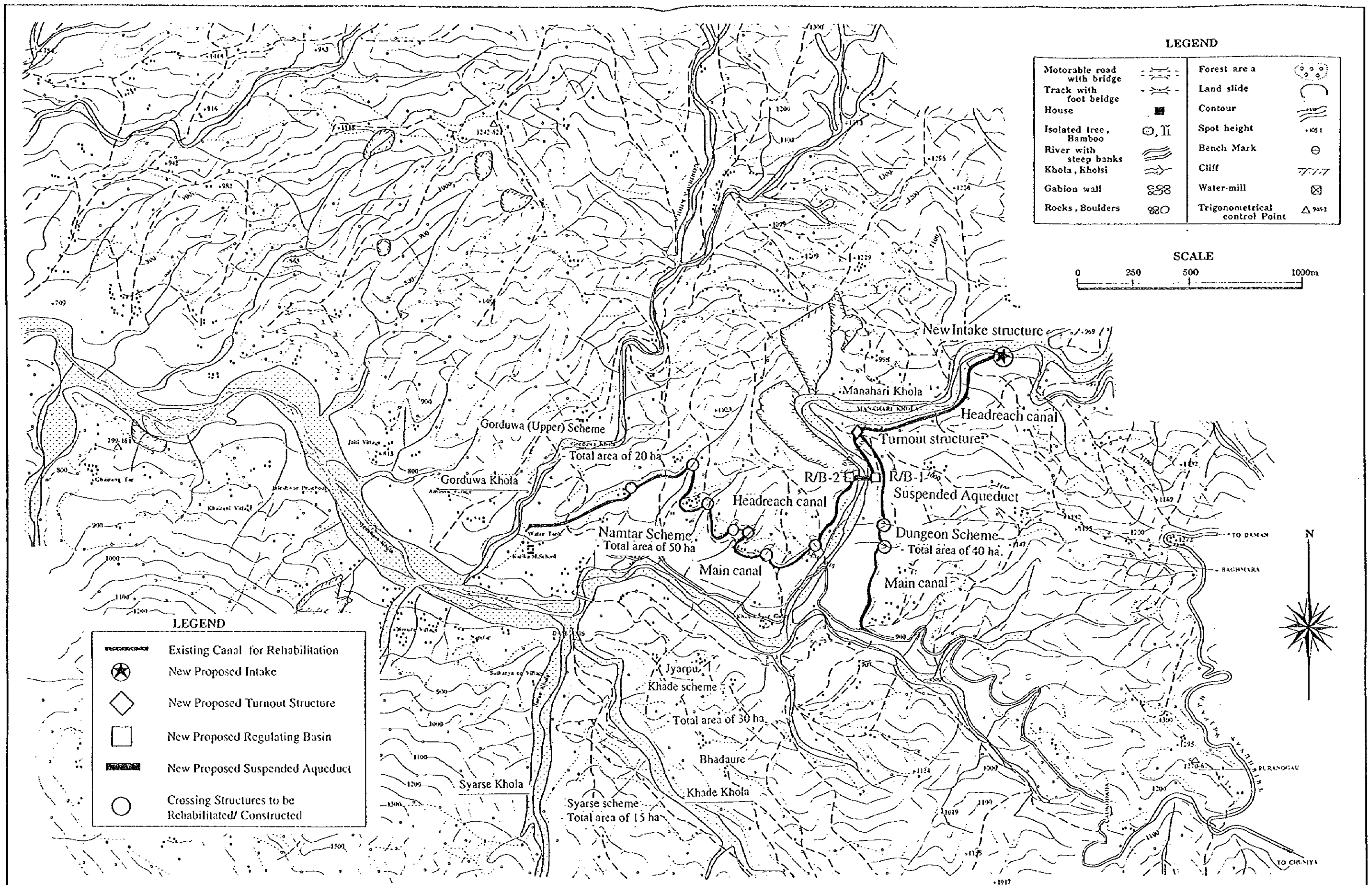
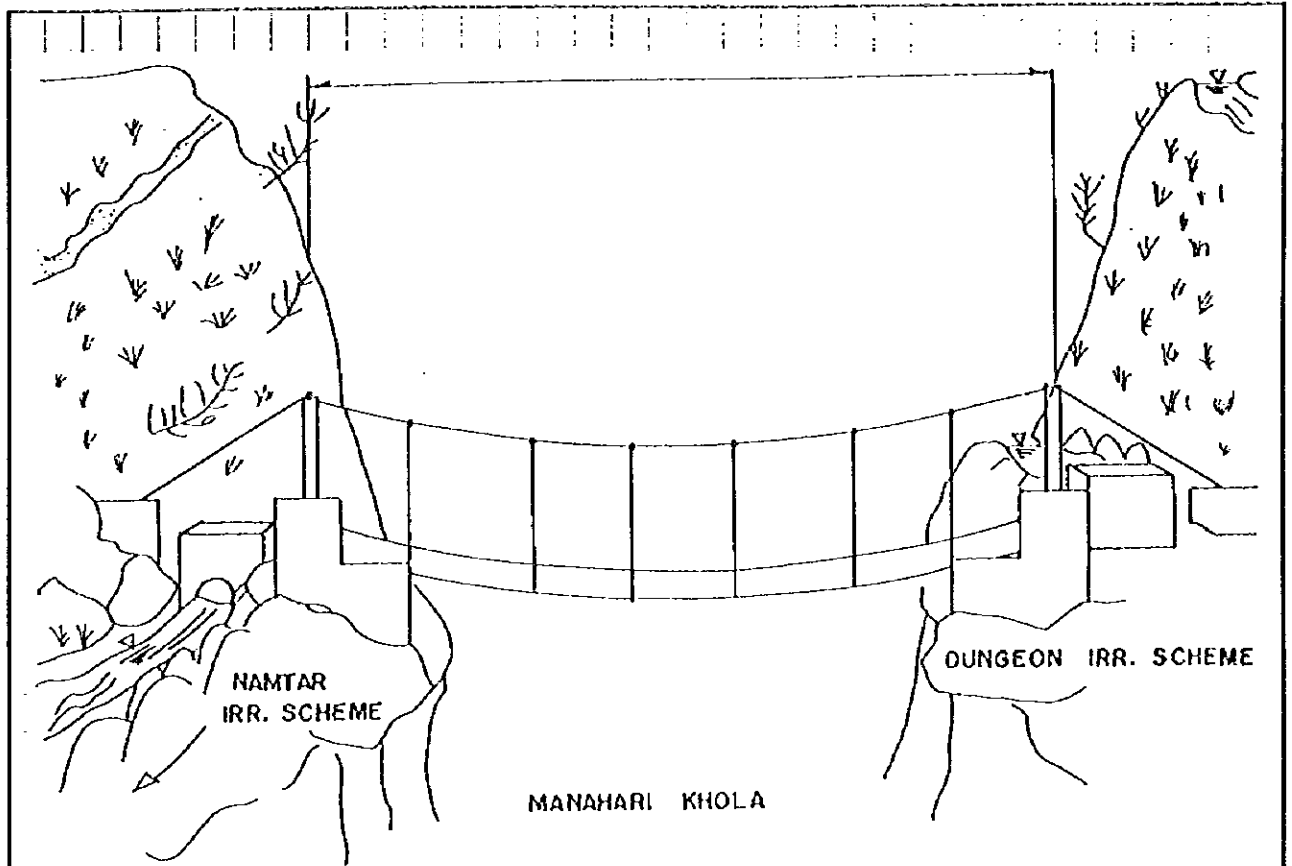


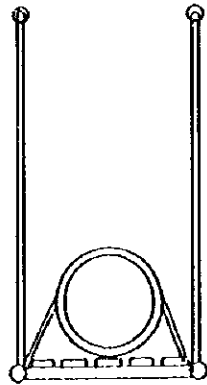
Fig. 4.5.10
Rehabilitation Plan for Namtar Irrigation Project in Namtar/Filar Area

His Majesty's Government of Nepal
 Ministry of Forest and Soil Conservation / Department of Soil Conservation
 THE STUDY ON THE DISASTER PREVENTION PLAN
 FOR SEVERELY AFFECTED AREAS BY 1993 DISASTER
 IN THE CENTRAL DEVELOPMENT REGION OF NEPAL
 JAPAN INTERNATIONAL COOPERATION AGENCY



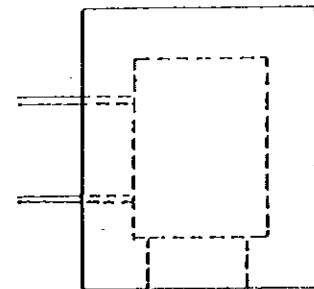
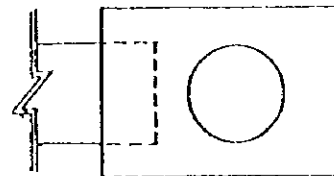
PROFILE

NOT TO SCALE



SECTION

NOT TO SCALE

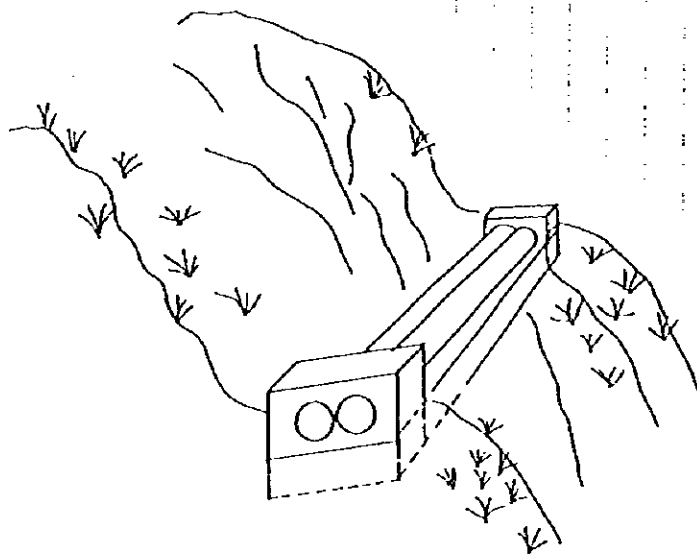


COLLECTION CHAMBER

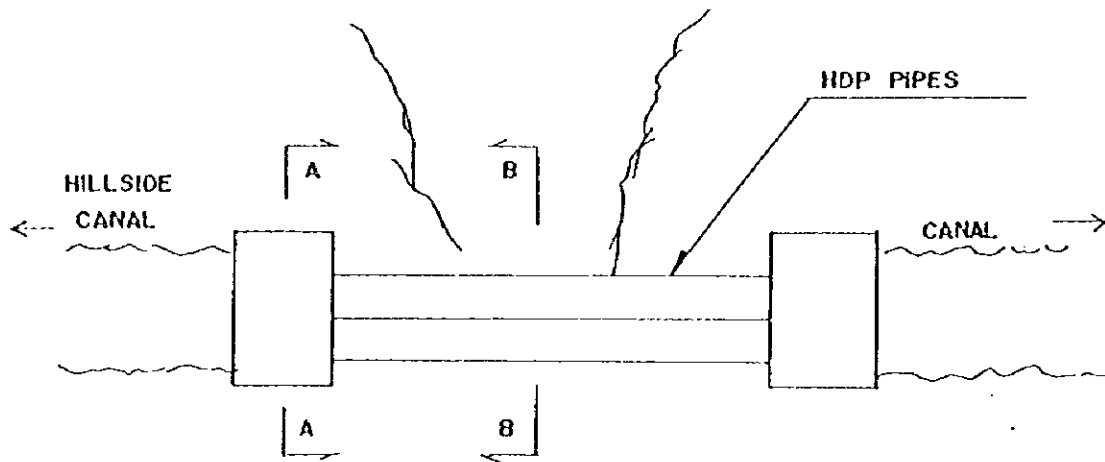
NOT TO SCALE

Fig. 4.5.11
Schematic Diagram for
Suspension Aqueduct

His Majesty's Government of Nepal
Ministry of Forest and Soil Conservation/Department of Soil Conservation
THE STUDY ON THE DISASTER PREVENTION PLAN
FOR SEVERELY AFFECTED AREAS BY 1993 DISASTER
IN THE CENTRAL DEVELOPMENT REGION OF NEPAL
JAPAN INTERNATIONAL COOPERATION AGENCY



LANDSLIDED SECTION



PLAN

VALLEY SIDE

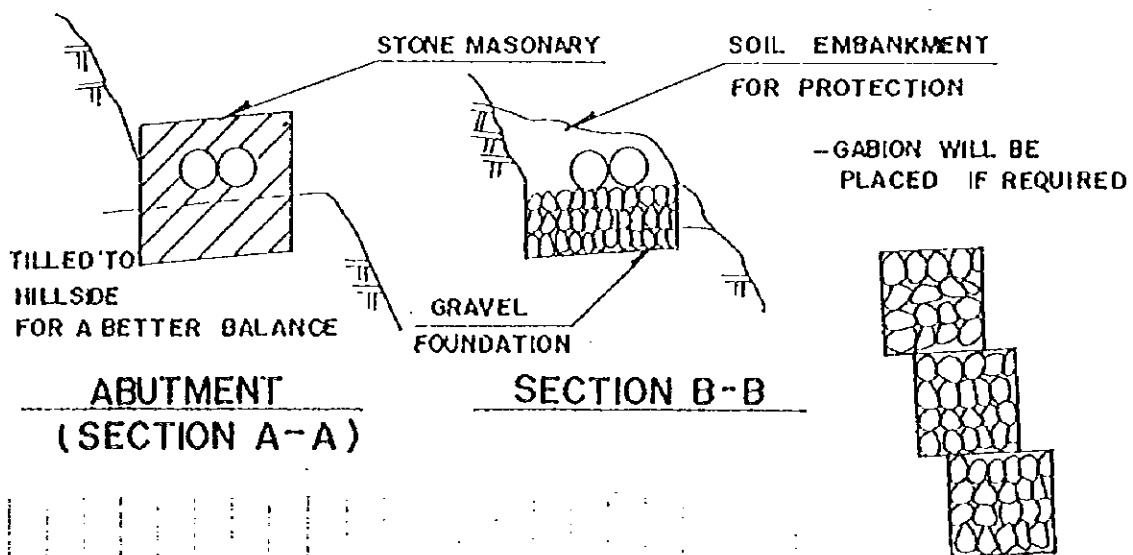


Fig. 4.5.12
Schematic Diagram for Recovery of Canal at Landslide Section

His Majesty's Government of Nepal
Ministry of Forest and Soil Conservation/Department of Soil Conservation
THE STUDY ON THE DISASTER PREVENTION PLAN FOR SEVERELY AFFECTED AREAS BY 1993 DISASTER IN THE CENTRAL DEVELOPMENT REGION OF NEPAL
JAPAN INTERNATIONAL COOPERATION AGENCY



Photo 4.4.1 Focus Group Discussion of Males in Namtar (1)



Photo 4.4.2 Focus Group Discussion of Males in Namtar (2)

His Majesty's Government of Nepal
Ministry of Forest and Soil Conservation/Department of Soil Conservation
THE STUDY ON THE DISASTER PREVENTION PLAN
FOR SEVERELY AFFECTED AREAS BY 1993 DISASTER
IN THE CENTRAL DEVELOPMENT REGION OF NEPAL
JAPAN INTERNATIONAL COOPERATION AGENCY



Photo 4.4.3 Focus Group Discussion of Females in Namtar (1)



Photo 4.4.4 Focus Group Discussion of Females in Namtar (2)

His Majesty's Government of Nepal
Ministry of Forest and Soil Conservation/Department of Soil Conservation
THE STUDY ON THE DISASTER PREVENTION PLAN
FOR SEVERELY AFFECTED AREAS BY 1993 DISASTER
IN THE CENTRAL DEVELOPMENT REGION OF NEPAL
JAPAN INTERNATIONAL COOPERATION AGENCY

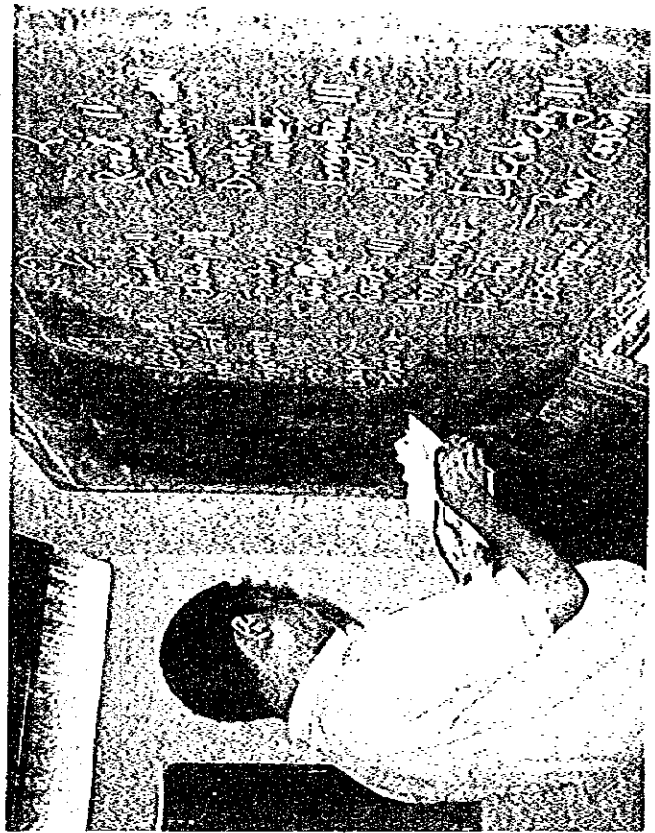
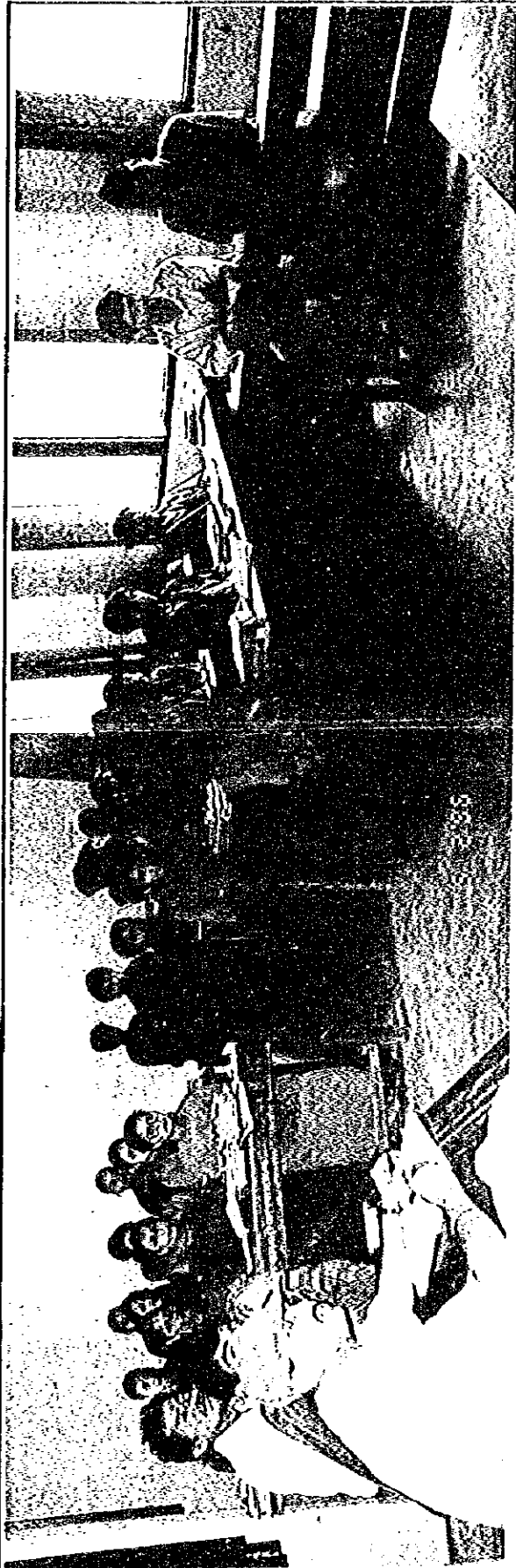


Photo 4.4.5

The Lecture by the Study Team
at the Kalika Secondary School
in Namtar

His Majesty's Government of Nepal
Ministry of Forest and Soil Conservation/Department of Soil Conservation
THE STUDY ON THE DISASTER PREVENTION PLAN
FOR SEVERELY AFFECTED AREAS BY 1993 DISASTER
IN THE CENTRAL DEVELOPMENT REGION OF NEPAL
JAPAN INTERNATIONAL COOPERATION AGENCY