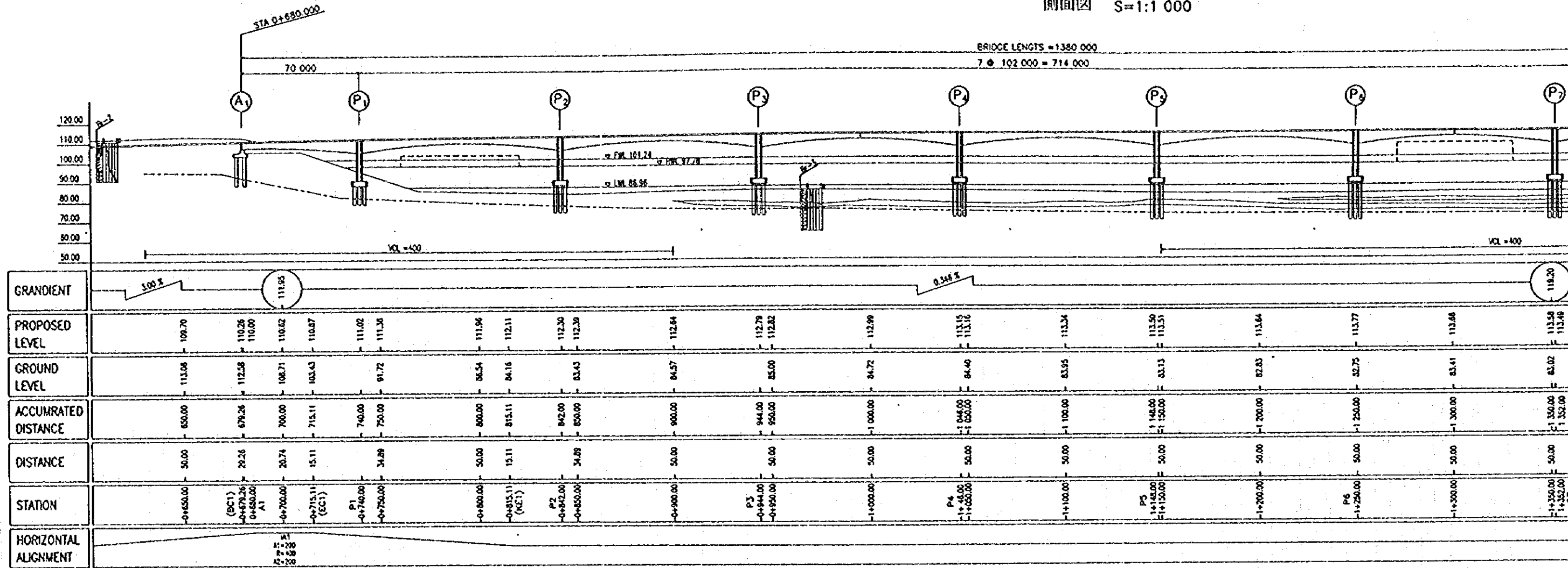


APPENDIX : 計画図面集

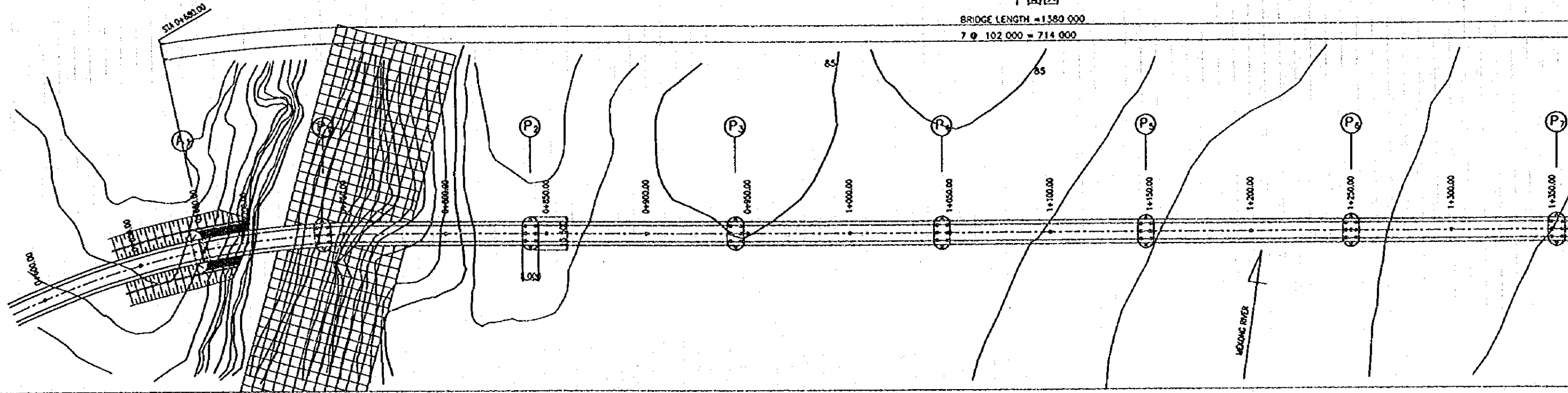
図面リスト

橋梁一般図 (1)	A-1
橋梁一般図 (2)	A-2
計画ルート平面図 (1)	A-3
計画ルート平面図 (2)	A-4
計画ルート平面図 (3)	A-5
計画ルート縦断面図 (1)	A-6
計画ルート縦断面図 (2)	A-7
計画ルート縦断面図 (3)	A-8
下部工 (1)	A-9
下部工 (2)	A-10
下部工 (3)	A-11
下部工 (4)	A-12
ボックスカルバート (1)	A-13
ボックスカルバート (2)	A-14

側面図 S=1:1 000

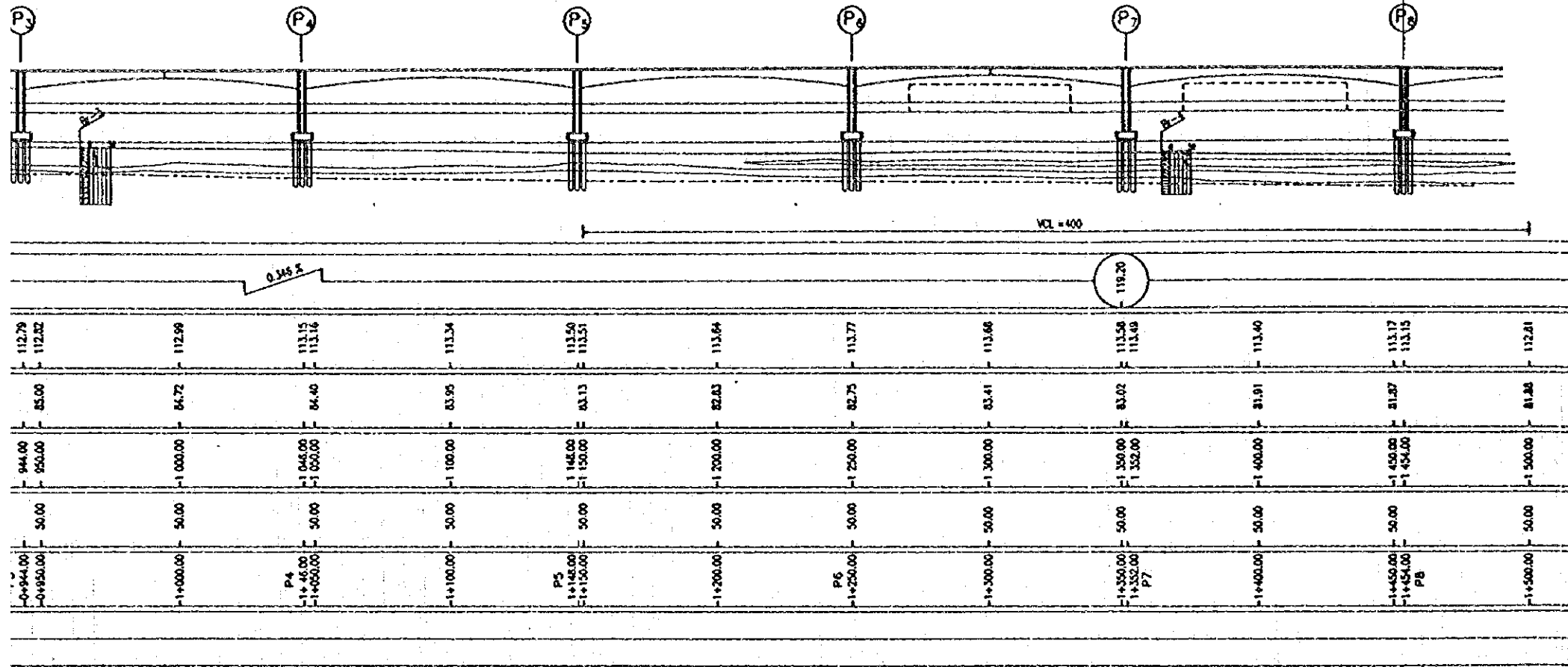


平面図



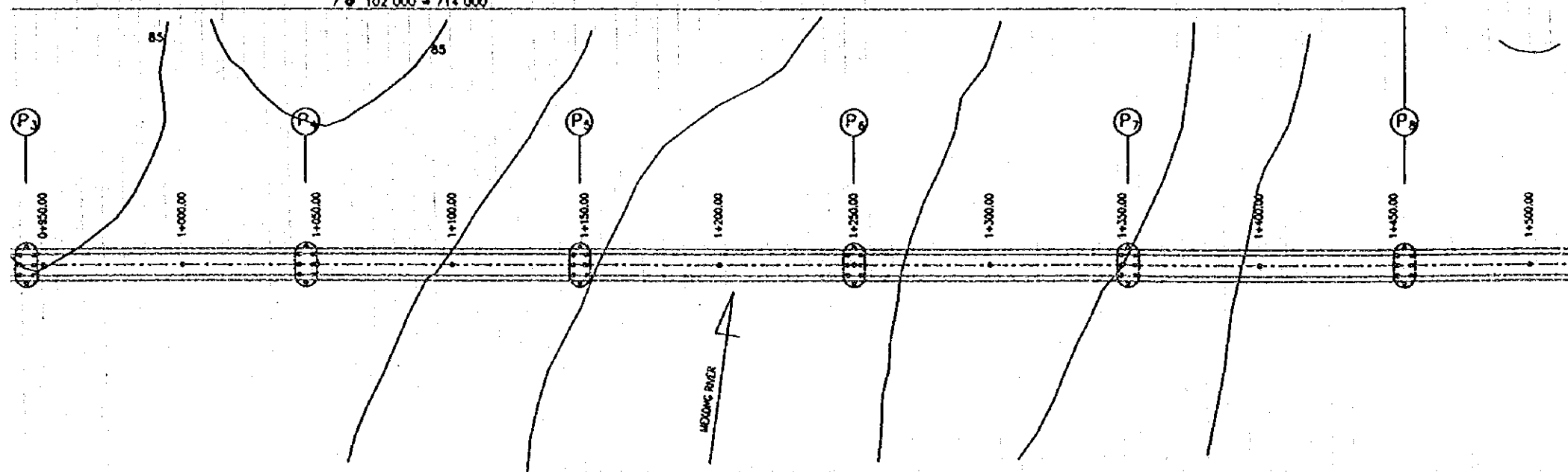
側面図 S=1:1 000

BRIDGE LENGTHS = 1380 000
7 × 102 000 = 714 000



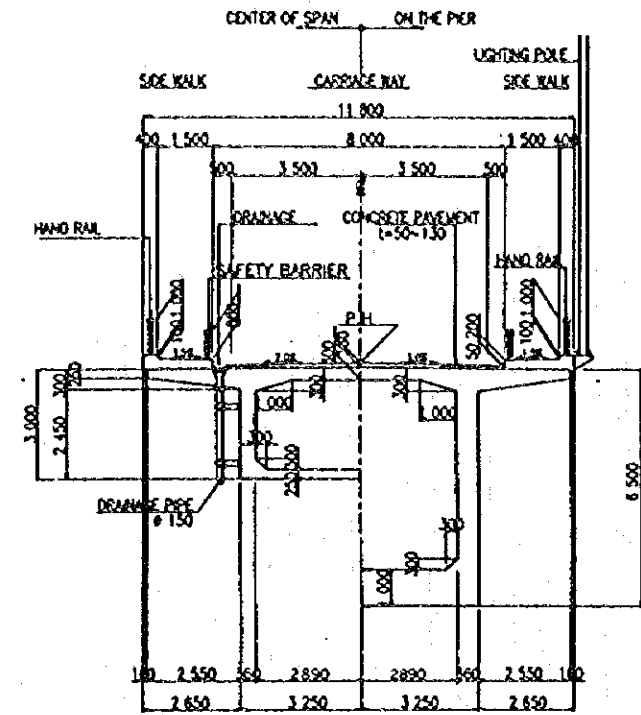
平面図

BRIDGE LENGTH = 1380 000
7 × 102 000 = 714 000



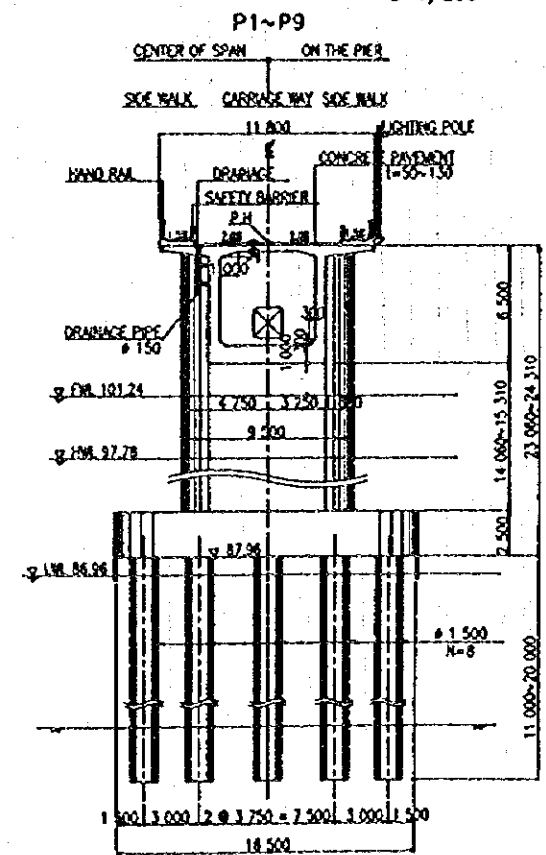
上部工断面図

S=1/100

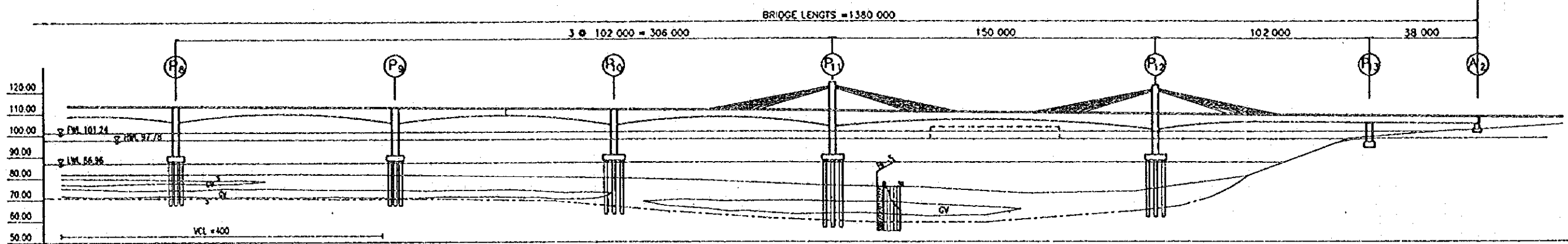


橋脚断面図

S=1/200

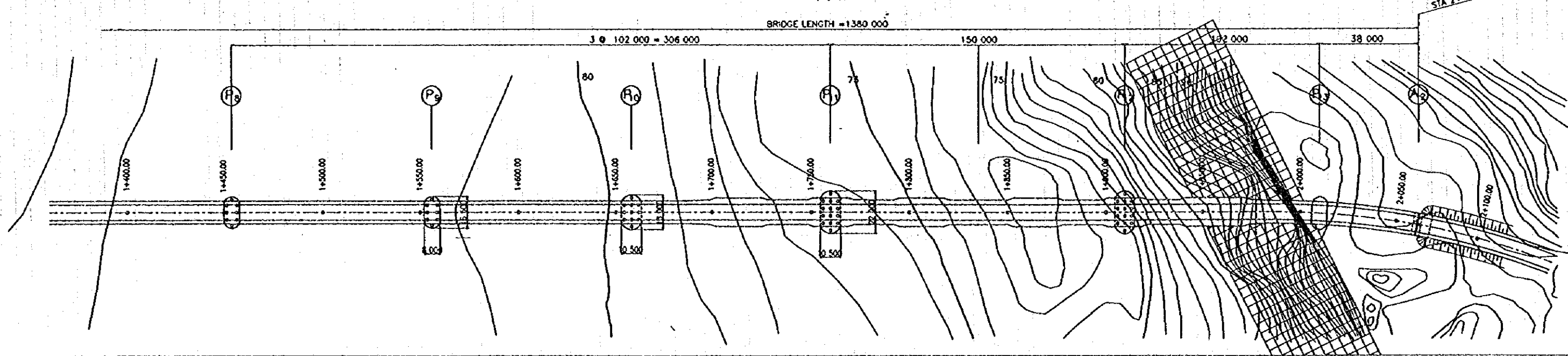


側面圖 S=1:1 000

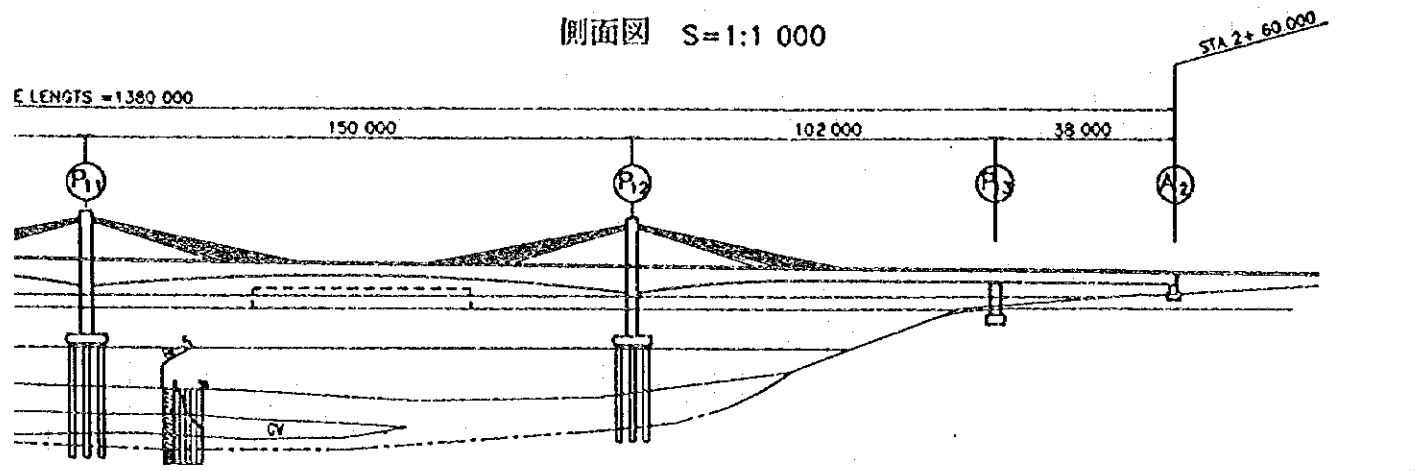


GRANDIENT															-0.900%		112.45
PROPOSED LEVEL	112.40	113.17 113.15	112.81	112.40 112.27	111.35	111.50 111.35	111.05	110.00 110.43	110.15	109.70	109.25 109.08	108.77	108.35 108.18	107.75	107.45		
GROUND LEVEL	81.91	81.87	81.88	81.52	80.70	79.87	78.73	76.48	75.45	72.58	73.57 74.91	80.37 80.51	98.03	101.88 101.83	104.50		
ACCUMRATED DISTANCE	-1 400.00	-1 450.00 -1 450.00	-1 500.00	-1 550.00 -1 550.00	-1 600.00	-1 650.00 -1 650.00	-1 700.00	-1 750.00 -1 760.00	-1 800.00	-1 850.00	-1 900.00 -1 910.00	-1 950.00 -1 953.04	-2 000.00	-2 012.00	-2 060.00		
DISTANCE	50.00	50.00	50.00	50.00	50.00	50.00	50.00	50.00	50.00	50.00	50.00	3.04	45.36	50.00	46.36		
STATION	-1+400.00	-1+450.00 -1+450.00 P2	-1+500.00	-1+550.00 -1+550.00 P3	-1+600.00	-1+650.00 -1+650.00 P10	-1+700.00	-1+750.00 -1+760.00 P11	-1+800.00	-1+850.00	-1+900.00 -1+910.00 P12	-1+950.00 -1+953.04 (400)	-2+000.00	-2+012.00 P13	-2+060.00 (827) -2+060.00 A2	-2+100.00	
HORIZONTAL ALIGNMENT																A2 A1=200 R=400 A2=200	

平面圖

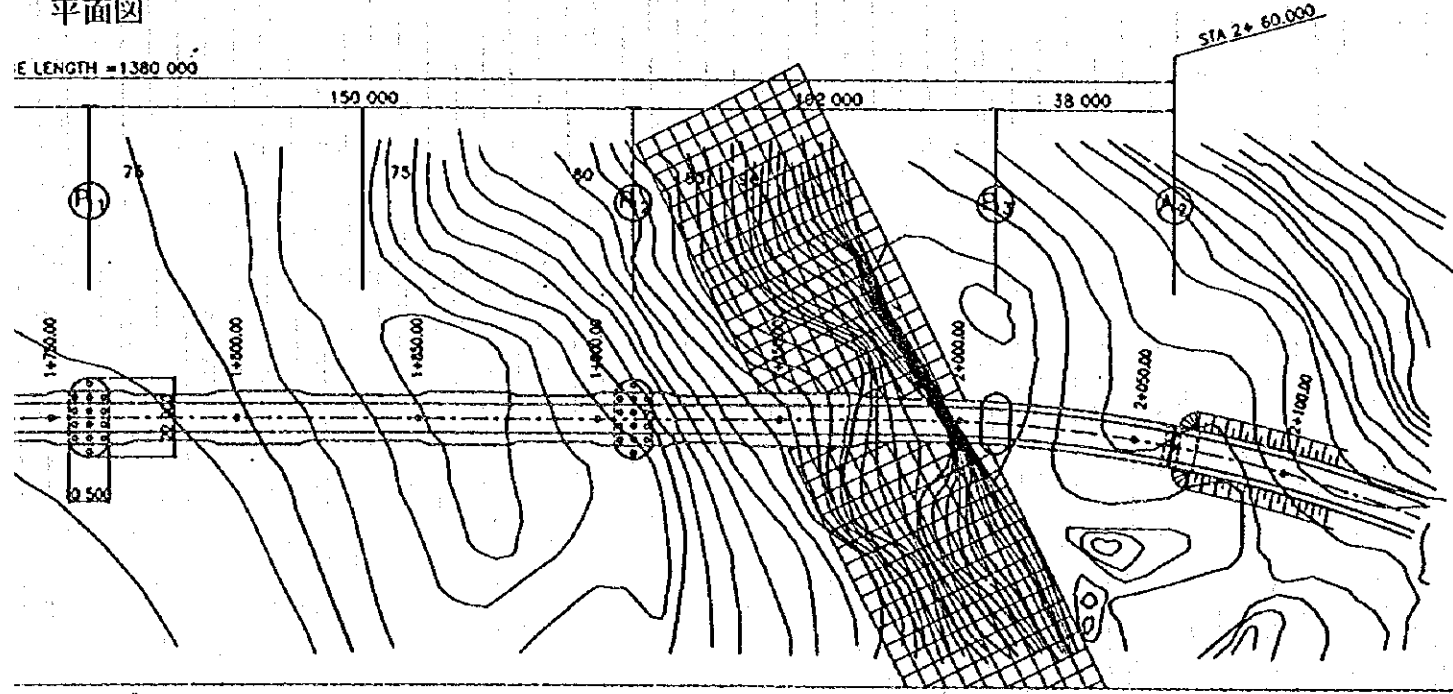


側面図 S=1:1 000

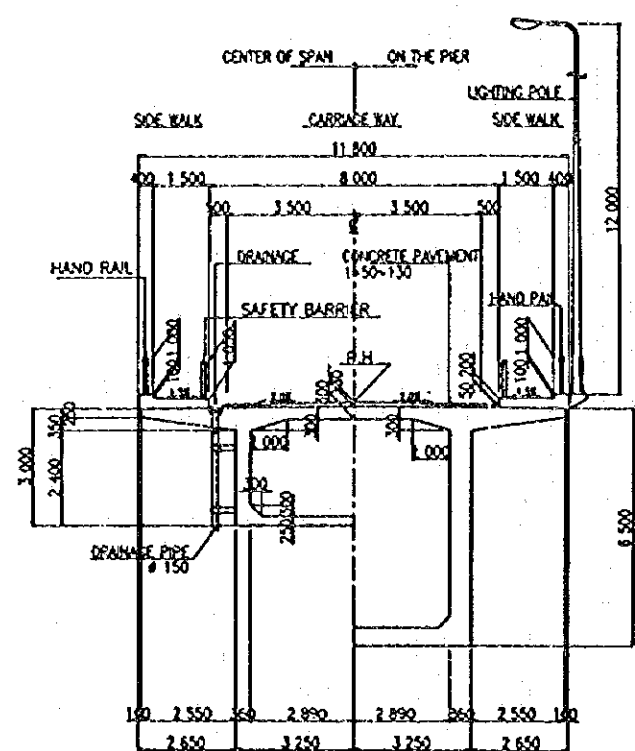


110.80	110.43	110.15	109.70	109.25	108.99	108.35	108.16	107.99	107.45
76.49	75.45	72.56	72.57	71.91	69.25	68.03	68.12	67.99	64.50
-1 750.00	-1 760.00	-1 800.00	-1 850.00	-1 900.00	-1 950.00	-2 000.00	-2 012.00	-2 000.00	-2 100.00
-50.00	50.00	50.00	50.00	50.00	50.00	46.36	50.00	50.00	46.36
-1+750.00	-1+760.00	-1+800.00	-1+850.00	-1+900.00	-1+950.00	-2+000.00	-2+012.00	-2+000.00	-2+100.00
P11				P12				P13	
					(602)				

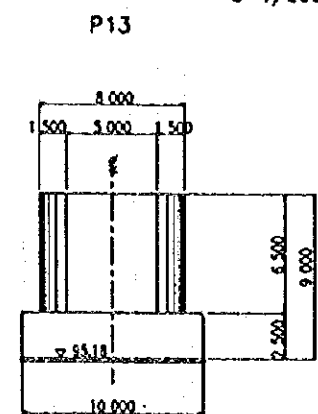
平面図



上部工断面図 S=1/100

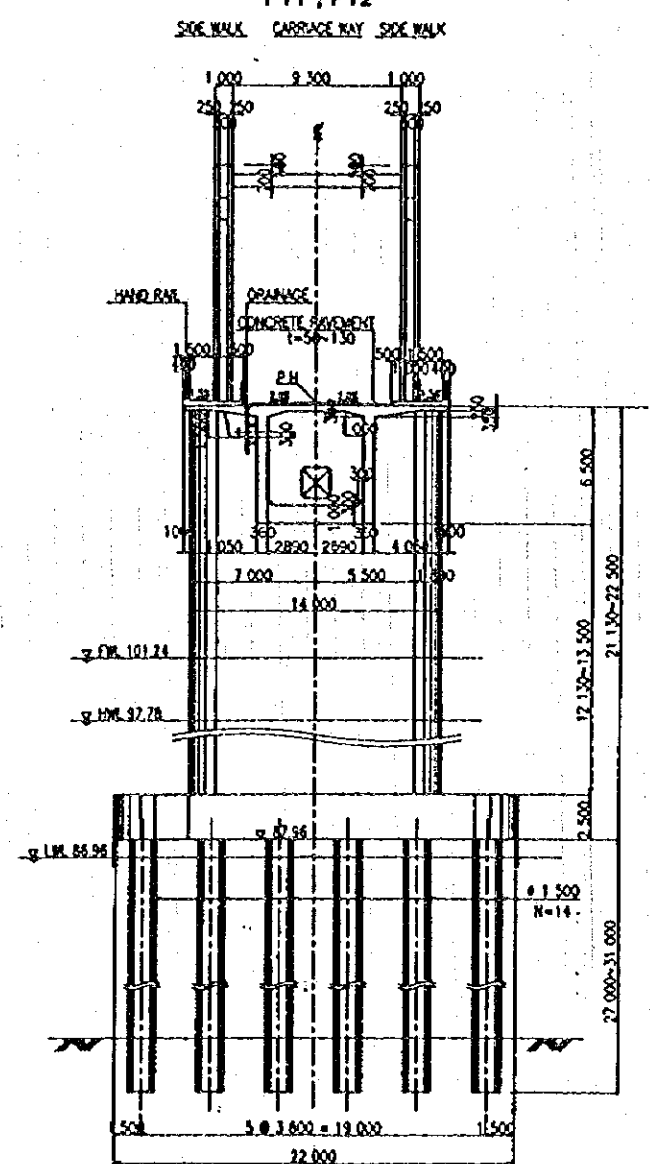


橋脚断面図 S=1/200



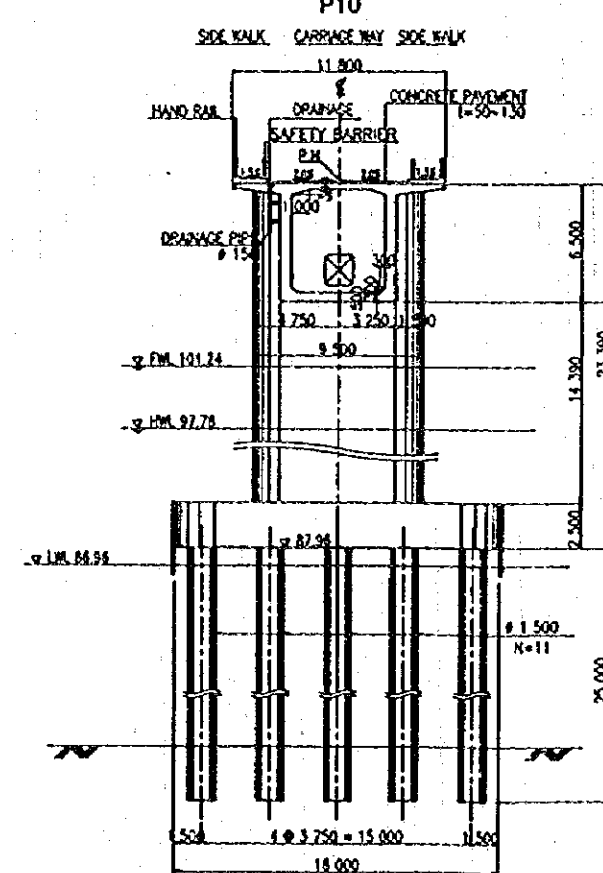
橋脚断面図 S=1/200

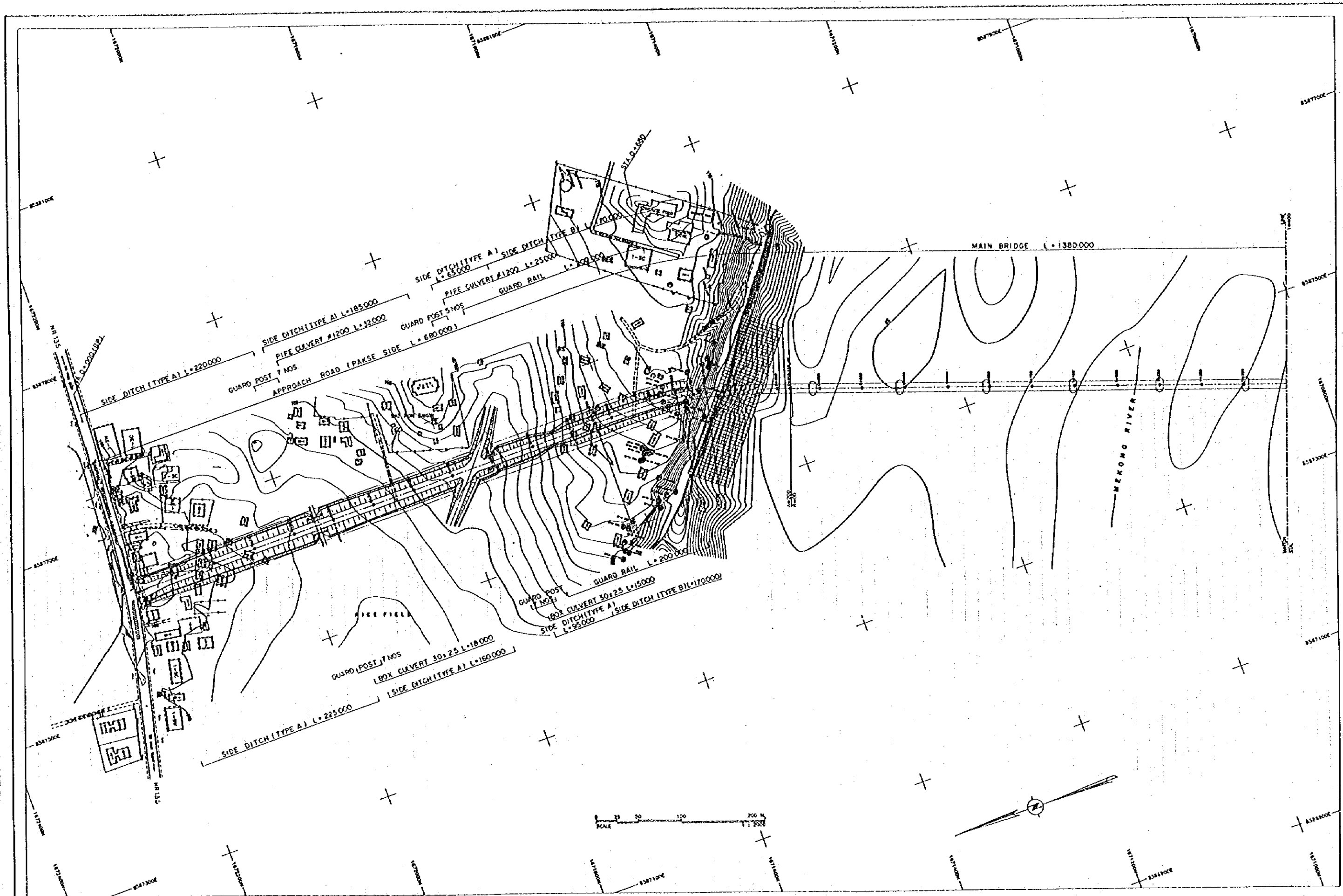
P11, P12

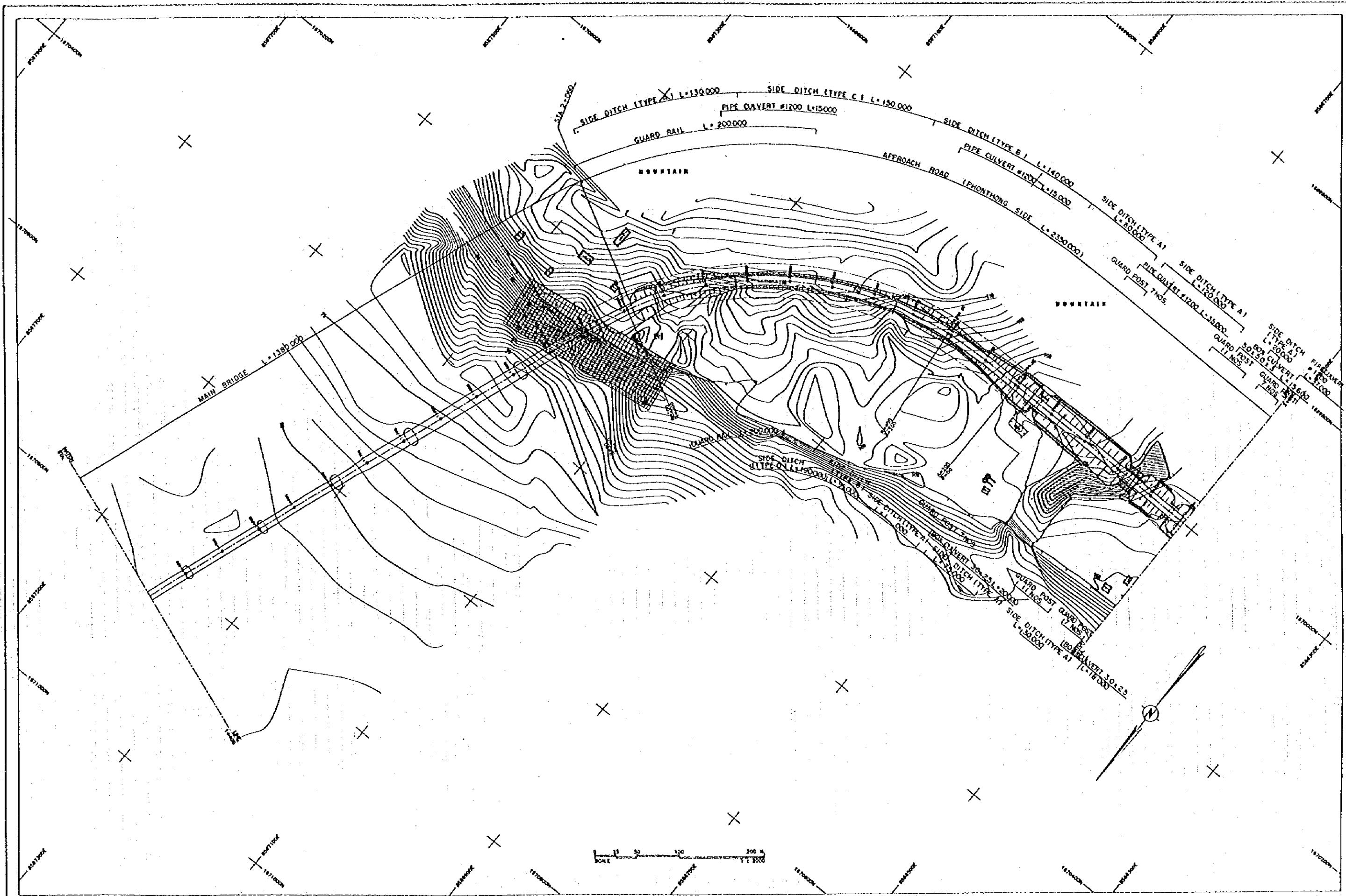


橋脚断面図 S=1/200

P10







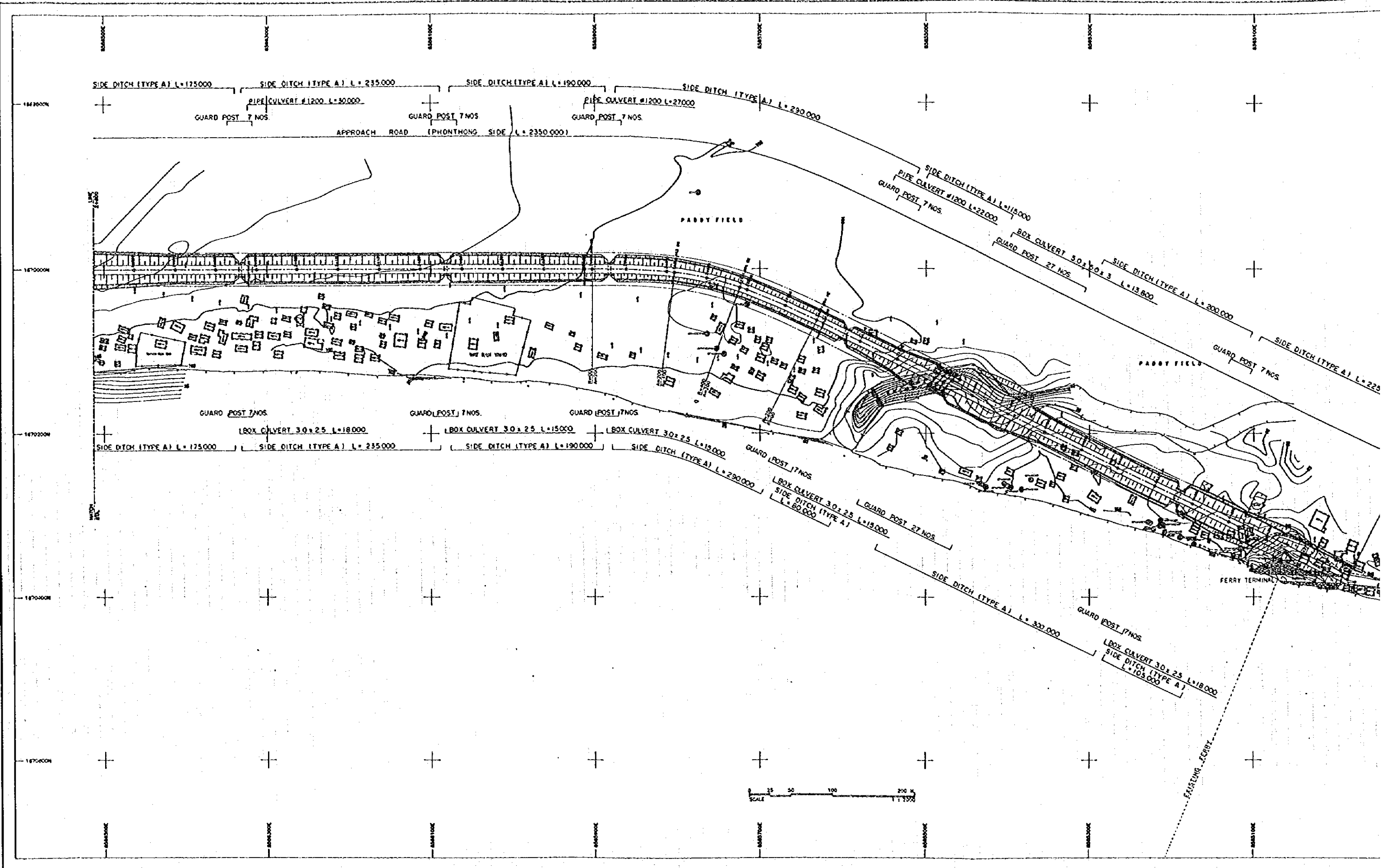
MINISTRY OF COMMUNICATION TRANSPORT POST AND CONSTRUCTION

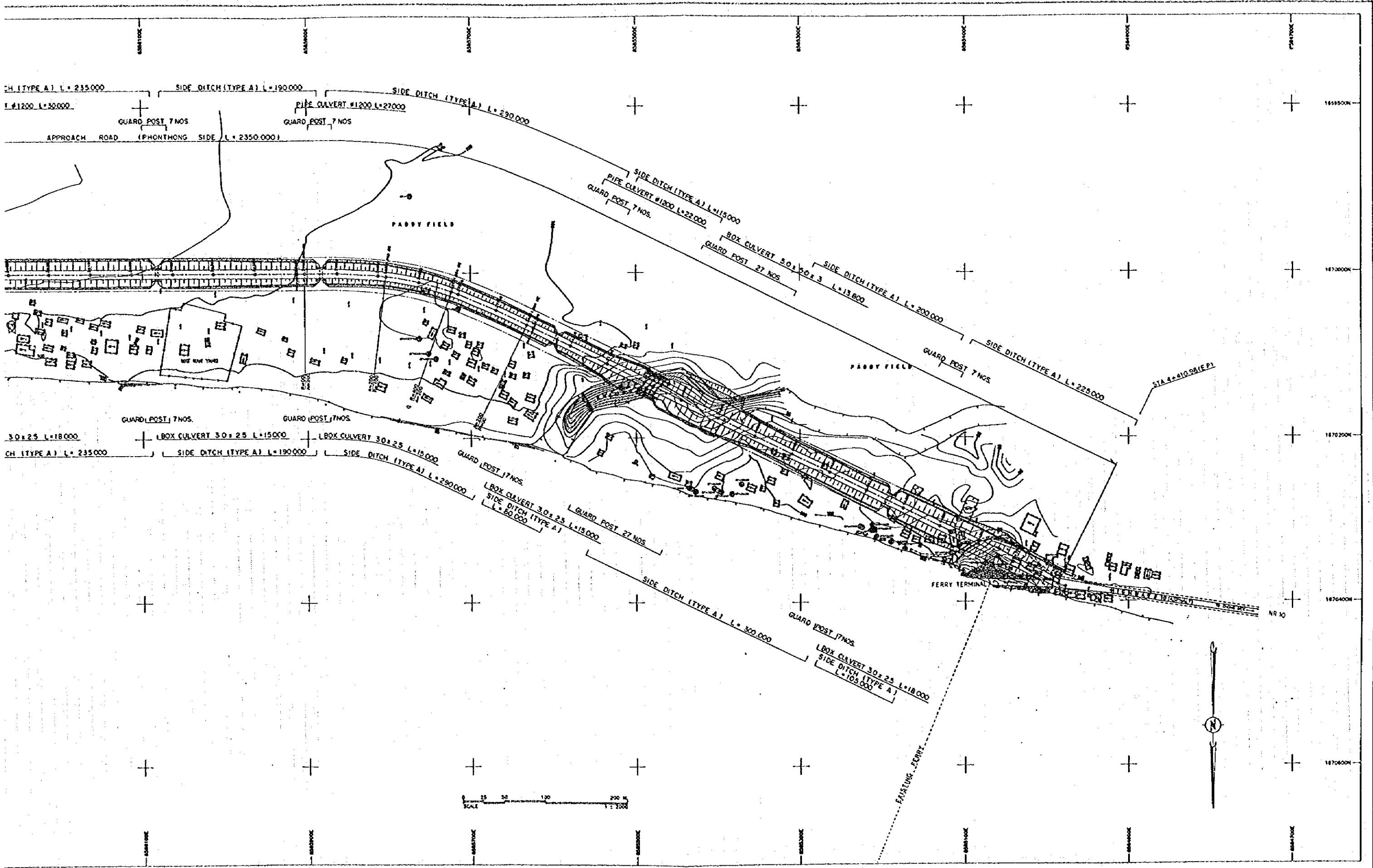
THE STUDY ON THE PROJECT FOR CONSTRUCTION OF PAKSE BRIDGE IN LAO PEOPLE'S DEMOCRATIC REPUBLIC

JICA JAPAN INTERNATIONAL COOPERATION AGENCY

計画ルート平面図 (2)

DATE	SHEET No.





ATION TRANSPORT POST AND CONSTRUCTION

THE STUDY ON THE PROJECT FOR CONSTRUCTION
OF PAKSE BRIDGE IN LAO PEOPLE'S DEMOCRATIC REPUBLIC

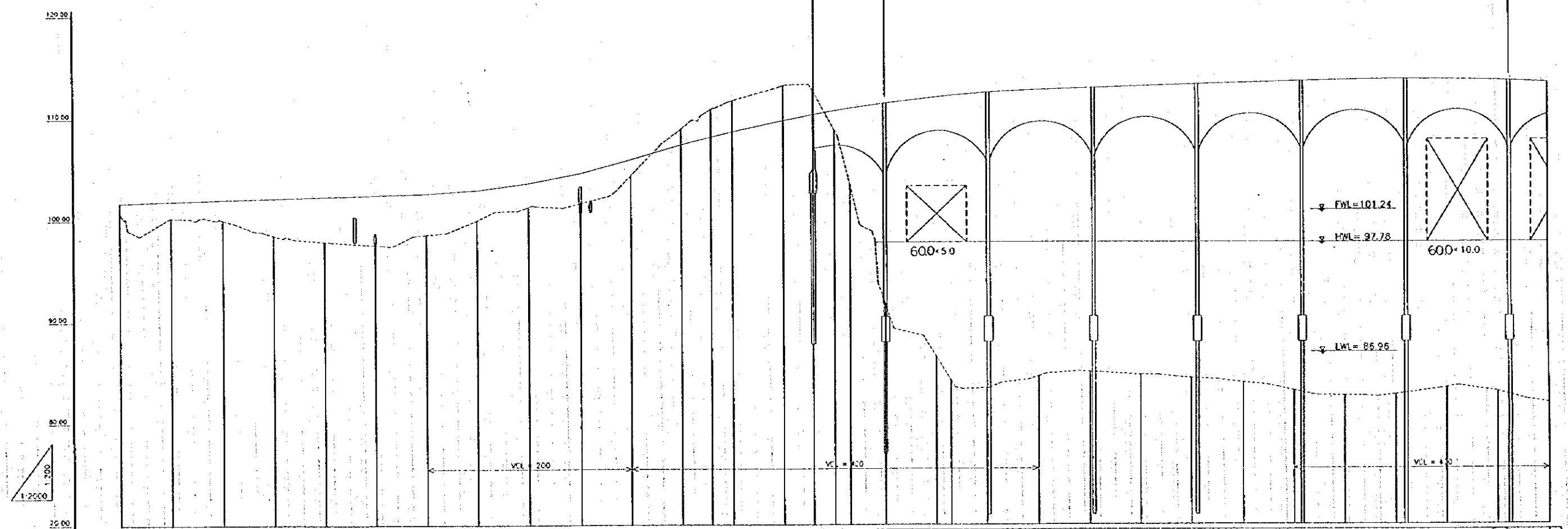


計画ルート平面図 (3)

DATE	SHEET No

STA 0+680.000

MAIN BRIDGE L=1 380.000
6 @ 102.000 = 612.000



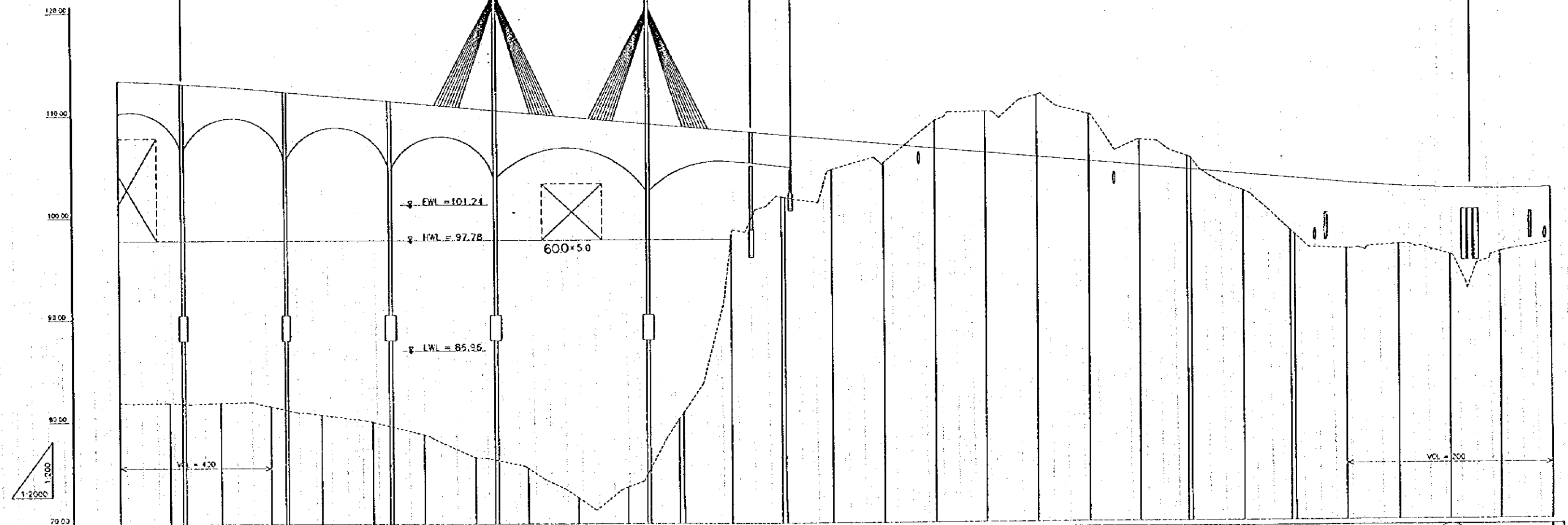
GRADIENT	+0.361%				+3.200%				+3.344%				+116.20																	
PROPOSED LEVEL	101.75	101.00	102.05	102.20	102.35	102.50	102.65	102.97	103.63	104.62	105.95	107.37	108.12	108.87	111.28	112.44	112.82	112.99	113.16	113.34	113.51	113.64	113.79	113.88	114.01	114.14	114.27	114.40		
GROUND LEVEL	101.01	100.27	100.04	98.96	97.65	97.61	96.82	100.00	101.29	101.66	104.26	106.89	108.12	103.43	97.72	86.54	84.16	83.43	84.72	84.40	83.95	83.13	82.63	82.75	83.41	83.02	81.91	81.45		
ACCUMULATED DISTANCE	0.00	50.00	100.00	150.00	200.00	250.00	300.00	350.00	400.00	450.00	500.00	550.00	600.00	650.00	700.00	800.00	850.00	900.00	950.00	1000.00	1050.00	1100.00	1150.00	1200.00	1250.00	1300.00	1350.00	1400.00		
DISTANCE	50.00	50.00	50.00	50.00	50.00	50.00	50.00	50.00	50.00	50.00	50.00	50.00	24.26	15.11	34.99	10.00	15.11	34.89	30.00	30.00	50.00	50.00	50.00	50.00	50.00	50.00	50.00	50.00		
STATION	0+000.00	0+050.00	0+100.00	0+150.00	0+200.00	0+250.00	0+300.00	0+350.00	0+400.00	0+450.00	0+500.00	0+550.00	0+574.26	0+589.37	0+624.36	0+634.36	0+650.00	0+684.89	0+714.89	0+744.89	0+794.89	0+844.89	0+894.89	0+944.89	0+994.89	1+044.89	1+094.89	1+144.89	1+194.89	1+244.89
HORIZONTAL ALIGNMENT																														

STA 2+60.000

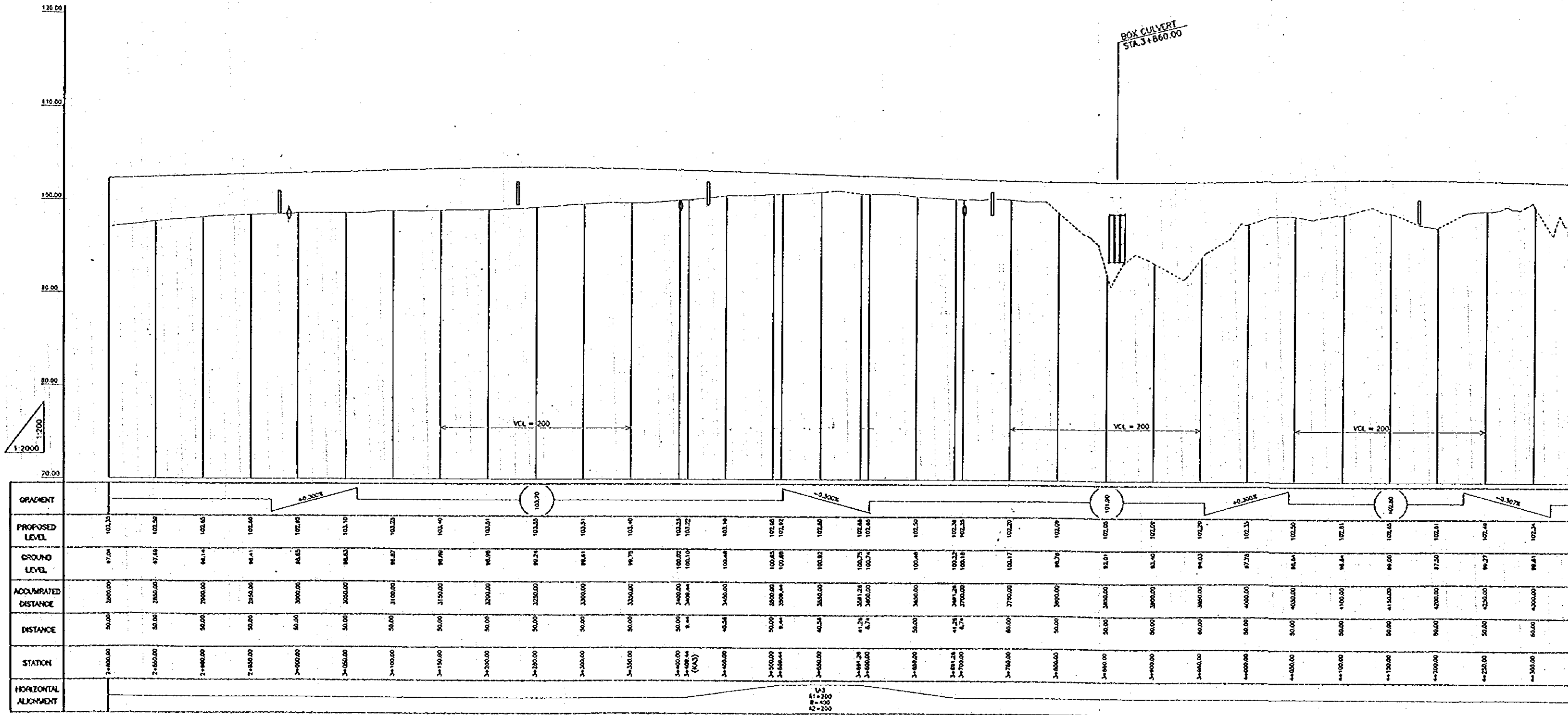
BOX CULVERT
STA 2+720.000

MAIN BRIDGE L=1,380.000

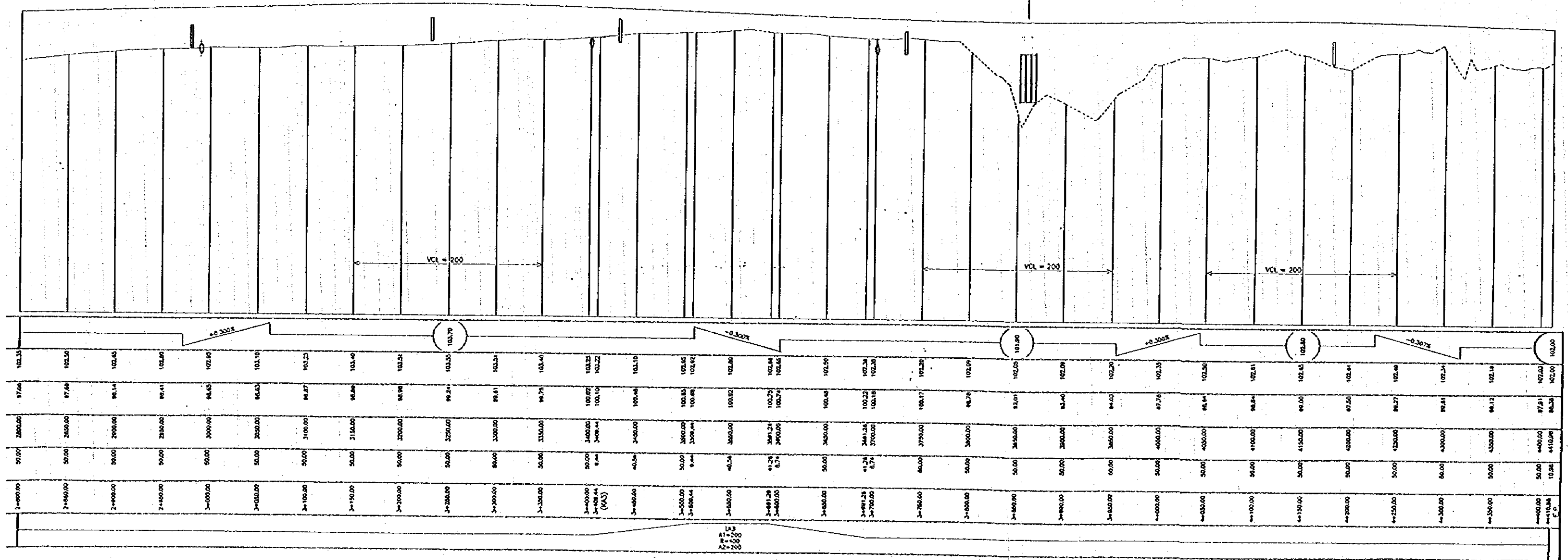
4 @ 102.000 = 408.000 150.000 102.000 55.000



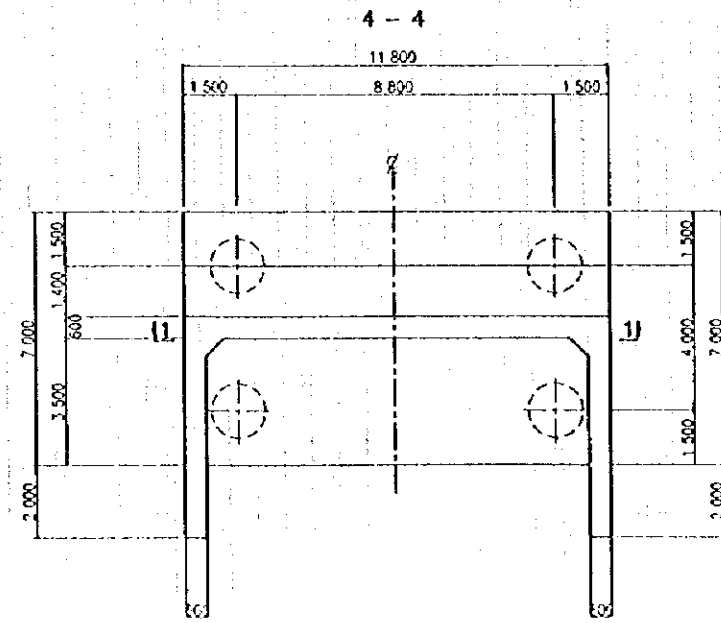
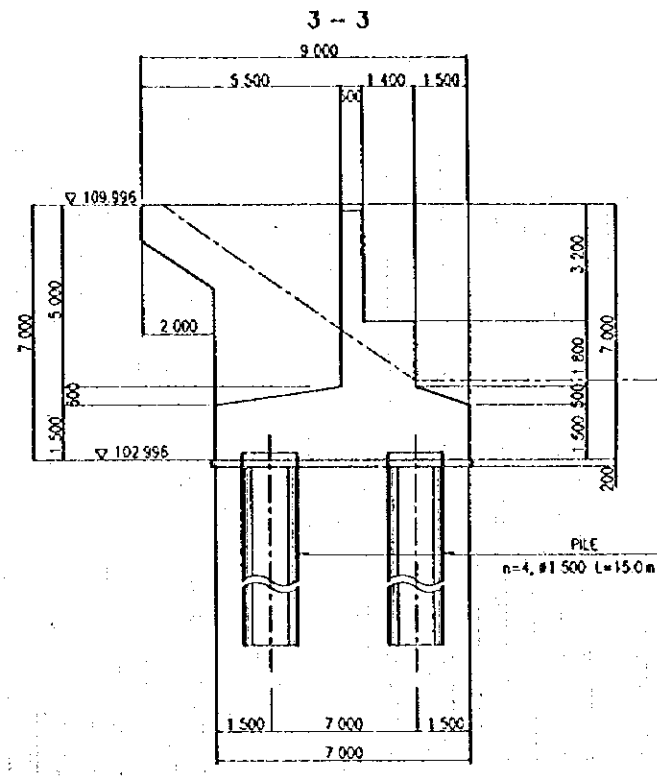
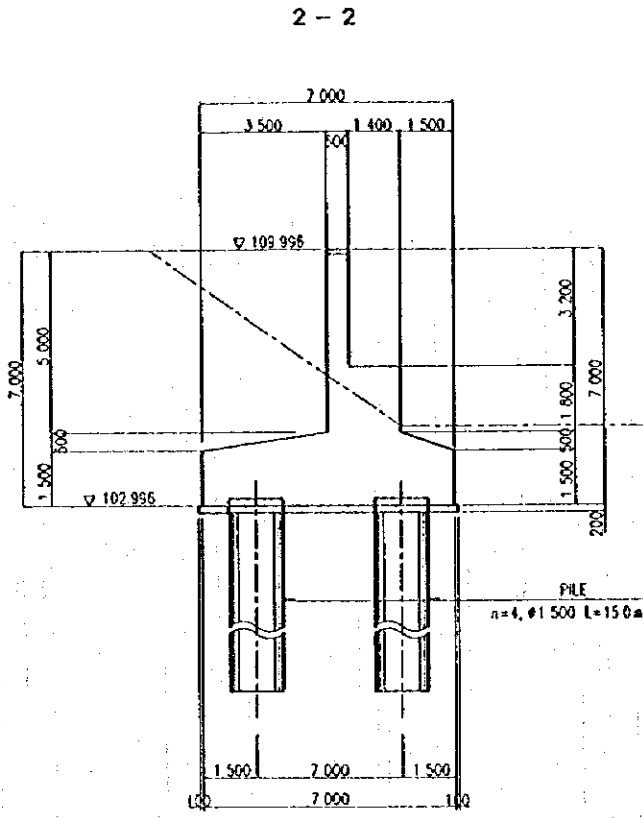
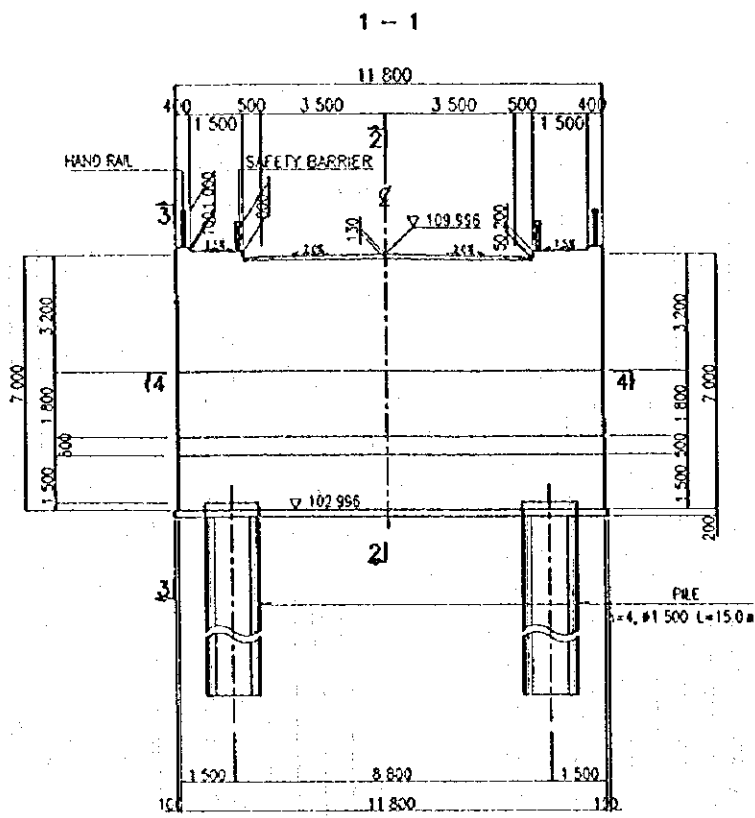
GRADIENT	-2.30%																												
PROPOSED LEVEL	113.40	113.14	112.81	112.40	111.95	111.50	111.05	110.60	110.15	109.70	109.25	108.80	108.35	107.90	107.45	107.00	106.55	106.10	105.65	105.20	104.75	104.30	103.85	103.40	102.95	102.50	102.05		
GROUND LEVEL	81.91	81.87	81.88	81.52	80.70	79.97	78.73	76.45	73.45	72.58	73.57	80.25	86.81	94.03	101.88	107.67	104.90	108.15	109.22	108.78	107.25	105.45	103.40	101.30	99.32	97.94	95.85	94.13	92.08
ACCUMULATED DISTANCE	1400.00	1450.00	1500.00	1550.00	1600.00	1650.00	1700.00	1750.00	1800.00	1850.00	1900.00	1950.00	2000.00	2050.00	2100.00	2150.00	2200.00	2250.00	2300.00	2350.00	2400.00	2450.00	2500.00	2550.00	2600.00	2650.00	2700.00	2750.00	2800.00
DISTANCE	50.00	50.00	50.00	50.00	50.00	50.00	50.00	50.00	50.00	50.00	50.00	50.00	50.00	50.00	50.00	50.00	50.00	50.00	50.00	50.00	50.00	50.00	50.00	50.00	50.00	50.00	50.00	50.00	50.00
STATION	1+400.00	1+450.00	1+500.00	1+550.00	1+600.00	1+650.00	1+700.00	1+750.00	1+800.00	1+850.00	1+900.00	1+950.00	2+000.00	2+050.00	2+100.00	2+150.00	2+200.00	2+250.00	2+300.00	2+350.00	2+400.00	2+450.00	2+500.00	2+550.00	2+600.00	2+650.00	2+700.00	2+750.00	2+800.00
HORIZONTAL ALIGNMENT																													



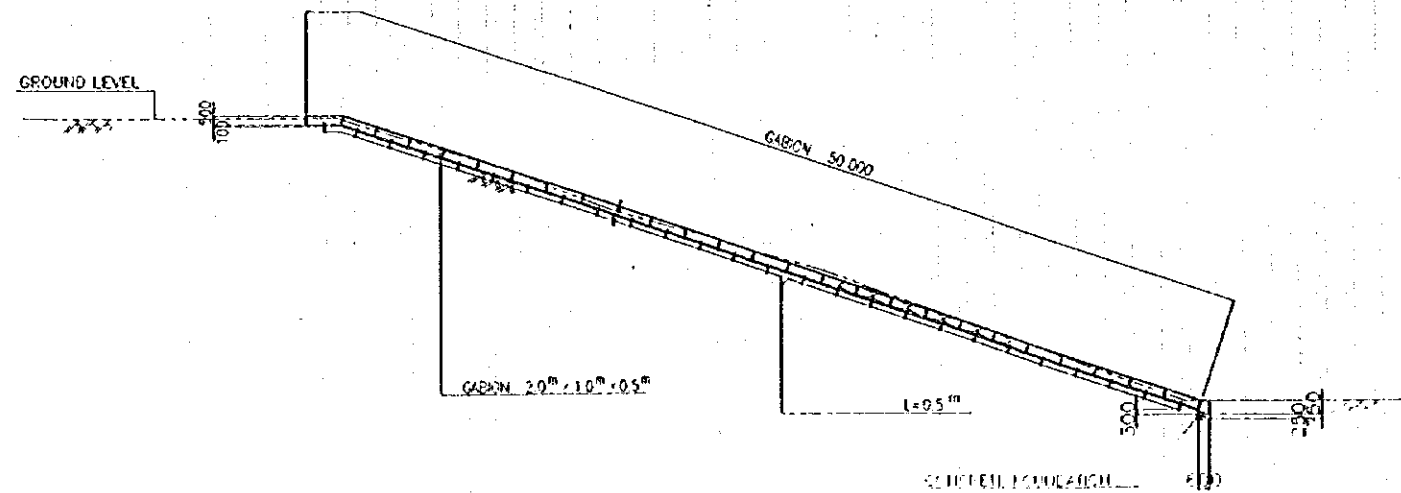
BOX CULVERT
STA. 3+860.00



橋台断面図 S=1:100
A 1

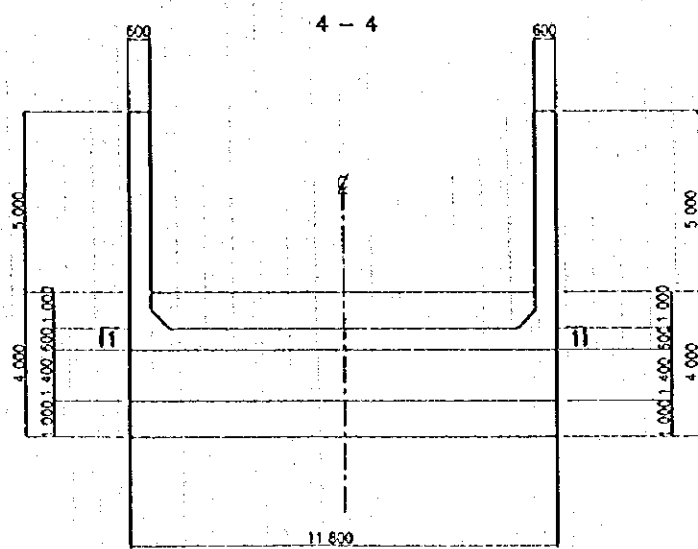
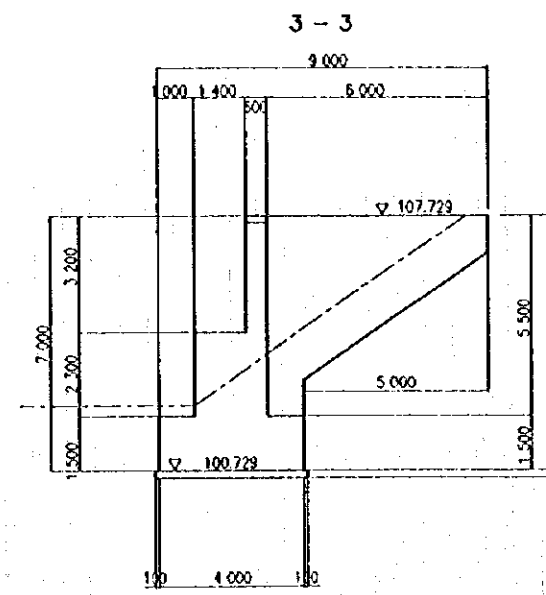
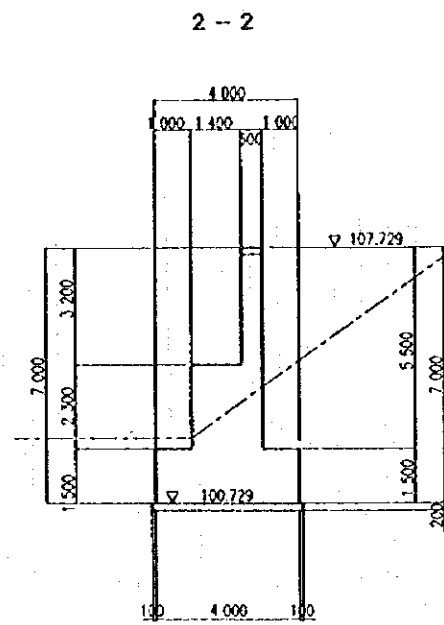
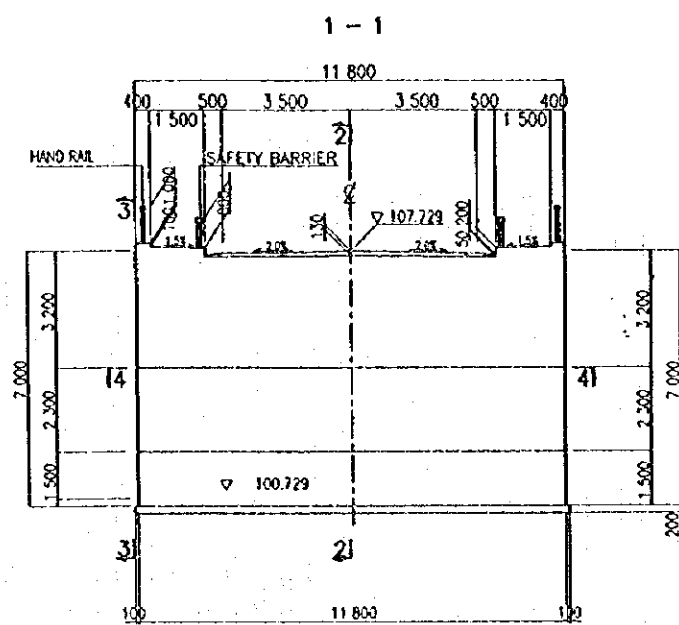


護岸工 S=1:200

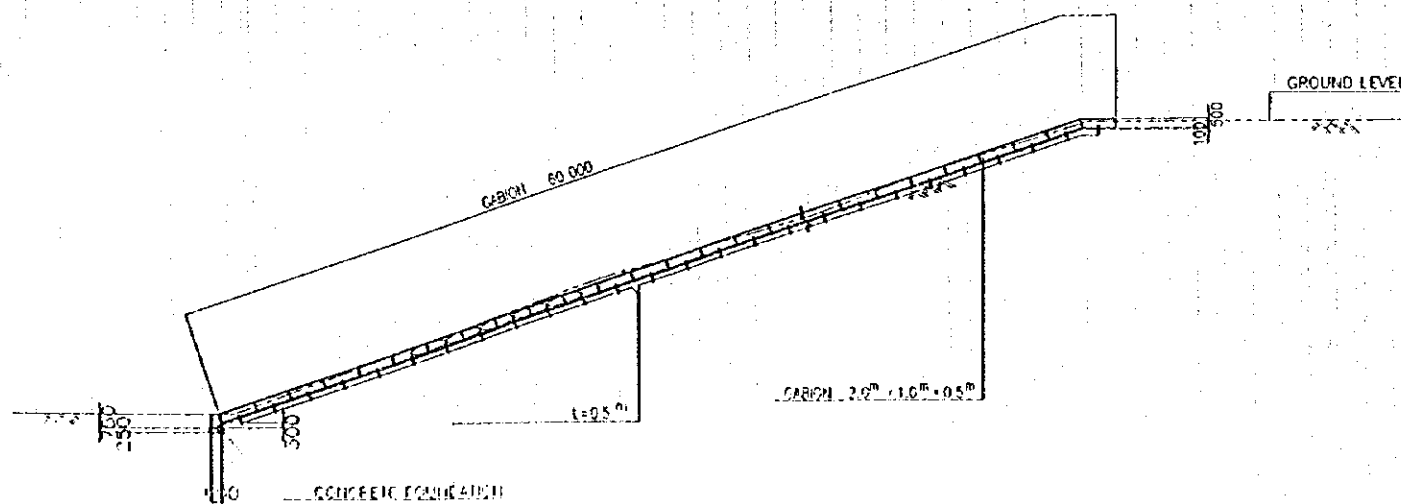


橋台断面図 S=1:100

A 2



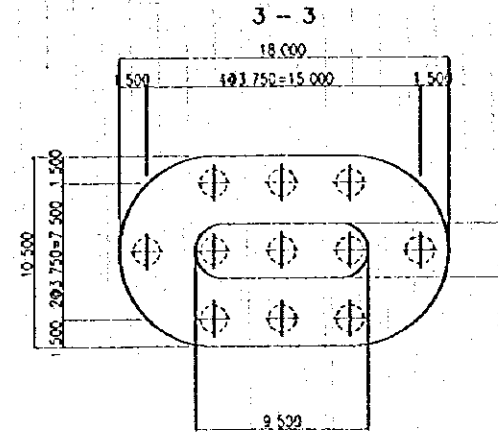
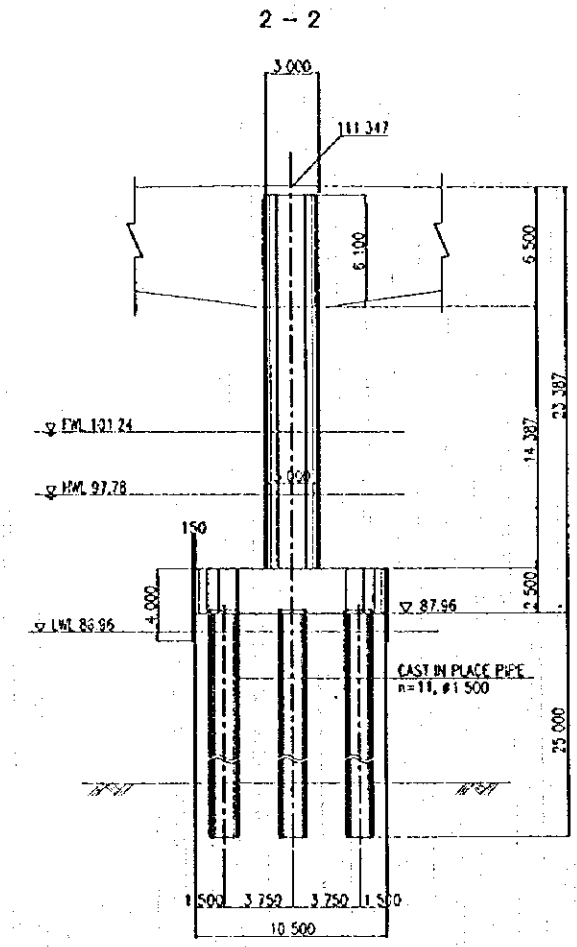
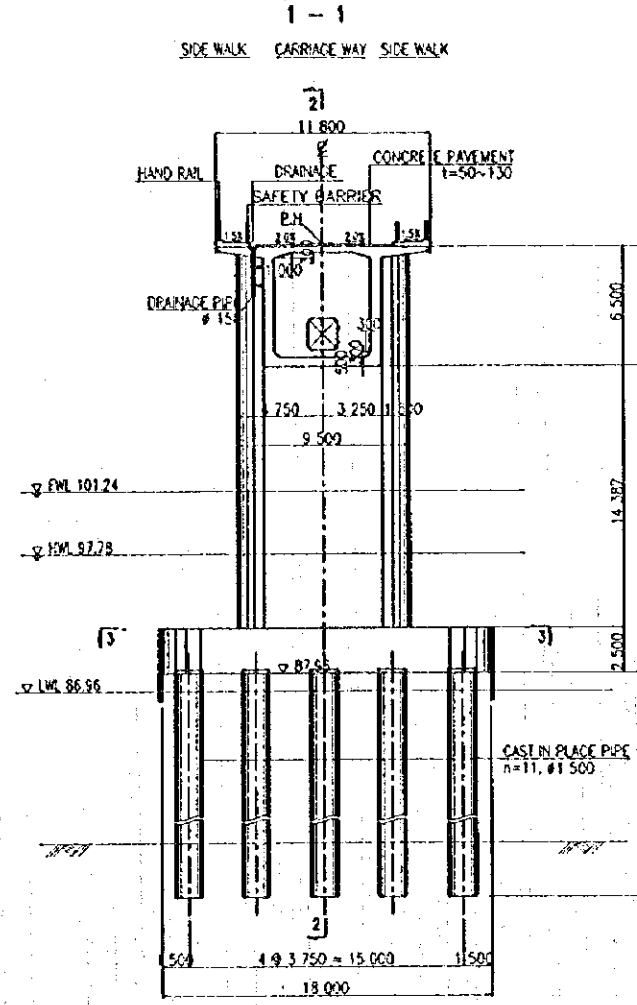
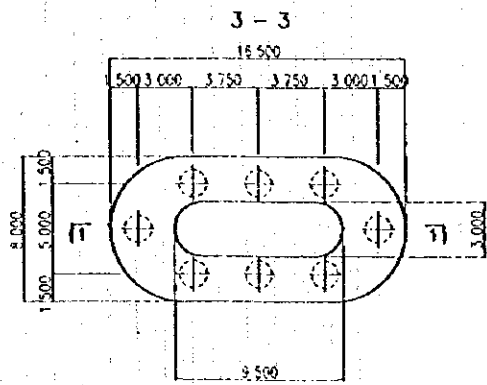
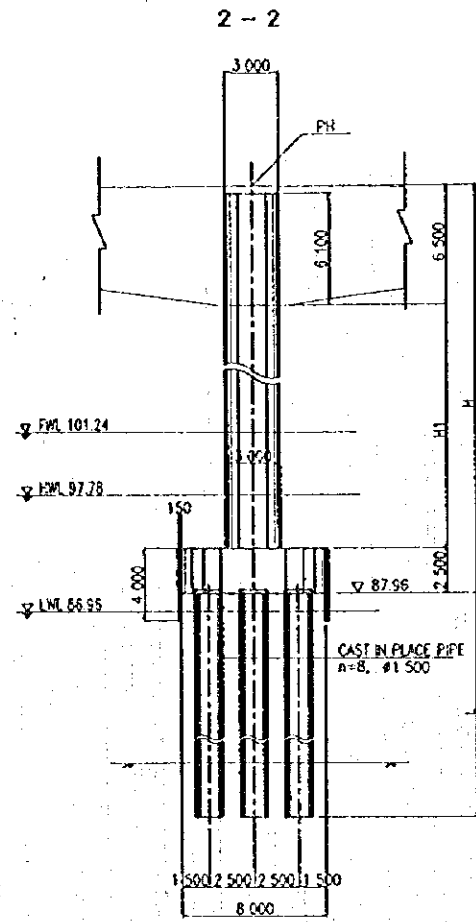
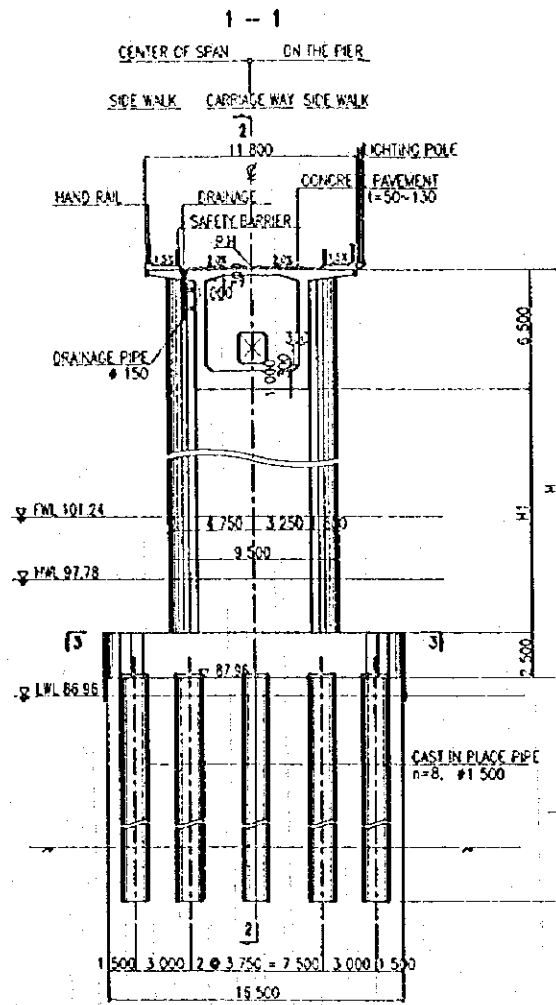
護岸工 S=1:200



橋脚断面図 S=1:200

P1~P9

P10

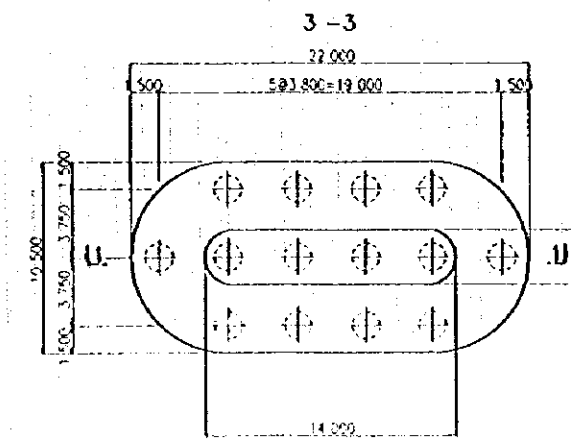
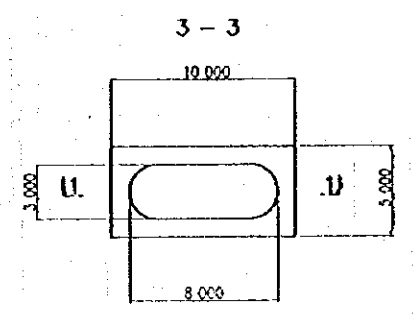
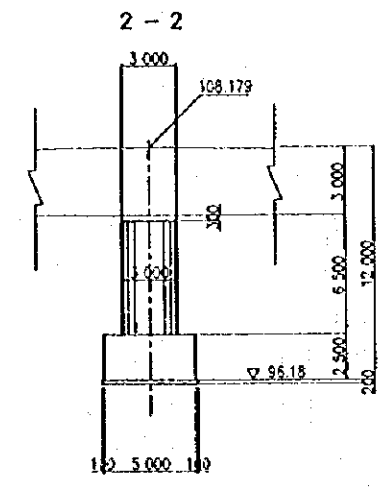
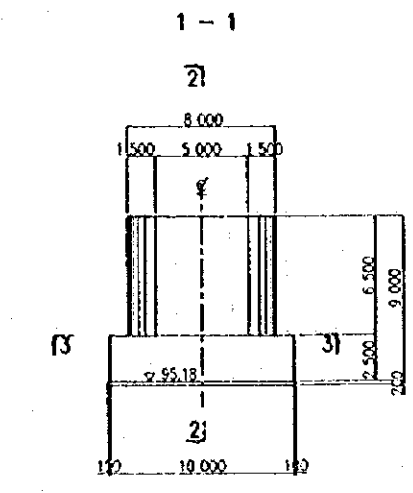
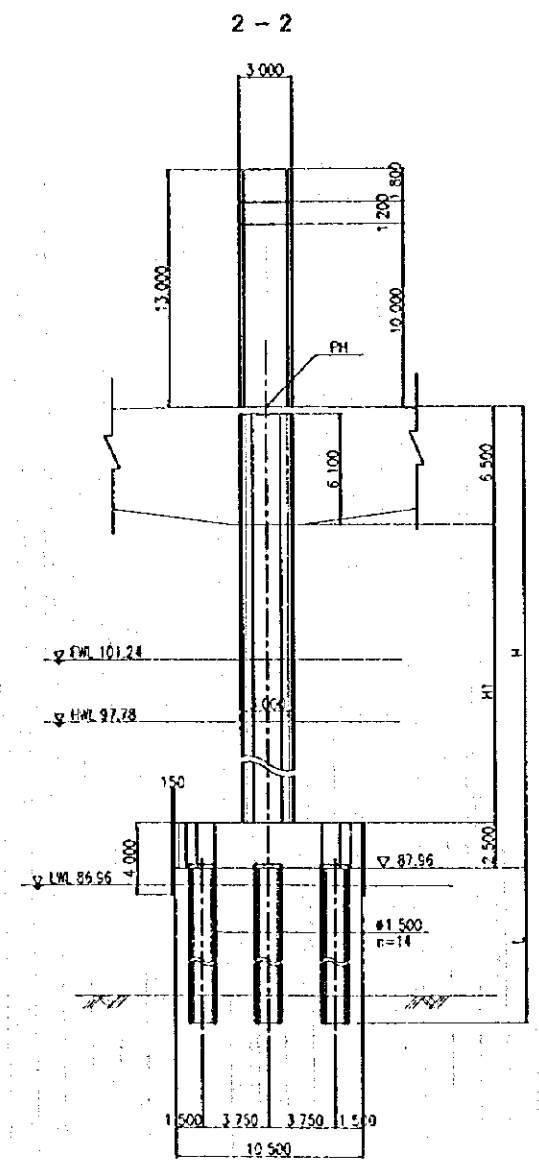
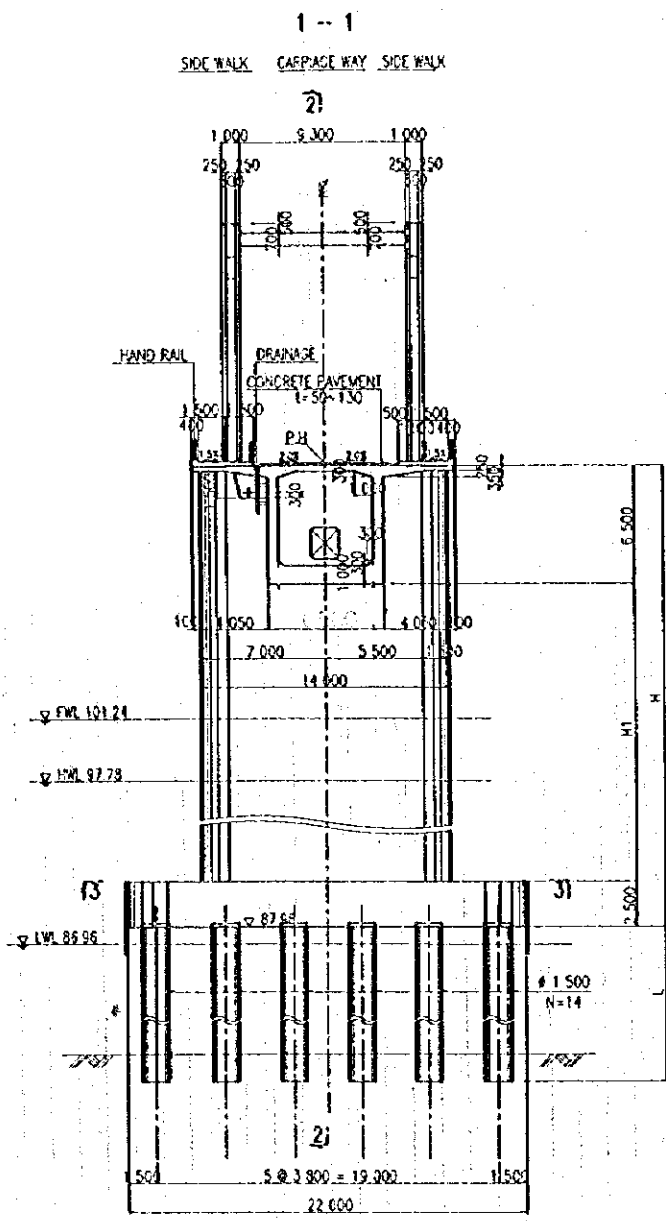


	P.1	P.2	P.3	P.4	P.5	P.6	P.7	P.8	P.9
F.M.	111.018	112.300	112.794	113.147	113.500	113.773	113.491	113.151	112.265
H	23.058	24.340	24.834	25.187	25.540	25.813	25.531	25.191	24.305
H1	14.058	15.310	15.834	16.187	16.540	16.813	16.531	16.191	15.305
L	11.600	12.300	12.900	13.500	14.100	14.700	15.300	15.900	16.500

橋脚断面図 S=1:200

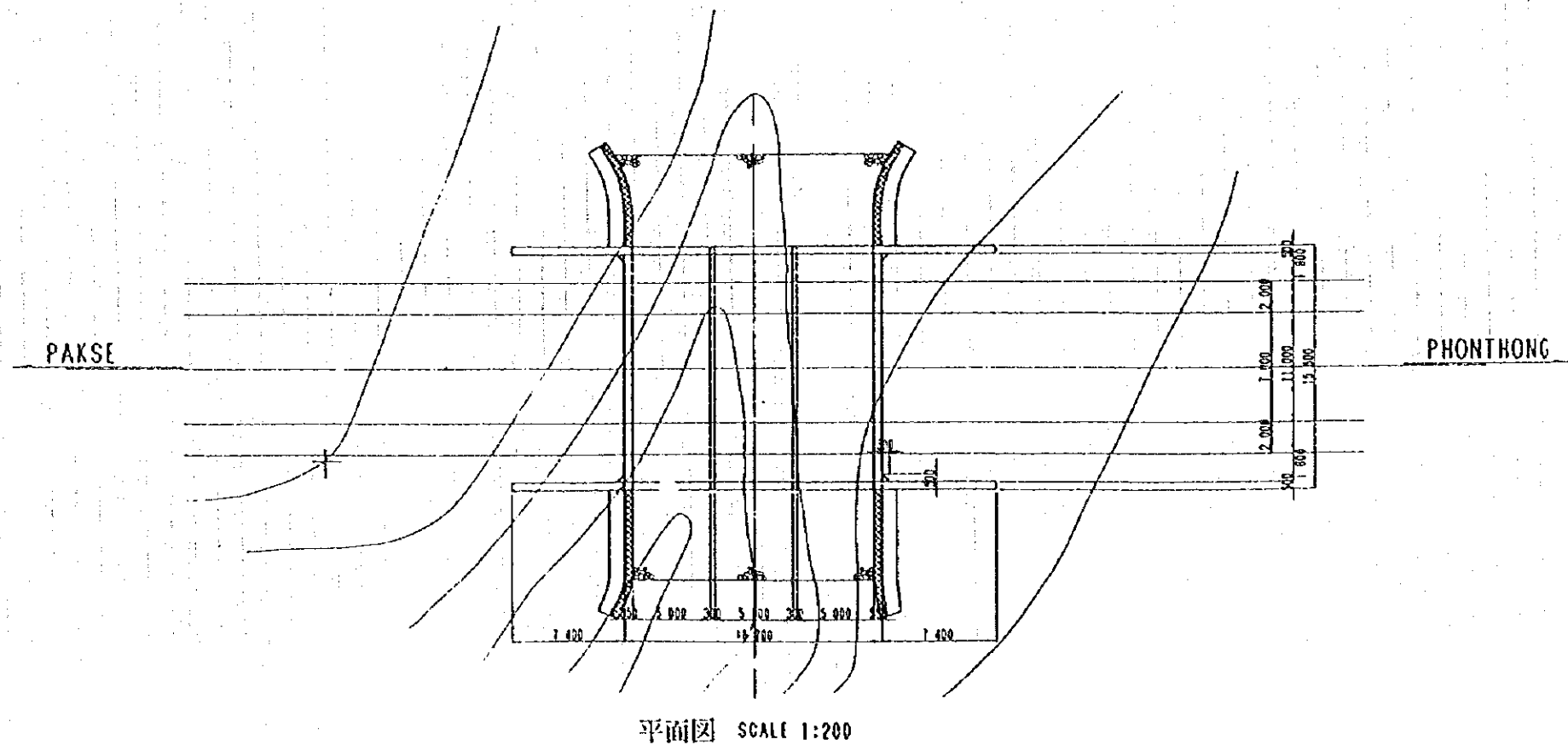
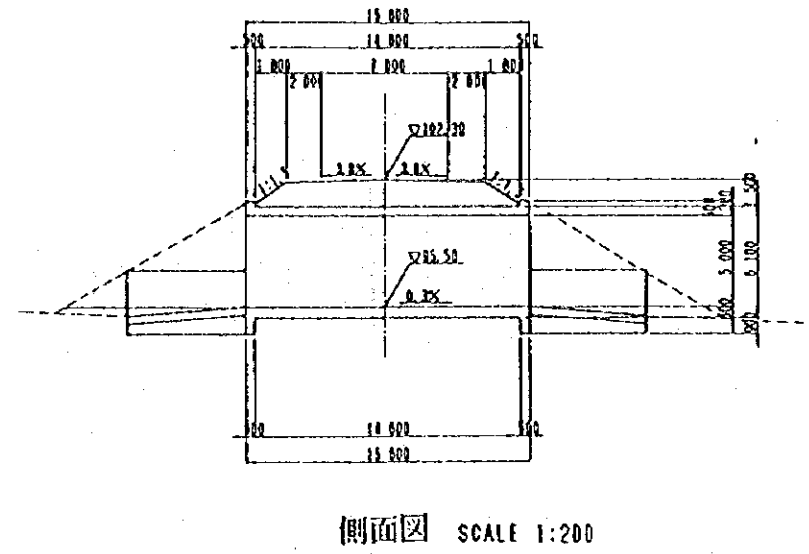
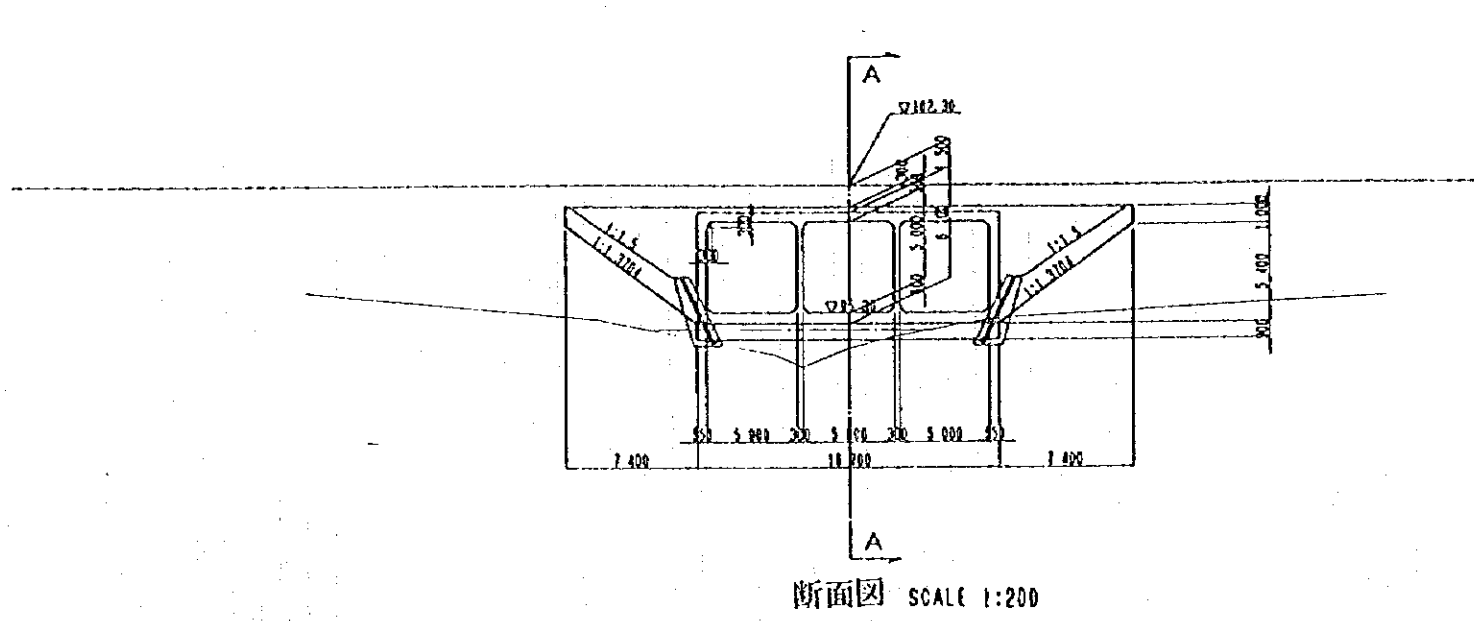
P11, P12

P13

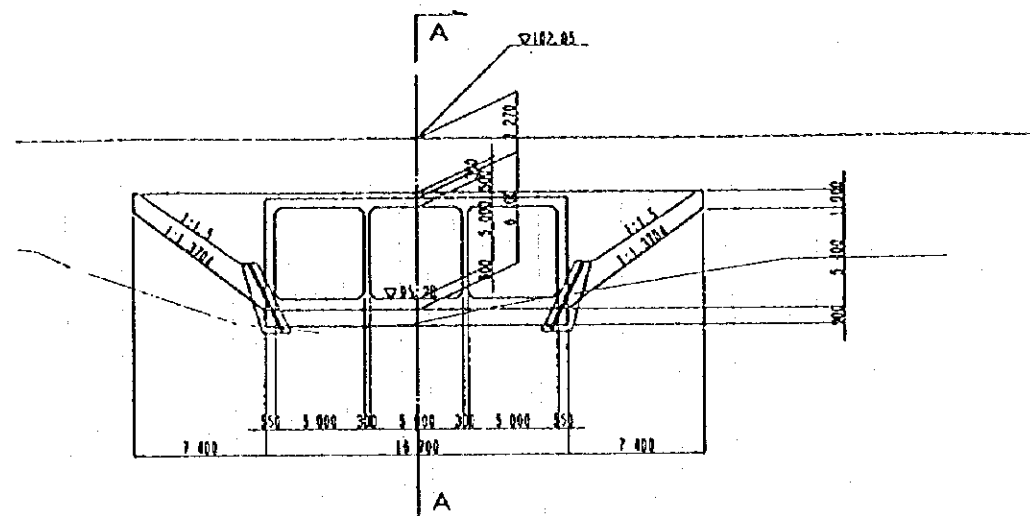


	P11	P12
PH	110.429	109.579
H	22.469	21.619
H1	13.459	12.619
L	31.000	27.000

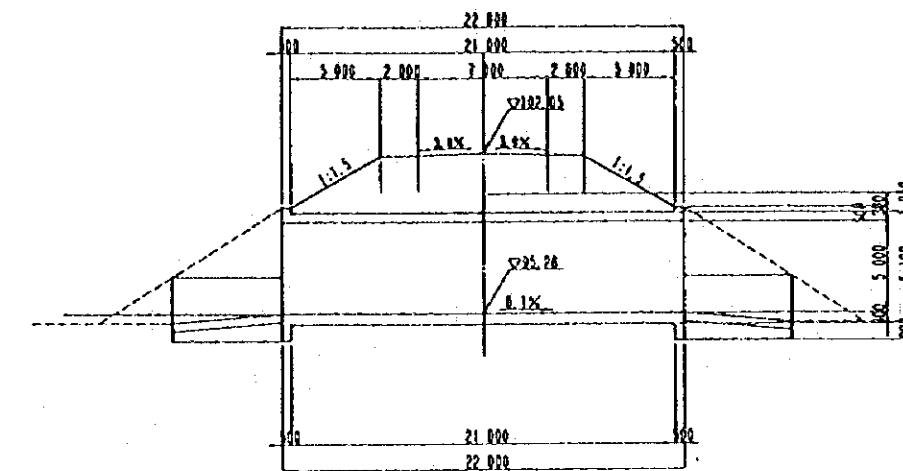
STA. 2+720



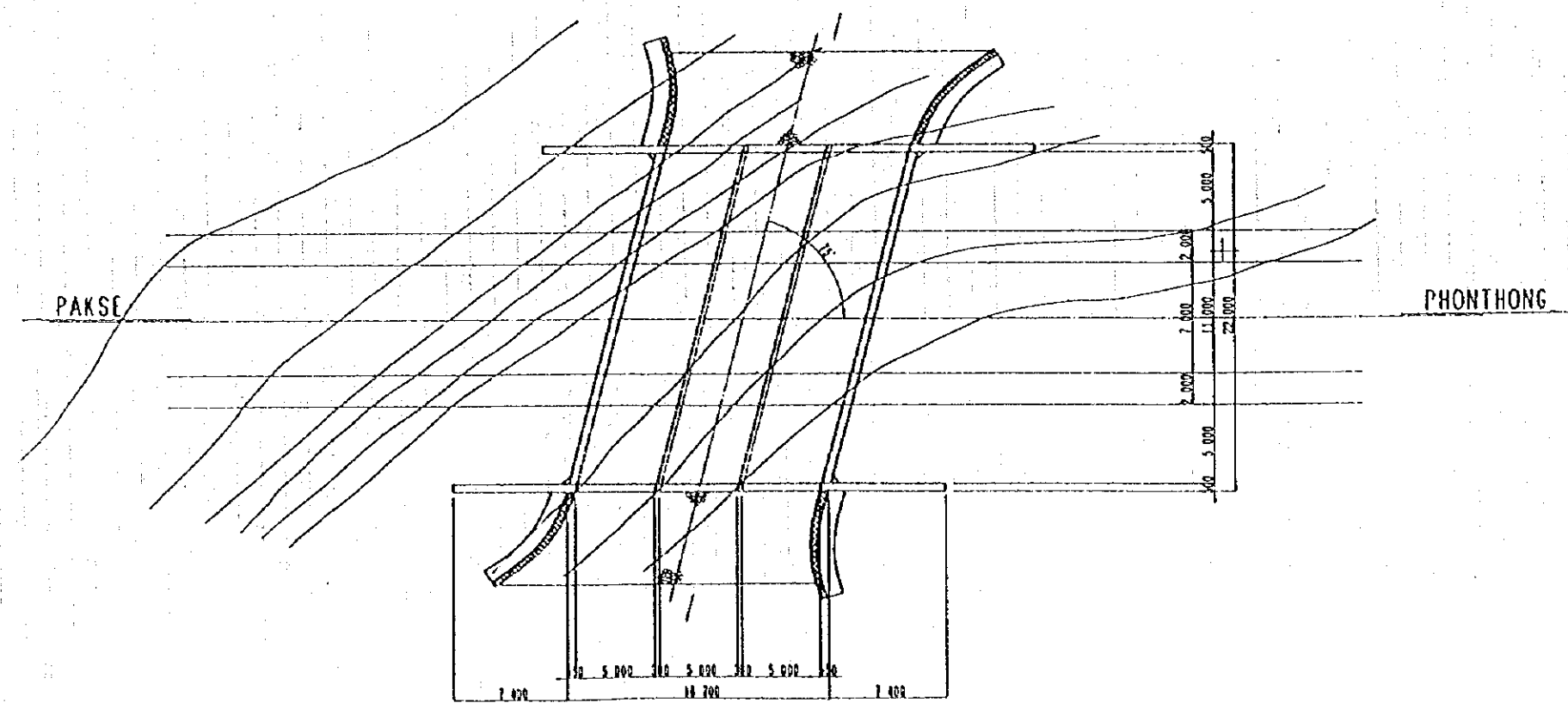
STA. 3+860



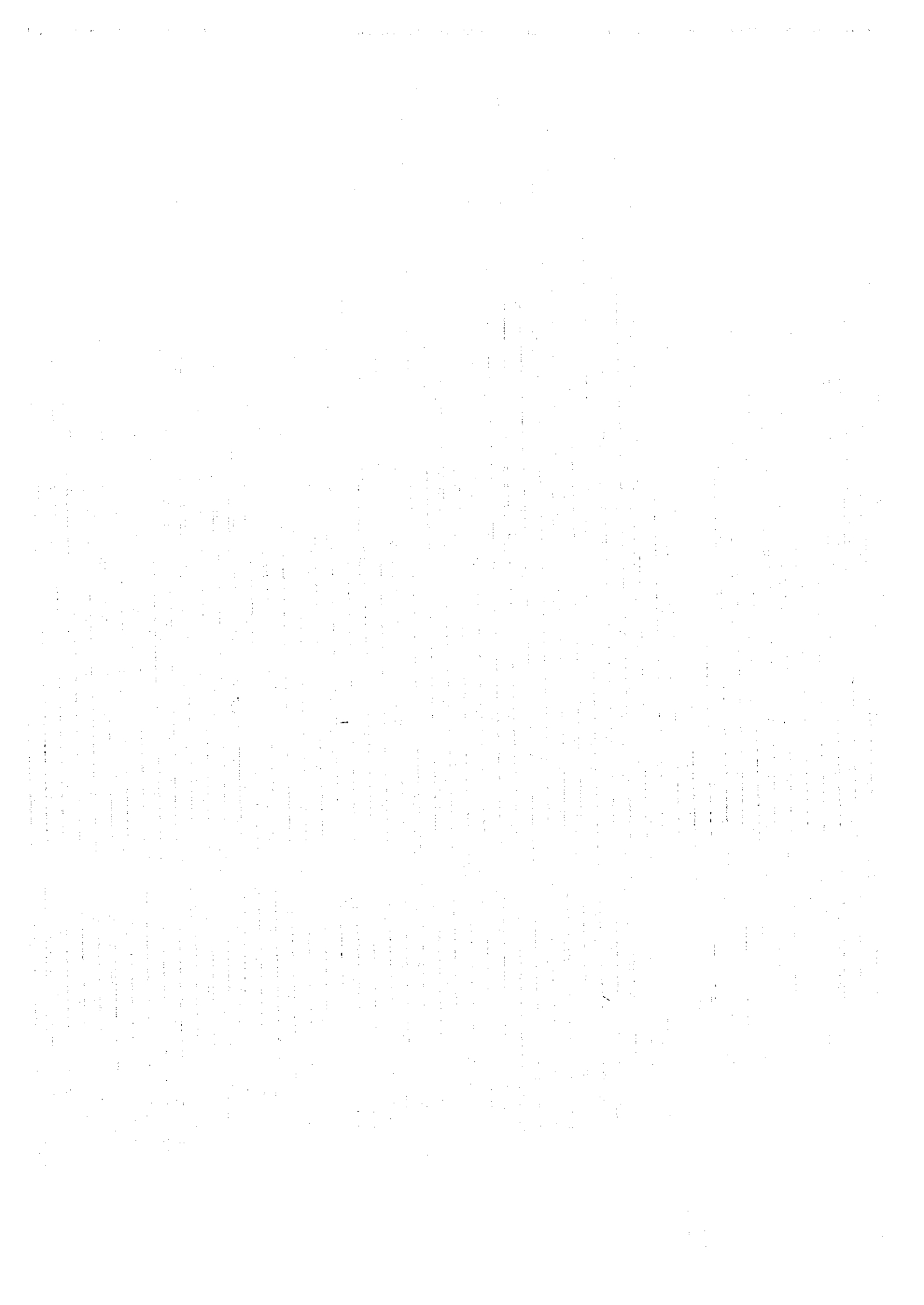
断面図 SCALE 1:200



側面図 SCALE 1:200



平面図 SCALE 1:200





JICA