

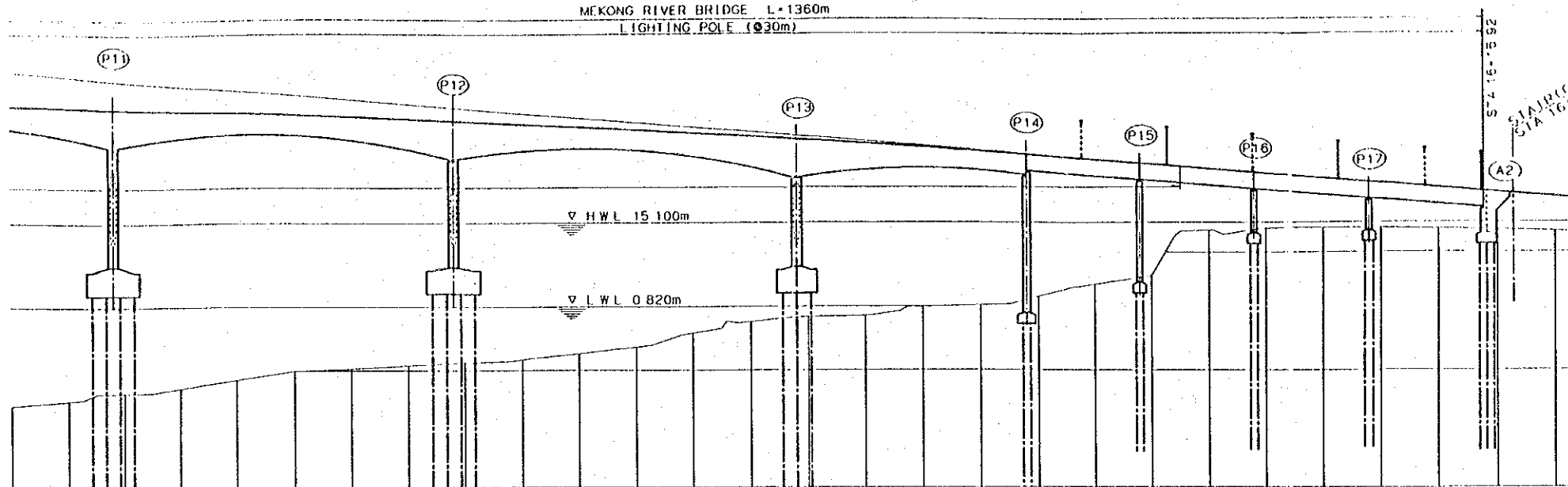
50.00

MEKONG RIVER BRIDGE L=1360m
LIGHTING POLE (Ø30m)

PROFILE

SCALE V 1:1000
H 1:1000

V=1:1000
H=1:2000
DL=-90.00



GRADIENT

DESIGN HEIGHT

EXISTING LEVEL

ACCUMULATED DISTANCE

DISTANCE

STATION

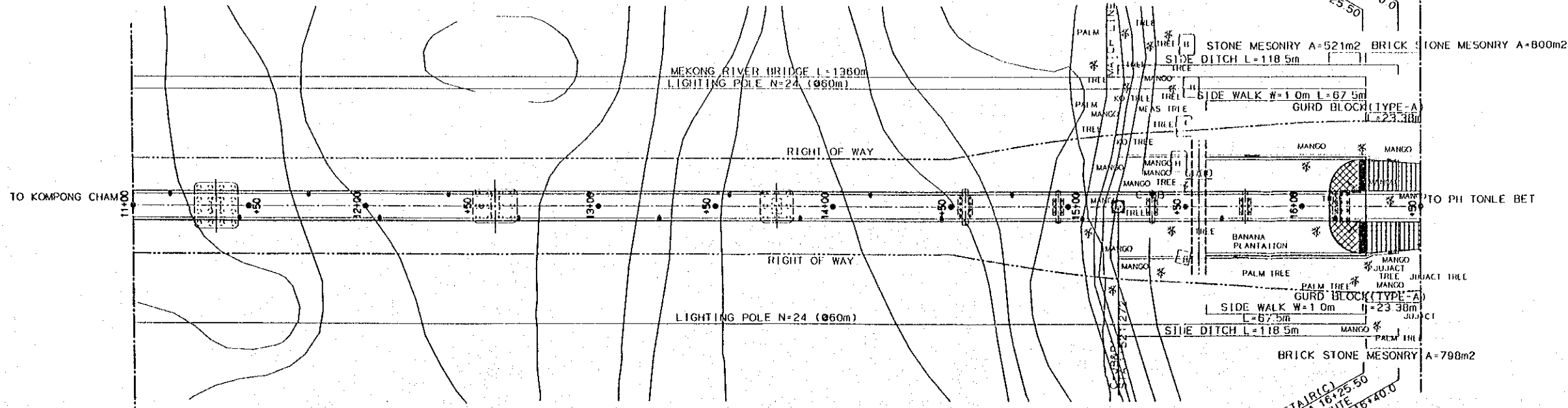
CURVE ELEMENT

SUPERELEVATION

GRADIENT	1.400% K=705.000	
DESIGN HEIGHT	34.900	19.423
EXISTING LEVEL	-16.00	-19.423
ACCUMULATED DISTANCE	1100.00	1640.00
DISTANCE	20.00	20.00
STATION	11+00	16+40
CURVE ELEMENT	R=Ø L=1329.405	
SUPERELEVATION	1.5%	

PLAN

SCALE 1:2000



JAPAN INTERNATIONAL COOPERATION AGENCY

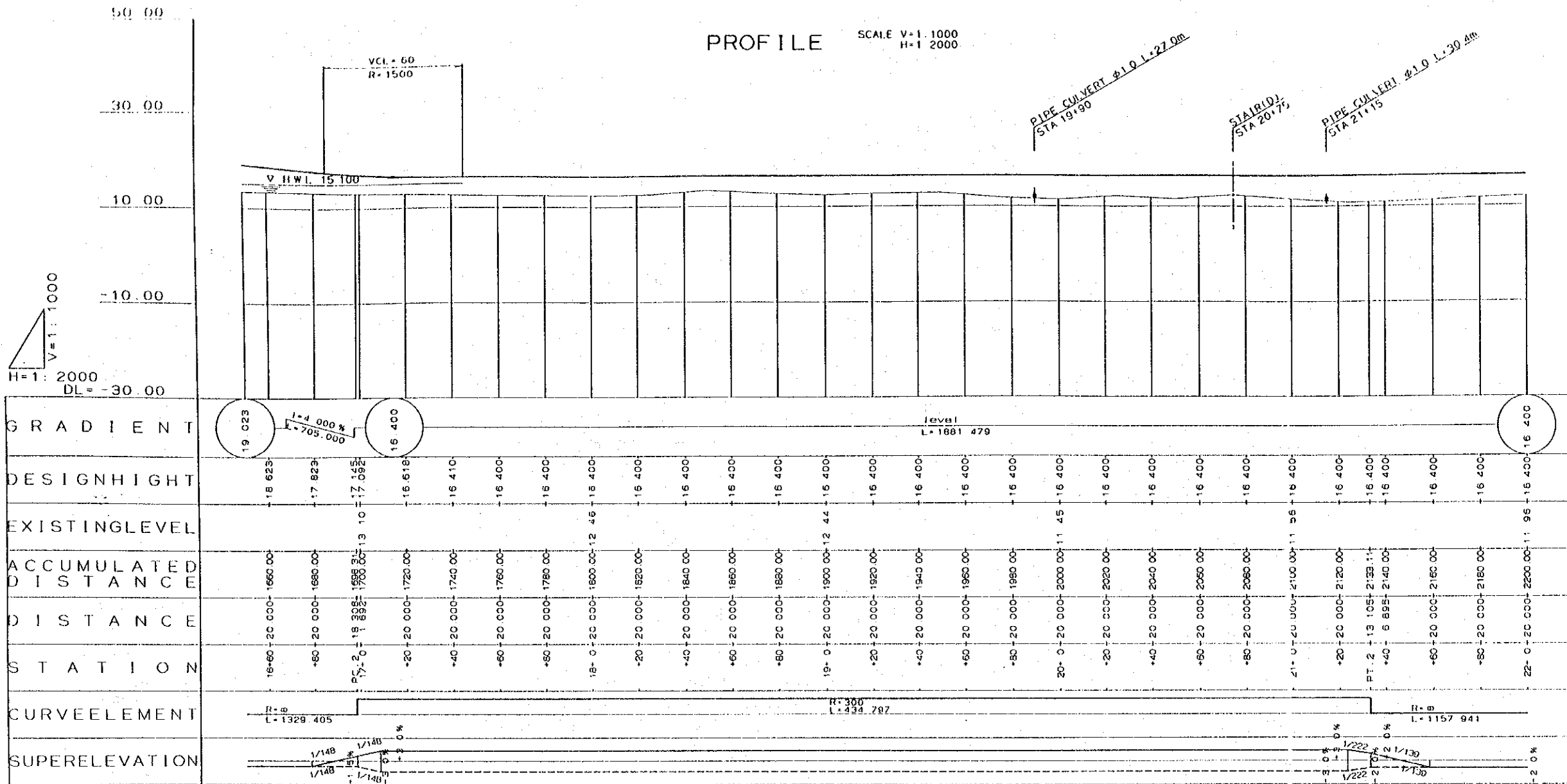
BASIC DESIGN STUDY REPORT ON THE PROJECT FOR CONSTRUCTION OF A BRIDGE OVER THE MEKONG RIVER IN THE KINGDOM OF CAMBODIA

PLAN AND PROFILE (3)
STA. 11+00~16+40

SCALE AS SHOWN
DWG No. 15

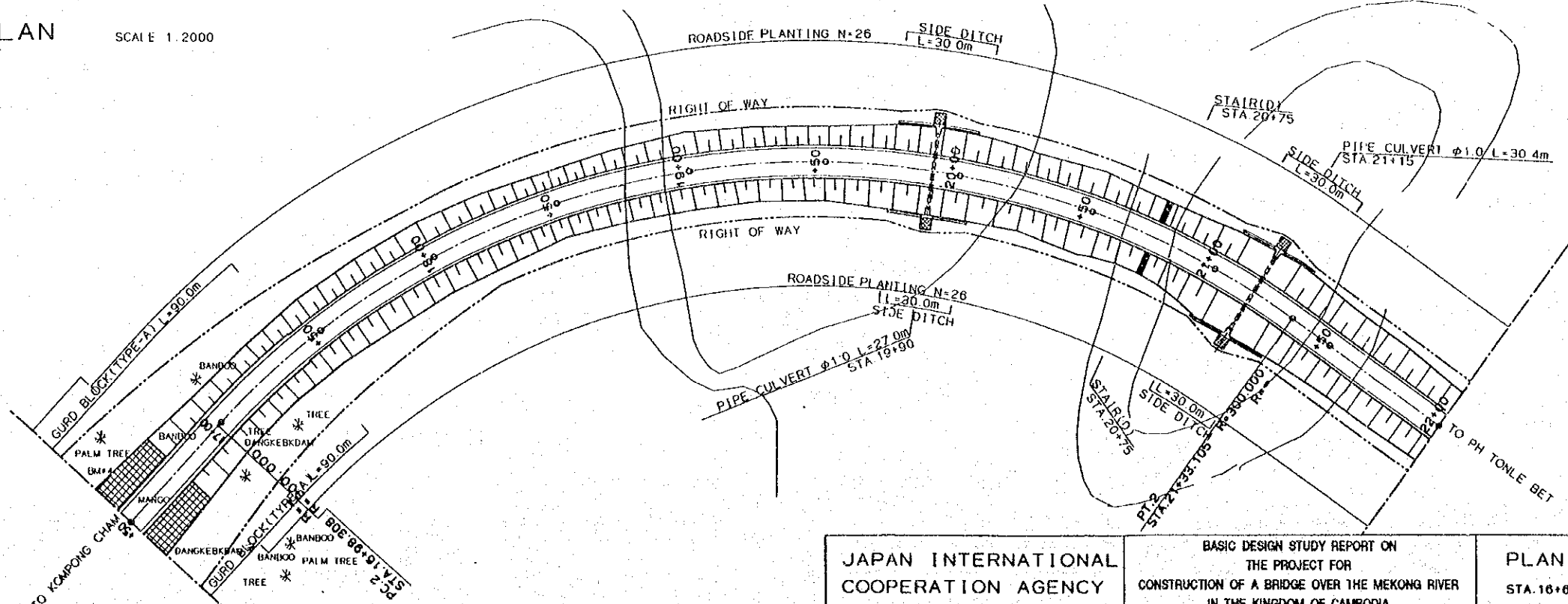
PROFILE

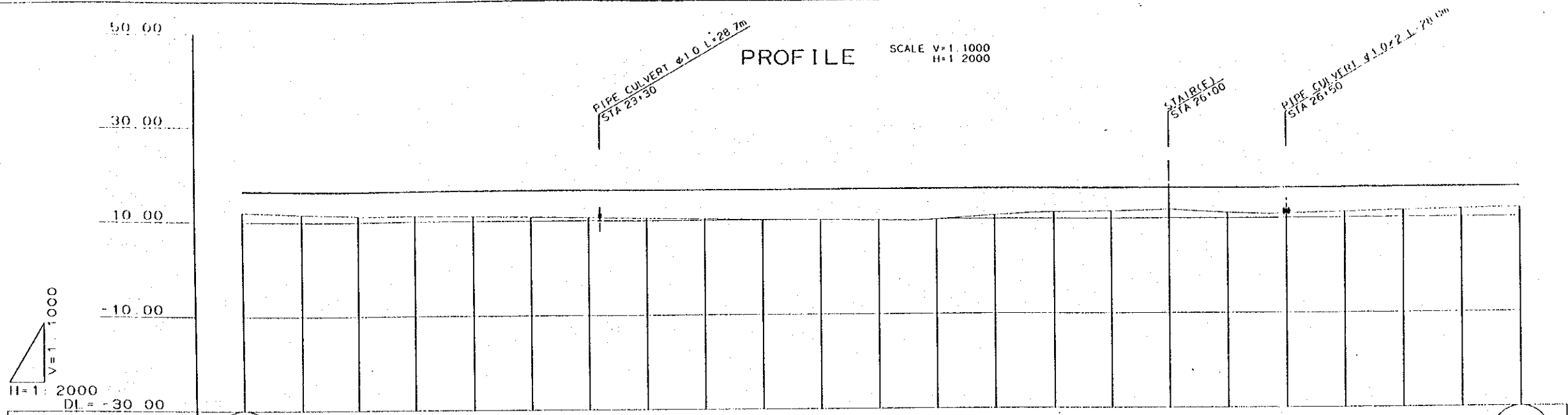
SCALE V=1:1000
H=1:2000



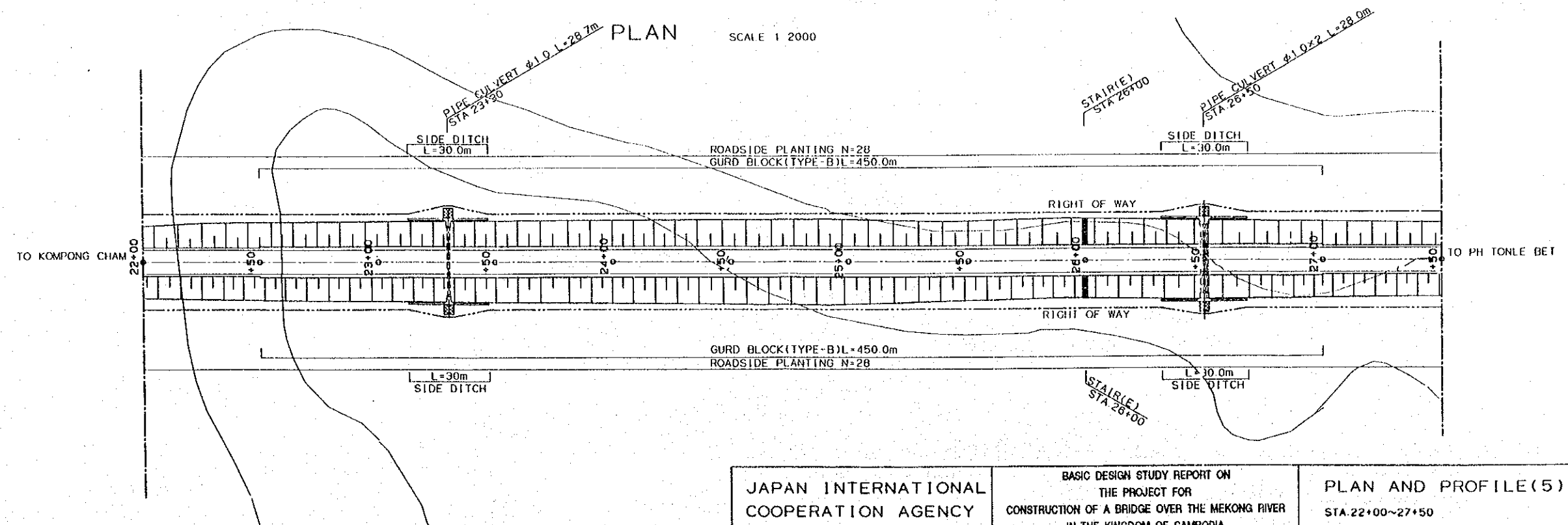
PLAN

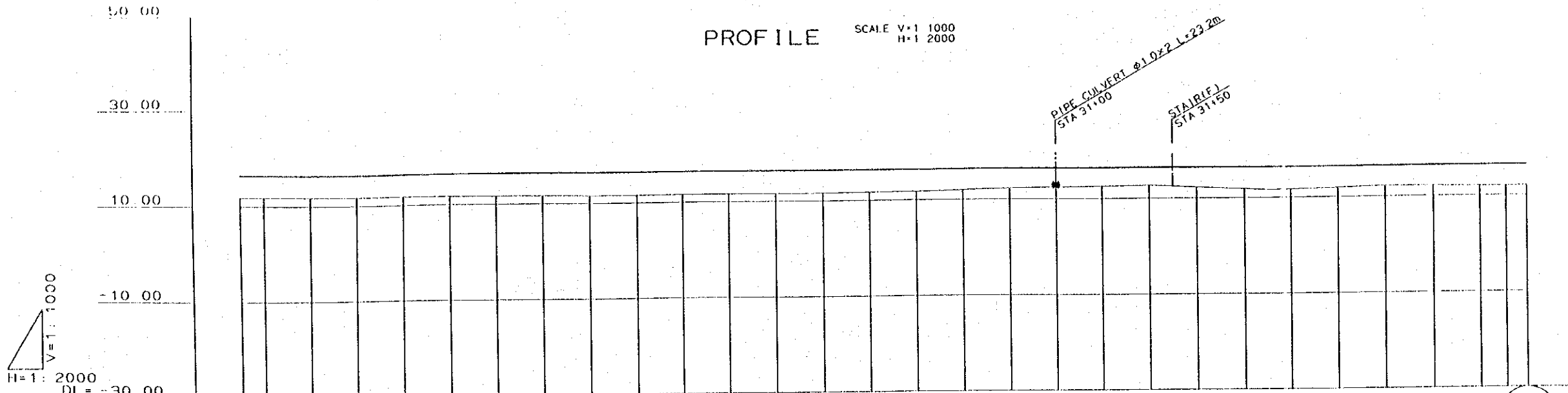
SCALE 1:2000



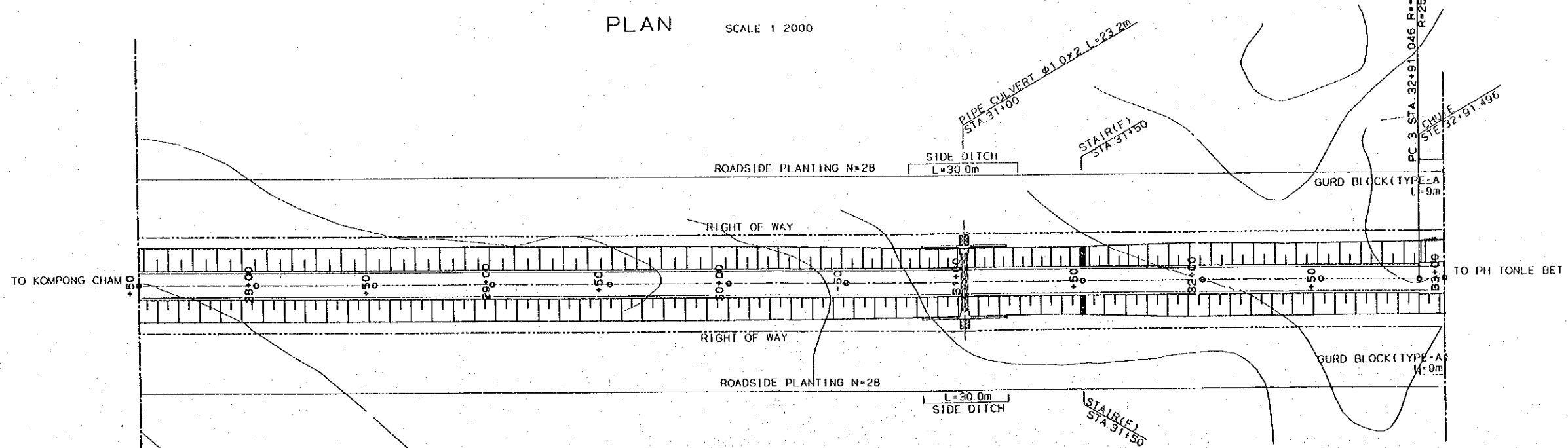


GRADIENT	level L=1881.479																				
DESIGN HIGHT	16.400																				
EXISTING LEVEL	11.96	11.56	11.21	11.17	11.00	10.63	10.66	10.49	10.32	9.98	9.80	9.95	10.75	11.35	11.83	11.15	10.95	11.46	11.73	11.89	
ACCUMULATED DISTANCE	22+00	22+25	22+50	22+75	23+00	23+25	23+50	23+75	24+00	24+25	24+50	24+75	25+00	25+25	25+50	25+75	26+00	26+25	26+50	26+75	27+00
DISTANCE	0	25	50	75	100	125	150	175	200	225	250	275	300	325	350	375	400	425	450	475	500
STATION	22+00	22+25	22+50	22+75	23+00	23+25	23+50	23+75	24+00	24+25	24+50	24+75	25+00	25+25	25+50	25+75	26+00	26+25	26+50	26+75	27+00
CURVE ELEMENT	R=∞ L=1157.941																				
SUPERELEVATION	-2.0%																				



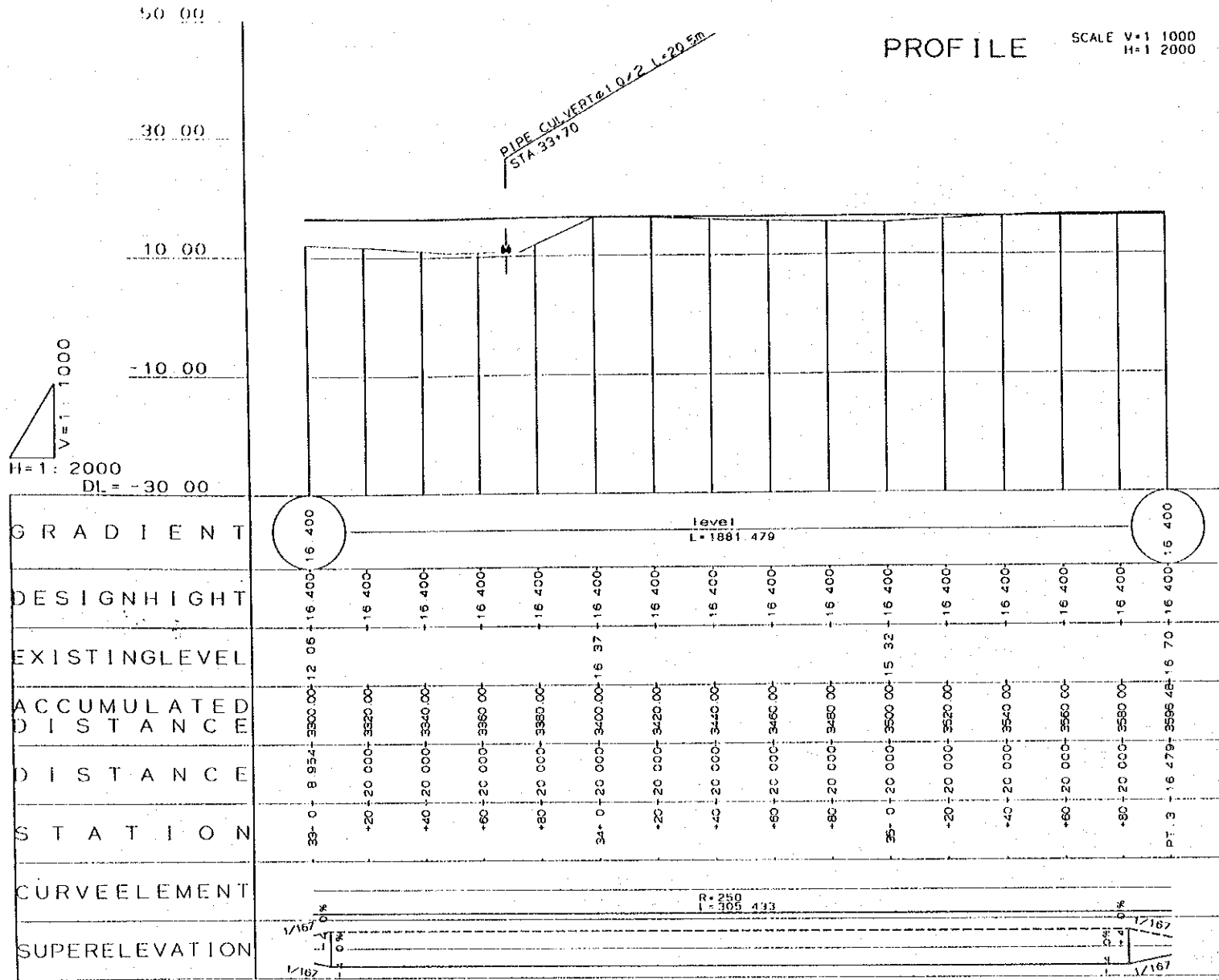


GRADIENT	level L=1881.479																				
DESIGN HEIGHT	16.400	16.400	16.400	16.400	16.400	16.400	16.400	16.400	16.400	16.400	16.400	16.400	16.400	16.400	16.400	16.400	16.400	16.400	16.400	16.400	
EXISTING LEVEL			11.81								11.63										
ACCUMULATED DISTANCE	2760.00	2780.00	2800.00	2820.00	2840.00	2860.00	2880.00	2900.00	2920.00	2940.00	2960.00	2980.00	3000.00	3020.00	3040.00	3060.00	3080.00	3100.00	3120.00	3140.00	
DISTANCE																					
STATION	27+60	+80	28+00	+20	+40	+60	+80	29+00	+20	+40	+60	+80	30+00	+20	+40	+60	+80	31+00	+20	+40	
CURVE ELEMENT	R=8 L=1157.941																				
SUPERELEVATION																					



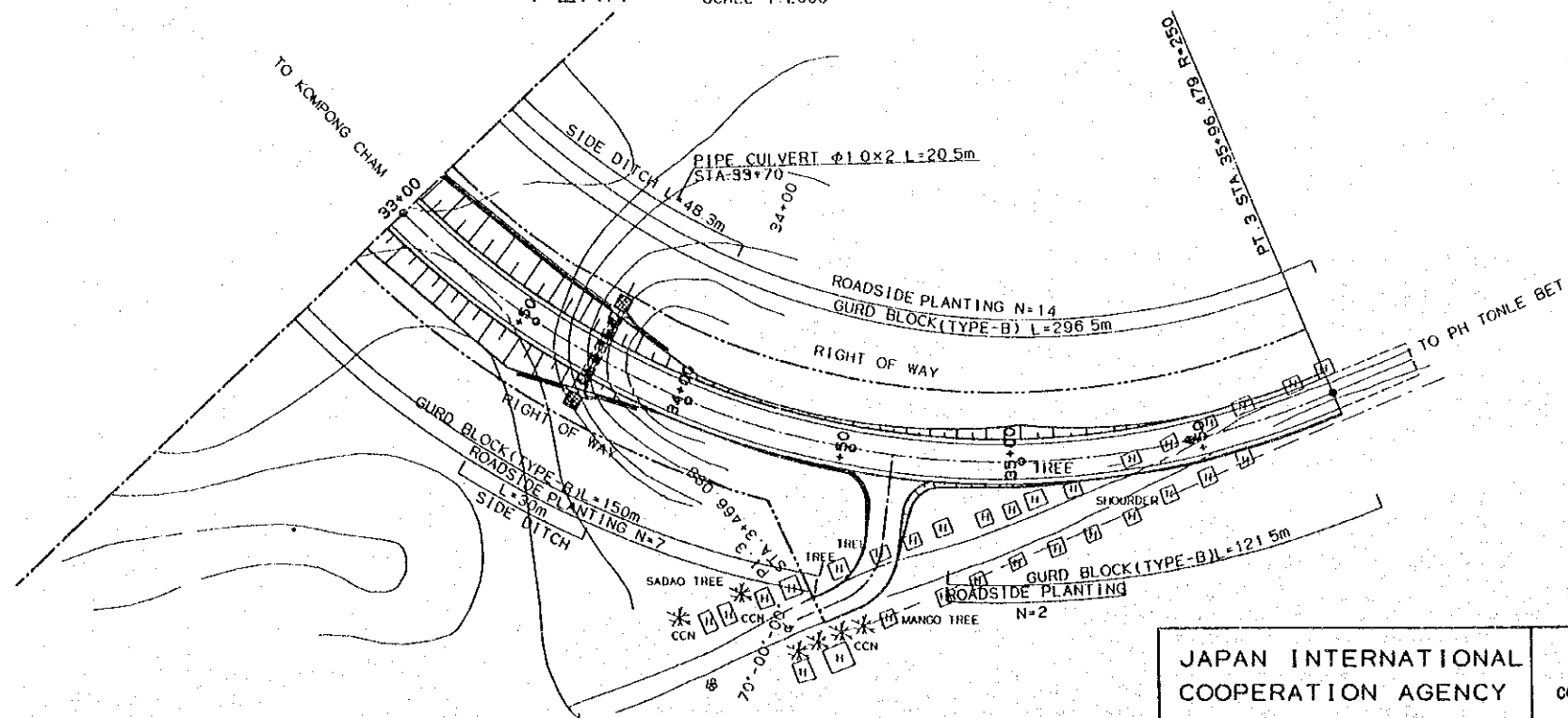
PROFILE

SCALE V=1 1000
H=1 2000



PLAN

SCALE 1 2000



JAPAN INTERNATIONAL COOPERATION AGENCY

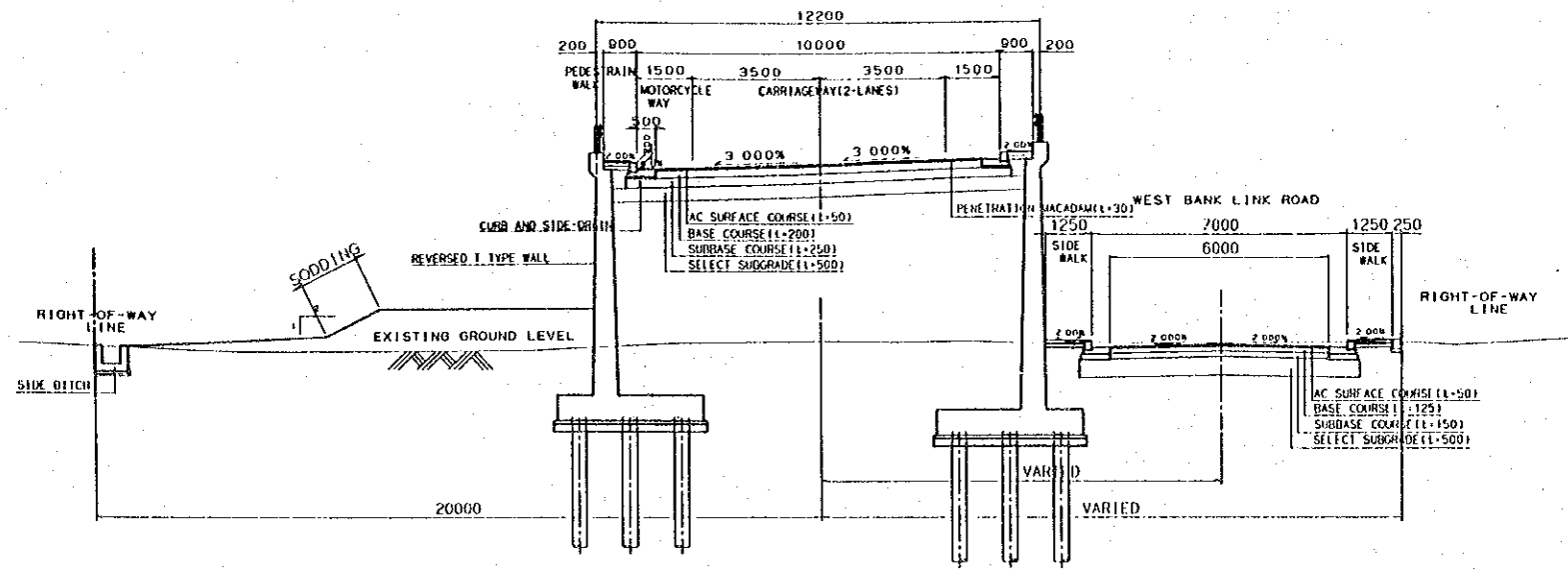
BASIC DESIGN STUDY REPORT ON THE PROJECT FOR CONSTRUCTION OF A BRIDGE OVER THE MEKONG RIVER IN THE KINGDOM OF CAMBODIA

PLAN AND PROFILE (7)
STA. 33+00~35+00.48

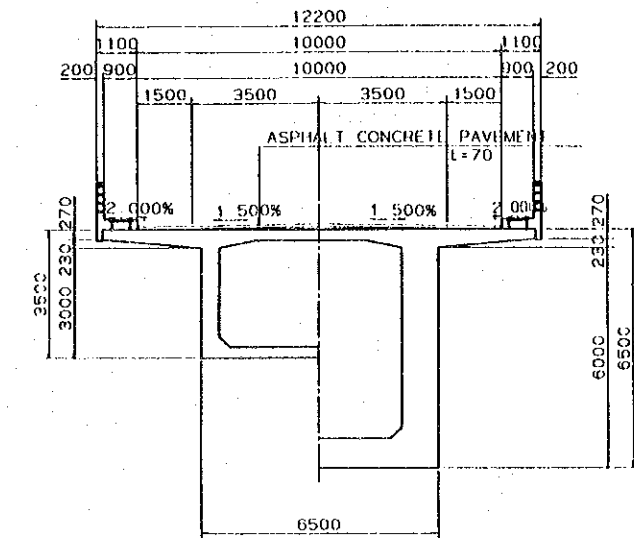
SCALE AS SHOWN
DWG No. 19

TYPICAL CROSS SECTION (1) SCALE 1:100

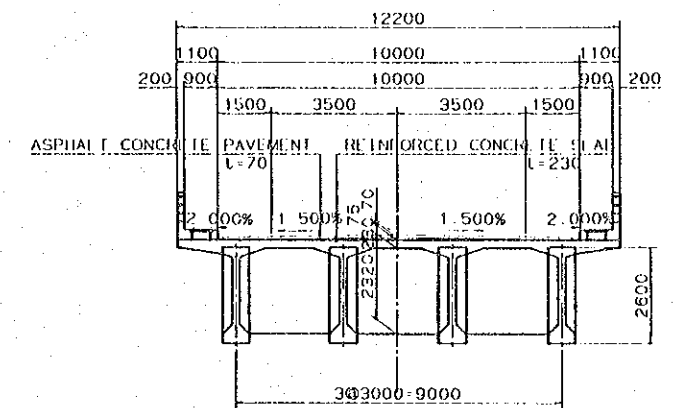
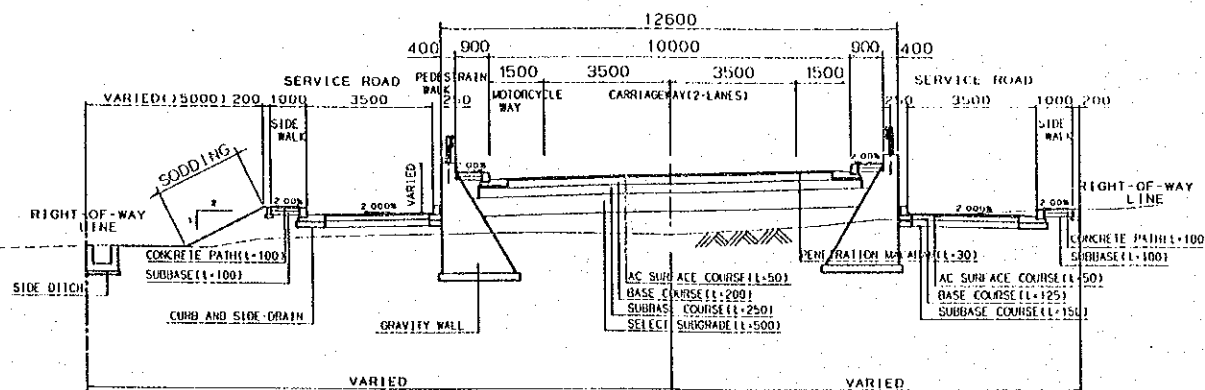
WEST BANK APPROACH ROAD AND LINK ROAD



BRIDGE SECTION



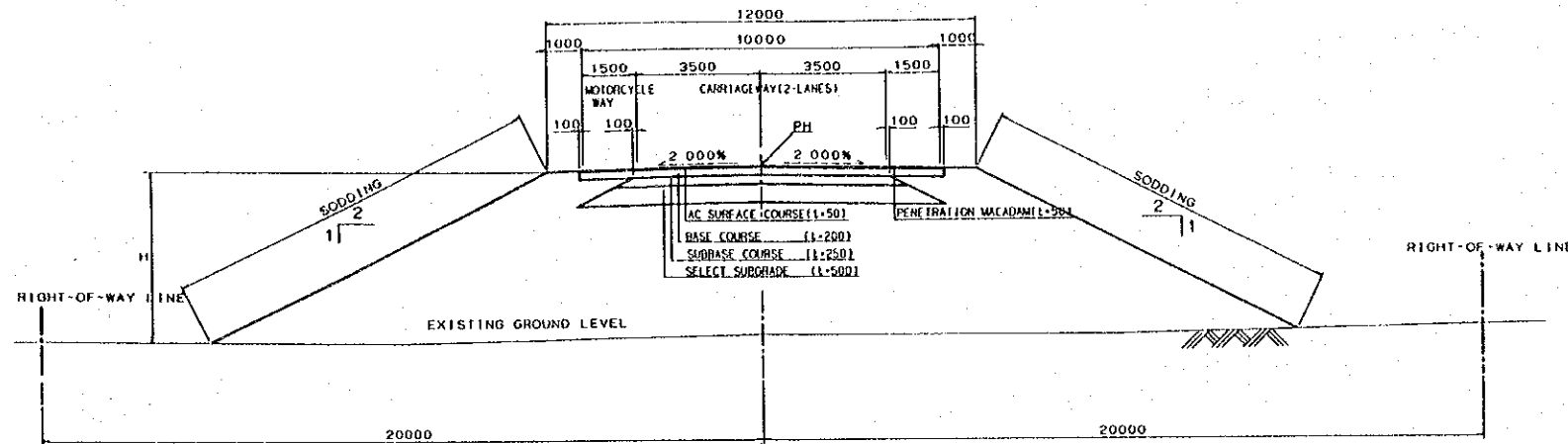
WEST BANK APPROACH ROAD AND SERVICE ROAD



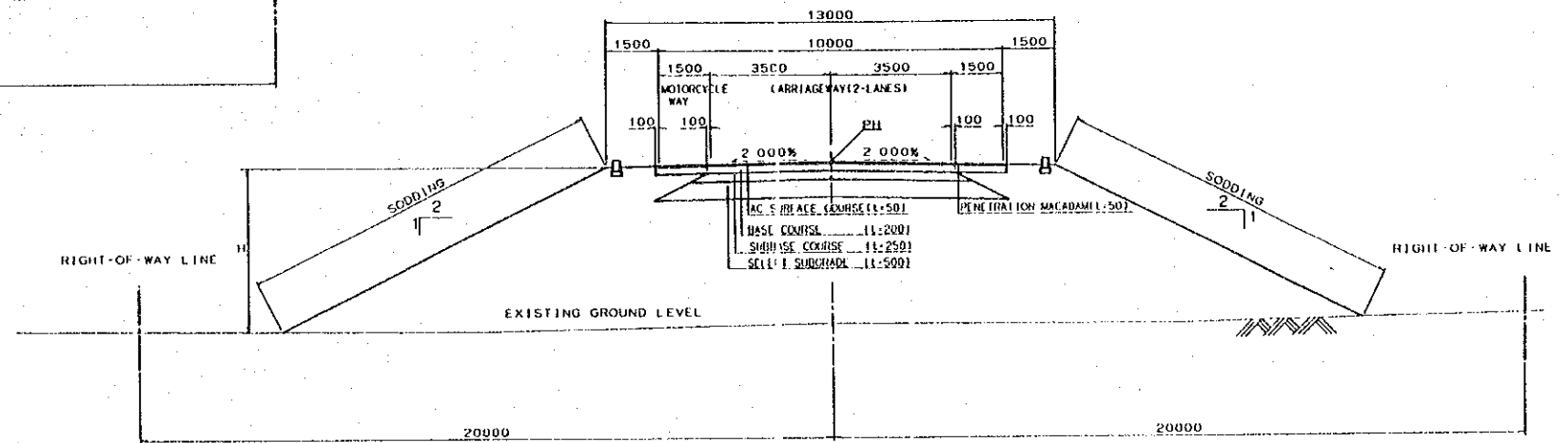
TYPICAL CROSS SECTION (2) SCALE 1:100

EAST BANK APPROACH ROAD

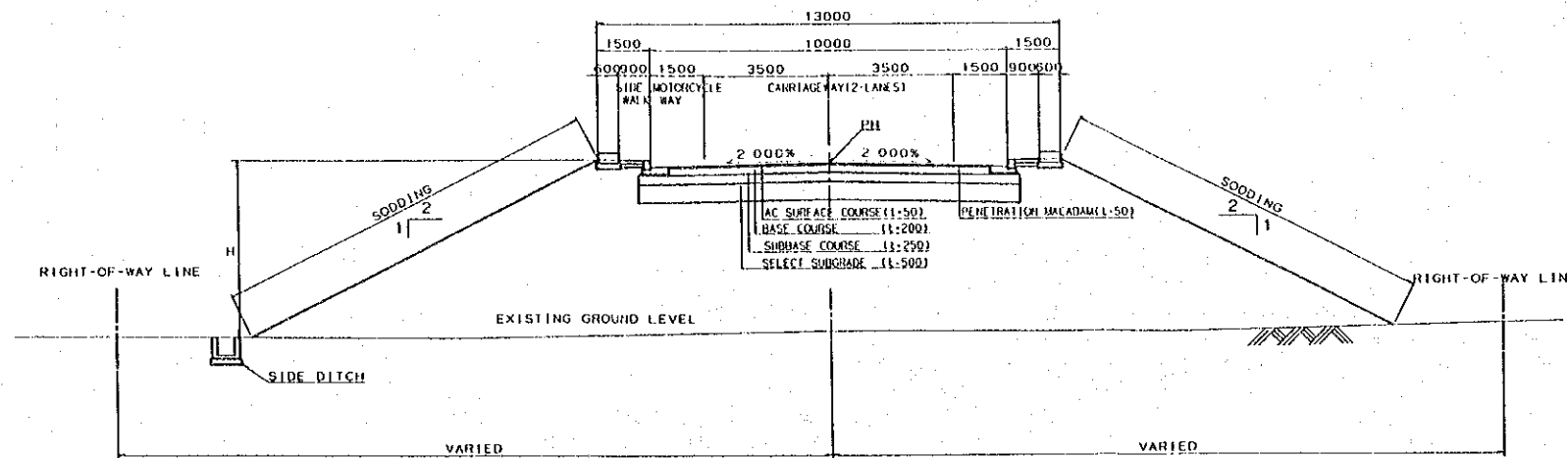
STA. 17+40~STA. 22+50.
STA. 27+ 0~STA. 32+91.046
(H<5m)



STA. 22+50~STA. 27+0
(H>5m)
STA. 32+91.046~STA. 35+96.479

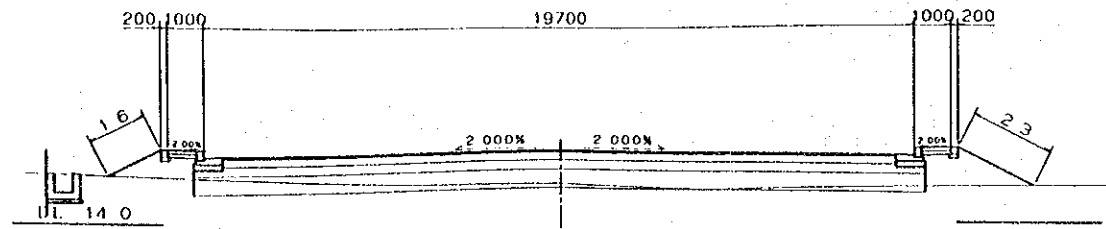


STA. 16+15.920~STA. 17+40.

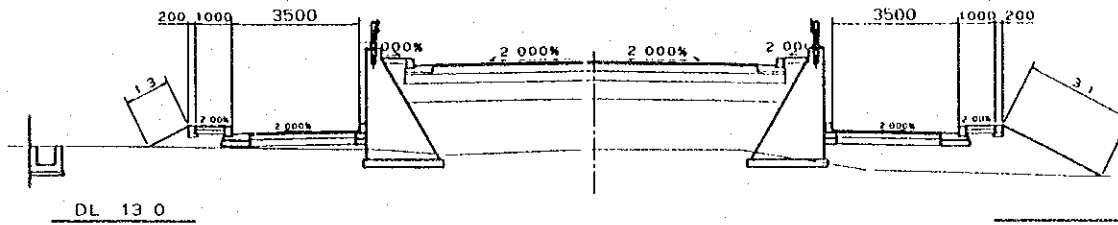


CROSS SECTION (1) SCALE 1:200

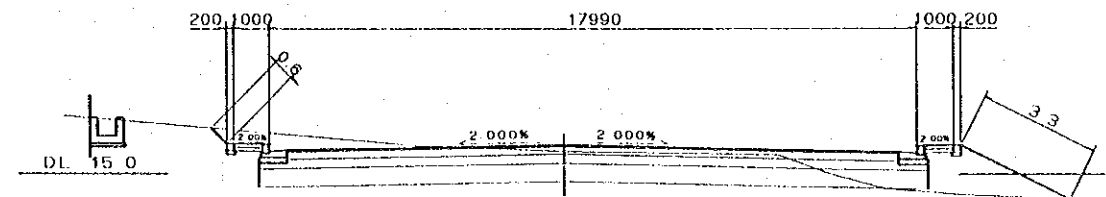
STA. 0+50
GH-15 1
PH-16 006



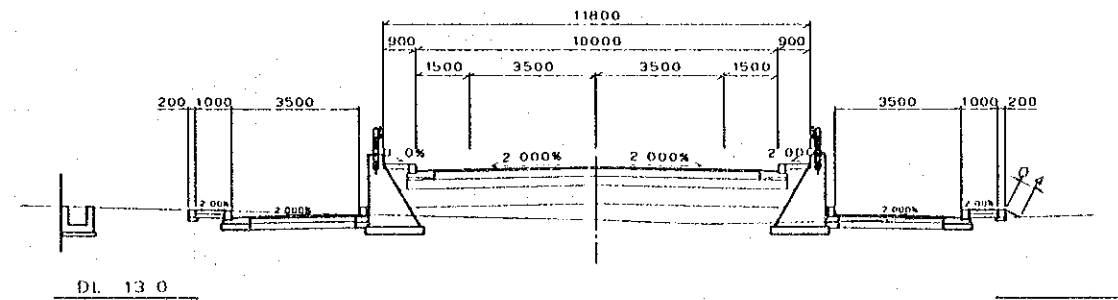
STA. 1
GH-15 0
PH-17 323



STA. 0+25
GH-15 6
PH-15 803



STA. 0+75
GH-15 1
PH-16 573



STA. 0
GH-15 7
PH-15 900

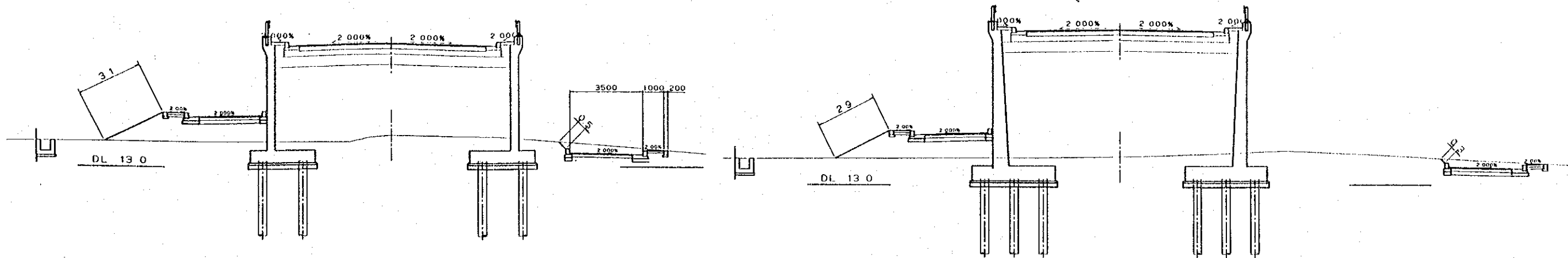
DL 15 0

<p>JAPAN INTERNATIONAL COOPERATION AGENCY</p>	<p>BASIC DESIGN STUDY REPORT ON THE PROJECT FOR CONSTRUCTION OF A BRIDGE OVER THE MEKONG RIVER IN THE KINGDOM OF CAMBODIA</p>	<p>CROSS SECTION (1)</p>	<p>SCALE 1:200</p>	<p>DWG No. 22</p>
---	---	--------------------------	------------------------	-----------------------

CROSS SECTION (2) SCALE 1 200

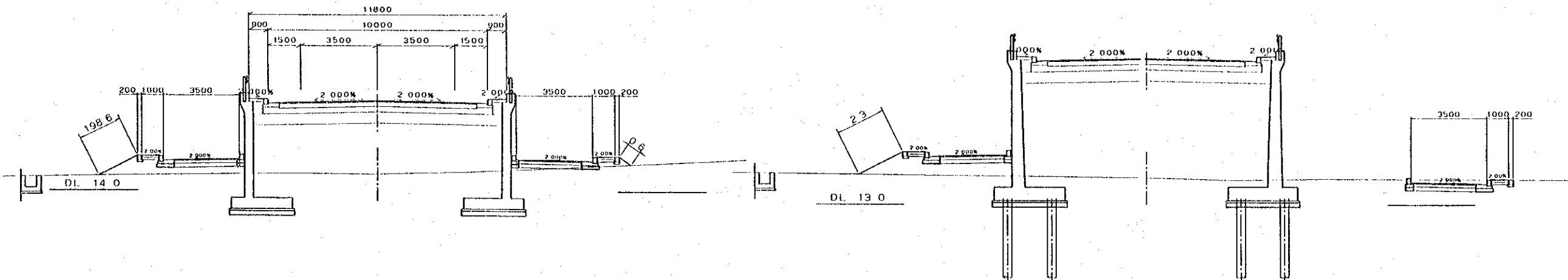
STA. 1+50
GH-14 5
PH-18 823

STA. 2
GH-14 3
PH-20 323

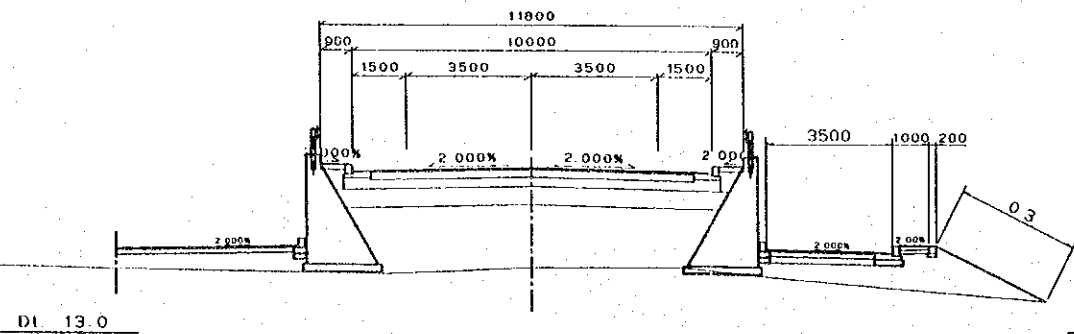


STA. 1+25
GH-14 8
PH-18 073

STA. 1+75
GH-14 2
PH-19 573



STA. 1+9.2
GH-14 9
PH-17 600

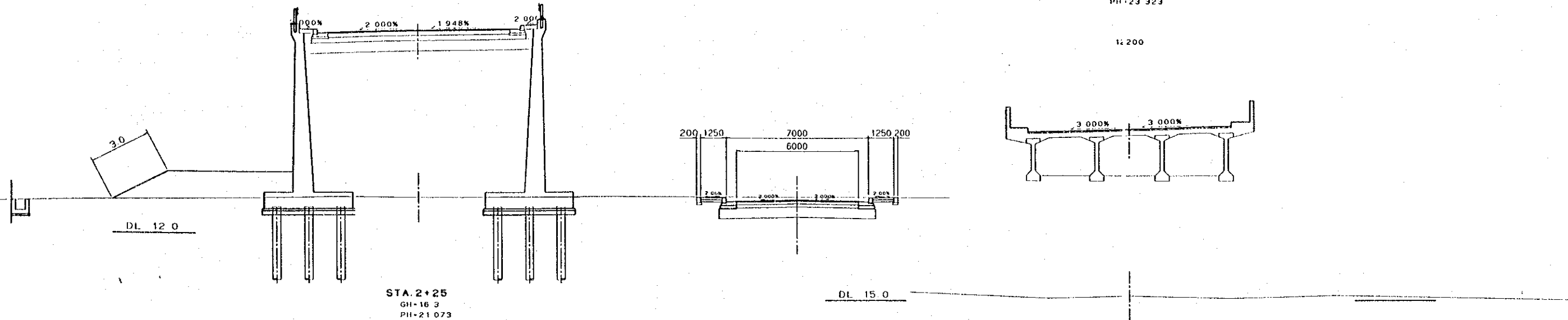


CROSS SECTION (3) SCALE 1:200

STA. 2+50
GH-13.7
PH-21.823

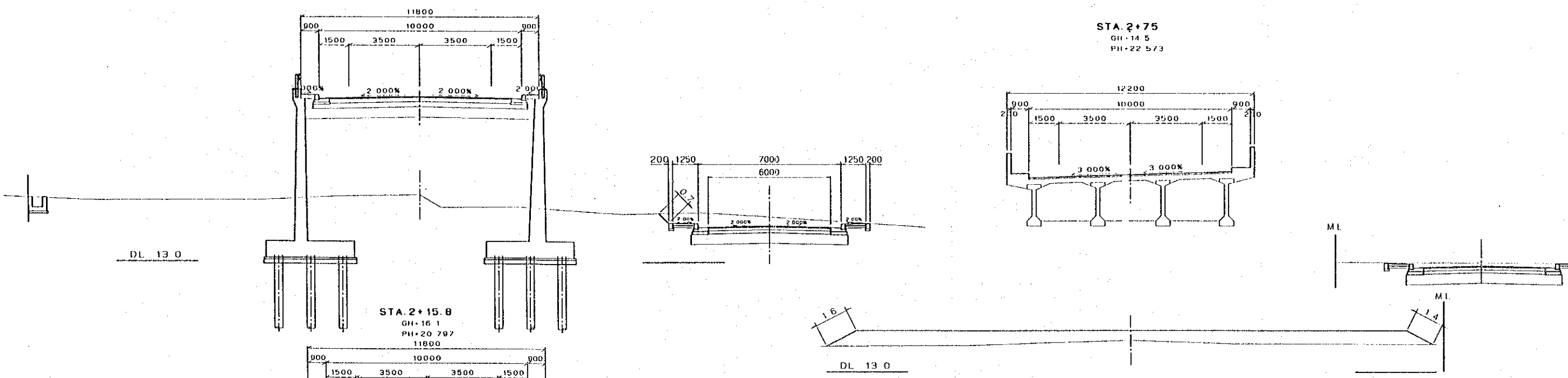
STA. 3
GH-15.2
PH-23.323

1:200

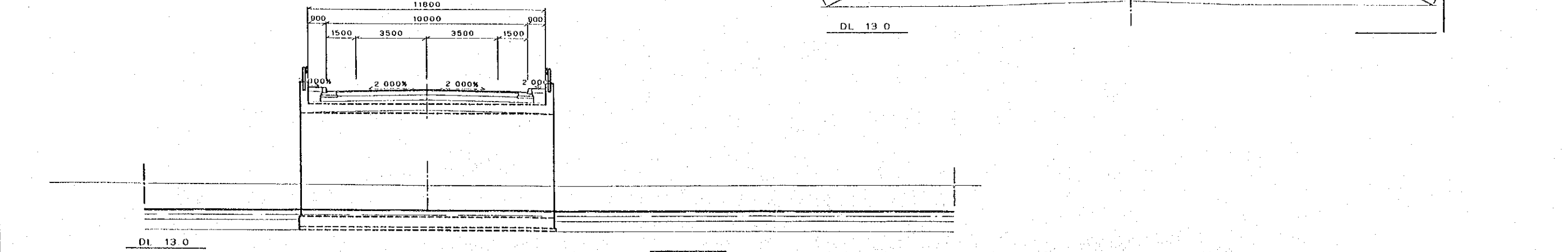


STA. 2+25
GH-16.3
PH-21.073

STA. 2+75
GH-14.5
PH-22.573



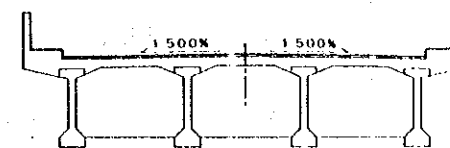
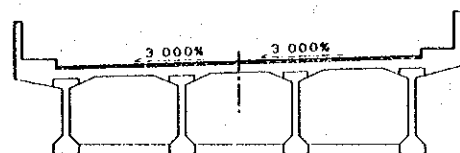
STA. 2+15.8
GH-16.1
PH-20.787



CROSS SECTION (4) SCALE 1 200

STA. 3+95.7
 GI+15.6
 PI+26.193

STA. 3+50
 GI+16.0
 PI+24.823



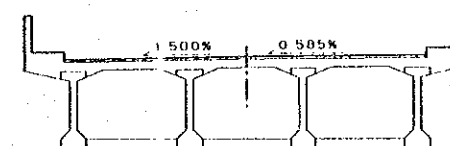
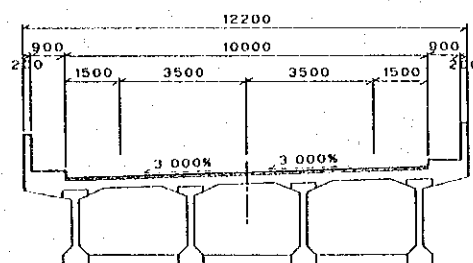
DL 15.0

DL 15.0

3150

STA. 3+75
 GI+16.3
 PI+25.573

STA. 3+25
 GI+15.0
 PI+24.073



DL 14.0

DL 15.0

JAPAN INTERNATIONAL
 COOPERATION AGENCY

BASIC DESIGN STUDY REPORT ON
 THE PROJECT FOR
 CONSTRUCTION OF A BRIDGE OVER THE MEKONG RIVER
 IN THE KINGDOM OF CAMBODIA

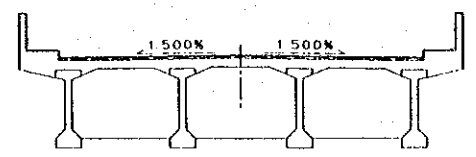
CROSS SECTION (4)

SCALE
 1:200

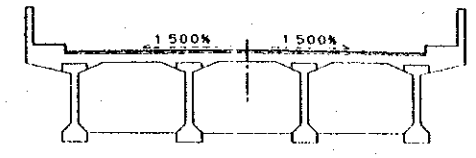
DWG No
 25

CROSS SECTION (5) SCALE 1:200

STA. 15+21.3
GH-13.8
PH-24.172



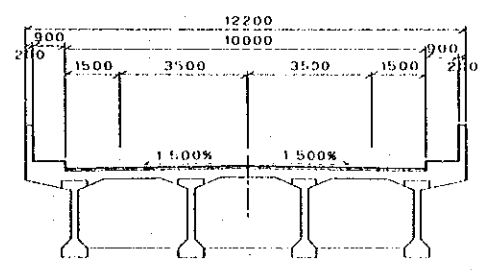
STA. 15+50
GH-14.2
PH-23.023



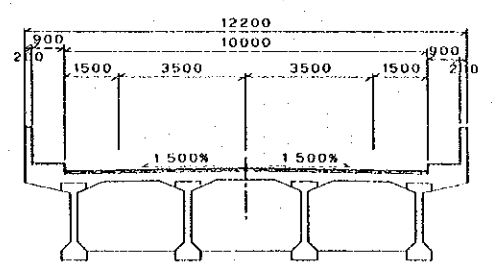
DL 13.0

DL 13.0

STA. 15+25
GH-13.0
PH-24.023



STA. 4+0.9
GH-15.7
PH-26.351



DL 13.0

DL 14.0

JAPAN INTERNATIONAL COOPERATION AGENCY

BASIC DESIGN STUDY REPORT ON THE PROJECT FOR CONSTRUCTION OF A BRIDGE OVER THE MEKONG RIVER IN THE KINGDOM OF CAMBODIA

CROSS SECTION (5)

SCALE 1:200

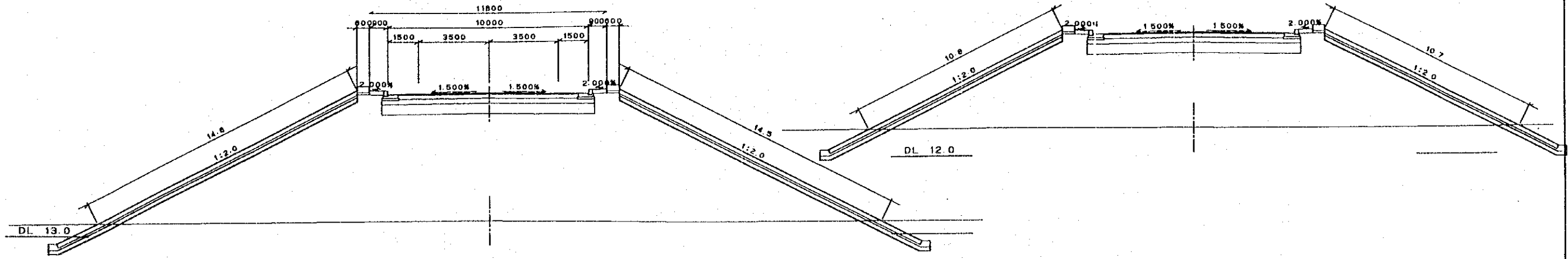
DWG No. 26

MEKONG

CROSS SECTION (6) SCALE 1:200

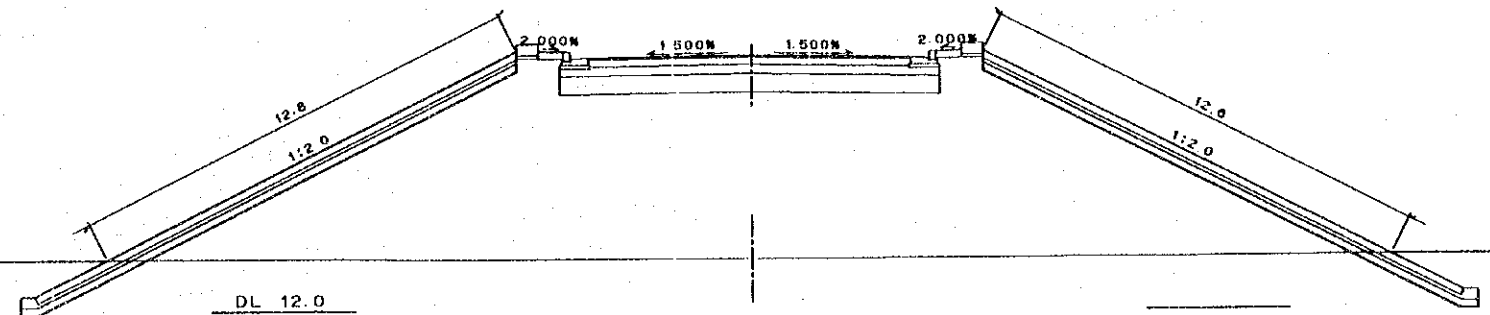
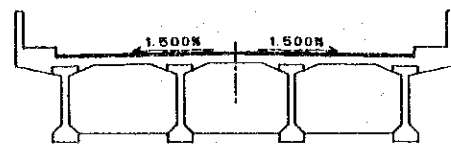
STA. 16+75
 GH=13.4
 PH=18.023

STA. 16+25
 GH=13.7
 PH=20.023

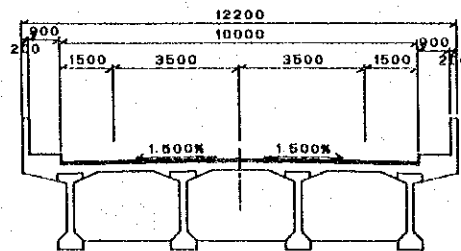


STA. 16
 GH=13.9
 PH=21.023

STA. 16+50
 GH=13.4
 PH=18.023



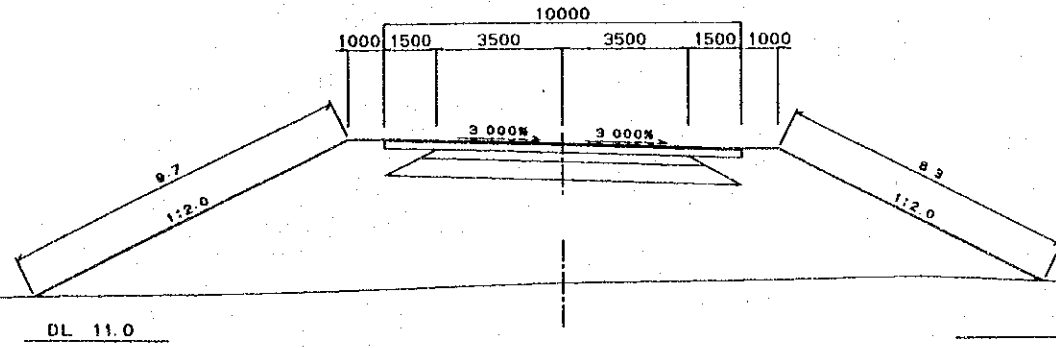
STA. 15+75
 GH=14.2
 PH=22.023



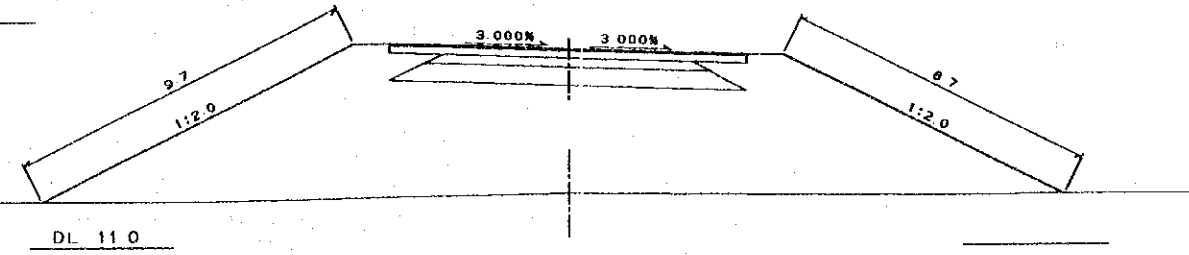
ME-0105

CROSS SECTION (7) SCALE 1:200

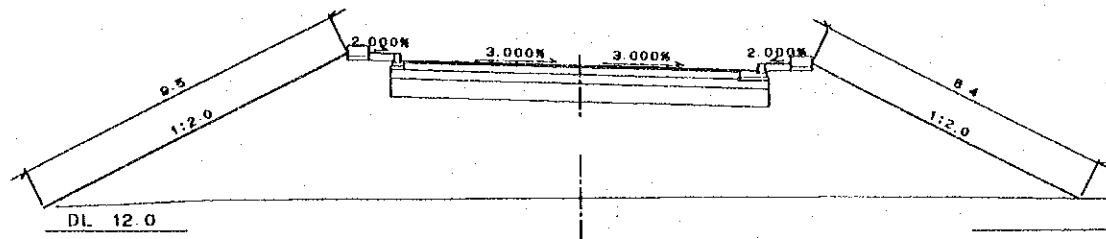
STA. 17+50
GH-12.8
PH-16.400



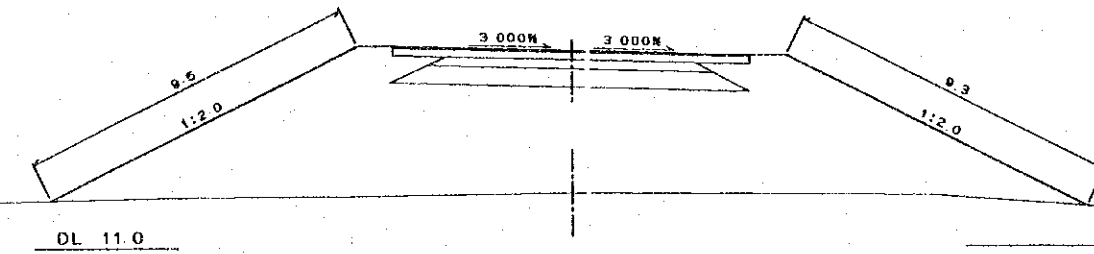
STA. 18
GH-12.5
PH-16.400



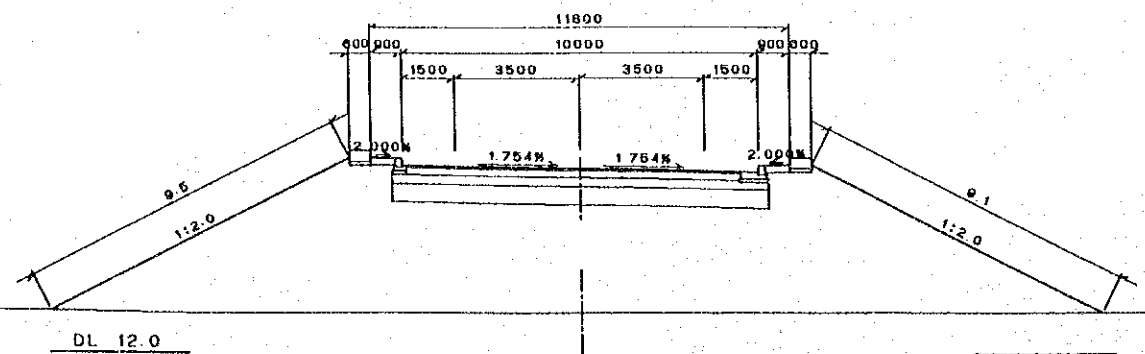
STA. 17+25
GH-12.9
PH-16.541



STA. 17+75
GH-11.5
PH-16.400



STA. 17
GH-13.1
PH-17.092



JAPAN INTERNATIONAL
COOPERATION AGENCY

BASIC DESIGN STUDY REPORT ON
THE PROJECT FOR
CONSTRUCTION OF A BRIDGE OVER THE MEKONG RIVER
IN THE KINGDOM OF CAMBODIA

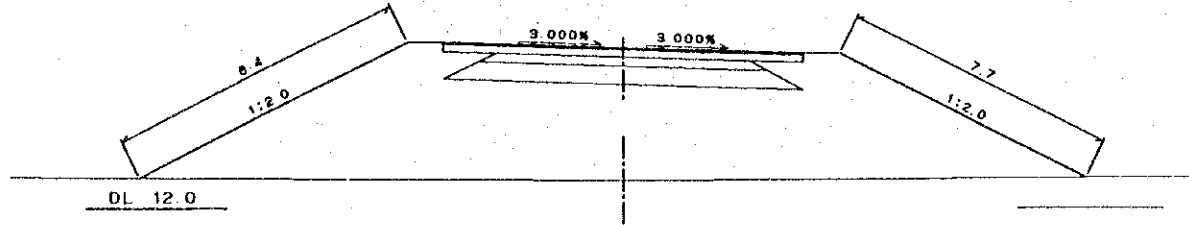
CROSS SECTION (7)

SCALE 1:200
DWG No. 28

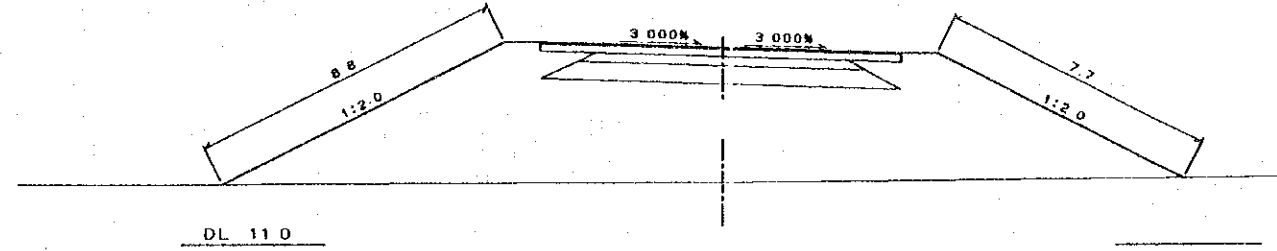
MF-0427

CROSS SECTION (8) SCALE 1:200

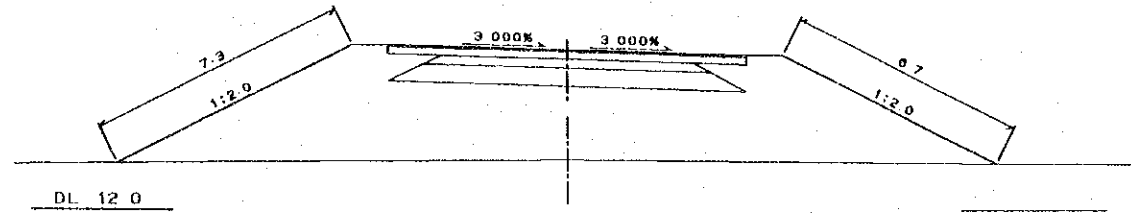
STA. 18+75
GH=12.8
PH=16.400



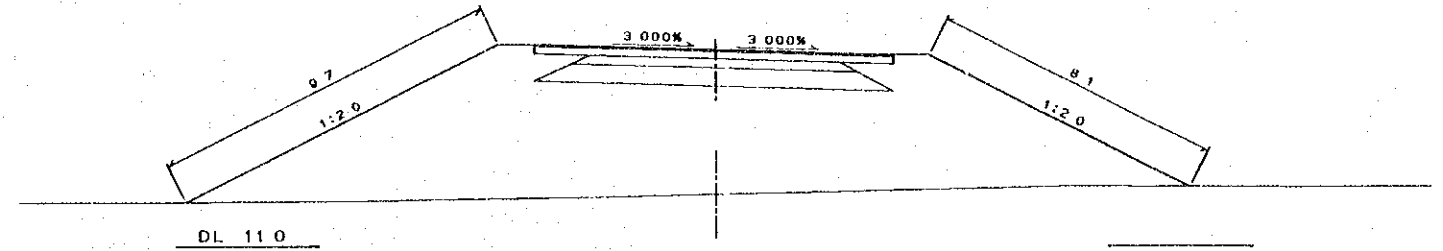
STA. 19+25
GH=12.7
PH=16.400



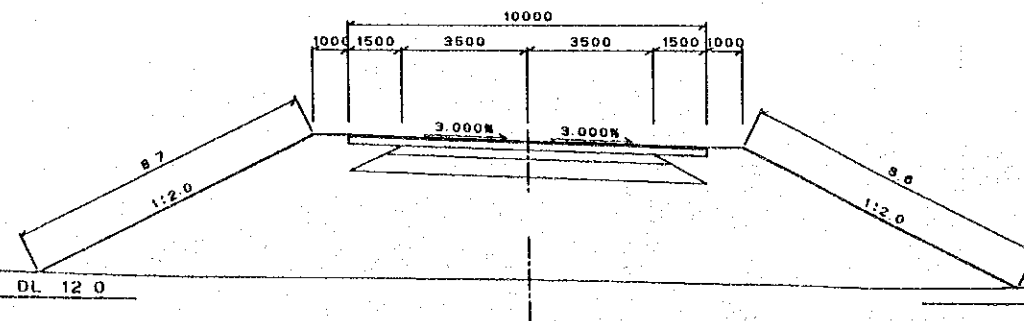
STA. 18+50
GH=13.4
PH=16.400



STA. 19
GH=12.4
PH=16.400



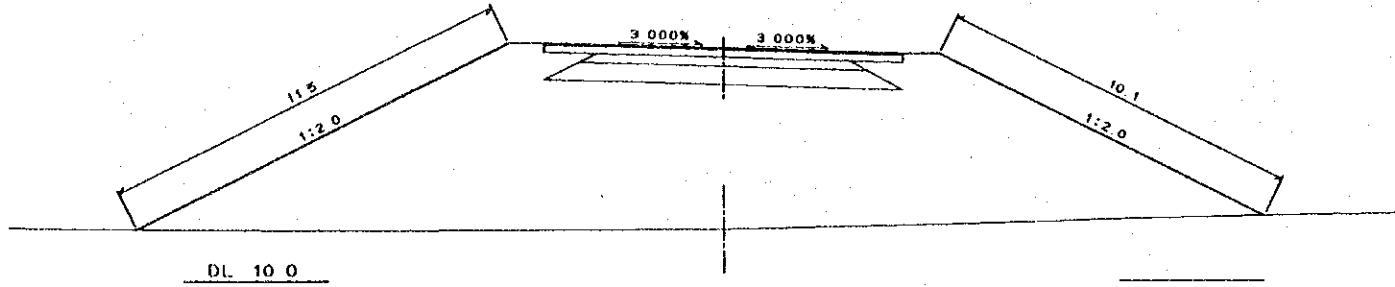
STA. 18+25
GH=12.8
PH=16.400



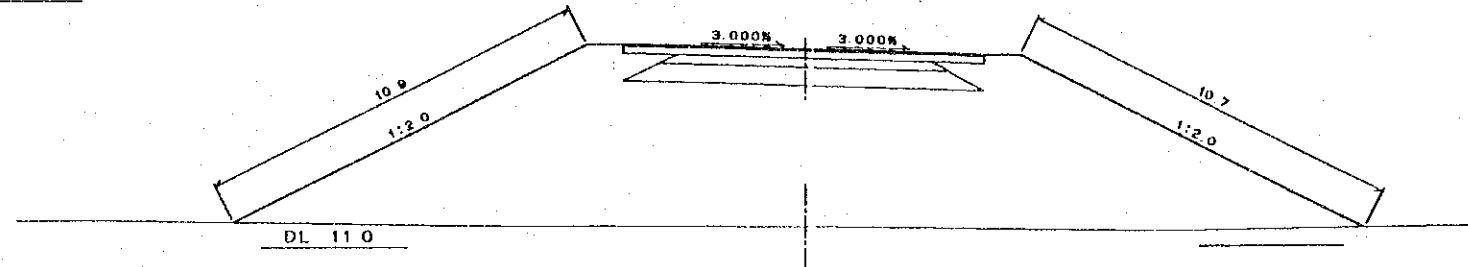
REF-CURVE

CROSS SECTION (9) SCALE 1:200

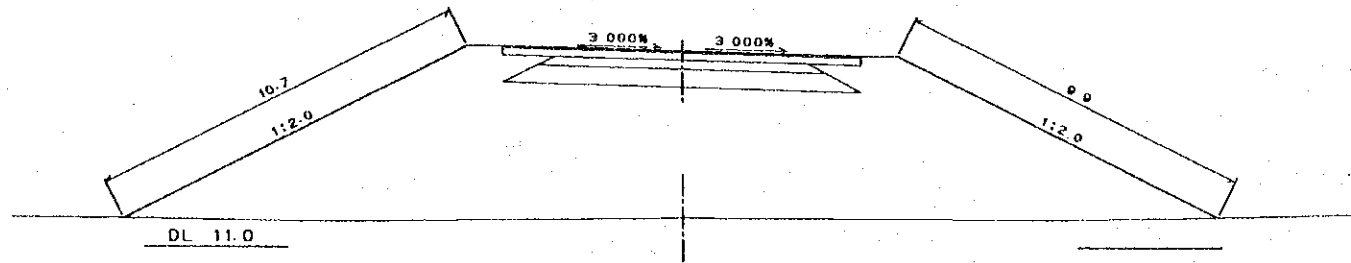
STA. 20
GH=11.5
PH=16.400



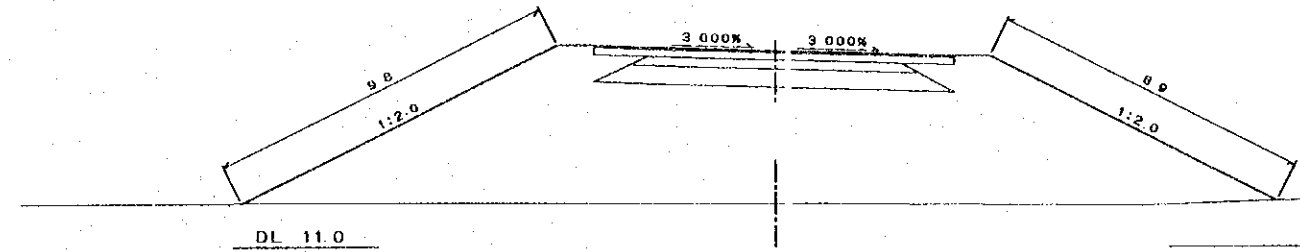
STA. 20+50
GH=11.6
PH=16.400



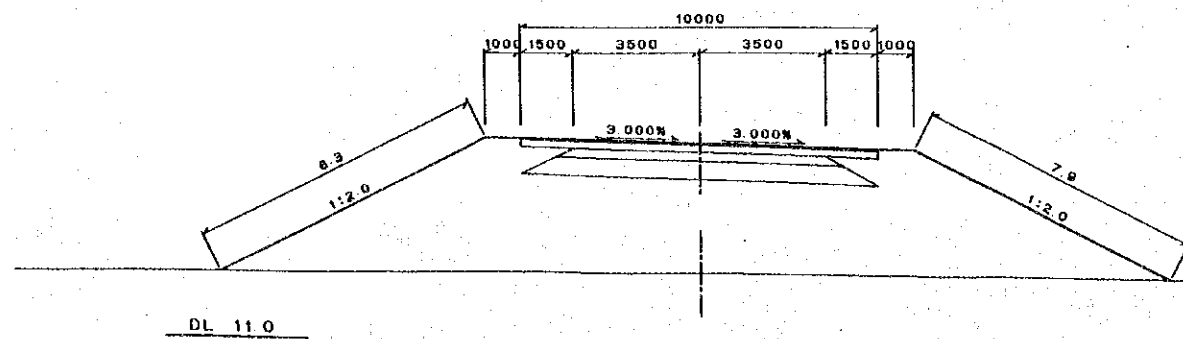
STA. 10+75
GH=11.6
PH=16.400



STA. 20+25
GH=11.2
PH=16.400



STA. 10+50
GH=12.8
PH=16.400



JAPAN INTERNATIONAL
COOPERATION AGENCY

BASIC DESIGN STUDY REPORT ON
THE PROJECT FOR
CONSTRUCTION OF A BRIDGE OVER THE MEKONG RIVER
IN THE KINGDOM OF CAMBODIA

CROSS SECTION (9)

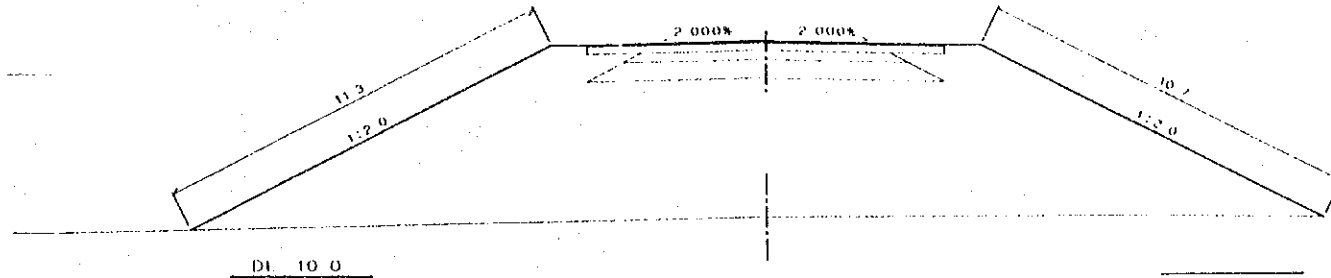
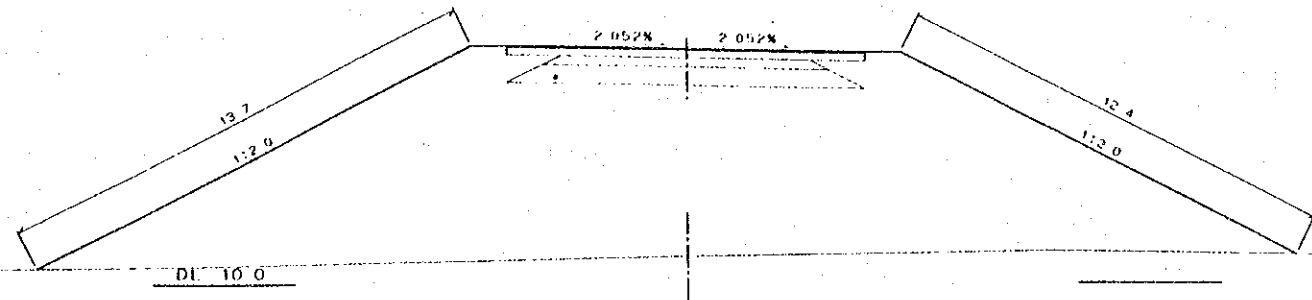
SCALE 1:200
DWG. No. 30

ME-0105

STA. 21+25
GH-10 B
PH-16 400

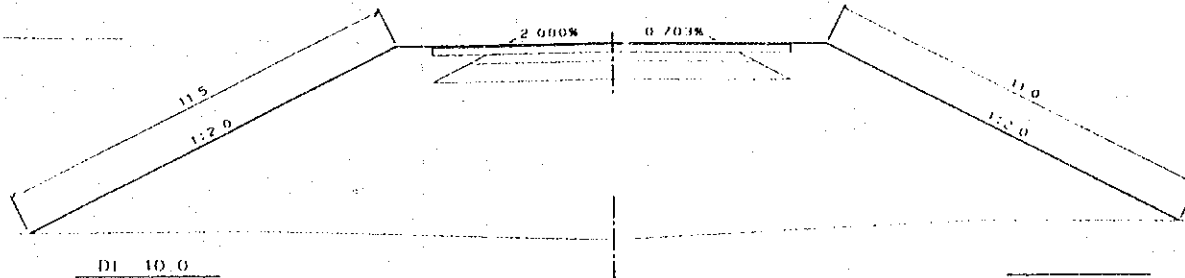
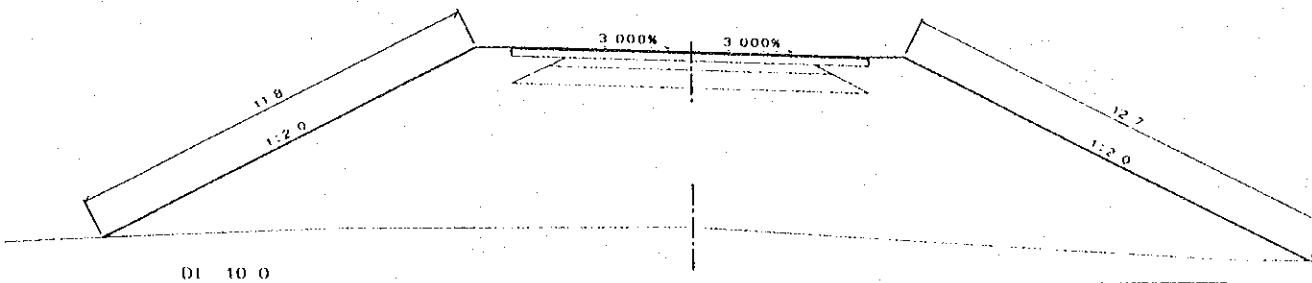
CROSS SECTION (10) SCALE 1:200

STA. 21+75
GH-11 G
PH-16 400

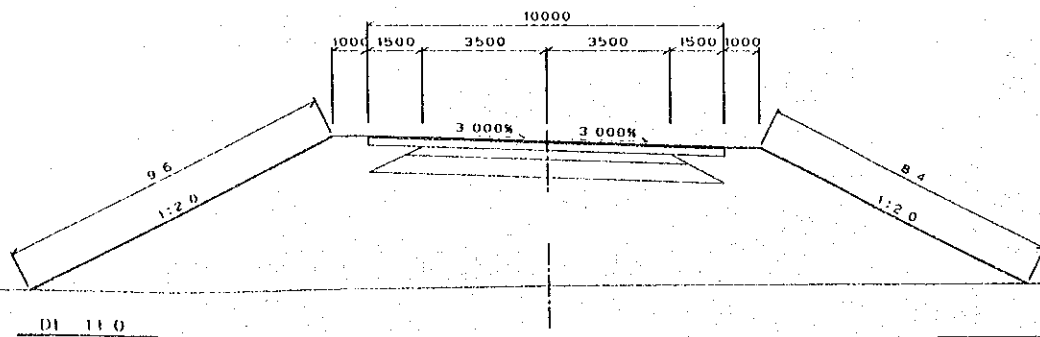


STA. 21
GH-11 G
PH-16 400

STA. 21+50
GH-11 G
PH-16 400



STA. 20+75
GH-12 4
PH-16 400



JAPAN INTERNATIONAL
COOPERATION AGENCY

BASIC DESIGN STUDY REPORT ON
THE PROJECT FOR
CONSTRUCTION OF A BRIDGE OVER THE MEKONG RIVER
IN THE KINGDOM OF CAMBODIA

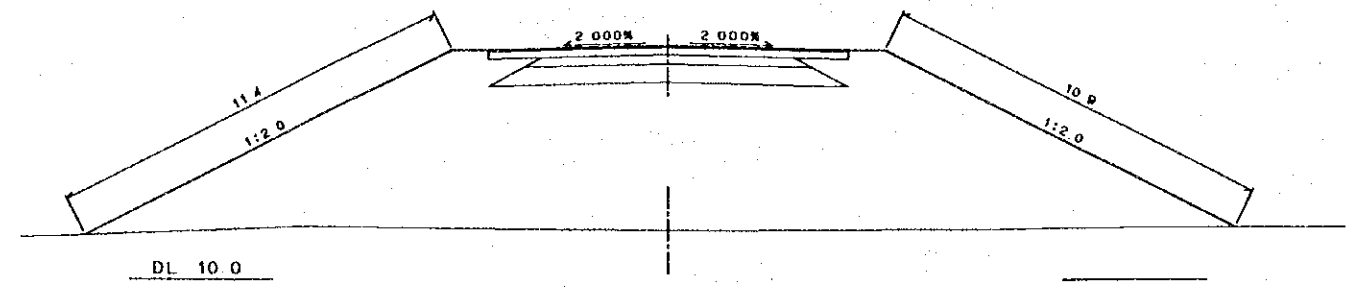
CROSS SECTION (10)

SCALE
1:200

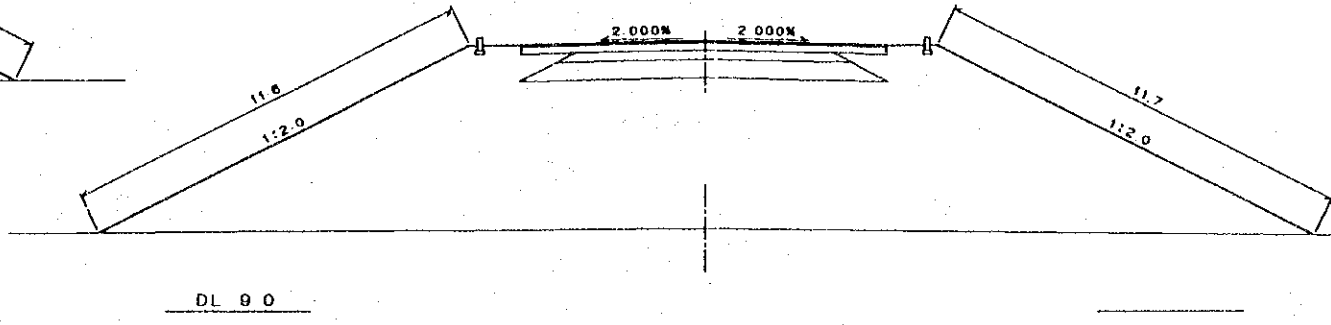
DWG No
31

CROSS SECTION (11) SCALE 1:200

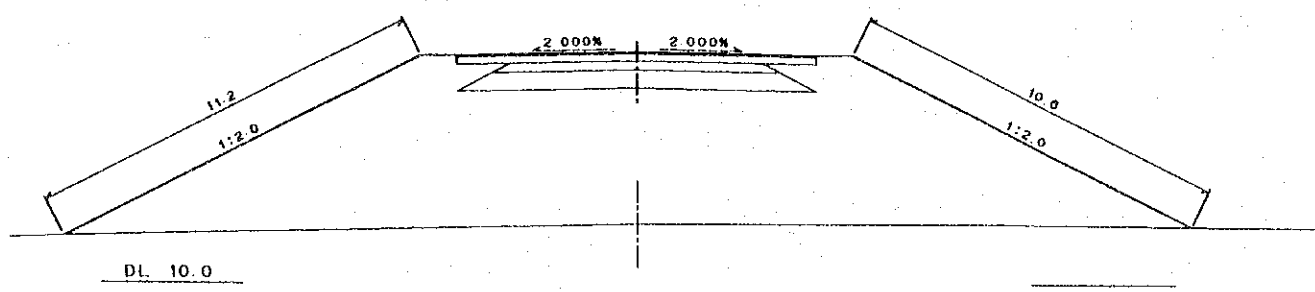
STA. 22+48.3
GH=11.4
PH=16.400



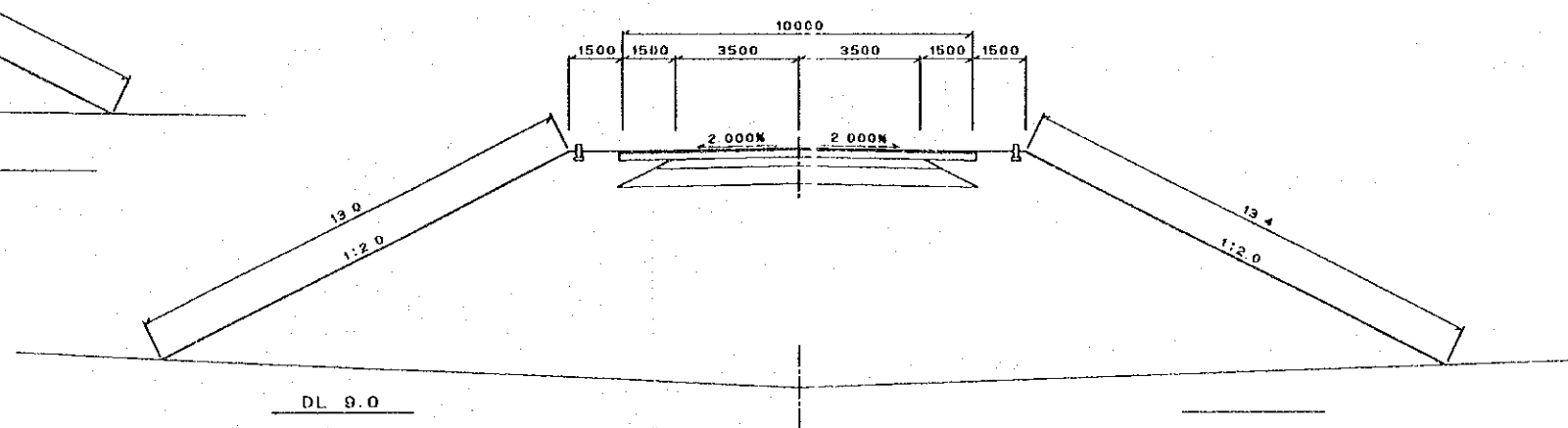
STA. 25+41.8
GH=11.3
PH=16.400



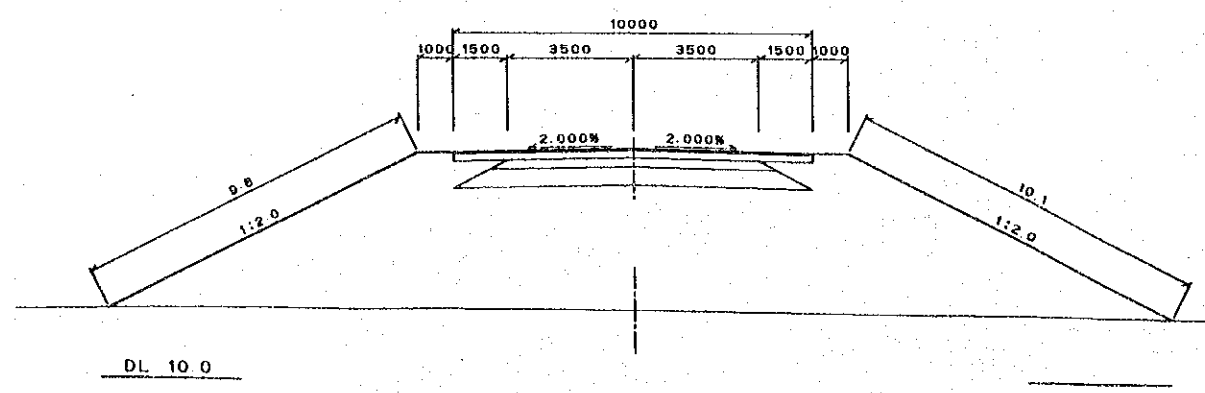
STA. 22+25
GH=11.7
PH=16.400



STA. 24+91.8
GH=9.7
PH=16.400



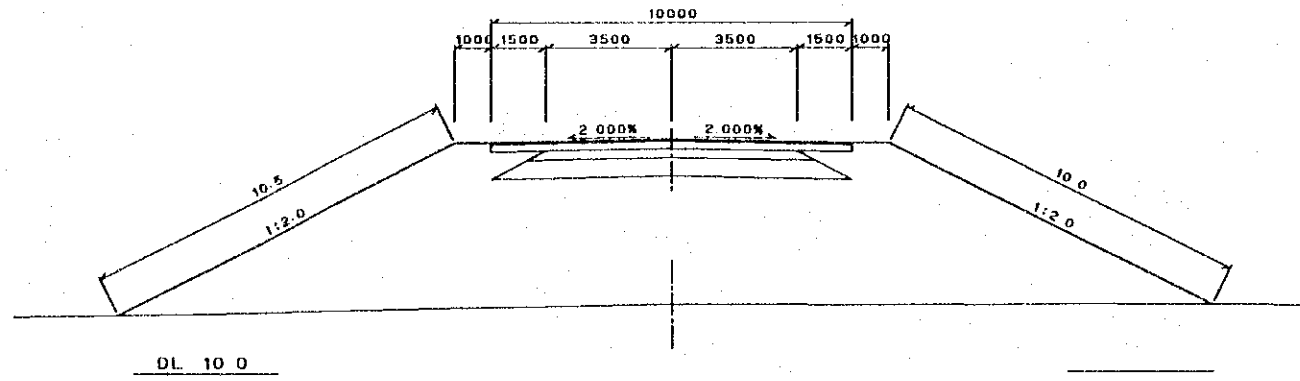
STA. 22
GH=12.0
PH=16.400



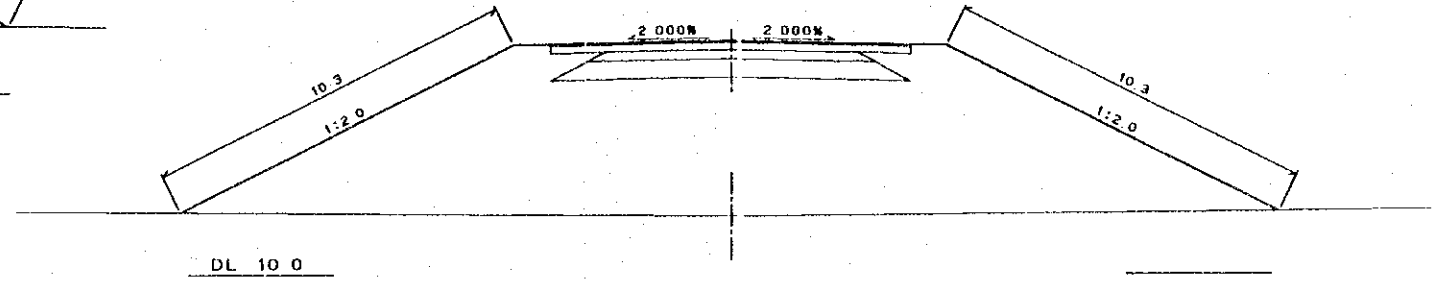
ME-DWG.11

CROSS SECTION (12) SCALE 1:200

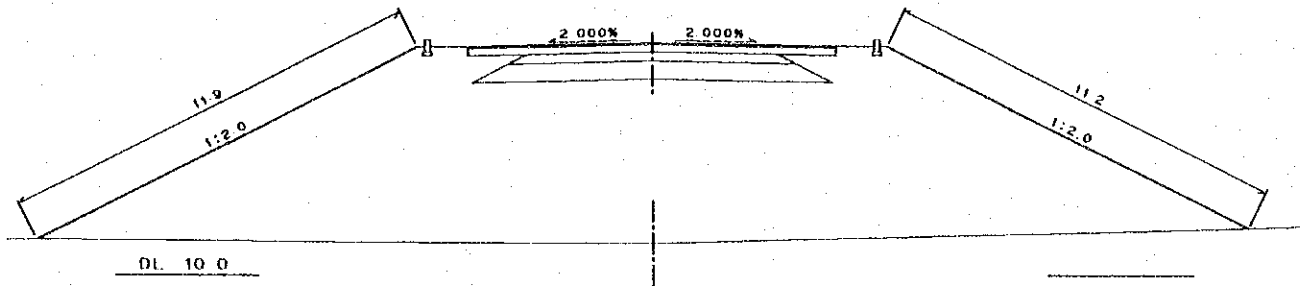
STA. 27+41.8
GH=11.9
PH=16.400



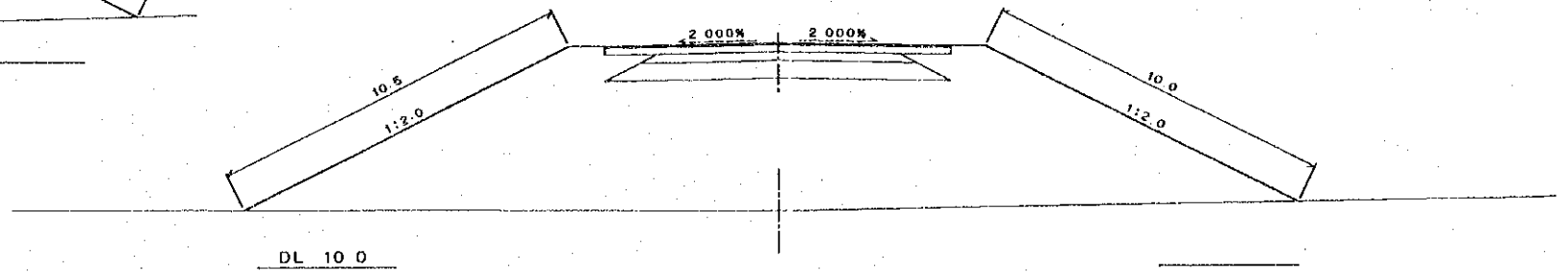
STA. 29+01.8
GH=11.6
PH=16.400



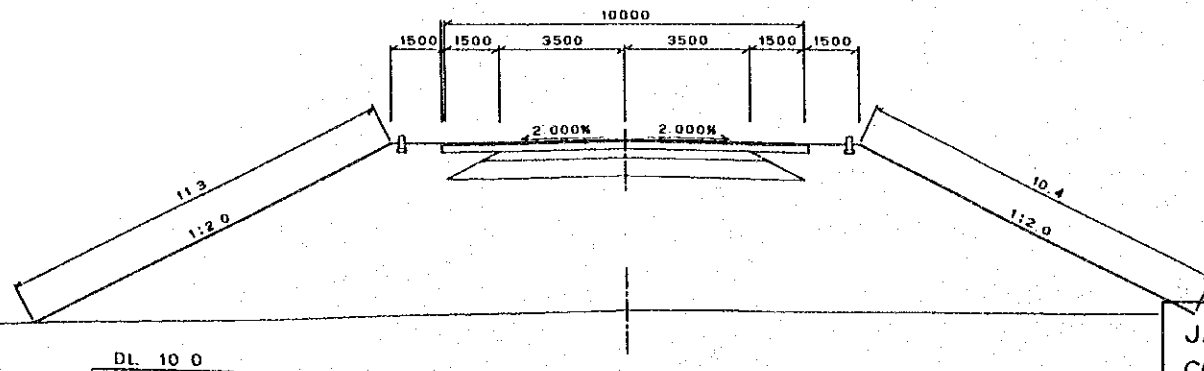
STA. 26+41.8
GH=10.9
PH=16.400



STA. 28+41.8
GH=11.6
PH=11.400



STA. 25+91.8
GH=11.7
PH=16.400



JAPAN INTERNATIONAL
COOPERATION AGENCY

BASIC DESIGN STUDY REPORT ON
THE PROJECT FOR
CONSTRUCTION OF A BRIDGE OVER THE MEKONG RIVER
IN THE KINGDOM OF CAMBODIA

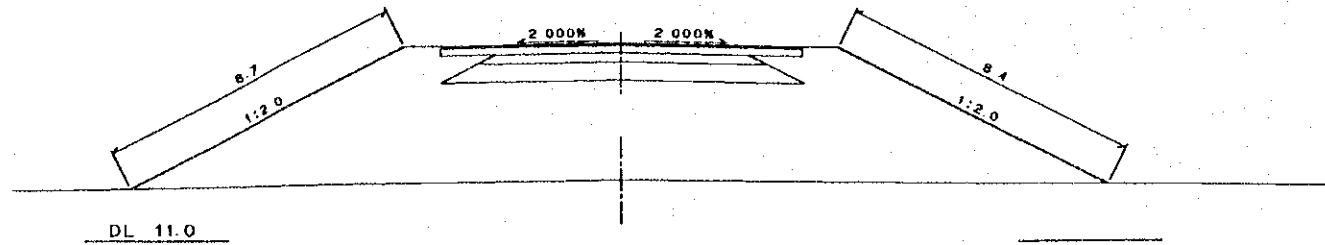
CROSS SECTION (12)

SCALE 1:200
DWG. No. 33

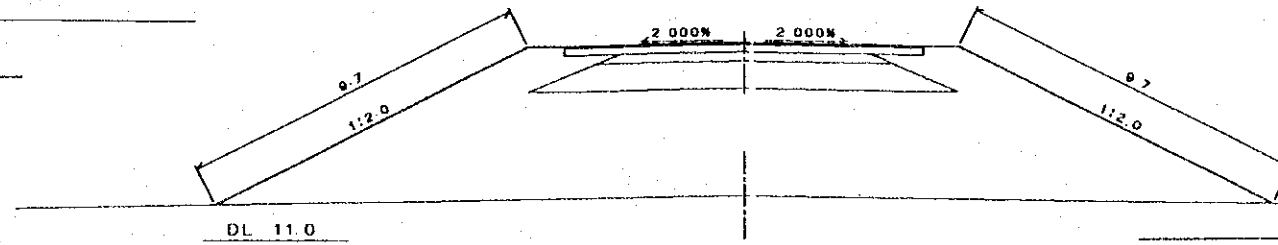
MF-001.12

CROSS SECTION (13) SCALE 1:200

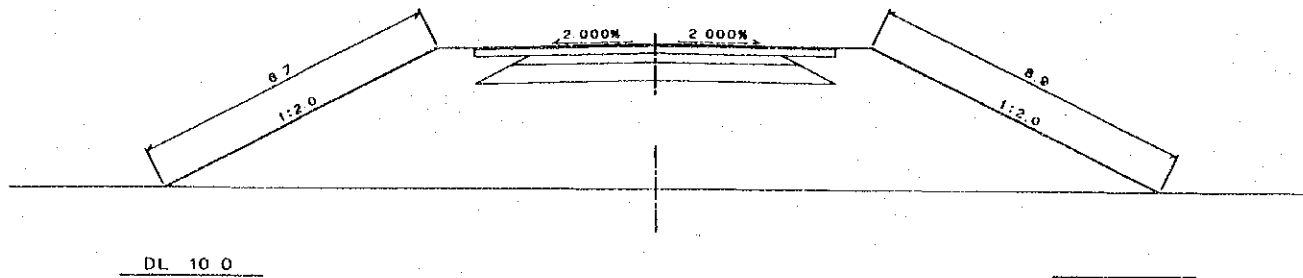
STA. 31+41.8
 GH=12.7
 PH=16.400



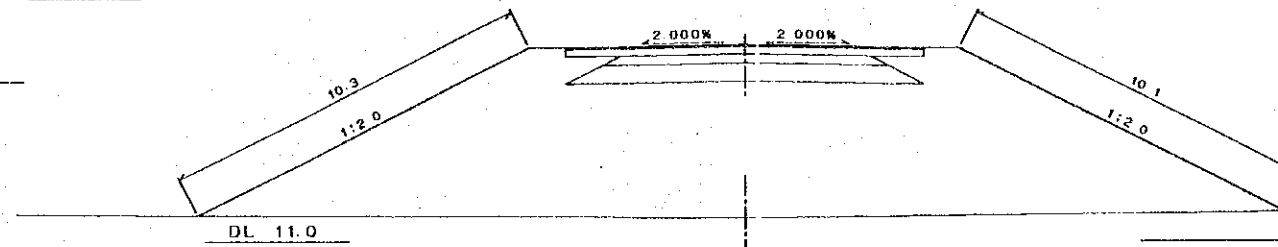
STA. 32+41.8
 GH=2.2
 PH=16.400



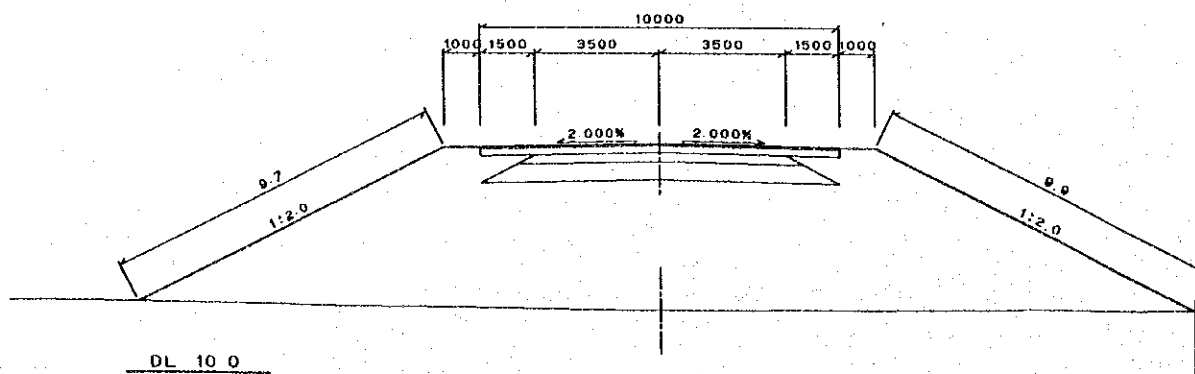
STA. 30+01.8
 GH=12.4
 PH=16.400



STA. 31+01.8
 GH=11.7
 PH=16.400



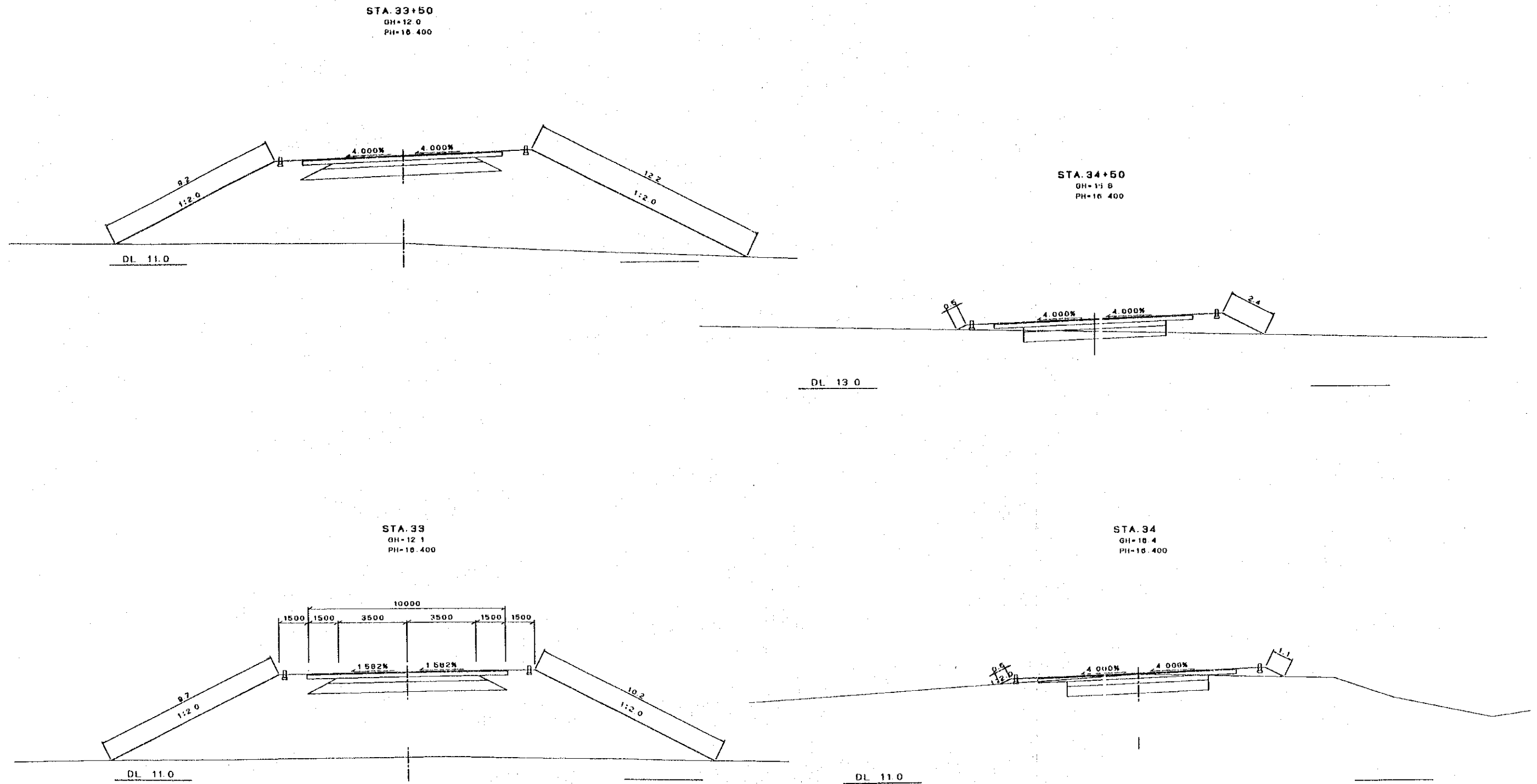
STA. 30+41.8
 GH=11.8
 PH=16.400



JAPAN INTERNATIONAL COOPERATION AGENCY	BASIC DESIGN STUDY REPORT ON THE PROJECT FOR CONSTRUCTION OF A BRIDGE OVER THE MEKONG RIVER IN THE KINGDOM OF CAMBODIA	CROSS SECTION (13)	SCALE 1:200	DWG No. 34
---	---	--------------------	----------------	---------------

ME-00013

CROSS SECTION (14) SCALE 1:200

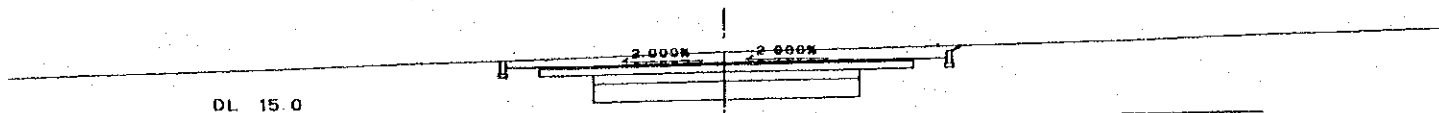


ME-01014

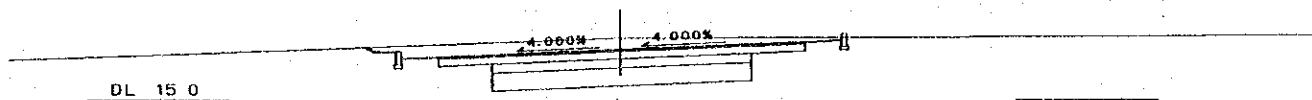
<p>JAPAN INTERNATIONAL COOPERATION AGENCY</p>	<p>BASIC DESIGN STUDY REPORT ON THE PROJECT FOR CONSTRUCTION OF A BRIDGE OVER THE MEKONG RIVER IN THE KINGDOM OF CAMBODIA</p>	<p>CROSS SECTION (14)</p>	<p>SCALE 1:200</p>	<p>DWG.No. 35</p>
---	---	---------------------------	------------------------	-----------------------

CROSS SECTION (15) SCALE 1:200

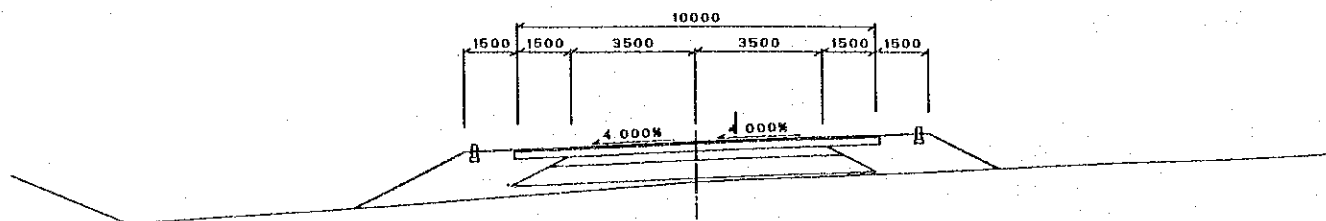
STA. 35+96.5
 GH=16.7
 PH=16.400



STA. 35+50
 GH=16.7
 PH=16.400



STA. 35
 GH=15.3
 PH=16.400

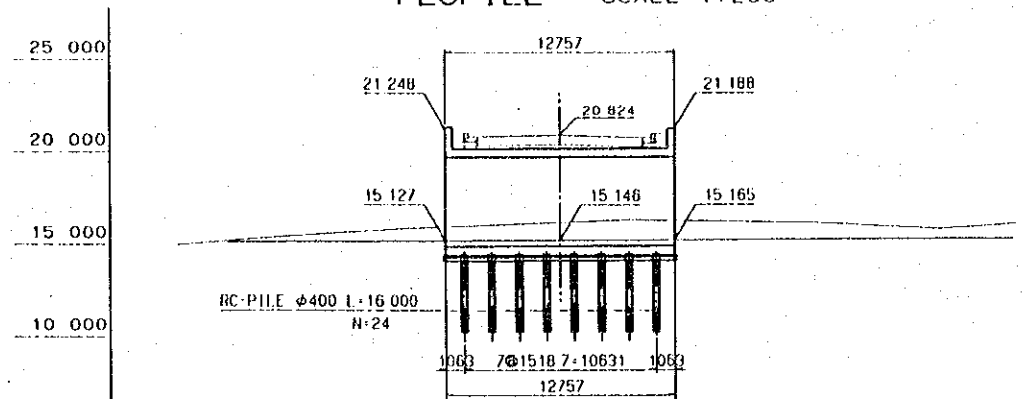


JAPAN INTERNATIONAL COOPERATION AGENCY	BASIC DESIGN STUDY REPORT ON THE PROJECT FOR CONSTRUCTION OF A BRIDGE OVER THE MEKONG RIVER IN THE KINGDOM OF CAMBODIA	CROSS SECTION (15)	SCALE 1:200	DWG.No. 36
---	---	--------------------	----------------	---------------

ME-CUD.15

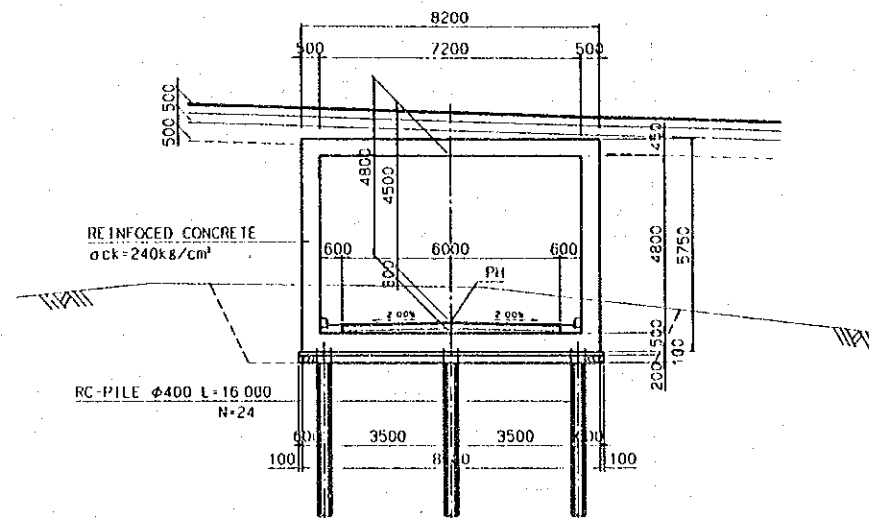
GENERAL LAYOUT OF BOX-CULVERT

PROFILE SCALE 1:200



DL = 5 000	15.090		$L = 0.302\%$ $L = 36.400$		15.200	
GRADIENT						
PROPOSED HEIGHT	15.090	15.115	15.127	15.146	15.165	15.200
GROUND HEIGHT	15.16	15.71	15.88	16.10	16.22	15.90
ACCUMULATED DISTANCE	8.400	10.000	6.379	0.000	6.376	8.000
STATION	0+18.40	0+10.00	0+6.379	0+0.00	0+6.376	0+18.00

A - A SECTION SCALE 1:100



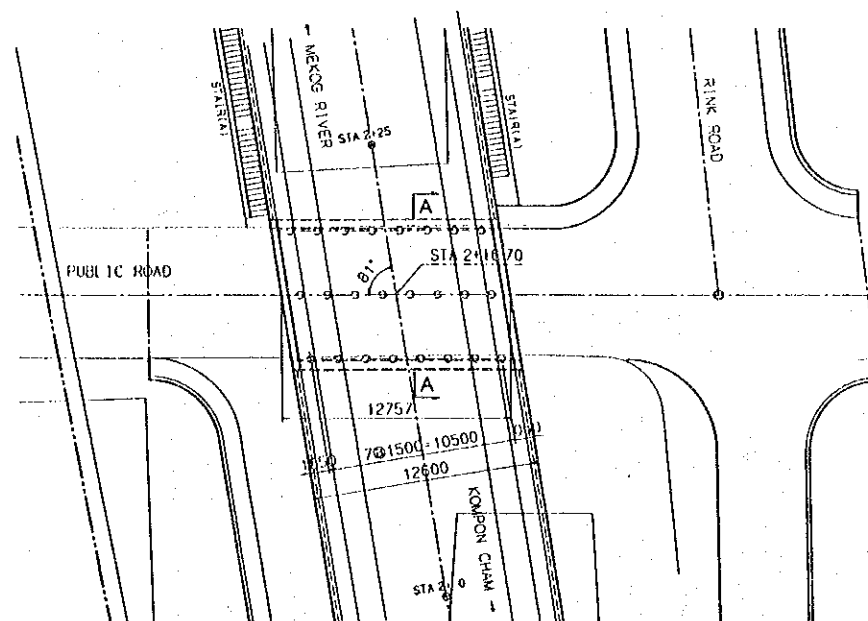
DESIGN CONDITION

INSIDE LENGTH	WIDTH	W = 2 000m
EARTH COVERING DEPTH	DEPTH	D = 0.500 - 1.070m
VERTICAL LOAD	EARTH PRESSURE	By EARTH COVERING
	LIVE LOAD	By TRUCK
HORIZONTAL LOAD	EARTH PRESSURE	By EARTH PRESSURE AT HEAD
	LOAD	1.00/m²
UNIT WEIGHT	SOIL	1.800t/m³
	REINFORCED CONCRETE	2.500t/m³
IMPACT COEFFICIENT		0.0 - 0.3
TEMPERATURE CHANGE COEFFICIENT		
SEISMIC COEFFICIENT		
PARTICULAR LOAD		
ANGLE OF SKEW		01° 00' 00"

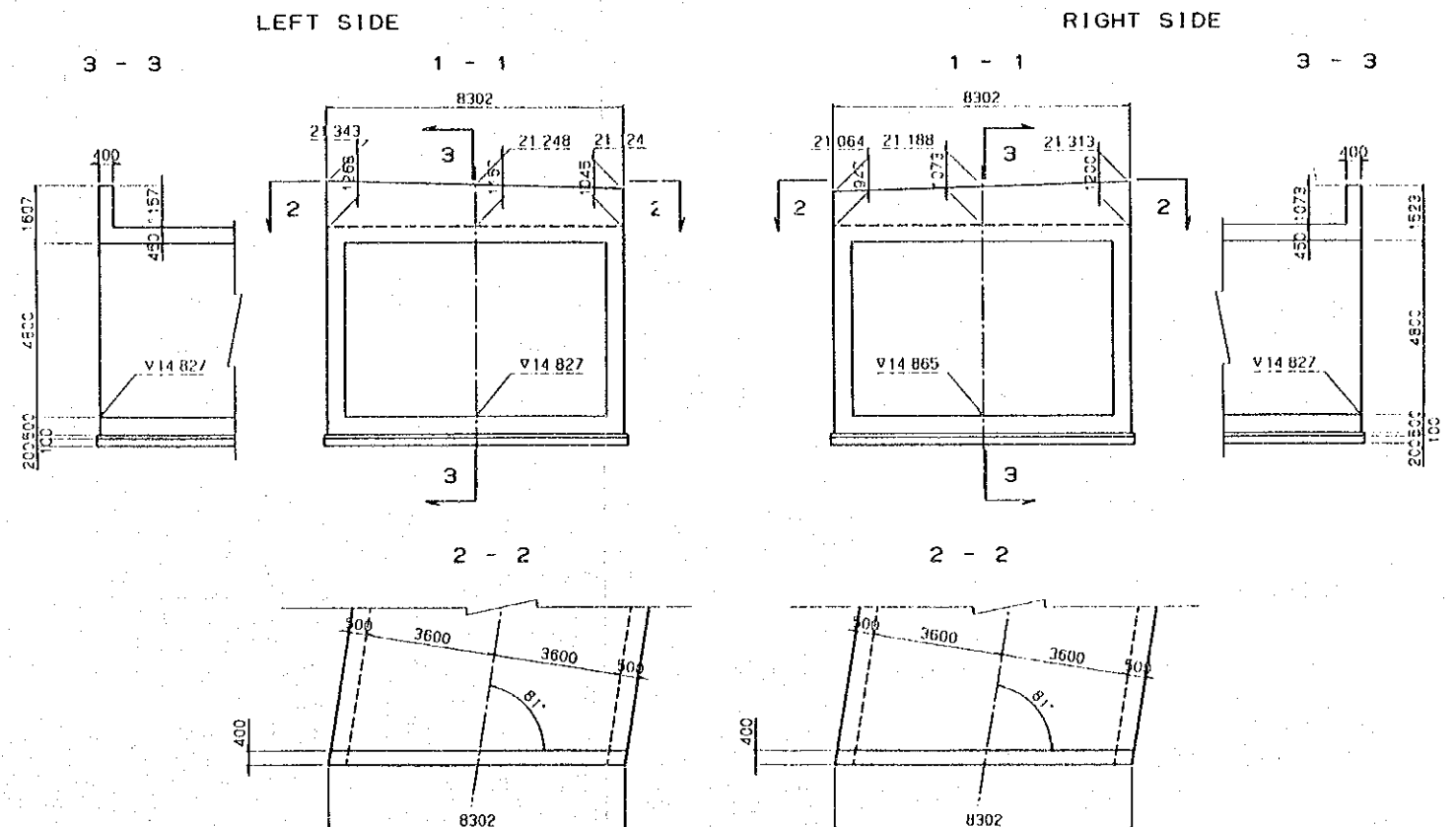
MATERIAL STRENGTH

CONCRETE	
COMPRESSIVE STRENGTH AT 28 DAYS	240 kg/cm²
ALLOWABLE BENDING COMPRESSIVE STRESS	80 kg/cm²
ALLOWABLE SHEARING STRESS	3.9 kg/cm²
ALLOWABLE BONDING STRESS	16 kg/cm²
MAXIMUM SIZE OF GRAVEL	25 mm
REINFORCEMENT BAR	
TENSILE STRENGTH AT YIELD POINT	3.000 kg/cm²
ALLOWABLE TENSILE STRESS	1.800 kg/cm²

PLAN SCALE 1:200

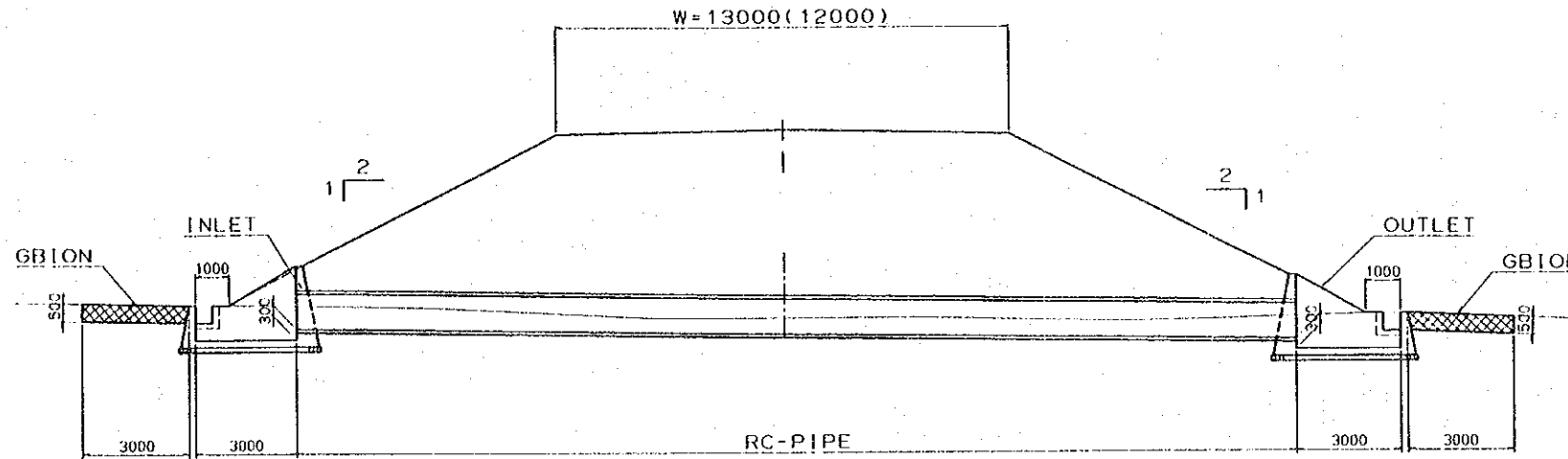


W I N G SCALE 1:100

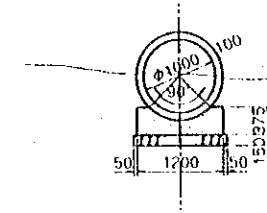


GENERAL LAYOUT OF PIPE-CULVERT

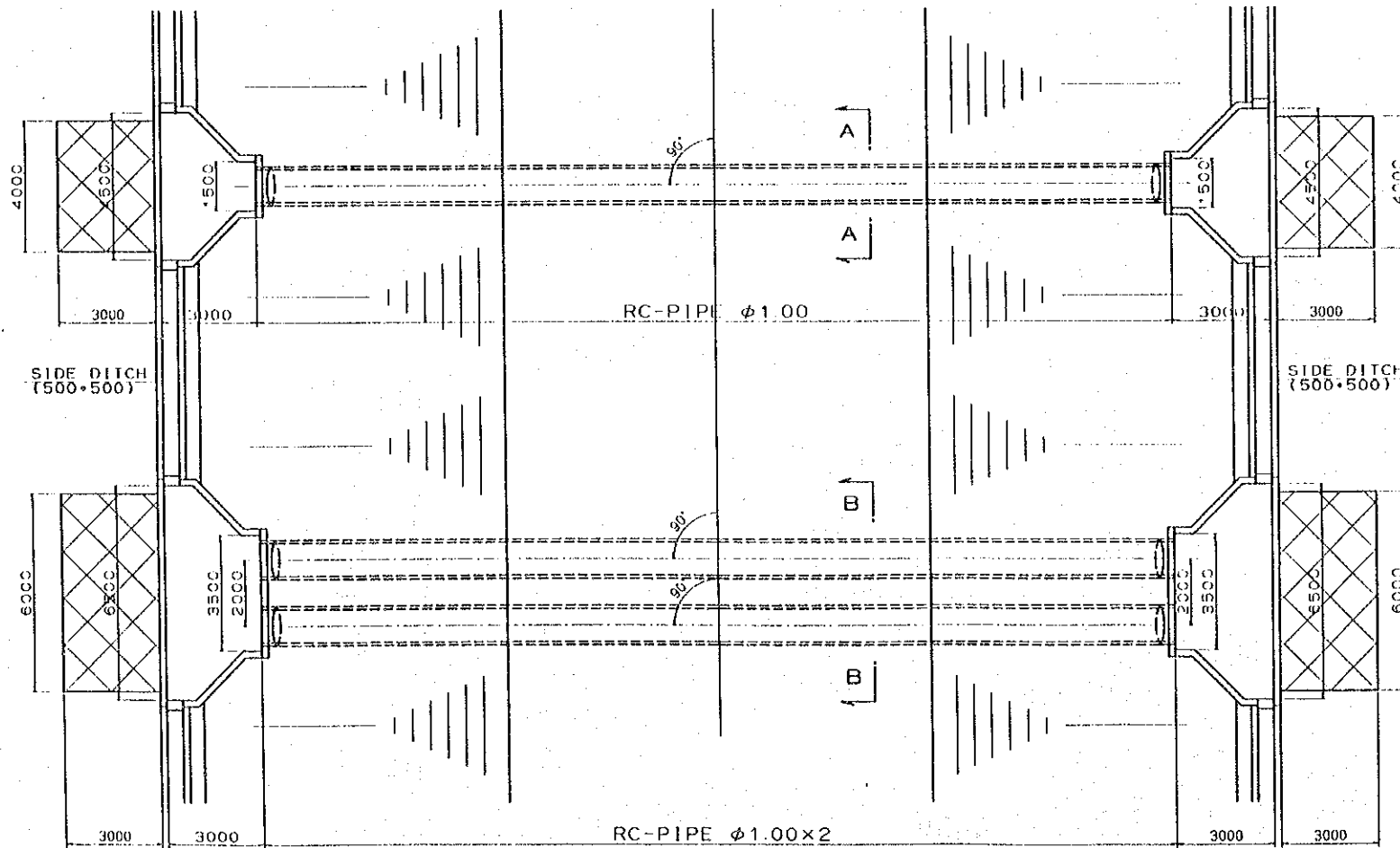
PROFILE SCALE 1/100



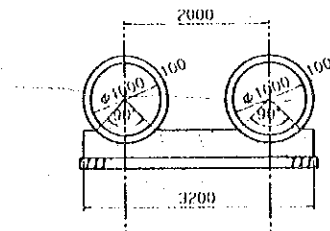
A-A SECTION SCALE 1/50



PLAN SCALE 1/100



B-B SECTION SCALE 1/50



LIST OF PIPE-CULVERT

STATION	TYPE	PIPE LENGTH	REMARKS
STA 19+90	SIGLE	27.0m	
STA 21+15	SIGLE	30.4m	
STA 23+30	SIGLE	28.7m	
STA 26+50	DOUBLE	28.0+2=56.0m	
STA 31+0	DOUBLE	23.2+2=46.4m	
STA 33+70	DOUBLE	20.5+2=41.0m	

DETAILS OF PIPE-CULVERT INLET/OUTLET

SCALE 1:50

RC-PIPE $\phi 1.00 \times 1$

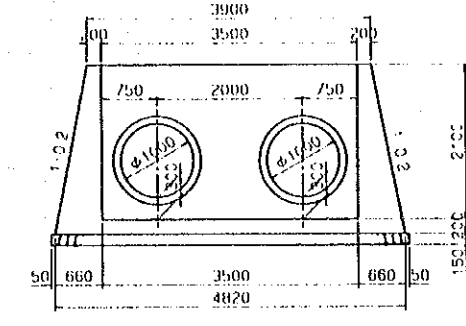
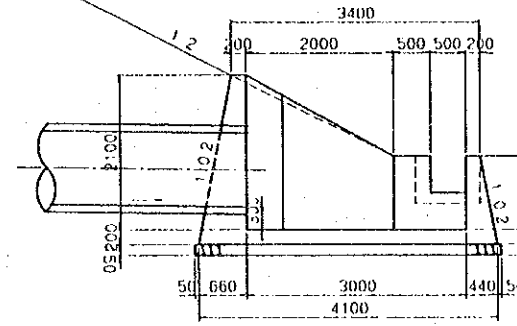
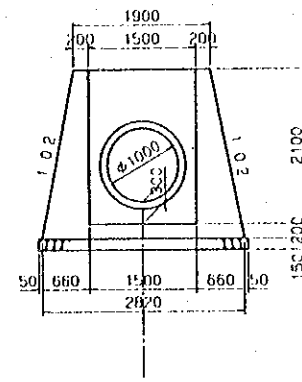
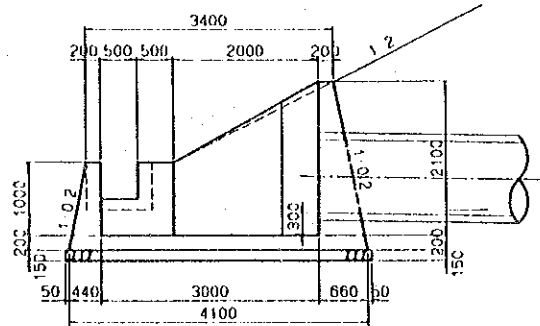
RC-PIPE $\phi 1.00 \times 2$

1 - 1

2 - 2

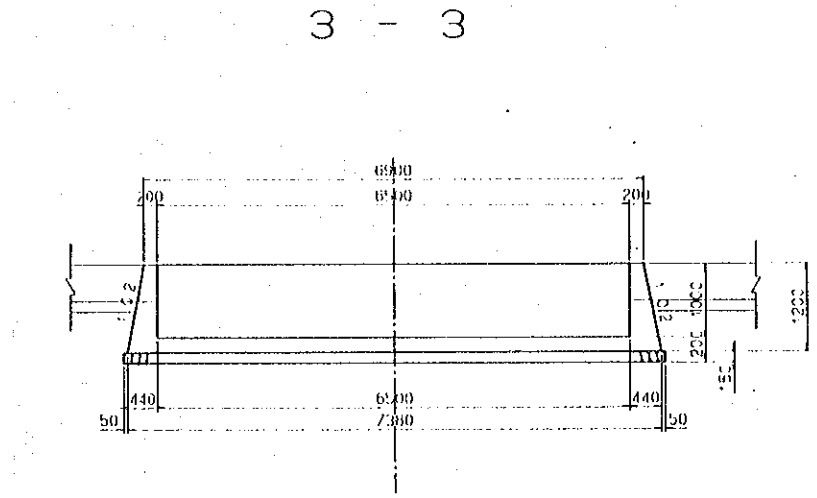
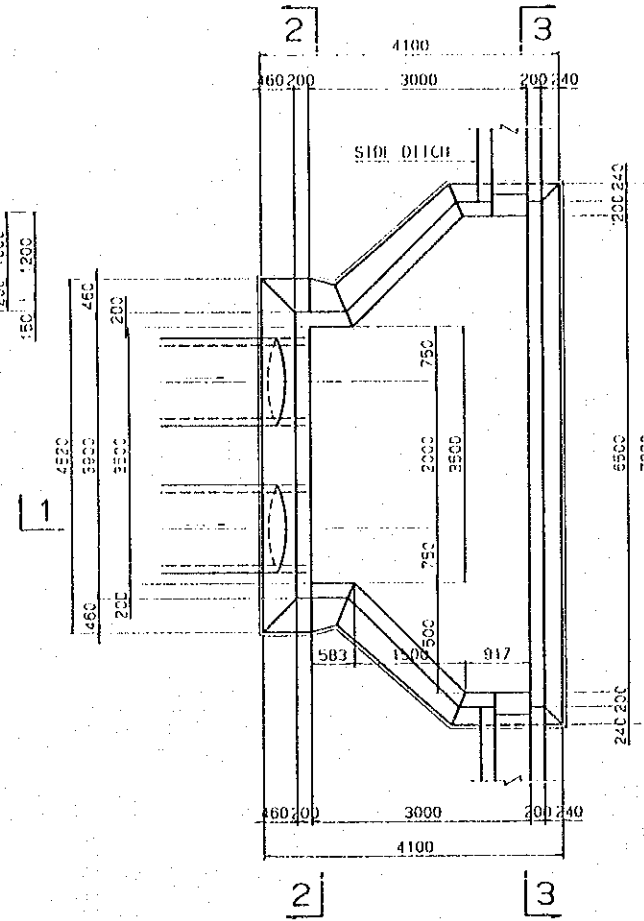
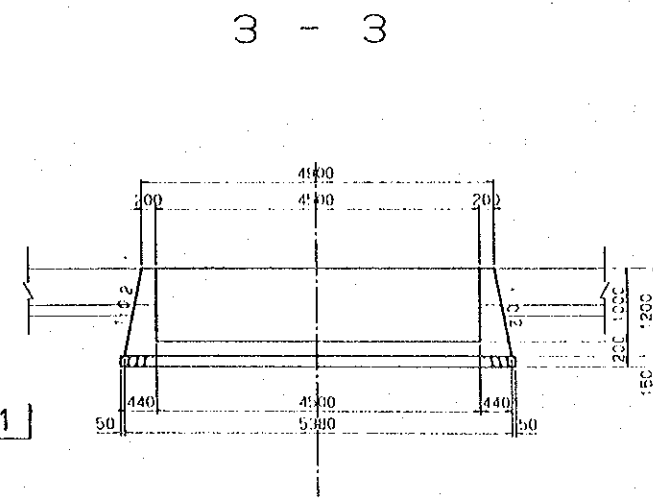
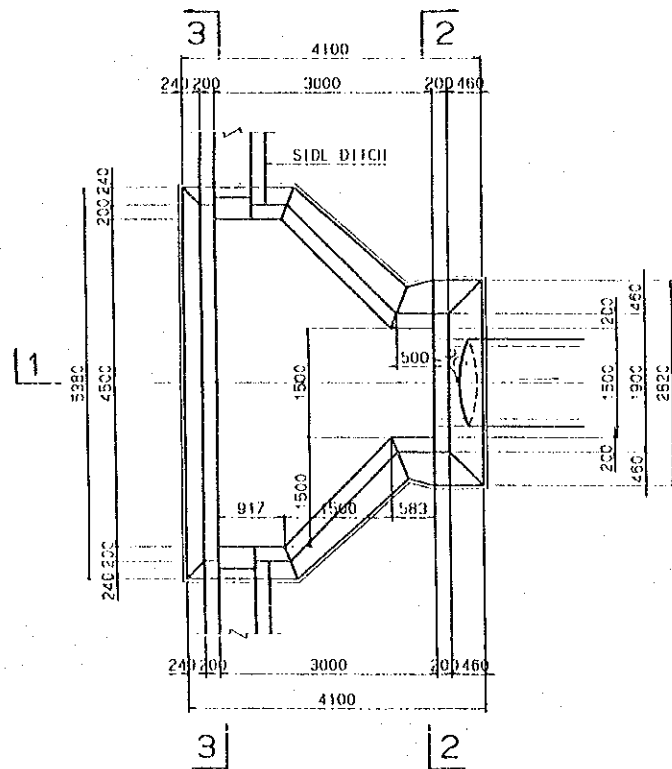
1 - 1

2 - 2



PLAN

PLAN



JICA