

S1-7-8

**Number of Primary Pairs Required per Exchange Area
in accordance with the Fulfillment Plan**



SI-7-8 Number of Primary Pairs required per Exchange Area in accordance with the Fulfillment Plan

| Area | Center Name | 1995 | 1997 | 1998 | 1999 | 2000 | 2001 | 2002 | 2003 | 2004 | 2005 |
|--------------|-----------------|---------|---------|---------|---------|---------|---------|---------|---------|---------|---------|
| Aleppo City | Aljinnicheh | 55,030 | 55,460 | 55,920 | 56,460 | 56,920 | 57,050 | 57,050 | 57,190 | 57,190 | 57,320 |
| Aleppo City | Alsbale | 20,490 | 25,410 | 30,210 | 35,240 | 40,370 | 41,180 | 42,010 | 42,820 | 43,660 | 44,470 |
| Aleppo City | Kan-Abwazec | 33,720 | 38,750 | 43,790 | 48,920 | 54,270 | 55,000 | 55,810 | 56,750 | 57,560 | 58,430 |
| Aleppo City | Alshlymaneyeh | 28,130 | 29,350 | 30,590 | 31,910 | 33,160 | 33,490 | 33,560 | 33,830 | 33,970 | 34,240 |
| Aleppo City | Hananaw | 16,040 | 23,870 | 31,670 | 39,610 | 47,870 | 49,110 | 50,450 | 51,710 | 53,080 | 54,430 |
| Aleppo City | Alanari | 25,460 | 26,570 | 27,700 | 28,920 | 30,160 | 30,290 | 30,460 | 30,700 | 30,860 | 31,100 |
| Aleppo City | Alhandaneyeh | 22,520 | 26,870 | 31,240 | 35,690 | 40,280 | 40,960 | 41,660 | 42,440 | 43,150 | 43,980 |
| Aleppo City | (New Area) | 13,800 | 20,300 | 26,350 | 32,700 | 39,340 | 40,340 | 41,530 | 42,280 | 43,610 | 44,470 |
| Aleppo City | <<TOTAL>> | 215,190 | 246,580 | 277,500 | 309,450 | 342,370 | 347,330 | 352,540 | 357,720 | 363,080 | 368,390 |
| Aleppo Rural | Alhab | 4,290 | 4,750 | 5,080 | 5,410 | 5,750 | 5,890 | 5,990 | 6,020 | 6,130 | 6,160 |
| Aleppo Rural | Manbey | 4,910 | 5,370 | 5,700 | 5,940 | 6,160 | 6,290 | 6,430 | 6,430 | 6,560 | 6,560 |
| Aleppo Rural | Sfera | 3,860 | 4,100 | 4,430 | 4,670 | 4,780 | 4,780 | 4,910 | 4,910 | 5,050 | 5,050 |
| Aleppo Rural | Efreen | 3,620 | 3,700 | 3,860 | 3,970 | 4,080 | 4,080 | 4,210 | 4,210 | 4,210 | 4,210 |
| Aleppo Rural | Aczaz | 3,540 | 3,540 | 3,650 | 3,650 | 3,650 | 3,650 | 3,650 | 3,650 | 3,650 | 3,650 |
| Aleppo Rural | Eia Al Arab | 2,540 | 3,210 | 3,670 | 4,130 | 4,560 | 4,700 | 4,830 | 4,970 | 5,080 | 5,190 |
| Aleppo Rural | Jarablos | 2,350 | 3,240 | 3,920 | 4,590 | 5,160 | 5,300 | 5,540 | 5,670 | 5,810 | 5,940 |
| Aleppo Rural | Tal Refaet | 1,270 | 1,380 | 1,490 | 1,490 | 1,490 | 1,490 | 1,510 | 1,510 | 1,510 | 1,510 |
| Aleppo Rural | Daret Ezra | 810 | 1,000 | 1,130 | 1,270 | 1,380 | 1,380 | 1,400 | 1,400 | 1,510 | 1,510 |
| Aleppo Rural | Nabbel | 1,320 | 1,540 | 1,860 | 2,110 | 2,320 | 2,350 | 2,350 | 2,350 | 2,480 | 2,480 |
| Aleppo Rural | Marca | 780 | 1,000 | 1,220 | 1,570 | 1,780 | 1,810 | 1,810 | 1,810 | 1,910 | 1,910 |
| Aleppo Rural | Jendares | 730 | 950 | 1,160 | 1,270 | 1,510 | 1,510 | 1,510 | 1,510 | 1,510 | 1,650 |
| Aleppo Rural | Atarcb | 730 | 950 | 1,160 | 1,270 | 1,510 | 1,510 | 1,510 | 1,510 | 1,510 | 1,650 |
| Aleppo Rural | Heatan | 540 | 650 | 860 | 970 | 1,080 | 1,110 | 1,110 | 1,110 | 1,110 | 1,130 |
| Aleppo Rural | Dier Hafra | 540 | 650 | 860 | 970 | 1,110 | 1,110 | 1,110 | 1,110 | 1,110 | 1,230 |
| Aleppo Rural | Maknach | 510 | 650 | 760 | 860 | 970 | 970 | 1,110 | 1,110 | 1,110 | 1,110 |
| Aleppo Rural | Shickhaied | 300 | 410 | 620 | 730 | 970 | 970 | 970 | 970 | 970 | 1,110 |
| Aleppo Rural | Hadder | 300 | 410 | 620 | 730 | 970 | 970 | 970 | 970 | 970 | 1,110 |
| Aleppo Rural | Soran | 410 | 510 | 760 | 860 | 970 | 970 | 970 | 1,110 | 1,110 | 1,110 |
| Aleppo Rural | Alrac | 1,510 | 1,510 | 1,620 | 1,620 | 1,620 | 1,620 | 1,620 | 1,620 | 1,620 | 1,620 |
| Aleppo Rural | Akarica | 2,050 | 2,050 | 2,050 | 2,050 | 2,160 | 2,160 | 2,160 | 2,160 | 2,160 | 2,160 |
| Aleppo Rural | Rajo | 140 | 140 | 140 | 140 | 140 | 140 | 140 | 140 | 140 | 140 |
| Aleppo Rural | Maabatic | 160 | 160 | 160 | 160 | 270 | 270 | 270 | 270 | 270 | 270 |
| Aleppo Rural | Alkafsch | 190 | 190 | 300 | 300 | 300 | 410 | 410 | 410 | 410 | 410 |
| Aleppo Rural | Alzarah | 300 | 300 | 300 | 300 | 410 | 410 | 410 | 410 | 410 | 410 |
| Aleppo Rural | Bulbul | 140 | 140 | 140 | 140 | 140 | 140 | 140 | 140 | 140 | 140 |
| Aleppo Rural | Shuckhe | 140 | 140 | 140 | 140 | 140 | 140 | 140 | 140 | 140 | 140 |
| Aleppo Rural | Kanaset | 140 | 140 | 140 | 140 | 140 | 140 | 140 | 140 | 140 | 140 |
| Aleppo Rural | Abou Kolkul | 140 | 140 | 140 | 140 | 140 | 140 | 140 | 140 | 140 | 140 |
| Aleppo Rural | Sharan | 30 | 30 | 30 | 140 | 140 | 140 | 140 | 140 | 140 | 140 |
| Aleppo Rural | Kandoua | 140 | 140 | 140 | 140 | 140 | 140 | 140 | 140 | 140 | 140 |
| Aleppo Rural | Sreen | 160 | 160 | 160 | 160 | 270 | 270 | 270 | 270 | 270 | 270 |
| Aleppo Rural | Azimeh | 30 | 30 | 30 | 140 | 140 | 140 | 140 | 140 | 140 | 140 |
| Aleppo Rural | Rasm Horned | 30 | 30 | 30 | 140 | 140 | 140 | 140 | 140 | 140 | 140 |
| Aleppo Rural | Kouthero Sharki | 30 | 30 | 30 | 140 | 140 | 140 | 140 | 140 | 140 | 140 |
| Aleppo Rural | Banan | 140 | 140 | 140 | 140 | 140 | 140 | 140 | 140 | 140 | 140 |
| Aleppo Rural | Abicee | 30 | 30 | 30 | 140 | 140 | 140 | 140 | 140 | 140 | 140 |
| Aleppo Rural | Wadachi | 30 | 30 | 30 | 140 | 140 | 140 | 140 | 140 | 140 | 140 |
| Aleppo Rural | Tal Shkib | 30 | 30 | 30 | 140 | 140 | 140 | 140 | 140 | 140 | 140 |
| Aleppo Rural | Meselmich | 30 | 30 | 30 | 140 | 140 | 140 | 140 | 140 | 140 | 140 |
| Aleppo Rural | Absenou | 160 | 160 | 160 | 160 | 270 | 270 | 270 | 270 | 270 | 270 |
| Aleppo Rural | Abica | 160 | 160 | 160 | 160 | 270 | 270 | 270 | 270 | 270 | 270 |
| Aleppo Rural | Hasyjan | 160 | 160 | 160 | 160 | 270 | 270 | 270 | 270 | 270 | 270 |
| Aleppo Rural | Kofer Hamra | 30 | 30 | 30 | 140 | 140 | 140 | 140 | 140 | 140 | 140 |
| Aleppo Rural | Abicndat | 270 | 380 | 620 | 730 | 840 | 840 | 840 | 950 | 950 | 970 |
| Aleppo Rural | Bzazah | 410 | 510 | 760 | 860 | 970 | 970 | 970 | 1,110 | 1,110 | 1,110 |
| Aleppo Rural | Kabasicn | 410 | 510 | 760 | 860 | 970 | 970 | 970 | 1,110 | 1,110 | 1,110 |
| Aleppo Rural | Abou Jricn | 30 | 30 | 30 | 140 | 140 | 140 | 140 | 140 | 140 | 140 |
| Aleppo Rural | Tal Hassel | 160 | 160 | 160 | 160 | 270 | 270 | 270 | 270 | 270 | 270 |
| Aleppo Rural | Tal Icen | 160 | 160 | 160 | 160 | 270 | 270 | 270 | 270 | 270 | 270 |
| Aleppo Rural | Kofer Janch | 30 | 30 | 30 | 140 | 140 | 140 | 140 | 140 | 140 | 140 |
| Aleppo Rural | Basouta | 30 | 30 | 30 | 140 | 140 | 140 | 140 | 140 | 140 | 140 |
| Aleppo Rural | Bablonn | 30 | 30 | 30 | 140 | 140 | 140 | 140 | 140 | 140 | 140 |
| Aleppo Rural | Salte-Jeeen | 240 | 450 | 700 | 920 | 1,240 | 1,270 | 1,270 | 1,380 | 1,380 | 1,490 |
| Aleppo Rural | Zammar | 160 | 160 | 160 | 160 | 270 | 270 | 270 | 270 | 270 | 270 |
| Aleppo Rural | Tal Hedyah | 160 | 160 | 160 | 160 | 270 | 270 | 270 | 270 | 270 | 270 |
| Aleppo Rural | Tal Thanan | 300 | 410 | 620 | 730 | 970 | 970 | 970 | 1,000 | 1,000 | 1,110 |
| Aleppo Rural | Hajeb | 30 | 30 | 30 | 140 | 140 | 140 | 140 | 140 | 140 | 140 |
| Aleppo Rural | Tadef | 140 | 240 | 350 | 460 | 570 | 680 | 680 | 700 | 700 | 700 |
| Aleppo | <Rural TOTAL> | 42,010 | 47,410 | 53,730 | 59,690 | 65,620 | 66,610 | 67,560 | 68,550 | 69,630 | 70,520 |
| Aleppo | <City TOTAL> | 215,190 | 246,580 | 277,500 | 309,450 | 342,370 | 347,330 | 352,540 | 357,720 | 363,080 | 368,390 |
| Aleppo | <Aleppo Total> | 257,200 | 293,020 | 331,230 | 369,140 | 407,990 | 413,940 | 420,100 | 426,270 | 432,710 | 438,980 |

S1-7-8 Number of Primary Pairs required per Exchange Area in accordance with the Fulfillment Plan

| Area | Center Name | 1996 | 1997 | 1998 | 1999 | 2000 | 2001 | 2002 | 2003 | 2004 | 2005 |
|----------|---------------|--------|--------|--------|--------|---------|---------|---------|---------|---------|---------|
| Alhasaka | Hasakah | 25,520 | 27,320 | 29,110 | 30,560 | 32,560 | 32,830 | 33,210 | 33,480 | 33,750 | 34,050 |
| Alhasaka | Kamesjle | 20,980 | 25,460 | 30,130 | 34,480 | 39,740 | 40,280 | 41,120 | 41,800 | 42,500 | 43,440 |
| Alhasaka | Amodah | 2,570 | 2,810 | 3,130 | 3,480 | 3,700 | 3,700 | 3,830 | 3,830 | 3,940 | 3,970 |
| Alhasaka | Ras Alein | 2,920 | 3,130 | 3,350 | 3,460 | 3,700 | 3,810 | 3,810 | 3,810 | 3,830 | 3,940 |
| Alhasaka | Malkiah | 2,700 | 2,940 | 3,270 | 3,480 | 3,810 | 3,810 | 3,940 | 3,940 | 3,940 | 3,970 |
| Alhasaka | Derbasieh | 1,760 | 1,970 | 2,320 | 2,540 | 2,860 | 2,890 | 2,890 | 3,000 | 3,000 | 3,020 |
| Alhasaka | Shadadi | 810 | 1,030 | 1,380 | 1,590 | 1,920 | 1,940 | 1,940 | 2,050 | 2,080 | 2,080 |
| Alhasaka | Kahtaniah | 1,110 | 1,320 | 1,650 | 2,000 | 2,210 | 2,320 | 2,350 | 2,350 | 2,480 | 2,480 |
| Alhasaka | Tal Tamor | 920 | 1,030 | 1,130 | 1,240 | 1,350 | 1,350 | 1,380 | 1,380 | 1,380 | 1,380 |
| Alhasaka | Markadah | 460 | 680 | 890 | 1,000 | 1,240 | 1,240 | 1,240 | 1,240 | 1,270 | 1,380 |
| Alhasaka | Yaeroubiah | 700 | 810 | 1,050 | 1,160 | 1,380 | 1,380 | 1,380 | 1,510 | 1,510 | 1,510 |
| Alhasaka | Rmielan | 780 | 1,030 | 1,240 | 1,570 | 1,780 | 1,810 | 1,920 | 1,920 | 1,940 | 1,940 |
| Alhasaka | Jawadiah | 570 | 680 | 920 | 1,030 | 1,240 | 1,240 | 1,240 | 1,380 | 1,380 | 1,380 |
| Alhasaka | Tal Hamees | 460 | 680 | 780 | 1,000 | 1,240 | 1,240 | 1,240 | 1,270 | 1,270 | 1,380 |
| Alhasaka | Ber Al Helow | 320 | 540 | 650 | 890 | 1,110 | 1,110 | 1,110 | 1,130 | 1,240 | 1,240 |
| Alhasaka | Al Arieshea | 320 | 540 | 650 | 890 | 1,110 | 1,110 | 1,110 | 1,130 | 1,240 | 1,240 |
| Alhasaka | Twieni | 190 | 190 | 300 | 300 | 300 | 410 | 410 | 410 | 410 | 410 |
| Alhasaka | Misheerfeh | 30 | 30 | 30 | 140 | 140 | 140 | 140 | 140 | 140 | 140 |
| Alhasaka | Ajajeh Sharki | 190 | 190 | 300 | 300 | 300 | 410 | 410 | 410 | 410 | 410 |
| Alhasaka | Safeh | 140 | 140 | 140 | 140 | 140 | 140 | 140 | 140 | 140 | 140 |
| Alhasaka | Manajeer | 30 | 30 | 30 | 140 | 140 | 140 | 140 | 140 | 140 | 140 |
| Alhasaka | Abou Raseen | 570 | 570 | 570 | 680 | 680 | 680 | 680 | 680 | 680 | 680 |
| Alhasaka | Alhoul | 160 | 160 | 160 | 270 | 270 | 270 | 270 | 270 | 270 | 270 |
| Alhasaka | Sfyah | 490 | 590 | 590 | 700 | 810 | 840 | 840 | 840 | 840 | 840 |
| Alhasaka | Tal Maerouf | 490 | 590 | 590 | 700 | 810 | 840 | 840 | 840 | 840 | 840 |
| Alhasaka | Tal Hormus | 490 | 590 | 590 | 700 | 810 | 840 | 840 | 840 | 840 | 840 |
| Alhasaka | Tal Adas | 30 | 30 | 30 | 140 | 140 | 140 | 140 | 140 | 140 | 140 |
| Alhasaka | Tal Sokarah | 50 | 160 | 160 | 300 | 300 | 300 | 300 | 300 | 410 | 410 |
| Alhasaka | Tal Alou | 190 | 300 | 300 | 430 | 430 | 430 | 430 | 430 | 540 | 540 |
| Alhasaka | <TOTAL> | 65,950 | 75,540 | 85,440 | 95,310 | 106,220 | 107,640 | 109,290 | 110,800 | 112,550 | 114,200 |

S1-7-8 Number of Primary Pairs required per Exchange Area in accordance with the Fulfillment Plan

| Area | Center Name | 1996 | 1997 | 1998 | 1999 | 2000 | 2001 | 2002 | 2003 | 2004 | 2005 |
|---------------|--------------|---------|---------|---------|---------|---------|---------|---------|---------|---------|---------|
| Damascus City | Al Nasser | 47,900 | 48,680 | 49,460 | 50,250 | 51,030 | 51,170 | 51,300 | 51,440 | 51,570 | 51,710 |
| Damascus City | Al Thawra | 17,280 | 19,520 | 21,650 | 23,900 | 26,000 | 26,300 | 26,700 | 27,110 | 27,510 | 27,810 |
| Damascus City | Keer Souseh | 21,410 | 25,220 | 29,000 | 32,700 | 36,290 | 36,960 | 37,640 | 38,210 | 38,880 | 39,560 |
| Damascus City | Donar | 14,500 | 16,630 | 18,740 | 20,870 | 22,900 | 23,190 | 23,570 | 23,870 | 24,270 | 24,680 |
| Damascus City | Al Mohajrin | 29,860 | 30,430 | 31,000 | 31,640 | 32,210 | 32,240 | 32,370 | 32,480 | 32,510 | 32,640 |
| Damascus City | Jallaa | 21,650 | 24,000 | 26,460 | 28,810 | 31,050 | 31,460 | 31,860 | 32,270 | 32,700 | 33,100 |
| Damascus City | Bab Sharki | 33,510 | 38,530 | 43,660 | 48,710 | 53,620 | 54,460 | 55,270 | 56,110 | 57,050 | 57,890 |
| Damascus City | MazzeH 1 | 27,460 | 27,810 | 28,130 | 28,460 | 28,810 | 28,810 | 28,940 | 28,940 | 28,970 | 29,080 |
| Damascus City | MazzeH 2 | 17,850 | 21,200 | 24,440 | 27,810 | 30,940 | 31,480 | 32,050 | 32,590 | 33,240 | 33,800 |
| Damascus City | Al Miedan | 24,600 | 29,940 | 35,320 | 40,550 | 45,710 | 46,660 | 47,490 | 48,440 | 49,300 | 50,250 |
| Damascus City | Al Yarmouk | 38,120 | 44,060 | 49,980 | 55,920 | 61,610 | 62,590 | 63,670 | 64,640 | 65,720 | 66,690 |
| Damascus City | Rekn Al Dien | 13,960 | 17,200 | 20,330 | 23,570 | 26,730 | 27,160 | 27,700 | 28,240 | 28,810 | 29,460 |
| Damascus City | Barzeh | 21,300 | 26,460 | 31,700 | 36,860 | 41,770 | 42,610 | 43,550 | 44,390 | 45,330 | 46,170 |
| Damascus City | Bagdad | 52,330 | 56,670 | 60,910 | 65,180 | 69,420 | 70,120 | 70,820 | 71,500 | 72,310 | 73,010 |
| Damascus City | [New Area] | 19,010 | 30,130 | 41,340 | 52,160 | 62,180 | 65,070 | 66,740 | 68,800 | 70,550 | 72,600 |
| Damascus City | <<TOTAL>> | 400,740 | 456,480 | 512,120 | 567,390 | 620,270 | 630,280 | 639,670 | 649,030 | 658,720 | 668,450 |

S1-7-8 Number of Primary Pairs required per Exchange Area in accordance with the Fulfillment Plan

| Area | Center Name | 1996 | 1997 | 1998 | 1999 | 2000 | 2001 | 2002 | 2003 | 2004 | 2005 |
|----------------|-------------------|---------|---------|---------|---------|---------|---------|---------|---------|---------|---------|
| Damascus Rural | Fall | 15150 | 18,580 | 22,110 | 25,380 | 28,220 | 28,780 | 29,240 | 29,780 | 30,350 | 31,020 |
| Damascus Rural | Doma | 15660 | 19,980 | 24,220 | 28,220 | 31,780 | 32,520 | 33,180 | 33,820 | 34,700 | 35,510 |
| Damascus Rural | Hurta | 15010 | 17,550 | 19,930 | 22,410 | 24,410 | 24,760 | 25,060 | 25,570 | 26,080 | 26,510 |
| Damascus Rural | Dayah | 11280 | 13,960 | 14,530 | 15,200 | 15,630 | 15,770 | 15,900 | 16,040 | 16,170 | 16,290 |
| Damascus Rural | Katana | 5890 | 6,210 | 6,670 | 6,990 | 7,240 | 7,340 | 7,340 | 7,480 | 7,480 | 7,610 |
| Damascus Rural | Alhamah | 11420 | 12,200 | 12,990 | 13,770 | 14,450 | 14,580 | 14,720 | 14,850 | 14,990 | 15,120 |
| Damascus Rural | Almawer | 3050 | 3,510 | 3,830 | 4,190 | 4,490 | 4,540 | 4,640 | 4,670 | 4,780 | 4,810 |
| Damascus Rural | Albegi | 4240 | 4,560 | 4,910 | 5,240 | 5,480 | 5,500 | 5,620 | 5,720 | 5,720 | 5,840 |
| Damascus Rural | Adaa | 2210 | 2,430 | 2,540 | 2,750 | 2,890 | 3,000 | 3,060 | 3,060 | 3,070 | 3,140 |
| Damascus Rural | Keswa | 4730 | 5,050 | 5,270 | 5,510 | 5,720 | 5,830 | 5,860 | 5,860 | 5,990 | 5,990 |
| Damascus Rural | Sydnaya | 4130 | 4,540 | 4,670 | 4,780 | 4,890 | 4,800 | 4,910 | 5,020 | 5,020 | 5,020 |
| Damascus Rural | Alayyabeh | 2220 | 2,430 | 2,650 | 2,890 | 3,020 | 3,020 | 3,020 | 3,020 | 3,160 | 3,220 |
| Damascus Rural | Artause | 2430 | 2,430 | 2,430 | 2,430 | 2,430 | 2,430 | 2,430 | 2,430 | 2,430 | 2,430 |
| Damascus Rural | Schunaya | 6100 | 6,530 | 6,990 | 7,430 | 7,870 | 7,910 | 7,910 | 8,030 | 8,050 | 8,180 |
| Damascus Rural | Kora Al Assad | 2650 | 2,970 | 3,230 | 3,750 | 4,000 | 4,100 | 4,100 | 4,240 | 4,240 | 4,370 |
| Damascus Rural | Alhabek | 10310 | 11,660 | 12,990 | 14,340 | 15,470 | 15,630 | 15,880 | 16,040 | 16,310 | 16,580 |
| Damascus Rural | Yabed | 5050 | 6,160 | 7,160 | 8,180 | 9,100 | 9,230 | 9,490 | 9,530 | 9,800 | 10,040 |
| Damascus Rural | Kotfeh | 4920 | 4,480 | 4,810 | 5,220 | 5,590 | 5,620 | 5,720 | 5,750 | 5,860 | 5,860 |
| Damascus Rural | Derafiah | 4160 | 4,700 | 5,270 | 5,720 | 6,160 | 6,290 | 6,320 | 6,430 | 6,560 | 6,560 |
| Damascus Rural | Alahaybeh | 3400 | 3,920 | 4,620 | 5,180 | 5,640 | 5,780 | 5,910 | 5,910 | 6,050 | 6,180 |
| Damascus Rural | Irad | 4460 | 5,240 | 5,910 | 6,590 | 7,160 | 7,290 | 7,430 | 7,560 | 7,700 | 7,830 |
| Damascus Rural | Zanalka | 12800 | 14,260 | 15,610 | 16,960 | 18,170 | 18,330 | 18,600 | 18,870 | 19,140 | 19,310 |
| Damascus Rural | Mallofa | 1460 | 1,570 | 1,670 | 1,780 | 1,820 | 1,820 | 1,920 | 1,920 | 1,920 | 1,920 |
| Damascus Rural | Entanch | 680 | 680 | 680 | 680 | 680 | 680 | 680 | 680 | 680 | 680 |
| Damascus Rural | Korra | 3090 | 3,460 | 3,920 | 4,350 | 4,810 | 4,810 | 4,940 | 5,080 | 5,080 | 5,210 |
| Damascus Rural | Zabadani | 24810 | 25,920 | 27,050 | 28,050 | 29,050 | 29,210 | 29,350 | 29,620 | 29,750 | 29,920 |
| Damascus Rural | Jaramana | 7560 | 7,560 | 7,560 | 7,560 | 7,560 | 7,560 | 7,560 | 7,560 | 7,560 | 7,560 |
| Damascus Rural | Babfa | 6350 | 6,350 | 6,350 | 6,350 | 6,350 | 6,350 | 6,350 | 6,350 | 6,350 | 6,350 |
| Damascus Rural | Fawani | 540 | 650 | 890 | 1,000 | 1,110 | 1,110 | 1,110 | 1,240 | 1,240 | 1,240 |
| Damascus Rural | Yabus | 160 | 160 | 160 | 270 | 270 | 270 | 270 | 270 | 270 | 270 |
| Damascus Rural | Harana Awameed | 590 | 810 | 920 | 1,130 | 1,270 | 1,380 | 1,380 | 1,380 | 1,490 | 1,510 |
| Damascus Rural | Hench | 350 | 460 | 570 | 680 | 790 | 790 | 790 | 790 | 790 | 790 |
| Damascus Rural | Hulbon | 270 | 380 | 520 | 730 | 840 | 840 | 840 | 920 | 920 | 920 |
| Damascus Rural | Khamatbeh | 1160 | 1,620 | 1,940 | 2,300 | 2,620 | 2,650 | 2,750 | 2,780 | 2,890 | 2,920 |
| Damascus Rural | Al Dumas | 140 | 140 | 140 | 140 | 140 | 140 | 140 | 140 | 140 | 140 |
| Damascus Rural | Wadi Barfa | 1460 | 1,570 | 1,670 | 1,780 | 1,890 | 1,890 | 1,920 | 1,920 | 1,920 | 1,920 |
| Damascus Rural | Rakus | 920 | 1,380 | 1,700 | 2,160 | 2,480 | 2,510 | 2,620 | 2,650 | 2,750 | 2,780 |
| Damascus Rural | Sastan | 730 | 950 | 1,050 | 1,270 | 1,400 | 1,510 | 1,510 | 1,540 | 1,540 | 1,650 |
| Damascus Rural | Kozhanea | 160 | 190 | 300 | 300 | 300 | 300 | 410 | 410 | 410 | 410 |
| Damascus Rural | Gasalabard | 1320 | 1,860 | 2,430 | 2,890 | 3,320 | 3,450 | 3,480 | 3,620 | 3,730 | 3,750 |
| Damascus Rural | Alolbeeh | 240 | 350 | 460 | 570 | 680 | 680 | 700 | 700 | 700 | 700 |
| Damascus Rural | Hafeer Fuka | 240 | 380 | 490 | 590 | 700 | 700 | 810 | 840 | 840 | 840 |
| Damascus Rural | Zideah | 1050 | 1,510 | 1,840 | 2,300 | 2,620 | 2,650 | 2,750 | 2,780 | 2,890 | 2,920 |
| Damascus Rural | Acrneh | 1000 | 1,220 | 1,320 | 1,540 | 1,670 | 1,780 | 1,780 | 1,780 | 1,810 | 1,920 |
| Damascus Rural | Kanaber | 780 | 1,000 | 1,350 | 1,570 | 1,790 | 1,810 | 1,810 | 1,920 | 1,940 | 1,940 |
| Damascus Rural | Beatgen | 950 | 1,300 | 1,510 | 1,860 | 2,080 | 2,080 | 2,210 | 2,210 | 2,350 | 2,350 |
| Damascus Rural | Raes Al Maara | 540 | 890 | 1,110 | 1,460 | 1,670 | 1,670 | 1,810 | 1,810 | 1,920 | 1,920 |
| Damascus Rural | Kafar Hneur | 780 | 920 | 1,030 | 1,130 | 1,240 | 1,240 | 1,350 | 1,380 | 1,380 | 1,380 |
| Damascus Rural | Jadid | 320 | 540 | 650 | 860 | 1,110 | 1,110 | 1,110 | 1,110 | 1,130 | 1,240 |
| Damascus Rural | Sabebyar | 320 | 540 | 650 | 860 | 1,110 | 1,110 | 1,110 | 1,110 | 1,130 | 1,240 |
| Damascus Rural | Mushfeh | 160 | 190 | 300 | 300 | 300 | 300 | 410 | 410 | 410 | 410 |
| Damascus Rural | Hojalleh | 160 | 190 | 300 | 300 | 300 | 300 | 410 | 410 | 410 | 410 |
| Damascus Rural | Hoshahab | 160 | 190 | 300 | 300 | 300 | 300 | 410 | 410 | 410 | 410 |
| Damascus Rural | Hejance | 410 | 510 | 760 | 860 | 970 | 970 | 970 | 1,110 | 1,110 | 1,110 |
| Damascus Rural | Nasrah | 620 | 840 | 1,080 | 1,300 | 1,510 | 1,540 | 1,540 | 1,650 | 1,670 | 1,670 |
| Damascus Rural | Derah | 300 | 320 | 430 | 430 | 430 | 430 | 540 | 540 | 540 | 540 |
| Damascus Rural | Sahl | 240 | 350 | 460 | 570 | 680 | 680 | 700 | 700 | 700 | 700 |
| Damascus Rural | Kaafal | 160 | 160 | 160 | 270 | 270 | 270 | 270 | 270 | 270 | 270 |
| Damascus Rural | Miqriweh | 220 | 320 | 430 | 430 | 540 | 570 | 570 | 570 | 570 | 570 |
| Damascus Rural | Mishan | 2970 | 2,970 | 2,970 | 2,970 | 2,970 | 2,970 | 2,970 | 2,970 | 2,970 | 2,970 |
| Damascus Rural | Abah | 30 | 30 | 30 | 140 | 140 | 140 | 140 | 140 | 140 | 140 |
| Damascus Rural | Muawad MJA Alsham | 970 | 1,850 | 2,750 | 3,540 | 4,320 | 4,450 | 4,590 | 4,750 | 4,870 | 5,020 |
| Damascus Rural | Thayat Al Assad | 680 | 680 | 680 | 680 | 680 | 680 | 680 | 680 | 680 | 680 |
| Damascus Rural | Moson | 4380 | 2,510 | 3,510 | 4,510 | 5,320 | 5,450 | 5,720 | 5,860 | 5,990 | 6,260 |
| Damascus Rural | <<TOTAL>> | 224,060 | 253,830 | 282,760 | 310,830 | 334,660 | 339,450 | 344,430 | 349,590 | 354,770 | 359,920 |

SI-7-8 Number of Primary Pairs required per Exchange Area in accordance with the Fulfillment Plan

| Area | Center Name | 1996 | 1997 | 1998 | 1999 | 2000 | 2001 | 2002 | 2003 | 2004 | 2005 |
|-------|-----------------|--------|--------|--------|--------|--------|--------|--------|--------|--------|--------|
| DARAA | Daraa | 21,980 | 23,870 | 26,080 | 27,780 | 30,020 | 30,290 | 30,560 | 30,860 | 31,240 | 31,670 |
| DARAA | Ezrae | 2,110 | 2,320 | 2,540 | 2,650 | 2,890 | 3,000 | 3,000 | 3,000 | 3,000 | 3,130 |
| DARAA | Nawa | 3,000 | 3,540 | 4,210 | 4,670 | 5,210 | 5,350 | 5,350 | 5,480 | 5,620 | 5,640 |
| DARAA | Shayke Maskeen | 2,110 | 2,350 | 2,570 | 2,780 | 3,020 | 3,020 | 3,130 | 3,130 | 3,130 | 3,270 |
| DARAA | Taffas | 1,620 | 1,840 | 2,190 | 2,400 | 2,730 | 2,750 | 2,750 | 2,860 | 2,860 | 2,890 |
| DARAA | Dael | 2,110 | 2,350 | 2,570 | 2,780 | 3,020 | 3,020 | 3,130 | 3,130 | 3,130 | 3,270 |
| DARAA | Jassen | 2,030 | 2,160 | 2,380 | 2,480 | 2,590 | 2,590 | 2,700 | 2,730 | 2,730 | 2,730 |
| DARAA | Kazzaleh | 1,760 | 1,860 | 1,970 | 2,080 | 2,190 | 2,300 | 2,300 | 2,320 | 2,320 | 2,320 |
| DARAA | Alhrak | 1,620 | 1,730 | 1,840 | 1,940 | 2,050 | 2,160 | 2,190 | 2,190 | 2,190 | 2,190 |
| DARAA | Sanamen | 2,030 | 2,240 | 2,590 | 2,810 | 3,130 | 3,160 | 3,160 | 3,270 | 3,270 | 3,290 |
| DARAA | Bosra | 1,840 | 2,080 | 2,300 | 2,510 | 2,750 | 2,750 | 2,860 | 2,860 | 2,890 | 3,000 |
| DARAA | Bosra Al Hareer | 240 | 350 | 460 | 570 | 680 | 680 | 700 | 700 | 700 | 700 |
| DARAA | Tseel | 570 | 680 | 920 | 1,030 | 1,240 | 1,240 | 1,240 | 1,380 | 1,380 | 1,380 |
| DARAA | Tal Shhab | 220 | 320 | 320 | 430 | 540 | 570 | 570 | 570 | 570 | 570 |
| DARAA | Jhab | 490 | 700 | 920 | 1,030 | 1,270 | 1,380 | 1,380 | 1,380 | 1,400 | 1,510 |
| DARAA | Aljezzeh | 840 | 1,190 | 1,400 | 1,760 | 2,080 | 2,080 | 2,190 | 2,210 | 2,350 | 2,350 |
| DARAA | Alharrh | 860 | 1,220 | 1,540 | 1,860 | 2,210 | 2,210 | 2,350 | 2,350 | 2,380 | 2,480 |
| DARAA | Kabah | 490 | 590 | 590 | 700 | 810 | 840 | 840 | 840 | 840 | 840 |
| DARAA | Alshajarb | 320 | 430 | 430 | 570 | 570 | 570 | 570 | 570 | 680 | 680 |
| DARAA | Seedah | 570 | 920 | 1,130 | 1,490 | 1,810 | 1,810 | 1,940 | 1,940 | 2,080 | 2,080 |
| DARAA | Altebah | 570 | 680 | 920 | 1,030 | 1,240 | 1,240 | 1,240 | 1,380 | 1,380 | 1,380 |
| DARAA | Khabakeb | 410 | 510 | 620 | 730 | 840 | 950 | 970 | 970 | 970 | 970 |
| DARAA | Alkark | 490 | 590 | 590 | 700 | 810 | 840 | 840 | 840 | 840 | 840 |
| DARAA | Shames | 270 | 270 | 270 | 270 | 270 | 270 | 270 | 270 | 270 | 270 |
| DARAA | Mahajeh | 430 | 540 | 780 | 890 | 1,110 | 1,110 | 1,110 | 1,240 | 1,240 | 1,240 |
| DARAA | Msefreh | 780 | 1,000 | 1,240 | 1,570 | 1,780 | 1,810 | 1,810 | 1,920 | 1,940 | 1,940 |
| DARAA | Mesemyh | 160 | 160 | 160 | 270 | 270 | 270 | 270 | 270 | 270 | 270 |
| DARAA | Jheb | 380 | 490 | 590 | 700 | 810 | 810 | 840 | 840 | 840 | 840 |
| DARAA | Sahmal Jolan | 350 | 460 | 460 | 570 | 680 | 700 | 700 | 700 | 700 | 700 |
| DARAA | Naseeb | 190 | 190 | 300 | 300 | 410 | 410 | 410 | 410 | 410 | 410 |
| DARAA | Enkel | 950 | 1,300 | 1,510 | 1,860 | 2,080 | 2,080 | 2,210 | 2,210 | 2,350 | 2,350 |
| DARAA | Karayh | 840 | 1,160 | 1,380 | 1,730 | 1,940 | 2,050 | 2,080 | 2,080 | 2,210 | 2,210 |
| DARAA | Jelen | 160 | 160 | 160 | 270 | 270 | 270 | 270 | 270 | 270 | 270 |
| DARAA | Asyem | 320 | 430 | 430 | 570 | 570 | 570 | 570 | 570 | 680 | 680 |
| DARAA | Almal | 30 | 30 | 30 | 140 | 140 | 140 | 140 | 140 | 140 | 140 |
| DARAA | Zemreen | 190 | 190 | 300 | 300 | 410 | 410 | 410 | 410 | 410 | 410 |
| DARAA | Tesyah | 160 | 160 | 160 | 270 | 270 | 270 | 270 | 270 | 270 | 270 |
| DARAA | Alkheen | 30 | 30 | 30 | 140 | 140 | 140 | 140 | 140 | 140 | 140 |
| DARAA | <TOTAL> | 53,520 | 61,090 | 68,880 | 76,630 | 84,850 | 86,110 | 87,460 | 88,700 | 90,090 | 91,320 |

S1-7-8 Number of Primary Pairs required per Exchange Area in accordance with the Fulfillment Plan

| Area | Center Name | 1996 | 1997 | 1998 | 1999 | 2000 | 2001 | 2002 | 2003 | 2004 | 2005 |
|-----------|---------------|--------|--------|--------|--------|--------|--------|--------|--------|--------|--------|
| DER ALZOR | Dier Zor | 21,010 | 23,810 | 25,600 | 28,050 | 29,620 | 30,460 | 30,970 | 31,670 | 32,080 | 32,430 |
| DER ALZOR | Mayadine | 5,910 | 6,350 | 6,800 | 7,340 | 8,020 | 8,050 | 8,070 | 8,180 | 8,210 | 8,340 |
| DER ALZOR | Boukmal | 5,670 | 5,890 | 6,130 | 6,450 | 6,780 | 6,800 | 6,800 | 6,910 | 6,910 | 6,940 |
| DER ALZOR | Abou Hamam | 620 | 840 | 1,050 | 1,160 | 1,490 | 1,510 | 1,510 | 1,510 | 1,540 | 1,540 |
| DER ALZOR | Bssyreh | 350 | 460 | 460 | 570 | 680 | 700 | 700 | 700 | 700 | 700 |
| DER ALZOR | Shaafeh | 190 | 190 | 300 | 300 | 410 | 410 | 410 | 410 | 410 | 410 |
| DER ALZOR | Seal Shrki | 50 | 160 | 160 | 270 | 300 | 300 | 300 | 300 | 300 | 410 |
| DER ALZOR | Shheel Sharki | 190 | 190 | 300 | 300 | 410 | 410 | 410 | 410 | 410 | 410 |
| DER ALZOR | Alashara | 1,220 | 1,540 | 1,970 | 2,430 | 2,890 | 2,920 | 2,920 | 2,940 | 3,050 | 3,190 |
| DER ALZOR | Al Graneeg | 380 | 490 | 590 | 700 | 810 | 810 | 840 | 840 | 840 | 840 |
| DER ALZOR | Alkatach | 270 | 410 | 510 | 730 | 840 | 840 | 950 | 970 | 970 | 970 |
| DER ALZOR | Mouhasen | 570 | 680 | 890 | 1,000 | 1,240 | 1,240 | 1,240 | 1,270 | 1,270 | 1,380 |
| DER ALZOR | Hajien | 460 | 680 | 780 | 1,000 | 1,240 | 1,240 | 1,240 | 1,270 | 1,270 | 1,380 |
| DER ALZOR | Altabni | 160 | 160 | 160 | 270 | 270 | 270 | 270 | 270 | 270 | 270 |
| DER ALZOR | Alsouar | 300 | 410 | 620 | 760 | 970 | 970 | 970 | 1,000 | 1,110 | 1,110 |
| DER ALZOR | Shnaetieh | 50 | 160 | 160 | 300 | 300 | 300 | 300 | 300 | 410 | 410 |
| DER ALZOR | Kasra | 240 | 350 | 460 | 570 | 680 | 680 | 700 | 700 | 700 | 700 |
| DER ALZOR | Souseh | 270 | 380 | 490 | 590 | 810 | 810 | 840 | 840 | 840 | 840 |
| DER ALZOR | Kourieh | 540 | 680 | 780 | 1,000 | 1,110 | 1,110 | 1,220 | 1,240 | 1,240 | 1,240 |
| DER ALZOR | Kriettah | 50 | 50 | 160 | 160 | 270 | 270 | 270 | 270 | 270 | 270 |
| DER ALZOR | Kataah | 50 | 50 | 160 | 160 | 270 | 270 | 270 | 270 | 270 | 270 |
| DER ALZOR | Ksham | 270 | 380 | 490 | 590 | 810 | 810 | 840 | 840 | 840 | 840 |
| DER ALZOR | Mrat | 50 | 50 | 160 | 160 | 270 | 270 | 270 | 270 | 270 | 270 |
| DER ALZOR | Albahrah | 50 | 50 | 160 | 160 | 270 | 270 | 270 | 270 | 270 | 270 |
| DER ALZOR | Kishkkieh | 50 | 160 | 160 | 300 | 300 | 300 | 300 | 300 | 410 | 410 |
| DER ALZOR | Bagous | 50 | 50 | 160 | 160 | 270 | 270 | 270 | 270 | 270 | 270 |
| DER ALZOR | Bokros | 190 | 300 | 300 | 430 | 430 | 430 | 430 | 430 | 540 | 540 |
| DER ALZOR | Zharie | 50 | 50 | 160 | 160 | 270 | 270 | 270 | 270 | 270 | 270 |
| DER ALZOR | Fatsseh | 80 | 190 | 190 | 300 | 410 | 410 | 410 | 410 | 430 | 430 |
| DER ALZOR | Mahkan | 190 | 190 | 300 | 300 | 410 | 410 | 410 | 410 | 410 | 410 |
| DER ALZOR | Thieban | 410 | 540 | 650 | 860 | 970 | 970 | 1,080 | 1,080 | 1,110 | 1,110 |
| DER ALZOR | Jerhi-Sharki | 50 | 50 | 160 | 160 | 270 | 270 | 270 | 270 | 270 | 270 |
| DER ALZOR | Tayaneh | 190 | 190 | 300 | 300 | 410 | 410 | 410 | 410 | 410 | 410 |
| DER ALZOR | Abou Hardoob | 50 | 50 | 160 | 160 | 270 | 270 | 270 | 270 | 270 | 270 |
| DER ALZOR | Drneky | 50 | 50 | 160 | 160 | 270 | 270 | 270 | 270 | 270 | 270 |
| DER ALZOR | Dablan | 190 | 190 | 300 | 300 | 410 | 410 | 410 | 410 | 410 | 410 |
| DER ALZOR | Sbiekan | 270 | 380 | 490 | 590 | 810 | 810 | 810 | 810 | 840 | 840 |
| DER ALZOR | Tishrien | 190 | 190 | 300 | 300 | 410 | 410 | 410 | 410 | 410 | 410 |
| DER ALZOR | Spheratahtani | 270 | 380 | 490 | 590 | 810 | 810 | 810 | 810 | 840 | 840 |
| DER ALZOR | Alsakhyah | 50 | 50 | 160 | 160 | 270 | 270 | 270 | 270 | 270 | 270 |
| DER ALZOR | <TOTAL> | 41,250 | 47,420 | 53,780 | 60,250 | 67,750 | 68,710 | 69,680 | 70,750 | 71,850 | 72,860 |

SI-7-8 Number of Primary Pairs required per Exchange Area in accordance with the Fulfillment Plan

| Area | Center Name | 1996 | 1997 | 1998 | 1999 | 2000 | 2001 | 2002 | 2003 | 2004 | 2005 |
|------|----------------|--------|---------|---------|---------|---------|---------|---------|---------|---------|---------|
| HAMA | Hama | 11,770 | 16,440 | 21,010 | 25,660 | 31,160 | 31,540 | 32,240 | 32,040 | 33,750 | 34,590 |
| HAMA | Kowatle | 30,810 | 32,020 | 33,260 | 34,370 | 35,610 | 35,960 | 36,130 | 36,370 | 36,500 | 36,800 |
| HAMA | Salameeh | 9,560 | 11,880 | 14,360 | 16,500 | 19,280 | 19,550 | 19,850 | 20,360 | 20,760 | 21,200 |
| HAMA | Mosyaf | 5,320 | 5,640 | 5,860 | 6,180 | 6,530 | 6,640 | 6,670 | 6,670 | 6,700 | 6,800 |
| HAMA | Mhardeh | 6,020 | 6,910 | 7,800 | 8,590 | 9,590 | 9,720 | 9,860 | 9,990 | 10,130 | 10,390 |
| HAMA | Skelbeyeh | 5,670 | 5,990 | 6,450 | 6,780 | 7,210 | 7,340 | 7,340 | 7,480 | 7,480 | 7,510 |
| HAMA | Kainbaneh | 1,380 | 1,380 | 1,380 | 1,380 | 1,490 | 1,490 | 1,490 | 1,490 | 1,490 | 1,490 |
| HAMA | Tal Salhub | 2,750 | 2,750 | 2,860 | 2,860 | 2,970 | 2,970 | 2,970 | 2,970 | 2,970 | 2,970 |
| HAMA | Sorran | 1,620 | 1,730 | 1,840 | 1,940 | 2,160 | 2,160 | 2,160 | 2,190 | 2,190 | 2,190 |
| HAMA | Kornaz | 350 | 460 | 460 | 570 | 680 | 700 | 700 | 700 | 700 | 700 |
| HAMA | Teabtallemun | 840 | 1,160 | 1,380 | 1,730 | 1,940 | 2,050 | 2,050 | 2,080 | 2,190 | 2,240 |
| HAMA | Wadaluone | 780 | 1,000 | 1,240 | 1,570 | 1,780 | 1,810 | 1,810 | 1,920 | 1,940 | 1,940 |
| HAMA | Sha'ha | 620 | 840 | 1,050 | 1,160 | 1,490 | 1,510 | 1,510 | 1,510 | 1,540 | 1,650 |
| HAMA | Kofrzeta | 620 | 840 | 1,050 | 1,160 | 1,400 | 1,510 | 1,510 | 1,510 | 1,540 | 1,650 |
| HAMA | Lataninaeh | 380 | 490 | 590 | 700 | 810 | 810 | 840 | 840 | 840 | 840 |
| HAMA | Mosk | 680 | 780 | 1,030 | 1,130 | 1,240 | 1,240 | 1,240 | 1,350 | 1,380 | 1,380 |
| HAMA | Kofrnabedeh | 350 | 460 | 460 | 570 | 680 | 700 | 700 | 700 | 700 | 700 |
| HAMA | Kattabe | 380 | 460 | 460 | 570 | 680 | 700 | 700 | 700 | 700 | 700 |
| HAMA | Sabbora | 810 | 920 | 1,030 | 1,130 | 1,350 | 1,350 | 1,380 | 1,380 | 1,380 | 1,380 |
| HAMA | Tal Dorah | 780 | 890 | 1,000 | 1,110 | 1,220 | 1,220 | 1,240 | 1,240 | 1,240 | 1,240 |
| HAMA | Bare Sharke | 220 | 320 | 320 | 430 | 540 | 570 | 570 | 570 | 570 | 570 |
| HAMA | Alsaan | 300 | 300 | 300 | 410 | 410 | 410 | 410 | 410 | 410 | 410 |
| HAMA | Kofdtahem | 650 | 760 | 860 | 970 | 1,080 | 1,080 | 1,110 | 1,110 | 1,110 | 1,110 |
| HAMA | Rabeah | 570 | 570 | 570 | 680 | 680 | 680 | 680 | 680 | 680 | 680 |
| HAMA | Akrab | 160 | 160 | 160 | 270 | 270 | 270 | 270 | 270 | 270 | 270 |
| HAMA | Jobramkeh | 320 | 430 | 430 | 540 | 570 | 570 | 570 | 570 | 570 | 680 |
| HAMA | Awage | 190 | 190 | 300 | 300 | 410 | 410 | 410 | 410 | 410 | 410 |
| HAMA | Hax Bnafseh | 160 | 160 | 160 | 270 | 270 | 270 | 270 | 270 | 270 | 270 |
| HAMA | Ein Hlakeem | 570 | 570 | 570 | 680 | 680 | 680 | 680 | 680 | 680 | 680 |
| HAMA | Okerbat | 30 | 30 | 30 | 140 | 140 | 140 | 140 | 140 | 140 | 140 |
| HAMA | Alhamra | 140 | 140 | 140 | 140 | 140 | 140 | 140 | 140 | 140 | 140 |
| HAMA | Kalet Al Matke | 1,620 | 1,730 | 1,970 | 2,080 | 2,190 | 2,190 | 2,190 | 2,300 | 2,320 | 2,320 |
| HAMA | Zeyara | 50 | 50 | 160 | 160 | 270 | 270 | 270 | 270 | 270 | 270 |
| HAMA | Asreyah | 50 | 160 | 160 | 300 | 300 | 300 | 300 | 300 | 410 | 410 |
| HAMA | Mabougah | 160 | 160 | 160 | 270 | 270 | 270 | 270 | 270 | 270 | 270 |
| HAMA | Akareb | 380 | 490 | 620 | 730 | 840 | 840 | 840 | 970 | 970 | 970 |
| HAMA | Asharneh | 190 | 190 | 300 | 300 | 410 | 410 | 410 | 410 | 410 | 410 |
| HAMA | Frekeh | 30 | 50 | 160 | 160 | 160 | 160 | 270 | 270 | 270 | 270 |
| HAMA | Jomasseh | 30 | 50 | 160 | 160 | 160 | 160 | 270 | 270 | 270 | 270 |
| HAMA | Jedl | 30 | 50 | 160 | 160 | 160 | 160 | 270 | 270 | 270 | 270 |
| HAMA | Treansh | 460 | 700 | 920 | 1,030 | 1,270 | 1,270 | 1,380 | 1,380 | 1,400 | 1,510 |
| HAMA | Der Mama | 540 | 680 | 820 | 1,000 | 1,110 | 1,110 | 1,220 | 1,240 | 1,240 | 1,240 |
| HAMA | Der Shmeal | 320 | 430 | 430 | 570 | 570 | 570 | 570 | 570 | 680 | 680 |
| HAMA | Mahreseh | 190 | 300 | 300 | 430 | 430 | 430 | 430 | 430 | 540 | 540 |
| HAMA | Baereen | 220 | 320 | 320 | 430 | 540 | 570 | 570 | 570 | 570 | 570 |
| HAMA | Nessaf | 300 | 320 | 430 | 430 | 430 | 430 | 540 | 540 | 540 | 540 |
| HAMA | Meryamen | 190 | 300 | 300 | 430 | 430 | 430 | 430 | 430 | 540 | 540 |
| HAMA | Asseleh | 380 | 490 | 590 | 700 | 810 | 810 | 810 | 840 | 840 | 840 |
| HAMA | Barshet | 160 | 190 | 300 | 300 | 300 | 300 | 410 | 410 | 410 | 410 |
| HAMA | Deralsalep | 50 | 50 | 160 | 160 | 270 | 270 | 270 | 270 | 270 | 270 |
| HAMA | Ein Krom | 350 | 460 | 460 | 570 | 680 | 700 | 700 | 700 | 700 | 700 |
| HAMA | Merdash | 50 | 50 | 160 | 160 | 160 | 270 | 270 | 270 | 270 | 270 |
| HAMA | Hwayjeh | 30 | 30 | 30 | 140 | 140 | 140 | 140 | 140 | 140 | 140 |
| HAMA | Jowreen | 30 | 30 | 30 | 140 | 140 | 140 | 140 | 140 | 140 | 140 |
| HAMA | Marshhoor | 300 | 300 | 300 | 410 | 410 | 410 | 410 | 410 | 410 | 410 |
| HAMA | Bserren | 320 | 320 | 430 | 430 | 430 | 540 | 540 | 540 | 540 | 540 |
| HAMA | <TOTAL> | 91,200 | 104,570 | 118,210 | 132,080 | 147,250 | 149,340 | 151,560 | 153,850 | 156,060 | 158,390 |

SI-7-8 Number of Primary Pairs required per Exchange Area in accordance with the Fulfillment Plan

| Area | Center Name | 1996 | 1997 | 1998 | 1999 | 2000 | 2001 | 2002 | 2003 | 2004 | 2005 |
|------|-------------|---------|---------|---------|---------|---------|---------|---------|---------|---------|---------|
| HOMS | Alkwalli | 36,050 | 40,280 | 44,360 | 48,410 | 52,760 | 53,460 | 54,140 | 54,590 | 55,380 | 56,110 |
| HOMS | Almahita | 27,730 | 31,210 | 34,750 | 38,210 | 42,010 | 42,580 | 43,230 | 43,660 | 44,230 | 44,930 |
| HOMS | Alwaer | 21,490 | 28,190 | 34,880 | 41,470 | 48,710 | 49,730 | 50,790 | 51,890 | 53,000 | 54,140 |
| HOMS | Kosser | 4,370 | 4,730 | 5,050 | 5,370 | 5,720 | 5,720 | 5,860 | 5,860 | 5,860 | 5,990 |
| HOMS | Tadmor | 5,240 | 5,910 | 6,590 | 7,260 | 7,940 | 7,970 | 8,070 | 8,210 | 8,320 | 8,480 |
| HOMS | Talkalakh | 4,810 | 5,130 | 5,480 | 5,810 | 6,260 | 6,260 | 6,290 | 6,400 | 6,430 | 6,530 |
| HOMS | Alrastan | 7,070 | 7,970 | 8,750 | 9,640 | 10,530 | 10,670 | 10,830 | 10,960 | 11,100 | 11,230 |
| HOMS | Almkaram | 2,780 | 3,110 | 3,460 | 3,780 | 4,240 | 4,240 | 4,270 | 4,370 | 4,400 | 4,510 |
| HOMS | Alkareyten | 2,590 | 2,700 | 2,940 | 3,050 | 3,270 | 3,270 | 3,270 | 3,400 | 3,400 | 3,400 |
| HOMS | Sheen | 2,130 | 2,240 | 2,380 | 2,480 | 2,590 | 2,590 | 2,590 | 2,730 | 2,730 | 2,730 |
| HOMS | Talbeseh | 2,540 | 2,750 | 3,000 | 3,320 | 3,540 | 3,560 | 3,560 | 3,670 | 3,700 | 3,700 |
| HOMS | Taldo | 2,000 | 2,110 | 2,240 | 2,350 | 2,460 | 2,460 | 2,480 | 2,590 | 2,590 | 2,590 |
| HOMS | Alnasra | 8,960 | 8,960 | 9,070 | 9,070 | 9,180 | 9,180 | 9,180 | 9,180 | 9,180 | 9,180 |
| HOMS | Kaltene | 1,460 | 1,570 | 1,670 | 1,780 | 1,890 | 1,890 | 1,920 | 1,920 | 1,920 | 1,920 |
| HOMS | Alsoqneh | 1,000 | 1,220 | 1,320 | 1,540 | 1,780 | 1,780 | 1,780 | 1,780 | 1,810 | 1,920 |
| HOMS | Alhwash | 920 | 1,050 | 1,160 | 1,270 | 1,380 | 1,380 | 1,510 | 1,510 | 1,510 | 1,510 |
| HOMS | Alhessen | 860 | 1,080 | 1,190 | 1,400 | 1,650 | 1,650 | 1,650 | 1,650 | 1,670 | 1,780 |
| HOMS | Habnomra | 730 | 840 | 840 | 950 | 950 | 970 | 970 | 970 | 970 | 970 |
| HOMS | Hesyeh | 320 | 540 | 650 | 890 | 1,110 | 1,110 | 1,110 | 1,110 | 1,240 | 1,240 |
| HOMS | Sadad | 810 | 950 | 1,160 | 1,270 | 1,380 | 1,380 | 1,490 | 1,510 | 1,510 | 1,510 |
| HOMS | Mokacharat | 380 | 590 | 840 | 1,160 | 1,380 | 1,400 | 1,400 | 1,510 | 1,540 | 1,540 |
| HOMS | Fahel | 240 | 350 | 460 | 570 | 680 | 680 | 700 | 700 | 700 | 700 |
| HOMS | Maheen | 410 | 540 | 760 | 860 | 970 | 970 | 1,080 | 1,110 | 1,110 | 1,110 |
| HOMS | Meshrefeh | 590 | 810 | 920 | 1,160 | 1,380 | 1,380 | 1,380 | 1,400 | 1,510 | 1,510 |
| HOMS | Rabah | 540 | 650 | 760 | 860 | 970 | 1,080 | 1,110 | 1,110 | 1,110 | 1,110 |
| HOMS | Rkama | 430 | 540 | 780 | 890 | 1,110 | 1,110 | 1,110 | 1,240 | 1,240 | 1,240 |
| HOMS | Alkabo | 460 | 570 | 570 | 700 | 700 | 700 | 700 | 700 | 810 | 810 |
| HOMS | Alforkles | 320 | 430 | 430 | 570 | 570 | 570 | 570 | 570 | 680 | 680 |
| HOMS | Kfram | 320 | 430 | 430 | 570 | 570 | 570 | 570 | 570 | 680 | 680 |
| HOMS | Jabaljerah | 160 | 160 | 160 | 270 | 270 | 270 | 270 | 270 | 270 | 270 |
| HOMS | Ein Nesser | 270 | 270 | 270 | 270 | 270 | 270 | 270 | 270 | 270 | 270 |
| HOMS | Alhadedh | 50 | 50 | 160 | 160 | 160 | 270 | 270 | 270 | 270 | 270 |
| HOMS | Teen Nor | 30 | 30 | 30 | 140 | 140 | 140 | 140 | 140 | 140 | 140 |
| HOMS | Dbeen | 160 | 160 | 160 | 270 | 270 | 270 | 270 | 270 | 270 | 270 |
| HOMS | Ramakenze | 50 | 50 | 160 | 160 | 160 | 270 | 270 | 270 | 270 | 270 |
| HOMS | Kfrnan | 50 | 50 | 160 | 160 | 160 | 270 | 270 | 270 | 270 | 270 |
| HOMS | Eisson | 50 | 50 | 160 | 160 | 160 | 270 | 270 | 270 | 270 | 270 |
| HOMS | Tacabeh | 50 | 50 | 160 | 160 | 160 | 270 | 270 | 270 | 270 | 270 |
| HOMS | Alkom | 50 | 50 | 160 | 160 | 160 | 270 | 270 | 270 | 270 | 270 |
| HOMS | Khrbetal | 270 | 270 | 270 | 270 | 270 | 270 | 270 | 270 | 270 | 270 |
| HOMS | Breage | 140 | 140 | 140 | 140 | 140 | 140 | 140 | 140 | 140 | 140 |
| HOMS | <TOTAL> | 138,880 | 158,780 | 178,880 | 198,980 | 220,000 | 223,290 | 226,590 | 229,850 | 233,310 | 236,730 |

SI-7-8 Number of Primary Pairs required per Exchange Area in accordance with the Fulfillment Plan

| Area | Center Name | 1996 | 1997 | 1998 | 1999 | 2000 | 2001 | 2002 | 2003 | 2004 | 2005 |
|-------|----------------|--------|--------|---------|---------|---------|---------|---------|---------|---------|---------|
| IDLEB | Ijleb | 18,520 | 20,630 | 22,550 | 24,650 | 26,780 | 27,050 | 27,350 | 27,730 | 28,010 | 28,460 |
| IDLEB | Jessr Shkour | 8,020 | 8,480 | 8,910 | 9,480 | 9,940 | 9,940 | 10,040 | 10,070 | 10,210 | 10,340 |
| IDLEB | Harem | 1,320 | 1,430 | 1,540 | 1,650 | 1,760 | 1,760 | 1,780 | 1,780 | 1,780 | 1,780 |
| IDLEB | Aldana | 1,970 | 2,080 | 2,080 | 2,190 | 2,300 | 2,320 | 2,320 | 2,320 | 2,320 | 2,320 |
| IDLEB | Kofer-Takarim | 1,760 | 1,860 | 2,080 | 2,210 | 2,320 | 2,320 | 2,320 | 2,350 | 2,460 | 2,460 |
| IDLEB | Ariha | 6,050 | 7,400 | 8,530 | 9,750 | 10,880 | 11,020 | 11,260 | 11,530 | 11,660 | 11,960 |
| IDLEB | Sekien | 3,270 | 3,380 | 3,480 | 3,730 | 3,940 | 3,940 | 3,940 | 3,970 | 4,080 | 4,080 |
| IDLEB | Maert Abocman | 8,480 | 9,150 | 9,610 | 10,040 | 10,610 | 10,640 | 10,750 | 10,880 | 10,910 | 11,040 |
| IDLEB | Maert Misricu | 5,290 | 6,080 | 6,750 | 7,430 | 8,210 | 8,240 | 8,370 | 8,510 | 8,640 | 8,780 |
| IDLEB | Sakab | 5,160 | 5,940 | 6,590 | 7,260 | 7,940 | 8,070 | 8,210 | 8,240 | 8,370 | 8,510 |
| IDLEB | Kan Shekhon | 3,540 | 4,430 | 5,210 | 6,100 | 6,890 | 7,020 | 7,160 | 7,290 | 7,430 | 7,590 |
| IDLEB | Kofer Noboel | 1,190 | 1,300 | 1,400 | 1,510 | 1,620 | 1,620 | 1,620 | 1,650 | 1,650 | 1,650 |
| IDLEB | Absem | 540 | 650 | 780 | 1,000 | 1,110 | 1,110 | 1,110 | 1,240 | 1,240 | 1,240 |
| IDLEB | Abou Althobour | 320 | 430 | 430 | 540 | 570 | 570 | 570 | 570 | 570 | 680 |
| IDLEB | Bensh | 2,920 | 3,700 | 4,480 | 5,160 | 5,940 | 6,080 | 6,210 | 6,350 | 6,480 | 6,620 |
| IDLEB | Alkenyah | 1,490 | 2,050 | 2,620 | 3,160 | 3,730 | 3,750 | 3,860 | 4,000 | 4,020 | 4,160 |
| IDLEB | Jarjanaz | 350 | 460 | 460 | 570 | 680 | 680 | 700 | 700 | 700 | 700 |
| IDLEB | Heash | 410 | 510 | 760 | 860 | 970 | 970 | 970 | 1,080 | 1,110 | 1,110 |
| IDLEB | Sarmada | 570 | 680 | 890 | 1,030 | 1,240 | 1,240 | 1,240 | 1,240 | 1,380 | 1,380 |
| IDLEB | Sarmien | 860 | 1,080 | 1,320 | 1,540 | 1,670 | 1,670 | 1,670 | 1,780 | 1,810 | 1,920 |
| IDLEB | Kelby | 460 | 570 | 570 | 700 | 700 | 700 | 700 | 700 | 810 | 810 |
| IDLEB | Darkoush | 350 | 460 | 460 | 570 | 680 | 700 | 700 | 700 | 700 | 700 |
| IDLEB | Bdana | 350 | 460 | 460 | 570 | 680 | 680 | 700 | 700 | 700 | 700 |
| IDLEB | Taftanz | 380 | 510 | 620 | 730 | 840 | 840 | 970 | 970 | 970 | 970 |
| IDLEB | Mhambel | 190 | 300 | 300 | 430 | 430 | 430 | 430 | 430 | 540 | 540 |
| IDLEB | Korganiah | 160 | 160 | 160 | 270 | 270 | 270 | 270 | 270 | 270 | 270 |
| IDLEB | Sinjar | 160 | 160 | 160 | 270 | 270 | 270 | 270 | 270 | 270 | 270 |
| IDLEB | Janodieah | 350 | 460 | 460 | 570 | 680 | 700 | 700 | 700 | 700 | 700 |
| IDLEB | Assffes | 30 | 50 | 160 | 160 | 160 | 160 | 270 | 270 | 270 | 270 |
| IDLEB | Maaret Nassan | 350 | 460 | 460 | 570 | 680 | 700 | 700 | 700 | 700 | 700 |
| IDLEB | Khan Sobel | 320 | 320 | 430 | 430 | 540 | 540 | 540 | 540 | 540 | 540 |
| IDLEB | Maardabseh | 50 | 50 | 160 | 160 | 270 | 270 | 270 | 270 | 270 | 270 |
| IDLEB | Afrayah | 50 | 50 | 160 | 160 | 270 | 270 | 270 | 270 | 270 | 270 |
| IDLEB | Barabe | 50 | 50 | 160 | 160 | 270 | 270 | 270 | 270 | 270 | 270 |
| IDLEB | Rami | 50 | 50 | 160 | 160 | 270 | 270 | 270 | 270 | 270 | 270 |
| IDLEB | Kinsfrah | 190 | 190 | 300 | 300 | 300 | 410 | 410 | 410 | 410 | 410 |
| IDLEB | Atmure Alakdar | 50 | 50 | 160 | 160 | 270 | 270 | 270 | 270 | 270 | 270 |
| IDLEB | Termanien | 50 | 50 | 160 | 160 | 270 | 270 | 270 | 270 | 270 | 270 |
| IDLEB | Armanaz | 680 | 780 | 1,030 | 1,130 | 1,240 | 1,240 | 1,240 | 1,350 | 1,380 | 1,380 |
| IDLEB | Tal Mins | 380 | 490 | 590 | 700 | 810 | 810 | 840 | 840 | 840 | 840 |
| IDLEB | Kafrouneh | 220 | 320 | 320 | 430 | 540 | 570 | 570 | 570 | 570 | 570 |
| IDLEB | Maar Shourien | 190 | 190 | 300 | 300 | 410 | 410 | 410 | 410 | 410 | 410 |
| IDLEB | Maasaran | 220 | 320 | 320 | 430 | 540 | 570 | 570 | 570 | 570 | 570 |
| IDLEB | Habiet | 240 | 350 | 460 | 570 | 680 | 680 | 700 | 700 | 700 | 700 |
| IDLEB | Kfor Ouiaod | 190 | 190 | 300 | 300 | 300 | 410 | 410 | 410 | 410 | 410 |
| IDLEB | Maartabremeh | 50 | 50 | 160 | 160 | 160 | 270 | 270 | 270 | 270 | 270 |
| IDLEB | Althebe | 190 | 190 | 300 | 300 | 300 | 410 | 410 | 410 | 410 | 410 |
| IDLEB | Kfor Signeeh | 50 | 50 | 160 | 160 | 160 | 270 | 270 | 270 | 270 | 270 |
| IDLEB | Alakeyah | 190 | 190 | 300 | 300 | 300 | 410 | 410 | 410 | 410 | 410 |
| IDLEB | Armarien | 190 | 300 | 300 | 430 | 430 | 430 | 430 | 430 | 540 | 540 |
| IDLEB | Atmeenh | 190 | 190 | 300 | 300 | 300 | 410 | 410 | 410 | 410 | 410 |
| IDLEB | <TOTAL> | 78,600 | 89,730 | 100,810 | 111,900 | 123,120 | 124,920 | 126,670 | 128,610 | 130,540 | 132,470 |

S1-7-8 Number of Primary Pairs required per Exchange Area in accordance with the Fulfillment Plan

| Area | Center Name | 1996 | 1997 | 1998 | 1999 | 2000 | 2001 | 2002 | 2003 | 2004 | 2005 |
|----------|--------------------|---------|---------|---------|---------|---------|---------|---------|---------|---------|---------|
| LATTAKIA | Lattakia | 37,020 | 43,170 | 48,870 | 55,000 | 61,160 | 61,910 | 62,990 | 63,960 | 64,940 | 66,040 |
| LATTAKIA | Teshreen | 28,650 | 33,780 | 38,720 | 43,740 | 48,980 | 49,630 | 50,440 | 51,350 | 52,190 | 53,060 |
| LATTAKIA | Al Shatea Al Azrak | 2,030 | 2,030 | 2,030 | 2,030 | 2,030 | 2,030 | 2,030 | 2,030 | 2,030 | 2,030 |
| LATTAKIA | Races Al Baseet | 700 | 700 | 700 | 810 | 810 | 810 | 810 | 810 | 810 | 810 |
| LATTAKIA | Alhafeh | 2,920 | 3,130 | 3,350 | 3,560 | 3,700 | 3,810 | 3,810 | 3,810 | 3,830 | 3,940 |
| LATTAKIA | Slonfeh | 1,490 | 1,590 | 1,700 | 1,810 | 1,920 | 2,030 | 2,050 | 2,050 | 2,050 | 2,050 |
| LATTAKIA | Kerdaha | 12,660 | 13,660 | 14,550 | 15,440 | 16,360 | 16,500 | 16,630 | 16,770 | 16,930 | 17,170 |
| LATTAKIA | Kasab | 2,940 | 3,050 | 3,160 | 3,270 | 3,380 | 3,380 | 3,400 | 3,400 | 3,400 | 3,400 |
| LATTAKIA | Jableh | 18,950 | 21,840 | 24,410 | 27,190 | 30,110 | 30,430 | 30,830 | 31,270 | 31,670 | 32,240 |
| LATTAKIA | Aldaleah | 3,480 | 3,700 | 3,920 | 4,270 | 4,480 | 4,510 | 4,510 | 4,510 | 4,640 | 4,640 |
| LATTAKIA | Beat Yashot | 2,650 | 2,860 | 3,080 | 3,290 | 3,430 | 3,540 | 3,540 | 3,540 | 3,560 | 3,670 |
| LATTAKIA | Bahlaleah | 620 | 730 | 730 | 840 | 950 | 970 | 970 | 970 | 970 | 970 |
| LATTAKIA | Ein Albeatha | 680 | 780 | 890 | 1,000 | 1,110 | 1,220 | 1,240 | 1,240 | 1,240 | 1,240 |
| LATTAKIA | Kotelbeah | 1,380 | 1,700 | 1,920 | 2,270 | 2,480 | 2,590 | 2,620 | 2,620 | 2,750 | 2,750 |
| LATTAKIA | Alkanjarah | 810 | 920 | 1,160 | 1,270 | 1,380 | 1,380 | 1,380 | 1,510 | 1,510 | 1,510 |
| LATTAKIA | Salleptorkman | 730 | 950 | 1,050 | 1,300 | 1,510 | 1,510 | 1,510 | 1,540 | 1,650 | 1,650 |
| LATTAKIA | Haman Al Karabeth | 730 | 730 | 840 | 840 | 950 | 950 | 950 | 950 | 950 | 950 |
| LATTAKIA | Okeabah | 590 | 700 | 700 | 840 | 840 | 840 | 840 | 840 | 950 | 950 |
| LATTAKIA | Jobt Al Borkkal | 270 | 270 | 270 | 270 | 270 | 270 | 270 | 270 | 270 | 270 |
| LATTAKIA | Fakorah | 410 | 510 | 760 | 860 | 970 | 970 | 970 | 1,110 | 1,110 | 1,110 |
| LATTAKIA | Dower Babbah | 320 | 320 | 430 | 430 | 430 | 540 | 540 | 540 | 540 | 540 |
| LATTAKIA | Kastal Maaf | 320 | 320 | 430 | 430 | 430 | 540 | 540 | 540 | 540 | 540 |
| LATTAKIA | Mzerah | 410 | 410 | 410 | 410 | 410 | 410 | 410 | 410 | 410 | 410 |
| LATTAKIA | Harf Msetreh | 380 | 490 | 590 | 700 | 810 | 810 | 840 | 840 | 840 | 840 |
| LATTAKIA | Ein Teneh | 320 | 320 | 430 | 430 | 430 | 540 | 540 | 540 | 540 | 540 |
| LATTAKIA | Kansbah | 430 | 540 | 760 | 890 | 1,110 | 1,110 | 1,110 | 1,130 | 1,240 | 1,240 |
| LATTAKIA | Rabeaah | 300 | 300 | 300 | 410 | 410 | 410 | 410 | 410 | 410 | 410 |
| LATTAKIA | Karfees | 320 | 320 | 430 | 430 | 540 | 540 | 540 | 540 | 540 | 540 |
| LATTAKIA | Salma | 430 | 430 | 570 | 570 | 570 | 570 | 570 | 680 | 680 | 680 |
| LATTAKIA | Hanadi | 320 | 320 | 430 | 430 | 540 | 540 | 540 | 540 | 540 | 540 |
| LATTAKIA | Ein Shkak | 30 | 50 | 160 | 160 | 160 | 160 | 270 | 270 | 270 | 270 |
| LATTAKIA | Tarabez | 30 | 50 | 160 | 160 | 160 | 160 | 270 | 270 | 270 | 270 |
| LATTAKIA | Scyno | 30 | 50 | 160 | 160 | 160 | 160 | 270 | 270 | 270 | 270 |
| LATTAKIA | Saloreen | 30 | 50 | 160 | 160 | 160 | 160 | 270 | 270 | 270 | 270 |
| LATTAKIA | Mtoor | 430 | 430 | 430 | 540 | 540 | 540 | 540 | 540 | 540 | 540 |
| LATTAKIA | <TOTAL> | 123,810 | 141,200 | 158,660 | 176,210 | 193,680 | 196,470 | 199,450 | 202,340 | 205,350 | 208,350 |

S1-7-8 Number of Primary Pairs required per Exchange Area in accordance with the Fulfillment Plan

| Area | Center Name | 1996 | 1997 | 1998 | 1999 | 2000 | 2001 | 2002 | 2003 | 2004 | 2005 |
|-----------|-----------------|-------|-------|-------|-------|-------|-------|-------|-------|-------|-------|
| QUENNETRA | Albaath | 2,540 | 2,750 | 2,750 | 2,890 | 3,000 | 3,000 | 3,020 | 3,020 | 3,130 | 3,130 |
| QUENNETRA | Jobataa Khashab | 700 | 810 | 920 | 1,130 | 1,350 | 1,380 | 1,380 | 1,380 | 1,400 | 1,400 |
| QUENNETRA | Nabh Al Sakher | 460 | 460 | 570 | 570 | 680 | 680 | 680 | 680 | 680 | 680 |
| QUENNETRA | Kossebeh | 300 | 300 | 300 | 410 | 410 | 410 | 410 | 410 | 410 | 410 |
| QUENNETRA | Hadjar | 590 | 810 | 1,050 | 1,270 | 1,380 | 1,380 | 1,380 | 1,510 | 1,510 | 1,540 |
| QUENNETRA | Alrafeed | 30 | 50 | 160 | 160 | 160 | 160 | 270 | 270 | 270 | 270 |
| QUENNETRA | Beer Ajam | 320 | 320 | 430 | 430 | 430 | 540 | 540 | 540 | 540 | 540 |
| QUENNETRA | Masara | 320 | 430 | 430 | 540 | 570 | 570 | 570 | 570 | 570 | 680 |
| QUENNETRA | Seedah | 50 | 50 | 160 | 160 | 160 | 270 | 270 | 270 | 270 | 270 |
| QUENNETRA | <TOTAL> | 5,310 | 5,980 | 6,770 | 7,560 | 8,140 | 8,390 | 8,520 | 8,650 | 8,780 | 8,920 |

S1-7-8 Number of Primary Pairs required per Exchange Area in accordance with the Fulfillment Plan

| Area | Center Name | 1996 | 1997 | 1998 | 1999 | 2000 | 2001 | 2002 | 2003 | 2004 | 2005 |
|--------|--------------|--------|--------|--------|--------|--------|--------|--------|--------|--------|--------|
| RAKKAH | Rakkah | 20,790 | 23,570 | 26,570 | 28,590 | 32,240 | 32,560 | 32,970 | 33,430 | 33,830 | 34,260 |
| RAKKAH | Taf Abyath | 1,840 | 2,050 | 2,300 | 2,510 | 2,730 | 2,750 | 2,750 | 2,860 | 2,890 | 2,890 |
| RAKKAH | Althaowrah | 3,080 | 3,860 | 4,640 | 5,430 | 6,210 | 6,350 | 6,480 | 6,620 | 6,750 | 6,890 |
| RAKKAH | Maadan | 780 | 890 | 1,000 | 1,110 | 1,240 | 1,240 | 1,270 | 1,270 | 1,270 | 1,380 |
| RAKKAH | Alkaramah | 430 | 460 | 570 | 570 | 570 | 570 | 680 | 680 | 680 | 680 |
| RAKKAH | Alsabkah | 510 | 620 | 760 | 860 | 970 | 970 | 1,000 | 1,110 | 1,110 | 1,110 |
| RAKKAH | Mansorah | 460 | 570 | 570 | 680 | 700 | 700 | 700 | 700 | 700 | 810 |
| RAKKAH | Einessa | 160 | 160 | 160 | 270 | 270 | 270 | 270 | 270 | 270 | 270 |
| RAKKAH | Slook | 190 | 190 | 300 | 300 | 410 | 410 | 410 | 410 | 410 | 410 |
| RAKKAH | Jorneah | 140 | 140 | 140 | 140 | 140 | 140 | 140 | 140 | 140 | 140 |
| RAKKAH | Alhanrat | 350 | 460 | 460 | 570 | 680 | 680 | 680 | 680 | 680 | 700 |
| RAKKAH | Salhabeah | 160 | 160 | 160 | 270 | 270 | 270 | 270 | 270 | 270 | 270 |
| RAKKAH | Talhamam | 30 | 30 | 30 | 140 | 140 | 140 | 140 | 140 | 140 | 140 |
| RAKKAH | Hamam | 30 | 30 | 30 | 140 | 140 | 140 | 140 | 140 | 140 | 140 |
| RAKKAH | Khas Owjeel | 320 | 430 | 430 | 570 | 570 | 570 | 570 | 570 | 680 | 680 |
| RAKKAH | Sofsaffeh | 30 | 30 | 30 | 140 | 140 | 140 | 140 | 140 | 140 | 140 |
| RAKKAH | Ejeedden | 30 | 30 | 30 | 140 | 140 | 140 | 140 | 140 | 140 | 140 |
| RAKKAH | Debsi Afnan | 30 | 30 | 30 | 140 | 140 | 140 | 140 | 140 | 140 | 140 |
| RAKKAH | Kanem Ali | 220 | 320 | 320 | 430 | 540 | 540 | 540 | 540 | 570 | 570 |
| RAKKAH | Okershi | 300 | 300 | 300 | 410 | 410 | 410 | 410 | 410 | 410 | 410 |
| RAKKAH | Debsi Farage | 160 | 160 | 160 | 270 | 270 | 270 | 270 | 270 | 270 | 270 |
| RAKKAH | Hattleh | 190 | 190 | 300 | 300 | 300 | 410 | 410 | 410 | 410 | 410 |
| RAKKAH | Keas Daakoor | 190 | 190 | 300 | 300 | 300 | 410 | 410 | 410 | 410 | 410 |
| RAKKAH | Ratleh | 50 | 50 | 160 | 160 | 160 | 270 | 270 | 270 | 270 | 270 |
| RAKKAH | <TOTAL> | 30,470 | 34,920 | 39,750 | 44,440 | 49,680 | 50,490 | 51,200 | 52,020 | 52,720 | 53,530 |

SI-7-8 Number of Primary Pairs required per Exchange Area in accordance with the Fulfillment Plan

| Area | Center Name | 1996 | 1997 | 1998 | 1999 | 2000 | 2001 | 2002 | 2003 | 2004 | 2005 |
|-------|-------------|--------|--------|--------|--------|--------|--------|--------|--------|--------|--------|
| SWEDA | Sweda | 19,360 | 21,570 | 24,270 | 26,380 | 29,240 | 29,650 | 29,940 | 30,460 | 30,780 | 31,100 |
| SWEDA | Shahaba | 3,110 | 3,240 | 3,460 | 3,560 | 3,670 | 3,670 | 3,780 | 3,780 | 3,780 | 3,810 |
| SWEDA | Salkad | 2,480 | 2,590 | 2,590 | 2,700 | 2,730 | 2,730 | 2,730 | 2,730 | 2,730 | 2,840 |
| SWEDA | Al Qraya | 1,810 | 1,920 | 1,920 | 2,030 | 2,050 | 2,050 | 2,050 | 2,050 | 2,050 | 2,160 |
| SWEDA | Alkarye | 680 | 780 | 890 | 1,000 | 1,110 | 1,220 | 1,220 | 1,240 | 1,240 | 1,240 |
| SWEDA | Al Thaalch | 650 | 760 | 860 | 970 | 1,080 | 1,080 | 1,110 | 1,110 | 1,110 | 1,110 |
| SWEDA | Hazem | 30 | 30 | 30 | 140 | 140 | 140 | 140 | 140 | 140 | 140 |
| SWEDA | Aldour | 540 | 680 | 890 | 1,000 | 1,110 | 1,110 | 1,220 | 1,240 | 1,240 | 1,240 |
| SWEDA | Alsegen | 410 | 540 | 760 | 860 | 970 | 970 | 1,080 | 1,080 | 1,080 | 1,110 |
| SWEDA | Shagah | 620 | 840 | 1,050 | 1,270 | 1,400 | 1,510 | 1,510 | 1,510 | 1,540 | 1,650 |
| SWEDA | Mshanaf | 190 | 300 | 300 | 410 | 430 | 430 | 430 | 430 | 430 | 540 |
| SWEDA | Erra | 920 | 1,160 | 1,380 | 1,700 | 1,920 | 1,940 | 2,050 | 2,050 | 2,080 | 2,080 |
| SWEDA | Imtan | 350 | 460 | 460 | 570 | 680 | 700 | 700 | 700 | 700 | 700 |
| SWEDA | Arekah | 350 | 460 | 460 | 570 | 680 | 700 | 700 | 700 | 700 | 700 |
| SWEDA | Alkafer | 970 | 1,080 | 1,320 | 1,430 | 1,650 | 1,650 | 1,650 | 1,760 | 1,760 | 1,780 |
| SWEDA | Sawarah | 430 | 540 | 760 | 890 | 1,110 | 1,110 | 1,110 | 1,130 | 1,240 | 1,240 |
| SWEDA | Najran | 320 | 430 | 430 | 570 | 570 | 570 | 570 | 570 | 680 | 680 |
| SWEDA | Namra | 540 | 650 | 890 | 1,000 | 1,110 | 1,110 | 1,110 | 1,240 | 1,240 | 1,240 |
| SWEDA | Malabe | 190 | 300 | 300 | 430 | 430 | 430 | 430 | 430 | 540 | 540 |
| SWEDA | Schwet Blat | 320 | 430 | 430 | 570 | 570 | 570 | 570 | 570 | 680 | 680 |
| SWEDA | Dibeen | 350 | 460 | 460 | 570 | 680 | 700 | 700 | 700 | 700 | 700 |
| SWEDA | Kanawat | 970 | 1,300 | 1,510 | 1,860 | 2,080 | 2,190 | 2,210 | 2,210 | 2,350 | 2,350 |
| SWEDA | Al Raha | 380 | 490 | 590 | 700 | 810 | 810 | 840 | 840 | 840 | 840 |
| SWEDA | Orman | 510 | 620 | 730 | 840 | 950 | 950 | 970 | 970 | 970 | 970 |
| SWEDA | <TOTAL> | 36,480 | 41,630 | 46,740 | 52,020 | 57,170 | 57,990 | 58,820 | 59,640 | 60,600 | 61,440 |

S1-7-8 Number of Primary Pairs required per Exchange Area in accordance with the Fulfillment Plan

| Area | Center Name | 1996 | 1997 | 1998 | 1999 | 2000 | 2001 | 2002 | 2003 | 2004 | 2005 |
|---------|----------------------|--------|--------|--------|---------|---------|---------|---------|---------|---------|---------|
| TARTOUS | Tartous | 33,240 | 38,580 | 43,630 | 48,330 | 54,140 | 54,730 | 55,570 | 56,510 | 57,350 | 58,320 |
| TARTOUS | Banyas | 8,830 | 9,940 | 11,180 | 12,290 | 13,420 | 13,580 | 13,720 | 13,990 | 14,120 | 14,390 |
| TARTOUS | Safetta | 11,020 | 12,340 | 13,370 | 14,580 | 15,710 | 15,850 | 15,980 | 16,250 | 16,390 | 16,690 |
| TARTOUS | Dreakesh | 3,160 | 3,380 | 3,480 | 3,730 | 3,940 | 3,940 | 3,940 | 3,940 | 4,080 | 4,080 |
| TARTOUS | Sheakbadoer | 2,320 | 2,320 | 2,320 | 2,430 | 2,430 | 2,430 | 2,430 | 2,430 | 2,430 | 2,430 |
| TARTOUS | Erwad | 700 | 700 | 700 | 810 | 810 | 810 | 810 | 810 | 810 | 810 |
| TARTOUS | Mashta | 5,130 | 5,350 | 5,670 | 5,910 | 6,240 | 6,260 | 6,260 | 6,260 | 6,400 | 6,400 |
| TARTOUS | Hossen | 1,810 | 2,030 | 2,270 | 2,480 | 2,620 | 2,620 | 2,620 | 2,730 | 2,750 | 2,860 |
| TARTOUS | Al Baher Alkadoms | 620 | 730 | 730 | 840 | 950 | 970 | 970 | 970 | 970 | 970 |
| TARTOUS | Hemen | 650 | 780 | 890 | 1,000 | 1,110 | 1,110 | 1,220 | 1,220 | 1,220 | 1,240 |
| TARTOUS | Dower Rslan | 810 | 1,030 | 1,380 | 1,590 | 1,920 | 1,940 | 1,940 | 2,050 | 2,080 | 2,080 |
| TARTOUS | Sofsafeh | 680 | 810 | 1,030 | 1,130 | 1,240 | 1,240 | 1,350 | 1,350 | 1,380 | 1,380 |
| TARTOUS | Thaher Safra | 680 | 810 | 1,030 | 1,130 | 1,240 | 1,240 | 1,350 | 1,380 | 1,380 | 1,380 |
| TARTOUS | Alhamedeah | 460 | 700 | 920 | 1,130 | 1,270 | 1,270 | 1,380 | 1,380 | 1,400 | 1,510 |
| TARTOUS | Enazzeh | 460 | 570 | 570 | 700 | 700 | 700 | 700 | 700 | 810 | 810 |
| TARTOUS | Bhaneen | 350 | 460 | 460 | 570 | 680 | 700 | 700 | 700 | 700 | 700 |
| TARTOUS | Kerbial Meazeh | 510 | 650 | 760 | 860 | 970 | 970 | 1,080 | 1,110 | 1,110 | 1,110 |
| TARTOUS | Bromanet Al Mashyekh | 510 | 620 | 730 | 840 | 950 | 950 | 950 | 970 | 970 | 970 |
| TARTOUS | Alremal | 220 | 320 | 320 | 430 | 540 | 570 | 570 | 570 | 570 | 570 |
| TARTOUS | Karemech | 30 | 30 | 140 | 160 | 160 | 160 | 160 | 160 | 270 | 270 |
| TARTOUS | Dower Saaed | 50 | 50 | 160 | 160 | 160 | 270 | 270 | 270 | 270 | 270 |
| TARTOUS | Ein Zarkah | 50 | 50 | 160 | 160 | 160 | 270 | 270 | 270 | 270 | 270 |
| TARTOUS | Jenent Roslan | 380 | 490 | 590 | 700 | 810 | 810 | 840 | 840 | 840 | 840 |
| TARTOUS | Albeatha | 50 | 50 | 160 | 160 | 160 | 270 | 270 | 270 | 270 | 270 |
| TARTOUS | Taenelta | 240 | 350 | 460 | 570 | 680 | 680 | 700 | 700 | 700 | 700 |
| TARTOUS | Hresson Kamoea | 510 | 620 | 730 | 840 | 950 | 950 | 970 | 970 | 970 | 970 |
| TARTOUS | Taleen | 380 | 490 | 590 | 700 | 810 | 810 | 840 | 840 | 840 | 840 |
| TARTOUS | Altawaheen | 160 | 160 | 160 | 270 | 270 | 270 | 270 | 270 | 270 | 270 |
| TARTOUS | Hamam Wassel | 160 | 160 | 160 | 270 | 270 | 270 | 270 | 270 | 270 | 270 |
| TARTOUS | Kamsseh | 190 | 190 | 300 | 300 | 300 | 410 | 410 | 410 | 410 | 410 |
| TARTOUS | Raes Kashofeh | 30 | 30 | 30 | 140 | 140 | 140 | 140 | 140 | 140 | 140 |
| TARTOUS | Sesneah | 30 | 30 | 30 | 140 | 140 | 140 | 140 | 140 | 140 | 140 |
| TARTOUS | Alrakmech | 190 | 190 | 300 | 300 | 300 | 410 | 410 | 410 | 410 | 410 |
| TARTOUS | Albarkeah | 320 | 320 | 430 | 430 | 430 | 540 | 540 | 540 | 540 | 540 |
| TARTOUS | Alsebeh | 160 | 160 | 160 | 270 | 270 | 270 | 270 | 270 | 270 | 270 |
| TARTOUS | Fajleet | 190 | 300 | 300 | 430 | 430 | 430 | 430 | 430 | 540 | 540 |
| TARTOUS | Alnaamech | 110 | 220 | 320 | 430 | 540 | 540 | 570 | 570 | 570 | 570 |
| TARTOUS | Aljerweyah | 320 | 430 | 430 | 570 | 570 | 570 | 570 | 570 | 680 | 680 |
| TARTOUS | Enaash Al Reef | 50 | 50 | 160 | 160 | 160 | 270 | 270 | 270 | 270 | 270 |
| TARTOUS | <TOTAL> | 75,760 | 86,490 | 97,210 | 107,940 | 118,590 | 120,360 | 122,150 | 123,930 | 125,860 | 127,640 |

S1-7-9

**Number of Secondary Pairs Required per Exchange Area
in accordance with the Fulfillment Plan**



S1-7-9 Number of Secondary Pairs required per Exchange Area in accordance with the Fulfillment Plan

| Area | Center Name | 1996 | 1997 | 1998 | 1999 | 2000 | 2001 | 2002 | 2003 | 2004 | 2005 |
|--------------|-----------------|---------|---------|---------|---------|---------|---------|---------|---------|---------|---------|
| Alippo City | Aljoudha | 71,540 | 73,100 | 72,700 | 73,400 | 74,000 | 74,170 | 74,170 | 74,350 | 74,350 | 74,520 |
| Alippo City | Aljalele | 26,640 | 33,030 | 39,270 | 45,810 | 52,480 | 53,530 | 54,610 | 55,670 | 56,750 | 57,810 |
| Alippo City | Kun-Awazcer | 43,840 | 50,380 | 56,930 | 63,600 | 70,550 | 71,500 | 72,550 | 73,780 | 74,830 | 75,920 |
| Alippo City | Al-Jdymoneych | 36,570 | 38,160 | 39,770 | 41,480 | 43,110 | 43,420 | 43,630 | 43,980 | 44,160 | 44,510 |
| Alippo City | Hanaww | 20,850 | 21,030 | 21,170 | 21,300 | 21,430 | 21,560 | 21,690 | 21,820 | 21,950 | 22,080 |
| Alippo City | Almasari | 33,100 | 34,540 | 36,010 | 37,600 | 39,210 | 39,380 | 39,600 | 39,910 | 40,120 | 40,430 |
| Alippo City | Alhamdaneych | 29,280 | 34,930 | 40,610 | 46,400 | 52,300 | 53,250 | 54,160 | 55,170 | 56,300 | 57,450 |
| Alippo City | [New Area] | 17,940 | 26,390 | 34,290 | 42,510 | 51,140 | 52,410 | 53,900 | 54,660 | 56,690 | 57,810 |
| Alippo City | <<TOTAL >> | 279,760 | 320,560 | 360,750 | 402,290 | 445,060 | 451,530 | 458,310 | 465,040 | 472,010 | 478,910 |
| Alippo Rural | Alhab | 5,580 | 6,180 | 6,600 | 7,060 | 7,480 | 7,660 | 7,790 | 7,930 | 7,970 | 8,010 |
| Alippo Rural | Maabeg | 6,380 | 6,980 | 7,410 | 7,720 | 8,010 | 8,180 | 8,360 | 8,560 | 8,530 | 8,530 |
| Alippo Rural | Mora | 5,020 | 5,330 | 5,760 | 6,070 | 6,210 | 6,210 | 6,350 | 6,380 | 6,570 | 6,570 |
| Alippo Rural | Efcon | 4,710 | 4,810 | 5,020 | 5,140 | 5,300 | 5,300 | 5,470 | 5,470 | 5,470 | 5,470 |
| Alippo Rural | Arzar | 4,600 | 4,600 | 4,750 | 4,750 | 4,750 | 4,750 | 4,750 | 4,750 | 4,750 | 4,750 |
| Alippo Rural | Ein Alaab | 3,300 | 4,170 | 4,770 | 5,370 | 5,930 | 6,110 | 6,280 | 6,460 | 6,640 | 6,630 |
| Alippo Rural | Jarablis | 3,060 | 4,210 | 5,100 | 5,970 | 6,710 | 7,020 | 7,200 | 7,370 | 7,550 | 7,720 |
| Alippo Rural | Tal Refact | 1,650 | 1,790 | 1,940 | 1,940 | 1,940 | 1,940 | 1,960 | 1,960 | 1,960 | 1,960 |
| Alippo Rural | Dart Ezra | 1,050 | 1,340 | 1,420 | 1,650 | 1,790 | 1,790 | 1,820 | 1,820 | 1,960 | 1,960 |
| Alippo Rural | Nabbel | 1,720 | 2,000 | 2,420 | 2,740 | 3,020 | 3,060 | 3,060 | 3,060 | 3,220 | 3,220 |
| Alippo Rural | Mara | 1,010 | 1,300 | 1,500 | 2,040 | 2,310 | 2,350 | 2,350 | 2,350 | 2,520 | 2,520 |
| Alippo Rural | Jendaces | 950 | 1,240 | 1,510 | 1,650 | 1,960 | 1,960 | 1,960 | 1,960 | 2,000 | 2,150 |
| Alippo Rural | Atarab | 950 | 1,240 | 1,510 | 1,650 | 1,960 | 1,960 | 1,960 | 1,960 | 2,000 | 2,150 |
| Alippo Rural | Mrean | 700 | 850 | 1,120 | 1,260 | 1,400 | 1,440 | 1,440 | 1,440 | 1,440 | 1,470 |
| Alippo Rural | Dar Hader | 700 | 850 | 1,120 | 1,260 | 1,440 | 1,440 | 1,440 | 1,440 | 1,440 | 1,610 |
| Alippo Rural | Makayeb | 660 | 850 | 990 | 1,120 | 1,260 | 1,260 | 1,440 | 1,440 | 1,440 | 1,440 |
| Alippo Rural | Shickhadid | 390 | 530 | 810 | 950 | 1,260 | 1,260 | 1,260 | 1,260 | 1,260 | 1,440 |
| Alippo Rural | Hader | 300 | 530 | 810 | 950 | 1,260 | 1,260 | 1,260 | 1,260 | 1,260 | 1,440 |
| Alippo Rural | Soran | 530 | 660 | 990 | 1,120 | 1,260 | 1,260 | 1,440 | 1,440 | 1,440 | 1,440 |
| Alippo Rural | Alra | 1,960 | 1,960 | 2,110 | 2,110 | 2,110 | 2,110 | 2,110 | 2,110 | 2,110 | 2,110 |
| Alippo Rural | Aljarion | 2,670 | 2,670 | 2,670 | 2,670 | 2,670 | 2,670 | 2,670 | 2,670 | 2,670 | 2,670 |
| Alippo Rural | Raja | 180 | 180 | 180 | 180 | 180 | 180 | 180 | 180 | 180 | 180 |
| Alippo Rural | Mabattle | 210 | 210 | 210 | 210 | 350 | 350 | 350 | 350 | 350 | 350 |
| Alippo Rural | Alkafaych | 250 | 250 | 390 | 390 | 390 | 530 | 530 | 530 | 530 | 530 |
| Alippo Rural | Alzarah | 390 | 390 | 390 | 390 | 530 | 530 | 530 | 530 | 530 | 530 |
| Alippo Rural | Balbel | 180 | 180 | 180 | 180 | 180 | 180 | 180 | 180 | 180 | 180 |
| Alippo Rural | Shu'kh | 180 | 180 | 180 | 180 | 180 | 180 | 180 | 180 | 180 | 180 |
| Alippo Rural | Kanaser | 180 | 180 | 180 | 180 | 180 | 180 | 180 | 180 | 180 | 180 |
| Alippo Rural | Abou Kolkul | 180 | 180 | 180 | 180 | 180 | 180 | 180 | 180 | 180 | 180 |
| Alippo Rural | Shayen | 40 | 40 | 40 | 180 | 180 | 180 | 180 | 180 | 180 | 180 |
| Alippo Rural | Kudoura | 180 | 180 | 180 | 180 | 180 | 180 | 180 | 180 | 180 | 180 |
| Alippo Rural | Sireen | 210 | 210 | 210 | 210 | 350 | 350 | 350 | 350 | 350 | 350 |
| Alippo Rural | Armanch | 40 | 40 | 40 | 180 | 180 | 180 | 180 | 180 | 180 | 180 |
| Alippo Rural | Ram Hornud | 40 | 40 | 40 | 180 | 180 | 180 | 180 | 180 | 180 | 180 |
| Alippo Rural | Kubersi Sharki | 40 | 40 | 40 | 180 | 180 | 180 | 180 | 180 | 180 | 180 |
| Alippo Rural | Banani | 180 | 180 | 180 | 180 | 180 | 180 | 180 | 180 | 180 | 180 |
| Alippo Rural | Abtoun | 40 | 40 | 40 | 180 | 180 | 180 | 180 | 180 | 180 | 180 |
| Alippo Rural | Wafichi | 40 | 40 | 40 | 180 | 180 | 180 | 180 | 180 | 180 | 180 |
| Alippo Rural | Tal Shikab | 40 | 40 | 40 | 180 | 180 | 180 | 180 | 180 | 180 | 180 |
| Alippo Rural | Mesichib | 40 | 40 | 40 | 180 | 180 | 180 | 180 | 180 | 180 | 180 |
| Alippo Rural | Absonou | 210 | 210 | 210 | 210 | 350 | 350 | 350 | 350 | 350 | 350 |
| Alippo Rural | Abien | 210 | 210 | 210 | 210 | 350 | 350 | 350 | 350 | 350 | 350 |
| Alippo Rural | Hweyyan | 210 | 210 | 210 | 210 | 350 | 350 | 350 | 350 | 350 | 350 |
| Alippo Rural | Kofer Haura | 40 | 40 | 40 | 180 | 180 | 180 | 180 | 180 | 180 | 180 |
| Alippo Rural | Abtiemla | 350 | 490 | 810 | 950 | 1,090 | 1,090 | 1,090 | 1,240 | 1,240 | 1,260 |
| Alippo Rural | Bzazab | 530 | 660 | 990 | 1,120 | 1,260 | 1,260 | 1,260 | 1,440 | 1,440 | 1,440 |
| Alippo Rural | Kebarka | 530 | 660 | 990 | 1,120 | 1,260 | 1,260 | 1,260 | 1,440 | 1,440 | 1,440 |
| Alippo Rural | Abou Jevn | 40 | 40 | 40 | 180 | 180 | 180 | 180 | 180 | 180 | 180 |
| Alippo Rural | Tal Havel | 210 | 210 | 210 | 210 | 350 | 350 | 350 | 350 | 350 | 350 |
| Alippo Rural | Tal Jen | 210 | 210 | 210 | 210 | 350 | 350 | 350 | 350 | 350 | 350 |
| Alippo Rural | Kofer Jarch | 40 | 40 | 40 | 180 | 180 | 180 | 180 | 180 | 180 | 180 |
| Alippo Rural | Basuta | 40 | 40 | 40 | 180 | 180 | 180 | 180 | 180 | 180 | 180 |
| Alippo Rural | Babfion | 40 | 40 | 40 | 180 | 180 | 180 | 180 | 180 | 180 | 180 |
| Alippo Rural | Sahshreca | 310 | 600 | 910 | 1,200 | 1,610 | 1,650 | 1,650 | 1,790 | 1,820 | 1,820 |
| Alippo Rural | Zanmar | 210 | 210 | 210 | 210 | 350 | 350 | 350 | 350 | 350 | 350 |
| Alippo Rural | Tal Hedyah | 210 | 210 | 210 | 210 | 350 | 350 | 350 | 350 | 350 | 350 |
| Alippo Rural | Tal Thannan | 390 | 530 | 810 | 950 | 1,260 | 1,260 | 1,260 | 1,300 | 1,300 | 1,440 |
| Alippo Rural | Hajeb | 40 | 40 | 40 | 180 | 180 | 180 | 180 | 180 | 180 | 180 |
| Alippo Rural | Takf | 180 | 310 | 450 | 600 | 740 | 880 | 880 | 910 | 910 | 910 |
| Alippo | <Rural TOTAL > | 54,620 | 61,690 | 69,950 | 77,600 | 85,240 | 86,520 | 87,750 | 89,640 | 90,410 | 91,200 |
| Alippo | <City TOTAL > | 279,760 | 320,560 | 360,750 | 402,290 | 445,060 | 451,530 | 458,310 | 465,040 | 472,010 | 478,910 |
| Alippo | <Alippo Total > | 334,380 | 382,250 | 430,700 | 479,890 | 530,300 | 538,050 | 546,060 | 554,680 | 562,420 | 570,110 |

S1-7-9 Number of Secondary Pairs required per Exchange Area in accordance with the Fulfillment Plan

| Area | Center Name | 1996 | 1997 | 1998 | 1999 | 2000 | 2001 | 2002 | 2003 | 2004 | 2005 |
|----------|---------------|--------|--------|---------|---------|---------|---------|---------|---------|---------|---------|
| Alhasaka | Hasakah | 33,180 | 35,520 | 37,840 | 39,730 | 42,330 | 42,680 | 43,170 | 43,520 | 43,880 | 44,270 |
| Alhasaka | Kamesjle | 27,270 | 33,100 | 39,170 | 44,820 | 51,660 | 52,360 | 53,460 | 54,340 | 55,250 | 56,470 |
| Alhasaka | Amodah | 3,340 | 3,650 | 4,070 | 4,520 | 4,810 | 4,810 | 4,980 | 4,980 | 5,120 | 5,160 |
| Alhasaka | Rus Alein | 3,800 | 4,070 | 4,360 | 4,500 | 4,810 | 4,950 | 4,950 | 4,950 | 4,980 | 5,120 |
| Alhasaka | Malkiah | 3,510 | 3,820 | 4,250 | 4,520 | 4,950 | 4,950 | 5,120 | 5,120 | 5,120 | 5,160 |
| Alhasaka | Derbasieh | 2,290 | 2,560 | 3,020 | 3,300 | 3,720 | 3,760 | 3,760 | 3,900 | 3,900 | 3,930 |
| Alhasaka | Shadadi | 1,050 | 1,340 | 1,790 | 2,070 | 2,500 | 2,520 | 2,520 | 2,670 | 2,700 | 2,700 |
| Alhasaka | Kahlaniah | 1,440 | 1,720 | 2,150 | 2,600 | 2,870 | 3,020 | 3,060 | 3,060 | 3,220 | 3,220 |
| Alhasaka | Tal Tamor | 1,200 | 1,340 | 1,470 | 1,610 | 1,760 | 1,760 | 1,790 | 1,790 | 1,790 | 1,790 |
| Alhasaka | Markadah | 600 | 880 | 1,160 | 1,300 | 1,610 | 1,610 | 1,610 | 1,610 | 1,650 | 1,790 |
| Alhasaka | Yaeroubiah | 910 | 1,050 | 1,370 | 1,510 | 1,790 | 1,790 | 1,790 | 1,960 | 1,960 | 1,960 |
| Alhasaka | Rmielan | 1,010 | 1,340 | 1,610 | 2,040 | 2,310 | 2,350 | 2,500 | 2,500 | 2,520 | 2,520 |
| Alhasaka | Jawadiah | 740 | 880 | 1,200 | 1,340 | 1,610 | 1,610 | 1,610 | 1,790 | 1,790 | 1,790 |
| Alhasaka | Tal Hamces | 600 | 880 | 1,010 | 1,300 | 1,610 | 1,610 | 1,610 | 1,650 | 1,650 | 1,790 |
| Alhasaka | Ber Al Helow | 420 | 700 | 850 | 1,160 | 1,440 | 1,440 | 1,440 | 1,470 | 1,610 | 1,610 |
| Alhasaka | Al Arieshea | 420 | 700 | 850 | 1,160 | 1,440 | 1,440 | 1,440 | 1,470 | 1,610 | 1,610 |
| Alhasaka | Twieni | 250 | 250 | 390 | 390 | 390 | 530 | 530 | 530 | 530 | 530 |
| Alhasaka | Misheerfeh | 40 | 40 | 40 | 180 | 180 | 180 | 180 | 180 | 180 | 180 |
| Alhasaka | Ajajeh Sharki | 250 | 250 | 390 | 390 | 390 | 530 | 530 | 530 | 530 | 530 |
| Alhasaka | Safeh | 180 | 180 | 180 | 180 | 180 | 180 | 180 | 180 | 180 | 180 |
| Alhasaka | Manajeer | 40 | 40 | 40 | 180 | 180 | 180 | 180 | 180 | 180 | 180 |
| Alhasaka | Abou Raseen | 740 | 740 | 740 | 880 | 880 | 880 | 880 | 880 | 880 | 880 |
| Alhasaka | Alhoul | 210 | 210 | 210 | 350 | 350 | 350 | 350 | 350 | 350 | 350 |
| Alhasaka | Sfyah | 640 | 770 | 770 | 910 | 1,050 | 1,090 | 1,090 | 1,090 | 1,090 | 1,090 |
| Alhasaka | Tal Maerouf | 640 | 770 | 770 | 910 | 1,050 | 1,090 | 1,090 | 1,090 | 1,090 | 1,090 |
| Alhasaka | Tal Hormus | 640 | 770 | 770 | 910 | 1,050 | 1,090 | 1,090 | 1,090 | 1,090 | 1,090 |
| Alhasaka | Tal Adas | 40 | 40 | 40 | 180 | 180 | 180 | 180 | 180 | 180 | 180 |
| Alhasaka | TAI Sokarah | 70 | 210 | 210 | 390 | 390 | 390 | 390 | 390 | 530 | 530 |
| Alhasaka | Tal Alou | 250 | 390 | 390 | 560 | 560 | 560 | 560 | 560 | 700 | 700 |
| Alhasaka | <TOTAL> | 85,770 | 98,210 | 111,110 | 123,890 | 138,050 | 139,890 | 142,040 | 144,010 | 146,260 | 148,400 |

S1-7-9 Number of Secondary Pairs required per Exchange Area in accordance with the Fulfillment Plan

| Area | Center Name | 1996 | 1997 | 1998 | 1999 | 2000 | 2001 | 2002 | 2003 | 2004 | 2005 |
|---------------|--------------|---------|---------|---------|---------|---------|---------|---------|---------|---------|---------|
| Damascus City | Al Nasser | 62,270 | 63,280 | 64,300 | 65,330 | 66,340 | 66,520 | 66,690 | 66,870 | 67,040 | 67,220 |
| Damascus City | Al Thawra | 22,460 | 25,380 | 28,150 | 31,070 | 33,800 | 34,190 | 34,710 | 35,240 | 35,760 | 36,150 |
| Damascus City | Keer Souseh | 27,830 | 32,790 | 37,700 | 42,510 | 47,180 | 48,050 | 48,930 | 49,670 | 50,540 | 51,430 |
| Damascus City | Domar | 18,850 | 21,620 | 24,360 | 27,130 | 29,770 | 30,150 | 30,640 | 31,030 | 31,550 | 32,080 |
| Damascus City | Al Mohajrin | 38,820 | 39,560 | 40,300 | 41,130 | 41,870 | 41,910 | 42,080 | 42,220 | 42,260 | 42,430 |
| Damascus City | Jallaa | 28,150 | 31,200 | 34,400 | 37,450 | 40,370 | 40,900 | 41,420 | 41,950 | 42,510 | 43,030 |
| Damascus City | Bab Sharki | 43,560 | 50,090 | 56,760 | 63,320 | 69,710 | 70,800 | 71,850 | 72,940 | 74,170 | 75,260 |
| Damascus City | MazzeH 1 | 35,700 | 36,150 | 36,570 | 37,000 | 37,450 | 37,450 | 37,620 | 37,620 | 37,660 | 37,800 |
| Damascus City | MazzeH 2 | 23,210 | 27,560 | 31,770 | 36,150 | 40,220 | 40,920 | 41,670 | 42,370 | 43,210 | 43,940 |
| Damascus City | Al Miedan | 31,980 | 38,920 | 45,920 | 52,720 | 59,420 | 60,660 | 61,740 | 62,970 | 64,090 | 65,330 |
| Damascus City | Al Yarmouk | 49,560 | 57,280 | 64,970 | 72,700 | 80,090 | 81,370 | 82,770 | 84,030 | 85,440 | 86,700 |
| Damascus City | Rokn Al Dien | 18,150 | 22,360 | 26,430 | 30,640 | 34,750 | 35,310 | 36,010 | 36,710 | 37,450 | 38,300 |
| Damascus City | Barzeh | 27,690 | 34,400 | 41,210 | 47,920 | 54,300 | 55,390 | 56,620 | 57,710 | 58,930 | 60,020 |
| Damascus City | Bagdad | 68,030 | 73,670 | 79,180 | 84,730 | 90,250 | 91,160 | 92,070 | 92,950 | 94,000 | 94,910 |
| Damascus City | [New Area] | 24,710 | 39,170 | 53,740 | 67,810 | 80,830 | 84,590 | 86,760 | 89,440 | 91,720 | 94,380 |
| Damascus City | <<TOTAL>> | 520,970 | 593,430 | 665,760 | 737,610 | 806,350 | 819,370 | 831,580 | 843,720 | 856,330 | 868,980 |

SI-7-9 Number of Secondary Pairs required Exchange Area in accordance with the Fulfillment Plan

| Area | Center Name | 1996 | 1997 | 1998 | 1999 | 2000 | 2001 | 2002 | 2003 | 2004 | 2005 |
|----------------|-----------------|---------|---------|---------|---------|---------|---------|---------|---------|---------|---------|
| Damascus Rural | Falt | 19760 | 24,150 | 28,780 | 32,990 | 36,690 | 37,410 | 38,010 | 38,710 | 39,460 | 40,330 |
| Damascus Rural | Doma | 20360 | 25,970 | 31,490 | 36,750 | 41,310 | 42,370 | 43,430 | 44,060 | 45,110 | 46,160 |
| Damascus Rural | Hurta | 19510 | 22,820 | 25,910 | 29,130 | 31,370 | 32,190 | 32,580 | 33,240 | 33,960 | 34,460 |
| Damascus Rural | Daryih | 17260 | 18,150 | 18,890 | 19,760 | 20,320 | 20,500 | 20,670 | 20,850 | 21,030 | 21,060 |
| Damascus Rural | Kafana | 7660 | 8,070 | 8,670 | 9,090 | 9,410 | 9,540 | 9,540 | 9,720 | 9,720 | 9,890 |
| Damascus Rural | Alhanah | 14850 | 15,860 | 16,830 | 17,980 | 18,790 | 18,950 | 19,140 | 19,310 | 19,490 | 19,660 |
| Damascus Rural | Alfayez | 3970 | 4,560 | 4,980 | 5,450 | 5,720 | 5,900 | 6,030 | 6,070 | 6,210 | 6,250 |
| Damascus Rural | Alfegi | 5510 | 5,930 | 6,380 | 6,810 | 7,120 | 7,270 | 7,310 | 7,440 | 7,440 | 7,620 |
| Damascus Rural | Ahna | 2870 | 3,160 | 3,300 | 3,580 | 3,760 | 3,900 | 3,900 | 3,900 | 3,930 | 4,070 |
| Damascus Rural | Keswa | 6150 | 6,570 | 6,850 | 7,160 | 7,440 | 7,580 | 7,620 | 7,620 | 7,790 | 7,790 |
| Damascus Rural | Sydna | 5760 | 5,900 | 6,070 | 6,210 | 6,360 | 6,360 | 6,380 | 6,530 | 6,530 | 6,530 |
| Damascus Rural | Almashbeh | 2870 | 3,160 | 3,450 | 3,760 | 3,930 | 3,930 | 3,930 | 3,930 | 4,110 | 4,250 |
| Damascus Rural | Artuse | 9660 | 9,660 | 9,660 | 9,660 | 9,660 | 9,660 | 9,660 | 9,660 | 9,660 | 9,660 |
| Damascus Rural | Sohnaya | 7930 | 8,490 | 9,090 | 9,660 | 9,970 | 10,280 | 10,280 | 10,430 | 10,470 | 10,630 |
| Damascus Rural | Kora Alasad | 7450 | 7,860 | 8,460 | 8,880 | 9,200 | 9,330 | 9,330 | 9,510 | 9,510 | 9,680 |
| Damascus Rural | Alnabk | 13490 | 15,160 | 16,890 | 18,640 | 20,410 | 20,320 | 20,640 | 20,850 | 21,200 | 21,550 |
| Damascus Rural | Yalqod | 6570 | 8,010 | 9,310 | 10,630 | 11,830 | 12,000 | 12,220 | 12,390 | 12,740 | 13,050 |
| Damascus Rural | Kotfeh | 5230 | 5,820 | 6,250 | 6,850 | 7,270 | 7,310 | 7,440 | 7,480 | 7,620 | 7,660 |
| Damascus Rural | Deratiah | 5410 | 6,110 | 6,850 | 7,440 | 8,010 | 8,180 | 8,220 | 8,360 | 8,500 | 8,570 |
| Damascus Rural | Alahaybeh | 4420 | 5,160 | 6,010 | 6,730 | 7,330 | 7,510 | 7,680 | 7,680 | 7,870 | 8,030 |
| Damascus Rural | Jesd | 5800 | 6,810 | 7,650 | 8,570 | 9,310 | 9,480 | 9,660 | 9,830 | 10,010 | 10,180 |
| Damascus Rural | Zamalka | 16640 | 18,540 | 20,290 | 22,050 | 23,620 | 23,830 | 24,180 | 24,530 | 24,880 | 25,190 |
| Damascus Rural | Mellola | 1900 | 2,040 | 2,170 | 2,310 | 2,460 | 2,460 | 2,500 | 2,500 | 2,500 | 2,500 |
| Damascus Rural | Tateich | 880 | 880 | 880 | 880 | 880 | 880 | 880 | 880 | 880 | 880 |
| Damascus Rural | Kana | 3900 | 4,500 | 5,100 | 5,600 | 6,250 | 6,250 | 6,420 | 6,600 | 6,600 | 6,770 |
| Damascus Rural | Zabafan | 32250 | 33,700 | 35,170 | 36,470 | 37,770 | 37,970 | 38,160 | 38,510 | 38,680 | 38,900 |
| Damascus Rural | Jaramna | 9830 | 9,830 | 9,830 | 9,830 | 9,830 | 9,830 | 9,830 | 9,830 | 9,830 | 9,830 |
| Damascus Rural | Babela | 8260 | 8,260 | 8,260 | 8,260 | 8,260 | 8,260 | 8,260 | 8,260 | 8,260 | 8,260 |
| Damascus Rural | Tawani | 700 | 850 | 1,160 | 1,300 | 1,440 | 1,410 | 1,440 | 1,610 | 1,610 | 1,610 |
| Damascus Rural | Yabos | 210 | 210 | 210 | 350 | 350 | 350 | 350 | 350 | 350 | 350 |
| Damascus Rural | Haramd Awansod | 770 | 1,050 | 1,200 | 1,470 | 1,650 | 1,790 | 1,790 | 1,790 | 1,820 | 1,960 |
| Damascus Rural | Hesch | 460 | 600 | 740 | 740 | 880 | 910 | 910 | 910 | 910 | 910 |
| Damascus Rural | Holbon | 350 | 490 | 810 | 950 | 1,090 | 1,090 | 1,090 | 1,260 | 1,260 | 1,260 |
| Damascus Rural | Khanabeh | 1510 | 2,110 | 2,520 | 2,990 | 3,410 | 3,450 | 3,580 | 3,610 | 3,760 | 3,800 |
| Damascus Rural | Al Fouas | 180 | 180 | 180 | 180 | 180 | 180 | 180 | 180 | 180 | 180 |
| Damascus Rural | Wadi Burda | 1980 | 2,640 | 2,170 | 2,310 | 2,460 | 2,460 | 2,500 | 2,500 | 2,500 | 2,500 |
| Damascus Rural | Rankus | 1200 | 1,790 | 2,210 | 2,810 | 3,220 | 3,260 | 3,410 | 3,450 | 3,580 | 3,610 |
| Damascus Rural | Sasaa | 950 | 1,240 | 1,370 | 1,650 | 1,820 | 1,960 | 1,960 | 1,960 | 2,000 | 2,150 |
| Damascus Rural | Kozlawa | 210 | 250 | 300 | 300 | 300 | 300 | 530 | 530 | 530 | 530 |
| Damascus Rural | Qasabward | 1720 | 2,420 | 3,160 | 3,760 | 4,320 | 4,500 | 4,520 | 4,710 | 4,850 | 4,880 |
| Damascus Rural | Alakbech | 310 | 450 | 600 | 740 | 880 | 880 | 910 | 910 | 910 | 910 |
| Damascus Rural | Hafoz Ueka | 310 | 490 | 640 | 770 | 910 | 910 | 1,050 | 1,090 | 1,090 | 1,090 |
| Damascus Rural | Zakeah | 1370 | 1,960 | 2,390 | 2,920 | 3,410 | 3,450 | 3,580 | 3,610 | 3,760 | 3,800 |
| Damascus Rural | Acroch | 1300 | 1,590 | 1,320 | 2,000 | 2,170 | 2,310 | 2,310 | 2,310 | 2,350 | 2,500 |
| Damascus Rural | Kanaker | 1010 | 1,300 | 1,760 | 2,040 | 2,310 | 2,350 | 2,350 | 2,500 | 2,520 | 2,520 |
| Damascus Rural | Beatgen | 1240 | 1,690 | 1,960 | 2,420 | 2,700 | 2,700 | 2,830 | 2,870 | 3,060 | 3,060 |
| Damascus Rural | Ras Al Masra | 700 | 1,160 | 1,410 | 1,900 | 2,170 | 2,170 | 2,350 | 2,350 | 2,520 | 2,520 |
| Damascus Rural | Kafar Hour | 1010 | 1,200 | 1,340 | 1,470 | 1,610 | 1,610 | 1,760 | 1,790 | 1,790 | 1,790 |
| Damascus Rural | Jandaf | 420 | 700 | 850 | 1,120 | 1,410 | 1,410 | 1,410 | 1,410 | 1,470 | 1,610 |
| Damascus Rural | Sabulyar | 420 | 700 | 850 | 1,120 | 1,410 | 1,410 | 1,410 | 1,410 | 1,470 | 1,610 |
| Damascus Rural | Metafch | 210 | 250 | 300 | 300 | 300 | 300 | 530 | 530 | 530 | 530 |
| Damascus Rural | Hojdikh | 210 | 250 | 300 | 300 | 300 | 300 | 530 | 530 | 530 | 530 |
| Damascus Rural | Hosharab | 210 | 250 | 300 | 300 | 300 | 300 | 530 | 530 | 530 | 530 |
| Damascus Rural | Hejarce | 530 | 660 | 900 | 1,120 | 1,260 | 1,260 | 1,260 | 1,410 | 1,410 | 1,440 |
| Damascus Rural | Nasrah | 910 | 1,090 | 1,400 | 1,690 | 1,960 | 2,000 | 2,000 | 2,150 | 2,170 | 2,170 |
| Damascus Rural | Derah | 390 | 420 | 560 | 560 | 560 | 560 | 700 | 700 | 700 | 700 |
| Damascus Rural | Sabl | 310 | 460 | 600 | 740 | 880 | 880 | 910 | 910 | 910 | 910 |
| Damascus Rural | Kastal | 210 | 210 | 210 | 350 | 350 | 350 | 350 | 350 | 350 | 350 |
| Damascus Rural | Maaronch | 290 | 470 | 560 | 560 | 700 | 740 | 740 | 740 | 740 | 740 |
| Damascus Rural | Melhaa | 3860 | 3,860 | 3,860 | 3,860 | 3,860 | 3,860 | 3,860 | 3,860 | 3,860 | 3,860 |
| Damascus Rural | Abah | 40 | 40 | 40 | 180 | 180 | 180 | 180 | 180 | 180 | 180 |
| Damascus Rural | Moued MIA Abham | 1260 | 2,470 | 3,580 | 4,690 | 5,620 | 5,800 | 5,970 | 6,180 | 6,360 | 6,530 |
| Damascus Rural | Thayat Al Assad | 880 | 880 | 880 | 880 | 880 | 880 | 880 | 880 | 880 | 880 |
| Damascus Rural | Miscon | 1720 | 2,260 | 4,360 | 5,860 | 6,920 | 7,090 | 7,440 | 7,620 | 7,790 | 8,140 |
| Damascus Rural | <<TOTAL >> | 291,250 | 330,080 | 367,640 | 404,150 | 434,970 | 411,260 | 417,800 | 454,450 | 461,210 | 467,960 |

S1-7-9 Number of Secondary Pairs required per Exchange Area in accordance with the Fulfillment Plan

| Area | Center Name | 1996 | 1997 | 1998 | 1999 | 2000 | 2001 | 2002 | 2003 | 2004 | 2005 |
|-------|-----------------|--------|--------|--------|--------|---------|---------|---------|---------|---------|---------|
| DARAA | Darna | 28,570 | 31,030 | 33,900 | 36,110 | 39,030 | 39,380 | 39,730 | 40,120 | 40,610 | 41,170 |
| DARAA | Ezrac | 2,740 | 3,020 | 3,300 | 3,450 | 3,760 | 3,900 | 3,900 | 3,900 | 3,900 | 4,070 |
| DARAA | Nawa | 3,900 | 4,600 | 5,470 | 6,070 | 6,770 | 6,960 | 6,960 | 7,120 | 7,310 | 7,330 |
| DARAA | Shayke Maskeen | 2,740 | 3,060 | 3,340 | 3,610 | 3,930 | 3,930 | 4,070 | 4,070 | 4,070 | 4,250 |
| DARAA | Talfas | 2,110 | 2,390 | 2,850 | 3,120 | 3,550 | 3,580 | 3,580 | 3,720 | 3,720 | 3,760 |
| DARAA | Dael | 2,740 | 3,060 | 3,340 | 3,610 | 3,930 | 3,930 | 4,070 | 4,070 | 4,070 | 4,250 |
| DARAA | Jassen | 2,640 | 2,810 | 3,090 | 3,220 | 3,370 | 3,370 | 3,510 | 3,550 | 3,550 | 3,550 |
| DARAA | Kazzafeh | 2,290 | 2,420 | 2,560 | 2,700 | 2,850 | 2,990 | 2,990 | 3,020 | 3,020 | 3,020 |
| DARAA | Alhrak | 2,110 | 2,250 | 2,390 | 2,520 | 2,670 | 2,810 | 2,850 | 2,850 | 2,850 | 2,850 |
| DARAA | Sanamen | 2,640 | 2,910 | 3,370 | 3,650 | 4,070 | 4,110 | 4,110 | 4,250 | 4,250 | 4,280 |
| DARAA | Bosra | 2,390 | 2,700 | 2,990 | 3,260 | 3,580 | 3,580 | 3,720 | 3,720 | 3,760 | 3,900 |
| DARAA | Bosra Al Hareer | 310 | 460 | 600 | 740 | 880 | 880 | 910 | 910 | 910 | 910 |
| DARAA | Tseel | 740 | 880 | 1,200 | 1,340 | 1,610 | 1,610 | 1,610 | 1,790 | 1,790 | 1,790 |
| DARAA | Tal Shhab | 290 | 420 | 420 | 560 | 700 | 740 | 740 | 740 | 740 | 740 |
| DARAA | Jhab | 640 | 910 | 1,200 | 1,340 | 1,650 | 1,790 | 1,790 | 1,790 | 1,820 | 1,960 |
| DARAA | Aljezzeh | 1,090 | 1,550 | 1,820 | 2,290 | 2,700 | 2,700 | 2,850 | 2,870 | 3,060 | 3,060 |
| DARAA | Alharth | 1,120 | 1,590 | 2,000 | 2,420 | 2,870 | 2,870 | 3,060 | 3,060 | 3,090 | 3,220 |
| DARAA | Kabah | 640 | 770 | 770 | 910 | 1,050 | 1,090 | 1,090 | 1,090 | 1,090 | 1,090 |
| DARAA | Alshajarh | 420 | 560 | 560 | 740 | 740 | 740 | 740 | 740 | 880 | 880 |
| DARAA | Seedah | 740 | 1,200 | 1,470 | 1,940 | 2,350 | 2,350 | 2,520 | 2,520 | 2,700 | 2,700 |
| DARAA | Altebah | 740 | 880 | 1,200 | 1,340 | 1,610 | 1,610 | 1,610 | 1,790 | 1,790 | 1,790 |
| DARAA | Khabakeh | 530 | 660 | 810 | 950 | 1,090 | 1,240 | 1,260 | 1,260 | 1,260 | 1,260 |
| DARAA | Alkark | 640 | 770 | 770 | 910 | 1,050 | 1,090 | 1,090 | 1,090 | 1,090 | 1,090 |
| DARAA | Shames | 350 | 350 | 350 | 350 | 350 | 350 | 350 | 350 | 350 | 350 |
| DARAA | Mahajeh | 560 | 700 | 1,010 | 1,160 | 1,440 | 1,440 | 1,440 | 1,610 | 1,610 | 1,610 |
| DARAA | Mssefreh | 1,010 | 1,300 | 1,610 | 2,040 | 2,310 | 2,350 | 2,350 | 2,500 | 2,520 | 2,520 |
| DARAA | Mesemyh | 210 | 210 | 210 | 350 | 350 | 350 | 350 | 350 | 350 | 350 |
| DARAA | Jbeh | 490 | 640 | 770 | 910 | 1,050 | 1,050 | 1,090 | 1,090 | 1,090 | 1,090 |
| DARAA | Sahmal Jolan | 460 | 600 | 600 | 740 | 880 | 910 | 910 | 910 | 910 | 910 |
| DARAA | Naseeb | 250 | 250 | 390 | 390 | 530 | 530 | 530 | 530 | 530 | 530 |
| DARAA | Enkel | 1,240 | 1,690 | 1,960 | 2,420 | 2,700 | 2,700 | 2,870 | 2,870 | 3,060 | 3,060 |
| DARAA | Karayh | 1,090 | 1,510 | 1,790 | 2,250 | 2,520 | 2,670 | 2,700 | 2,700 | 2,870 | 2,870 |
| DARAA | Jelen | 210 | 210 | 210 | 350 | 350 | 350 | 350 | 350 | 350 | 350 |
| DARAA | Asyem | 420 | 560 | 560 | 740 | 740 | 740 | 740 | 740 | 880 | 880 |
| DARAA | Almal | 40 | 40 | 40 | 180 | 180 | 180 | 180 | 180 | 180 | 180 |
| DARAA | Zemreen | 250 | 250 | 390 | 390 | 530 | 530 | 530 | 530 | 530 | 530 |
| DARAA | Tesyah | 210 | 210 | 210 | 350 | 350 | 350 | 350 | 350 | 350 | 350 |
| DARAA | Alkheen | 40 | 40 | 40 | 180 | 180 | 180 | 180 | 180 | 180 | 180 |
| DARAA | <TOTAL> | 69,600 | 79,460 | 89,560 | 99,600 | 110,270 | 111,930 | 113,680 | 115,280 | 117,090 | 118,680 |

S1-7-9 Number of Secondary Pairs required per Exchange Area in accordance with the Fulfillment Plan

| Area | Center Name | 1996 | 1997 | 1998 | 1999 | 2000 | 2001 | 2002 | 2003 | 2004 | 2005 |
|-----------|---------------|--------|--------|--------|--------|--------|--------|--------|--------|--------|--------|
| DER ALZOR | Dier Zor | 27,310 | 30,950 | 33,280 | 36,470 | 38,510 | 39,600 | 40,260 | 41,170 | 41,700 | 42,160 |
| DER ALZOR | Mayadine | 7,680 | 8,260 | 8,840 | 9,540 | 10,430 | 10,470 | 10,490 | 10,630 | 10,670 | 10,840 |
| DER ALZOR | Boukmal | 7,370 | 7,660 | 7,970 | 8,390 | 8,810 | 8,840 | 8,840 | 8,980 | 8,980 | 9,020 |
| DER ALZOR | Abou Hamam | 810 | 1,090 | 1,370 | 1,510 | 1,940 | 1,960 | 1,960 | 1,960 | 2,000 | 2,000 |
| DER ALZOR | Bssyreh | 460 | 600 | 600 | 740 | 880 | 910 | 910 | 910 | 910 | 910 |
| DER ALZOR | Shaafeh | 250 | 250 | 390 | 390 | 530 | 530 | 530 | 530 | 530 | 530 |
| DER ALZOR | Seal Sharki | 70 | 210 | 210 | 350 | 390 | 390 | 390 | 390 | 390 | 530 |
| DER ALZOR | Shheel Sharki | 250 | 250 | 390 | 390 | 530 | 530 | 530 | 530 | 530 | 530 |
| DER ALZOR | Alashara | 1,590 | 2,000 | 2,560 | 3,160 | 3,760 | 3,800 | 3,800 | 3,820 | 3,970 | 4,150 |
| DER ALZOR | Al Graneeg | 490 | 640 | 770 | 910 | 1,050 | 1,050 | 1,090 | 1,090 | 1,090 | 1,090 |
| DER ALZOR | Alkataeh | 350 | 530 | 660 | 950 | 1,090 | 1,090 | 1,240 | 1,260 | 1,260 | 1,260 |
| DER ALZOR | Mouhasen | 740 | 880 | 1,160 | 1,300 | 1,610 | 1,610 | 1,610 | 1,650 | 1,650 | 1,790 |
| DER ALZOR | Hajien | 600 | 880 | 1,010 | 1,300 | 1,610 | 1,610 | 1,610 | 1,650 | 1,650 | 1,790 |
| DER ALZOR | Altabni | 210 | 210 | 210 | 350 | 350 | 350 | 350 | 350 | 350 | 350 |
| DER ALZOR | Alsouar | 390 | 530 | 810 | 990 | 1,260 | 1,260 | 1,260 | 1,300 | 1,440 | 1,440 |
| DER ALZOR | Shmetieh | 70 | 210 | 210 | 390 | 390 | 390 | 390 | 390 | 530 | 530 |
| DER ALZOR | Kasra | 310 | 460 | 600 | 740 | 880 | 880 | 910 | 910 | 910 | 910 |
| DER ALZOR | Souseh | 350 | 490 | 640 | 770 | 1,050 | 1,050 | 1,090 | 1,090 | 1,090 | 1,090 |
| DER ALZOR | Kourieh | 700 | 880 | 1,010 | 1,300 | 1,440 | 1,440 | 1,590 | 1,610 | 1,610 | 1,610 |
| DER ALZOR | Kriettah | 70 | 70 | 210 | 210 | 350 | 350 | 350 | 350 | 350 | 350 |
| DER ALZOR | Kataah | 70 | 70 | 210 | 210 | 350 | 350 | 350 | 350 | 350 | 350 |
| DER ALZOR | Ksham | 350 | 490 | 640 | 770 | 1,050 | 1,050 | 1,090 | 1,090 | 1,090 | 1,090 |
| DER ALZOR | Mrat | 70 | 70 | 210 | 210 | 350 | 350 | 350 | 350 | 350 | 350 |
| DER ALZOR | Albahrah | 70 | 70 | 210 | 210 | 350 | 350 | 350 | 350 | 350 | 350 |
| DER ALZOR | Kishkkieh | 70 | 210 | 210 | 390 | 390 | 390 | 390 | 390 | 530 | 530 |
| DER ALZOR | Bagous | 70 | 70 | 210 | 210 | 350 | 350 | 350 | 350 | 350 | 350 |
| DER ALZOR | Bokros | 250 | 390 | 390 | 560 | 560 | 560 | 560 | 560 | 700 | 700 |
| DER ALZOR | Zbarie | 70 | 70 | 210 | 210 | 350 | 350 | 350 | 350 | 350 | 350 |
| DER ALZOR | Fatsseh | 100 | 250 | 250 | 390 | 530 | 530 | 530 | 530 | 560 | 560 |
| DER ALZOR | Mahkan | 250 | 250 | 390 | 390 | 530 | 530 | 530 | 530 | 530 | 530 |
| DER ALZOR | Thieban | 530 | 700 | 850 | 1,120 | 1,260 | 1,260 | 1,400 | 1,400 | 1,440 | 1,440 |
| DER ALZOR | Jerthi-Sharki | 70 | 70 | 210 | 210 | 350 | 350 | 350 | 350 | 350 | 350 |
| DER ALZOR | Tayaneh | 250 | 250 | 390 | 390 | 530 | 530 | 530 | 530 | 530 | 530 |
| DER ALZOR | Abou Hardoob | 70 | 70 | 210 | 210 | 350 | 350 | 350 | 350 | 350 | 350 |
| DER ALZOR | Drneky | 70 | 70 | 210 | 210 | 350 | 350 | 350 | 350 | 350 | 350 |
| DER ALZOR | Dahlan | 250 | 250 | 390 | 390 | 530 | 530 | 530 | 530 | 530 | 530 |
| DER ALZOR | Sbiekan | 350 | 490 | 640 | 770 | 1,050 | 1,050 | 1,050 | 1,050 | 1,090 | 1,090 |
| DER ALZOR | Tishrien | 250 | 250 | 390 | 390 | 530 | 530 | 530 | 530 | 530 | 530 |
| DER ALZOR | Spheratahtani | 350 | 490 | 640 | 770 | 1,050 | 1,050 | 1,050 | 1,050 | 1,090 | 1,090 |
| DER ALZOR | Alsatehyah | 70 | 70 | 210 | 210 | 350 | 350 | 350 | 350 | 350 | 350 |
| DER ALZOR | <TOTAL> | 53,700 | 61,700 | 69,970 | 78,370 | 88,020 | 89,270 | 90,540 | 91,910 | 93,380 | 94,650 |

SI-7-9 Number of Secondary Pairs required per Exchange Area in accordance with the Fulfillment Plan

| Area | Center Name | 1996 | 1997 | 1998 | 1999 | 2000 | 2001 | 2002 | 2003 | 2004 | 2005 |
|------|--------------|---------|---------|---------|---------|---------|---------|---------|---------|---------|---------|
| HAMA | Hama | 15,300 | 21,370 | 27,310 | 33,280 | 40,510 | 41,000 | 41,910 | 42,820 | 43,880 | 44,970 |
| HAMA | Kowatle | 40,050 | 41,630 | 43,240 | 44,680 | 46,290 | 46,750 | 46,970 | 47,280 | 47,450 | 47,810 |
| HAMA | Salameh | 12,430 | 15,440 | 18,540 | 21,450 | 25,060 | 25,420 | 25,810 | 26,470 | 26,990 | 27,560 |
| HAMA | Mesyaf | 6,920 | 7,330 | 7,620 | 8,030 | 8,490 | 8,630 | 8,670 | 8,670 | 8,710 | 8,840 |
| HAMA | Mhardeh | 7,830 | 8,980 | 10,140 | 11,170 | 12,470 | 12,640 | 12,820 | 12,990 | 13,170 | 13,380 |
| HAMA | Skelbeyeh | 7,370 | 7,790 | 8,390 | 8,810 | 9,370 | 9,540 | 9,540 | 9,720 | 9,720 | 9,760 |
| HAMA | Kambaneh | 1,750 | 1,790 | 1,790 | 1,790 | 1,910 | 1,940 | 1,940 | 1,940 | 1,940 | 1,940 |
| HAMA | Tal Safhab | 3,580 | 3,580 | 3,720 | 3,720 | 3,660 | 3,660 | 3,660 | 3,660 | 3,660 | 3,660 |
| HAMA | Souran | 2,110 | 2,250 | 2,390 | 2,520 | 2,810 | 2,810 | 2,810 | 2,850 | 2,850 | 2,850 |
| HAMA | Karnaz | 450 | 600 | 600 | 740 | 880 | 910 | 910 | 910 | 910 | 910 |
| HAMA | Teuballeman | 1,090 | 1,510 | 1,790 | 2,250 | 2,520 | 2,670 | 2,670 | 2,700 | 2,850 | 2,870 |
| HAMA | Wadikeune | 1,010 | 1,300 | 1,610 | 2,040 | 2,310 | 2,350 | 2,350 | 2,500 | 2,520 | 2,520 |
| HAMA | Shatha | 810 | 1,090 | 1,370 | 1,510 | 1,820 | 1,960 | 1,960 | 1,960 | 2,000 | 2,150 |
| HAMA | Kofrzela | 810 | 1,090 | 1,370 | 1,510 | 1,820 | 1,960 | 1,960 | 1,960 | 2,000 | 2,150 |
| HAMA | Latananeh | 490 | 640 | 770 | 910 | 1,050 | 1,050 | 1,090 | 1,090 | 1,090 | 1,090 |
| HAMA | Mork | 880 | 1,010 | 1,340 | 1,470 | 1,610 | 1,610 | 1,610 | 1,760 | 1,790 | 1,790 |
| HAMA | Kefnabodeh | 450 | 600 | 600 | 740 | 880 | 910 | 910 | 910 | 910 | 910 |
| HAMA | Kattabe | 460 | 600 | 600 | 740 | 880 | 910 | 910 | 910 | 910 | 910 |
| HAMA | Sabbora | 1,050 | 1,200 | 1,340 | 1,470 | 1,760 | 1,760 | 1,790 | 1,790 | 1,790 | 1,790 |
| HAMA | Tal Dorah | 1,010 | 1,160 | 1,300 | 1,440 | 1,590 | 1,590 | 1,610 | 1,610 | 1,610 | 1,610 |
| HAMA | Bare Sharke | 290 | 420 | 420 | 560 | 700 | 740 | 740 | 740 | 740 | 740 |
| HAMA | Alsan | 390 | 390 | 390 | 530 | 530 | 530 | 530 | 530 | 530 | 530 |
| HAMA | Kofbohem | 850 | 990 | 1,120 | 1,260 | 1,400 | 1,400 | 1,440 | 1,440 | 1,440 | 1,440 |
| HAMA | Rabeah | 740 | 740 | 740 | 880 | 880 | 880 | 880 | 880 | 880 | 880 |
| HAMA | Akrab | 210 | 210 | 210 | 350 | 350 | 350 | 350 | 350 | 350 | 350 |
| HAMA | Jebraheh | 420 | 560 | 560 | 700 | 740 | 740 | 740 | 740 | 740 | 880 |
| HAMA | Awage | 250 | 250 | 390 | 390 | 530 | 530 | 530 | 530 | 530 | 530 |
| HAMA | Her Brafsoh | 210 | 210 | 210 | 350 | 350 | 350 | 350 | 350 | 350 | 350 |
| HAMA | Ein Hikeem | 740 | 740 | 740 | 880 | 880 | 880 | 880 | 880 | 880 | 880 |
| HAMA | Okerbat | 40 | 40 | 40 | 180 | 180 | 180 | 180 | 180 | 180 | 180 |
| HAMA | Alhamra | 180 | 180 | 180 | 180 | 180 | 180 | 180 | 180 | 180 | 180 |
| HAMA | Kal Al Matke | 2,110 | 2,250 | 2,560 | 2,700 | 2,850 | 2,850 | 2,850 | 2,990 | 3,020 | 3,020 |
| HAMA | Zeyara | 70 | 70 | 210 | 210 | 350 | 350 | 350 | 350 | 350 | 350 |
| HAMA | Asreyah | 70 | 210 | 210 | 390 | 390 | 390 | 390 | 390 | 530 | 530 |
| HAMA | Mabogeh | 210 | 210 | 210 | 350 | 350 | 350 | 350 | 350 | 350 | 350 |
| HAMA | Akarab | 490 | 640 | 810 | 950 | 1,090 | 1,090 | 1,090 | 1,260 | 1,260 | 1,260 |
| HAMA | Ashaneh | 250 | 250 | 390 | 390 | 530 | 530 | 530 | 530 | 530 | 530 |
| HAMA | Frickh | 40 | 70 | 210 | 210 | 210 | 210 | 350 | 350 | 350 | 350 |
| HAMA | Jomasseh | 40 | 70 | 210 | 210 | 210 | 210 | 350 | 350 | 350 | 350 |
| HAMA | Jed | 40 | 70 | 210 | 210 | 210 | 210 | 350 | 350 | 350 | 350 |
| HAMA | Treamseh | 600 | 910 | 1,200 | 1,340 | 1,650 | 1,650 | 1,790 | 1,790 | 1,820 | 1,960 |
| HAMA | Der Mama | 700 | 880 | 1,160 | 1,300 | 1,440 | 1,440 | 1,590 | 1,610 | 1,610 | 1,610 |
| HAMA | Der Shmeal | 420 | 560 | 560 | 740 | 740 | 740 | 740 | 880 | 880 | 880 |
| HAMA | Mahroseh | 250 | 390 | 390 | 560 | 560 | 560 | 560 | 560 | 700 | 700 |
| HAMA | Baerem | 290 | 420 | 420 | 560 | 700 | 740 | 740 | 740 | 740 | 740 |
| HAMA | Nessaf | 390 | 420 | 560 | 560 | 560 | 560 | 700 | 700 | 700 | 700 |
| HAMA | Meryamen | 250 | 390 | 390 | 560 | 560 | 560 | 560 | 560 | 700 | 700 |
| HAMA | Assekh | 490 | 640 | 770 | 910 | 1,050 | 1,050 | 1,050 | 1,090 | 1,090 | 1,090 |
| HAMA | Barshen | 210 | 250 | 390 | 390 | 390 | 390 | 530 | 530 | 530 | 530 |
| HAMA | Derakakep | 70 | 70 | 210 | 210 | 350 | 350 | 350 | 350 | 350 | 350 |
| HAMA | Ein Krom | 660 | 600 | 600 | 740 | 880 | 910 | 910 | 910 | 910 | 910 |
| HAMA | MerJash | 70 | 70 | 210 | 210 | 210 | 350 | 350 | 350 | 350 | 350 |
| HAMA | Hwayjeh | 40 | 40 | 40 | 180 | 180 | 180 | 180 | 180 | 180 | 180 |
| HAMA | Jowreen | 40 | 40 | 40 | 180 | 180 | 180 | 180 | 180 | 180 | 180 |
| HAMA | Marshoor | 390 | 390 | 390 | 530 | 530 | 530 | 530 | 530 | 530 | 530 |
| HAMA | Bsetren | 420 | 420 | 560 | 560 | 560 | 700 | 700 | 700 | 700 | 700 |
| HAMA | <TOTAL> | 118,640 | 136,020 | 153,740 | 171,680 | 191,370 | 194,110 | 196,970 | 199,940 | 202,810 | 205,840 |

S1-7-9 Number of Secondary Pairs required per Exchange Area accordance with the Fulfillment Plan

| Area | Center Name | 1996 | 1997 | 1998 | 1999 | 2000 | 2001 | 2002 | 2003 | 2004 | 2005 |
|------|-------------|---------|---------|---------|---------|---------|---------|---------|---------|---------|---------|
| HOMS | Alkwatli | 46,870 | 52,360 | 57,670 | 62,930 | 68,590 | 69,500 | 70,380 | 70,970 | 71,990 | 72,940 |
| HOMS | Alnahita | 36,050 | 40,570 | 45,180 | 49,670 | 54,610 | 55,350 | 56,200 | 56,760 | 57,500 | 58,410 |
| HOMS | Alwaer | 27,940 | 36,650 | 45,340 | 53,910 | 63,320 | 64,650 | 66,030 | 67,460 | 68,900 | 70,380 |
| HOMS | Kosser | 5,680 | 6,150 | 6,570 | 6,980 | 7,440 | 7,440 | 7,620 | 7,620 | 7,620 | 7,790 |
| HOMS | Tadmor | 6,810 | 7,680 | 8,570 | 9,440 | 10,320 | 10,360 | 10,490 | 10,670 | 10,820 | 11,020 |
| HOMS | Talkalakh | 6,250 | 6,670 | 7,120 | 7,550 | 8,140 | 8,140 | 8,180 | 8,320 | 8,360 | 8,490 |
| HOMS | Afrastan | 9,190 | 10,360 | 11,380 | 12,530 | 13,690 | 13,870 | 14,080 | 14,250 | 14,430 | 14,600 |
| HOMS | Almkaram | 3,610 | 4,040 | 4,500 | 4,910 | 5,510 | 5,510 | 5,550 | 5,680 | 5,720 | 5,860 |
| HOMS | Alkareyten | 3,370 | 3,510 | 3,820 | 3,970 | 4,250 | 4,250 | 4,250 | 4,420 | 4,420 | 4,420 |
| HOMS | Sheen | 2,770 | 2,910 | 3,090 | 3,220 | 3,370 | 3,370 | 3,370 | 3,550 | 3,550 | 3,550 |
| HOMS | Talbesch | 3,300 | 3,580 | 3,900 | 4,320 | 4,600 | 4,630 | 4,630 | 4,770 | 4,810 | 4,810 |
| HOMS | Taldo | 2,600 | 2,740 | 2,910 | 3,060 | 3,200 | 3,200 | 3,220 | 3,370 | 3,370 | 3,370 |
| HOMS | Alnasra | 11,650 | 11,650 | 11,790 | 11,790 | 11,930 | 11,930 | 11,930 | 11,930 | 11,930 | 11,930 |
| HOMS | Kattene | 1,900 | 2,040 | 2,170 | 2,310 | 2,460 | 2,460 | 2,500 | 2,500 | 2,500 | 2,500 |
| HOMS | Alsoqneh | 1,300 | 1,590 | 1,720 | 2,000 | 2,310 | 2,310 | 2,310 | 2,310 | 2,350 | 2,500 |
| HOMS | Alhwash | 1,200 | 1,370 | 1,510 | 1,650 | 1,790 | 1,790 | 1,960 | 1,960 | 1,960 | 1,960 |
| HOMS | Albessen | 1,120 | 1,400 | 1,550 | 1,820 | 2,150 | 2,150 | 2,150 | 2,150 | 2,170 | 2,310 |
| HOMS | Habnomra | 950 | 1,090 | 1,090 | 1,240 | 1,240 | 1,260 | 1,260 | 1,260 | 1,260 | 1,260 |
| HOMS | Hesyeh | 420 | 700 | 850 | 1,160 | 1,440 | 1,440 | 1,440 | 1,440 | 1,610 | 1,610 |
| HOMS | Sadad | 1,050 | 1,240 | 1,510 | 1,650 | 1,790 | 1,790 | 1,940 | 1,960 | 1,960 | 1,960 |
| HOMS | Mokacbarat | 490 | 770 | 1,090 | 1,510 | 1,790 | 1,820 | 1,820 | 1,960 | 2,000 | 2,000 |
| HOMS | Fahel | 310 | 460 | 600 | 740 | 880 | 880 | 910 | 910 | 910 | 910 |
| HOMS | Maheen | 530 | 700 | 990 | 1,120 | 1,260 | 1,260 | 1,400 | 1,440 | 1,440 | 1,440 |
| HOMS | Mesherfeh | 770 | 1,050 | 1,200 | 1,510 | 1,790 | 1,790 | 1,790 | 1,820 | 1,960 | 1,960 |
| HOMS | Rabah | 700 | 850 | 990 | 1,120 | 1,260 | 1,400 | 1,440 | 1,440 | 1,440 | 1,440 |
| HOMS | Rkama | 560 | 700 | 1,010 | 1,160 | 1,440 | 1,440 | 1,440 | 1,610 | 1,610 | 1,610 |
| HOMS | Alkabo | 600 | 740 | 740 | 910 | 910 | 910 | 910 | 910 | 1,050 | 1,050 |
| HOMS | Alforkles | 420 | 560 | 560 | 740 | 740 | 740 | 740 | 740 | 880 | 880 |
| HOMS | Kfram | 420 | 560 | 560 | 740 | 740 | 740 | 740 | 740 | 880 | 880 |
| HOMS | Jobaljerah | 210 | 210 | 210 | 350 | 350 | 350 | 350 | 350 | 350 | 350 |
| HOMS | Bin Nesser | 350 | 350 | 350 | 350 | 350 | 350 | 350 | 350 | 350 | 350 |
| HOMS | Alhadedh | 70 | 70 | 210 | 210 | 210 | 350 | 350 | 350 | 350 | 350 |
| HOMS | Teen Nor | 40 | 40 | 40 | 180 | 180 | 180 | 180 | 180 | 180 | 180 |
| HOMS | Dbeen | 210 | 210 | 210 | 350 | 350 | 350 | 350 | 350 | 350 | 350 |
| HOMS | Ramalenze | 70 | 70 | 210 | 210 | 210 | 350 | 350 | 350 | 350 | 350 |
| HOMS | Kfrnan | 70 | 70 | 210 | 210 | 210 | 350 | 350 | 350 | 350 | 350 |
| HOMS | Eisson | 70 | 70 | 210 | 210 | 210 | 350 | 350 | 350 | 350 | 350 |
| HOMS | Taeabeh | 70 | 70 | 210 | 210 | 210 | 350 | 350 | 350 | 350 | 350 |
| HOMS | Alkom | 70 | 70 | 210 | 210 | 210 | 350 | 350 | 350 | 350 | 350 |
| HOMS | Khrbetal | 350 | 350 | 350 | 350 | 350 | 350 | 350 | 350 | 350 | 350 |
| HOMS | Breage | 180 | 180 | 180 | 180 | 180 | 180 | 180 | 180 | 180 | 180 |
| HOMS | <TOTAL> | 180,590 | 206,450 | 232,580 | 258,680 | 285,980 | 290,240 | 294,540 | 298,780 | 303,260 | 307,700 |

SI-7-9 Number of Secondary Pairs required per Exchange Area in accordance with the Fulfillment Plan

| Area | Center Name | 1996 | 1997 | 1998 | 1999 | 2000 | 2001 | 2002 | 2003 | 2004 | 2005 |
|-------|----------------|---------|---------|---------|---------|---------|---------|---------|---------|---------|---------|
| IDLEB | Idleb | 24,080 | 26,820 | 29,320 | 32,050 | 34,810 | 35,170 | 35,560 | 36,050 | 36,440 | 37,000 |
| IDLEB | Jessr Shkour | 10,440 | 11,020 | 11,580 | 12,320 | 12,920 | 12,920 | 13,050 | 13,090 | 13,270 | 13,440 |
| IDLEB | Harem | 1,720 | 1,860 | 2,000 | 2,150 | 2,290 | 2,290 | 2,310 | 2,310 | 2,310 | 2,310 |
| IDLEB | Akdana | 2,560 | 2,700 | 2,700 | 2,850 | 2,990 | 3,020 | 3,020 | 3,020 | 3,020 | 3,020 |
| IDLEB | Kofer-Takarim | 2,290 | 2,420 | 2,700 | 2,870 | 3,020 | 3,020 | 3,020 | 3,060 | 3,200 | 3,200 |
| IDLEB | Aricha | 7,870 | 9,620 | 11,090 | 12,680 | 14,140 | 14,330 | 14,640 | 14,990 | 15,160 | 15,550 |
| IDLEB | Sekien | 4,250 | 4,390 | 4,520 | 4,850 | 5,120 | 5,120 | 5,120 | 5,160 | 5,300 | 5,300 |
| IDLEB | Maert Abheaman | 11,020 | 11,900 | 12,490 | 13,050 | 13,790 | 13,830 | 13,980 | 14,140 | 14,180 | 14,350 |
| IDLEB | Maert Misrien | 6,880 | 7,900 | 8,780 | 9,660 | 10,670 | 10,710 | 10,880 | 11,060 | 11,230 | 11,410 |
| IDLEB | Srakeb | 6,710 | 7,720 | 8,570 | 9,440 | 10,320 | 10,490 | 10,670 | 10,710 | 10,880 | 11,060 |
| IDLEB | Kan Shekhou | 4,600 | 5,760 | 6,770 | 7,930 | 8,960 | 9,130 | 9,310 | 9,480 | 9,660 | 9,870 |
| IDLEB | Kofer Nobeel | 1,550 | 1,690 | 1,820 | 1,960 | 2,110 | 2,110 | 2,110 | 2,150 | 2,150 | 2,150 |
| IDLEB | Absem | 700 | 850 | 1,010 | 1,300 | 1,440 | 1,440 | 1,440 | 1,610 | 1,610 | 1,610 |
| IDLEB | Abou Atthehour | 420 | 560 | 560 | 700 | 740 | 740 | 740 | 740 | 740 | 880 |
| IDLEB | Beesh | 3,800 | 4,810 | 5,820 | 6,710 | 7,720 | 7,900 | 8,070 | 8,260 | 8,420 | 8,610 |
| IDLEB | Alkenyah | 1,940 | 2,670 | 3,410 | 4,110 | 4,850 | 4,880 | 5,020 | 5,200 | 5,230 | 5,410 |
| IDLEB | Jarjanaz | 460 | 600 | 600 | 740 | 880 | 880 | 910 | 910 | 910 | 910 |
| IDLEB | Heash | 530 | 660 | 990 | 1,120 | 1,260 | 1,260 | 1,260 | 1,400 | 1,440 | 1,440 |
| IDLEB | Sarmada | 740 | 880 | 1,160 | 1,340 | 1,610 | 1,610 | 1,610 | 1,610 | 1,790 | 1,790 |
| IDLEB | Sarriden | 1,120 | 1,400 | 1,720 | 2,000 | 2,170 | 2,170 | 2,170 | 2,310 | 2,350 | 2,500 |
| IDLEB | Kelly | 600 | 740 | 740 | 910 | 910 | 910 | 910 | 910 | 1,050 | 1,050 |
| IDLEB | Darkoush | 460 | 600 | 600 | 740 | 880 | 910 | 910 | 910 | 910 | 910 |
| IDLEB | Bajama | 460 | 600 | 600 | 740 | 880 | 880 | 910 | 910 | 910 | 910 |
| IDLEB | Taftanaz | 490 | 660 | 810 | 950 | 1,090 | 1,090 | 1,260 | 1,260 | 1,260 | 1,260 |
| IDLEB | Mhambel | 250 | 390 | 390 | 560 | 560 | 560 | 560 | 560 | 700 | 700 |
| IDLEB | Korganish | 210 | 210 | 210 | 350 | 350 | 350 | 350 | 350 | 350 | 350 |
| IDLEB | Sinjar | 210 | 210 | 210 | 350 | 350 | 350 | 350 | 350 | 350 | 350 |
| IDLEB | Janodieah | 460 | 600 | 600 | 740 | 880 | 910 | 910 | 910 | 910 | 910 |
| IDLEB | Assffes | 40 | 70 | 210 | 210 | 210 | 210 | 350 | 350 | 350 | 350 |
| IDLEB | Maaret Nassan | 460 | 600 | 600 | 740 | 880 | 910 | 910 | 910 | 910 | 910 |
| IDLEB | Khan Sobel | 420 | 420 | 560 | 560 | 700 | 700 | 700 | 700 | 700 | 700 |
| IDLEB | Maardabsch | 70 | 70 | 210 | 210 | 350 | 350 | 350 | 350 | 350 | 350 |
| IDLEB | Afrayah | 70 | 70 | 210 | 210 | 350 | 350 | 350 | 350 | 350 | 350 |
| IDLEB | Barahe | 70 | 70 | 210 | 210 | 350 | 350 | 350 | 350 | 350 | 350 |
| IDLEB | Rami | 70 | 70 | 210 | 210 | 350 | 350 | 350 | 350 | 350 | 350 |
| IDLEB | Kussrah | 250 | 250 | 390 | 390 | 390 | 530 | 530 | 530 | 530 | 530 |
| IDLEB | Almare Atakdar | 70 | 70 | 210 | 210 | 350 | 350 | 350 | 350 | 350 | 350 |
| IDLEB | Termanien | 70 | 70 | 210 | 210 | 350 | 350 | 350 | 350 | 350 | 350 |
| IDLEB | Armanaz | 880 | 1,010 | 1,340 | 1,470 | 1,610 | 1,610 | 1,610 | 1,760 | 1,790 | 1,790 |
| IDLEB | Tal Mins | 490 | 640 | 770 | 910 | 1,050 | 1,050 | 1,090 | 1,090 | 1,090 | 1,090 |
| IDLEB | Kafrounch | 290 | 420 | 420 | 560 | 700 | 740 | 740 | 740 | 740 | 740 |
| IDLEB | Maar Shourien | 250 | 250 | 390 | 390 | 530 | 530 | 530 | 530 | 530 | 530 |
| IDLEB | Maasaran | 290 | 420 | 420 | 560 | 700 | 740 | 740 | 740 | 740 | 740 |
| IDLEB | Habiet | 310 | 460 | 600 | 740 | 880 | 880 | 910 | 910 | 910 | 910 |
| IDLEB | Kfer Ouiaed | 250 | 250 | 390 | 390 | 390 | 530 | 530 | 530 | 530 | 530 |
| IDLEB | Maartabrench | 70 | 70 | 210 | 210 | 210 | 350 | 350 | 350 | 350 | 350 |
| IDLEB | Altebe | 250 | 250 | 390 | 390 | 390 | 530 | 530 | 530 | 530 | 530 |
| IDLEB | Kfer Signeeb | 70 | 70 | 210 | 210 | 210 | 350 | 350 | 350 | 350 | 350 |
| IDLEB | Atalayah | 250 | 250 | 390 | 390 | 390 | 530 | 530 | 530 | 530 | 530 |
| IDLEB | Azmarien | 250 | 390 | 390 | 560 | 560 | 560 | 560 | 560 | 700 | 700 |
| IDLEB | Atmeenh | 250 | 250 | 390 | 390 | 390 | 530 | 530 | 530 | 530 | 530 |
| IDLEB | <TOTAL> | 102,360 | 116,730 | 131,100 | 145,500 | 160,000 | 162,360 | 164,640 | 167,160 | 169,640 | 172,160 |

SI-7-9 Number of Secondary Pairs required per Exchange Area in accordance with the Fulfillment Plan

| Area | Center Name | 1996 | 1997 | 1998 | 1999 | 2000 | 2001 | 2002 | 2003 | 2004 | 2005 |
|----------|--------------------|---------|---------|---------|---------|---------|---------|---------|---------|---------|---------|
| LATTAKIA | Lattakia | 48,130 | 56,120 | 63,530 | 71,500 | 79,510 | 80,480 | 81,890 | 83,150 | 84,420 | 85,850 |
| LATTAKIA | Teshreen | 37,250 | 43,910 | 50,340 | 56,860 | 63,670 | 64,520 | 65,570 | 66,760 | 67,850 | 68,980 |
| LATTAKIA | Al Shatea Al Azrak | 2,640 | 2,640 | 2,640 | 2,640 | 2,640 | 2,640 | 2,640 | 2,640 | 2,640 | 2,640 |
| LATTAKIA | Raees Al Baseet | 910 | 910 | 910 | 1,050 | 1,050 | 1,050 | 1,050 | 1,050 | 1,050 | 1,050 |
| LATTAKIA | Alhafeh | 3,800 | 4,070 | 4,360 | 4,630 | 4,810 | 4,950 | 4,950 | 4,950 | 4,980 | 5,120 |
| LATTAKIA | Slonfeh | 1,940 | 2,070 | 2,210 | 2,350 | 2,500 | 2,640 | 2,670 | 2,670 | 2,670 | 2,670 |
| LATTAKIA | Kerdaha | 16,460 | 17,760 | 18,920 | 20,070 | 21,270 | 21,450 | 21,620 | 21,800 | 22,010 | 22,320 |
| LATTAKIA | Kasab | 3,820 | 3,970 | 4,110 | 4,250 | 4,390 | 4,390 | 4,420 | 4,420 | 4,420 | 4,420 |
| LATTAKIA | Jableh | 24,640 | 28,390 | 31,730 | 35,350 | 39,140 | 39,560 | 40,080 | 40,650 | 41,170 | 41,910 |
| LATTAKIA | Aldafeah | 4,520 | 4,810 | 5,100 | 5,550 | 5,820 | 5,860 | 5,860 | 5,860 | 6,030 | 6,030 |
| LATTAKIA | Beat Yashot | 3,450 | 3,720 | 4,000 | 4,280 | 4,460 | 4,600 | 4,600 | 4,600 | 4,630 | 4,770 |
| LATTAKIA | Bahldeah | 810 | 950 | 950 | 1,090 | 1,240 | 1,260 | 1,260 | 1,260 | 1,260 | 1,260 |
| LATTAKIA | Ein Albeatha | 880 | 1,010 | 1,160 | 1,300 | 1,440 | 1,590 | 1,610 | 1,610 | 1,610 | 1,610 |
| LATTAKIA | Kotelbeah | 1,790 | 2,210 | 2,500 | 2,950 | 3,220 | 3,370 | 3,410 | 3,410 | 3,580 | 3,580 |
| LATTAKIA | Alkanjarah | 1,050 | 1,200 | 1,510 | 1,650 | 1,790 | 1,790 | 1,790 | 1,960 | 1,960 | 1,960 |
| LATTAKIA | Salleptorkman | 950 | 1,240 | 1,370 | 1,690 | 1,960 | 1,960 | 1,960 | 2,000 | 2,150 | 2,150 |
| LATTAKIA | Haman Al Karabelh | 950 | 950 | 1,090 | 1,090 | 1,240 | 1,240 | 1,240 | 1,240 | 1,240 | 1,240 |
| LATTAKIA | Okeabeh | 770 | 910 | 910 | 1,090 | 1,090 | 1,090 | 1,090 | 1,090 | 1,240 | 1,240 |
| LATTAKIA | Jobt Al Borkkal | 350 | 350 | 350 | 350 | 350 | 350 | 350 | 350 | 350 | 350 |
| LATTAKIA | Fakorah | 530 | 660 | 990 | 1,120 | 1,260 | 1,260 | 1,260 | 1,440 | 1,440 | 1,440 |
| LATTAKIA | Dower Bahdah | 420 | 420 | 560 | 560 | 560 | 700 | 700 | 700 | 700 | 700 |
| LATTAKIA | Kastal Maaf | 420 | 420 | 560 | 560 | 560 | 700 | 700 | 700 | 700 | 700 |
| LATTAKIA | Mzerah | 530 | 530 | 530 | 530 | 530 | 530 | 530 | 530 | 530 | 530 |
| LATTAKIA | Harf Msetreh | 490 | 640 | 770 | 910 | 1,050 | 1,050 | 1,090 | 1,090 | 1,090 | 1,090 |
| LATTAKIA | Ein Teneh | 420 | 420 | 560 | 560 | 560 | 700 | 700 | 700 | 700 | 700 |
| LATTAKIA | Kansbah | 560 | 700 | 990 | 1,160 | 1,440 | 1,440 | 1,440 | 1,470 | 1,610 | 1,610 |
| LATTAKIA | Rabeaah | 390 | 390 | 390 | 530 | 530 | 530 | 530 | 530 | 530 | 530 |
| LATTAKIA | Karfees | 420 | 420 | 560 | 560 | 700 | 700 | 700 | 700 | 700 | 700 |
| LATTAKIA | Salma | 560 | 560 | 740 | 740 | 740 | 740 | 740 | 880 | 880 | 880 |
| LATTAKIA | Hanadi | 420 | 420 | 560 | 560 | 700 | 700 | 700 | 700 | 700 | 700 |
| LATTAKIA | Ein Shkak | 40 | 70 | 210 | 210 | 210 | 210 | 350 | 350 | 350 | 350 |
| LATTAKIA | Tarabez | 40 | 70 | 210 | 210 | 210 | 210 | 350 | 350 | 350 | 350 |
| LATTAKIA | Seyno | 40 | 70 | 210 | 210 | 210 | 210 | 350 | 350 | 350 | 350 |
| LATTAKIA | Saloreen | 40 | 70 | 210 | 210 | 210 | 210 | 350 | 350 | 350 | 350 |
| LATTAKIA | Mtoor | 560 | 560 | 560 | 700 | 700 | 700 | 700 | 700 | 700 | 700 |
| LATTAKIA | <TOTAL> | 160,990 | 183,610 | 206,300 | 229,070 | 251,760 | 255,380 | 259,250 | 263,010 | 266,940 | 270,830 |

SI-7-9 Number of Secondary Pairs required per Exchange Area in accordance with the Fulfillment Plan

| Area | Center Name | 1996 | 1997 | 1998 | 1999 | 2000 | 2001 | 2002 | 2003 | 2004 | 2005 |
|-----------|-----------------|-------|-------|-------|-------|--------|--------|--------|--------|--------|--------|
| QUENNETRA | Albaath | 3,300 | 3,580 | 3,580 | 3,760 | 3,900 | 3,900 | 3,930 | 3,930 | 4,070 | 4,070 |
| QUENNETRA | Jobataa Khashah | 910 | 1,050 | 1,200 | 1,470 | 1,760 | 1,790 | 1,790 | 1,790 | 1,820 | 1,820 |
| QUENNETRA | Nabh Al Sakher | 600 | 600 | 740 | 740 | 880 | 880 | 880 | 880 | 880 | 880 |
| QUENNETRA | Kossebeh | 390 | 390 | 390 | 530 | 530 | 530 | 530 | 530 | 530 | 530 |
| QUENNETRA | Hadar | 770 | 1,050 | 1,370 | 1,650 | 1,790 | 1,790 | 1,790 | 1,960 | 1,960 | 2,000 |
| QUENNETRA | Alrafeed | 40 | 70 | 210 | 210 | 210 | 210 | 350 | 350 | 350 | 350 |
| QUENNETRA | Beer Ajam | 420 | 420 | 560 | 560 | 560 | 700 | 700 | 700 | 700 | 700 |
| QUENNETRA | Masara | 420 | 560 | 560 | 700 | 740 | 740 | 740 | 740 | 740 | 880 |
| QUENNETRA | Seedah | 70 | 70 | 210 | 210 | 210 | 350 | 350 | 350 | 350 | 350 |
| QUENNETRA | <TOTAL> | 6,920 | 7,790 | 8,820 | 9,830 | 10,580 | 10,890 | 11,060 | 11,230 | 11,400 | 11,580 |

S1-7-9 Number of Secondary Pairs required per Exchange Area in accordance with the Fulfillment Plan

| Area | Center Name | 1996 | 1997 | 1998 | 1999 | 2000 | 2001 | 2002 | 2003 | 2004 | 2005 |
|--------|---------------|--------|--------|--------|--------|--------|--------|--------|--------|--------|--------|
| RAKKAH | Rakkah | 27,030 | 30,640 | 34,540 | 37,170 | 41,910 | 42,330 | 42,860 | 43,460 | 43,980 | 44,540 |
| RAKKAH | Tal Abyath | 2,390 | 2,670 | 2,990 | 3,260 | 3,550 | 3,580 | 3,580 | 3,720 | 3,760 | 3,760 |
| RAKKAH | Althaowrah | 4,000 | 5,020 | 6,030 | 7,060 | 8,070 | 8,260 | 8,420 | 8,610 | 8,780 | 8,960 |
| RAKKAH | Maadan | 1,010 | 1,160 | 1,300 | 1,440 | 1,610 | 1,610 | 1,650 | 1,650 | 1,650 | 1,790 |
| RAKKAH | Alkaramah | 560 | 600 | 740 | 740 | 740 | 740 | 880 | 880 | 880 | 880 |
| RAKKAH | Alsabkah | 660 | 840 | 990 | 1,120 | 1,260 | 1,260 | 1,300 | 1,440 | 1,440 | 1,440 |
| RAKKAH | Manssorah | 600 | 740 | 740 | 880 | 910 | 910 | 910 | 910 | 910 | 1,050 |
| RAKKAH | Einessa | 210 | 210 | 210 | 350 | 350 | 350 | 350 | 350 | 350 | 350 |
| RAKKAH | Slook | 250 | 250 | 390 | 390 | 530 | 530 | 530 | 530 | 530 | 530 |
| RAKKAH | Jorneah | 180 | 180 | 180 | 180 | 180 | 180 | 180 | 180 | 180 | 180 |
| RAKKAH | Alhamrat | 460 | 600 | 600 | 740 | 880 | 880 | 880 | 880 | 880 | 910 |
| RAKKAH | Salhabeah | 210 | 210 | 210 | 350 | 350 | 350 | 350 | 350 | 350 | 350 |
| RAKKAH | Talhamam | 40 | 40 | 40 | 180 | 180 | 180 | 180 | 180 | 180 | 180 |
| RAKKAH | Hamam | 40 | 40 | 40 | 180 | 180 | 180 | 180 | 180 | 180 | 180 |
| RAKKAH | Khas Owjeel | 420 | 560 | 560 | 740 | 740 | 740 | 740 | 740 | 880 | 880 |
| RAKKAH | Sofsaffeh | 40 | 40 | 40 | 180 | 180 | 180 | 180 | 180 | 180 | 180 |
| RAKKAH | Ejeedden | 40 | 40 | 40 | 180 | 180 | 180 | 180 | 180 | 180 | 180 |
| RAKKAH | Debsi Afnan | 40 | 40 | 40 | 180 | 180 | 180 | 180 | 180 | 180 | 180 |
| RAKKAH | Kanem Ali | 290 | 420 | 420 | 560 | 700 | 700 | 700 | 700 | 740 | 740 |
| RAKKAH | Okershi | 390 | 390 | 390 | 530 | 530 | 530 | 530 | 530 | 530 | 530 |
| RAKKAH | Debsi Farage | 210 | 210 | 210 | 350 | 350 | 350 | 350 | 350 | 350 | 350 |
| RAKKAH | Hattfeh | 250 | 250 | 390 | 390 | 390 | 530 | 530 | 530 | 530 | 530 |
| RAKKAH | Keas Daankoor | 250 | 250 | 390 | 390 | 390 | 530 | 530 | 530 | 530 | 530 |
| RAKKAH | Ratfeh | 70 | 70 | 210 | 210 | 210 | 350 | 350 | 350 | 350 | 350 |
| RAKKAH | <TOTAL> | 39,640 | 45,440 | 51,690 | 57,750 | 64,550 | 65,610 | 66,520 | 67,590 | 68,500 | 69,550 |

S1-7-9 Number of Secondary Pairs required per Exchange Area in accordance with the Fulfillment Plan

| Area | Center Name | 1996 | 1997 | 1998 | 1999 | 2000 | 2001 | 2002 | 2003 | 2004 | 2005 |
|-------|-------------|--------|--------|--------|--------|--------|--------|--------|--------|--------|--------|
| SWEDA | Sweda | 25,170 | 28,040 | 31,550 | 34,290 | 38,010 | 38,550 | 38,920 | 39,600 | 40,010 | 40,430 |
| SWEDA | Shahaba | 4,040 | 4,210 | 4,500 | 4,630 | 4,770 | 4,770 | 4,910 | 4,910 | 4,910 | 4,950 |
| SWEDA | Salkad | 3,220 | 3,370 | 3,370 | 3,510 | 3,550 | 3,550 | 3,550 | 3,550 | 3,550 | 3,690 |
| SWEDA | Al Qraya | 2,350 | 2,500 | 2,500 | 2,640 | 2,670 | 2,670 | 2,670 | 2,670 | 2,670 | 2,810 |
| SWEDA | Alkarye | 880 | 1,010 | 1,160 | 1,300 | 1,440 | 1,590 | 1,590 | 1,610 | 1,610 | 1,610 |
| SWEDA | Al Thaaleh | 850 | 990 | 1,120 | 1,260 | 1,400 | 1,400 | 1,440 | 1,440 | 1,440 | 1,440 |
| SWEDA | Hazem | 40 | 40 | 40 | 180 | 180 | 180 | 180 | 180 | 180 | 180 |
| SWEDA | Aldour | 700 | 880 | 1,160 | 1,300 | 1,440 | 1,440 | 1,590 | 1,610 | 1,610 | 1,610 |
| SWEDA | Alsegen | 530 | 700 | 990 | 1,120 | 1,260 | 1,260 | 1,400 | 1,400 | 1,400 | 1,440 |
| SWEDA | Shagah | 810 | 1,090 | 1,370 | 1,650 | 1,820 | 1,960 | 1,960 | 1,960 | 2,000 | 2,150 |
| SWEDA | Mshanaf | 250 | 390 | 390 | 530 | 560 | 560 | 560 | 560 | 560 | 700 |
| SWEDA | Erra | 1,200 | 1,510 | 1,790 | 2,210 | 2,500 | 2,520 | 2,670 | 2,670 | 2,700 | 2,700 |
| SWEDA | Imtan | 460 | 600 | 600 | 740 | 880 | 910 | 910 | 910 | 910 | 910 |
| SWEDA | Arekah | 460 | 600 | 600 | 740 | 880 | 910 | 910 | 910 | 910 | 910 |
| SWEDA | Alkafer | 1,260 | 1,400 | 1,720 | 1,860 | 2,150 | 2,150 | 2,150 | 2,290 | 2,290 | 2,310 |
| SWEDA | Sawarah | 560 | 700 | 990 | 1,160 | 1,440 | 1,440 | 1,440 | 1,470 | 1,610 | 1,610 |
| SWEDA | Najran | 420 | 560 | 560 | 740 | 740 | 740 | 740 | 740 | 880 | 880 |
| SWEDA | Namra | 700 | 850 | 1,160 | 1,300 | 1,440 | 1,440 | 1,440 | 1,610 | 1,610 | 1,610 |
| SWEDA | Malahé | 250 | 390 | 390 | 560 | 560 | 560 | 560 | 560 | 700 | 700 |
| SWEDA | Schwet Blat | 420 | 560 | 560 | 740 | 740 | 740 | 740 | 740 | 880 | 880 |
| SWEDA | Dibeén | 460 | 600 | 600 | 740 | 880 | 910 | 910 | 910 | 910 | 910 |
| SWEDA | Kanawat | 1,260 | 1,690 | 1,960 | 2,420 | 2,700 | 2,850 | 2,870 | 2,870 | 3,060 | 3,060 |
| SWEDA | Al Raha | 490 | 640 | 770 | 910 | 1,050 | 1,050 | 1,090 | 1,090 | 1,090 | 1,090 |
| SWEDA | Orman | 660 | 810 | 950 | 1,090 | 1,240 | 1,240 | 1,260 | 1,260 | 1,260 | 1,260 |
| SWEDA | <TOTAL> | 47,440 | 54,130 | 60,800 | 67,620 | 74,300 | 75,390 | 76,460 | 77,520 | 78,750 | 79,840 |

S1-7-9 Number of Secondary Pairs required per Exchange Area in accordance with the Fulfillment Plan

| Area | Center Name | 1996 | 1997 | 1998 | 1999 | 2000 | 2001 | 2002 | 2003 | 2004 | 2005 |
|---------|----------------------|--------|---------|---------|---------|---------|---------|---------|---------|---------|---------|
| TARTOUS | Tartous | 43,210 | 50,150 | 56,720 | 62,830 | 70,380 | 71,150 | 72,240 | 73,460 | 74,560 | 75,820 |
| TARTOUS | Banyas | 11,480 | 12,920 | 14,530 | 15,980 | 17,450 | 17,650 | 17,840 | 18,190 | 18,360 | 18,710 |
| TARTOUS | Safetta | 14,330 | 16,040 | 17,380 | 18,950 | 20,420 | 20,610 | 20,770 | 21,130 | 21,310 | 21,700 |
| TARTOUS | Dreakesh | 4,110 | 4,390 | 4,520 | 4,850 | 5,120 | 5,120 | 5,120 | 5,120 | 5,300 | 5,300 |
| TARTOUS | Sheakbadoer | 3,020 | 3,020 | 3,020 | 3,160 | 3,160 | 3,160 | 3,160 | 3,160 | 3,160 | 3,160 |
| TARTOUS | Erwad | 910 | 910 | 910 | 1,050 | 1,050 | 1,050 | 1,050 | 1,050 | 1,050 | 1,050 |
| TARTOUS | Mashta | 6,670 | 6,960 | 7,370 | 7,680 | 8,110 | 8,140 | 8,140 | 8,140 | 8,320 | 8,320 |
| TARTOUS | Hossen | 2,350 | 2,640 | 2,950 | 3,220 | 3,410 | 3,410 | 3,410 | 3,550 | 3,580 | 3,720 |
| TARTOUS | Al Baher Alkadoms | 810 | 950 | 950 | 1,090 | 1,240 | 1,260 | 1,260 | 1,260 | 1,260 | 1,260 |
| TARTOUS | Hemen | 850 | 1,010 | 1,160 | 1,300 | 1,440 | 1,440 | 1,590 | 1,590 | 1,590 | 1,610 |
| TARTOUS | Dower Rslan | 1,050 | 1,340 | 1,790 | 2,070 | 2,500 | 2,520 | 2,520 | 2,670 | 2,700 | 2,700 |
| TARTOUS | Solsafeh | 880 | 1,050 | 1,340 | 1,470 | 1,610 | 1,610 | 1,760 | 1,760 | 1,790 | 1,790 |
| TARTOUS | Thaher Safra | 880 | 1,050 | 1,340 | 1,470 | 1,610 | 1,610 | 1,760 | 1,790 | 1,790 | 1,790 |
| TARTOUS | Alhamedeah | 600 | 910 | 1,200 | 1,470 | 1,650 | 1,650 | 1,790 | 1,790 | 1,820 | 1,960 |
| TARTOUS | Enazzeh | 600 | 740 | 740 | 910 | 910 | 910 | 910 | 910 | 1,050 | 1,050 |
| TARTOUS | Bhaneen | 460 | 600 | 600 | 740 | 880 | 910 | 910 | 910 | 910 | 910 |
| TARTOUS | Kerbtal Meazeh | 660 | 850 | 990 | 1,120 | 1,260 | 1,260 | 1,400 | 1,440 | 1,440 | 1,440 |
| TARTOUS | Bromanet Al Mashyekh | 660 | 810 | 950 | 1,090 | 1,240 | 1,240 | 1,240 | 1,260 | 1,260 | 1,260 |
| TARTOUS | Alremal | 290 | 420 | 420 | 560 | 700 | 740 | 740 | 740 | 740 | 740 |
| TARTOUS | Karemeh | 40 | 40 | 180 | 210 | 210 | 210 | 210 | 210 | 350 | 350 |
| TARTOUS | Dower Saacd | 70 | 70 | 210 | 210 | 210 | 350 | 350 | 350 | 350 | 350 |
| TARTOUS | Ein Zarkah | 70 | 70 | 210 | 210 | 210 | 350 | 350 | 350 | 350 | 350 |
| TARTOUS | Jenent Roslan | 490 | 640 | 770 | 910 | 1,050 | 1,050 | 1,090 | 1,090 | 1,090 | 1,090 |
| TARTOUS | Albeatha | 70 | 70 | 210 | 210 | 210 | 350 | 350 | 350 | 350 | 350 |
| TARTOUS | Tacnetta | 310 | 460 | 600 | 740 | 880 | 880 | 910 | 910 | 910 | 910 |
| TARTOUS | Hresson Kamoea | 660 | 810 | 950 | 1,090 | 1,240 | 1,240 | 1,260 | 1,260 | 1,260 | 1,260 |
| TARTOUS | Taleen | 490 | 640 | 770 | 910 | 1,050 | 1,050 | 1,090 | 1,090 | 1,090 | 1,090 |
| TARTOUS | Altawahcen | 210 | 210 | 210 | 350 | 350 | 350 | 350 | 350 | 350 | 350 |
| TARTOUS | Hamam Wassel | 210 | 210 | 210 | 350 | 350 | 350 | 350 | 350 | 350 | 350 |
| TARTOUS | Kamsseh | 250 | 250 | 390 | 390 | 390 | 530 | 530 | 530 | 530 | 530 |
| TARTOUS | Raes Kashofeh | 40 | 40 | 40 | 180 | 180 | 180 | 180 | 180 | 180 | 180 |
| TARTOUS | Sesneah | 40 | 40 | 40 | 180 | 180 | 180 | 180 | 180 | 180 | 180 |
| TARTOUS | Alrakmeh | 250 | 250 | 390 | 390 | 390 | 530 | 530 | 530 | 530 | 530 |
| TARTOUS | Albarkeah | 420 | 420 | 560 | 560 | 560 | 700 | 700 | 700 | 700 | 700 |
| TARTOUS | Alsebeh | 210 | 210 | 210 | 350 | 350 | 350 | 350 | 350 | 350 | 350 |
| TARTOUS | Fajleet | 250 | 390 | 390 | 560 | 560 | 560 | 560 | 560 | 700 | 700 |
| TARTOUS | Alnaeameh | 140 | 290 | 420 | 560 | 700 | 700 | 740 | 740 | 740 | 740 |
| TARTOUS | Aljerweyah | 420 | 560 | 560 | 740 | 740 | 740 | 740 | 740 | 880 | 880 |
| TARTOUS | Enaash Al Reef | 70 | 70 | 210 | 210 | 210 | 350 | 350 | 350 | 350 | 350 |
| TARTOUS | <TOTAL> | 98,530 | 112,500 | 126,410 | 140,320 | 154,160 | 156,440 | 158,780 | 161,090 | 163,580 | 165,880 |

S1-7-10

**Additional Number of Primary Pairs Required per Region
according to S1-7-8**



S1-7-10 Additional Number of Primary Pairs required per Region according to S1-7-8

| Area | 1997 | 1998 | 1999 | 2000 | 2001 | 2002 | 2003 | 2004 | 2005 |
|------------------------|---------|---------|---------|---------|--------|--------|--------|--------|--------|
| Aleppo Rural (Total) | 5,430 | 6,290 | 5,960 | 5,930 | 990 | 950 | 990 | 1,080 | 960 |
| Aleppo City (Total) | 31,390 | 30,920 | 31,950 | 32,920 | 4,960 | 5,210 | 5,180 | 5,360 | 5,310 |
| Aleppo (Total) | 36,820 | 37,210 | 37,910 | 38,850 | 5,950 | 6,160 | 6,170 | 6,440 | 6,270 |
| Alhasaka (Total) | 9590 | 9900 | 9870 | 10910 | 1420 | 1650 | 1510 | 1750 | 1650 |
| Damascus City (Total) | 55740 | 55640 | 55270 | 52880 | 10010 | 9390 | 9360 | 9690 | 9730 |
| Damascus Rural (Total) | 29880 | 28880 | 28120 | 23720 | 4850 | 5030 | 5110 | 5180 | 5210 |
| Daraa (Total) | 7570 | 7790 | 7750 | 8220 | 1260 | 1350 | 1240 | 1390 | 1230 |
| Der Alzor (Total) | 6170 | 6360 | 6470 | 7500 | 960 | 970 | 1070 | 1130 | 980 |
| Hama (Total) | 13370 | 13640 | 13870 | 15170 | 2090 | 2220 | 2290 | 2210 | 2330 |
| Homs (Total) | 19900 | 20100 | 20100 | 21020 | 3290 | 3300 | 3260 | 3460 | 3420 |
| Idleb (Total) | 11130 | 11080 | 11090 | 11220 | 1800 | 1750 | 1940 | 1930 | 1930 |
| Lattakia (Total) | 17390 | 17460 | 17550 | 17470 | 2790 | 2980 | 2890 | 3010 | 3000 |
| Quennetra (Total) | 670 | 790 | 790 | 580 | 250 | 130 | 130 | 130 | 140 |
| Rakkah (Total) | 4450 | 4830 | 4690 | 5240 | 810 | 710 | 820 | 700 | 810 |
| Sweda (Total) | 5150 | 5110 | 5280 | 5150 | 820 | 830 | 820 | 960 | 840 |
| Tartous (Total) | 10730 | 10720 | 10730 | 10650 | 1770 | 1790 | 1780 | 1930 | 1780 |
| SYRIA (Total) | 265,380 | 266,720 | 267,400 | 267,430 | 44,020 | 44,420 | 44,560 | 46,350 | 45,590 |



S1-7-11

Additional Number of Secondary Pairs Required per Region
according to S1-7-9



S1-7-11 Additional Number of Secondary Pairs required per Region according to S1-7-9

| Area | 1997 | 1998 | 1999 | 2000 | 2001 | 2002 | 2003 | 2004 | 2005 |
|------------------------|---------|---------|---------|---------|--------|--------|--------|--------|--------|
| Aleppo Rural (Total) | 7,070 | 8,240 | 7,670 | 7,640 | 1,280 | 1,230 | 1290 | 1400 | 1260 |
| Aleppo City (Total) | 40,800 | 40,190 | 41,540 | 42,790 | 6,450 | 6,780 | 6730 | 6970 | 6900 |
| Aleppo (Total) | 47,870 | 48,430 | 49,210 | 50,430 | 7,730 | 8,010 | 8020 | 8370 | 8160 |
| Alhasaka (Total) | 12440 | 12900 | 12780 | 14160 | 1840 | 2150 | 1970 | 2250 | 2140 |
| Damascus City (Total) | 72460 | 72330 | 71850 | 68740 | 13020 | 12210 | 12140 | 12610 | 12650 |
| Damascus Rural (Total) | 38830 | 37560 | 36510 | 30820 | 6290 | 6540 | 6650 | 6760 | 6750 |
| Daraa (Total) | 9860 | 10100 | 10040 | 10670 | 1660 | 1750 | 1600 | 1810 | 1590 |
| Der Alzor (Total) | 8000 | 8270 | 8400 | 9650 | 1250 | 1270 | 1370 | 1470 | 1270 |
| Hama (Total) | 17380 | 17720 | 17940 | 19690 | 2740 | 2860 | 2970 | 2870 | 3030 |
| Homs (Total) | 25860 | 26130 | 26100 | 27300 | 4260 | 4300 | 4240 | 4480 | 4440 |
| Idleb (Total) | 14430 | 14370 | 14400 | 14500 | 2360 | 2280 | 2520 | 2480 | 2520 |
| Lattakia (Total) | 22620 | 22690 | 22770 | 22690 | 3620 | 3870 | 3760 | 3930 | 3890 |
| Quennetra (Total) | 870 | 1030 | 1010 | 750 | 310 | 170 | 170 | 170 | 180 |
| Rakkah (Total) | 5800 | 6250 | 6060 | 6800 | 1060 | 910 | 1070 | 910 | 1050 |
| Sweda (Total) | 6690 | 6670 | 6820 | 6680 | 1090 | 1070 | 1060 | 1230 | 1090 |
| Tartous (Total) | 13970 | 13910 | 13910 | 13840 | 2280 | 2340 | 2310 | 2490 | 2300 |
| SYRIA (Total) | 344,950 | 346,790 | 347,010 | 347,150 | 57,240 | 57,740 | 57,870 | 60,200 | 59,220 |

SUPPORTING I-10 COMPUTERIZATION PLAN

S1-10-1

Subscription Form



S1-10 -1 Subscription Form

| | | | | | | | |
|---|---------------|-------------|---|--|---|--|--|
| Form | | | <div style="border: 1px solid black; border-radius: 50%; padding: 5px; display: inline-block;">Form sequential number</div> | | Syrian Arab Republic Syrian Telecommunication Establishment | | |
| | No | | | | | | |
| | Data of issue | | | Subscription request form or (relocation) information about last subscription | | | |
| Regular, Exceptional or STE special | Kind | | | | | | |
| Home or Not home | Section | Center code | Center | City | | | |

| | | | | | | | |
|---|------------------------------|-------------------------------------|-----------|-------------------------|-------------------------|--------------|---------------------------|
| Packet switch | Fax | Telex | Telephone | In | Relocation | Confirmation | Kind of subscription |
| | | | | | Fax / Telex / Phone # | | Relocation |
| : Father's name | | : Last name | | : First name | | | Subscriber Identification |
| : Nationality | | : Birthday | | : Mother's name | | | |
| : Passport # | | ID# & Issue date of ID | | : House # or Office # | | | |
| : Street | | : Region | | : City | | | New address |
| : Flat # | | : Building # | | : Building | | | |
| : Nearest Phone # | | | | : House # or office # | | | |
| <input type="checkbox"/> | <input type="checkbox"/> | : Kind | | : Date | : Last request form # | | |
| Exceptional | Regular | | | : Date | : Last technical book # | | |
| <input type="checkbox"/> No | <input type="checkbox"/> Yes | You want address to be in directory | | | | | Information for directory |
| <div style="border: 1px solid black; border-radius: 15px; padding: 5px; display: inline-block;">Stamp</div> | | | | | | | |
| Signature of customer | | | | : Name of Employee | | | Contract section |
| | | | | : Signature of employee | | | |

| | | | | | |
|---|--------|------|------|--------|------------------|
| Syrian Telecommunication Establishment | | | | | Contract section |
| Center code | Center | City | Date | Form # | |
| | | | | | |



S1-10-2

Subscription Registration Form





SI-10-3

Technical Form



S1-10-3 Technical Form

Syria
Telecommunication
Establishment

Name of center

Information of Subscription form

| | |
|-------------------------------------|----------------|
| | Subscription # |
| | Date |
| Regular, Exceptional or STE special | Kind |
| Home or Office | Section |

Contract office #

| | |
|--|--|
| | |
|--|--|

| | | |
|---------------------------|-------------------------|-------------------|
| | | Name of customer |
| ----- | | Detail of address |
| ----- | | |
| Nearest telephone address | Telephone # for contact | |
| | | |

Signature of chief of contract section

19 / / Date

New telephone #

| Line # in cabinet | Cabinet # | Subscriber # in box | Box # | Distance | | Kind of lines and construction |
|-------------------|-----------|---------------------|-------|------------------|-------------------------------|--------------------------------|
| | | | | From box to home | Outside; over 4km from center | |
| | | | | | | |
| | | | | | | |
| | | | | | | |

To be returned back to the chief of contract section

It is possible to achieve this application technically.

Signature

19 / / Date



S1-10-4

Technical Registration Book



S1-10-4 Technical Registration Book

In Contract Section

| Issue date of Subscription form | Kind of Subscription form | Notes | Issue date of Technical form | Address of customer | Name of customer | Technical book # (serial number) |
|---------------------------------------|---------------------------------|-------|---------------------------------|---------------------|---------------------|-------------------------------------|
| | | | | | | |
| | | | | | | |
| | | | | | | |
| | | | | | | |
| | | | | | | |



SI-10-5

Technical Document



Syrian Arab Republic
Syrian Telecommunication Establishment

Name of Directorate of
center province

Name of center

Subscription form #

: Worker's name in charge

: Instruction of the work

19 / / Date Technical book #

Kind of telephone application

Name of customer

: Address

.....

.....

Signature of chairman

19 / / Date

To chief of Technical section

Distribute cabinet
Distribute box

Office / Home : Executive place
..... Extra Place of office Office / Pharmacy / Doctor / Engineer / Profession
..... : Address

Km / Distance between exchange and customer's place

..... : Name of employee 19 / / Date

..... : Signature of employee

To chief of contract section

Please continue to work for subscription .

..... 19 / / Date

Signature of chief of technical section

S1-10-6

Technical Master Book



| | | | | | | | | | | | | | | | | |
|--|-----|-----|-----|-----|-----|-----|-----|-----|-----|-----|-----|-----|-----|-----|-----|-----|
| Cabinet No. _____ | | | | | | | | | | | | | | | | |
| The fault lines _____ Cabinet capacity _____ | | | | | | | | | | | | | | | | |
| Statistic _____ The total used No. _____ | | | | | | | | | | | | | | | | |
| The used lines _____ | | | | | | | | | | | | | | | | |
| The number of empty lines | | | | | | | | | | | | | | | | |
| 391 | 392 | 393 | 394 | 395 | 396 | 397 | 398 | 399 | 400 | 401 | 402 | 403 | 404 | 405 | 406 | 407 |
| | | | | | | | | | | | | | | | | |
| 17 | 18 | 19 | 20 | 21 | 22 | 23 | 24 | 25 | 26 | 27 | 28 | 29 | 30 | 31 | 32 | 33 |
| 0 | 1 | 2 | 3 | 4 | 5 | 6 | 7 | 8 | 9 | 10 | 11 | 12 | 13 | 14 | 15 | 16 |

S1-10-6 Cabinet Register of Technical Section

| <p>_____ Main cable _____ Cabinet's capacity</p> <p>_____ The number of box</p> <p>_____ Cabinet's address</p> | | | | | | | | | |
|--|--------|------|---------------------|---------|-------|--------|------|---------------------|---------|
| Notes | Branch | | The number of lines | Box No. | Notes | Branch | | The number of lines | Box No. |
| | To | From | | | | To | From | | |
| | | | | 31 | | | | | 1 |
| | | | | 32 | | | | | 2 |
| | | | | 33 | | | | | 3 |
| | | | | 34 | | | | | 4 |
| | | | | 35 | | | | | 5 |
| | | | | 36 | | | | | 6 |
| | | | | 37 | | | | | 7 |
| | | | | 38 | | | | | 8 |
| | | | | 39 | | | | | 9 |
| | | | | 40 | | | | | 10 |
| | | | | 41 | | | | | 11 |
| | | | | 42 | | | | | 12 |
| | | | | 43 | | | | | 13 |
| | | | | 44 | | | | | 14 |
| | | | | | | | | | |
| | | | | | | | | | |
| | | | | 54 | | | | | 24 |
| | | | | 55 | | | | | 25 |
| | | | | 56 | | | | | 26 |
| | | | | 57 | | | | | 27 |
| | | | | 58 | | | | | 28 |
| | | | | 59 | | | | | 29 |
| | | | | 60 | | | | | 30 |

S1-10-6 Box Register

Cabinet No. _____ Address of box _____ Box No. _____

To _____ From The position of box in cabinet _____ The total used number _____ Capacity _____

| Technical form No. and date | Name | Telephone No. | | | Technical form No. and date | Name | Telephone No. | |
|-----------------------------|------|---------------|----|--|-----------------------------|------|---------------|----|
| | | | 16 | | | | | 1 |
| | | | 17 | | | | | 2 |
| | | | 18 | | | | | 3 |
| | | | 19 | | | | | 4 |
| | | | 20 | | | | | 5 |
| | | | 21 | | | | | 6 |
| | | | 22 | | | | | 7 |
| | | | 23 | | | | | 8 |
| | | | | | | | | |
| | | | 29 | | | | | 14 |
| | | | 30 | | | | | 15 |

Notes



S1-10-7

Phone Number Directory Form



S1-10-7 Phone Number Directory Form

Phone number directory form

Syrian Arab Republic

Syrian Telecommunication
Establishment

Investment department

| | | | |
|--|------------------|--|--------------------------|
| | | | First name and Last name |
| | ID # | | Father's name |
| | Date of birth | | Mother's name |
| | Issue date of ID | | Issue place of ID |

Signature of Boss
of center

Signature of Chief
of contract section

Signature of Staff of
contract section

| | | | |
|-------------|------------------|--|--------------------|
| Regular | Existing phone # | | Name of subscriber |
| Secret | | | Not existing phone |
| () Phone # | | | Not existing cell |
| | | | |

Signature of Boss of
Investment Dep.

Signature of Chief of
Directory section

Signature of Staff of
Directory section

| | | | |
|--|--|--|--|
| | | | |
| | | | |
| | | | |
| | | | |

Signature of Boss
of center

Signature of Chief
of contract section

Signature of Staff of
contract section



S1-10-8

Notice Document for Customer



S.A.R
STE

Customer's name : _____

Customer's address : _____

Due to your subscription #..... date..... We
would like you to visit center.

After technical ability is available in order to
execute your telephone.

And we inform you about the taxes:

1. Installing fees.....

2. Installing tax

3.

Total

Date :

Center Boss signature

Signature of contract section staff



S1-10-9

Bill



Sirian Telecommunication Establishment

..... Contract section of Center

Bill for phone installing

..... Bill #

..... Phone #

..... Name of customer

| S.P | | | |
|-----|--|--|-----------------|
| | | | |
| | | | : Kind of taxes |
| | | | 1 |
| | | | 2 |
| | | | 3 |
| | | | : Insurance |
| | | | 1 |
| | | | 2 |
| | | | 3 |
| | | | : Stamp |
| | | | |
| | | | Total |

..... S.P.

Signature of contract section

Signature 19 / / date



S1-10-10

Receipt



S.A.R
STE

Amount of money paid

Receipt of telephone wages and fees

Serial number

I just got the above mentioned money from
Mr. as telephone wages and fees
according to bill number.

Signature of cashier

Date :

Signature of contract
section boss

In
center



S1-10-11

Rent Contract



S1-10-11 Rent Contract

S.A.R
TELECOMMUNICATION MINISTRY
S.T.E

**RENT CONTRACT
 TO TEL SUBSCRIPTION**

THIS CONTRACT BETWEEN S.T.E AND
 MR:..... (SUBSCRIBER NOW) ; RESIDENT IN :
 CAREER:

TWO SIDES! GREED TO THE FOLLOWING:

**A : S.T.E RENTS SUBSCRIBER TEL LINES & ADDITIONAL INSTALLATIONS ACCORDING
 TO INSTALLATION AND SUBSCRIPTIONS FEES ACCORDING**

| RENTED INSTALLATIONS | CAPACITY | NO. | INSTALLA TIONS FEES NEARBY EXCHANG E (M) | EXCEEDING DISTANCE (M) OUTSIDE EXCHANGE | INSTALLATION FEES TO THE ADDITIONALS | INSTALLATIO N FEES SUM | NOTICE |
|---------------------------|----------|-----|---|--|--|---------------------------|--------|
| MANUAL MAIN LINE | | | | | | | |
| SEMI AUTO MAIN LINE | | | | | | | |
| AUTO MAIN LINE | | | | | | | |
| INTERIOR SUB LINE | | | | | | | |
| EXTERNAL SUB LINE | | | | | | | |
| MANUAL SUB CHANGE | | | | | | | |
| SEMI AUTO SUB EXCHANGE | | | | | | | |
| AUTO SUB EXCHANGE | | | | | | | |
| TOTAL | | | | | | | |

B

THIS CONTRACT AGE IS ONE YEAR , AND ITS AUTOMATICALLY RENEW IF THE
 SUBSCRIBER WON'T CANCEL IT.

C

SUBSCRIBER MUST HAS CONVENT ADDRESS , AND MUST INFORM S.T.E IF HE CHANGE IT.

D

SUBSCRIBER MUST MAINTAIN TEL INSTALLATIONS , AND S.T.E HAS NO RESPONSIBILITY TO THE SUBSTITUTED PARTS IF ITS IT MISUSED.

E

SUBSCRIBER MUST PAY FIRSTLY ALL AMOUNTS IF HE WANT ADDITIONAL INSTALATIONS MODIFICATIONS .

F

THERE ARE NOT ALLOWED TO MODIFY OR REINSTALL ANOTHER ELECTRICAL APPARATUS , SUBSCRIBER RESPONSIBLE FOR ANY DAMAGED INSTALLATIONS.

G

LINES AND NUMBERS , AND INSTALLATION ARE OWNED TO S.T.E , NO POSSIBILITY TO DETAIN IT .

S.T.E DONT PAY COMPENSATIONS TO THE DAMAGED SUBSCRIBER LINES. AND (IF SUBSCRIBER DAMAGED LINE STILL ONE MONTH DEFECTED , SUBSCRIBER DONT PAY SUBSCRIPTION FEES FOR ONE YEAR IF THE DEFECTED LINES WAS NOT MISUSE.)

H

S.T.E MAINTAINS ALL INSTALLATION IN FREE OF CHARGE , BUT DEFECTED MISUSED SPARE PARTS HAS CHARGE.

I

S.T.E HAS RIGHTS TO MODIFY INSTALLATION ACCORDING WORK INTERESTS, SUBSCRIBER HAS NO RIGHT TO OBJECT. *

K

SUBSCRIBER PROMISES THAT DONT TROUBLE AND INSULT ANOTHER SUBSCRIBER , ALSO SUBSCRIBER HAS NO RIGHTS TO RENT HIS LINE TO ANOTHER ONE .

SUBSCRIBER HAS RIGHTS TO MONITOR HIS LINE FOR FOUR DAYS , TO DETECT TROUBLED CALLS ACCORDING KNOWN FEES .

M

S.T.E OFFER FREE OF CHARGE TO THE FOLLOWING SERVICES:
AMBULANCE , POLICE , ..

N

SUBSCRIBER WHO CANCELED HIS SUBSCRIPTION HAS RIGHTS TO OPERATE HIS SUBSCRIPTION AFTER PAY ALL AMOUNTS.
IF THE SUBSCRIBER LATE PAY BILL ,S.T.E HAS RIGHT TO BREAK THE CONTRACT AND CANCEL SUBSCRIPTION.

O

SUBSCRIBERS INHERITANCE HAS RIGHTS TO WRITE THE SUBSCRIPTION IN INHERITANCES NAME LABEL .

R

S.T.E HAS RIGHT TO DISCONNECT SUBSCRIPTION LINE FROM EXCHANGE AND CONNECT IT TO ANOTHER EXCHANGE .

S

TWO SIDES PROMISE TO EXECUTE THIS CONTRACT .

T

THIS CONTRACT EDITED IN TWO COPIES.

THE NAME:
IDENTITY NO. :
FATHER NAME:.....
MOTHER NAME:
ADDRESS:.....

SUBSCRIBER:
NAME:.....

SIGNATURE:

S.T.E
NAME:
JOB:
SIGNATURE:.....



S1-10-12

Special Registration Book



S1-10-12 Special Registration Book

In Technical Section

| Issue date of Subscription form | Kind of Subscription form | Notes | Issue date of Technical form | Address of customer | Name of customer | Technical book # (serial number) |
|---------------------------------|---------------------------|-------|------------------------------|---------------------|------------------|----------------------------------|
| | | | | | | |
| | | | | | | |
| | | | | | | |
| | | | | | | |
| | | | | | | |



S1-10-13

Phone Line's Reservation Book



S1-10-13 Phone Line's Reservation Book

In Center

| Subscriber's name | Telephone # | Serial # |
|-------------------|-------------|----------|
| | 611-0000 | 1 |
| | 611-0001 | 2 |
| | 611-0002 | 3 |
| | 611-0003 | 4 |
| | 611-0004 | 5 |
| | | |



S1-10-14

Executing Form



S1-10-14 Executing Form

| | | | | | |
|----------------|-------------|------------|------------------|-------------|-----------------------|
| Mother name | Father name | Given name | Family name | Center name | Tel # etc |
| | | | | | Address |
| | | | | | Work Instruction |
| | | Insurance | Receipt | | |
| ID | | Date # | Date # | Tax | |
| | | | Line # Cabinet # | Box # | Technical information |
| Main line # | | | | | |
| Branch line # | | | | | |
| User equipment | | | | | |

Signature of Boss of center Signature of Contract section 19 / / Date

Part I

| | | | |
|------|------|------------------|----------------------|
| Note | Date | Person in charge | Construction section |
| | | Signature | |

Part II

| | | | | |
|-------------------------|-------------------|------|-----------------|-----------------|
| Testing chief signature | Date of execution | | Counter reading | Testing section |
| | Date | Hour | Resistance # | |
| | Execution | | Main # | |
| | Signature | | Branch # | |
| | | | BOX# | |

Part III

| | | | | | | |
|-----------|------------------|----------------|----------------|-----------------|----------------|------------------|
| Signature | Person in charge | Execution hour | Execution date | Counter reading | # of equipment | Exchange section |
| | | | | | | |

Part IV

| | | | | | | | |
|-------------------|-------------------|-----------------|-------------|-------------------|---------------|------|-----------------|
| Subscription kind | Counter reading | Tax (Basic tax) | | Subscription date | Modification | Name | Billing section |
| | | | | | | | |
| | Mask in directory | Cutting date | Detail data | Kind of line | Line position | | |

Part V



S1-10-15

Time Table



S1-10-15 Time Table

In Contract Section

| Kind of work(new, relocation, so on) | Name of subscriber | Telephone # | Executing Form # | Serial # |
|---|-----------------------|-------------|------------------|----------|
| | | | | |
| | | | | |
| | | | | |
| | | | | |
| | | | | |
| | | | | |



SI-10-16

Construction Register



S-10-16 Construction Register

In Directory Section

| Telephone # | Last name of customer | First name of customer | Father's name | Mother's name | Issue place of ID | Birthday of customer | Address of customer | Construction place(Home or Office) |
|-------------|-----------------------|------------------------|---------------|---------------|-------------------|----------------------|---------------------|------------------------------------|
| | | | | | | | | |
| | | | | | | | | |
| | | | | | | | | |
| | | | | | | | | |
| | | | | | | | | |



SI-10-17

Pledge



S.A.R
STE

Commitment policy

I am..... from....., my motherand was born
in 19...., ID#..... issued in at

I declare that I don't have a telephone and in case that was wrong
this will cancel my new application even if I paid money, so I don't
have the right to get the money again.

City name..... ,.../.../ 19.....

Name of subscriber.....

Signature of subscriber.....



S1-10-18

Bill for Telephone



S1-10-18 Bill for Telephone

| Bill & Receipt (for STE) | | Bill for telephone (& Receipt) | | | | |
|-----------------------------|--|--------------------------------|----------------------|---------------------------|----------------------------|---|
| Telephone number | | Next billing date | | Sequential number | | subscriber's name |
| Printing date of bill | | Telephone number | Deadline for payment | Beginning date of payment | Printing date of bill | Cycle <small>(Which trimester in what year)</small> |
| Cycle | | Charge of international call | | Charge of national call | | Subscriber's fee <small>(Only first cycle in a year)</small> |
| Total amount of payment | | Total amount of payment | | Stamp | Total of other charges | |
| | | | | | Other charge amount | code of kind |
| | | | | | Message rate of local call | |
| | | | | | | |

↓
To Accounting Directorate

↓
for subscriber (Receipt)

Detail Sheet for Bill

| Detail Sheet for Bill | | | | | | |
|--|----------------------|-------------------|-------------|---------------------|--------------|---------------|
| Cycle | Subscriber's name | | | Subscriber's number | | |
| Printing date | Subscriber's address | | | Subscriber's number | | |
| Operator ID or sign for automatic call | Amount (Charge) | Duration (minute) | Finish time | Date of use | Country name | Called Number |
| | | | | | | |
| | | | | | | |
| | | | | | | |



S1-10-19

Technical Specifications of Equipment of Telephone-center System



S1-10-19 Technical Specifications of Equipment of Telephone-center System

Technical specifications of the server and network equipment in telephone center is as follows.

Server machine : Medium class PC system

(CPU)

- CPU : Clock speed 66 MHZ at least, Data and address bus 32 bits.

Floating point co-processor

(Memory)

- Main memory : Capacity 16MB expandable.

- Cache memory

(Input / Output device)

- Color monitor : 15" or more

- Key board : Arabic/Latin Keyboard

- Mouse

- Floppy disk unit : 3.5" High Density 1.44 MB.

(Storage unit)

- Hard disk : Capacity 300 MB at least.

- Streamer unit or DAT : Capacity 525 MB at least.

(Network unit)

- Ethernet card : 32 bits with proper connectors

- WAN card : Communication card for a Wide Area Network according to the standard X25.

Network equipment : Small scale network system

- Router : Communicable with WAN (X.25) and Ethernet.

More than 4 ports.

- Modem : Communication speed with wan is more than 9600 bps.

- HUB : Ethernet support (10M bps)

More than 8 ports and connectable with another HUB. □

Technical specifications of the terminal in telephone center is as follows.

Terminal : Low class PC system

(CPU)

- CPU : Clock speed 33 MHZ at least, Data and address bus 32 bits.

Floating point co-processor

(memory)

- Main memory : Capacity 8 MB expandable.

- Cache memory

(Input Output method)

- Display : Color monitor 15"
- Keyboard : Arabic/Latin Keyboard
- Mouse

(Printer)

- Dot matrix printer : Arabic language processing.
Print speed 300 CPS at least in Latin mode.
Automatic sheet feeder.
132 character per line
Serial port RS232C and parallel port Centronics
Can be connected to an Ethernet LAN

(Storage)

- Hard disk : Capacity 100 MB at least. Access time 19 ms at most.
- Floppy disk unit : 3.5" High Density 1.44MB

(Network equipment)

- Ethernet card : 32 bits with proper connectors

Computer cash register

- Same specification with above terminal.

S1-10-20

Hardware Configuration of Telephone-center System



S1-10-20 Hardware Configuration of Telephone-center System

Hardware configuration in telephone center is summarized below.

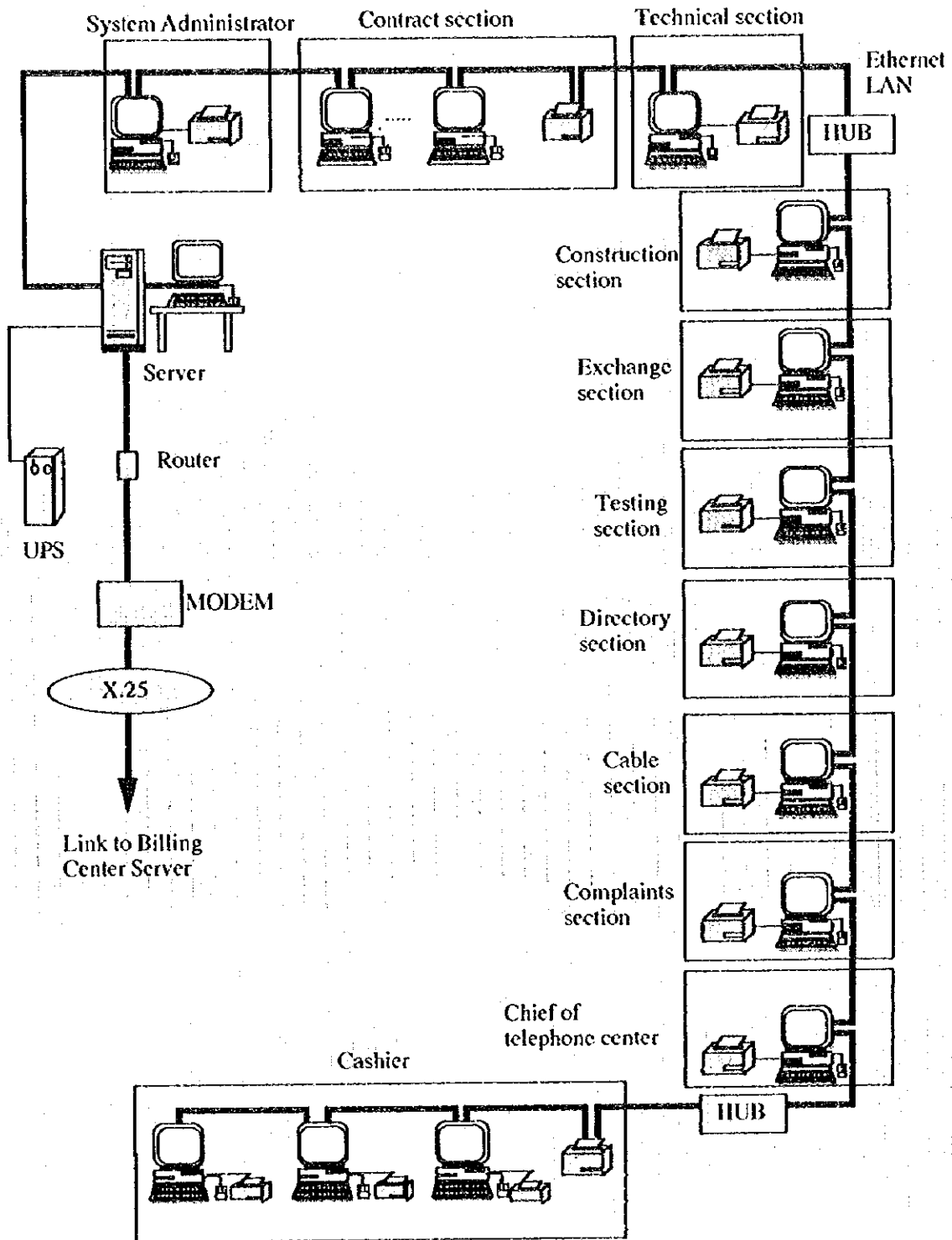


Figure Telephone-center System Overview



S1-10-21

Number of Devices for Each Telephon-center



S1-10-21 Number of Devices for Each Telephone-center

*Damascus(City Area) is a target only for replacement in 2007

1.DAMASCUS(City Area)*

| NO | Center Name | Server | Terminal | Laser printer (for section) | Cash register | Printer (for bills) | Hub |
|----|-----------------|-----------|------------|--------------------------------|------------------|------------------------|-----------|
| 1 | Al Nasser | 1 | 10 | 11 | 4 | 4 | 3 |
| 2 | Al Thawra | 1 | 11 | 11 | 2 | 2 | 3 |
| 3 | Kefr Souseh | 1 | 12 | 11 | 3 | 3 | 3 |
| 4 | Domar | 1 | 11 | 11 | 2 | 2 | 3 |
| 5 | Al Mohajrin | 1 | 10 | 11 | 3 | 3 | 3 |
| 6 | Jallaa | 1 | 11 | 11 | 3 | 3 | 3 |
| 7 | Bab Sharki | 1 | 12 | 11 | 4 | 4 | 3 |
| 8 | Mazzeh 1 | 1 | 10 | 11 | 3 | 3 | 3 |
| 9 | Mazzeh 2 | 1 | 12 | 11 | 3 | 3 | 3 |
| 10 | Al Miedan | 1 | 12 | 11 | 4 | 4 | 3 |
| 11 | Al Yarmouk | 1 | 13 | 11 | 5 | 5 | 3 |
| 12 | Rokn Al Dien | 1 | 12 | 11 | 2 | 2 | 3 |
| 13 | Barzeh | 1 | 12 | 11 | 4 | 4 | 3 |
| 14 | Bagdad | 1 | 12 | 11 | 6 | 6 | 3 |
| | Subtotal | 14 | 160 | 154 | 48 | 48 | 42 |

2.DAMASCUS(Rural Area)

| NO | Center Name | Server | Terminal | Laser printer (for section) | Cash register | Printer (for bills) | Hub |
|----|-----------------|----------|-----------|--------------------------------|------------------|------------------------|-----------|
| 15 | Tall | 1 | 11 | 11 | 2 | 2 | 3 |
| 16 | Doma | 1 | 12 | 11 | 3 | 3 | 3 |
| 17 | Harsta | 1 | 11 | 11 | 2 | 2 | 3 |
| 18 | Daryah | 1 | 10 | 11 | 1 | 1 | 2 |
| 19 | Alhamah | 1 | 10 | 11 | 1 | 1 | 2 |
| 20 | Alnabek | 1 | 10 | 11 | 2 | 2 | 3 |
| 21 | Zamalka | 1 | 10 | 11 | 2 | 2 | 3 |
| 22 | Zabadani | 1 | 10 | 11 | 3 | 3 | 3 |
| | Subtotal | 8 | 84 | 88 | 16 | 16 | 22 |

3.Aleppo

| NO | Center Name | Server | Terminal | Laser printer (for section) | Cash register | Printer (for bills) | Hub |
|----|-----------------|----------|-----------|--------------------------------|------------------|------------------------|-----------|
| 23 | Aljameleha | 1 | 10 | 11 | 5 | 5 | 3 |
| 24 | Alsabele | 1 | 12 | 11 | 3 | 3 | 3 |
| 25 | Kan-Alwazeer | 1 | 13 | 11 | 4 | 4 | 3 |
| 26 | Alsolymaneyeh | 1 | 11 | 11 | 3 | 3 | 3 |
| 27 | Hananow | 1 | 14 | 11 | 4 | 4 | 3 |
| 28 | Alansari | 1 | 10 | 11 | 3 | 3 | 3 |
| 29 | Alhamdaneyeh | 1 | 12 | 11 | 3 | 3 | 3 |
| | Subtotal | 7 | 82 | 77 | 25 | 25 | 21 |

4.HOMS

| NO | Center Name | Server | Terminal | Laser printer (for section) | Cash register | Printer (for bills) | Hub |
|----|-----------------|----------|-----------|--------------------------------|------------------|------------------------|----------|
| 30 | Alkwatli | 1 | 12 | 11 | 4 | 4 | 3 |
| 31 | Almahitfa | 1 | 11 | 11 | 4 | 4 | 3 |
| 32 | Alwaer | 1 | 13 | 11 | 4 | 4 | 3 |
| | Subtotal | 3 | 36 | 33 | 12 | 12 | 9 |

5.HAMA

| NO | Center Name | Server | Terminal | Laser printer (for section) | Cash register | Printer (for bills) | Hub |
|----|-----------------|----------|-----------|--------------------------------|------------------|------------------------|----------|
| 33 | Hama | 1 | 13 | 11 | 3 | 3 | 3 |
| 34 | Kowatle | 1 | 10 | 11 | 3 | 3 | 3 |
| 35 | Salammech | 1 | 11 | 11 | 2 | 2 | 3 |
| | Subtotal | 3 | 34 | 33 | 8 | 8 | 9 |

6.LATTAKIA

| NO | Center Name | Server | Terminal | Laser printer (for section) | Cash register | Printer (for bills) | Hub |
|----|-----------------|----------|-----------|--------------------------------|------------------|------------------------|-----------|
| 36 | Lattakia | 1 | 13 | 11 | 5 | 5 | 3 |
| 37 | Teshreen | 1 | 12 | 11 | 4 | 4 | 3 |
| 38 | Kerdaha | 1 | 10 | 11 | 2 | 2 | 3 |
| 39 | Jableh | 1 | 11 | 11 | 3 | 3 | 3 |
| | Subtotal | 4 | 46 | 44 | 14 | 14 | 12 |

7.DARAA

| NO | Center Name | Server | Terminal | Laser printer (for section) | Cash register | Printer (for bills) | Hub |
|----|-----------------|----------|-----------|--------------------------------|------------------|------------------------|----------|
| 40 | Daraa | 1 | 11 | 11 | 3 | 3 | 3 |
| | Subtotal | 1 | 11 | 11 | 3 | 3 | 3 |

8.SWEDA

| NO | Center Name | Server | Terminal | Laser printer (for section) | Cash register | Printer (for bills) | Hub |
|----|-----------------|----------|-----------|--------------------------------|------------------|------------------------|----------|
| 41 | Sweda | 1 | 11 | 11 | 3 | 3 | 3 |
| | Subtotal | 1 | 11 | 11 | 3 | 3 | 3 |

9.TARTOUS

| NO | Center Name | Server | Terminal | Laser printer (for section) | Cash register | Printer (for bills) | Hub |
|----|-----------------|----------|-----------|--------------------------------|------------------|------------------------|----------|
| 42 | Tartous | 1 | 13 | 11 | 4 | 4 | 3 |
| 43 | Banyas | 1 | 10 | 11 | 1 | 1 | 2 |
| 44 | Safetta | 1 | 10 | 11 | 2 | 2 | 3 |
| | Subtotal | 3 | 33 | 33 | 7 | 7 | 8 |

10.IDLEB

| NO | Center Name | Server | Terminal | Laser printer (for section) | Cash register | Printer (for bills) | Hub |
|----|-----------------|----------|-----------|--------------------------------|------------------|------------------------|----------|
| 45 | Idleb | 1 | 11 | 11 | 2 | 2 | 3 |
| | Subtotal | 1 | 11 | 11 | 2 | 2 | 3 |

11.Der Alzor

| NO | Center Name | Server | Terminal | Laser printer (for section) | Cash register | Printer (for bills) | Hub |
|----|-----------------|----------|-----------|--------------------------------|------------------|------------------------|----------|
| 46 | Dier Zor | 1 | 11 | 11 | 3 | 3 | 3 |
| | Subtotal | 1 | 11 | 11 | 3 | 3 | 3 |

12.ALHASAKA

| NO | Center Name | Server | Terminal | Laser printer (for section) | Cash register | Printer (for bills) | Hub |
|----|-----------------|----------|-----------|--------------------------------|------------------|------------------------|----------|
| 47 | Hasakah | 1 | 11 | 11 | 3 | 3 | 3 |
| 48 | Kamesje | 1 | 12 | 11 | 3 | 3 | 3 |
| | Subtotal | 2 | 23 | 22 | 6 | 6 | 6 |

13.QUENNETRA

| NO | Center Name | Server | Terminal | Laser printer (for section) | Cash register | Printer (for bills) | Hub |
|----|-----------------|----------|----------|--------------------------------|------------------|------------------------|----------|
| | Subtotal | 0 | 0 | 0 | 0 | 0 | 0 |

14.RAKKAH

| NO | Center Name | Server | Terminal | Laser printer (for section) | Cash register | Printer (for bills) | Hub |
|----|-----------------|----------|-----------|--------------------------------|------------------|------------------------|----------|
| 49 | Rakkah | 1 | 12 | 11 | 3 | 3 | 3 |
| | Subtotal | 1 | 12 | 11 | 3 | 3 | 3 |

Total 49 554 539 150 150 144

**Excluding
Damascus(City)** 35 394 385 102 102 102



SI-10-22

Technical Specifications of Equipment of Billing-center System



S1-10-22 Technical Specifications of Equipment of Billing-center System

Technical specifications of the server machine and network equipment in billing-center system is as follows.

Server machine : Medium class UNIX server

(CPU)

- CPU : Clock speed 100 MHZ at least, Data and address bus 32 bits.

Floating point co-processor

(Memory)

- Main memory : Capacity 16MB expandable.

- Cache memory

(Input / Output device)

- Color monitor : 17" or more

- Key board : Arabic/Latin Keyboard

- Mouse

- Floppy disk unit : 3.5" High Density 1.44 MB

(Printer)

- Laser printer : Arabic language processing

Paper size A4

Resolution 200 DPI

Postscript

- Line printer : Arabic language processing

132 character per line

1200 line / minutes (Latin mode)

(Storage unit)

- Hard disk : Capacity 4 GB at least. Access time 19 ms at most.

- Magnetic tape : Storage density 1600/6250 BPI, Auto loaded

- Streamer unit or DAT : Capacity 4 GB at least.

(Network unit)

- Ethernet card : 32 bits with proper connectors

- WAN card : Communication card for a Wide Area Network according to the standard X25.

Network equipment

- Router : Communicable with WAN (X.25) and Ethernet.

More than 4 ports.

- Modem : Communication speed with wan is more than 9600 bps.

- HUB : Ethernet support (10M bps)

More than 8 ports and connectable with another HUB.

Technical specifications of the terminal in telephone center is as follows.

Terminal

(CPU)

- CPU : Clock speed 33 MHZ at least, Data and address bus 32 bits.

Floating point co-processor

(memory)

- Main memory : Capacity 8 MB expandable.

- Cache memory

(Input Output method)

- Display : Color monitor 15"

- Keyboard : Arabic/Latin Keyboard

- Mouse

(Printer)

- Dot matrix printer : Arabic language processing.

(Storage)

Hard disk : Capacity 100 MB at least. Access time 19 ms at most.

Floppy disk unit : 3.5" High Density 1.44MB

(Network equipment)

Ethernet card : 32 bits with proper connectors

S1-10-23

Hardware Configuration of Billing-center System



S1-10-23 Hardware Configuration of Billing-center System

Here we describe the system configuration of billing-center system.

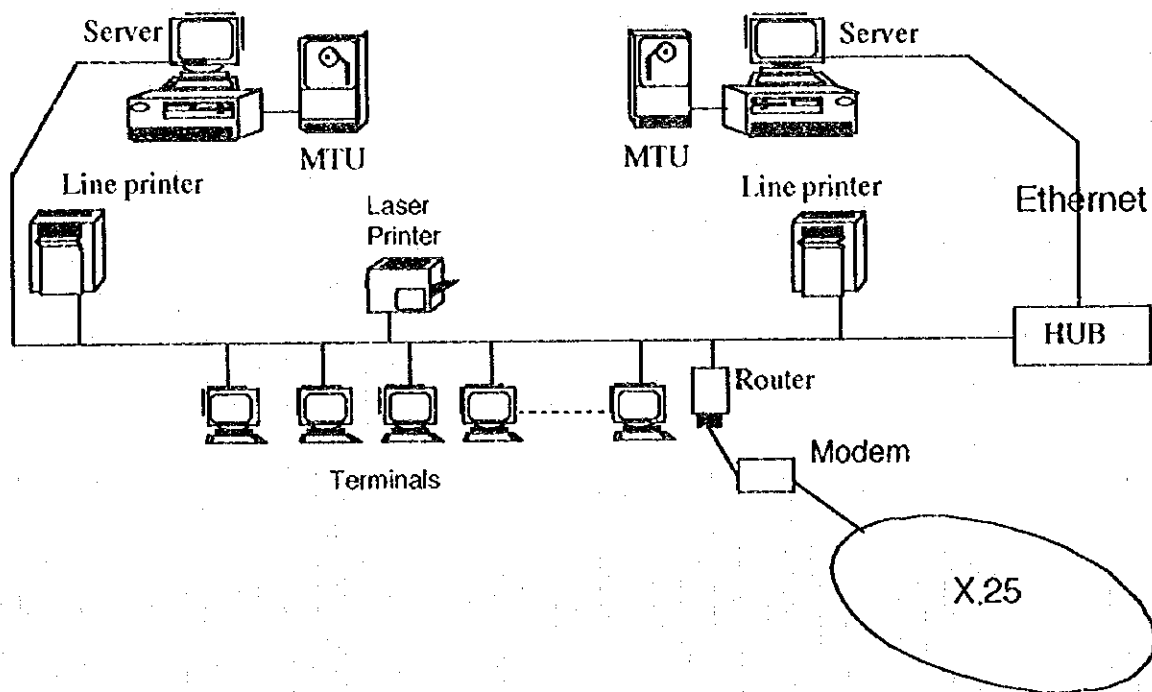


Figure Billing-center system overview



SI-10-24

Hardware Configuration of Management Information System



SI-10-24 Hardware Configuration of Management Information System

Here we describe the system configuration of Management Information System.

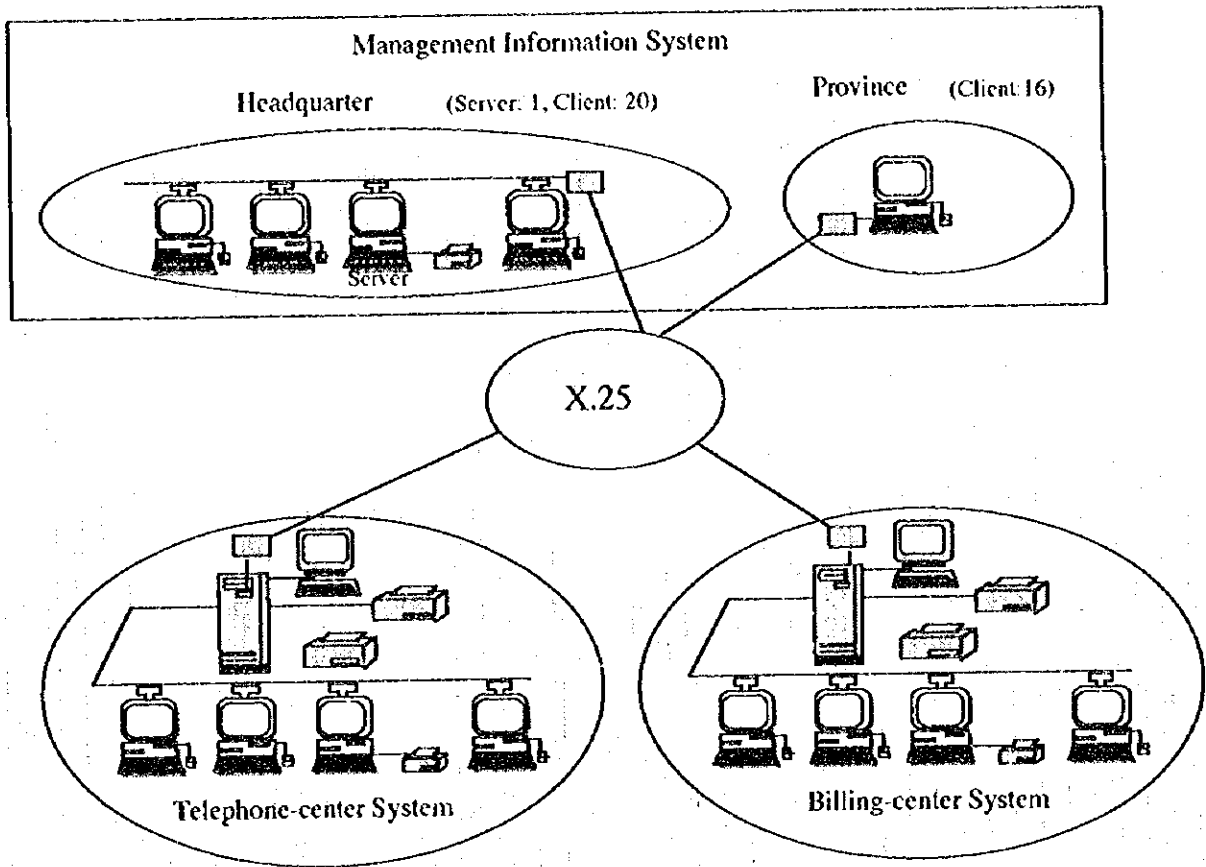


Figure Overview of Management Information System



S1-10-25

Specifications of OS, Network Software and Database Software



S1-10-25 Specifications of OS, Network Software, Database Software

Here we describes the necessary specifications of OS and network software.

(Network software)

- Independent from specific OS
- Support Arabic language
- Support standard communication protocol (TCP/IP, NetBEUI etc.)
- Remote access function
- System monitoring function (Monitor of performance and error)
- Lock out function (Access restriction by password error)
- Memory dump function
- File protection function (Access control by file or folder)

(OS)

- Multi-user, supports at least 16 simultaneous users
- Supports open system environment
- Supports Arabic language
- Supports development tools

Here we describes the necessary specifications of database software.

(Database software)

- To be able to support large database (more than 4 G byte)
- To be able to access 12 terminals simultaneously
- Security function (Restriction of access)
- Backup function of database
- Recovery function of database
- To be able to use SQL.
- Independent from specific OS
- Easy to programming and operation
- Manipulates data entered in Arabic language
- Supports data integrity and security
- Supports data exchange feature with other applications

