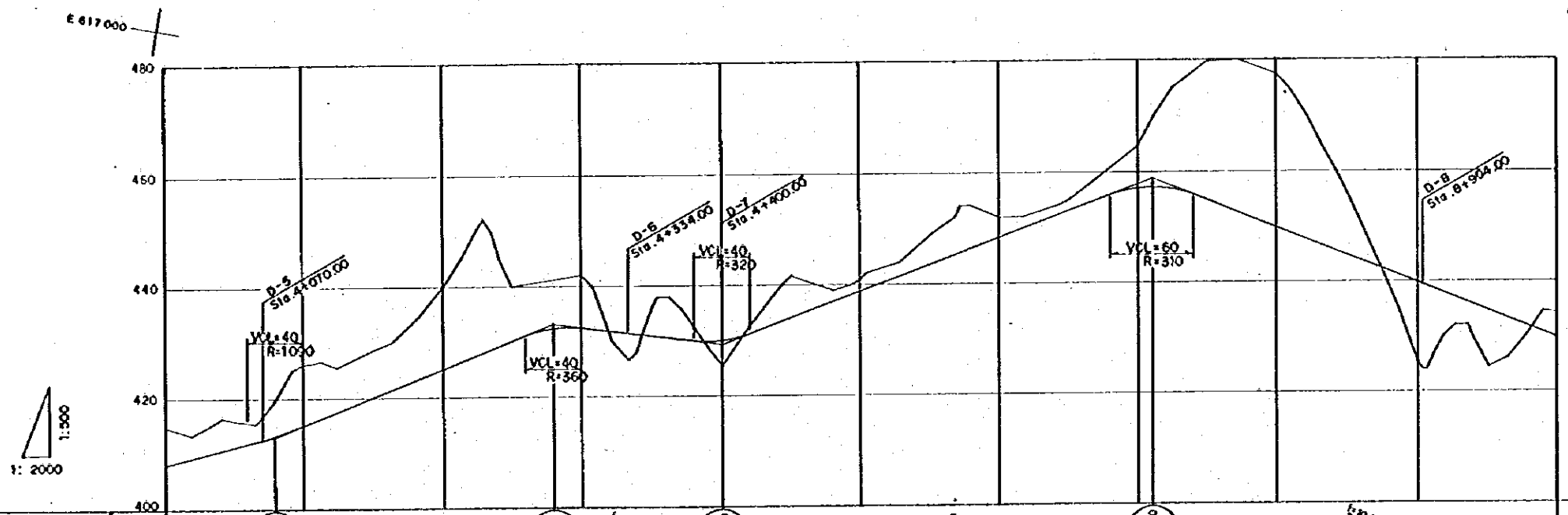
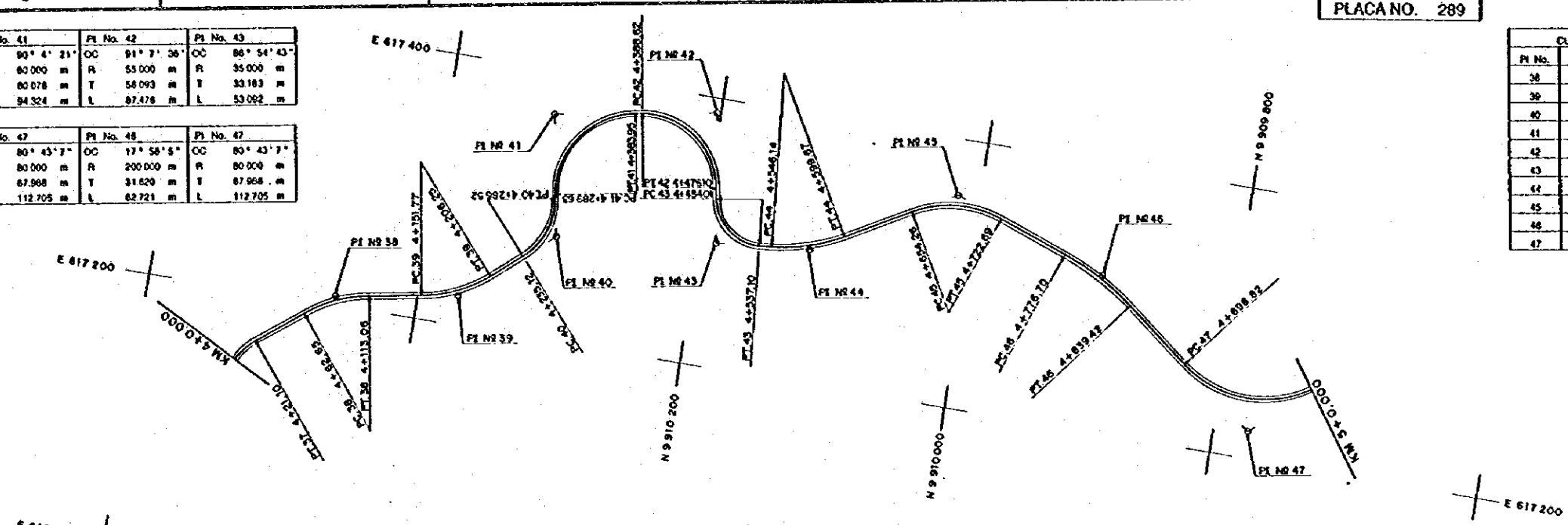


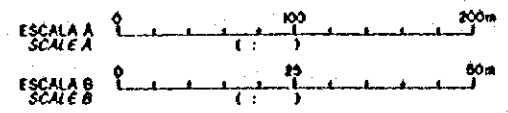
PI No. 38	PI No. 39	PI No. 40	PI No. 41	PI No. 42	PI No. 43
OC 28° 52' 52"	OC 31° 12' 49"	OC 58° 53' 43"	OC 80° 4' 21"	OC 91° 7' 36"	OC 86° 54' 43"
R 100.000 m	R 100.000 m	R 50.000 m	R 80.000 m	R 53.000 m	R 35.000 m
T 25.751 m	T 27.934 m	T 28.228 m	T 80.078 m	T 58.093 m	T 33.183 m
L 50.407 m	L 54.478 m	L 51.395 m	L 94.324 m	L 87.478 m	L 53.082 m

PI No. 44	PI No. 45	PI No. 46	PI No. 47	PI No. 48	PI No. 47
OC 23° 35' 28"	OC 42° 0' 23"	OC 17° 58' 8"	OC 80° 43' 7"	OC 17° 58' 8"	OC 80° 43' 7"
R 130.000 m	R 80.000 m	R 200.000 m	R 80.000 m	R 200.000 m	R 80.000 m
T 27.148 m	T 36.434 m	T 31.620 m	T 87.968 m	T 31.620 m	T 87.968 m
L 53.527 m	L 68.428 m	L 62.721 m	L 112.705 m	L 62.721 m	L 112.705 m

CUADRO DE COORDENADAS		
PI No.	LATITUD	LONGITUD
38	9,810,481.000	817,208.000
39	9,810,370.000	817,222.000
40	9,810,308.000	817,278.000
41	9,810,322.000	817,368.000
42	9,810,203.000	817,389.000
43	9,810,188.000	817,203.000
44	9,810,118.000	817,300.000
45	9,810,018.000	817,358.000
46	9,809,801.000	817,317.000
47	9,809,775.000	817,220.000



Pendiente Gradient	Cota de Proyecto Proposed Height	Cota de Terreno Ground Height	Abscisas Accumulated Distance	Estacion Station	Transición de Peralte Superelevation run-off
1:6.300%	408.110	415.10	4000.00	KM 4	
4:13.150%	411.260	416.10	4021.10	PT 37	
1:6.300%	415.150	423.95	4050.00	PC 38	
1:6.300%	420.150	428.50	4113.06	PT 39	
1:6.300%	425.150	438.85	4150.00	PC 39	
1:6.300%	430.150	442.10	4151.77	PT 38	
1:6.300%	432.525	442.10	4200.00	PC 40	
1:6.300%	430.963	442.10	4235.12	PT 40	
1:6.300%	437.400	441.95	4236.52	PC 41	
1:6.300%	434.150	441.95	4238.63	PT 41	
1:6.300%	443.650	436.05	4239.00	PC 42	
1:6.300%	446.400	436.05	4239.50	PT 42	
1:6.300%	453.150	441.50	4238.52	PC 43	
1:6.300%	458.850	440.95	4238.01	PT 43	
1:6.300%	448.400	440.95	4238.01	PC 44	
1:6.300%	444.850	449.00	4237.10	PT 44	
1:6.300%	444.850	451.80	4237.10	PC 45	
1:6.300%	457.267	455.10	4237.10	PT 45	
1:6.300%	454.850	454.28	4237.10	PC 46	
1:6.300%	449.650	464.80	4237.10	PT 46	
1:6.300%	444.850	479.60	4237.10	PC 47	
1:6.300%	439.850	477.35	4237.10	PT 47	
1:6.300%	434.850	456.10	4237.10	PC 48	
1:6.300%	429.850	425.10	4237.10	PT 48	
1:6.300%	424.850	424.50	4237.10	PC 49	
1:6.300%	429.850	424.20	4237.10	PT 49	



REV. Nº	REVISADO	APROBADO	FECHA

CRM
CENTRO DE REHABILITACION DE MANABI

Estudio de Diseño Detallado de los Tránsitos de Agua para las Cuencas de Los Rios Chora - Portoviejo
The Detailed Design Study on the Water Transfers Schemes for Chora - Portoviejo River Basins

REPUBLICA DEL ECUADOR

TITULO: CAMINO DE ACCESO / ACCESS ROAD
CAMINO DE ACCESO CONGUILLO I
PLANTA Y PERFIL (5/11)
CONGUILLO ACCESS ROAD I
PLAN AND PROFILE (5/11)

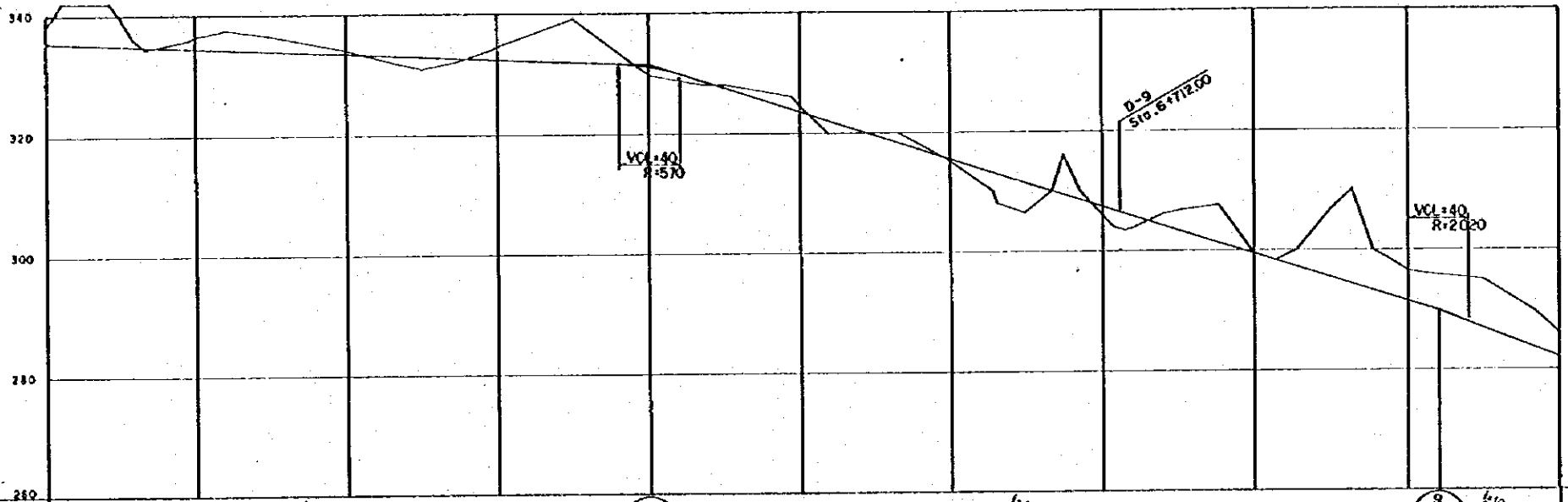
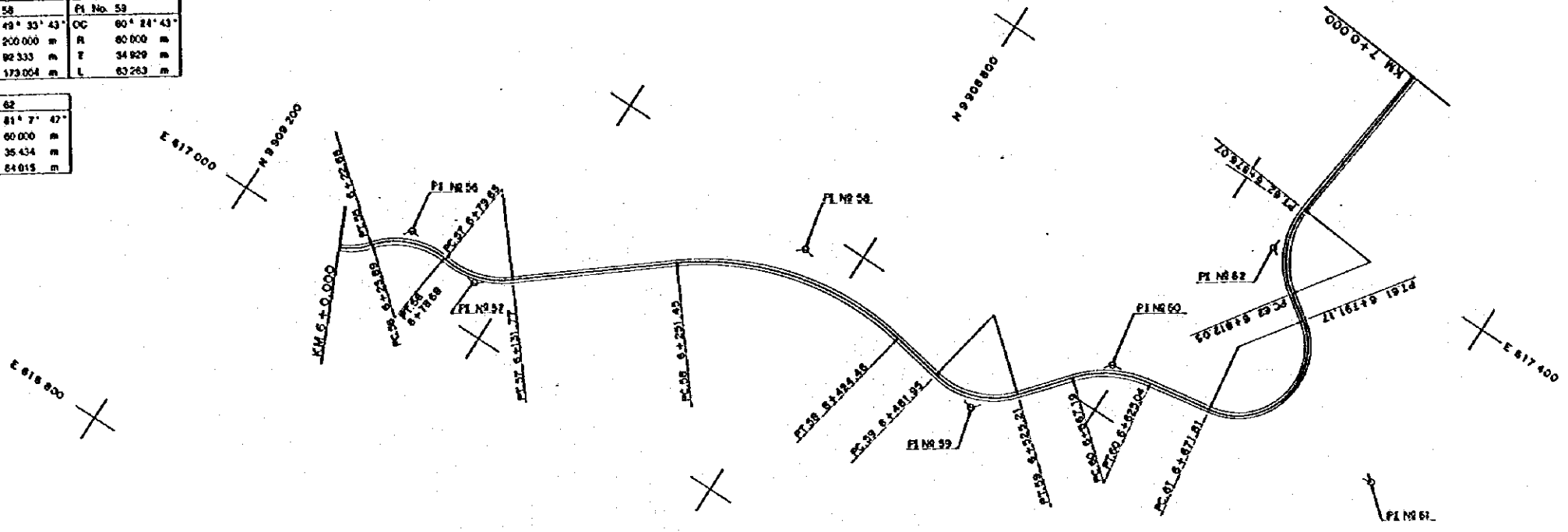
LEVANTO:	APROBADO:
DIBUJO:	FECHA:
DISENO:	DIBUJO Nº
REVISO:	
ENTREGO:	
FECHA:	

I-ACO-005

PI No. 56	PI No. 57	PI No. 58	PI No. 59
OC 37° 4' 34"	OC 45° 37' 8"	OC 49° 33' 43"	OC 60° 24' 43"
R 65000 m	R 65000 m	R 200000 m	R 80000 m
T 29810 m	T 27559 m	T 92333 m	T 34929 m
L 54789 m	L 52131 m	L 173054 m	L 63263 m

PI No. 60	PI No. 61	PI No. 62
OC 41° 25' 54"	OC 136° 48' 34"	OC 81° 7' 47"
R 80000 m	R 50000 m	R 60000 m
T 30255 m	T 126208 m	T 35434 m
L 97850 m	L 119360 m	L 64015 m

CUADRO DE COORDENADAS		
PI No.	LATITUD	LONGITUD
56	8,808,062.000	817,036.000
57	8,808,024.000	817,031.000
58	8,808,636.000	817,182.000
59	8,808,678.000	817,152.000
60	8,808,507.000	817,234.000
61	8,808,406.000	817,264.000
62	8,808,556.000	817,368.000



Pendiente Gradient	Cota de Proyecto Proposed Height	Cota de Terreno Ground Height	Abscisas Accumulated Distance	Estacion Station	Transicion de Peralte Superelevation run-off
1:1.000%	335.450	338.05	6000.00	PI 56	
			6025.68	PT 56	
			6025.86	PC 56	
			6050.00	PT 57	
			6078.68	PC 57	
			6079.63	PT 58	
			6100.00	PC 58	
			6137.77	PT 59	
			6150.00	PC 59	
			6200.00	PT 60	
			6234.10	PC 60	
			6250.00	PT 61	
			6251.42	PC 61	
			6300.00	PT 62	
			6324.60	PC 62	
			6350.00	PT 63	
			6351.05	PC 63	
			6400.00	PT 64	
			6424.46	PC 64	
			6450.00	PT 65	
			6451.95	PC 65	
			6500.00	PT 66	
			6524.21	PC 66	
			6550.00	PT 67	
			6551.19	PC 67	
			6600.00	PT 68	
			6624.04	PC 68	
			6650.00	PT 69	
			6651.51	PC 69	
			6700.00	PT 70	
			6724.10	PC 70	
			6750.00	PT 71	
			6751.95	PC 71	
			6800.00	PT 72	
			6824.05	PC 72	
			6850.00	PT 73	
			6851.07	PC 73	
			6900.00	PT 74	
			6924.50	PC 74	
			6950.00	PT 75	
			6951.50	PC 75	
			7000.00	PT 76	



REV. NO	REVISADO	APROBADO	FECHA

CRM
CENTRO DE RENOVACION DE MANABI

Estudio de Diseño Detallado de los Tránsverses de Agua para los Cuencas de Los Rios Chona - Portoviejo
The Detailed Design Study on the Water Transverses Schemes for Chona - Portoviejo River Basins

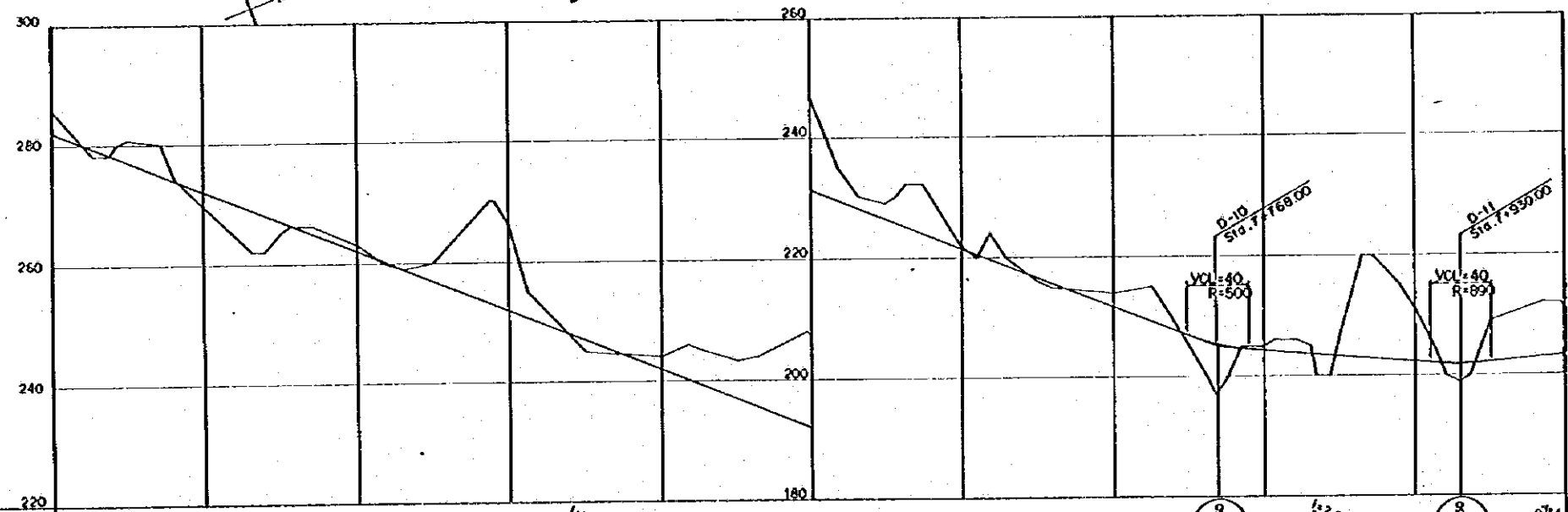
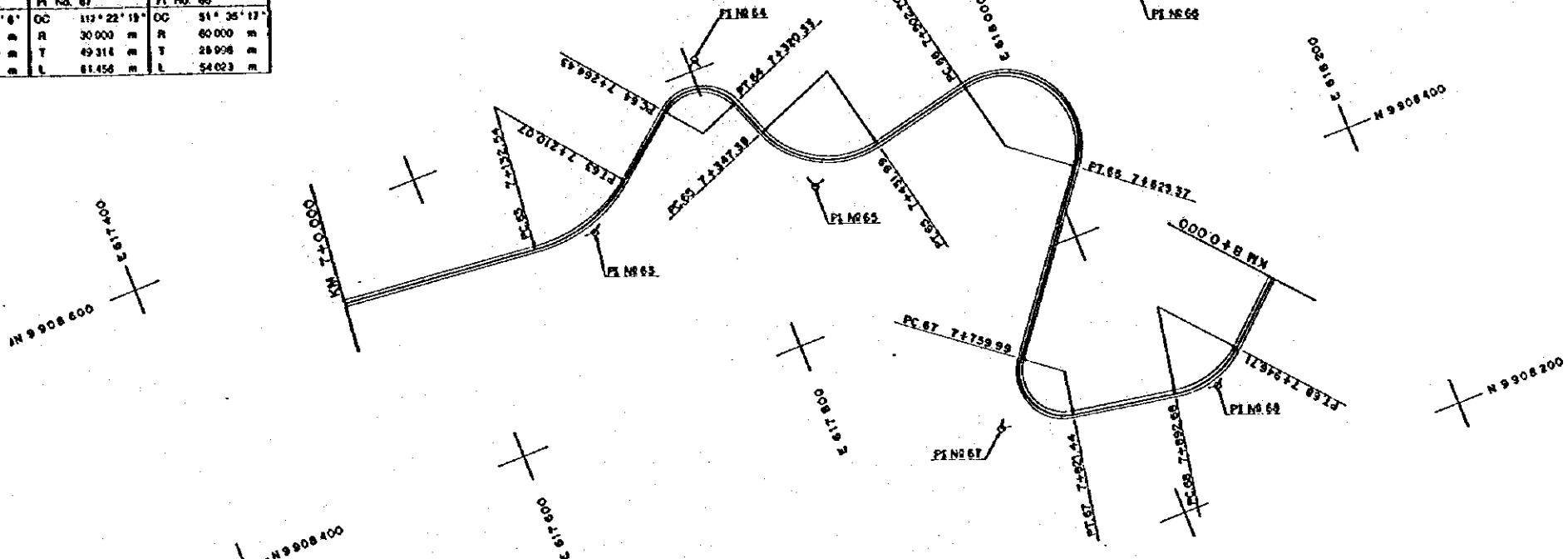
REPUBLICA DEL ECUADOR

TITULO: CAMINO DE ACCESO / ACCESS ROAD
CAMINO DE ACCESO CONGUILLO I
PLANTA Y PERFIL (7/11)
CONGUILLO ACCESS ROAD I
PLAN AND PROFILE (7/11)

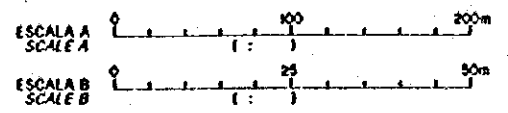
LEVANTO:	APROBADO:
DIBUJO:	FECHA:
REVISO:	DIBUJO NO:
ENTREGO:	1-ACC-007
FECHA:	

CUADRO DE COORDENADAS		
PI No.	LATITUD	LONGITUD
63	9,908,522.000	817,839.000
64	9,908,808.500	817,805.000
65	9,908,436.500	817,849.000
66	9,908,553.500	818,104.000
67	9,908,299.500	817,805.000
68	9,908,271.000	818,052.000

PI No. 63	PI No. 64	PI No. 65	PI No. 66	PI No. 67	PI No. 68
OC 44° 25' 32"	OC 108° 45' 33"	OC 80° 47' 55"	OC 140° 34' 8"	OC 119° 22' 19"	OC 51° 35' 17"
R 100.000 m	R 30.000 m	R 80.000 m	R 50.000 m	R 30.000 m	R 60.000 m
T 40.835 m	T 40.365 m	T 51.063 m	T 138.529 m	T 49.314 m	T 28.958 m
L 77.537 m	L 55.829 m	L 64.812 m	L 77.537 m	L 81.456 m	L 54.023 m



Pendiente Gradient	Cota de Proyecto Proposed Height	Cota de Terreno Ground Height	Abscisas Accumulated Distance	Estación Station	Transición de Perfil Superelevation run-off
	281.850	285.90	7000.00	NM 7	
	276.850	280.55	7050.00		
	271.850	283.60	7100.00	1	
	266.850	264.80	7150.00	PC 63	
	261.850	263.10	7200.00	PT 63	
	256.850	259.90	7250.00	PC 64	
	251.850	256.05	7300.00	PT 64	
	246.850	245.05	7350.00	PC 65	
	241.850	244.10	7400.00	PT 65	
	236.850	243.30	7450.00	PC 66	
	231.850	247.10	7500.00	PT 66	
	226.850	238.95	7550.00	PC 67	
	221.850	232.10	7600.00	PT 67	
	216.850	216.10	7650.00	PC 68	
	211.850	214.05	7700.00	PT 68	
	206.850	208.50	7750.00	PC 69	
	201.850	205.05	7800.00	PT 69	
	204.250	206.00	7850.00	PC 70	
	202.250	211.10	7900.00	PT 70	
	202.150	209.10	7950.00	PC 71	
	203.400	211.05	8000.00	NM 8	



REV. N°	REVISADO	APROBADO	FECHA

CRM
CENTRO DE REHABILITACION DE MANABI

Estudio de Diseño Detallado de los Travesaños de Agua para los Quince de Los Rios Chora - Portoviejo
The Detailed Design Study on the Water Transverse Slopes for Chora - Portoviejo River Bridge

REPUBLICA DEL ECUADOR

TITULO: CAMINO DE ACCESO / ACCESS ROAD
CAMINO DE ACCESO CONGUILLO 1
PLANTA Y PERFIL (8/11)
CONGUILLO ACCESS ROAD 1
PLAN AND PROFILE (8/11)

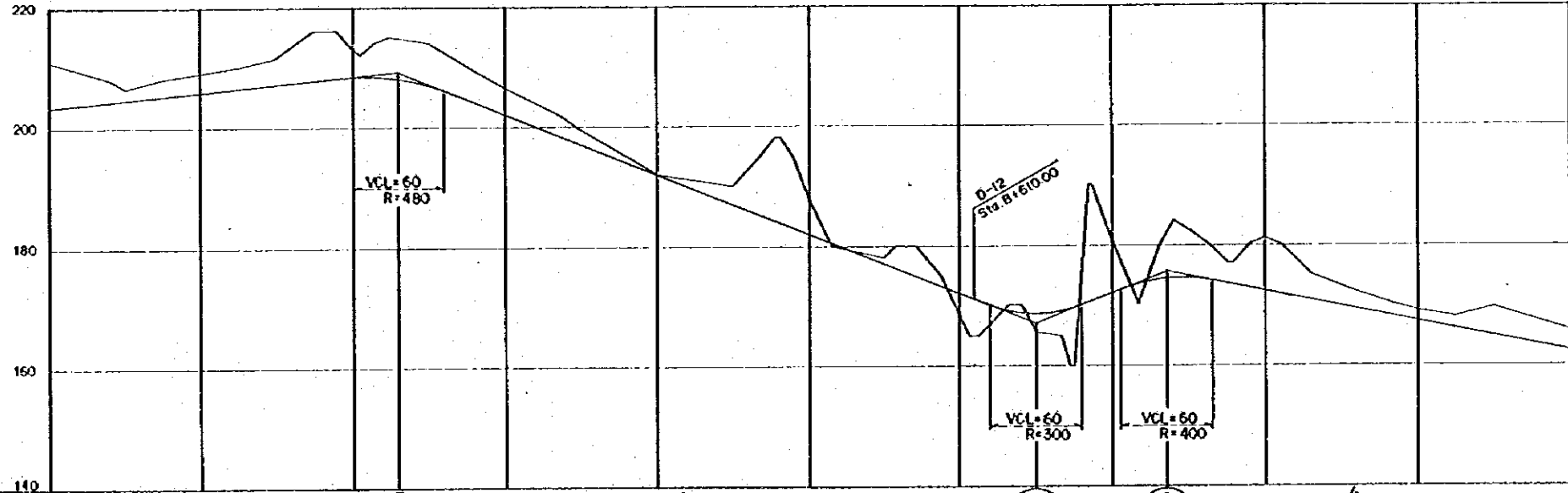
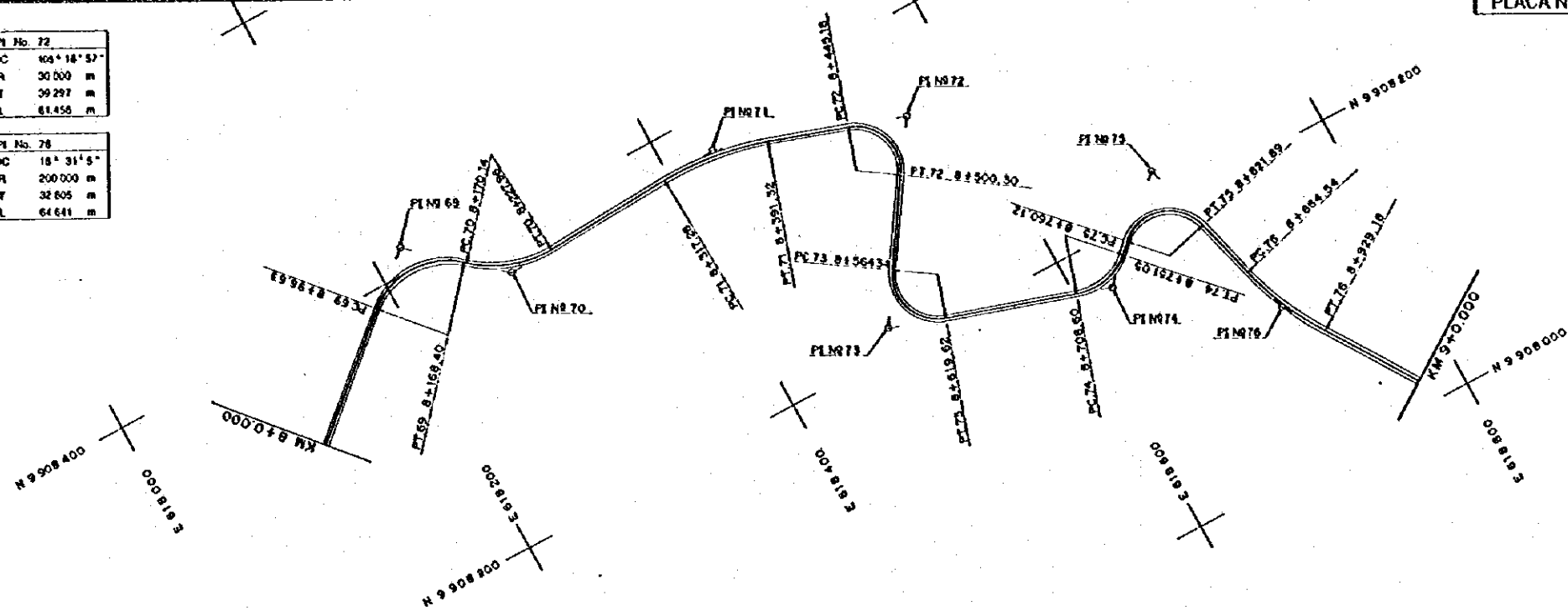
LEVANTO:	APROBADO:
DIBUJO:	FECHA:
DISEÑO:	DIBUJO N°:
REVISO:	
ENTREGO:	
FECHA:	

I-ACO-008

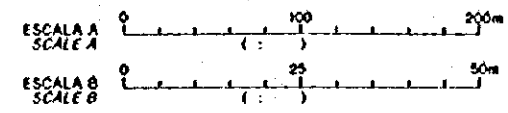
PI No. 69	PI No. 70	PI No. 71	PI No. 72
OC 82° 14' 57"	OC 41° 10' 26"	OC 21° 12' 47"	OC 106° 18' 57"
R 50 000 m	R 75 000 m	R 200 000 m	R 30 000 m
T 43 654 m	T 30 435 m	T 37 453 m	T 39 297 m
L 21 778 m	L 57 824 m	L 74 048 m	L 61 456 m

PI No. 73	PI No. 74	PI No. 75	PI No. 76
OC 105° 33' 40"	OC 60° 48' 20"	OC 117° 58' 28"	OC 18° 31' 9"
R 30 000 m	R 40 000 m	R 30 000 m	R 200 000 m
T 39 496 m	T 23 470 m	T 49 903 m	T 32 605 m
L 55 272 m	L 42 450 m	L 61 771 m	L 64 641 m

PI No.	LATITUD	LONGITUD
69	9,908,417.000	618,220.000
70	9,908,367.000	618,217.000
71	9,908,375.000	618,434.000
72	9,908,334.000	618,554.000
73	9,908,215.000	618,423.000
74	9,908,198.000	618,623.500
75	9,908,224.000	618,684.000
76	9,908,103.000	618,718.000



Pendiente Gradient	Cota de Proyecto Proposed Height	Cota de Terreno Ground Height	Abscisas Accumulated Distance	Estacion Station	Transición de Perfil Superelevation run-off
1:2.500% 1:33.000%	203.400	211.050	8000.00	KA 8	0.000%
	204.650	211.05	8050.00		0.000%
	205.900	208.95	8086.63	PC 69	0.000%
	207.150	211.40	8150.00		0.000%
	208.400	217.14	8168.40	PT 69	0.000%
	209.150	213.10	8200.00	2	0.000%
	207.051	214.05	8227.96	PT 70	0.000%
	202.150	206.50	8300.00	3	0.000%
	197.150	199.50	8350.00	PC 71	0.000%
	192.150	192.05	8391.32	PT 71	0.000%
	187.150	190.10	8400.00	4	0.000%
	182.150	186.05	8445.16	PC 72	0.000%
	177.150	185.30	8450.00	PT 72	0.000%
	172.150	178.00	8500.00	5	0.000%
	172.150	174.34	8550.00	PC 73	0.000%
	172.150	168.50	8600.00	6	0.000%
	172.150	161.10	8619.62	PT 73	0.000%
	172.150	158.654	8650.00	7	0.000%
	172.150	151.10	8700.00	8	0.000%
	172.150	142.55	8708.60	PC 74	0.000%
	172.150	137.612	8750.00	9	0.000%
	172.150	127.05	8751.05	PT 74	0.000%
	172.150	116.914	8760.12	PC 75	0.000%
	172.150	106.95	8800.00	10	0.000%
	172.150	96.928	8821.89	PT 75	0.000%
	172.150	86.928	8850.00	11	0.000%
	172.150	76.928	8864.34	PC 76	0.000%
	172.150	66.928	8900.00	12	0.000%
	172.150	56.928	8928.18	PT 76	0.000%
	172.150	46.928	8950.00	13	0.000%
	172.150	36.928	9000.00	KA 9	0.000%



REV. N°	REVISADO	APROBADO	FECHA

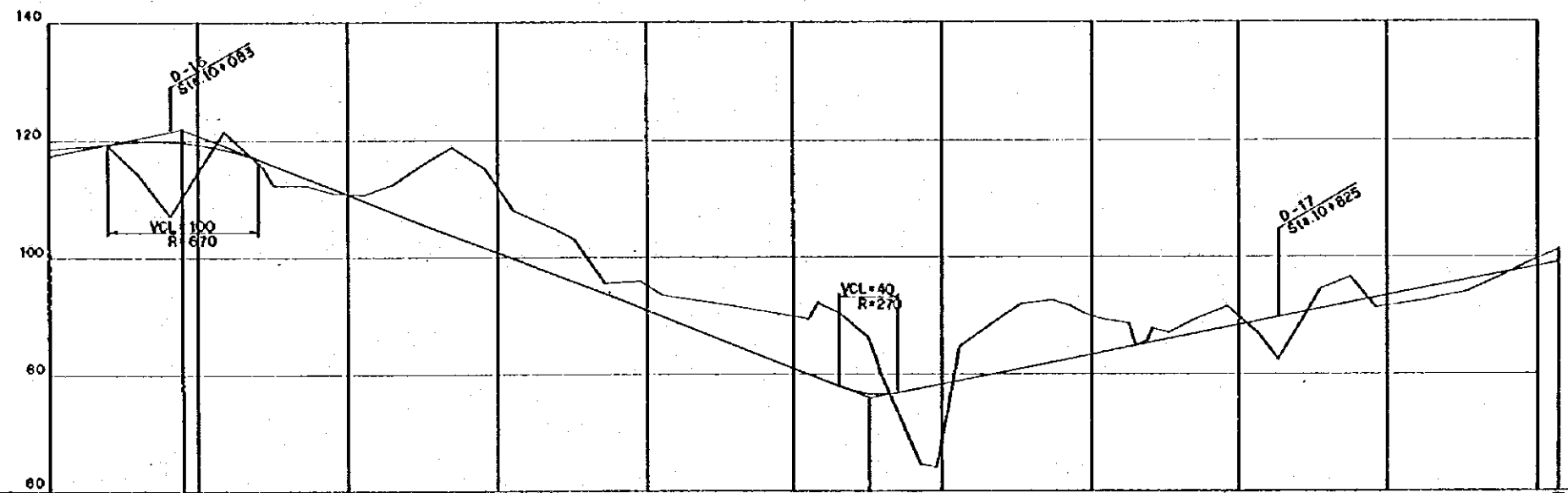
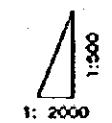
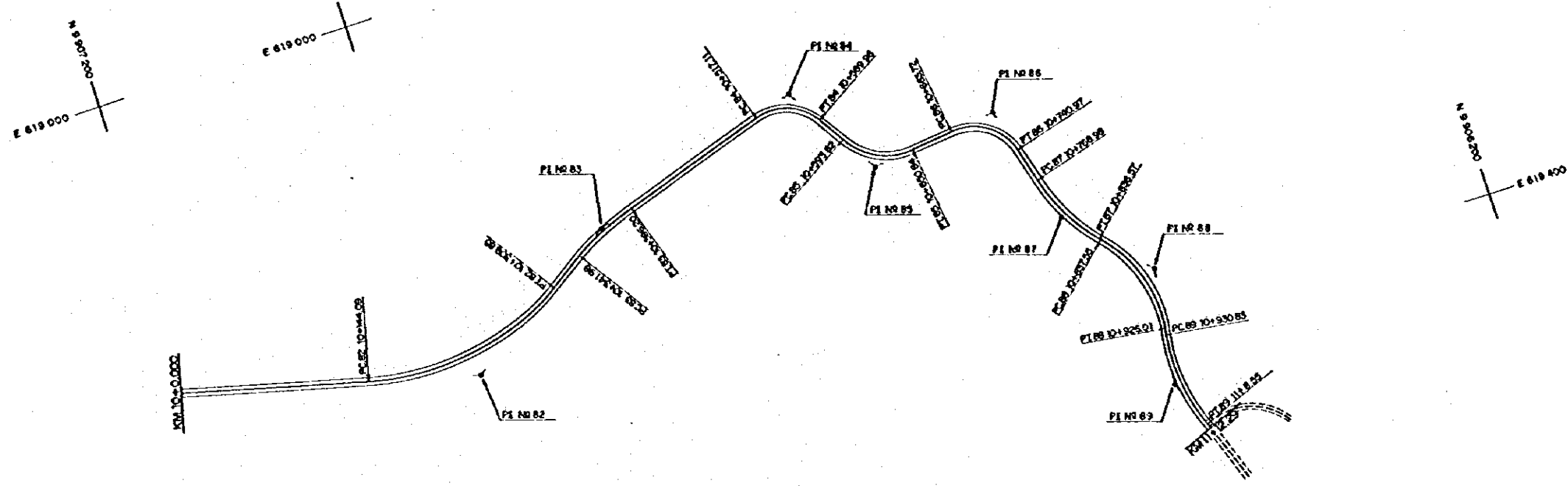
CRM
CENTRO DE REHABILITACION DE MANABI

Estudio de Diseño Detallado de los Tramos de Agua para las Quebradas de Los Rios Chone-Portoviejo
The Detailed Design Study on the Water Transmission Schemes for Chone-Portoviejo River Basins

REPUBLICA DEL ECUADOR

TITULO: CAMINO DE ACCESO / ACCESS ROAD
CAMINO DE ACCESO CONGUILLO I
PLANTA Y PERFIL (9/11)
CONGUILLO ACCESS ROAD I
PLAN AND PROFILE (9/11)

LEVANTO:	APROBADO:
DIBUJO:	FECHA:
DISEÑO:	DIBUJO N°
REVISO:	
ENTREGO:	1-ACO-009
FECHA:	

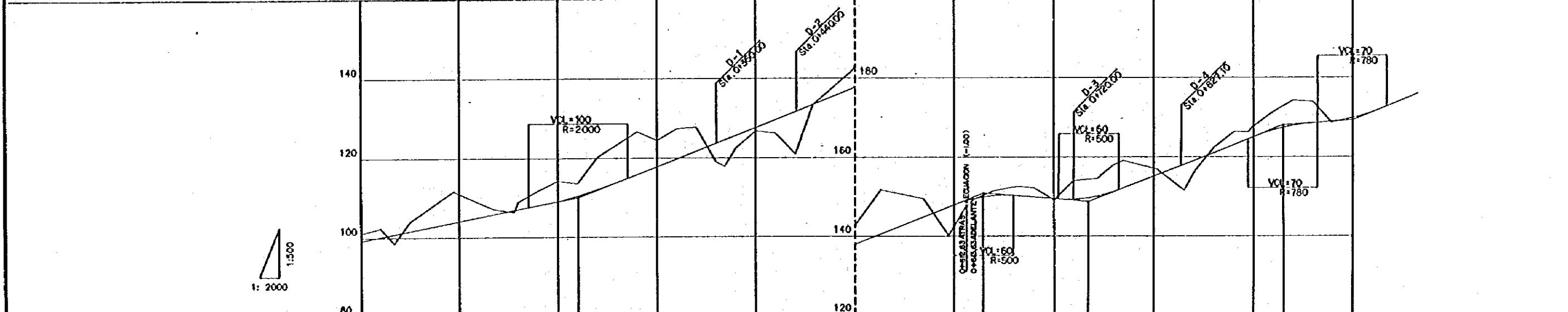
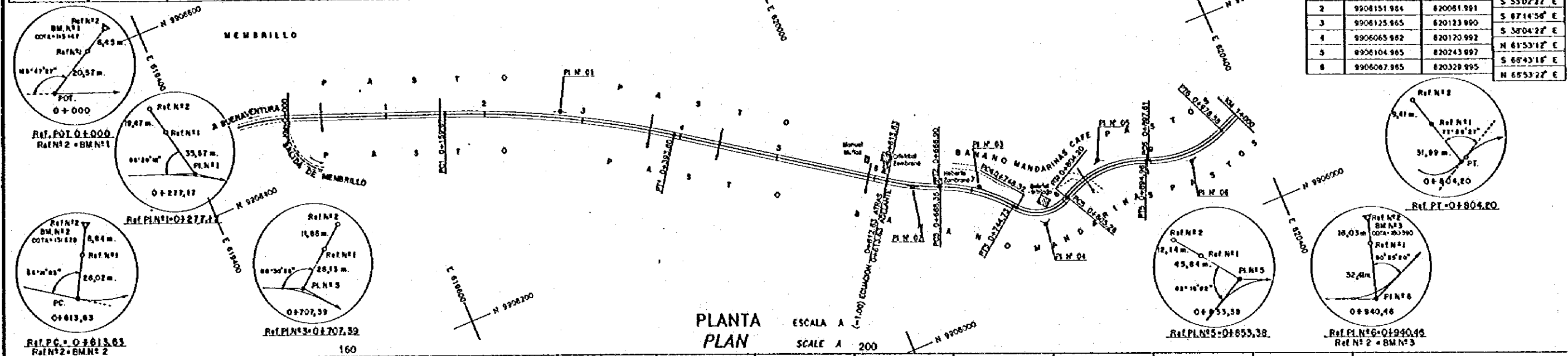


Pendiente Gradient	1:5.000% 1/170.000										1:4.000% 1/140.000										1:5.000% 1/140.000										1:6.000% 1/83.000																																																																																																																																																																																																																																																																																																																																																																																																																	
Cota de Proyecto Proposed Height	119.68	120.24	120.39	118.84	116.53	116.02	114.02	112.02	110.02	108.02	106.02	104.02	102.02	100.24	97.07	96.07	94.07	91.63	90.07	85.07	80.67	79.53	78.07	76.53	75.07	72.77	78.07	79.00	80.00	80.87	82.04	82.57	83.00	84.00	84.54	84.94	85.24	85.54	85.84	86.04	86.34	86.64	86.94	87.24	87.54	87.84	88.14	88.44	88.74	89.04	89.34	89.64	89.94	90.24	90.54	90.84	91.14	91.44	91.74	92.04	92.34	92.64	92.94	93.24	93.54	93.84	94.14	94.44	94.74	95.04	95.34	95.64	95.94	96.24	96.54	96.84	97.14	97.44	97.74	98.04	98.34	98.64	98.94	99.24	99.54	99.84	100.14	100.44	100.74	101.04	101.34	101.64	101.94	102.24	102.54	102.84	103.14	103.44	103.74	104.04	104.34	104.64	104.94	105.24	105.54	105.84	106.14	106.44	106.74	107.04	107.34	107.64	107.94	108.24	108.54	108.84	109.14	109.44	109.74	110.04	110.34	110.64	110.94	111.24	111.54	111.84	112.14	112.44	112.74	113.04	113.34	113.64	113.94	114.24	114.54	114.84	115.14	115.44	115.74	116.04	116.34	116.64	116.94	117.24	117.54	117.84	118.14	118.44	118.74	119.04	119.34	119.64	119.94	120.24	120.54	120.84	121.14	121.44	121.74	122.04	122.34	122.64	122.94	123.24	123.54	123.84	124.14	124.44	124.74	125.04	125.34	125.64	125.94	126.24	126.54	126.84	127.14	127.44	127.74	128.04	128.34	128.64	128.94	129.24	129.54	129.84	130.14	130.44	130.74	131.04	131.34	131.64	131.94	132.24	132.54	132.84	133.14	133.44	133.74	134.04	134.34	134.64	134.94	135.24	135.54	135.84	136.14	136.44	136.74	137.04	137.34	137.64	137.94	138.24	138.54	138.84	139.14	139.44	139.74	140.04	140.34	140.64	140.94	141.24	141.54	141.84	142.14	142.44	142.74	143.04	143.34	143.64	143.94	144.24	144.54	144.84	145.14	145.44	145.74	146.04	146.34	146.64	146.94	147.24	147.54	147.84	148.14	148.44	148.74	149.04	149.34	149.64	149.94	150.24	150.54	150.84	151.14	151.44	151.74	152.04	152.34	152.64	152.94	153.24	153.54	153.84	154.14	154.44	154.74	155.04	155.34	155.64	155.94	156.24	156.54	156.84	157.14	157.44	157.74	158.04	158.34	158.64	158.94	159.24	159.54	159.84	160.14	160.44	160.74	161.04	161.34	161.64	161.94	162.24	162.54	162.84	163.14	163.44	163.74	164.04	164.34	164.64	164.94	165.24	165.54	165.84	166.14	166.44	166.74	167.04	167.34	167.64	167.94	168.24	168.54	168.84	169.14	169.44	169.74	170.04	170.34	170.64	170.94	171.24	171.54	171.84	172.14	172.44	172.74	173.04	173.34	173.64	173.94	174.24	174.54	174.84	175.14	175.44	175.74	176.04	176.34	176.64	176.94	177.24	177.54	177.84	178.14	178.44	178.74	179.04	179.34	179.64	179.94	180.24	180.54	180.84	181.14	181.44	181.74	182.04	182.34	182.64	182.94	183.24	183.54	183.84	184.14	184.44	184.74	185.04	185.34	185.64	185.94	186.24	186.54	186.84	187.14	187.44	187.74	188.04	188.34	188.64	188.94	189.24	189.54	189.84	190.14	190.44	190.74	191.04	191.34	191.64	191.94	192.24	192.54	192.84	193.14	193.44	193.74	194.04	194.34	194.64	194.94	195.24	195.54	195.84	196.14	196.44	196.74	197.04	197.34	197.64	197.94	198.24	198.54	198.84	199.14	199.44	199.74	200.04												
Cota de Terreno Ground Height	119.39	114.57	107.28	121.47	115.53	112.23	116.02	112.29	114.02	111.04	112.02	110.58	110.02	112.47	108.02	115.83	118.80	115.44	102.02	108.40	105.05	97.07	103.29	96.07	95.53	94.07	95.37	91.63	93.49	90.07	85.07	88.57	82.04	79.53	80.67	78.07	84.53	84.11	81.70	85.07	83.57	82.04	81.60	83.00	83.00	84.00	84.54	84.94	85.24	85.54	85.84	86.04	86.34	86.64	86.94	87.24	87.54	87.84	88.14	88.44	88.74	89.04	89.34	89.64	89.94	90.24	90.54	90.84	91.14	91.44	91.74	92.04	92.34	92.64	92.94	93.24	93.54	93.84	94.14	94.44	94.74	95.04	95.34	95.64	95.94	96.24	96.54	96.84	97.14	97.44	97.74	98.04	98.34	98.64	98.94	99.24	99.54	99.84	100.14	100.44	100.74	101.04	101.34	101.64	101.94	102.24	102.54	102.84	103.14	103.44	103.74	104.04	104.34	104.64	104.94	105.24	105.54	105.84	106.14	106.44	106.74	107.04	107.34	107.64	107.94	108.24	108.54	108.84	109.14	109.44	109.74	110.04	110.34	110.64	110.94	111.24	111.54	111.84	112.14	112.44	112.74	113.04	113.34	113.64	113.94	114.24	114.54	114.84	115.14	115.44	115.74	116.04	116.34	116.64	116.94	117.24	117.54	117.84	118.14	118.44	118.74	119.04	119.34	119.64	119.94	120.24	120.54	120.84	121.14	121.44	121.74	122.04	122.34	122.64	122.94	123.24	123.54	123.84	124.14	124.44	124.74	125.04	125.34	125.64	125.94	126.24	126.54	126.84	127.14	127.44	127.74	128.04	128.34	128.64	128.94	129.24	129.54	129.84	130.14	130.44	130.74	131.04	131.34	131.64	131.94	132.24	132.54	132.84	133.14	133.44	133.74	134.04	134.34	134.64	134.94	135.24	135.54	135.84	136.14	136.44	136.74	137.04	137.34	137.64	137.94	138.24	138.54	138.84	139.14	139.44	139.74	140.04	140.34	140.64	140.94	141.24	141.54	141.84	142.14	142.44	142.74	143.04	143.34	143.64	143.94	144.24	144.54	144.84	145.14	145.44	145.74	146.04	146.34	146.64	146.94	147.24	147.54	147.84	148.14	148.44	148.74	149.04	149.34	149.64	149.94	150.24	150.54	150.84	151.14	151.44	151.74	152.04	152.34	152.64	152.94	153.24	153.54	153.84	154.14	154.44	154.74	155.04	155.34	155.64	155.94	156.24	156.54	156.84	157.14	157.44	157.74	158.04	158.34	158.64	158.94	159.24	159.54	159.84	160.14	160.44	160.74	161.04	161.34	161.64	161.94	162.24	162.54	162.84	163.14	163.44	163.74	164.04	164.34	164.64	164.94	165.24	165.54	165.84	166.14	166.44	166.74	167.04	167.34	167.64	167.94	168.24	168.54	168.84	169.14	169.44	169.74	170.04	170.34	170.64	170.94	171.24	171.54	171.84	172.14	172.44	172.74	173.04	173.34	173.64	173.94	174.24	174.54	174.84	175.14	175.44	175.74	176.04	176.34	176.64	176.94	177.24	177.54	177.84	178.14	178.44	178.74	179.04	179.34	179.64	179.94	180.24	180.54	180.84	181.14	181.44	181.74	182.04	182.34	182.64	182.94	183.24	183.54	183.84	184.14	184.44	184.74	185.04	185.34	185.64	185.94	186.24	186.54	186.84	187.14	187.44	187.74	188.04	188.34	188.64	188.94	189.24	189.54	189.84	190.14	190.44	190.74	191.04	191.34	191.64	191.94	192.24	192.54	192.84	193.14	193.44	193.74	194.04	194.34	194.64	194.94	195.24	195.54	195.84	196.14	196.44	196.74	197.04	197.34	197.64	197.94	198.24	198.54	198.84	199.14	199.44	199.74	200.04
Abscisas Accumulated Distance	10+000.00	10+042.32	10+081.48	10+083.48	10+123.78	10+143.36	10+161.46	10+179.48	10+197.48	10+215.48	10+233.48	10+251.48	10+271.48	10+291.48	10+311.48	10+331.48	10+351.48	10+371.48	10+391.48	10+411.50	10+431.50	10+451.50	10+471.50	10+491.50	10+511.50	10+531.50	10+551.50	10+571.50	10+591.50	10+611.50	10+631.50	10+651.50	10+671.50	10+691.50	10+711.50	10+731.50	10+751.50	10+771.50	10+791.50	10+811.50	10+831.50	10+851.50	10+871.50	10+891.50	10+911.50	10+931.50	10+951.50	10+971.50	10+991.50	10+1011.50	10+1031.50	10+1051.50	10+1071.50	10+1091.50	10+1111.50	10+1131.50	10+1151.50	10+1171.50	10+1191.50	10+1211.50	10+1231.50	10+1251.50	10+1271.50	10+1291.50	10+1311.50	10+1331.50	10+1351.50	10+1371.50	10+1391.50	10+1411.50	10+1431.50	10+1451.50	10+1471.50	10+1491.50	10+1511.50	10+1531.50	10+1551.50	10+1571.50	10+1591.50	10+1611.50	10+1631.50	10+1651.50	10+1671.50	10+1691.50	10+1711.50	10+1731.50	10+1751.50	10+1771.50	10+1791.50	10+1811.50	10+1831.50	10+1851.50	10+1871.50	10+1891.50	10+1911.50	10+1931.50	10+1951.50	10+1971.50	10+1991.50	10+2011.50	10+2031.50	10+2051.50	10+2071.50	10+2091.50	10+2111.50	10+2131.50	10+2151.50	10+2171.50	10+2191.50	10+2211.50	10+2231.50	10+2251.50	10+2271.50	10+2291.50	10+2311.50	10+2331.50	10+2351.50	10+2371.50	10+2391.50	10+2411.50	10+2431.50	10+2451.50	10+2471.50	10+2491.50	10+2511.50	10+2531.50	10+2551.50	10+2571.50	10+2591.50	10+2611.50	10+2631.50	10+2651.50	10+2671.50	10+2691.50	10+2711.50	10+2731.50	10+2751.50	10+2771.50	10+2791.50	10+2811.50	10+2831.50	10+2851.50	10+2871.50	10+2891.50	10+29																																																																																																																																																																																																																																																																																															

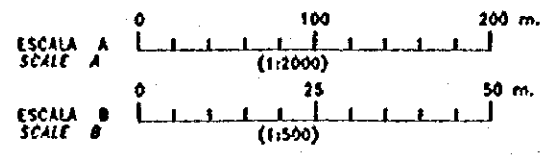
PI N° 01 DER.	PI N° 02 IZO.	PI N° 03 DER.	PI N° 04 IZO.	PI N° 05 DER.	PI N° 06 IZO.
OC 1324'12"	OC 1212'34"	OC 2910'34"	OC 8702'28"	OC 5123'32"	OC 4823'27"
R 1000.00 m.	R 250.00 m.	R 150.00 m.	R 40.00 m.	R 100.00 m.	R 100.00 m.
T 117.50 m.	T 28.74 m.	T 39.04 m.	T 33.58 m.	T 45.12 m.	T 42.85 m.
L 233.93 m.	L 53.27 m.	L 78.38 m.	L 55.88 m.	L 89.70 m.	L 80.97 m.

PLACA NO. 296

PI No.	LATITUD	LONGITUD	RUNGO
0	9908481.963	819508.492	S 68°28'34" E
1	9908360.122	819784.274	S 55°02'22" E
2	9908151.984	820081.991	S 87°14'58" E
3	9908125.865	820123.990	S 38°04'22" E
4	9906065.982	820170.992	N 61°53'12" E
5	9906104.985	820243.992	S 68°43'18" E
6	9906067.985	820329.995	N 65°53'22" E



Pendiente Gradient	Cota de Proyecto Proposed Height	Cota de Terreno Ground Height	Abscisas Accumulated Distance	Estacion Station	Transicion de Peralte Superelevation run-off
99.000	99.000	101.04	00.00	0+000	
1:30000	100.000	102.38	30.00	0+030	
1:30000	100.700	98.51	50.00	0+050	
1:30000	101.500	104.05	84.00	0+084	
1:30000	103.700	111.67	134.34	0+134.34	
1:30000	106.727	107.16	155.85	0+155.85	
1:30000	106.783	106.69	158.67	0+158.67	
1:30000	108.025	111.75	180.00	0+180.00	
1:30000	109.225	114.21	200.00	0+200.00	
1:30000	110.625	113.59	230.00	0+230.00	
1:30000	112.225	120.25	240.00	0+240.00	
1:30000	114.025	123.37	260.00	0+260.00	
1:30000	116.000	126.61	280.00	0+280.00	
1:30000	118.000	124.40	300.00	0+300.00	
1:30000	120.000	127.35	320.00	0+320.00	
1:30000	122.000	127.71	340.00	0+340.00	
1:30000	124.000	118.84	360.00	0+360.00	
1:30000	126.000	117.87	380.00	0+380.00	
1:30000	128.000	122.40	380.00	0+380.00	
1:30000	127.850	125.32	393.00	0+393.00	
1:30000	130.000	126.22	420.00	0+420.00	
1:30000	132.000	120.86	440.00	0+440.00	
1:30000	133.778	133.40	457.00	0+457.00	
1:30000	137.884	141.79	496.84	0+496.84	
1:30000	140.540	151.78	523.40	0+523.40	
1:30000	144.812	149.53	568.12	0+568.12	
1:30000	147.457	140.17	594.37	0+594.37	
1:30000	149.077	147.85	615.63	0+615.63	
1:30000	148.500	148.38	620.00	0+620.00	
1:30000	150.300	151.32	640.00	0+640.00	
1:30000	150.300	152.46	660.00	0+660.00	
1:30000	150.113	152.54	680.00	0+680.00	
1:30000	149.900	152.54	690.00	0+690.00	
1:30000	149.500	148.21	700.00	0+700.00	
1:30000	149.325	154.04	720.00	0+720.00	
1:30000	150.244	154.59	744.73	0+744.73	
1:30000	150.410	153.38	760.00	0+760.00	
1:30000	151.325	157.88	780.00	0+780.00	
1:30000	152.300	158.08	790.00	0+790.00	
1:30000	154.300	157.80	800.00	0+800.00	
1:30000	155.827	156.33	800.35	0+800.35	
1:30000	157.300	153.60	820.00	0+820.00	
1:30000	158.300	151.62	840.00	0+840.00	
1:30000	159.300	156.28	860.00	0+860.00	
1:30000	161.300	162.46	880.00	0+880.00	
1:30000	163.300	166.34	880.00	0+880.00	
1:30000	164.300	165.30	890.00	0+890.00	
1:30000	165.007	167.30	897.61	0+897.61	
1:30000	166.898	171.37	920.00	0+920.00	
1:30000	167.998	174.22	940.00	0+940.00	
1:30000	168.584	173.95	960.00	0+960.00	
1:30000	168.904	168.89	978.38	0+978.38	
1:30000	168.800	168.80	1000.00	0+1000.00	



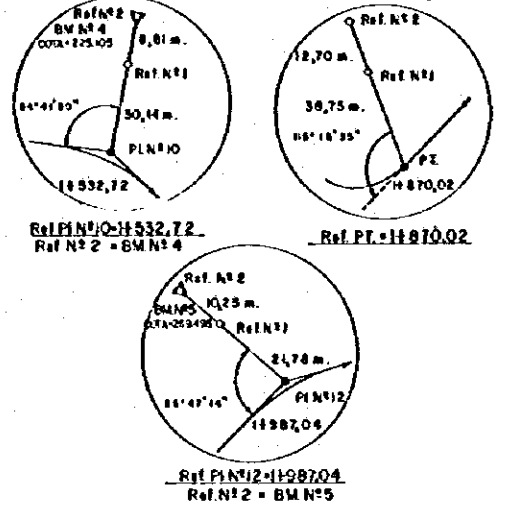
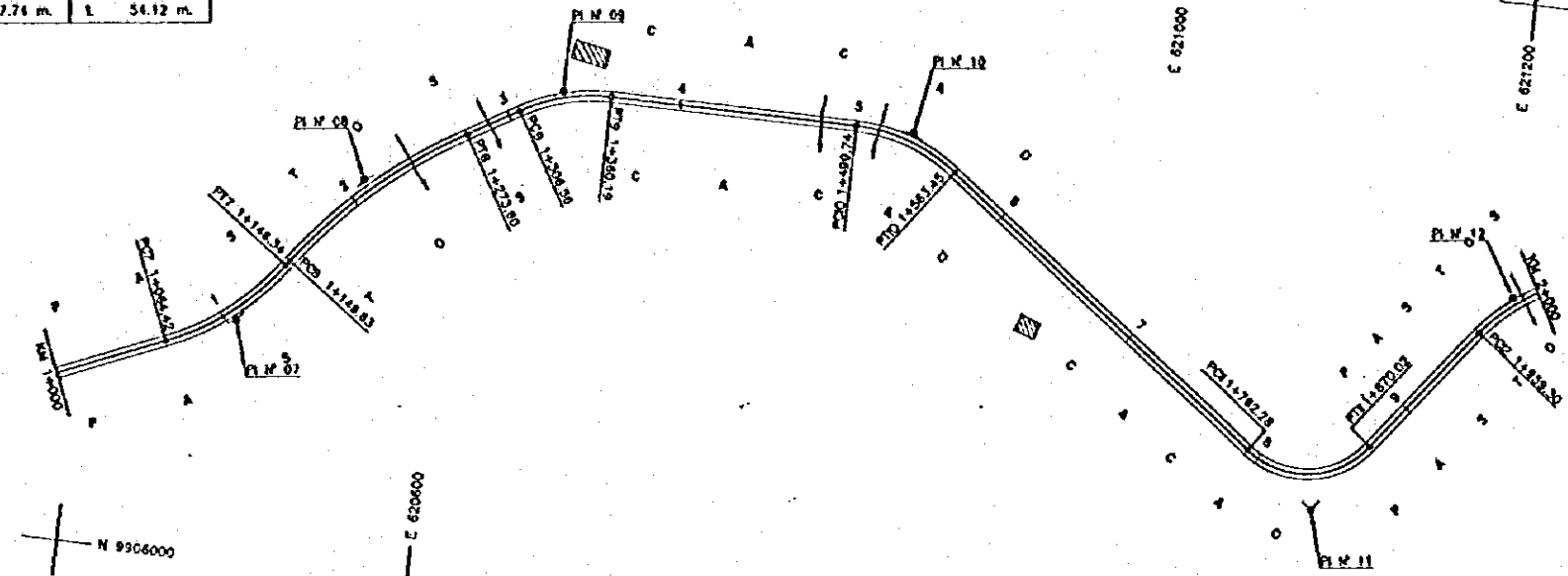
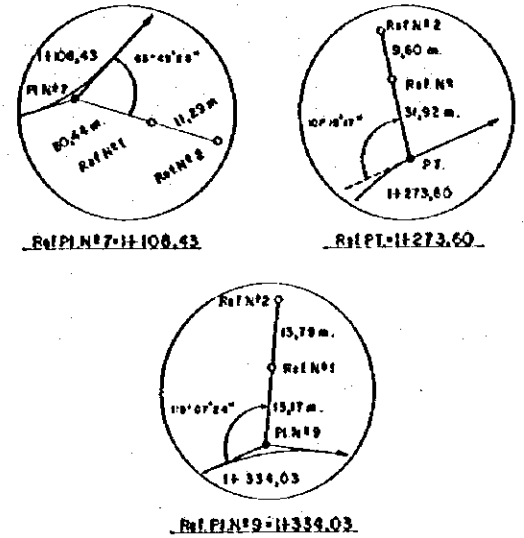
PERFIL PROFILE ESCALA SCALE Hor. A, Ver. B

REV. N°	REVISADO	APROBADO	FECHA	<p>CENTRO DE REHABILITACION DE MANABI</p>	<p>Estudio de Diseño Detallado de los Tramos de Agua para los Cuencas de Los Rios Chona - Portoviejo The Detailed Design Study on the Water Tramos de Chona - Portoviejo River Basins</p>	<p>TITULO: CAMINO DE ACCESO / ACCESS ROAD CAMINO DE ACCESO CONGUILLO(2) PLANTA Y PERFIL (1/12) CONGUILLO ACCESS ROAD(2) PLAN AND PROFILE (1/12)</p>	<p>LEVANTO: ASTEC DIBUJO: ASTEC DISEÑO: REVISO: ENTREGO: FECHA:</p>	<p>APROBADO: FECHA: DIBUJO M</p>
REPUBLICA DEL ECUADOR	1-ACO-012							

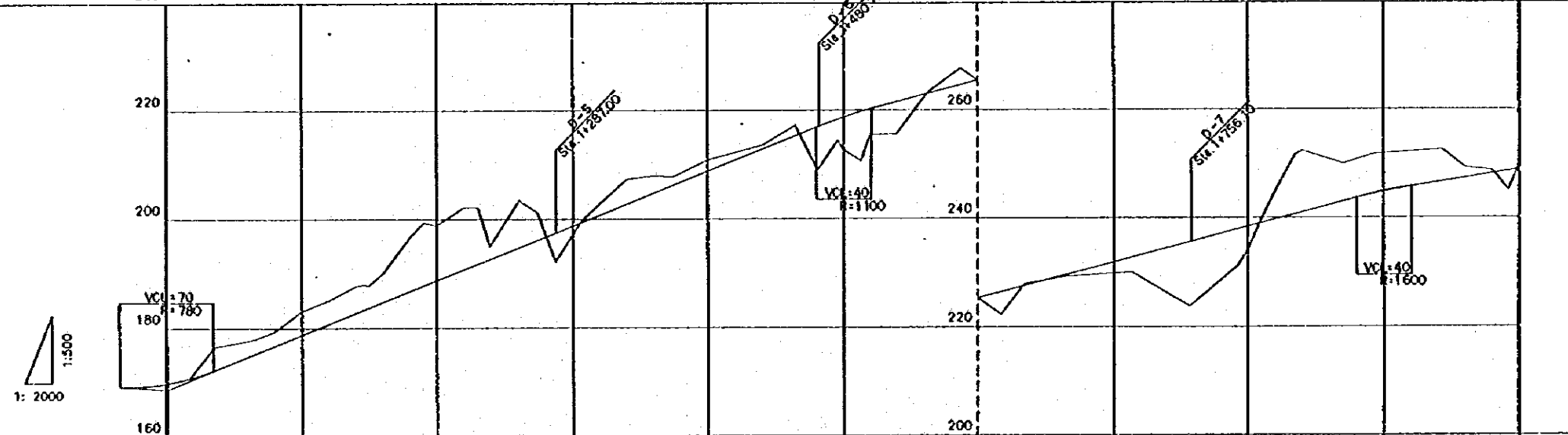
PI N° 07 IZQ.	PI N° 08 DER.	PI N° 09 DER.	PI N° 10 DER.	PI N° 11 IZQ.	PI N° 12 DER.
OC 31°17'25"	OC 23°40'34"	OC 30°13'29"	OC 36°30'05"	OC 69°04'46"	OC 31°00'26"
R 150.00 m.	R 300.00 m.	R 100.00 m.	R 100.00 m.	R 50.00 m.	R 100.00 m.
T 42.01 m.	T 82.88 m.	T 27.47 m.	T 32.98 m.	T 49.20 m.	T 27.74 m.
L 81.92 m.	L 123.97 m.	L 53.83 m.	L 63.71 m.	L 77.74 m.	L 54.12 m.

PLACANO. 297

CUADRO DE COORDENADAS			
PI No.	LATITUD	LONGITUD	RUMBO
7	9906134.958	820486.937	N 35°35'57" E
8	9906222.928	820549.959	N 50°16'31" E
9	9906285.928	820655.970	S 97°00'00" E
10	9906285.929	820655.970	S 53°29'55" E
11	9906100.927	821105.974	N 37°25'17" E
12	9906232.937	821206.981	N 68°25'45" E

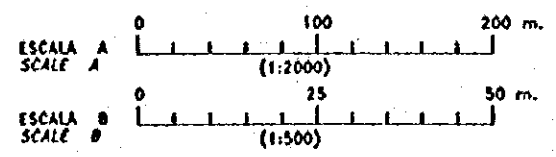


PLANTA ESCALA A SCALE A



Pendiente Gradient	Cota de Proyecto Proposed Height	Cota de Terreno Ground Height	Abscisas Accumulated Distance	Estacion Station	Transicion de Peralte Superelevation run-off
1:80.00	170.920	169.88	1000.00	0+000 KM 1	
1:76.52	172.552	170.83	1017.15	PC7	
1:75.442	175.442	176.63	1038.52		
1:77.000	177.000	177.92	1064.42		
1:79.000	179.000	179.40	1080.00		
1:81.000	181.000	180.18	1100.00		
1:83.000	183.000	181.18	1120.00		
1:85.000	185.000	182.21	1140.00		
1:87.000	187.000	183.28	1160.00		
1:89.000	189.000	184.38	1180.00		
1:91.000	191.000	185.51	1200.00		
1:93.000	193.000	186.66	1220.00		
1:95.000	195.000	187.83	1240.00		
1:97.000	197.000	189.02	1260.00		
1:99.000	199.000	190.23	1280.00		
2:00.00	200.000	191.46	1300.00		
2:01.00	201.000	192.71	1320.00		
2:02.00	202.000	193.98	1340.00		
2:03.00	203.000	195.27	1360.00		
2:04.00	204.000	196.58	1380.00		
2:05.019	205.019	197.90	1400.00		
2:06.448	206.448	199.23	1420.00		
2:07.72	207.72	200.57	1440.00		
2:09.000	209.000	201.92	1460.00		
2:10.00	210.000	203.28	1480.00		
2:11.00	211.000	204.65	1500.00		
2:12.00	212.000	206.03	1520.00		
2:13.00	213.000	207.42	1540.00		
2:14.00	214.000	208.82	1560.00		
2:15.00	215.000	210.23	1580.00		
2:16.00	216.000	211.65	1600.00		
2:17.00	217.000	213.08	1620.00		
2:18.00	218.000	214.52	1640.00		
2:19.00	219.000	215.97	1660.00		
2:20.00	220.000	217.43	1680.00		
2:21.00	221.000	218.89	1700.00		
2:22.00	222.000	220.36	1720.00		
2:23.00	223.000	221.83	1740.00		
2:24.00	224.000	223.31	1760.00		
2:25.00	225.000	224.79	1780.00		
2:26.00	226.000	226.27	1800.00		
2:27.00	227.000	227.75	1820.00		
2:28.00	228.000	229.23	1840.00		
2:29.00	229.000	230.71	1860.00		
2:30.00	230.000	232.19	1880.00		
2:31.00	231.000	233.67	1900.00		
2:32.00	232.000	235.15	1920.00		
2:33.00	233.000	236.63	1940.00		
2:34.00	234.000	238.11	1960.00		
2:35.00	235.000	239.59	1980.00		
2:36.00	236.000	241.07	2000.00		
2:37.00	237.000	242.55	2020.00		
2:38.00	238.000	244.03	2040.00		
2:39.00	239.000	245.51	2060.00		
2:40.00	240.000	246.99	2080.00		
2:41.00	241.000	248.47	2100.00		
2:42.00	242.000	249.95	2120.00		
2:43.00	243.000	251.43	2140.00		
2:44.00	244.000	252.91	2160.00		
2:45.00	245.000	254.39	2180.00		
2:46.00	246.000	255.87	2200.00		
2:47.00	247.000	257.35	2220.00		
2:48.00	248.000	258.83	2240.00		
2:49.00	249.000	260.31	2260.00		
2:50.00	250.000	261.79	2280.00		
2:51.00	251.000	263.27	2300.00		
2:52.00	252.000	264.75	2320.00		
2:53.00	253.000	266.23	2340.00		
2:54.00	254.000	267.71	2360.00		
2:55.00	255.000	269.19	2380.00		
2:56.00	256.000	270.67	2400.00		
2:57.00	257.000	272.15	2420.00		
2:58.00	258.000	273.63	2440.00		
2:59.00	259.000	275.11	2460.00		
3:00.00	260.000	276.59	2480.00		
3:01.00	261.000	278.07	2500.00		
3:02.00	262.000	279.55	2520.00		
3:03.00	263.000	281.03	2540.00		
3:04.00	264.000	282.51	2560.00		
3:05.00	265.000	283.99	2580.00		
3:06.00	266.000	285.47	2600.00		
3:07.00	267.000	286.95	2620.00		
3:08.00	268.000	288.43	2640.00		
3:09.00	269.000	289.91	2660.00		
3:10.00	270.000	291.39	2680.00		
3:11.00	271.000	292.87	2700.00		
3:12.00	272.000	294.35	2720.00		
3:13.00	273.000	295.83	2740.00		
3:14.00	274.000	297.31	2760.00		
3:15.00	275.000	298.79	2780.00		
3:16.00	276.000	300.27	2800.00		
3:17.00	277.000	301.75	2820.00		
3:18.00	278.000	303.23	2840.00		
3:19.00	279.000	304.71	2860.00		
3:20.00	280.000	306.19	2880.00		
3:21.00	281.000	307.67	2900.00		
3:22.00	282.000	309.15	2920.00		
3:23.00	283.000	310.63	2940.00		
3:24.00	284.000	312.11	2960.00		
3:25.00	285.000	313.59	2980.00		
3:26.00	286.000	315.07	3000.00		
3:27.00	287.000	316.55	3020.00		
3:28.00	288.000	318.03	3040.00		
3:29.00	289.000	319.51	3060.00		
3:30.00	290.000	320.99	3080.00		
3:31.00	291.000	322.47	3100.00		
3:32.00	292.000	323.95	3120.00		
3:33.00	293.000	325.43	3140.00		
3:34.00	294.000	326.91	3160.00		
3:35.00	295.000	328.39	3180.00		
3:36.00	296.000	329.87	3200.00		
3:37.00	297.000	331.35	3220.00		
3:38.00	298.000	332.83	3240.00		
3:39.00	299.000	334.31	3260.00		
3:40.00	300.000	335.79	3280.00		
3:41.00	301.000	337.27	3300.00		
3:42.00	302.000	338.75	3320.00		
3:43.00	303.000	340.23	3340.00		
3:44.00	304.000	341.71	3360.00		
3:45.00	305.000	343.19	3380.00		
3:46.00	306.000	344.67	3400.00		
3:47.00	307.000	346.15	3420.00		
3:48.00	308.000	347.63	3440.00		
3:49.00	309.000	349.11	3460.00		
3:50.00	310.000	350.59	3480.00		
3:51.00	311.000	352.07	3500.00		
3:52.00	312.000	353.55	3520.00		
3:53.00	313.000	355.03	3540.00		
3:54.00	314.000	356.51	3560.00		
3:55.00	315.000	357.99	3580.00		
3:56.00	316.000	359.47	3600.00		
3:57.00	317.000	360.95	3620.00		
3:58.00	318.000	362.43	3640.00		
3:59.00	319.000	363.91	3660.00		
4:00.00	320.000	365.39	3680.00		

PERFIL ESCALA A Hor. A, Ver. B SCALE



REV. N°	REVISADO	APROBADO	FECHA

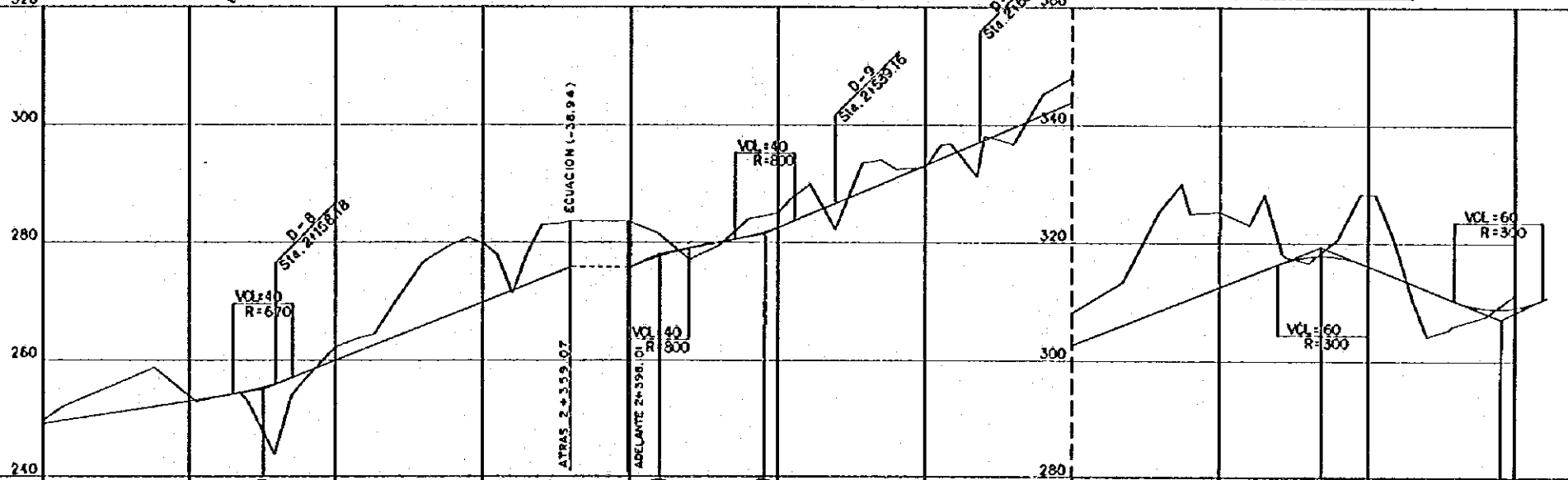
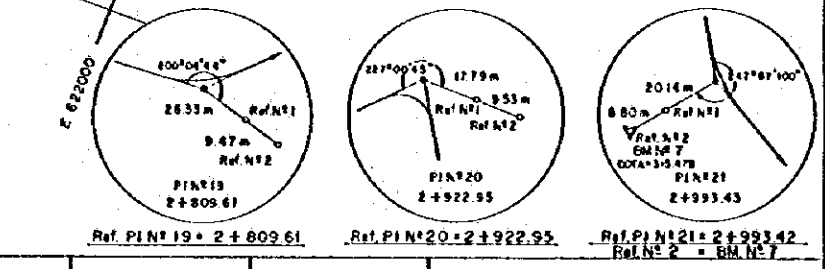
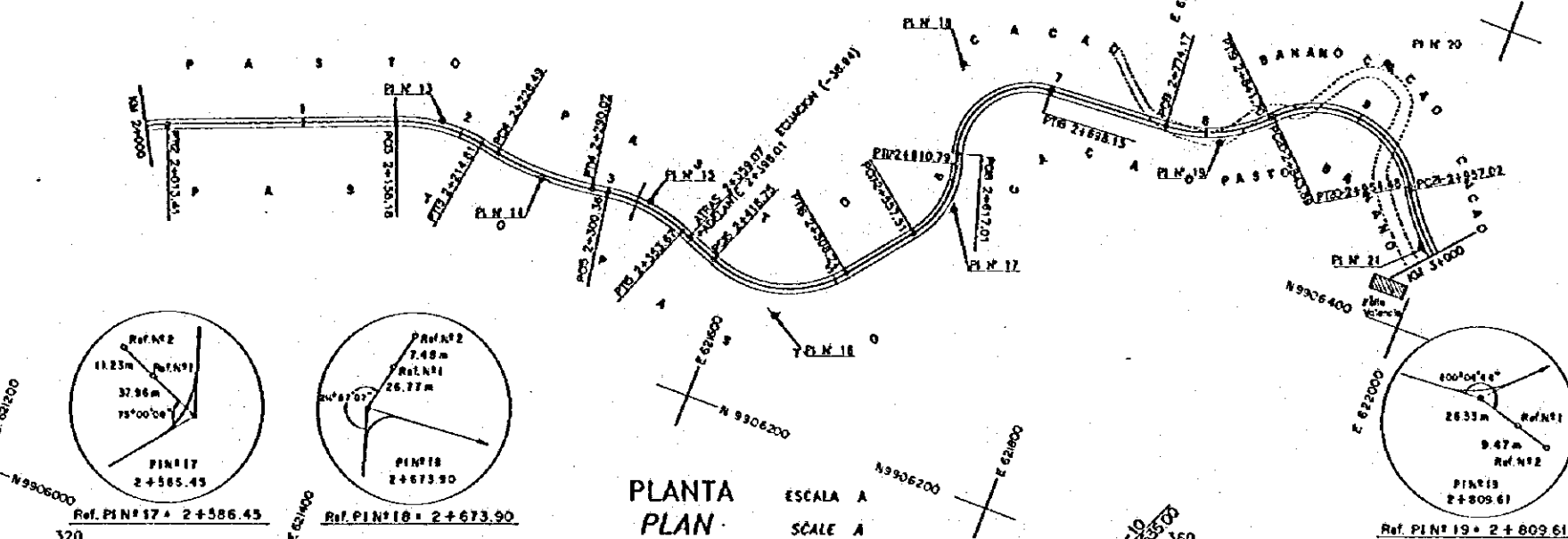
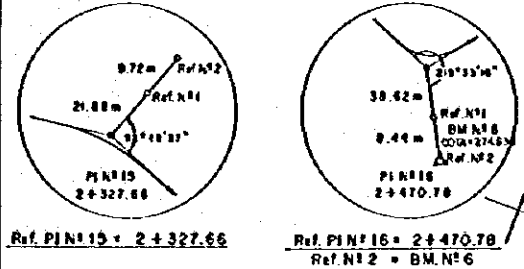
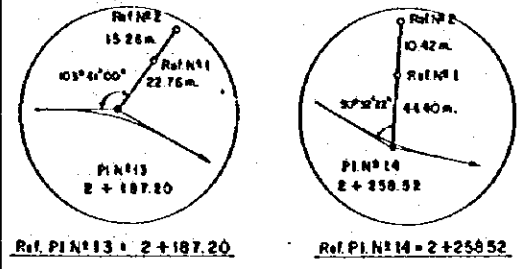
CRM
CENTRO DE REHABILITACION DE MANABI
REPUBLICA DEL ECUADOR

TITULO: CAMINO DE ACCESO / ACCESS ROAD
CAMINO DE ACCESO CONGULLO #2
PLANTA Y PERFIL (2/12)
CONGULLO ACCESS ROAD #2
PLAN AND PROFILE (2/12)

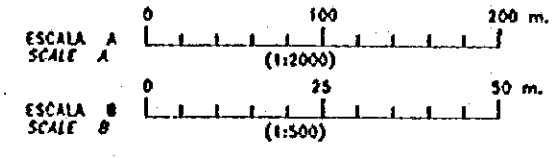
LEVANTO: ASTEC
DIBUJO: ASTEC
DISEÑO:
REVISO:
ENTREGO:
FECHA:
APROBADO:
FECHA:
DIBUJO M
1-ACO-013

PI N° 13 DER.	PI N° 14 IZO.	PI N° 15 DER.	PI N° 16 IZO.	PI N° 17 IZO.	PI N° 18 DER.	PI N° 19 IZO.	PI N° 20 DER.	PI N° 21 IZO.
OC 3054'07"	OC 1811'56"	OC 3032'35"	OC 7314'49"	OC 5550'38"	OC 10718'39"	OC 4759'23"	OC 10536'20"	OC 3710'41"
R 105.00 m.	R 200.00 m.	R 100.00 m.	R 20.00 m.	R 55.00 m.	R 45.00 m.	R 90.00 m.	R 60.00 m.	R 135.00 m.
T 29.02 m.	T 32.03 m.	T 27.30 m.	T 57.03 m.	T 28.93 m.	T 56.88 m.	T 35.44 m.	T 79.05 m.	T 38.39 m.
L 56.63 m.	L 63.53 m.	L 53.31 m.	L 89.48 m.	L 53.28 m.	L 81.14 m.	L 67.52 m.	L 110.58 m.	L 71.10 m.

CUADRO DE COORDENADAS			
PI No.	LATITUD	LONGITUD	RUMBOS
13	9906307.028	621334.386	S 80°40'10" E
14	9906295.237	621466.154	N 81°07'52" E
15	9906305.978	621534.991	S 68°19'33" E
16	9906267.025	621633.005	N 38°25'38" E
17	9906369.057	621713.555	N 17°04'60" W
18	9906457.047	621686.913	N 86°13'39" E
19	9906468.124	621854.899	N 43°14'16" E
20	9906553.132	621934.832	S 31°09'24" E
21	9906452.159	621995.880	S 61°20'05" E



Pendiente Gradient	Cota de Proyecto Proposed Height	Cota de Terreno Ground Height	Abscisas Accumulated Distance	Estacion Station	Transición de Perolte Superelevation run-off
1:10000	249.537	249.43	2000.00	PT 12	
0.000	252.033	250.76	2075.82	PC 13	
0.000	253.198	253.85	2104.84	PT 13	
0.000	254.390	254.57	2124.08	PC 14	
0.000	255.923	254.82	2158.18	PT 14	
0.000	257.000	254.00	2170.00	PC 15	
0.000	258.000	255.03	2180.00	PT 15	
0.000	259.000	256.27	2200.00	PC 16	
0.000	261.491	263.71	2214.81	PT 16	
0.000	262.843	264.45	2226.48	PC 17	
0.000	264.000	269.71	2240.00	PT 17	
0.000	268.000	276.73	2280.00	PC 18	
0.000	268.000	279.79	2280.00	PT 18	
0.000	269.000	280.80	2290.02	PC 19	
0.000	270.036	279.87	2300.34	PT 19	
0.000	271.000	277.80	2310.00	PC 20	
0.000	272.000	273.00	2320.00	PT 20	
0.000	273.000	278.12	2330.00	PC 21	
0.000	274.000	283.00	2340.00	PT 21	
0.000	275.000	288.53	2350.00	PC 22	
0.000	276.000	293.63	2360.00	PT 22	
0.000	277.761	281.56	2380.01	PC 23	
0.000	279.106	277.13	2418.75	PT 23	
0.000	280.106	279.49	2440.00	PC 24	
0.000	281.169	284.03	2460.00	PT 24	
0.000	282.653	285.02	2480.00	PC 25	
0.000	283.432	287.38	2508.24	PT 25	
0.000	284.799	289.95	2521.83	PC 26	
0.000	286.522	282.24	2539.16	PT 26	
0.000	288.357	293.63	2557.51	PC 27	
0.000	289.606	294.06	2570.00	PT 27	
0.000	290.606	292.52	2580.00	PC 28	
0.000	292.606	292.78	2600.00	PT 28	
0.000	293.597	296.08	2619.75	PC 29	
0.000	296.606	296.16	2640.00	PT 29	
0.000	298.606	298.77	2660.00	PC 30	
0.000	300.606	300.27	2680.00	PT 30	
0.000	302.421	307.84	2698.15	PC 31	
0.000	306.017	313.33	2734.11	PT 31	
0.000	308.508	325.26	2750.02	PC 32	
0.000	310.606	332.02	2760.00	PT 32	
0.000	312.606	323.30	2800.00	PC 33	
0.000	314.606	322.08	2820.00	PT 33	
0.000	315.606	328.20	2830.00	PC 34	
0.000	316.771	315.71	2841.78	PT 34	
0.000	317.839	316.68	2860.00	PC 35	
0.000	317.839	320.84	2880.00	PT 35	
0.000	317.606	328.36	2900.00	PC 36	
0.000	314.836	316.106	2917.70	PT 36	
0.000	313.606	310.51	2930.00	PC 37	
0.000	312.606	304.28	2940.00	PT 37	
0.000	310.606	302.23	2950.00	PC 38	
0.000	309.275	307.89	2980.00	PT 38	
0.000	309.275	311.42	3000.00	PC 39	



REV. Nº	REVISADO	APROBADO	FECHA

CRM CENTRO DE REHABILITACION DE MANABI

Estudio de Diseño Detallado de los Tramos de Agua para los Cuencas de Los Rios Chone - Portoviejo
The Detailed Design Study on the Water Treatment Schemes for Chone - Portoviejo River Basins

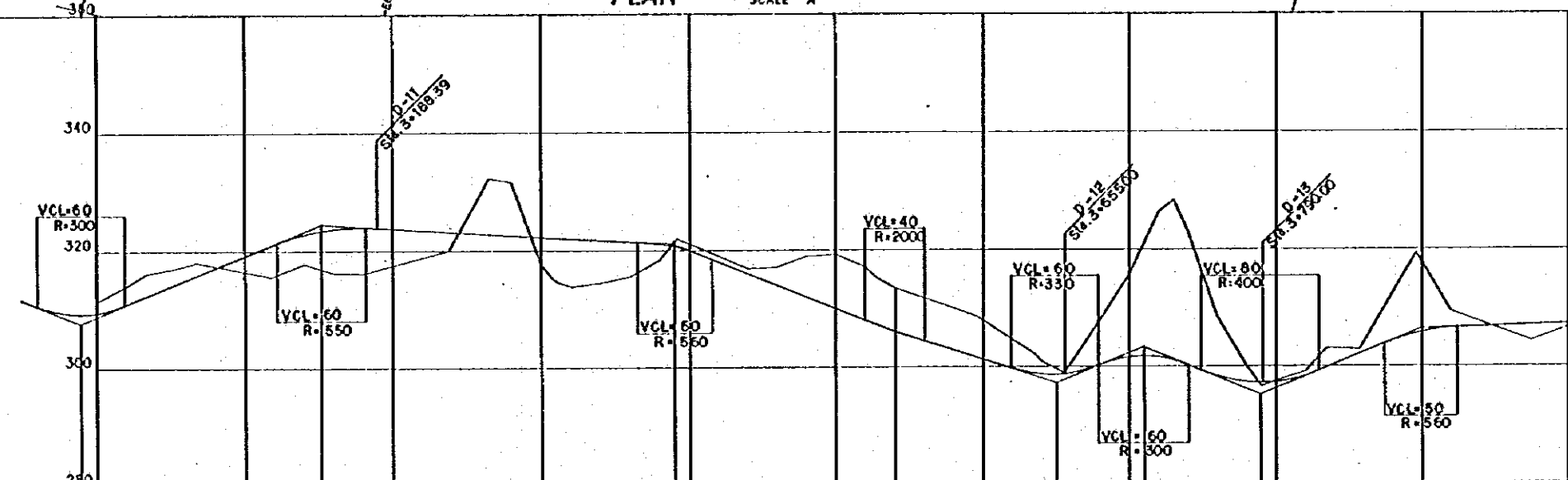
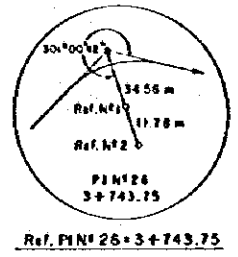
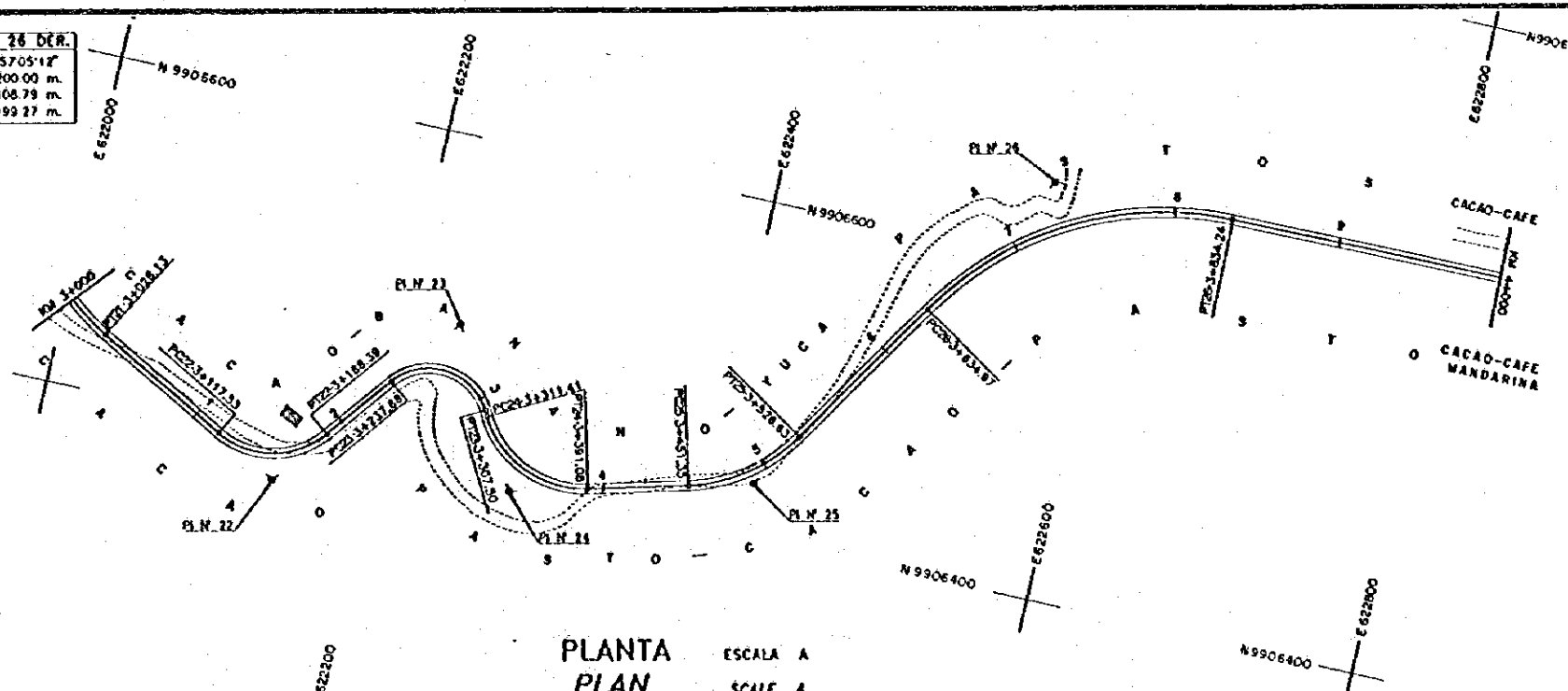
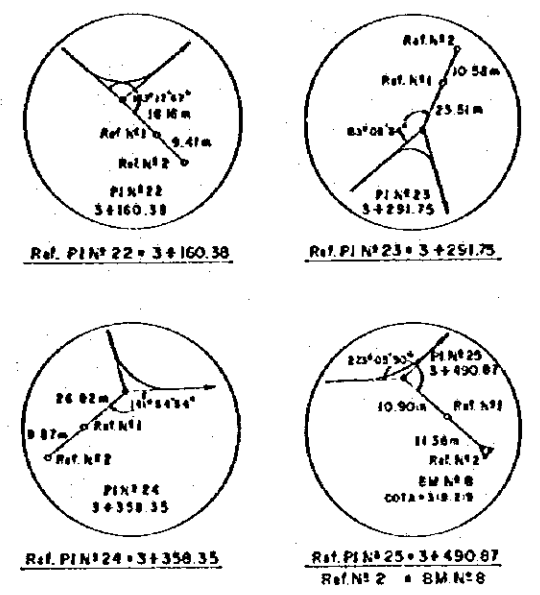
TITULO: CAMINO DE ACCESO / ACCESS ROAD
CAMINO DE ACCESO CONGUILLO (2)
PLANTA Y PERFIL (3/12)
CONGUILLO ACCESS ROAD (2)
PLAN AND PROFILE (3/12)

LEVANTO: ASTEC
DISEÑO: ASTEC
REVISO:
ENTREGA:
FECHA:

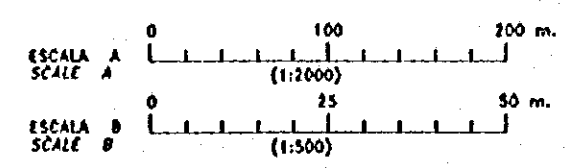
APROBADO:
FECHA:
DIBUJO Nº
1-ACO-014

PI N° 22 IZQ.	PI N° 23 DER.	PI N° 24 IZQ.	PI N° 25 IZQ.	PI N° 26 DER.
OC 81°11'41"	OC 113°58'48"	OC 76°04'53"	OC 43°07'47"	OC 57°05'12"
R 50.00 m.	R 35.00 m.	R 60.00 m.	R 100.00 m.	R 200.00 m.
T 42.851 m.	T 53.875 m.	T 48.845 m.	T 39.52 m.	T 108.79 m.
L 70.855 m.	L 69.828 m.	L 79.872 m.	L 75.276 m.	L 199.27 m.

PI No.	EAITIUD	LONGITUD	RUMBOS
22	9906371.259	622143.859	N 37°28'14" E
23	9906487.306	622232.810	S 28°32'58" E
24	9906395.311	622282.862	N 75°22'09" E
25	9906432.375	622424.839	N 32°14'22" E
26	9906649.456	622561.751	N 89°19'34" E



Pendiente Gradient	Cota de Proyecto Proposed Height	Cota de Terreno Ground Height	Abscisas Accumulated Distance	Estacion Station	Transicion de Peralte Superelevation run-off
3.07.60%	307.273	311.42	3000.00	5000 KM 3	
1.1000% R=10000	310.608	314.03	3020.00	PT 21	
	311.415	316.77	3022.00		
	315.309	317.12	3004.00		
	315.309	318.06	3007.84		
3.23.60%	320.359	313.61	3117.53	PC 22	
	322.239	317.81	3140.00		
	323.139	316.23	3160.00	PT 22	
	323.306	316.13	3180.00		
	323.222	316.70	3188.39		
	322.727	320.04	3237.88	PC 23	
	322.504	322.90	3250.00		
	322.206	331.67	3280.00		
	321.106	317.28	3300.00	PT 23	
	321.992	313.42	3311.91		
	321.908	313.91	3320.00	PC 24	
	321.706	314.55	3340.00		
	321.506	315.39	3360.00		
	321.104	316.45	3390.00		
	320.985	322.02	3391.08	PT 24	
	316.204	316.90	3440.00	PC 25	
	315.071	317.13	3451.35		
	312.206	318.98	3460.00		
	310.206	319.26	3500.00		
	307.354	317.13	3520.00	PT 25	
	306.306	315.63	3526.63		
	306.206	313.63	3540.00		
	301.724	308.62	3598.03	PC 26	
	298.845	302.18	3620.00		
	298.844	303.97	3630.00		
	300.406	308.02	3660.00		
	301.729	313.63	3700.00	PT 26	
	301.729	318.40	3720.00		
	301.239	321.37	3730.00		
	300.406	322.83	3740.00		
	298.531	308.48	3760.00		
	297.531	299.99	3780.00		
	297.406	296.63	3790.00		
	297.331	297.64	3800.00	PT 27	
	296.531	299.19	3820.00		
	296.830	303.12	3830.34		
	302.106	302.87	3857.00		
	305.614	319.32	3898.08		
	306.576	308.47	3919.58		
	307.182	304.34	3974.61		
	306.69	306.69	4000.00	5000 KM 4	



REV. N°	REVISADO	APROBADO	FECHA

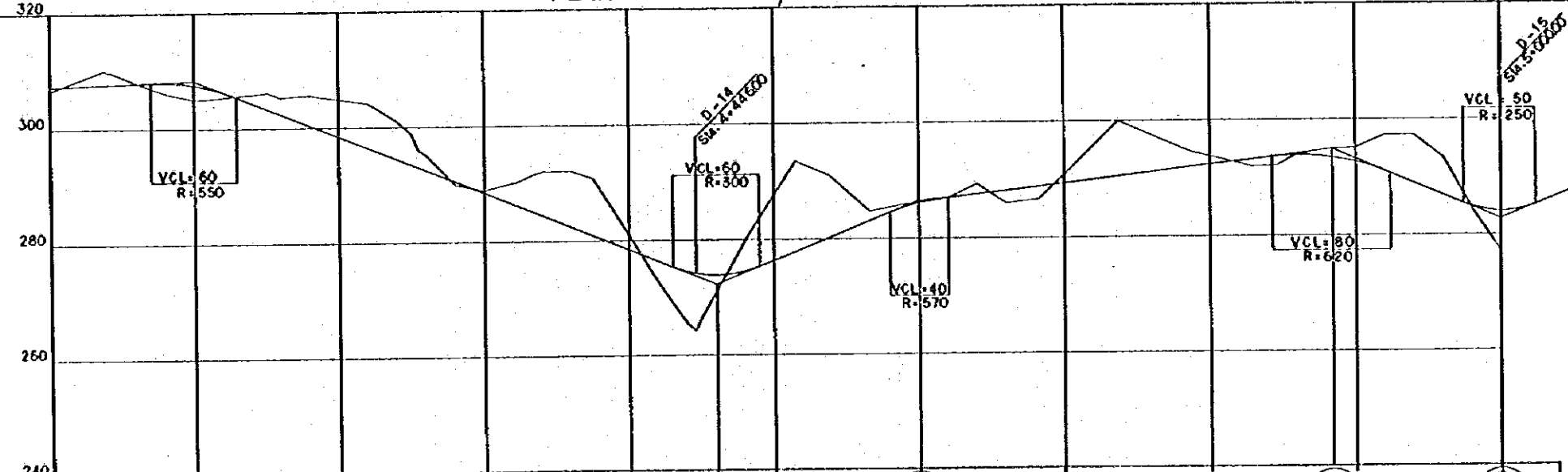
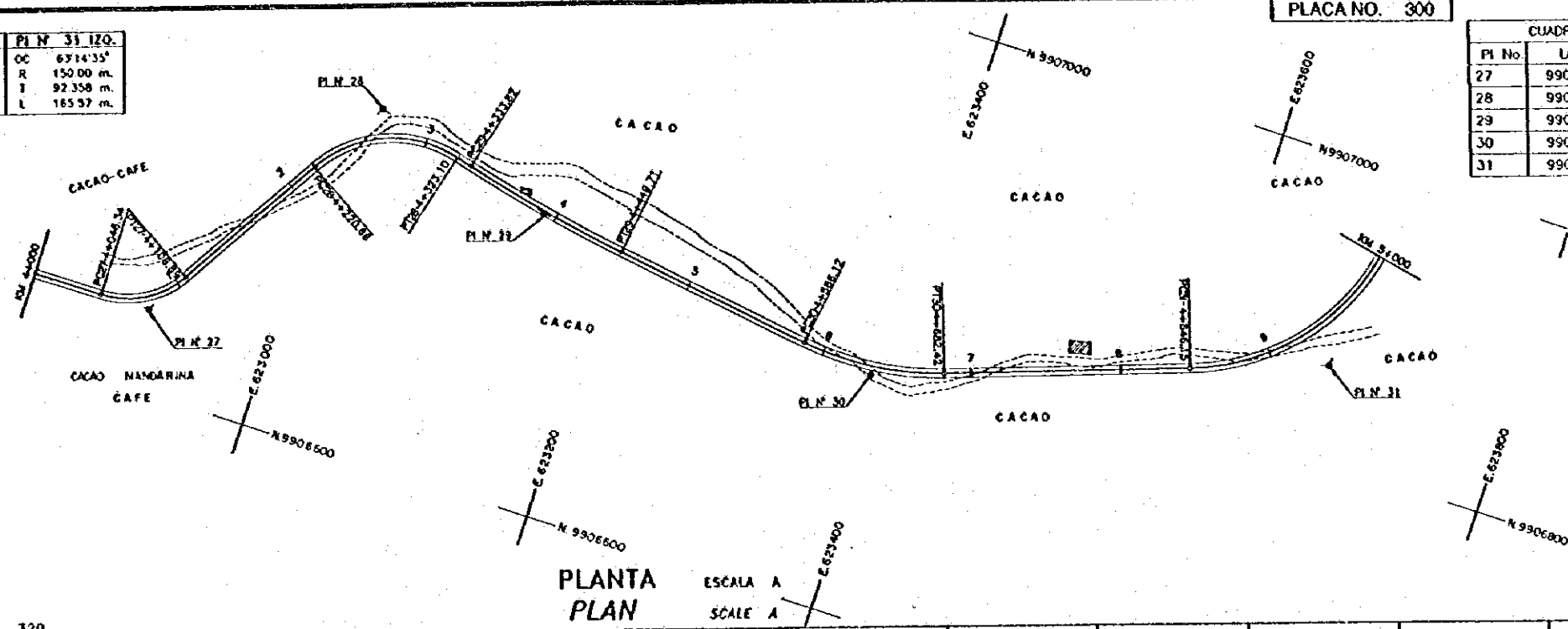
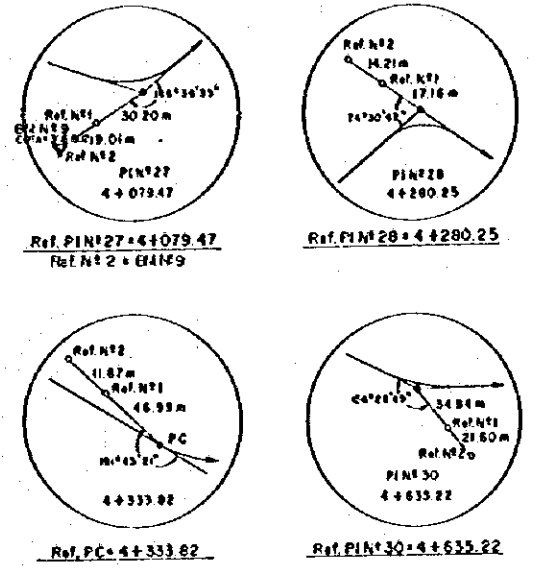
CRM
 CENTRO DE REHABILITACION DE MANABI
 REPUBLICA DEL ECUADOR

TITULO: CAMINO DE ACCESO / ACCESS ROAD
 CAMINO DE ACCESO CONGUILLO-2
 PLANTA Y PERFIL (4/12)
 CONGUILLO ACCESS ROAD, 2
 PLAN AND PROFILE (4/12)

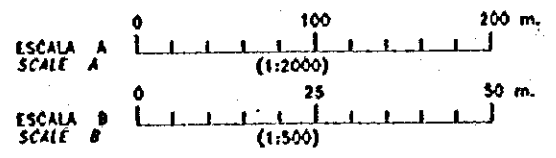
LEVANTADO: ASTEC
 DIBUJO: ASTEC
 DISEÑO:
 REVISO:
 ENTREGO:
 FECHA:
 APROBADO:
 FECHA:
 DIBUJO N°
 1-ACO-015

PI N° 27 IZQ.	PI N° 28 DER.	PI N° 29 IZQ.	PI N° 30 IZQ.	PI N° 31 IZQ.
OC 57°49'04"	OC 73°22'05"	OC 8°55'23"	OC 27°35'19"	OC 67°14'35"
R 60.00 m.	R 60.00 m.	R 1000.00 m.	R 200.00 m.	R 150.00 m.
T 33.133 m.	T 59.595 m.	T 58.01 m.	T 43.104 m.	T 92.358 m.
L 60.917 m.	L 102.441 m.	L 115.885 m.	L 98.302 m.	L 165.57 m.

CUADRO DE COORDENADAS			
PI No.	LATITUD	LONGITUD	RUMBOS
27	9906653.620	622915.749	N 31°30'30" E
28	9906829.673	623023.670	S 75°01'25" E
29	9906796.727	623147.694	S 81°45'48" E
30	9906761.839	623388.706	N 70°38'53" E
31	9906862.971	623676.655	N 07°24'18" E



Pendiente Gradient	Cota de Proyecto Proposed Height	Cota de Terreno Ground Height	Abscisas Accumulated Distance	Estacion Station	Transicion de Peralte Superelevation run-off
1:1000 1:2000	307.778	306.69	4037.22	PC 27	
	307.888	308.44	4045.34		
	308.004	307.97	4080.00		
	308.114	308.80	4090.00		
	307.881	308.07	4100.00		
	307.227	305.05	4100.00		
	303.277	306.10	4131.29		
	302.406	308.30	4180.00		
	300.406	305.63	4180.00		
	296.340	304.12	4220.66		
	294.406	301.02	4240.00		
	293.406	298.82	4250.00		
	294.406	298.16	4260.00		
	290.406	299.92	4280.00		
	288.406	298.89	4300.00		
	286.096	290.28	4323.10		
	285.024	285.52	4330.00		
	282.406	282.00	4360.00		
	280.906	290.88	4375.00		
	279.406	280.91	4400.00		
	278.406	272.83	4420.00		
	274.754	265.08	4440.00		
	272.406	264.71	4440.00		
	277.876	280.79	4481.56		
	273.912	293.43	4514.70		
	285.000	290.97	4538.04		
	284.986	294.73	4565.94		
	287.006	285.74	4586.12		
	287.606	286.15	4600.00		
	286.206	286.95	4620.00		
	287.606	288.33	4640.00		
	286.206	285.97	4660.00		
	286.878	286.60	4682.42		
	289.613	292.37	4706.90		
	290.527	290.94	4737.18		
	292.001	294.64	4786.50		
	293.276	291.95	4829.08		
	293.780	292.08	4846.15		
	293.881	294.00	4860.00		
	293.804	294.85	4880.00		
	292.481	295.08	4900.00		
	290.806	297.20	4920.00		
	288.806	297.24	4940.00		
	286.806	293.28	4960.00		
	284.856	284.19	4980.00		
	284.056	276.99	5000.00		



REV. N°	REVISADO	APROBADO	FECHA

CRM
CENTRO DE REHABILITACION DE MANABI

Estudio de Diseño Definitivo de los Tránsitos de Agua para las Cuencas de Los Rios Chora - Portoviejo
The Definitive Design Study on the Water Transfers Schemes for Chora - Portoviejo River Basins

TITULO: CAMINO DE ACCESO / ACCESS ROAD
CAMINO DE ACCESO CONGUILLO-2
PLANTA Y PERFIL (512)
CONGUILLO ACCESS ROAD-2
PLAN AND PROFILE (512)

LEVANTO: ASTEC
DISEÑO: ASTEC
REVISO:
ENTREGA:
FECHA:

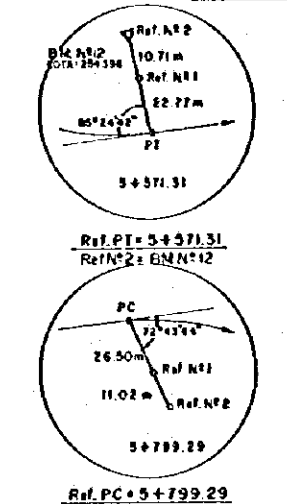
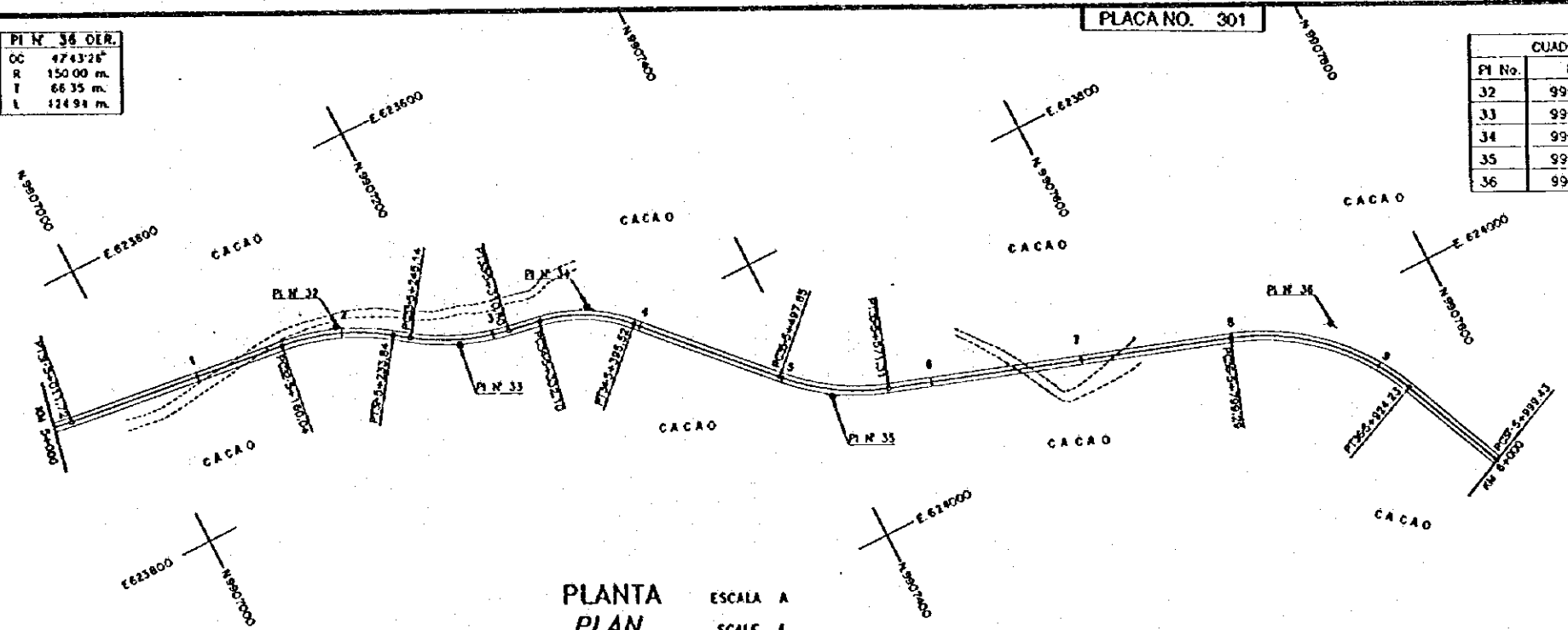
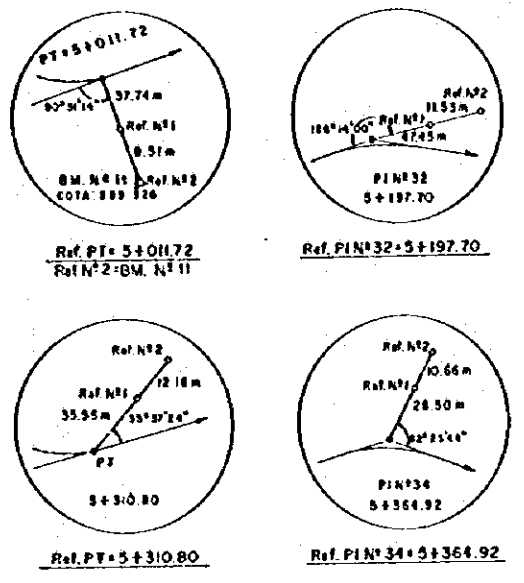
APROBADO:
FECHA:
DIBUJO N°

REPUBLICA DEL ECUADOR

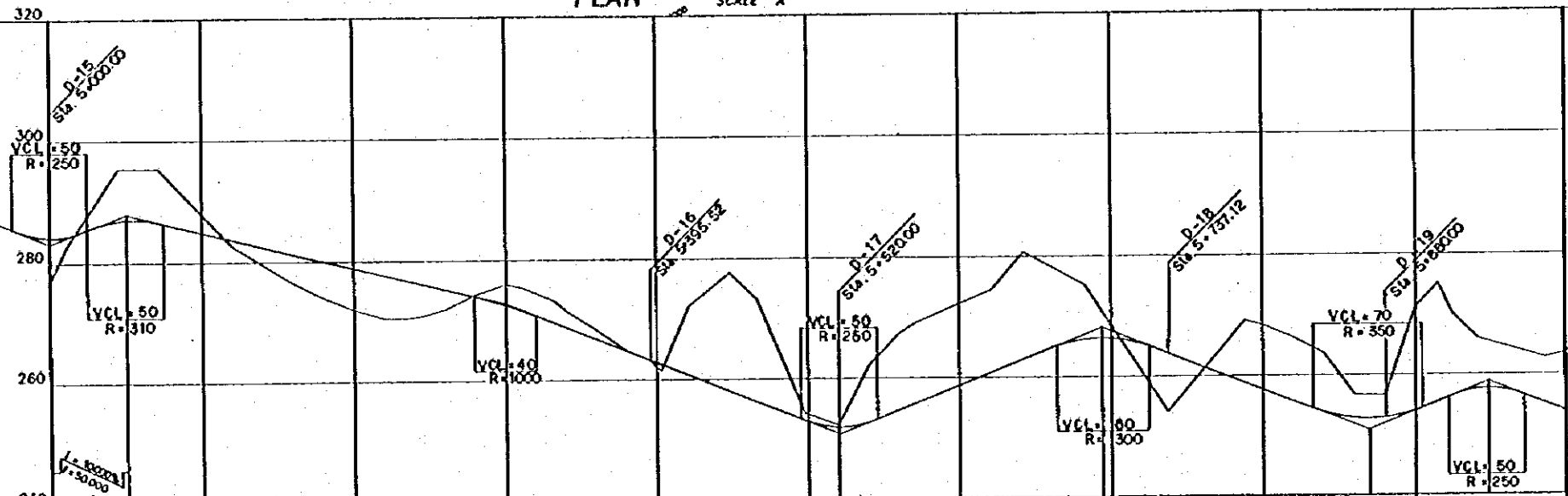
1-ACO-016

PI N° 32 DER.	PI N° 33 IZQ.	PI N° 34 DER.	PI N° 35 IZQ.	PI N° 36 DER.
OC 2811'13"	OC 2504'45"	OC 3820'19"	OC 2803'36"	OC 4743'24"
R 150.00 m.	R 150.00 m.	R 100.00 m.	R 150.00 m.	R 150.00 m.
T 37.65 m.	T 33.36 m.	T 32.82 m.	T 37.45 m.	T 66.35 m.
L 73.79 m.	L 65.68 m.	L 63.42 m.	L 73.45 m.	L 124.94 m.

PI No.	LATITUD	LONGITUD	RUMBOS
32	9907138.986	623742.527	N 35°35'31" E
33	9907205.927	623760.438	N 10°30'46" E
34	9907291.938	623776.399	N 46°51'05" E
35	9907409.999	623902.347	N 18°47'27" E
36	9907724.124	624009.227	N 66°30'53" E

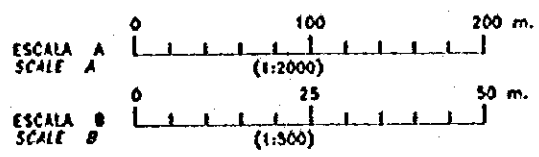


PLANTA ESCALA A
PLAN SCALE A



Pendiente Gradient	Cola de Proyecto Proposed Height	Cola de Terreno Ground Height	Abscisas Accumulated Distance	Estacion Station	Transicion de Peralte Superelevation run-off
0.0000%	284.056	276.89	0000.00	KM 5	
0.0000%	284.331	283.05	5011.72	PT 31	
0.0000%	286.646	286.39	5044.50		
0.0000%	288.506	285.37	5071.27		
0.0000%	283.611	282.67	5119.92	1	
0.0000%	281.209	278.62	5160.04	PC 32	
0.0000%	280.006	274.06	5180.00		
0.0000%	278.806	272.00	5200.00	2	
0.0000%	277.606	270.36	5220.00		
0.0000%	276.406	270.56	5233.84	PT 32	
0.0000%	276.099	270.92	5245.14	PC 33	
0.0000%	275.208	271.95	5260.00		
0.0000%	274.006	274.35	5280.00	3	
0.0000%	272.806	276.04	5300.00		
0.0000%	271.884	275.42	5310.80	PT 33	
0.0000%	269.994	273.25	5322.10	PC 34	
0.0000%	268.806	271.61	5340.00		
0.0000%	268.806	268.44	5360.00		
0.0000%	264.806	264.84	5380.00		
0.0000%	262.354	263.27	5385.52	PT 34	
0.0000%	262.306	261.34	5400.00		
0.0000%	260.681	272.24	5421.25		
0.0000%	257.943	277.66	5448.43		
0.0000%	258.146	275.16	5466.60		
0.0000%	253.037	254.25	5497.85	PC 35	
0.0000%	252.036	252.23	5520.00		
0.0000%	252.656	262.14	5540.00		
0.0000%	254.806	267.48	5560.00	PT 35	
0.0000%	255.937	269.23	5571.31		
0.0000%	240.933	274.40	5621.27	6	
0.0000%	263.046	280.75	5642.40		
0.0000%	264.556	275.21	5662.75		
0.0000%	264.054	254.08	5737.12	7	
0.0000%	259.001	269.20	5786.05	PC 36	
0.0000%	257.877	268.53	5799.29		
0.0000%	255.806	266.40	5820.00		
0.0000%	253.842	263.35	5833.00		
0.0000%	252.699	256.73	5860.00		
0.0000%	252.689	256.67	5880.00		
0.0000%	253.842	271.26	5900.00	9	
0.0000%	255.306	273.15	5915.00		
0.0000%	256.329	270.29	5924.33	PT 36	
0.0000%	257.412	266.05	5941.42		
0.0000%	255.204	262.79	5966.02		
0.0000%	253.861	253.34	5988.45	PC 37	
0.0000%	253.861	253.64	6000.00	KM 6	

PERFIL ESCALA Hor. A, Ver. B
PROFILE SCALE



REV. N°	REVISADO	APROBADO	FECHA



Estudio de Diseño Detallado de los Tramos de Agua para los Cuencos de Los Rios Chone - Portoviejo
The Detailed Design Study on the Water Transfers Schemes for Chone - Portoviejo River Basins

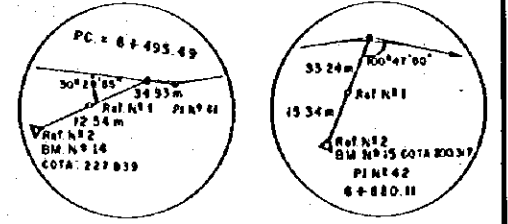
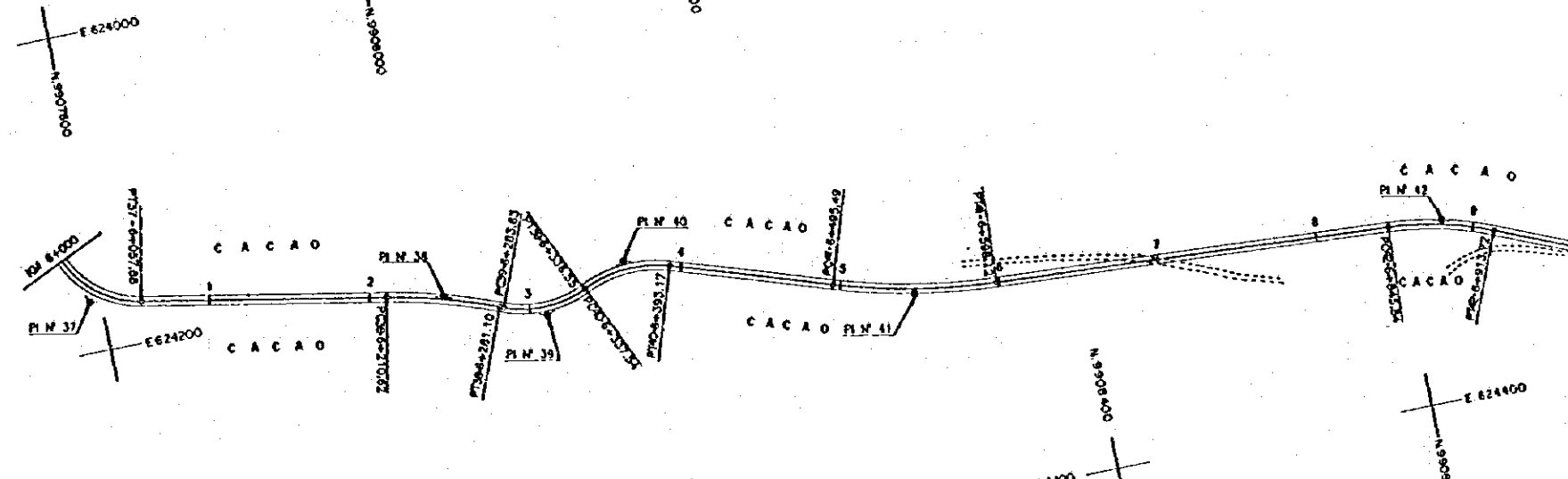
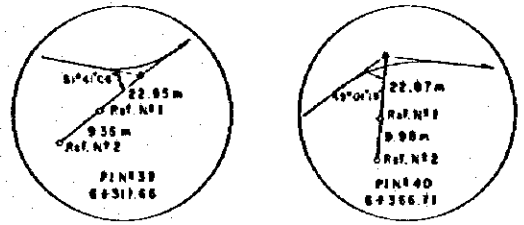
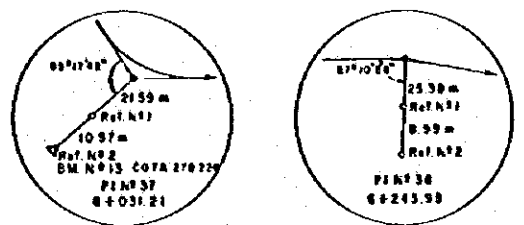
TITULO: CAMINO DE ACCESO / ACCESS ROAD
CAMINO DE ACCESO CONGUILLO-2
PLANTA Y PERFIL (B12)
CONGUILLO ACCESS ROAD-2
PLAN AND PROFILE (B12)

LEVANTO: ASTEC
DISEÑO: ASTEC
REVISO:
ENTREGO:
FECHA:
APROBADO:
FECHA:
DIBUJO: W
1-ACO-017

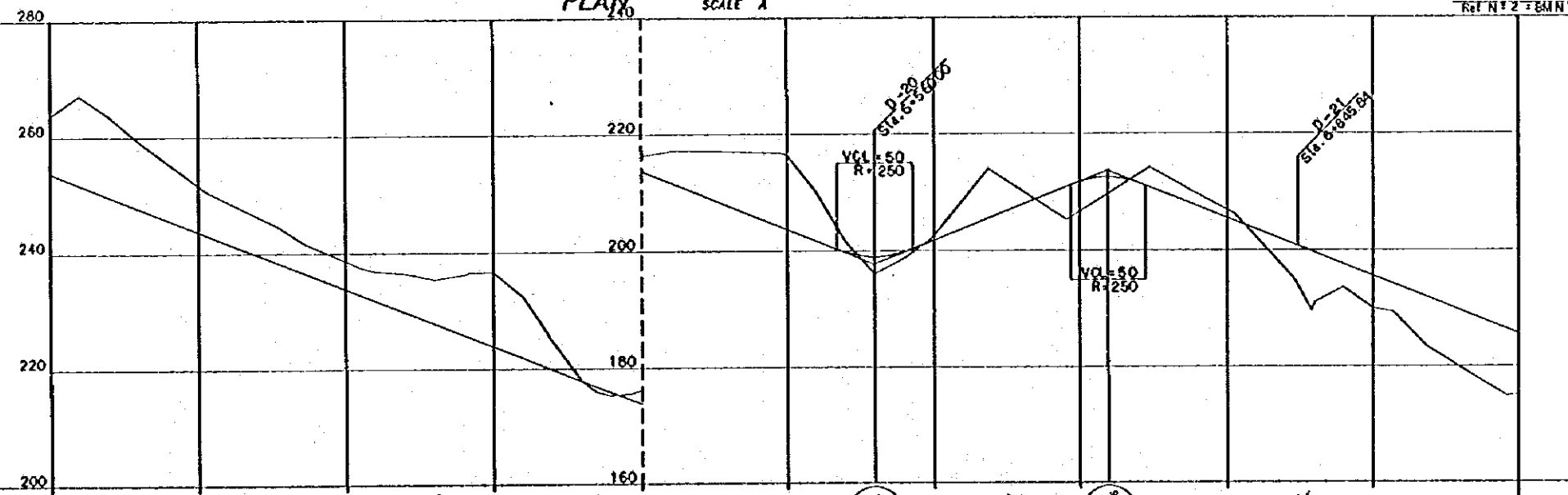
PI N° 37 IZQ.	PI N° 38 DER.	PI N° 39 IZQ.	PI N° 40 DER.	PI N° 41 IZQ.	PI N° 42 DER.
OC 55'47.36"	OC 11'32'16"	OC 46'38'53"	OC 42'30'02"	OC 14'42'04"	OC 19'26'42"
R 60.00 m.	R 350.00 m.	R 45.00 m.	R 75.00 m.	R 400.00 m.	R 200.00 m.
T 31.78 m.	T 35.38 m.	T 28.03 m.	T 29.17 m.	T 51.60 m.	T 34.27 m.
L 58.43 m.	L 70.48 m.	L 52.92 m.	L 55.63 m.	L 102.63 m.	L 87.88 m.

PLACA NO. 302

PI No.	LATITUD	LONGITUD	RUMBOS
37	9907793.198	624168.199	N 10°43'17" E
38	9908009.220	624209.100	N 22°15'33" E
39	9908070.228	624234.071	N 24°23'20" W
40	9908123.225	624210.042	N 18°06'42" E
41	9908297.243	624266.960	N 03°24'38" E
42	9908630.243	624286.805	N 22°51'20" E

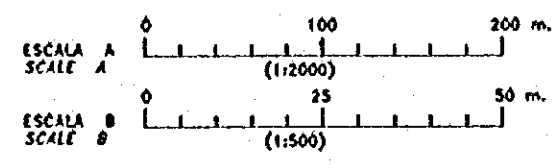


PLANTA PLAN ESCALA A SCALE A



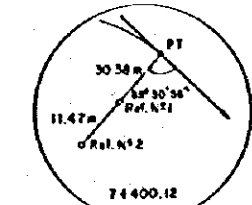
Pendiente Gradient	Cota de Proyecto Proposed Height	Cota de Terreno Ground Height	Abscisas Accumulated Distance	Estacion Station	Transicion de Peralte Superelevation run-off
	281.806	263.64	6000.00	KM 6	
	249.406	267.08	6020.00		
	248.017	263.64	6040.00		
	243.276	259.71	6037.08	PT 37	
	236.412	250.75	6103.30	1	
	236.451	244.89	6153.04		
	237.744	241.77	6171.50		
	231.806	237.51	6210.42	PC 38	
	229.806	236.88	6220.00		
	227.806	236.48	6240.00		
	225.896	235.42	6260.00		
	221.806	233.33	6300.00	PC 39	
	221.806	232.35	6320.00		
	220.052	228.13	6339.54	PC 40	
	217.806	217.04	6360.00		
	216.806	216.03	6370.00		
	215.806	215.04	6380.00		
	214.448	215.89	6391.17	PT 41	
	213.806	216.32	6400.00		
	211.846	217.19	6421.60		
	209.236	217.13	6448.50		
	208.256	216.27	6468.08	PC 41	
	199.896	216.14	6520.00		
	199.896	201.85	6540.00		
	199.896	194.03	6560.00		
	199.896	188.89	6580.00		
	201.816	202.09	6598.12	PT 42	
	205.548	214.02	6637.42		
	210.898	205.29	6690.89		
	212.806	210.20	6722.55		
	211.099	216.24	6747.07		
	206.356	210.31	6774.50		
	205.303	206.30	6803.03		
	200.056	194.89	6843.84	PC 42	
	197.806	197.39	6862.00		
	197.806	193.57	6880.00		
	195.806	189.06	6900.00		
	194.434	189.38	6913.72	PT 43	
	192.106	183.34	6937.00		
	186.452	174.86	6991.54		
		175.14	7000.00	KM 7	

PERFIL PROFILE ESCALA SCALE Hor. A, Ver. B

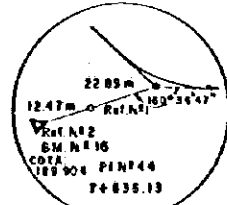


<table border="1"> <tr><th>REV. N°</th><th>REVISADO</th><th>APROBADO</th><th>FECHA</th></tr> <tr><td> </td><td> </td><td> </td><td> </td></tr> </table>	REV. N°	REVISADO	APROBADO	FECHA					CRM CENTRO DE REHABILITACION DE MANABI	Estudio de Diseño Detallado de los Tramos de Agua para los Cuencos de Los Rios Chona - Portofino The Detailed Design Study on the Water Transfer Scheme for Chona - Portofino River Basin	TITULO: CAMINO DE ACCESO / ACCESS ROAD CAMINO DE ACCESO CONGUILLO 2. PLANTA Y PERFIL (7/12) CONGUILLO ACCESS ROAD 2 PLAN AND PROFILE (7/12)	LEVANTO: ASTEC DIBUJO: ASTEC DISEÑO: REVISO: ENTREGA: FECHA:	APROBADO: FECHA: DIBUJO N° 1-ACO-018
REV. N°	REVISADO	APROBADO	FECHA										

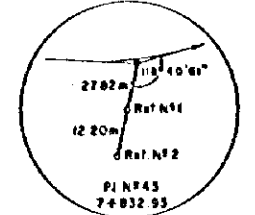
PI N° 43 DER.	PI N° 44 IZQ.	PI N° 45 IZQ.	PI N° 46 DER.
OC 85°41'57"	OC 41°29'15"	OC 173°2'50"	OC 224°1'34"
R 75.00 m.	R 150.00 m.	R 300.00 m.	R 300.00 m.
T 82.88 m.	T 56.81 m.	T 49.30 m.	T 60.20 m.
L 125.27 m.	L 108.61 m.	L 91.63 m.	L 118.82 m.



Ref. PI 7+400.12



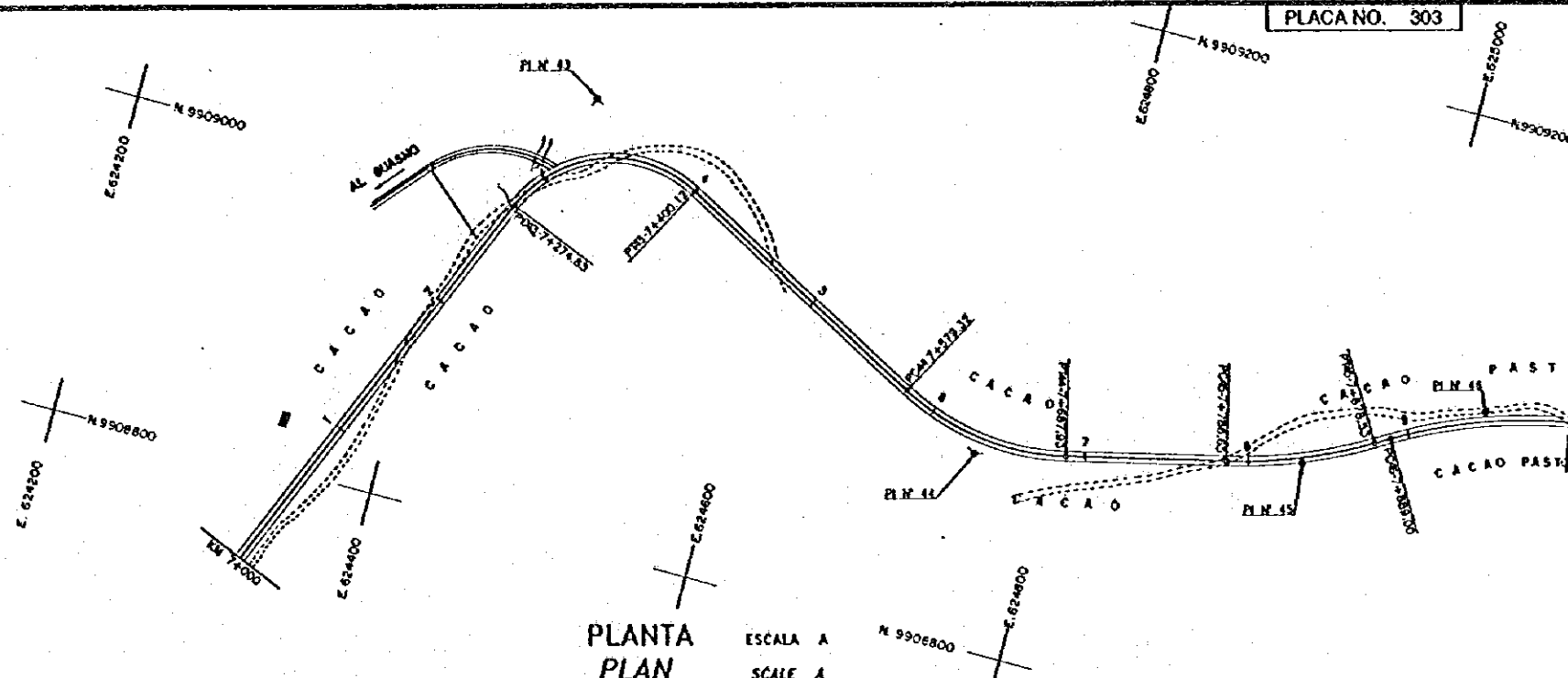
Ref. PI N° 44 + 7+636.13
Ref. N° 2 + BM N° 16



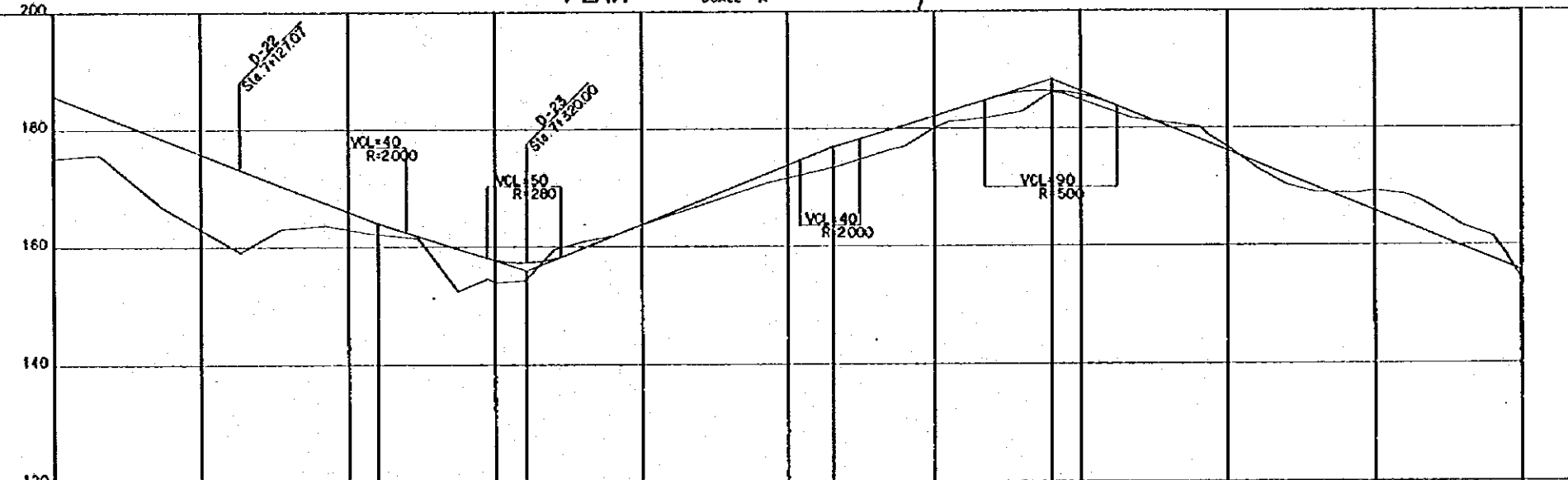
Ref. PI N° 45 + 7+832.95

PLACA NO. 303

CUADRO DE COORDENADAS			
PI No.	LATITUD	LONGITUD	RUMBOS
43	9909070.953	624472.566	S 61°26'48" E
44	9908918.541	624752.652	N 77°03'57" E
45	9908963.717	624949.361	N 59°31'07" E
46	9909023.051	625050.165	N 87°12'41" E

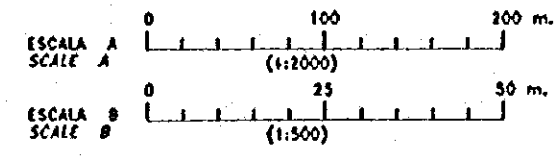


PLANTA PLAN ESCALA A SCALE A



Pendiente Gradient	Cota de Proyecto Proposed Height	Cota de Terreno Ground Height	Abscisas Accumulated Distance	Estacion Station	Transición de Peralte Superelevation run-off
1:10.00%	182.686	175.14	7031.20	1	
1:10.00%	178.366	166.69	7074.38	2	
1:10.00%	173.099	159.11	7127.07	3	
1:10.00%	170.416	163.02	7153.80	4	
1:10.00%	167.373	163.66	7184.33	5	
1:10.00%	164.329	162.25	7215.36	6	
1:10.00%	161.677	161.45	7247.36	7	
1:10.00%	159.410	162.46	7274.80	8	
1:10.00%	157.806	163.00	7300.00	9	
1:10.00%	156.831	164.19	7320.00	10	
1:10.00%	157.851	159.53	7340.00	11	
1:10.00%	159.806	160.08	7360.00	12	
1:10.00%	161.806	161.20	7380.00	13	
1:10.00%	163.816	163.70	7400.12	14	
1:10.00%	168.239	167.35	7444.33	15	
1:10.00%	172.364	170.73	7485.36	16	
1:10.00%	177.137	173.63	7534.85	17	
1:10.00%	179.928	176.32	7569.02	18	
1:10.00%	180.752	176.89	7579.32	19	
1:10.00%	182.406	180.08	7600.00	20	
1:10.00%	183.206	181.18	7610.00	21	
1:10.00%	184.006	181.33	7620.00	22	
1:10.00%	185.381	181.83	7640.00	23	
1:10.00%	186.581	182.81	7660.00	24	
1:10.00%	186.781	186.10	7680.00	25	
1:10.00%	186.639	185.88	7687.43	26	
1:10.00%	183.367	181.72	7734.39	27	
1:10.00%	178.987	180.14	7781.19	28	
1:10.00%	178.141	178.76	7786.63	29	
1:10.00%	175.806	176.75	7800.00	30	
1:10.00%	174.806	175.08	7820.00	31	
1:10.00%	172.806	170.29	7840.00	32	
1:10.00%	170.806	168.98	7860.00	33	
1:10.00%	168.953	168.24	7876.53	34	
1:10.00%	167.306	168.33	7888.00	35	
1:10.00%	166.806	169.23	7900.00	36	
1:10.00%	164.806	168.62	7920.00	37	
1:10.00%	163.806	167.67	7930.00	38	
1:10.00%	162.806	166.24	7940.00	39	
1:10.00%	160.806	163.21	7960.00	40	
1:10.00%	158.806	161.47	7980.00	41	
1:10.00%	158.806	158.10	7990.00	42	
1:10.00%	154.10	154.10	8000.00	43	

PERFIL PROFILE ESCALA SCALE Hor. A, Ver. B



REV. N°	REVISADO	APROBADO	FECHA

CRML
CENTRO DE REHABILITACION DE MANABI
Estudio de Diseño Detallado de los Tramos de Agua para los Cuencos de Los Ros Chone - Portoviejo
The Detailed Design Study on the Water Transfer Schemes for Chone - Portoviejo River Basins
REPUBLICA DEL ECUADOR

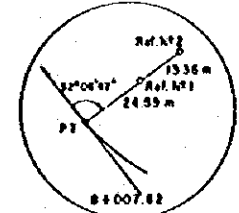
TITULO: CAMINO DE ACCESO / ACCESS ROAD
CAMINO DE ACCESO CONGUILLO-2
PLANTA Y PERFIL (B/12)
CONGUILLO ACCESS ROAD-2
PLAN AND PROFILE (B/12)

LEVANTO: ASTEC	APROBADO:
DISEÑO: ASTEC	FECHA:
REVISO:	DIBUJO M:
ENTREGA:	FECHA:
	1-ACO-019

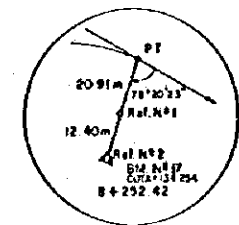
PI N° 47 DER.	PI N° 48 IZQ.	PI N° 49 DER.
OC 158'04"03"	OC 45'30'22"	OC 45'57'21"
R 80.00 m.	R 100.00 m.	R 150.00 m.
T 412.88 m.	T 41.94 m.	T 63.60 m.
L 220.70 m.	L 79.42 m.	L 120.31 m.

PLACA NO. 304

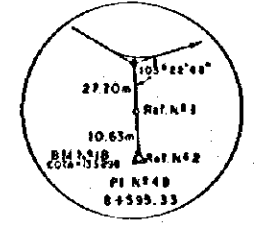
PI No.	LATITUD	LONGITUD	RUMBOS
47	9909090.398	625542.541	S 60°16'44" W
48	9908715.703	624886.193	S 14°46'22" W
49	9908336.245	624786.129	S 60°43'43" W



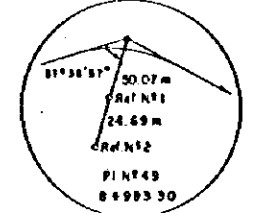
Ref. PI = 8+007.82



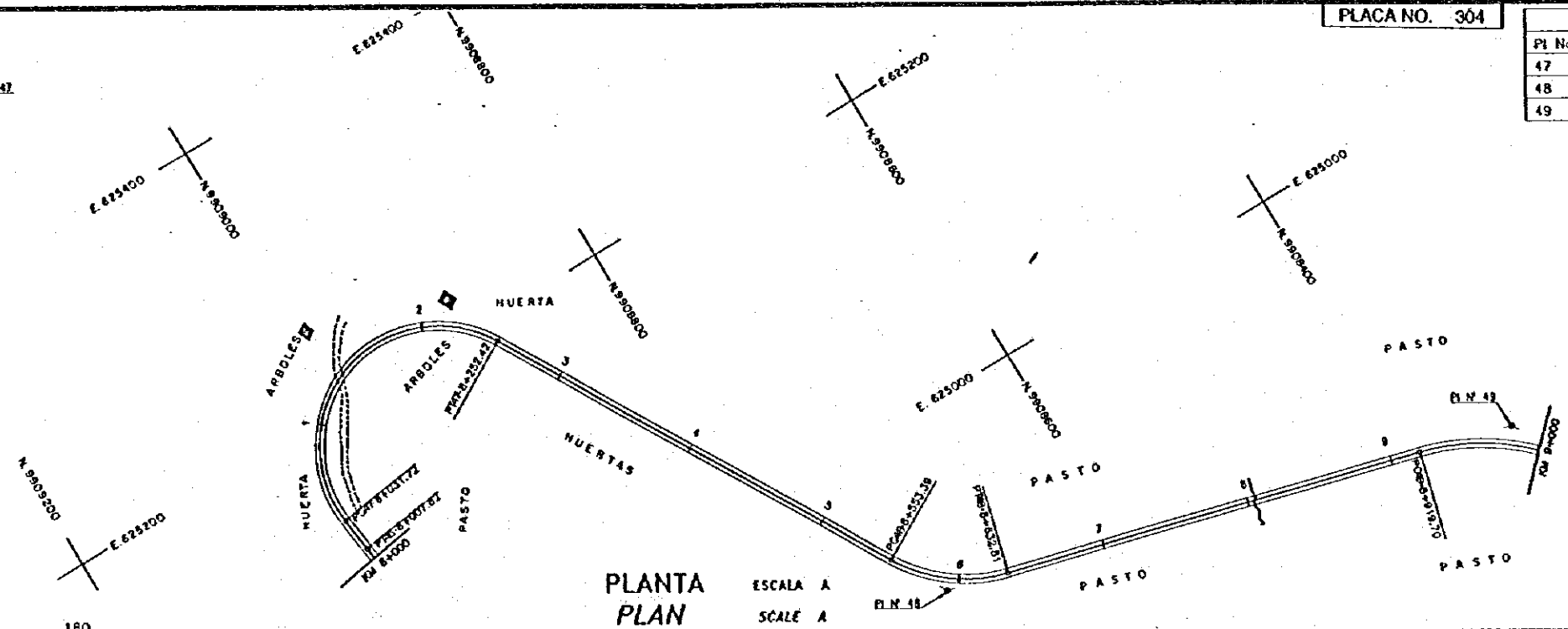
Ref. PI = 8+252.42
Ref. PZ = 8+417.17



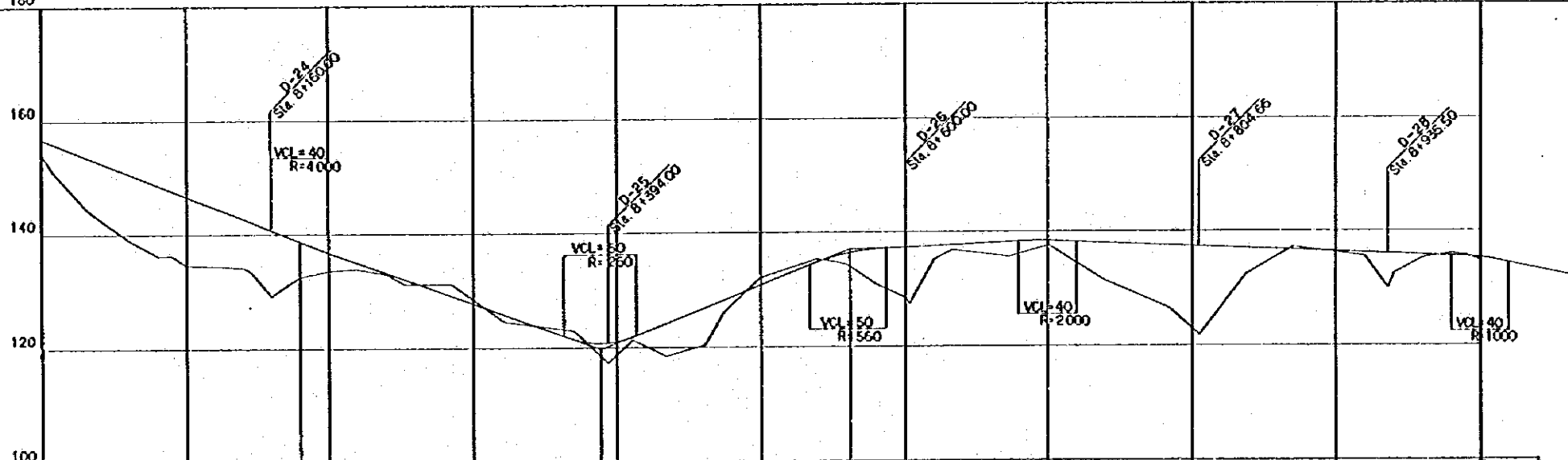
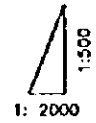
Ref. PI N° 48 = 8+595.33
Ref. N° 2 = 8+417.17



Ref. PI N° 49 = 8+983.30

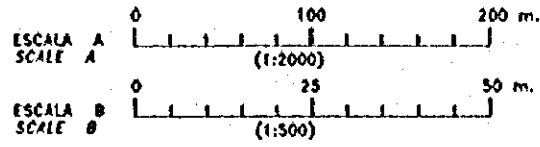


PLANTA PLAN ESCALA A SCALE A



Pendiente Gradient	Cota de Proyecto Proposed Height	Cota de Terreno Ground Height	Abscisas Accumulated Distance	Estacion Station	Transición de Peralte Superelevation run-off
	156.024	154.10	0+000.00	PC 47	
	153.634	151.09	0+007.82		
	152.806	144.41	0+017.72		
	150.806	142.78	0+040.00		
	148.806	139.02	0+080.00		
	147.806	134.23	0+100.00		
	146.806	134.59	0+110.00		
	144.806	134.47	0+120.00		
	142.806	133.12	0+140.00		
	140.806	129.23	0+160.00		
	138.856	132.13	0+180.00		
	137.006	133.54	0+200.00		
	136.106	133.75	0+210.00		
	135.206	133.85	0+220.00		
	133.406	132.96	0+240.00		
	132.288	131.16	0+252.42	PT 47	
	129.362	131.20	0+284.83		
	126.046	124.62	0+321.79		
	121.721	123.02	0+370.47		
	121.114	117.40	0+394.00		
	122.114	121.35	0+411.00		
	124.304	118.53	0+433.88		
	127.006	120.42	0+461.00		
	128.286	124.06	0+473.80		
	130.846	132.08	0+499.42		
	134.849	130.30	0+538.02		
	135.941	134.74	0+553.28		
	136.364	134.32	0+560.00		
	137.084	130.91	0+580.00		
	137.506	127.45	0+600.00		
	137.506	125.15	0+620.00		
	137.634	136.80	0+632.81		
	138.039	133.60	0+673.33		
	138.206	127.33	0+701.22		
	137.913	131.41	0+739.33		
	137.465	126.56	0+784.15		
	137.259	121.87	0+804.68		
	136.929	132.44	0+837.71		
	136.602	137.19	0+870.44		
	136.109	135.35	0+919.70		
	135.901	132.54	0+935.88		
	135.906	133.07	0+960.00		
	135.506	134.01	0+990.00		
	135.356	135.68	0+990.00		
	135.106	134.74	0+1000.00	ALUM. KM 9	

PERFIL PROFILE ESCALA SCALE Hor. A, Ver. B



REV. N°	REVISADO	APROBADO	FECHA

CRM
CENTRO DE REHABILITACION DE MANABI

Estudio de Diseño Detallado de las Travesas de Agua para las Cuenca de Las Rias Chona - Paratojejo
The Detailed Design Study on the Water Traverses Schemes for Chona - Paratojejo River Basin

REPUBLICA DEL ECUADOR

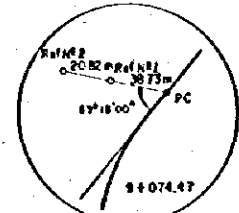
TITULO: CAMINO DE ACCESO / ACCESS ROAD
CAMINO DE ACCESO CONGUILLO 12
PLANTA Y PERFIL (9/12)
CONGUILLO ACCESS ROAD 12
PLAN AND PROFILE (9/12)

LEVANTO: ASTEC
DIBUJO: ASTEC
DISEÑO:
REVISO:
ENTREGA:
FECHA:

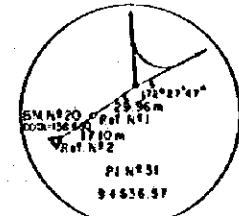
APROBADO:
FECHA:
DIBUJO W

1-ACO-020

PI N° 50 IZQ.	PI N° 51 IZQ.	PI N° 52 DER.
OC 128.2035'	OC 113.1842'	OC 56.1822'
R 80.00 m.	R 80.00 m.	R 100.00 m.
T 165.28 m.	T 121.58 m.	T 53.48 m.
L 179.20 m.	L 158.21 m.	L 98.22 m.



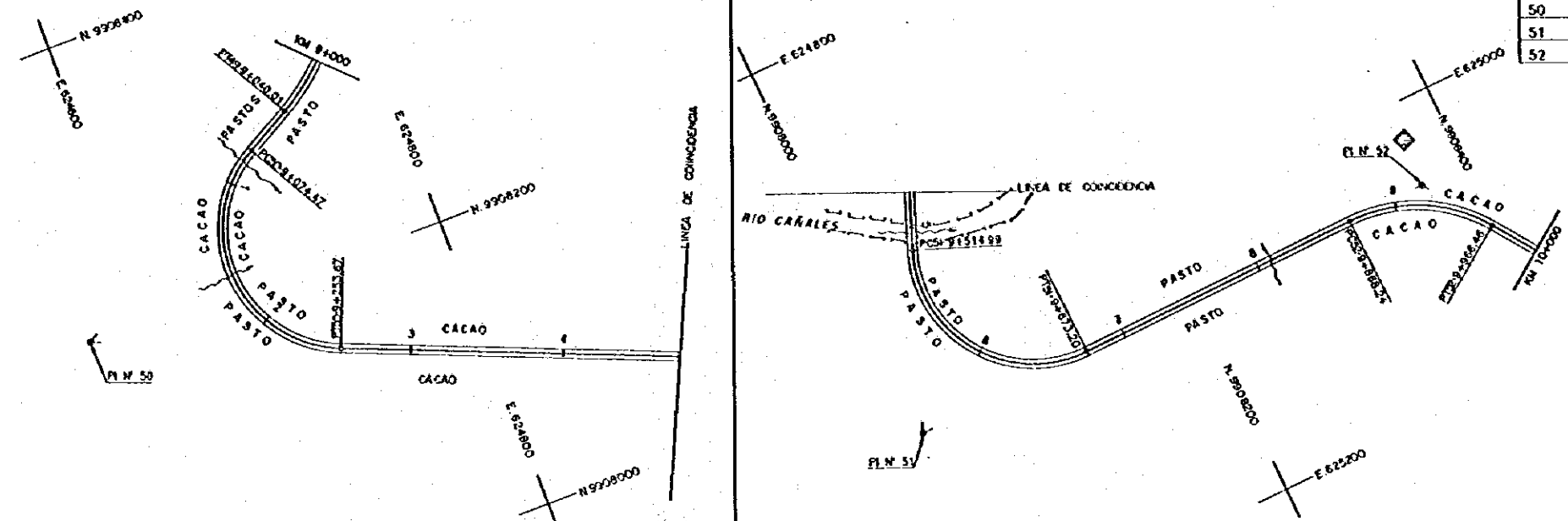
Ref. P.C. = 9+074.47



Ref. P.I. N° 51 = 9+638.57
Ref. N° 2 = B.M. N° 20

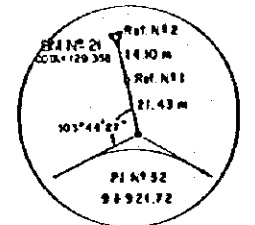
PLACA NO. 305

CUADRO DE COORDENADAS			
PI No.	LATITUD	LONGITUD	RUMBOS
50	9908207.486	624556.411	S 67°36'55\" E
51	9907998.726	625083.288	N 00°55'37\" W
52	9908368.777	625057.300	N 55°20'45\" E

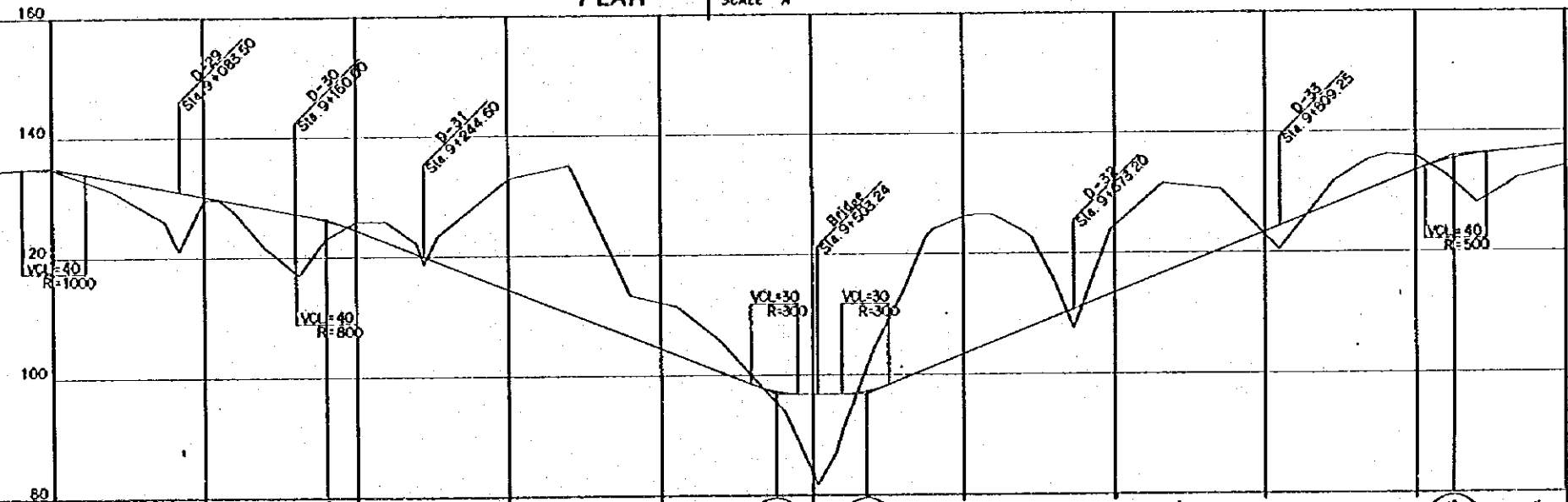


PLANTA PLAN

ESCALA A
SCALE A



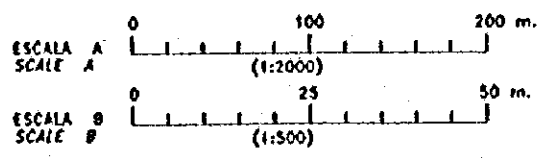
Ref. P.I. N° 52 = 9+921.72
Ref. N° 2 = B.M. N° 20



Pendiente Gradient	Cota de Proyecto Proposed Height	Cota de Terreno Ground Height	Abscisas Accumulated Distance	Estacion Station	Transición de Peralte Superelevation run-off
135.306	135.106	134.74	9000.00	KM 9	
134.306	134.306	132.95	9020.00	PT 49	
133.306	133.306	131.07	9040.01	PC 50	
131.331	131.331	129.54	9070.00	PT 51	
130.306	130.306	128.57	9100.00	1	
129.306	129.306	127.52	9120.00		
128.306	128.306	126.56	9150.00		
127.306	127.306	125.56	9180.00		
126.306	126.306	124.91	9200.00	2	
125.306	125.306	123.83	9220.00		
124.306	124.306	122.82	9250.00		
123.306	123.306	121.83	9280.00	PT 50	
122.306	122.306	120.86	9310.00	3	
121.306	121.306	119.91	9340.37		
120.306	120.306	118.98	9378.86		
119.306	119.306	118.03	9410.19	4	
118.306	118.306	117.11	9439.53		
117.306	117.306	116.24	9481.77		
116.306	116.306	115.40	9503.24	5	
115.306	115.306	114.59	9525.00	PC 51	
114.306	114.306	113.83	9540.00		
113.306	113.306	113.03	9560.00		
112.306	112.306	112.28	9580.00		
111.306	111.306	111.58	9600.00	6	
110.306	110.306	110.93	9610.00		
109.306	109.306	109.34	9620.00		
108.306	108.306	108.81	9640.00		
107.306	107.306	107.34	9660.00		
106.306	106.306	106.93	9680.00	PT 51	
105.306	105.306	105.58	9700.00		
104.306	104.306	104.28	9720.49		
103.306	103.306	103.03	9750.86		
102.306	102.306	101.84	9770.86		
101.306	101.306	100.71	9800.25	8	
100.306	100.306	99.64	9840.00		
99.306	99.306	98.64	9880.24		
98.306	98.306	97.71	9900.00	PC 52	
97.306	97.306	96.86	9920.00		
96.306	96.306	96.08	9940.00		
95.306	95.306	95.36	9960.00		
94.306	94.306	94.71	9980.00	PT 52	
93.306	93.306	94.17	10000.00	KM 10	

PERFIL PROFILE

ESCALA SCALE
Hor. A, Ver. B



REV. N°	REVISADO	APROBADO	FECHA

CRM
CENTRO DE REHABILITACION DE MANABI
REPUBLICA DEL ECUADOR

Estudio de Diseño Detallado de las Troneras de Agua para los Cuencas de Los Rios Chora - Portoviejo
Detailed Design Study on the Water Troneras Schemes for Chora - Portoviejo River Basins

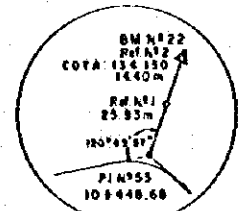
TITULO: CAMINO DE ACCESO / ACCESS ROAD
CAMINO DE ACCESO CONGULLO (2)
PLANTA Y PERFIL (10/12)
CONGULLO ACCESS ROAD (2)
PLAN AND PROFILE (10/12)

LEVANTO: ASTEC	APROBADO: ASTEC
DISEÑO: ASTEC	FECHA:
REVISO:	DIBUJO N°
ENTREGO:	1-ACO-021
FECHA:	

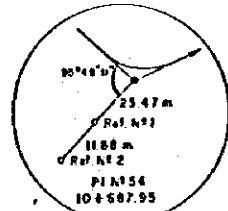
PI N° 53 DER.	PI N° 54 IZQ.	PI N° 55 DER.
OC 5324'03"	OC 8707'52"	OC 4828'26"
R 100.00 m.	R 80.00 m.	R 100.00 m.
T 50.30 m.	T 53.04 m.	T 43.02 m.
L 93.20 m.	L 93.73 m.	L 84.60 m.

PLACA NO. 306

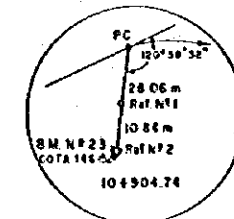
CUADRO DE COORDENADAS			
PI No.	LATITUD	LONGITUD	RUMBOS
53	9908673.388	625497.965	S 71°15'12" E
54	9908594.112	625731.550	N 41°36'56" E
55	9908799.139	625913.631	S 89°54'38" E



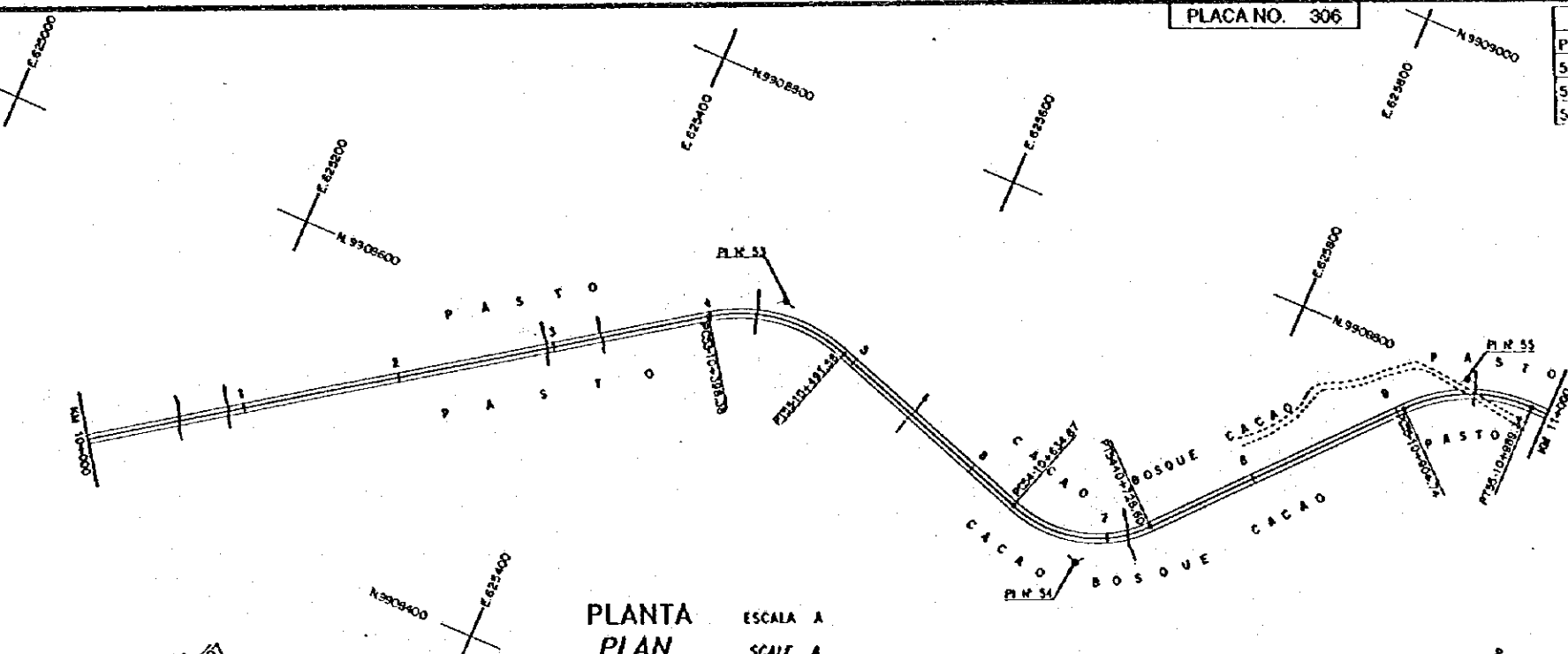
Ref. PI N° 53 = 10+448.68
Ref. N° 2 = BM N° 22



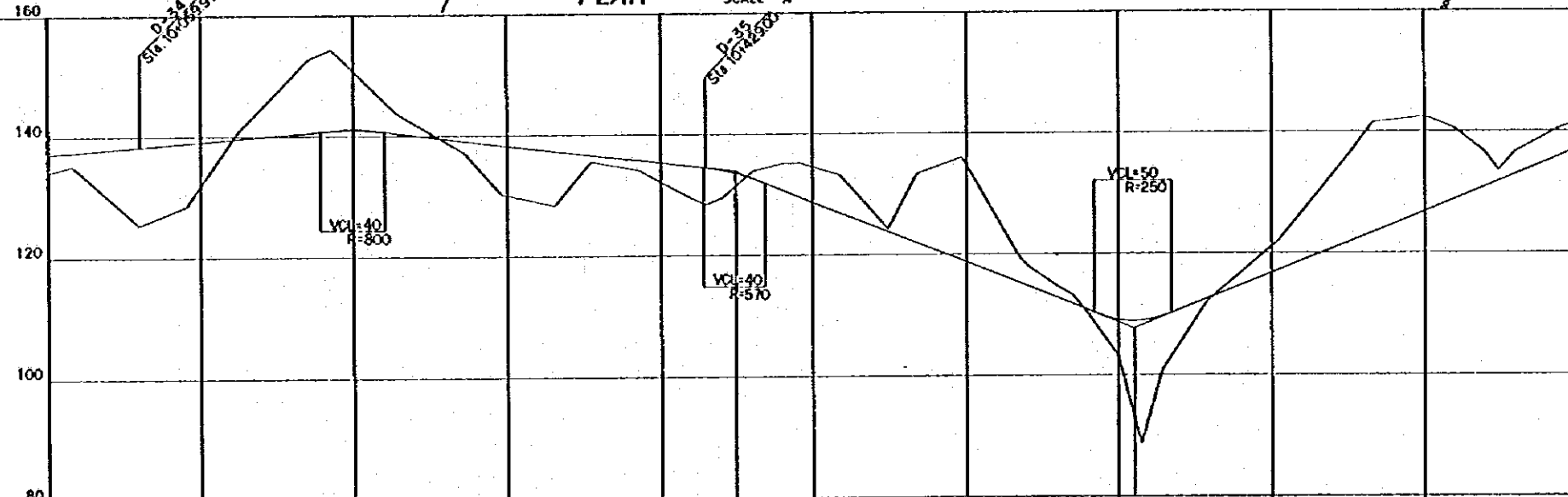
Ref. PI N° 54 = 10+687.95



Ref. PC = 10+904.74
Ref. N° 2 = BM N° 23



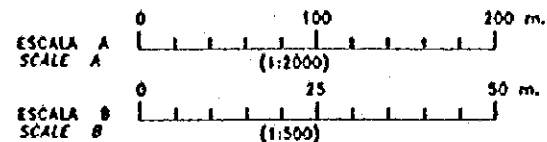
PLANTA ESCALA A
SCALE A



1:2000

Pendiente Gradient																																											
Cota de Proyecto Proposed Height	137.306	137.631	138.505	139.425	139.791	140.723	141.001	140.457	139.140	138.400	137.251	135.355	135.718	134.706	134.406	133.806	132.719	130.806	123.648	127.026	123.881	122.002	119.122	115.313	114.806	112.806	111.806	110.806	109.256	109.106	108.748	112.598	117.281	121.806	123.363	126.806	130.806	131.706	132.806	135.740			
Cota de Terreno Ground Height	134.17	135.17	125.36	128.36	140.74	152.68	154.21	143.87	137.16	130.00	128.40	124.14	124.37	129.46	128.47	129.58	133.84	135.15	135.22	133.23	124.25	133.40	134.04	134.04	118.06	114.63	113.19	110.16	103.12	98.78	100.84	112.07	122.11	136.28	141.53	140.33	136.58	133.59	131.706	136.43	140.32	141.43	
Abscisas Accumulated Distance	10000.00	10016.25	10039.97	10090.30	10124.26	10170.84	10185.84	10228.31	10272.20	10296.20	10333.78	10384.26	10420.00	10446.00	10460.00	10480.00	10491.50	10517.80	10549.25	10564.04	10594.84	10634.00	10660.00	10670.00	10680.00	10700.00	10715.00	10728.60	10757.92	10804.75	10850.00	10863.37	10890.00	10920.00	10940.00	10946.00	10960.00	10980.54	10000.00				
Estacion Station	10+000.00	10+016.25	10+039.97	10+090.30	10+124.26	10+170.84	10+185.84	10+228.31	10+272.20	10+296.20	10+333.78	10+384.26	10+420.00	10+446.00	10+460.00	10+480.00	10+491.50	10+517.80	10+549.25	10+564.04	10+594.84	10+634.00	10+660.00	10+670.00	10+680.00	10+700.00	10+715.00	10+728.60	10+757.92	10+804.75	10+850.00	10+863.37	10+890.00	10+920.00	10+940.00	10+946.00	10+960.00	10+980.54	11+000.00				
Transicion de Peralte Superelevation run-off																																											

PERFIL ESCALA A
PROFILE SCALE Hor. A, Ver. B



REV. N°	REVISADO	APROBADO	FECHA

CRML
CENTRO DE
REHABILITACION
DE MANABI

Estudio de Diseño Detallado de las Troncosas de Agua para los Cuencas de Los Rios Chona - Portoviejo
The Detailed Design Study on the Water Troncosas Schemes for Chona - Portoviejo River Basins
REPUBLICA DEL ECUADOR

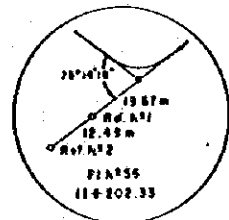
TITULO: CAMINO DE ACCESO / ACCESS ROAD
CAMINO DE ACCESO CONOUILLO 2.
PLANTA Y PERFIL (11/12)
CONOUILLO ACCESS ROAD-2
PLAN AND PROFILE (11/12)

LEVANTO: ASTEC
DIBUJO: ASTEC
DISEÑO:
REVISO:
ENTREGO:
FECHA:
APROBADO:
FECHA:
DIBUJO M
1-ACO-022

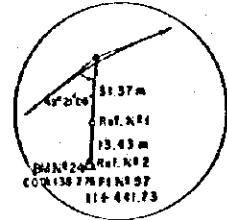
PI N° 56 IZO.	PI N° 57 DER.	PI N° 58 DER.	PI N° 59 DER.
OC 2455.35'	OC 1834.45'	OC 2609.14'	OC 8741.24'
R 150.00 m.	R 300.00 m.	R 120.00 m.	R 55.00 m.
T 114.85 m.	T 43.71 m.	T 27.87 m.	T 36.88 m.
L 198.16 m.	L 66.81 m.	L 54.78 m.	L 64.98 m.

PLACA NO. 307

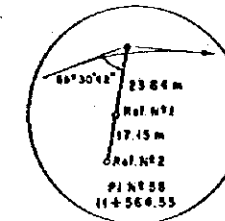
CUADRO DE COORDENADAS			
PI No.	LATITUD	LONGITUD	RUMBOS
56	9908798.736	626171.691	N 15°09'43" E
57	9909062.368	626243.130	N 31°44'28" E
58	9909167.320	626308.054	N 57°53'42" E
59	9909256.443	626450.100	S 54°24'54" E
EP	9909207.016	626519.178	



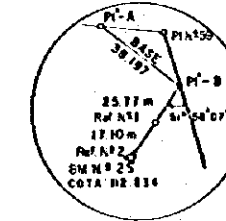
Ref. PI N° 56 = 114202.33



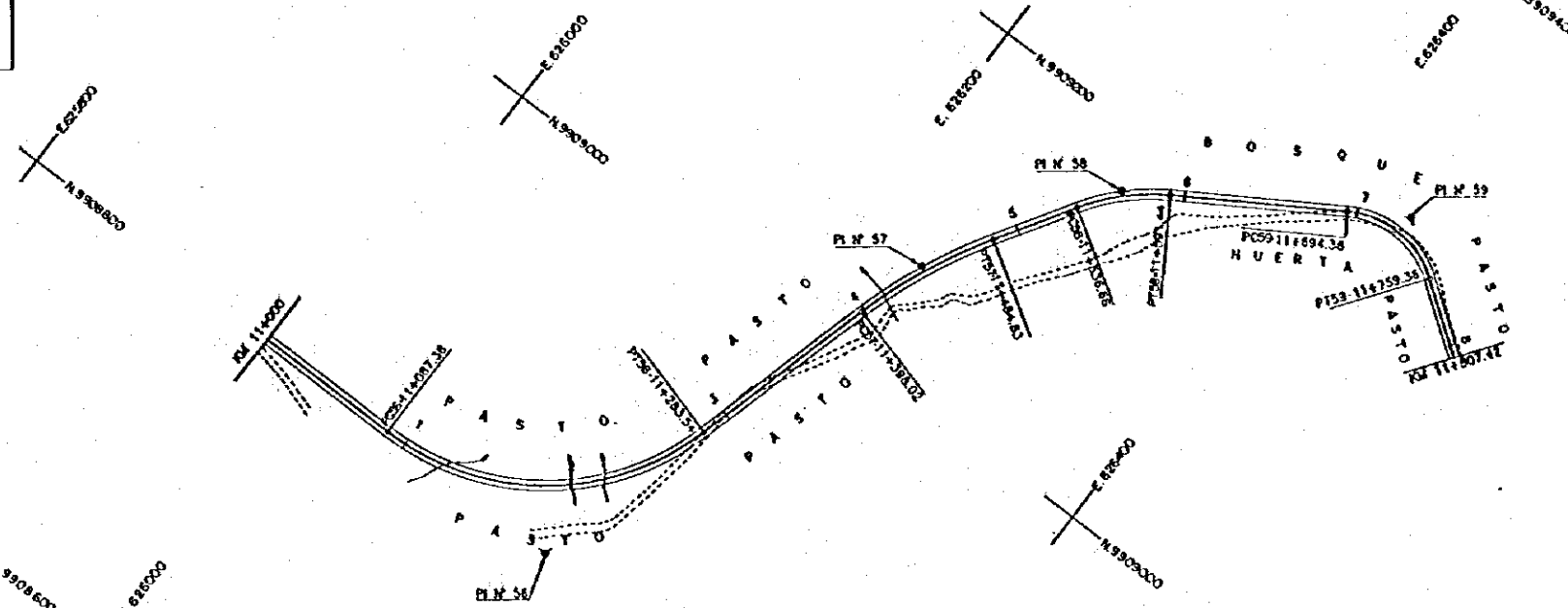
Ref. PI N° 57 = 114441.73
Ref. N° 2 = BM N° 24



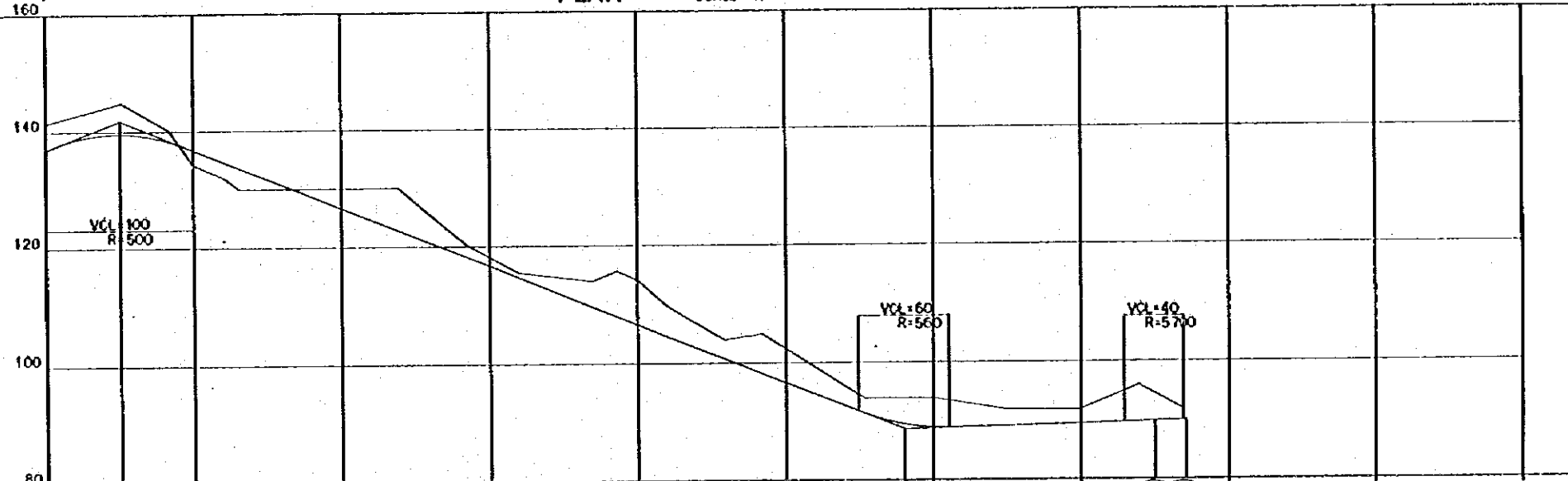
Ref. PI N° 58 = 114564.53



Ref. PI N° 59 = 114564.53
Ref. N° 2 = BM N° 25

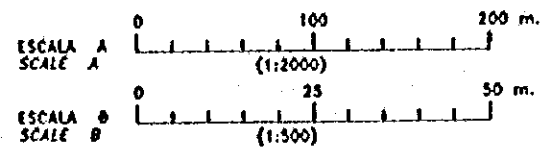


PLANTA PLAN ESCALA A SCALE A



Pendiente Gradient	Cota de Proyecto Proposed Height	Cota de Terreno Ground Height	Abscisos Accumulated Distance	Estacion Station	Transicion de Peralte Superelevation run-off
1.3500%	139.505	14.00	11051.17	PC 56	
1.4180%	138.081	140.00	11088.00	1	
1.3600%	136.808	134.00	11100.00	2	
1.3080%	133.806	130.00	11120.00	3	
1.2780%	132.806	130.00	11130.00	4	
1.2600%	132.806	130.00	11140.00	5	
1.2500%	132.806	130.00	11160.00	6	
1.2000%	129.505	120.00	11180.00	7	
1.1000%	126.806	115.50	11200.00	8	
1.0800%	122.806	114.00	11220.00	9	
1.0600%	118.506	116.00	11237.71	10	
1.0400%	109.806	114.00	11270.00	11	
1.0200%	108.306	116.00	11278.23	12	
1.0000%	104.806	110.00	11385.00	13	
0.9800%	100.806	105.00	11420.00	14	
0.9600%	98.306	100.00	11440.00	15	
0.9400%	91.328	94.00	11450.00	16	
0.9200%	89.036	94.00	11460.00	17	
0.9000%	89.298	92.00	11480.00	18	
0.8800%	89.649	92.00	11501.44	19	
0.8600%	90.000	96.00	11500.00	20	
0.8400%	90.000	92.00	11516.87	21	
0.8200%	90.000	92.00	11520.00	22	
0.8000%	90.000	96.00	11540.00	23	
0.7800%	90.000	92.00	11720.00	24	
0.7600%	90.000	92.00	11740.00	25	
0.7400%	90.000	92.00	11759.36	26	
0.7200%	90.000	92.00	11771.68	27	
0.7000%	90.000	92.00	11780.00	28	

PERFIL PROFILE ESCALA Hor. A, Ver. B SCALE



REV. N°	REVISADO	APROBADO	FECHA

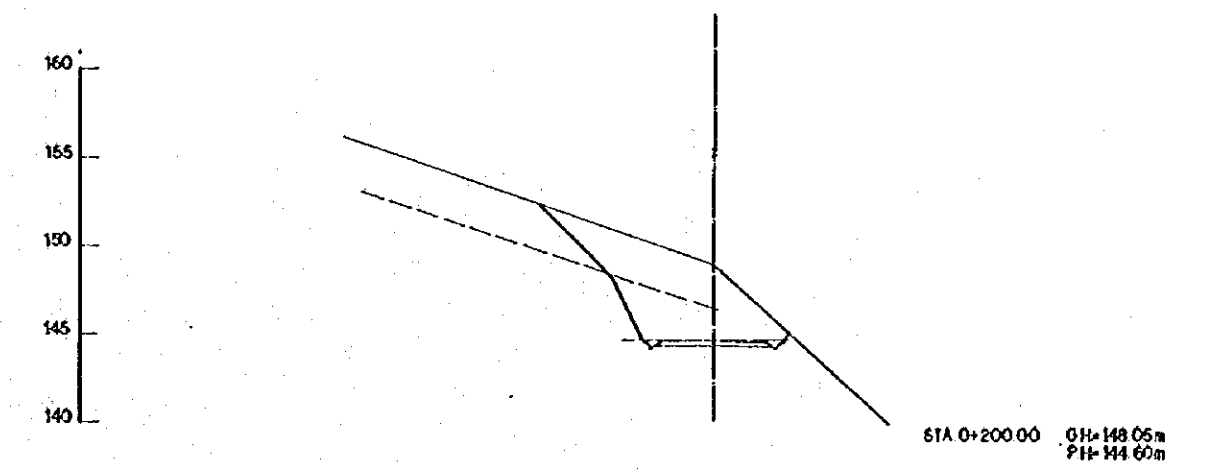
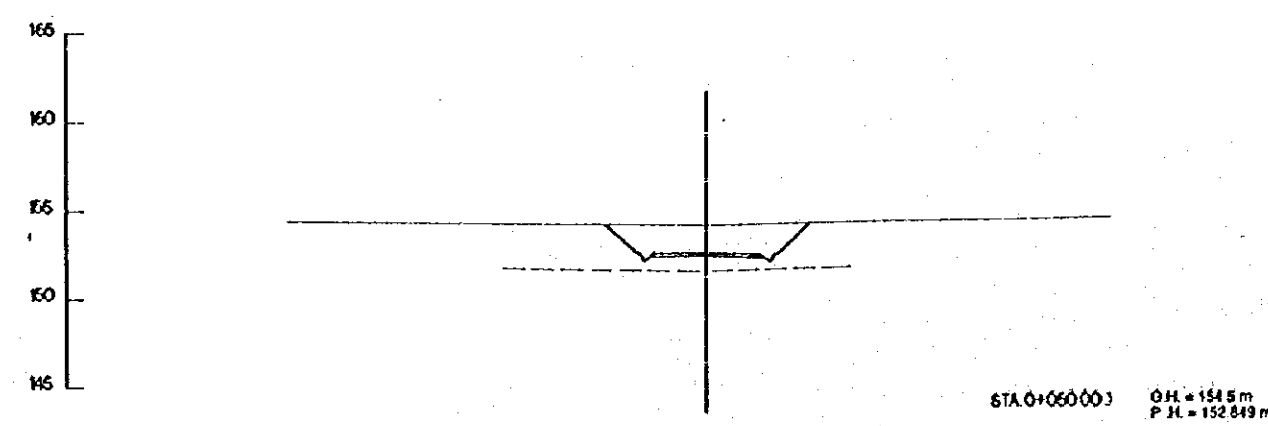
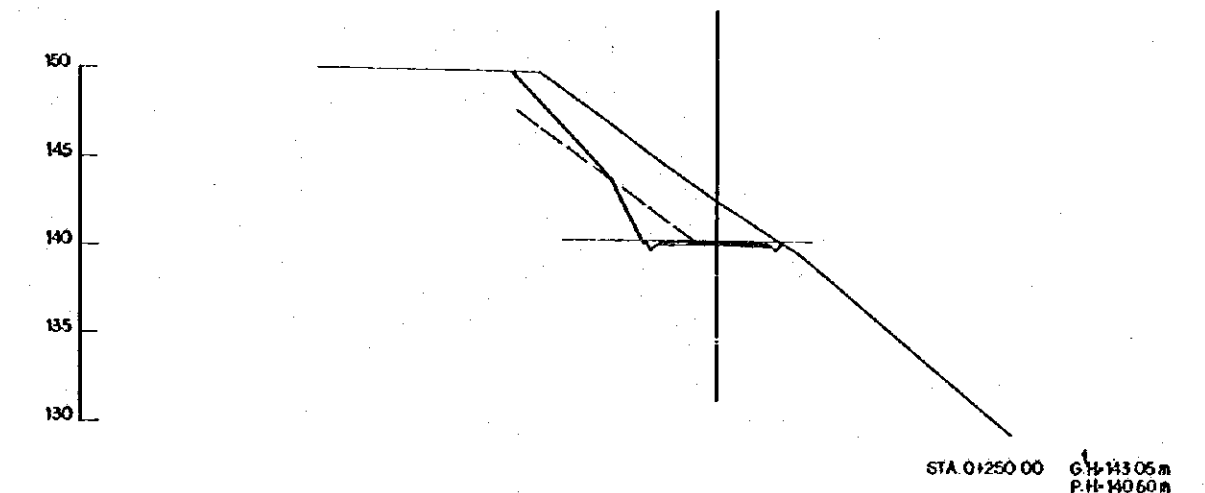
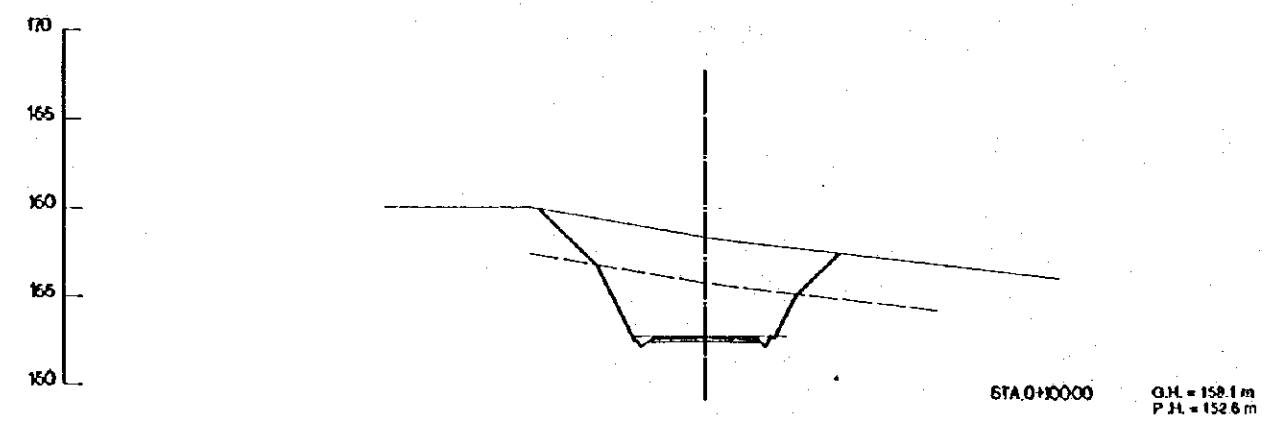
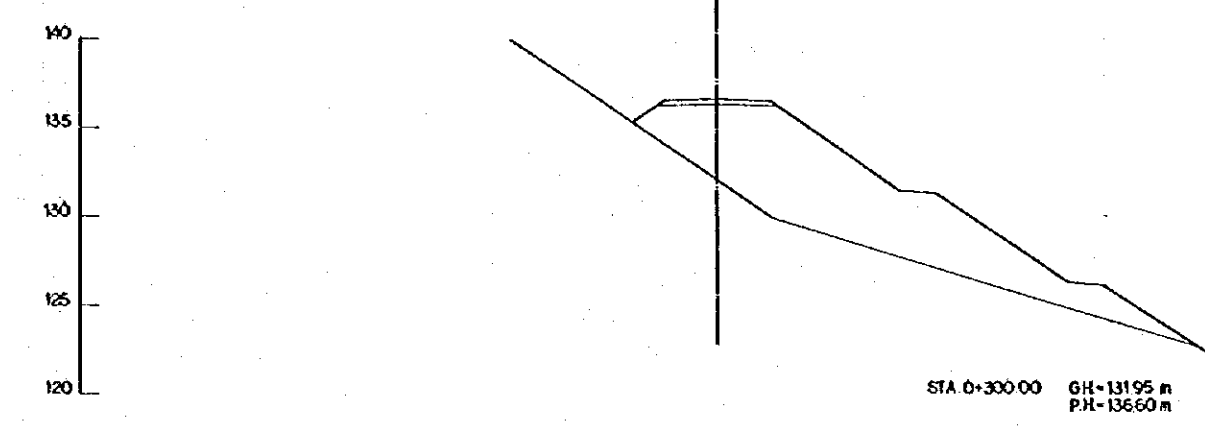
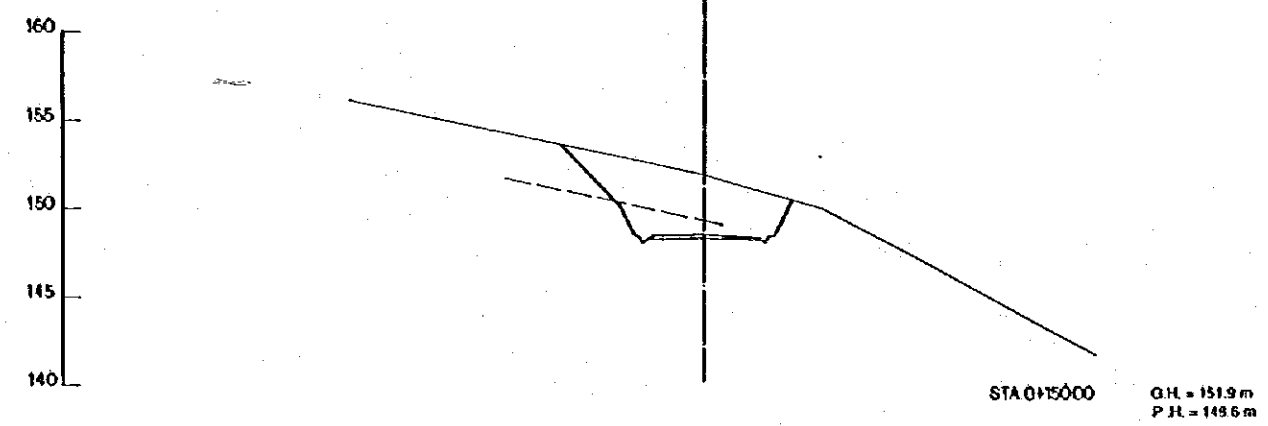
CRM
CENTRO DE REHABILITACION DE MANABI

Estudio de Diseño Detallado de las Troncosas de Agua para los Cuencos de Los Rios Chone - Portoviejo
The Detailed Design Study on the Water Troncosin Schemes for Chone - Portoviejo River Basins
REPUBLICA DEL ECUADOR

TITULO: CAMINO DE ACCESO / ACCESS ROAD
CAMINO DE ACCESO CONGUILLO (II)
PLANTA Y PERFIL (12/12)
CONGUILLO ACCESS ROAD (II)
PLAN AND PROFILE (12/12)

LEVANTADO: ASTEC
DISEÑO: ASTEC
REVISO:
ENTREGO:
FECHA:
APROBADO: FECHA:
DIBUJO N°
1-ACO-023

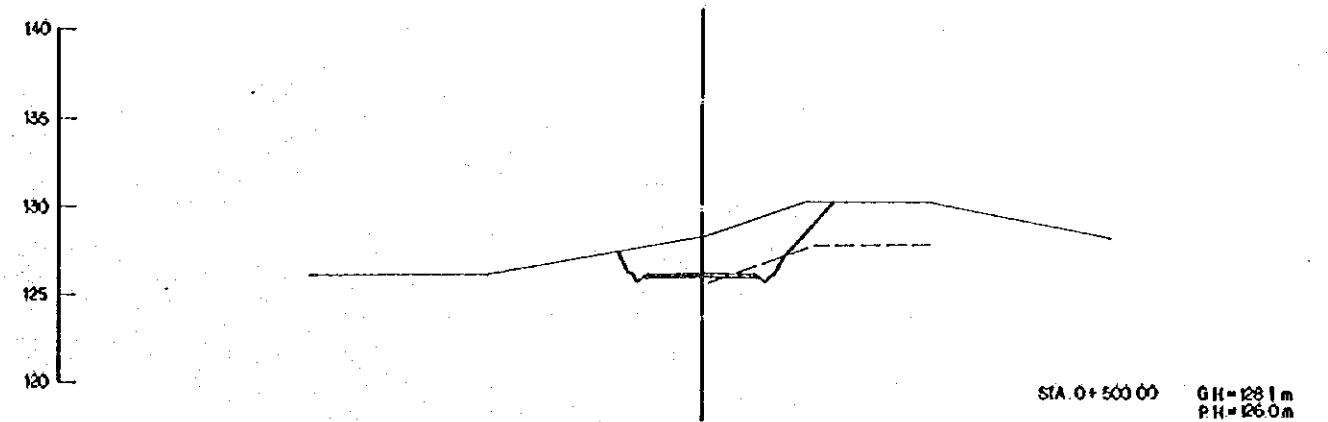
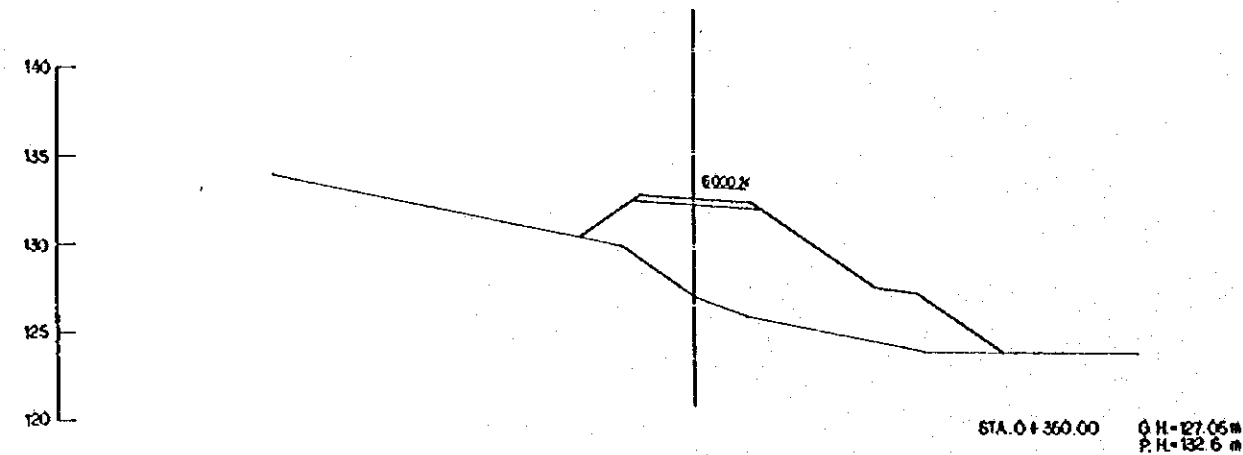
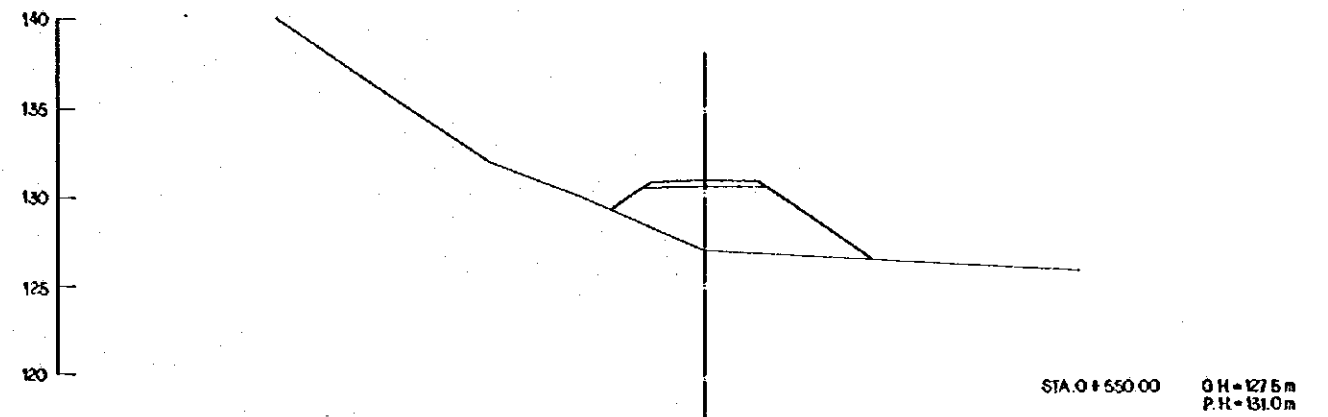
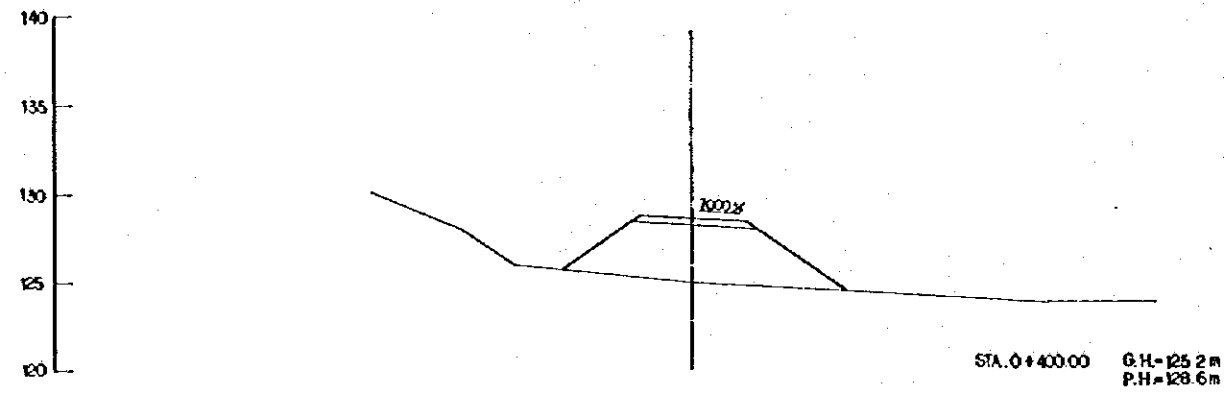
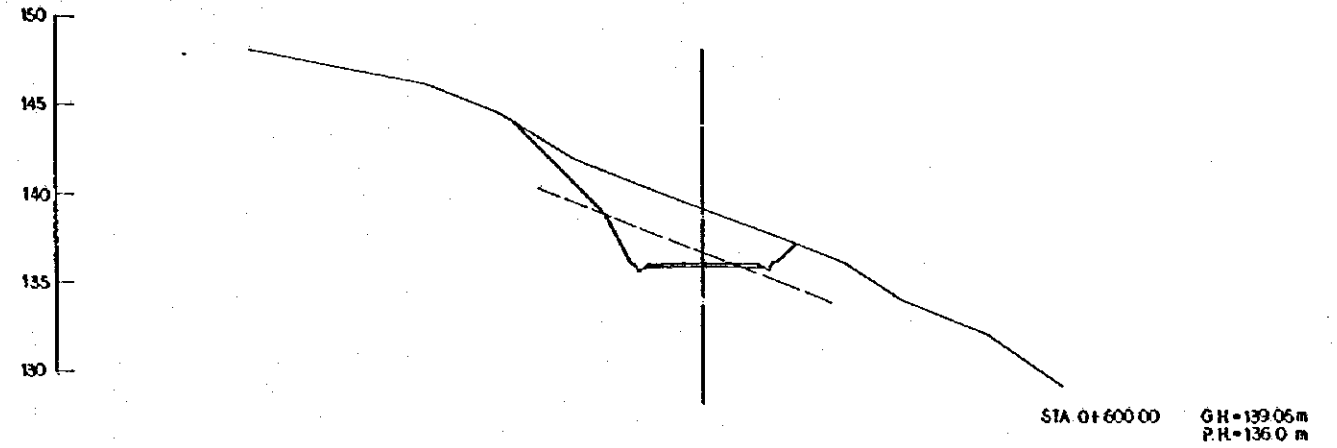
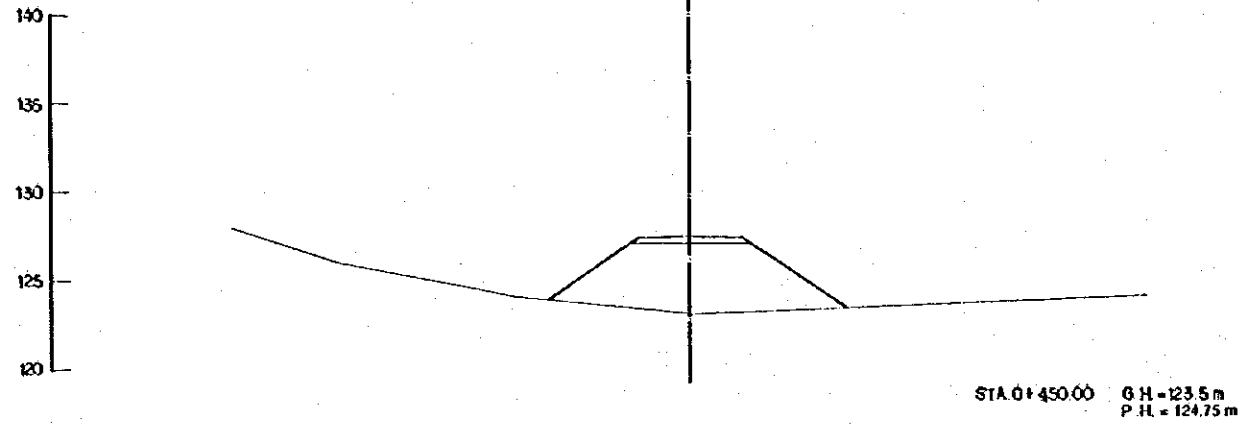
A B C D E F G H



ESCALA A
SCALE A
0 10 20 m

REV. N°	REVISADO	APROBADO	FECHA

CRM CENTRO DE REHABILITACION DE MANABI	Estudio de Diseño Detallado de los Traveses de Agua para las Cuenca de los Rios Chona - Portoviejo The Detailed Design Study on the Water Transverse Schemes for Chona - Portoviejo River Basins	TITULO: CAMINO DE ACCESO / ACCESS ROAD CAMINO DE ACCESO CONGUILLO 1 CORTE DE SECCIONES (1/52) CONGUILLO ACCESS ROAD 1 CROSS SECTIONS (1/52)	LEVANTO: DIBUJO: DISEÑO: REVISO: ENTREGO: FECHA:	APROBADO: FECHA: DIBUJO N° 1-ACO-024
	REPUBLICA DEL ECUADOR			



ESCALA SCALE 0 10 20 m

REV. N°	REVISADO	APROBADO	FECHA

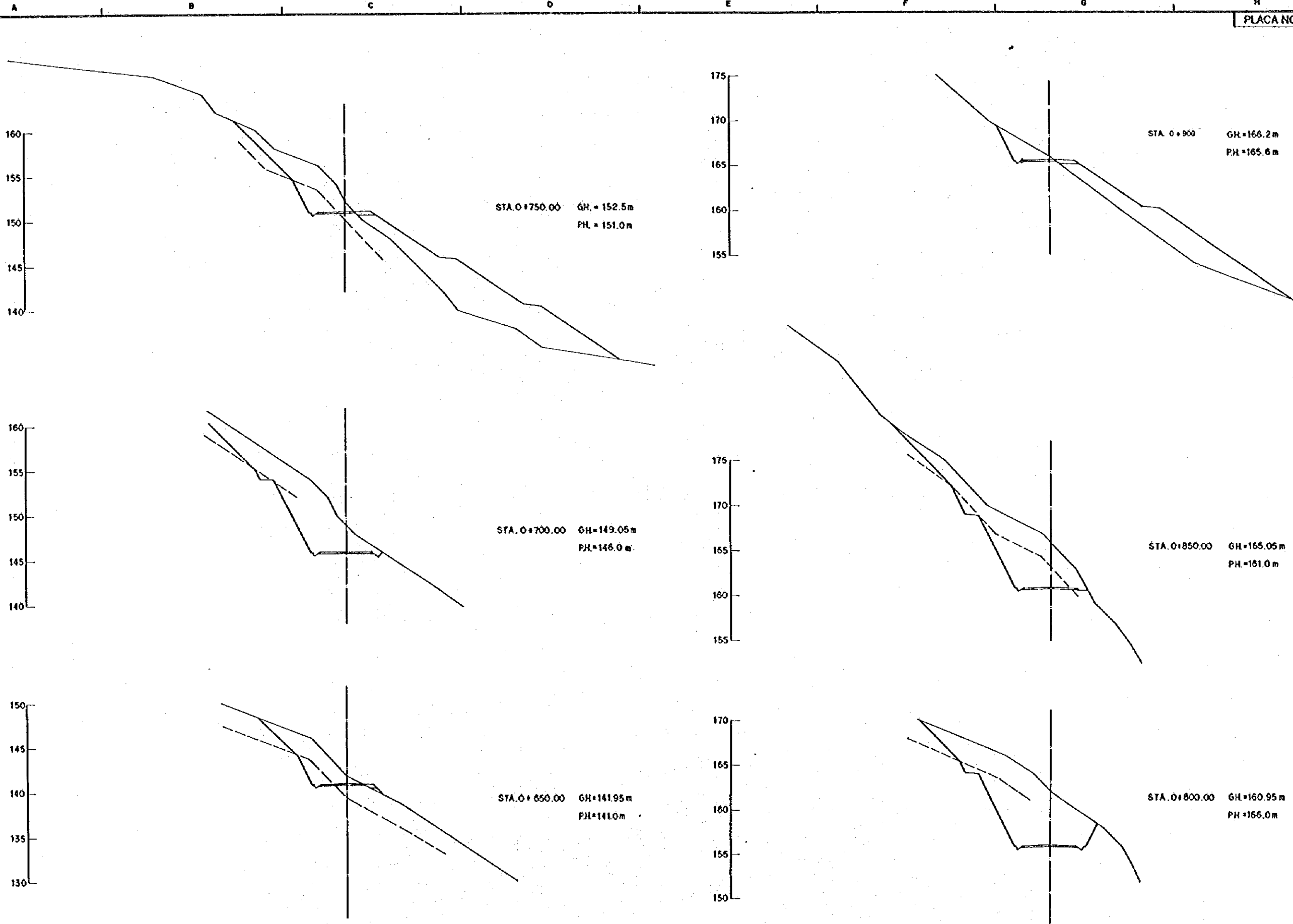
CRM
CENTRO DE
REHABILITACION
DE MANABI

Estudio de Diseño Detallado de los Travesaños de
Agua para las Cuenecas de Los Rios Chone - Portoviejo
*The Detailed Design Study on the Water Traversesh
Schemes for Chone - Portoviejo River Basins*

REPUBLICA DEL ECUADOR

TITULO : CAMINO DE ACCESO / ACCESS ROAD
CAMINO DE ACCESO CONGULLO I
CORTE DE SECCIONES (2/52)
CONGULLO ACCESS ROAD I
CROSS SECTIONS (2/52)

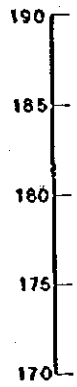
LEVANTÓ:	APROBADO:
DIBUJO:	FECHA:
DISEÑO:	DIBUJO N°
REVISÓ:	
ENTREGÓ:	1-ACO-025
FECHA:	



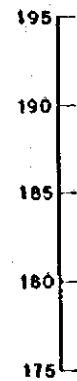
ESCALA SCALE 0 10 20m

REV. N°	REVISADO	APROBADO	FECHA

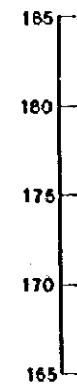
CRM CENTRO DE REHABILITACION DE MANABI REPUBLICA DEL ECUADOR	Estudio de Diseño Detallado de los Traveses de Agua para las Diques de Los Rios Chone - Fortalecido The Detailed Design Study on the Water Transversin Schemes for Chone - Fortalecido River Basins	TITULO: CAMINO DE ACCESO / ACCESS ROAD CAMINO DE ACCESO CONGULLO I CORTE DE SECCIONES (3-52) CONGULLO ACCESS ROAD I CROSS SECTIONS (3/52)	LEVANTO: DIBUJO: DISEÑO: REVISO: ENTREGO: FECHA:	APROBADO: FECHA: DIBUJO N° 1-ACO-026
---	--	---	---	---



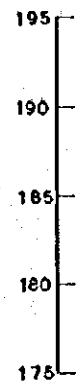
STA. 1+050 00 GH=179.45m
PH=177.030m



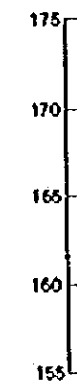
STA. 1+150 00 GH=186.50m
PH=180.047m



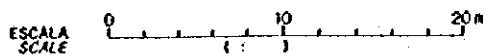
STA. 1+000 00 GH=174.10m
PH=173.600m



STA. 1+100 00 GH=184.05m
PH=178.671m



STA. 0+950 00 GH=166.45m
PH=169.600m



REV. N°	REVISADO	APROBADO	FECHA

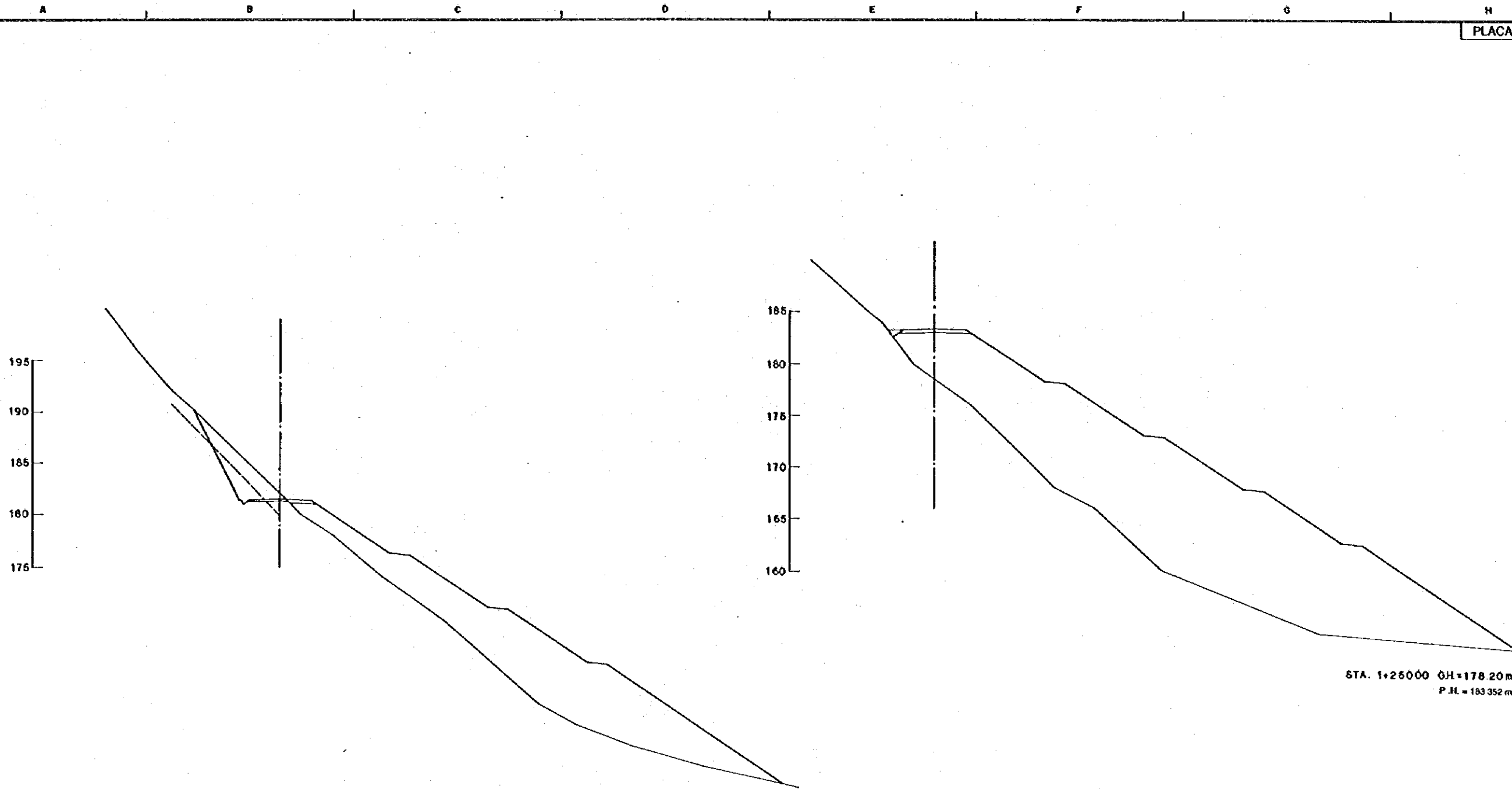
CRM
CENTRO DE
REHABILITACION
DE MANABI

Estudio de Diseño Detallado de los Travesaños de
Agua para las Quebradas de Los Rios Chone - Portoviejo
*The Detailed Design Study on the Water Traversesh
Structures for Chone - Portoviejo River Basins*

REPUBLICA DEL ECUADOR

TITULO : CAMINO DE ACCESO / ACCESS ROAD
CAMINO DE ACCESO CONGUILLO I
CORTE DE SECCIONES (152)
CONGUILLO ACCESS ROAD I
CROSS SECTIONS (152)

LEVANTO :	APROBADO :
DIBUJO :	FECHA :
DISENO :	OBJETO N°
REVISO :	1-ACO-027
ENTREGO :	FECHA :



STA. 1+20000 GH=182.10 m
PH=181.523 m

STA. 1+25000 GH=178.20 m
PH=183.352 m

ESCALA SCALE 0 10 20m

REV. N°	REVISADO	APROBADO	FECHA

CRM
CENTRO DE REHABILITACION DE MANABI

Estudio de Diseño Detallado de los Traveses de Agua para los Cuencas de Los Rios Chone - Portovale
The Detailed Design Study on the Water Transbasin Schemes for Chone - Portovale River Basins
REPUBLICA DEL ECUADOR

TITULO: CAMINO DE ACCESO / ACCESS ROAD
CAMINO DE ACCESO CONQUILLO 1
CORTE DE SECCIONES (5/52)
CONQUILLO ACCESS ROAD 1
CROSS SECTIONS (5/52)

LEVANTO:
DIBUJO:
DISEÑO:
REVISO:
ENTREGO:
FECHA:

APROBADO:
FECHA:
DIBUJO N°
1-ACO-028

215
210
205
200
195

STA. 1+40000 GH=206.10m
PH=198.000m

210
205
200
195
190

STA. 1+35000 GH=202.05m
PH=193.000m

205
200
195
190
185

STA. 1+30000 GH=196.80m
PH=188.000m

225
220
215
210
205

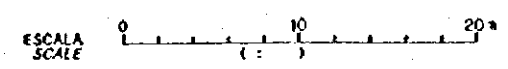
STA. 1+55000 GH=215.95m
PH=213.000m

225
220
215
210
205

STA. 1+50000 GH=214.55m
PH=208.000m

220
215
210
205
200

STA. 1+45000 GH=209.05m
PH=203.000m



REV. N°	REVISADO	APROBADO	FECHA

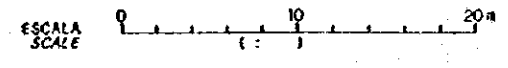
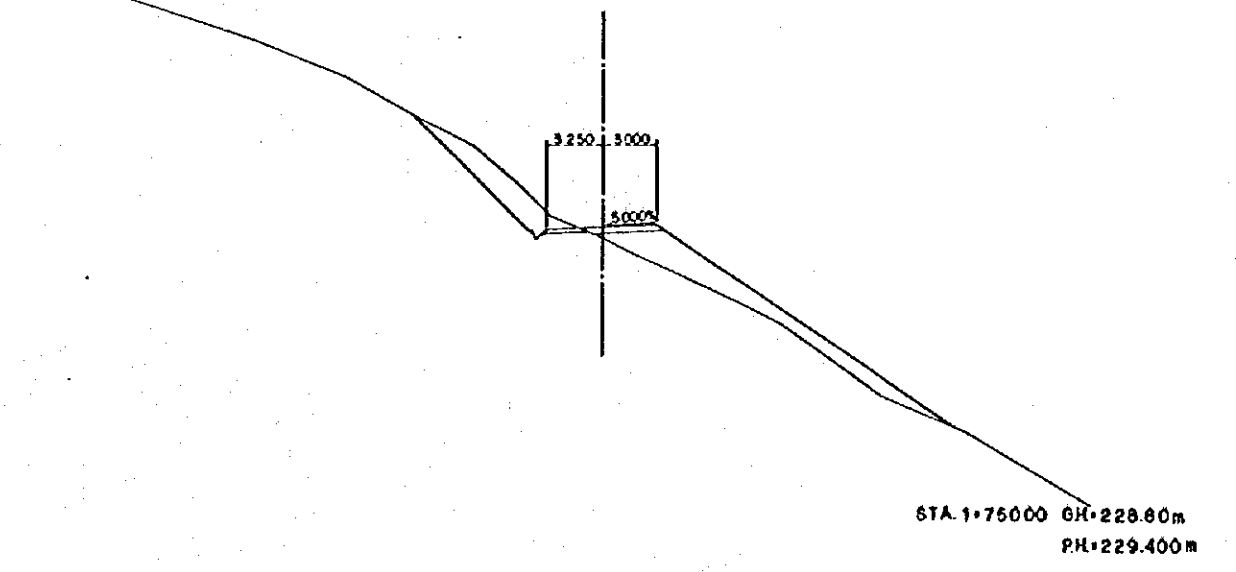
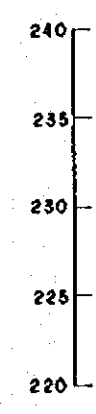
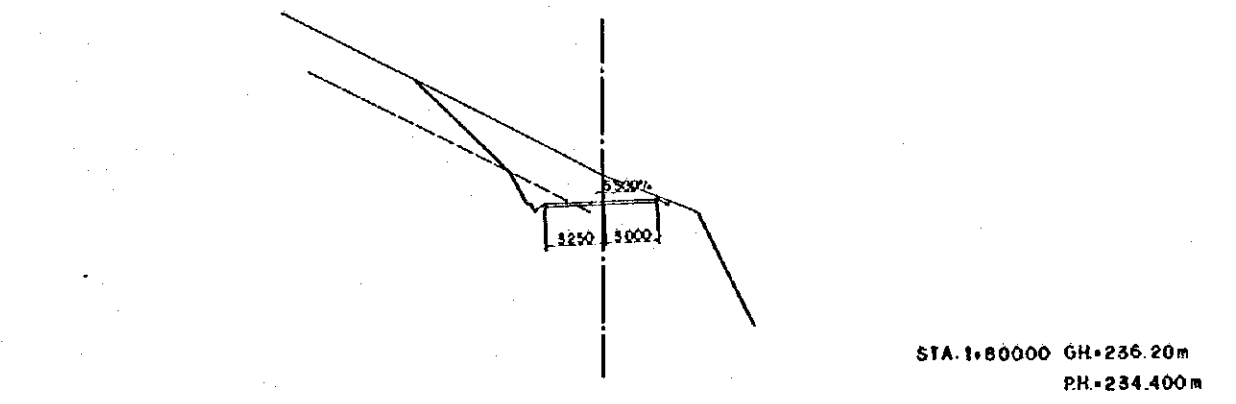
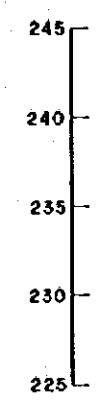
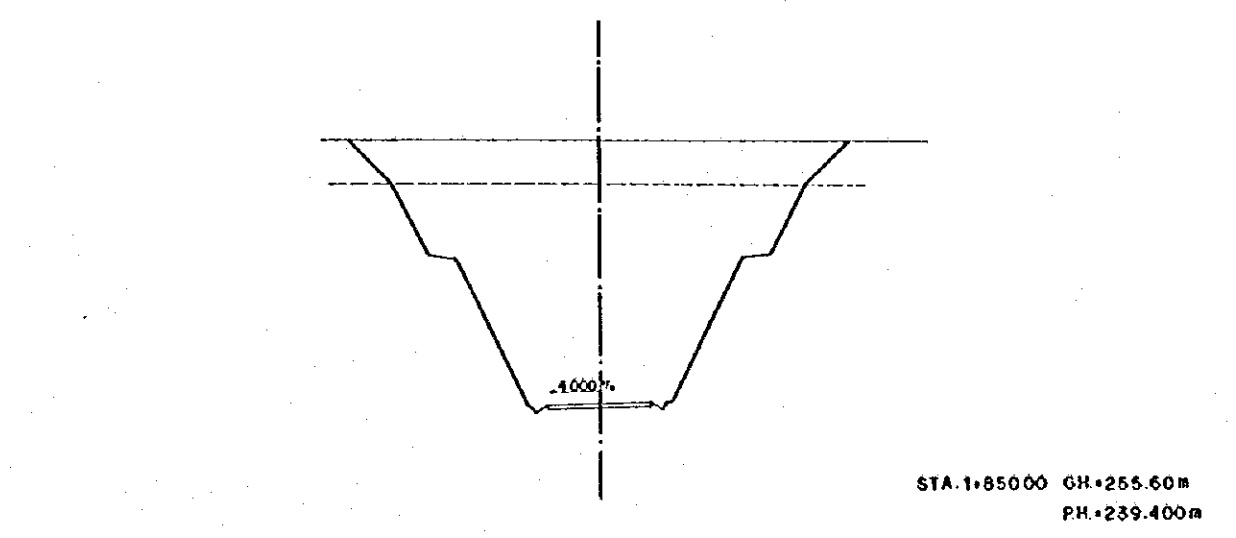
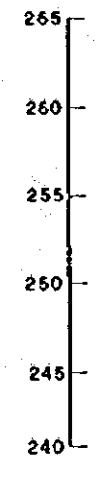
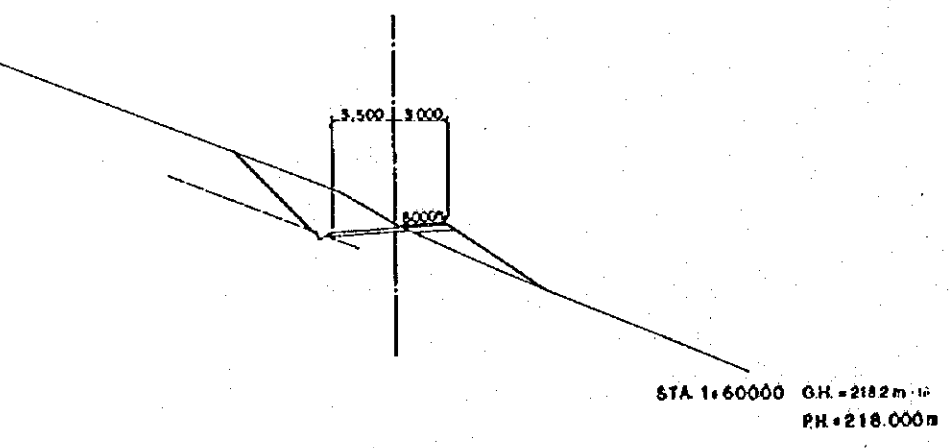
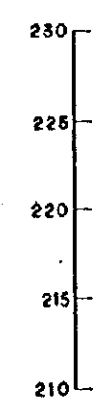
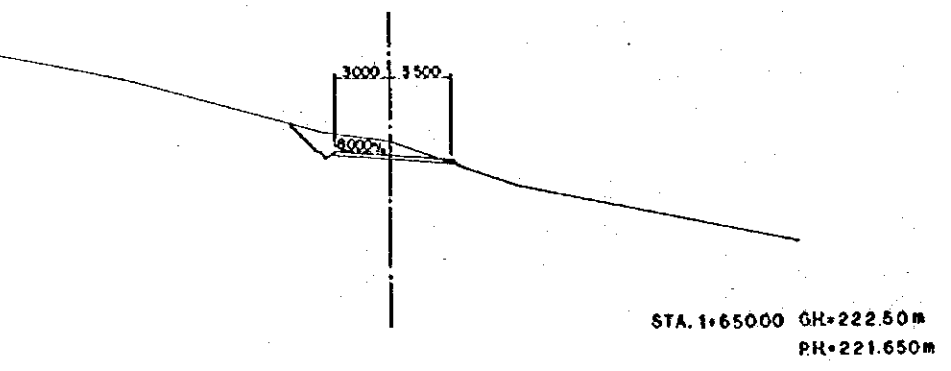
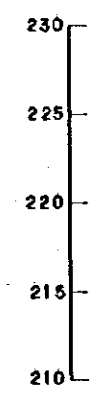
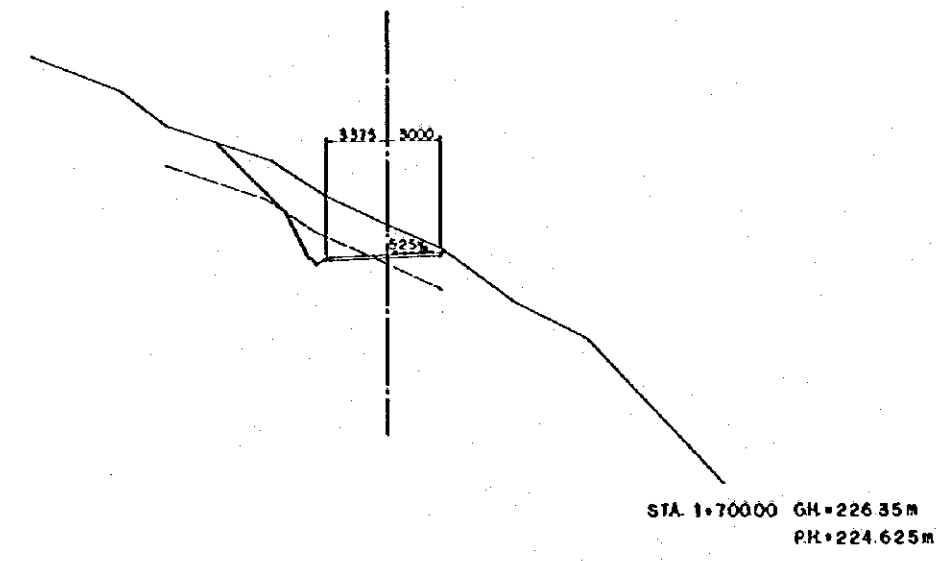
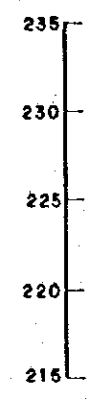
CRIM
CENTRO DE REHABILITACION DE MANABI

Estudio de Diseño Detallado de los Travesaños de Agua para las Cuenclas de Los Rios Chone - Parícutelo
The Detailed Design Study on the Water Traverses Schemes for Chone - Parícutelo River Basins

REPÚBLICA DEL ECUADOR

TITULO: CAMINO DE ACCESO / ACCESS ROAD
CAMINO DE ACCESO DONGUILLO 1
CORTE DE SECCIONES (6/52)
DONGUILLO ACCESS ROAD 1
CROSS SECTIONS (6/52)

LEVANTO:	APROBADO:
DIBUJO:	FECHA:
DISEÑO:	DIBUJO N°
REVISO:	
ENTREGO:	1-ACO-029
FECHA:	



REV. N°	REVISADO	APROBADO	FECHA

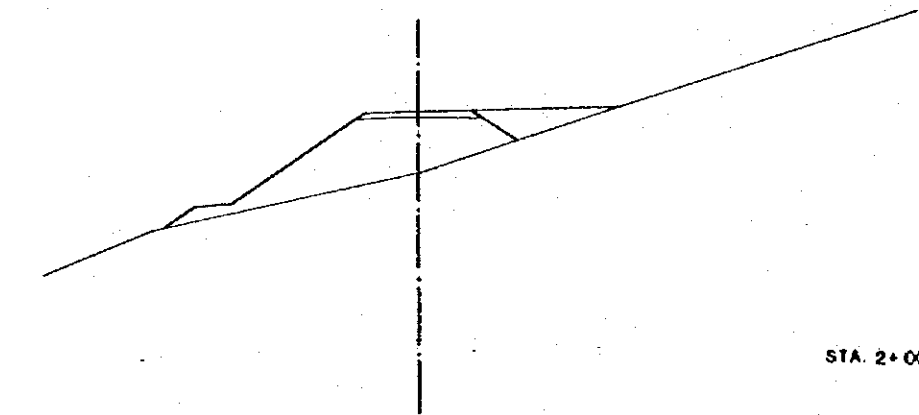
CRM
 CENTRO DE REHABILITACION DE MANABI
 Estudio de Diseño Detallado de los Tránsitos de Agua para las Cúrculas de Los Rios Chone - Portoviejo
 The Detailed Design Study on the Water Treatment Schemes for Chone - Portoviejo River Basins
 REPUBLICA DEL ECUADOR

TITULO: CAMINO DE ACCESO / ACCESS ROAD
 CAMINO DE ACCESO CONGULLO 1
 CORTE DE SECCIONES (7/52)
 CONGULLO ACCESS ROAD 1
 CROSS SECTIONS (7/52)

LEVANTÓ:	APROBADO:
DIBUJO:	FECHA:
DISEÑO:	DIBUJO N°
REVISÓ:	
ENTREGÓ:	
FECHA:	

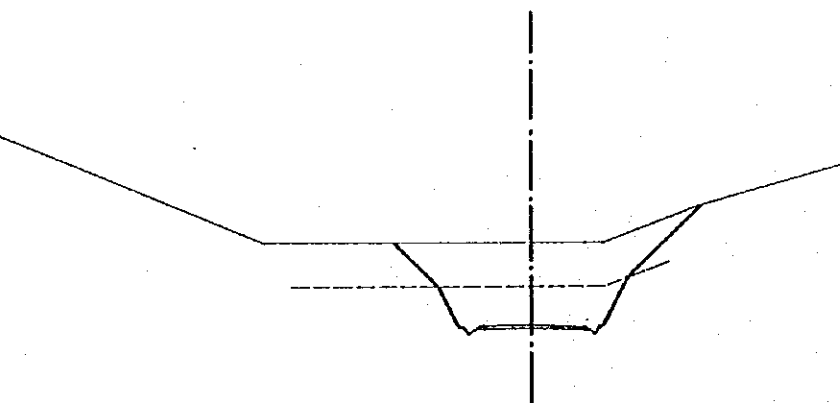
1-ACO-030

260
255
250
245
240



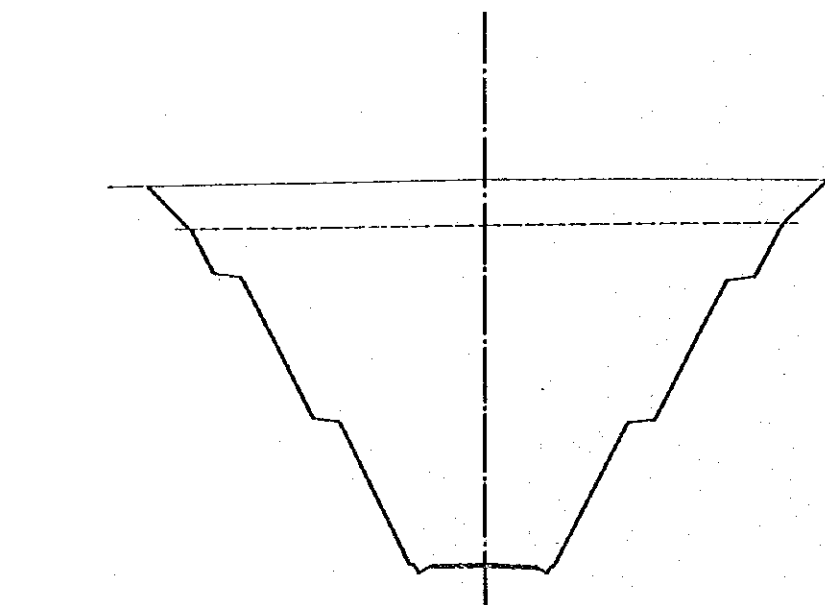
STA. 2+00000 GH=252.50m
PH=254.400m

265
260
255
250
245



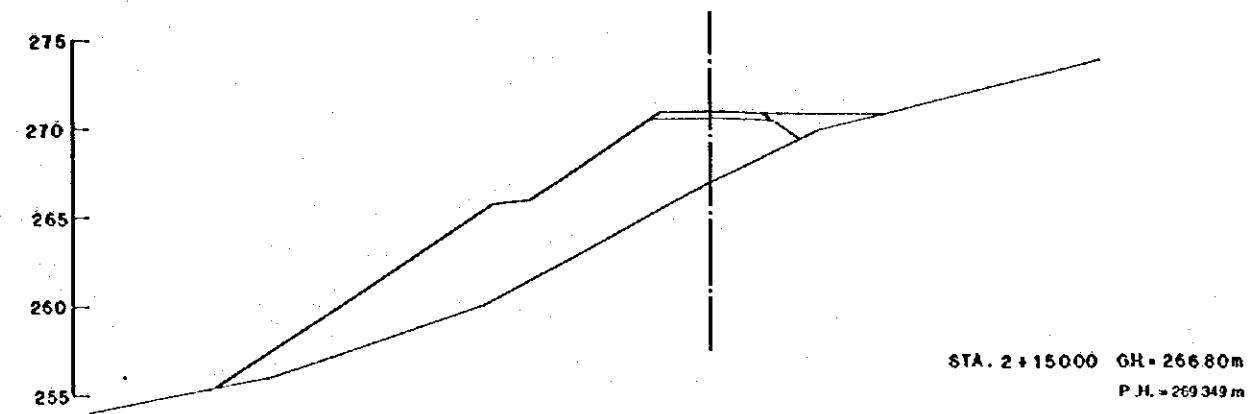
STA. 1+95000 GH=263.60m
PH=249.400m

275
270
265
260
255
250
245



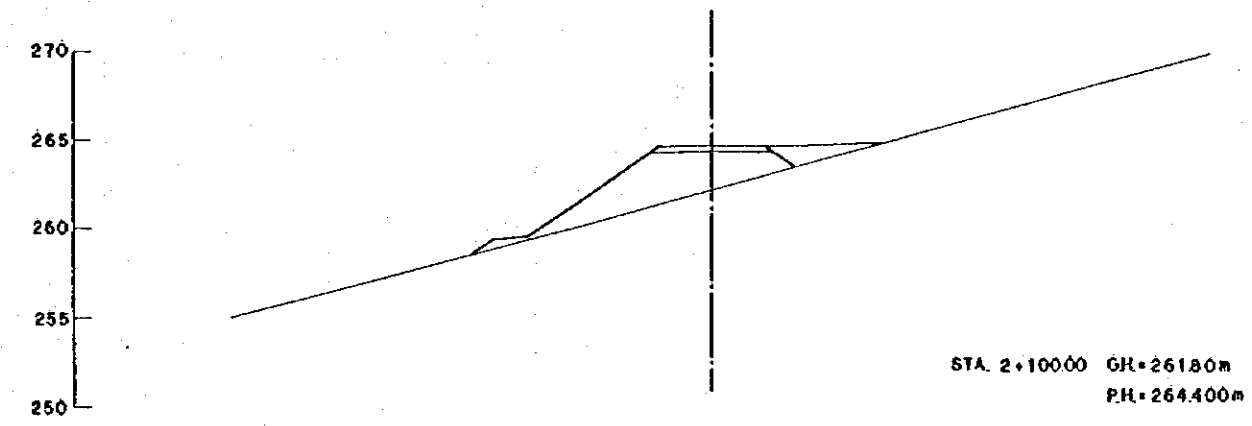
STA. 1+90000 GH=265.95m
PH=244.400m

275
270
265
260
255



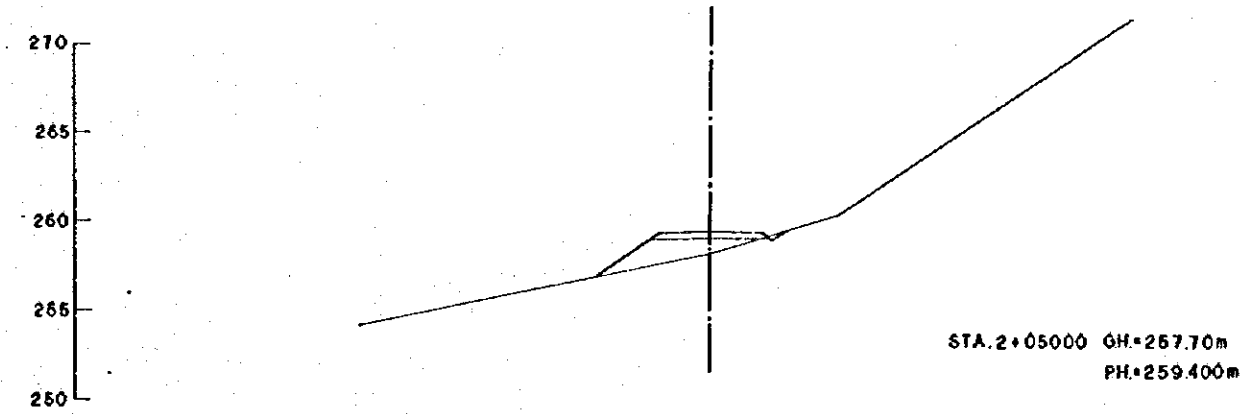
STA. 2+15000 GH=266.80m
P.H.=269.349m

270
265
260
255
250



STA. 2+10000 GH=261.80m
PH=264.400m

270
265
260
255
250



STA. 2+05000 GH=267.70m
PH=259.400m

ESCALA SCALE 0 10 20m

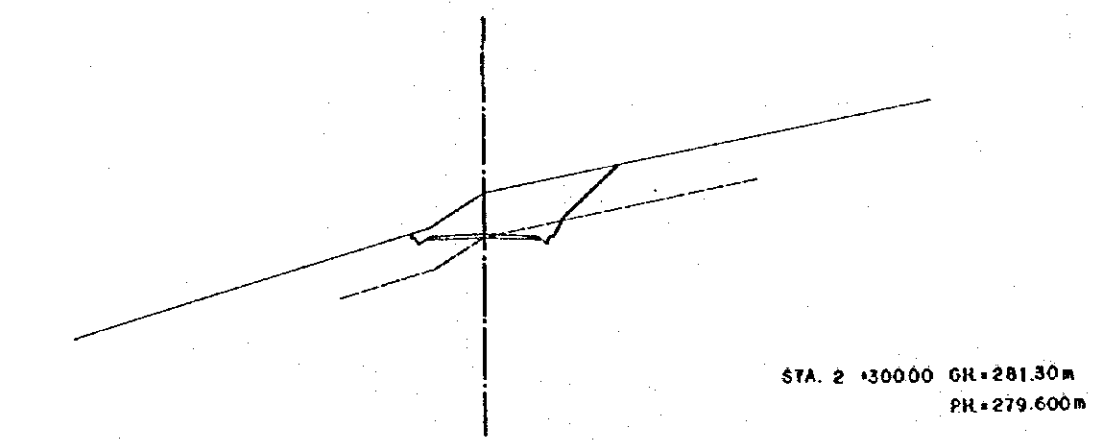
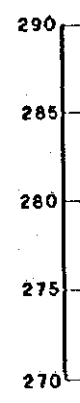
REV. N°	REVISADO	APROBADO	FECHA

CRM
CENTRO DE
REHABILITACION
DE MANABI

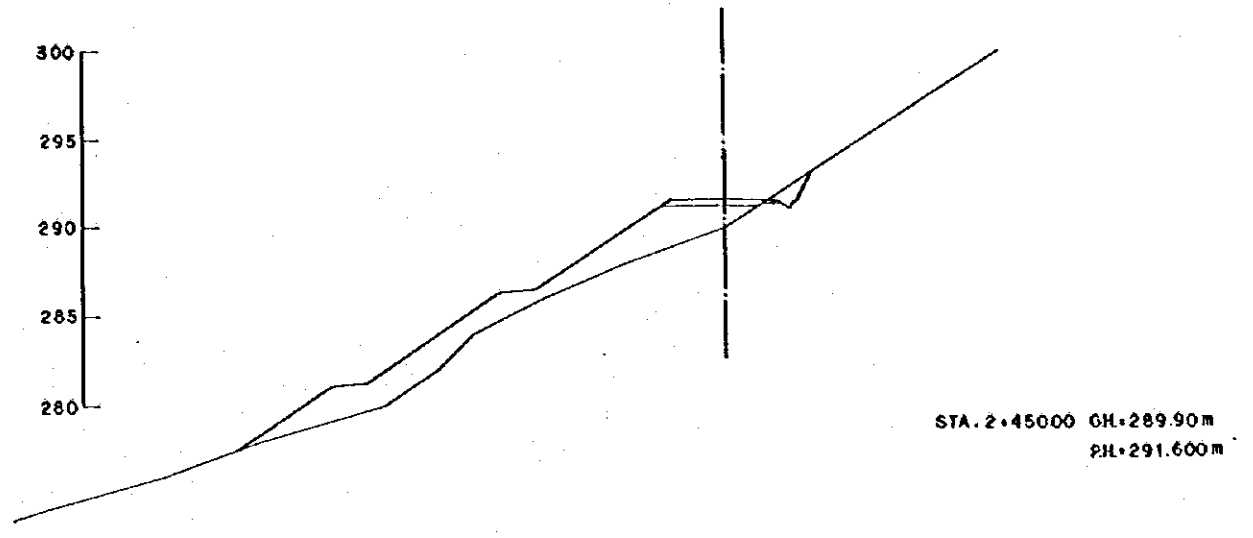
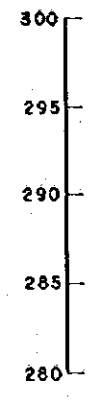
Estudio de Diseño Detallado de los Tramos de
Agua para las Cuencas de Los Rios Chona - Portoviejo
*The Detailed Design Study on the Water Transbasin
Schemes for Chona - Portoviejo River Basins*

TITULO: CAMINO DE ACCESO / ACCESS ROAD
CAMINO DE ACCESO CÓNIGULLO 1
CORTE DE SECCIONES (B/S2)
CÓNIGULLO ACCESS ROAD 1
CROSS SECTIONS (B/S2)

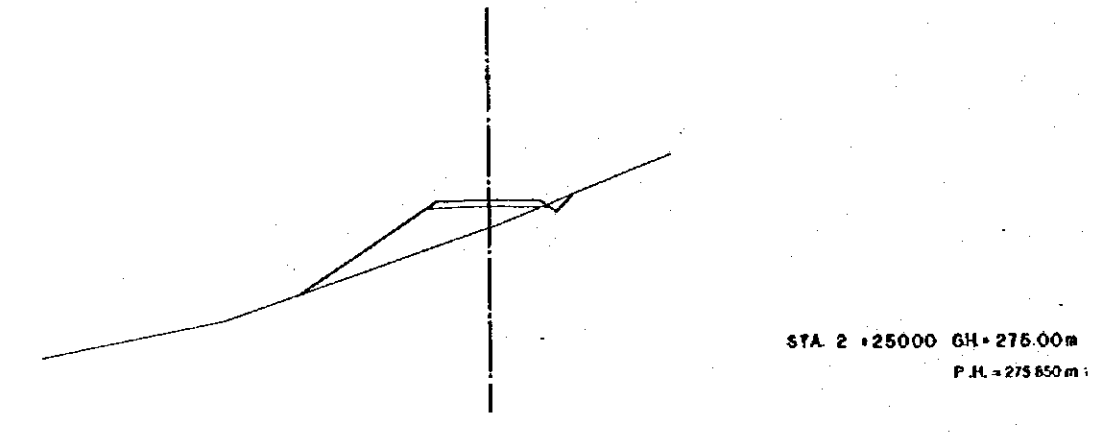
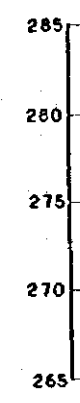
LEVANTO:	APROBADO:
DISEÑO:	FECHA:
REVISÓ:	DIBUJO N°
ENTREGÓ:	1-ACO-031
FECHA:	



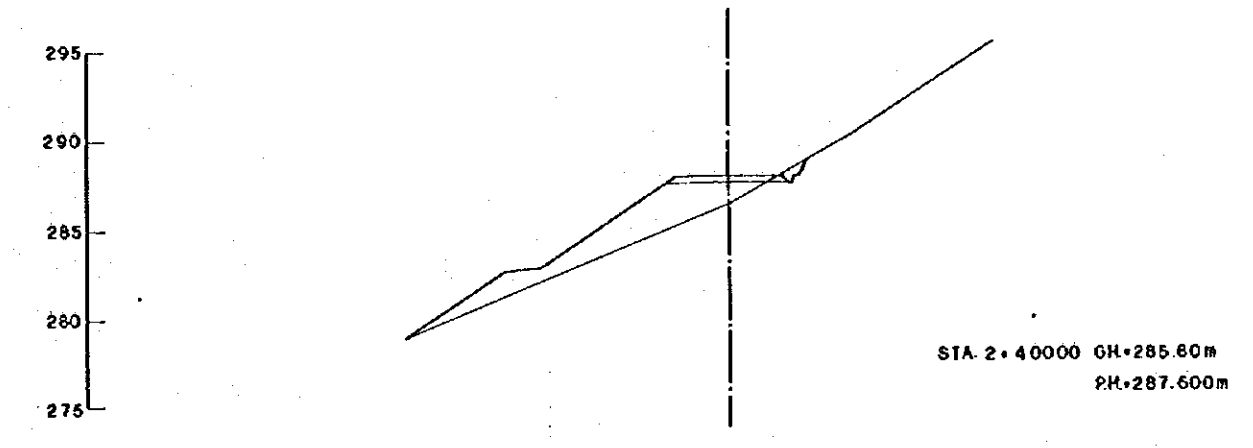
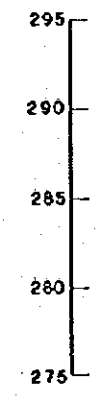
STA. 2 +30000 GH=281.30m
PH=279.600m



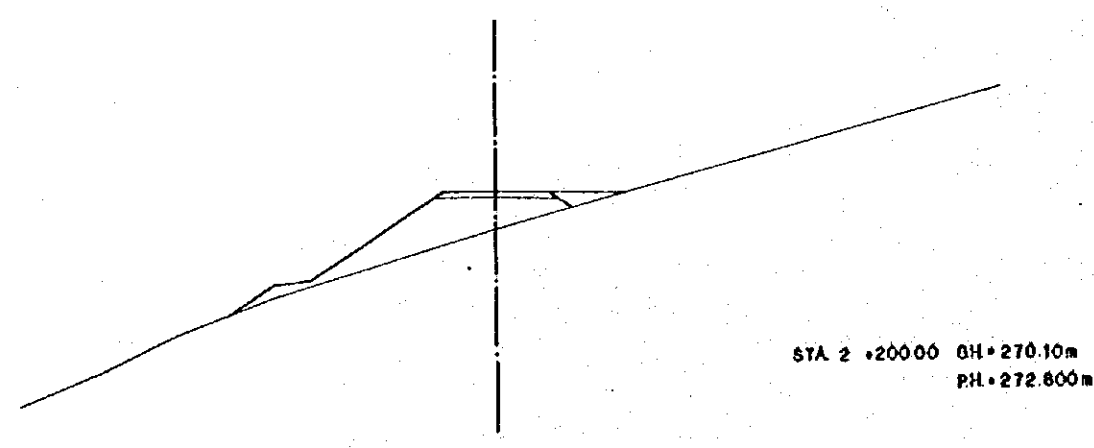
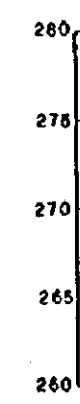
STA. 2 +45000 GH=289.90m
PH=291.600m



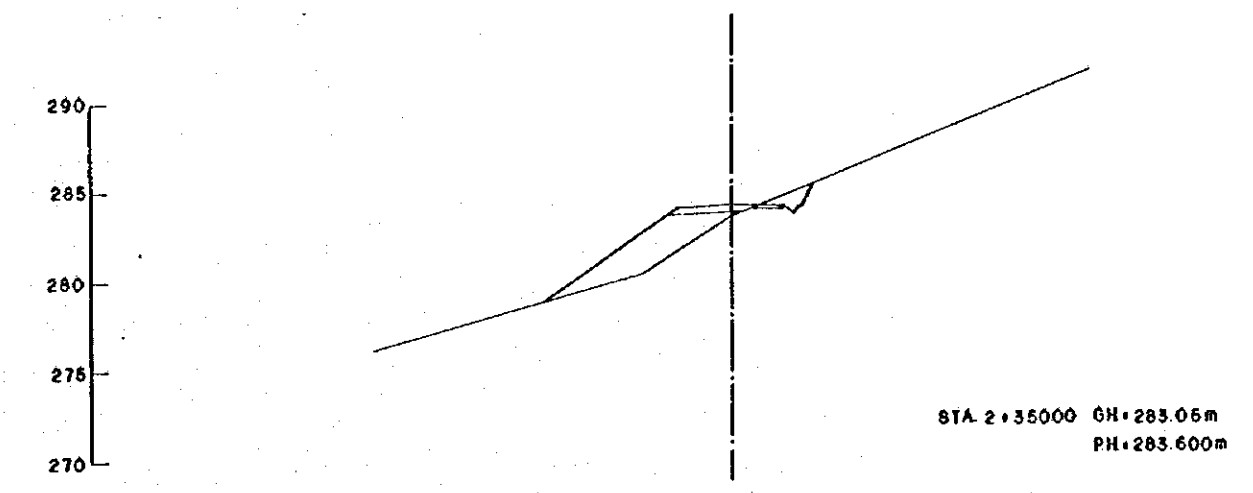
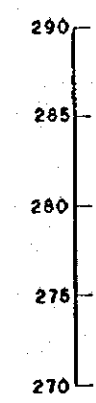
STA. 2 +25000 GH=275.00m
P.H.=275.650m



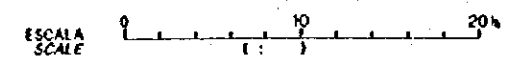
STA. 2 +40000 GH=285.80m
PH=287.600m



STA. 2 +20000 GH=270.10m
PH=272.800m



STA. 2 +35000 GH=283.05m
PH=283.600m



REV. N°	REVISADO	APROBADO	FECHA

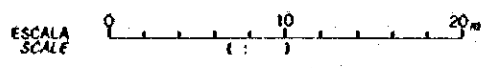
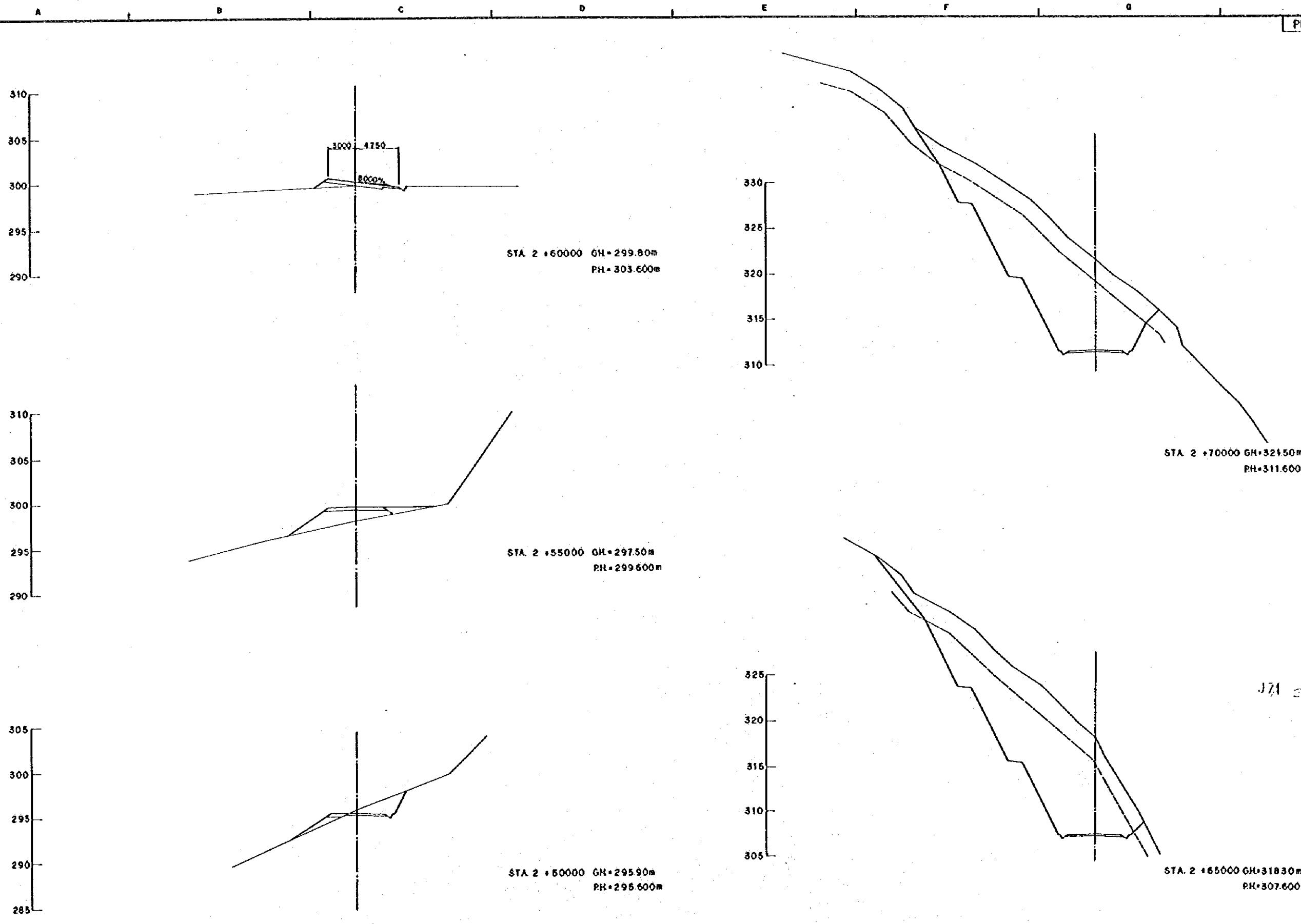
CRM
CENTRO DE
REHABILITACION
DE MANABI

Estudio de Diseño Detallado de los Traspases de
Agua para los Cuencas de Los Rios Chone - Portoviejo
The Detailed Design Study on the Water Transfer
Schemes for Chone - Portoviejo River Basins

REPUBLICA DEL ECUADOR

TITULO: CAMINO DE ACCESO / ACCESS ROAD
CAMINO DE ACCESO CONGUILLO I
CORTE DE SECCIONES (9/52)
CONGUILLO ACCESS ROAD I
CROSS SECTIONS (9/52)

LEVANTO:	APROBADO:
DIBUJO:	FECHA:
REVISO:	DIBUJO N°
ENTREGO:	1-ACO-032
FECHA:	



REV. N°	REVISADO	APROBADO	FECHA

<p>CENTRO DE REHABILITACION DE MANABI</p>	<p>Estudio de Diseño Detallado de los Traveses de Agua para las Cuencas de Los Rios Choro-Portovelo</p> <p>The Detailed Design Study on the Water Transfer Schemes for Choro-Portovelo River Basins</p>	<p>TITULO: CAMINO DE ACCESO / ACCESS ROAD</p>	<p>LEVANTO:</p>	<p>APROBADO:</p>
	<p>REPUBLICA DEL ECUADOR</p>	<p>CAMINO DE ACCESO CONQUILLO I</p> <p>CORTE DE SECCIONES (1052)</p> <p>CONQUILLO ACCESS ROAD I</p> <p>CROSS SECTIONS (1052)</p>	<p>DISEÑO:</p>	<p>FECHA:</p>
<p> </p>	<p> </p>	<p> </p>	<p>ENTREGO:</p>	<p>DIBUJO N°</p>
<p> </p>	<p> </p>	<p> </p>	<p>FECHA:</p>	<p>1-ACO-033</p>

335
330
325
320
315

345
340
335
330
325

330
325
320
315
310

345
340
335
330
325

STA. 2 +80000 OH=327.20m
PH=320.600m

STA. 2 +90000 OH=334.05m
PH=330.600m

STA. 2 +75000 OH=321.10m
PH=316.700m

STA. 2 +85000 OH=333.90m
PH=325.600m

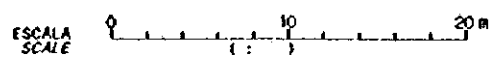
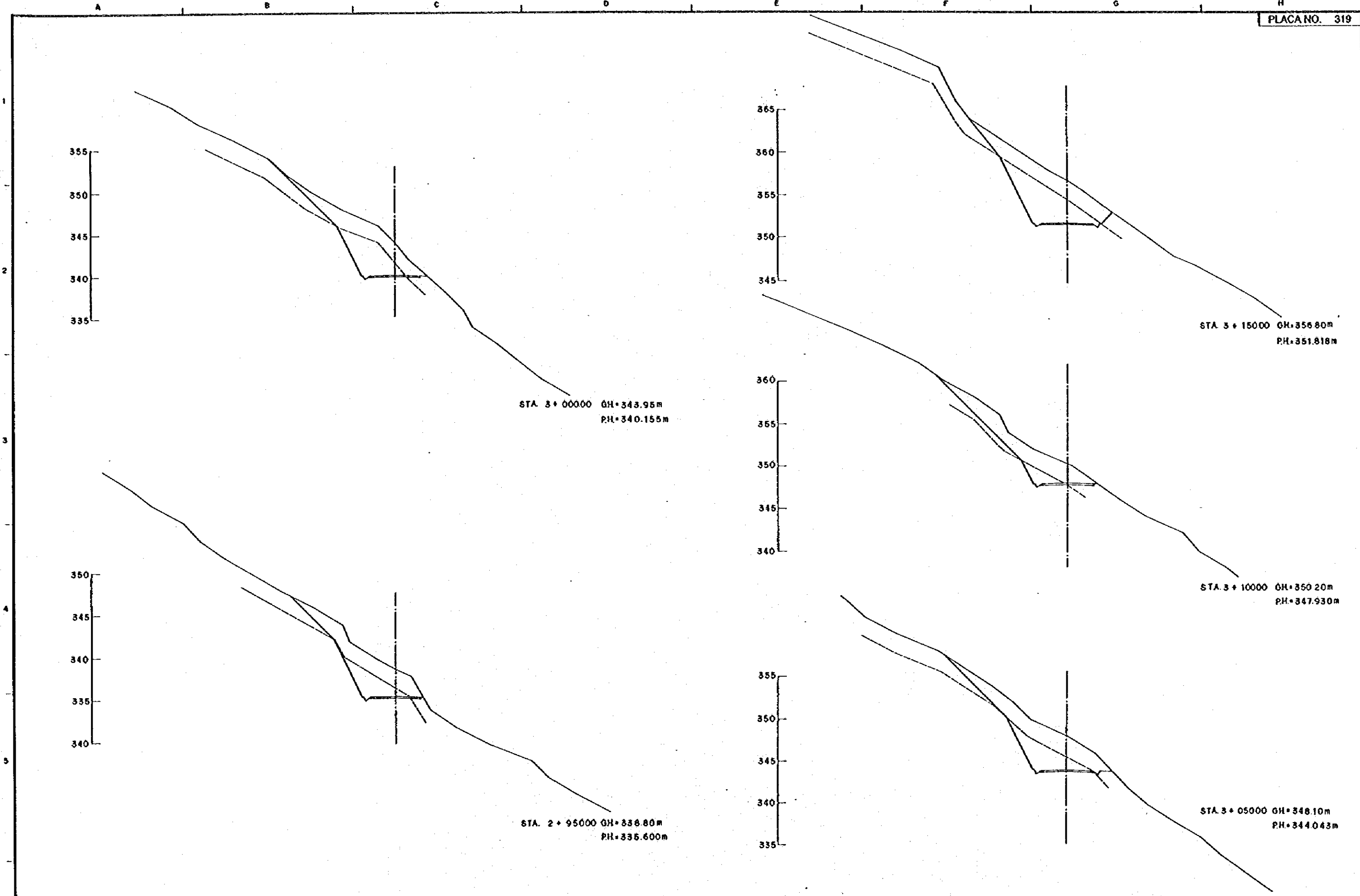
ESCALA SCALE 0 10 20m

REV. N°	REVISADO	APROBADO	FECHA

CRM
CENTRO DE REHABILITACION DE MANABI
Estudio de Diseño Detallado de los Tránsverses de Agua para los Cuenecos de Los Rios Chone-Portoviejo
The Detailed Design Study on the Water Transverse Schemes for Chone-Portoviejo River Basin
REPÚBLICA DEL ECUADOR

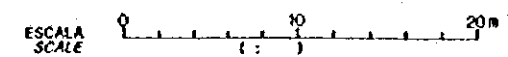
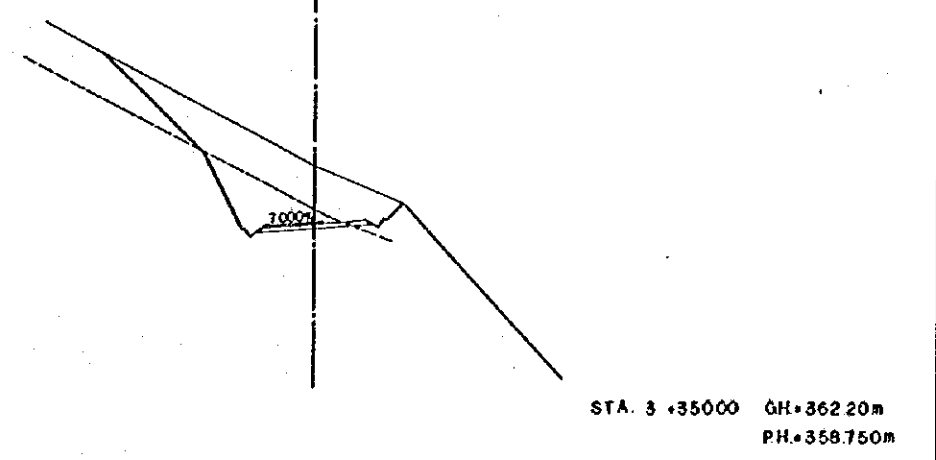
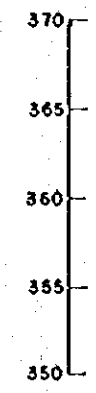
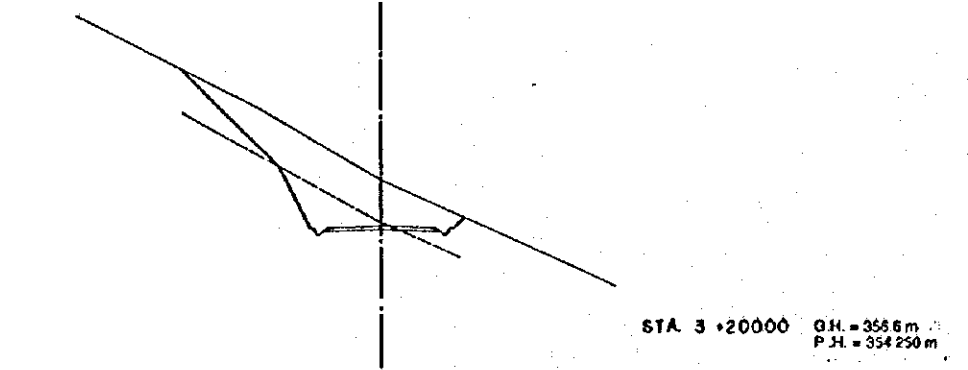
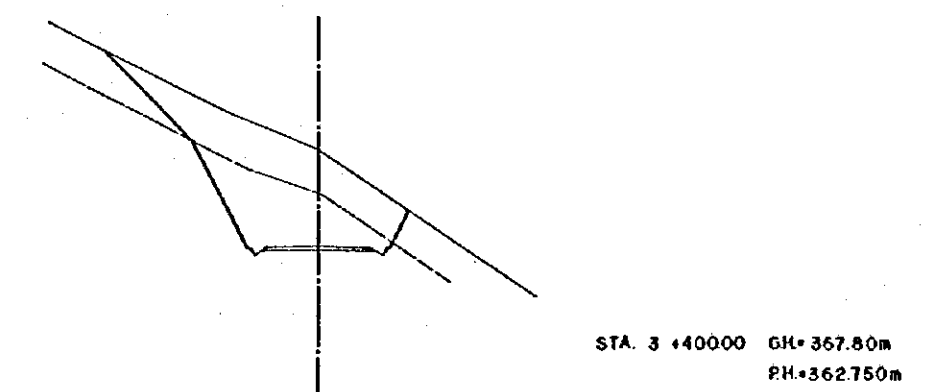
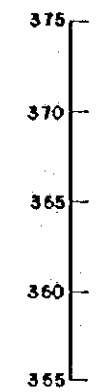
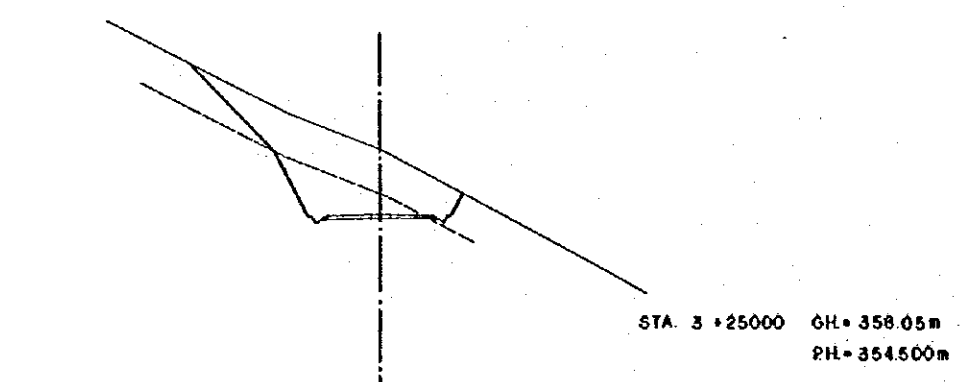
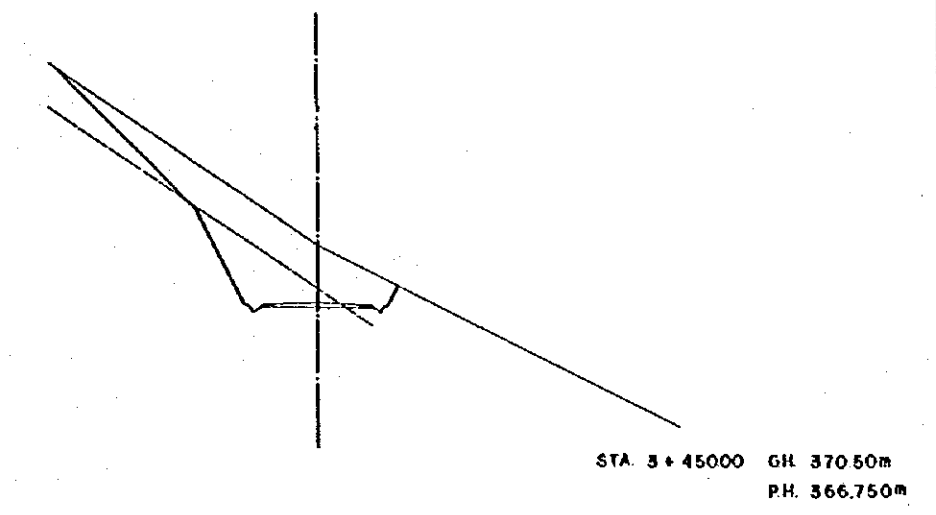
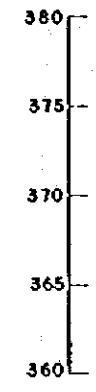
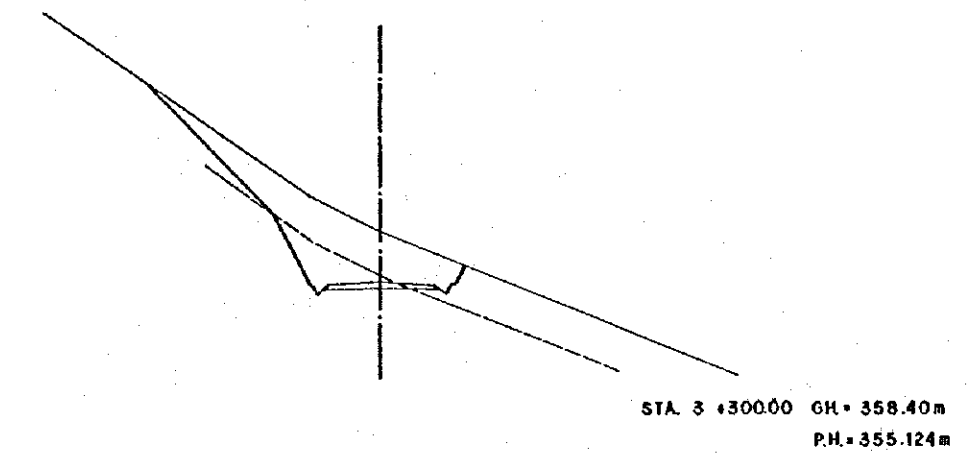
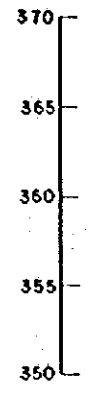
TITULO : CAMINO DE ACCESO / ACCESS ROAD
CAMINO DE ACCESO CONGUILLO 1
CORTE DE SECCIONES (11/52)
CONGUILLO ACCESS ROAD 1
CROSS SECTIONS (11/52)

LEVANTO:	APROBADO:
DIBUJO:	FECHA:
DISEÑO:	DIBUJO N°
REVISO:	
ENTREGO:	
FECHA:	1-ACO-034



REV. N°	REVISADO	APROBADO	FECHA

CRM CENTRO DE REHABILITACION DE MANABI	Estudio de Diseño Detallado de los Tránsversales de Agua para las Ciénegas de Los Rios Chona - Portoviejo <i>The Detailed Design Study on the Water Transverse Schemes for Chona - Portoviejo River Basins</i>	TITULO: CAMINO DE ACCESO / ACCESS ROAD CAMINO DE ACCESO DONGULLO 1 CORTE DE SECCIONES (1252) DONGULLO ACCESS ROAD 1 CROSS SECTIONS (1252)	LEVANTO: DIBUJO: DISEÑO: REVISO: ENTREGO: FECHA:	APROBADO: FECHA: DIBUJO N° 1-ACO-035
	REPUBLICA DEL ECUADOR	REPUBLICA DEL ECUADOR	REPUBLICA DEL ECUADOR	REPUBLICA DEL ECUADOR



REV. N°	REVISADO	APROBADO	FECHA

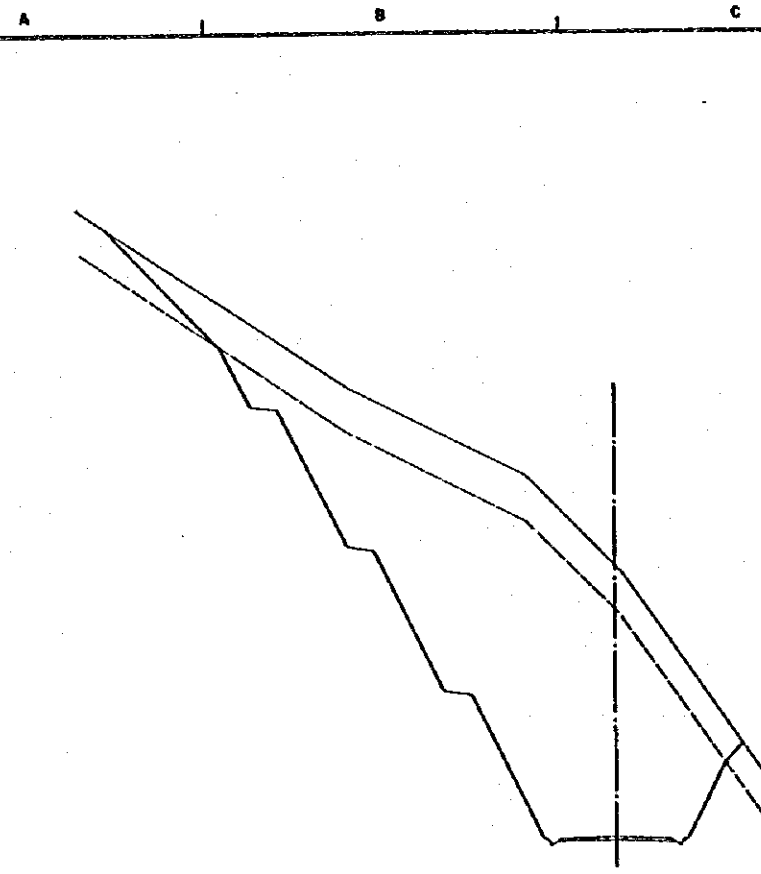
CRM
CENTRO DE REHABILITACION DE MANABI
REPUBLICA DEL ECUADOR

Estudio de Diseño Detallado de los Tránsversales de Agua para las Cuenclas de Los Rios Chone - Portoviejo
The Detailed Design Study on the Water Transverse Schemes for Chone - Portoviejo River Basins

TÍTULO: CAMINO DE ACCESO / ACCESS ROAD
CAMINO DE ACCESO DÓNGUILLO I
CÓRTE DE SECCIONES (1352)
DÓNGUILLO ACCESS ROAD I
CROSS SECTIONS (1352)

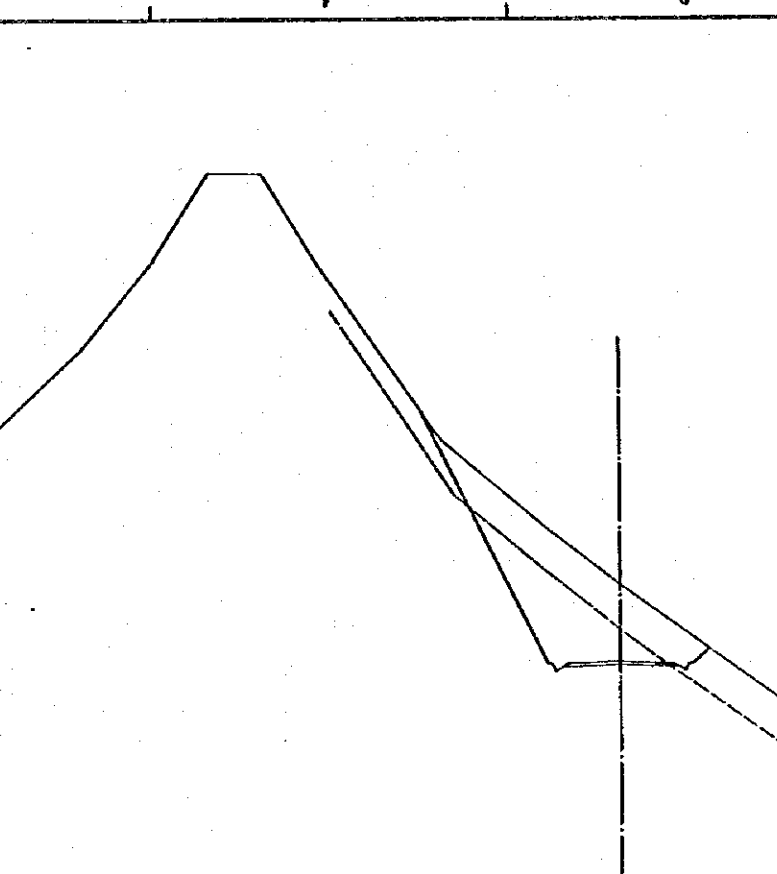
LEVANTO:	APROBADO:
DIBUJO:	FECHA:
DISEÑO:	DIBUJO N°:
REVISO:	1-ACO-036
ENTREGO:	
FECHA:	

415
410
405
400
395
390
385
380
375



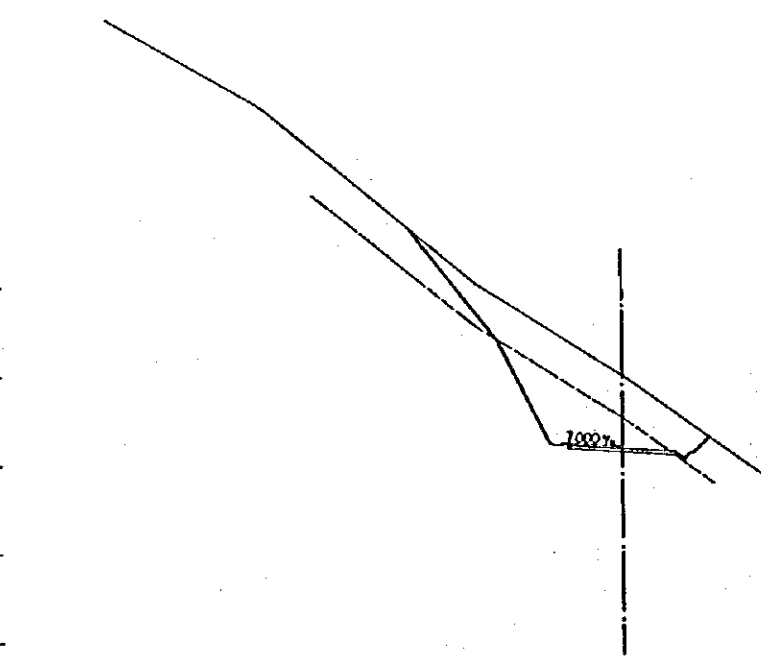
STA. 3 + 55000 GH=385.05m
PH=374.750m

410
405
400
395
390
385
380
375



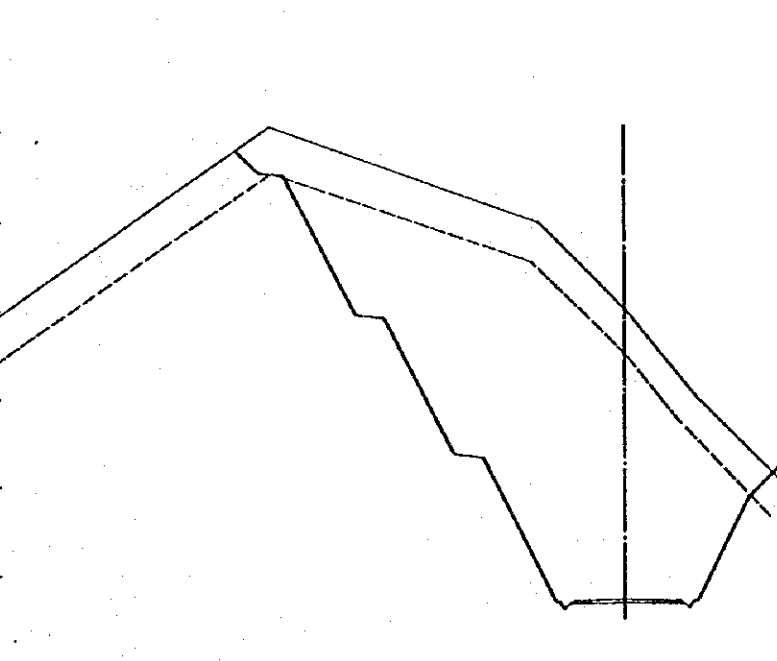
STA. 3 + 65000 GH=386.05m
PH=382.750m

380
375
370
365
360

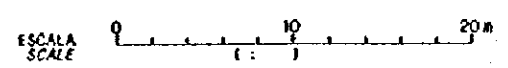


STA. 3 + 50000 GH=374.95m
PH=370.760m

405
400
395
390
385
380
375

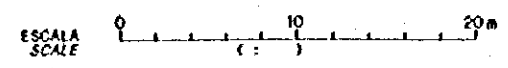
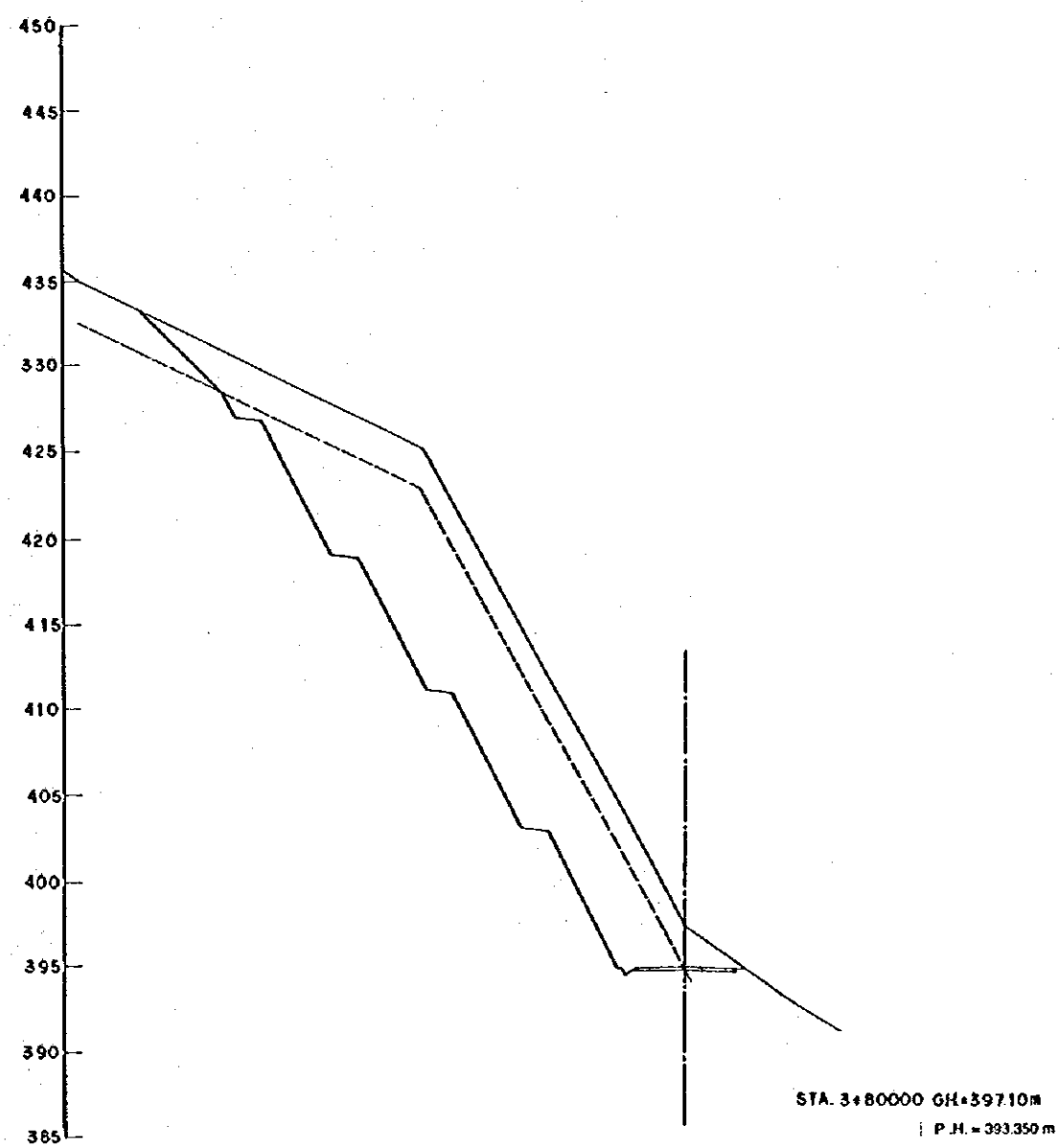
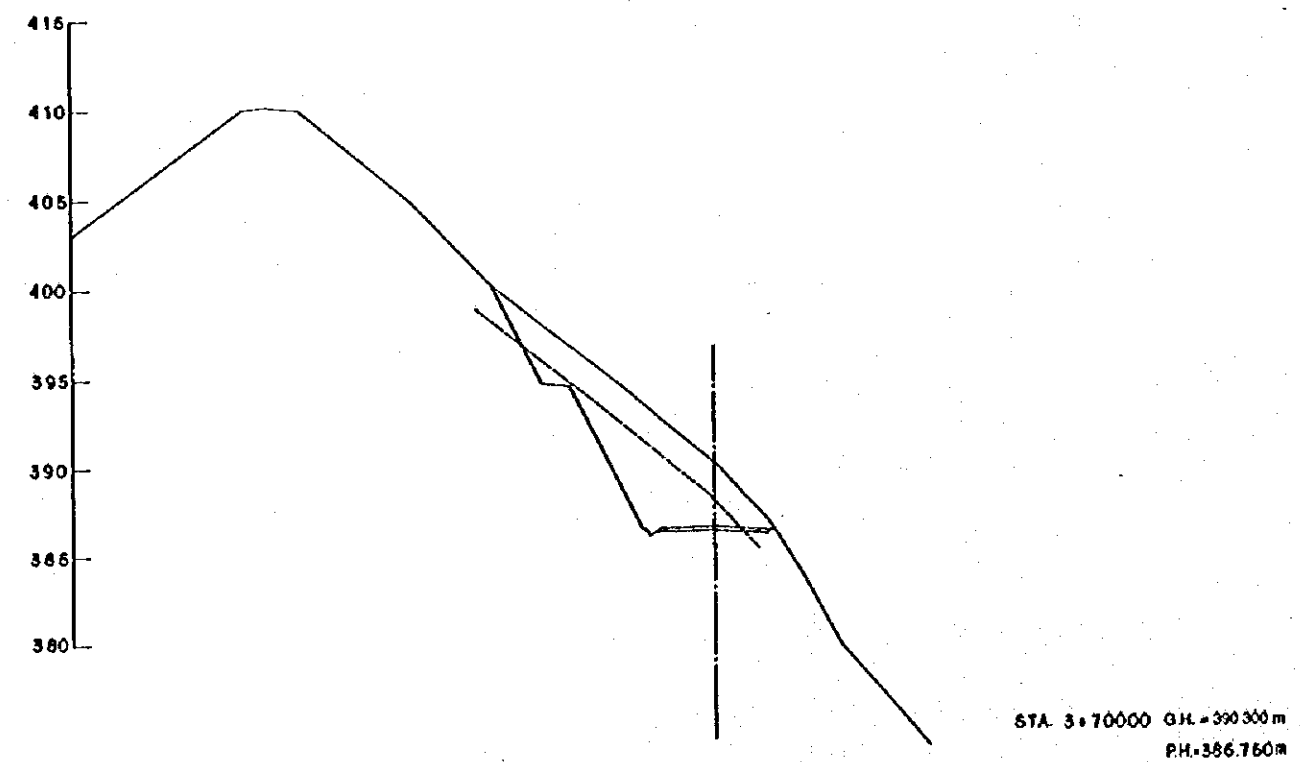
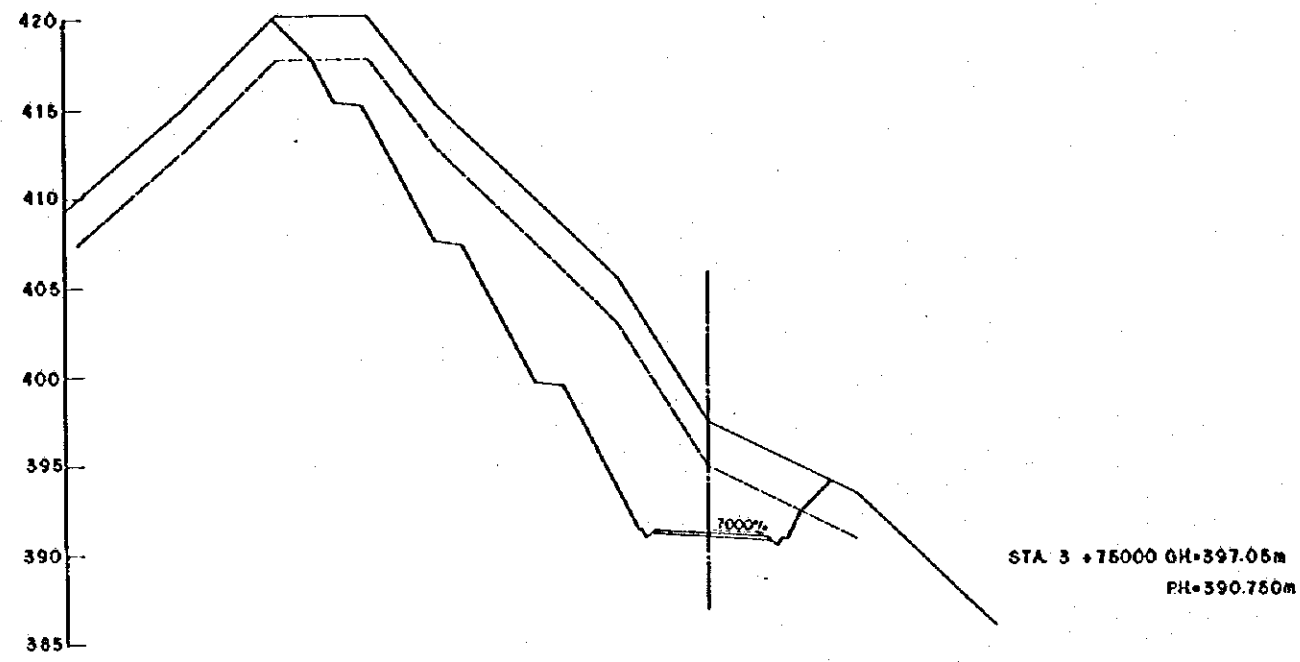


STA. 3 + 60000 GH=396.10m
PH=378.760m



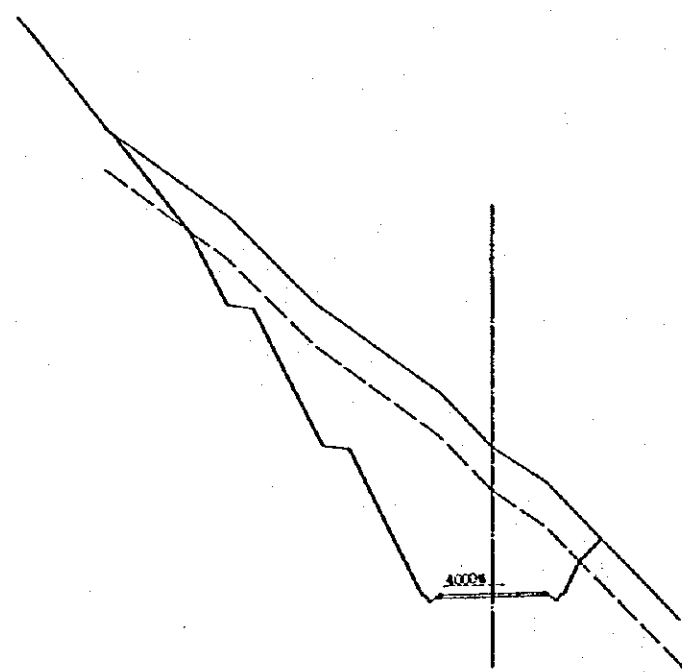
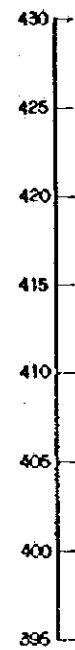
REV. N°	REVISADO	APROBADO	FECHA

<p>CENTRO DE REHABILITACION DE MANABI</p>	<p>Estudio de Diseño Detallado de los Tránsitos de Agua para las Dársenas de Los Ríos Chone-Portoviejo The Detailed Design Study on the Water Transfer Schemes for Chone-Portoviejo River Basins</p>	<p>TITULO: CAMINO DE ACCESO / ACCESS ROAD CAMINO DE ACCESO CONGULLO I CORTE DE SECCIONES (14/52) CONGULLO ACCESS ROAD I CROSS SECTIONS (14/52)</p>	LEVANTO:	APROBADO:
			DISEÑO:	FECHA:
<p>REPUBLICA DEL ECUADOR</p>			REVISO:	DIBUJO N°
<p>ENTREGO:</p>			FECHA:	1-ACO-037

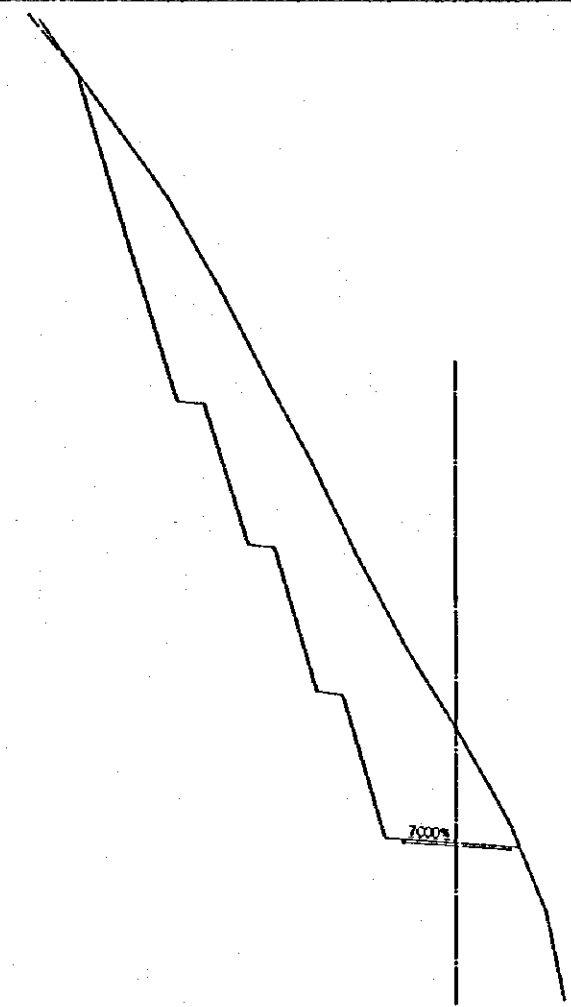
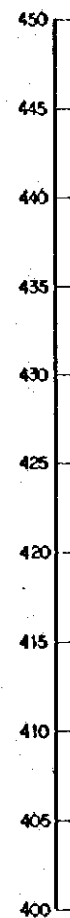


REV. Nº	REVISADO	APROBADO	FECHA

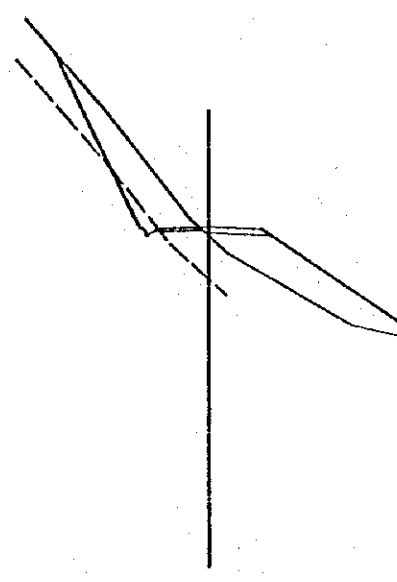
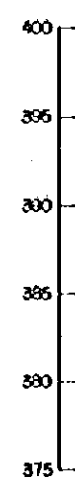
<p>CENTRO DE REHABILITACION DE MANABI</p>	<p>Estudio de Diseño Detallado de los Travesaños de Agua para las Cuenca de los Rios Chona - Portoviejo</p> <p>The Detailed Design Study on the Water Traversesh Schemes for Chona - Portoviejo Riv. Basin</p>	<p>TITULO : CAMINO DE ACCESO / ACCESS ROAD</p> <p>CAMINO DE ACCESO CONGUILLO I</p> <p>CORTE DE SECCIONES (15/52)</p> <p>CONGUILLO ACCESS ROAD I</p> <p>CROSS SECTIONS (15/52)</p>	<p>LEVANTO : _____</p> <p>DIBUJO : _____</p> <p>DISEÑO : _____</p> <p>REVISO : _____</p> <p>ENTREGO : _____</p> <p>FECHA : _____</p>	<p>APROBADO : _____</p> <p>FECHA : _____</p> <p>DIBUJO Nº</p> <p>1-ACO-038</p>
	<p>REPÚBLICA DEL ECUADOR</p>	<p> </p>	<p> </p>	<p> </p>



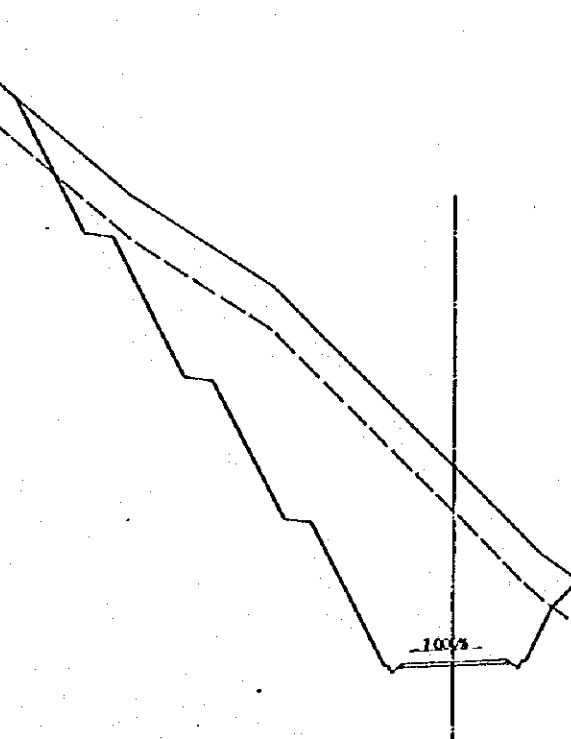
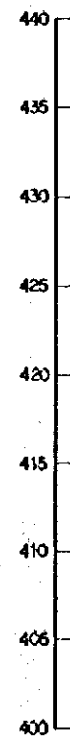
STA. 3+900.00 GH=407.1m
PH=398.650m



STA. 4+000.00 GH=415.1m
PH=408.11m



STA. 3+850.00 GH=393.95m
PH=394.522m



STA. 3+950.00 GH=415m
PH=403.85



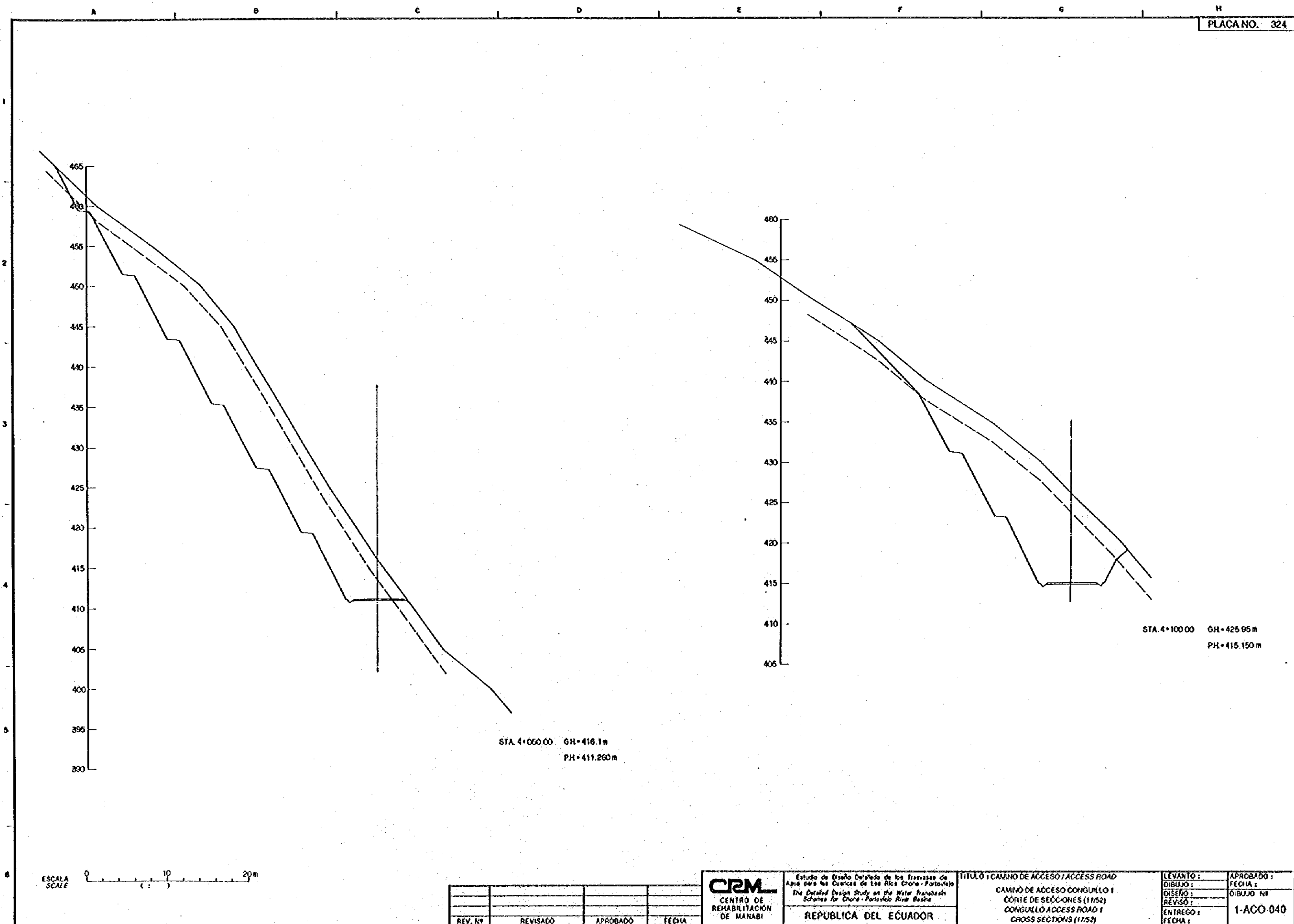
REV. Nº	REVISADO	APROBADO	FECHA

CRIM
CENTRO DE REHABILITACION DE MANABI
REPUBLICA DEL ECUADOR

Estudio de Diseño Detallado de los Travesaños de Agua para las Cuenclas de Los Rios Chone - Portoviejo
The Detailed Design Study on the Water Traverses Schemes for Chone - Portoviejo River Basins

TITULO : CAMINO DE ACCESO / ACCESS ROAD
CAMINO DE ACCESO CONGUILLO 1
CORTE DE SECCIONES (1&52)
CONGUILLO ACCESS ROAD 1
CROSS SECTIONS (1&52)

LEVANTO :	APROBADO :
DIBUJO :	FECHA :
DISEÑO :	DIBUJO Nº
REVISO :	1-ACO-039
ENTREGO :	FECHA :



ESCALA SCALE 0 10 20m

REV. Nº	REVISADO	APROBADO	FECHA

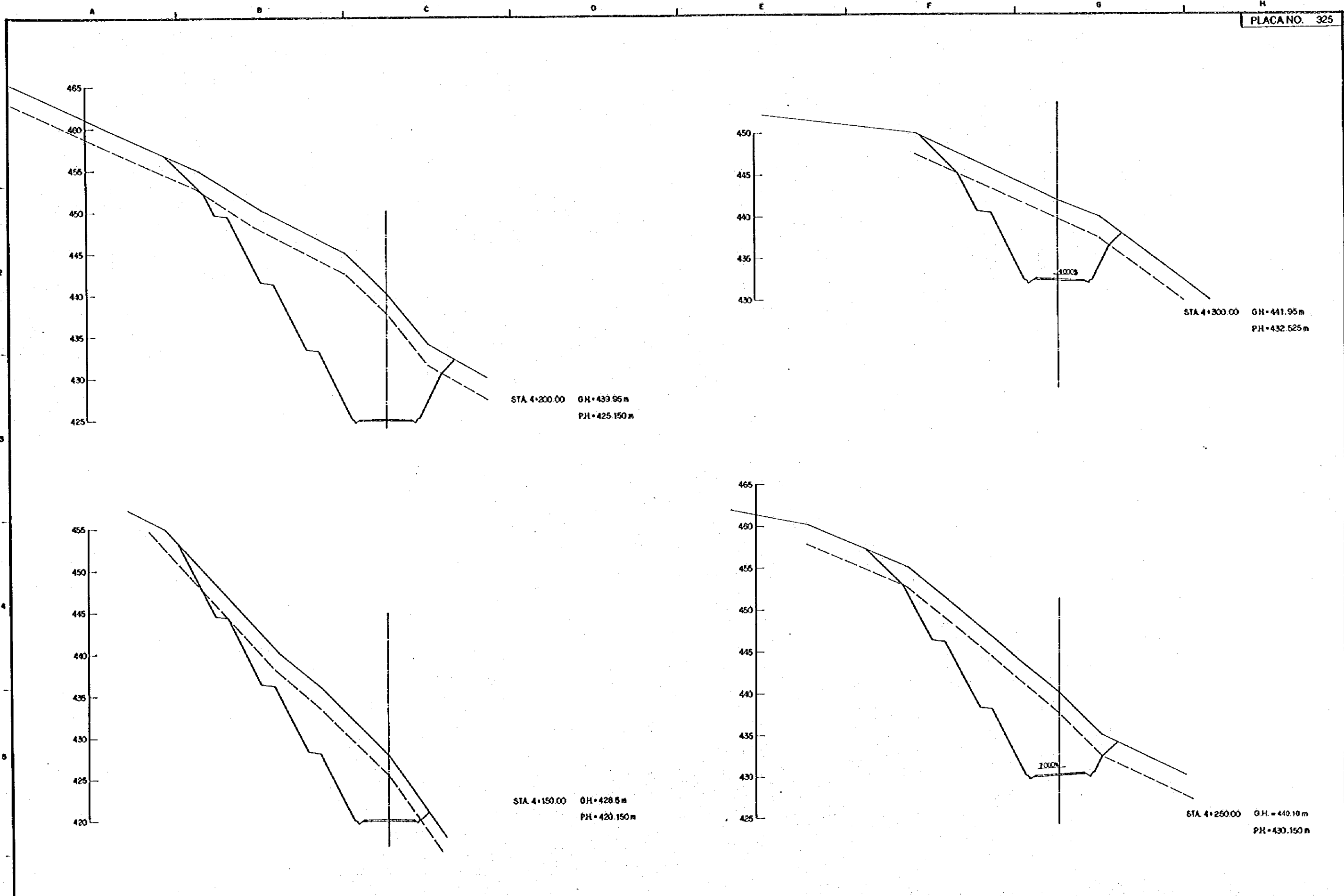
CRM
CENTRO DE REHABILITACION DE MANABI

Estudio de Diseño Detallado de los Travesaños de Agua para las Cuencas de Los Rios Chone - Portoviejo
The Detailed Design Study on the Water Transverse Schemes for Chone - Portoviejo River Basins

REPUBLICA DEL ECUADOR

TITULO : CAMINO DE ACCESO / ACCESS ROAD
CAMINO DE ACCESO CONGUILLO I
CORTE DE SECCIONES (1/75)
CONGUILLO ACCESS ROAD I
CROSS SECTIONS (1/75)

LEVANTO :	APROBADO :
DIBUJO :	FECHA :
DISEÑO :	DIBUJO Nº
REVISO :	
ENTREGO :	1-ACO-040
FECHA :	



ESCALA SCALE 0 10 20 M

REV. N°	REVISADO	APROBADO	FECHA

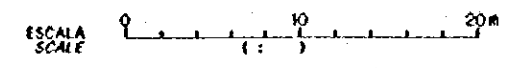
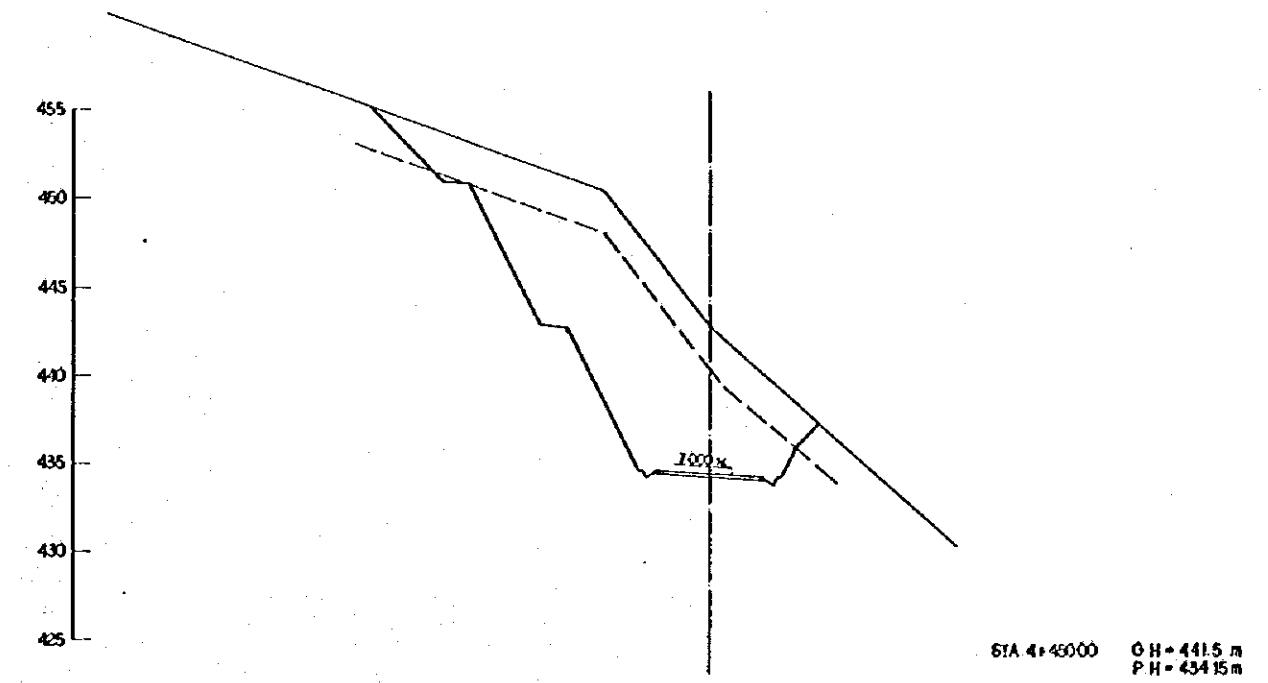
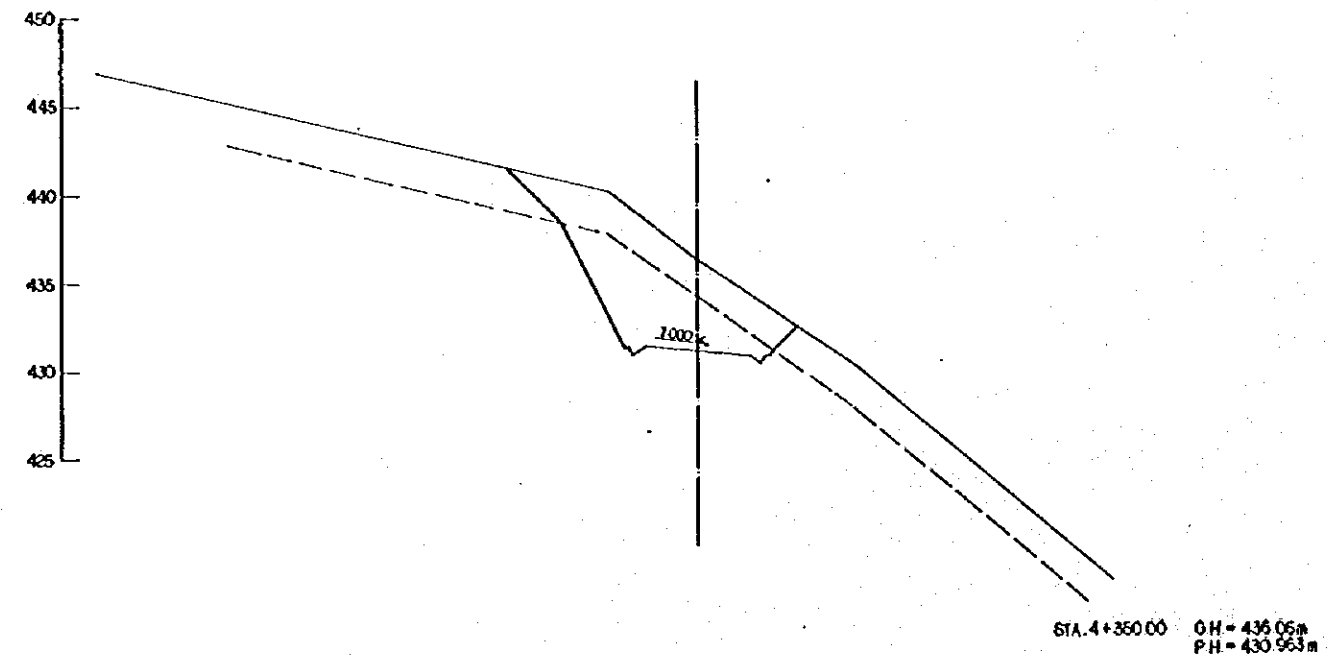
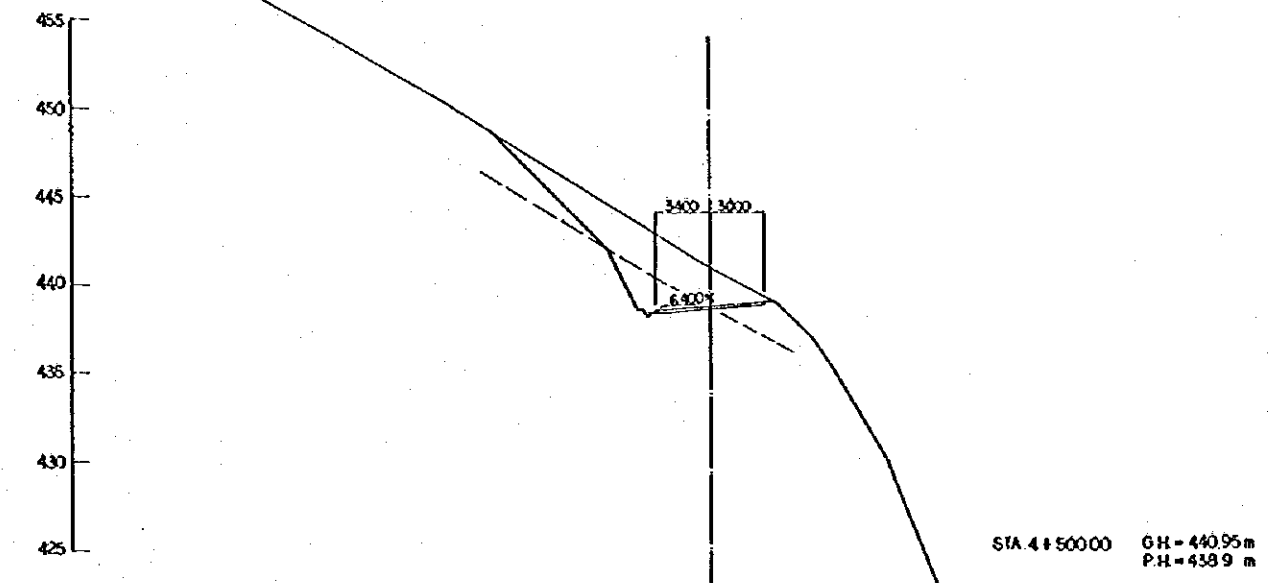
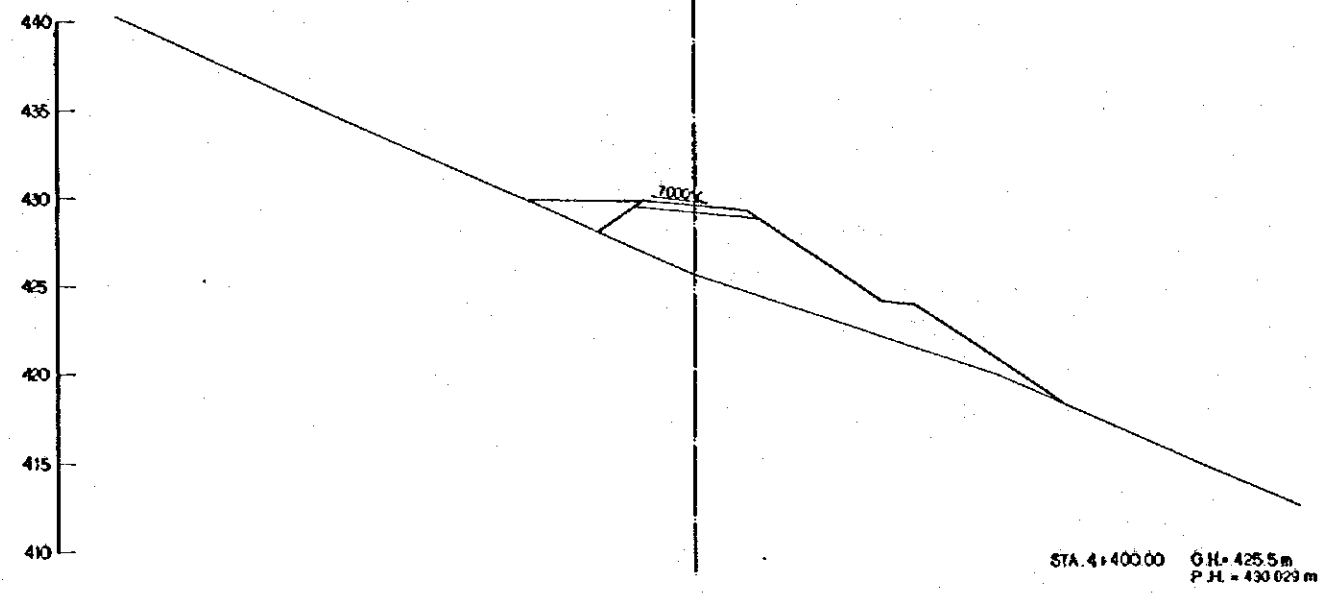
CRM
CENTRO DE REHABILITACION DE MANABI

Estudio de Diseño Detallado de los Tránsversales de Agua para las Cuencas de Los Ríos Chora - Portoviejo
The Detailed Design Study on the Water Transverse Schemes for Chora - Portoviejo River Basins

REPUBLICA DEL ECUADOR

TITULO: CAMINO DE ACCESO / ACCESS ROAD
CAMINO DE ACCESO CONGULLO I
CORTE DE SECCIONES (1/852)
CONGULLO ACCESS ROAD I
CROSS SECTIONS (1/852)

LEVANTO:	APROBADO:
DIBUJO:	FECHA:
DISEÑO:	DIBUJO N°
REVISO:	1-ACO-041
ENTREGO:	
FECHA:	

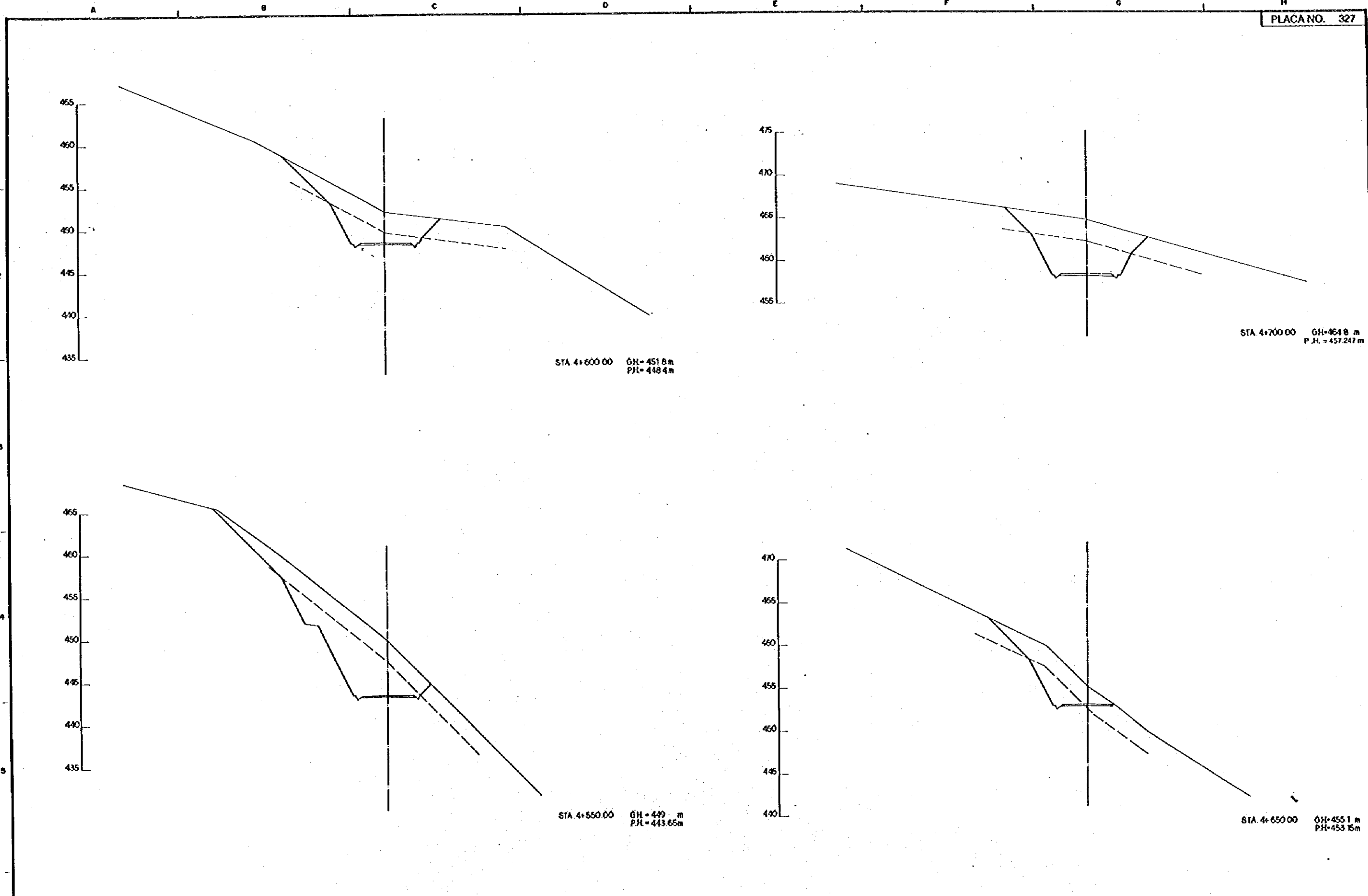


REV. Nº	REVISADO	APROBADO	FECHA

CRIM
CENTRO DE REHABILITACION DE MANABI
Estudio de Diseño Detallado de los Tránsversales de Agua para las Cuenclas de Los Rios Chora - Portoviejo
The Detailed Design Study on the Water Transverse Schemes for Chora - Portoviejo River Basins
REPUBLICA DEL ECUADOR

TITULO: CAMINO DE ACCESO / ACCESS ROAD
CAMINO DE ACCESO CONGULLO I
CORTE DE SECCIONES (19/52)
CONGULLO ACCESS ROAD I
CROSS SECTIONS (19/52)

LEVANTO:	APROBADO:
DIBUJO:	FECHA:
DISEÑO:	DIBUJO Nº
REVISO:	
ENTREGO:	1-ACO-042
FECHA:	

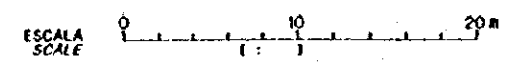


STA. 4+600.00 GH=451.8 m
P.H.=448.4 m

STA 4+700.00 GH=464.8 m
P.H.=457.247 m

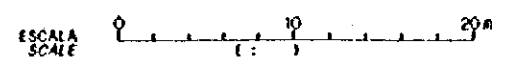
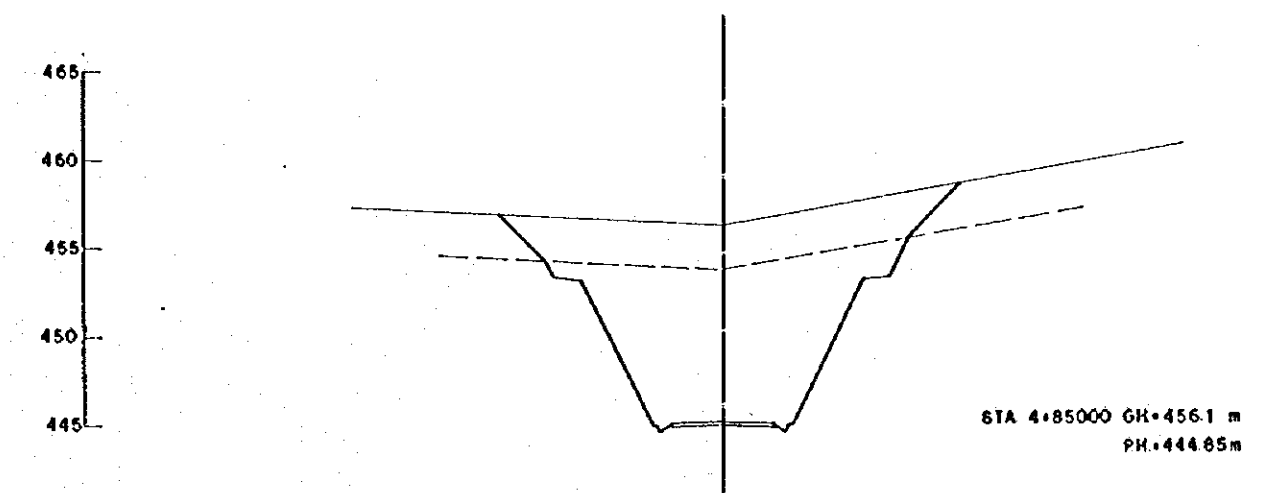
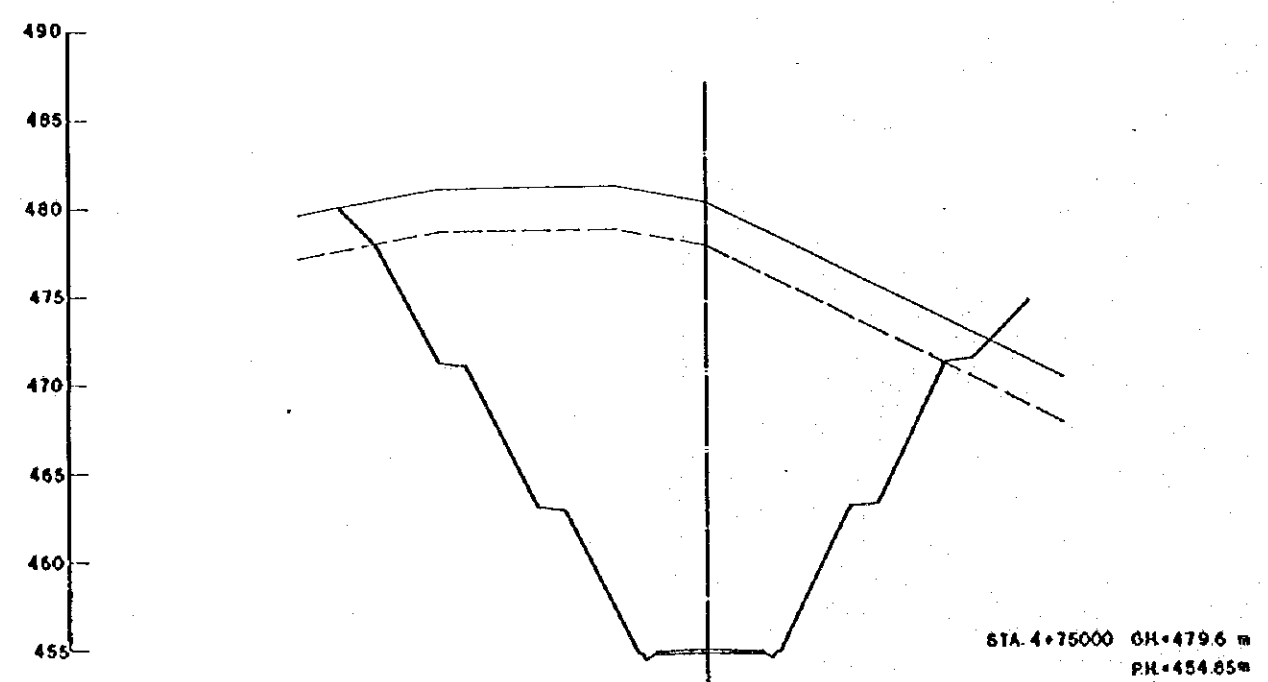
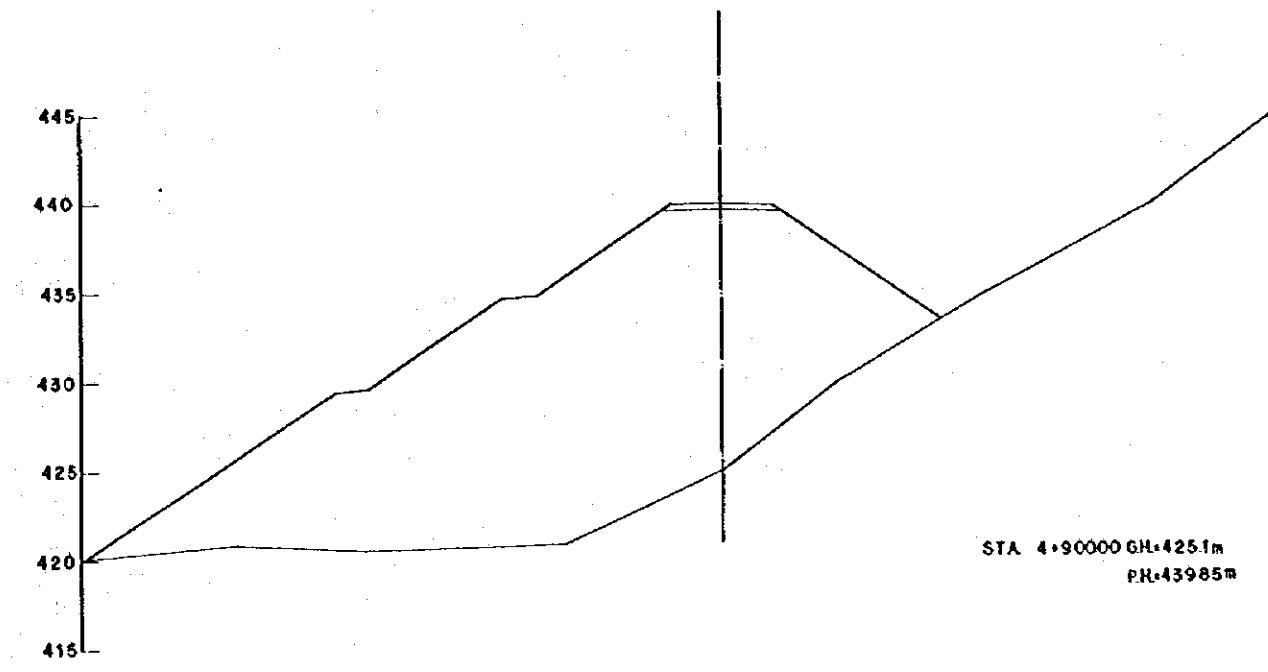
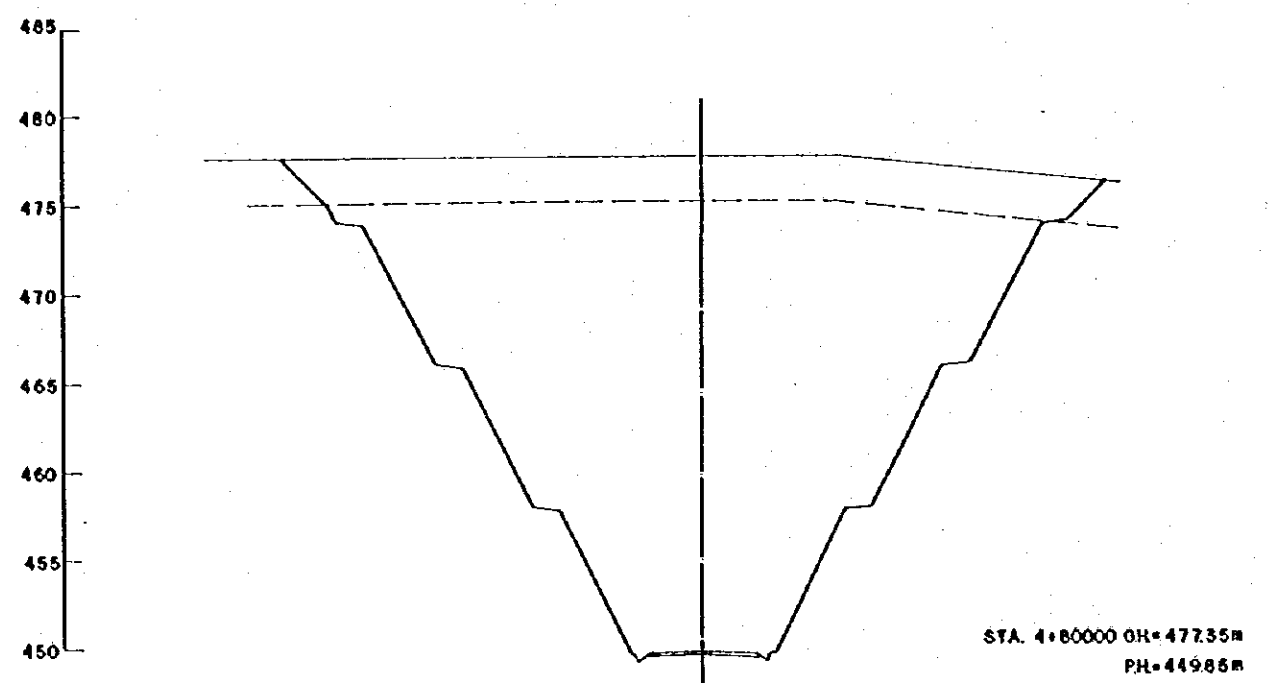
STA. 4+550.00 GH=449 m
P.H.=443.65 m

STA. 4+650.00 GH=455.1 m
P.H.=453.15 m



REV. N°	REVISADO	APROBADO	FECHA

CRIM CENTRO DE REHABILITACION DE MANABI REPUBLICA DEL ECUADOR	Estudio de Diseño Detallado de los Travesaños de Agua para las Cuencas de los Rios Chone-Portoviejo The Detailed Design Study on the Water Transverse Structures for Chone-Portoviejo River Basins	TITULO : CAMINO DE ACCESO / ACCESS ROAD CAMINO DE ACCESO CONGUILLO 1 CORTE DE SECCIONES (20/52) CONGUILLO ACCESS ROAD 1 CROSS SECTIONS (20/52)	LEVANTO : DIBUJO : DISEÑO : REVISO : ENTREGO : FECHA :	APROBADO : FECHA : DIBUJO N° 1-AC0-043
--	---	--	---	---



REV. N°	REVISADO	APROBADO	FECHA

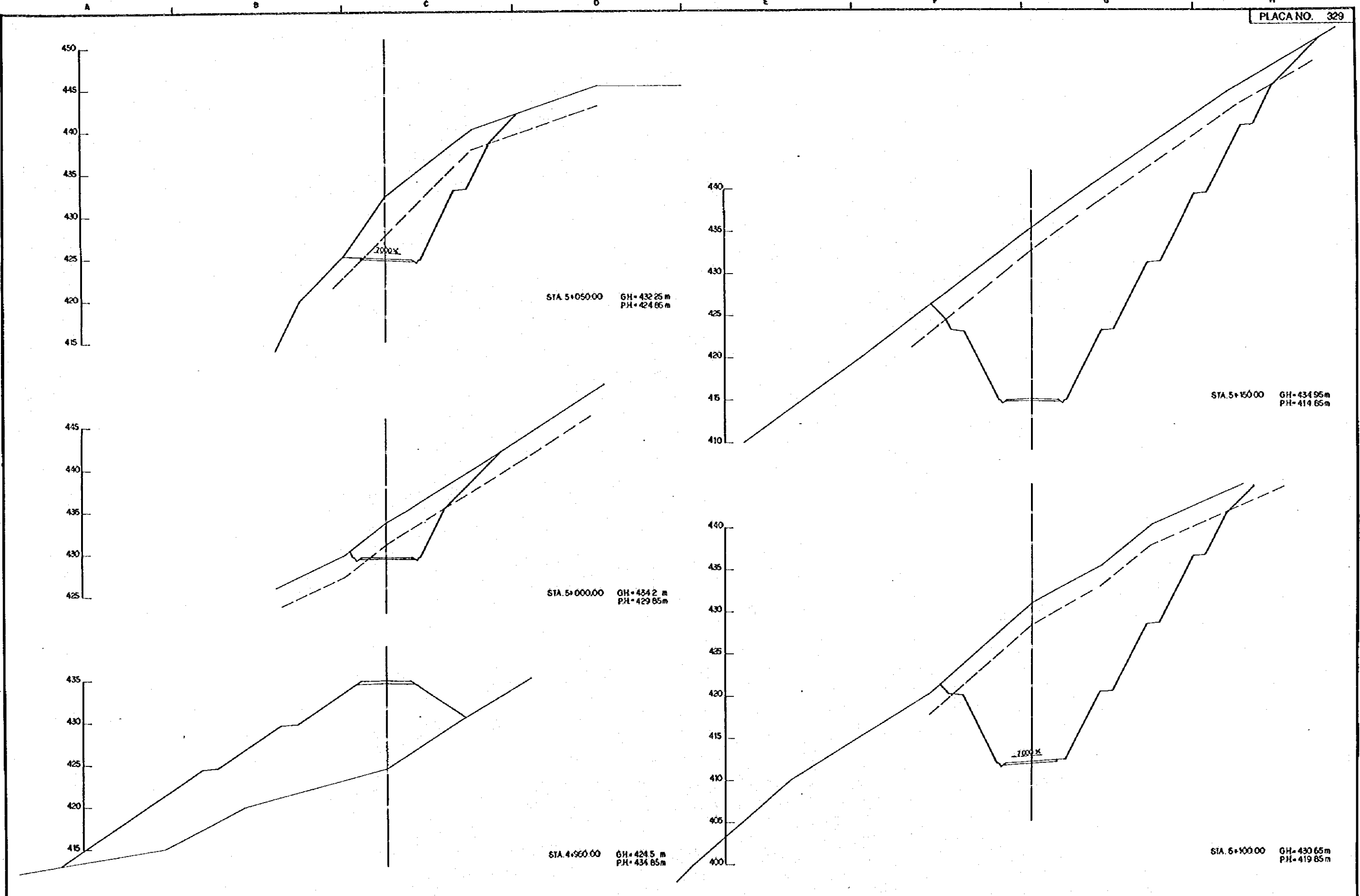
CRM
CENTRO DE REHABILITACION DE MANABI

Estudio de Diseño Costado de los Traspases de Agua para los Cuencas de Los Rios Chone - Portovelo
The Detailed Design Study on the Water Transbasin Schemes for Chone - Portovelo River Basins

REPUBLICA DEL ECUADOR

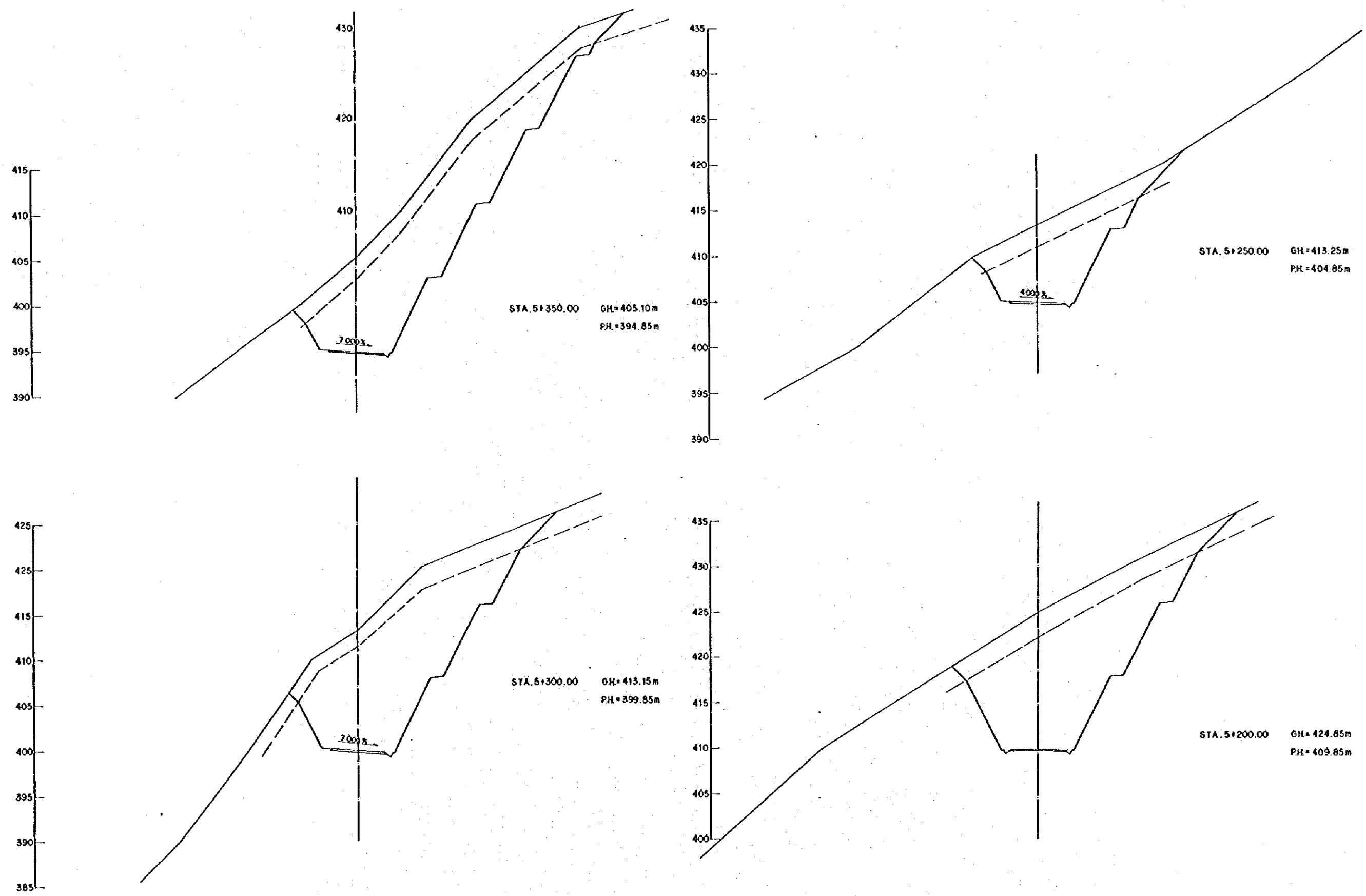
TITULO: CAMINO DE ACCESO / ACCESS ROAD
CAMINO DE ACCESO CONGULLO 1
CORTE DE SECCIONES (21/52)
CONGULLO ACCESS ROAD 1
CROSS SECTIONS (21/52)

LEVANTO:	APROBADO:
DIBUJO:	FECHA:
DISEÑO:	DIBUJO N°
REVISO:	
ENTREGO:	1-ACO-044
FECHA:	



REV. NO.	REVISADO	APROBADO	FECHA

CRM CENTRO DE REHABILITACION DE MANABI REPUBLICA DEL ECUADOR	Estudio de Diseño Detallado de los Tránsversales de Agua para las Cuenecas de Los Rios Chone - Portoviejo <i>The Detailed Design Study on the Water Transversal Schemes for Chone - Portoviejo River Basins</i>	TITULO: CAMINO DE ACCESO / ACCESS ROAD CAMINO DE ACCESO CONGUILLO I CORTE DE SECCIONES (22/52) CONGUILLO ACCESS ROAD I CROSS SECTIONS (22/52)	LEVANTO: _____ DIBUJO: _____ DISEÑO: _____ REVISO: _____ ENTREGO: _____ FECHA: _____	APROBADO: _____ FECHA: _____ DIBUJO NO: _____ 1-ACO-045
---	--	---	---	---

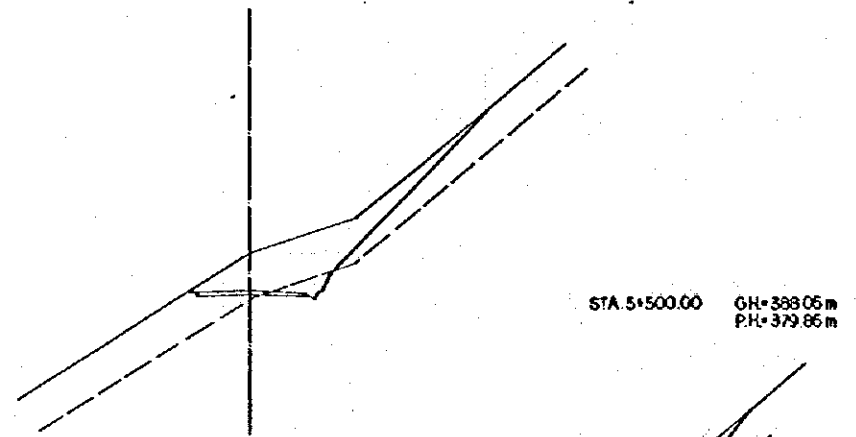


ESCALA SCALE 0 10 20m

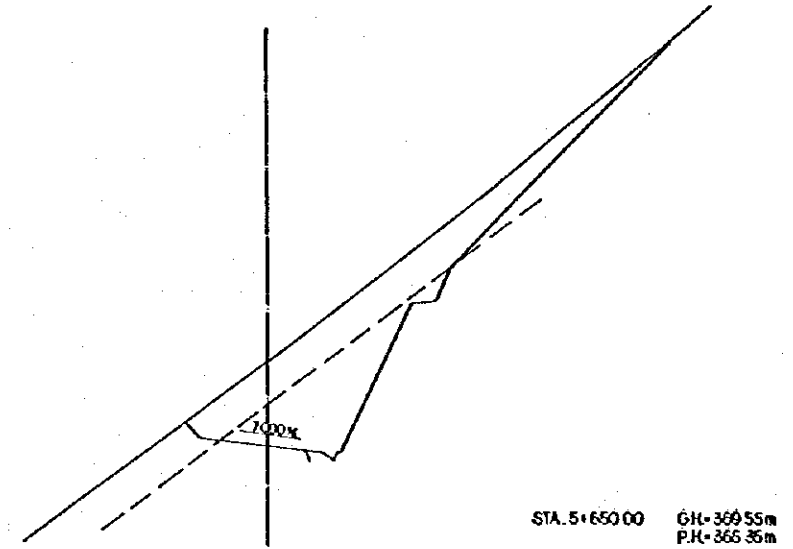
REV. N°	REVISADO	APROBADO	FECHA

<p>CENTRO DE REHABILITACION DE MANABI</p>	<p>Estudio de Diseño Detallado de los Traveses de Agua para las Cuencas de Los Rios Chone - Portoviejo</p> <p>The Detailed Design Study on the Water Diversion Schemes for Chone - Portoviejo River Basins</p>	TITULO: CAMINO DE ACCESO / ACCESS ROAD	LEVANTO:	APROBADO:
		<p>REPUBLICA DEL ECUADOR</p>	<p>CAMINO DE ACCESO CONGULLO 1</p> <p>CORTE DE SECCIONES (2352)</p> <p>CONGULLO ACCESS ROAD 1</p> <p>CROSS SECTIONS (2352)</p>	<p>DISEÑO:</p> <p>REVISO:</p> <p>ENTREGO:</p> <p>FECHA:</p>

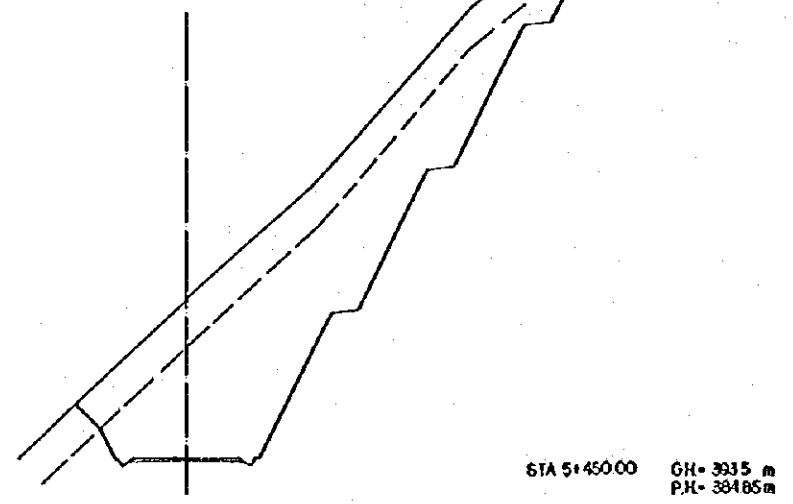
400
395
390
385
380



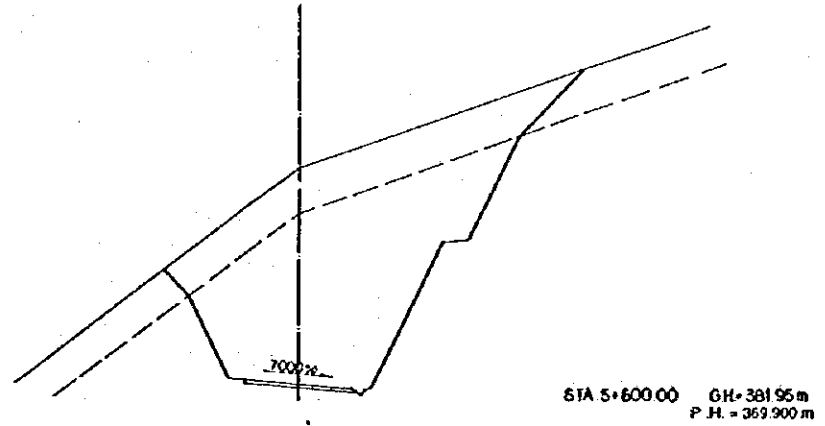
330
325
320
315
310
305
300



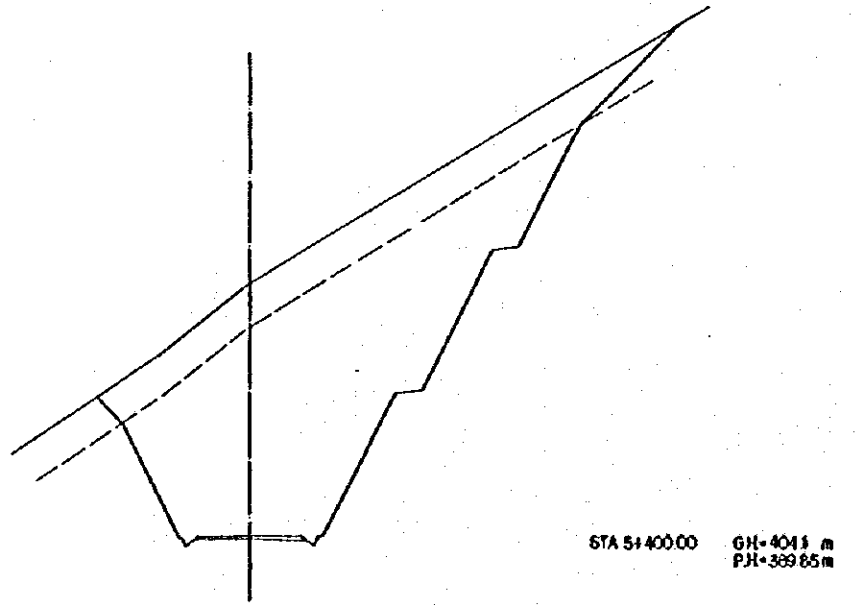
410
405
400
395
390
385



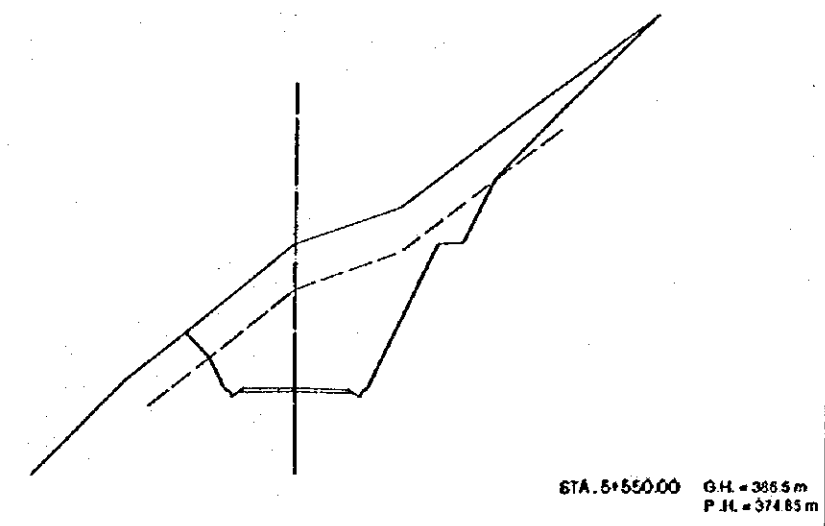
300
295
290
285
280
275



415
410
405
400
395
390



295
290
285
280
275



ESCALA SCALE 0 10 20m

REV. N°	REVISADO	APROBADO	FECHA

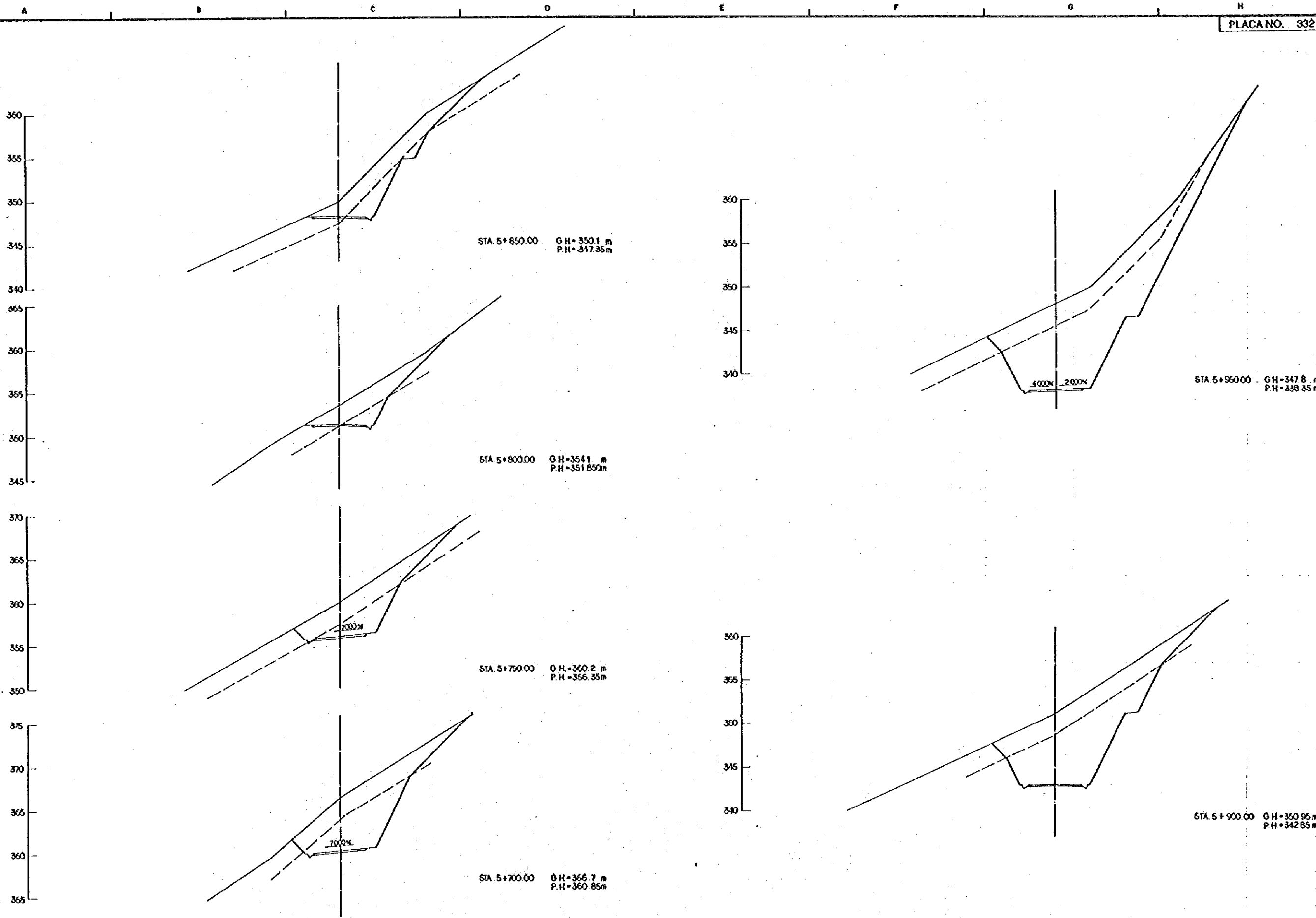
CRM
CENTRO DE REHABILITACIÓN DE MANABI
Estudio de Diseño Detallado de los Traszeros de Agua para los Cuencas de Los Rios Chone - Portofino
The Detailed Design Study on the Water Transfer Schemes for Chone - Portofino River Basins

REPÚBLICA DEL ECUADOR

TITULO: CAMINO DE ACCESO / ACCESS ROAD
CAMINO DE ACCESO CONGUILLO 1
CORTE DE SECCIONES (24/52)
CONGUILLO ACCESS ROAD 1
CROSS SECTIONS (24/52)

LEVANTO:	APROBADO:
DIBUJO:	FECHA:
DISEÑO:	DIBUJO N°
REVISO:	
ENTREGO:	
FECHA:	

1-ACO-047



STA. 5+850.00 O.H.=350.1 m
P.H.=347.35m

STA. 5+800.00 O.H.=354.1 m
P.H.=351.85m

STA. 5+750.00 O.H.=360.2 m
P.H.=356.35m

STA. 5+700.00 O.H.=366.7 m
P.H.=360.85m

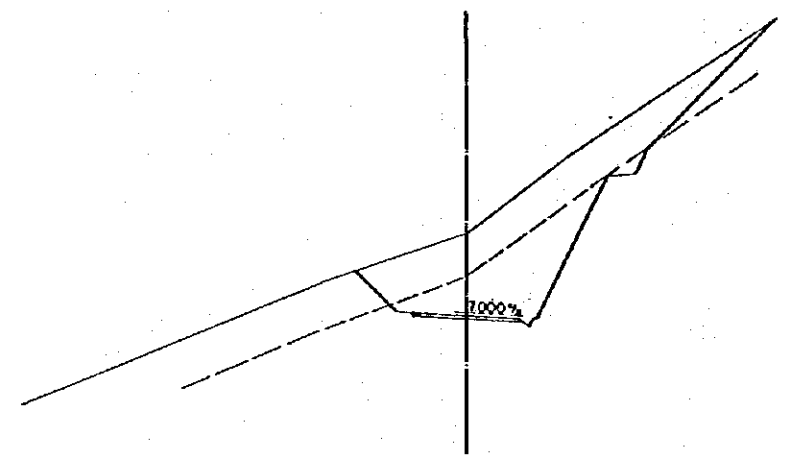
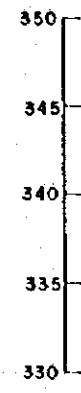
STA. 5+960.00 O.H.=347.8 m
P.H.=338.35m

STA. 5+900.00 O.H.=350.95m
P.H.=342.85m

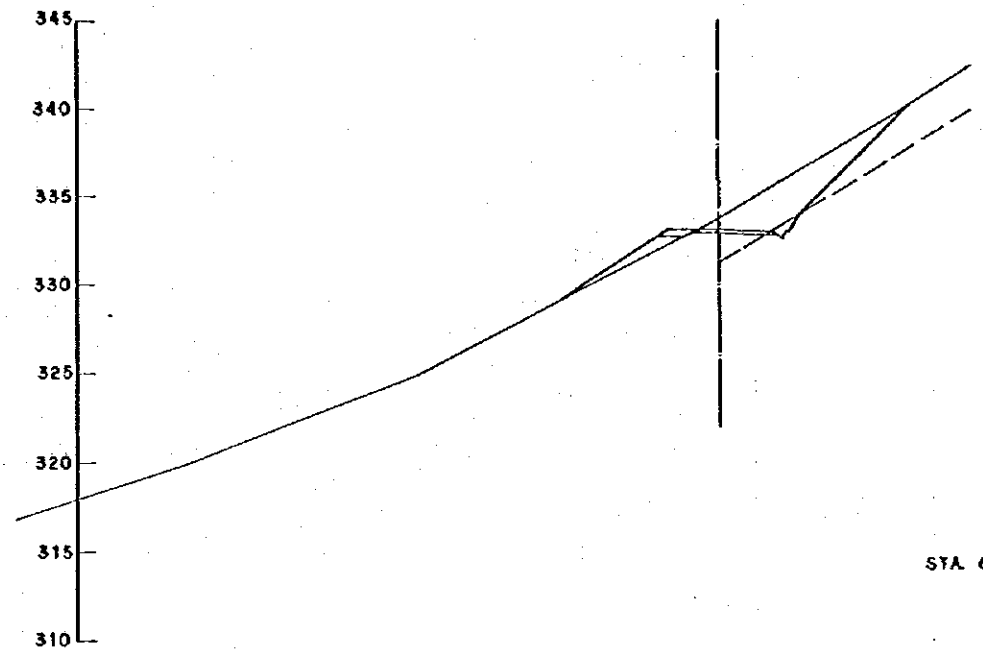
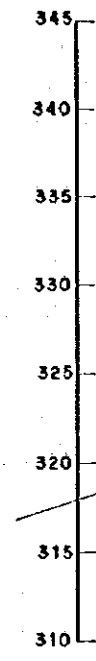
ESCALA SCALE 0 10 20m

REV. N°	REVISADO	APROBADO	FECHA

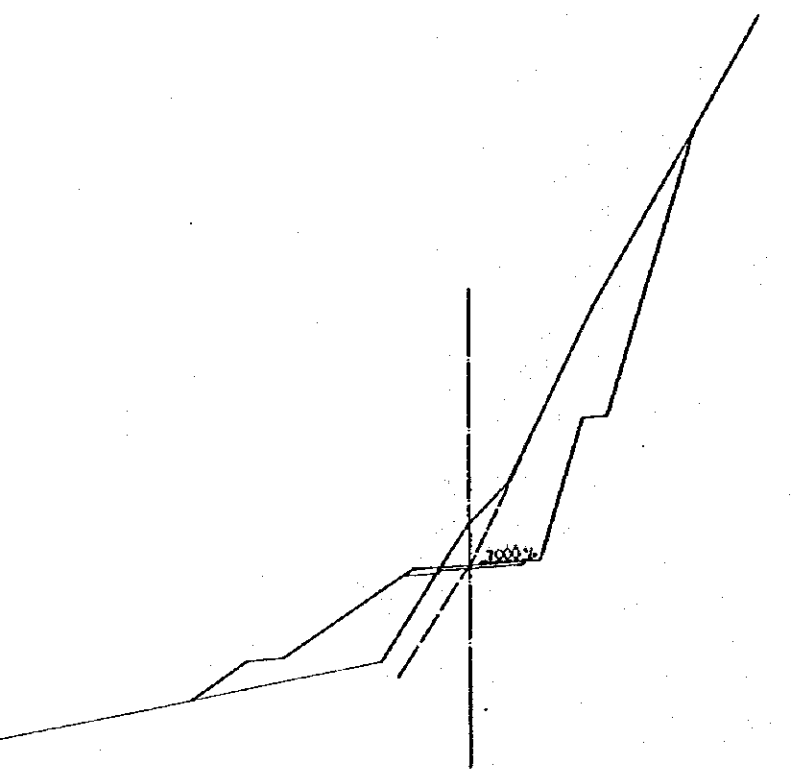
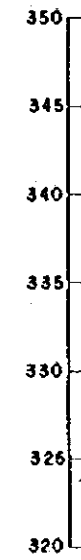
CRM CENTRO DE REHABILITACION DE MANABI	Estudio de Diseño Detallado de los Tránsenes de Agua para las Cuencas de Los Rios Chona-Portoviejo <i>The Detailed Design Study on the Water Transverse Schemes for Chona-Portoviejo River Basins</i>	TITULO: CAMINO DE ACCESO / ACCESS ROAD CAMINO DE ACCESO CONGUILLO I CORTE DE SECCIONES (25/52) CONGUILLO ACCESS ROAD I CROSS SECTIONS (25/52)	LEVANTO: DIBUJO: DISEÑO: REVISO: ENTREGO: FECHA:	APROBADO: FECHA: DIBUJO N° 1-ACO 048
	REPUBLICA DEL ECUADOR			



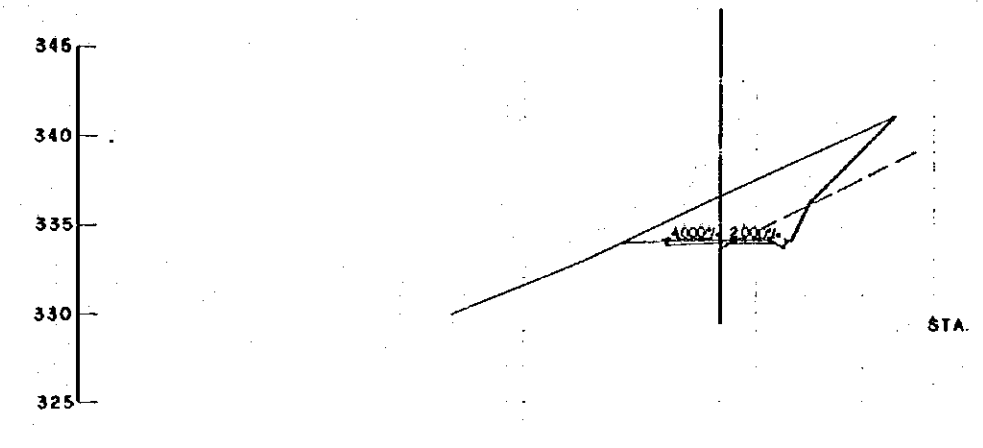
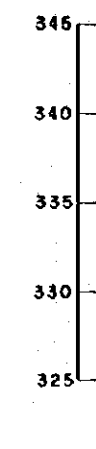
STA. 6+05000 GH=339.5 m
PH=334.95m



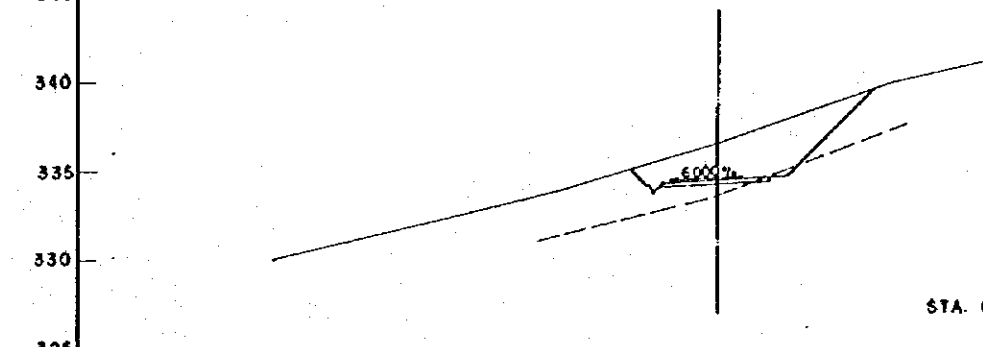
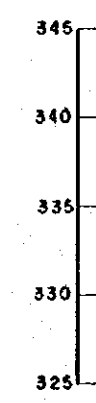
STA. 6+20000 GH=334.1 m
PH=333.45 m



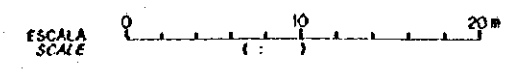
STA. 6+00000 GH=338.05 m
PH=335.45 m



STA. 6+15000 GH=336.85 m
PH=333.95 m



STA. 6+10000 GH=336.5 m
PH=334.45 m



REV. Nº	REVISADO	APROBADO	FECHA

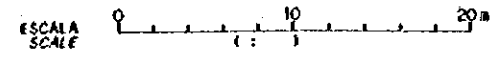
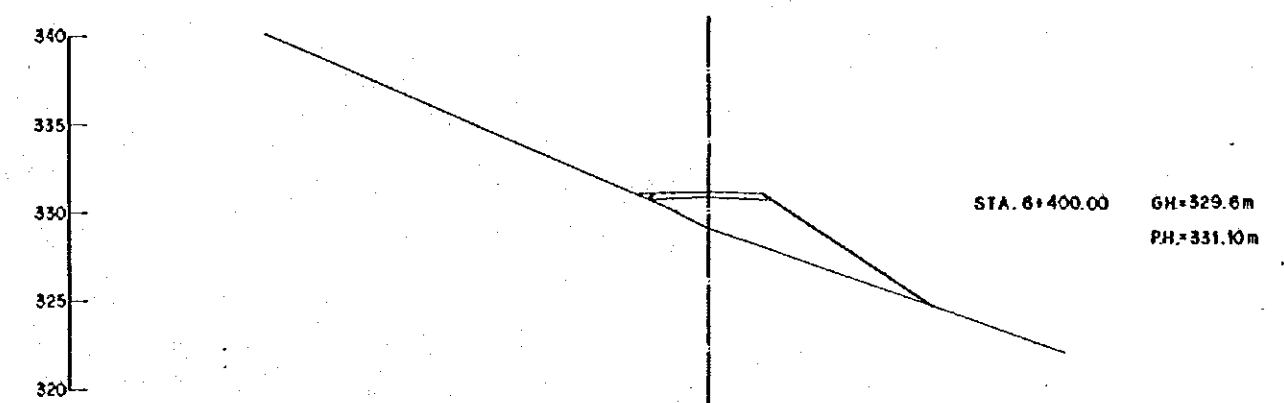
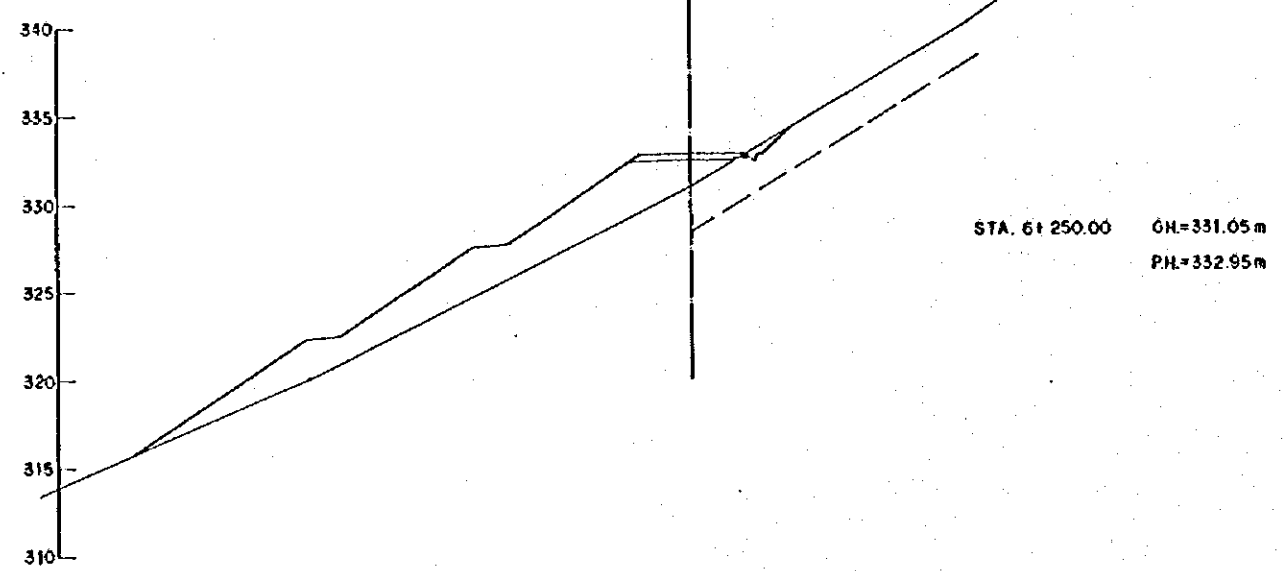
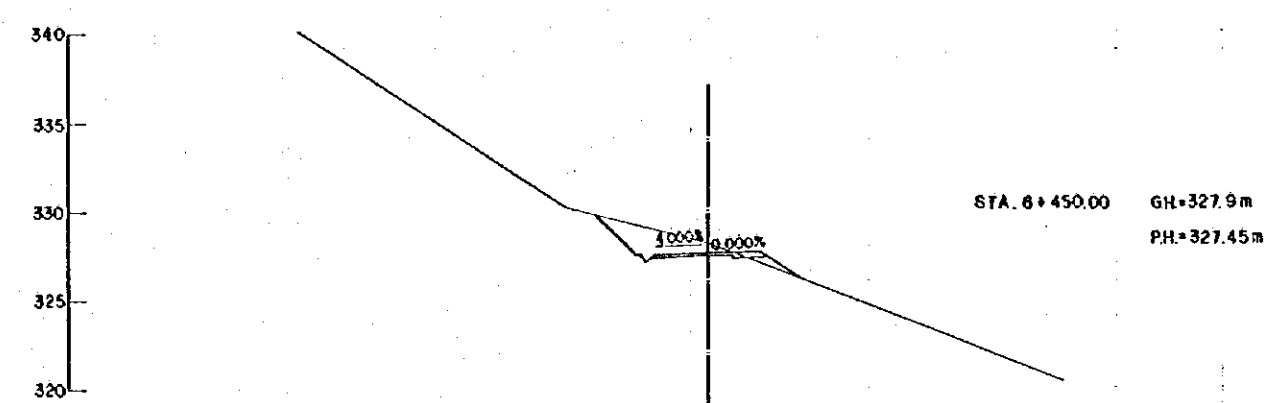
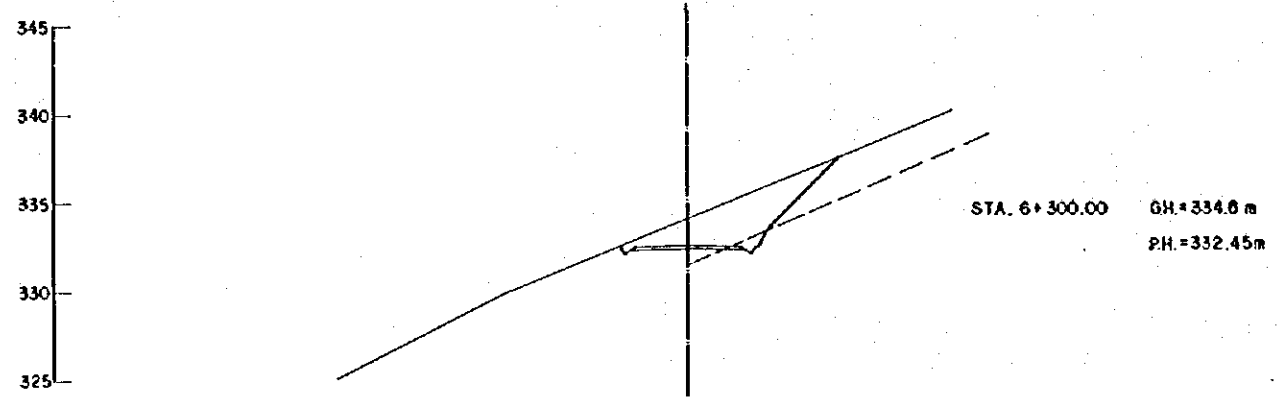
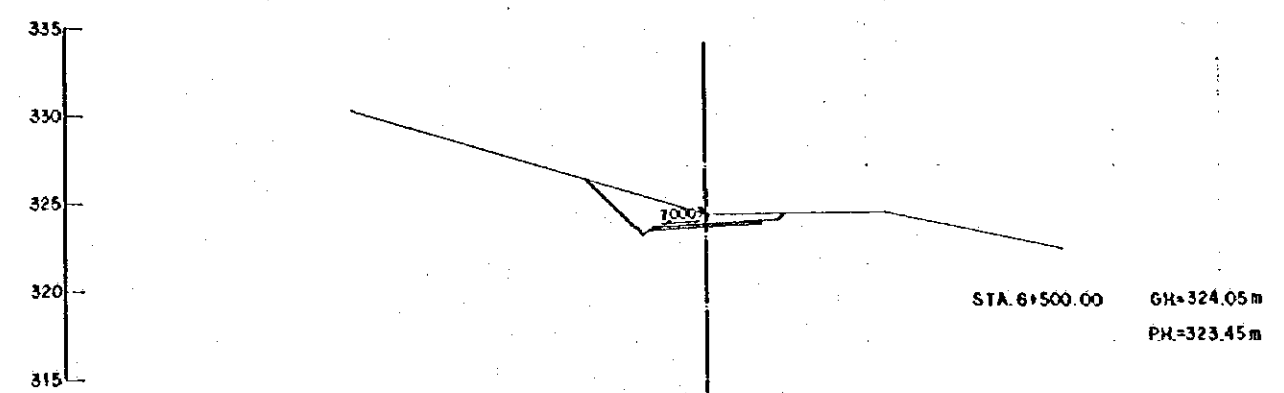
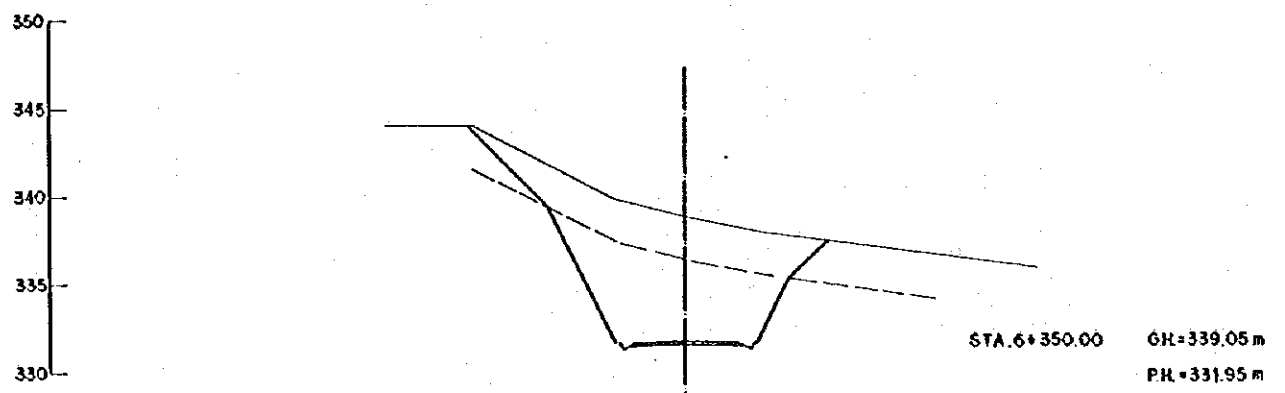
CRM
CENTRO DE REHABILITACION DE MANABI

Estudio de Diseño Detallado de los Troncos de Agua para las Cuenas de Los Rios Chona - Portoviejo
The Detailed Design Study on the Water Transfer Schemes for Chona - Portoviejo River Basins

REPÚBLICA DEL ECUADOR

TÍTULO: CAMINO DE ACCESO / ACCESS ROAD
CAMINO DE ACCESO CÓNQUILLO I
CORTE DE SECCIONES (26/52)
CÓNQUILLO ACCESS ROAD I
CROSS SECTIONS (26/52)

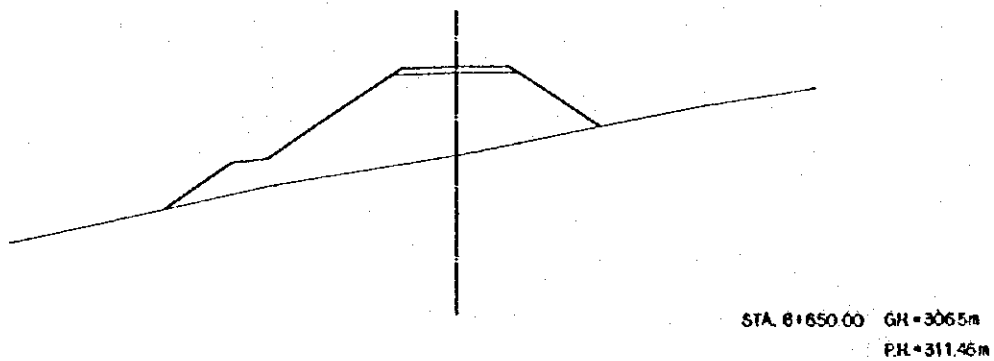
LEVANTÓ:	APROBADO:
DIBUJO:	FECHA:
DISEÑO:	DIBUJO Nº:
REVISÓ:	ENTREGÓ:
FECHA:	1-ACO-049



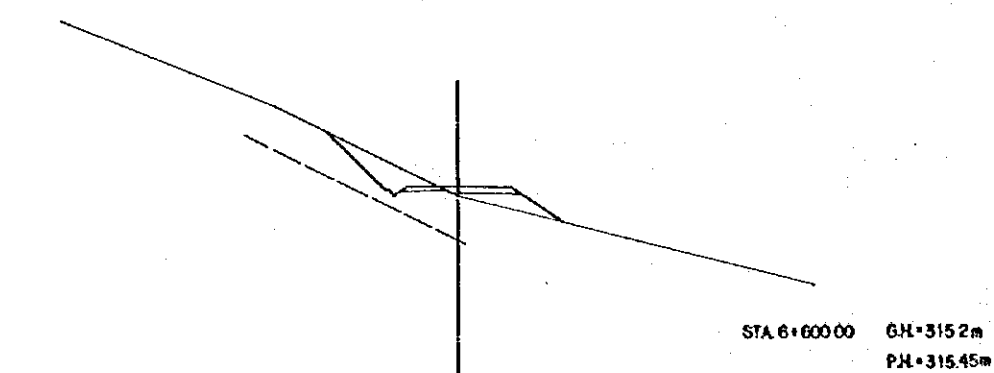
REV. Nº	REVISADO	APROBADO	FECHA

CRM CENTRO DE REHABILITACIÓN DE MANABI	Estudio de Diseño Detallado de los Trámites de Agua para las Quebradas de Los Rios Choro - Portofino The Detailed Design Study on the Water Transfer Schemes for Choro - Portofino River Basins	TÍTULO : CAMINO DE ACCESO / ACCESS ROAD CAMINO DE ACCESO CONGUILLO 1 CORTE DE SECCIONES (27/52) CONGUILLO ACCESS ROAD 1 CROSS SECTIONS (27/52)	LEVANTO : DIBUJO : DISEÑO : REVISO : ENTREGO : FECHA :	APROBADO : FECHA : DIBUJO Nº 1-ACO 050
	REPUBLICA DEL ECUADOR			

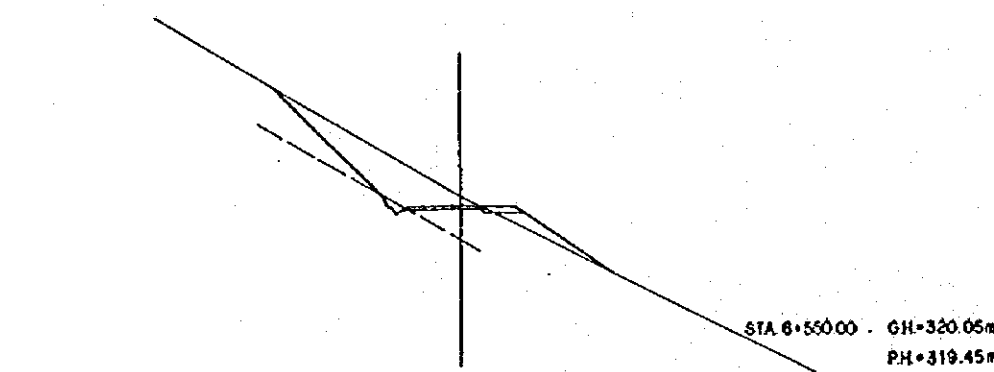
315
310
305
300
295



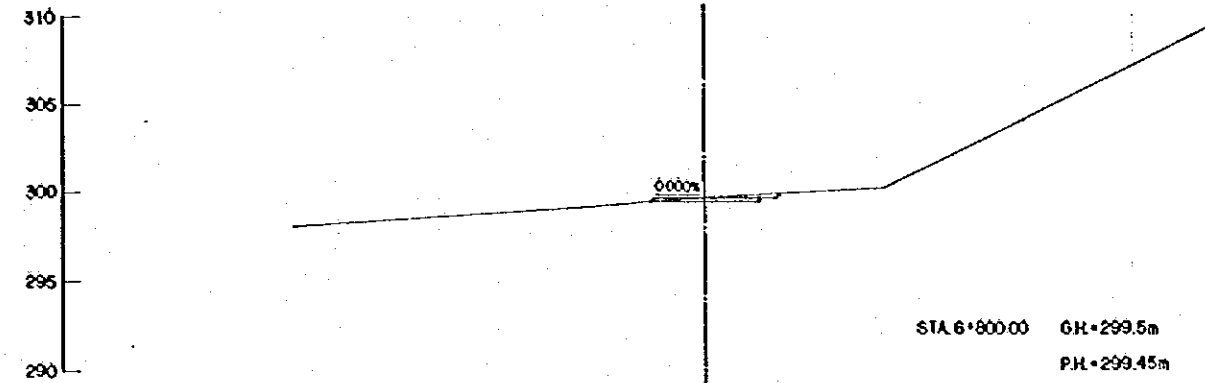
325
320
315
310
305



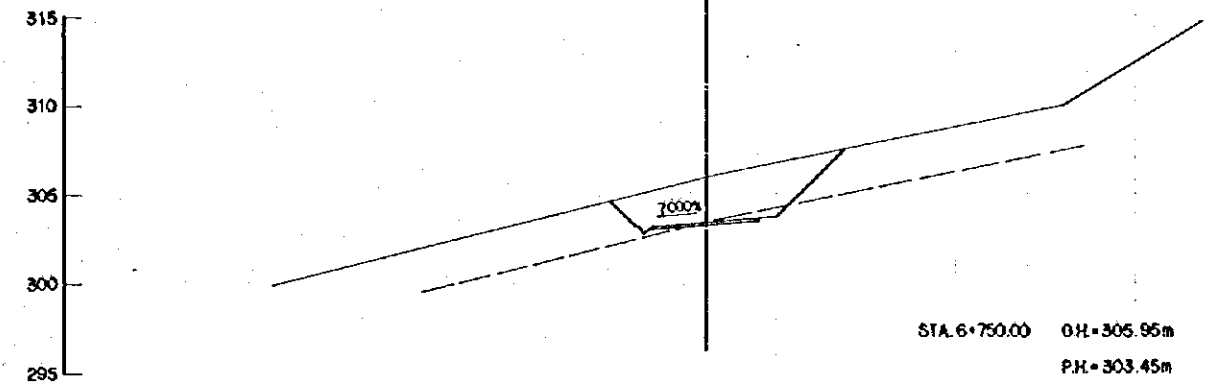
330
325
320
315
310



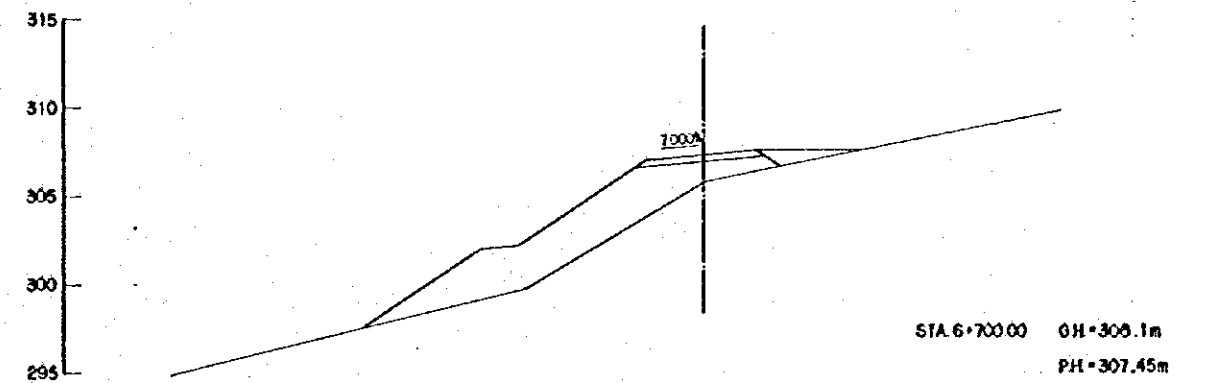
310
305
300
295
290



315
310
305
300
295



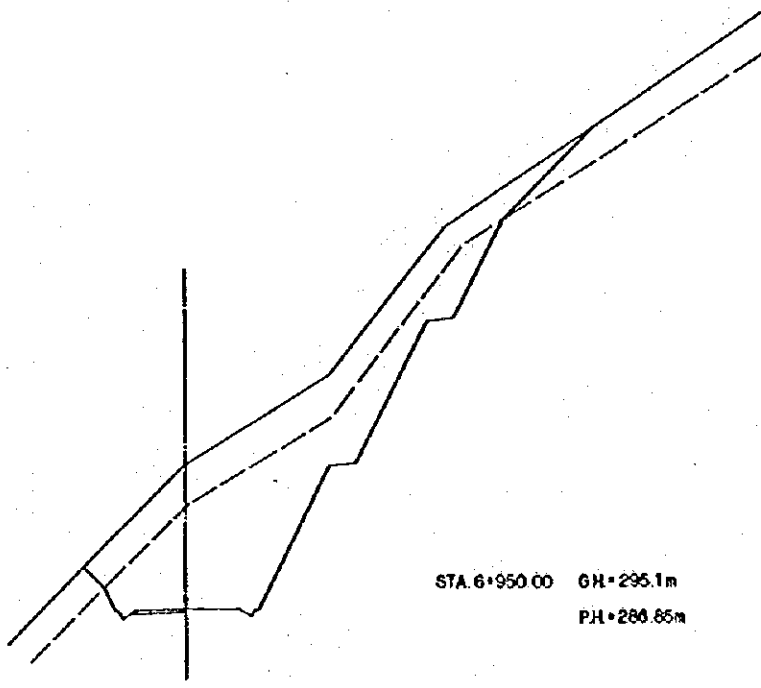
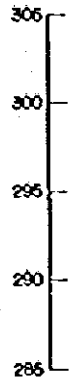
315
310
305
300
295



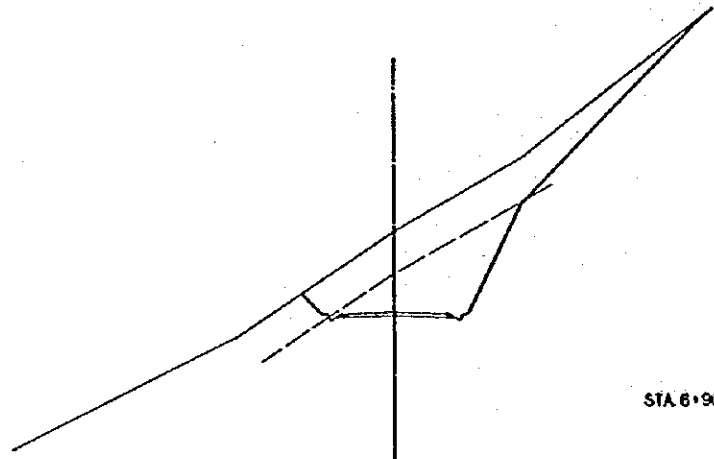
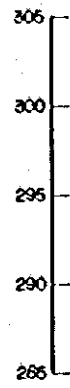
ESCALA SCALE 0 10 20 m

REV. N°	REVISADO	APROBADO	FECHA

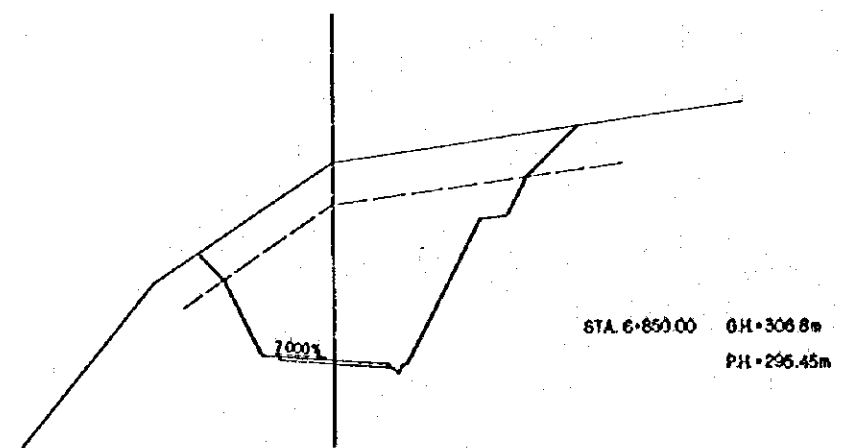
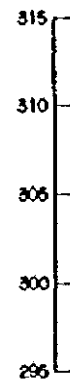
CRM CENTRO DE REHABILITACION DE MANABI	Estudio de Diseño Detallado de los Tramos de Agua para las Cuencas de Los Rios Chone - Portoviejo The Detailed Design Study on the Water Tranchese Schemes for Chone - Portoviejo River Basins	TITULO : CAMINO DE ACCESO / ACCESS ROAD CAMINO DE ACCESO DONGULLO 1 CORTÉ DE SECCIONES (2852) DONGULLO ACCESS ROAD 1 CROSS SECTIONS (2852)	LEVANTO : DIBUJO : DISEÑO : REVISO : ENTREGO : FECHA :	APROBADO : FECHA : DIBUJO N° 1-ACO-051
	REPUBLICA DEL ECUADOR	REPUBLICA DEL ECUADOR	REPUBLICA DEL ECUADOR	REPUBLICA DEL ECUADOR



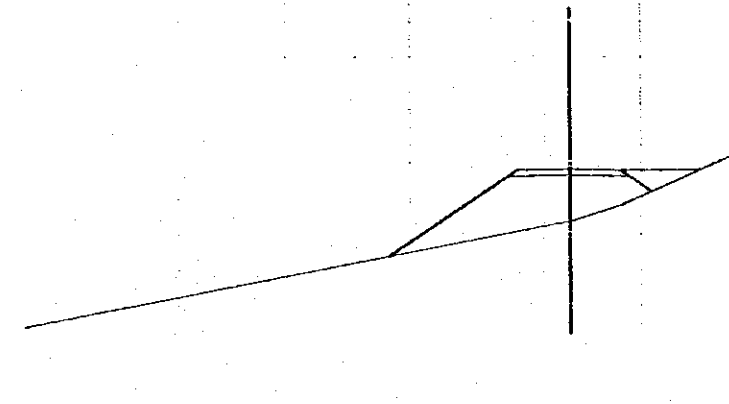
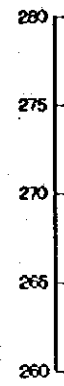
STA. 6+950.00 GH=295.1m
PH=288.85m



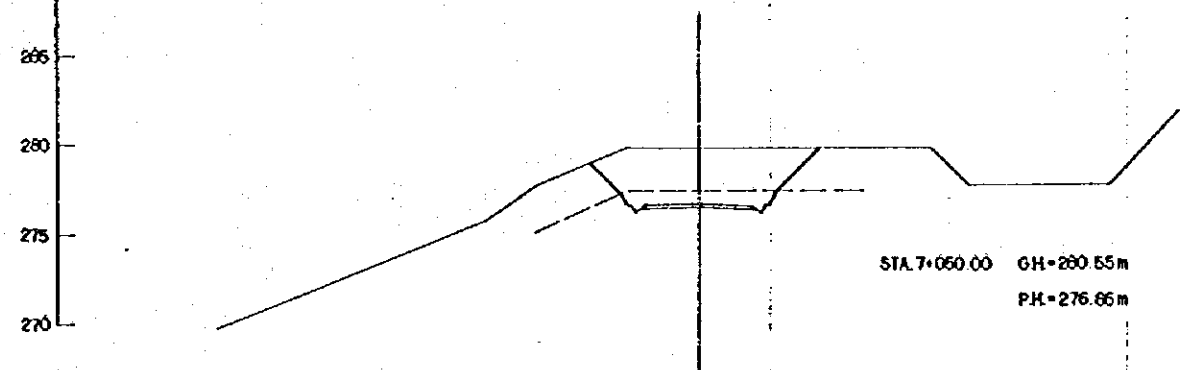
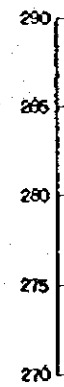
STA. 6+900.00 GH=298.5m
PH=291.45m



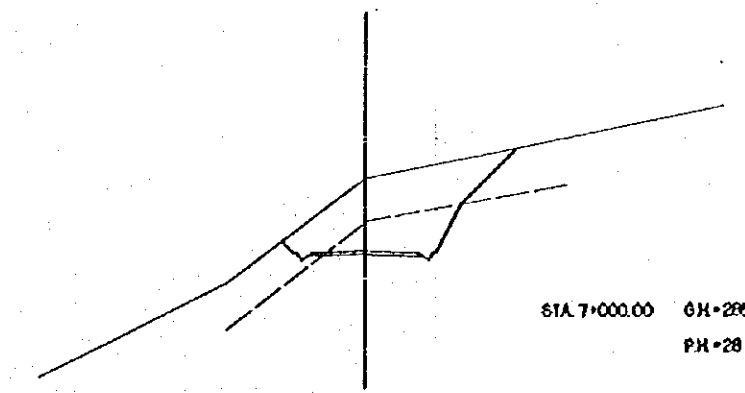
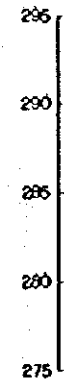
STA. 6+850.00 GH=306.8m
PH=296.45m



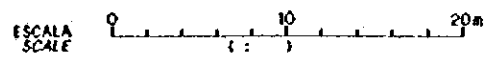
STA. 7+100.00 GH=269.6m
PH=271.85m



STA. 7+050.00 GH=280.55m
PH=276.65m



STA. 7+000.00 GH=285.9m
PH=281.05m



REV. N°	REVISADO	APROBADO	FECHA

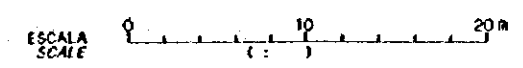
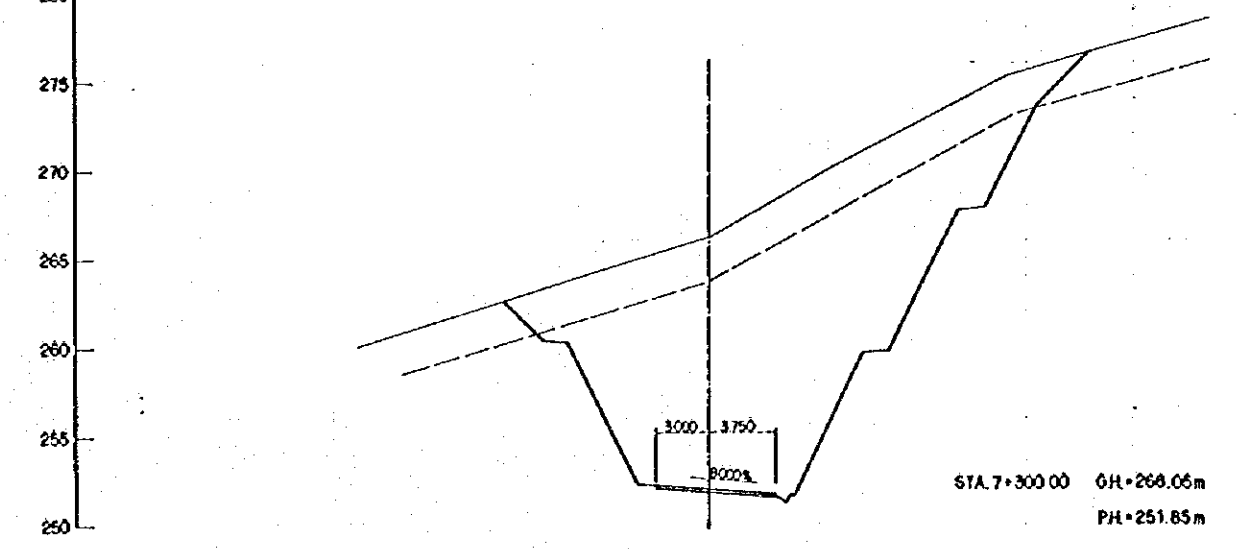
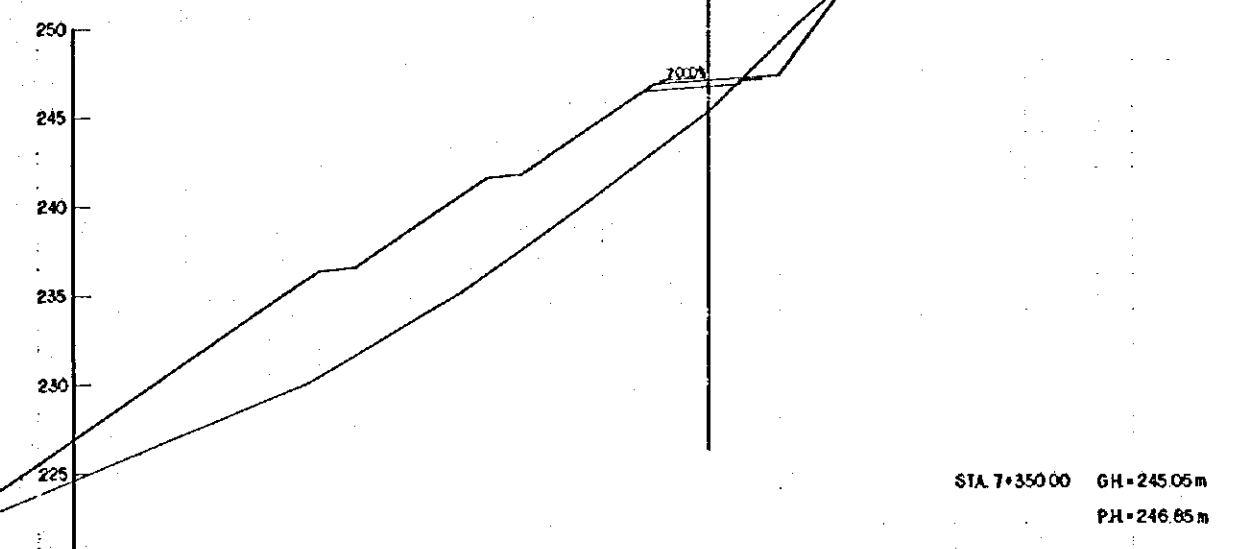
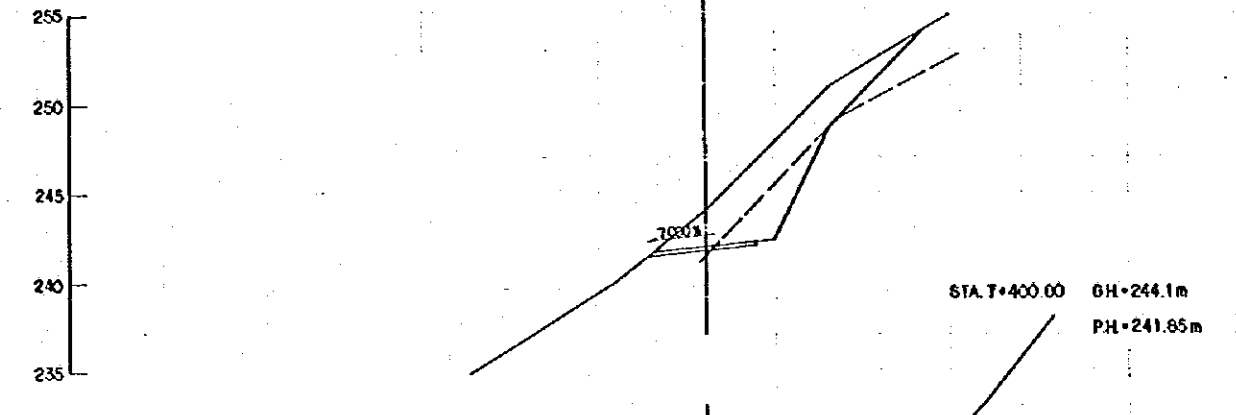
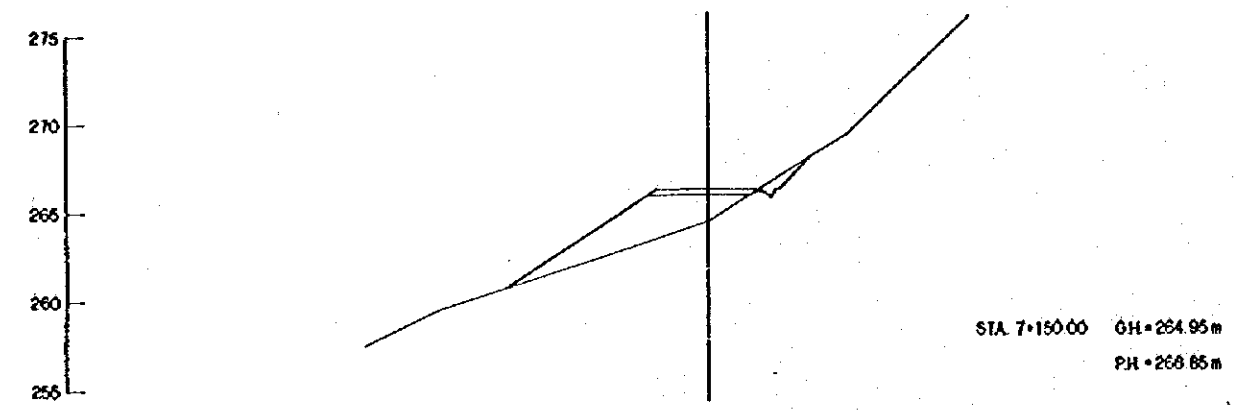
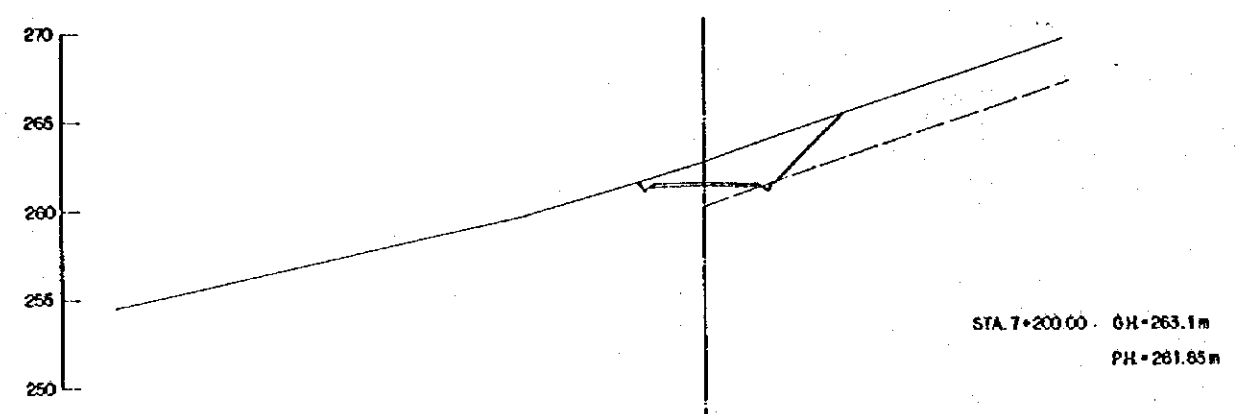
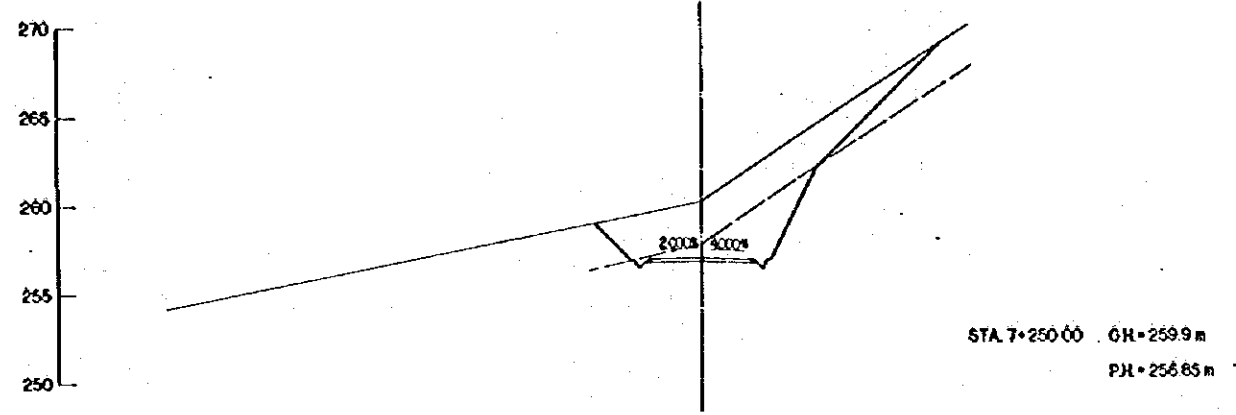
CRM
CENTRO DE REHABILITACION DE MANABI

Estudio de Diseño Detallado de los Travesaños de Agua para las Cuenecas de Los Rios Chone - Portoviejo
The Detailed Design Study on the Water Traversing Schemes for Chone - Portoviejo River Basins

REPUBLICA DEL ECUADOR

TITULO : CAMINO DE ACCESO / ACCESS ROAD
CAMINO DE ACCESO CÓNIGULLO 1
CORTE DE SECCIONES (29/52)
CÓNIGULLO ACCESS ROAD 1
CROSS SECTIONS (29/52)

LEVANTO :	APROBADO :
DIBUJO :	FECHA :
DISEÑO :	DIBUJO N°
REVISO :	1-ACO-052
ENTREGO :	FECHA :



REV. N°	REVISADO	APROBADO	FECHA

CRML
CENTRO DE REHABILITACION DE MANABI
REPUBLICA DEL ECUADOR

Estudio de Diseño Detallado de los Traveses de Agua para las Cuenca de Los Rios Choro - Portoviejo
The Detailed Design Study on the Water Traverses Schemes for Choro - Portoviejo River Basin

TITULO: CAMINO DE ACCESO / ACCESS ROAD
CAMINO DE ACCESO CONGUILLO I
CORTE DE SECCIONES (30S2)
CONGUILLO ACCESS ROAD I
CROSS SECTIONS (30S2)

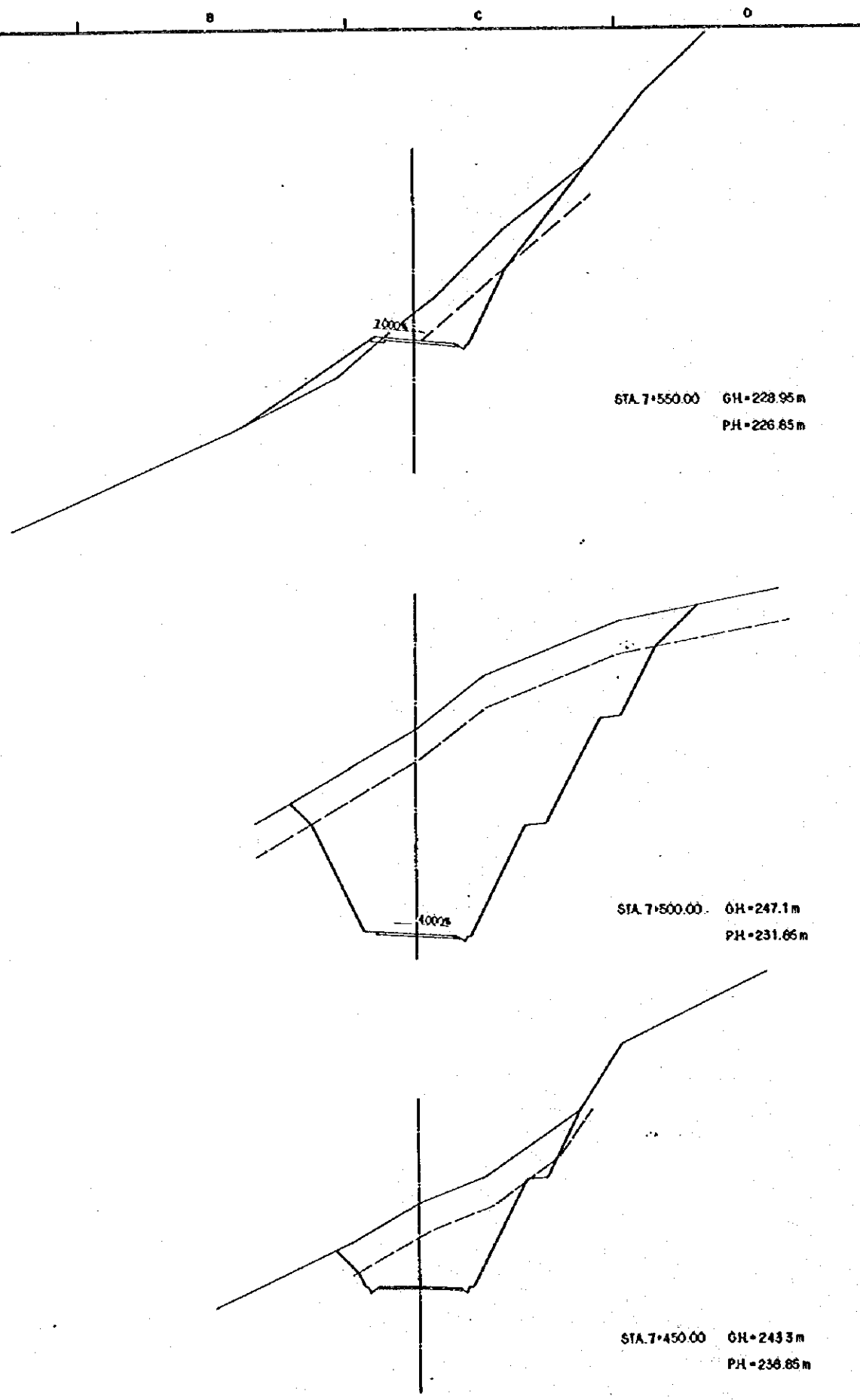
LEVANTO:	APROBADO:
DIBUJO:	FECHA:
DISEÑO:	DIBUJO N°
REVISO:	
ENTREGA:	
FECHA:	

1-ACO-053

245
240
235
230
225
220

260
255
250
245
240
235
230

250
245
240
235
230



STA. 7+550.00 GH=228.95 m
PH=226.65 m

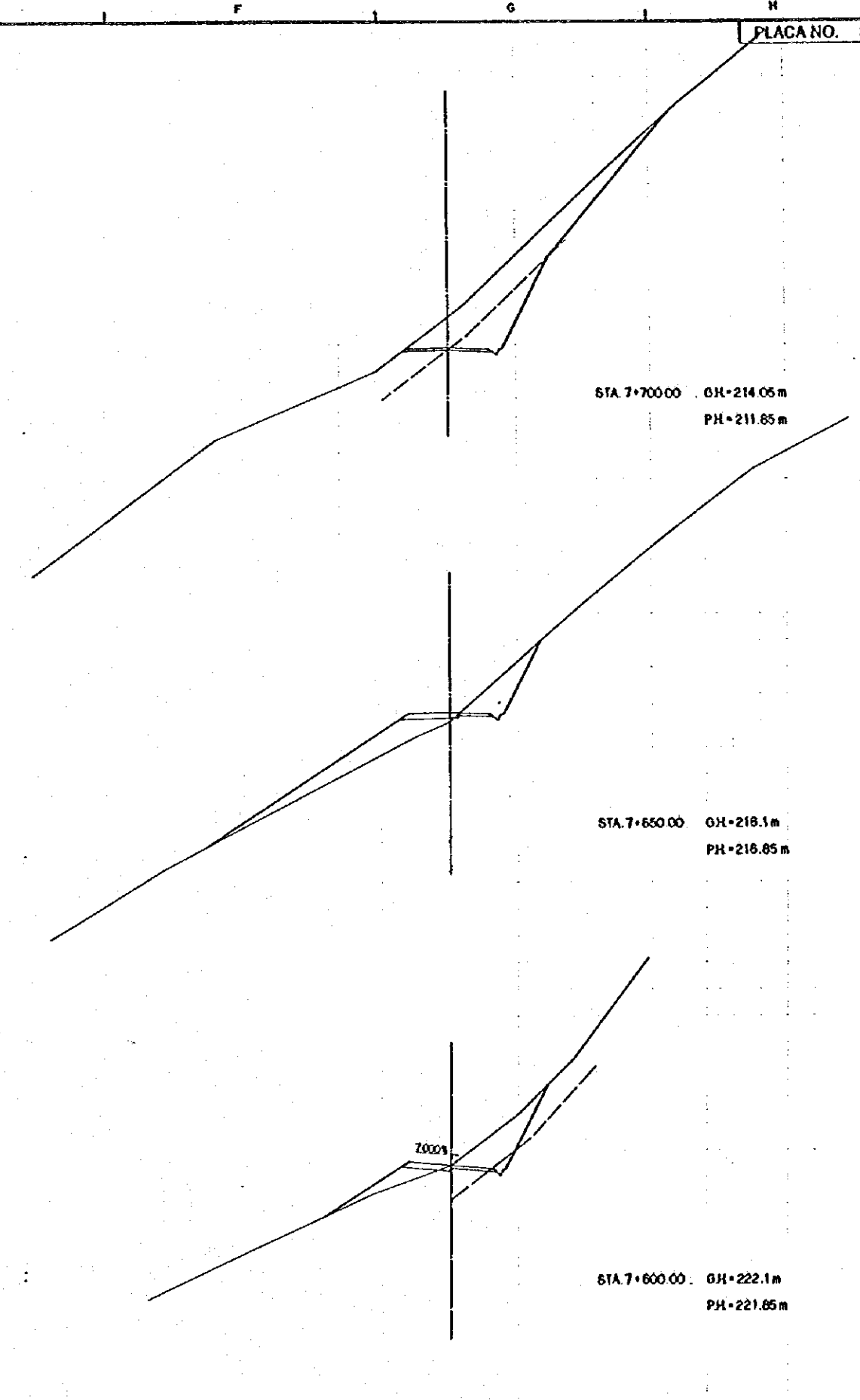
STA. 7+500.00 GH=247.1 m
PH=231.65 m

STA. 7+450.00 GH=243.3 m
PH=236.65 m

225
220
215
210
205

225
220
215
210
205

230
225
220
215
210



STA. 7+700.00 GH=214.05 m
PH=211.65 m

STA. 7+650.00 GH=218.1 m
PH=216.65 m

STA. 7+600.00 GH=222.1 m
PH=221.65 m

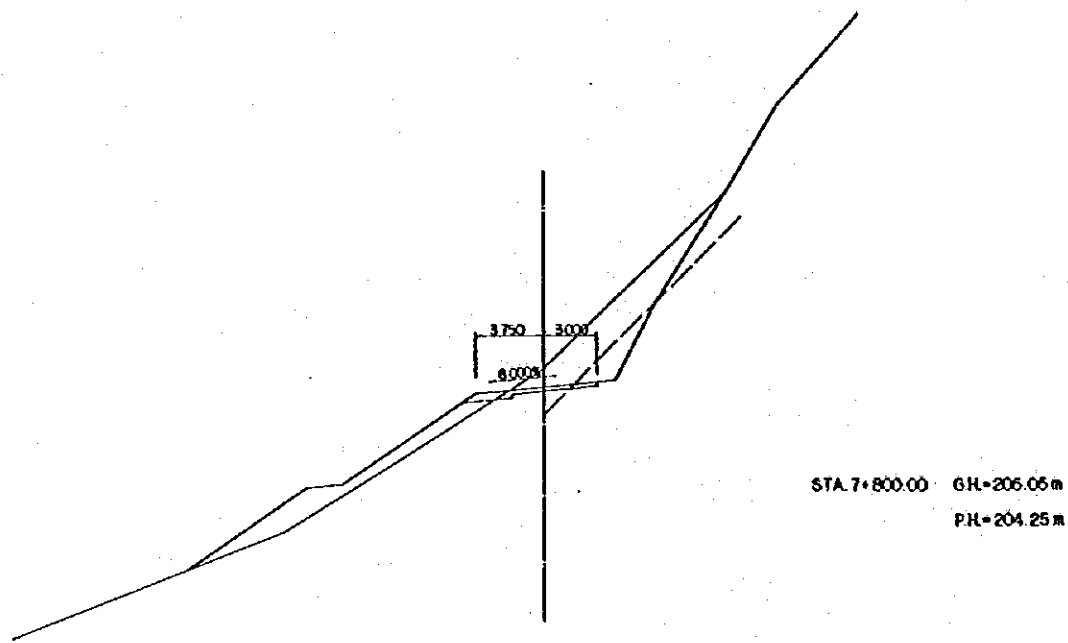
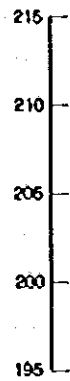
ESCALA SCALE 0 10 20 m

REV. N°	REVISADO	APROBADO	FECHA

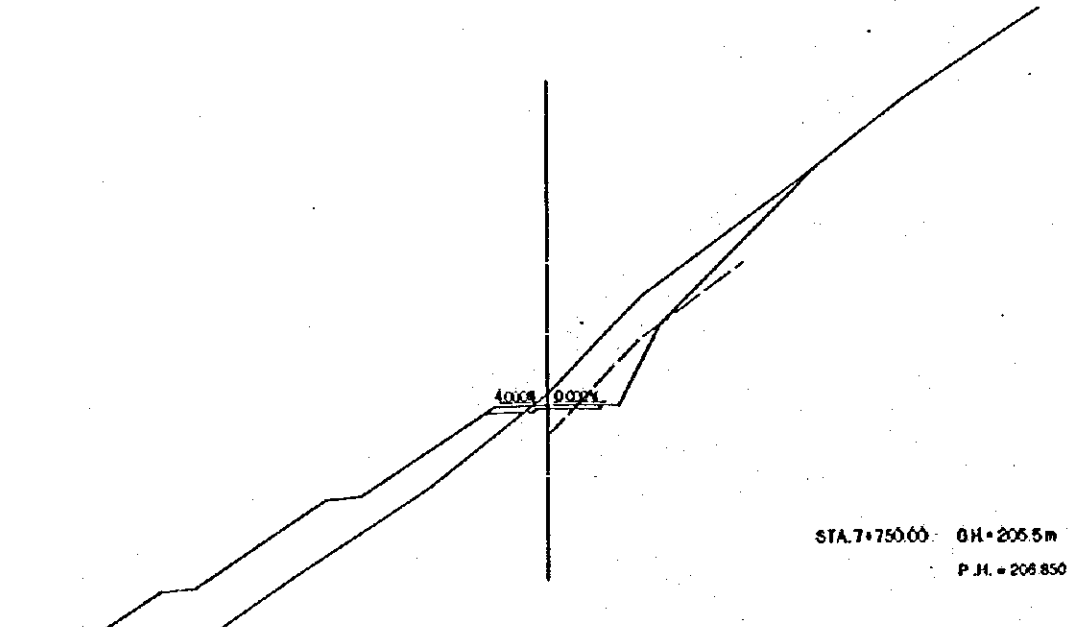
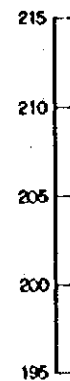
CRM
CENTRO DE REHABILITACION DE MANABI
REPUBLICA DEL ECUADOR

TITULO: CAMINO DE ACCESO / ACCESS ROAD
CAMINO DE ACCESO OONGULLO #
CORTE DE SECCIONES (31/52)
OONGULLO ACCESS ROAD #
CROSS SECTIONS (31/52)

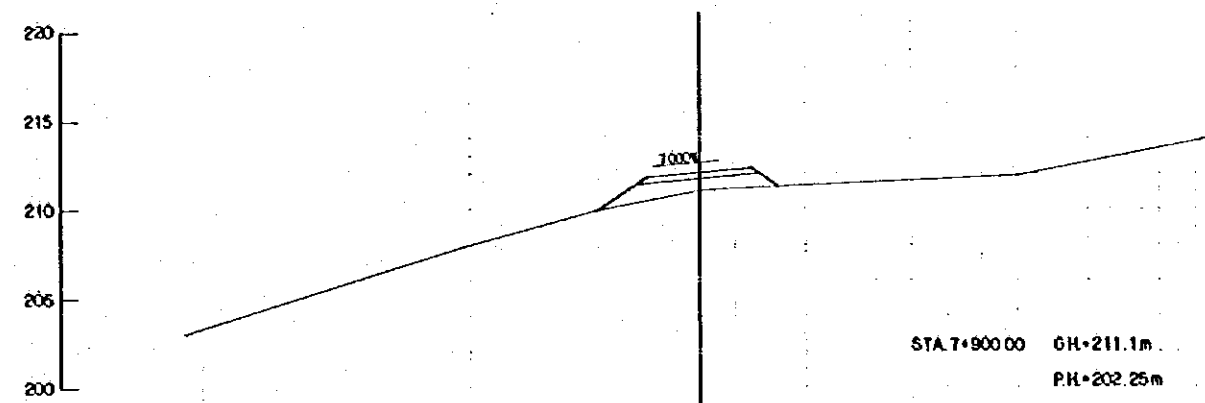
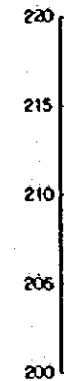
LEVANTO:	APROBADO:
DIBUJO:	FECHA:
DISEÑO:	DIBUJO N°:
REVISO:	
ENTREGO:	1-ACO-054
FECHA:	



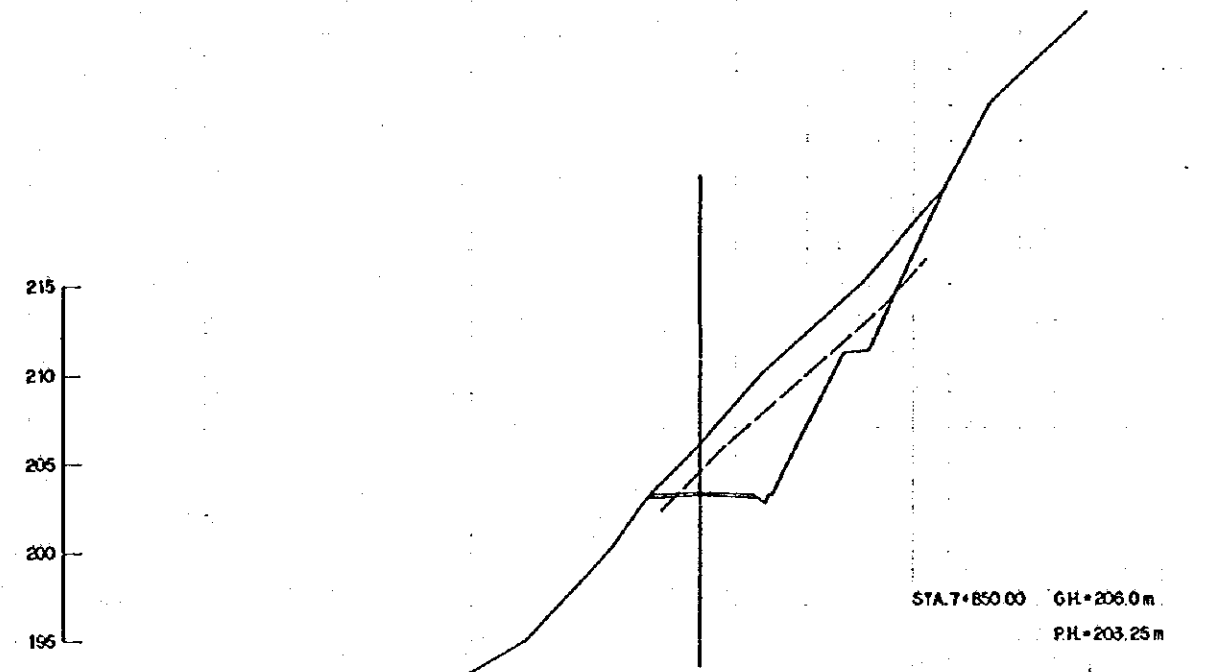
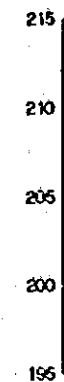
STA. 7+800.00 G.H.=206.05m
P.H.=204.25m



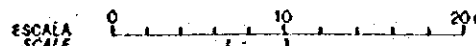
STA. 7+750.00 G.H.=205.5m
P.H.=206.850m



STA. 7+900.00 G.H.=211.1m
P.H.=202.25m



STA. 7+850.00 G.H.=206.0m
P.H.=203.25m



REV. N°	REVISADO	APROBADO	FECHA

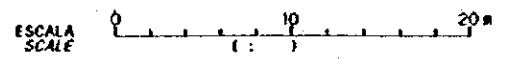
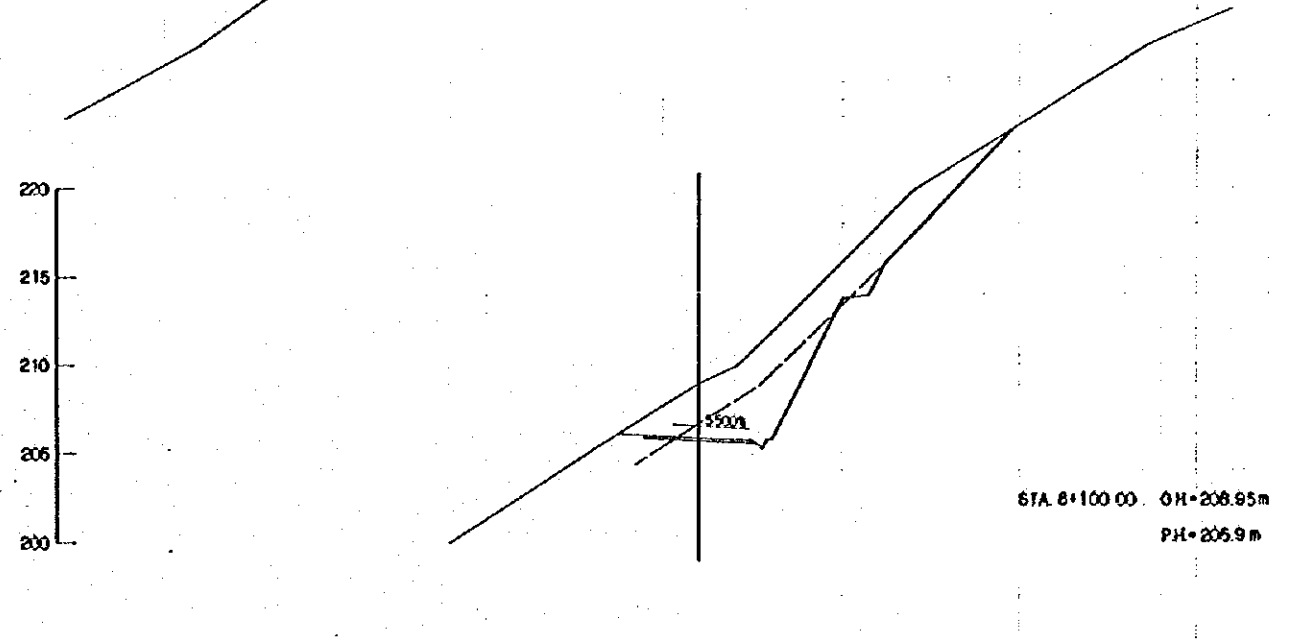
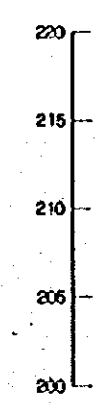
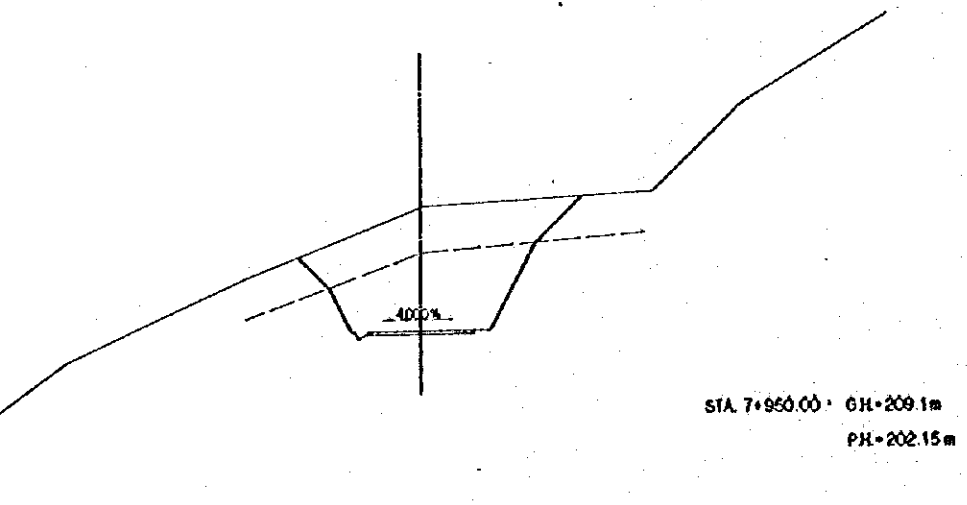
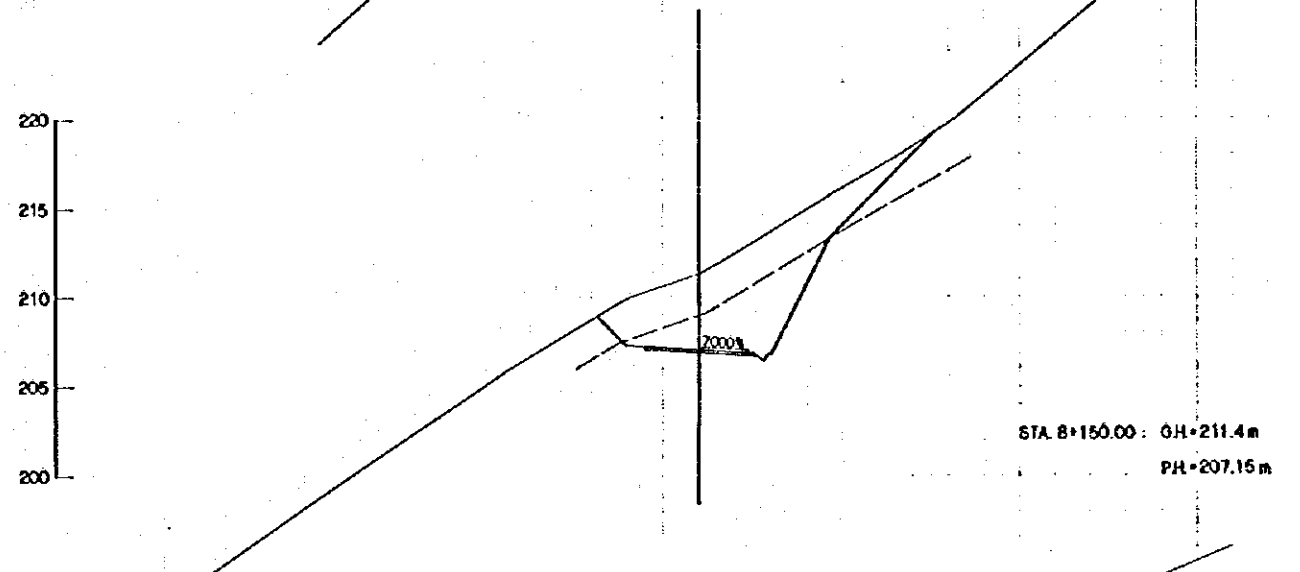
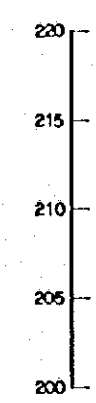
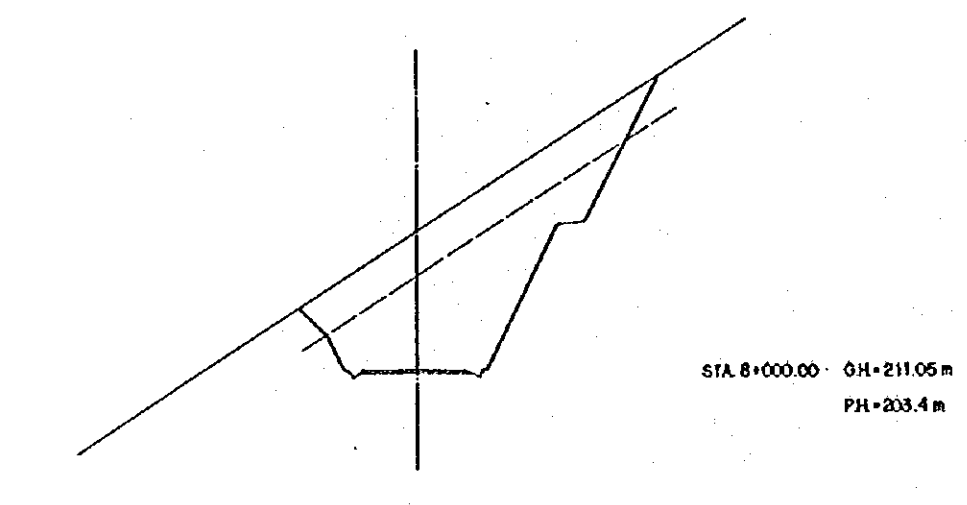
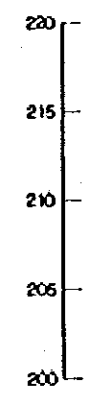
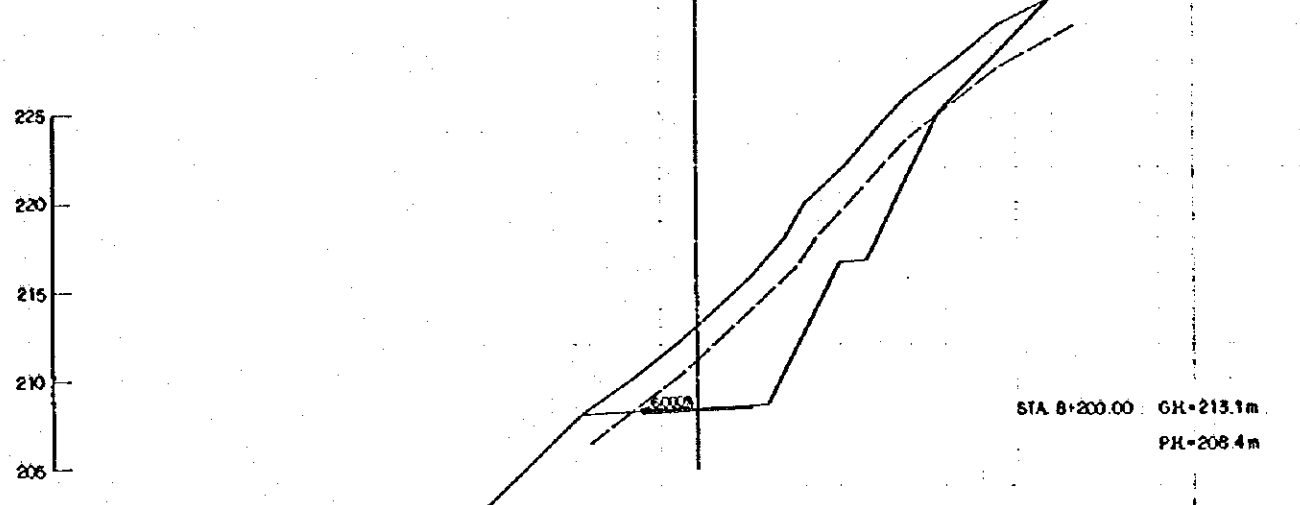
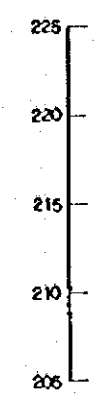
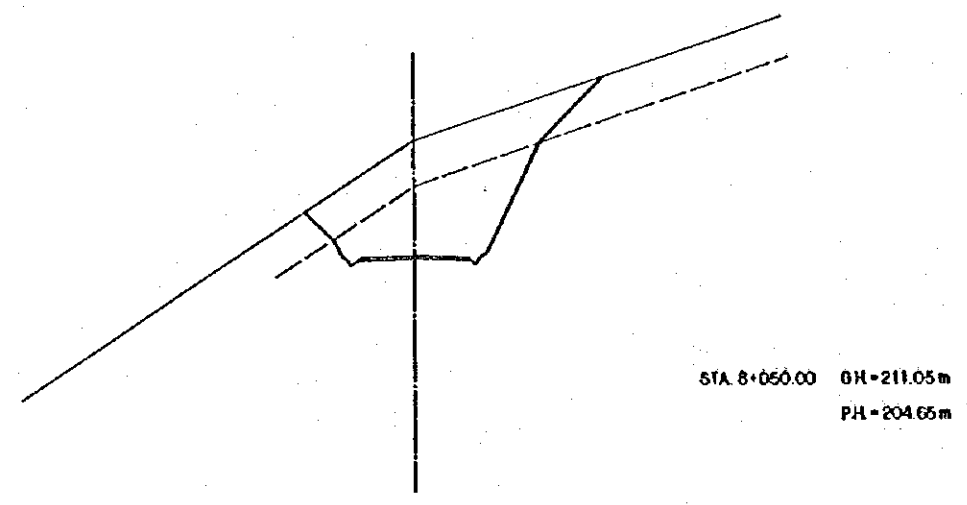
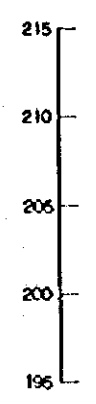
CRM
CENTRO DE RENOVACIÓN DE MANABI

Estudio de Diseño Detallado de los Traveses de Agua para los Quevedos de Los Rios Chone - Portoviejo
The Detailed Design Study on the Water Traverses Schemes for Chone - Portoviejo River Basins

REPÚBLICA DEL ECUADOR

TITULO: CAMINO DE ACCESO / ACCESS ROAD
CAMINO DE ACCESO CONGULLO 1
CORTE DE SECCIONES (32/52)
CONGULLO ACCESS ROAD 1
CROSS SECTIONS (32/52)

LEVANTO:	APROBADO:
DIBUJO:	FECHA:
DISENO:	DIBUJO N°
REVISO:	
ENTREGO:	1-ACO-055
FECHA:	



REV. N°	REVISADO	APROBADO	FECHA

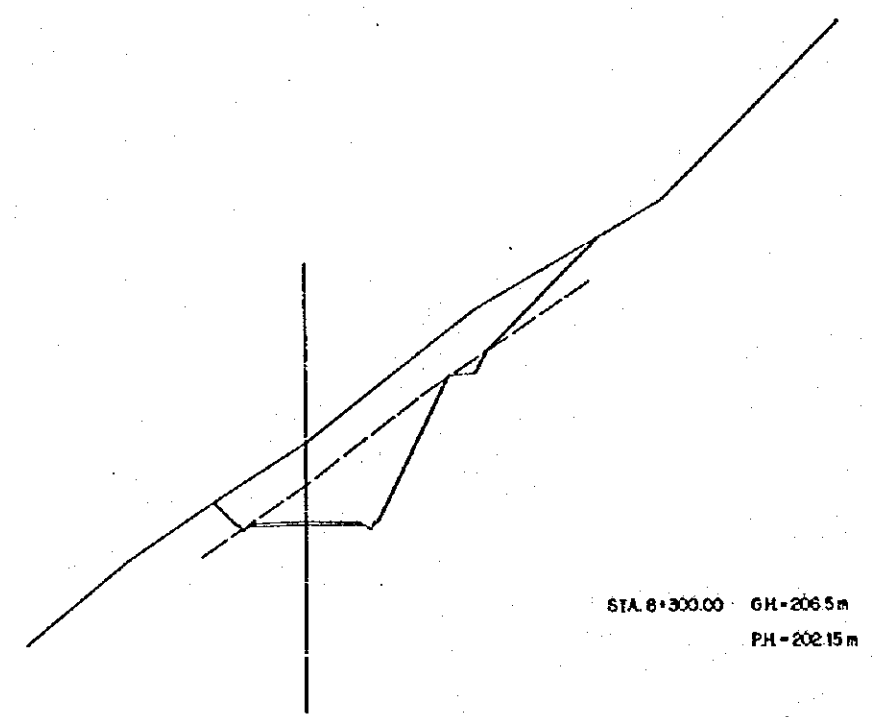
CRM
CENTRO DE REHABILITACION DE MANABI

Estudio de Diseño Detallado de los Tránsitos de Agua para los Cuencas de Los Rios Chone - Portoviejo
The Detailed Design Study on the Water Transients Schemes for Chone - Portoviejo River Basins

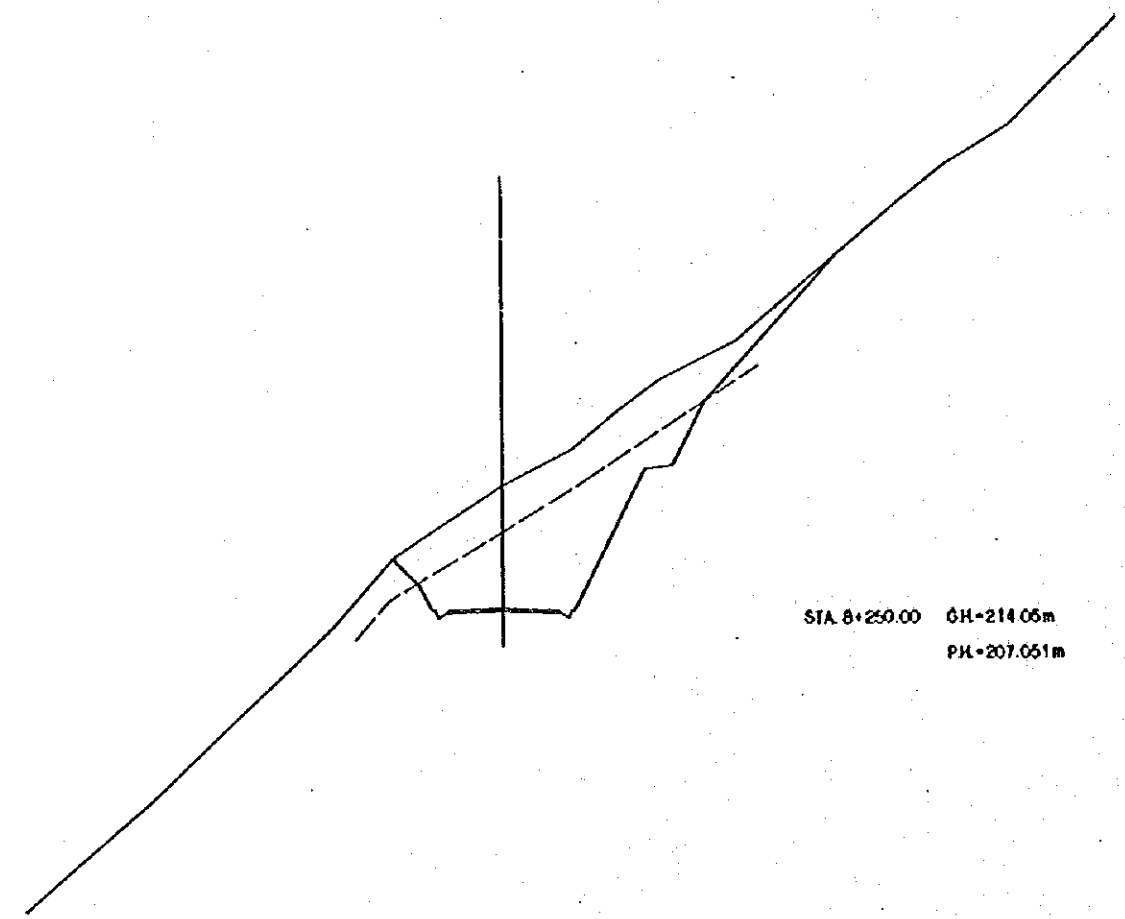
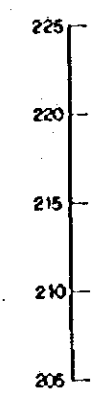
REPÚBLICA DEL ECUADOR

TITULO : CAMINO DE ACCESO / ACCESS ROAD
CAMINO DE ACCESO CONGUILLO I
CORTE DE SECCIONES (3352)
CONGUILLO ACCESS ROAD I
CROSS SECTIONS (3352)

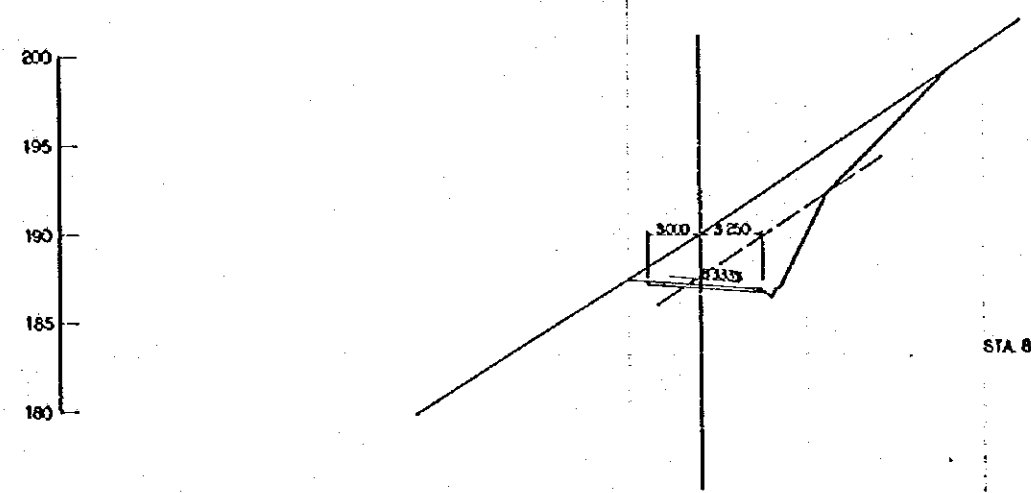
LEVANTO :	APROBADO :
DIBUJO :	FECHA :
REVISO :	DIBUJO N°
ENTREGO :	1-ACO-056
FECHA :	



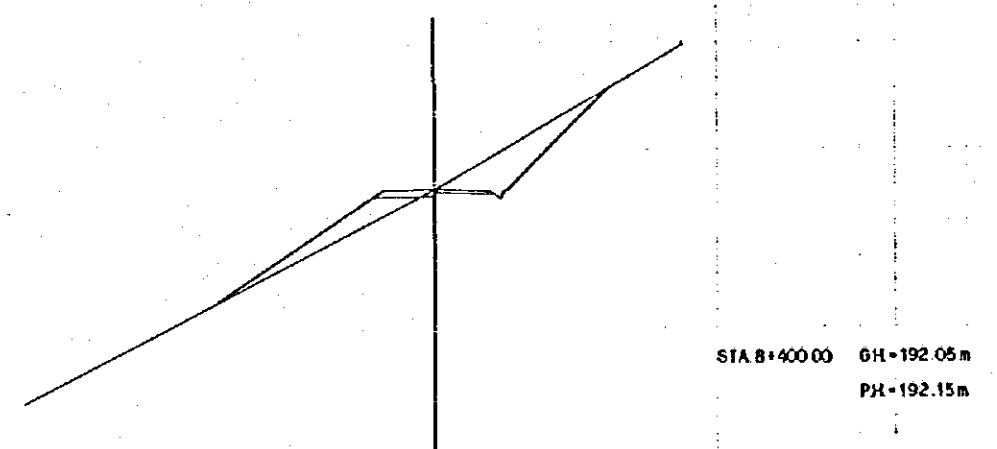
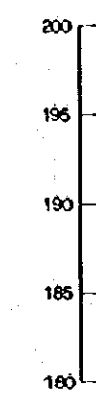
STA. 8+300.00 GH=206.5m
PH=202.15m



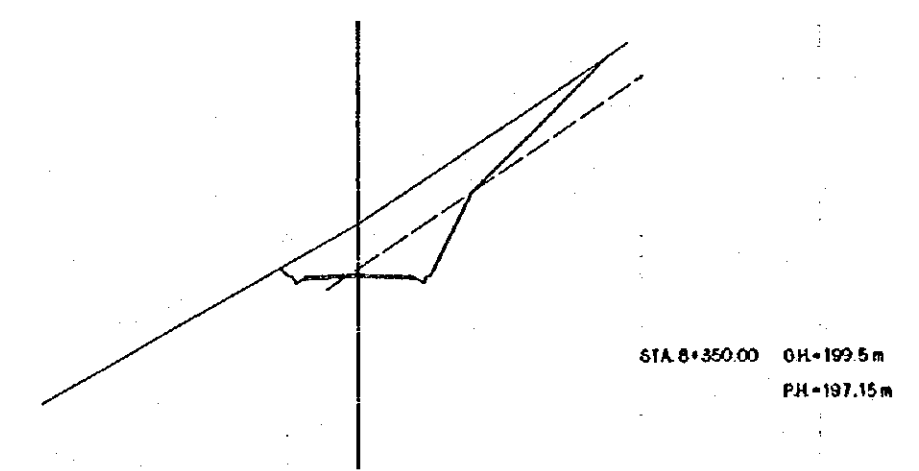
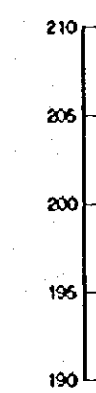
STA. 8+250.00 GH=214.05m
PH=207.051m



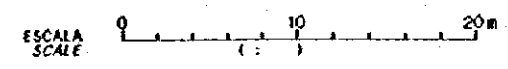
STA. 8+450.00 GH=190.1m
PH=187.15m



STA. 8+400.00 GH=192.05m
PH=192.15m



STA. 8+350.00 GH=199.5m
PH=197.15m

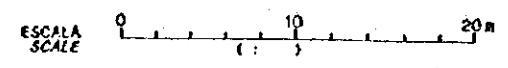
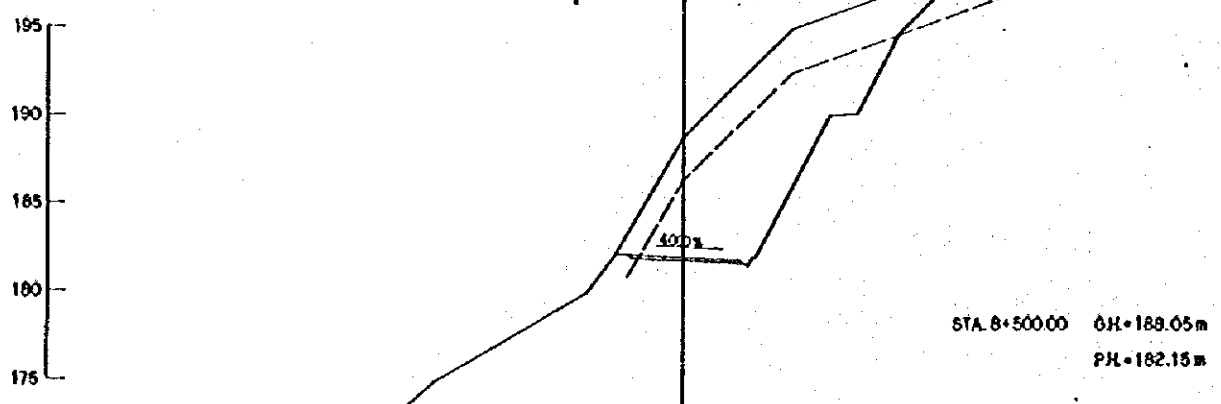
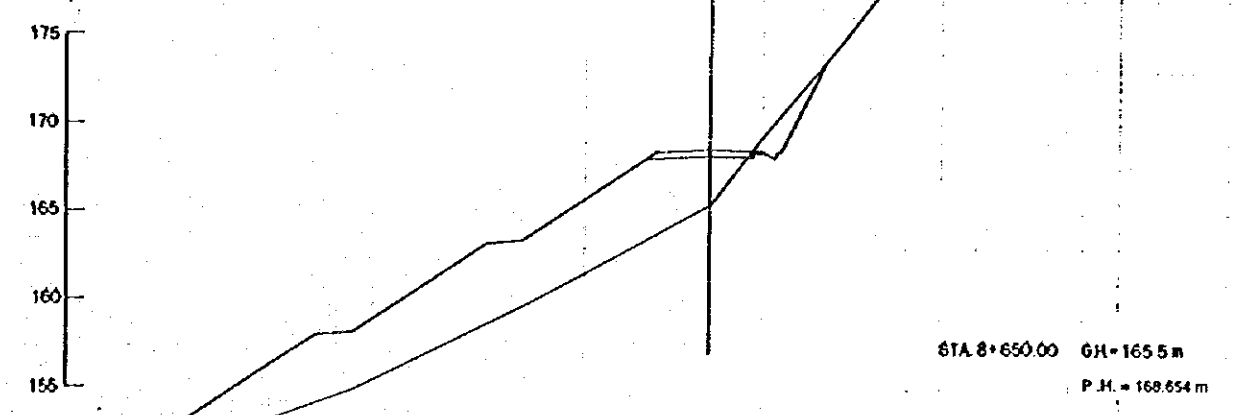
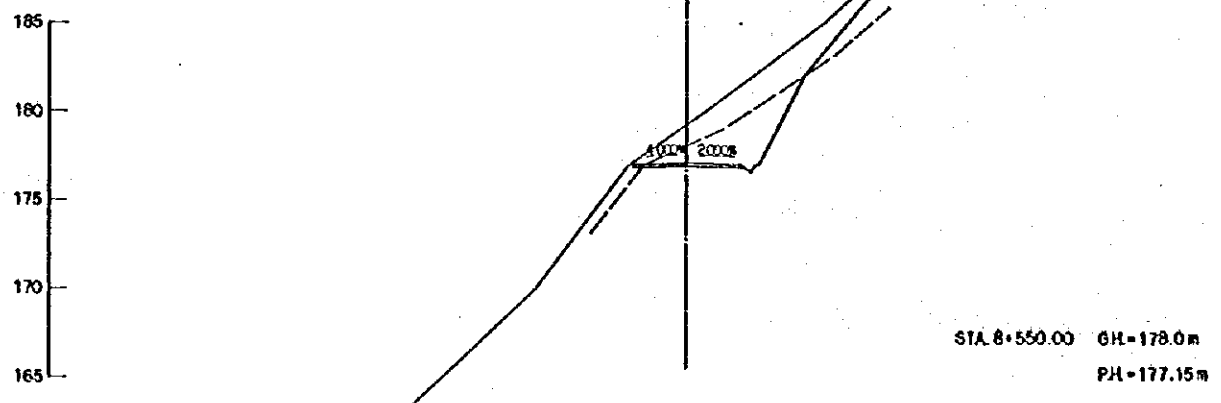
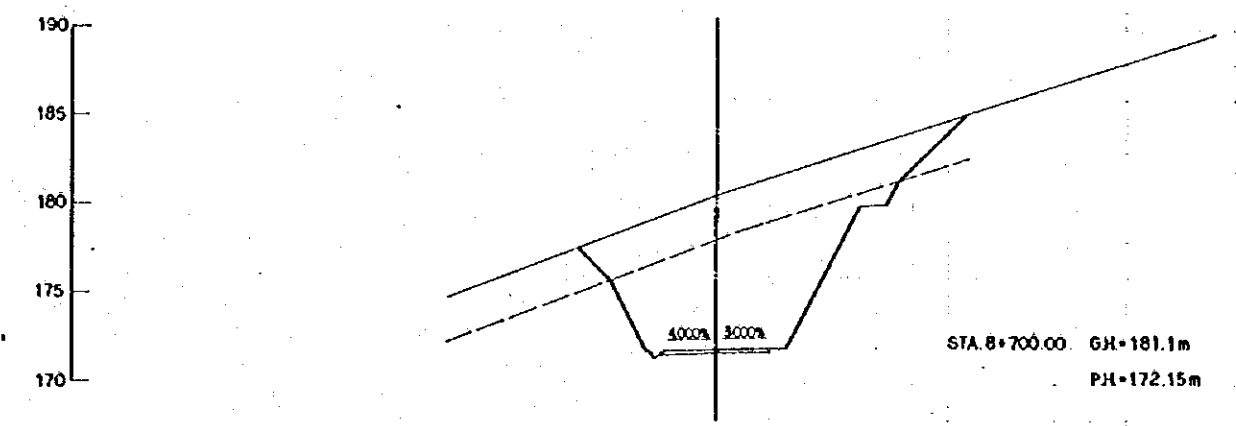
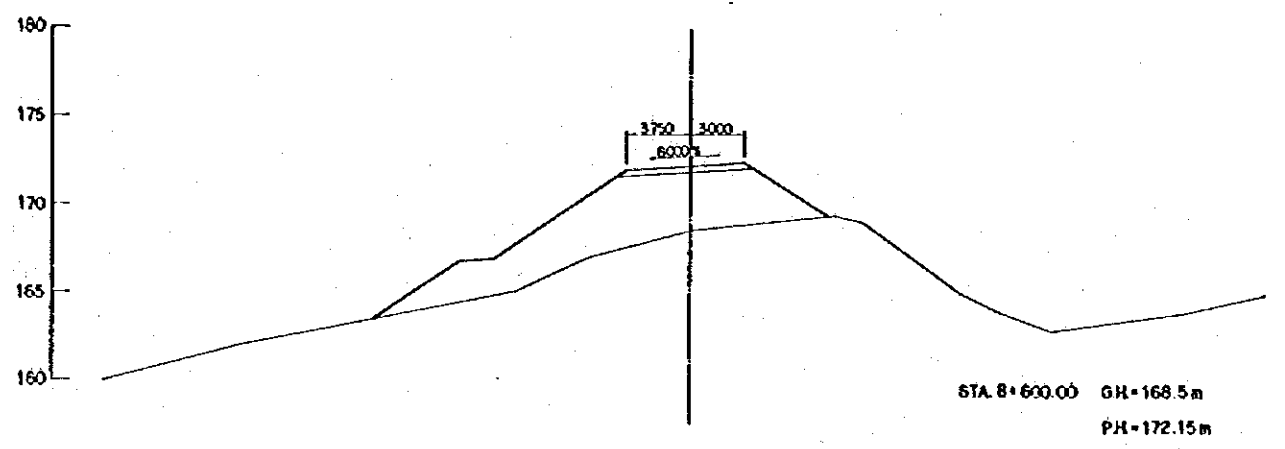


REV. Nº	REVISADO	APROBADO	FECHA

CRM
CENTRO DE REHABILITACIÓN DE MANABI
Estudio de Diseño Detallado de los Traveses de Agua para los Cuencas de Los Ros Choro - Portoviejo
The Detailed Design Study on the Water Transverse Schemes for Choro - Portoviejo River Basins
REPÚBLICA DEL ECUADOR

TÍTULO : CAMINO DE ACCESO / ACCESS ROAD
CAMINO DE ACCESO CÓNIGULLO I
CORTE DE SECCIONES (34/52)
CÓNIGULLO ACCESS ROAD I
CROSS SECTIONS (34/52)

LEVANTO :	APROBADO :
DIBUJO :	FECHA :
DISEÑO :	DIBUJO Nº
REVISO :	1-ACO-057
ENTREGO :	
FECHA :	



REV. N°	REVISADO	APROBADO	FECHA

CRPM
CENTRO DE REHABILITACION DE MANABI

Estudio de Diseño Detallado de los Tránsitos de Agua para los Quedes de Los Rios Chona - Portoviejo
The Detailed Design Study on the Water Transfer Schemes for Chona - Portoviejo River Basin

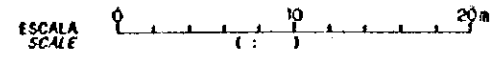
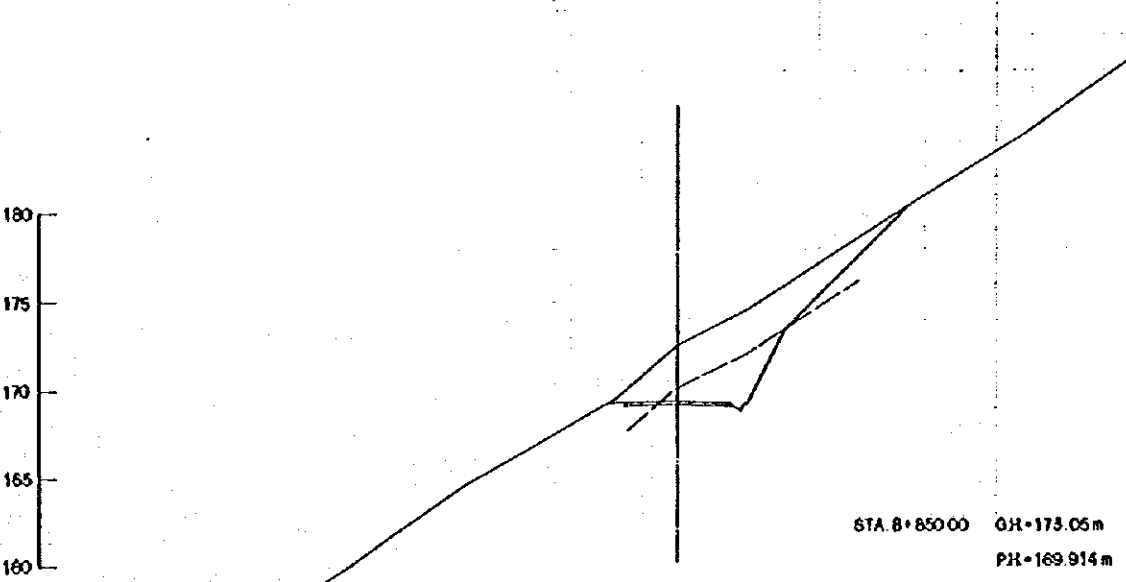
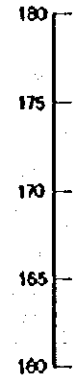
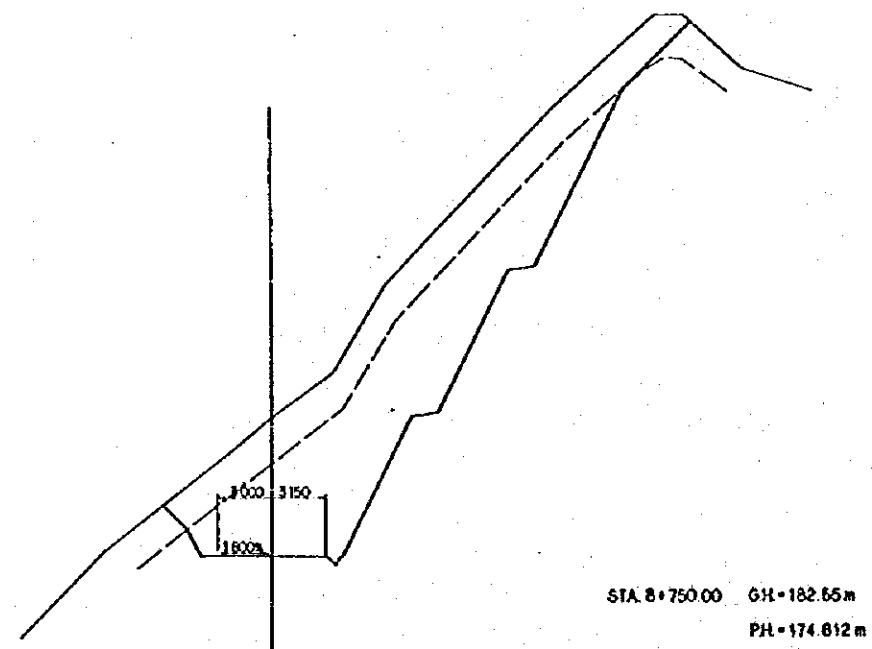
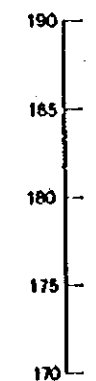
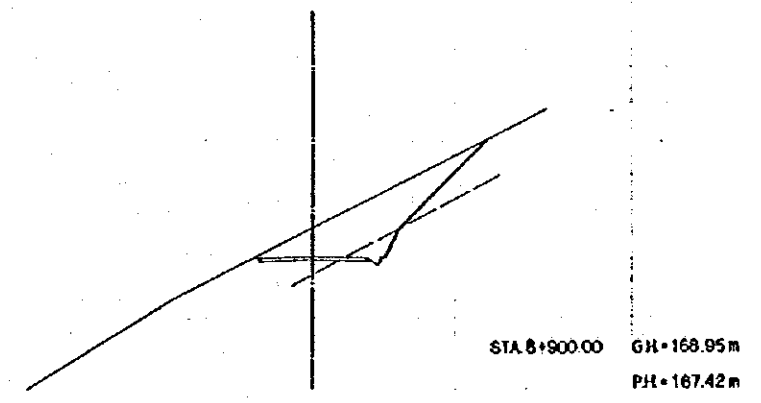
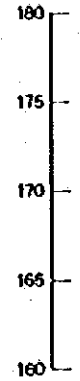
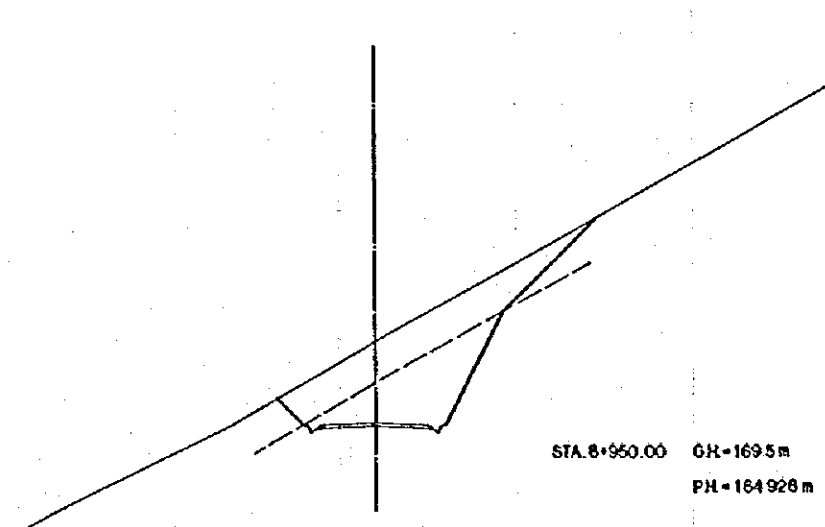
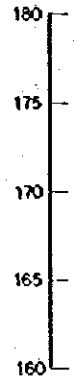
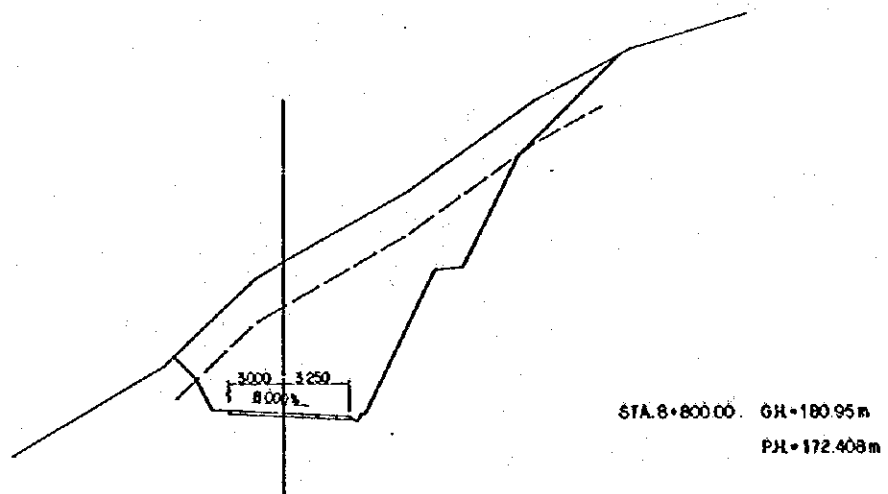
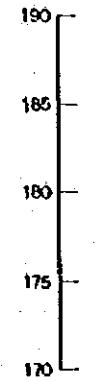
REPUBLICA DEL ECUADOR

TITULO: CAMINO DE ACCESO / ACCESS ROAD

CAMINO DE ACCESO CONGULLO I
CORTE DE SECCIONES (35/52)
CONGULLO ACCESS ROAD I
CROSS SECTIONS (35/52)

LEVANTO:	APROBADO:
DIBUJO:	FECHA:
DISEÑO:	DIBUJO N°
REVISO:	
ENTREGO:	
FECHA:	

1-ACO-058

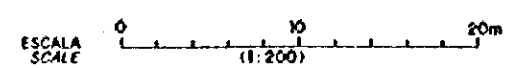
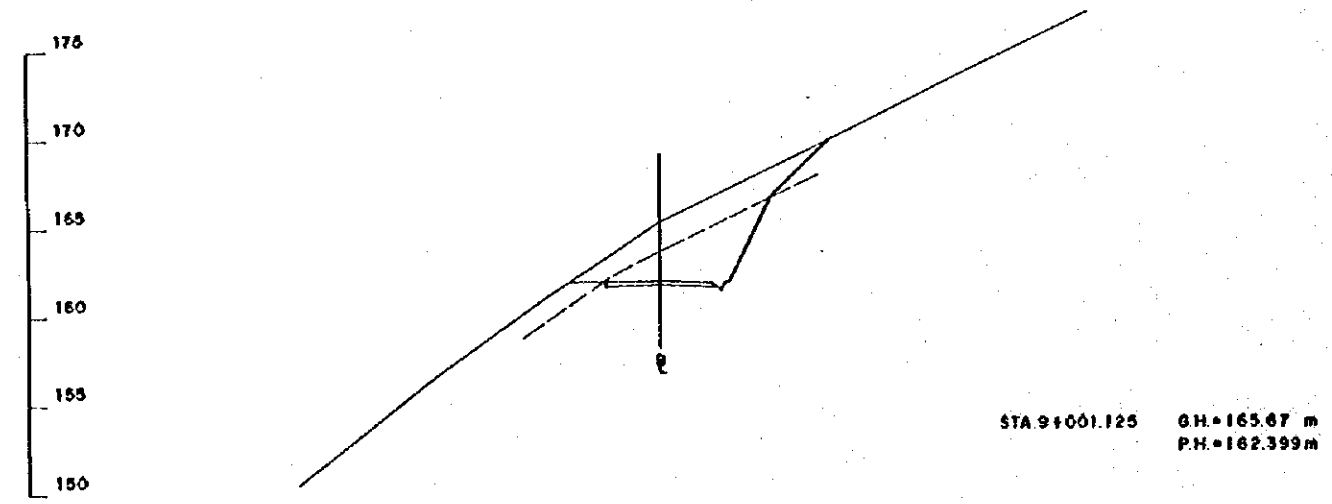
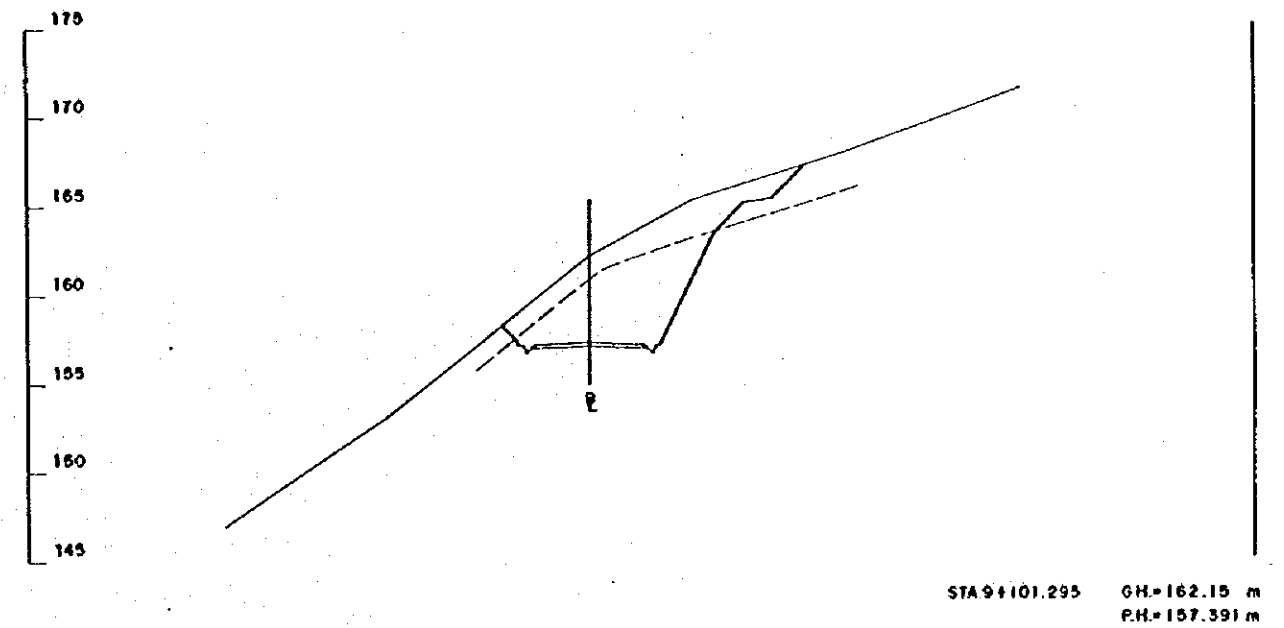
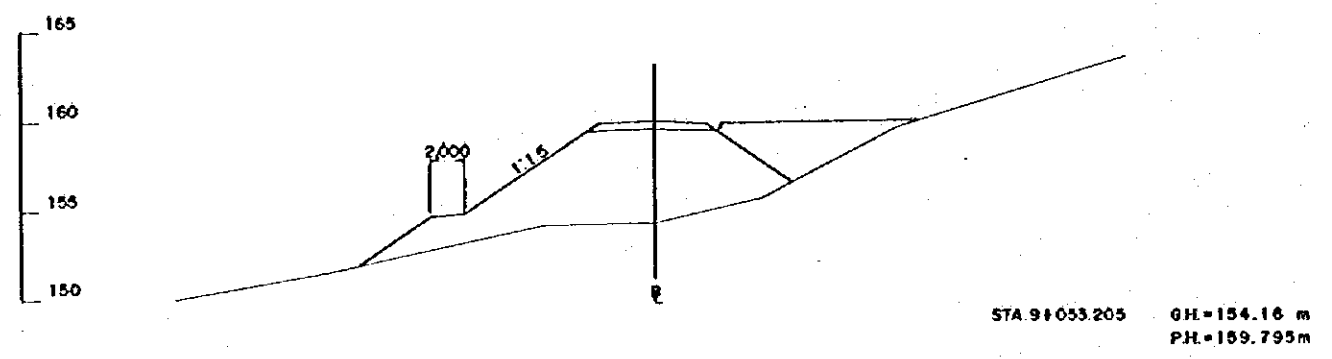
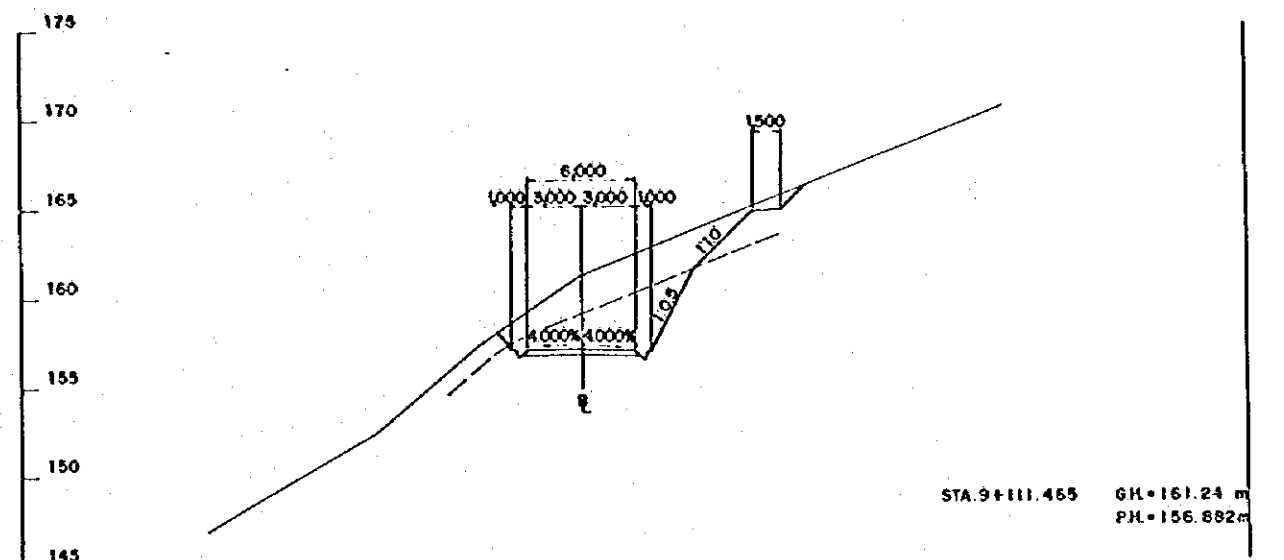
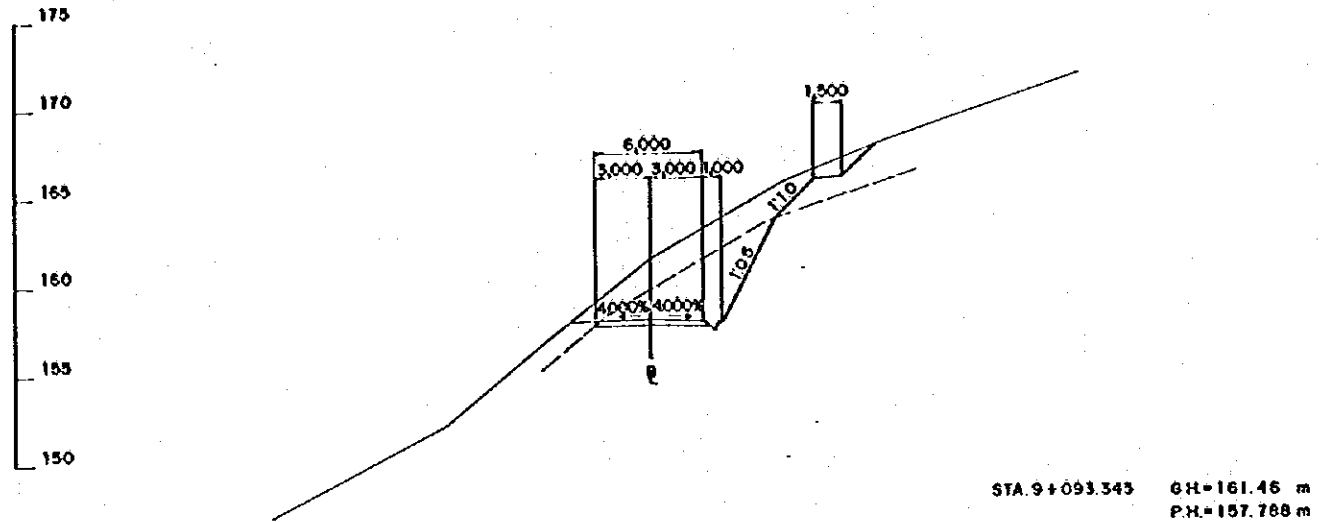


REV. N°	REVISADO	APROBADO	FECHA

CRML
CENTRO DE REHABILITACION DE MANABI
Estudio de Diseño Detallado de los Travesaños de Agua para las Cuenecas de Los Rios Chone-Portoviejo
The Detailed Design Study on the Water Traversesh Schemes for Chone-Portoviejo River Basins
REPUBLICA DEL ECUADOR

TITULO: CAMINO DE ACCESO / ACCESS ROAD
CAMINO DE ACCESO CONGUILLO I
CORTE DE SECCIONES (36/52)
CONGUILLO ACCESS ROAD I
CROSS SECTIONS (36/52)

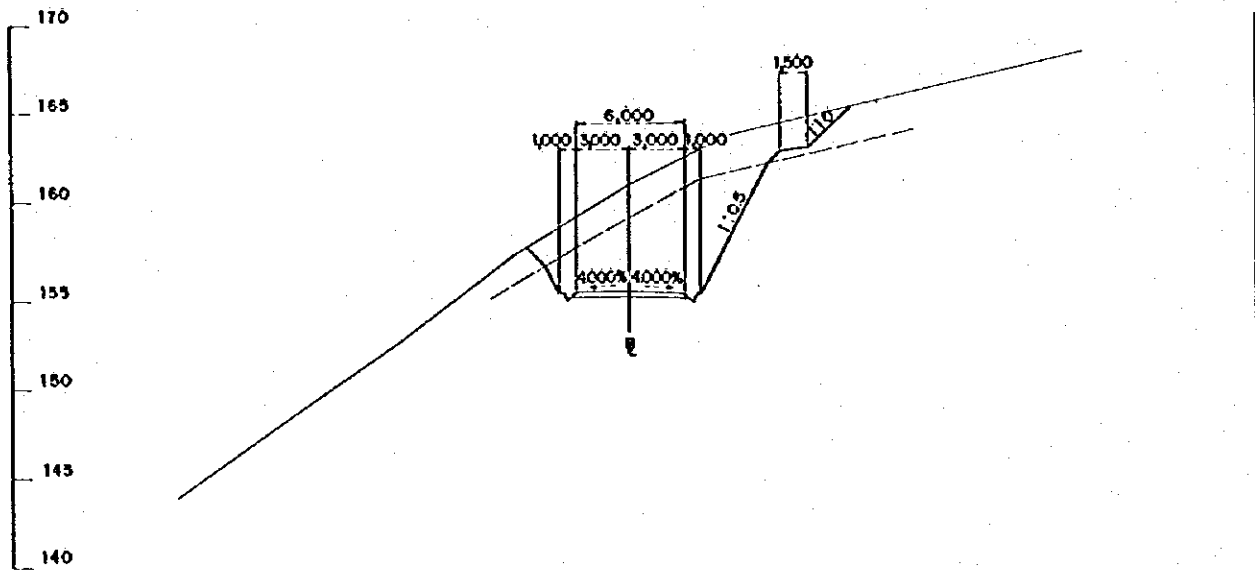
LEVANTADO:	APROBADO:
DIBUJO:	FECHA:
DISEÑO:	DIBUJO N°
REVISO:	
ENTREGO:	1-ACO-059
FECHA:	



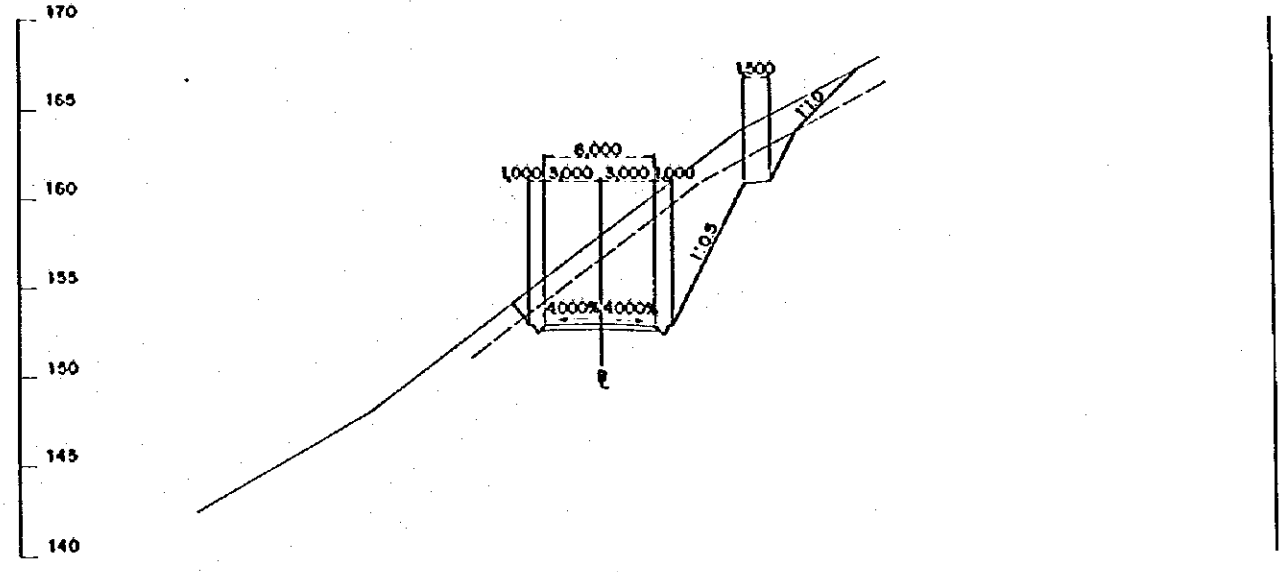
REV. Nº	REVISADO	APROBADO	FECHA

CRM
CENTRO DE REHABILITACION DE MANABI
Estudio de Diseño Detallado de los Tránsenes de Agua para las Cuencas de Los Ríos Chona - Portoviejo
The Detailed Design Study on the Water Transverse Schemes for Chona - Portoviejo River Basins
REPUBLICA DEL ECUADOR

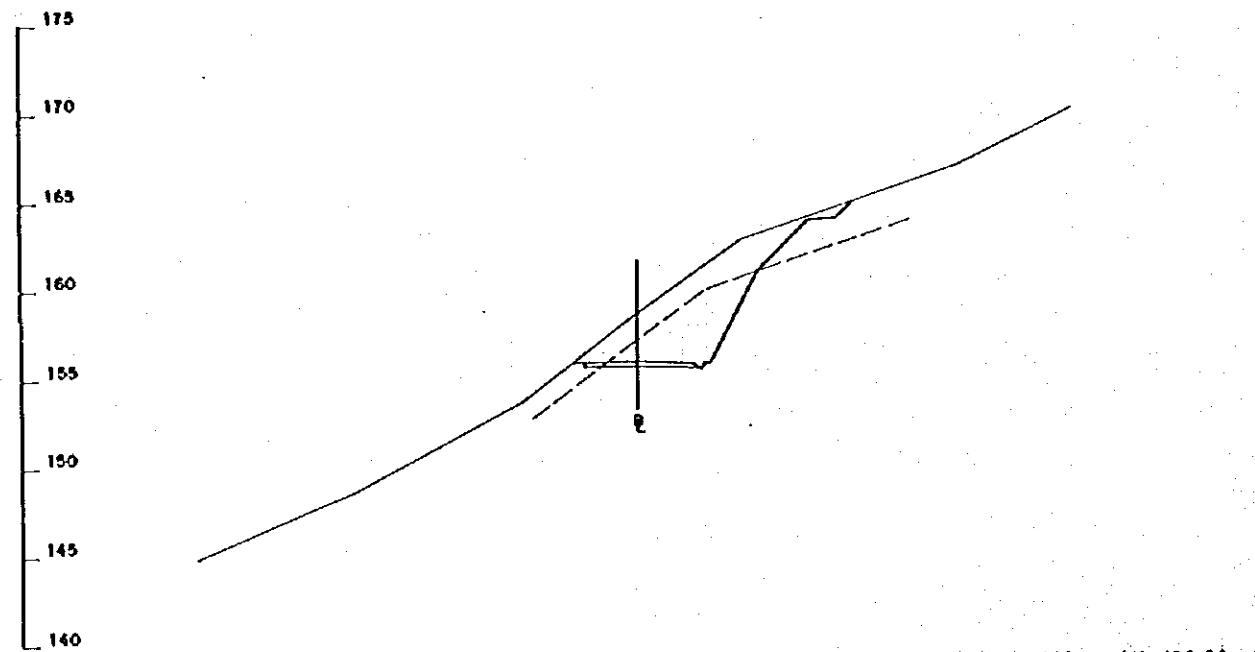
TITULO: CAMINOS DE ACCESO/ACCESS ROAD	LEVANTO:	APROBADO:
CAMINO DE ACCESO CONGUILLO (I)	DIBUJO:	FECHA:
CORTE DE SECCIONES (37/52)	DISEÑO:	DIBUJO Nº
CONGUILLO ACCESS ROAD (I)	REVISO:	1-ACO-060
CROSS SECTIONS (37/52)	ENTREGO:	FECHA:



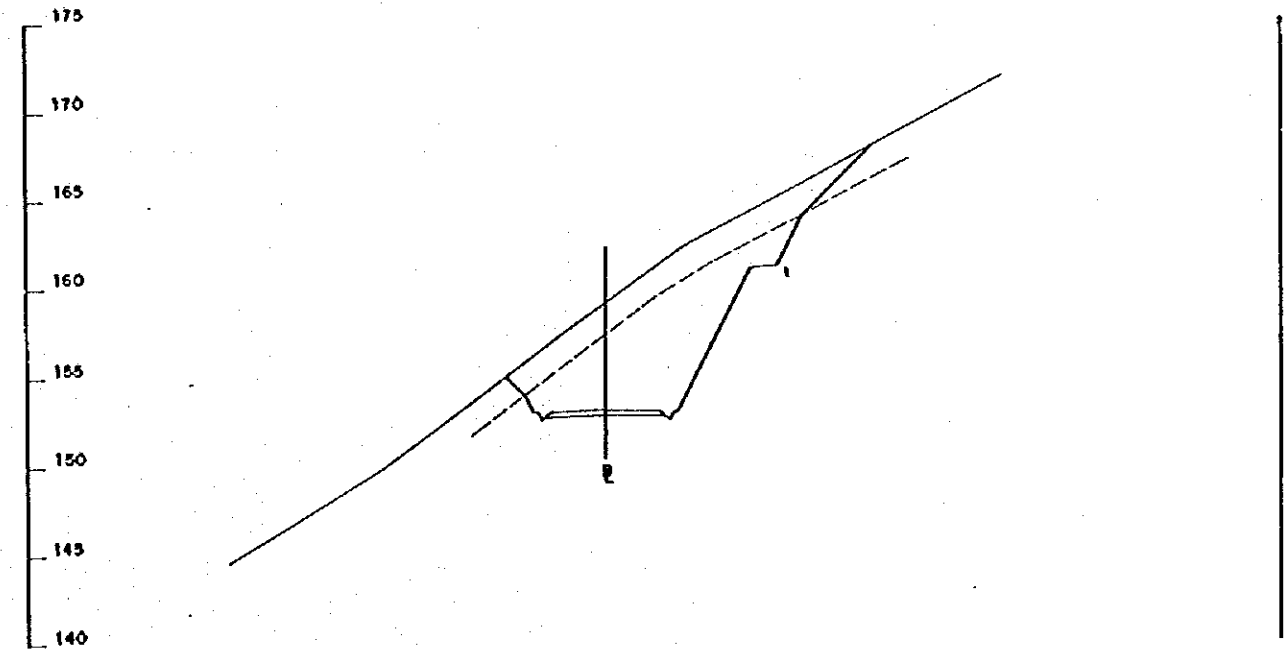
STA. 9+151.465 GH=160.50 m
PH=154.851 m



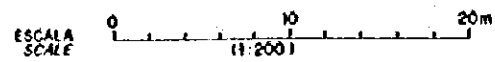
STA. 9+184.025 GH=157.90 m
PH=152.688 m



STA. 9+131.465 GH=158.50 m
PH=155.892 m



STA. 9+174.945 GH=159.17 m
PH=153.358 m



REV. N°	REVISADO	APROBADO	FECHA

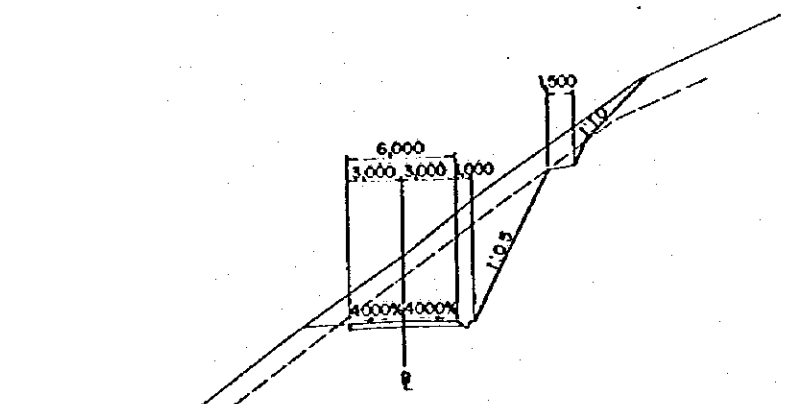
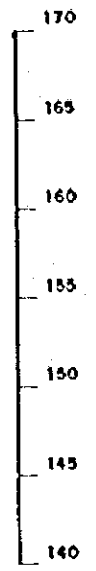
CRM
CENTRO DE
REHABILITACION
DE MANABI

Estudio de Diseño Detallado de los Tránsitos de
Agua para las Cuencas de Los Rios Chone - Portoviejo
The Detailed Design Study on the Water Transfer
Schemes for Chone - Portoviejo River Basin

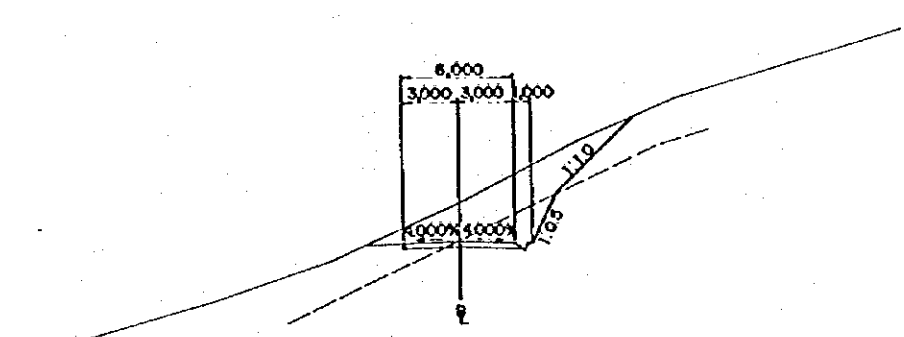
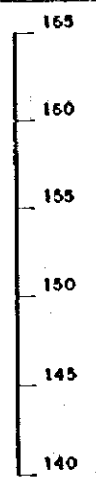
REPUBLICA DEL ECUADOR

TITULO: CAMINOS DE ACCESO / ACCESS ROAD
CAMINO DE ACCESO CONGULLO (I)
CORTE DE SECCIONES (38/62)
CONGULLO ACCESS ROAD (I)
CROSS SECTIONS (38/52)

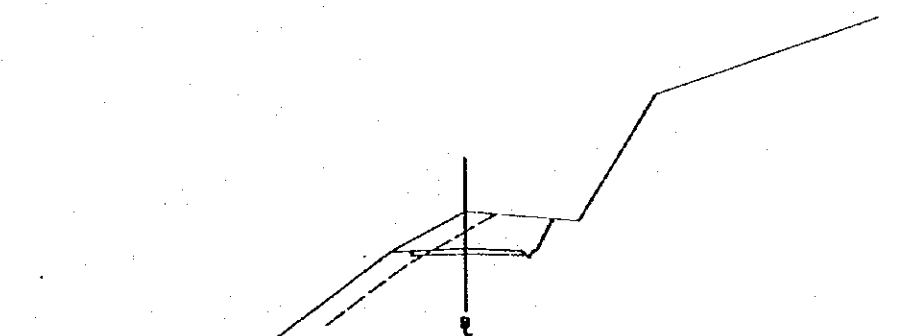
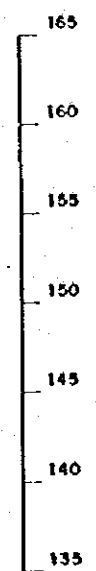
LEVANTO:	APROBADO:
DISEÑO:	FECHA:
REVISO:	DIBUJO N°
ENTREGO:	1-ACO-061
FECHA:	



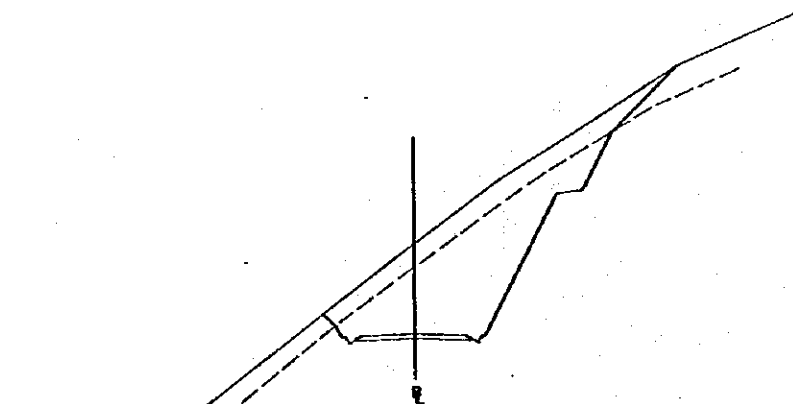
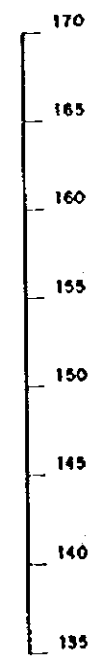
STA. 9+211.465 GH=154.14 m
PH=150.351 m



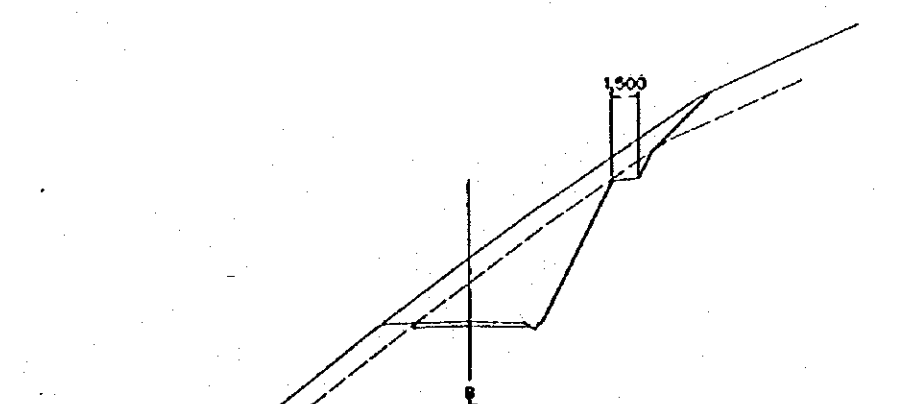
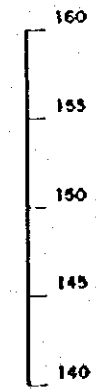
STA. 9+271.465 GH=149.90 m
PH=147.507 m



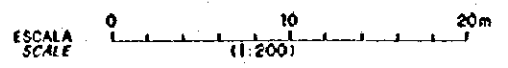
STA. 9+251.465 GH=149.70 m
PH=147.487 m



STA. 9+191.465 GH=157.02 m
PH=152.101 m

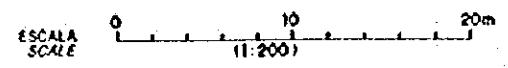
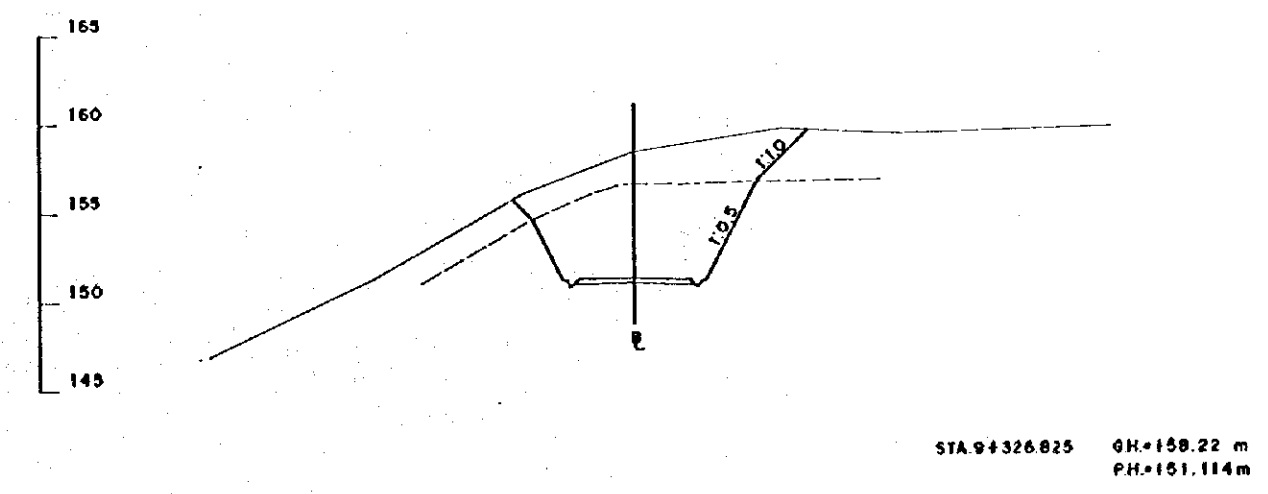
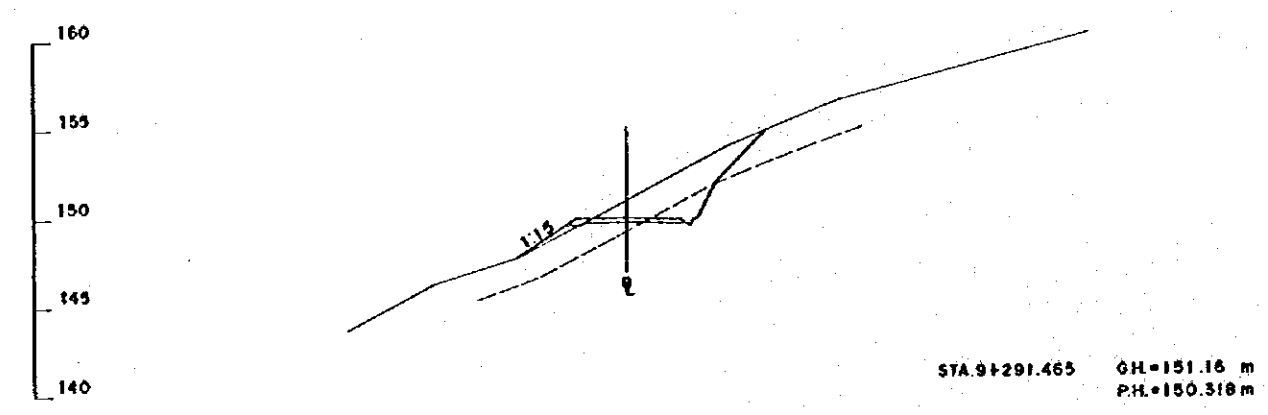
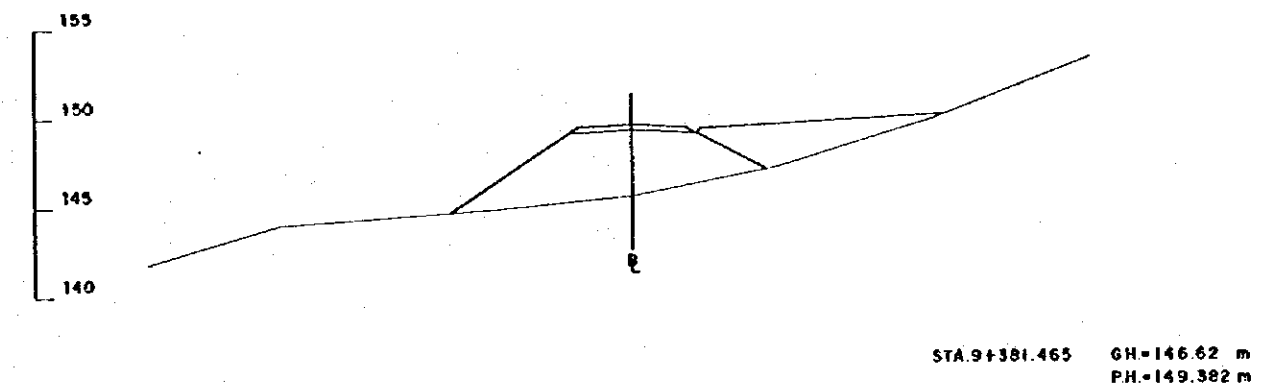
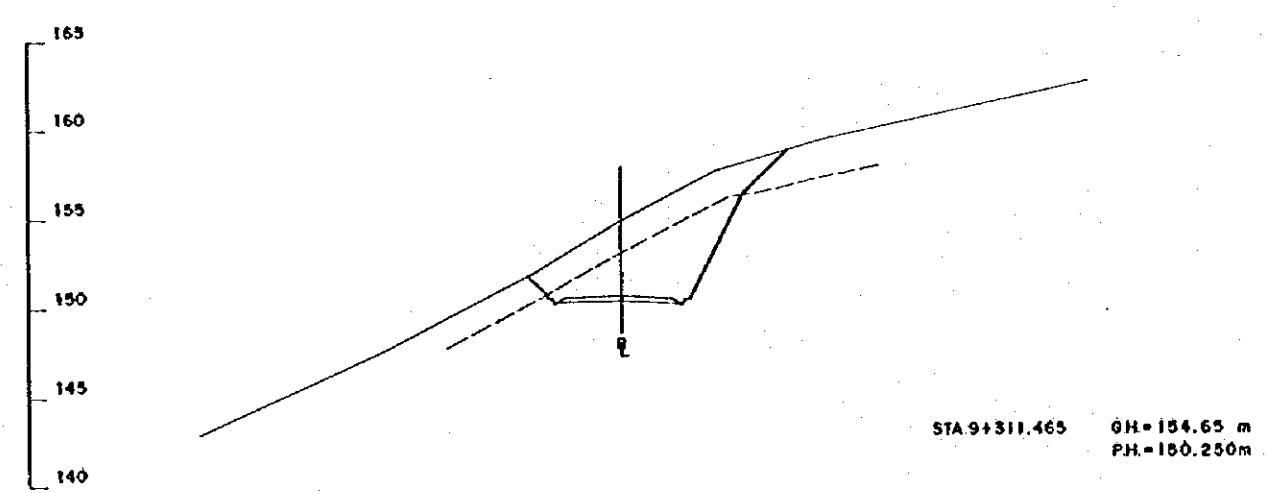
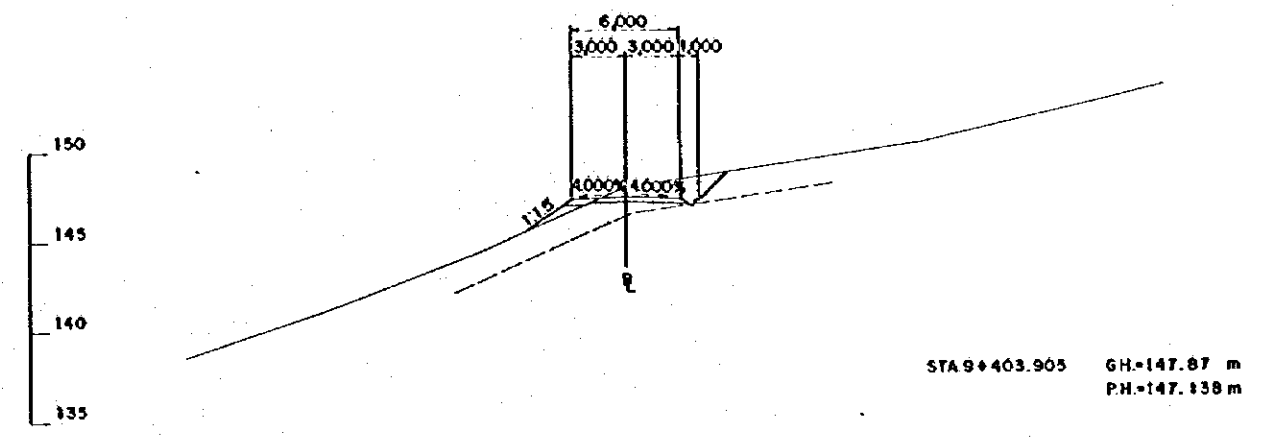
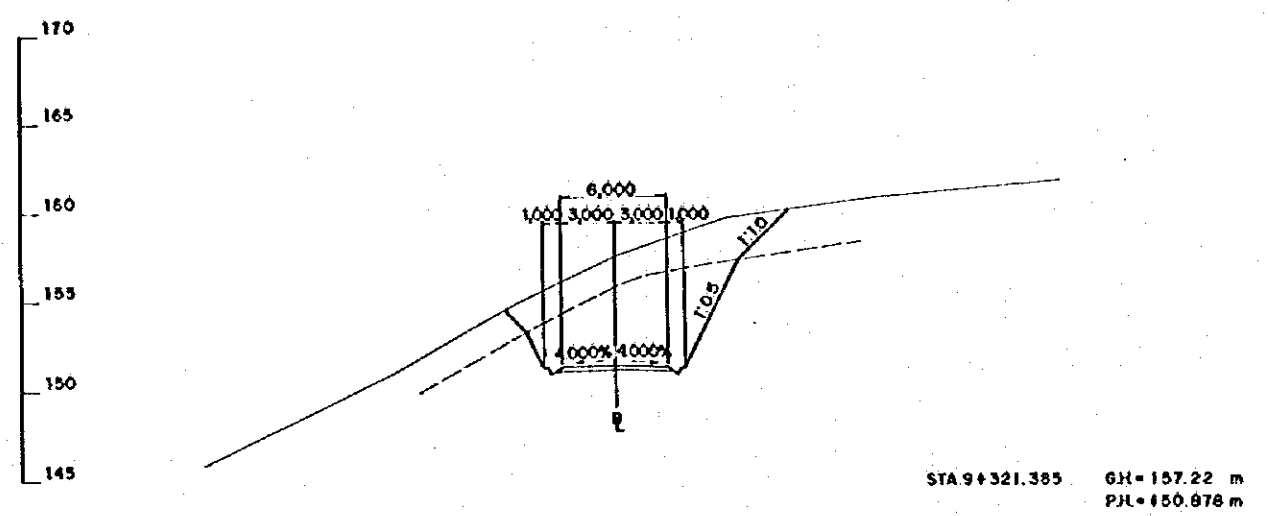


STA. 9+231.465 GH=151.78 m
PH=148.507 m



REV. N°	REVISADO	APROBADO	FECHA

<p>CENTRO DE REHABILITACION DE MANABI</p>	<p>Estudio de Diseño Detallado de los Tramos de Agua para las Cuenecas de Los Rios Chone - Portovelo The Detailed Design Study on the Water Transfer Schemes for Chone - Portovelo River Basins</p>	TITULO: CAMINOS DE ACCESO / ACCESS ROAD	LEVANTO:	APROBADO:
		<p>CAMINO DE ACCESO CONGUILLO (I) CORTE DE SECCIONES (39/52) CONGUILLO ACCESS ROAD (I) CROSS SECTIONS (39/52)</p>	DISEÑO:	FECHA:
<p>REPUBLICA DEL ECUADOR</p>		<p>ENTREGO:</p>	<p>DIBUJO N°</p>	<p>1-ACO-062</p>
<p>FECHA:</p>		<p>FECHA:</p>		



REV. N°	REVISADO	APROBADO	FECHA

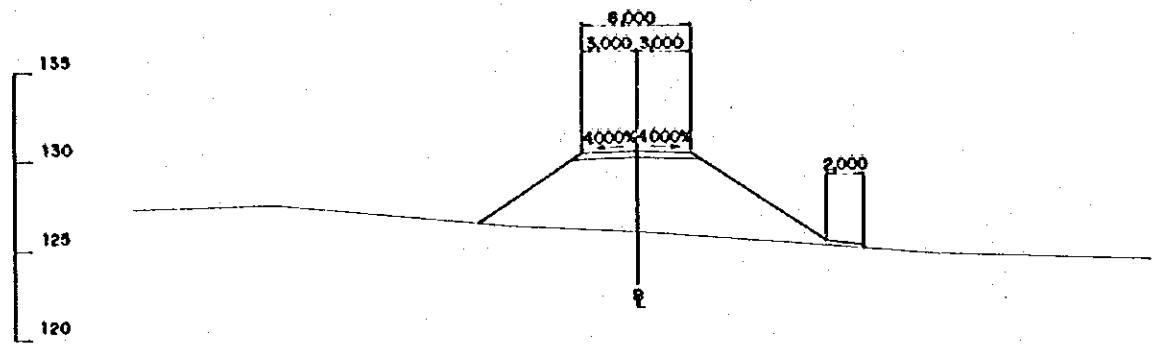
CRM
CENTRO DE REHABILITACION DE MANABI

Estudio de Diseño Detallado de los Travesaños de Agua para las Cuenecas de Los Rios Chora - Portofino
The Detailed Design Study on the Water Transverse Schemes for Chora - Portofino River Basins

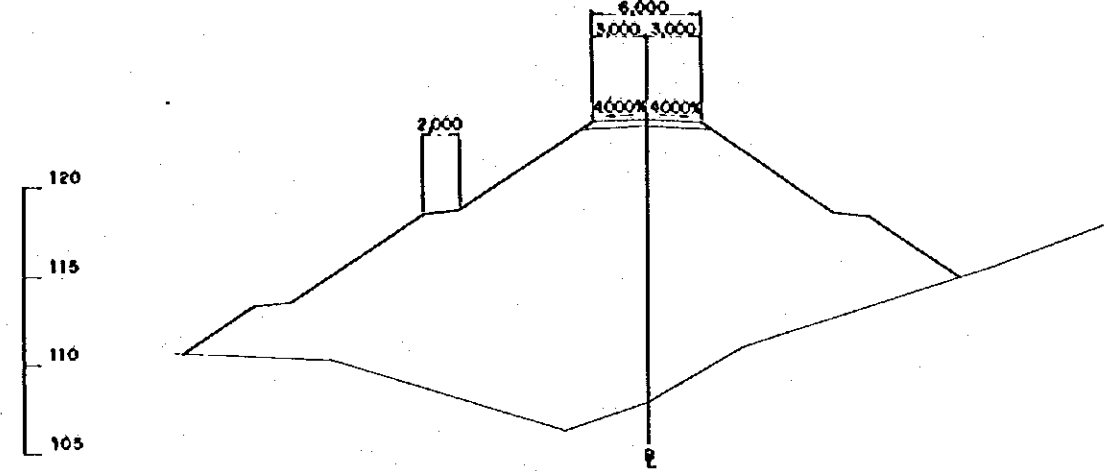
REPUBLICA DEL ECUADOR

TITULO: CAMINOS DE ACCESO/ACCESS ROAD
CAMINO DE ACCESO CONGUILLO (I)
CORTE DE SECCIONES (40/52)
CONGUILLO ACCESS ROAD (I)
CROSS SECTIONS (40/52)

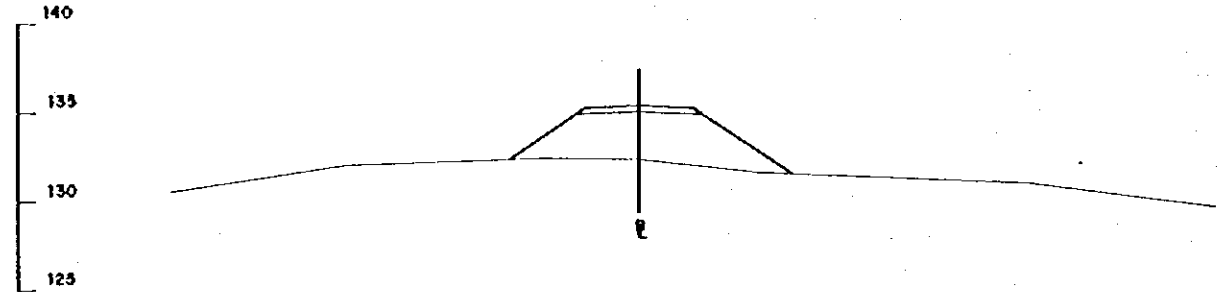
LEVANTO:	APROBADO:
DIBUJO:	FECHA:
DISEÑO:	DIBUJO N°
REVISO:	
ENTREGO:	1-ACO-063
FECHA:	



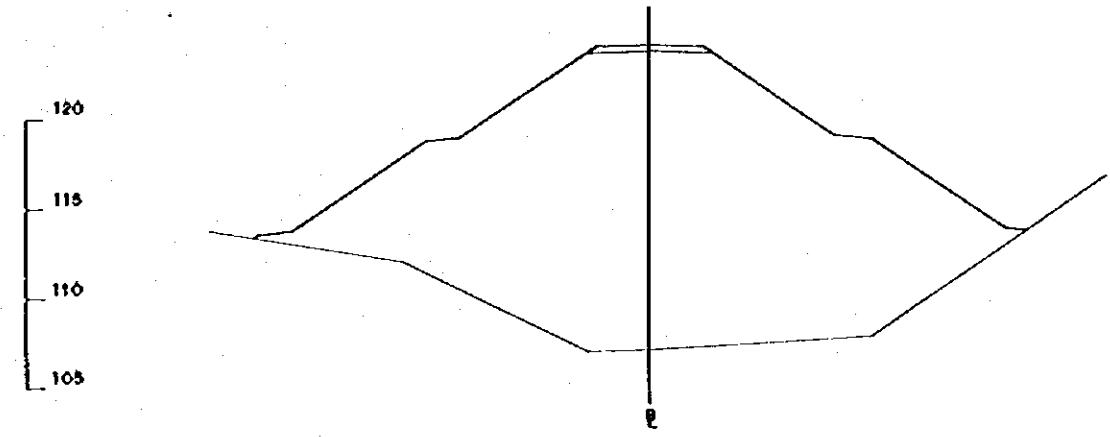
STA 9+571.465 GH=126.01 m
P.H.=130.382m



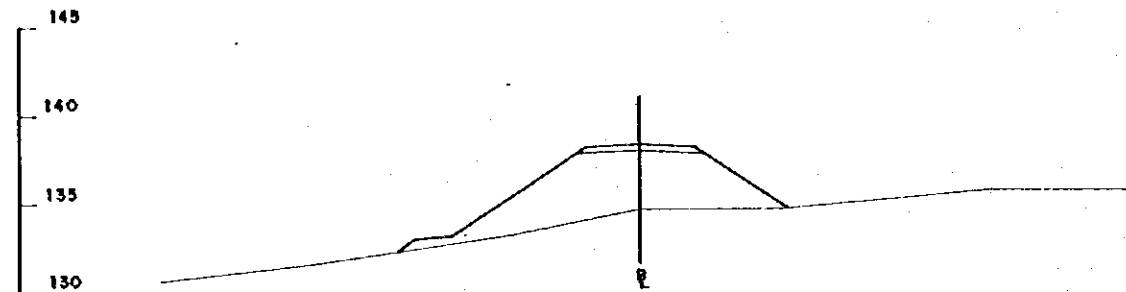
STA 9+642.975 GH=107.77 m
P.H.=123.231m



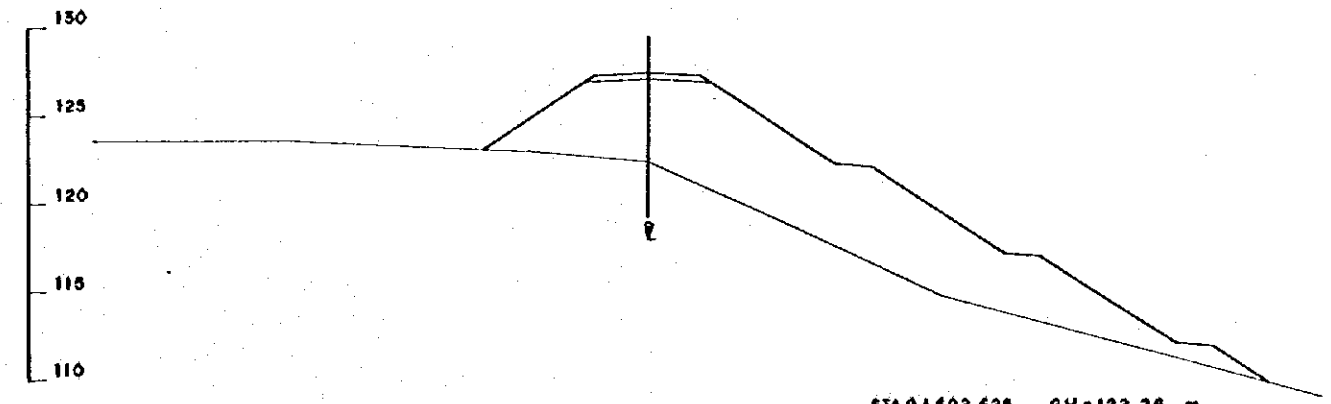
STA 9+528.755 GH=132.02 m
P.H.=134.853 m



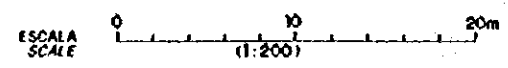
STA 9+638.045 GH=106.69 m
P.H.=123.724m



STA 9+491.465 GH=134.66 m
P.H.=138.382 m



STA 9+602.625 GH=122.26 m
P.H.=127.266 m



REV. N°	REVISADO	APROBADO	FECHA

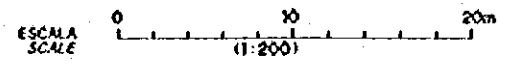
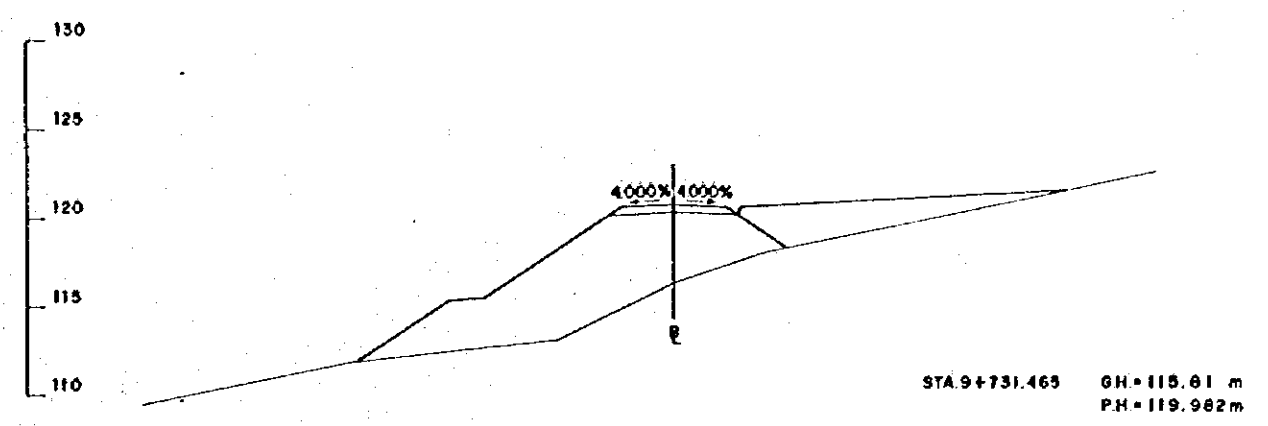
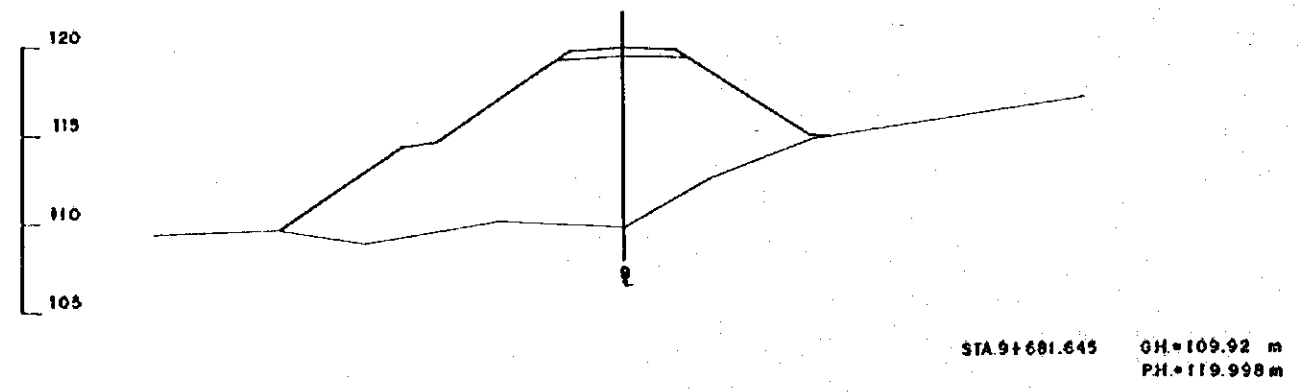
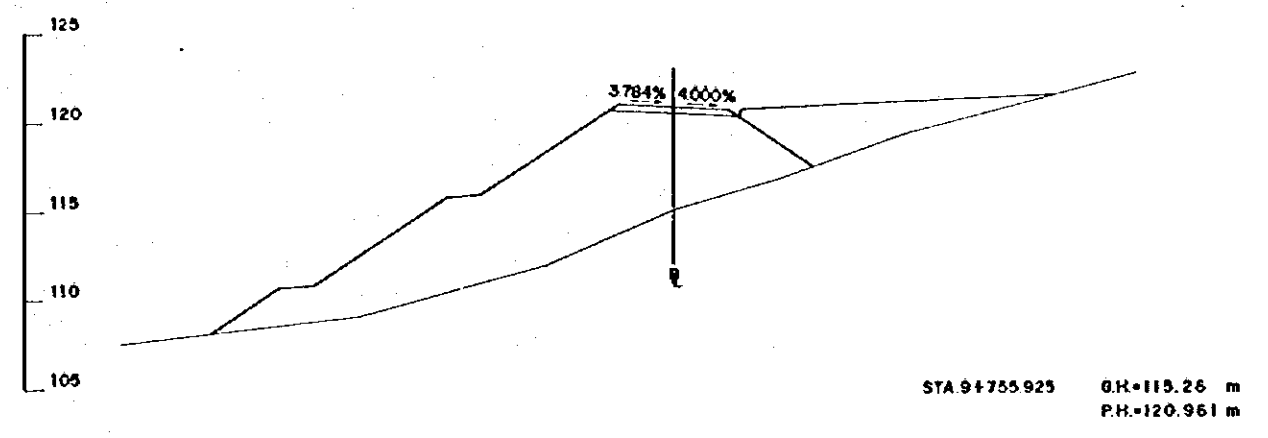
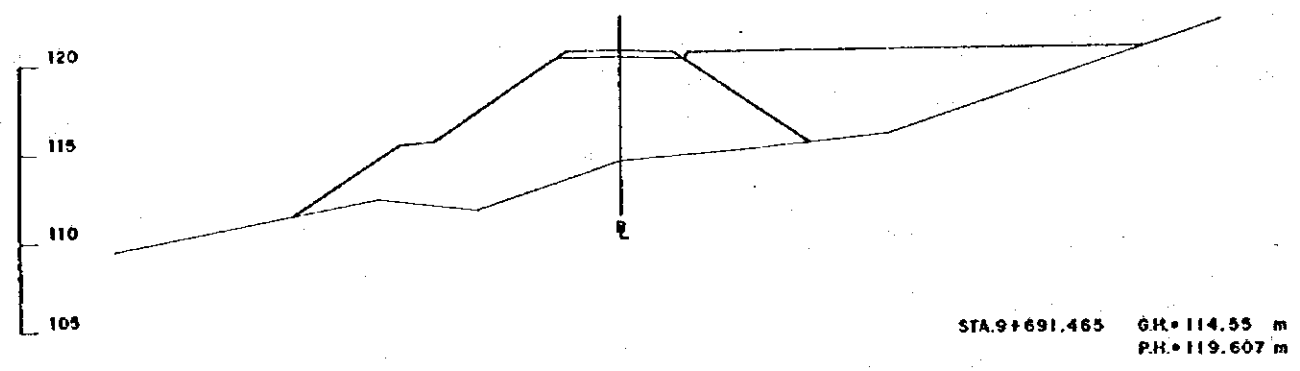
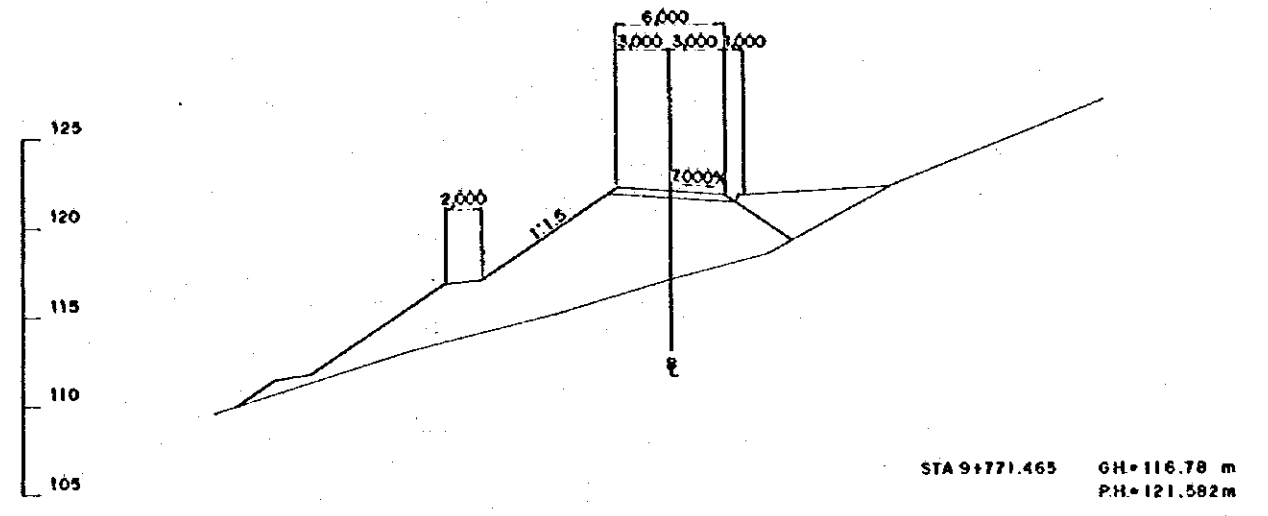
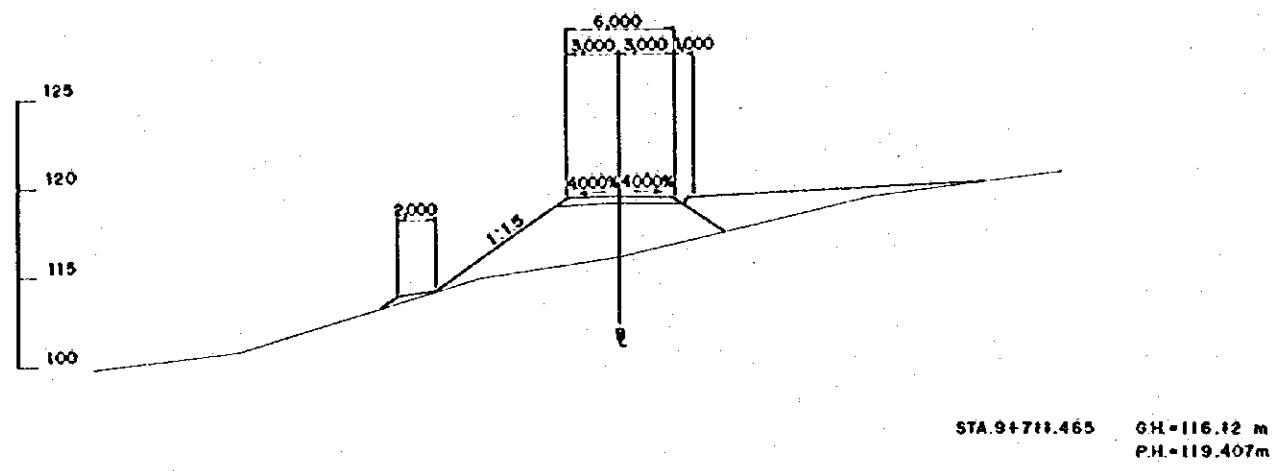
CRM
CENTRO DE REHABILITACION DE MANABI
REPUBLICA DEL ECUADOR

Estudio de Diseño Detallado de los Travesaños de Agua para las Cuenclas de Los Rios Chone - Portoviejo
The Detailed Design Study on the Water Transverse Structures for Chone - Portoviejo River Basins

TITULO: CAMINOS DE ACCESO/ACCESS ROAD
CAMINO DE ACCESO CONGUILLO (I)
CORTE DE SECCIONES (41/52)
CONGUILLO ACCESS ROAD (I)
CROSS SECTIONS (41/52)

LEVANTO:	APROBADO:
DIBUJO:	FECHA:
DISEÑO:	DIBUJO N°
REVISO:	
ENTREGO:	
FECHA:	

1-ACO-064

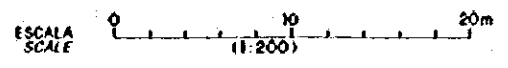
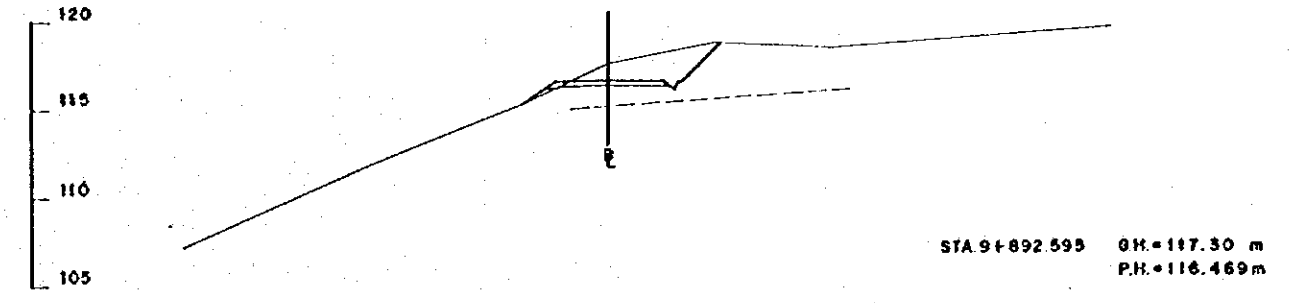
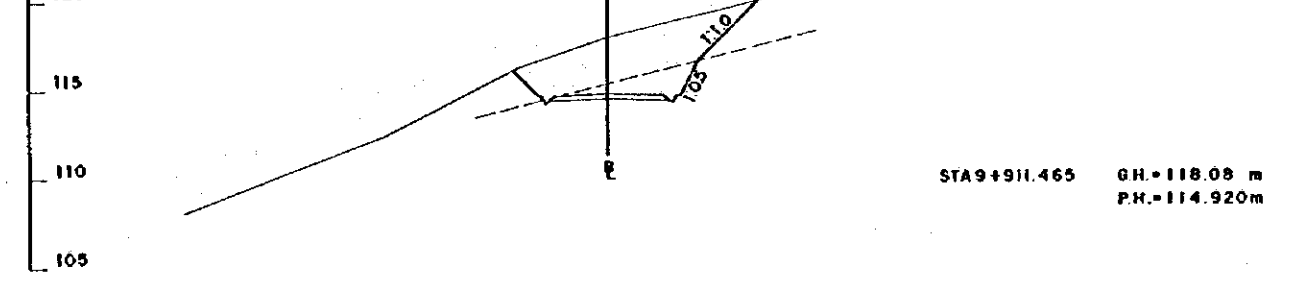
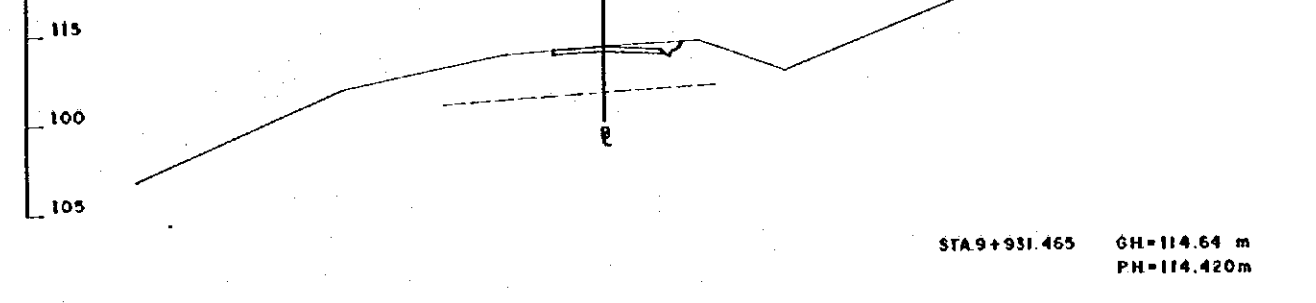
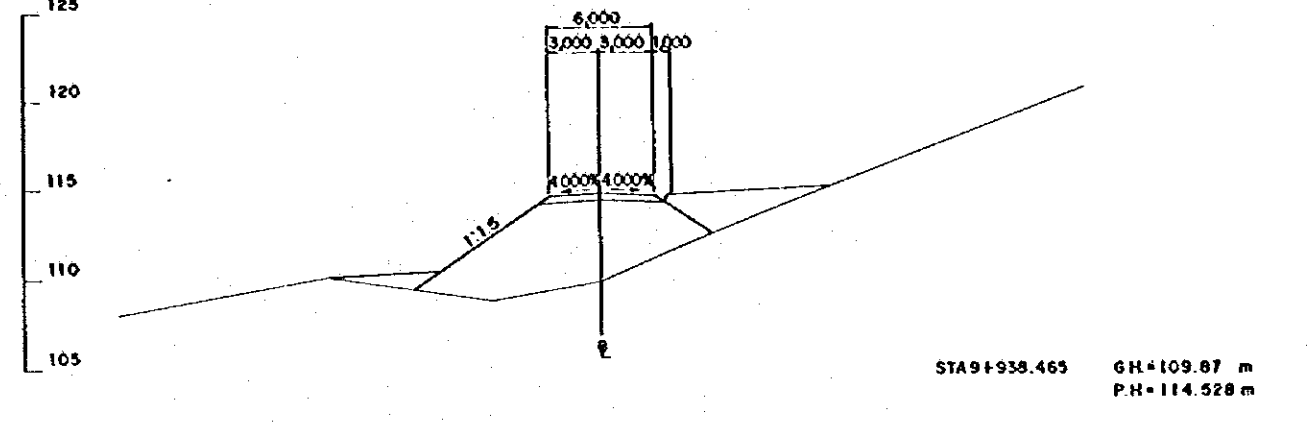
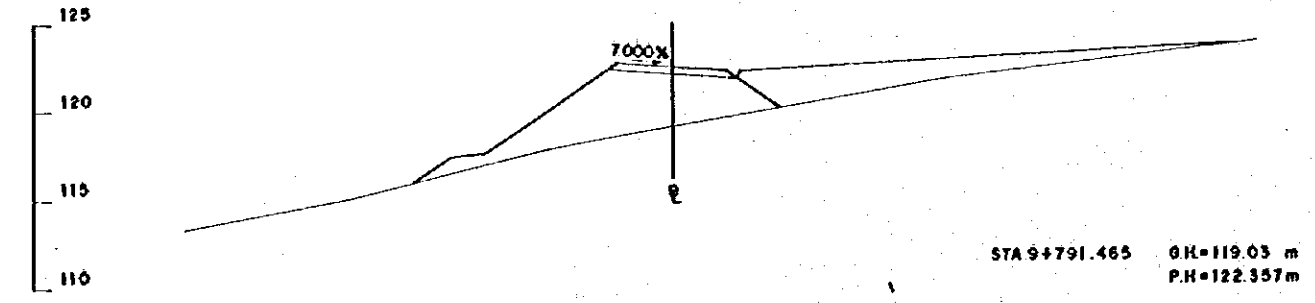
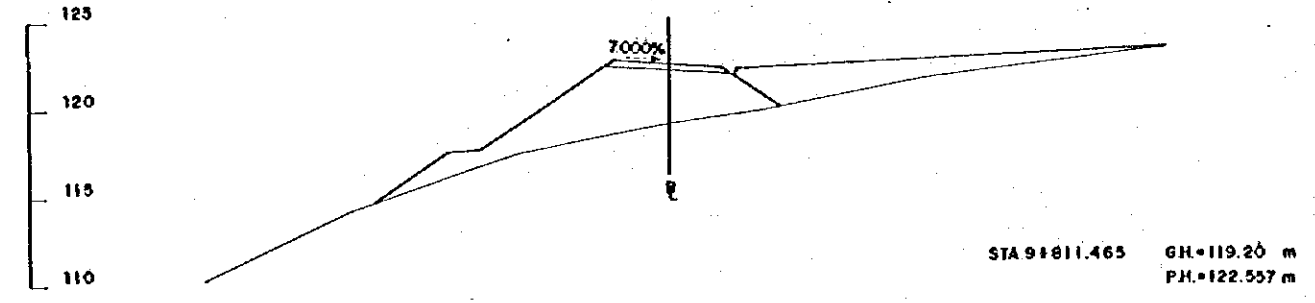
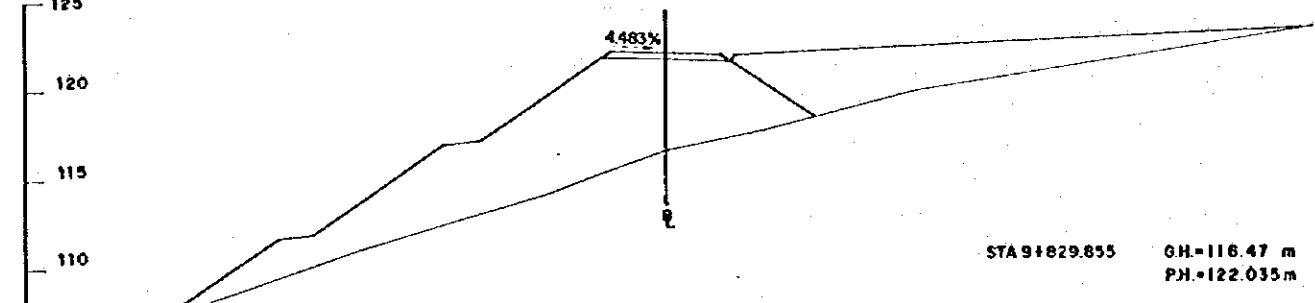
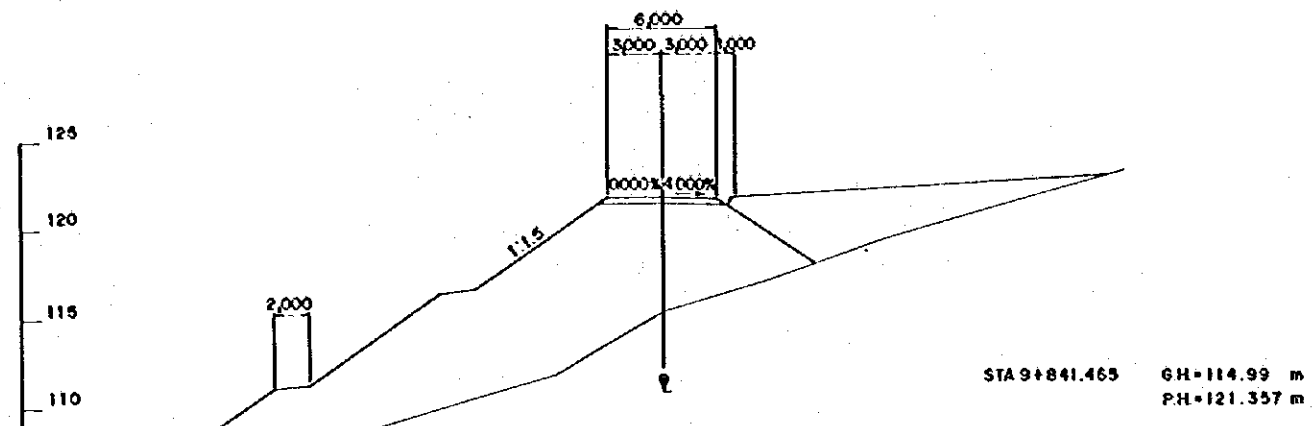


REV. Nº	REVISADO	APROBADO	FECHA

CRM
CENTRO DE REHABILITACION DE MANABI
Estudio de Diseño Detallado de los Tránsenes de Agua para las Cuencas de Los Rios Chone-Portovaleo
The Detailed Design Study on the Water Transfer Schemes for Chone-Portovaleo River Basins
REPUBLICA DEL ECUADOR

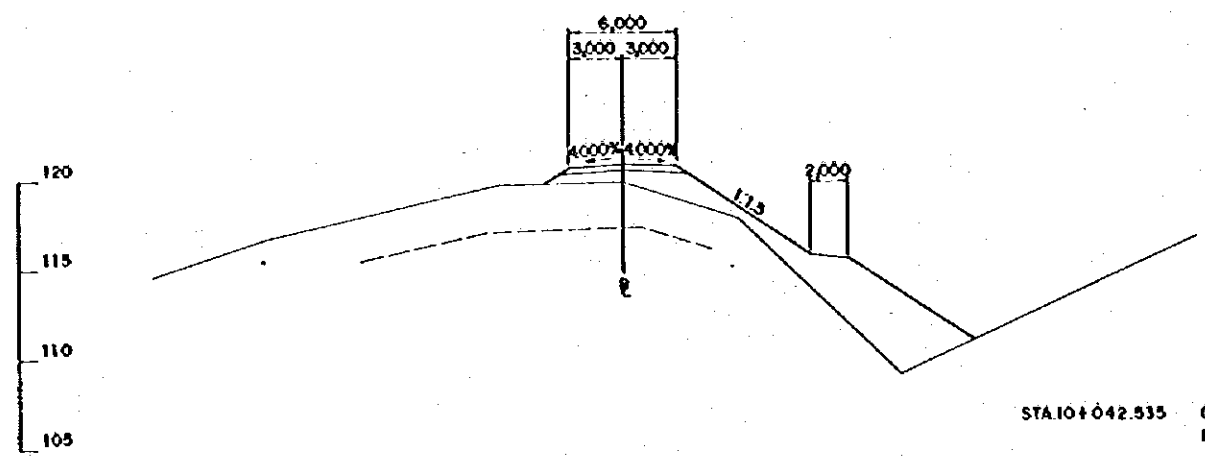
TITULO: CAMINOS DE ACCESO/ACCESS ROAD
CAMINO DE ACCESO CONGUILLO (1)
CORTE DE SECCIONES (42/52)
CONGUILLO ACCESS ROAD (1)
CROSS SECTIONS (42/52)

LEVANTO:	APROBADO:
DIBUJO:	FECHA:
DISEÑO:	OBJETO Nº
REVISO:	ENTREGO:
FECHA:	1-ACO-065

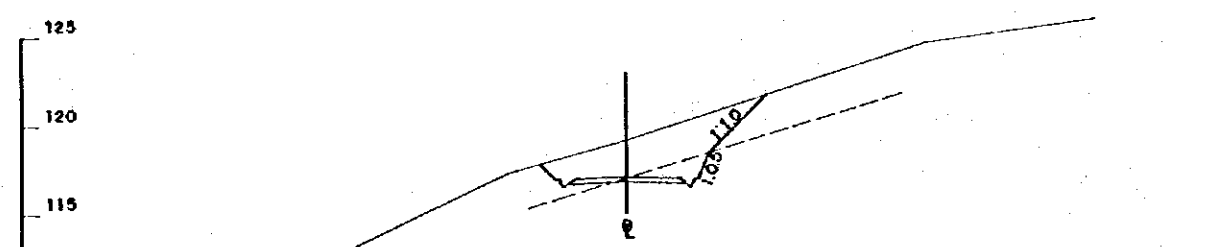


REV. N°	REVISADO	APROBADO	FECHA

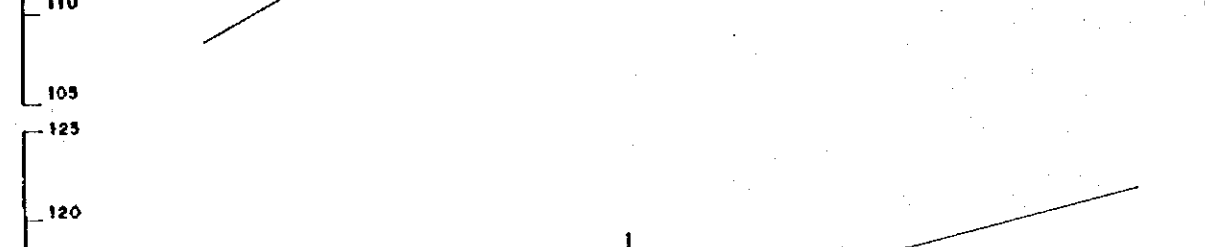
CRDM CENTRO DE REHABILITACIÓN DE MANABI	Estudio de Diseño Detallado de los Tránsitos de Agua para las Cuenecas de Los Rios Chone-Portoviejo <i>The Detailed Design Study on the Water Transbasin Schemes for Chone-Portoviejo River Basins</i>	TITULO: CAMINOS DE ACCESO/ACCESS ROAD	LEVANTÓ:	APROBADO:
	REPUBLICA DEL ECUADOR	CAMINO DE ACCESO OONGUILLO (I) CORTE DE SECCIONES (43/52) OONGUILLO ACCESS ROAD (I) CROSS SECTIONS (43/52)	DISEÑO: REVISÓ: ENTREGÓ: FECHA:	FECHA: DIBUJO N°: 1-ACO-066



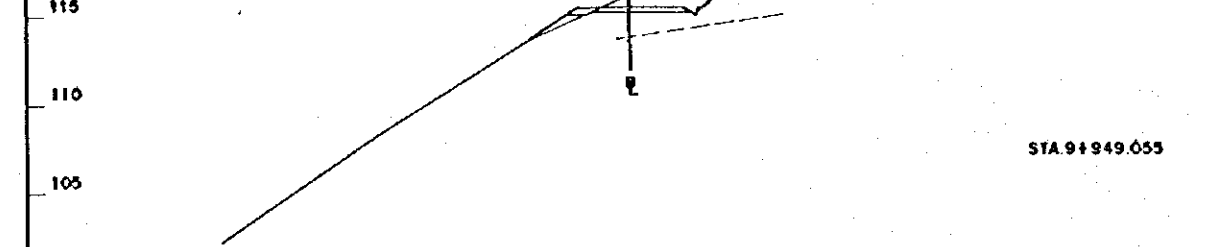
STA.10+042.535 GH=119.39 m
PH=119.659 m



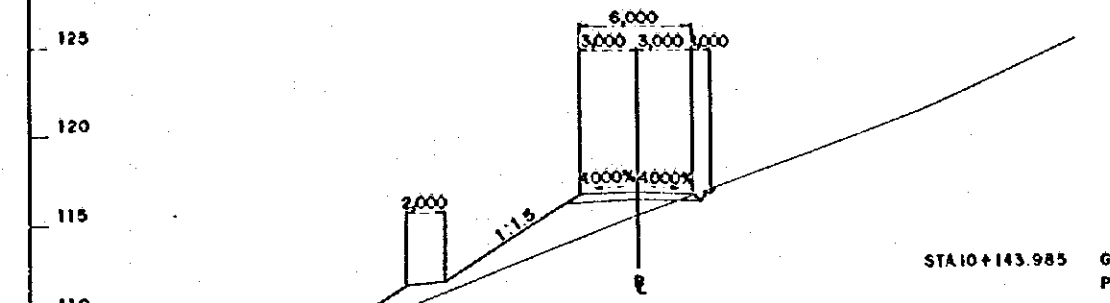
STA.9+981.045 GH=118.63 m
PH=116.561 m



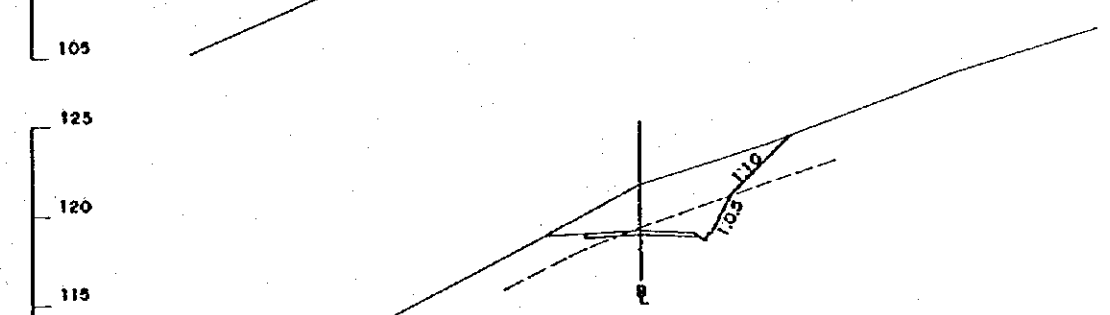
STA.9+949.055 GH=115.81 m
PH=114.962 m



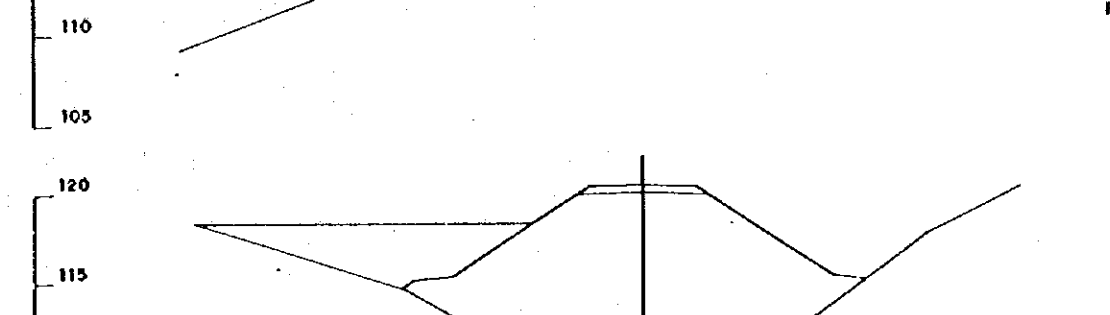
STA.9+943.065 GH=112.76 m
PH=114.879 m



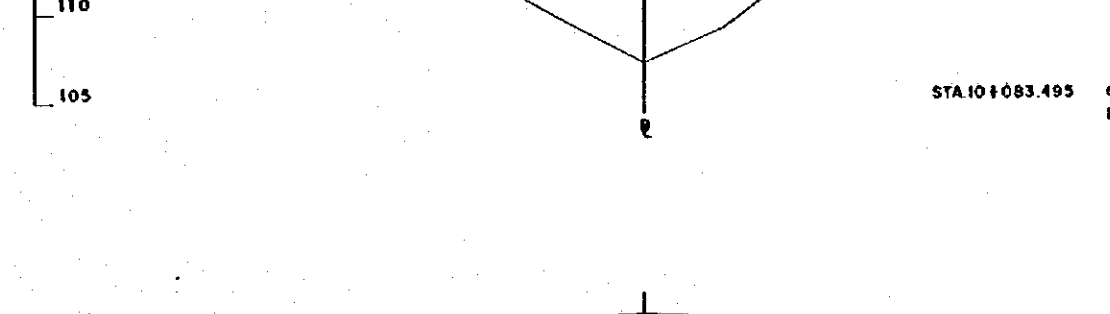
STA.10+143.985 GH=115.41 m
PH=116.830 m



STA.10+120.595 GH=121.47 m
PH=118.842 m



STA.10+083.495 GH=107.26 m
PH=120.359 m

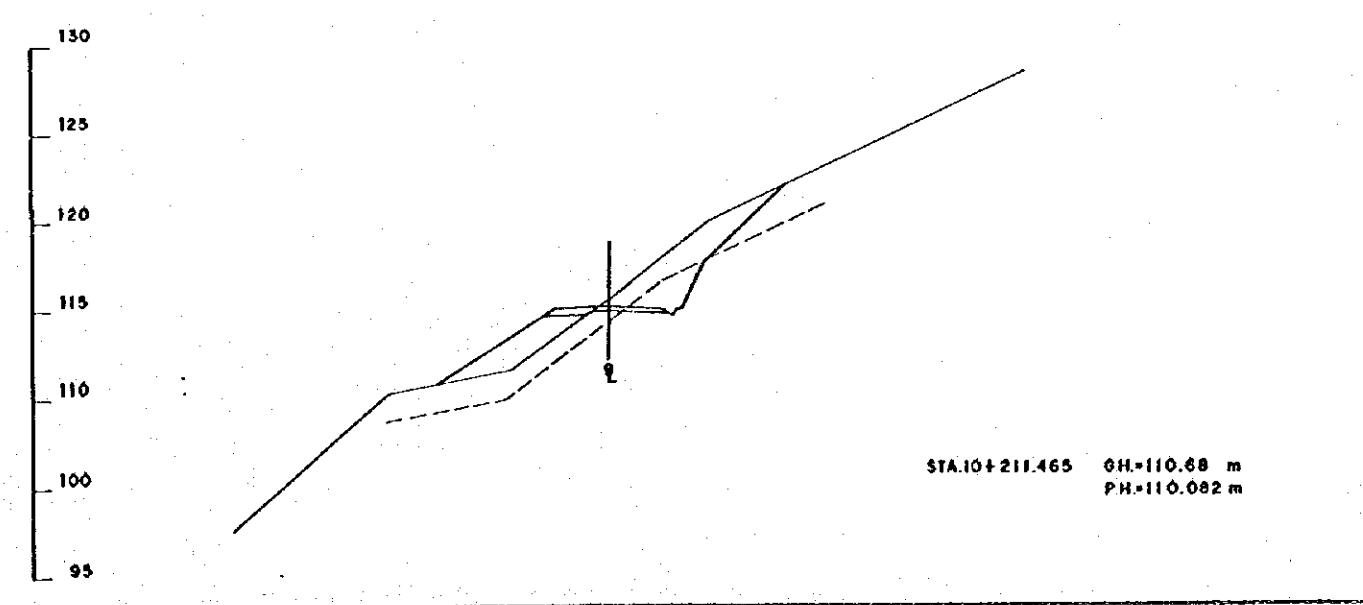
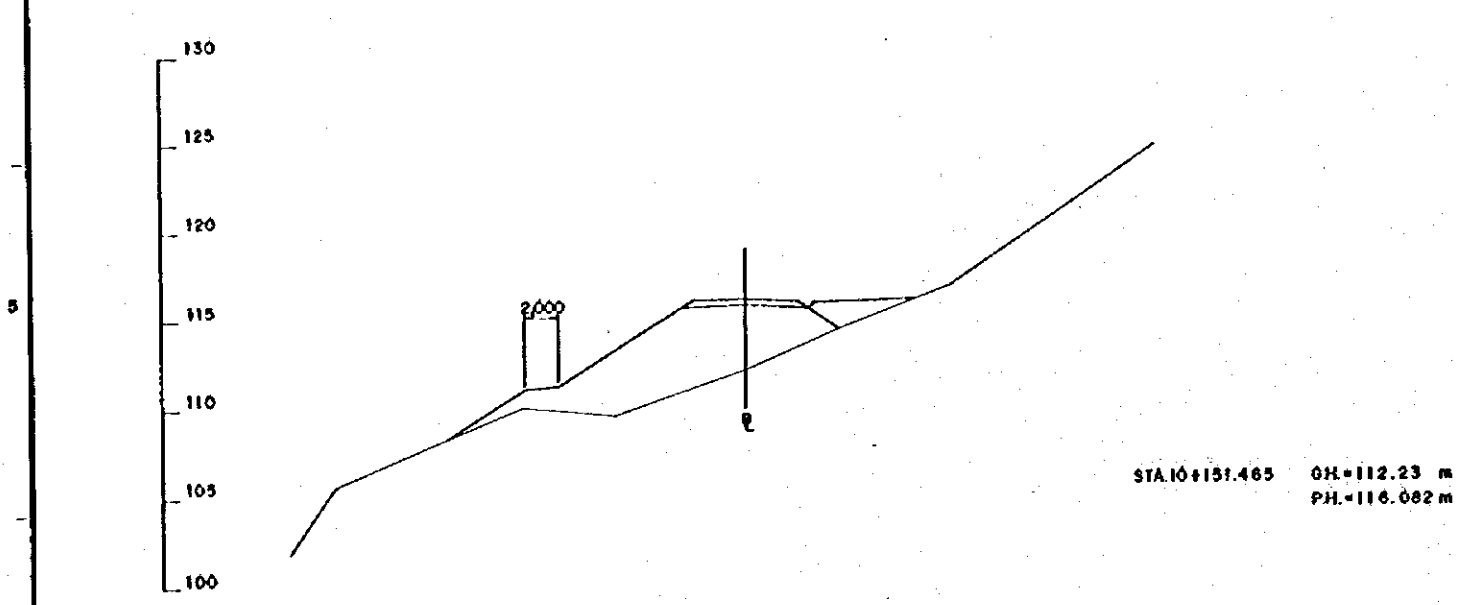
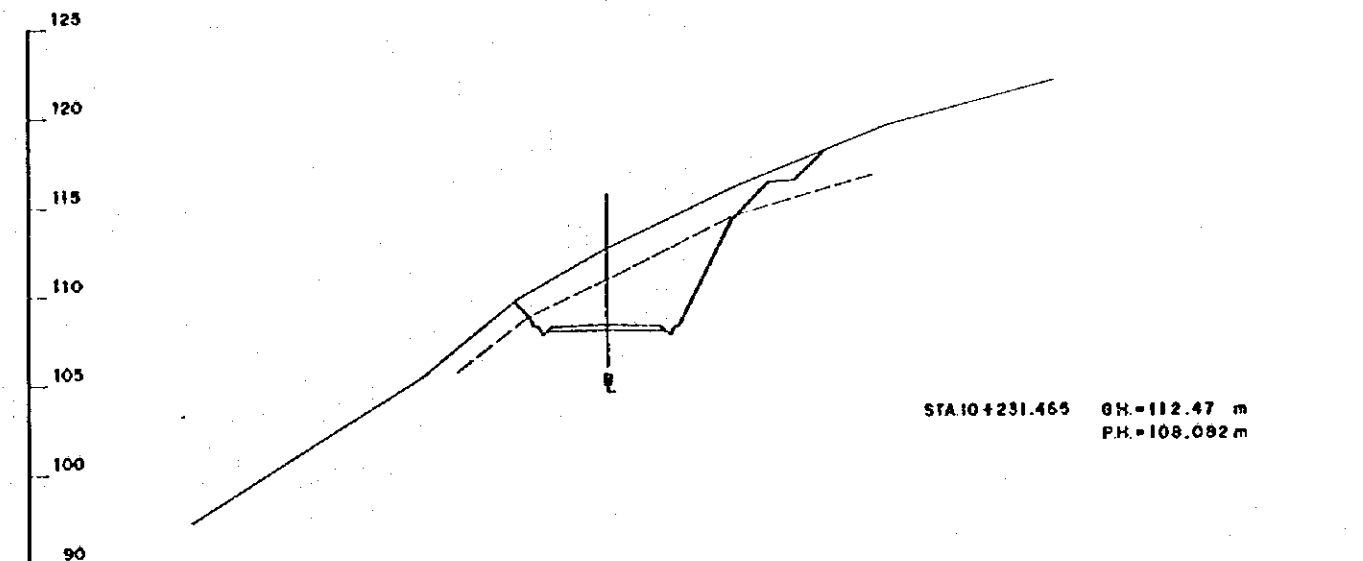
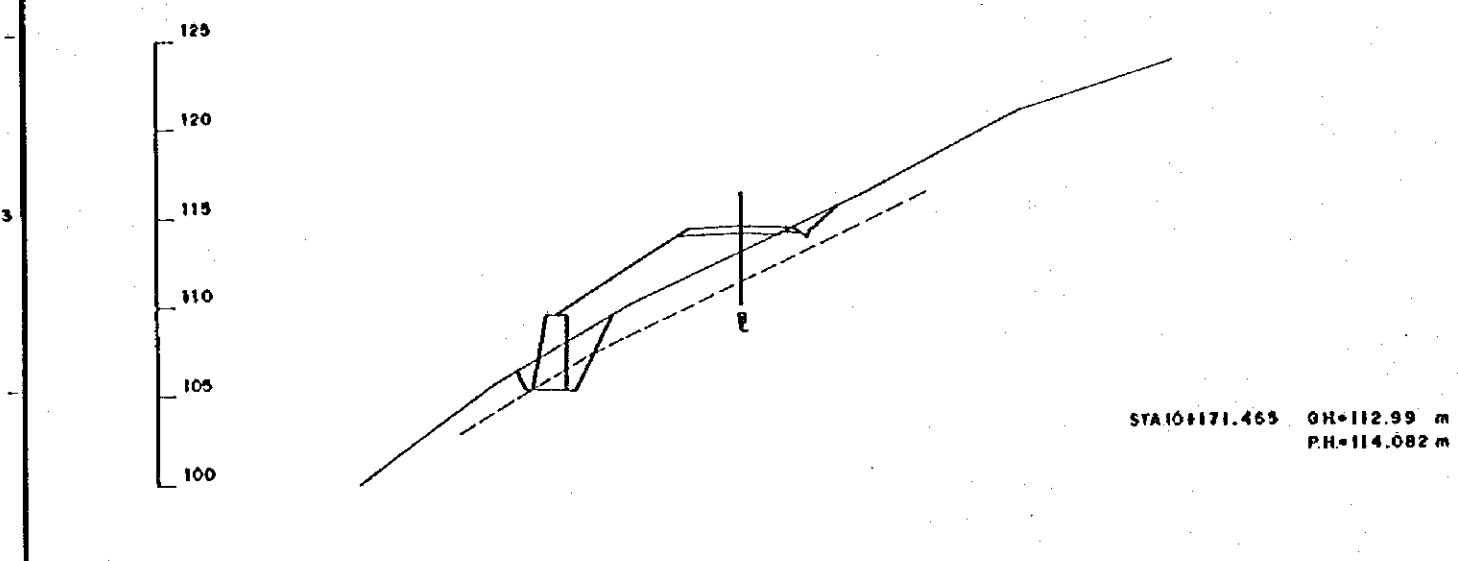
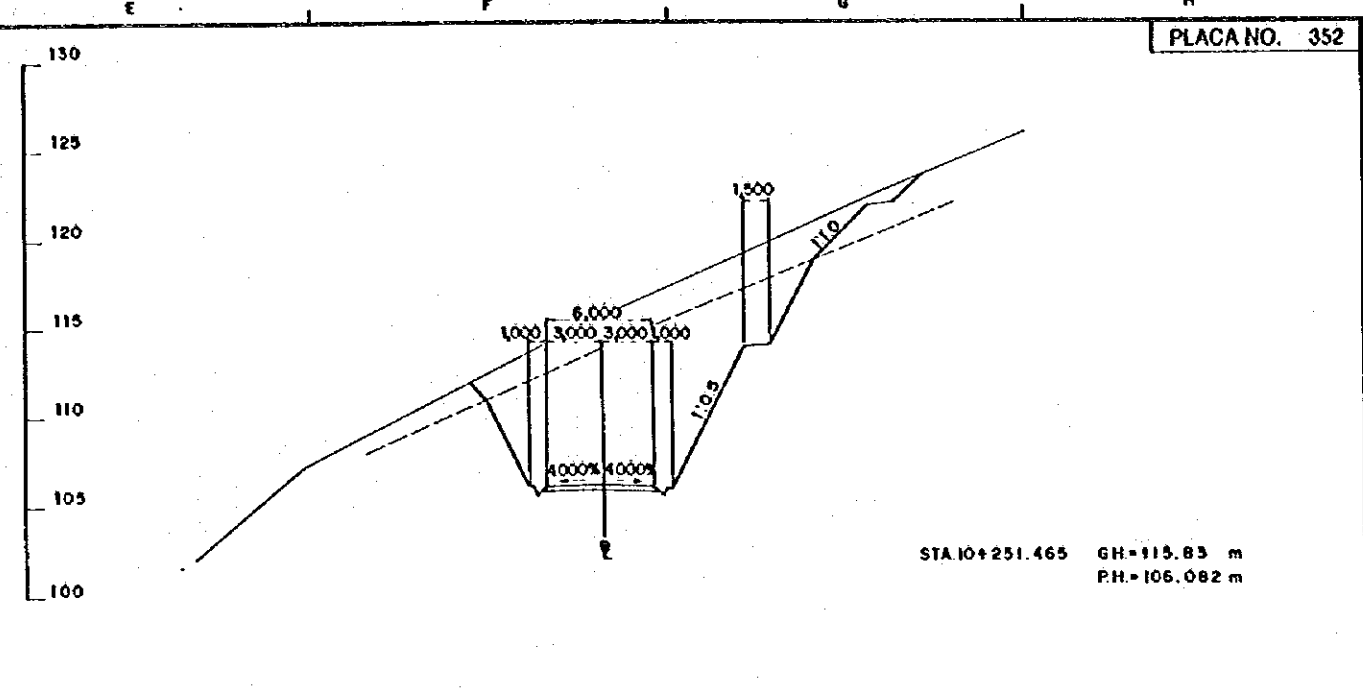
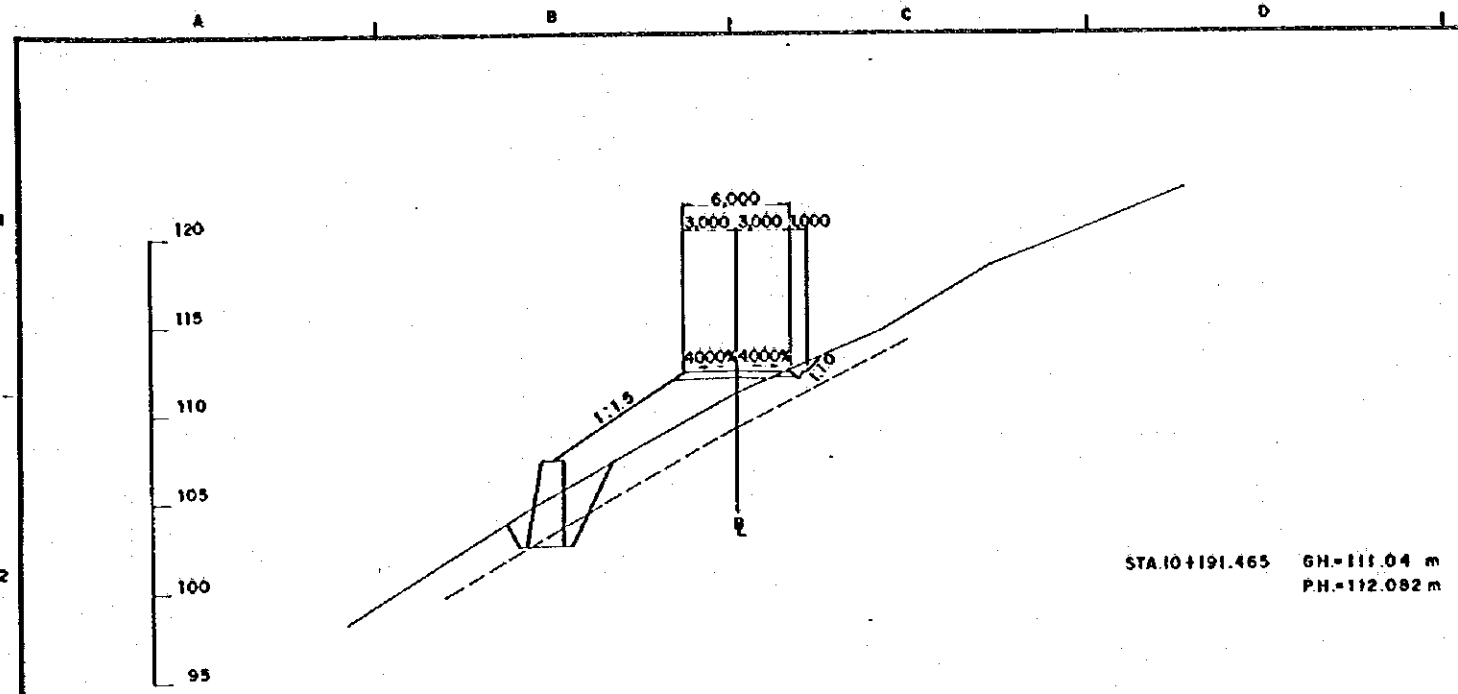


STA.10+061.485 GH=114.67 m
PH=120.296 m



REV. Nº	REVISADO	APROBADO	FECHA

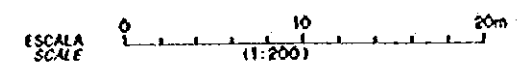
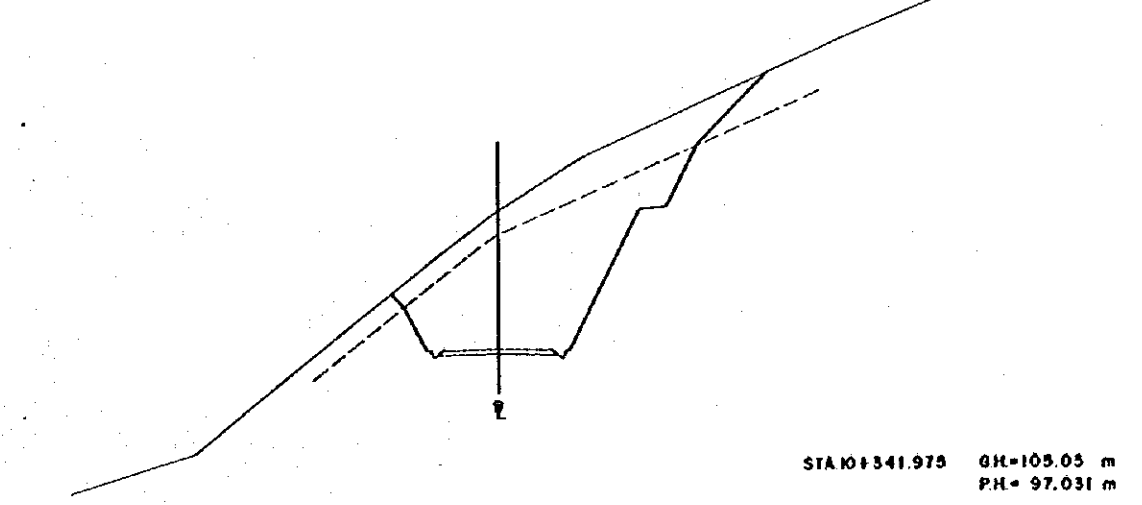
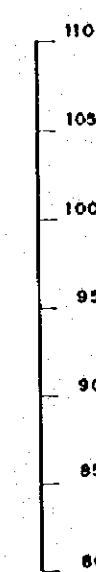
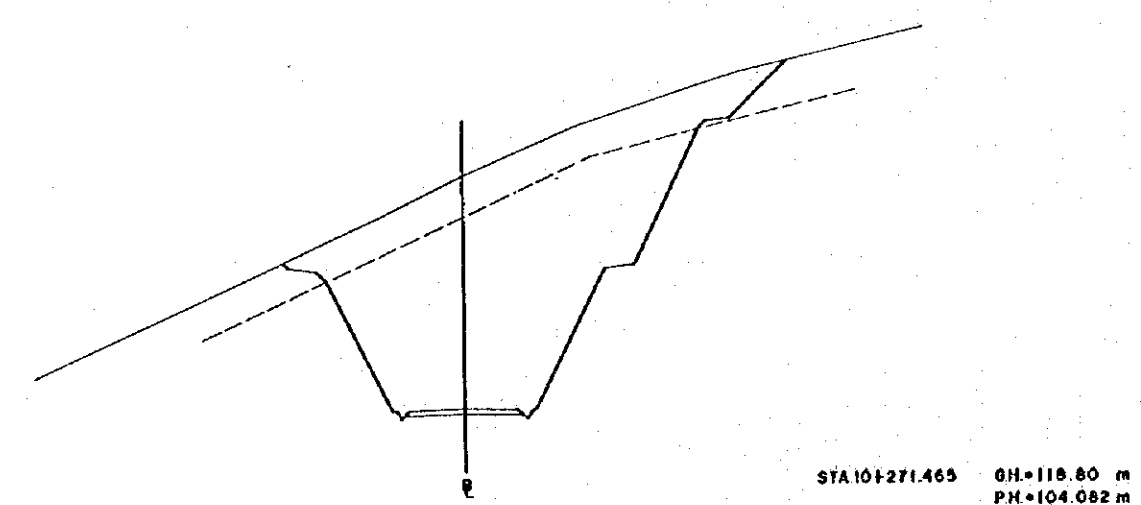
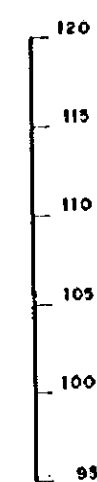
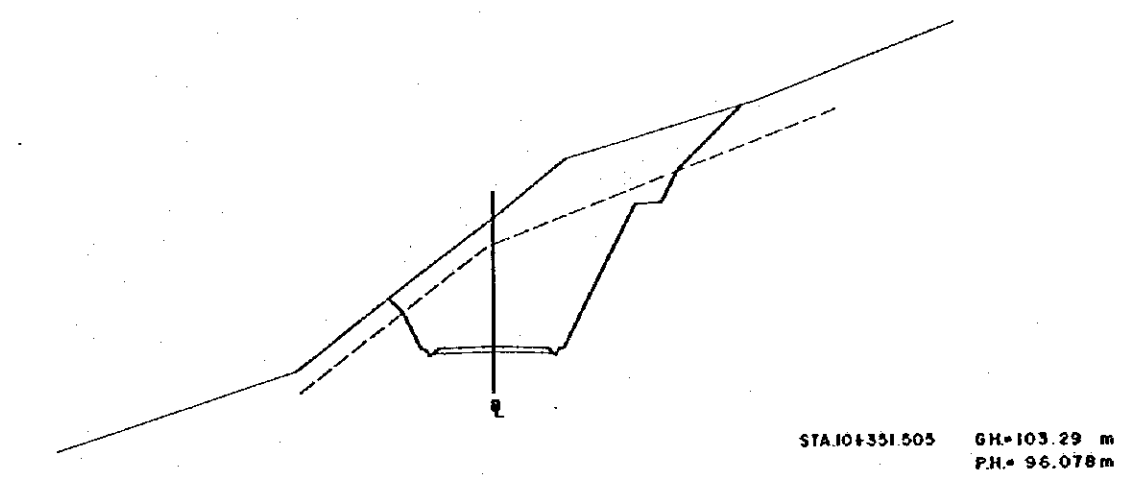
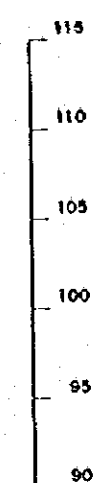
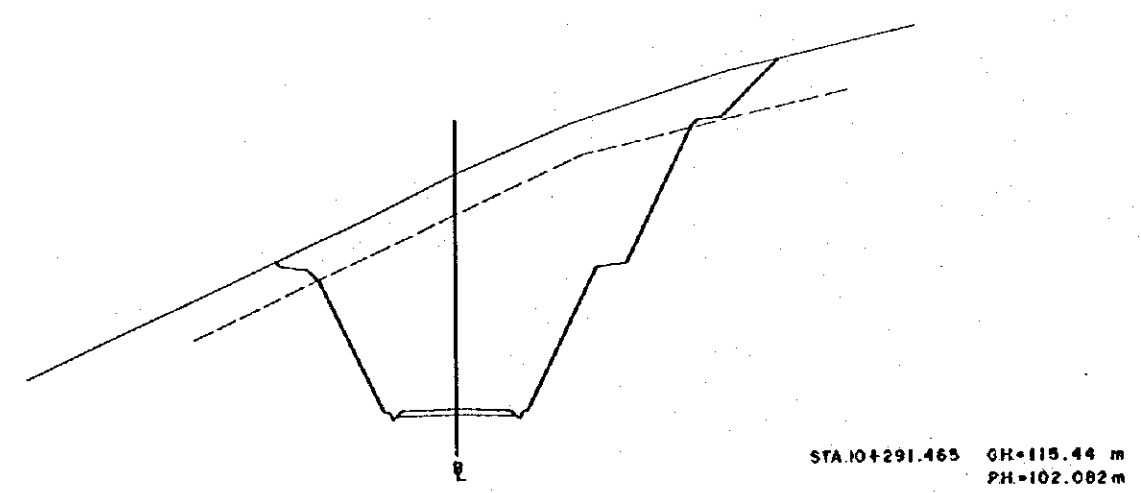
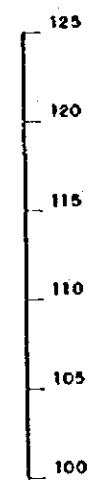
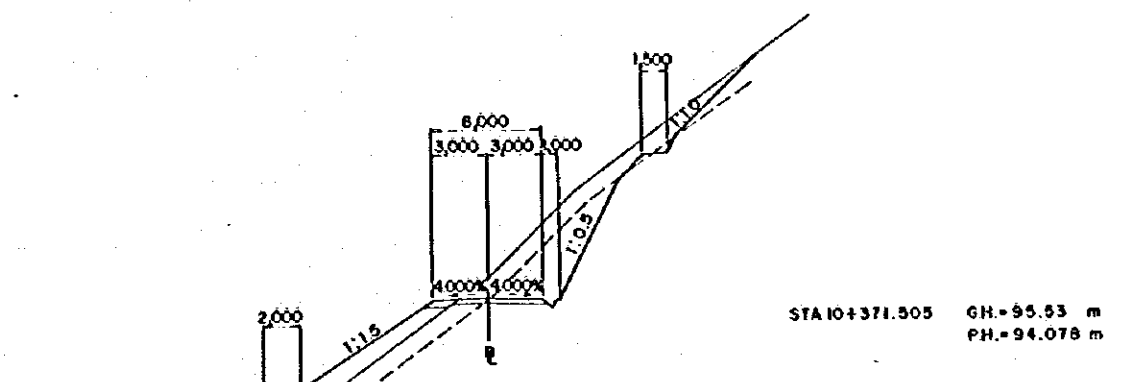
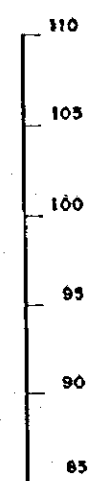
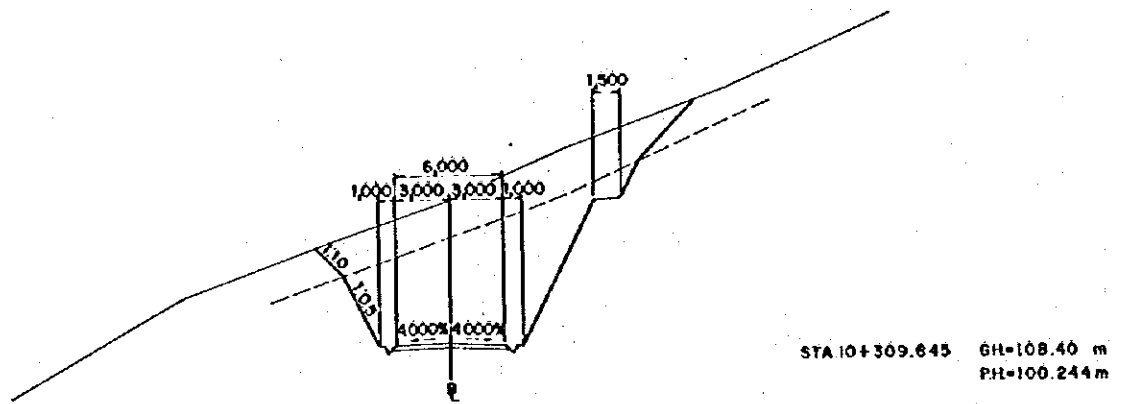
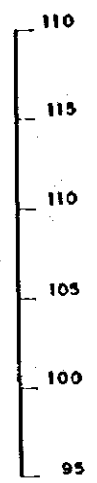
CRM CENTRO DE REHABILITACION DE MANABI	Estudio de Diseño Detallado de los Traveses de Agua para los Cuencas de Los Rios Chone-Portoviejo The Detailed Design Study on the Water Traverses Schemes for Chone-Portoviejo River Basins	TITULO: CAMINOS DE ACCESO/ACCESS ROAD CAMINO DE ACCESO CONGUILLO (I) CORTE DE SECCIONES (44/62) CONGUILLO ACCESS ROAD (I) CROSS SECTIONS (44/52)	LEVANTO: DIBUJO: DISEÑO: REVISO: ENTREGO: FECHA:	APROBADO: FECHA: DIBUJO Nº: 1-ACO-067
	REPUBLICA DEL ECUADOR	REPUBLICA DEL ECUADOR	REPUBLICA DEL ECUADOR	REPUBLICA DEL ECUADOR



ESCALA SCALE 0 10 20m (1:200)

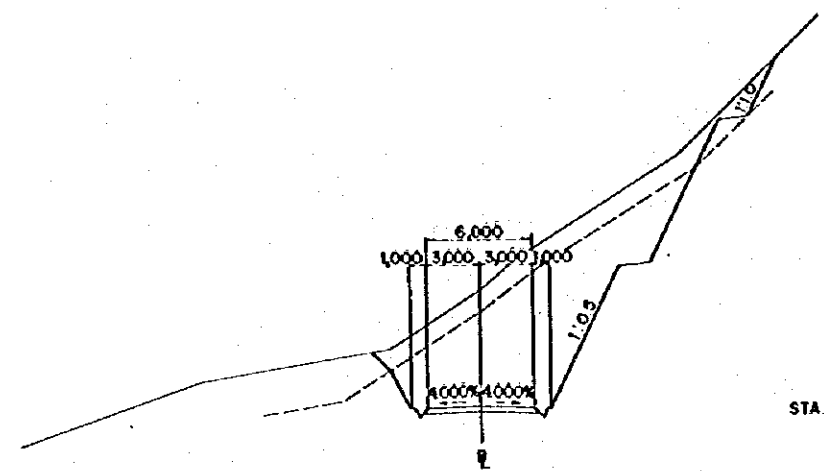
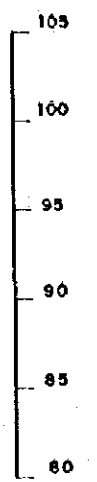
REV. Nº	REVISADO	APROBADO	FECHA

CRM CENTRO DE REHABILITACION DE MANABI	Estudio de Diseño Detallado de los Tramos de Agua para las Cuenca de Los Rios Chora - Fortuliso The Detailed Design Study in the Water Treatment Schemes for Chora - Fortuliso River Basins	TITULO: CAMINOS DE ACCESO/ACCESS ROAD	
	REPUBLICA DEL ECUADOR	CAMINO DE ACCESO CONGUILLO (I) CORTE DE SECCIONES (45/52) CONGUILLO ACCESS ROAD (I) CROSS SECTIONS (45/52)	LEVANTO: DIBUJO: DISEÑO: REVISO: ENTREGO: FECHA:
APROBADO: FECHA:		DIBUJO Nº 1-ACO-068	

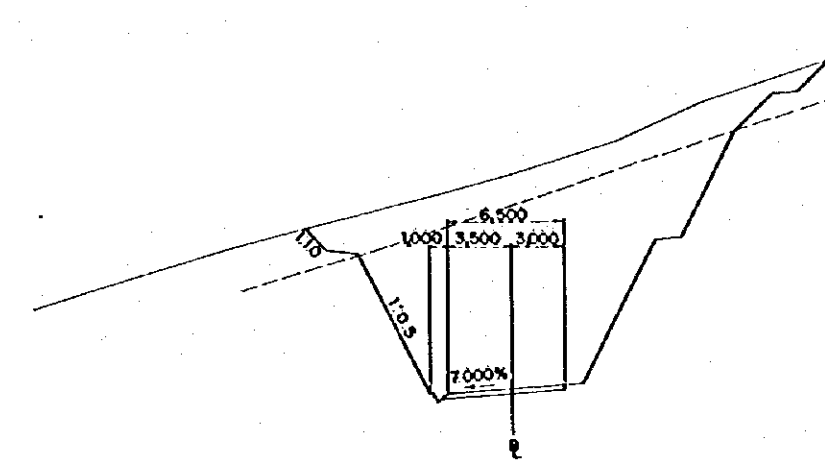
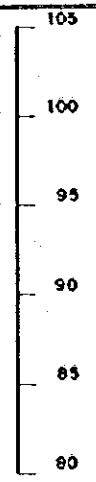


REV. N°	REVISADO	APROBADO	FECHA

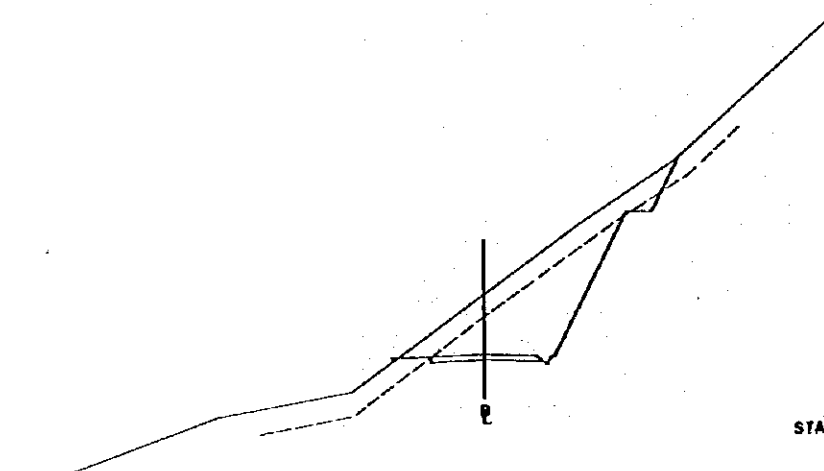
CRML CENTRO DE REHABILITACION DE MANABI	Estudio de Diseño Detallado de las Travesas de Agua para las Duenas de Los Rios Chora - Portaflo <i>The Detailed Design Study on the Water Traverses Schemes for Chora - Portaflo River Basin</i>	TITULO: CAMINOS DE ACCESO / ACCESS ROAD CAMINO DE ACCESO CONGUILLO (1) CORTE DE SECCIONES (46/52) CONGUILLO ACCESS ROAD (1) CROSS SECTIONS (46/52)	LEVANTO: _____ DIBUJO: _____ REVISO: _____ ENTREGO: _____ FECHA: _____	APROBADO: _____ FECHA: _____ DIBUJO N° 1-ACO-069
	REPUBLICA DEL ECUADOR	_____	_____	_____



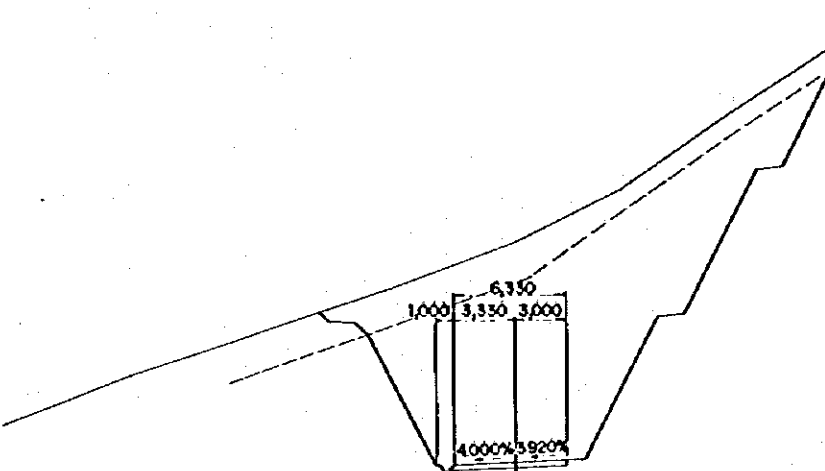
STA 10+461.505 GH=91.70 m
PH=89.078 m



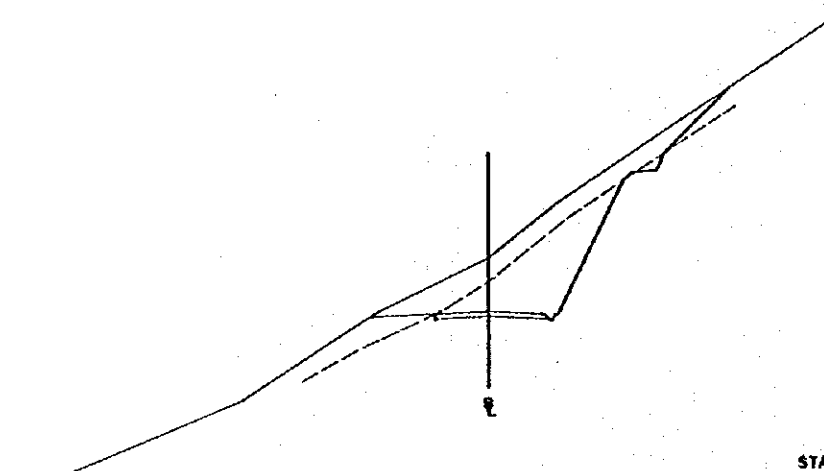
STA 10+531.505 GH=90.23 m
PH=78.078 m



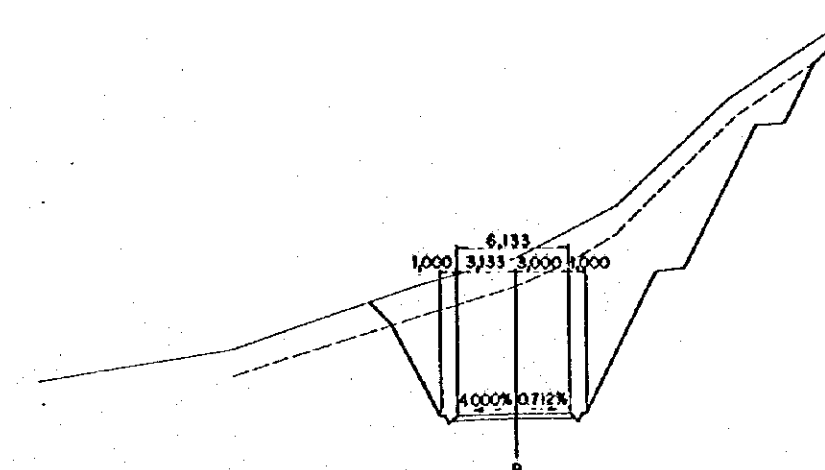
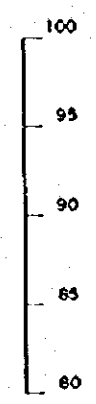
STA 10+411.505 GH=93.49 m
PH=90.078 m



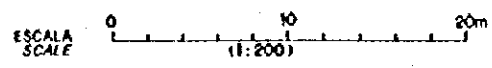
STA 10+517.085 GH=92.06 m
PH=79.520 m



STA 10+396.195 GH=95.97 m
PH=91.609 m

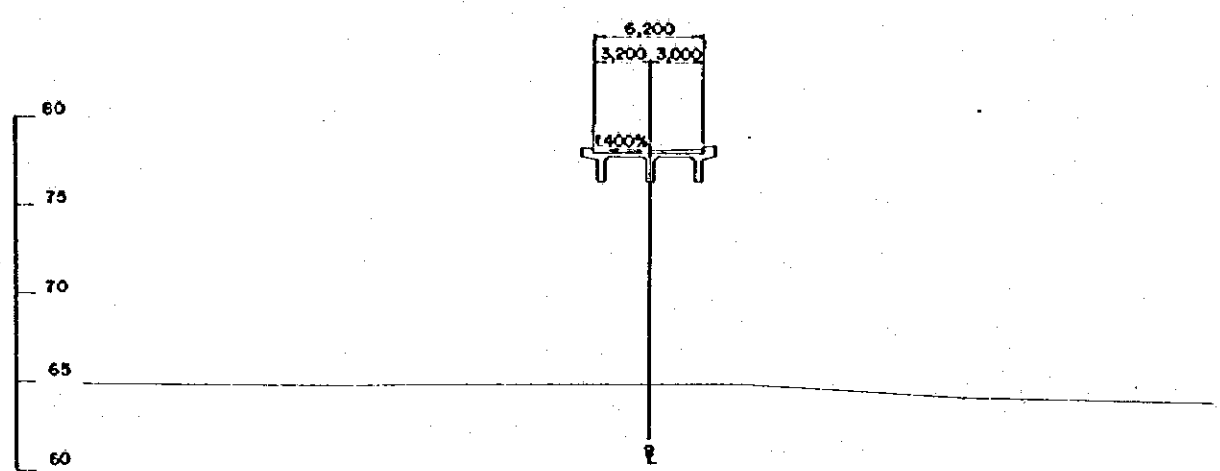


STA 10+509.505 GH=89.57 m
PH=80.678 m

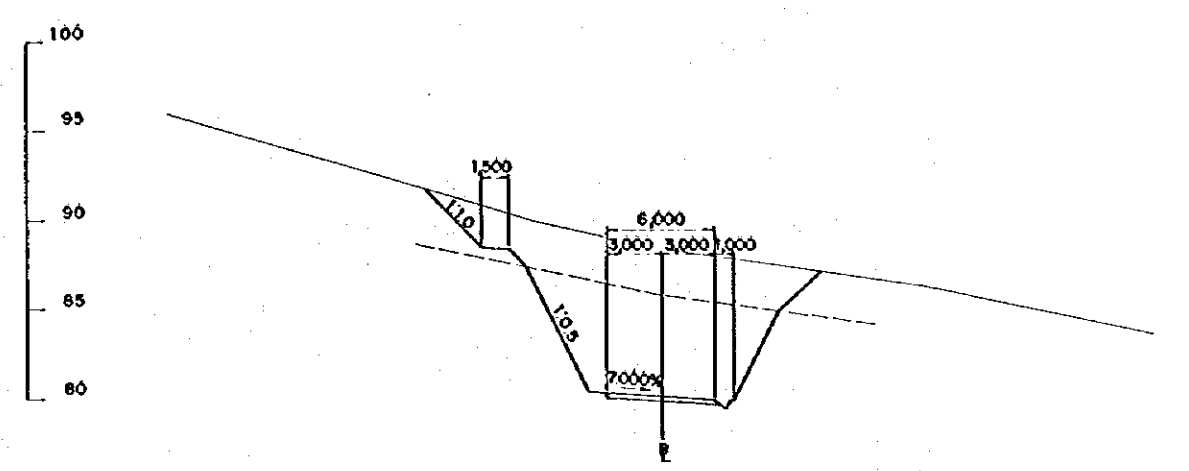


REV. N°	REVISADO	APROBADO	FECHA

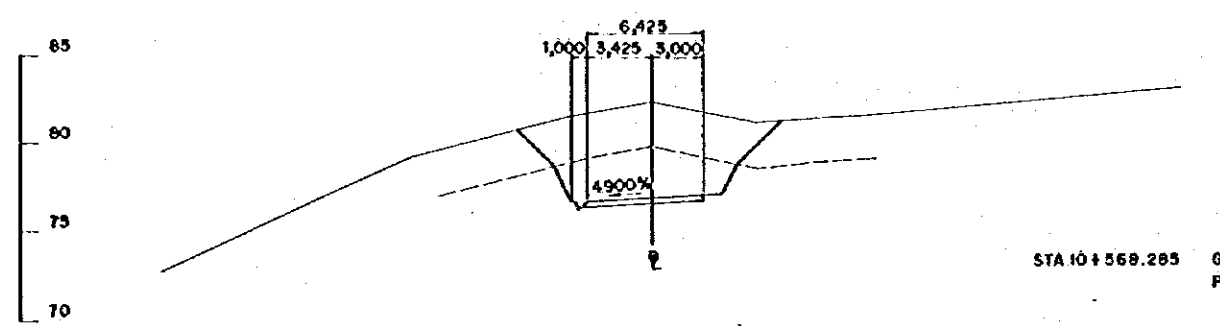
CPM CENTRO DE RENOVACION DE MANABI	Estudio de Diseño Detallado de los Traszados de Agua para las Quezcas de Los Rios Chona-Portovalejo <i>The Detailed Design Study on the Water Transbasin Schemes for Chona-Portovalejo River Basin</i>	TITULO: CAMINOS DE ACCESO/ACCESS ROAD CAMINO DE ACCESO CONGULLO(1) CORTE DE SECCIONES(47/52) CONGULLO ACCESS ROAD(1) CROSS SECTIONS(47/52)	LEVANTO: DIBUJO: DISEÑO: REVISO: ENTREGO: FECHA:	APROBADO: FECHA: DIBUJO N°: 1-ACO-070
	REPUBLICA DEL ECUADOR	REPUBLICA DEL ECUADOR	REPUBLICA DEL ECUADOR	REPUBLICA DEL ECUADOR



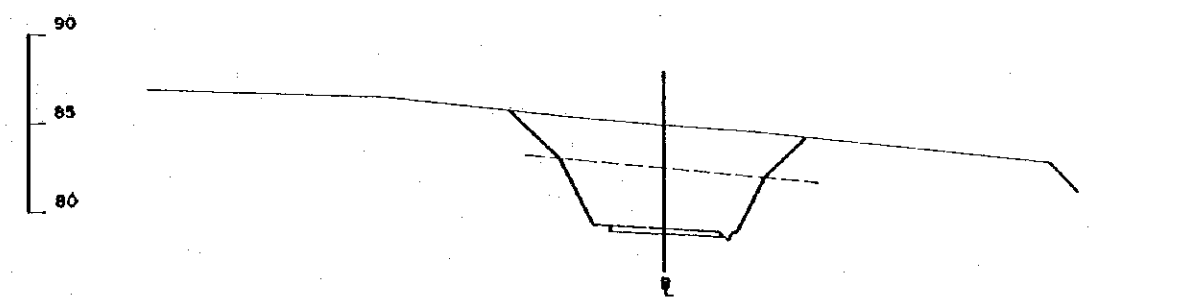
STA 10+586.285 GH=64.55 m
PH=77.700 m



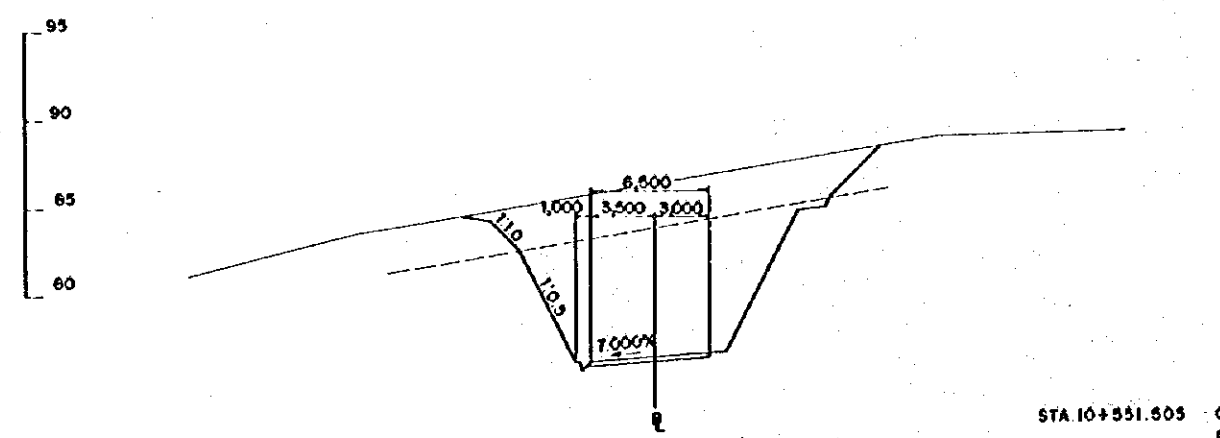
STA 10+632.285 GH=88.48 m
PH=80.000 m



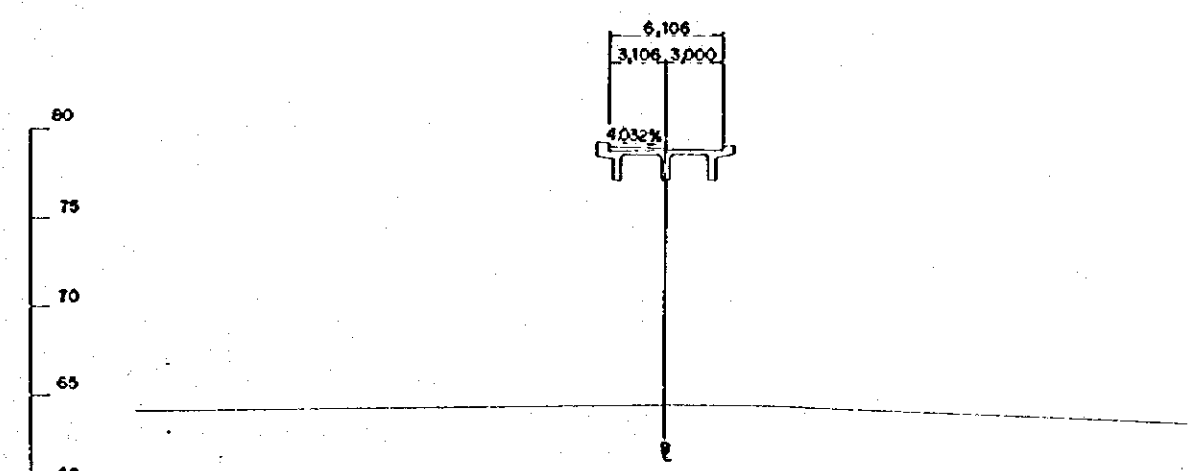
STA 10+569.285 GH=82.13 m
PH=76.830 m



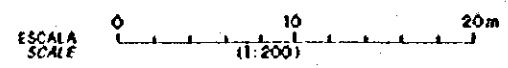
STA 10+612.285 GH=84.75 m
PH=79.000 m



STA 10+551.605 GH=86.43 m
PH=76.771 m



STA 10+612.285 GH=84.75 m
PH=79.000 m



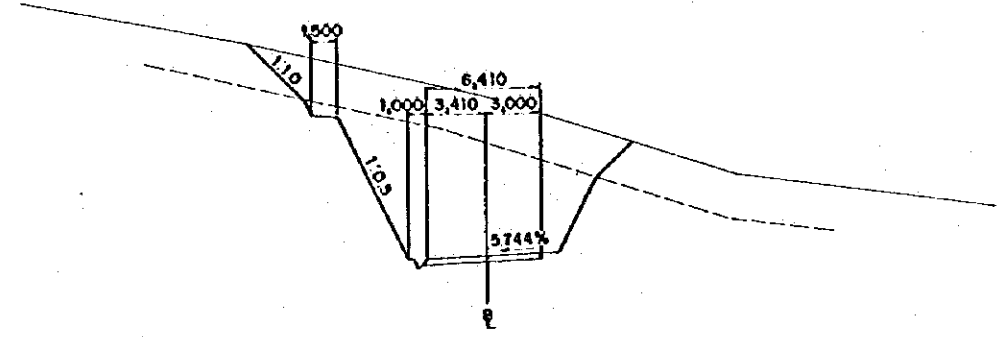
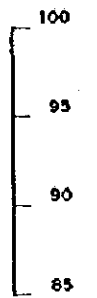
REV. N°	REVISADO	APROBADO	FECHA

CRM
CENTRO DE REHABILITACION DE MANABI
REPUBLICA DEL ECUADOR

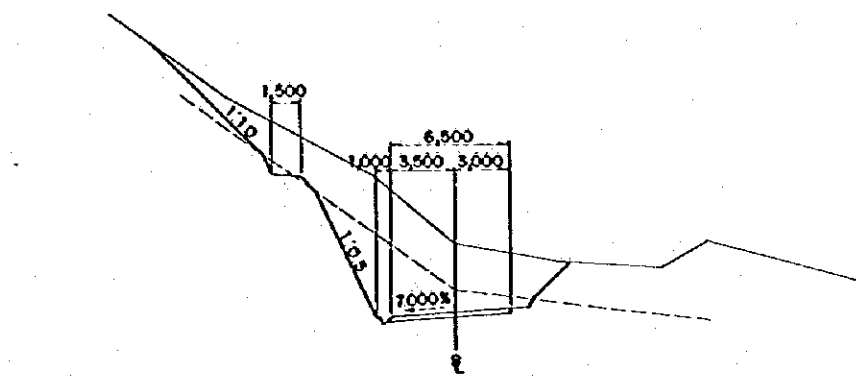
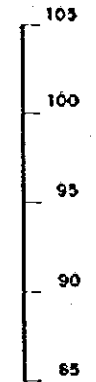
Estudio de Diseño Detallado de los Tránsenes de Agua para los Cuencas de Los Rios Chone - Portoviejo
The Detailed Design Study on the Water Transbasin Schemes for Chone - Portoviejo River Basins

TITULO: CAMINOS DE ACCESO/ACCESS ROAD
CAMINO DE ACCESO CONGUILLO (I)
CORTE DE SECCIONES (48/52)
CONGUILLO ACCESS ROAD (I)
CROSS SECTIONS (48/52)

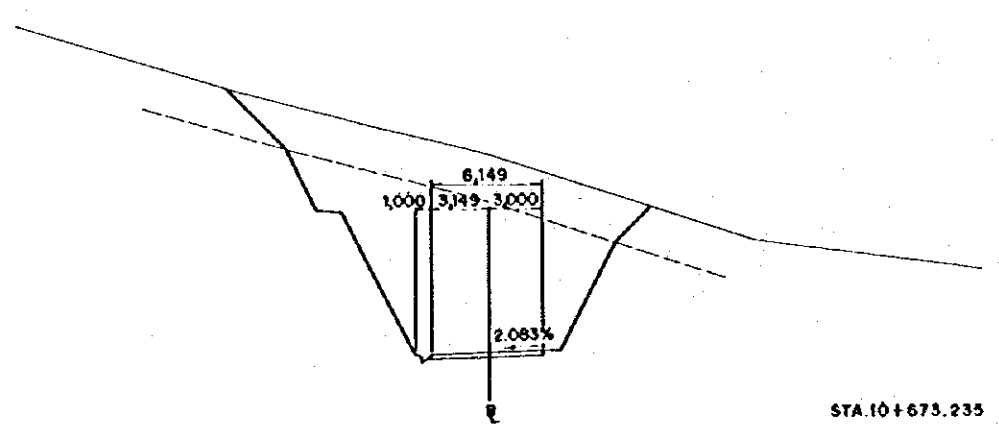
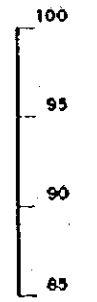
LEVANTO:	APROBADO:
DIBUJO:	FECHA:
DISEÑO:	DIBUJO N°
REVISO:	ENTREGA:
FECHA:	1-ACO-071



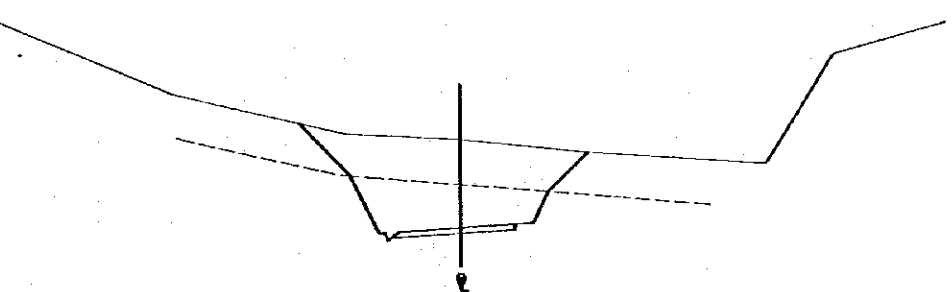
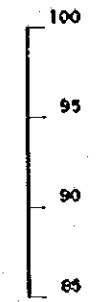
STA.10+683.695 GH=91.60 m
PH=82.571 m



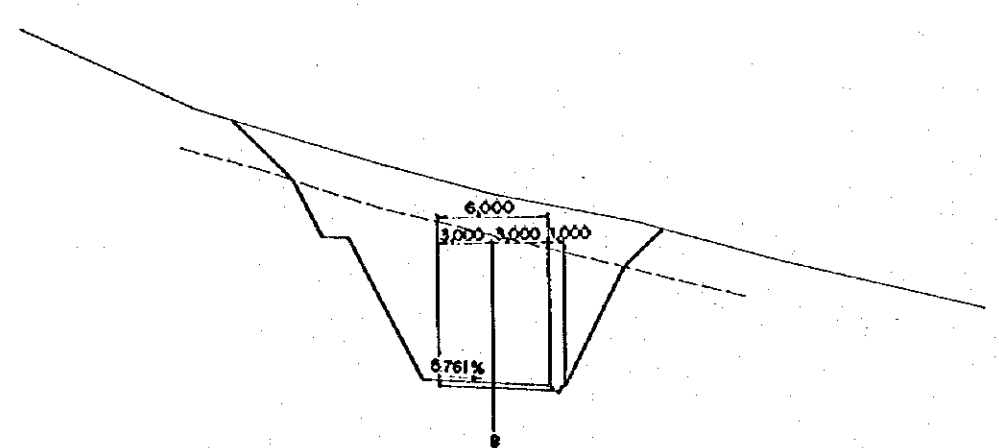
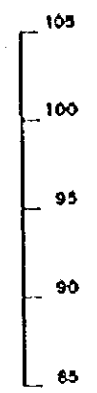
STA.10+724.965 GH=88.58 m
PH=84.634 m



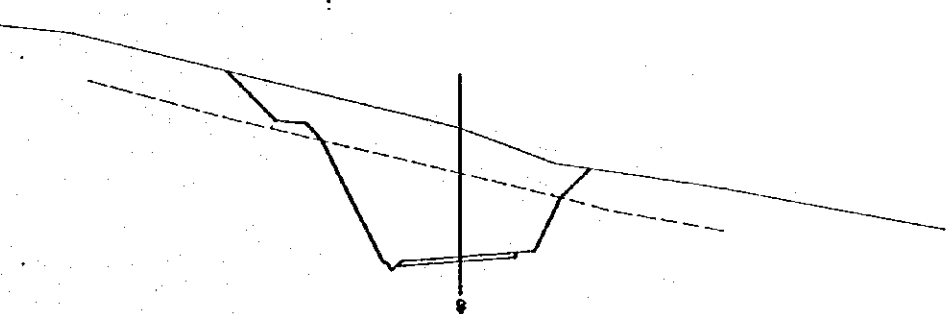
STA.10+673.235 GH=92.31 m
PH=82.048 m



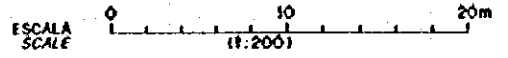
STA.10+712.285 GH=89.10 m
PH=84.000 m



STA.10+650.825 GH=91.83 m
PH=80.927 m



STA.10+692.285 GH=90.36 m
PH=83.000 m



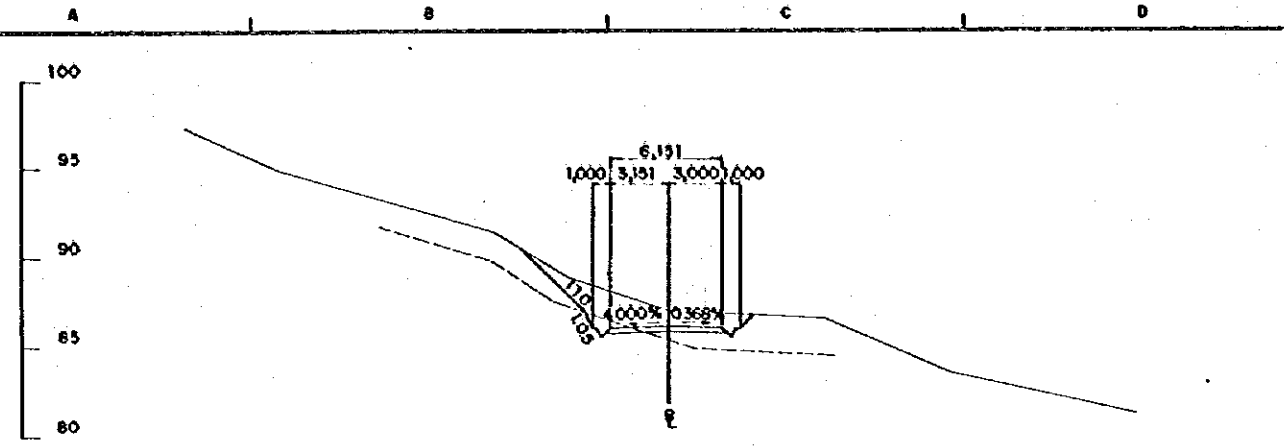
REV. N°	REVISADO	APROBADO	FECHA

CRM
CENTRO DE REHABILITACION DE MANABI
REPUBLICA DEL ECUADOR

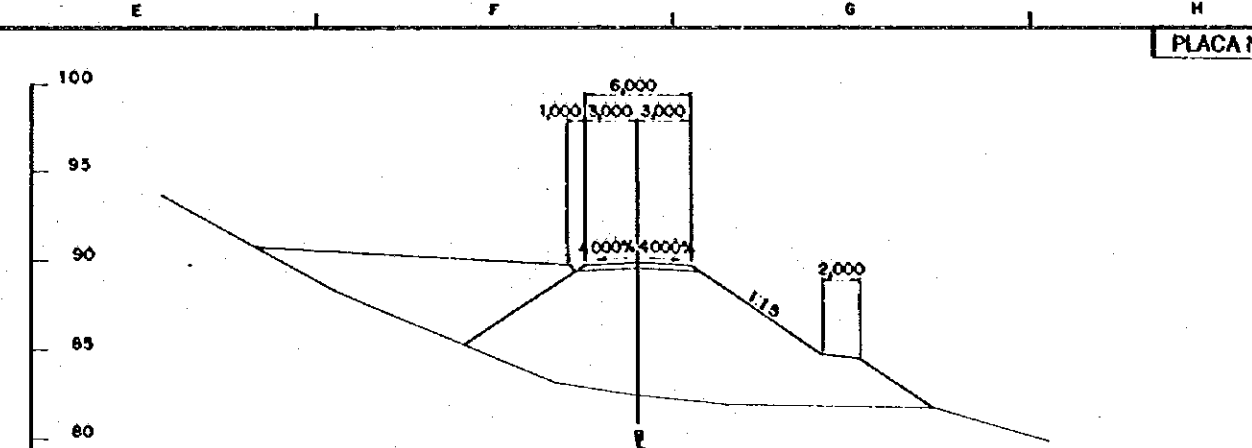
Estudio de Diseño Detallado de los Travesaños de Agua para las Cuenca de Los Rios Chone - Portoviejo
The Detailed Design Study on the Water Transverse Structures for Chone - Portoviejo River Basin

TITULO: CAMINOS DE ACCESO/ ACCESS ROAD
CAMINO DE ACCESO CONGULLO (1)
CORTE DE SECCIONES (49/52)
CONGULLO ACCESS ROAD (1)
CROSS SECTIONS (49/52)

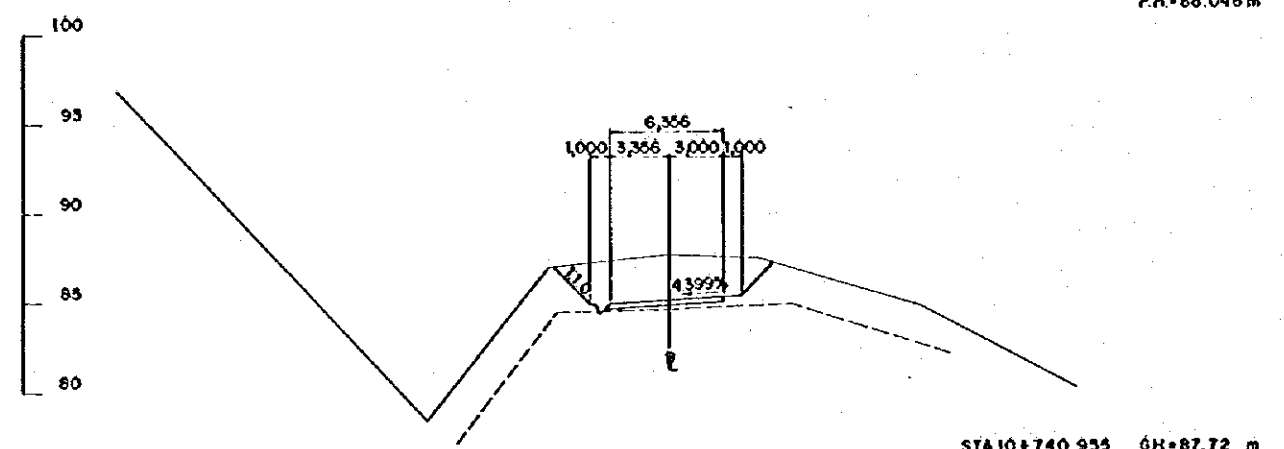
LEVANTO:	APROBADO:
DIBUJO:	FECHA:
DISEÑO:	DIBUJO N°
REVISO:	
ENTREGO:	1-ACO-072
FECHA:	



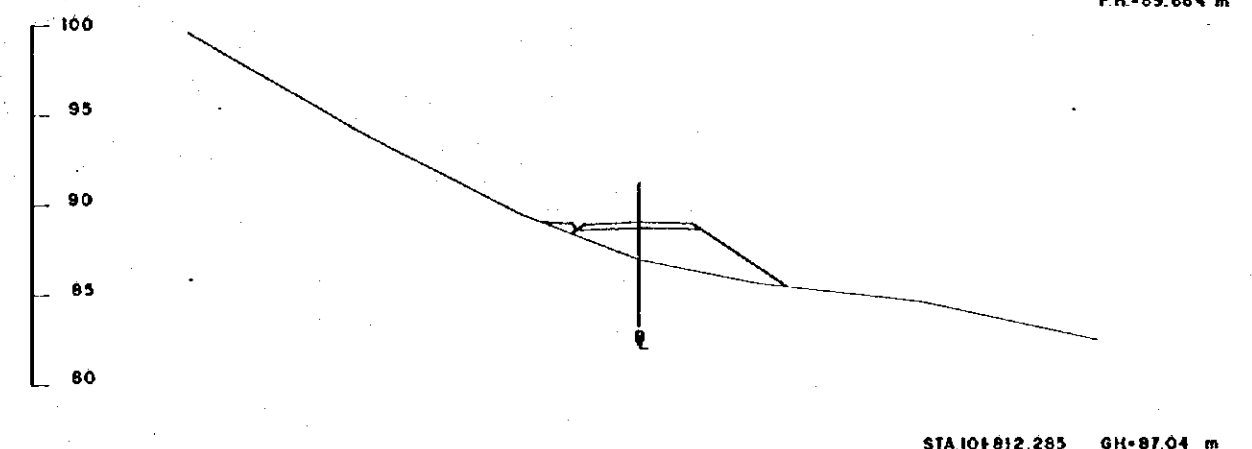
STA.10+753.205 GH=87.03 m
PH=86.046 m



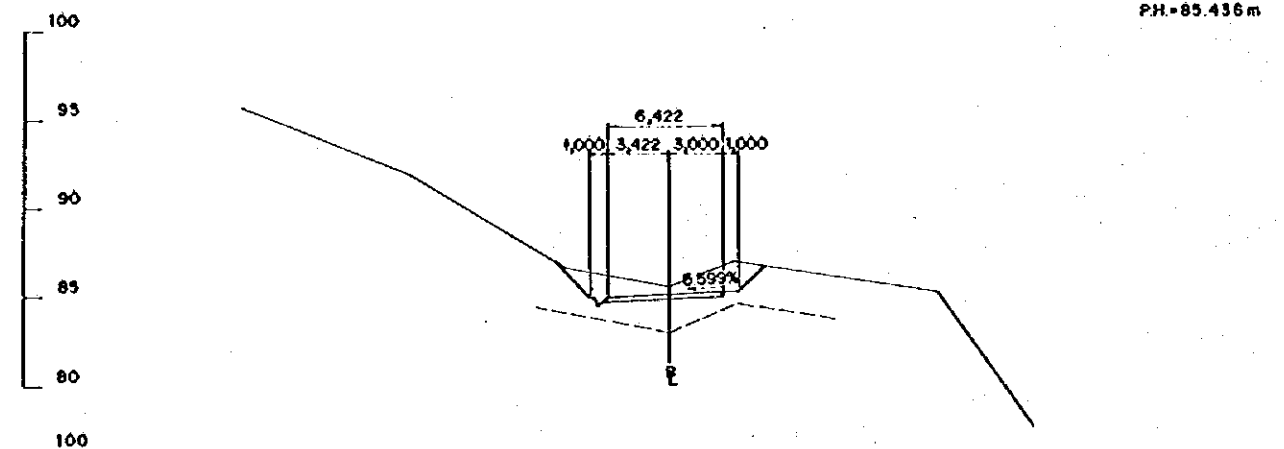
STA.10+825.555 GH=82.42 m
PH=89.664 m



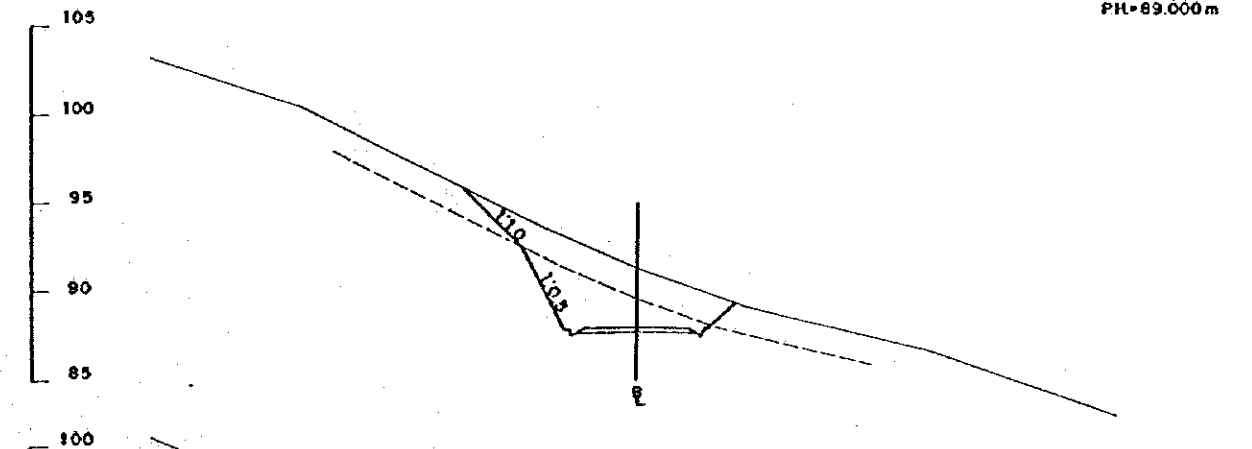
STA.10+740.955 GH=87.72 m
PH=85.436 m



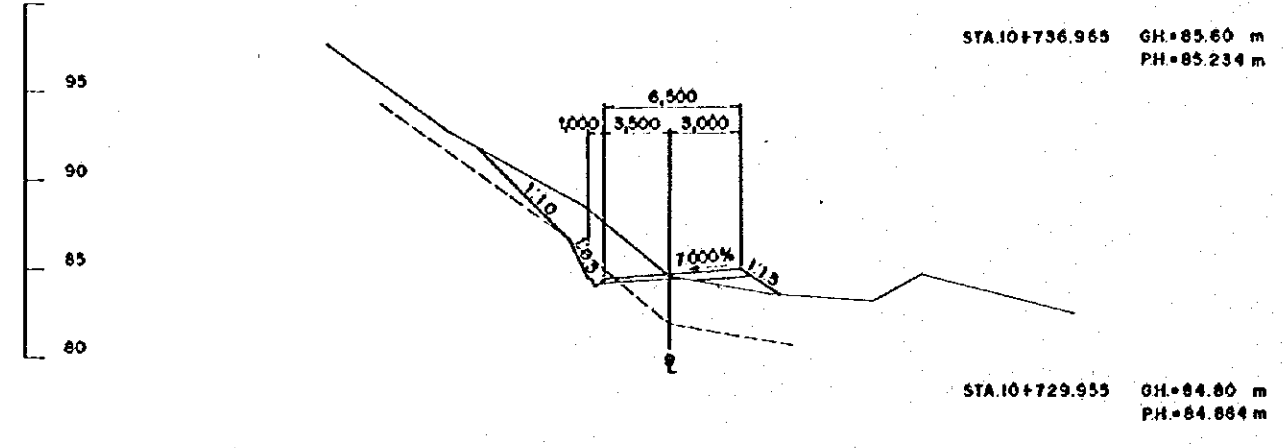
STA.10+812.285 GH=87.04 m
PH=89.000 m



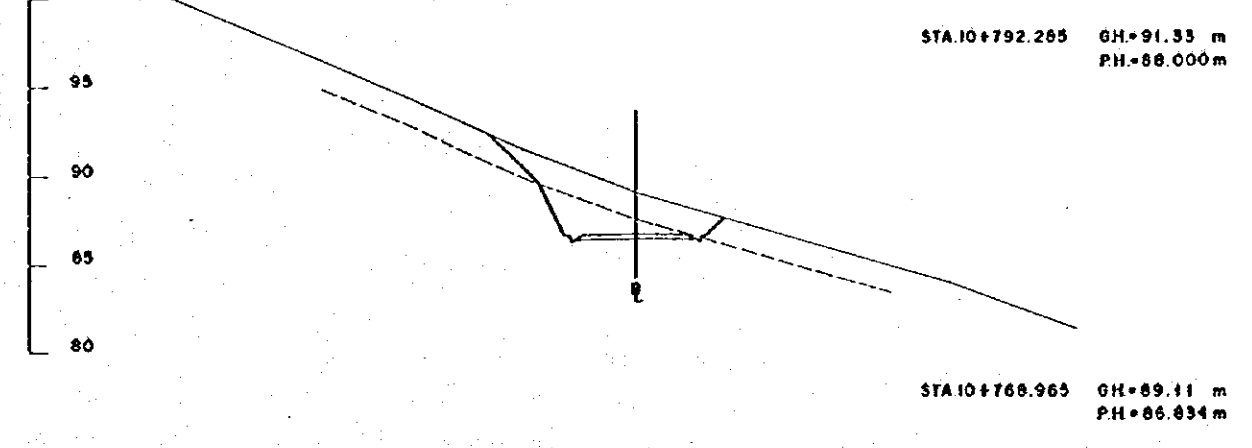
STA.10+736.965 GH=85.60 m
PH=85.234 m



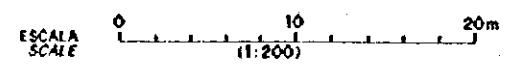
STA.10+792.285 GH=91.33 m
PH=88.000 m



STA.10+729.955 GH=84.80 m
PH=84.884 m

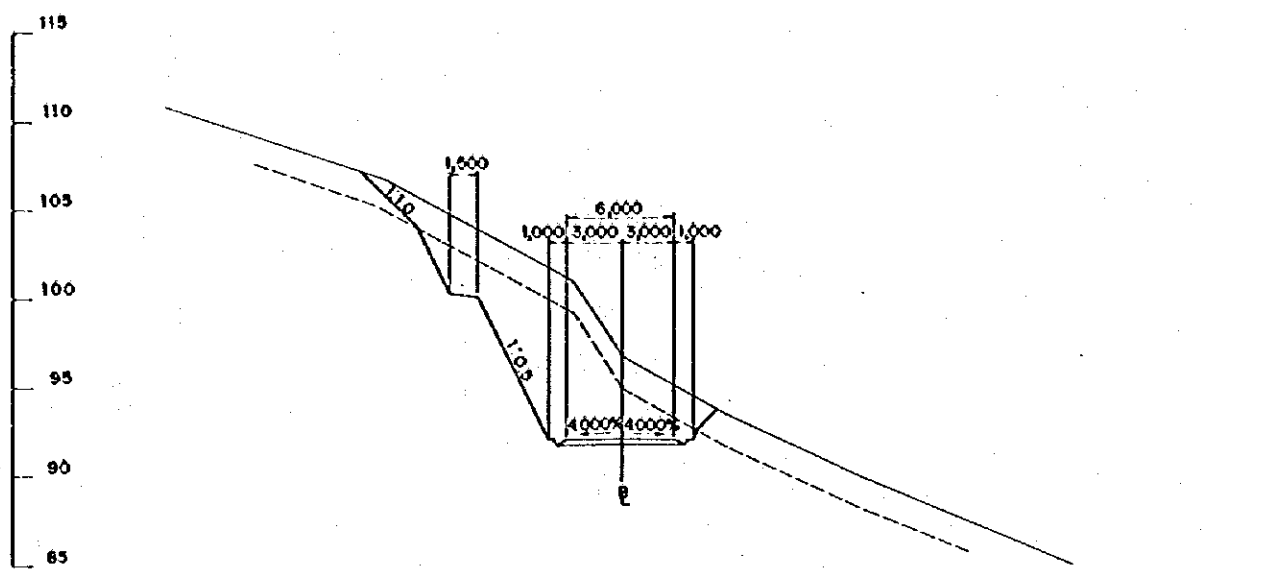


STA.10+768.965 GH=89.11 m
PH=86.834 m

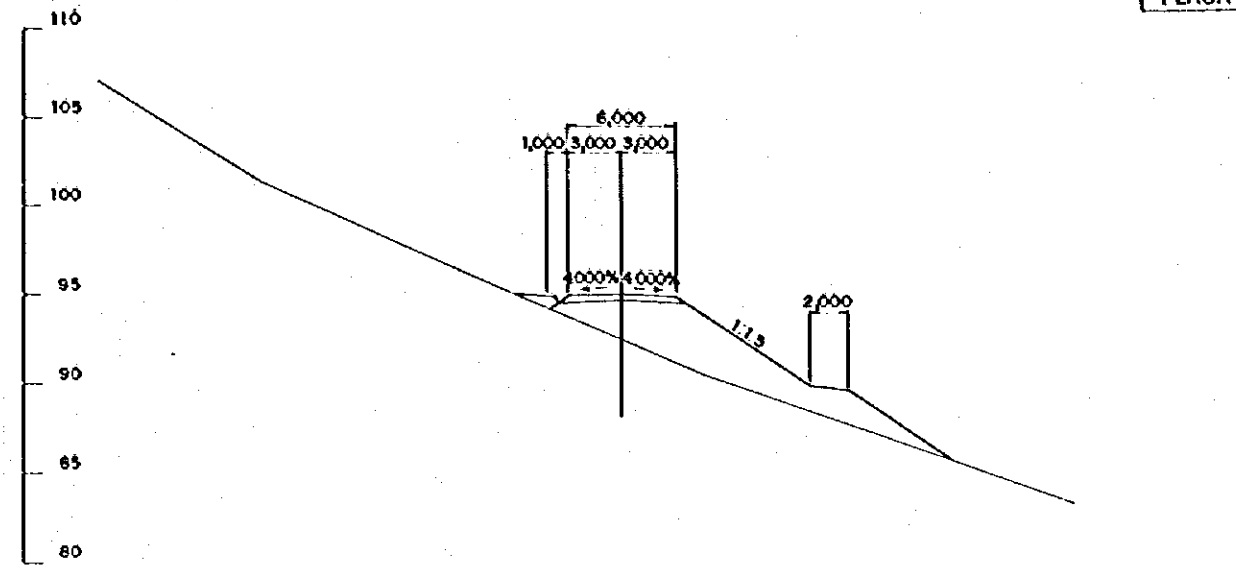


REV. Nº	REVISADO	APROBADO	FECHA

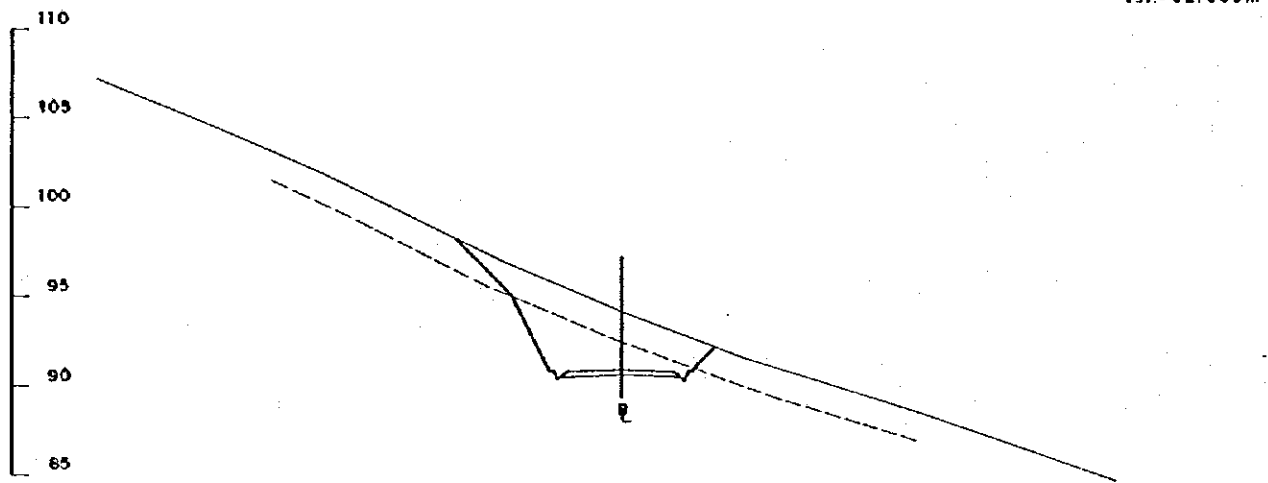
CRM CENTRO DE REHABILITACION DE MANABI	Estudio de Diseño Definitivo de los Traveses de Agua para las Quebradas de Los Rios Chone - Portoviejo The Definitive Design Study on the Water Runoff Schemes for Chone - Portoviejo River Basins	TITULO: CAMINOS DE ACCESO/ACCESS ROAD CAMINO DE ACCESO CONGUILLO (I) CORTE DE SECCIONES (50/52) CONGUILLO ACCESS ROAD (I) CROSS SECTIONS (50/52)	LEVANTO: _____ DIBUJO: _____ DISEÑO: _____ REVISO: _____ ENTREGO: _____ FECHA: _____	APROBADO: _____ FECHA: _____ DIBUJO Nº _____ 1-ACO-073
	REPUBLICA DEL ECUADOR	REPUBLICA DEL ECUADOR	REPUBLICA DEL ECUADOR	REPUBLICA DEL ECUADOR



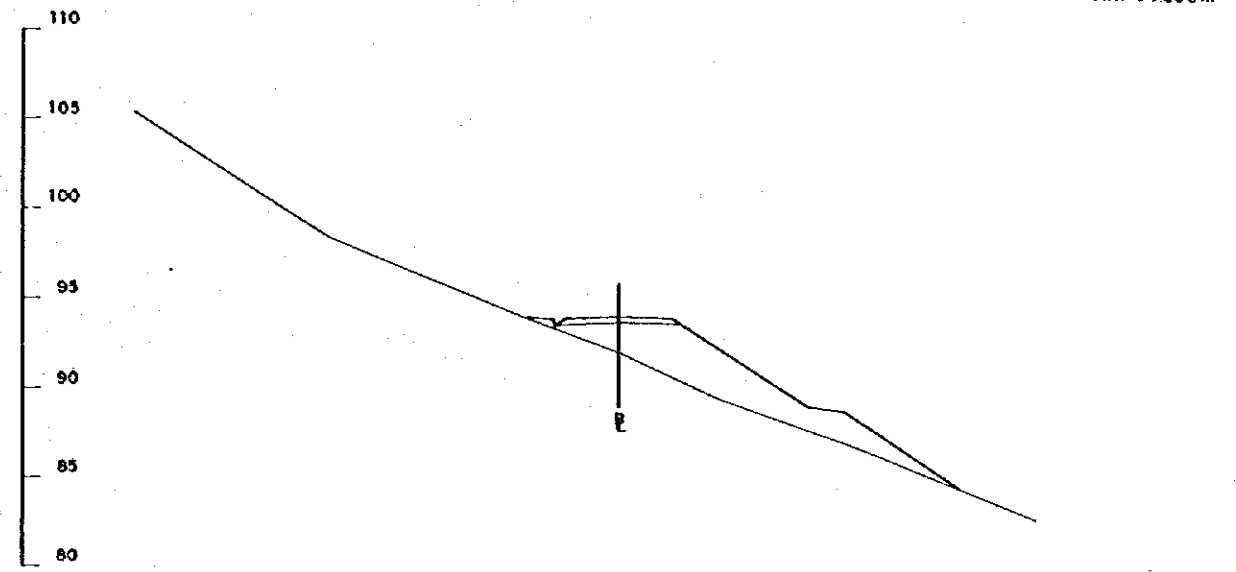
STA. 10+872.285 GH=96.58 m
PH=92.000m



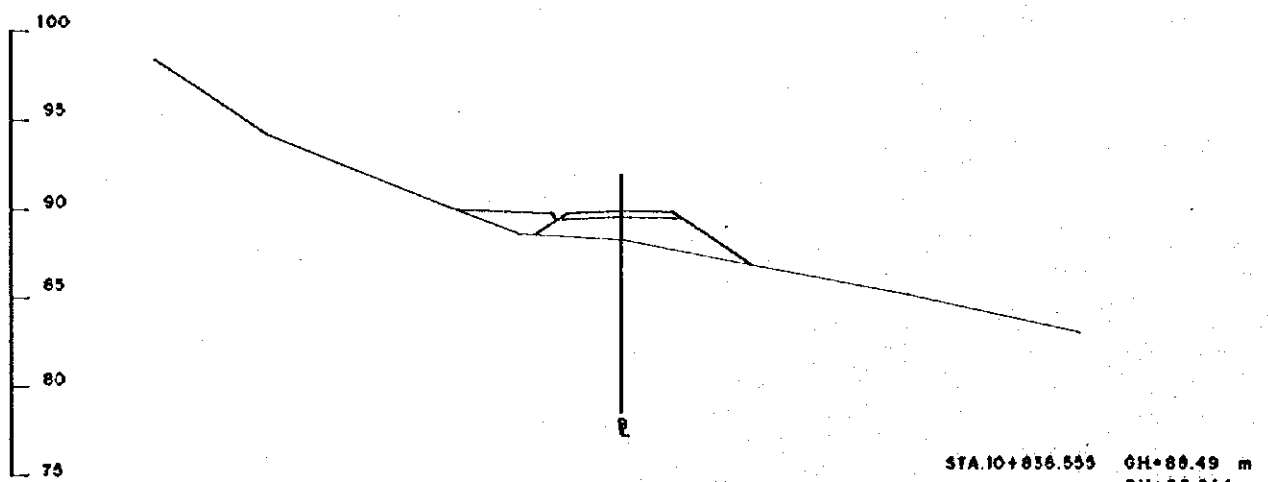
STA 10+925.995 GH=92.45 m
PH=94.686m



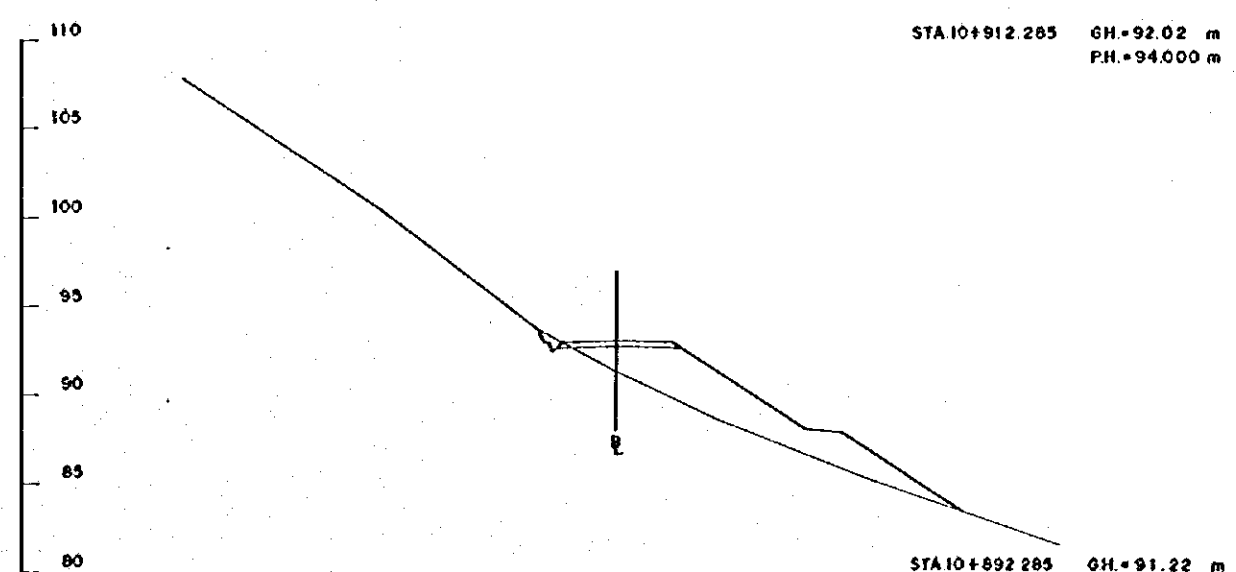
STA. 10+852.285 GH=94.29 m
PH=91.000 m



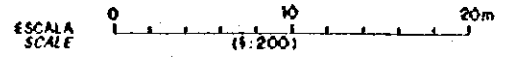
STA 10+912.285 GH=92.02 m
PH=94.000 m



STA. 10+838.555 GH=88.49 m
PH=90.214 m

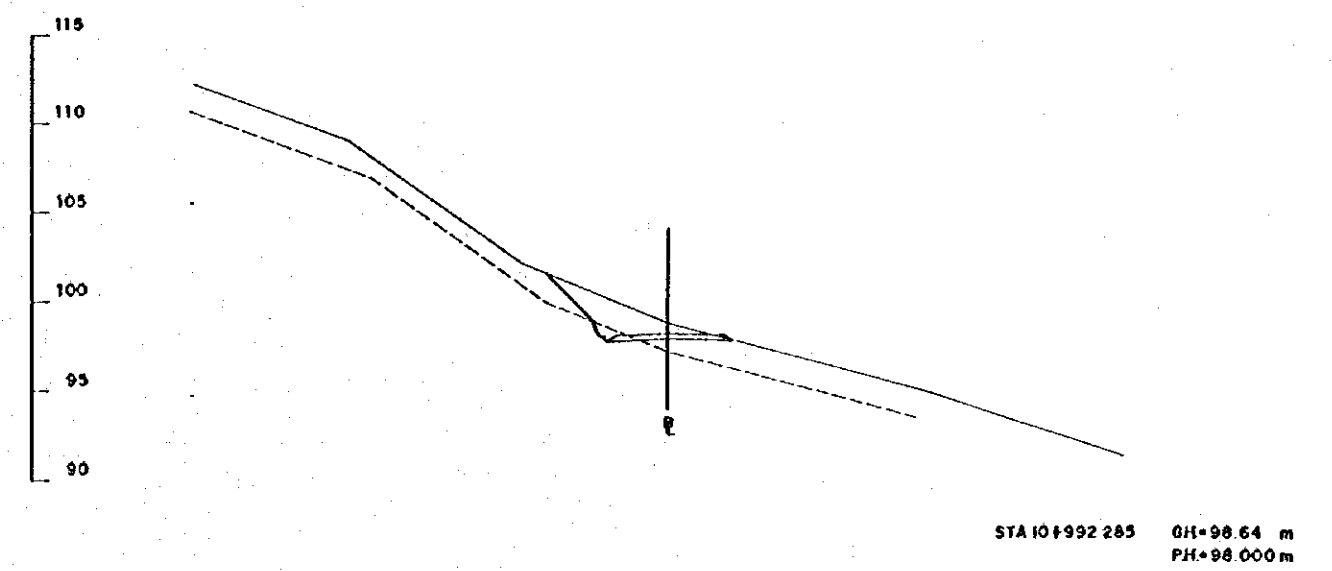
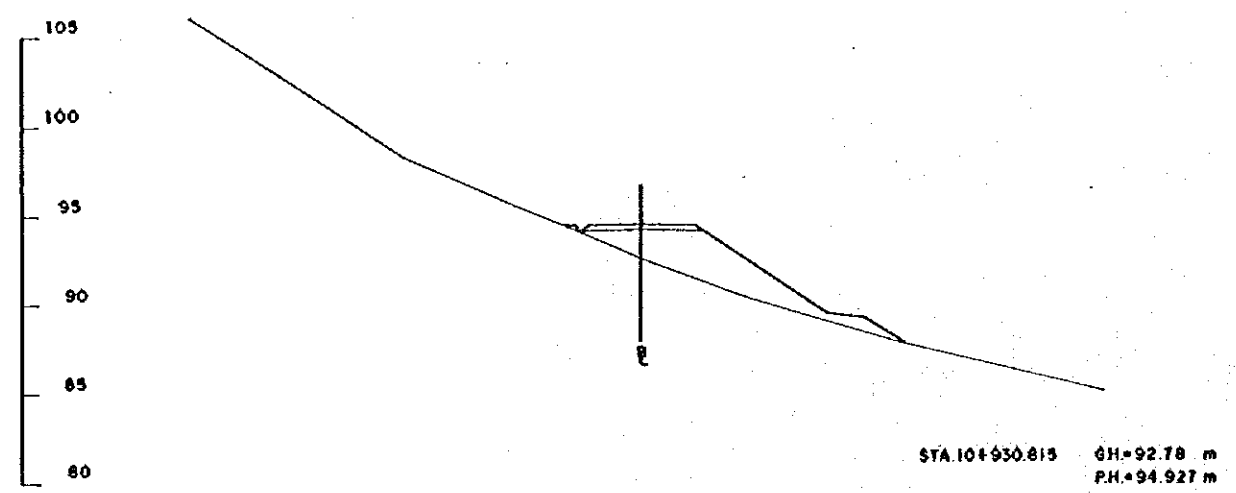
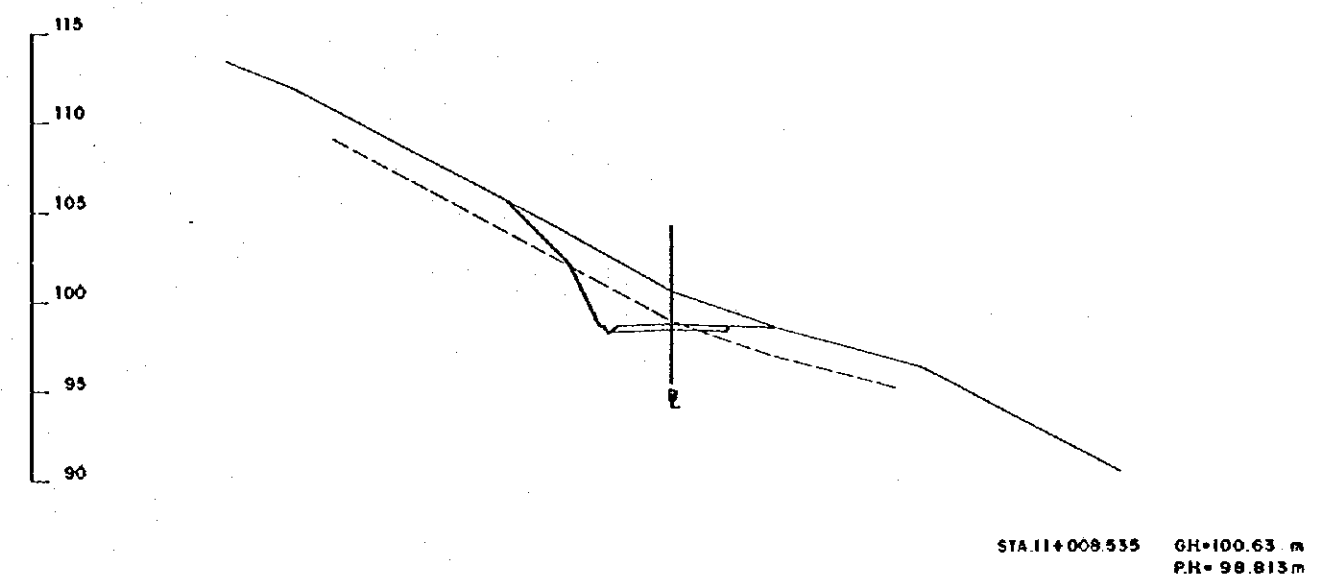
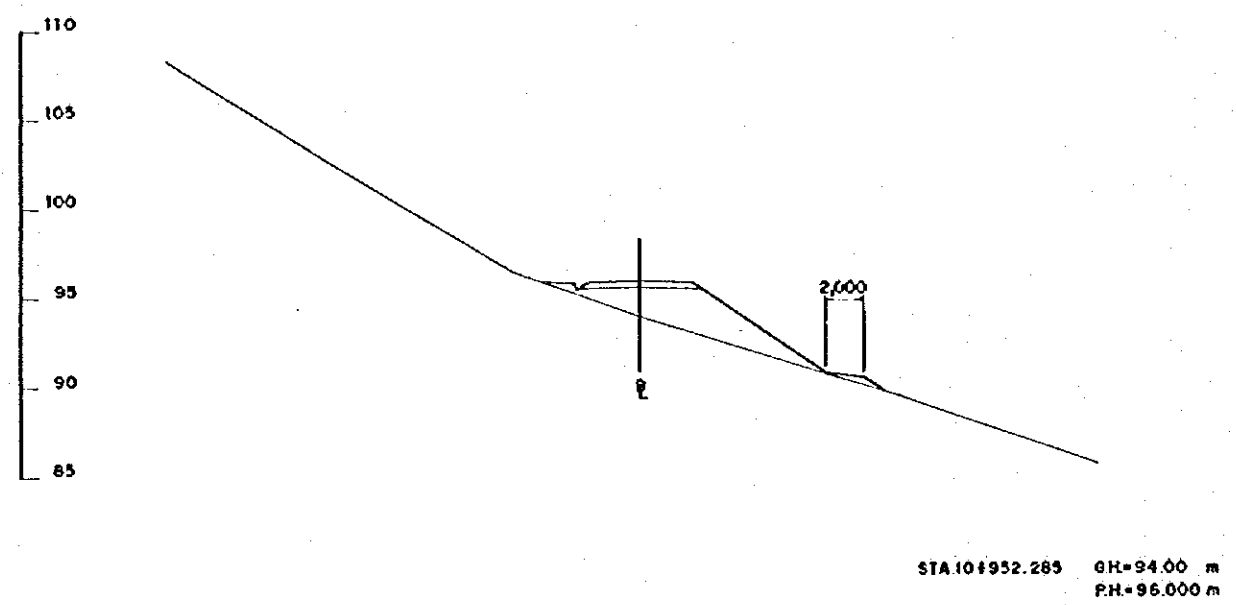
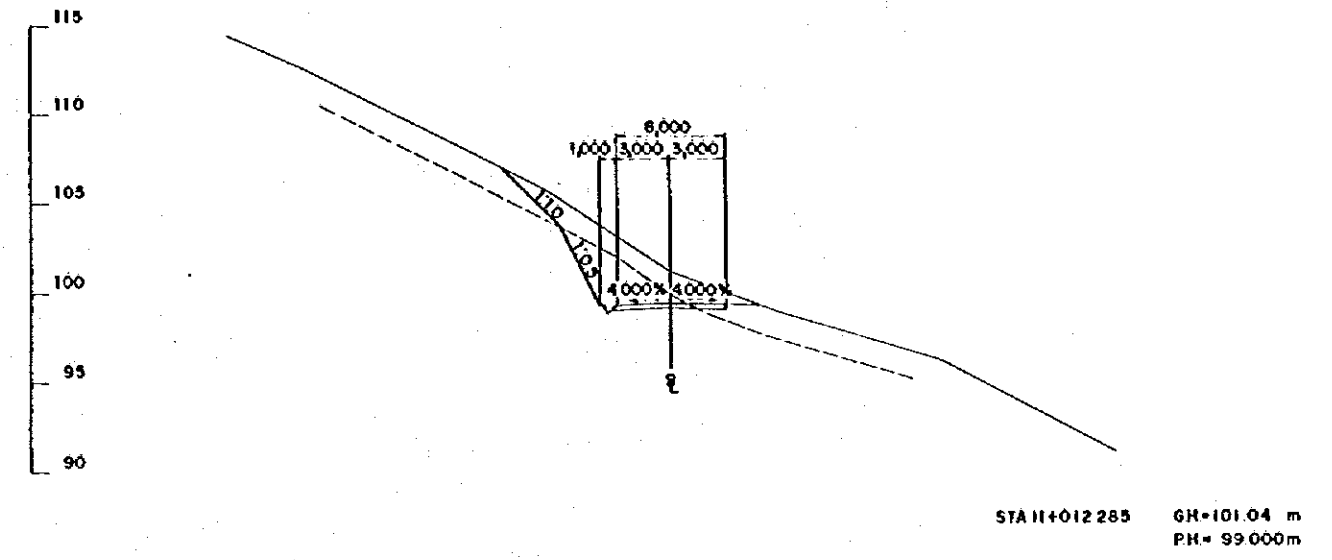
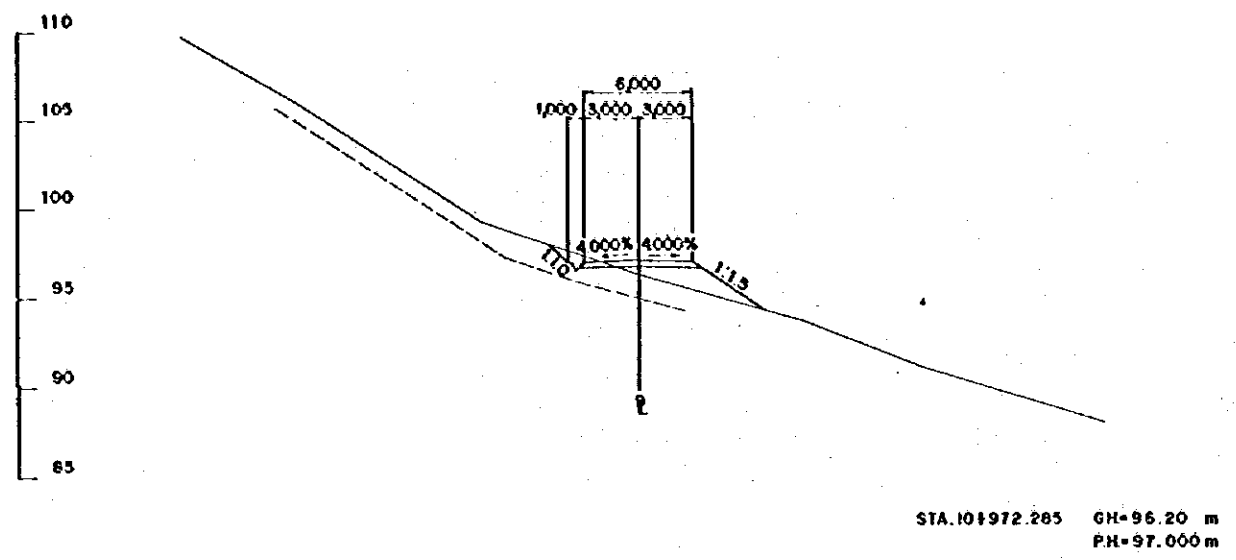


STA 10+892.285 GH=91.22 m
PH=93.000 m



REV. Nº	REVISADO	APROBADO	FECHA

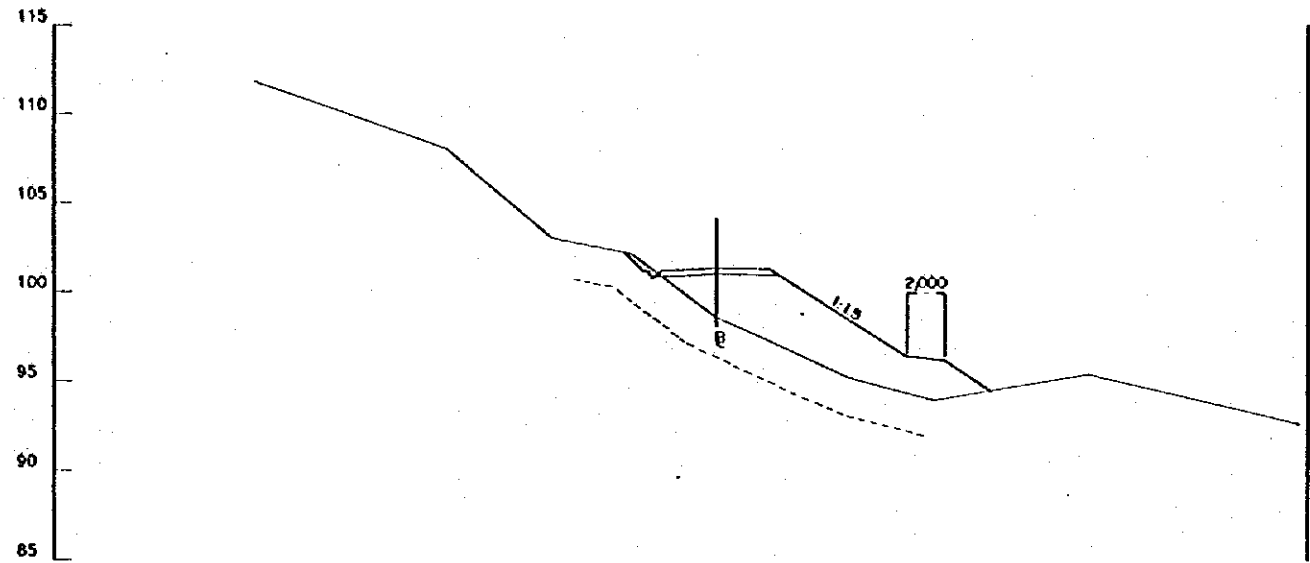
CRML CENTRO DE REHABILITACION DE MANABI	Estudio de Diseño Detallado de los Tramos de Agua para las Cuenca de Los Rios Chora-Portofino The Detailed Design Study on the Water Trubeshan Schemes for Chora-Portofino River Basin	TITULO: CAMINOS DE ACCESO/ACCESS ROAD CAMINO DE ACCESO CONGULLO (1) CORTE DE SECCIONES (51/52) CONGULLO ACCESS ROAD (1) CROSS SECTIONS (51/52)	LEVANTO: DISEÑO: REVISO: ENTREGO: FECHA:	APROBADO: DIBUJO Nº: 1-ACO-074
	REPUBLICA DEL ECUADOR	REPUBLICA DEL ECUADOR	REPUBLICA DEL ECUADOR	REPUBLICA DEL ECUADOR



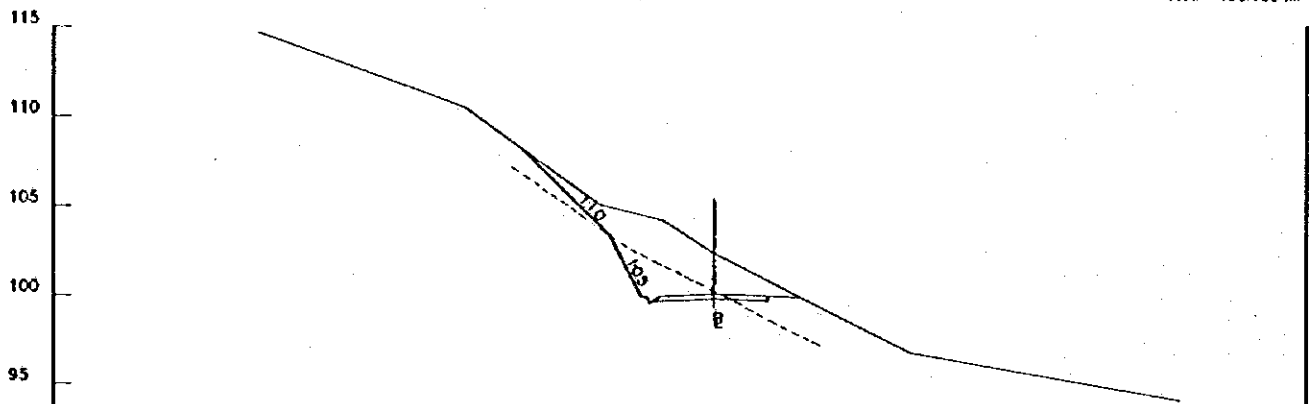
ESCALA SCALE 0 10 20m (1:200)

REV. N°	REVISADO	APROBADO	FECHA

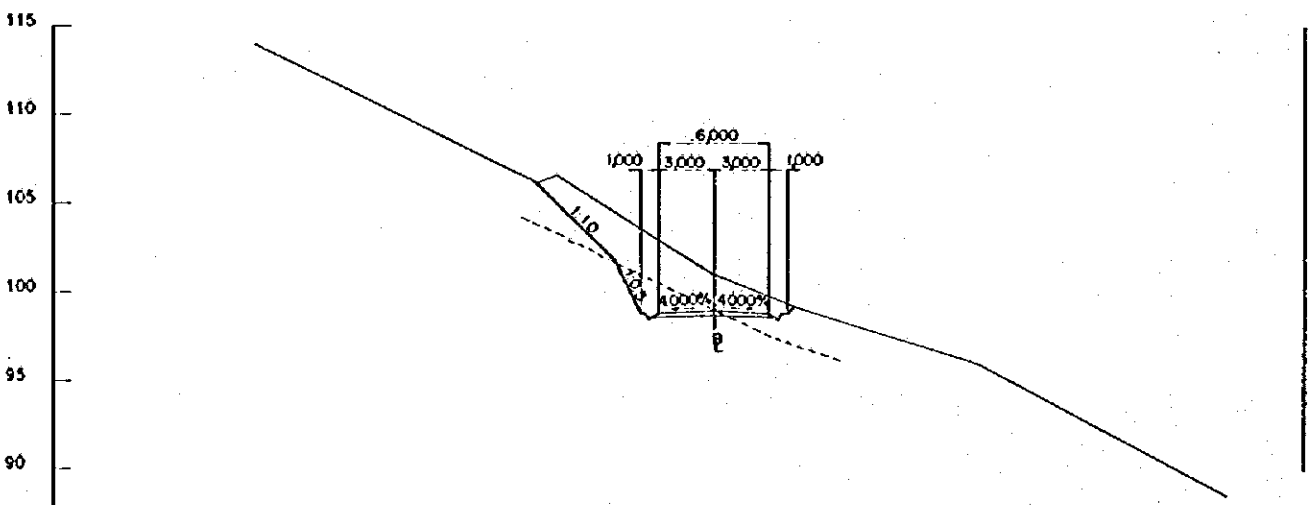
CRPM CENTRO DE REHABILITACION DE MANABI REPUBLICA DEL ECUADOR	Estudio de Diseño Coteado de los Tramos de A.M. para los Eje de Los Rios Chone-Portoviejo The Detailed Design Study on the Water Transfer Schemes for Chone-Portoviejo River Basin	TITULO: CAMINOS DE ACCESO/ACCESS ROAD CAMINO DE ACCESO CONGULLO (I) CORTE DE SECCIONES (52/52) CONGULLO ACCESS ROAD (I) CROSS SECTIONS (52/52)	LEVANTO: DIBUJO: DISEÑO: REVISO: ENTREGO: FECHA:	APROBADO: FECHA: DIBUJO N°: 1-ACO-076
--	---	--	---	--



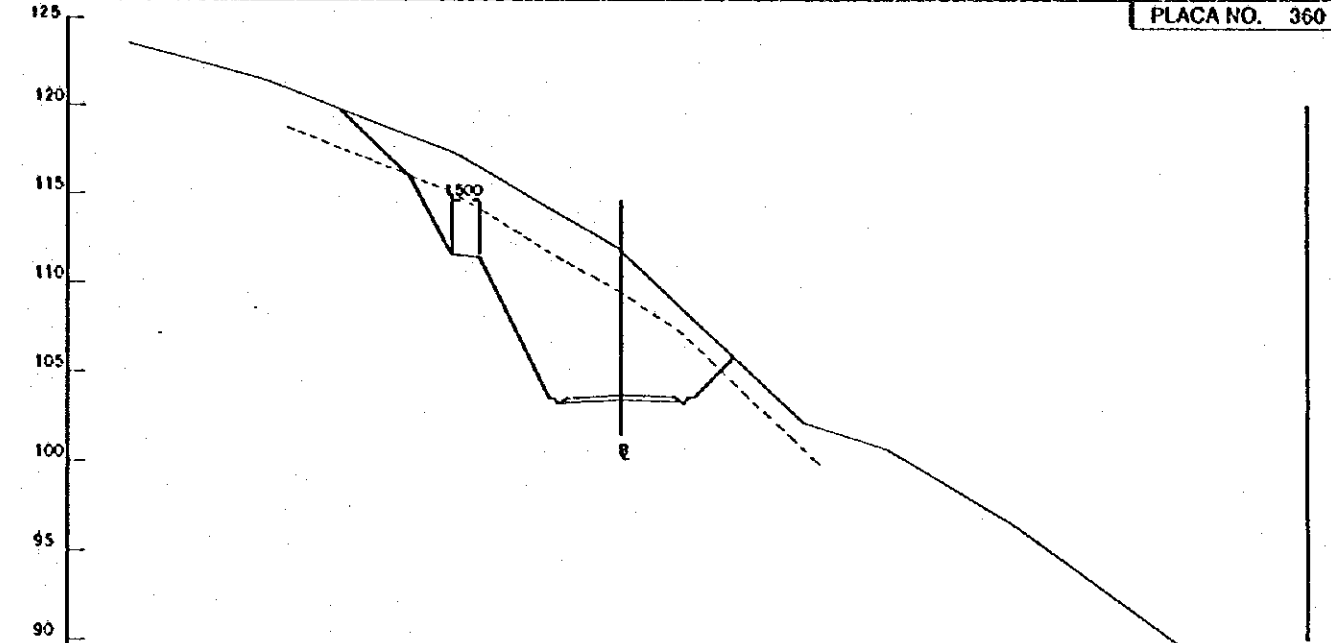
STA.0+034.00 G.H.= 98.51 m
P.H.= 100.700 m.



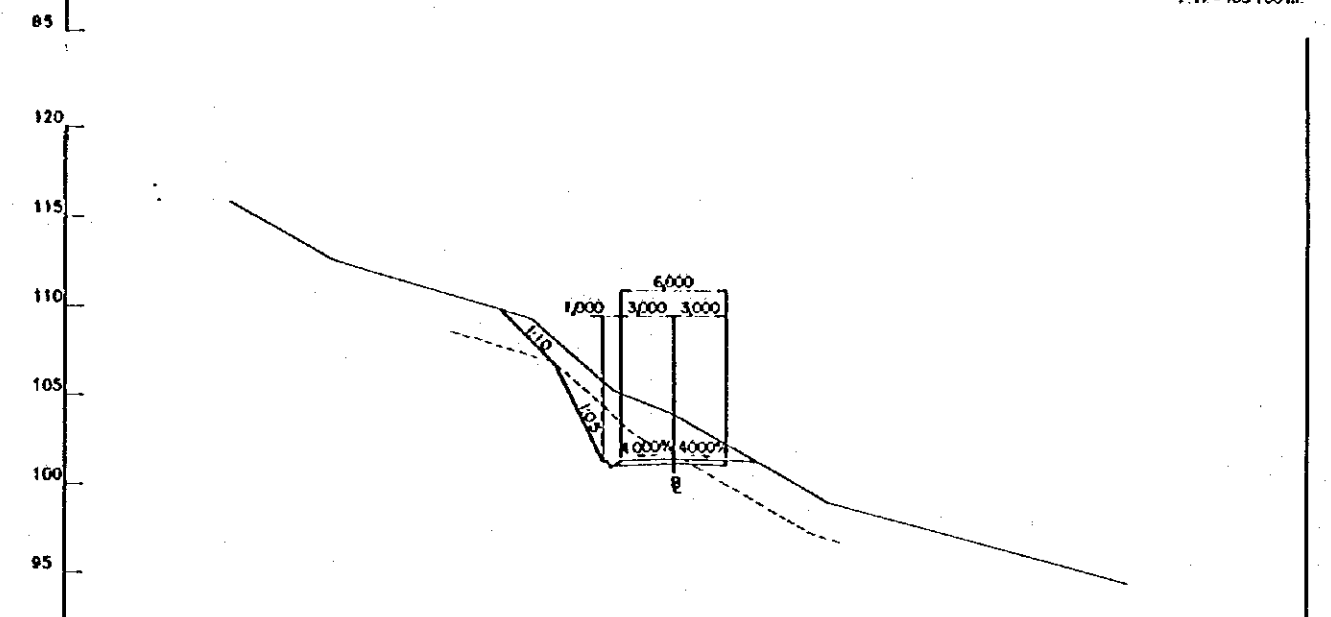
STA.0+020.00 G.H.= 102.38 m
P.H.= 100.000 m.



STA.0+000.00 G.H.= 101.04 m
P.H.= 99.000 m.



STA.0+094.00 G.H.= 111.67 m
P.H.= 103.700 m.



STA.0+050.00 G.H.= 104.05 m
P.H.= 101.500 m.

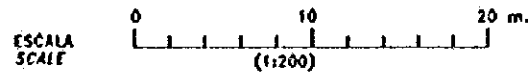
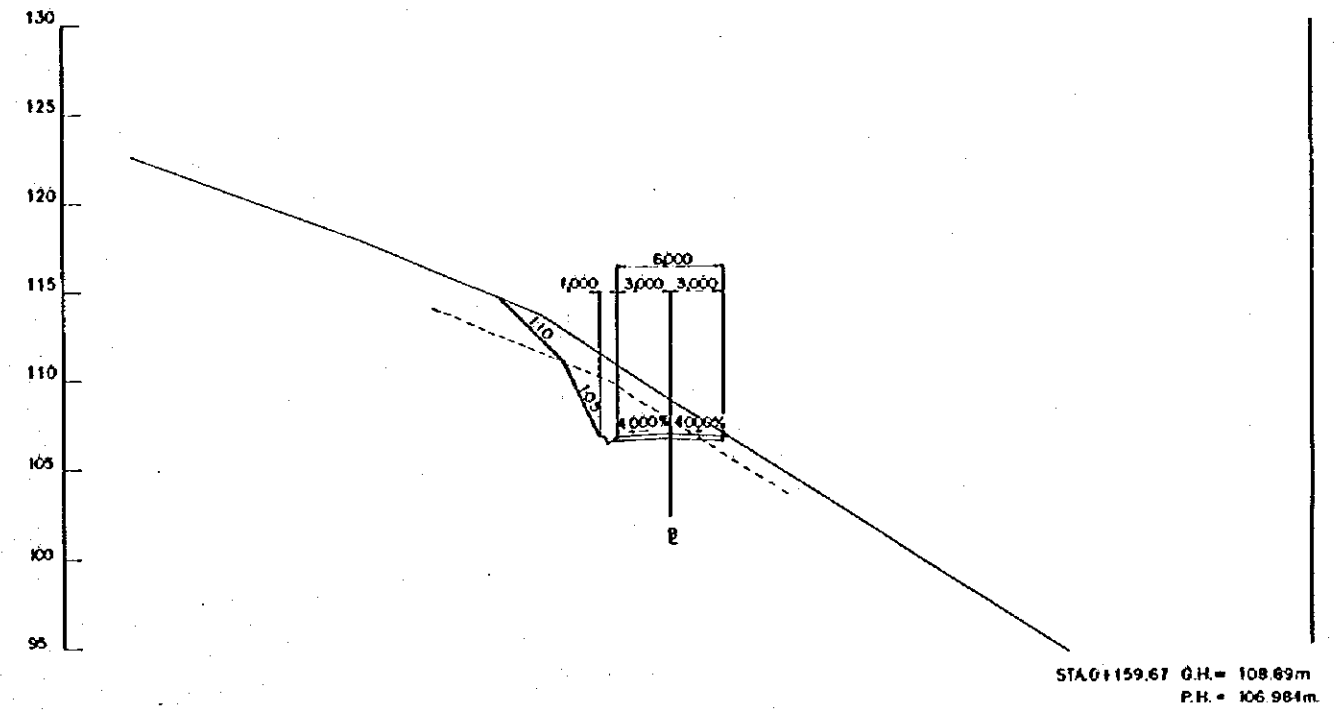
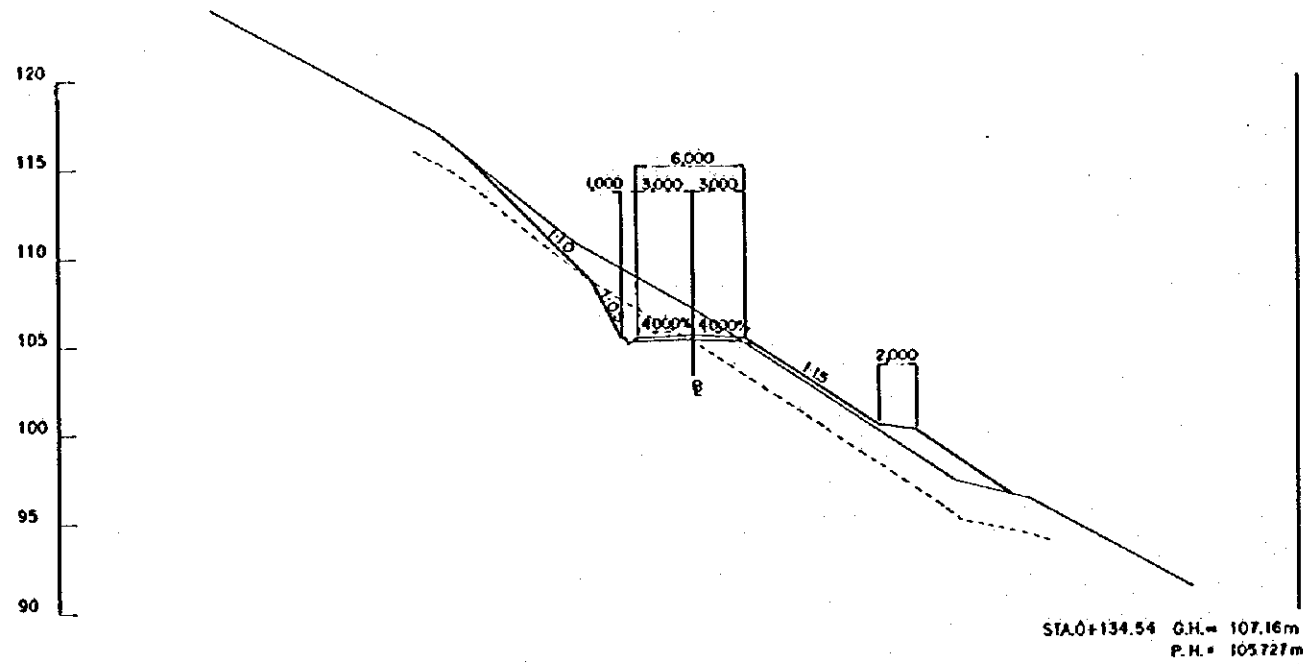
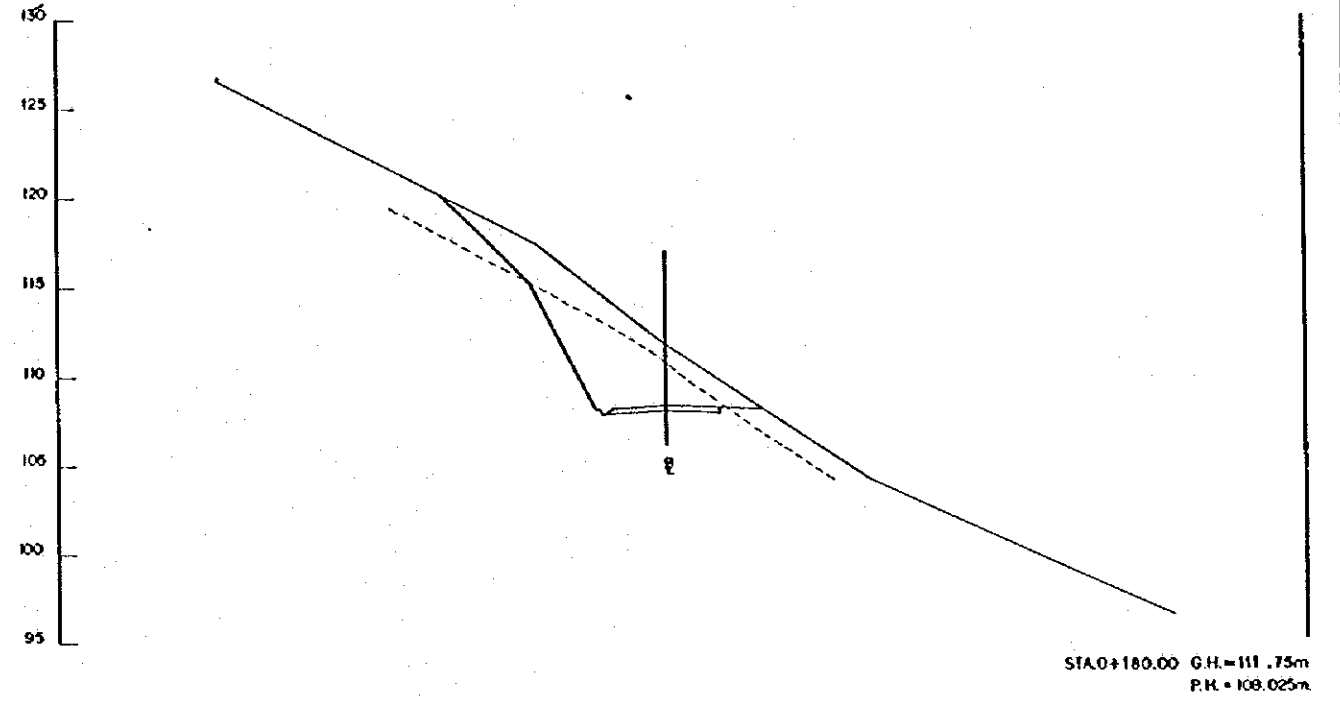
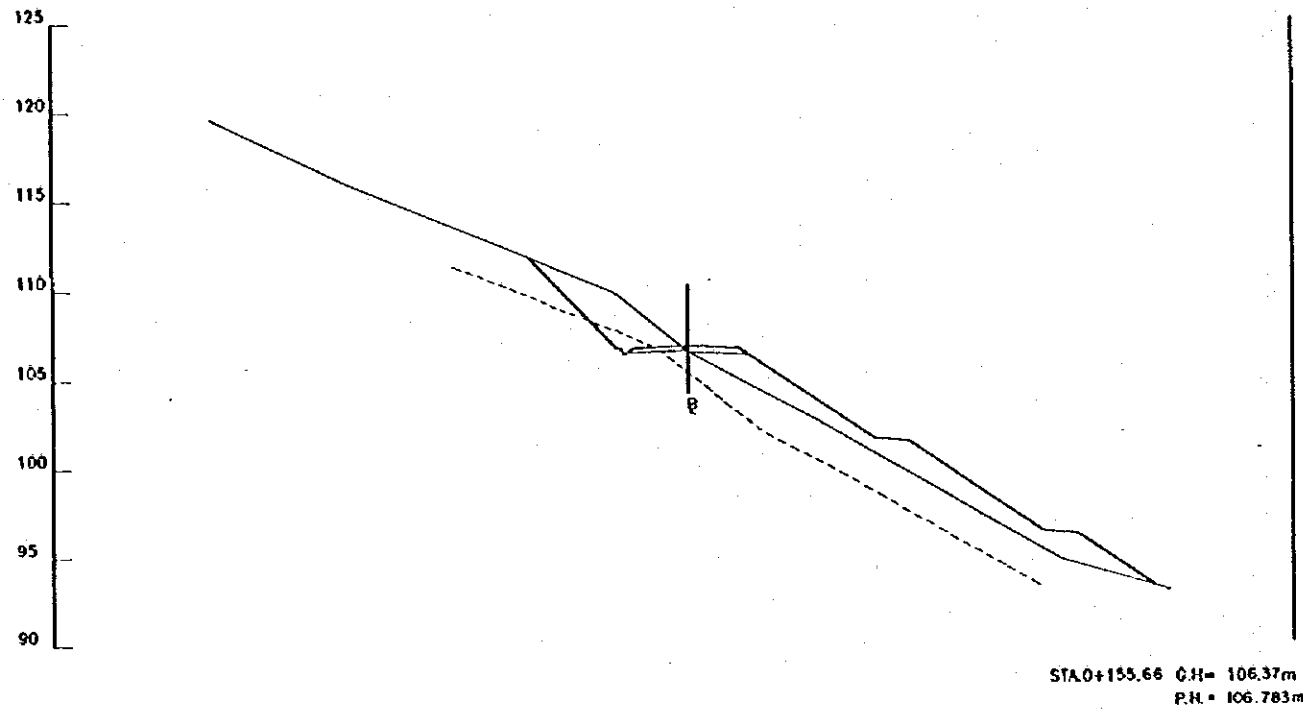
ESCALA SCALE (1:200) 0 10 20 m.

REV. N	REVISADO	APROBADO	FECHA

CRM
CENTRO DE REHABILITACION DE MANABI
Estudio de Diseño Detallado de los Troncos de Agua para los Cuencas de Los Rios Chone - Portoviejo
The Detailed Design Study on the Water Trunklines Schemes for Chone - Portoviejo River Basins
REPUBLICA DEL ECUADOR

TITULO: CAMINO DE ACCESO / ACCESS ROAD
CAMINO DE ACCESO CONGUILLO 2
CORTE DE SECCIONES (1/8)
CONGUILLO ACCESS ROAD 2
CROSS SECTIONS (1/8)

LEVANTO:	APROBADO:
DISEÑO: <td>FECHA: </td>	FECHA:
REVISO: <td>DIBUJO N° </td>	DIBUJO N°
ENTREGO: <td> </td>	
	1-AC0-076



REV. N°	REVISADO	APROBADO	FECHA

CRM
CENTRO DE REHABILITACION DE MANABI

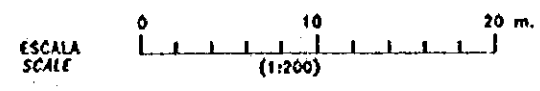
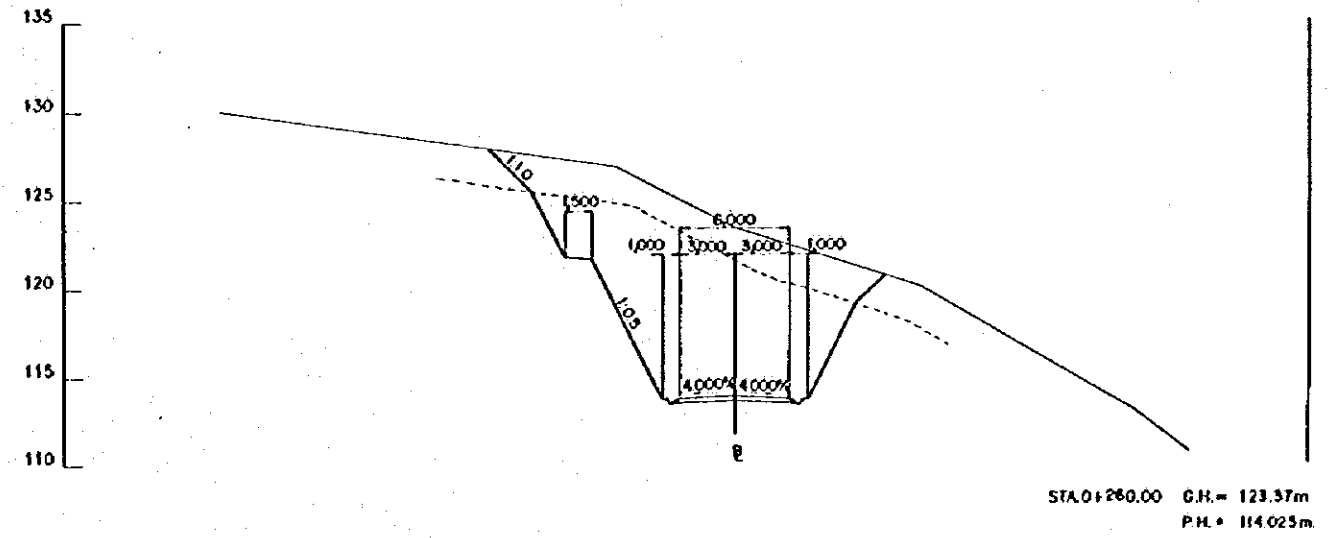
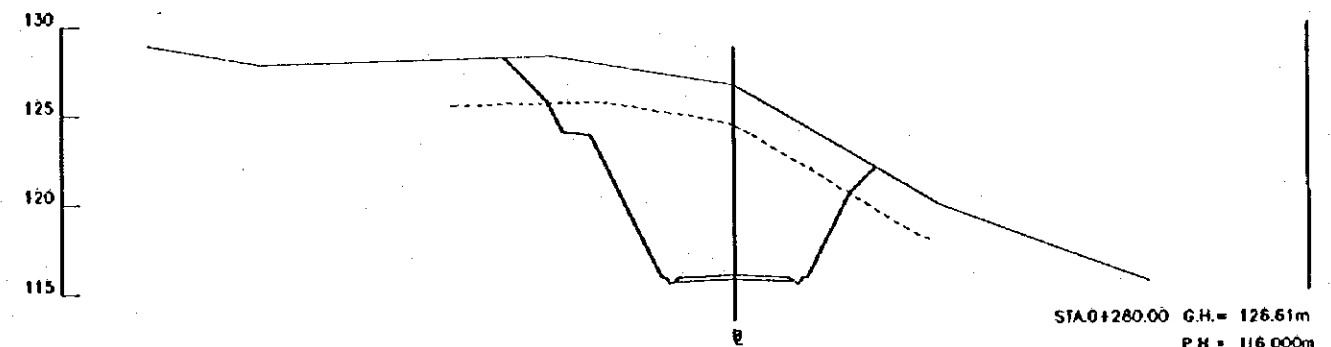
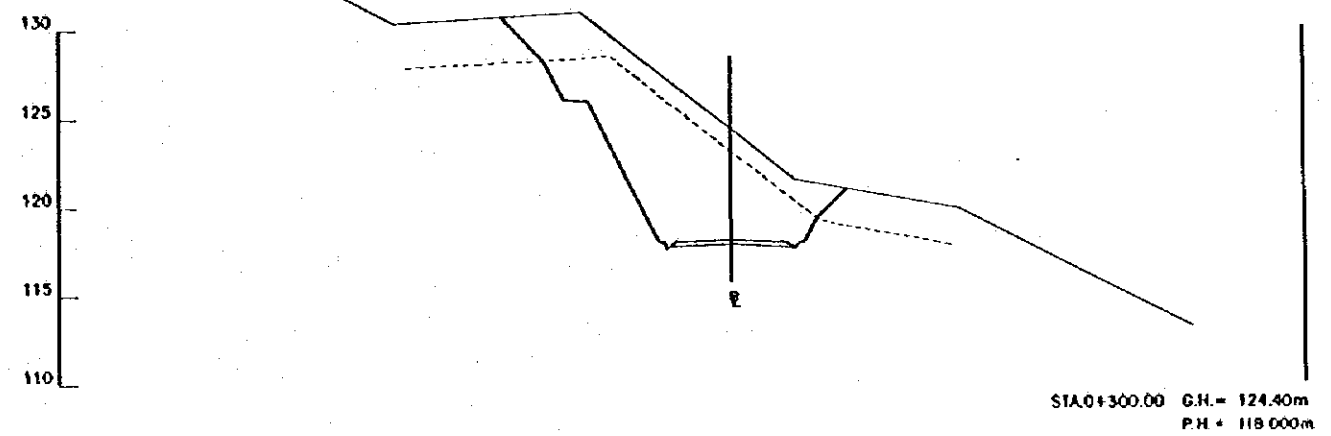
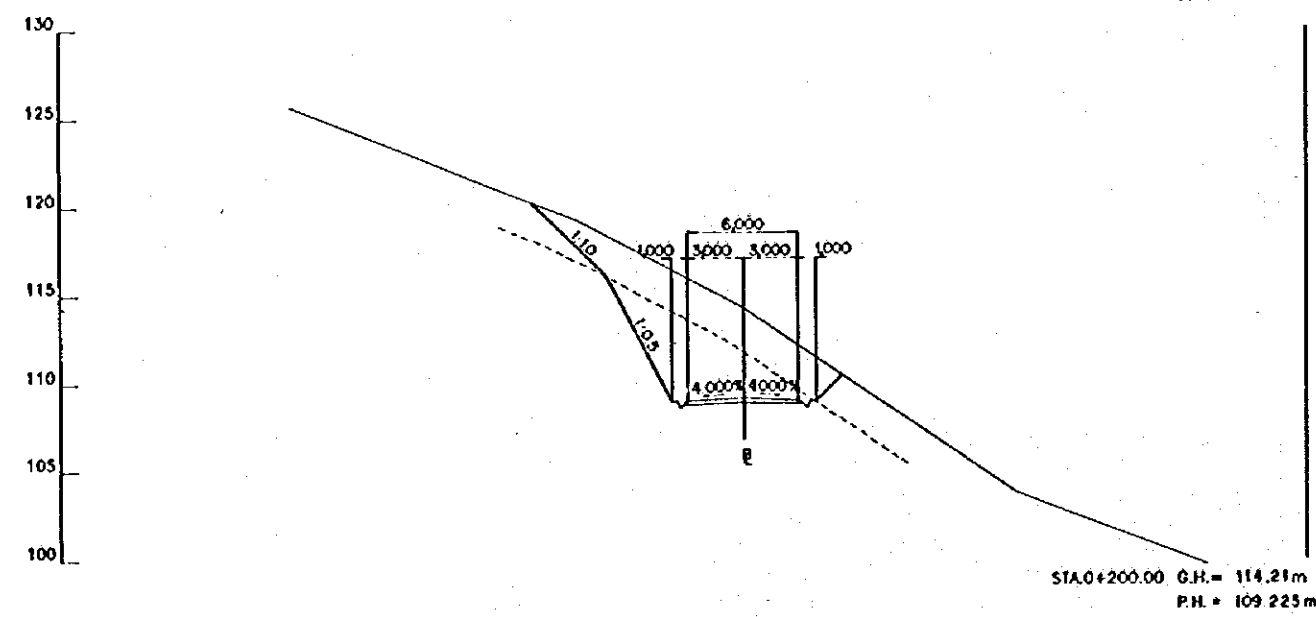
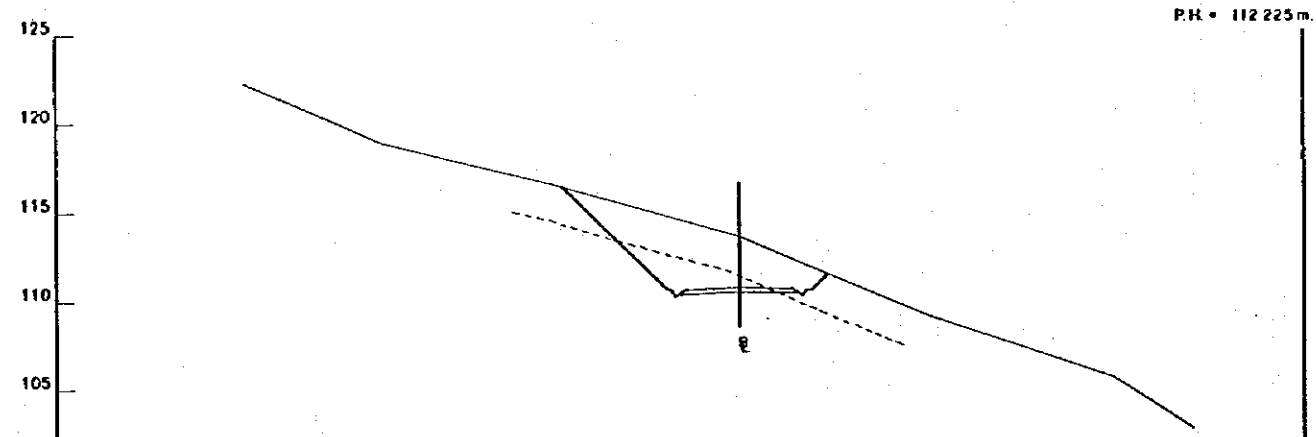
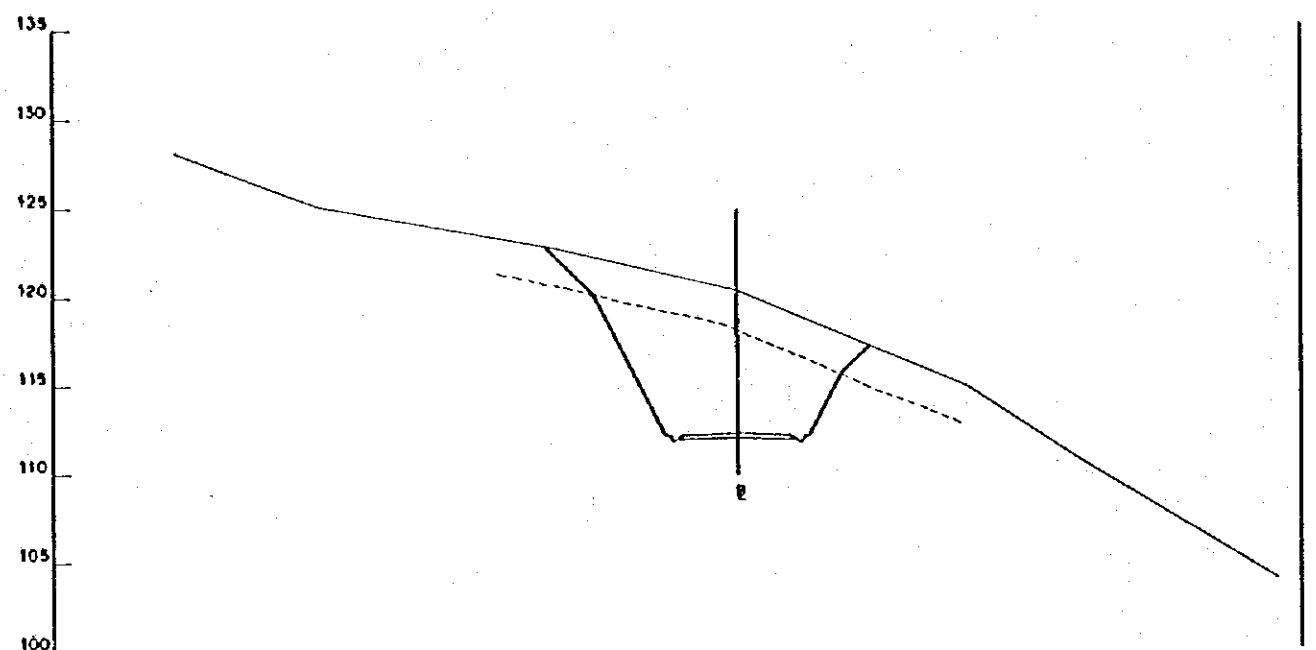
Estudio de Diseño Detallado de los Tramos de Agua para las Cuencas de Los Rios Chone - Portoviejo
The Detailed Design Study on the Water Transbasin Schemes for Chone - Portoviejo River Basins

REPUBLICA DEL ECUADOR

TITULO: CAMINO DE ACCESO / ACCESS ROAD
CAMINO DE ACCESO CONGUILLO 2
CORTE DE SECCIONES (298)
CONGUILLO ACCESS ROAD 2
CROSS SECTIONS (298)

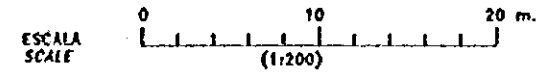
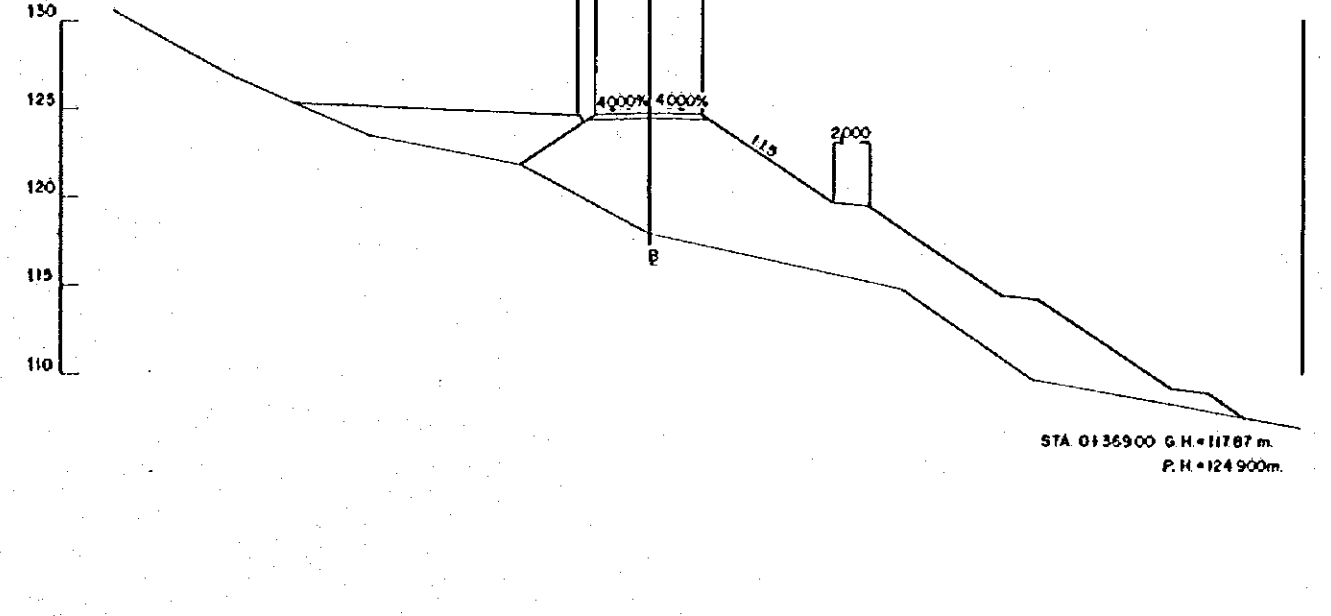
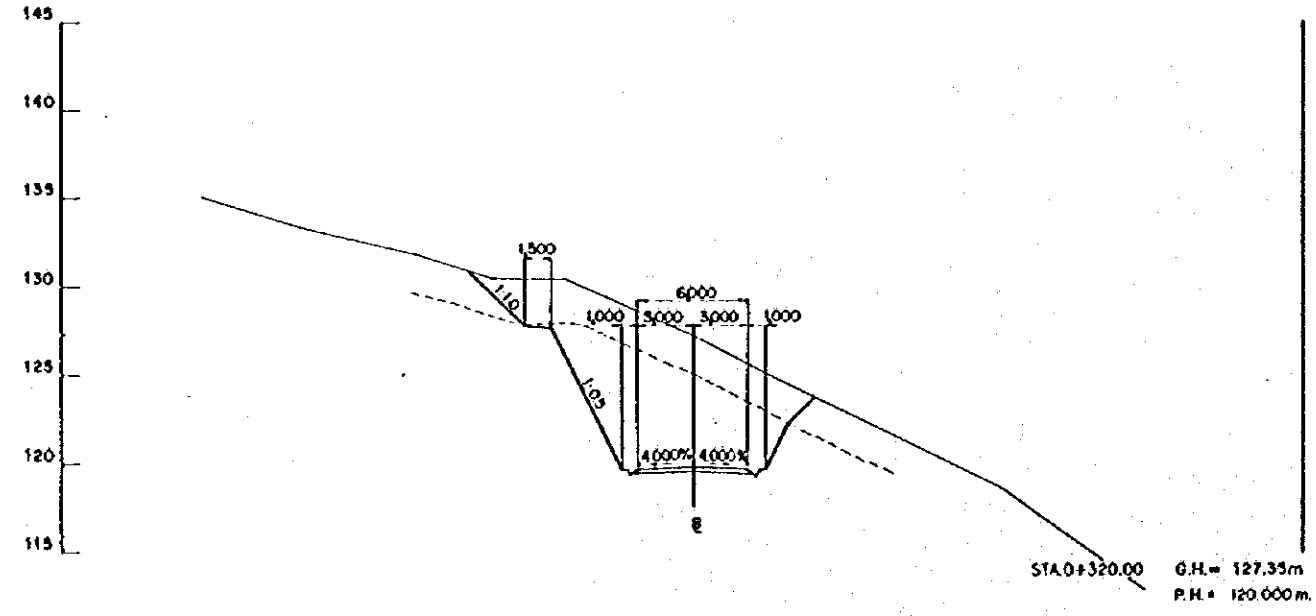
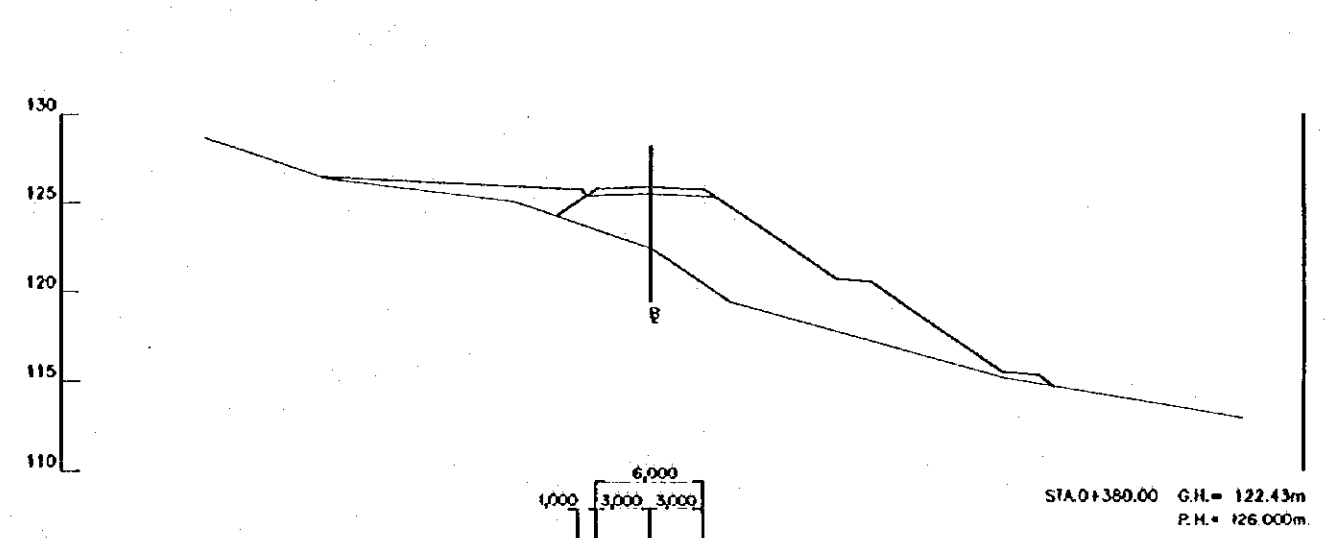
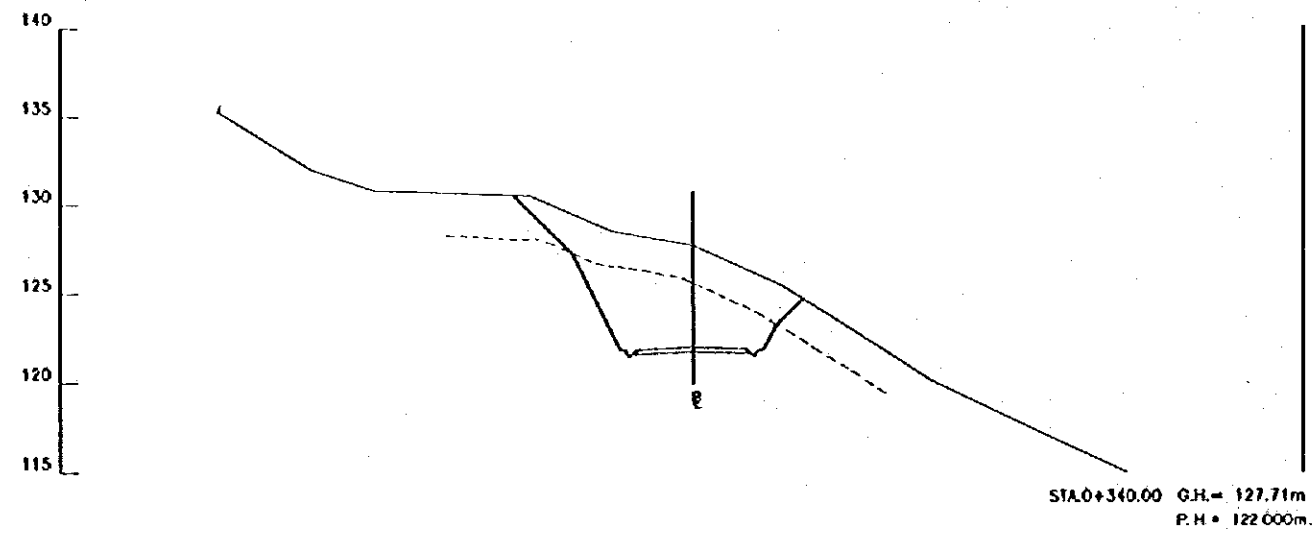
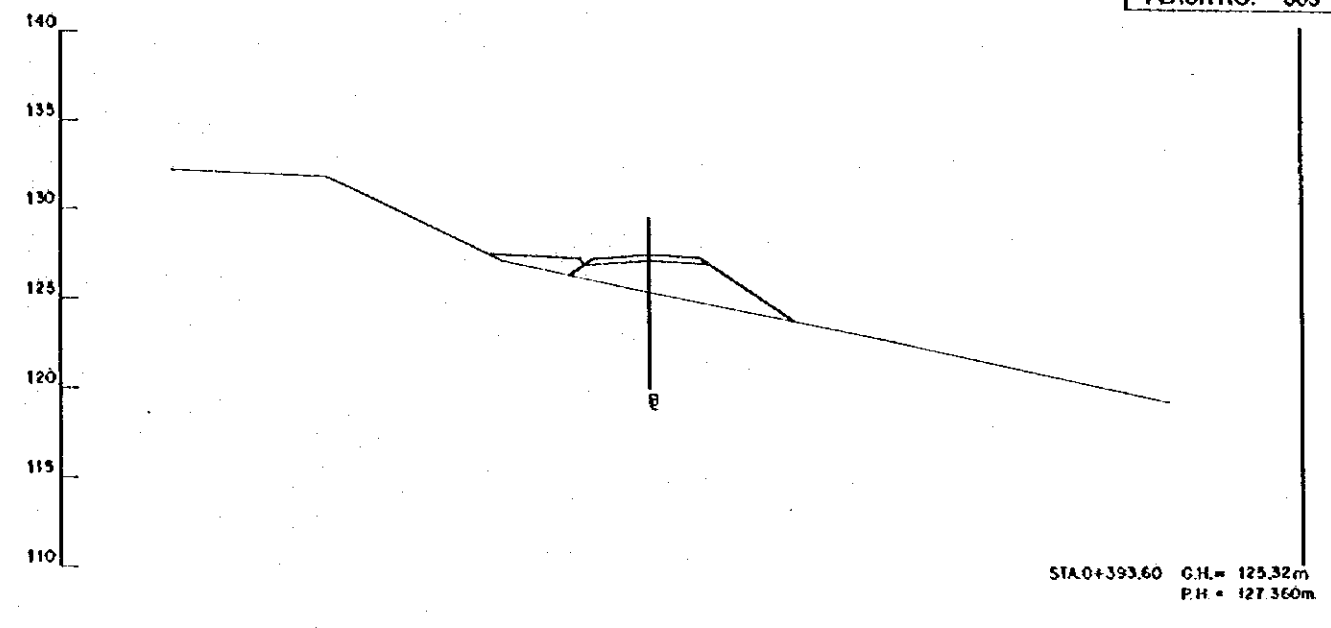
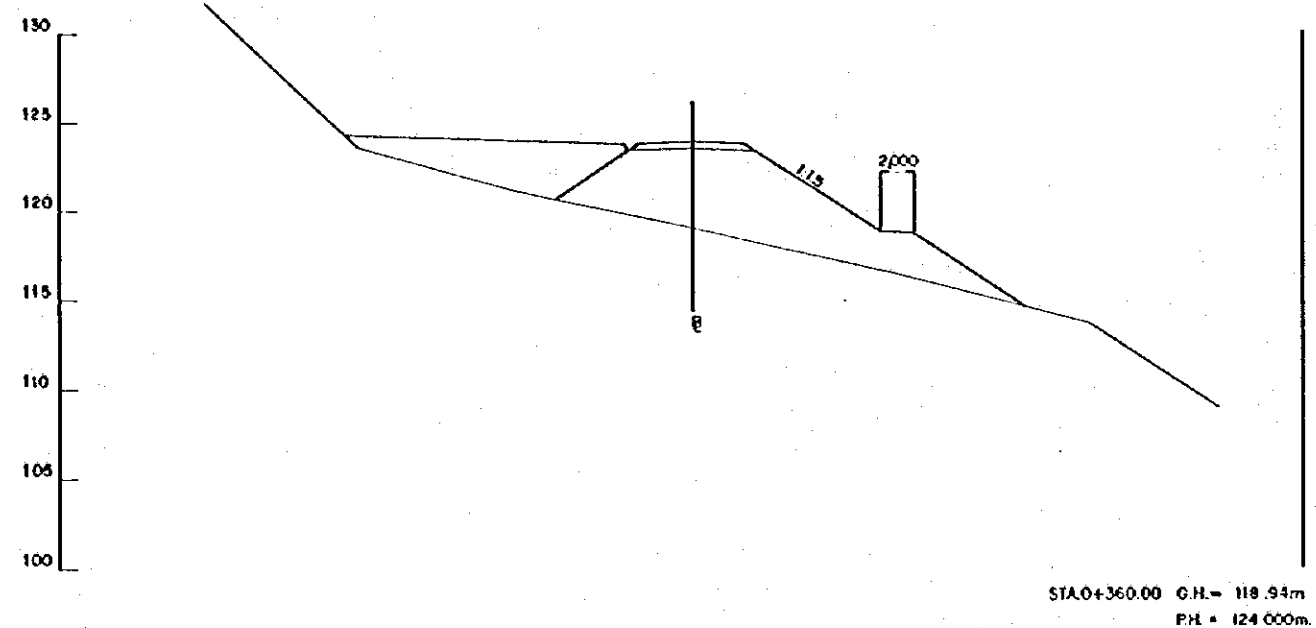
LEVANTO:
DIBUJO:
DISEÑO:
REVISO:
ENTREGO:
FECHA:

APROBADO:
FECHA:
DIBUJO N°
1-ACO-077
FECHA:



REV. N°	REVISADO	APROBADO	FECHA

CRM CENTRO DE REHABILITACIÓN DE MANABI	Estudio de Diseño Detallado de los Tramos de Agua para las Cuencas de Los Rios Chone - Portoviejo <i>The Detailed Design Study on the Water Transbasin Schemes for Chone - Portoviejo River Basin</i>	TITULO:	CAMINO DE ACCESO / ACCESS ROAD	LEVANTO:		APROBADO:	
		REPUBLICA DEL ECUADOR	CAMINO DE ACCESO CONGUILLO 2 CORTE DE SECCIONES (3/98) CONGUILLO ACCESS ROAD 2 CROSS SECTIONS (3/98)	DISEÑO:		FECHA:	
				REVISÓ:		DIBUJO N°	
				ENTREGO:			1-ACO-078
				FECHA:			



REV. N°	REVISADO	APROBADO	FECHA

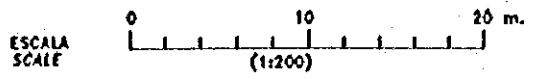
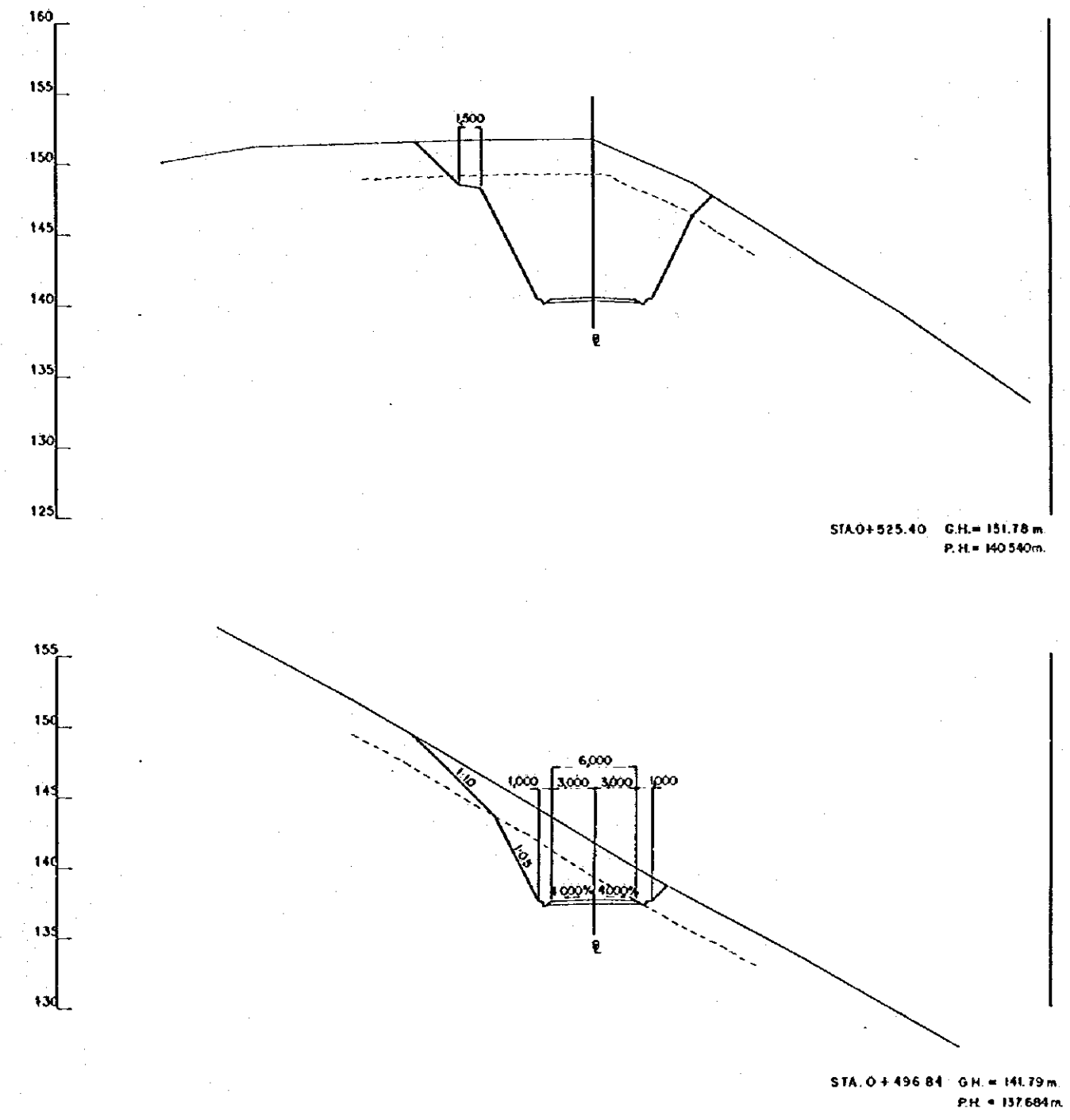
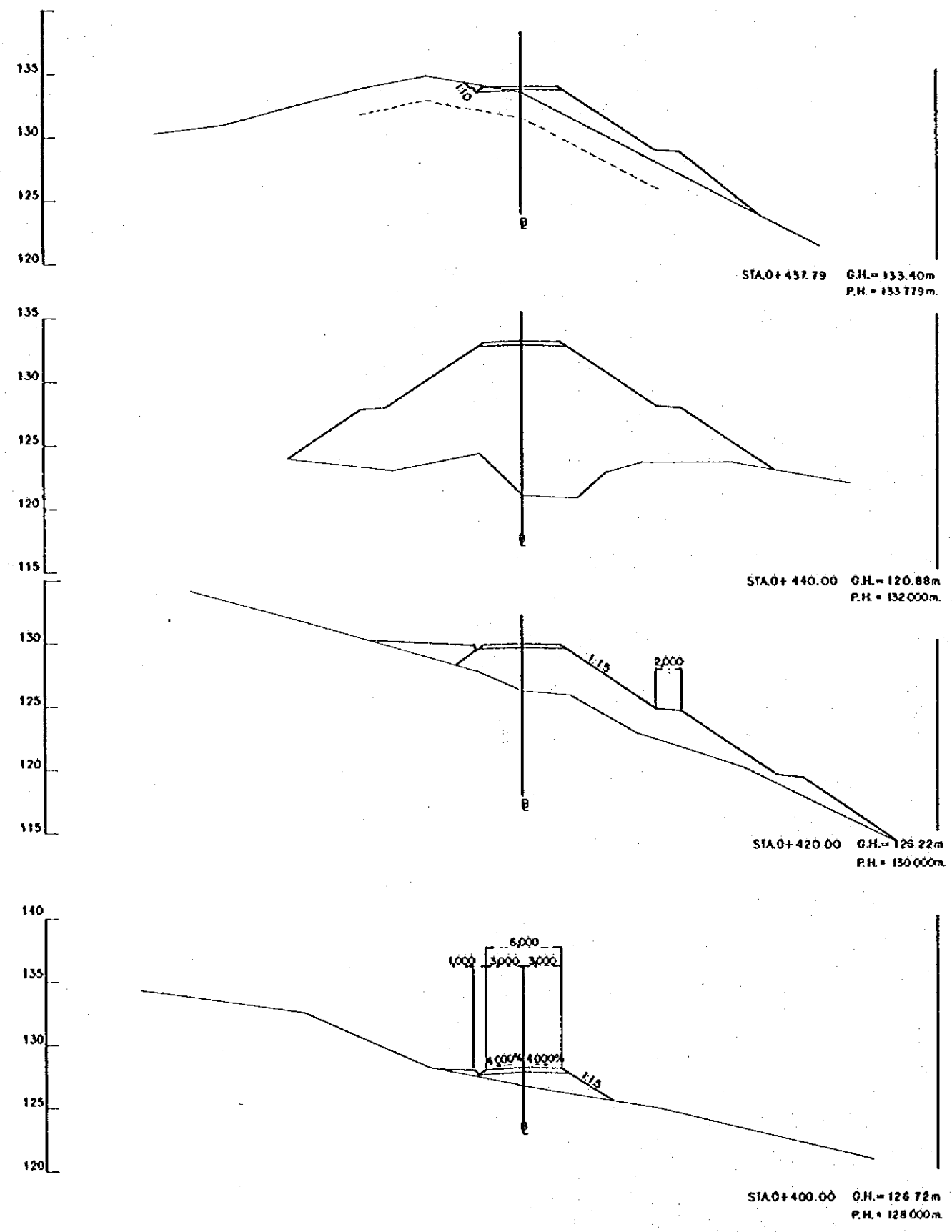
CRM
CENTRO DE REHABILITACIÓN DE MANABI

Estudio de Diseño Detallado de los Traspases de Agua para las Cuencas de Los Rios Chora - Paratejo
The Detailed Design Study on the Water Transpass Schemes for Chora - Paratejo River Basins

REPUBLICA DEL ECUADOR

TITULO: CAMINO DE ACCESO / ACCESS ROAD
CAMINO DE ACCESO CONQUILLO 2
CORTE DE SECCIONES (4/98)
CONQUILLO ACCESS ROAD 2
CROSS SECTIONS (4/98)

LEVANTO:	APROBADO:
DISEÑO: <td>FECHA:</td>	FECHA:
REVISO: <td>DIBUJO M:</td>	DIBUJO M:
ENTREGO: <td>1-ACO-079</td>	1-ACO-079
FECHA:	



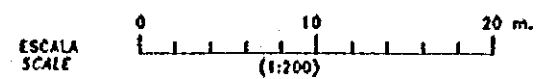
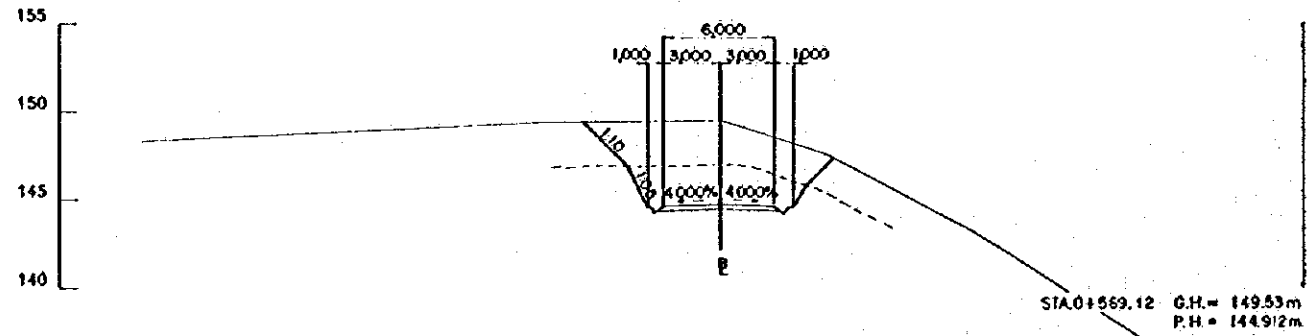
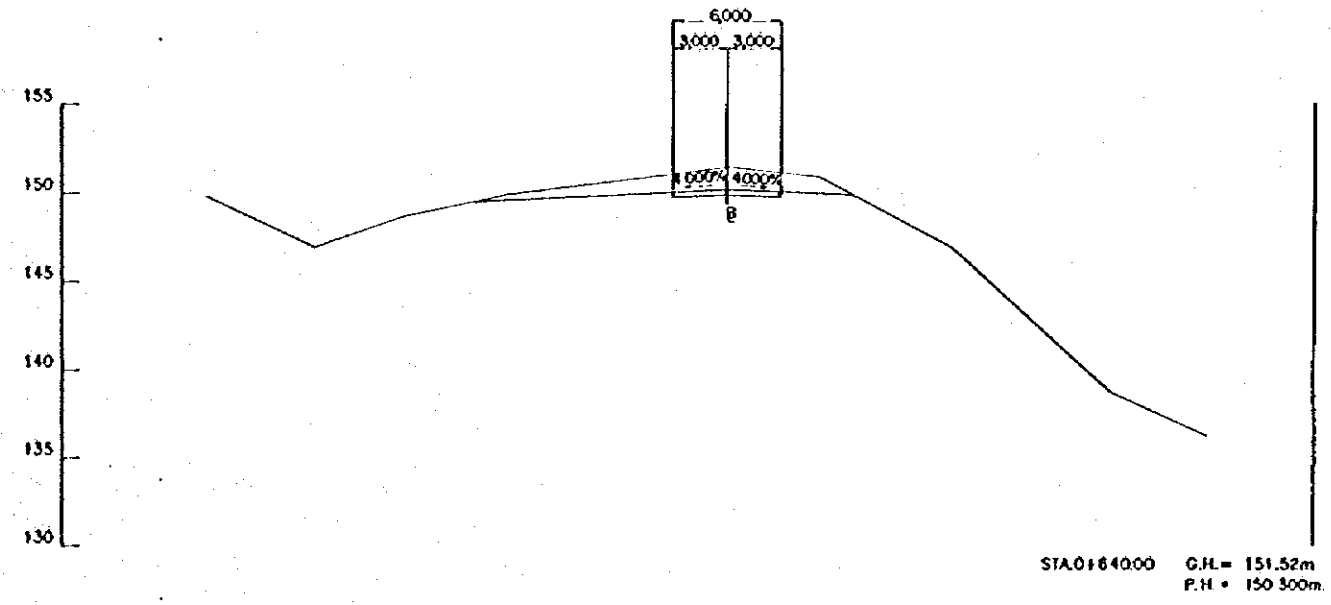
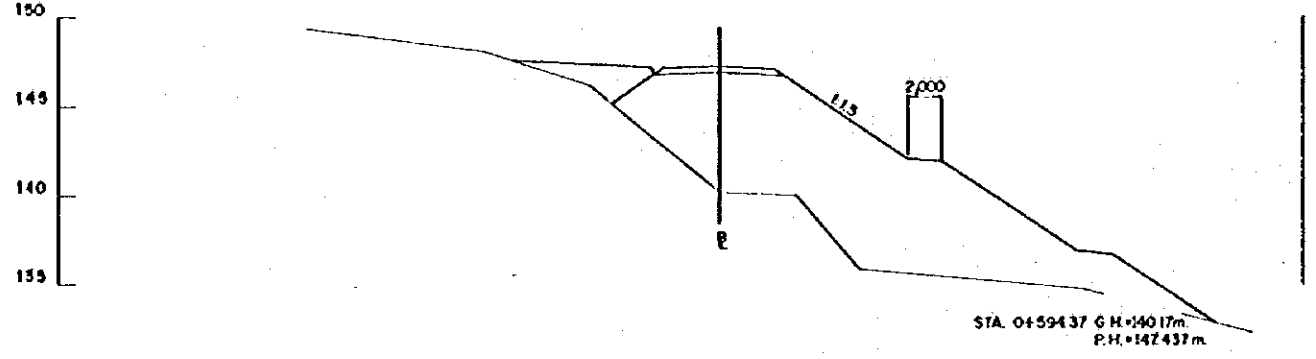
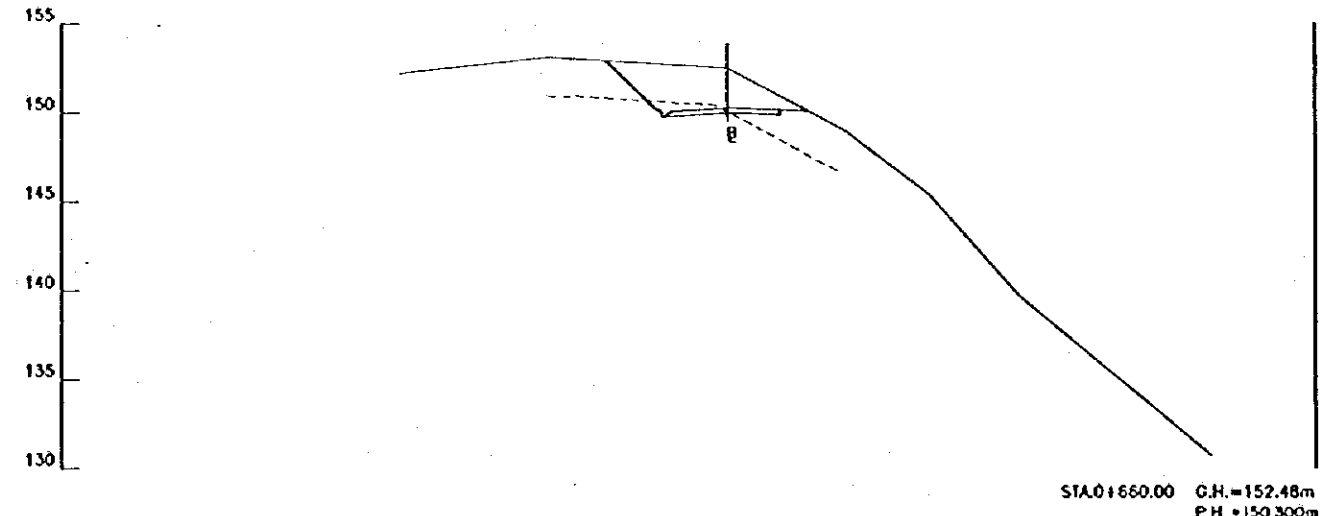
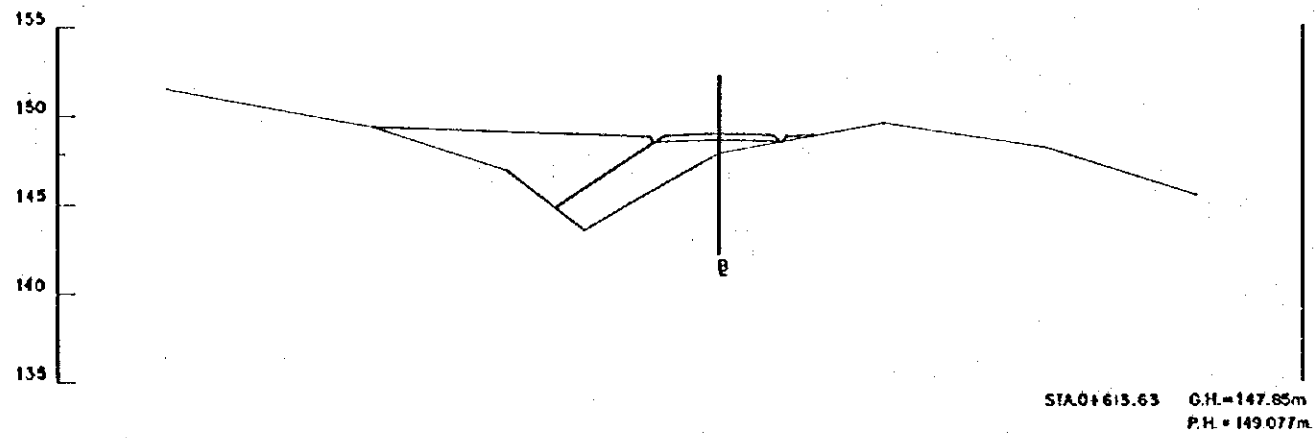
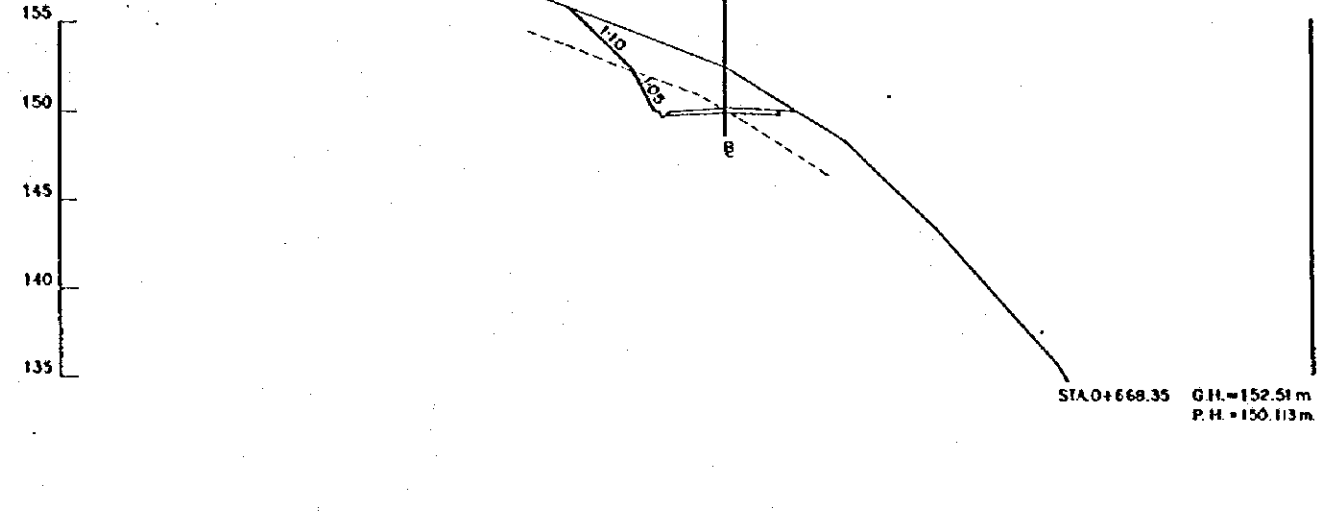
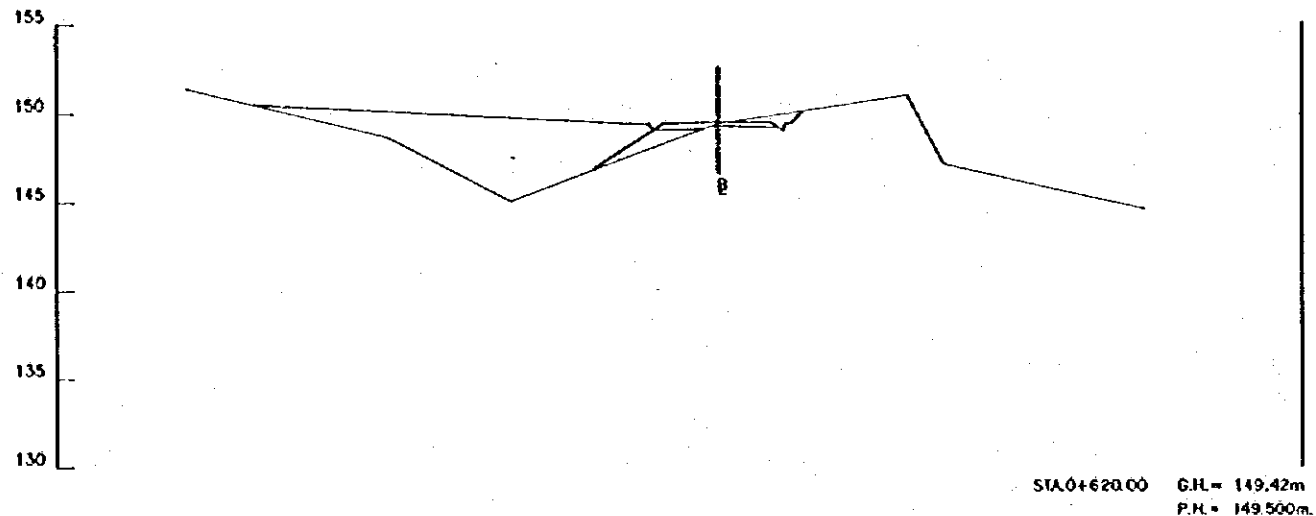
REV. N°	REVISADO	APROBADO	FECHA

CEM
CENTRO DE REHABILITACION DE MANABI

Estudio de Diseño Detallado de los Tramos de Agua para las Cuencas de Los Rios Chora - Portoviejo
The Detailed Design Study on the Water Transfer Schemes for Chora - Portoviejo River Basins

TITULO: CAMINO DE ACCESO / ACCESS ROAD
CAMINO DE ACCESO CONGUILLO 2
CORTE DE SECCIONES (5/98)
CONGUILLO ACCESS ROAD 2
CROSS SECTIONS (5/98)

LEVANTO:	APROBADO:
DIBUJO:	FECHA:
REVISO:	DIBUJO N°
ENTREGO:	1-ACO-080
FECHA:	



REV. N°	REVISADO	APROBADO	FECHA

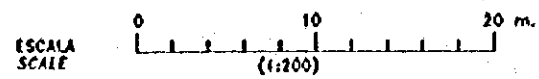
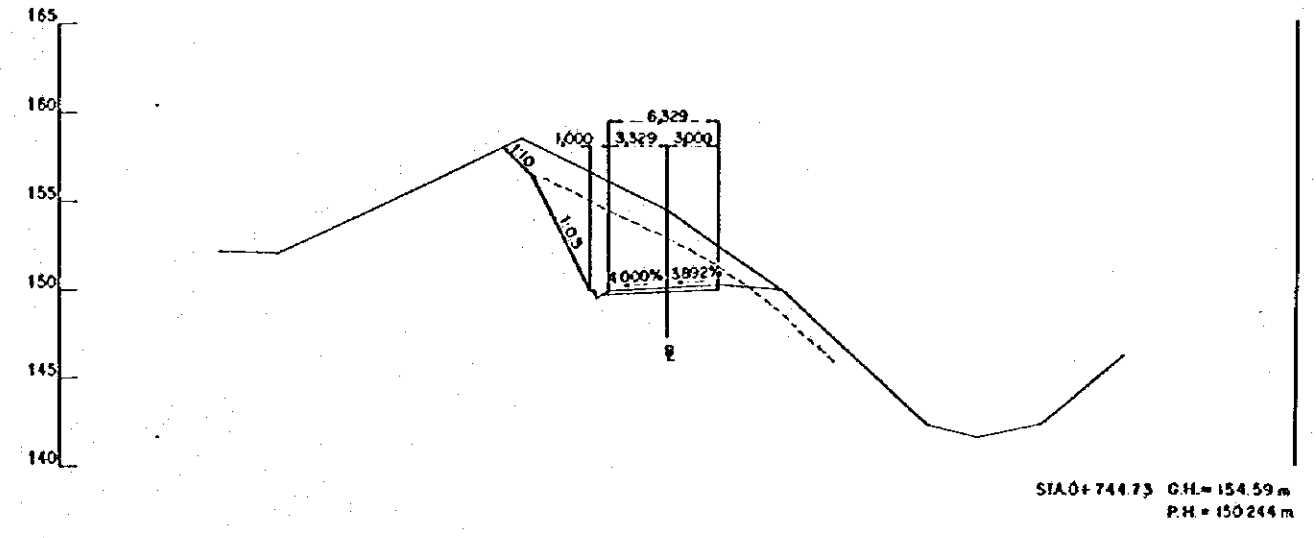
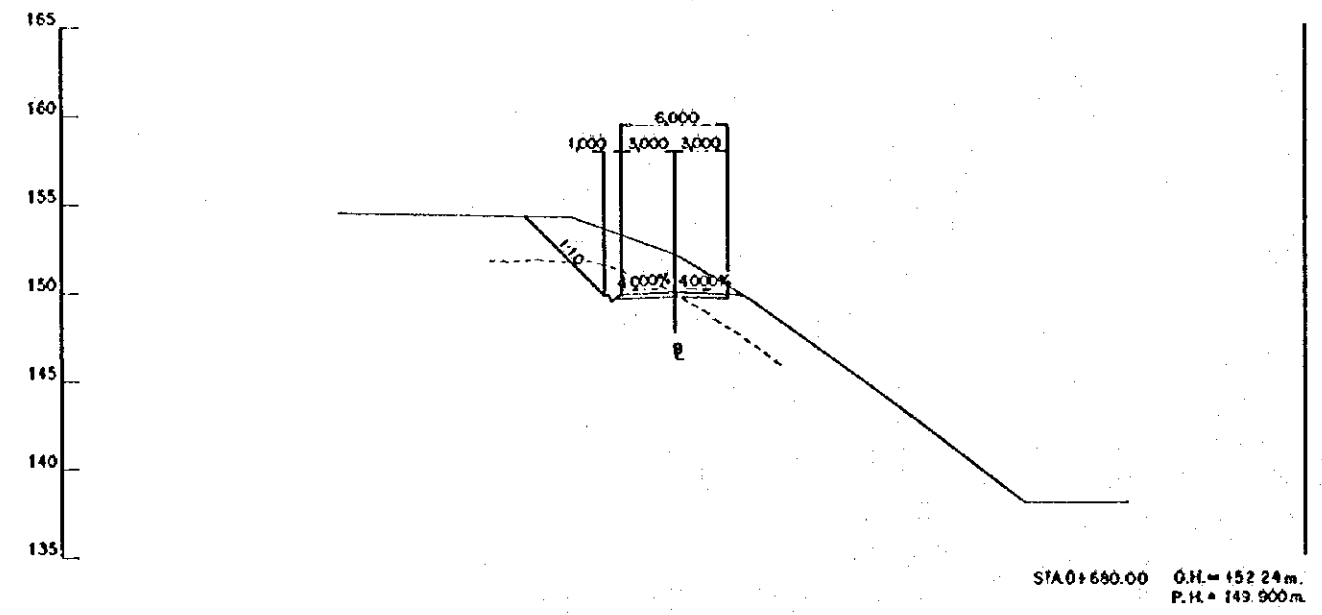
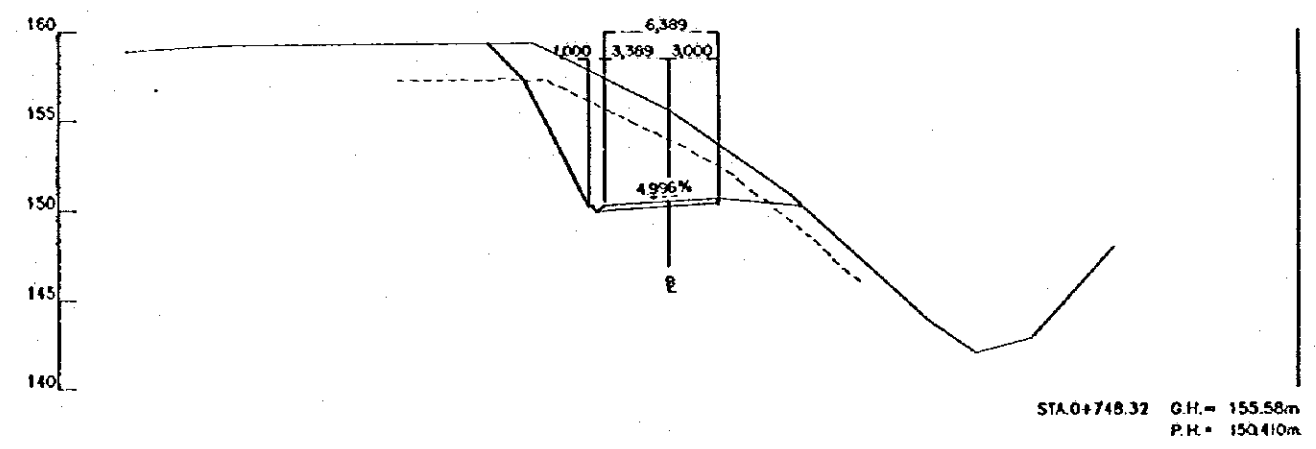
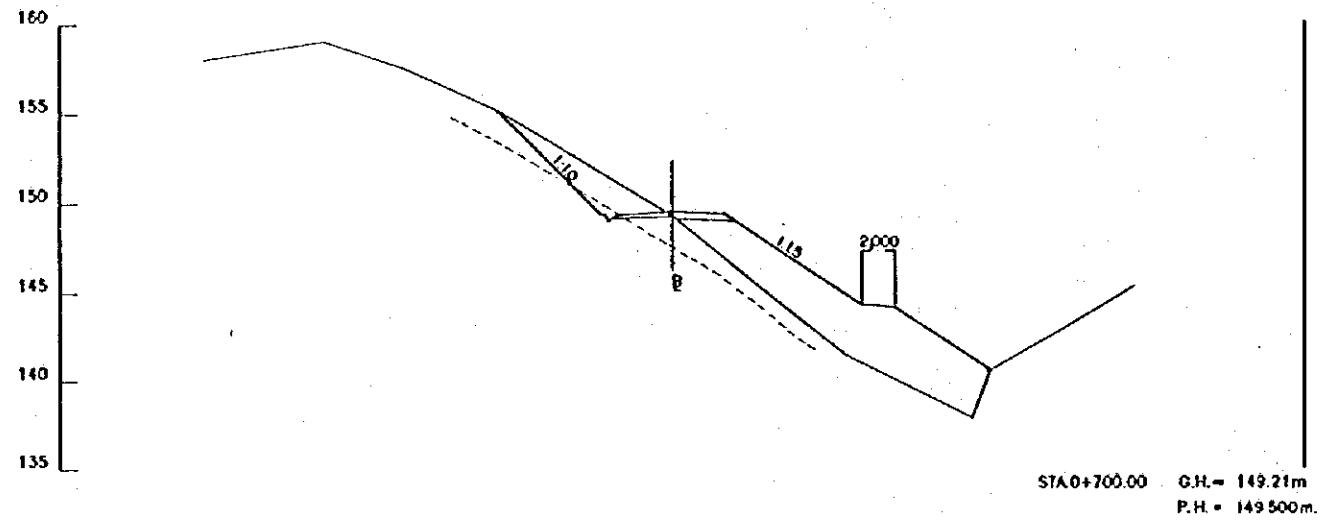
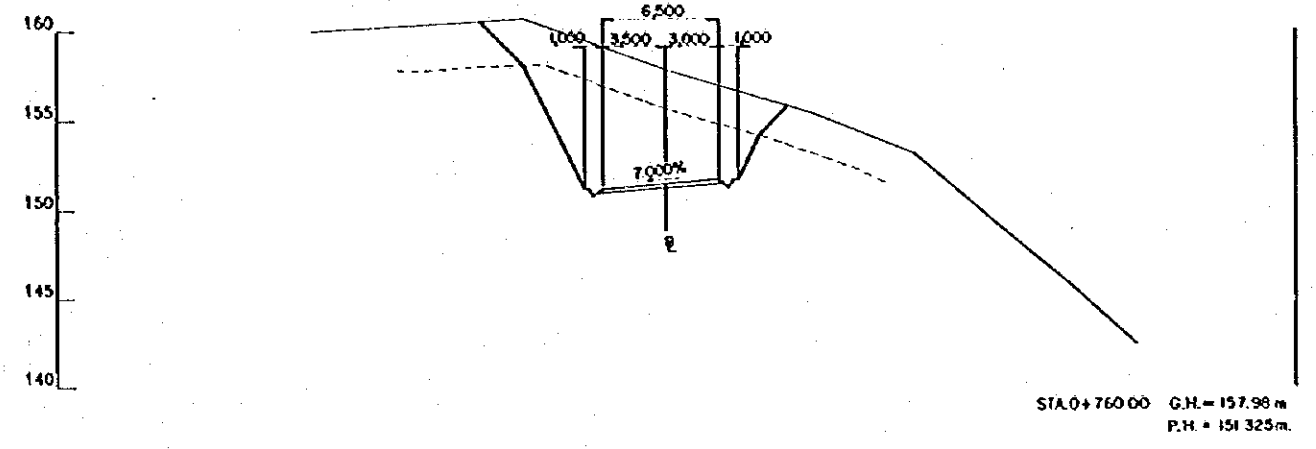
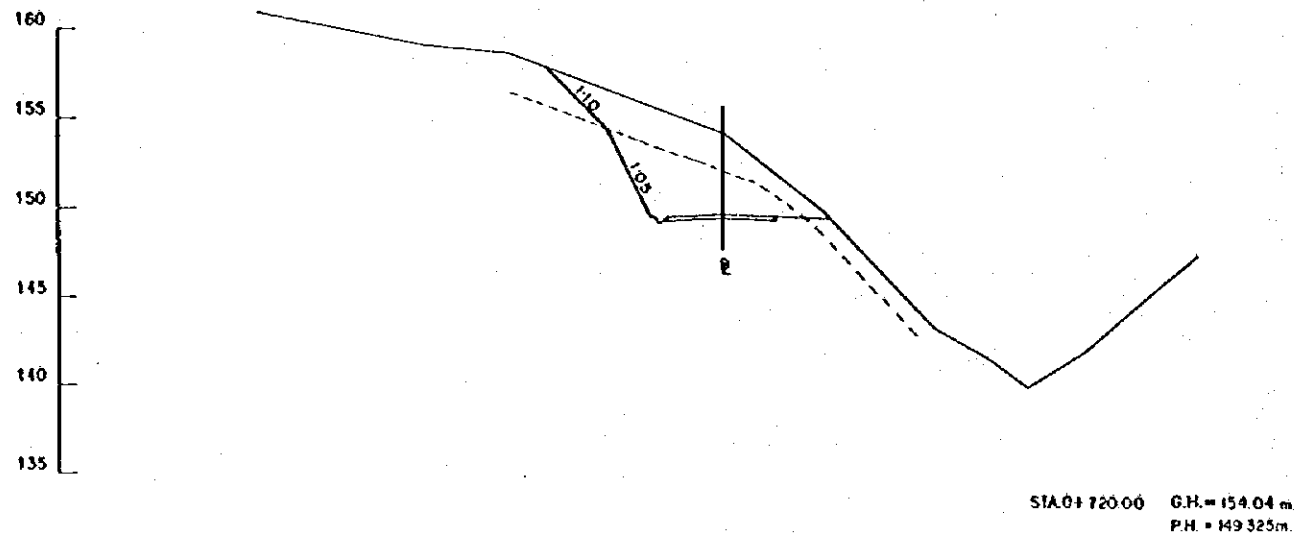
CRM
CENTRO DE
REHABILITACION
DE MANABI

Estudio de Diseño Detallado de los Traveses de
Agua para las Cuenclas de Los Rios Chone - Portoviejo
*The Detailed Design Study on the Water Traversesh
Schemes for Chone - Portoviejo River Basins*

REPUBLICA DEL ECUADOR

TITULO: CAMINO DE ACCESO / ACCESS ROAD
CAMINO DE ACCESO CONGUILLO 2
CORTE DE SECCIONES (6/98)
CONGUILLO ACCESS ROAD 2
CROSS SECTIONS (6/98)

LEVANTADO:	APROBADO:
DIBUJO:	FECHA:
REVISO:	DIBUJO N°
ENTREGO:	1-ACO-081
FECHA:	



REV. N°	REVISADO	APROBADO	FECHA

CIEM
CENTRO DE REHABILITACION DE MANABI

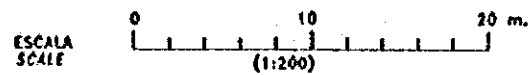
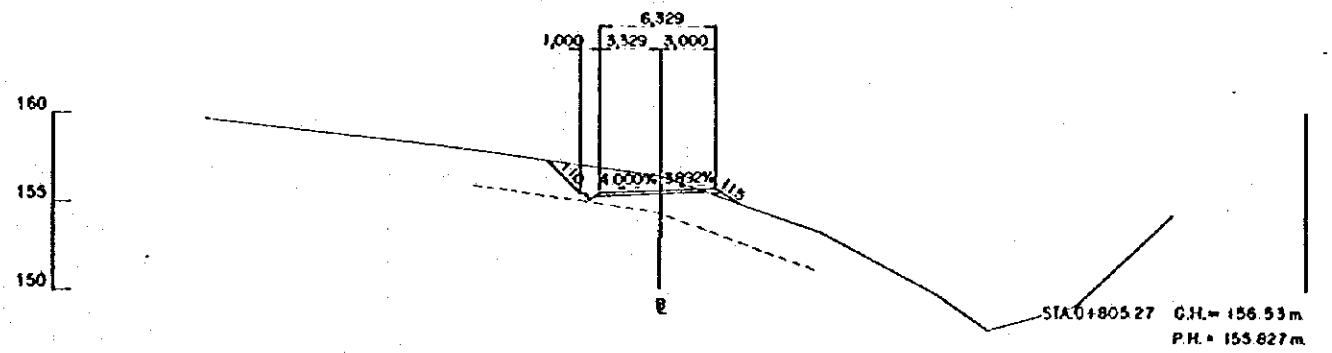
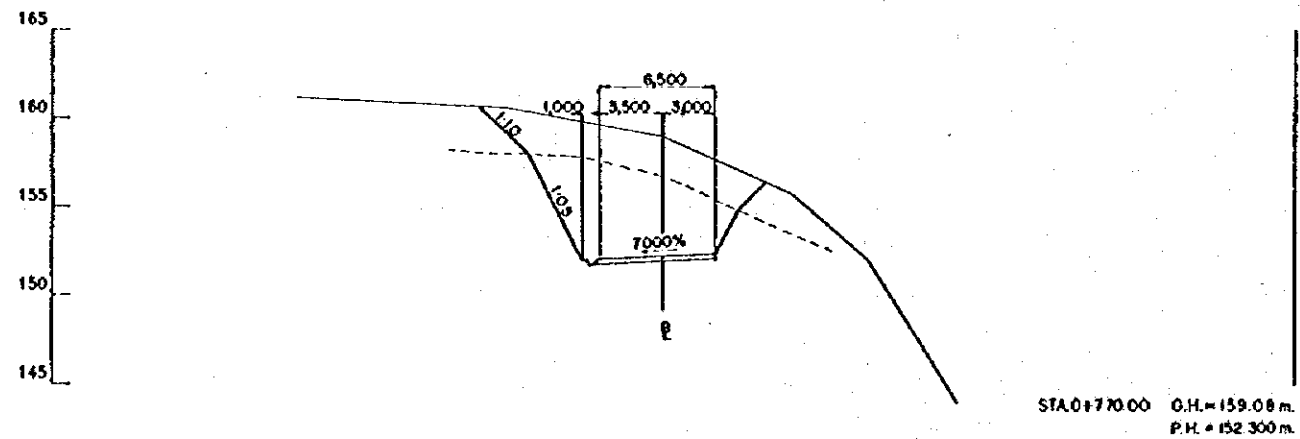
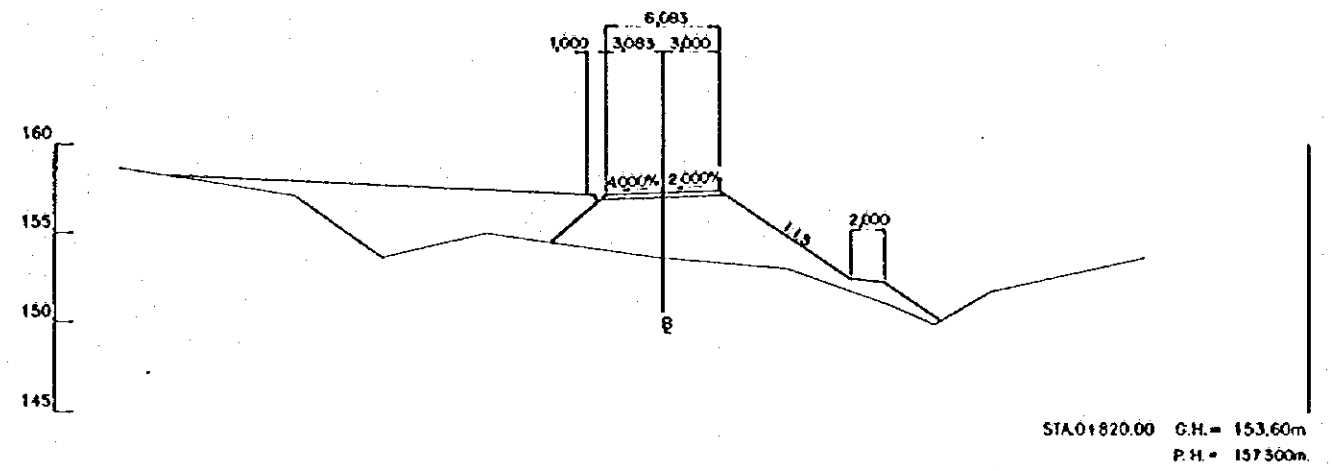
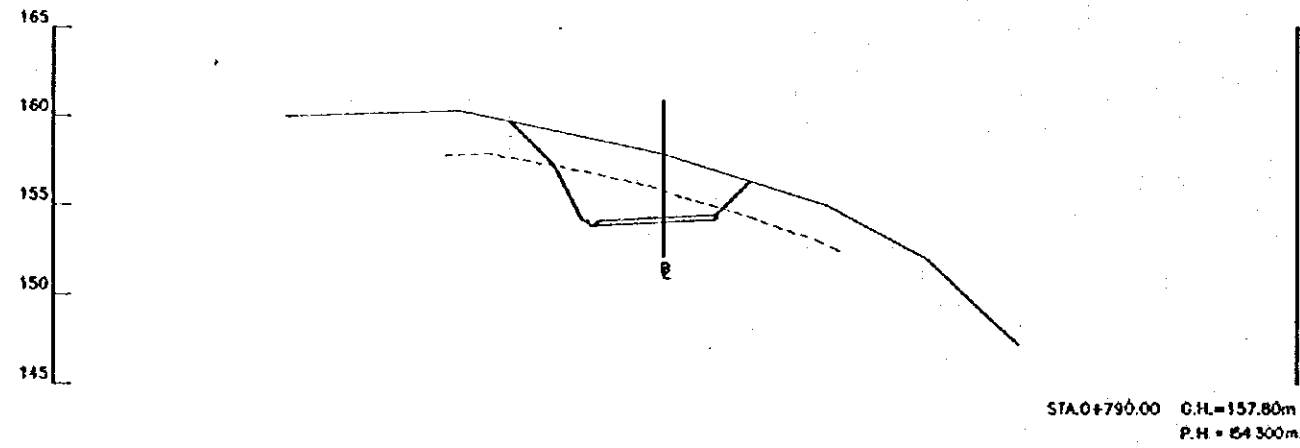
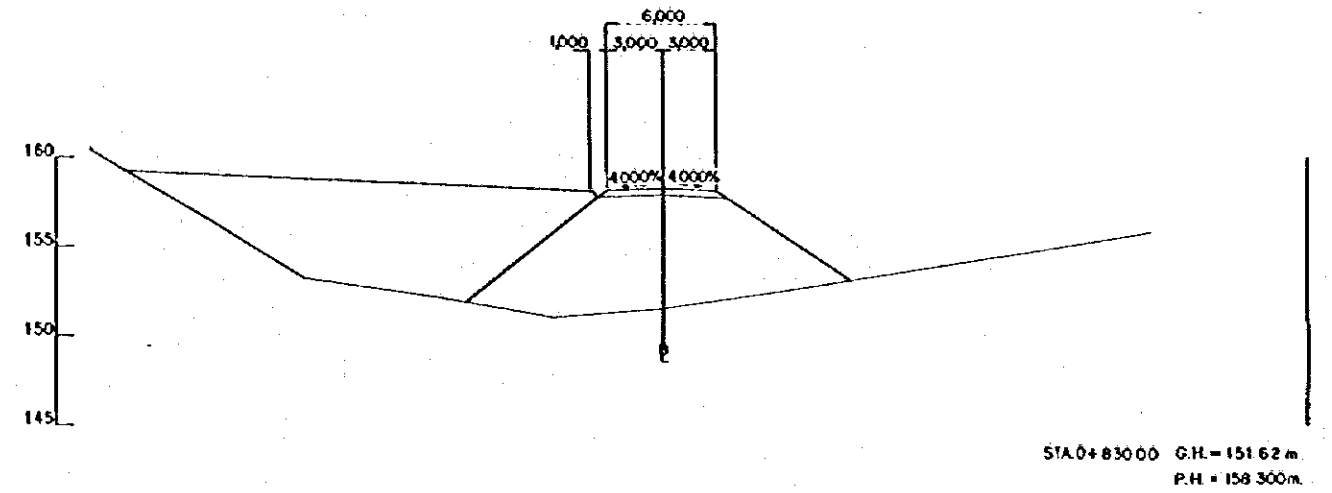
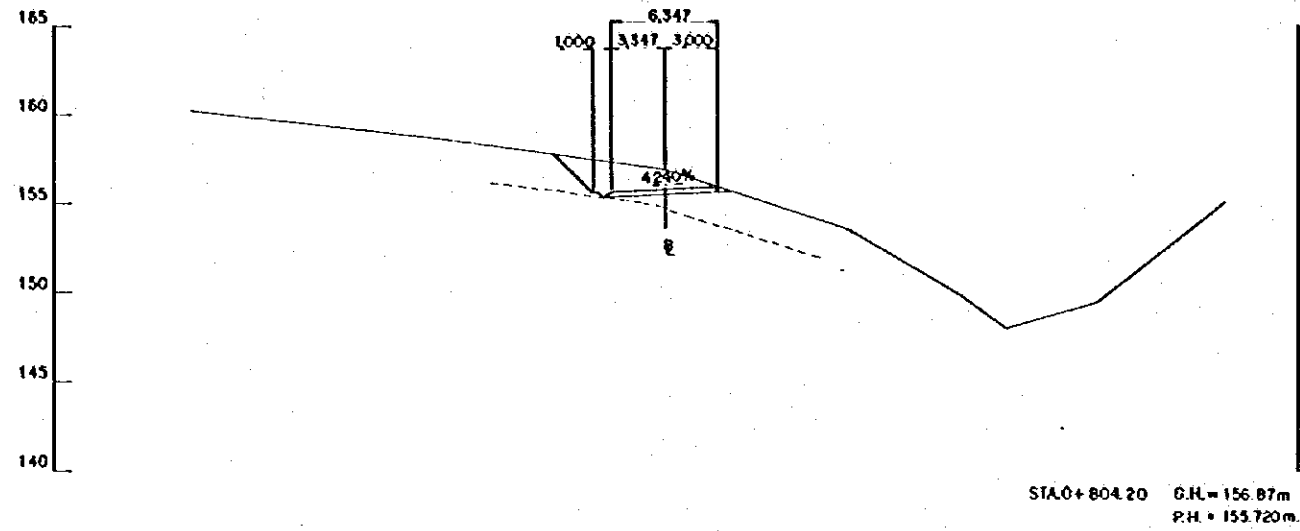
Estudio de Diseño Detallado de los Traspases de Agua para las Cuenecas de Los Rios Chone - Portoviejo
The Detailed Design Study on the Water Transfer Schemes for Chone - Portoviejo River Basins

TITULO: CAMINO DE ACCESO / ACCESS ROAD
CAMINO DE ACCESO CONGULLO 2
CORTE DE SECCIONES (1/88)
CONGULLO ACCESS ROAD 2
CROSS SECTIONS (1/88)

LEVANTADO:
DIBUJO:
DISEÑO:
REVISO:
ENTREGO:
FECHA:

APROBADO:
FECHA:
DIBUJO M
1-ACO-082

REPUBLICA DEL ECUADOR



REV. N°	REVISADO	APROBADO	FECHA

CRM CENTRO DE REHABILITACION DE MANABI	Estudio de Diseño Detallado de los Tramos de Agua para los Cuencas de Los Rios Chone - Portoviejo The Detailed Design Study on the Water Transfer Schemes for Chone - Portoviejo River Basins	TITULO: CAMINO DE ACCESO / ACCESS ROAD CAMINO DE ACCESO CONGUILLO 2 CORTE DE SECCIONES (898) CONGUILLO ACCESS ROAD 2 CROSS SECTIONS (898)	LEVANTON: DIBUJO: DISEÑO: REVISO: ENTREGO: FECHA:	APROBADO: FECHA: DIBUJO N° 1-ACO-083
	REPUBLICA DEL ECUADOR	REPUBLICA DEL ECUADOR	REPUBLICA DEL ECUADOR	REPUBLICA DEL ECUADOR