

資料 - 5

参考資料リスト

参 考 資 料 リ ス ト

1. Telecommunications Restructuring Program - TRP (Takeoff & Progress) TTCL
2. Development Co-Operation Report TANZANIA 1994 Report September 1995
UNDP
3. Statistical abstract 1993 Bureau of Statistics February 1995 Statistic Bureau
4. Economic Bulletin for the Quarter Ended 30th June 1995 Vol.XXIV No.2
Bank of Tanzania
5. Economic and Operations Report for the Year Ended 30th June 1995
Bank of Tanzania
6. The Rolling Plan and Forward Budget for Tanzania for the Period 1994/95-1996/97
Joint Publication by The President Office Planning Commission and Ministry of Finance
7. Telecommunications Tariff Effective 1 January 1995
Issued by Managing Director TTCL
8. Annual Traffic Analysis Summary Report 1994
Issued by Director Design and Engineering of TTCL
9. Tanzania Telecommunication Company Report of the Auditors TTCL
10. Monthly Vacancy Summary of TTCL October 1995 TTCL
11. Organisational Structure of Tanzania Telecommunications Company Ltd. TTCL
12. Training Courses Offered by TTCL Staff College TTCL
13. Dar-es Salaam C5 Trunking Diagram TTCL
14. Dar-es Salaam GX5K Trunking Diagram TTCL
15. Dar-es Salaam C400 Trunking Diagram TTCL
16. Dar-es Salaam Switching Network Diagram 94-3-9 TTCL
17. Up-Dated Tanzania Telephone Access Codes TTCL
18. Foreign Currency Exchange Rate by Daily Basis during the Past 6 Months
Nov. 9th '95 Bank of Tanzania
19. TCC structure MOWCT
20. Central Area Trouble Record each month 1994 TTCL
21. Format of Faults Record every morning
- Typical one day for South/North/Central TTCL
22. 1994 Performance Target Realisation TTCL
23. Foults Record for 1994 in the categories of Reported Cleared/Carried over TTCL
24. Performance Indicators of MOU Targets for 1994 TTCL
25. Telecommunications Facilities in DSM Metropolitan Area by Exchange TTCL
26. International Telephone Lines TTCL
27. International Telex Lines TTCL
28. Telecommunications Facilities Information TTCL
29. Exchange Families and Capacities (58 Exchanges) TTCL
30. Trunk Exchanges
- Types, No. of trunks, year commenced, total trunks, country of origin TTCL
31. Telex Exchanges
- Types, No. of trunks, year commenced, total trunks, country of origin TTCL
32. Donors' Coordination Meeting 19th May 1995 TTCL
33. Proposed Switching Area TTCL
34. MDF Layout Plan TTCL
35. Trunking Diagram TTCL
36. TTCL revised MOU Target TTCL
37. Monthly Economic Review Bank of Tanzania
38. Speech by MOF Introducing National Assembly the Estimate Revenue
and Expenditure for Financial Year 1995/96 Ministry of Finance

39. Third Telecom. Project	JICA
40. Diagram of Outside Plant	TTCL
- TTS Map in Commercial Area	
- Duct Diagram, Main Cable Diagram, Distribution Diagram	
41. Cable Vault Plan	TTCL
42. MDF Layout	TTCL
43. Primary Network and Duct Plan	TTCL
44. Secondary Cable Diagram	TTCL
45. TTS Map	SEGITEL
46. Cost Estimation References/Data	
47. Road Planning	Regional Office of MOWCT Municipality of DSM JICA
48. Requirement for Restoration of Paved Road	Regional Office of MOWCT Municipality of DSM
49. Information of Commercial Power	TANESCO
50. Information of Water Supply	NUWA

基本設計図面類

- 図-1 プロジェクト対象地域の案内図

- 図-2 ケーブル成端図

- 図-3 一次ケーブル図

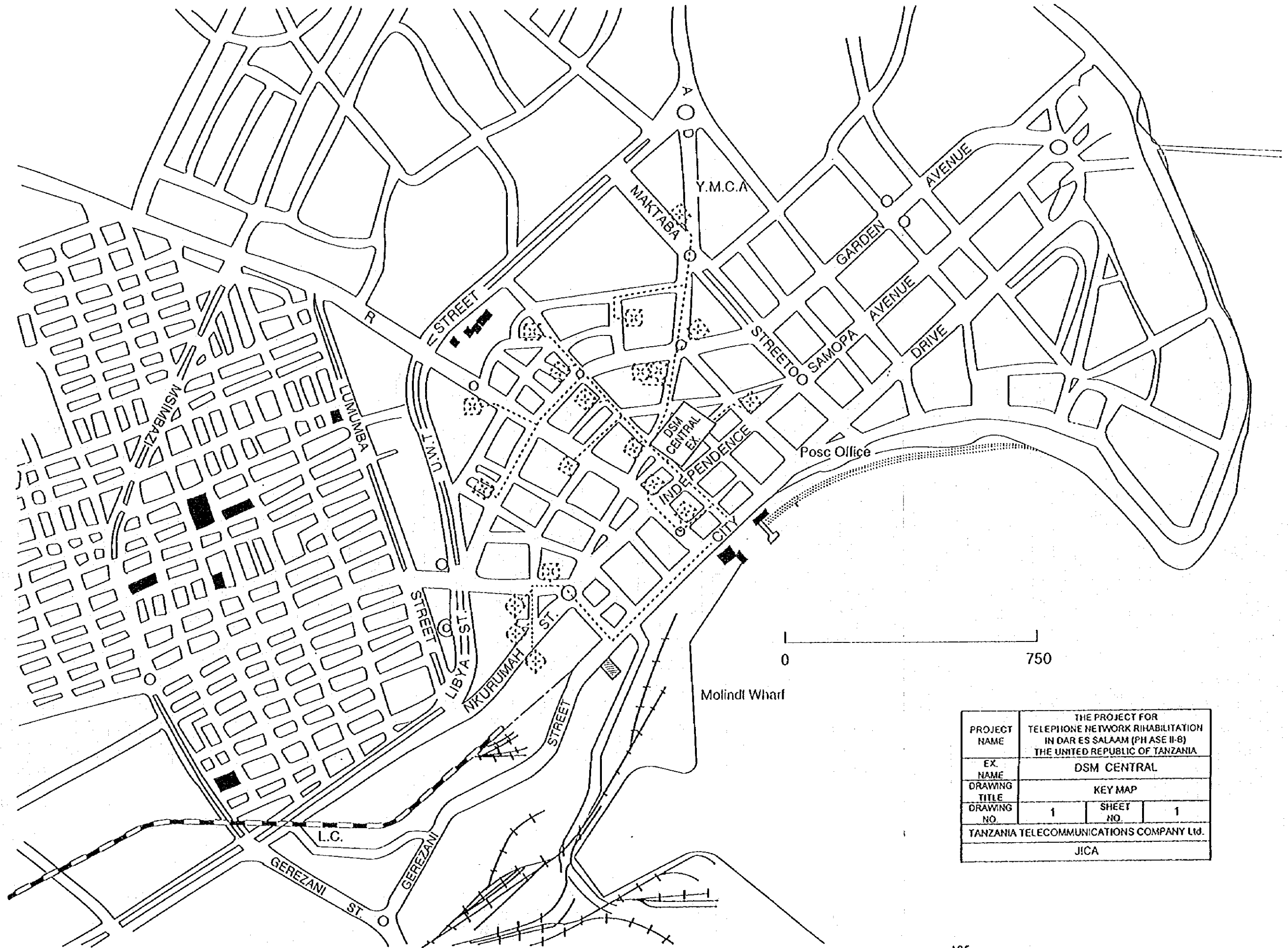
- 図-4 1/2 地下管路図 1/2

- 図-4 2/2 地下管路図 2/2

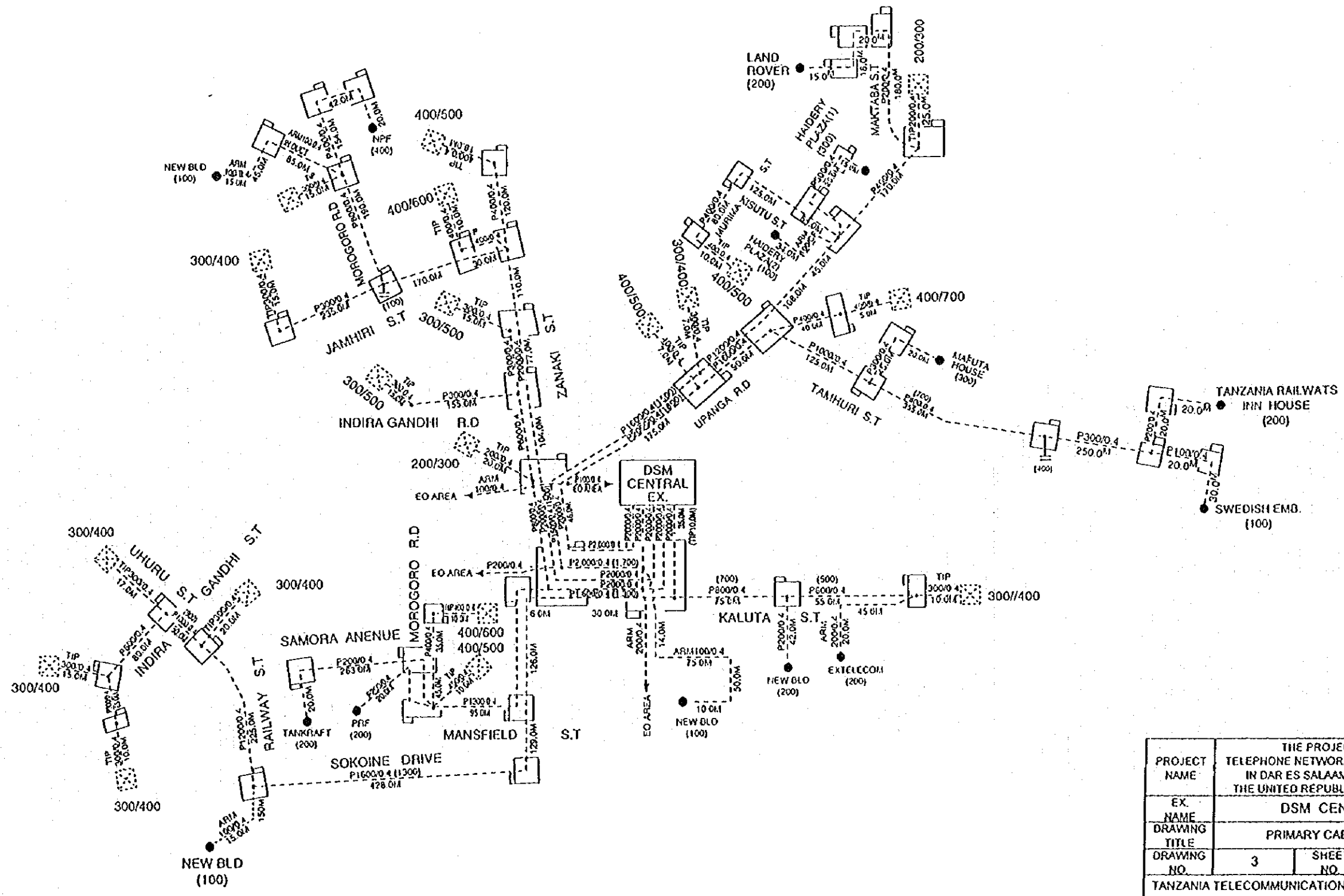
- 図-5 MDF位置図

- 図-6 交換機室位置図

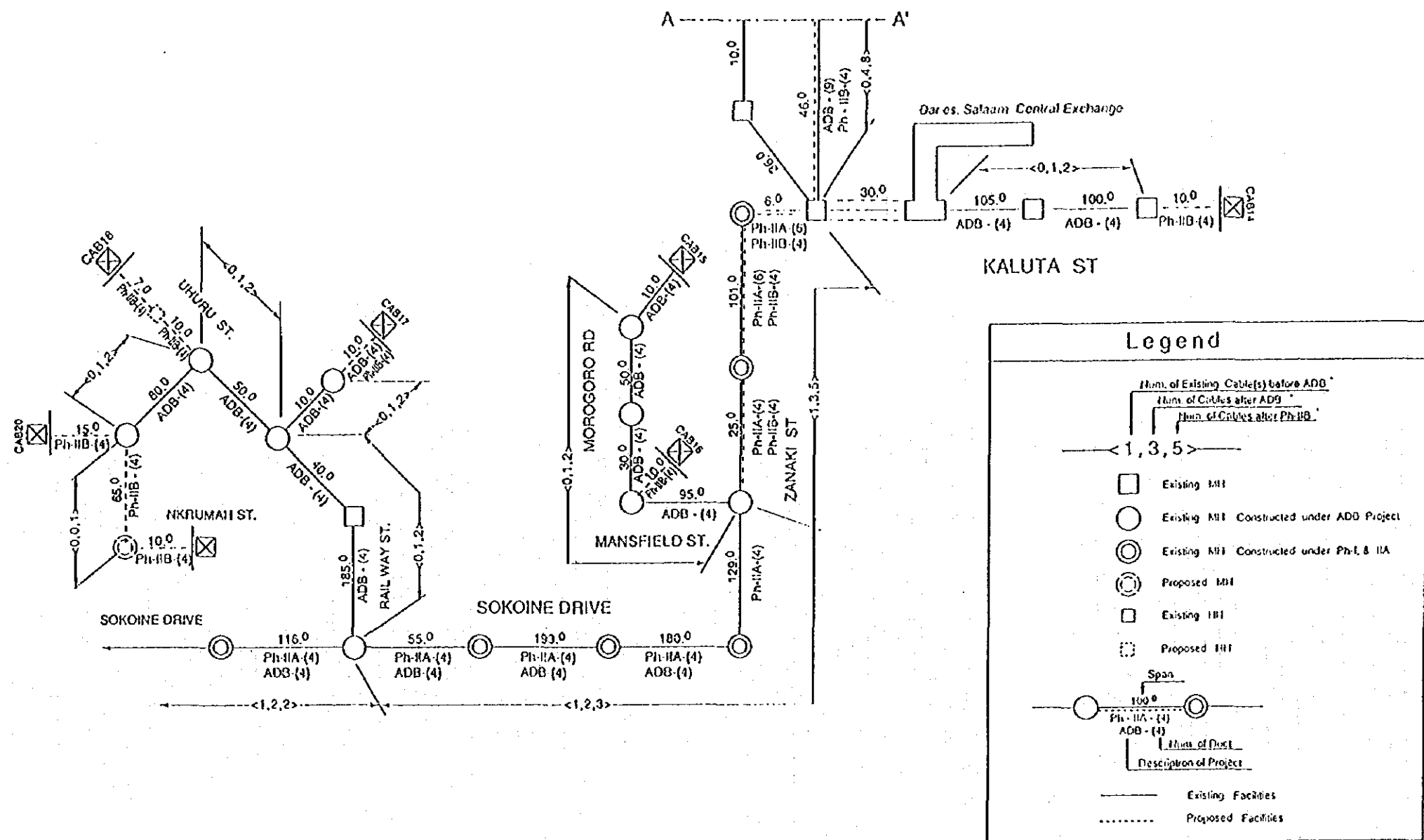
- 図-7 中継方式図 (Trunking Diagram)



PROJECT NAME	THE PROJECT FOR TELEPHONE NETWORK REHABILITATION IN DAR ES SALAAM (PH ASE II-B) THE UNITED REPUBLIC OF TANZANIA		
EX. NAME	DSM CENTRAL		
DRAWING TITLE	KEY MAP		
DRAWING NO.	1	SHEET NO.	1
TANZANIA TELECOMMUNICATIONS COMPANY LTD.			
JICA			



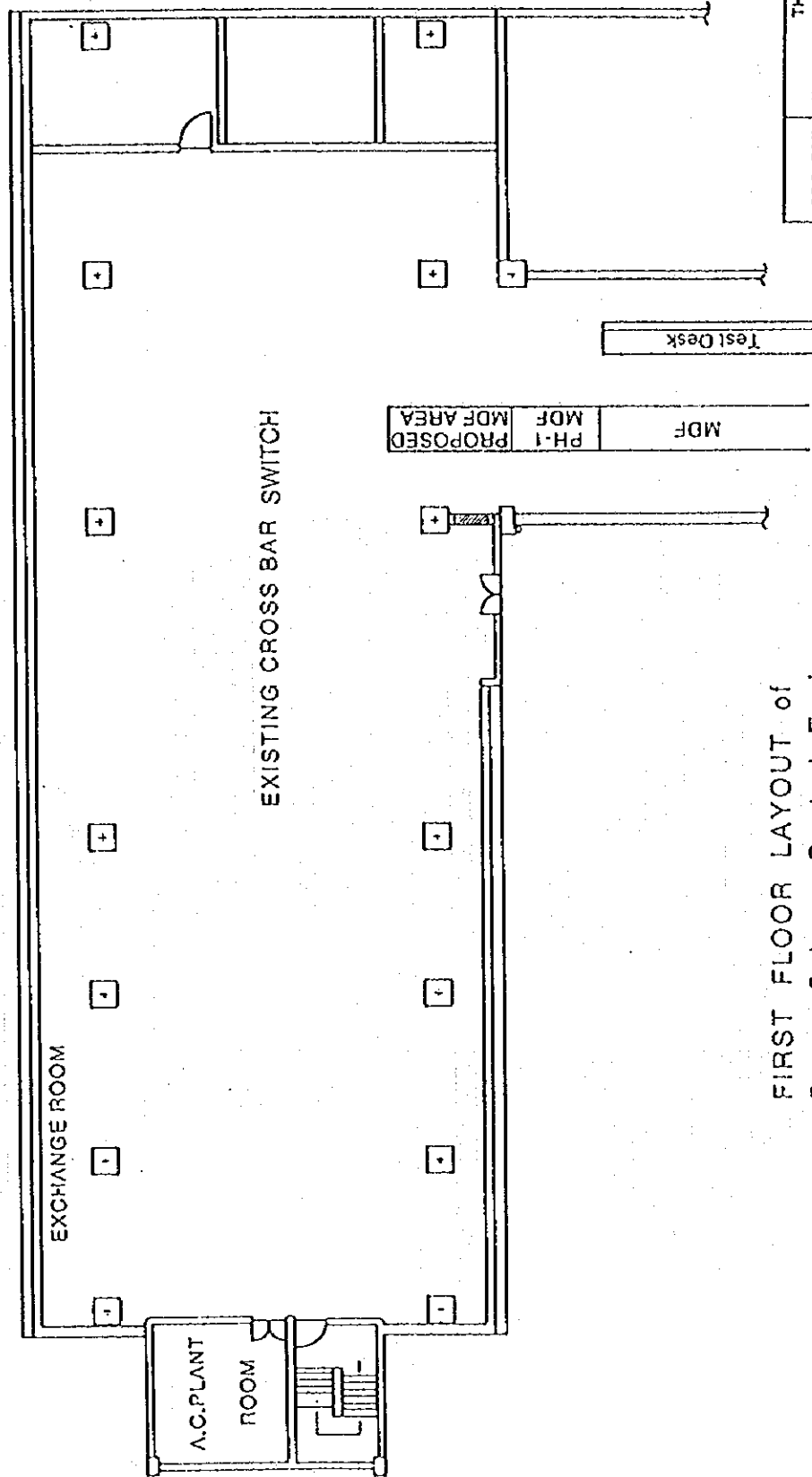
THE PROJECT FOR			
TELEPHONE NETWORK RIHABILITATION			
IN DAR ES SALAAM (PH ASE II-B)			
THE UNITED REPUBLIC OF TANZANIA			
PROJECT NAME	DSM CENTRAL		
EX. NAME	PRIMARY CABLE PLAN		
DRAWING TITLE	3	SHEET NO.	1
DRAWING NO.	TANZANIA TELECOMMUNICATIONS COMPANY LTD.		
JICA			



* Num. of (Existing) Cable(s) : Only the Num. of Cables installed in described Num. of Ducts.

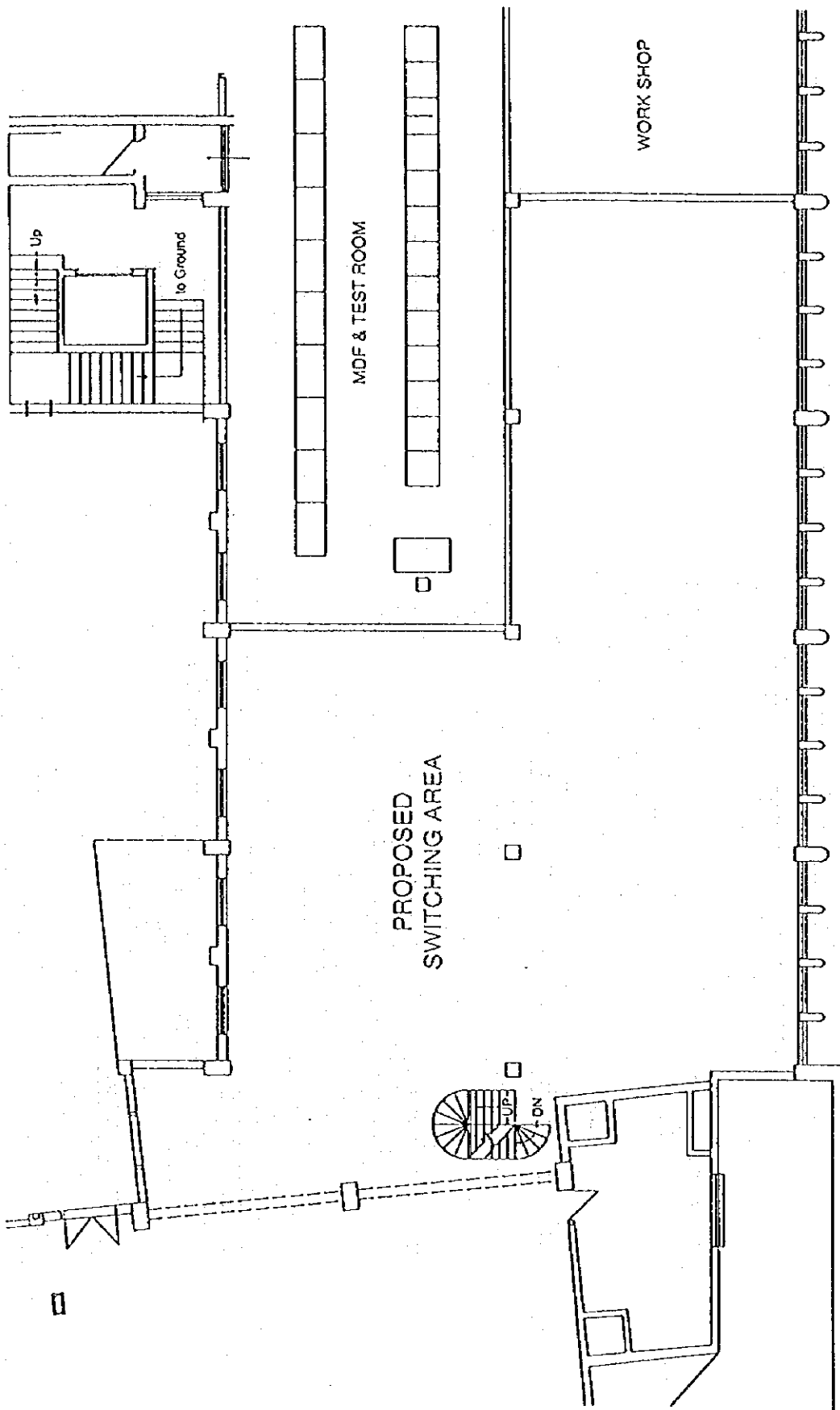
PROJECT NAME	THE PROJECT FOR TELEPHONE NETWORK REHABILITATION IN DAR ES SALAAM (PHASE II-B) THE UNITED REPUBLIC OF TANZANIA		
EX. NAME	DSM CENTRAL		
DRAWING TITLE	DUCT ROUTE PLAN		
DRAWING NO.	4	SHEET NO.	1/2
TANZANIA TELECOMMUNICATIONS COMPANY Ltd.			
JICA			

DRAWING for LOCATION OF PROPOSED MDF

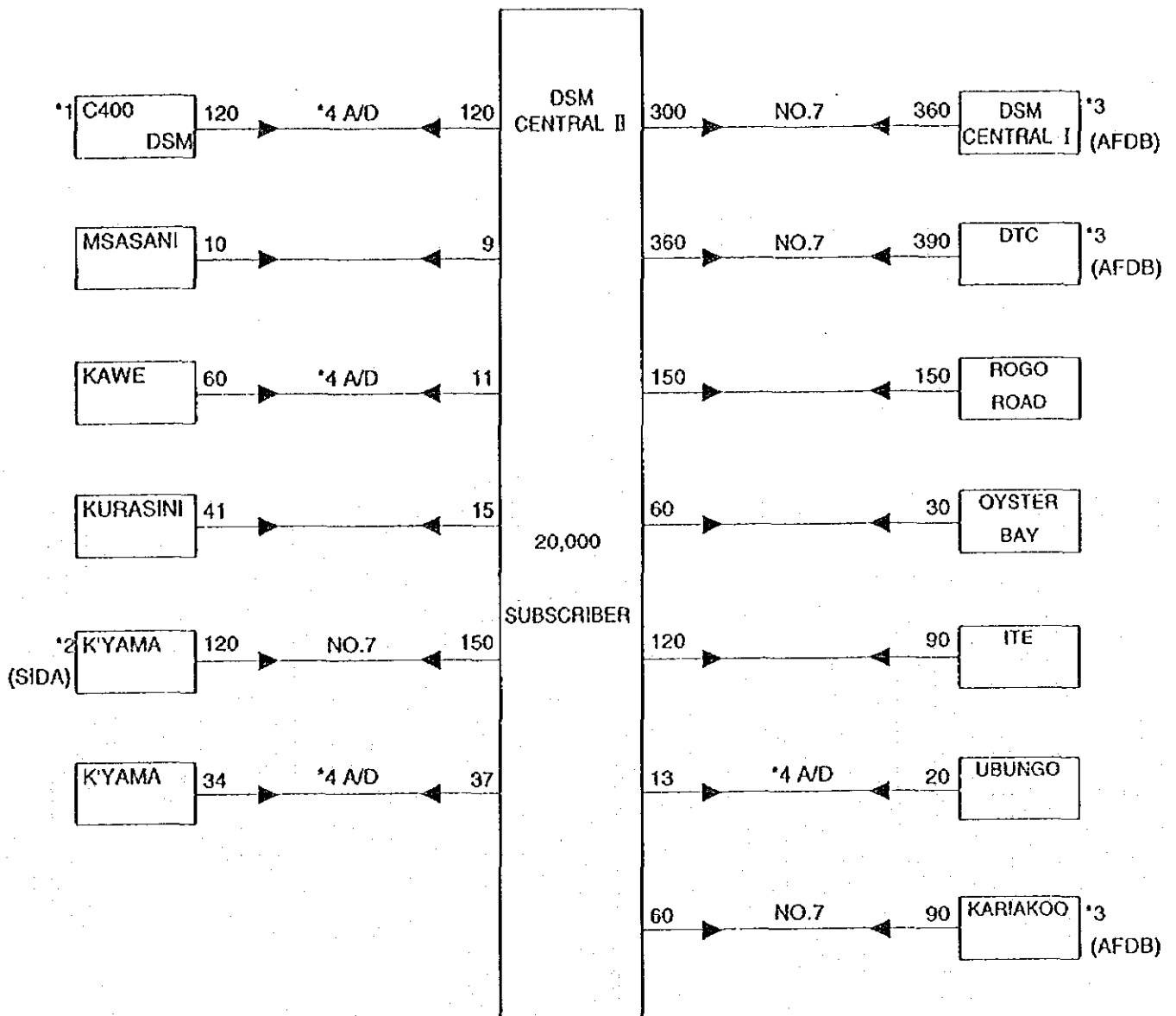


FIRST FLOOR LAYOUT of
Dares Salaam Central Exchange

PROJECT NAME	THE PROJECT FOR TELEPHONE NETWORK REHABILITATION IN DAR ES SALAAM (PH ASE II-B) THE UNITED REPUBLIC OF TANZANIA		
EX. NAME	DSM CENTRAL		
DRAWING TITLE	MOF LAYOUT PLAN		
DRAWING NO.	5	SHEET NO.	1
TANZANIA TELECOMMUNICATIONS COMPANY Ltd.			
JICA			



PROJECT NAME	THE PROJECT FOR TELEPHONE NETWORK REHABILITATION IN DAR ES SALAAM (PHASE II-C) THE UNITED REPUBLIC OF TANZANIA		
EX. NAME	DSM CENTRAL		
DRAWING TITLE	SWITCHING ROOM PLAN		
DRAWING NO.	6	SHEET NO.	1
TANZANIA TELECOMMUNICATIONS COMPANY LTD.			
JICA			



Number of A/D converter for Trunk Exchange to New DSM switch

OGT(outgoing circuits) : 1405

ICT (incoming circuits) : 1515

Remarks :

*1 : to be withdrawn after transferring subscribers to New Digital Switch

*2 : to be installed under SIDA PROJECT

*3 : to be installed under AfDB PROJECT

*4 : to be provided by TTCL

PROJECT NAME	THE PROJECT FOR TELEPHONE NETWORK RIHABILITATION IN DAR ES SALAAM (PH ASE II-2) THE UNITED REPUBLIC OF TANZANIA		
EX. NAME	DSM CENTRAL		
DRAWING TITLE	TRUNKING DIAGRAM		
DRAWING NO	7	SHEET NO.	1
TANZANIA TELECOMMUNICATIONS COMPANY Ltd.			
JICA			

JICA