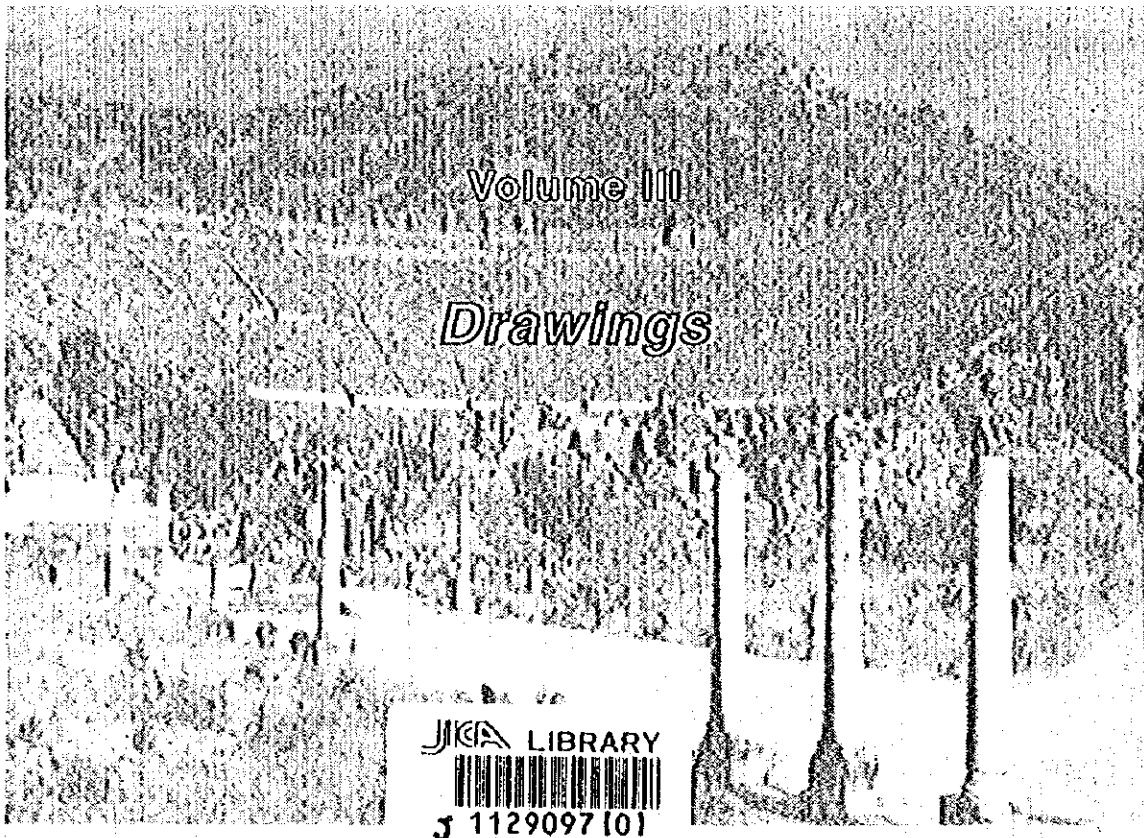


Japan International
Cooperation Agency
(JICA)

General Directorate of
State Hydraulic Works,
Government of Turkey

THE STUDY
ON
KÜÇÜK MENDERES RIVER BASIN IRRIGATION PROJECT
IN
THE REPUBLIC OF TURKEY



Volume III

Drawings

JICA LIBRARY
1129097101

May 1996

NIPPON KOEI CO., LTD.

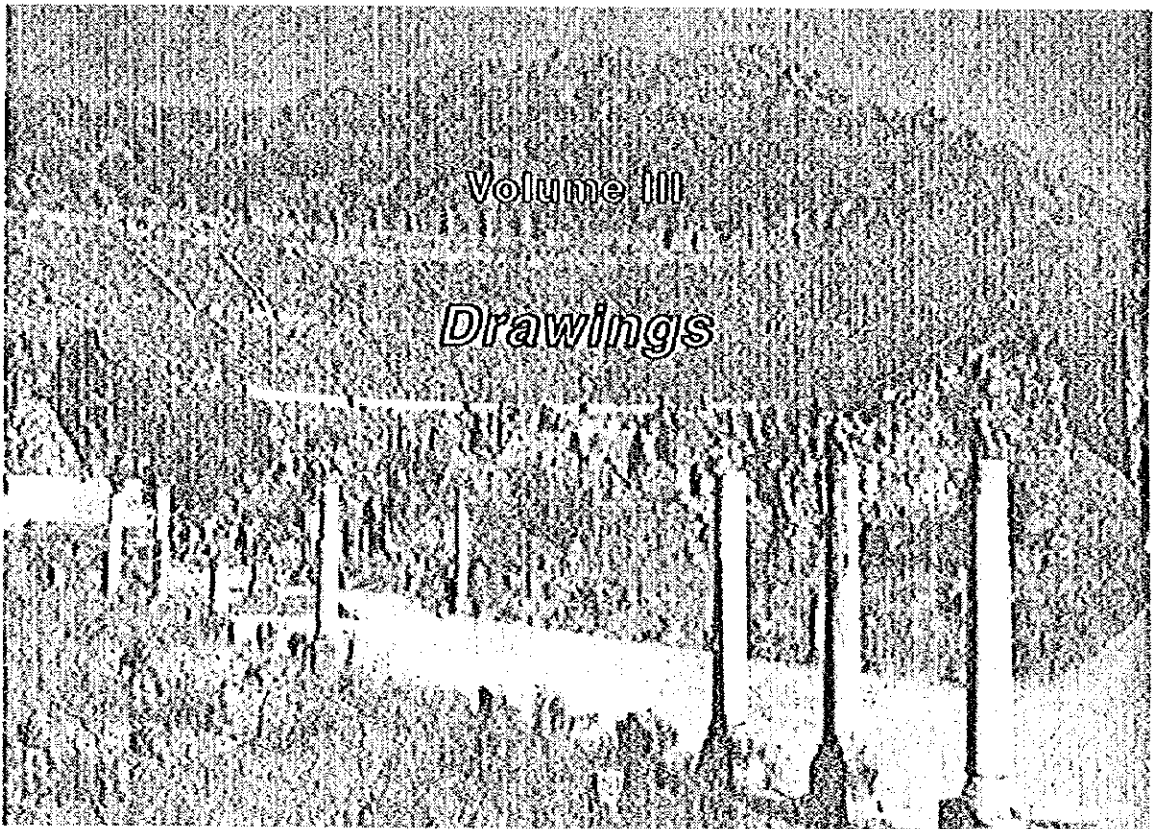
NIPPON GIKEN INC.

A F A
J R
96 - 23

Japan International
Cooperation Agency
(JICA)

General Directorate of
State Hydraulic Works,
Government of Turkey

THE STUDY
ON
KÜÇÜK MENDERES RIVER BASIN IRRIGATION PROJECT
IN
THE REPUBLIC OF TURKEY



May 1996

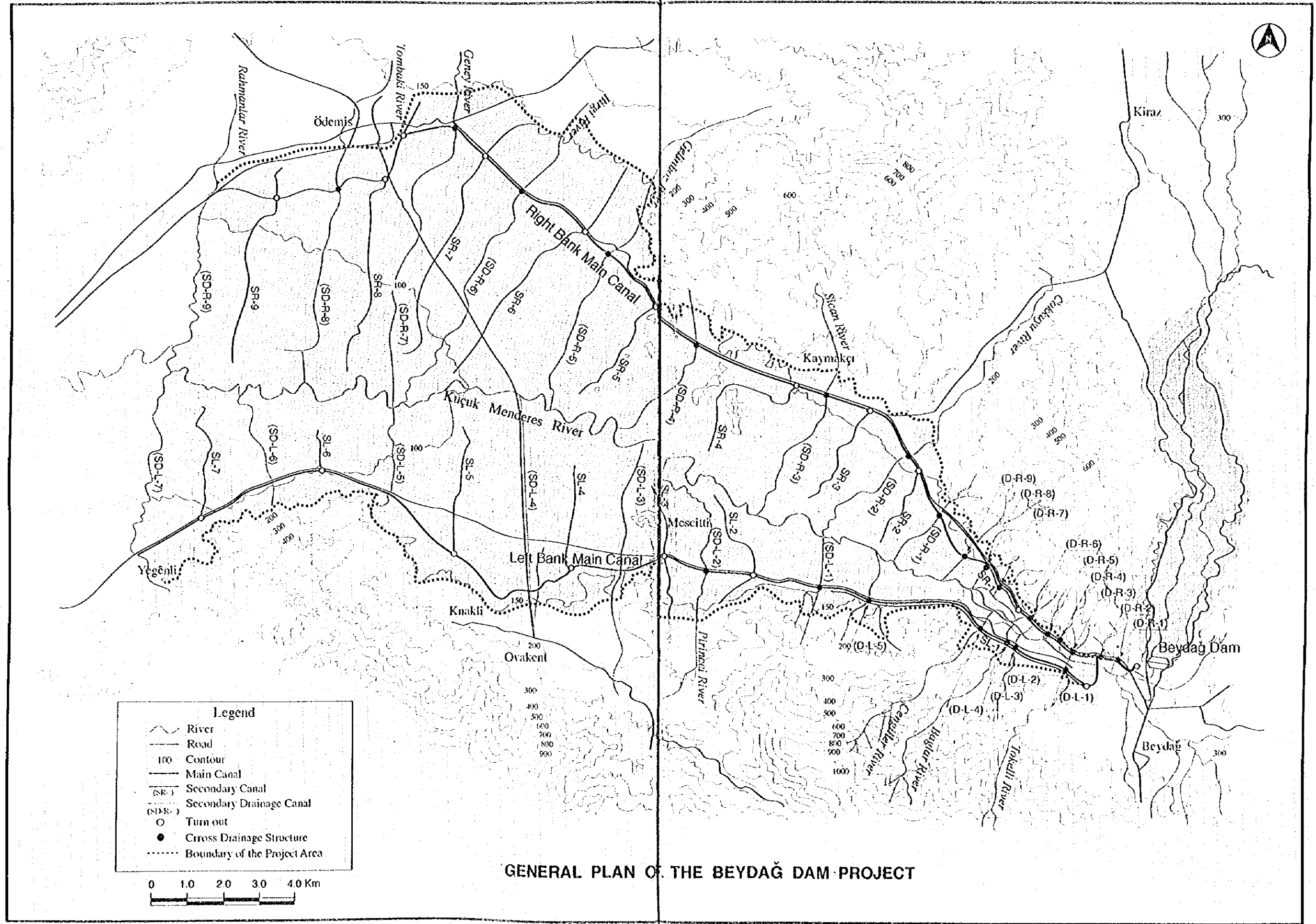
NIPPON KOEI CO., LTD.

NIPPON GIKEN INC.

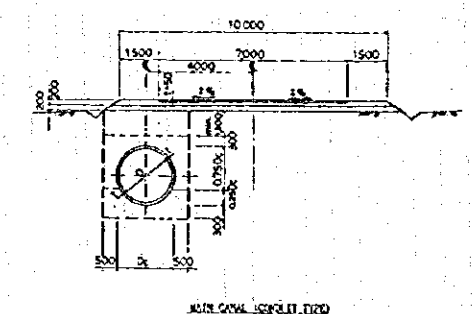
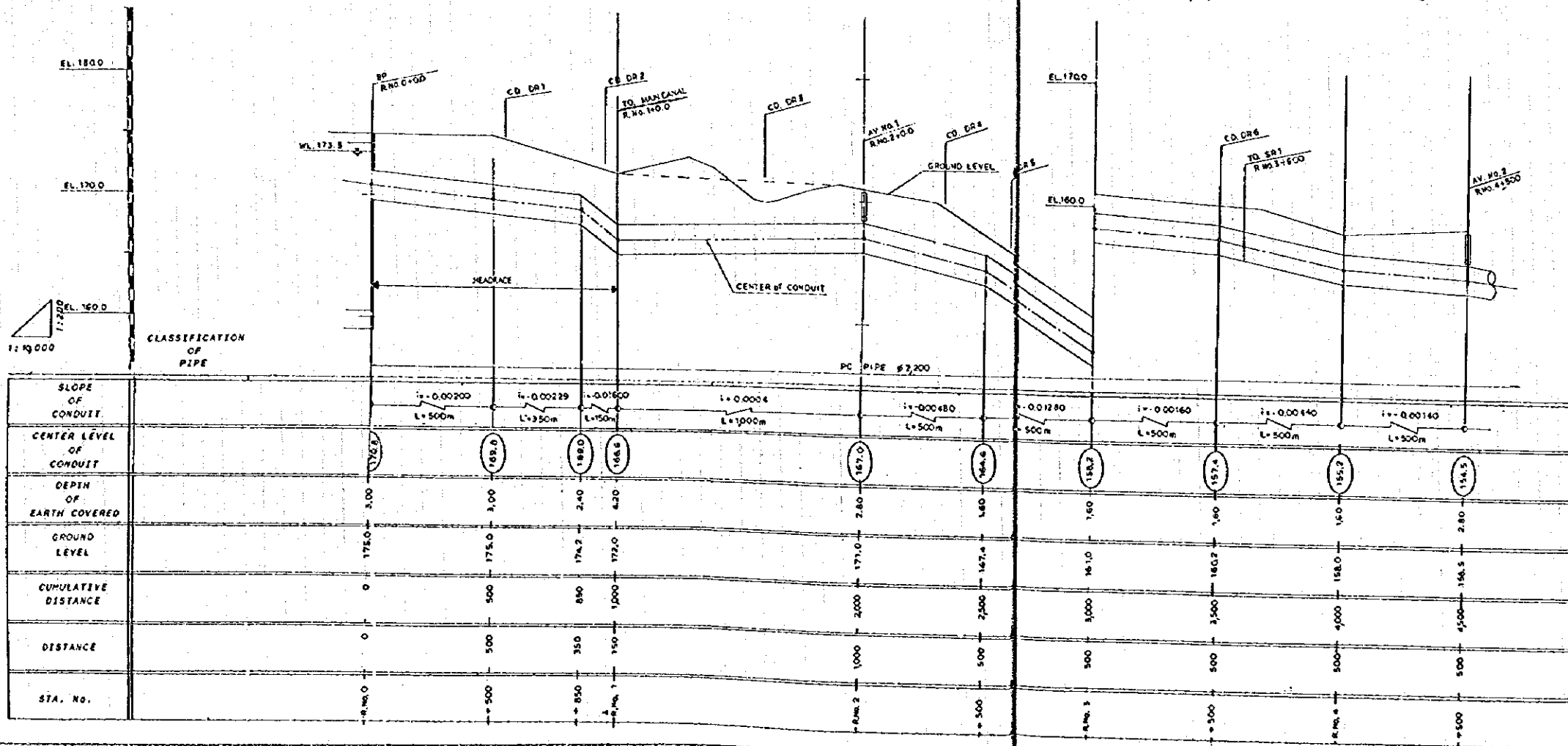
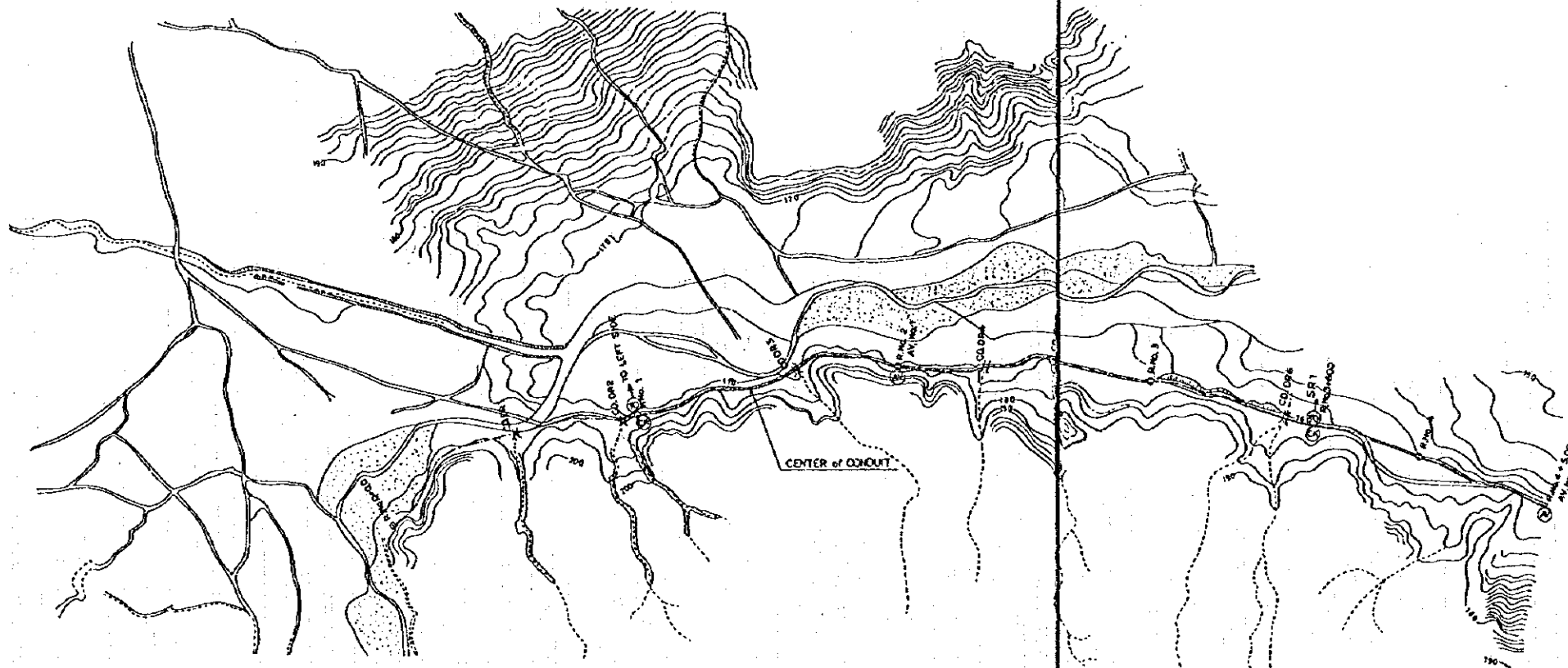
LIST OF DRAWINGS

EXHIBIT No.	TITLE	EXHIBIT No.	TITLE
- GENERAL -		- RELATED STRUCTURES -	
1	G - 1 GENERAL PLAN OF THE PROJECT	17	RS - 1 INTAKE FACILITY (HEADRACE)
		18	RS - 2 TYPICAL DRAWINGS OF TURNOUT/CHECK VALVE (MAIN CANAL)
		19	RS - 3 TYPICAL DRAWINGS OF AIR VALVE (MAIN CANAL)
		20	RS - 4 TYPICAL DRAWINGS OF BLOW OFF VALVE (MAIN CANAL)
		21	RS - 5 TYPICAL DRAWINGS OF CROSS CULVERT (MAIN CANAL)
		22	RS - 6 TYPICAL DRAWINGS OF TURNOUT/CHECK VALVE (Secondary/Tertiary/ C.)
		23	RS - 7 TYPICAL DRAWINGS OF AIR VALVE (Secondary/Tertiary C.)
		24	RS - 8 TYPICAL DRAWINGS OF BLOW OFF (Secondary/Tertiary C.)
		25	RS - 9 TYPICAL DRAWINGS OF PUMP STATION (Tertiary C.)
		26	RS - 10 TYPICAL DRAWINGS OF DROP (Secondary Drain)
		27	RS - 11 TYPICAL DRAWINGS OF JUNCTION (Secondary/Tertiary Drain)
			- ON-FARM FACILITIES -
		28	OF - 1 TYPICAL DRAWINGS OF ON-FARM IRRIGATION SYSTEM
			- OTHERS -
		29	OS - 1 GENERAL PLAN OF BEYDAG DAM (DSi)
		30	OS - 2 SCHEMATIC DIAGRAM FOR IRRIGATION WATER SUPPLY
	- CANAL PLAN AND PROFILE -		
1	CR - 1 PLAN & PROFILE OF HEADRACE AND RIGHT MAIN CANAL (1/8)		
2	CR - 2 PLAN & PROFILE OF RIGHT MAIN CANAL (2/8)		
3	CR - 3 PLAN & PROFILE OF RIGHT MAIN CANAL (3/8)		
4	CR - 4 PLAN & PROFILE OF RIGHT MAIN CANAL (4/8)		
5	CR - 5 PLAN & PROFILE OF RIGHT MAIN CANAL (5/8)		
6	CR - 6 PLAN & PROFILE OF RIGHT MAIN CANAL (6/8)		
7	CR - 7 PLAN & PROFILE OF RIGHT MAIN CANAL (7/8)		
8	CR - 8 PLAN & PROFILE OF RIGHT MAIN CANAL (8/8)		
9	CL - 1 PLAN & PROFILE OF LEFT MAIN CANAL (1/6)		
10	CL - 2 PLAN & PROFILE OF LEFT MAIN CANAL (2/6)		
11	CL - 3 PLAN & PROFILE OF LEFT MAIN CANAL (3/6)		
12	CL - 4 PLAN & PROFILE OF LEFT MAIN CANAL (4/6)		
13	CL - 5 PLAN & PROFILE OF LEFT MAIN CANAL (5/6)		
14	CL - 6 PLAN & PROFILE OF LEFT MAIN CANAL (6/6)		
15	CT - 1 TYPICAL CROSS SECTION OF CONDUIT AND SERVICE ROAD		
16	DC - 1 TYPICAL DRAWINGS OF DRAINAGE CANAL (Secondary/Tertiary/Quaternary C.)		



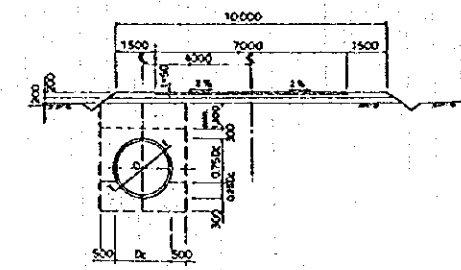
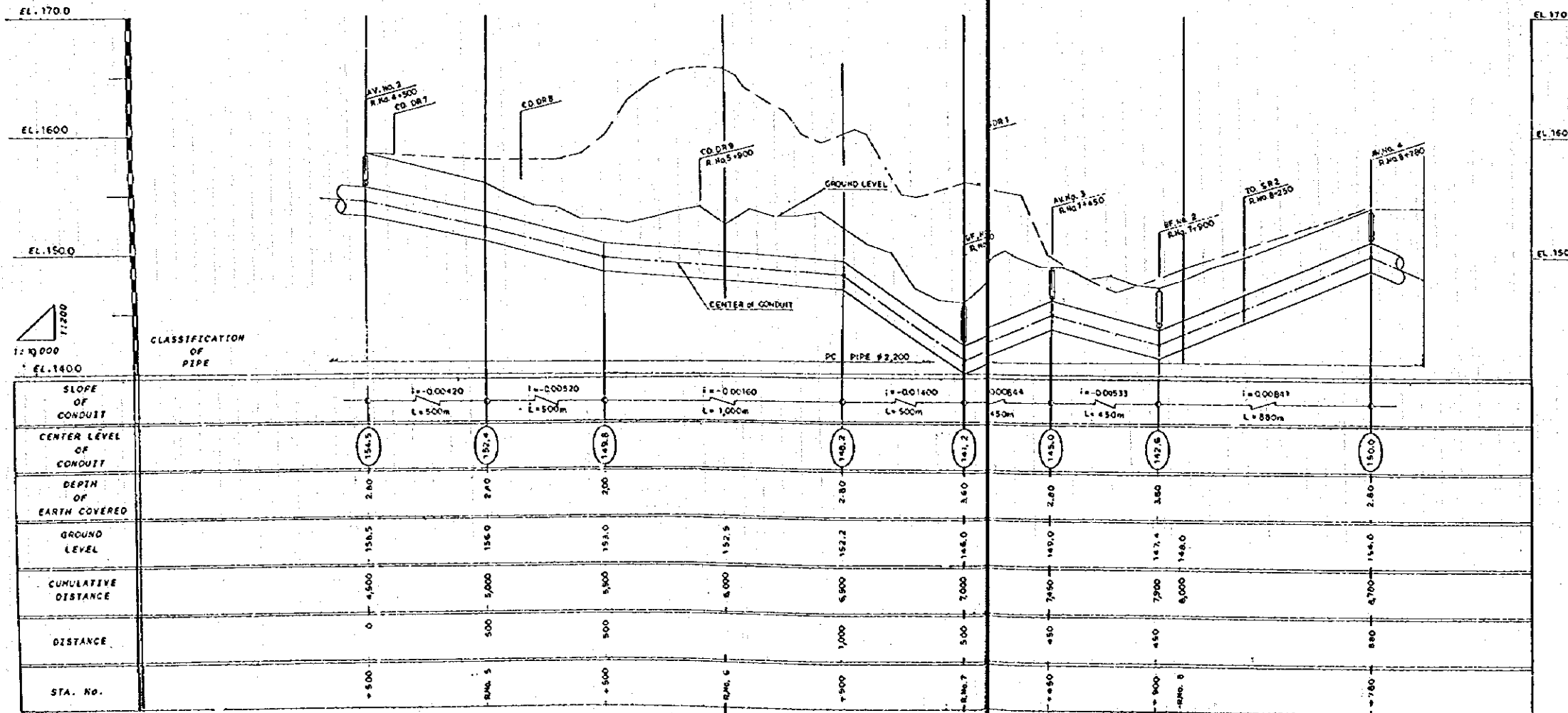
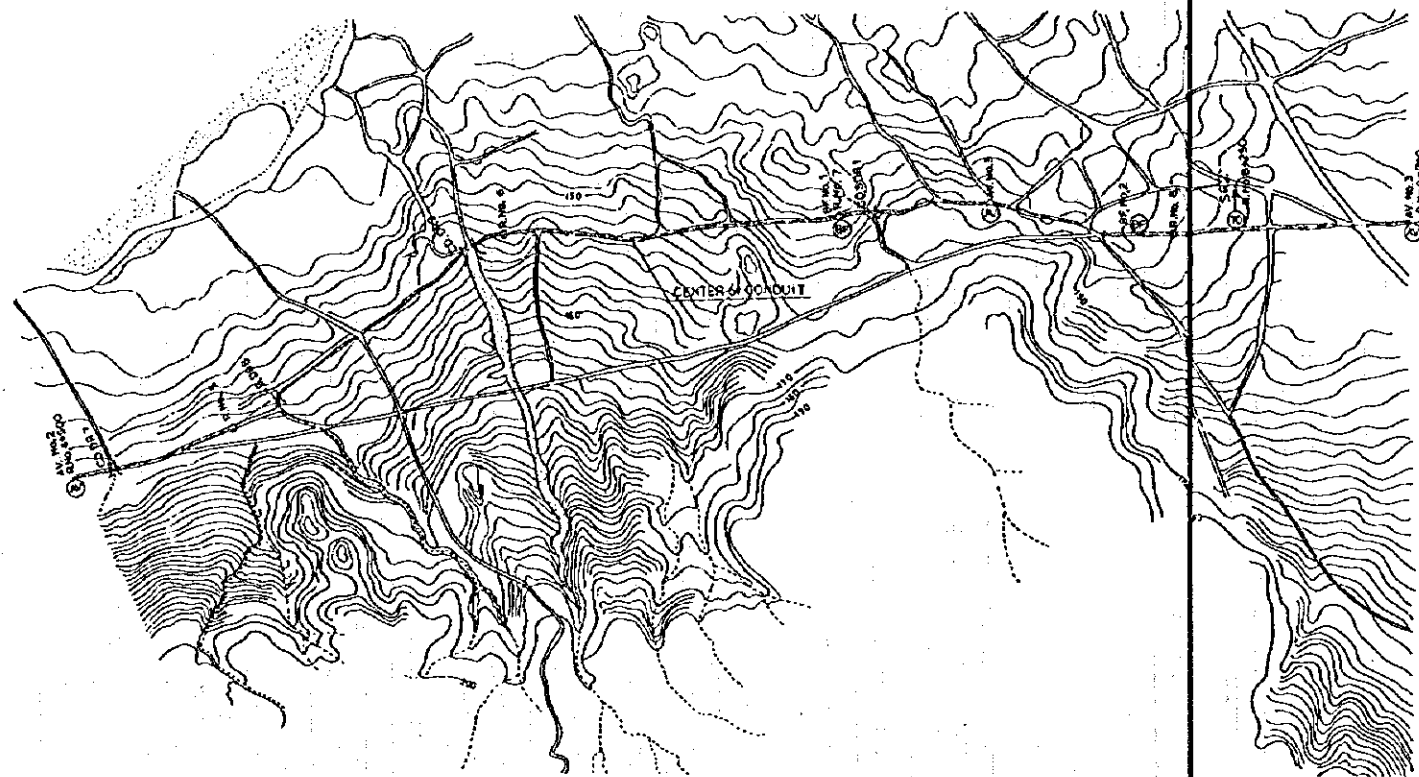


GENERAL PLAN OF THE BEYDAĞ DAM PROJECT



- ABBREVIATIONS
- MP : MEASURING POINT
 - EP : END POINT
 - TO : TUP OUT
 - CV : CHECK VALVE
 - SV : STOP VALVE
 - CD : CROSS DRIVE
 - RI : IRRIGATION RESOURCE
 - L : LENGTH
 - AV : AIR VALVE
 - RF : RING

THE REPUBLIC OF TURKEY
 GENERAL DIRECTOR OF STATE HYDRAULIC WORKS (DS)
 THE FEASIBILITY STUDY
 ON
 KÜÇÜK MENDERES RIVER BASIN
 IRRIGATION PROJECT
 PLAN & PROFILE
 OF
 HEADRACE AND RIGHT MAIN CANAL (1/8)
 JAPAN INTERNATIONAL COOPERATION AGENCY (JICA) EXHIBIT NO. CR-1



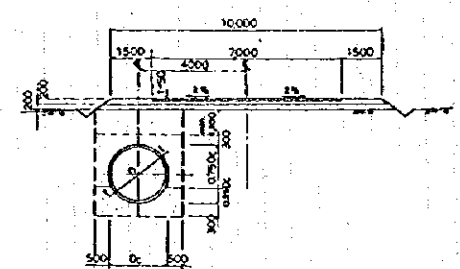
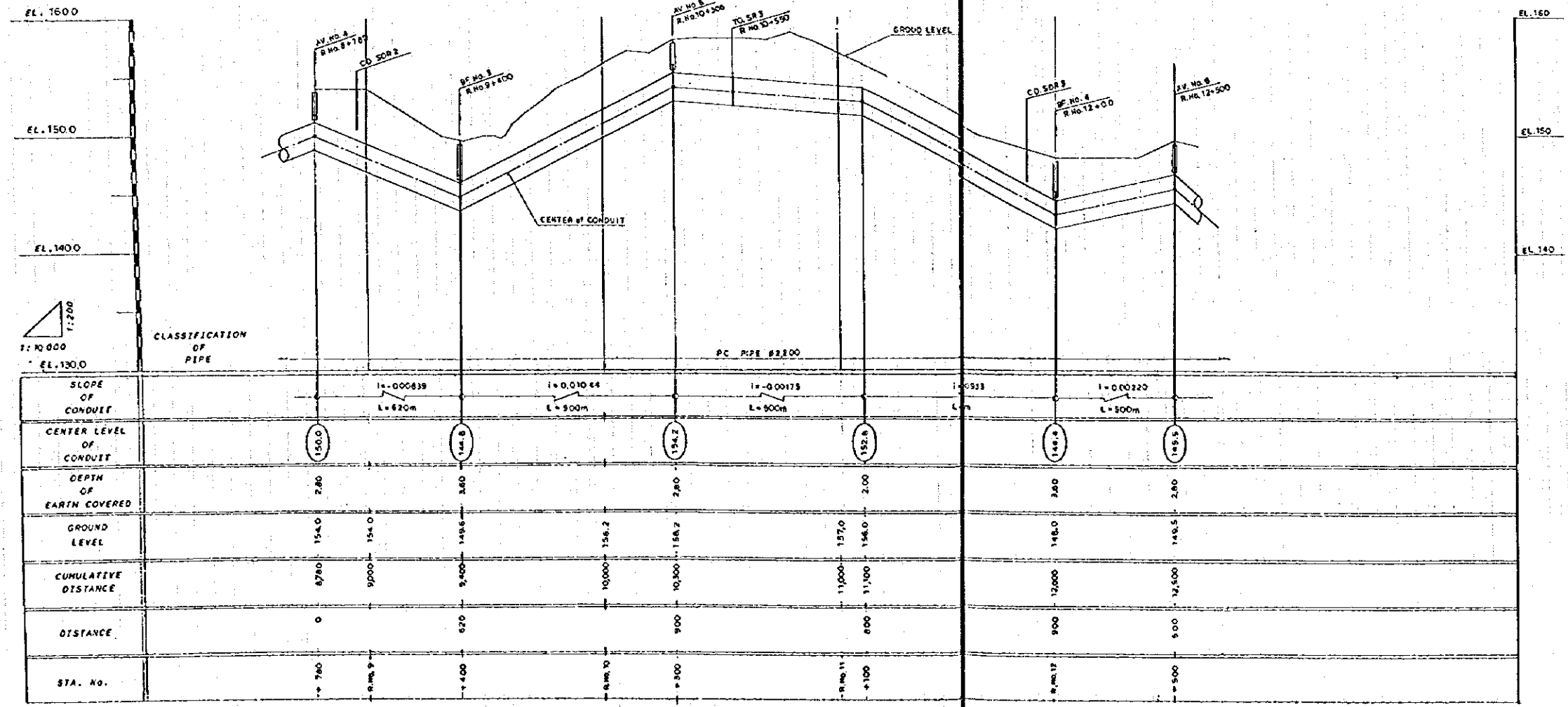
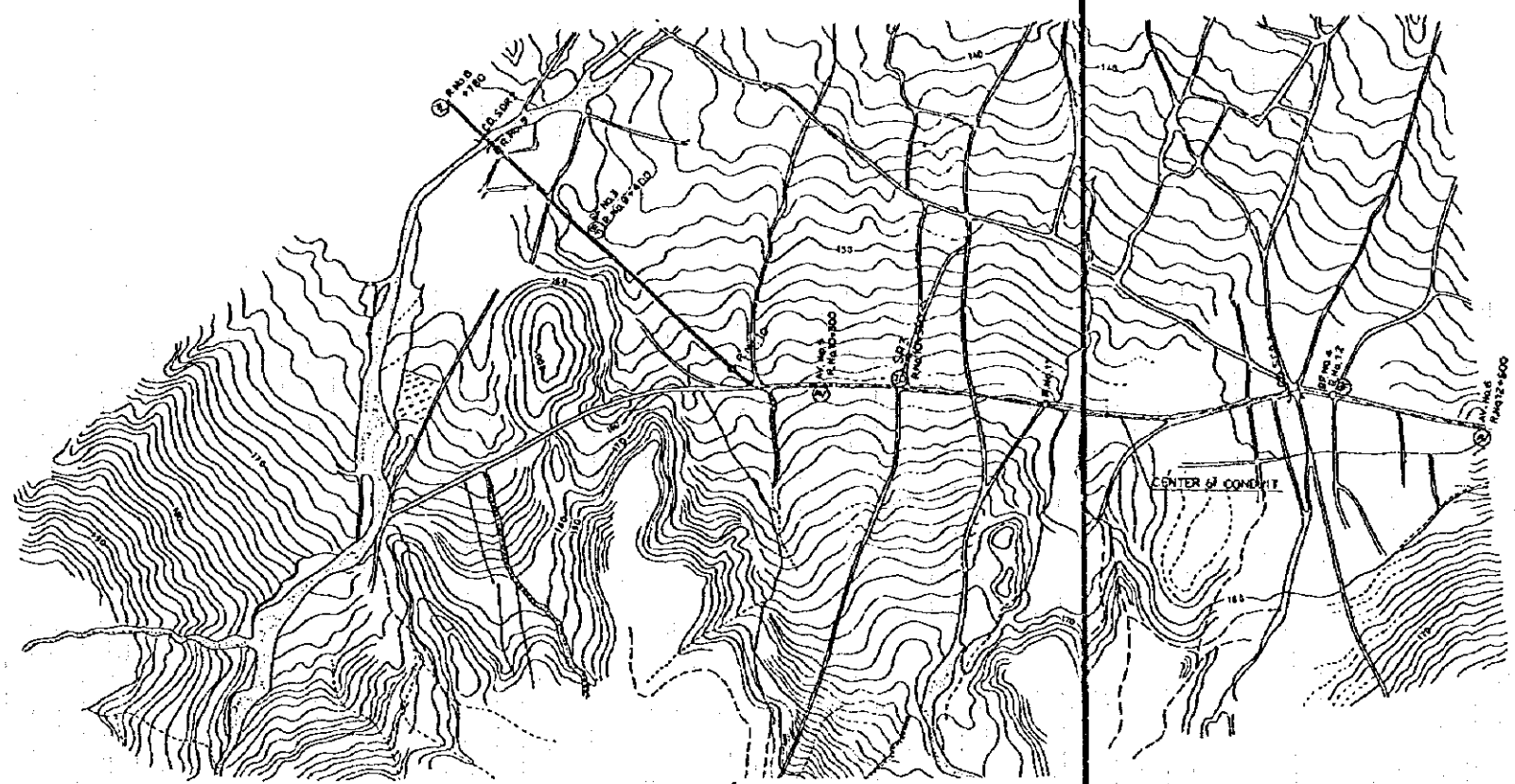
- ABBREVIATIONS
- BP : BEGINNING POINT
 - EP : END POINT
 - TL : TURNING POINT
 - CV : CHECK VALVE
 - SP : Siphon
 - CD : CROSS DAM
 - DI : DRAINAGE DISCHARGE
 - L : LENGTH
 - AV : ATRIUM
 - AV : AIR VALVE
 - BF : BLOCK

THE REPUBLIC OF TURKEY
GENERAL DIRECTOR OF STATE HYDRAULIC WORKS (DSI)

THE FEASIBILITY STUDY
ON
KÜÇÜK MENDERES RIVER BASIN
IRRIGATION PROJECT

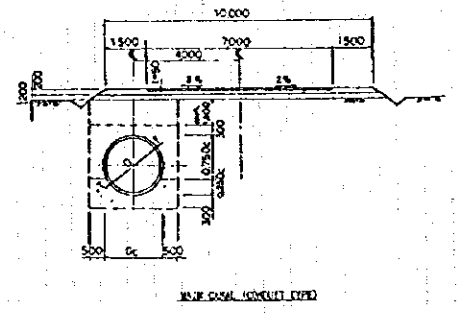
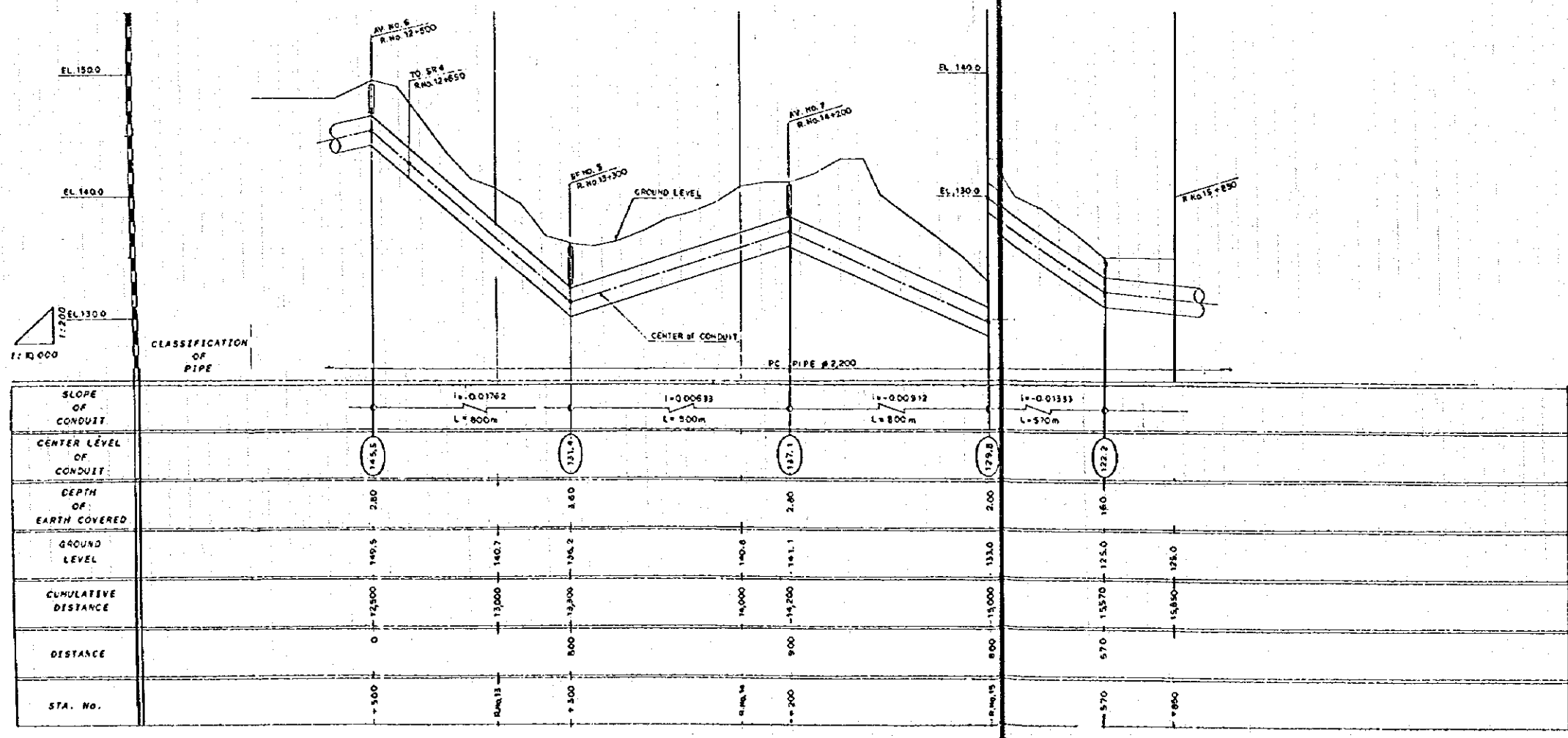
PLAN & PROFILE
OF
RIGHT MAIN CANAL (2/8)

JAPAN INTERNATIONAL COOPERATION AGENCY (JICA) EXHIBIT NO. CR - 2



- ABBREVIATIONS
- BP : BEGINNING POINT
 - EP : END POINT
 - TO : TURNOUT
 - CV : CHECK VALVE
 - SP : SYPHON
 - CD : CROSS DRAIN
 - IR : IRRIGATION DISCHARGE
 - L : LENGTH
 - AV : AIR VALVE
 - BF : BLOWOFF

THE REPUBLIC OF TURKEY
 GENERAL DIRECTOR OF STATE HYDRAURIC WORKS (DSI)
 THE FEASIBILITY STUDY
 ON
 KÜÇÜK MENDERES RIVER BASIN
 IRRIGATION PROJECT
 PLAN & PROFILE
 OF
 RIGHT MAIN CANAL (3/8)
 JAPAN INTERNATIONAL COOPERATION AGENCY (JICA) EXHIBIT NO. CR-3



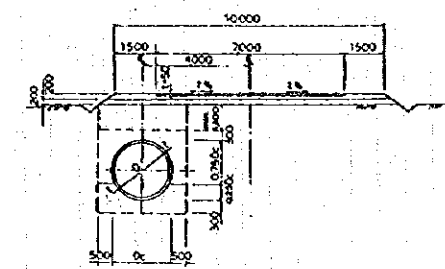
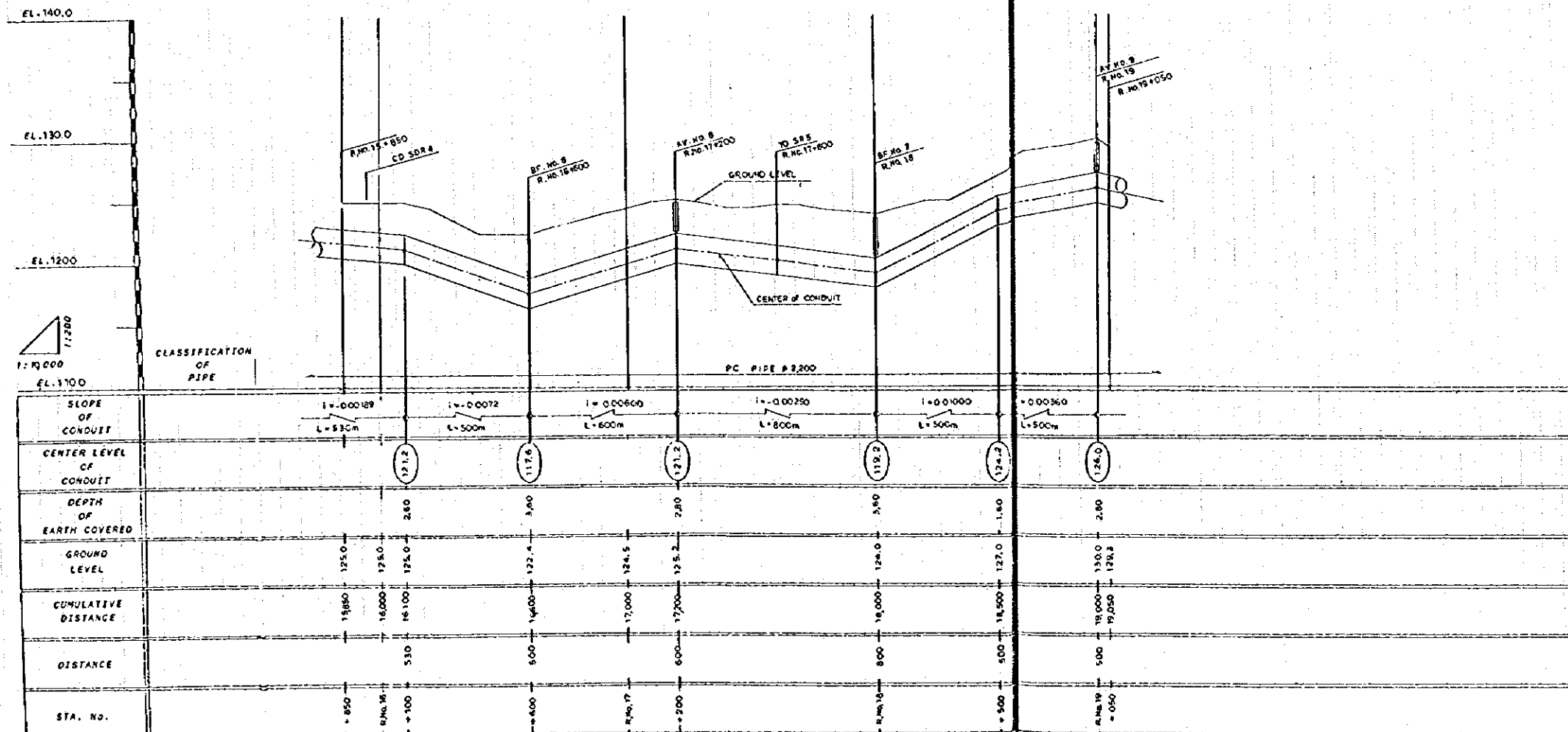
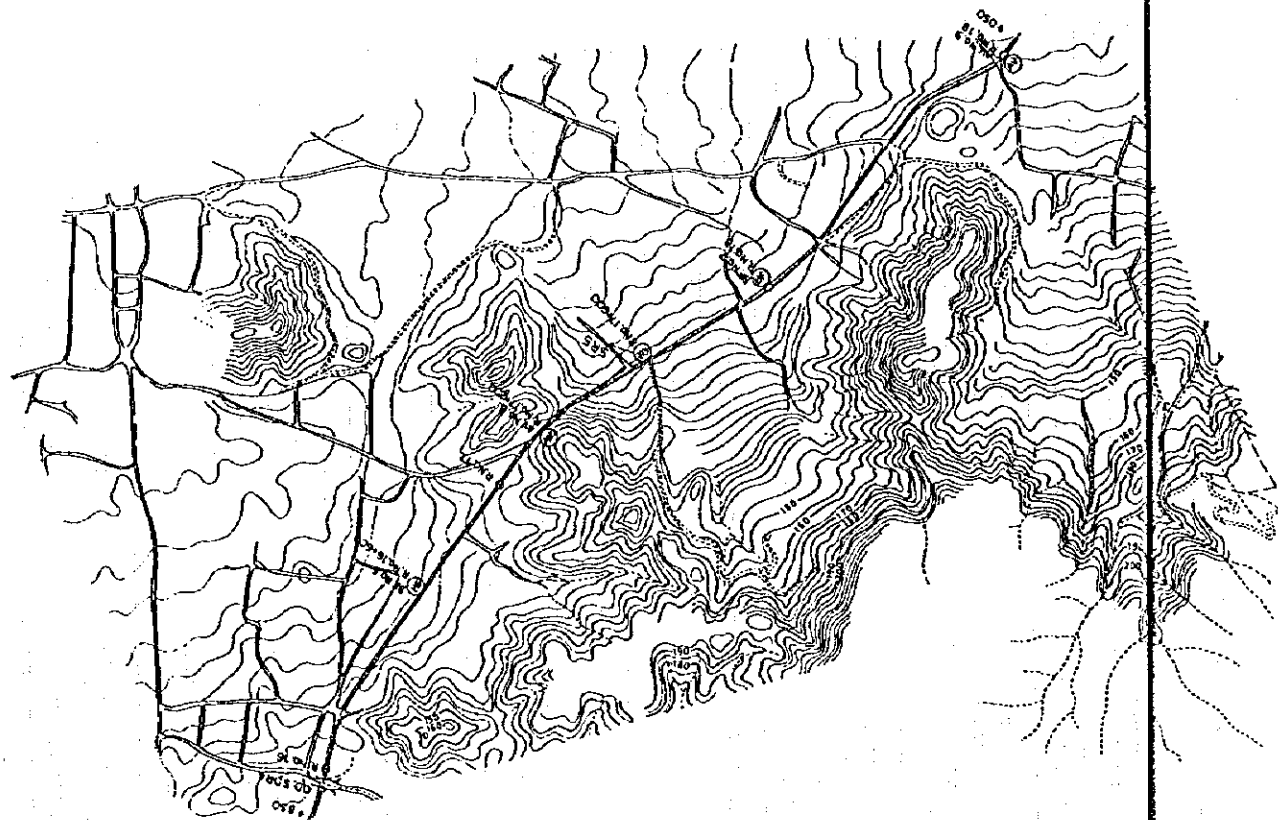
- ABBREVIATIONS
- BP : BESTING POINT
 - EP : END POINT
 - TO : TURN OFF
 - CF : CHECK VALVE
 - SP : Siphon
 - CB : CHECK DAM
 - DI : DIRECTION DISCHARGE
 - L : LENGTH
 - AV : AIR VALVE
 - BL : BLOW OFF

THE REPUBLIC OF TURKEY
GENERAL DIRECTOR OF STATE HYDRAURIC WORKS (DSI)

THE FEASIBILITY STUDY
ON
KÜÇÜK MENDERES RIVER BASIN
IRRIGATION PROJECT

PLAN & PROFILE
OF
RIGHT MAIN CANAL (4/8)

JAPAN INTERNATIONAL COOPERATION AGENCY (JICA) EXHIBIT NO. CR - 4



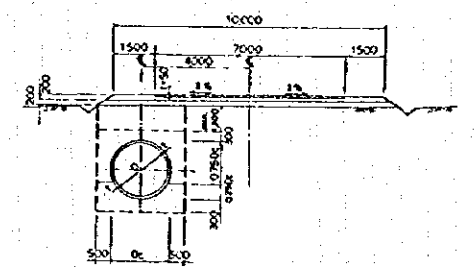
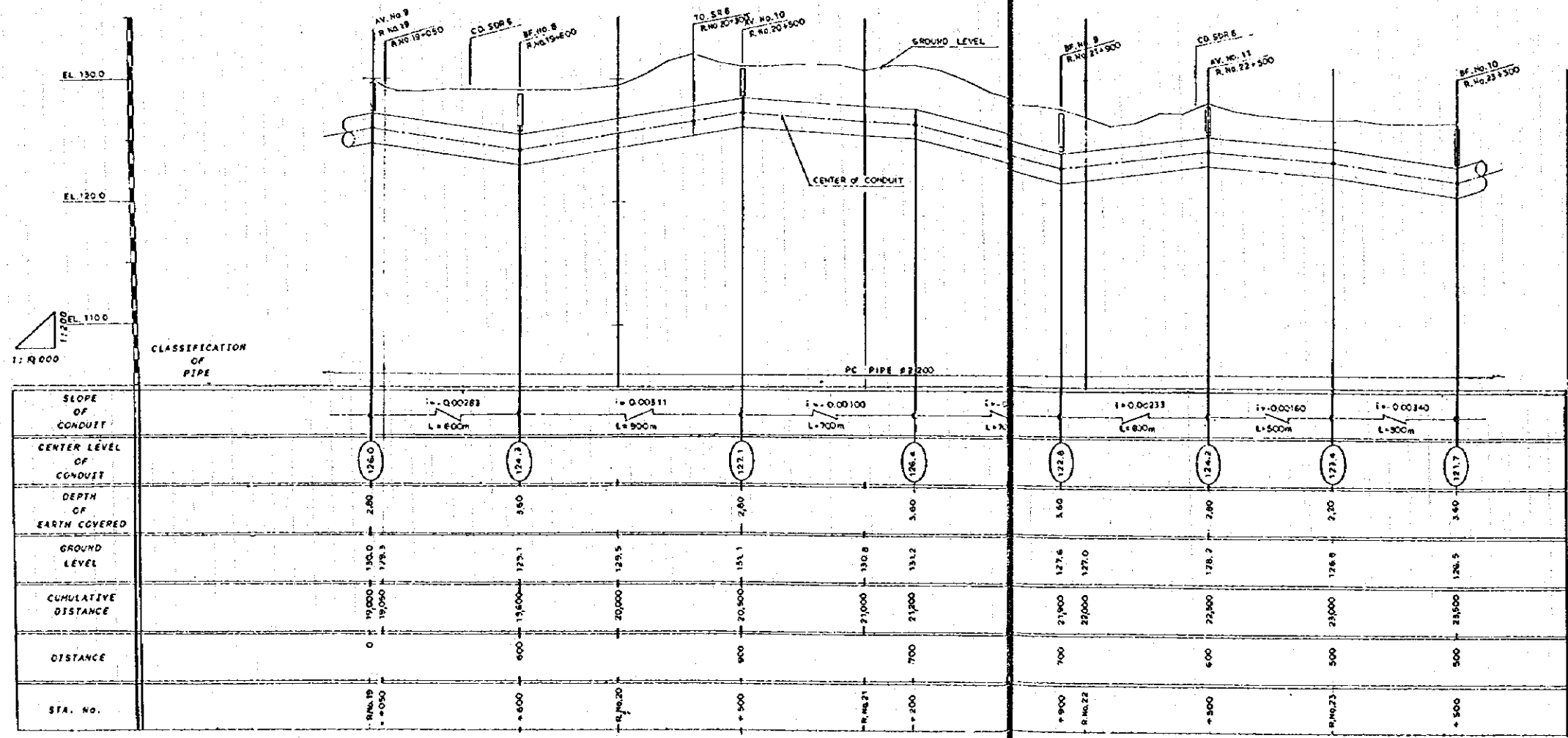
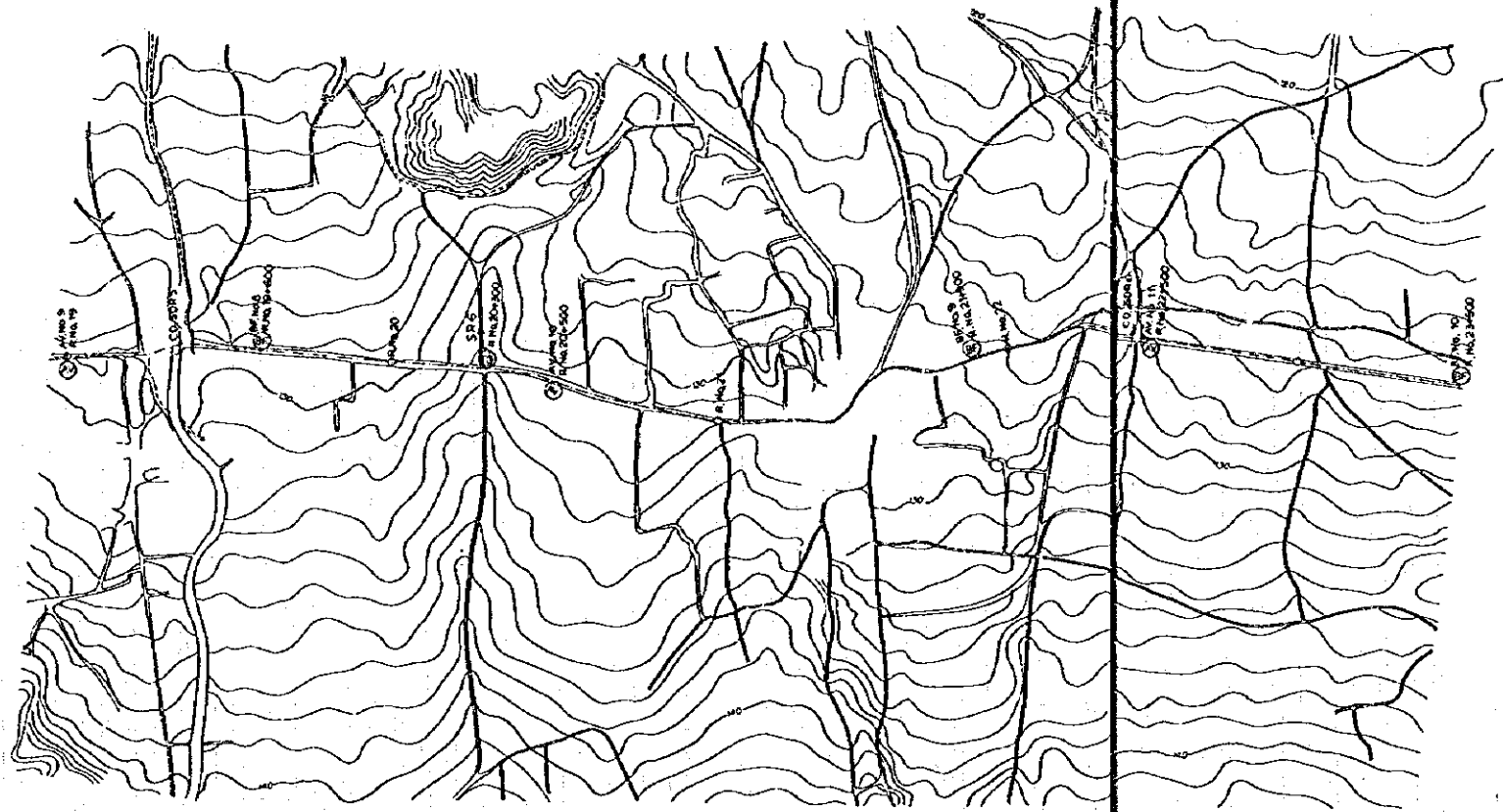
- ABBREVIATIONS
- BP : BEGINNING POINT
 - EP : END POINT
 - TD : TURNING POINT
 - CV : CHECK VALVE
 - SP : STOP SIGN
 - CD : CROSS DRAIN
 - BI : IRRIGATION DISCHARGE
 - L : LENGTH
 - AV : AIR VALVE
 - BF : BULKHEAD

THE REPUBLIC OF TURKEY
GENERAL DIRECTOR OF STATE HYDRAULIC WORKS (DSI)

THE FEASIBILITY STUDY
ON
KÜÇÜK MENDERES RIVER BASIN
IRRIGATION PROJECT

PLAN & PROFILE
OF
RIGHT MAIN CANAL (5/8)

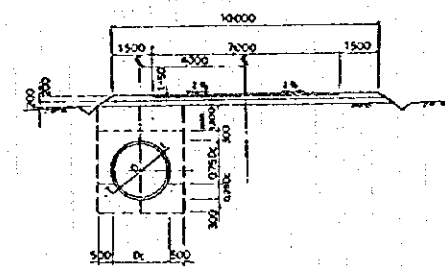
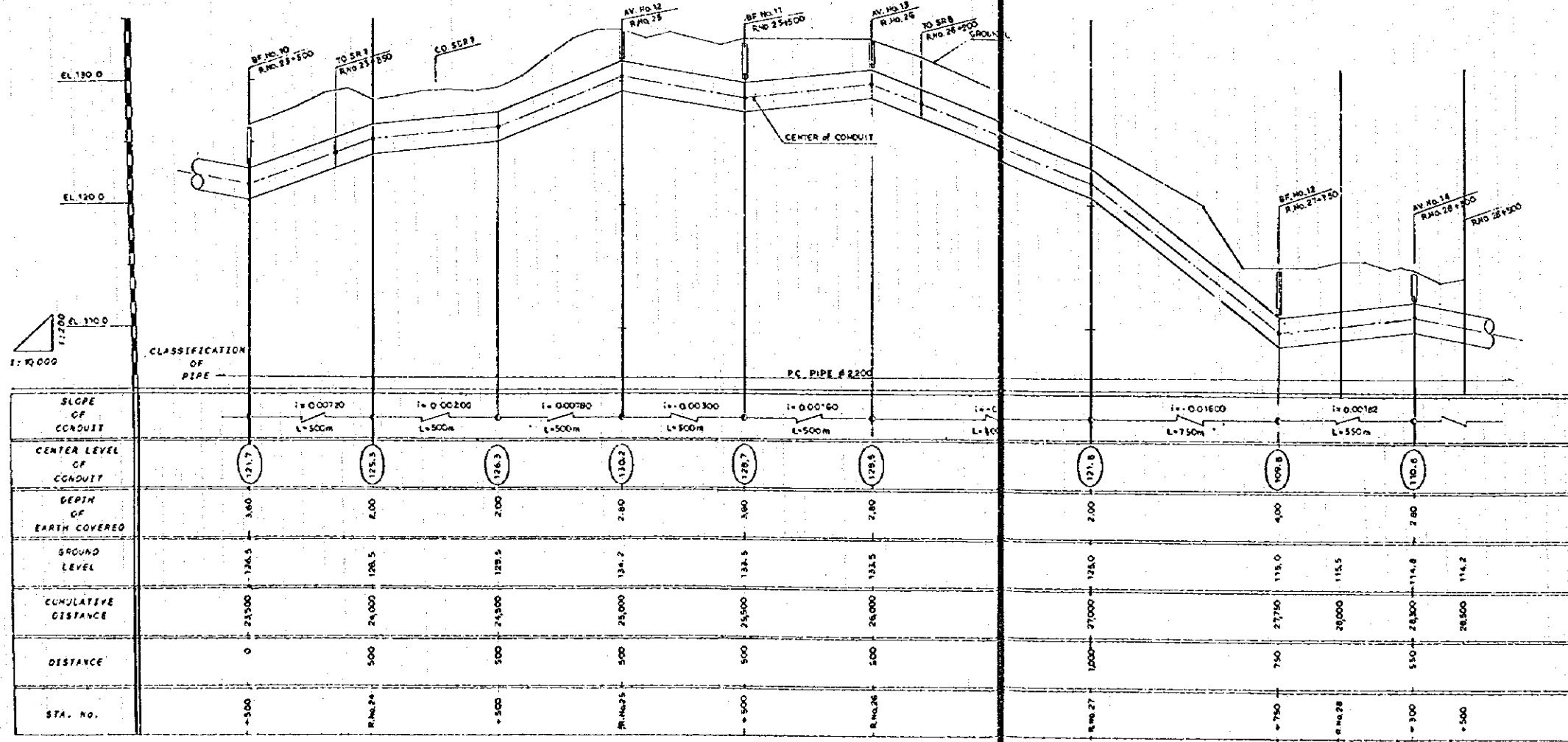
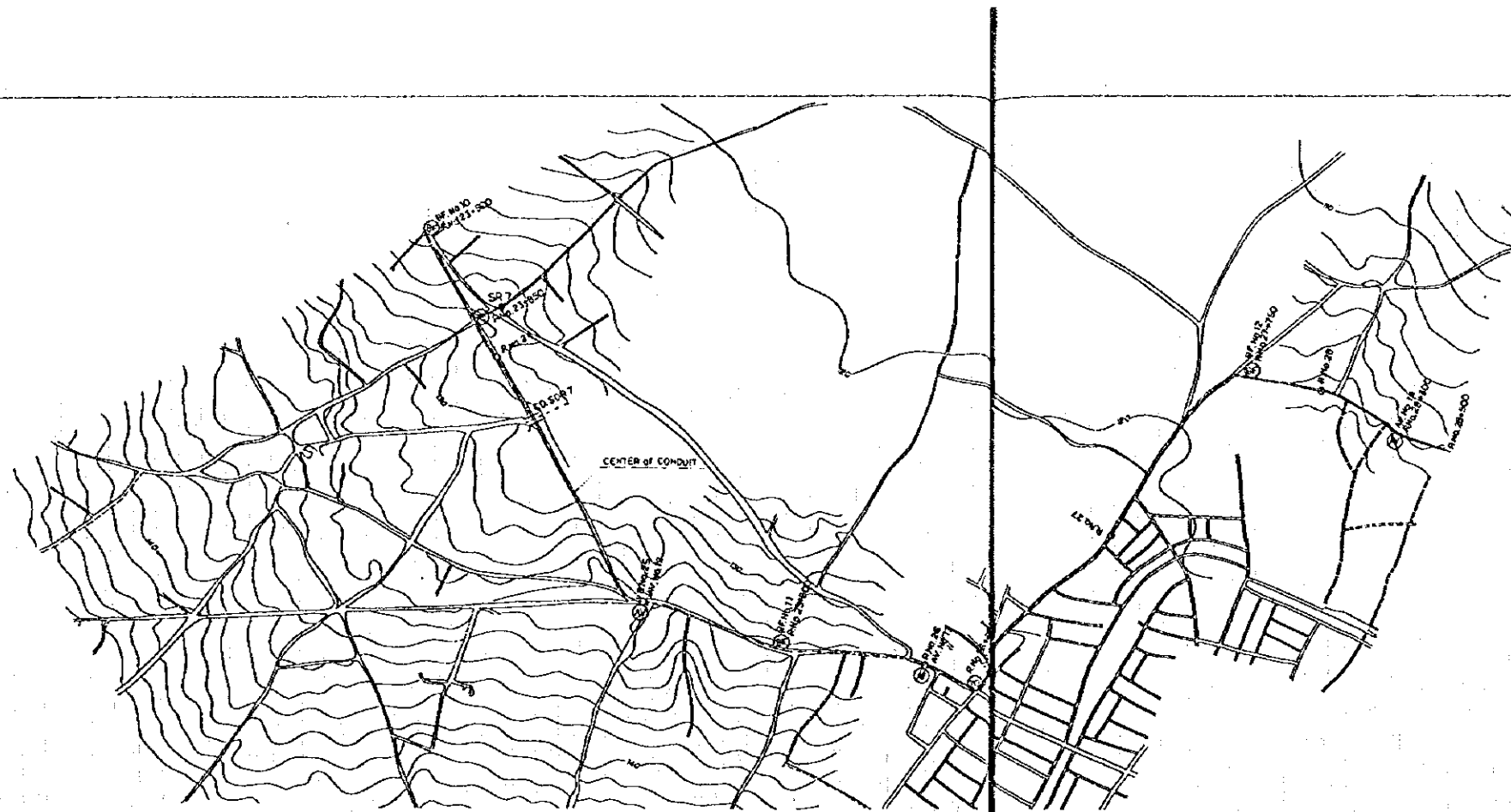
JAPAN INTERNATIONAL COOPERATION AGENCY (JICA) EXHIBIT NO. CR-5



- ABBREVIATIONS
- BP : RECEIVING POINT
 - EP : END POINT
 - TO : TIE-OUT
 - CV : CHECK VALVE
 - SP : STATION
 - CD : CROSS DRAIN
 - DI : IRRIGATION DISCHARGE
 - L : LENGTH
 - AV : AIR VALVE
 - BF : BLOWOFF

THE REPUBLIC OF TURKEY
 GENERAL DIRECTOR OF STATE HYDRAULIC WORKS (DSI)
 THE FEASIBILITY STUDY
 ON
 KÜÇÜK MENDERES RIVER BASIN
 IRRIGATION PROJECT
 PLAN & PROFILE
 OF
 RIGHT MAIN CANAL (6/8)

JAPAN INTERNATIONAL COOPERATION AGENCY (JICA) EXHIBIT NO. CR-6



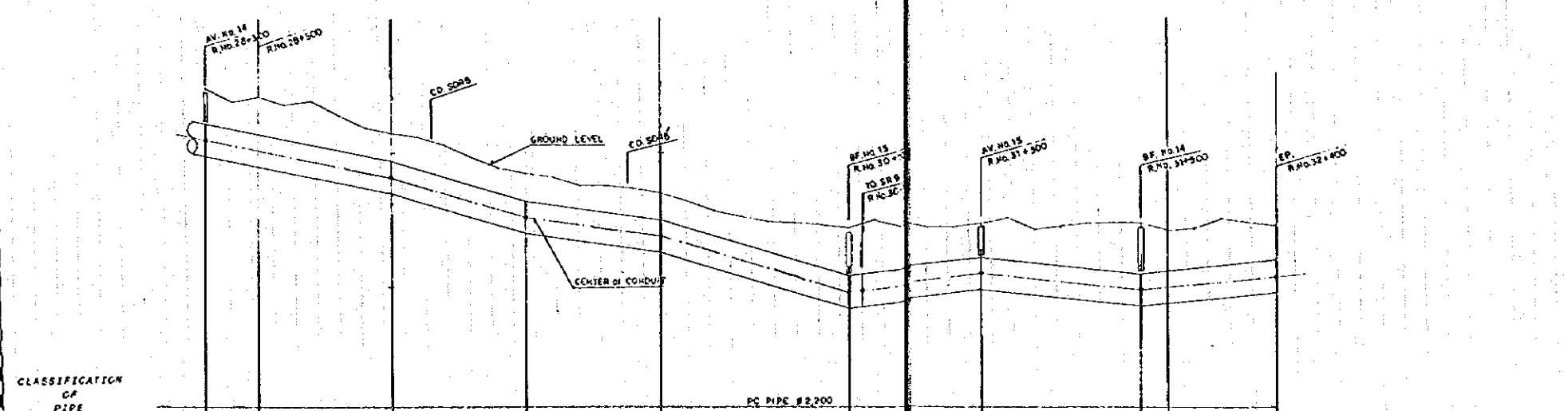
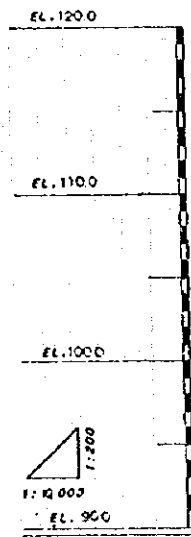
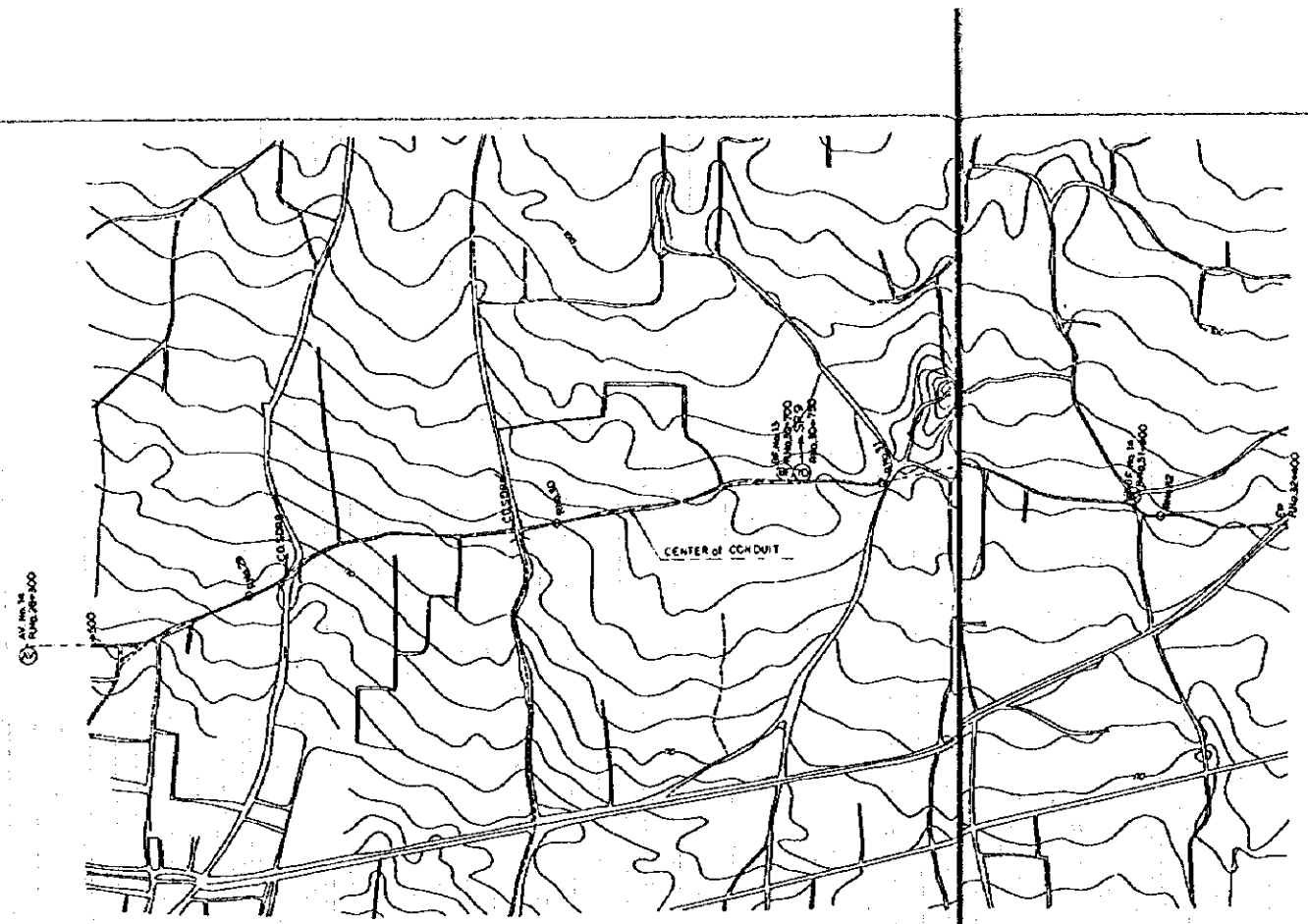
- ABBREVIATIONS
- BP : BEGINNING POINT
 - EP : END POINT
 - TO : TURNING POINT
 - CV : CHECK VALVE
 - SP : SLOPE
 - IS : CENTER POINT
 - IR : IRRIGATION DISCHARGE
 - L : LENGTH
 - AV : ADE VALVE
 - BL : BLENCH

THE REPUBLIC OF TURKEY
GENERAL DIRECTOR OF STATE HYDRAULIC WORKS (DSI)

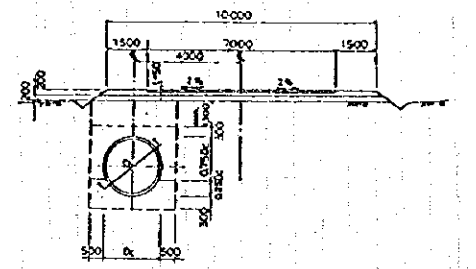
THE FEASIBILITY STUDY
ON
KÜÇÜK MENDERES RIVER BASIN
IRRIGATION PROJECT

PLAN & PLOFILE
OF
RIGHT MAIN CANAL (7/8)

JAPAN INTERNATIONAL COOPERATION AGENCY (JICA) EXHIBIT NO. CR-7



CLASSIFICATION OF PIPE	PC PIPE #2,200										
SLOPE OF CONDUIT	1:0.00357 L=300m	1:0.00600 L=500m	1:0.00300 L=500m	1:0.00600 L=700m	1:0.00167 L=600m	1:0.00160 L=500m					
CENTER LEVEL OF CONDUIT	110.8	108.3	105.3	103.4	99.4	100.8	99.8	100.6			
DEPTH OF EARTH COVERED	2.60	2.00	2.00	2.00	3.60	3.80	2.80				
GROUND LEVEL	114.8	111.5	108.5	107.0	104.4	104.8	104.7	104.8			
CUMULATIVE DISTANCE	0	29500	28500	29000	29500	30000	30700	31400	31900	32000	32500
DISTANCE		0	700	500	500	700	600	600	600	500	500
STA. No.	+300	+500	R.No.29	+500	R.No.30	+700	+800	+900	R.No.31	+900	+900



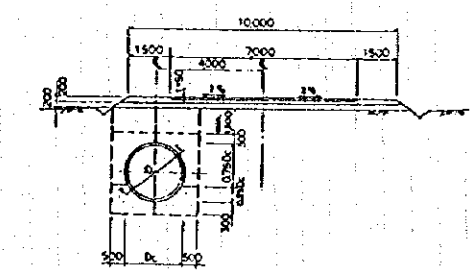
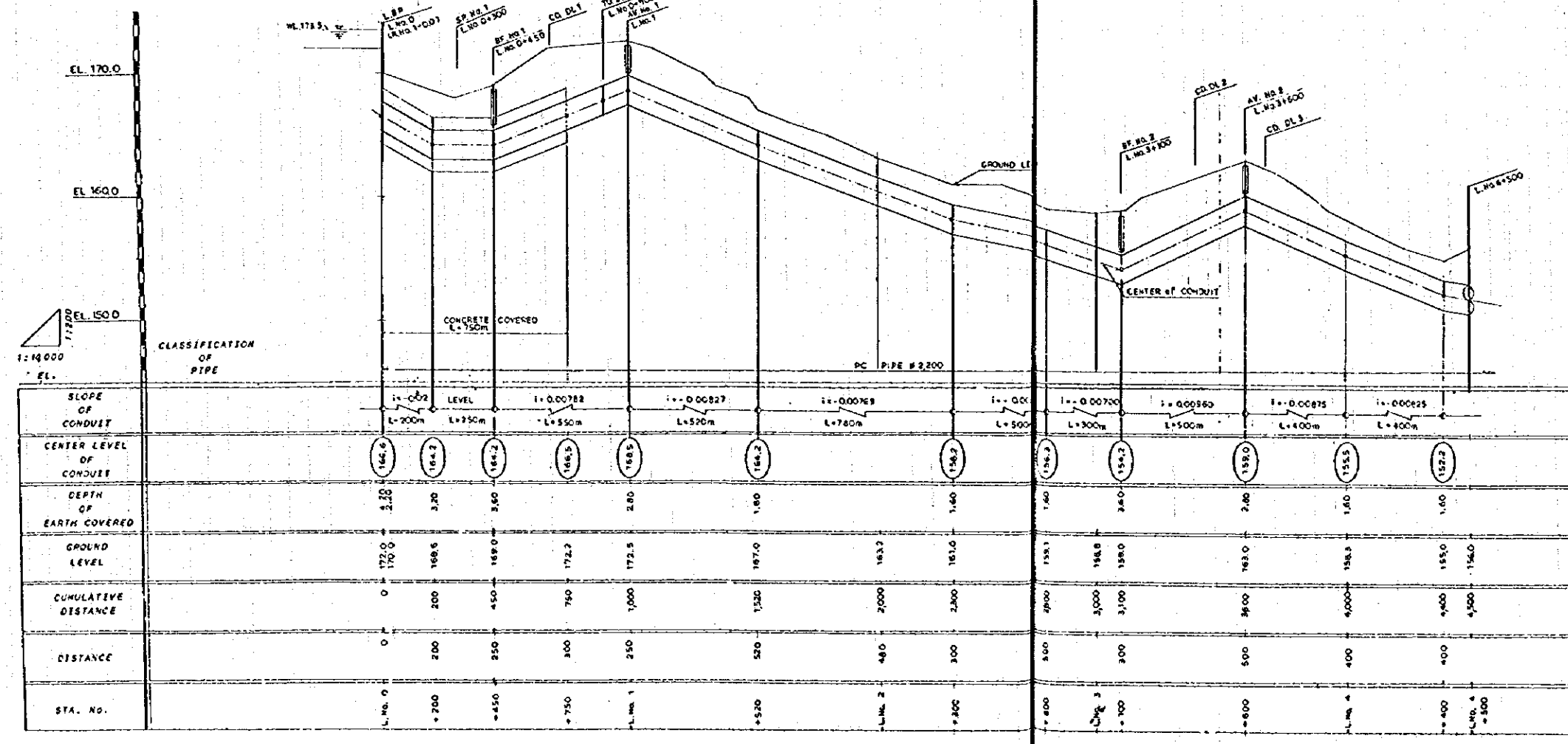
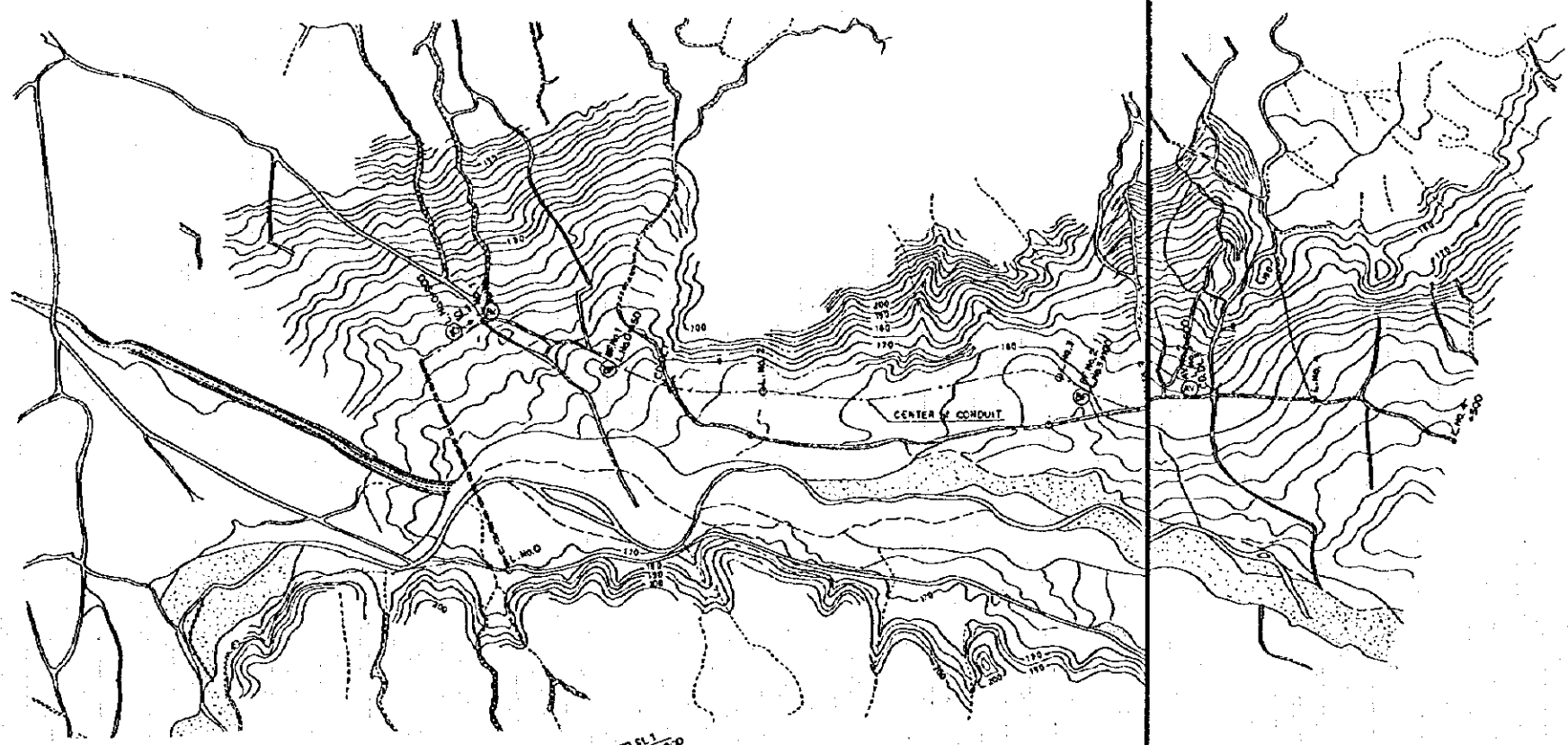
- ABBREVIATIONS
- BP : BEGINNING POINT
 - EP : END POINT
 - TO : TUNNEL
 - CV : CHECK VALVE
 - SP : Siphon
 - CD : CROSS DRAIN
 - DI : IRRIGATION DISCHARGE
 - L : LENGTH
 - AV : AIR VALVE
 - BF : BLOWOFF

THE REPUBLIC OF TURKEY
GENERAL DIRECTOR OF STATE HYDRAULIC WORKS (DSI)

THE FEASIBILITY STUDY
ON
KÜÇÜK MENDERES RIVER BASIN
IRRIGATION PROJECT

PLAN & PROFILE
OF
RIGHT MAIN CANAL (8/8)

JAPAN INTERNATIONAL COOPERATION AGENCY (JICA) EXHIBIT NO. CR-B



ABBREVIATIONS

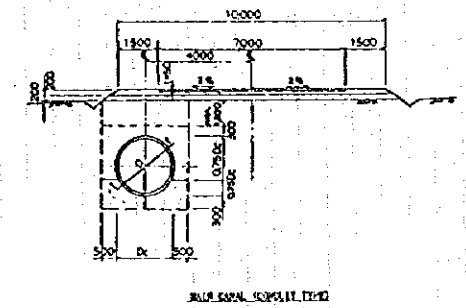
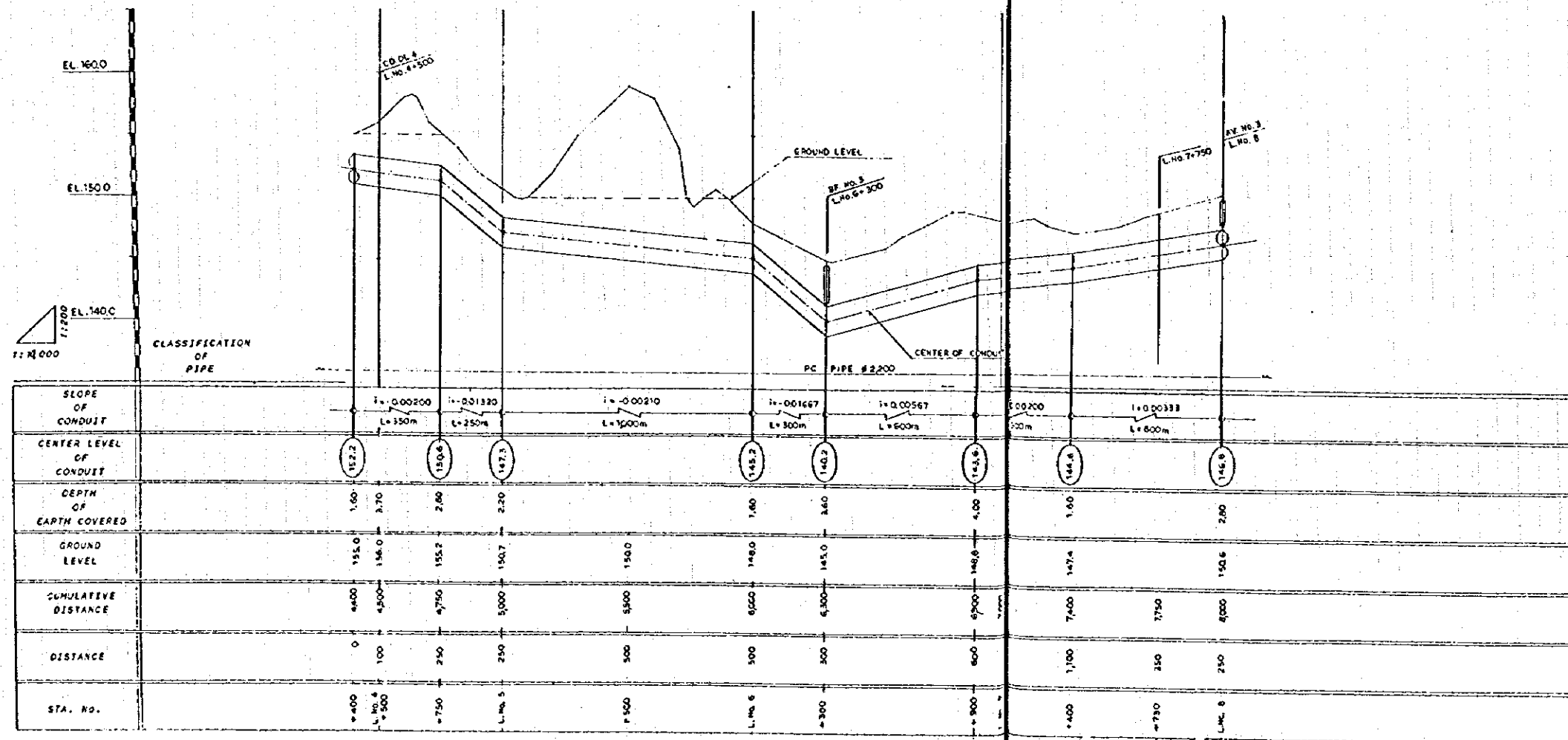
BP : BEGINNING POINT GV : IRRIGATION DISCHARGE
 EP : END POINT
 TO : TURNOFF
 DV : CHECK VALVE AV : AIR VALVE
 SF : SLOPE
 BF : BLOCKOFF
 CD : CROSS DRAIN

THE REPUBLIC OF TURKEY
 GENERAL DIRECTOR OF STATE HYDRAURIC WORKS (DSI)

THE FEASIBILITY STUDY
 ON
 KÜÇÜK MENDERES RIVER BASIN
 IRRIGATION PROJECT

PLAN & PROFILE
 OF
 LEFT MAIN CANAL (1/6)

JAPAN INTERNATIONAL COOPERATION AGENCY (JICA) EXHIBIT NO. CL-1



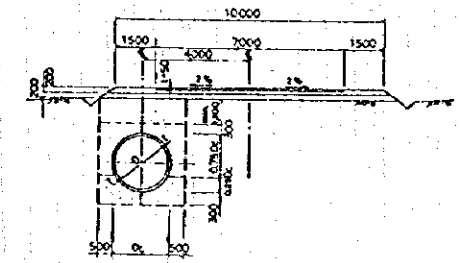
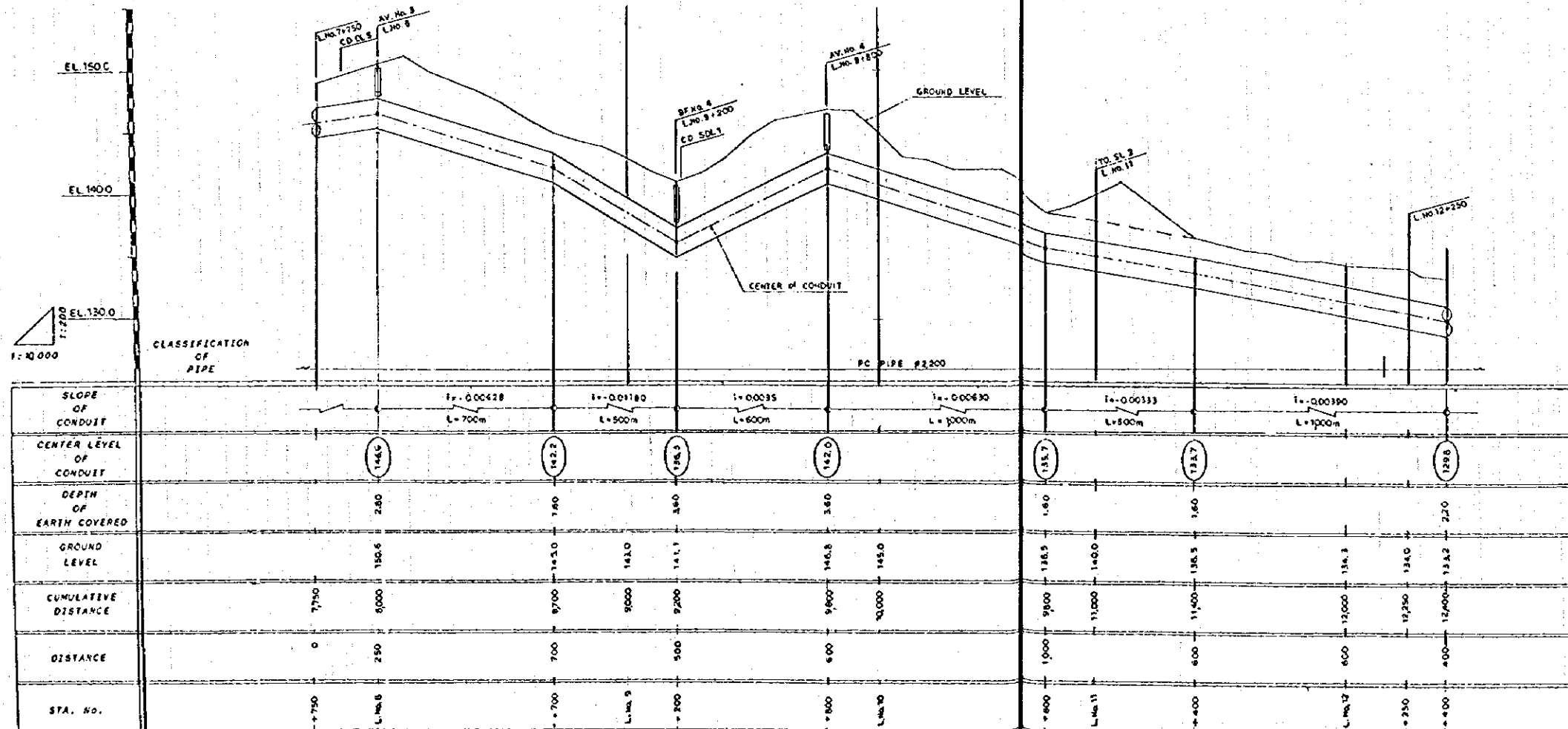
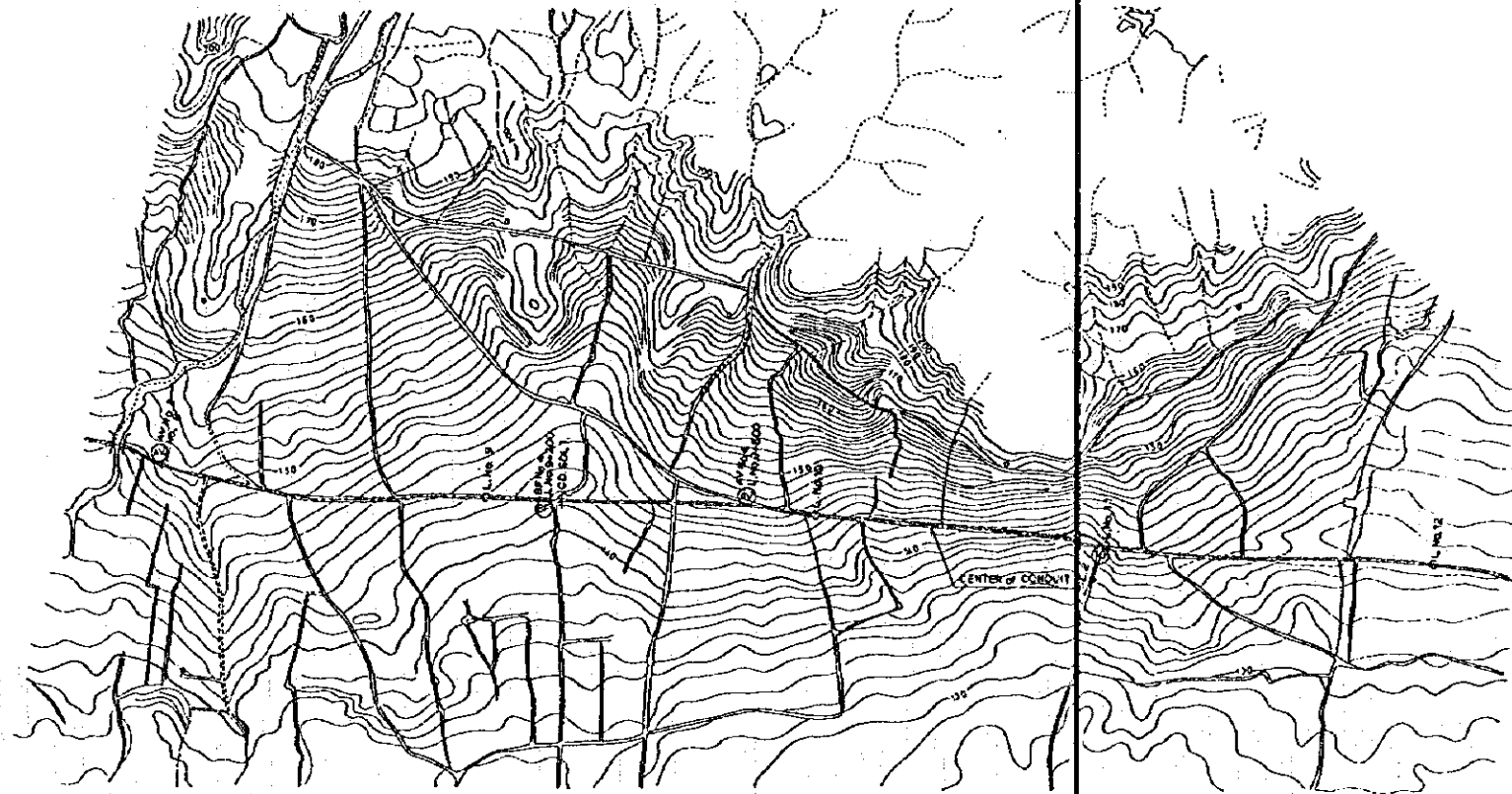
- ABBREVIATIONS
- BP : BEGINNING POINT
 - EP : END POINT
 - TD : TARGET
 - CV : CHECK VALVE
 - SP : SIZON
 - CD : CROSS DRAIN
 - ED : EMERGATION DISCHARGE
 - L : LENGTH
 - AV : AIR VALVE
 - BF : BLOCFF

THE REPUBLIC OF TURKEY
GENERAL DIRECTOR OF STATE HYDRAURIC WORKS (DSI)

THE FEASIBILITY STUDY
ON
KÜÇÜK MENDERES RIVER BASIN
IRRIGATION PROJECT

PLAN & PLOFILE
OF
LEFT MAIN CANAL (2/6)

JAPAN INTERNATIONAL COOPERATION AGENCY (JICA) EXHIBIT NO. CL-2

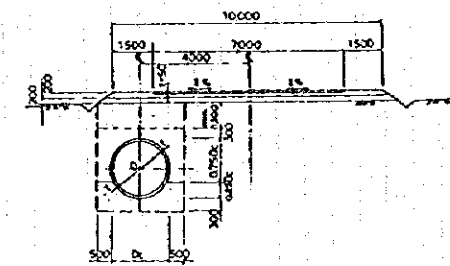
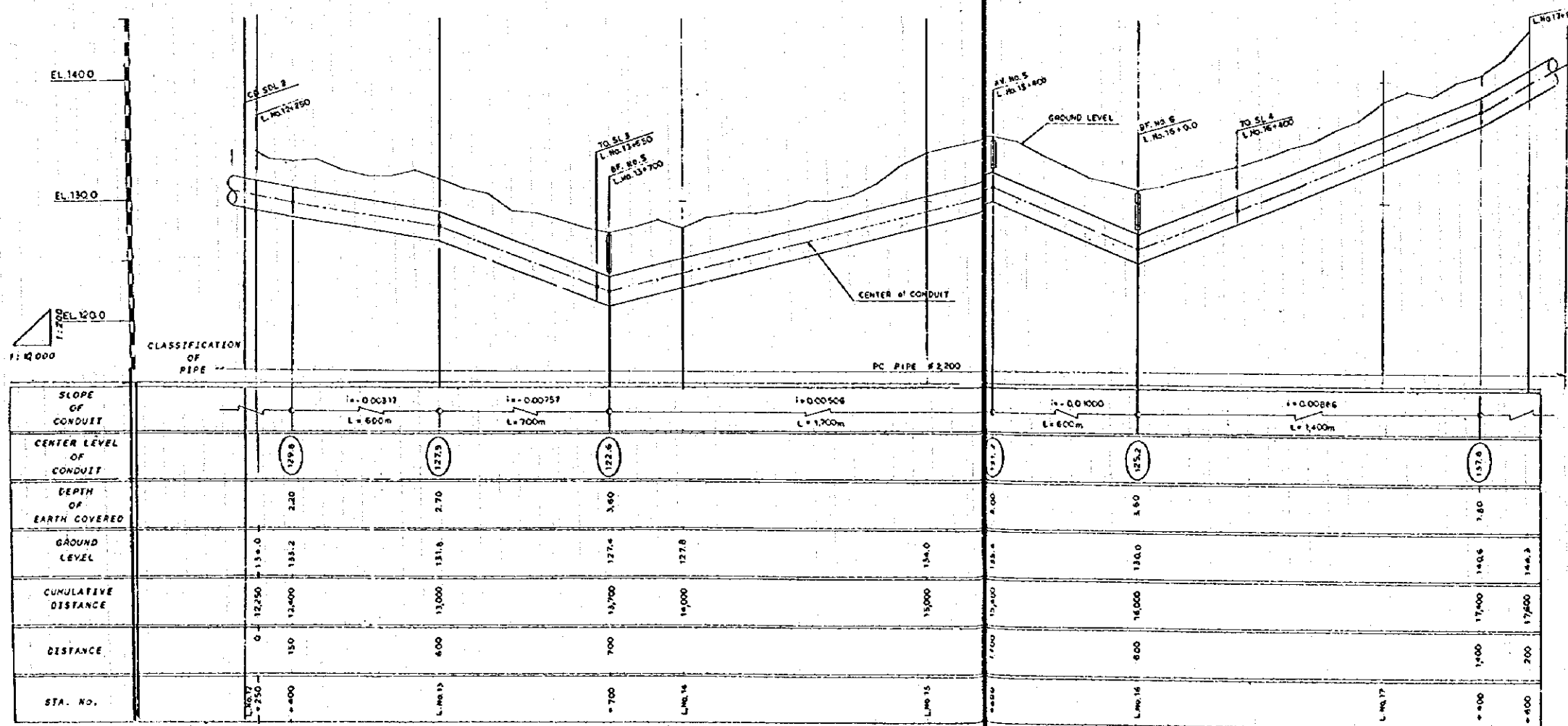
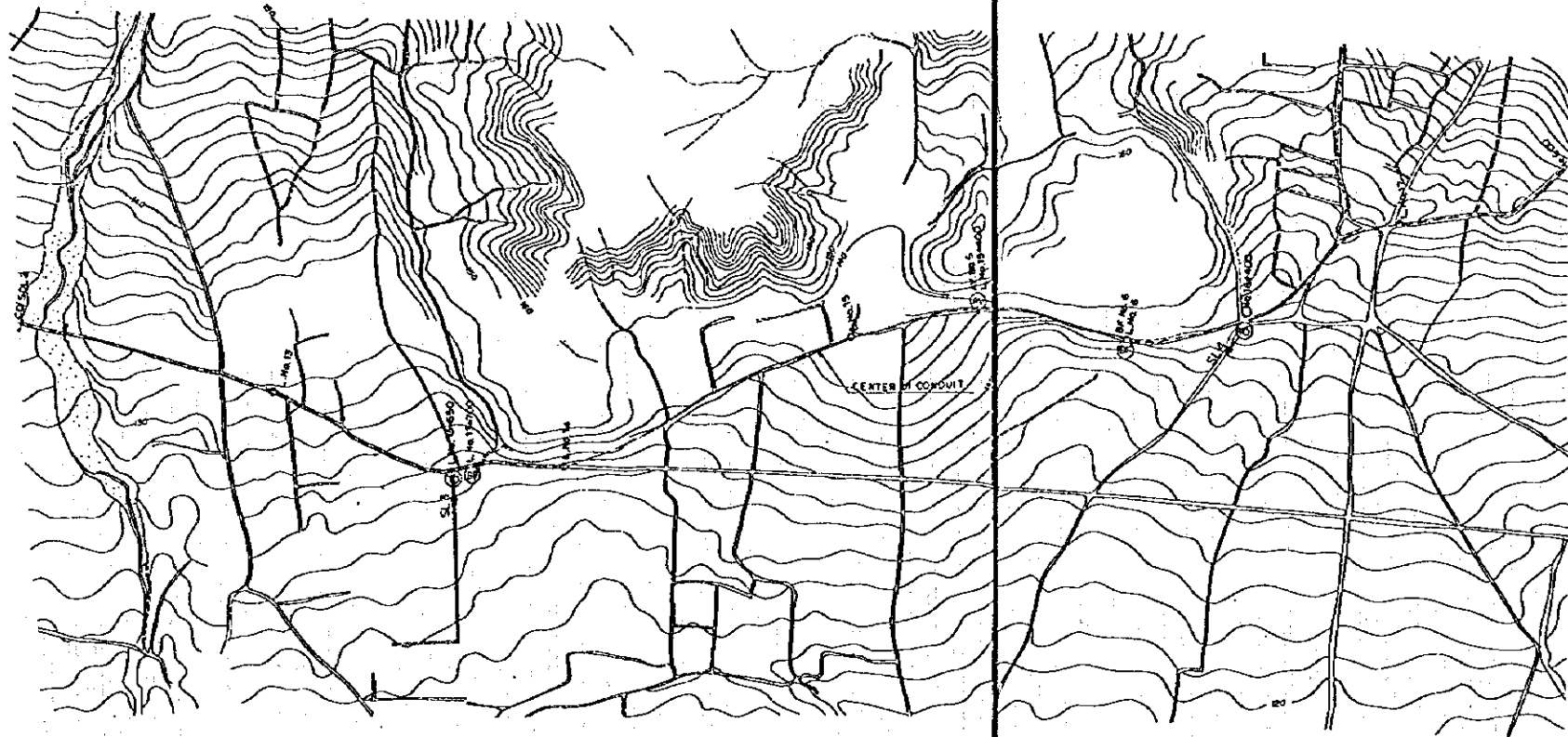


- ABBREVIATIONS
- BP : BEGINNING POINT
 - EP : END POINT
 - FB : TURNOUT
 - CV : CHECK VALVE
 - SP : STATION
 - CD : CROSS DRAIN
 - DI : IRRIGATION DISCHARGE
 - L : LENGTH
 - AV : AIR VALVE
 - BL : BLOCK

THE REPUBLIC OF TURKEY
 GENERAL DIRECTOR OF STATE HYDRAULIC WORKS (DSI)
 THE FEASIBILITY STUDY
 ON
 KÜÇÜK MENDERES RIVER BASIN
 IRRIGATION PROJECT
 PLAN & PROFILE
 OF
 LEFT MAIN CANAL (3/6)

JAPAN INTERNATIONAL COOPERATION AGENCY (JICA)

EXHIBIT NO.
 CL - 3



PLAN OF CANAL CONDUIT STRUCTURE

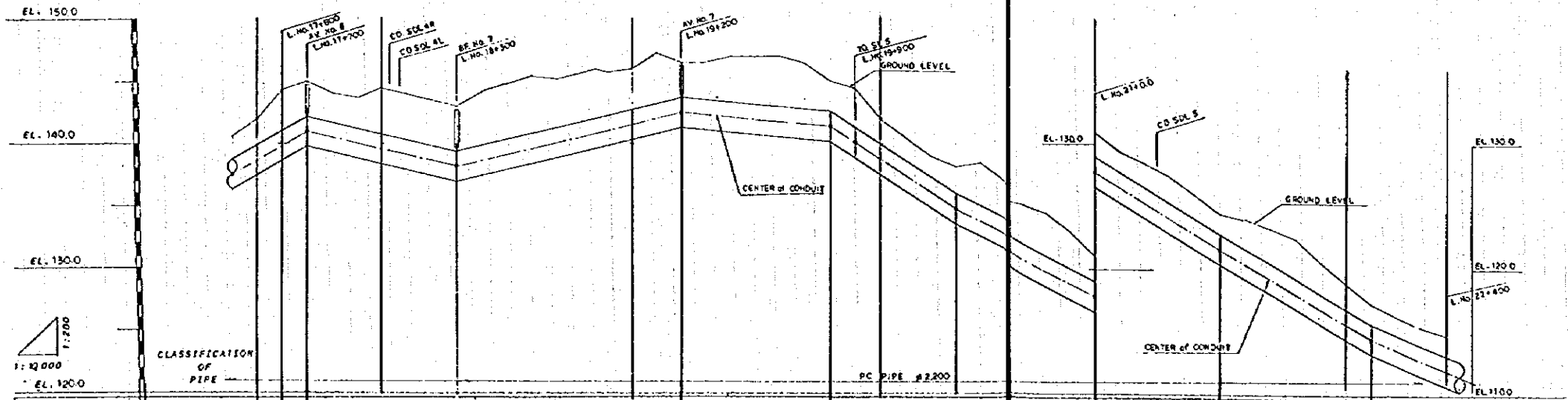
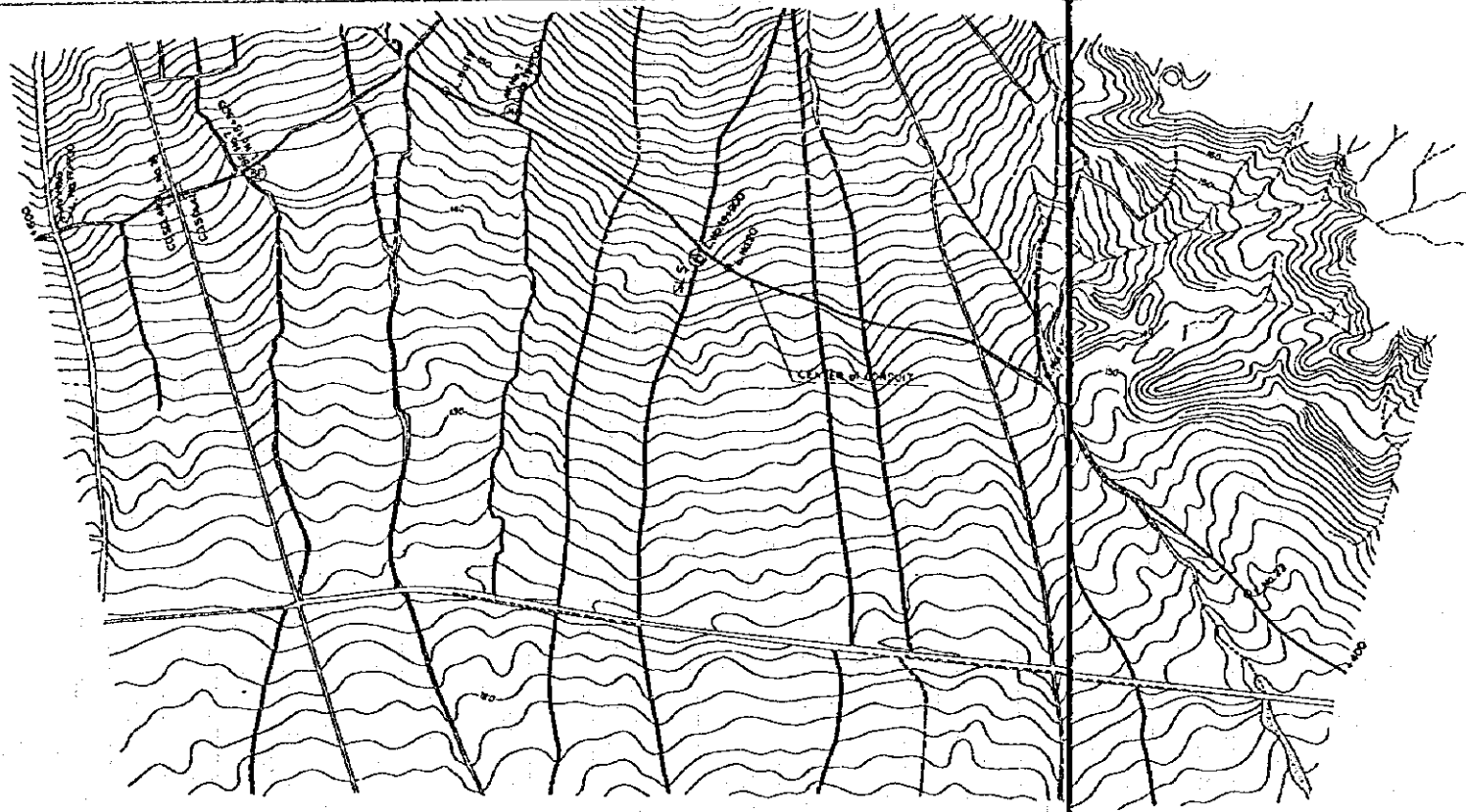
ABBREVIATIONS

- BP : BEGINNING POINT
- EP : END POINT
- TO : TURNOUT
- CV : CHECK VALVE
- SP : STOP-ON
- CS : CATCH GRATE
- DI : IRRIGATION DISTANCE
- L : LENGTH
- AF : AIR VALVE
- BF : BLOWOFF

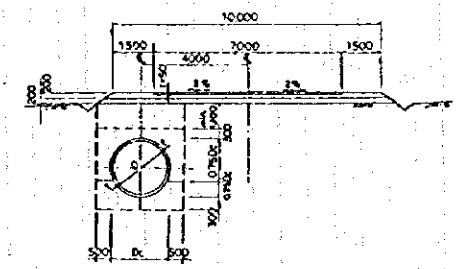
THE REPUBLIC OF TURKEY
 GENERAL DIRECTOR OF STATE HYDRAULIC WORKS (DSİ)
 THE FEASIBILITY STUDY
 ON
 KÜÇÜK MENDERES RIVER BASIN
 IRRIGATION PROJECT
 PLAN & PROFILE
 OF
 LEFT MAIN CANAL (4/6)

JAPAN INTERNATIONAL COOPERATION AGENCY (JICA)

EXHIBIT NO.
 CL - 4



SLOPE OF CONDUIT	CLASSIFICATION OF PIPE									
	1:001133 L=300	1:000667 L=600m	1:000478 L=500m	1:000185 L=600m	1:001320 L=500m	1:000900 L=500m	1:001240 L=500m	1:001200 L=600m	1:000850 L=400m	
CENTER LEVEL OF CONDUIT	141.0	138.2	142.5	141.4	134.8	127.8	131.6	116.4		
DEPTH OF EARTH COVERED	2.80	3.80	2.80	2.40	2.20	2.00	1.60	1.60		
GROUND LEVEL	144.3	144.0	144.5	144.0	146.5	145.0	142.0	136.2	131.0	124.4
CUMULATIVE DISTANCE	0	175.00	177.00	18.000	183.00	18,000	18,200	19,000	19,000	20,000
DISTANCE	0	100	600	900	400	500	700	500	600	600
STA. No.	600	700	300	200	800	300	700	800	100	400



ABBREVIATIONS

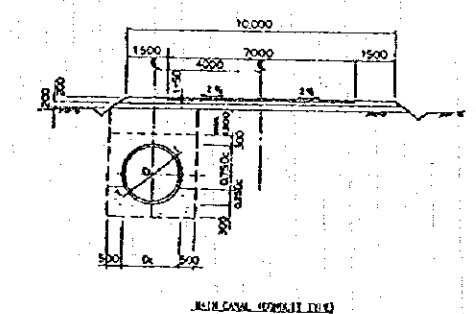
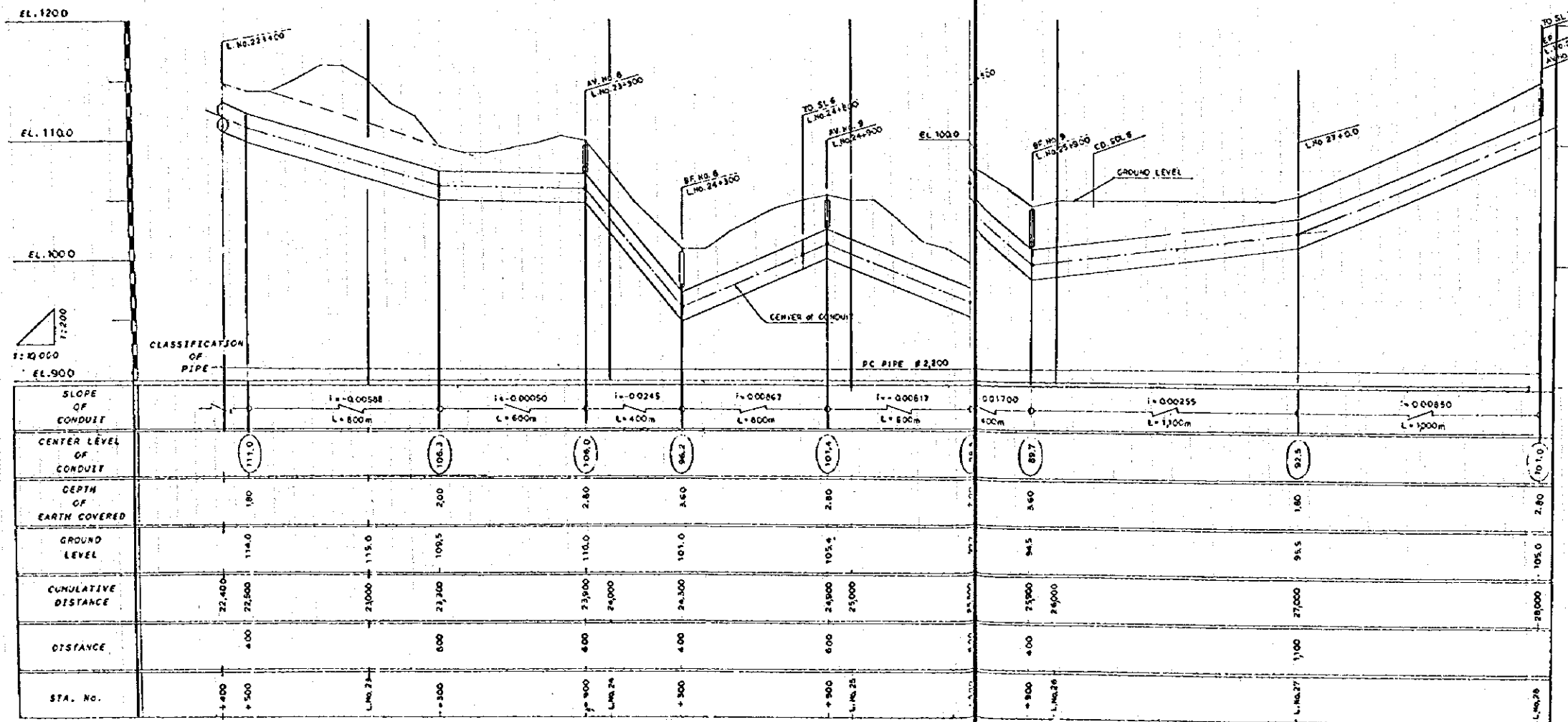
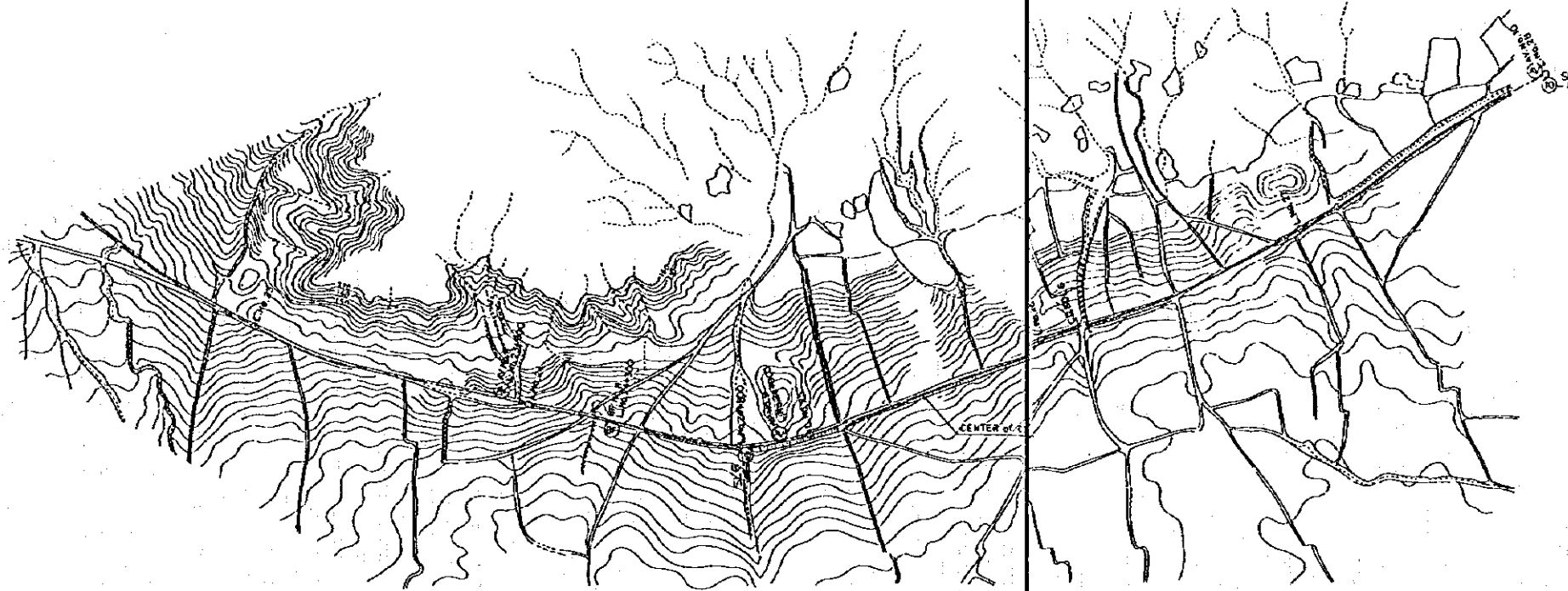
BP : BENCHING POINT CP : IRRIGATION DISTANCE
 EP : END POINT L : LENGTH
 FV : FANOUT CV : CHECK VALVE AV : AIR VALVE
 SP : Siphon WP : WELLPIT
 CD : CROSS SECTION

THE REPUBLIC OF TURKEY
 GENERAL DIRECTOR OF STATE HYDRAULIC WORKS (DSI)

THE FEASIBILITY STUDY
 ON
 KÜÇÜK MENDERES RIVER BASIN
 IRRIGATION PROJECT

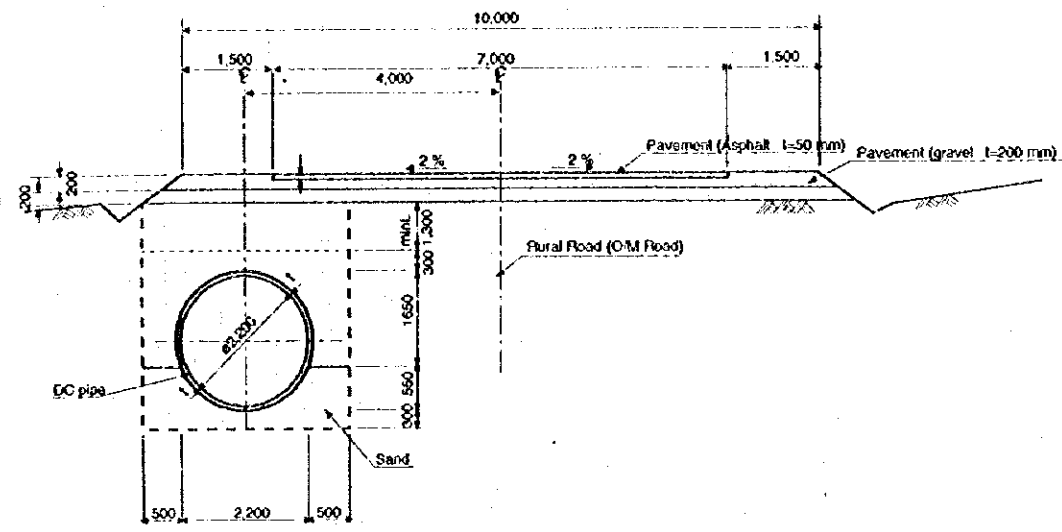
PLAN & PROFILE
 OF
 LEFT MAIN CANAL (5/6)

JAPAN INTERNATIONAL COOPERATION AGENCY (JICA) EXHIBIT NO. CL-5

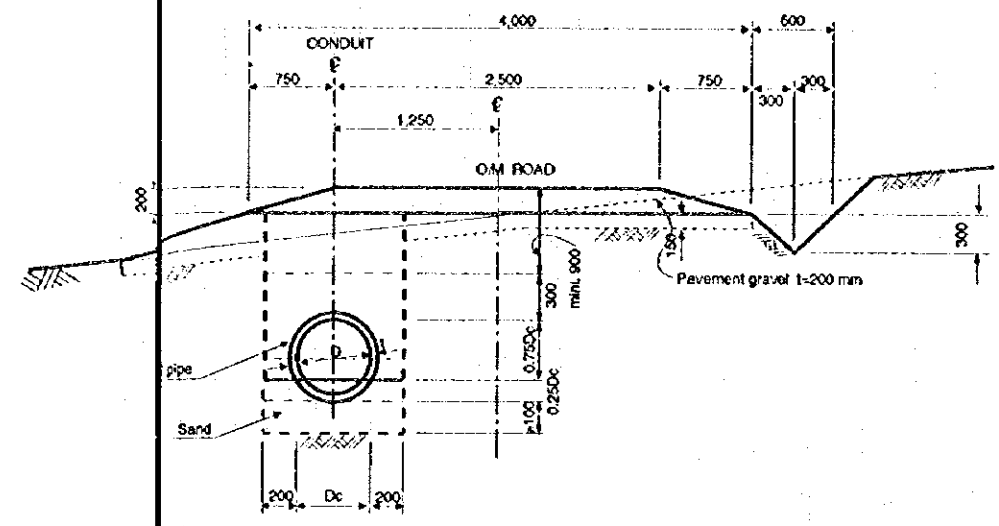


- ABBREVIATIONS
- BP : BEGINNING POINT
 - EP : END POINT
 - TO : TURNOUT
 - CV : CHECK VALVE
 - SP : SLOPE
 - CD : CROSS DRAIN
 - BI : IRRIGATION BASIN
 - L : LENGTH
 - AV : AIR VALVE
 - BF : BLOWOFF

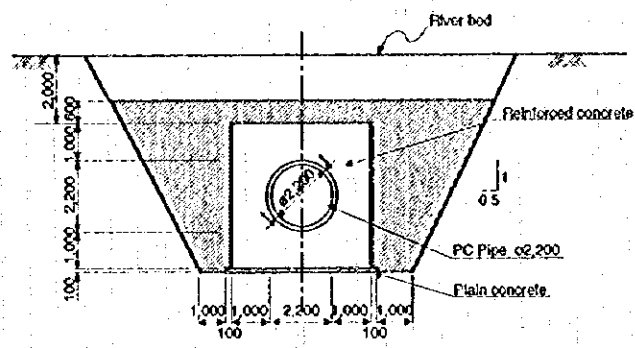
THE REPUBLIC OF TURKEY
 GENERAL DIRECTOR OF STATE HYDRAURIC WORKS (DSİ)
 THE FEASIBILITY STUDY
 ON
 KÜÇÜK MENDERES RIVER BASIN
 IRRIGATION PROJECT
 PLAN & PROFILE
 OF
 LEFT MAIN CANAL (6/6)
 JAPAN INTERNATIONAL COOPERATION AGENCY (JICA) EXHIBIT NO. CL-6



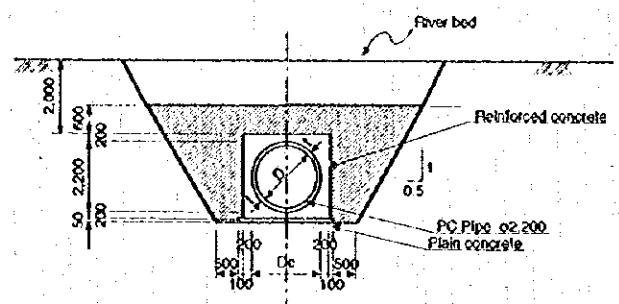
MAIN CANAL



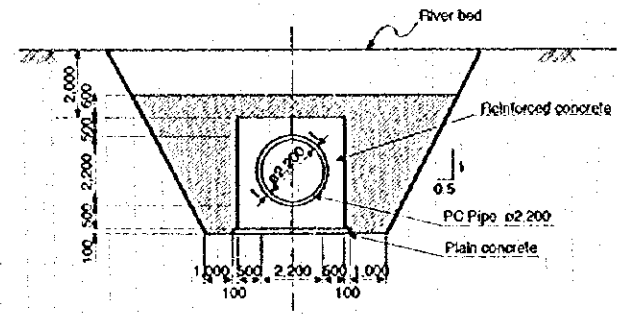
SECONDARY CANAL



SIPHON (Küçük Menderes River)

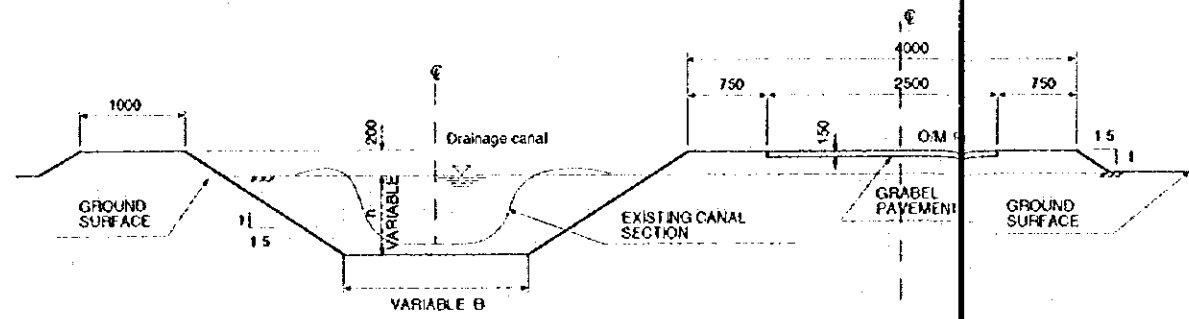


SIPHON OF SECONDARY I.C.

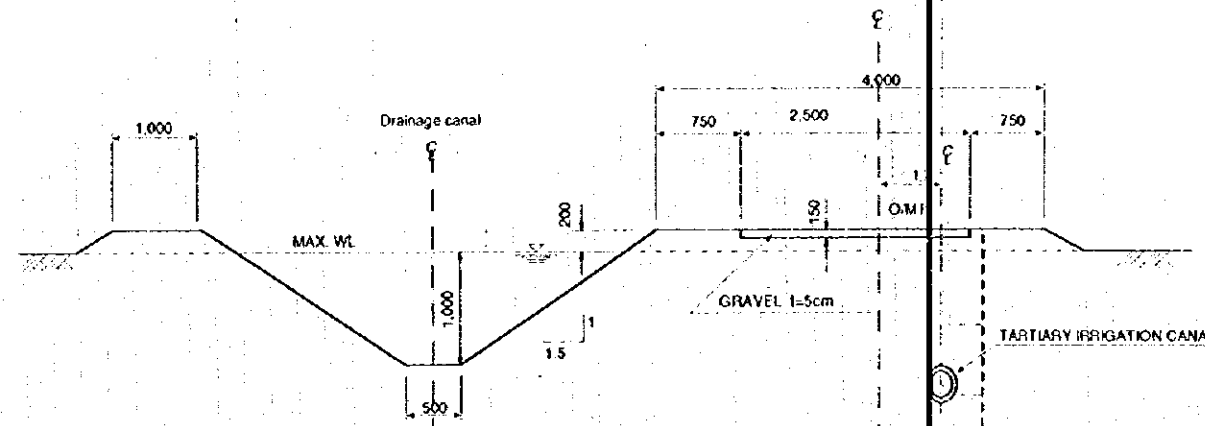


SIPHON (Secondary (tributary) drain)

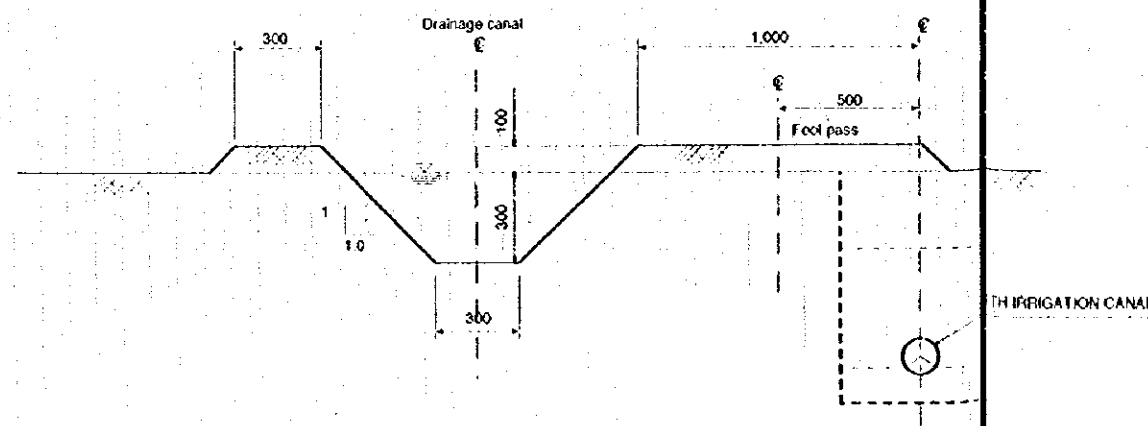
THE REPUBLIC OF TURKEY GENERAL DIRECTOR OF STATE HYDRAURIC WORKS (DSİ)	
THE FEASIBILITY STUDY ON KÜÇÜK MENDERES RIVER BASIN IRRIGATION PROJECT	
TYPICAL DRAWINGS OF CONDUIT AND SERVICE ROAD	
JAPAN INTERNATIONAL COOPERATION AGENCY (JICA)	EXHIBIT NO. CT-1



SECONDARY DRAIN

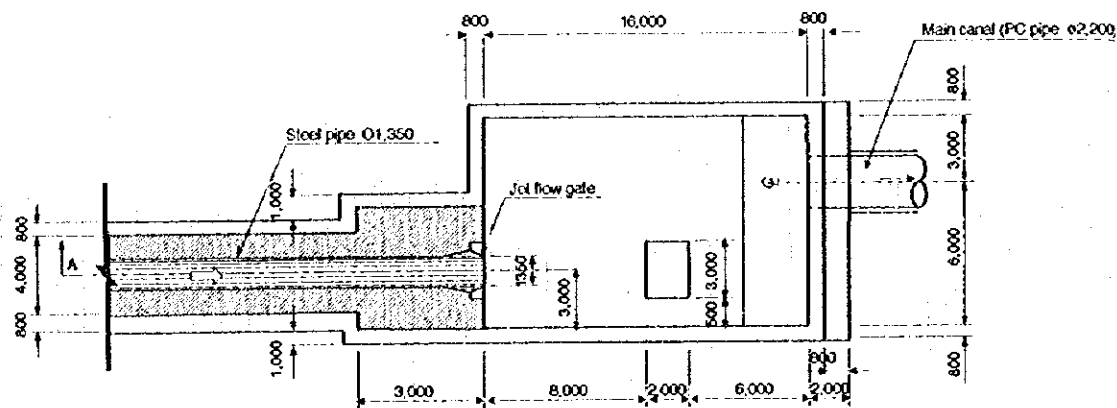


TERTIARY DRAIN

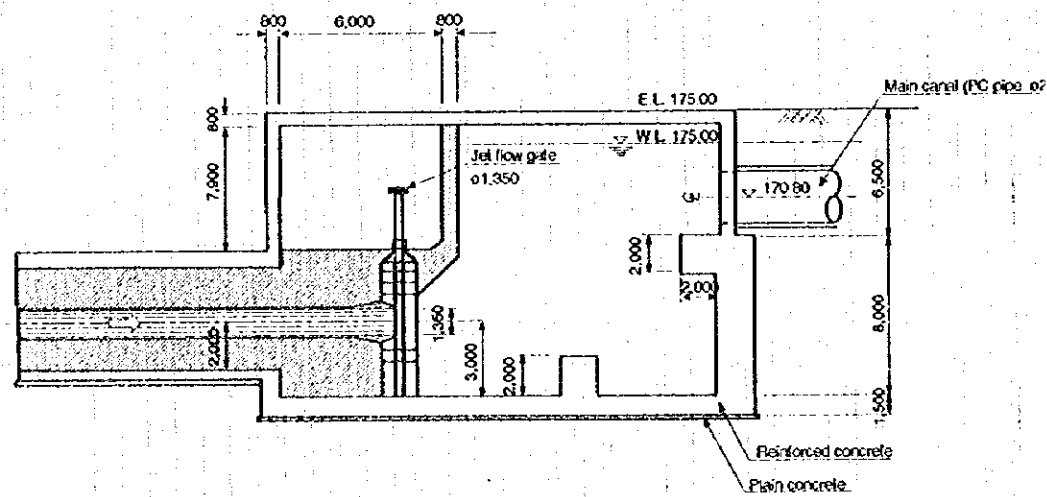


QUATERNARY DRAIN

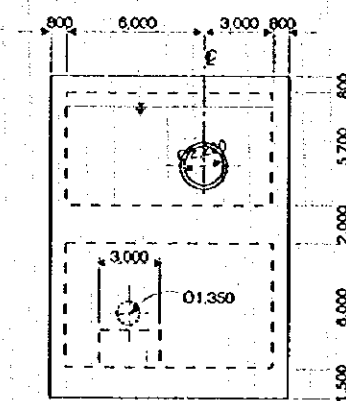
THE REPUBLIC OF TURKEY GENERAL DIRECTORATE OF STATE HYDRAULIC WORKS (DS)	
THE FEASIBILITY STUDY ON KÜÇÜK MENDERES RIVER BASIN IRRIGATION PROJECT	
TYPICAL DRAWINGS OF DRAIN (Secondary/Tertiary/Quaternary)	
JAPAN INTERNATIONAL COOPERATION AGENCY (JICA)	EXHIBIT NO. DC-1



PLAN (DISCHARGE REGULATOR / INTAKE)

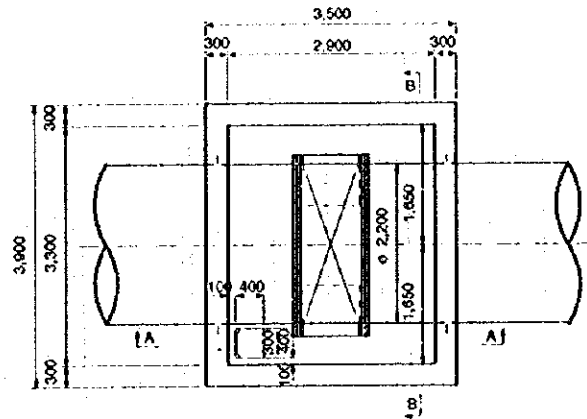


SECTION A - A

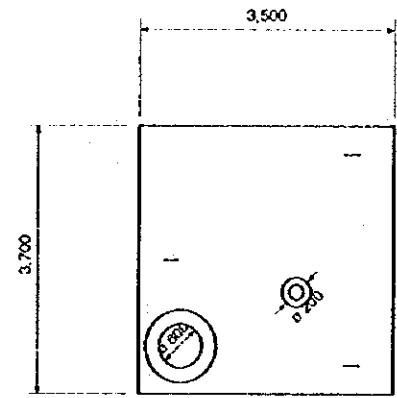


SECTION B - B

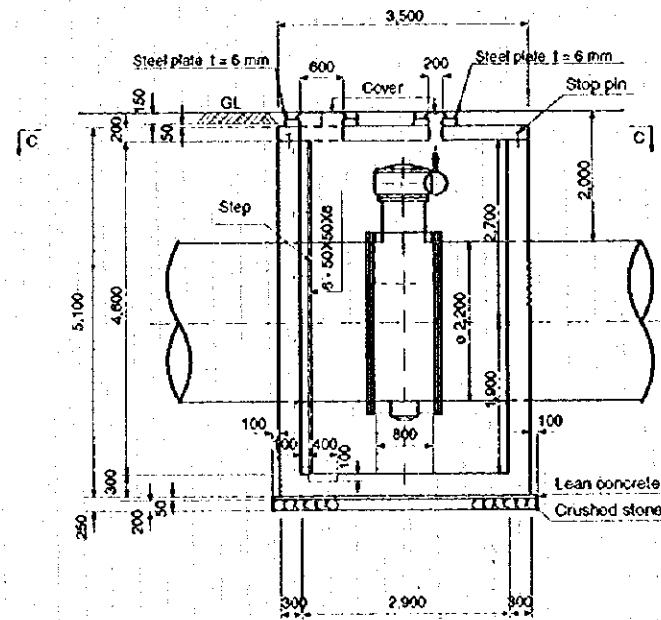
THE REPUBLIC OF TURKEY GENERAL DIRECTOR OF STATE HYDRAURIC WORKS (DSİ)	
THE FEASIBILITY STUDY ON KÜÇÜK MENDERES RIVER BASIN IRRIGATION PROJECT	
INTAKE FACILITY (MAIN CANAL)	
JAPAN INTERNATIONAL COOPERATION AGENCY (JICA)	EXHIBIT NO. RS - 1



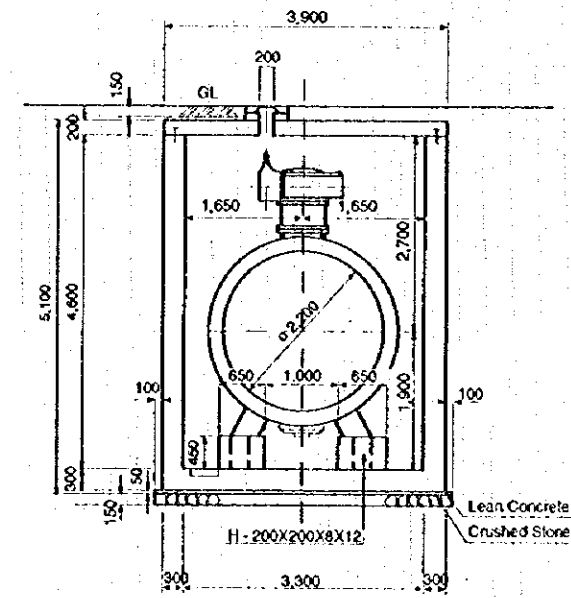
PLAN



C - C



A - A



B - B

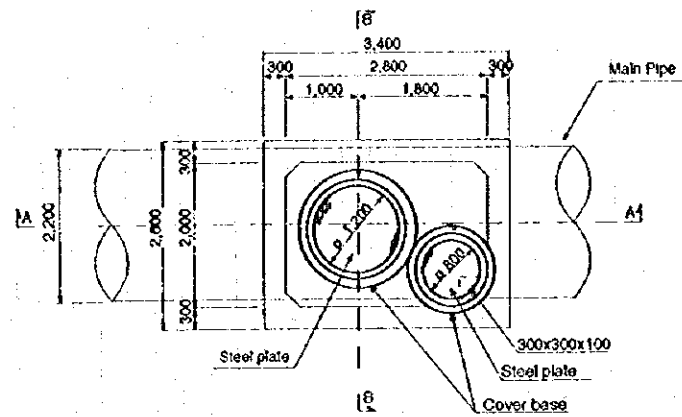
THE REPUBLIC OF TURKEY
GENERAL DIRECTORATE OF STATE HYDRAULIC WORKS
(DSI)

THE FEASIBILITY STUDY
ON
KÜÇÜK MENDERES RIVER BASIN
IRRIGATION PROJECT

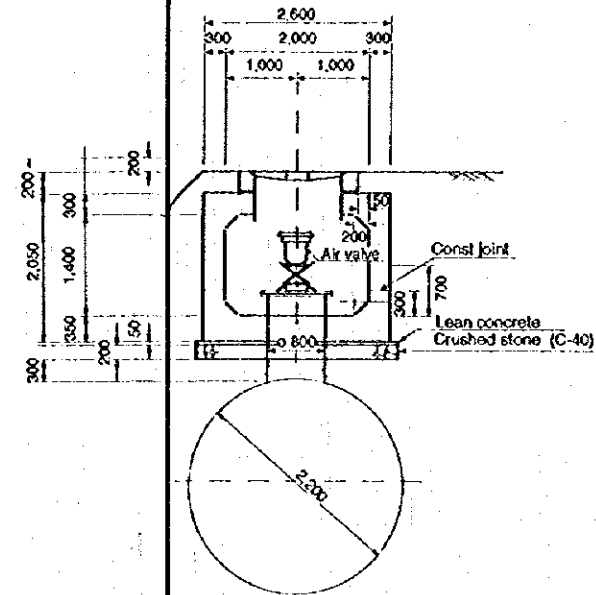
TYPICAL DRAWINGS
OF
TURNOUT/CHECK VALVE (MAIN CANAL)

JAPAN INTERNATIONAL COOPERATION AGENCY
(JICA)

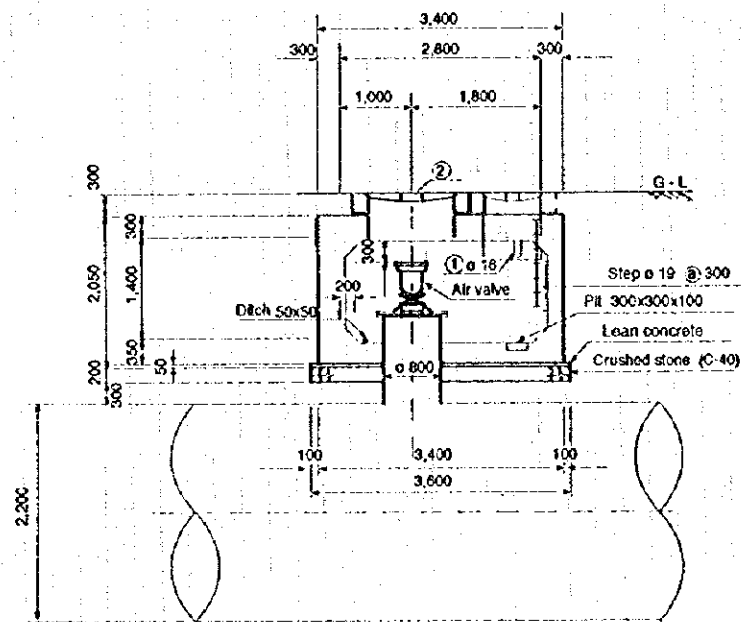
EXHIBIT
RS - 2



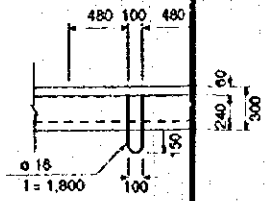
PLAN



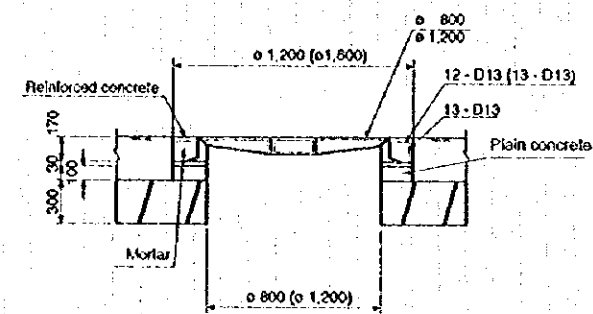
B - B



A - A

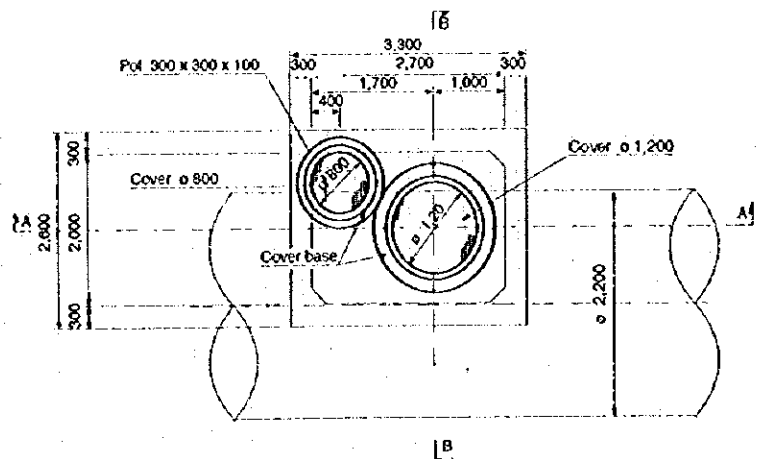


Detail ①

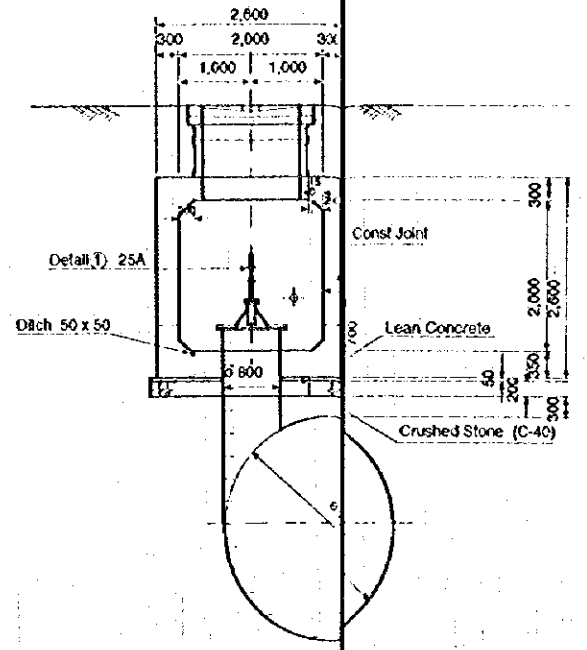


Detail ②

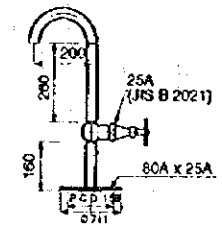
THE REPUBLIC OF TURKEY GENERAL DIRECTORATE OF STATE HYDRAULIC WORKS (DSI)	
THE FEASIBILITY STUDY ON KÜÇÜK MENDERES RIVER BASIN IRRIGATION PROJECT	
TYPICAL DRAWINGS OF AIR VALVE (MAIN CANAL)	
JAPAN INTERNATIONAL COOPERATION AGENCY (JICA)	EXHIBIT NO. RS - 3



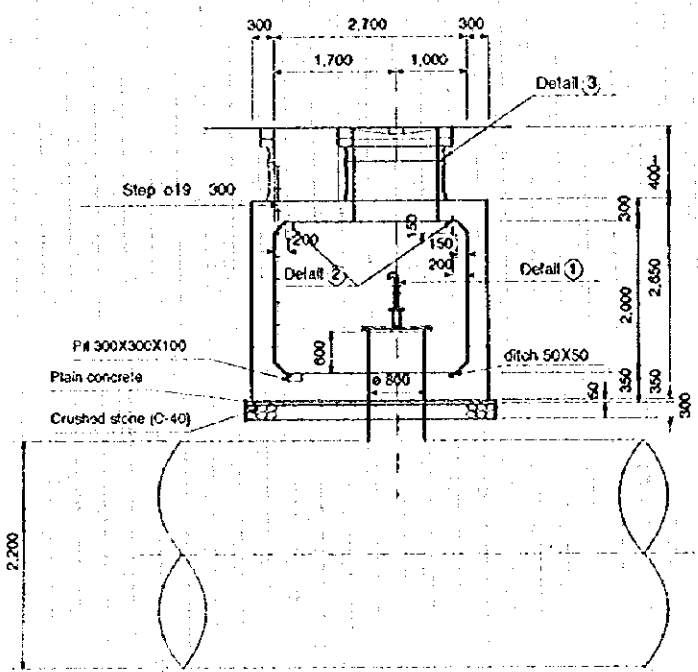
PLAN



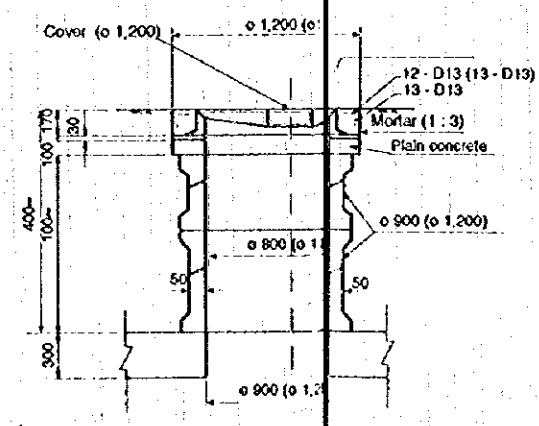
B



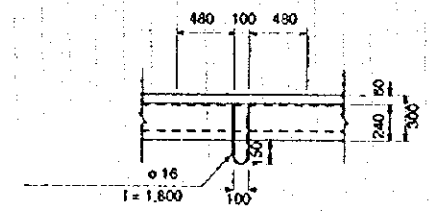
Detail ①



A - A

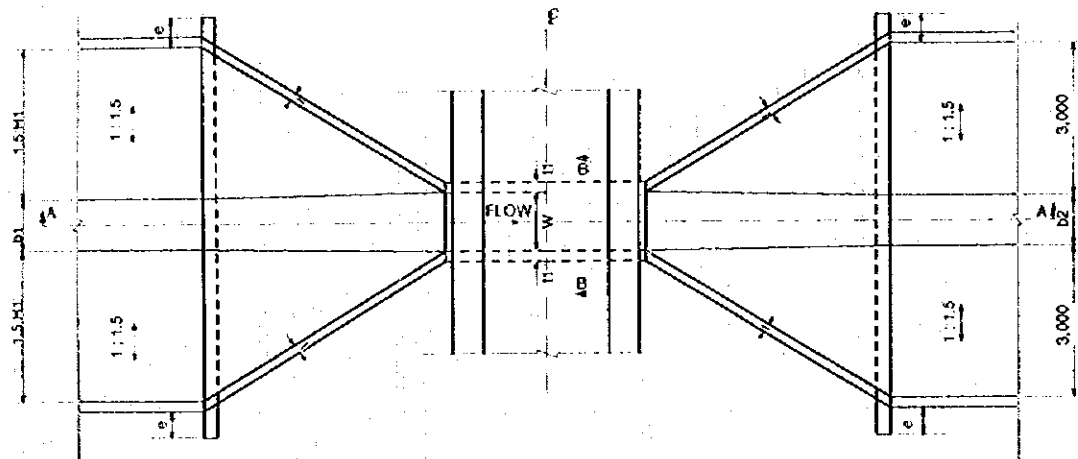


Detail

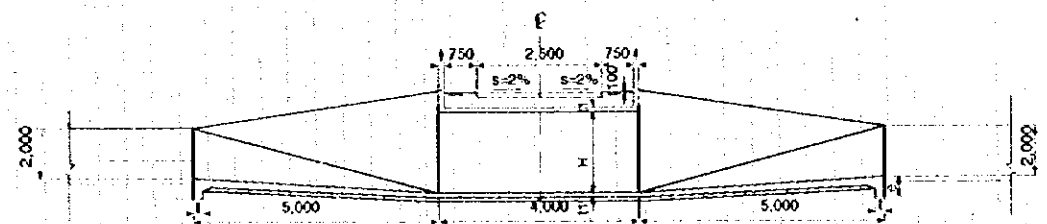


Detail ②

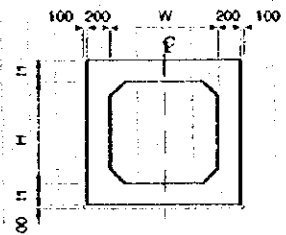
THE REPUBLIC OF TURKEY GENERAL DIRECTORATE OF STATE HYDRAULIC WORKS (DSİ)	
THE FEASIBILITY STUDY ON KÜÇÜK MENDERES RIVER BASIN IRRIGATION PROJECT	
TYPICAL DRAWINGS OF BLOW OFF VALVE (MAIN CANAL)	
JAPAN INTERNATIONAL COOPERATION AGENCY (JICA)	EXHIBIT NO RS - 4



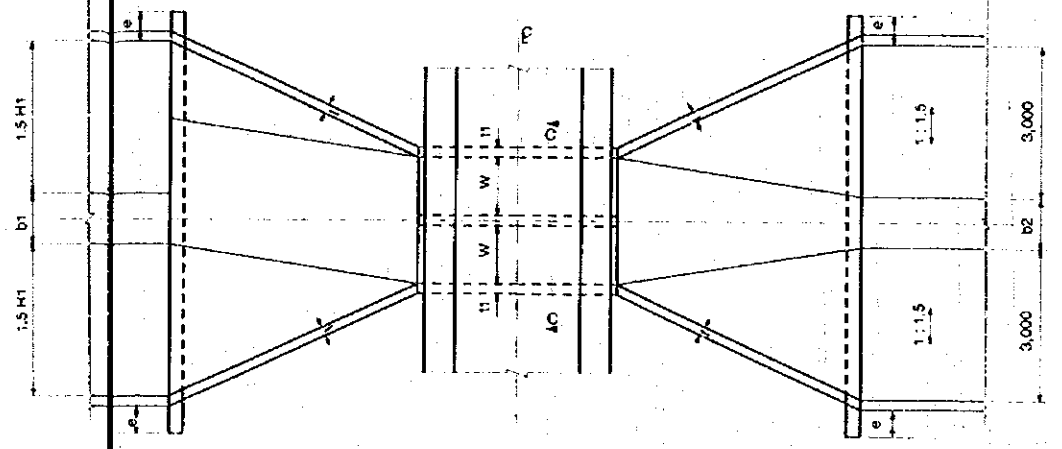
PLAN



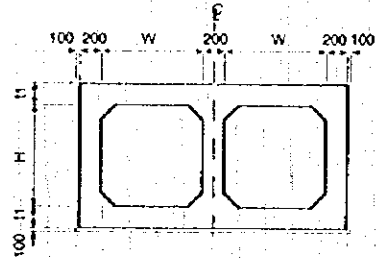
A - A



B - B

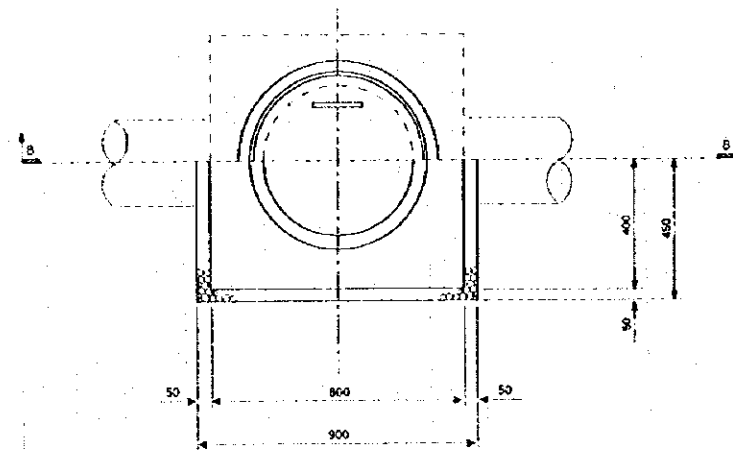


PLAN

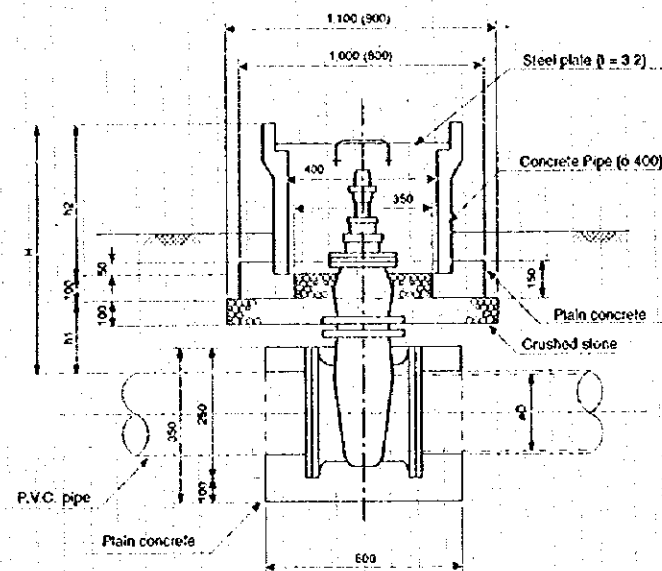


C - C

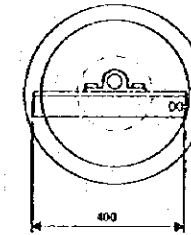
THE REPUBLIC OF TURKEY GENERAL DIRECTORATE OF STATE HYDRAULIC WORKS (DSİ)	
THE FEASIBILITY STUDY ON KÜÇÜK MENDERES RIVER BASIN IRRIGATION PROJECT	
TYPICAL DRAWINGS OF CROSS CULVERT (MAIN CANAL)	
JAPAN INTERNATIONAL COOPERATION AGENCY (JICA)	EXHIBIT NO. RS - 5



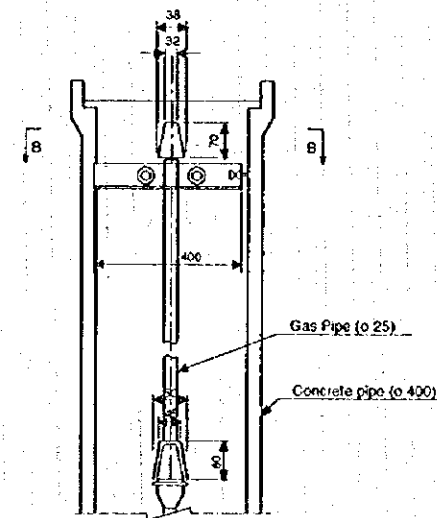
PLAN



A - A

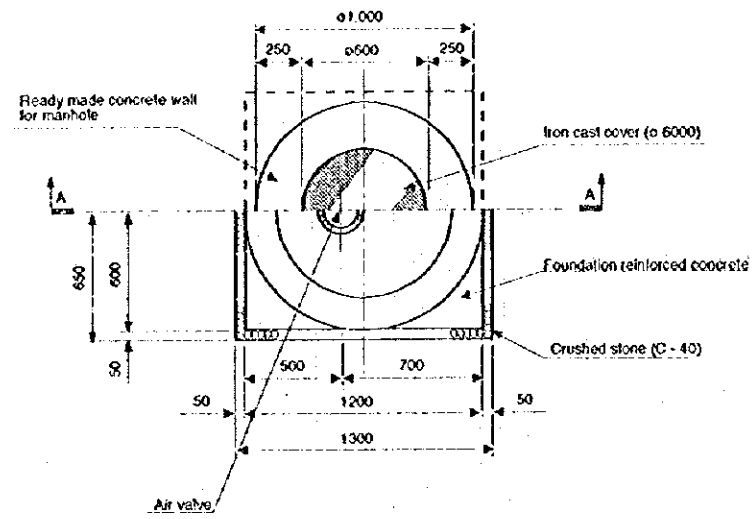


B - B (spindle)

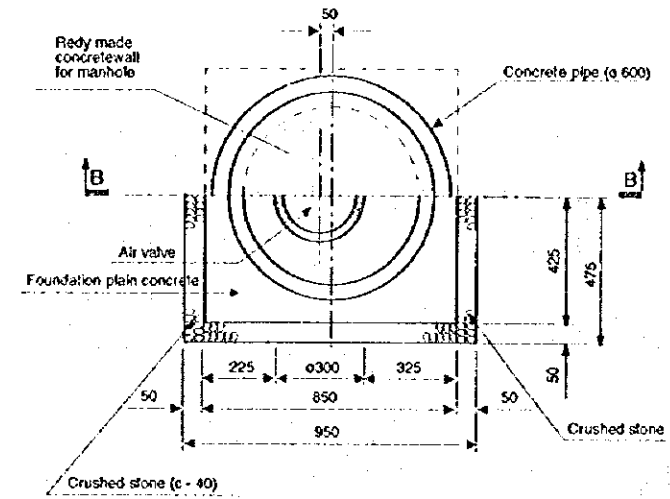


SPINDLE

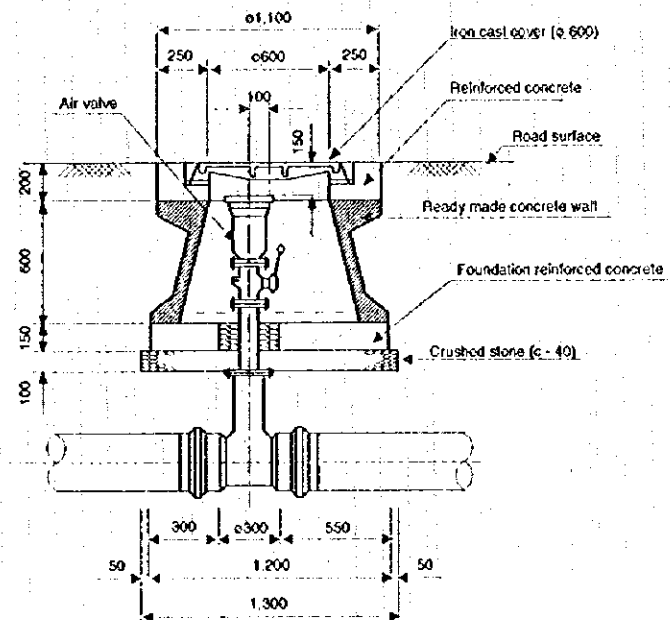
THE REPUBLIC OF TURKEY GENERAL DIRECTOR OF STATE HYDRAURIC WORKS (DSİ)	
THE FEASIBILITY STUDY ON KÜÇÜK MENDERES RIVER BASIN IRRIGATION PROJECT	
TYPICAL DRAWINGS OF TURNOUT/CHECK VALVE (Secondary/Tertiary C.)	
JAPAN INTERNATIONAL COOPERATION AGENCY (JICA)	EXHIBIT NO. RS - 6



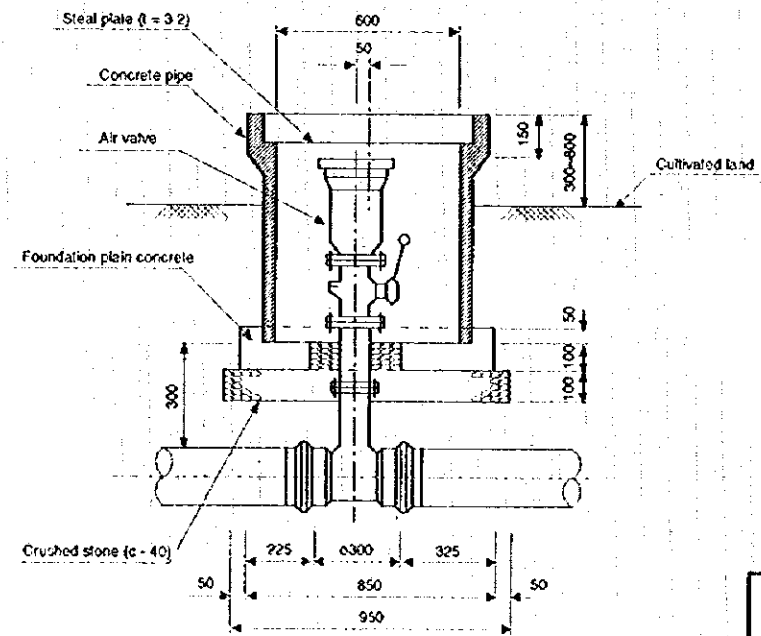
PLAN (under cultivated land)



PLAN (under cultivated land)



A - A



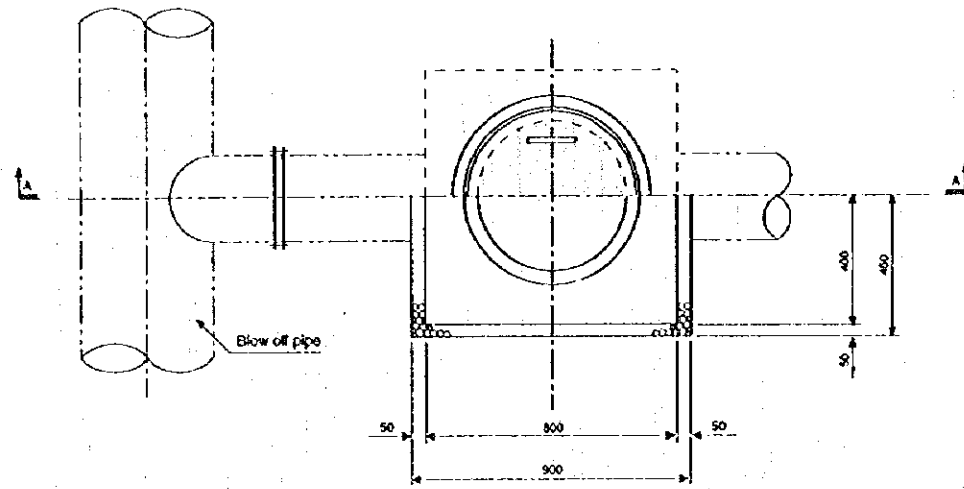
B - B

THE REPUBLIC OF TURKEY
GENERAL DIRECTOR OF STATE HYDRAULIC WORKS
(DSI)

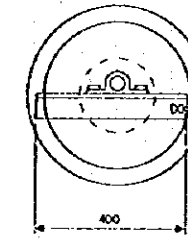
THE FEASIBILITY STUDY
ON
KÜÇÜK MENDERES RIVER BASIN
IRRIGATION PROJECT

TYPICAL DRAWINGS
OF
AIR VALVE (Secondary/Tertiary C.)

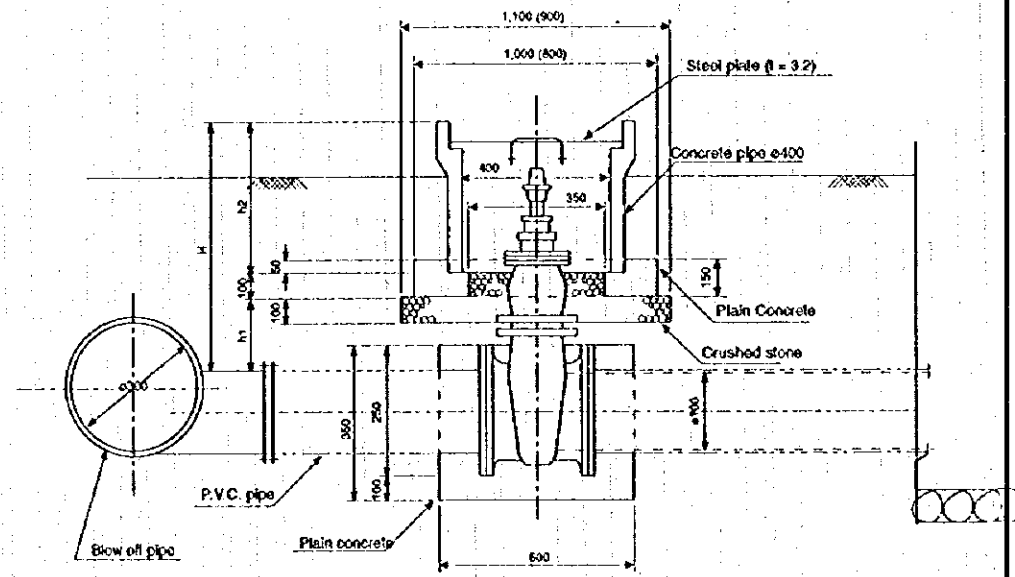
JAPAN INTERNATIONAL COOPERATION AGENCY
(JICA) EXHIBIT NO.
RS - 7



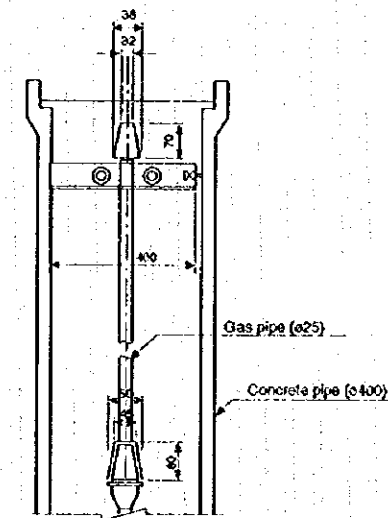
PLAN



B - B (spindle)

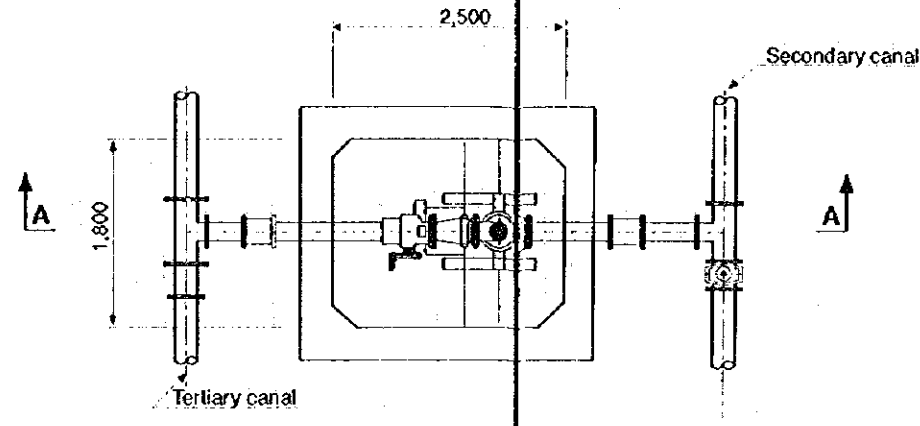


A - A

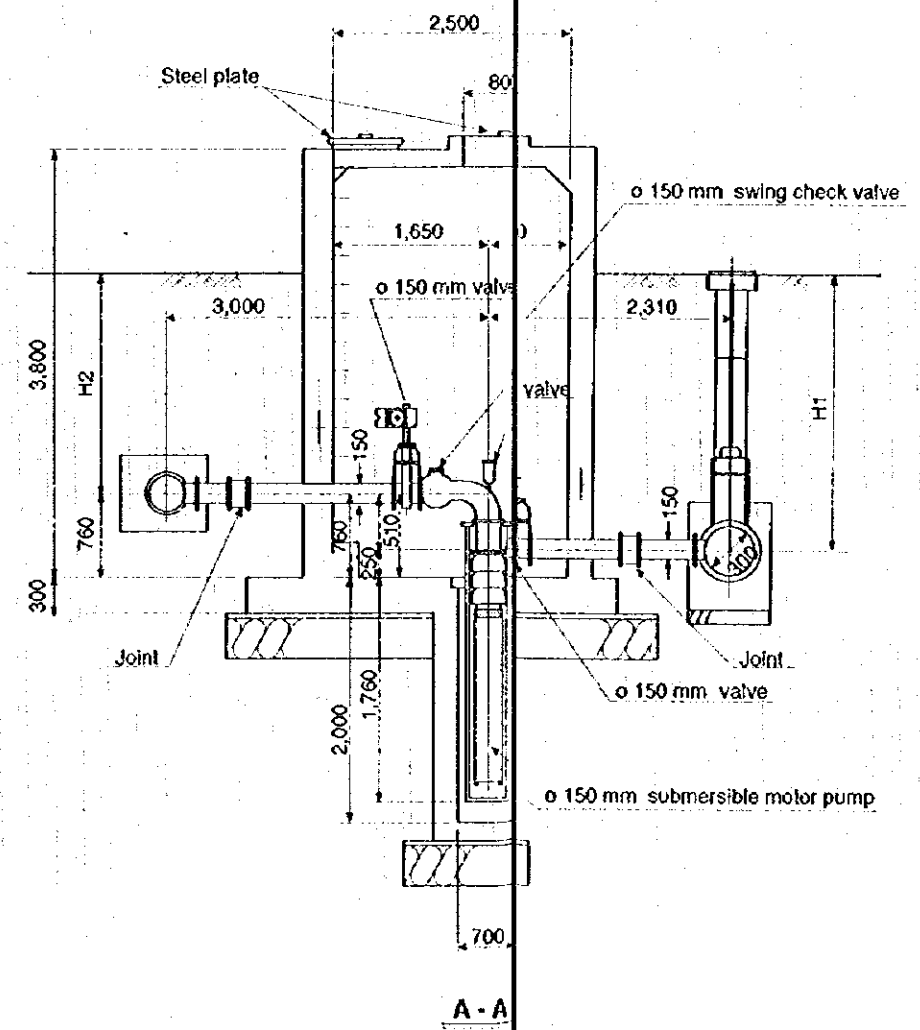


Spindle

THE REPUBLIC OF TURKEY GENERAL DIRECTOR OF STATE HYDRAURIC WORKS (DSI)	
THE FEASIBILITY STUDY ON KÜÇÜK MENDERES RIVER BASIN IRRIGATION PROJECT	
TYPICAL DRAWINGS OF BLOW OFF (Secondary/Tertiary C.)	
JAPAN INTERNATIONAL COOPERATION AGENCY (JICA)	EXHIBIT NO. RS - 8

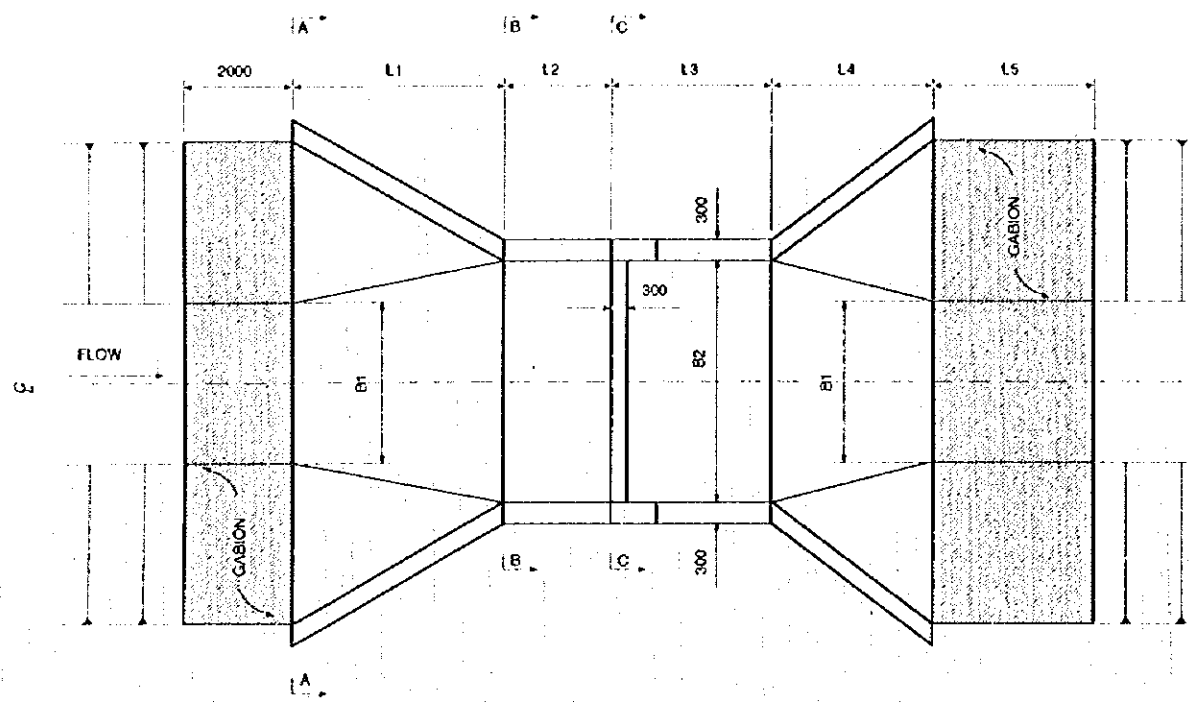


PLAN

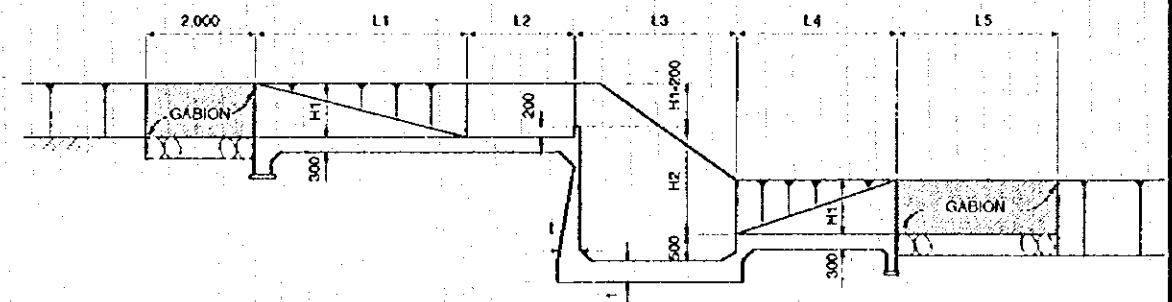


A - A

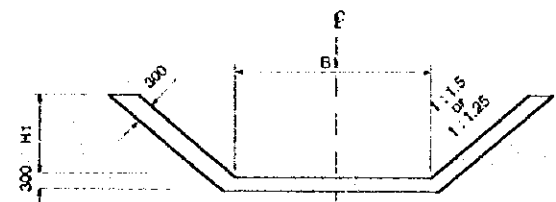
THE REPUBLIC OF TURKEY GENERAL DIRECTOR OF STATE HYDRAULIC WORKS (DSİ)	
THE FEASIBILITY STUDY ON KÜÇÜK MENDERES RIVER BASIN IRRIGATION PROJECT	
TYPICAL DRAWINGS OF PUMP STATION (Tertiary C.)	
JAPAN INTERNATIONAL COOPERATION AGENCY (JICA)	EXHIBIT NO. RS - 9



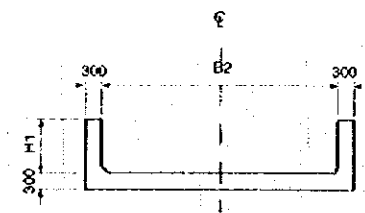
PLAN



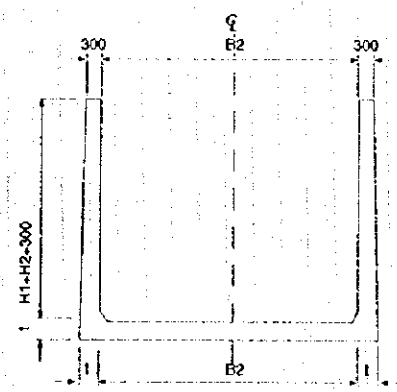
PROFILE



A - A



B - B



C - C

		2	L1	L2	L3	L4	L5	B2	l
B1	~ 5.0	300	4,000	1,000	3,000	3,000	3,000	3,000	400
B2	5.0 ~ 10.0	300	4,500	1,500	3,000	3,000	3,000	4,000	400
B3	10.0 ~ 15.0	300	5,000	2,000	3,000	3,000	3,000	5,000	400
B4	15.0 ~	300	5,500	2,500	3,000	3,000	3,000	6,000	400

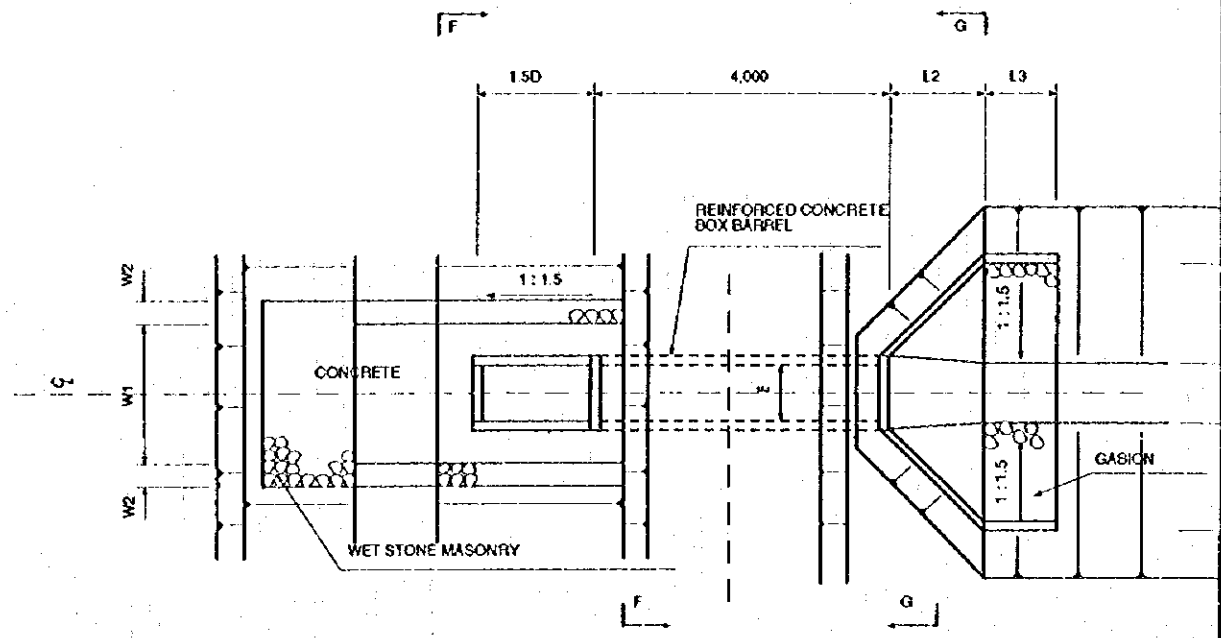
THE REPUBLIC OF TURKEY
GENERAL DIRECTORATE OF STATE HYDRAULIC WORKS
(DSI)

THE FEASIBILITY STUDY
ON
KUÇUK MENDERES RIVER BASIN
IRRIGATION PROJECT

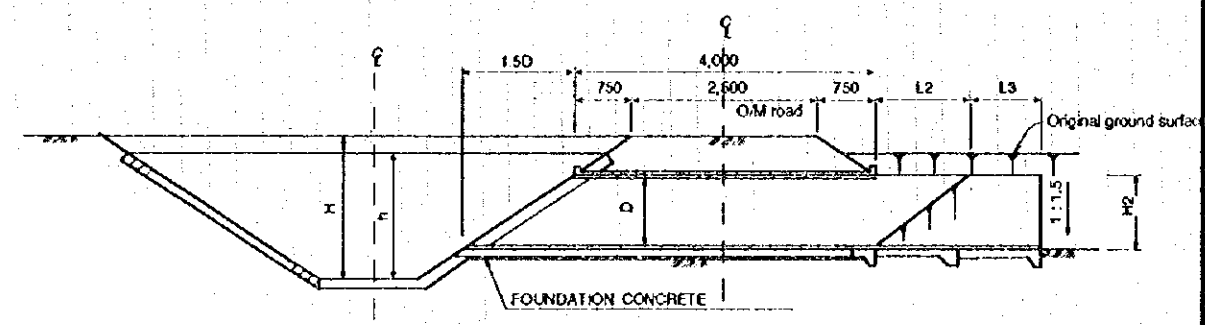
TYPICAL DRAWINGS
OF
DROP (Secondary Drain)

JAPAN INTERNATIONAL COOPERATION AGENCY
(JICA)

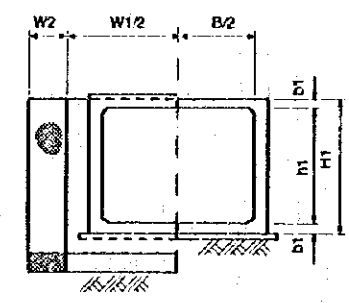
EXHIBIT NO.
RS - 10



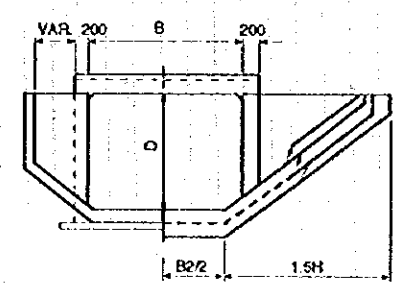
PLAN



PROFILE

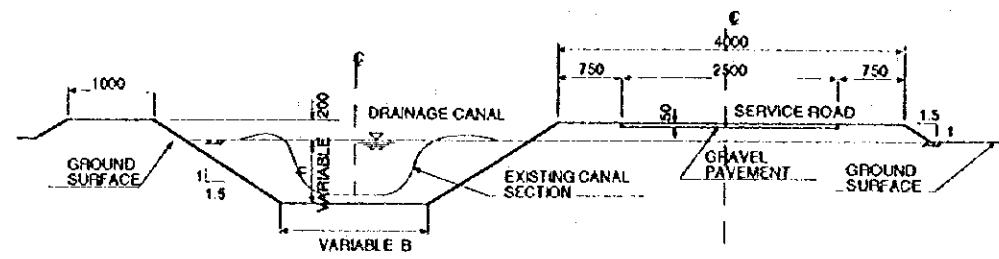
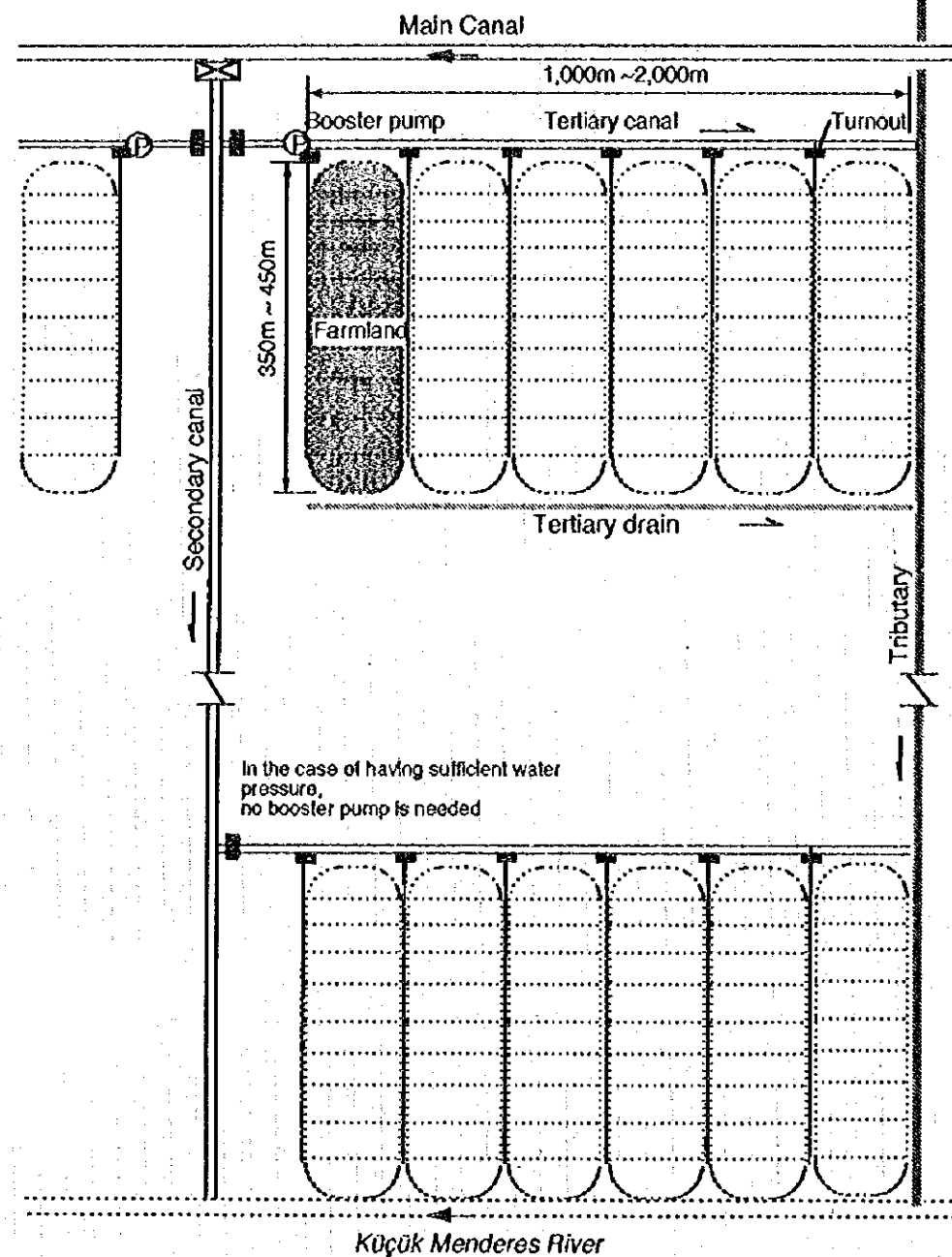


F-F

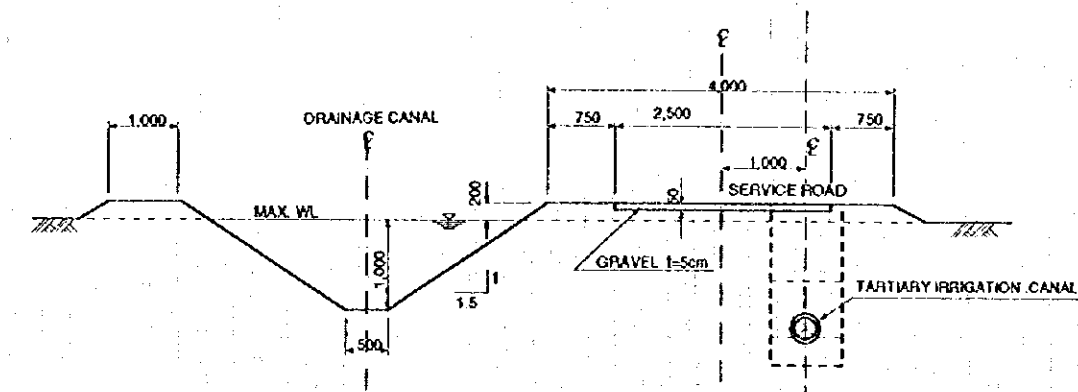


G-G

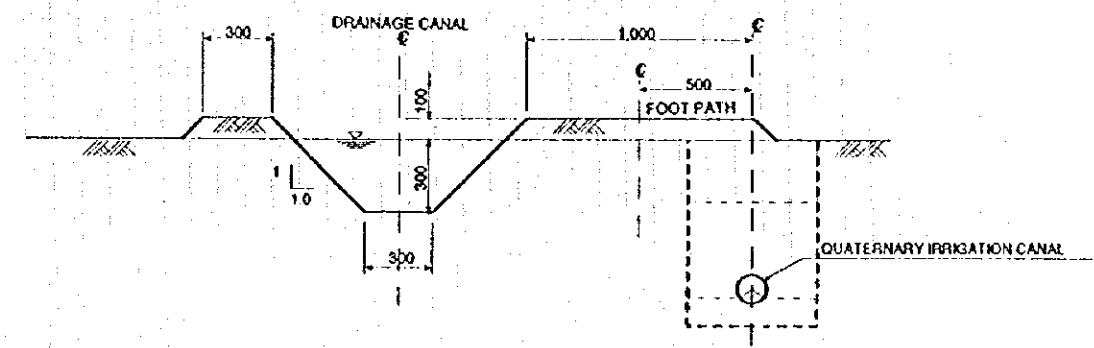
THE REPUBLIC OF TURKEY GENERAL DIRECTORATE OF STATE HYDRAULIC WORKS (DSI)	
THE FEASIBILITY STUDY ON KÜÇÜK MENDERES RIVER BASIN IRRIGATION PROJECT	
TYPICAL DRAWINGS OF JUNCTION (Secondary/Tertiary Drain)	
JAPAN INTERNATIONAL COOPERATION AGENCY (JICA)	EXHIBIT NO. RS - 11



SECONDARY CANAL

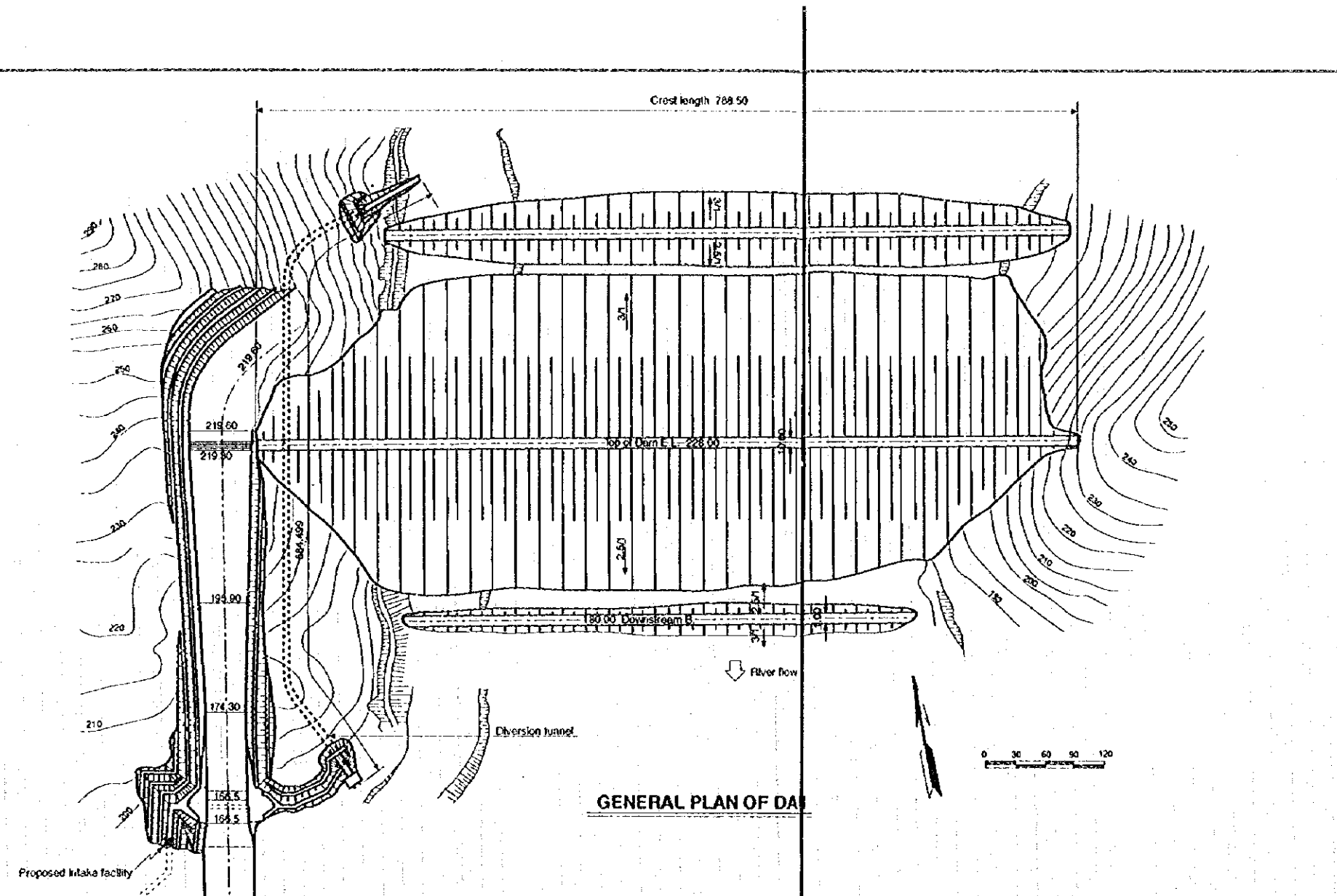


TERTIARY DRAIN

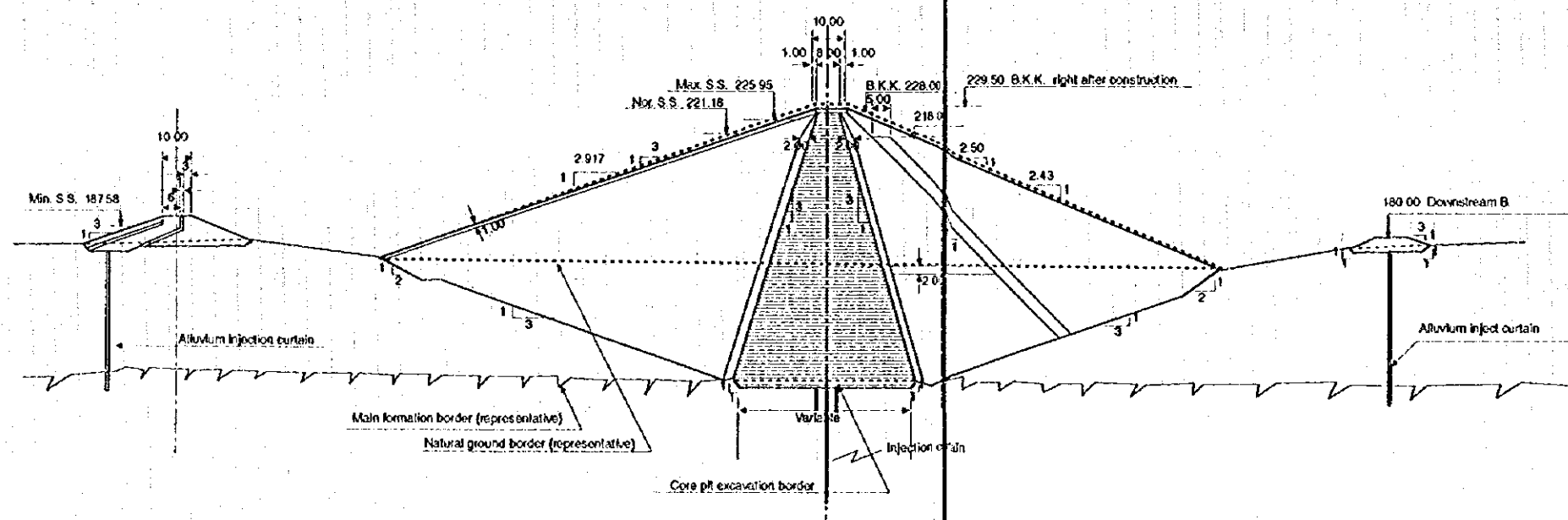


QUATERNARY DRAIN

THE REPUBLIC OF TURKEY GENERAL DIRECTORATE OF STATE HYDRAULIC WORKS (DS)	
THE FEASIBILITY STUDY ON KÜÇÜK MENDERES RIVER BASIN IRRIGATION PROJECT	
TYPICAL DRAWINGS OF ON-FARM IRRIGATION SYSTEM	
JAPAN INTERNATIONAL COOPERATION AGENCY (JICA)	EXHIBIT NO. OF - 1



GENERAL PLAN OF DAM



STANDARD SECTION

DIMENSION (BEYDAG DAM)

RESERVOIR	
Lowest Water Level	182.55 m
Full Water Level	221.18 m
Highest Water Level	225.95 m
Dead Water Capacity	6.66 x 10 ⁸ m ³
Effective Capacity	241.615 m ³
Flood Control Capacity	
Total Capacity	248.275 x 10 ⁸ m ³
Dam	
Dam Type	Center Corod Rock Fill Type
Crest Elevation	228.00 m
Crest Length	788.50 m
Crest Width	10.00 m
Dam Height	95.00 m
Dam Volume	9.0 x 10 ⁸ m ³
SPILLWAY	
Type	Shule Type, Radial Gate x 2
Design Flood Discharge	1275.00 m ³ /sec
Length of Connecting Channel	
Type of Energy Dissipator	Stilling basin
DIVERSION TUNNEL	
Design Discharge	151.00 m ³ /sec
(c)	5.00 m
Length	584.499 m
Incline	0.005

THE REPUBLIC OF TURKEY
GENERAL DIRECTOR OF STATE HYDRAURIC WORKS
(DSI)

THE FEASIBILITY STUDY
ON
KÜÇÜK MENDERES RIVER BASIN
IRRIGATION PROJECT

GENERAL PLAN
OF
BEYDAG DAM (DSI)

JAPAN INTERNATIONAL COOPERATION AGENCY
(JICA)

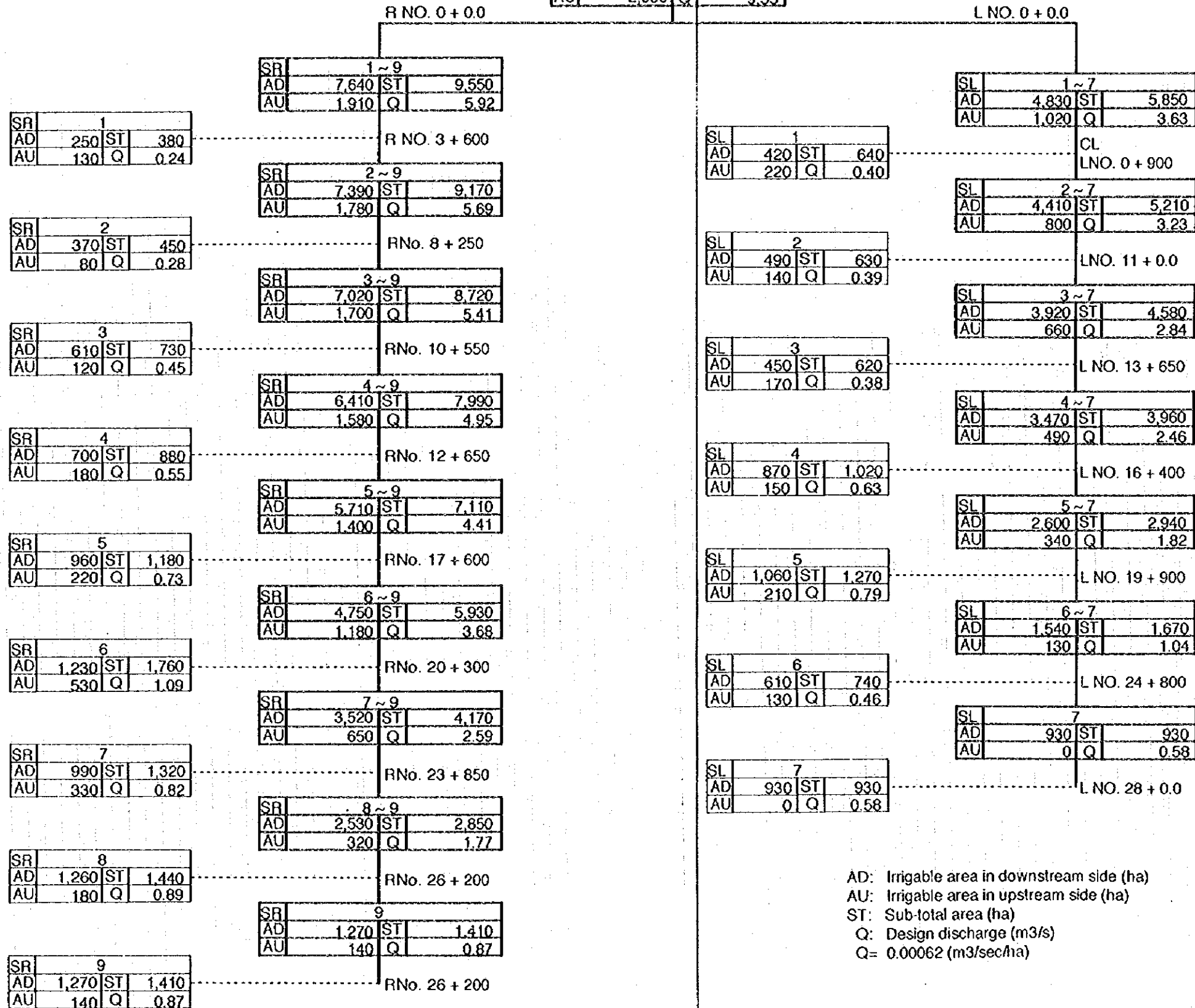
EXHIBIT NO.
OS - 1

PROPOSED BEYDAĞ DAM

RIGHT MAIN CANAL

LEFT MAIN CANAL

SR	1~9	ST	15,400
AD	12,470	ST	15,400
AU	2,930	Q	9.55



AD: Irrigable area in downstream side (ha)
 AU: Irrigable area in upstream side (ha)
 ST: Sub-total area (ha)
 Q: Design discharge (m³/s)
 Q= 0.00062 (m³/sec/ha)

THE REPUBLIC OF TURKEY GENERAL DIRECTOR OF STATE HYDRAURIC WORKS (DSİ)	
THE FEASIBILITY STUDY ON KÜÇÜK MENDERES RIVER BASIN IRRIGATION PROJECT	
SCHEMATIC DIAGRAM FOR IRRIGATION WATER SUPPLY	
JAPAN INTERNATIONAL COOPERATION AGENCY (JICA)	EXHIBIT NO. OS-2

JICA

