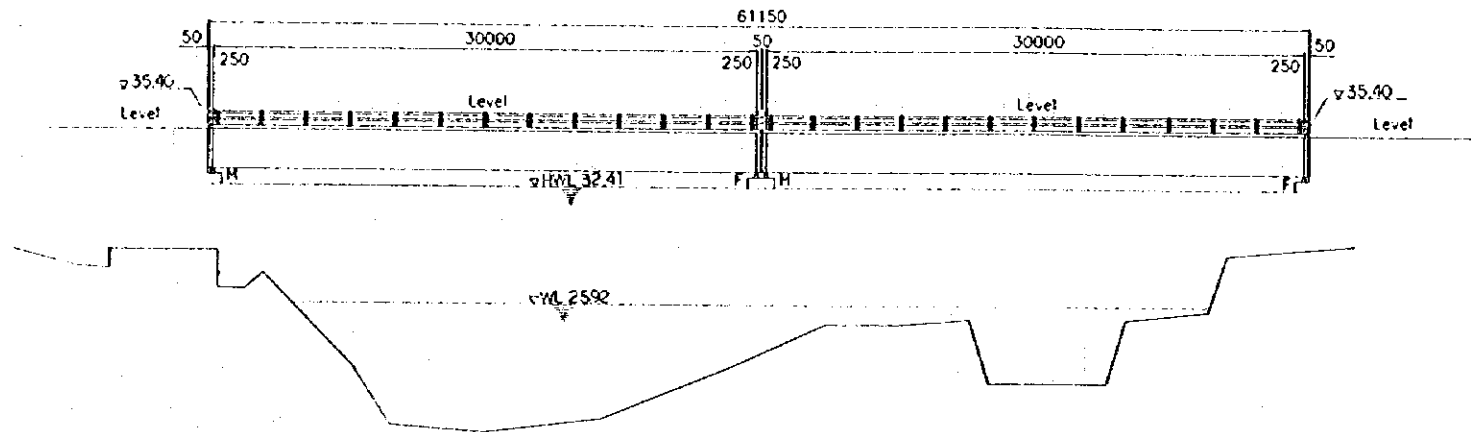


**GENERAL VIEW OF BRIDGES  
FOR STEEL GIRDER SUPPLY**

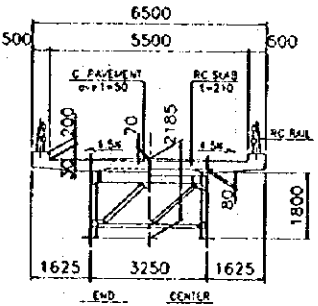


Br. No. 4 Dong Vuong Bridge  
(General View of the Bridge)

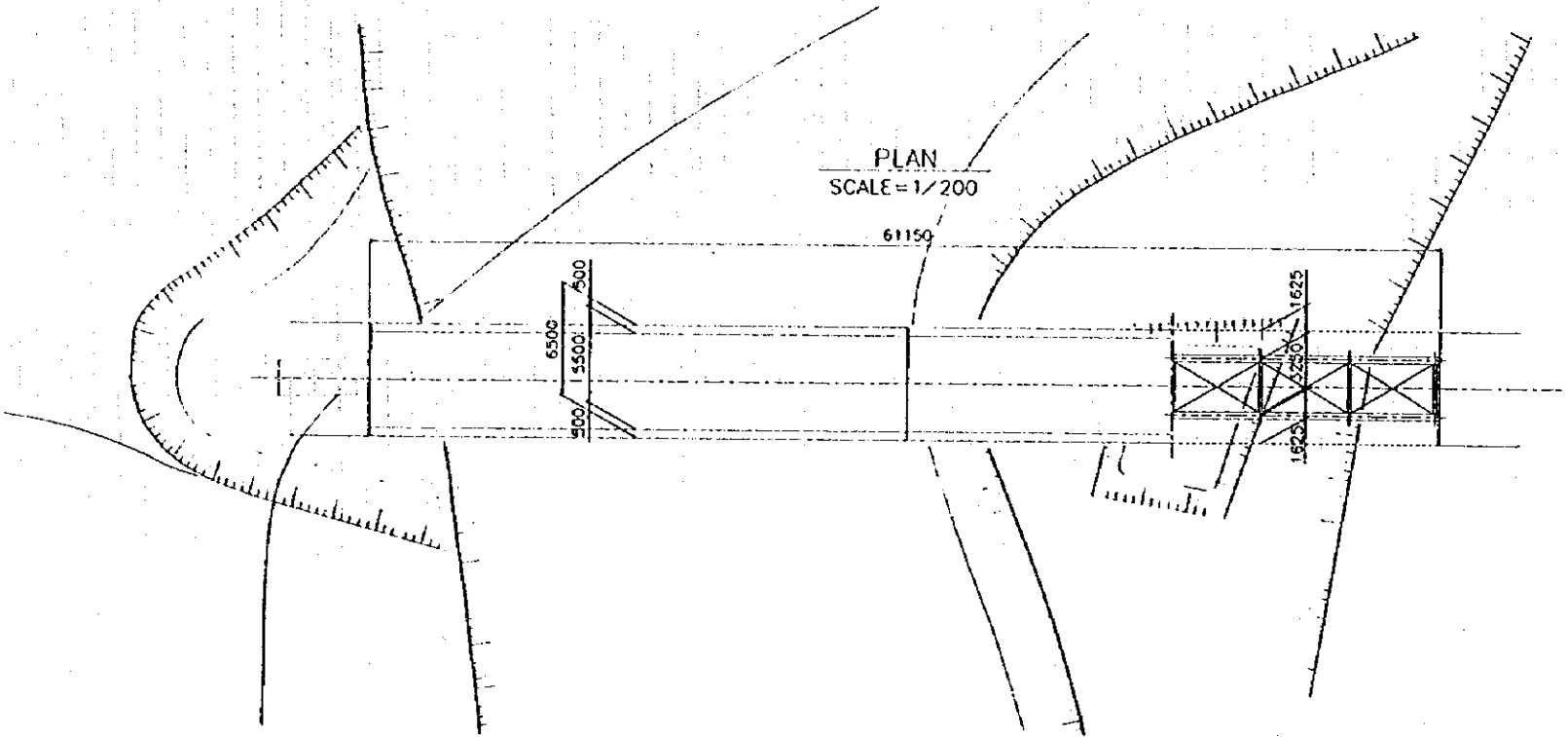
PROFILE  
SCALE = 1/200



SECTION  
SCALE = 1/100



PLAN  
SCALE = 1/200

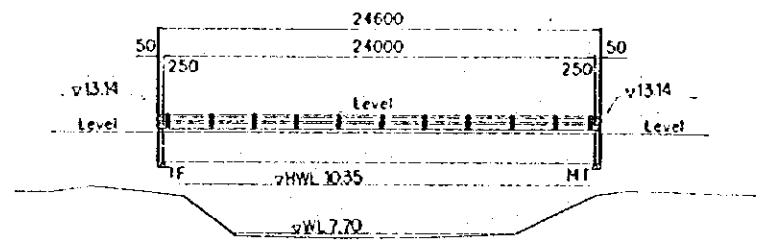


42

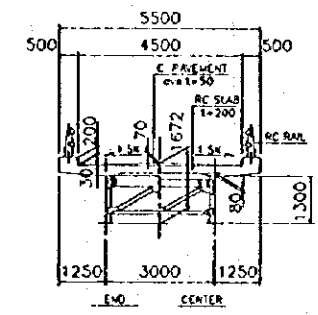
43

Br. No. 10      Tinh Bridge  
 (General View of the Bridge)

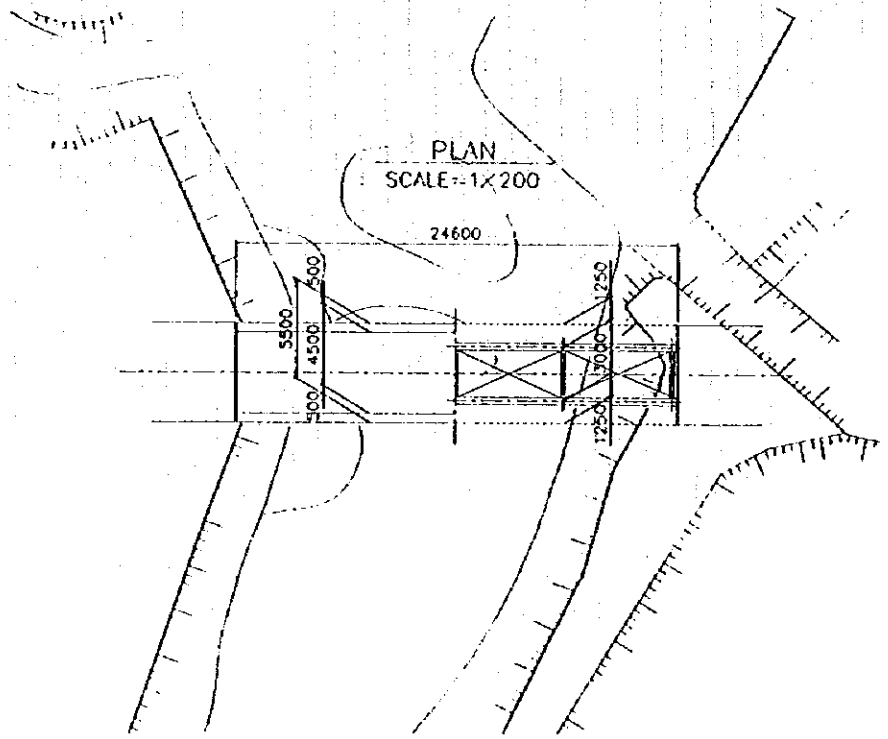
PROFILE  
 SCALE=1/200



SECTION  
 SCALE=1/100

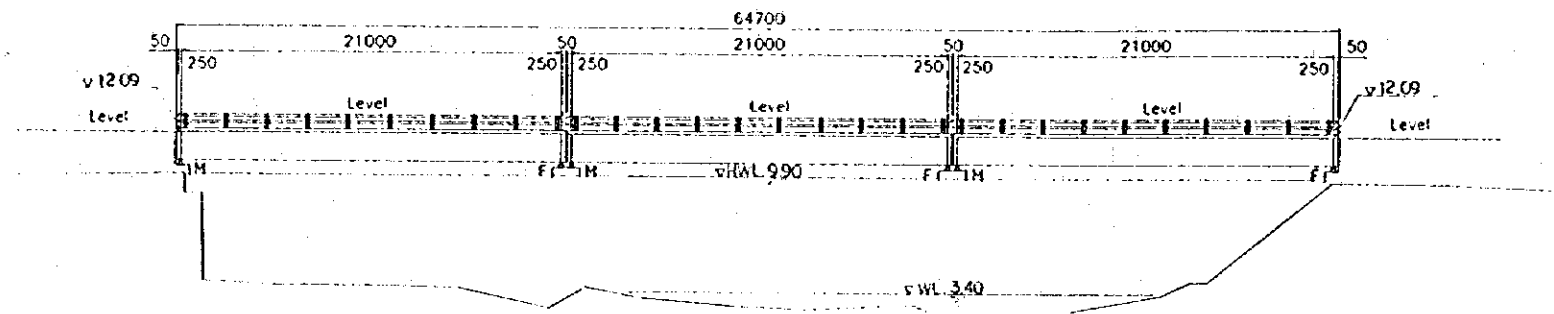


PLAN  
 SCALE=1/200

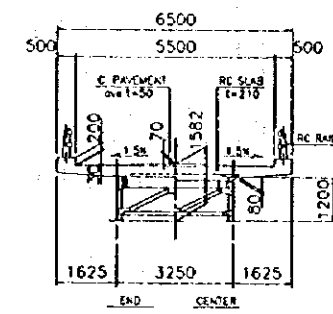


Br. No. 21 Dong Mo Bridge  
(General View of the Bridge)

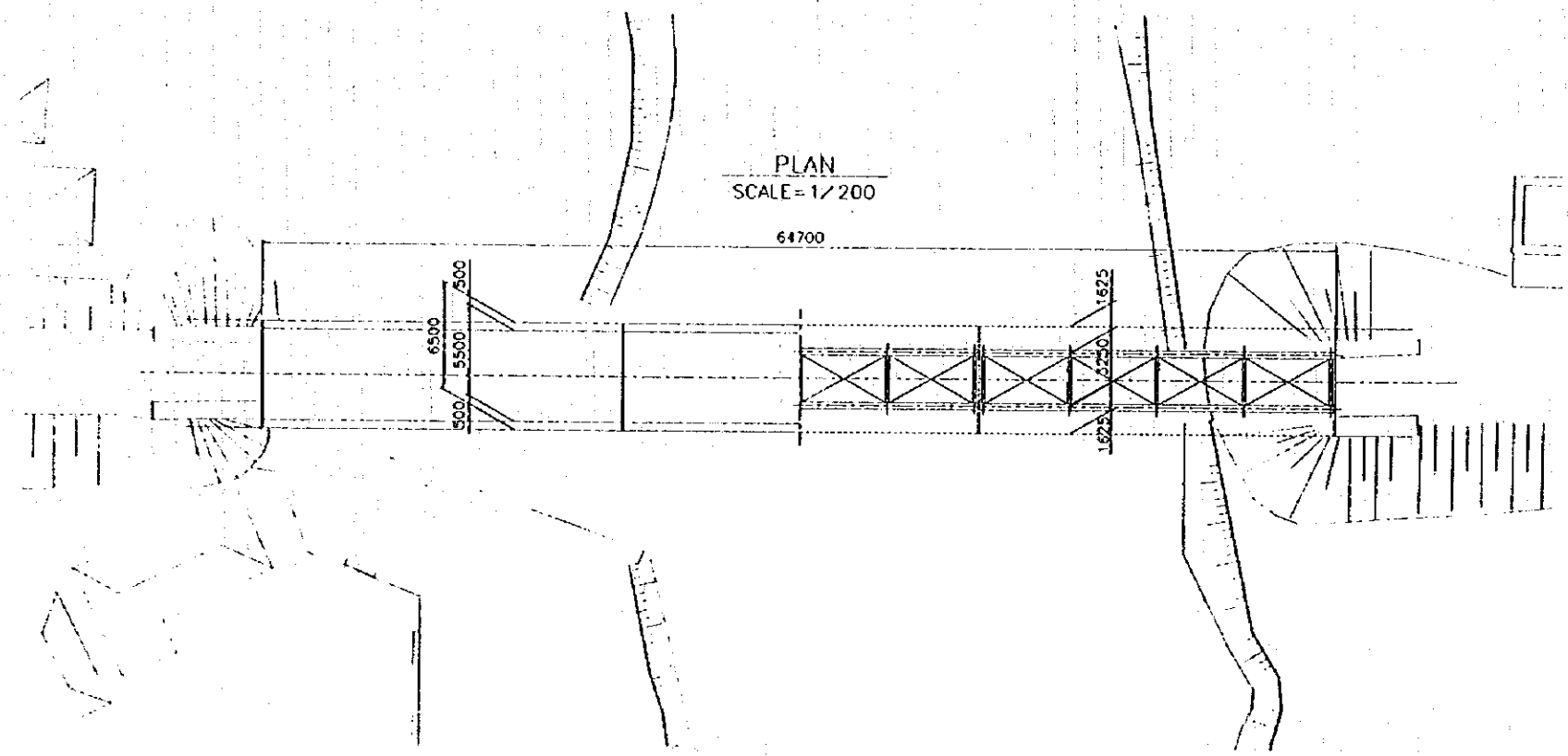
PROFILE  
SCALE = 1/200



SECTION  
SCALE = 1/100

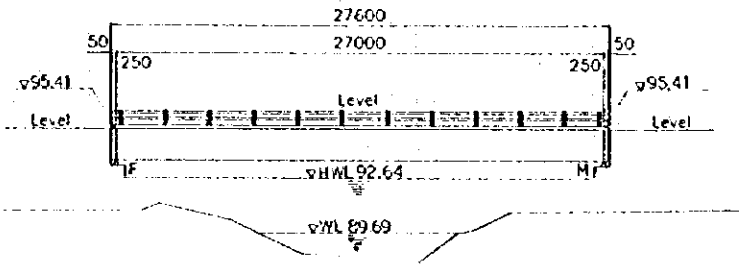


PLAN  
SCALE = 1/200

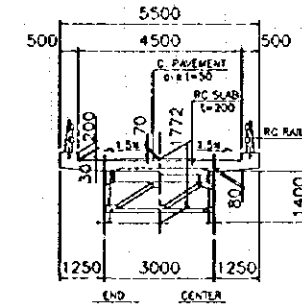


Br. No. 25 Lanh Bridge  
(General View of the Bridge)

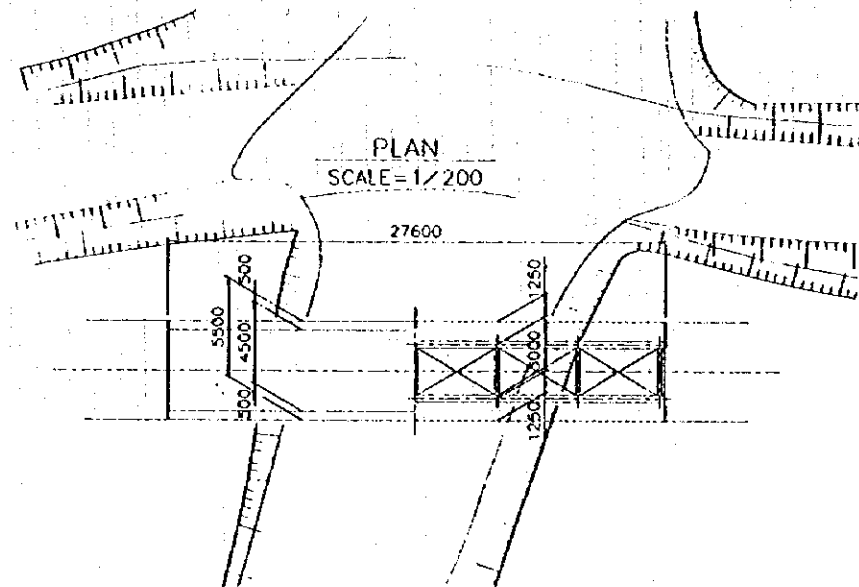
PROFILE  
SCALE = 1/200



SECTION  
SCALE = 1/100

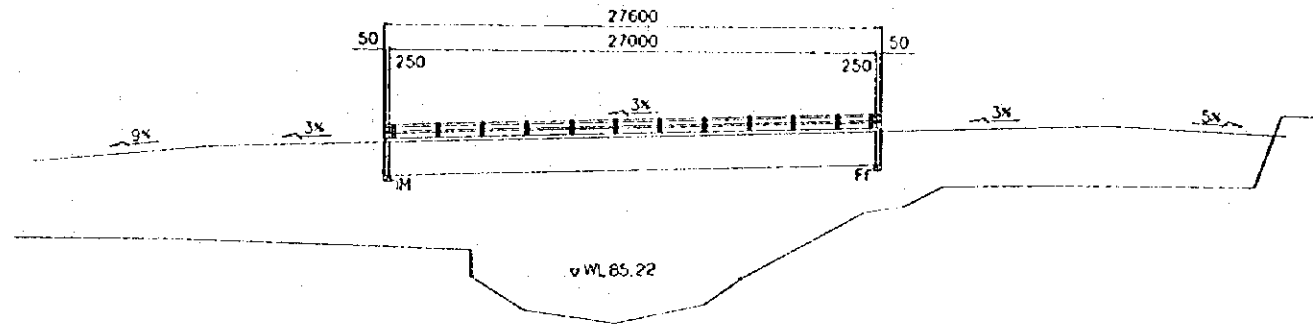


PLAN  
SCALE = 1/200

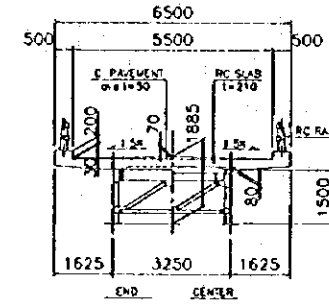


Br. No. 26      Vai Bridge  
(General View of the Bridge)

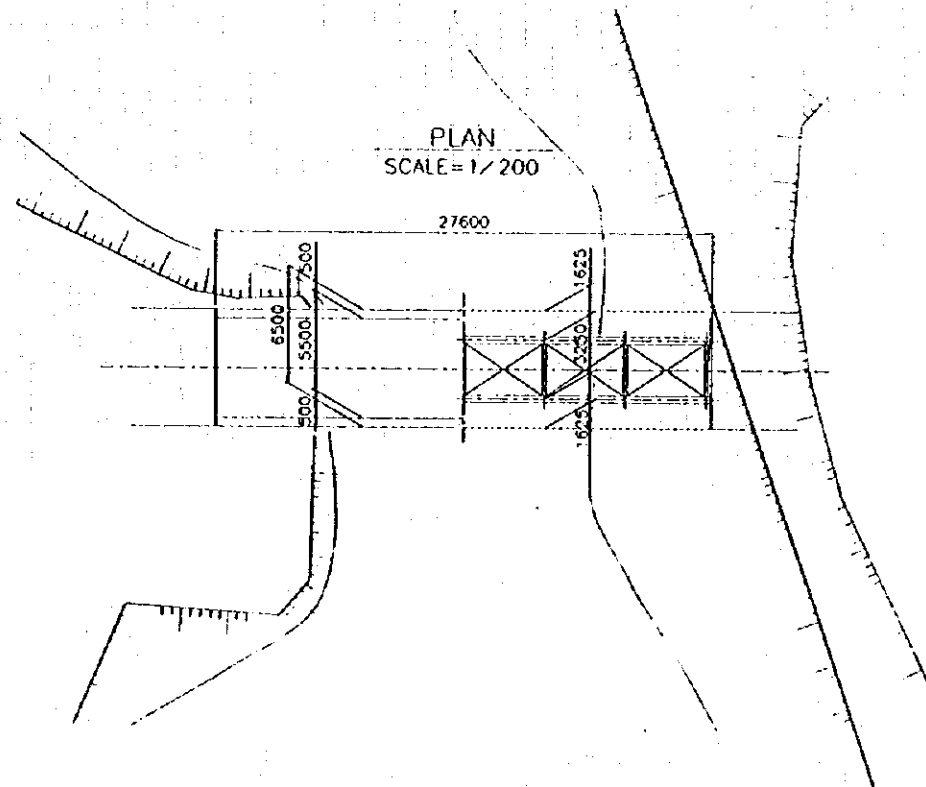
PROFILE  
SCALE = 1/200



SECTION  
SCALE = 1/100

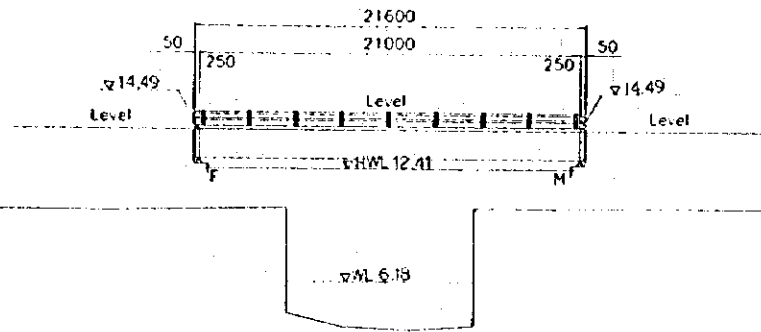


PLAN  
SCALE = 1/200

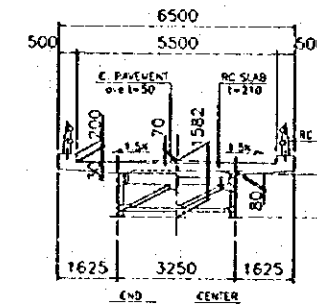


Br. No. 29 Ban Ai Bridge  
(General View of the Bridge)

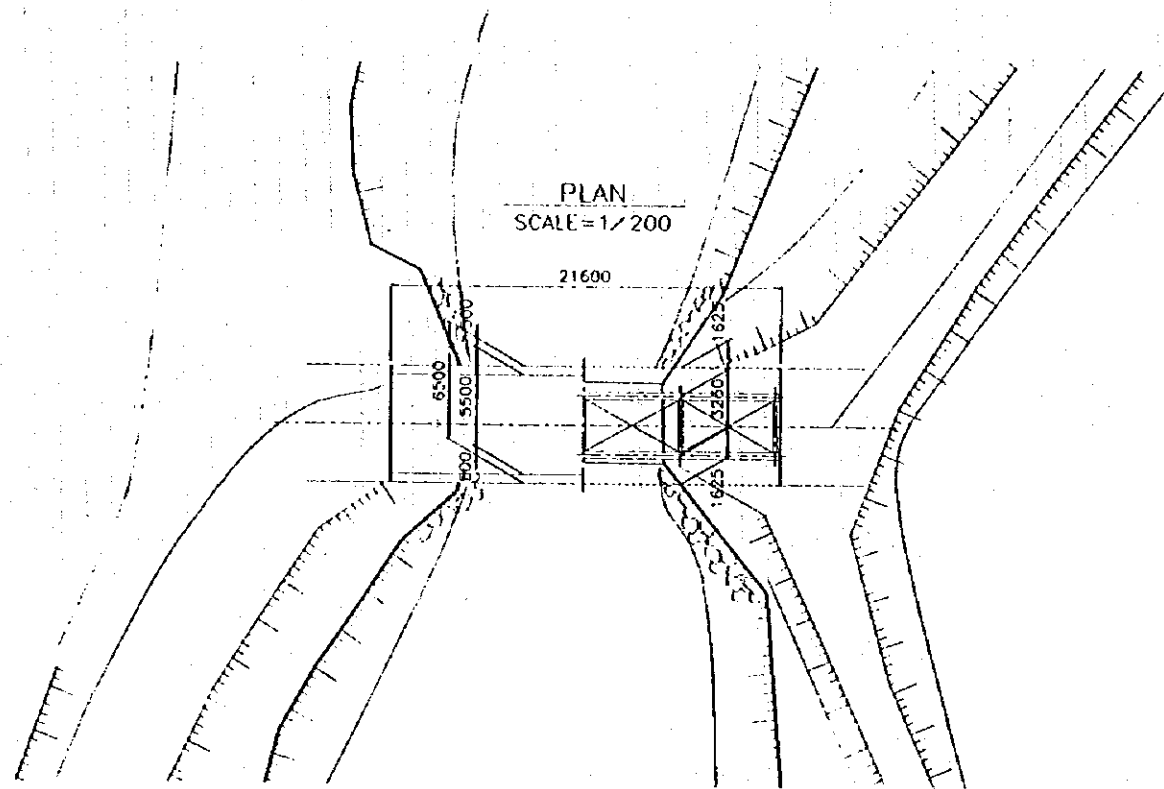
PROFILE  
SCALE = 1/200



SECTION  
SCALE = 1/100



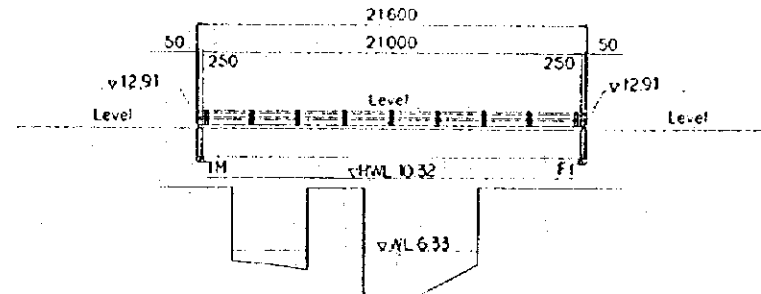
PLAN  
SCALE = 1/200



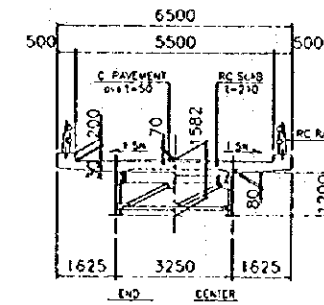


Br. No. 30 Ban Hinh Bridge  
(General View of the Bridge)

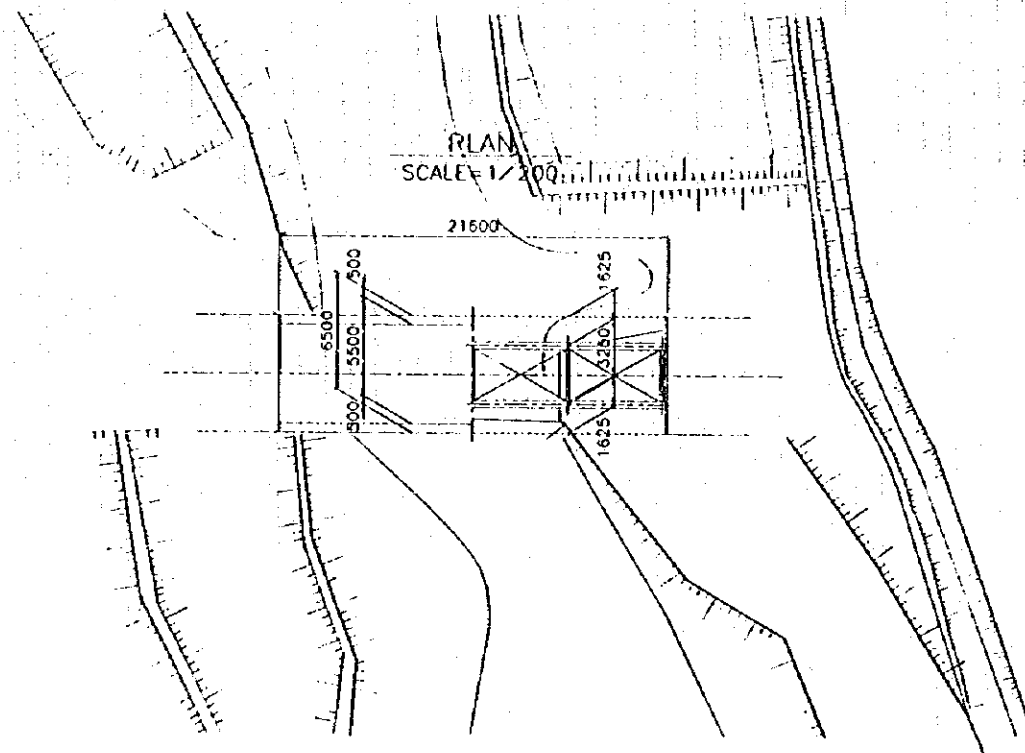
PROFILE  
SCALE = 1/200



SECTION  
SCALE = 1/100

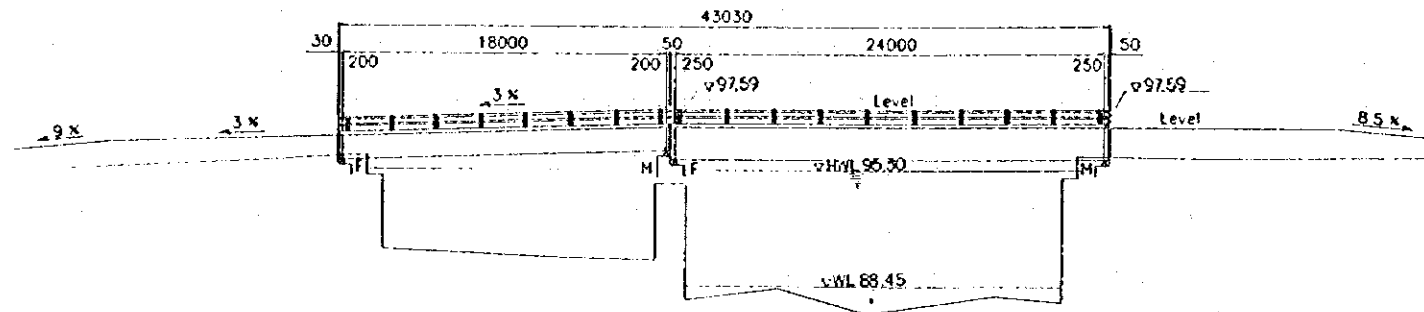


PLAN  
SCALE = 1/200

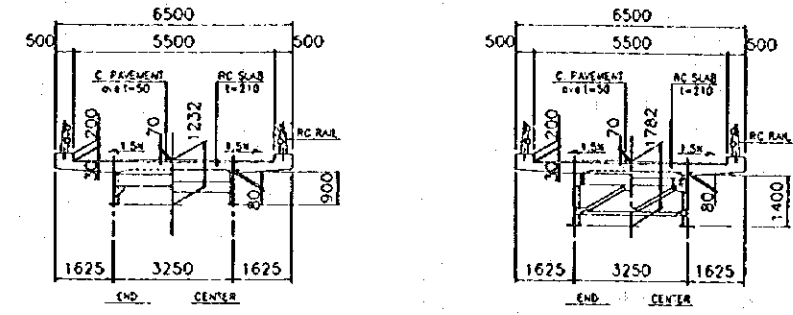


Br. No. 35 Ban Vuoc Bridge  
(General View of the Bridge)

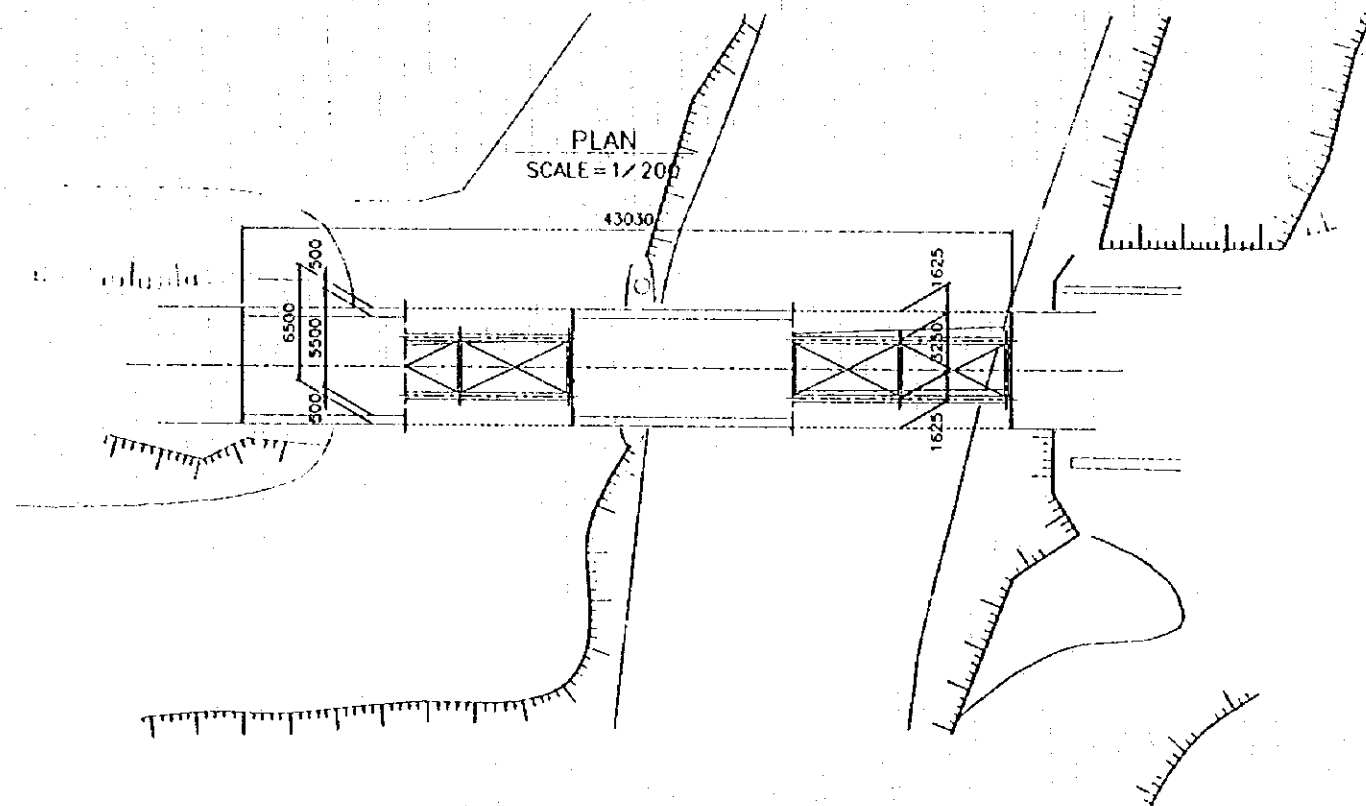
PROFILE  
SCALE = 1/200



SECTION  
SCALE = 1/100



PLAN  
SCALE = 1/200





## 10. References

Title	Author	Year	Publisher
STATISTICAL YEARBOOK 1993	Socialist Republic of Vietnam General Statistical Office (GSO)	1994	STATISTICAL PUBLISHING HOUSE
STATISTICAL DATA ON LABOUR AND SOCIAL AFFAIRS 1993		1994	STATISTICAL PUBLISHING HOUSE
Vietnam Bridge Design Code 22 TCN 018-79			
Design Criteria of Highway TCVN 4054-85			
TRANSPORT and MARKETING NO.5			CIVIL ENGINEERING COMPANY 810
LEGAL DOCUMENTS ON FOREIGN INVESTMENT AND PROTECTION OF INVESTMENT IN VIETNAM VOL. 1		1994	NATIONAL POLITICS PUBLISHERS
LEGAL DOCUMENTS ON FOREIGN INVESTMENT AND PROTECTION OF INVESTMENT IN VIETNAM VOL.2		1995	NATIONAL POLITICS PUBLISHERS
STATISTICAL YEARBOOK K 1992		1992	STATISTICAL PUBLISHING HOUSE
SATISTICAL YEARBOOK 1994		1994	STATISTICAL PUBLISHING HOUSE
VIETNAM CONSTRUCTION HANDBOOK		1995	DAVIS LANGDON & SEAH INTERNATIONAL
DON GIA XAY DUNG CO BAN TP HANOI		1994	PEOPLE'S COMMITTEE OF HA NOI CITY
DON GIA XAY DUNG CO BAN HA GIANG		1994	PEOPLE'S COMMITTEE OF HA GIANG PROVINCE
DON GIA XAY DUNG CO BAN NINH BINH		1994	PEOPLE'S COMMITTEE OF NINH BINH PROVINCE
DON GIA XAY DUNG CO BAN HA BAC		1994	PEOPLE'S COMMITTEE OF HA BAC PROVINCE
DON GIA XAY DUNG CO BAN LAO CAI		1994	PEOPLE'S COMMITTEE OF LAO CAI PROVINCE
DON GIA XAY DUNG CO BAN BAC THAI		1994	PEOPLE'S COMMITTEE OF BAC THAI
DON GIA XAY DUNG CO BAN VINH PHU		1994	PEOPLE'S COMMITTEE OF VINH PHU











JICA