

国際協力事業団

Bangladesh 人民共和国
 地方自治体開発省

Bangladesh 人民共和国
 地方道路簡易橋整備計画基本設計調査

基本設計調査

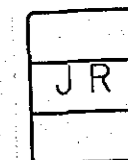
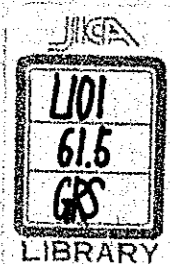
調査概要報告書

付属資料 3

要請橋梁概略一般図

平成 5 年 9 月

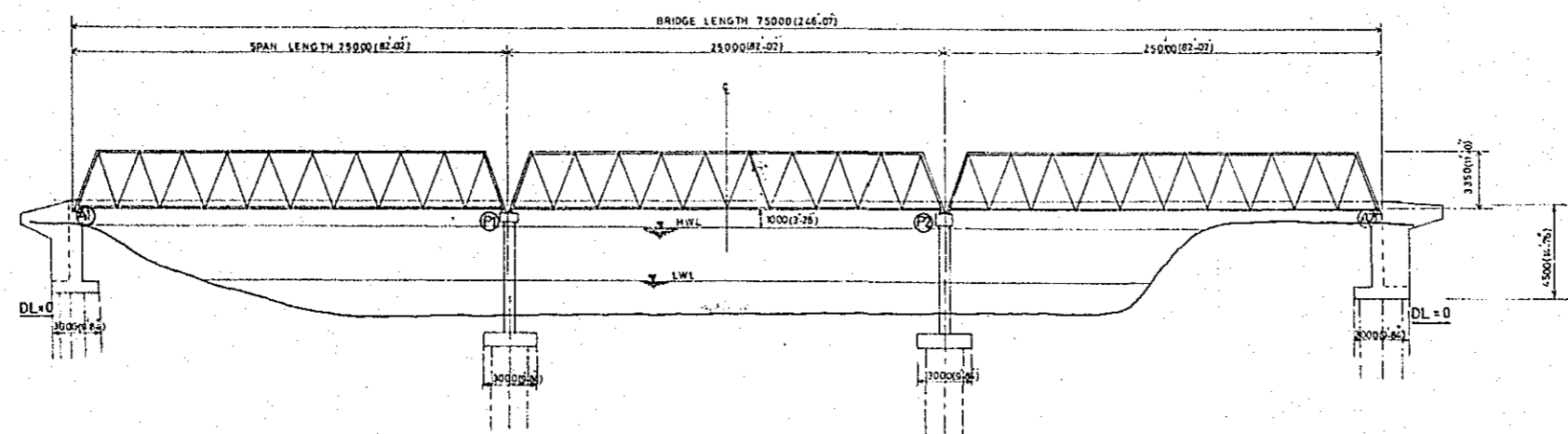
株式会社 片平エンジニアリングインターナショナル



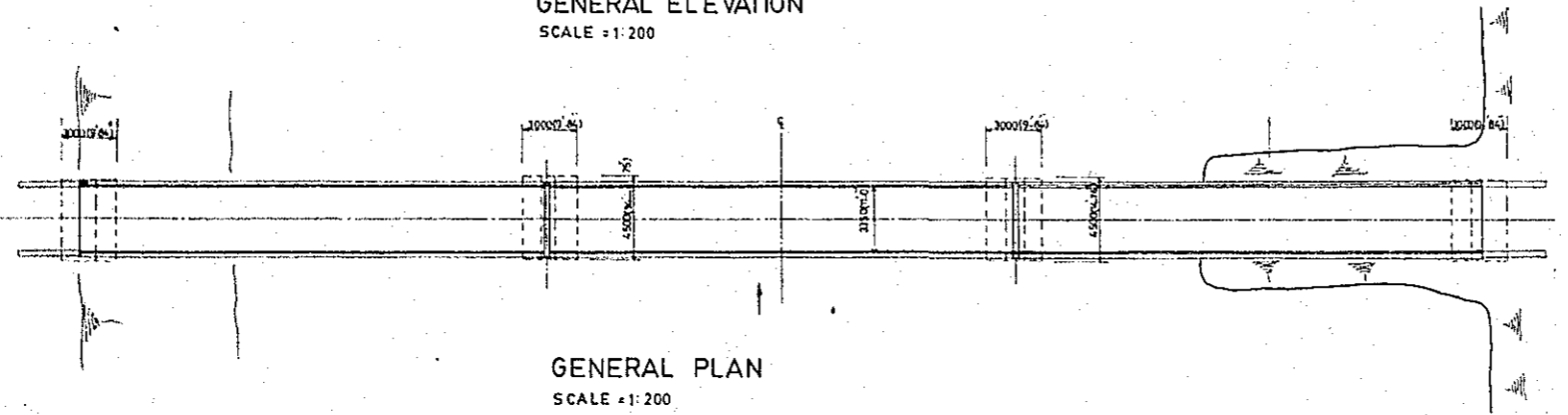


1127493 [3]

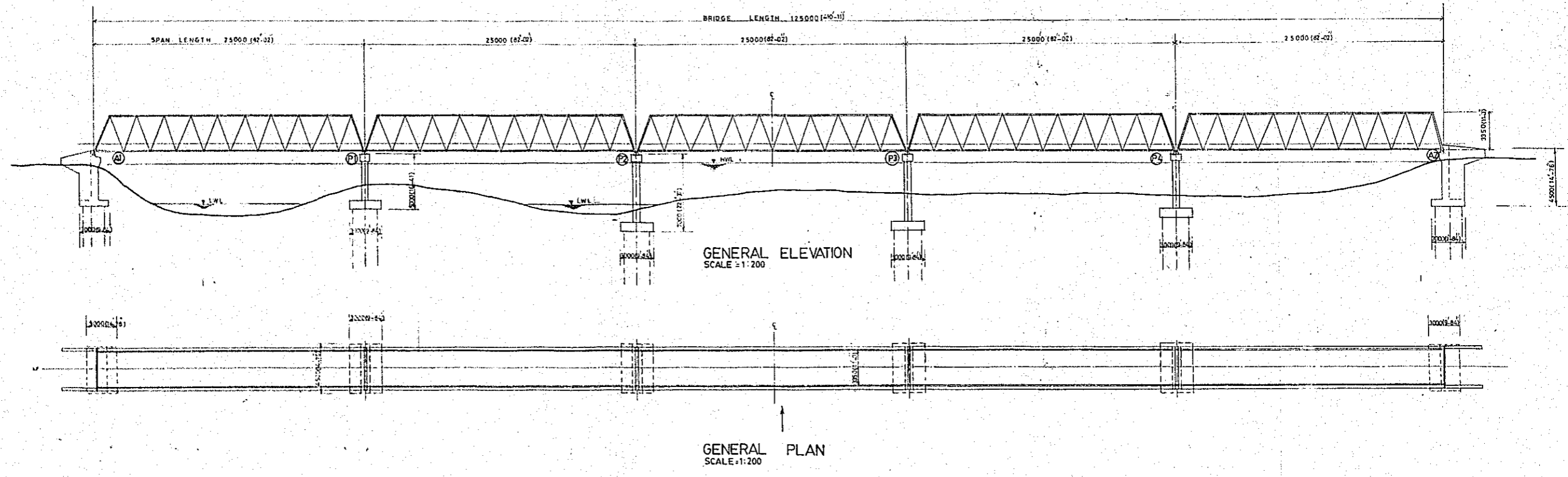
BASIC DESIGN STUDY ON THE PROJECT FOR PROCUREMENT OF PORTABLE STEEL BRIDGES FOR RURAL ROADS		
BRIDGE NO.	LOCATION	SHEET NO.
01-01-01	COX'S BAZAR	



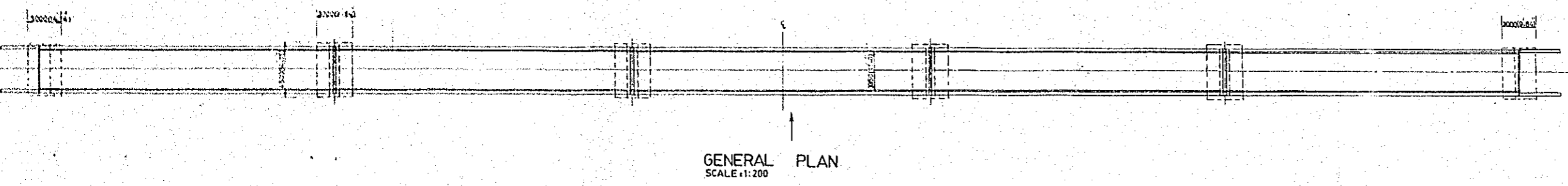
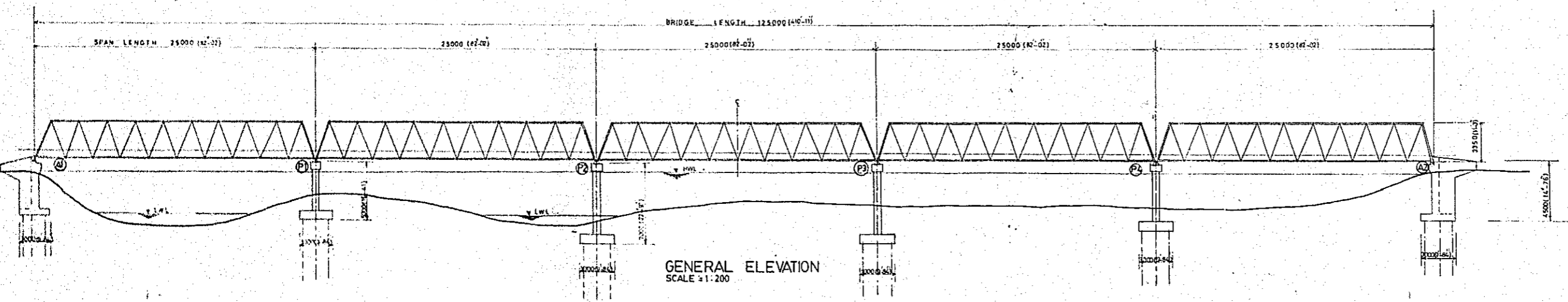
GENERAL ELEVATION
SCALE = 1:200



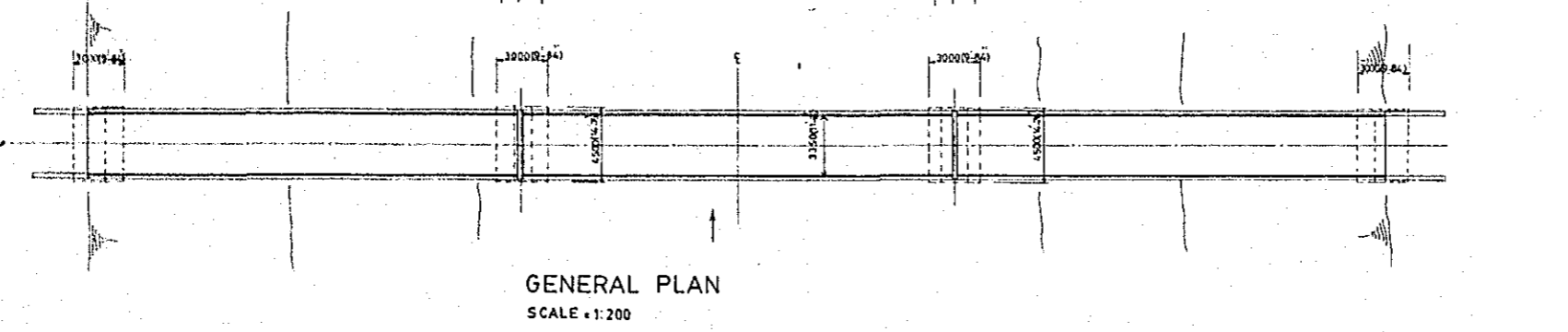
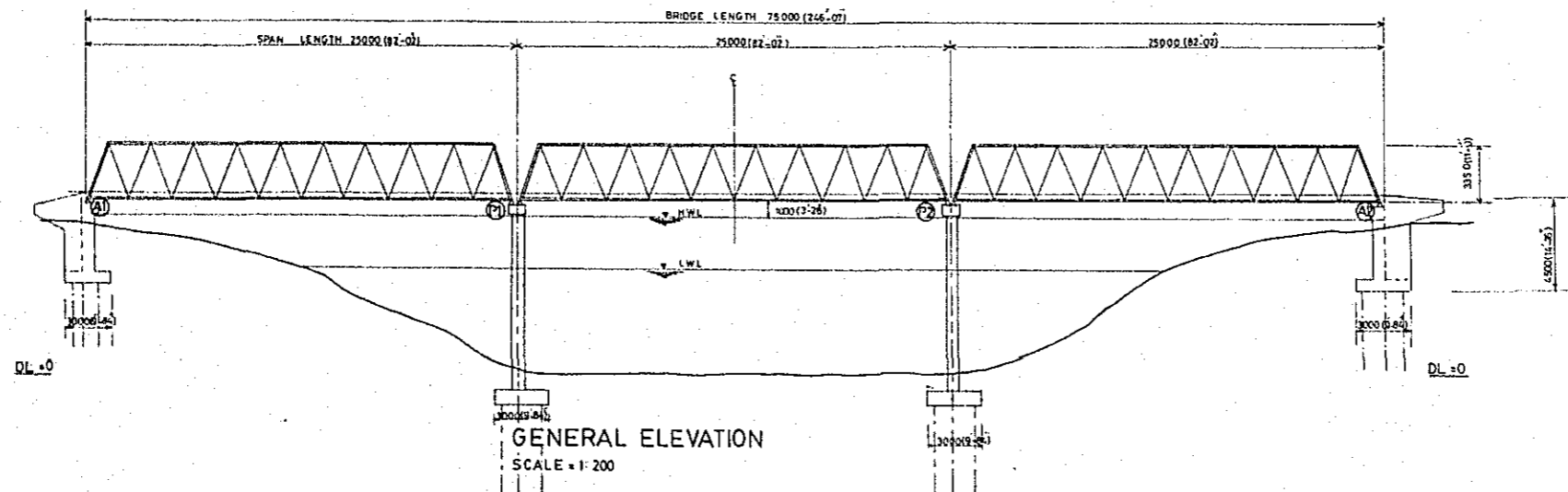
GENERAL PLAN
SCALE = 1:200



BASIC DESIGN STUDY ON THE PROJECT FOR		
PROCUREMENT OF PORTABLE STEEL BRIDGES FOR RURAL ROADS		
BRIDGE NO.	LOCATION	SHEET NO.
01-02-01	COX'S BAZAR	

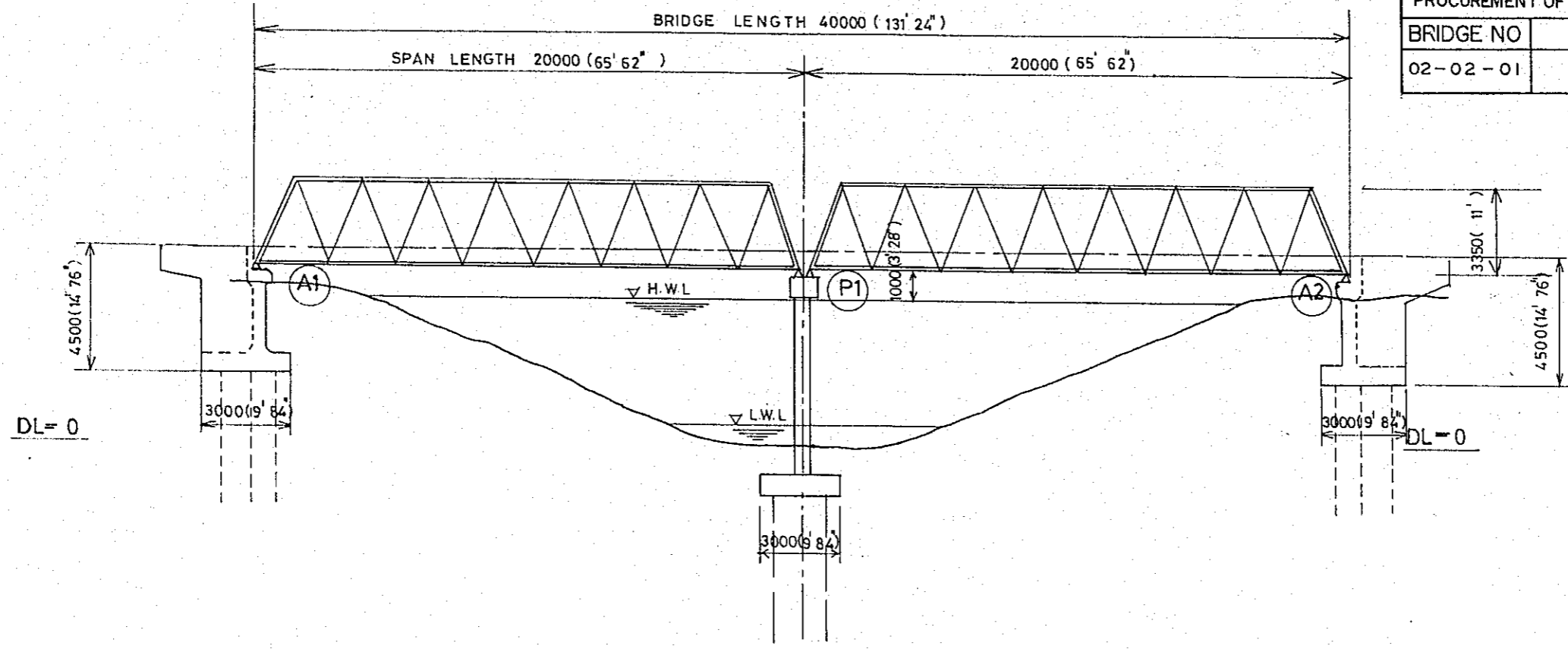


BASIC DESIGN STUDY ON THE PROJECT FOR PROCUREMENT OF PORTABLE STEEL BRIDGES FOR RURAL ROADS		
BRIDGE NO	LOCATION	SHEET NO
02-01-01	FENI	

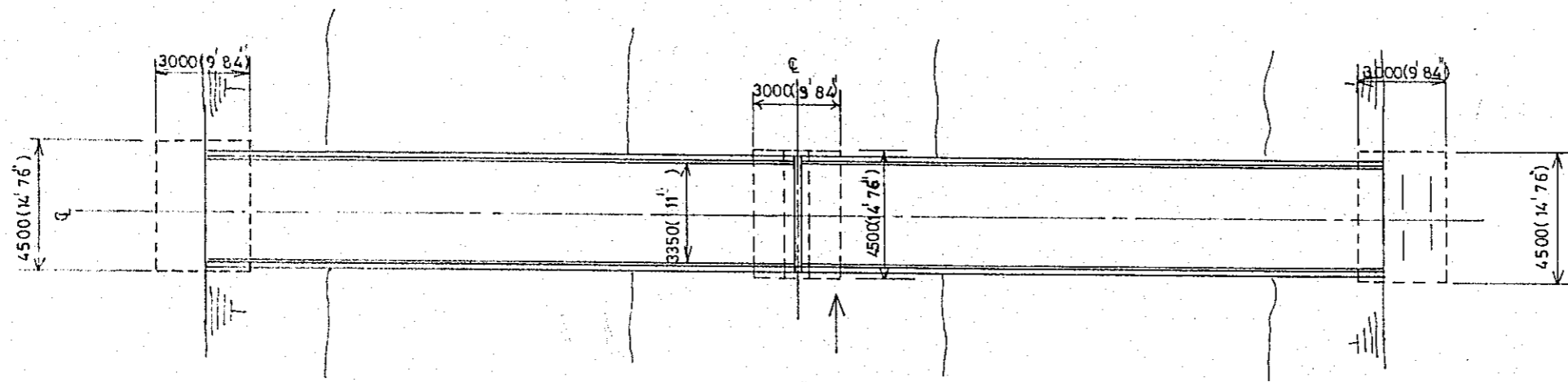


BASIC DESIGN STUDY ON THE PROJECT FOR
PROCUREMENT OF PORTABLE STEEL BRIDGES FOR RURAL ROADS

BRIDGE NO	LOCATION	SHEET NO
02-02-01	FENI	



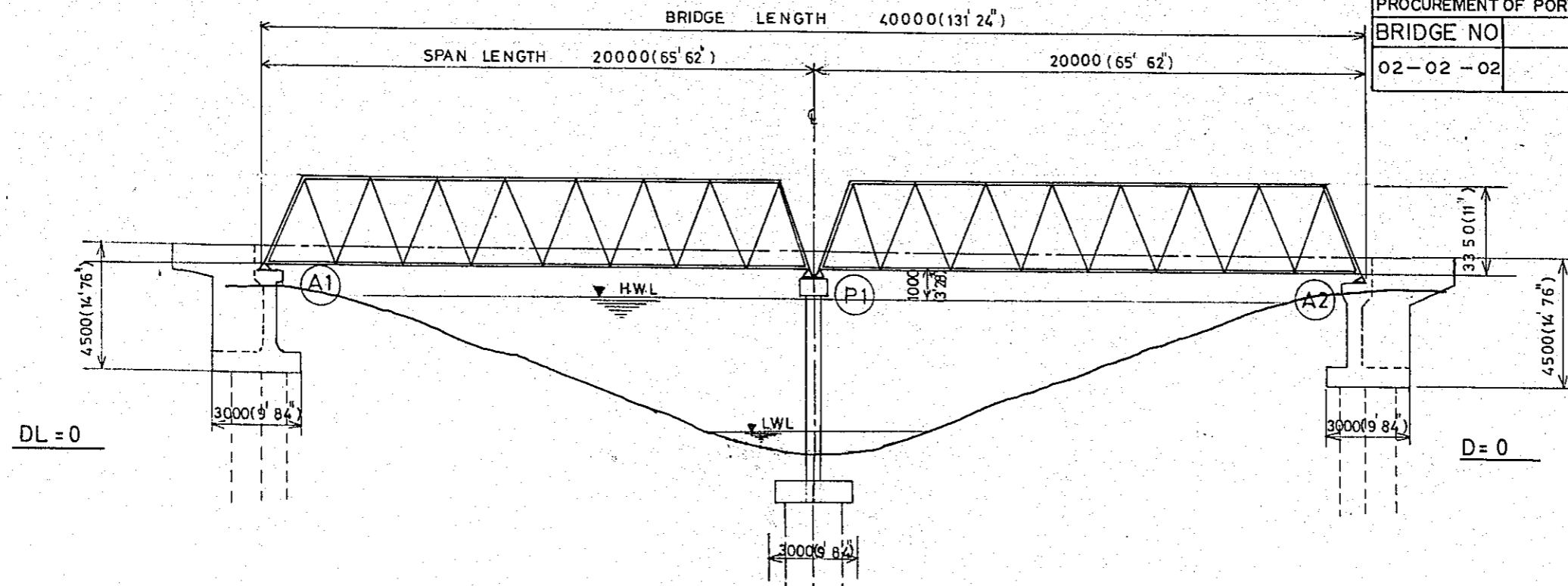
GENERAL ELEVATION
SCALE : 1:200



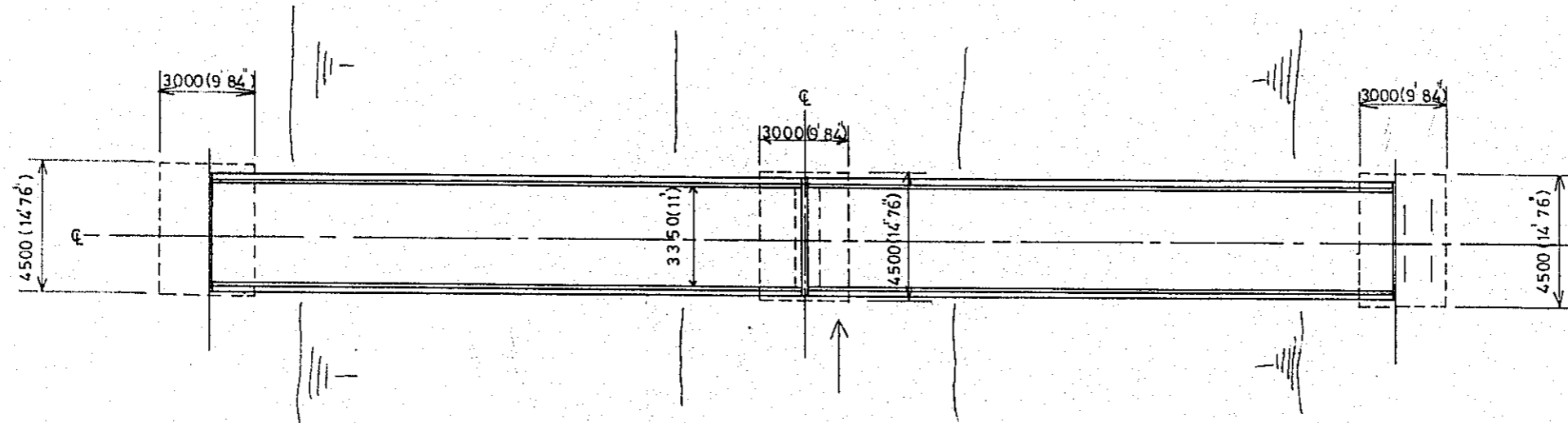
GENERAL PLAN
SCALE : 1:200

BASIC DESIGN STUDY ON THE PROJECT FOR
PROCUREMENT OF PORTABLE STEEL BRIDGES FOR RURAL ROADS

BRIDGE NO	LOCATION	SHEET NO
02-02-02	FENI	



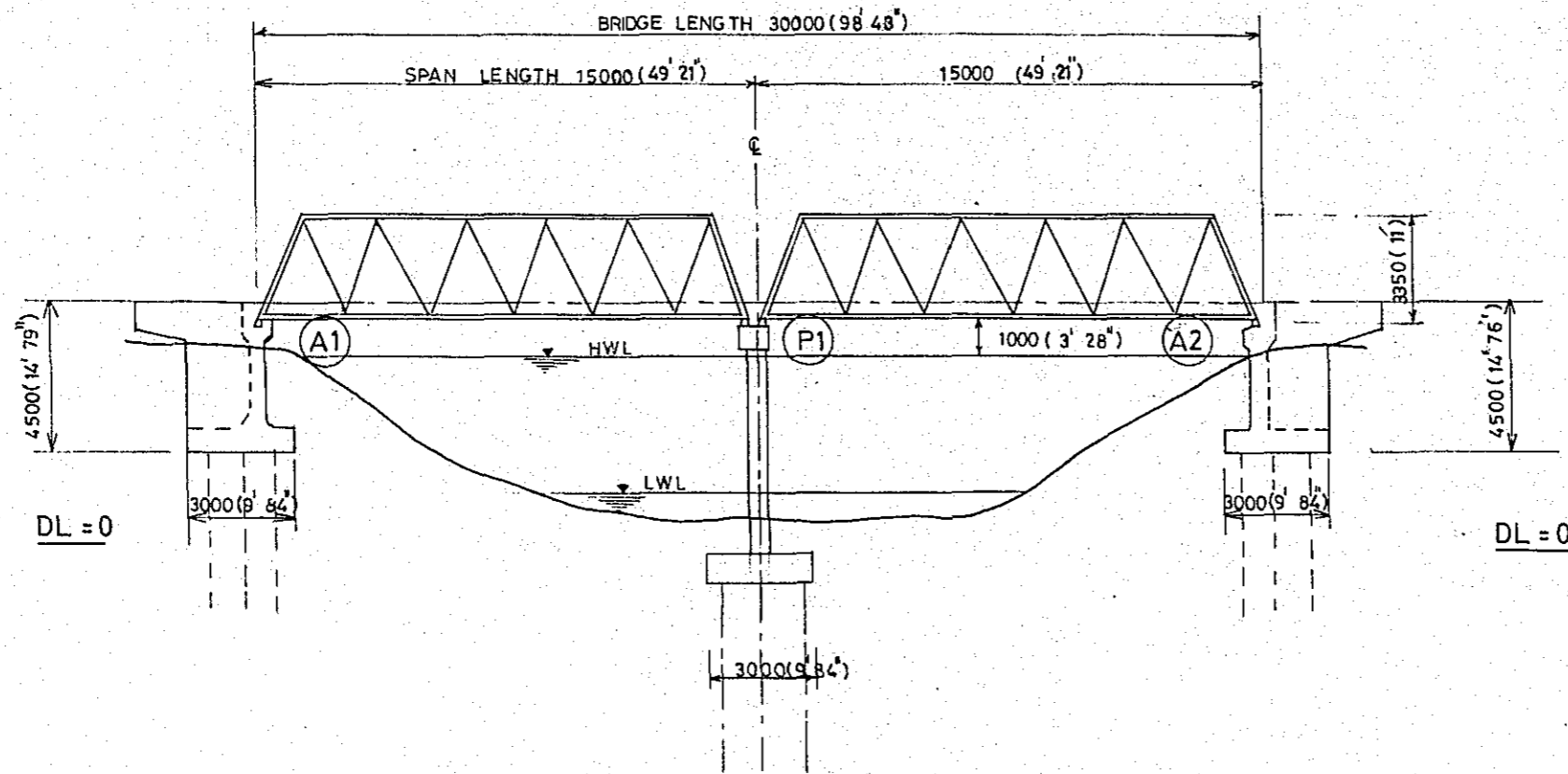
GENERAL ELEVATION
SCALE : 1:200



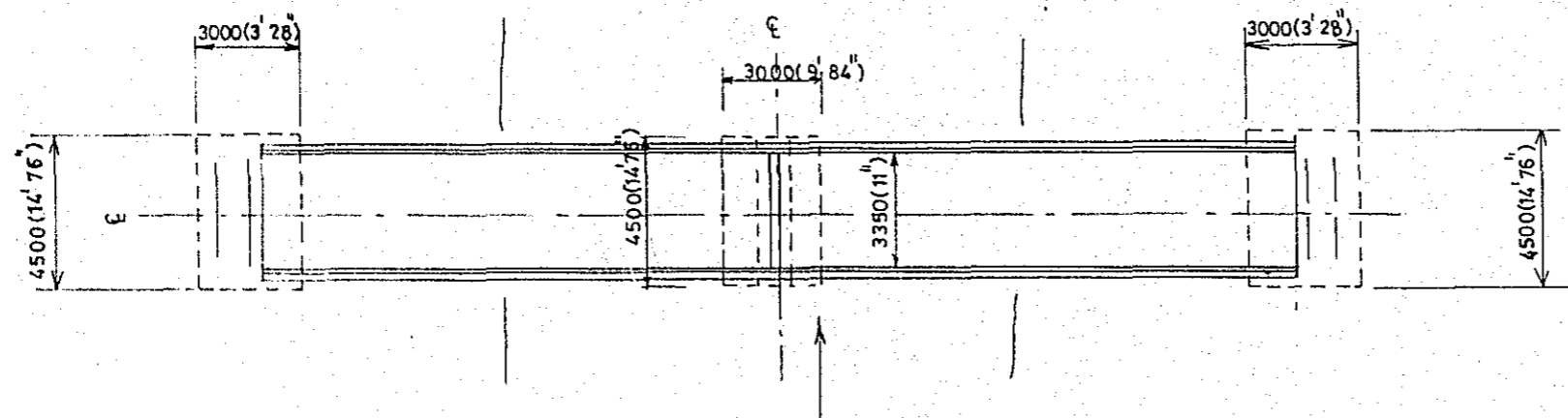
GENERAL PLAN
SCALE : 1:200

BASIC DESIGN STUDY ON THE PROJECT FOR
PROCUREMENT OF PORTABLE STEEL BRIDGES FOR RURAL ROADS

BRIDGE NO	LOCATION	SHEET NO.
03-01-01	CHITTAGONG	



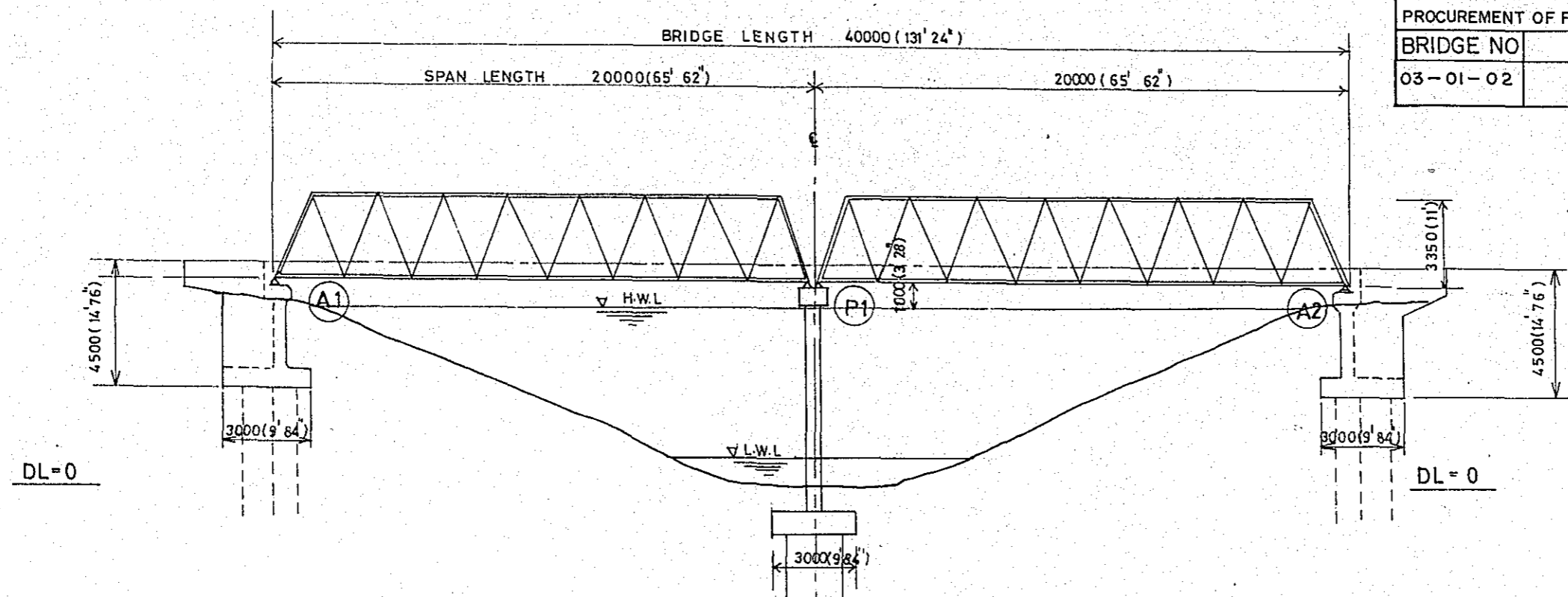
GENERAL ELEVATION
SCALE = 1:200



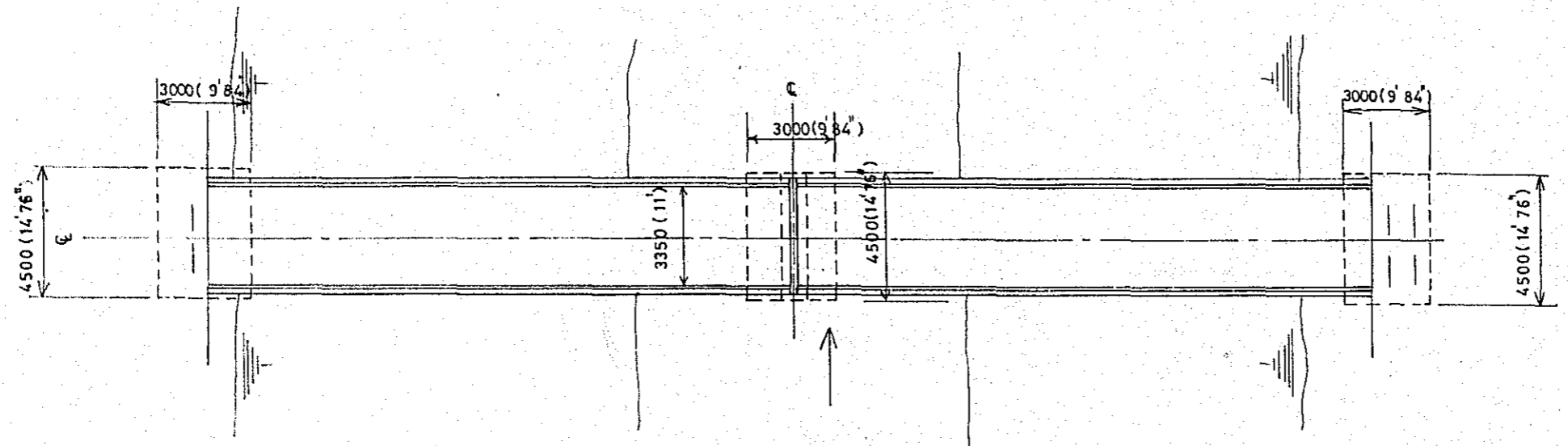
GENERAL PLAN
SCALE = 1:200

BASIC DESIGN STUDY ON THE PROJECT FOR
PROCUREMENT OF PORTABLE STEEL BRIDGES FOR RURAL ROADS

BRIDGE NO	LOCATION	SHEET NO
03-01-02	CHITTAGONG	

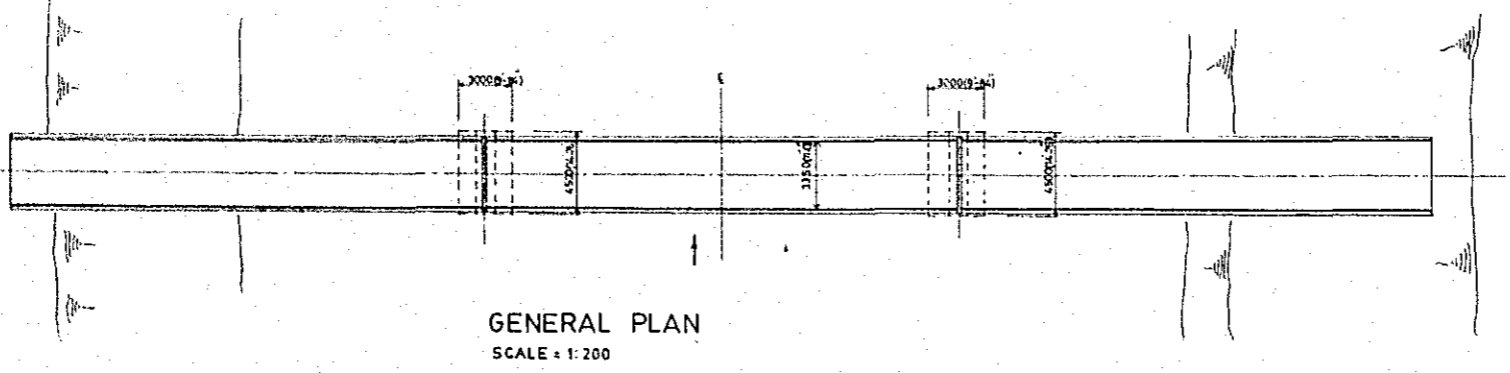
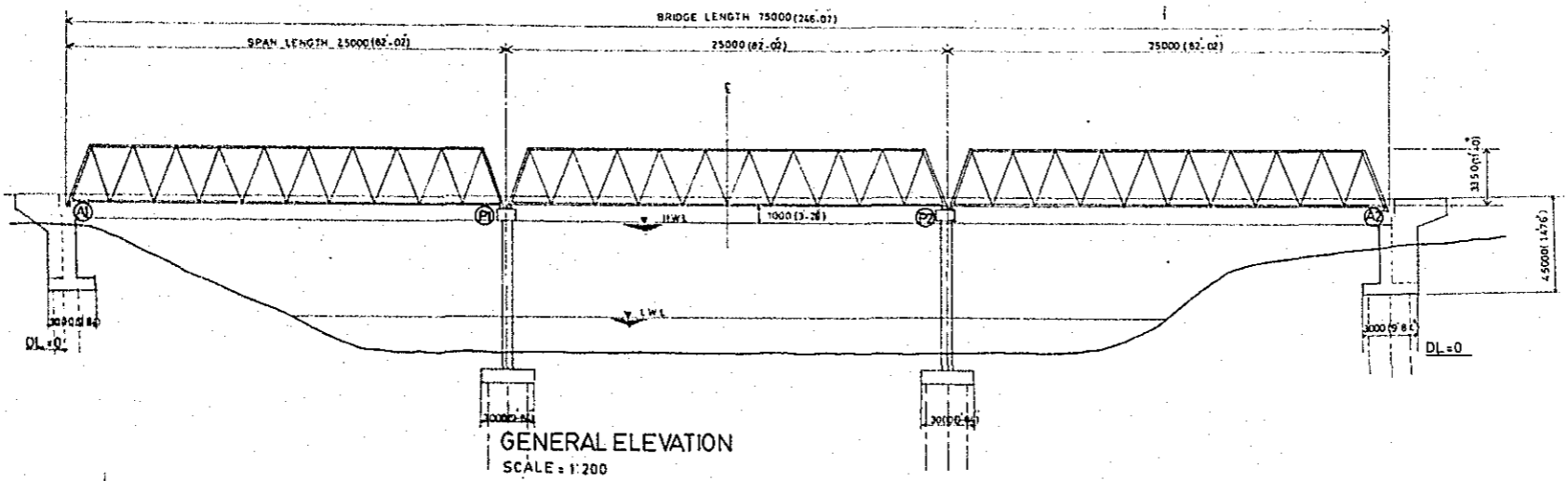


GENERAL ELEVATION
SCALE : 1:200

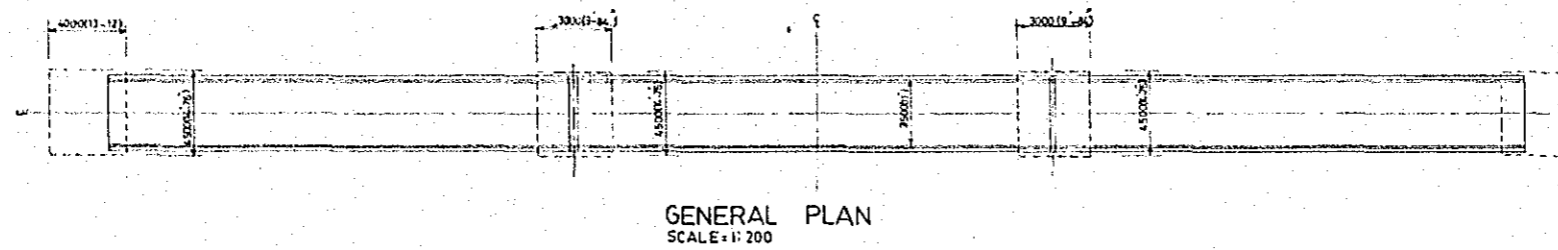
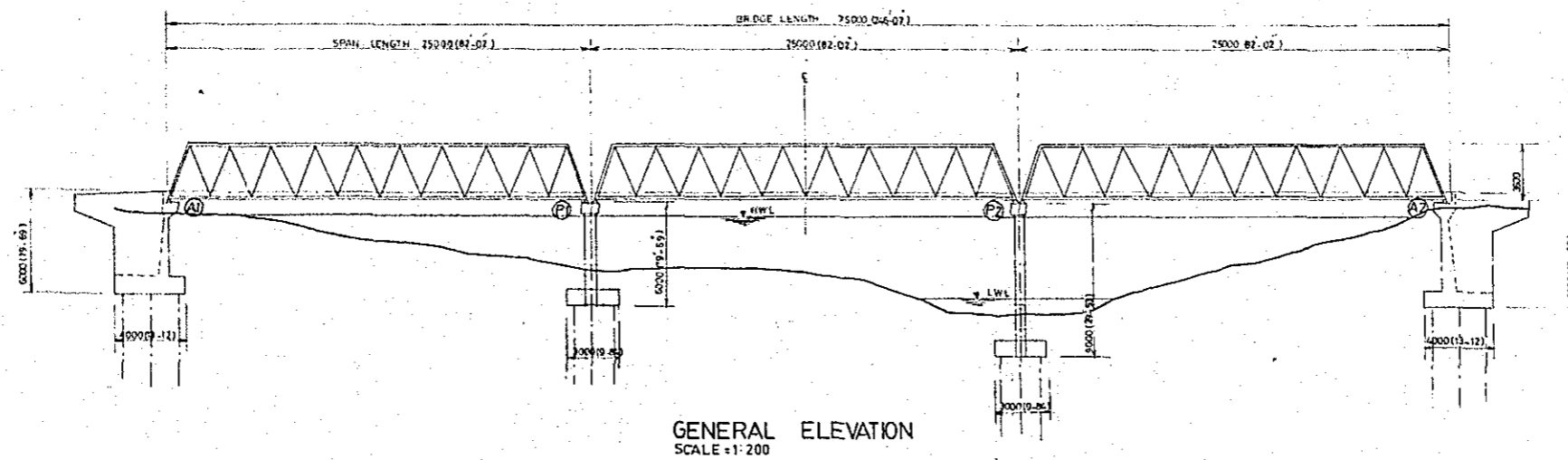


GENERAL PLAN
SCALE : 1:200

BASIC DESIGN STUDY ON THE PROJECT FOR PROCUREMENT OF PORTABLE STEEL BRIDGES FOR RURAL ROADS		
BRIDGE NO	LOCATION	SHEET NO
03-02-01	CHITTAGONG	

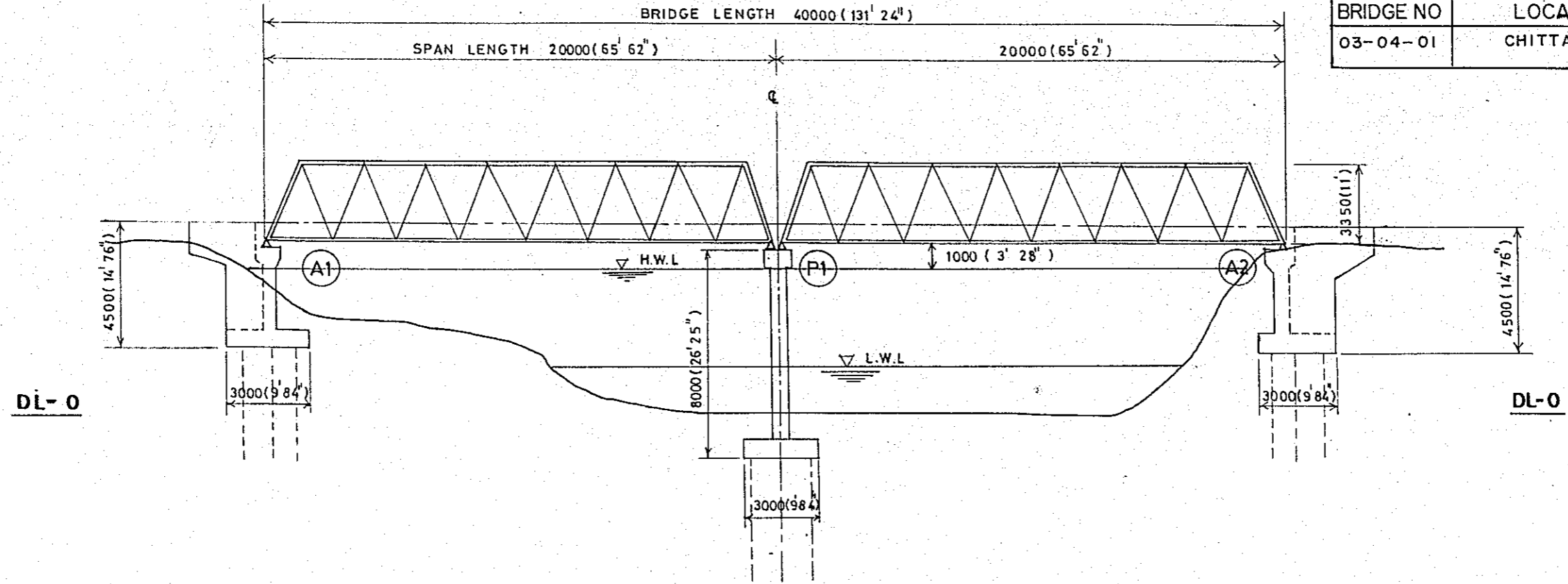


BASIC DESIGN STUDY ON THE PROJECT FOR PROCUREMENT OF PORTABLE STEEL BRIDGES FOR RURAL ROADS		
BRIDGE NO	LOCATION	SHEET NO
03-03-01	CHITTAGONG	



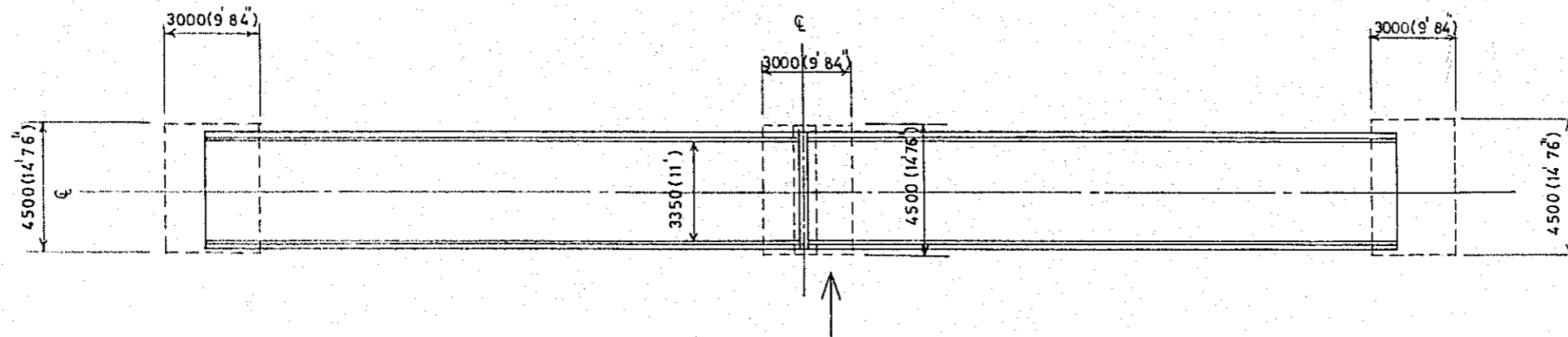
BASIC DESIGN STUDY ON THE PROJECT FOR
PROCUREMENT OF PORTABLE STEEL BRIDGES FOR RURAL ROADS

BRIDGE NO	LOCATION	SHEET NO
03-04-01	CHITTAGONG	



GENERAL ELEVATION

SCALE : 1:200

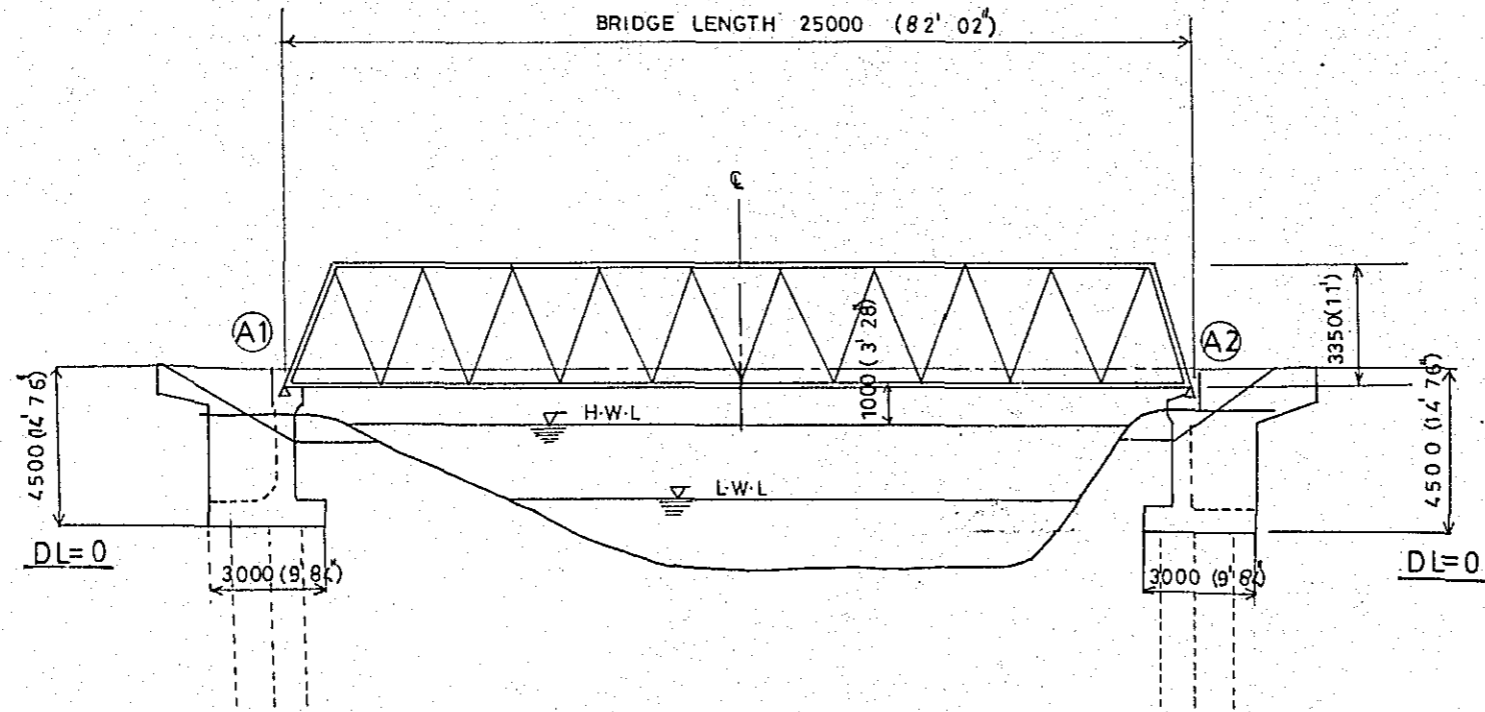


GENERAL PLAN

SCALE : 1:200

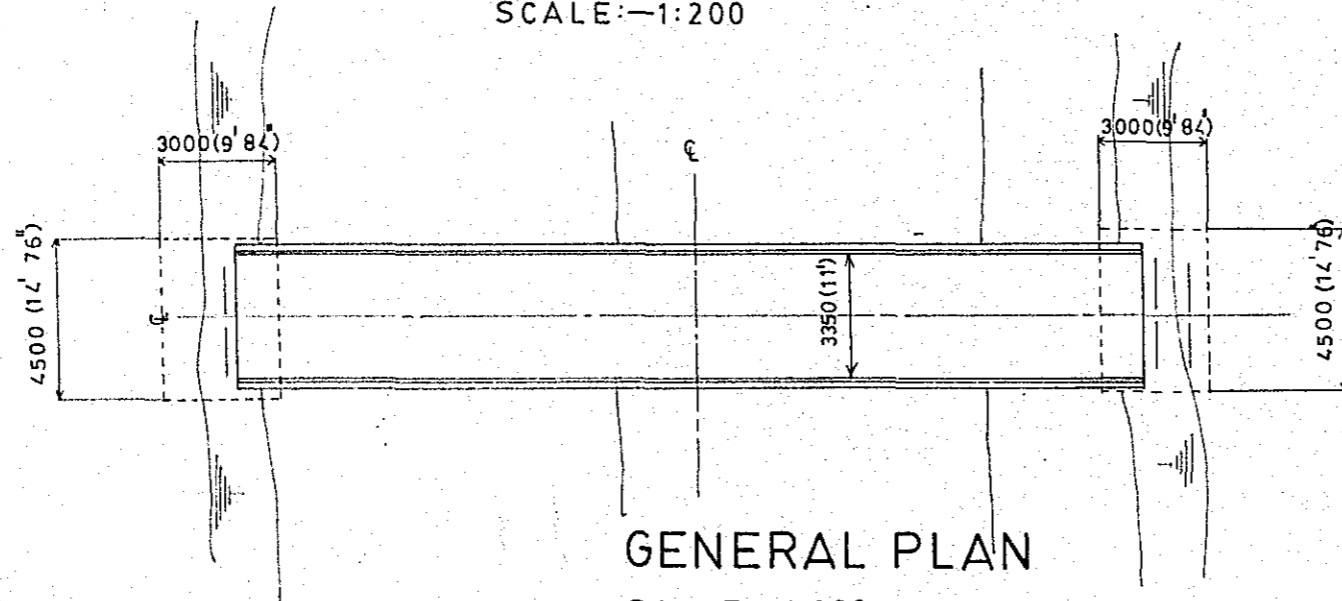
BASIC DESIGN STUDY ON THE PROJECT FOR
PROCUREMENT OF PORTABLE STEEL BRIDGES FOR RURAL ROADS

BRIDGE NO	LOCATION	SHEET NO
03-05-01	CHITTAGONG	



GENERAL ELEVATION

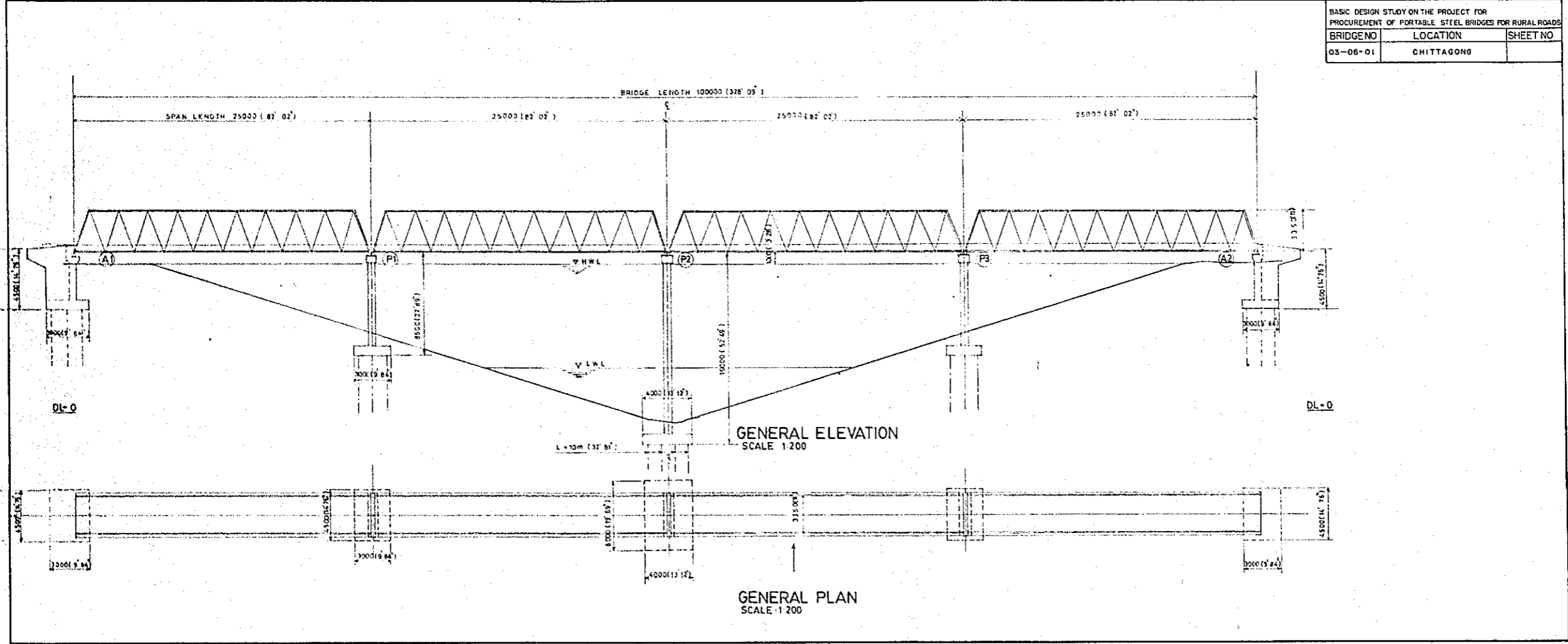
SCALE: -1:200

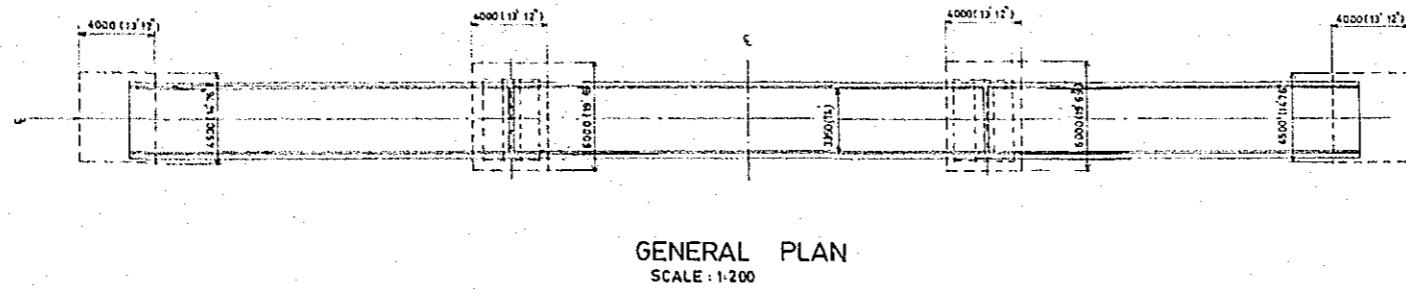
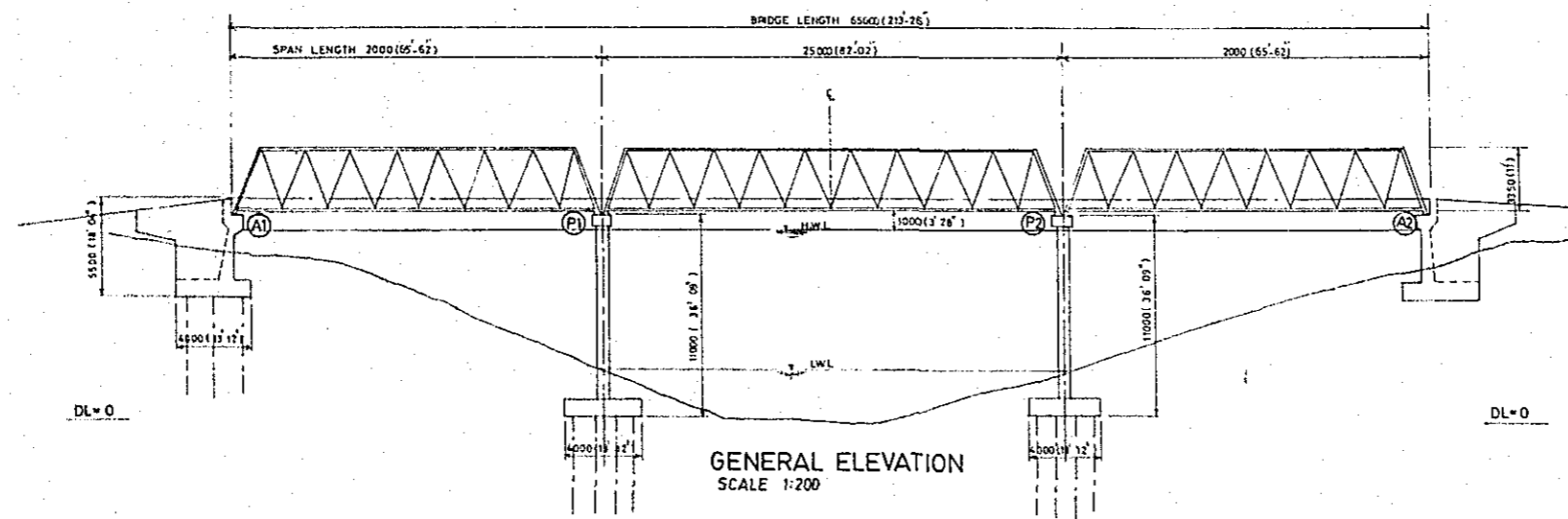


GENERAL PLAN

SCALE: -1:200

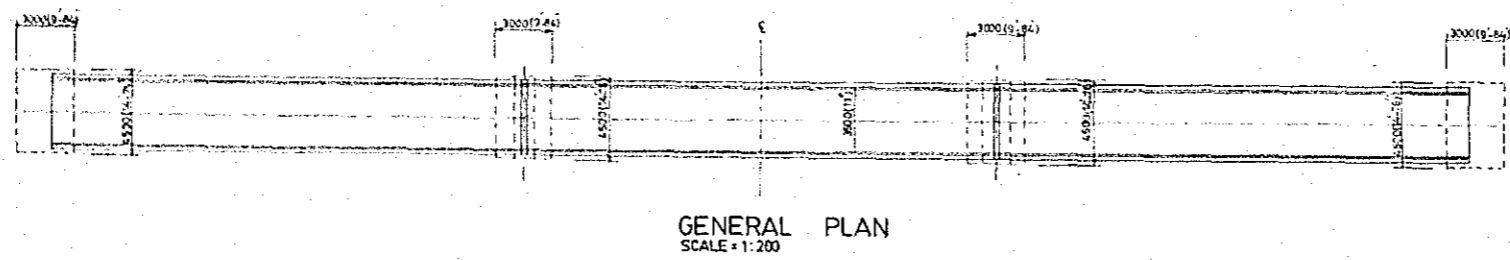
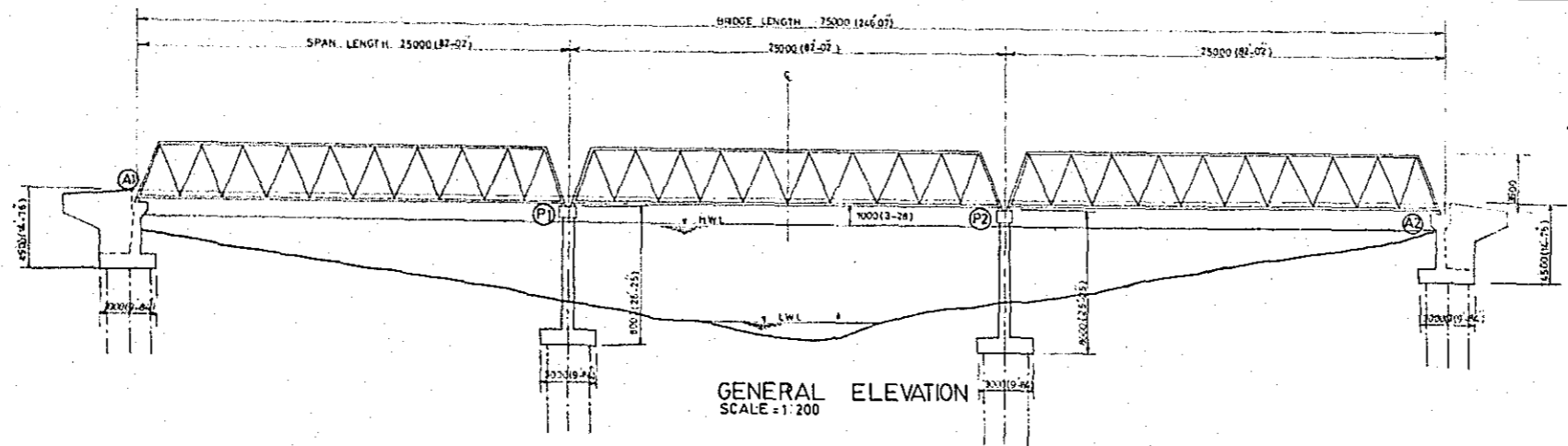
BASIC DESIGN STUDY ON THE PROJECT FOR PROCUREMENT OF PORTABLE STEEL BRIDGES FOR RURAL ROADS		
BRIDGE NO	LOCATION	SHEET NO
03-06-01	CHITTAGONG	





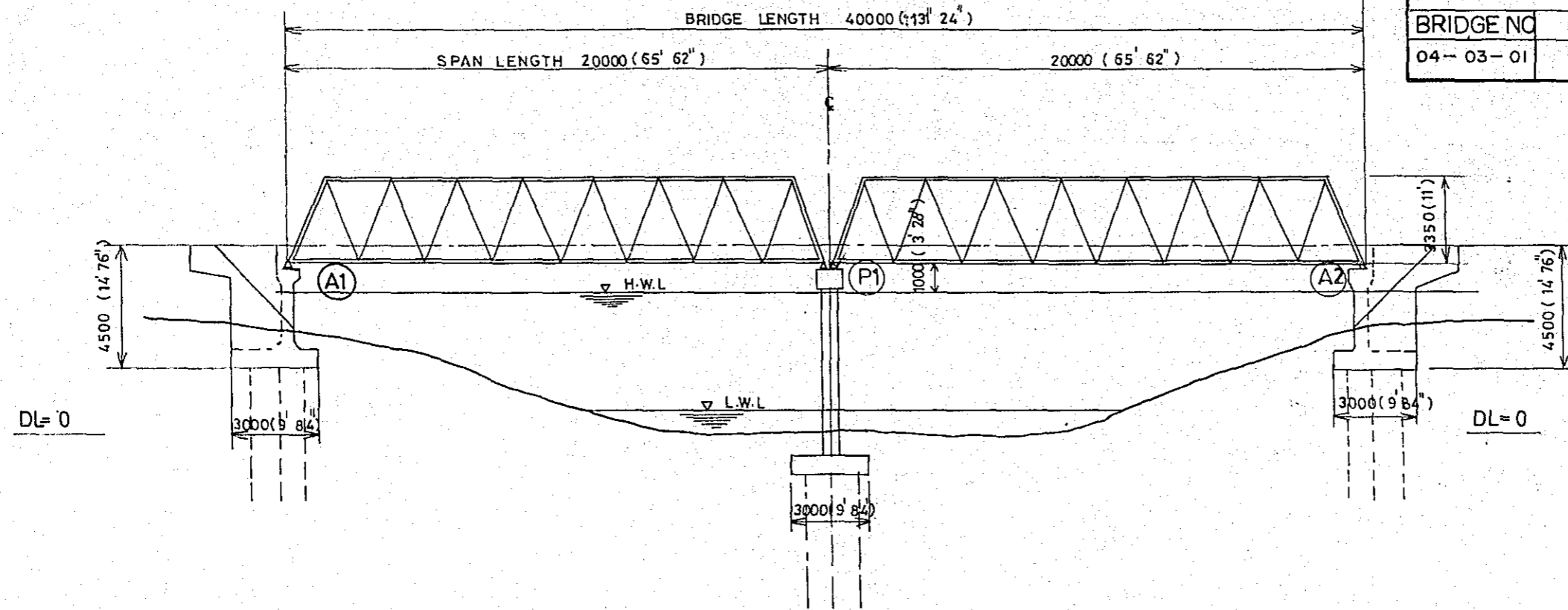
BASIC DESIGN STUDY ON THE PROJECT FOR PROCUREMENT OF PORTABLE STEEL BRIDGES FOR RURAL ROADS		
BRIDGE NO	LOCATION	SHEET NO
04-01-01	HABIGANJ	

BASIC DESIGN STUDY ON THE PROJECT FOR PROCUREMENT OF PORTABLE STEEL BRIDGES FOR RURAL ROADS		
BRIDGE NO	LOCATION	SHEET NO
04-02-01	HABIGANJ	

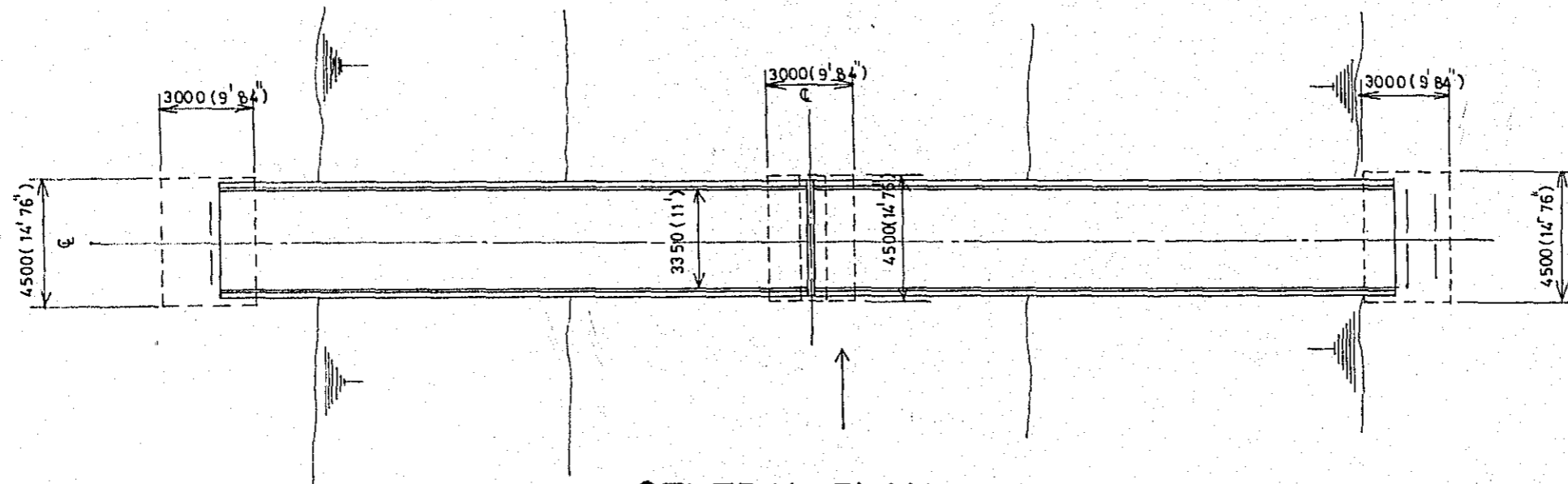


BASIC DESIGN STUDY ON THE PROJECT FOR
PROCUREMENT OF PORTABLE STEEL BRIDGES FOR RURAL ROADS

BRIDGE NO	LOCATION	SHEET NO
04-03-01	HABIGANJ	

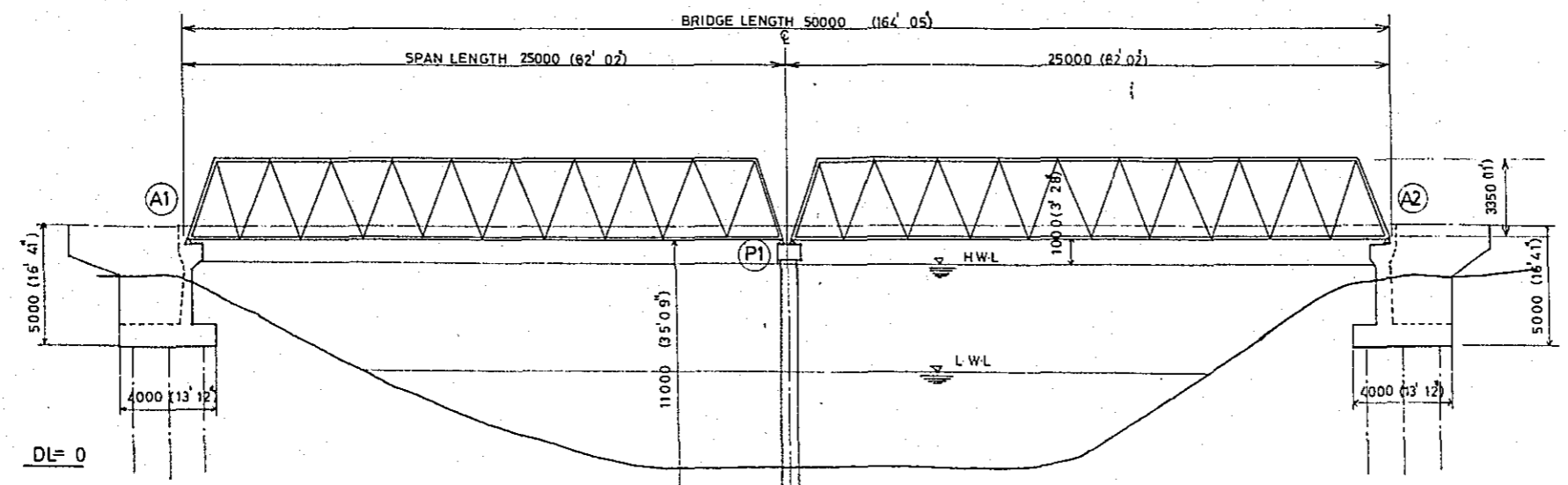


GENERAL ELEVATION
SCALE : 1:200

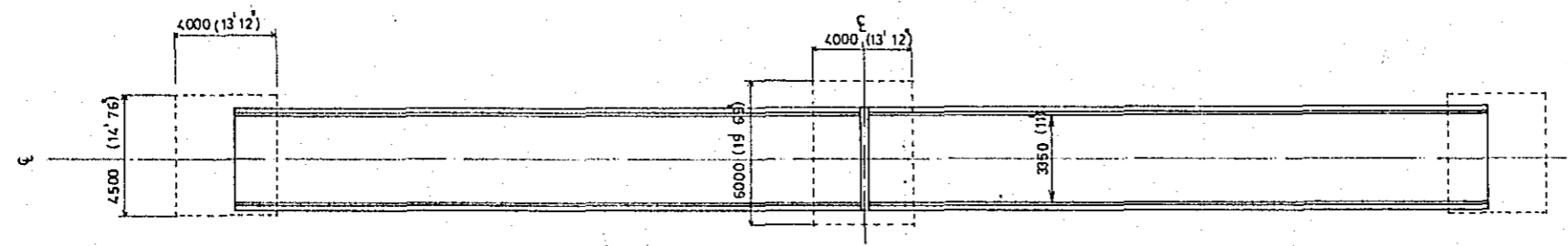


GENERAL PLAN
SCALE : 1:200

BASIC DESIGN STUDY ON THE PROJECT FOR PROCUREMENT OF PORTABLE STEEL BRIDGES FOR RURAL ROADS		
BRIDGE NO	LOCATION	SHEET NO
04-04-01	HABIGANJ	



GENERAL ELEVATION
SCALE:—1: 200

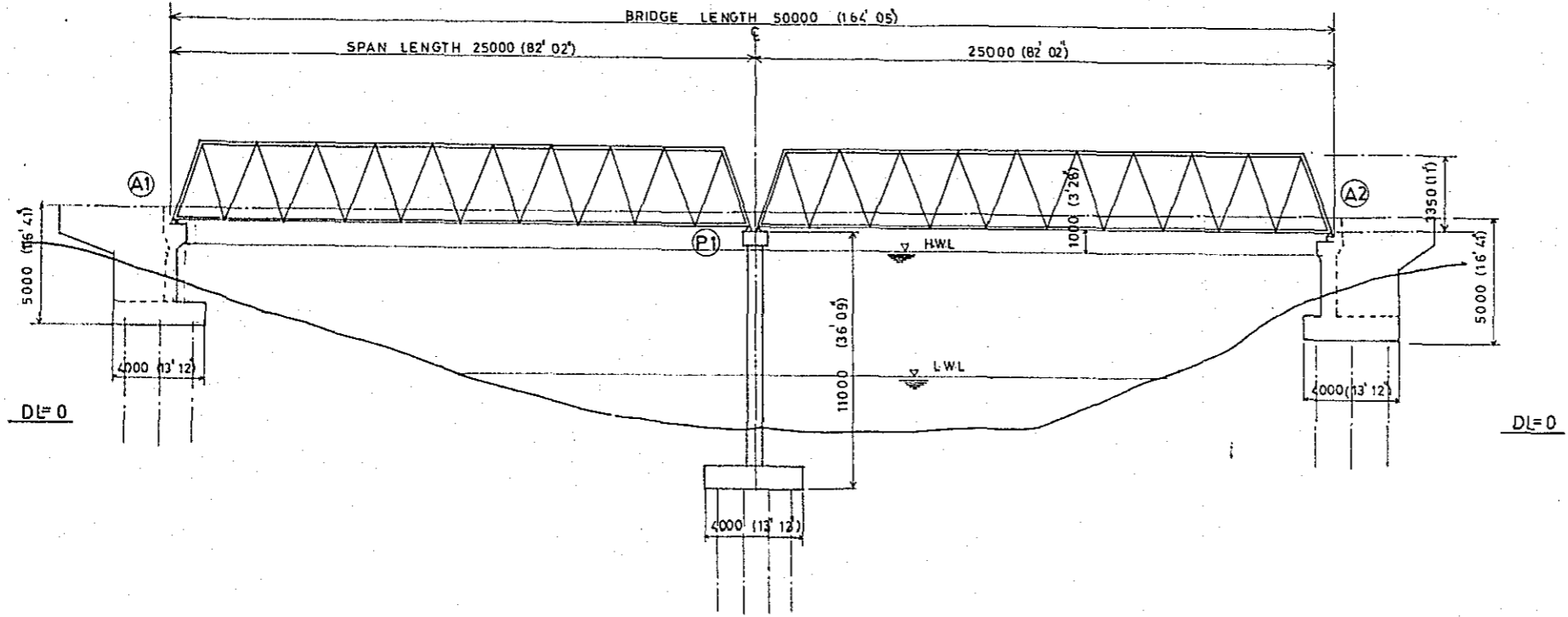


GENERAL PLAN
SCALE:—1: 200

BRIDGE NO		LOCATION	
NAME OF ROAD			
CHAINAGE		SHEET NO.	

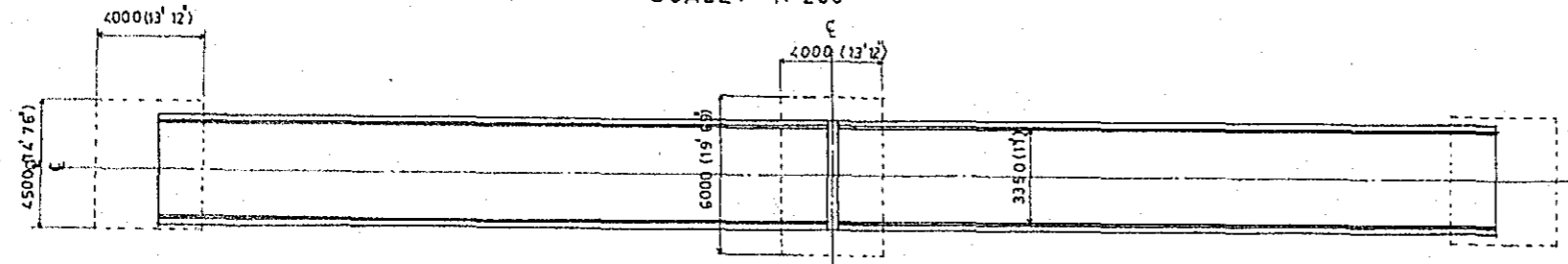
BASIC DESIGN STUDY ON THE PROJECT FOR
PROCUREMENT OF PORTABLE STEEL BRIDGES FOR RURAL ROADS

BRIDGE NO	LOCATION	SHEET NO
04-04-02	HABIGANJ	



GENERAL ELEVATION

SCALE:—1: 200

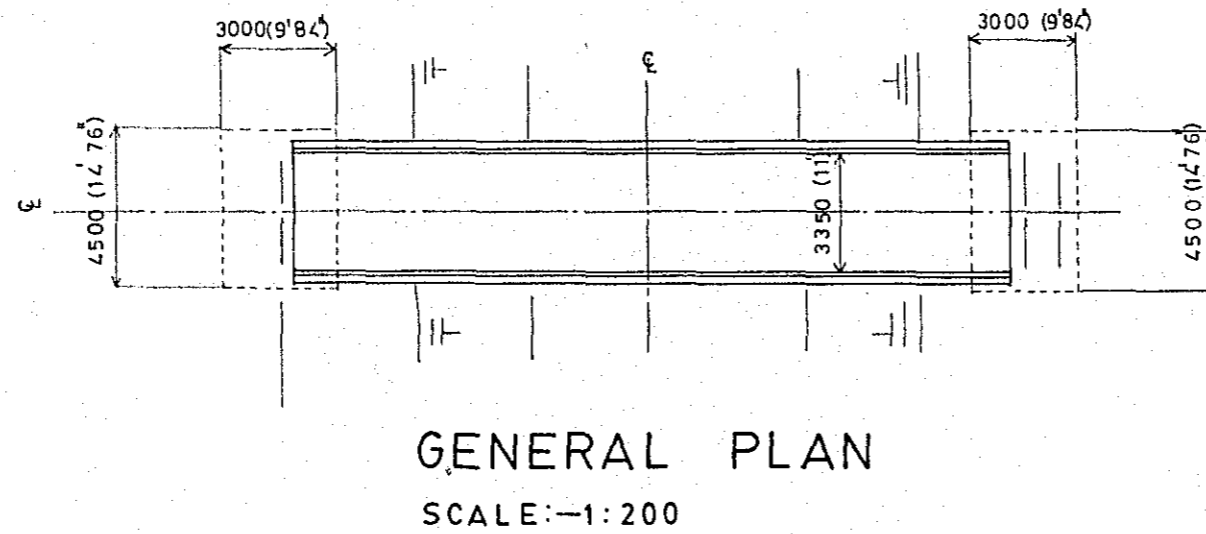
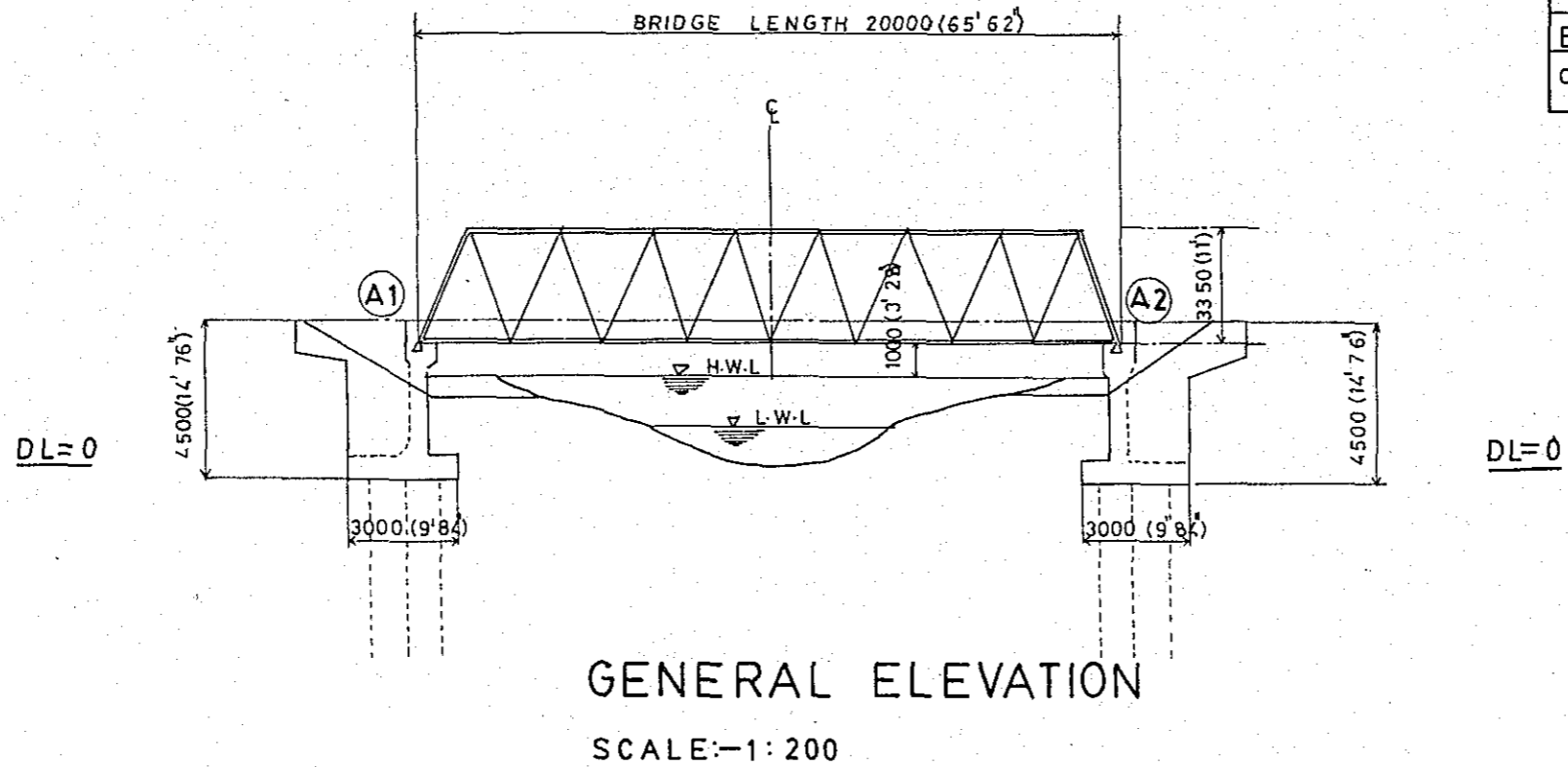


GENERAL PLAN

SCALE:—1:200

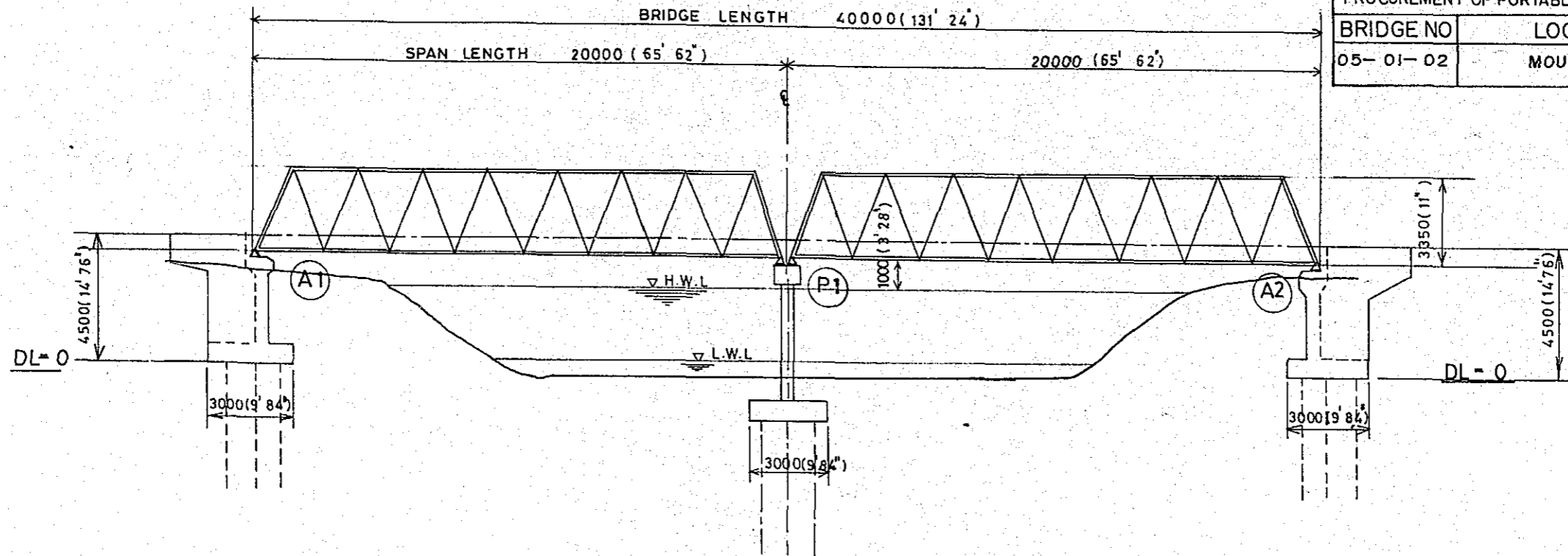
BASIC DESIGN STUDY ON THE PROJECT FOR
PROCUREMENT OF PORTABLE STEEL BRIDGES FOR RURAL ROADS

BRIDGE NO	LOCATION	SHEET NO
05-01-01	MOULVIBAZAR	

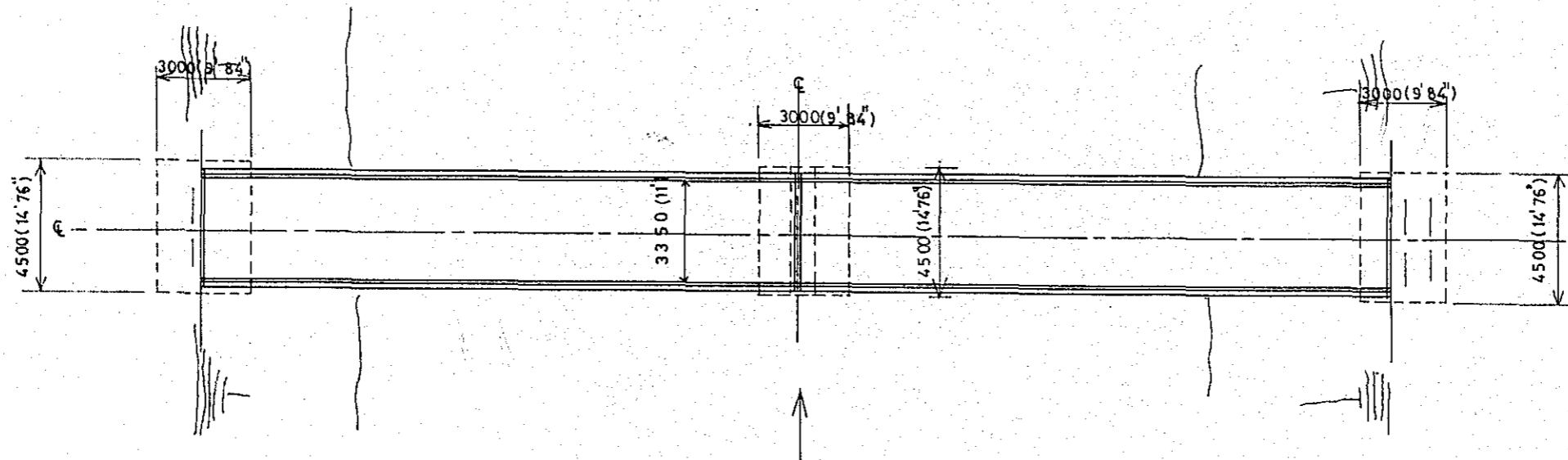


BASIC DESIGN STUDY ON THE PROJECT FOR
PROCUREMENT OF PORTABLE STEEL BRIDGES FOR RURAL ROADS

BRIDGE NO	LOCATION	SHEET NO
05-01-02	MOULVIBAZAR	



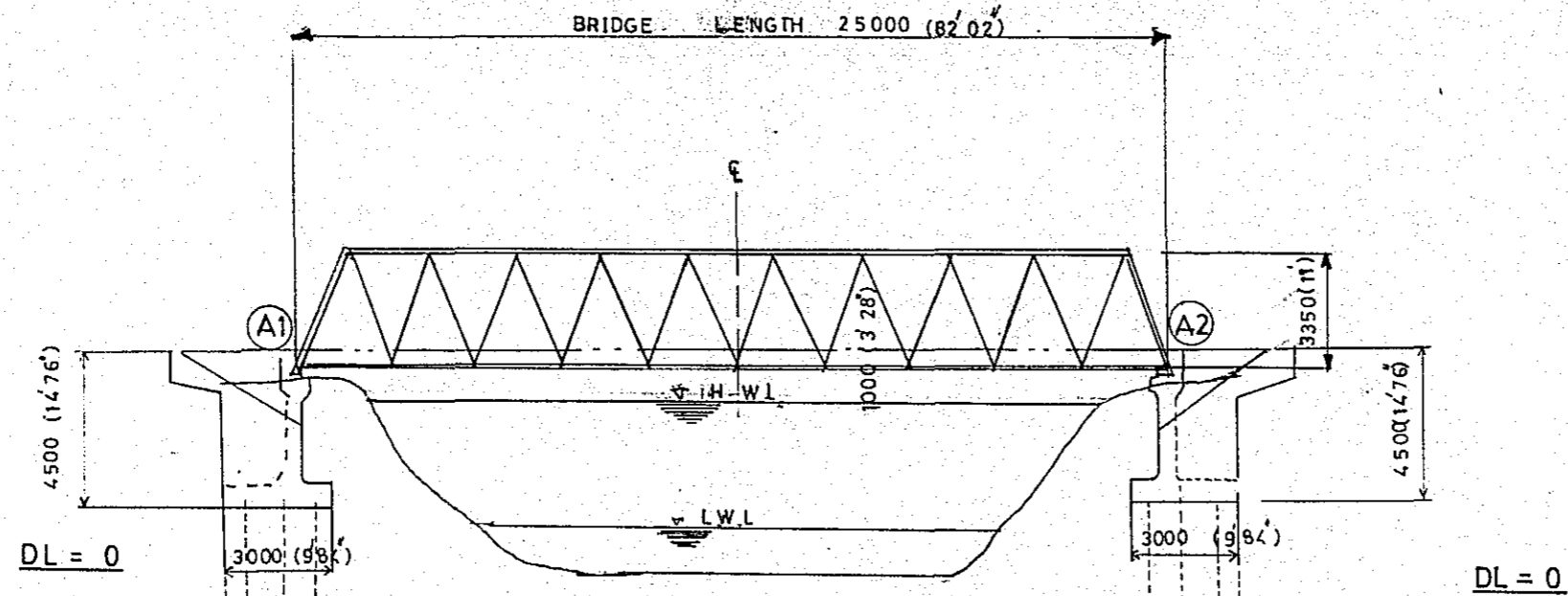
GENERAL ELEVATION
SCALE 1:200



GENERAL PLAN
SCALE 1:200

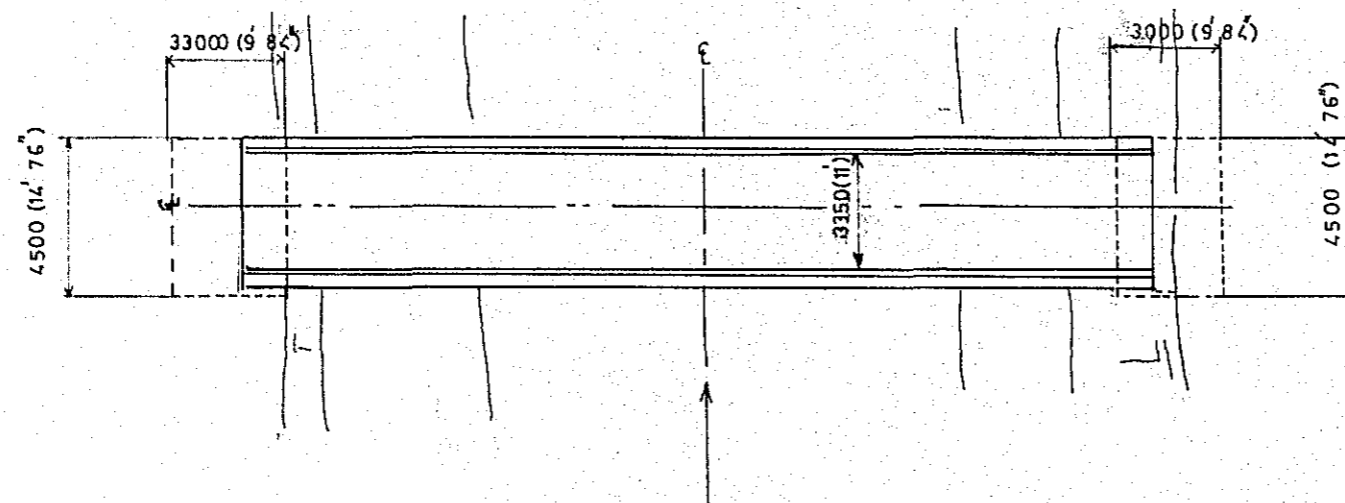
BASIC DESIGN STUDY ON THE PROJECT FOR
PROCUREMENT OF PORTABLE STEEL BRIDGES FOR RURAL ROADS

BRIDGE NO	LOCATION	SHEET NO
05-02-01	MOULVIBAZAR	



GENERAL ELEVATION

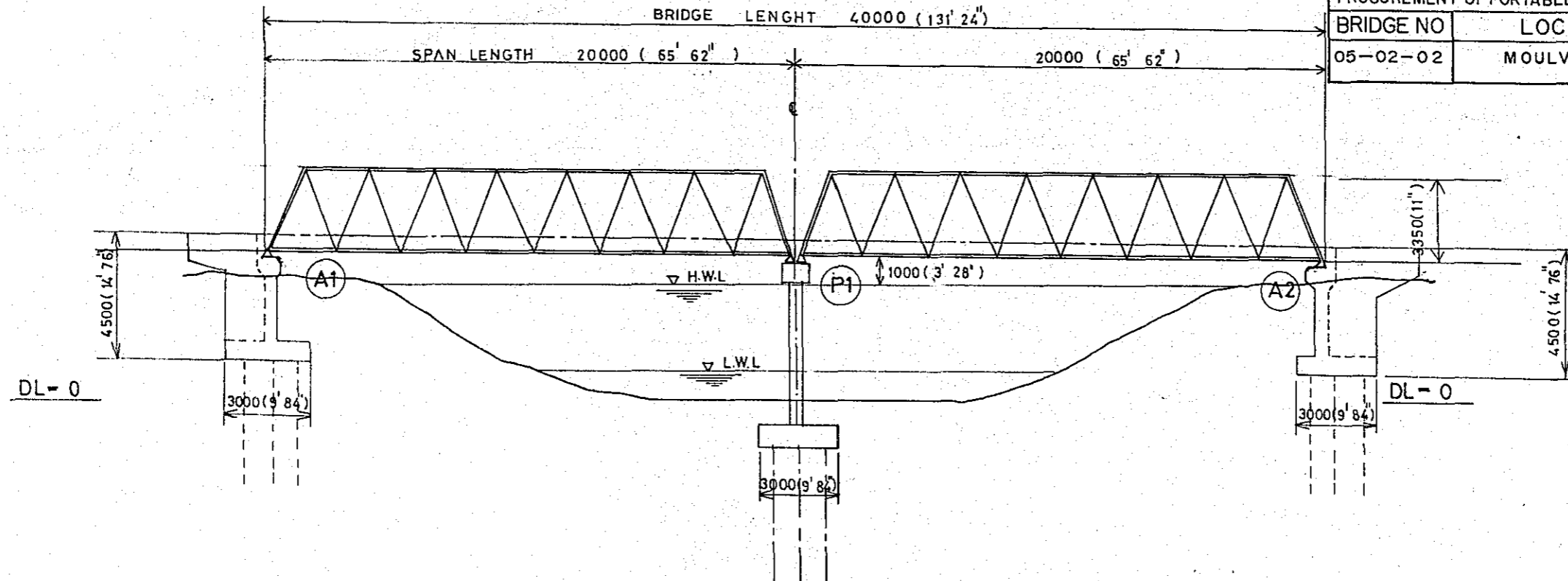
SCALE 1 : 200



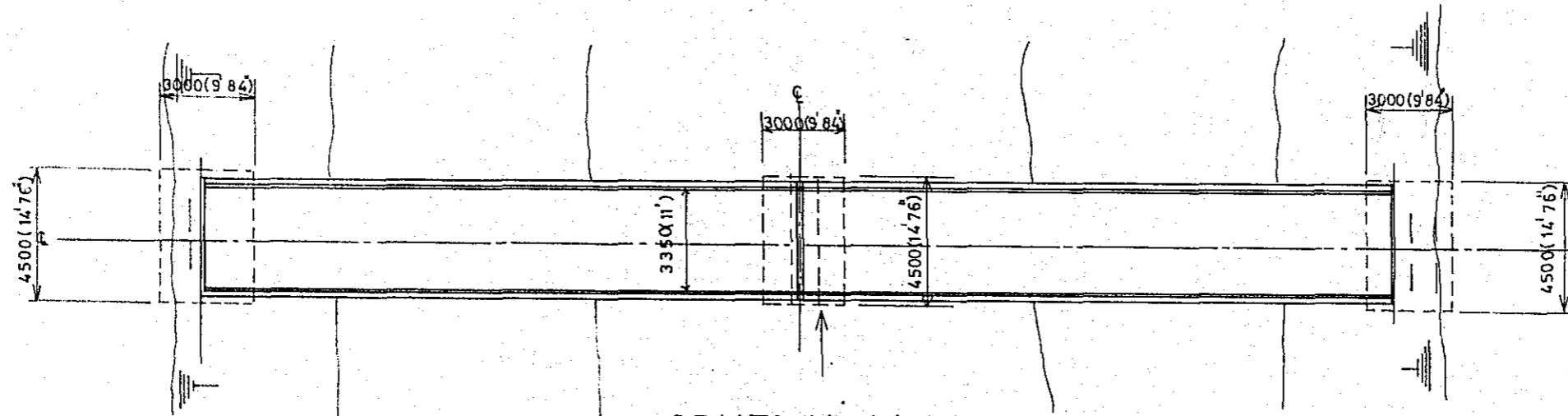
GENERAL PLAN

SCALE 1 : 200

BASIC DESIGN STUDY ON THE PROJECT FOR PROCUREMENT OF PORTABLE STEEL BRIDGES FOR RURAL ROADS		
BRIDGE NO	LOCATION	SHEET NO
05-02-02	MOULVIBAZAR	



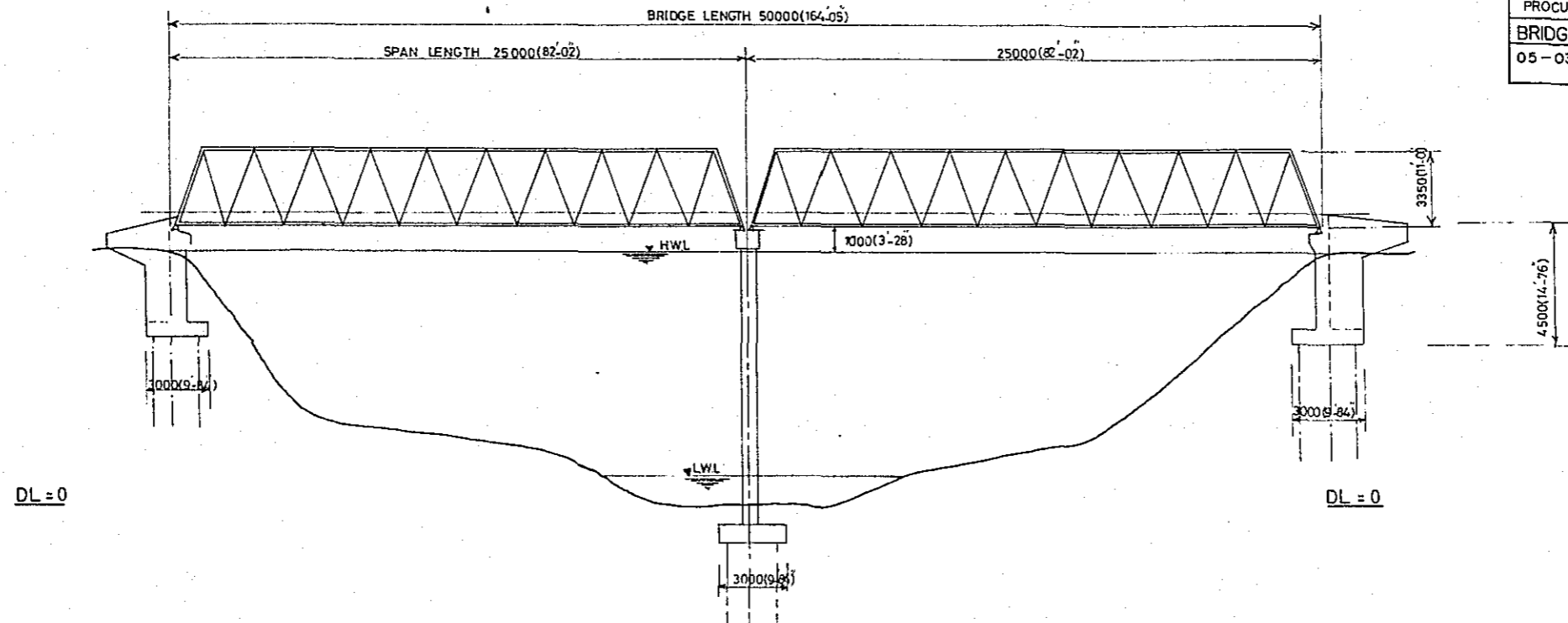
GENERAL ELEVATION
SCALE 1:200



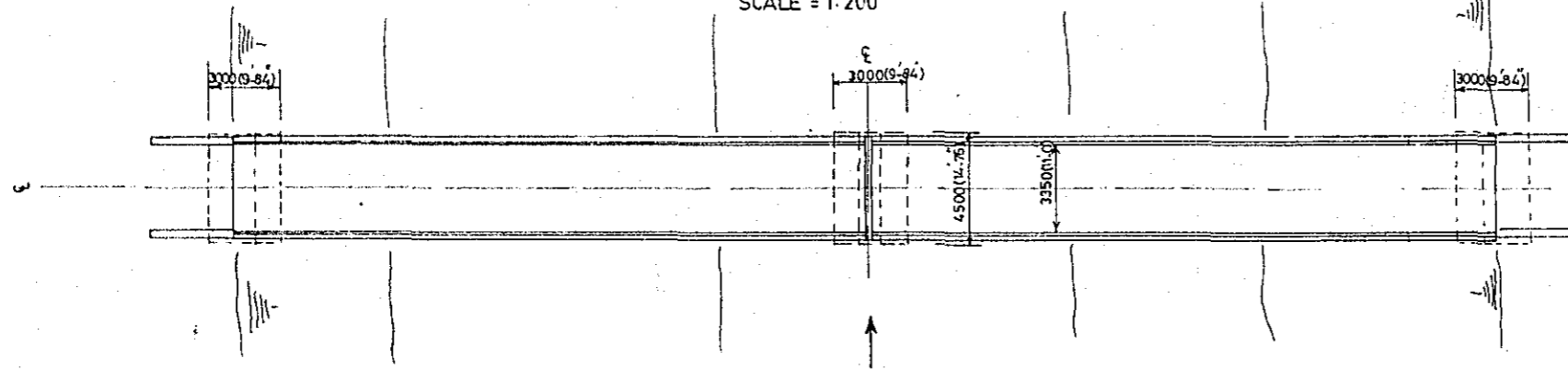
GENERAL PLAN
SCALE 1:200

BASIC DESIGN STUDY ON THE PROJECT FOR
PROCUREMENT OF PORTABLE STEEL BRIDGES FOR RURAL ROADS

BRIDGE NO	LOCATION	SHEET NO
05-03-01	MOULVI BAZAR	



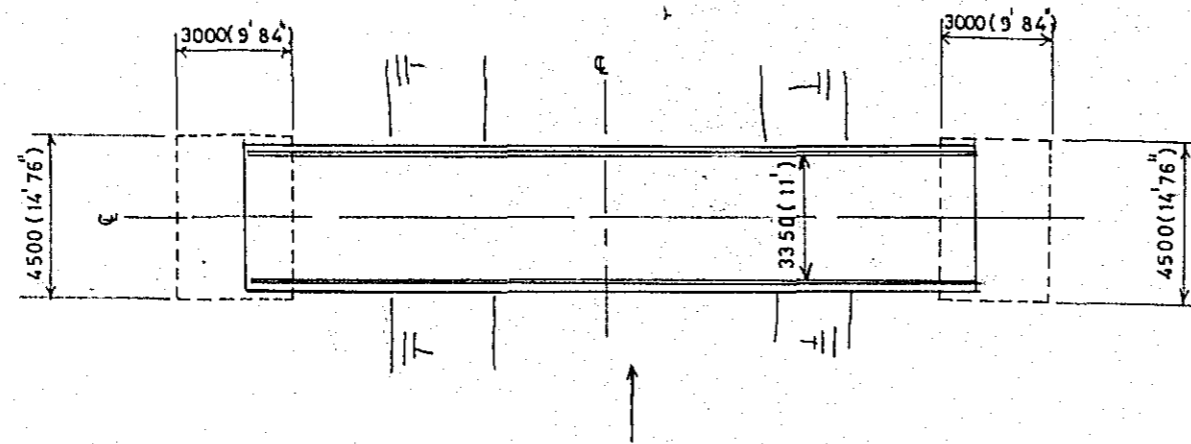
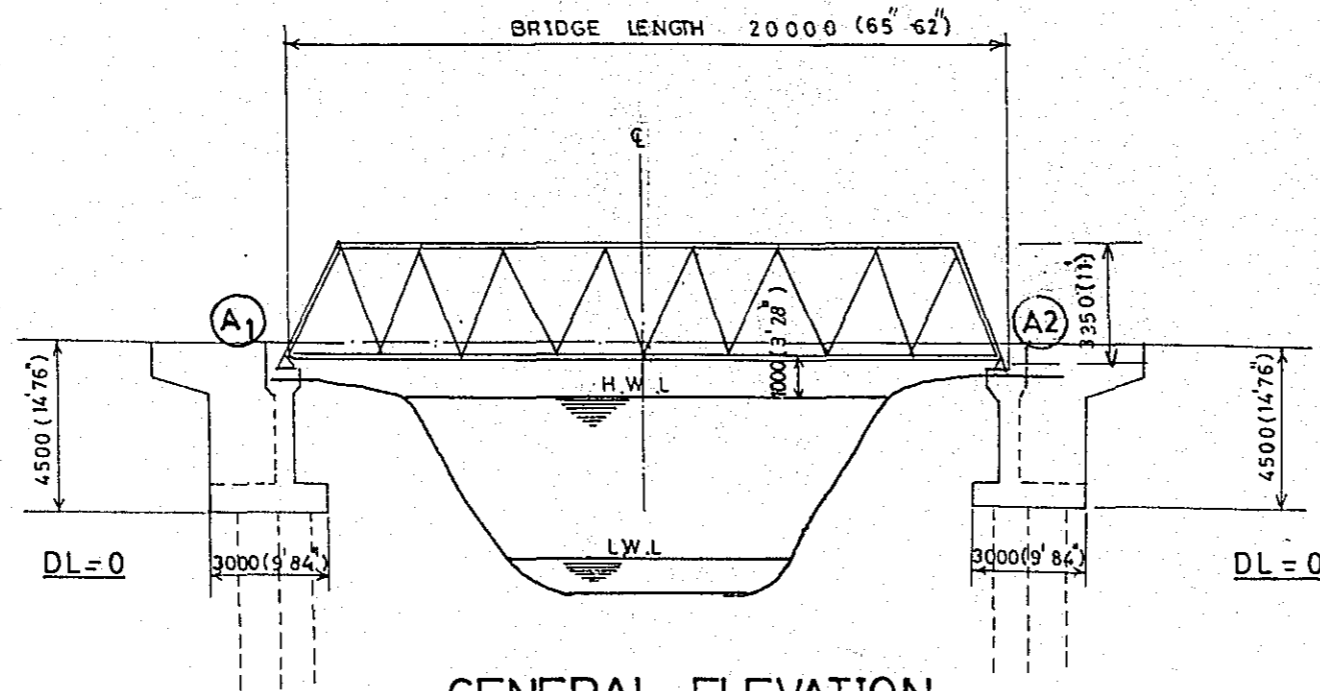
GENERAL ELEVATION
SCALE = 1:200



GENERAL PLAN
SCALE = 1:200

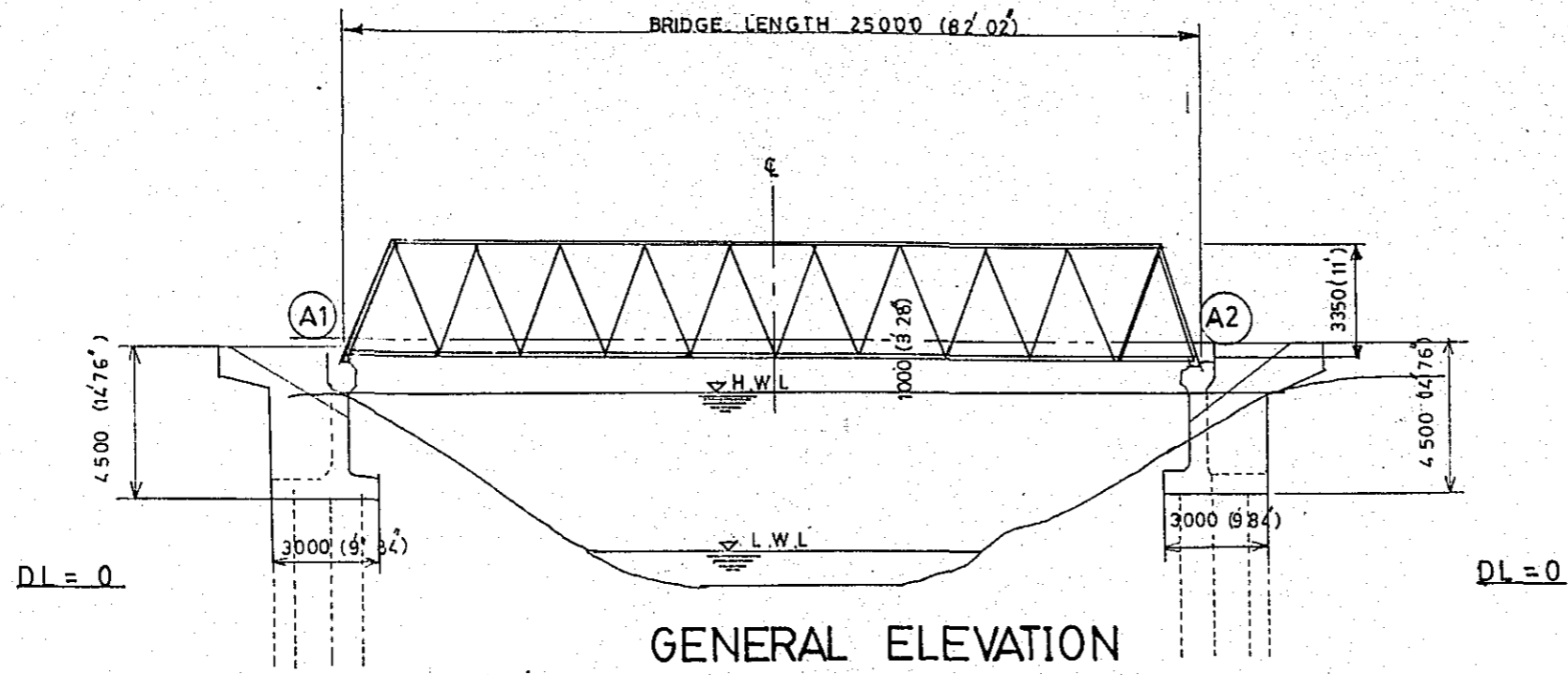
BASIC DESIGN STUDY ON THE PROJECT FOR
 PROCUREMENT OF PORTABLE STEEL BRIDGES FOR RURAL ROADS

BRIDGE NO	LOCATION	SHEET NO
05-04-01	MOULVIBAZAR	



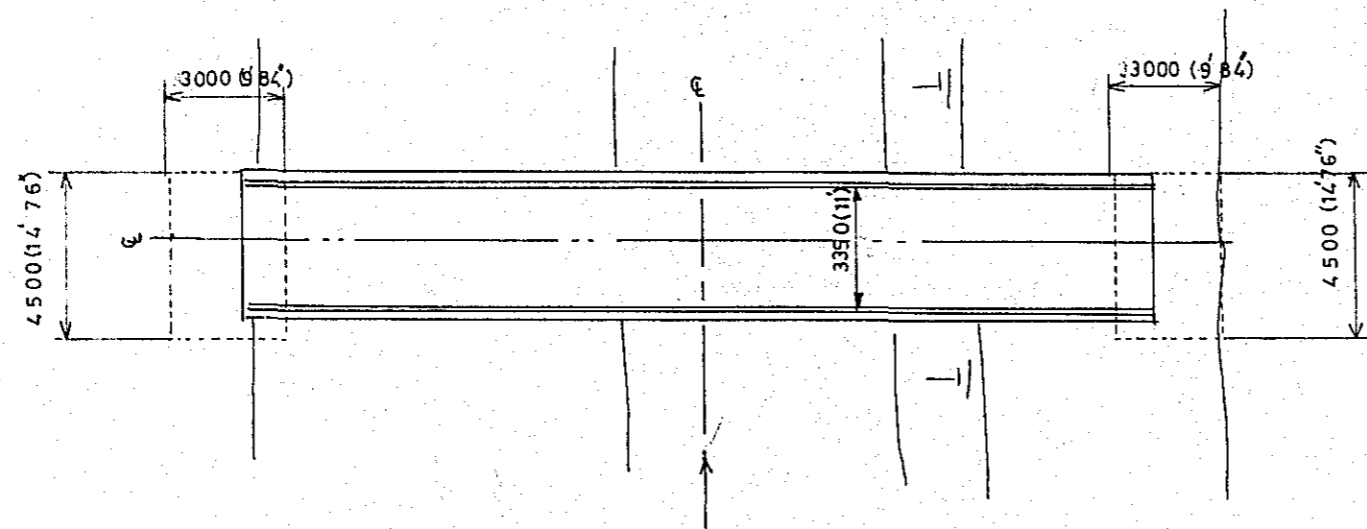
BASIC DESIGN STUDY ON THE PROJECT FOR
 PROCUREMENT OF PORTABLE STEEL BRIDGES FOR RURAL ROADS

BRIDGE NO	LOCATION	SHEET NO
06-01-01	CHANDPUR	



GENERAL ELEVATION

SCALE 1:200

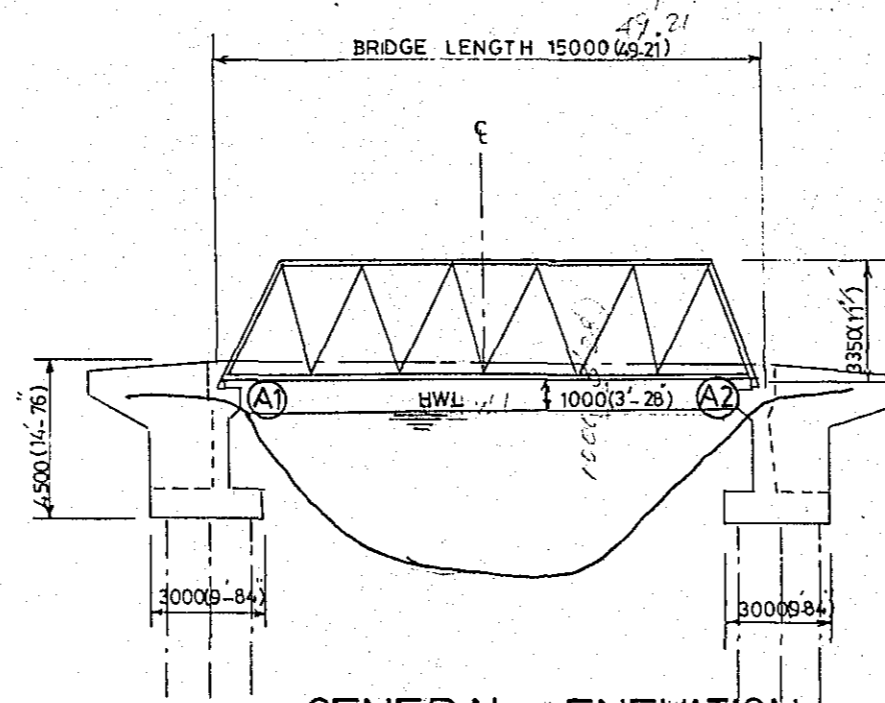


GENERAL PLAN

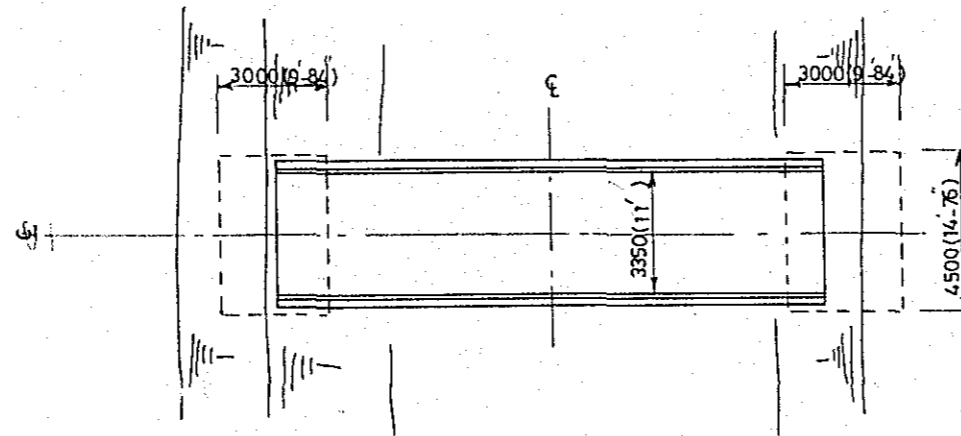
SCALE 1:200

BASIC DESIGN STUDY ON THE PROJECT FOR
PROCUREMENT OF PORTABLE STEEL BRIDGES FOR RURAL ROADS

BRIDGE NO	LOCATION	SHEET NO
06-02-01	CHANDPUR	



GENERAL ELEVATION
SCALE = 1:200

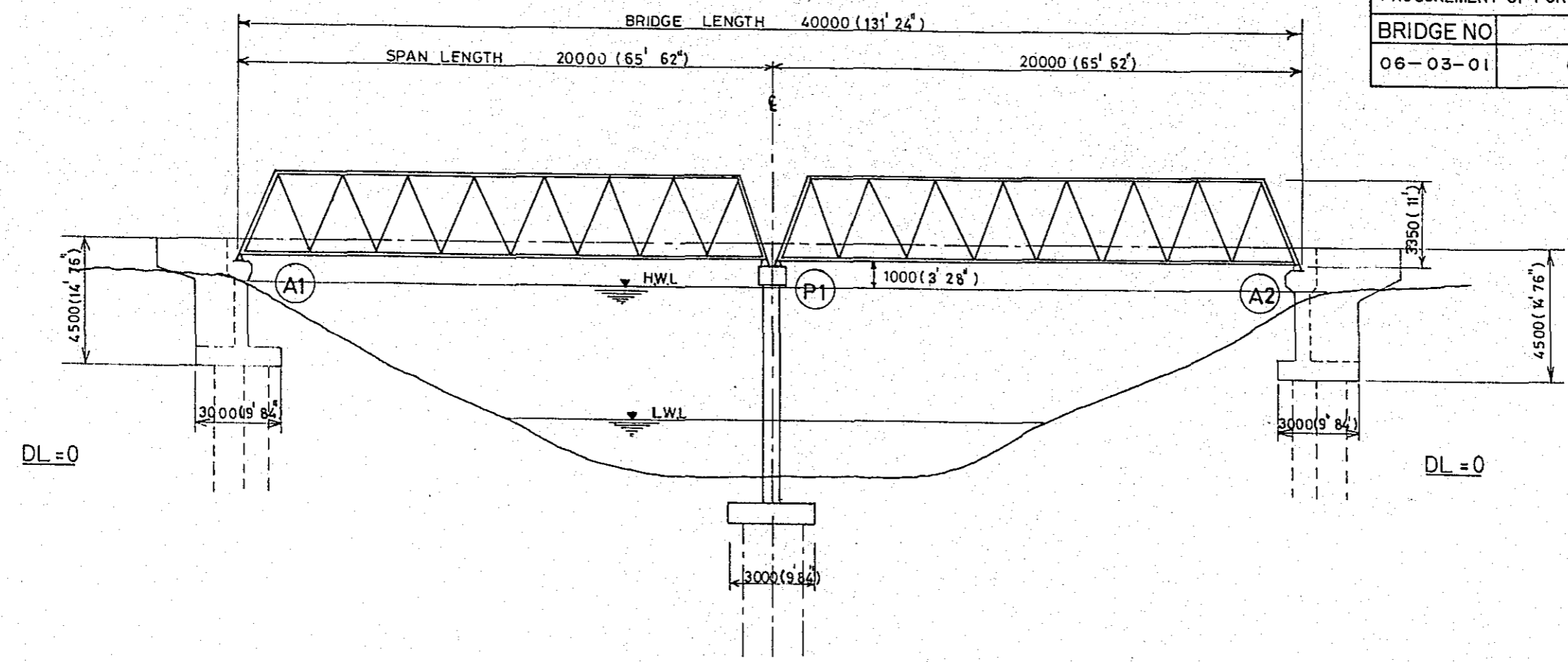


GENERAL PLAN
SCALE = 1:200

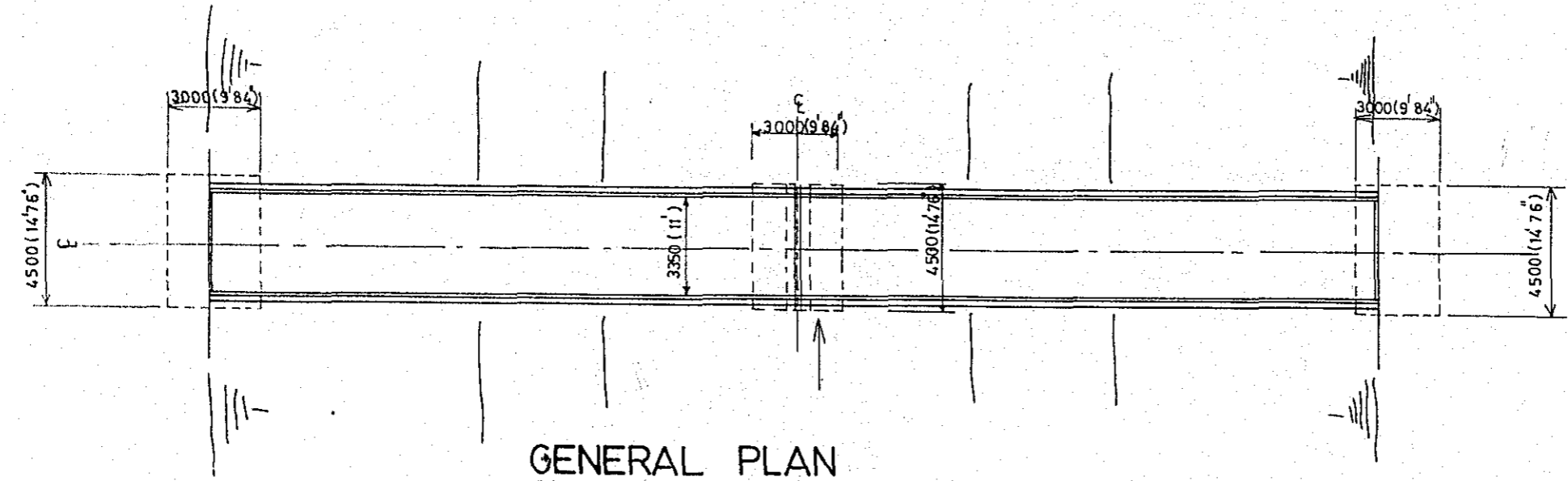
SCALE 1:200

BASIC DESIGN STUDY ON THE PROJECT FOR
PROCUREMENT OF PORTABLE STEEL BRIDGES FOR RURAL ROADS

BRIDGE NO	LOCATION	SHEET NO
06-03-01	C.HANDPUR	



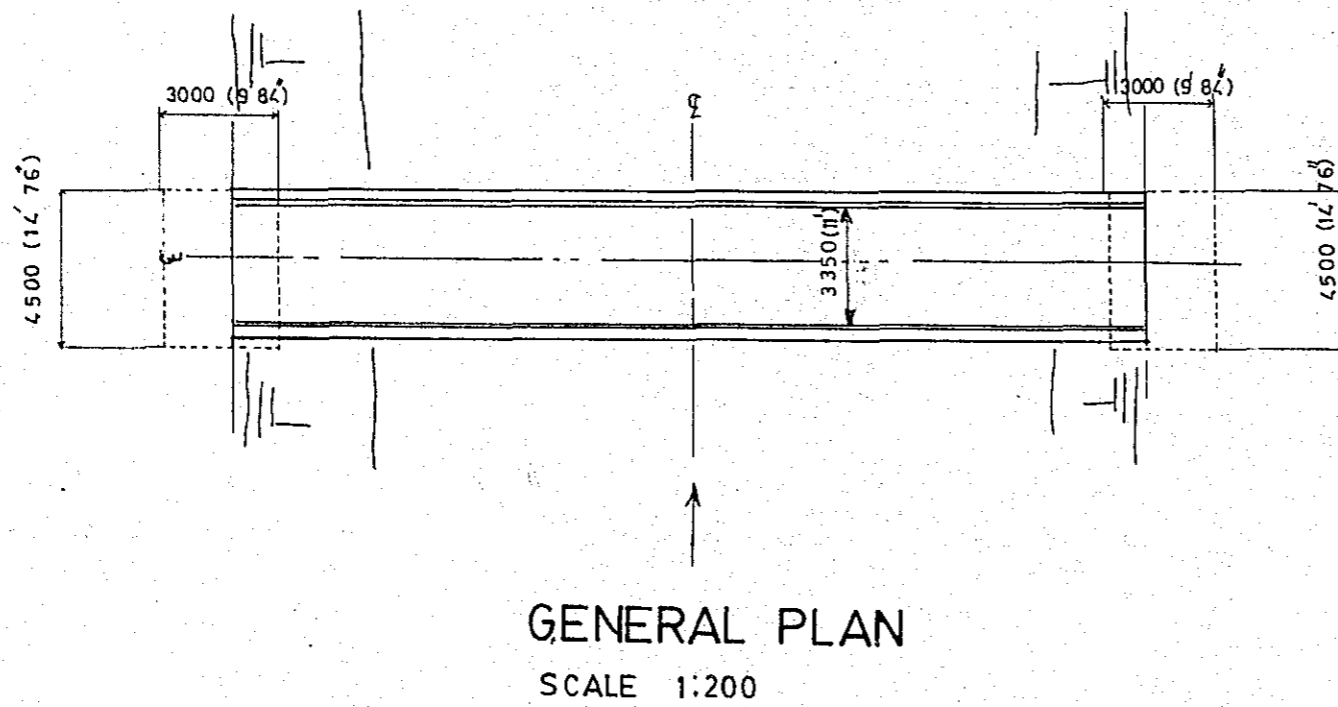
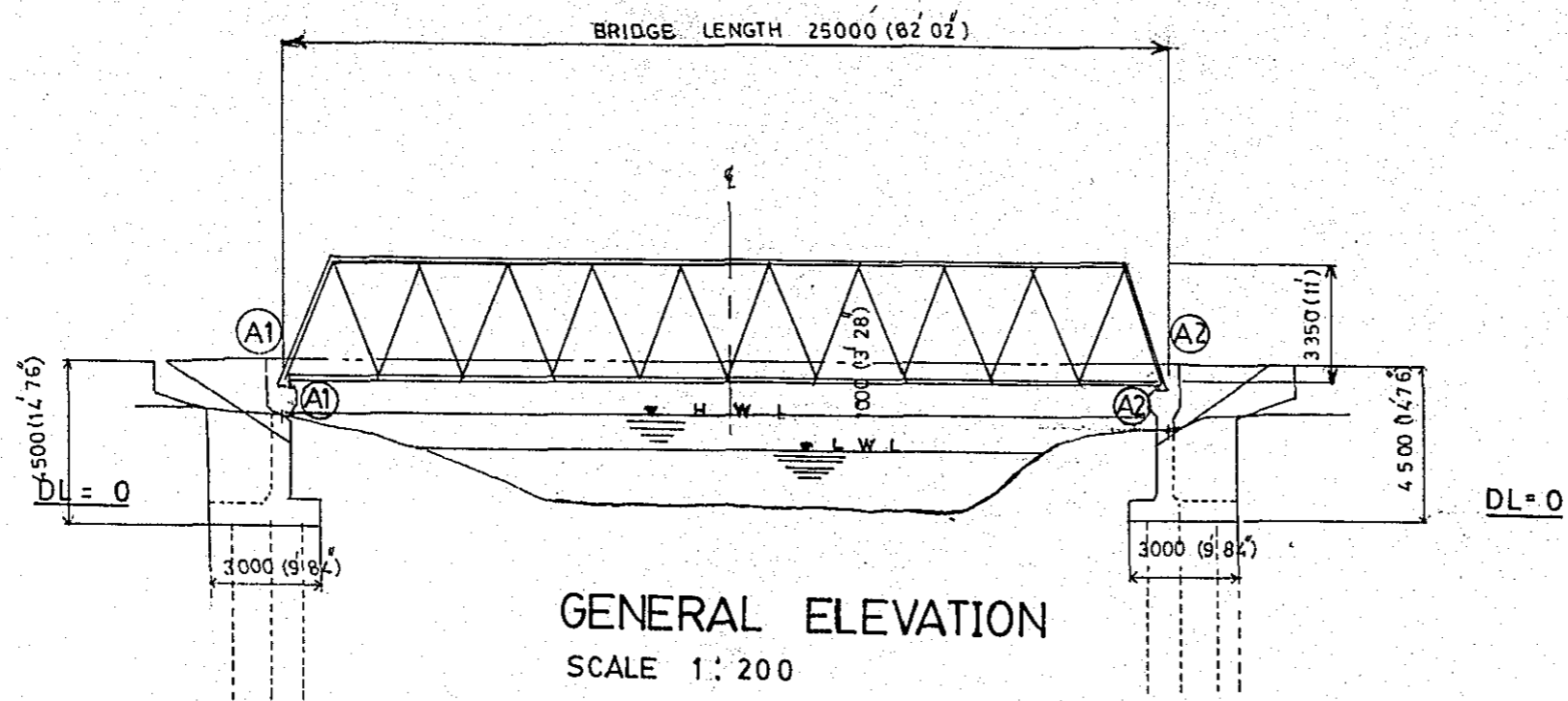
GENERAL ELEVATION
SCALE = 1:200



GENERAL PLAN
SCALE = 1:200

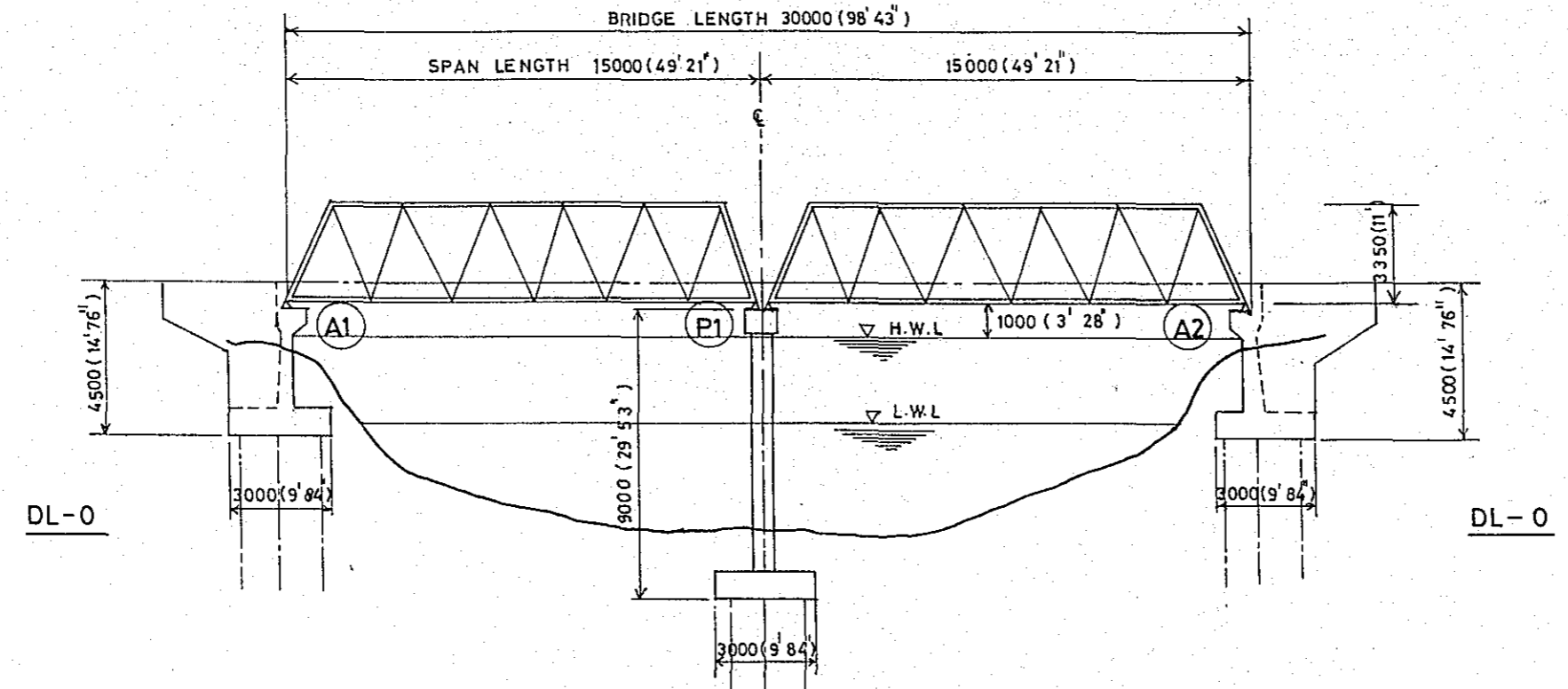
BASIC DESIGN STUDY ON THE PROJECT FOR
PROCUREMENT OF PORTABLE STEEL BRIDGES FOR RURAL ROADS

BRIDGE NO	LOCATION	SHEET NO
06-03-02	CHANDPUR	

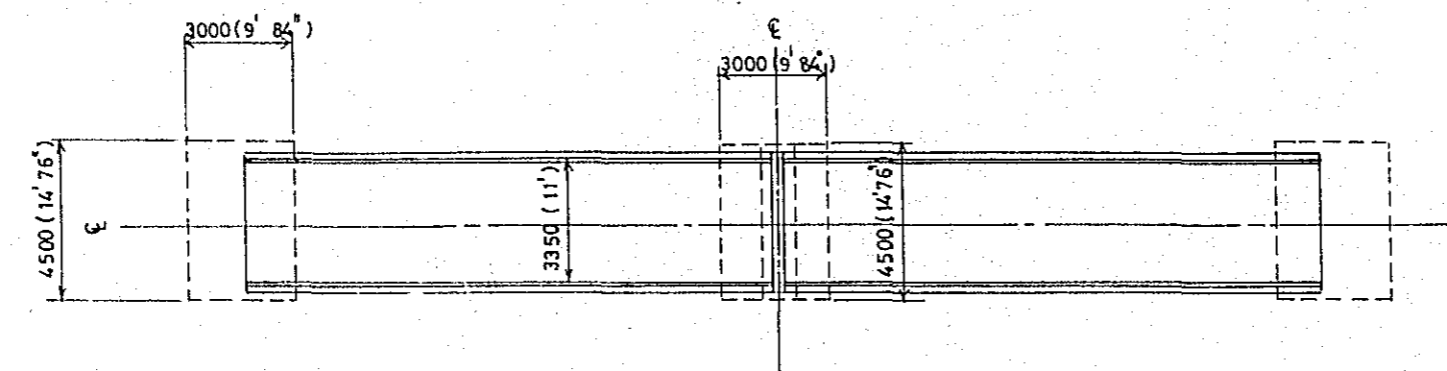


BASIC DESIGN STUDY ON THE PROJECT FOR
PROCUREMENT OF PORTABLE STEEL BRIDGES FOR RURAL ROADS

BRIDGE NO	LOCATION	SHEET NO
06-04-01	CHANDPUR	



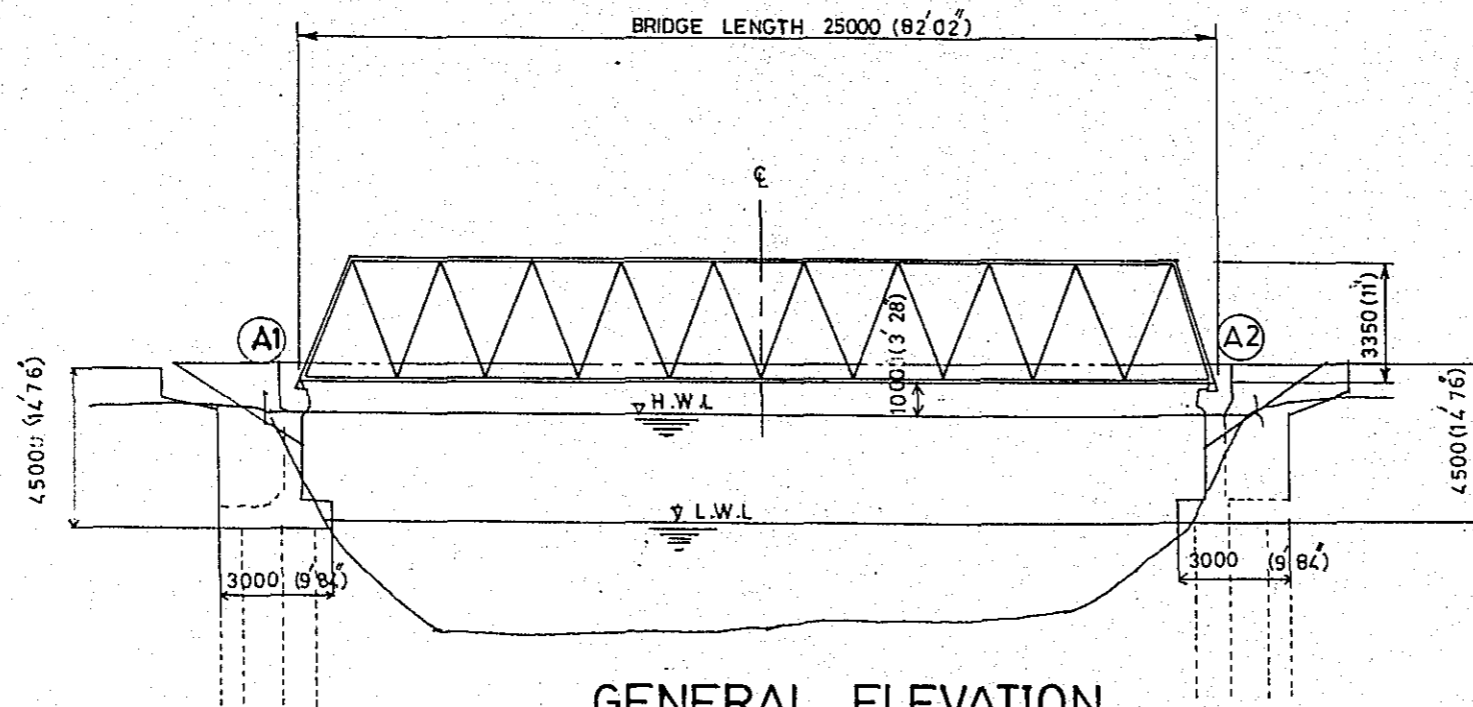
GENERAL ELEVATION
SCALE 1:200



GENERAL PLAN
SCALE 1:200

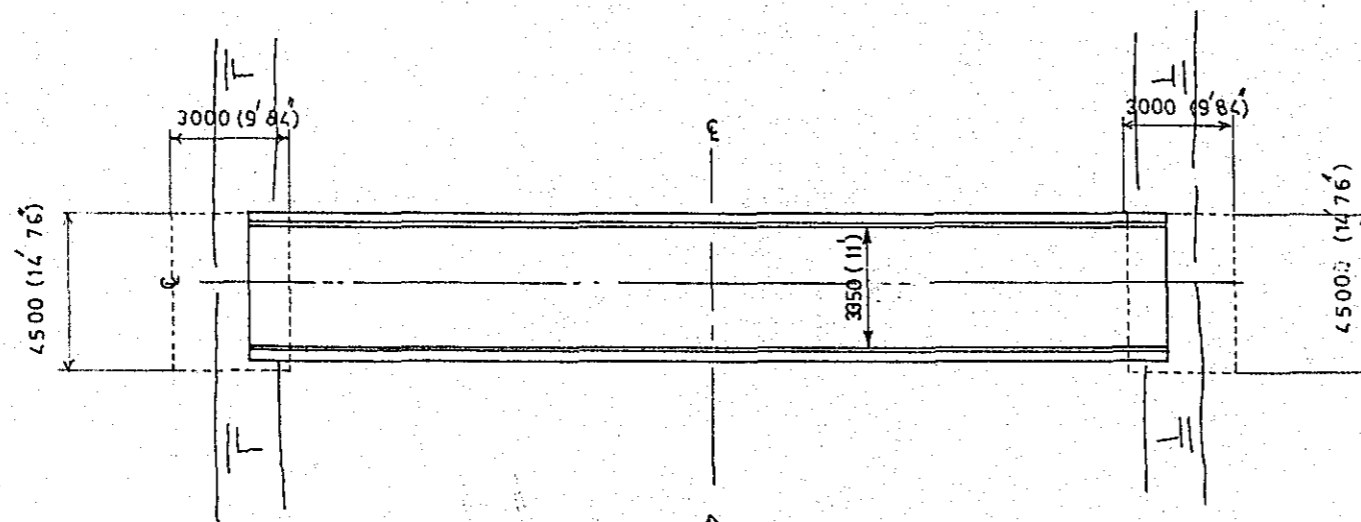
BASIC DESIGN STUDY ON THE PROJECT FOR
PROCUREMENT OF PORTABLE STEEL BRIDGES FOR RURAL ROADS

BRIDGE NO	LOCATION	SHEET NO
06-04-02	CHANDPUR	



GENERAL ELEVATION

SCALE 1:200

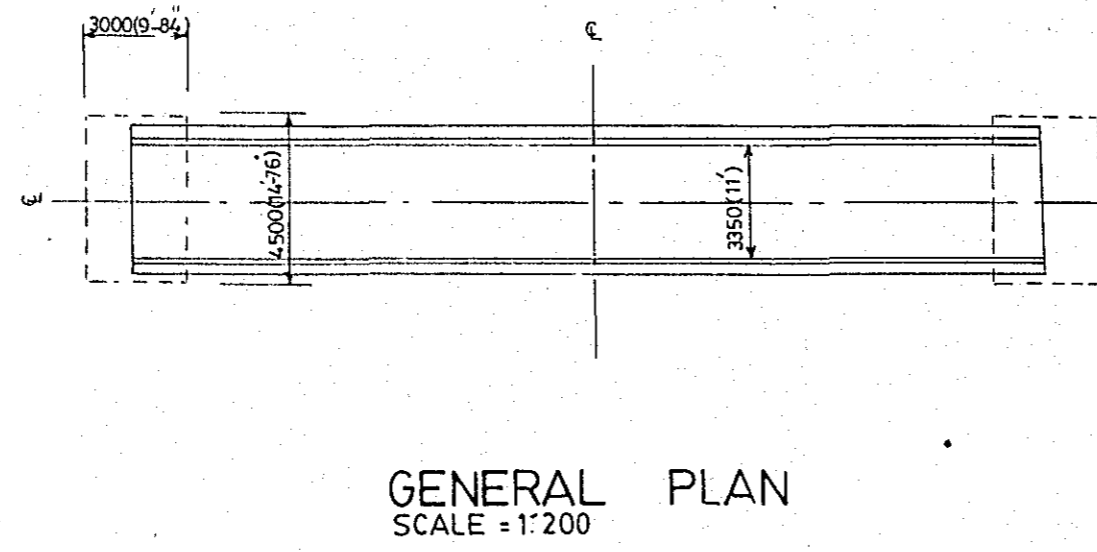
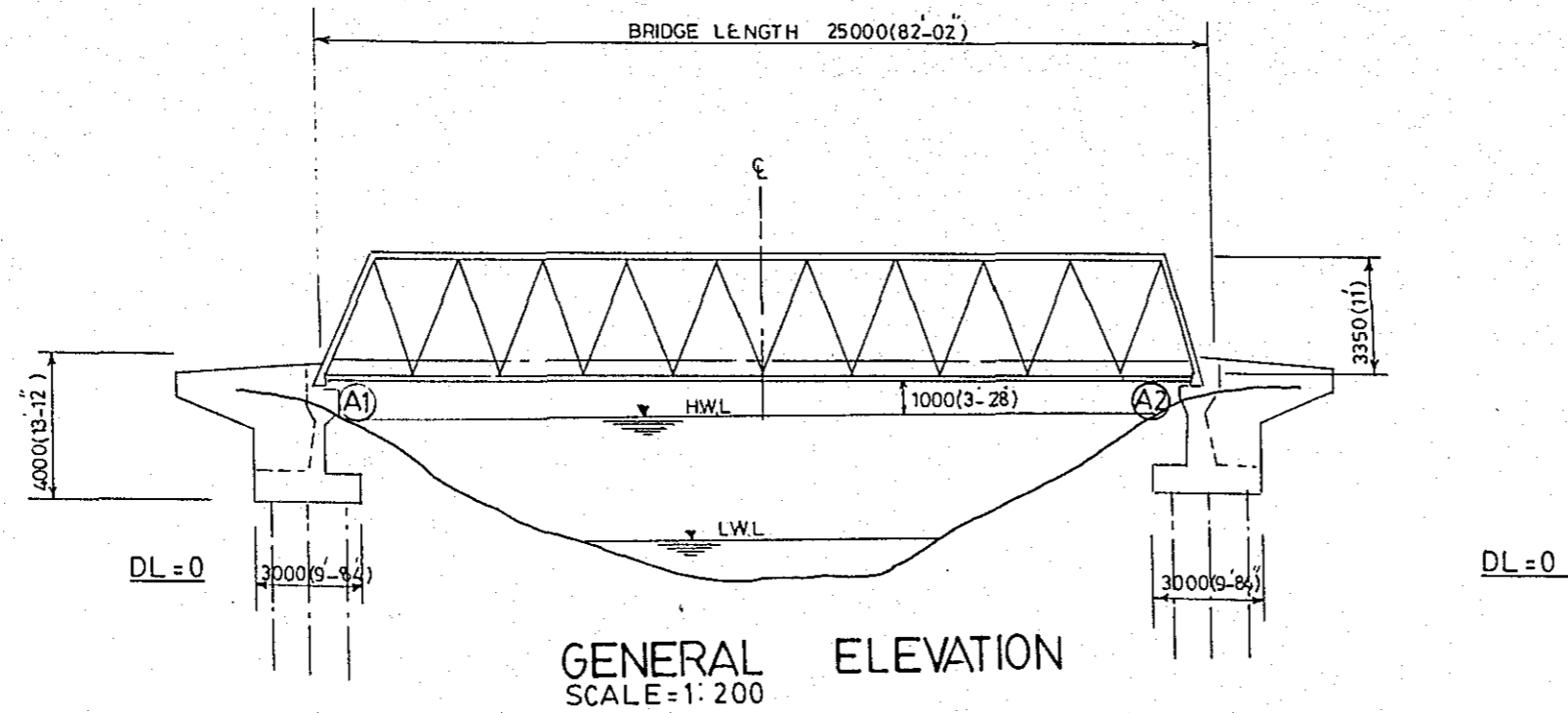


GENERAL PLAN

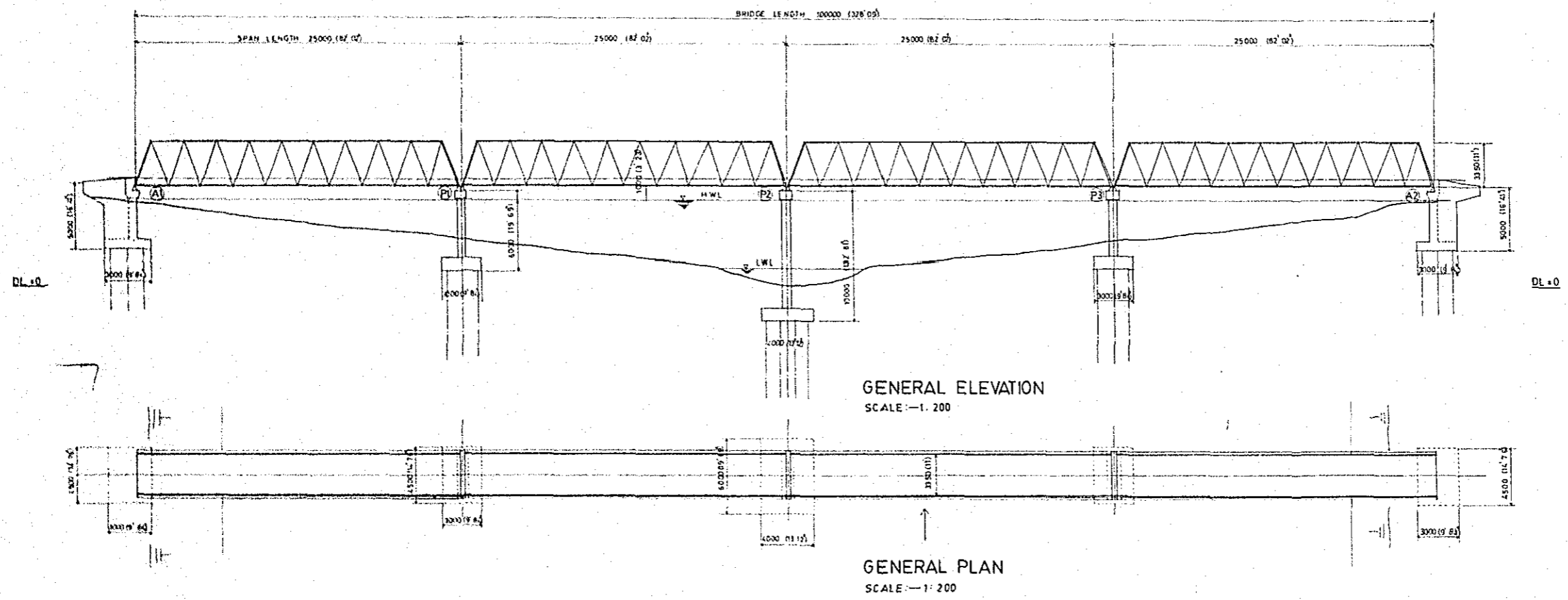
SCALE 1:200

BASIC DESIGN STUDY ON THE PROJECT FOR
PROCUREMENT OF PORTABLE STEEL BRIDGES FOR RURAL ROAD

BRIDGE NO	LOCATION	SHEET NO
07-01-01	B. BARIA	

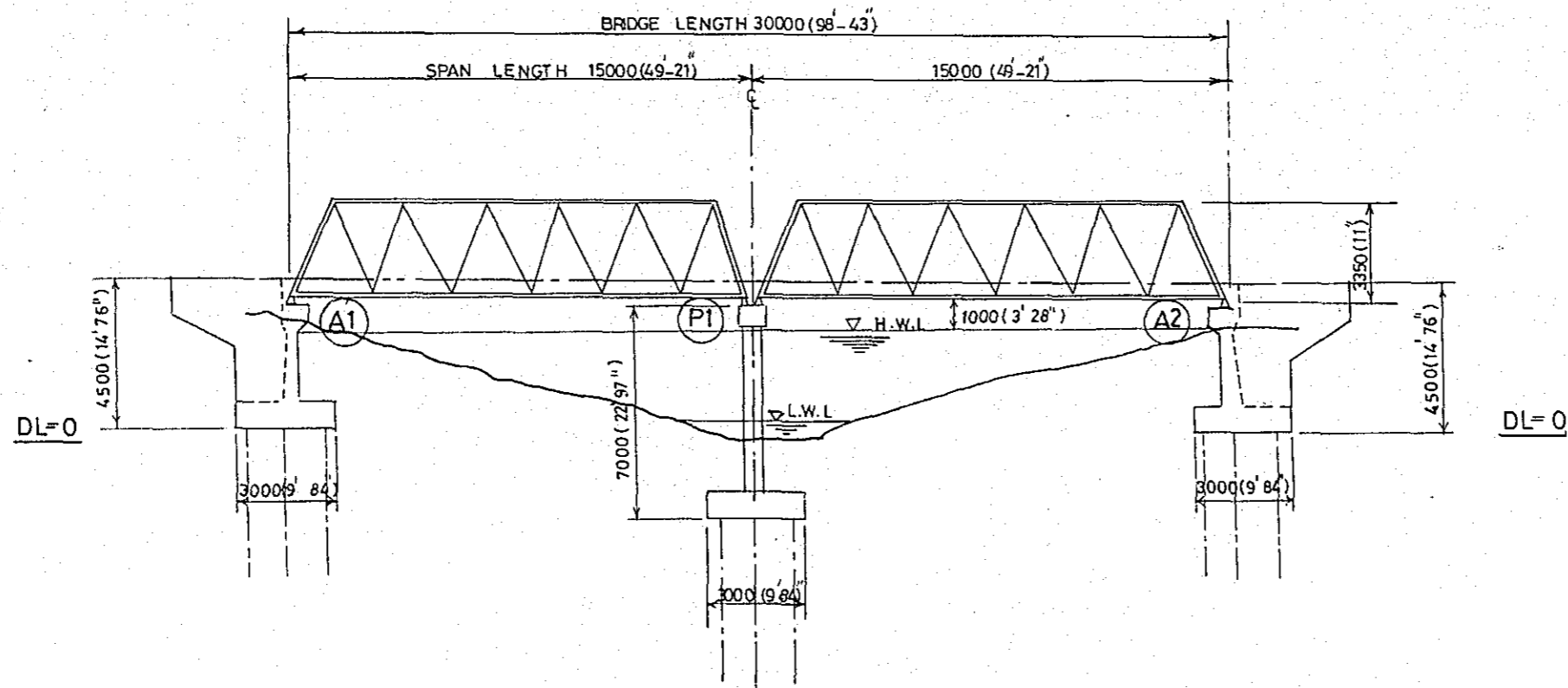


BASIC DESIGN STUDY ON THE PROJEC FOR PROCUREMENT OF PORTABLE STEEL BRIDGES FOR RURAL ROADS		
BRIDGE NO	LOCATION	SHEET NO
07-01-02	B. B A R I A	

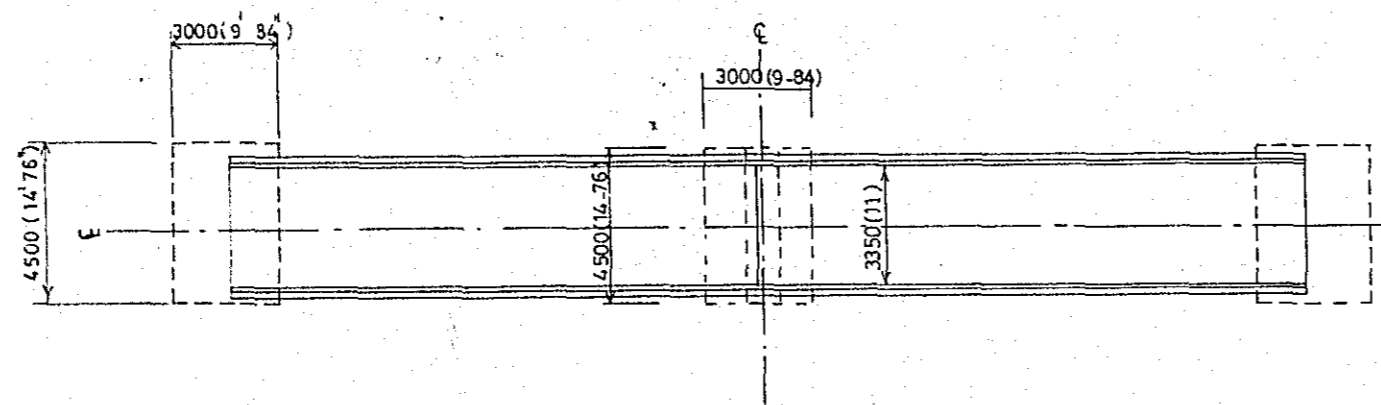


BASIC DESIGN STUDY ON THE PROJECT FOR
PROCUREMENT OF PORTABLE STEEL BRIDGES FOR RURAL ROADS

BRIDGE NO	LOCATION	SHEET NO
07-02-01	B. BARIA	



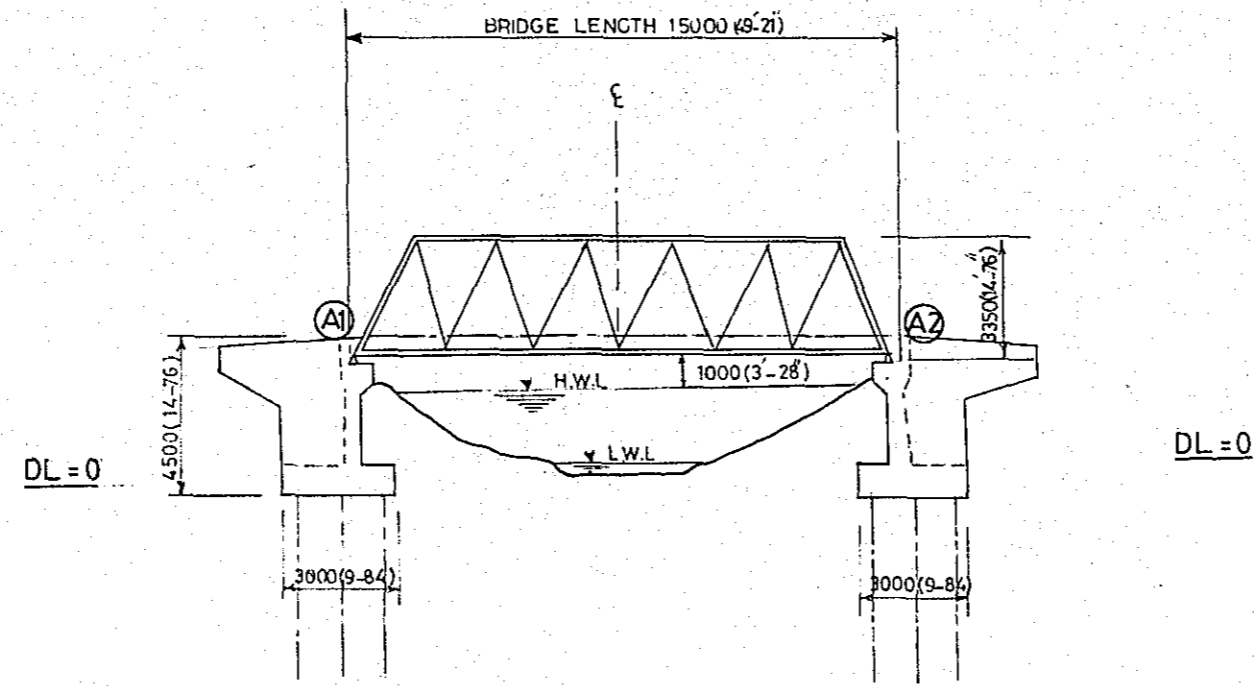
GENERAL ELEVATION
SCALE = 1:200



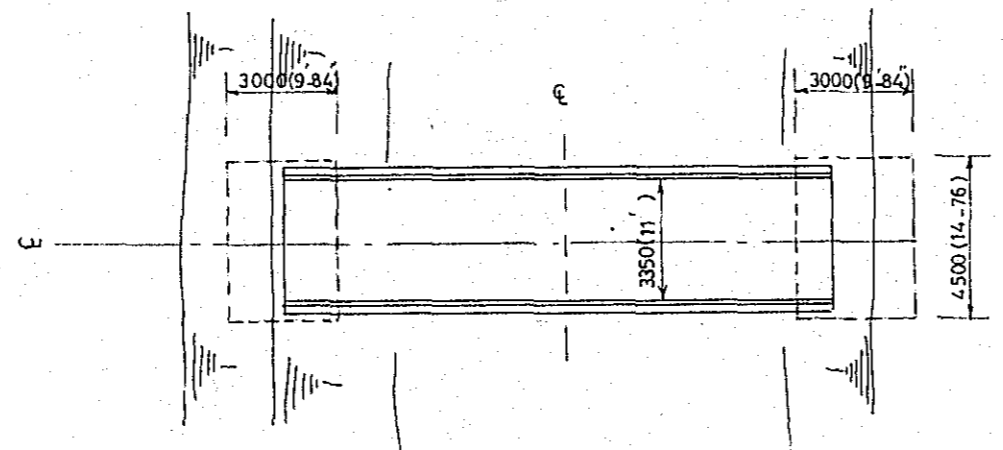
GENERAL PLAN
SCALE = 1:200

BASIC DESIGN STUDY ON THE PROJECT FOR
 PROCUREMENT OF PORTABLE STEEL BRIDGES FOR RURAL ROADS

BRIDGE NO	LOCATION	SHEET NO
07-02-02	B. B ARIA	

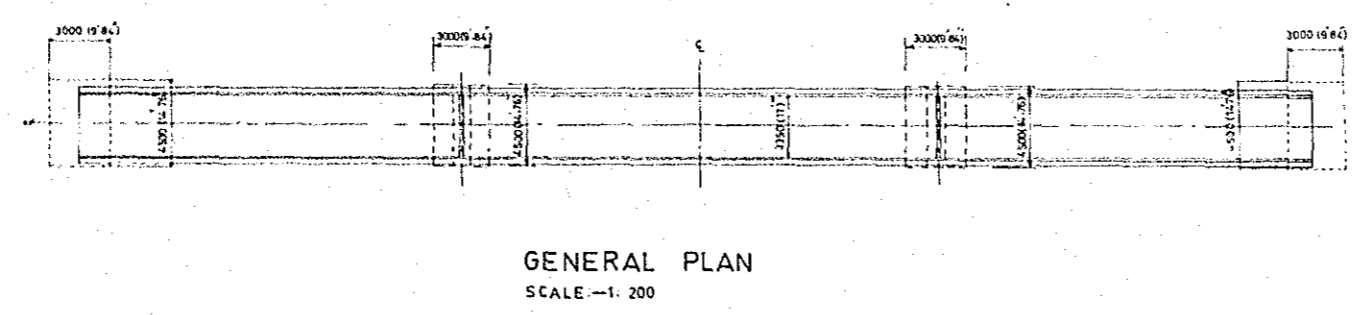
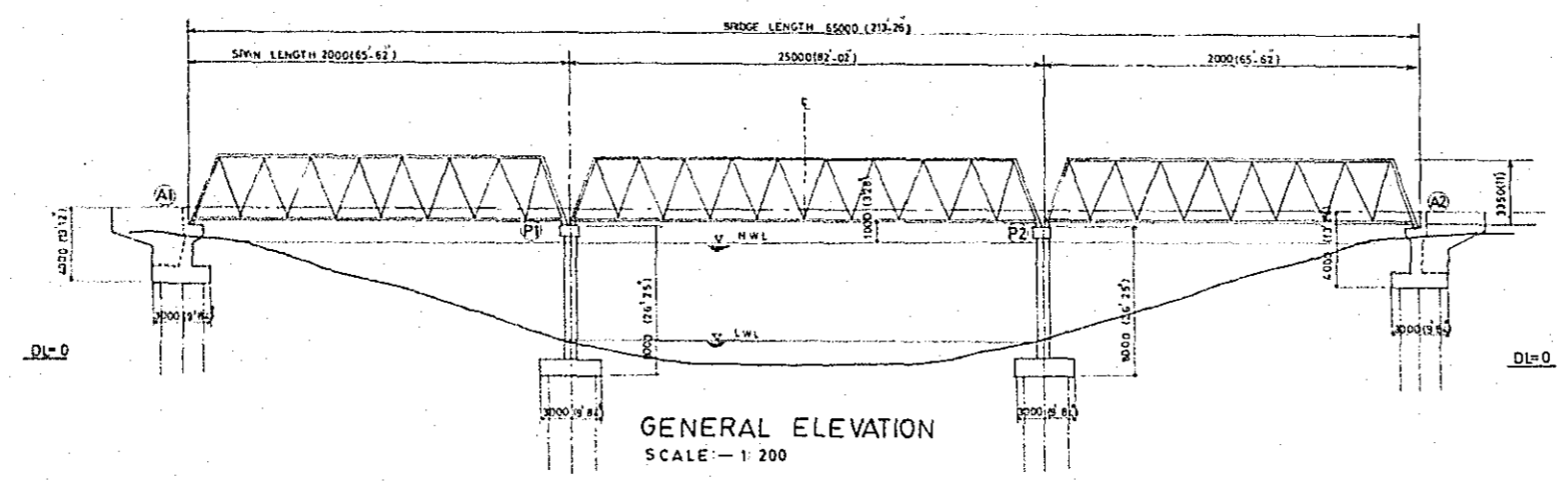


GENERAL ELEVATION
 SCALE = 1:200



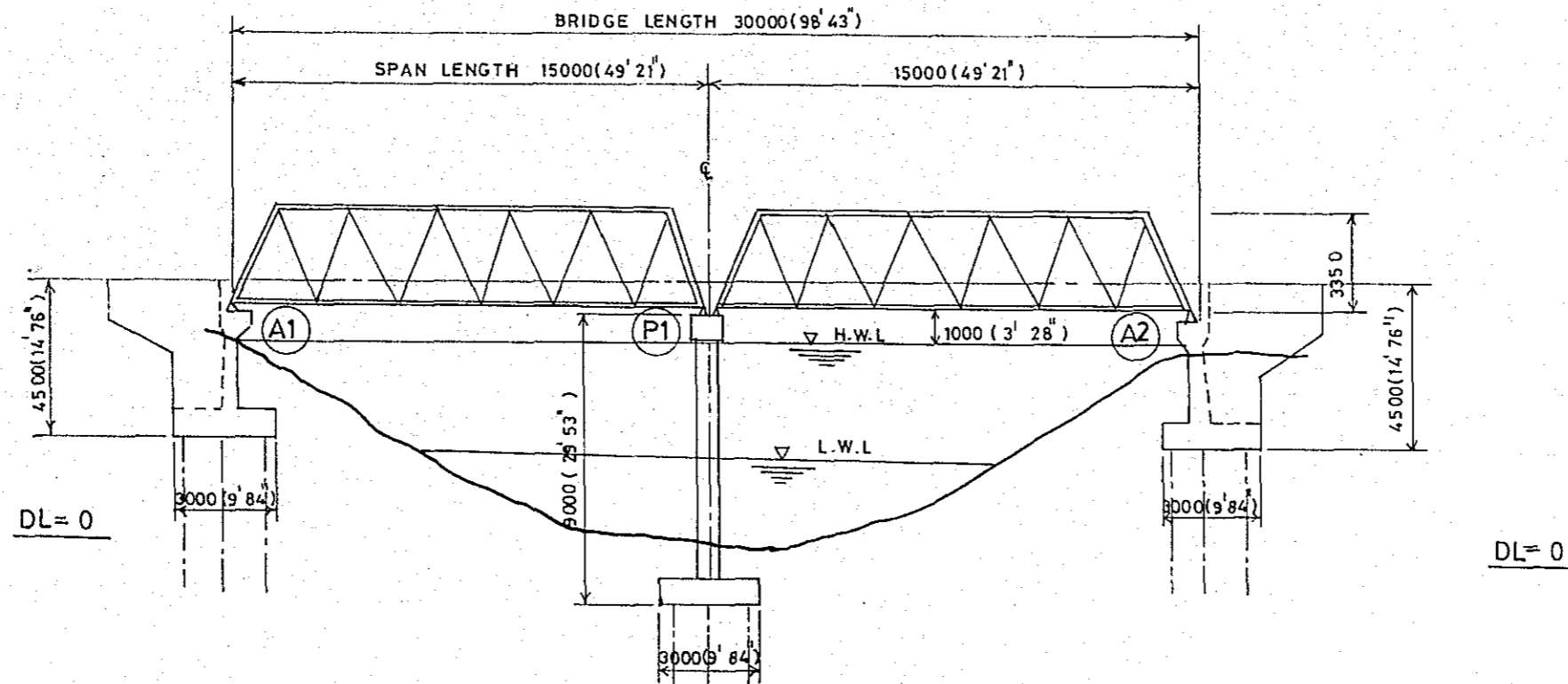
GENERAL PLAN
 SCALE = 1:200

BASIC DESIGN STUDY ON THE PROJECT FOR PROCUREMENT OF PORTABLE STEEL BRIDGES FOR RURAL ROADS		
BRIDGE NO	LOCATION	SHEET NO
07-03-01	B. BARIA	

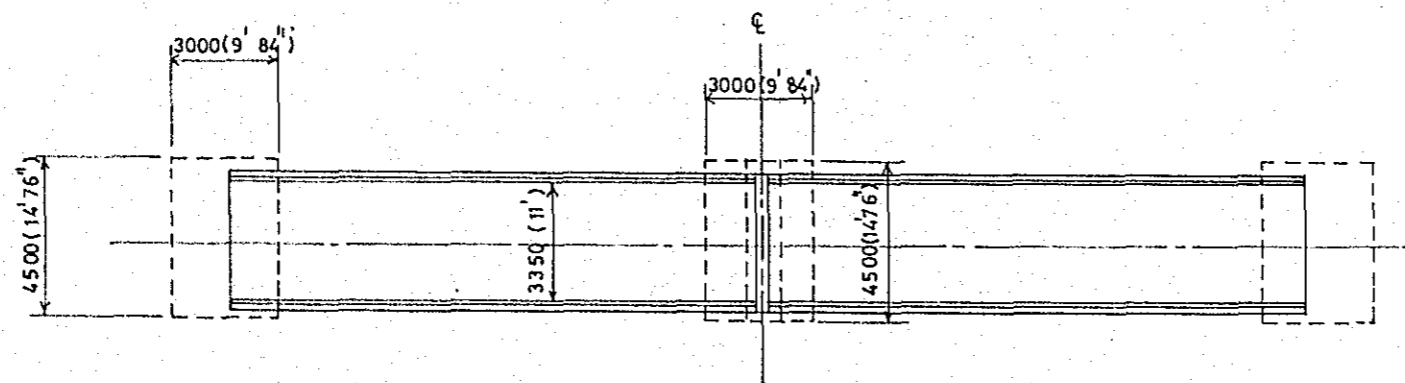


BASIC DESIGN STUDY ON THE PROJECT FOR
PROCUREMENT OF PORTABLE STEEL BRIDGES FOR RURA ROADS

BRIDGE NO	LOCATION	SHEET NO
07-03-02	B. BARIA	



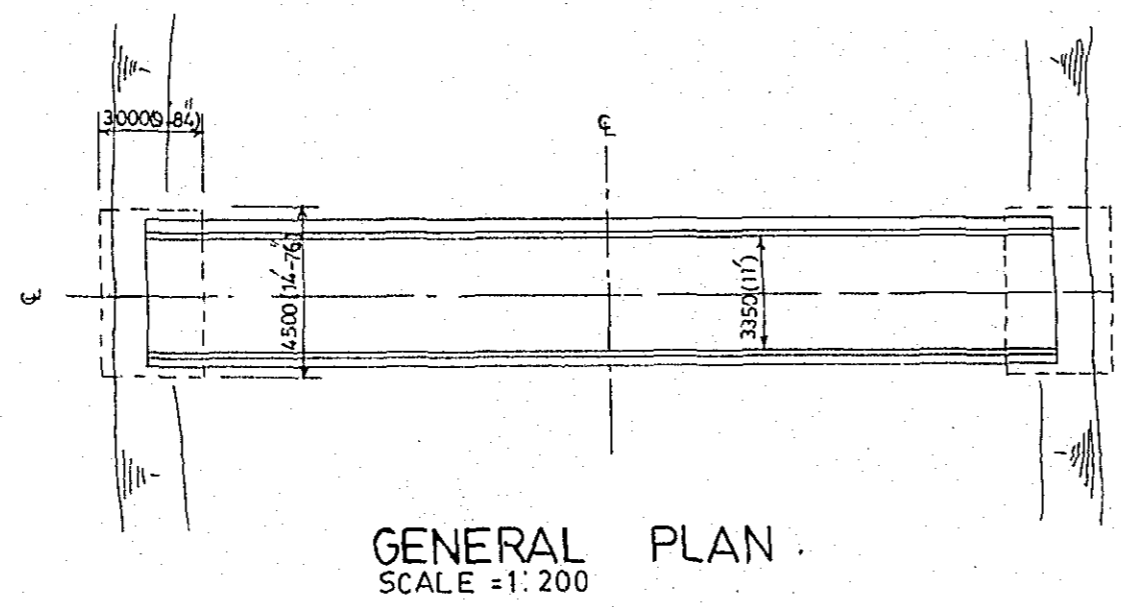
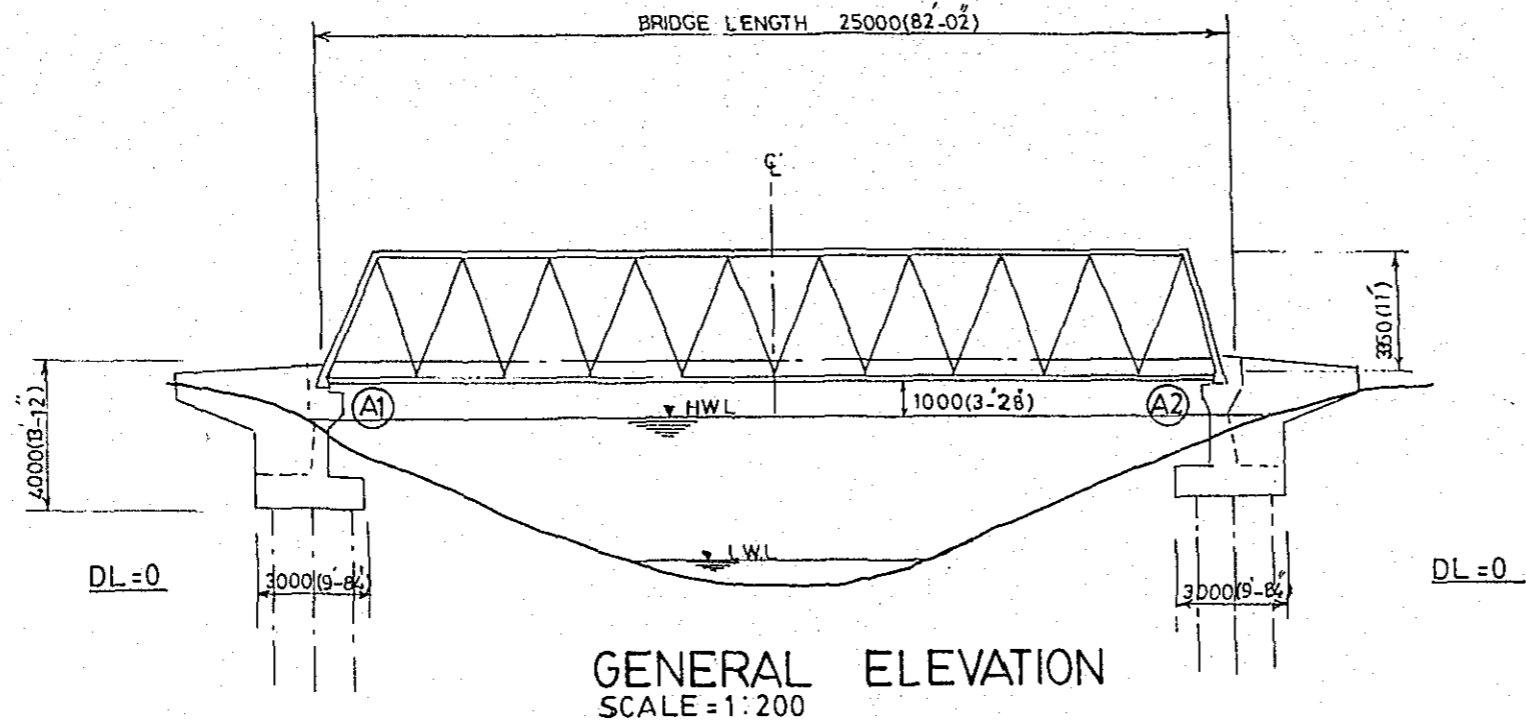
GENERAL ELEVATION
SCALE 1:200



GENERAL PLAN
SCALE 1:200

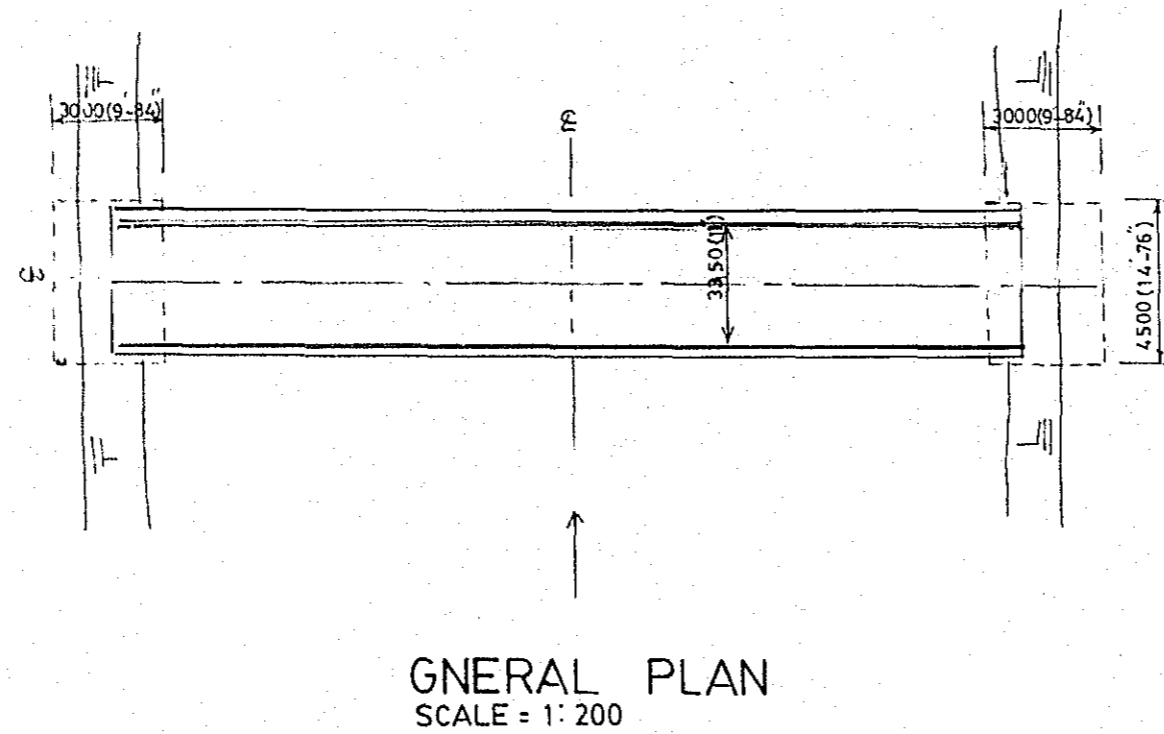
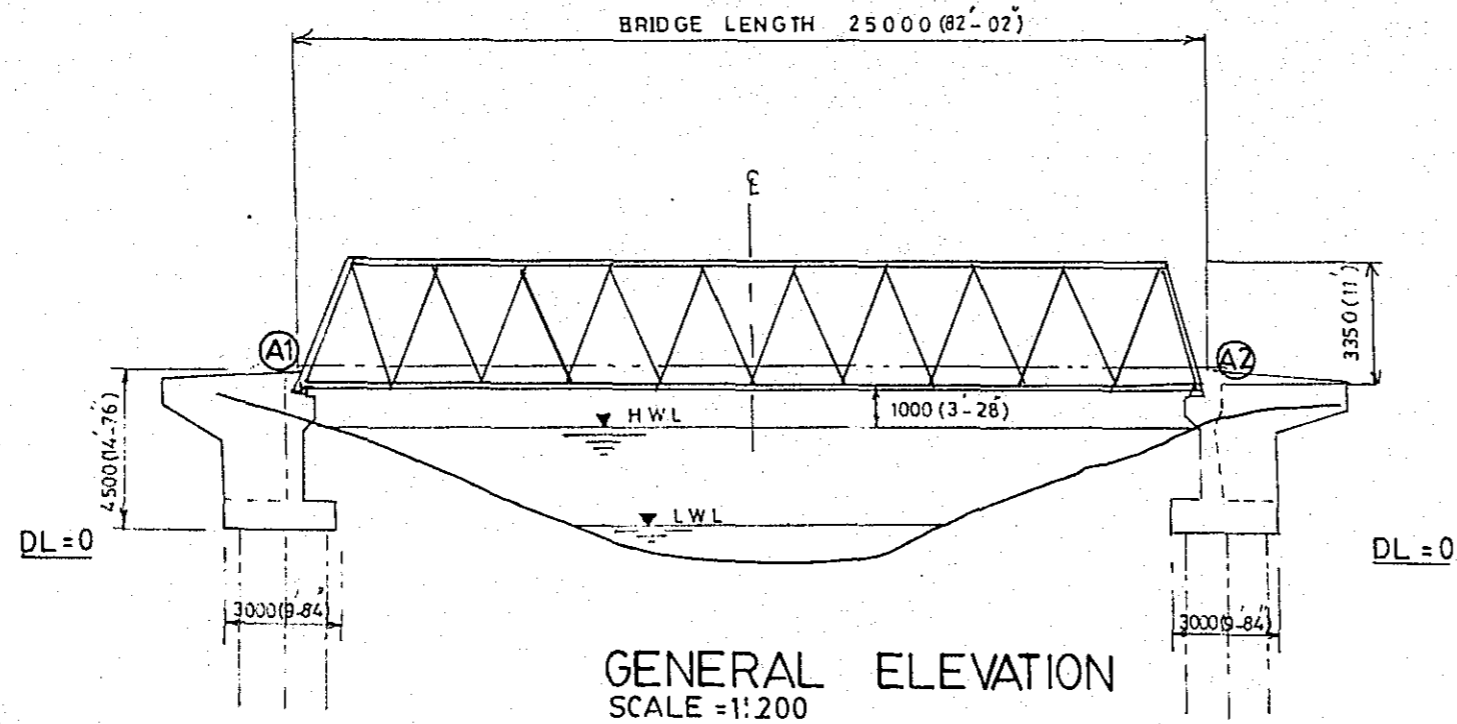
BASIC DESIGN STUDY ON THE PROJECT FOR
PROCUREMENT OF PORTABLE STEEL BRIDGES FOR RURALROADS

BRIDGE NO	LOCATION	SHEET NO
07-04-01	B. BARIA	



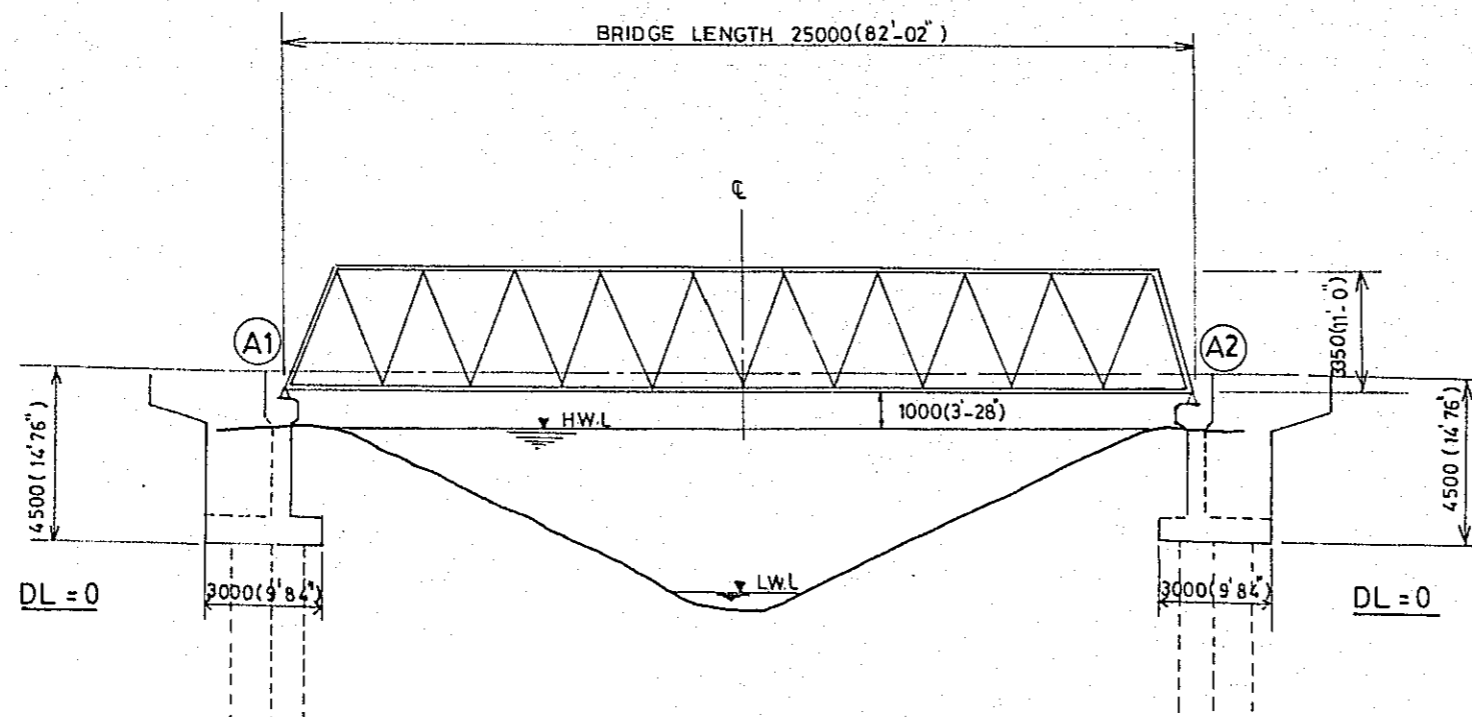
BASIC DESIGN STUDY ON THE PROJECT FOR
PROCUREMENT OF PORTABLE STEEL BRIDGES FOR RURAL ROADS

BRIDGE NO	LOCATION	SHEET NO
08-01-01	COMILLA	

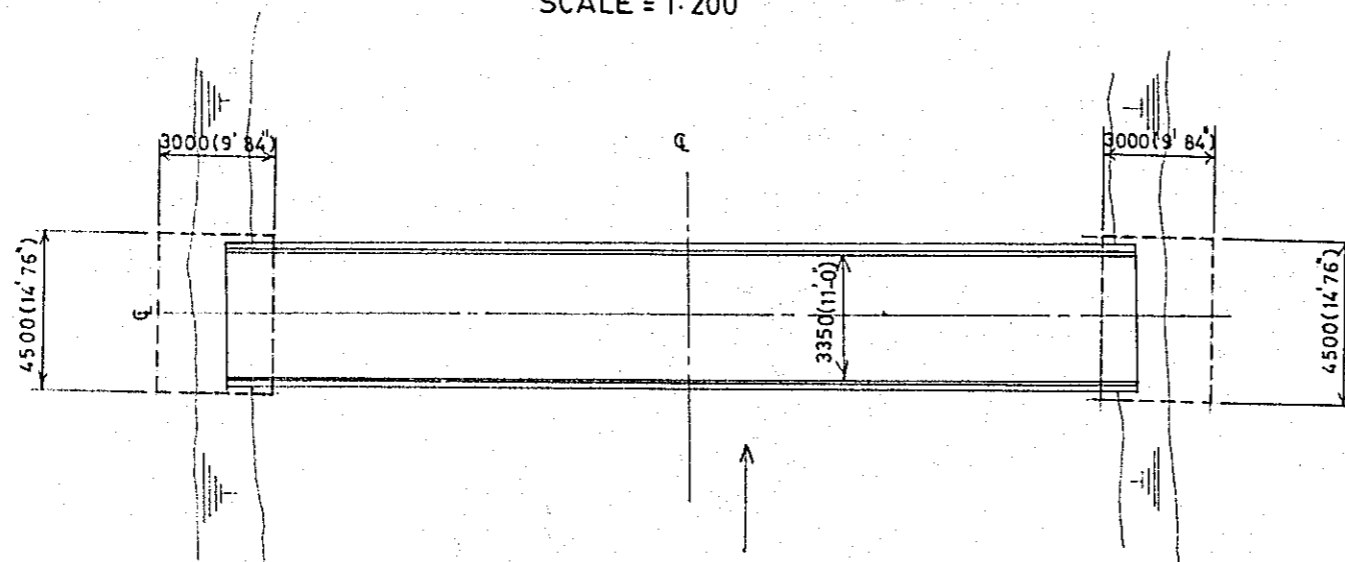


BASIC DESIGN STUDY ON THE PROJECT FOR
PROCUREMENT OF PORTABLE STEEL BRIDGES FOR RURAL ROADS

BRIDGE NO	LOCATION	SHEET NO
08-01-02	COMILLA	



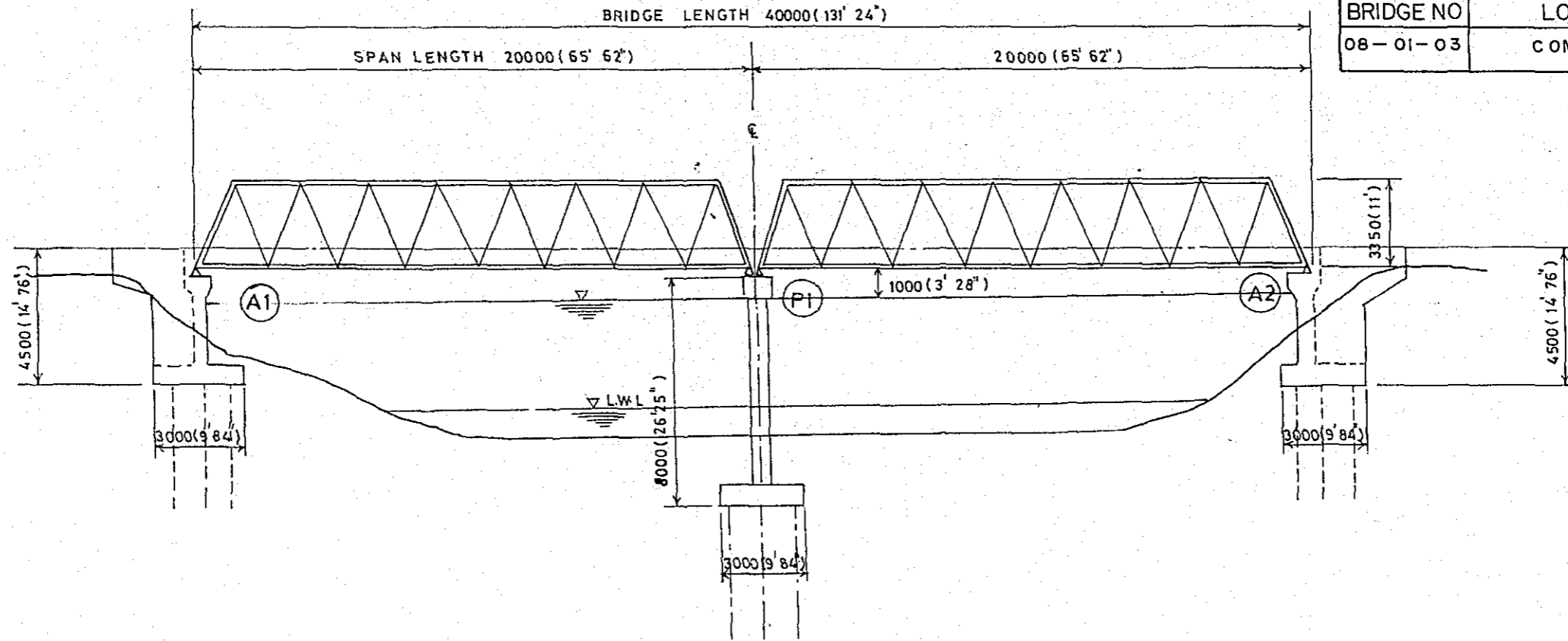
GENERAL ELEVATION
SCALE = 1:200



GENERAL PLAN
SCALE = 1:200

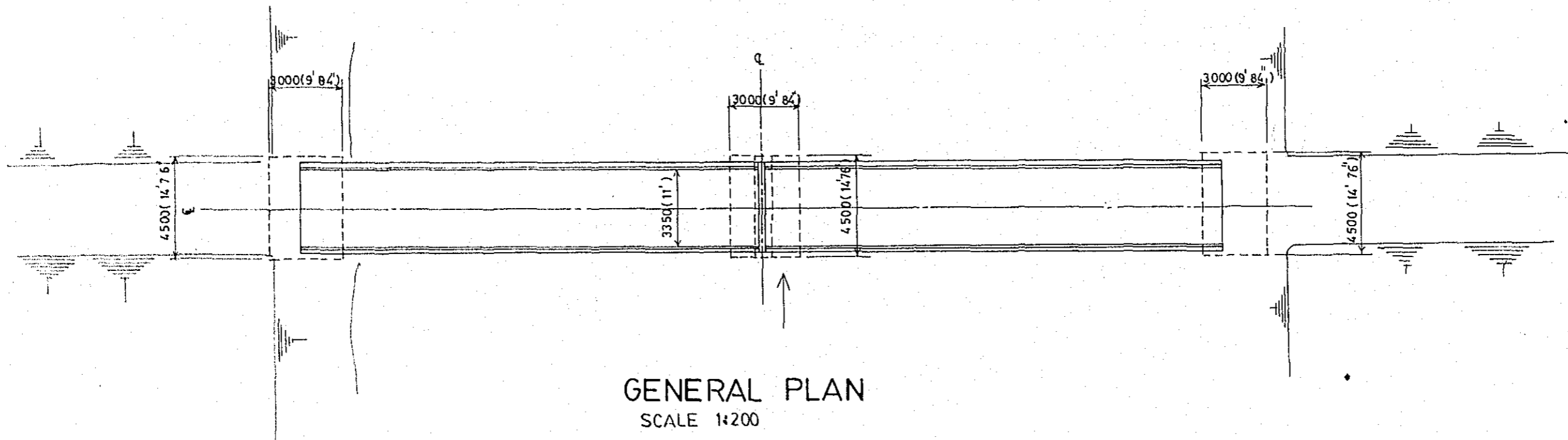
BASIC DESIGN STUDY ON THE PROJECT FOR
PROCUREMENT OF PORTABLE STEEL BRIDGES FOR RURAL ROADS

BRIDGE NO	LOCATION	SHEET NO
08-01-03	COMILLA	



GENERAL ELEVATION

SCALE 1:200

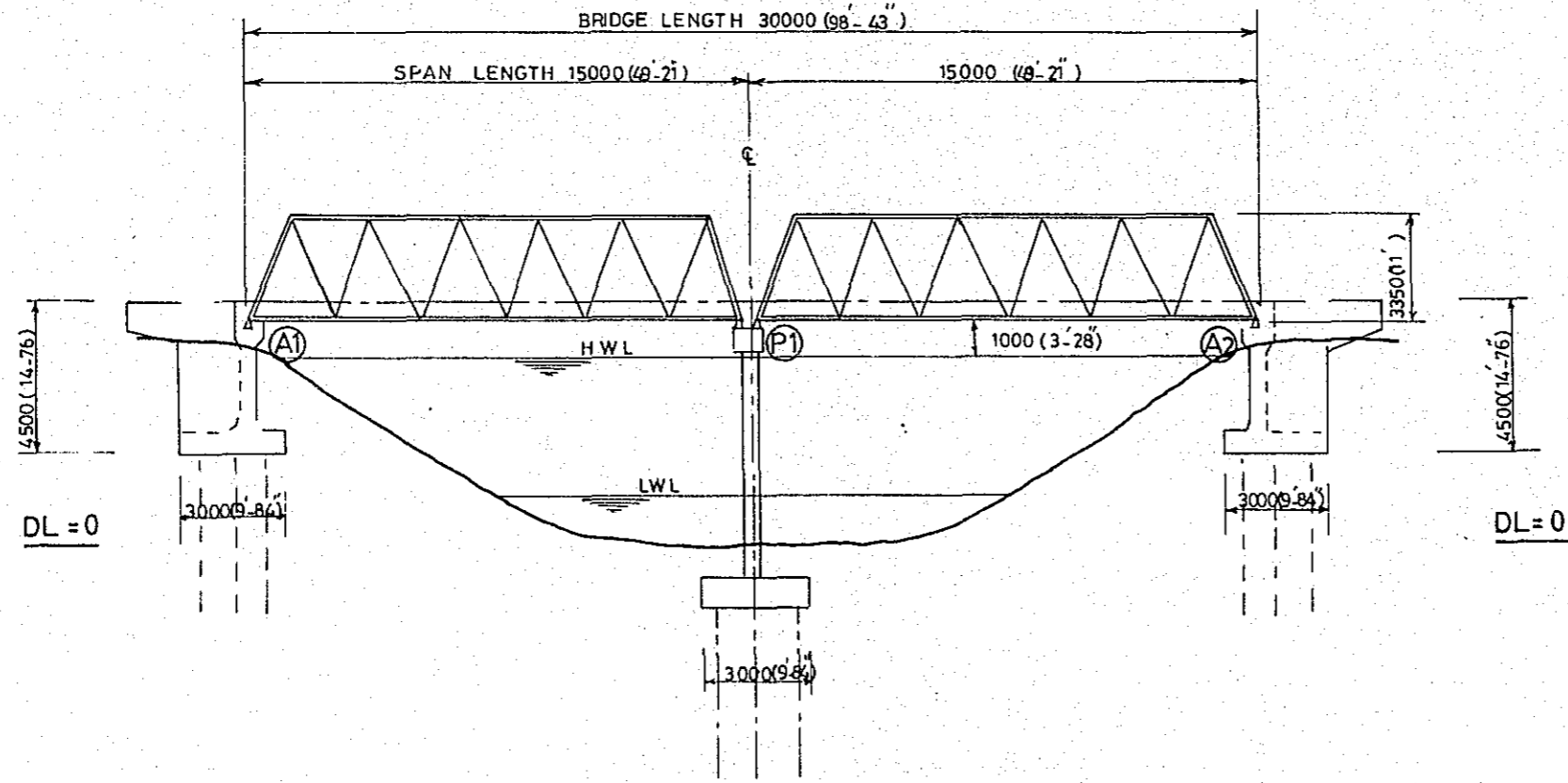


GENERAL PLAN

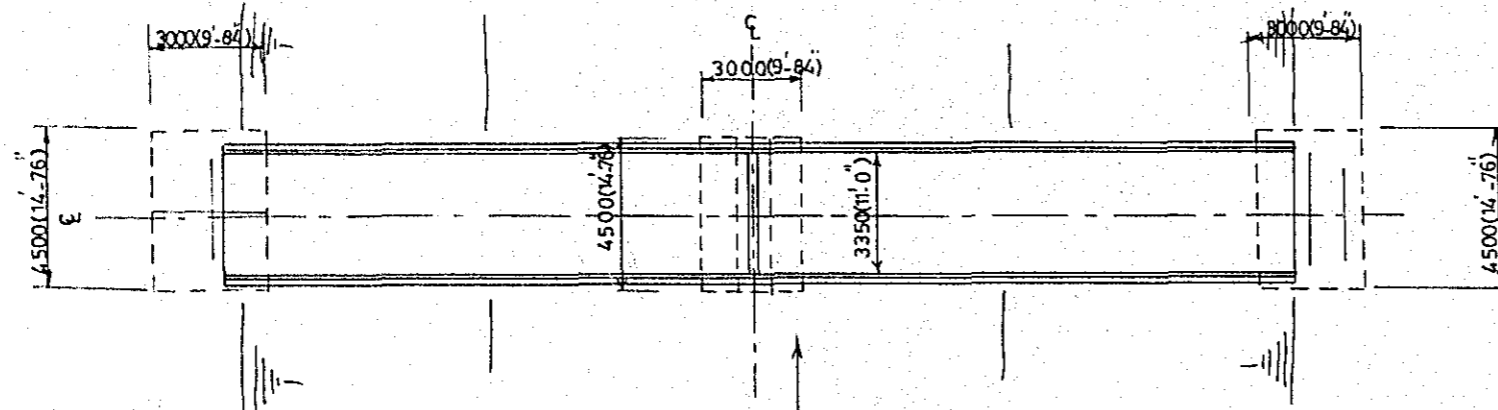
SCALE 1:200

BASIC DESIGN STUDY ON THE PROJECT FOR
PROCUREMENT OF PORTABLE STEEL BRIDGES FOR RURAL ROADS

BRIDGE NO	LOCATION	SHEET NO
08-02-01	COMILLA	



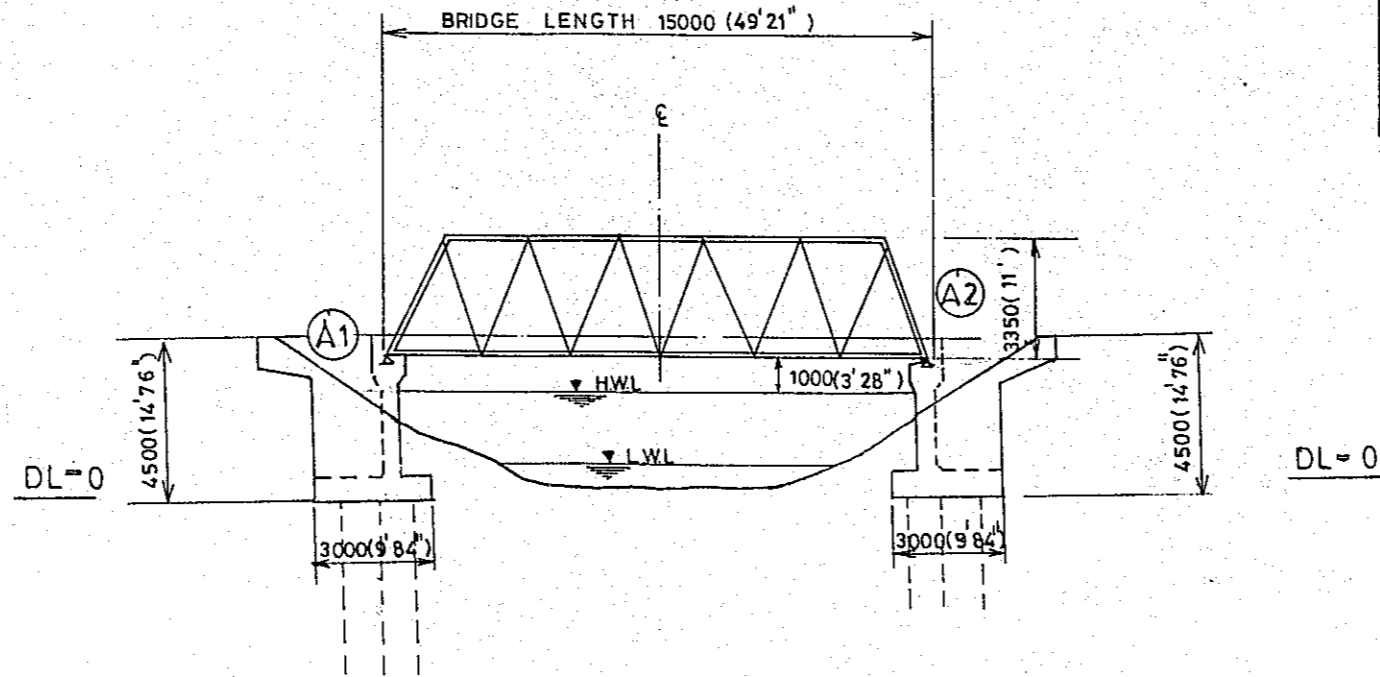
GENERAL ELEVATION
SCALE = 1:200



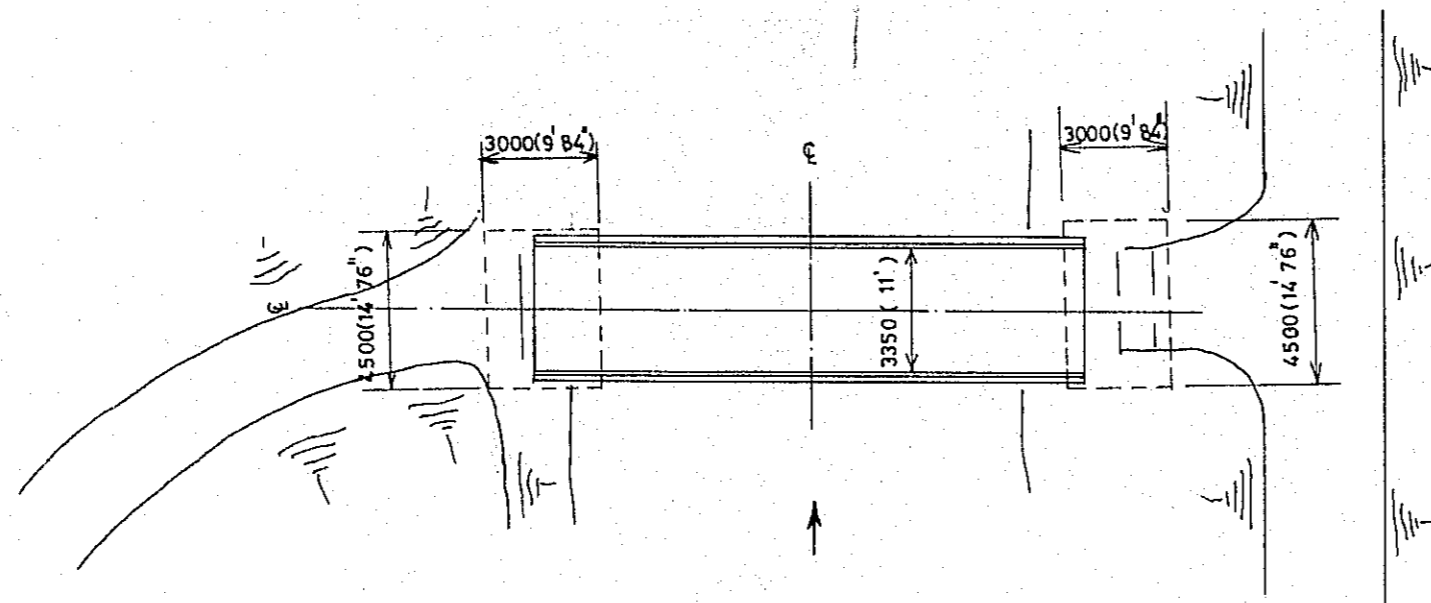
GENERAL PLAN
SCALE = 1:200

BASIC DESIGN STUDY ON THE PROJECT FOR
PROCUREMENT OF PORTABLE STEEL BRIDGES FOR RURAL ROADS

BRIDGE NO	LOCATION	SHEET NO
08-02-02	COMILLA	



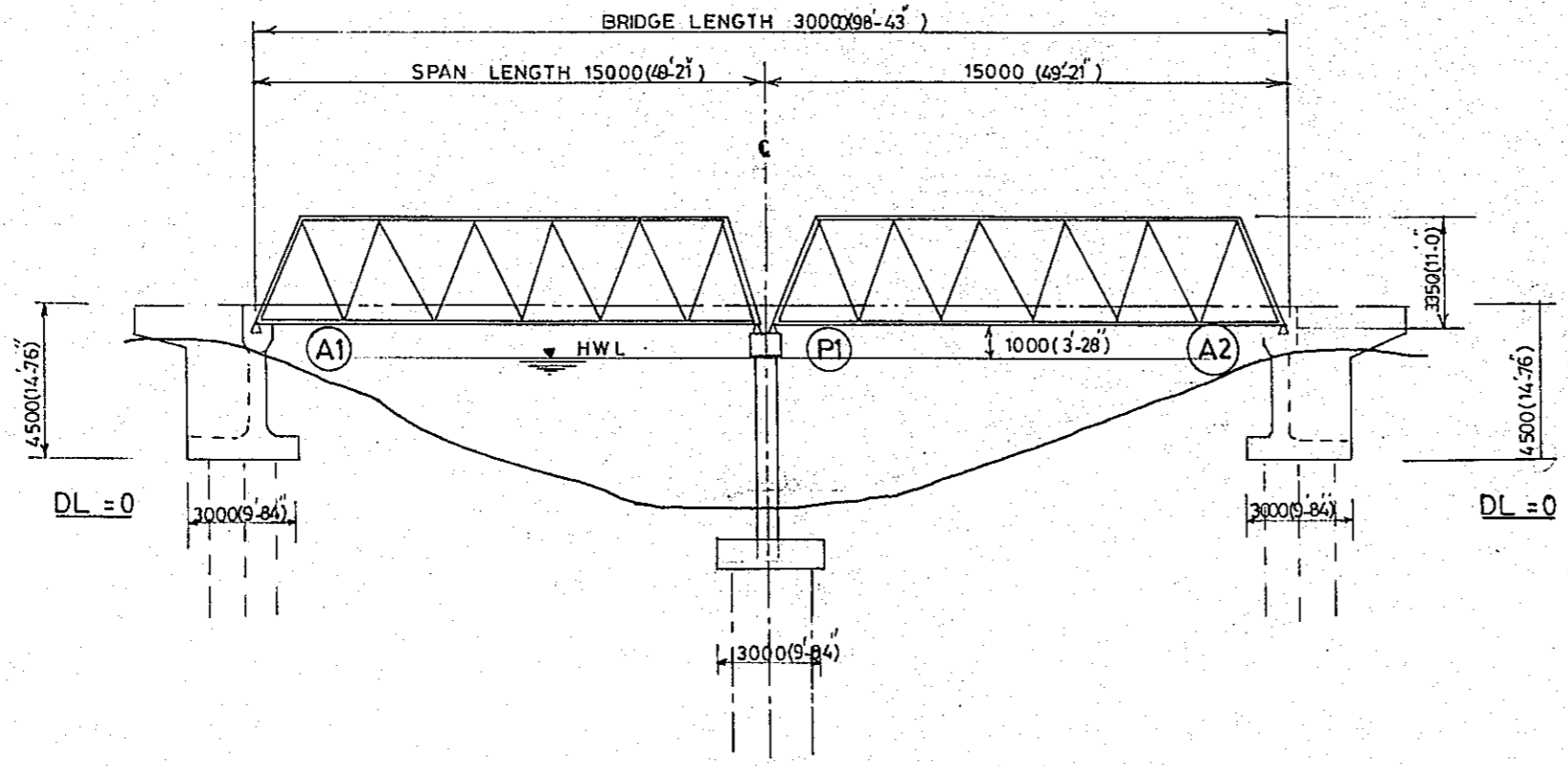
GENERAL ELEVATION
SCALE = 1:200



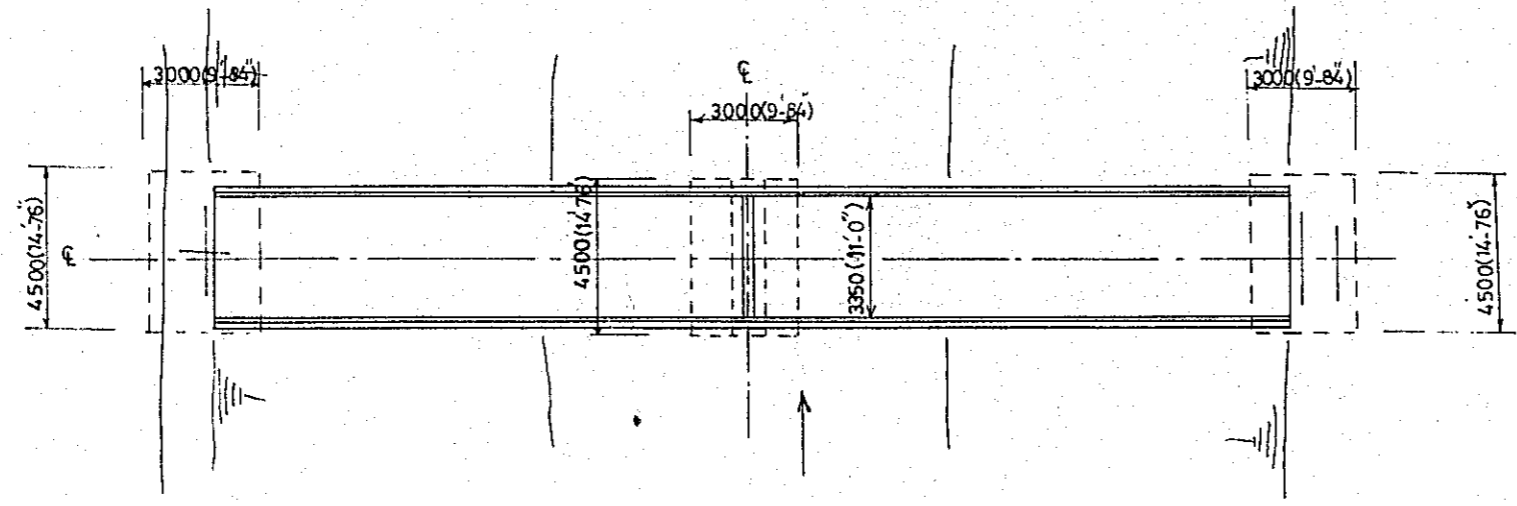
GENERAL PLAN
SCALE = 1:200

BASIC DESIGN STUDY ON THE PROJECT FOR
PROCUREMENT OF PORTABLE STEEL BRIDGES FOR RURAL ROADS

BRIDGE NO	LOCATION	SHEET NO
08-03-01	COMILLA	



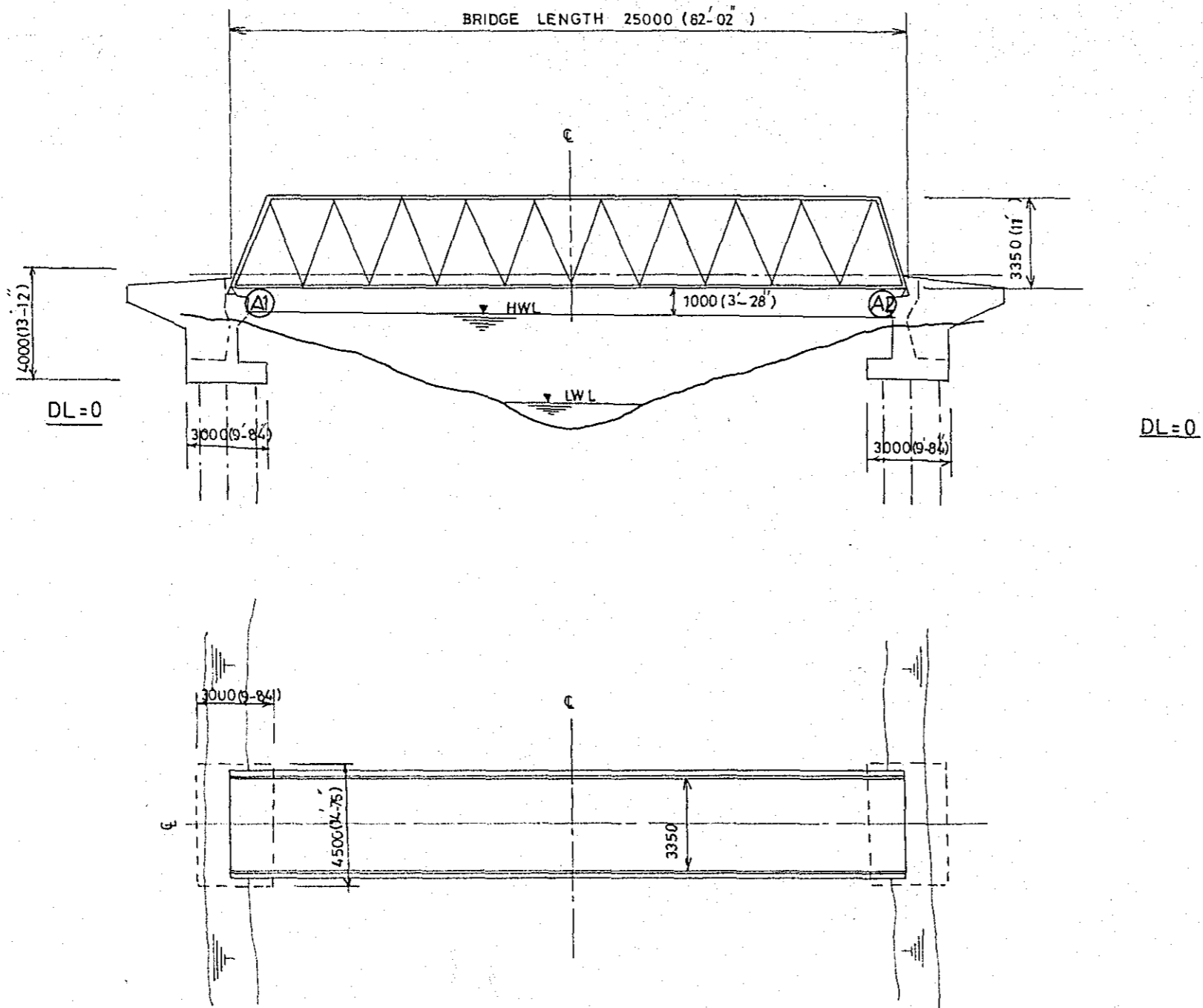
GENERAL ELEVATION
SCALE = 1:200



GENERAL PLAN
SCALE = 1:200

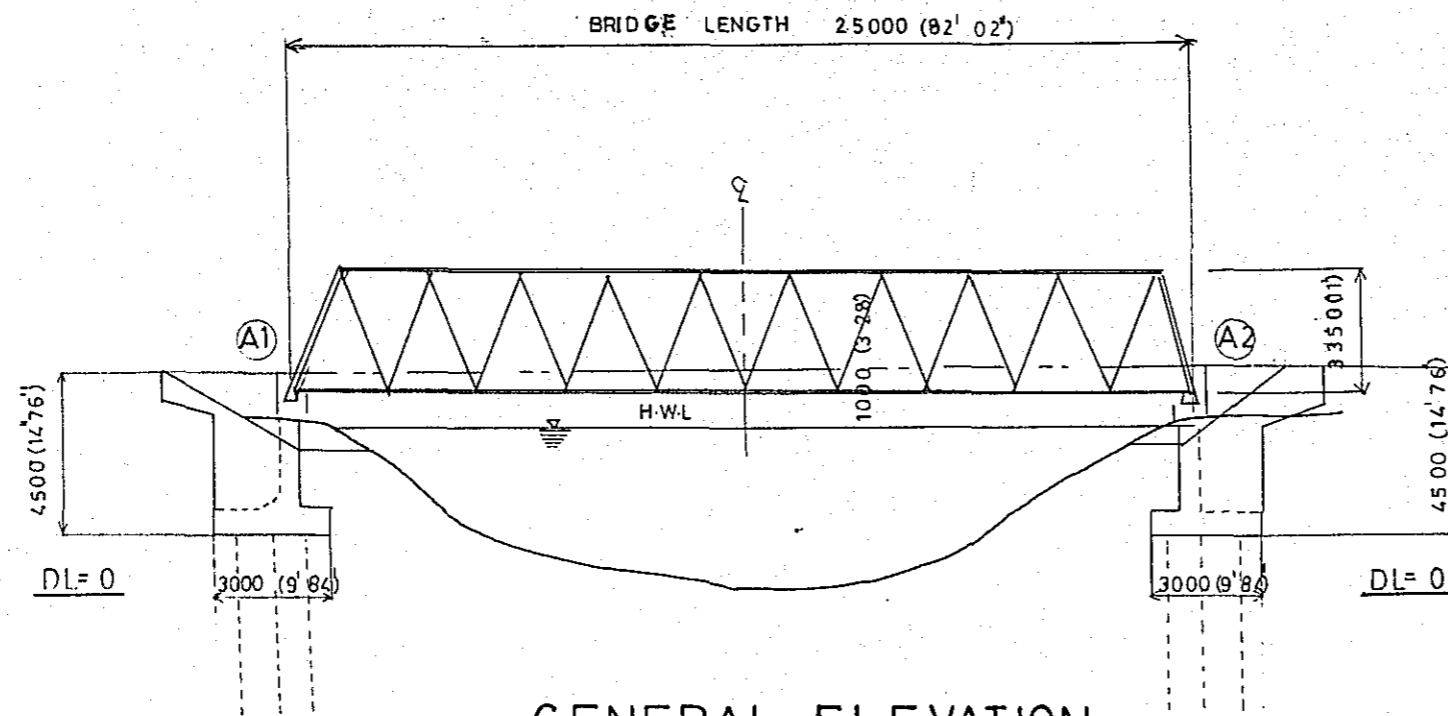
BASIC DESIGN STUDY ON THE PROJECT FOR
 PROCUREMENT OF PORTABLE STEEL BRIDGES FOR RURAL ROADS

BRIDGE NO	LOCATION	SHEET NO
08-03-02	COMILLA	

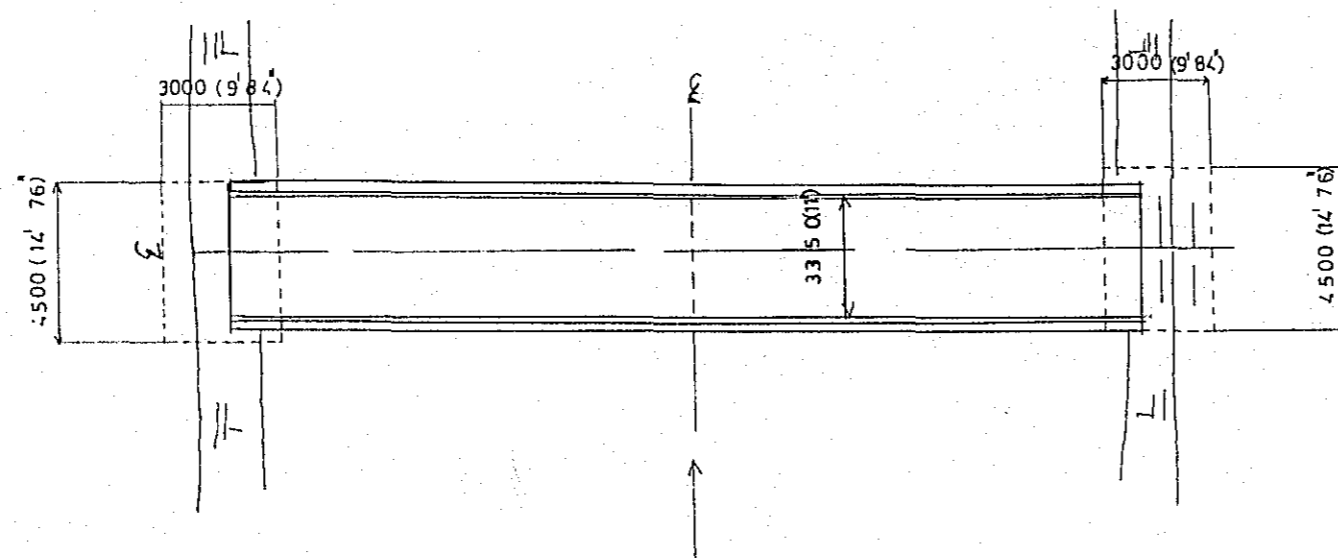


BASIC DESIGN STUDY ON THE PROJECT FOR
PROCUREMENT OF PORTABLE STEEL BRIDGES FOR RURAL ROADS

BRIDGE NO	LOCATION	SHEET NO
08-04-01	COMILLA	

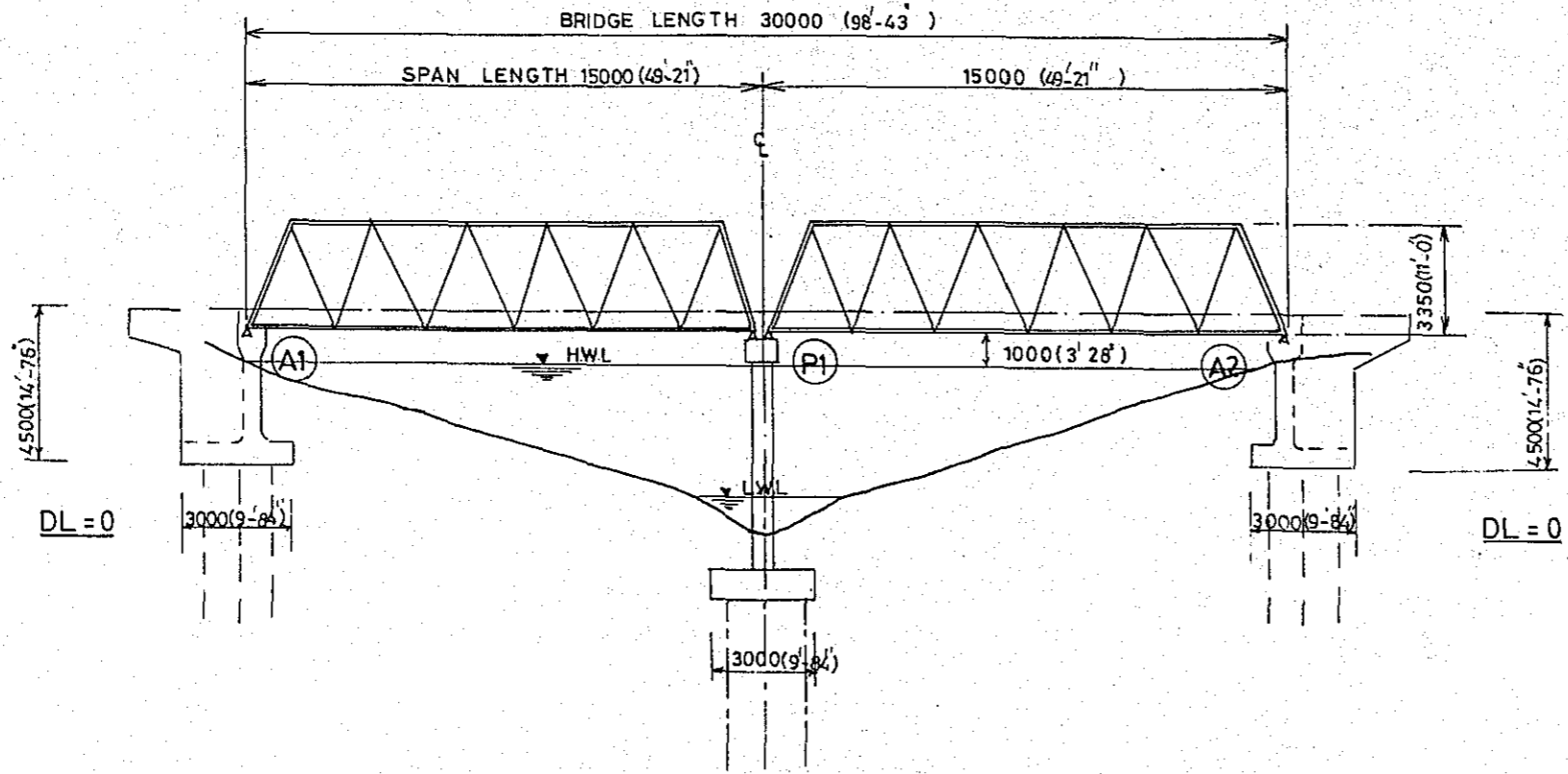


GENERAL ELEVATION
SCALE:-1:200

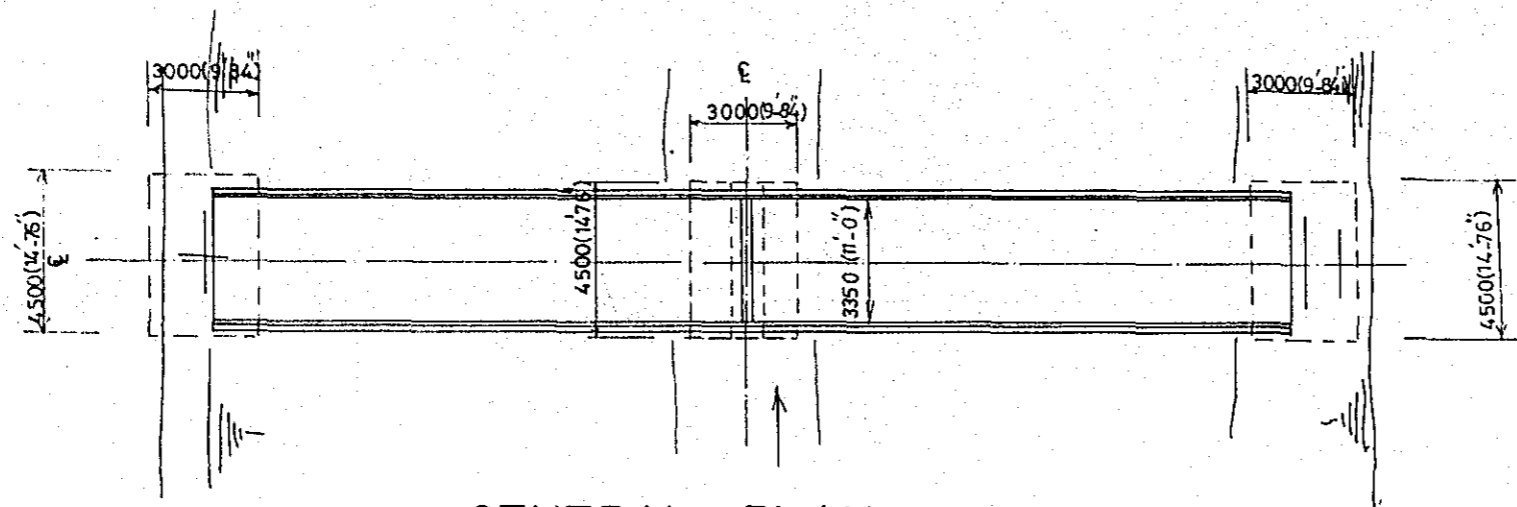


GENERAL PLAN
SCALE:- 1:200

BASIC DESIGN STUDY ON THE PROJECT FOR PROCUREMENT OF PORTABLE STEEL BRIDGES FOR RURAL ROADS		
BRIDG NO	LOCATION	SHEET NO
08-04-02	COMILLA	

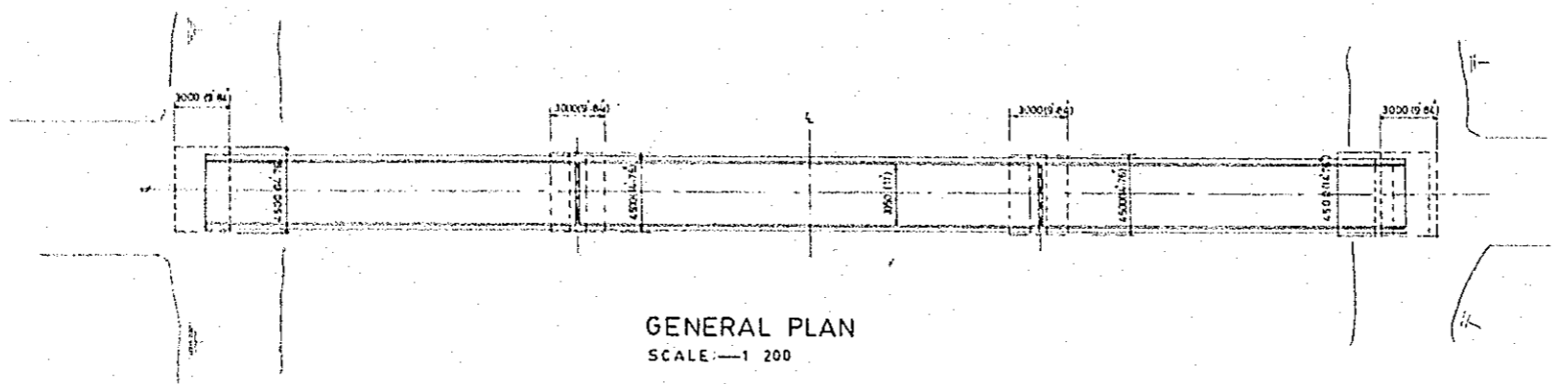
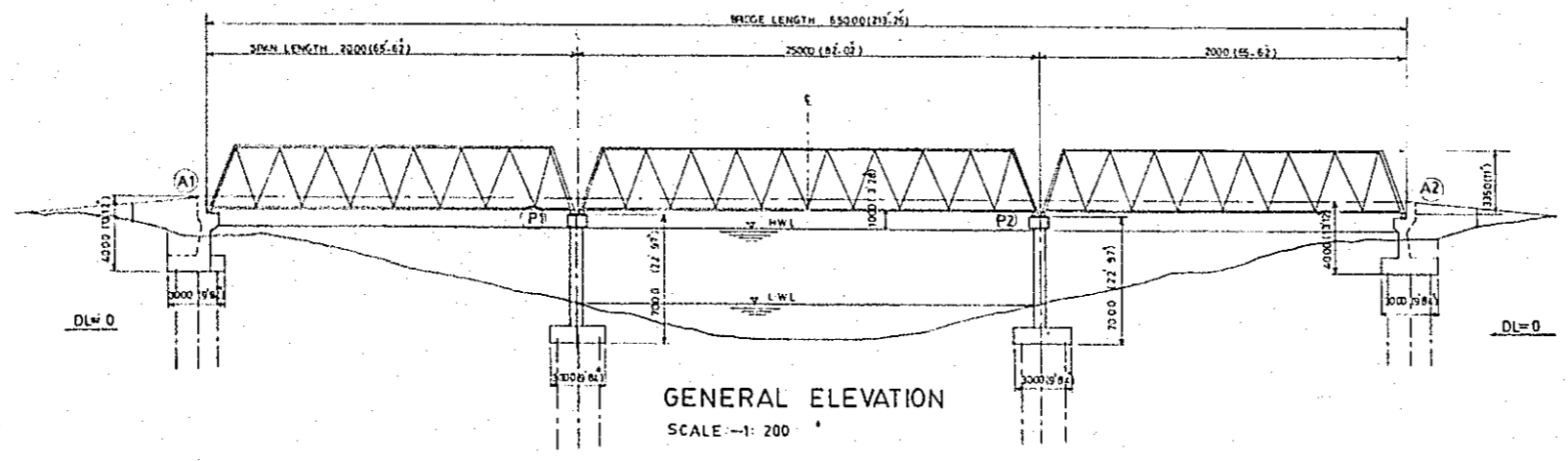


GENERAL ELEVATION
SCALE = 1:200

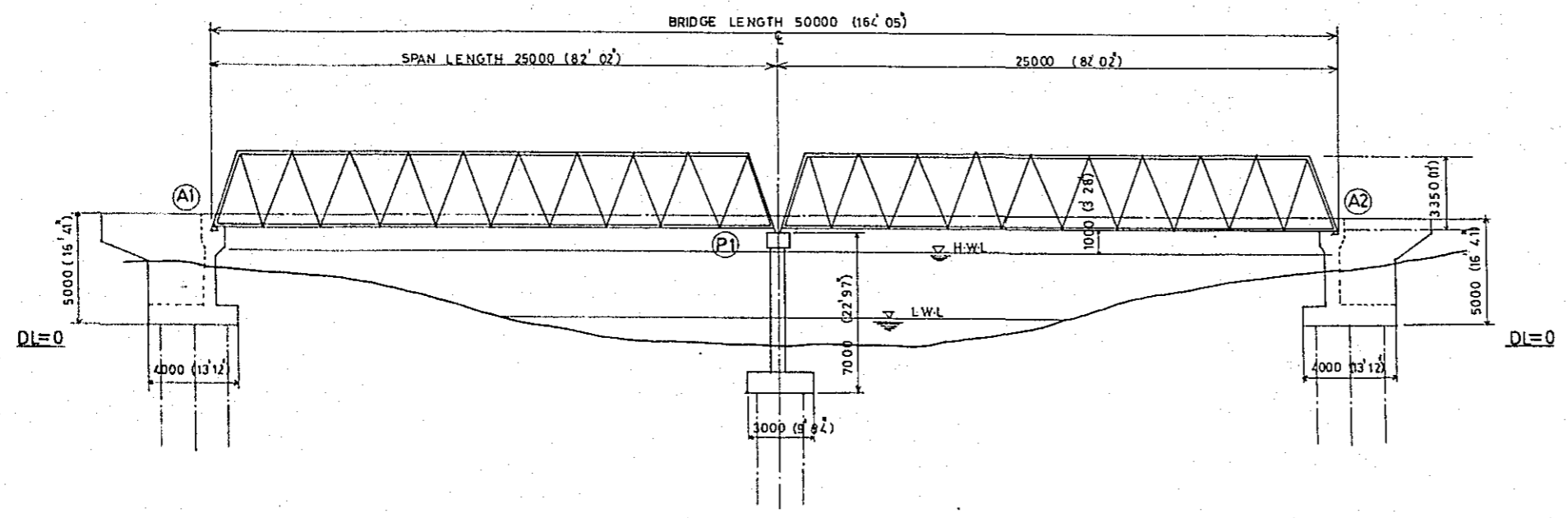


GENERAL PLAN
SCALE = 1:200

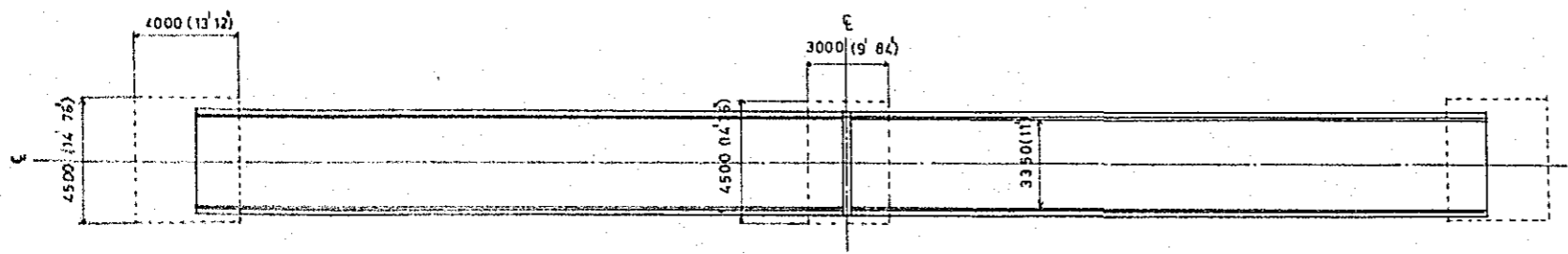
BASIC DESIGN STUDY ON THE PROJECT FOR PROCUREMENT OF PORTABLE STEEL BRIDGES FOR RURA ROADS		
BRIDGE NO	LOCATION	SHEET NO
08-04-03	COMILLA	



BASIC DESIGN STUDY ON THE PROJECT FOR PROCUREMENT OF PORTABLE STEEL BRIDGES FOR RURAL ROADS	
BRIDGE NO	LOCATION
09-01-01	NOAKHALI



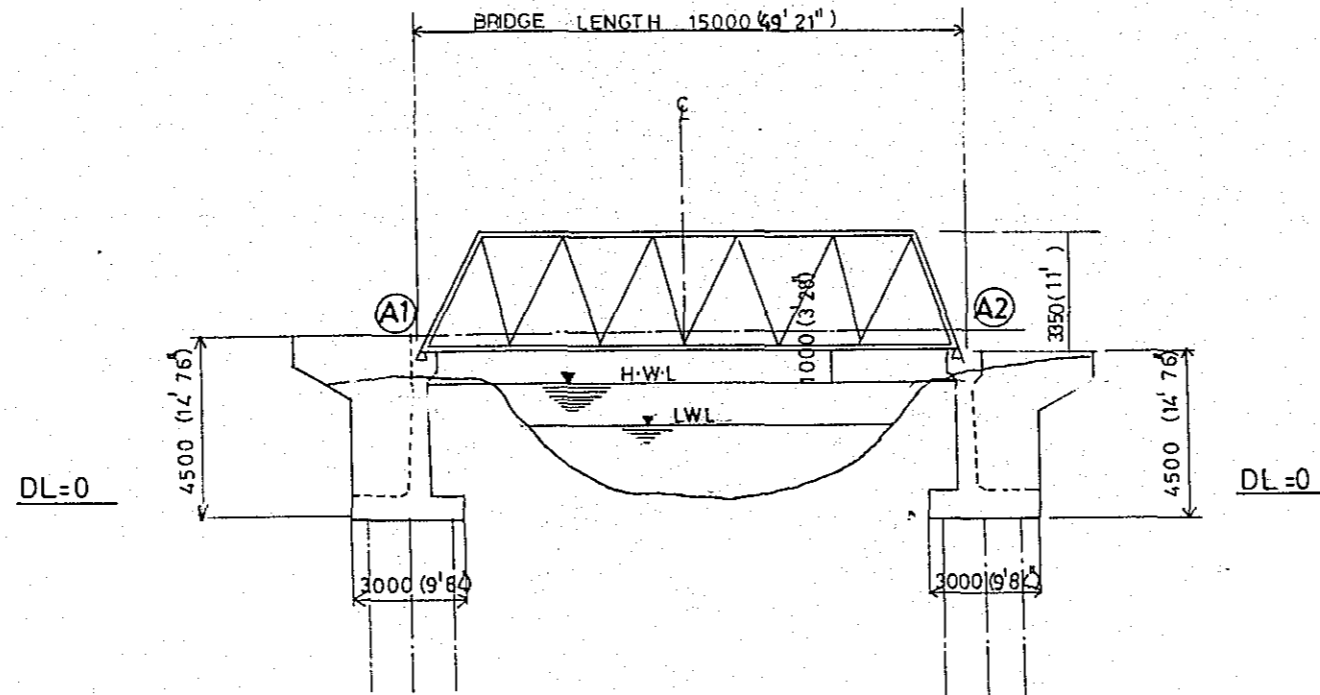
GENERAL ELEVATION
SCALE: — 1: 200



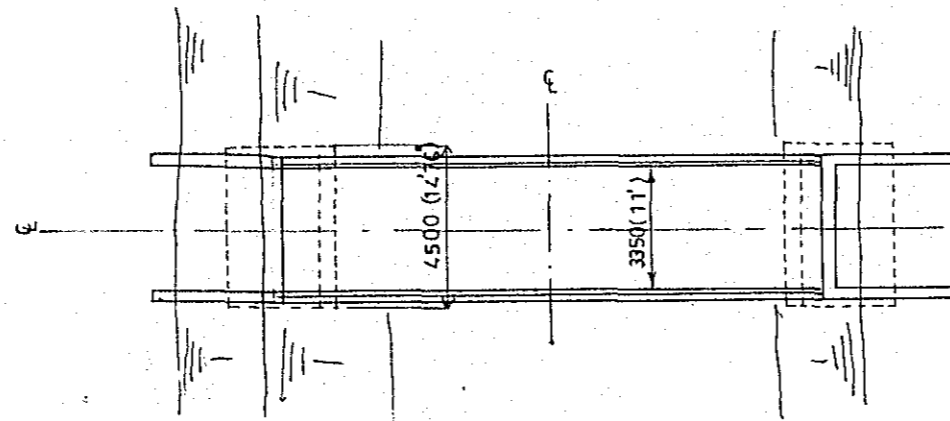
GENERAL PLAN
SCALE: — 1: 200

BASIC DESIGN STUDY ON THE PROJECT FOR
PROCUREMENT OF PORTABLE STEEL BRIDGES FOR RURAL ROADS

BRIDGE NO	LOCATION	SHEET NO
09-01-02	NOAKHALI	

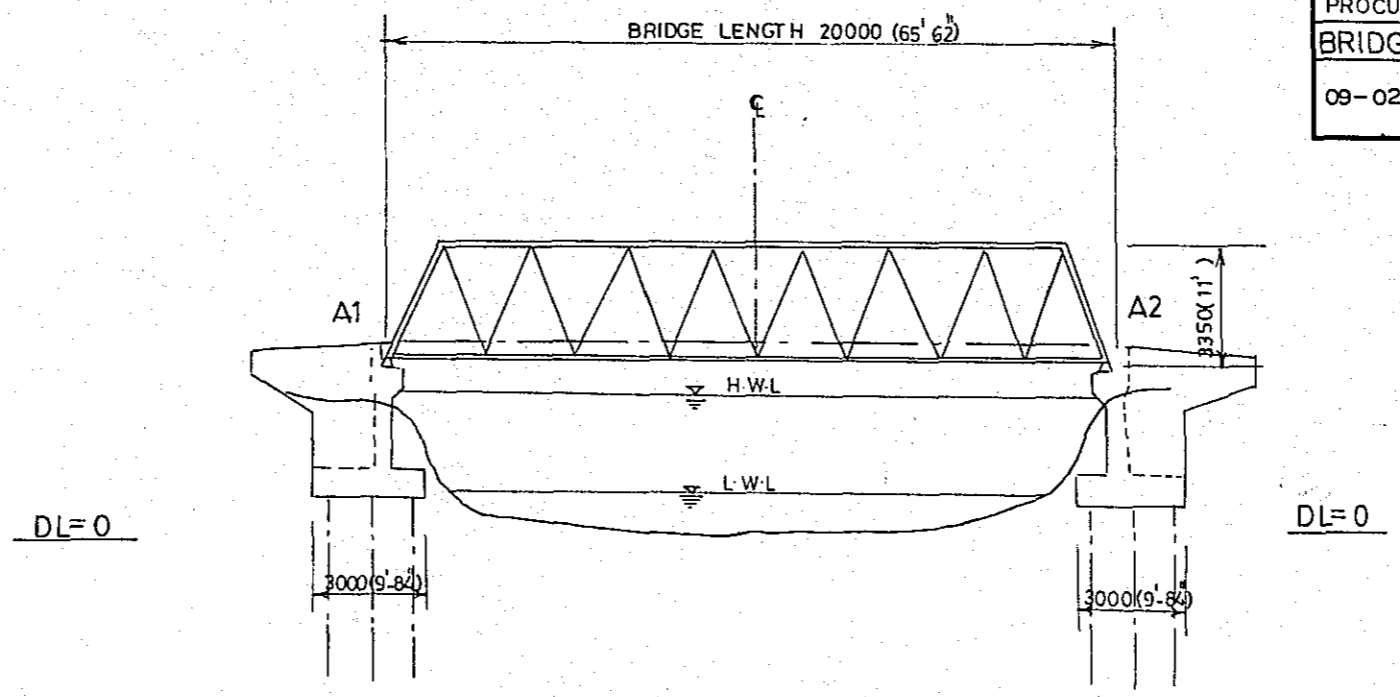


GENERAL ELEVATION
SCALE:-1:200

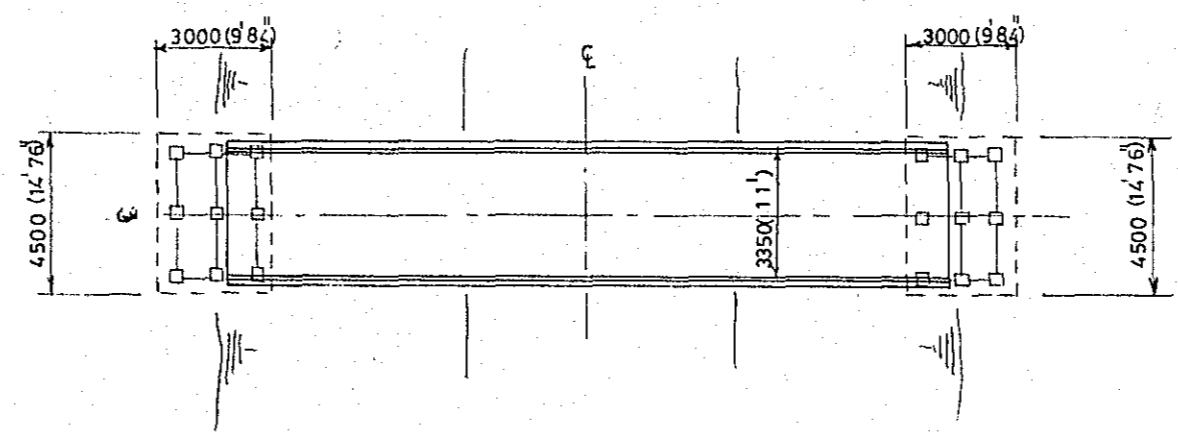


GENERAL PLAN
SCALE:-1:200

BASIC DESIGN STUDY ON THE PROJECT FOR PROCUREMENT OF PORTABLE STEEL BRIDGES FOR RURAL ROADS		
BRIDGE NO	LOCATION	SHEET NO
09-02-01	NOAKHALI	



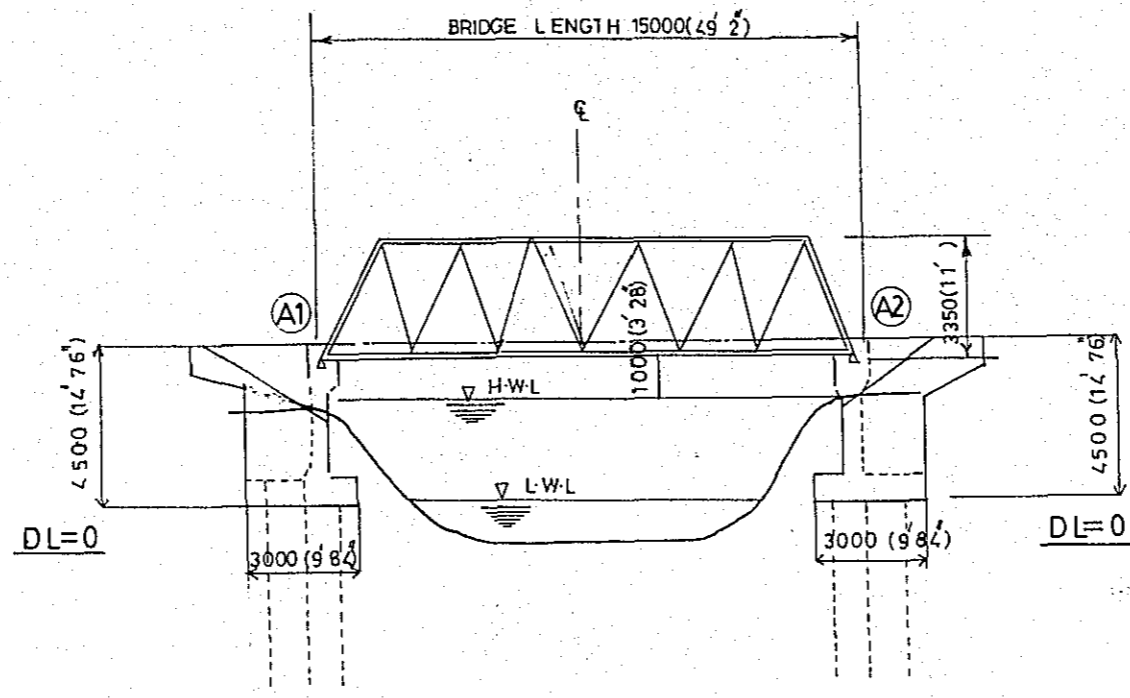
GENERAL ELEVATION
SCALE = 1:200



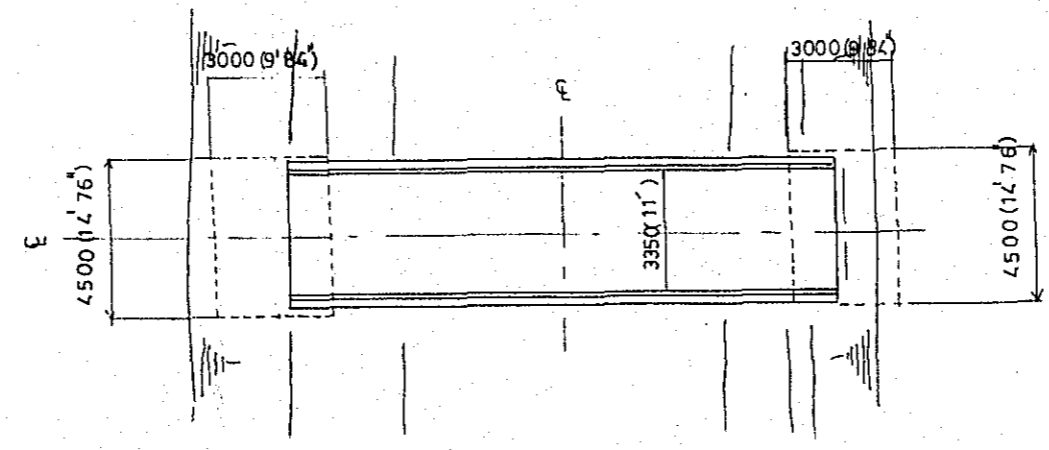
GENERAL PLAN
SCALE = 1:200

BASIC DESIGN STUDY ON THE PROJECT FOR
 PROCUREMENT OF PORTABLE STEEL BRIDGES FOR RURAL ROADS

BRIDGE NO	LOCATION	SHEET NO
09-02-02	NOAKHALI	



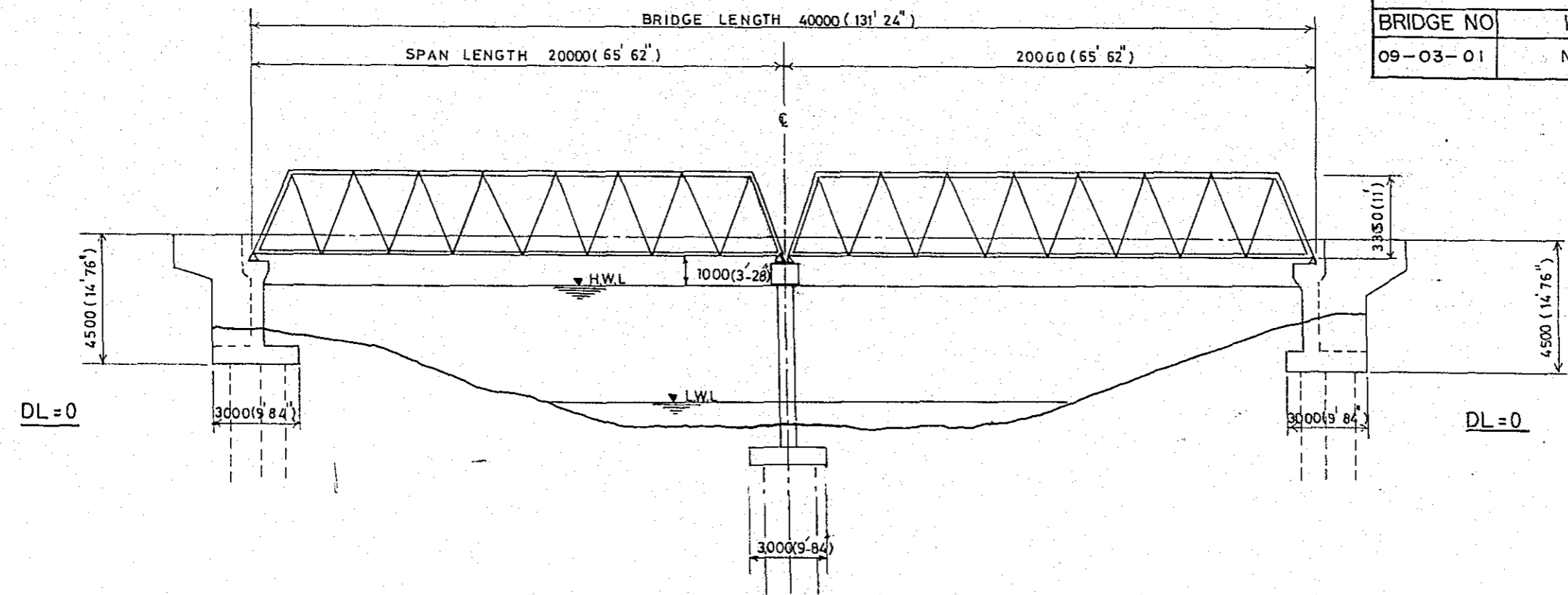
GENERAL ELEVATION
 SCALE:—1:200



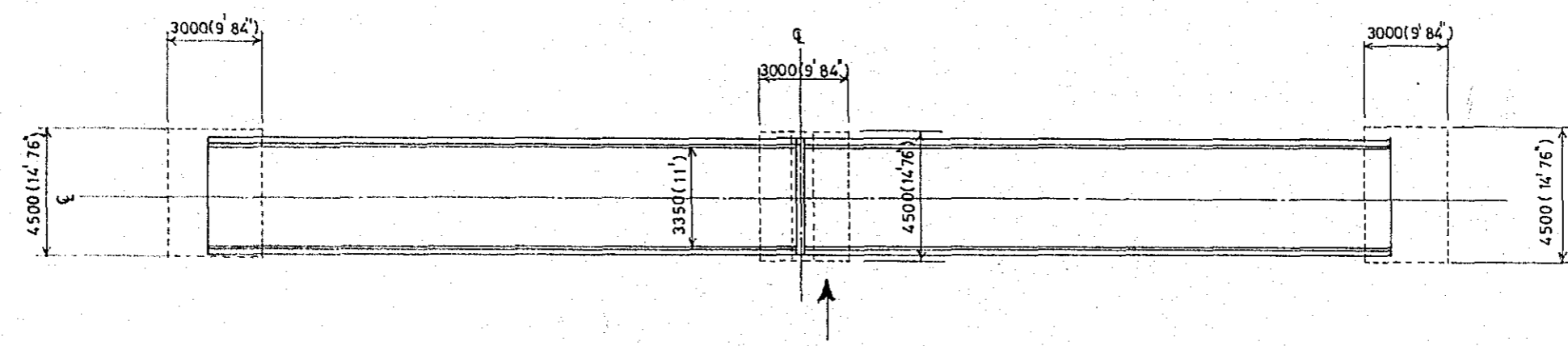
GENERAL PLAN
 SCALE:—1:200

BASIC DESIGN STUDY ON THE PROJECT FOR
PROCUREMENT OF PORTABLE STEEL BRIDGES FOR RURAL ROADS

BRIDGE NO	LOCATION	SHEET NO
09-03-01	NOAKHALI	



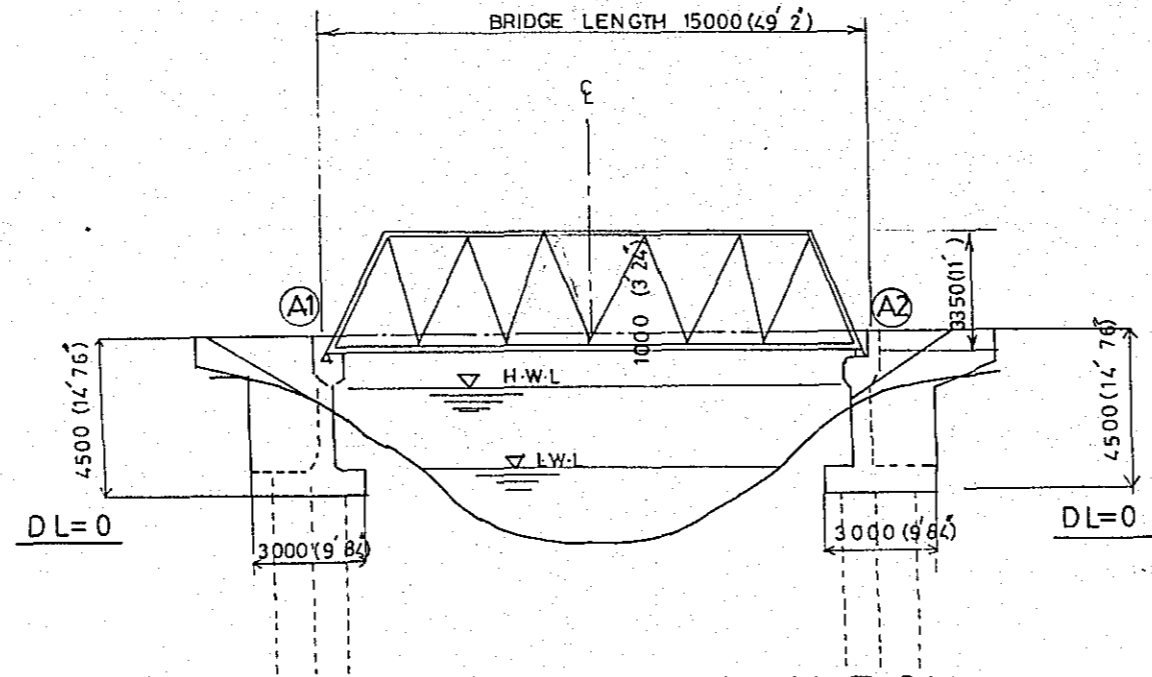
GENERAL ELEVATION
SCALE = 1 : 200



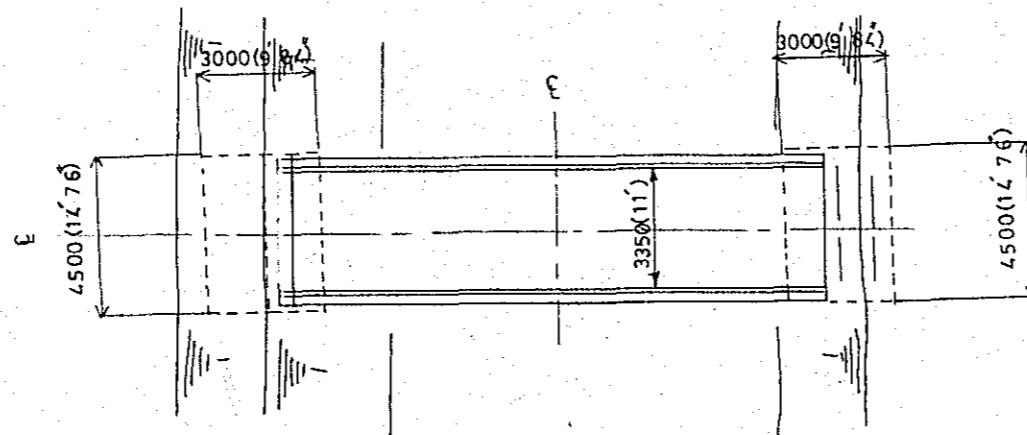
GENERAL PLAN
SCALE = 1 : 200

BASIC DESIGN STUDY ON THE PROJECT FOR
PROCUREMENT OF PORTABLE STEEL BRIDGES FOR RURAL ROADS

BRIDGE NO	LOCATION	SHEET NO
09-04-01	NOAKHALI	



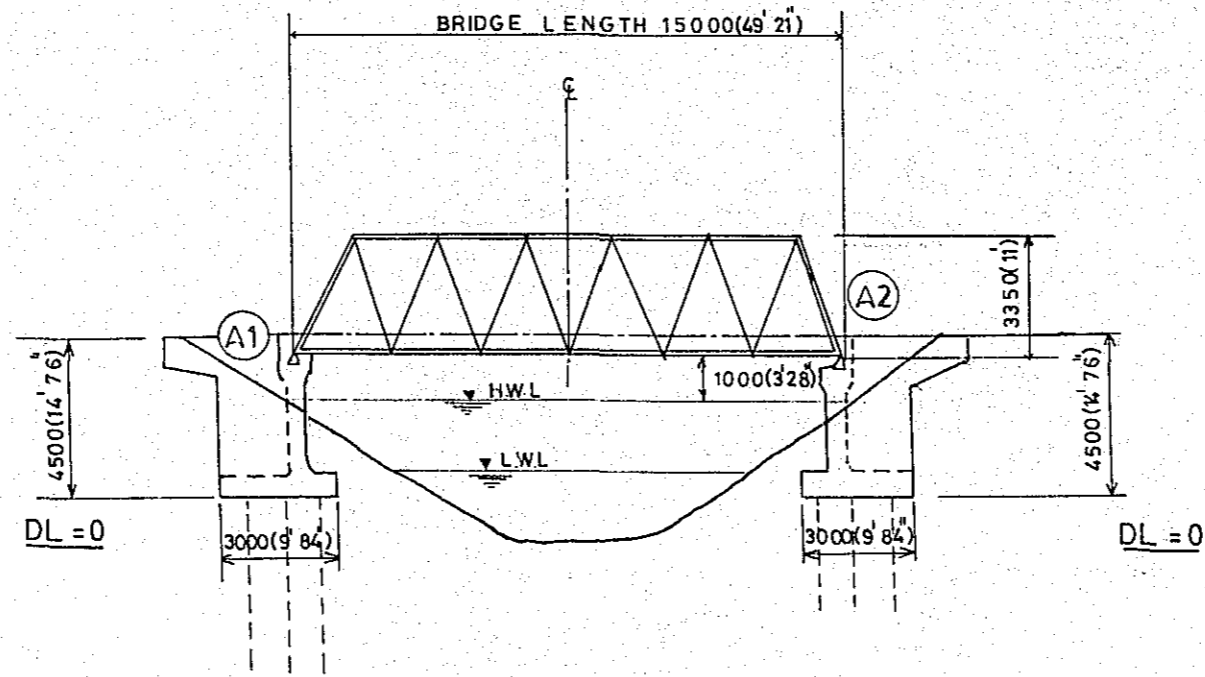
GENERAL ELEVATION
SCALE:-1: 200



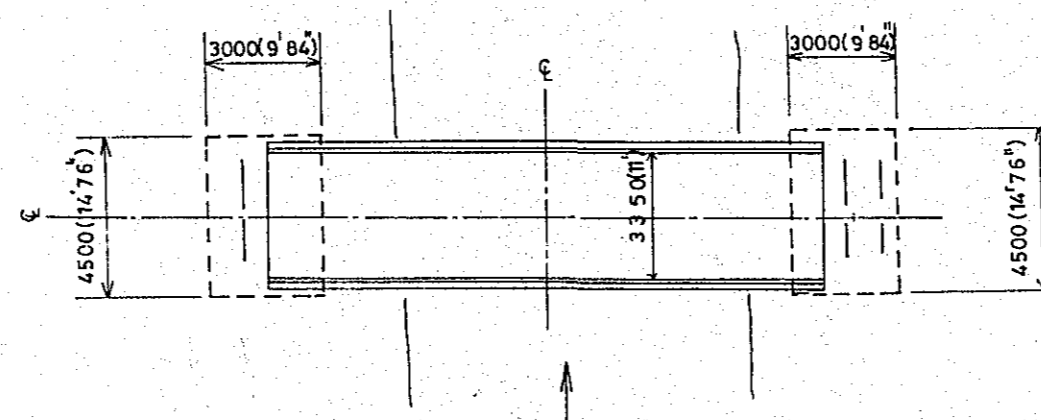
GENERAL PLAN
SCALE:-1: 200

BASIC DESIGN STUDY ON THE PROJECT FOR
PROCUREMENT OF PORTABLE STEEL BRIDGES FOR RURAL ROADS

BRIDGE NO	LOCATION	SHEET NO
09-05-01	NOAKHALI	



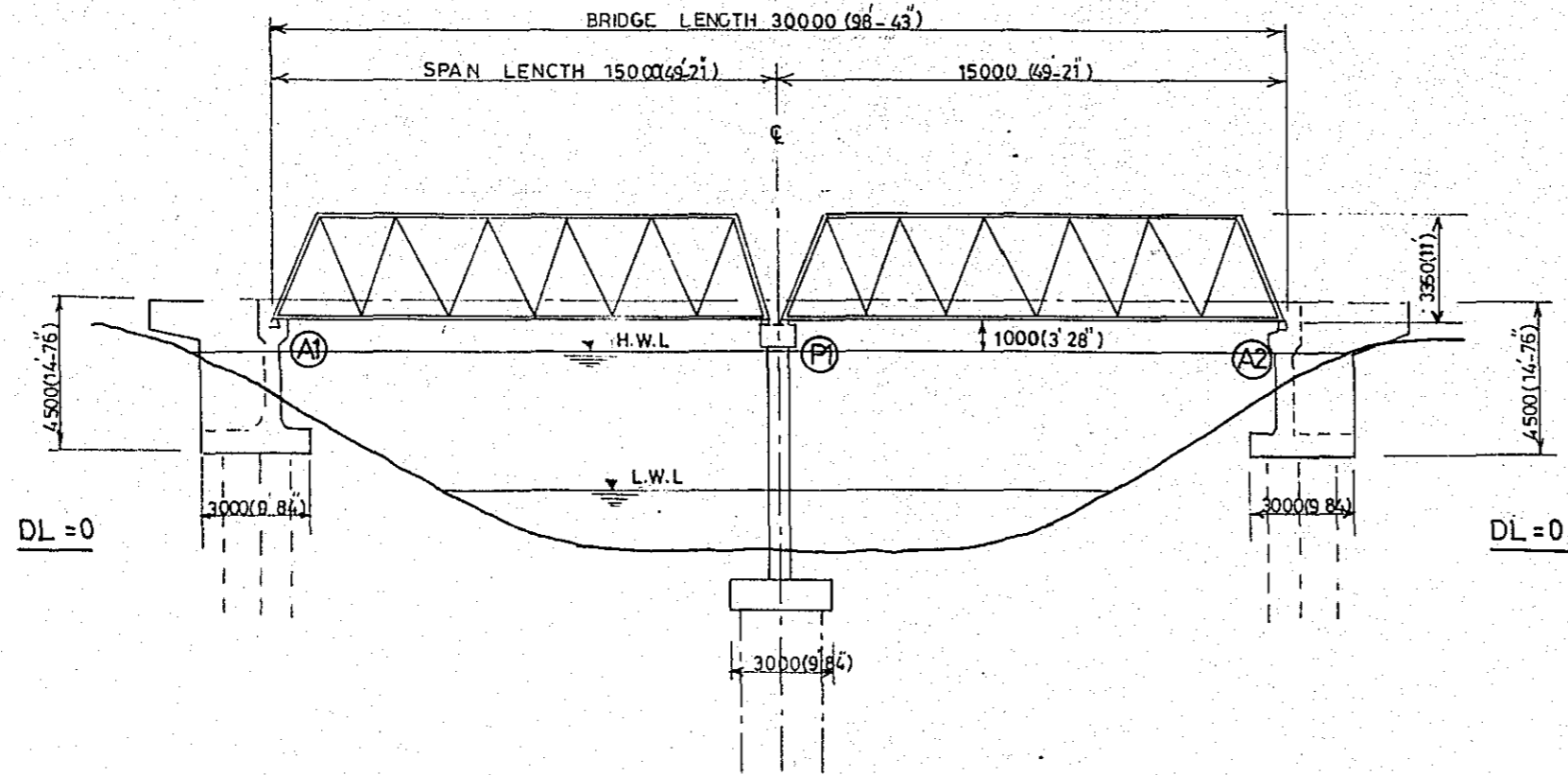
GENERAL ELEVATION
SCALE = 1:200



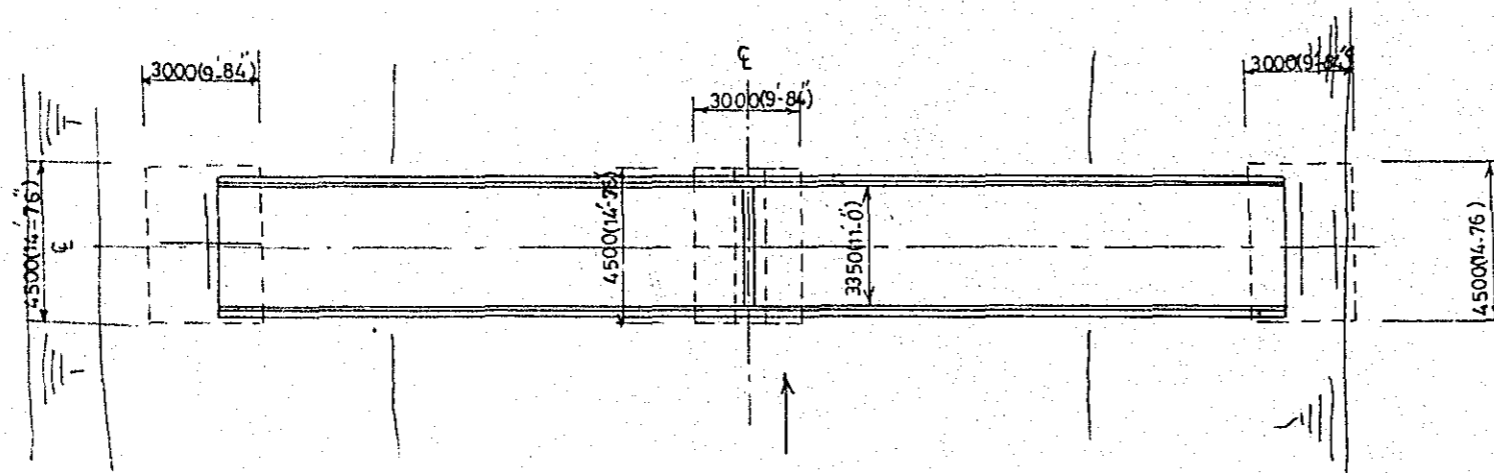
GENERAL PLAN
SCALE = 1:200

BASIC DESIGN STUDY ON THE PROJECT FOR
PROCUREMENT OF PORTABLE STEEL BRIDGES FOR RURAL ROADS

BRIDGE NO	LOCATION	SHEET NO
10-01-01	LAXMIPUR	

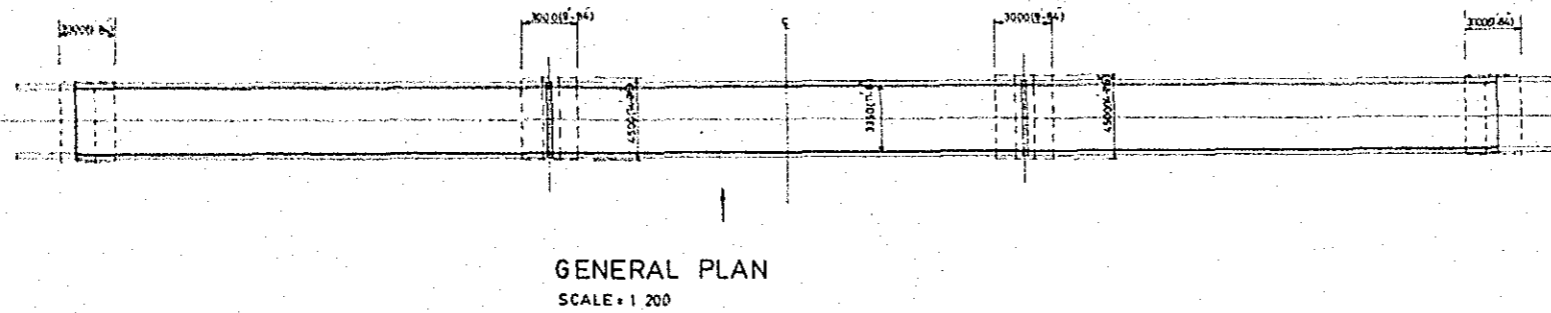
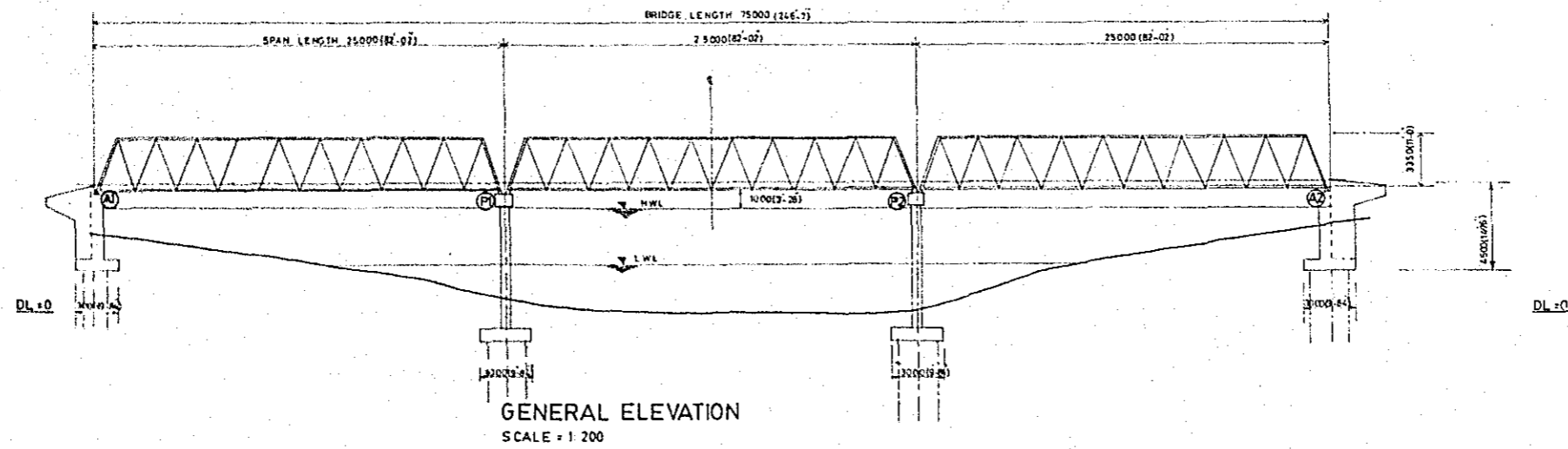


GENERAL ELEVATION
SCALE = 1:200

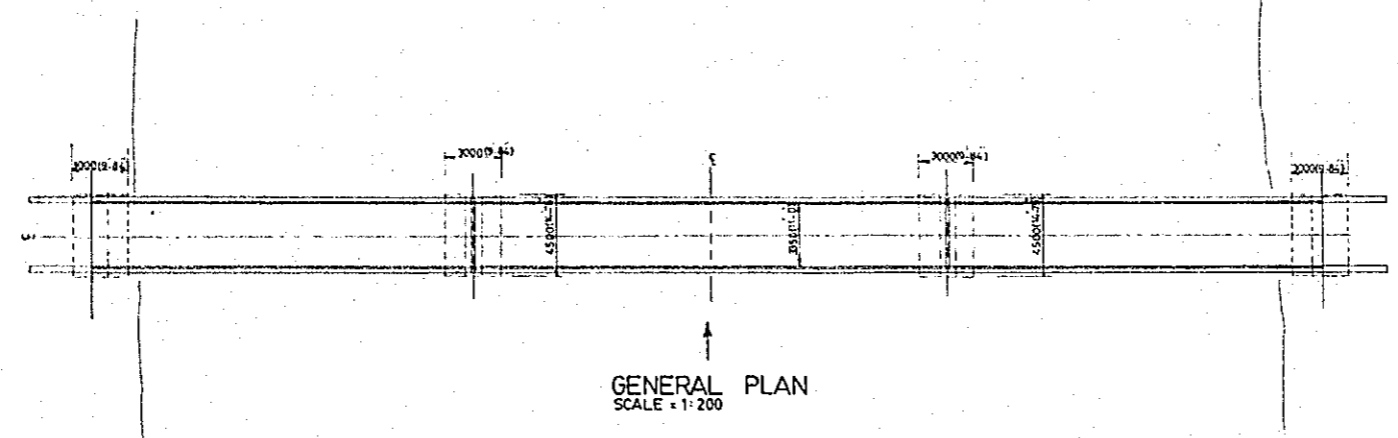
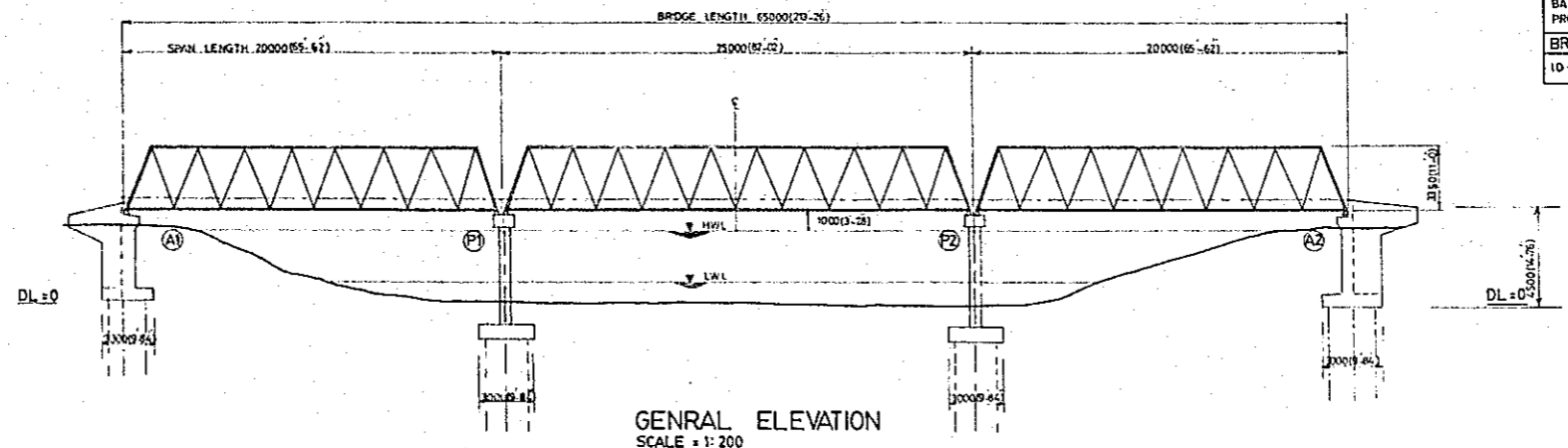


GENERAL PLAN
SCALE = 1:200

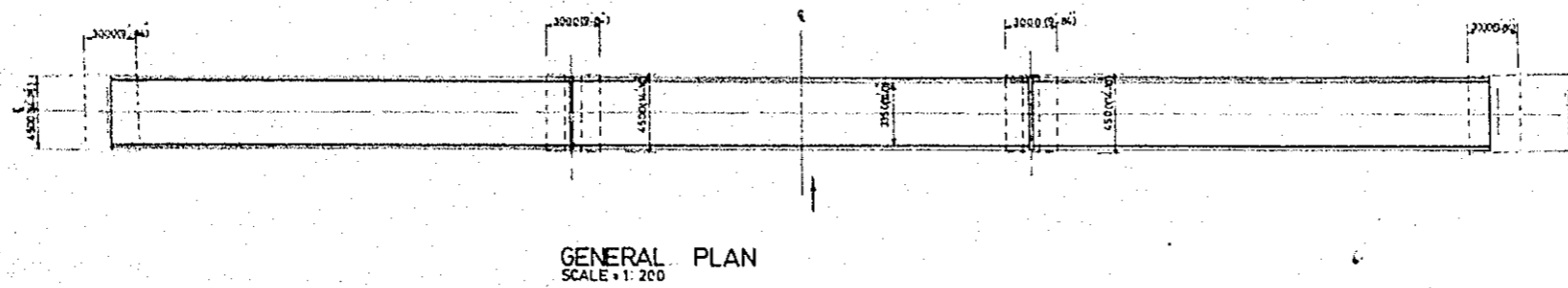
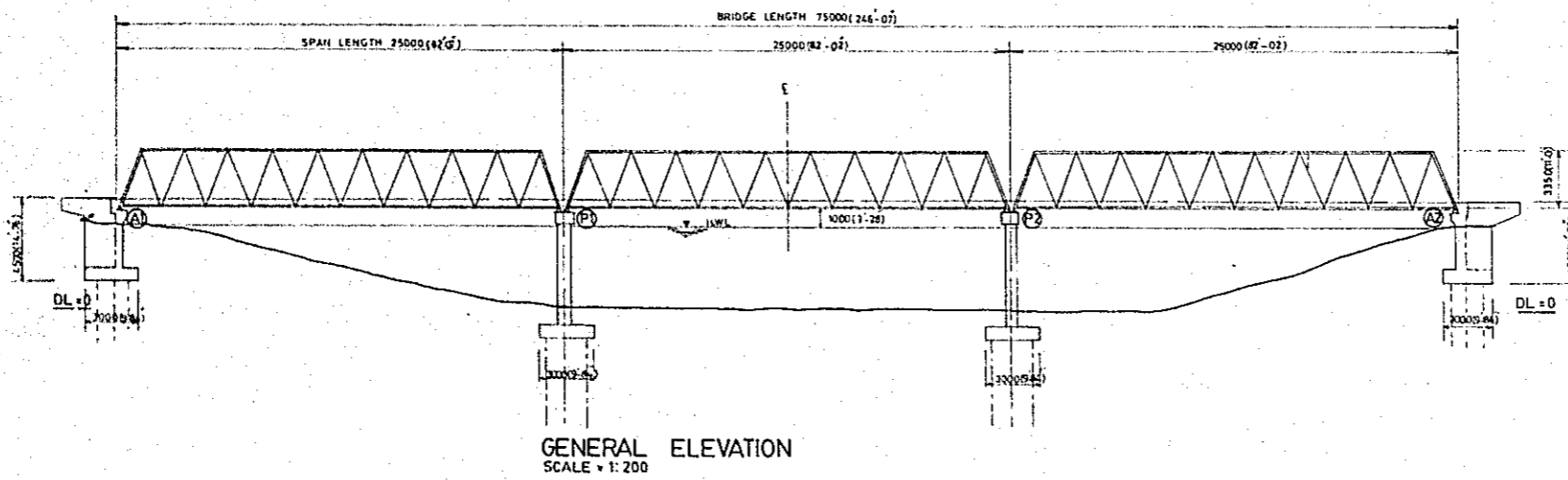
BASIC DESIGN STUDY ON THE PROJECT FOR PROCUREMENT OF PORTABLE STEEL BRIDGES FOR RURAL ROADS		
BRIDGE NO	LOCATION	SHEET NO
10-02-01	LAXMIPUR	



BASIC DESIGN STUDY ON THE PROJECT FOR PROCUREMENT OF PORTABLE STEEL BRIDGES FOR RURAL ROADS		
BRIDGE NO	LOCATION	SHEET NO
10-03-01	LAXMIPUR	

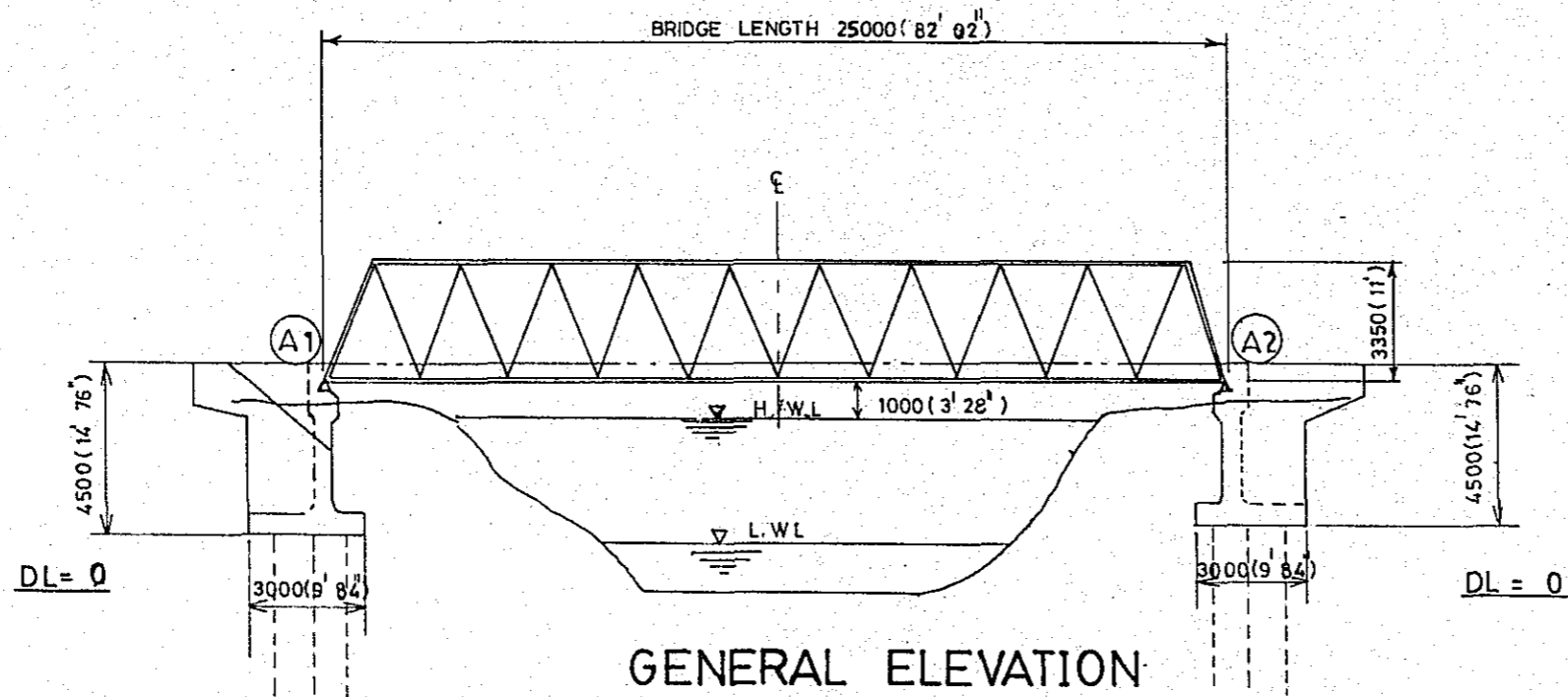


BASIC DESIGN STUDY ON THE PROJECT FOR PROCUREMENT OF PORTABLE STEEL BRIDGES FOR RURAL ROADS		
BRIDGE NO	LOCATION	SHEET NO
11-01-01	NARSINGDI	



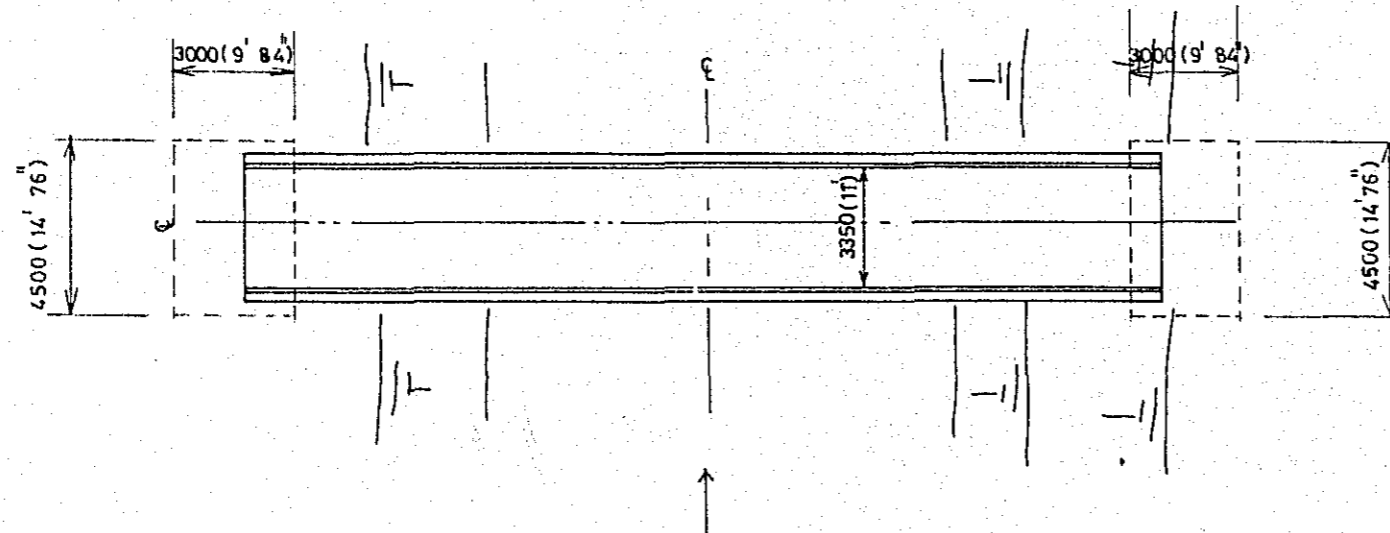
BASIC DESIGN STUDY ON THE PROJECT FOR
PROCUREMENT OF PORTABLE STEEL BRIDGES FOR RURAL ROADS

BRIDGE NO	LOCATION	SHEET NO
11-02-01	NARSINGDI	



GENERAL ELEVATION

SCALE 1:200

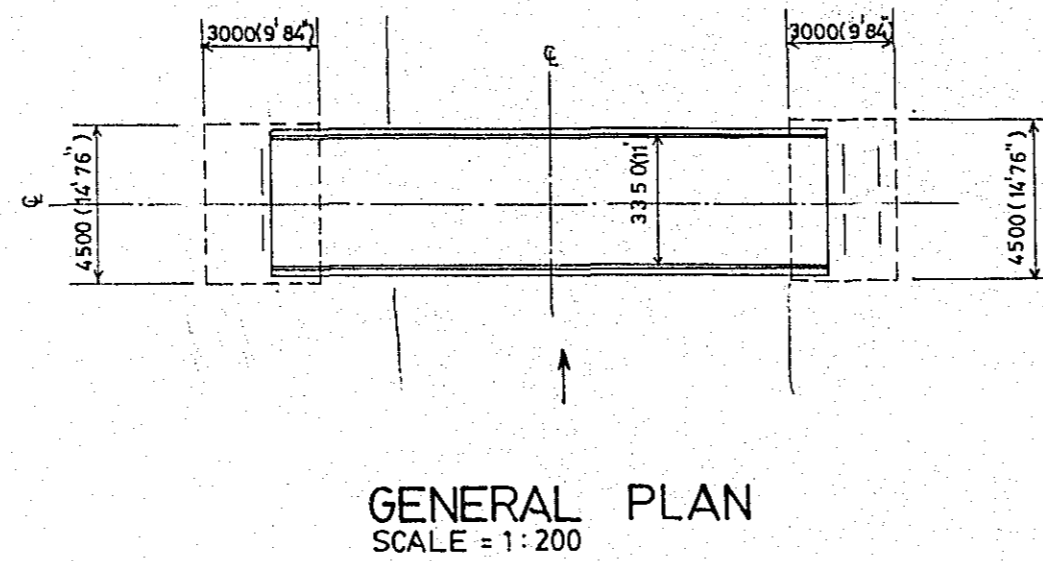
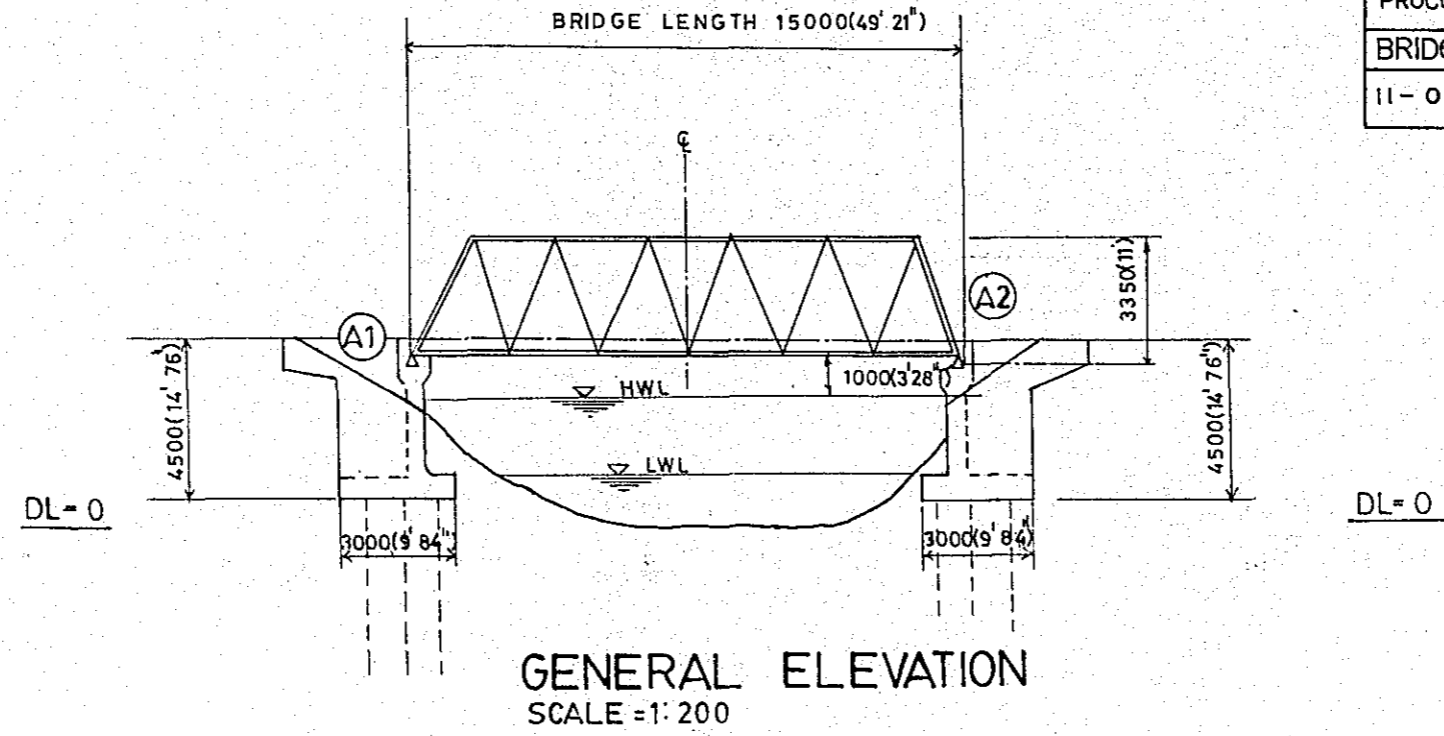


GENERAL PLAN

SCALE 1:200

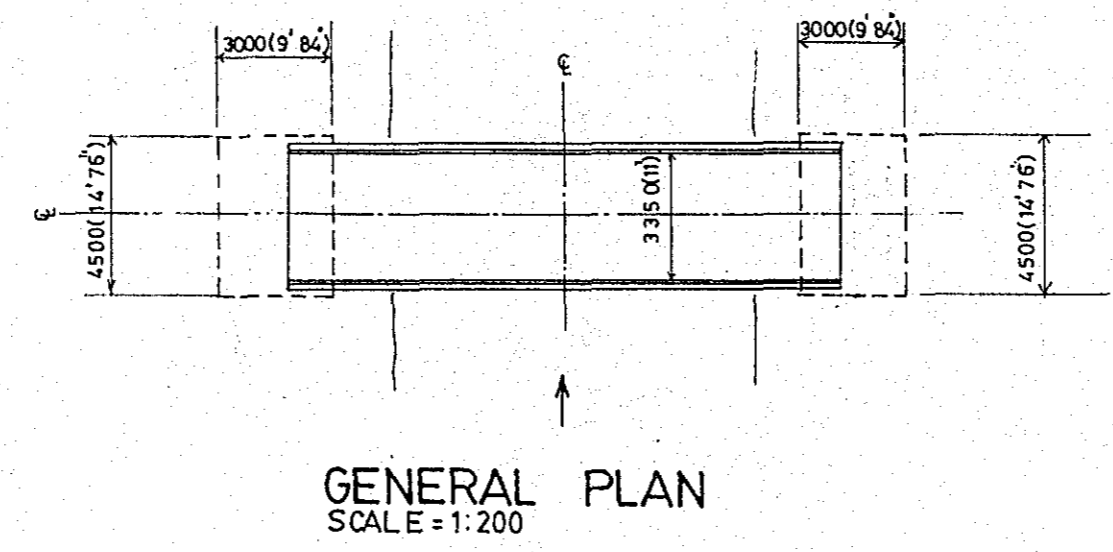
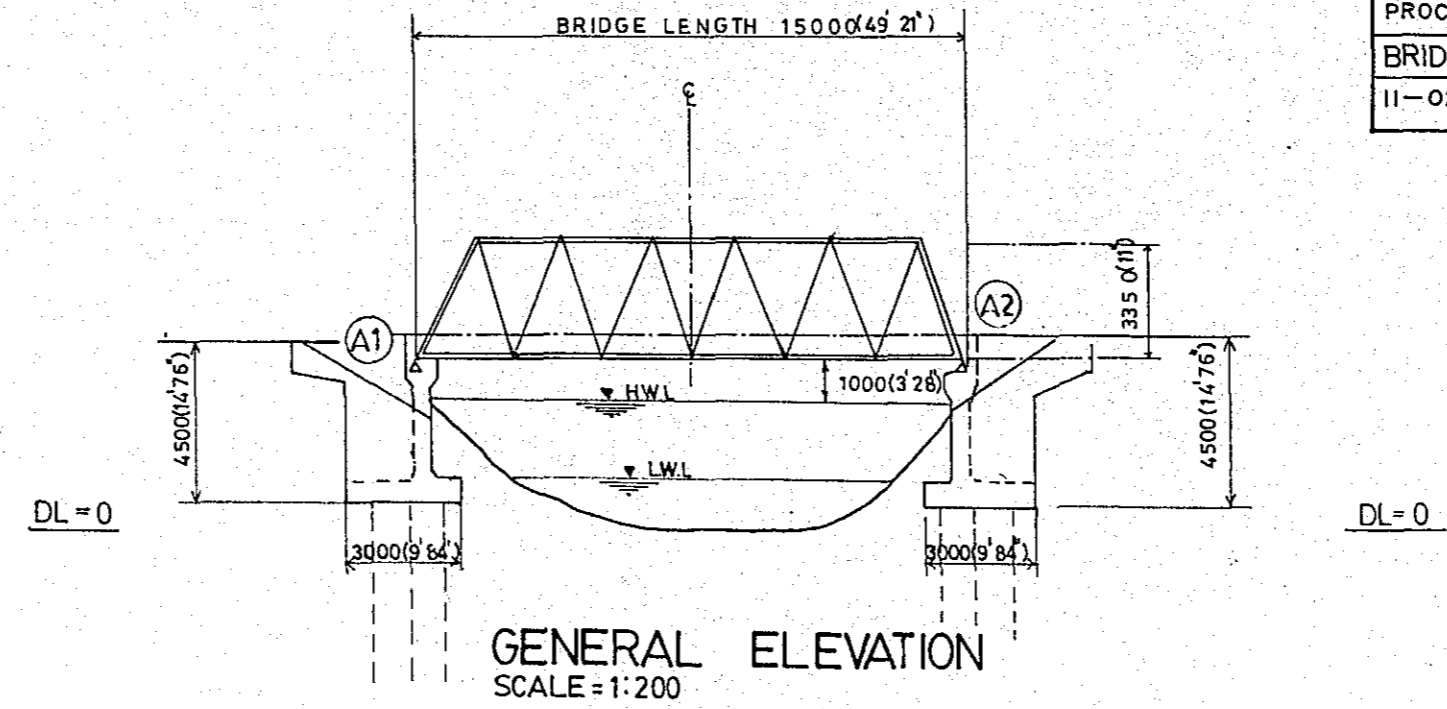
BASIC DESIGN STUDY ON THE PROJECT FOR
PROCUREMENT OF PORABLE STEEL BRIDGES FOR RURAL ROADS

BRIDGE NO	LOCATION	SHEE NO
11-02-02	NARSINGDI	

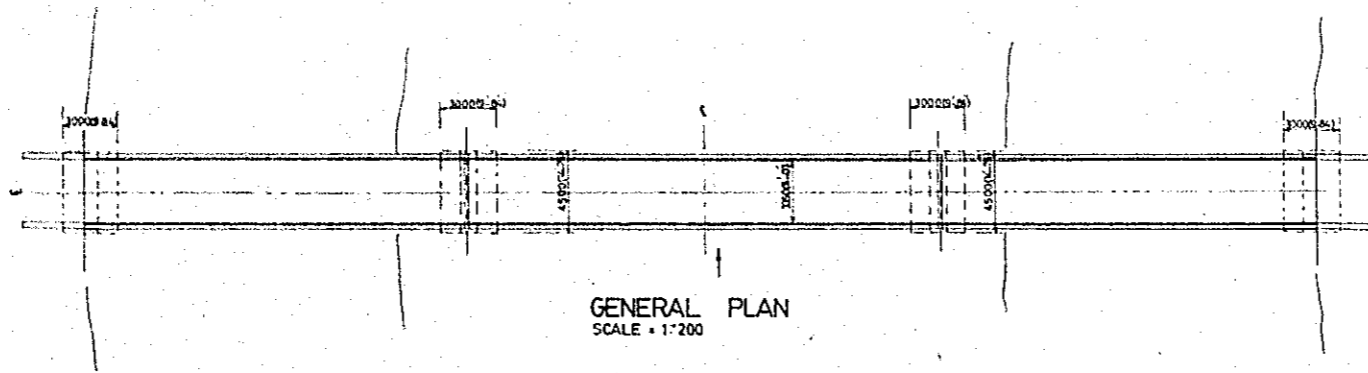
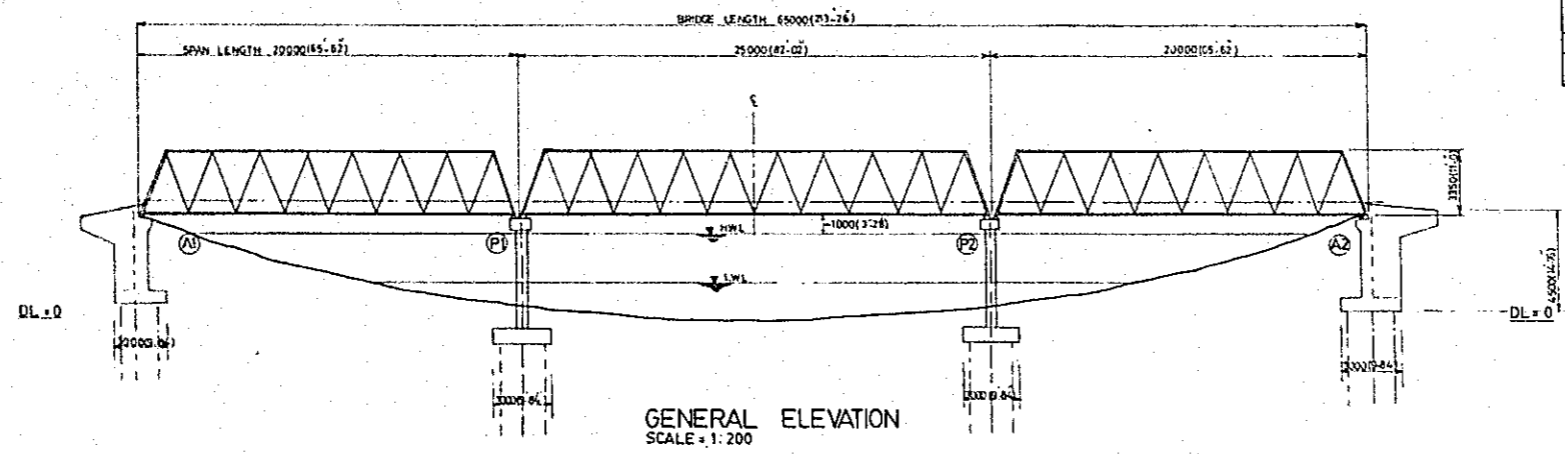


BASIC DESIGN STUDY ON THE PROJECT FOR
PROCUREMENT OF PORTABLE STEEL BRIDGES FOR RURAL ROADS

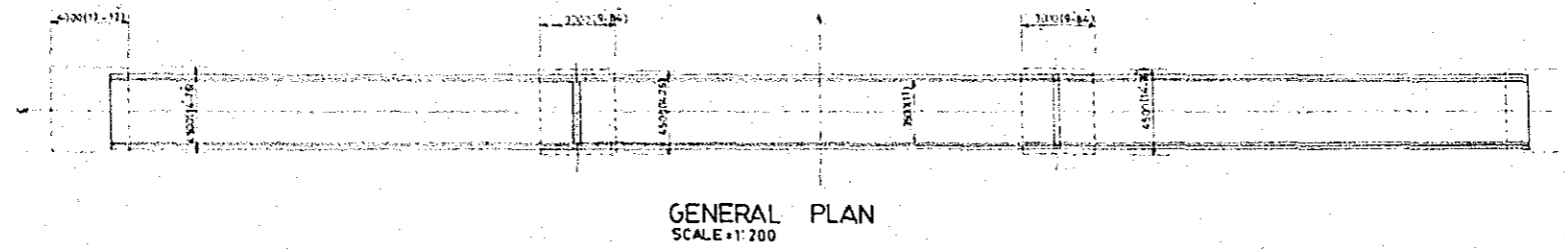
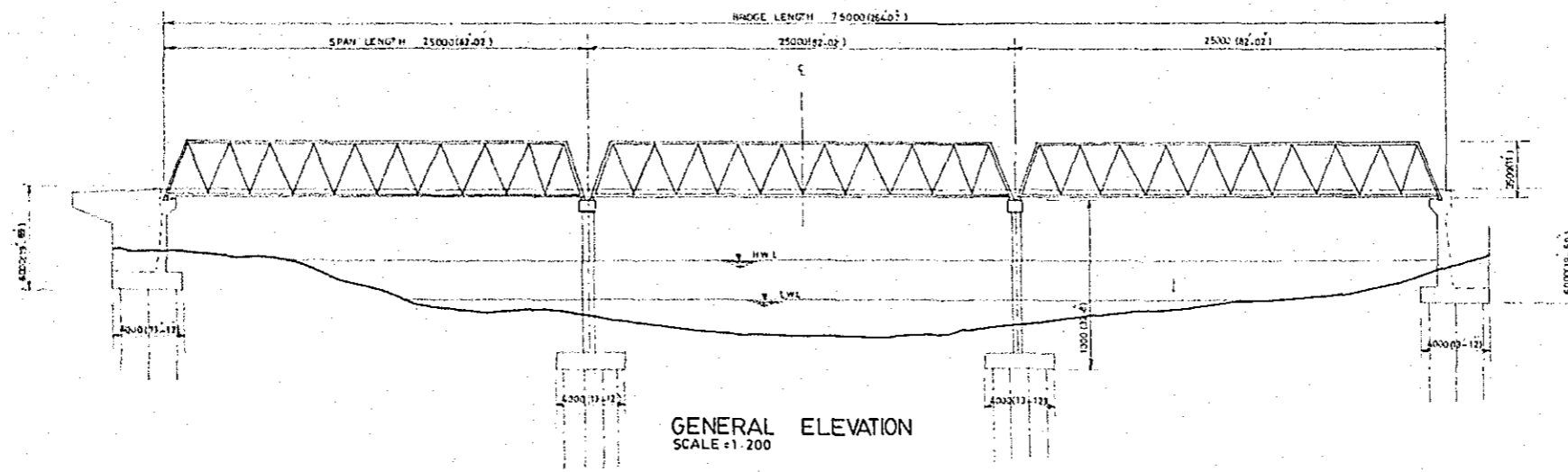
BRIDGE NO	LOCATION	SHEET NO
11-02-03	NARSINGDI	

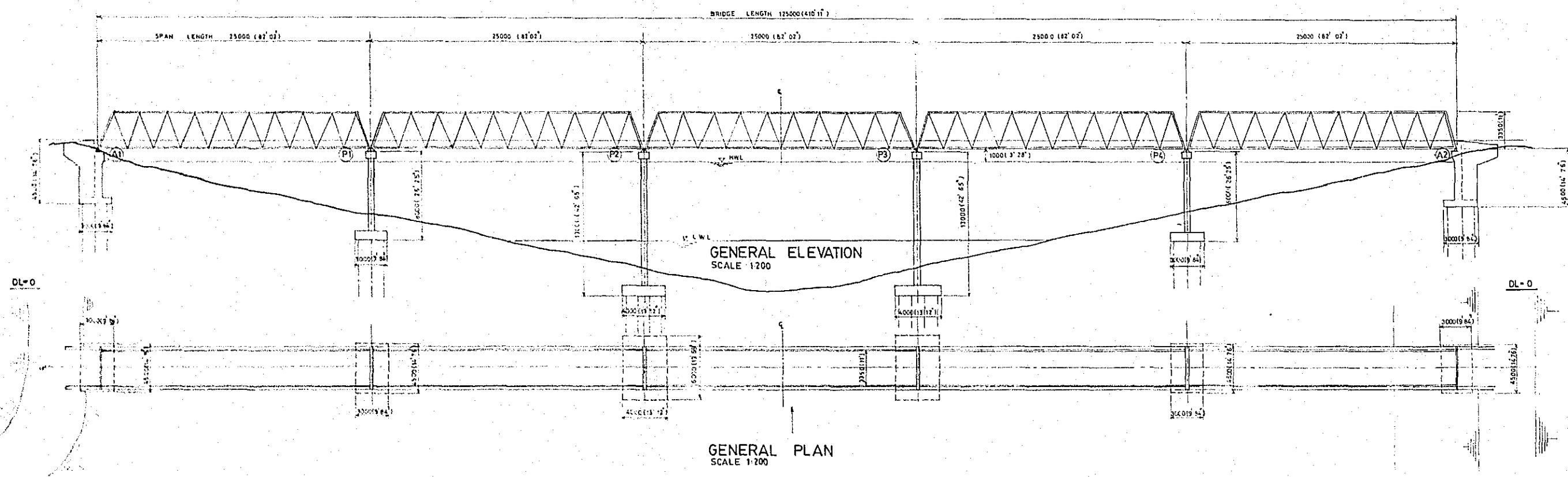


BASIC DESIGN STUDY ON THE PROJECT FOR PROCUREMENT OF PORTABLE STEEL BRIDGES FOR RURAL ROADS		
BRIDGE NO	LOCATION	SHEET NO
11-02-04	NARSINGDI	

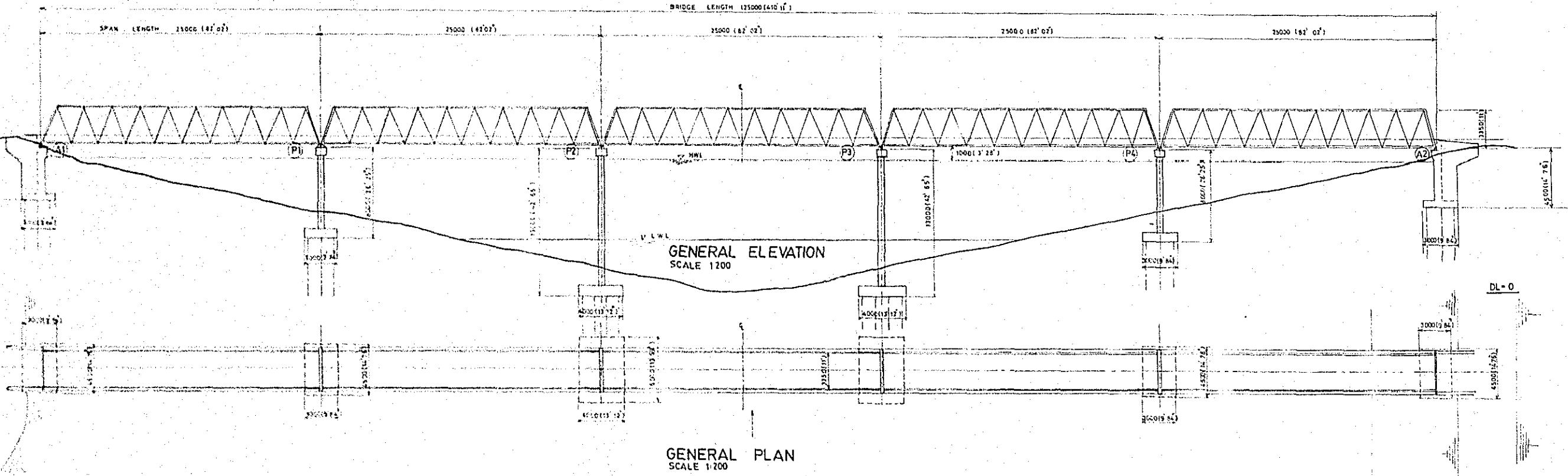


BASIC DESIGN STUDY ON THE PROJECT FOR PROCUREMENT OF PORTABLE STEEL BRIDGES FOR RURAL ROADS		
BRIDGE NO	LOCATION	SHEET NO
B-03-02	NARSINGDI	





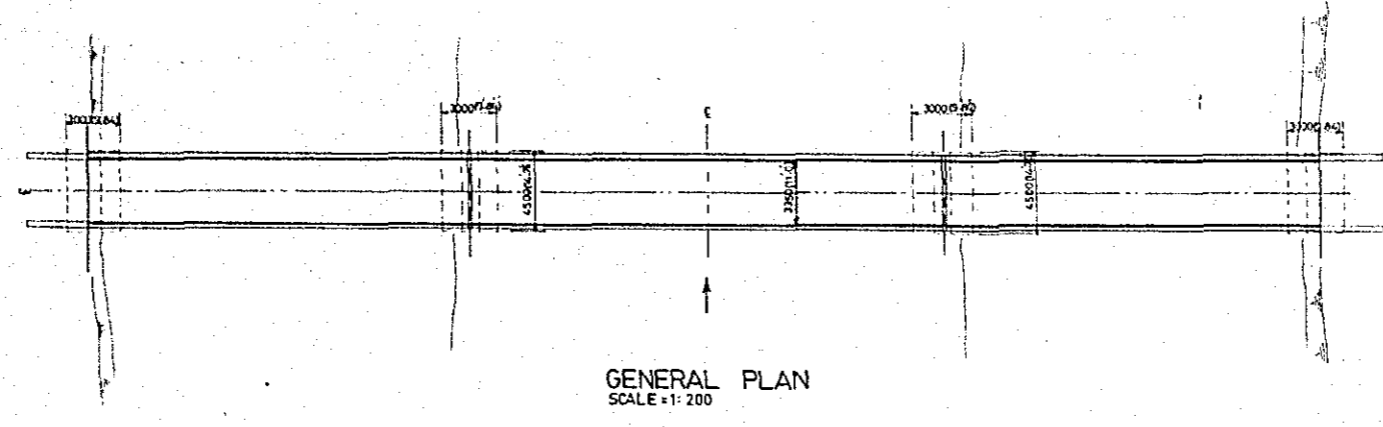
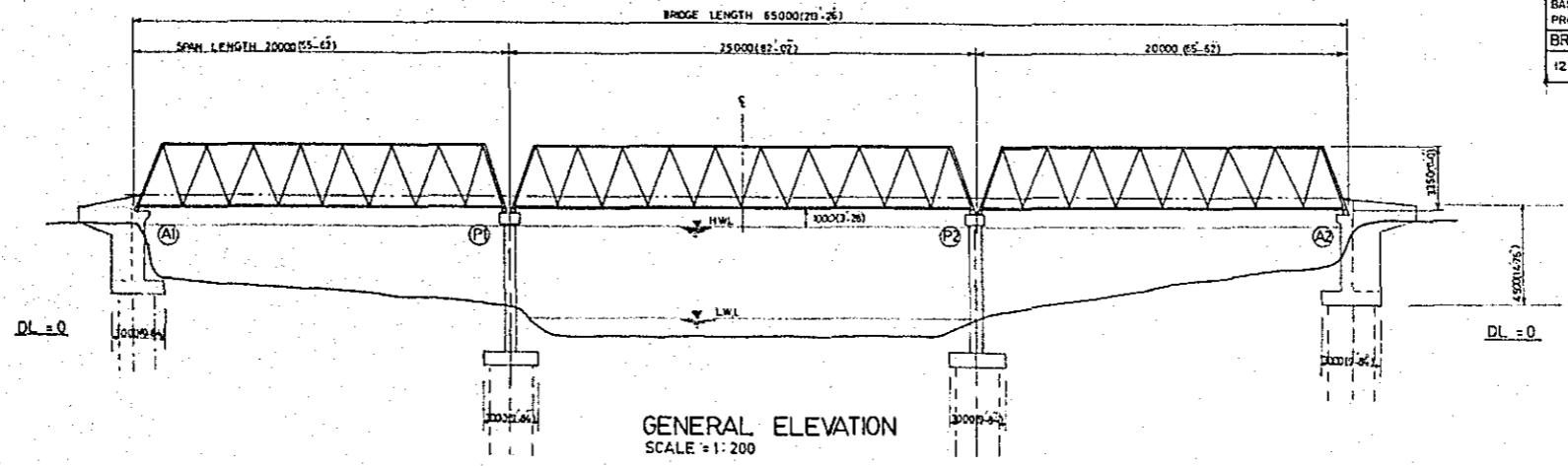
BASIC DESIGN STUDY ON THE PROJECT FOR PROCUREMENT OF PORTABLE STEEL BRIDGES FOR RURAL ROADS		
BRIDGE NO	LOCATION	SHEET NO
12-01-01	FARIDPUR	



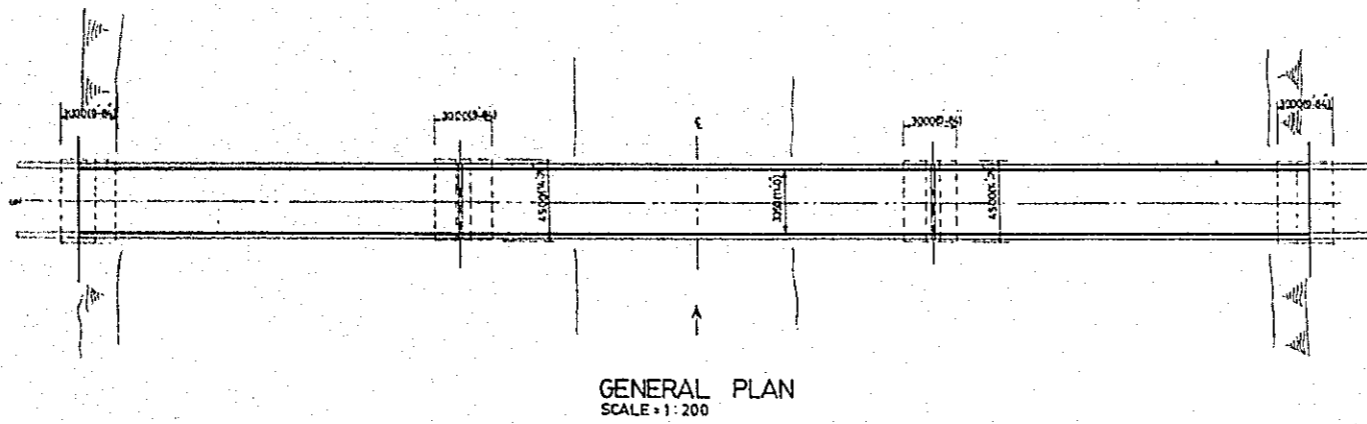
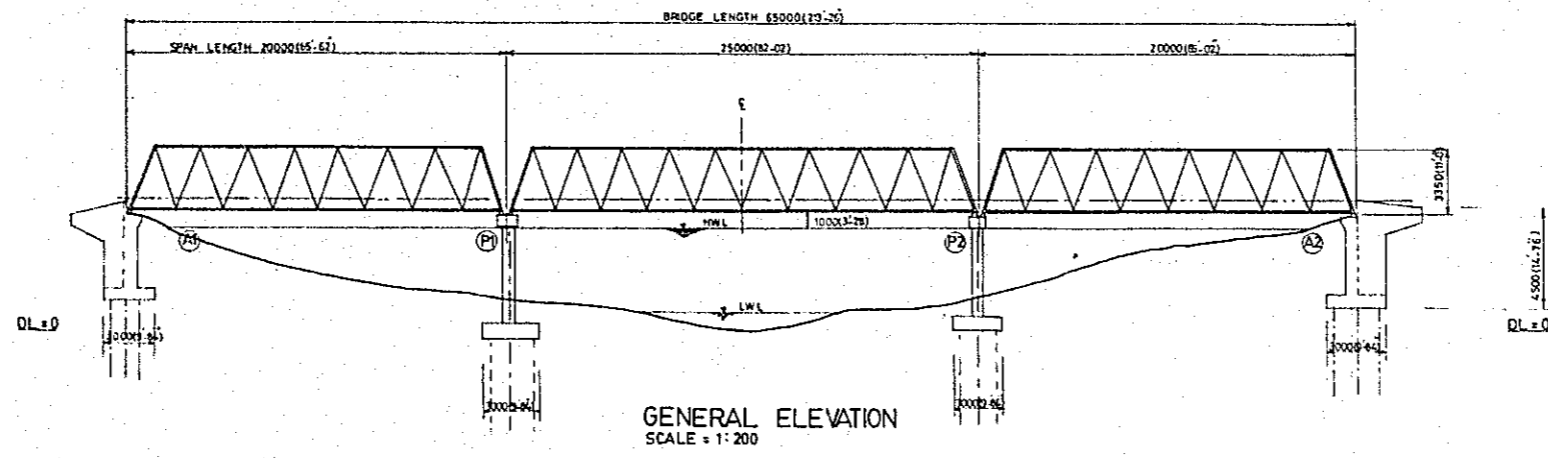
GENERAL ELEVATION
SCALE 1:200

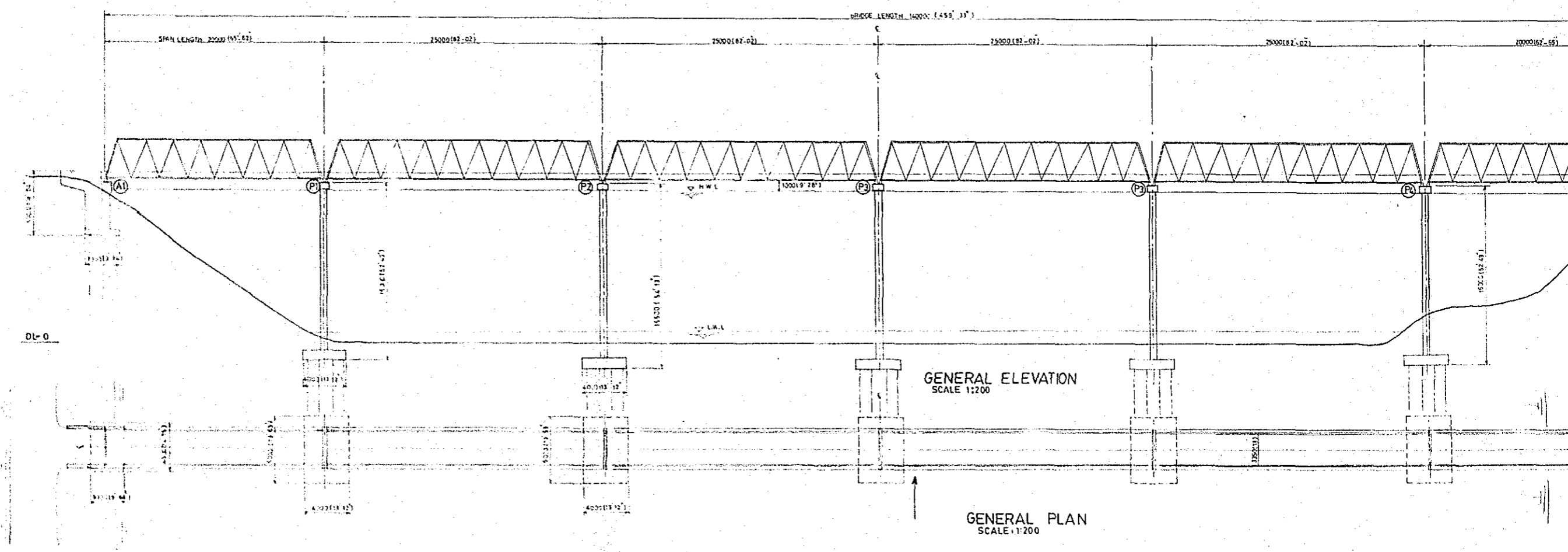
GENERAL PLAN
SCALE 1:200

BASIC DESIGN STUDY ON THE PROJECT FOR PROCUREMENT OF PORTABLE STEEL BRIDGES FOR RURALROADS		
BRIDGE NO	LOCATION	SHEET NO
12-01-02	FARIDPUR	

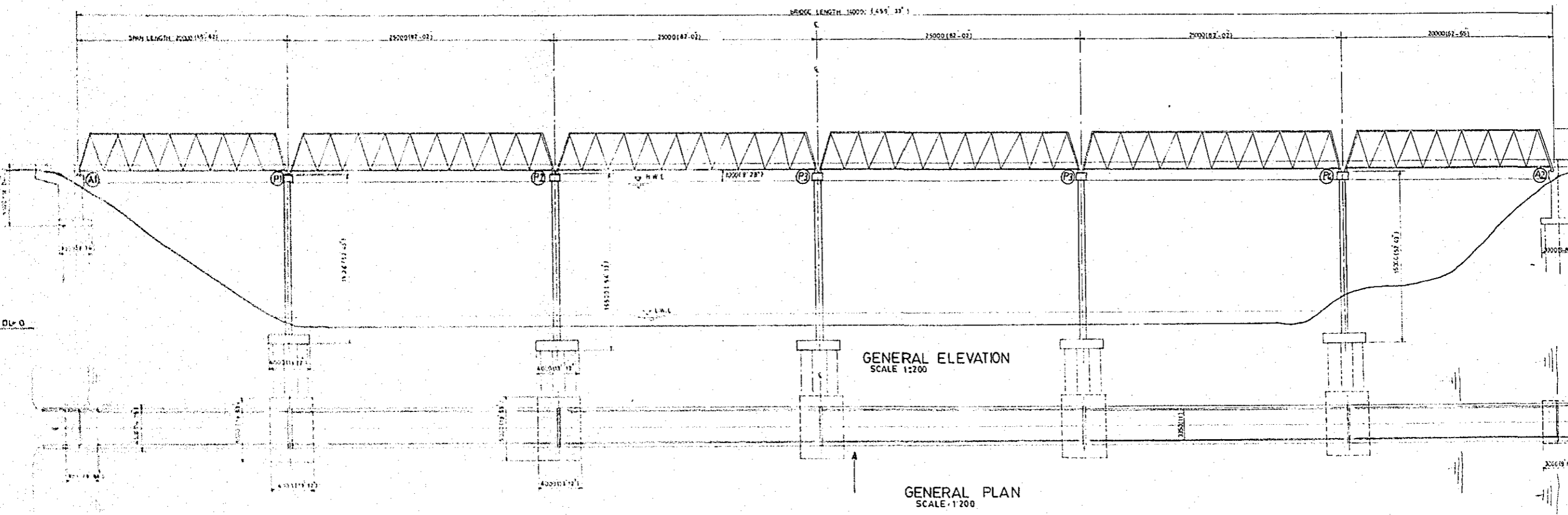


BASIC DESIGN STUDY ON THE PROJECT FOR PROCUREMENT OF PORTABLE STEEL BRIDGES FOR RURAL ROADS		
BRIDGE NO	LOCATION	SHEET NO
12-02-01	FARIDPUR	

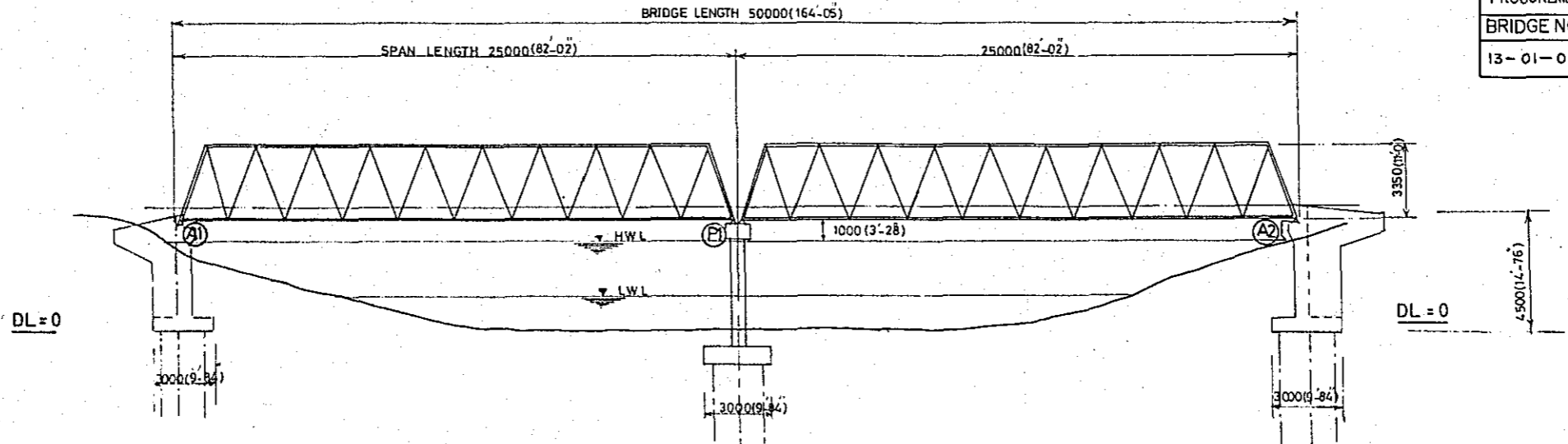




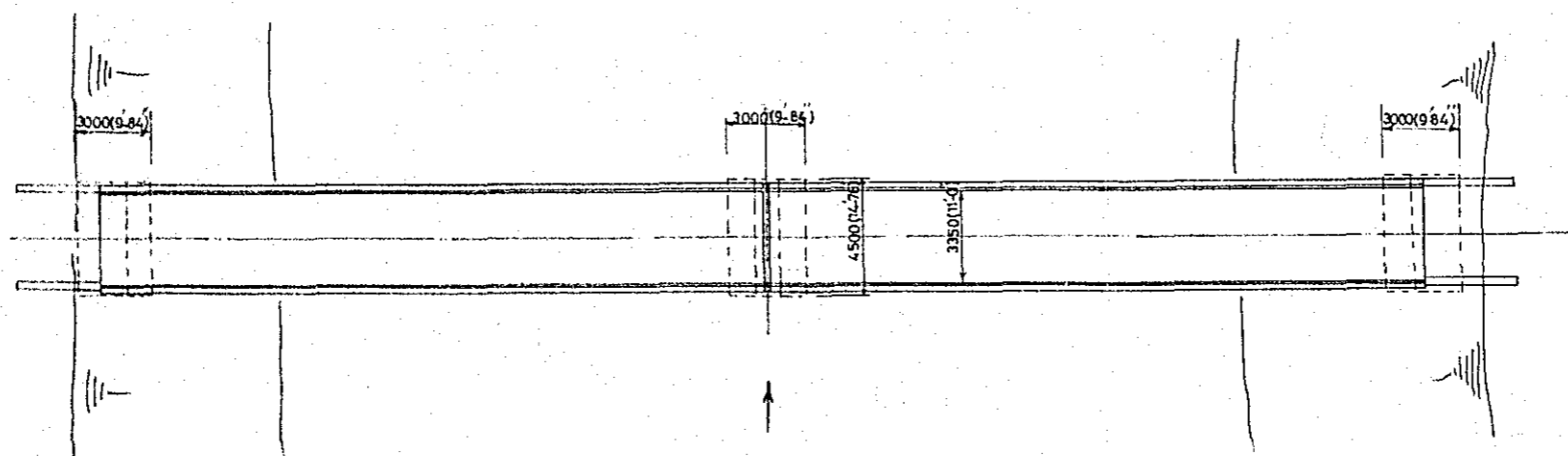
BASIC DESIGN STUDY ON THE PROJECT FOR PROCUREMENT OF PORTABLE STEEL BRIDGES FOR RURAL ROADS		
BRIDGE NO	LOCATION	SHEET NO
13-01-01	DHA KA	



BASIC DESIGN STUDY ON THE PROJECT FOR PROCUREMENT OF PORTABLE STEEL BRIDGES FOR RURAL ROADS		
BRIDGE NO	LOCATION	SHEET NO
13-01-02	DHAKA	

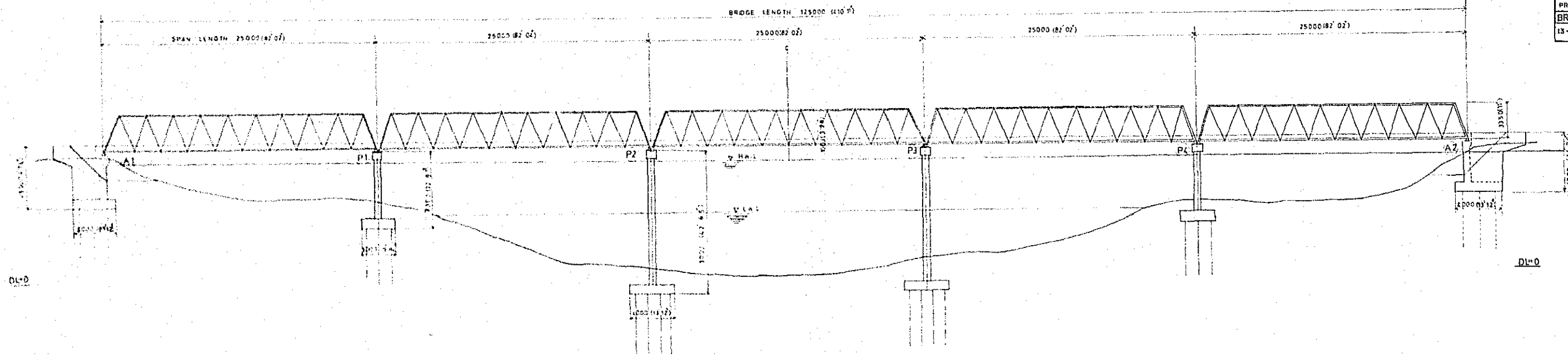


GENERAL ELEVATION
SCALE = 1:200

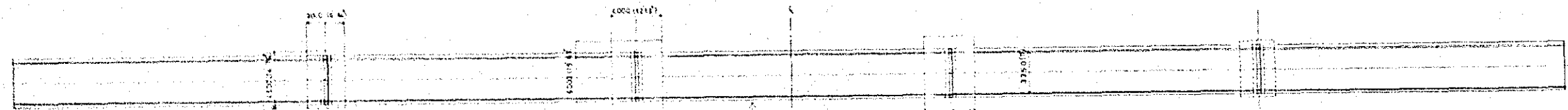


GENERAL PLAN
SCALE = 1:200

BASIC DESIGN STUDY ON THE PROJECT FOR PROCUREMENT OF PORTABLE STEEL BRIDGES FOR RURAL ROADS		
BRIDGE NO	LOCATION	SHEET NO
13-02-01	DHAKA	

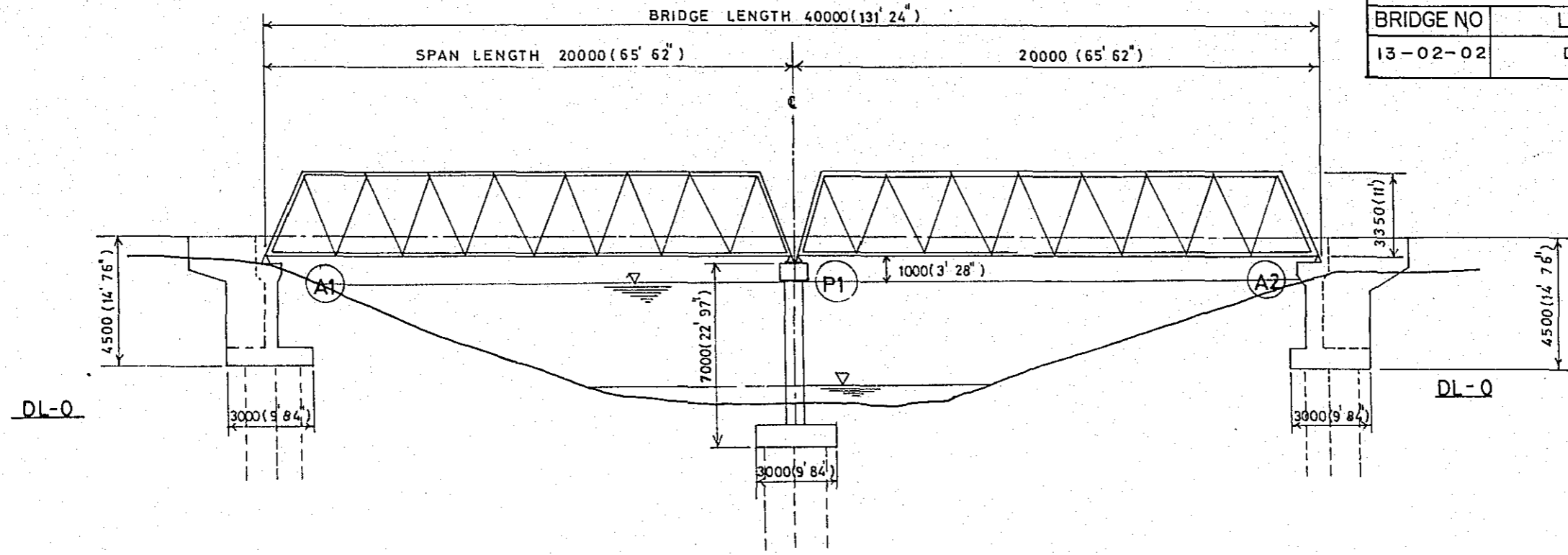


GENERAL ELEVATION
SCALE - 1:200

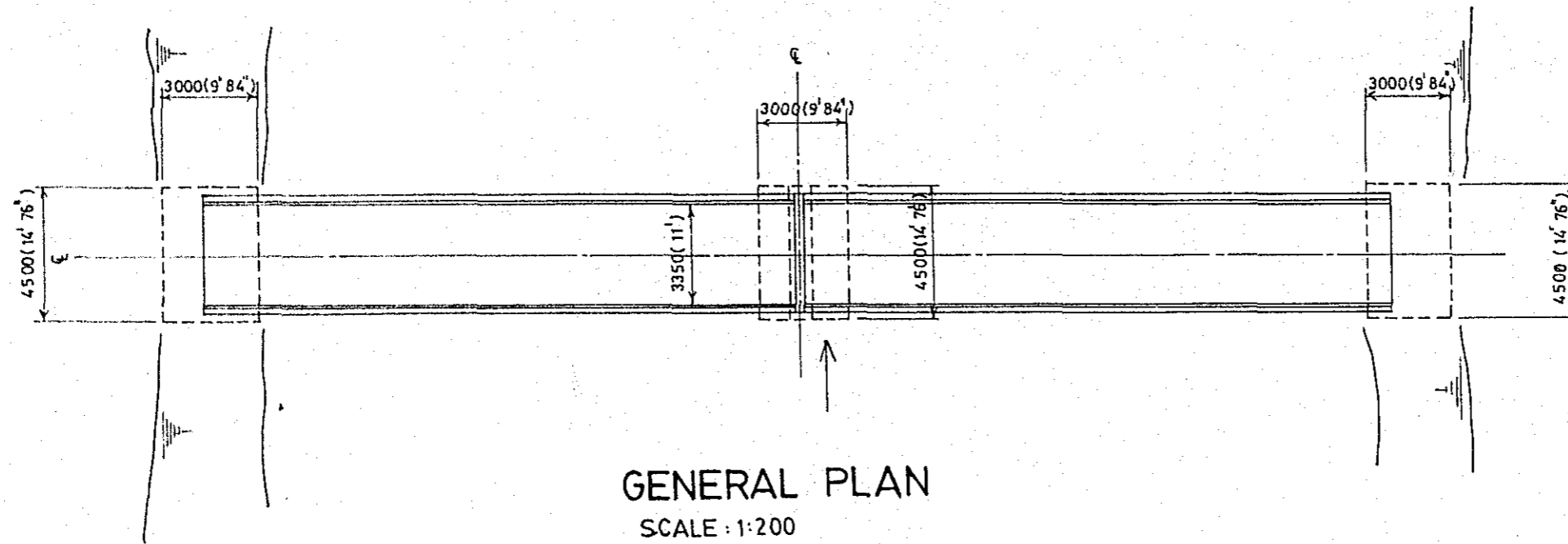


BASIC DESIGN STUDY ON THE PROJECT FOR
PROCUREMENT OF PORTABLE STEEL BRIDGES FOR RURAL ROADS

BRIDGE NO	LOCATION	SHEET NO
13-02-02	DHAKA	

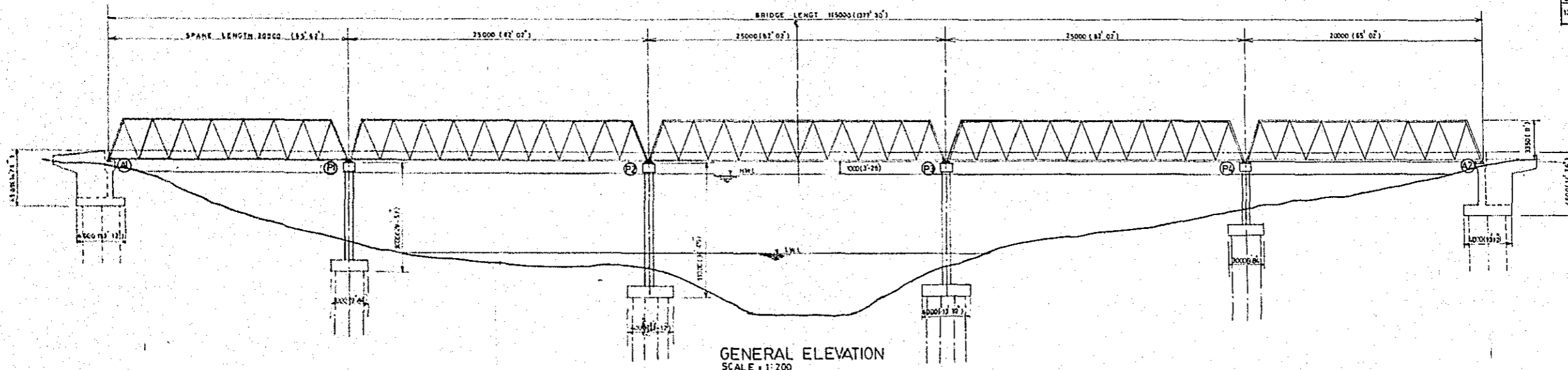


GENERAL ELEVATION
SCALE : 1:200

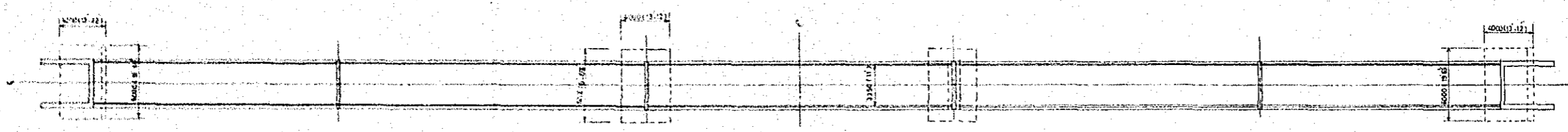


GENERAL PLAN
SCALE : 1:200

BASIC DESIGN STUDY ON THE PROJECT FOR PROCUREMENT OF PORTABLE STEEL BRIDGES FOR RURAL ROADS		
BRIDGE NO	LOCATION	SHEET NO
13-03-01	DHAKA	



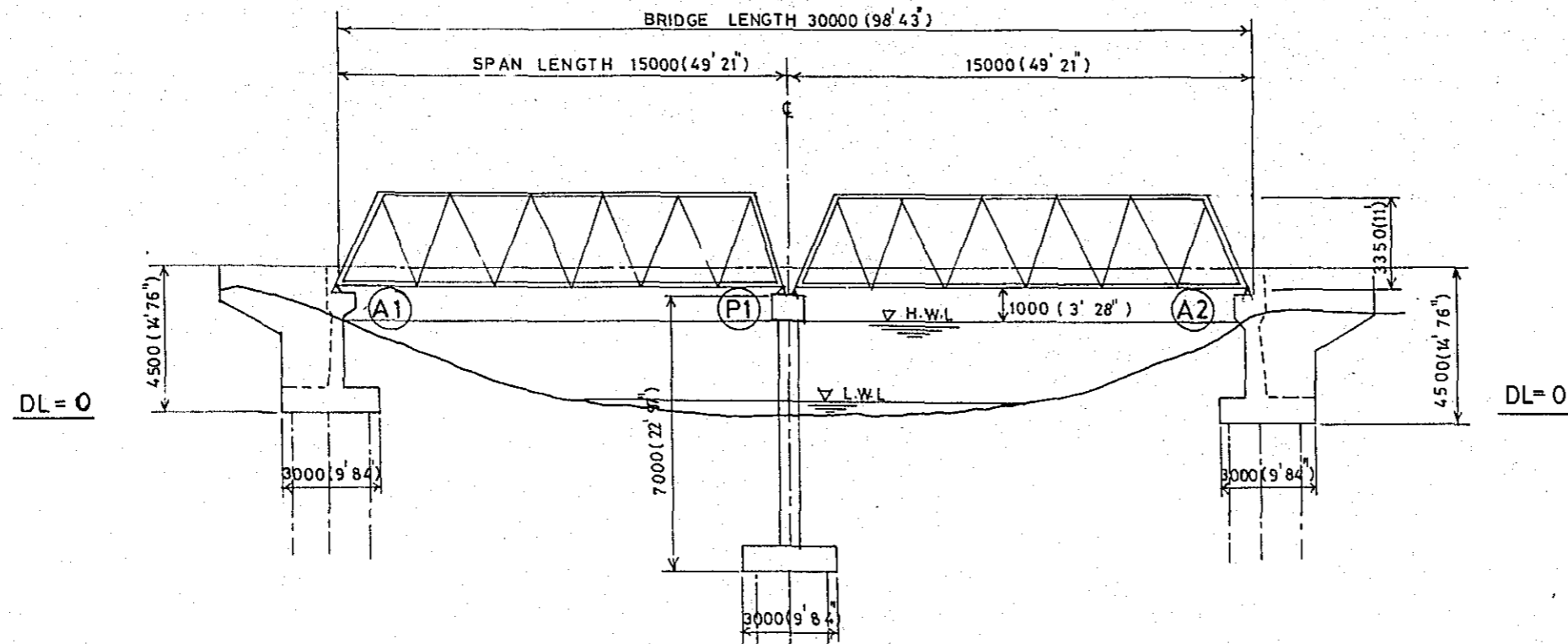
GENERAL ELEVATION
SCALE = 1:200



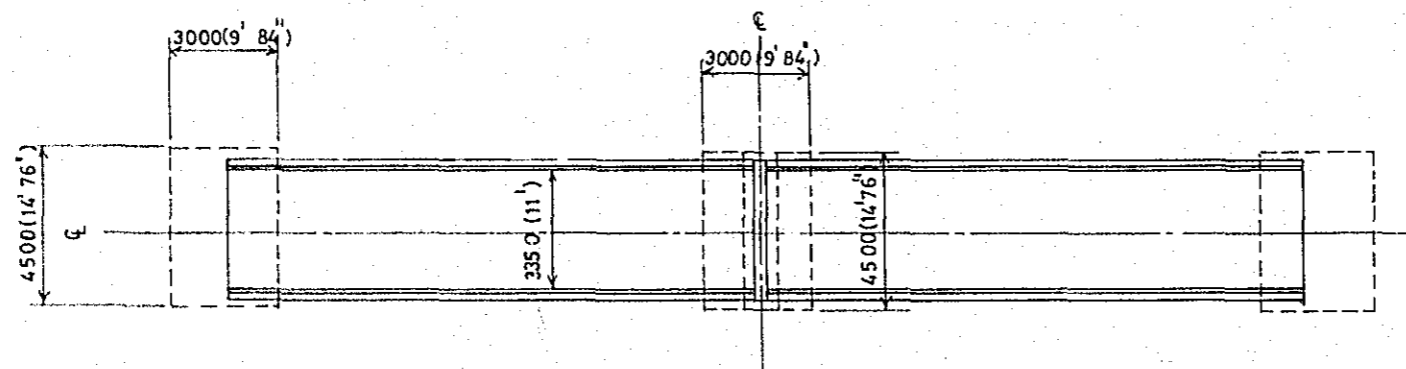
GENERAL PLAN
SCALE = 1:200

BASIC DESIGN STUDY ON THE PROJECT FOR
PROCUREMENT OF PORTABLE STEEL BRIDGES FOR RURAL ROADS

BRIDGE NO	LOCATION	SHEET NO
13-03-02	DHAKA	



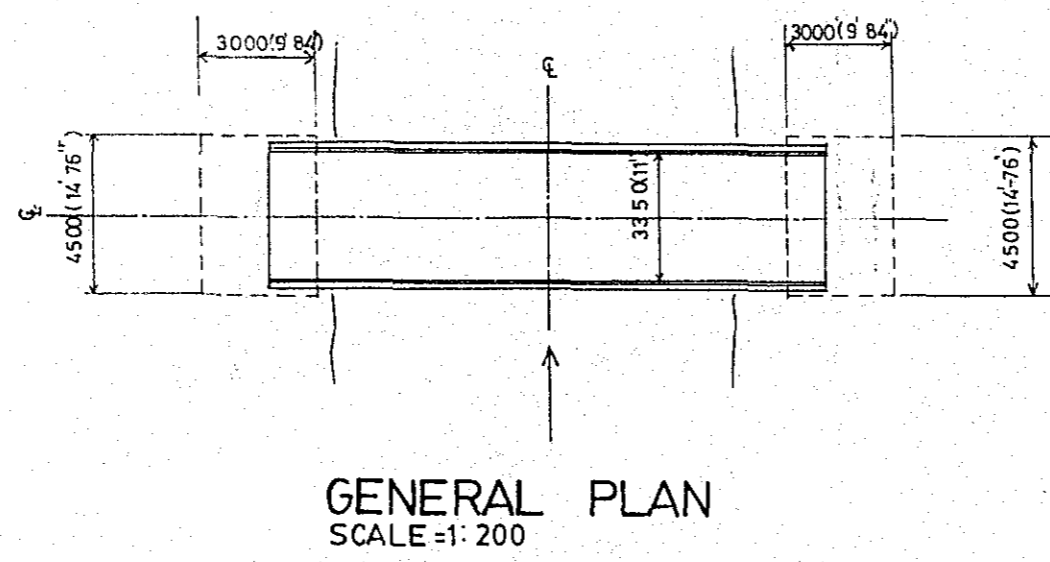
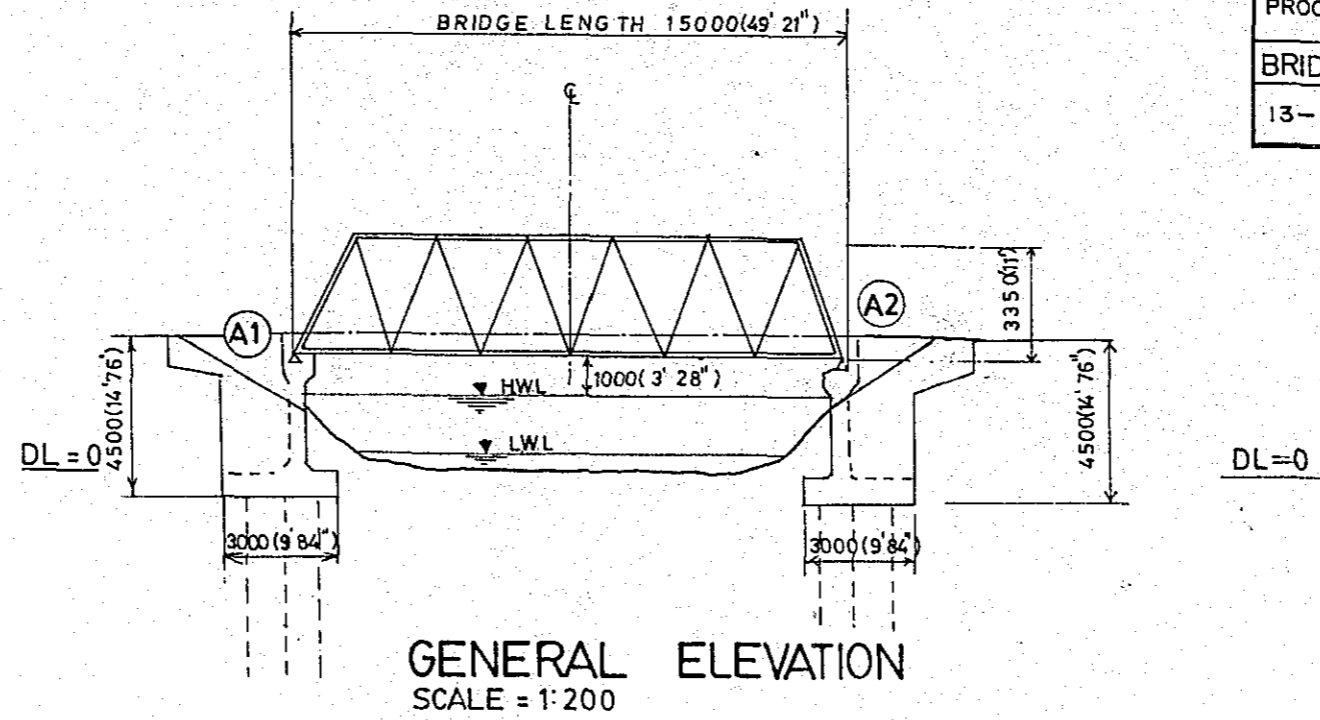
GENERAL ELEVATION
SCALE 1:200



GENERAL PLAN
SCALE 1:200

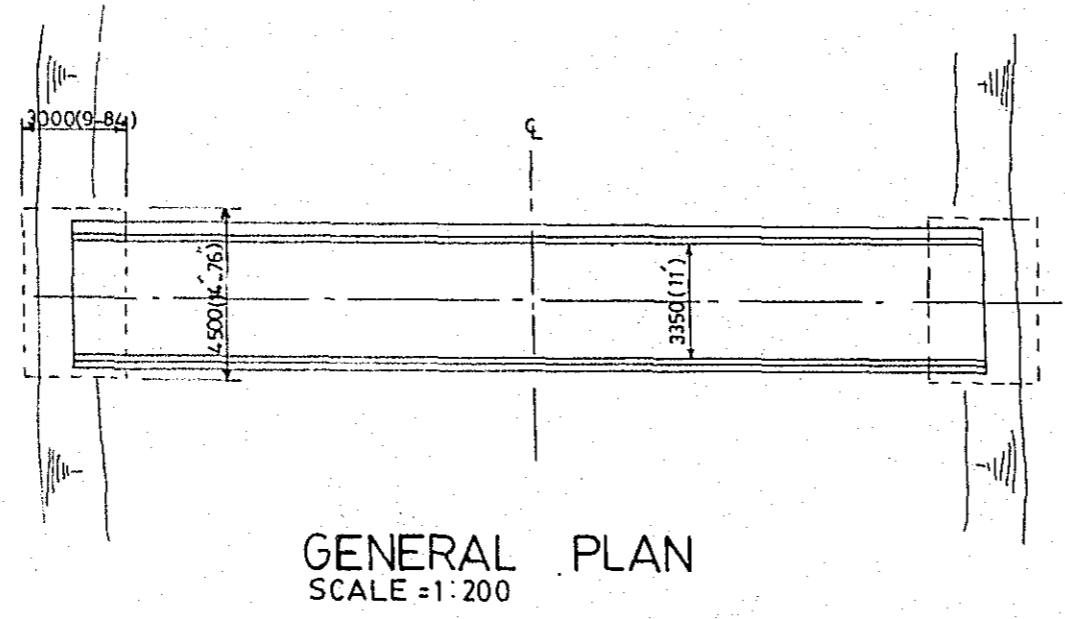
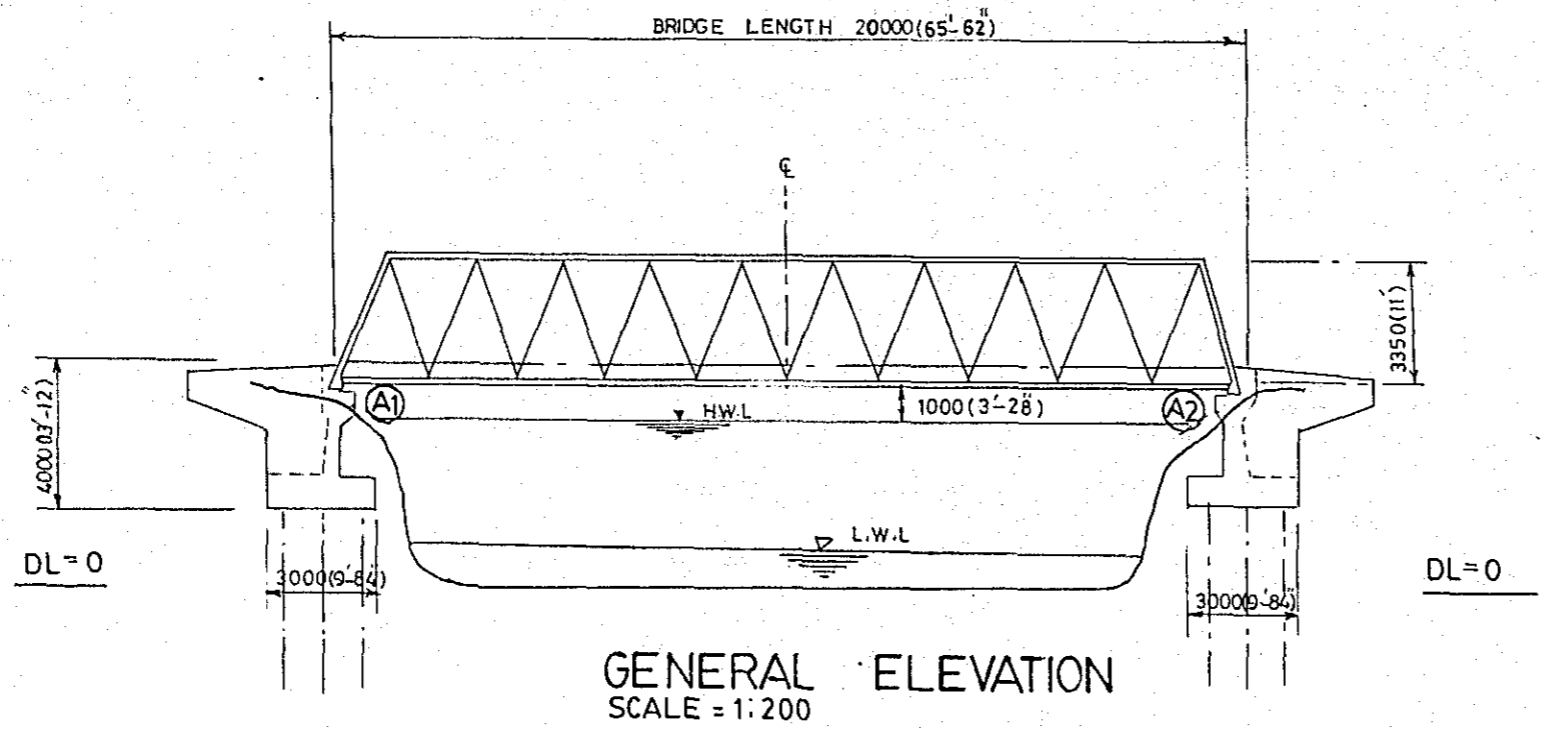
BASIC DESIGN STUDY ON THE PROJECT FOR
PROCUREMENT OF PORTABLE STEEL BRIDGES FOR RURAL ROADS

BRIDGE NO	LOCATION	SHEET NO
13-01-03	DHAKA	

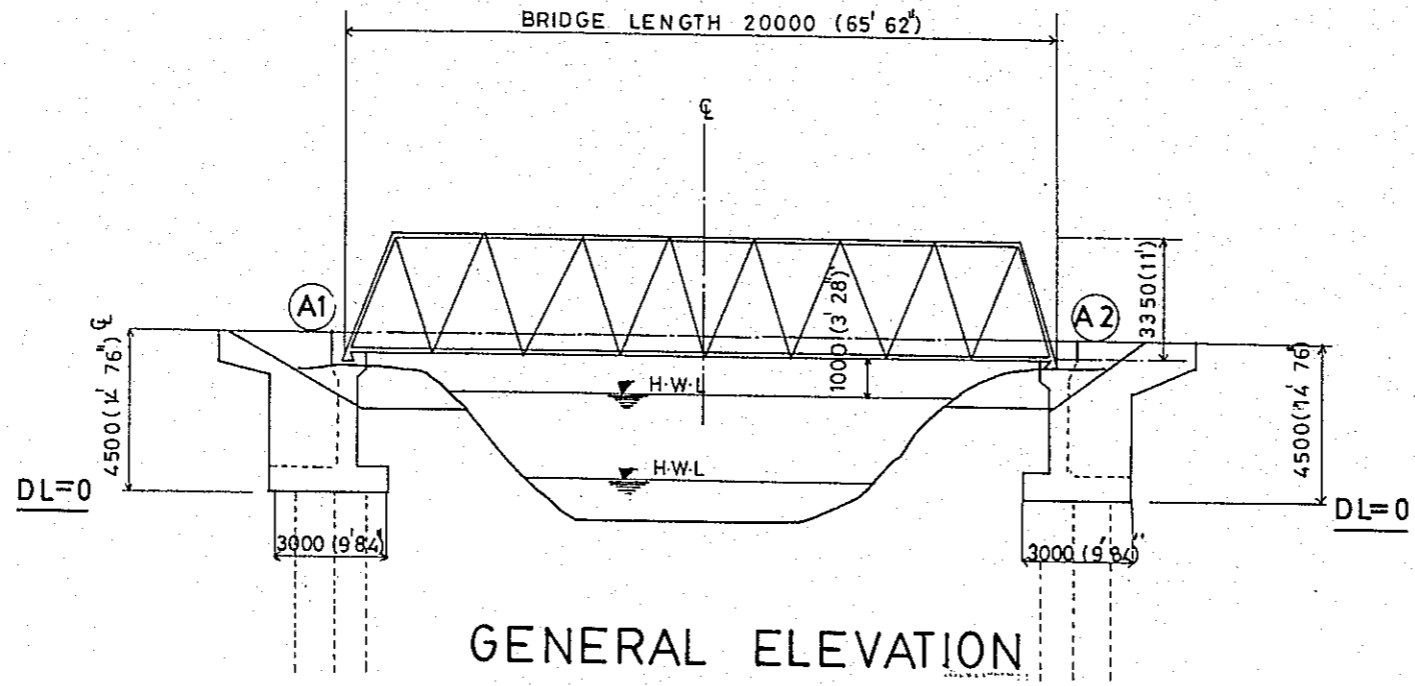


BASIC DESIGN STUDY ON THE PROJECT FOR
 PROCUREMENT OF PORTABLE STEEL BRIDGES FOR RURAL ROADS

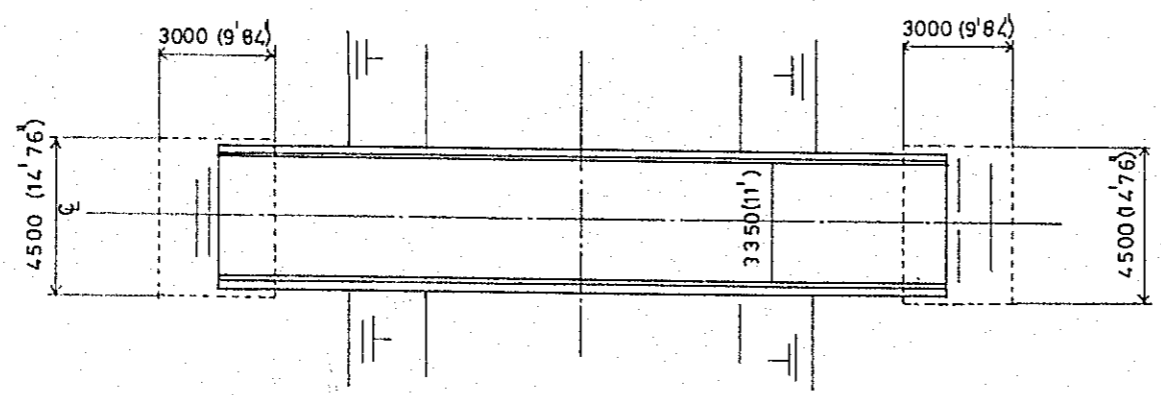
BRIDGE NO	LOCATION	SHEET NO
14-01-01	MUSHIGONJ	



BASIC DESIGN STUDY ON THE PROJECT FOR PROCUREMENT OF PORTABLE STEEL BRIDGES FOR RURAL ROADS		
BRIDGE NO	LOCATION	SHEET NO
14-01-02	MUNSHIGONJ	

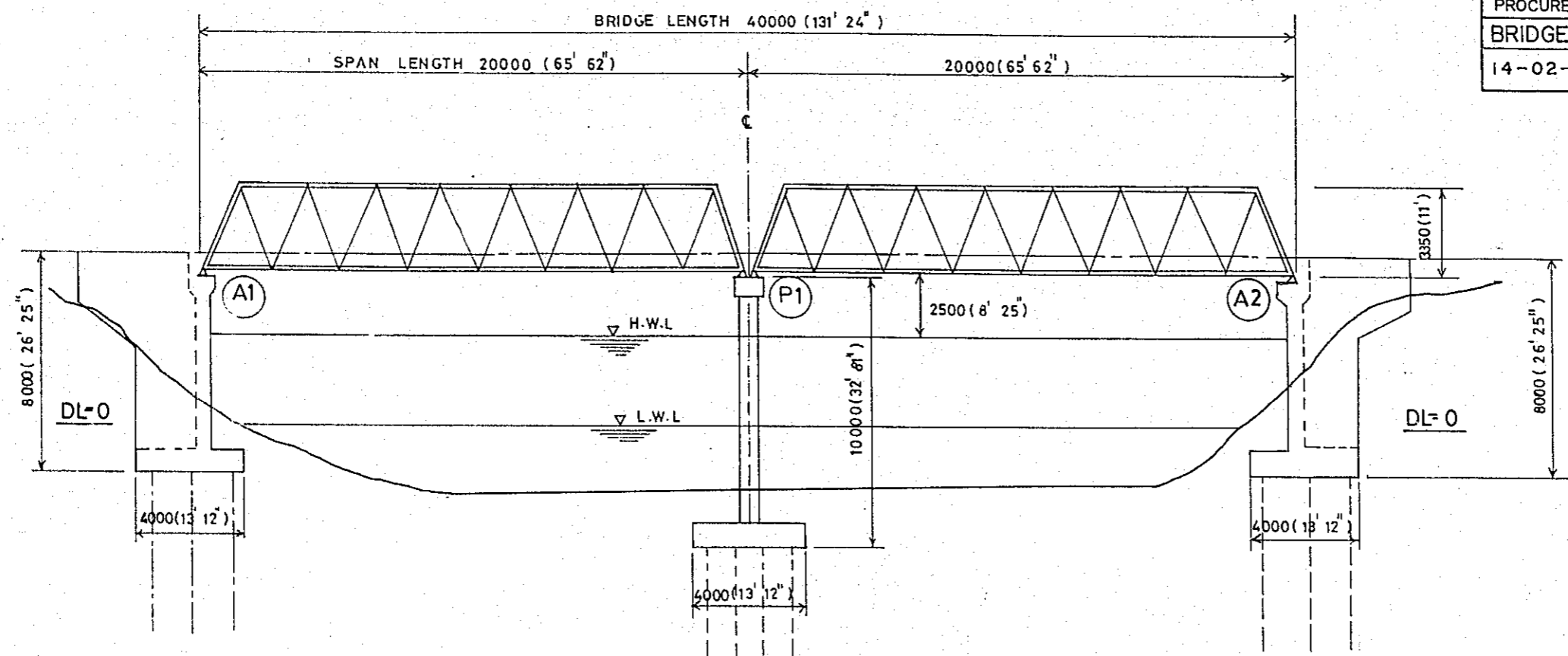


GENERAL ELEVATION
SCALE:-1: 200

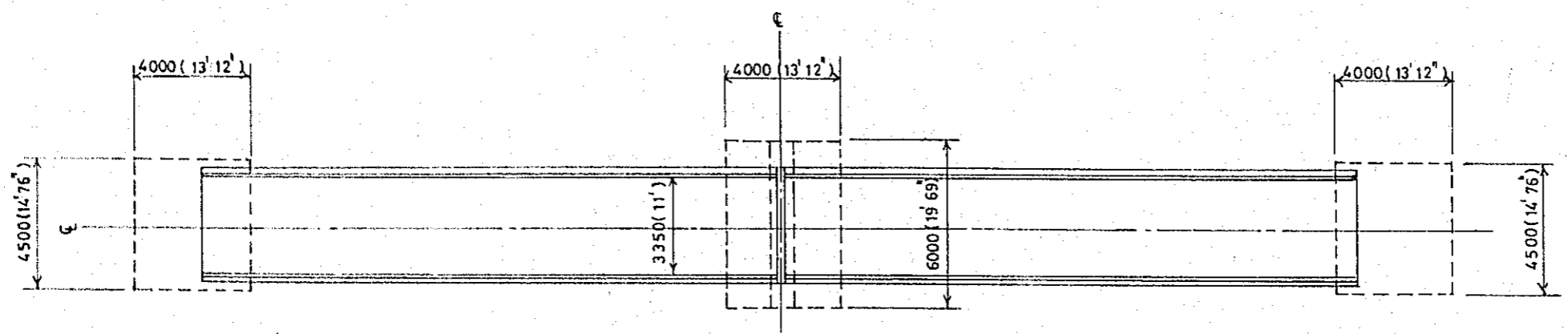


GENERAL PLAN
SCALE:-1: 200

BASIC DESIGN STUDY ON THE PROJECT FOR PROCUREMENT OF PORTABLE STEEL BRIDGES FOR RURAL ROADS		
BRIDGE NO	LOCATION	SHEET NO
14-02-01	MUNSHIGONJ	



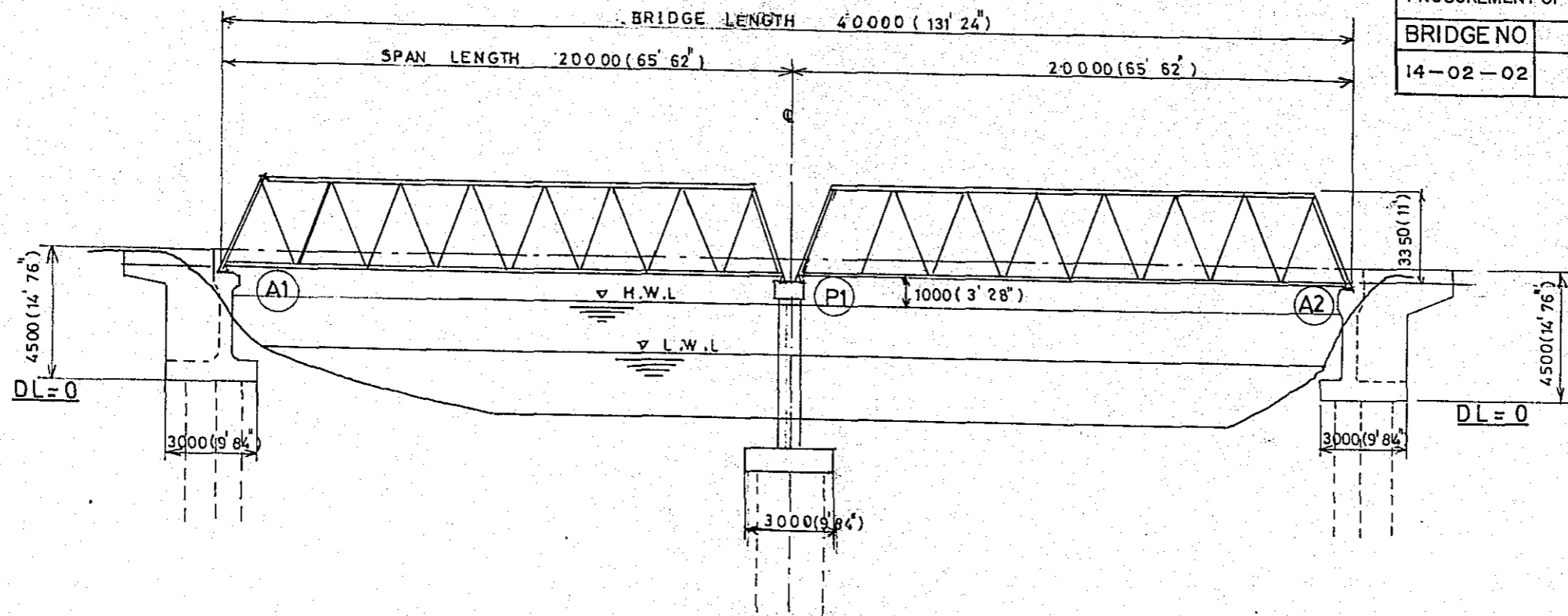
GENERAL ELEVATION
SCALE 1:200



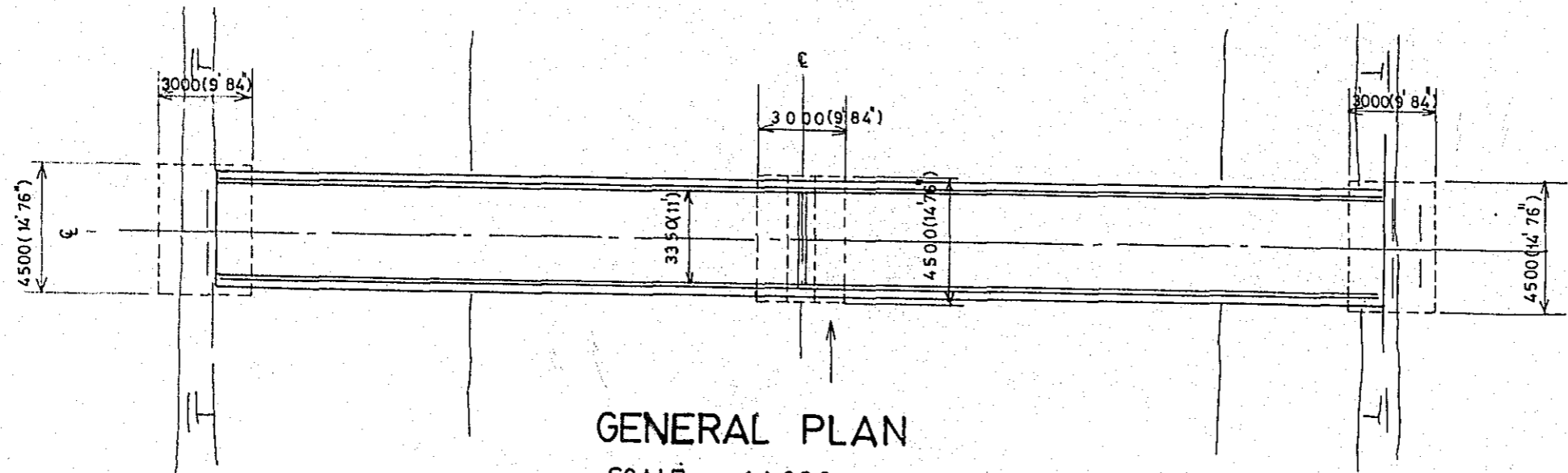
GENERAL PLAN
SCALE 1:200

BASIC DESIGN STUDY ON THE PROJECT FOR
PROCUREMENT OF PORTABLE STEEL BRIDGES FOR RURAL ROADS

BRIDGE NO	LOCATION	SHEET NO
14-02-02	MUNSHIGONJ	

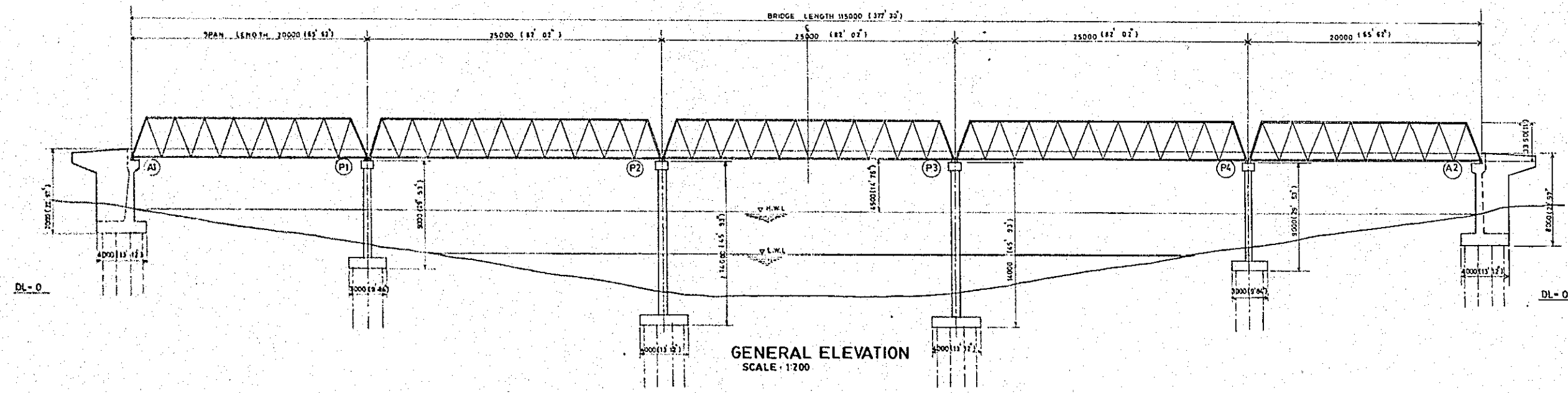


GENERAL ELEVATION
SCALE 1:200

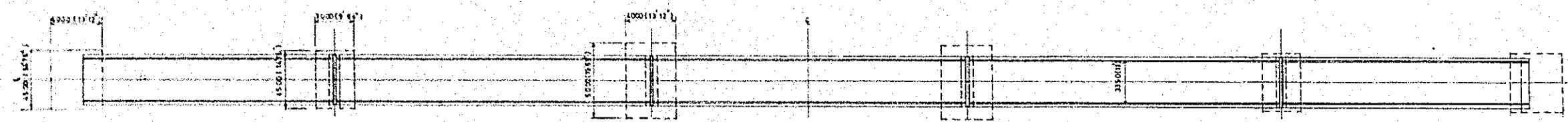


GENERAL PLAN
SCALE 1:200

BASIC DESIGN STUDY ON THE PROJECT FOR PROCUREMENT OF PORTABLE STEEL BRIDGES FOR RURAL ROADS		
BRIDGE NO	LOCATION	SHEET NO
14-03-01	MUNSHIQANJ	

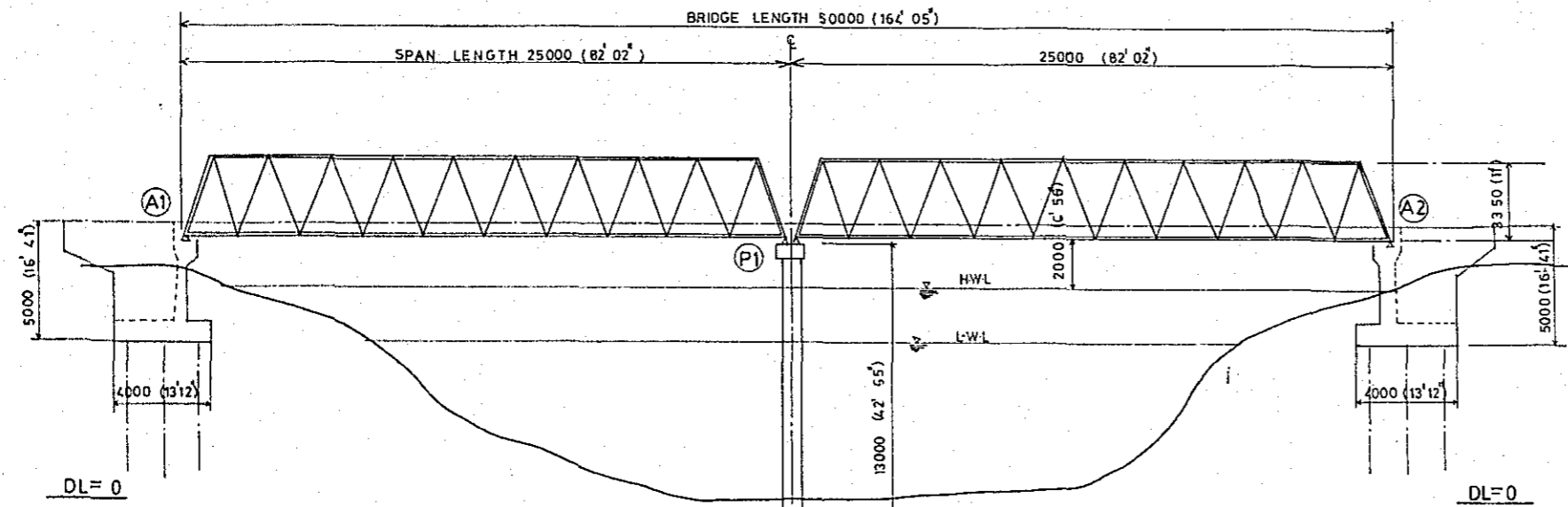


GENERAL ELEVATION
SCALE : 1/200



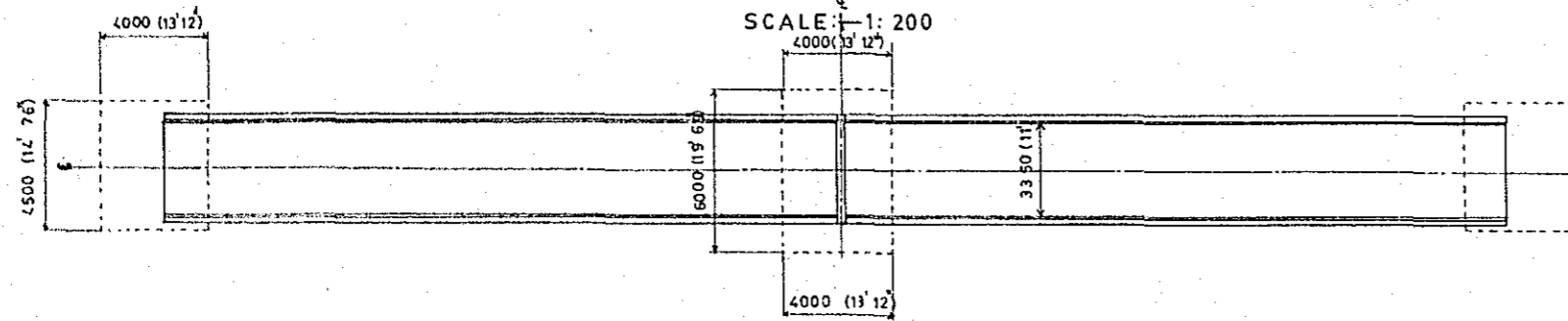
GENERAL PLAN
SCALE : 1/200

BASIC DESIGN STUD ON THE PROJECT FOR PROCUREMENT OF PORTABLE STEEL BRIDGES FOR RURALROADS		
BRIDGE NO	LOCATION	SHEET NO
14-04-01	MUNSHIGONJ	



GENERAL ELEVATION

SCALE: 1:200

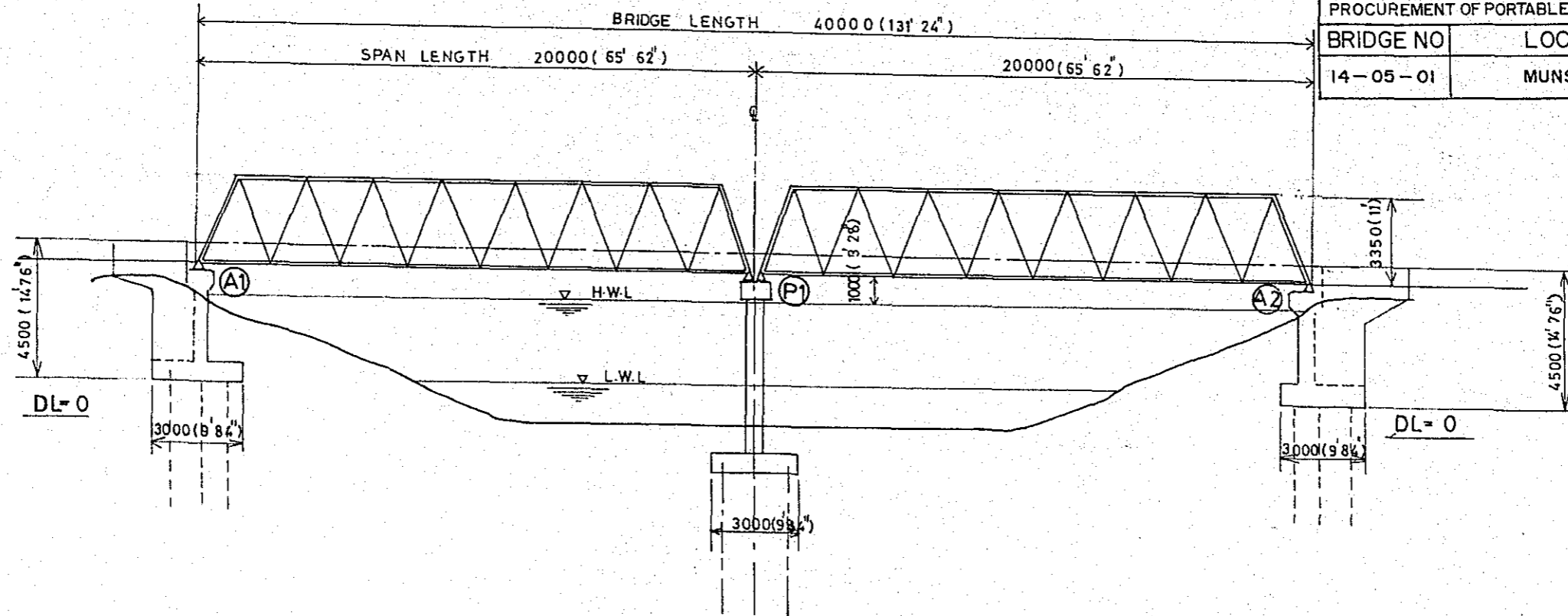


GENERAL PLAN

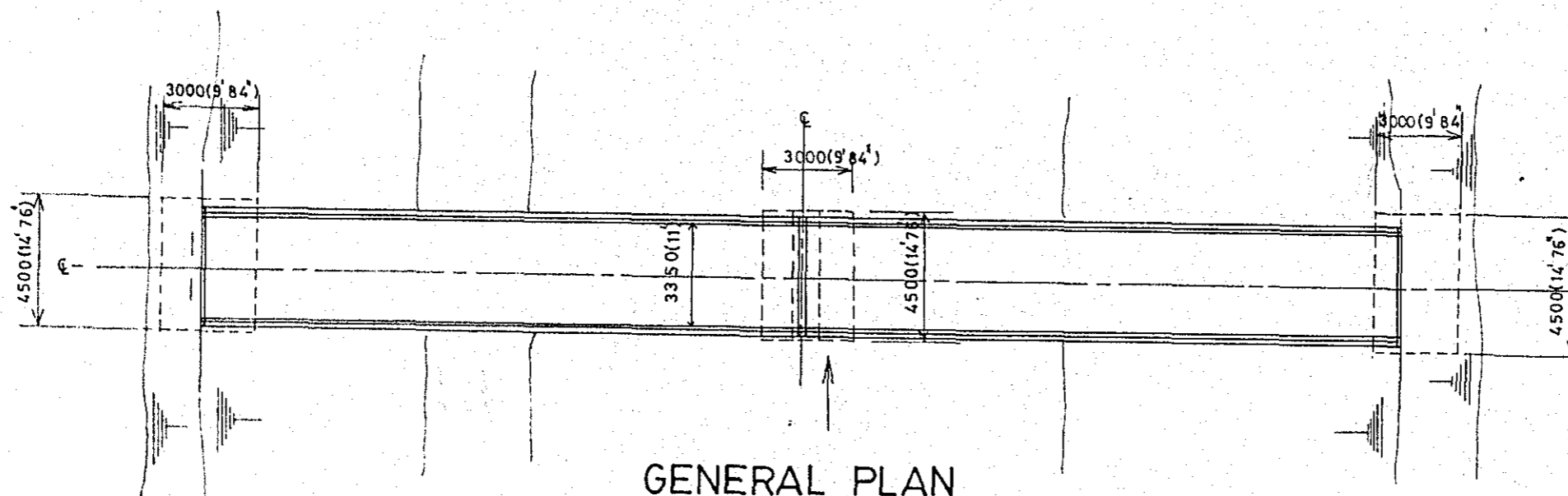
SCALE: 1:200

BASIC DESIGN STUDY ON THE PROJECT FOR
PROCUREMENT OF PORTABLE STEEL BRIDGES FOR RURAL ROADS

BRIDGE NO	LOCATION	SHEET NO
14-05-01	MUNSHIGONJ	



GENERAL ELEVATION
SCALE : 1:200

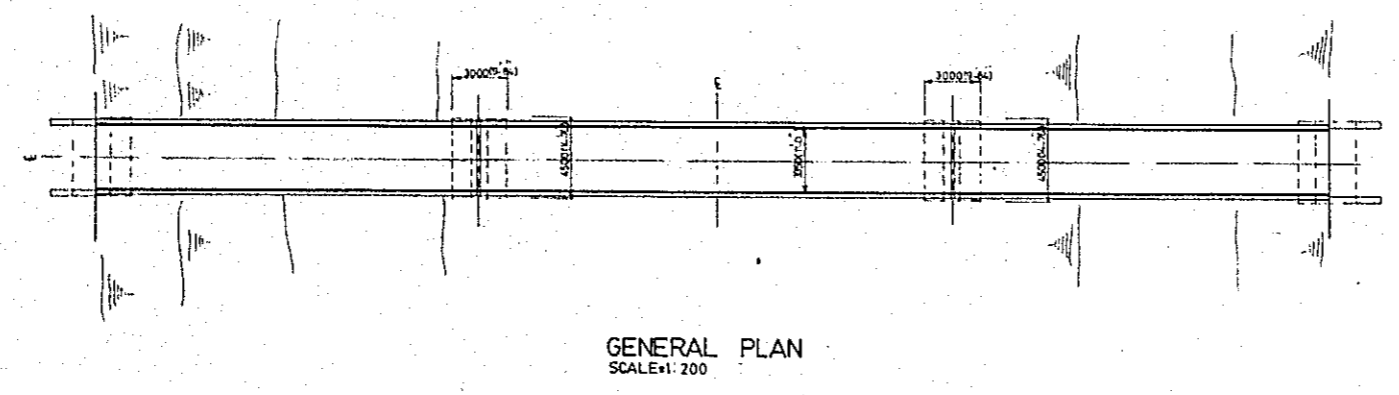
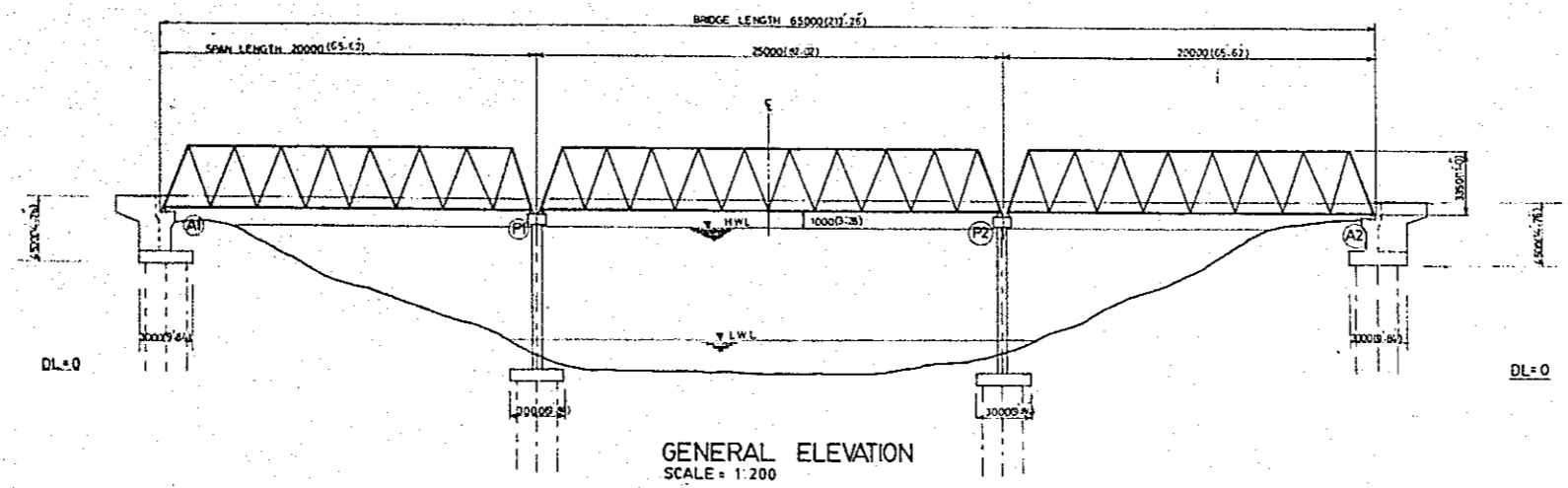


GENERAL PLAN
SCALE : 1:200

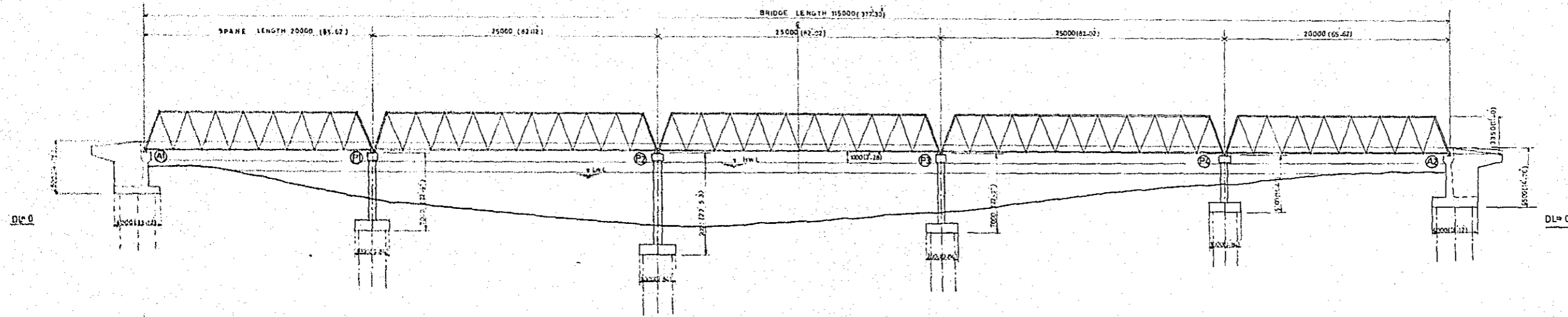
BRIDGE NO		LOCATION	
NAME OF ROAD			
CHAINAGE		SHEET NO	

BASIC DESIGN STUDY ON THE PROJECT FOR
PROCUREMENT OF PORTABLE STEEL BRIDGES FOR RURAL ROADS

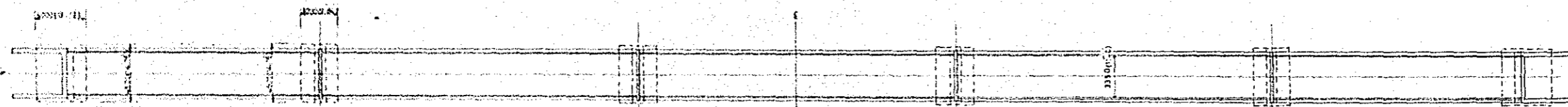
BRIDGE NO	LOCATION	SHEET NO
15-01-01	GAZIPUR	



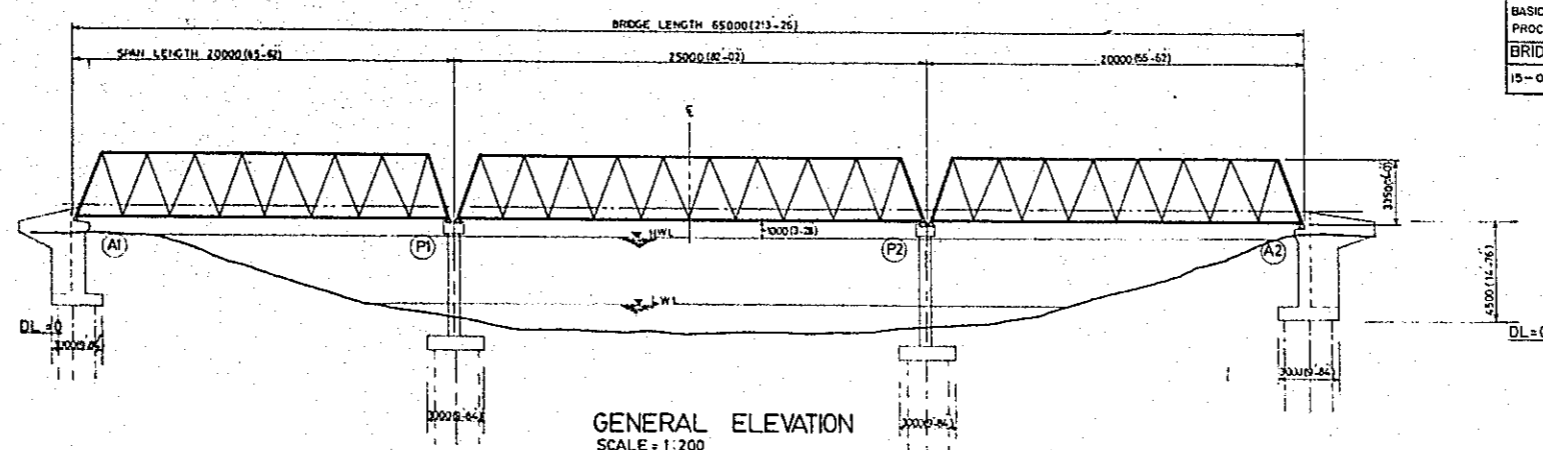
BASIC DESIGN STUDY ON THE PROJECT FOR PROCUREMENT OF PORTABLE STEEL BRIDGES FOR RURAL ROADS		
BRIDGE NO	LOCATION	SHEET NO
15-02-01	GAZIPUR	



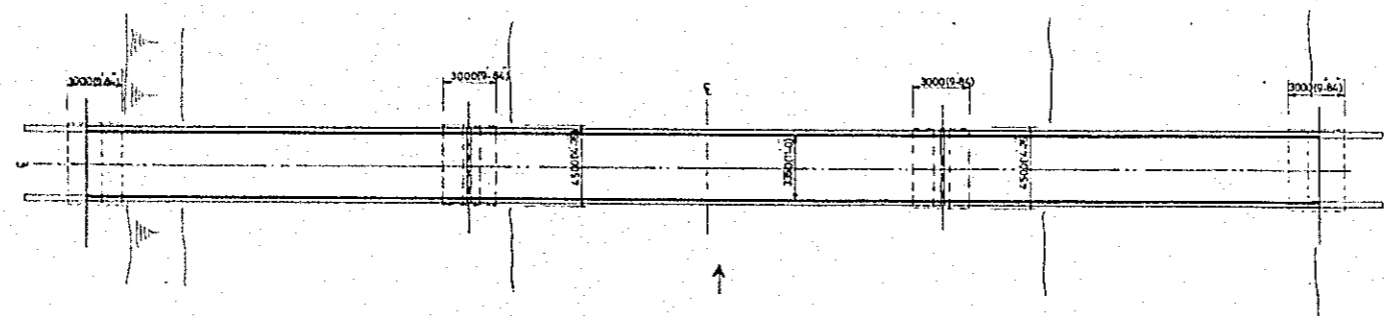
GENERAL ELEVATION
SCALE = 1:200



GENERAL PLAN
SCALE = 1:200



GENERAL ELEVATION
SCALE = 1:200



GENERAL PLAN
SCALE = 1:200

BASIC DESIGN STUDY ON THE PROJECT FOR PROCUREMENT OF PORTABLE STEEL BRIDGES FOR RURAL ROADS		
BRIDGE NO.	LOCATION	SHEET NO.
15-03-01	GAZIPUR	

BRIDGE NO.	LOCATION
NAME OF ROAD	
CHAINAGE	SHEET NO.

