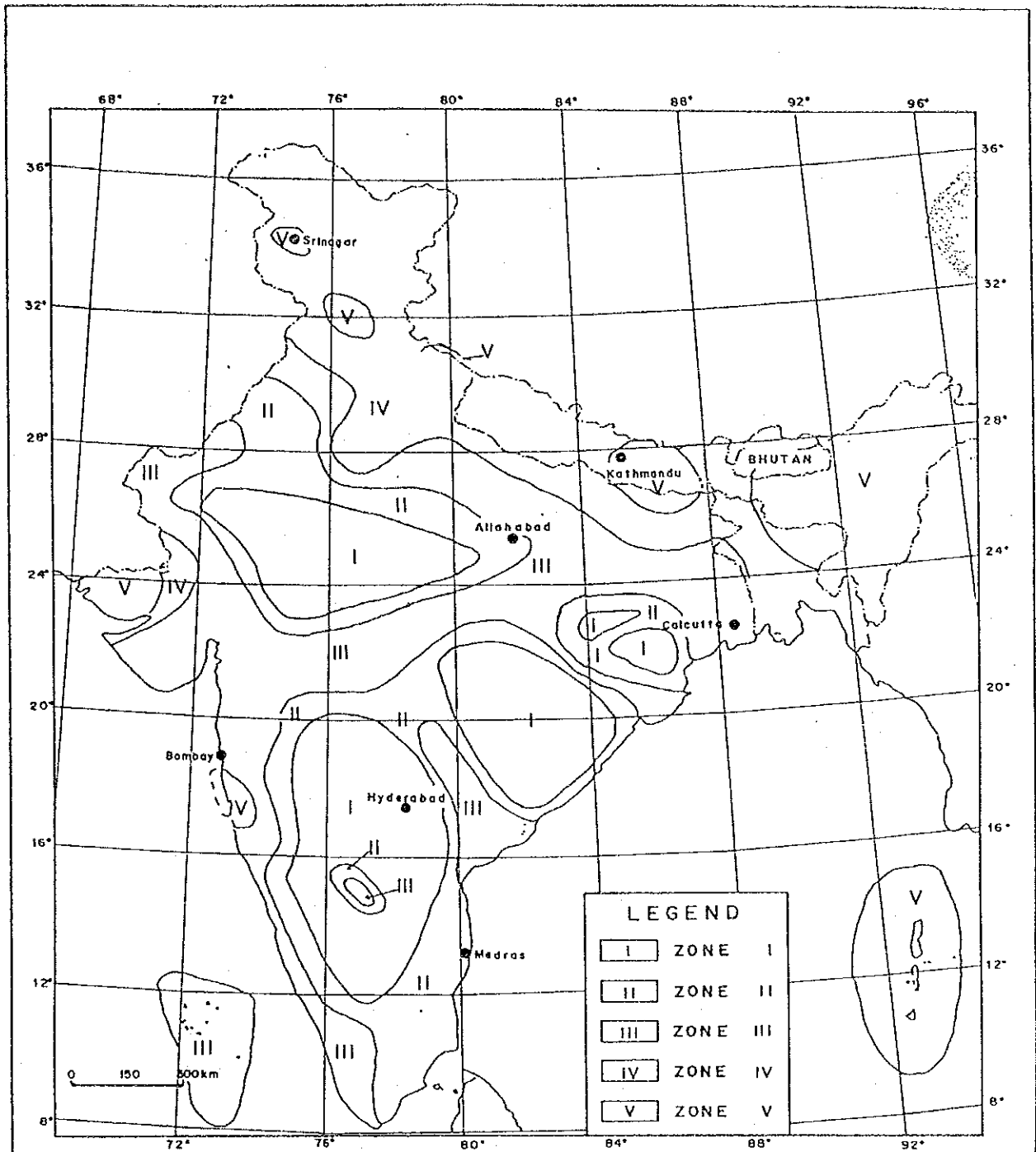


資料編 - C

技術関連資料



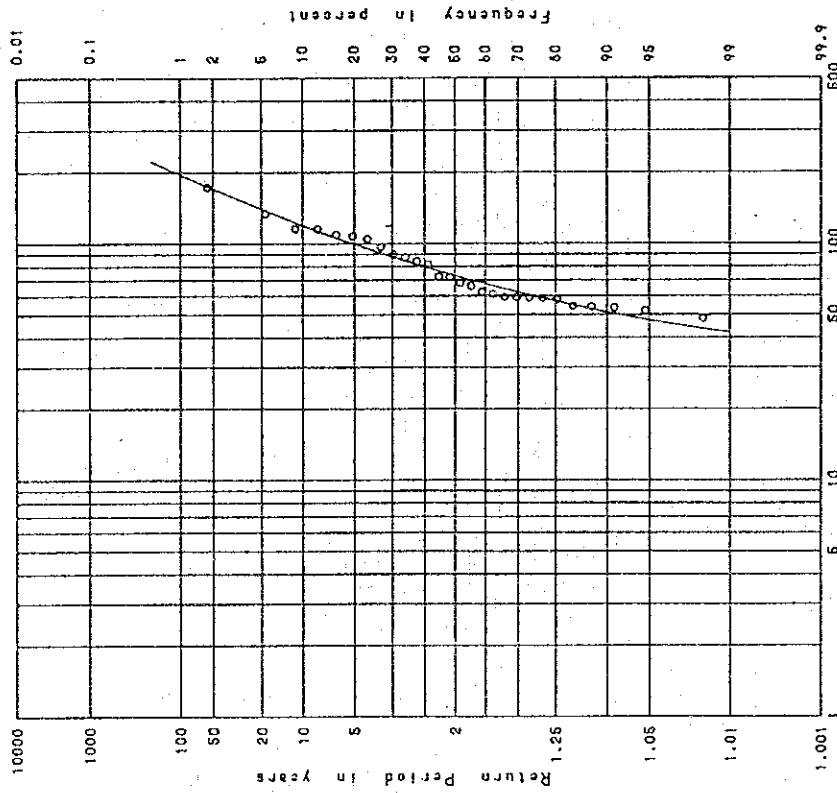
Taken from:
KAILA, K.L., GAUR, V K., AND NARAIN, H. (1972):

Map of India showing seismic zones, appended to IS 1893-1970 (ISI 1971), Indian standard criteria for earthquake resistant design of structures. Intensities of future earthquakes on Modified Mercalli scale associated with seismic zones I, II, III, IV, and V as per this map are respectively, V or less, VI, VII, VIII and IX and above
Bull. Seism. Soc. Am. 62

インド国地震強度区分図

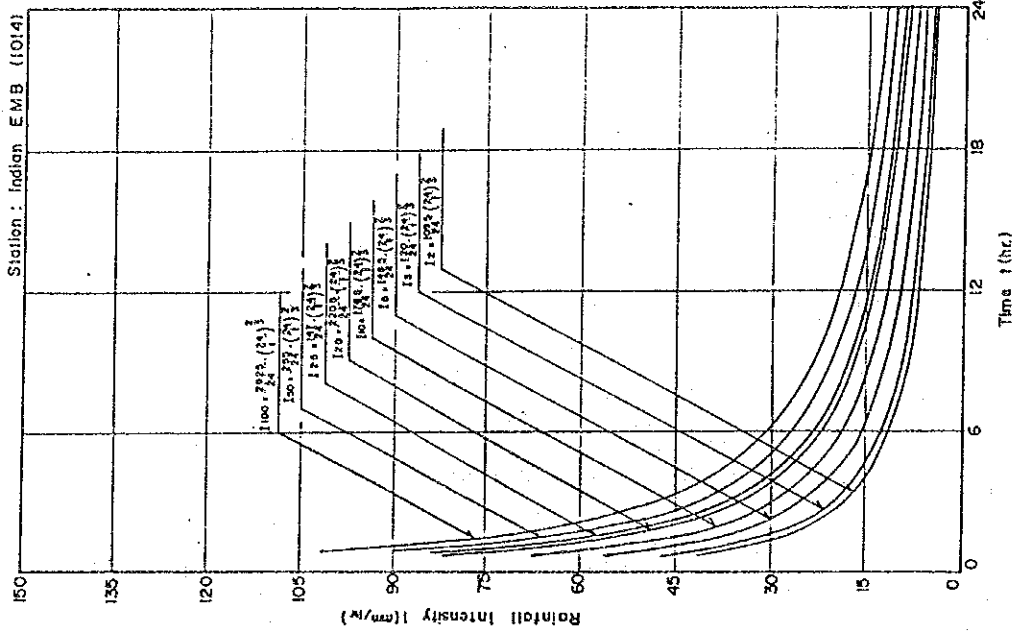
Station : INDIAN EMB. (1014)
 District :
 Kind of Record : 24 HRS RAINFALL
 Period of Record : 1946-1975

Region :
 Altitude of Station : Meters



RAINFALL (MM)

頻度曲線



降雨強度曲線

河川水理計算結果集計表

Basin No.	Name of River	Catchment Area (km ²)	Runoff Peak (1/100) m ³ /sec.	Runoff Peak (1/50) m ³ /sec.	Estimated Velocity (m/sec.)	Height of <u>1/</u> Flood Level (m)
1.	Bhogate	5.4	199	177	4.5	3.1
2.	Karekare	5.2	157	140	3.4	1.8
3.	Ratu <u>2/</u>	42.4	960	855	3.5	1.4
4.	Bhiman <u>2/</u> <u>3/</u>	3.9	130	116	3.3	1.5
5.	Sukha <u>2/</u> <u>3/</u>	2.1	74	66	2.6	1.2
6.	Sindhure	2.1	80	71	2.5	1.0
7.	Kamala	142.8	2,857	2,546	4.1	4.9
8.	Phitting	7.4	246	219	3.2	2.9
9.	Buka	13.4	406	362	2.8	3.5
10.	Gadeuli	31.6	779	694	5.1	3.9
11.	Gwang	12.9	418	372	6.6	1.8
12.	Ardleri	20.7	390	334	4.8	1.2
13.	Nigauli	21.0	405	347	6.2	1.7
14.	Arubote	17.3	301	258	4.9	1.8
15.	Kharare	4.4	108	93	4.8	1.0
16.	Bhote	16.9	267	229	4.8	1.6
17.	Gangate	19.2	343	294	4.5	2.2
18.	Dhamile	28.7	500	429	6.3	2.5
19.	Sandi	7.4	170	146	6.4	1.6
20.	Ghyampe	14.8	332	285	7.8	2.0
21.	Manti	17.0	319	274	4.9	1.5
22.	Bhayakure	22.3	442	379	4.9	2.1
23.	Daune	10.5	213	183	6.5	1.8
24.	Narke	18.1	343	294	8.4	2.9
25.	Roshi	410.7	3,258	2,794	7.9	8.4

Note: 1/ Height of flood level measures from the lowest point of river bed.

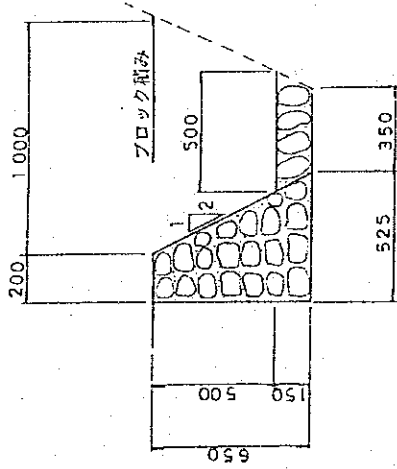
2/ Estimated velocity and flood level are calculated under the condition of providing man-made river banks.

3/ Due to providing man-made banks, these bridges are categorized under medium bridge.

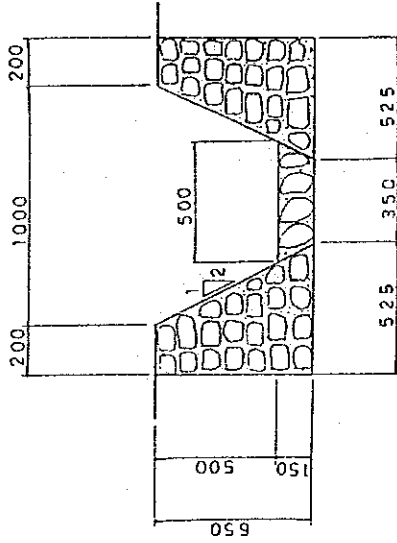
排水工詳細図 縮尺1:20

縁石工詳細図

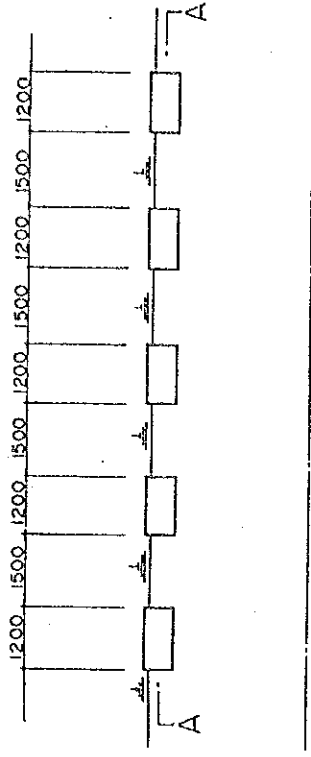
切土部 Type-C



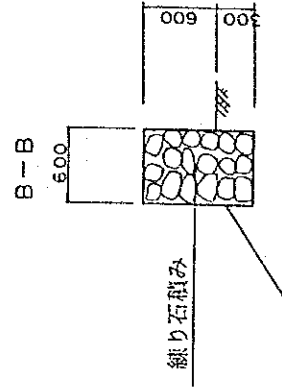
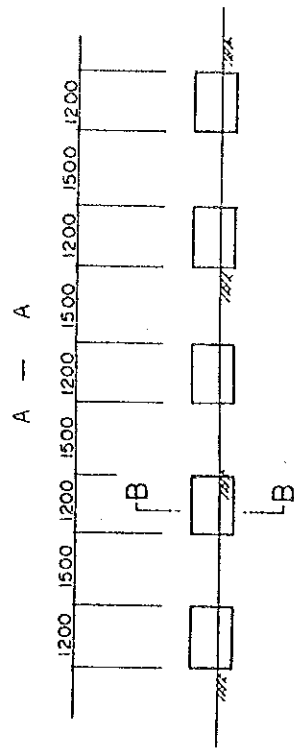
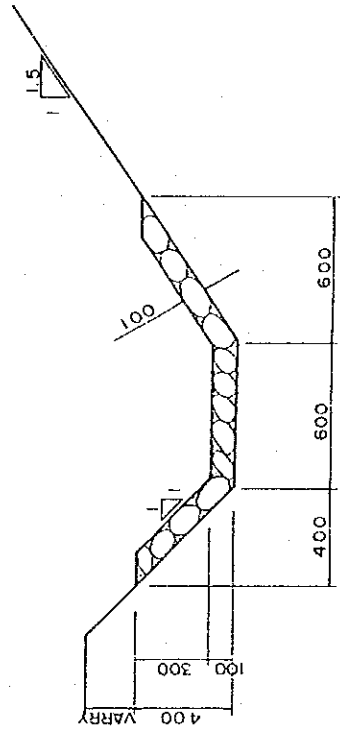
切土部 Type-B



平面図 縮尺1:100

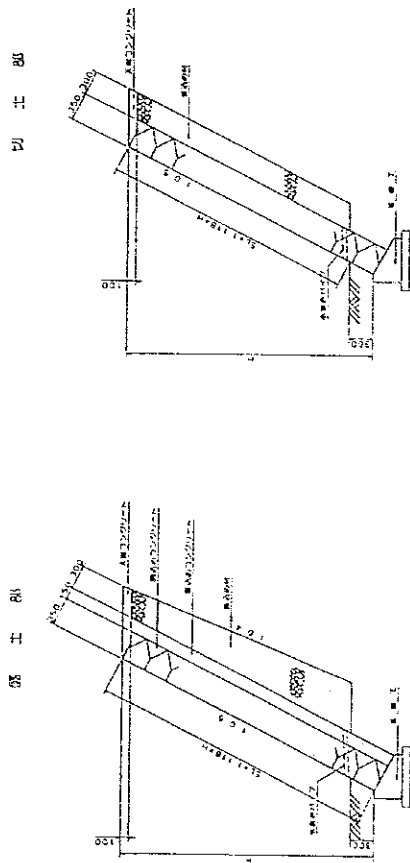


盛土部 Type-A

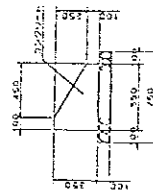


フロック構造細工図

断面図 5.1.20



基礎工詳細図 5.1.20



資料編 - D

その他関連資料

道路局1993/94年度実施、計画プロジェクト一覧表

S. No.	S. No. 9-8	Name of Road Project	Budget (1,000 Rs.)			
			Total	HMG/N	Foreign Aid	
					Donor	Amount
Eastern Region						
01	49	Debaniya Bridge	13,000	13,000		
02	2	Charali - Iiam	150,000	30,000	ADE	120,000
03	8	Phidim - Taplejung	10,000	10,000		
04	24	Bhedelar Dandabazar Rabi	5,000	5,000		
05	15	Basanpur - Tehrathum	20,000	10,000	DRF	10,000
06	34	Mahendra Flajmarg (Belari - Chauharwa)	170,000	25,000	ADB	145,000
07	41	Eastern Region Road Maintenance (EROM)	50,000		ODA	50,000
08	55	Duhabi - Inartwa Road (Garun Bridge)	2,000	2,000		
09	11	MRM - Gaighat	60,000	60,000		
Total			480,000	155,000		325,000
Central Region (1)						
01	33	SRIP (Chauarwa - Pathlarya)	269,010	30,810	ADB	238,200
02	9	Bardlabas - Sindhuli - Dhurthel	5,500	500	JICA	5,000
03	33	SRIP (Hetauds - Birgunj)			ADB	
04	54	Sirsiva Bridge (Birgunj - Pokhariva Road)	7,500	7,500		
05	47	Tilawe Bridge	9,000	9,000		
06	42	Naubise - Malekhu Road Improvement Project	50,100	11,000	WB	39,100
07	46	Trisuli Bridge (Malekhu - Dhading)	3,000	25,000	D/GIZ	500
Total			344,110	83,810		282,800
Central Region (2)						
01	39	Lamosangu - Jul	11,000	8,200	SDC	2,800
02	38	Arniko Highway Maintenance Project	58,630	17,630	SDC	41,000
03	57	Bagmali Bridge (Thapathali)	1,500	500	JICA	1,000
04	33	SRIP (Kathmandu Valley Road Improvement Project)			ADB	
05	43	Bishnumali Link Road	11,000	1,000	ADB	10,000
06	25	Chbahaare - Tokha	5,000	5,000		
07	52	Kathmandu Valley Bridges	105,000	5,000	JICA	100,000

S. No.	S. No. 9-8	Name of Road Project	Budget (1,000 Rs.)			
			Total	HMG/N	Foreign Aid	
					Donor	Amount
08	35	Road Flood Rehabilitation Project (RFRP)	201,400	29,000	WB	172,400
09	56	Suspension Bridges Main Trail	77,755	34,430	SDC	43,325
10	59	ADB Project Directorate	67,620	7,620	ADB	60,000
11	60	Maintenance & Rehabilitation Coordination Unit (MRCU)	25,587	2,400	SDC UK	11,594 11,593
12	61	Feasibility Survey & Detailed Design of Roads & Bridges	2,500	2,500		
13	62	Laboratories	2,000	2,000		
14	63	Mechanical Training Project	1,000	1,000		
15	65	Planning & Environment Unit Strengthening Project	6,000	6,000		
16	26	Galchhi - Debighat	5,000	5,000		
Total			580,992	127,280		453,712
Western Region						
01	37	Mugling - Marsyangdi Road Improvement Project	149,900	20,500	WB	129,400
02	18	Dumre - Besisahar	12,500	2,500	WB	10,000
03	33	SRIP (Mugling - Pokara)			ADB	
04	48	Sei Bridge	11,400	500	China	10,900
05	31	Pokhara - Baglung - Beni	1,500	1,500		
06	27	Parasi - Bhairawa	2,500	2,500		
07	29	Tansen - Ridl - Tamghas	2,500	2,500		
08	66	Saljhundi - Juthapauwa Sunder (Sungureebhunga)	3,000	3,000		
09	30	MRM (Gorusinge) - Sandhikhara	2,500	2,500		
Total			185,800	35,500		150,300
Mid-Western Region						
01	13	Bhalubang Debasthan	48,151	43,151	DRF	5,000
02	16	Rapti Road	40,000	10,000	USAID	30,000
03	33	SRIP (Rapti Sagmatha Road)				
04	50	Babai Bridge	3,000	3,000		
05	19	Salhan Musiko	15,000	5,000	DRF	10,000
06	28	Tukipur Purandhar Surkhet	2,500	2,500		
07	20	Chhinchu Jakarket	17,500	7,500	DRF	10,000
08	32	Nepaigunj Baghauda (Bridge)	1,500	1,500		
09	23	Surkhet Ranimalia Dailekh	12,500	7,500	DRF	5,000

S. No.	S. No. 9-8	Name of Road Project	Budget (1,000 Rs.)			
			Total	HMG/N	Foreign Aid	
					Donor	Amount
10	5	Surkkhet Dunesnat Jamla	60,000	40,000	DRF	20,000
Total			200,151	120,151		80,000
Far-western Region						
01	1	Kohalpur - Mahakali	206,000	45,000	WB India	151,000 10,000
02	12	Silgadhi (Doti) - Sanfebagar	119,400	19,400	ADB	100,000
03	4	Bhalkanda - Dipayal (Doti)	17,100	4,000	ADB	13,100
04	22	Sahajpur - Dipayal	10,000	5,000	DRF	5,000
05	14	Khodpe - Bajhang	35,000	20,000	DRF	15,000
06	3	Godawari - Bhatikanda - Patan	39,912	12,272	ADB	27,640
07	6	Batitadi - Darchula	35,000	15,000	DRF	20,000
08	10	Patan - Baitadi - Jhulaghat	2,500	2,500		
09	58	Syali River Bridge (kanchanpur)	2,500	2,500		
10	21	Mahendranagar (Daiji) - Jogbudha - Budar	10,000	5,000	DRF	5,000
Total			477,412	130,672		346,740
Grand Total			2,268,465	629,913		1,638,552
Other Projects						
01	36	Other Road Maintenance Projects	167,000	107,000	DRF	60,000
02	40	Surface Improvement Project (Resealng)	53,700	16,000	OPEC	37,700
03	44	Kathmandu Valley Urban Roads	50,000	25,000	DRF	25,000
04	51	Bridge Culvert Protection	17,500	17,500		
05	45	Other City Road	16,500	16,500		
06	53	Sirsiya Bridge (Nepal - India Border)	10,500		India	10,500
07	7	Kalri - Okhaldhunga - Solu	30,000	15,000	DRF	15,000
08	17	Bhoplur Road	20,000	10,000	DRF	10,000
09	64	Nepal Multi - Modal Transil Trade Faciilitation Project	23,000	3,000	WB	20,000
Total			388,200	210,000		178,200
Overall Grand Total			2,656,665	839,913		1,816,752

JICA