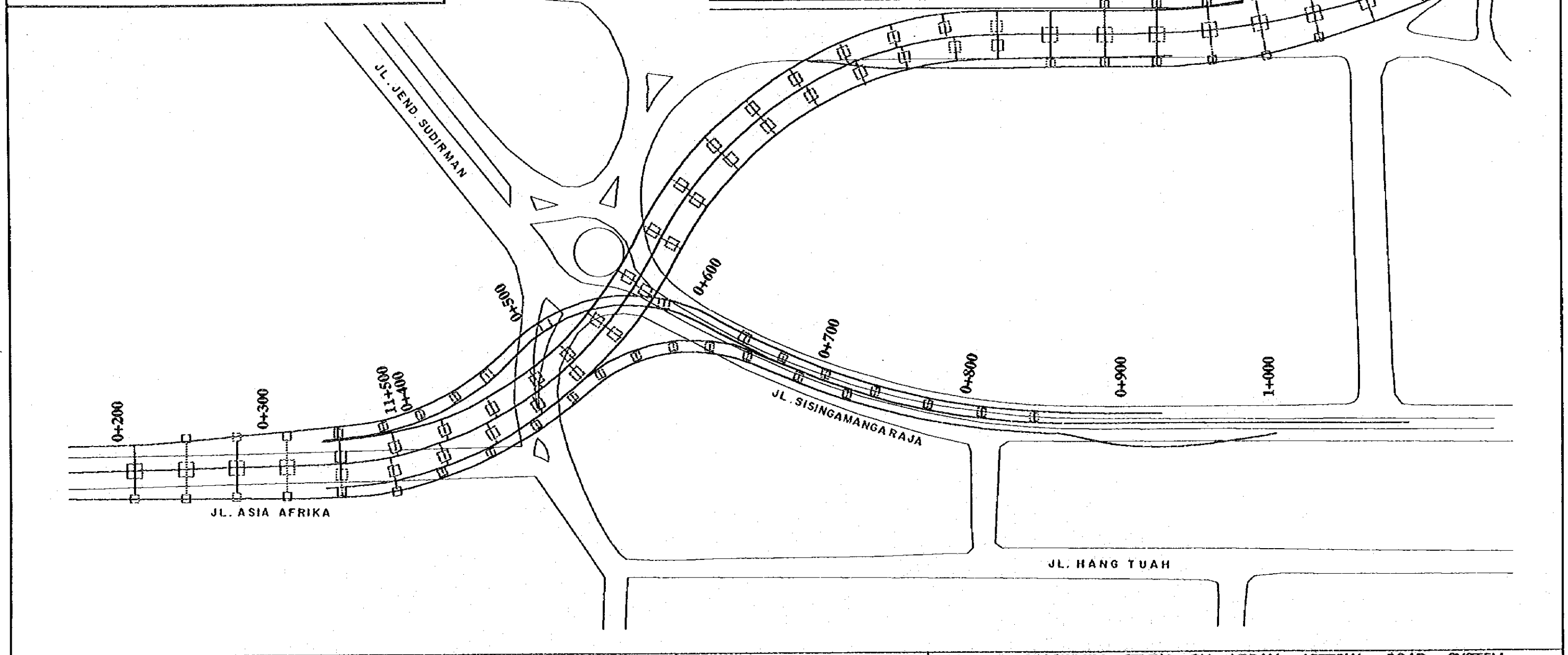
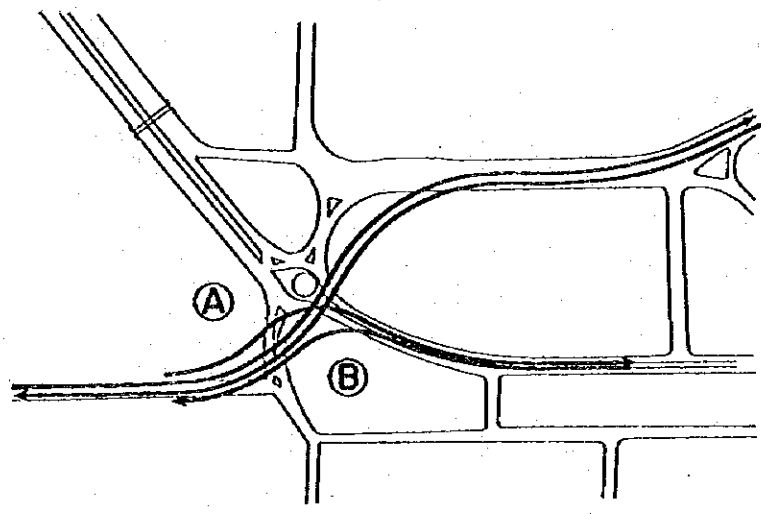


KEY PLAN

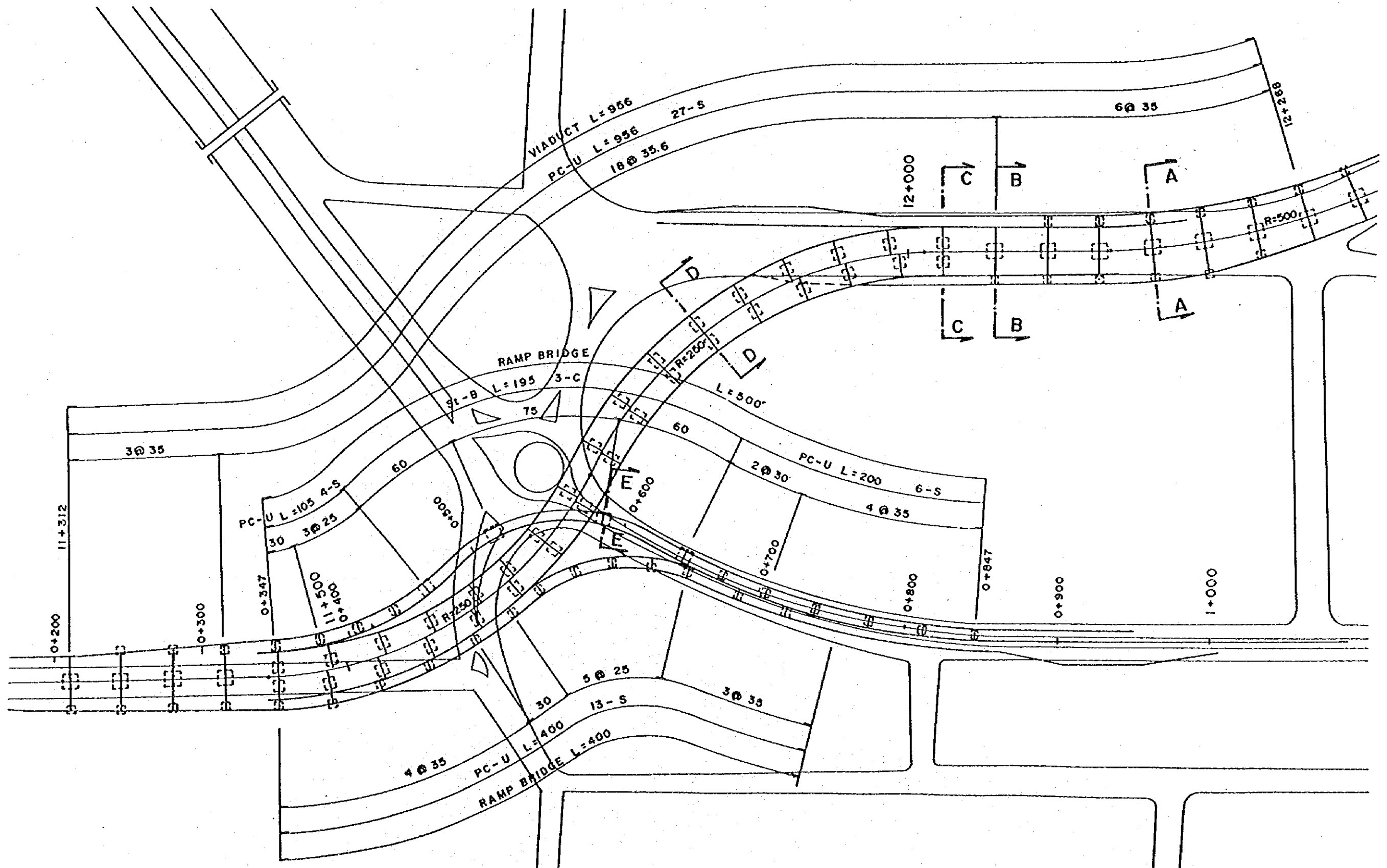


SENAYAN IC (1) GENERAL LAYOUT

SCALE : 0 20 40 60 80 100

DRAWING NO. : 53  
DATE :

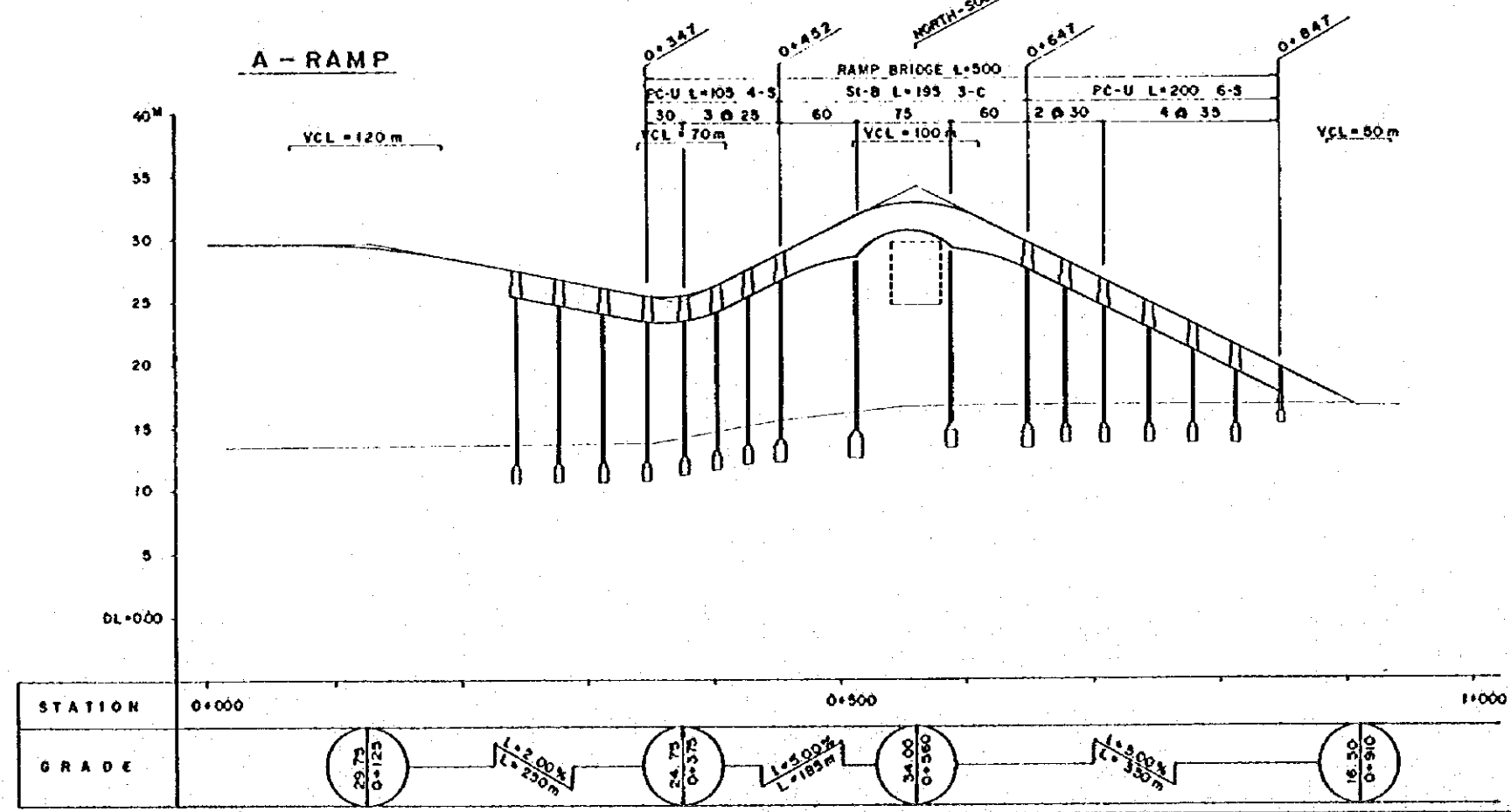
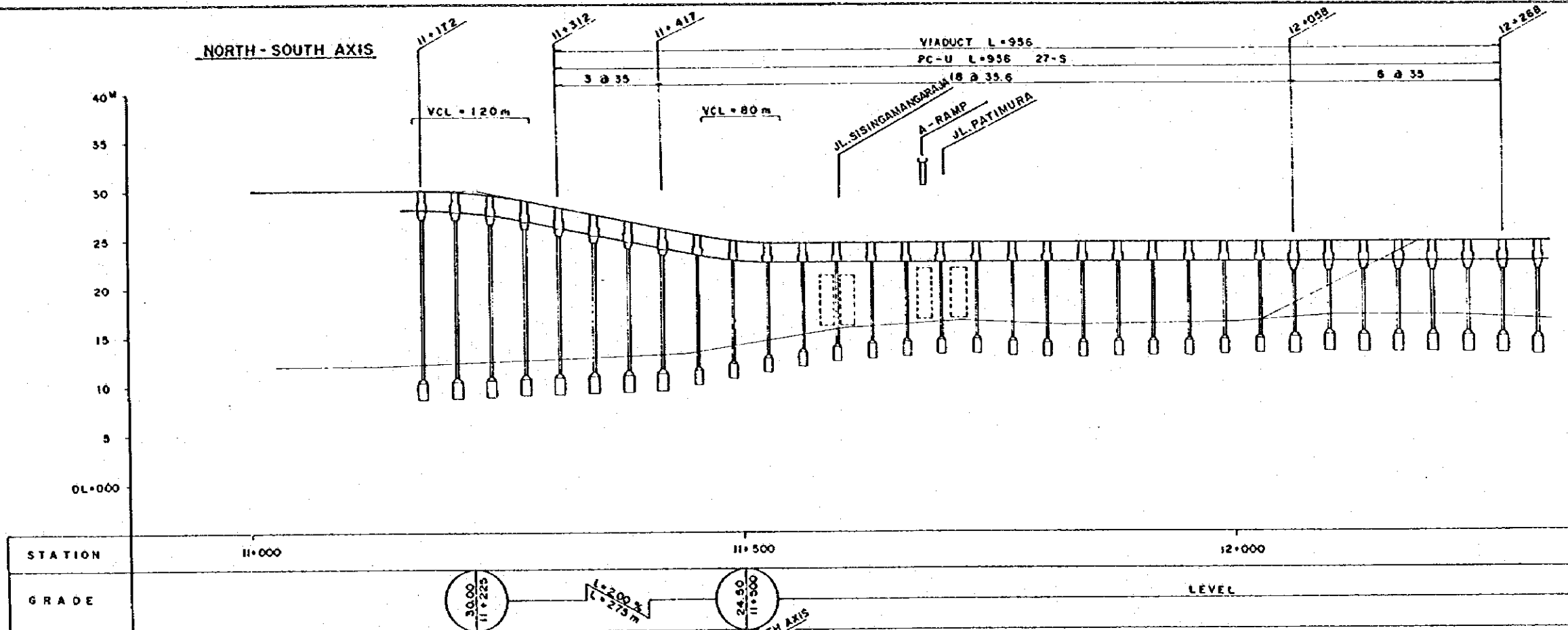
THE FEASIBILITY STUDY ON URBAN ARTERIAL ROAD SYSTEM  
DEVELOPMENT PROJECT IN JAKARTA METROPOLITAN AREA  
JAPAN INTERNATIONAL COOPERATION AGENCY (JICA)  
PACIFIC CONSULTANTS INTERNATIONAL / YACHIYO ENGINEERING CO.,LTD



SENAYAN IC (2) PLAN OF STRUCTURES

SCALE : 0 20 40 60 80 100  
 DRAWING NO. : 54  
 DATE :

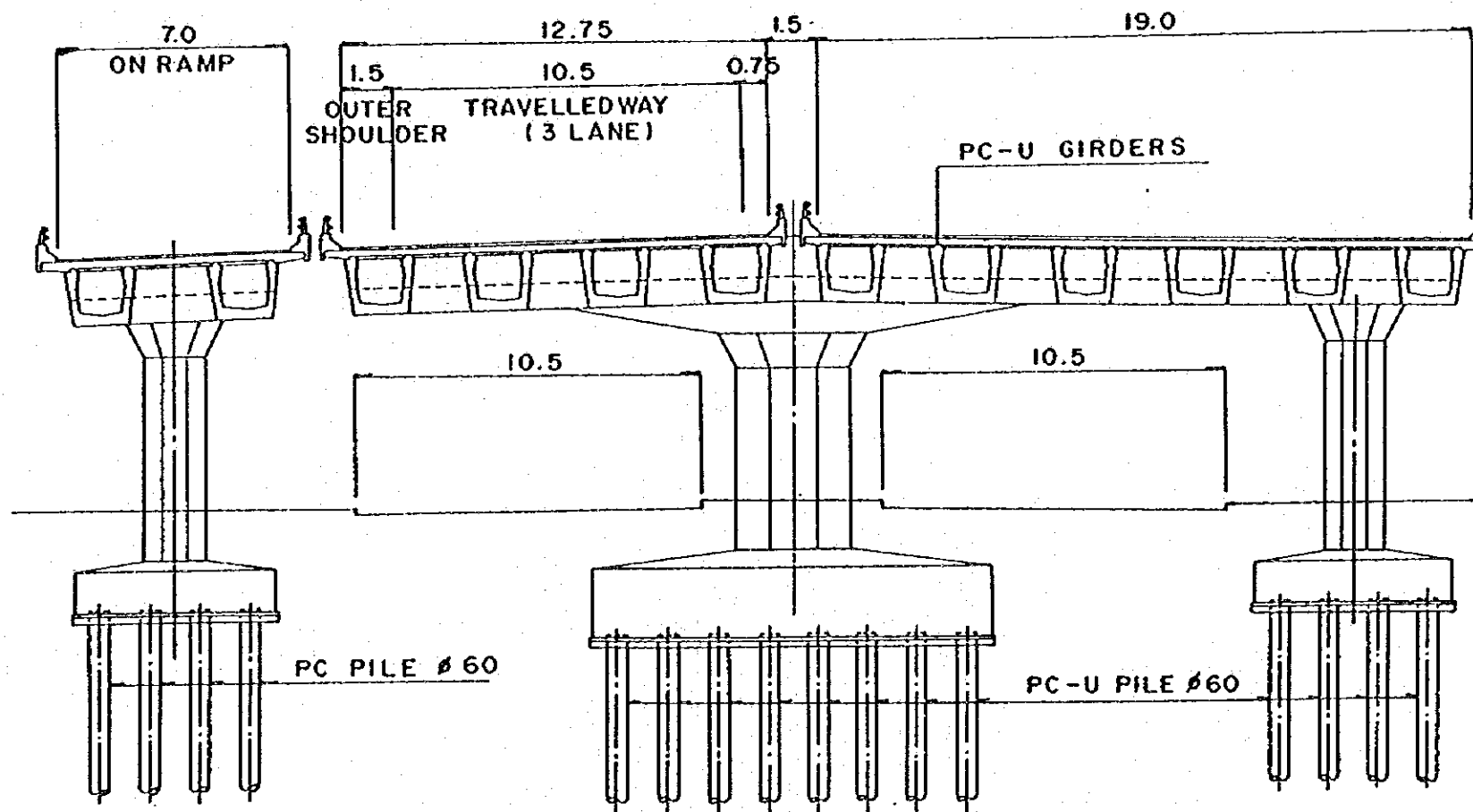
THE FEASIBILITY STUDY ON URBAN ARTERIAL ROAD SYSTEM  
 DEVELOPMENT PROJECT IN JAKARTA METROPOLITAN AREA  
 JAPAN INTERNATIONAL COOPERATION AGENCY (JICA)  
 PACIFIC CONSULTANTS INTERNATIONAL / YACHIYO ENGINEERING CO.,LTD



SENAYAN IC (3) - PROFILES

SCALE: HORIZONTAL 0 50 100 150 200  
 VERTICAL 0 5 10 15 20  
 DRAWING NO. : 55  
 DATE :

THE FEASIBILITY STUDY ON URBAN ARTERIAL ROAD SYSTEM  
 DEVELOPMENT PROJECT IN JAKARTA METROPOLITAN AREA  
 JAPAN INTERNATIONAL COOPERATION AGENCY (JICA)  
 PACIFIC CONSULTANTS INTERNATIONAL / YACHIYO ENGINEERING CO.,LTD

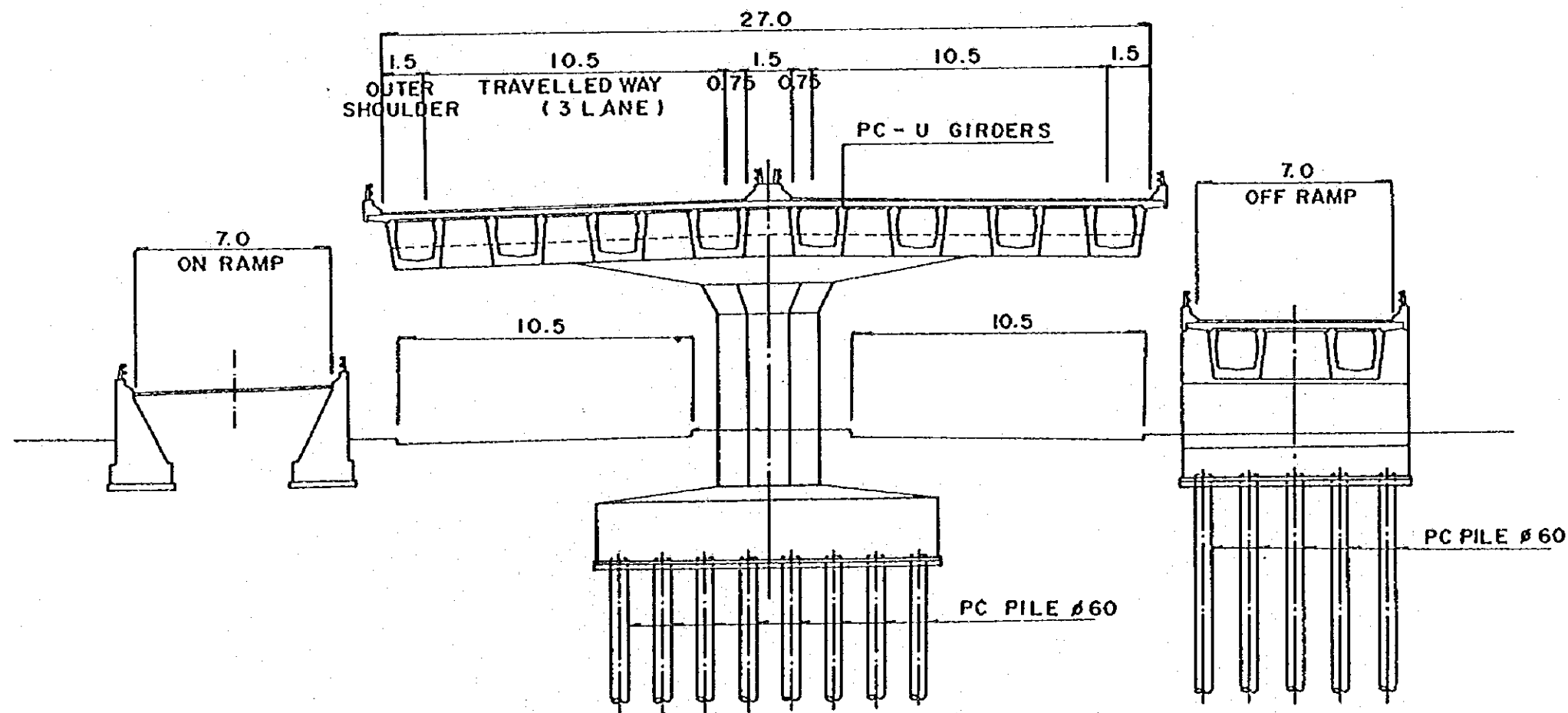


STA. 12 + 181  
SECTION A - A

SENAYAN IC (4) - CROSS SECTION

SCALE : 0 1.5 3.0 4.5 6.0 7.5  
DRAWING NO. : 56  
DATE :

THE FEASIBILITY STUDY ON URBAN ARTERIAL ROAD SYSTEM  
DEVELOPMENT PROJECT IN JAKARTA METROPOLITAN AREA  
JAPAN INTERNATIONAL COOPERATION AGENCY (JICA)  
PACIFIC CONSULTANTS INTERNATIONAL / YACHIYO ENGINEERING CO.,LTD



STA. 12 + 058

SECTION B - B

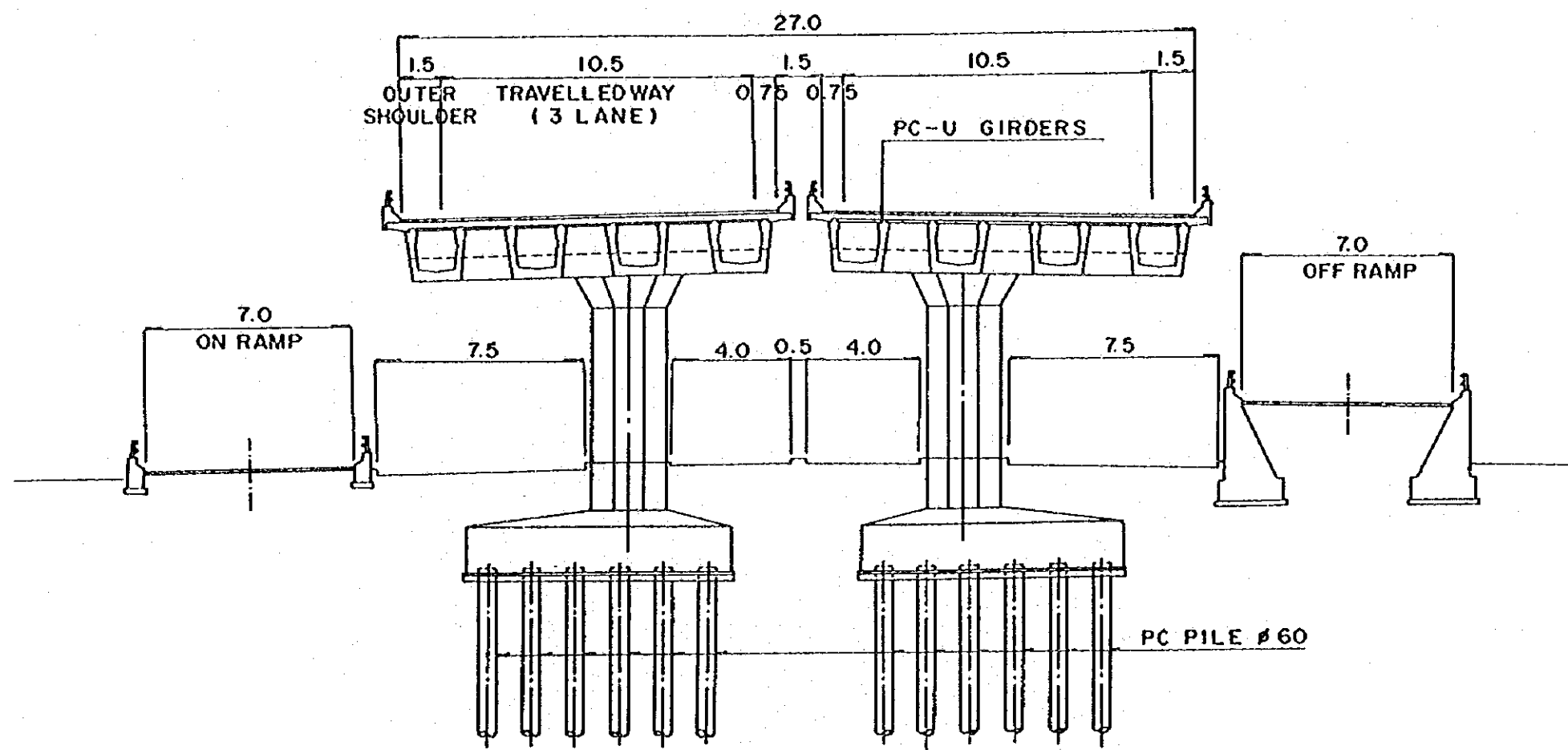
SENAYAN IC (5) - CROSS SECTION

SCALE : 0 1.5 3.0 4.5 6.0 7.5

DRAWING NO. : 57 DATE :

THE FEASIBILITY STUDY ON URBAN ARTERIAL ROAD SYSTEM DEVELOPMENT PROJECT IN JAKARTA METROPOLITAN AREA

JAPAN INTERNATIONAL COOPERATION AGENCY (JICA)  
PACIFIC CONSULTANTS INTERNATIONAL / YACHIYO ENGINEERING CO.,LTD



STA. 12 + 023

SECTION C-C

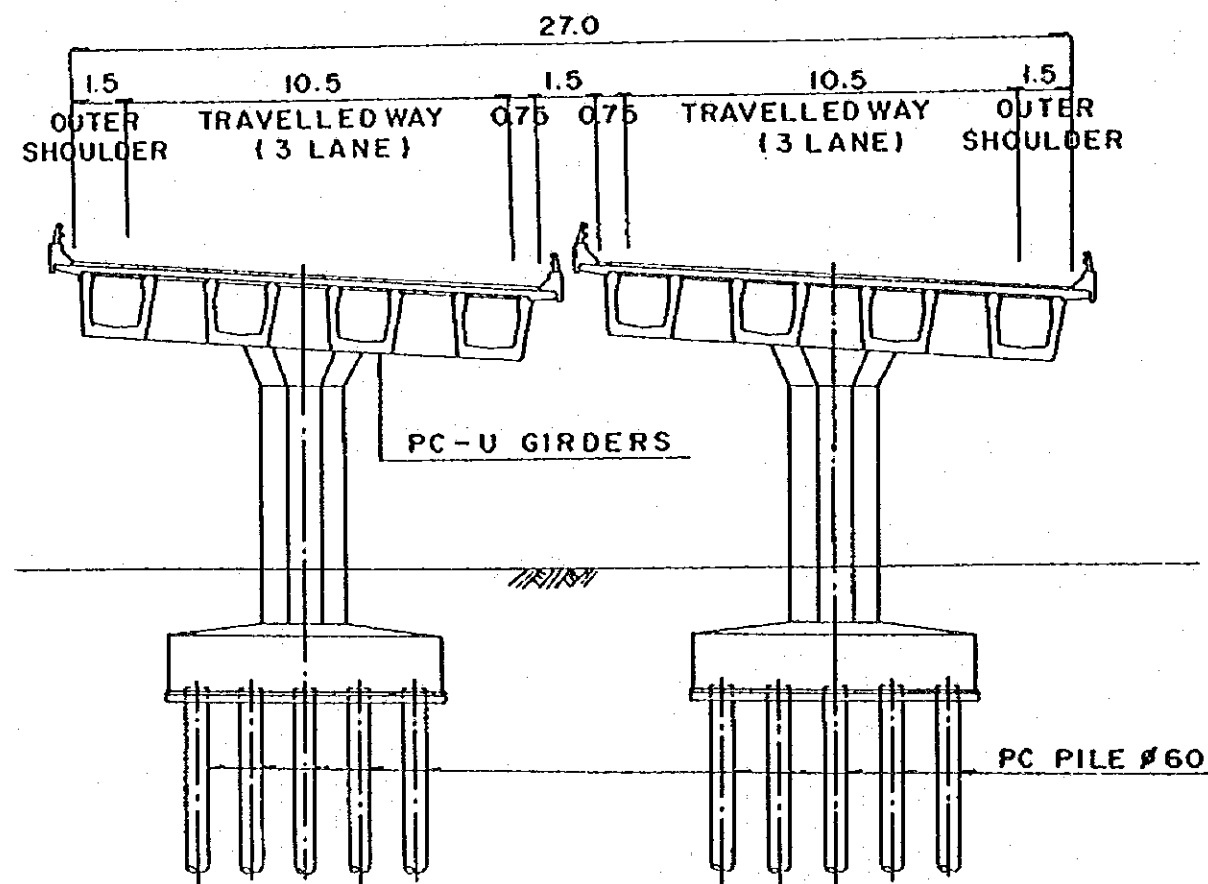
SENAYAN IC (6) - CROSS SECTION

SCALE : 0 1.5 3.0 4.5 6.0 7.5

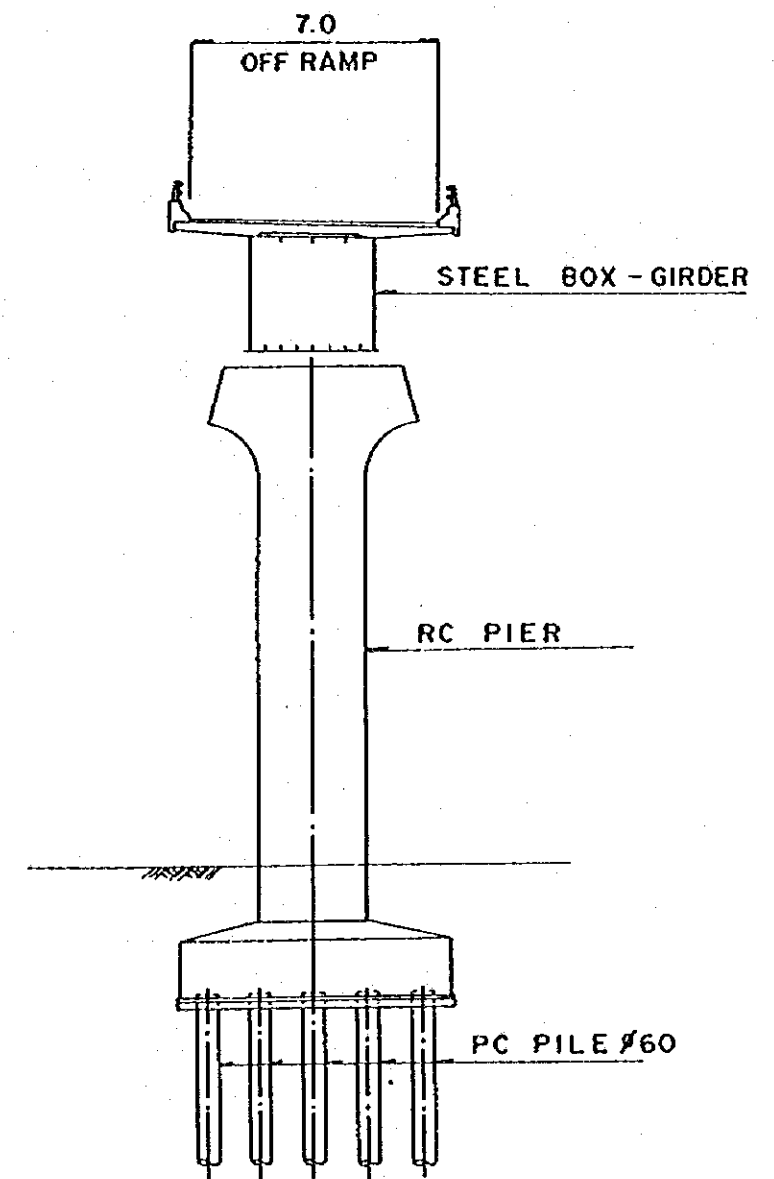
DRAWING NO. : 58  
DATE :

THE FEASIBILITY STUDY ON URBAN ARTERIAL ROAD SYSTEM  
DEVELOPMENT PROJECT IN JAKARTA METROPOLITAN AREA

JAPAN INTERNATIONAL COOPERATION AGENCY (JICA)  
PACIFIC CONSULTANTS INTERNATIONAL / YACHIYO ENGINEERING CO.,LTD



STA. 11 + 844  
SECTION D-D



STA. 0 + 587  
SECTION E-E

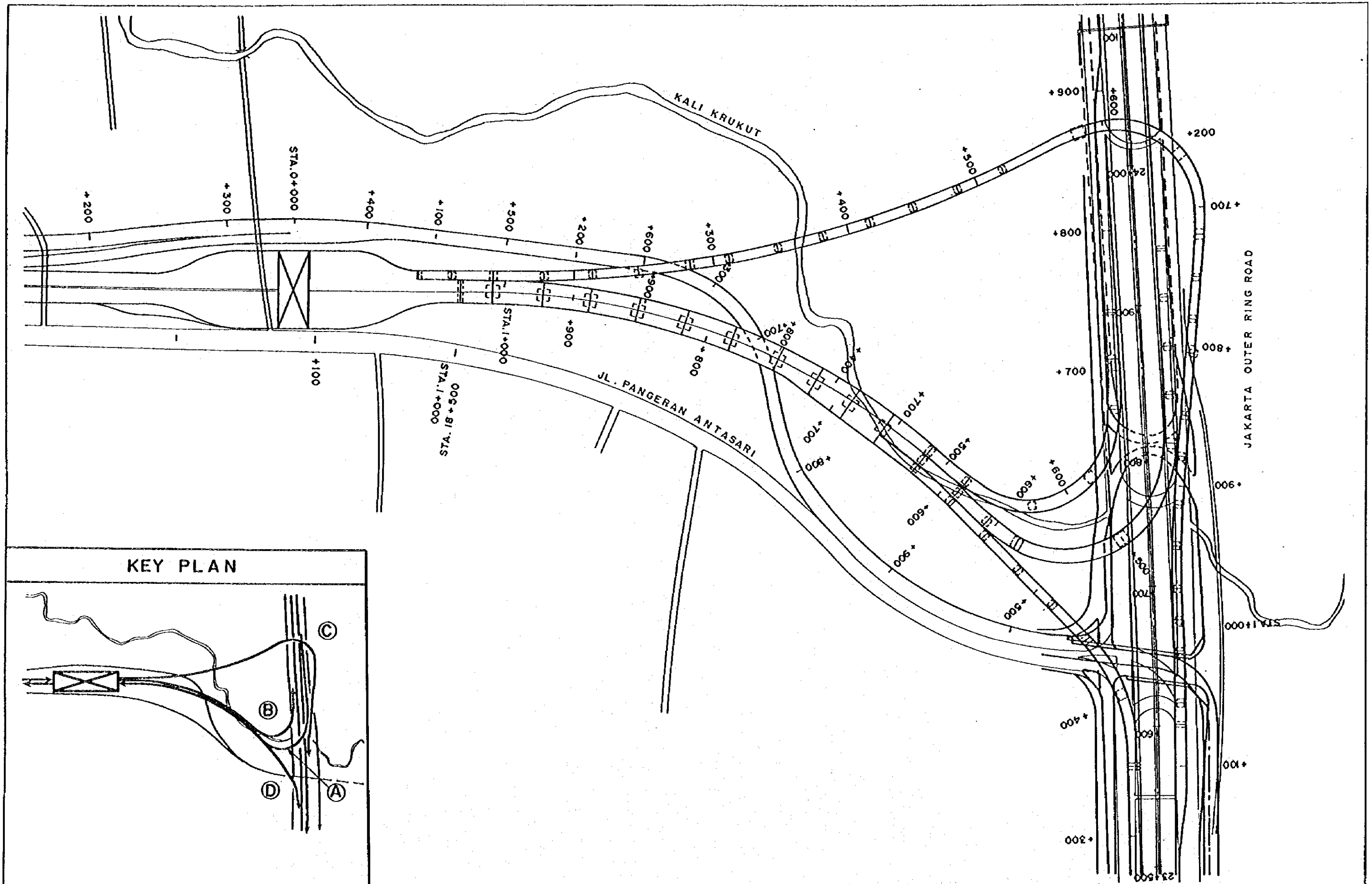
SENAYAN IC (7) - CROSS SECTION

SCALE :

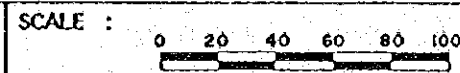
DRAWING NO. : 59  
DATE :

THE FEASIBILITY STUDY ON URBAN ARTERIAL ROAD SYSTEM  
DEVELOPMENT PROJECT IN JAKARTA METROPOLITAN AREA

JAPAN INTERNATIONAL COOPERATION AGENCY (JICA)  
PACIFIC CONSULTANTS INTERNATIONAL / YACHIYO ENGINEERING CO.,LTD



**SOUTH JORR IC (1) GENERAL LAYOUT**



DRAWING NO. : **60**  
 DATE :

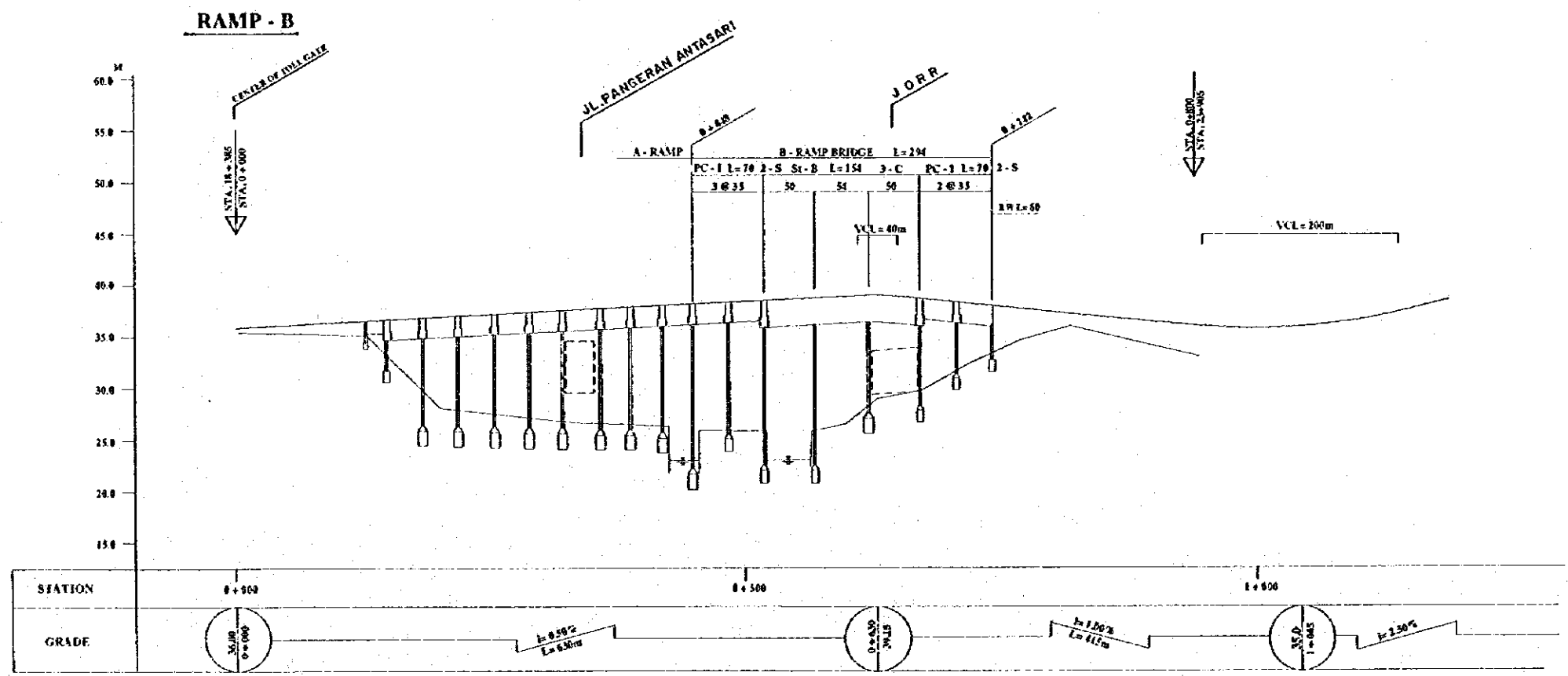
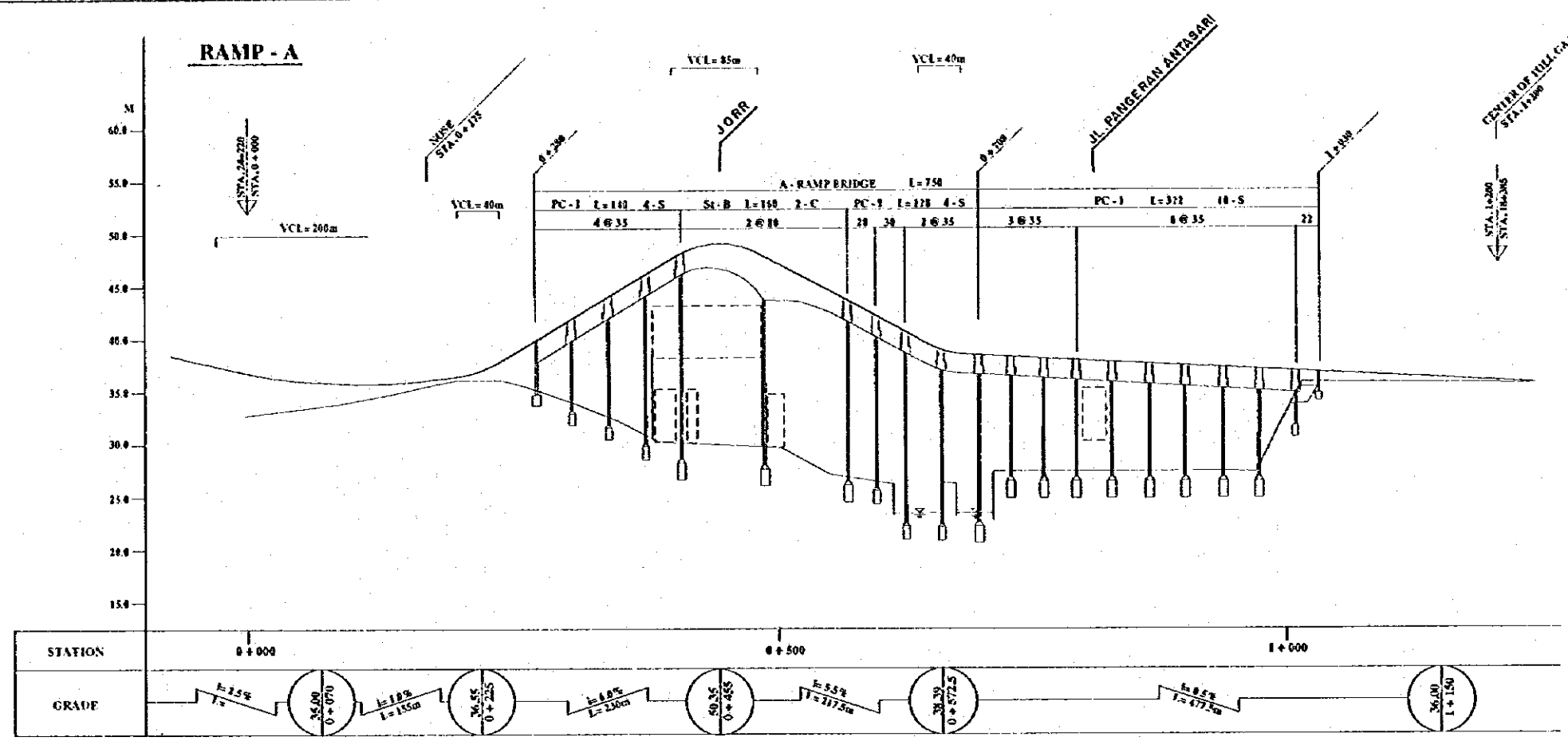
**THE FEASIBILITY STUDY ON URBAN ARTERIAL ROAD SYSTEM  
 DEVELOPMENT PROJECT IN JAKARTA METROPOLITAN AREA**

JAPAN INTERNATIONAL COOPERATION AGENCY (JICA)  
 PACIFIC CONSULTANTS INTERNATIONAL / YACHIYO ENGINEERING CO.,LTD





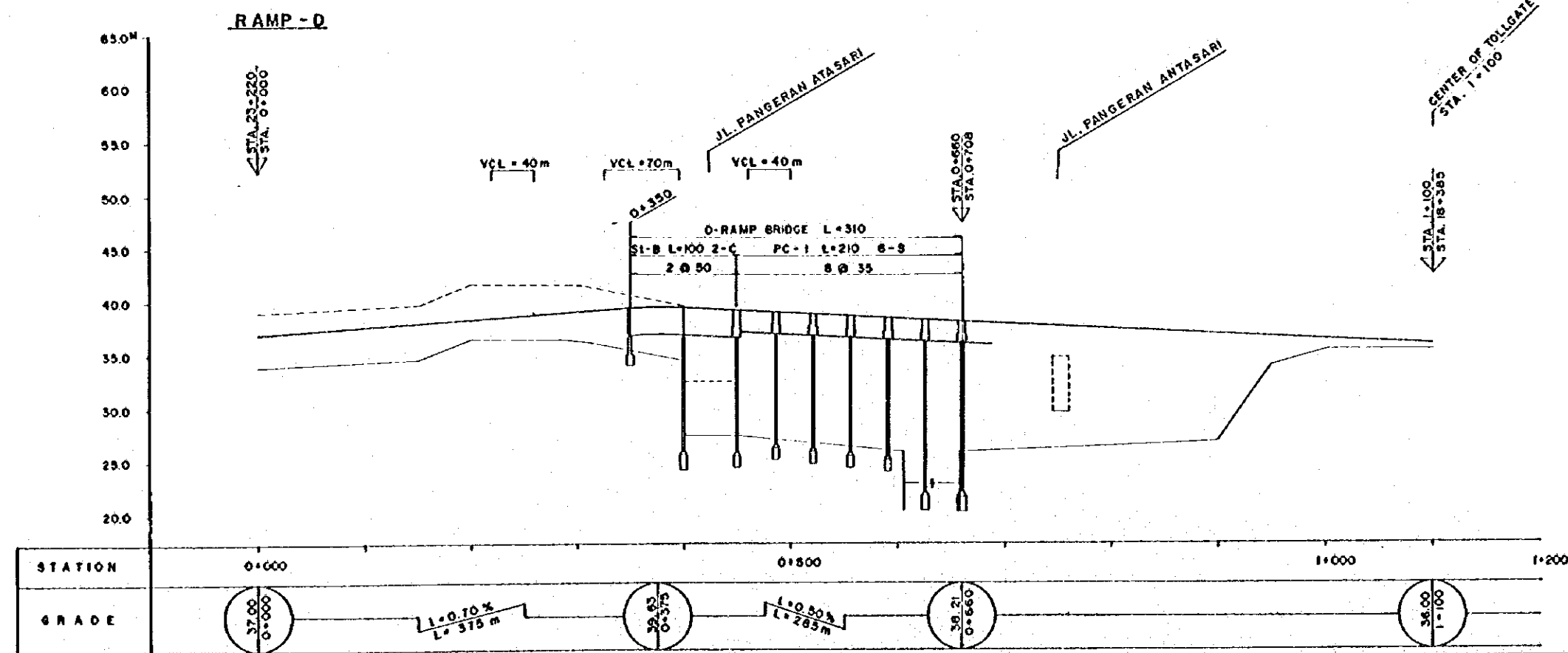
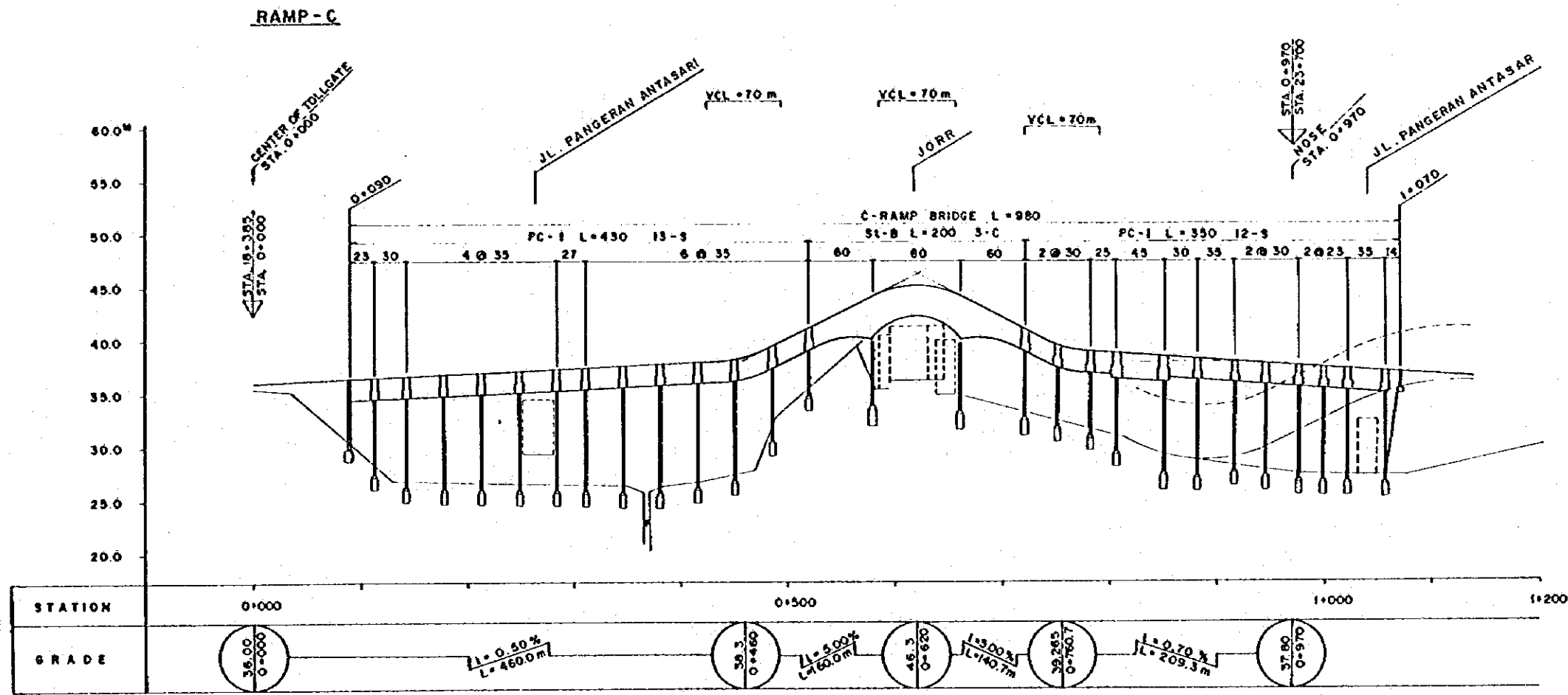




**SOUTH JORR IC (4) : PROFILES**

SCALE: 0 50 100 150 200  
 HORIZONTAL  
 VERTICAL 0 5 10 15 20  
 DRAWING NO. : 63  
 DATE :

THE FEASIBILITY STUDY ON URBAN ARTERIAL ROAD SYSTEM  
 DEVELOPMENT PROJECT IN JAKARTA METROPOLITAN AREA  
 JAPAN INTERNATIONAL COOPERATION AGENCY (JICA)  
 PACIFIC CONSULTANTS INTERNATIONAL / YACHIYO ENGINEERING CO.,LTD



**SOUTH JORR IC (5) PROFILES**

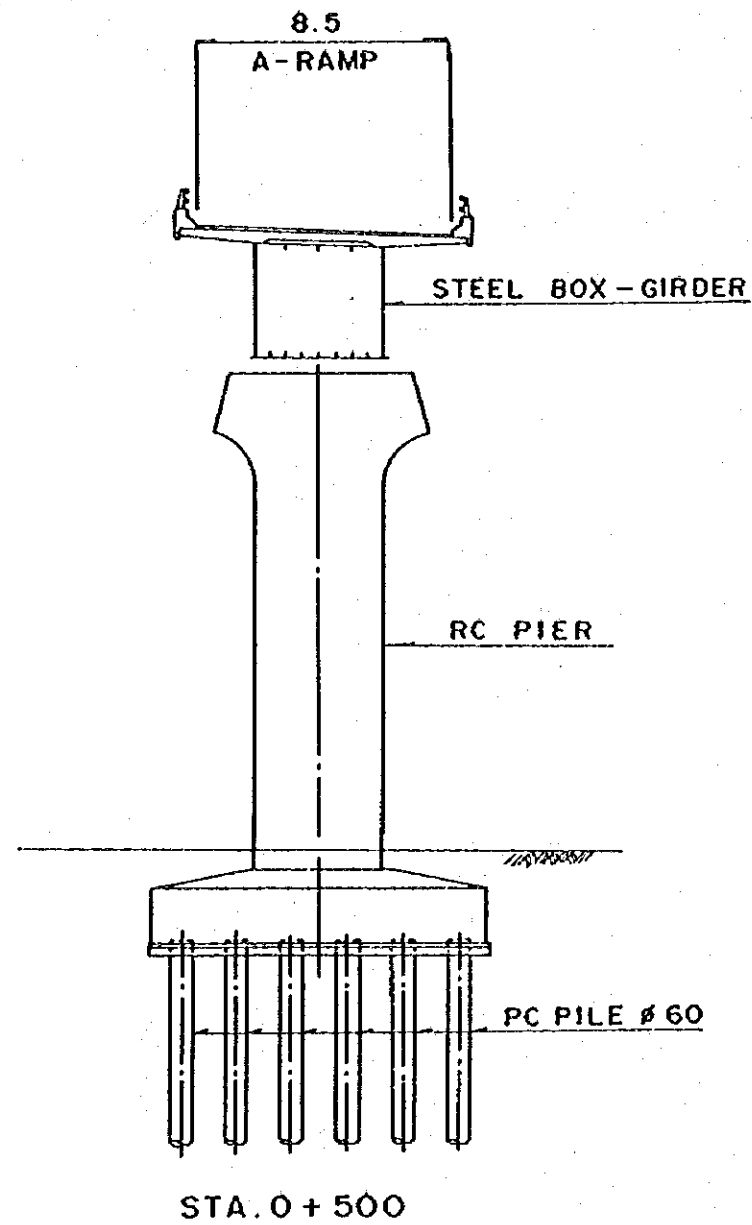
SCALE:

HORIZONTAL	0	50	100	150	200
VERTICAL	0	5	10	15	20

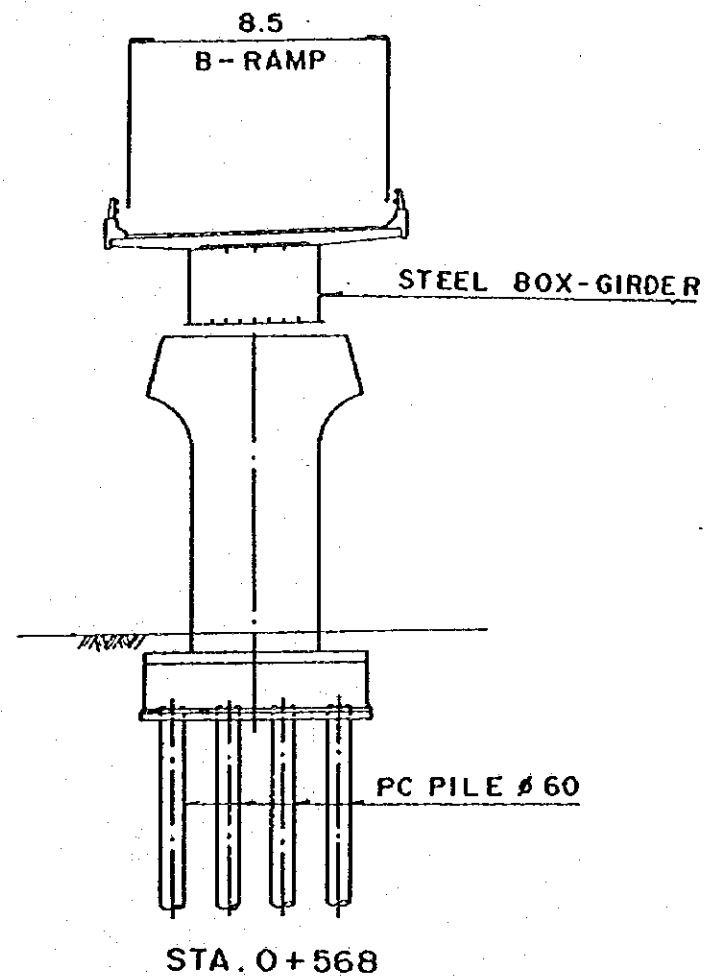
DRAWING NO. : 64

DATE :

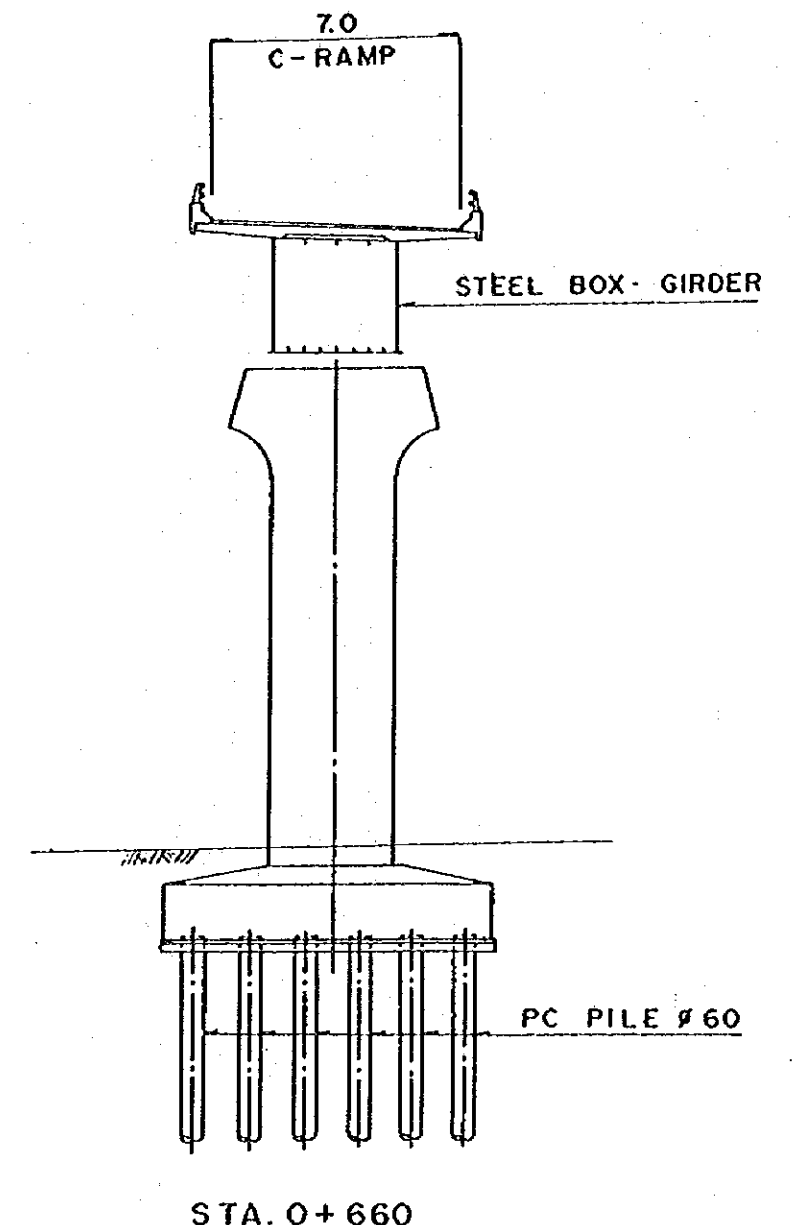
THE FEASIBILITY STUDY ON URBAN ARTERIAL ROAD SYSTEM  
 DEVELOPMENT PROJECT IN JAKARTA METROPOLITAN AREA  
 JAPAN INTERNATIONAL COOPERATION AGENCY (JICA)  
 PACIFIC CONSULTANTS INTERNATIONAL / YACHIYO ENGINEERING CO.,LTD



SECTION A-A



SECTION B-B



SECTION C-C

SOUTH JORR IC (6) - CROSS SECTIONS

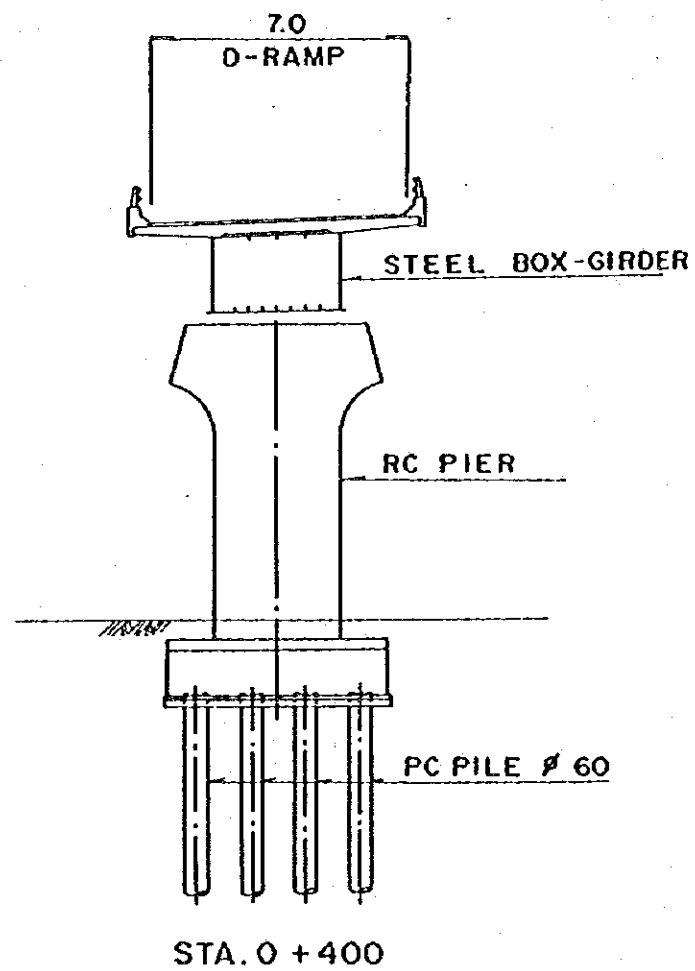
SCALE : 0 1.5 3.0 4.5 6.0 7.5

DRAWING NO. : 65

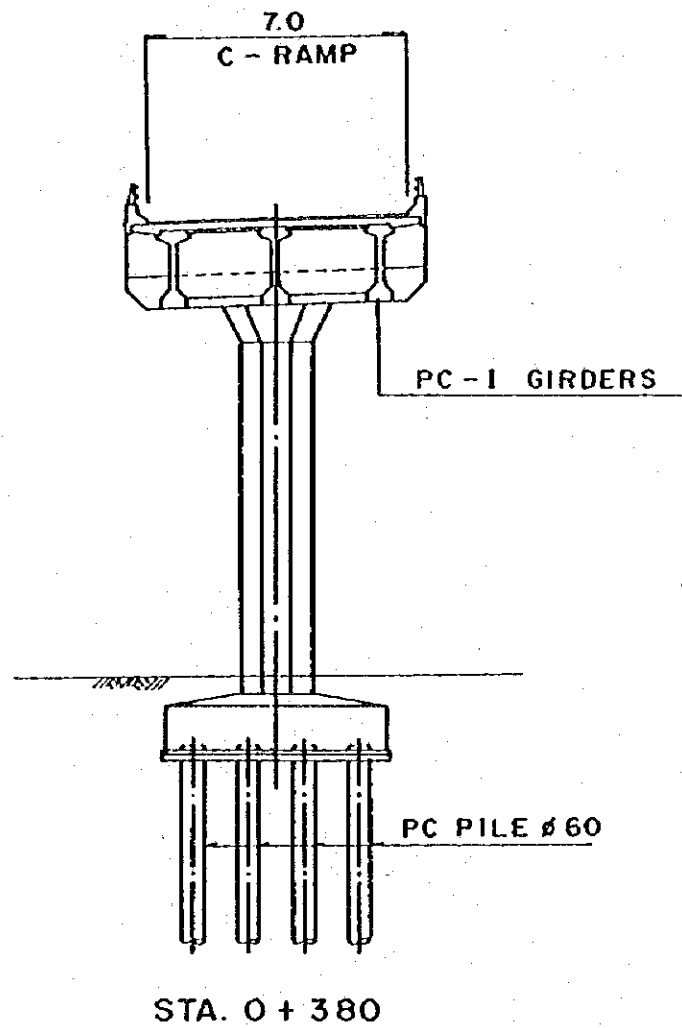
DATE :

THE FEASIBILITY STUDY ON URBAN ARTERIAL ROAD SYSTEM  
DEVELOPMENT PROJECT IN JAKARTA METROPOLITAN AREA

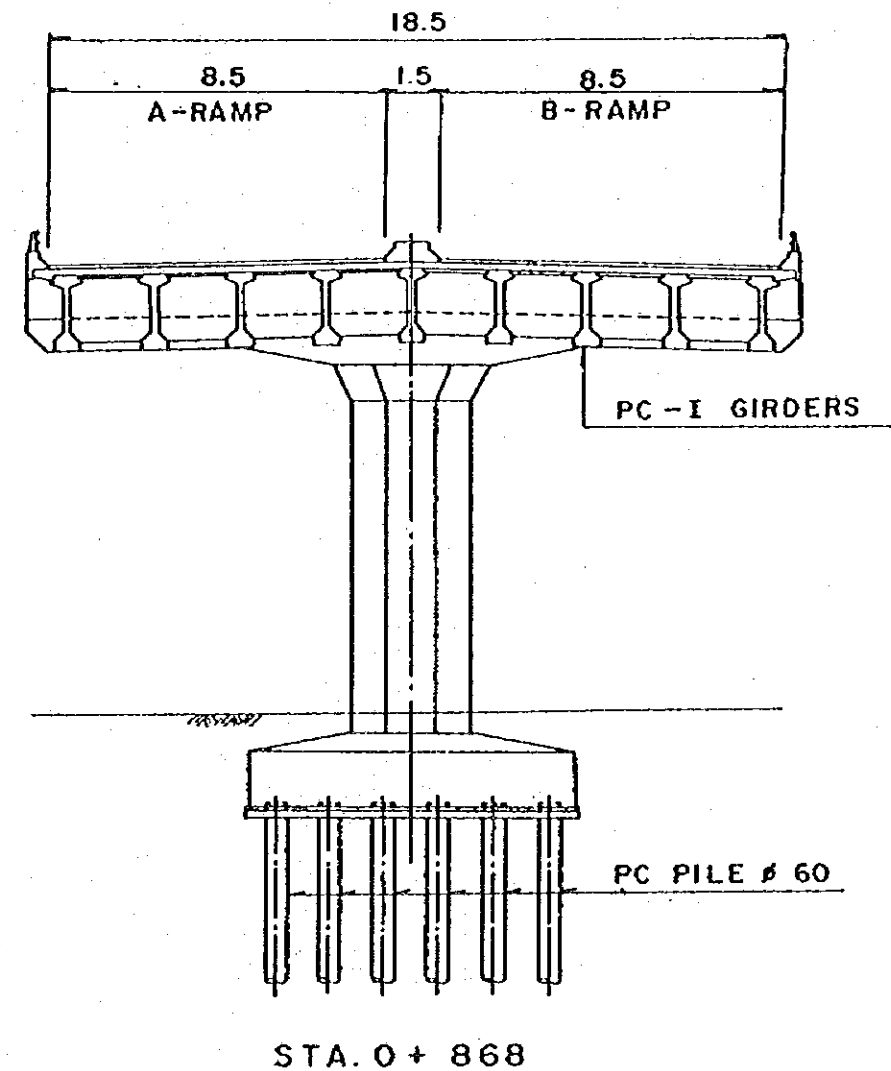
JAPAN INTERNATIONAL COOPERATION AGENCY (JICA)  
PACIFIC CONSULTANTS INTERNATIONAL / YACHIYO ENGINEERING CO.,LTD



SECTION D-D



SECTION E-E



SECTION F-F

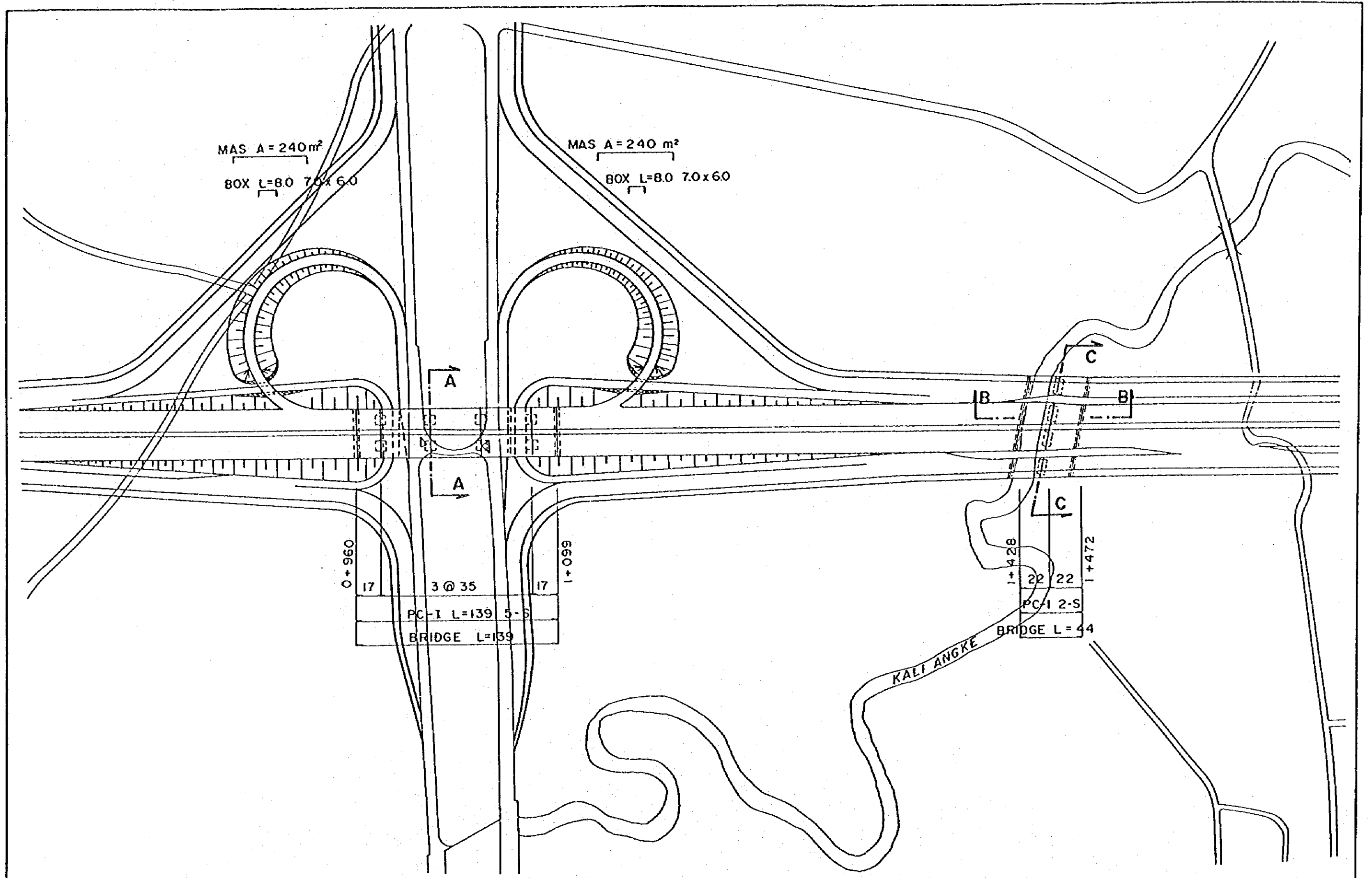
SOUTH JORR IC (7) - CROSS SECTIONS

SCALE : 0 1.5 3.0 4.5 6.0 7.5

DRAWING NO. : 66  
DATE :

THE FEASIBILITY STUDY ON URBAN ARTERIAL ROAD SYSTEM  
DEVELOPMENT PROJECT IN JAKARTA METROPOLITAN AREA

JAPAN INTERNATIONAL COOPERATION AGENCY (JICA)  
PACIFIC CONSULTANTS INTERNATIONAL / YACHIYO ENGINEERING CO.,LTD



WEST JORR IC (1) PLAN OF STRUCTURES

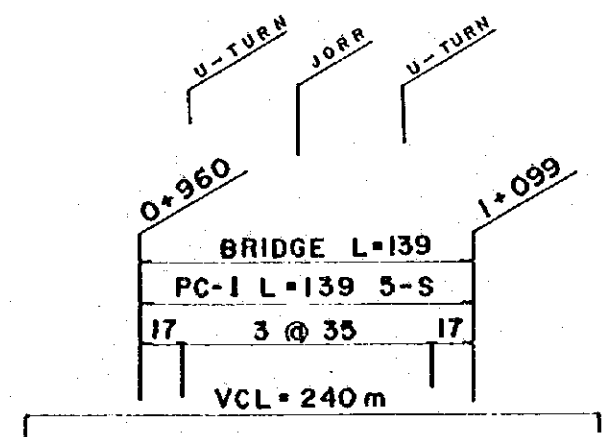
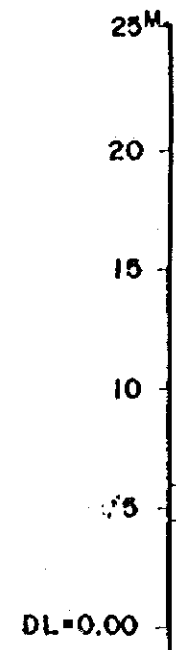
SCALE : 0 20 40 60 80 100

DRAWING NO. : 67

DATE :

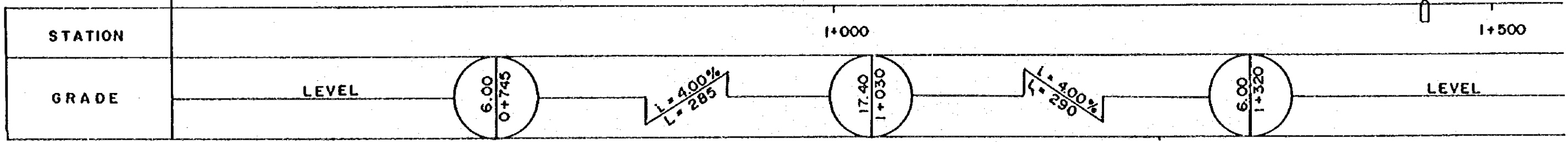
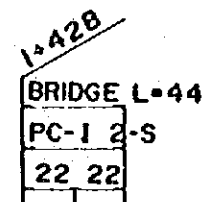
THE FEASIBILITY STUDY ON URBAN ARTERIAL ROAD SYSTEM  
 DEVELOPMENT PROJECT IN JAKARTA METROPOLITAN AREA  
 JAPAN INTERNATIONAL COOPERATION AGENCY (JICA)  
 PACIFIC CONSULTANTS INTERNATIONAL / YACHIYO ENGINEERING CO.,LTD

EAST-WEST AXIS



VCL=80m

VCL=80m

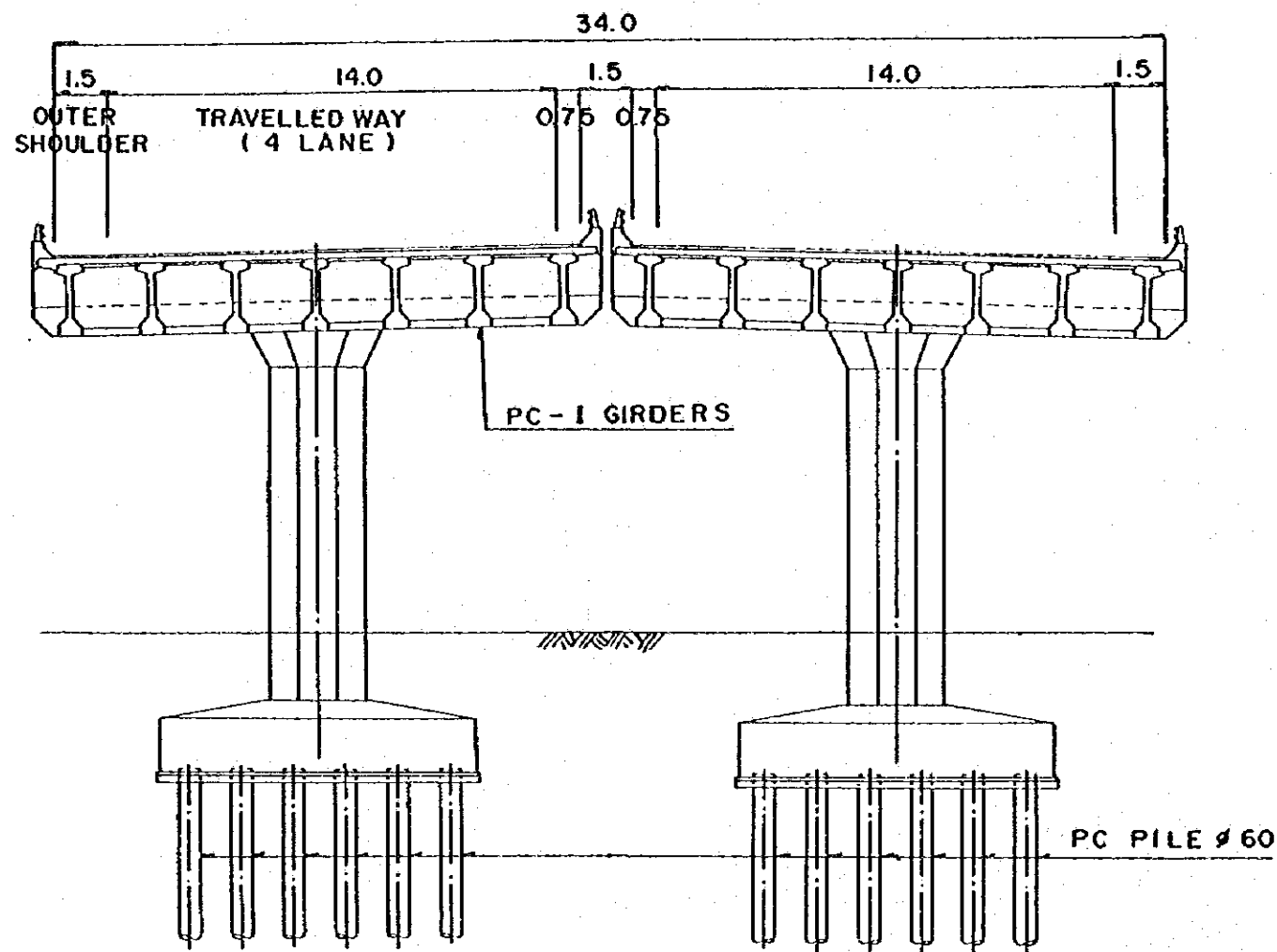


WEST JORR IC (2) - PROFILES

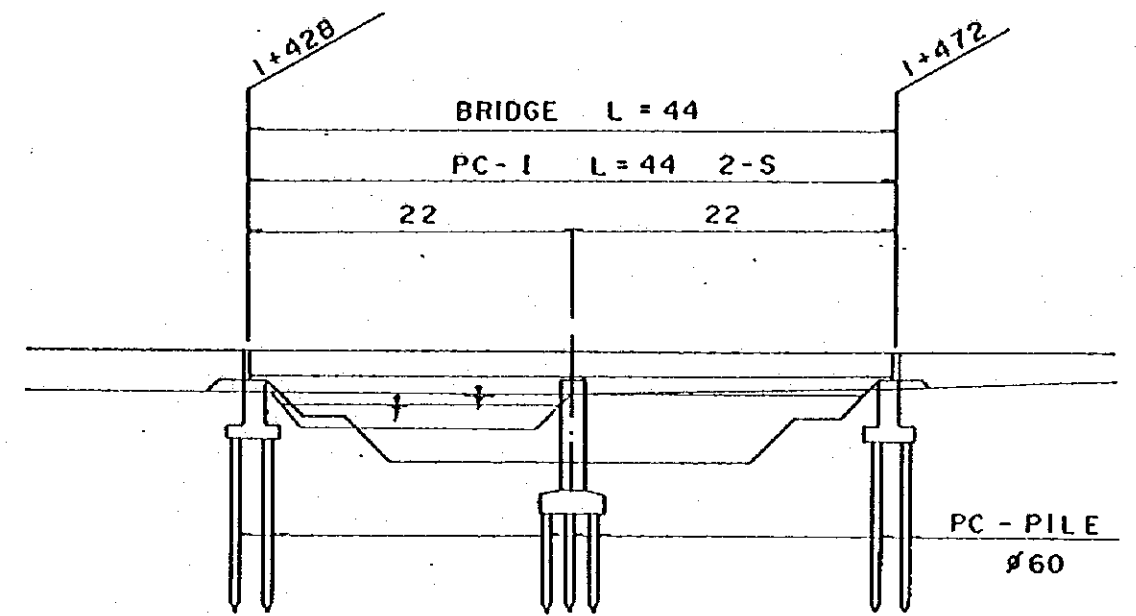
SCALE:  
HORIZONTAL 0 20 40 60 80 100  
VERTICAL 0 2 4 6 8 10  
DRAWING NO. : 68  
DATE :

THE FEASIBILITY STUDY ON URBAN ARTERIAL ROAD SYSTEM  
DEVELOPMENT PROJECT IN JAKARTA METROPOLITAN AREA  
JAPAN INTERNATIONAL COOPERATION AGENCY (JICA)  
PACIFIC CONSULTANTS INTERNATIONAL / YACHIYO ENGINEERING CO.,LTD



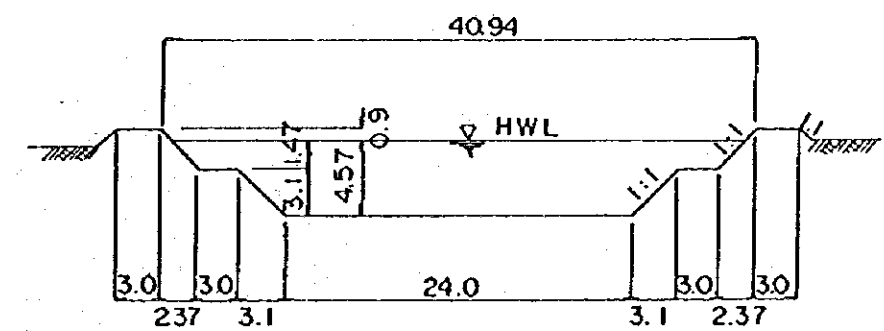


STA. 1+012  
SECTION A-A S = 1:200



DATUM -20.00

ELEVATION B-B S = 1:500



KALI ANGKE IMPROVEMENT SECTION

S = 1:500

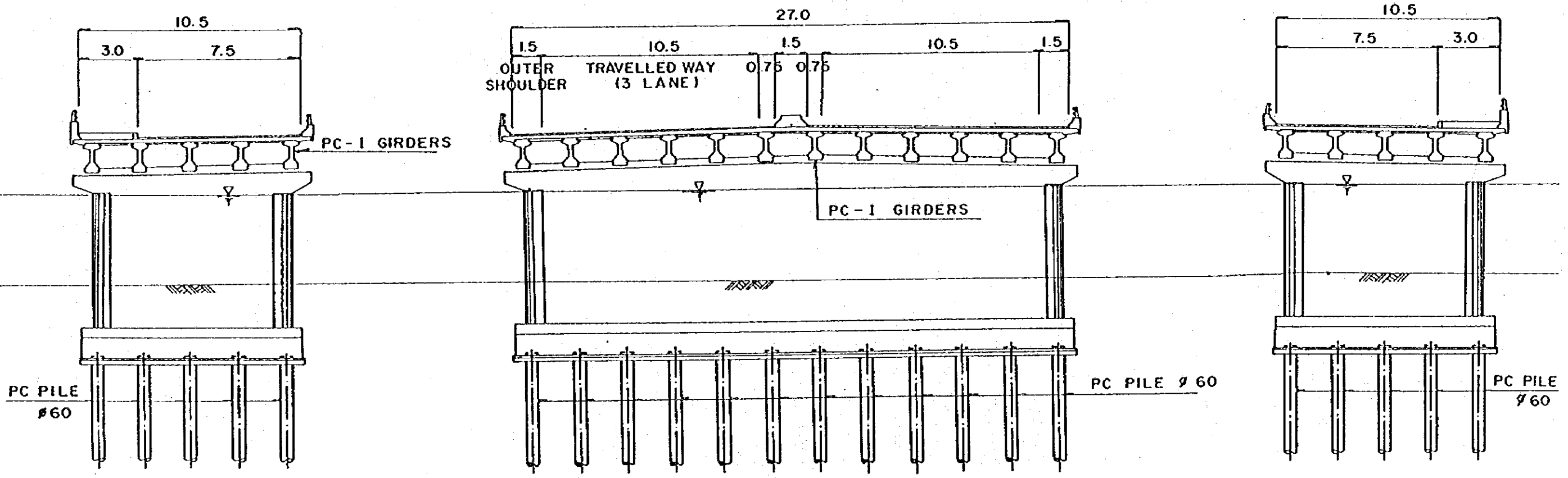
WEST JORR IC (3) CROSS SECTIONS

SCALE : AS SHOWN

DRAWING NO. : DATE :

69

THE FEASIBILITY STUDY ON URBAN ARTERIAL ROAD SYSTEM  
DEVELOPMENT PROJECT IN JAKARTA METROPOLITAN AREA  
JAPAN INTERNATIONAL COOPERATION AGENCY (JICA)  
PACIFIC CONSULTANTS INTERNATIONAL / YACHIYO ENGINEERING CO.,LTD

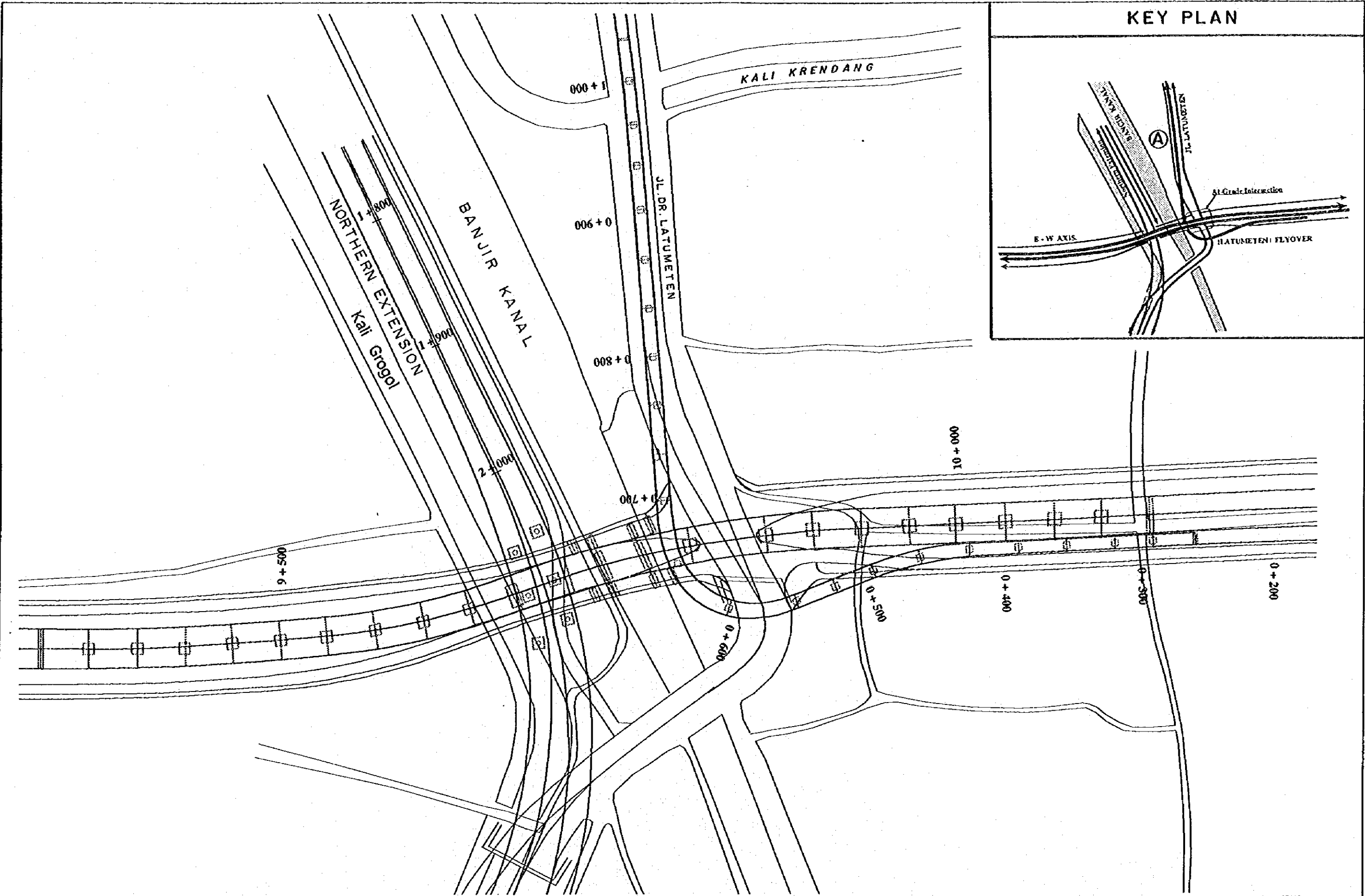


STA. 0+450  
SECTION B-B

WEST JORR IC (4) CROSS SECTIONS

SCALE : 0 1.5 3.0 4.5 6.0 7.5  
DRAWING NO. : 70  
DATE :

THE FEASIBILITY STUDY ON URBAN ARTERIAL ROAD SYSTEM  
DEVELOPMENT PROJECT IN JAKARTA METROPOLITAN AREA  
JAPAN INTERNATIONAL COOPERATION AGENCY (JICA)  
PACIFIC CONSULTANTS INTERNATIONAL / YACHIYO ENGINEERING CO.,LTD



**LATUMETEN IC (I) : GENERAL LAYOUT**

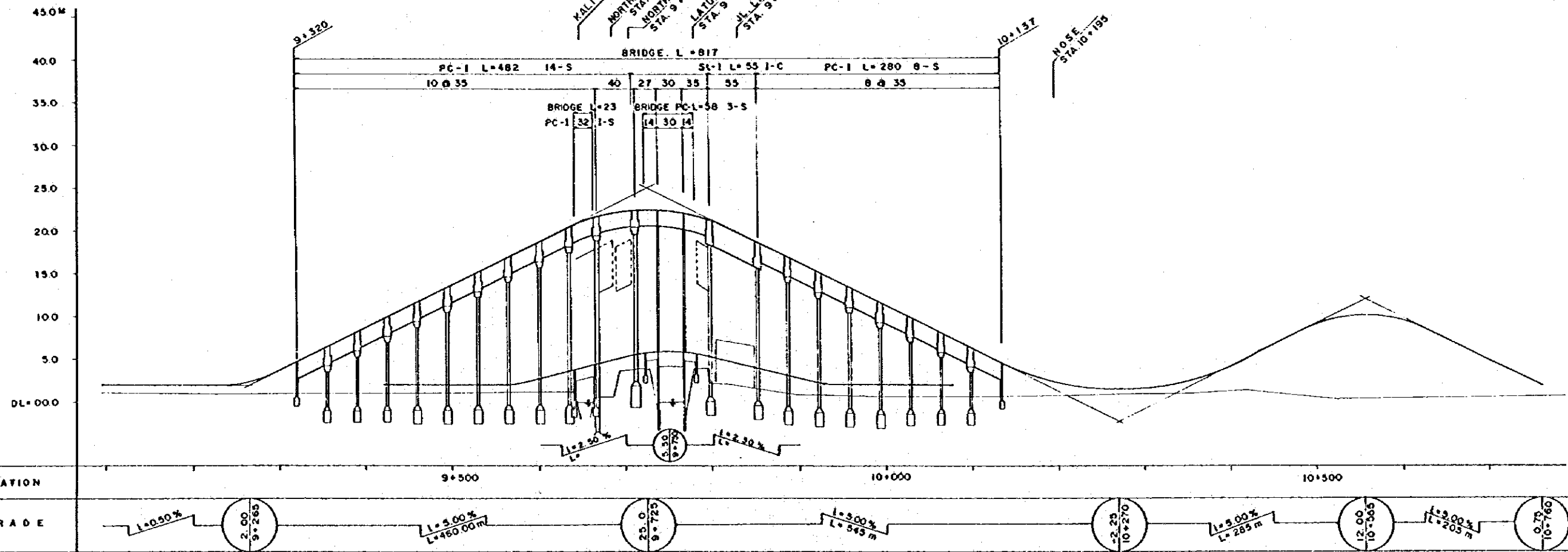
SCALE : 0 20 40 60 80 100

DRAWING NO. : 74  
DATE :

THE FEASIBILITY STUDY ON URBAN ARTERIAL ROAD SYSTEM  
DEVELOPMENT PROJECT IN JAKARTA METROPOLITAN AREA  
JAPAN INTERNATIONAL COOPERATION AGENCY (JICA)  
PACIFIC CONSULTANTS INTERNATIONAL / YACHIYO ENGINEERING CO.,LTD



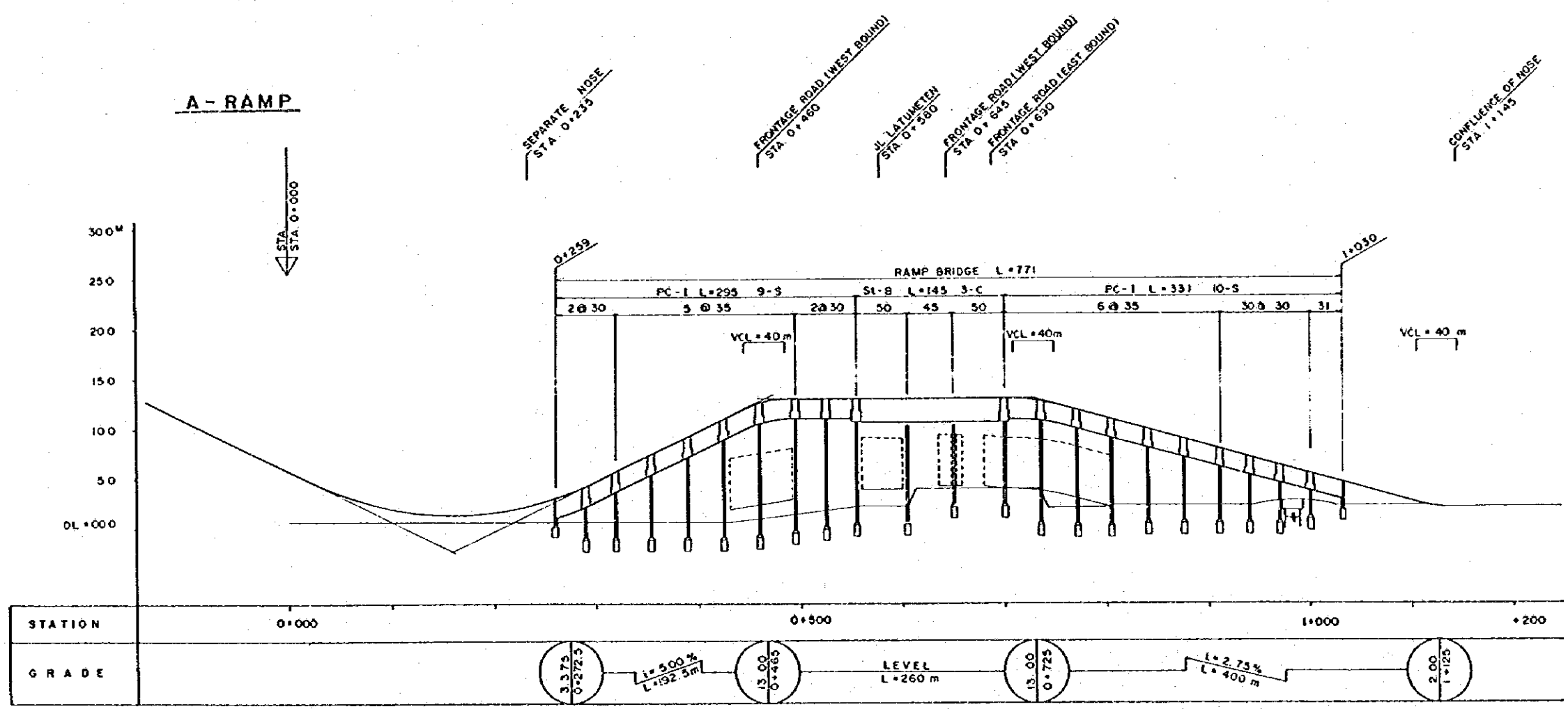
EAST-WEST AXIS



LATUMETEN IC (3) - PROFILES

SCALE:	0 50 100 150 200
HORIZONTAL	0 5 10 15 20
VERTICAL	
DRAWING NO. :	DATE :
73	

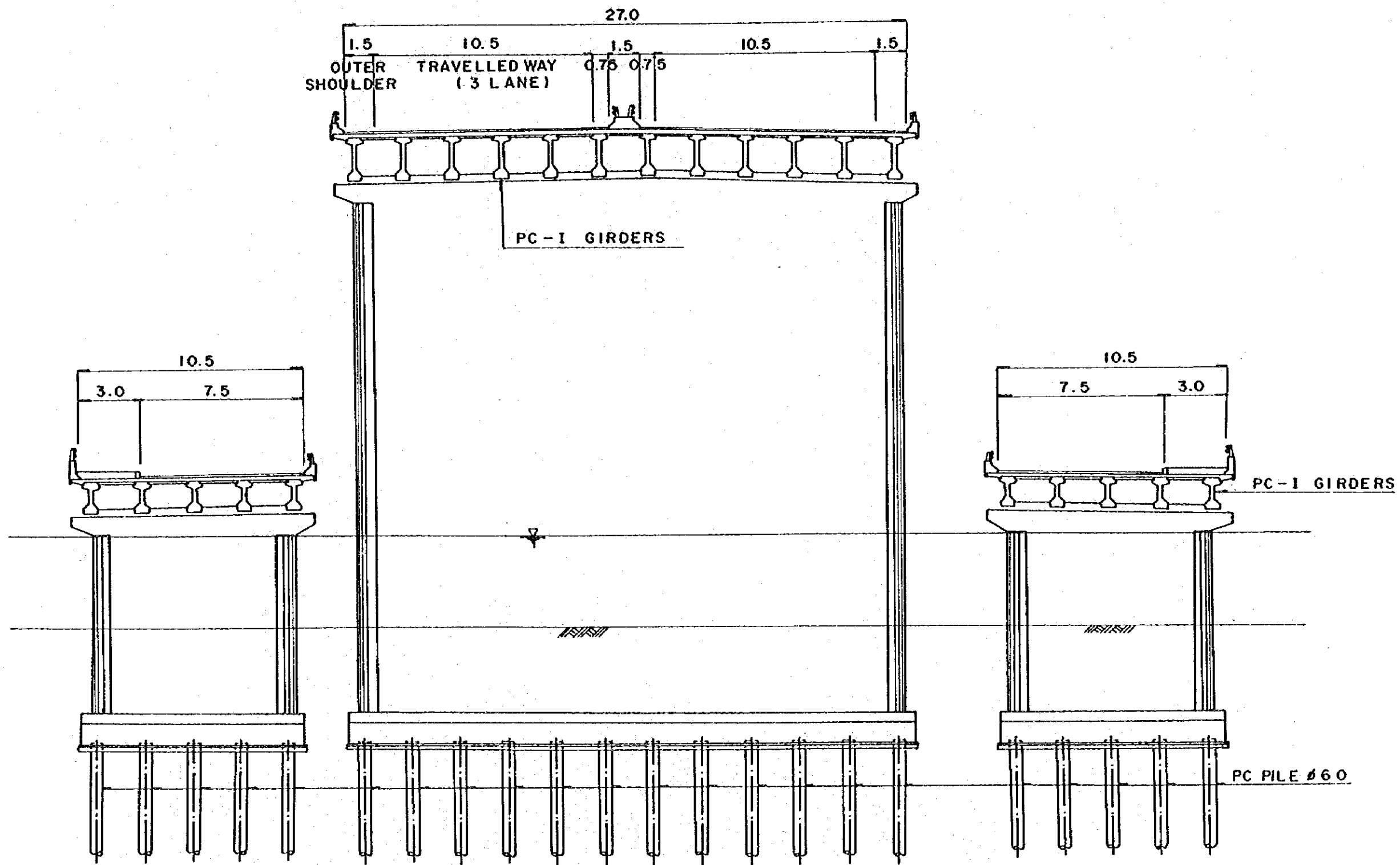
THE FEASIBILITY STUDY ON URBAN ARTERIAL ROAD SYSTEM  
 DEVELOPMENT PROJECT IN JAKARTA METROPOLITAN AREA  
 JAPAN INTERNATIONAL COOPERATION AGENCY (JICA)  
 PACIFIC CONSULTANTS INTERNATIONAL / YACHIYO ENGINEERING CO.,LTD



LATUMETEN IC (4) - PROFILES

SCALE:	0 50 100 150 200
HORIZONTAL	0 5 10 15 20
VERTICAL	
DRAWING NO. :	DATE :
74	

THE FEASIBILITY STUDY ON URBAN ARTERIAL ROAD SYSTEM  
 DEVELOPMENT PROJECT IN JAKARTA METROPOLITAN AREA  
 JAPAN INTERNATIONAL COOPERATION AGENCY (JICA)  
 PACIFIC CONSULTANTS INTERNATIONAL / YACHIYO ENGINEERING CO.,LTD



SECTION A - A

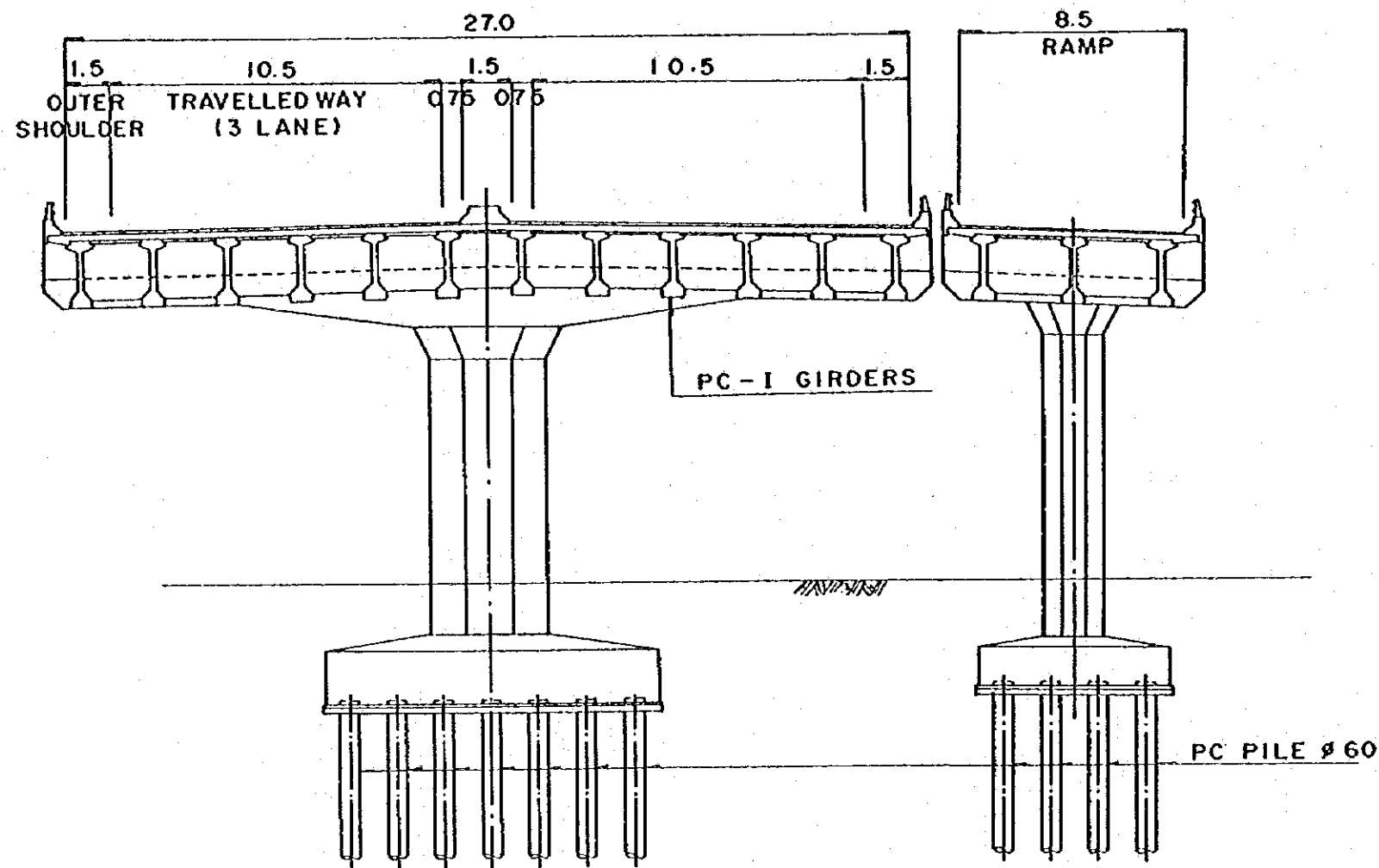
LATUMETEN IC (5) CROSS SECTIONS

SCALE : 0 1.5 3.0 4.5 6.0 7.5

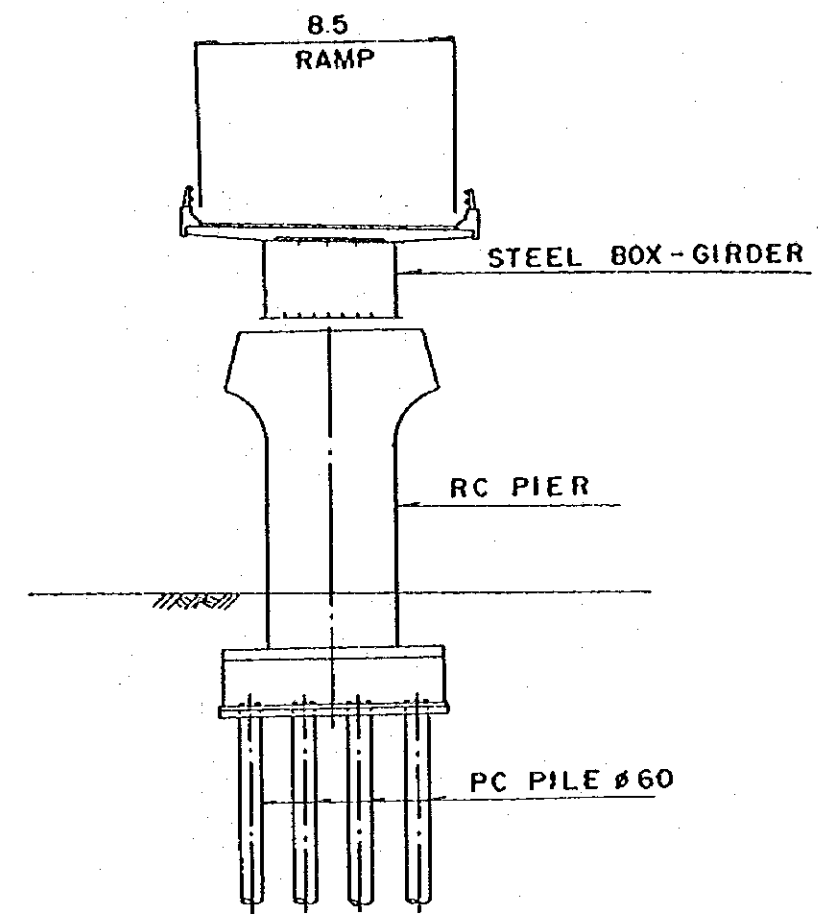
DRAWING NO. : 75  
DATE :

THE FEASIBILITY STUDY ON URBAN ARTERIAL ROAD SYSTEM  
DEVELOPMENT PROJECT IN JAKARTA METROPOLITAN AREA

JAPAN INTERNATIONAL COOPERATION AGENCY (JICA)  
PACIFIC CONSULTANTS INTERNATIONAL / YACHIYO ENGINEERING CO.,LTD



STA. 9+997  
SECTION B-B



STA. 0+604  
SECTION C-C

LATUMETEN IC (6) CROSS SECTIONS

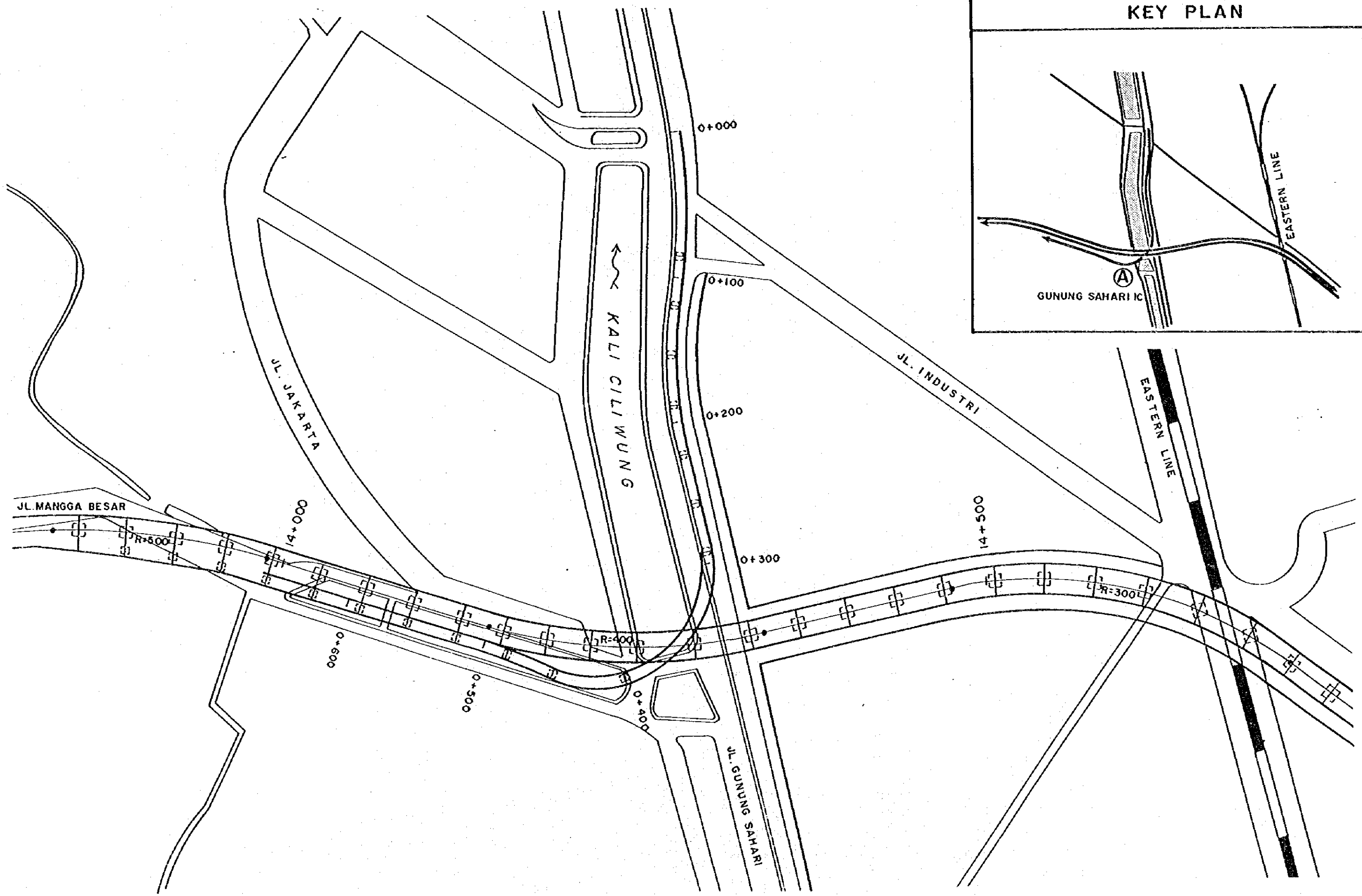
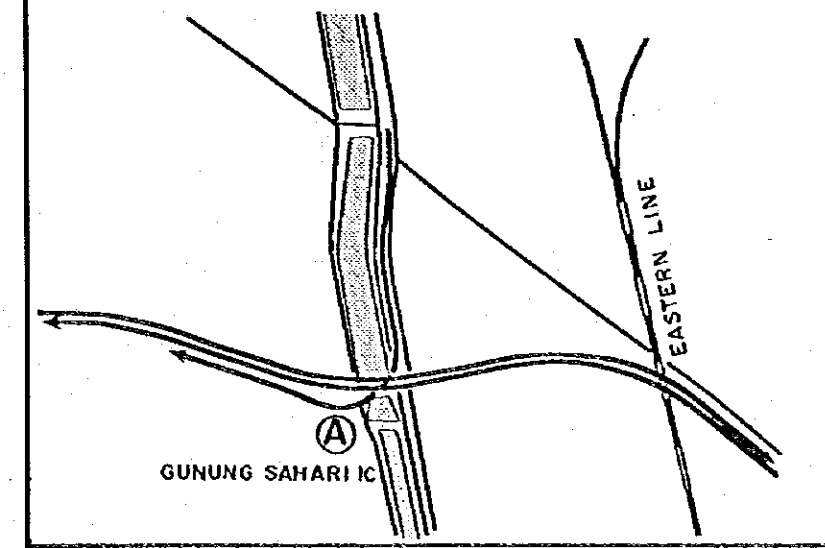
SCALE : 0 1.5 3.0 4.5 6.0 7.5

DRAWING NO. : 76  
DATE :

THE FEASIBILITY STUDY ON URBAN ARTERIAL ROAD SYSTEM  
DEVELOPMENT PROJECT IN JAKARTA METROPOLITAN AREA  
JAPAN INTERNATIONAL COOPERATION AGENCY (JICA)  
PACIFIC CONSULTANTS INTERNATIONAL / YACHIYO ENGINEERING CO.,LTD



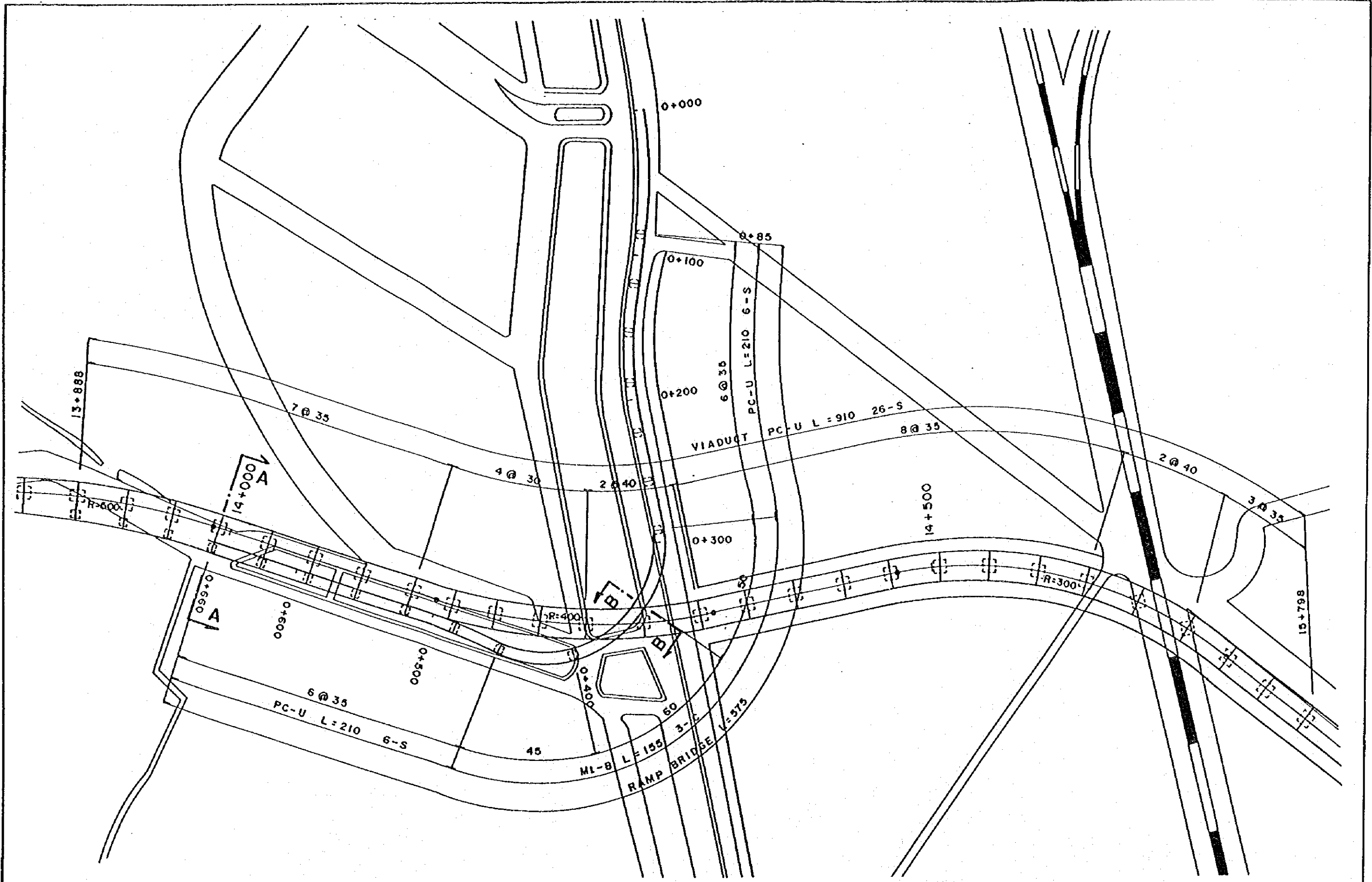
KEY PLAN



GUNUNG SAHARI IC (1) - GENERAL LAYOUT

SCALE :	0 20 40 60 80 100
DRAWING NO. :	77
DATE :	

THE FEASIBILITY STUDY ON URBAN ARTERIAL ROAD SYSTEM  
 DEVELOPMENT PROJECT IN JAKARTA METROPOLITAN AREA  
 JAPAN INTERNATIONAL COOPERATION AGENCY (JICA)  
 PACIFIC CONSULTANTS INTERNATIONAL / YACHIYO ENGINEERING CO.,LTD

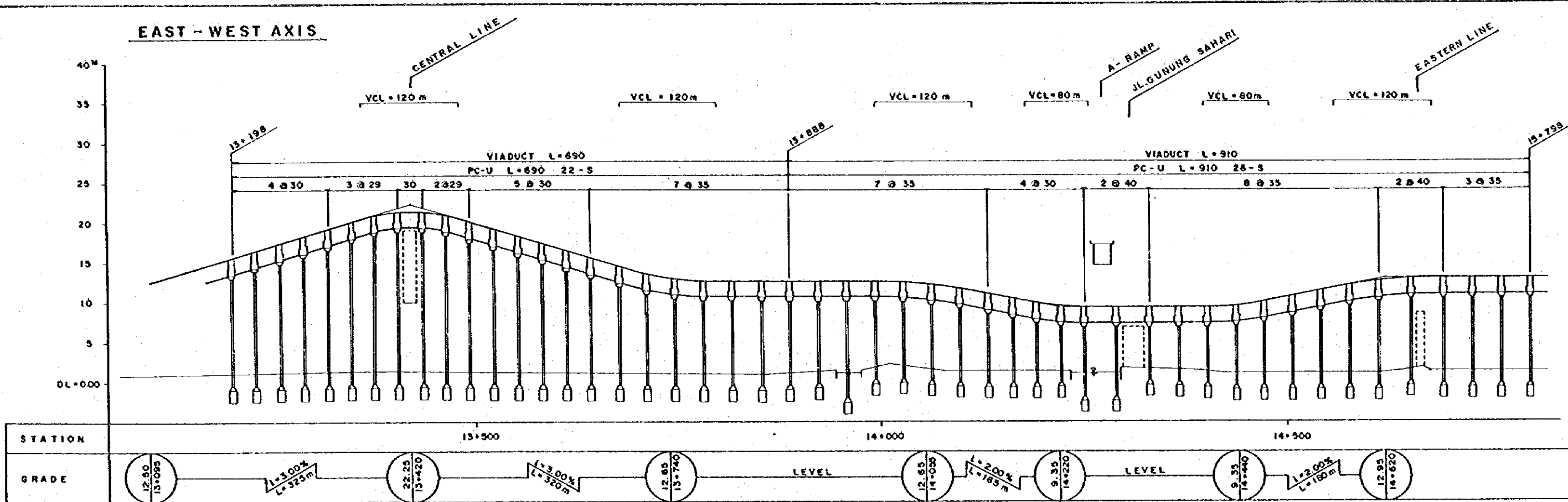


GUNUNG SAHARI IC (2) - PLAN OF STRUCTURES

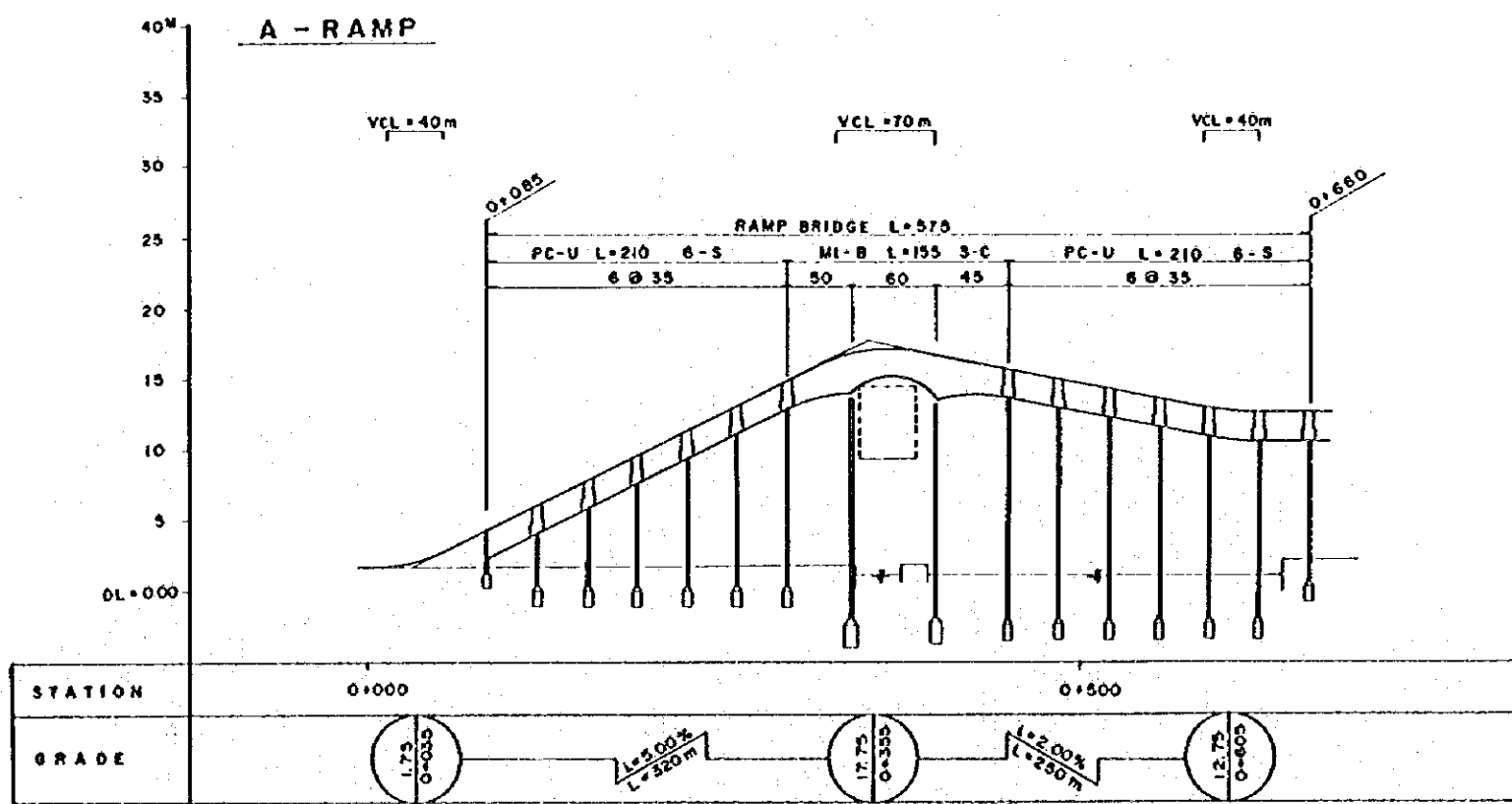
SCALE : 0 20 40 60 80 100  
 DRAWING NO. : 78  
 DATE :

THE FEASIBILITY STUDY ON URBAN ARTERIAL ROAD SYSTEM  
 DEVELOPMENT PROJECT IN JAKARTA METROPOLITAN AREA  
 JAPAN INTERNATIONAL COOPERATION AGENCY (JICA)  
 PACIFIC CONSULTANTS INTERNATIONAL / YACHIYO ENGINEERING CO.,LTD

EAST - WEST AXIS



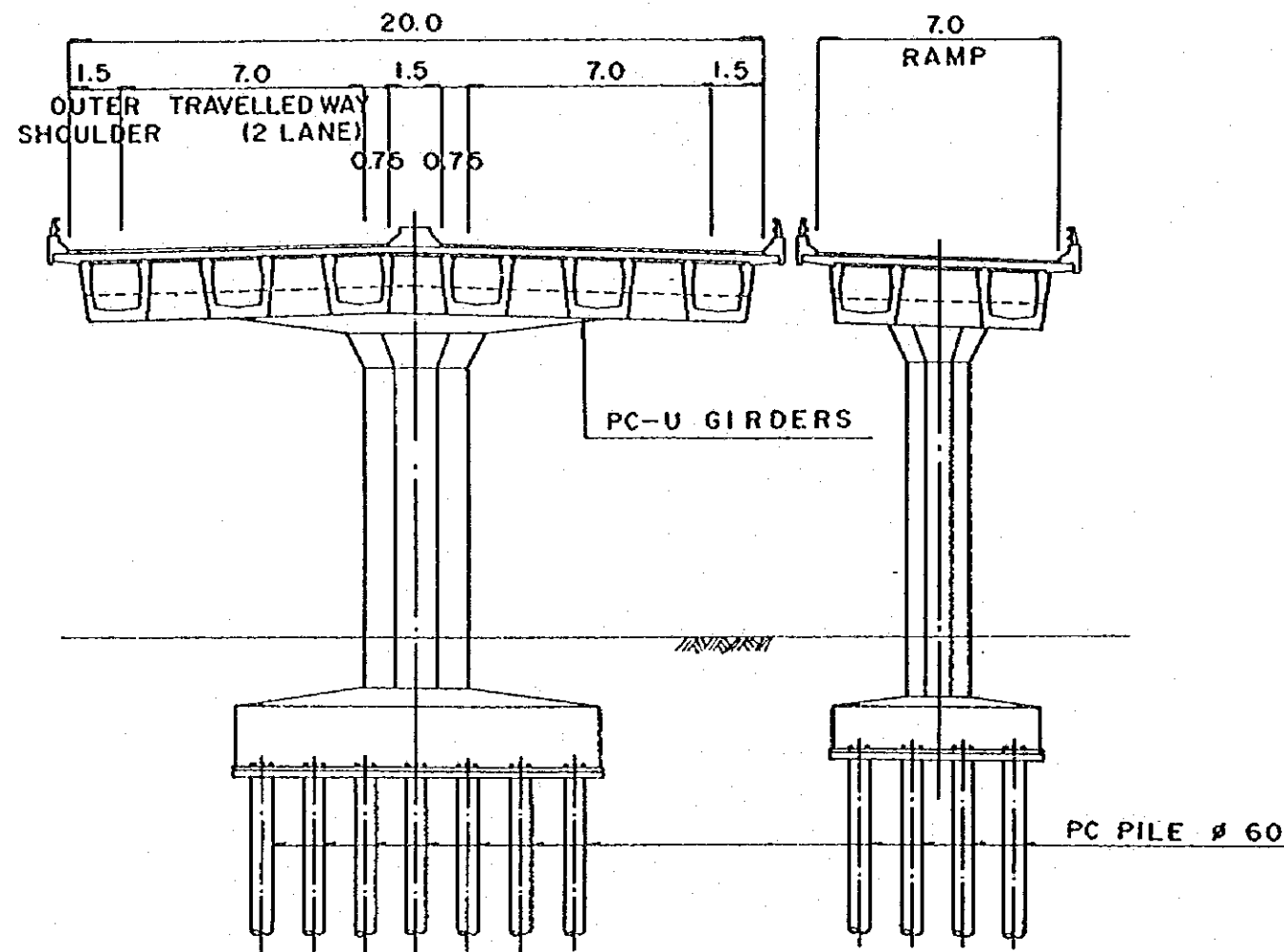
A - RAMP



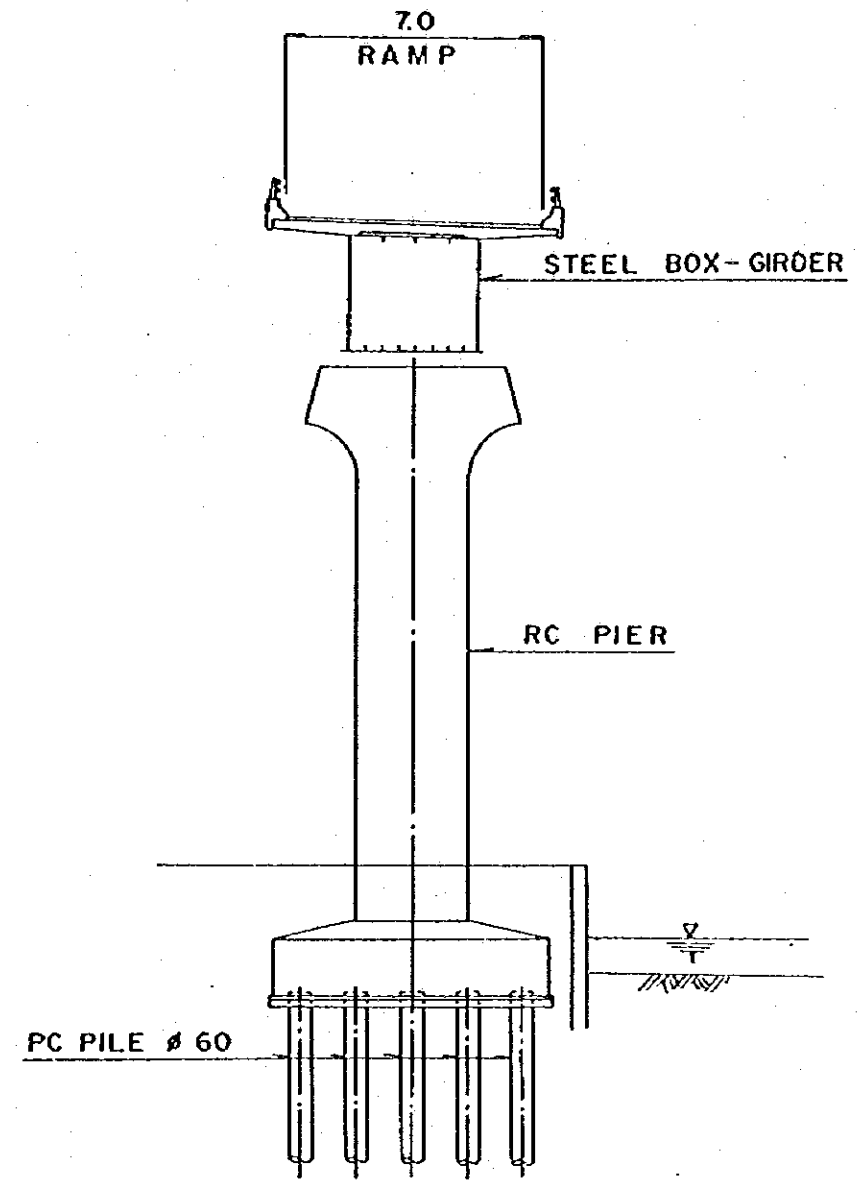
GUNUNG SAHARI IC (3) : PROFILES

SCALE: 0 50 100 150 200  
 HORIZONTAL: 0 5 10 15 20  
 VERTICAL: 0 5 10 15 20  
 DRAWING NO. : 79  
 DATE :

THE FEASIBILITY STUDY ON URBAN ARTERIAL ROAD SYSTEM  
 DEVELOPMENT PROJECT IN JAKARTA METROPOLITAN AREA  
 JAPAN INTERNATIONAL COOPERATION AGENCY (JICA)  
 PACIFIC CONSULTANTS INTERNATIONAL / YACHIYO ENGINEERING CO.,LTD



STA. 13+ 993  
SECTION A - A



STA. 0+ 345  
SECTION B-B

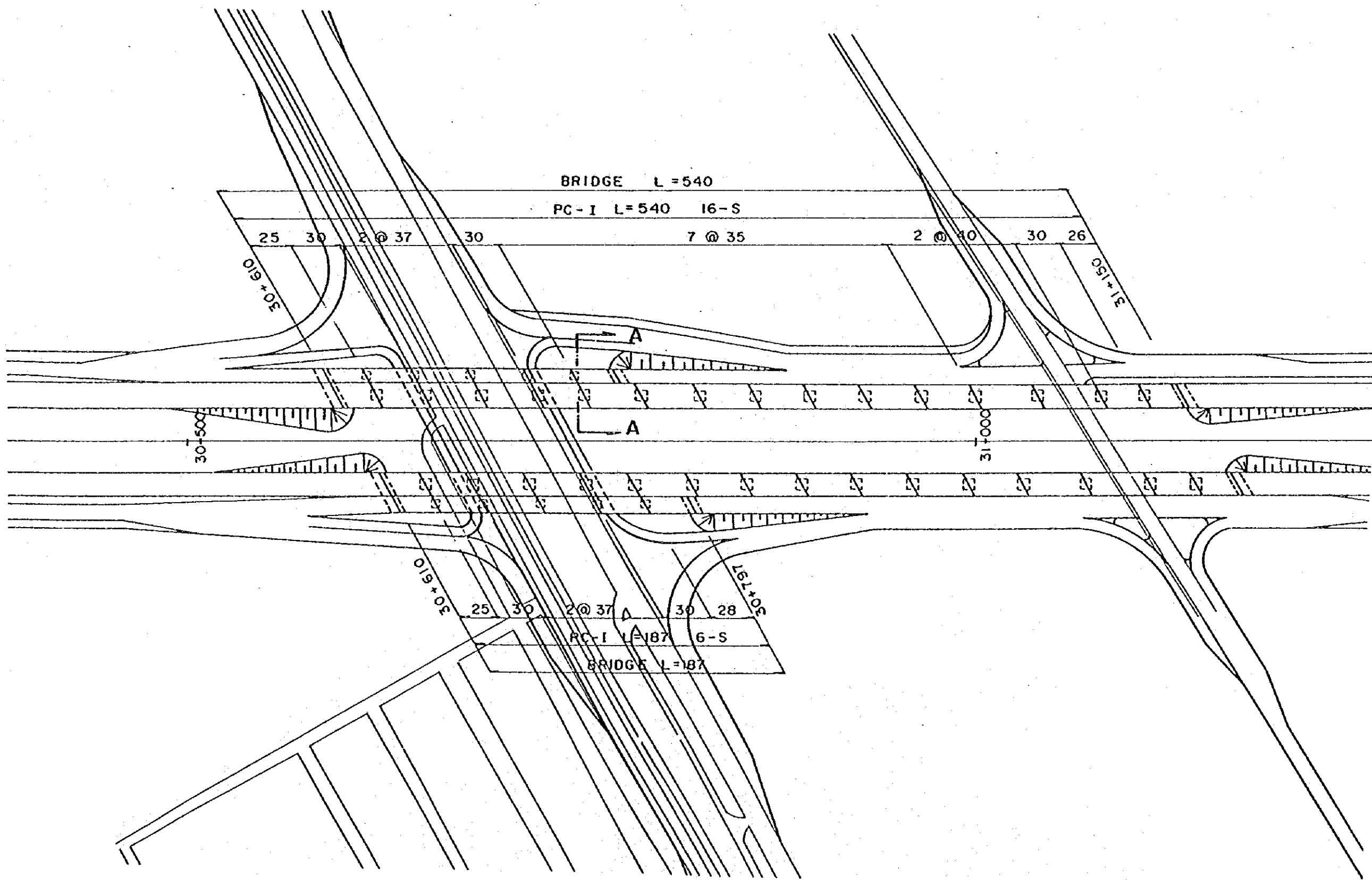
GUNUNG SAHARI IC (4) CROSS SECTIONS

SCALE : 0 1.5 3.0 4.5 6.0 7.5

DRAWING NO. : 80  
DATE :

THE FEASIBILITY STUDY ON URBAN ARTERIAL ROAD SYSTEM  
DEVELOPMENT PROJECT IN JAKARTA METROPOLITAN AREA

JAPAN INTERNATIONAL COOPERATION AGENCY (JICA)  
PACIFIC CONSULTANTS INTERNATIONAL / YACHIYO ENGINEERING CO.,LTD



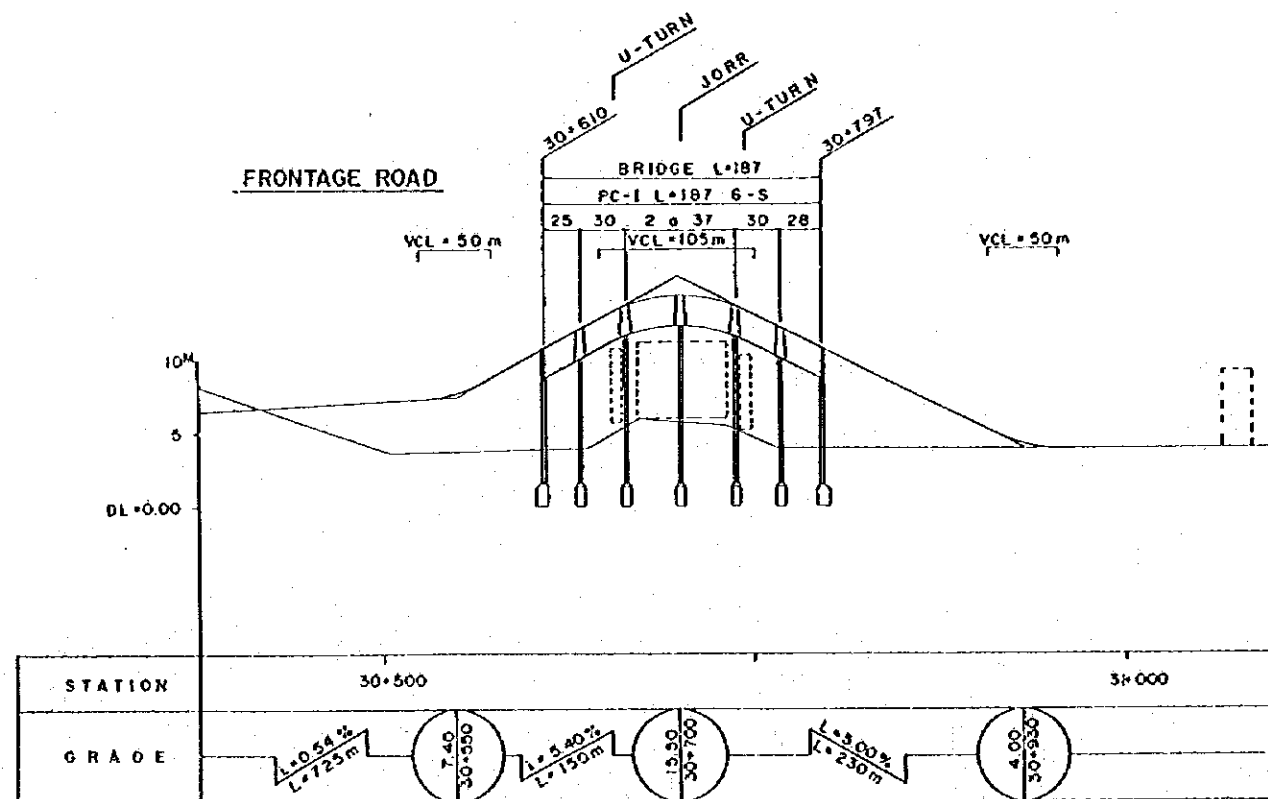
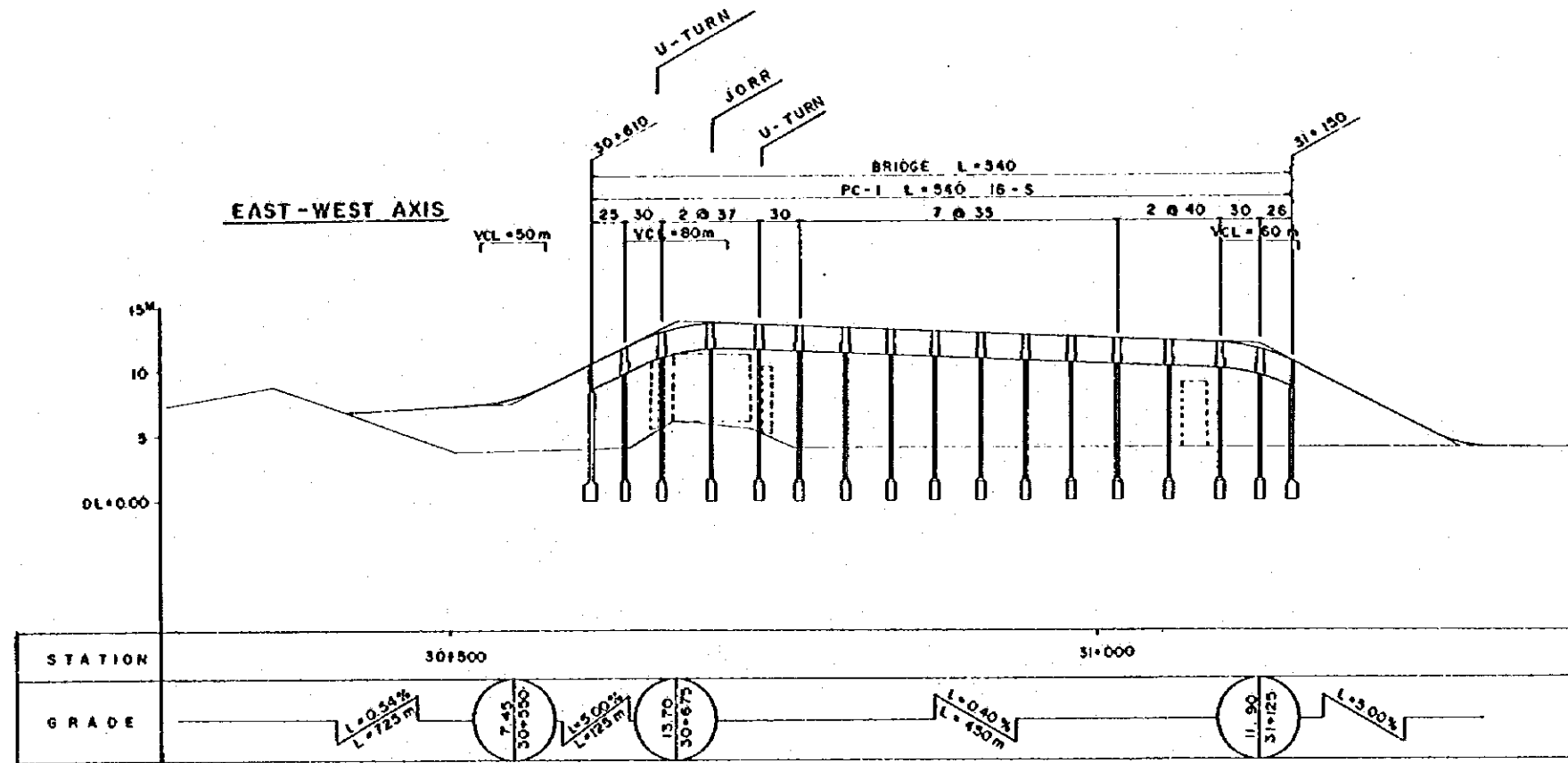
EAST JORR IC (I) · PLAN OF STRUCTURES

SCALE : 0 20 40 60 80 100

DRAWING NO. : 81  
DATE :

THE FEASIBILITY STUDY ON URBAN ARTERIAL ROAD SYSTEM  
DEVELOPMENT PROJECT IN JAKARTA METROPOLITAN AREA

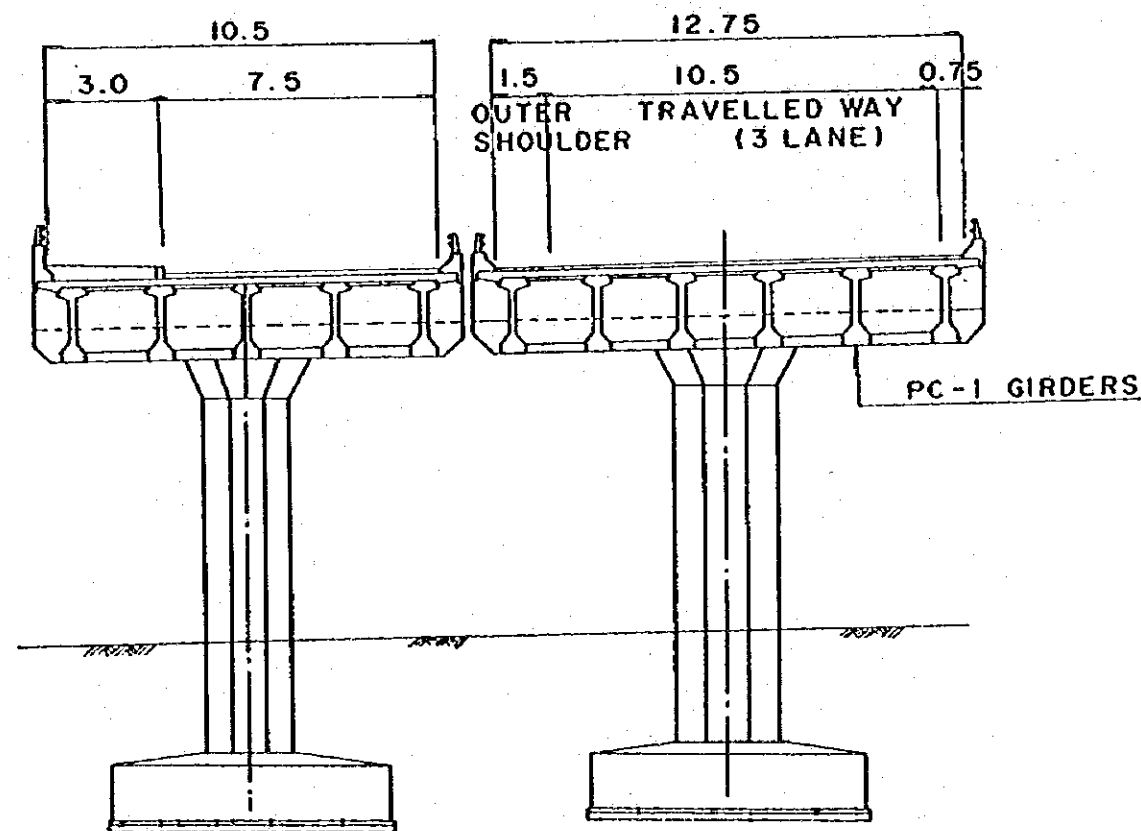
JAPAN INTERNATIONAL COOPERATION AGENCY (JICA)  
PACIFIC CONSULTANTS INTERNATIONAL / YACHIYO ENGINEERING CO.,LTD



**EAST JORR IC (2) - PROFILES**

SCALE:	0 50 100 150 200
HORIZONTAL	0 5 10 15 20
VERTICAL	
DRAWING NO. :	DATE :
82	

THE FEASIBILITY STUDY ON URBAN ARTERIAL ROAD SYSTEM  
DEVELOPMENT PROJECT IN JAKARTA METROPOLITAN AREA  
JAPAN INTERNATIONAL COOPERATION AGENCY (JICA)  
PACIFIC CONSULTANTS INTERNATIONAL / YACHIYO ENGINEERING CO.,LTD



STA. 30+769  
SECTION A-A

EAST JORR IC (3) - CROSS SECTION

SCALE : 0 1.5 3.0 4.5 6.0 7.5

DRAWING NO. :  
83

DATE :

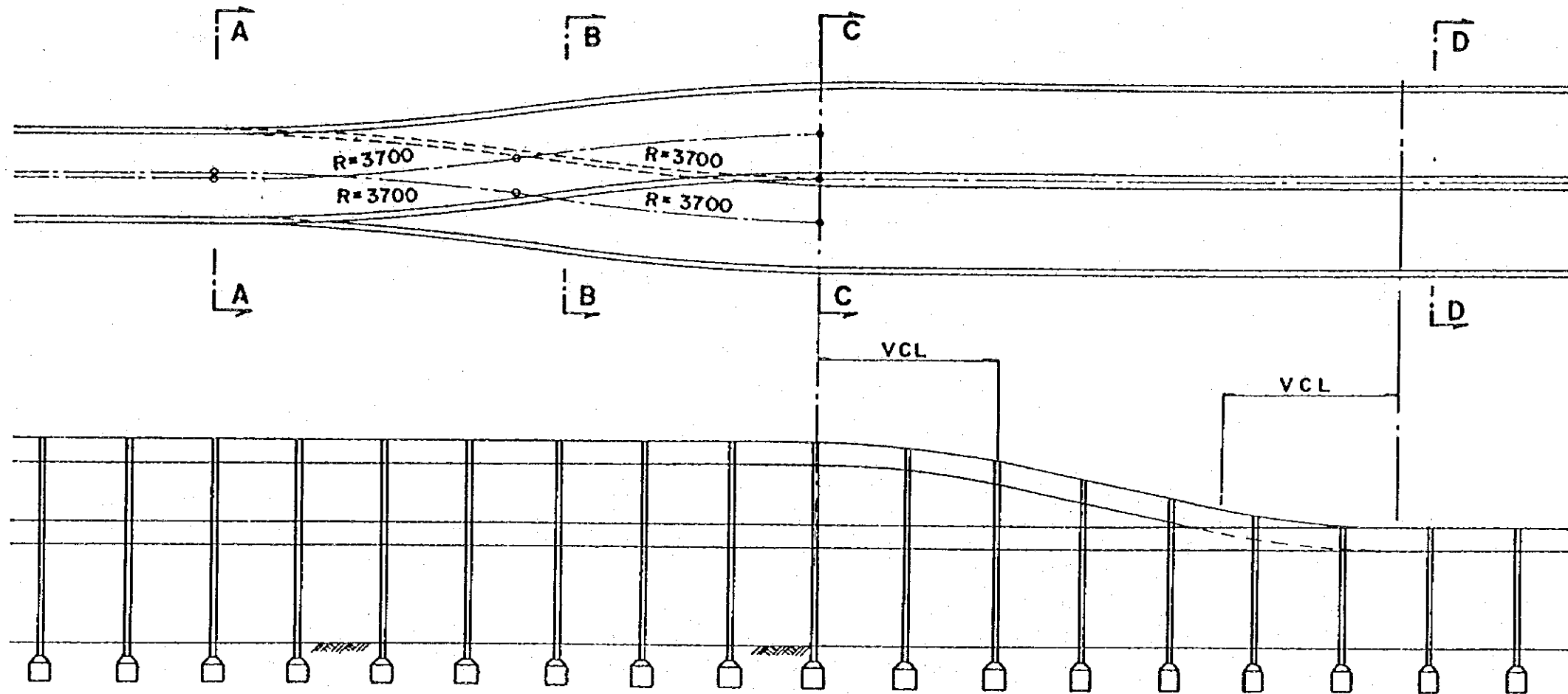
THE FEASIBILITY STUDY ON URBAN ARTERIAL ROAD SYSTEM  
DEVELOPMENT PROJECT IN JAKARTA METROPOLITAN AREA

JAPAN INTERNATIONAL COOPERATION AGENCY (JICA)  
PACIFIC CONSULTANTS INTERNATIONAL / YACHIYO ENGINEERING CO.,LTD

## 6.0 OTHER STRUCTURES




PLAN S = 1:2500 S = 1:600



ELEVATION SH = 1:2500 SV = 1:500

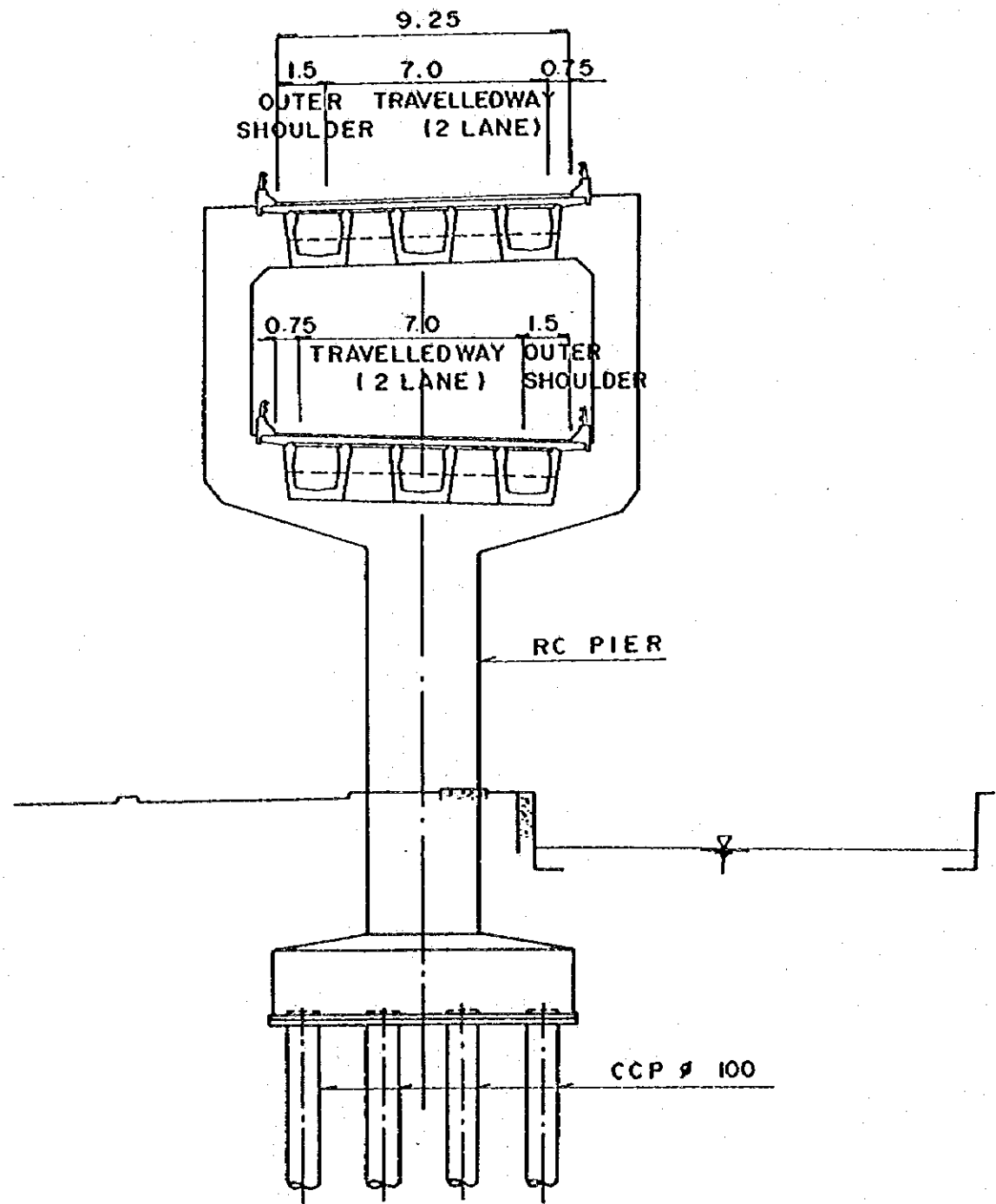
JL. HAYAM WURUK

TRANSITION SECTION AT DOUBLE DECK PIER (1)

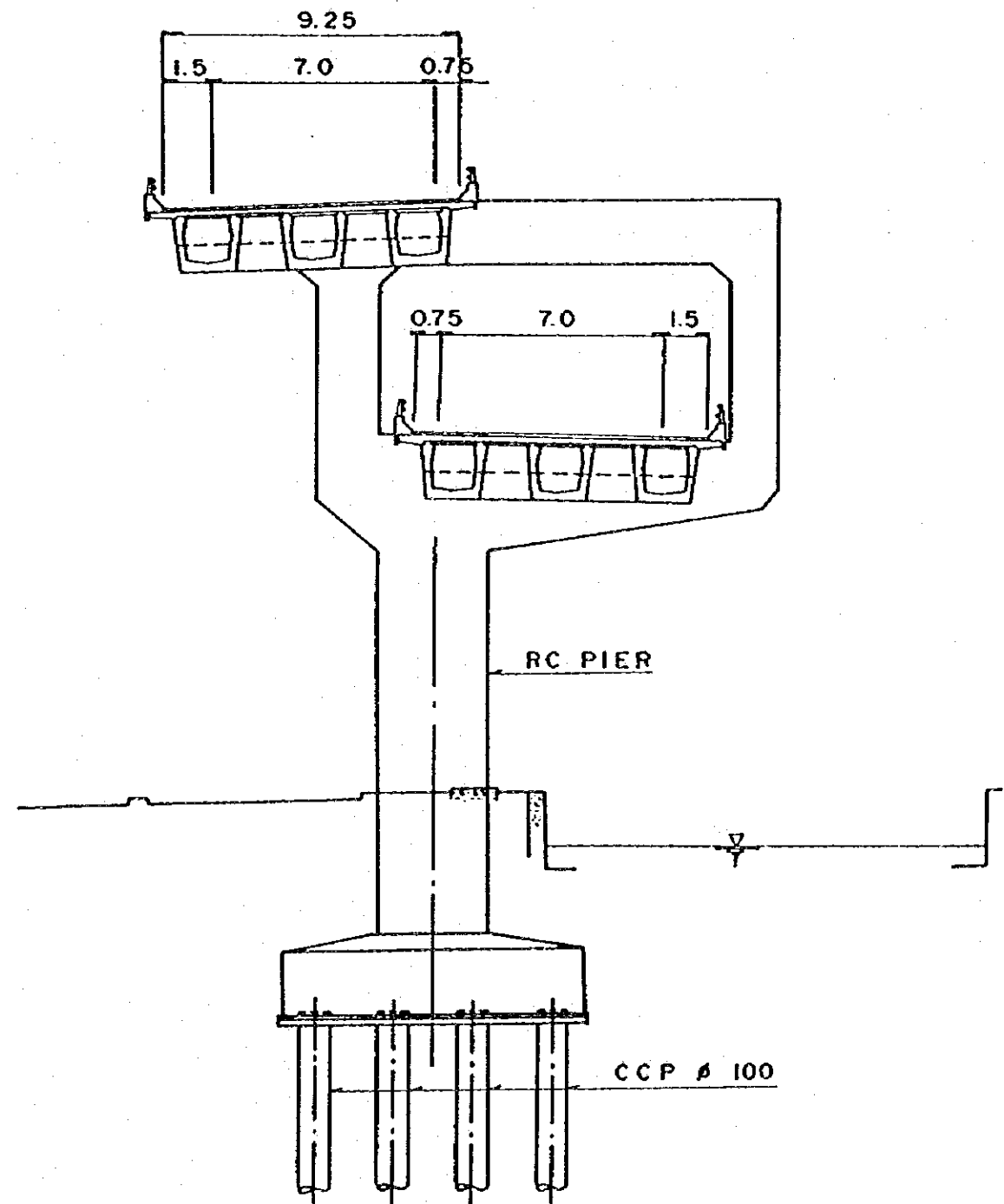
SCALE : AS SHOWN  
  
 DRAWING NO. : 84  
 DATE :

THE FEASIBILITY STUDY ON URBAN ARTERIAL ROAD SYSTEM  
 DEVELOPMENT PROJECT IN JAKARTA METROPOLITAN AREA

JAPAN INTERNATIONAL COOPERATION AGENCY (JICA)  
 PACIFIC CONSULTANTS INTERNATIONAL / YACHIYO ENGINEERING CO.,LTD



SECTION A-A



SECTION B-B

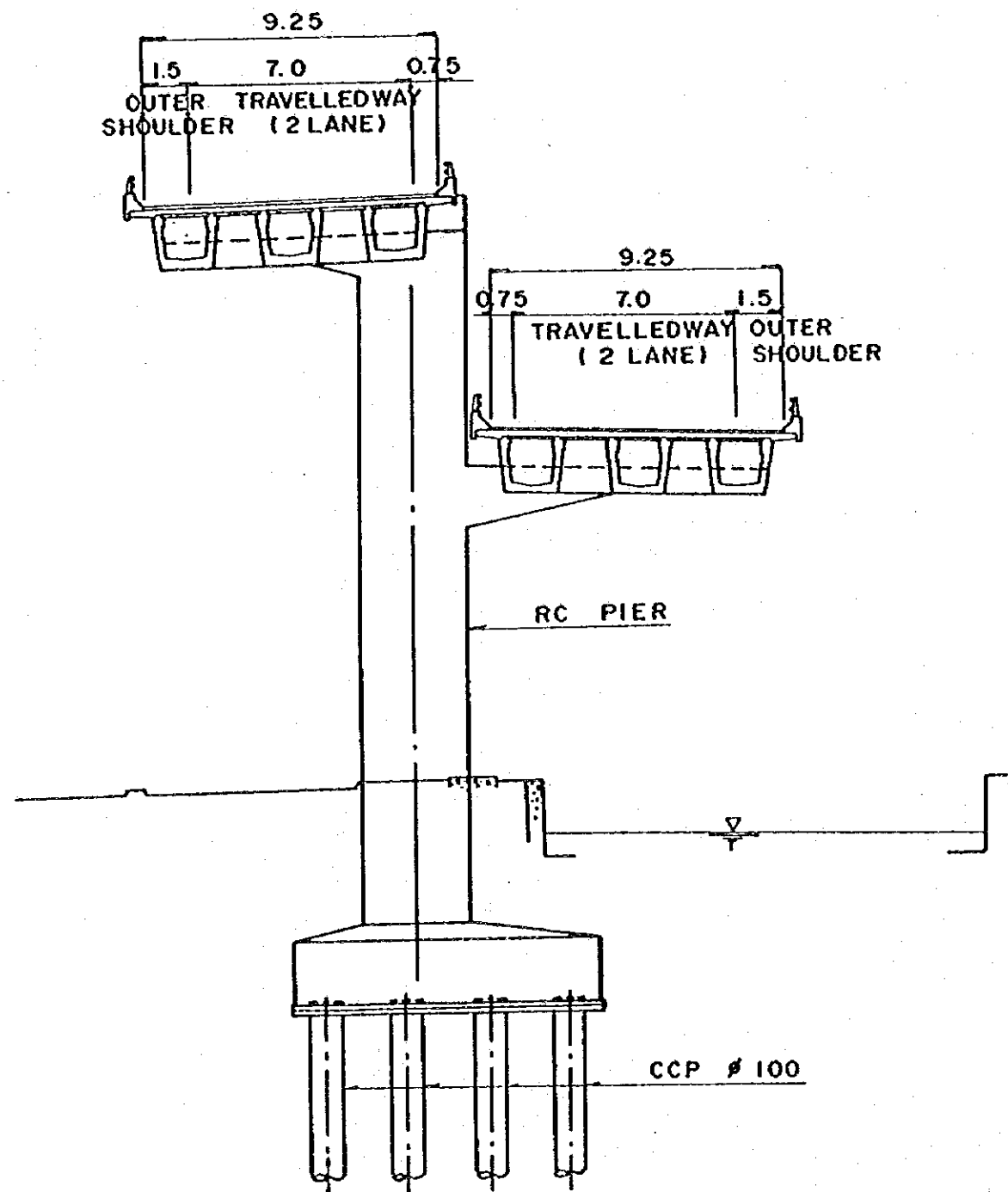
JL HAYAM WURUK  
 TRANSITION SECTION AT DOUBLE DECK PIER (2)

SCALE : 0 1.5 3.0 4.5 6.0 7.5

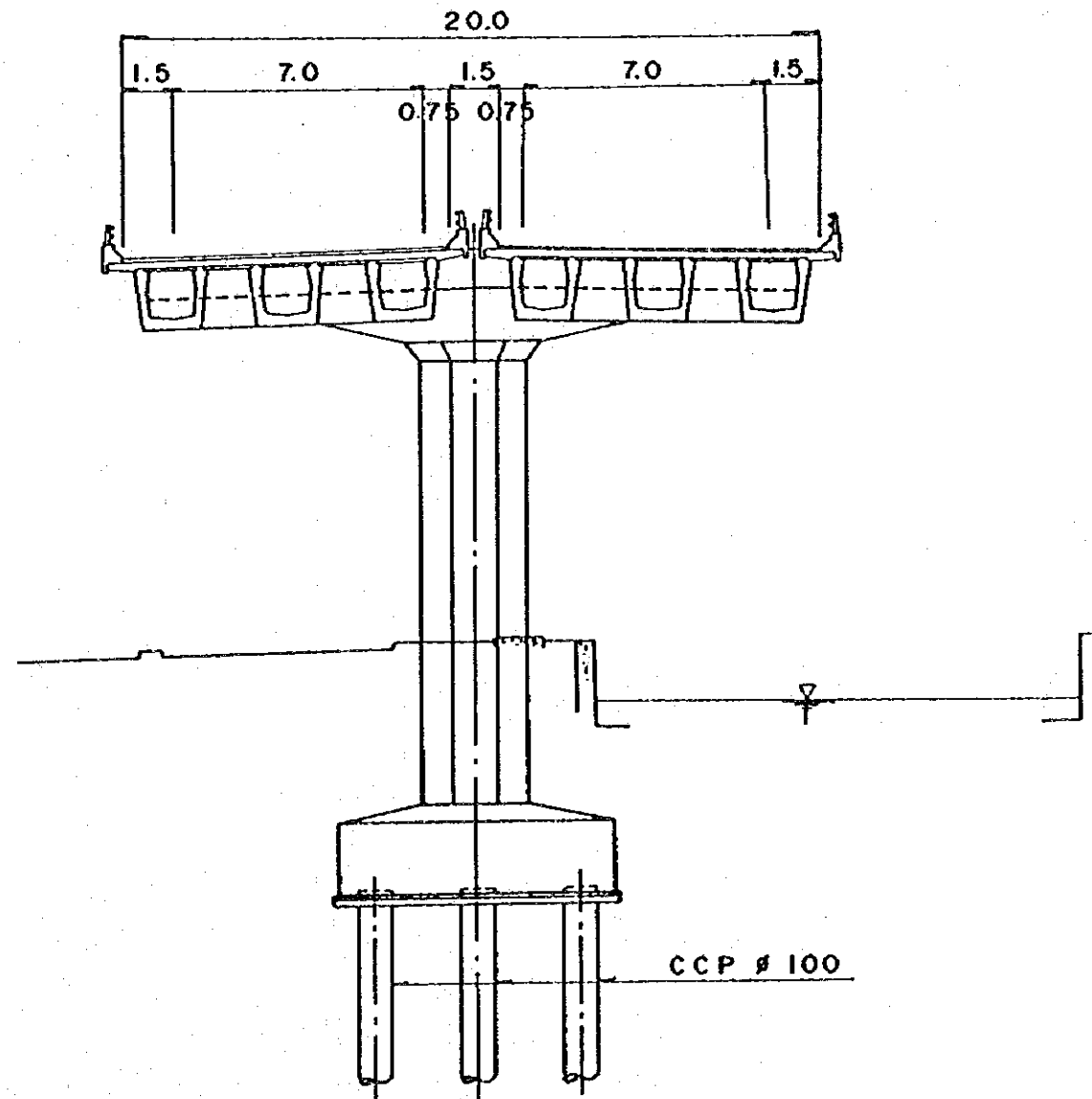
DRAWING NO. :  
 85

DATE :

THE FEASIBILITY STUDY ON URBAN ARTERIAL ROAD SYSTEM  
 DEVELOPMENT PROJECT IN JAKARTA METROPOLITAN AREA  
 JAPAN INTERNATIONAL COOPERATION AGENCY (JICA)  
 PACIFIC CONSULTANTS INTERNATIONAL / YACHIYO ENGINEERING CO.,LTD



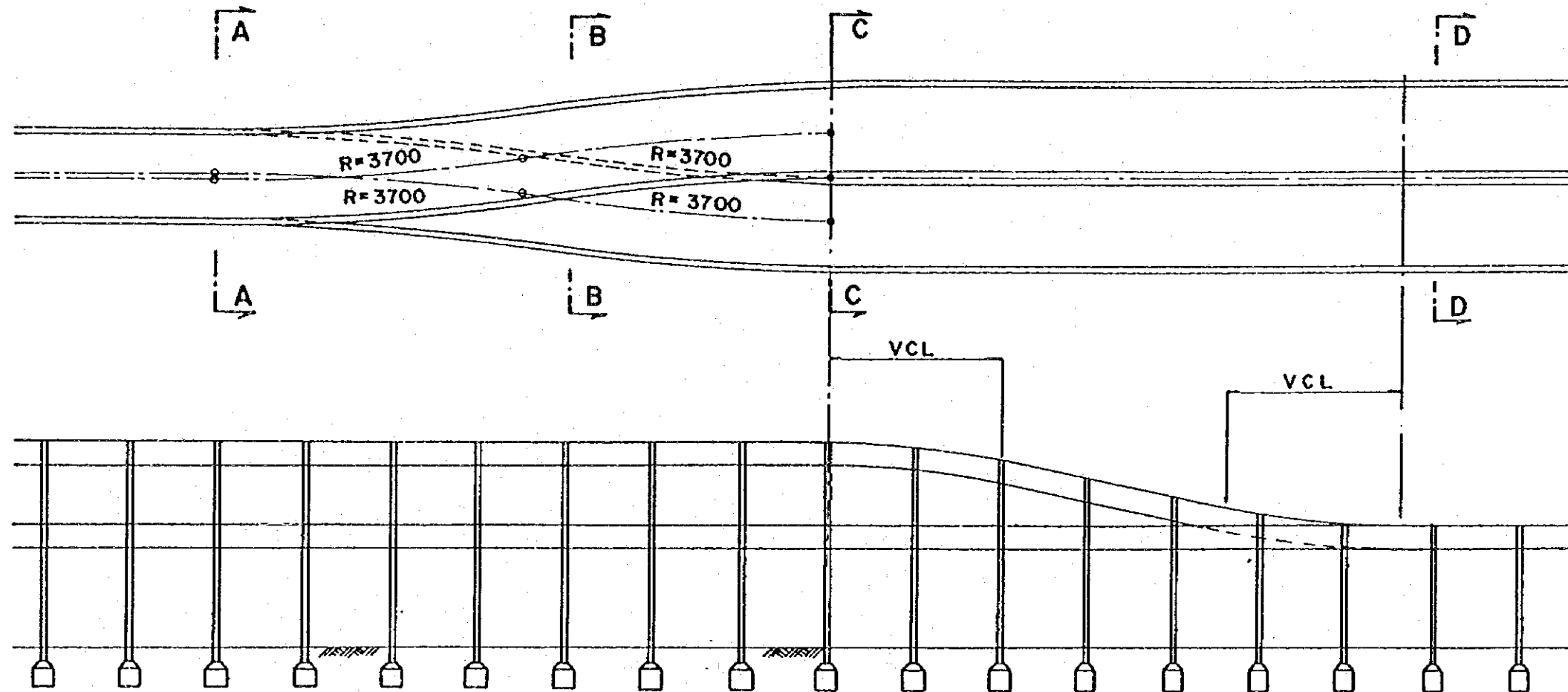
SECTION C-C



SECTION D-D

<p>JL HAYAM WURUK TRANSITION SECTION AT DOUBLE DECK PIER (3)</p>	<p>SCALE : </p>		<p>THE FEASIBILITY STUDY ON URBAN ARTERIAL ROAD SYSTEM DEVELOPMENT PROJECT IN JAKARTA METROPOLITAN AREA JAPAN INTERNATIONAL COOPERATION AGENCY (JICA) PACIFIC CONSULTANTS INTERNATIONAL / YACHIYO ENGINEERING CO.,LTD</p>
	<p>DRAWING NO. : 86</p>	<p>DATE :</p>	

PLAN S = 1:2500 S = 1:600

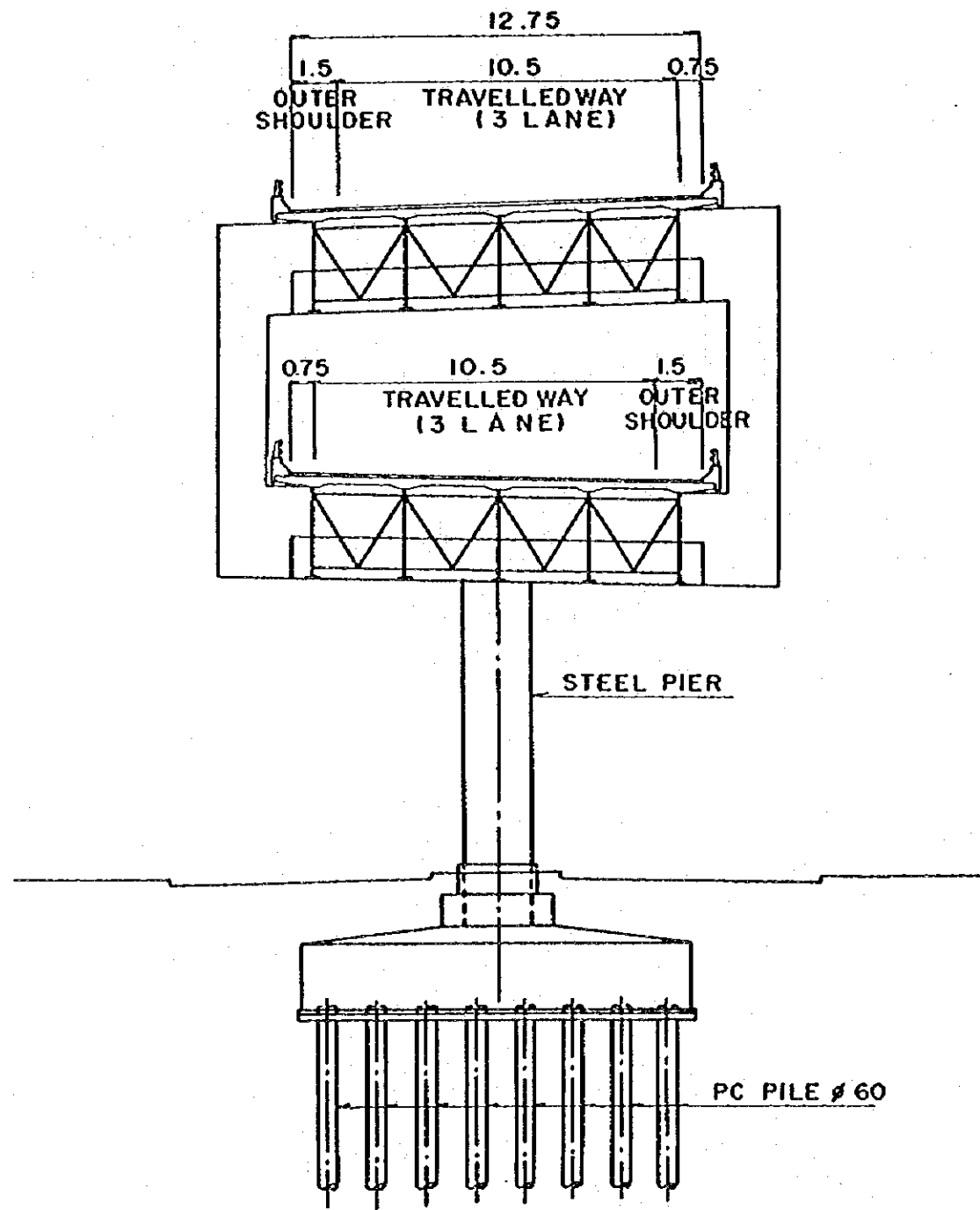


ELEVATION SH = 1:2500 SV = 1:500

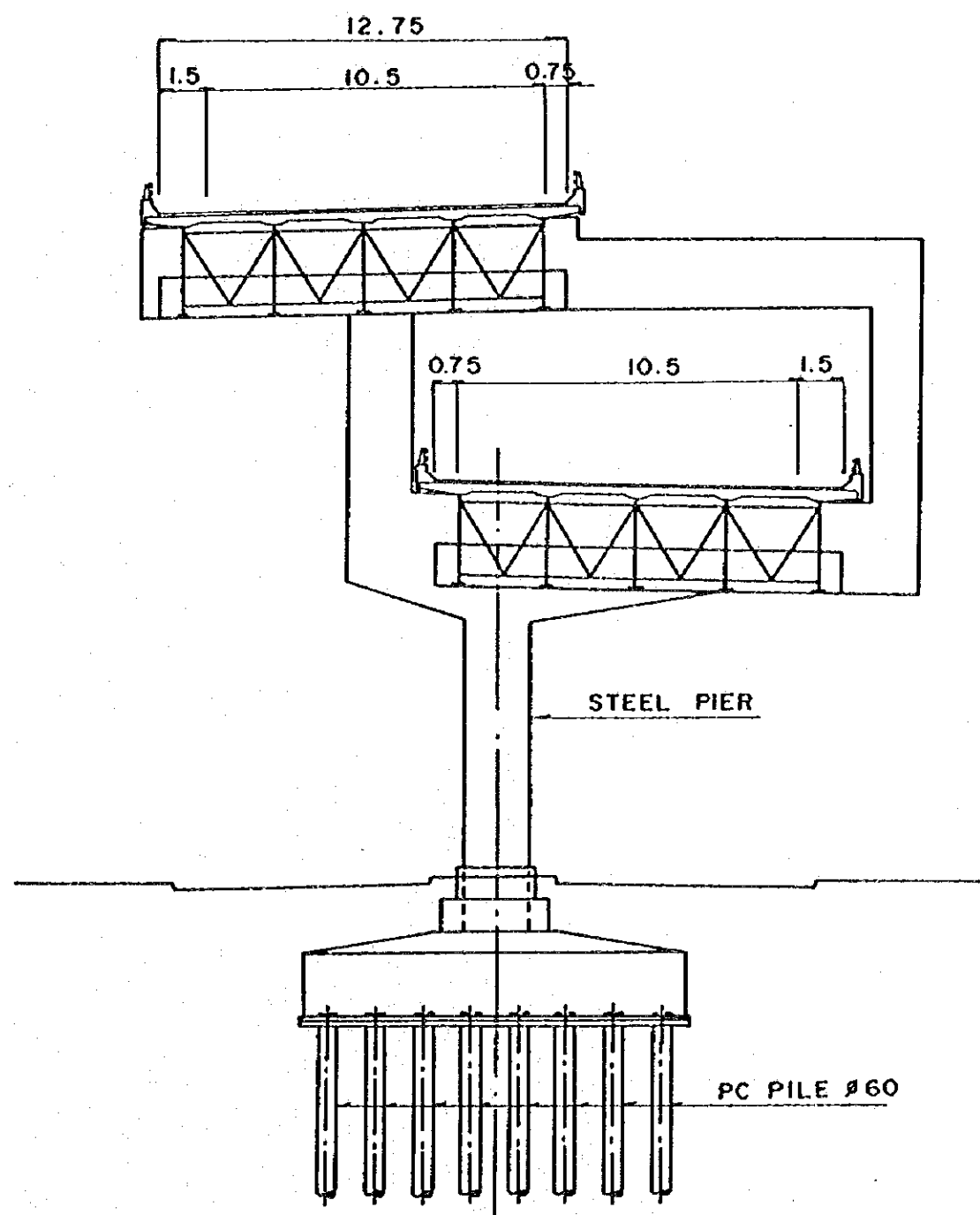
JL. PANGERAN ANTASARI  
TRANSITION SECTION AT DOUBLE DECK PIER (1)

SCALE : AS SHOWN  
DRAWING NO. : 87  
DATE :

THE FEASIBILITY STUDY ON URBAN ARTERIAL ROAD SYSTEM  
DEVELOPMENT PROJECT IN JAKARTA METROPOLITAN AREA  
JAPAN INTERNATIONAL COOPERATION AGENCY (JICA)  
PACIFIC CONSULTANTS INTERNATIONAL / YACHIYO ENGINEERING CO.,LTD



SECTION A - A



SECTION B - B

JL.PANGERAN ANTASARI  
 TRANSITION SECTION AT DOUBLE DECK PIER (2)

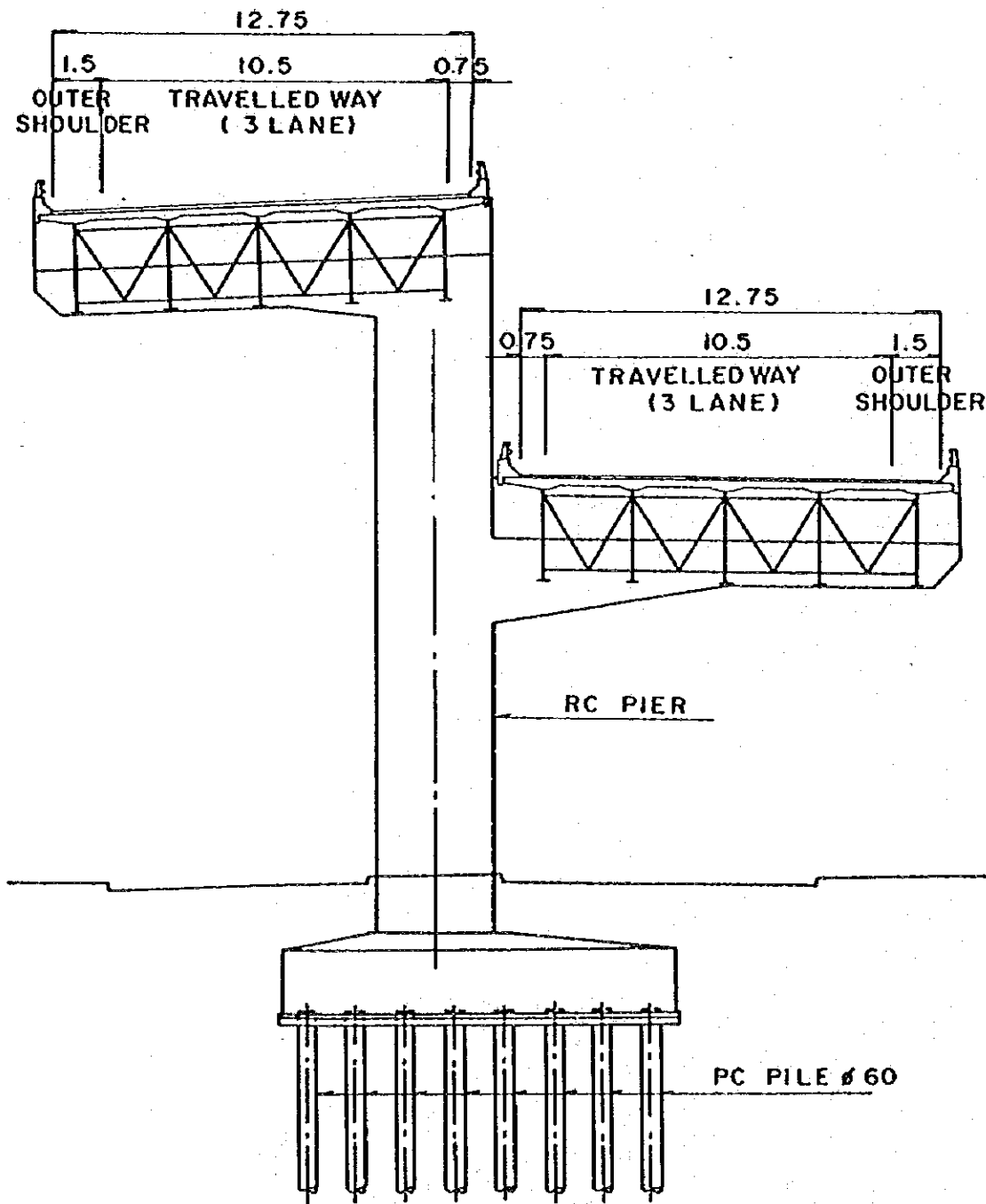
SCALE : 0 1.5 3.0 4.5 6.0 7.5

DRAWING NO. :  
 88

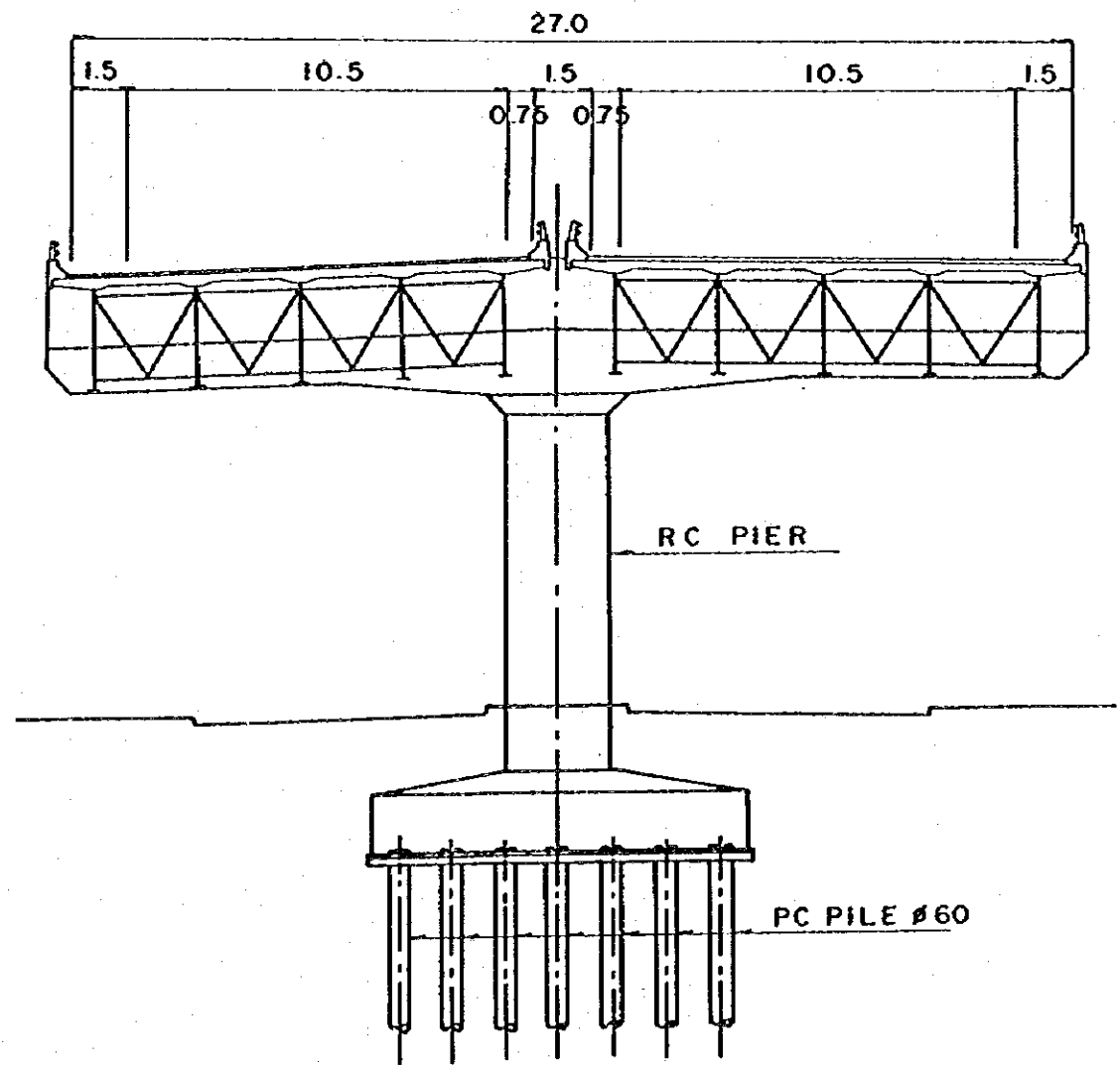
DATE :

THE FEASIBILITY STUDY ON URBAN ARTERIAL ROAD SYSTEM  
 DEVELOPMENT PROJECT IN JAKARTA METROPOLITAN AREA

JAPAN INTERNATIONAL COOPERATION AGENCY (JICA)  
 PACIFIC CONSULTANTS INTERNATIONAL / YACHIYO ENGINEERING CO.,LTD



SECTION C - C



SECTION D - D

JL. PANGERAN ANTASARI  
 TRANSITION SECTION AT DOUBLE DECK PIER (3)

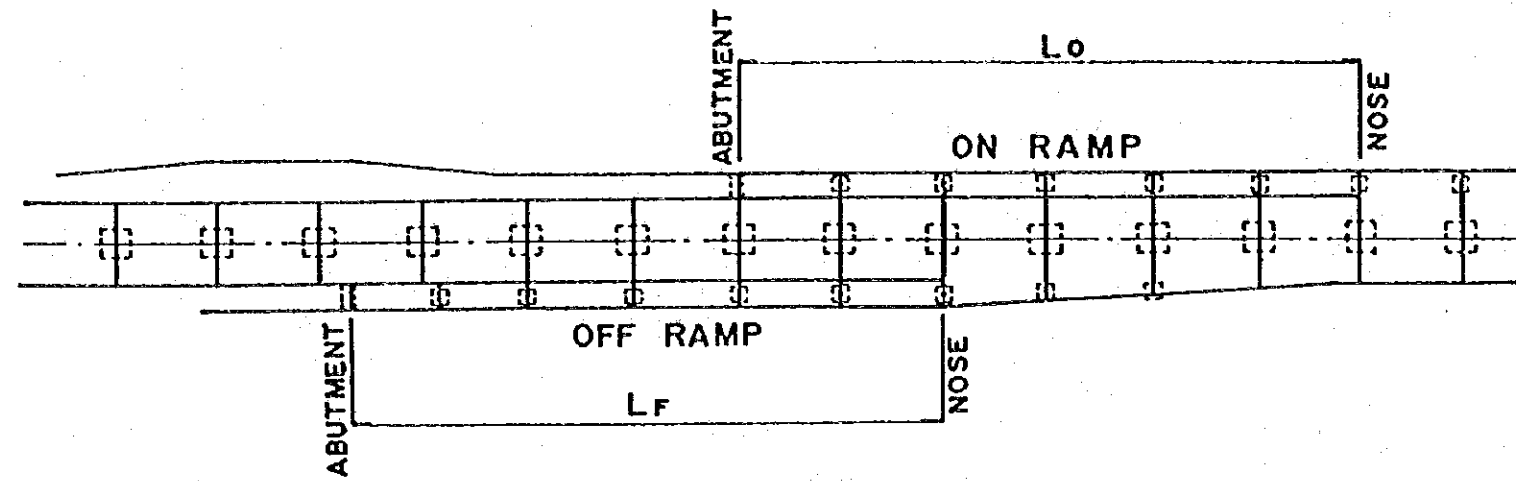
SCALE : 0 1.5 3.0 4.5 6.0 7.5

DRAWING NO. :  
 89

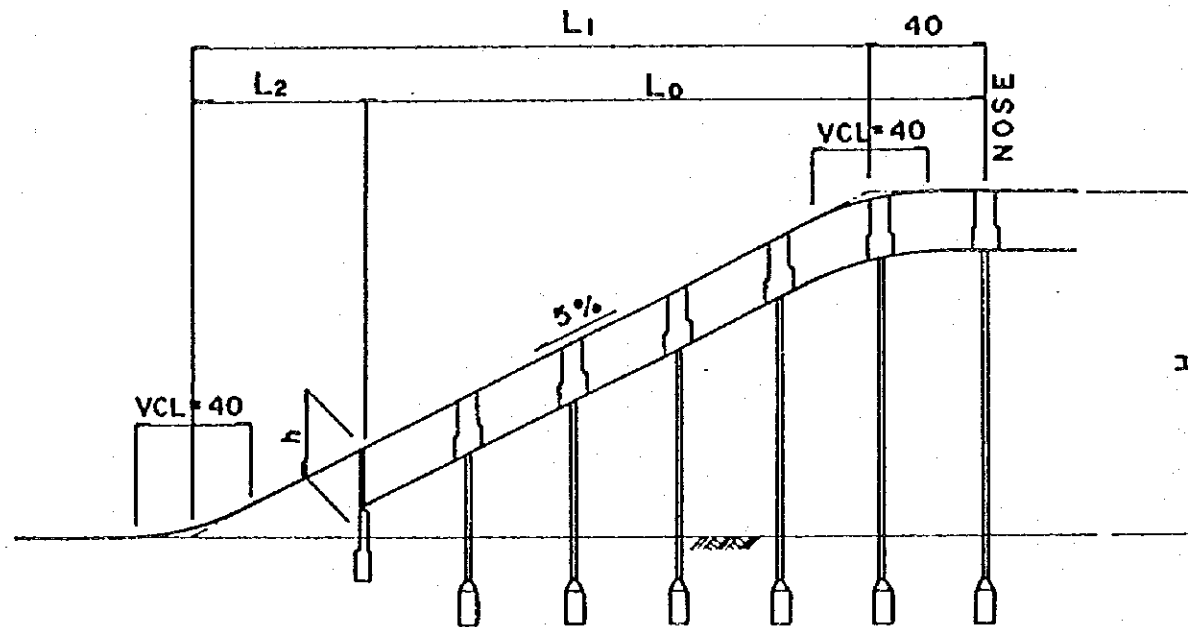
DATE :

THE FEASIBILITY STUDY ON URBAN ARTERIAL ROAD SYSTEM  
 DEVELOPMENT PROJECT IN JAKARTA METROPOLITAN AREA

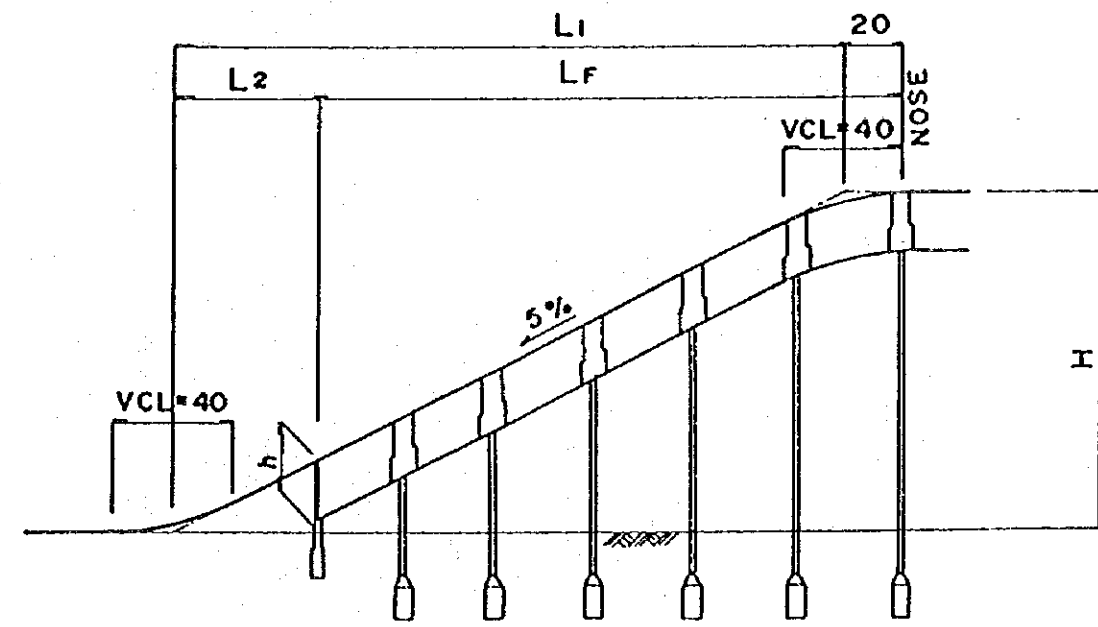
JAPAN INTERNATIONAL COOPERATION AGENCY (JICA)  
 PACIFIC CONSULTANTS INTERNATIONAL / YACHIYO ENGINEERING CO.,LTD



PLAN S=1:250



ON RAMP PROFILS SH=1:2500 Sv=1:250



OFF RAMP PROFILS SH=1:2500 SV=1:250

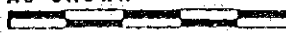
ON RAMP

	H	L <sub>1</sub>	L <sub>2</sub>	L <sub>0</sub>	SPAN	h
TYPE - 1	7.5	150	50	140	4 @ 35	2.5
TYPE - 2	11.5	230	60	210	6 @ 35	3.0
TYPE - 3	20.0	400	55	385	11 @ 35	2.75

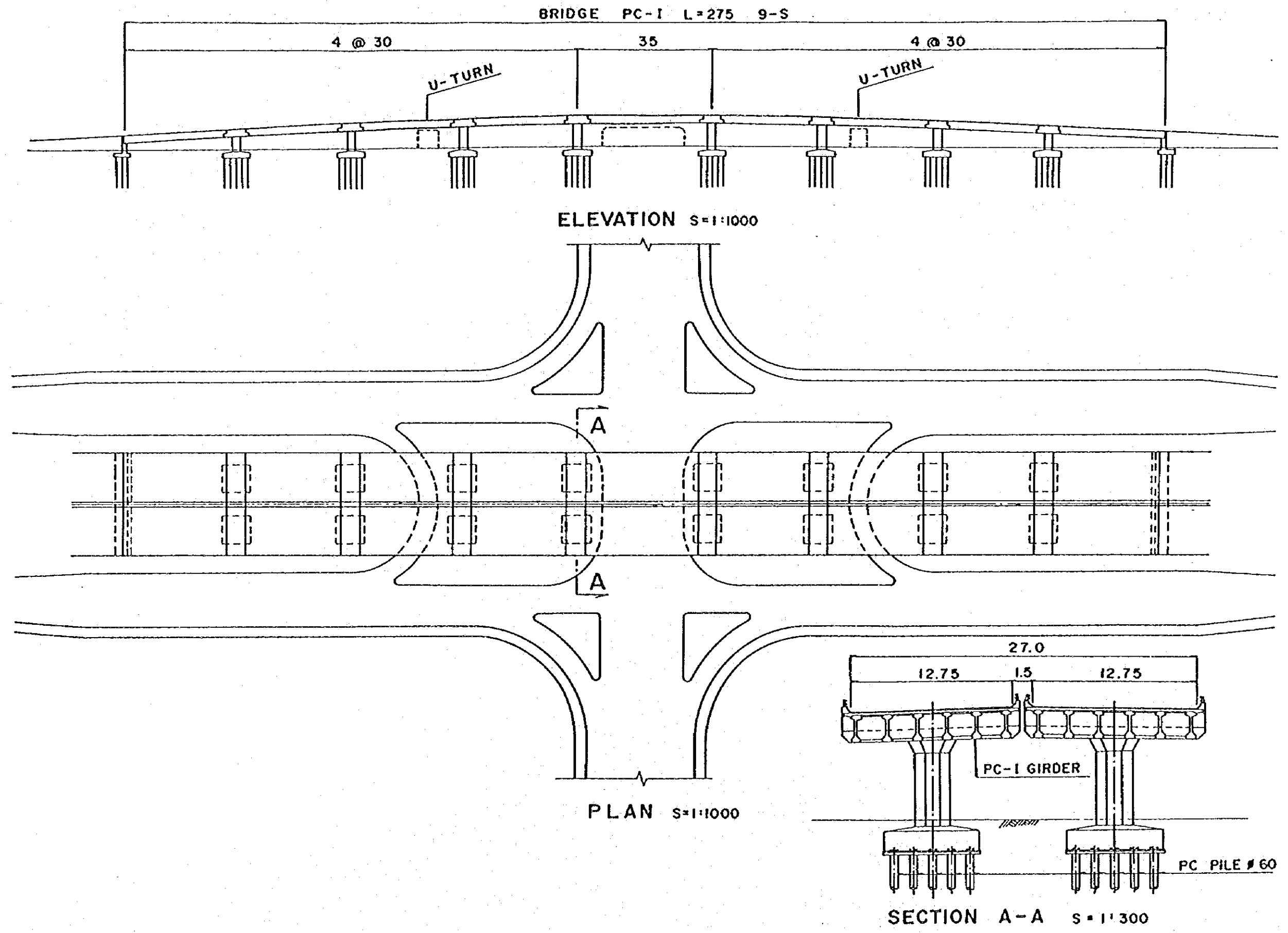
OFF RAMP

	H	L <sub>1</sub>	L <sub>2</sub>	L <sub>F</sub>	SPAN	h
TYPE - 1	7.5	150	65	105	3 @ 35	3.25
TYPE - 2	11.5	230	50	200	2 @ 30 + 4 @ 35	2.5
TYPE - 3	20.0	400	50	370	3 @ 30 + 8 @ 35	2.5


ON RAMP AND OFF RAMP OF PLAN AND PROFILS

SCALE : AS SHOWN  
  
 DRAWING NO. : 90  
 DATE :

THE FEASIBILITY STUDY ON URBAN ARTERIAL ROAD SYSTEM  
 DEVELOPMENT PROJECT IN JAKARTA METROPOLITAN AREA  
 JAPAN INTERNATIONAL COOPERATION AGENCY (JICA)  
 PACIFIC CONSULTANTS INTERNATIONAL / YACHIYO ENGINEERING CO.,LTD

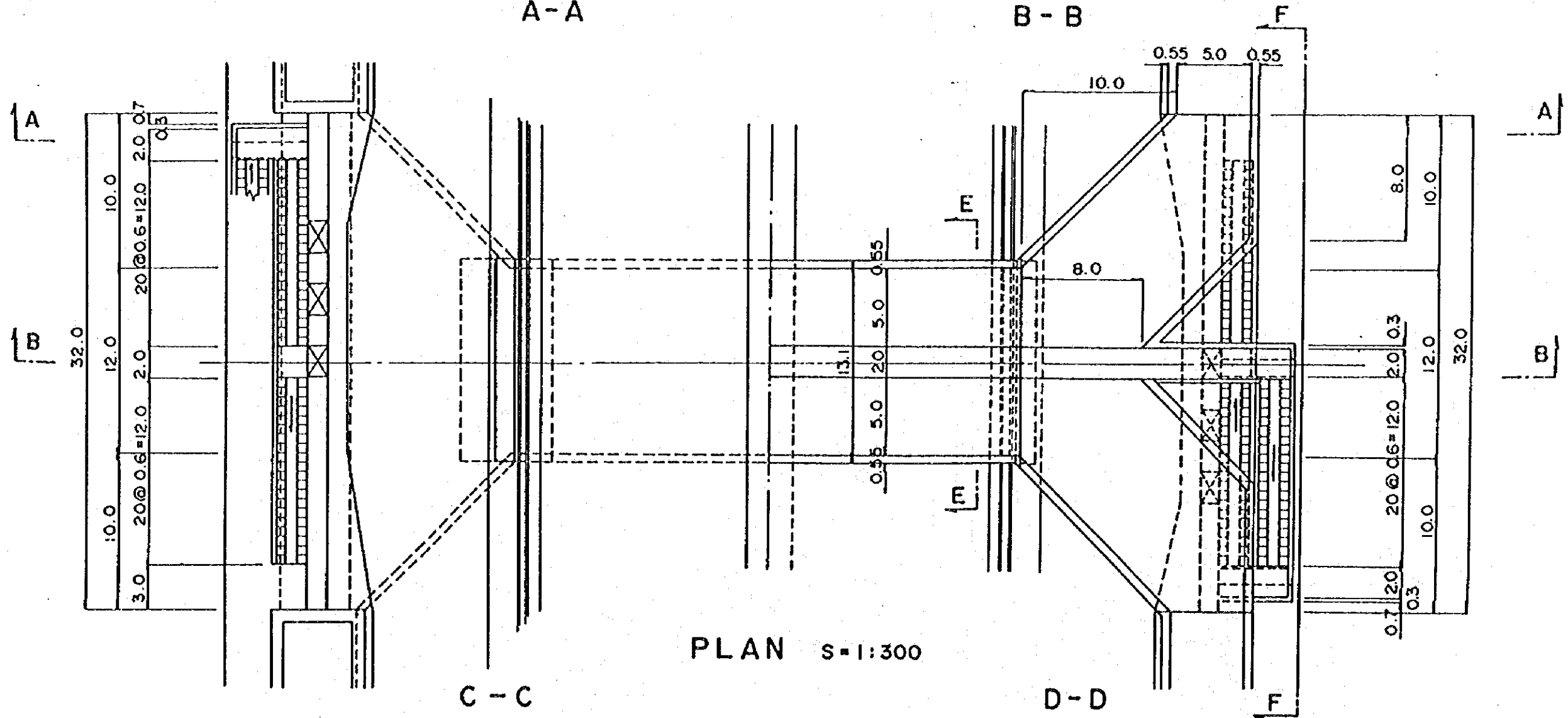
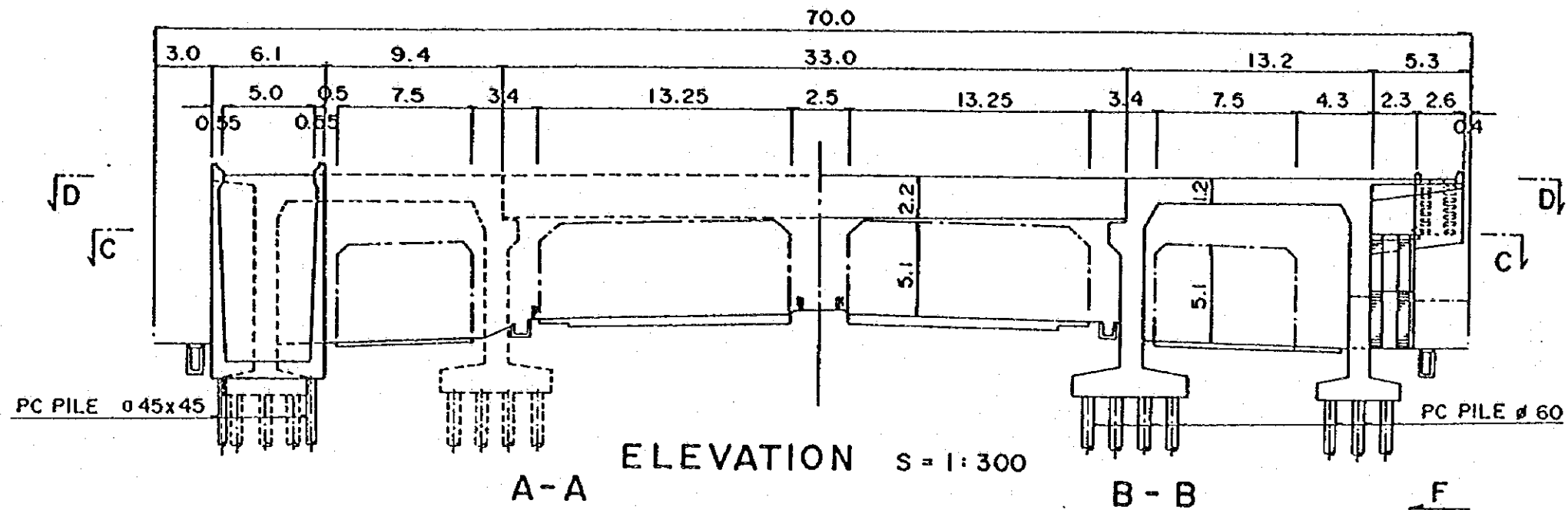


STANDARD FLYOVER IN E-W AXIS

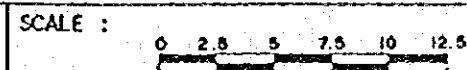
SCALE : AS SHOWN  
  
 DRAWING NO. : 91  
 DATE :

THE FEASIBILITY STUDY ON URBAN ARTERIAL ROAD SYSTEM  
 DEVELOPMENT PROJECT IN JAKARTA METROPOLITAN AREA  
 JAPAN INTERNATIONAL COOPERATION AGENCY (JICA)  
 PACIFIC CONSULTANTS INTERNATIONAL / YACHIYO ENGINEERING CO.,LTD



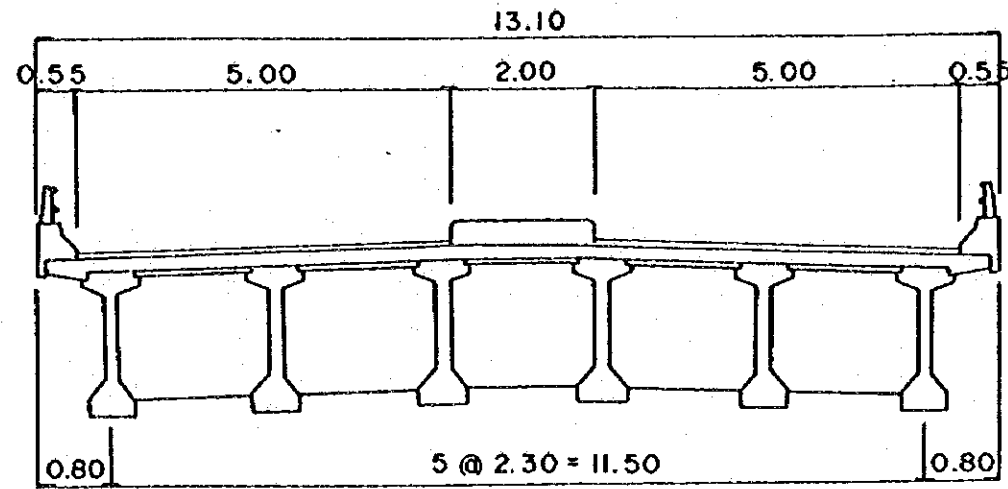


U-TURN FLYOVER ( I )

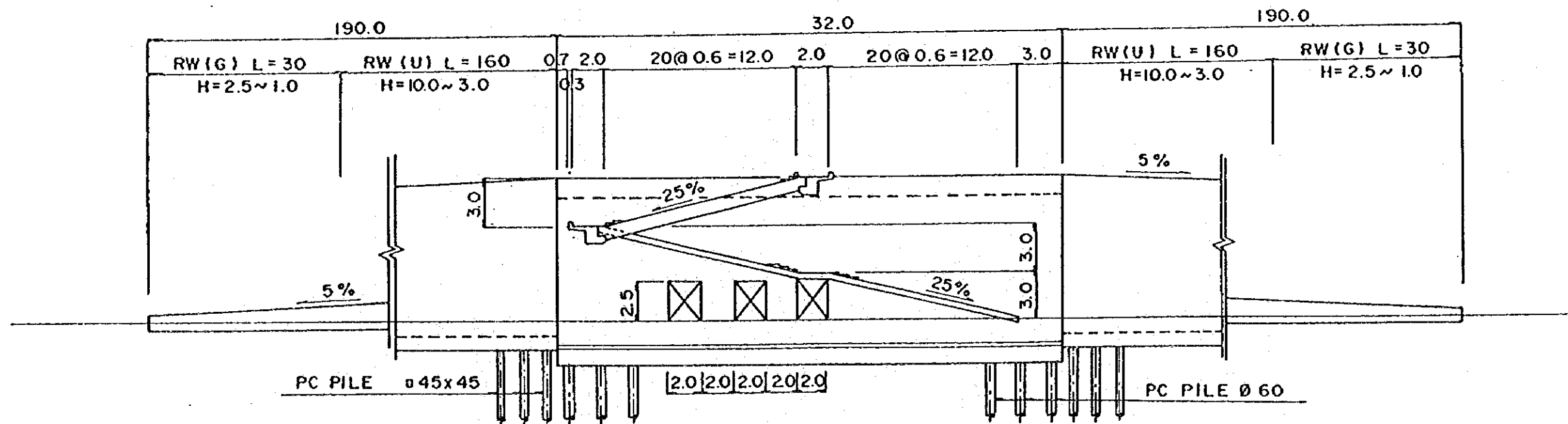


DRAWING NO. : 92  
DATE :

THE FEASIBILITY STUDY ON URBAN ARTERIAL ROAD SYSTEM  
DEVELOPMENT PROJECT IN JAKARTA METROPOLITAN AREA  
JAPAN INTERNATIONAL COOPERATION AGENCY (JICA)  
PACIFIC CONSULTANTS INTERNATIONAL / YACHIYO ENGINEERING CO.,LTD




SECTION E-E S=1:100

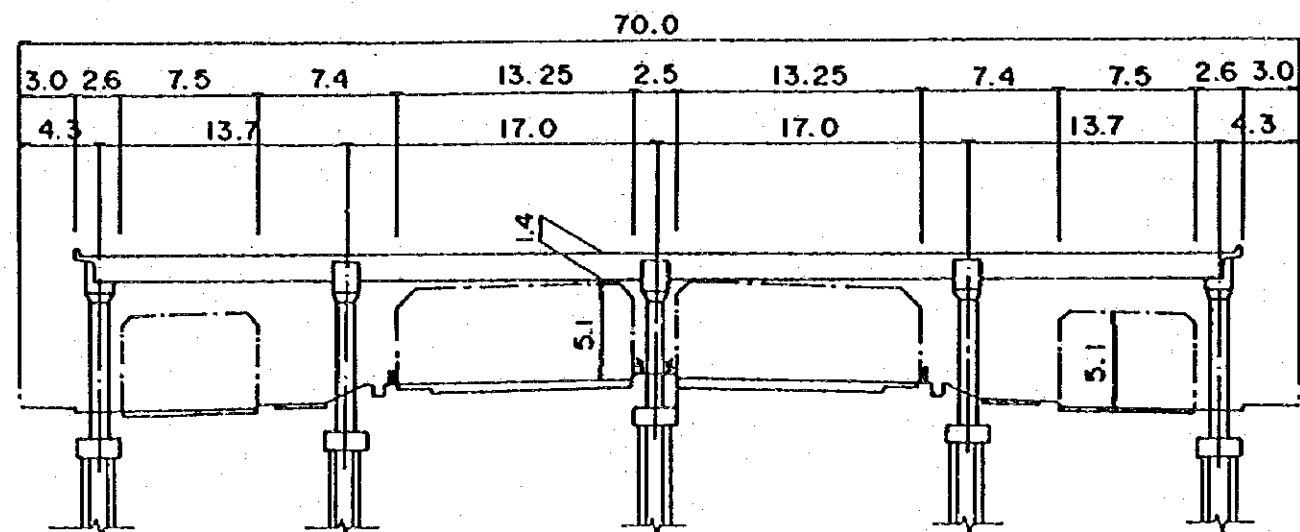


SECTION F-F S=1:300

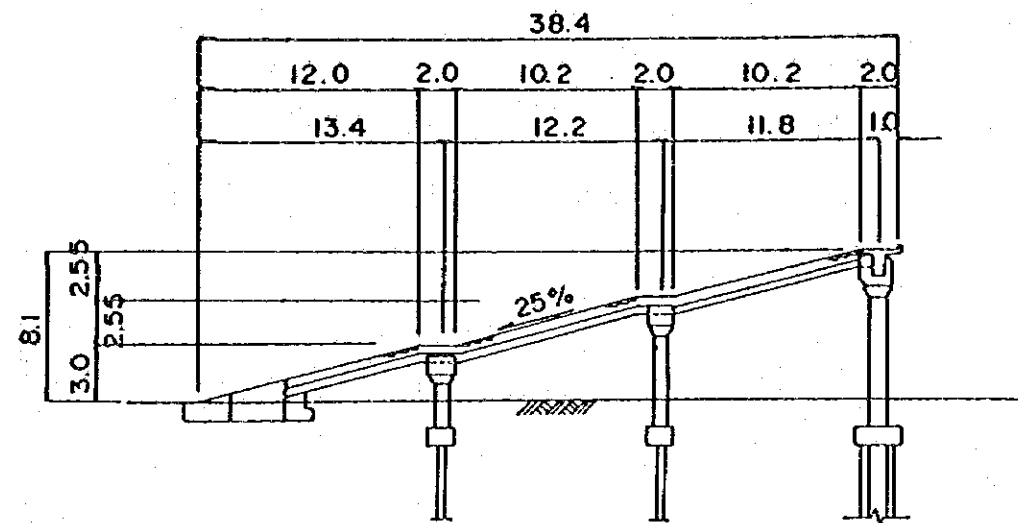
U-TURN FLYOVER (2)

SCALE : AS SHOWN  
  
 DRAWING NO. : 93  
 DATE :

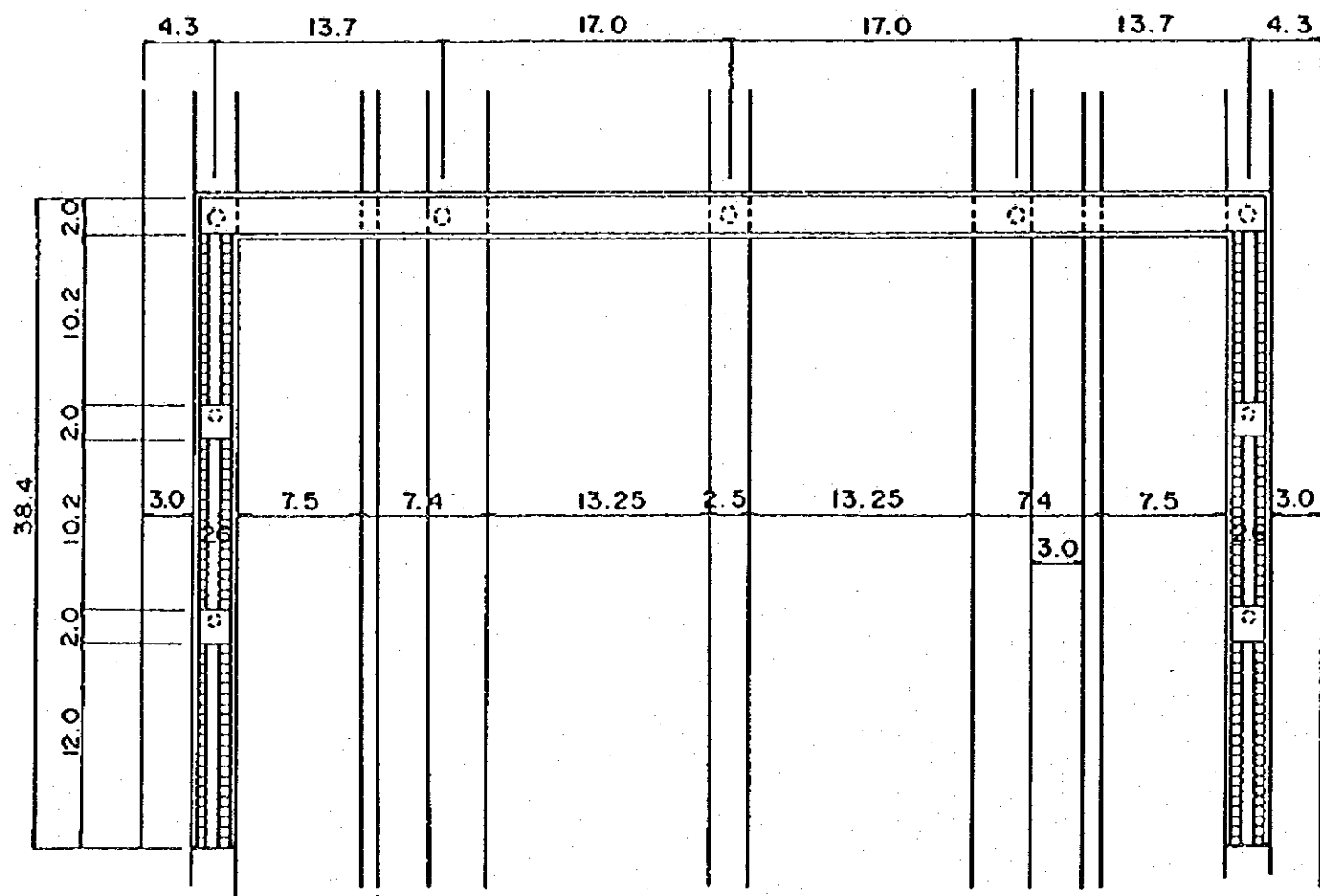
THE FEASIBILITY STUDY ON URBAN ARTERIAL ROAD SYSTEM  
 DEVELOPMENT PROJECT IN JAKARTA METROPOLITAN AREA  
 JAPAN INTERNATIONAL COOPERATION AGENCY (JICA)  
 PACIFIC CONSULTANTS INTERNATIONAL / YACHIYO ENGINEERING CO.,LTD



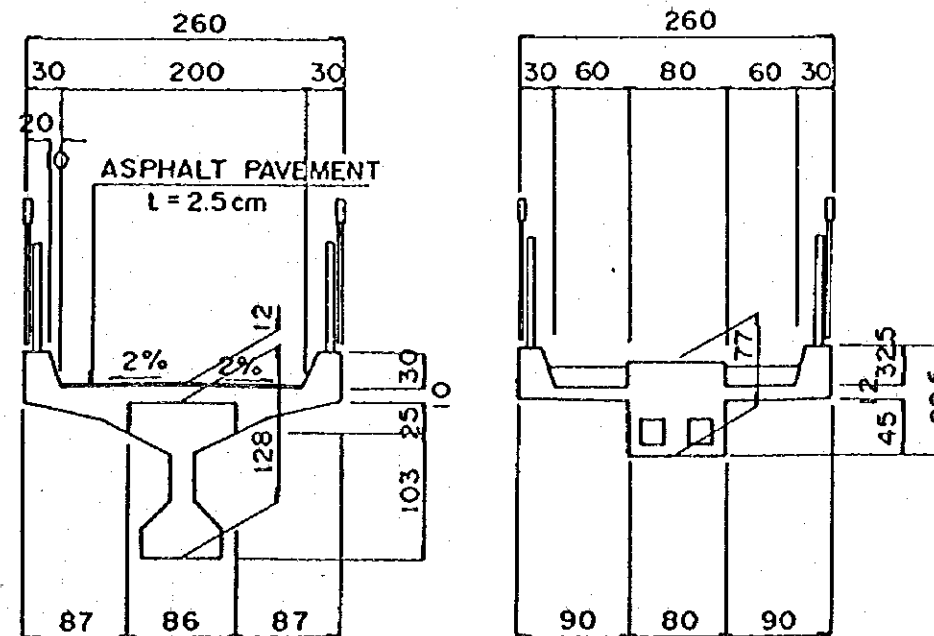
ELEVATION S = 1:400



PROFILE OF STAIRS  
S = 1:400



PLAN S = 1:400



GIRDER

STAIRS

TYPICAL CROSS SECTION  
S = 1:60

PEDESTRIAN BRIDGE

SCALE : AS SHOWN



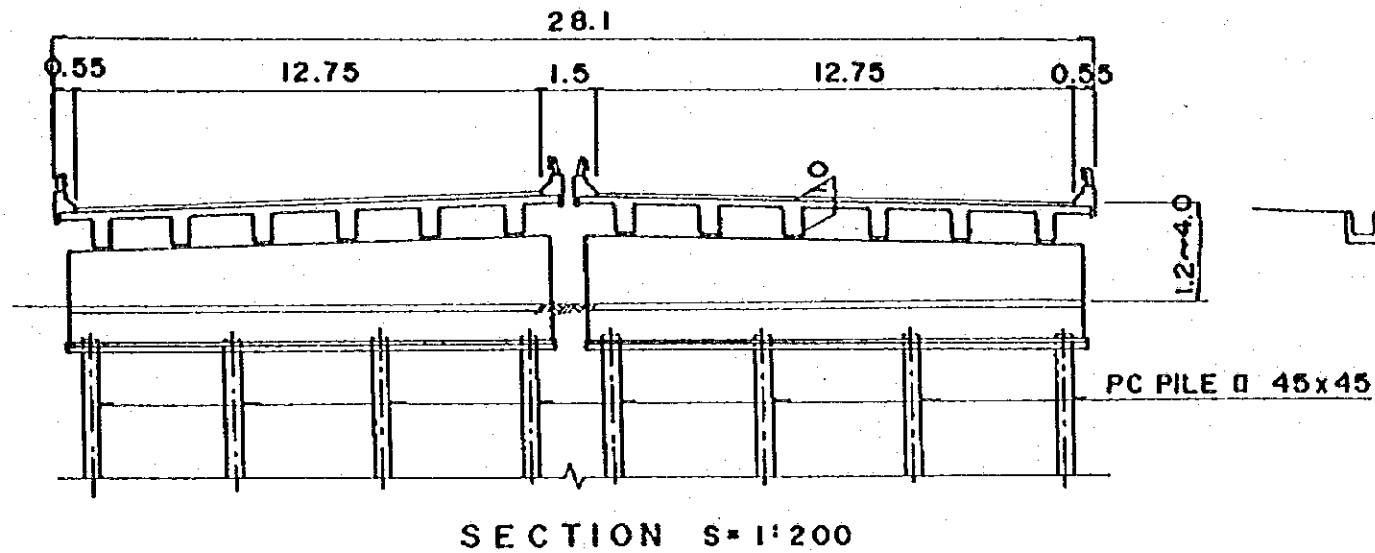
DRAWING NO. :  
94

DATE :

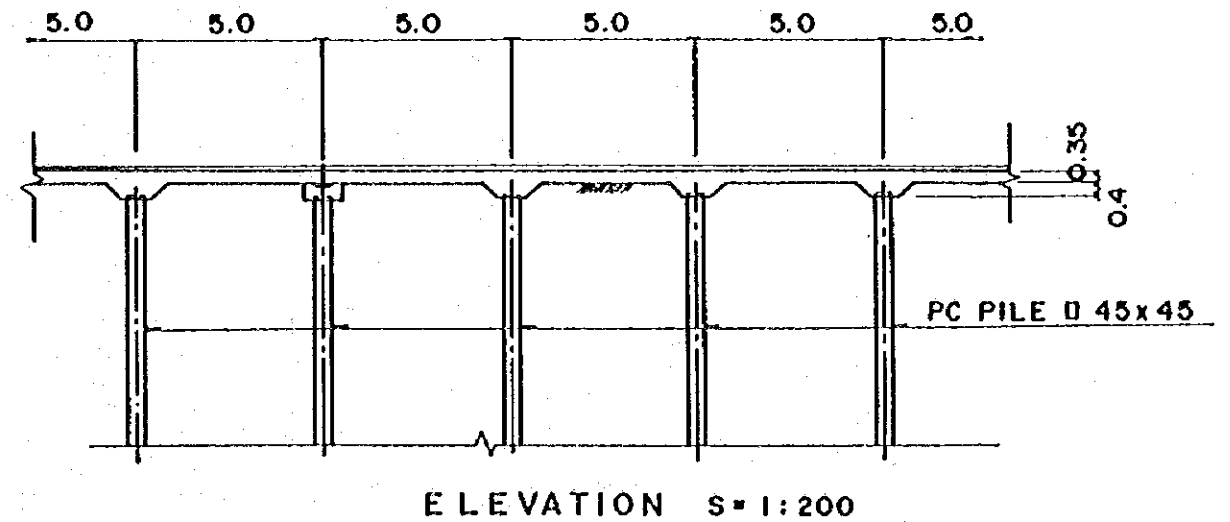
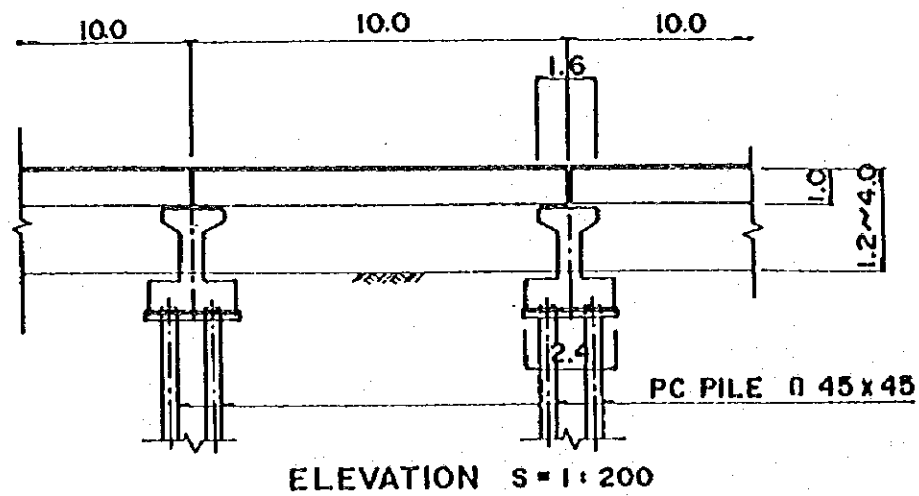
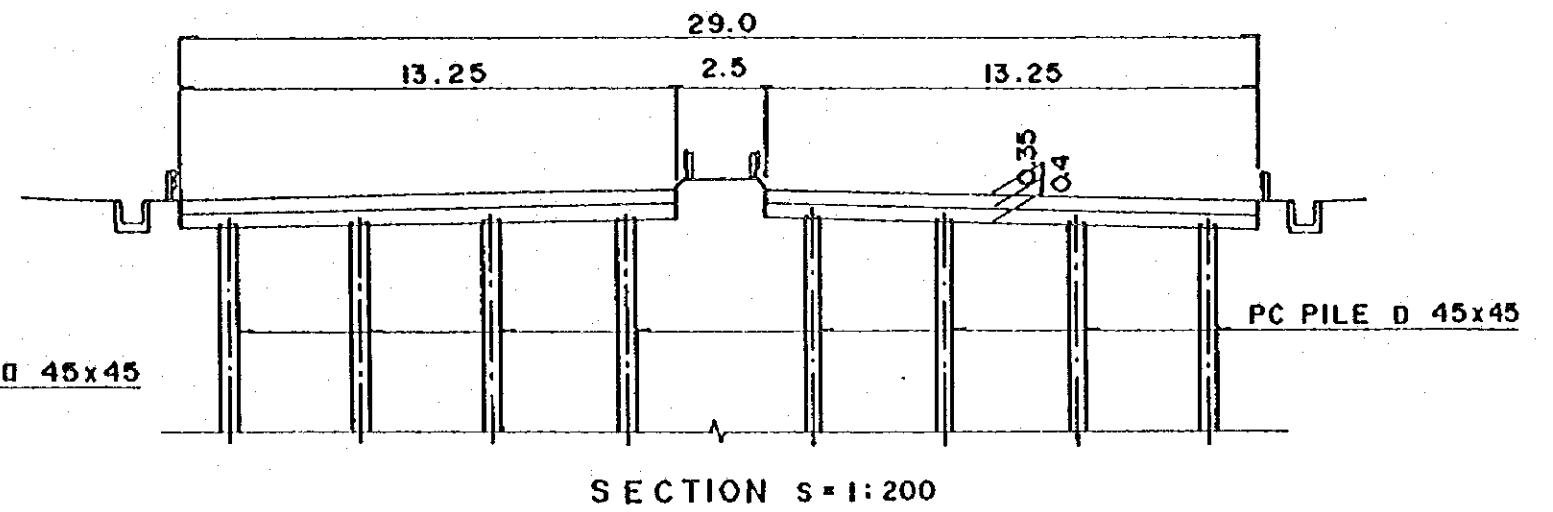
THE FEASIBILITY STUDY ON URBAN ARTERIAL ROAD SYSTEM  
DEVELOPMENT PROJECT IN JAKARTA METROPOLITAN AREA

JAPAN INTERNATIONAL COOPERATION AGENCY (JICA)  
PACIFIC CONSULTANTS INTERNATIONAL / YACHIYO ENGINEERING CO.,LTD

EXTENDED STRUCTURE



PILED SLAB



EXTENDED STRUCTURE AND PILED SLAB

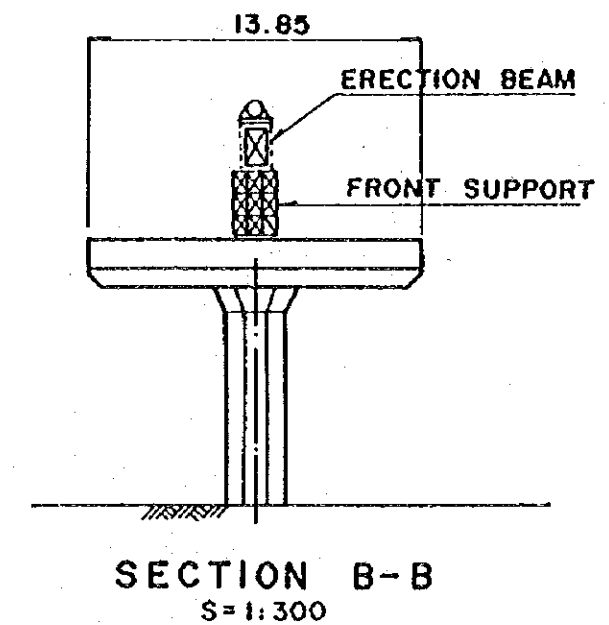
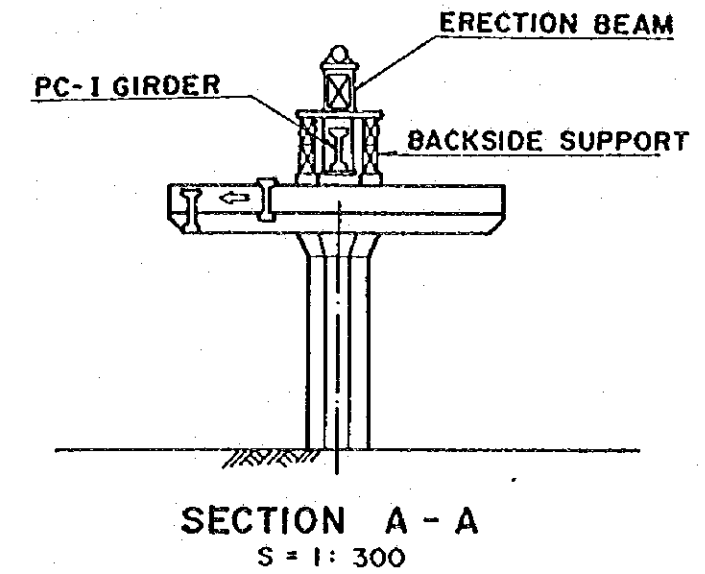
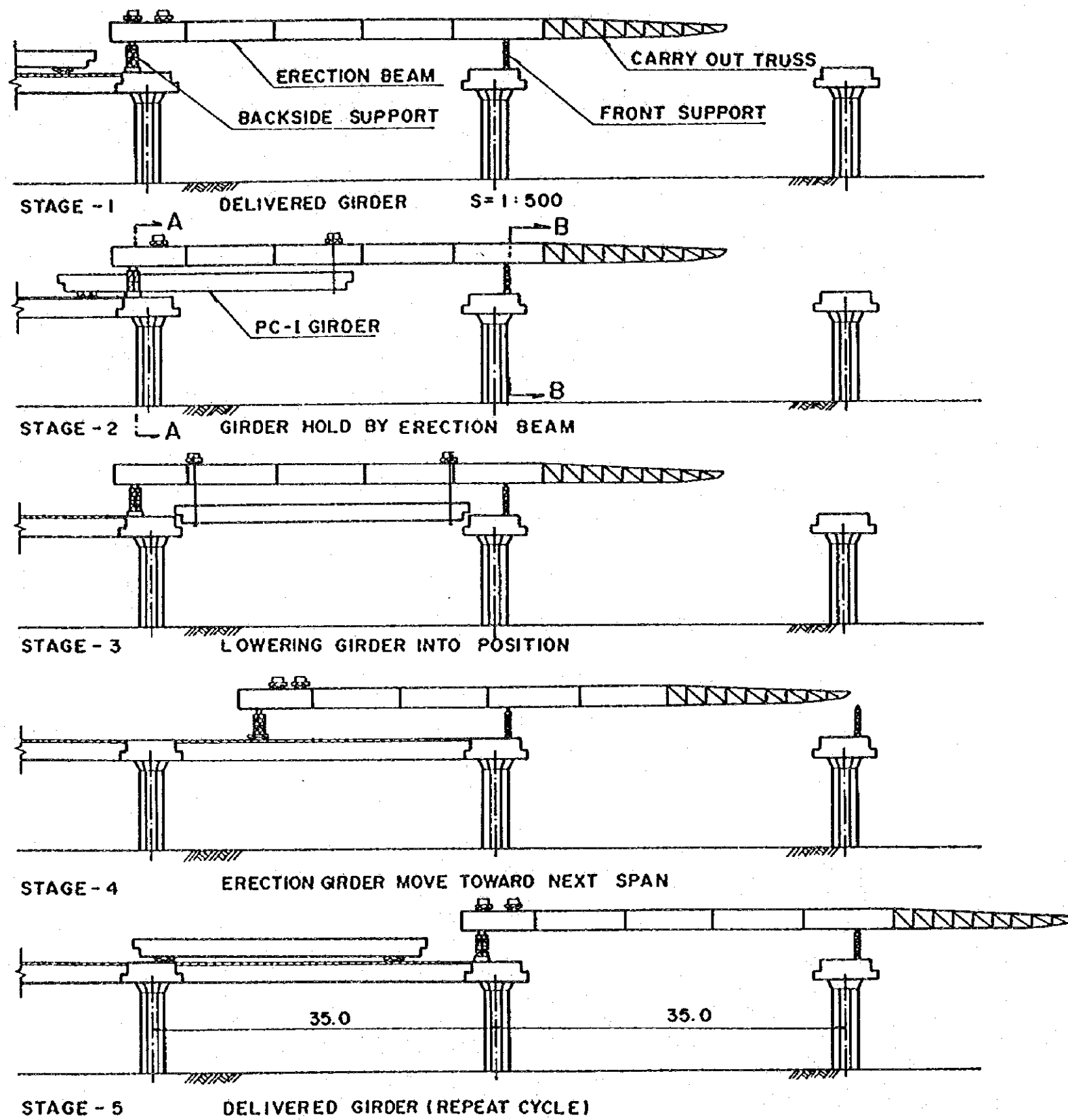
SCALE : 0 1.5 3.0 4.5 6.0 7.5

DRAWING NO. : 95

DATE :

THE FEASIBILITY STUDY ON URBAN ARTERIAL ROAD SYSTEM  
DEVELOPMENT PROJECT IN JAKARTA METROPOLITAN AREA

JAPAN INTERNATIONAL COOPERATION AGENCY (JICA)  
PACIFIC CONSULTANTS INTERNATIONAL / YACHIYO ENGINEERING CO.,LTD



**ERECTION METHOD (1)**

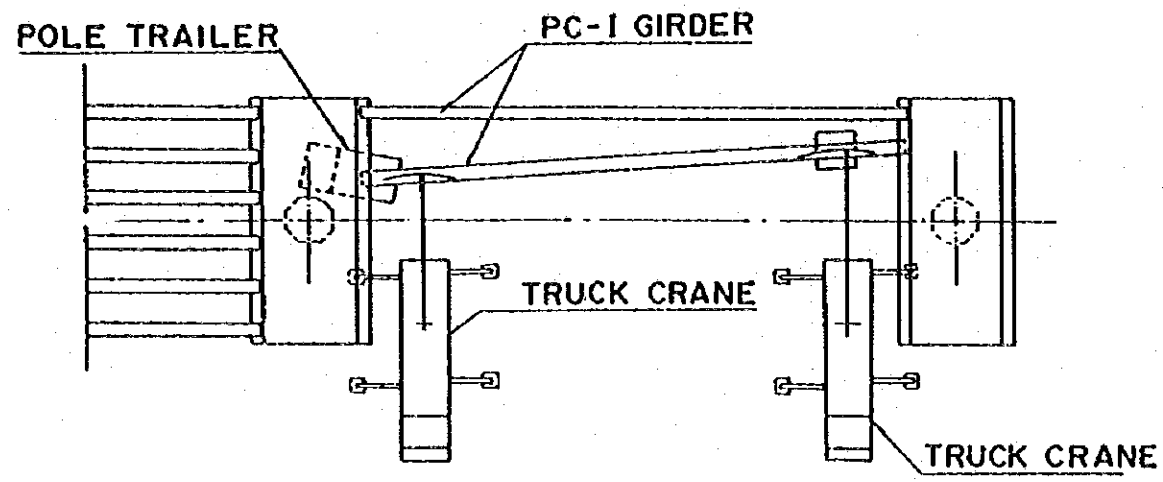
SCALE : AS SHOWN

DRAWING NO. : 96

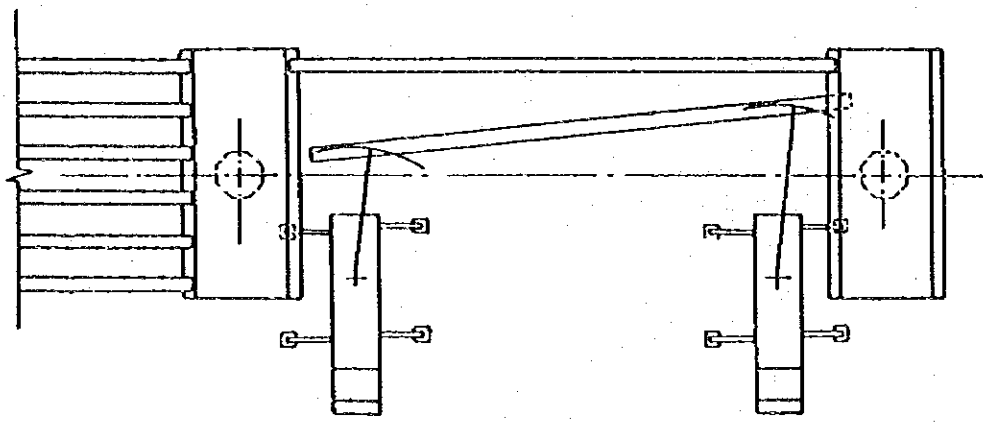
DATE :

THE FEASIBILITY STUDY ON URBAN ARTERIAL ROAD SYSTEM  
DEVELOPMENT PROJECT IN JAKARTA METROPOLITAN AREA

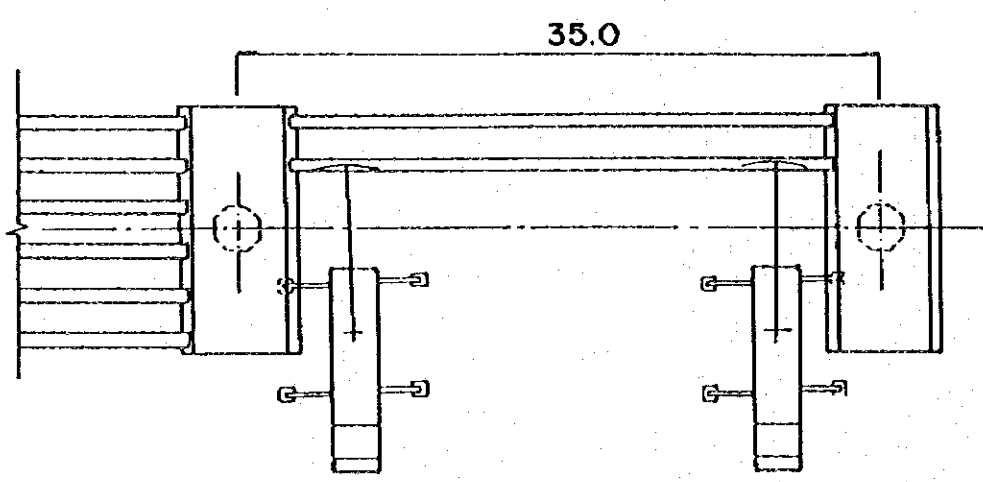
JAPAN INTERNATIONAL COOPERATION AGENCY (JICA)  
PACIFIC CONSULTANTS INTERNATIONAL / YACHIYO ENGINEERING CO.,LTD



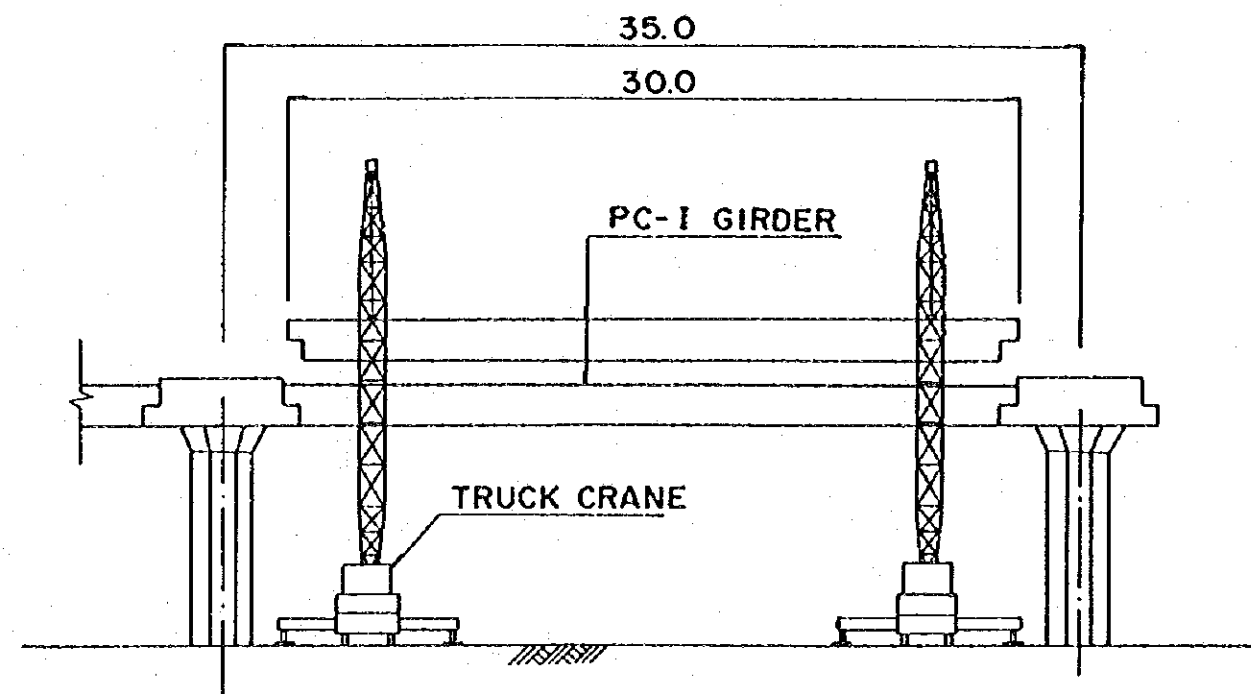
STAGE - 1 S=1:400



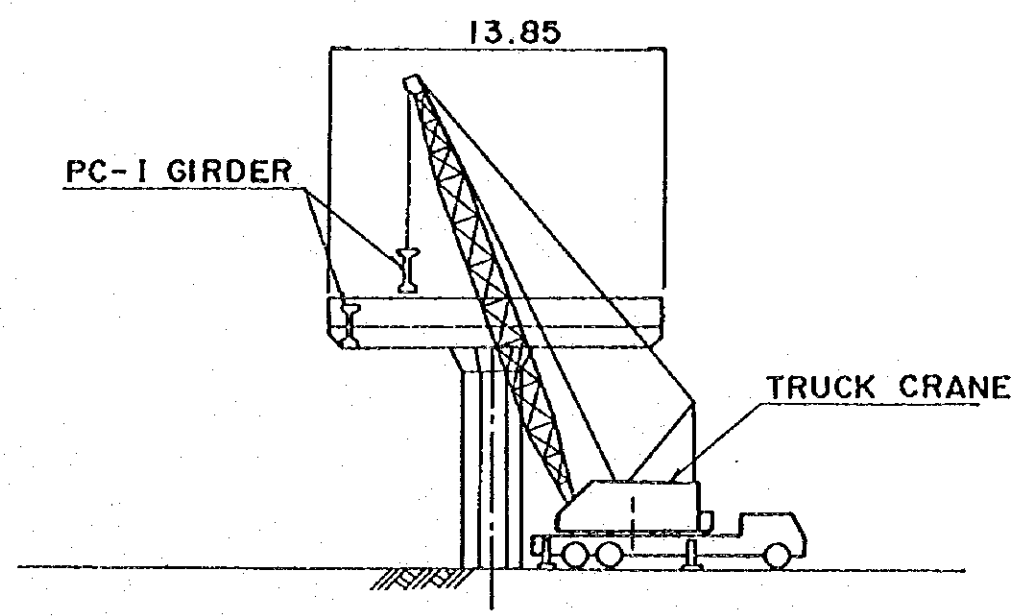
STAGE - 2



STAGE - 3



ELEVATION S=1:300



SECTION S=1:300

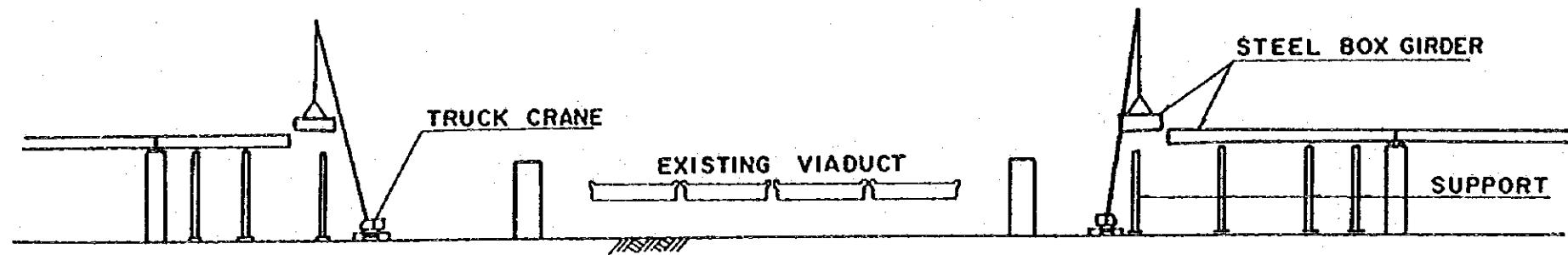
ERECTION METHOD (2)

SCALE : AS SHOWN

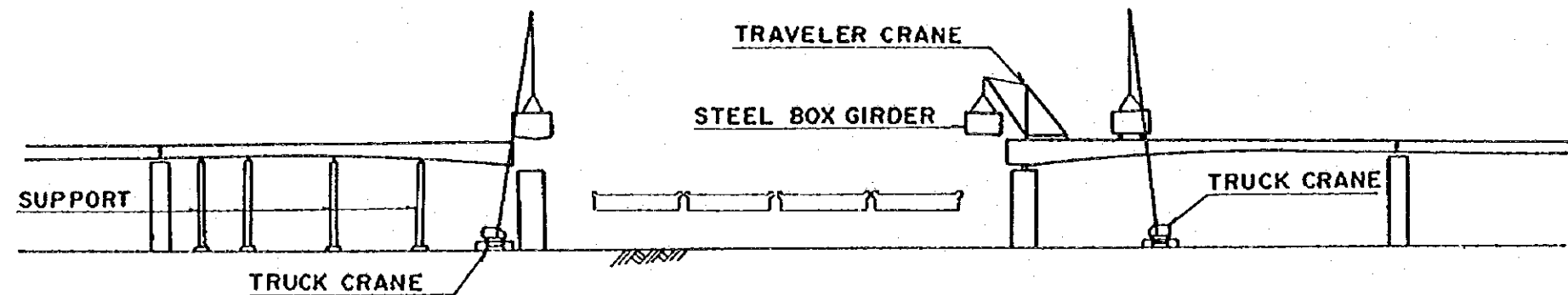
DRAWING NO. : 97

DATE :

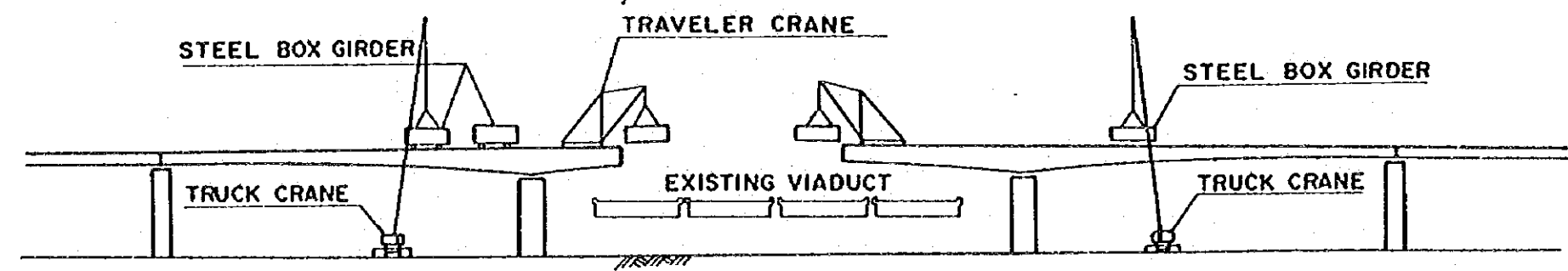
THE FEASIBILITY STUDY ON URBAN ARTERIAL ROAD SYSTEM  
 DEVELOPMENT PROJECT IN JAKARTA METROPOLITAN AREA  
 JAPAN INTERNATIONAL COOPERATION AGENCY (JICA)  
 PACIFIC CONSULTANTS INTERNATIONAL / YACHIYO ENGINEERING CO.,LTD



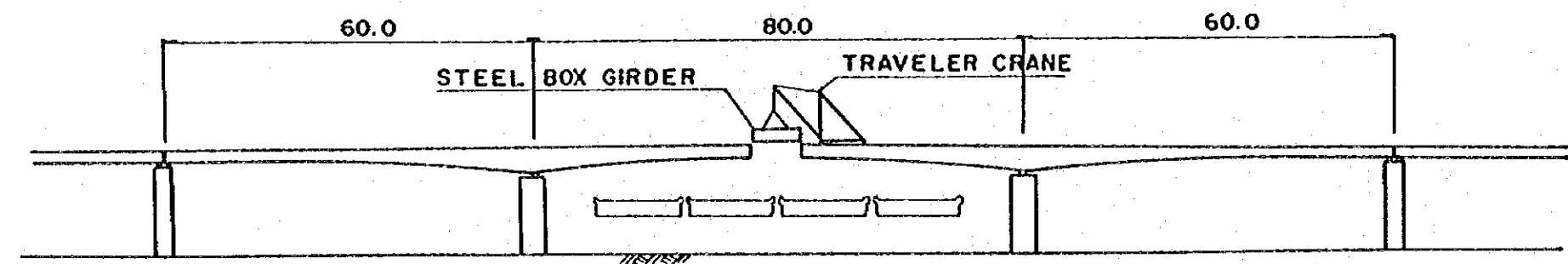
STAGE - 1 S=1:1000



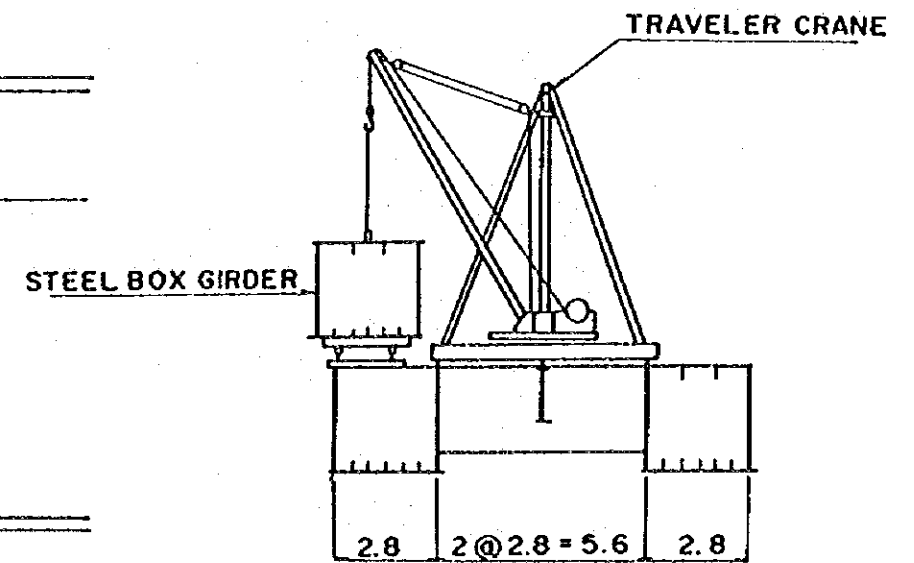
STAGE - 2



STAGE - 3




STAGE - 4



SECTION S=1:100

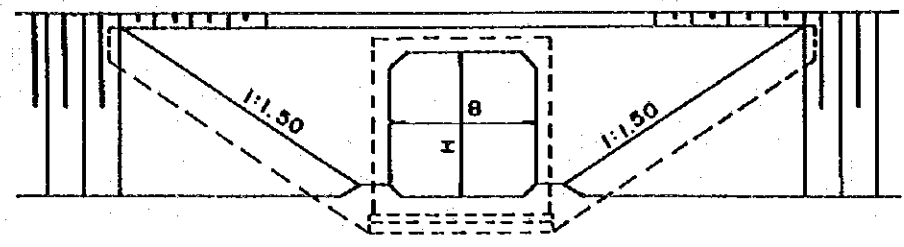
ERECTION METHOD (3)

SCALE : AS SHOWN  
  
 DRAWING NO. : 98  
 DATE :

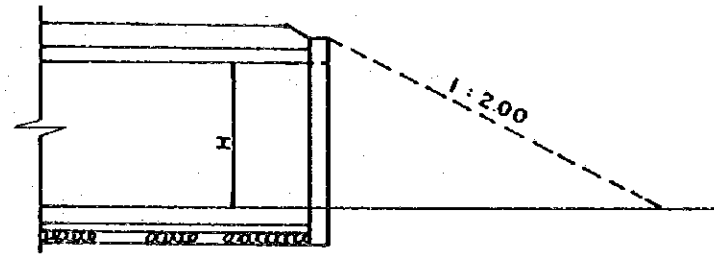
THE FEASIBILITY STUDY ON URBAN ARTERIAL ROAD SYSTEM  
 DEVELOPMENT PROJECT IN JAKARTA METROPOLITAN AREA  
 JAPAN INTERNATIONAL COOPERATION AGENCY (JICA)  
 PACIFIC CONSULTANTS INTERNATIONAL / YACHIYO ENGINEERING CO.,LTD

## 7.0 MISCELLANEOUS WORKS

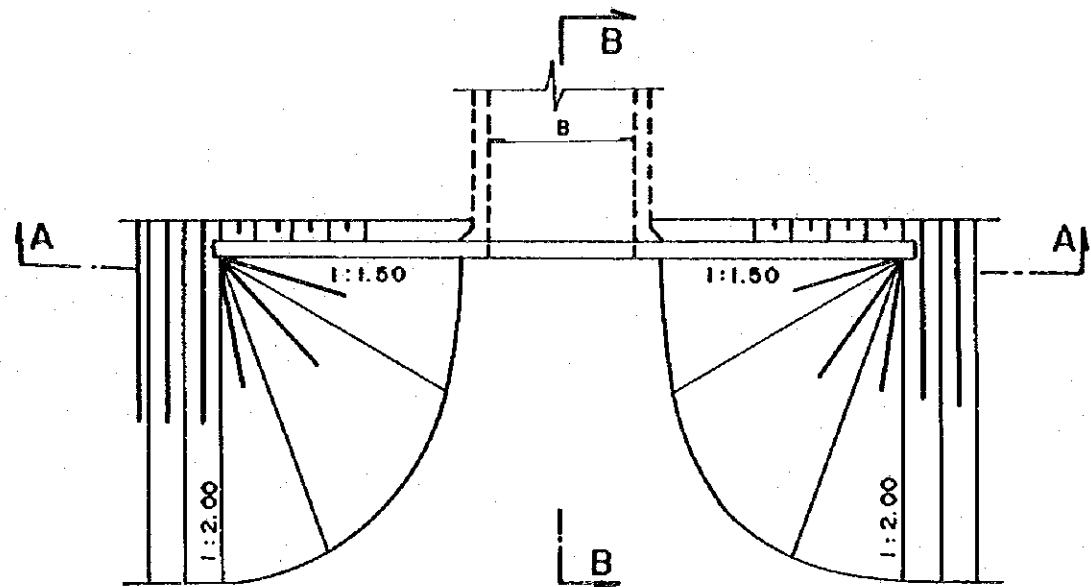




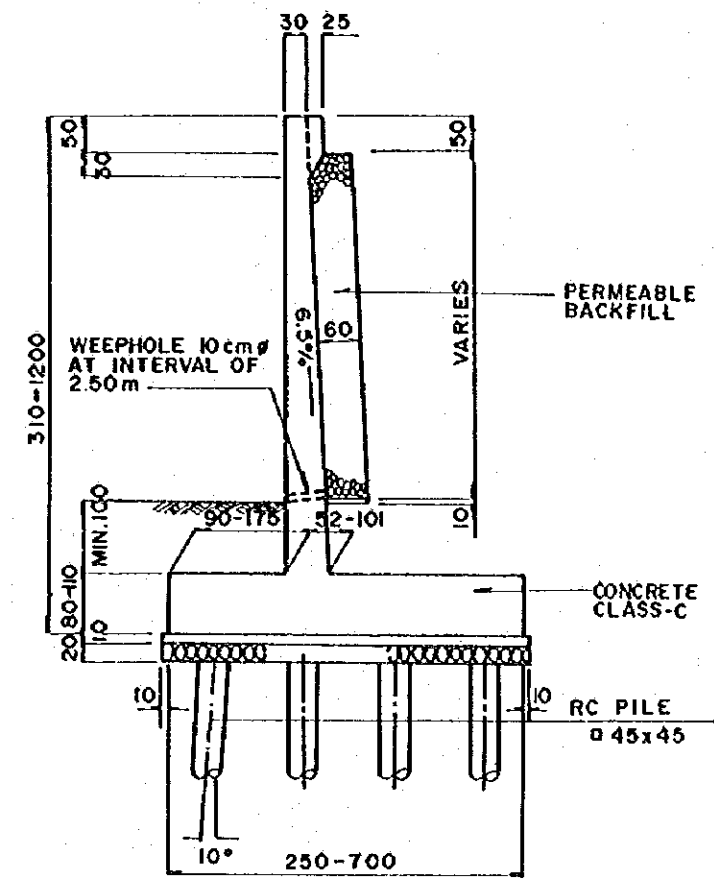
SECTION A-A



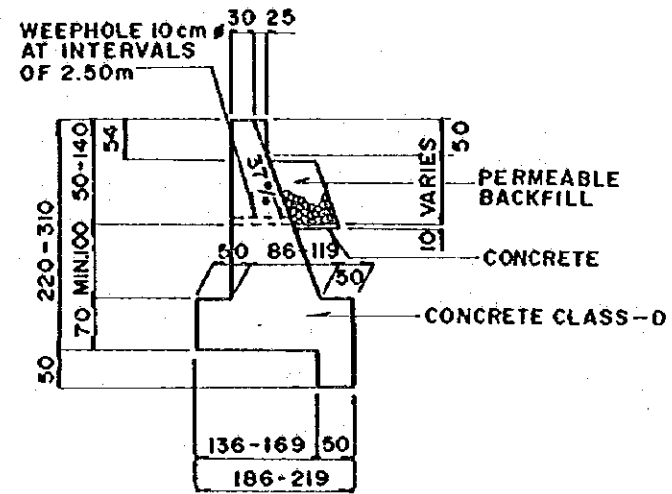
SECTION B-B



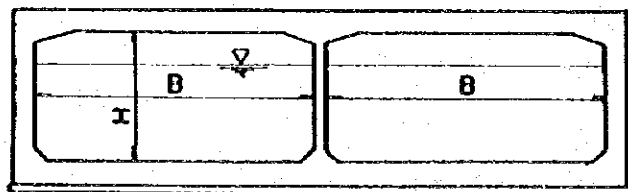
PLAN BOX CULVERT  
SCALE: 1:200



CROSS SECTION OF RETAINING WALL  
SCALE: 1:100



CROSS SECTION OF RETAINING WALL  
SCALE: 1:100



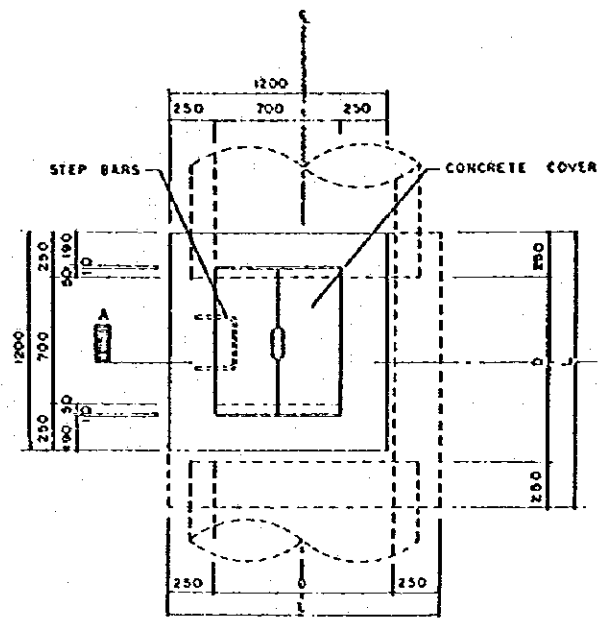
DOUBLE BOX CULVERT S=1:200

**NOTE**  
ALL DIMENSIONS ARE IN CM. UNLESS OTHERWISE STATED.

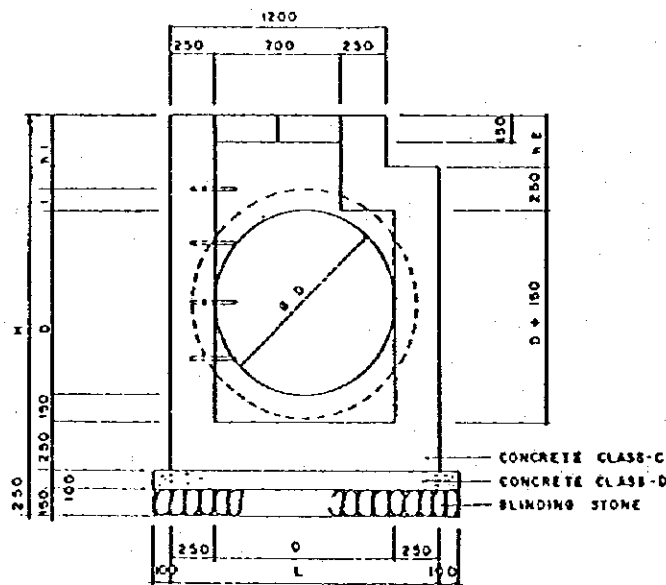
MISCELLANEOUS WORKS (1)

SCALE : AS SHOWN  
DRAWING NO. : 99  
DATE :

THE FEASIBILITY STUDY ON URBAN ARTERIAL ROAD SYSTEM  
DEVELOPMENT PROJECT IN JAKARTA METROPOLITAN AREA  
JAPAN INTERNATIONAL COOPERATION AGENCY (JICA)  
PACIFIC CONSULTANTS INTERNATIONAL / YACHIYO ENGINEERING CO.,LTD



PLAN



SCALE : 1 : 40

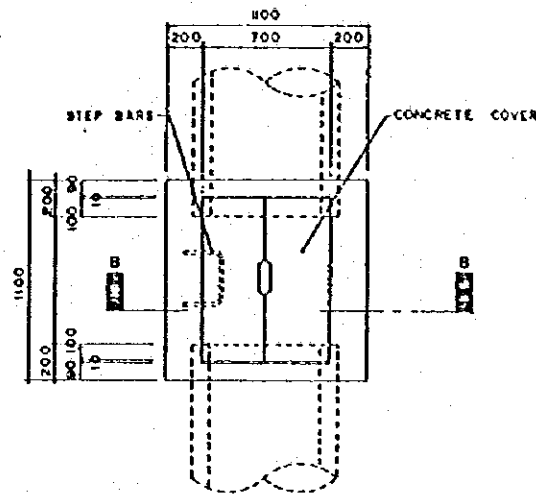
SECTION A - A

CATCH BASIN FOR RC PIPE

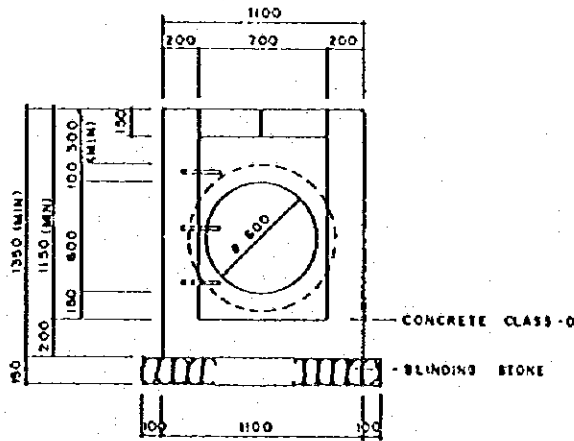
D = 100 cm

DIMENSION TABLE

D	f	H	R1	R2	L
1000	130	1930	400	280	1900



PLAN

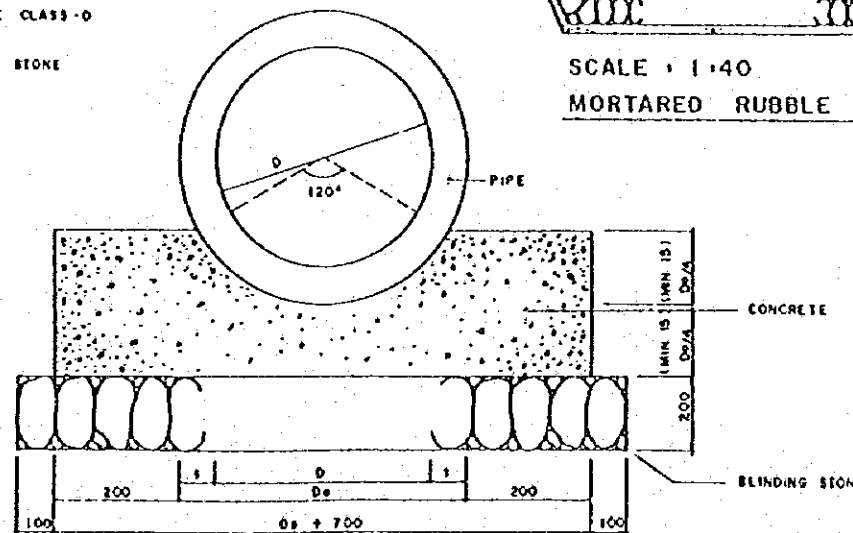


SCALE : 1 : 40

SECTION B - B

CATCH BASIN FOR RC PIPE

D = 60 cm

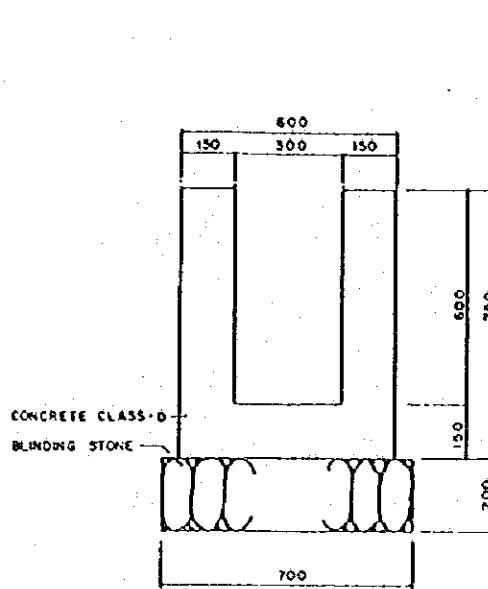


SCALE : 1 : 20

RC PIPE

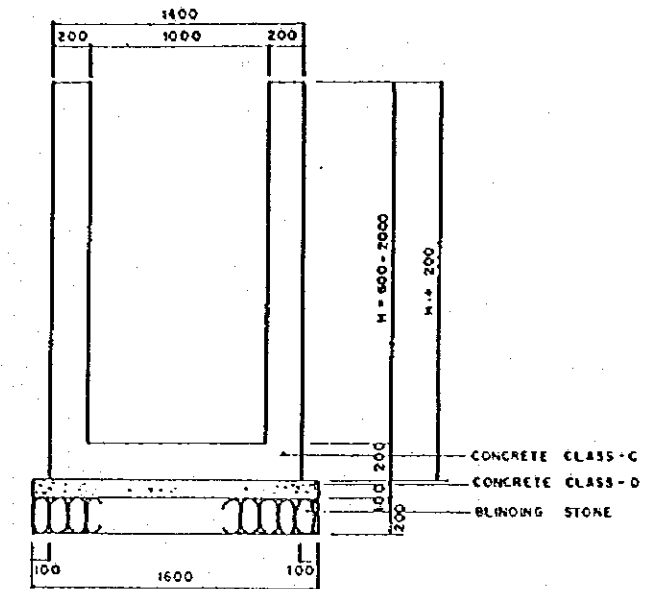
DIMENSION TABLE

D	f	H
600	100	800
1000	130	1260



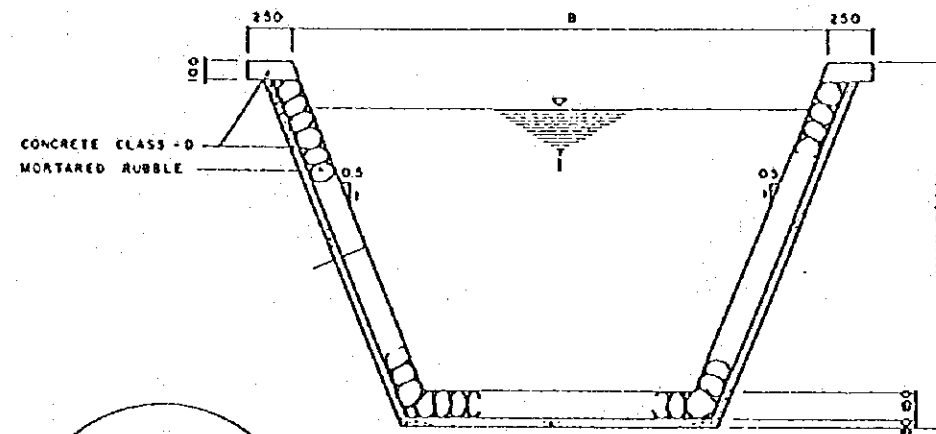
SCALE : 1 : 20

U-DITCH , 0.3 m x 0.6 m



SCALE : 1 : 40

U-DITCH , 1.0 m x (0.6 - 2.0 m)

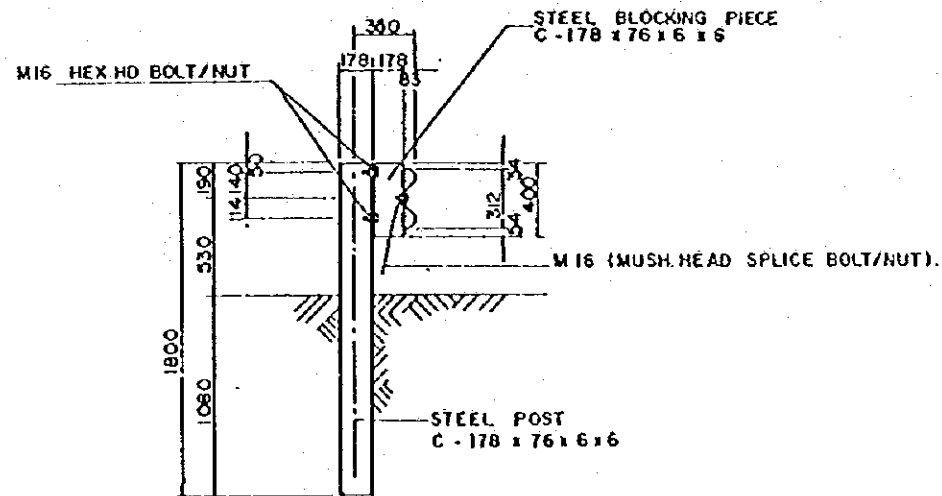


SCALE : 1 : 40

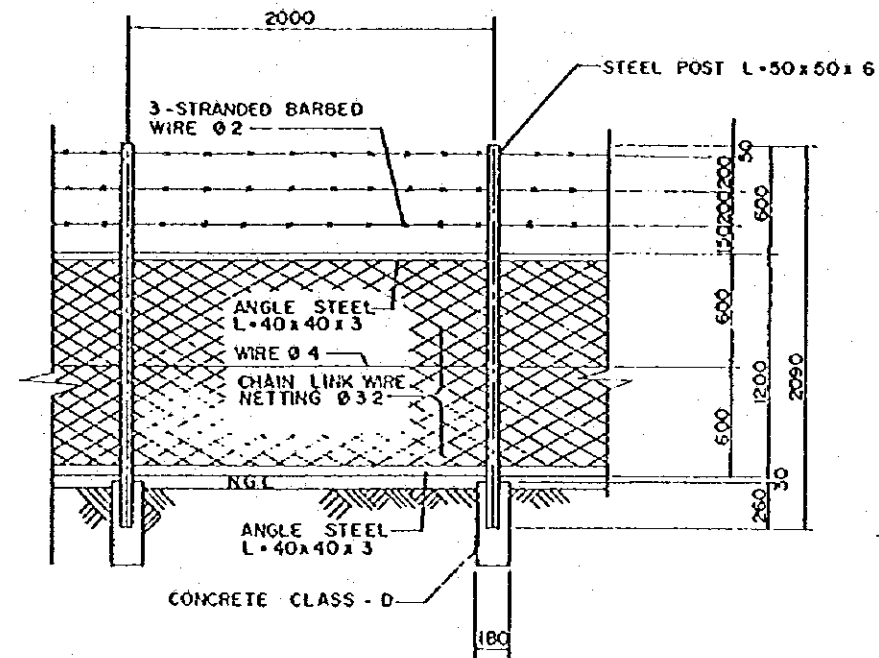
MORTARED RUBBLE PAVED WATERWAY

NOTES

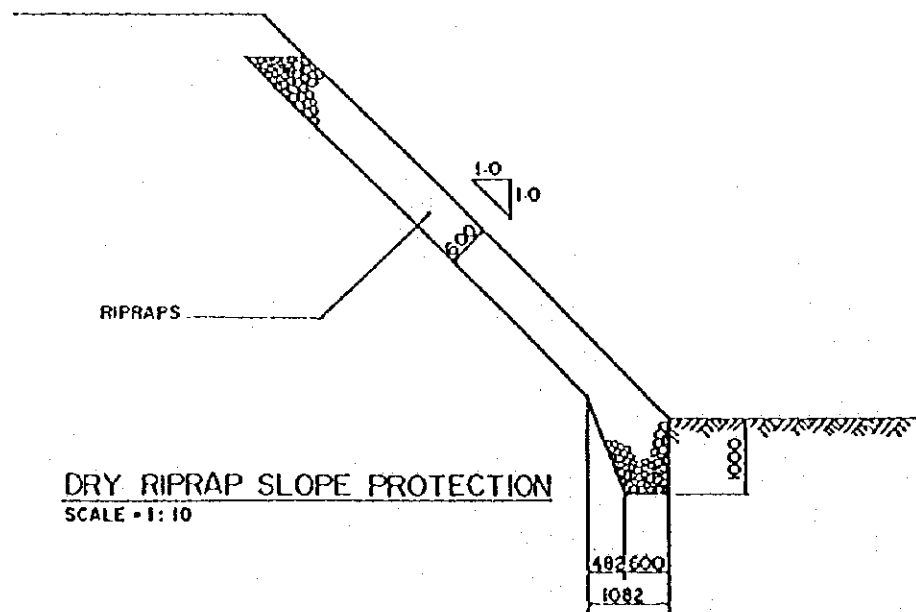
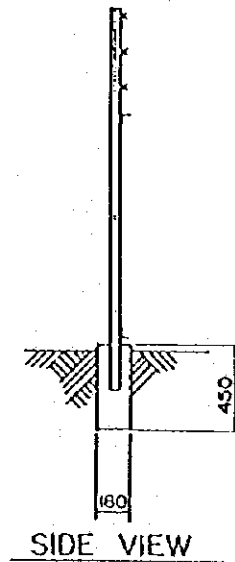
1. ALL DIMENSIONS ARE IN MM. UNLESS OTHERWISE STATED.
2. CONCRETE CLASS-C SHALL BE REINFORCED CONCRETE.



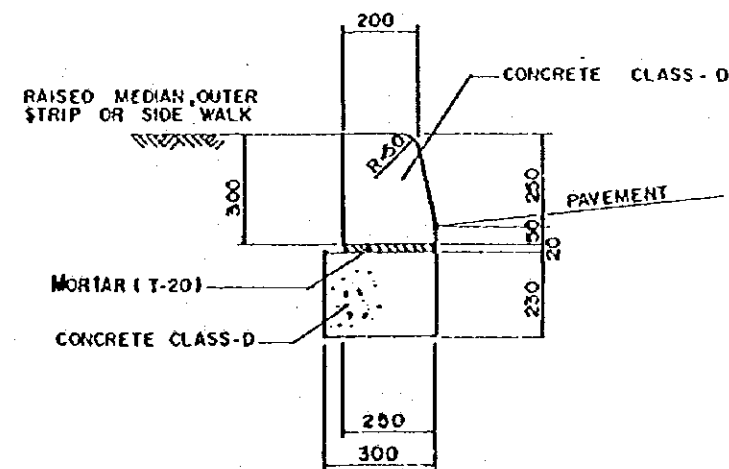
SECTION OF GUARDRAIL  
SCALE - 1 : 40



FRONT VIEW  
SEPARATOR FENCE  
SCALE - 1 : 40



DRY RIPRAP SLOPE PROTECTION  
SCALE - 1 : 10



CONCRETE CURB  
SCALE - 1 : 20

NOTE  
ALL DIMENSIONS ARE IN MM. UNLESS OTHERWISE STATED.

MISCELLANEOUS WORKS (3)

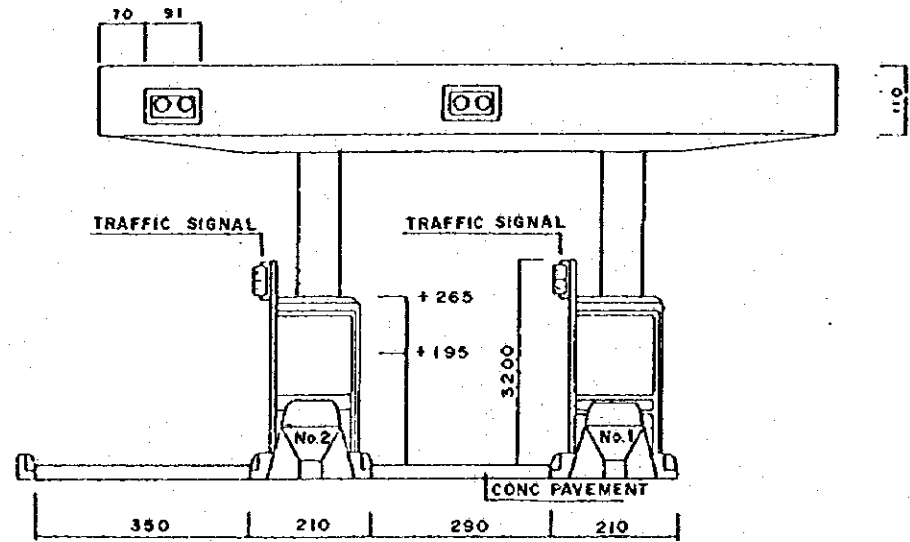
SCALE : AS SHOWN



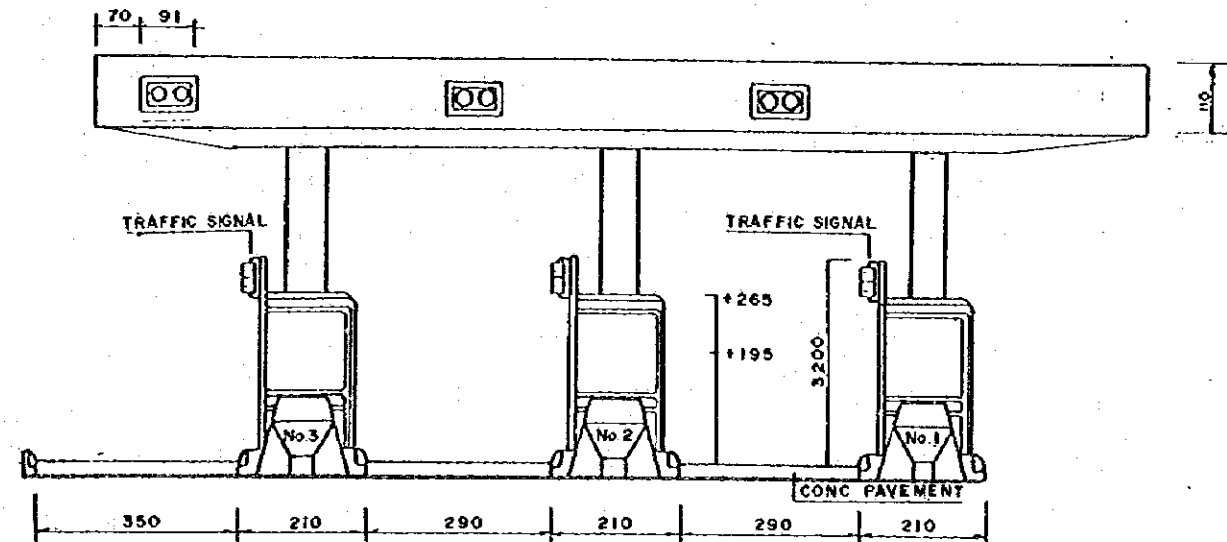
DRAWING NO. : 101  
DATE :

THE FEASIBILITY STUDY ON URBAN ARTERIAL ROAD SYSTEM  
DEVELOPMENT PROJECT IN JAKARTA METROPOLITAN AREA  
JAPAN INTERNATIONAL COOPERATION AGENCY (JICA)  
PACIFIC CONSULTANTS INTERNATIONAL / YACHIYO ENGINEERING CO.,LTD

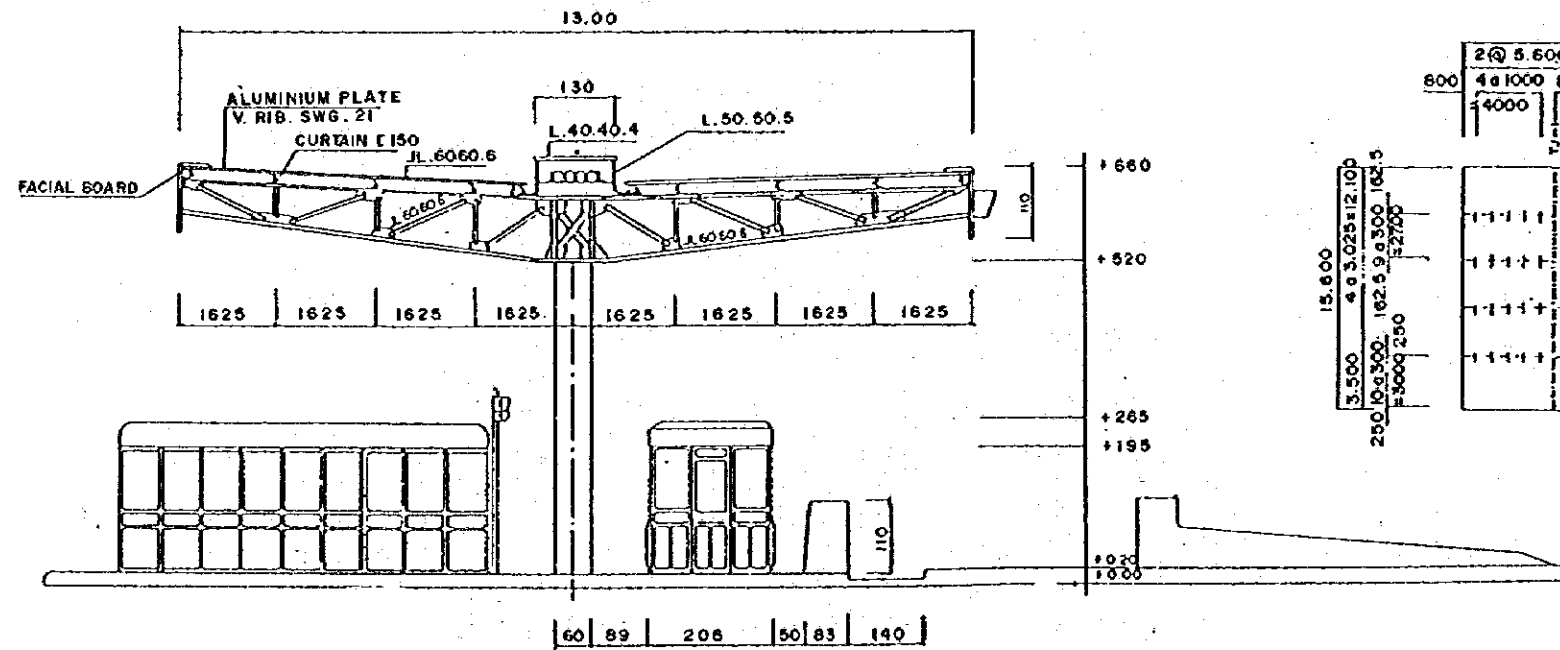




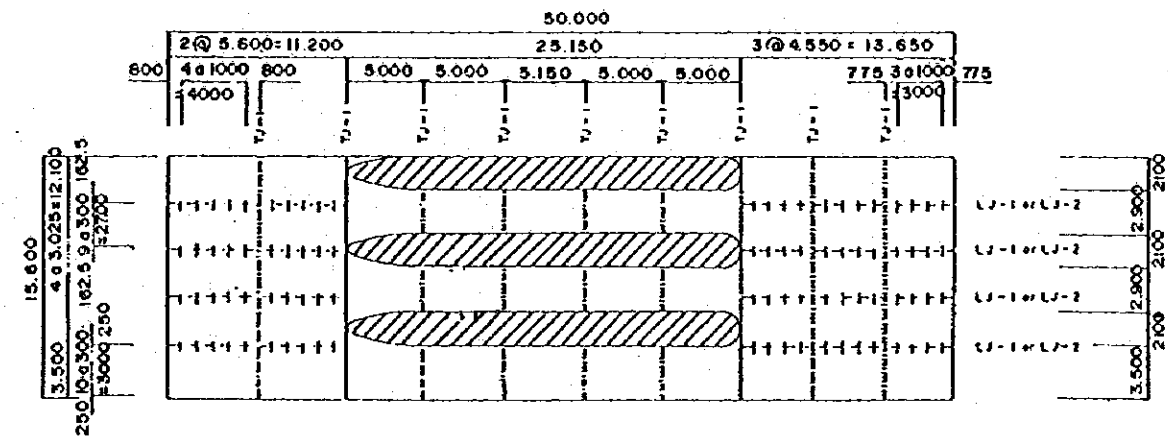
2 GATES TOLL PLAZA



3 GATES TOLL PLAZA



TOLL GATE PLAZA LONGITUDINAL SECTION & VIEW



CONCRETE PAVEMENT AT TOLL GATE

MISCELLANEOUS WORKS (5)

SCALE :



DRAWING NO. :

103

DATE :

THE FEASIBILITY STUDY ON URBAN ARTERIAL ROAD SYSTEM  
DEVELOPMENT PROJECT IN JAKARTA METROPOLITAN AREA

JAPAN INTERNATIONAL COOPERATION AGENCY (JICA)  
PACIFIC CONSULTANTS INTERNATIONAL / YACHIYO ENGINEERING CO.,LTD





JICA